

# Parts Catalog

## Two Wheeler

Vespa\_VXL\_125\_BSVI

**PIAGGIO VEHICLES PRIVATE LIMITED**

Registered Office: Bund Garden Road ,Opp. Residency Club , Pune (India)

**PLATES INDEX**

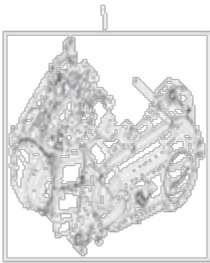
| <b>Sr No.</b> | <b>Plate Name</b>                                    | <b>Plate No.</b> | <b>Page No.</b> |
|---------------|--|------------------|-----------------|
| 1             | Engine Assembly                                      | 1.01             | 1-2             |
| 2             | Crankcase  | 1.02             | 3-4             |
| 3             | Transmission Cover                                   | 1.03             | 5-8             |
| 4             | Gear Box Cover                                       | 1.04             | 9-10            |
| 5             | Cylinder Piston                                      | 1.05             | 11-12           |
| 6             | Flywheel   | 1.06             | 13-14           |
| 7             | Cylinder Head  | 1.07             | 15-16           |
| 8             | Camshaft   | 1.08             | 17-18           |
| 9             | Timing Group   | 1.09             | 19-20           |
| 10            | Electric Component                                   | 1.10             | 21-22           |
| 11            | Crankshaft   | 1.11             | 23-24           |
| 12            | Fan cover and Shroud                                 | 1.12             | 25-26           |
| 13            | Lubrication Component                                | 1.13             | 27-28           |
| 14            | Starting Group                                       | 1.14             | 29-30           |
| 15            | Transmission Group                                   | 1.15             | 31-32           |
| 16            | Fuel supply System                                   | 1.16             | 33-34           |
| 17            | Air Intake   | 1.17             | 35-36           |
| 18            | Muffler  | 1.18             | 37-38           |
| 19            | Fuel Tank  | 1.19             | 39-40           |
| 20            | Canister   | 1.20             | 41-42           |
| 21            | S.A.S. System  | 1.22             | 43-44           |
| 22            | Frame  | 2.01             | 45-46           |
| 23            | Stands   | 2.02             | 47-48           |
| 24            | Front Luggage and foot rest                          | 2.03             | 49-50           |
| 25            | Body Parts- Spark Plug Inspection door,Fairing       | 2.04             | 51-56           |
| 26            | Body Parts- Steering Cover,Shield Board              | 2.05             | 57-58           |
| 27            | Rear Protection                                      | 2.06             | 59-60           |
| 28            | Tank - Battery Cover/Helmet Housing or Battery Cover | 2.07             | 61-62           |
| 29            | Handlebar Coverages                                  | 2.08             | 63-64           |
| 30            | Mudguard and Saddle handle bar                       | 2.09             | 65-66           |

**PLATES INDEX**

| <b>Sr No.</b> | <b>Plate Name</b>           | <b>Plate No.</b> | <b>Page No.</b> |
|---------------|-----------------------------|------------------|-----------------|
| 31            | Logos and Emblem            | 2.10             | 67-68           |
| 32            | Handlebars                  | 2.11             | 69-70           |
| 33            | Mirrors                     | 2.12             | 71-72           |
| 34            | Speedometer                 | 2.13             | 73-74           |
| 35            | Locks                       | 2.14             | 75-76           |
| 36            | Front Suspension            | 2.15             | 77-80           |
| 37            | Rear Suspension             | 2.16             | 81-82           |
| 38            | FRONT WHEEL                 | 2.17             | 83-84           |
| 39            | REAR WHEEL                  | 2.18             | 85-86           |
| 40            | Rear Brake Assembly         | 2.19             | 87-88           |
| 41            | Brake pipe and calipers     | 2.20             | 89-90           |
| 42            | Transmission Cable          | 2.21             | 91-92           |
| 43            | Complete Saddle             | 2.22             | 93-94           |
| 44            | Electrical Equipments Group | 2.23             | 95-96           |
| 45            | Remote Control Switch       | 2.24             | 97-98           |
| 46            | Front lamp Group            | 2.25             | 99-100          |
| 47            | Rear lamp Group             | 2.26             | 101-102         |
| 48            | Wiring Harness              | 2.27             | 103-104         |
| 49            | Accessoris                  | 2.28             | 105-108         |

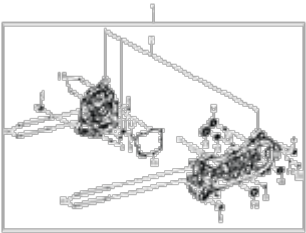
# PICTORIAL PLATES INDEX

**1.01 Engine Assembly**  
**Page No. :1-2**



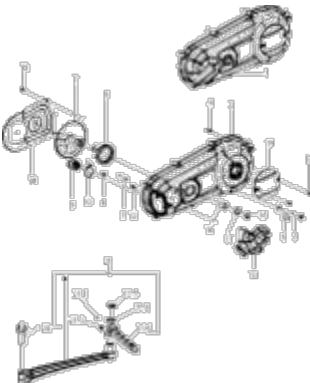
An exploded view diagram of the engine assembly, showing the main engine block, cylinder head, and various internal components like the crankshaft and pistons, all with leader lines pointing to their respective parts.

**1.02 Crankcase**  
**Page No. :3-4**



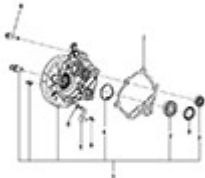
An exploded view diagram of the crankcase, showing the lower half of the engine block, including the crankshaft, connecting rods, and the oil pan, with leader lines indicating the assembly sequence.

**1.03 Transmission Cover**  
**Page No. :5-8**



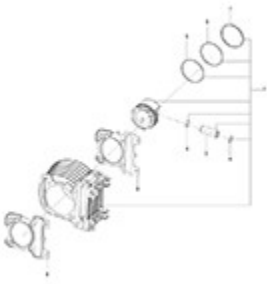
An exploded view diagram of the transmission cover, showing the housing, gears, shafts, and bearings, with leader lines pointing to each component.

**1.04 Gear Box Cover**  
**Page No. :9-10**



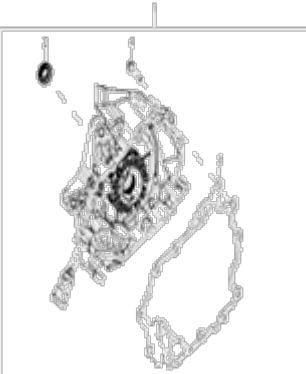
An exploded view diagram of the gear box cover, showing the housing, gears, and shafts, with leader lines indicating the assembly sequence.

**1.05 Cylinder Piston**  
**Page No. :11-12**



An exploded view diagram of the cylinder and piston assembly, showing the cylinder block, piston, rings, and connecting rod, with leader lines pointing to each part.

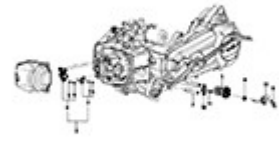
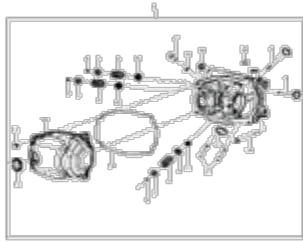
**1.06 Flywheel**  
**Page No. :13-14**



An exploded view diagram of the flywheel, showing the flywheel itself, the crankshaft, and the connecting rod, with leader lines indicating the assembly sequence.

**1.07 Cylinder Head**  
**Page No. :15-16**

**1.08 Camshaft**  
**Page No. :17-18**



# PICTORIAL PLATES INDEX

**1.09 Timing Group**  
**Page No. :19-20**

**1.10 Electric Component**  
**Page No. :21-22**

**1.11 Crankshaft**  
**Page No. :23-24**

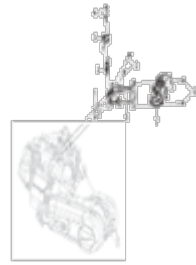
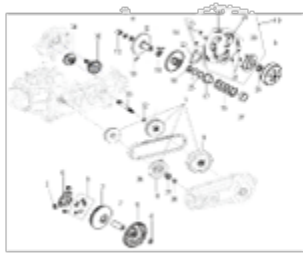
**1.12 Fan cover and Shroud**  
**Page No. :25-26**

**1.13 Lubrication Component**  
**Page No. :27-28**

**1.14 Starting Group**  
**Page No. :29-30**

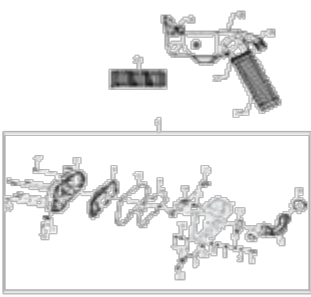
**1.15 Transmission Group**  
**Page No. :31-32**

**1.16 Fuel supply System**  
**Page No. :33-34**

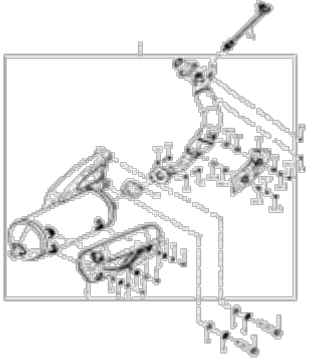


# PICTORIAL PLATES INDEX

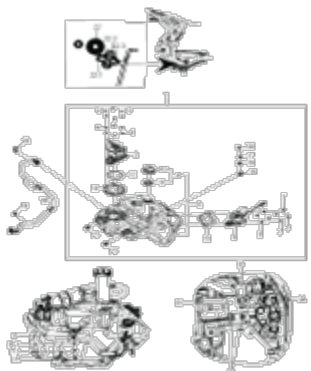
**1.17 Air Intake**  
**Page No. :35-36**



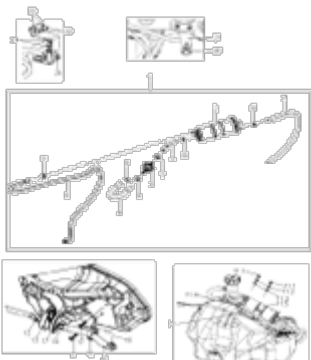
**1.18 Muffler**  
**Page No. :37-38**



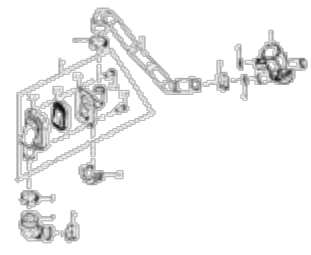
**1.19 Fuel Tank**  
**Page No. :39-40**



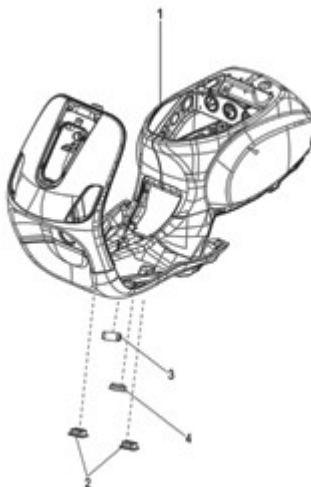
**1.20 Canister**  
**Page No. :41-42**



**1.22 S.A.S. System**  
**Page No. :43-44**



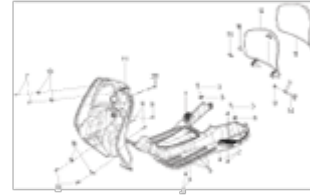
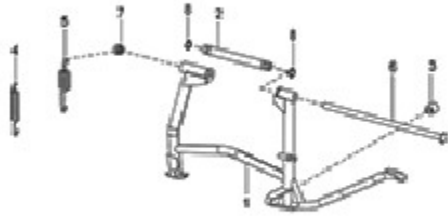
**2.01 Frame**  
**Page No. :45-46**



**2.02 Stands**  
**Page No. :47-48**

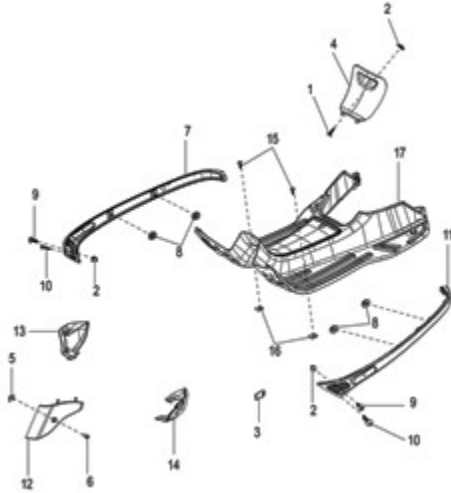
**2.03 Front Luggage and foot rest**  
**Page No. :49-50**



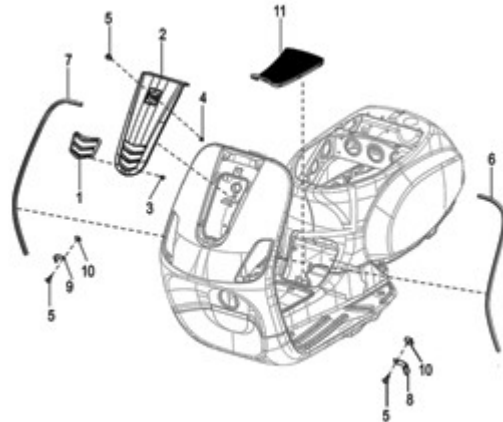


## PICTORIAL PLATES INDEX

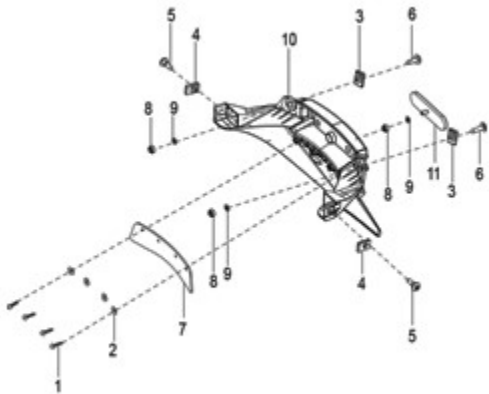
**2.04**                    **Body Parts- Spark Plug Inspection door,Fairing**  
**Page No. :51-56**



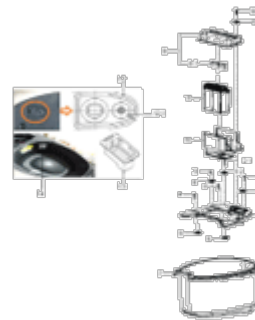
**2.05**                    **Body Parts- Steering Cover,Shield Board**  
**Page No. :57-58**



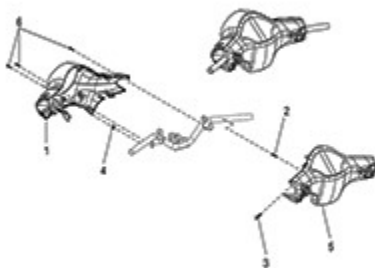
**2.06**                    **Rear Protection**  
**Page No. :59-60**



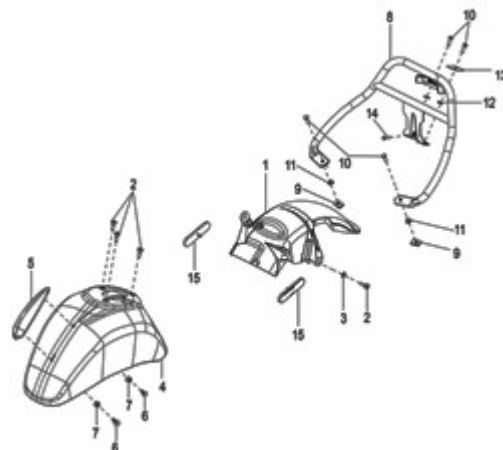
**2.07**                    **Tank - Battery Cover/Helmet Housing or Battery Cover**  
**Page No. :61-62**



**2.08**                    **Handlebar Coverages**  
**Page No. :63-64**

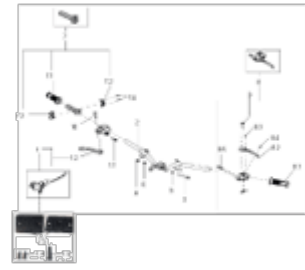
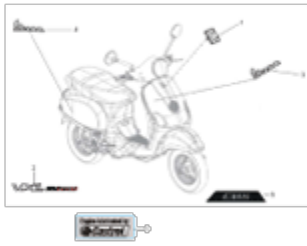


**2.09**                    **Mudguard and Saddle handle bar**  
**Page No. :65-66**



**2.10**                    **Logos and Emblem**  
**Page No. :67-68**

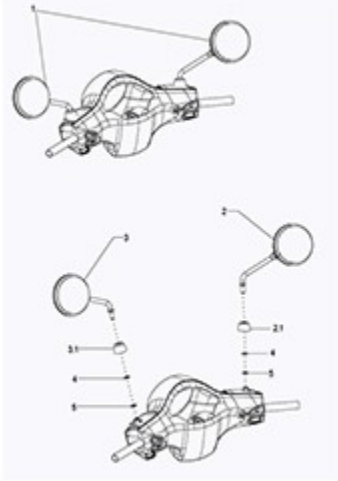
**2.11**                    **Handlebars**  
**Page No. :69-70**



# PICTORIAL PLATES INDEX

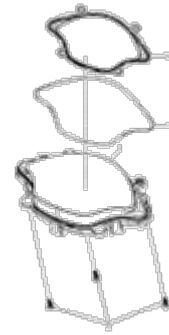
## 2.12 Mirrors

Page No. :71-72



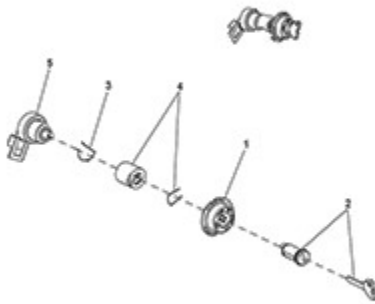
## 2.13 Speedometer

Page No. :73-74



## 2.14 Locks

Page No. :75-76



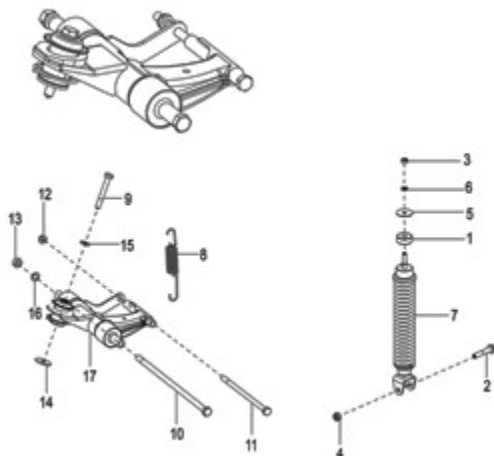
## 2.15 Front Suspension

Page No. :77-80



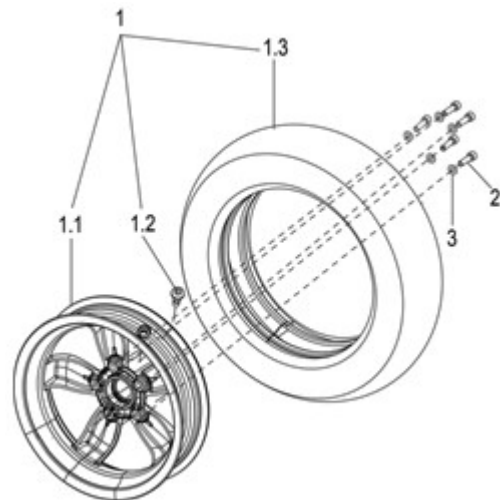
## 2.16 Rear Suspension

Page No. :81-82



## 2.17 FRONT WHEEL

Page No. :83-84

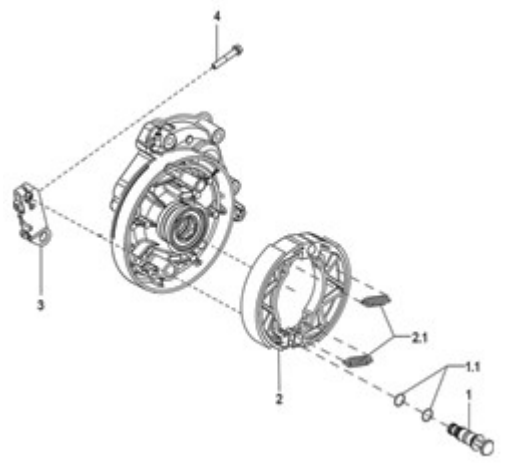
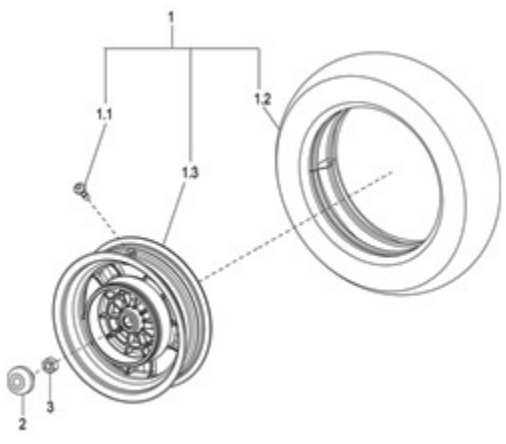


## 2.18 REAR WHEEL

Page No. :85-86

## 2.19 Rear Brake Assembly

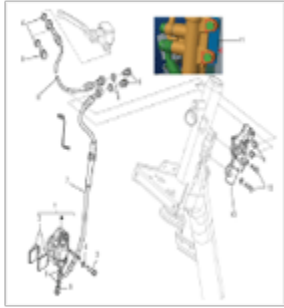
Page No. :87-88



# PICTORIAL PLATES INDEX

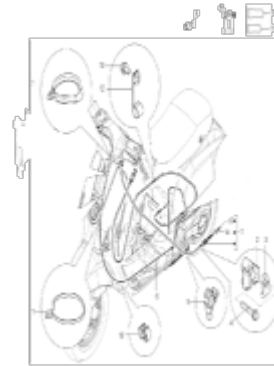
## 2.20 Brake pipe and calipers

Page No. :89-90



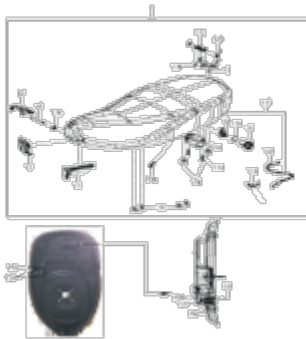
## 2.21 Transmission Cable

Page No. :91-92



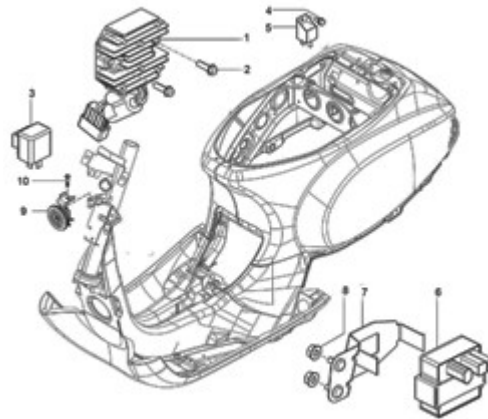
## 2.22 Complete Saddle

Page No. :93-94



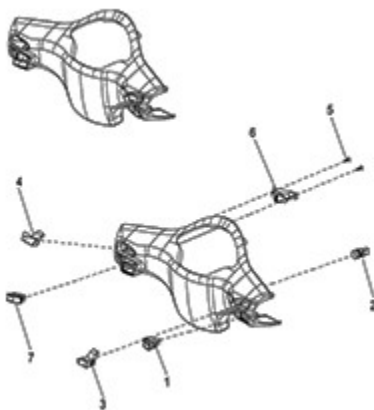
## 2.23 Electrical Equipments Group

Page No. :95-96



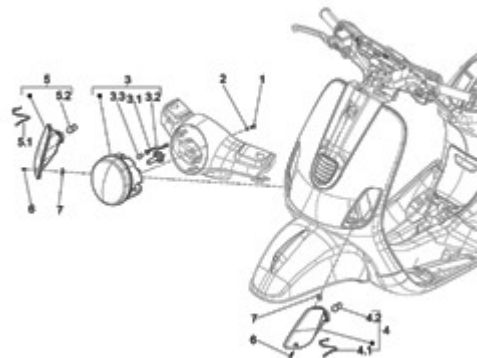
## 2.24 Remote Control Switch

Page No. :97-98



## 2.25 Front lamp Group

Page No. :99-100

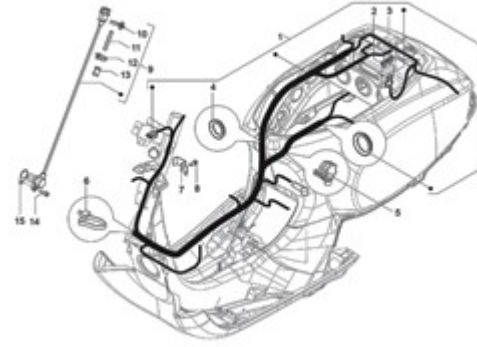
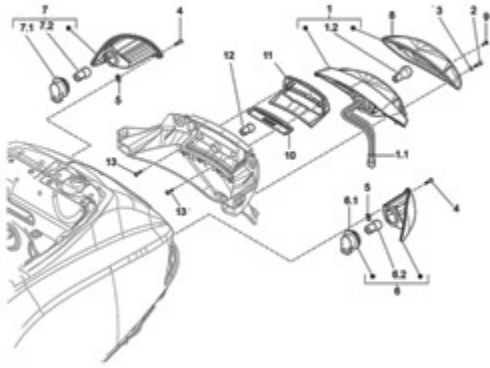


## 2.26 Rear lamp Group

Page No. :101-102

## 2.27 Wiring Harness

Page No. :103-104



## PICTORIAL PLATES INDEX

**2.28**

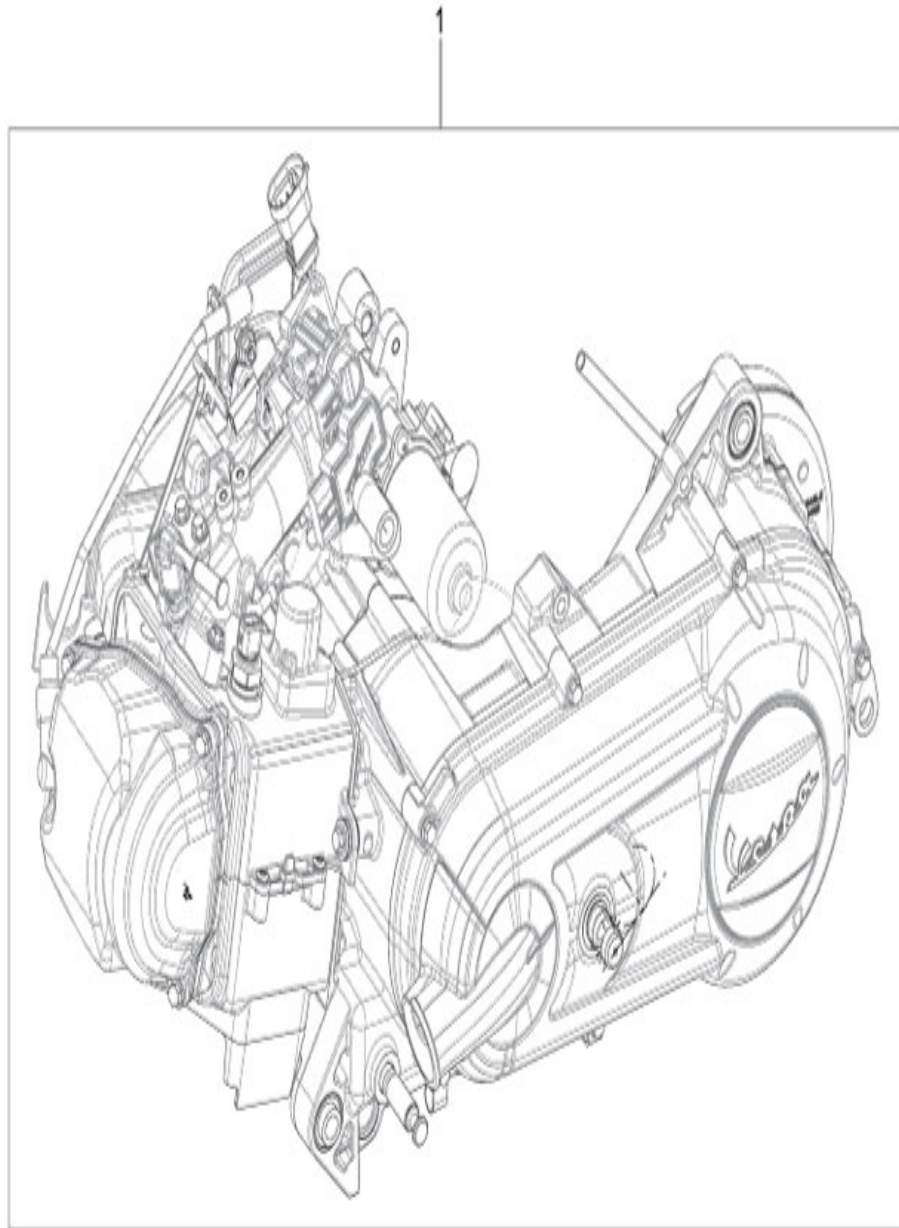
**Accessoris**

**Page No. :105-108**





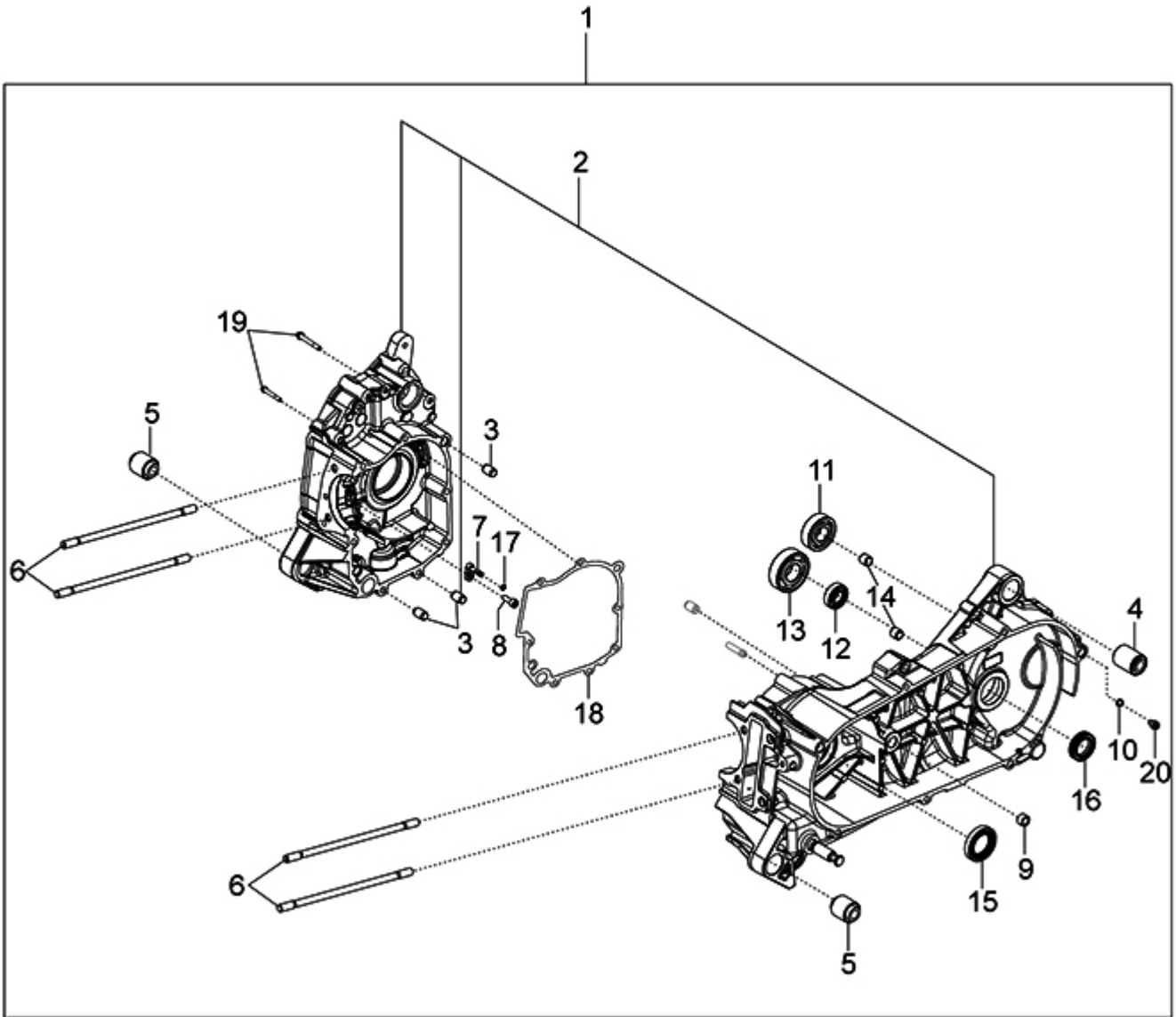
**1.01**  
**Engine Assembly**



**1.01****Engine Assembly**

| <b>Fig. No.</b> | <b>Part No.</b> | <b>Description</b>                      | <b>Qty</b> | <b>Remarks</b> |
|-----------------|-----------------|---|------------|----------------|
| 1               | CM305601        | ENG. 125 4S/3V BSVI HE VESPA VXL/SXL/ZX | 1          |                |

1.02  
Crankcase

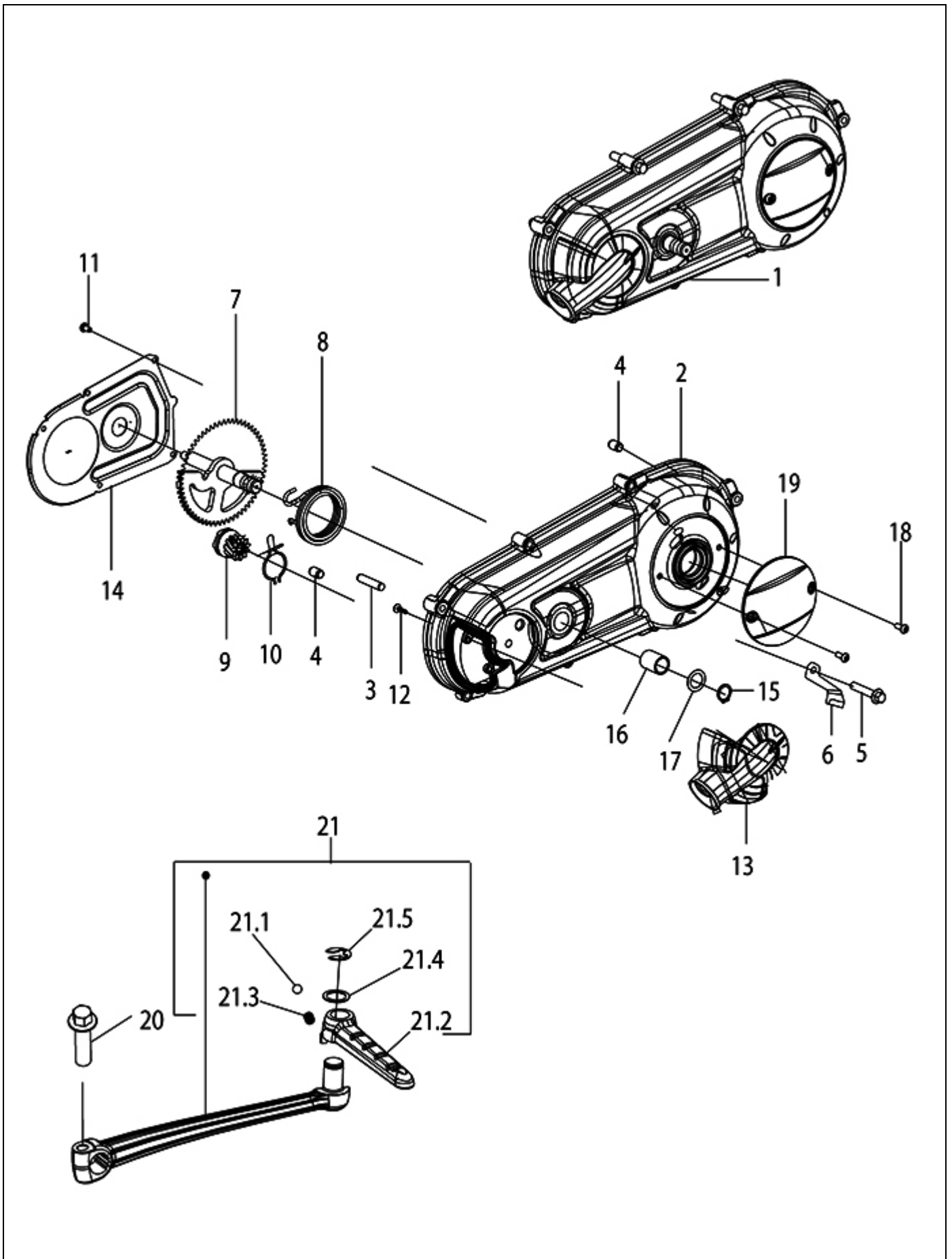


**1.02****Crankcase**

| <b>Fig. No.</b> | <b>Part No.</b> | <b>Description</b>                   | <b>Qty</b> | <b>Remarks</b>           |
|-----------------|-----------------|--------------------------------------|------------|--------------------------|
| 1               | SP1A014442      | CRANKCASE ASSY                       | 1          |                          |
| 2               | SP1A014480      | COUPLED CRANKCASE                    | 1          |                          |
| 3               | B015592         | REFERENCE DOWEL (D.9,5 H=15)         | 4          |                          |
| 4               | 666991          | RUBBER BUSHING                       | 1          |                          |
| 5               | B015676         | RUBBER BUSHING                       | 2          |                          |
| 6               | B014755         | STUD SCREW                           | 4          |                          |
| 7               | 1A015053        | LUBRICATION SPRAY JET                | 1          |                          |
| 8               | B018718         | EXAG. SOCKET CYLIND.HEAD SCREW M5X14 | 1          | LUBRICATION SPRAY FIXING |
| 9               | B017446         | BUSH                                 | 1          |                          |
| 10              | 485703          | WASHER                               | 2          | CRANKCASE COMPONENTS     |
| 11              | 83047R          | DEEP GROOVE BALL BEARING             | 1          |                          |
| 12              | 83048R          | DEEP GROOVE BALL BEARING             | 1          |                          |
| 13              | 83046R          | DEEP GROOVE BALL BEARING             | 1          |                          |
| 14              | B015591         | REFERENCE DOWEL                      | 2          |                          |
| 15              | B018139         | SEAL RING 40X25X7                    | 1          |                          |
| 16              | B019107         | SEAL RING 20X32X7                    | 1          |                          |
| 17              | 1A001256        | SEAL RING (O-RING)                   | 1          |                          |
| 18              | 1A001278        | HALF-CRANKCASES GASKET               | 1          | CRANKCASE FIXING         |
| 19              | 1A003068        | FLANGED HEX HEAD SCREW M6X65         | 9          | CRANKCASE FIXING         |
| 20              | 269755          | SOCKET HEAD SCREW (M8X12)            | 2          | CRANKCASE COMPONENTS     |

### 1.03

### Transmission Cover

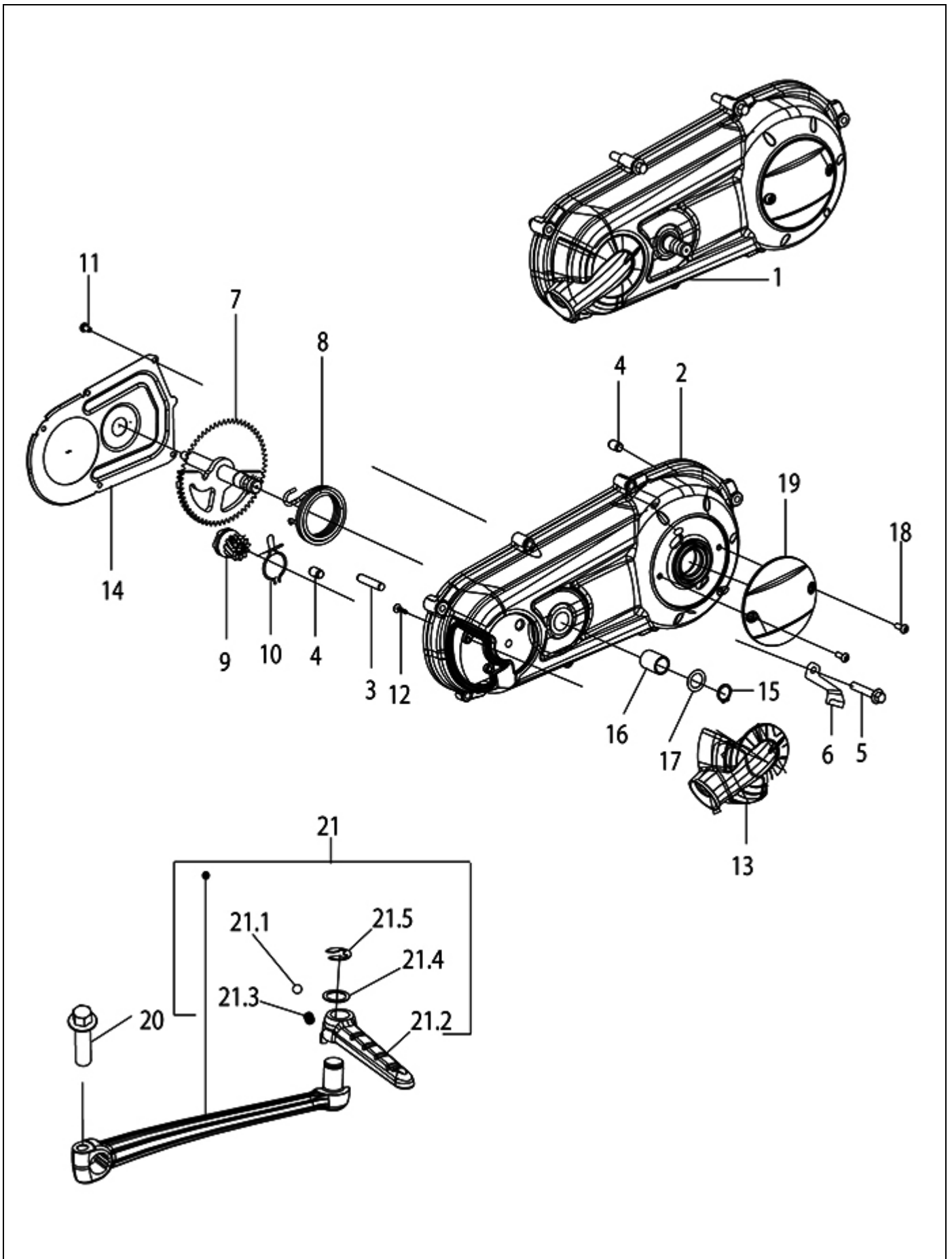


**1.03****Transmission Cover**

| Fig. No. | Part No.   | Description                              | Qty | Remarks                             |
|----------|------------|--|-----|-------------------------------------|
| 1        | SP1A017415 | COMPLETE TRANSMISSION COVER HE VESPA SPD | 1   |                                     |
| 2        | 1A017417   | TRANSMISSION COVER WITH PROTECTION       | 1   |                                     |
| 3        | B017481    | STARTER PINION GEAR PIVOT                | 1   |                                     |
| 4        | B015592    | REFERENCE DOWEL (D.9,5 H=15)             | 2   |                                     |
| 5        | 1A003060   | FLANGED HEX. HEAD SCREW M6X45            | 5   | TRANSMISSION COVER FIXING           |
| 6        | 4A000029   | CLIP                                     | 1   | REAR BRAKE TRANSMISSION FIXING      |
| 7        | B018038    | STARTING AXLE WITH I.P.                  | 1   |                                     |
| 8        | B014188    | START LEVER RETURNING SPRING             | 1   |                                     |
| 9        | B017597    | STARTER PINION GEAR WITH I.P.            | 1   |                                     |
| 10       | 288673     | SPRING                                   | 1   |                                     |
| 11       | 1A000612   | RETAINER SCREW - PRE COATED              | 5   | AIR DEFLECTOR FIXING                |
| 12       | B018421    | SULF-THREADING SCREW 3.8X16              | 3   | COOLING COVER FIXING                |
| 13       | B013524    | COOLING COVER                            | 1   |                                     |
| 14       | B013685    | AIR DEFLECTOR                            | 1   |                                     |
| 15       | 006416     | SPRING RING                              | 1   |                                     |
| 16       | B017445    | BUSH                                     | 1   |                                     |
| 17       | 433987     | PLANE WASHER 16.3X23.8X0.6               | 1   |                                     |
| 18       | 1A001494   | TORX HEAD SCREW M5X14                    | 2   | TRANSMISSION COVER CAP FIXING       |
| 19       | 1A005132   | TRANSMISSION COVER CAP                   | 1   |                                     |
| 20       | 1A003065   | FLANGED HEX. HEAD SCREW M6X25            | 1   | STARTING LEVER FIXING               |
| 21       | 1A008072   | STARTING LEVER ASSY                      | 1   |                                     |
| 21.1     | 487034     | SPHERE                                   | 1   |                                     |
| 21.2     | 1A000142   | PEDAL CRANK                              | 1   |                                     |
| 21.3     | B016419    | LOCK PEDAL CRANK SPRING                  | 1   |                                     |
| 21.4     | 1A000143   | FLAT WASHER                              | 1   |                                     |
| 21.5     | 1A000144   | BENZING CIRCLIP                          | 1   |                                     |
| 22       | 4A000028   | CLIP                                     | 1   | NI, REAR BRAKE TRANSMISSION FIXING  |
| 23       | 1A014335   | LAMBDA SENSOR                            | 1   | NI                                  |
| 24       | 709519     | CLAMP                                    | 1   | NI, BELT COOLING BELLOW FIXING      |
| 25       | 709519     | CLAMP                                    | 1   | NI                                  |
| 26       | 1A005019   | FLANGED SPACER                           | 2   | NI                                  |
| 27       | 1A000144   | BENZING CIRCLIP                          | 1   | NI                                  |
| 28       | 1A003060   | FLANGED HEX. HEAD SCREW M6X45            | 2   | NI , REAR BRAKE TRANSMISSION FIXING |
| 29       | SP1A017774 | LAMBDA SENSOR WITH HARNESS BAND          | 1   | NI                                  |
| 30       | 1A015201   | CLIP COUPLER                             | 1   | NI                                  |

1.03

Transmission Cover

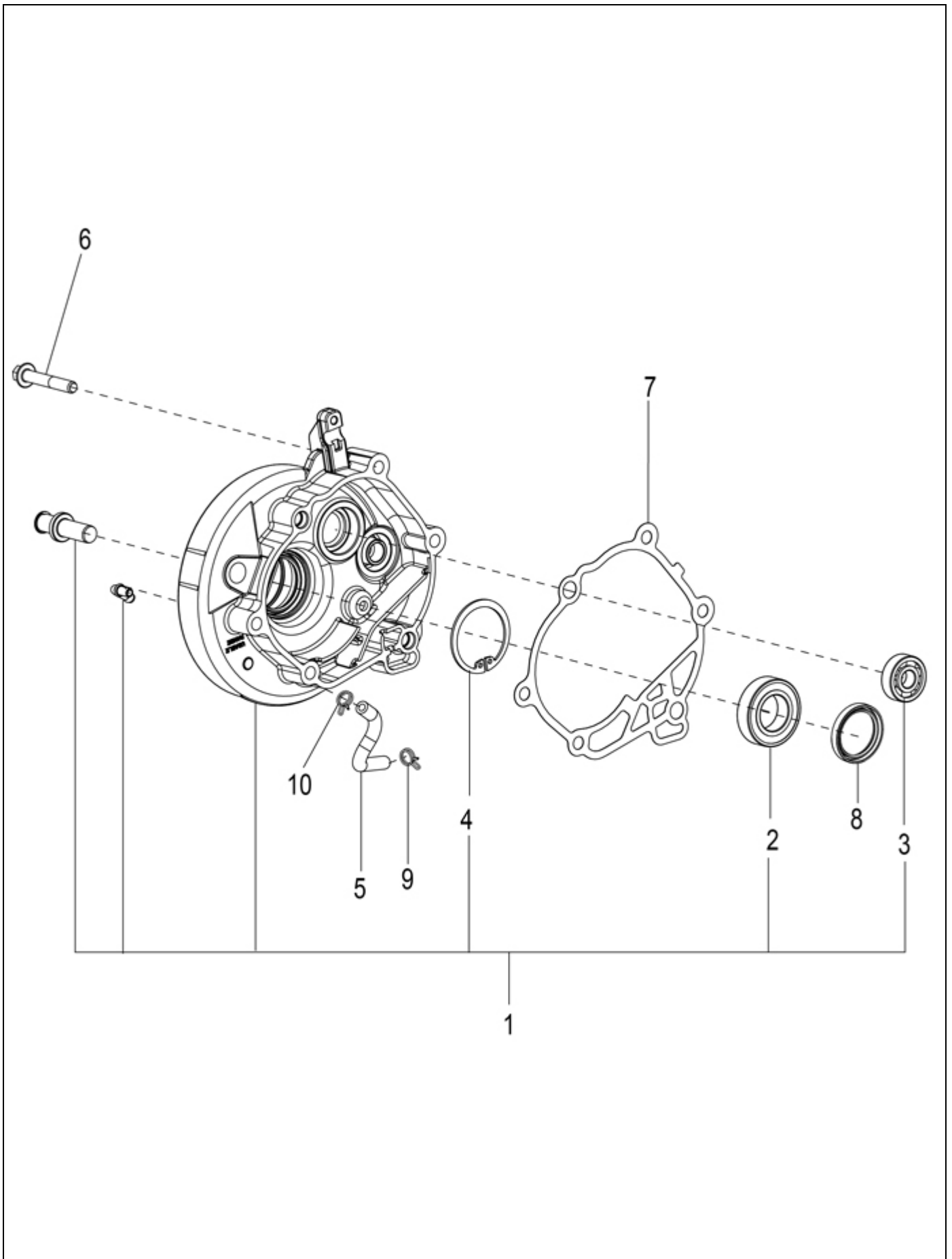


**1.03****Transmission Cover**

| <b>Fig. No.</b> | <b>Part No.</b> | <b>Description</b> | <b>Qty</b> | <b>Remarks</b> |
|-----------------|-----------------|--------------------|------------|----------------|
| 31              | CM083606        | HARNESS BAND       | 1          | NI             |



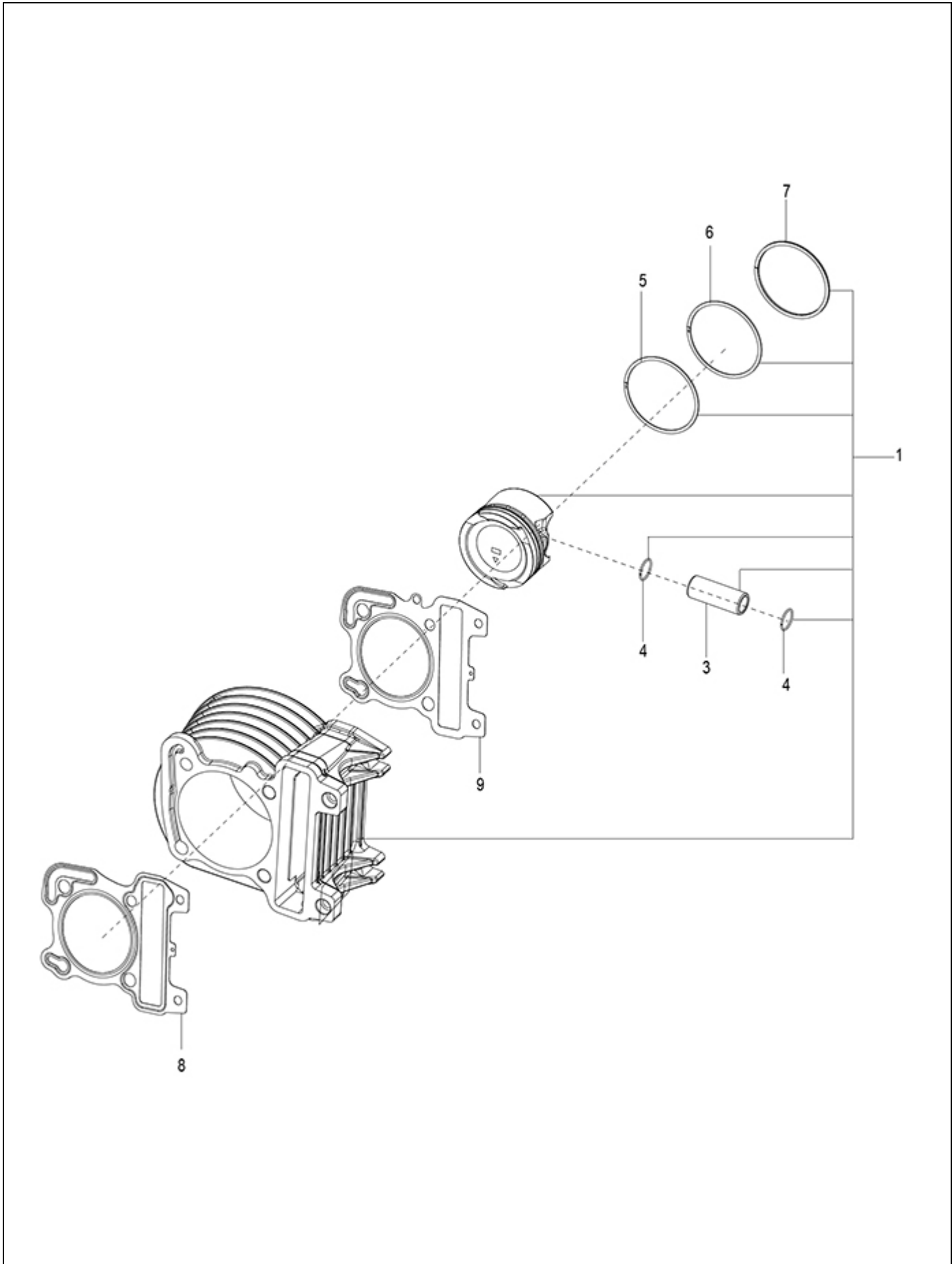
**1.04**  
**Gear Box Cover**



**1.04****Gear Box Cover**

| <b>Fig. No.</b> | <b>Part No.</b> | <b>Description</b>               | <b>Qty</b> | <b>Remarks</b>           |
|-----------------|-----------------|----------------------------------|------------|--------------------------|
| 1               | SP1A000461      | GEAR COVER WITH I.P.HE VESPA SPD | 1          |                          |
| 2               | 83044R          | DEEP GROOVE BALL BEARING         | 1          |                          |
| 3               | 83045R          | DEEP GROOVE BALL BEARING         | 1          |                          |
| 4               | 006647          | SPRING RING 47X50.5X1.75         | 1          |                          |
| 5               | 1A004654        | OIL BREATHER PIPE                | 1          | GEAR BOX COMPONENTS      |
| 6               | 1A007618        | FLANGED HEXAGONAL HEAD SCREW     | 6          | GEAR BOX FIXING          |
| 7               | B013594         | GEAR BOX GASKET                  | 1          | GEAR BOX FIXING          |
| 8               | B019108         | SEAL RING 35X47X7                | 1          |                          |
| 9               | CM002917        | HOSE CLAMP                       | 1          | OIL BREATHER PIPE FIXING |
| 10              | CM002903        | HOSE CLAMP                       | 1          | GEAR BOX COMPONENTS      |

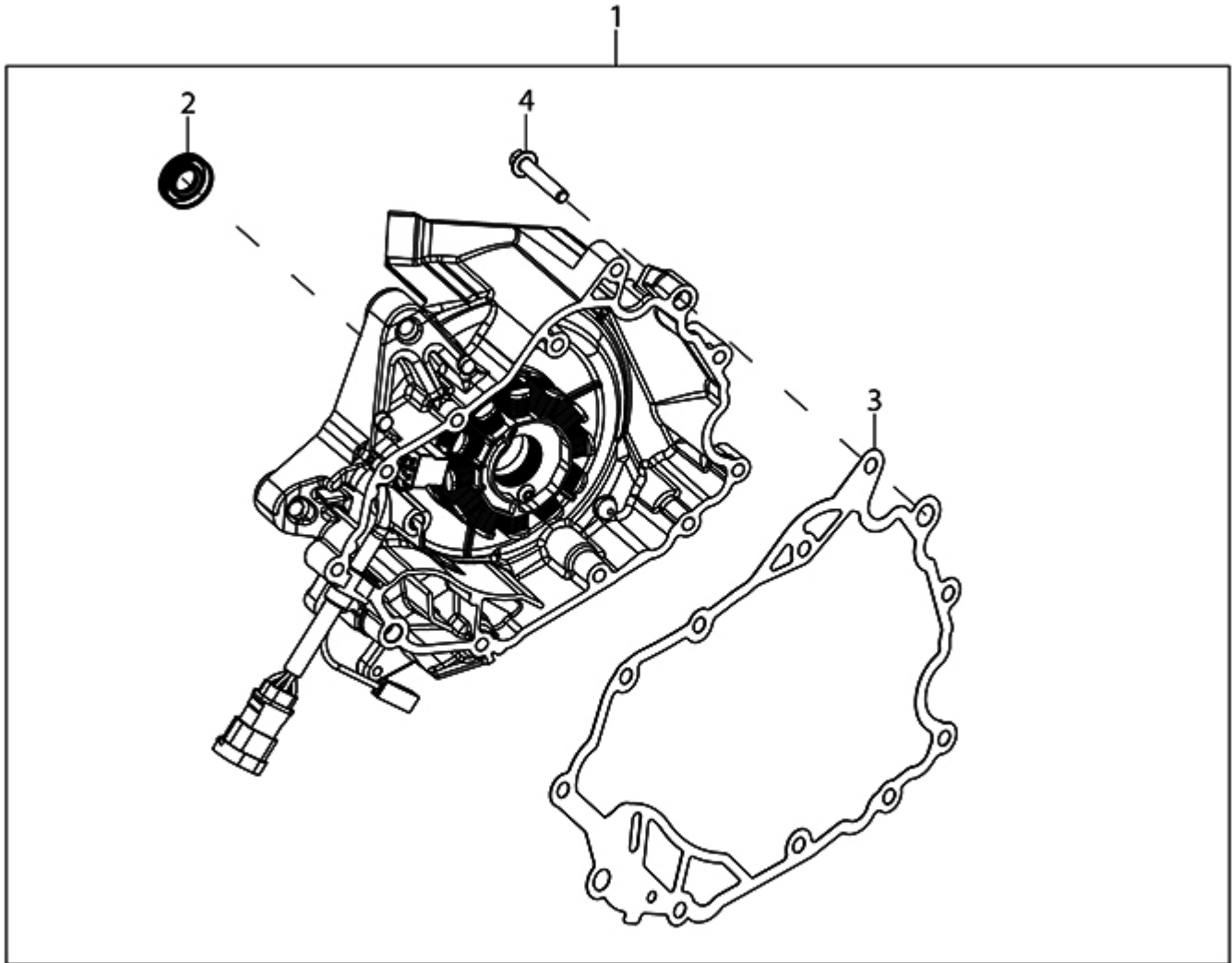
# 1.05 Cylinder Piston



**1.05****Cylinder Piston**

| <b>Fig. No.</b> | <b>Part No.</b> | <b>Description</b>            | <b>Qty</b> | <b>Remarks</b>          |
|-----------------|-----------------|-------------------------------|------------|-------------------------|
| 1               | SP1A015129      | CYLINDER-PISTON KIT           | 1          |                         |
| 3               | 880841          | PISTON PIN                    | 1          | PISTON COMPONENTS GROUP |
| 4               | 879474          | CIRCLIP                       | 2          | PISTON COMPONENTS GROUP |
| 5               | 1A001728        | COMPRESSION RING 1_DEGREE     | 1          |                         |
| 6               | B018216         | 2ND COMPRESSION RING          | 1          |                         |
| 7               | B018217         | SCRAPER RING                  | 1          |                         |
| 8               | B014739         | CYLINDER-HEAD GASKET          | 1          |                         |
| 9               | CM291501        | CRANKCASE-CYLINDER GASKET 0.4 | 1          |                         |
| 9               | CM291502        | CRANKCASE-CYLINDER GASKET 0.6 | 1          |                         |
| 9               | CM291503        | CRANKCASE-CYLINDER GASKET 0.8 | 1          |                         |

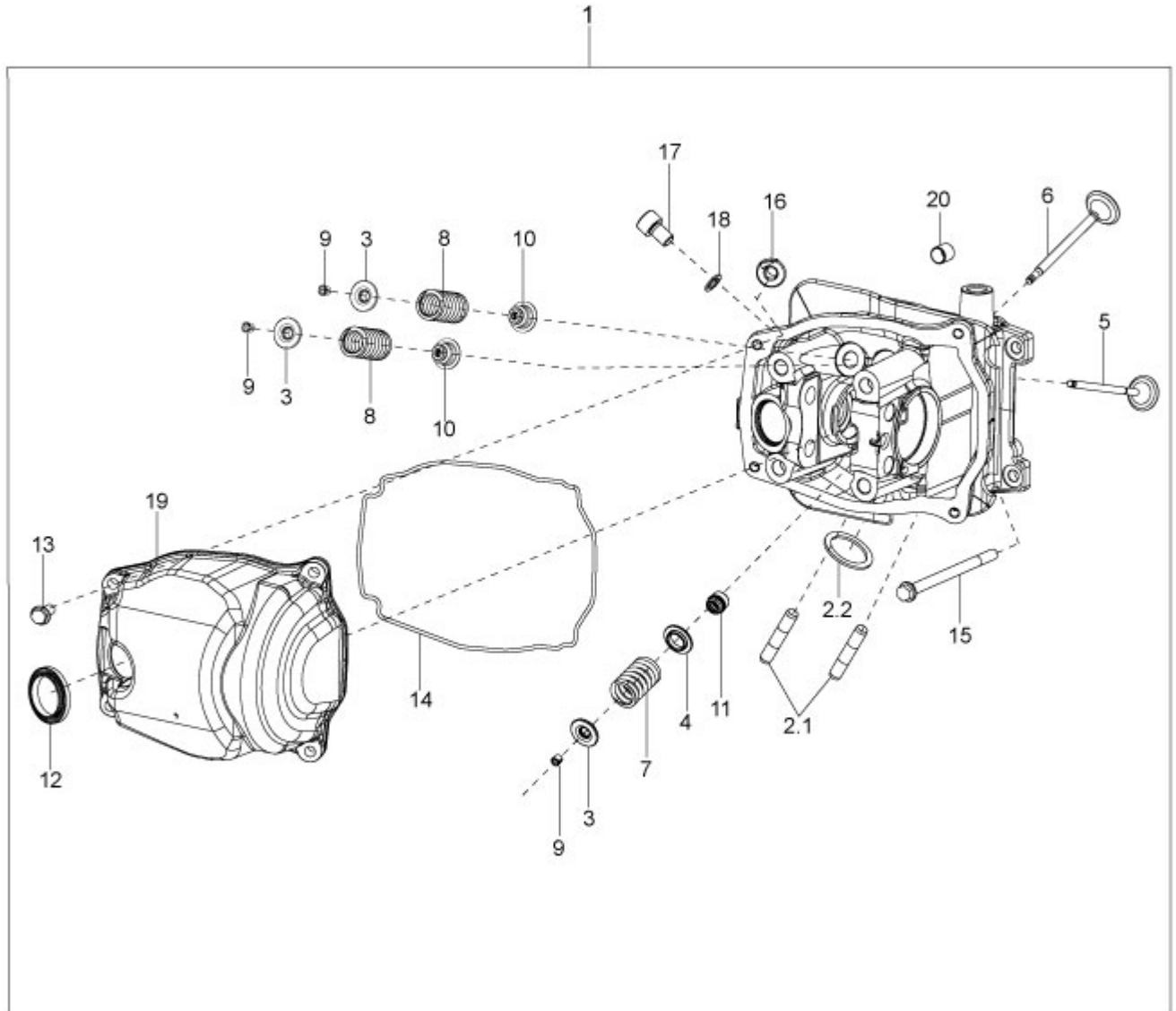
**1.06**  
**Flywheel**



**1.06**  
**Flywheel**

| <b>Fig. No.</b> | <b>Part No.</b> | <b>Description</b>            | <b>Qty</b> | <b>Remarks</b>        |
|-----------------|-----------------|-------------------------------|------------|-----------------------|
| 1               | SP1A014351      | FLYWHEEL COVER ASSY           | 1          |                       |
| 2               | B018140         | SEAL RING 14X28X7             | 1          |                       |
| 3               | 1A006482        | FLYWHEEL COVER GASKET         | 1          | FLYWHEEL COVER FIXING |
| 4               | 1A003060        | FLANGED HEX. HEAD SCREW M6X45 | 12         | FLYWHEEL COVER FIXING |

# 1.07 Cylinder Head

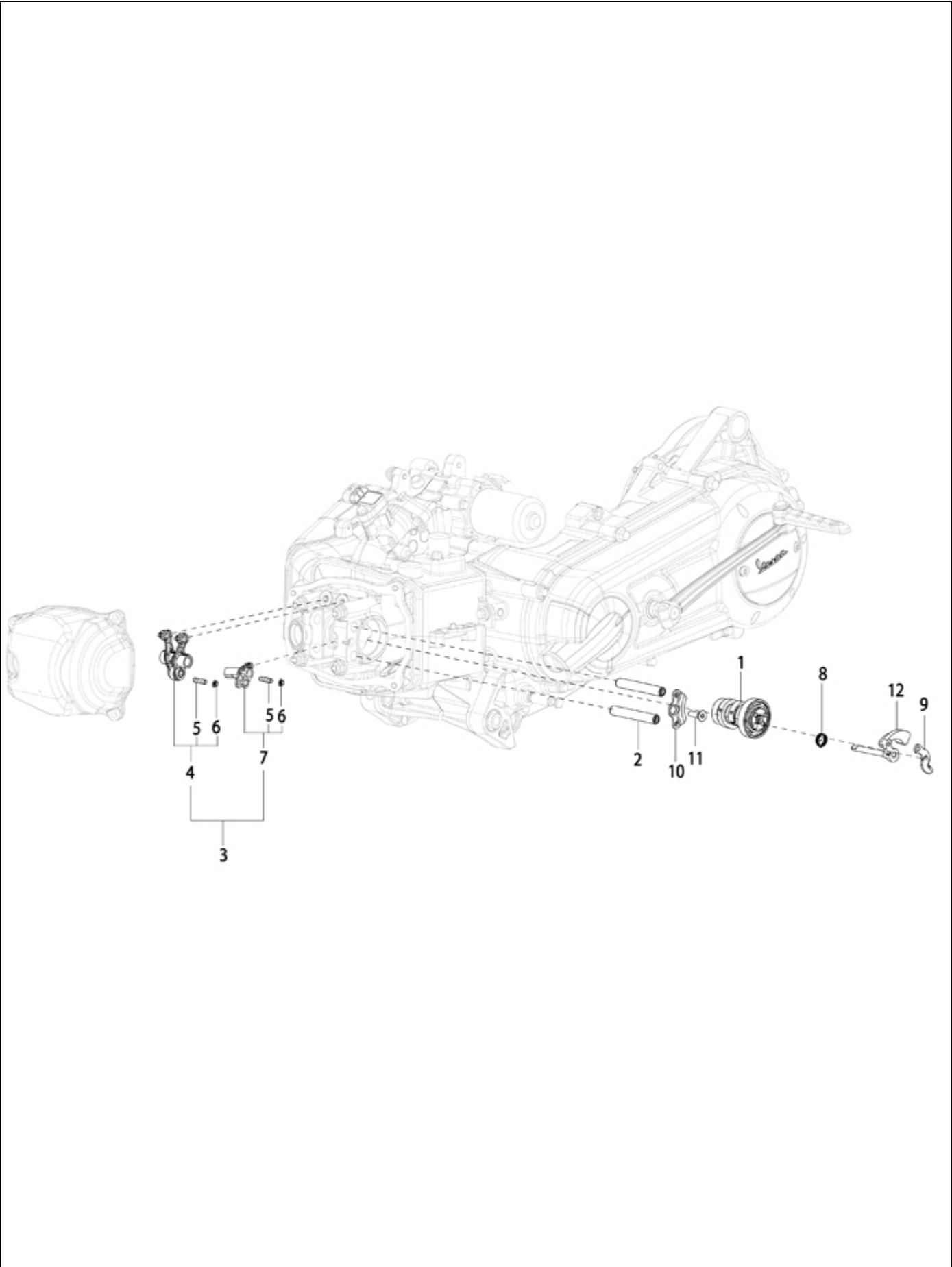


**1.07****Cylinder Head**

| <b>Fig. No.</b> | <b>Part No.</b> | <b>Description</b>                 | <b>Qty</b> | <b>Remarks</b>                 |
|-----------------|-----------------|------------------------------------|------------|--------------------------------|
| 1               | SP1A016610      | CYLINDER HEAD ASSY                 | 1          |                                |
| 2.1             | 1A004153        | STUD SCREW                         | 2          |                                |
| 2.2             | 434716          | CYLINDER HEAD/MUFFLER GASKET       | 1          |                                |
| 3               | B017456         | UPPER CUP                          | 3          |                                |
| 4               | 483711          | LOWER CUP                          | 1          |                                |
| 5               | B014684         | INTAKE VALVE Ø20                   | 2          |                                |
| 6               | B017438         | EXHAUST VALVE Ø22                  | 1          |                                |
| 7               | B014705         | VALVE SPRING (EXHAUST)             | 1          |                                |
| 8               | B014706         | VALVE SPRING (INTAKE)              | 2          |                                |
| 9               | B015288         | HALF-CONE                          | 6          |                                |
| 10              | 83053R          | VALVE SEAL RING                    | 2          |                                |
| 11              | 83054R          | VALVE SEAL RING                    | 1          |                                |
| 12              | B014732         | SPARK PLUG HOLE GASKET             | 1          | HEAD COVER FIXING              |
| 13              | 018639          | SCREW M6X20                        | 4          | HEAD COVER FIXING              |
| 14              | B018533         | CYLINDER HEAD COVER GASKET         | 1          | HEAD COVER FIXING              |
| 15              | B018854         | HEXAGONAL HEAD FLANGED SCREW M6X90 | 2          | CYLINDER HEAD/CRANKCASE FIXING |
| 16              | 844719          | FLANGED NUT M8X1.25                | 4          | CYLINDER HEAD/CRANKCASE FIXING |
| 17              | 269755          | SOCKET HEAD SCREW (M8X12)          | 1          |                                |
| 18              | 485703          | WASHER                             | 1          |                                |
| 19              | 1A006545        | HEAD COVER                         | 1          |                                |
| 20              | 435571          | REFERENCE DOWEL                    | 4          | CYLINDER HEAD/CRANKCASE FIXING |



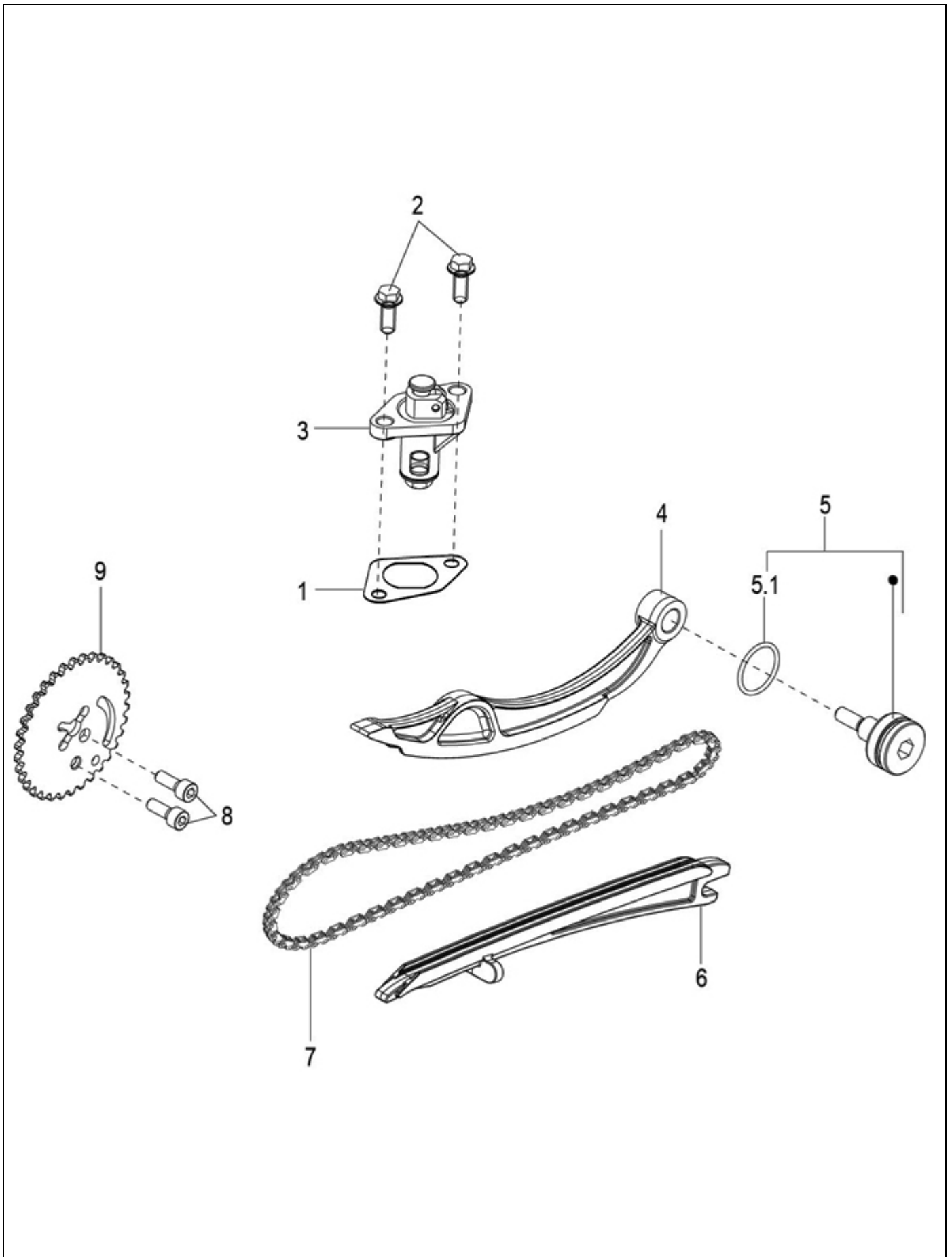
### 1.08 Camshaft



**1.08****Camshaft**

| <b>Fig. No.</b> | <b>Part No.</b> | <b>Description</b>                   | <b>Qty</b> | <b>Remarks</b>                              |
|-----------------|-----------------|--------------------------------------|------------|---|
| 1               | SPB015309       | CAMSHAFT COMPLETE OF BEARING HE VESP | 1          |   |
| 2               | B017113         | ROCKER ARM SHAFT                     | 2          |   |
| 3               | 83062R          | ROCKER ARM GROUP                     | 1          |   |
| 4               | B017425         | COMPLETE INLET SIDE ROCKER ARM       | 1          |   |
| 5               | B017323         | VALVE ADJUSTMENT SCREW               | 2          |   |
| 6               | B017431         | ROCKER ARM NUT                       | 2          |   |
| 7               | B017426         | COMPLETE EXHAUST SIDE ROCKER ARM     | 1          |   |
| 8               | B015483         | DECOMPRESSION SPRING                 | 1          |   |
| 9               | 1A008397        | CENTRIFUGAL MASS CONTAINMENT SHEET   | 1          |   |
| 10              | B014760         | CAMSHAFT CONTAINMENT SHEET-STEEL     | 1          | CAMSHAFT CONTAINMENT SHEET-<br>STEEL FIXING |
| 11              | B018946         | COUNTERSUNK SCREW M6X18              | 1          | CAMSHAFT CONTAINMENT SHEET-<br>STEEL FIXING |
| 12              | SP1A006405      | CENTRIFUGAL MASS WITH I.P.           | 1          |   |

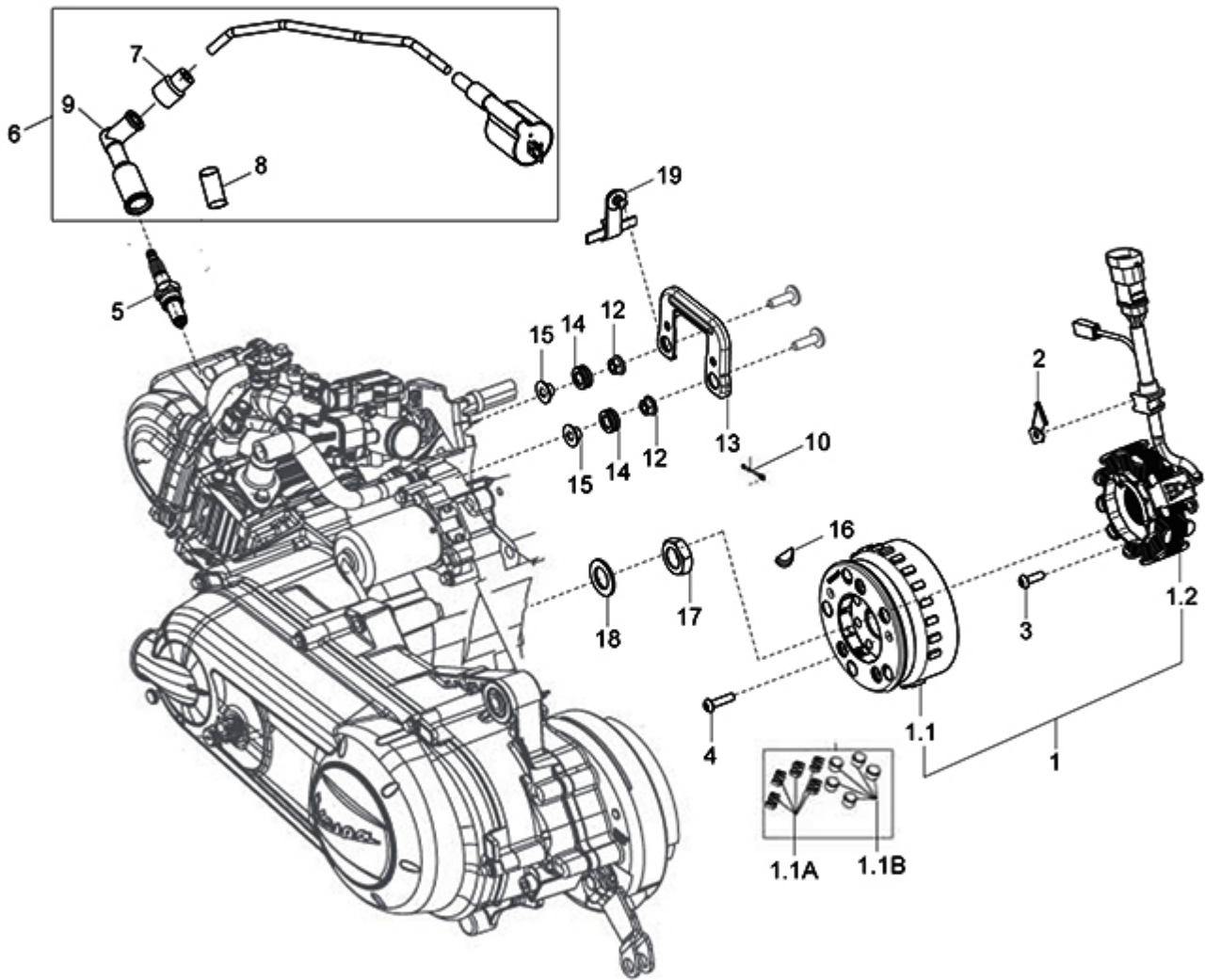
**1.09**  
**Timing Group**



**1.09****Timing Group**

| <b>Fig. No.</b> | <b>Part No.</b> | <b>Description</b>                   | <b>Qty</b> | <b>Remarks</b>                 |
|-----------------|-----------------|--------------------------------------|------------|--------------------------------|
| 1               | 847928          | CHAIN SUPPORT GASKET                 | 1          | CHAIN TIGHTENING DEVICE FIXING |
| 2               | 1F000110        | FLANGED HEXAGONAL SCREW              | 2          | CHAIN TIGHTENING DEVICE FIXING |
| 3               | 1A019253        | CHAIN TIGHTENING DEVICE              | 1          |                                |
| 4               | 1A014739        | COMPLETE CHAIN TIGHTENING ROD        | 1          |                                |
| 5               | B014237         | SPECIAL SCREW ASSY                   | 1          | CHAIN TIGHTENING ROD FIXING    |
| 5.1             | B017406         | O-RING (20,35X1,78)                  | 1          |                                |
| 6               | B014830         | FIXED PAD                            | 1          |                                |
| 7               | 830269          | SOUNDLESS TIMING CHAIN               | 1          |                                |
| 8               | B018718         | EXAG. SOCKET CYLIND.HEAD SCREW M5X14 | 2          | TIMING CROWN FIXING            |
| 9               | B019040         | TIMING CROWN                         | 1          |                                |
| 10              | B014237         | SPECIAL SCREW ASSY                   | 1          | NI                             |

### 1.10 Electric Component

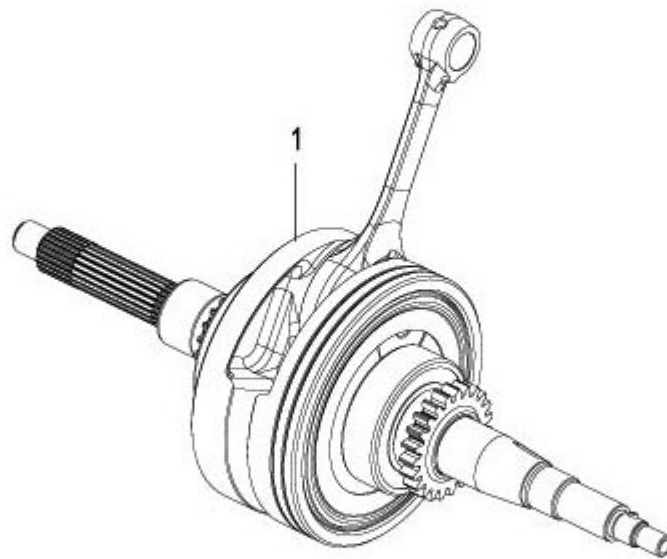


**1.10****Electric Component**

| <b>Fig. No.</b> | <b>Part No.</b> | <b>Description</b>               | <b>Qty</b> | <b>Remarks</b>                                  |
|-----------------|-----------------|----------------------------------|------------|---|
| 1               | 1A018849R       | A.C. GENERATOR ASSY              | 1          |   |
| 1.1             | 1A013856        | ASSEMBLY ROTOR CLAM CLUTCH       | 1          | Kokusan ID mark - LK written at bottom          |
| 1.1             | 1A018232        | ASSEMBLY ROTOR CLAM CLUTCH       | 1          | Ducati ID mark - Ducati written on outer side   |
| 1.1a            | B019134         | PLANE SPRING                     | 5          |   |
| 1.1b            | B018476         | ROLLER                           | 5          |   |
| 1.2             | 1A018501        | COMPLETE STATOR                  | 1          | Kokusan ID mark - stator Casing Redish in color |
| 1.2             | 1A018847        | COMPLETE STATOR                  | 1          | Ducati ID mark - stator Casing brown in color   |
| 2               | 1A001793        | PICK-UP PLATE CONTAINMENT CABLES | 1          |   |
| 3               | 1A001073        | TORX HEAD SCREW M5X16            | 2          | PULSER COIL FIXING                              |
| 4               | 1A014986        | TORX HEAD SCREW M5X21            | 2          | STATOR FIXING                                   |
| 5               | 643279          | SPARK PLUG                       | 1          |   |
| 6               | 1A017647        | H.T.COIL COMPLETE WITH CAP       | 1          |   |
| 7               | 642537          | PROTECTION CAP                   | 1          |   |
| 8               | 1A001795        | SPARK PLUG PROTECTION COLLAR     | 1          |   |
| 9               | 643149          | SPARK PLUG CAP                   | 1          |   |
| 10              | 643156          | GROUND WIRE                      | 1          | H.T.COIL / BRACKET FIXING                       |
| 11              | 872816          | FLANGED NUT                      | 2          | H.T.COIL / BRACKET FIXING                       |
| 12              | 013880          | PLAIN WASHER                     | 1          | H.T.COIL / BRACKET FIXING                       |
| 13              | 1B003784        | COIL SUPPORT BRACKET WITH I.P.   | 1          |   |
| 14              | B014063         | BUFFER DAMPER                    | 2          |   |
| 15              | B014066         | SPACER                           | 2          |   |
| 16              | 000267          | WOODRUFF KEY                     | 1          | FLYWHEEL ASSY FIXING                            |
| 17              | 880805          | LOW HEXAGONAL NUT                | 1          | FLYWHEEL ASSY FIXING                            |
| 18              | B014585         | FLAT WASHER                      | 1          | FLYWHEEL ASSY FIXING                            |
| 19              | 1A016605        | CLAMP                            | 1          | H.T.COIL / BRACKET FIXING                       |
| 20              | 018639          | SCREW M6X20                      | 1          | H.T.COIL BRACKET/CRANKCASE FIXING               |



**1.11**  
**Crankshaft**

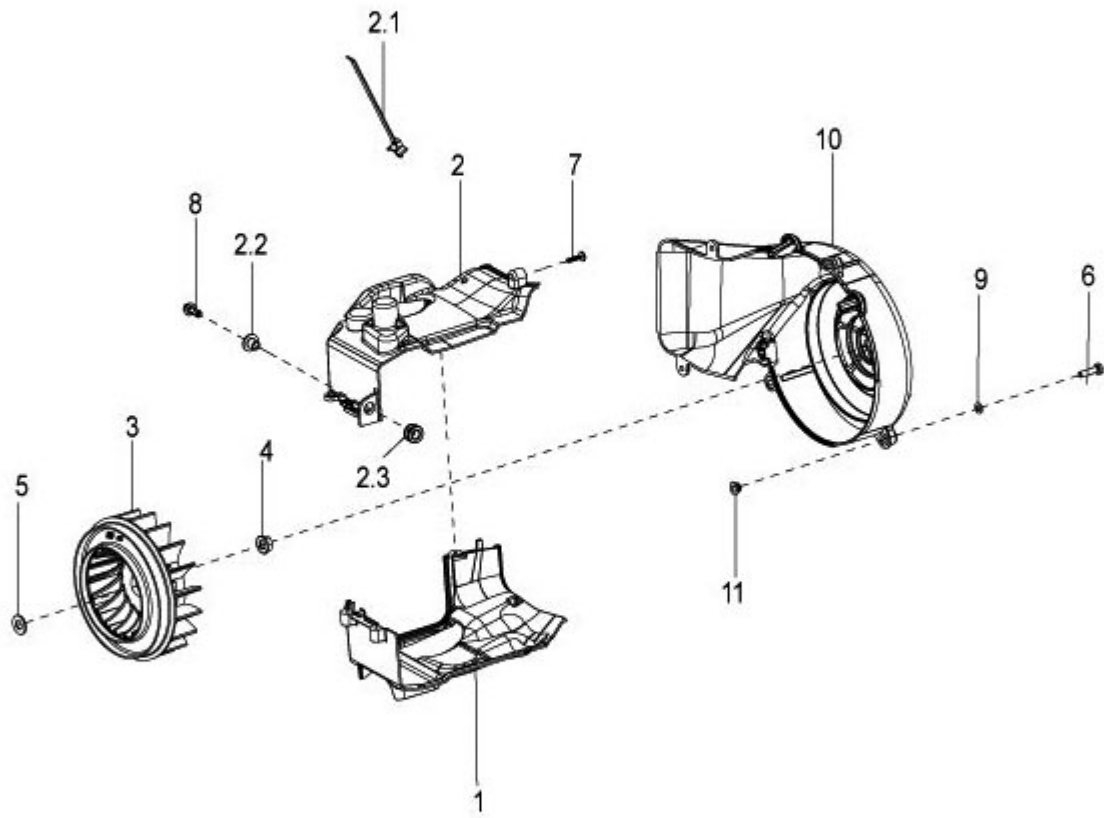




**1.11****Crankshaft**

| <b>Fig. No.</b> | <b>Part No.</b> | <b>Description</b>                       | <b>Qty</b> | <b>Remarks</b> |
|-----------------|-----------------|--|------------|----------------|
| 1               | SP1A015871      | C/S WITH BALL BEARING AND PINION- 125 CC | 1          |                |

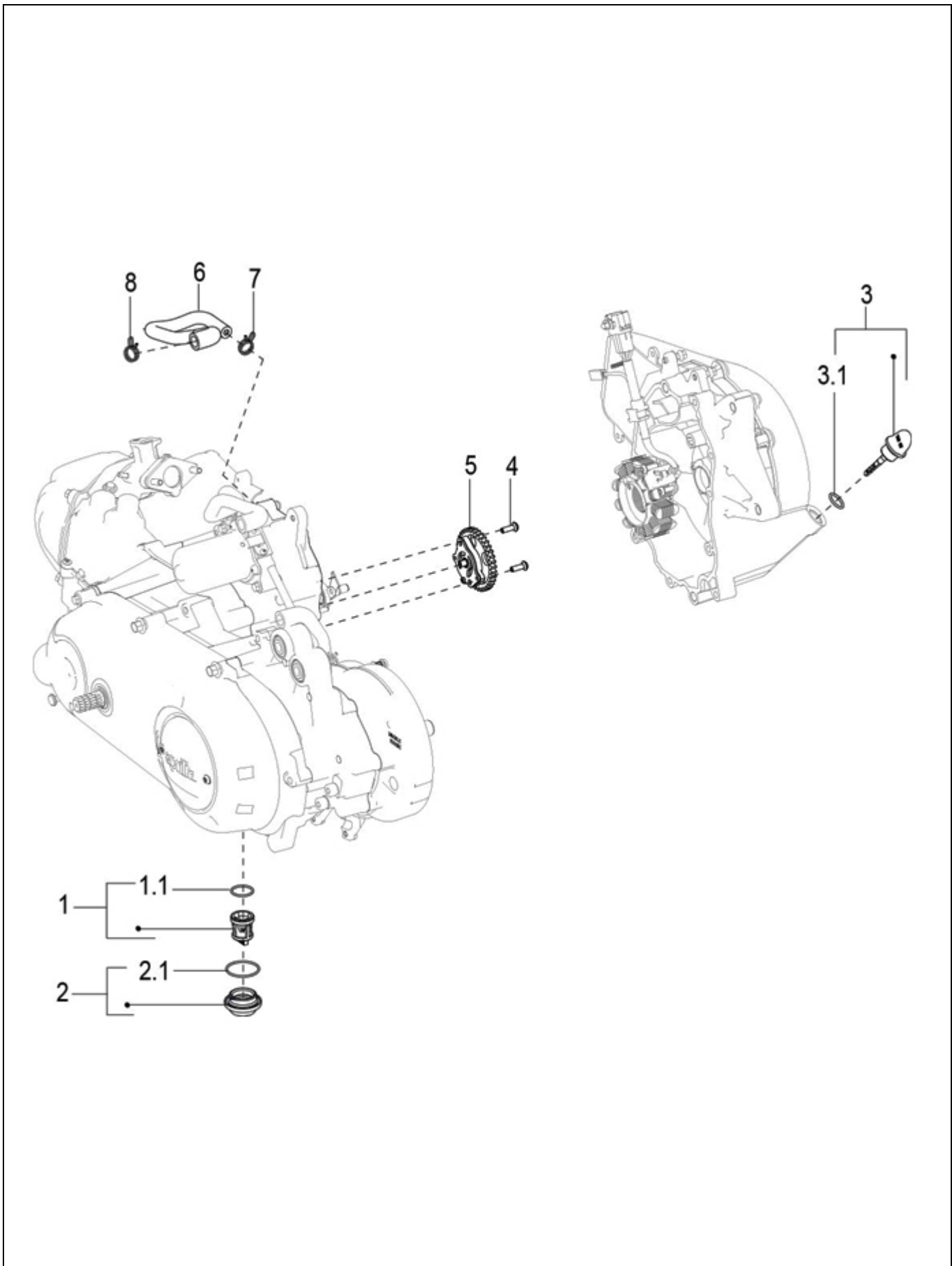
**1.12**  
**Fan cover and Shroud**



**1.12****Fan cover and Shroud**

| <b>Fig. No.</b> | <b>Part No.</b> | <b>Description</b>          | <b>Qty</b> | <b>Remarks</b>   |
|-----------------|-----------------|-----------------------------|------------|------------------|
| 1               | 1A011087        | EXHAUST SIDE SHROUD         | 1          |                  |
| 2               | 1A001023        | INTAKE SIDE CONVEYOR        | 1          |                  |
| 2.1             | 643114          | CLAMP                       | 1          |                  |
| 2.2             | B014063         | BUFFER DAMPER               | 1          |                  |
| 2.3             | B014066         | SPACER                      | 1          |                  |
| 2.4             | 216369          | CLAMP                       | 1          | NI               |
| 3               | B017294         | FAN WITH INSERT             | 1          |                  |
| 4               | 844719          | FLANGED NUT M8X1.25         | 1          | FAN ASSY FIXING  |
| 5               | B017080         | PLAIN WASHER                | 1          | FAN ASSY FIXING  |
| 6               | 1A014986        | TORX HEAD SCREW M5X21       | 3          | FAN COVER FIXING |
| 7               | B018421         | SULF-THREADING SCREW 3.8X16 | 5          | FAN COVER FIXING |
| 8               | 1F000110        | FLANGED HEXAGONAL SCREW     | 1          | FAN COVER FIXING |
| 9               | 006975          | WAVY WASHER 5.3X10X0.5      | 3          | FAN COVER FIXING |
| 10              | B014750         | FAN COVER                   | 1          |                  |
| 11              | B015312         | KNURLED BUSH                | 6          |                  |
| 12              | 58273R          | THERMIC SENSOR              | 1          |                  |

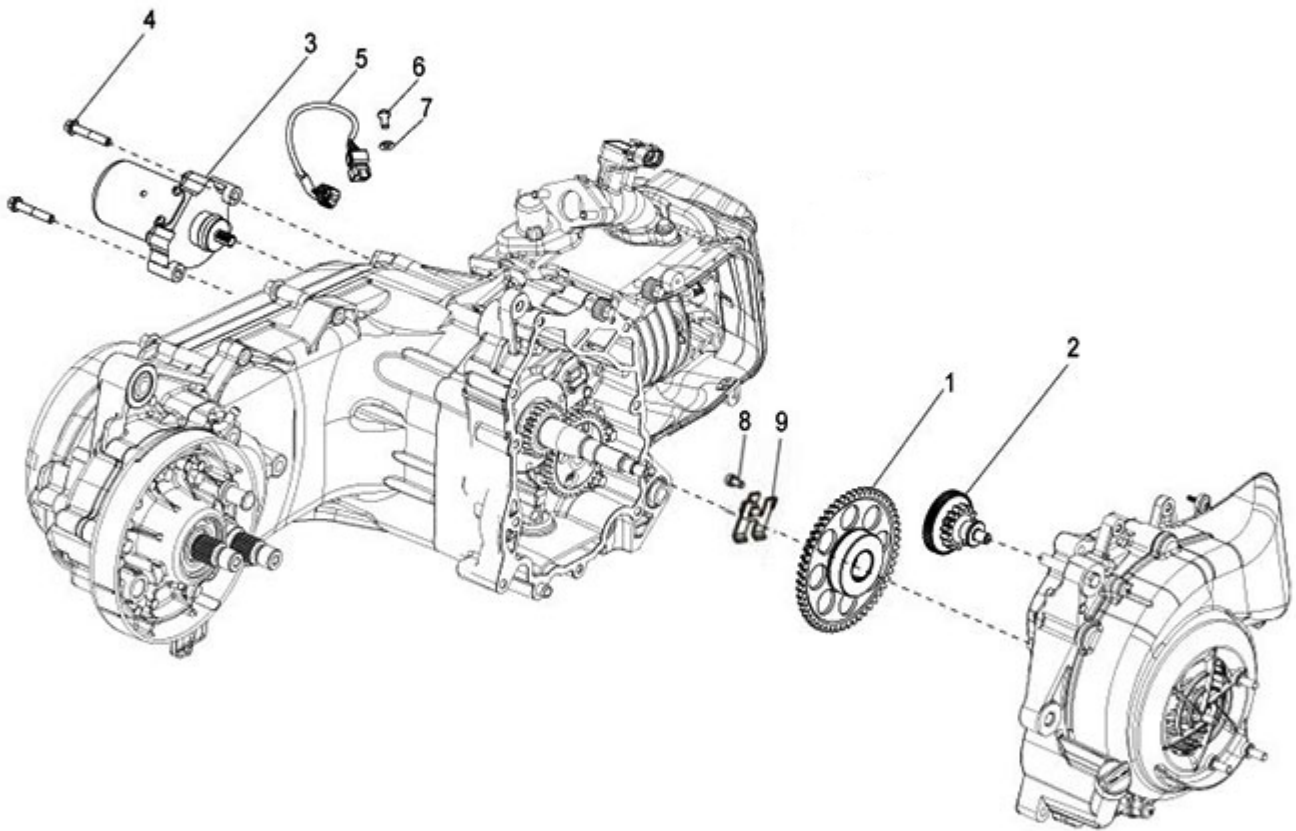
### 1.13 Lubrication Component



**1.13****Lubrication Component**

| <b>Fig. No.</b> | <b>Part No.</b> | <b>Description</b>         | <b>Qty</b> | <b>Remarks</b>              |
|-----------------|-----------------|----------------------------|------------|-----------------------------|
| 1               | B018020         | COMPLETE INTAKE OIL FILTER | 1          |                             |
| 1.1             | B017406         | O-RING (20,35X1,78)        | 1          |                             |
| 2               | B015598         | OIL FILTER PLUG            | 1          |                             |
| 2.1             | 285536          | O-RING GASKET 31.47X1.78   | 1          |                             |
| 3               | B017002         | COMPLETE OIL DIPSTICK      | 1          |                             |
| 3.1             | 1A009397        | O-RING GASKET              | 1          |                             |
| 4               | 1A001073        | TORX HEAD SCREW M5X16      | 2          | OIL PUMP ASSY FIXING        |
| 5               | B018448         | COMPLETE OIL PUMP          | 1          |                             |
| 6               | 1A014094        | OIL BREATHER PIPE          | 1          |                             |
| 7               | CM002917        | HOSE CLAMP                 | 1          | OIL BREATHER PIPE FIXING    |
| 8               | CM001904        | CLAMP                      | 1          | BLOW-BY PIPE/AIR BOX FIXING |

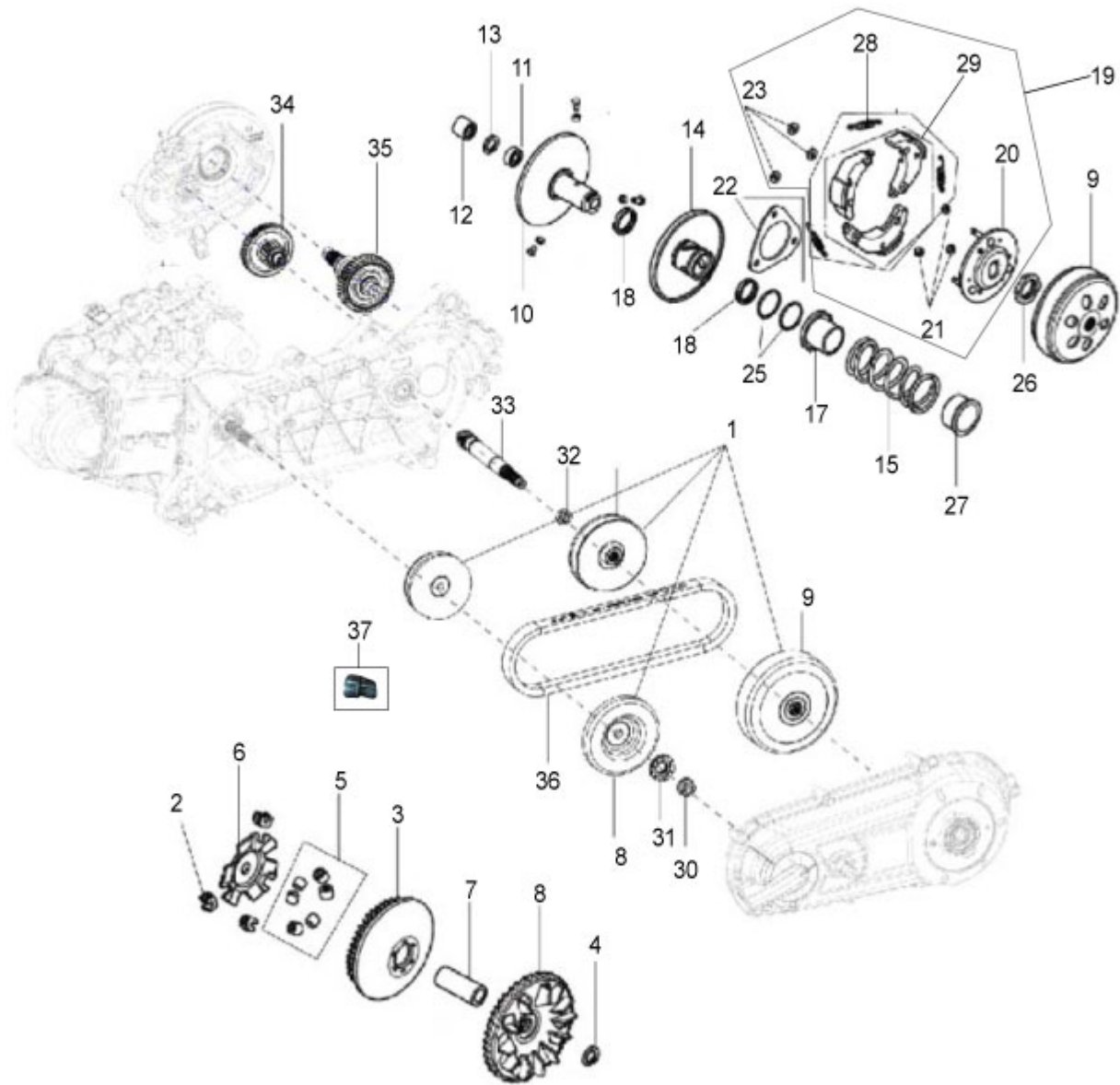
**1.14**  
**Starting Group**



**1.14****Starting Group**

| <b>Fig. No.</b> | <b>Part No.</b> | <b>Description</b>                  | <b>Qty</b> | <b>Remarks</b>                          |
|-----------------|-----------------|-------------------------------------|------------|---|
| 1               | 83033R          | STARTER CROWN WITH I.P. GROUP       | 1          |   |
| 2               | 1A001443R       | ELECTRIC STARTER INTERMEDIATE GEAR  | 1          |   |
| 3               | 1A015231        | STARTING MOTOR                      | 1          |   |
| 4               | 1A003063        | FLANGED HEX HEAD SCREW M6X35        | 2          | STARTING MOTOR FIXING                   |
| 5               | 1D000152        | STARTING MOTOR CABLE                | 1          | STARTING MOTOR FIXING                   |
| 6               | 018644          | CROSS CYLINDRICAL HEAD SCREW        | 1          | STARTING MOTOR WIRING HARNESS<br>FIXING |
| 7               | 016404          | SPRING WASHER M4                    | 1          | STARTING MOTOR WIRING HARNESS<br>FIXING |
| 8               | 1A002691        | FLANGED HEX HEAD SCREW M6X20 CL10   | 1          |   |
| 9               | 1A007468        | CONTAINMENT ELECTRIC STARTING CROWN | 1          |   |

**1.15**  
**Transmission Group**

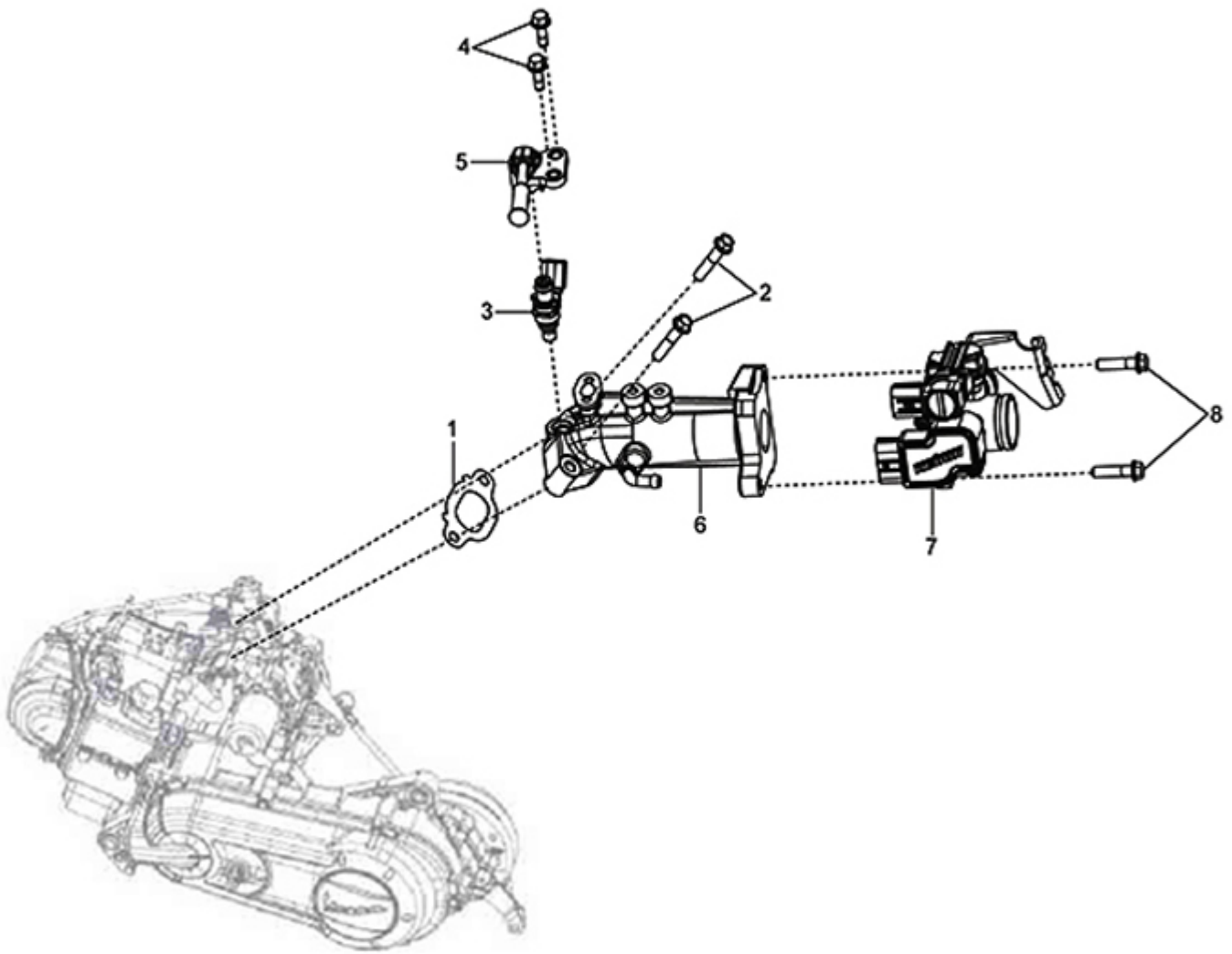




**1.15****Transmission Group**

| <b>Fig. No.</b> | <b>Part No.</b> | <b>Description</b>                  | <b>Qty</b> | <b>Remarks</b>                 |
|-----------------|-----------------|-------------------------------------|------------|--------------------------------|
| 1               | 1A005058R       | COMPLETE TRANSMISSION GROUP         | 1          |                                |
| 2               | 1A001746        | PIECE SLIDE                         | 1          |                                |
| 3               | 1A001742        | FACE COMP MOVABLE DRIVE             | 1          |                                |
| 4               | 1A002443        | CIRCLIP MOVABLE DRIVE               | 1          |                                |
| 5               | 1A002444        | ROLLER COMP. MOVABLE DRIVE          | 6          |                                |
| 6               | 1A001745        | PLATE RAMP                          | 1          |                                |
| 7               | 1A002446        | BOSS DRIVE FACE                     | 1          |                                |
| 8               | 1A005055        | FIXED DRIVER HALF-PULLEY            | 1          |                                |
| 9               | 1A005057        | CLUTCH HOUSING WITH I.P.            | 1          |                                |
| 10              | 1A002430        | FACE COMP. FIX DRIVEN               | 1          |                                |
| 11              | 1A002431        | BRG. BALL RADIAL                    | 1          |                                |
| 12              | 1A002432        | BRG. NEEDLE                         | 1          |                                |
| 13              | 1A002433        | CIRCLIP IN 24                       | 1          |                                |
| 14              | 1A013713        | COMPLETE MOVABLE DRIVEN HALF-PULLEY | 1          |                                |
| 15              | 1A002439        | SPG. DRIVEN FACE                    | 1          |                                |
| 17              | 1A002440        | COLLAR SEAL                         | 1          |                                |
| 18              | 1A002441        | OIL SEAL                            | 2          |                                |
| 19              | 1A002425        | PLATE ASSY. DRIVEN                  | 1          |                                |
| 20              | 1A002426        | PLATE COMP. DRIVE                   | 1          |                                |
| 21              | 1A002427        | DAMPER CLUTCH                       | 3          |                                |
| 22              | 1A002428        | SIDE WASHER                         | 1          |                                |
| 23              | 1A002429        | E RING 7MM                          | 3          |                                |
| 25              | 1A002442        | O-RING                              | 2          |                                |
| 26              | 1A001748        | NUT SPECIAL 28MM                    | 1          |                                |
| 27              | B016922         | DRIVEN PULLEY SIDE CAP              | 1          |                                |
| 28              | 1A001743        | SPRING CLUTCH                       | 3          |                                |
| 29              | 1A001744        | SHOE CLUTCH                         | 1          |                                |
| 30              | 1A006988        | NUT WITH SPRING WASHER              | 1          | FRONT TRASMISSION GROUP FIXING |
| 31              | B017599         | CLAW COUPLING                       | 1          | FRONT TRASMISSION GROUP FIXING |
| 32              | 289519          | FLANGED EXAGONAL NUT                | 1          | REAR TRASMISSION GROUP FIXING  |
| 33              | 1A000895        | DRIVEN PULLEY SHAFT (Z=15)          | 1          |                                |
| 34              | 1A000892        | LAYSHAFT ASSY WITH I.P.             | 1          |                                |
| 35              | 1A002011        | WHEEL GEAR WITH I.P.                | 1          |                                |
| 36              | B013172         | CVT BELT                            | 1          |                                |
| 37              | 1A013712        | INTEGRATED PIN                      | 1          |                                |

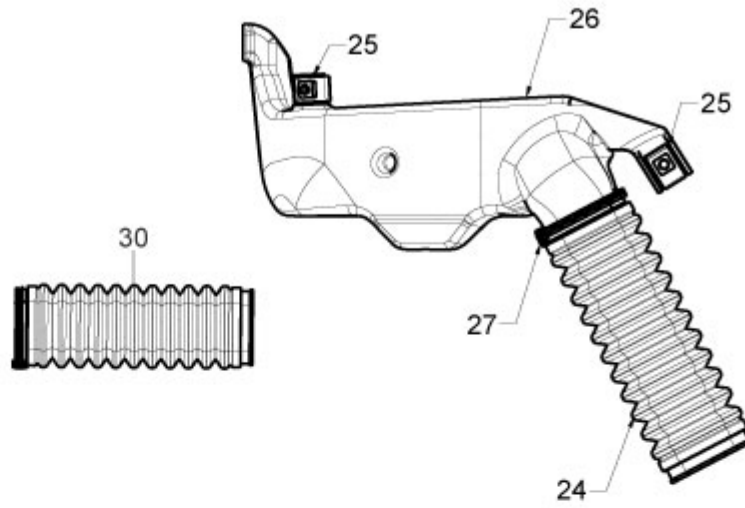
**1.16**  
**Fuel supply System**



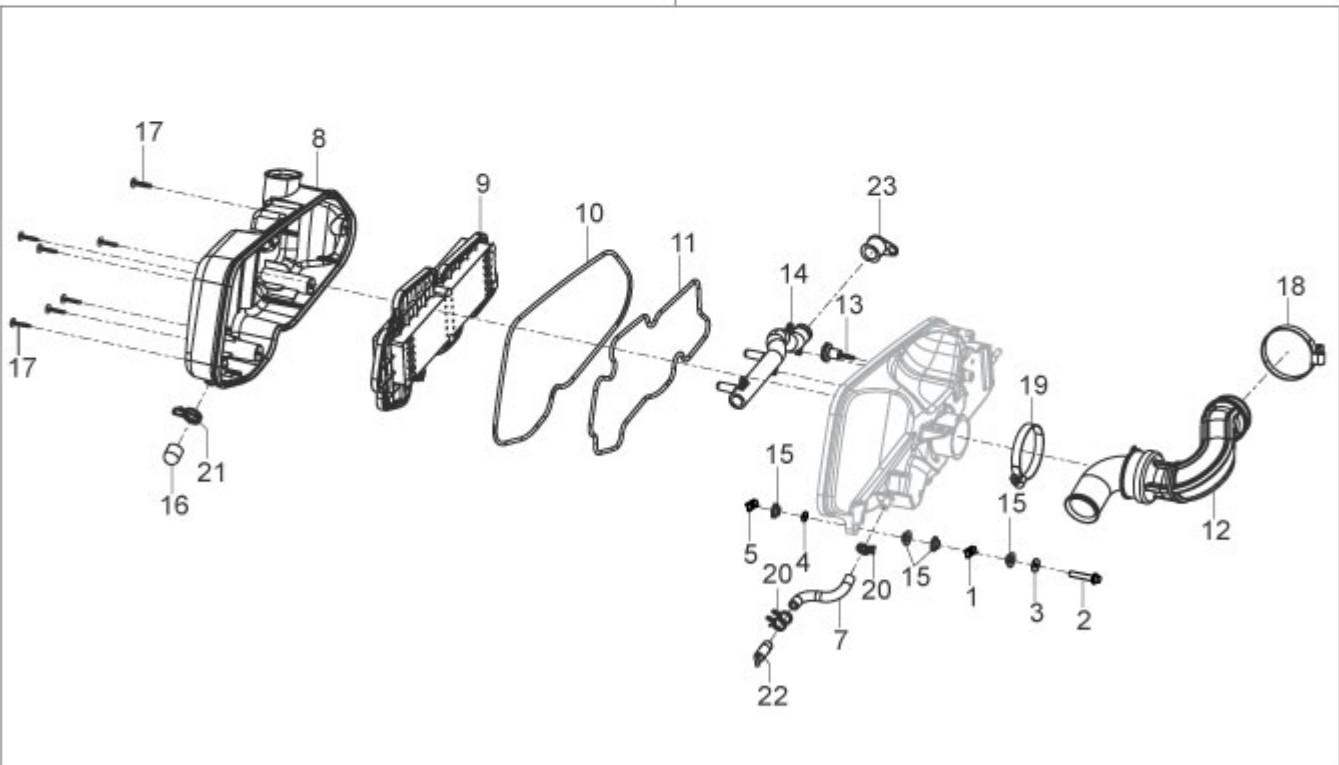
**1.16****Fuel supply System**

| <b>Fig. No.</b> | <b>Part No.</b> | <b>Description</b>                 | <b>Qty</b> | <b>Remarks</b>          |
|-----------------|-----------------|------------------------------------|------------|-------------------------|
| 1               | B018442         | INTAKE FITTING GASKET              | 1          | INTAKE FITTING FIXING   |
| 2               | B018853         | FLANGED HEXAGONAL HEAD SCREW M6X30 | 2          | INTAKE FITTING FIXING   |
| 3               | 1D000698        | FUEL INJECTOR                      | 1          | COMPLETE INTAKE FITTING |
| 4               | 1A015812        | FLANGED HEXAGONAL HEAD SCREW       | 2          | INJECTOR FIXING         |
| 5               | 1A015303        | INJECTOR SUPPORT WITH FUEL CAP     | 1          |                         |
| 6               | 1A016008        | INTAKE FITTING WITH I.P.           | 1          |                         |
| 7               | 1A019310        | THROTTLE BODY                      | 1          |                         |
| 8               | 1A003065        | FLANGED HEX. HEAD SCREW M6X25      | 2          | THROTTLE BODY FIXING    |
| 9               | 1D001198        | SEAL RINGS KIT                     | 1          | NI -Under Development   |
| 10              | 1A009606        | INIECTOR RETAINING PLATE           | 1          | NI , INJECTOR FIXING    |

**1.17**  
**Air Intake**



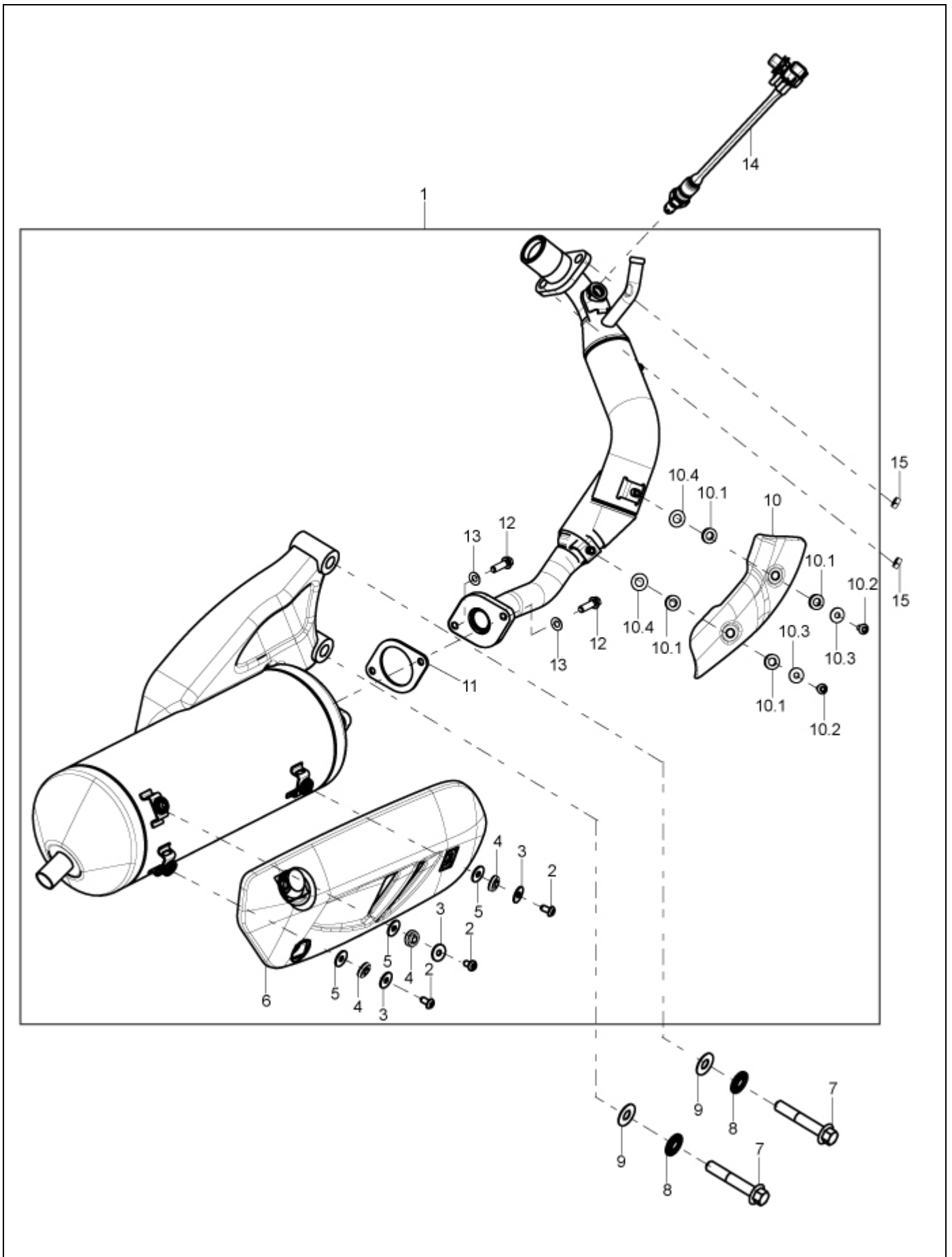
6



**1.17****Air Intake**

| <b>Fig. No.</b> | <b>Part No.</b> | <b>Description</b>                     | <b>Qty</b> | <b>Remarks</b>         |
|-----------------|-----------------|--|------------|------------------------|
| 1               | CM259204        | SPRING PLATE                           | 2          | THROTTLE BODY FIXING   |
| 2               | 1A003064        | FLANGED HEX HEAD SCREW M6X55           | 2          | AIR CLEANER BOX FIXING |
| 3               | 003056          | PLAIN WASHER                           | 2          | AIR CLEANER BOX FIXING |
| 4               | 012533          | PLAIN SPRING WASHER WITH EXTERNAL TABS | 2          | AIR CLEANER BOX FIXING |
| 5               | 254485          | SPRING PLATE (M6)                      | 2          | AIR CLEANER BOX FIXING |
| 6               | 1A016119        | AIR CLEANER BOX ASSY                   | 1          | AIR CLEANER BOX FIXING |
| 6               | 1A018267        | AIR CLEANER BOX ASSY                   | 1          | Applicable for FL-20   |
| 7               | 1A005265        | OIL BREATHER PIPE                      | 1          |                        |
| 8               | 1A014361        | AIR CLEANER COVER                      | 1          |                        |
| 9               | B018451         | AIR BOX FILTER                         | 1          |                        |
| 10              | B014993         | EXTERNAL GASKET                        | 1          |                        |
| 11              | B014994         | INTERNAL GASKET                        | 1          |                        |
| 12              | 1A017892        | COUPLING                               | 1          | Applicable for FL-20   |
| 12              | 1A012009        | COUPLING                               | 1          |                        |
| 13              | 479132          | KNOB                                   | 1          |                        |
| 14              | 1A016033        | INTAKE S.A.S. COUPLING                 | 1          |                        |
| 15              | B018262         | KNURLED BUSH                           | 4          |                        |
| 16              | 827831          | AIR CLEANER BOX CAP                    | 1          |                        |
| 17              | 258146          | SELF TAPPING SCREW (3X20)              | 8          |                        |
| 18              | B019254         | CLAMP Ø42.4-Ø44.5                      | 1          |                        |
| 19              | 614188          | CLAMP 40-60                            | 1          |                        |
| 20              | CM002906        | HOSE CLAMP                             | 3          |                        |
| 21              | CM002910        | HOSE CLAMP                             | 1          |                        |
| 22              | 1A005254        | PLUG PIPE OIL BREATHER                 | 1          |                        |
| 23              | 1A014108        | GROMMET                                | 1          |                        |
| 24              | 672660          | INTAKE FITTING                         | 1          |                        |
| 25              | CM259202        | SPRING PLATE                           | 2          |                        |
| 26              | 672659          | SUCTION TUBE                           | 1          |                        |
| 27              | 709519          | CLAMP                                  | 1          |                        |
| 28              | 272836          | METRICAL SCREW WITH CROSS MOULD        | 2          |                        |
| 29              | 709519          | CLAMP                                  | 1          |                        |
| 30              | 672661          | BELLOWS                                | 1          |                        |

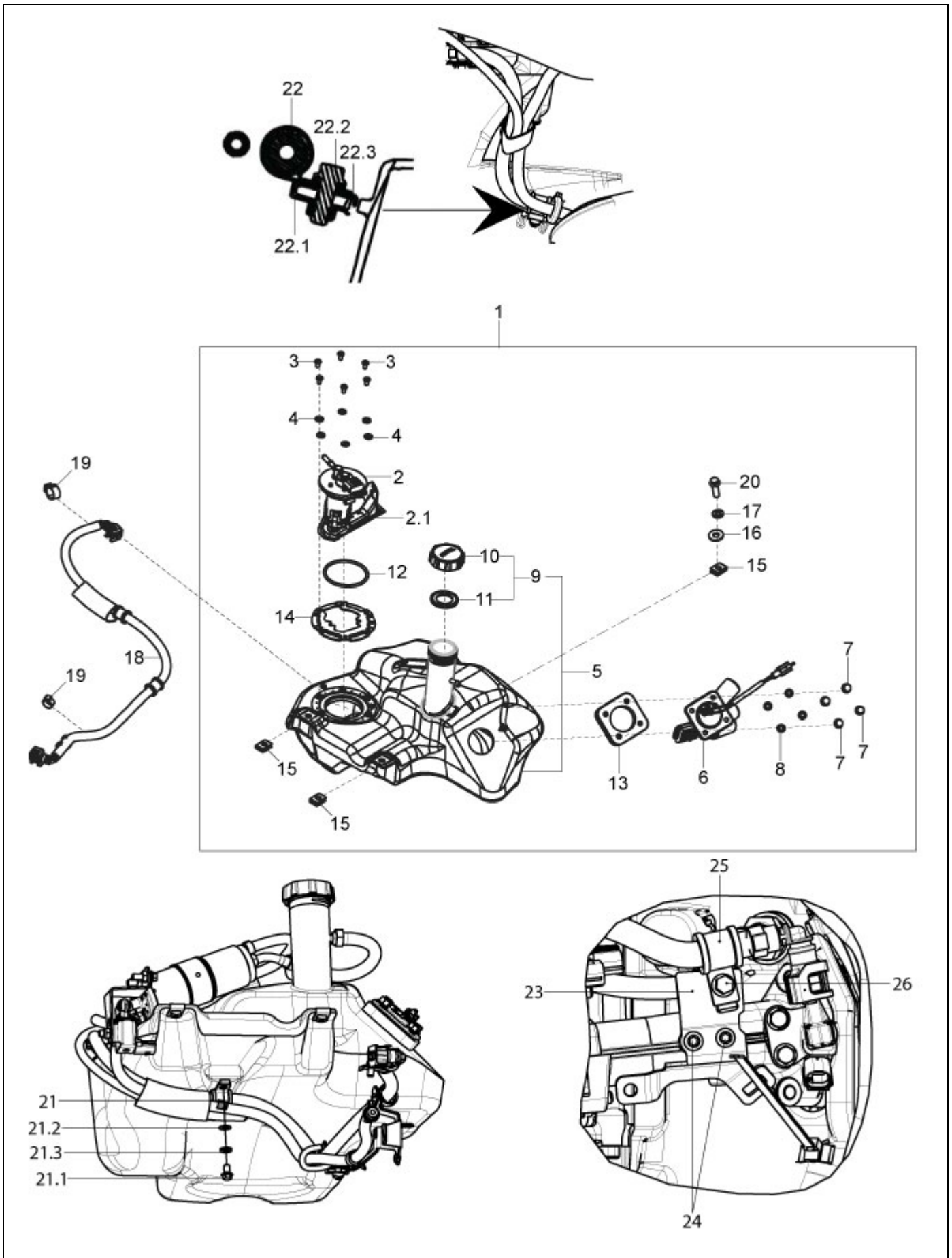
**1.18**  
**Muffler**



## 1.18 Muffler

| Fig. No. | Part No.   | Description                                  | Qty | Remarks                        |
|----------|------------|--|-----|--------------------------------|
| 1        | 1A016873   | MUFFLER WITH PROTECTION                      | 1   |                                |
| 1        | 1A019466   | MUFFLER WITH PROTECTION                      | 1   | Applicable for FL-20           |
| 2        | 842908     | COVEX HEAD SCREW WITH TORX IMPRESSION        | 3   | THERMAL PROTECTION FIXING      |
| 3        | 826118     | WASHER                                       | 3   | THERMAL PROTECTION FIXING      |
| 3        | 844927     | WASHER                                       | 3   | Applicable for FL-20           |
| 4        | 841782     | RUBBER GROMMET                               | 3   | THERMAL PROTECTION FIXING      |
| 5        | 876879     | ELASTIC SPACER                               | 3   | THERMAL PROTECTION FIXING      |
| 6        | 1A014818   | THERMAL PROTECTION                           | 1   |                                |
| 7        | B016627    | FLANGED HEXAGONAL HEAD SCREW                 | 2   | MUFFLER/FLY WHEEL COVER FIXING |
| 8        | B015320    | PLAIN WASHER                                 | 2   | MUFFLER/FLY WHEEL COVER FIXING |
| 9        | B015321    | CONICAL KNURLED WASHER                       | 2   | MUFFLER/FLY WHEEL COVER FIXING |
| 10       | 1A017964   | THERMAL PROTECTION WITH PANEL                | 1   |                                |
| 10.1     | 876879     | ELASTIC SPACER                               | 4   | PROTECTION FIXING              |
| 10.2     | 842908     | COVEX HEAD SCREW WITH TORX IMPRESSION        | 2   | PROTECTION FIXING              |
| 10.3     | 1A000244   | PLANE WASHER                                 | 2   | PROTECTION FIXING              |
| 10.4     | 287073     | WASHER X OIL PUMP DRIVEN GEAR-<br>8,2X16X0,5 | 2   | PROTECTION FIXING              |
| 11       | 1A018007   | GASKET                                       | 1   |                                |
| 12       | 018639     | SCREW M6X20                                  | 2   |                                |
| 13       | 16408      | SPRING WASHER M8                             | 2   |                                |
| 14       | SP1A017774 | LAMBDA SENSOR WITH HARNESS BAND              | 1   |                                |
| 15       | 436947     | FLANGED NUT M7X1 H=8                         | 2   |                                |

**1.19**  
**Fuel Tank**

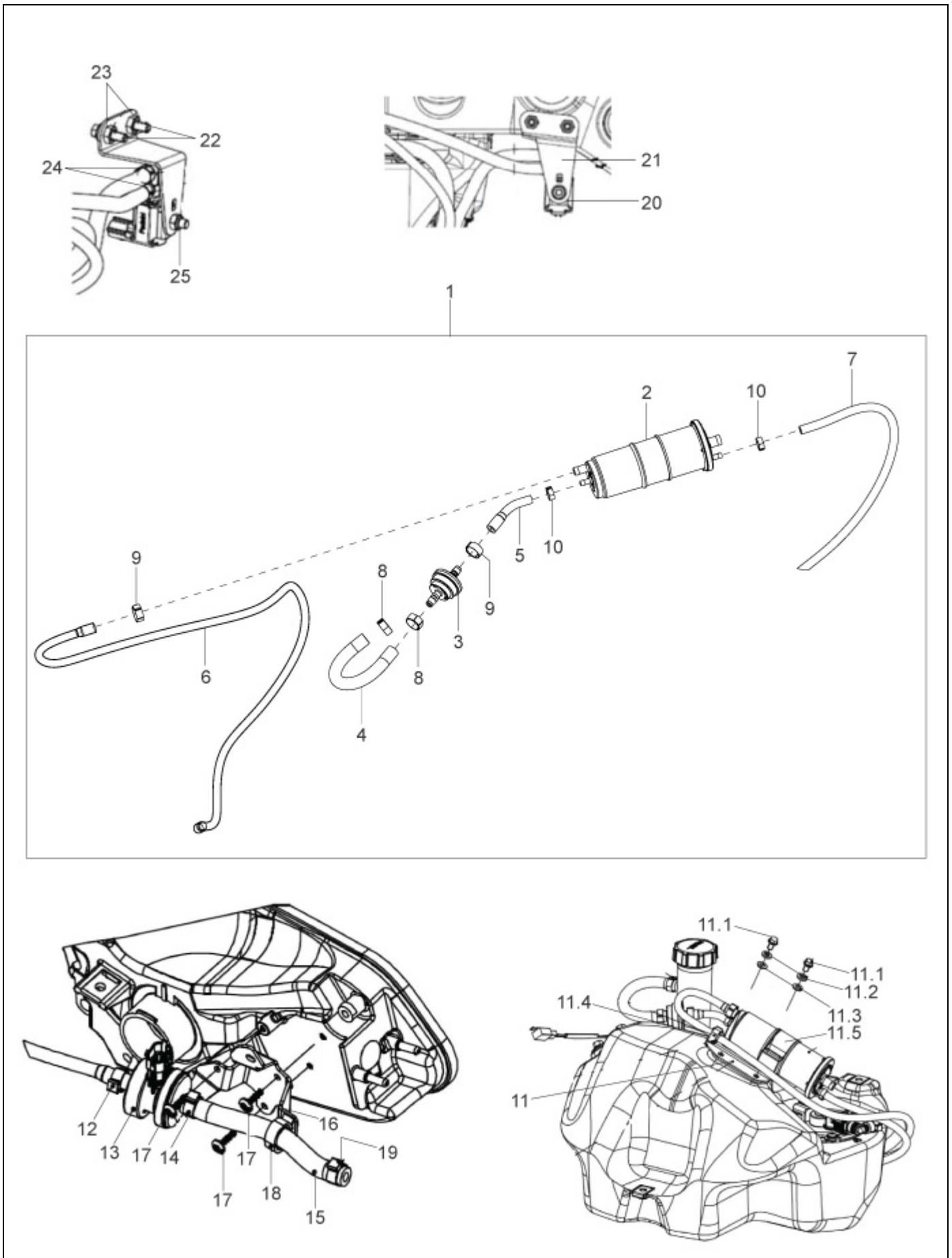




**1.19****Fuel Tank**

| <b>Fig. No.</b> | <b>Part No.</b> | <b>Description</b>           | <b>Qty</b> | <b>Remarks</b>                       |
|-----------------|-----------------|------------------------------|------------|--------------------------------------|
| 1               | SP1B006605      | COMPLETE FUEL TANK           | 1          |                                      |
| 2               | 1D002701        | FUEL PUMP                    | 1          |                                      |
| 2.1             | 1D003477        | FILTER                       | 1          |                                      |
| 3               | 848766          | SCREW                        | 6          | Fuel Pump Fixing                     |
| 4               | 6078            | PLAIN WASHER 12 X 5.2 X 1    | 6          | Fuel Pump Fixing                     |
| 5               | SKIT940057      | KIT FUEL TANK VESPA BSVI     | 1          | Includes bare Fuel tank & Cap        |
| 6               | 1D002971        | FUEL LEVEL GAUGE             | 1          |                                      |
| 7               | 436788          | FLANGED HEXAGONAL HEAD SCREW | 4          | Fuel Level Gauge Fixing              |
| 8               | 016406          | SPRING WASHER                | 4          | Fuel Level Gauge Fixing              |
| 9               | 1B004165        | PETROL TANK CAP              | 1          |                                      |
| 11              | 656021          | PACKING                      | 1          |                                      |
| 12              | 1B002953        | FUEL PUMP GASKET             | 1          |                                      |
| 13              | 676200          | GASKET                       | 1          | NS                                   |
| 14              | 1B005066        | FUEL PUMP SPRING HOLDER      | 1          |                                      |
| 15              | CM259204        | SPRING PLATE                 | 3          |                                      |
| 16              | 013880          | PLAIN WASHER                 | 1          |                                      |
| 17              | 016406          | SPRING WASHER                | 3          |                                      |
| 20              | 018639          | SCREW M6X20                  | 3          |                                      |
| 18              | 1B006957        | COMPLETE FUEL PIPE FLEXIBALE | 1          |                                      |
| 19              | CM001914        | CLAMP                        | 1          |                                      |
| 21              | 1B001321        | CLAMP                        | 1          |                                      |
| 21.1            | 969296          | HEXAGONAL FLANGED HEAD SCREW | 1          | Under Clamp Fixing Part              |
| 21.2            | 3056            | PLAIN WASHER M6 OD12         | 1          | Under Clamp Fixing Part              |
| 21.3            | 016406          | SPRING WASHER                | 1          | Under Clamp Fixing Part              |
| 22              | 1B001321        | CLAMP                        | 1          |                                      |
| 22.1            | CM259204        | SPRING PLATE                 | 1          | Pipe Fixing Parts before purge valve |
| 22.2            | 434541          | SCREW                        | 1          | Pipe Fixing Parts before purge valve |
| 22.3            | 016406          | SPRING WASHER                | 1          | Pipe Fixing Parts before purge valve |
| 23              | 1B006711        | FUEL PIPE BRACKET WITH I.P   | 1          |                                      |
| 24              | 848766          | SCREW                        | 2          |                                      |
| 25              | 1B001321        | CLAMP                        | 1          |                                      |
| 26              | 969296          | HEXAGONAL FLANGED HEAD SCREW | 1          |                                      |
| 27              | CM006908        | PIPINGS BETAINING SPRING     | 1          |                                      |
| 28              | CM013202        | STOP CABLE/PIPE SPRING       | 1          |                                      |

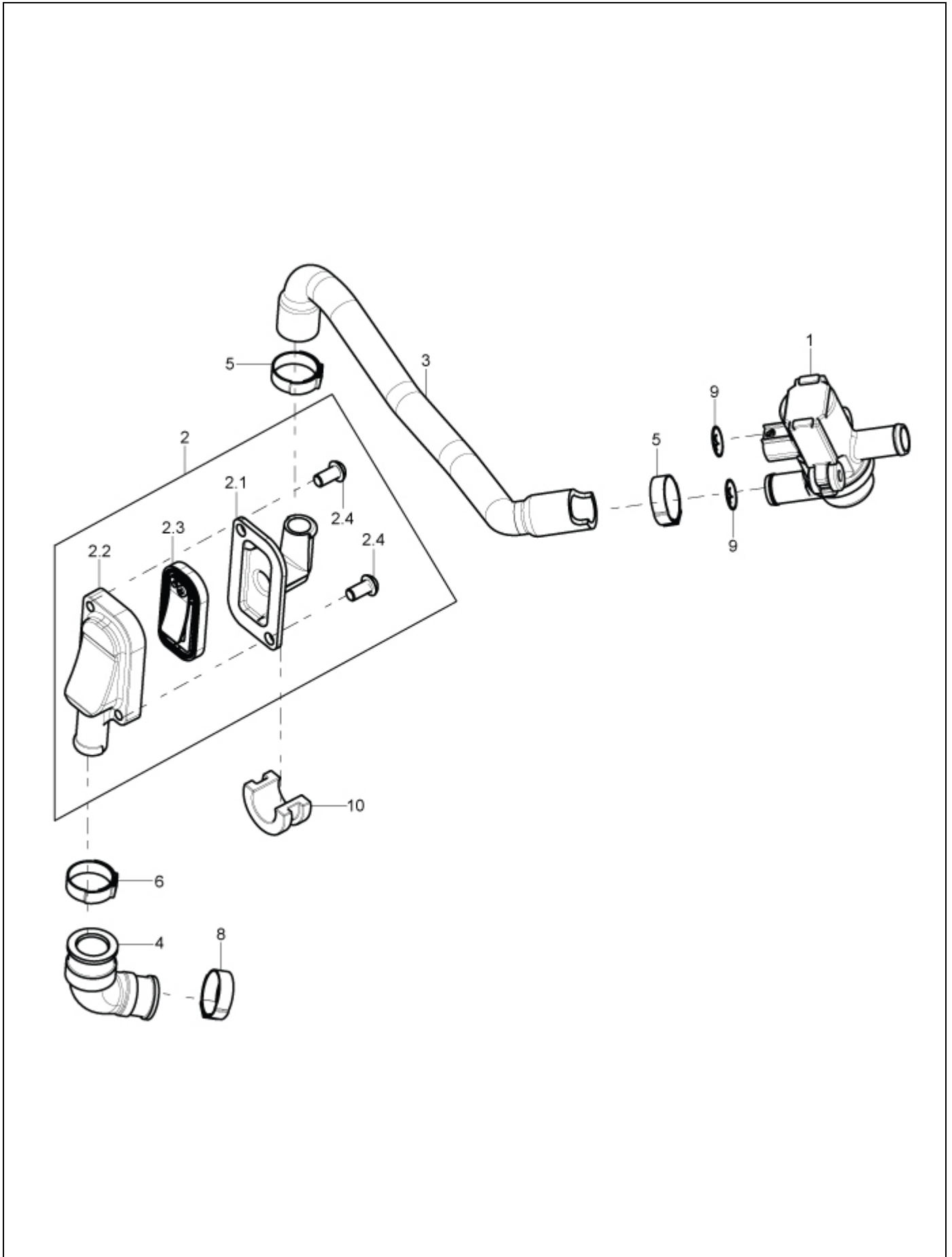
### 1.20 Canister



## 1.20 Canister

| Fig. No. | Part No.  | Description                   | Qty | Remarks                    |
|----------|-----------|-------------------------------|-----|----------------------------|
| 1        | 1B006961  | CANISTER WITH PIPES           | 1   | NS                         |
| 2        | 1B002848  | CANISTER                      | 1   |                            |
| 3        | 1B008067R | SAFETY VALVE                  | 1   |                            |
| 4        | CM177938  | HOSE SAE J30 R1               | 1   |                            |
| 5        | CM283429  | HOSE                          | 1   |                            |
| 6        | CM001233  | HOSE                          | 1   |                            |
| 6        | CM001235  | BASE PROFILE PIPE D.6X10,5    | 1   | Applicable for FL-20       |
| 7        | CM283434  | HOSE                          | 1   |                            |
| 8        | CM001914  | CLAMP                         | 2   |                            |
| 9        | CM001901  | CLAMP                         | 2   |                            |
| 10       | CM001912  | CLAMP                         | 2   |                            |
| 11       | 1B006796  | CANISTER PLATE SUPPORT        | 1   |                            |
| 11.1     | 969296    | HEXAGONAL FLANGED HEAD SCREW  | 2   | CANISTER WITH PIPES FIXING |
| 11.2     | 016406    | SPRING WASHER                 | 2   | CANISTER WITH PIPES FIXING |
| 11.3     | 3056      | PLAIN WASHER M6 OD12          | 2   | CANISTER WITH PIPES FIXING |
| 11.4     | 231590    | ELASTIC CLAMP                 | 1   | CANISTER WITH PIPES FIXING |
| 11.5     | 1B002849  | CANISTER SUPPORT              | 1   | CANISTER WITH PIPES FIXING |
| 12       | CM001914  | CLAMP                         | 1   |                            |
| 13       | CM287401  | COMPLETE AIR VALVE            | 1   |                            |
| 14       | CM001914  | CLAMP                         | 1   |                            |
| 15       | CM177919  | HOSE SAE J30 R11-A OR R12 1/4 | 1   |                            |
| 15       | CM001236  | BASE PROFILE PIPE D.6X10,5    | 1   | Applicable for FL-20       |
| 16       | 1B007884  | BRACKET                       | 1   |                            |
| 17       | 270793    | SCREW                         | 3   | BRACKET FIXING             |
| 18       | 641652    | SPRING                        | 1   | Pipe Fixing to Bracket     |
| 19       | CM001914  | CLAMP                         | 1   |                            |
| 19       | CM002903  | HOSE CLAMP                    | 1   | Applicable for FL-20       |
| 20       | 1A017882  | PURGE VALVE                   | 1   | Applicable for FL-20       |
| 21       | 1B007869  | SUPPORT BRACKET VALVE WITH IP | 1   | Applicable for FL-20       |
| 22       | 018639    | SCREW M6X20                   | 2   | Applicable for FL-20       |
| 23       | 016406    | SPRING WASHER                 | 2   | Applicable for FL-20       |
| 24       | CM001912  | CLAMP                         | 2   | Applicable for FL-20       |
| 25       | 709116    | HEXAGON NUT                   | 1   | Applicable for FL-20       |

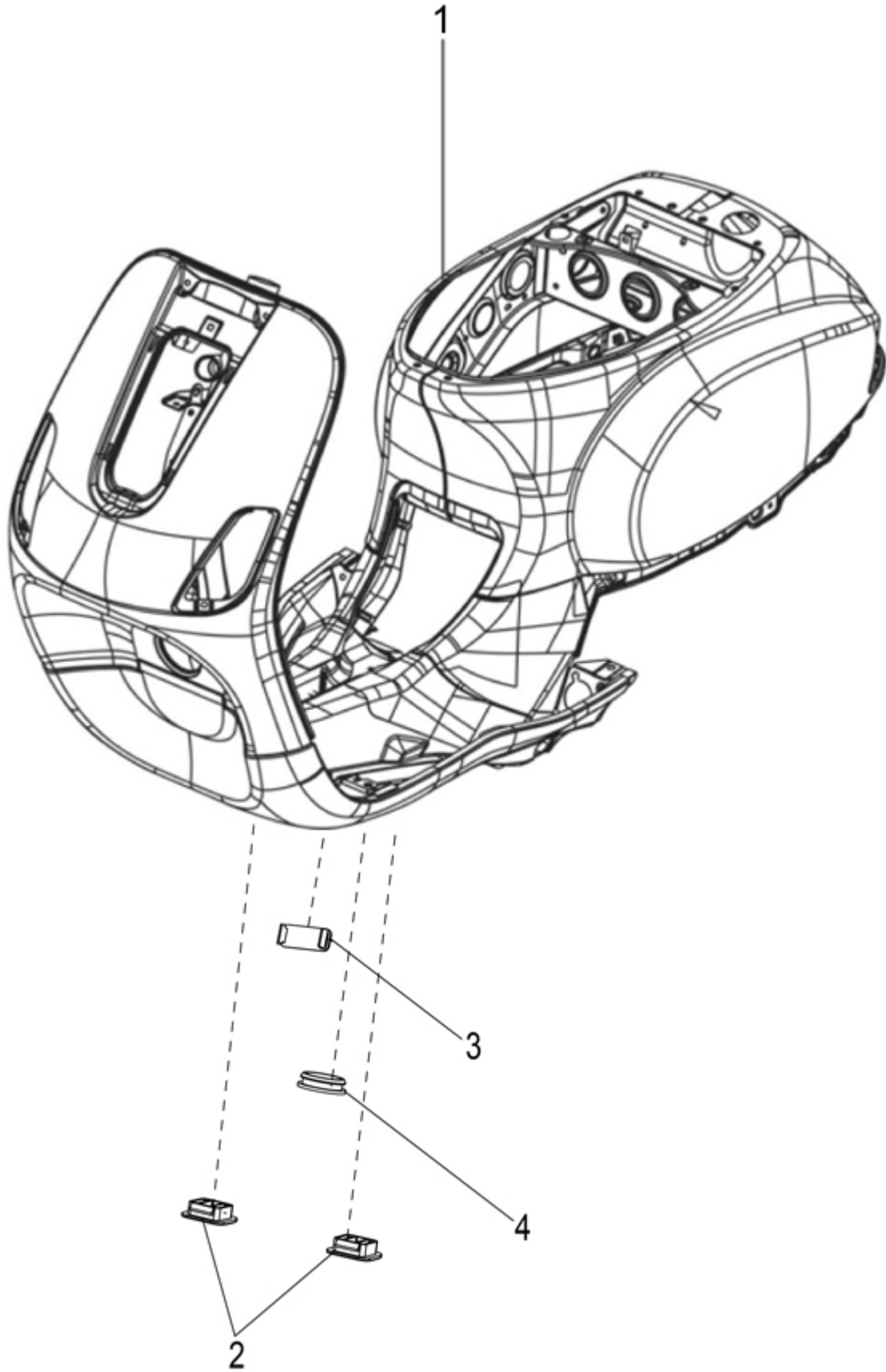
**1.22**  
**S.A.S. System**



**1.22****S.A.S. System**

| <b>Fig. No.</b> | <b>Part No.</b> | <b>Description</b>    | <b>Qty</b> | <b>Remarks</b>                    |
|-----------------|-----------------|-----------------------|------------|-----------------------------------|
| 1               | 1A014086        | AIR CUT VALVE         | 1          |                                   |
| 2               | SP1A0165444     | COMPLETE SAS VALVE    | 1          |                                   |
| 2.1             | 1A015026        | COVER SAS VALVE       | 1          |                                   |
| 2.2             | 1A016543        | SUPPORT SAS VALVE     | 1          |                                   |
| 2.3             | 1A017197        | COMPLETE REED VALVE   | 1          |                                   |
| 2.4             | 601039          | SCREW                 | 2          |                                   |
| 3               | 1A014095        | SAS INTAKE PIPE       | 1          |                                   |
| 4               | 1A017797        | S.A.S. BOX JOINT PIPE | 1          |                                   |
| 5               | CM001927        | HOSE CLAMP            | 2          | S.A.S. PIPE/ELECTRIC VALVE FIXING |
| 6               | 1A018013        | CLAMP                 | 1          | S.A.S. VALVE SLEEVE FIXING        |
| 7               | 257134          | RETAINING STRAP       | 1          | S.A.S. VALVE SLEEVE FIXING        |
| 8               | CM001927        | HOSE CLAMP            | 1          | S.A.S. VALVE SLEEVE FIXING        |
| 9               | 230359          | CLIP                  | 2          |                                   |
| 10              | 1A014309        | GROMMET               | 1          |                                   |

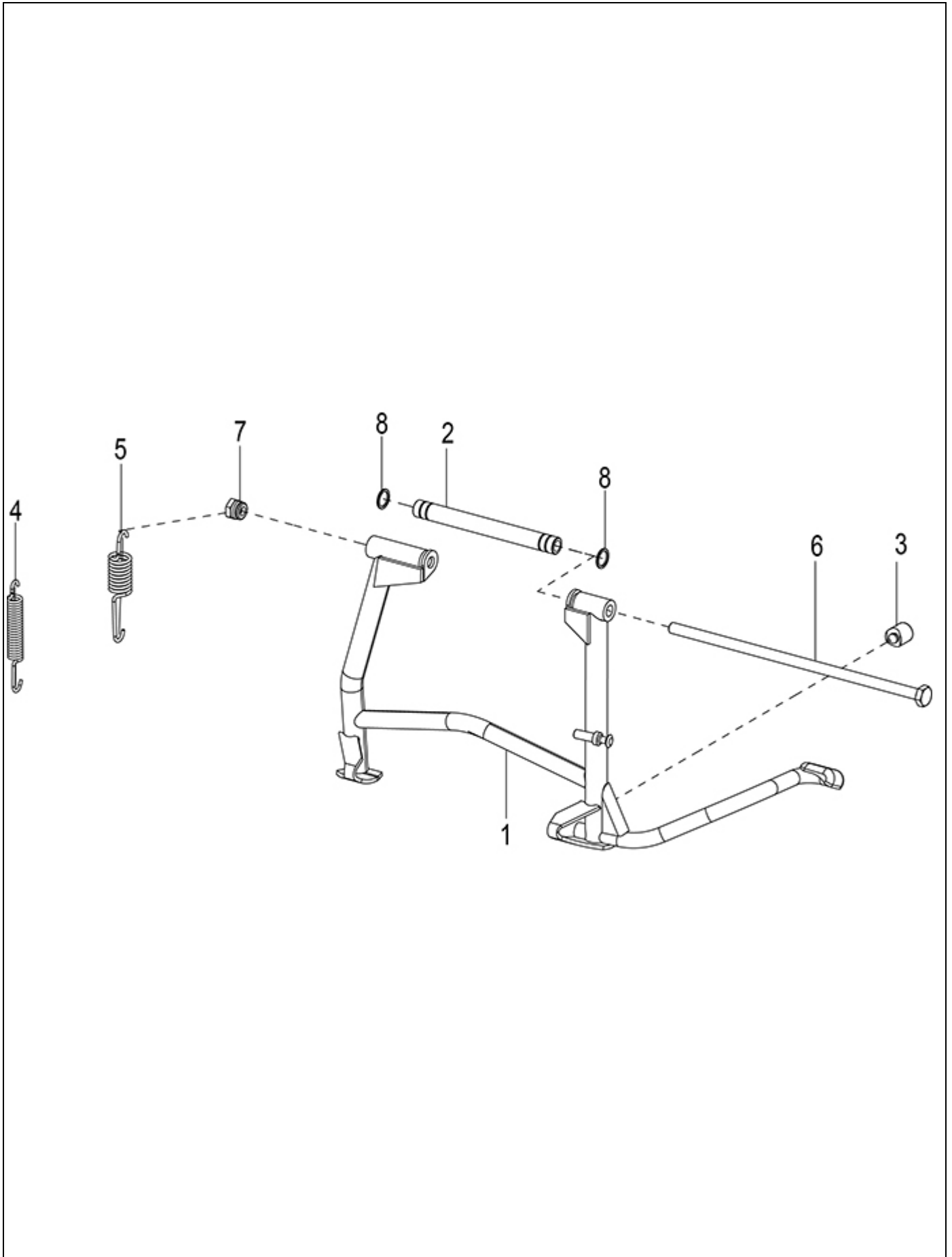
**2.01**  
**Frame**



## 2.01 Frame

| Fig. No. | Part No.      | Description                            | Qty | Remarks           |
|----------|---------------|--|-----|-------------------|
| 1        | SP1B007300HL  | SHELL (PAINTED)FY VESPAÂ??MAZE GREY    | 1   | Vespa LX/VXL/ZX   |
| 1        | SP1B007300GP  | SHELL (PAINTED) FL VESPA-YELLOW        | 1   | Vespa LX/VXL/ZX   |
| 1        | SP1B007300R7  | SHELL WITH I.P. (PAINTED)-RED          | 1   | Vespa LX/VXL/ZX   |
| 1        | SP1B007300NL  | SHELL WITH I.P. MAT BLACK              | 1   | Vespa LX/VXL/ZX   |
| 1        | SP1B007300Q4  | SHELL WITH I.P. PEARL WHITE            | 1   | Vespa LX/VXL/ZX   |
| 1        | SP1B00730M02  | SHELL WITH I.P. VXL MATT BRONZE        | 1   | COLOR PART        |
| 1        | SP1B007300D02 | SHELL (PAINTED) VESPA MY 20 BSVI-AZURE | 1   | Vespa LX/VXL/ZX   |
| 1        | SP1B007300VR  | SHELL (PAINTED)FL VESPA - V.RED        | 1   | Vespa LX/VXL/ZX   |
| 2        | 299557        | PLUG                                   | 2   | FRAME PLUGS GROUP |
| 3        | 299558        | PLUG                                   | 1   | FRAME PLUGS GROUP |
| 4        | 299559        | PLUG                                   | 1   | FRAME PLUGS GROUP |

**2.02**  
**Stands**





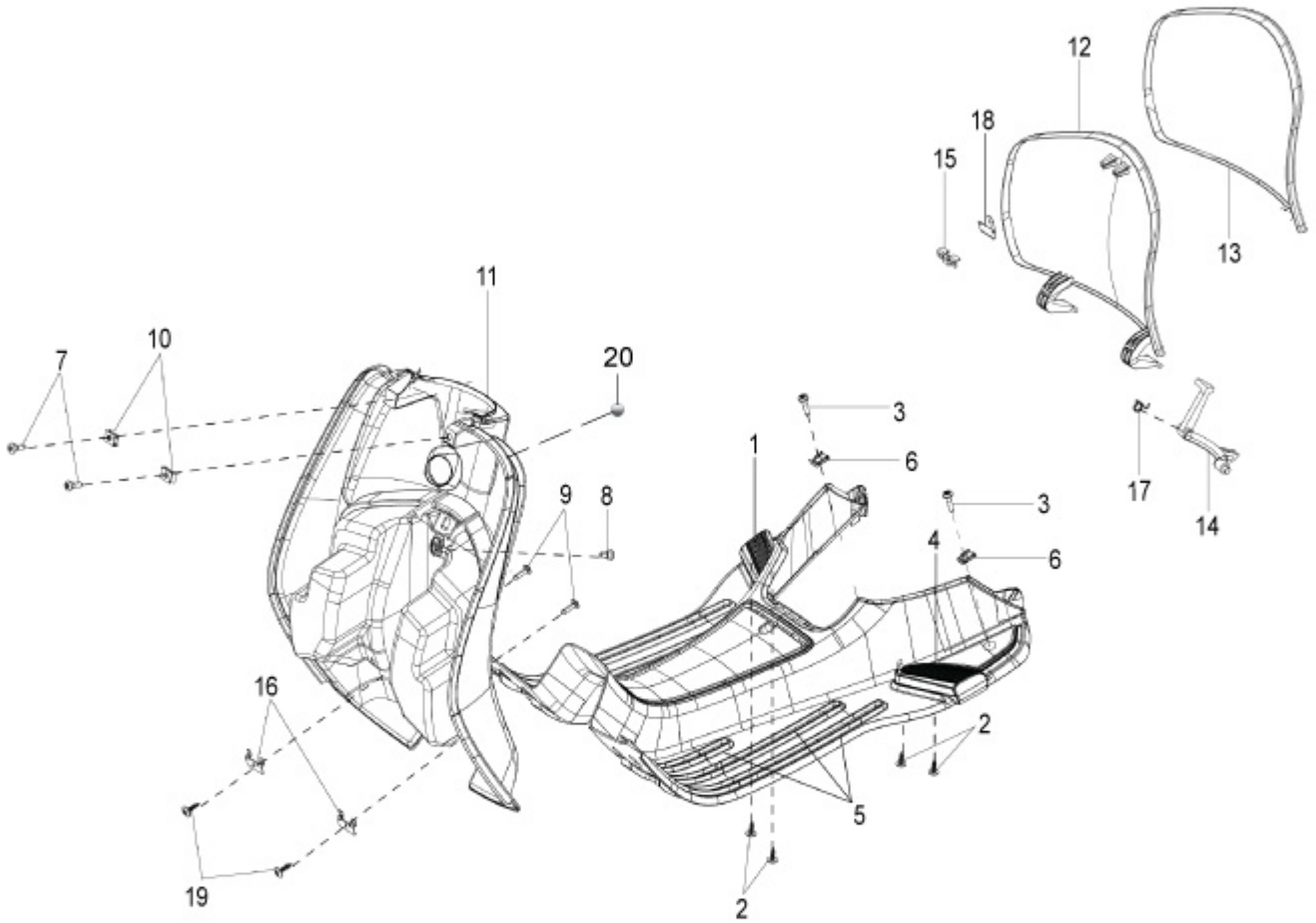
## 2.02 Stands

| Fig. No. | Part No. | Description                    | Qty | Remarks                                  |
|----------|----------|--------------------------------|-----|--|
| 1        | 1C000111 | CENTRAL STAND WITH I.P.        | 1   |  |
| 2        | 668585   | SPACER                         | 1   | CENTRAL STAND<br>COMPONENTS/FIXING GROUP |
| 3        | 666484   | STOPPER                        | 1   | CENTRAL STAND<br>COMPONENTS/FIXING GROUP |
| 4        | 667566   | SPRING (INNER)                 | 1   | CENTRAL STAND<br>COMPONENTS/FIXING GROUP |
| 5        | 667567   | SPRING (OUTSIDE)               | 1   | CENTRAL STAND<br>COMPONENTS/FIXING GROUP |
| 6        | 597043   | HEXAGONAL HEAD SCREW           | 1   | CENTRAL STAND<br>COMPONENTS/FIXING GROUP |
| 7        | 002440   | SELF LOCKING NUT               | 1   | CENTRAL STAND<br>COMPONENTS/FIXING GROUP |
| 8        | 273754   | OIL SEAL FOR VEHICLE STAND PIN | 2   | CENTRAL STAND<br>COMPONENTS/FIXING GROUP |



## 2.03

### Front Luggage and foot rest



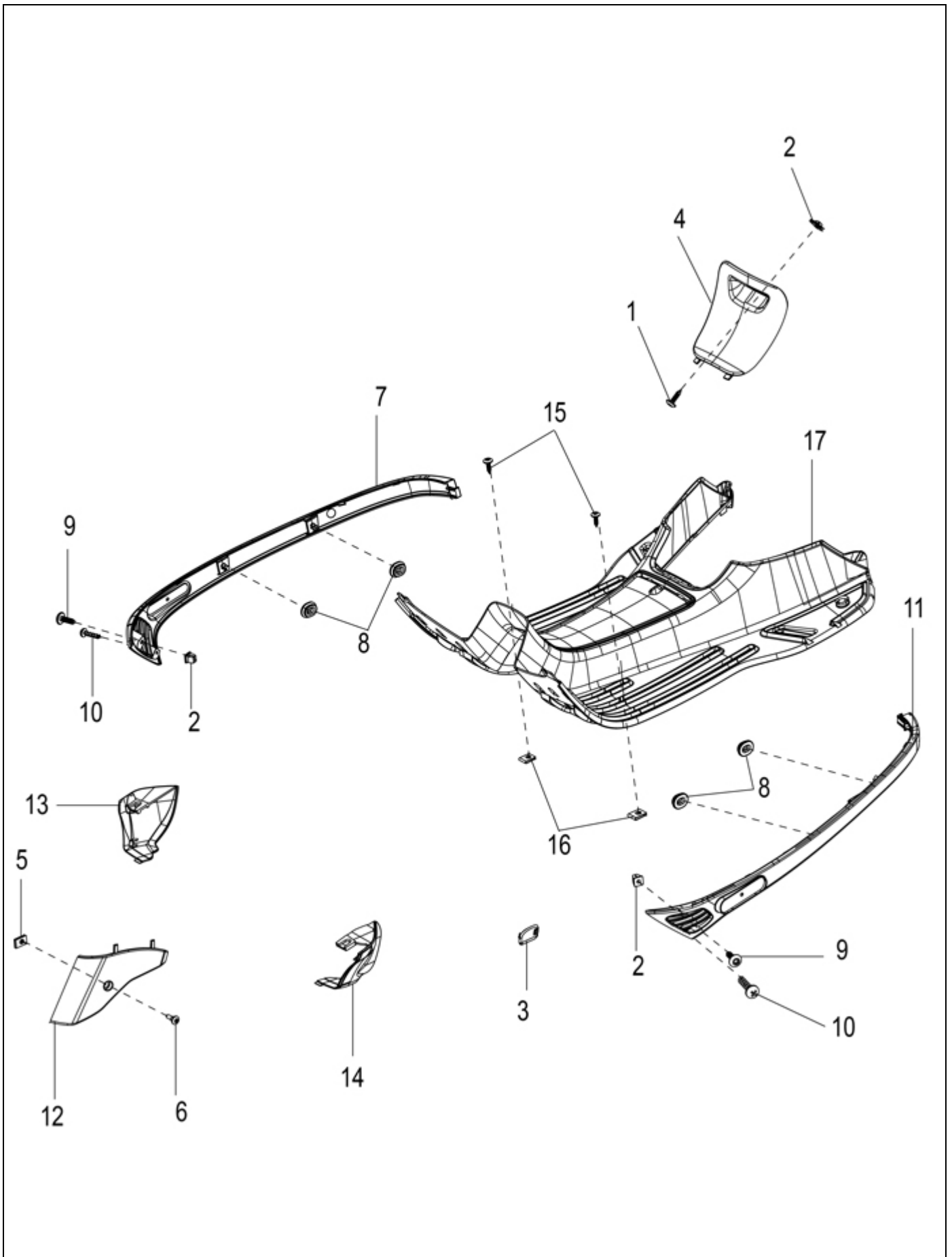
**2.03****Front Luggage and foot rest**

| <b>Fig. No.</b> | <b>Part No.</b>  | <b>Description</b>                             | <b>Qty</b> | <b>Remarks</b>                   |
|-----------------|------------------|--|------------|----------------------------------|
| 1               | 673261           | RIGHT PASSENGER FOOTREST                       | 1          |                                  |
| 2               | 297498           | SELF TAPPING SCREW                             | 4          | LT/RT PASSENGER FOOTBOARD FIXING |
| 3               | CM179303         | METRICAL SCREW (TORX IMPRESSION)               | 2          | LT/RT PASSENGER FOOTBOARD FIXING |
| 4               | 673260           | LEFT PASSENGER FOOTREST                        | 1          |                                  |
| 5               | 672681           | FOOTREST STRIPES KIT                           | 1          |                                  |
| 6               | CM259201         | SPRING PLATE                                   | 2          | FRONT LUGGAGE FIXING             |
| 7               | 575249           | METRICAL SCREW WITH CROSS MOULD                | 2          | FRONT LUGGAGE FIXING             |
| 8               | 259348           | METRICAL SCREW WITH CROSS MOULD                | 1          | FRONT LUGGAGE FIXING             |
| 9               | CM179302         | METRICAL SCREW                                 | 2          | FRONT LUGGAGE FIXING             |
| 10              | 254485           | SPRING PLATE (M6)                              | 2          |                                  |
| 11              | SP1B006305000HL  | SPD FR GLOVE COMPART GREY                      | 1          | COLOR PART                       |
| 11              | SP1B006305000GP  | SPD FR GLOVE COMPART YELLOW                    | 1          | COLOR PART                       |
| 11              | SP1B006305000R7  | SPD FR GLOVE COMPART RED                       | 1          | COLOR PART                       |
| 11              | SP1B006305000NL  | SPD FR GLOVE COMPART M.BLACK                   | 1          | COLOR PART                       |
| 11              | SP1B006305000Q4  | SPD FR GLOVE COMPART P.WHITE                   | 1          | COLOR PART                       |
| 11              | SP1B06305M02     | FRONT GLOVE COMPARTEMENT VXL MATT BRONZE       | 1          | COLOR PART                       |
| 11              | SP1B006305000VR  | SPD FR GLOVE COMPART VIBRANT RED               | 1          | Applicable For FL-20             |
| 11              | SP1B006305000D02 | SPDFR GLOVE COMPART A.PROVEN                   | 1          | COLOR PART                       |
| 12              | S67551800HL      | FRONT LUGGAGE DOOR -MAZE GRAY                  | 1          | COLOR PART                       |
| 12              | S67551800GP      | FRONT LUGGAGE DOOR YELLOW-SPD                  | 1          | COLOR PART                       |
| 12              | S67551800R7      | FRONT LUGGAGE DOOR RED- SPD                    | 1          | COLOR PART                       |
| 12              | S67551800NL      | FRONT LUGGAGE DOOR LE DRILL-MAT BLAC           | 1          | COLOR PART                       |
| 12              | S67551800VR      | GLOVE COMPARTMENT DOOR-VIBRANT RED             | 1          | Applicable For FL-20             |
| 12              | S67551800Q4      | FRONT LUGGAGE COMPARTMENT DOOR - PEARL WHITE   | 1          | COLOR PART                       |
| 12              | SP6755180M02     | FRONT LUGGAGE COMPARTMENT DOOR VXL MATT BRONZE | 1          | COLOR PART                       |
| 12              | SP67551800D02    | FR LUGGAGE COMP DOOR SPD-AZZURO PROVENZO       | 1          | COLOR PART                       |
| 13              | CM006304         | PACKING  | 1          |                                  |
| 14              | 295528           | HOOK FOR FRONT GLOVE COMPARTMENT               | 1          |                                  |
| 15              | 252420           | BRACKET FOR CENTRAL FLAP LOCKER                | 1          |                                  |
| 16              | 257614           | DOOR SEGURING PLATE                            | 2          |                                  |
| 17              | 257617           | SPRING FOR FRONT GLOVE COMPARTMENT HOOK        | 1          |                                  |
| 18              | 573057           | SPRING FOR CENTRAL FLAP HOOK                   | 1          |                                  |
| 19              | 297498           | SELF TAPPING SCREW                             | 4          |                                  |
| 20              | 4A000016         | EXPANSION PLUG                                 | 1          |                                  |



2.04

Body Parts- Spark Plug Inspection door, Fairing



**2.04****Body Parts- Spark Plug Inspection door,Fairing**

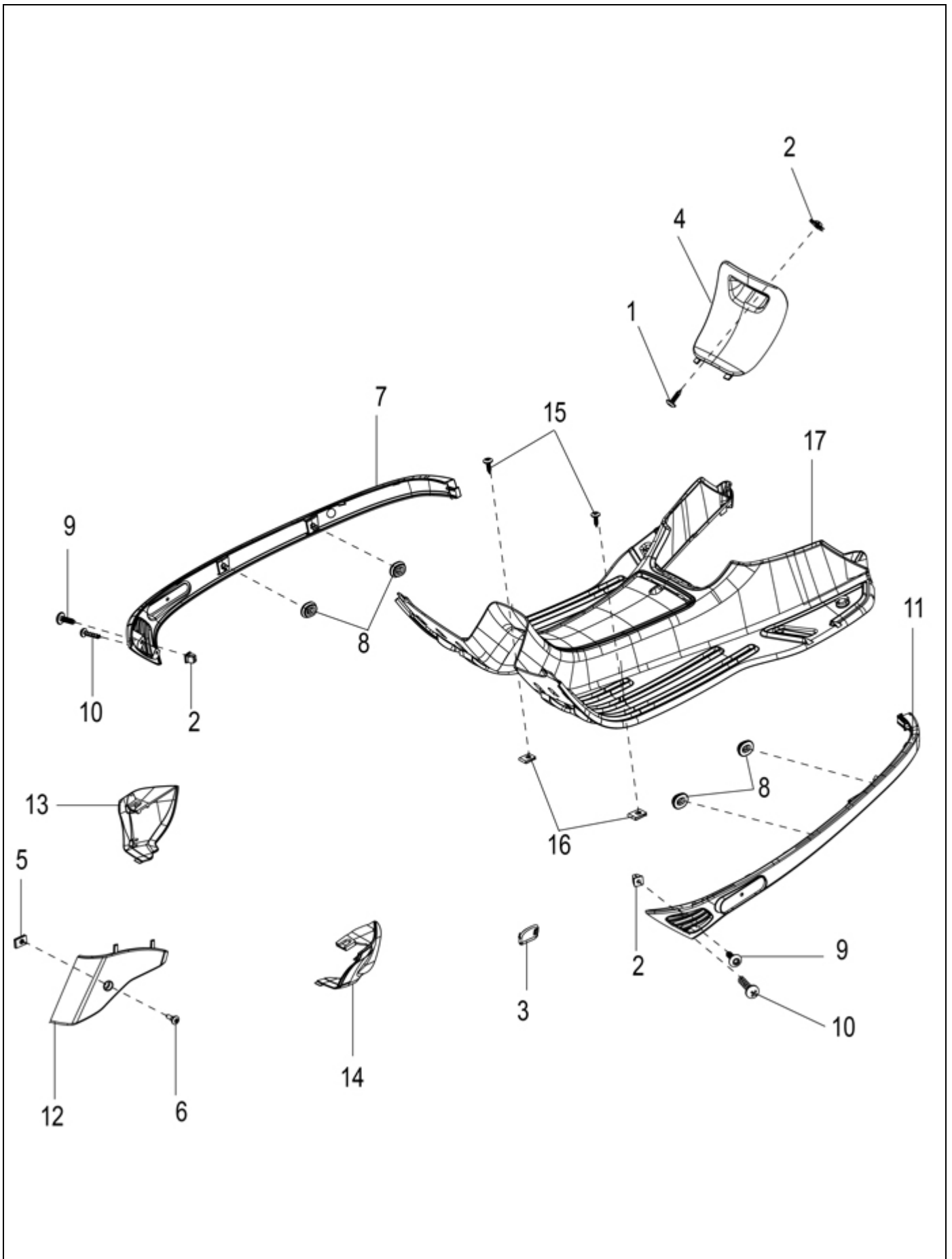
| <b>Fig. No.</b> | <b>Part No.</b> | <b>Description</b>                            | <b>Qty</b> | <b>Remarks</b>                    |
|-----------------|-----------------|---|------------|-----------------------------------|
| 1               | 576189          | SCREW   | 1          | SPARK PLUG INSPECTION DOOR FIXING |
| 2               | 157716          | SCREW ANCHORE                                 | 1          | SPARK PLUG INSPECTION DOOR FIXING |
| 2               | 157716          | SCREW ANCHORE                                 | 2          | LOWER LEFT/RIGHT FAIRING FIXING   |
| 3               | 620556          | SPOILER PLUG                                  | 2          |                                   |
| 4               | S67521700HL     | SPARKING PLUG INSP.DOOR-MAZE GRAY             | 1          | COLOR PART                        |
| 4               | S67521700GP     | SPARKING PLUG INSP. DOOR-YELLOW               | 1          | COLOR PART                        |
| 4               | S67521700BR     | SPARKING PLUG INSP.DOOR-WHITE                 | 1          | COLOR PART                        |
| 4               | S67521700R7     | SPARKING PLUG INSP. DOOR-RED DRAGON           | 1          | COLOR PART                        |
| 4               | S67521700NL     | SPARKING PLUG INSPECTION DOOR (VS) -MAT BLACK | 1          | COLOR PART                        |
| 4               | S67521700Q4     | SPARKING PLUG INSPECTION DOOR - PEARL WHITE   | 1          | COLOR PART                        |
| 4               | SP6752170M02    | SPARKING PLUG INSPECTION DOOR VXL MATT BRONZE | 1          | COLOR PART                        |
| 4               | S67521700T5     | SPARKING PLUG INSP.DOOR-AZURE BLUE            | 1          | COLOR PART                        |
| 4               | SP67521700D02   | SPARKING PLUG INSP DOOR SPD-AZZURO PROVE      | 1          | COLOR PART                        |
| 5               | CM259202        | SPRING PLATE                                  | 2          | SUSPENSION FRONT COVER FIXING     |
| 6               | 575249          | METRICAL SCREW WITH CROSS MOULD               | 2          | SUSPENSION FRONT COVER FIXING     |
| 7               | S67267900HL     | LOWER RIGHT FAIRING -MAZE GRAY                | 1          | COLOR PART                        |
| 7               | S67267900GP     | LOWER RIGHT FAIRING -YELLOW                   | 1          | COLOR PART                        |
| 7               | S67267900BR     | LOWER RIGHT FAIRING -WHITE                    | 1          | COLOR PART                        |
| 7               | S67267900R7     | LOWER RIGHT FAIRING -RED DRAGON               | 1          | COLOR PART                        |
| 7               | S67267900NL     | LOWER RIGHT FAIRING- MAT BLACK                | 1          | COLOR PART                        |
| 7               | S67267900Q4     | LOWER RIGHT FAIRING - PEARL WHITE             | 1          | COLOR PART                        |
| 7               | SP6726790M02    | LOWER RIGHT FAIRING VXL MATT BRONZE           | 1          | COLOR PART                        |
| 7               | S67267900T5     | LOWER RIGHT FAIRING-AZURE BLUE                | 1          | COLOR PART                        |
| 7               | SP67267900D02   | LOWER RIGHT FAIRING SPD- AZZURO PROVENZO      | 1          | COLOR PART                        |
| 8               | 463195          | BUFFER FOR FAIRING FITTING                    | 4          | LOWER LEFT/RIGHT FAIRING FIXING   |
| 9               | CM178603        | THREAD FORMING SCREW                          | 2          | LOWER LEFT/RIGHT FAIRING FIXING   |
| 10              | 296141          | SELF THREADING SCREW                          | 2          | LOWER LEFT/RIGHT FAIRING FIXING   |
| 11              | S67268000HL     | LOWER LEFT FAIRING -MAZE GRAY                 | 1          | COLOR PART                        |
| 11              | S67268000GP     | LOWER LEFT FAIRING- YELLOW                    | 1          | COLOR PART                        |
| 11              | S67268000BR     | LOWER LEFT FAIRING- WHITE                     | 1          | COLOR PART                        |
| 11              | S67268000R7     | LOWER LEFT FAIRING- RED DRAGON                | 1          | COLOR PART                        |
| 11              | S67268000NL     | LOWER LEFT FAIRING -MAT BLACK                 | 1          | COLOR PART                        |
| 11              | S67268000Q4     | LOWER LEFT FAIRING - PEARL WHITE              | 1          | COLOR PART                        |
| 11              | SP6726800M02    | LOWER LEFT FAIRING VXL MATT BRONZE            | 1          | COLOR PART                        |
| 11              | S67268000T5     | LOWER LEFT FAIRING -AZURE BLUE                | 1          | COLOR PART                        |





2.04

Body Parts- Spark Plug Inspection door, Fairing



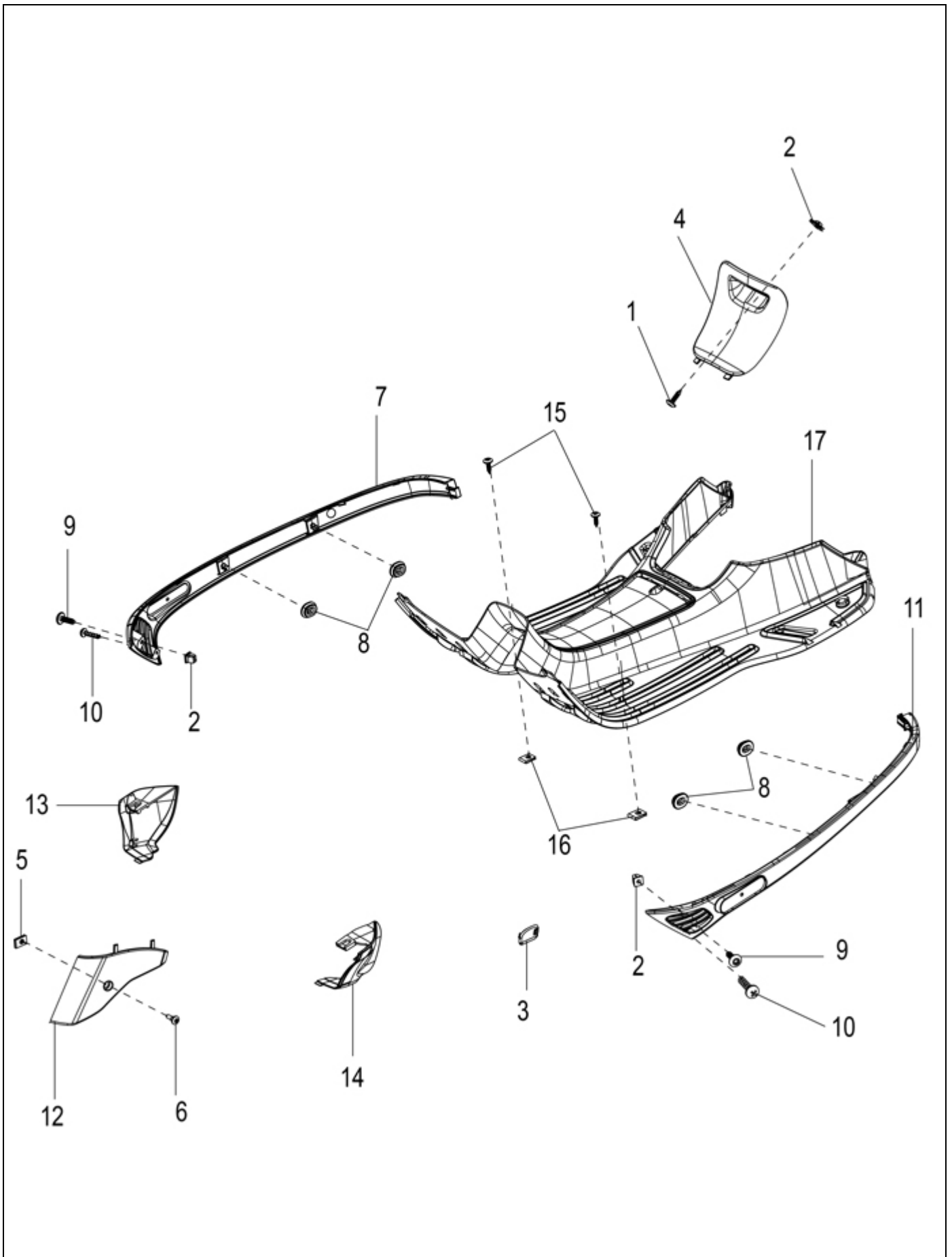
**2.04****Body Parts- Spark Plug Inspection door,Fairing**

| Fig. No. | Part No.         | Description                                   | Qty | Remarks          |
|----------|------------------|---|-----|------------------|
| 11       | SP67268000D02    | LOWER LEFT FAIRING SPD-AZZURO<br>PROVENZO     | 1   | COLOR PART       |
| 12       | SP1B002515000HL  | FRONT SUSPENSION COVER MAZE GRAY              | 1   | COLOR PART       |
| 12       | SP1B002515000GP  | COVER FOR FRONT SUSPENS.-YELLOW               | 1   | COLOR PART       |
| 12       | SP1B002515000BR  | COVER FOR FRONT SUSPENS.-WHITE                | 1   | COLOR PART       |
| 12       | S66730600R7      | COVER FOR FRONT SUSPENSION-RED<br>DRAGON      | 1   | COLOR PART       |
| 12       | SP1B002515000NL  | COVER FOR FRONT SUSPENSION (VS) -MAT<br>BLACK | 1   | COLOR PART       |
| 12       | SP1B002515000Q4  | FRONT SUSPENSION COVER - PEARL WHITE          | 1   | COLOR PART       |
| 12       | SP1B002515000T5  | FRONT SUSPENSION COVER AZURE BLUE             | 1   | COLOR PART       |
| 12       | SP1B002515000D02 | COVER FOR FRONT SUSP SPD-AZZURO<br>PROVENZO   | 1   | COLOR PART       |
| 13       | S67268500HL      | RIGHT TERMINAL SPOILER-MAZE GRAY              | 1   | COLOR PART       |
| 13       | SP1B007271GP     | RIGHT TERMINAL SPOILER- YELLOW                | 1   | COLOR PART       |
| 13       | S67268500BR      | RIGHT TERMINAL SPOILER- WHITE                 | 1   | COLOR PART       |
| 13       | S67268500R7      | RIGHT TERMINAL SPOILER- RED DRAGON            | 1   | COLOR PART       |
| 13       | S67268500NL      | RIGHT TERMINAL SPOILER (VS) -MAT BLACK        | 1   | COLOR PART       |
| 13       | S67268500Q4      | RIGHT TERMINAL SPOILER - PEARL WHITE          | 1   | COLOR PART       |
| 13       | S67268500T5      | RIGHT TERMINAL SPOILER- AZURE BLUE            | 1   | COLOR PART       |
| 13       | SP67268500000D02 | RIGHT TERMINAL SPOILER SPD-AZZURO<br>PROVEN   | 1   | COLOR PART       |
| 14       | S67268600HL      | LEFT TERMINAL SPOILER -MAZE GRAY              | 1   | COLOR PART       |
| 14       | S67268600GP      | LEFT TERMINAL SPOILER - YELLOW                | 1   | COLOR PART       |
| 14       | S67268600BR      | LEFT TERMINAL SPOILER - WHITE                 | 1   | COLOR PART       |
| 14       | S67268600R7      | LEFT TERMINAL SPOILER - RED DRAGON            | 1   | COLOR PART       |
| 14       | S67268600NL      | LEFT TERMINAL SPOILER (VS) -MAT BLACK         | 1   | COLOR PART       |
| 14       | S67268600Q4      | LEFT TERMINAL SPOILER - PEARL WHITE           | 1   | COLOR PART       |
| 14       | SP6726860M02     | LEFT TERMINAL SPOILER VXL MATT BRONZE         | 1   | COLOR PART       |
| 14       | S67268600T5      | LEFT TERMINAL SPOILER -AZURE BLUE             | 1   | COLOR PART       |
| 14       | SP67268600000D02 | LEFT TERMINAL SPOILER SPD-AZZURO<br>PROVENZ   | 1   | COLOR PART       |
| 15       | 576189           | SCREW   | 1   | FOOTBOARD FIXING |
| 16       | CM017406         | SPRING PLATE                                  | 2   | FOOTBOARD FIXING |
| 17       | SP1B005791000HL  | FOOT BOARD - GREY                             | 1   | COLOR PART       |
| 17       | SP1B005791000GP  | FOOT BOARD - YELLOW                           | 1   | COLOR PART       |
| 17       | SP1B005791000BR  | FOOT BOARD - WHITE                            | 1   | COLOR PART       |
| 17       | SP1B005791000R7  | FOOT BOARD - RED                              | 1   | COLOR PART       |
| 17       | SP1B005791000NL  | FOOT BOARD - MATT BLACK                       | 1   | COLOR PART       |
| 17       | SP1B005791000Q4  | FOOT BOARD - PEARL WHITE                      | 1   | COLOR PART       |
| 17       | SP1B05791M02     | FOOTBOARD VXL MATT BRONZE                     | 1   | COLOR PART       |



2.04

Body Parts- Spark Plug Inspection door, Fairing

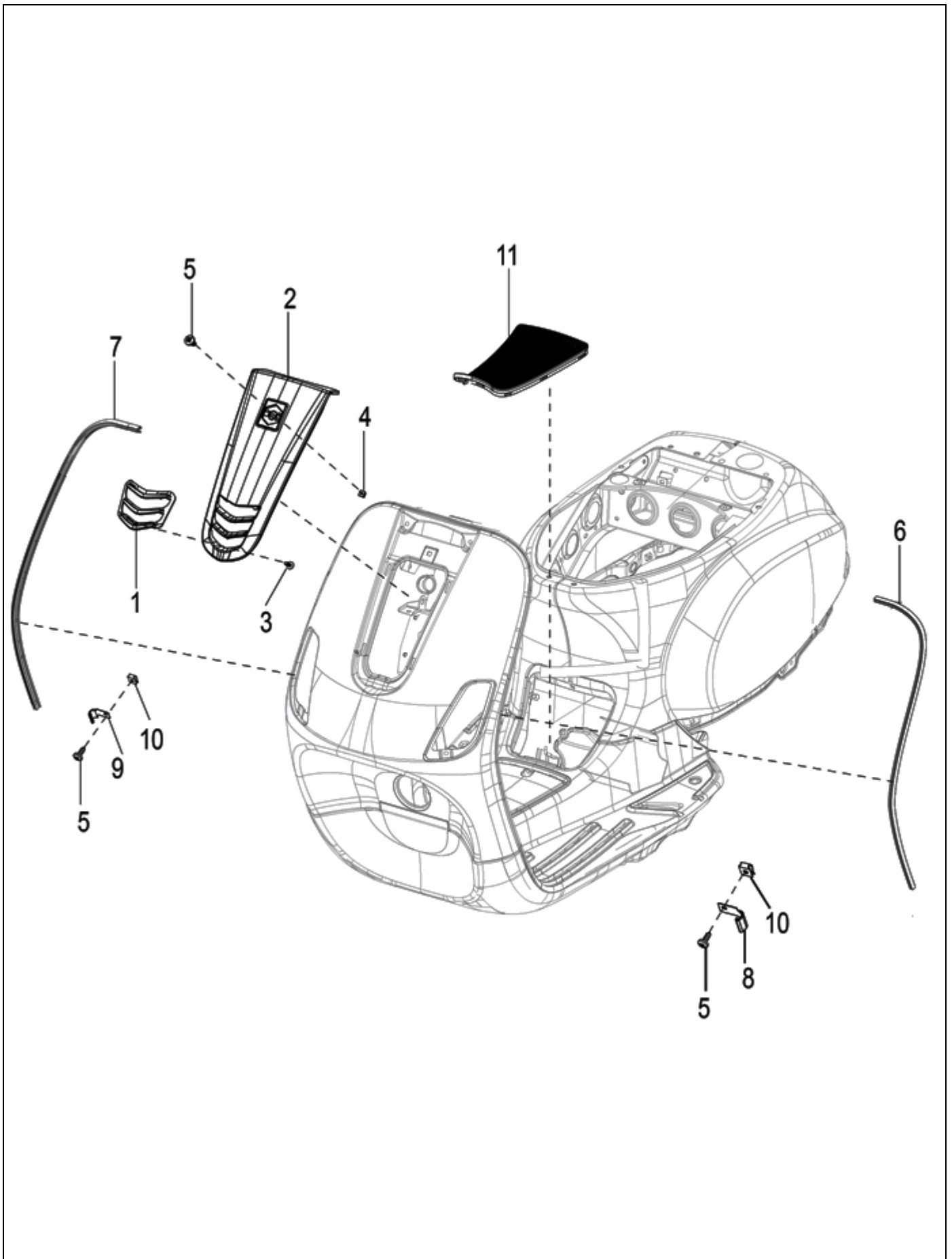


**2.04****Body Parts- Spark Plug Inspection door,Fairing**

| <b>Fig. No.</b> | <b>Part No.</b>  | <b>Description</b>            | <b>Qty</b> | <b>Remarks</b> |
|-----------------|------------------|-------------------------------|------------|----------------|
| 17              | SP1B005791000T5  | FOOT BOARD - AZURE BLUE       | 1          | COLOR PART     |
| 17              | SP1B005791000D02 | FOOT BOARD - AZZURRO PROVENZO | 1          | COLOR PART     |

2.05

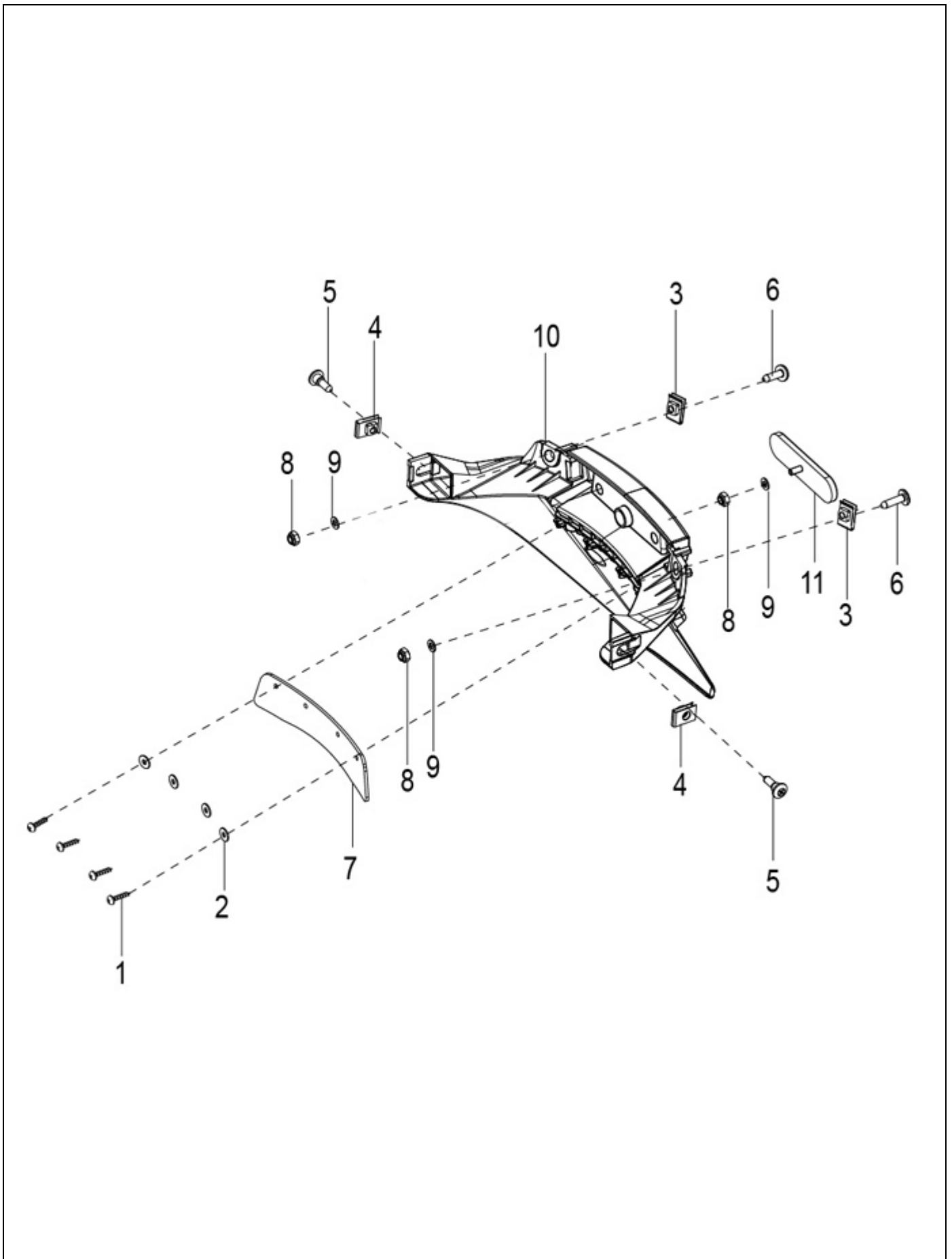
Body Parts- Steering Cover,Shield Board



**2.05****Body Parts- Steering Cover,Shield Board**

| <b>Fig. No.</b> | <b>Part No.</b>  | <b>Description</b>                         | <b>Qty</b> | <b>Remarks</b>           |
|-----------------|------------------|--|------------|--------------------------|
| 1               | 1B002222         | GRID                                       | 1          |                          |
| 2               | S00206600HL      | COVERING STEERING-VXL-MAZE GRAY            | 1          | COLOR PART               |
| 2               | S00206600GP      | COVERING STEERING-VXL YELLOW               | 1          |                          |
| 2               | S00206600R7      | COVERING STEERING-VXL RED                  | 1          |                          |
| 2               | S00206600NL      | COVERING STEERING-VXL MAT BLACK            | 1          |                          |
| 2               | S00206601Q4      | COVERING STEERING-VXL PEARL WHITE ELEGANTE | 1          |                          |
| 2               | SP1B02066M02     | STEERING COVER VXL MATT BRONZE             | 1          | COLOR PART               |
| 2               | SP1B002066000D02 | STEERING COVER SPD-AZZURO PROVENZO         | 1          |                          |
| 2               | SP1B002066000VR  | STEERING COVER-SPD                         | 1          | Applicable For FL-20     |
| 3               | 267958           | SCREW                                      | 1          | STEERING COVER FIXING    |
| 4               | 157716           | SCREW ANCHORE                              | 1          | STEERING COVER FIXING    |
| 5               | 8432             | SCREW                                      | 1          | STEERING COVER FIXING    |
| 5               | 8432             | SCREW                                      | 2          | COUPLING COVER FASTENERS |
| 6               | 622187           | LEFT SIDE SHIELD BOARD                     | 1          |                          |
| 7               | 622188           | RIGHT SIDE SHIELD BOARD                    | 1          |                          |
| 8               | 299964           | TIGHTENING X LEGSHIELD BEADING (L.H.)      | 1          |                          |
| 9               | 299965           | TIGHTENING X LEGSHIELD BEADING (R.H.)      | 1          |                          |
| 10              | CM017403         | SPRING PLATE                               | 2          | COUPLING COVER FASTENERS |
| 11              | 657125           | CENTRAL CARMAT                             | 1          |                          |

**2.06**  
**Rear Protection**



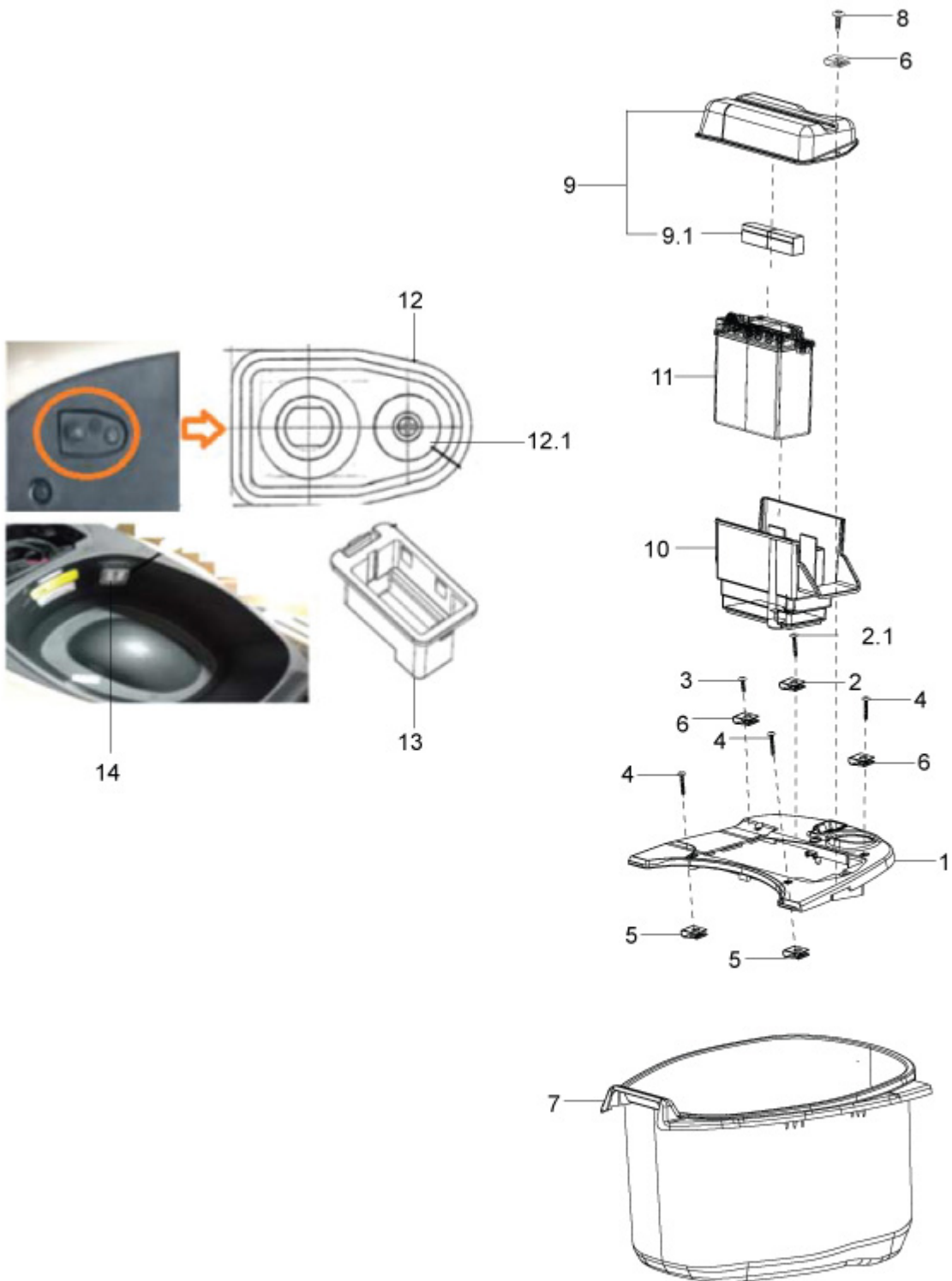


**2.06****Rear Protection**

| <b>Fig. No.</b> | <b>Part No.</b>  | <b>Description</b>                  | <b>Qty</b> | <b>Remarks</b>                     |
|-----------------|------------------|-------------------------------------|------------|------------------------------------|
| 1               | 296141           | SELF THREADING SCREW                | 2          | GEAR MUDFLAT FIXING                |
| 2               | 013763           | PLAIN WASHER (4,2X12X1)             | 4          | GEAR MUDFLAT FIXING                |
| 3               | CM259202         | SPRING PLATE                        | 2          | REAR PROTECTION FIXING             |
| 4               | CM259203         | SPRING PLATE                        | 2          | REAR PROTECTION FIXING             |
| 5               | 575249           | METRICAL SCREW WITH CROSS MOULD     | 2          | REAR PROTECTION FIXING             |
| 6               | CM179302         | METRICAL SCREW                      | 2          | REAR PROTECTION FIXING             |
| 7               | 623420           | PROTECTION                          | 1          |                                    |
| 8               | 20105            | PLAIN NUT M5                        | 2          | COMPLETE REAR PROTECTION<br>FIXING |
| 8               | 20105            | PLAIN NUT M5                        | 1          | REAR REFLECTOR FIXING              |
| 9               | 6965             | SPRING WASHER DIA 5                 | 2          | COMPLETE REAR PROTECTION<br>FIXING |
| 9               | 6965             | SPRING WASHER DIA 5                 | 1          | REAR REFLECTOR FIXING              |
| 10              | SP1B002528000HL  | BACK PROTECTION -MAZE GRAY          | 1          | COLOR PART                         |
| 10              | SP1B002528000GP  | BACK POTECTION -YELLOW              | 1          | COLOR PART                         |
| 10              | SP1B002528000R7  | BACK POTECTION -RED DRAGON          | 1          | COLOR PART                         |
| 10              | SP1B002528000NL  | BACK PROTECTION (VS) -MAT BLACK     | 1          | COLOR PART                         |
| 10              | SP1B002528000Q4  | BACK PROTECTION - PEARL WHITE       | 1          | COLOR PART                         |
| 10              | SP1B002528M02    | BACK PROTECTION VXL MATT BRONZE     | 1          | COLOR PART                         |
| 10              | SP1B002528000D02 | BACK PROTECTION SPD-AZZURO PROVENZO | 1          | COLOR PART                         |
| 10              | SP1B002528000VR  | BACK PROTECTION-VIBRANT RED         | 1          | Applicable For FL-20               |
| 11              | 642906           | REAR REFLECTOR                      | 1          |                                    |

### 2.07

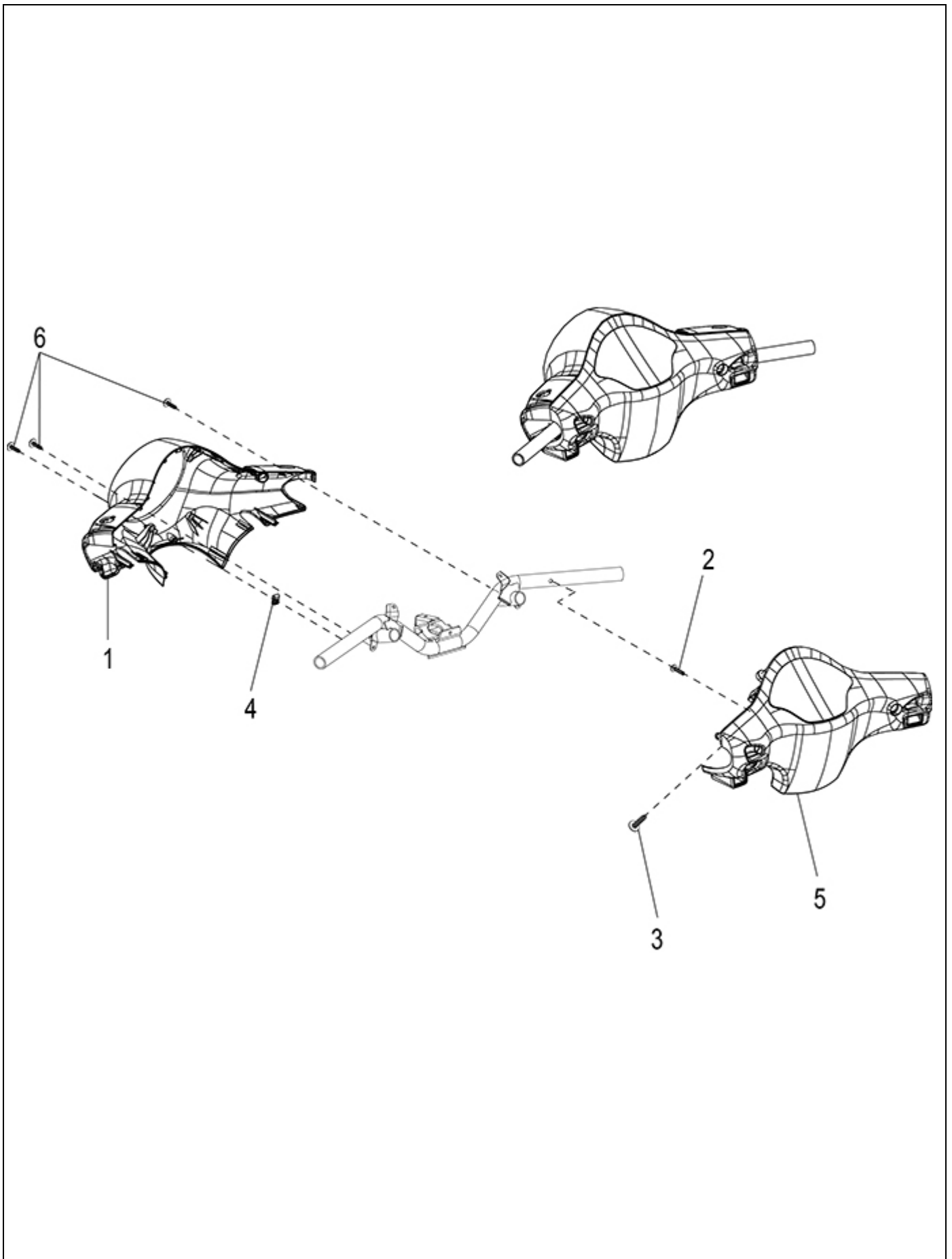
### Tank - Battery Cover/Helmet Housing or Battery Cover



**2.07****Tank - Battery Cover/Helmet Housing or Battery Cover**

| <b>Fig. No.</b> | <b>Part No.</b> | <b>Description</b>                     | <b>Qty</b> | <b>Remarks</b>            |
|-----------------|-----------------|--|------------|---------------------------|
| 1               | 1B001409        | COMPLETE TANK-BATTERY COVER            | 1          |                           |
| 1               | 1B007278        | COMPLETE TANK-BATTERY COVER            | 1          | Applicable for FL-20      |
| 2               | CM259202        | SPRING PLATE                           | 2          | TANK/BATTERY COVER FIXING |
| 2.1             | CM179303        | METRICAL SCREW (TORX IMPRESSION)       | 1          |                           |
| 3               | CM178604        | THREAD FORMING SCREW                   | 1          | TANK/BATTERY COVER FIXING |
| 4               | CM178608        | SELF-TAPPING SCREW                     | 3          | TANK/BATTERY COVER FIXING |
| 5               | CM017408        | SPRING PLATE                           | 2          | TANK/BATTERY COVER FIXING |
| 6               | CM017410        | SPRING PLATE                           | 3          | TANK/BATTERY COVER FIXING |
| 7               | 1B007071        | HELMET HOUSING                         | 1          |                           |
| 7               | 1B007310        | HELMET HOUSING                         | 1          | Applicable for FL-20      |
| 8               | 576189          | SCREW                                  | 1          | BATTERY COVER FIXING      |
| 9               | 576017          | COMPLETE BATTERY COVER                 | 1          |                           |
| 9               | 1B007640        | BATTERY COVER ASSEMBLY                 | 1          | Applicable for FL-20      |
| 9.1             | 575937          | BATTERY PAD                            | 2          |                           |
| 10              | 675396          | BATTERY LOADING TRAY                   | 1          |                           |
| 11              | 1D003122R       | SEALED FACTORY CHARGED BATTERY 12V-5AH | 1          |                           |
| 12              | 255323          | BUTTON                                 | 1          | Applicable for FL-20      |
| 12.1            | 18536           | SCREW                                  | 1          | PUSH BUTTON Fixing        |
| 13              | 1B007449        | COURTESY LIGHT HOUSING                 | 1          | Applicable for FL-20      |
| 14              | 293154          | BULB                                   | 1          | Applicable for FL-20      |

## 2.08 Handlebar Coverages

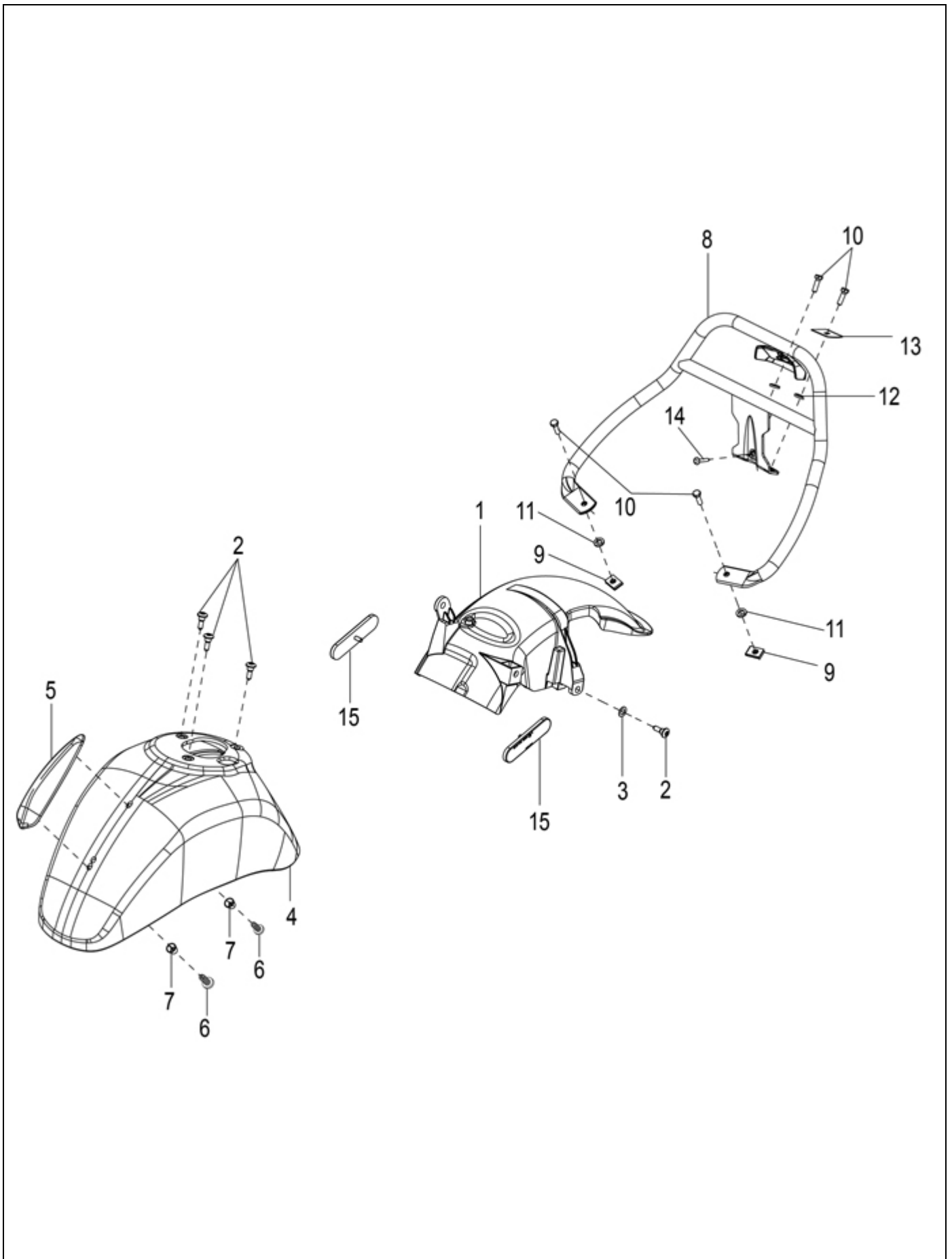


**2.08****Handlebar Coverages**

| <b>Fig. No.</b> | <b>Part No.</b>  | <b>Description</b>                             | <b>Qty</b> | <b>Remarks</b>               |
|-----------------|------------------|--|------------|------------------------------|
| 1               | SP1B006975HL     | VE07A3AANDLEBAR COVER-VXL-MAZE GRAY            | 1          | COLOR PART                   |
| 1               | SP1B006975GP     | FRONT HANDLEBAR COVER VXL YELLOW               | 1          | COLOR PART                   |
| 1               | SP1B006975R7     | FRONT HANDLEBAR COVER VXL RED                  | 1          | COLOR PART                   |
| 1               | SP1B006975NL     | FRONT HANDLEBAR COVER VXL MAT BLACK            | 1          | COLOR PART                   |
| 1               | SP1B00697501Q4   | FRONT HANDLEBAR COVER VXL PEARL WHITE ELEGANTE | 1          | COLOR PART                   |
| 1               | SP1B06975M02     | FRONT HANDLEBAR COVER VXL MATT BRONZE          | 1          | COLOR PART                   |
| 1               | SP1B006975D02    | FRONT HANDLEBAR COVER SPD-AZZUR                | 1          | COLOR PART                   |
| 1               | SP1B006975VR     | FRONT HB COVER VXL SPD-V.RED                   | 1          | Applicable For FL-20         |
| 2               | 018620           | SELF TAPPING SCREW                             | 1          | FRONT HANDLEBAR COVER FIXING |
| 3               | 258146           | SELF TAPPING SCREW (3X20)                      | 8          | FRONT HANDLEBAR COVER FIXING |
| 4               | CM017409         | SPRING PLATE                                   | 1          |                              |
| 5               | SP1B004804000HL  | REAR HANDLEBAR COVER VXL-MAZE GRAY             | 1          | COLOR PART                   |
| 5               | SP1B004804000GP  | REAR HANDLEBAR COVER VXL YELLOW                | 1          | COLOR PART                   |
| 5               | SP1B004804000R7  | REAR HANDLEBAR COVER VXL RED                   | 1          | COLOR PART                   |
| 5               | SP1B004804000NL  | REAR HANDLEBAR COVER VXL MAT BLACK             | 1          | COLOR PART                   |
| 5               | SP1B004804000Q4  | HANDLEBARS REAR COVER-SPD                      | 1          | COLOR PART                   |
| 5               | SP1B04804M02     | HANDLEBARS REAR COVER VXL MATT BRONZE          | 1          | COLOR PART                   |
| 5               | SP1B004804000D02 | HANDLEBARS REAR COVER SPD-AZZURO PROVENZ       | 1          | COLOR PART                   |
| 5               | SP1B004804VR     | HB REAR COVER VXL SPD-V.RED                    | 1          | Applicable For FL-20         |
| 6               | 270793           | SCREW  | 3          | REAR HANDLEBARS COVER FIXING |

### 2.09

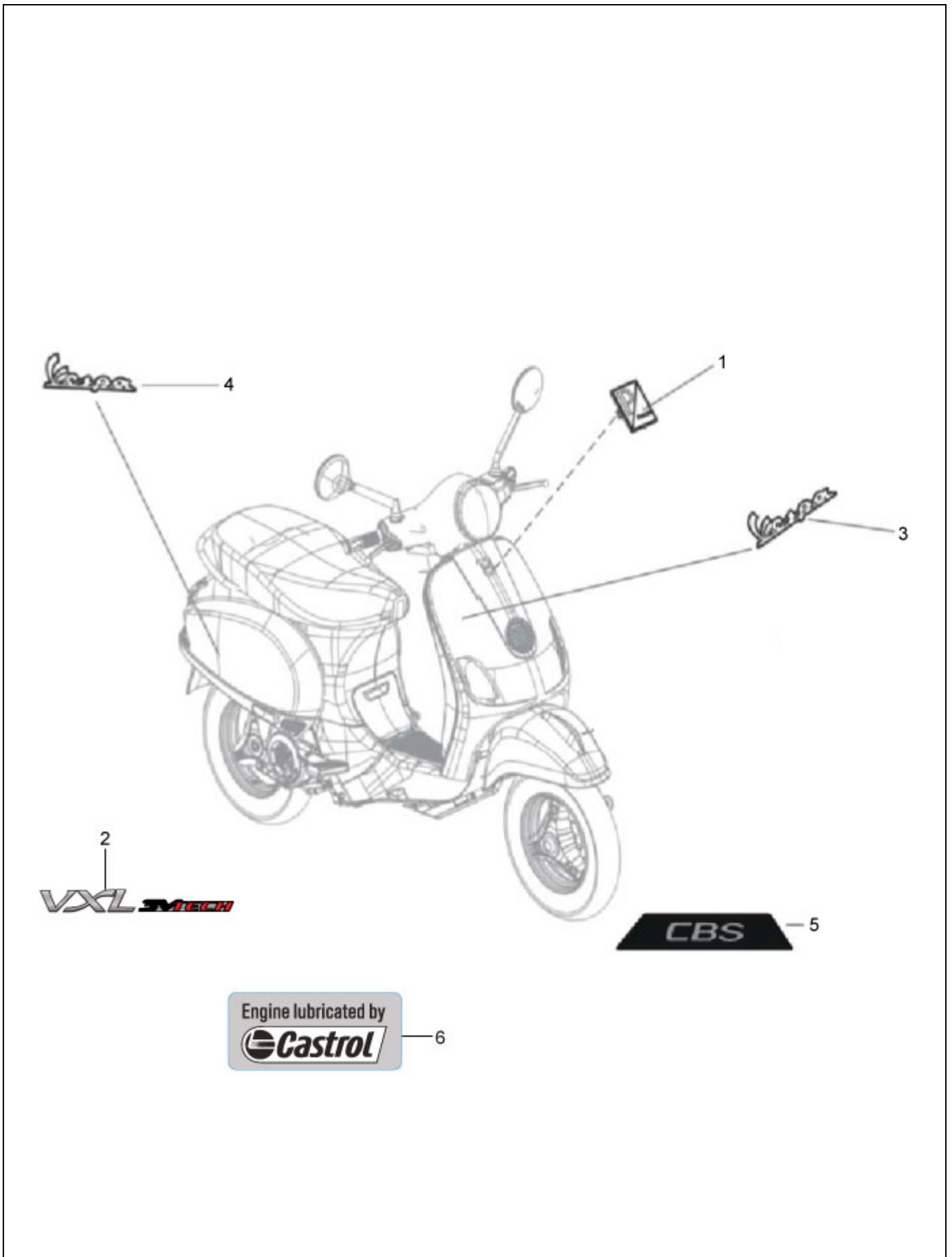
### Mudguard and Saddle handle bar



**2.09****Mudguard and Saddle handle bar**

| <b>Fig. No.</b> | <b>Part No.</b>  | <b>Description</b>                 | <b>Qty</b> | <b>Remarks</b>                      |
|-----------------|------------------|------------------------------------|------------|-------------------------------------|
| 1               | 1B002266         | REAR MUDGARD                       | 1          |                                     |
| 2               | 575249           | METRICAL SCREW WITH CROSS MOULD    | 1          | REAR MUDGARD FIXING AND COMPONENTS  |
| 2               | 575249           | METRICAL SCREW WITH CROSS MOULD    | 3          | FRONT MUDGARD FIXING AND COMPONENTS |
| 3               | 675546           | ELASTIC CORRUGATED WASHER          | 1          | REAR MUDGARD FIXING AND COMPONENTS  |
| 4               | SP1B002204000HL  | FRONT MUDGUARD -MAZE GRAY          | 1          | COLOR PART                          |
| 4               | SP1B002204000GP  | FRONT MUDGUAD- YELLOW              | 1          | COLOR PART                          |
| 4               | SP1B002204000R7  | FRONT MUDGUAD- RED DRAGON          | 1          | COLOR PART                          |
| 4               | SP1B002204000NL  | FRONT MUDGUARD (VS) -MAT BLACK     | 1          | COLOR PART                          |
| 4               | SP1B002204000Q4  | FRONT MUDGUARD - PEARL WHITE       | 1          | COLOR PART                          |
| 4               | SP1B02204M02     | FRONT MUDGUARD VXL MATT BRONZE     | 1          | COLOR PART                          |
| 4               | SP1B002204000VR  | FRONT MUDGUARD- VIBRENT RED        | 1          | Applicable For FL-20                |
| 4               | SP1B002204000D02 | FRONT MUDGUARD SPD-AZZURO PROVENZO | 1          | COLOR PART                          |
| 5               | 1B000042         | CREST                              | 1          |                                     |
| 6               | 15727            | PAN SELF TAPPING SCREW             | 2          |                                     |
| 7               | 192598           | CAP                                | 2          |                                     |
| 8               | 1B000239         | SADDLE HANDLE BAR                  | 1          |                                     |
| 9               | CM259202         | SPRING PLATE                       | 2          | SADDLE HANDLE-BAR FIXING            |
| 10              | 031090           | HEXAGONAL SCREW                    | 4          | SADDLE HANDLE-BAR FIXING            |
| 11              | 78307            | BENT SPRING WASHER M6              | 2          | SADDLE HANDLE-BAR FIXING            |
| 12              | 016406           | SPRING WASHER                      | 3          | SADDLE HANDLE-BAR FIXING            |
| 13              | 623336           | SADDLE REAR COVER                  | 1          |                                     |
| 14              | 268596           | SELF TAPPING SCREW                 | 1          | SADDLE REAR COVER FIXING            |
| 15              | 642905           | LATERAL REFLEX REFLECTOR           | 2          |                                     |

## 2.10 Logos and Emblem

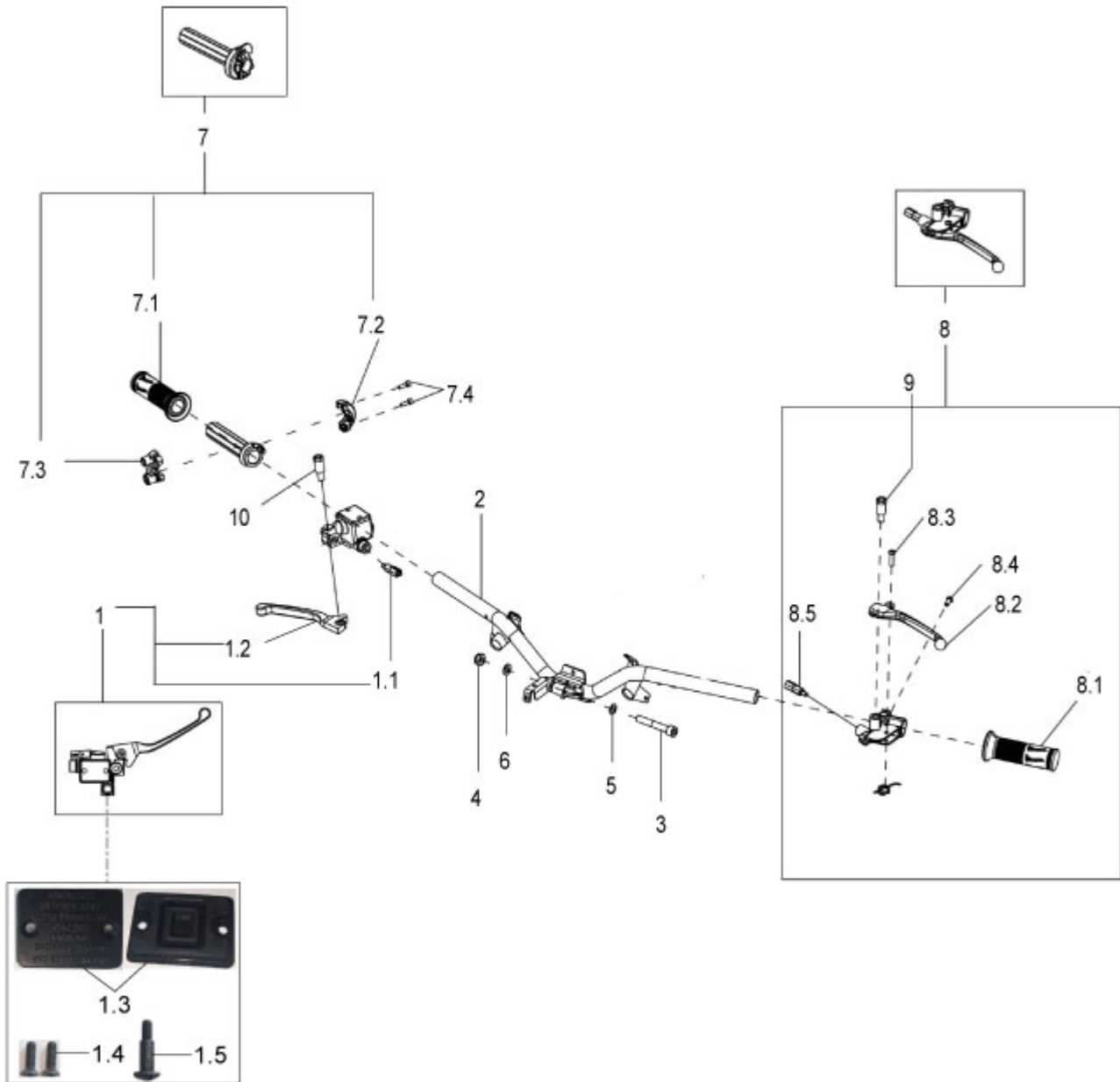




**2.10****Logos and Emblem**

| <b>Fig. No.</b> | <b>Part No.</b> | <b>Description</b>    | <b>Qty</b> | <b>Remarks</b> |
|-----------------|-----------------|-----------------------|------------|----------------|
| 1               | 576464          | ORNAMENT,FR PIAGGIO   | 1          |                |
| 2               | 2H003663        | VXL 3VTECH LABEL      | 1          |                |
| 3               | 656219          | VESPA FRONTAL STICKER | 1          |                |
| 4               | 656220          | VESPA LATERAL STICKER | 1          |                |
| 5               | 2H003389        | CBS STICKER           | 1          |                |
| 6               | 2H002046        | STICKER               | 1          |                |

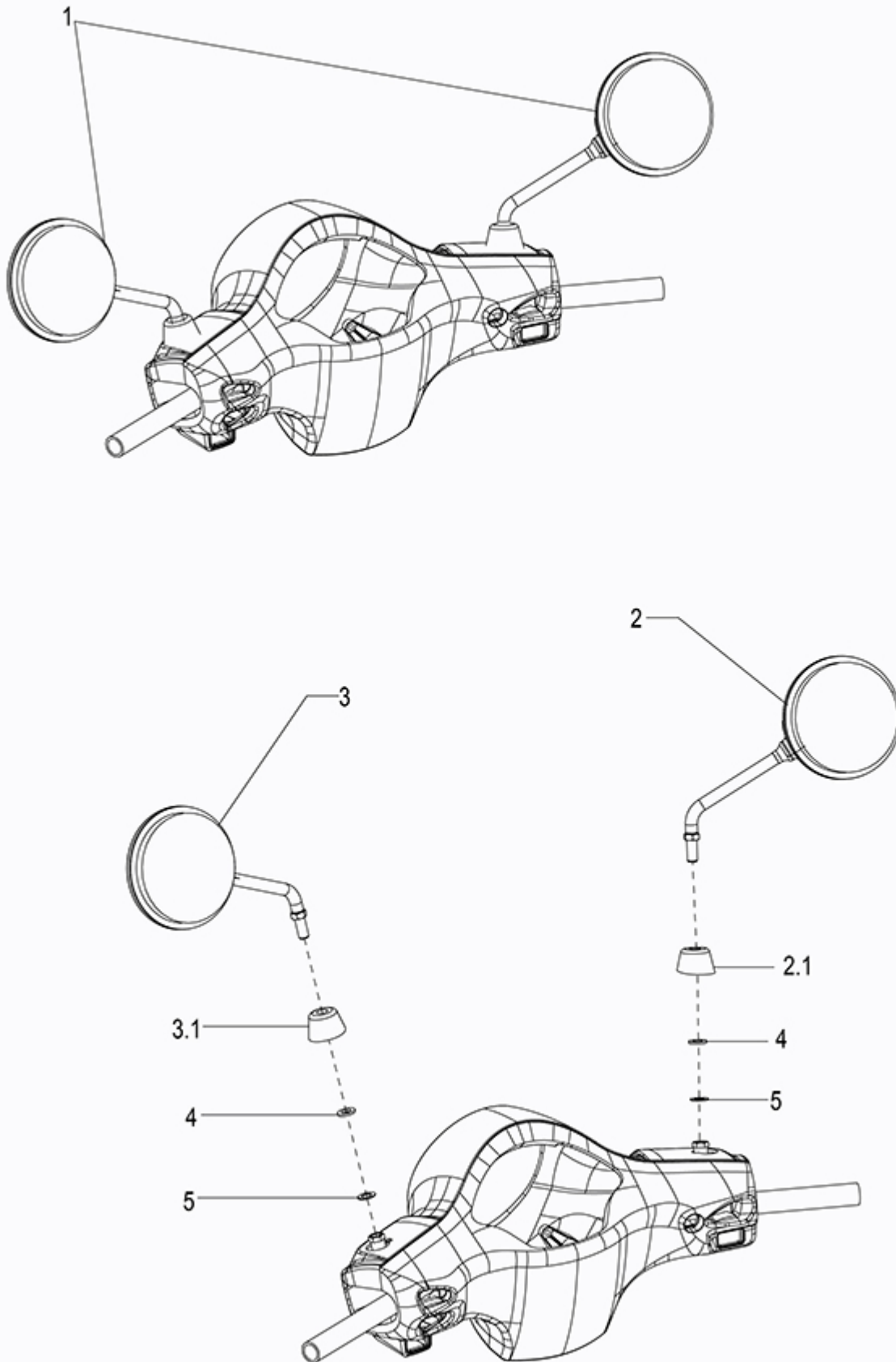
## 2.11 Handlebars



**2.11****Handlebars**

| <b>Fig. No.</b> | <b>Part No.</b> | <b>Description</b>                      | <b>Qty</b> | <b>Remarks</b>        |
|-----------------|-----------------|---|------------|-----------------------|
| 1               | SP1C004172      | FRONT BRAKE HYDRAULIC PUMP WITH SWITCH  | 1          |                       |
| 1.1             | 640762          | PUSH BUTTON REVERSE                     | 1          |                       |
| 1.2             | 1C000075        | BRAKE LEVER (FIRM BREMBO)               | 1          |                       |
| 1.3             | 4A000070        | OIL PUMP COVER + PACKING                | 1          |                       |
| 1.4             | 4A000071        | COUNTERSUNK SCREW                       | 2          |                       |
| 1.5             | 4A000073        | SCREW (CYLINDER HEAD) + NYLOCK NUT      | 1          |                       |
| 2               | SP1B005897      | HANDLEBAR WITH I.P.                     | 1          |                       |
| 3               | 655554          | SOCKET HEAD SCREW                       | 1          | HANDLEBAR/TUBE FIXING |
| 4               | 015330          | NUT FOR HANDLEBAR SECURING BOLT-M10;H10 | 1          | HANDLEBAR/TUBE FIXING |
| 5               | 012543          | WASHER (10,3X17X2)                      | 1          | HANDLEBAR/TUBE FIXING |
| 6               | 267917          | PLAIN WASHER                            | 1          | HANDLEBAR/TUBE FIXING |
| 7               | CM090402        | COMPLETE THROTTLE MUFF                  | 1          |                       |
| 7.1             | CM083804        | RIGHT HANDLE                            | 1          |                       |
| 7.2             | 666758          | UPPER HALF-CLAMP                        | 1          |                       |
| 7.3             | 598369          | LOWER HALF-CLAMP                        | 1          |                       |
| 7.4             | 651293          | SOCKET HEAD SCREW                       | 2          |                       |
| 8               | CM063813        | MUFF WITH REAR BRAKE LEVER              | 1          |                       |
| 8.1             | CM083803        | LEFT HANDLE                             | 1          |                       |
| 8.2             | 1C004306        | LEFT BRAKE LEVER                        | 1          |                       |
| 8.3             | 121780          | SCREW                                   | 1          |                       |
| 8.4             | 123394          | SCREW-BUSH                              | 1          |                       |
| 8.5             | 1D002507        | PUSH BUTTON                             | 1          |                       |
| 9               | 1C004063        | LH LOCK NUT                             | 1          |                       |
| 10              | 1C004064        | RH LOCK NUT                             | 1          |                       |

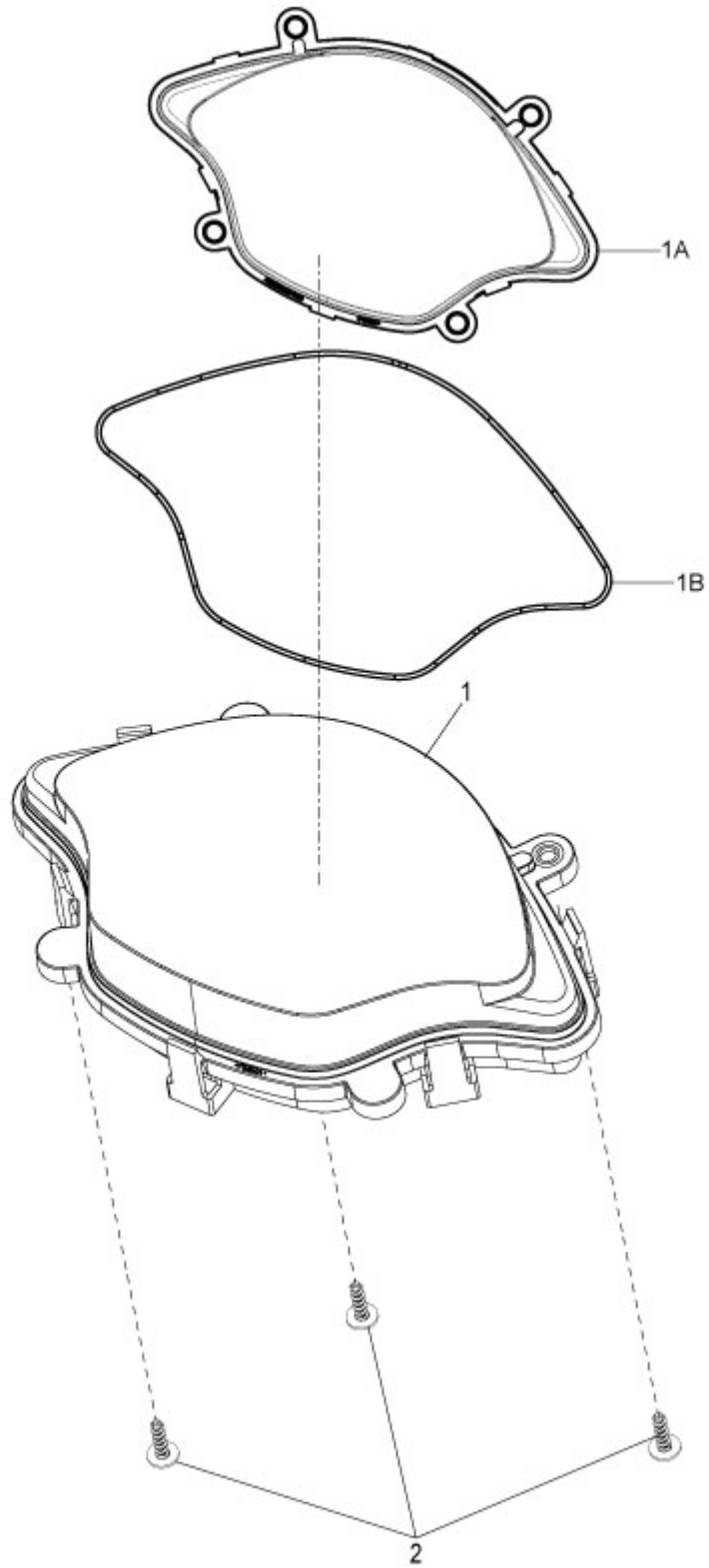
**2.12**  
**Mirrors**



## 2.12 Mirrors

| Fig. No. | Part No. | Description            | Qty | Remarks               |
|----------|----------|------------------------|-----|-----------------------|
| 1        | CM182505 | COUPLE MIRROR          | 1   |                       |
| 2        | CM182504 | RIGHT REAR-VIEW MIRROR | 1   |                       |
| 2.1      | 675214   | GASKET                 | 1   |                       |
| 3        | CM182501 | LEFT REAR VIEW MIRROR  | 1   |                       |
| 3.1      | 675214   | GASKET                 | 1   |                       |
| 4        | 3060     | PLAIN WASHER RAW       | 2   | COUPLE MIRRORS FIXING |
| 5        | 006970   | CURVED SPRING WASHER   | 2   | COUPLE MIRRORS FIXING |

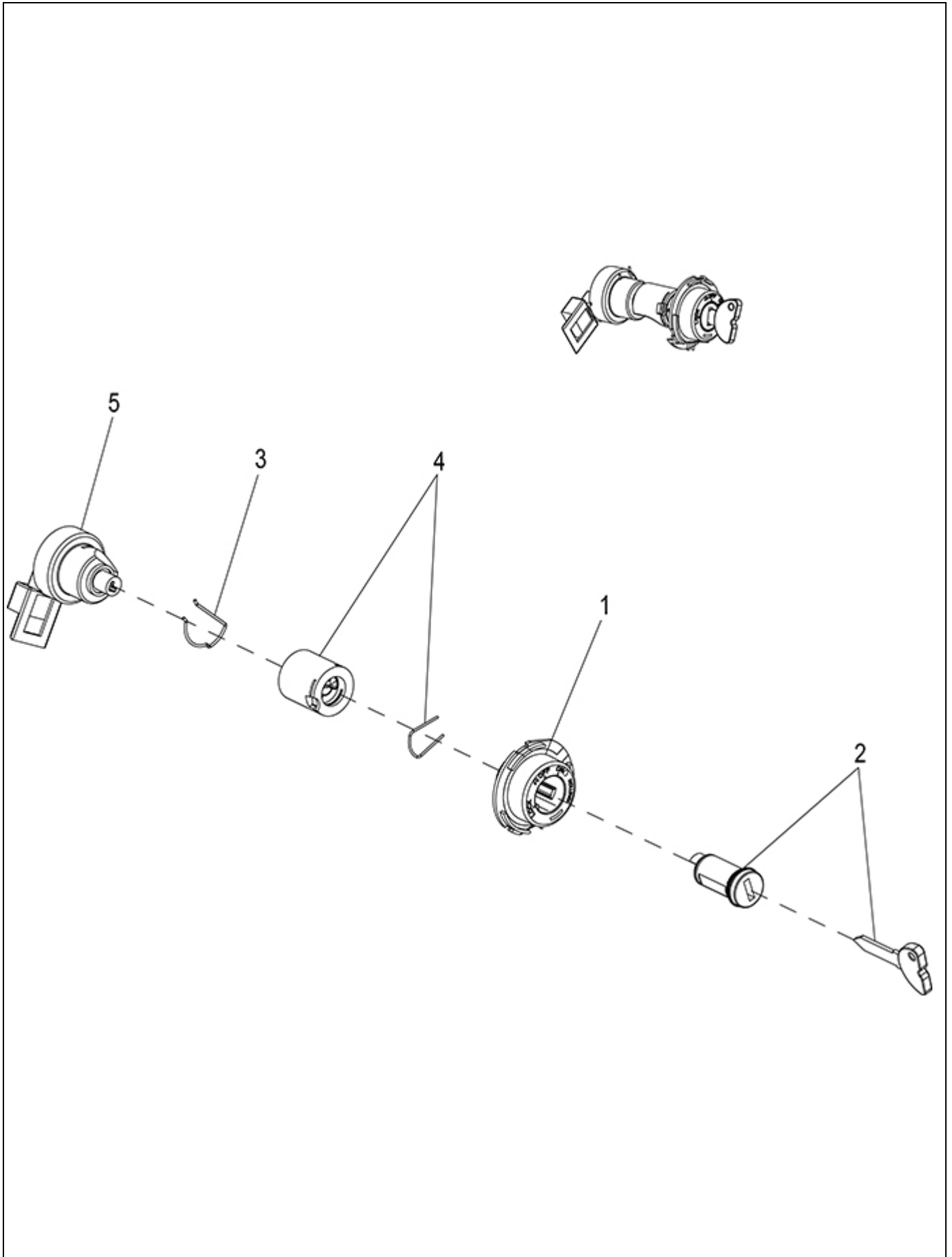
### 2.13 Speedometer



**2.13****Speedometer**

| <b>Fig. No.</b> | <b>Part No.</b> | <b>Description</b> | <b>Qty</b> | <b>Remarks</b>     |
|-----------------|-----------------|--------------------|------------|--------------------|
| 1               | 1D002378        | SPEEDOMETER        | 1          |                    |
| 1A              | 1D003357        | TRANSPARENT        | 1          |                    |
| 1B              | 1D003356        | RUBBER SEAL        | 1          |                    |
| 2               | 270793          | SCREW              | 3          | METER GROUP FIXING |

**2.14**  
**Locks**

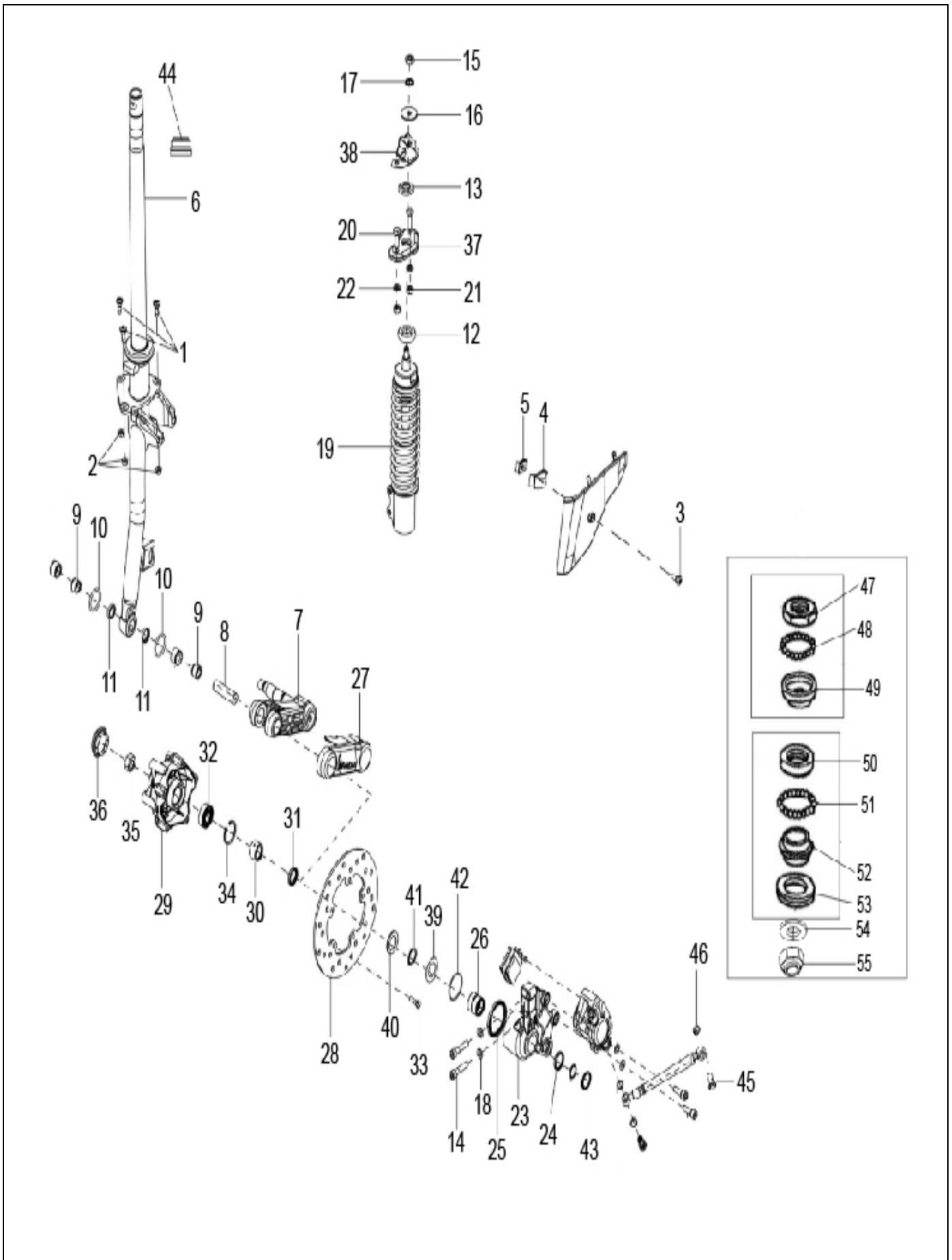




**2.14**  
**Locks**

| <b>Fig. No.</b> | <b>Part No.</b> | <b>Description</b>                 | <b>Qty</b> | <b>Remarks</b> |
|-----------------|-----------------|------------------------------------|------------|----------------|
| 1               | 1B002607        | LOCK BODY                          | 1          |                |
| 2               | 1B000570        | SET OF CYLINDERS AND KEYS FOR LOCK | 1          |                |
| 3               | 253937          | SPRING                             | 1          |                |
| 4               | 298903          | COMPLETE LOCK BLOCK                | 1          |                |
| 5               | 580621          | COMPLETE KEY SWITCH                | 1          |                |

**2.15**  
**Front Suspension**

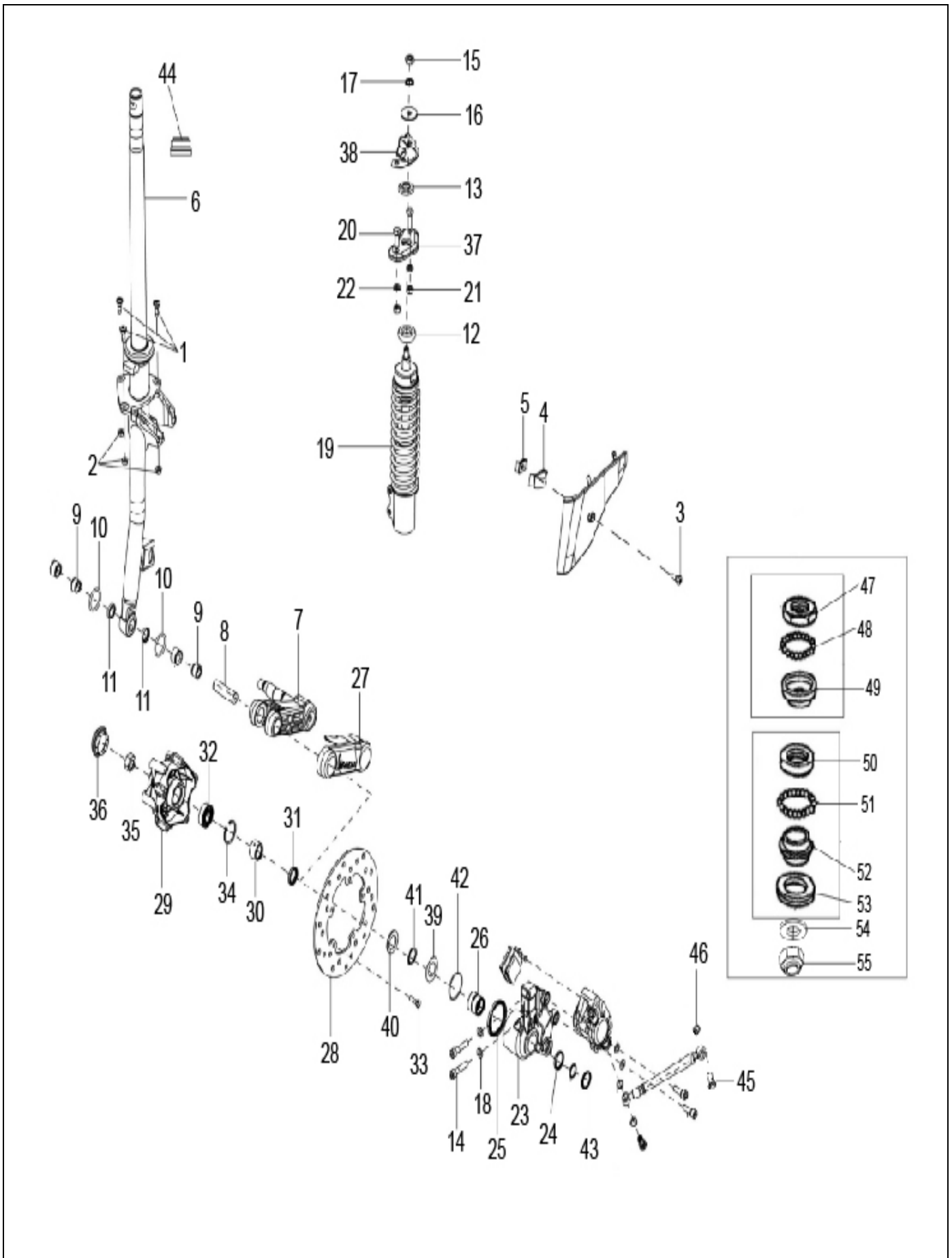


**2.15****Front Suspension**

| <b>Fig. No.</b> | <b>Part No.</b> | <b>Description</b>                          | <b>Qty</b> | <b>Remarks</b>                       |
|-----------------|-----------------|---|------------|--------------------------------------|
| 1               | 575249          | METRICAL SCREW WITH CROSS MOULD             | 3          | MUDGUARD DISK FIXING                 |
| 2               | 241936          | SELF LOCKING NUT                            | 3          | MUDGUARD DISK FIXING                 |
| 3               | 15900           | HEAD LAMP SECURING SCREW/PAN SELF TAP SCREW | 1          | FR MUDGARD/SPEEDOMET.FLEXIBLE FIXING |
| 4               | 1C001708        | CLAMP                                       | 1          | FR MUDGARD/SPEEDOMET.FLEXIBLE FIXING |
| 5               | CM017410        | SPRING PLATE                                | 1          | FR MUDGARD/SPEEDOMET.FLEXIBLE FIXING |
| 6               | 667990          | STEERING TUBE WITH I.P.                     | 1          |                                      |
| 7               | SP1C001655      | FRONT SUSPENSION WISHBONE WITH I.P.-SPD     | 1          |                                      |
| 8               | 177451          | STEERING PIN                                | 1          |                                      |
| 9               | 198513          | ROLLER CAGE                                 | 2          |                                      |
| 10              | 006731          | PACKING FOR STEERING COLUMN PIN             | 2          |                                      |
| 11              | 119219          | OIL SEAL FOR STEERING COLUMN PIN            | 2          |                                      |
| 12              | 174085          | RUBBER REBOUND BUMPER                       | 1          | FR SHOCK ABSORBER FIXING             |
| 13              | 174874          | RUBBER REBOUND BUMPER                       | 1          | FR SHOCK ABSORBER FIXING             |
| 14              | 149104          | HEXAGONAL SOCKET HEAD SCREW                 | 2          | FR SHOCK ABSORBER FIXING             |
| 15              | 021210          | LOW HEXAGONAL NUT (M10X1,25 H=6)            | 1          | FR SHOCK ABSORBER FIXING             |
| 16              | 174088          | WASHER                                      | 1          | FR SHOCK ABSORBER FIXING             |
| 17              | 012535          | PLANE SPRING WASHER                         | 1          | FR SHOCK ABSORBER FIXING             |
| 18              | 709047          | ELASTIC CORRUGATED WASHER                   | 2          | FR SHOCK ABSORBER FIXING             |
| 19              | 1C003015        | FRONT SHOCK ABSORBER                        | 1          |                                      |
| 20              | 031120          | SCREW BOLT SHANK THREADED COMPLETELY        | 2          | SHOCK ABS.BKT/STEERING TUBE FIXING   |
| 21              | 20108           | HEX NUT M8                                  | 2          | SHOCK ABS.BKT/STEERING TUBE FIXING   |
| 22              | 016408          | SPRING WASHER                               | 2          | SHOCK ABS.BKT/STEERING TUBE FIXING   |
| 23              | 1C002142        | SHOCK ABSORBER AND CALIPER SUPPORT          | 1          |                                      |
| 24              | 1C001969        | SEALING RING                                | 1          |                                      |
| 25              | 177494          | RING  | 1          |                                      |
| 26              | 177436          | DRAWN CUP ROLLER BEARING                    | 2          |                                      |
| 27              | 649113          | FRONT SUSPENSION ARM COVER                  | 1          |                                      |
| 28              | 1C000907        | BRAKE DISK (FIRM LONGZHONG)                 | 1          |                                      |
| 29              | 1C000383        | FRONT WHEEL HUB WITH I.P.                   | 1          |                                      |
| 30              | 177442          | DRAWN CUP ROLLER BEARING                    | 1          |                                      |
| 31              | 177443          | RING  | 1          |                                      |
| 32              | 177610          | BEARING                                     | 1          |                                      |
| 33              | 1C000291        | SCREW BOLT SHANK                            | 1          |                                      |
| 34              | 006635          | EXTERNAL RING                               | 1          |                                      |
| 35              | 668001          | SELF LOCKING NUT                            | 1          | WHEEL HUB FIXING                     |



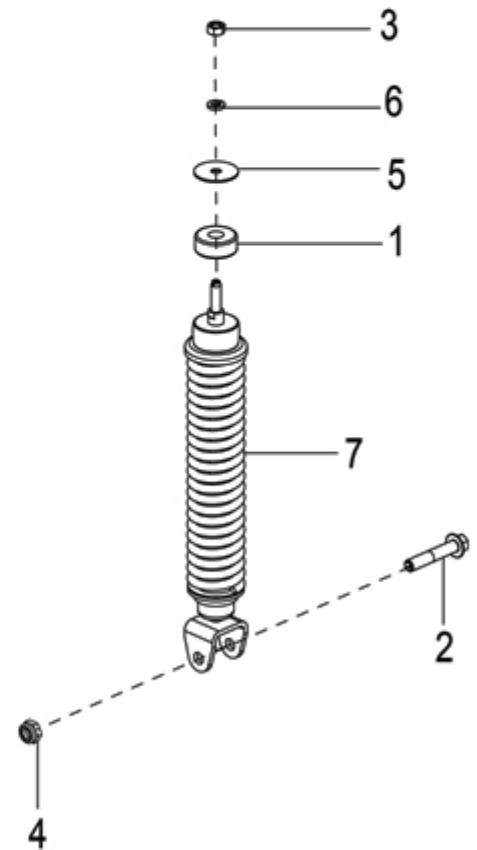
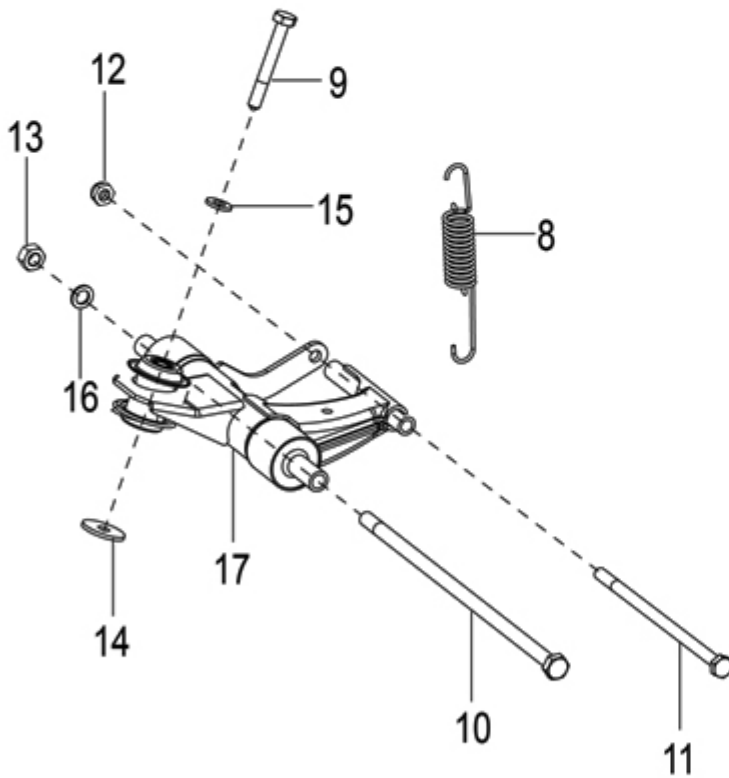
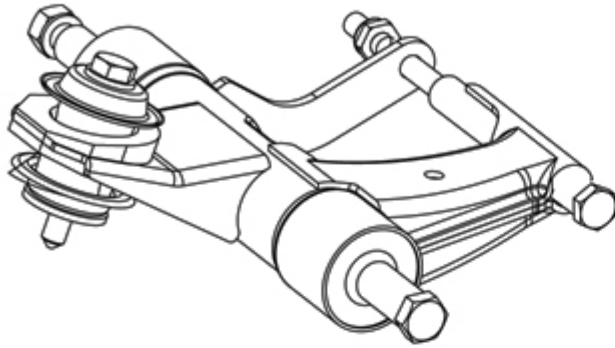
### 2.15 Front Suspension



**2.15****Front Suspension**

| <b>Fig. No.</b> | <b>Part No.</b> | <b>Description</b>                         | <b>Qty</b> | <b>Remarks</b>           |
|-----------------|-----------------|--|------------|--------------------------|
| 36              | 665657          | PLUG WHEEL AXIS                            | 1          |                          |
| 37              | 668767          | BRACKET WITH I.P.                          | 1          |                          |
| 38              | 665701          | BRACKET BRAKE HOSE SUPPORT                 | 1          |                          |
| 39              | 177445          | WASHER                                     | 1          |                          |
| 40              | 177414          | WASHER                                     | 1          |                          |
| 41              | 006422          | ELASTIC RING FOR SHAFT                     | 1          |                          |
| 42              | 177408          | O.R. RING                                  | 1          |                          |
| 43              | 177521          | SEAL RING                                  | 1          |                          |
| 44              | 665735          | PROTECTION CAP                             | 1          |                          |
| 45              | 1C002059R       | SPECIAL SCREW                              | 1          | PUMP / BRAKE PIPE FIXING |
| 46              | 127927          | WASHER                                     | 1          | PUMP / BRAKE PIPE FIXING |
| 47              | 564258          | RING NUT                                   | 1          |                          |
| 48              | 564257          | STEERING BEARING ASSY. MC3 -56002R         | 1          |                          |
| 49              | 564256          | STEER.UPP.BEAR.LOW.TRACK                   | 1          |                          |
| 50              | 564262          | PROTECTION WASHER                          | 1          |                          |
| 51              | 564260          | RETAINER WITH BALLS                        | 1          |                          |
| 52              | 665602          | STEER.LOW.BEAR.INT.TRACK                   | 1          |                          |
| 53              | 564259          | STEER.LOW.BEAR.EXT.TRACK                   | 1          |                          |
| 54              | 003751          | WASHER FOR STEERING COLUMN<br>(3,2X40X2,5) | 1          |                          |
| 55              | 011109          | RING NUT                                   | 1          |                          |

## 2.16 Rear Suspension

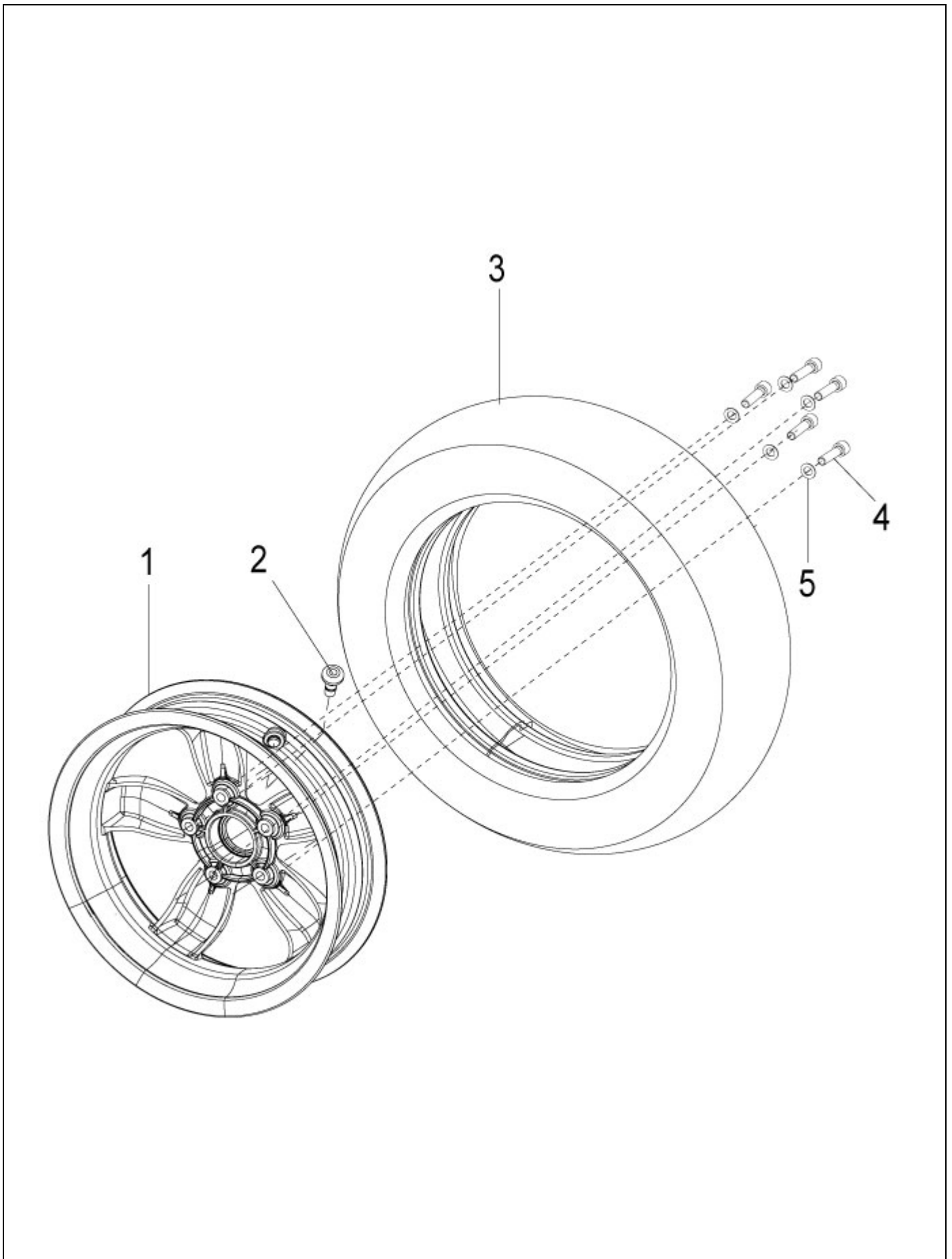


**2.16****Rear Suspension**

| <b>Fig. No.</b> | <b>Part No.</b> | <b>Description</b>                      | <b>Qty</b> | <b>Remarks</b>        |
|-----------------|-----------------|---|------------|-----------------------|
| 1               | 178150          | UPPER STOPPER                           | 1          | REAR DAMPER FIXINGÂ   |
| 2               | 268158          | FLANGED HEXAGONAL HEAD SCREW            | 1          | REAR DAMPER FIXINGÂ   |
| 3               | 021108          | NORMAL HEXAGONAL NUT                    | 1          | REAR DAMPER FIXINGÂ   |
| 4               | 002440          | SELF LOCKING NUT                        | 1          | REAR DAMPER FIXINGÂ   |
| 5               | 267038          | PLAIN WASHER                            | 1          | REAR DAMPER FIXINGÂ   |
| 6               | 016408          | SPRING WASHER                           | 2          | REAR DAMPER FIXINGÂ   |
| 7               | 1C005094        | REAR SHOCK ABSORBER                     | 1          | Â Â                   |
| 8               | 666847          | SPRING                                  | 1          | WISHBONE ASSY FIXINGÂ |
| 9               | 560045          | HEXAGONAL SCREW WITH PART.THREADED BOLT | 1          | WISHBONE ASSY FIXINGÂ |
| 10              | 668300          | HEXAGONAL HEAD SCREW                    | 1          | WISHBONE ASSY FIXINGÂ |
| 11              | 668302          | SCREW BOLT SHANK THREADED PARTIALLY     | 1          | WISHBONE ASSY FIXINGÂ |
| 12              | 002440          | SELF LOCKING NUT                        | 1          | WISHBONE ASSY FIXINGÂ |
| 13              | 265216          | SELF LOCKING NUT M12 H=11               | 1          | WISHBONE ASSY FIXINGÂ |
| 14              | 122781          | WASHER X SWINGING ARM FITTING-10,2X37X3 | 1          | WISHBONE ASSY FIXINGÂ |
| 15              | 178790          | WASHER                                  | 1          | WISHBONE ASSY FIXINGÂ |
| 16              | 709037          | WASHER                                  | 1          | WISHBONE ASSY FIXINGÂ |
| 17              | 1C005000        | WISHBONE ASSY                           | 1          |                       |



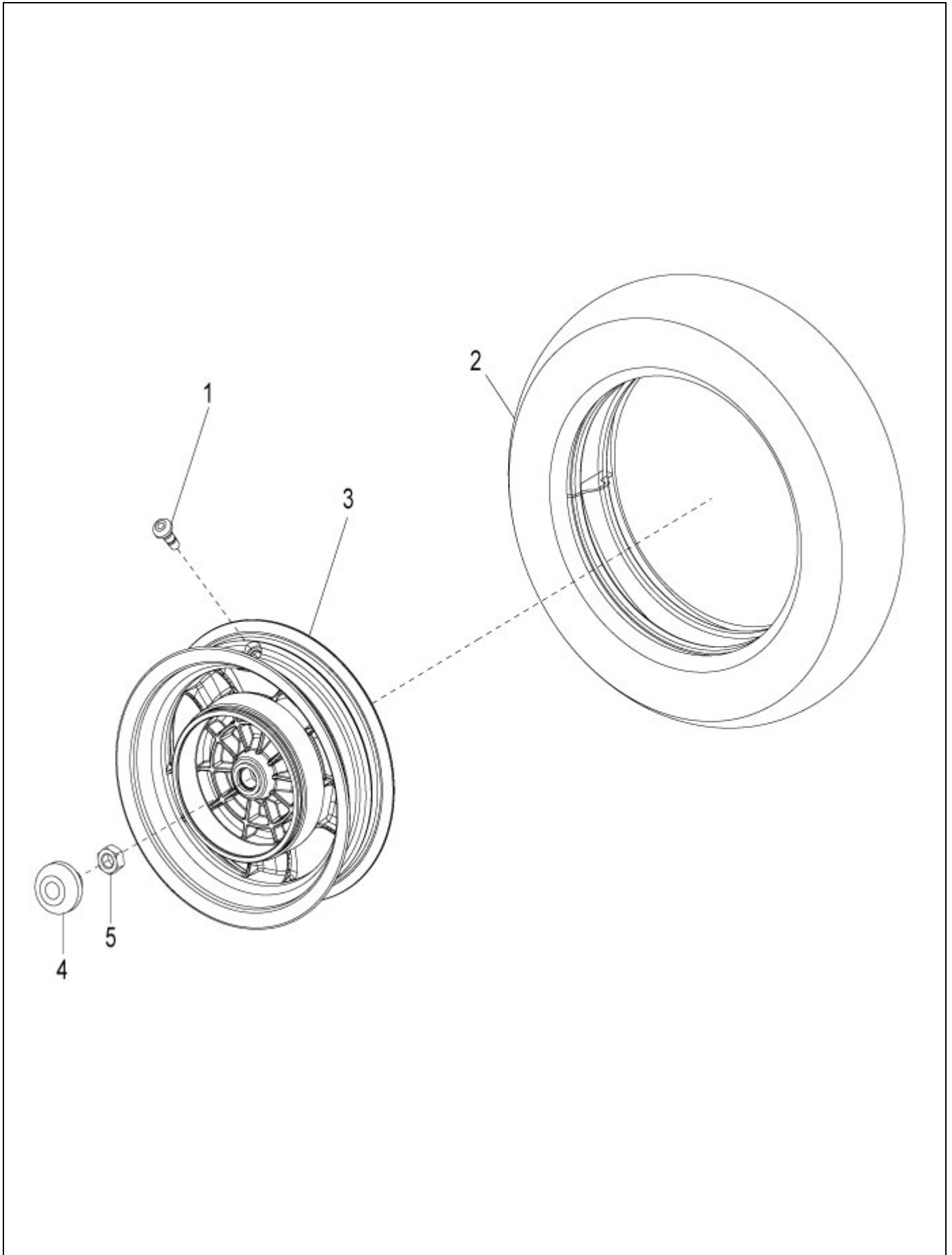
**2.17**  
**FRONT WHEEL**



**2.17****FRONT WHEEL**

| <b>Fig. No.</b> | <b>Part No.</b> | <b>Description</b>            | <b>Qty</b> | <b>Remarks</b> |
|-----------------|-----------------|-------------------------------|------------|----------------|
| 1               | 1C002463        | FRONT WHEEL (2.50X11INCH)GREY | 1          |                |
| 2               | 597679          | TUBELESS VALVE                | 1          |                |
| 3               | 56499R          | TYRE 110/70-11                | 1          |                |
| 4               | 015792          | SCREW                         | 5          | FRONT WHEEL    |
| 5               | 709047          | ELASTIC CORRUGATED WASHER     | 2          | FRONT WHEEL    |

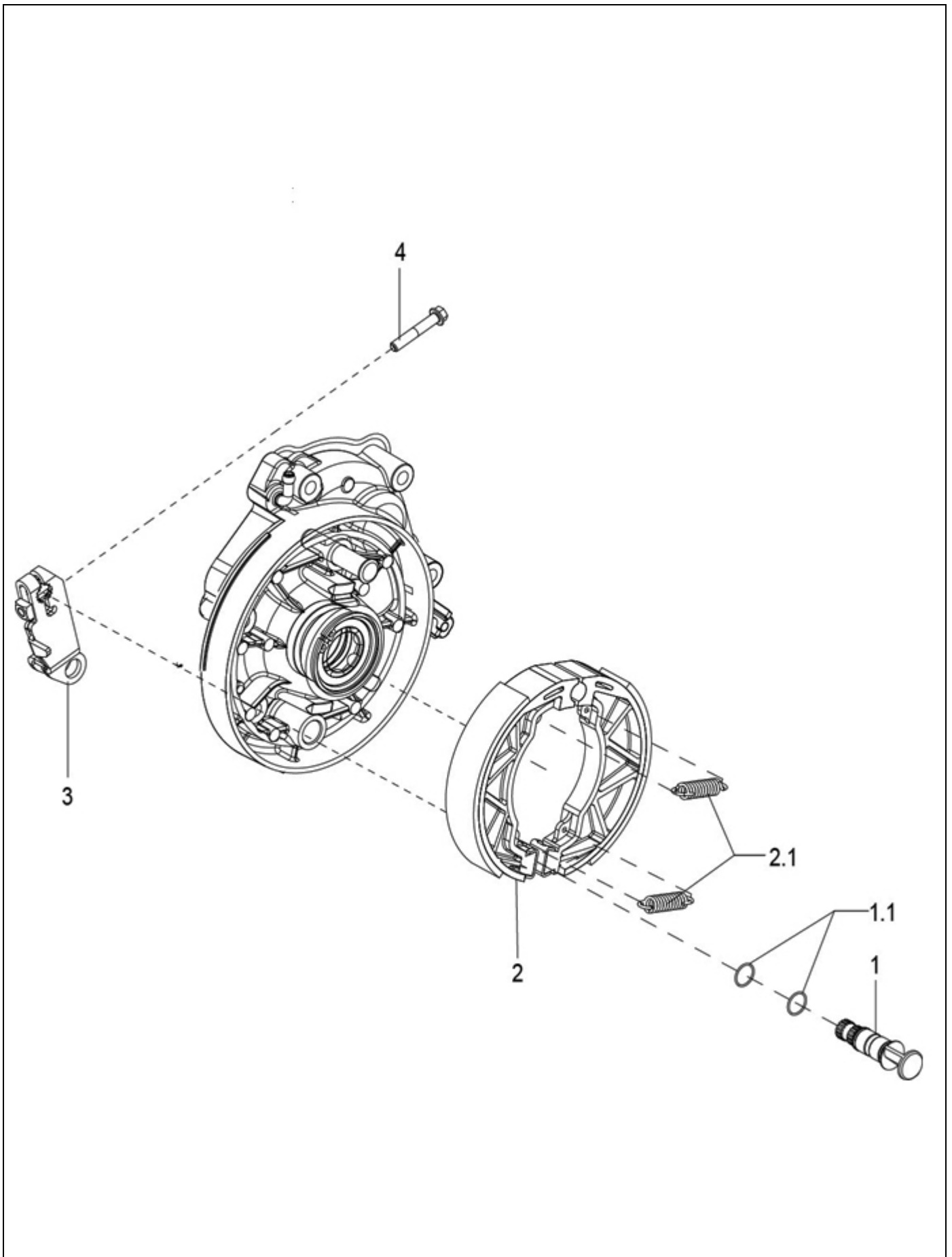
**2.18**  
**REAR WHEEL**



**2.18****REAR WHEEL**

| <b>Fig. No.</b> | <b>Part No.</b> | <b>Description</b>        | <b>Qty</b> | <b>Remarks</b>         |
|-----------------|-----------------|---------------------------|------------|------------------------|
| 1               | 597679          | TUBELESS VALVE            | 1          |                        |
| 2               | 58500R          | TYRE 120/70-10            | 1          |                        |
| 3               | 1C006718R       | REAR WHEEL                | 1          |                        |
| 4               | 665657          | PLUG WHEEL AXIS           | 1          | REAR BRAKE DRUM FIXING |
| 5               | 1C002806        | SELF LOCKING FLANGE U NUT | 1          | REAR BRAKE DRUM FIXING |

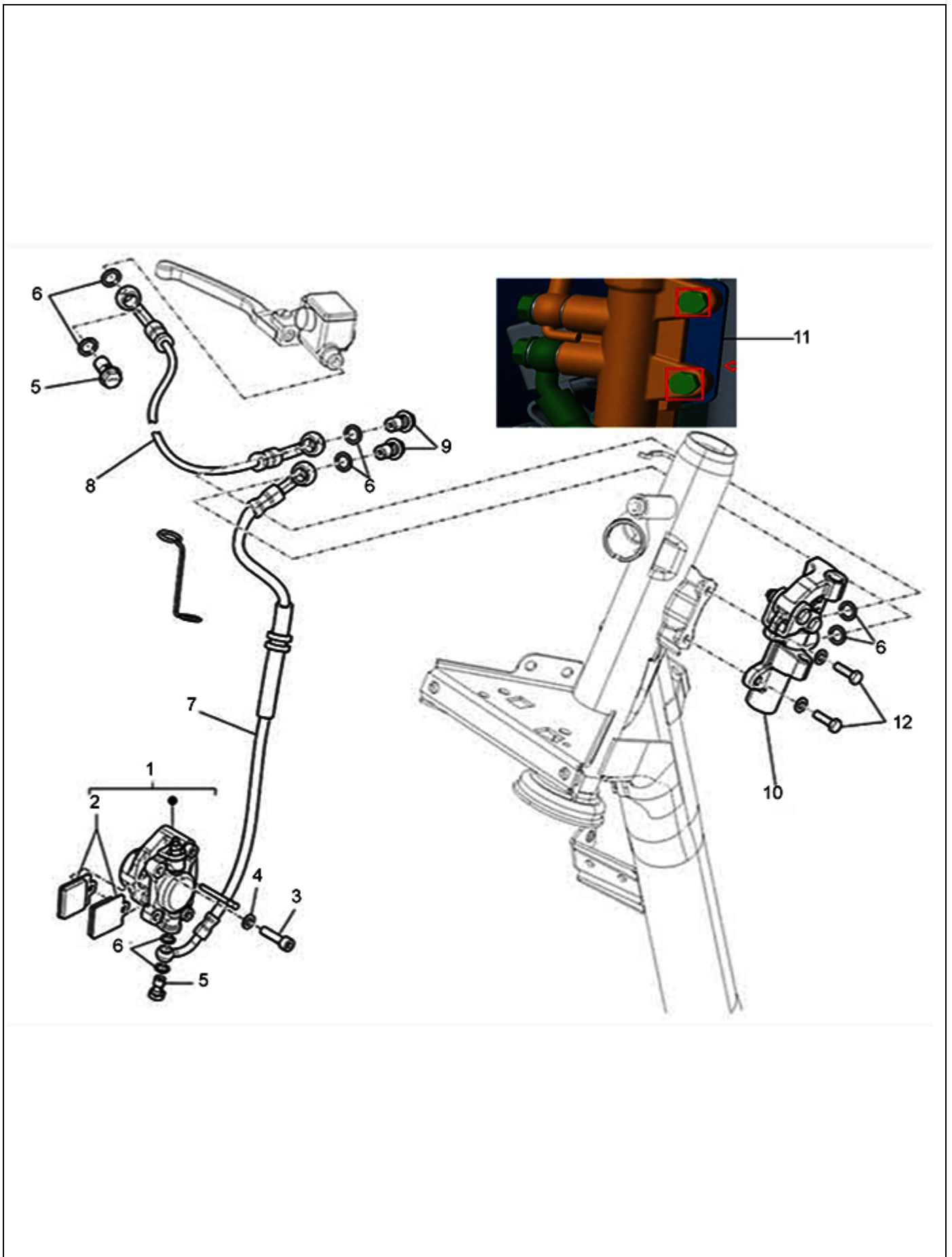
## 2.19 Rear Brake Assembly



**2.19****Rear Brake Assembly**

| <b>Fig. No.</b> | <b>Part No.</b> | <b>Description</b>               | <b>Qty</b> | <b>Remarks</b>                |
|-----------------|-----------------|----------------------------------|------------|-------------------------------|
| 1               | 564112          | REAR BRAKE LEVER AXLE            | 1          |                               |
| 1.1             | 564134          | GASKET                           | 2          |                               |
| 2               | 1C000655R       | BRAKE SHOES COUPLE               | 1          |                               |
| 2.1             | 647384          | SPRING                           | 2          |                               |
| 3               | 1C002607        | REAR BRAKE DRIVE LEVER WITH I.P. | 1          |                               |
| 4               | 1A003063        | FLANGED HEX HEAD SCREW M6X35     | 2          | REAR BRAKE DRIVE LEVER FIXING |

## 2.20 Brake pipe and calipers

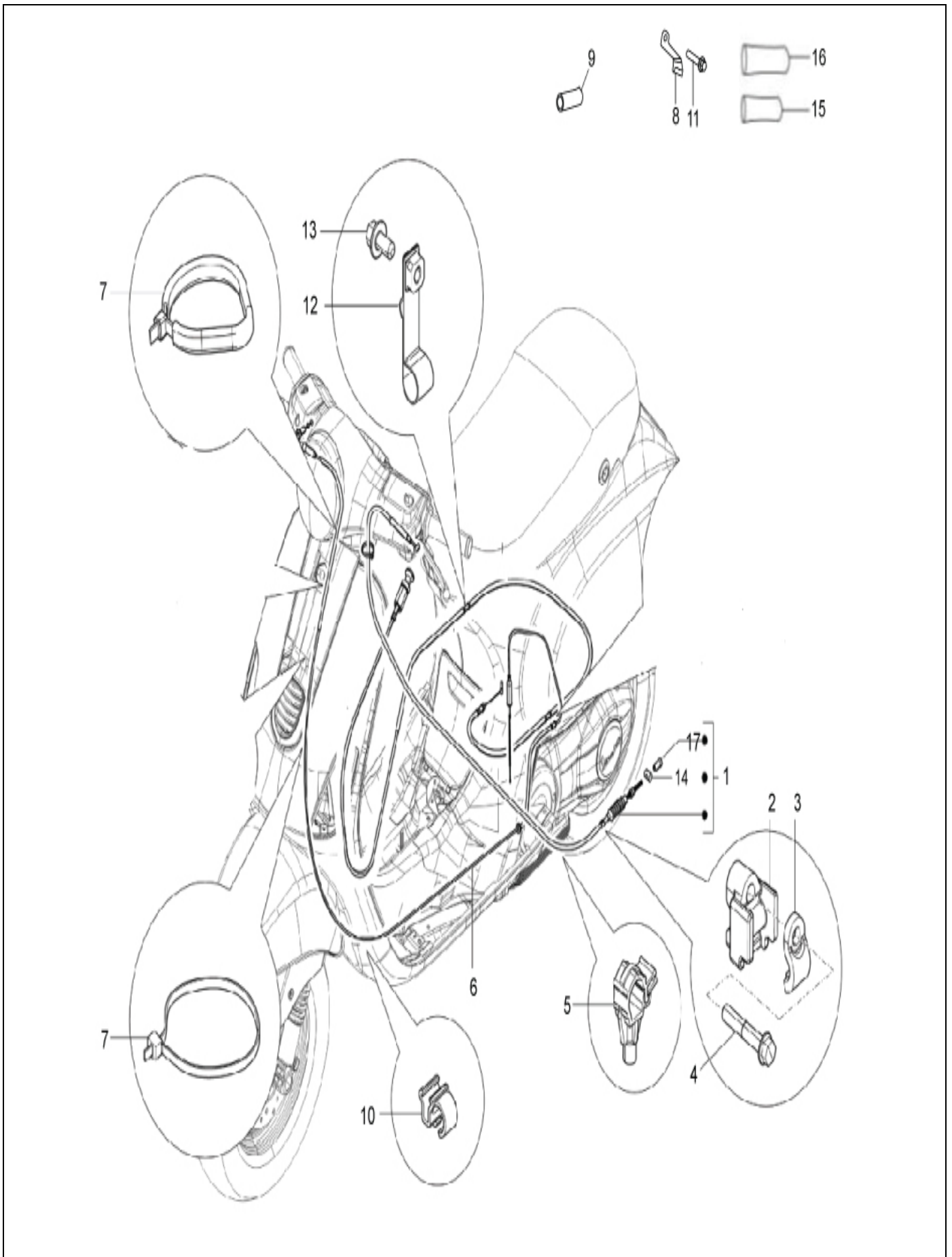


**2.20****Brake pipe and calipers**

| <b>Fig. No.</b> | <b>Part No.</b> | <b>Description</b>                      | <b>Qty</b> | <b>Remarks</b>                       |
|-----------------|-----------------|---|------------|--------------------------------------|
| 1               | 1C003308R       | BRAKE CALIPER                           | 1          |                                      |
| -               | 1C003370        | PAD SPRING                              | 1          |                                      |
| 2               | 1C003307        | BRAKE PADS COUPLE                       | 1          |                                      |
| -               | 1C003346        | BLEEDER CAP                             | 1          |                                      |
| -               | 1C003347        | BLEEDER SCREW                           | 1          |                                      |
| 3               | 271596          | SCREW                                   | 2          | CALIPER FAST. GROUP                  |
| 4               | 709047          | ELASTIC CORRUGATED WASHER               | 2          | CALIPER FAST. GROUP                  |
| 5               | 1C002059R       | SPECIAL SCREW                           | 2          | HYDRAULIC HOSE FRONT BRAKE<br>FIXING |
| 6               | 127927          | WASHER                                  | 8          | HYDRAULIC HOSE FRONT BRAKE<br>FIXING |
| 7               | 1C003753        | FRONT BRAKE HYD HOSE (CBS - CALIPER)    | 1          |                                      |
| 8               | 1C003583        | FRONT BRAKE HYD HOSE (MASTER CYL - CBS) | 1          |                                      |
| 9               | 1C002059R       | SPECIAL SCREW                           | 2          |                                      |
| 10              | CM286201        | BRAKING POWER DISTRIBUTOR (MEC-HYD)     | 1          |                                      |
| 11              | 1C004112        | BRACKET WITH IP                         | 1          |                                      |
| 12              | 1C000291        | SCREW BOLT SHANK                        | 2          | CBS AND BRACKET FIXING               |
| -               | 434541          | SCREW                                   | 3          | CBS AND BRACKET FIXING               |



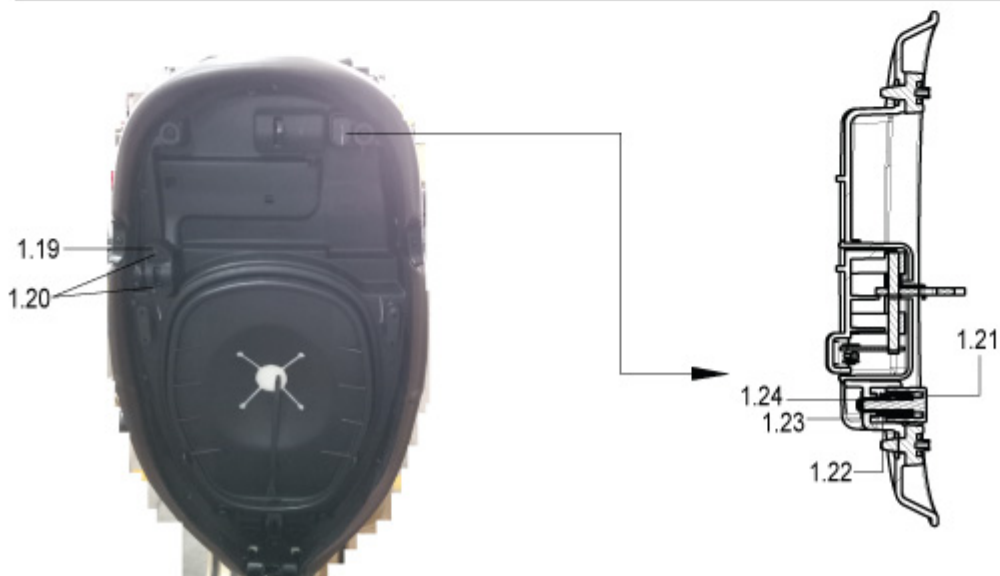
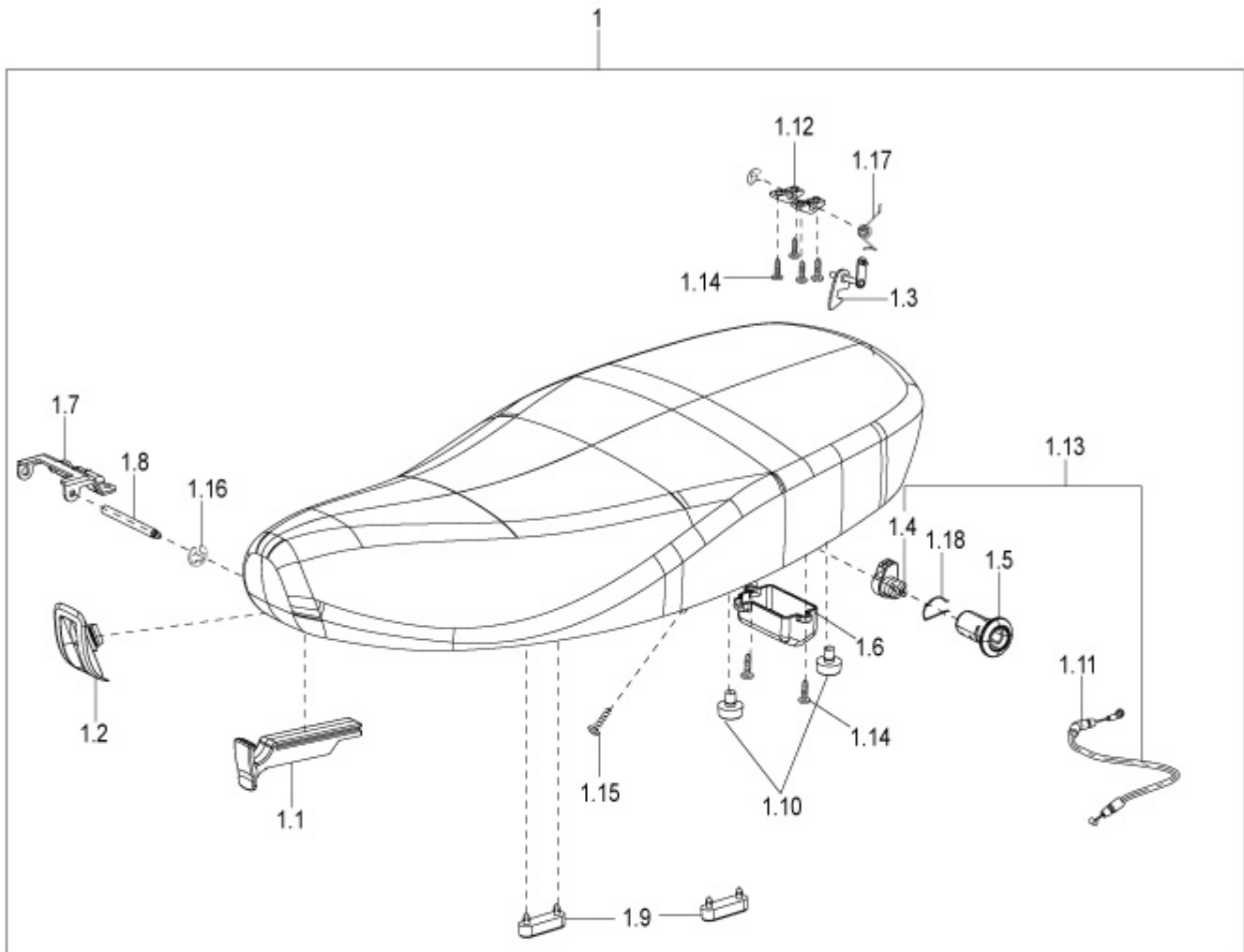
## 2.21 Transmission Cable



**2.21****Transmission Cable**

| <b>Fig. No.</b> | <b>Part No.</b> | <b>Description</b>                          | <b>Qty</b> | <b>Remarks</b>                       |
|-----------------|-----------------|---|------------|--------------------------------------|
| 1               | 1C003892        | REAR BRAKE TRANSMISSION                     | 1          |                                      |
| 2               | 1C001642        | SPACER                                      | 1          | BRAKE CONTROL TRANSM./SUMP<br>FIXING |
| 3               | 564645          | PLATE FOR REAR BRAKE TRANSMISSION<br>FIXING | 1          | BRAKE CONTROL TRANSM./SUMP<br>FIXING |
| 4               | 1A003063        | FLANGED HEX HEAD SCREW M6X35                | 1          | BRAKE CONTROL TRANSM./SUMP<br>FIXING |
| 5               | CM006913        | PIPINGS RETAINING SPRING                    | 1          |                                      |
| 6               | 1C004645        | THROTTLE CONTROL TRANSMISSION               | 1          |                                      |
| 7               | 257134          | RETAINING STRAP                             | 2          |                                      |
| 8               | 667842          | TRANSMISSION BRAKE CLAMP                    | 1          | REAR BRAKE TRANSMISSION FIXING       |
| 9               | CM082204        | PROTECTION                                  | 1          |                                      |
| 10              | CM013203        | SPRING                                      | 1          |                                      |
| 11              | 1A003060        | FLANGED HEX. HEAD SCREW M6X45               | 6          | REAR BRAKE TRANSMISSION FIXING       |
| 12              | 668477          | CLIP.                                       | 1          |                                      |
| 13              | 435634          | FLANGED HEXAGONAL HEAD SCREW                | 1          |                                      |
| 14              | 179640          | PIN   | 1          | BRAKE CONTROL TRANSM.FIXING          |
| 15              | CM007407        | SHEAT (NOT METALLIC)                        | 1          | TRASMISSION COMPONENTS GROUP         |
| 16              | CM007458        | SHEAT (NOT METALLIC)                        | 1          | TRASMISSION COMPONENTS GROUP         |
| 17              | 270310          | BRAKE ADJUSTER                              | 1          | BRAKE CONTROL TRANSM.FIXING          |

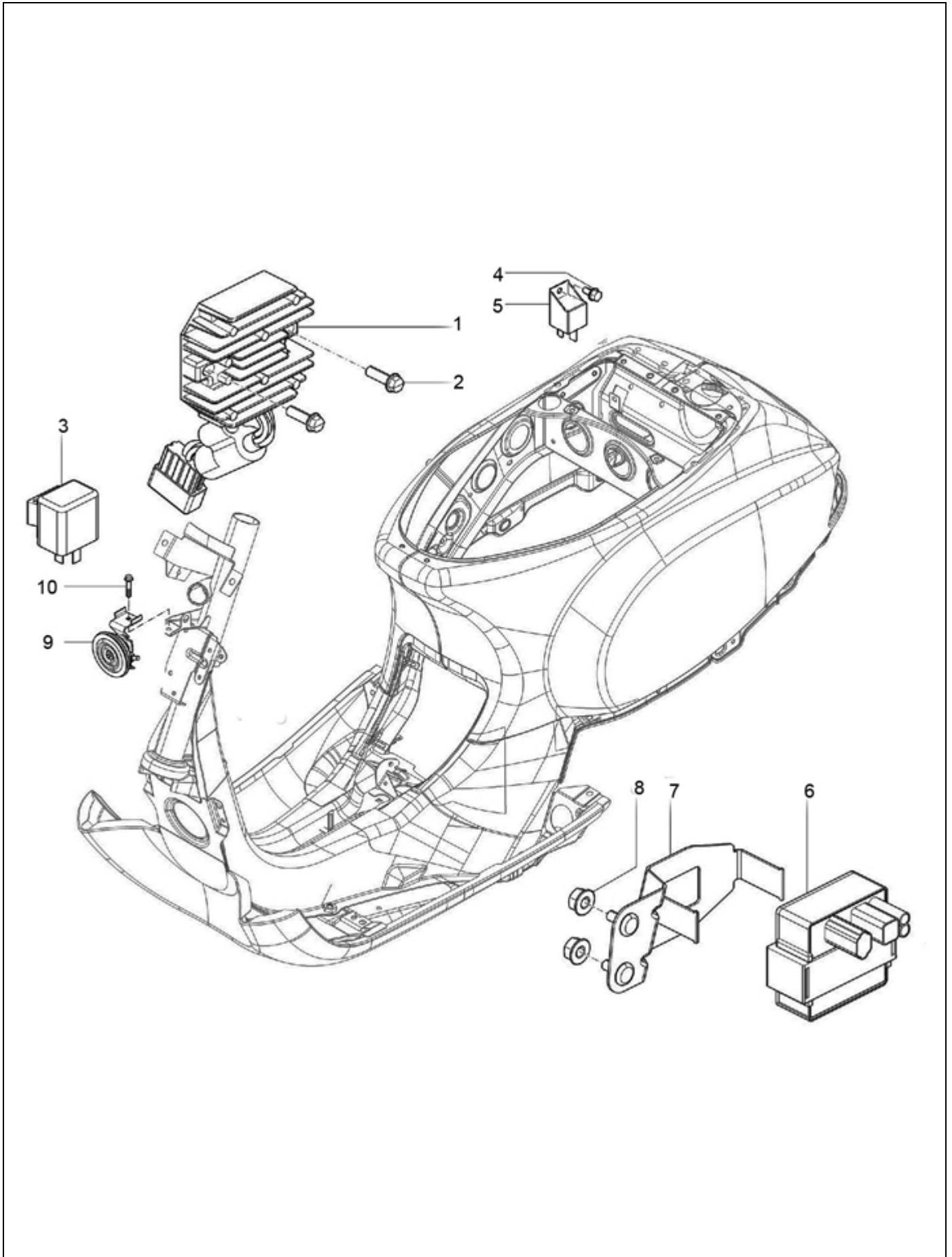
## 2.22 Complete Saddle



**2.22****Complete Saddle**

| <b>Fig. No.</b> | <b>Part No.</b> | <b>Description</b>             | <b>Qty</b> | <b>Remarks</b>              |
|-----------------|-----------------|--------------------------------|------------|-----------------------------|
| 1               | 1B007280C1      | COMPLETE SADDLE                | 1          | Red/Yellow/Blue FL-20       |
| 1               | 1B002112000C1   | SADDLE-BLACK (VXL)             | 1          |                             |
| 1               | 1B007280C2      | COMPLETE SADDLE                | 1          | Grey/Black/Pink/White FL-20 |
| 1               | 1B002112000C3   | COMPLETE SADDLE                | 1          |                             |
| 1.1             | 674179          | SADDLE HOOK                    | 1          |                             |
| 1.2             | 674180          | HOOK SADDLE CLOSURE            | 1          |                             |
| 1.3             | 674314          | LEVER WITH I.P.                | 1          |                             |
| 1.4             | 674306          | ECCENTRIC                      | 1          |                             |
| 1.5             | 674311          | LOCK SUPPORT                   | 1          |                             |
| 1.6             | 1B004360        | COVER                          | 1          |                             |
| 1.7             | 674302          | HINGE                          | 1          |                             |
| 1.8             | 674303          | PIN                            | 1          |                             |
| 1.9             | 296456          | SADDLE STOP-PAD                | 2          |                             |
| 1.10            | 577492          | STOP PAD                       | 2          |                             |
| 1.11            | 673563          | SADDLE OPENING TRANSMISSION    | 1          |                             |
| 1.12            | 296743          | BRACKET (REAR LUGGAGE OR TANK) | 2          |                             |
| 1.13            | 257535          | EXTRUDED SECTION               | 1          | NI                          |
| 1.14            | 674162          | SCREW (CYLINDER HEAD)          | 9          |                             |
| 1.15            | 674163          | THREAD FORMING SCREW           | 1          |                             |
| 1.16            | 674304          | BENZING SPRING RING            | 1          |                             |
| 1.17            | 674308          | SPRING                         | 1          |                             |
| 1.18            | 674312          | SPRING                         | 1          |                             |
| 1.19            | 1B004574        | LOCK PROTECTION                | 1          | Applicable for FL-20        |
| 1.20            | 674162          | SCREW (CYLINDER HEAD)          | 2          | Applicable for FL-20        |
| 1.21            | 1B007797        | EJECTOR                        | 1          | Applicable for FL-20        |
| 1.22            | 653281          | SPRING                         | 1          | Applicable for FL-20        |
| 1.23            | 013963          | WASHER                         | 1          | Applicable for FL-20        |
| 1.24            | 268596          | SELF TAPPING SCREW             | 1          | Applicable for FL-20        |

**2.23**  
**Electrical Equipments Group**

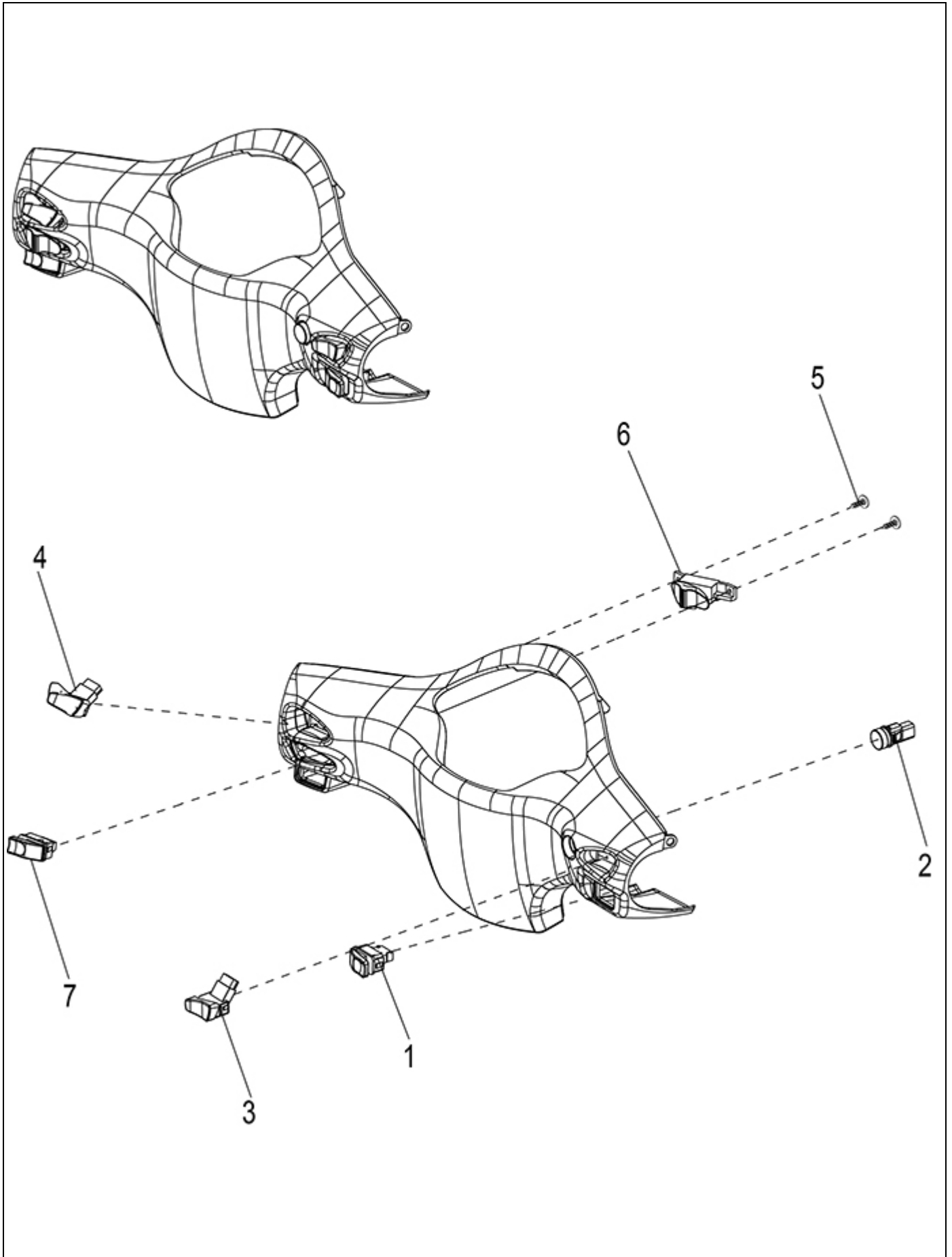


**2.23****Electrical Equipments Group**

| <b>Fig. No.</b> | <b>Part No.</b> | <b>Description</b>            | <b>Qty</b> | <b>Remarks</b>                        |
|-----------------|-----------------|-------------------------------|------------|---------------------------------------|
| 1               | 1A017429        | VOLTAGE REGULATOR             | 1          |                                       |
| 2               | 241936          | SELF LOCKING NUT              | 2          | REGULATOR FIXING                      |
| 3               | 1D003013        | FLASHING DEVICE COMPLETE      | 1          |                                       |
| 4               | 436788          | FLANGED HEXAGONAL HEAD SCREW  | 1          | ENGINE START RELAY FIXING             |
| 5               | 680154          | REMOTE CONTROL SWITCH 12V-70A | 1          |                                       |
| 6               | CM301401        | ELECTRONIC DEVICE             | 1          |                                       |
| 6               | CM301423        | ELECTRONIC DEVICE             | 1          | Applicable for FL-20                  |
| 7               | 1B006577        | BRACKET WITH I.P.             | 1          |                                       |
| 8               | NS              | NOT SERVICEABLE               | 1          |                                       |
| 9               | CM087614        | KLAXON                        | 1          |                                       |
| 10              | 434541          | SCREW                         | 1          | HORN FIXING                           |
| 11              | 1B006080        | REGULATOR BRACKET WITH P.I.   | 1          |                                       |
| 12              | 435634          | FLANGED HEXAGONAL HEAD SCREW  | 3          | REGULATOR BRACKET WITH P.I.<br>FIXING |
| 13              | 241936          | SELF LOCKING NUT              | 1          | REGULATOR BRACKET WITH P.I.<br>FIXING |
| 14              | 1B007316        | FUSE CARRIER BRACKET          | 1          |                                       |
| 15              | 1D001143        | CLIP                          | 2          |                                       |
| 16              | 1D001636        | ELECTROMAGNETIC SWITCH        | 1          |                                       |

## 2.24

### Remote Control Switch

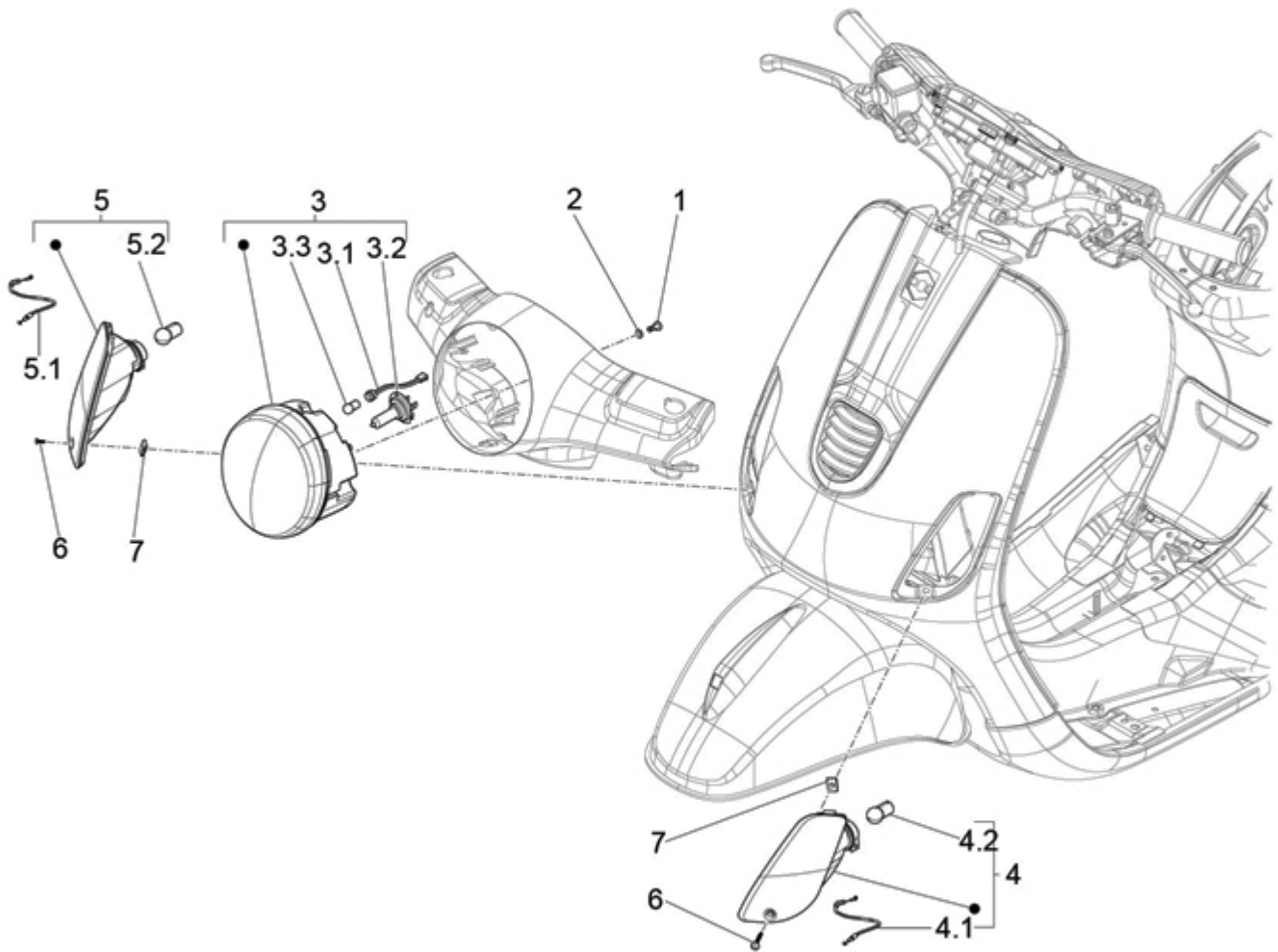


**2.24****Remote Control Switch**

| <b>Fig. No.</b> | <b>Part No.</b> | <b>Description</b>      | <b>Qty</b> | <b>Remarks</b>                 |
|-----------------|-----------------|-------------------------|------------|--------------------------------|
| 1               | 641359          | START PUSH BUTTON       | 1          |                                |
| 2               | 641859          | MODE PUSH BUTTON        | 1          |                                |
| 3               | 623512          | PLUG                    | 1          |                                |
| 4               | 294877          | HI-LO LAMP SWITCH       | 1          |                                |
| 5               | 297498          | SELF TAPPING SCREW      | 4          | TURN SIGNAL LAMP SWITCH FIXING |
| 6               | 294723          | TURN SIGNAL LAMP SWITCH | 1          |                                |
| 7               | 1D000185        | CLACSON PUSH BUTTON     | 1          |                                |
| 8               | 643023          | HEADE LAMP SWITCH       | 1          | Applicable for FL-20           |



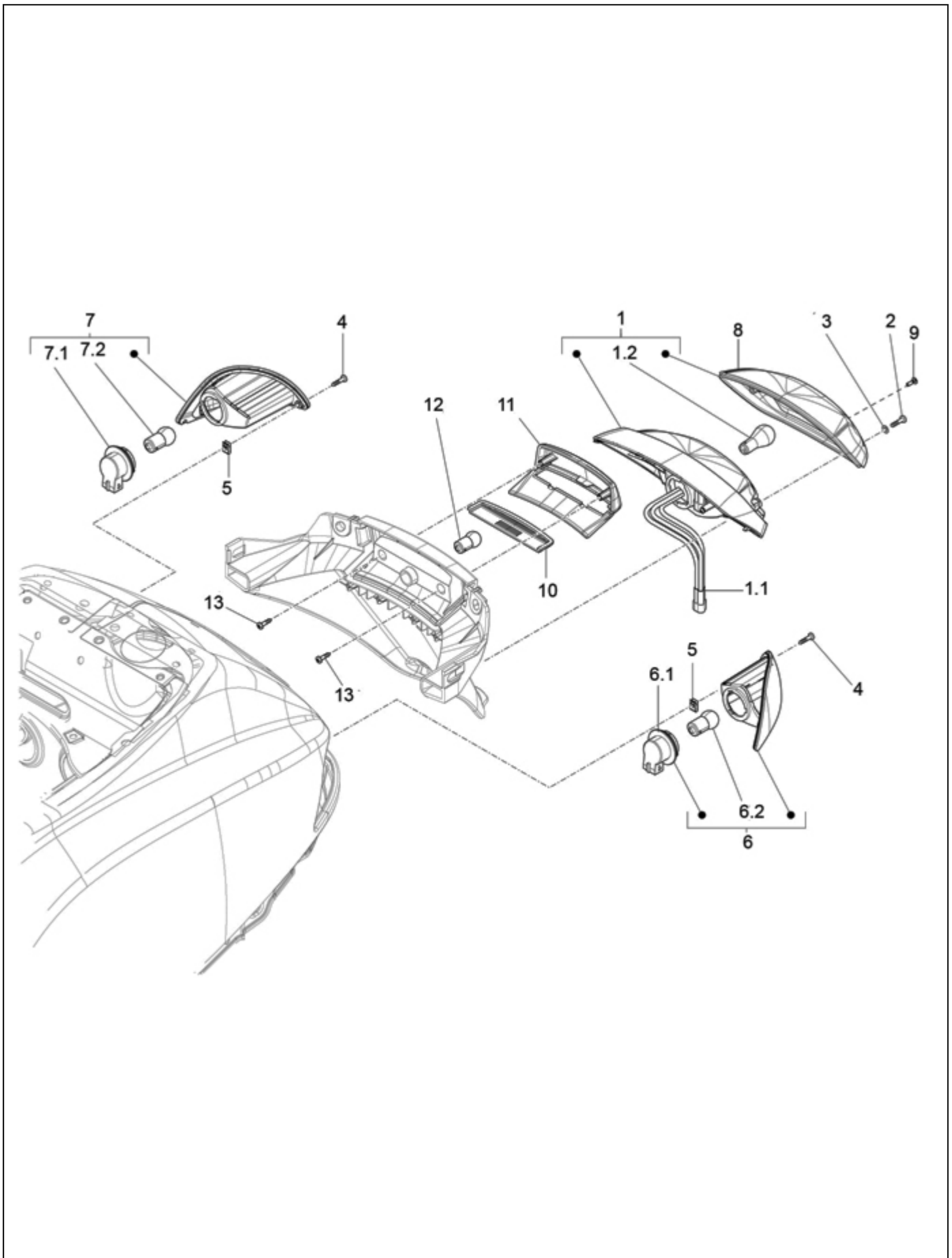
## 2.25 Front lamp Group



**2.25****Front lamp Group**

| <b>Fig. No.</b> | <b>Part No.</b> | <b>Description</b>               | <b>Qty</b> | <b>Remarks</b>               |
|-----------------|-----------------|----------------------------------|------------|------------------------------|
| 1               | 015935          | SCREW WITH CYLINDRICAL HEAD      | 4          | HEADLAMP FIXING              |
| 2               | 6965            | SPRING WASHER DIA 5              | 2          | HEADLAMP FIXING              |
| 3               | 1D003127        | COMPLETE HEADLAMP                | 1          | Applicable for FL-20         |
| 3               | 642418          | COMPLETE HEADLAMP                | 1          |                              |
| 3.1             | 1D000517        | HEADLAMP WIRING HARNESS          | 1          |                              |
| 3.2             | 231215          | LAMP 12V/35/35W HS1 (HALOGEN)    | 1          |                              |
| 3.3             | 292022          | LAMP (12V - 5W)                  | 1          |                              |
| 4               | 643324          | LEFT FRONT TURN SIGNAL LAMP      | 1          |                              |
| 4.1             | 643329          | WIRING HARNESS (FOR SPARE PARTS) | 1          |                              |
| 4.2             | 584332          | 12V-10W AMBER LAMP               | 1          |                              |
| 5               | 643325          | RIGHT FRONT TURN SIGNAL LAMP     | 1          |                              |
| 5.1             | 643329          | WIRING HARNESS (FOR SPARE PARTS) | 1          |                              |
| 5.2             | 584332          | 12V-10W AMBER LAMP               | 1          |                              |
| 6               | 008457          | SCREW FOR HANDLEBARS (D 4,2X19)  | 2          | FRONT TURN INDICATORS FIXING |
| 7               | CM017406        | SPRING PLATE                     | 2          | FRONT TURN INDICATORS FIXING |

## 2.26 Rear lamp Group

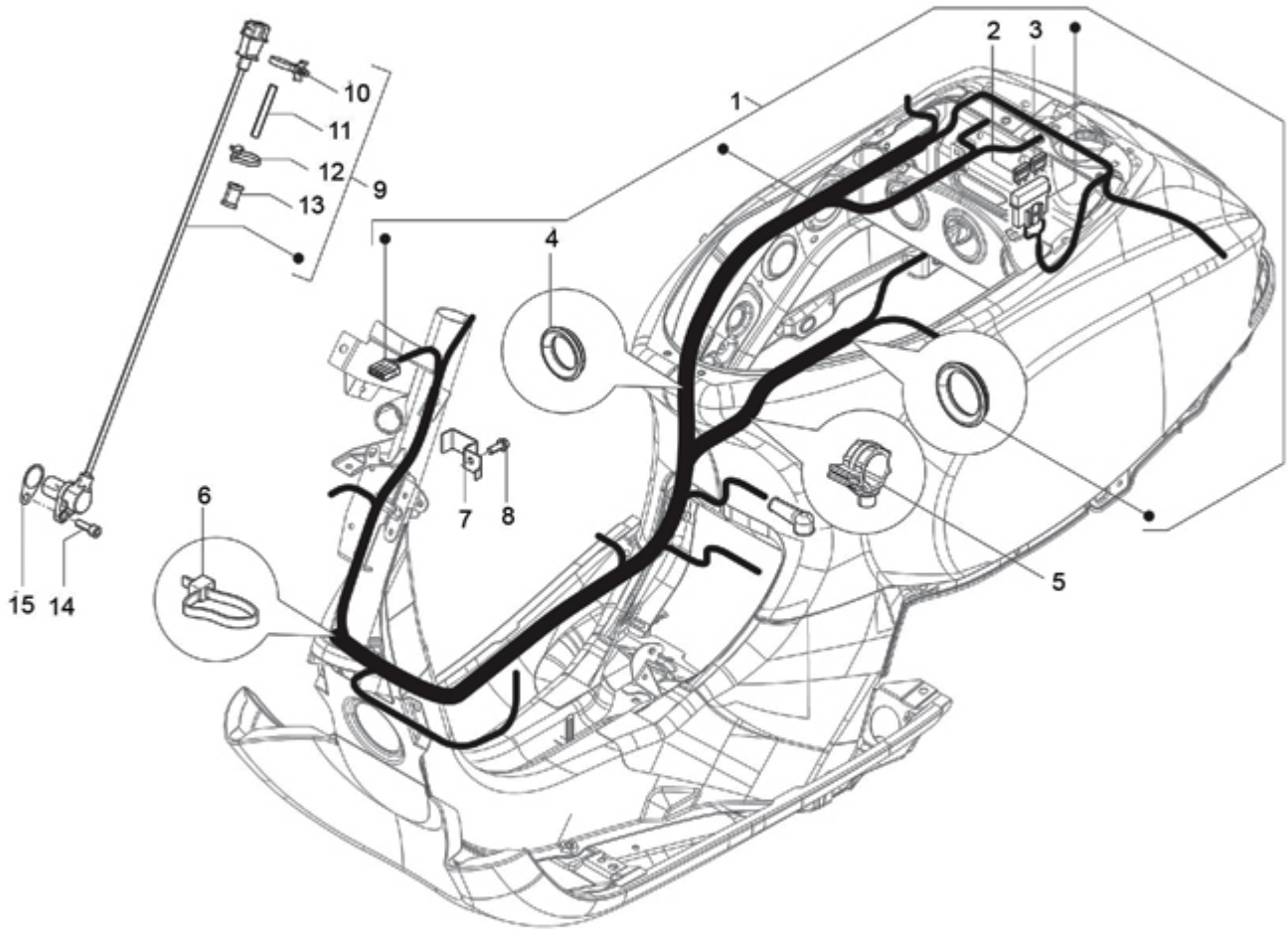


**2.26****Rear lamp Group**

| <b>Fig. No.</b> | <b>Part No.</b> | <b>Description</b>                           | <b>Qty</b> | <b>Remarks</b>              |
|-----------------|-----------------|--|------------|-----------------------------|
| 1               | 642420          | COMPLETE TAIL LAMP                           | 1          |                             |
| 1.1             | 642554          | WIRING HARNESS (FOR SPARE PARTS)             | 1          |                             |
| 1.2             | 643323          | BULB LAMP                                    | 1          |                             |
| 2               | 018591          | CYLINDRICAL SCREW                            | 2          | TAIL LAMP FIXING            |
| 3               | 6965            | SPRING WASHER DIA 5                          | 2          | TAIL LAMP FIXING            |
| 4               | 008372          | SCREW FOR REAR TURN SIGNAL LAMP<br>(M3,5X16) | 2          | REAR TURN INDICATORS FIXING |
| 5               | CM017405        | SPRING PLATE                                 | 2          | REAR TURN INDICATORS FIXING |
| 6               | 643326          | LEFT REAR TURN SIGNAL LAMP                   | 1          |                             |
| 6.1             | 643340          | WIRING HARNESS (FOR SPARE PARTS)             | 1          |                             |
| 6.2             | 584332          | 12V-10W AMBER LAMP                           | 1          |                             |
| 7               | 643327          | RIGHT REAR TURN SIGNAL LAMP                  | 1          |                             |
| 7.1             | 643340          | WIRING HARNESS (FOR SPARE PARTS)             | 1          |                             |
| 7.2             | 584332          | 12V-10W AMBER LAMP                           | 1          |                             |
| 8               | 673220          | REAR PROTECTION                              | 1          |                             |
| 9               | 015724          | SELF-TAPPING SCREW                           | 2          | REAR PROTECTION FIXING      |
| 10              | 639335          | GLASS FOR LICENCE PLATE LAMP                 | 1          |                             |
| 11              | 673853          | COVER ASSY FOR LICENCE PLATE LAMP            | 1          |                             |
| 12              | 292022          | LAMP (12V - 5W)                              | 1          |                             |
| 13              | 008372          | SCREW FOR REAR TURN SIGNAL LAMP<br>(M3,5X16) | 2          | LICENCE PLATE LAMP FIXING   |

2.27

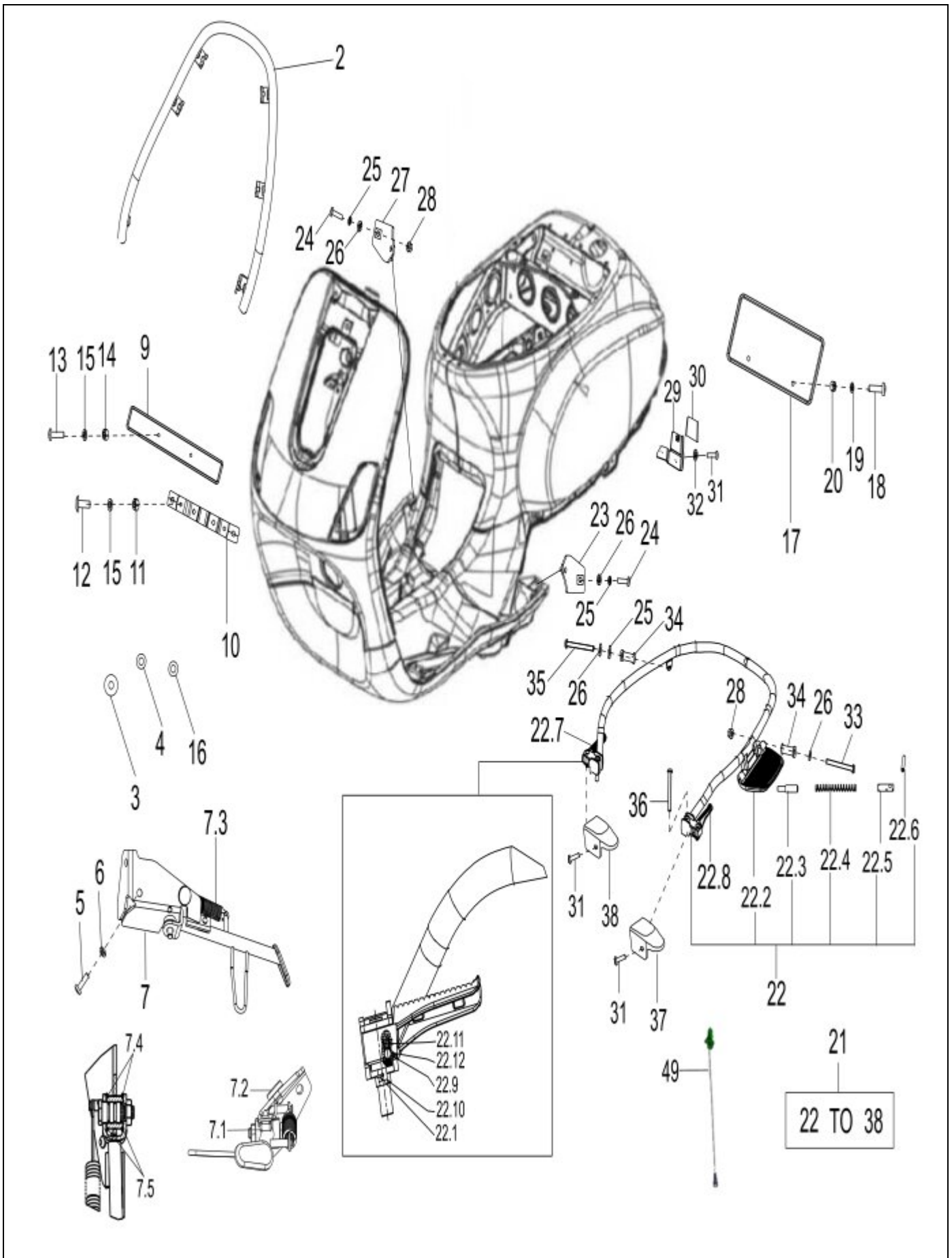
Wiring Harness



**2.27****Wiring Harness**

| <b>Fig. No.</b> | <b>Part No.</b> | <b>Description</b>           | <b>Qty</b> | <b>Remarks</b>       |
|-----------------|-----------------|------------------------------|------------|----------------------|
| 1               | 1D004219        | WIRE HARNESS OF FRAME        | 1          | Applicable for FL-20 |
| 1               | 1D003205        | WIRE HARNESS OF FRAME        | 1          |                      |
| 3.1             | 252945          | FUSE 7,5 A                   | 2          |                      |
| 3.2             | 293256          | FUSE 5A                      | 2          |                      |
| 3.3             | 580561          | FUSES 20A                    | 1          |                      |
| 4               | 294754          | GROMMET                      | 1          |                      |
| 5               | CM006905        | SPRING                       | 1          |                      |
| 6               | 145298          | PLASTIC CLAMP                | 1          |                      |
| 7               | 1D001275        | CONNECTOR BRACKET            | 1          |                      |
| 8               | 434541          | SCREW                        | 1          |                      |
| 9               | SP1D001302      | COMPLETE SPEED SENSOR SPD    | 1          |                      |
| 10              | 640879          | CLAMP                        | 1          |                      |
| 11              | SP1D002664      | SLIT HARNESS WRAP FOR SPARES | 1          |                      |
| 12              | 145298          | PLASTIC CLAMP                | 1          |                      |
| 13              | 1D001301        | GROMMET                      | 1          |                      |
| 14              | 709674          | SCREW M6X20                  | 1          | SPEED SENSOR FIXING  |
| 15              | 668780          | WASHER FOR SENSOR            | 1          | SPEED SENSOR FIXING  |

**2.28**  
**Accessoris**

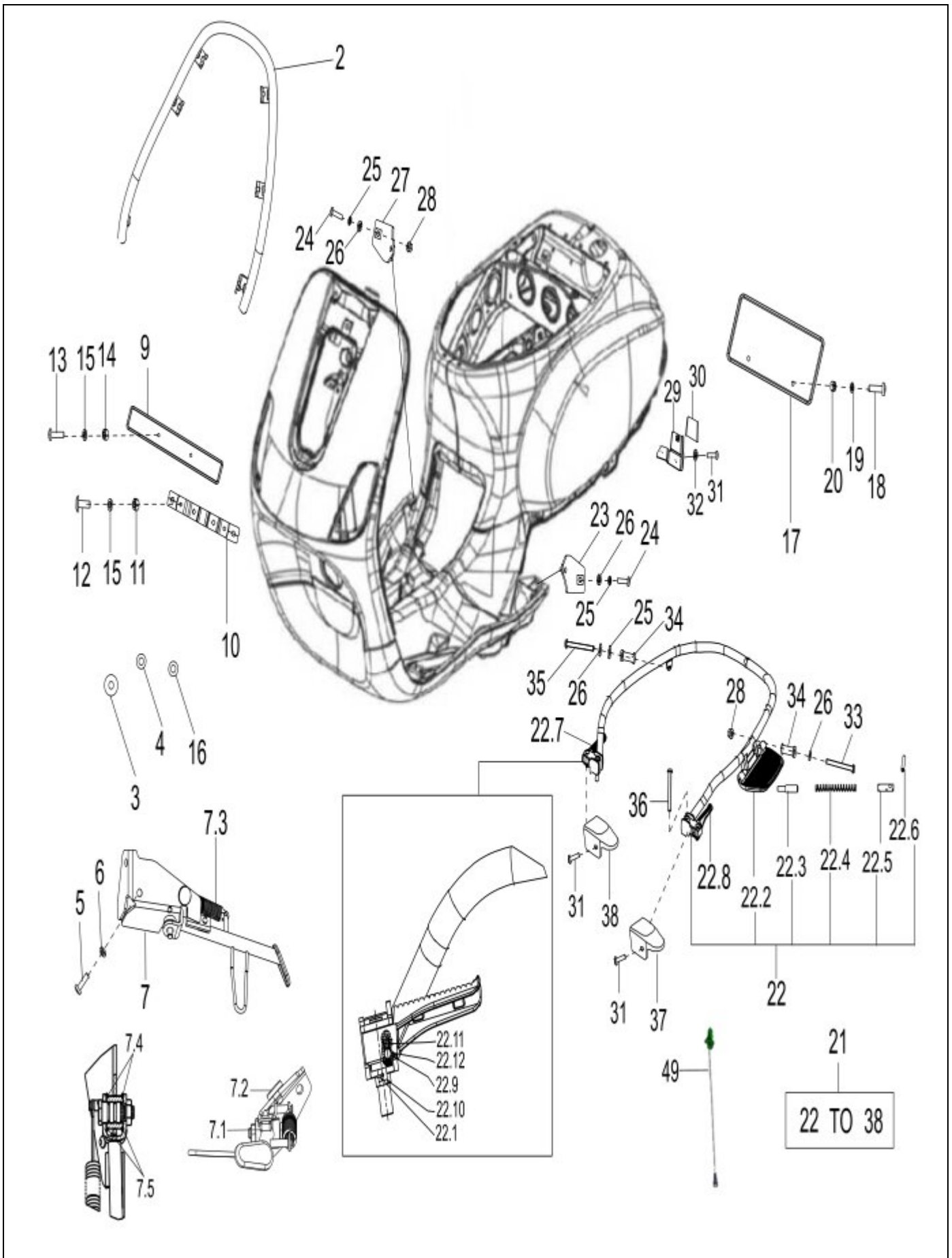


**2.28****Accessoris**

| <b>Fig. No.</b> | <b>Part No.</b> | <b>Description</b>                 | <b>Qty</b> | <b>Remarks</b>                      |
|-----------------|-----------------|------------------------------------|------------|-------------------------------------|
| 1               | 1C002402        | COMPLETE TOOL KIT                  | 1          |                                     |
| 2               | 675077A         | FRONT FENDER CHROME BUMPER         | 1          |                                     |
| 3               | 673893          | SPACER                             | 2          | FRONT PLATE FIXING                  |
| 4               | 675980          | WASHER                             | 2          | FRONT PLATE FIXING                  |
| 5               | 295822          | SCREW                              | 2          | LATERAL STAND COMPONENTS AND FIXING |
| 6               | 016408          | SPRING WASHER                      | 2          | LATERAL STAND COMPONENTS AND FIXING |
| 7               | 1C006831        | COMPLETE LATERAL STAND             | 1          |                                     |
| 7.1             | 164245          | REBOUND BUMPER                     | 1          |                                     |
| 7.2             | 666895          | STOPPER                            | 1          |                                     |
| 7.3             | 1C001871        | SPRING LATERAL STAND               | 1          |                                     |
| 7.4             | 191189          | PACKING                            | 2          |                                     |
| 7.5             | 434947          | PACKING WITH CIRCULAR SECTION O.R. | 2          |                                     |
| 9               | 673917A         | FRONT LICENSE PLATE                | 1          |                                     |
| 10              | 673892          | FRONT PLATE HOLDER                 | 1          | FRONT PLATE FIXING                  |
| 11              | 620356          | M4 SELF-LOCKING NUT                | 2          | FRONT PLATE FIXING                  |
| 12              | 018591          | CYLINDRICAL SCREW                  | 2          | FRONT PLATE FIXING                  |
| 13              | 272836          | METRICAL SCREW WITH CROSS MOULD    | 2          | FRONT PLATE FIXING                  |
| 14              | 709116          | HEXAGON NUT                        | 1          | FRONT PLATE FIXING                  |
| 15              | 013769          | METALLIC PLAIN WASHER (4,5X10X1)   | 4          | FRONT PLATE FIXING                  |
| 16              | 016673          | PLAIN WASHER                       | 2          | FRONT PLATE FIXING                  |
| 17              | 673918A         | REAR LICENSE PLATE                 | 1          |                                     |
| 18              | 272836          | METRICAL SCREW WITH CROSS MOULD    | 2          | REAR PLATE FIXING                   |
| 19              | 709116          | HEXAGON NUT                        | 1          | REAR PLATE FIXING                   |
| 20              | 709003          | PLAIN WASHER                       | 2          | REAR PLATE FIXING                   |
| 21              | SKIT940027R     | PERIMETER FIXING KIT               | 1          |                                     |
| 22              | SKIT940027R     | PERIMETER FIXING KIT               | 1          |                                     |
| 22.1            | 259933          | ELASTIC SPRING                     | 1          |                                     |
| 22.2            | 654626          | COMPLETE LATERAL FOOTREST          | 1          |                                     |
| 22.3            | 218667          | PIN                                | 1          |                                     |
| 22.4            | 561838          | SPRING                             | 1          |                                     |
| 22.5            | 561837          | PIN                                | 1          |                                     |
| 22.6            | 008817          | SPRING PIN                         | 2          |                                     |
| 22.7            | 574227          | RIGHT FOOTREST SUPPORT             | 1          |                                     |
| 22.8            | 574226          | LEFT FOOTREST SUPPORT              | 2          |                                     |
| 22.9            | 295592          | PLATE FOR FOOTREST                 | 2          |                                     |



2.28  
Accessoris



**2.28****Accessoris**

| <b>Fig. No.</b> | <b>Part No.</b> | <b>Description</b>                      | <b>Qty</b> | <b>Remarks</b>                 |
|-----------------|-----------------|---|------------|--------------------------------|
| 22.10           | 295593          | PIN                                     | 2          |                                |
| 22.11           | 295590          | SPRING SPHERE                           | 2          |                                |
| 22.12           | 295591          | SPHERE                                  | 2          |                                |
| 23              | 676031          | PLATE WITH I.P.                         | 1          |                                |
| 24              | 840541          | HEXAGON SOCKET BUTTON HEAD SCREW        | 1          | FIXING L & H PLATE             |
| 25              | 016406          | SPRING WASHER                           | 1          | FIXING L & H PLATE             |
| 26              | 3056            | PLAIN WASHER M6 OD12                    | 1          | FIXING L & H PLATE             |
| 27              | 676072          | PLATE WITH I.P.                         | 1          | FIXING L & H BRACKET           |
| 28              | 241936          | SELF LOCKING NUT                        | 2          | FIXING L & H BRACKET           |
| 29              | 1B005061        | STIRRUP                                 | 1          |                                |
| 30              | 676080          | PAD                                     | 1          |                                |
| 31              | CM179303        | METRICAL SCREW (TORX IMPRESSION)        | 1          | FIXING STIRRUP                 |
| 32              | 676033          | PLAIN METAL WASHER                      | 1          | FIXING STIRRUP                 |
| 33              | 1B000176        | SCREW (CYLINDER HEAD)                   | 2          | FIXING FOOTREST                |
| 25              | 016406          | SPRING WASHER                           | 2          | FIXING FOOTREST                |
| 26              | 3056            | PLAIN WASHER M6 OD12                    | 2          | FIXING FOOTREST                |
| 34              | 654630          | SPACER                                  | 2          |                                |
| 35              | 018564          | HEX.SOCKET BUTT.HEAD THR.               | 1          |                                |
| 25              | 016406          | SPRING WASHER                           | 1          |                                |
| 36              | 951677          | SOCKET HEAD SCREW                       | 2          |                                |
| 37              | 675978          | LEFT COVER                              | 1          |                                |
| 38              | 675977          | RIGHT COVER                             | 1          |                                |
| 39              | 783260          | VESPA SEAT COVER REGULAR-BEIGE          | 1          | NI                             |
| 40              | 783259          | VESPA SEAT COVER REGULAR-BLACK          | 1          | NI                             |
| 41              | 783003          | VESPA BODY COVER(SLIVER)                | 1          | NI                             |
| 42              | 783004          | VESPA BODY COVER-(TYVEK)                | 1          | NI                             |
| 43              | SKIT940030R     | WINDSHIELD ASSY-VXL                     | 1          | NI                             |
| 44              | 1D002753        | COMPLETE USB SOCKET                     | 1          | Applicable for FL-20           |
| 45              | 1B001591        | GROMMET FOR USB SOCKET                  | 1          | Applicable for FL-20           |
| 46              | 1B006081        | HELLA BRACKET WITH P.I.                 | 1          | NI                             |
| 47              | 1D002592        | HELLA MULTIMEDIA CDI                    | 1          | NI                             |
| 48              | 874554          | HEXAG. HEAD SCREW                       | 2          | NI,HELLA MULTIMEDIA CDI FIXING |
| 49              | 1D002666        | SIDE STAND PUSH BUTTON                  | 1          |                                |
| 50              | SKIT940095      | KIT-VESPA LATRAL STAND WITH PUSH BUTTON | 1          |                                |
| 51              | SKIT940096      | KIT FOR VESPA LATERAL STAND             | 1          |                                |

# **PARTS INDEX**

**Vespa\_VXL\_125\_BSVI**

| <b>PART NO</b> | <b>BLOCK</b> | <b>PART NO</b> | <b>BLOCK</b> | <b>PART NO</b> | <b>BLOCK</b> |
|----------------|--------------|----------------|--------------|----------------|--------------|
| 000267         | 1.10         | 016408         | 2.28         | 177521         | 2.15         |
| 002440         | 2.02         | 016673         | 2.28         | 177610         | 2.15         |
| 002440         | 2.16         | 018564         | 2.28         | 178150         | 2.16         |
| 002440         | 2.16         | 018591         | 2.26         | 178790         | 2.16         |
| 003056         | 1.17         | 018591         | 2.28         | 179640         | 2.21         |
| 003751         | 2.15         | 018620         | 2.08         | 18536          | 2.07         |
| 006416         | 1.03         | 018639         | 1.10         | 191189         | 2.28         |
| 006422         | 2.15         | 018639         | 1.18         | 192598         | 2.09         |
| 006635         | 2.15         | 018639         | 1.19         | 198513         | 2.15         |
| 006647         | 1.04         | 018639         | 1.20         | 1A000142       | 1.03         |
| 006731         | 2.15         | 018639         | 1.07         | 1A000143       | 1.03         |
| 006970         | 2.12         | 018644         | 1.14         | 1A000144       | 1.03         |
| 006975         | 1.12         | 021108         | 2.16         | 1A000144       | 1.03         |
| 008372         | 2.26         | 021210         | 2.15         | 1A000244       | 1.18         |
| 008372         | 2.26         | 031090         | 2.09         | 1A000612       | 1.03         |
| 008457         | 2.25         | 031120         | 2.15         | 1A000892       | 1.15         |
| 008817         | 2.28         | 119219         | 2.15         | 1A000895       | 1.15         |
| 011109         | 2.15         | 121780         | 2.11         | 1A001023       | 1.12         |
| 012533         | 1.17         | 122781         | 2.16         | 1A001073       | 1.10         |
| 012535         | 2.15         | 123394         | 2.11         | 1A001073       | 1.13         |
| 012543         | 2.11         | 127927         | 2.15         | 1A001256       | 1.02         |
| 013763         | 2.06         | 127927         | 2.20         | 1A001278       | 1.02         |
| 013769         | 2.28         | 145298         | 2.27         | 1A001443R      | 1.14         |
| 013880         | 1.10         | 145298         | 2.27         | 1A001494       | 1.03         |
| 013880         | 1.19         | 149104         | 2.15         | 1A001728       | 1.05         |
| 013963         | 2.22         | 15727          | 2.09         | 1A001742       | 1.15         |
| 015330         | 2.11         | 157716         | 2.04         | 1A001743       | 1.15         |
| 015724         | 2.26         | 157716         | 2.04         | 1A001744       | 1.15         |
| 015792         | 2.17         | 157716         | 2.05         | 1A001745       | 1.15         |
| 015935         | 2.25         | 15900          | 2.15         | 1A001746       | 1.15         |
| 016404         | 1.14         | 16408          | 1.18         | 1A001748       | 1.15         |
| 016406         | 1.19         | 164245         | 2.28         | 1A001793       | 1.10         |
| 016406         | 1.19         | 174085         | 2.15         | 1A001795       | 1.10         |
| 016406         | 1.19         | 174088         | 2.15         | 1A002011       | 1.15         |
| 016406         | 1.19         | 174874         | 2.15         | 1A002425       | 1.15         |
| 016406         | 1.20         | 177408         | 2.15         | 1A002426       | 1.15         |
| 016406         | 1.20         | 177414         | 2.15         | 1A002427       | 1.15         |
| 016406         | 2.09         | 177436         | 2.15         | 1A002428       | 1.15         |
| 016406         | 2.28         | 177442         | 2.15         | 1A002429       | 1.15         |
| 016406         | 2.28         | 177443         | 2.15         | 1A002430       | 1.15         |
| 016406         | 2.28         | 177445         | 2.15         | 1A002431       | 1.15         |
| 016408         | 2.15         | 177451         | 2.15         | 1A002432       | 1.15         |
| 016408         | 2.16         | 177494         | 2.15         | 1A002433       | 1.15         |

| <b>PART NO</b> | <b>BLOCK</b> | <b>PART NO</b> | <b>BLOCK</b> | <b>PART NO</b> | <b>BLOCK</b> |
|----------------|--------------|----------------|--------------|----------------|--------------|
| 1A002439       | 1.15         | 1A014094       | 1.13         | 1B000570       | 2.14         |
| 1A002440       | 1.15         | 1A014095       | 1.22         | 1B001321       | 1.19         |
| 1A002441       | 1.15         | 1A014108       | 1.17         | 1B001321       | 1.19         |
| 1A002442       | 1.15         | 1A014309       | 1.22         | 1B001321       | 1.19         |
| 1A002443       | 1.15         | 1A014335       | 1.03         | 1B001409       | 2.07         |
| 1A002444       | 1.15         | 1A014361       | 1.17         | 1B001591       | 2.28         |
| 1A002446       | 1.15         | 1A014739       | 1.09         | 1B002112000C1  | 2.22         |
| 1A002691       | 1.14         | 1A014818       | 1.18         | 1B002112000C3  | 2.22         |
| 1A003060       | 1.03         | 1A014986       | 1.10         | 1B002222       | 2.05         |
| 1A003060       | 1.03         | 1A014986       | 1.12         | 1B002266       | 2.09         |
| 1A003060       | 2.21         | 1A015026       | 1.22         | 1B002607       | 2.14         |
| 1A003060       | 1.06         | 1A015053       | 1.02         | 1B002848       | 1.20         |
| 1A003063       | 1.14         | 1A015201       | 1.03         | 1B002849       | 1.20         |
| 1A003063       | 2.19         | 1A015231       | 1.14         | 1B002953       | 1.19         |
| 1A003063       | 2.21         | 1A015303       | 1.16         | 1B003784       | 1.10         |
| 1A003064       | 1.17         | 1A015812       | 1.16         | 1B004165       | 1.19         |
| 1A003065       | 1.16         | 1A016008       | 1.16         | 1B004360       | 2.22         |
| 1A003065       | 1.03         | 1A016033       | 1.17         | 1B004574       | 2.22         |
| 1A003068       | 1.02         | 1A016119       | 1.17         | 1B005061       | 2.28         |
| 1A004153       | 1.07         | 1A016543       | 1.22         | 1B005066       | 1.19         |
| 1A004654       | 1.04         | 1A016605       | 1.10         | 1B006080       | 2.23         |
| 1A005019       | 1.03         | 1A016873       | 1.18         | 1B006081       | 2.28         |
| 1A005055       | 1.15         | 1A017197       | 1.22         | 1B006577       | 2.23         |
| 1A005057       | 1.15         | 1A017417       | 1.03         | 1B006711       | 1.19         |
| 1A005058R      | 1.15         | 1A017429       | 2.23         | 1B006796       | 1.20         |
| 1A005132       | 1.03         | 1A017647       | 1.10         | 1B006957       | 1.19         |
| 1A005254       | 1.17         | 1A017797       | 1.22         | 1B006961       | 1.20         |
| 1A005265       | 1.17         | 1A017882       | 1.20         | 1B007071       | 2.07         |
| 1A006482       | 1.06         | 1A017892       | 1.17         | 1B007278       | 2.07         |
| 1A006545       | 1.07         | 1A017964       | 1.18         | 1B007280C1     | 2.22         |
| 1A006988       | 1.15         | 1A018007       | 1.18         | 1B007280C2     | 2.22         |
| 1A007468       | 1.14         | 1A018013       | 1.22         | 1B007310       | 2.07         |
| 1A007618       | 1.04         | 1A018232       | 1.10         | 1B007316       | 2.23         |
| 1A008072       | 1.03         | 1A018267       | 1.17         | 1B007449       | 2.07         |
| 1A008397       | 1.08         | 1A018501       | 1.10         | 1B007640       | 2.07         |
| 1A009397       | 1.13         | 1A018847       | 1.10         | 1B007797       | 2.22         |
| 1A009606       | 1.16         | 1A018849R      | 1.10         | 1B007869       | 1.20         |
| 1A011087       | 1.12         | 1A019253       | 1.09         | 1B007884       | 1.20         |
| 1A012009       | 1.17         | 1A019310       | 1.16         | 1B008067R      | 1.20         |
| 1A013712       | 1.15         | 1A019466       | 1.18         | 1C000075       | 2.11         |
| 1A013713       | 1.15         | 1B000042       | 2.09         | 1C000111       | 2.02         |
| 1A013856       | 1.10         | 1B000176       | 2.28         | 1C000291       | 2.15         |
| 1A014086       | 1.22         | 1B000239       | 2.09         | 1C000291       | 2.20         |

| <b>PART NO</b> | <b>BLOCK</b> | <b>PART NO</b> | <b>BLOCK</b> | <b>PART NO</b> | <b>BLOCK</b> |
|----------------|--------------|----------------|--------------|----------------|--------------|
| 1C000383       | 2.15         | 1D002507       | 2.11         | 265216         | 2.16         |
| 1C000655R      | 2.19         | 1D002592       | 2.28         | 267038         | 2.16         |
| 1C000907       | 2.15         | 1D002666       | 2.28         | 267917         | 2.11         |
| 1C001642       | 2.21         | 1D002701       | 1.19         | 267958         | 2.05         |
| 1C001708       | 2.15         | 1D002753       | 2.28         | 268158         | 2.16         |
| 1C001871       | 2.28         | 1D002971       | 1.19         | 268596         | 2.09         |
| 1C001969       | 2.15         | 1D003013       | 2.23         | 268596         | 2.22         |
| 1C002059R      | 2.15         | 1D003122R      | 2.07         | 269755         | 1.02         |
| 1C002059R      | 2.20         | 1D003127       | 2.25         | 269755         | 1.07         |
| 1C002059R      | 2.20         | 1D003205       | 2.27         | 270310         | 2.21         |
| 1C002142       | 2.15         | 1D003356       | 2.13         | 270793         | 1.20         |
| 1C002402       | 2.28         | 1D003357       | 2.13         | 270793         | 2.08         |
| 1C002463       | 2.17         | 1D003477       | 1.19         | 270793         | 2.13         |
| 1C002607       | 2.19         | 1D004219       | 2.27         | 271596         | 2.20         |
| 1C002806       | 2.18         | 1F000110       | 1.09         | 272836         | 1.17         |
| 1C003015       | 2.15         | 1F000110       | 1.12         | 272836         | 2.28         |
| 1C003307       | 2.20         | 20105          | 2.06         | 272836         | 2.28         |
| 1C003308R      | 2.20         | 20105          | 2.06         | 273754         | 2.02         |
| 1C003346       | 2.20         | 20108          | 2.15         | 285536         | 1.13         |
| 1C003347       | 2.20         | 216369         | 1.12         | 287073         | 1.18         |
| 1C003370       | 2.20         | 218667         | 2.28         | 288673         | 1.03         |
| 1C003583       | 2.20         | 230359         | 1.22         | 289519         | 1.15         |
| 1C003753       | 2.20         | 231215         | 2.25         | 292022         | 2.25         |
| 1C003892       | 2.21         | 231590         | 1.20         | 292022         | 2.26         |
| 1C004063       | 2.11         | 241936         | 2.15         | 293154         | 2.07         |
| 1C004064       | 2.11         | 241936         | 2.23         | 293256         | 2.27         |
| 1C004112       | 2.20         | 241936         | 2.23         | 294723         | 2.24         |
| 1C004306       | 2.11         | 241936         | 2.28         | 294754         | 2.27         |
| 1C004645       | 2.21         | 252420         | 2.03         | 294877         | 2.24         |
| 1C005000       | 2.16         | 252945         | 2.27         | 295528         | 2.03         |
| 1C005094       | 2.16         | 253937         | 2.14         | 295590         | 2.28         |
| 1C006718R      | 2.18         | 254485         | 1.17         | 295591         | 2.28         |
| 1C006831       | 2.28         | 254485         | 2.03         | 295592         | 2.28         |
| 1D000152       | 1.14         | 255323         | 2.07         | 295593         | 2.28         |
| 1D000185       | 2.24         | 257134         | 1.22         | 295822         | 2.28         |
| 1D000517       | 2.25         | 257134         | 2.21         | 296141         | 2.04         |
| 1D000698       | 1.16         | 257535         | 2.22         | 296141         | 2.06         |
| 1D001143       | 2.23         | 257614         | 2.03         | 296456         | 2.22         |
| 1D001198       | 1.16         | 257617         | 2.03         | 296743         | 2.22         |
| 1D001275       | 2.27         | 258146         | 1.17         | 297498         | 2.03         |
| 1D001301       | 2.27         | 258146         | 2.08         | 297498         | 2.03         |
| 1D001636       | 2.23         | 259348         | 2.03         | 297498         | 2.24         |
| 1D002378       | 2.13         | 259933         | 2.28         | 298903         | 2.14         |

| <b>PART NO</b> | <b>BLOCK</b> | <b>PART NO</b> | <b>BLOCK</b> | <b>PART NO</b> | <b>BLOCK</b> |
|----------------|--------------|----------------|--------------|----------------|--------------|
| 299557         | 2.01         | 564256         | 2.15         | 623336         | 2.09         |
| 299558         | 2.01         | 564257         | 2.15         | 623420         | 2.06         |
| 299559         | 2.01         | 564258         | 2.15         | 623512         | 2.24         |
| 299964         | 2.05         | 564259         | 2.15         | 639335         | 2.26         |
| 299965         | 2.05         | 564260         | 2.15         | 640762         | 2.11         |
| 2H002046       | 2.10         | 564262         | 2.15         | 640879         | 2.27         |
| 2H003389       | 2.10         | 564645         | 2.21         | 641359         | 2.24         |
| 2H003663       | 2.10         | 56499R         | 2.17         | 641652         | 1.20         |
| 3056           | 1.19         | 573057         | 2.03         | 641859         | 2.24         |
| 3056           | 1.20         | 574226         | 2.28         | 642418         | 2.25         |
| 3056           | 2.28         | 574227         | 2.28         | 642420         | 2.26         |
| 3056           | 2.28         | 575249         | 2.03         | 642537         | 1.10         |
| 3060           | 2.12         | 575249         | 2.04         | 642554         | 2.26         |
| 433987         | 1.03         | 575249         | 2.06         | 642905         | 2.09         |
| 434541         | 1.19         | 575249         | 2.09         | 642906         | 2.06         |
| 434541         | 2.20         | 575249         | 2.09         | 643023         | 2.24         |
| 434541         | 2.23         | 575249         | 2.15         | 643114         | 1.12         |
| 434541         | 2.27         | 575937         | 2.07         | 643149         | 1.10         |
| 434716         | 1.07         | 576017         | 2.07         | 643156         | 1.10         |
| 434947         | 2.28         | 576189         | 2.04         | 643279         | 1.10         |
| 435571         | 1.07         | 576189         | 2.04         | 643323         | 2.26         |
| 435634         | 2.21         | 576189         | 2.07         | 643324         | 2.25         |
| 435634         | 2.23         | 576464         | 2.10         | 643325         | 2.25         |
| 436788         | 1.19         | 577492         | 2.22         | 643326         | 2.26         |
| 436788         | 2.23         | 580561         | 2.27         | 643327         | 2.26         |
| 436947         | 1.18         | 580621         | 2.14         | 643329         | 2.25         |
| 463195         | 2.04         | 58273R         | 1.12         | 643329         | 2.25         |
| 479132         | 1.17         | 584332         | 2.25         | 643340         | 2.26         |
| 483711         | 1.07         | 584332         | 2.25         | 643340         | 2.26         |
| 485703         | 1.02         | 584332         | 2.26         | 647384         | 2.19         |
| 485703         | 1.07         | 584332         | 2.26         | 649113         | 2.15         |
| 487034         | 1.03         | 58500R         | 2.18         | 651293         | 2.11         |
| 4A000016       | 2.03         | 597043         | 2.02         | 653281         | 2.22         |
| 4A000028       | 1.03         | 597679         | 2.17         | 654626         | 2.28         |
| 4A000029       | 1.03         | 597679         | 2.18         | 654630         | 2.28         |
| 4A000070       | 2.11         | 598369         | 2.11         | 655554         | 2.11         |
| 4A000071       | 2.11         | 601039         | 1.22         | 656021         | 1.19         |
| 4A000073       | 2.11         | 6078           | 1.19         | 656219         | 2.10         |
| 560045         | 2.16         | 614188         | 1.17         | 656220         | 2.10         |
| 561837         | 2.28         | 620356         | 2.28         | 657125         | 2.05         |
| 561838         | 2.28         | 620556         | 2.04         | 665602         | 2.15         |
| 564112         | 2.19         | 622187         | 2.05         | 665657         | 2.15         |
| 564134         | 2.19         | 622188         | 2.05         | 665657         | 2.18         |

| <b>PART NO</b> | <b>BLOCK</b> | <b>PART NO</b> | <b>BLOCK</b> | <b>PART NO</b> | <b>BLOCK</b> |
|----------------|--------------|----------------|--------------|----------------|--------------|
| 665701         | 2.15         | 674314         | 2.22         | 83046R         | 1.02         |
| 665735         | 2.15         | 675077A        | 2.28         | 83047R         | 1.02         |
| 666484         | 2.02         | 675214         | 2.12         | 83048R         | 1.02         |
| 666758         | 2.11         | 675214         | 2.12         | 83053R         | 1.07         |
| 666847         | 2.16         | 675396         | 2.07         | 83054R         | 1.07         |
| 666895         | 2.28         | 675546         | 2.09         | 83062R         | 1.08         |
| 666991         | 1.02         | 675977         | 2.28         | 840541         | 2.28         |
| 667566         | 2.02         | 675978         | 2.28         | 841782         | 1.18         |
| 667567         | 2.02         | 675980         | 2.28         | 842908         | 1.18         |
| 667842         | 2.21         | 676031         | 2.28         | 842908         | 1.18         |
| 667990         | 2.15         | 676033         | 2.28         | 8432           | 2.05         |
| 668001         | 2.15         | 676072         | 2.28         | 8432           | 2.05         |
| 668300         | 2.16         | 676080         | 2.28         | 844719         | 1.07         |
| 668302         | 2.16         | 676200         | 1.19         | 844719         | 1.12         |
| 668477         | 2.21         | 680154         | 2.23         | 844927         | 1.18         |
| 668585         | 2.02         | 6965           | 2.06         | 847928         | 1.09         |
| 668767         | 2.15         | 6965           | 2.06         | 848766         | 1.19         |
| 668780         | 2.27         | 6965           | 2.25         | 848766         | 1.19         |
| 672659         | 1.17         | 6965           | 2.26         | 872816         | 1.10         |
| 672660         | 1.17         | 709003         | 2.28         | 874554         | 2.28         |
| 672661         | 1.17         | 709037         | 2.16         | 876879         | 1.18         |
| 672681         | 2.03         | 709047         | 2.15         | 876879         | 1.18         |
| 673220         | 2.26         | 709047         | 2.17         | 879474         | 1.05         |
| 673260         | 2.03         | 709047         | 2.20         | 880805         | 1.10         |
| 673261         | 2.03         | 709116         | 1.20         | 880841         | 1.05         |
| 673563         | 2.22         | 709116         | 2.28         | 951677         | 2.28         |
| 673853         | 2.26         | 709116         | 2.28         | 969296         | 1.19         |
| 673892         | 2.28         | 709519         | 1.17         | 969296         | 1.19         |
| 673893         | 2.28         | 709519         | 1.17         | 969296         | 1.20         |
| 673917A        | 2.28         | 709519         | 1.03         | B013172        | 1.15         |
| 673918A        | 2.28         | 709519         | 1.03         | B013524        | 1.03         |
| 674162         | 2.22         | 709674         | 2.27         | B013594        | 1.04         |
| 674162         | 2.22         | 783003         | 2.28         | B013685        | 1.03         |
| 674163         | 2.22         | 783004         | 2.28         | B014063        | 1.10         |
| 674179         | 2.22         | 78307          | 2.09         | B014063        | 1.12         |
| 674180         | 2.22         | 783259         | 2.28         | B014066        | 1.10         |
| 674302         | 2.22         | 783260         | 2.28         | B014066        | 1.12         |
| 674303         | 2.22         | 826118         | 1.18         | B014188        | 1.03         |
| 674304         | 2.22         | 827831         | 1.17         | B014237        | 1.09         |
| 674306         | 2.22         | 830269         | 1.09         | B014237        | 1.09         |
| 674308         | 2.22         | 83033R         | 1.14         | B014585        | 1.10         |
| 674311         | 2.22         | 83044R         | 1.04         | B014684        | 1.07         |
| 674312         | 2.22         | 83045R         | 1.04         | B014705        | 1.07         |



| <b>PART NO</b> | <b>BLOCK</b> | <b>PART NO</b> | <b>BLOCK</b> | <b>PART NO</b> | <b>BLOCK</b> |
|----------------|--------------|----------------|--------------|----------------|--------------|
| B014706        | 1.07         | B018216        | 1.05         | CM006913       | 2.21         |
| B014732        | 1.07         | B018217        | 1.05         | CM007407       | 2.21         |
| B014739        | 1.05         | B018262        | 1.17         | CM007458       | 2.21         |
| B014750        | 1.12         | B018421        | 1.12         | CM013202       | 1.19         |
| B014755        | 1.02         | B018421        | 1.03         | CM013203       | 2.21         |
| B014760        | 1.08         | B018442        | 1.16         | CM017403       | 2.05         |
| B014830        | 1.09         | B018448        | 1.13         | CM017405       | 2.26         |
| B014993        | 1.17         | B018451        | 1.17         | CM017406       | 2.04         |
| B014994        | 1.17         | B018476        | 1.10         | CM017406       | 2.25         |
| B015288        | 1.07         | B018533        | 1.07         | CM017408       | 2.07         |
| B015312        | 1.12         | B018718        | 1.02         | CM017409       | 2.08         |
| B015320        | 1.18         | B018718        | 1.09         | CM017410       | 2.07         |
| B015321        | 1.18         | B018853        | 1.16         | CM017410       | 2.15         |
| B015483        | 1.08         | B018854        | 1.07         | CM063813       | 2.11         |
| B015591        | 1.02         | B018946        | 1.08         | CM082204       | 2.21         |
| B015592        | 1.03         | B019040        | 1.09         | CM083606       | 1.03         |
| B015592        | 1.02         | B019107        | 1.02         | CM083803       | 2.11         |
| B015598        | 1.13         | B019108        | 1.04         | CM083804       | 2.11         |
| B015676        | 1.02         | B019134        | 1.10         | CM087614       | 2.23         |
| B016419        | 1.03         | B019254        | 1.17         | CM090402       | 2.11         |
| B016627        | 1.18         | CM001233       | 1.20         | CM177919       | 1.20         |
| B016922        | 1.15         | CM001235       | 1.20         | CM177938       | 1.20         |
| B017002        | 1.13         | CM001236       | 1.20         | CM178603       | 2.04         |
| B017080        | 1.12         | CM001901       | 1.20         | CM178604       | 2.07         |
| B017113        | 1.08         | CM001904       | 1.13         | CM178608       | 2.07         |
| B017294        | 1.12         | CM001912       | 1.20         | CM179302       | 2.03         |
| B017323        | 1.08         | CM001912       | 1.20         | CM179302       | 2.06         |
| B017406        | 1.09         | CM001914       | 1.19         | CM179303       | 2.03         |
| B017406        | 1.13         | CM001914       | 1.20         | CM179303       | 2.07         |
| B017425        | 1.08         | CM001914       | 1.20         | CM179303       | 2.28         |
| B017426        | 1.08         | CM001914       | 1.20         | CM182501       | 2.12         |
| B017431        | 1.08         | CM001914       | 1.20         | CM182504       | 2.12         |
| B017438        | 1.07         | CM001927       | 1.22         | CM182505       | 2.12         |
| B017445        | 1.03         | CM001927       | 1.22         | CM259201       | 2.03         |
| B017446        | 1.02         | CM002903       | 1.20         | CM259202       | 1.17         |
| B017456        | 1.07         | CM002903       | 1.04         | CM259202       | 2.04         |
| B017481        | 1.03         | CM002906       | 1.17         | CM259202       | 2.06         |
| B017597        | 1.03         | CM002910       | 1.17         | CM259202       | 2.07         |
| B017599        | 1.15         | CM002917       | 1.13         | CM259202       | 2.09         |
| B018020        | 1.13         | CM002917       | 1.04         | CM259203       | 2.06         |
| B018038        | 1.03         | CM006304       | 2.03         | CM259204       | 1.17         |
| B018139        | 1.02         | CM006905       | 2.27         | CM259204       | 1.19         |
| B018140        | 1.06         | CM006908       | 1.19         | CM259204       | 1.19         |

| <b>PART NO</b> | <b>BLOCK</b> | <b>PART NO</b>   | <b>BLOCK</b> | <b>PART NO</b>   | <b>BLOCK</b> |
|----------------|--------------|------------------|--------------|------------------|--------------|
| CM283429       | 1.20         | S67268600T5      | 2.04         | SP1B002515000GP  | 2.04         |
| CM283434       | 1.20         | S67521700BR      | 2.04         | SP1B002515000HL  | 2.04         |
| CM286201       | 2.20         | S67521700GP      | 2.04         | SP1B002515000NL  | 2.04         |
| CM287401       | 1.20         | S67521700HL      | 2.04         | SP1B002515000Q4  | 2.04         |
| CM291501       | 1.05         | S67521700NL      | 2.04         | SP1B002515000T5  | 2.04         |
| CM291502       | 1.05         | S67521700Q4      | 2.04         | SP1B002528000D02 | 2.06         |
| CM291503       | 1.05         | S67521700R7      | 2.04         | SP1B002528000GP  | 2.06         |
| CM301401       | 2.23         | S67521700T5      | 2.04         | SP1B002528000HL  | 2.06         |
| CM301423       | 2.23         | S67551800GP      | 2.03         | SP1B002528000NL  | 2.06         |
| CM305601       | 1.01         | S67551800HL      | 2.03         | SP1B002528000Q4  | 2.06         |
| NS             | 2.23         | S67551800NL      | 2.03         | SP1B002528000R7  | 2.06         |
| S00206600GP    | 2.05         | S67551800Q4      | 2.03         | SP1B002528000VR  | 2.06         |
| S00206600HL    | 2.05         | S67551800R7      | 2.03         | SP1B002528M02    | 2.06         |
| S00206600NL    | 2.05         | S67551800VR      | 2.03         | SP1B004804000D02 | 2.08         |
| S00206600R7    | 2.05         | SKIT940027R      | 2.28         | SP1B004804000GP  | 2.08         |
| S00206601Q4    | 2.05         | SKIT940027R      | 2.28         | SP1B004804000HL  | 2.08         |
| S66730600R7    | 2.04         | SKIT940030R      | 2.28         | SP1B004804000NL  | 2.08         |
| S67267900BR    | 2.04         | SKIT940057       | 1.19         | SP1B004804000Q4  | 2.08         |
| S67267900GP    | 2.04         | SKIT940095       | 2.28         | SP1B004804000R7  | 2.08         |
| S67267900HL    | 2.04         | SKIT940096       | 2.28         | SP1B004804VR     | 2.08         |
| S67267900NL    | 2.04         | SP1A000461       | 1.04         | SP1B005791000BR  | 2.04         |
| S67267900Q4    | 2.04         | SP1A006405       | 1.08         | SP1B005791000D02 | 2.04         |
| S67267900R7    | 2.04         | SP1A014351       | 1.06         | SP1B005791000GP  | 2.04         |
| S67267900T5    | 2.04         | SP1A014442       | 1.02         | SP1B005791000HL  | 2.04         |
| S67268000BR    | 2.04         | SP1A014480       | 1.02         | SP1B005791000NL  | 2.04         |
| S67268000GP    | 2.04         | SP1A015129       | 1.05         | SP1B005791000Q4  | 2.04         |
| S67268000HL    | 2.04         | SP1A015871       | 1.11         | SP1B005791000R7  | 2.04         |
| S67268000NL    | 2.04         | SP1A0165444      | 1.22         | SP1B005791000T5  | 2.04         |
| S67268000Q4    | 2.04         | SP1A016610       | 1.07         | SP1B005897       | 2.11         |
| S67268000R7    | 2.04         | SP1A017415       | 1.03         | SP1B006305000D02 | 2.03         |
| S67268000T5    | 2.04         | SP1A017774       | 1.18         | SP1B006305000GP  | 2.03         |
| S67268500BR    | 2.04         | SP1A017774       | 1.03         | SP1B006305000HL  | 2.03         |
| S67268500HL    | 2.04         | SP1B002066000D02 | 2.05         | SP1B006305000NL  | 2.03         |
| S67268500NL    | 2.04         | SP1B002066000VR  | 2.05         | SP1B006305000Q4  | 2.03         |
| S67268500Q4    | 2.04         | SP1B002204000D02 | 2.09         | SP1B006305000R7  | 2.03         |
| S67268500R7    | 2.04         | SP1B002204000GP  | 2.09         | SP1B006305000VR  | 2.03         |
| S67268500T5    | 2.04         | SP1B002204000HL  | 2.09         | SP1B006605       | 1.19         |
| S67268600BR    | 2.04         | SP1B002204000NL  | 2.09         | SP1B00697501Q4   | 2.08         |
| S67268600GP    | 2.04         | SP1B002204000Q4  | 2.09         | SP1B006975D02    | 2.08         |
| S67268600HL    | 2.04         | SP1B002204000R7  | 2.09         | SP1B006975GP     | 2.08         |
| S67268600NL    | 2.04         | SP1B002204000VR  | 2.09         | SP1B006975HL     | 2.08         |
| S67268600Q4    | 2.04         | SP1B002515000BR  | 2.04         | SP1B006975NL     | 2.08         |
| S67268600R7    | 2.04         | SP1B002515000D02 | 2.04         | SP1B006975R7     | 2.08         |

