

Parts Catalog

Two Wheeler

Vespa VX

PIAGGIO VEHICLES PRIVATE LIMITED

Registered Office: Bund Garden Road ,Opp. Residency Club , Pune (India)

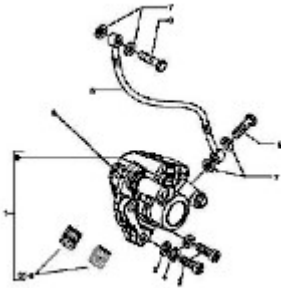
PLATES INDEX

Sr No.	Plate Name	Plate No.	Page No.
1	VESPA VX- Exclusive Part List -1	01.01	1-2
2	VESPA VX- Exclusive Part List -2	01.02	3-4
3	VESPA VX- Exclusive Part List -3	01.03	5-6

PICTORIAL PLATES INDEX

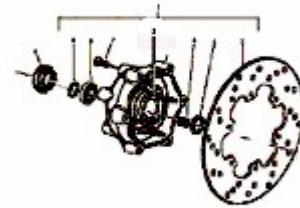
01.01 VESPA VX- Exclusive Part List -1

Page No. :1-2



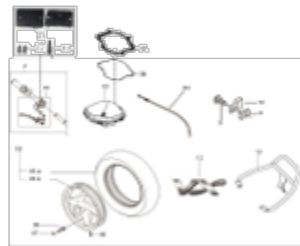
01.02 VESPA VX- Exclusive Part List -2

Page No. :3-4



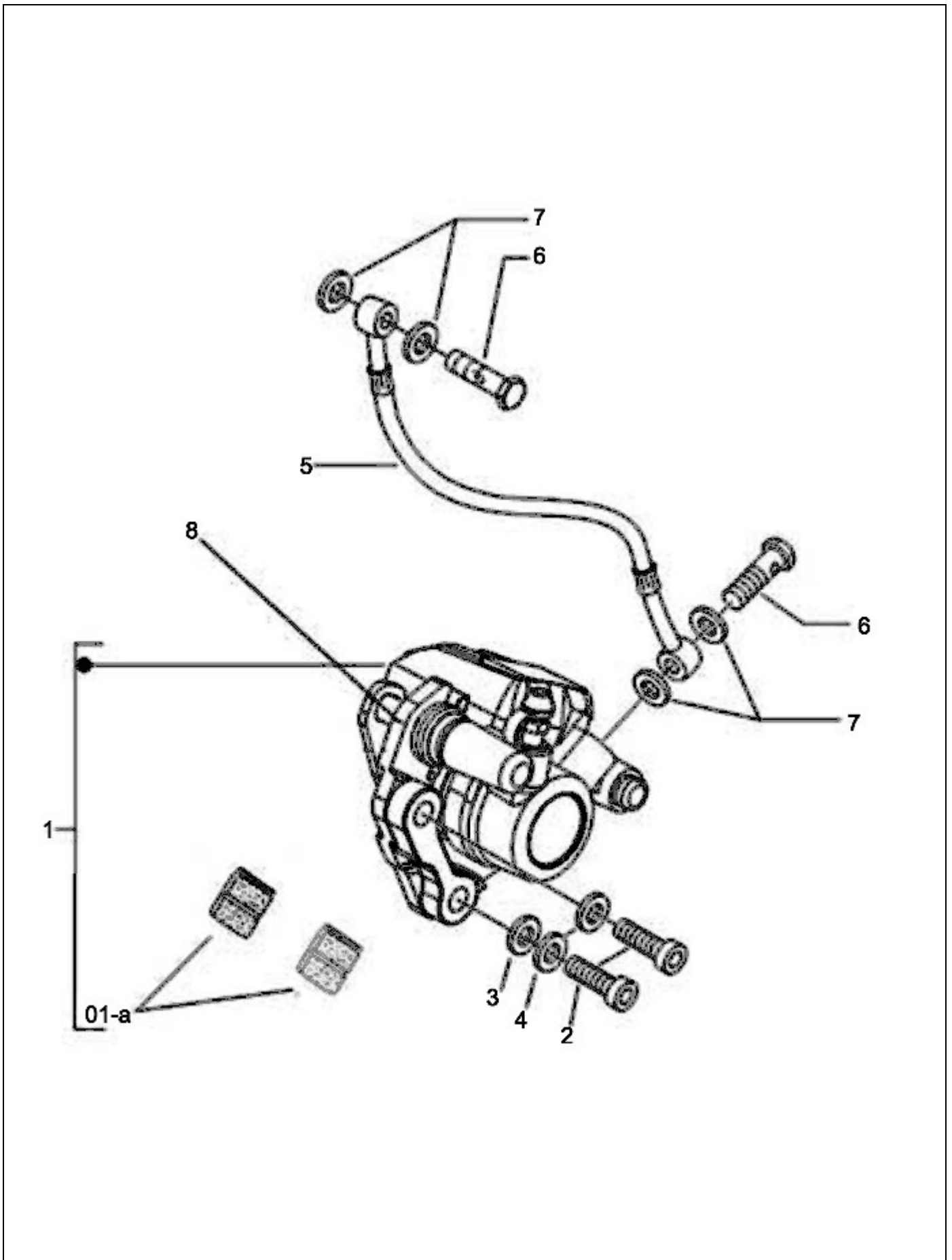
01.03 VESPA VX- Exclusive Part List -3

Page No. :5-6



01.01

VESPA VX- Exclusive Part List -1

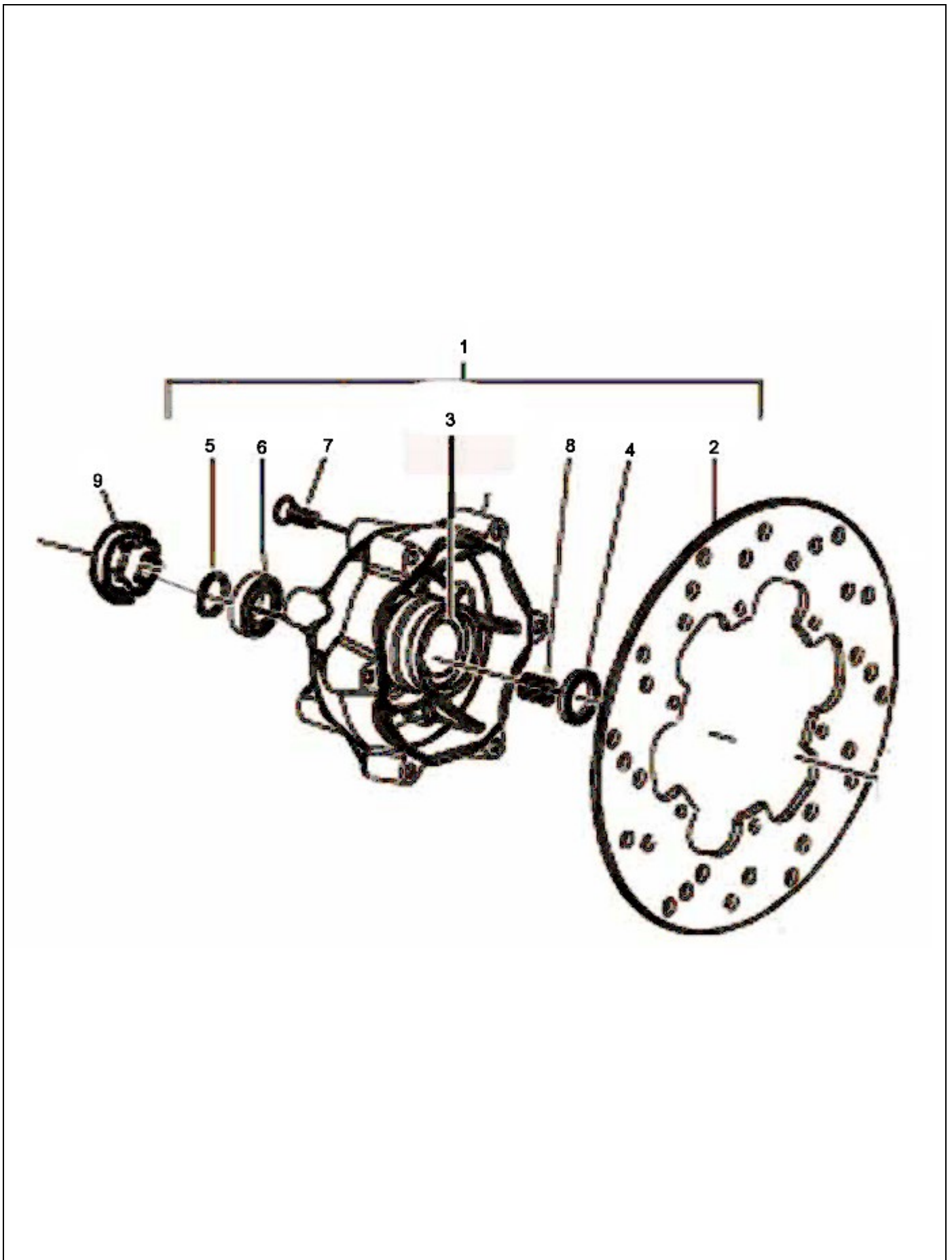


01.01**VESPA VX- Exclusive Part List -1**

Fig. No.	Part No.	Description	Qty	Remarks
1	1C003308R	BRAKE CALIPER	1	
1.1	KIT43192017	KIT SEAL AND O RING	1	
1.2	KIT00431822	KIT PAD ROD AND CIRCLIP	1	
1.3	1C004321	COVER	1	
1.4	1C003346	BLEEDER CAP	1	
1.5	1C003347	BLEEDER SCREW	1	
1.6	1C003370	PAD SPRING	1	
01-a	SP1C000955	BRAKE COUPLE PADS	1	
2	271596	SCREW	2	
3	016604	WASHER	1	
4	709047	ELASTIC CORRUGATED WASHER	2	
5	646893	HYDRAULIC HOSE FRONT BRAKE	1	
6	666294	SPECIAL SCREW (BANJO BOLT CKD)	1	
7	127927R	PACKING	2	
8	665701	BRACKET BRAKE HOSE SUPPORT	1	

01.02

VESPA VX- Exclusive Part List -2

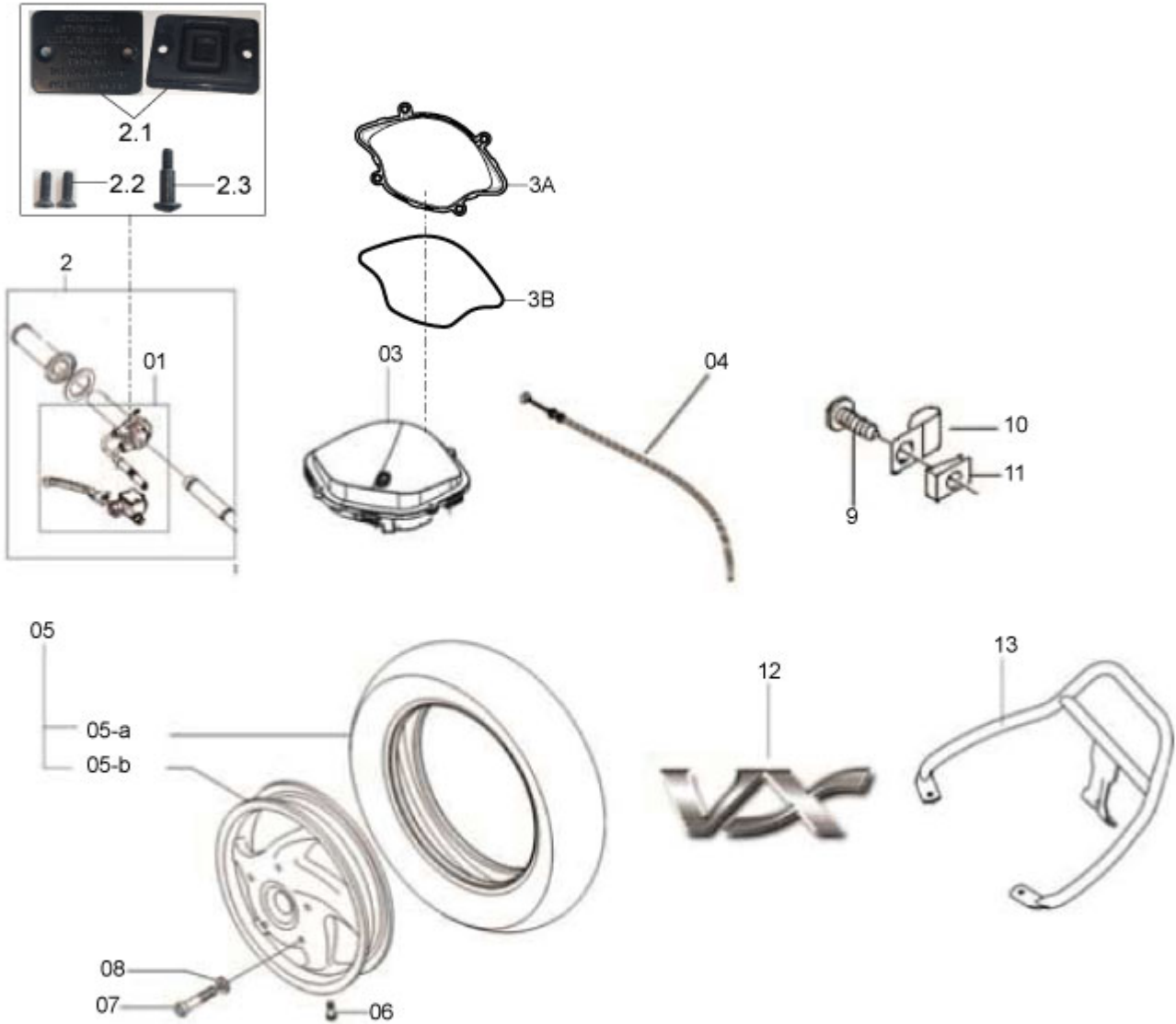


01.02**VESPA VX- Exclusive Part List -2**

Fig. No.	Part No.	Description	Qty	Remarks
1	668304	COMPLETE FRONT WHEEL HUB	1	
2	1C000907	BRAKE DISK (FIRM LONGZHONG)	1	
3	668305	FRONT WHEEL HUB WITH I.P.	1	
4	177442	DRAWN CUP ROLLER BEARING	1	
5	177443	RING	1	
6	177610	BEARING	1	
7	667152	SOCKET HEAD SCREW	5	
8	006635	EXTERNAL RING	1	
9	665657	PLUG WHEEL AXIS	1	

01.03

VESPA VX- Exclusive Part List -3



01.03**VESPA VX- Exclusive Part List -3**

Fig. No.	Part No.	Description	Qty	Remarks
1	CM090401	COMPLETE THROTTLE MUFF	1	
2	SP1C004172	FRONT BRAKE HYDRAULIC PUMP WITH SWITCH	1	
2.1	4A000070	OIL PUMP COVER + PACKING	1	
2.2	4A000071	COUNTERSUNK SCREW	2	
2.3	4A000073	SCREW (CYLINDER HEAD) + NYLOCK NUT	1	
3	1D000359	SPEEDO METER	1	
3A	1D003357	TRANSPARENT	1	
3B	1D003356	RUBBER SEAL	1	
4	669260	THROTTLE CONTROL TRANSMISSION	1	
5	668331	FRONT RIM ASSY	1	
5-a	58615R	TYRE 90/100-10 INCH	1	
5-b	668332	FRONT RIM WITH I.P.	1	
6	1C000522	TUBELESS VALVE	1	
7	294182	SCREW	3	
8	006970	CURVED SPRING WASHER	3	
9	15900	HEAD LAMP SECURING SCREW/PAN SELF TAP SCREW	1	
10	562919	CLAMP FOR FRONT MUDGUARD REFLECTOR	1	
11	CM017410	SPRING PLATE	2	
12	1B000601	VX STICKER	1	
13	1B000239	SADDLE HANDLE BAR	1	
14	1C000726R	SHOCK ABSORBER AND CALIPER SUPPORT	1	
15	783003	VESPA BODY COVER(SLIVER)	1	NI
16	783004	VESPA BODY COVER-(TYVEK)	1	NI

PARTS INDEX

Vespa VX

