

Parts Catalog

Two Wheeler

VESPA SXL 150 BSVI RACING 60s

PIAGGIO VEHICLES PRIVATE LIMITED

Registered Office: Bund Garden Road ,Opp. Residency Club , Pune (India)

PLATES INDEX

Sr No.	Plate Name	Plate No.	Page No.
1	Engine Assembly	1.01	1-2
2	Crankcase	1.02	3-4
3	Transmission Cover	1.03	5-6
4	Flywheel cover	1.04	7-8
5	Gear Box Cover	1.05	9-10
6	Cylinder Piston	1.06	11-12
7	Cylinder Head	1.07	13-14
8	Camshaft	1.08	15-16
9	Timing Group	1.09	17-18
10	Electric Component	1.10	19-20
11	Crankshaft	1.11	21-22
12	Fan cover and Shroud	1.12	23-24
13	Lubrication Component	1.13	25-26
14	Starting Group	1.14	27-28
15	Transmission Group	1.15	29-32
16	Fuel supply System	1.16	33-34
17	Air Intake	1.17	35-36
18	Muffler	1.18	37-38
19	Canister	1.20	39-40
20	S.A.S. System	1.21	41-42
21	Tank - Battery Cover/Helmet Housing or Battery Cover	1.22	43-44
22	Frame	2.01	45-46
23	Stands	2.02	47-48
24	Body Parts- Footrest and L & R Holders	2.03	49-52
25	Body Parts- Footboard	2.04	53-54
26	Body Parts- Spark Plug Inspection Door,Fairing	2.05	55-58
27	Body Parts- Steering Cover,Shield Board	2.06	59-60
28	Rear Protection	2.07	61-62
29	Mudguard and Saddle handle bar	2.09	63-64
30	Handlebar Cover	2.10	65-66

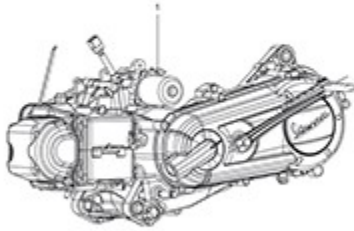
PLATES INDEX

Sr No.	Plate Name	Plate No.	Page No.
31	Logos and Emblem	2.11	67-68
32	Handlebars	2.12	69-70
33	Mirrors	2.13	71-72
34	Speedometer	2.14	73-74
35	Locks	2.15	75-76
36	Front Suspension	2.16	77-80
37	Rear Suspension	2.17	81-82
38	Front Wheel	2.18	83-84
39	Rear Wheel	2.19	85-86
40	Braking System - Transmission	2.20	87-88
41	Rear Brake Assembly	2.21	89-90
42	Fuel Tank	2.22	91-92
43	Transmission Cable	2.23	93-94
44	Complete Saddle	2.24	95-96
45	Electrical Equipments Group	2.25	97-98
46	Remote Control Switches	2.26	99-100
47	Front Lamp Group	2.27	101-102
48	Rear Lamp Group	2.28	103-104
49	Wiring Harness	2.29	105-106
50	Accessoris	2.30	107-112

PICTORIAL PLATES INDEX

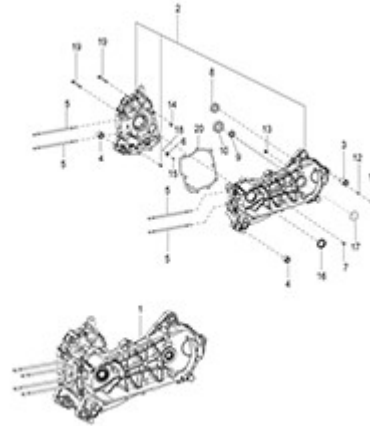
1.01 Engine Assembly

Page No. :1-2



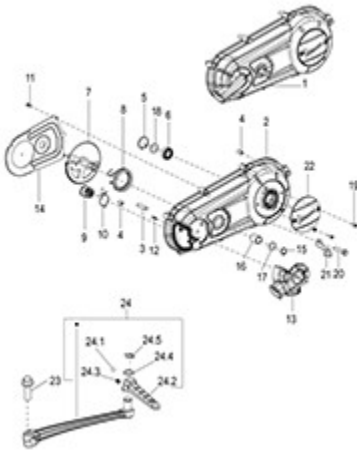
1.02 Crankcase

Page No. :3-4



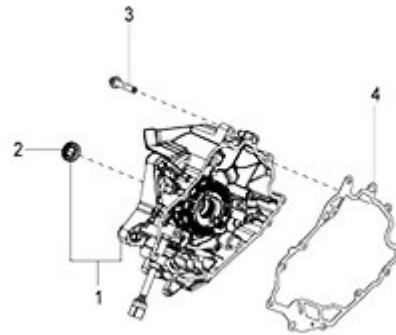
1.03 Transmission Cover

Page No. :5-6



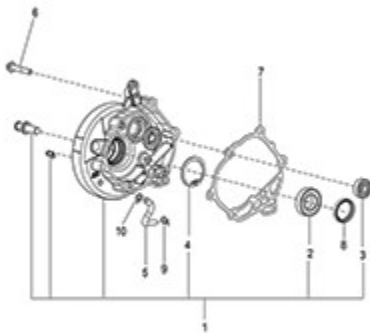
1.04 Flywheel cover

Page No. :7-8



1.05 Gear Box Cover

Page No. :9-10



1.06 Cylinder Piston

Page No. :11-12

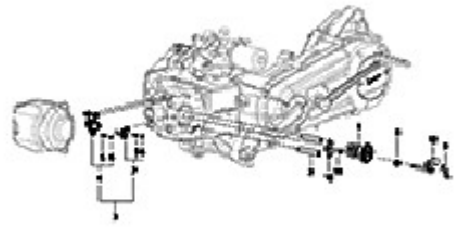
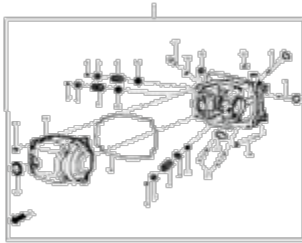


1.07 Cylinder Head

Page No. :13-14

1.08 Camshaft

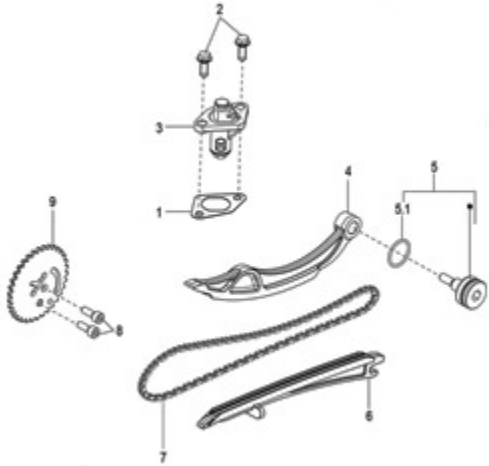
Page No. :15-16



PICTORIAL PLATES INDEX

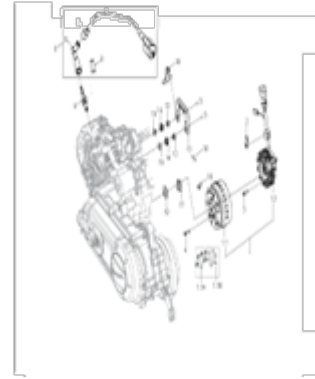
1.09 Timing Group

Page No. :17-18



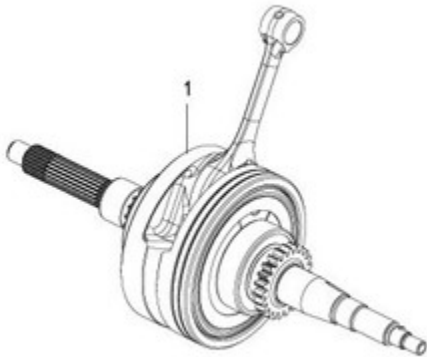
1.10 Electric Component

Page No. :19-20



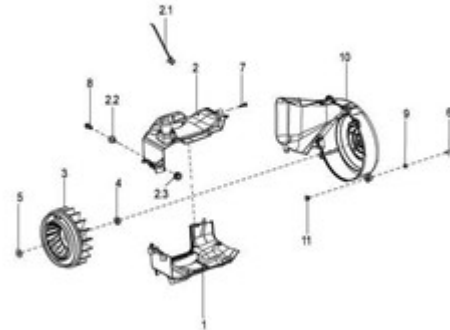
1.11 Crankshaft

Page No. :21-22



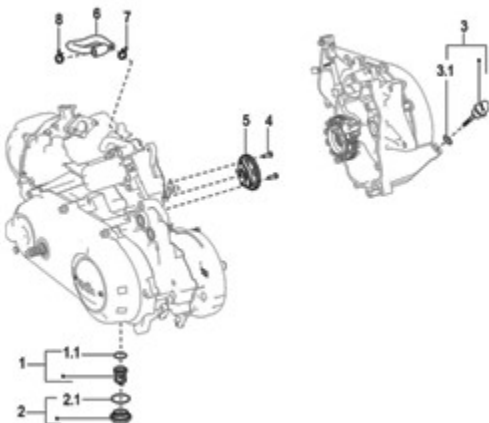
1.12 Fan cover and Shroud

Page No. :23-24



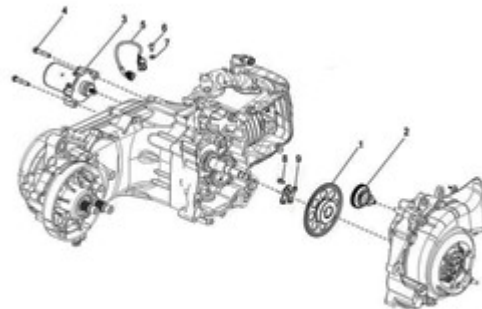
1.13 Lubrication Component

Page No. :25-26



1.14 Starting Group

Page No. :27-28

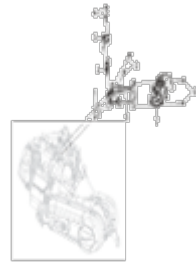
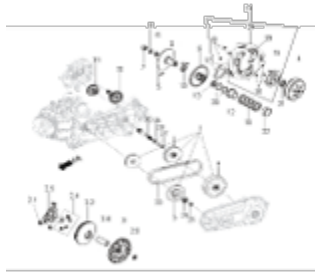


1.15 Transmission Group

Page No. :29-32

1.16 Fuel supply System

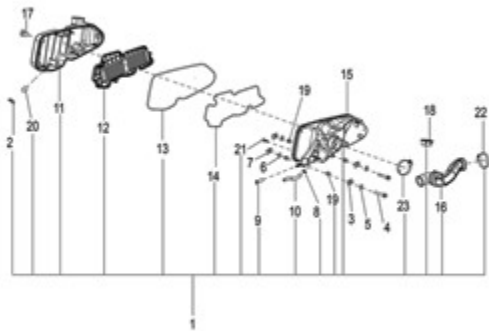
Page No. :33-34



PICTORIAL PLATES INDEX

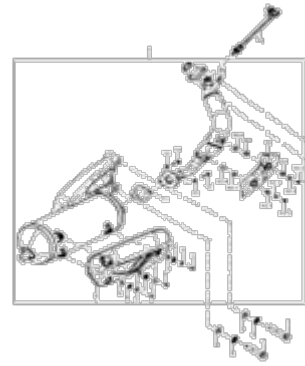
1.17 Air Intake

Page No. :35-36



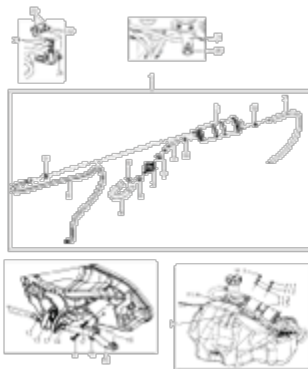
1.18 Muffler

Page No. :37-38



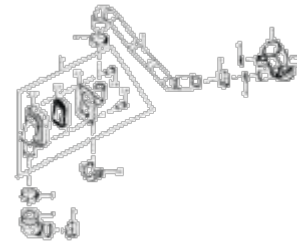
1.20 Canister

Page No. :39-40



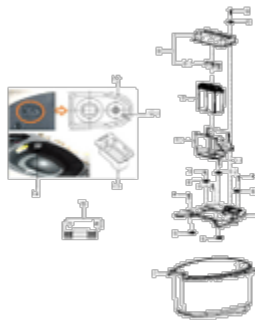
1.21 S.A.S. System

Page No. :41-42



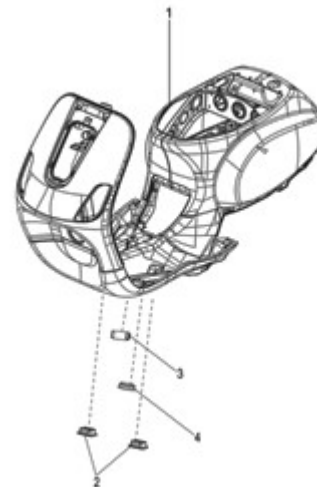
1.22 Tank - Battery Cover/Helmet Housing or Battery Cover

Page No. :43-44



2.01 Frame

Page No. :45-46

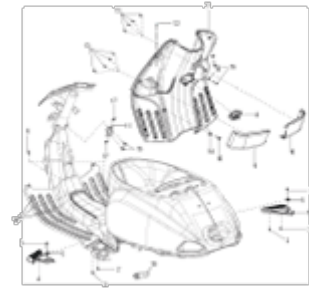
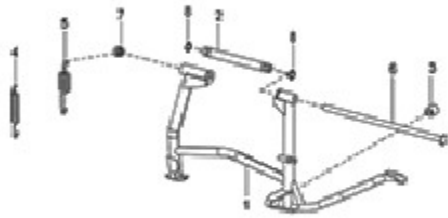


2.02 Stands

Page No. :47-48

2.03 Body Parts- Footrest and L & R Holders

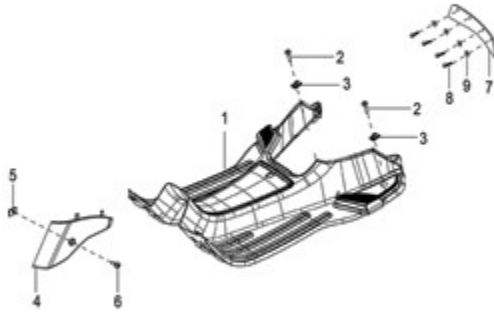
Page No. :49-52



PICTORIAL PLATES INDEX

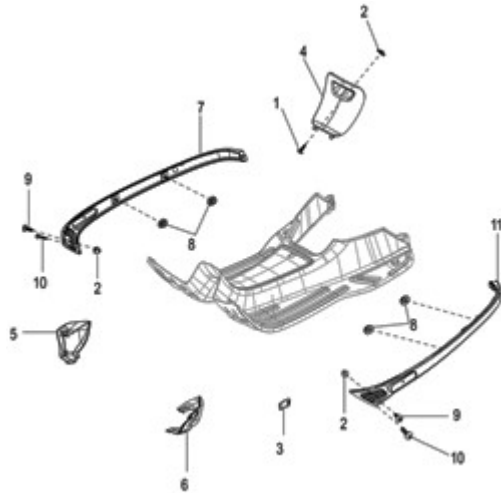
2.04 Body Parts- Footboard

Page No. :53-54



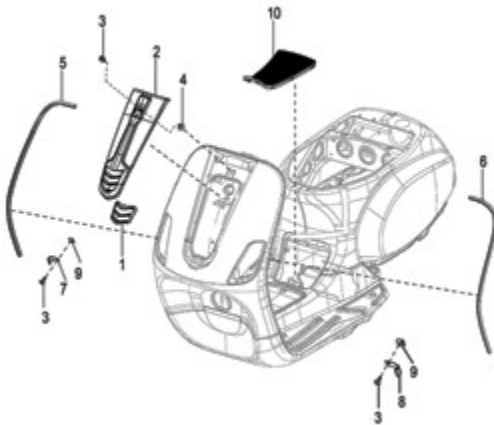
2.05 Body Parts- Spark Plug Inspection Door, Fairing

Page No. :55-58



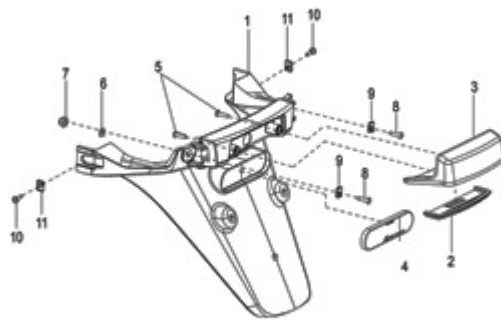
2.06 Body Parts- Steering Cover, Shield Board

Page No. :59-60



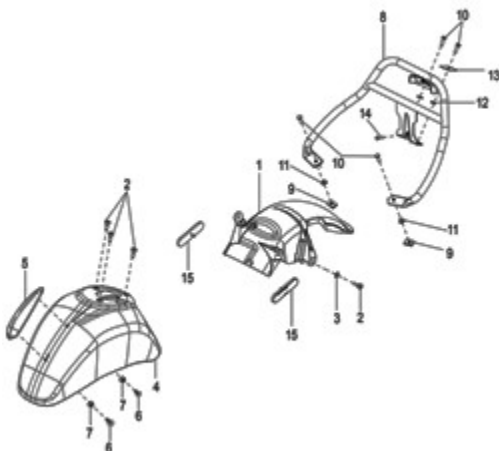
2.07 Rear Protection

Page No. :61-62



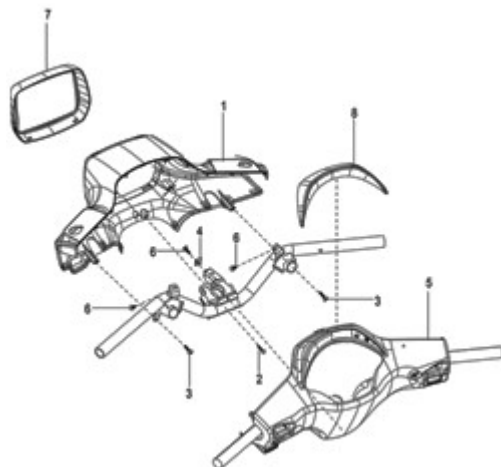
2.09 Mudguard and Saddle handle bar

Page No. :63-64



2.10 Handlebar Cover

Page No. :65-66

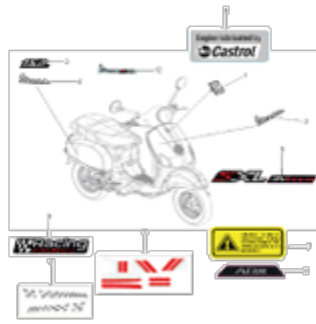


2.11 Logos and Emblem

Page No. :67-68

2.12 Handlebars

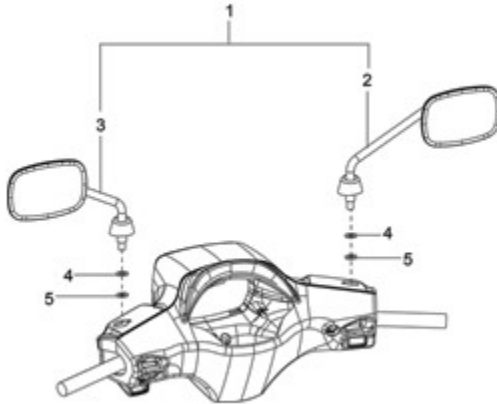
Page No. :69-70



PICTORIAL PLATES INDEX

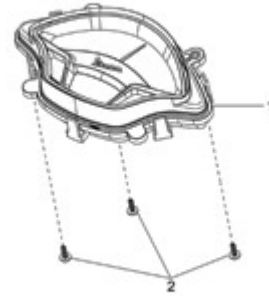
2.13 Mirrors

Page No. :71-72



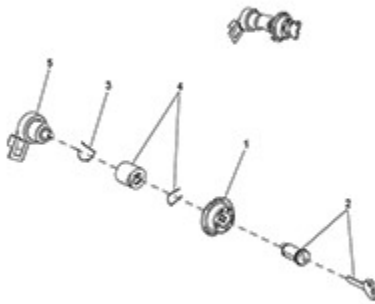
2.14 Speedometer

Page No. :73-74



2.15 Locks

Page No. :75-76



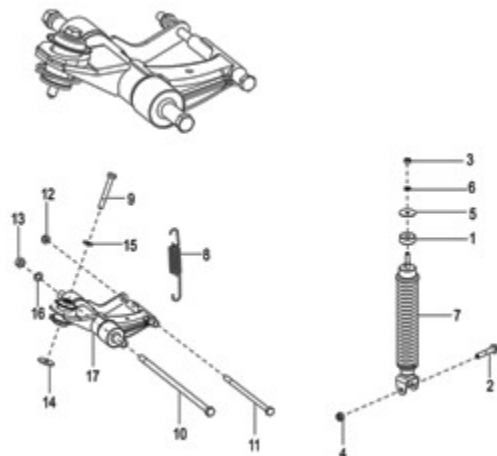
2.16 Front Suspension

Page No. :77-80



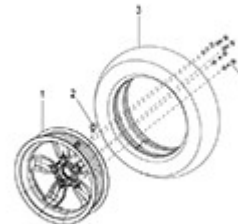
2.17 Rear Suspension

Page No. :81-82



2.18 Front Wheel

Page No. :83-84

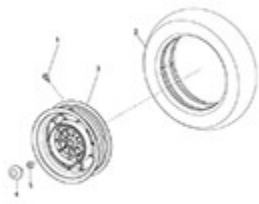


2.19 Rear Wheel

Page No. :85-86

2.20 Braking System - Transmission

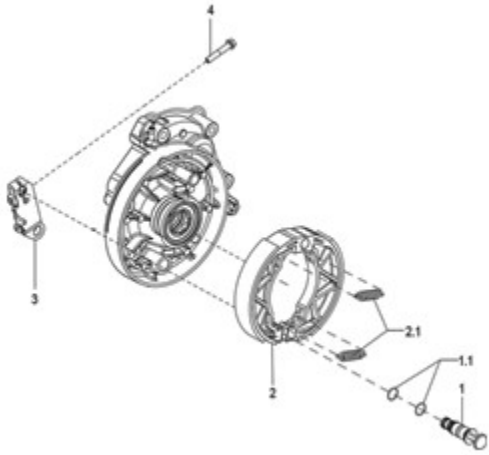
Page No. :87-88



PICTORIAL PLATES INDEX

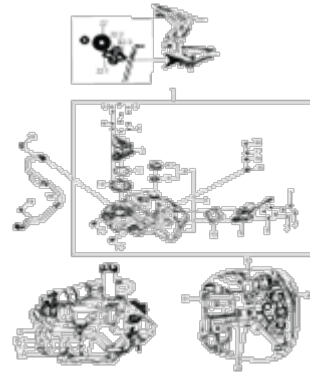
2.21 Rear Brake Assembly

Page No. :89-90



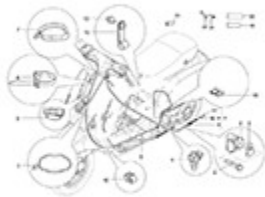
2.22 Fuel Tank

Page No. :91-92



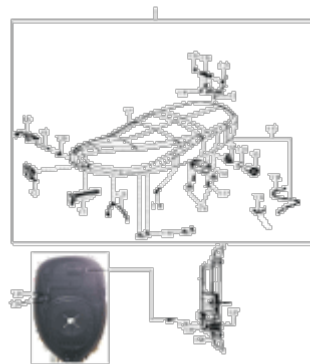
2.23 Transmission Cable

Page No. :93-94



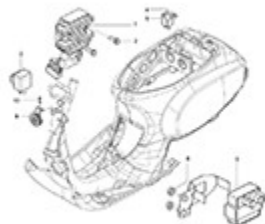
2.24 Complete Saddle

Page No. :95-96



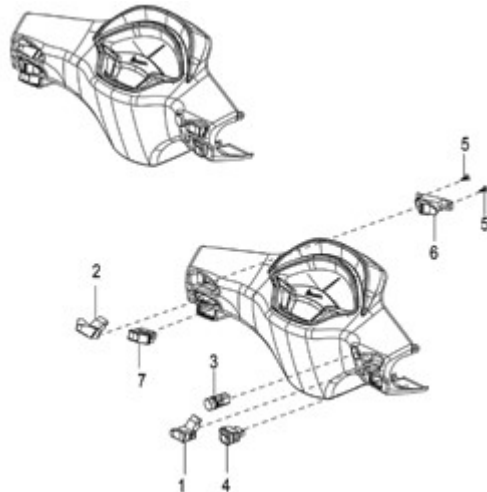
2.25 Electrical Equipments Group

Page No. :97-98



2.26 Remote Control Switches

Page No. :99-100

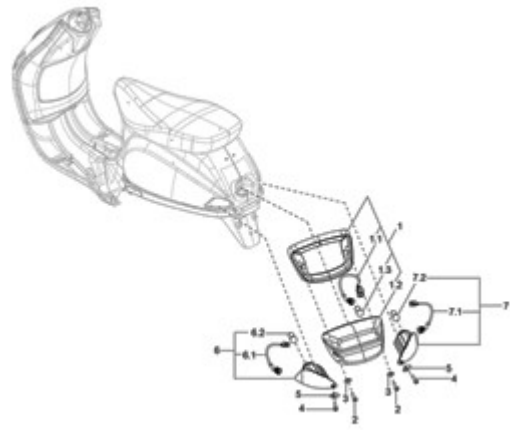
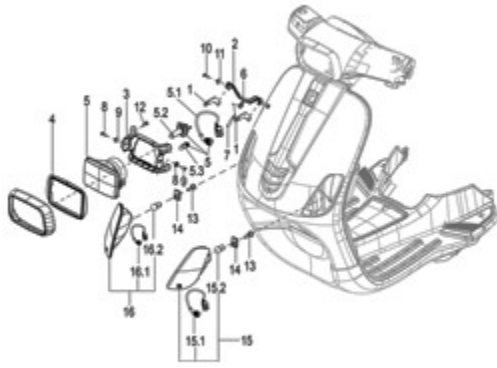


2.27 Front Lamp Group

Page No. :101-102

2.28 Rear Lamp Group

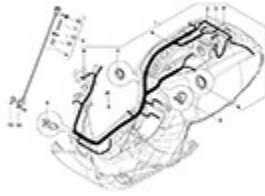
Page No. :103-104



PICTORIAL PLATES INDEX

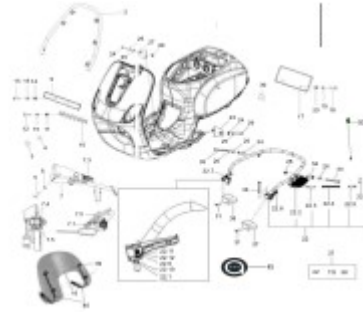
2.29 Wiring Harness

Page No. :105-106

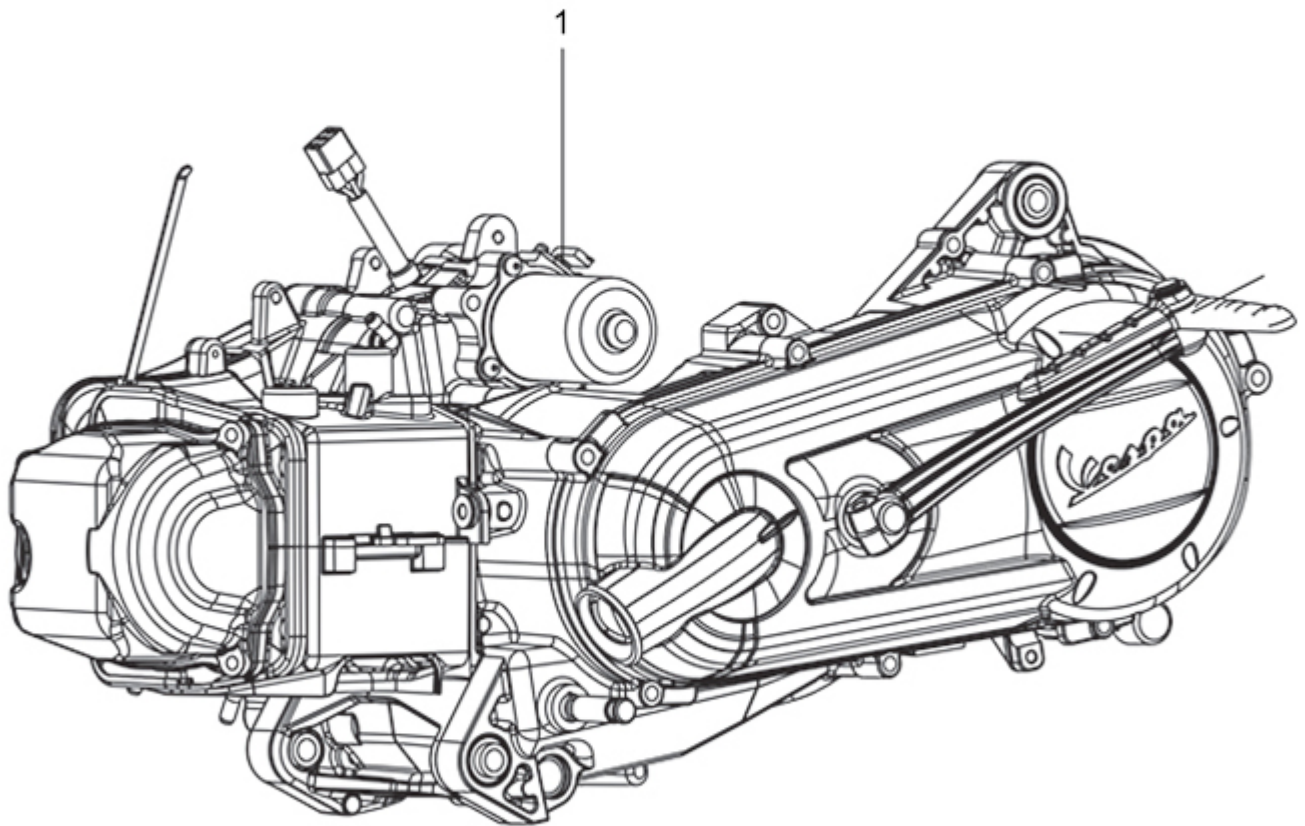


2.30 Accessoris

Page No. :107-112



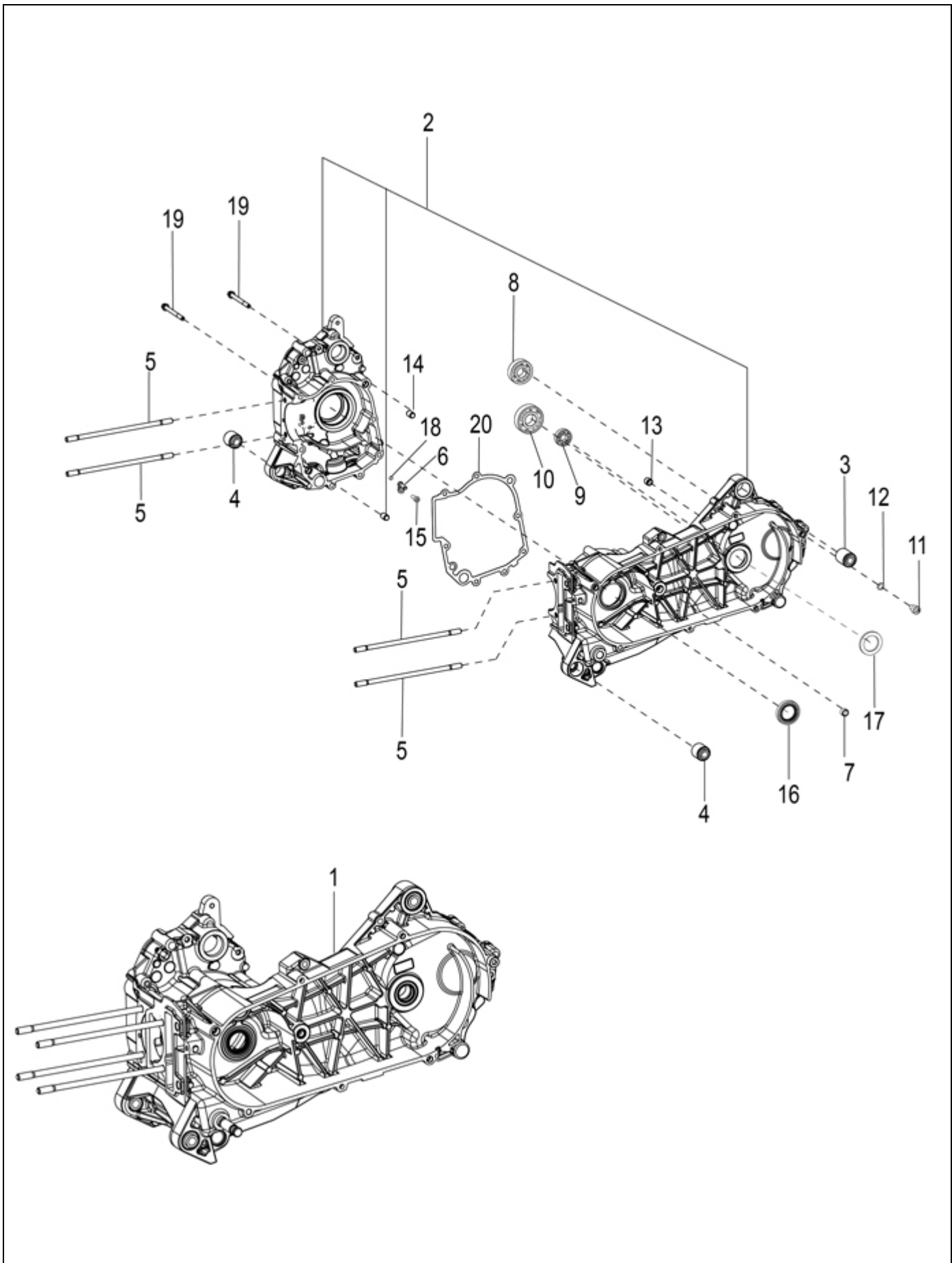
1.01
Engine Assembly



1.01**Engine Assembly**

Fig. No.	Part No.	Description	Qty	Remarks
1	CM305602	ENG. 149 4S/3V BSVI H.E. VESPA VXL/SXL	1	

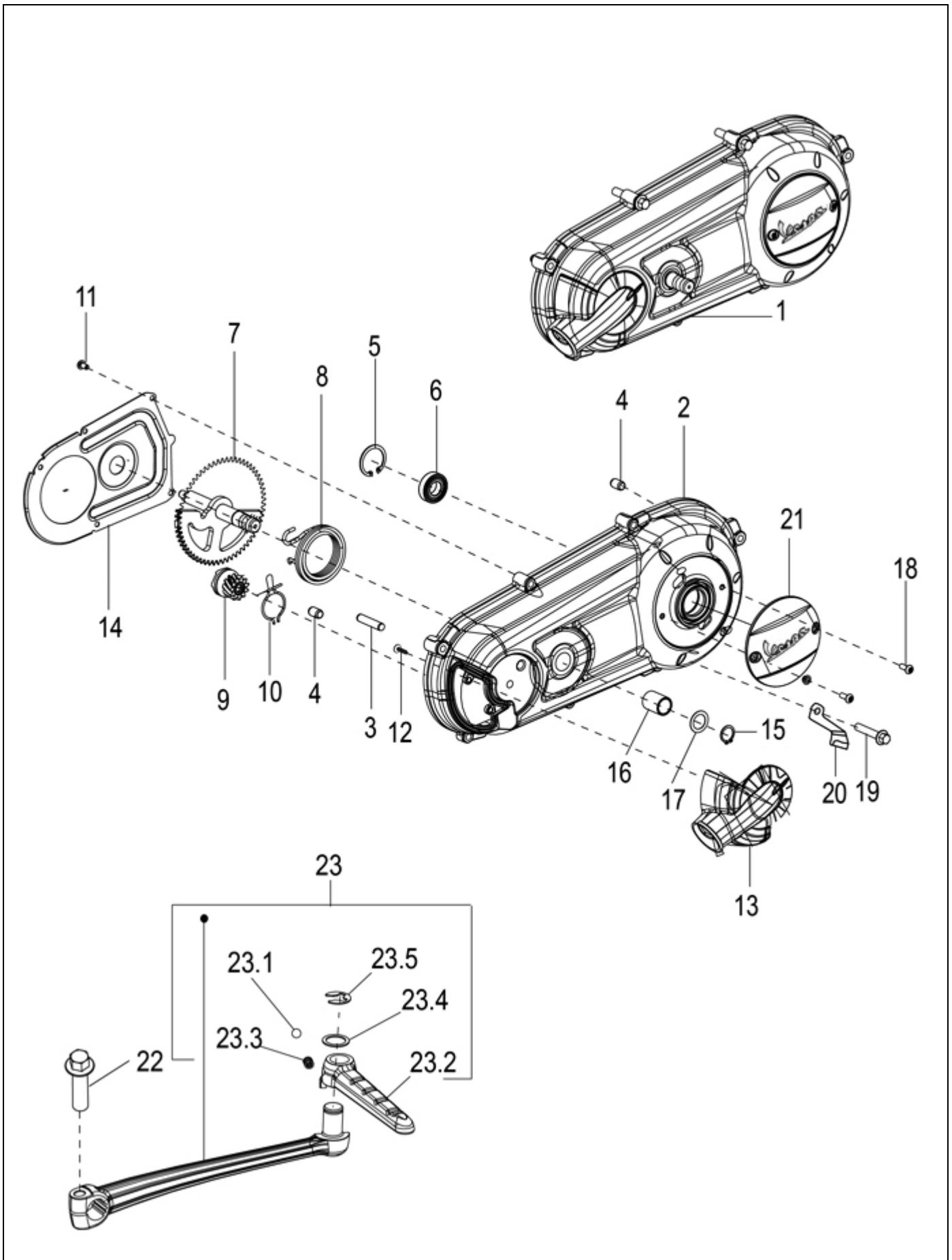
1.02 Crankcase



1.02**Crankcase**

Fig. No.	Part No.	Description	Qty	Remarks
1	SP1A014443	CRANKCASE ASSY	1	
2	SP1A014480	COUPLED CRANKCASE	1	
3	666991	RUBBER BUSHING	1	
4	B015676	RUBBER BUSHING	2	
5	B014755	STUD SCREW	4	
6	1A015053	LUBRICATION SPRAY JET	1	
7	B017446	BUSH	1	
8	B016955	DEEP GROOVE BALL BEARING	1	
9	B016956	DEEP GROOVE BALL BEARING	1	
10	B016954	DEEP GROOVE BALL BEARING	1	
11	269755	SOCKET HEAD SCREW (M8X12)	2	CRANKCASE COMPONENTS
12	485703	WASHER	2	CRANKCASE COMPONENTS
13	B015591	REFERENCE DOWEL	2	
14	B015592	REFERENCE DOWEL (D.9,5 H=15)	2	
15	B018718	EXAG. SOCKET CYLIND.HEAD SCREW M5X14	1	LUBRIFICATION SPRAY FIXING
16	B018139	SEAL RING 40X25X7	1	
17	B019107	SEAL RING 20X32X7	1	
18	1A001256	SEAL RING (O-RING)	1	
19	1A003068	FLANGED HEX HEAD SCREW M6X65	9	CRANKCASE FIXING
20	1A001278	HALF-CRANKCASES GASKET	1	CRANKCASE FIXING

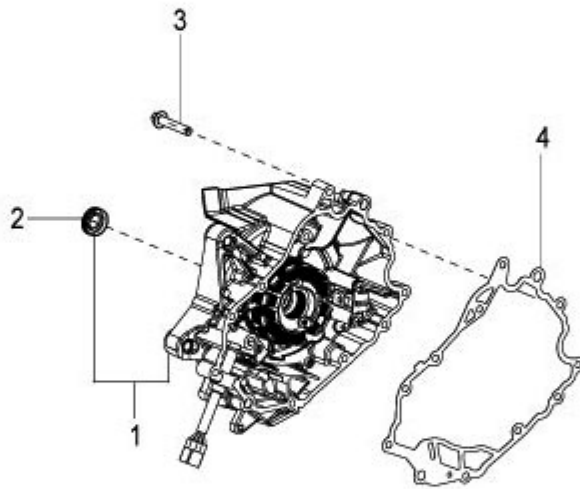
1.03 Transmission Cover



1.03**Transmission Cover**

Fig. No.	Part No.	Description	Qty	Remarks
1	SP1A017419	COMPLETE TRANSMISSION COVER SPD	1	
2	SP1A017420	TRANSMISSION COVER WITH I.P. SPD	1	
3	B017481	STARTER PINION GEAR PIVOT	1	
4	B015592	REFERENCE DOWEL (D.9,5 H=15)	2	
5	1A006307	ELASTIC RING	1	
6	B018304	BALL BEARING	1	
7	B018038	STARTING AXLE WITH I.P.	1	
8	B014188	START LEVER RETURNING SPRING	1	
9	B017597	STARTER PINION GEAR WITH I.P.	1	
10	288673	SPRING	1	
11	1A000612	RETAINER SCREW - PRE COATED	5	AIR DEFLECTOR FIXING
12	B018421	SULF-THREADING SCREW 3.8X16	3	COOLING COVER FIXING
13	B013524	COOLING COVER	1	
14	B013685	AIR DEFLECTOR	1	
15	006416	SPRING RING	1	
16	B017445	BUSH	1	
17	433987	PLANE WASHER 16.3X23.8X0.6	1	
18	1A001494	TORX HEAD SCREW M5X14	2	TRANSMISSION COVER CAP FIXING
19	1A003060	FLANGED HEX. HEAD SCREW M6X45	6	TRANSMISSION COVER FIXING
20	667842	TRANSMISSION BRAKE CLAMP	1	TRANSMISSION COVER FIXING
21	1A005132	TRANSMISSION COVER CAP	1	
22	1A003065	FLANGED HEX. HEAD SCREW M6X25	1	STARTING LEVER FIXING
23	1A008072	STARTING LEVER ASSY	1	
23.1	487034	SPHERE	1	
23.2	1A000142	PEDAL CRANK	1	
23.3	B016419	LOCK PEDAL CRANK SPRING	1	
23.4	1A000143	FLAT WASHER	1	
23.5	1A000144	BENZING CIRCLIP	1	
24	1A014335	LAMBDA SENSOR	1	
25	SP1A017774	LAMBDA SENSOR WITH HARNESS BAND	1	
26	1A015201	CLIP COUPLER	1	
27	CM083606	HARNESS BAND	1	

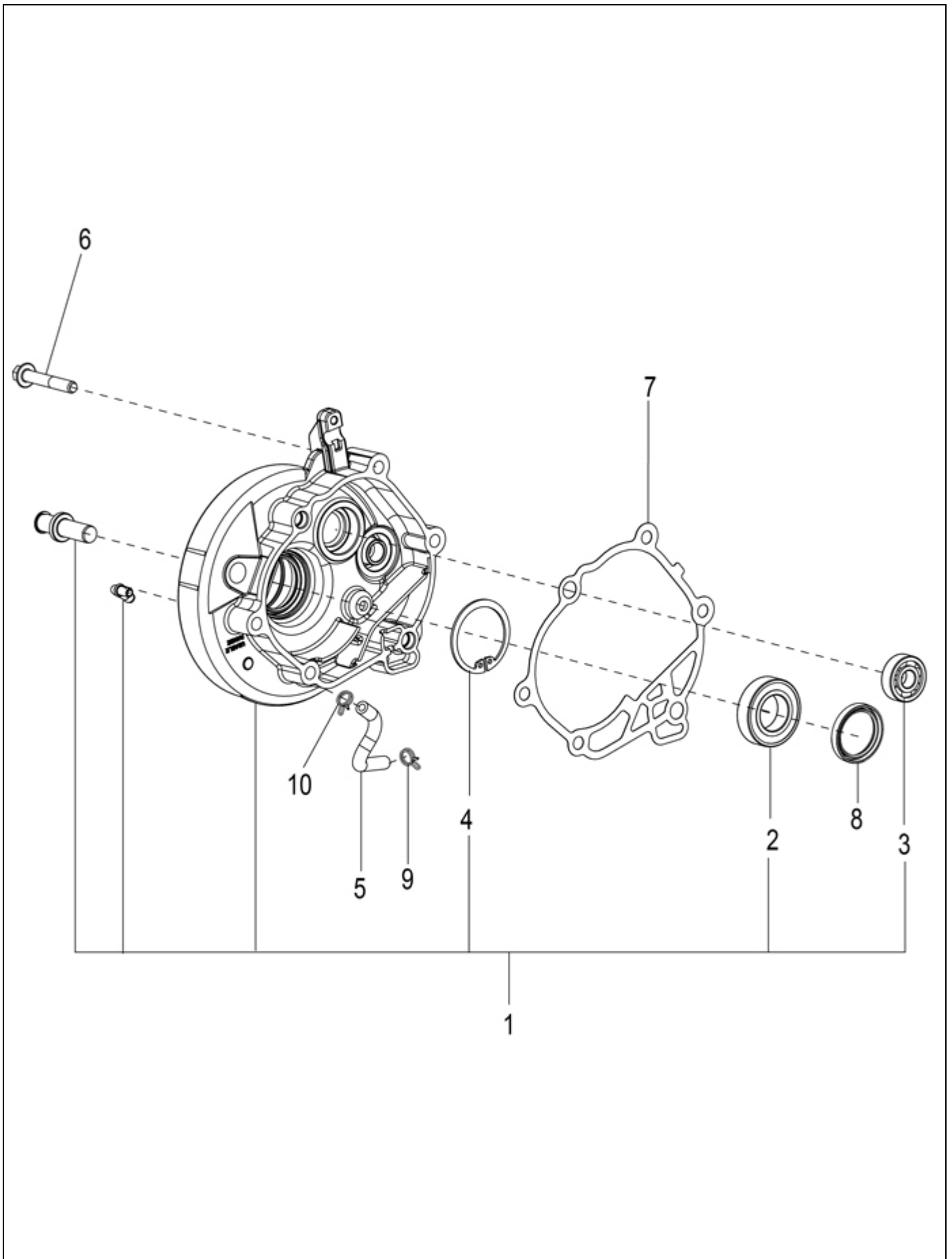
1.04
Flywheel cover



1.04**Flywheel cover**

Fig. No.	Part No.	Description	Qty	Remarks
1	SP1A014351	FLYWHEEL COVER ASSY	1	
2	B018140	SEAL RING 14X28X7	1	
3	1A003060	FLANGED HEX. HEAD SCREW M6X45	6	FLYWHEEL COVER FIXING
4	1A006482	FLYWHEEL COVER GASKET	1	FLYWHEEL COVER FIXING

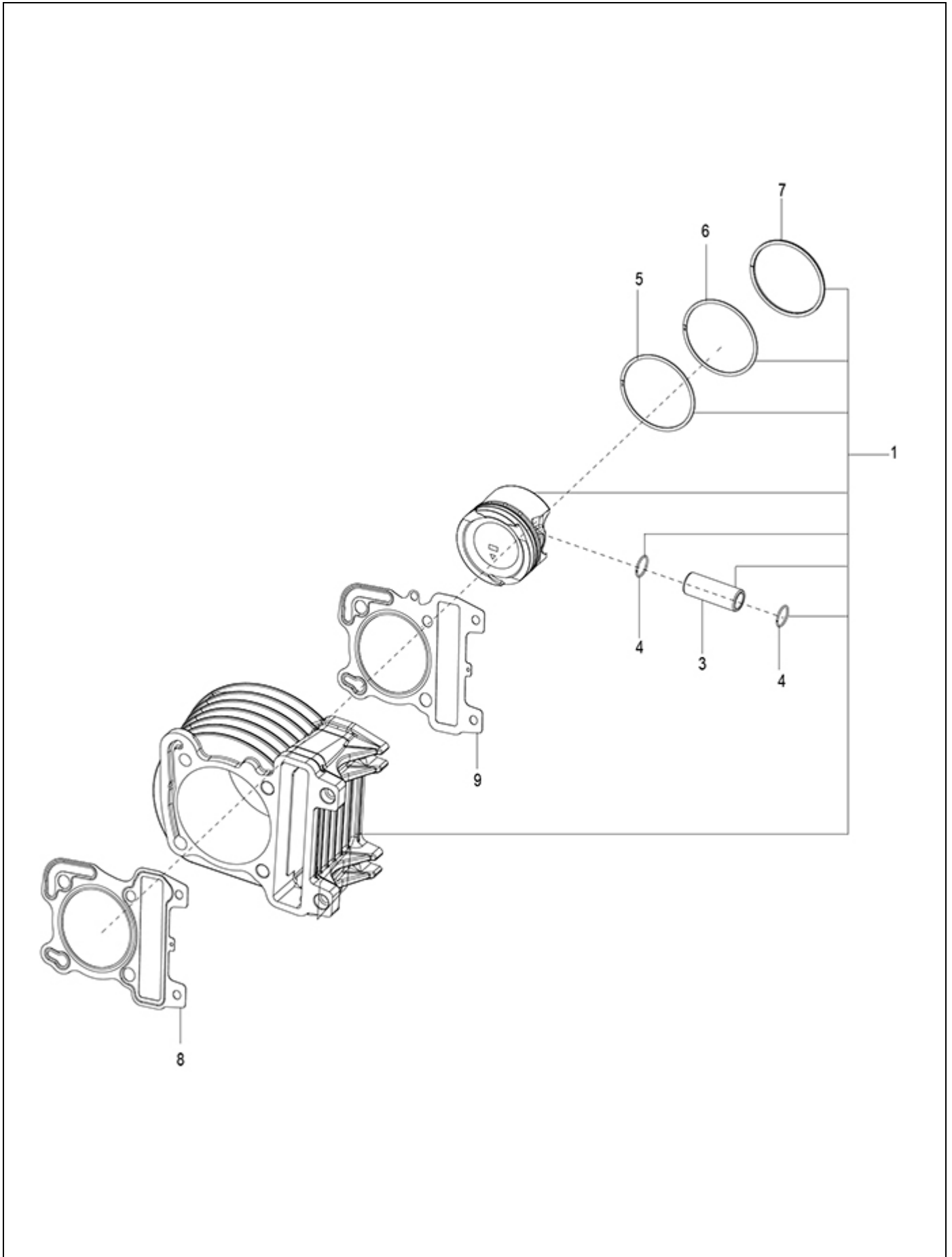
1.05
Gear Box Cover



1.05**Gear Box Cover**

Fig. No.	Part No.	Description	Qty	Remarks
1	SP1A000453	GEAR COVER WITH I.P. MY 150 - SPD	1	
2	83044R	DEEP GROOVE BALL BEARING	1	
3	B016953	DEEP GROOVE BALL BEARING	1	
4	006647	SPRING RING 47X50.5X1.75	1	
5	1A004654	OIL BREATHER PIPE	1	GEAR BOX COMPONENTS
6	1A007618	FLANGED HEXAGONAL HEAD SCREW	6	GEAR BOX FIXING
7	B013594	GEAR BOX GASKET	1	GEAR BOX FIXING
8	B019108	SEAL RING 35X47X7	1	
9	CM002917	HOSE CLAMP	1	OIL BREATHER PIPE FIXING
10	CM002903	HOSE CLAMP	1	GEAR BOX COMPONENTS

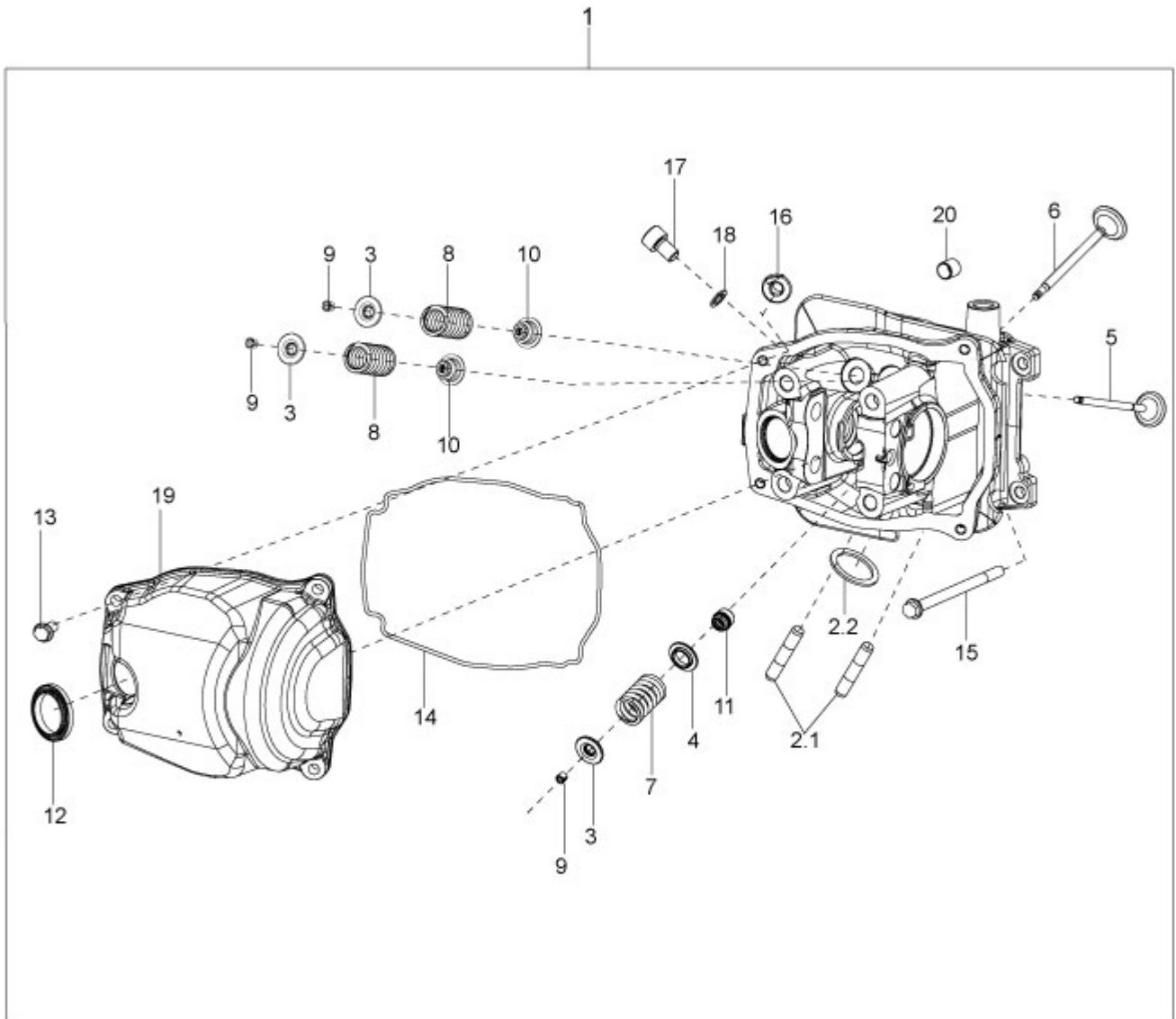
1.06
Cylinder Piston



1.06**Cylinder Piston**

Fig. No.	Part No.	Description	Qty	Remarks
1	SP1L004485C	CYLINDER-PISTON KIT ASSLY	1	
3	880841	PISTON PIN	1	PISTON COMPONENTS GROUP
4	879474	CIRCLIP	2	PISTON COMPONENTS GROUP
5	1A008637	1ST COMPRESSION RING	1	
6	1A008638	2ND COMPRESSION RING	1	
7	1A008639	1A008639 OIL CONTROL RING 3RD HOUSING	1	
8	1A000745	HEAD/CYLINDER GASKET	1	CYLINDER HEAD/CRANKCASE FIXING
9	CM291501	CRANKCASE-CYLINDER GASKET 0.4	1	CYLINDER HEAD/CRANKCASE FIXING
9	CM291502	CRANKCASE-CYLINDER GASKET 0.6	1	CYLINDER HEAD/CRANKCASE FIXING
9	CM291503	CRANKCASE-CYLINDER GASKET 0.8	1	CYLINDER HEAD/CRANKCASE FIXING

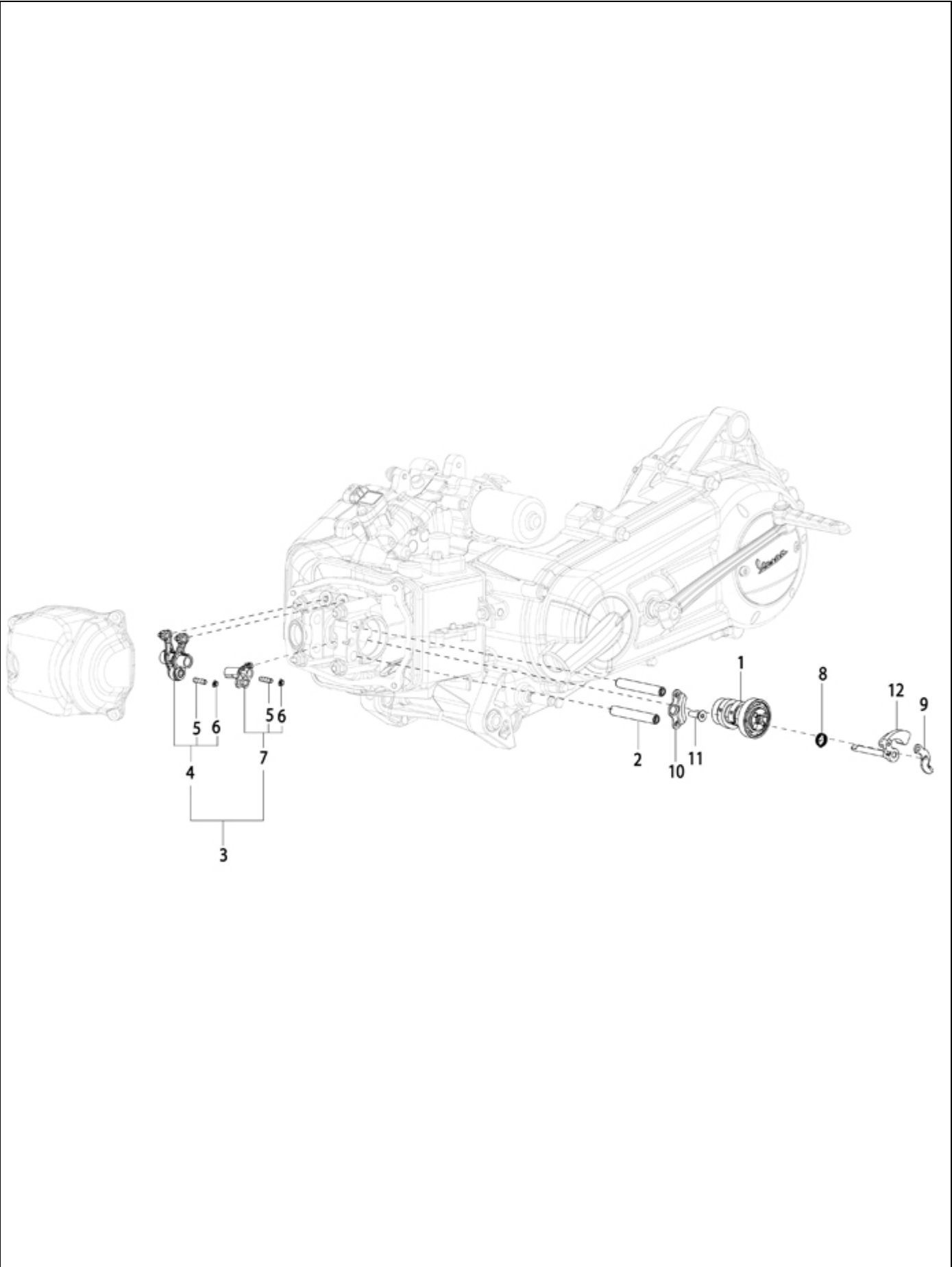
1.07 Cylinder Head



1.07**Cylinder Head**

Fig. No.	Part No.	Description	Qty	Remarks
1	SP1A016610	CYLINDER HEAD ASSY	1	
2.1	1A004153	STUD SCREW	2	
2.2	434716	CYLINDER HEAD/MUFFLER GASKET	1	
3	B017456	UPPER CUP	3	
4	483711	LOWER CUP	1	
5	B014684	INTAKE VALVE Ø20	2	
6	B017438	EXHAUST VALVE Ø22	1	
7	B014705	VALVE SPRING (EXHAUST)	1	
8	B014706	VALVE SPRING (INTAKE)	2	
9	B015288	HALF-CONE	6	
10	83054R	VALVE SEAL RING	2	
11	83053R	VALVE SEAL RING	1	
12	B014732	SPARK PLUG HOLE GASKET	1	HEAD COVER FIXING
13	018639	SCREW M6X20	4	HEAD COVER FIXING
14	B018533	CYLINDER HEAD COVER GASKET	4	HEAD COVER FIXING
15	B018854	HEXAGONAL HEAD FLANGED SCREW M6X90	2	CYLINDER HEAD/CRANKCASE FIXING
16	844719	FLANGED NUT M8X1.25	4	CYLINDER HEAD/CRANKCASE FIXING
17	269755	SOCKET HEAD SCREW (M8X12)	2	LUBRIFICATION CHANNEL SHUTTING GROUP
18	485703	WASHER	2	LUBRIFICATION CHANNEL SHUTTING GROUP
19	1A006545	HEAD COVER	1	CYLINDER HEAD/CRANKCASE FIXING
20	435571	REFERENCE DOWEL	4	CYLINDER HEAD/CRANKCASE FIXING
21	844719	FLANGED NUT M8X1.25	4	CYLINDER HEAD/CRANKCASE FIXING

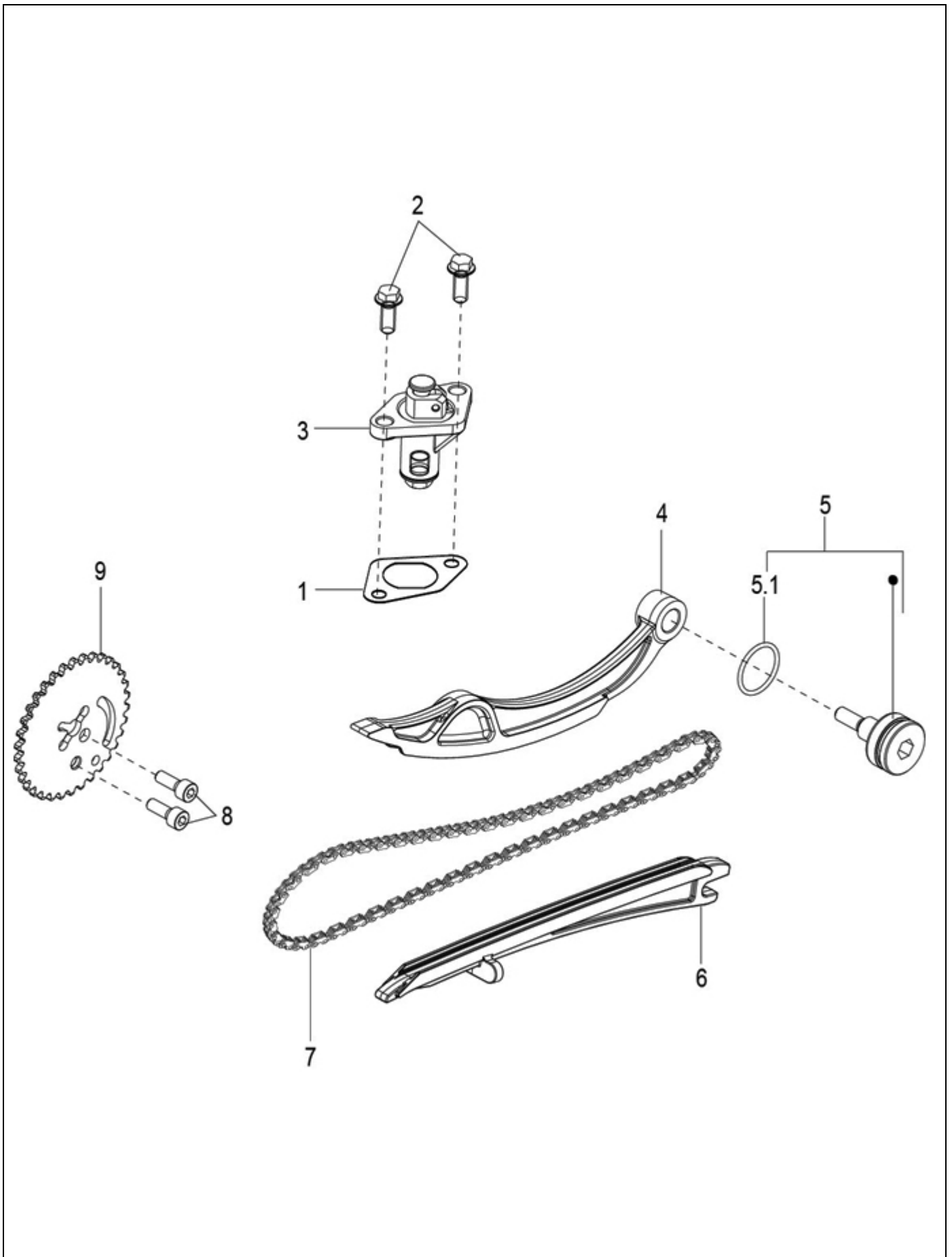
1.08 Camshaft



1.08**Camshaft**

Fig. No.	Part No.	Description	Qty	Remarks
1	SP1A017005	CAMSHAFT COMPLETE OF BEARING	1	
2	B017113	ROCKER ARM SHAFT	2	
3	83062R	ROCKER ARM GROUP	1	
4	B017425	COMPLETE INLET SIDE ROCKER ARM	1	
5	B017323	VALVE ADJUSTMENT SCREW	2	
6	B017431	ROCKER ARM NUT	2	
7	B017426	COMPLETE EXHAUST SIDE ROCKER ARM	1	
8	B015483	DECOMPRESSION SPRING	1	
9	1A008397	CENTRIFUGAL MASS CONTAINMENT SHEET	1	APPLICABLE FOR BSVI
10	B014760	CAMSHAFT CONTAINMENT SHEET-STEEL	1	
11	B018946	COUNTERSUNK SCREW M6X18	1	
12	SP1A006405	CENTRIFUGAL MASS WITH I.P.	1	

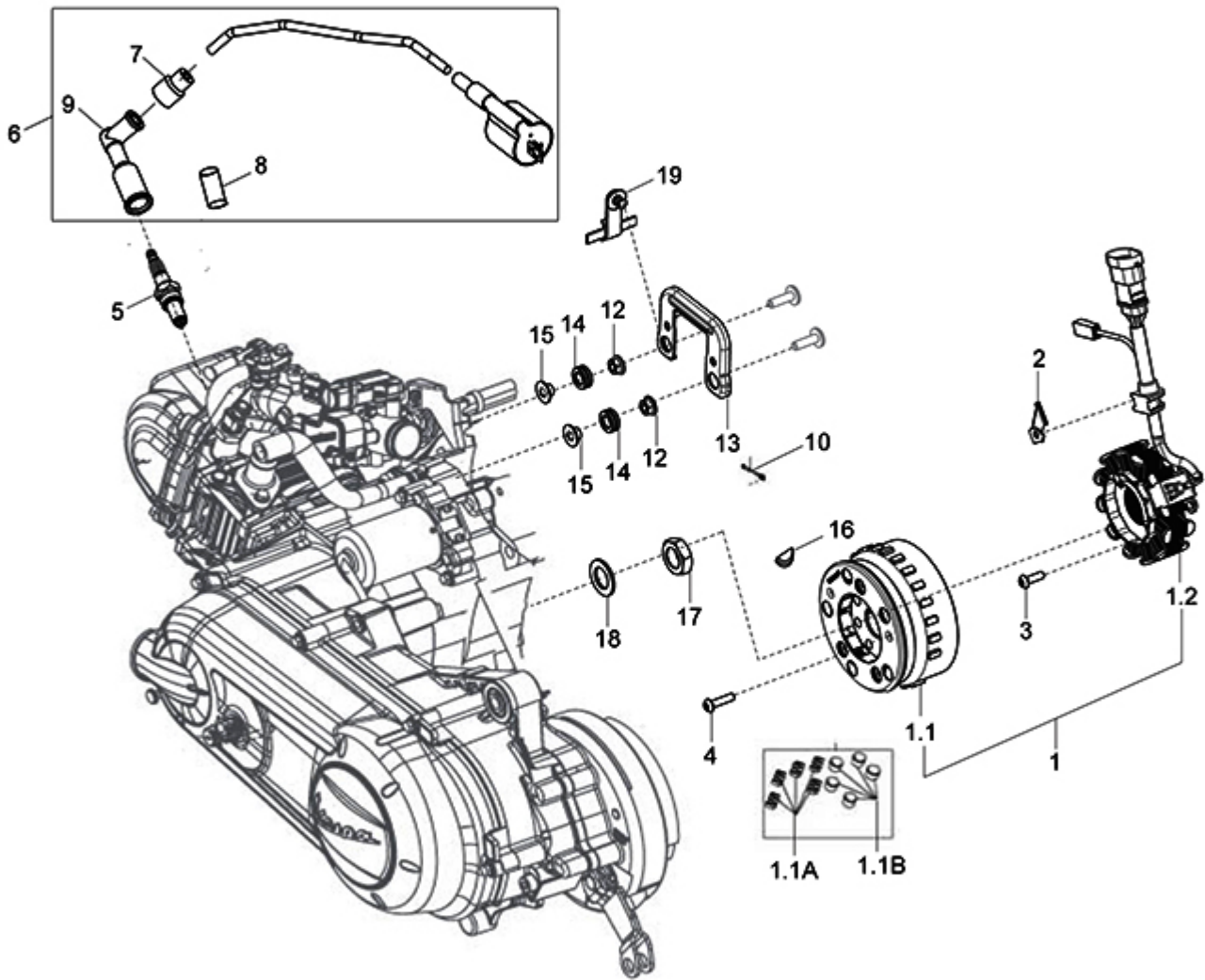
1.09
Timing Group



1.09**Timing Group**

Fig. No.	Part No.	Description	Qty	Remarks
1	847928	CHAIN SUPPORT GASKET	1	CHAIN TIGHTENING DEVICE FIXING
2	1F000110	FLANGED HEXAGONAL SCREW	2	CHAIN TIGHTENING DEVICE FIXING
3	1A019253	CHAIN TIGHTENING DEVICE	1	
4	1A014739	COMPLETE CHAIN TIGHTENING ROD	1	
5	B014237	SPECIAL SCREW ASSY	1	CHAIN TIGHTENING ROD FIXING
5.1	B017406	O-RING (20,35X1,78)	1	
6	B014830	FIXED PAD	1	
7	830269	SOUNDLESS TIMING CHAIN	1	
8	B018718	EXAG. SOCKET CYLIND.HEAD SCREW M5X14	1	TIMING CROWN FIXING
9	B019040	TIMING CROWN	1	

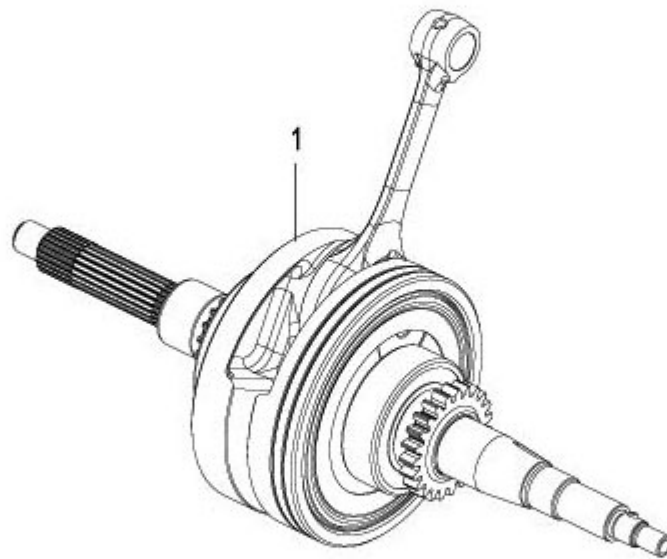
1.10 Electric Component



1.10**Electric Component**

Fig. No.	Part No.	Description	Qty	Remarks
1	1A018849R	A.C. GENERATOR ASSY	1	
1.1	1A013856	ASSEMBLY ROTOR CLAM CLUTCH	1	Kokusan ID mark - LK written at bottom
1.1	1A018232	ASSEMBLY ROTOR CLAM CLUTCH	1	Ducati ID mark - Ducati written on outer side
1.1a	B019134	PLANE SPRING	5	
1.1b	B018476	ROLLER	5	
1.2	1A018501	COMPLETE STATOR	1	Kokusan ID mark - stator Casing Redish in color
1.2	1A018847	COMPLETE STATOR	1	Ducati ID mark - stator Casing brown in color
2	1A001793	PICK-UP PLATE CONTAINMENT CABLES	1	
3	1A001073	TORX HEAD SCREW M5X16	2	PULSER COIL FIXING
4	1A014986	TORX HEAD SCREW M5X21	2	STATOR FIXING
5	643367	SPARK PLUG	1	
6	1A017647	H.T.COIL COMPLETE WITH CAP	1	
7	642537	PROTECTION CAP	1	
8	1A001795	SPARK PLUG PROTECTION COLLAR	1	
9	643149	SPARK PLUG CAP	1	
10	643156	GROUND WIRE	1	H.T.COIL / BRACKET FIXING
11	872816	FLANGED NUT	2	H.T.COIL / BRACKET FIXING
12	013880	PLAIN WASHER	1	H.T.COIL / BRACKET FIXING
13	1B003784	COIL SUPPORT BRACKET WITH I.P.	1	
14	B014063	BUFFER DAMPER	2	
15	B014066	SPACER	2	
16	000267	WOODRUFF KEY	1	FLYWHEEL ASSY FIXING
17	880805	LOW HEXAGONAL NUT	1	FLYWHEEL ASSY FIXING
18	B014585	FLAT WASHER	1	FLYWHEEL ASSY FIXING
19	1A016605	CLAMP	1	H.T.COIL / BRACKET FIXING
20	018639	SCREW M6X20	1	H.T.COIL BRACKET/CRANKCASE FIXING

1.11
Crankshaft

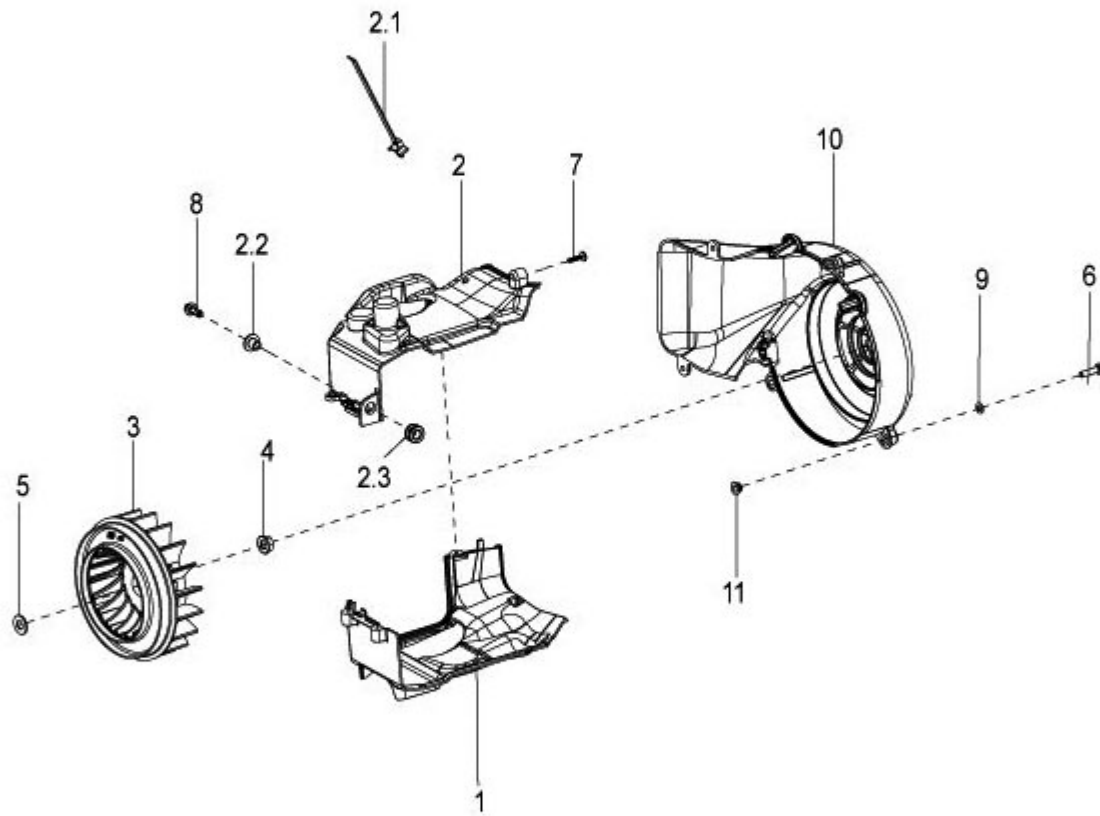


1.11**Crankshaft**

Fig. No.	Part No.	Description	Qty	Remarks
1	SP1A015839	CRANKSHAFT WITH BALL BEARING AND PINION	1	

1.12

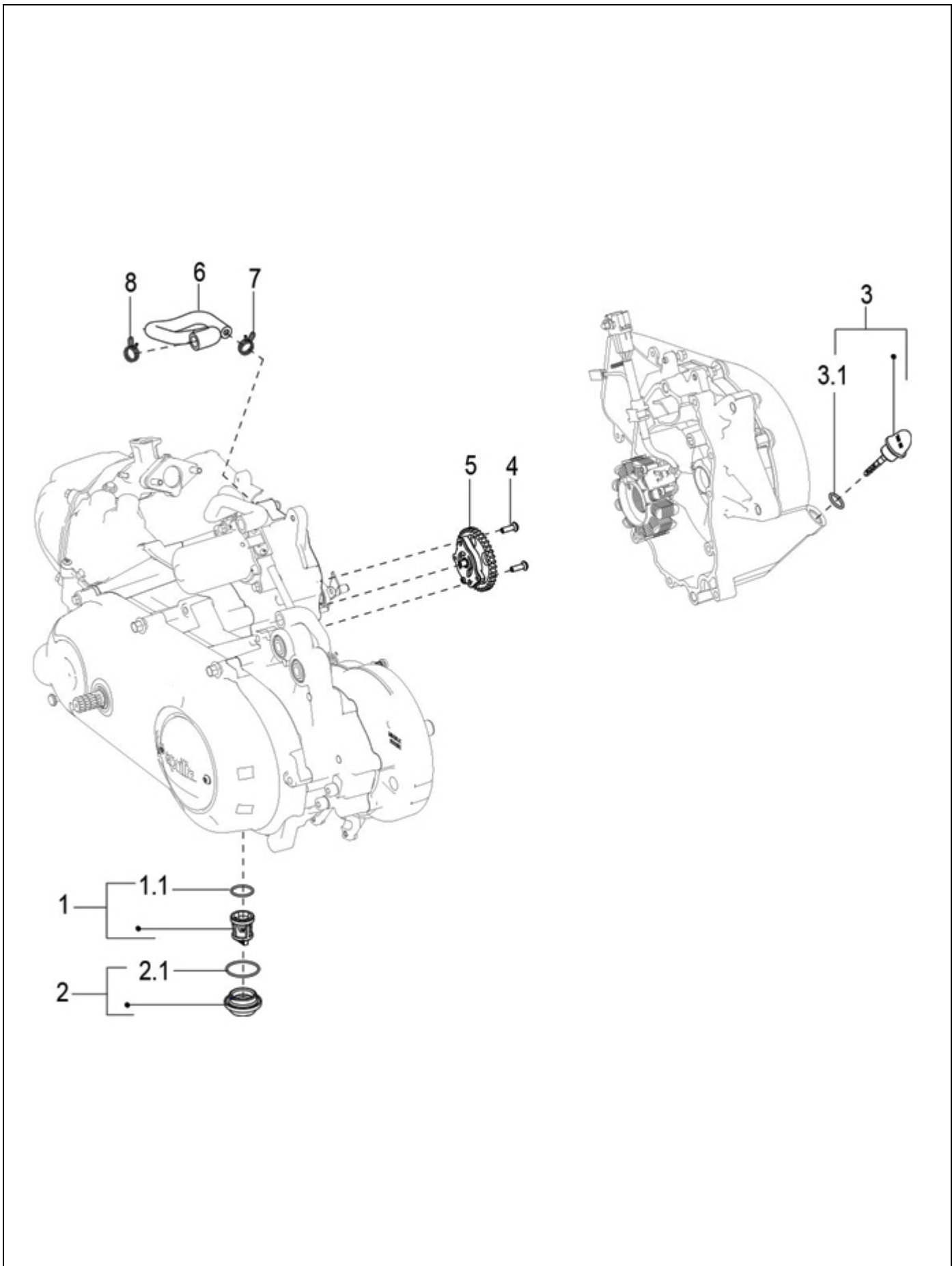
Fan cover and Shroud



1.12**Fan cover and Shroud**

Fig. No.	Part No.	Description	Qty	Remarks
1	1A011087	EXHAUST SIDE SHROUD	1	
2	1A001023	INTAKE SIDE CONVEYOR	1	
2.1	643114	CLAMP	1	
2.2	B014063	BUFFER DAMPER	1	
2.3	B014066	SPACER	1	
2.4	216369	CLAMP	1	NI
3	1A002013	FAN WITH INSERT	1	
4	844719	FLANGED NUT M8X1.25	1	FAN ASSY FIXING
5	B017080	PLAIN WASHER	1	FAN ASSY FIXING
6	1A014986	TORX HEAD SCREW M5X21	3	FAN COVER FIXING
7	B018421	SULF-THREADING SCREW 3.8X16	5	FAN COVER FIXING
8	1F000110	FLANGED HEXAGONAL SCREW	1	FAN COVER FIXING
9	006975	WAVY WASHER 5.3X10X0.5	3	FAN COVER FIXING
10	B014750	FAN COVER	1	
11	B015312	KNURLED BUSH	6	
12	58273R	THERMIC SENSOR	1	

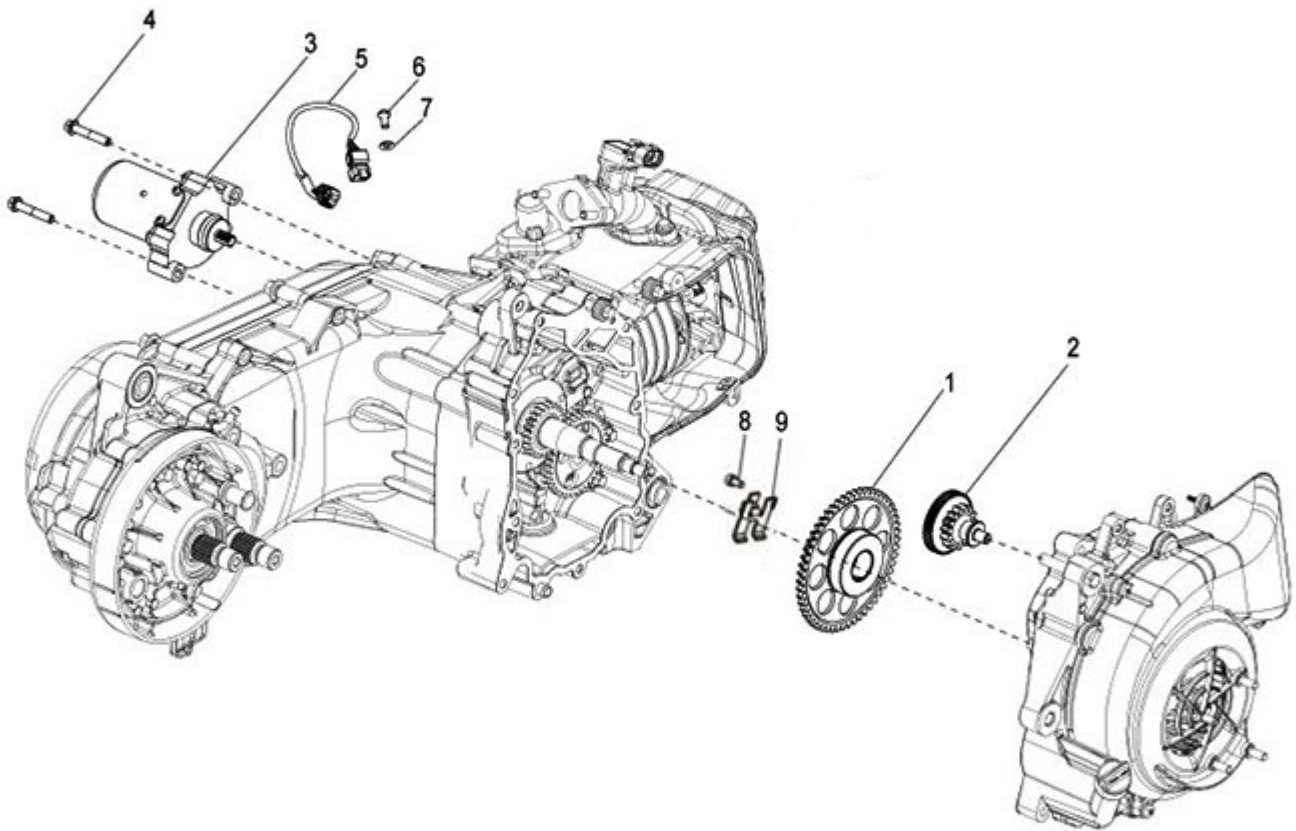
1.13 Lubrication Component



1.13**Lubrication Component**

Fig. No.	Part No.	Description	Qty	Remarks
1	B018020	COMPLETE INTAKE OIL FILTER	1	
1.1	B017406	O-RING (20,35X1,78)	1	
2	B015598	OIL FILTER PLUG	1	
2.1	285536	O-RING GASKET 31.47X1.78	1	
3	B017002	COMPLETE OIL DIPSTICK	1	
3.1	1A009397	O-RING GASKET	1	
4	1A001073	TORX HEAD SCREW M5X16	2	OIL PUMP ASSY FIXING
5	B018448	COMPLETE OIL PUMP	1	
6	1A014094	OIL BREATHER PIPE	1	
7	CM002917	HOSE CLAMP	1	OIL BREATHER PIPE FIXING

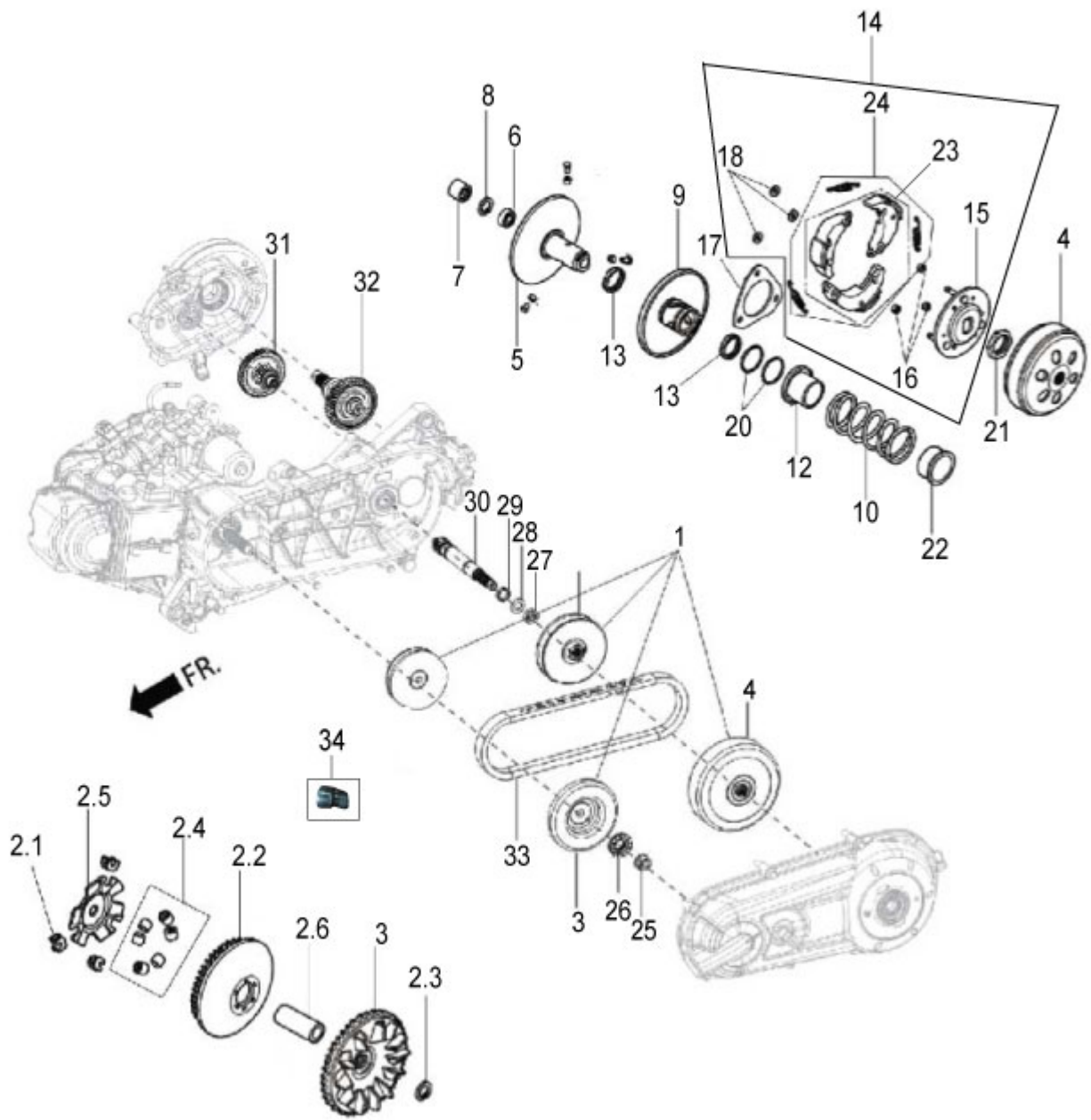
1.14
Starting Group



1.14**Starting Group**

Fig. No.	Part No.	Description	Qty	Remarks
1	83033R	STARTER CROWN WITH I.P. GROUP	1	
2	1A001443R	ELECTRIC STARTER INTERMEDIATE GEAR	1	
3	1A015231	STARTING MOTOR	1	
4	1A003063	FLANGED HEX HEAD SCREW M6X35	2	STARTING MOTOR FIXING (OIM)
5	1D000152	STARTING MOTOR CABLE	1	
6	018644	CROSS CYLINDRICAL HEAD SCREW	1	STARTING MOTOR WIRING HARNESS FIXING
7	016404	SPRING WASHER M4	1	STARTING MOTOR WIRING HARNESS FIXING
8	1A002691	FLANGED HEX HEAD SCREW M6X20 CL10	1	
9	1A007468	CONTAINMENT ELECTRIC STARTING CROWN	1	

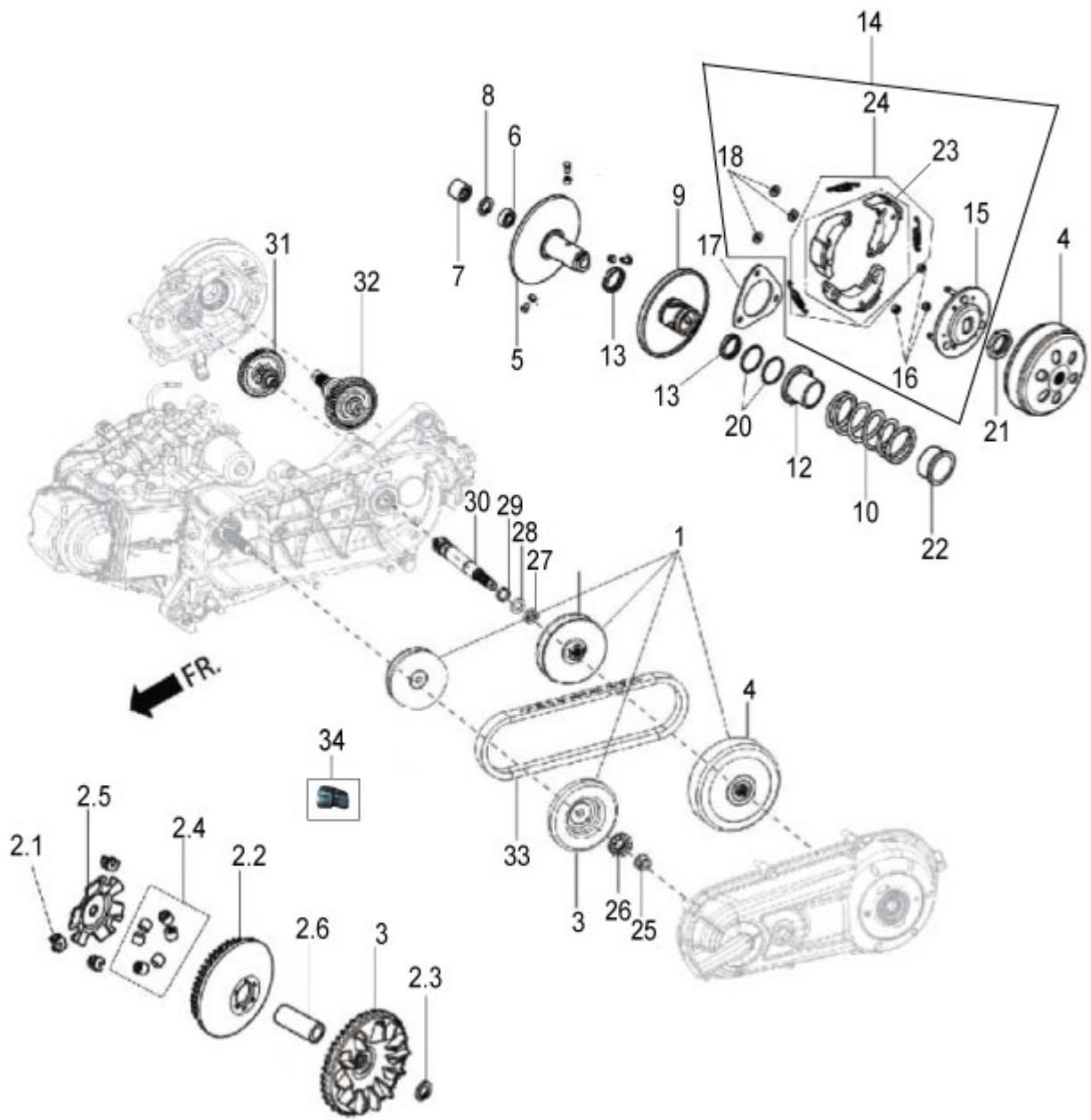
1.15
Transmission Group



1.15**Transmission Group**

Fig. No.	Part No.	Description	Qty	Remarks
1	1A005058R	COMPLETE TRANSMISSION GROUP	1	
2	NS	NOT SERVICEABLE	1	
2.1	1A001746	PIECE SLIDE	1	
2.2	1A001742	FACE COMP MOVABLE DRIVE	1	
2.3	1A002443	CIRCLIP MOVABLE DRIVE	1	
2.4	1A002444	ROLLER COMP. MOVABLE DRIVE	6	
2.5	1A001745	PLATE RAMP	1	
2.6	1A002446	BOSS DRIVE FACE	1	
3	1A005055	FIXED DRIVER HALF-PULLEY	1	
4	1A005057	CLUTCH HOUSING WITH I.P.	1	
5	1A002430	FACE COMP. FIX DRIVEN	1	
6	1A002431	BRG. BALL RADIAL	1	
7	1A002432	BRG. NEEDLE	1	
8	1A002433	CIRCLIP IN 24	1	
9	1A013713	COMPLETE MOVABLE DRIVEN HALF-PULLEY	1	
10	1A002439	SPG. DRIVEN FACE	1	
12	1A002440	COLLAR SEAL	1	
13	1A002441	OIL SEAL	2	
14	1A002425	PLATE ASSY. DRIVEN	1	
15	1A002426	PLATE COMP. DRIVE	1	
16	1A002427	DAMPER CLUTCH	3	
17	1A002428	SIDE WASHER	1	
18	1A002429	E RING 7MM	3	
20	1A002442	O-RING	2	
21	1A001748	NUT SPECIAL 28MM	1	
22	B016922	DRIVEN PULLEY SIDE CAP	1	
23	1A001744	SHOE CLUTCH	1	
24	1A001743	SPRING CLUTCH	3	
25	1A006988	NUT WITH SPRING WASHER	1	FRONT TRASMISSION GROUP FIXING
26	B017599	CLAW COUPLING	1	FRONT TRASMISSION GROUP FIXING
27	B018308	HEXAGOLAN NUT	1	REAR TRASMISSION GROUP FIXING
28	1A006499	PLAIN WASHER	1	REAR TRASMISSION GROUP FIXING
29	B018306	SPACER	1	REAR TRASMISSION GROUP FIXING
30	1A006503	DRIVEN PULLEY SHAFT	1	
31	1A001012	LAY-SHAFT ASSY WITH I.P.	1	

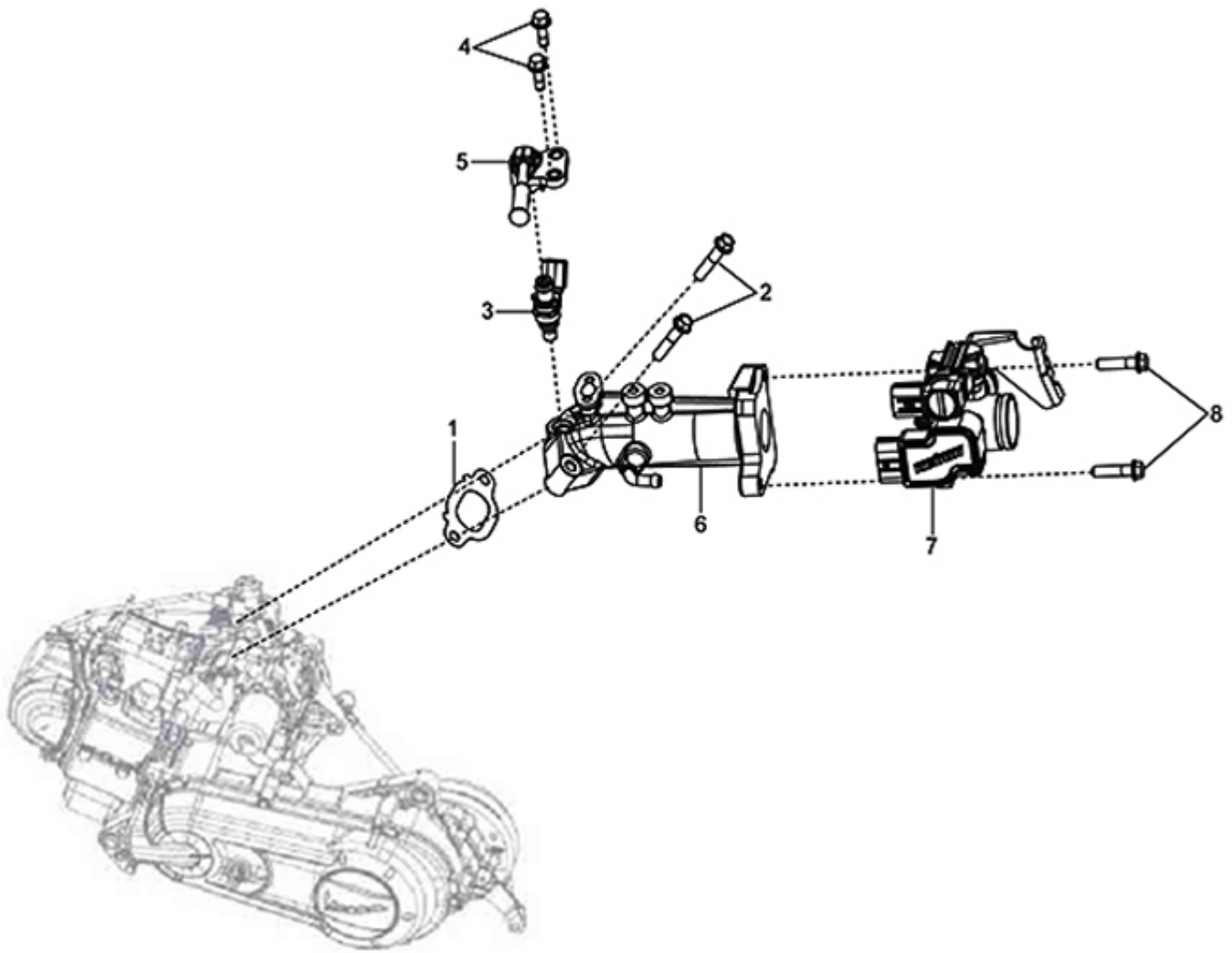
1.15
Transmission Group



1.15**Transmission Group**

Fig. No.	Part No.	Description	Qty	Remarks
32	1A001015	WHEEL GEAR WITH I.P.	1	
33	B013172	CVT BELT	1	
34	1A013712	INTEGRATED PIN	1	

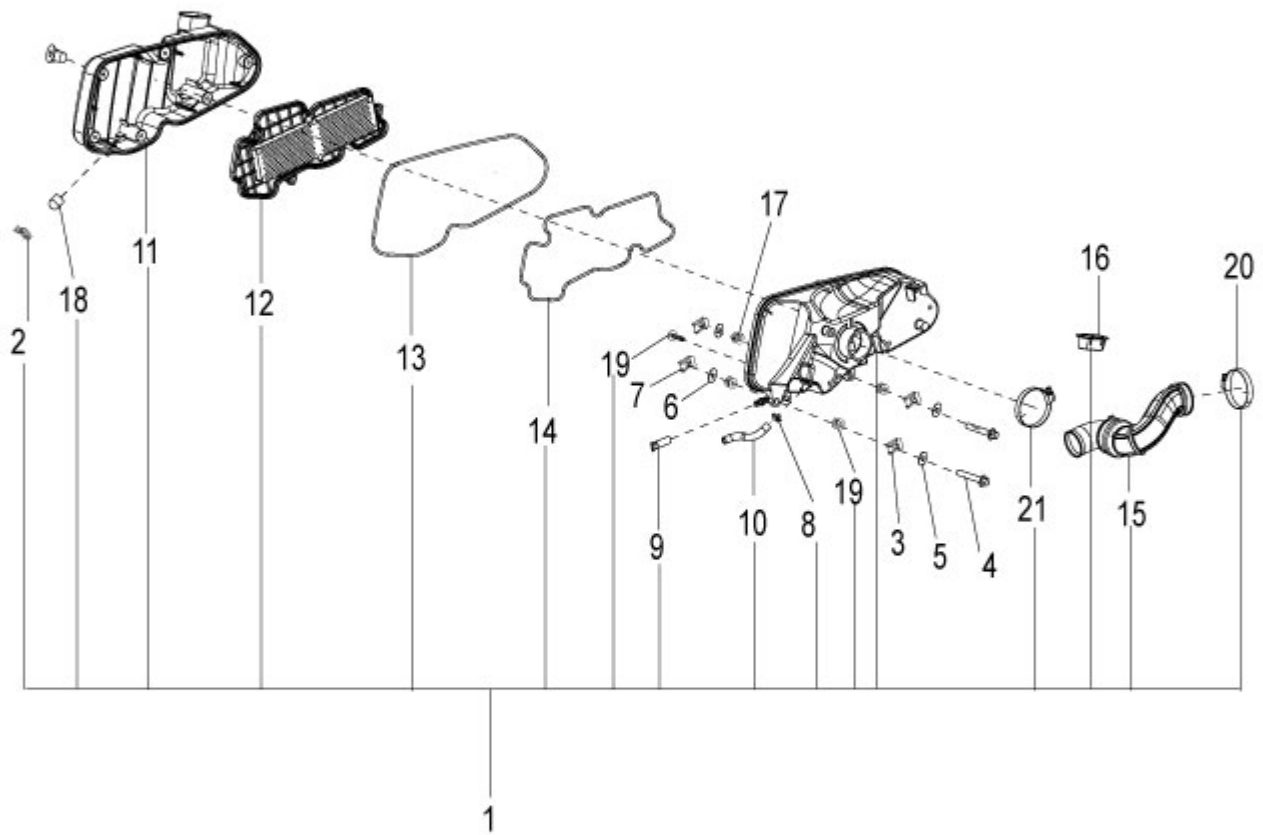
1.16 Fuel supply System



1.16**Fuel supply System**

Fig. No.	Part No.	Description	Qty	Remarks
1	B018442	INTAKE FITTING GASKET	1	INTAKE FITTING FIXING
2	B018853	FLANGED HEXAGONAL HEAD SCREW M6X30	2	INTAKE FITTING FIXING
3	1D000698	FUEL INJECTOR	1	COMPLETE INTAKE FITTING
4	1A015812	FLANGED HEXAGONAL HEAD SCREW	2	INJECTOR FIXING
5	1A015303	INJECTOR SUPPORT WITH FUEL CAP	1	
6	1A016008	INTAKE FITTING WITH I.P.	1	
7	1A019310	THROTTLE BODY	1	
8	1A003065	FLANGED HEX. HEAD SCREW M6X25	2	THROTTLE BODY FIXING
9	1D001198	SEAL RINGS KIT	1	NI -Under Development
10	1A009606	INIECTOR RETAINING PLATE	1	NI , INJECTOR FIXING

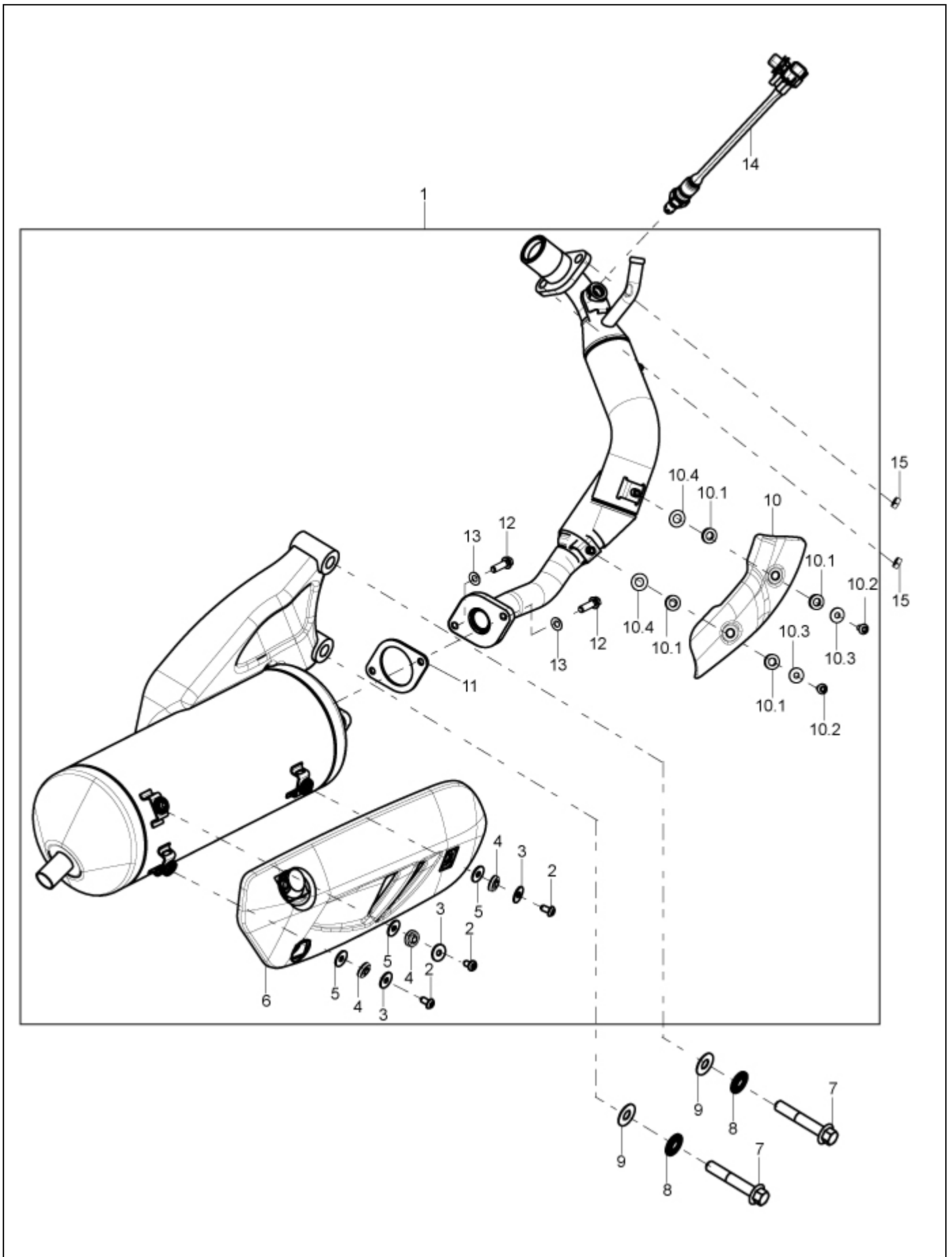
1.17
Air Intake



1.17**Air Intake**

Fig. No.	Part No.	Description	Qty	Remarks
1	1A018267	AIR CLEANER BOX ASSY	1	Applicable for FL-20
1	1A016119	AIR CLEANER BOX ASSY	1	
2	CM002910	HOSE CLAMP	1	
3	CM259204	SPRING PLATE	2	AIR CLEANER BOX FIXING
4	1A003064	FLANGED HEX HEAD SCREW M6X55	2	AIR CLEANER BOX FIXING
5	3056	PLAIN WASHER M6 OD12	2	AIR CLEANER BOX FIXING
6	12533	PLAIN SPRING WASHER WITH EXTERNAL TABS	2	AIR CLEANER BOX FIXING
7	254485	SPRING PLATE (M6)	2	AIR CLEANER BOX FIXING
8	CM002906	HOSE CLAMP	3	
9	1A005254	PLUG PIPE OIL BREATHER	1	
10	1A005265	OIL BREATHER PIPE	1	
11	1A014361	AIR CLEANER COVER	1	
12	B018451	AIR BOX FILTER	1	
13	B014993	EXTERNAL GASKET	1	
14	B014994	INTERNAL GASKET	1	
15	1A012009	COUPLING	1	
16	1A016033	INTAKE S.A.S. COUPLING	1	
17	B018262	KNURLED BUSH	4	
18	827831	AIR CLEANER BOX CAP	1	
19	258146	SELF TAPPING SCREW (3X20)	8	
20	B019254	CLAMP Ø42.4-Ø44.5	1	
21	614188	CLAMP 40-60	1	
24	672658	COMPLETE ASPIRATED TUBE	1	
25	672660	INTAKE FITTING	1	
26	CM259202	SPRING PLATE	2	
27	672659	SUCTION TUBE	1	
28	709519	CLAMP	1	
29	272836	METRICAL SCREW WITH CROSS MOULD	2	COMPLETE ASPIRATED TUBE/FRAME FIXING
30	709519	CLAMP	1	COMPLETE ASPIRATED TUBE/FRAME FIXING

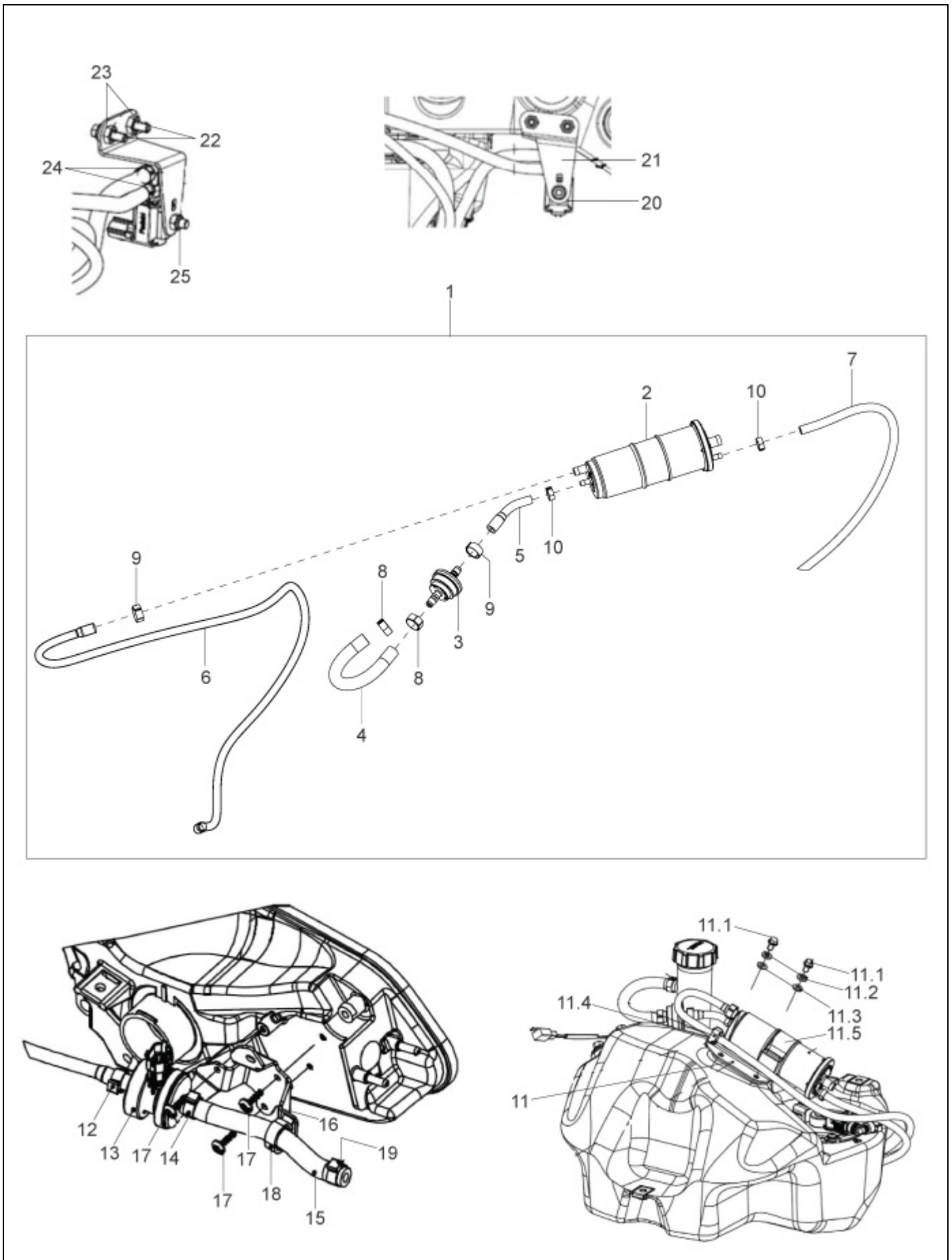
1.18
Muffler



1.18**Muffler**

Fig. No.	Part No.	Description	Qty	Remarks
1	1A016873	MUFFLER WITH PROTECTION	1	
1	1A019466	MUFFLER WITH PROTECTION	1	Applicable for FL-20
1	1A019983	MUFFLER WITH PROTECTION	1	Applicable for Racing Sixties
2	842908	COVEX HEAD SCREW WITH TORX IMPRESSION	3	THERMAL PROTECTION FIXING
2	848766	SCREW	3	Applicable for Racing Sixties
3	826118	WASHER	3	THERMAL PROTECTION FIXING
3	844927	WASHER	3	Applicable for FL-20
3	827526	WASHER	3	Applicable for Racing Sixties
4	841782	RUBBER GROMMET	3	THERMAL PROTECTION FIXING
5	876879	ELASTIC SPACER	3	THERMAL PROTECTION FIXING
6	1A014818	THERMAL PROTECTION	1	
6	1A018710	THERMAL PROTECTION	1	Applicable for Racing Sixties
7	B016627	FLANGED HEXAGONAL HEAD SCREW	2	MUFFLER/FLY WHEEL COVER FIXING
8	B015320	PLAIN WASHER	2	MUFFLER/FLY WHEEL COVER FIXING
9	B015321	CONICAL KNURLED WASHER	2	MUFFLER/FLY WHEEL COVER FIXING
10	1A017964	THERMAL PROTECTION WITH PANEL	1	
10.1	876879	ELASTIC SPACER	2	PROTECTION FIXING
10.2	842908	COVEX HEAD SCREW WITH TORX IMPRESSION	2	PROTECTION FIXING
10.2	848766	SCREW	2	Applicable for Racing Sixties
10.3	1A000244	PLANE WASHER	2	PROTECTION FIXING
10.3	827526	WASHER	2	Applicable for Racing Sixties
10.4	287073	WASHER X OIL PUMP DRIVEN GEAR- 8,2X16X0,5	2	PROTECTION FIXING
11	1A018007	GASKET	1	
12	018639	SCREW M6X20	2	
13	016408	SPRING WASHER	2	
14	SP1A017774	LAMBDA SENSOR WITH HARNESS BAND	1	
15	436947	FLANGED NUT M7X1 H=8	2	

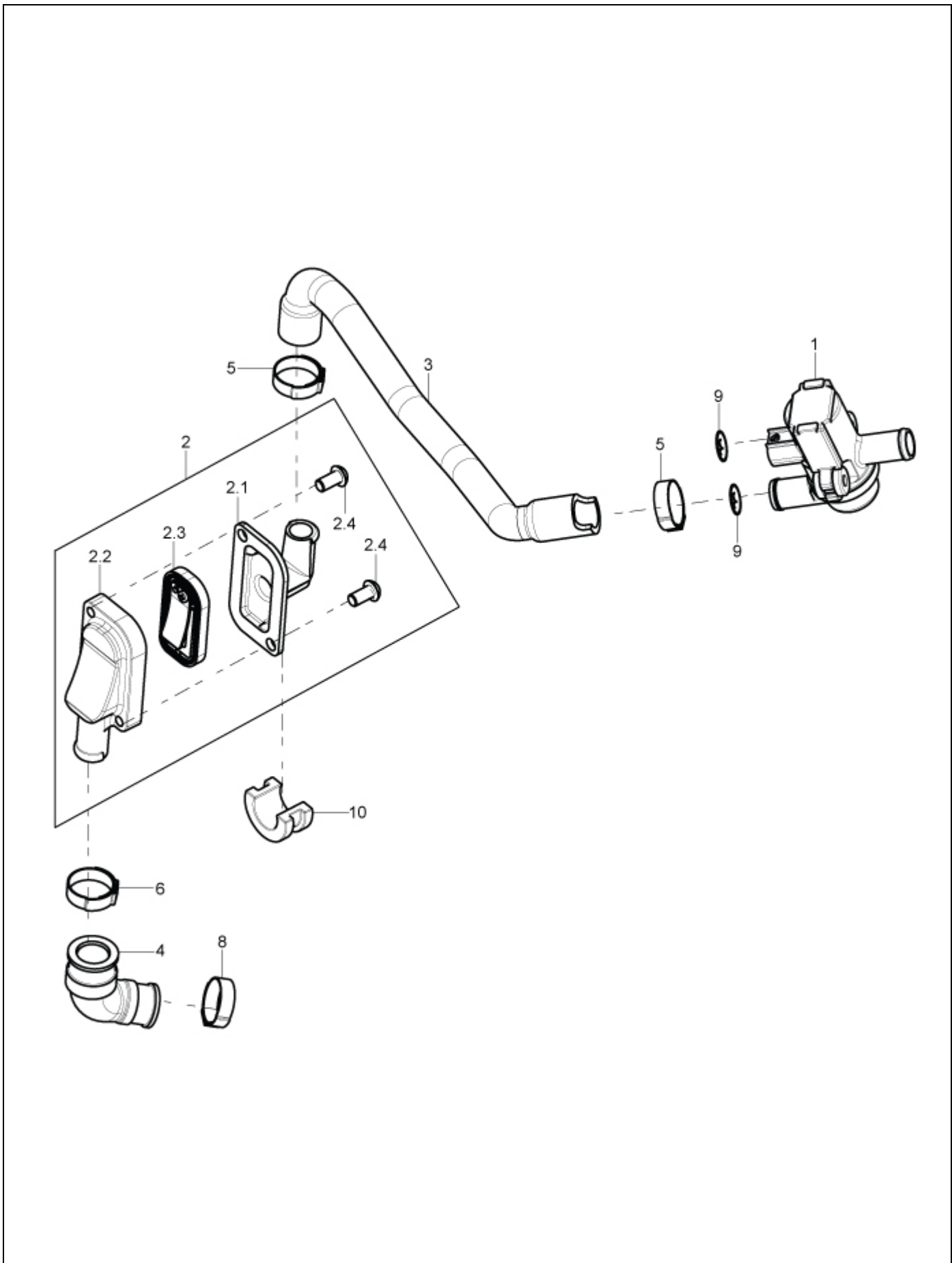
1.20 Canister



1.20 Canister

Fig. No.	Part No.	Description	Qty	Remarks
1	1B006961	CANISTER WITH PIPES	1	NS
2	1B002848	CANISTER	1	
3	1B008067R	SAFETY VALVE	1	
4	CM177938	HOSE SAE J30 R1	1	
5	CM283429	HOSE	1	
6	CM001233	HOSE	1	
6	CM001235	BASE PROFILE PIPE D.6X10,5	1	Applicable for FL-20
7	CM283434	HOSE	1	
8	CM001914	CLAMP	2	
9	CM001901	CLAMP	2	
10	CM001912	CLAMP	2	
11	1B006796	CANISTER PLATE SUPPORT	1	
11.1	969296	HEXAGONAL FLANGED HEAD SCREW	2	CANISTER WITH PIPES FIXING
11.2	016406	SPRING WASHER	2	CANISTER WITH PIPES FIXING
11.3	3056	PLAIN WASHER M6 OD12	2	CANISTER WITH PIPES FIXING
11.4	231590	ELASTIC CLAMP	1	CANISTER WITH PIPES FIXING
11.5	1B002849	CANISTER SUPPORT	1	CANISTER WITH PIPES FIXING
12	CM001914	CLAMP	1	
13	CM287401	COMPLETE AIR VALVE	1	
14	CM001914	CLAMP	1	
15	CM177919	HOSE SAE J30 R11-A OR R12 1/4	1	
15	CM001236	BASE PROFILE PIPE D.6X10,5	1	Applicable for FL-20
16	1B007884	BRACKET	1	
17	270793	SCREW	3	BRACKET FIXING
18	641652	SPRING	1	Pipe Fixing to Bracket
19	CM001914	CLAMP	1	
19	CM002903	HOSE CLAMP	1	Applicable for FL-20
20	1A017882	PURGE VALVE	1	Applicable for FL-20
21	1B007869	SUPPORT BRACKET VALVE WITH IP	1	Applicable for FL-20
22	018639	SCREW M6X20	2	Applicable for FL-20
23	016406	SPRING WASHER	2	Applicable for FL-20
24	CM001912	CLAMP	2	Applicable for FL-20
25	709116	HEXAGON NUT	1	Applicable for FL-20

1.21
S.A.S. System

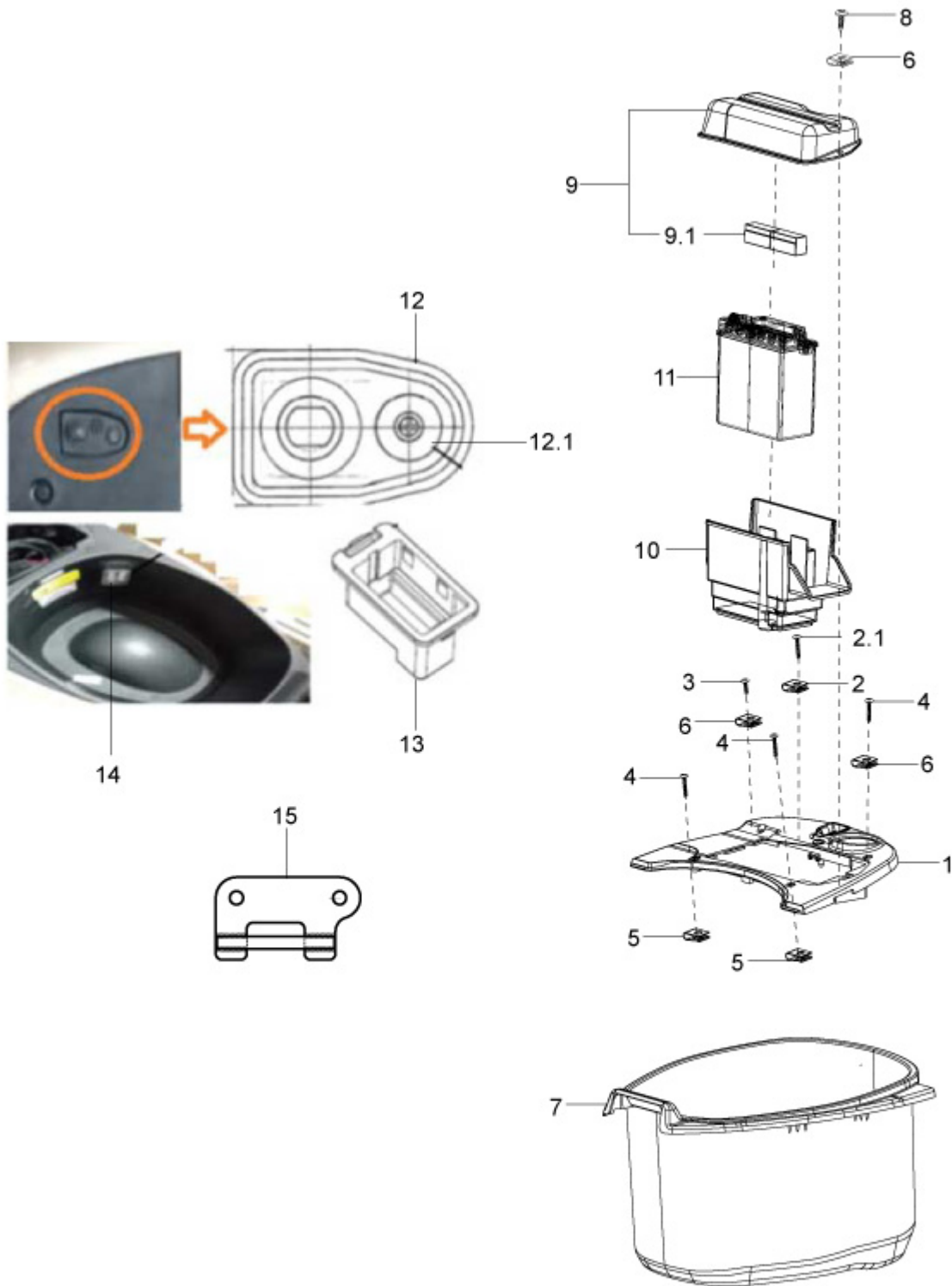


1.21**S.A.S. System**

Fig. No.	Part No.	Description	Qty	Remarks
1	1A014086	AIR CUT VALVE	1	
2	SP1A0165444	COMPLETE SAS VALVE	1	
2.1	1A015026	COVER SAS VALVE	1	
2.2	1A016543	SUPPORT SAS VALVE	1	
2.3	1A017197	COMPLETE REED VALVE	1	
2.4	601039	SCREW	2	
3	1A014095	SAS INTAKE PIPE	1	
4	1A017797	S.A.S. BOX JOINT PIPE	1	
5	CM001927	HOSE CLAMP	2	S.A.S. PIPE/ELECTRIC VALVE FIXING
6	1A018013	CLAMP	1	S.A.S. VALVE SLEEVE FIXING
7	257134	RETAINING STRAP	1	S.A.S. VALVE SLEEVE FIXING
8	CM001927	HOSE CLAMP	1	S.A.S. VALVE SLEEVE FIXING
9	230359	CLIP	2	
10	1A014309	GROMMET	1	

1.22

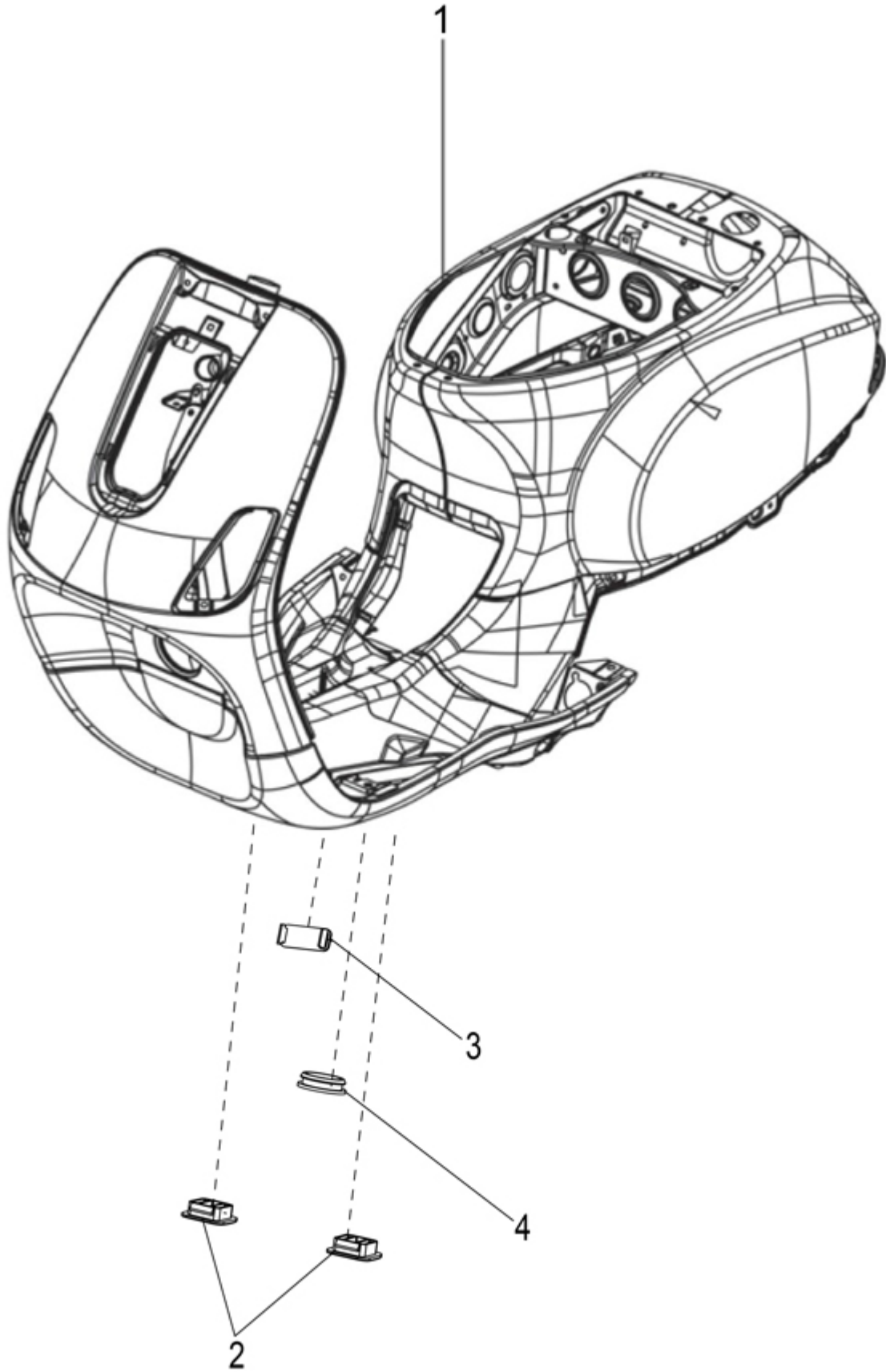
Tank - Battery Cover/Helmet Housing or Battery Cover



1.22**Tank - Battery Cover/Helmet Housing or Battery Cover**

Fig. No.	Part No.	Description	Qty	Remarks
1	1B001181	TANK - BATTERY COVER	1	
1	1B007278	COMPLETE TANK-BATTERY COVER	1	Applicable for FL-20
2	CM259202	SPRING PLATE	2	TANK/BATTERY COVER FIXING
2.1	CM179303	METRICAL SCREW (TORX IMPRESSION)	1	
3	CM178604	THREAD FORMING SCREW	1	TANK/BATTERY COVER FIXING
4	CM178608	SELF-TAPPING SCREW	3	TANK/BATTERY COVER FIXING
5	CM017408	SPRING PLATE	2	TANK/BATTERY COVER FIXING
6	CM017410	SPRING PLATE	3	TANK/BATTERY COVER FIXING
7	1B007071	HELMET HOUSING	1	
7	1B007310	HELMET HOUSING	1	Applicable for FL-20
8	576189	SCREW	1	BATTERY COVER FIXING
9	576017	COMPLETE BATTERY COVER	1	
9	1B007640	BATTERY COVER ASSEMBLY	1	Applicable for FL-20
9.1	575937	BATTERY PAD	2	
10	675396	BATTERY LOADING TRAY	1	
11	1D003122R	SEALED FACTORY CHARGED BATTERY 12V-5AH	1	
12	255323	BUTTON	1	Applicable for FL-20
12.1	018536	SCREW	1	PUSH BUTTON Fixing
13	1B007449	COURTESY LIGHT HOUSING	1	Applicable for FL-20
14	293154	BULB	1	Applicable for FL-20
15	1B001169	PLATE TANK - BATTERY COVER	1	
16	CM179302	METRICAL SCREW	2	PLATE TANK - BATTERY COVER Fixing
17	254485	SPRING PLATE (M6)	2	PLATE TANK - BATTERY COVER Fixing

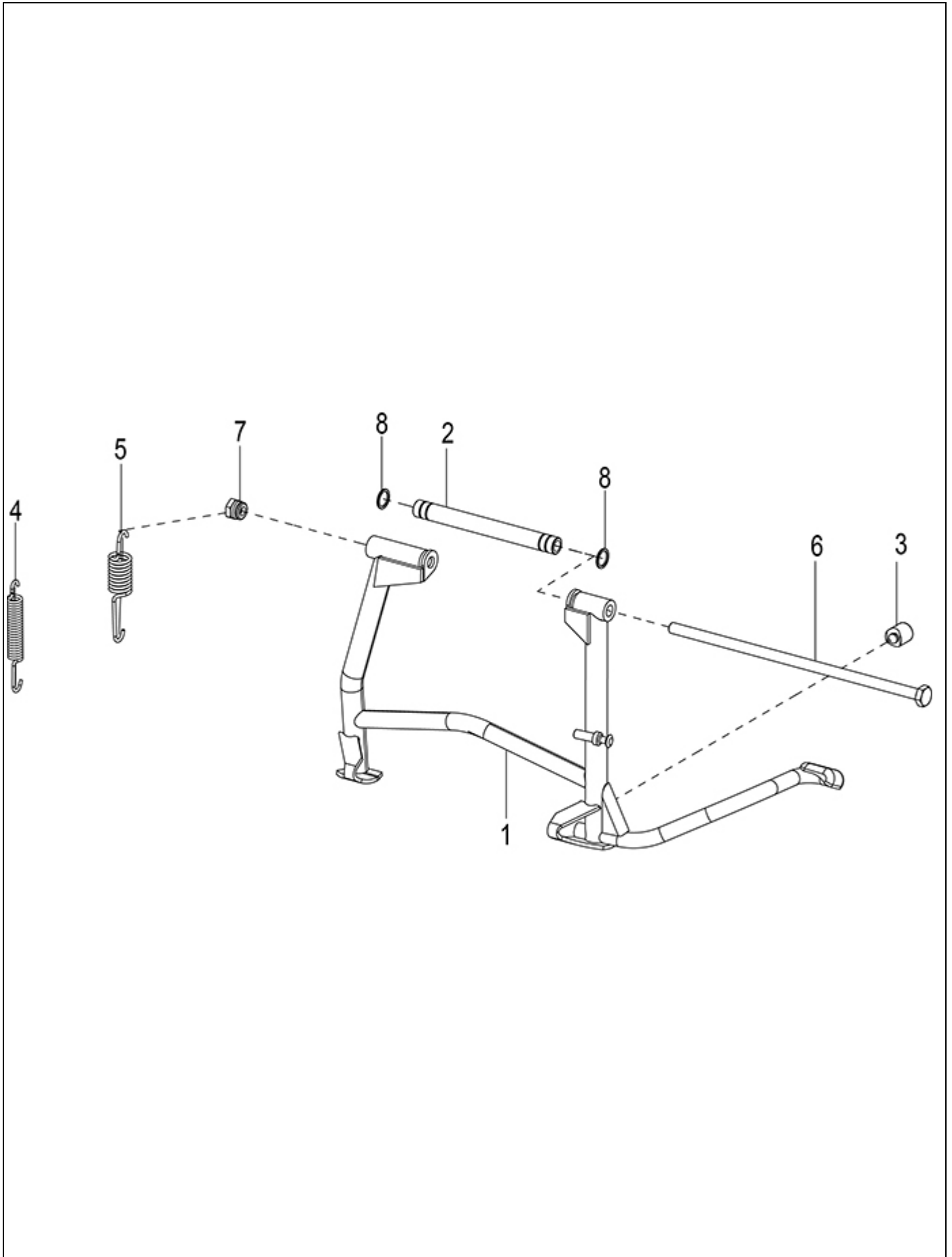
2.01
Frame



2.01 Frame

Fig. No.	Part No.	Description	Qty	Remarks
1	SP1B007320NL	SHELL WITH I.P.(WITH HOLE) SXL MAT BLACK	1	Vespa SXL
1	SP1B007320D05	SHELL WITH I.P. SXL DEEP BLUE	1	COLOR PART
1	SP1B007320D04	SHELL WITH I.P.(WITH HOLE) SXL MAT BLUE	1	Vespa SXL
1	SP1B007320AI	SHELL WITH I.P.(WITH HOLE) SXL ORANGE	1	Vespa SXL
1	SP1B007320Q4	SHELL WITH I.P.(WITH HOLE) SXL WHITE	1	Vespa SXL
1	S67266220T5	SHELL WITH I.P.(WITH HOLE)MY15 AZURE BLUE	1	COLOR PART
1	SP1B007320LC	SHELL WITH I.P.(W HOLE) SXL MT. YELLOW	1	Vespa SXL
1	SP1B007320S9	SHELL WITH I.P. (PAINTED)_MATT_RED	1	Vespa SXL
1	SP1B0073200AX	SHELL WITH I.P. (AX) AR. ORANGE	1	COLOR PART
1	SP1B007320V10D	SHELL WITH I.P.(WITH HOLE)VESPA SXL GREEN	1	SP1B007320V10
2	299557	PLUG	2	FRAME PLUGS GROUP
3	299558	PLUG	1	FRAME PLUGS GROUP
4	299559	PLUG	1	FRAME PLUGS GROUP

2.02
Stands

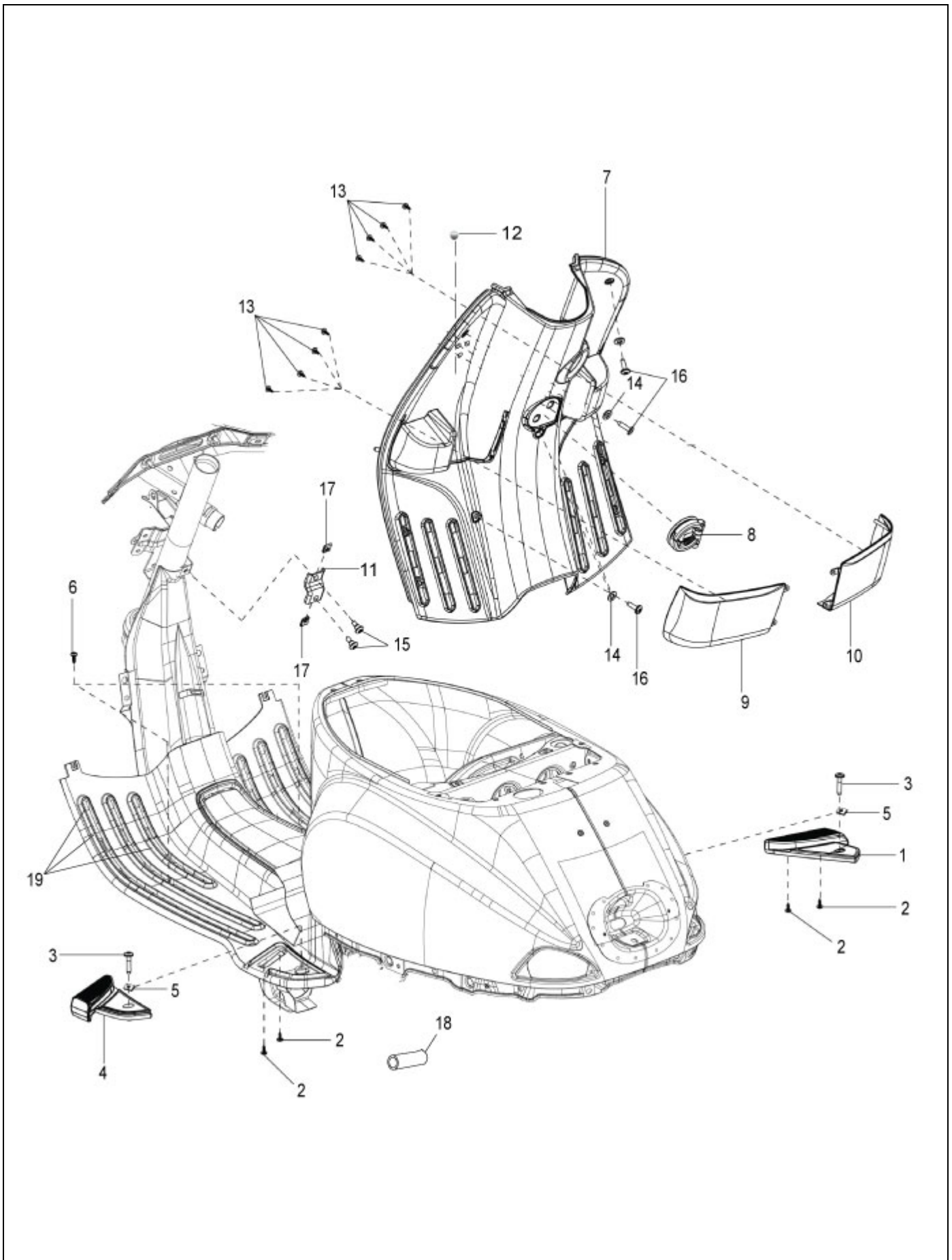


2.02 Stands

Fig. No.	Part No.	Description	Qty	Remarks
1	1C000111	CENTRAL STAND WITH I.P.	1	
2	668585	SPACER	1	CENTRAL STAND COMPONENTS/FIXING GROUP
3	666484	STOPPER	1	CENTRAL STAND COMPONENTS/FIXING GROUP
4	667566	SPRING (INNER)	1	CENTRAL STAND COMPONENTS/FIXING GROUP
5	667567	SPRING (OUTSIDE)	1	CENTRAL STAND COMPONENTS/FIXING GROUP
6	597043	HEXAGONAL HEAD SCREW	1	CENTRAL STAND COMPONENTS/FIXING GROUP
7	002440	SELF LOCKING NUT	1	CENTRAL STAND COMPONENTS/FIXING GROUP
8	273754	OIL SEAL FOR VEHICLE STAND PIN	2	CENTRAL STAND COMPONENTS/FIXING GROUP

2.03

Body Parts- Footrest and L & R Holders

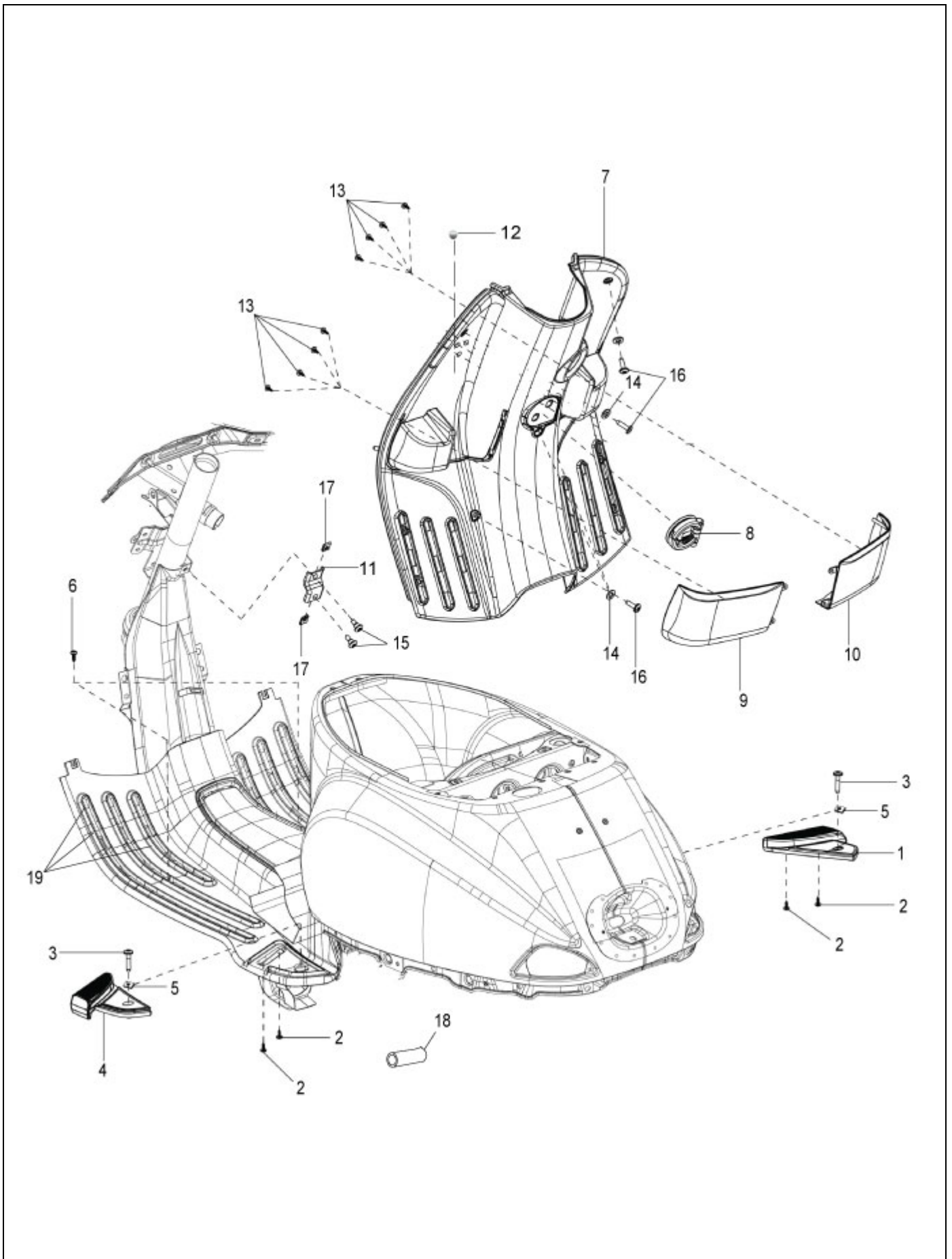


2.03**Body Parts- Footrest and L & R Holders**

Fig. No.	Part No.	Description	Qty	Remarks
1	673261	RIGHT PASSENGER FOOTREST	1	
2	297498	SELF TAPPING SCREW	4	LT/RT PASSENGER FOOTBOARD FIXING
3	CM179303	METRICAL SCREW (TORX IMPRESSION)	2	LT/RT PASSENGER FOOTBOARD FIXING
4	673260	LEFT PASSENGER FOOTREST	1	
5	254485	SPRING PLATE (M6)	2	LT/RT PASSENGER FOOTBOARD FIXING
6	CM178603	THREAD FORMING SCREW	2	
7	SP1B006427000NL	SPD REAR CARRIER M.BLACK	1	COLOR PART
7	SP1B06427D05	REAR CARRIER SXL DEEP BLUE	1	COLOR PART
7	SP1B006427000AI	SPD REAR CARRIER ORANGE	1	COLOR PART
7	SP1B006427000Q4	SPD REAR CARRIER P.WHITE	1	COLOR PART
7	SP1B006427000T5	SPD REAR CARRIER A.BLUE	1	COLOR PART
7	SP1B006427D04	RR CARRIER SPD-MATT BLUE	1	Applicable For FL-20
7	SP1B006427000LC	SPD REAR CARRIER M.YELLOW	1	COLOR PART
7	SP1B006427000S9	SPD REAR CARRIER M.RED	1	COLOR PART
7	SP1B006427AX	REAR CARRIER (AX) AR. ORANGE	1	COLOR PART
7	SP1B006427V10	REAR CARRIER-VESPA SXL RACING 60S GREEN	1	
8	575819	COMPLETE BAGS HOOK	1	COLOR PART
9	SP1B006428000NL	SPD LH HOLDER M.BLACK	1	COLOR PART
9	SP1B06428D05	LEFT HOLDER SXL DEEP BLUE	1	COLOR PART
9	SP1B006428000AI	SPD LH HOLDER ORANGE	1	COLOR PART
9	SP1B006428000Q4	SPD LH HOLDER P.WHITE	1	COLOR PART
9	SP1B006428000T5	SPD LH HOLDER A.BLUE	1	COLOR PART
9	SP1B006428D04	LEFT HOLDER SPD-MATT BLUE	1	Applicable For FL-20
9	SP1B006428V10	LEFT HOLDER-VESPA SXL RACING 60S GREEN	1	
9	SP1B006428000LC	SPD LH HOLDER M.YELLOW	1	COLOR PART
9	SP1B006428000S9	SPD LH HOLDER M.RED	1	COLOR PART
9	SP1B006428AX	LEFT HOLDER (AX) AR. ORANGE	1	COLOR PART
10	SP1B006429000NL	SPD RH HOLDER M.BLACK	1	COLOR PART
10	SP1B06429D05	RIGHT HOLDER SXL DEEP BLUE	1	COLOR PART
10	SP1B006429000AI	SPD RH HOLDER ORANGE	1	COLOR PART
10	SP1B006429000Q4	SPD RH HOLDER P.WHITE	1	COLOR PART
10	SP1B006429000T5	SPD RH HOLDER A.BLUE	1	COLOR PART
10	SP1B006429000LC	SPD RH HOLDER M.YELLOW	1	COLOR PART
10	SP1B006429D04	RIGHT HOLDER SPD-MATT BLUE	1	Applicable For FL-20
10	SP1B006429V10	RIGHT HOLDER-VESPA SXL RACING 60S GREEN	1	RACING 60s GREEN

2.03

Body Parts- Footrest and L & R Holders

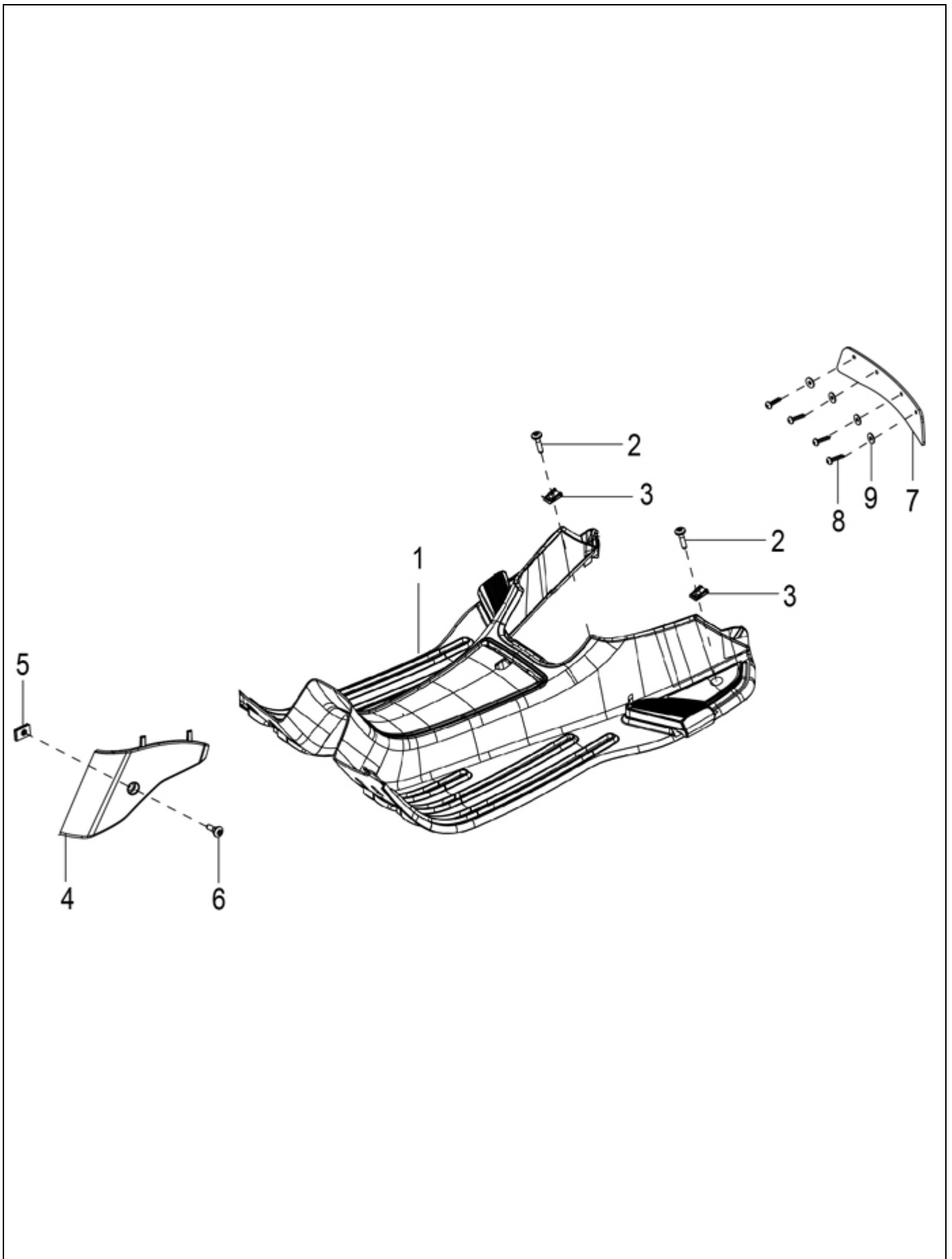


2.03**Body Parts- Footrest and L & R Holders**

Fig. No.	Part No.	Description	Qty	Remarks
10	SP1B006429000S9	SPD RH HOLDER M.RED	1	COLOR PART
10	SP1B006429AX	RIGHT HOLDER (AX) AR. ORANGE	1	COLOR PART
11	1B000979	STIRRUP	1	
12	4A000016	EXPANSION PLUG	3	
13	297498	SELF TAPPING SCREW	8	
14	709003	PLAIN WASHER	5	COMPLETE FRONT GLOVE FIXING
15	576189	SCREW	2	COMPLETE FRONT GLOVE FIXING
16	AP8152338	SCREW W/ FLANGE M5X20	5	COMPLETE FRONT GLOVE FIXING
17	CM017409	SPRING PLATE	2	COMPLETE FRONT GLOVE FIXING
18	826275	ELASTIC SHEET	5	COMPLETE FRONT GLOVE FIXING
19	672681	FOOTREST STRIPES KIT	1	
7	SP1B006427V10	REAR CARRIER-VESPA SXL RACING 60S GREEN	1	Applic. for racing 60S green
9	SP1B006428V10	LEFT HOLDER-VESPA SXL RACING 60S GREEN	1	Applic. for racing 60S green

2.04

Body Parts- Footboard

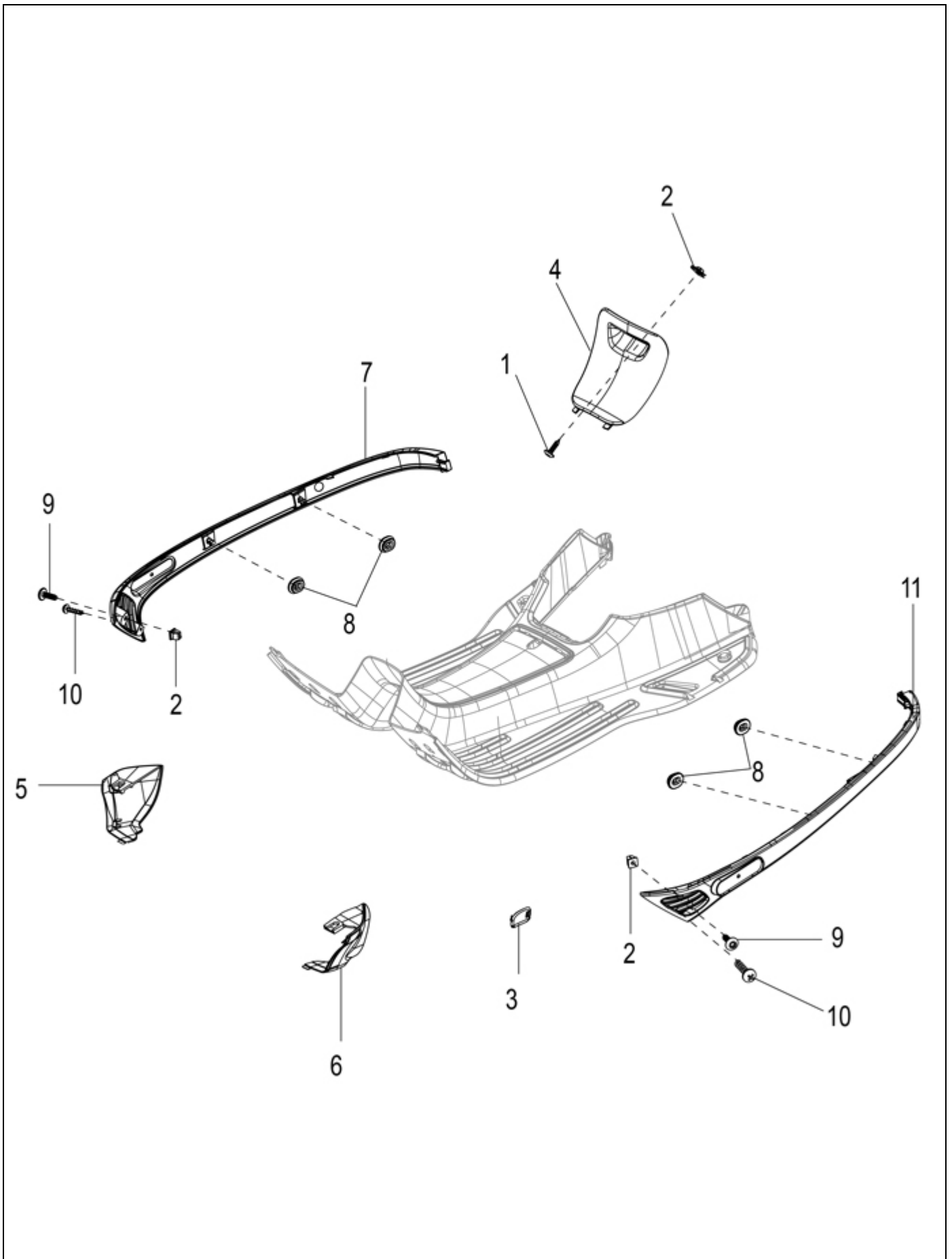


2.04**Body Parts- Footboard**

Fig. No.	Part No.	Description	Qty	Remarks
1	SP1B005791000NL	FOOT BOARD - MATT BLACK	1	COLOR PART
1	SP1B05791D05	FOOTBOARD DEEP BLUE	1	COLOR PART
1	SP1B005791000AI	FOOT BOARD - ORANGE	1	COLOR PART
1	SP1B005791000Q4	FOOT BOARD - PEARL WHITE	1	COLOR PART
1	SP1B005791000T5	FOOT BOARD - AZURE BLUE	1	COLOR PART
1	SP1B005791000LC	FOOT BOARD - MATT YELLOW	1	COLOR PART
1	SP1B005791D04	FOOTBOARD SPD-MATT BLUE	1	Applicable For FL-20
1	SP1B005791V10	FOOTBOARD-VESPA SXL RACING 60S GREEN	1	RACING 60s GREEN
1	SP1B005791000S9	FOOT BOARD - MATT ROSSO DRAGON RED	1	COLOR PART
1	SP1B005791AX	FOOTBOARD (AX) AR. ORANGE	1	COLOR PART
2	576189	SCREW	2	FOOTBOARD FIXING
3	CM017406	SPRING PLATE	2	FOOTBOARD FIXING
4	1B007339	COVER FOR FRONT SUSPENSION	1	
5	CM259202	SPRING PLATE	1	SUSPENSION FRONT COVER FIXING
6	575249	METRICAL SCREW WITH CROSS MOULD	1	SUSPENSION FRONT COVER FIXING
7	623420	PROTECTION	1	
8	296141	SELF THREADING SCREW	4	GEAR MUDFLAT FIXING
9	013763	PLAIN WASHER (4,2X12X1)	4	GEAR MUDFLAT FIXING

2.05

Body Parts- Spark Plug Inspection Door, Fairing

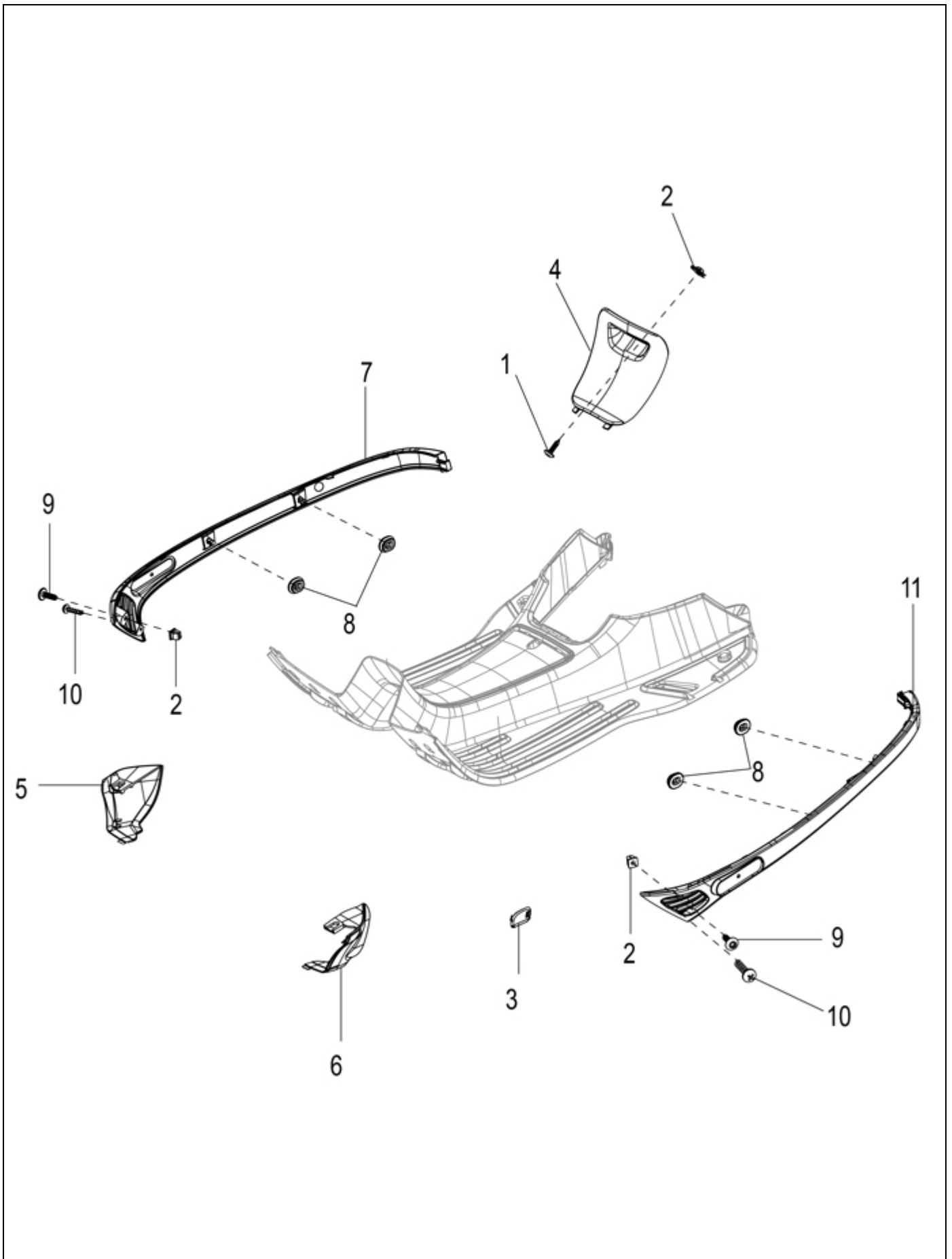


2.05**Body Parts- Spark Plug Inspection Door,Fairing**

Fig. No.	Part No.	Description	Qty	Remarks
1	576189	SCREW	1	SPARK PLUG INSPECTION DOOR FIXING
2	157716	SCREW ANCHORE	1	SPARK PLUG INSPECTION DOOR FIXING
2	157716	SCREW ANCHORE	2	LOWER LEFT/RIGHT FAIRING FIXING
3	620556	SPOILER PLUG	2	
4	S67521700NL	SPARKING PLUG INSPECTION DOOR (VS) -MAT BLACK	1	COLOR PART
4	SP67521700D05	SPARKING PLUG INSPEC. DOOR DEEP BLUE	1	COLOR PART
4	S67521700AI	SPARKING PLUG INSPECTION DOOR (VS) -ORANGE	1	COLOR PART
4	S67521700Q4	SPARKING PLUG INSPECTION DOOR - PEARL WHITE	1	COLOR PART
4	S67521700T5	SPARKING PLUG INSP.DOOR-AZURE BLUE	1	COLOR PART
4	SP67521700D04	SPARKING INSP DOOR SPD-MATT BLUE	1	Applicable For FL-20
4	SP6752170V10D	SPARKING PLUG INSP. DOOR-VESPA SXL GREEN	1	RACING 60s GREEN
4	SP67521700LC	SPARKING PLUG INSP DOOR SPD- YELLOW	1	COLOR PART
4	SP67521700S9	SPARKING PLUG INSPECTION DOOR SPD- RED	1	COLOR PART
4	SP67521700AX	SPARK PLUG INSPEC. DOOR (AX) AR. ORANGE	1	COLOR PART
5	SP1B007271Q4	RIGHT TERMINAL SPOILER - PEARL WHITE	1	COLOR PART
5	SP1B007271NL	RIGHT TERMINAL SPOILER (VS) -MAT BLACK	1	COLOR PART
5	SP1B07271D05	RIGHT TERMINAL SPOILER DEEP BLUE	1	COLOR PART
5	SP1B007271LC	RIGHT TERMINAL SPOILER SPD- YELLOW	1	COLOR PART
5	SP1B007271AI	RIGHT TERMINAL SPOILER (VS) -ORANGE	1	COLOR PART
5	SP1B007271D04	RIGHT TERMINAL SPOILER SPD-MATT BLUE	1	Applicable For FL-20
5	SP1B007271V10	RIGHT TERMINAL SPOILER- GREEN	1	RACING 60s GREEN
5	SP1B007271S9	RIGHT TERMINAL SPOILER SPD- RED	1	COLOR PART
5	SP1B007271AX	RIGHT TERMINAL SPOILER (AX) AR. ORANGE	1	COLOR PART
5	SP1B007271T5	RIGHT TERMINAL SPOILER- AZURE BLUE	1	COLOR PART
6	S67268600NL	LEFT TERMINAL SPOILER (VS) -MAT BLACK	1	COLOR PART
6	SP6726860D05	LEFT TERMINAL SPOILER DEEP BLUE	1	COLOR PART
6	S67268600AI	LEFT TERMINAL SPOILER (VS) -ORANGE	1	COLOR PART
6	S67268600Q4	LEFT TERMINAL SPOILER - PEARL WHITE	1	COLOR PART
6	S67268600T5	LEFT TERMINAL SPOILER -AZURE BLUE	1	COLOR PART
6	SP67268600D04	LEFT TERMINAL SPOILER SPD-MATT BLUE	1	Applicable For FL-20
6	SP6726860V10	LEFT TERMINAL SPOILER- GREEN	1	RACING 60s GREEN
6	SP6726860000LC	LEFT TERMINAL SPOILER SPD- YELLOW	1	COLOR PART
6	SP6726860000S9	LEFT TERMINAL SPOILER SPD- YELLOW	1	COLOR PART
6	SP67268600AX	LEFT TERMINAL SPOILER (AX) AR. ORANGE	1	COLOR PART
7	S67267900NL	LOWER RIGHT FAIRING- MAT BLACK	1	COLOR PART

2.05

Body Parts- Spark Plug Inspection Door, Fairing

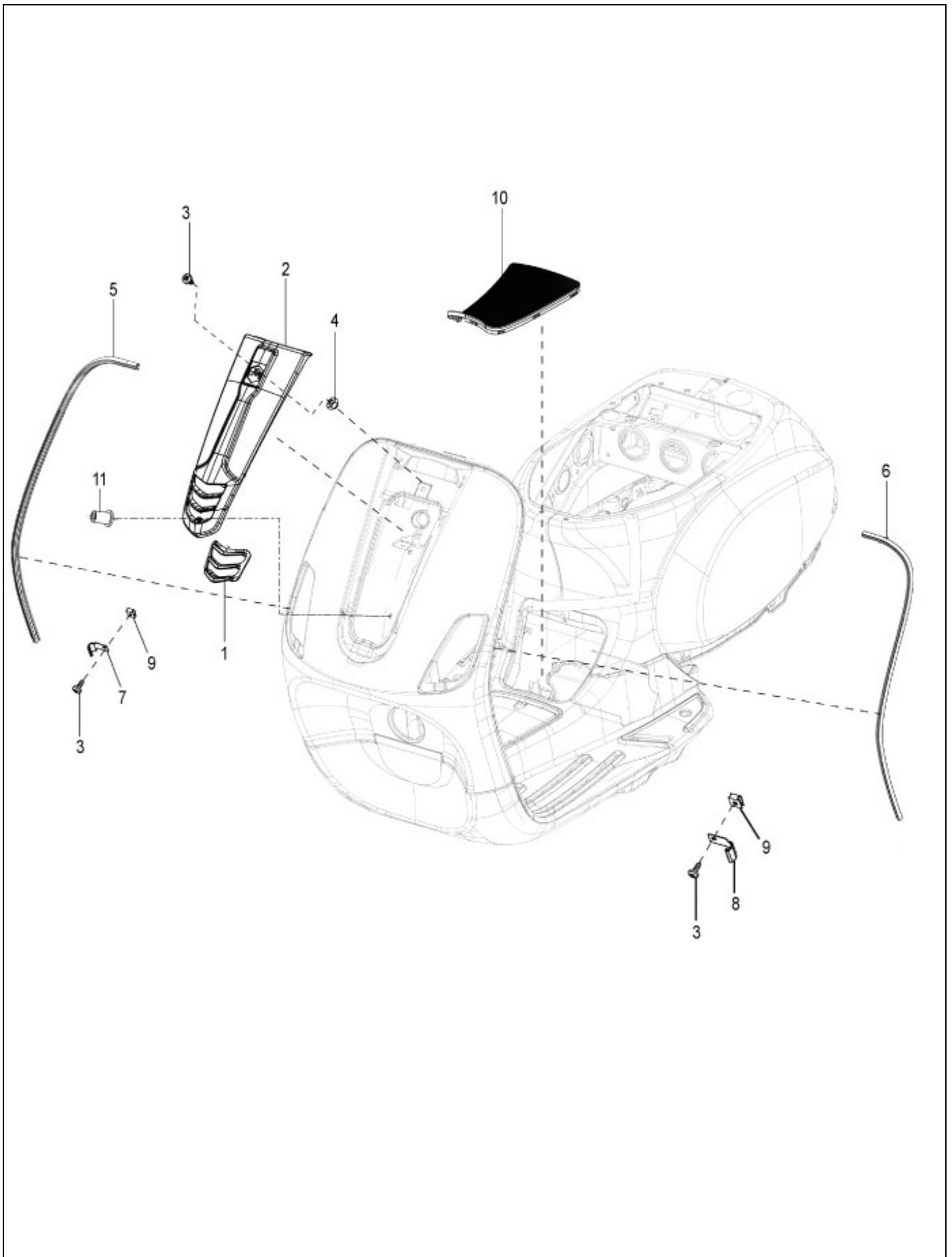


2.05**Body Parts- Spark Plug Inspection Door,Fairing**

Fig. No.	Part No.	Description	Qty	Remarks
7	SP6726790D05	LOWER RIGHT FAIRING DEEP BLUE	1	COLOR PART
7	S67267900AI	LOWER RIGHT FAIRING ORANGE	1	COLOR PART
7	S67267900Q4	LOWER RIGHT FAIRING - PEARL WHITE	1	COLOR PART
7	S67267900T5	LOWER RIGHT FAIRING-AZURE BLUE	1	COLOR PART
7	SP67267900LC	LOWER RIGHT FAIRING SPD- YELLOW	1	COLOR PART
7	SP67267900S9	LOWER RIGHT FAIRING SPD- RED	1	COLOR PART
7	SP67267900AX	LOWER RIGHT FAIRING (AX) AR. ORANGE	1	COLOR PART
7	SP67267900D04	LOWER RIGHT FAIRING SPD-MATT BLUE	1	Applicable For FL-20
7	SP6726790V10D	LOWER RIGHT FAIRING-VESPA SXL GREEN	1	RACING 60s GREEN
8	463195	BUFFER FOR FAIRING FITTING	4	LOWER LEFT/RIGHT FAIRING FIXING
9	CM178603	THREAD FORMING SCREW	2	LOWER LEFT/RIGHT FAIRING FIXING
10	296141	SELF THREADING SCREW	2	LOWER LEFT/RIGHT FAIRING FIXING
11	S67268000NL	LOWER LEFT FAIRING -MAT BLACK	1	COLOR PART
11	SP6726800D05	LOWER LEFT FAIRING DEEP BLUE	1	COLOR PART
11	S67268000AI	LOWER LEFT FAIRING ORANGE	1	COLOR PART
11	S67268000Q4	LOWER LEFT FAIRING - PEARL WHITE	1	COLOR PART
11	S67268000T5	LOWER LEFT FAIRING -AZURE BLUE	1	COLOR PART
11	SP67268000LC	LOWER LEFT FAIRING SPD- YELLOW	1	COLOR PART
11	SP67268000S9	LOWER LEFT FAIRING SPD- RED	1	COLOR PART
11	SP67268000AX	LOWER LEFT FAIRING (AX) AR. ORANGE	1	COLOR PART
11	SP67268000D04	LOWER LEFT FAIRING SPD-MATT BLUE	1	Applicable For FL-20
11	SP6726800V10D	LOWER LEFT FAIRING-VESPA SXL GREEN	1	RACING 60s GREEN

2.06

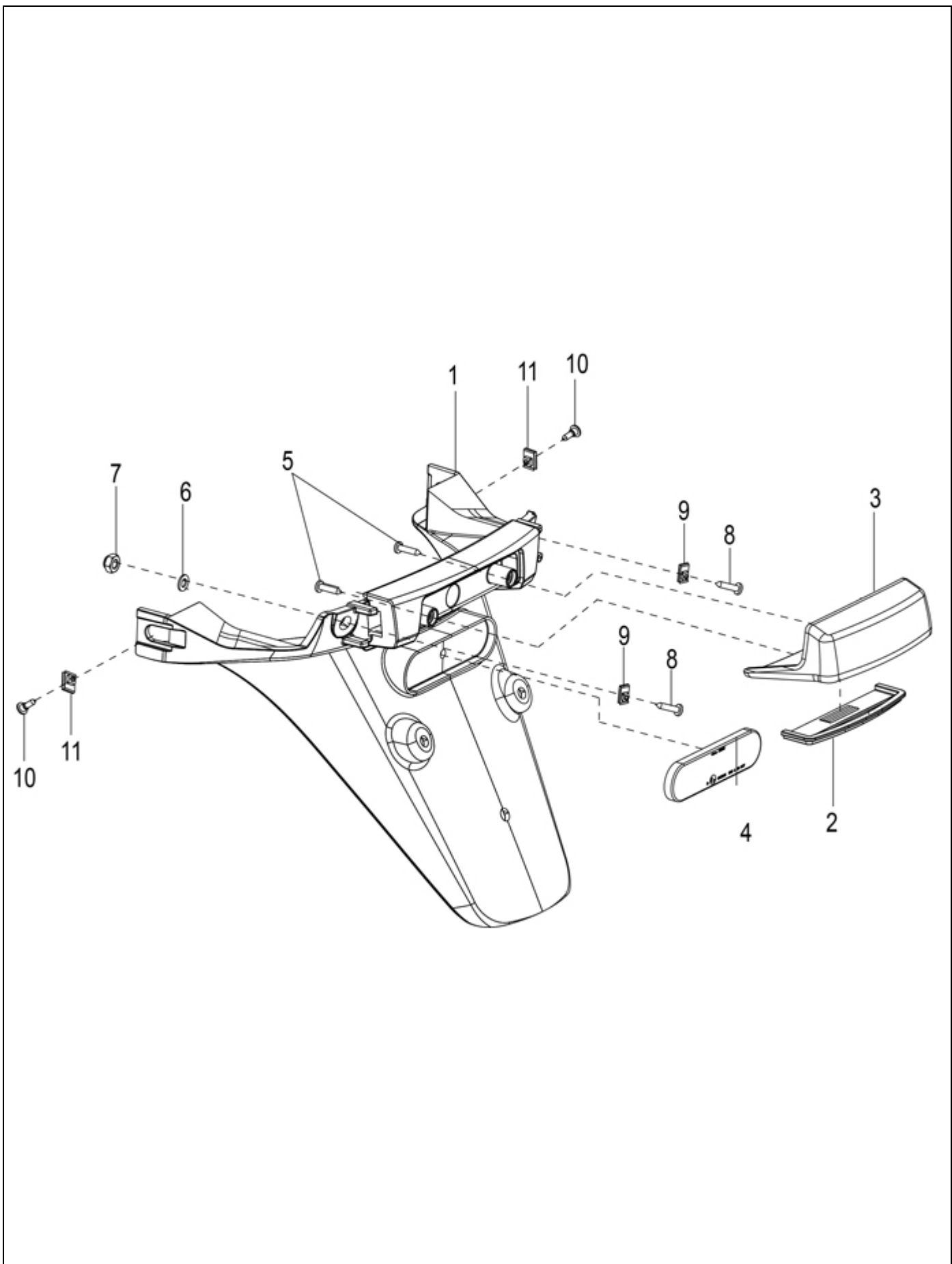
Body Parts- Steering Cover,Shield Board



2.06**Body Parts- Steering Cover,Shield Board**

Fig. No.	Part No.	Description	Qty	Remarks
1	4A000042	GRID	1	Applicable for Racing Sixties
1	1B002602	GRID	1	
2	S00250900NL	COVERING STEERING SXL -MAT BLACK	1	COLOR PART
2	SP1B02509D05	STEERING COVER DEEP BLUE	1	COLOR PART
2	S00250900AI	COVERING STEERING SXL-ORANGE	1	COLOR PART
2	SP1B002509000Q4	STEERING COVER SPD- PEARL WHITE	1	COLOR PART
2	S00250900T5	COVERING STEERING SXL -AZURE BLUE	1	COLOR PART
2	SP1B002509000LC	STEERING COVER SPD- YELLOW	1	COLOR PART
2	SP1B002509D04	STEERING COVER SPD-MATT BLUE	1	Applicable For FL-20
2	SP1B002509000R7	STEERING COVER RACING VESPA SXL SPD- R	1	Applicable for Racing Sixties
2	SP1B002509LF	STEERING COVER -POSITANO YELLOW	1	Applicable for Racing Sixties
2	SP1B002509000S9	STEERING COVER SPD- RED	1	COLOR PART
2	SP1B002509AX	STEERING COVER (AX) AR. ORANGE	1	COLOR PART
3	8432	SCREW	2	COUPLING COVER FASTENERS
3	8432	SCREW	1	STEERING COVER FIXING
4	157716	SCREW ANCHORE	1	
5	622188	RIGHT SIDE SHIELD BOARD	1	
5	1B006115	RIGHT SIDE SHIELD BOARD	1	Applicable for Racing Sixties
6	622187	LEFT SIDE SHIELD BOARD	1	
6	1B006114	LEFT SIDE SHIELD BOARD	1	Applicable for Racing Sixties
7	299965	TIGHTENING X LEGSHIELD BEADING (R.H.)	1	
7	1B006117	LADDED COVER DX BORDER SHIELD	1	Applicable for Racing Sixties
8	299964	TIGHTENING X LEGSHIELD BEADING (L.H.)	1	
8	1B006116	LADDED COVER SX BORDER SHIELD	1	Applicable for Racing Sixties
9	CM017403	SPRING PLATE	2	COUPLING COVER FASTENERS
10	657125	CENTRAL CARMAT	1	
11	1B000951	BUSH EXPANSION	1	

2.07 Rear Protection

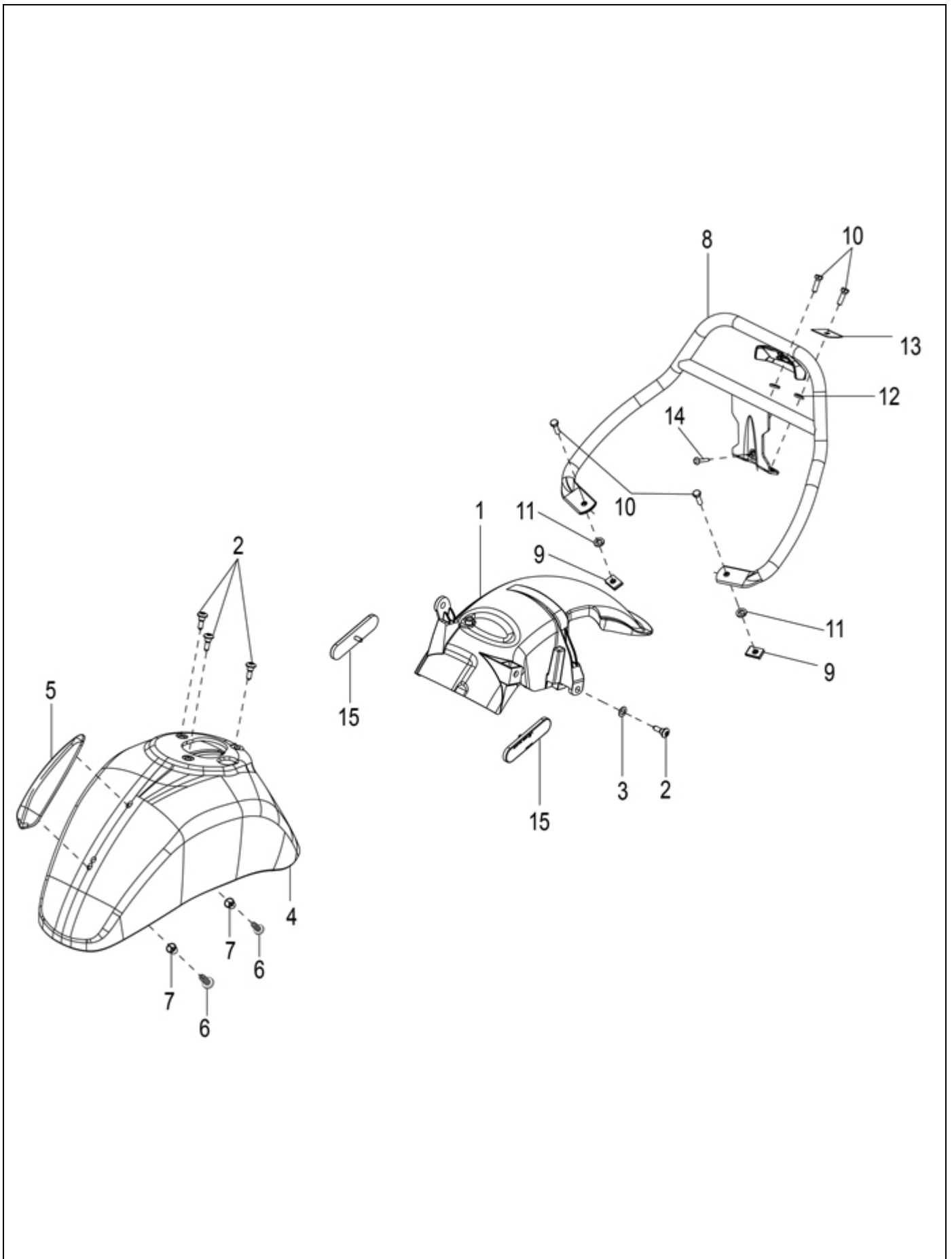


2.07**Rear Protection**

Fig. No.	Part No.	Description	Qty	Remarks
1	SP1B002528000NL	BACK PROTECTION (VS) -MAT BLACK	1	COLOR PART
1	SP1B02528D05	BACK PROTECTION DEEP BLUE	1	COLOR PART
1	SP1B002528000AI	BACK PROTECTION (VS) -ORANGE	1	COLOR PART
1	SP1B002528D04	BACK PROTECTION SPD-MATT BLUE	1	Applicable For FL-20
1	SP1B002528000Q4	BACK PROTECTION - PEARL WHITE	1	COLOR PART
1	SP1B002528V10	BACK PROTECTION- GREEN	1	RACING 60s GREEN
1	SP1B002528000T5	BACK PROTECTION -AZURE BLUE	1	COLOR PART
1	SP1B002528000LC	BACK PROTECTION SPD- YELLOW	1	COLOR PART
1	SP1B002528000S9	BACK PROTECTION SPD- RED	1	COLOR PART
1	SP1B002528AX	BACK PROTECTION (AX) AR. ORANGE	1	COLOR PART
2	639335	GLASS FOR LICENCE PLATE LAMP	1	
3	673853	COVER ASSY FOR LICENCE PLATE LAMP	1	
3	4A000052	COVER ASSY FOR LICENCE PLATE LAMP	1	Applicable for Racing Sixties
4	642906	REAR REFLECTOR	1	
5	008372	SCREW FOR REAR TURN SIGNAL LAMP (M3,5X16)	2	
6	6965	SPRING WASHER DIA 5	1	
7	20105	PLAIN NUT M5	1	
8	CM179302	METRICAL SCREW	2	REAR PROTECTION FIXING
9	CM259202	SPRING PLATE	2	REAR PROTECTION FIXING
10	575249	METRICAL SCREW WITH CROSS MOULD	2	REAR PROTECTION FIXING
11	CM259203	SPRING PLATE	2	REAR PROTECTION FIXING

2.09

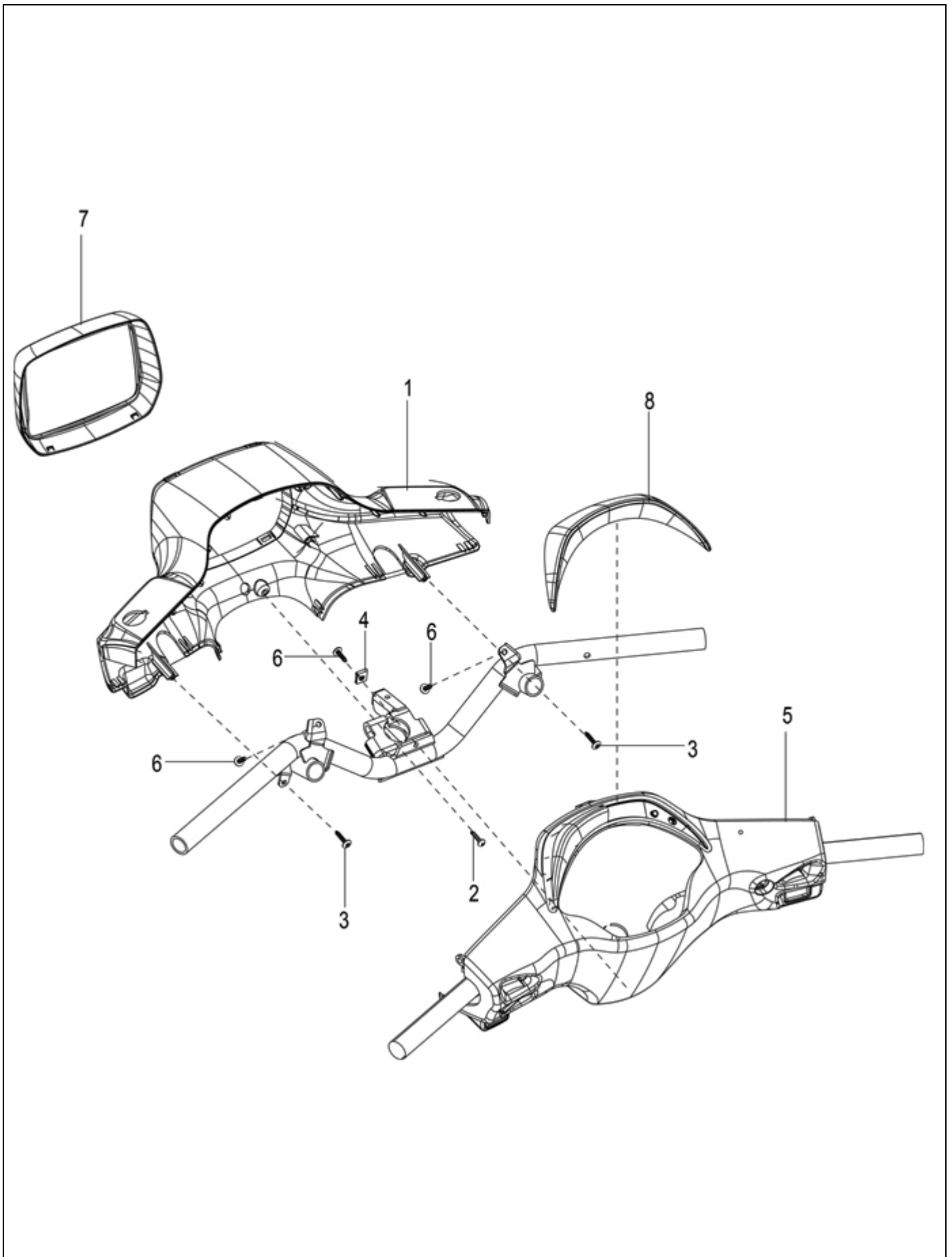
Mudguard and Saddle handle bar



2.09**Mudguard and Saddle handle bar**

Fig. No.	Part No.	Description	Qty	Remarks
1	1B002266	REAR MUDGARD	1	
2	575249	METRICAL SCREW WITH CROSS MOULD	1	REAR MUDGARD FIXING AND COMPONENTS
2	575249	METRICAL SCREW WITH CROSS MOULD	3	FRONT MUDGARD FIXING AND COMPONENTS
3	675546	ELASTIC CORRUGATED WASHER	1	REAR MUDGARD FIXING AND COMPONENTS
4	SP1B002204000NL	FRONT MUDGUARD (VS) -MAT BLACK	1	COLOR PART
4	SP1B02204D05	FRONT MUDGUARD DEEP BLUE	1	COLOR PART
4	SP1B002204000AI	FRONT MUDGUARD (VS) -ORANGE	1	COLOR PART
4	SP1B002204000Q4	FRONT MUDGUARD - PEARL WHITE	1	COLOR PART
4	SP1B002204000T5	FRONT MUDGUARD-AZURE BLUE	1	COLOR PART
4	SP1B002204D04	FRONT MUDGUARD SPD - MATT BLUE	1	Applicable For FL-20
4	SP1B002204V10	FRONT MUDGUARD-GREEN	1	RACING 60s GREEN
4	SP1B002204000LC	FRONT MUDGUARD SPD- YELLOW	1	COLOR PART
4	SP1B002204000S9	FRONT MUDGUARD SPD- RED	1	COLOR PART
4	SP1B002204AX	FRONT MUDGUARD (AX) AR. ORANGE	1	COLOR PART
5	S00260100XN2	MUDGUARD CREST SXL BLACK	1	
5	4A000040	CREST	1	Applicable for Racing Sixties
6	15727	PAN SELF TAPPING SCREW	2	
7	192598	CAP	2	
8	1B000239	SADDLE HANDLE BAR	1	
9	CM259202	SPRING PLATE	2	SADDLE HANDLE-BAR FIXING
10	031090	HEXAGONAL SCREW	4	SADDLE HANDLE-BAR FIXING
11	78307	BENT SPRING WASHER M6	2	SADDLE HANDLE-BAR FIXING
12	016406	SPRING WASHER	3	SADDLE HANDLE-BAR FIXING
13	623336	SADDLE REAR COVER	1	
14	268596	SELF TAPPING SCREW	1	SADDLE REAR COVER FIXING
15	642905	LATERAL REFLEX REFLECTOR	2	

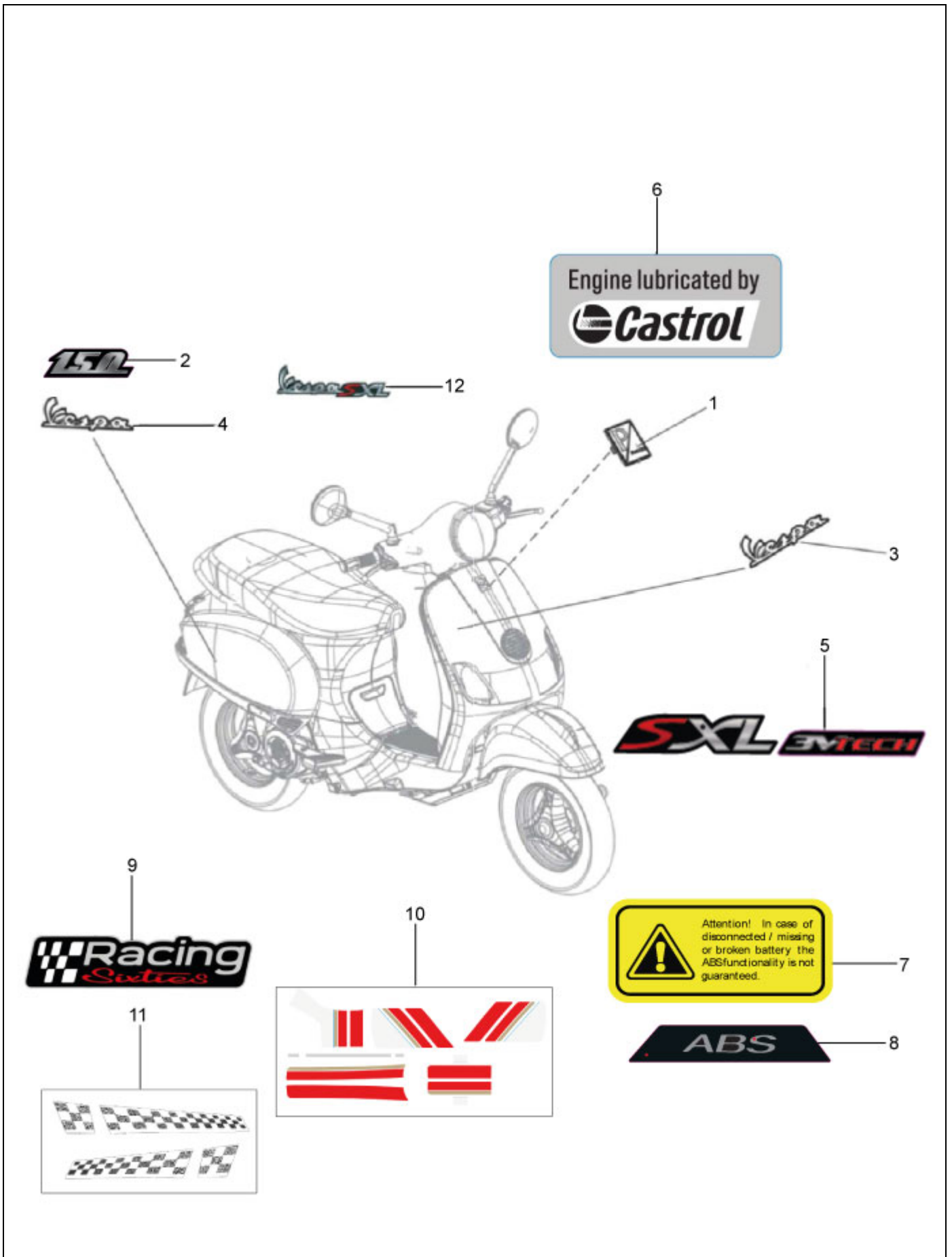
2.10 Handlebar Cover



2.10**Handlebar Cover**

Fig. No.	Part No.	Description	Qty	Remarks
1	SP1B006983NL	FRONT HANDLEBAR COVER (VS) -MAT BLACK	1	COLOR PART
1	SP1B06983D05	FRONT HANDLEBAR COVER DEEP BLUE	1	COLOR PART
1	SP1B006983AI	FRONT HANDLEBAR COVER (VS) -ORANGE	1	COLOR PART
1	SP1B006983Q4	FRONT HANDLEBAR COVER SPD- PEARL WHITE	1	COLOR PART
1	SP1B006983D04	FRONT HB COVER SXL SPD-MATT BLUE	1	Applicable For FL-20
1	SP1B006983V10	FRONT HANDLEBAR COVER- GREEN	1	RACING 60s GREEN
1	SP1B006983T5	FRONT HANDLEBAR COVER VESPA S-AZURE BLUE	1	COLOR PART
1	SP1B006983LC	FRONT HANDLEBAR COVER SPD- YELLOW	1	COLOR PART
1	SP1B006983S9	FRONT HANDLEBAR COVER SPD- RED	1	COLOR PART
1	SP1B006983AX	FRONT HANDLEBAR COVER (AX) AR. ORANGE	1	COLOR PART
2	018620	SELF TAPPING SCREW	1	FRONT HANDLEBAR COVER FIXING
3	258146	SELF TAPPING SCREW (3X20)	2	FRONT HANDLEBAR COVER FIXING
4	CM017409	SPRING PLATE	1	FRONT HANDLEBAR COVER FIXING
5	SP1B004805000NL	REAR HANDLEBAR COVER SXL -MAT BLACK	1	COLOR PART
5	SP1B04805D05	HANDLEBARS REAR COVER DEEP BLUE	1	COLOR PART
5	SP1B004805000AI	REAR HANDLEBAR COVER SXL -ORANGE	1	COLOR PART
5	SP1B004805000Q4	HANDLEBARS REAR COVER SPD- PEARL WHITE	1	COLOR PART
5	SP1B004805000T5	REAR HANDLEBAR COVER SXL -AZURE BLUE	1	COLOR PART
5	SP1B004805D04	HB REAR COVER SPD-MATT BLUE	1	Applicable For FL-20
5	SP1B004805V10	HANDLEBARS REAR COVER-GREEN	1	RACING 60s GREEN
5	SP1B004805000LC	HANDLEBARS REAR COVER SPD- YELLOW	1	COLOR PART
5	SP1B004805000S9	HANDLEBARS REAR COVER SPD- RED	1	COLOR PART
5	SP1B004805AX	HANDLEBARS REAR COVER (AX) AR. ORANGE	1	COLOR PART
6	270793	SCREW	3	REAR HANDLEBARS COVER FIXING
7	654265	HEAD LAMP FRAME	1	
7	4A000043	FRAME HEADLAMP	1	Applicable for Racing Sixties
8	S00254900XN2	INSTRUMENT FRAME MY15	1	
8	SP4A000044NL	MT BLACK METER GROUP FRAME FOR RACING 60	1	Applicable for Racing Sixties

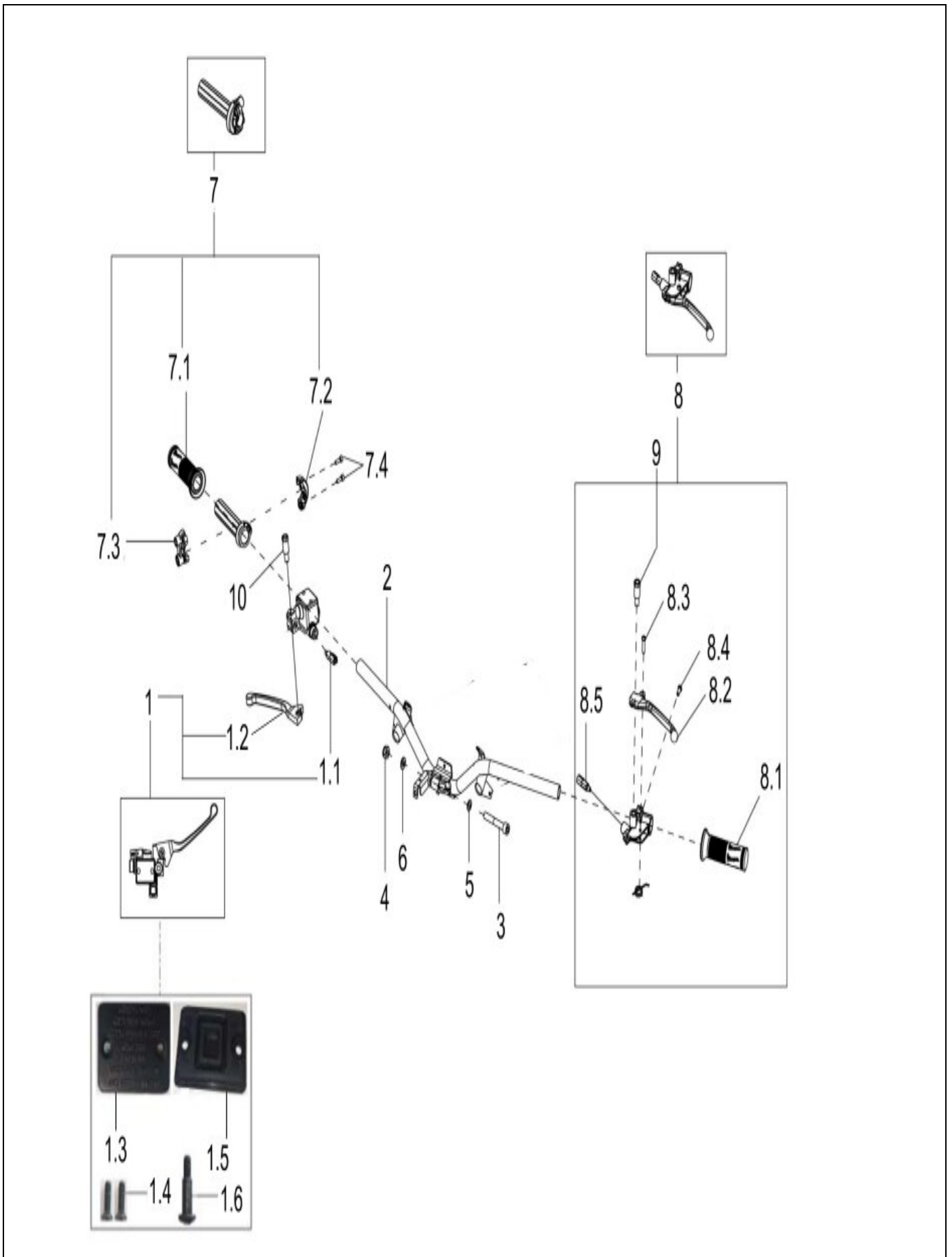
2.11 Logos and Emblem



2.11**Logos and Emblem**

Fig. No.	Part No.	Description	Qty	Remarks
1	576464	ORNAMENT,FR PIAGGIO	1	
2	2H003669	150 (SXL) LABEL	1	
3	656219	VESPA FRONTAL STICKER	1	
4	656220	VESPA LATERAL STICKER	1	
5	2H003664	SXL 3VTECH LABEL	1	
6	2H002046	STICKER	1	
7	2H003262	ABS FUNCTIONALITY WARNING STICKER	1	
8	2H003263	ABS STICKER	1	
9	2H003837	RACING SIXTIES LABEL	1	Applicable for Racing Sixties
10	2H003972000R7	VESPA SXL RACING SIXTIES STICKERS KIT	1	Applicable for Racing Sixties
11	2H000604	VESPA S STICKERS KIT	1	Applic. For racing 60s-Green
12	2H001223	VESPASXL STICKER	1	Applic. For racing 60s-Green
13	2H003972400A2	VESPA SXL RACING SIXTIES STICKERS KIT	1	Applic. For racing 60s-Green
13.1	2H005352	HANDLEBAR STICKER	1	Applic. For racing 60s-Green
13.2	2H005353	REAR BODY STICKER	1	Applic. For racing 60s-Green
13.3	2H005354	STEERING COVER STICKER	1	Applic. For racing 60s-Green
13.4	2H005355	RIGHT LATERAL COVER STICKER	1	Applic. For racing 60s-Green
13.5	2H005356	LEFT LATERAL COVER STICKER	1	Applic. For racing 60s-Green
13.6	2H005357	MUDGUARD STICKER RIGHT SIDE	1	Applic. For racing 60s-Green
13.7	2H005358	MUDGUARD STICKER LEFT SIDE	1	Applic. For racing 60s-Green

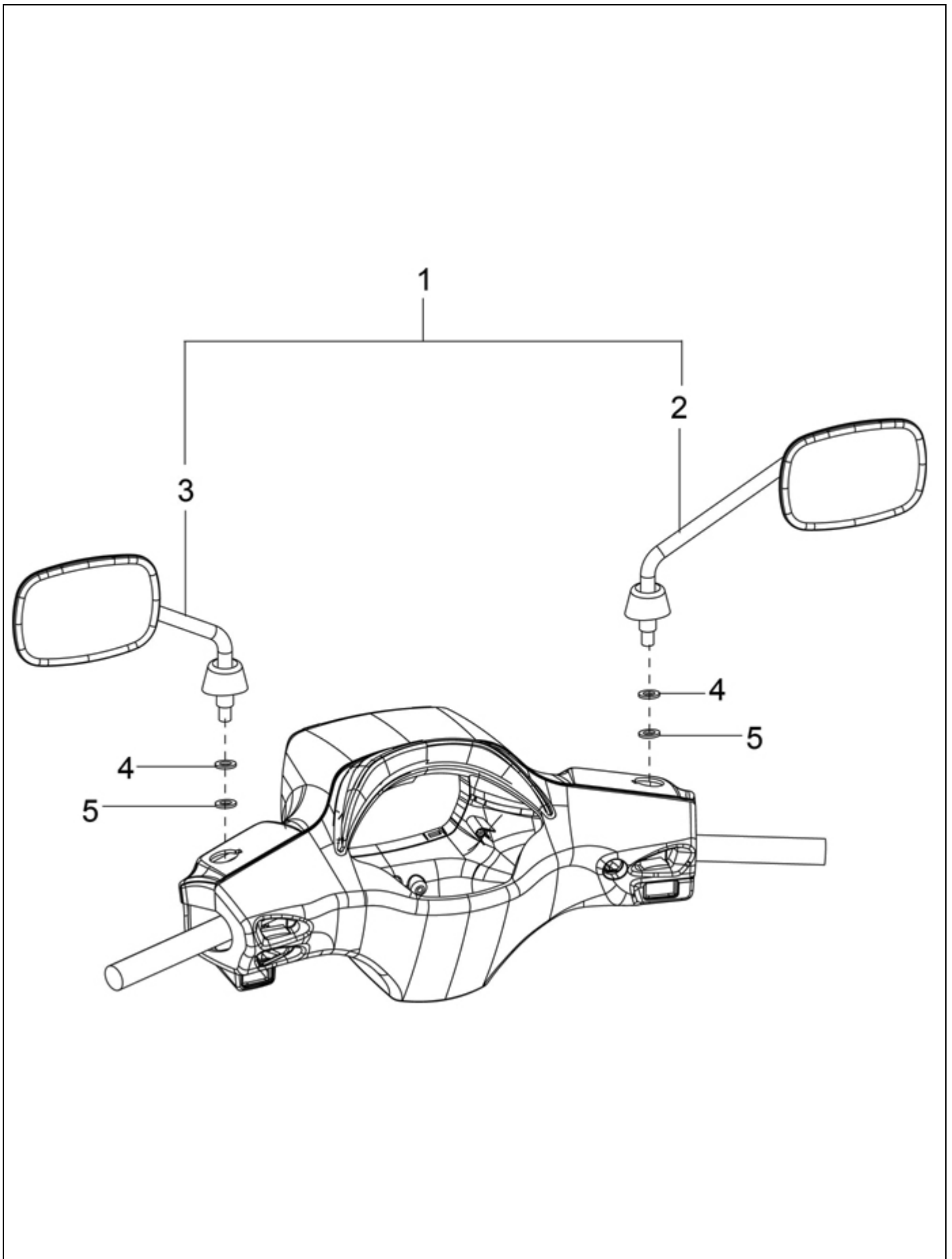
2.12 Handlebars



2.12**Handlebars**

Fig. No.	Part No.	Description	Qty	Remarks
1	SP1C003761	SPD FRONT BRAKE HYDRAULIC PUMP WITH SWITCH	1	
1.1	1D002507	PUSH BUTTON	1	
1.2	666558	BRAKE LEVER	1	
1.3	4A000036	OIL PUMP COVER	1	
1.4	4A000037	SCREW	2	
1.5	4A000038	PACKING	1	
1.6	4A000039	BOLT	1	
2	SP1B005897	HANDLEBAR WITH I.P.	1	
3	655554	SOCKET HEAD SCREW	1	HANDLEBAR/TUBE FIXING
4	015330	NUT FOR HANDLEBAR SECURING BOLT-M10;H10	1	HANDLEBAR/TUBE FIXING
5	012543	WASHER (10,3X17X2)	1	HANDLEBAR/TUBE FIXING
6	267917	PLAIN WASHER	1	HANDLEBAR/TUBE FIXING
7	CM090402	COMPLETE THROTTLE MUFF	1	
7.1	CM083804	RIGHT HANDLE	1	
7.2	666758	UPPER HALF-CLAMP	1	
7.3	598369	LOWER HALF-CLAMP	1	
7.4	651293	SOCKET HEAD SCREW	2	
8	CM063813	MUFF WITH REAR BRAKE LEVER	1	
8.1	CM083803	LEFT HANDLE	1	
8.2	1C004306	LEFT BRAKE LEVER	1	
8.3	121780	SCREW	1	
8.4	123394	SCREW-BUSH	1	
8.5	1D002507	PUSH BUTTON	1	
9	1C004065	LOCK NUT	1	
10	1C004066	LOCK NUT	1	

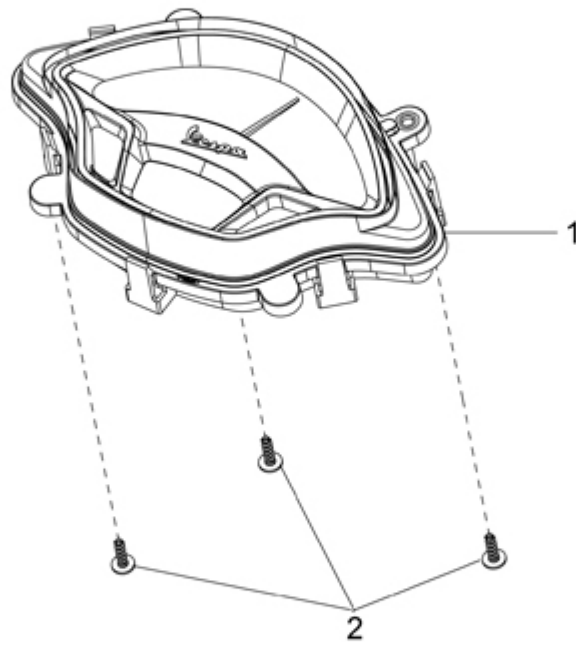
2.13
Mirrors



2.13 Mirrors

Fig. No.	Part No.	Description	Qty	Remarks
1	CM301503	COUPLE MIRROR	1	
1	4A000046	COUPLE MIRROR	1	Applicable for Racing Sixties
2	CM301502	RIGHT REAR-VIEW MIRROR	1	
2	4A000053	RIGHT REAR-VIEW MIRROR	1	Applicable for Racing Sixties
3	CM301501	LEFT REAR-VIEW MIRROR	1	
3	4A000054	LEFT REAR-VIEW MIRROR	1	Applicable for Racing Sixties
4	3060	PLAIN WASHER RAW	2	COUPLE MIRRORS FIXING
5	006970	CURVED SPRING WASHER	2	COUPLE MIRRORS FIXING

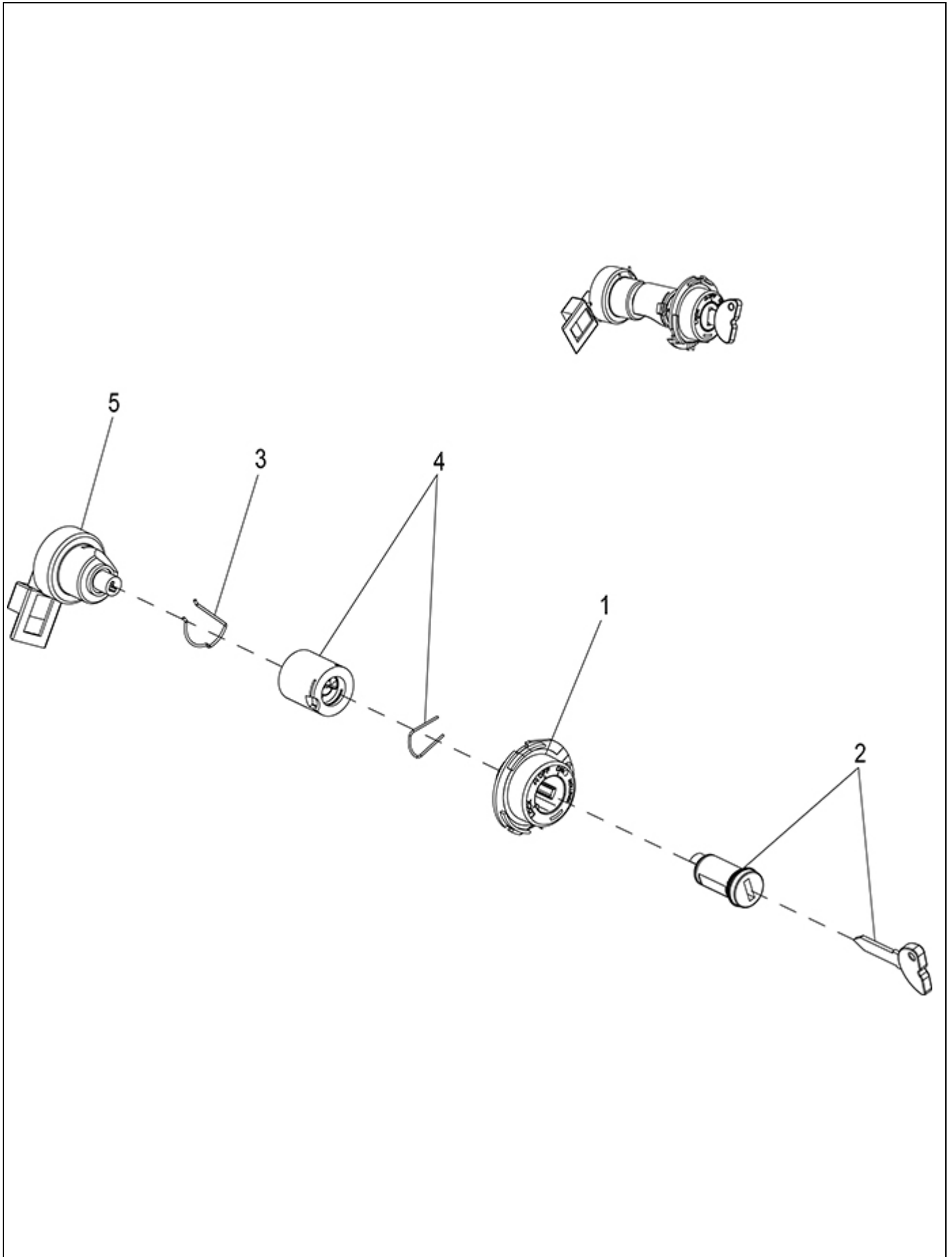
2.14
Speedometer



2.14**Speedometer**

Fig. No.	Part No.	Description	Qty	Remarks
1	1D003079	SPEEDOMETER	1	
2	270793	SCREW	4	METER GROUP FIXING

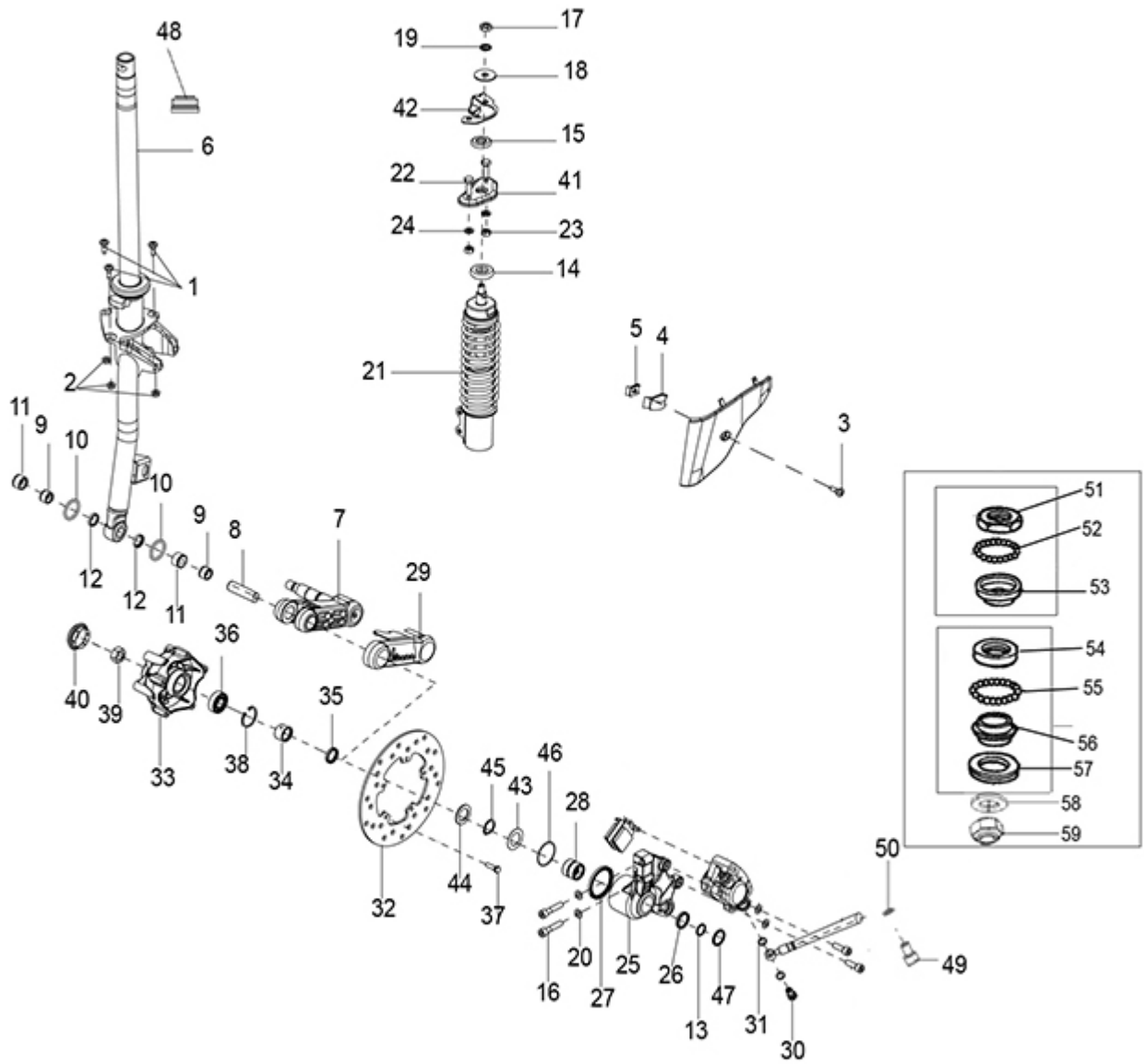
2.15
Locks



2.15
Locks

Fig. No.	Part No.	Description	Qty	Remarks
1	1B002607	LOCK BODY	1	
2	1B000570	SET OF CYLINDERS AND KEYS FOR LOCK	1	
3	253937	SPRING	1	
4	1B006291	COMPLETE LOCK BLOCK	1	
5	580621	COMPLETE KEY SWITCH	1	

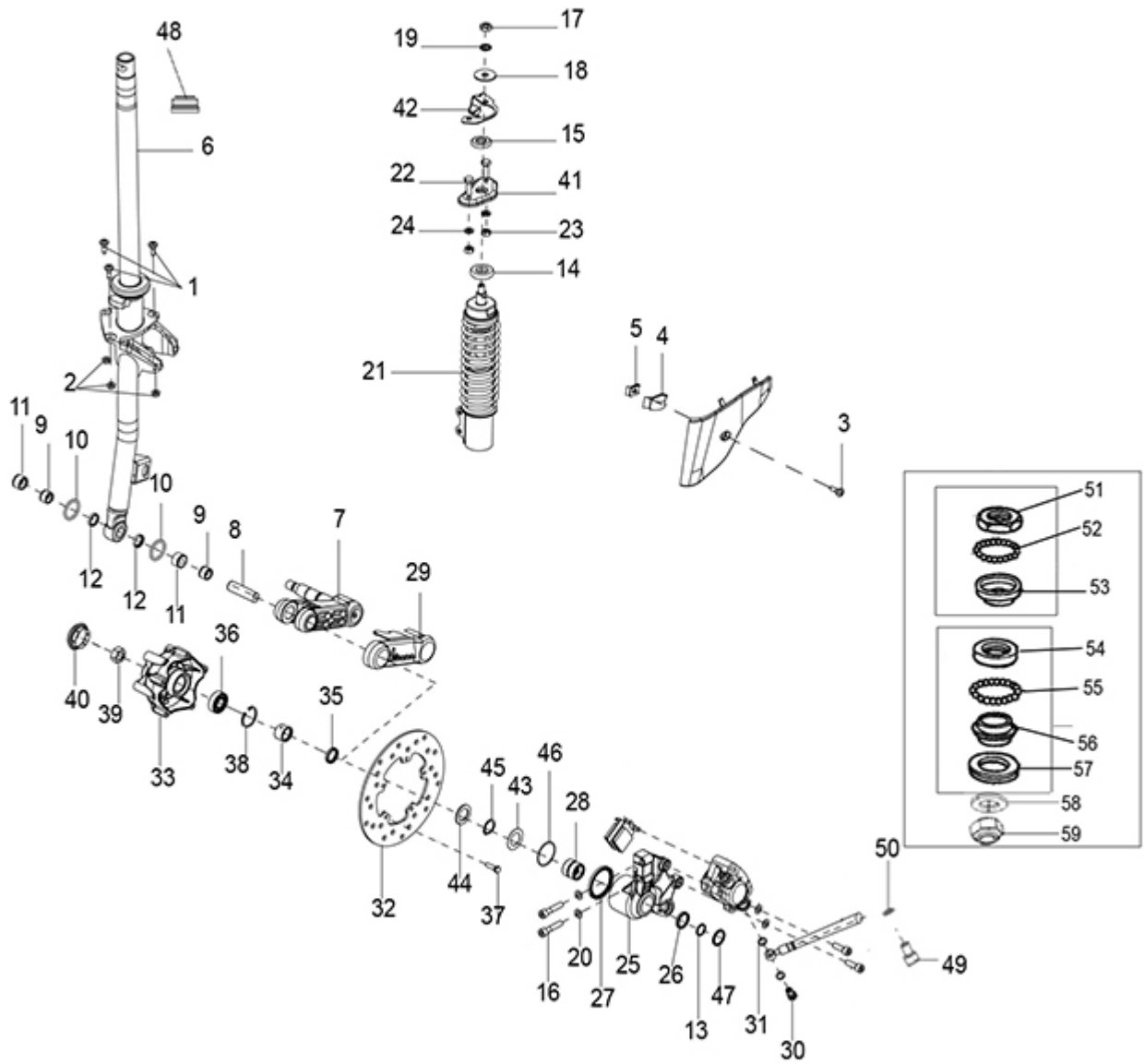
2.16 Front Suspension



2.16**Front Suspension**

Fig. No.	Part No.	Description	Qty	Remarks
1	575249	METRICAL SCREW WITH CROSS MOULD	3	MUDGUARD DISK FIXING
2	241936	SELF LOCKING NUT	3	MUDGUARD DISK FIXING
3	575249	METRICAL SCREW WITH CROSS MOULD	1	FR MUDGARD/SPEEDOMET.FLEXIBLE FIXING
4	1C003837	CLAMP WITH IP	1	FR MUDGARD/SPEEDOMET.FLEXIBLE FIXING
5	CM017410	SPRING PLATE	1	FR MUDGARD/SPEEDOMET.FLEXIBLE FIXING
6	667990	STEERING TUBE WITH I.P.	1	
7	SP1C001655	FRONT SUSPENSION WISHBONE WITH I.P.-SPD	1	
8	177451	STEERING PIN	1	
9	198513	ROLLER CAGE	2	
10	006731	PACKING FOR STEERING COLUMN PIN	2	
11	198513	ROLLER CAGE	2	
12	119219	OIL SEAL FOR STEERING COLUMN PIN	2	
13	1C001984	SEALING RING	2	
14	174085	RUBBER REBOUND BUMPER	1	FR SHOCK ABSORBER FIXING
15	174874	RUBBER REBOUND BUMPER	1	FR SHOCK ABSORBER FIXING
16	149104	HEXAGONAL SOCKET HEAD SCREW	2	FR SHOCK ABSORBER FIXING
17	021210	LOW HEXAGONAL NUT (M10X1,25 H=6)	1	FR SHOCK ABSORBER FIXING
18	174088	WASHER	1	FR SHOCK ABSORBER FIXING
19	012535	PLANE SPRING WASHER	1	FR SHOCK ABSORBER FIXING
20	709047	ELASTIC CORRUGATED WASHER	2	FR SHOCK ABSORBER FIXING
21	1C003017	FRONT SHOCK ABSORBER ASSY	1	
22	031120	SCREW BOLT SHANK THREADED COMPLETELY	2	SHOCK ABS.BKT/STEERING TUBE FIXING
23	20108	HEX NUT M8	2	SHOCK ABS.BKT/STEERING TUBE FIXING
24	016408	SPRING WASHER	2	SHOCK ABS.BKT/STEERING TUBE FIXING
25	1C003681	SHOCK ABSORBER AND CALIPER SUPPORT	1	
26	1C001969	SEALING RING	1	
27	177494	RING	1	
28	177436	DRAWN CUP ROLLER BEARING	2	
29	4A000047	COVER WISHBONE	1	Applicable for Racing Sixties
29	649113	FRONT SUSPENSION ARM COVER	1	
30	265451	SCREW	1	HYDRAULIC HOSE FRONT BRAKE FIXING
31	127927	WASHER	2	HYDRAULIC HOSE FRONT BRAKE FIXING
32	1C000110	BRAKE DISK	1	
33	669149	FRONT WHEEL HUB WITH I.P.	1	
34	177442	DRAWN CUP ROLLER BEARING	1	

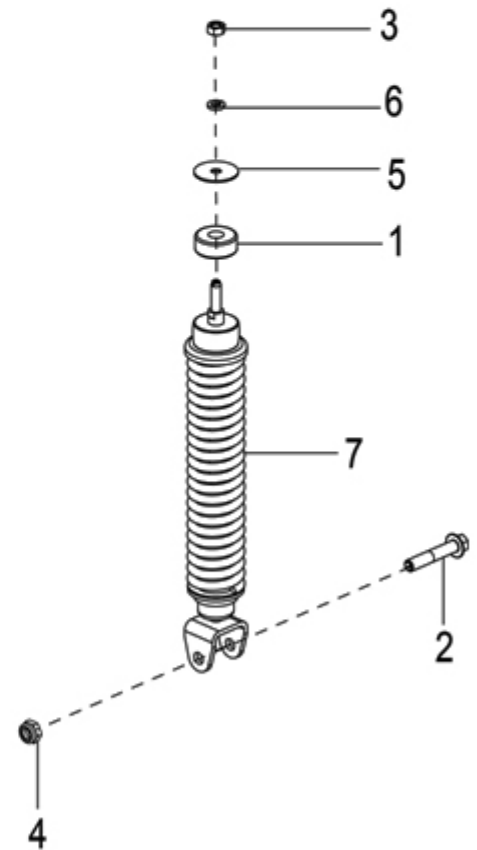
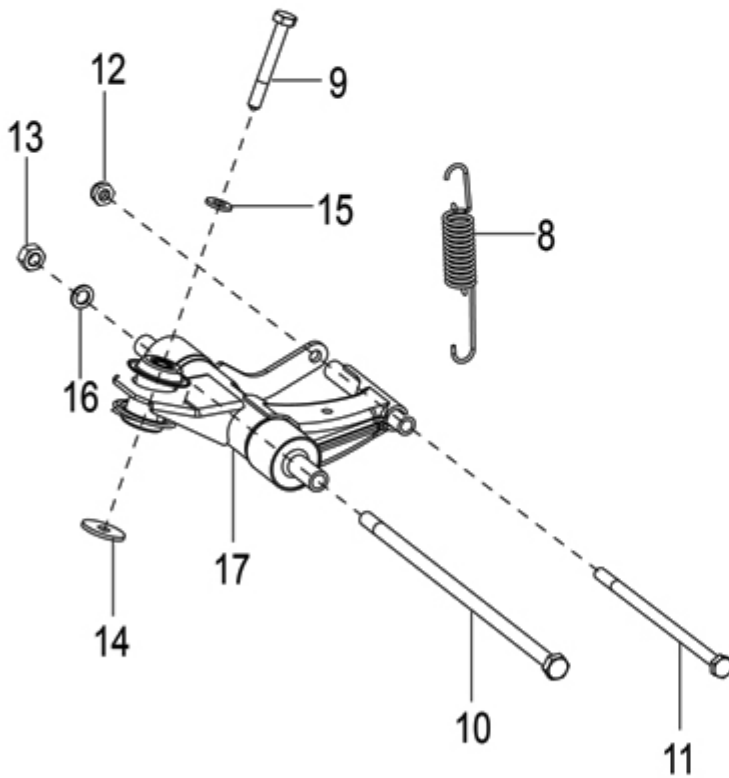
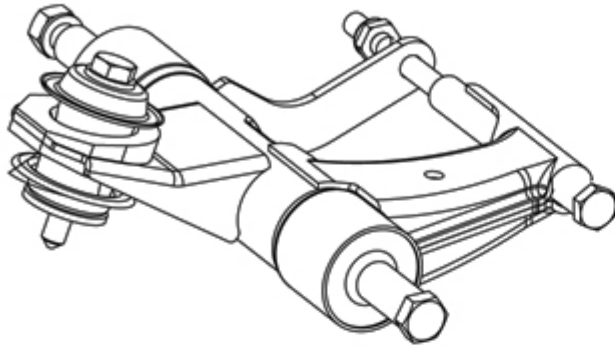
2.16 Front Suspension



2.16**Front Suspension**

Fig. No.	Part No.	Description	Qty	Remarks
35	177443	RING	1	
36	649910	DEEP GROOVE BALL BEARING	1	
37	667152	SOCKET HEAD SCREW	5	
38	006635	EXTERNAL RING	1	
39	668001	SELF LOCKING NUT	1	WHEEL HUB FIXING
40	665657	PLUG WHEEL AXIS	1	
41	668767	BRACKET WITH I.P.	1	
42	1C004587	BRACKET BRAKE HOSE SUPPORT	1	
43	177445	WASHER	1	
44	177414	WASHER	1	
45	006422	ELASTIC RING FOR SHAFT	1	
46	177408	O.R. RING	1	
47	177521	SEAL RING	1	
48	665735	PROTECTION CAP	1	
49	666294	SPECIAL SCREW (BANJO BOLT CKD)	1	PUMP / BRAKE PIPE FIXING
50	127927	WASHER	1	PUMP / BRAKE PIPE FIXING
51	564258	RING NUT	1	
52	564257	STEERING BEARING ASSY. MC3 -56002R	1	
53	564256	STEER.UPP.BEAR.LOW.TRACK	1	
54	564262	PROTECTION WASHER	1	
55	564260	RETAINER WITH BALLS	1	
56	665602	STEER.LOW.BEAR.INT.TRACK	1	
57	564259	STEER.LOW.BEAR.EXT.TRACK	1	
58	003751	WASHER FOR STEERING COLUMN (3,2X40X2,5)	1	
59	011109	RING NUT	1	
60	1C003675	ABS FRONT FONE WHEEL	1	
61	292500	SCREEW	5	Tone wheel Fixing
62	006964	WASHER	5	Tone wheel Fixing

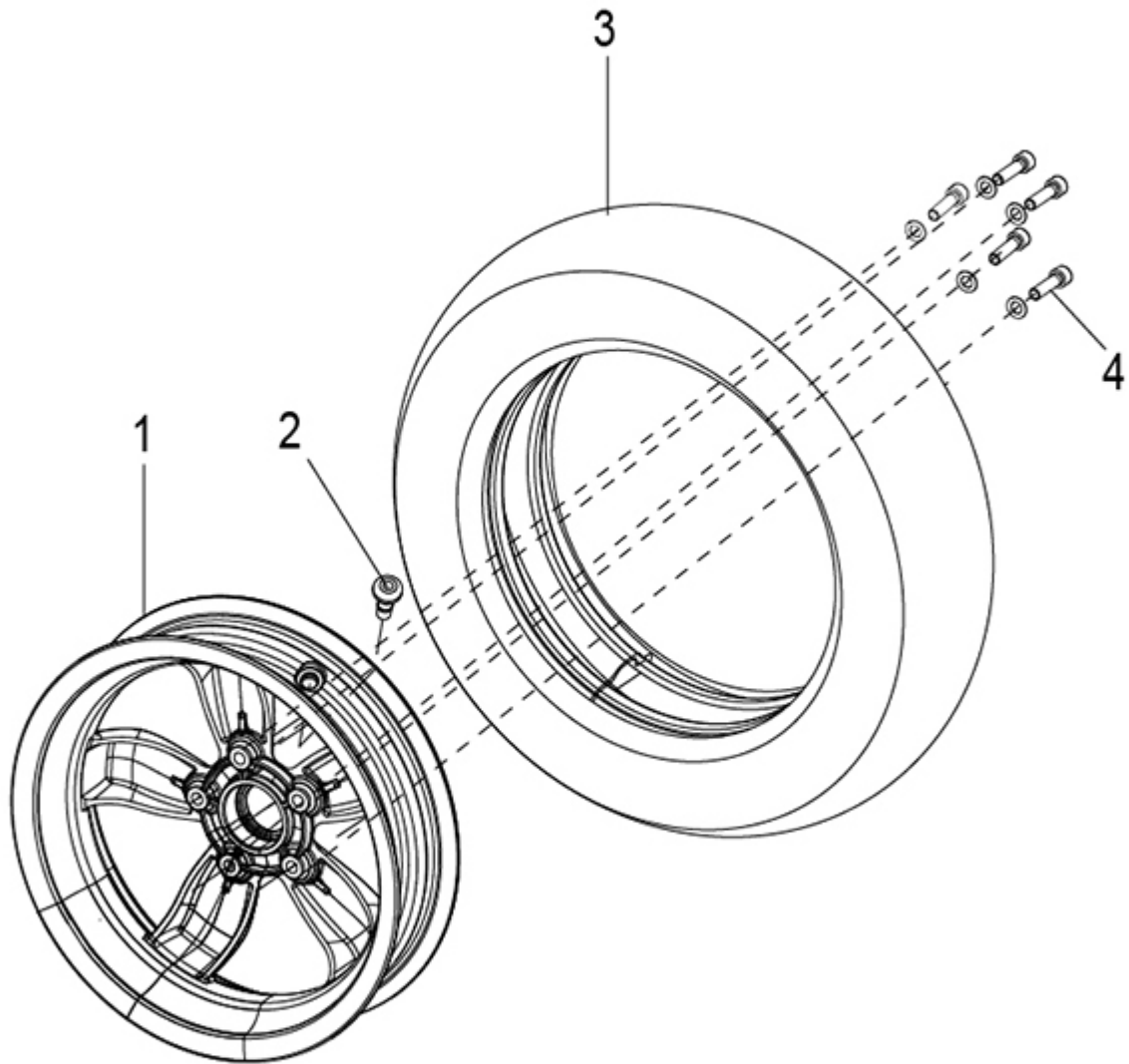
2.17 Rear Suspension



2.17**Rear Suspension**

Fig. No.	Part No.	Description	Qty	Remarks
1	178150	UPPER STOPPER	1	REAR DAMPER FIXING
2	268158	FLANGED HEXAGONAL HEAD SCREW	1	REAR DAMPER FIXING
3	021108	NORMAL HEXAGONAL NUT	1	REAR DAMPER FIXING
4	002440	SELF LOCKING NUT	1	REAR DAMPER FIXING
5	267038	PLAIN WASHER	1	REAR DAMPER FIXING
6	016408	SPRING WASHER	2	REAR DAMPER FIXING
7	1C005187	REAR SUSPENSION, ASSY	1	
8	666847	SPRING	1	WISHBONE ASSY FIXING
9	560045	HEXAGONAL SCREW WITH PART.THREADED BOLT	1	WISHBONE ASSY FIXING
10	668300	HEXAGONAL HEAD SCREW	1	WISHBONE ASSY FIXING
11	668302	SCREW BOLT SHANK THREADED PARTIALLY	1	WISHBONE ASSY FIXING
12	002440	SELF LOCKING NUT	1	WISHBONE ASSY FIXING
13	265216	SELF LOCKING NUT M12 H=11	1	WISHBONE ASSY FIXING
14	122781	WASHER X SWINGING ARM FITTING-10,2X37X3	1	WISHBONE ASSY FIXING
15	178790	WASHER	1	WISHBONE ASSY FIXING
16	709037	WASHER	1	WISHBONE ASSY FIXING
17	1C005000	WISHBONE ASSY	1	

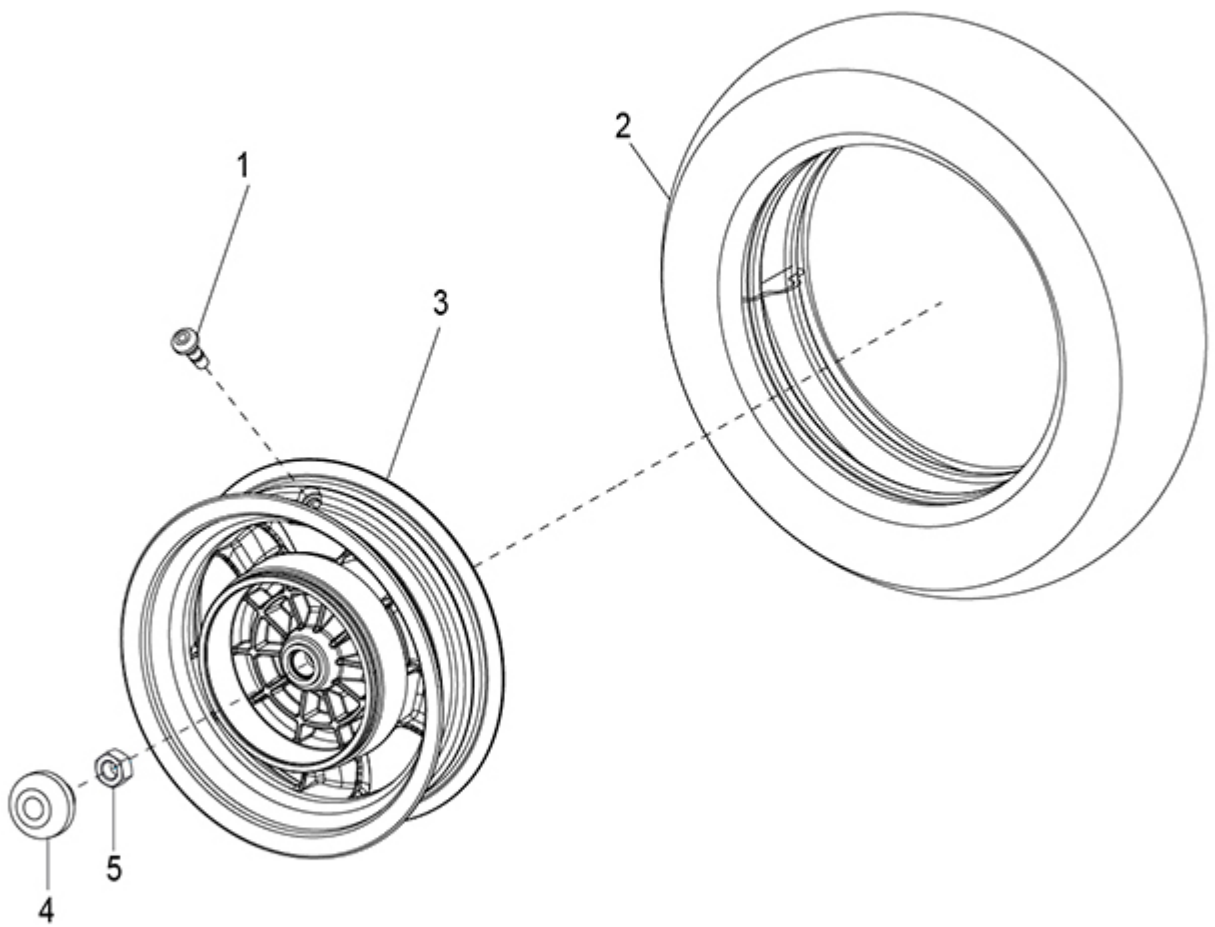
2.18
Front Wheel



2.18**Front Wheel**

Fig. No.	Part No.	Description	Qty	Remarks
1	1C001621	FRONT WHEEL 2.50X11	1	fully black
1	1C003310	FRONT WHEEL 2.50X11	1	Black & silver Collar
1	4A000030	FRONT WHEEL 2.50X11INCH	1	Applicable for Racing Sixties
2	597679	TUBELESS VALVE	1	
3	56499R	TYRE 110/70-11	1	
4	015792	SCREW	5	FRONT WHEEL FIXING
5	709047	ELASTIC CORRUGATED WASHER	5	FRONT WHEEL FIXING

2.19
Rear Wheel

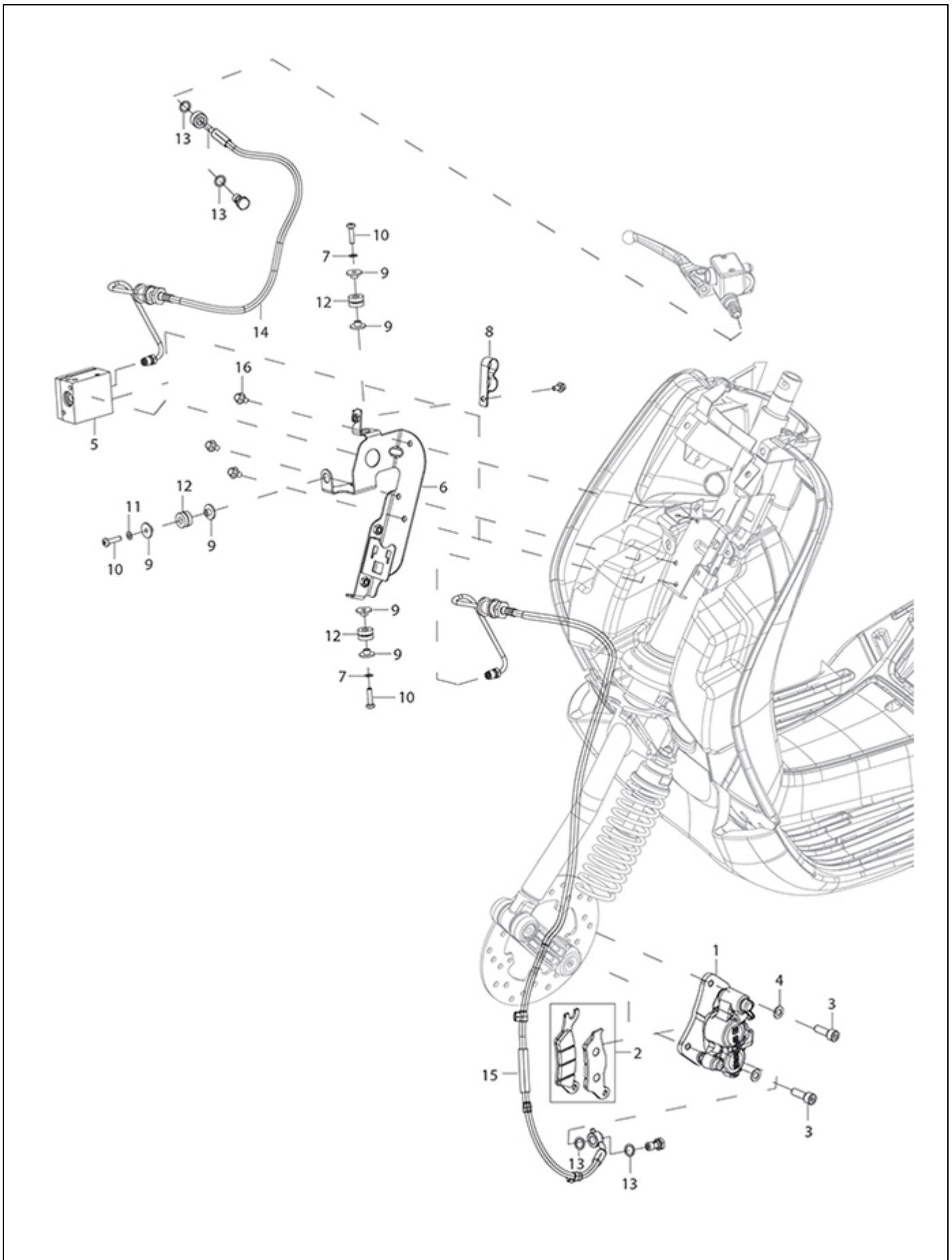


2.19**Rear Wheel**

Fig. No.	Part No.	Description	Qty	Remarks
1	597679	TUBELESS VALVE	1	
2	58500R	TYRE 120/70-10	1	
3	1C001623	REAR WHEEL 2.75X10	1	fully black
3	1C003312	REAR WHEEL 2.75X10	1	Black & silver Collar
3	4A000031	REAR WHEEL 2.75X10 INCH	1	Applicable for Racing Sixties
4	665657	PLUG WHEEL AXIS	1	REAR BRAKE DRUM FIXING
5	1C002806	SELF LOCKING FLANGE U NUT	1	

2.20

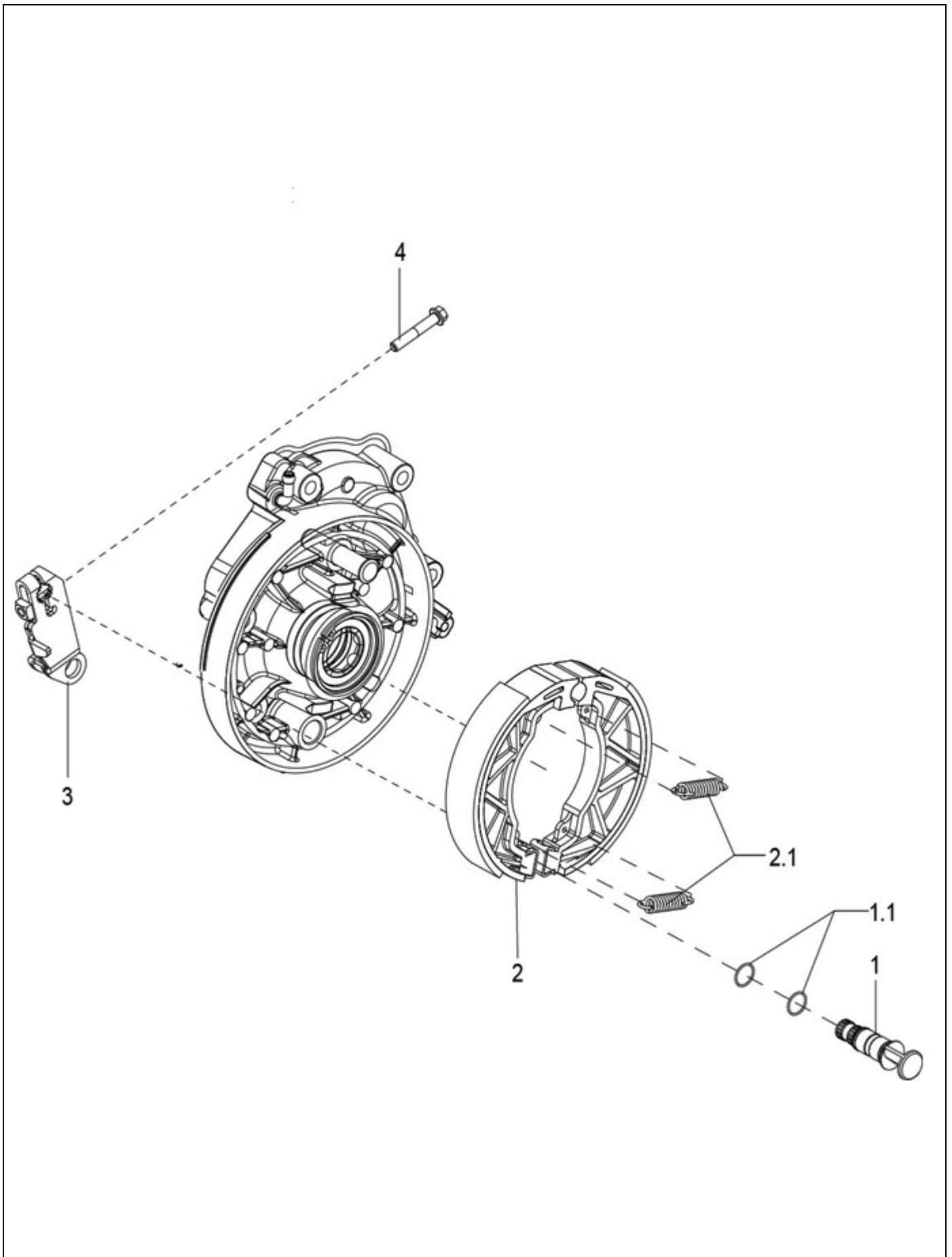
Braking System - Transmission



2.20**Braking System - Transmission**

Fig. No.	Part No.	Description	Qty	Remarks
1	1C005952R	CALIPER	1	
2	1C002634	BRAKE COUPLR PAD	1	
3	271596	SCREW	2	CALIPER FAST. GROUP
4	709047	ELASTIC CORRUGATED WASHER	2	CALIPER FAST. GROUP
5	1C003702	ABS UNIT (SPARE PART)	1	
6	1B006697	BRACKET WITH I.P.	1	
7	1A015812	FLANGED HEXAGONAL HEAD SCREW	1	PIPE / BRACKET FIXING
8	1C003926	BENT SPRING WASHER 5,3X20X0,5	1	PIPE / BRACKET FIXING
9	1C000870	SPACER	6	D.I.- BRACKET FIXING
10	015856	SCREW WITH CYLINDR.CUP HEAD (M5X21)	3	D.I.- BRACKET FIXING
11	6965	SPRING WASHER DIA 5	3	D.I.- BRACKET FIXING
12	939278	BUFFER	3	D.I.- BRACKET FIXING
13	127927	WASHER	4	PIPE FITTING
14	1C004126	HOSE RIGHT PUMP - ABS	1	
15	1C004127	BRAKE HOSE ABS FRONT CALIPER	1	
16	435634	FLANGED HEXAGONAL HEAD SCREW	3	REGULATOR BRACKET WITH P.I. FIXING
17	241936	SELF LOCKING NUT	1	REGULATOR BRACKET WITH P.I. FIXING
18	434541	SCREW	1	PIPE / BRACKET FIXING
19	1C002059R	SPECIAL SCREW	2	PIPE FITTING

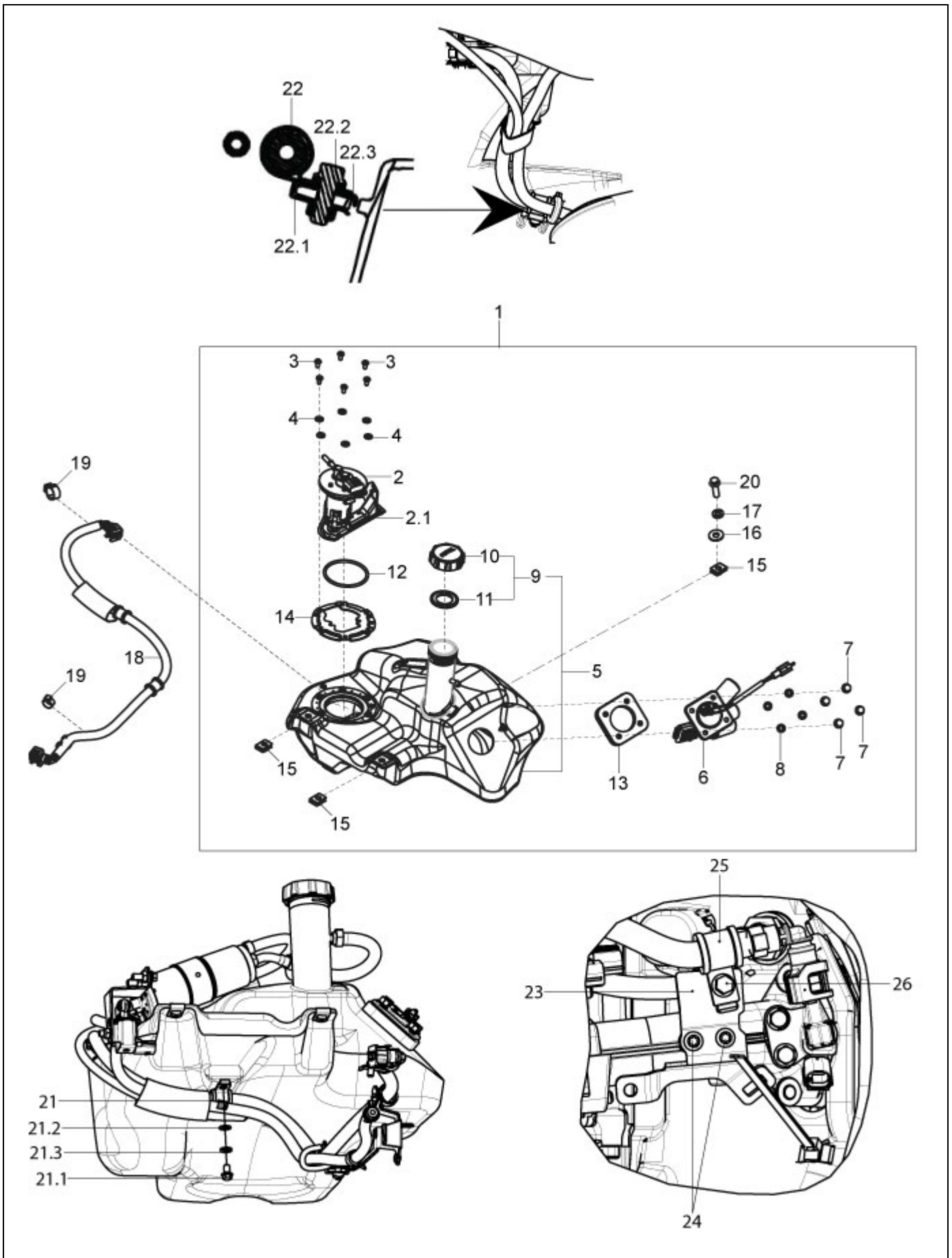
2.21 Rear Brake Assembly



2.21**Rear Brake Assembly**

Fig. No.	Part No.	Description	Qty	Remarks
1	564112	REAR BRAKE LEVER AXLE	1	
1.1	564134	GASKET	2	
2	1C000655R	BRAKE SHOES COUPLE	1	
2.1	647384	SPRING	2	
3	564112	REAR BRAKE LEVER AXLE	1	
4	1A003063	FLANGED HEX HEAD SCREW M6X35	2	REAR BRAKE DRIVE LEVER FIXING

2.22 Fuel Tank

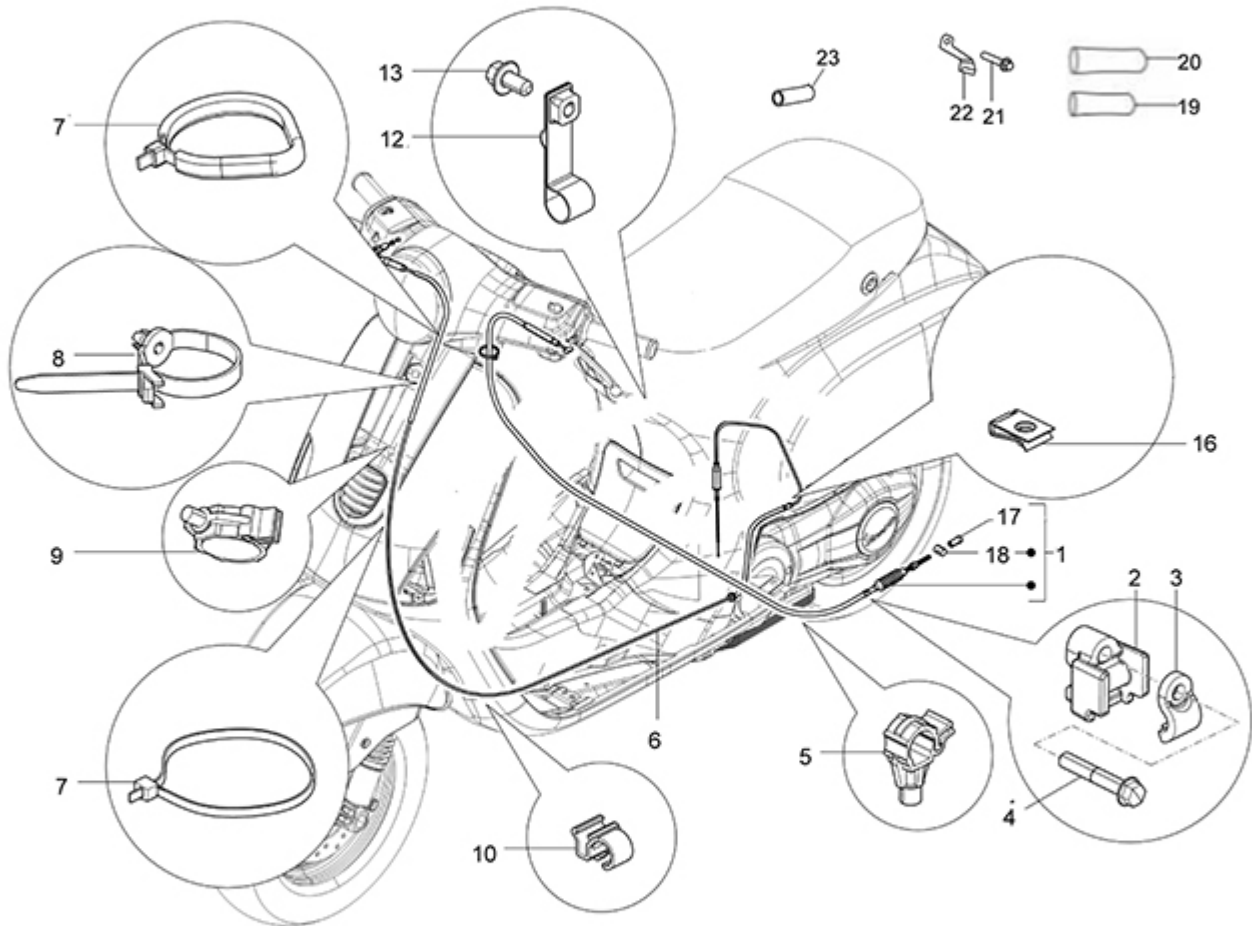


2.22**Fuel Tank**

Fig. No.	Part No.	Description	Qty	Remarks
1	SP1B006605	COMPLETE FUEL TANK	1	
2	1D002701	FUEL PUMP	1	
2.1	1D003477	FILTER	1	
3	848766	SCREW	6	Fuel Pump Fixing
4	6078	PLAIN WASHER 12 X 5.2 X 1	6	Fuel Pump Fixing
5	SKIT940057	KIT FUEL TANK VESPA BSVI	1	Includes bare Fuel tank & Cap
6	1D002971	FUEL LEVEL GAUGE	1	
7	436788	FLANGED HEXAGONAL HEAD SCREW	4	Fuel Level Gauge Fixing
8	016406	SPRING WASHER	4	Fuel Level Gauge Fixing
9	1B004165	PETROL TANK CAP	1	
11	656021	PACKING	1	
12	1B002953	FUEL PUMP GASKET	1	
13	676200	GASKET	1	NS
14	1B005066	FUEL PUMP SPRING HOLDER	1	
15	CM259204	SPRING PLATE	3	
16	013880	PLAIN WASHER	1	
17	016406	SPRING WASHER	3	
20	018639	SCREW M6X20	3	
18	1B006957	COMPLETE FUEL PIPE FLEXIBALE	1	
19	CM001914	CLAMP	1	
21	1B001321	CLAMP	1	
21.1	969296	HEXAGONAL FLANGED HEAD SCREW	1	Under Clamp Fixing Part
21.2	3056	PLAIN WASHER M6 OD12	1	Under Clamp Fixing Part
21.3	016406	SPRING WASHER	1	Under Clamp Fixing Part
22	1B001321	CLAMP	1	
22.1	CM259204	SPRING PLATE	1	Pipe Fixing Parts before purge valve
22.2	434541	SCREW	1	Pipe Fixing Parts before purge valve
22.3	016406	SPRING WASHER	1	Pipe Fixing Parts before purge valve
23	1B006711	FUEL PIPE BRACKET WITH I.P	1	
24	848766	SCREW	2	
25	1B001321	CLAMP	1	
26	969296	HEXAGONAL FLANGED HEAD SCREW	1	
27	CM006908	PIPINGS BETAINING SPRING	1	
28	CM013202	STOP CABLE/PIPE SPRING	1	

2.23

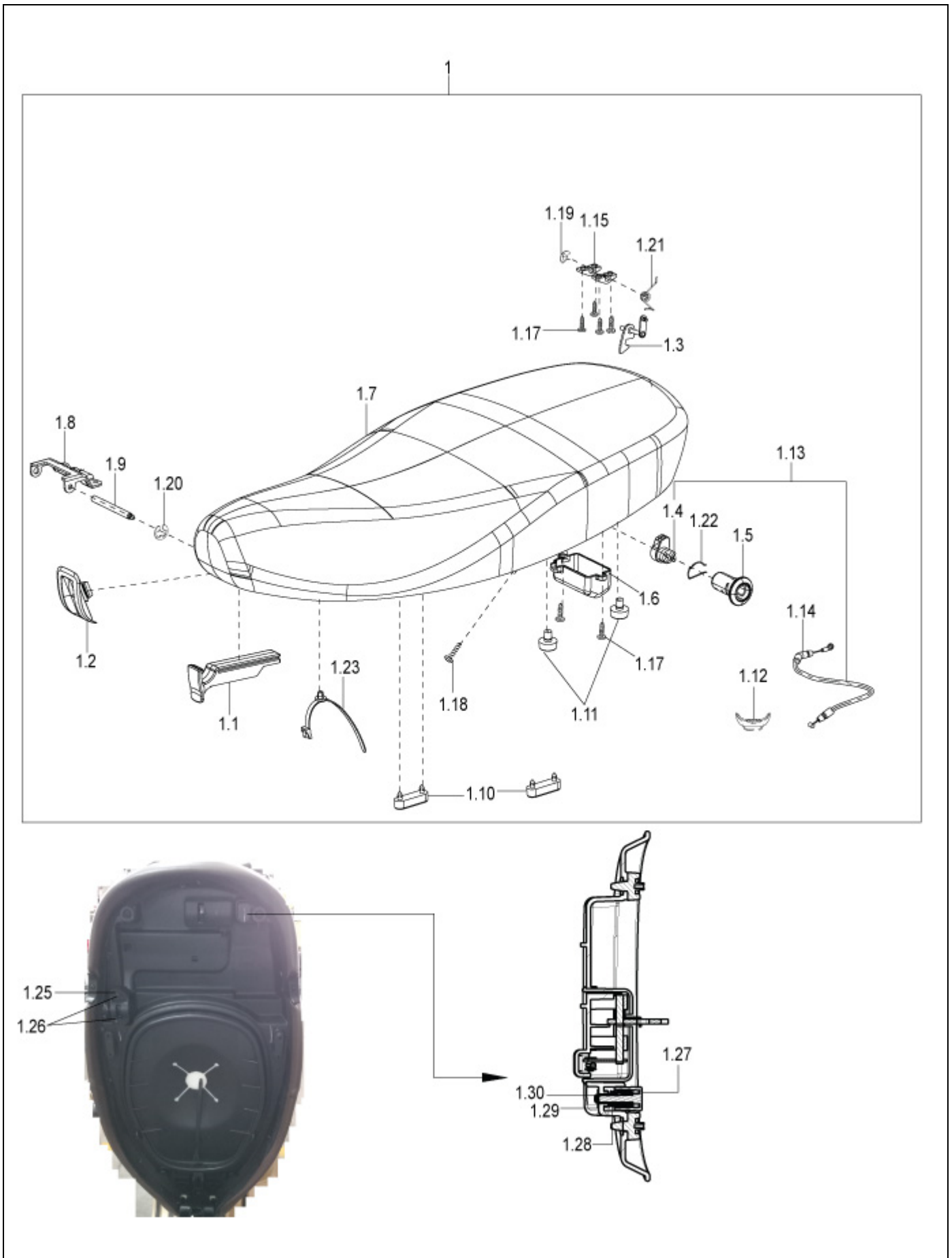
Transmission Cable



2.23**Transmission Cable**

Fig. No.	Part No.	Description	Qty	Remarks
1	1C003277	REAR BRAKE TRANSMISSION	1	
2	1C001642	SPACER	1	BRAKE CONTROL TRANSM./SUMP FIXING
3	564645	PLATE FOR REAR BRAKE TRANSMISSION FIXING	1	BRAKE CONTROL TRANSM./SUMP FIXING
4	1A003063	FLANGED HEX HEAD SCREW M6X35	1	BRAKE CONTROL TRANSM./SUMP FIXING
5	CM006913	PIPINGS RETAINING SPRING	1	
6	1C004645	THROTTLE CONTROL TRANSMISSION	1	
7	257134	RETAINING STRAP	2	
8	646535	DISMANTLED CLAMP	1	
9	CM006913	PIPINGS RETAINING SPRING	1	
10	CM013203	SPRING	1	
12	668477	CLIP.	1	
13	435634	FLANGED HEXAGONAL HEAD SCREW	1	
16	826275	ELASTIC SHEET	1	
17	270310	BRAKE ADJUSTER	1	BRAKE CONTROL TRANSM.FIXING
18	179640	PIN	1	BRAKE CONTROL TRANSM.FIXING
19	CM007407	SHEAT (NOT METALLIC)	1	TRASMISSION COMPONENTS GROUP
20	CM007458	SHEAT (NOT METALLIC)	1	TRASMISSION COMPONENTS GROUP
21	1A003060	FLANGED HEX. HEAD SCREW M6X45	6	REAR BRAKE TRANSMISSION FIXING
22	667842	TRANSMISSION BRAKE CLAMP	1	REAR BRAKE TRANSMISSION FIXING
23	CM082204	PROTECTION	1	

2.24 Complete Saddle

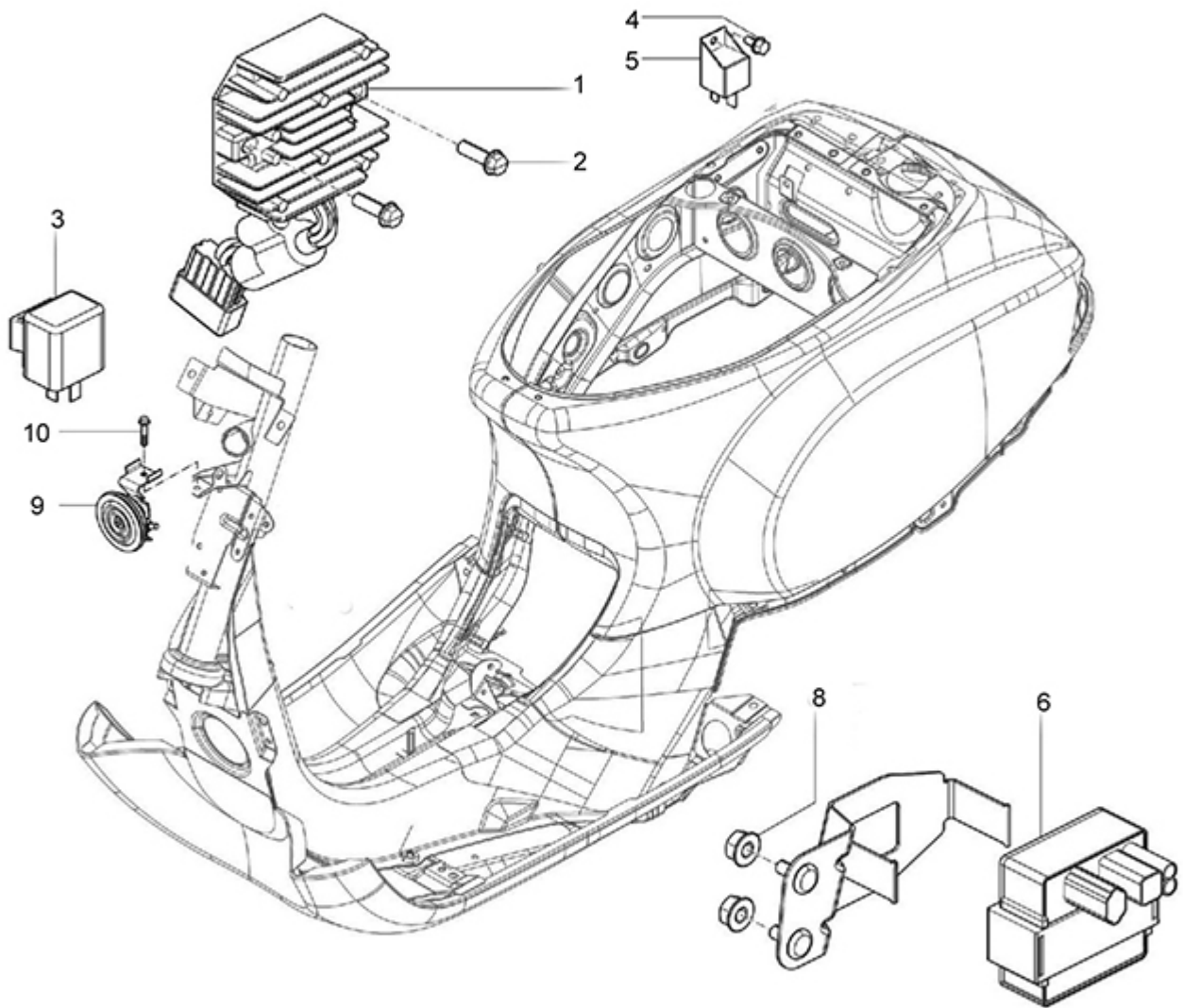


2.24**Complete Saddle**

Fig. No.	Part No.	Description	Qty	Remarks
1	1B008594	COMPLETE SADDLE	1	Applicable for Racing Sixties
1	1B007312C1	COMPLETE SADDLE	1	Applicable for FL-20
1	1B002605000C4	COMPLETE SADDLE	1	
1.1	674179	SADDLE HOOK	1	
1.2	674180	HOOK SADDLE CLOSURE	1	
1.3	674314	LEVER WITH I.P.	1	
1.4	674306	ECCENTRIC	1	
1.5	674311	LOCK SUPPORT	1	
1.6	1B004360	COVER	1	Applicable for Racing Sixties
1.6	674305	COVER	1	
1.7	673562	SADDLE PLATE	1	
1.8	674302	HINGE	1	
1.9	674303	PIN	1	
1.1	296456	SADDLE STOP-PAD	2	
1.11	577492	STOP PAD	2	
1.12	674307	PROTECTION	1	
1.13	653994	SADDLE OPENING TRANSMISSION KIT	1	
1.14	673563	SADDLE OPENING TRANSMISSION	1	
1.15	296743	BRACKET (REAR LUGGAGE OR TANK)	2	
1.16	257535	EXTRUDED SECTION	1	NI
1.17	674162	SCREW (CYLINDER HEAD)	9	
1.18	674163	THREAD FORMING SCREW	1	
1.19	620969	BENZING SPRING RING	1	
1.2	674304	BENZING SPRING RING	1	
1.21	674308	SPRING	1	
1.22	674312	SPRING	1	
1.23	298729	DIMANTLED CLAMP	1	
1.24	657109	SADDLE HANDLE WITH I.P	1	
1.25	1B004574	LOCK PROTECTION	1	Applicable for FL-20
1.26	674162	SCREW (CYLINDER HEAD)	1	Applicable for FL-20
1.27	1B007797	EJECTOR	1	Applicable for FL-20
1.28	653281	SPRING	1	Applicable for FL-20
1.29	013963	WASHER	1	Applicable for FL-20
1.30	268596	SELF TAPPING SCREW	1	Applicable for FL-20

2.25

Electrical Equipments Group

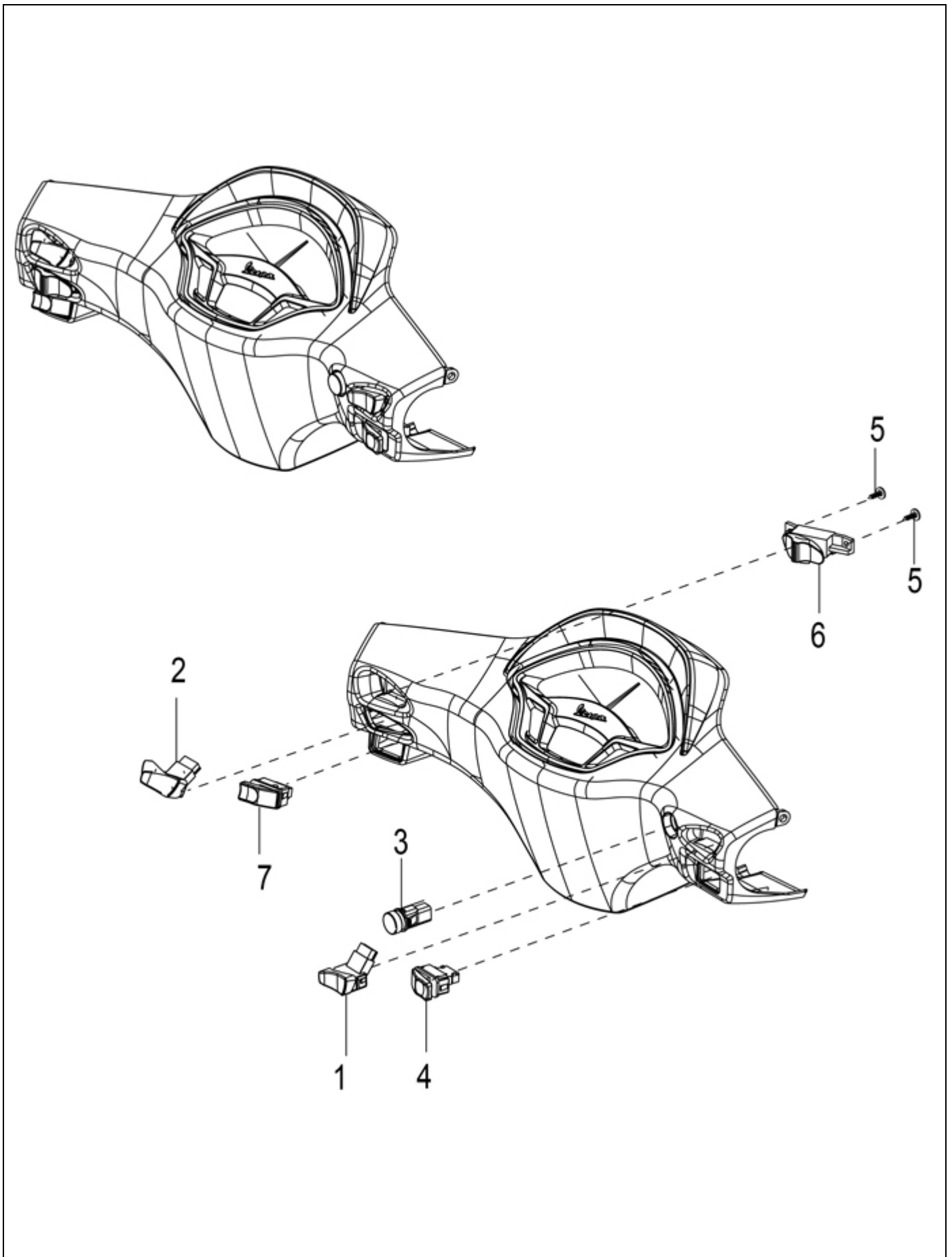


2.25**Electrical Equipments Group**

Fig. No.	Part No.	Description	Qty	Remarks
1	1A017429	VOLTAGE REGULATOR	1	
2	018639	SCREW M6X20	4	REGULATOR FIXING
3	1D003013	FLASHING DEVICE COMPLETE	1	
4	436788	FLANGED HEXAGONAL HEAD SCREW	4	ENGINE START RELAY FIXING
5	680154	REMOTE CONTROL SWITCH 12V-70A	1	
6	CM301402	ELECTRONIC DEVICE	1	
6	CM301410	ELECTRONIC DEVICE	1	Applicable for FL-20
8	241936	SELF LOCKING NUT	2	BRACKET SUPPORT UNIT WITH I.P.FIXING
9	CM087614	KLAXON	1	
10	434541	SCREW	1	HORN FIXING
11	1D001275	CONNECTOR BRACKET	1	
12	434541	SCREW	2	CONNECTOR BRACKET FIXING
13	1D001275	CONNECTOR BRACKET	1	
14	1D003013	FLASHING DEVICE COMPLETE	2	HELLA MULTIMEDIA CDI FIXING
15	1D000186	ELASTIC SUPPORT	1	
16	1B007316	FUSE CARRIER BRAKET	1	

2.26

Remote Control Switches

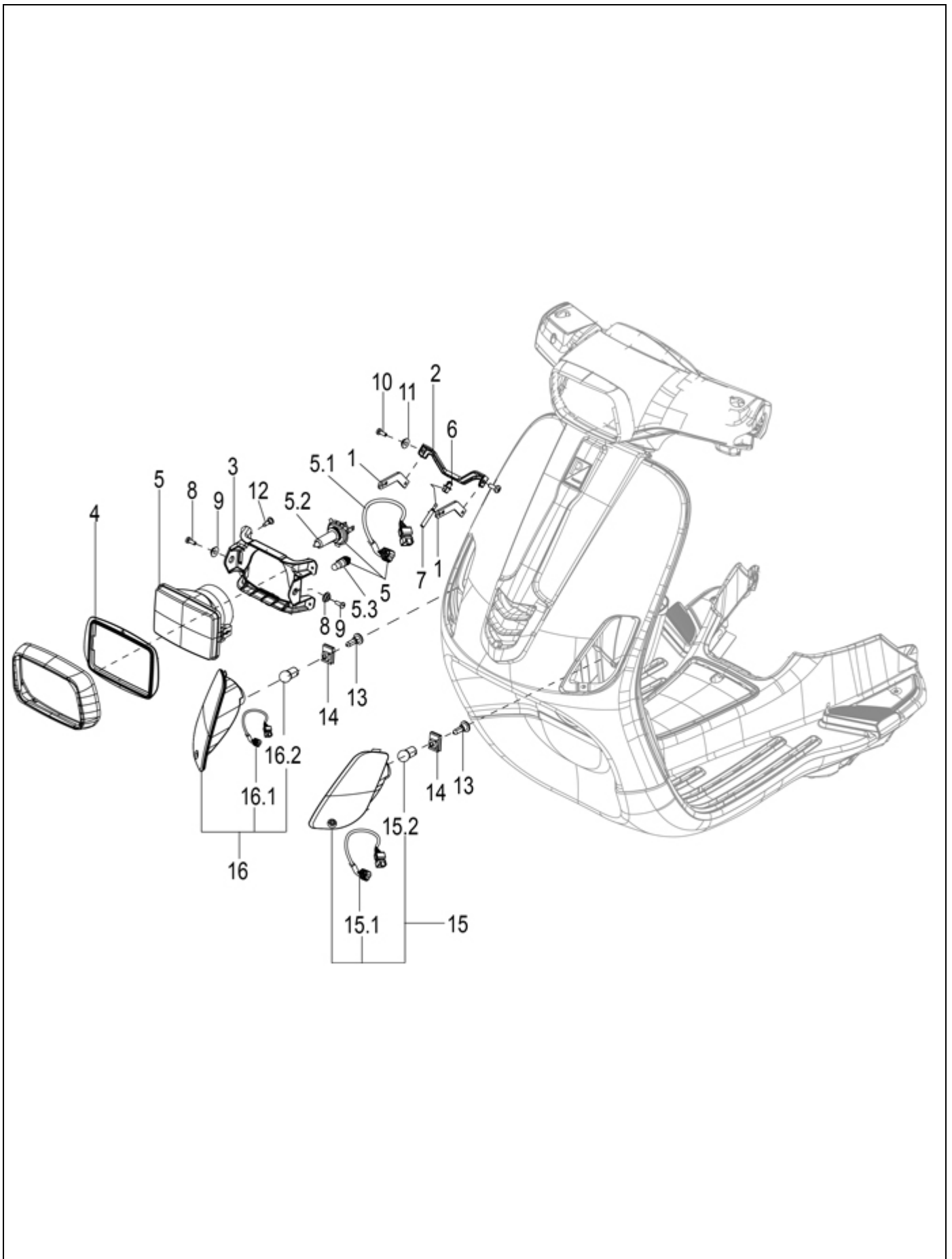


2.26**Remote Control Switches**

Fig. No.	Part No.	Description	Qty	Remarks
1	623512	PLUG	1	
2	294877	HI-LO LAMP SWITCH	1	
3	641859	MODE PUSH BUTTON	1	
4	641359	START PUSH BUTTON	1	
5	297498	SELF TAPPING SCREW	2	TURN SIGNAL LAMP SWITCH FIXING
6	294723	TURN SIGNAL LAMP SWITCH	1	
7	1D000185	CLACSON PUSH BUTTON	1	
9	643023	HEADE LAMP SWITCH	1	Applicable for FL-20

2.27

Front Lamp Group

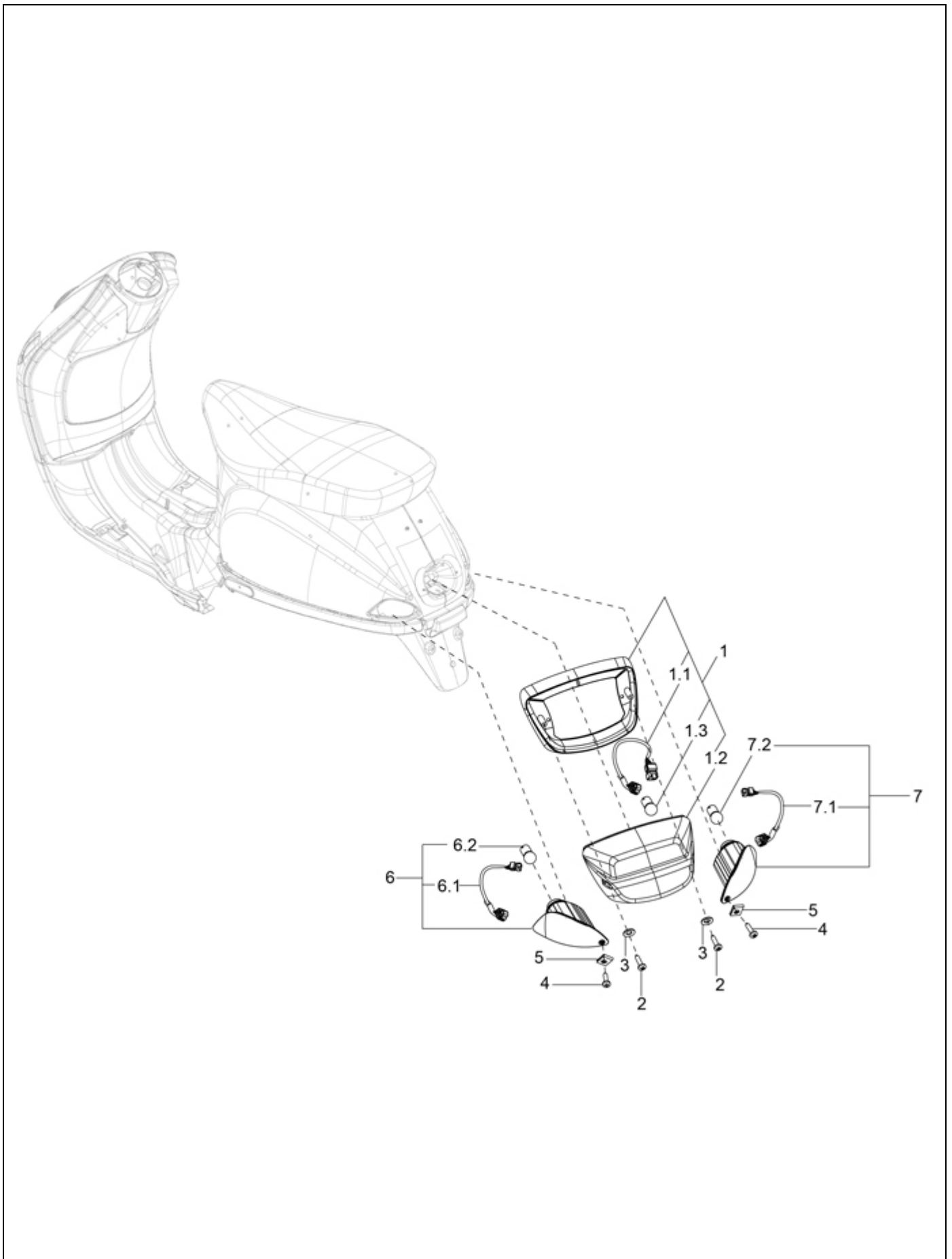


2.27**Front Lamp Group**

Fig. No.	Part No.	Description	Qty	Remarks
1	654271	SUPPORT CONTROL HEADLIGHT	2	
2	654276	FIXING PART FOR CONTR.HEADLIGHT SUPPORT	1	
3	654890	COMPLETE HEADLIGHT SUPPORT	1	
3	1B007740	COMPLETE HEADLIGHT SUPPORT	1	Applicable for FL-20
4	654876	LAMP GASKET	1	
5	1D003128	COMPLETE HEADLAMP	1	Applicable for FL-20
5	1D001812	SYMMETRICAL COMPLETEHEADLAMP	1	
5.1	1D000517	HEADLAMP WIRING HARNESS	1	
5.2	231215	LAMP 12V/35/35W HS1 (HALOGEN)	1	
5.3	292022	LAMP (12V - 5W)	1	
6	640800	ADJUSTEMENT BLOCK	1	
7	640801	AIMING SCREW	1	
8	015935	SCREW WITH CYLINDRICAL HEAD	2	
9	6965	SPRING WASHER DIA 5	2	
10	272836	METRICAL SCREW WITH CROSS MOULD	2	
11	006976	WAVED SPRING WASHER	2	
12	270793	SCREW	4	HEADLAMP FASTENERS
13	008457	SCREW FOR HANDLEBARS (D 4,2X19)	2	FRONT TURN INDICATORS FIXING
14	CM017406	SPRING PLATE	2	FRONT TURN INDICATORS FIXING
15	643324	LEFT FRONT TURN SIGNAL LAMP	1	
15.1	643329	WIRING HARNESS (FOR SPARE PARTS)	1	
15.2	584332	12V-10W AMBER LAMP	1	
16	643325	RIGHT FRONT TURN SIGNAL LAMP	1	
16.1	643329	WIRING HARNESS (FOR SPARE PARTS)	1	
16.2	584332	12V-10W AMBER LAMP	1	

2.28

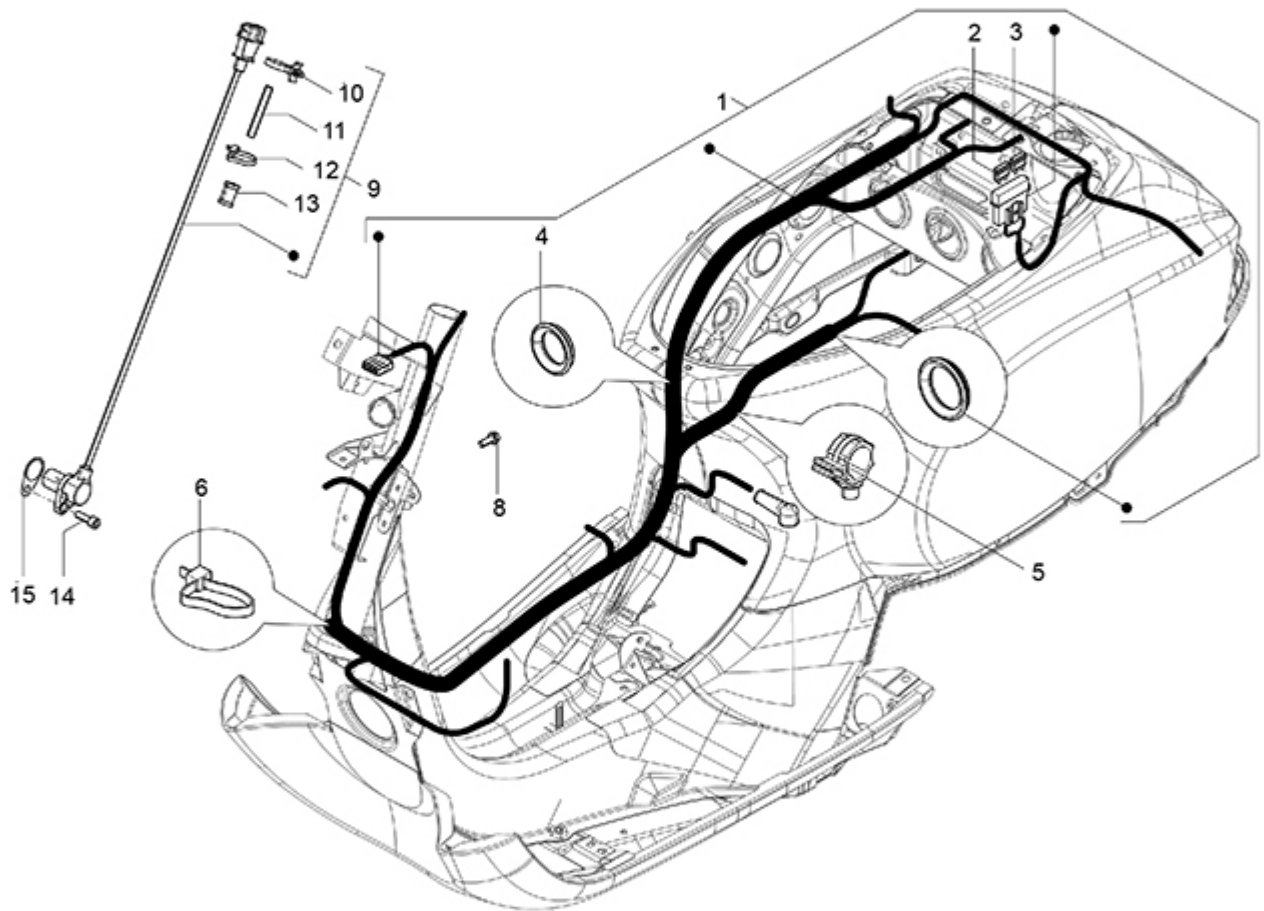
Rear Lamp Group



2.28**Rear Lamp Group**

Fig. No.	Part No.	Description	Qty	Remarks
1	1D000540	COMPLETE TAIL LAMP	1	
1	4A000051	COMPLETE REAR LAMP	1	Applicable for Racing Sixties
1.1	642554	WIRING HARNESS (FOR SPARE PARTS)	1	
1.2	673220	REAR PROTECTION	1	
1.2	SP4A000050NL	MT BLACK TAIL LAMP BEZEL REAR PROTECTION	1	Applicable for Racing Sixties
1.3	643323	BULB LAMP	1	
2	018591	CYLINDRICAL SCREW	2	TAIL LAMP FIXING
3	6965	SPRING WASHER DIA 5	2	TAIL LAMP FIXING
4	008372	SCREW FOR REAR TURN SIGNAL LAMP (M3,5X16)	2	REAR TURN INDICATORS FIXING
5	CM017405	SPRING PLATE	2	
6	643326	LEFT REAR TURN SIGNAL LAMP	1	
6.1	643340	WIRING HARNESS (FOR SPARE PARTS)	1	
6.2	584332	12V-10W AMBER LAMP	1	
7	643327	RIGHT REAR TURN SIGNAL LAMP	1	
7.1	643340	WIRING HARNESS (FOR SPARE PARTS)	1	
7.2	584332	12V-10W AMBER LAMP	1	

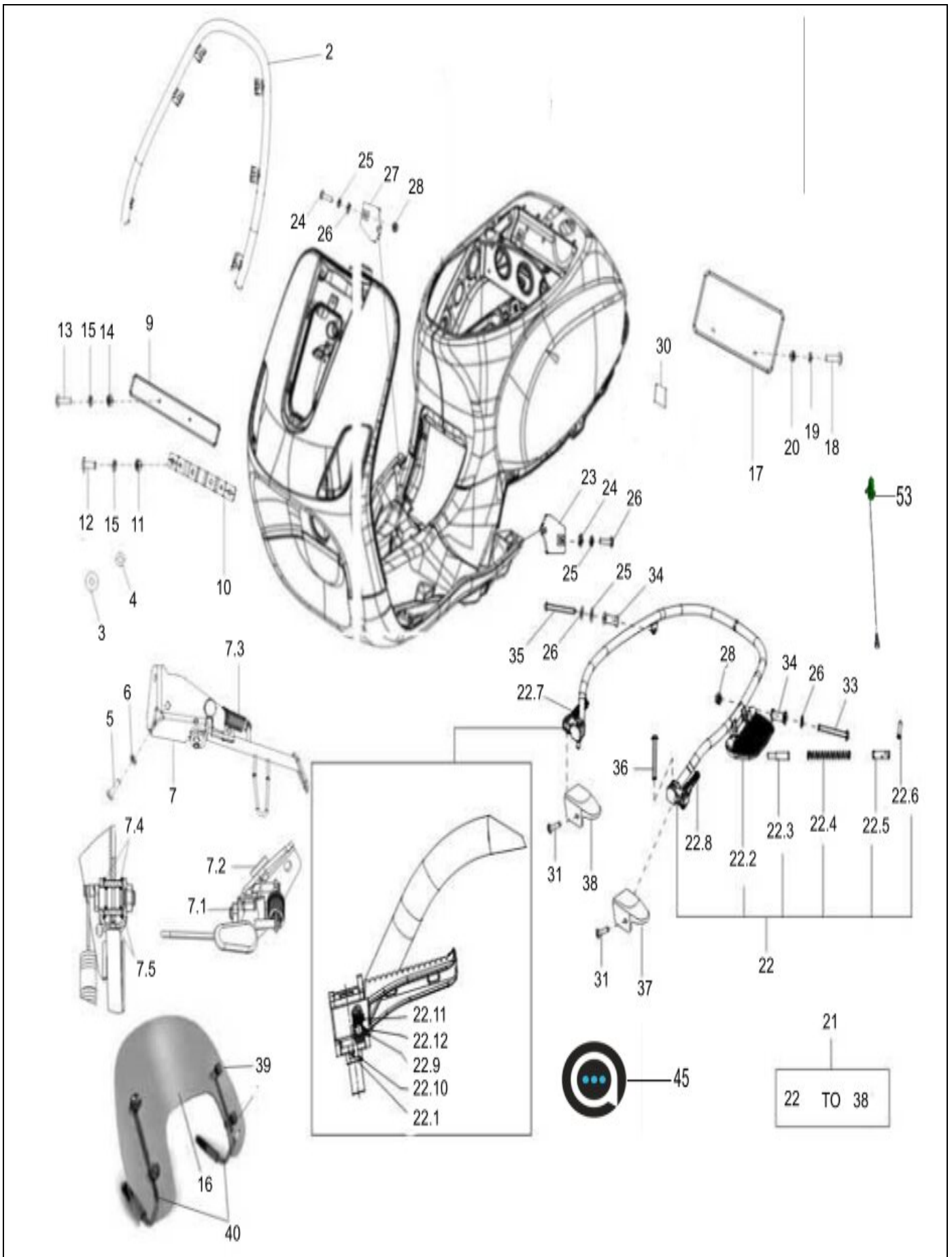
2.29
Wiring Harness



2.29**Wiring Harness**

Fig. No.	Part No.	Description	Qty	Remarks
1	1D004221	WIRE HARNESS OF FRAME	1	Applicable for FL-20
1	1D003180	WIRE HARNESS OF FRAME	1	
2	292507	FUSE 10A	1	
3.1	252945	FUSE 7,5 A	2	
3.2	293256	FUSE 5A	2	
3.3	580561	FUSES 20A	1	
4	294754	GROMMET	1	
5	CM006905	SPRING	1	
6	145298	PLASTIC CLAMP	1	
8	434541	SCREW	1	
9	SP1D002944	VESPA ABS WHEEL SPEED SENSOR SPD	1	
10	640879	CLAMP	1	
11	1D002664	SHEATH HARNESS WRAP	1	
12	145298	PLASTIC CLAMP	1	
13	1D001301	GROMMET	1	
14	1C004839	SOCKET HEAD SCREW	1	ABS SPEED SENSOR FIXING
15	669282	WASHER	1	ABS SPEED SENSOR FIXING
17	006975	WAVY WASHER 5.3X10X0.5	1	ABS SPEED SENSOR FIXING
18	CM297304	GROUND WIRE	1	

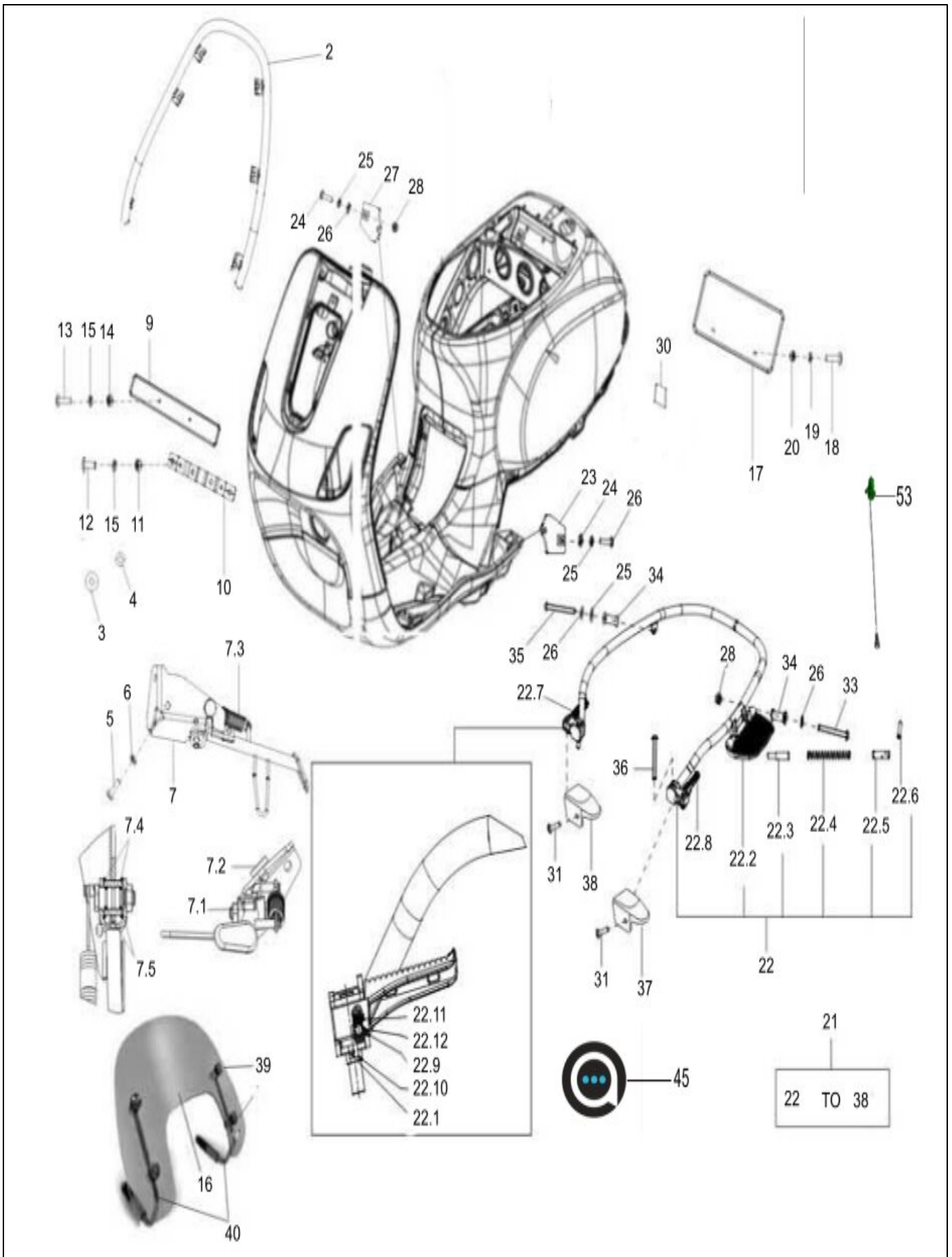
2.30 Accessoris



2.30**Accessoris**

Fig. No.	Part No.	Description	Qty	Remarks
1	1C002402	COMPLETE TOOL KIT	1	
2	675077A	FRONT FENDER CHROME BUMPER	1	
3	673893	SPACER	2	FRONT PLATE FIXING
4	675980	WASHER	2	FRONT PLATE FIXING
5	295822	SCREW	2	LATERAL STAND COMPONENTS AND FIXING
6	016408	SPRING WASHER	2	LATERAL STAND COMPONENTS AND FIXING
7	1C006831	COMPLETE LATERAL STAND	1	
7.1	164245	REBOUND BUMPER	1	
7.2	666895	STOPPER	1	
7.3	1C001871	SPRING LATERAL STAND	1	
7.4	191189	PACKING	2	
7.5	434947	PACKING WITH CIRCULAR SECTION O.R.	2	
9	1B001025	FRONT LICENSE PLATE	1	
10	675389	COMPLETE FRONT LICENSE PLATE HOLDER	1	FRONT PLATE FIXING
11	709116	HEXAGON NUT	2	FRONT PLATE FIXING
12	018639	SCREW M6X20	2	FRONT PLATE FIXING
13	272836	METRICAL SCREW WITH CROSS MOULD	2	FRONT PLATE FIXING
14	709116	HEXAGON NUT	1	FRONT PLATE FIXING
15	013880	PLAIN WASHER	2	FRONT PLATE FIXING
16	B001511A	WINDSHIELD GREY	1	
17	673918A	REAR LICENSE PLATE	1	
18	272836	METRICAL SCREW WITH CROSS MOULD	2	REAR PLATE FIXING
19	709116	HEXAGON NUT	1	REAR PLATE FIXING
20	709003	PLAIN WASHER	2	REAR PLATE FIXING
21	SKIT940027R	PERIMETER FIXING KIT	1	
22	SKIT940027R	PERIMETER FIXING KIT	1	
22.1	259933	ELASTIC SPRING	2	
22.2	654626	COMPLETE LATERAL FOOTREST	1	
22.3	218667	PIN	1	
22.4	561838	SPRING	1	
22.5	561837	PIN	1	
22.6	008817	SPRING PIN	2	
22.7	574227	RIGHT FOOTREST SUPPORT	1	
22.8	574226	LEFT FOOTREST SUPPORT	1	
22.9	295592	PLATE FOR FOOTREST	2	

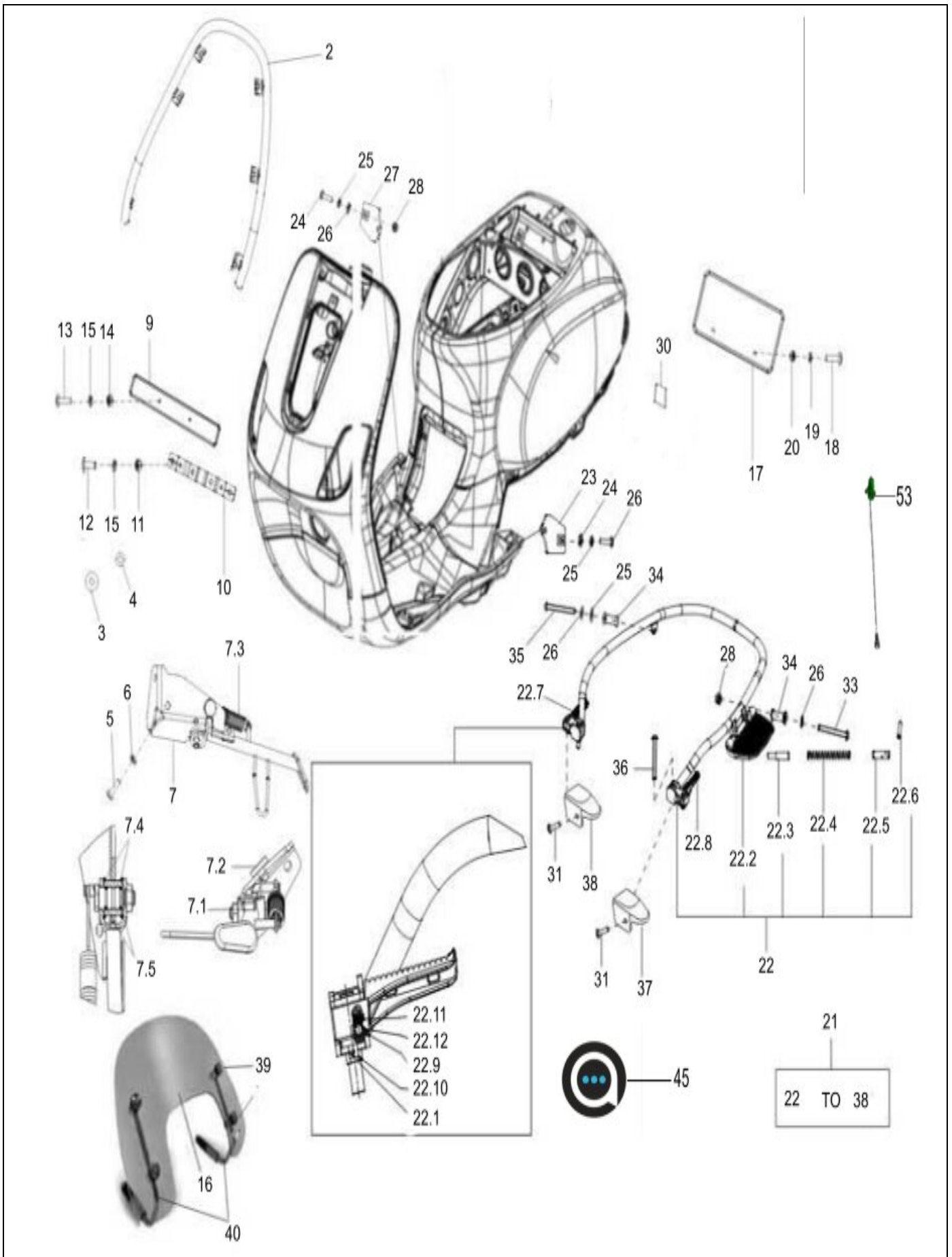
2.30 Accessoris



2.30**Accessoris**

Fig. No.	Part No.	Description	Qty	Remarks
22.10	295593	PIN	2	
22.11	295590	SPRING SPHERE	2	
22.12	295591	SPHERE	2	
23	676031	PLATE WITH I.P.	1	
24	840541	HEXAGON SOCKET BUTTON HEAD SCREW	2	FIXING L & H PLATE
25	016406	SPRING WASHER	2	FIXING L & H PLATE
26	3056	PLAIN WASHER M6 OD12	2	FIXING L & H PLATE
27	676072	PLATE WITH I.P.	1	
28	241936	SELF LOCKING NUT	2	
30	676080	PAD	1	
33	1B000176	SCREW (CYLINDER HEAD)	2	FIXING FOOTREST
25	016406	SPRING WASHER	2	FIXING FOOTREST
26	3056	PLAIN WASHER M6 OD12	2	FIXING FOOTREST
34	654630	SPACER	2	
35	018564	HEX.SOCKET BUTT.HEAD THR.	1	
25	016406	SPRING WASHER	1	
36	951677	SOCKET HEAD SCREW	2	
37	675978	LEFT COVER	1	
38	675977	RIGHT COVER	1	
39	576565	GROMMET FOR WINDSCREEN	4	
40	SKIT940028R	WINDSHIELD ASSY (SMOKE GRAY)	1	
40	SKIT940029R	WINDSHIELD ASSY (CLEAR)	1	
41	783260	VESPA SEAT COVER REGULAR-BEIGE	1	NI
42	783259	VESPA SEAT COVER REGULAR-BLACK	1	NI
43	783003	VESPA BODY COVER(SLIVER)	1	NI
44	783004	VESPA BODY COVER-(TYVEK)	1	NI
45	2H003225	MIA STICKER ID	1	
46	1D002592	HELLA MULTIMEDIA CDI	1	NI
47	434541	SCREW	2	HELLA MULTIMEDIA CDI FIXING
48	1C004838	REAR PLATE HOLDER	1	Not Required
49	1G000354	BUILDER STICKER	1	
50	1B005127	BASE STICKER	1	
51	1D002753	COMPLETE USB SOCKET	1	Applicable for FL-20
52	1B001591	GROMMET FOR USB SOCKET	1	Applicable for FL-20
53	1D002666	SIDE STAND PUSH BUTTON	1	

2.30 Accessoris



2.30**Accessoris**

Fig. No.	Part No.	Description	Qty	Remarks
54	SKIT940095	KIT-VESPA LATRAL STAND WITH PUSH BUTTON	1	
55	SKIT940096	KIT FOR VESPA LATERAL STAND	1	

PARTS INDEX

VESPA SXL 150 BSVI RACING 60s

PART NO	BLOCK	PART NO	BLOCK	PART NO	BLOCK
000267	1.10	016408	2.16	177445	2.16
002440	2.02	016408	2.17	177451	2.16
002440	2.17	016408	2.30	177494	2.16
002440	2.17	018536	1.22	177521	2.16
003751	2.16	018564	2.30	178150	2.17
006416	1.03	018591	2.28	178790	2.17
006422	2.16	018620	2.10	179640	2.23
006635	2.16	018639	1.10	191189	2.30
006647	1.05	018639	1.18	192598	2.09
006731	2.16	018639	1.20	198513	2.16
006964	2.16	018639	2.22	198513	2.16
006970	2.13	018639	1.07	1A000142	1.03
006975	1.12	018639	2.25	1A000143	1.03
006975	2.29	018639	2.30	1A000144	1.03
006976	2.27	018644	1.14	1A000244	1.18
008372	2.07	021108	2.17	1A000612	1.03
008372	2.28	021210	2.16	1A000745	1.06
008457	2.27	031090	2.09	1A001012	1.15
008817	2.30	031120	2.16	1A001015	1.15
011109	2.16	119219	2.16	1A001023	1.12
012535	2.16	121780	2.12	1A001073	1.10
012543	2.12	122781	2.17	1A001073	1.13
013763	2.04	123394	2.12	1A001256	1.02
013880	2.30	12533	1.17	1A001278	1.02
013880	1.10	127927	2.16	1A001443R	1.14
013880	2.22	127927	2.16	1A001494	1.03
013963	2.24	127927	2.20	1A001742	1.15
015330	2.12	145298	2.29	1A001743	1.15
015792	2.18	145298	2.29	1A001744	1.15
015856	2.20	149104	2.16	1A001745	1.15
015935	2.27	15727	2.09	1A001746	1.15
016404	1.14	157716	2.05	1A001748	1.15
016406	2.30	157716	2.05	1A001793	1.10
016406	1.20	157716	2.06	1A001795	1.10
016406	1.20	164245	2.30	1A002013	1.12
016406	2.09	174085	2.16	1A002425	1.15
016406	2.22	174088	2.16	1A002426	1.15
016406	2.22	174874	2.16	1A002427	1.15
016406	2.22	177408	2.16	1A002428	1.15
016406	2.22	177414	2.16	1A002429	1.15
016406	2.30	177436	2.16	1A002430	1.15
016406	2.30	177442	2.16	1A002431	1.15
016408	1.18	177443	2.16	1A002432	1.15

PART NO	BLOCK	PART NO	BLOCK	PART NO	BLOCK
1A002433	1.15	1A012009	1.17	1A019466	1.18
1A002439	1.15	1A013712	1.15	1A019983	1.18
1A002440	1.15	1A013713	1.15	1B000176	2.30
1A002441	1.15	1A013856	1.10	1B000239	2.09
1A002442	1.15	1A014086	1.21	1B000570	2.15
1A002443	1.15	1A014094	1.13	1B000951	2.06
1A002444	1.15	1A014095	1.21	1B000979	2.03
1A002446	1.15	1A014309	1.21	1B001025	2.30
1A002691	1.14	1A014335	1.03	1B001169	1.22
1A003060	1.03	1A014361	1.17	1B001181	1.22
1A003060	1.04	1A014739	1.09	1B001321	2.22
1A003060	2.23	1A014818	1.18	1B001321	2.22
1A003063	1.14	1A014986	1.10	1B001321	2.22
1A003063	2.21	1A014986	1.12	1B001591	2.30
1A003063	2.23	1A015026	1.21	1B002266	2.09
1A003064	1.17	1A015053	1.02	1B002602	2.06
1A003065	1.16	1A015201	1.03	1B002605000C4	2.24
1A003065	1.03	1A015231	1.14	1B002607	2.15
1A003068	1.02	1A015303	1.16	1B002848	1.20
1A004153	1.07	1A015812	1.16	1B002849	1.20
1A004654	1.05	1A015812	2.20	1B002953	2.22
1A005055	1.15	1A016008	1.16	1B003784	1.10
1A005057	1.15	1A016033	1.17	1B004165	2.22
1A005058R	1.15	1A016119	1.17	1B004360	2.24
1A005132	1.03	1A016543	1.21	1B004574	2.24
1A005254	1.17	1A016605	1.10	1B005066	2.22
1A005265	1.17	1A016873	1.18	1B005127	2.30
1A006307	1.03	1A017197	1.21	1B006114	2.06
1A006482	1.04	1A017429	2.25	1B006115	2.06
1A006499	1.15	1A017647	1.10	1B006116	2.06
1A006503	1.15	1A017797	1.21	1B006117	2.06
1A006545	1.07	1A017882	1.20	1B006291	2.15
1A006988	1.15	1A017964	1.18	1B006697	2.20
1A007468	1.14	1A018007	1.18	1B006711	2.22
1A007618	1.05	1A018013	1.21	1B006796	1.20
1A008072	1.03	1A018232	1.10	1B006957	2.22
1A008397	1.08	1A018267	1.17	1B006961	1.20
1A008637	1.06	1A018501	1.10	1B007071	1.22
1A008638	1.06	1A018710	1.18	1B007278	1.22
1A008639	1.06	1A018847	1.10	1B007310	1.22
1A009397	1.13	1A018849R	1.10	1B007312C1	2.24
1A009606	1.16	1A019253	1.09	1B007316	2.25
1A011087	1.12	1A019310	1.16	1B007339	2.04

PART NO	BLOCK	PART NO	BLOCK	PART NO	BLOCK
1B007449	1.22	1C006831	2.30	253937	2.15
1B007640	1.22	1D000152	1.14	254485	1.17
1B007740	2.27	1D000185	2.26	254485	1.22
1B007797	2.24	1D000186	2.25	254485	2.03
1B007869	1.20	1D000517	2.27	255323	1.22
1B007884	1.20	1D000540	2.28	257134	1.21
1B008067R	1.20	1D000698	1.16	257134	2.23
1B008594	2.24	1D001198	1.16	257535	2.24
1C000110	2.16	1D001275	2.25	258146	1.17
1C000111	2.02	1D001275	2.25	258146	2.10
1C000655R	2.21	1D001301	2.29	259933	2.30
1C000870	2.20	1D001812	2.27	265216	2.17
1C001621	2.18	1D002507	2.12	265451	2.16
1C001623	2.19	1D002507	2.12	267038	2.17
1C001642	2.23	1D002592	2.30	267917	2.12
1C001871	2.30	1D002664	2.29	268158	2.17
1C001969	2.16	1D002666	2.30	268596	2.09
1C001984	2.16	1D002701	2.22	268596	2.24
1C002059R	2.20	1D002753	2.30	269755	1.02
1C002402	2.30	1D002971	2.22	269755	1.07
1C002634	2.20	1D003013	2.25	270310	2.23
1C002806	2.19	1D003013	2.25	270793	1.20
1C003017	2.16	1D003079	2.14	270793	2.10
1C003277	2.23	1D003122R	1.22	270793	2.14
1C003310	2.18	1D003128	2.27	270793	2.27
1C003312	2.19	1D003180	2.29	271596	2.20
1C003675	2.16	1D003477	2.22	272836	2.30
1C003681	2.16	1D004221	2.29	272836	1.17
1C003702	2.20	1F000110	1.09	272836	2.27
1C003837	2.16	1F000110	1.12	272836	2.30
1C003926	2.20	1G000354	2.30	273754	2.02
1C004065	2.12	20105	2.07	285536	1.13
1C004066	2.12	20108	2.16	287073	1.18
1C004126	2.20	216369	1.12	288673	1.03
1C004127	2.20	218667	2.30	292022	2.27
1C004306	2.12	230359	1.21	292500	2.16
1C004587	2.16	231215	2.27	292507	2.29
1C004645	2.23	231590	1.20	293154	1.22
1C004838	2.30	241936	2.16	293256	2.29
1C004839	2.29	241936	2.20	294723	2.26
1C005000	2.17	241936	2.25	294754	2.29
1C005187	2.17	241936	2.30	294877	2.26
1C005952R	2.20	252945	2.29	295590	2.30

PART NO	BLOCK	PART NO	BLOCK	PART NO	BLOCK
295591	2.30	434541	2.20	564259	2.16
295592	2.30	434541	2.22	564260	2.16
295593	2.30	434541	2.25	564262	2.16
295822	2.30	434541	2.25	564645	2.23
296141	2.04	434541	2.29	56499R	2.18
296141	2.05	434716	1.07	574226	2.30
296456	2.24	434947	2.30	574227	2.30
296743	2.24	435571	1.07	575249	2.04
297498	2.03	435634	2.20	575249	2.07
297498	2.03	435634	2.23	575249	2.09
297498	2.26	436788	2.22	575249	2.09
298729	2.24	436788	2.25	575249	2.16
299557	2.01	436947	1.18	575249	2.16
299558	2.01	463195	2.05	575819	2.03
299559	2.01	483711	1.07	575937	1.22
299964	2.06	485703	1.02	576017	1.22
299965	2.06	485703	1.07	576189	1.22
2H000604	2.11	487034	1.03	576189	2.03
2H001223	2.11	4A000016	2.03	576189	2.04
2H002046	2.11	4A000030	2.18	576189	2.05
2H003225	2.30	4A000031	2.19	576464	2.11
2H003262	2.11	4A000036	2.12	576565	2.30
2H003263	2.11	4A000037	2.12	577492	2.24
2H003664	2.11	4A000038	2.12	580561	2.29
2H003669	2.11	4A000039	2.12	580621	2.15
2H003837	2.11	4A000040	2.09	58273R	1.12
2H003972000R7	2.11	4A000042	2.06	584332	2.27
2H003972400A2	2.11	4A000043	2.10	584332	2.27
2H005352	2.11	4A000046	2.13	584332	2.28
2H005353	2.11	4A000047	2.16	584332	2.28
2H005354	2.11	4A000051	2.28	58500R	2.19
2H005355	2.11	4A000052	2.07	597043	2.02
2H005356	2.11	4A000053	2.13	597679	2.18
2H005357	2.11	4A000054	2.13	597679	2.19
2H005358	2.11	560045	2.17	598369	2.12
3056	1.17	561837	2.30	601039	1.21
3056	1.20	561838	2.30	6078	2.22
3056	2.22	564112	2.21	614188	1.17
3056	2.30	564112	2.21	620556	2.05
3056	2.30	564134	2.21	620969	2.24
3060	2.13	564256	2.16	622187	2.06
433987	1.03	564257	2.16	622188	2.06
434541	2.30	564258	2.16	623336	2.09

PART NO	BLOCK	PART NO	BLOCK	PART NO	BLOCK
623420	2.04	656219	2.11	674163	2.24
623512	2.26	656220	2.11	674179	2.24
639335	2.07	657109	2.24	674180	2.24
640800	2.27	657125	2.06	674302	2.24
640801	2.27	665602	2.16	674303	2.24
640879	2.29	665657	2.16	674304	2.24
641359	2.26	665657	2.19	674305	2.24
641652	1.20	665735	2.16	674306	2.24
641859	2.26	666294	2.16	674307	2.24
642537	1.10	666484	2.02	674308	2.24
642554	2.28	666558	2.12	674311	2.24
642905	2.09	666758	2.12	674312	2.24
642906	2.07	666847	2.17	674314	2.24
643023	2.26	666895	2.30	675077A	2.30
643114	1.12	666991	1.02	675389	2.30
643149	1.10	667152	2.16	675396	1.22
643156	1.10	667566	2.02	675546	2.09
643323	2.28	667567	2.02	675977	2.30
643324	2.27	667842	1.03	675978	2.30
643325	2.27	667842	2.23	675980	2.30
643326	2.28	667990	2.16	676031	2.30
643327	2.28	668001	2.16	676072	2.30
643329	2.27	668300	2.17	676080	2.30
643329	2.27	668302	2.17	676200	2.22
643340	2.28	668477	2.23	680154	2.25
643340	2.28	668585	2.02	6965	2.07
643367	1.10	668767	2.16	6965	2.20
646535	2.23	669149	2.16	6965	2.27
647384	2.21	669282	2.29	6965	2.28
649113	2.16	672658	1.17	709003	2.03
649910	2.16	672659	1.17	709003	2.30
651293	2.12	672660	1.17	709037	2.17
653281	2.24	672681	2.03	709047	2.16
653994	2.24	673220	2.28	709047	2.18
654265	2.10	673260	2.03	709047	2.20
654271	2.27	673261	2.03	709116	2.30
654276	2.27	673562	2.24	709116	1.20
654626	2.30	673563	2.24	709116	2.30
654630	2.30	673853	2.07	709116	2.30
654876	2.27	673893	2.30	709519	1.17
654890	2.27	673918A	2.30	709519	1.17
655554	2.12	674162	2.24	783003	2.30
656021	2.22	674162	2.24	783004	2.30

PART NO	BLOCK	PART NO	BLOCK	PART NO	BLOCK
78307	2.09	B013172	1.15	B017406	1.13
783259	2.30	B013524	1.03	B017425	1.08
783260	2.30	B013594	1.05	B017426	1.08
826118	1.18	B013685	1.03	B017431	1.08
826275	2.03	B014063	1.10	B017438	1.07
826275	2.23	B014063	1.12	B017445	1.03
827526	1.18	B014066	1.10	B017446	1.02
827526	1.18	B014066	1.12	B017456	1.07
827831	1.17	B014188	1.03	B017481	1.03
830269	1.09	B014237	1.09	B017597	1.03
83033R	1.14	B014585	1.10	B017599	1.15
83044R	1.05	B014684	1.07	B018020	1.13
83053R	1.07	B014705	1.07	B018038	1.03
83054R	1.07	B014706	1.07	B018139	1.02
83062R	1.08	B014732	1.07	B018140	1.04
840541	2.30	B014750	1.12	B018262	1.17
841782	1.18	B014755	1.02	B018304	1.03
842908	1.18	B014760	1.08	B018306	1.15
842908	1.18	B014830	1.09	B018308	1.15
8432	2.06	B014993	1.17	B018421	1.12
8432	2.06	B014994	1.17	B018421	1.03
844719	1.12	B015288	1.07	B018442	1.16
844719	1.07	B015312	1.12	B018448	1.13
844719	1.07	B015320	1.18	B018451	1.17
844927	1.18	B015321	1.18	B018476	1.10
847928	1.09	B015483	1.08	B018533	1.07
848766	1.18	B015591	1.02	B018718	1.09
848766	1.18	B015592	1.02	B018718	1.02
848766	2.22	B015592	1.03	B018853	1.16
848766	2.22	B015598	1.13	B018854	1.07
872816	1.10	B015676	1.02	B018946	1.08
876879	1.18	B016419	1.03	B019040	1.09
876879	1.18	B016627	1.18	B019107	1.02
879474	1.06	B016922	1.15	B019108	1.05
880805	1.10	B016953	1.05	B019134	1.10
880841	1.06	B016954	1.02	B019254	1.17
939278	2.20	B016955	1.02	CM001233	1.20
951677	2.30	B016956	1.02	CM001235	1.20
969296	1.20	B017002	1.13	CM001236	1.20
969296	2.22	B017080	1.12	CM001901	1.20
969296	2.22	B017113	1.08	CM001912	1.20
AP8152338	2.03	B017323	1.08	CM001912	1.20
B001511A	2.30	B017406	1.09	CM001914	1.20

PART NO	BLOCK	PART NO	BLOCK	PART NO	BLOCK
CM001914	1.20	CM179302	2.07	S67268600T5	2.05
CM001914	1.20	CM179303	1.22	S67521700AI	2.05
CM001914	1.20	CM179303	2.03	S67521700NL	2.05
CM001914	2.22	CM259202	1.17	S67521700Q4	2.05
CM001927	1.21	CM259202	1.22	S67521700T5	2.05
CM001927	1.21	CM259202	2.04	SKIT940027R	2.30
CM002903	1.20	CM259202	2.07	SKIT940027R	2.30
CM002903	1.05	CM259202	2.09	SKIT940028R	2.30
CM002906	1.17	CM259203	2.07	SKIT940029R	2.30
CM002910	1.17	CM259204	1.17	SKIT940057	2.22
CM002917	1.13	CM259204	2.22	SKIT940095	2.30
CM002917	1.05	CM259204	2.22	SKIT940096	2.30
CM006905	2.29	CM283429	1.20	SP1A000453	1.05
CM006908	2.22	CM283434	1.20	SP1A006405	1.08
CM006913	2.23	CM287401	1.20	SP1A014351	1.04
CM006913	2.23	CM291501	1.06	SP1A014443	1.02
CM007407	2.23	CM291502	1.06	SP1A014480	1.02
CM007458	2.23	CM291503	1.06	SP1A015839	1.11
CM013202	2.22	CM297304	2.29	SP1A0165444	1.21
CM013203	2.23	CM301402	2.25	SP1A016610	1.07
CM017403	2.06	CM301410	2.25	SP1A017005	1.08
CM017405	2.28	CM301501	2.13	SP1A017419	1.03
CM017406	2.04	CM301502	2.13	SP1A017420	1.03
CM017406	2.27	CM301503	2.13	SP1A017774	1.03
CM017408	1.22	CM305602	1.01	SP1A017774	1.18
CM017409	2.03	NS	1.15	SP1B002204000AI	2.09
CM017409	2.10	S00250900AI	2.06	SP1B002204000LC	2.09
CM017410	1.22	S00250900NL	2.06	SP1B002204000NL	2.09
CM017410	2.16	S00250900T5	2.06	SP1B002204000Q4	2.09
CM063813	2.12	S00254900XN2	2.10	SP1B002204000S9	2.09
CM082204	2.23	S00260100XN2	2.09	SP1B002204000T5	2.09
CM083606	1.03	S67266220T5	2.01	SP1B002204AX	2.09
CM083803	2.12	S67267900AI	2.05	SP1B002204D04	2.09
CM083804	2.12	S67267900NL	2.05	SP1B002204V10	2.09
CM087614	2.25	S67267900Q4	2.05	SP1B002509000LC	2.06
CM090402	2.12	S67267900T5	2.05	SP1B002509000Q4	2.06
CM177919	1.20	S67268000AI	2.05	SP1B002509000R7	2.06
CM177938	1.20	S67268000NL	2.05	SP1B002509000S9	2.06
CM178603	2.03	S67268000Q4	2.05	SP1B002509AX	2.06
CM178603	2.05	S67268000T5	2.05	SP1B002509D04	2.06
CM178604	1.22	S67268600AI	2.05	SP1B002509LF	2.06
CM178608	1.22	S67268600NL	2.05	SP1B002528000AI	2.07
CM179302	1.22	S67268600Q4	2.05	SP1B002528000LC	2.07

