

# Parts Catalog

## Two Wheeler

APRILIA\_STORM\_125

**PIAGGIO VEHICLES PRIVATE LIMITED**

Registered Office: Bund Garden Road ,Opp. Residency Club , Pune (India)

**PLATES INDEX**

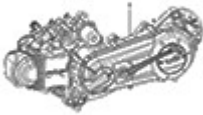
<b>Sr No.</b>	<b>Plate Name</b>	<b>Plate No.</b>	<b>Page No.</b>
1	Engine	1.01	1-2
2	Crankcase	1.02	3-4
3	Transmission Cover	1.03	5-6
4	Gear Box cover	1.04	7-8
5	Cylinder Piston Group	1.05	9-10
6	Flywheel Cover	1.06	11-12
7	Cylinder Head	1.07	13-14
8	Camshaft	1.08	15-16
9	Timing Group	1.09	17-18
10	Electric Component	1.10	19-20
11	Crankshaft	1.11	21-22
12	Fan cover and Shroud	1.12	23-24
13	Lubrication component	1.13	25-26
14	Starting Group	1.14	27-28
15	Transmission Group	1.15	29-32
16	Carburetor	1.16	33-34
17	Air Intake	1.17	35-36
18	Induction Pipe/Bellow	1.18	37-38
19	Muffler	1.19	39-40
20	Frame	2.01	41-42
21	Stand	2.02	43-44
22	Front Shield	2.03	45-46
23	Central covers & footrests	2.04	47-48
24	Side cover and spoiler	2.05	49-50
25	Mudguard and helmet Case	2.06	51-52
26	Logos and Emblem	2.07	53-56
27	Complete Saddle	2.08	57-58
28	Mirrors	2.09	59-60
29	Locks	2.10	61-62
30	Fuel Tank	2.11	63-64

**PLATES INDEX**

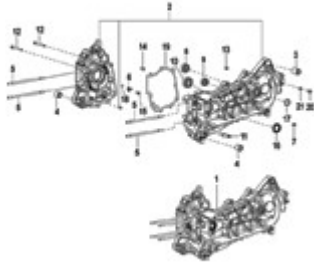
<b>Sr No.</b>	<b>Plate Name</b>	<b>Plate No.</b>	<b>Page No.</b>
31	Handlebar Coverages	2.12	65-66
32	Speedometer	2.13	67-68
33	Handlebars	2.14	69-70
34	Front suspension	2.15	71-72
35	Rear suspension	2.16	73-74
36	Rear Brake	2.17	75-76
37	Front wheel	2.18	77-78
38	Rear Wheel	2.19	79-80
39	Brake and CBS components	2.20	81-84
40	Transmission cables	2.21	85-86
41	Selector Switches	2.22	87-88
42	Remote Control Switches	2.23	89-90
43	Front Lamp	2.24	91-92
44	Rear lamp Group	2.25	93-94
45	Battery	2.26	95-96
46	Wiring Harness	2.27	97-98
47	Accessories	2.28	99-102
48	Helmet Carrier Cover & Spoiler	2.05A	103-104

## PICTORIAL PLATES INDEX

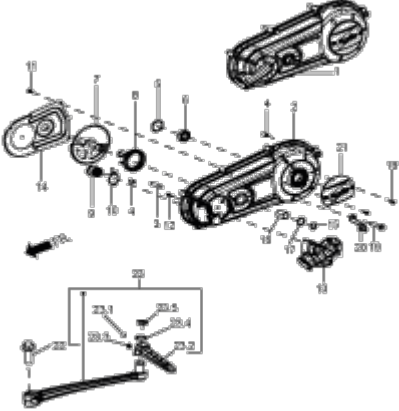
**1.01 Engine**  
**Page No. :1-2**



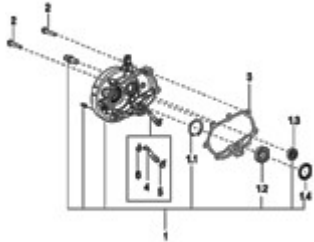
**1.02 Crankcase**  
**Page No. :3-4**



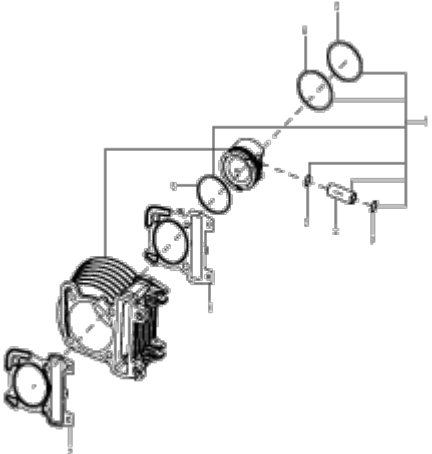
**1.03 Transmission Cover**  
**Page No. :5-6**



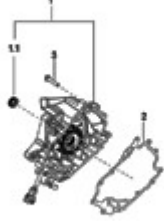
**1.04 Gear Box cover**  
**Page No. :7-8**



**1.05 Cylinder Piston Group**  
**Page No. :9-10**

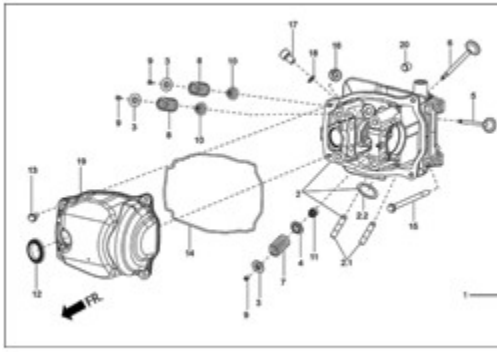


**1.06 Flywheel Cover**  
**Page No. :11-12**



**1.07 Cylinder Head**  
**Page No. :13-14**

**1.08 Camshaft**  
**Page No. :15-16**



# PICTORIAL PLATES INDEX

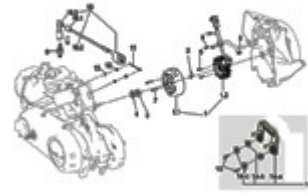
## 1.09 Timing Group

Page No. :17-18



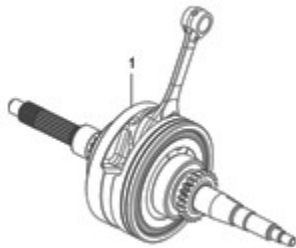
## 1.10 Electric Component

Page No. :19-20



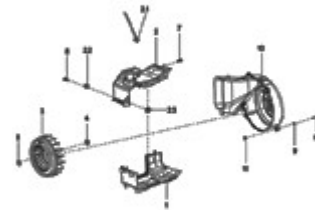
## 1.11 Crankshaft

Page No. :21-22



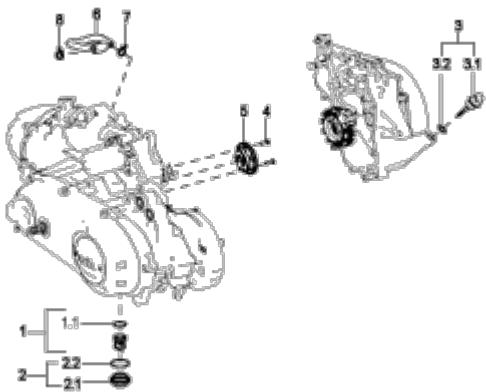
## 1.12 Fan cover and Shroud

Page No. :23-24



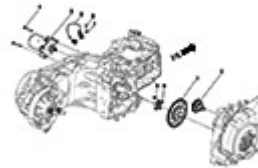
## 1.13 Lubrication component

Page No. :25-26



## 1.14 Starting Group

Page No. :27-28

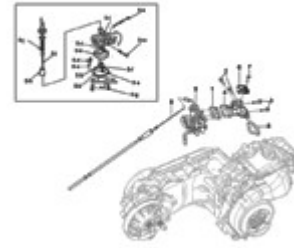
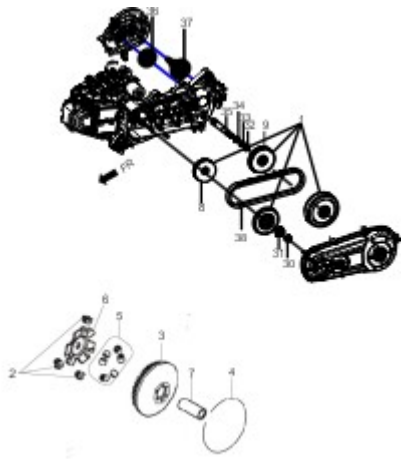


## 1.15 Transmission Group

Page No. :29-32

## 1.16 Carburetor

Page No. :33-34



# PICTORIAL PLATES INDEX

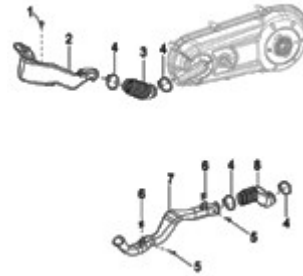
## 1.17 Air Intake

Page No. :35-36



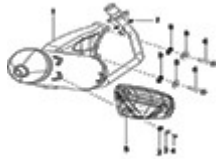
## 1.18 Induction Pipe/Bellow

Page No. :37-38



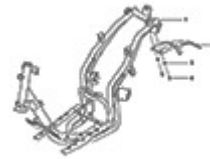
## 1.19 Muffler

Page No. :39-40



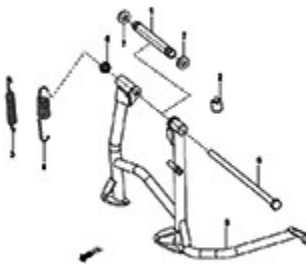
## 2.01 Frame

Page No. :41-42



## 2.02 Stand

Page No. :43-44



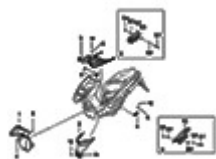
## 2.03 Front Shield

Page No. :45-46



## 2.04 Central covers & footrests

Page No. :47-48



## 2.05 Side cover and spoiler

Page No. :49-50

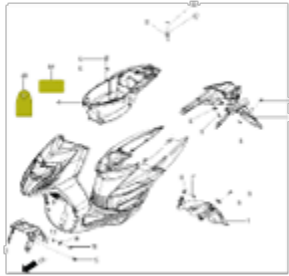
Image Work in Progress



## PICTORIAL PLATES INDEX

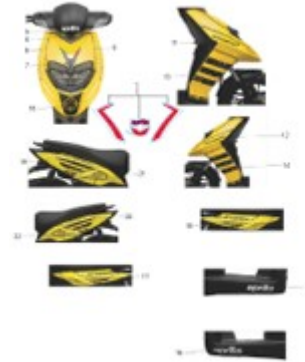
### 2.06 Mudguard and helmet Case

Page No. :51-52



### 2.07 Logos and Emblem

Page No. :53-56



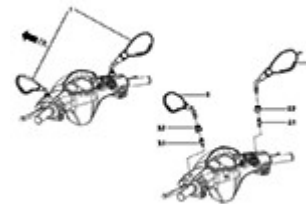
### 2.08 Complete Saddle

Page No. :57-58



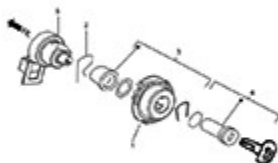
### 2.09 Mirrors

Page No. :59-60



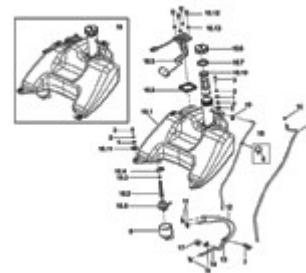
### 2.10 Locks

Page No. :61-62



### 2.11 Fuel Tank

Page No. :63-64

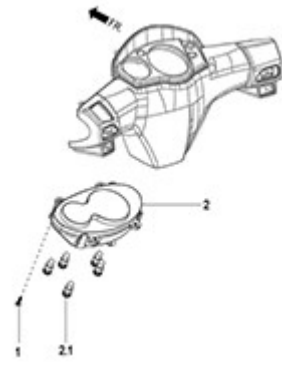
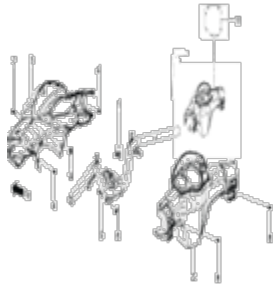


### 2.12 Handlebar Coverages

Page No. :65-66

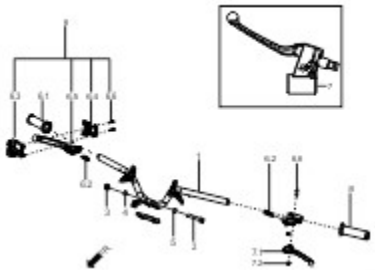
### 2.13 Speedometer

Page No. :67-68



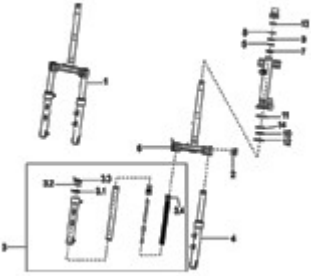
# PICTORIAL PLATES INDEX

**2.14 Handlebars**  
**Page No. :69-70**



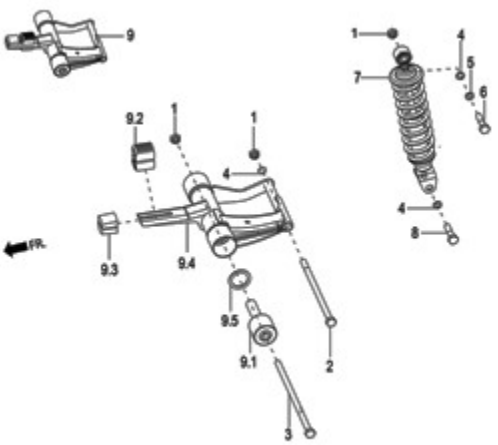
This diagram shows the handlebar assembly in an exploded view. It includes the handlebars, grips, and various mounting hardware. Numbered callouts (1-12) identify specific components. An inset diagram shows a close-up of the handlebar clamp and grip assembly.

**2.15 Front suspension**  
**Page No. :71-72**



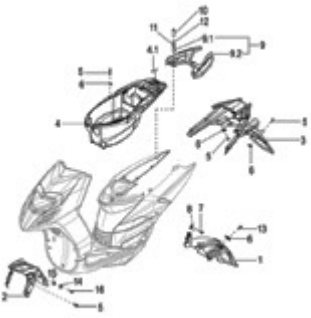
This diagram illustrates the front suspension system, including the front fork, triple clamps, and steering knuckle. Numbered callouts (1-10) identify the various parts. An inset diagram provides a detailed view of the triple clamp and fork assembly.

**2.16 Rear suspension**  
**Page No. :73-74**



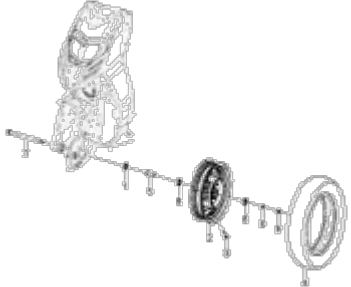
This diagram shows the rear suspension system, including the rear shock absorber, swingarm, and rear axle. Numbered callouts (1-9.5) identify the components. An inset diagram shows a close-up of the rear shock absorber and its mounting hardware.

**2.17 Rear Brake**  
**Page No. :75-76**




This diagram depicts the rear brake system, including the brake disc, brake pads, and brake caliper. Numbered callouts (1-12) identify the parts. An inset diagram shows a close-up of the brake caliper and disc assembly.

**2.18 Front wheel**  
**Page No. :77-78**



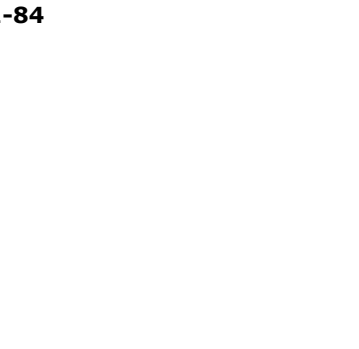
This diagram shows the front wheel assembly, including the front fork, front wheel, and front tire. Numbered callouts (1-10) identify the components.

**2.19 Rear Wheel**  
**Page No. :79-80**




This diagram illustrates the rear wheel assembly, including the rear shock absorber, rear wheel, and rear tire. Numbered callouts (1-10) identify the parts.

**2.20 Brake and CBS components**  
**Page No. :81-84**



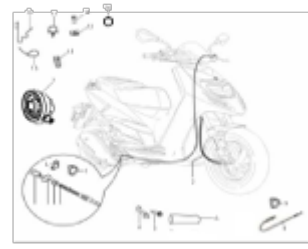
This diagram shows the brake and CBS (Combined Brake and Signal) components, including the brake master cylinder, brake lines, and CBS sensor. Numbered callouts (1-10) identify the parts.

**2.21 Transmission cables**  
**Page No. :85-86**



This diagram illustrates the transmission cables, including the clutch cable and gear shift cable. Numbered callouts (1-10) identify the components.

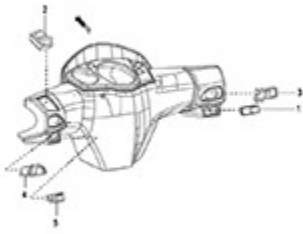
Image Work in Progress



# PICTORIAL PLATES INDEX

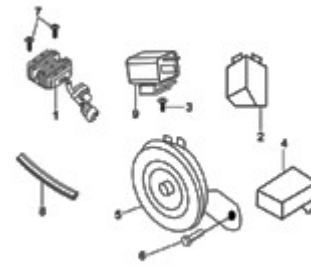
## 2.22 Selector Switches

Page No. :87-88



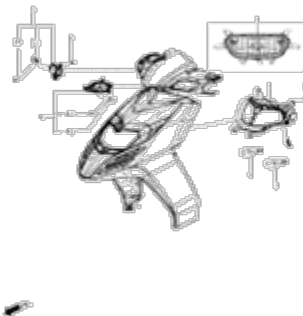
## 2.23 Remote Control Switches

Page No. :89-90



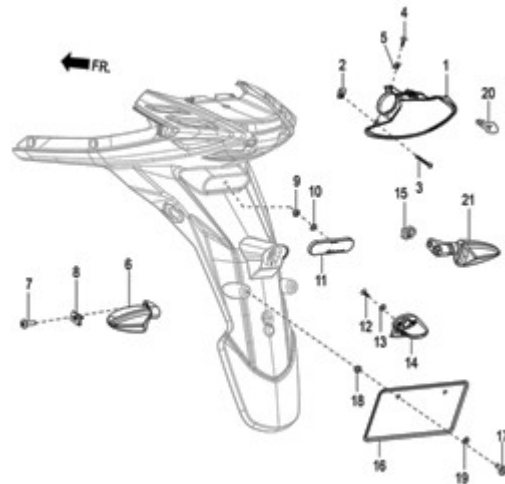
## 2.24 Front Lamp

Page No. :91-92



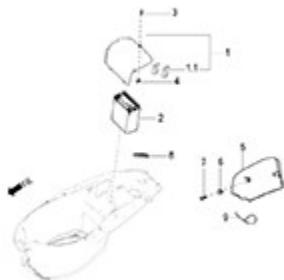
## 2.25 Rear lamp Group

Page No. :93-94



## 2.26 Battery

Page No. :95-96



## 2.27 Wiring Harness

Page No. :97-98

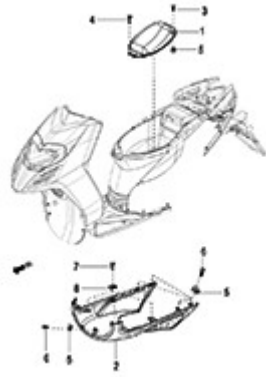


## 2.28 Accessories

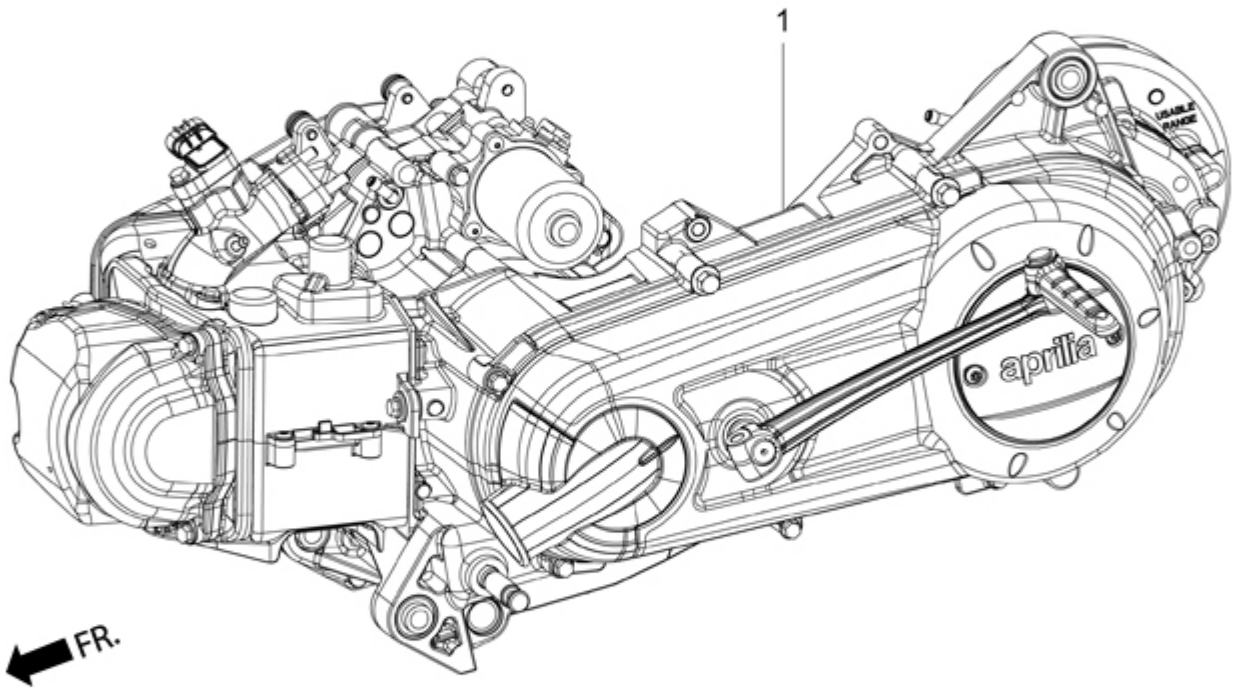
Page No. :99-102

## 2.05A Helmet Carrier Cover & Spoiler

Page No. :103-104



**1.01**  
**Engine**

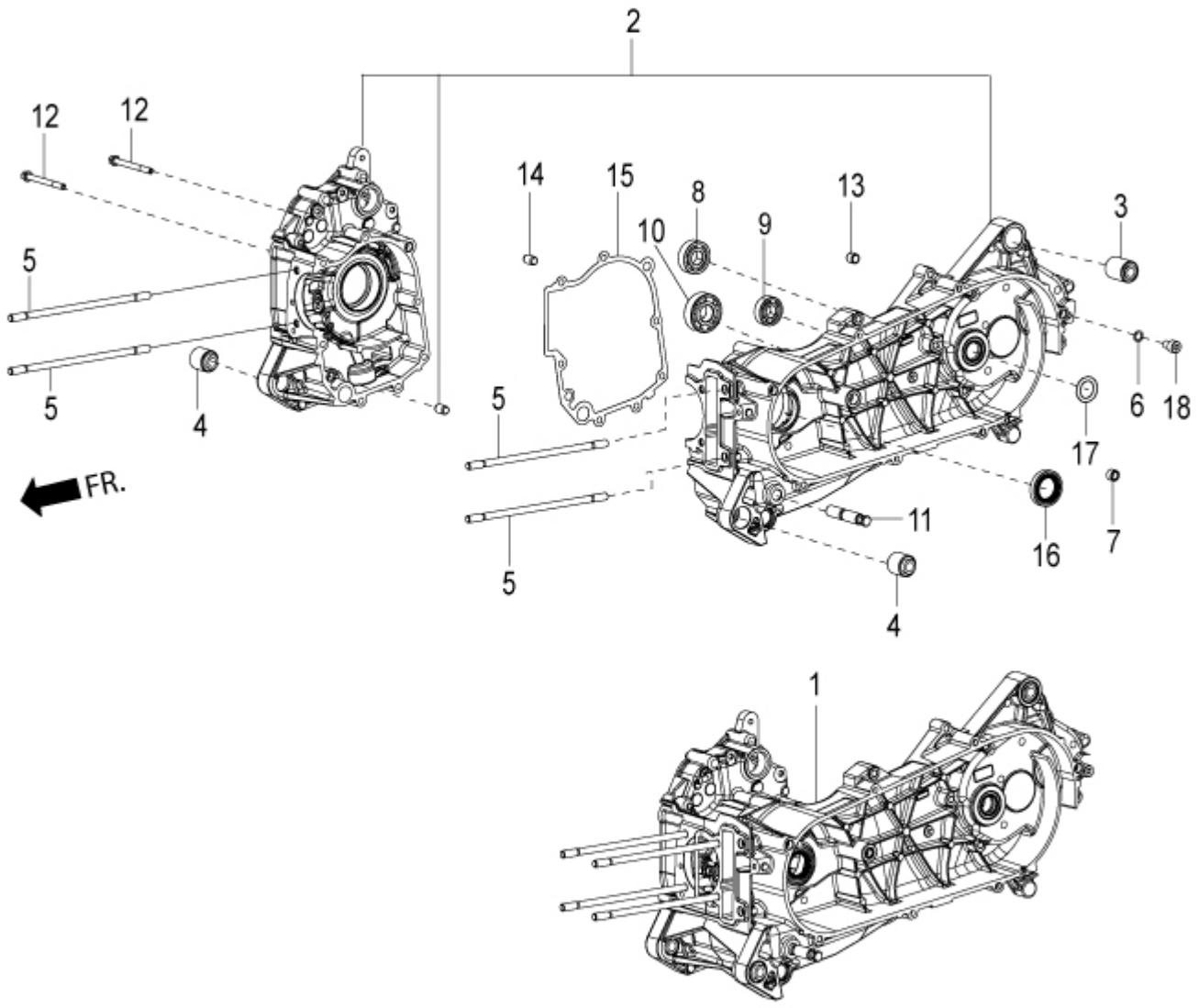


**1.01**  
**Engine**

<b>Fig. No.</b>	<b>Part No.</b>	<b>Description</b>	<b>Qty</b>	<b>Remarks</b>
1	CM166937	ENG. 125 4S/3V BSIV HE STORM CBS	1	



# 1.02 Crankcase

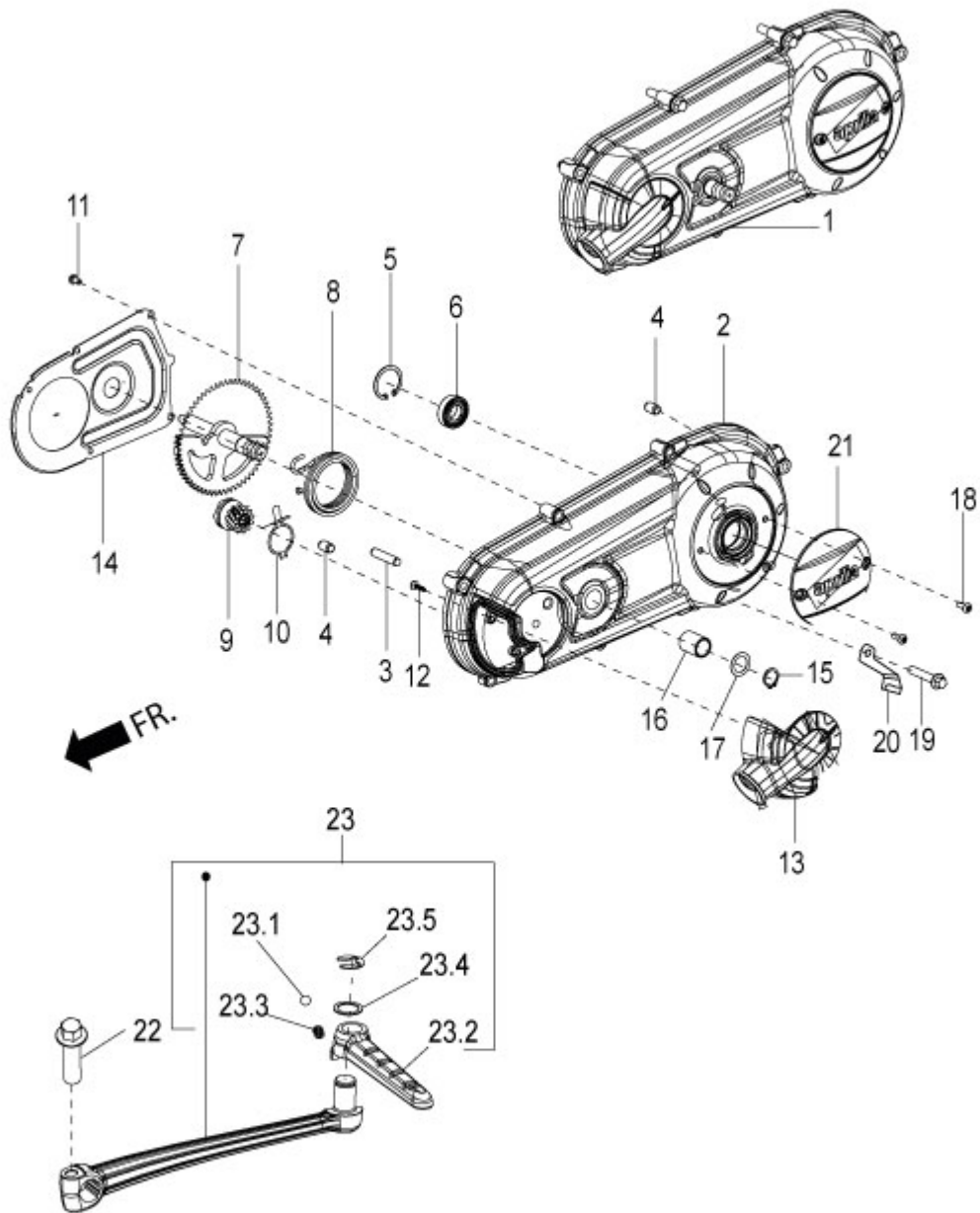


**1.02****Crankcase**

<b>Fig. No.</b>	<b>Part No.</b>	<b>Description</b>	<b>Qty</b>	<b>Remarks</b>
1	SP1A009210	CRANKCASE ASSY - SPD	1	
2	SP1A009211	COUPLED CRANKCAE WITH I.P.-SPD	1	
3	666991	RUBBER BUSHING	1	
4	B015676	RUBBER BUSHING	2	
5	B014755	STUD SCREW	4	
6	485703	WASHER	2	CRANKCASE COMPONENTS
7	B017446	BUSH	1	
8	B016955	DEEP GROOVE BALL BEARING	1	
9	B016957	BALL BEARING	1	
10	B016954	DEEP GROOVE BALL BEARING	1	
11	668686	STAND SPRING HOOKING PIN	1	
12	1A003068	FLANGED HEX HEAD SCREW M6X65	9	CRANKCASE FIXING
13	B015591	REFERENCE DOWEL	2	
14	B015592	REFERENCE DOWEL (D.9,5 H=15)	2	
15	1A001278	HALF-CRANKCASES GASKET	1	CRANKCASE FIXING
16	B018139	SEAL RING 40X25X7	1	
17	B019107	SEAL RING 20X32X7	1	
18	269755	SOCKET HEAD SCREW (M8X12)	2	CRANKCASE COMPONENTS

### 1.03

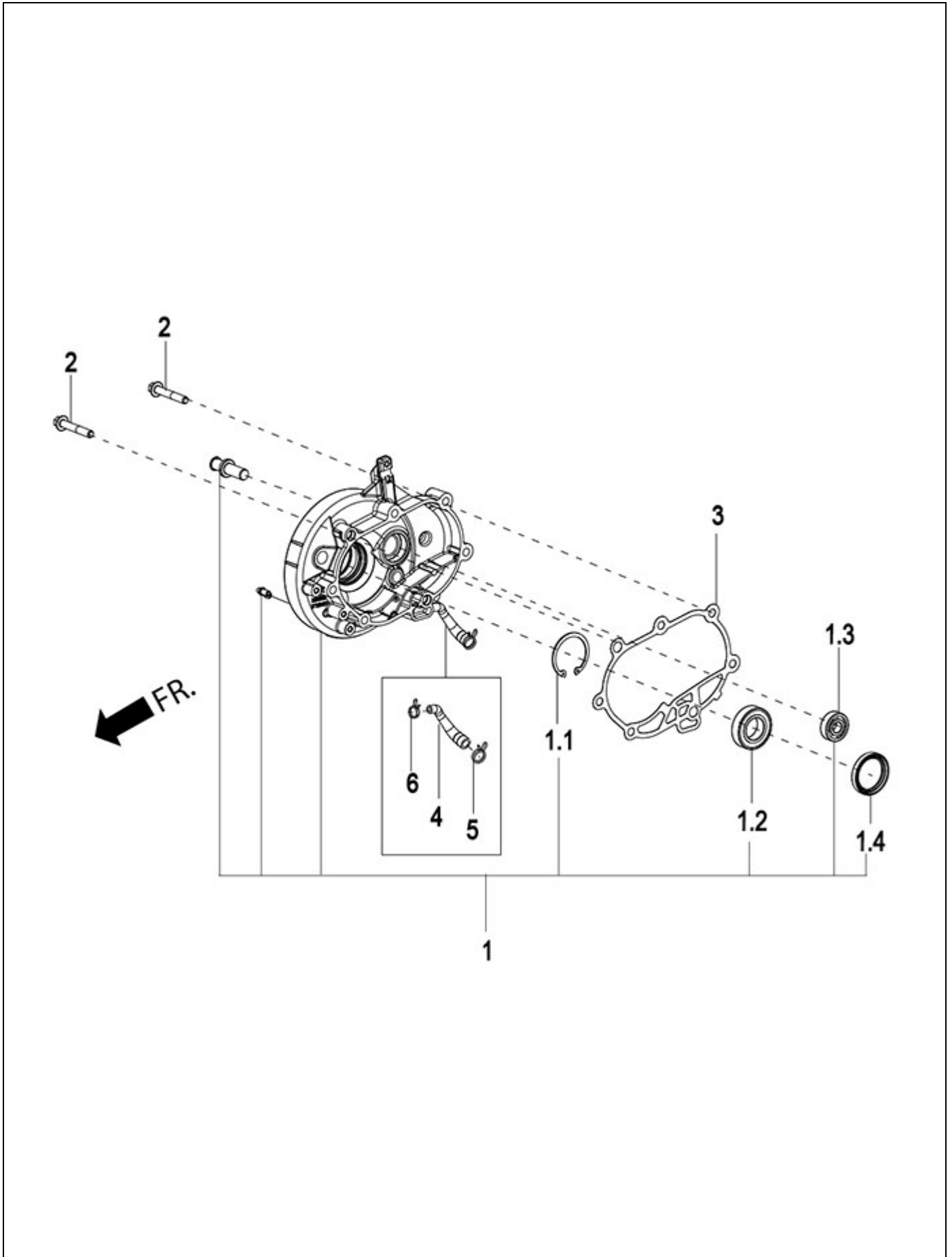
### Transmission Cover



**1.03****Transmission Cover**

<b>Fig. No.</b>	<b>Part No.</b>	<b>Description</b>	<b>Qty</b>	<b>Remarks</b>
1	SP1A017432	COMPLETE TRANSMISSION COVER	1	
2	SP1A017433	TRANSMISSION COVER WITH I.P.-SPD	1	
3	B017481	STARTER PINION GEAR PIVOT	1	
4	B015592	REFERENCE DOWEL (D.9,5 H=15)	2	
5	1A006307	ELASTIC RING	1	
6	B018304	BALL BEARING	1	
7	B018038	STARTING AXLE WITH I.P.	1	
8	B014188	START LEVER RETURNING SPRING	1	
9	B017597	STARTER PINION GEAR WITH I.P.	1	
10	288673	SPRING	1	
11	1A000612	RETAINER SCREW - PRE COATED	5	AIR DEFLECTOR FIXING
12	B018421	SULF-THREADING SCREW 3.8X16	3	COOLING COVER FIXING
13	B013524	COOLING COVER	1	
14	B013685	AIR DEFLECTOR	1	
15	006416	SPRING RING	1	
16	B017445	BUSH	1	
17	433987	PLANE WASHER 16.3X23.8X0.6	1	
18	1A008521	COVEX HEAD SCREW WITH TORX	2	TRANSMISSION COVER CAP FIXING (OIM)
19	1A003060	FLANGED HEX. HEAD SCREW M6X45	6	TRANSMISSION COVER FIXING
20	667842	TRANSMISSION BRAKE CLAMP	1	TRANSMISSION COVER FIXING
21	1A005843	TRANSMISSION COVER CUP	1	
22	1A007571	FLANGED HEX. HEAD SCREW M6X25	1	STARTING LEVER FIXING
23	1A008057	STARTING LEVER ASSY	1	
23.1	487034	SPHERE	1	
23.2	B014041	PEDAL CRANK	1	
23.3	B016419	LOCK PEDAL CRANK SPRING	1	
23.4	B016047	PLAIN WASHER	1	
23.5	B014094	CIRCLIP	1	

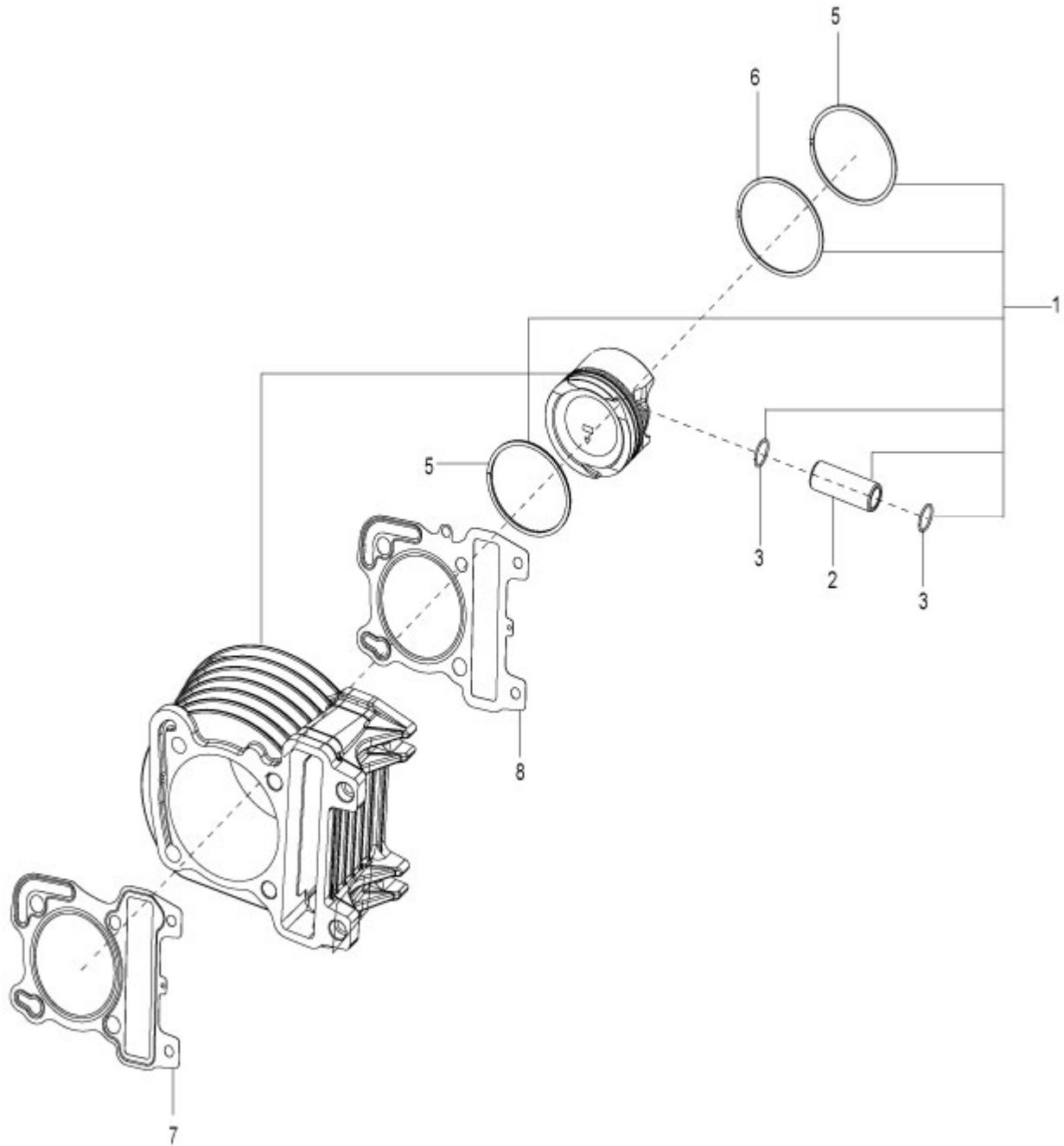
**1.04**  
**Gear Box cover**



**1.04****Gear Box cover**

<b>Fig. No.</b>	<b>Part No.</b>	<b>Description</b>	<b>Qty</b>	<b>Remarks</b>
1	SP1A007948	GEAR BOX COVER WITH I.P.-SPD	1	
1.1	006647	SPRING RING 47X50.5X1.75	1	
1.2	83044R	DEEP GROOVE BALL BEARING	1	
1.3	B016953	DEEP GROOVE BALL BEARING	1	
1.4	B019108	SEAL RING 35X47X7	1	
2	1A007618	FLANGED HEXAGONAL HEAD SCREW	7	GEAR COVER FIXING
3	1A006483	GEAR BOX GASKET	1	GEAR COVER FIXING
4	1A006780	OIL BREATHER PIPE	1	
5	CM002916	HOSE CLAMP	1	
6	CM002917	HOSE CLAMP	1	

**1.05**  
**Cylinder Piston Group**

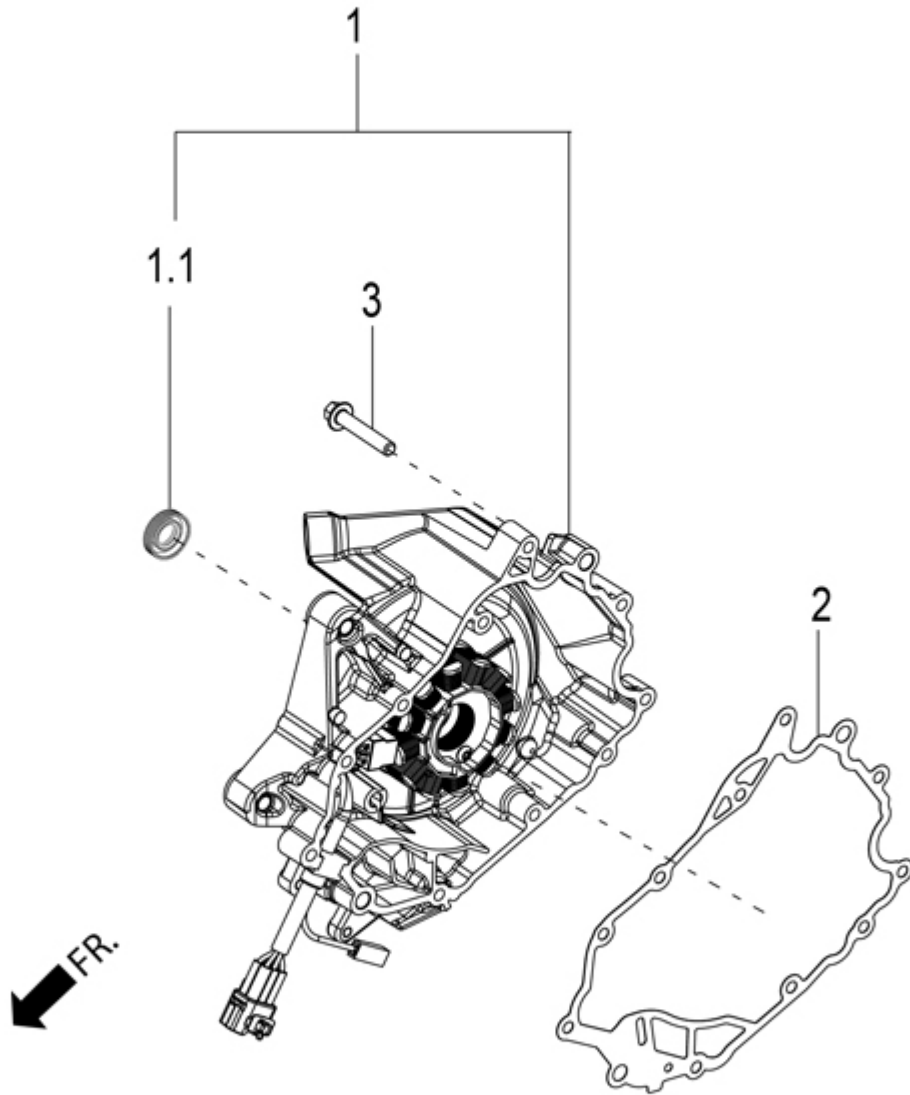


**1.05****Cylinder Piston Group**

<b>Fig. No.</b>	<b>Part No.</b>	<b>Description</b>	<b>Qty</b>	<b>Remarks</b>
1	SP1L001208C	CYLINDER PISTON AND KIT ASSLY-SR 125CC SPD	1	
2	880841	PISTON PIN	1	
3	879474	CIRCLIP	2	
4	1A001728	COMPRESSION RING 1_DEGREE	1	
5	B018216	2ND COMPRESSION RING	1	
6	B018217	SCRAPER RING	1	
7	B014739	CYLINDER-HEAD GASKET	1	CYLINDER HEAD/CRANKCASE FIXING
8	CM291501	CRANKCASE-CYLINDER GASKET 0.4	1	
8	CM291502	CRANKCASE-CYLINDER GASKET 0.6	1	
8	CM291503	CRANKCASE-CYLINDER GASKET 0.8	1	



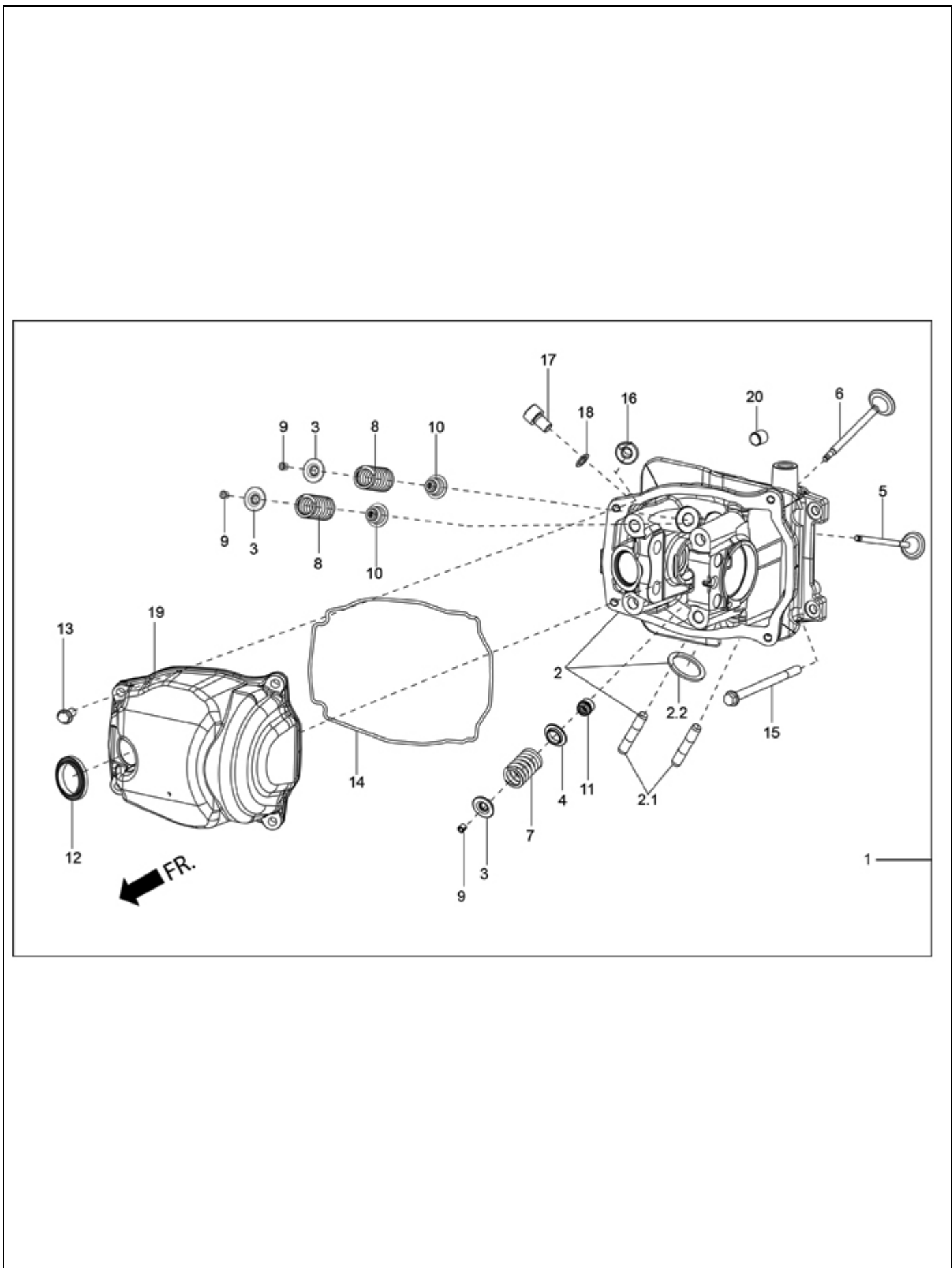
**1.06**  
**Flywheel Cover**



**1.06****Flywheel Cover**

<b>Fig. No.</b>	<b>Part No.</b>	<b>Description</b>	<b>Qty</b>	<b>Remarks</b>
1	SP1A000884	FLYWHEEL COVER ASSY - SPD	1	
1.1	B018140	SEAL RING 14X28X7	1	
2	1A006482	FLYWHEEL COVER GASKET	1	FLYWHEEL COVER FIXING
3	1A003060	FLANGED HEX. HEAD SCREW M6X45	12	FLYWHEEL COVER FIXING

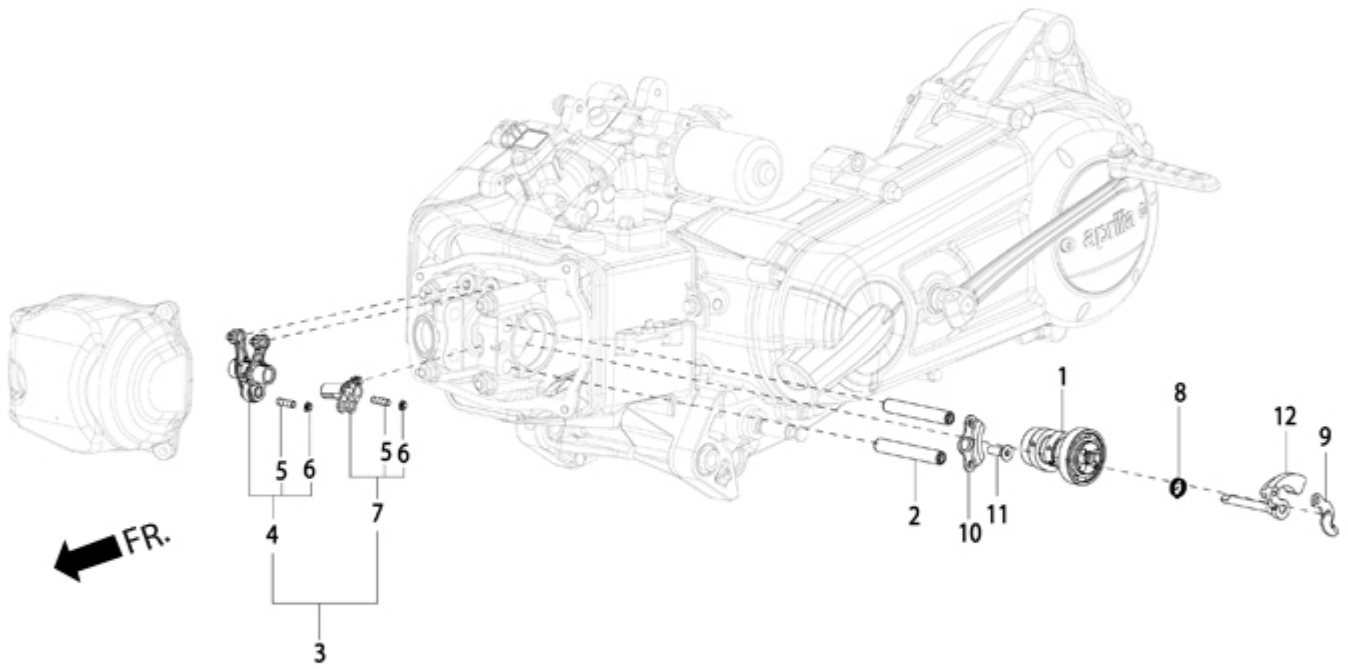
# 1.07 Cylinder Head



**1.07****Cylinder Head**

<b>Fig. No.</b>	<b>Part No.</b>	<b>Description</b>	<b>Qty</b>	<b>Remarks</b>
1	SP1A004078R	CYLINDER HEAD ASSY HE VESPA SPD	1	
2	SP1A004078R	CYLINDER HEAD ASSY HE VESPA SPD	1	
2.1	1A004153	STUD SCREW	2	
2.2	434716	CYLINDER HEAD/MUFFLER GASKET	1	
3	B017456	UPPER CUP	3	
4	483711	LOWER CUP	1	
5	B014684	INTAKE VALVE Ø20	2	
6	B017438	EXHAUST VALVE Ø22	1	
7	B014705	VALVE SPRING (EXHAUST)	1	
8	B014706	VALVE SPRING (INTAKE)	2	
9	B015288	HALF-CONE	6	
10	83054R	VALVE SEAL RING	2	
11	83053R	VALVE SEAL RING	1	
12	B014732	SPARK PLUG HOLE GASKET	1	HEAD COVER FIXING
13	018639	SCREW M6X20	4	HEAD COVER FIXING
14	B018533	CYLINDER HEAD COVER GASKET	4	HEAD COVER FIXING
15	B018854	HEXAGONAL HEAD FLANGED SCREW M6X90	2	
16	844719	FLANGED NUT M8X1.25	4	
17	269755	SOCKET HEAD SCREW (M8X12)	2	
18	485703	WASHER	2	
19	1A006545	HEAD COVER	1	
20	435571	REFERENCE DOWEL	4	

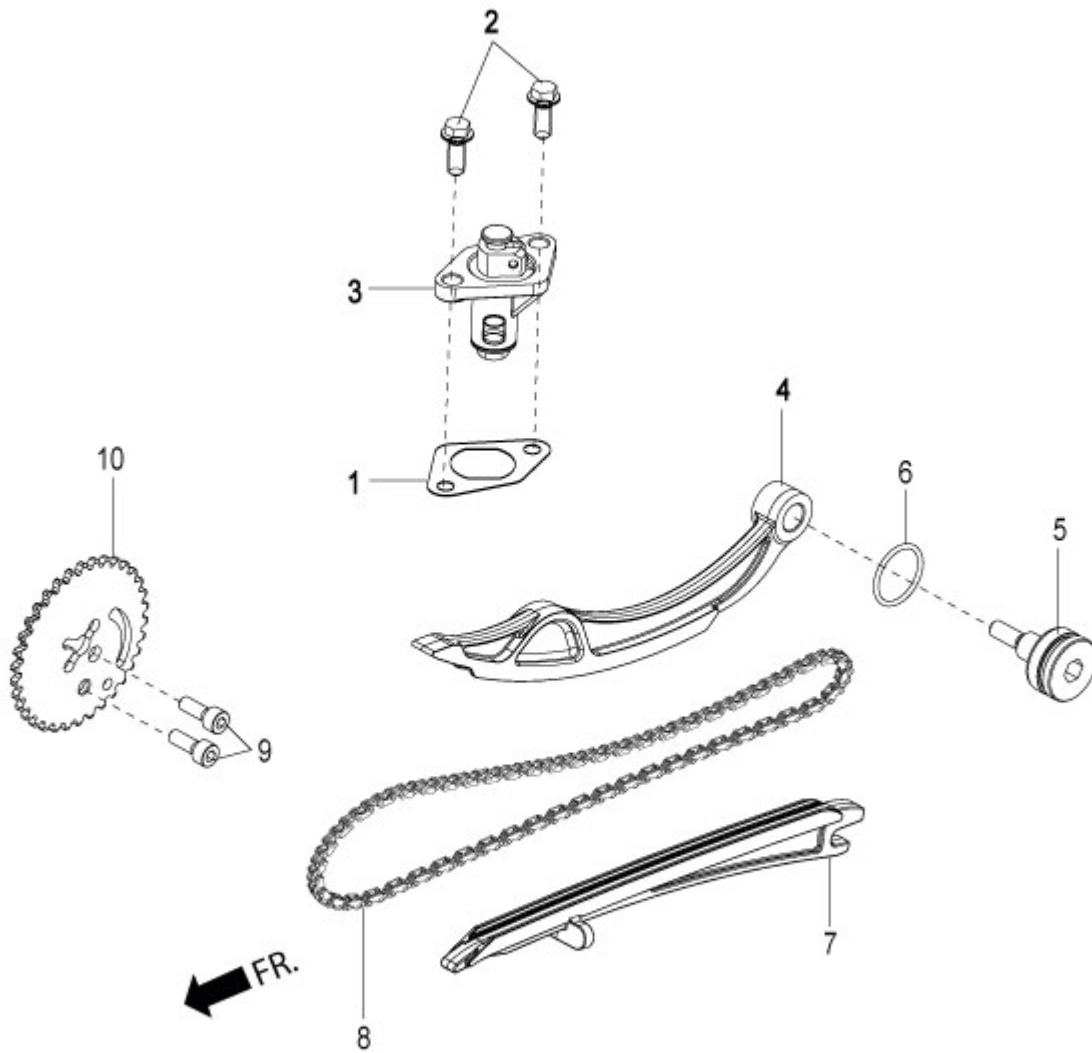
# 1.08 Camshaft



**1.08****Camshaft**

<b>Fig. No.</b>	<b>Part No.</b>	<b>Description</b>	<b>Qty</b>	<b>Remarks</b>
1	SPB015309	CAMSHAFT COMPLETE OF BEARING HE VESP	1	
2	B017113	ROCKER ARM SHAFT	2	
3	83062R	ROCKER ARM GROUP	1	
4	B017425	COMPLETE INLET SIDE ROCKER ARM	1	
5	B017323	VALVE ADJUSTMENT SCREW	2	
6	B017431	ROCKER ARM NUT	2	
7	B017426	COMPLETE EXHAUST SIDE ROCKER ARM	1	
8	B015483	DECOMPRESSION SPRING	1	
9	1A008397	CENTRIFUGAL MASS CONTAINMENT SHEET	1	
10	B014760	CAMSHAFT CONTAINMENT SHEET-STEEL	1	CAMSHAFT CONTAINMENT SHEET- STEEL FIXING
11	B018946	COUNTERSUNK SCREW M6X18	1	CAMSHAFT CONTAINMENT SHEET- STEEL FIXING
12	SP1A006405	CENTRIFUGAL MASS WITH I.P.	1	

**1.09**  
**Timing Group**

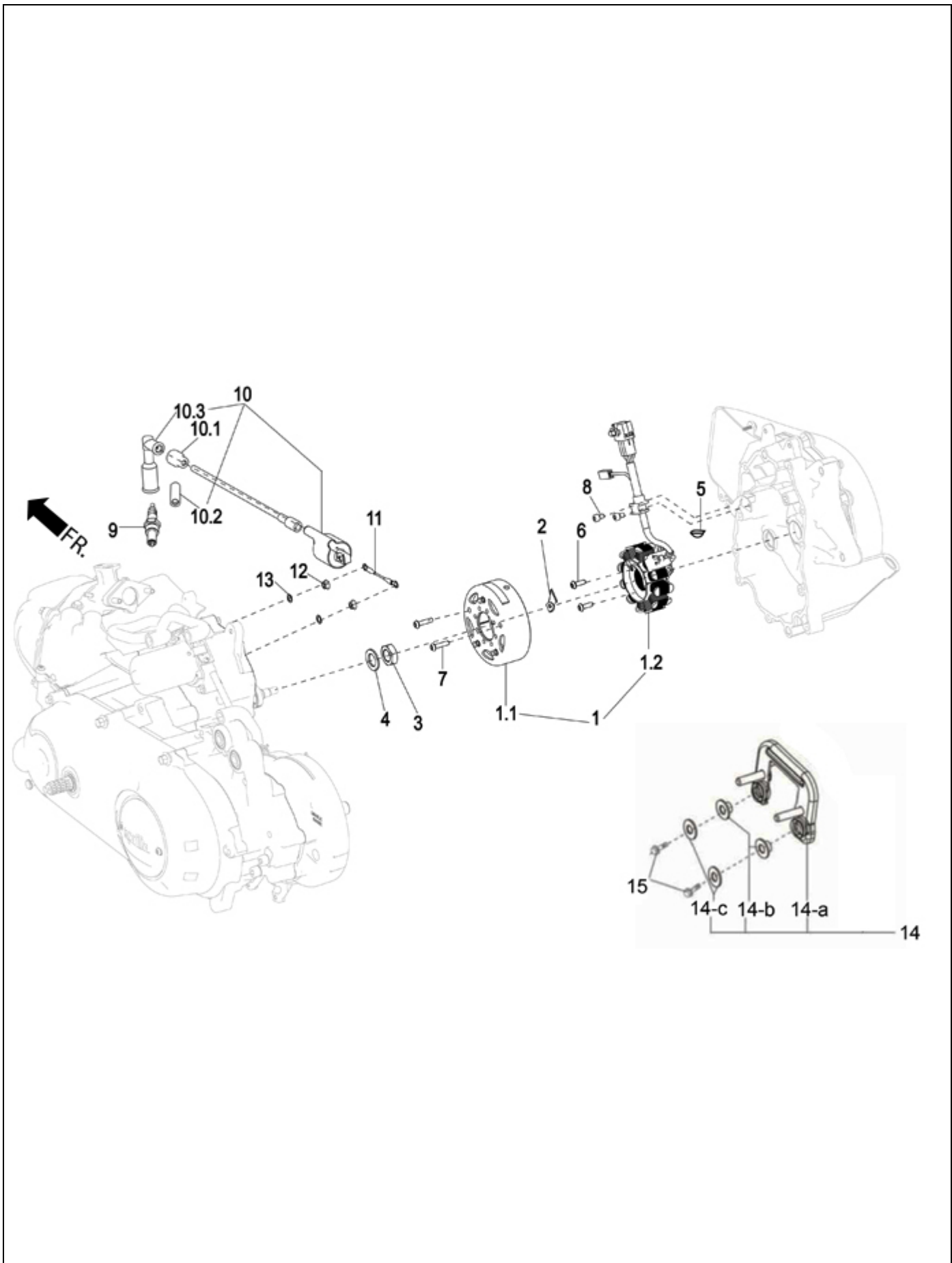


**1.09****Timing Group**

<b>Fig. No.</b>	<b>Part No.</b>	<b>Description</b>	<b>Qty</b>	<b>Remarks</b>
1	847928	CHAIN SUPPORT GASKET	1	CHAIN TIGHTENING DEVICE FIXING
2	1F000110	FLANGED HEXAGONAL SCREW	2	CHAIN TIGHTENING DEVICE FIXING
3	B017165	CHAIN TENSIONER DEVICE	1	
4	B014831	CHAIN TIGHTENING ROD	1	
5	B014237	SPECIAL SCREW ASSY	1	CHAIN TIGHTENING ROD FIXING
6	B017406	O-RING (20,35X1,78)	1	
7	B014830	FIXED PAD	1	
8	830269	SOUNDLESS TIMING CHAIN	1	
9	B018718	EXAG. SOCKET CYLIND.HEAD SCREW M5X14	2	TIMING CROWN FIXING
10	B019040	TIMING CROWN	1	



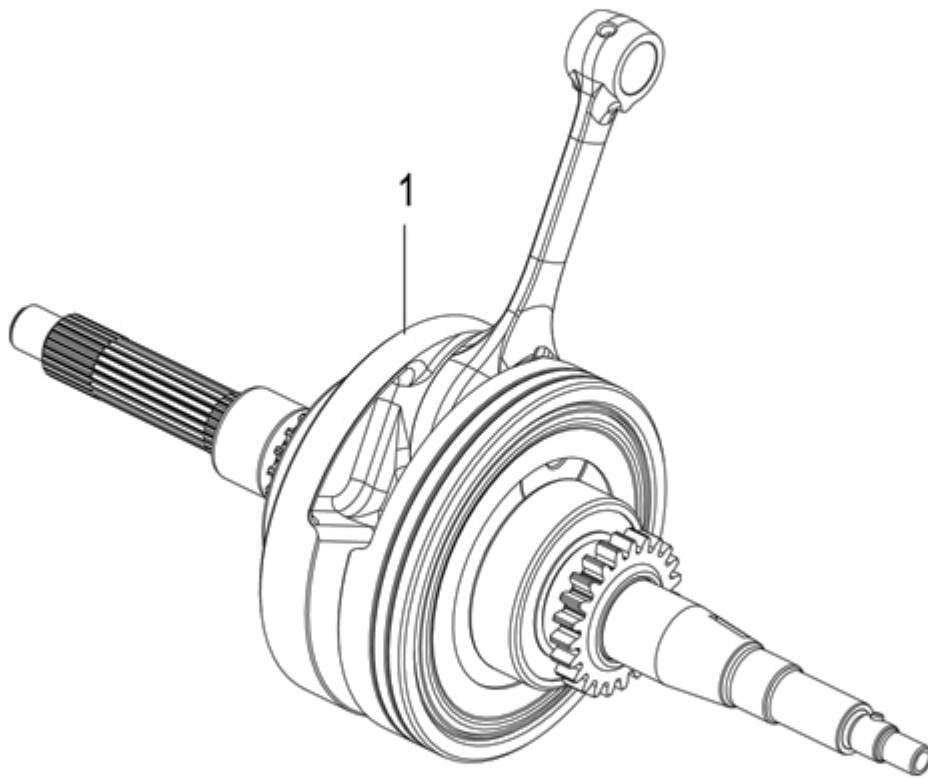
### 1.10 Electric Component



**1.10****Electric Component**

<b>Fig. No.</b>	<b>Part No.</b>	<b>Description</b>	<b>Qty</b>	<b>Remarks</b>
1	1A011268R	A.C. GENERATOR ASSY	1	
1.1	1A006578	ASSEMBLY ROTOR CLAM CLUTCH	1	
1.1a	1A002661	PLANE SPRING - CLUTCH ASSY	5	
1.1b	B018476	ROLLER	5	
1.2	1D001584	COMPLETE STATOR	1	
2	1A001793	PICK-UP PLATE CONTAINMENT CABLES	1	
3	880805	LOW HEXAGONAL NUT	1	FLYWHEEL ASSY FIXING
4	B014585	FLAT WASHER	1	FLYWHEEL ASSY FIXING
5	000267	WOODRUFF KEY	1	FLYWHEEL ASSY FIXING
6	1A001073	TORX HEAD SCREW M5X16	2	PULSER COIL FIXING (OIM)
7	1A001113	TORX HEAD SCREW M5X22	2	STATOR FIXING (OIM)
8	B016617	SOCKET HEAD SCREW M5X8	2	STATOR CABLE CLAMP FIXING
9	643279	SPARK PLUG	1	
10	58297R	H.T.COIL COMPLETE	1	
10.1	642537	PROTECTION CAP	1	
10.2	1A001795	SPARK PLUG PROTECTION COLLAR	1	
10.3	643149	SPARK PLUG CAP	1	
11	643156	GROUND WIRE	1	H.T.COIL / BRACKET FIXING (OIM)
12	872816	FLANGED NUT	2	H.T.COIL / BRACKET FIXING (OIM)
13	013880	PLAIN WASHER	2	H.T.COIL / BRACKET FIXING (OIM)
14	SP1A006181	COMPLETE COIL SUPPORT BRACKET	1	
14-a	1B003784	COIL SUPPORT BRACKET WITH I.P.	1	
14-b	B014063	BUFFER DAMPER	2	
14-c	B014066	SPACER	2	
15	018639	SCREW M6X20	3	H.T.COIL BRACKET/CRANKCASE FIXING

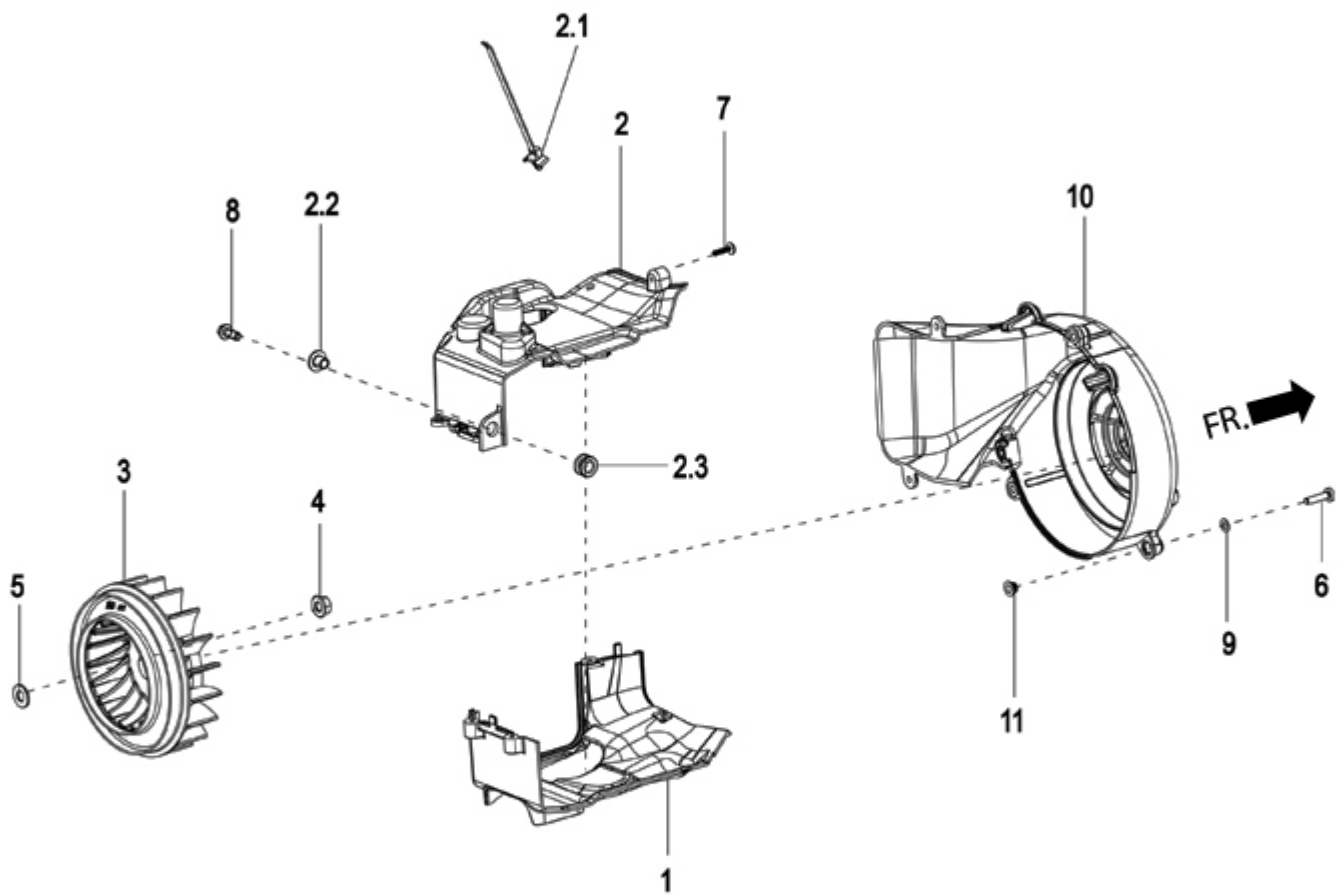
**1.11**  
**Crankshaft**



**1.11****Crankshaft**

<b>Fig. No.</b>	<b>Part No.</b>	<b>Description</b>	<b>Qty</b>	<b>Remarks</b>
1	SP1A015871	C/S WITH BALL BEARING AND PINION- 125 CC	1	

**1.12**  
**Fan cover and Shroud**

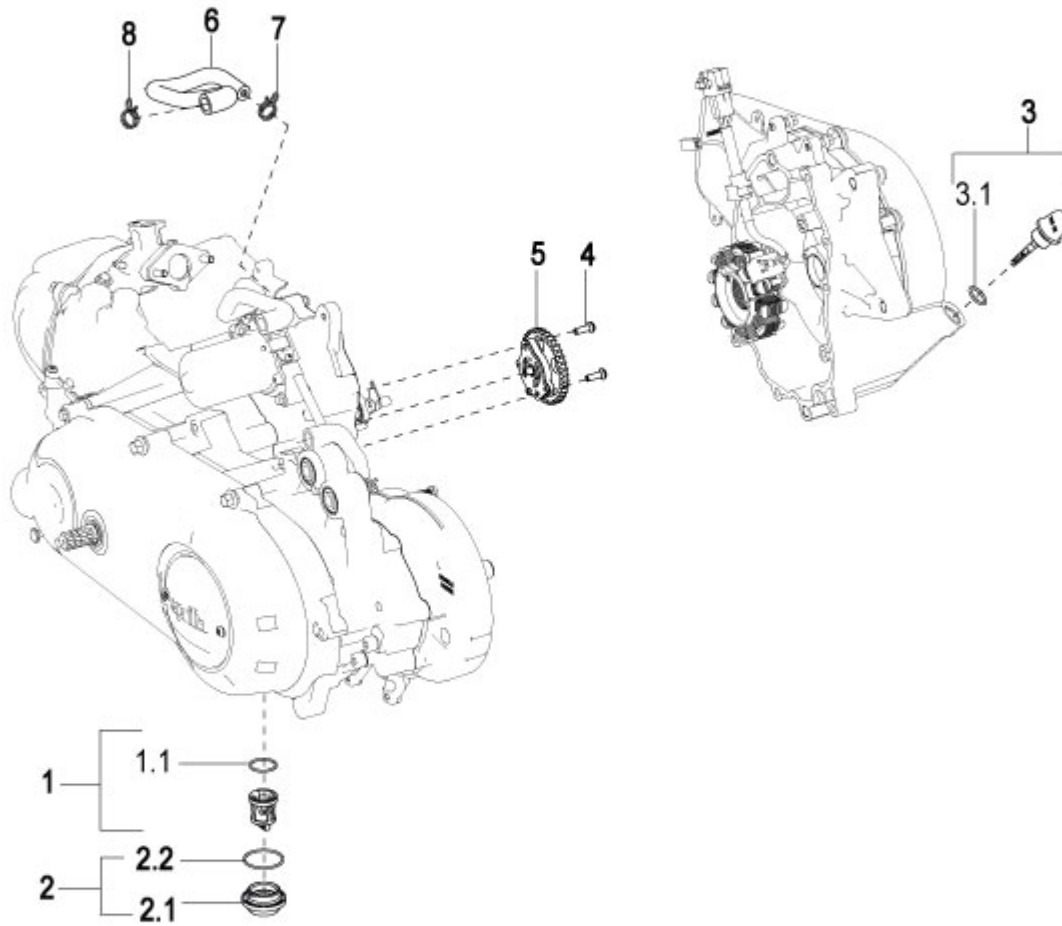


**1.12****Fan cover and Shroud**

<b>Fig. No.</b>	<b>Part No.</b>	<b>Description</b>	<b>Qty</b>	<b>Remarks</b>
1	1A011087	EXHAUST SIDE SHROUD	1	
2	1A005179	INTAKE SIDE CONVEYOR COMPLETE	1	
2.1	643114	CLAMP	1	
2.2	B014063	BUFFER DAMPER	1	
2.3	B014066	SPACER	1	
3	B017294	FAN WITH INSERT	1	
4	844719	FLANGED NUT M8X1.25	1	FAN ASSY FIXING
5	B017080	PLAIN WASHER	1	FAN ASSY FIXING
6	B016620	SCREW WITH CYLINDRICAL HEAD M5X21	3	FAN COVER FIXING
7	B018421	SULF-THREADING SCREW 3.8X16	3	FAN COVER FIXING
8	1F000110	FLANGED HEXAGONAL SCREW	1	FAN COVER FIXING
9	006975	WAVY WASHER 5.3X10X0.5	3	FAN COVER FIXING
10	B014750	FAN COVER	1	
11	B018262	KNURLED BUSH	6	

### 1.13

### Lubrication component

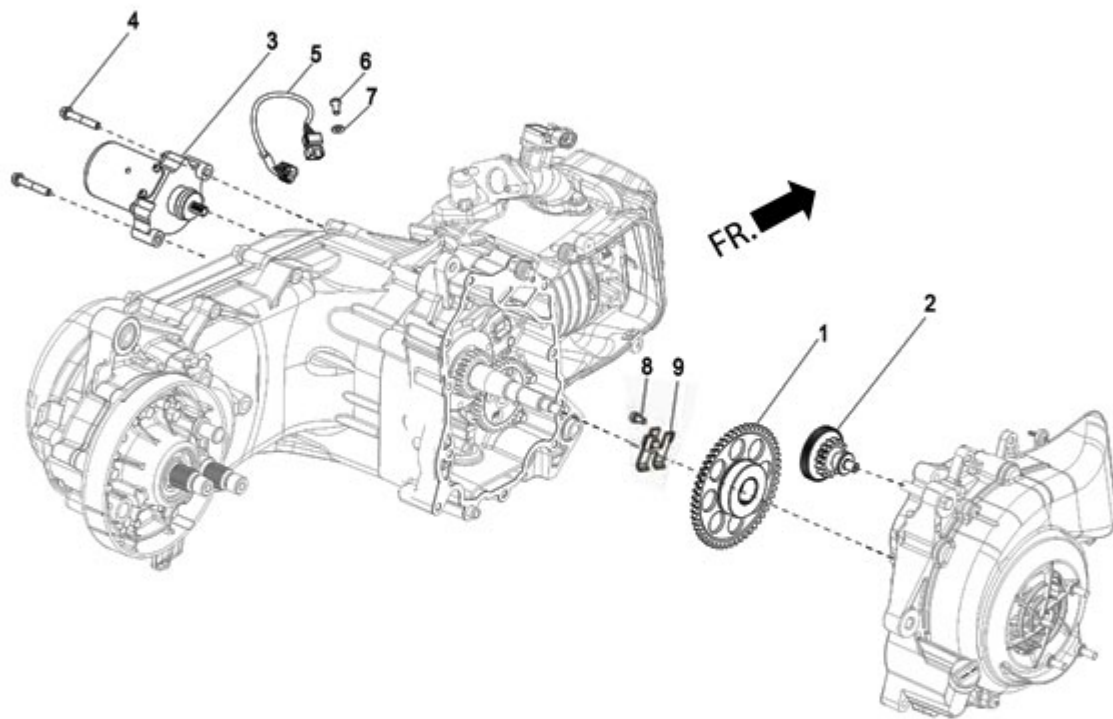


**1.13****Lubrication component**

<b>Fig. No.</b>	<b>Part No.</b>	<b>Description</b>	<b>Qty</b>	<b>Remarks</b>
1	B018020	COMPLETE INTAKE OIL FILTER	1	
1.1	B017406	O-RING (20,35X1,78)	1	
2	B015598	OIL FILTER PLUG	1	
2.1	B015598	OIL FILTER PLUG	1	
2.2	285536	O-RING GASKET 31.47X1.78	1	
3	1A013415	COMPLETE OIL DIPSTICK	1	
3.1	1A009397	O-RING GASKET	1	
4	1A001073	TORX HEAD SCREW M5X16	2	OIL PUMP ASSY FIXING
5	B018448	COMPLETE OIL PUMP	1	
6	1A006176	ENGINE BLOW-BY PIPE	1	
7	CM002917	HOSE CLAMP	1	OIL BREATHER PIPE FIXING
8	CM002916	HOSE CLAMP	1	OIL BREATHER PIPE FIXING



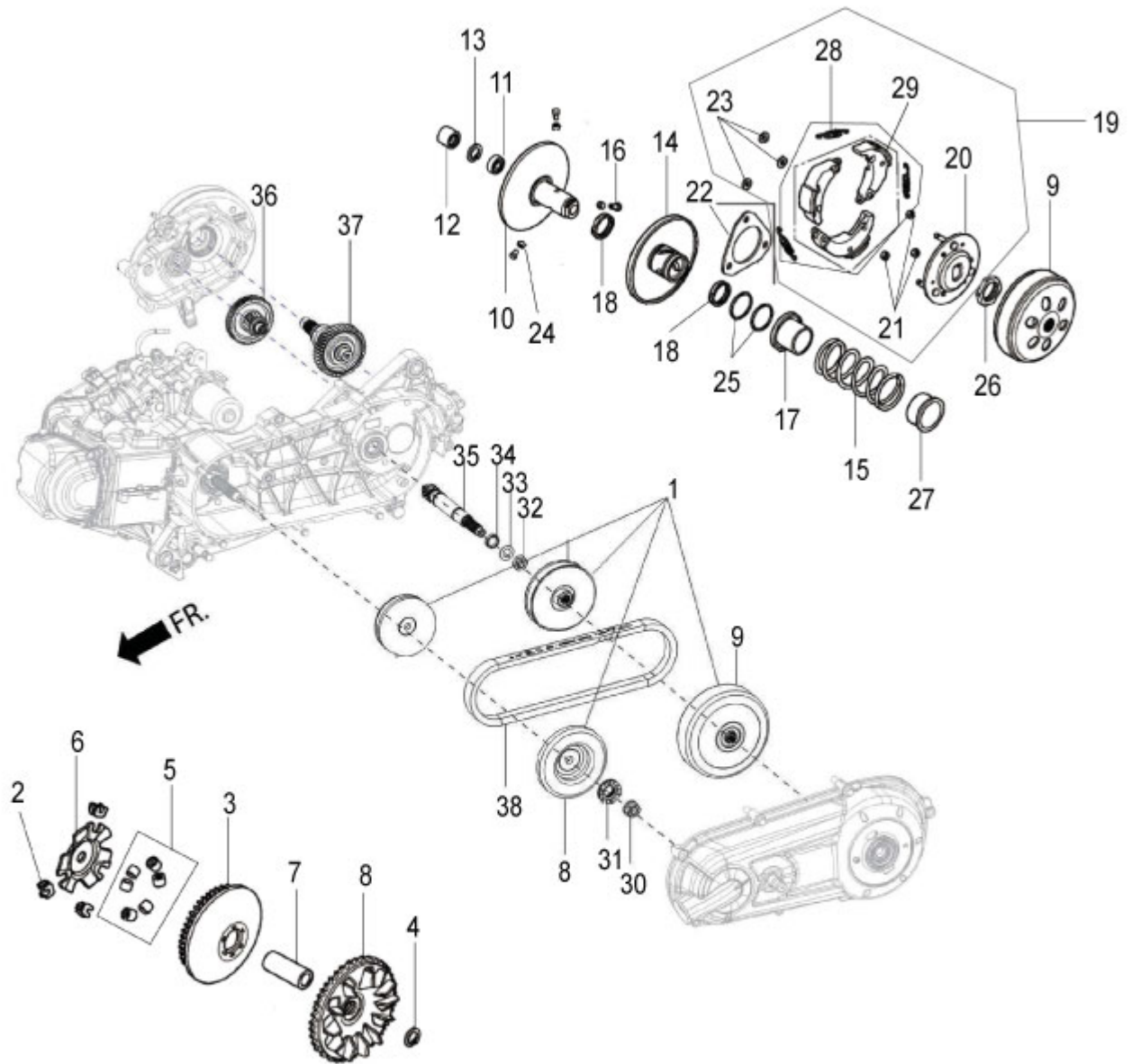
**1.14**  
**Starting Group**



**1.14****Starting Group**

<b>Fig. No.</b>	<b>Part No.</b>	<b>Description</b>	<b>Qty</b>	<b>Remarks</b>
1	83033R	STARTER CROWN WITH I.P. GROUP	1	
2	1A001443R	ELECTRIC STARTER INTERMEDIATE GEAR	1	
3	1A015231	STARTING MOTOR	1	
4	1A003063	FLANGED HEX HEAD SCREW M6X35	2	STARTING MOTOR FIXING (OIM)
5	1D001640	STARTING MOTOR WIRING HARNESS	1	
6	018644	CROSS CYLINDRICAL HEAD SCREW	1	STARTING MOTOR WIRING HARNESS FIXING
7	016404	SPRING WASHER M4	1	STARTING MOTOR WIRING HARNESS FIXING
8	1A002691	FLANGED HEX HEAD SCREW M6X20 CL10	1	
9	1A007468	CONTAINMENT ELECTRIC STARTING CROWN	1	

# 1.15 Transmission Group

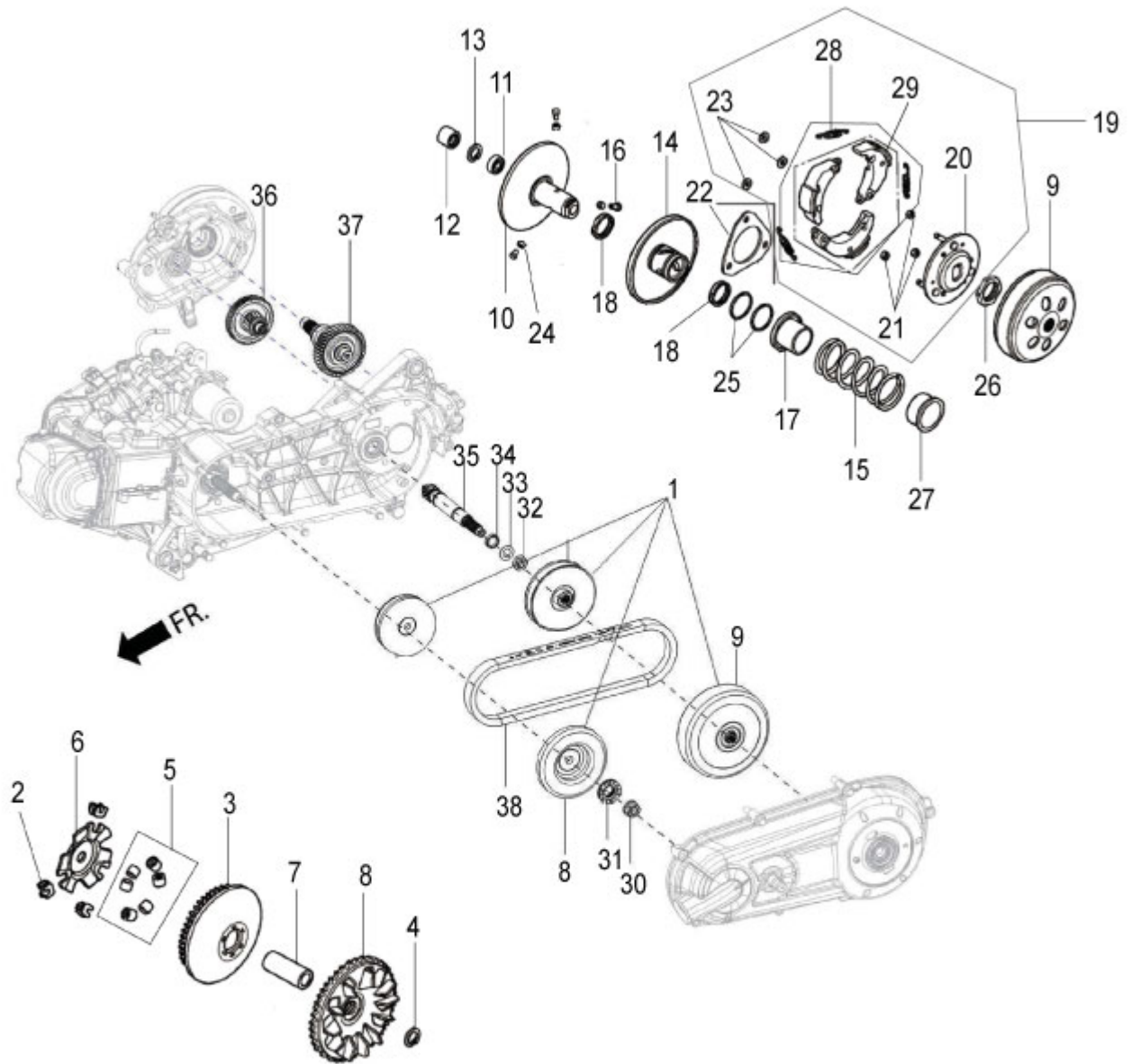


**1.15****Transmission Group**

<b>Fig. No.</b>	<b>Part No.</b>	<b>Description</b>	<b>Qty</b>	<b>Remarks</b>
1	1A005058R	COMPLETE TRANSMISSION GROUP	1	
2	1A001746	PIECE SLIDE	1	
3	1A001742	FACE COMP MOVABLE DRIVE	1	
4	1A002443	CIRCLIP MOVABLE DRIVE	1	
5	1A002444	ROLLER COMP. MOVABLE DRIVE	6	
6	1A001745	PLATE RAMP	1	
7	1A002446	BOSS DRIVE FACE	1	
8	1A005055	FIXED DRIVER HALF-PULLEY	1	
9	1A005057	CLUTCH HOUSING WITH I.P.	1	
10	1A002430	FACE COMP. FIX DRIVEN	1	
11	1A002431	BRG. BALL RADIAL	1	
12	1A002432	BRG. NEEDLE	1	
13	1A002433	CIRCLIP IN 24	1	
14	1A002434	FACE COMP. MOVABLE DRIVEN	1	
14	1A013713	COMPLETE MOVABLE DRIVEN HALF-PULLEY	1	For integrated PIN
15	1A002439	SPG. DRIVEN FACE	1	
16	1A002437	PIN ROLLER GUIDE	3	Applicable for driven pulley 1A002434
17	1A002440	COLLAR SEAL	1	
18	1A002441	OIL SEAL	2	
19	1A002425	PLATE ASSY. DRIVEN	1	
20	1A002426	PLATE COMP. DRIVE	1	
21	1A002427	DAMPER CLUTCH	3	
22	1A002428	SIDE WASHER	1	
23	1A002429	E RING 7MM	3	
24	1A002438	ROLLER GUIDE	3	Applicable for driven pulley 1A002434
25	1A002442	O-RING	2	
26	1A001748	NUT SPECIAL 28MM	1	
27	B016922	DRIVEN PULLEY SIDE CAP	1	
28	1A001744	SHOE CLUTCH	1	
29	1A001743	SPRING CLUTCH	3	
30	1A006988	NUT WITH SPRING WASHER	1	FRONT TRASMISSION GROUP FIXING
31	B017599	CLAW COUPLING	1	FRONT TRASMISSION GROUP FIXING
32	B018308	HEXAGOLAN NUT	1	REAR TRASMISSION GROUP FIXING (OIM)
33	1A006499	PLAIN WASHER	1	REAR TRASMISSION GROUP FIXING (OIM)
34	B018306	SPACER	1	REAR TRASMISSION GROUP FIXING (OIM)



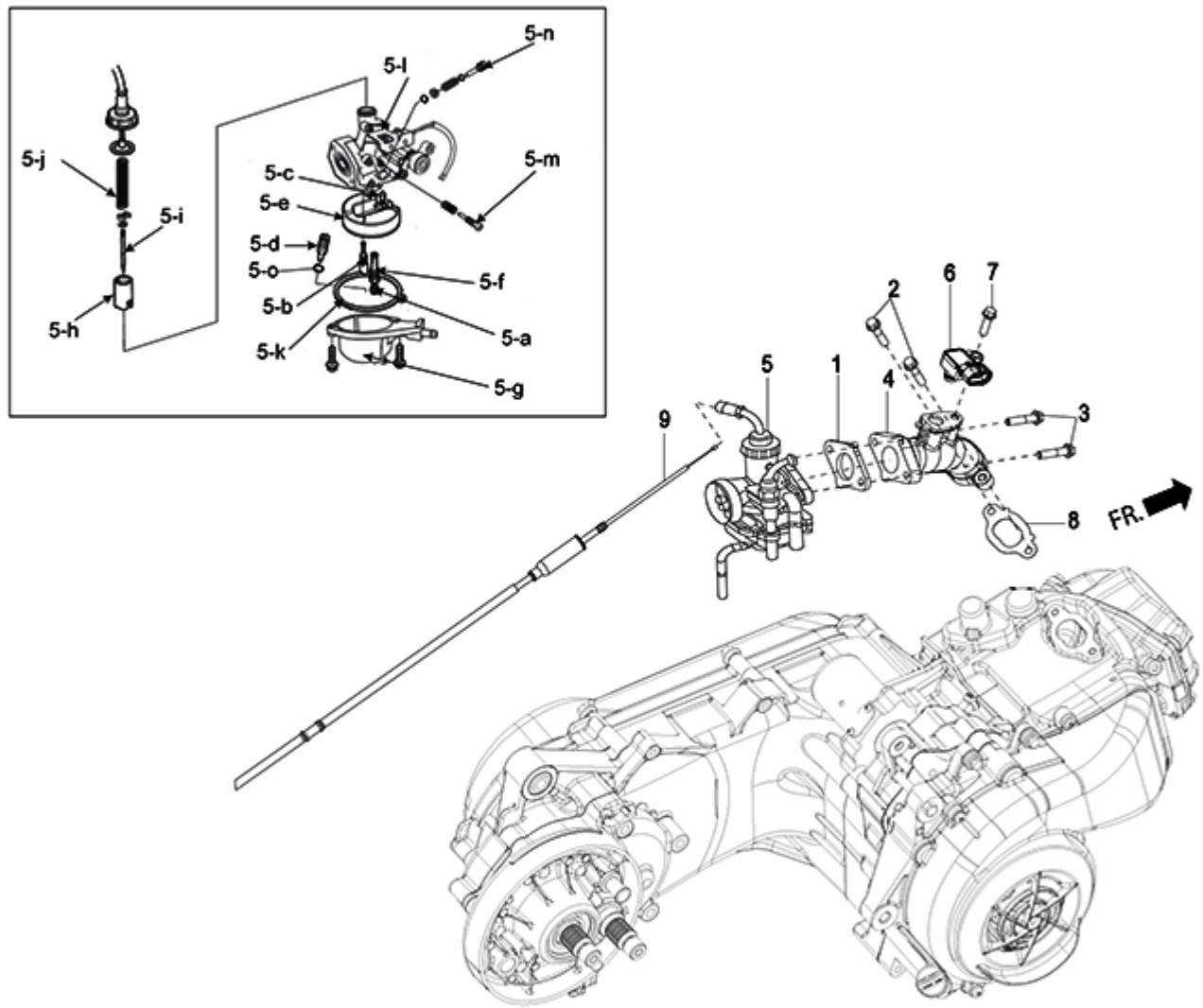
**1.15**  
**Transmission Group**



**1.15****Transmission Group**

<b>Fig. No.</b>	<b>Part No.</b>	<b>Description</b>	<b>Qty</b>	<b>Remarks</b>
35	1A006503	DRIVEN PULLEY SHAFT	1	
36	1A000784	LAY-SHAFT ASSY WITH I.P.	1	
37	1A000787	GEAR WHEEL WITH I.P.	1	
38	1A006149	V-BELT	1	
39	1A013712	INTEGRATED PIN	1	Applicable for driven pulley 1A013713

### 1.16 Carburetor

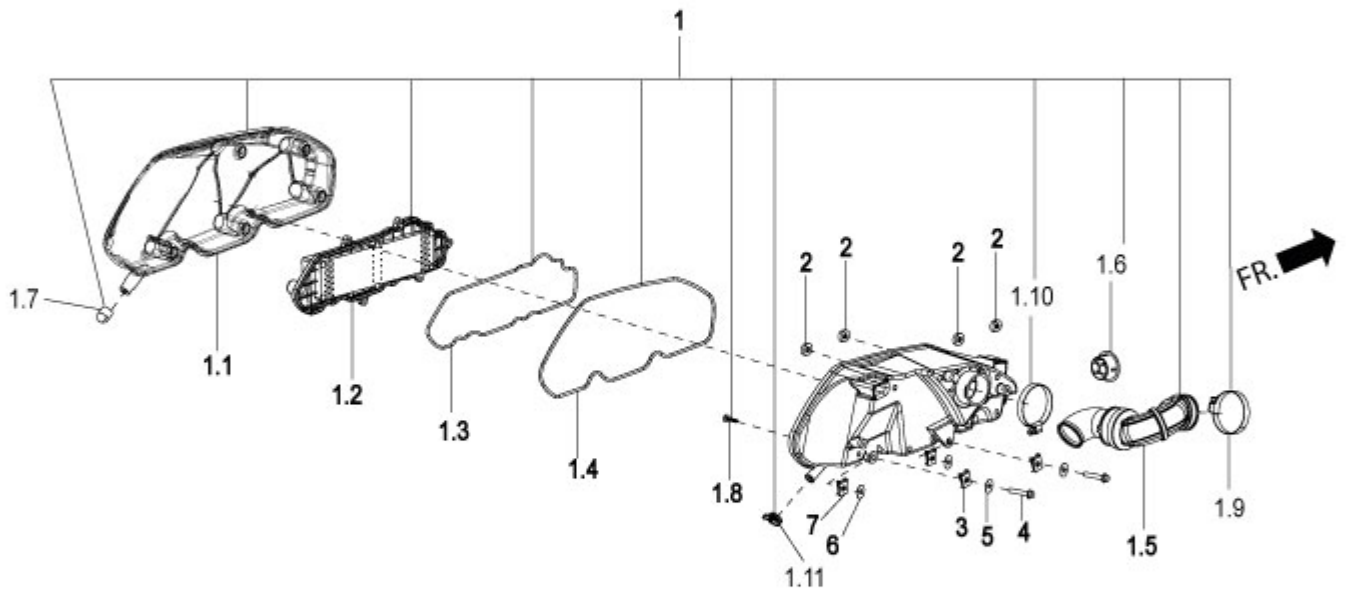




**1.16****Carburetor**

Fig. No.	Part No.	Description	Qty	Remarks
1	B015543	COMPLETE INTAKE FITTING SUPPORT	1	COMPLETE CARBURETTOR FIXING (OIM)
2	018639	SCREW M6X20	3	INTAKE FITTING FIXING (OIM)
3	B018853	FLANGED HEXAGONAL HEAD SCREW M6X30	2	COMPLETE CARBURETTOR FIXING (OIM)
4	1A006346	INTAKE FITTING WITH I.P.	1	
5	CM283001	CARBURETOR PB18/20	1	
5-a	CM166401	MAXIMUM JET-PTL(KEIHIN)	1	
5-b	CM166601	MINIMUM JET-PTL(KEIHIN)	1	
5-c	B016386	VALVE COMPLETE FLOAT-PTL(KEIHIN)	1	
5-d	B016390	SCREW DRAIN-PTL(KEIHIN)	1	
5-e	B016387	COMPLETE FLOAT-PTL(KEIHIN)	1	
5-f	CM166501	MAXIMUM DIFFUSER PIPE-PTL(KEIHIN)	1	
5-g	B016389	COMPLETE FLOAT CHAMBER-PTL(KEIHIN)	1	
5-h	B016391	THROTTLE VALVE-PTL(KEIHIN)	1	
5-i	CM166701	JET NEEDLE NPTA-PTL(KEIHIN)	1	
5-j	B016392	PISTON SPRING-PTL(KEIHIN)	1	
5-k	B016388	FLOAT CHAMBER GASKET-PTL(KEIHIN)	1	
5-l	B016393	TOP COMPLETE-PTL(KEIHIN)	1	
5-m	B016394	STOP SCREW AND SPRING-PTL(KEIHIN)	1	
5-n	B019299	IDLE ADJUST SCREW KIT	1	
5-o	1A006875	SEAL RING O-RING	1	
6	58290R	AIR PRESSURE SENSOR	1	
7	018639	SCREW M6X20	2	AIR PRESSURE SENSOR FIXING (OIM)
8	B018442	INTAKE FITTING GASKET	1	INTAKE FITTING FIXING (OIM)
9	1C004463	THROTTLE CONTROL TRANSMISSION	1	

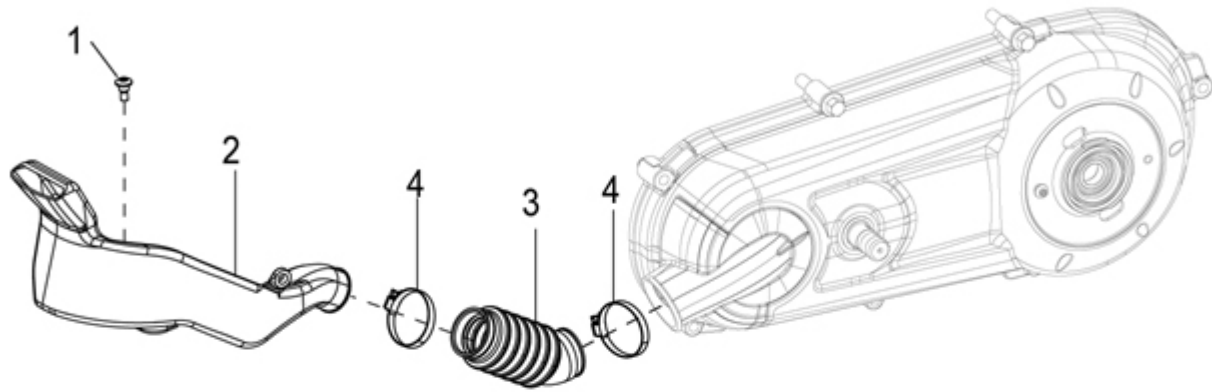
**1.17**  
**Air Intake**



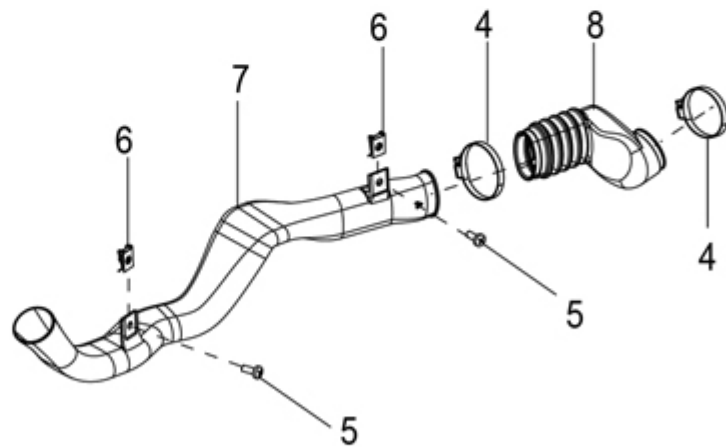
**1.17****Air Intake**

<b>Fig. No.</b>	<b>Part No.</b>	<b>Description</b>	<b>Qty</b>	<b>Remarks</b>
1	1A005878	AIR CLEANER BOX ASSY	1	
1.1	1A006088	AIR CLEANER COVER	1	
1.2	1A006090	AIR BOX FILTER	1	
1.3	1A006092	GASKET	1	
1.4	1A006093	AIR CLEANER GASKET	1	
1.5	1A006091	COUPLING	1	
1.6	1A006173	COUPLING	1	
1.7	827831	AIR CLEANER BOX CAP	2	
1.8	258146	SELF TAPPING SCREW (3X20)	13	
1.9	B019254	CLAMP Ø42.4-Ø44.5	1	
1.10	B019255	CLAMP	1	
1.11	CM002910	HOSE CLAMP	2	
2	CM002916	HOSE CLAMP	2	BLOW-BY PIPE/AIR BOX FIXING
3	CM259204	SPRING PLATE	2	AIR CLEANER BOX FIXING
4	1A003064	FLANGED HEX HEAD SCREW M6X55	2	AIR CLEANER BOX FIXING
5	3056	PLAIN WASHER M6 OD12	2	AIR CLEANER BOX FIXING
6	12533	PLAIN SPRING WASHER WITH EXTERNAL TABS	2	AIR CLEANER BOX FIXING
7	254485	SPRING PLATE (M6)	2	AIR CLEANER BOX FIXING
8	B018262	KNURLED BUSH	4	

**1.18**  
**Induction Pipe/Bellow**



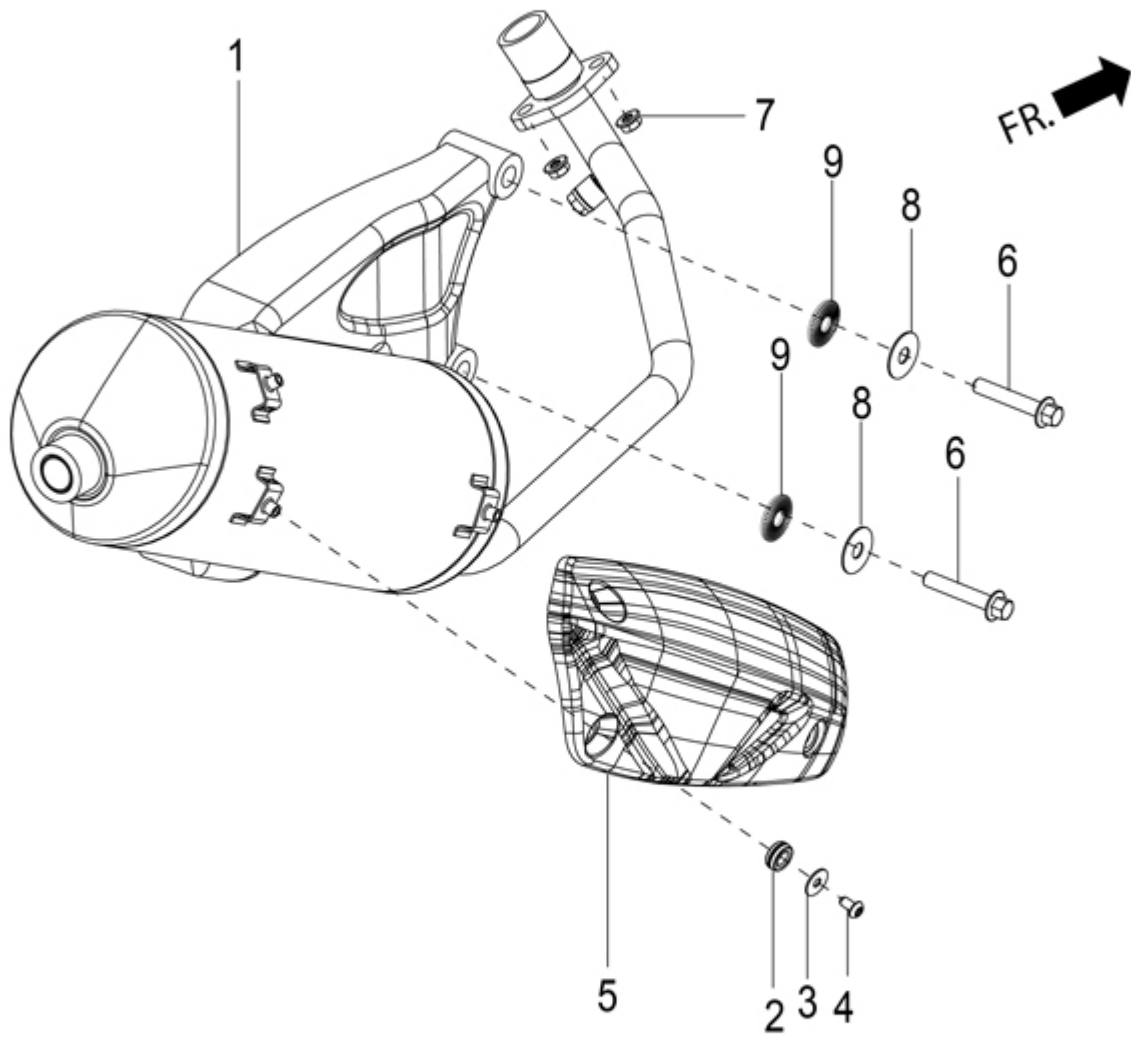
← FR.



**1.18****Induction Pipe/Bellow**

<b>Fig. No.</b>	<b>Part No.</b>	<b>Description</b>	<b>Qty</b>	<b>Remarks</b>
1	259348	METRICAL SCREW WITH CROSS MOULD	1	INDUCTION PIPE FIXING
2	1B006743	INDUCTION PIPE	1	
3	1B003394	INTAKE FITTING	1	
4	709519	CLAMP	4	
5	272836	METRICAL SCREW WITH CROSS MOULD	2	INDUCTION PIPE FIXING
6	254485	SPRING PLATE (M6)	2	INDUCTION PIPE FIXING
7	1B003395	INDUCTION PIPE	1	
8	1B003396	BELLOW	1	

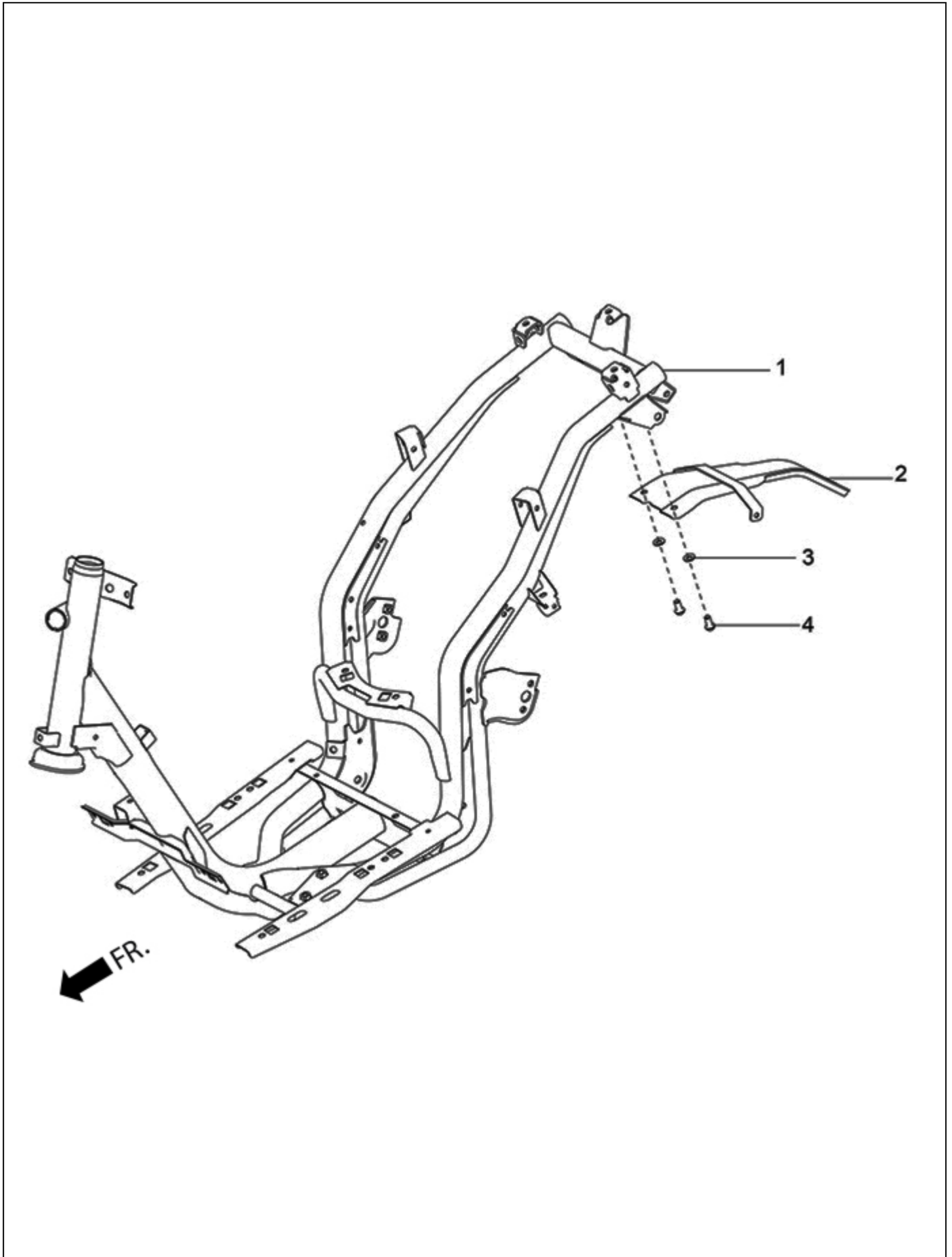
**1.19**  
**Muffler**



**1.19****Muffler**

<b>Fig. No.</b>	<b>Part No.</b>	<b>Description</b>	<b>Qty</b>	<b>Remarks</b>
1	1A007832	COMPLETE MUFFLER	1	
2	487665	FAIRLEAD	3	THERMAL PROTECTION FIXING
3	827526	WASHER	3	THERMAL PROTECTION FIXING
4	848766	SCREW	3	THERMAL PROTECTION FIXING
5	1A006410	THERMAL PROTECTION	1	
6	B016627	FLANGED HEXAGONAL HEAD SCREW	2	MUFFLER/FLY WHEEL COVER FIXING
7	436947	FLANGED NUT M7X1 H=8	2	MUFFLER/FLY WHEEL COVER FIXING
8	B015320	PLAIN WASHER	2	MUFFLER/FLY WHEEL COVER FIXING
9	B015321	CONICAL KNURLED WASHER	2	MUFFLER/FLY WHEEL COVER FIXING

**2.01**  
**Frame**

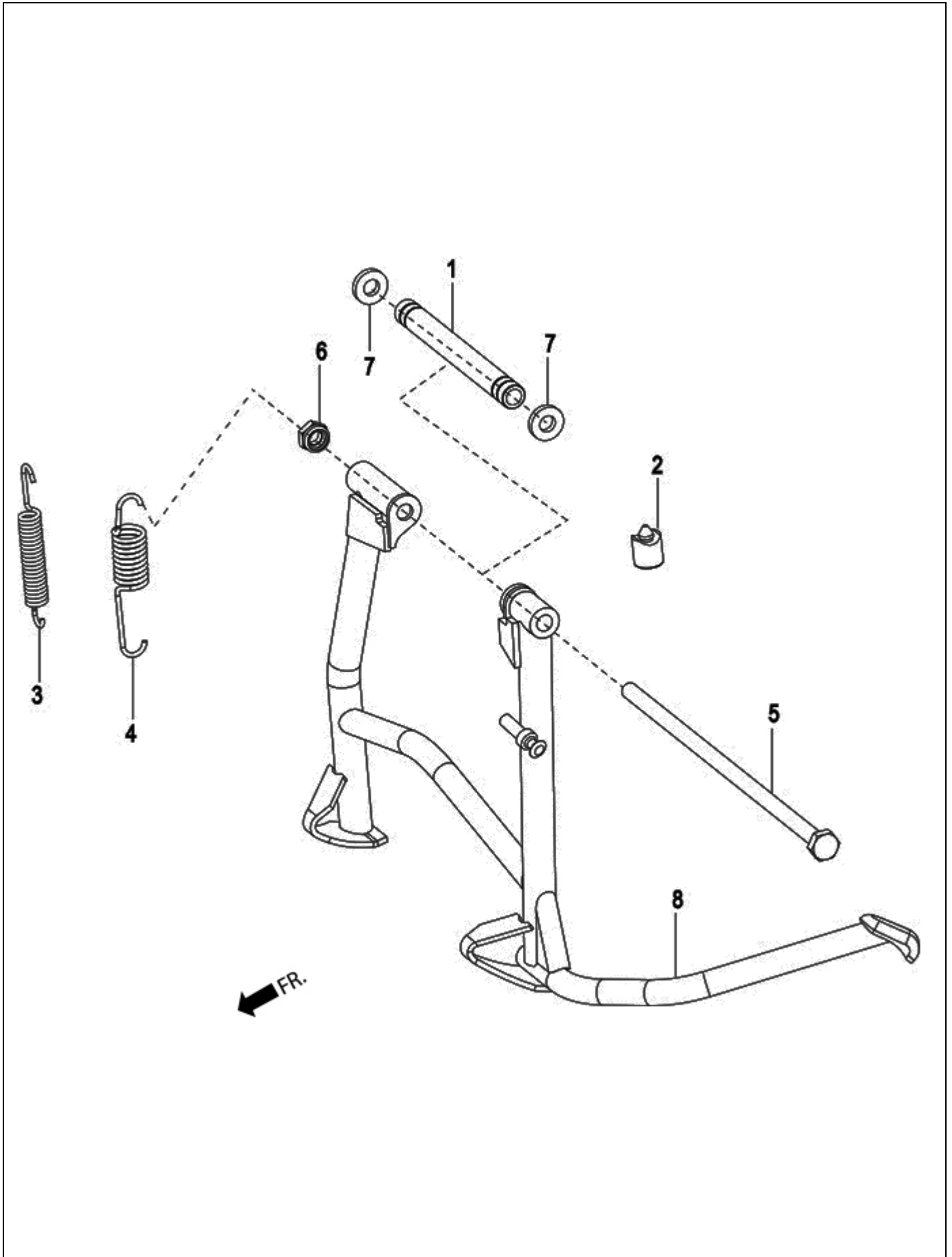




**2.01**  
**Frame**

<b>Fig. No.</b>	<b>Part No.</b>	<b>Description</b>	<b>Qty</b>	<b>Remarks</b>
1	SP1B007992	FRAME WITH I.P. SR BSVI	1	
2	SP1B003628	FRAME SUPPORT PLATE WITH IP	1	
3	834187	ELASTIC WASHER CONTACT TYPE	2	
4	263381	SCREW	2	

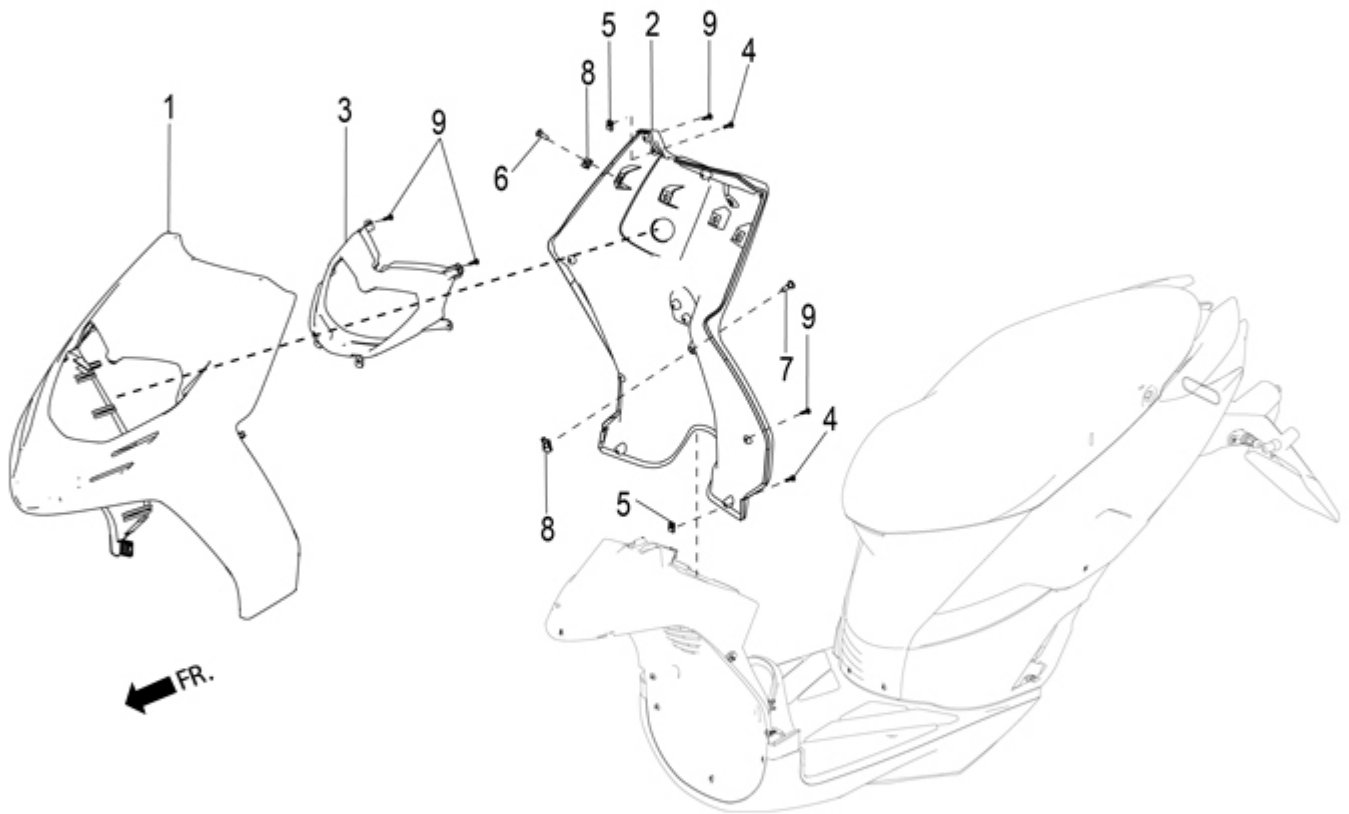
**2.02**  
**Stand**



**2.02**  
**Stand**

<b>Fig. No.</b>	<b>Part No.</b>	<b>Description</b>	<b>Qty</b>	<b>Remarks</b>
1	668585	SPACER	1	
2	666484	STOPPER	1	
3	667566	SPRING (INNER)	1	
4	667567	SPRING (OUTSIDE)	1	
5	597043	HEXAGONAL HEAD SCREW	1	
6	2440	SELF LOCKING NUT	1	
7	273754	OIL SEAL FOR VEHICLE STAND PIN	2	
8	1C005235	CENTRAL STAND WITH I.P.	1	

**2.03**  
**Front Shield**



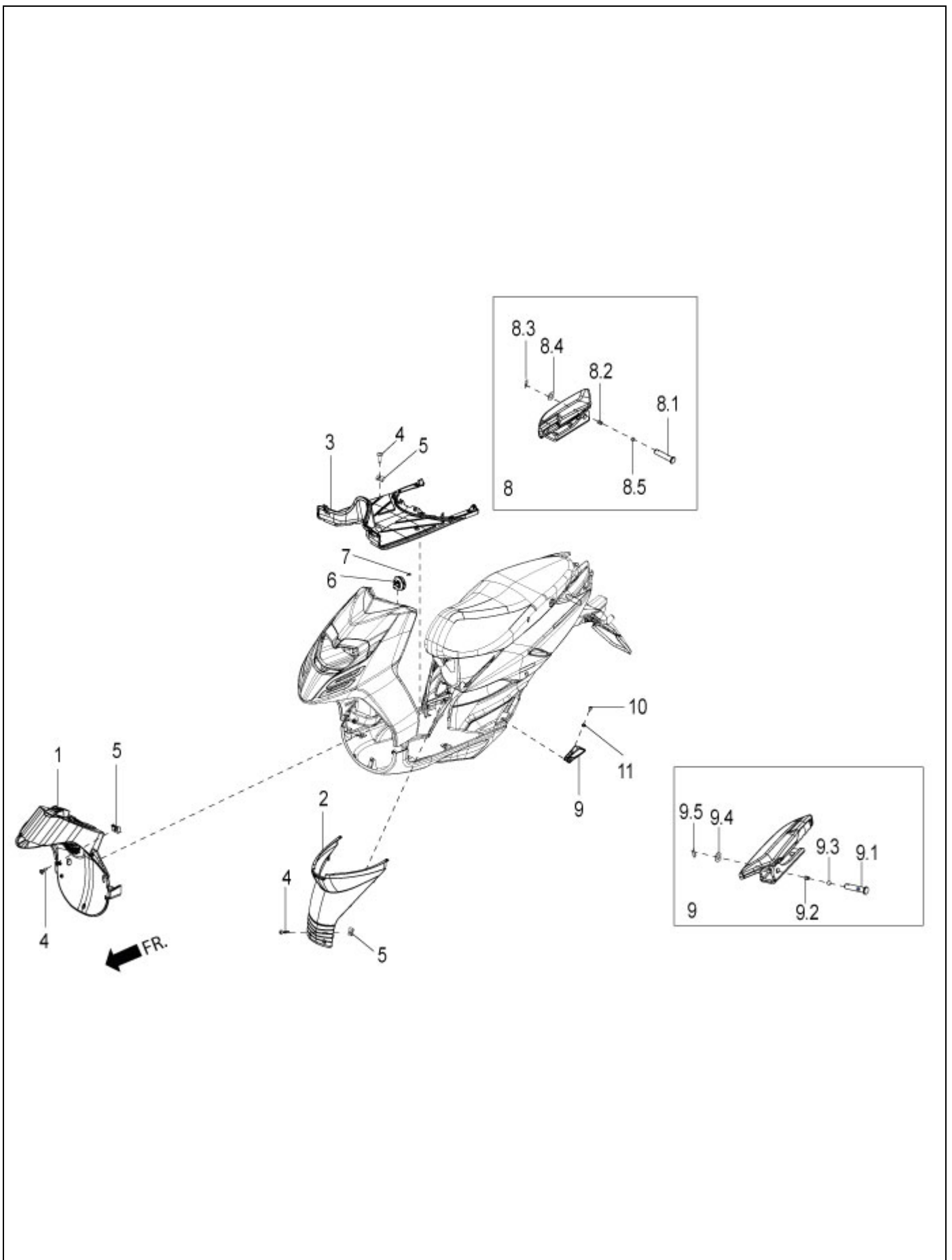
**2.03****Front Shield**

<b>Fig. No.</b>	<b>Part No.</b>	<b>Description</b>	<b>Qty</b>	<b>Remarks</b>
1	SB003140000BR	FRONT SHIELD	1	COLOR PART
1	SP1B003140000S9	FRONT SHIELD - MATT RED - SPD	1	COLOR PART
1	SB003140000NL	FRONT SHIELD	1	COLOR PART
1	SP1B003140000LC	SPD FRONT SHIELD - MATT YELLOW	1	COLOR PART
2	SKIT940035R	KIT - COUNTER SHIELD AND COVER	1	
2a	1B005199	COVER-1	1	
3	1B003141	HEAD LIGHT COVER	1	
4	270793	SCREW	9	LOWER PROTECTION/SHIELD/SPOILER
4	270793	SCREW	2	COUNTERSHIELD/FOOT./LOWER PROT.
4	270793	SCREW	2	COUNTERSHIELD/SHIELD/LOWER PROT.
5	CM017410	SPRING PLATE	2	COUNTERSHIELD/FOOT./LOWER PROT.
5	CM017410	SPRING PLATE	9	LOWER PROTECTION/SHIELD/SPOILER
5	CM017410	SPRING PLATE	2	COUNTERSHIELD/SHIELD/LOWER PROT.
6	272836	METRICAL SCREW WITH CROSS MOULD	2	COUNTERSHIELD/FRAME
7	575249	METRICAL SCREW WITH CROSS MOULD	1	COUNTERSHIELD/FRAME
8	254485	SPRING PLATE (M6)	3	COUNTERSHIELD/FRAME
9	270793	SCREW	6	COUNTERSHIELD/SHIELD/LOWER PROT.



## 2.04

### Central covers & footrests



**2.04****Central covers & footrests**

<b>Fig. No.</b>	<b>Part No.</b>	<b>Description</b>	<b>Qty</b>	<b>Remarks</b>
1	1B006718	FRONT LOWER PROTECTION	1	
2	1B003143	CENTRAL COVER	1	
3	1B003142	FOOTREST	1	
4	575249	METRICAL SCREW WITH CROSS MOULD	3	LOWER PROTECTION/ FRAME FIXING
5	254485	SPRING PLATE (M6)	3	LOWER PROTECTION/ FRAME FIXING
6	575819	COMPLETE BAGS HOOK	1	
7	270793	SCREW	2	BAGS HOOK/COUNTERSHIELD FIXING
8	1B001787400NT	COMPLETE RIGHT FOOTREST	1	
8.1	975835	PIN	1	
8.2	295590	SPRING SPHERE	1	
8.3	259933	ELASTIC SPRING	1	
8.4	3058	PLAIN WASHER 15X8.4X1.5	1	
8.5	295591	SPHERE	1	
9	1B001786400NT	COMPLETE LEFT FOOTREST	1	
9.1	975835	PIN	1	
9.2	295590	SPRING SPHERE	1	
9.3	259933	ELASTIC SPRING	1	
9.4	3058	PLAIN WASHER 15X8.4X1.5	1	
9.5	295591	SPHERE	1	
10	263381	SCREW	1	RIGHT FOOTREST FIXING
10	263381	SCREW	1	LEFT FOOTREST FIXING
11	834187	ELASTIC WASHER CONTACT TYPE	1	RIGHT FOOTREST FIXING
11	834187	ELASTIC WASHER CONTACT TYPE	1	LEFT FOOTREST FIXING



**2.05**

**Side cover and spoiler**

Image Work in Progress

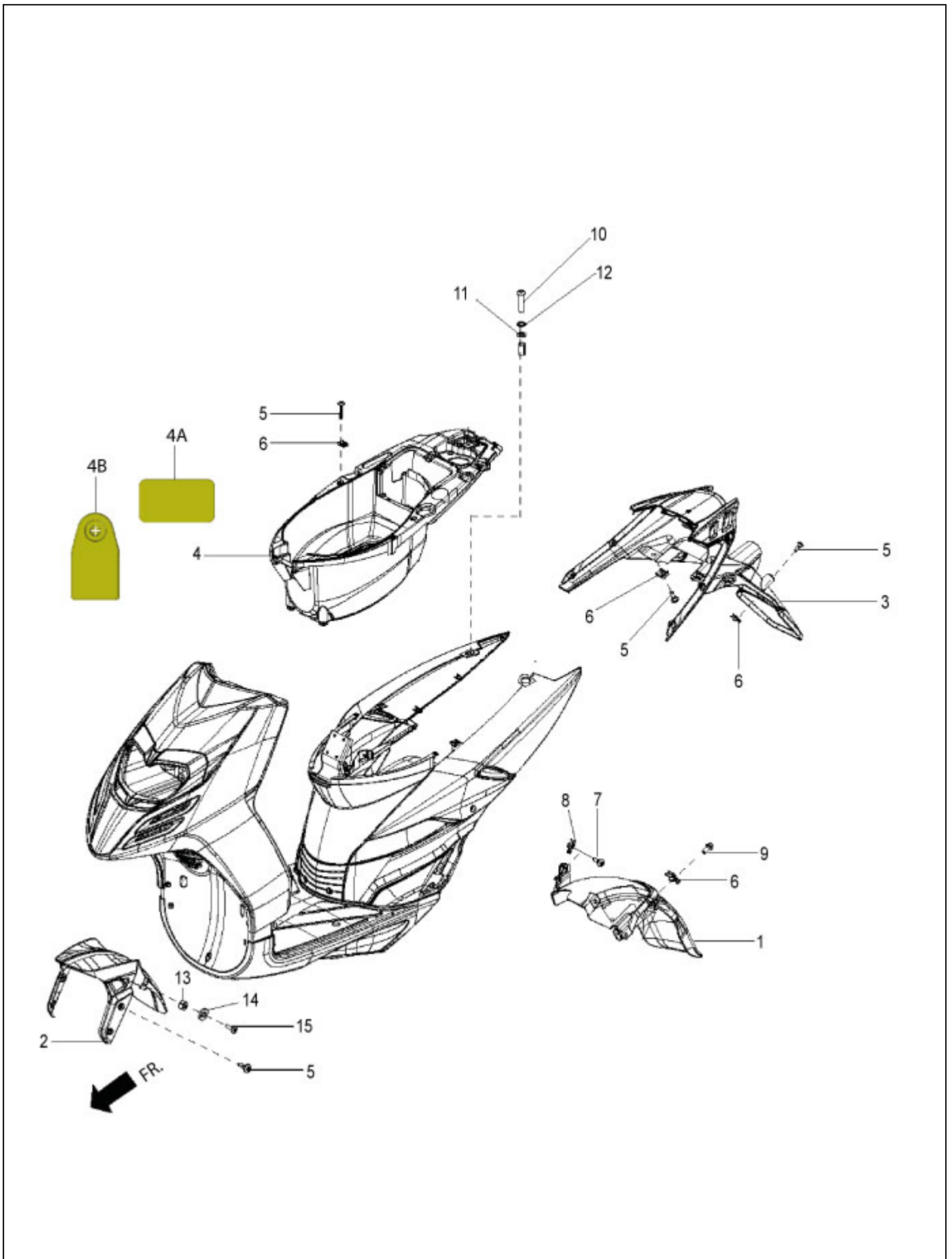
**2.05****Side cover and spoiler**

<b>Fig. No.</b>	<b>Part No.</b>	<b>Description</b>	<b>Qty</b>	<b>Remarks</b>
1	SP1B003147000LC	SPD RIGHT LATERAL COVER - MATT YELLOW	1	COLOR PART
1	SP1B003147000S9	RIGHT LATERAL COVER - MATT RED - SPD	1	COLOR PART
1	SB003147000NL	RIGHT LATERAL COVER	1	COLOR PART
1	SB003147000BR	RIGHT LATERAL COVER	1	COLOR PART
2	SP1B003148000LC	SPD LEFT LATERAL COVER - MATT YELLOW	1	COLOR PART
2	SP1B003148000S9	LEFT LATERAL COVER - MATT RED - SPD	1	COLOR PART
2	SB003148000NL	LEFT LATERAL COVER	1	COLOR PART
2	SB003148000BR	LEFT LATERAL COVER	1	COLOR PART
3	1B005273	COMPLETE RIGHT LATERAL COVER	1	
4	1B005274	COMPLETE LEFT LATERAL COVER	1	
5	CM178608	SELF-TAPPING SCREW	1	RIGHT LATERAL COVER/HELMET CASE FIXING
5	259372	SCREW	1	LEFT LATERAL COVER/HELMET CASE FIXING
6	CM017410	SPRING PLATE	1	RIGHT LATERAL COVER/HELMET CASE FIXING
6	CM017410	SPRING PLATE	1	LEFT LATERAL COVER/HELMET CASE FIXING
6	CM017410	SPRING PLATE	1	RIGHT LATERAL COVER/FRAME FIXING
6	CM017410	SPRING PLATE	1	LEFT LATERAL COVER/FRAME FIXING
6	CM017410	SPRING PLATE	3	RIGHT LATERAL COVER/FOOTREST FIXING
6	CM017410	SPRING PLATE	3	LEFT LATERAL COVER/FOOTREST FIXING
7	270793	SCREW	1	RIGHT LATERAL COVER/FRAME FIXING
7	270793	SCREW	1	LEFT LATERAL COVER/FRAME FIXING
7	270793	SCREW	2	RIGHT LATERAL COVER/FOOTREST FIXING
7	270793	SCREW	2	LEFT LATERAL COVER/FOOTREST FIXING
8	270793	SCREW	2	RIGHT LATERAL COVER/REAR SPLASHGUARD FIX
8	270793	SCREW	2	LEFT LATERAL COVER/REAR SPLASHGUARD FIX
8	270793	SCREW	2	RIGHT LATERAL COVER FIXING
8	270793	SCREW	2	LEFT LATERAL COVER FIXING
9	259349	SCREW	1	LEFT LATERAL COVER/FOOTREST FIXING
9	259349	SCREW	1	RIGHT LATERAL COVER/FOOTREST FIXING
10	1B006875	HANDLEBAR COVER PANEL	1	



## 2.06

### Mudguard and helmet Case

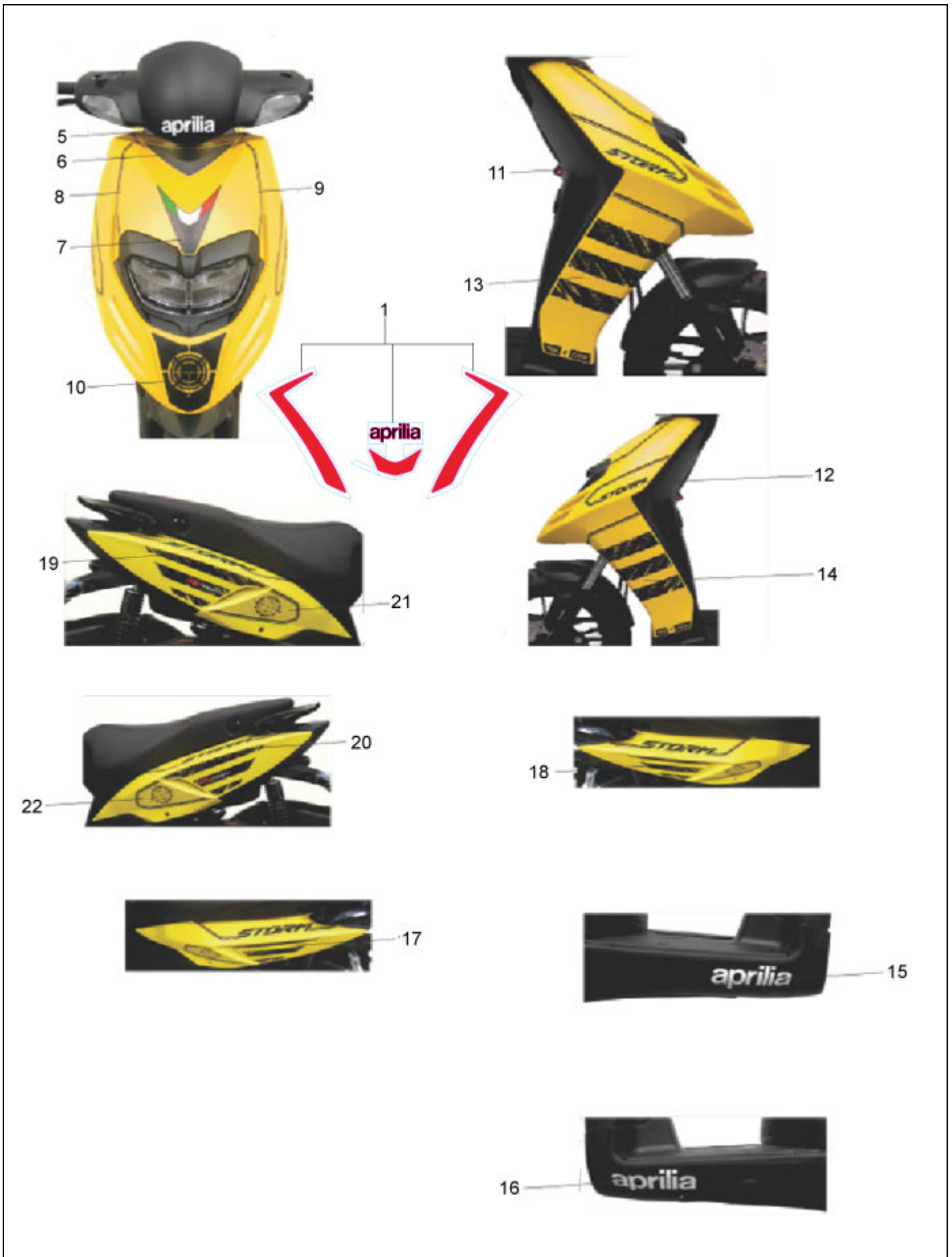


**2.06****Mudguard and helmet Case**

Fig. No.	Part No.	Description	Qty	Remarks
1	1B006559	REAR MUDGARD	1	
2	1B003459	FRONT MUDGARD	1	
3	1B005461	REAR SPLASHGUARD	1	
4	SKIT940062	KIT-HELMET CASE	1	It includes Sr. no. 4A & 4B
4A	1B008491	HELMET LIGHT CAP	1	
4B	1B008492	MICRO SWITCH CAP HELMET HOLDER	1	
5	575249	METRICAL SCREW WITH CROSS MOULD	3	REAR SPLASHGUARD / FRAME FIXING
5	575249	METRICAL SCREW WITH CROSS MOULD	2	HELMET CASE / FRAME FIXING
5	575249	METRICAL SCREW WITH CROSS MOULD	4	FRONT MUDGUARD FIXING
6	254485	SPRING PLATE (M6)	1	REAR MUDGARD / FILTER FIXING
6	254485	SPRING PLATE (M6)	2	HELMET CASE / FRAME FIXING
6	254485	SPRING PLATE (M6)	3	REAR SPLASHGUARD / FRAME FIXING
7	270793	SCREW	2	REAR MUDFLAT/HELMET CASE FIXING
8	CM017410	SPRING PLATE	2	REAR MUDFLAT/HELMET CASE FIXING
9	1A015812	FLANGED HEXAGONAL HEAD SCREW	1	REAR MUDGARD / FILTER FIXING
10	970273	SCREW	3	REAR HANDLE/FRAME FIXING
11	3058	PLAIN WASHER 15X8.4X1.5	3	REAR HANDLE/FRAME FIXING
12	016408	SPRING WASHER	3	REAR HANDLE/FRAME FIXING
13	259364	SCREW	2	FRONT MUDGUARD FIXING
14	78307	BENT SPRING WASHER M6	2	FRONT MUDGUARD FIXING
15	241936	SELF LOCKING NUT	2	FRONT MUDGUARD FIXING
16	575268	PLATE	3	NI

## 2.07

### Logos and Emblem

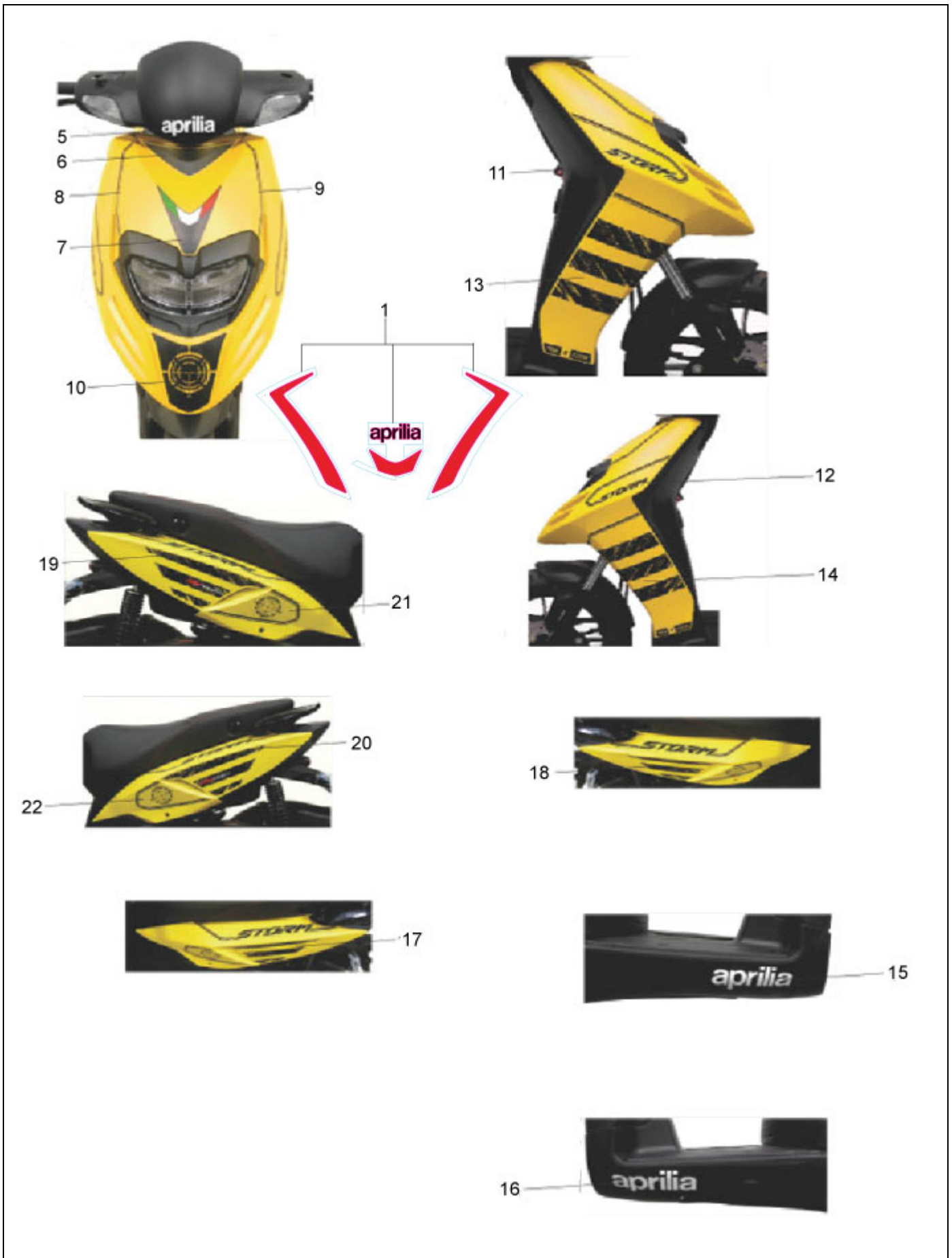


**2.07****Logos and Emblem**

<b>Fig. No.</b>	<b>Part No.</b>	<b>Description</b>	<b>Qty</b>	<b>Remarks</b>
1	2H002026	WINDSHIELD DECALS GROUP	1	NI
4	2H002046	STICKER	1	NI
5	2H002858	WINDSHIELD APRILIA STICKER	1	
6	2H002859	UPPER SHIELD BLACK STICKER	1	
6	2H002859000A2	UPPER SHIELD BLACK STICKER	1	Applicable for Matt Black
7	2H002860	UPPER SHIELD ITALY STICKER	1	
7	2H002860000A2	UPPER SHIELD ITALY STICKER	1	Applicable for Matt Black
8	2H002861	RH UPPER SHIELD BAND STICKER	1	
8	2H002861000A2	RH UPPER SHIELD BAND STICKER	1	Applicable for Matt Black
9	2H002862	LH UPPER SHIELD BAND STICKER	1	
9	2H002862000A2	LH UPPER SHIELD BAND STICKER	1	Applicable for Matt Black
10	2H002863	FRONT SHIELD VIEWFINDER STICKER	1	
10	2H002863000A2	FRONT SHIELD VIEWFINDER STICKER	1	Applicable for Matt Black
11	2H002864	RH UPPER SHIELD STORM STICKER	1	
11	2H002864000A2	RH UPPER SHIELD STORM STICKER	1	Applicable for Matt Black
12	2H002865	LH UPPER SHIELD STORM STICKER	1	
12	2H002865000A2	LH UPPER SHIELD STORM STICKER	1	Applicable for Matt Black
13	2H002866000A2	RH LOWER SHIELD BAND STICKER	1	Applicable for Matt Black
13	2H002866	RH LOWER SHIELD BAND STICKER	1	
14	2H002867	LH LOWER SHIELD BAND STICKER	1	
14	2H002867000A2	LH LOWER SHIELD BAND STICKER	1	Applicable for Matt Black
15	2H002868	RH LOWER SPOILER APRILIA STICKER	1	
16	2H002869	LH LOWER SPOILER APRILIA STICKER	1	
17	2H002870	RH UPPER COVER STORM STICKER	1	
17	2H002870000A2	RH UPPER COVER STORM STICKER	1	Applicable for Matt Black
18	2H002871000A2	LH UPPER COVER STORM STICKER	1	Applicable for Matt Black
18	2H002871	LH UPPER COVER STORM STICKER	1	
19	2H002872000A2	RH LOWER REAR COVER BANDS STICKER	1	Applicable for Matt Black
19	2H002872	RH LOWER REAR COVER BANDS STICKER	1	
20	2H002873000A2	LH LOWER REAR COVER BANDS STICKER	1	Applicable for Matt Black
20	2H002873	LH LOWER REAR COVER BANDS STICKER	1	
21	2H002874000A2	RH LOWER REAR COVER VIEWFINDER STICKER	1	Applicable for Matt Black
21	2H002874	RH LOWER REAR COVER VIEWFINDER STICKER	1	
22	2H002875	LH LOWER REAR COVER VIEWFINDER STICKER	1	
22	2H002875000A2	LH LOWER REAR COVER VIEWFINDER STICKER	1	Applicable for Matt Black

## 2.07

### Logos and Emblem

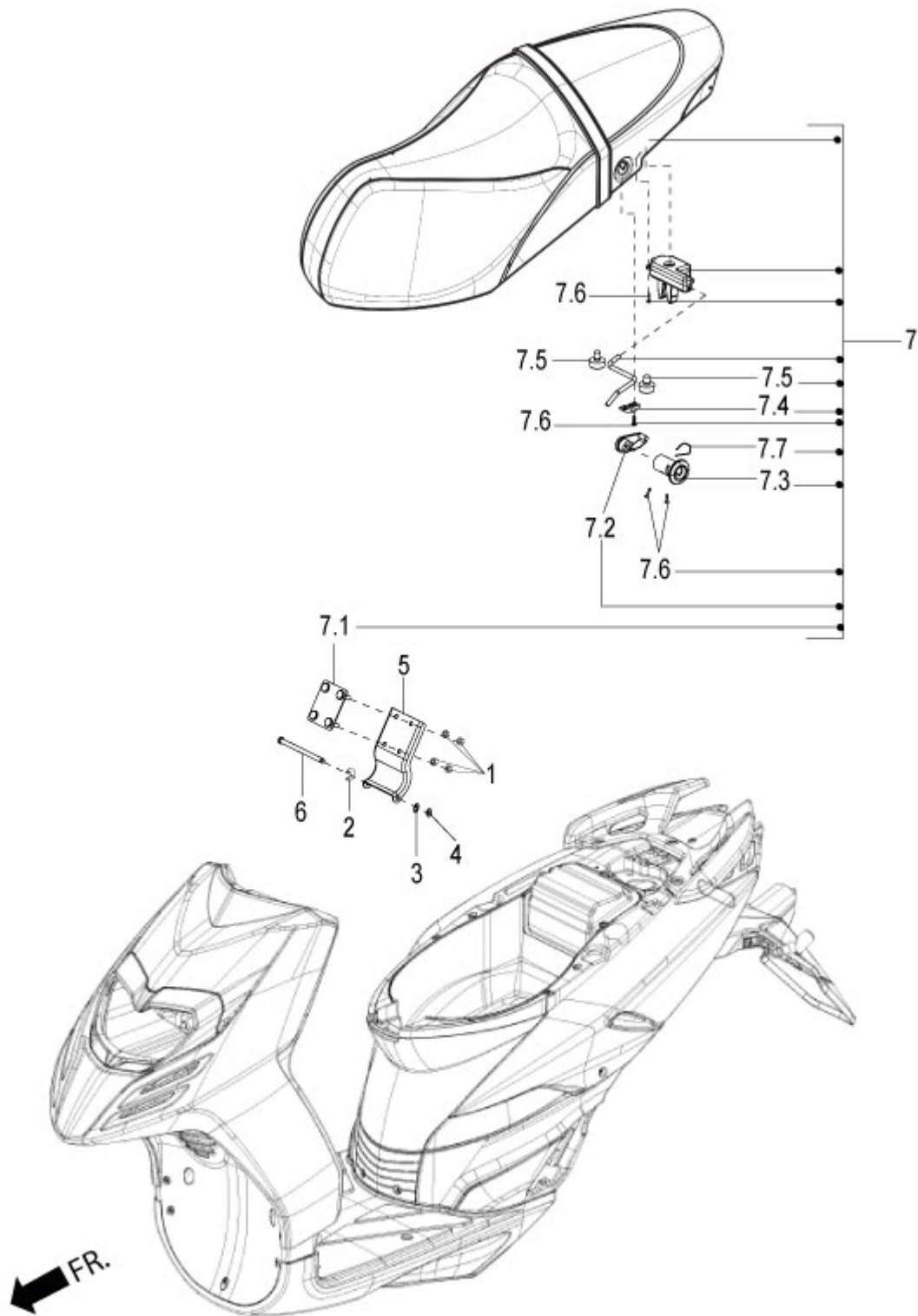




**2.07****Logos and Emblem**

<b>Fig. No.</b>	<b>Part No.</b>	<b>Description</b>	<b>Qty</b>	<b>Remarks</b>
23	2H003389	CBS STICKER	2	NI

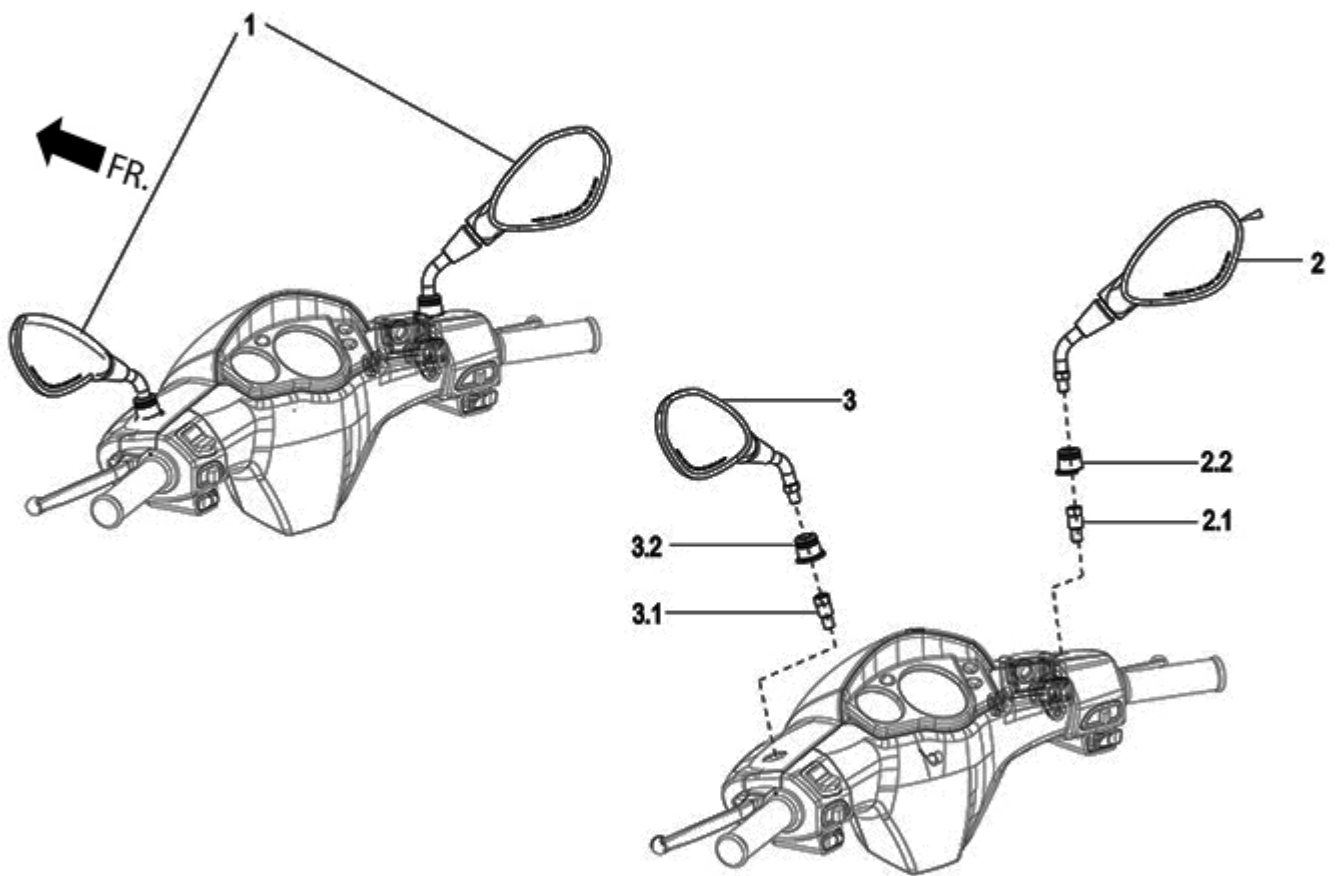
## 2.08 Complete Saddle



**2.08****Complete Saddle**

<b>Fig. No.</b>	<b>Part No.</b>	<b>Description</b>	<b>Qty</b>	<b>Remarks</b>
1	269136	NUT	4	
2	005965	CIRCLIP DIA 5 E TYPE	1	
3	3056	PLAIN WASHER M6 OD12	4	
4	12533	PLAIN SPRING WASHER WITH EXTERNAL TABS	4	
5	1B004339	SADDLE HINGE	1	
6	1B004358	SADDLE SPIN	1	
7	1B006963000C1	SADDLE, AASY.	1	
7.1	856467	PLATE	1	
7.2	1B003616	LEVER	1	
7.3	1B003642	LOCK SUPPORT	1	
7.4	296743	BRACKET (REAR LUGGAGE OR TANK)	1	
7.5	577492	STOP PAD	4	
7.6	674163	THREAD FORMING SCREW	7	
7.7	674312	SPRING	1	

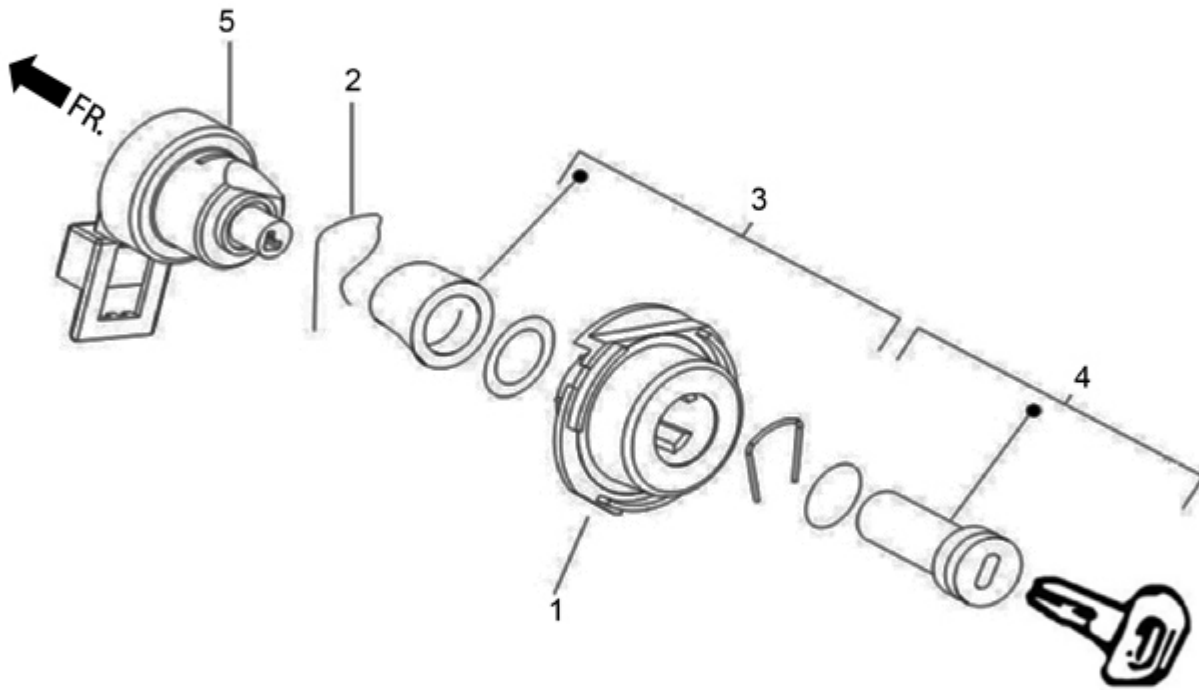
**2.09**  
**Mirrors**



**2.09****Mirrors**

<b>Fig. No.</b>	<b>Part No.</b>	<b>Description</b>	<b>Qty</b>	<b>Remarks</b>
1	CM281206	MIRROR SET	1	
2	CM281204	RIGHT REAR VIEW MIRROR	1	
2.1	1B005512	RIGHT THREADED PIN	1	
2.2	1B003798	GASKET FOR RIGHT REAR-VIEW MIRROR	1	
3	CM281205	LEFT REAR VIEW MIRROR	1	
3.1	1B005511	LEFT THREADED PIN	1	
3.2	1B003799	GASKET FOR LEFT REAR-VIEW MIRROR	1	

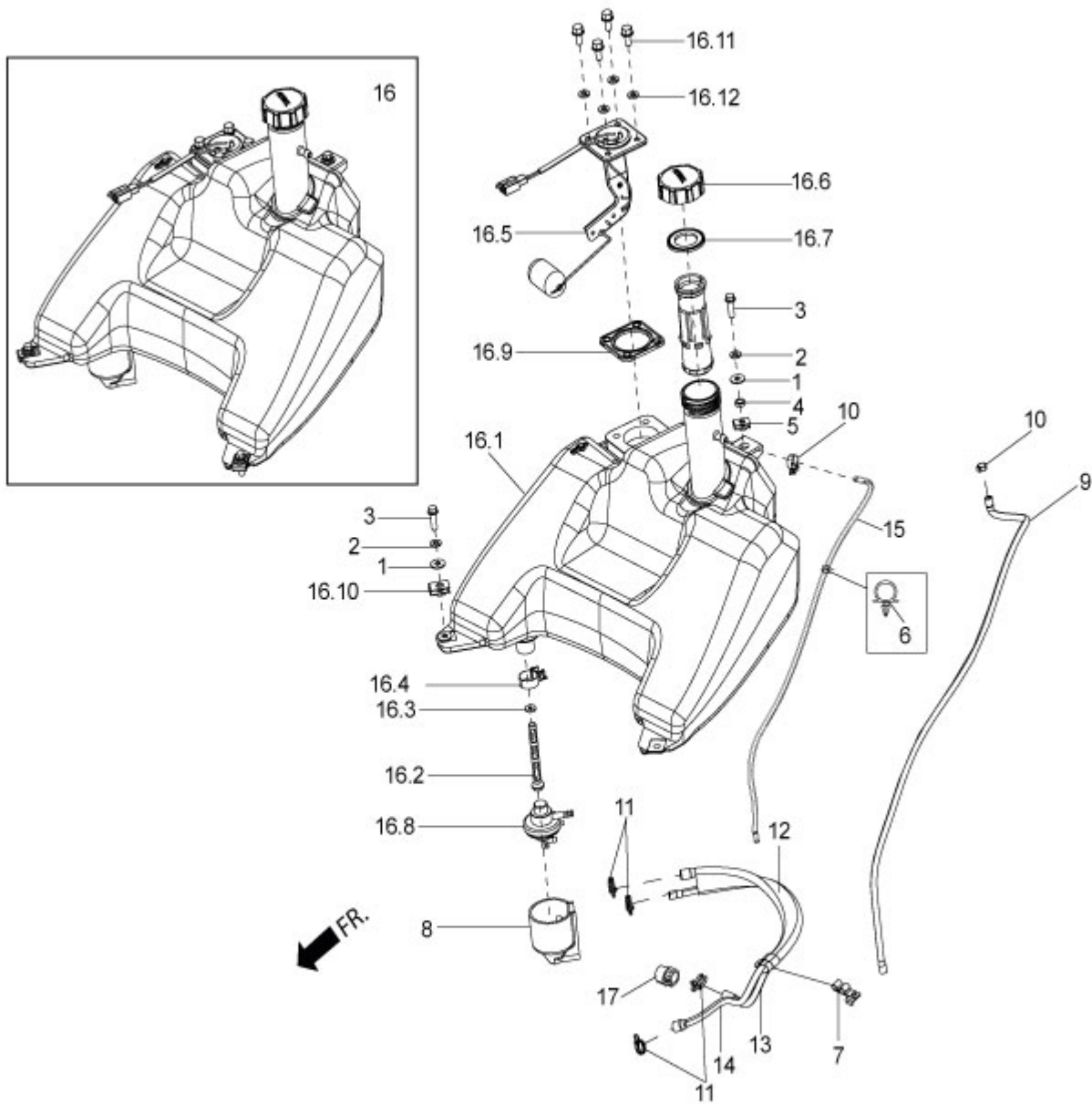
**2.10**  
**Locks**



**2.10**  
**Locks**

<b>Fig. No.</b>	<b>Part No.</b>	<b>Description</b>	<b>Qty</b>	<b>Remarks</b>
1	1B002607	LOCK BODY	1	
2	253937	SPRING	1	
3	298903	COMPLETE LOCK BLOCK	1	
4	1B003598	SET OF CYLINDERS AND KEYS FOR LOCK	1	
5	580621	COMPLETE KEY SWITCH	1	

## 2.11 Fuel Tank

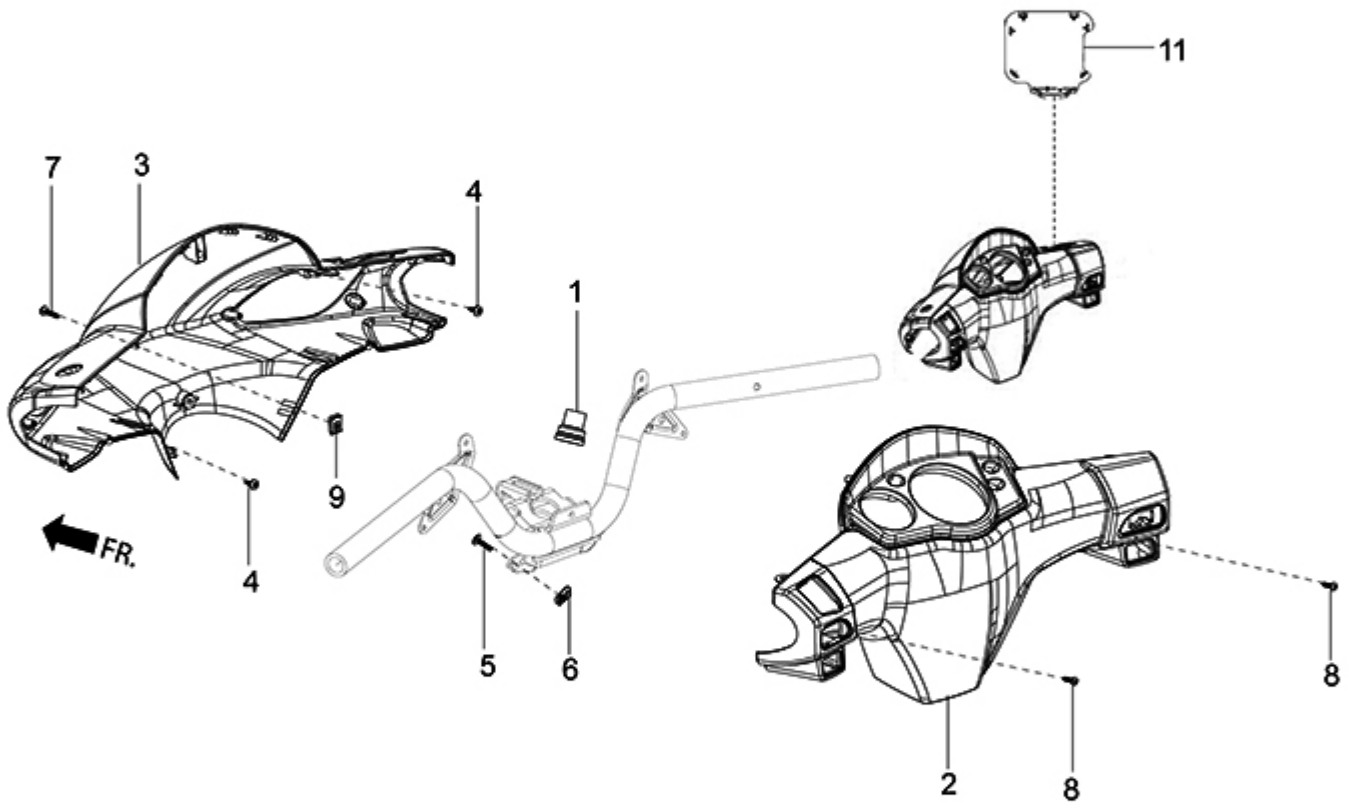




**2.11****Fuel Tank**

<b>Fig. No.</b>	<b>Part No.</b>	<b>Description</b>	<b>Qty</b>	<b>Remarks</b>
1	013880	PLAIN WASHER	3	COMPLETE FUEL TANK FIXING
2	016406	SPRING WASHER	3	COMPLETE FUEL TANK FIXING
3	018639	SCREW M6X20	3	COMPLETE FUEL TANK FIXING
4	1B003715	SPACER	1	COMPLETE FUEL TANK FIXING
5	254485	SPRING PLATE (M6)	1	COMPLETE FUEL TANK FIXING
6	1B003944	CLIP	1	
7	231590	ELASTIC CLAMP	2	
8	576725	COVER COCK	1	
9	CM001228	PIPE (NOT METALLIC)	1	
10	CM001913	CLAMP	2	
11	CM002902	HOSE CLAMP- 9MM	4	
12	CM007465	SHEATH	1	
13	CM182604	PIPE (NOT METALLIC)	1	
14	CM283503	FLEXIBLE HOSE	1	
15	CM001206	PIPE (NOT METALLIC)	1	
16	1B003131	COMPLETE FUEL TANK	1	NS-Order on individual child part code
16.1	1B003194	FUEL TANK	1	
16.2	295533	FILTER ELEMENT	1	
16.3	235661	PACKING FOR FUEL COCK	1	
16.4	577557	CLAMP	1	
16.5	1D001409	FUEL LEVEL GAUGE	1	
16.6	1B004165	PETROL TANK CAP	1	
16.7	258160	GASKET	1	
16.8	674594	AUTOMATIC VACUUM COCK	1	
16.9	673916	GASKET	1	
16.10	CM259204	SPRING PLATE	1	
16.11	436788	FLANGED HEXAGONAL HEAD SCREW	4	
16.12	016406	SPRING WASHER	4	
17	667156	CLAMP	1	

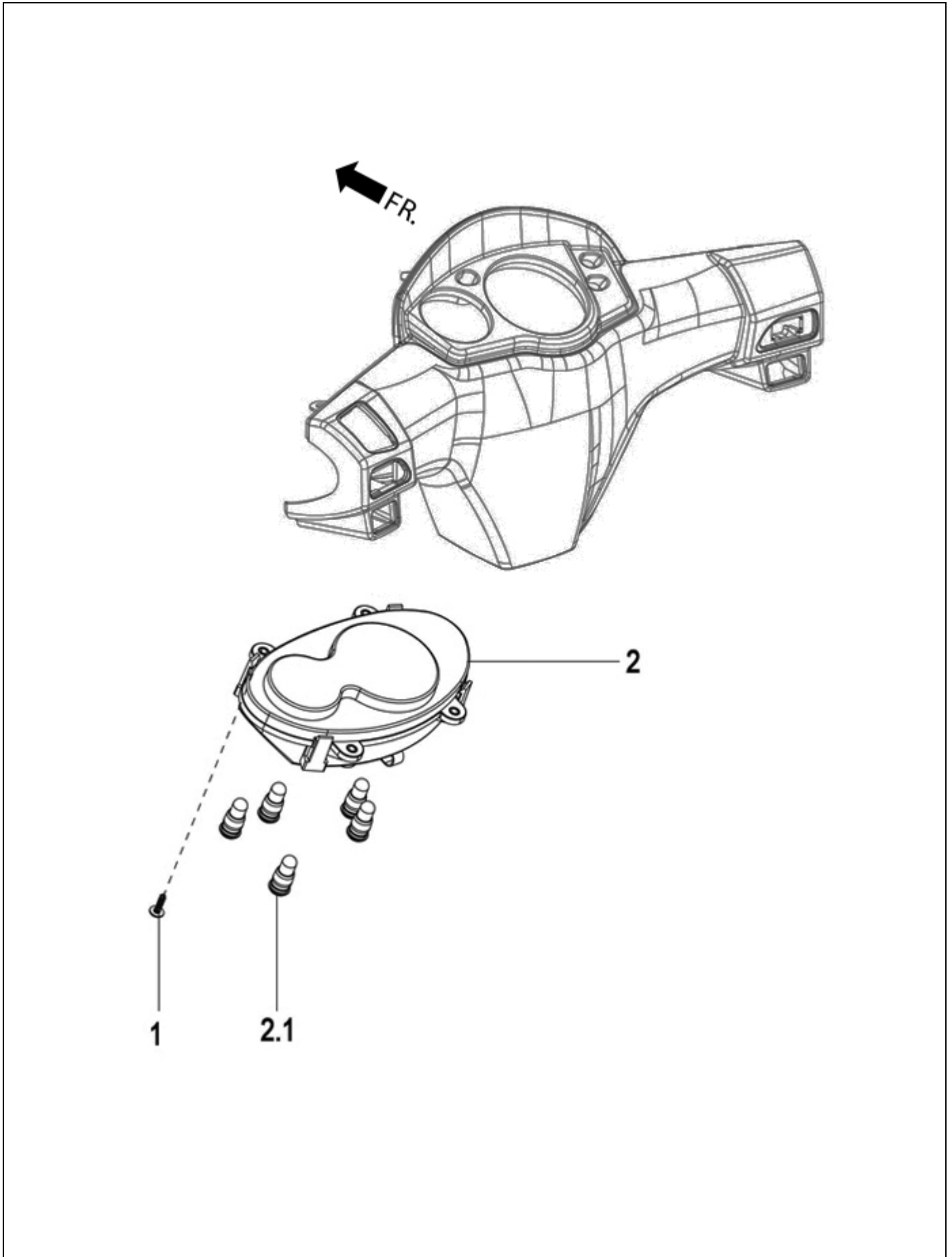
## 2.12 Handlebar Coverages



**2.12****Handlebar Coverages**

<b>Fig. No.</b>	<b>Part No.</b>	<b>Description</b>	<b>Qty</b>	<b>Remarks</b>
1	1B003841	PROTECTION CUP	1	HANDLEBARS COMP
2	1B0061874	REAR HANDLEBAR COVER	1	
3	SP1B006959000NL	SPD FR. HANDLEBAR COVER - MATT BLACK	1	Modified Handlebar cover W/O cover panel
4	270793	SCREW	2	FRONT HANDLEBARS COVER FIXING
4	270793	SCREW	2	REAR HANDLEBARS COVER FIXING
5	270793	SCREW	2	FRONT HANDLEBARS COVER FIXING
6	CM017410	SPRING PLATE	2	FRONT HANDLEBARS COVER FIXING
7	018620	SELF TAPPING SCREW	1	REAR HANDLEBARS COVER FIXING
8	267115	SCREW	2	REAR HANDLEBARS COVER FIXING
9	CM017409	SPRING PLATE	1	REAR HANDLEBARS COVER FIXING
11	1B006875	HANDLEBAR COVER PANEL	1	

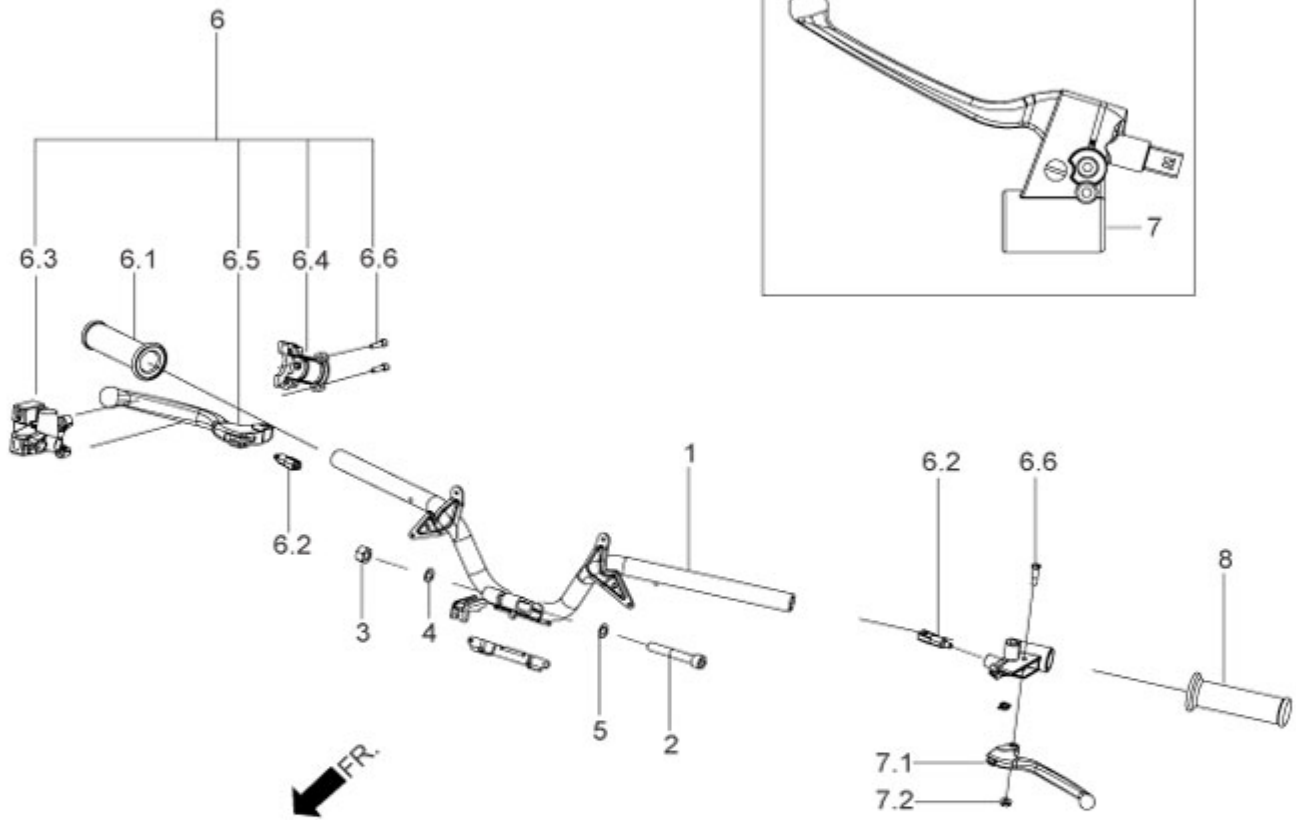
## 2.13 Speedometer



**2.13****Speedometer**

<b>Fig. No.</b>	<b>Part No.</b>	<b>Description</b>	<b>Qty</b>	<b>Remarks</b>
1	270793	SCREW	4	FIX. SPEEDOMETER
2	1D003035	SPEEDOMETER	1	
2.1	164634	BULB	5	

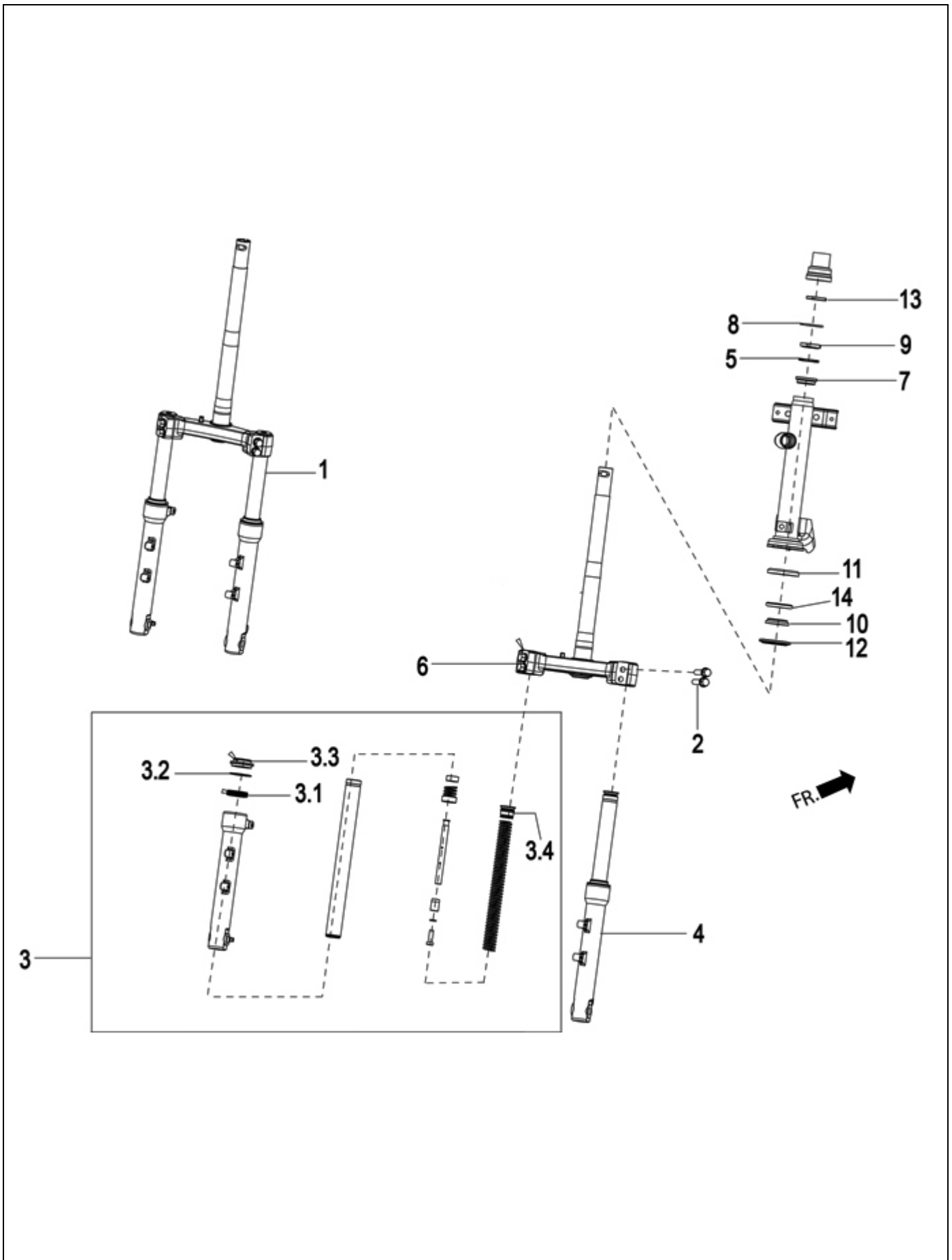
## 2.14 Handlebars



**2.14****Handlebars**

<b>Fig. No.</b>	<b>Part No.</b>	<b>Description</b>	<b>Qty</b>	<b>Remarks</b>
1	SP1B006076	HANDLEBAR WITH I.P.- SPD	1	APPLICABLE FOR MY 18 MODEL
2	655554	SOCKET HEAD SCREW	1	
3	015330	NUT FOR HANDLEBAR SECURING BOLT-M10;H10	1	
4	12543	WASHER (10,3X17X2)	1	
5	178790	WASHER	1	
6	1C004372	FRONT BRAKE COMPLETE LEVER	1	
6.1	274491	HAND GRIP (R.H.) TYPHOON 50	1	
6.2	1D002507	PUSH BUTTON	1	
6.3	1C004727	SEMI SUPERIOR SLEEVE	1	
6.4	1C004728	SEMI LOWER SLEEVE	1	
6.5	1C004402	RIGHT LEVER	1	
6.6	121780	SCREW	1	
7	1C004257	COMPLETE MUFF WITH REAR BRAKE LEVER	1	
7.1	667387	LEFT BRAKE LEVER	1	
7.2	123394	SCREW-BUSH	1	
8	274489	HAND GRIP (L.H.) TYPHOON 50	1	

## 2.15 Front suspension

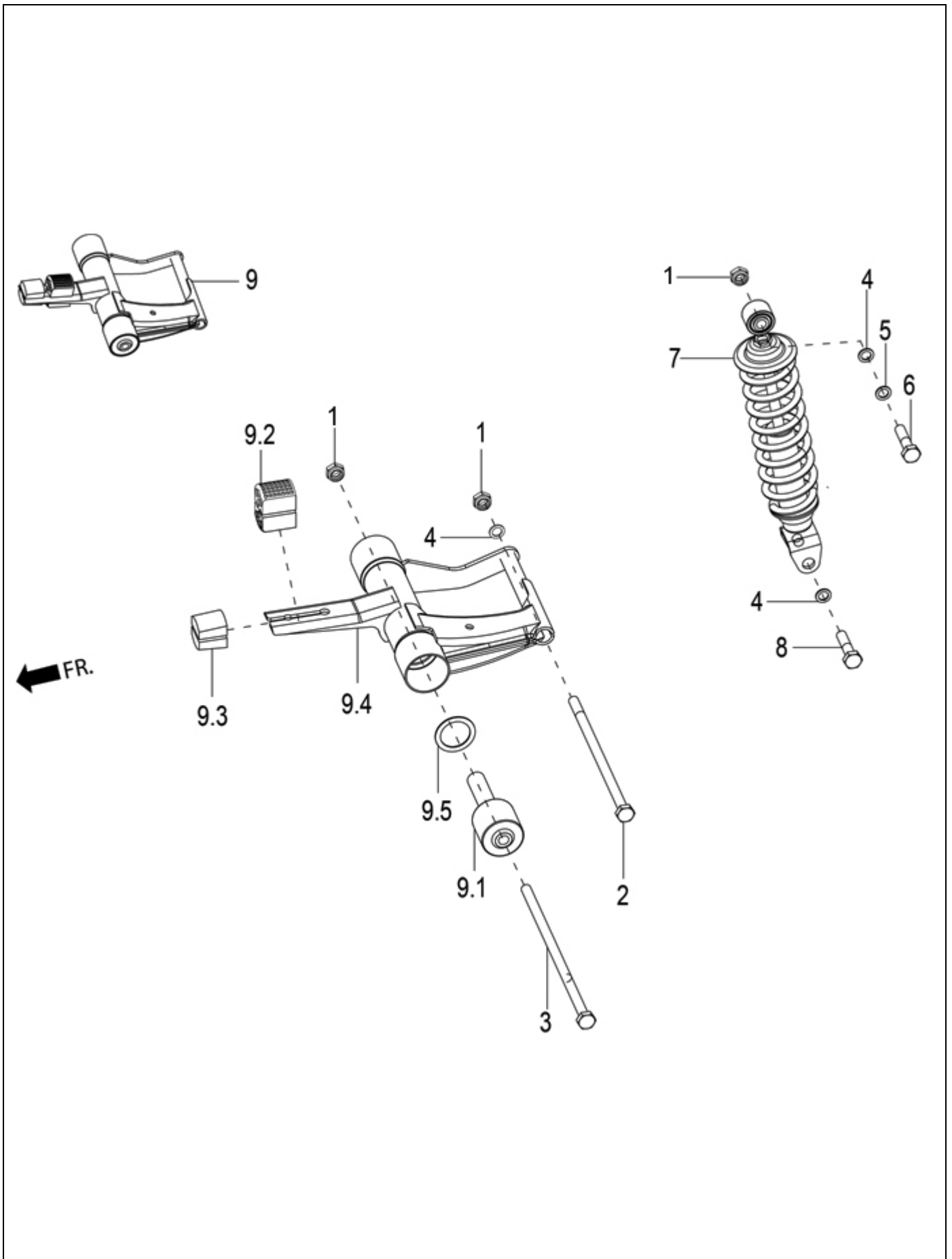




**2.15****Front suspension**

<b>Fig. No.</b>	<b>Part No.</b>	<b>Description</b>	<b>Qty</b>	<b>Remarks</b>
1	SP1C004622	FORK	1	
2	1C002421	FLANGED HEXAGONAL HEAD SCREW	4	
3	1C004623	LEFT LEG ASSEMBLY	1	
3.1	1C002469	SEAL OIL	2	
3.2	1C002470	RING SNAP	2	
3.3	1C002471	DUST COVER	2	
3.4	1C002472	PLUG WITH O-RING	2	
4	1C004620	RIGHT LEG ASSEMBLY	1	
5	564260	RETAINER WITH BALLS	23	
6	1C002568	COMPLETE UNDER BRACKET	1	
7	564256	STEER.UPP.BEAR.LOW.TRACK	1	
8	003751	WASHER FOR STEERING COLUMN (3,2X40X2,5)	1	
9	564258	RING NUT	1	
10	564259	STEER.LOW.BEAR.EXT.TRACK	1	
11	665602	STEER.LOW.BEAR.INT.TRACK	1	
12	1C001628	PROTECTION WASHER	1	
13	011109	RING NUT	1	
14	564257	STEERING BEARING ASSY. MC3 -56002R	28	

## 2.16 Rear suspension

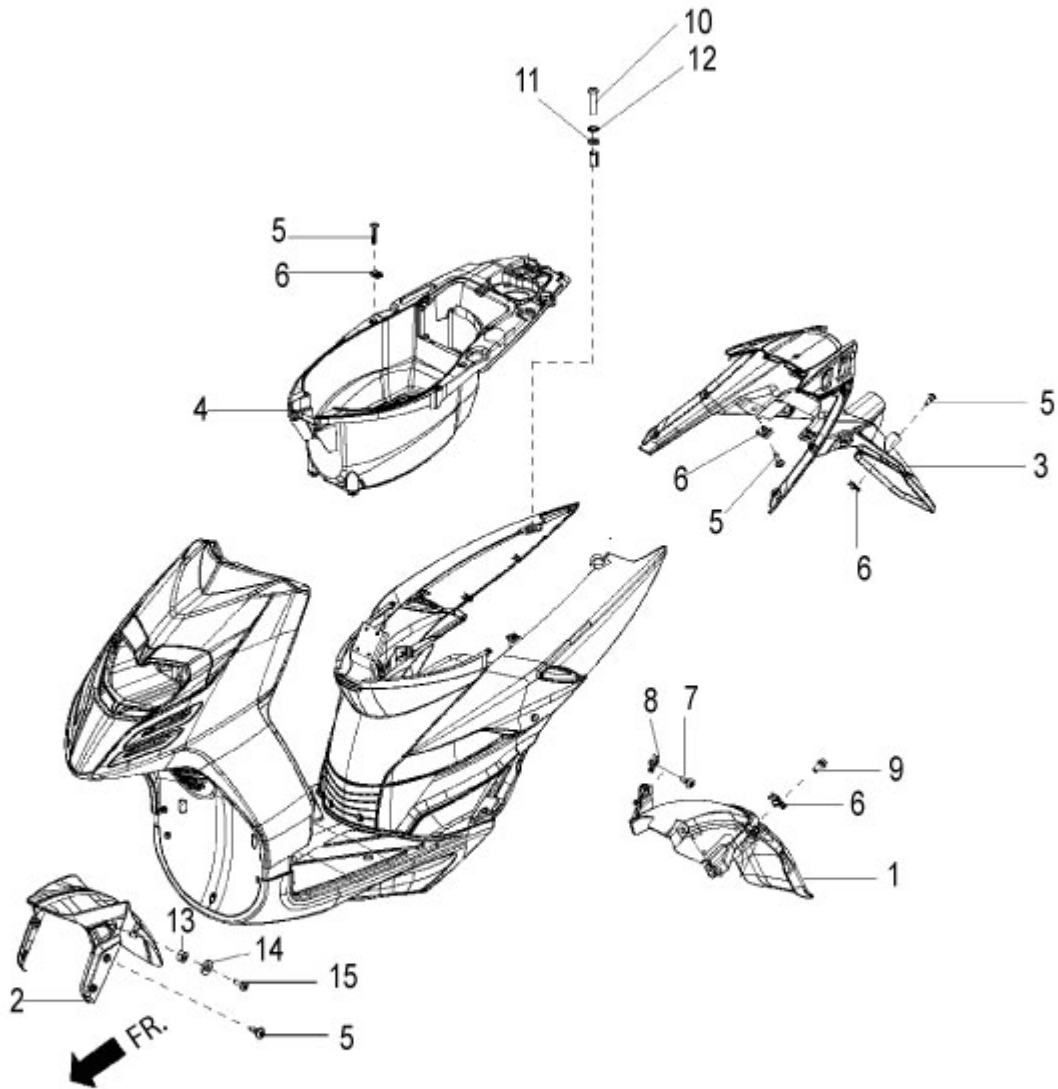


**2.16****Rear suspension**

<b>Fig. No.</b>	<b>Part No.</b>	<b>Description</b>	<b>Qty</b>	<b>Remarks</b>
1	002440	SELF LOCKING NUT	1	ENGINE/WISHBONE ARM FIXING
1	002440	SELF LOCKING NUT	1	FRAME/WISHBONE ARM FIXING
1	002440	SELF LOCKING NUT	1	REAR SHOCK ABSORBER UPPER FIXING
2	668302	SCREW BOLT SHANK THREADED PARTIALLY	1	ENGINE/WISHBONE ARM FIXING
3	1C002598	(* ) SCREW BOLT SHANK THREADED PART	1	FRAME/WISHBONE ARM FIXING
4	B015320	PLAIN WASHER	2	REAR SHOCK ABSORBER UPPER FIXING
4	B015320	PLAIN WASHER	1	FRAME/WISHBONE ARM FIXING
4	B015320	PLAIN WASHER	1	REAR SHOCK ABSORBER LOWER FIXING
5	B015321	CONICAL KNURLED WASHER	1	REAR SHOCK ABSORBER UPPER FIXING
6	B024614	HEX HEAD BOLT M10X45 CL 10.9	1	REAR SHOCK ABSORBER UPPER FIXING
7	1C002159	REAR SHOCK ABSORBER ASSY	1	
8	268158	FLANGED HEXAGONAL HEAD SCREW	1	REAR SHOCK ABSORBER LOWER FIXING
9	1C005078	SWINGING ARM ASSY	1	
9.1	563076	SILENTBLOC.	2	
9.2	267550	BUFFER	1	
9.3	267589	BUFFER	1	
9.4	1C003025	SWINGING ARM WITH I.P.	1	
9.5	562576	WASHER	2	



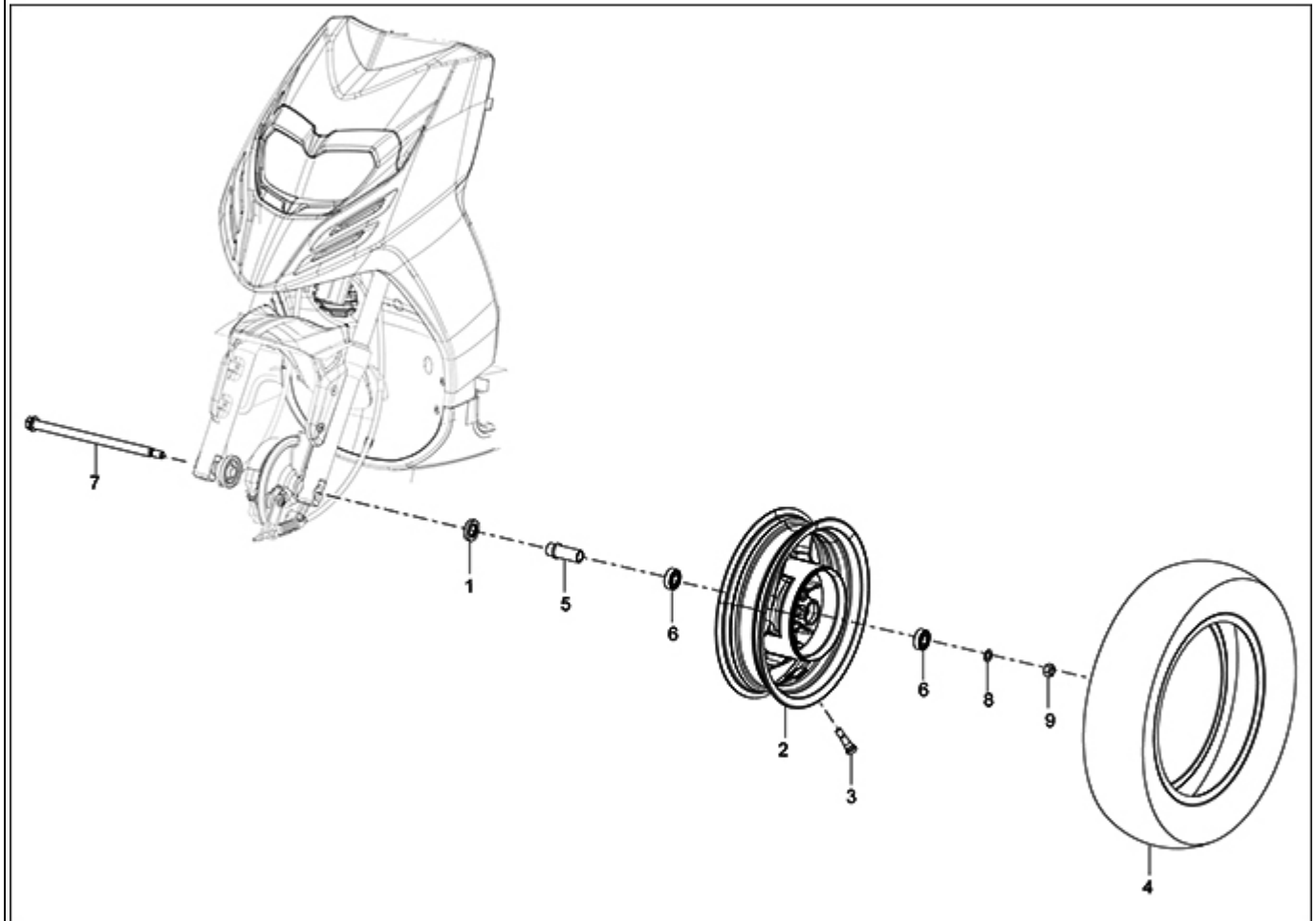
## 2.17 Rear Brake



**2.17****Rear Brake**

<b>Fig. No.</b>	<b>Part No.</b>	<b>Description</b>	<b>Qty</b>	<b>Remarks</b>
1	1A003063	FLANGED HEX HEAD SCREW M6X35	1	REAR BRAKE DRIVE LEVER FIXING
2	564112	REAR BRAKE LEVER AXLE	1	
2.2	564134	GASKET	2	
3	1C000655R	BRAKE SHOES COUPLE	1	
3.1	647384	SPRING	2	
4	1C002607	REAR BRAKE DRIVE LEVER WITH I.P.	1	

## 2.18 Front wheel

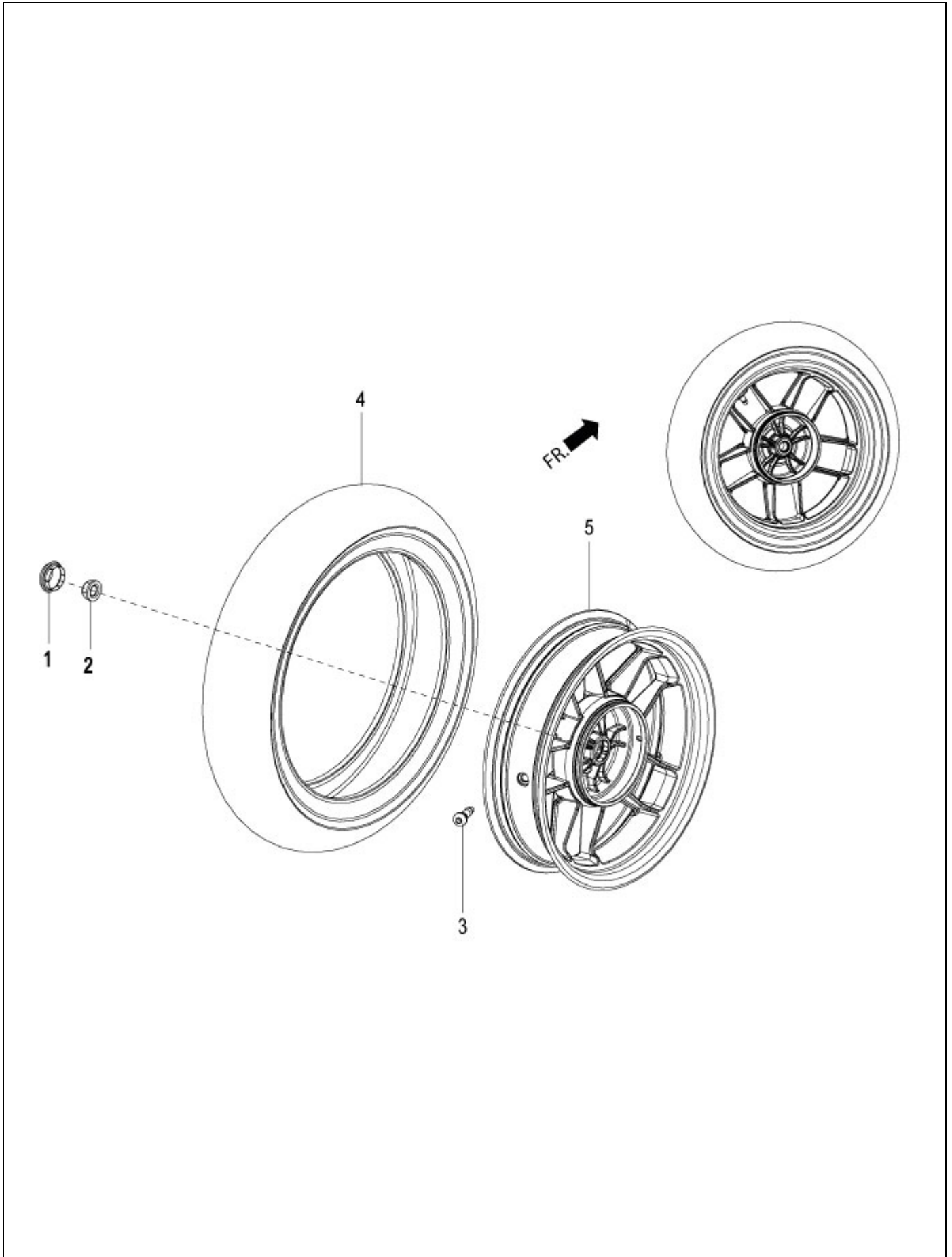


**2.18****Front wheel**

<b>Fig. No.</b>	<b>Part No.</b>	<b>Description</b>	<b>Qty</b>	<b>Remarks</b>
1	1C001322	SEAL RING	1	
2	1C004688	FRONT WHEEL	1	
3	270991	TUBELESS VALVE	1	
4	58562R	TYRE 120/80-12	1	
5	1C004371	COMPLETE SPACER	1	
6	649910	DEEP GROOVE BALL BEARING	2	
7	1C002728	FRONT WHEEL AXLE	1	
8	709037	WASHER	1	
9	265216	SELF LOCKING NUT M12 H=11	1	



**2.19**  
**Rear Wheel**



**2.19****Rear Wheel**

<b>Fig. No.</b>	<b>Part No.</b>	<b>Description</b>	<b>Qty</b>	<b>Remarks</b>
1	665657	PLUG WHEEL AXIS	1	COMPLETE REAR WHEEL FIXING
2	1C002806	SELF LOCKING FLANGE U NUT	1	COMPLETE REAR WHEEL FIXING
3	270991	TUBELESS VALVE	1	
4	58563R	TYRE 130/80-12	1	
5	1C004699	REAR WHEEL	1	

**2.20**

**Brake and CBS components**

Image Work in Progress

**2.20****Brake and CBS components**

Fig. No.	Part No.	Description	Qty	Remarks
1	1C004359	BRAKE CONTROL TRANSM. (LEVER-CBS)	1	
2	1C004363	BRAKE CONTROL TRANSM. (CBS-FRONT WHEEL)	1	
3	1C004364	FRONT BRAKE CONTROL TRANSM. (LEVER-CBS)	1	
4	1C004365	BRAKE CONTROL TRANSM. (CBS-REAR WHEEL)	1	
5	179640	PIN	1	REAR BRAKE TRANSMISSION FIXING
6	1C001642	SPACER	1	REAR BRAKE TRANSMISSION FIXING
7	270310	BRAKE ADJUSTER	1	REAR BRAKE TRANSMISSION FIXING
8	257134	RETAINING STRAP	1	REAR BRAKE TRANSMISSION FIXING
9	1A003063	FLANGED HEX HEAD SCREW M6X35	1	PLATE FOR REAR BRAKE TRANSMISSION FIXING
10	1C004582	CIRCLIP	2	PLATE FOR REAR BRAKE TRANSMISSION FIXING
11	709674	SCREW M6X20	1	PLATE FOR REAR BRAKE TRANSMISSION FIXING
12	1C004609	COVER	1	
13	434541	SCREW	3	FIX DISTRIBUTOR TO FRAME
14	013880	PLAIN WASHER	3	FIX DISTRIBUTOR TO FRAME
15	006976	WAVED SPRING WASHER	3	FIX DISTRIBUTOR TO FRAME
7	270310	BRAKE ADJUSTER	1	FIX FRONT BRAKE TRANSM. TO FRONT DRUM
5	179640	PIN	1	FIX FRONT BRAKE TRANSM. TO FRONT DRUM
16	668563	SPACER (7.3MM)	1	SELF REGISTRATION PLATE FIXING
17	031091	SCREW BOLT SHANK THREADED COMPLETELY	1	SELF REGISTRATION PLATE FIXING
18	7608	WASHER	2	SELF REGISTRATION PLATE FIXING
19	227838	PLAIN WASHER	1	SELF REGISTRATION PLATE FIXING
20	20106	HEX NUT M6	1	AXLE/FRONT BRAKE LEVER FIXING
21	199091	WASHER	1	AXLE/FRONT BRAKE LEVER FIXING
22	227838	PLAIN WASHER	1	AXLE/FRONT BRAKE LEVER FIXING
23	006976	WAVED SPRING WASHER	1	AXLE/FRONT BRAKE LEVER FIXING
24	1C004384	BRAKE SHOES COUPLE	1	
25	1C004441	BRAKE LEVER	1	
26	SP1C004223	COMPLETE BRAKE SHOES HOLDER DISC SPD	1	
26A	1C004343	BRAKE SHOES HOLDER DISC WITH I.P.	1	
26B	1C004222	SPACER	1	
27	1C004745	COMPL. BRAKING POWER DISTRIBUTOR	1	
28	1B006278	CBS BRACKET WITH I.P.	1	
29	CM0074A3	PIPE (NOT METALLIC)	1	
30	000061	EXTERNAL RING	2	
31	078522	SHOES RETURN SPRING	1	



**2.20**

**Brake and CBS components**

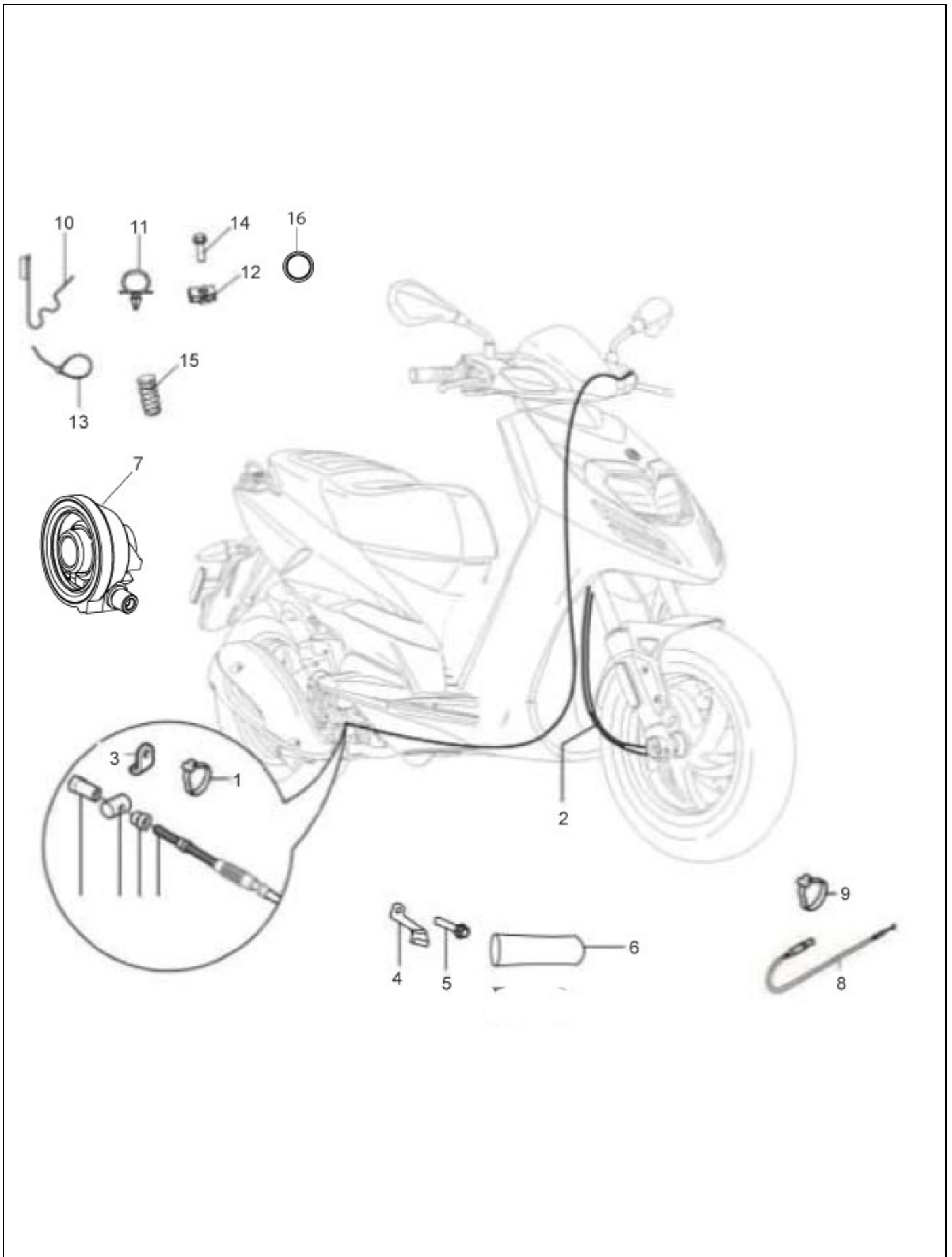
Image Work in Progress

**2.20****Brake and CBS components**

<b>Fig. No.</b>	<b>Part No.</b>	<b>Description</b>	<b>Qty</b>	<b>Remarks</b>
32	1C004445	SELF-ADJUSTMENT PLATE WITH I.P.	1	
33	1C004104	COMPLETE CBV BRACKET	1	

## 2.21

### Transmission cables



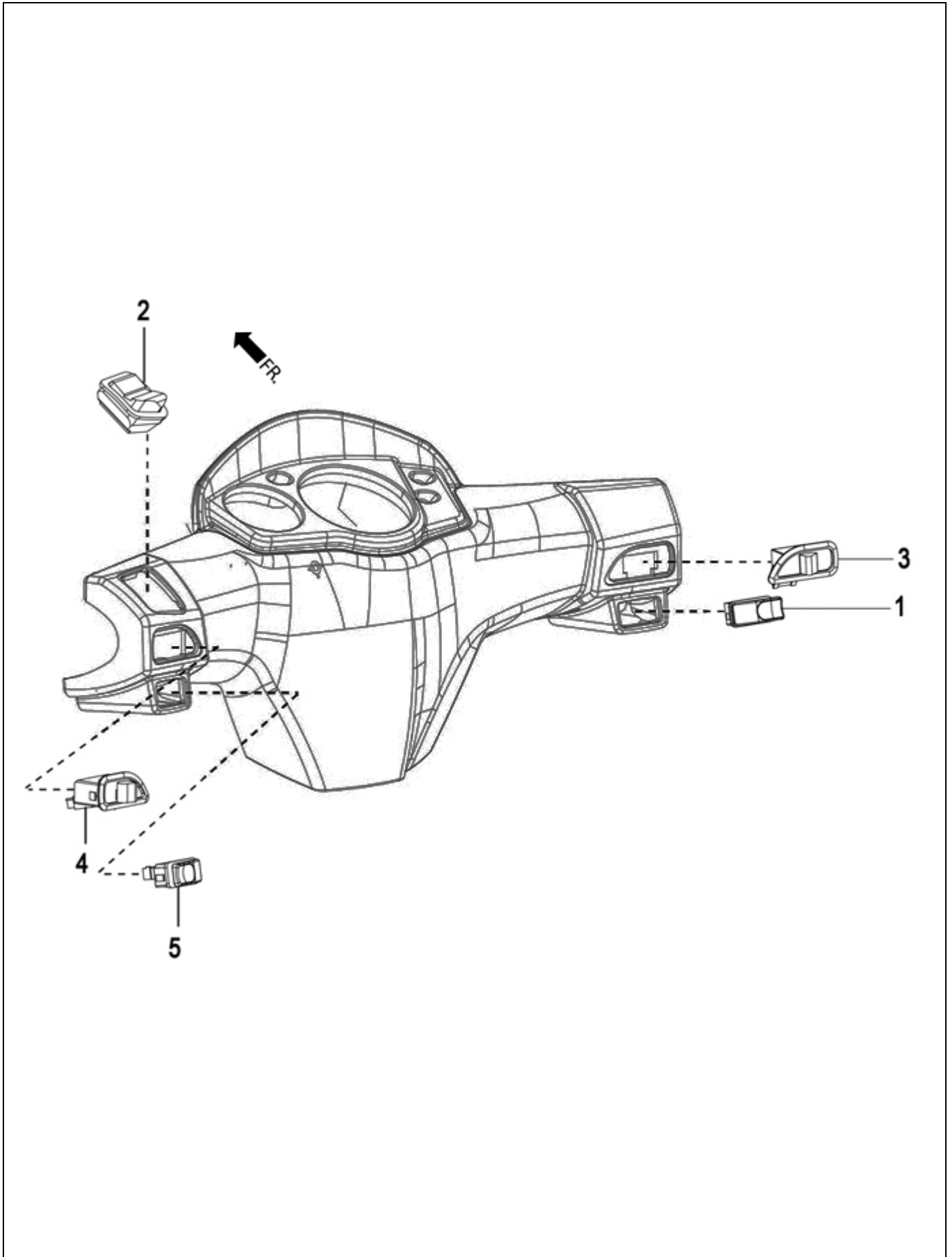


**2.21****Transmission cables**

<b>Fig. No.</b>	<b>Part No.</b>	<b>Description</b>	<b>Qty</b>	<b>Remarks</b>
1	257134	RETAINING STRAP	1	REAR BRAKE TRANSMISSION FIXING
2	1C002432	SPEEDOMETER FLEX. TRANS.	1	
3	564645	PLATE FOR REAR BRAKE TRANSMISSION FIXING	1	REAR BRAKE TRANSMISSION FIXING
4	667842	TRANSMISSION BRAKE CLAMP	1	REAR BRAKE TRANSMISSION FIXING
5	1A003060	FLANGED HEX. HEAD SCREW M6X45	1	REAR BRAKE TRANSMISSION FIXING
6	CM0074C3	SHEATH (DI.5-S.0,5-L.220)	1	GAS /STARTING TRASMISSION FIXING
7	1C005023	SPEEDOMETER DRIVE	1	
8	1C002373	STARTER TRANSMISSION	1	
9	667841	CLIP	1	REAR BRAKE TRANSMISSION FIXING
10	1C002363	CLIP	3	GAS /STARTING TRASMISSION FIXING
11	216369	CLAMP	1	GAS /STARTING TRASMISSION FIXING
12	254485	SPRING PLATE (M6)	3	GAS /STARTING TRASMISSION FIXING
13	257134	RETAINING STRAP	3	GAS /STARTING TRASMISSION FIXING
14	1A015812	FLANGED HEXAGONAL HEAD SCREW	3	GAS /STARTING TRASMISSION FIXING
15	CM006905	SPRING	1	GAS /STARTING TRASMISSION FIXING
16	4A000001	GASKET	1	



## 2.22 Selector Switches

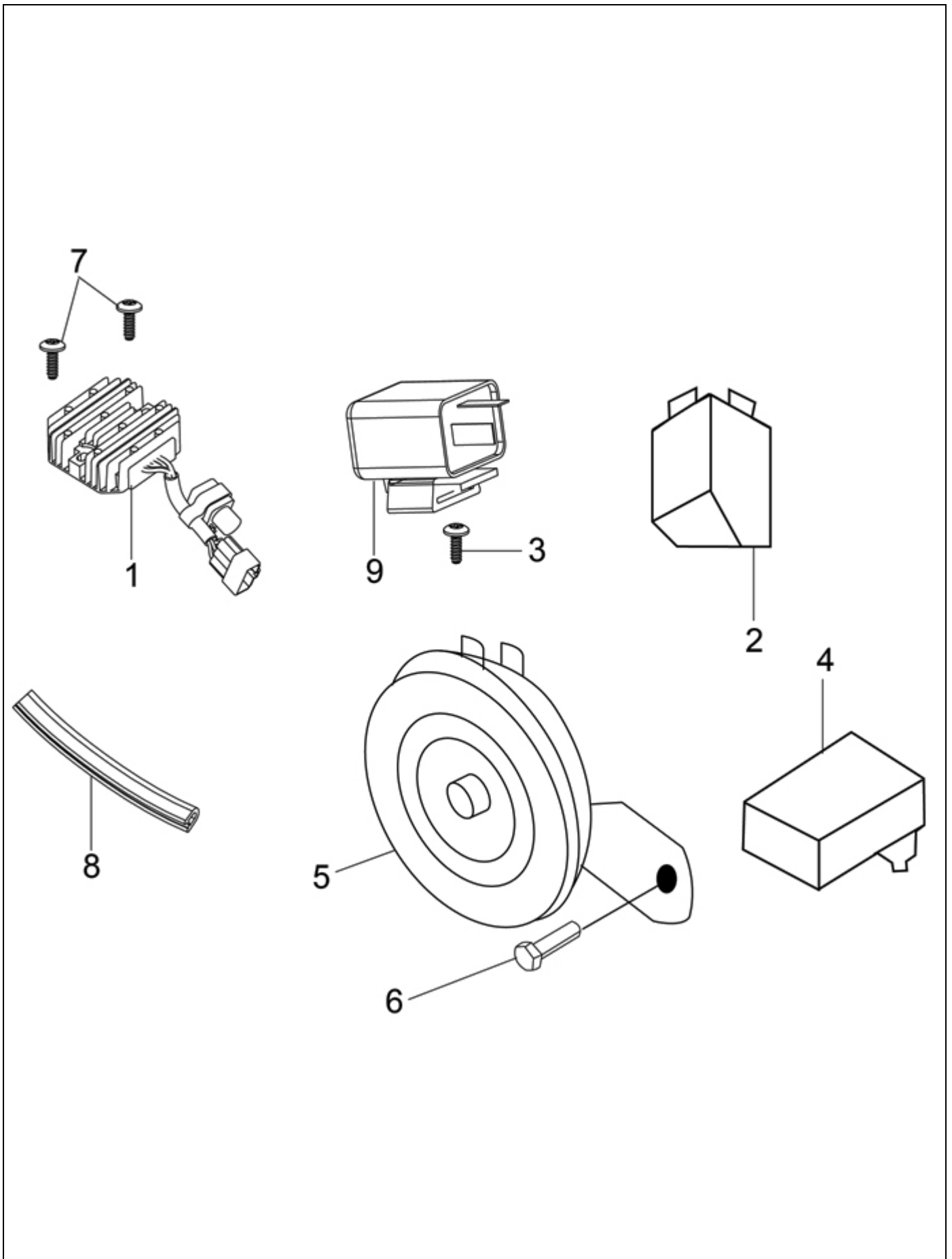


**2.22****Selector Switches**

<b>Fig. No.</b>	<b>Part No.</b>	<b>Description</b>	<b>Qty</b>	<b>Remarks</b>
1	641359	START PUSH BUTTON	1	
2	642967	HI-LO SWITCH WITH PASSING	1	
3	584426	PLUG	1	
4	642679	BLINKER SWITCH	1	
5	1D002296	HORN PUSH BUTTON	1	

## 2.23

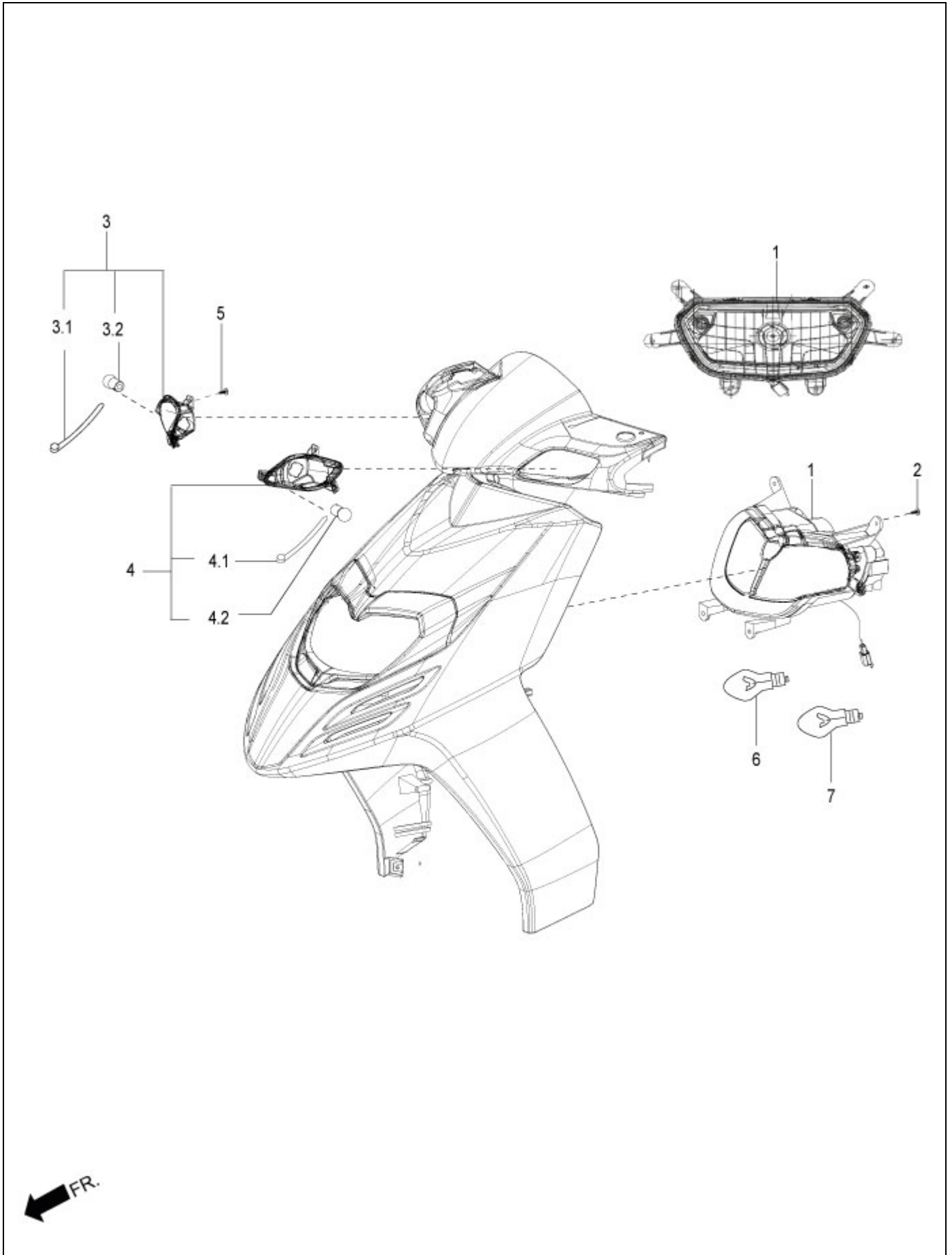
### Remote Control Switches



**2.23****Remote Control Switches**

<b>Fig. No.</b>	<b>Part No.</b>	<b>Description</b>	<b>Qty</b>	<b>Remarks</b>
1	1A016315R	VOLTAGE REGULATOR	1	
2	1D003013	FLASHING DEVICE COMPLETE	1	
3	435634	FLANGED HEXAGONAL HEAD SCREW	1	REMOTE CONTR. SWITCH FIXING
4	58250R	CONTROL DEVICE IGNITION	1	
5	58243R	HORN 12V - DC	1	
6	434541	SCREW	1	HORN FIXING
7	018639	SCREW M6X20	2	REGULATOR FIXING
8	CM023903	EDGE PROTECTION	1	
9	680154	REMOTE CONTROL SWITCH 12V-70A	1	
10	1B005473	BRACKET WITH I.P.	1	

## 2.24 Front Lamp

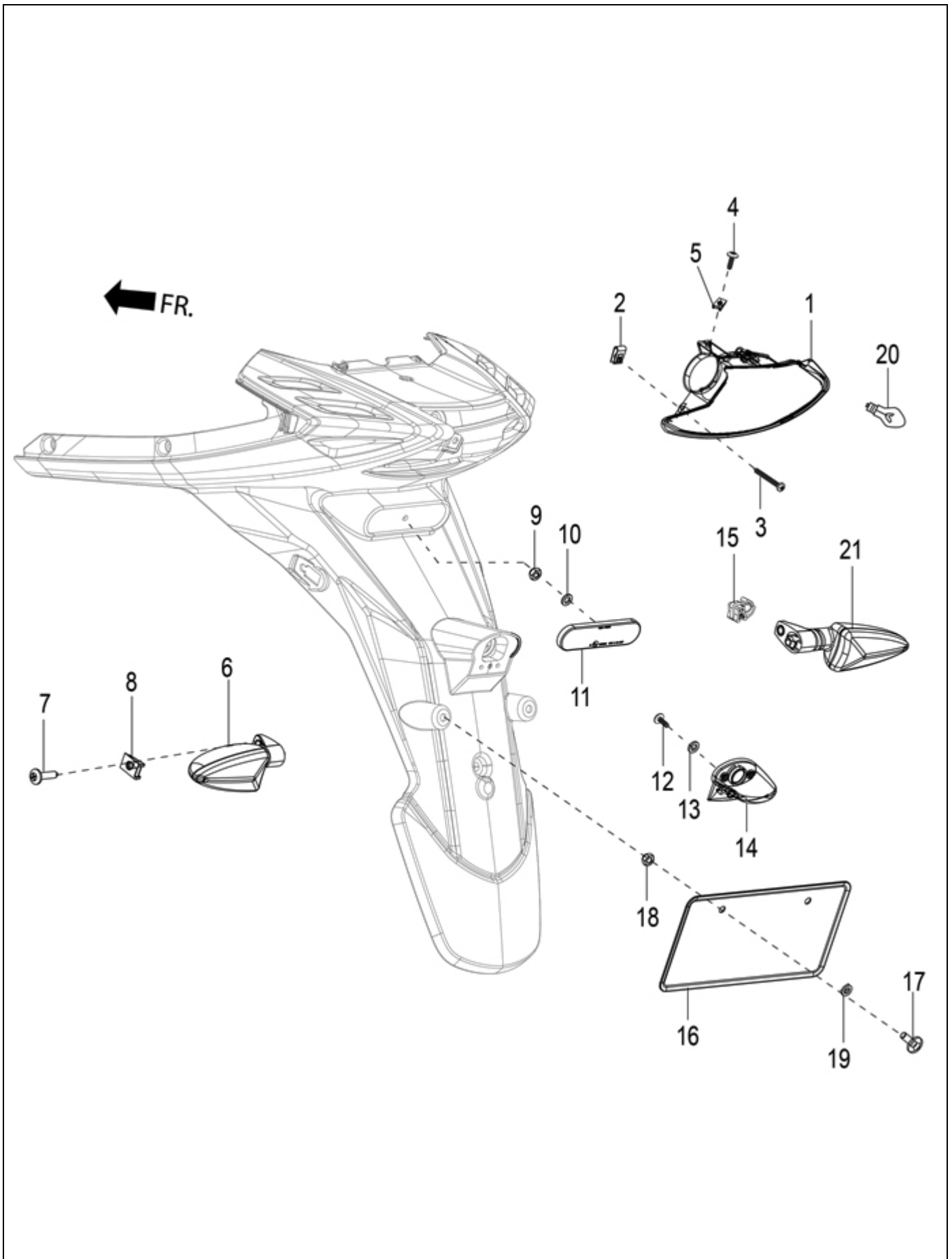


**2.24****Front Lamp**

<b>Fig. No.</b>	<b>Part No.</b>	<b>Description</b>	<b>Qty</b>	<b>Remarks</b>
1	1D002965	COMPLETE SINGLE CHAMBER HEADLAMP	1	single chamber headlight
1	1D001408	HEADLAMP	1	Double chamber headlight
2	270793	SCREW	4	HEADLAMP FIXING
3	1D001570	FRONT RIGHT TURN SIGNAL LIGHT	1	
3.1	1D001926	COMP. FRONT RH WIRE HARNESS	1	
3.2	584332	12V-10W AMBER LAMP	1	
4	1D001571	FRONT LEFT TURN SIGNAL LIGHT	1	
4.1	1D001927	COMP. FRONT LH WIRE HARNESS	1	
4.2	584332	12V-10W AMBER LAMP	1	
5	297498	SELF TAPPING SCREW	6	FRONT TURN SIGNAL LIGHT FIXING
6	231215	LAMP 12V/35/35W HS1 (HALOGEN)	2	
7	292022	LAMP (12V - 5W)	1	



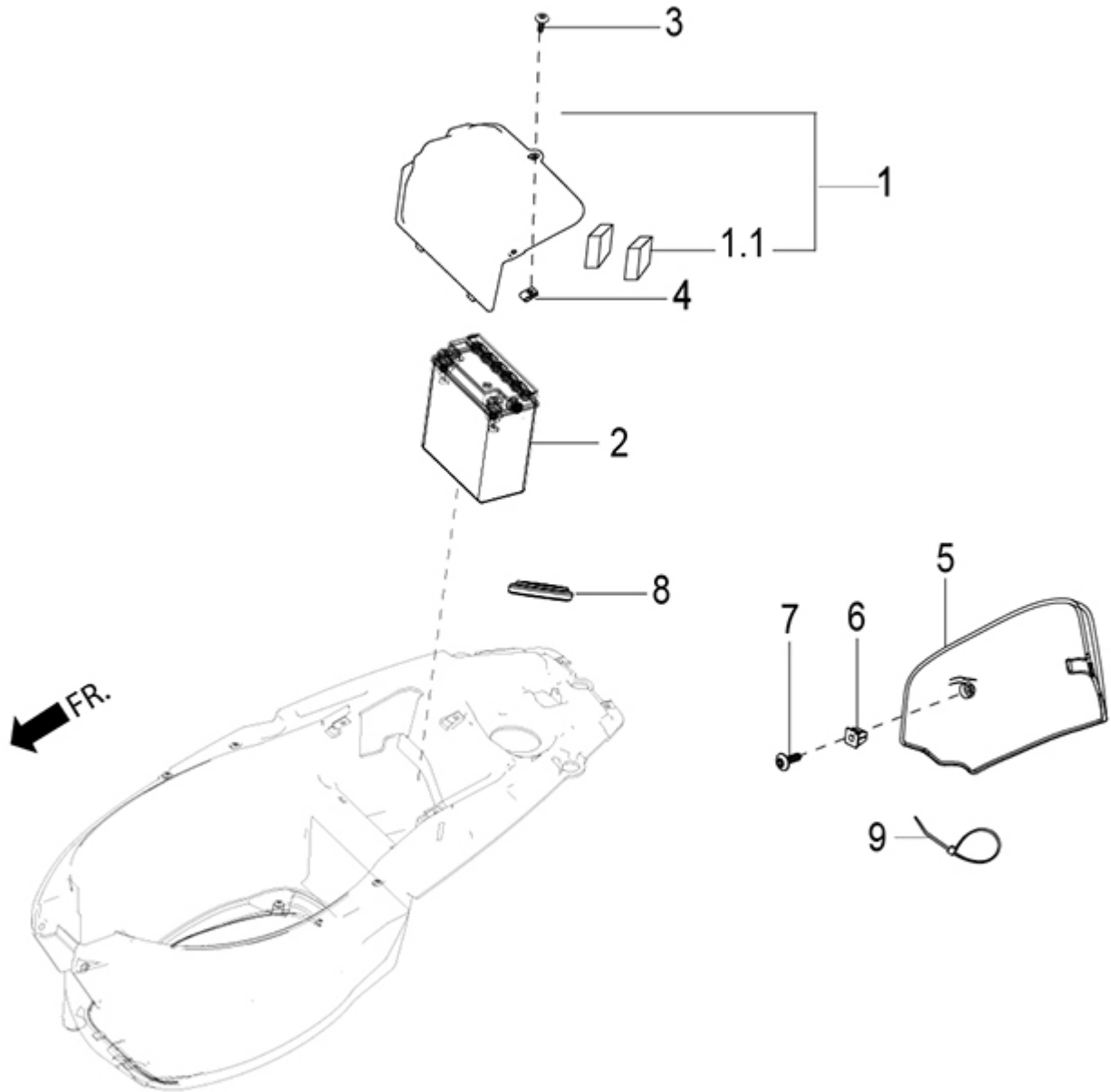
## 2.25 Rear lamp Group



**2.25****Rear lamp Group**

<b>Fig. No.</b>	<b>Part No.</b>	<b>Description</b>	<b>Qty</b>	<b>Remarks</b>
1	1D001567	COMPLETE TAIL LAMP	1	
2	CM017410	SPRING PLATE	2	REAR LAMP FIXING
3	018534	SCREW	2	REAR LAMP FIXING
4	259349	SCREW	1	REAR LAMP FIXING
5	CM017408	SPRING PLATE	1	REAR LAMP FIXING
6	1D001569	REAR LEFT TURN SIGNAL LIGHT	1	
7	259364	SCREW	2	REAR TURN SIG. LIGHT FIXING
8	254485	SPRING PLATE (M6)	2	REAR TURN SIG. LIGHT FIXING
9	20105	PLAIN NUT M5	1	REAR REFLECTOR FIXING
10	6965	SPRING WASHER DIA 5	1	REAR REFLECTOR FIXING
11	642906	REAR REFLECTOR	1	
12	267115	SCREW	1	Licence plate LAMP fixing
13	003054	PLAIN WASHER	1	Licence plate LAMP fixing
14	639088	TAIL LAMP	1	E - Marked (Export)
15	CM013203	SPRING	2	REAR INDICATOR CABLE FIXING
16	673918A	REAR LICENSE PLATE	1	
17	272836	METRICAL SCREW WITH CROSS MOULD	2	REAR PLATE FIXING
18	709116	HEXAGON NUT	2	REAR PLATE FIXING
19	709003	PLAIN WASHER	2	REAR PLATE FIXING
20	129953	BULB FOR TAIL LAMP (12V - 5/21W)	1	
21	1D001568	REAR RIGHT TURN SIGNAL LIGHT	1	

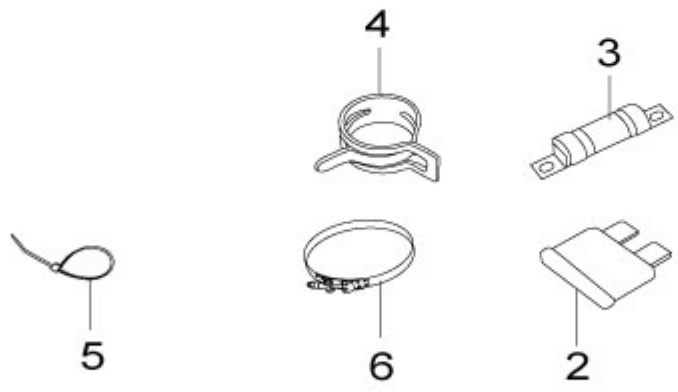
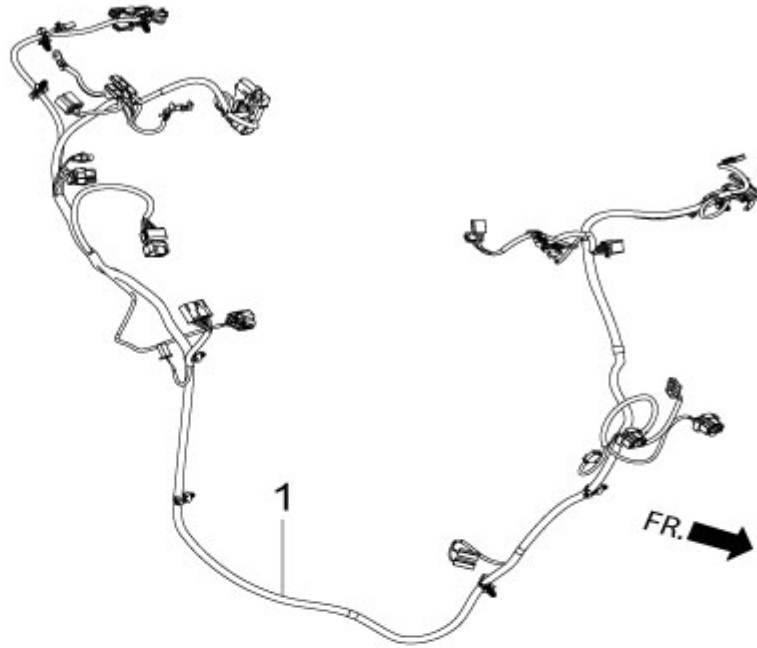
## 2.26 Battery



## 2.26 Battery

Fig. No.	Part No.	Description	Qty	Remarks
1	1B006600	BATTERY COVER WITH STOP PADS	1	With Hole for USB Socket
1	1B006598	COMPLETE BATTERY COVER	1	Without Hole For USB Socket
1.1	575937	BATTERY PAD	2	
2	1D002421	SEALED FACTORY CHARGED BATTERY 12V-5AH	1	
3	259349	SCREW	3	BATTERY COVER/HELMET CASE FIXING
4	CM017410	SPRING PLATE	3	BATTERY COVER/HELMET CASE FIXING
3	259349	SCREW	3	HELMET CARRIER COVER/HELMET CASE FIX
4	CM017410	SPRING PLATE	3	HELMET CARRIER COVER/HELMET CASE FIX
5	1B003793	COIL COVER	1	
6	157716	SCREW ANCHORE	1	COIL COVER FIXING
7	CM178603	THREAD FORMING SCREW	1	COIL COVER FIXING
8	1B003729	GASKET	1	GROUP COMPONENTS HELMET CASE
9	257134	RETAINING STRAP	1	GROUP COMPONENTS HELMET CASE

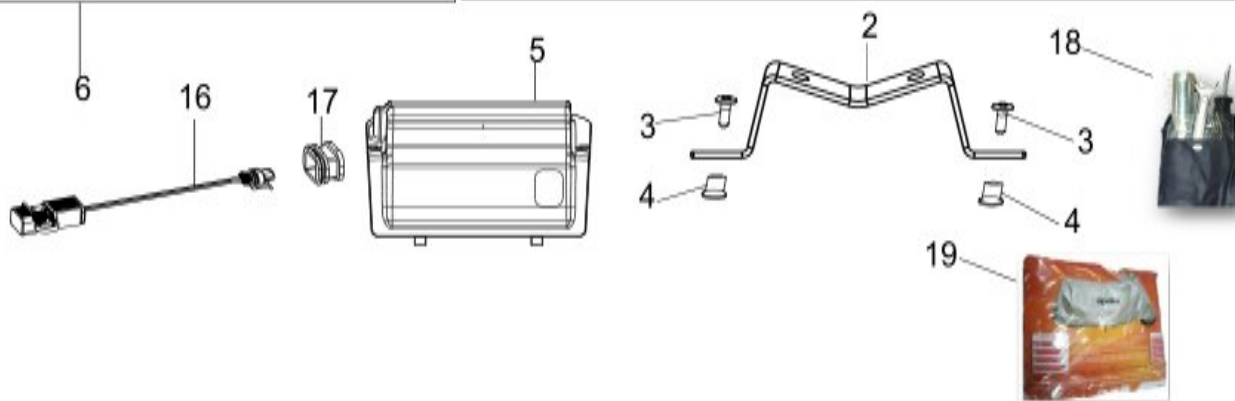
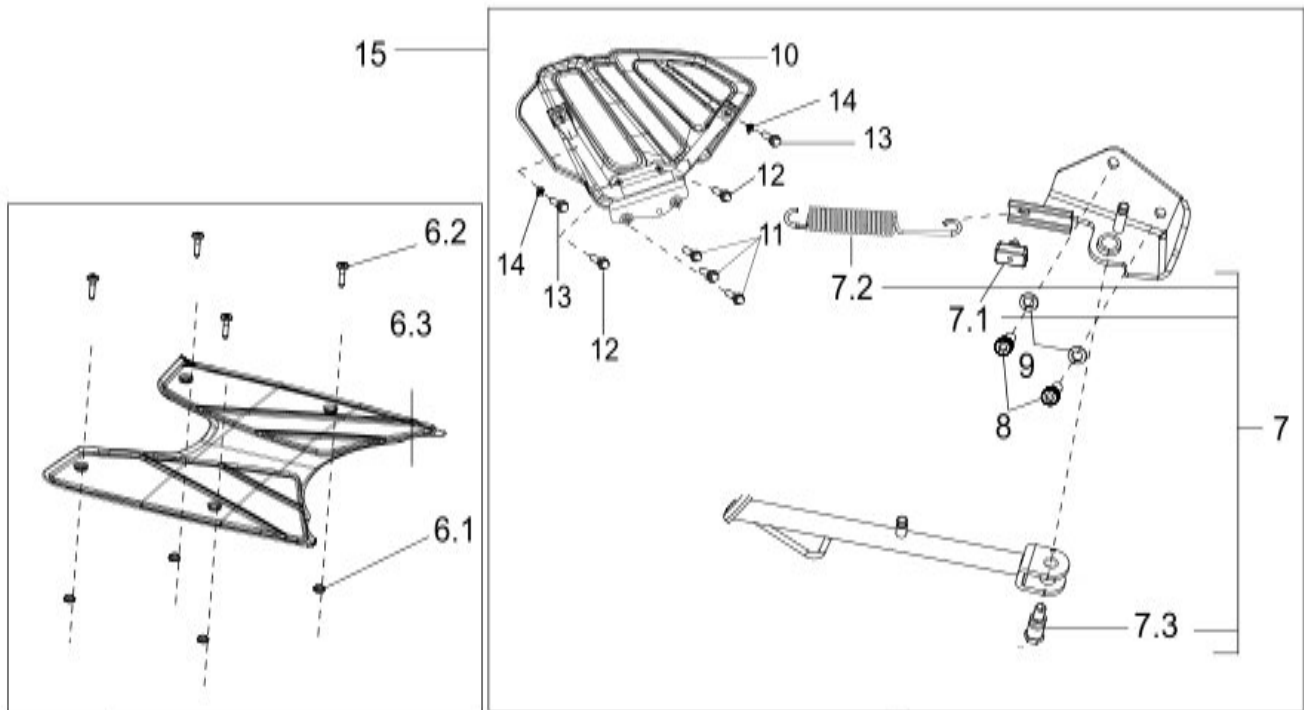
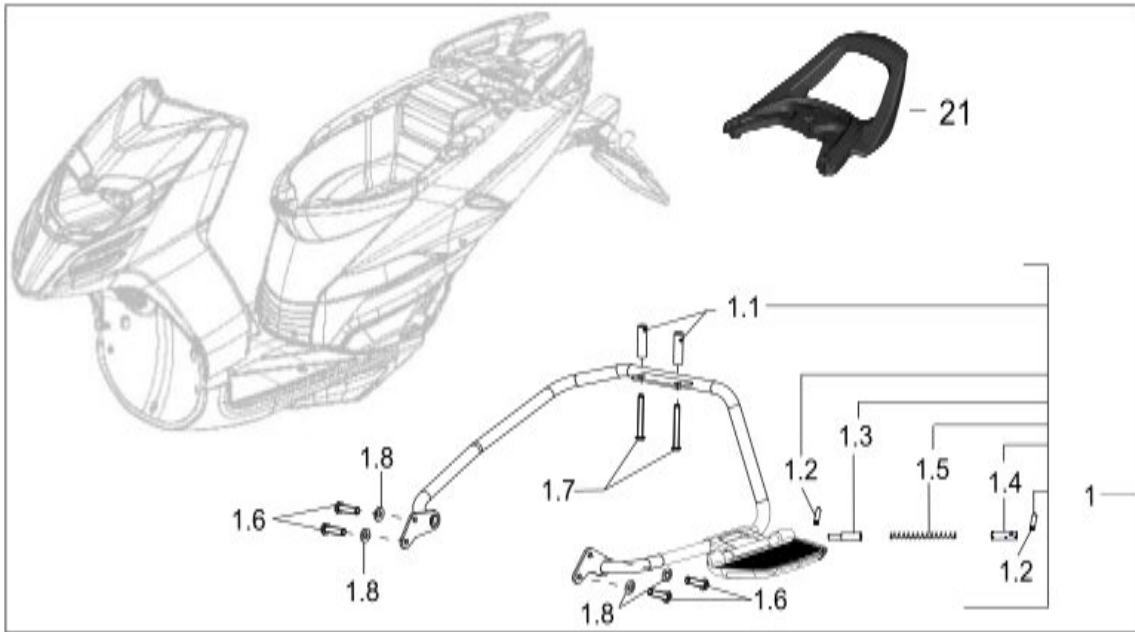
**2.27**  
**Wiring Harness**



**2.27****Wiring Harness**

<b>Fig. No.</b>	<b>Part No.</b>	<b>Description</b>	<b>Qty</b>	<b>Remarks</b>
1	1D002967	WIRING HARNESS	1	Applicable for single chamber headlight
2	290860	LAMELLAR FUSE 15A	1	
3	292507	FUSE 10A	1	
4	231590	ELASTIC CLAMP	1	MAIN WIRING HARNESS FIXING
5	145298	PLASTIC CLAMP	5	MAIN WIRING HARNESS FIXING
6	257134	RETAINING STRAP	2	MAIN WIRING HARNESS FIXING
6	1D001143	CLIP	9	
6	1D001143	CLIP	3	MAIN WIRING HARNESS FIXING
1	1D002864	WIRE HARNESS OF FRAME	1	Applicable for double chamber headlight

## 2.28 Accessories

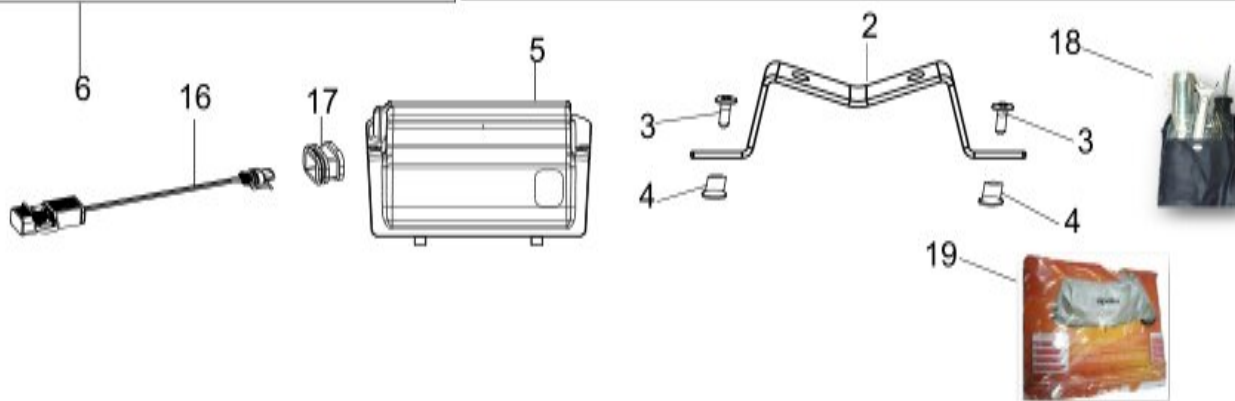
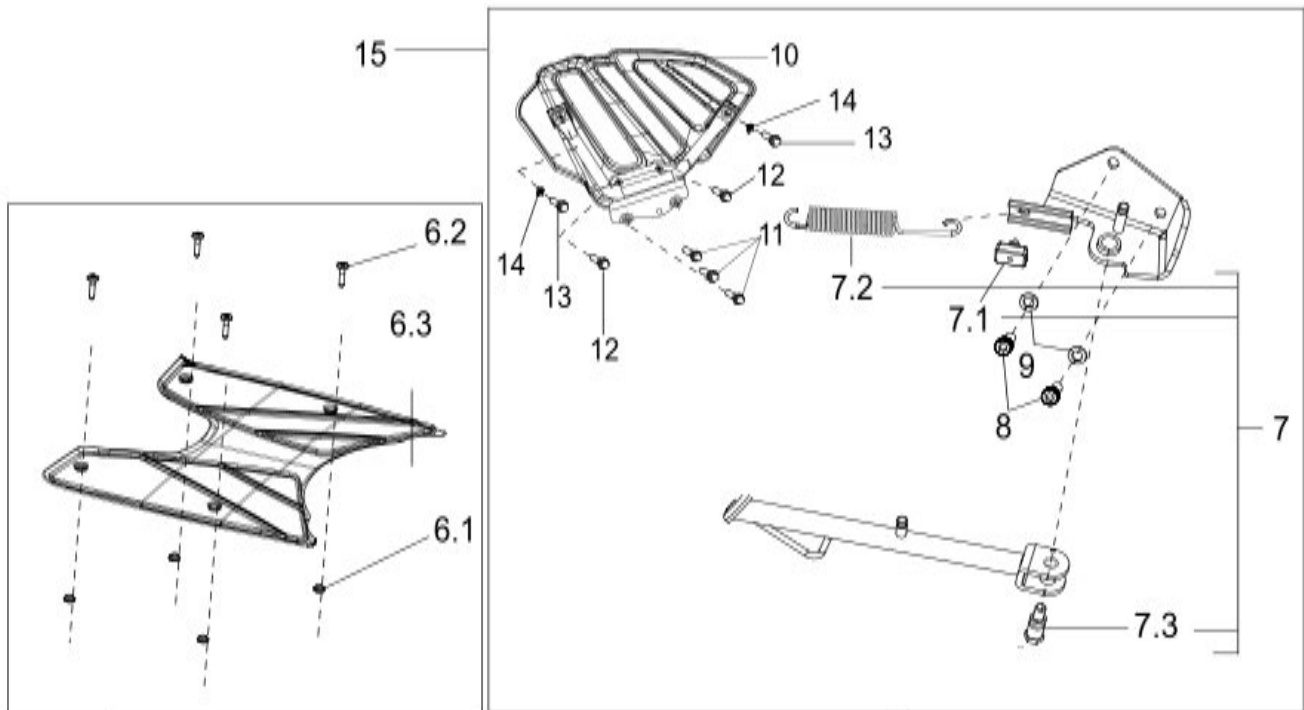
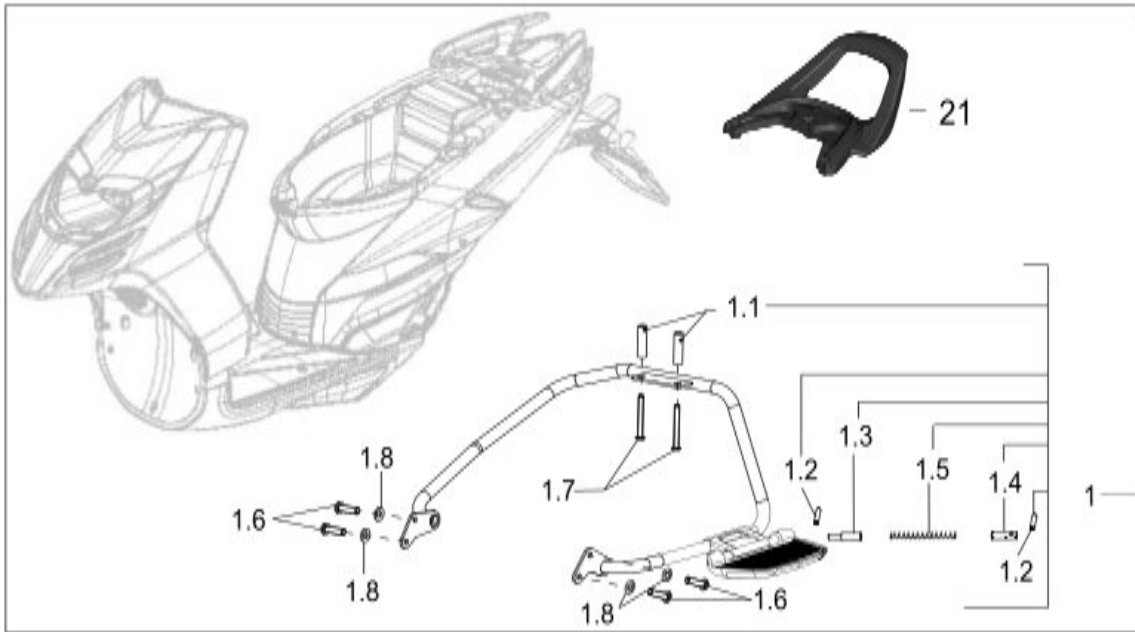


**2.28****Accessories**

<b>Fig. No.</b>	<b>Part No.</b>	<b>Description</b>	<b>Qty</b>	<b>Remarks</b>
1	SKIT940034R	COMPLETE FOOT REST SUPPORTING	1	
1.1	1B003804	SPACER	2	
1.2	008817	SPRING PIN	2	
1.3	218667	PIN	1	
1.4	561837	PIN	1	
1.5	561838	SPRING	1	
1.6	564606	SCREW M8X25	4	
1.7	833663	FLANGED HEXAGONAL HEAD SCREW	2	
1.8	834187	ELASTIC WASHER CONTACT TYPE	4	
2	1B003542	FRONT PLATE HOLDER	1	
3	018591	CYLINDRICAL SCREW	2	FRONT PLATE HOLDER FIXING
4	1B000951	BUSH EXPANSION	2	FRONT PLATE HOLDER FIXING
5	1B004583	BATTERY COVER WITH STOP PADS	1	
6	SKIT940033R	RUBBER FOOT MAT	1	
6.1	1B004131	SPACER	4	MAT FIXING
6.2	CM179303	METRICAL SCREW (TORX IMPRESSION)	4	MAT FIXING
6.3	SKIT940033R	RUBBER FOOT MAT	1	
7	SKIT940032R	LATERAL STAND KIT	1	
7.1	164245	REBOUND BUMPER	1	
7.2	1C001871	SPRING LATERAL STAND	1	
7.3	560619	PIN	1	
7.4	195483	SELF BRAKING NUT	1	NI
8	295822	SCREW	2	
9	0016408	SPRING WASHER	2	
10	SKIT940031R	COMPLETE SAREE COVER	1	
11	1A003063	FLANGED HEX HEAD SCREW M6X35	3	LATERAL PROTECTION FIXING
12	270793	SCREW	2	SAREE COVER FIXING
13	272836	METRICAL SCREW WITH CROSS MOULD	2	SAREE COVER FIXING
14	254485	SPRING PLATE (M6)	2	SAREE COVER FIXING
15	SKIT940032R	LATERAL STAND KIT	1	
16	1D001377	USB SOCKET	1	
17	1B001591	GROMMET FOR USB SOCKET	1	
18	1C002659	COMPLETE TOOL KIT	1	NI
19	783363	BODY COVER	1	NI
20	783363	BODY COVER	1	NI



## 2.28 Accessories

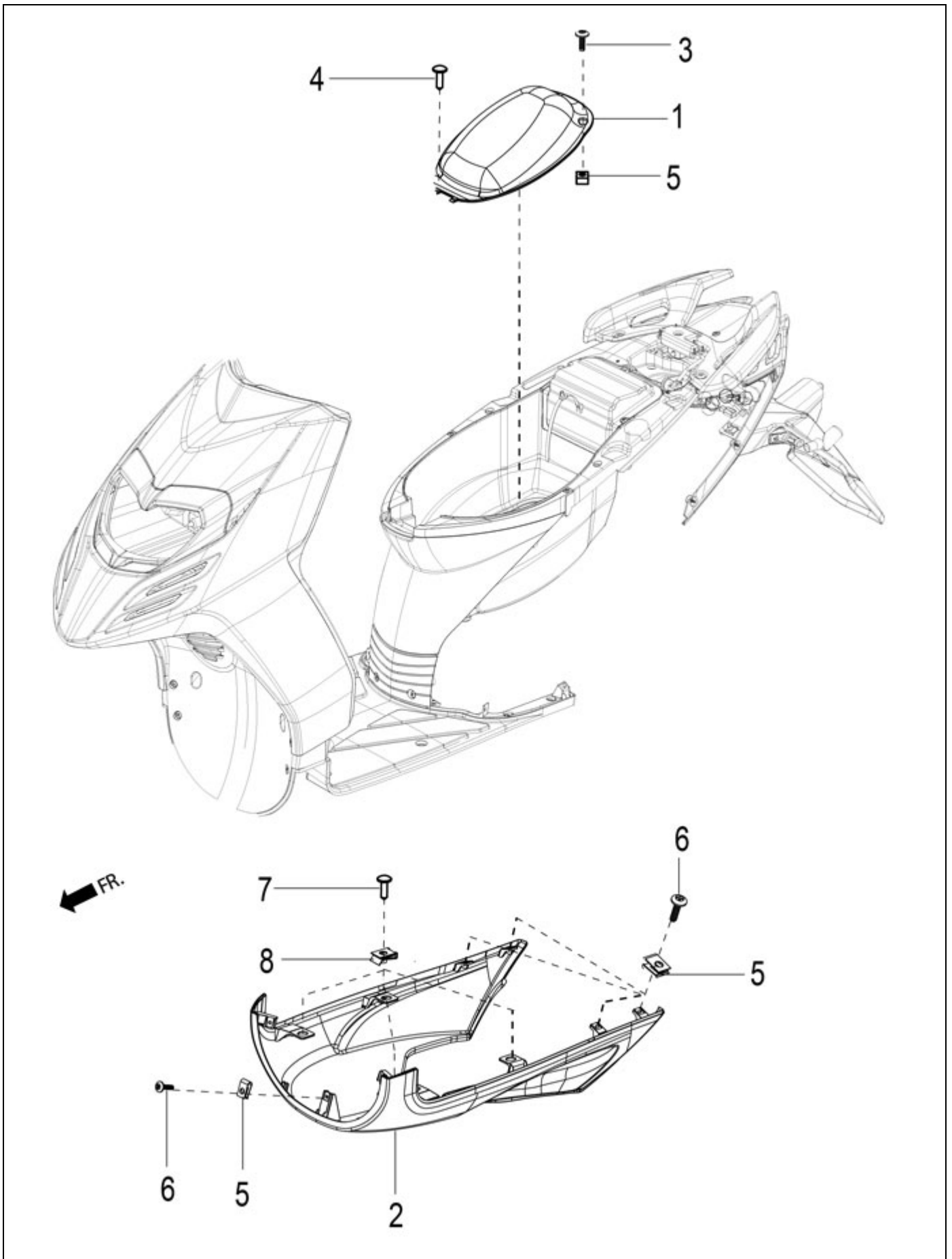


**2.28****Accessories**

<b>Fig. No.</b>	<b>Part No.</b>	<b>Description</b>	<b>Qty</b>	<b>Remarks</b>
21	1B005889	PASSENGER HANDLE	1	Matt Black
21	1B005889	PASSENGER HANDLE	1	Glossy Black

2.05A

Helmet Carrier Cover & Spoiler



**2.05A****Helmet Carrier Cover & Spoiler**

<b>Fig. No.</b>	<b>Part No.</b>	<b>Description</b>	<b>Qty</b>	<b>Remarks</b>
1	1B003134	HELMET CARRIER COVER	1	
2	1B007341	SPOILER	1	APPLICABLE FOR MY 18 MODEL
3	297498	SELF TAPPING SCREW	2	CENTRAL COVER/FOOTREST/HELMET CASE FIX
4	259372	SCREW	2	CENTRAL COVER/FOOTREST/HELMET CASE FIX
5	CM017410	SPRING PLATE	2	CENTRAL COVER/FOOTREST/HELMET CASE FIX
6	270793	SCREW	4	FOOTREST/SPOILER FIXING
5	CM017410	SPRING PLATE	4	FOOTREST/SPOILER FIXING
7	259364	SCREW	4	FOOTBOARD/FRAME FIXING
8	254485	SPRING PLATE (M6)	4	FOOTBOARD/FRAME FIXING

# **PARTS INDEX**

**APRILIA\_STORM\_125**

<b>PART NO</b>	<b>BLOCK</b>	<b>PART NO</b>	<b>BLOCK</b>	<b>PART NO</b>	<b>BLOCK</b>
000061	2.20	157716	2.26	1A002446	1.15
000267	1.10	164245	2.28	1A002661	1.10
0016408	2.28	164634	2.13	1A002691	1.14
002440	2.16	178790	2.14	1A003060	1.03
002440	2.16	179640	2.20	1A003060	2.21
002440	2.16	179640	2.20	1A003060	1.06
003054	2.25	195483	2.28	1A003063	1.14
003751	2.15	199091	2.20	1A003063	2.17
005965	2.08	1A000612	1.03	1A003063	2.20
006416	1.03	1A000784	1.15	1A003063	2.28
006647	1.04	1A000787	1.15	1A003064	1.17
006975	1.12	1A001073	1.10	1A003068	1.02
006976	2.20	1A001073	1.13	1A004153	1.07
006976	2.20	1A001113	1.10	1A005055	1.15
008817	2.28	1A001278	1.02	1A005057	1.15
011109	2.15	1A001443R	1.14	1A005058R	1.15
013880	1.10	1A001728	1.05	1A005179	1.12
013880	2.11	1A001742	1.15	1A005843	1.03
013880	2.20	1A001743	1.15	1A005878	1.17
015330	2.14	1A001744	1.15	1A006088	1.17
016404	1.14	1A001745	1.15	1A006090	1.17
016406	2.11	1A001746	1.15	1A006091	1.17
016406	2.11	1A001748	1.15	1A006092	1.17
016408	2.06	1A001793	1.10	1A006093	1.17
018534	2.25	1A001795	1.10	1A006149	1.15
018591	2.28	1A002425	1.15	1A006173	1.17
018620	2.12	1A002426	1.15	1A006176	1.13
018639	1.10	1A002427	1.15	1A006307	1.03
018639	1.16	1A002428	1.15	1A006346	1.16
018639	1.16	1A002429	1.15	1A006410	1.19
018639	2.11	1A002430	1.15	1A006482	1.06
018639	2.23	1A002431	1.15	1A006483	1.04
018639	1.07	1A002432	1.15	1A006499	1.15
018644	1.14	1A002433	1.15	1A006503	1.15
031091	2.20	1A002434	1.15	1A006545	1.07
078522	2.20	1A002437	1.15	1A006578	1.10
121780	2.14	1A002438	1.15	1A006780	1.04
123394	2.14	1A002439	1.15	1A006875	1.16
12533	1.17	1A002440	1.15	1A006988	1.15
12533	2.08	1A002441	1.15	1A007468	1.14
12543	2.14	1A002442	1.15	1A007571	1.03
129953	2.25	1A002443	1.15	1A007618	1.04
145298	2.27	1A002444	1.15	1A007832	1.19

<b>PART NO</b>	<b>BLOCK</b>	<b>PART NO</b>	<b>BLOCK</b>	<b>PART NO</b>	<b>BLOCK</b>
1A008057	1.03	1B004339	2.08	1C002728	2.18
1A008397	1.08	1B004358	2.08	1C002806	2.19
1A008521	1.03	1B004583	2.28	1C003025	2.16
1A009397	1.13	1B005199	2.03	1C004104	2.20
1A011087	1.12	1B005273	2.05	1C004222	2.20
1A011268R	1.10	1B005274	2.05	1C004257	2.14
1A013415	1.13	1B005461	2.06	1C004343	2.20
1A013712	1.15	1B005473	2.23	1C004359	2.20
1A013713	1.15	1B005511	2.09	1C004363	2.20
1A015231	1.14	1B005512	2.09	1C004364	2.20
1A015812	2.06	1B005889	2.28	1C004365	2.20
1A015812	2.21	1B005889	2.28	1C004371	2.18
1A016315R	2.23	1B0061874	2.12	1C004372	2.14
1B000951	2.28	1B006278	2.20	1C004384	2.20
1B001591	2.28	1B006559	2.06	1C004402	2.14
1B001786400NT	2.04	1B006598	2.26	1C004441	2.20
1B001787400NT	2.04	1B006600	2.26	1C004445	2.20
1B002607	2.10	1B006718	2.04	1C004463	1.16
1B003131	2.11	1B006743	1.18	1C004582	2.20
1B003134	2.05A	1B006875	2.05	1C004609	2.20
1B003141	2.03	1B006875	2.12	1C004620	2.15
1B003142	2.04	1B006963000C1	2.08	1C004623	2.15
1B003143	2.04	1B007341	2.05A	1C004688	2.18
1B003194	2.11	1B008491	2.06	1C004699	2.19
1B003394	1.18	1B008492	2.06	1C004727	2.14
1B003395	1.18	1C000655R	2.17	1C004728	2.14
1B003396	1.18	1C001322	2.18	1C004745	2.20
1B003459	2.06	1C001628	2.15	1C005023	2.21
1B003542	2.28	1C001642	2.20	1C005078	2.16
1B003598	2.10	1C001871	2.28	1C005235	2.02
1B003616	2.08	1C002159	2.16	1D001143	2.27
1B003642	2.08	1C002363	2.21	1D001143	2.27
1B003715	2.11	1C002373	2.21	1D001377	2.28
1B003729	2.26	1C002421	2.15	1D001408	2.24
1B003784	1.10	1C002432	2.21	1D001409	2.11
1B003793	2.26	1C002469	2.15	1D001567	2.25
1B003798	2.09	1C002470	2.15	1D001568	2.25
1B003799	2.09	1C002471	2.15	1D001569	2.25
1B003804	2.28	1C002472	2.15	1D001570	2.24
1B003841	2.12	1C002568	2.15	1D001571	2.24
1B003944	2.11	1C002598	2.16	1D001584	1.10
1B004131	2.28	1C002607	2.17	1D001640	1.14
1B004165	2.11	1C002659	2.28	1D001926	2.24

<b>PART NO</b>	<b>BLOCK</b>	<b>PART NO</b>	<b>BLOCK</b>	<b>PART NO</b>	<b>BLOCK</b>
1D001927	2.24	259348	1.18	270793	2.12
1D002296	2.22	259349	2.05	270793	2.13
1D002421	2.26	259349	2.05	270793	2.24
1D002507	2.14	259349	2.25	270793	2.28
1D002864	2.27	259349	2.26	270793	2.05A
1D002965	2.24	259349	2.26	270991	2.18
1D002967	2.27	259364	2.06	270991	2.19
1D003013	2.23	259364	2.25	272836	1.18
1D003035	2.13	259364	2.05A	272836	2.03
1F000110	1.09	259372	2.05	272836	2.25
1F000110	1.12	259372	2.05A	272836	2.28
20105	2.25	259933	2.04	273754	2.02
20106	2.20	259933	2.04	274489	2.14
216369	2.21	263381	2.01	274491	2.14
218667	2.28	263381	2.04	285536	1.13
227838	2.20	263381	2.04	288673	1.03
227838	2.20	265216	2.18	290860	2.27
231215	2.24	267115	2.12	292022	2.24
231590	2.11	267115	2.25	292507	2.27
231590	2.27	267550	2.16	295533	2.11
235661	2.11	267589	2.16	295590	2.04
241936	2.06	268158	2.16	295590	2.04
2440	2.02	269136	2.08	295591	2.04
253937	2.10	269755	1.02	295591	2.04
254485	1.17	269755	1.07	295822	2.28
254485	1.18	270310	2.20	296743	2.08
254485	2.03	270310	2.20	297498	2.24
254485	2.04	270793	2.03	297498	2.05A
254485	2.06	270793	2.03	298903	2.10
254485	2.06	270793	2.03	2H002026	2.07
254485	2.06	270793	2.03	2H002046	2.07
254485	2.11	270793	2.04	2H002858	2.07
254485	2.21	270793	2.05	2H002859000A2	2.07
254485	2.25	270793	2.05	2H002859	2.07
254485	2.28	270793	2.05	2H002860000A2	2.07
254485	2.05A	270793	2.05	2H002860	2.07
257134	2.20	270793	2.05	2H002861000A2	2.07
257134	2.21	270793	2.05	2H002861	2.07
257134	2.21	270793	2.05	2H002862000A2	2.07
257134	2.26	270793	2.05	2H002862	2.07
257134	2.27	270793	2.06	2H002863000A2	2.07
258146	1.17	270793	2.12	2H002863	2.07
258160	2.11	270793	2.12	2H002864000A2	2.07



<b>PART NO</b>	<b>BLOCK</b>	<b>PART NO</b>	<b>BLOCK</b>	<b>PART NO</b>	<b>BLOCK</b>
2H002864	2.07	561838	2.28	643279	1.10
2H002865000A2	2.07	562576	2.16	647384	2.17
2H002865	2.07	563076	2.16	649910	2.18
2H002866000A2	2.07	564112	2.17	655554	2.14
2H002866	2.07	564134	2.17	665602	2.15
2H002867000A2	2.07	564256	2.15	665657	2.19
2H002867	2.07	564257	2.15	666484	2.02
2H002868	2.07	564258	2.15	666991	1.02
2H002869	2.07	564259	2.15	667156	2.11
2H002870000A2	2.07	564260	2.15	667387	2.14
2H002870	2.07	564606	2.28	667566	2.02
2H002871000A2	2.07	564645	2.21	667567	2.02
2H002871	2.07	575249	2.03	667841	2.21
2H002872000A2	2.07	575249	2.04	667842	1.03
2H002872	2.07	575249	2.06	667842	2.21
2H002873000A2	2.07	575249	2.06	668302	2.16
2H002873	2.07	575249	2.06	668563	2.20
2H002874000A2	2.07	575268	2.06	668585	2.02
2H002874	2.07	575819	2.04	668686	1.02
2H002875000A2	2.07	575937	2.26	673916	2.11
2H002875	2.07	576725	2.11	673918A	2.25
2H003389	2.07	577492	2.08	674163	2.08
3056	1.17	577557	2.11	674312	2.08
3056	2.08	580621	2.10	674594	2.11
3058	2.04	58243R	2.23	680154	2.23
3058	2.04	58250R	2.23	6965	2.25
3058	2.06	58290R	1.16	709003	2.25
433987	1.03	58297R	1.10	709037	2.18
434541	2.20	584332	2.24	709116	2.25
434541	2.23	584332	2.24	709519	1.18
434716	1.07	584426	2.22	709674	2.20
435571	1.07	58562R	2.18	7608	2.20
435634	2.23	58563R	2.19	78307	2.06
436788	2.11	597043	2.02	783363	2.28
436947	1.19	639088	2.25	783363	2.28
483711	1.07	641359	2.22	827526	1.19
485703	1.02	642537	1.10	827831	1.17
485703	1.07	642679	2.22	830269	1.09
487034	1.03	642906	2.25	83033R	1.14
487665	1.19	642967	2.22	83044R	1.04
4A000001	2.21	643114	1.12	83053R	1.07
560619	2.28	643149	1.10	83054R	1.07
561837	2.28	643156	1.10	83062R	1.08

<b>PART NO</b>	<b>BLOCK</b>	<b>PART NO</b>	<b>BLOCK</b>	<b>PART NO</b>	<b>BLOCK</b>
833663	2.28	B015321	1.19	B017481	1.03
834187	2.01	B015321	2.16	B017597	1.03
834187	2.04	B015483	1.08	B017599	1.15
834187	2.04	B015543	1.16	B018020	1.13
834187	2.28	B015591	1.02	B018038	1.03
844719	1.12	B015592	1.02	B018139	1.02
844719	1.07	B015592	1.03	B018140	1.06
847928	1.09	B015598	1.13	B018216	1.05
848766	1.19	B015598	1.13	B018217	1.05
856467	2.08	B015676	1.02	B018262	1.12
872816	1.10	B016047	1.03	B018262	1.17
879474	1.05	B016386	1.16	B018304	1.03
880805	1.10	B016387	1.16	B018306	1.15
880841	1.05	B016388	1.16	B018308	1.15
970273	2.06	B016389	1.16	B018421	1.12
975835	2.04	B016390	1.16	B018421	1.03
975835	2.04	B016391	1.16	B018442	1.16
B013524	1.03	B016392	1.16	B018448	1.13
B013685	1.03	B016393	1.16	B018476	1.10
B014041	1.03	B016394	1.16	B018533	1.07
B014063	1.10	B016419	1.03	B018718	1.09
B014063	1.12	B016617	1.10	B018853	1.16
B014066	1.10	B016620	1.12	B018854	1.07
B014066	1.12	B016627	1.19	B018946	1.08
B014094	1.03	B016922	1.15	B019040	1.09
B014188	1.03	B016953	1.04	B019107	1.02
B014237	1.09	B016954	1.02	B019108	1.04
B014585	1.10	B016955	1.02	B019254	1.17
B014684	1.07	B016957	1.02	B019255	1.17
B014705	1.07	B017080	1.12	B019299	1.16
B014706	1.07	B017113	1.08	B024614	2.16
B014732	1.07	B017165	1.09	CM001206	2.11
B014739	1.05	B017294	1.12	CM001228	2.11
B014750	1.12	B017323	1.08	CM001913	2.11
B014755	1.02	B017406	1.09	CM002902	2.11
B014760	1.08	B017406	1.13	CM002910	1.17
B014830	1.09	B017425	1.08	CM002916	1.13
B014831	1.09	B017426	1.08	CM002916	1.17
B015288	1.07	B017431	1.08	CM002916	1.04
B015320	1.19	B017438	1.07	CM002917	1.13
B015320	2.16	B017445	1.03	CM002917	1.04
B015320	2.16	B017446	1.02	CM006905	2.21
B015320	2.16	B017456	1.07	CM007465	2.11

