

# Parts Catalog

## Two Wheeler

APRILIA\_SR\_160ABS\_BSVI

**PIAGGIO VEHICLES PRIVATE LIMITED**

Registered Office: Bund Garden Road ,Opp. Residency Club , Pune (India)

**PLATES INDEX**

<b>Sr No.</b>	<b>Plate Name</b>	<b>Plate No.</b>	<b>Page No.</b>
1	Engine	1.01	1-2
2	Crankcase	1.02	3-4
3	Transmission Cover	1.03	5-6
4	Gear Box cover	1.04	7-8
5	Cylinder Piston Group	1.05	9-10
6	Flywheel Cover	1.06	11-12
7	Cylinder Head	1.07	13-14
8	Camshaft	1.08	15-16
9	Timing Group	1.09	17-18
10	Electric Component	1.10	19-20
11	Crankshaft	1.11	21-22
12	Fan cover and Shroud	1.12	23-24
13	Lubrication component	1.13	25-26
14	Starting Group	1.14	27-28
15	Transmission Group	1.15	29-32
16	Fuel supply System	1.16	33-34
17	Air Intake	1.17	35-36
18	Induction Pipe/Bellow	1.18	37-38
19	S.A.S. System	1.20	39-40
20	Muffler	1.22	41-42
21	Canister	1.23	43-46
22	Frame	2.01	47-48
23	Stand	2.02	49-50
24	Front Shield	2.03	51-52
25	Central covers & footrests	2.04	53-54
26	Side cover and spoiler	2.05	55-56
27	Mudguard and helmet Case	2.06	57-58
28	Helmet Carrier Cover & Spoiler	2.07	59-60
29	Complete Saddle	2.08	61-62
30	Mirrors	2.09	63-64

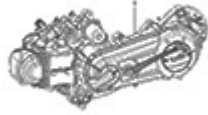
**PLATES INDEX**

<b>Sr No.</b>	<b>Plate Name</b>	<b>Plate No.</b>	<b>Page No.</b>
31	Fuel Tank	2.11	65-66
32	Locks	2.12	67-68
33	Speedometer	2.13	69-70
34	Handlebars	2.14	71-72
35	Front suspension	2.15	73-74
36	Rear Suspension	2.16	75-76
37	Rear Brake	2.17	77-78
38	Front wheel	2.18	79-80
39	Brake Pipes and Calipers	2.20	81-82
40	Rear Wheel	2.21	83-84
41	Selector Switches	2.22	85-86
42	Remote Control Switches	2.23	87-88
43	Front lamp Group	2.24	89-90
44	Battery	2.26	91-92
45	Rear lamp Group	2.27	93-94
46	Accessories	2.28	95-98
47	Handlebar Coverages	2.29	99-100
48	Transmission cables	2.30	101-102
49	Wiring Harness	2.31	103-104
50	Logos and Emblem	2.32	105-108

# PICTORIAL PLATES INDEX

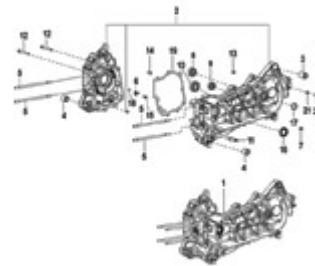
## 1.01 Engine

Page No. :1-2



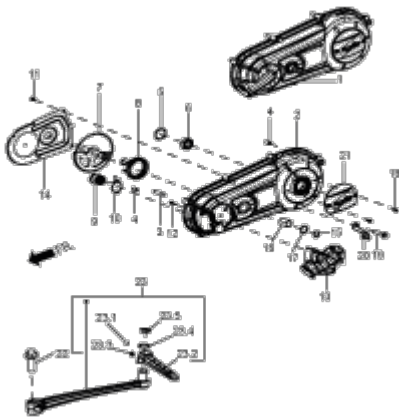
## 1.02 Crankcase

Page No. :3-4



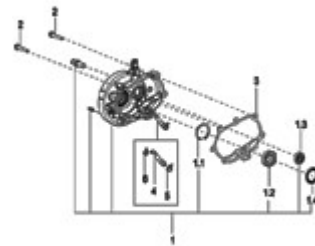
## 1.03 Transmission Cover

Page No. :5-6



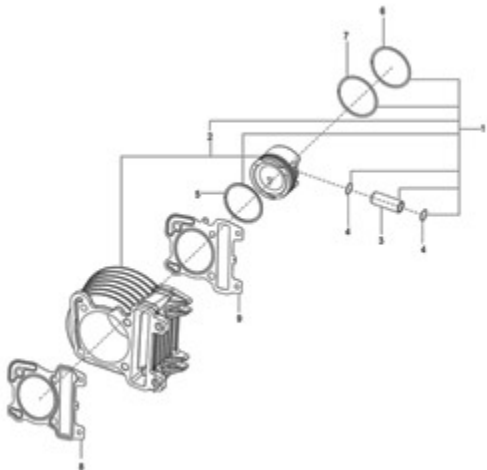
## 1.04 Gear Box cover

Page No. :7-8



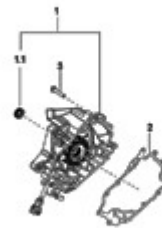
## 1.05 Cylinder Piston Group

Page No. :9-10



## 1.06 Flywheel Cover

Page No. :11-12

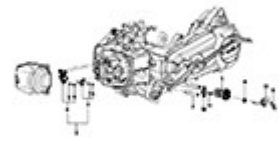
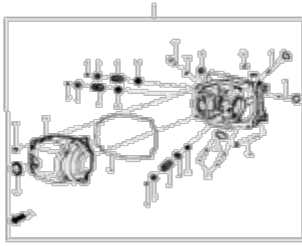


## 1.07 Cylinder Head

Page No. :13-14

## 1.08 Camshaft

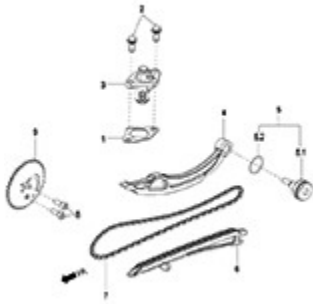
Page No. :15-16



# PICTORIAL PLATES INDEX

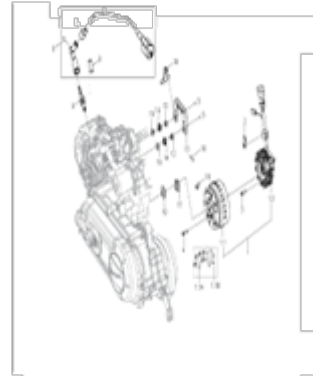
## 1.09 Timing Group

Page No. :17-18



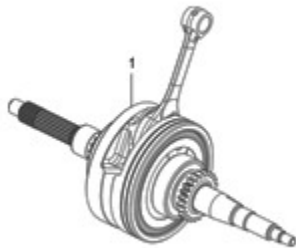
## 1.10 Electric Component

Page No. :19-20



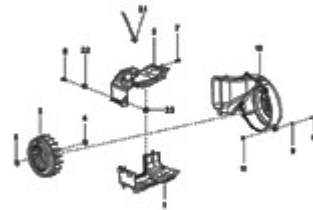
## 1.11 Crankshaft

Page No. :21-22



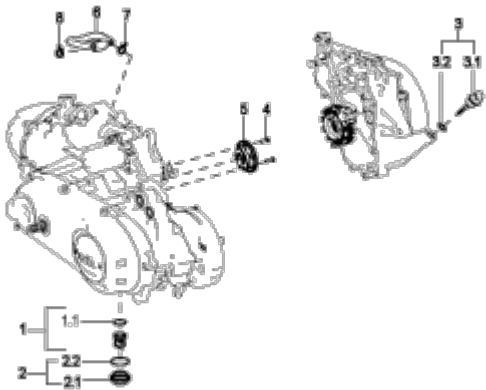
## 1.12 Fan cover and Shroud

Page No. :23-24



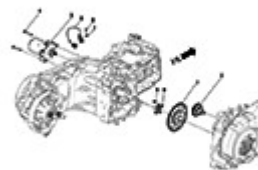
## 1.13 Lubrication component

Page No. :25-26



## 1.14 Starting Group

Page No. :27-28

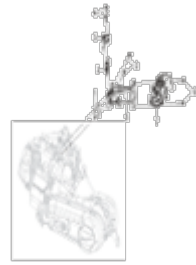
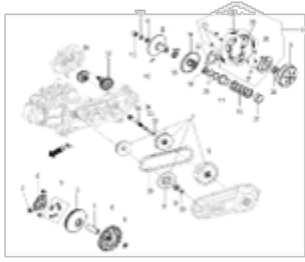


## 1.15 Transmission Group

Page No. :29-32

## 1.16 Fuel supply System

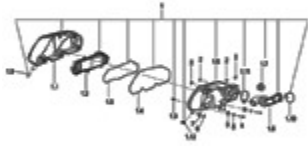
Page No. :33-34



# PICTORIAL PLATES INDEX

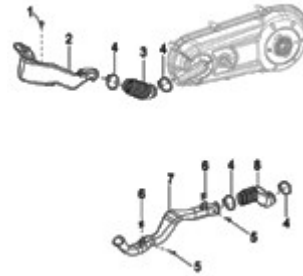
## 1.17 Air Intake

Page No. :35-36



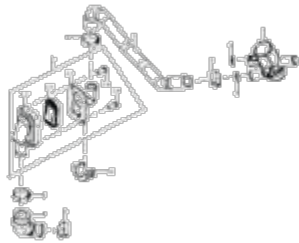
## 1.18 Induction Pipe/Bellow

Page No. :37-38



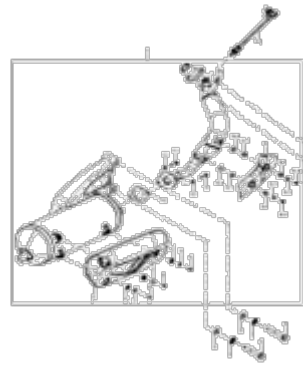
## 1.20 S.A.S. System

Page No. :39-40



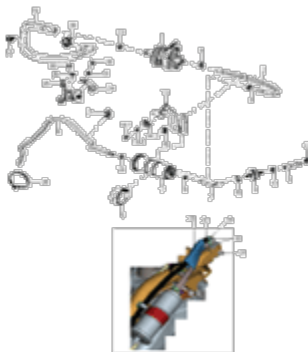
## 1.22 Muffler

Page No. :41-42



## 1.23 Canister

Page No. :43-46



## 2.01 Frame

Page No. :47-48



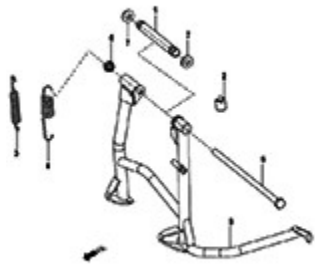
## 2.02 Stand

Page No. :49-50

## 2.03 Front Shield

Page No. :51-52

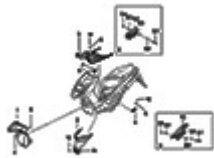




## PICTORIAL PLATES INDEX

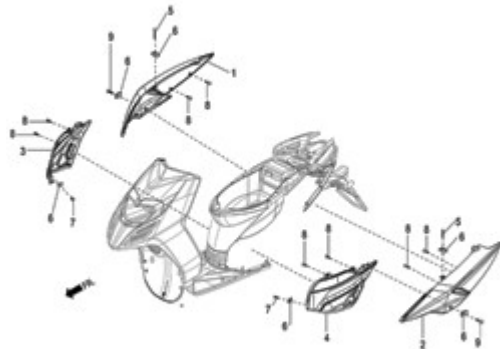
### 2.04 Central covers & footrests

Page No. :53-54



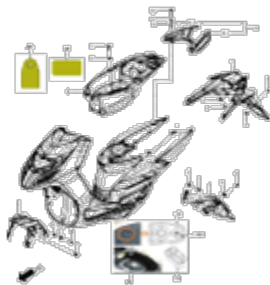
### 2.05 Side cover and spoiler

Page No. :55-56



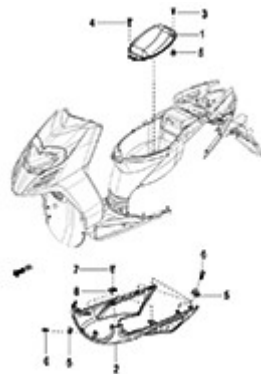
### 2.06 Mudguard and helmet Case

Page No. :57-58



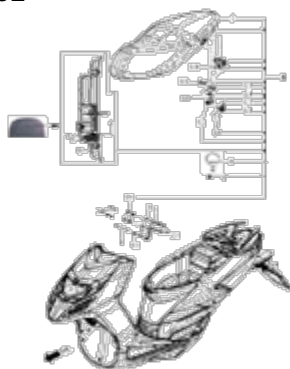
### 2.07 Helmet Carrier Cover & Spoiler

Page No. :59-60



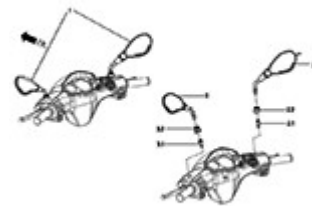
### 2.08 Complete Saddle

Page No. :61-62



### 2.09 Mirrors

Page No. :63-64

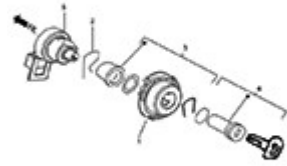
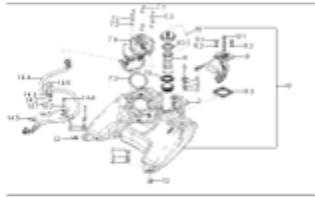


### 2.11 Fuel Tank

Page No. :65-66

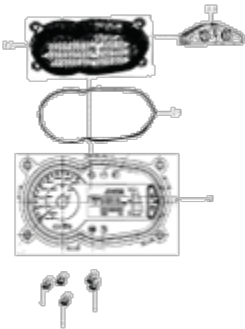
### 2.12 Locks

Page No. :67-68

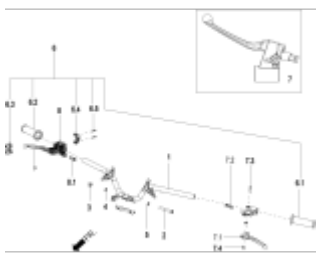


## PICTORIAL PLATES INDEX

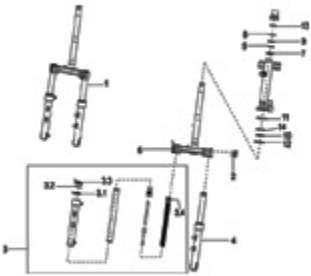
**2.13                      Speedometer**  
**Page No. :69-70**



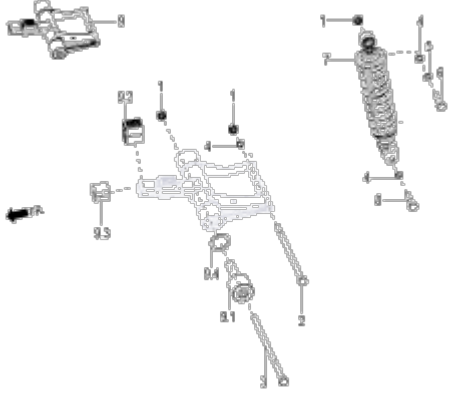
**2.14                      Handlebars**  
**Page No. :71-72**



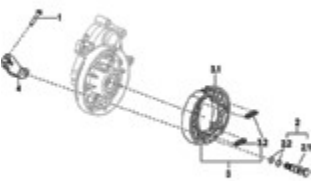
**2.15                      Front suspension**  
**Page No. :73-74**



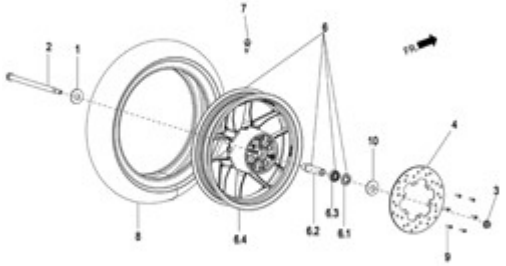
**2.16                      Rear Suspension**  
**Page No. :75-76**



**2.17                      Rear Brake**  
**Page No. :77-78**

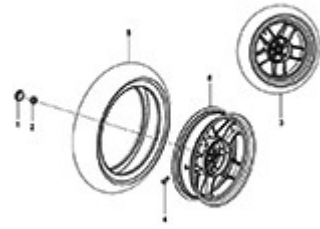
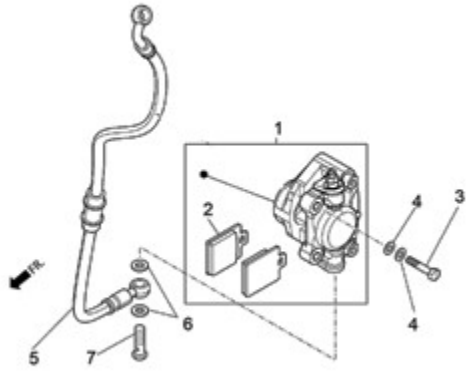


**2.18                      Front wheel**  
**Page No. :79-80**



**2.20                      Brake Pipes and Calipers**  
**Page No. :81-82**

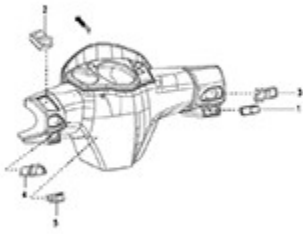
**2.21                      Rear Wheel**  
**Page No. :83-84**



# PICTORIAL PLATES INDEX

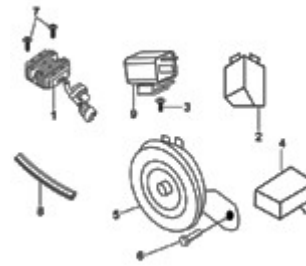
## 2.22 Selector Switches

Page No. :85-86



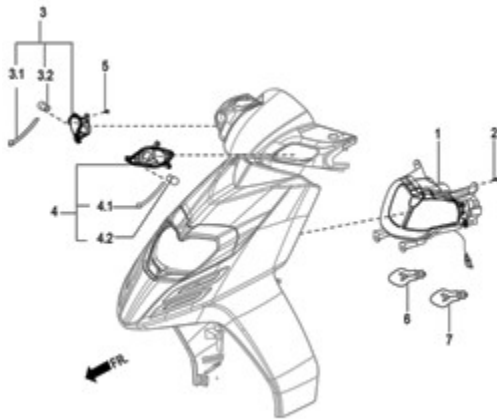
## 2.23 Remote Control Switches

Page No. :87-88



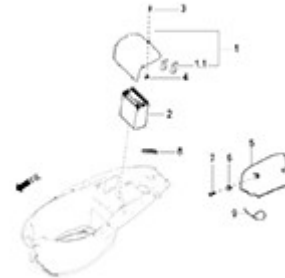
## 2.24 Front lamp Group

Page No. :89-90



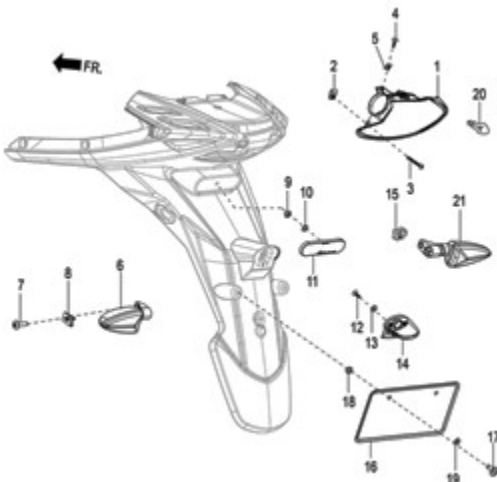
## 2.26 Battery

Page No. :91-92



## 2.27 Rear lamp Group

Page No. :93-94



## 2.28 Accessories

Page No. :95-98

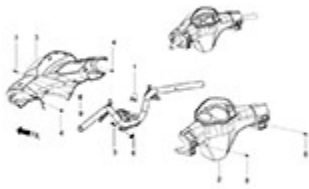


## 2.29 Handlebar Coverages

Page No. :99-100

## 2.30 Transmission cables

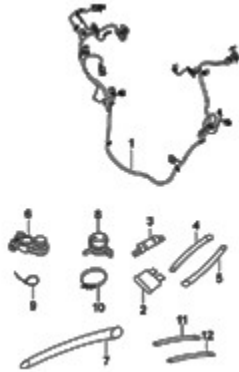
Page No. :101-102



## PICTORIAL PLATES INDEX

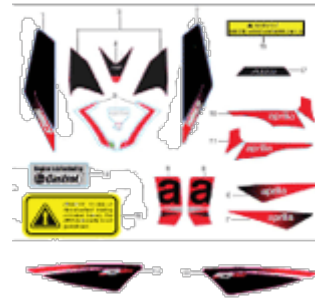
### 2.31 Wiring Harness

Page No. :103-104



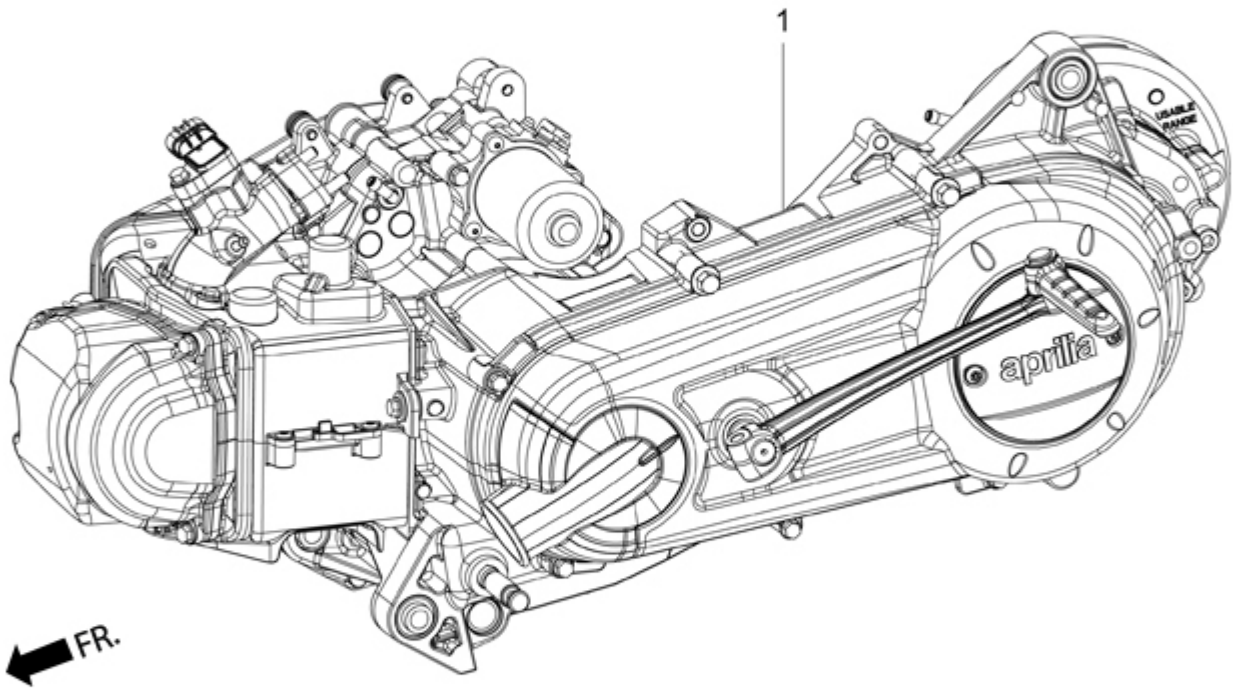
### 2.32 Logos and Emblem

Page No. :105-108





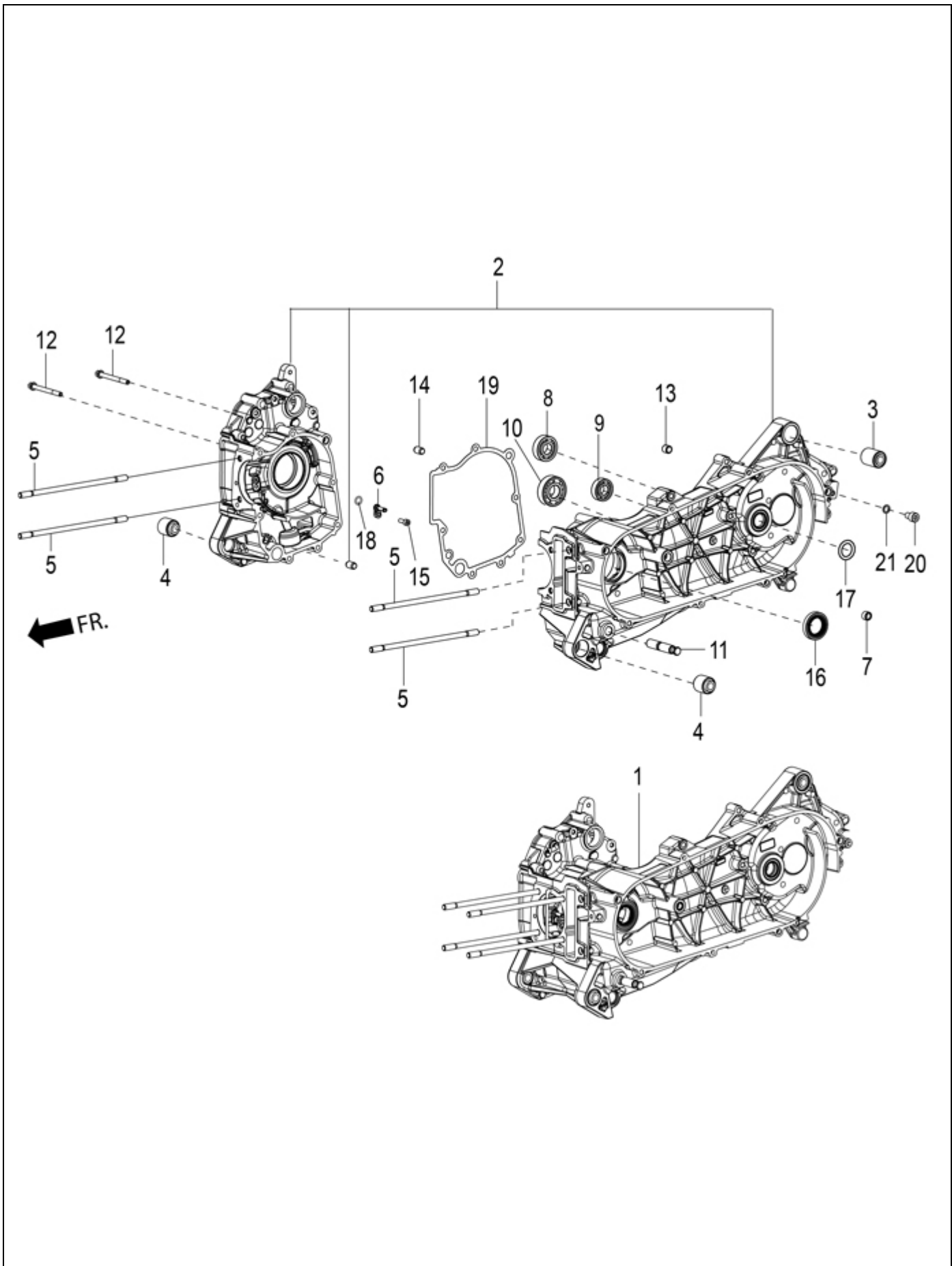
**1.01**  
**Engine**



**1.01**  
**Engine**

Fig. No.	Part No.	Description	Qty	Remarks
1	CM305604	ENG. 160 4S/3V BSVI H.E. E.I. SR MOTARD	1	

# 1.02 Crankcase

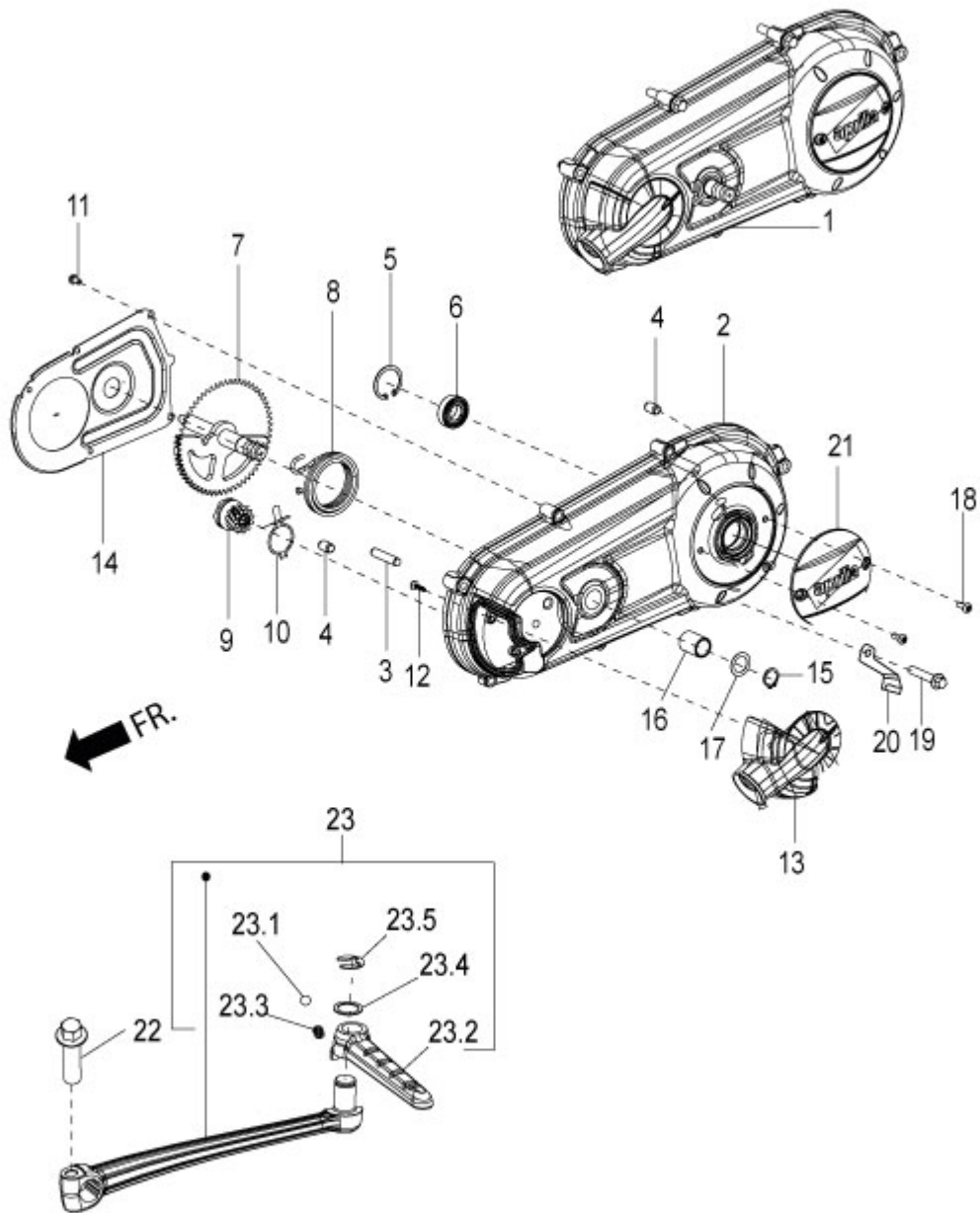


**1.02****Crankcase**

<b>Fig. No.</b>	<b>Part No.</b>	<b>Description</b>	<b>Qty</b>	<b>Remarks</b>
1	SP1A015088	CRANKCASE ASSY	1	
2	SP1A015089	COUPLED CRANKCASE	1	
3	666991	RUBBER BUSHING	1	
4	B015676	RUBBER BUSHING	2	
5	B014755	STUD SCREW	4	
6	1A015053	LUBRICATION SPRAY JET	1	
7	B017446	BUSH	1	
8	B016955	DEEP GROOVE BALL BEARING	1	
9	B016957	BALL BEARING	1	
10	B016954	DEEP GROOVE BALL BEARING	1	
11	668686	STAND SPRING HOOKING PIN	1	
12	1A003068	FLANGED HEX HEAD SCREW M6X65	9	CRANKCASE FIXING
13	B015591	REFERENCE DOWEL	2	
14	B015592	REFERENCE DOWEL (D.9,5 H=15)	2	
15	B018718	EXAG. SOCKET CYLIND.HEAD SCREW M5X14	1	
16	B018139	SEAL RING 40X25X7	1	
17	B019107	SEAL RING 20X32X7	1	
18	1A001256	SEAL RING (O-RING)	1	
19	1A001278	HALF-CRANKCASES GASKET	1	CRANKCASE FIXING
20	269755	SOCKET HEAD SCREW (M8X12)	2	CRANKCASE COMPONENTS
21	485703	WASHER	2	CRANKCASE COMPONENTS
22	811081025	HEX HEAD SCREW M8 X 10 (DRAIN PLUG)	2	CRANKCASE COMPONENTS
23	B016887	PIPE FITTING	1	

### 1.03

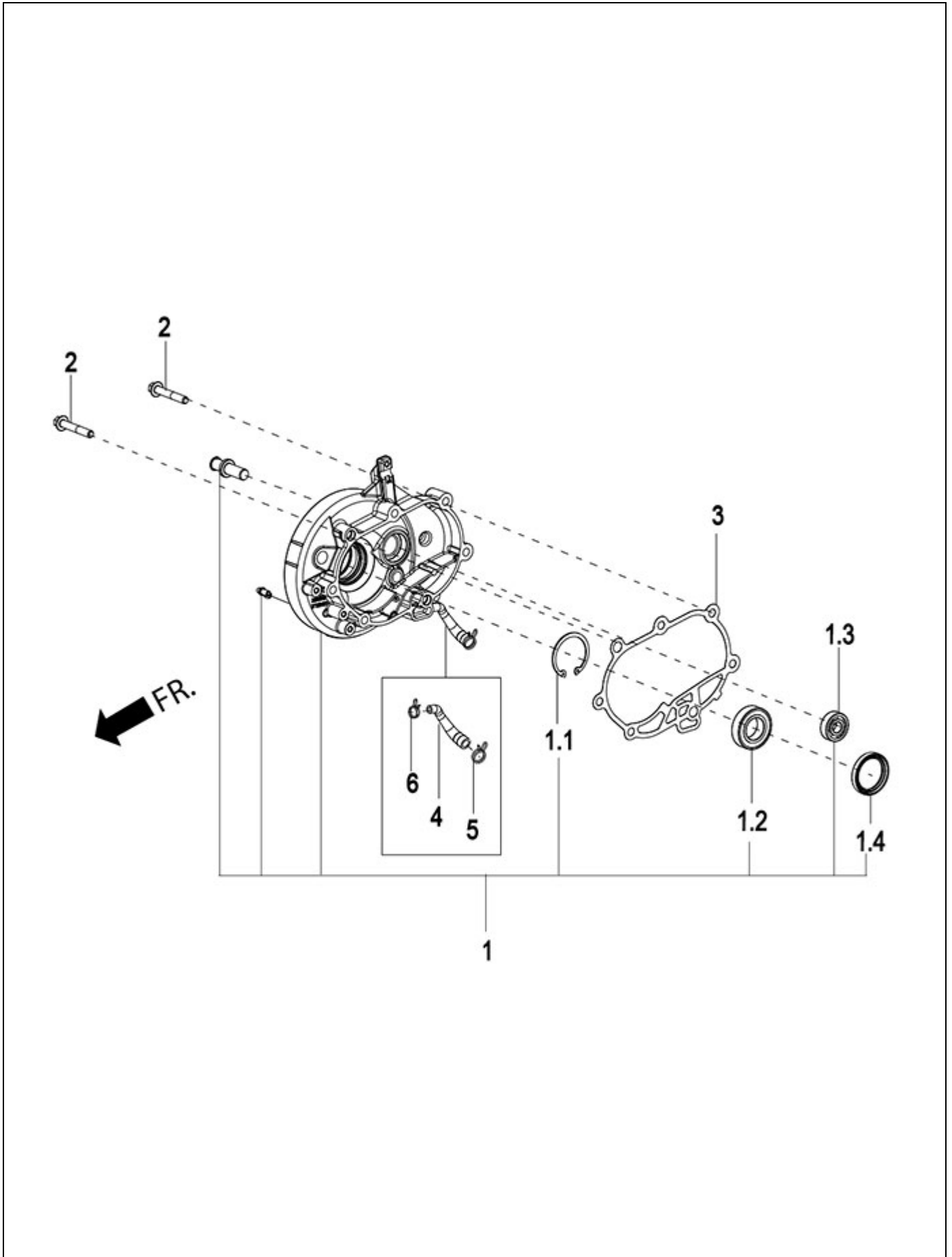
### Transmission Cover



**1.03****Transmission Cover**

<b>Fig. No.</b>	<b>Part No.</b>	<b>Description</b>	<b>Qty</b>	<b>Remarks</b>
1	SP1A017432	COMPLETE TRANSMISSION COVER	1	
2	SP1A017433	TRANSMISSION COVER WITH I.P.-SPD	1	
3	B017481	STARTER PINION GEAR PIVOT	1	
4	B015592	REFERENCE DOWEL (D.9,5 H=15)	2	
5	1A006307	ELASTIC RING	1	
6	B018304	BALL BEARING	1	
7	B018038	STARTING AXLE WITH I.P.	1	
8	B014188	START LEVER RETURNING SPRING	1	
9	B017597	STARTER PINION GEAR WITH I.P.	1	
10	288673	SPRING	1	
11	1A000612	RETAINER SCREW - PRE COATED	5	AIR DEFLECTOR FIXING
12	B018421	SULF-THREADING SCREW 3.8X16	3	COOLING COVER FIXING
13	B013524	COOLING COVER	1	
14	B013685	AIR DEFLECTOR	1	
15	006416	SPRING RING	1	
16	B017445	BUSH	1	
17	433987	PLANE WASHER 16.3X23.8X0.6	1	
18	1A008521	COVEX HEAD SCREW WITH TORX	2	TRANSMISSION COVER CAP FIXING (OIM)
19	1A003060	FLANGED HEX. HEAD SCREW M6X45	6	TRANSMISSION COVER FIXING
20	667842	TRANSMISSION BRAKE CLAMP	1	TRANSMISSION COVER FIXING
21	1A005843	TRANSMISSION COVER CUP	1	
22	1A007571	FLANGED HEX. HEAD SCREW M6X25	1	STARTING LEVER FIXING
23	1A008057	STARTING LEVER ASSY	1	
23.1	487034	SPHERE	1	
23.2	B014041	PEDAL CRANK	1	
23.3	B016419	LOCK PEDAL CRANK SPRING	1	
23.4	B016047	PLAIN WASHER	1	
23.5	B014094	CIRCLIP	1	

**1.04**  
**Gear Box cover**

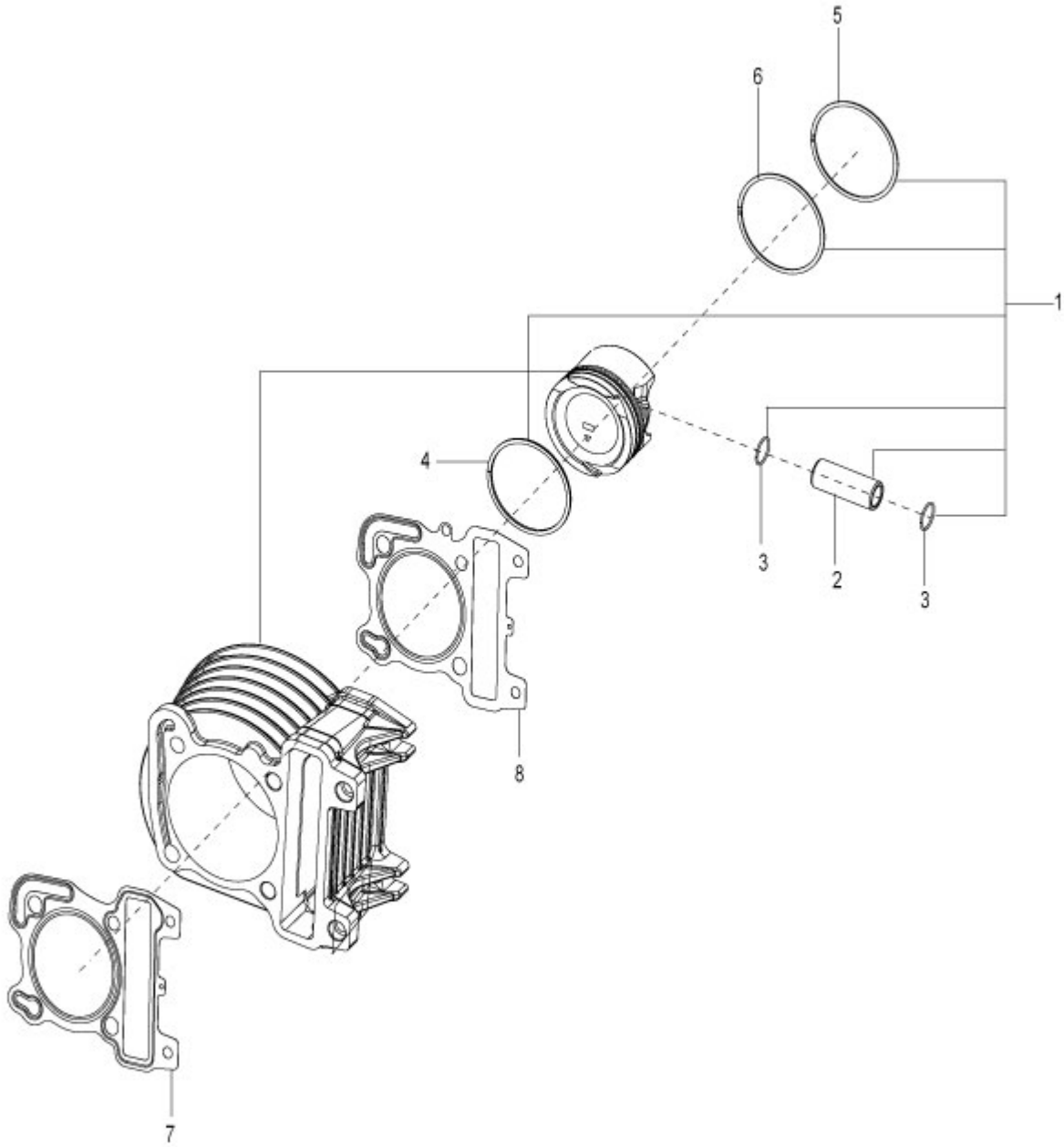


**1.04****Gear Box cover**

<b>Fig. No.</b>	<b>Part No.</b>	<b>Description</b>	<b>Qty</b>	<b>Remarks</b>
1	SP1A007948	GEAR BOX COVER WITH I.P.-SPD	1	
1.1	006647	SPRING RING 47X50.5X1.75	1	
1.2	83044R	DEEP GROOVE BALL BEARING	1	
1.3	B016953	DEEP GROOVE BALL BEARING	1	
1.4	B019108	SEAL RING 35X47X7	1	
2	1A007618	FLANGED HEXAGONAL HEAD SCREW	7	GEAR COVER FIXING
3	1A006483	GEAR BOX GASKET	1	GEAR COVER FIXING
4	1A006780	OIL BREATHER PIPE	1	
5	CM002916	HOSE CLAMP	1	
6	CM002917	HOSE CLAMP	1	



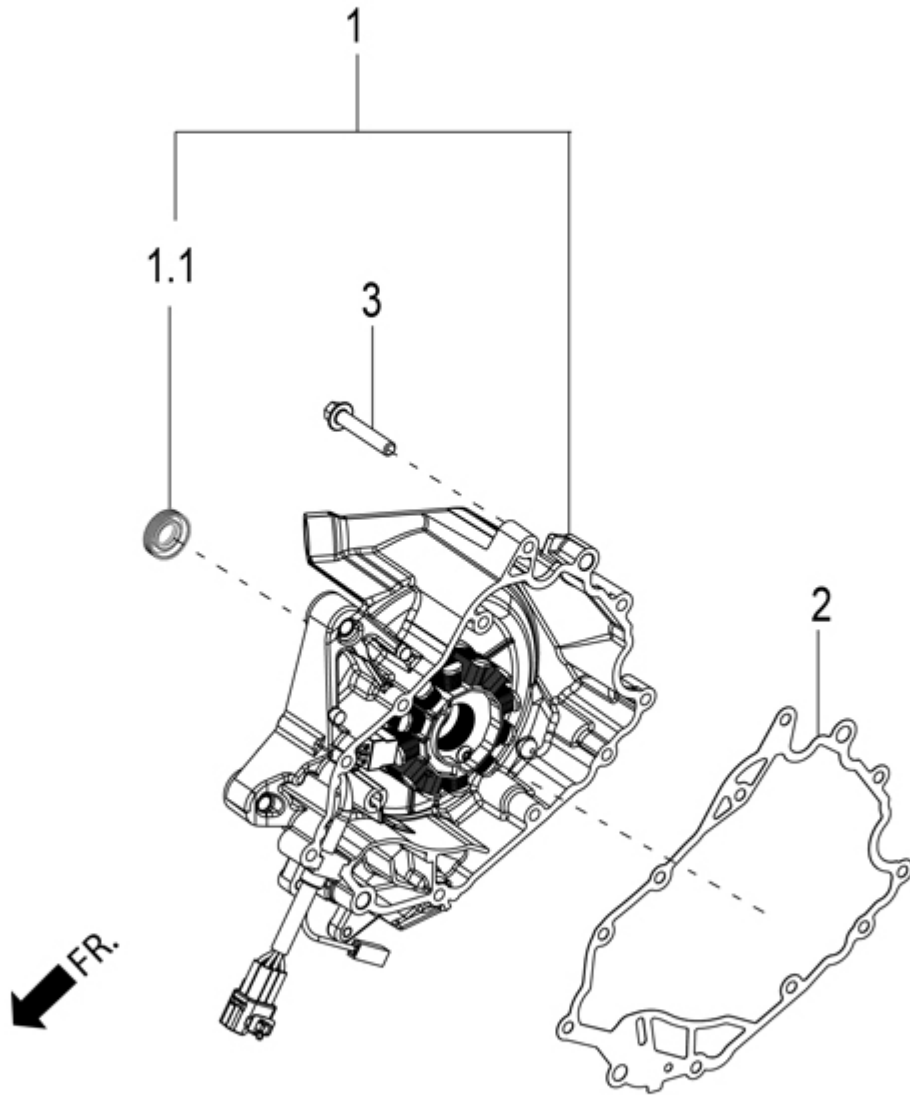
**1.05**  
**Cylinder Piston Group**



**1.05****Cylinder Piston Group**

<b>Fig. No.</b>	<b>Part No.</b>	<b>Description</b>	<b>Qty</b>	<b>Remarks</b>
1	SP1L004485C	CYLINDER-PISTON KIT ASSLY	1	
2	880841	PISTON PIN	1	
3	879474	CIRCLIP	2	
4	1A008637	1ST COMPRESSION RING	1	
5	1A008638	2ND COMPRESSION RING	1	
6	1A008639	1A008639 OIL CONTROL RING 3RD HOUSING	1	
7	1A000745	HEAD/CYLINDER GASKET	1	CYLINDER HEAD/CRANKCASE FIXING
8	CM291501	CRANKCASE-CYLINDER GASKET 0.4	1	
8	CM291502	CRANKCASE-CYLINDER GASKET 0.6	1	
8	CM291503	CRANKCASE-CYLINDER GASKET 0.8	1	

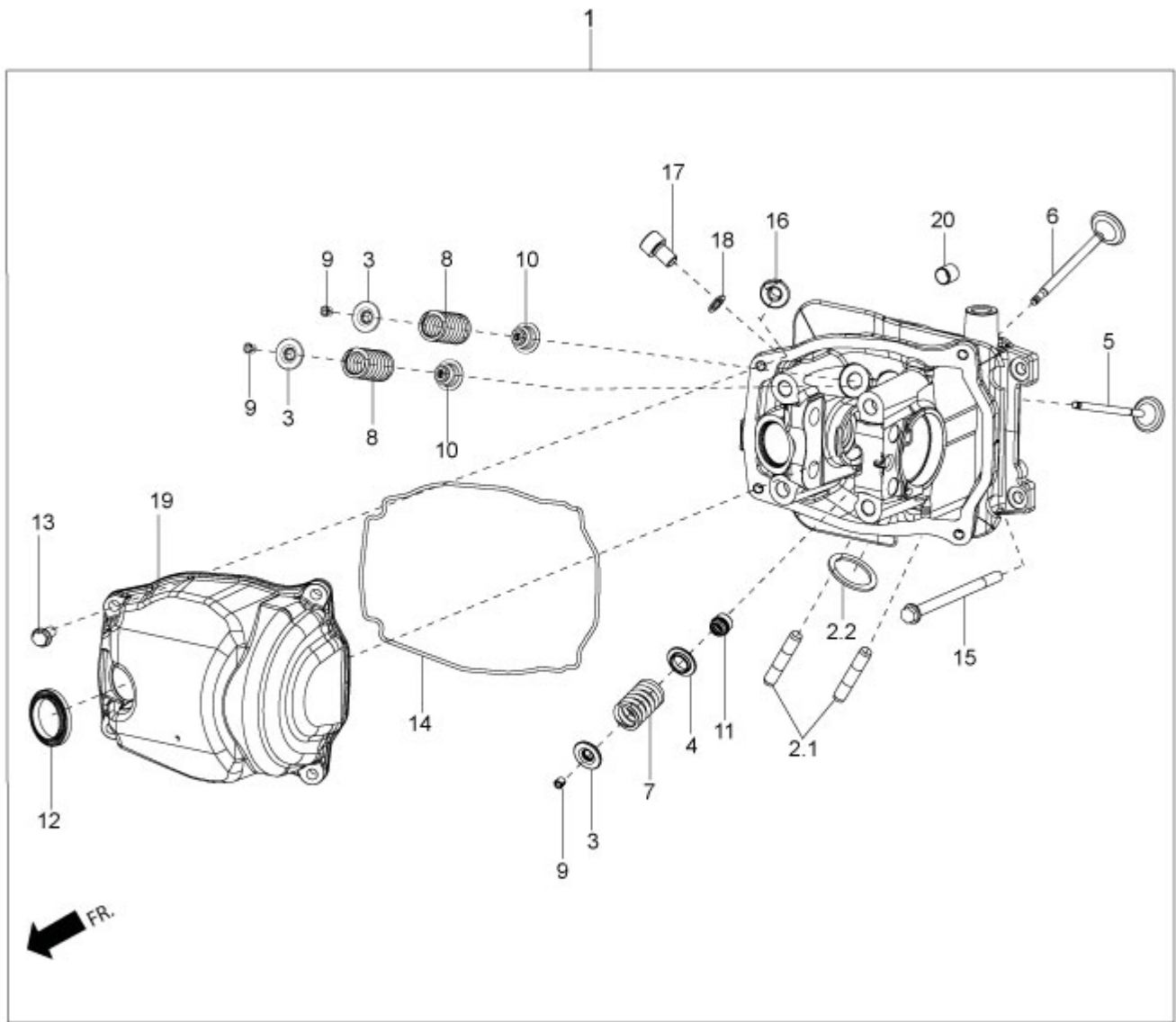
**1.06**  
**Flywheel Cover**



**1.06****Flywheel Cover**

<b>Fig. No.</b>	<b>Part No.</b>	<b>Description</b>	<b>Qty</b>	<b>Remarks</b>
1	SP1A014351	FLYWHEEL COVER ASSY	1	
1.1	B018140	SEAL RING 14X28X7	1	
2	1A006482	FLYWHEEL COVER GASKET	1	FLYWHEEL COVER FIXING
3	1A003060	FLANGED HEX. HEAD SCREW M6X45	12	FLYWHEEL COVER FIXING

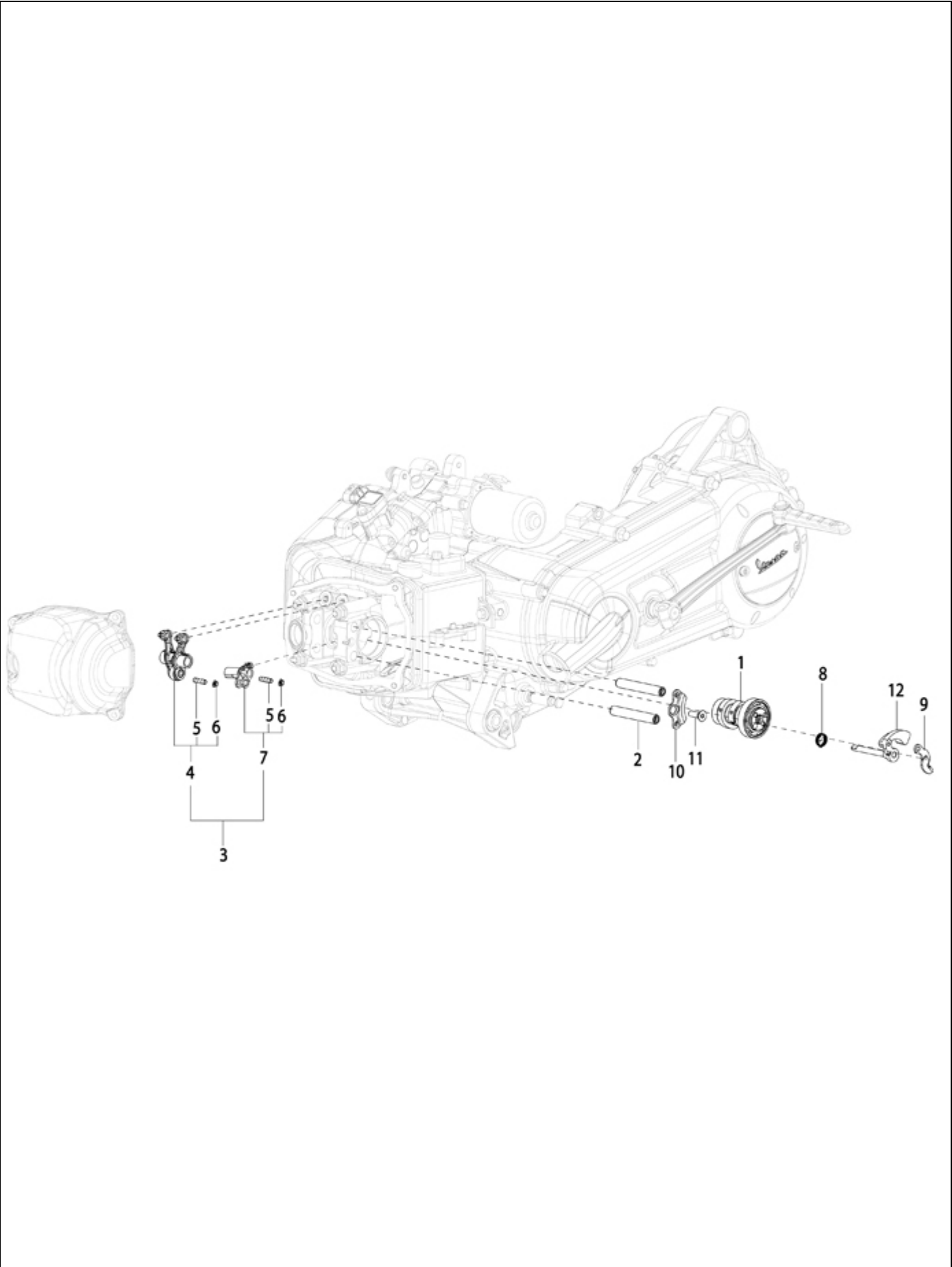
### 1.07 Cylinder Head



**1.07****Cylinder Head**

Fig. No.	Part No.	Description	Qty	Remarks
1	SP1A016610	CYLINDER HEAD ASSY	1	
2.1	1A004153	STUD SCREW	2	
2.2	434716	CYLINDER HEAD/MUFFLER GASKET	1	
3	B017456	UPPER CUP	3	
4	483711	LOWER CUP	1	
5	B014684	INTAKE VALVE Ø20	2	
6	B017438	EXHAUST VALVE Ø22	1	
7	B014705	VALVE SPRING (EXHAUST)	1	
8	B014706	VALVE SPRING (INTAKE)	2	
9	B015288	HALF-CONE	6	
10	83054R	VALVE SEAL RING	2	
11	83053R	VALVE SEAL RING	1	
12	B014732	SPARK PLUG HOLE GASKET	1	HEAD COVER FIXING
13	018639	SCREW M6X20	4	HEAD COVER FIXING
14	B018533	CYLINDER HEAD COVER GASKET	4	HEAD COVER FIXING
15	B018854	HEXAGONAL HEAD FLANGED SCREW M6X90	2	
16	844719	FLANGED NUT M8X1.25	4	
17	811081025	HEX HEAD SCREW M8 X 10 (DRAIN PLUG)	1	CYLINDER HEAD COMPONENTS (4S
18	485703	WASHER	1	CYLINDER HEAD COMPONENTS (4S
19	1A006545	HEAD COVER	1	
20	435571	REFERENCE DOWEL	4	
21	CM291501	CRANKCASE-CYLINDER GASKET 0.4	1	
21	CM291502	CRANKCASE-CYLINDER GASKET 0.6	1	
21	CM291503	CRANKCASE-CYLINDER GASKET 0.8	1	
22	844719	FLANGED NUT M8X1.25	4	

### 1.08 Camshaft

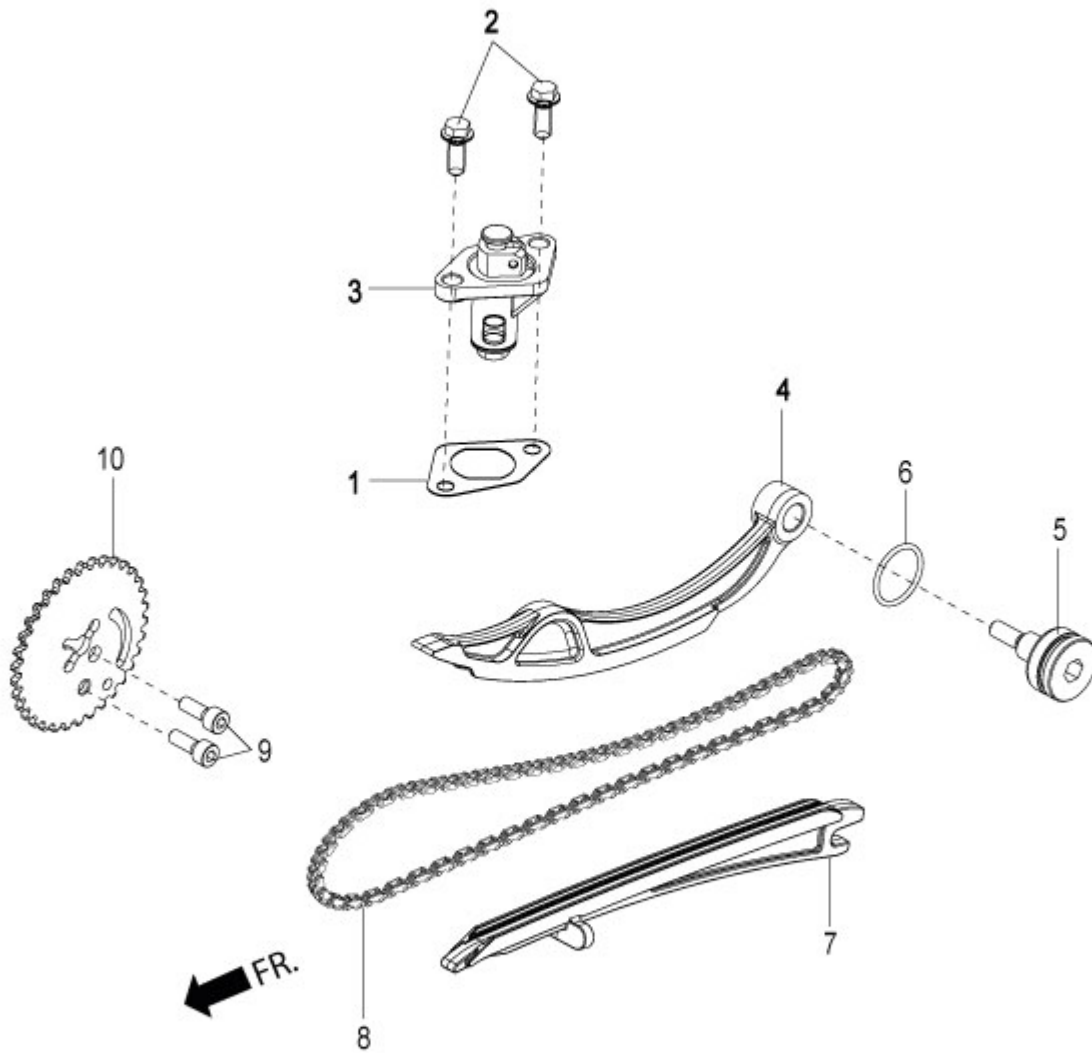


**1.08****Camshaft**

<b>Fig. No.</b>	<b>Part No.</b>	<b>Description</b>	<b>Qty</b>	<b>Remarks</b>
1	SP1A017005	CAMSHAFT COMPLETE OF BEARING	1	
2	B017113	ROCKER ARM SHAFT	2	
3	83062R	ROCKER ARM GROUP	1	
4	B017425	COMPLETE INLET SIDE ROCKER ARM	1	
5	B017323	VALVE ADJUSTMENT SCREW	2	
6	B017431	ROCKER ARM NUT	2	
7	B017426	COMPLETE EXHAUST SIDE ROCKER ARM	1	
8	B015483	DECOMPRESSION SPRING	1	
9	1A008397	CENTRIFUGAL MASS CONTAINMENT SHEET	1	
10	B014760	CAMSHAFT CONTAINMENT SHEET-STEEL	1	CAMSHAFT CONTAINMENT SHEET-STEEL FIXING
11	B018946	COUNTERSUNK SCREW M6X18	1	CAMSHAFT CONTAINMENT SHEET-STEEL FIXING
12	SP1A006405	CENTRIFUGAL MASS WITH I.P.	1	



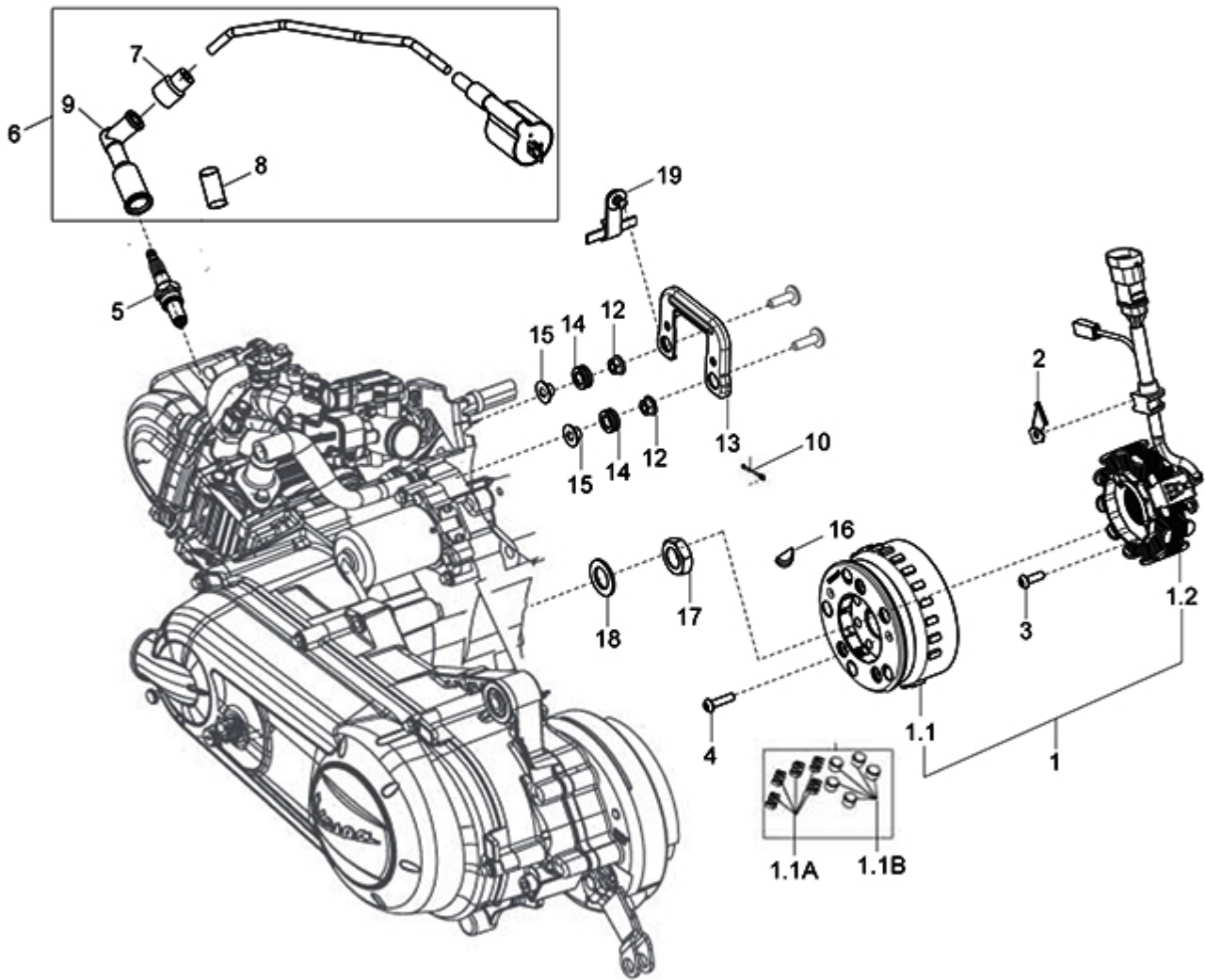
**1.09**  
**Timing Group**



**1.09****Timing Group**

<b>Fig. No.</b>	<b>Part No.</b>	<b>Description</b>	<b>Qty</b>	<b>Remarks</b>
1	847928	CHAIN SUPPORT GASKET	1	CHAIN TIGHTENING DEVICE FIXING
2	1F000110	FLANGED HEXAGONAL SCREW	2	CHAIN TIGHTENING DEVICE FIXING
3	1A019253	CHAIN TIGHTENING DEVICE	1	
4	1A014739	COMPLETE CHAIN TIGHTENING ROD	1	
5	B014237	SPECIAL SCREW ASSY	1	CHAIN TIGHTENING ROD FIXING
6	B017406	O-RING (20,35X1,78)	1	
7	B014830	FIXED PAD	1	
8	830269	SOUNDLESS TIMING CHAIN	1	
9	B018718	EXAG. SOCKET CYLIND.HEAD SCREW M5X14	2	TIMING CROWN FIXING
10	B019040	TIMING CROWN	1	

### 1.10 Electric Component

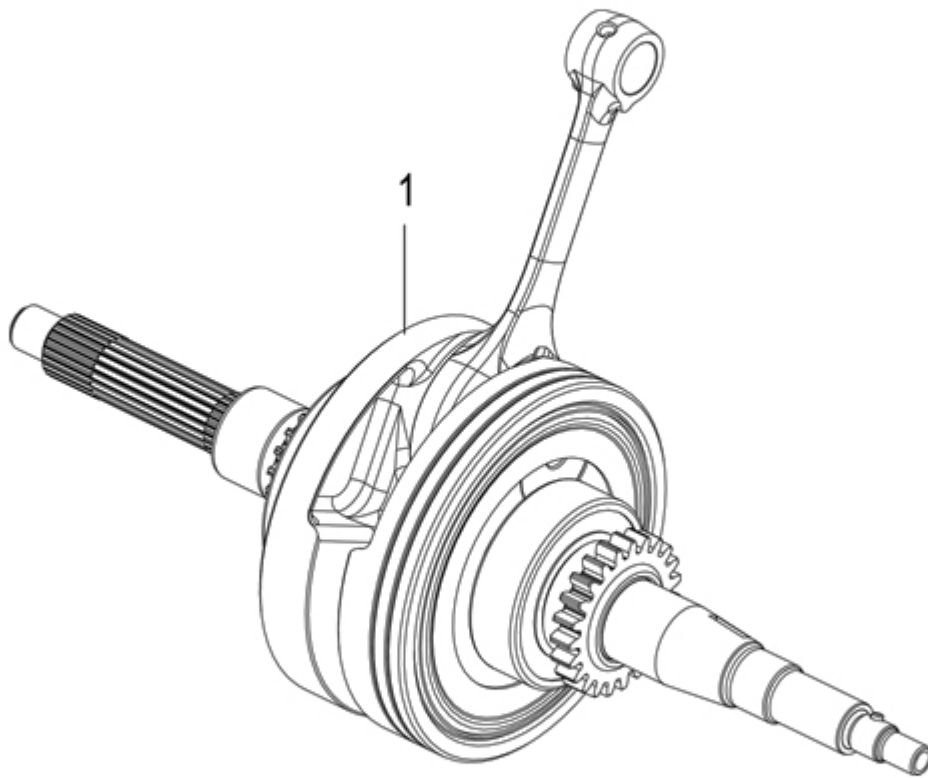


**1.10****Electric Component**

<b>Fig. No.</b>	<b>Part No.</b>	<b>Description</b>	<b>Qty</b>	<b>Remarks</b>
1	1A018849R	A.C. GENERATOR ASSY	1	
1.1	1A013856	ASSEMBLY ROTOR CLAM CLUTCH	1	Kokusan ID mark - LK written at bottom
1.1	1A018232	ASSEMBLY ROTOR CLAM CLUTCH	1	Ducati ID mark - Ducati written on outer side
1.1a	B019134	PLANE SPRING	5	
1.1b	B018476	ROLLER	5	
1.2	1A018501	COMPLETE STATOR	1	Kokusan ID mark - stator Casing Redish in color
1.2	1A018847	COMPLETE STATOR	1	Ducati ID mark - stator Casing brown in color
2	1A001793	PICK-UP PLATE CONTAINMENT CABLES	1	
3	1A001073	TORX HEAD SCREW M5X16	2	PULSER COIL FIXING
4	1A014986	TORX HEAD SCREW M5X21	2	STATOR FIXING
5	643367	SPARK PLUG	1	
6	1A017647	H.T.COIL COMPLETE WITH CAP	1	
7	642537	PROTECTION CAP	1	
8	1A001795	SPARK PLUG PROTECTION COLLAR	1	
9	643149	SPARK PLUG CAP	1	
10	643156	GROUND WIRE	1	H.T.COIL / BRACKET FIXING
11	872816	FLANGED NUT	2	H.T.COIL / BRACKET FIXING
12	013880	PLAIN WASHER	1	H.T.COIL / BRACKET FIXING
13	1B003784	COIL SUPPORT BRACKET WITH I.P.	1	
14	B014063	BUFFER DAMPER	2	
15	B014066	SPACER	2	
16	000267	WOODRUFF KEY	1	FLYWHEEL ASSY FIXING
17	880805	LOW HEXAGONAL NUT	1	FLYWHEEL ASSY FIXING
18	B014585	FLAT WASHER	1	FLYWHEEL ASSY FIXING
19	1A016605	CLAMP	1	H.T.COIL / BRACKET FIXING
20	018639	SCREW M6X20	1	H.T.COIL BRACKET/CRANKCASE FIXING



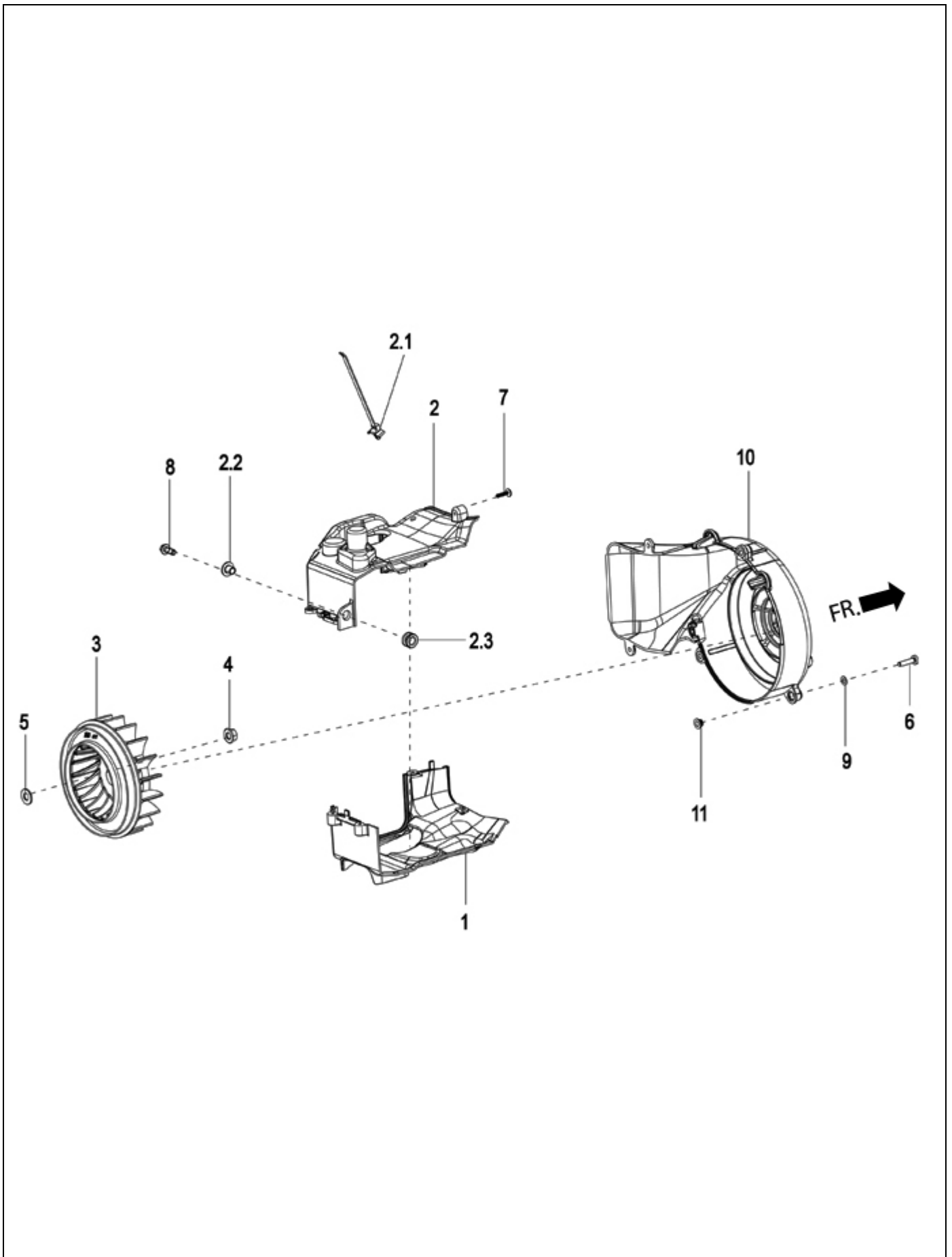
**1.11**  
**Crankshaft**



**1.11****Crankshaft**

<b>Fig. No.</b>	<b>Part No.</b>	<b>Description</b>	<b>Qty</b>	<b>Remarks</b>
1	SP1A015904	CRANKSHAFT WITH BALL BEARING AND PINION	1	

**1.12**  
**Fan cover and Shroud**



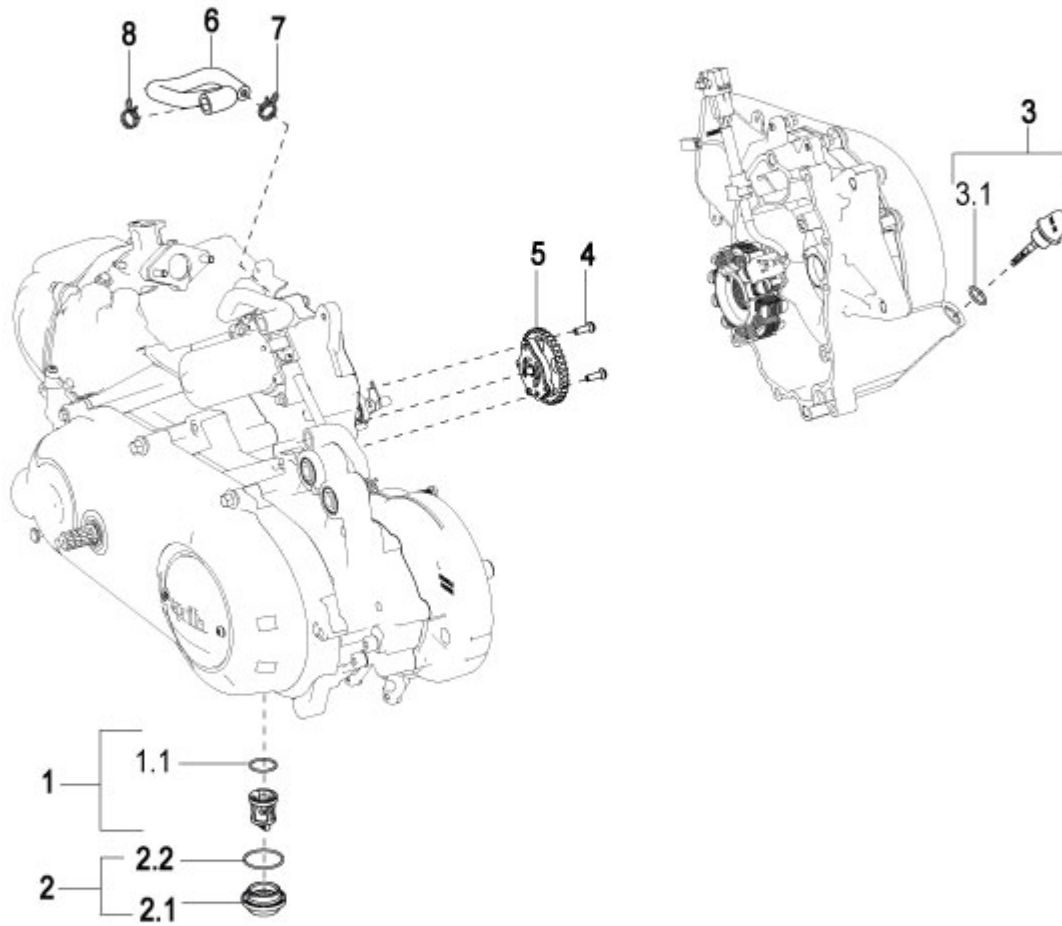


**1.12****Fan cover and Shroud**

<b>Fig. No.</b>	<b>Part No.</b>	<b>Description</b>	<b>Qty</b>	<b>Remarks</b>
1	1A011087	EXHAUST SIDE SHROUD	1	
2	1A001023	INTAKE SIDE CONVEYOR	1	
2.1	643114	CLAMP	1	
2.2	B014063	BUFFER DAMPER	1	
2.3	B014066	SPACER	1	
2.4	216369	CLAMP	1	NI
3	1A002013	FAN WITH INSERT	1	
4	844719	FLANGED NUT M8X1.25	1	FAN ASSY FIXING
5	B017080	PLAIN WASHER	1	FAN ASSY FIXING
6	1A014986	TORX HEAD SCREW M5X21	3	FAN COVER FIXING
7	B018421	SULF-THREADING SCREW 3.8X16	5	FAN COVER FIXING
8	1F000110	FLANGED HEXAGONAL SCREW	1	FAN COVER FIXING
9	006975	WAVY WASHER 5.3X10X0.5	3	FAN COVER FIXING
10	B014750	FAN COVER	1	
11	B015312	KNURLED BUSH	6	
12	58273R	THERMIC SENSOR	1	

### 1.13

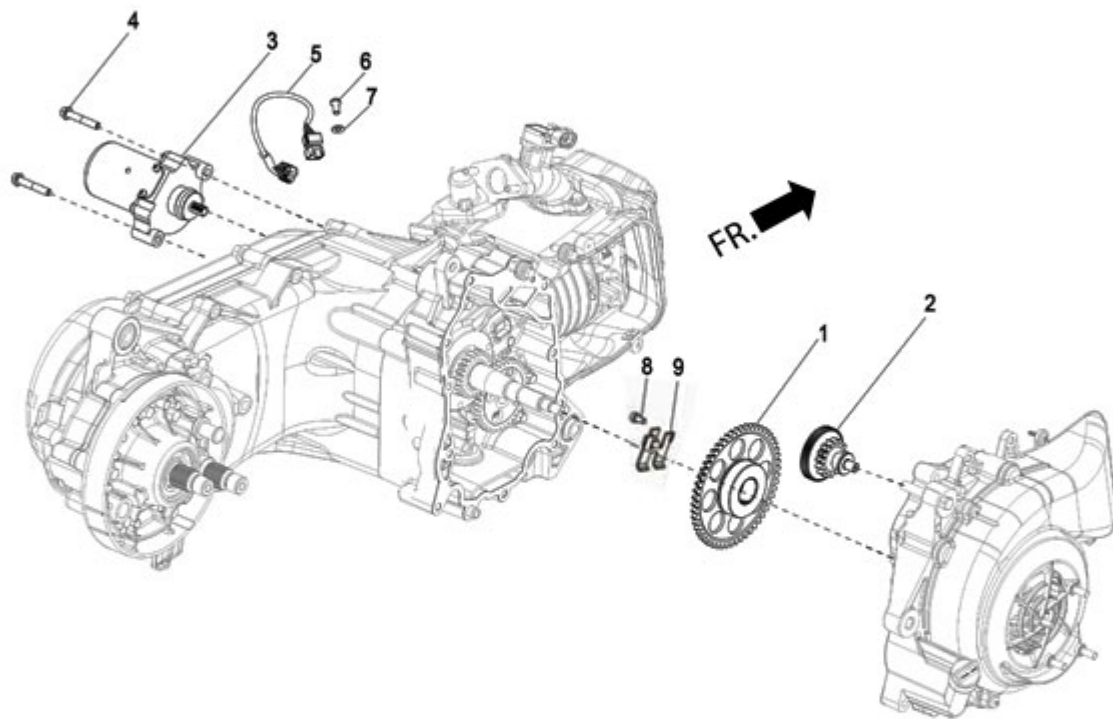
### Lubrication component



**1.13****Lubrication component**

<b>Fig. No.</b>	<b>Part No.</b>	<b>Description</b>	<b>Qty</b>	<b>Remarks</b>
1	B018020	COMPLETE INTAKE OIL FILTER	1	
1.1	B017406	O-RING (20,35X1,78)	1	
2	B015598	OIL FILTER PLUG	1	
2.1	B015598	OIL FILTER PLUG	1	
2.2	285536	O-RING GASKET 31.47X1.78	1	
3	1A013415	COMPLETE OIL DIPSTICK	1	
3.1	1A009397	O-RING GASKET	1	
4	1A001073	TORX HEAD SCREW M5X16	2	OIL PUMP ASSY FIXING
5	B018448	COMPLETE OIL PUMP	1	
6	1A014294	OIL BREATHER PIPE	1	
7	CM002917	HOSE CLAMP	1	OIL BREATHER PIPE FIXING
8	CM002916	HOSE CLAMP	1	OIL BREATHER PIPE FIXING

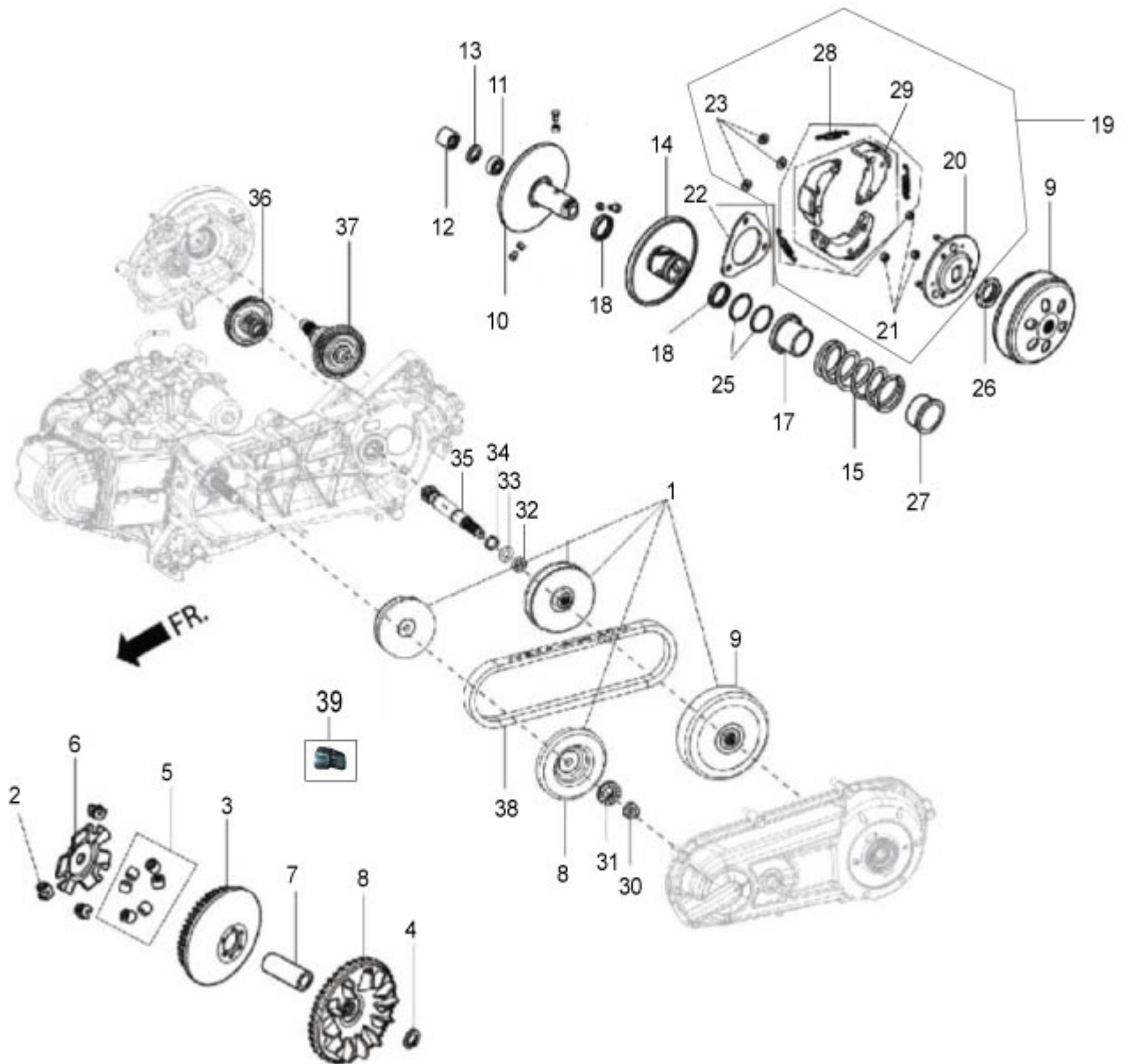
**1.14**  
**Starting Group**



**1.14****Starting Group**

<b>Fig. No.</b>	<b>Part No.</b>	<b>Description</b>	<b>Qty</b>	<b>Remarks</b>
1	83033R	STARTER CROWN WITH I.P. GROUP	1	
2	1A001443R	ELECTRIC STARTER INTERMEDIATE GEAR	1	
3	1A015231	STARTING MOTOR	1	
4	1A003063	FLANGED HEX HEAD SCREW M6X35	2	STARTING MOTOR FIXING (OIM)
5	1D001640	STARTING MOTOR WIRING HARNESS	1	
6	018644	CROSS CYLINDRICAL HEAD SCREW	1	STARTING MOTOR WIRING HARNESS FIXING
7	016404	SPRING WASHER M4	1	STARTING MOTOR WIRING HARNESS FIXING
8	1A002691	FLANGED HEX HEAD SCREW M6X20 CL10	1	
9	1A007468	CONTAINMENT ELECTRIC STARTING CROWN	1	

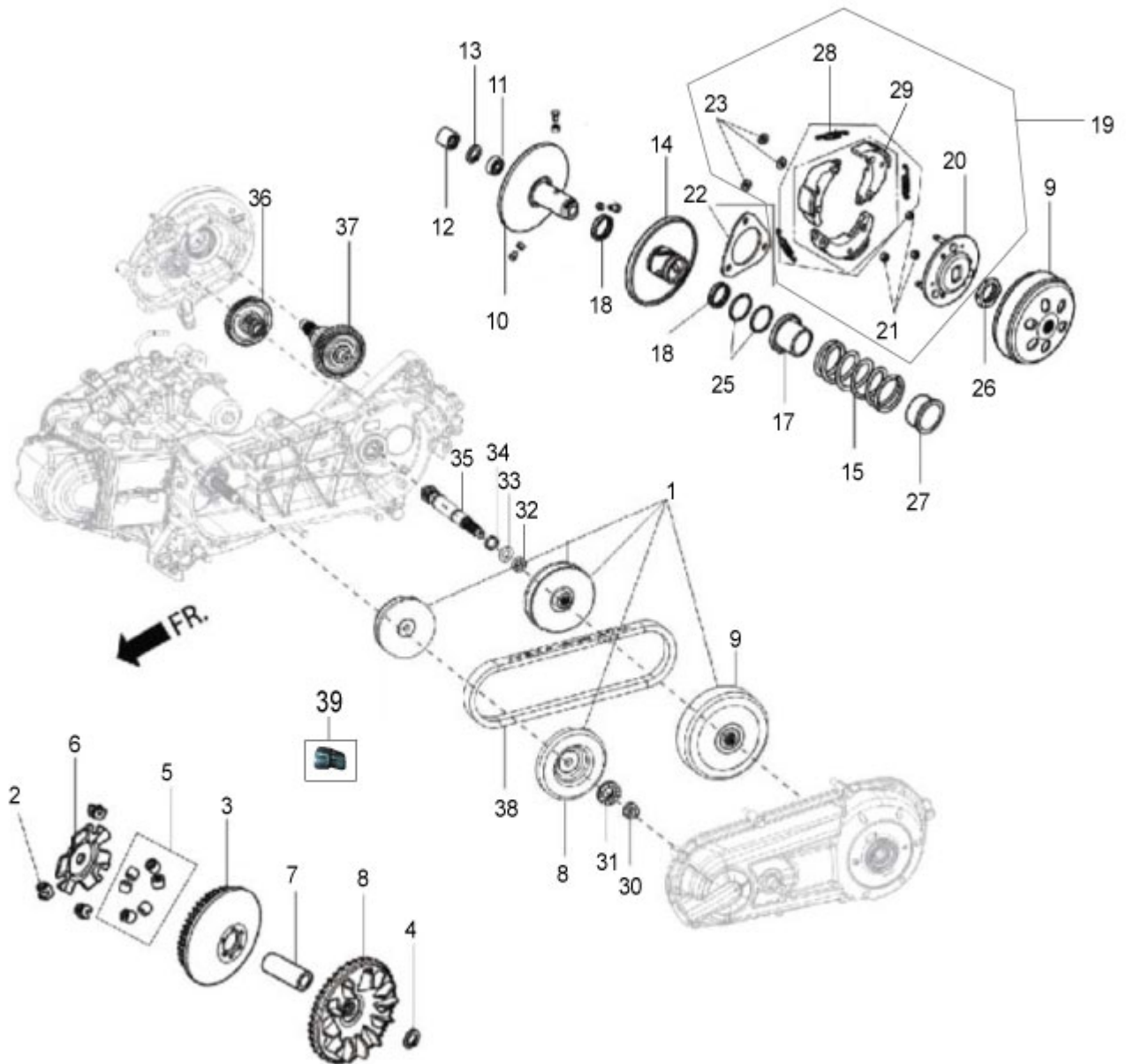
**1.15**  
**Transmission Group**



**1.15****Transmission Group**

<b>Fig. No.</b>	<b>Part No.</b>	<b>Description</b>	<b>Qty</b>	<b>Remarks</b>
1	1A005058R	COMPLETE TRANSMISSION GROUP	1	
2	1A001746	PIECE SLIDE	1	
3	1A001742	FACE COMP MOVABLE DRIVE	1	
4	1A002443	CIRCLIP MOVABLE DRIVE	1	
5	1A002444	ROLLER COMP. MOVABLE DRIVE	6	
6	1A001745	PLATE RAMP	1	
7	1A002446	BOSS DRIVE FACE	1	
8	1A005055	FIXED DRIVER HALF-PULLEY	1	
9	1A005057	CLUTCH HOUSING WITH I.P.	1	
10	1A002430	FACE COMP. FIX DRIVEN	1	
11	1A002431	BRG. BALL RADIAL	1	
12	1A002432	BRG. NEEDLE	1	
13	1A002433	CIRCLIP IN 24	1	
14	1A013713	COMPLETE MOVABLE DRIVEN HALF-PULLEY	1	
15	1A002439	SPG. DRIVEN FACE	1	
17	1A002440	COLLAR SEAL	1	
18	1A002441	OIL SEAL	2	
19	1A002425	PLATE ASSY. DRIVEN	1	
20	1A002426	PLATE COMP. DRIVE	1	
21	1A002427	DAMPER CLUTCH	3	
22	1A002428	SIDE WASHER	1	
23	1A002429	E RING 7MM	3	
25	1A002442	O-RING	2	
26	1A001748	NUT SPECIAL 28MM	1	
27	B016922	DRIVEN PULLEY SIDE CAP	1	
28	1A001743	SPRING CLUTCH	3	
29	1A001744	SHOE CLUTCH	1	
30	1A006988	NUT WITH SPRING WASHER	1	FRONT TRASMISSION GROUP FIXING
31	B017599	CLAW COUPLING	1	FRONT TRASMISSION GROUP FIXING
32	B018308	HEXAGOLAN NUT	1	REAR TRASMISSION GROUP FIXING (OIM)
33	1A006499	PLAIN WASHER	1	REAR TRASMISSION GROUP FIXING (OIM)
34	B018306	SPACER	1	REAR TRASMISSION GROUP FIXING (OIM)
35	1A006503	DRIVEN PULLEY SHAFT	1	
36	1A000784	LAY-SHAFT ASSY WITH I.P.	1	
37	1A000787	GEAR WHEEL WITH I.P.	1	

**1.15**  
**Transmission Group**

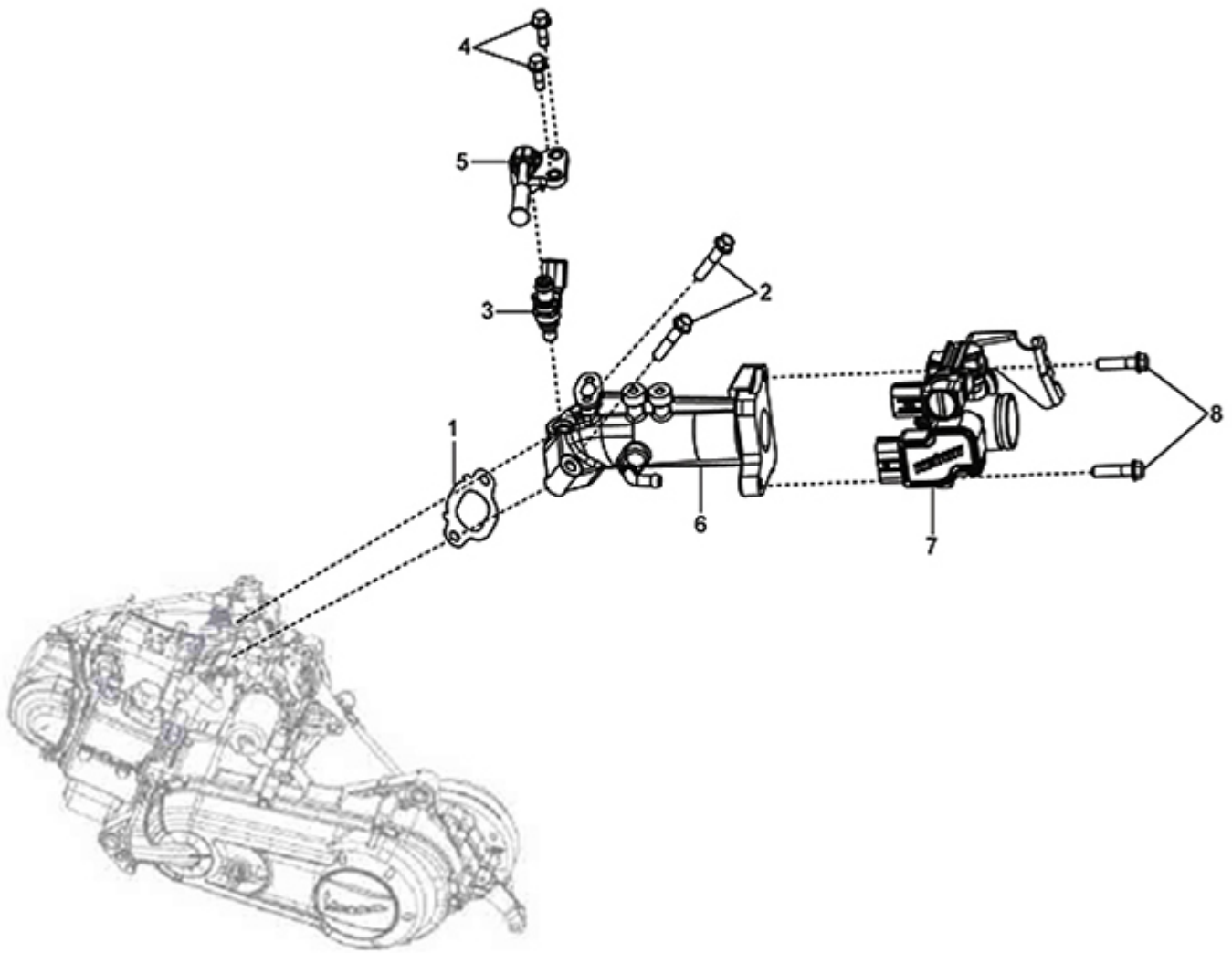




**1.15****Transmission Group**

<b>Fig. No.</b>	<b>Part No.</b>	<b>Description</b>	<b>Qty</b>	<b>Remarks</b>
38	1A006149	V-BELT	1	
39	1A013712	INTEGRATED PIN	1	

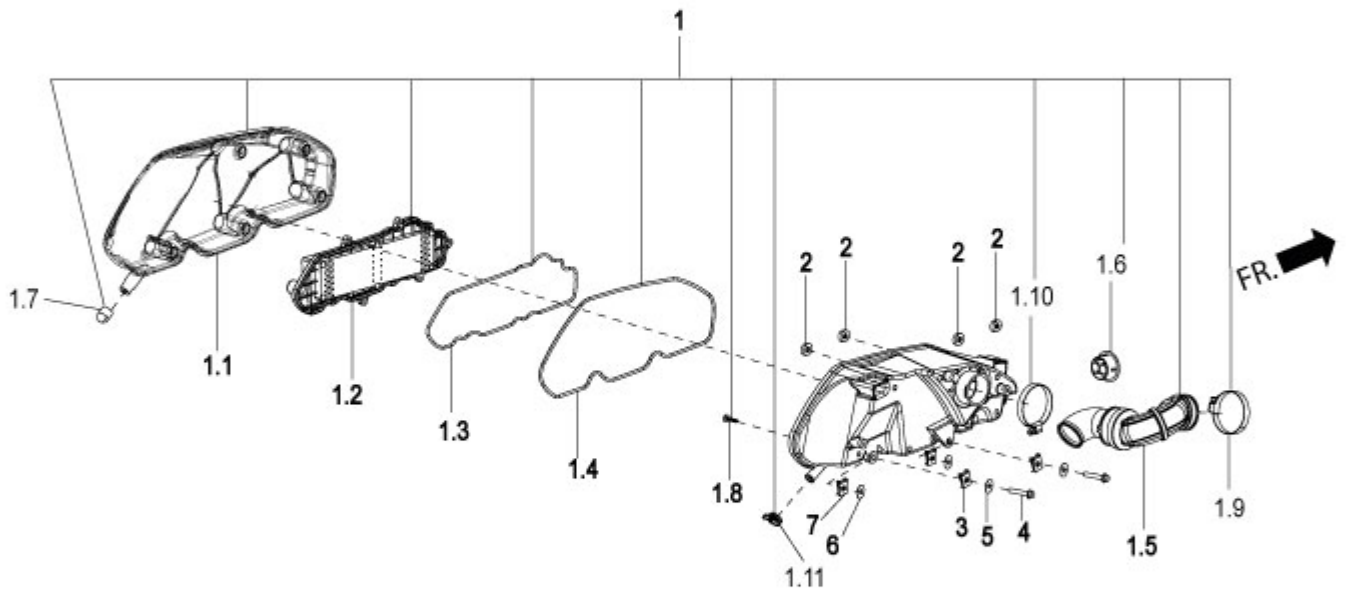
**1.16**  
**Fuel supply System**



**1.16****Fuel supply System**

<b>Fig. No.</b>	<b>Part No.</b>	<b>Description</b>	<b>Qty</b>	<b>Remarks</b>
1	B018442	INTAKE FITTING GASKET	1	INTAKE FITTING FIXING
2	B018853	FLANGED HEXAGONAL HEAD SCREW M6X30	2	INTAKE FITTING FIXING
3	1D000698	FUEL INJECTOR	1	COMPLETE INTAKE FITTING
4	1A015812	FLANGED HEXAGONAL HEAD SCREW	2	INJECTOR FIXING
5	1A015303	INJECTOR SUPPORT WITH FUEL CAP	1	
6	1A016010	INTAKE FITTING WITH I.P.	1	
7	1A019310	THROTTLE BODY	1	
8	1A003065	FLANGED HEX. HEAD SCREW M6X25	2	THROTTLE BODY FIXING
9	1D001198	SEAL RINGS KIT	1	NI -Under Development
10	1A009606	INIECTOR RETAINING PLATE	1	NI , INJECTOR FIXING

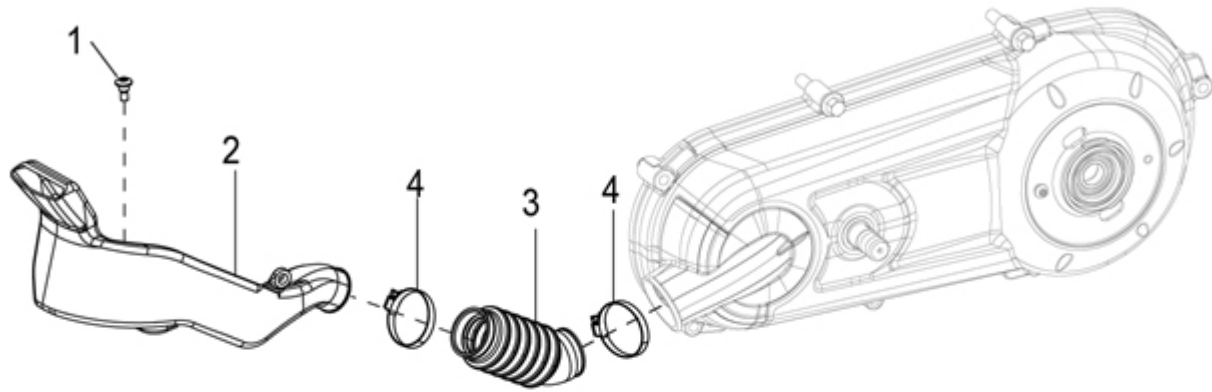
**1.17**  
**Air Intake**



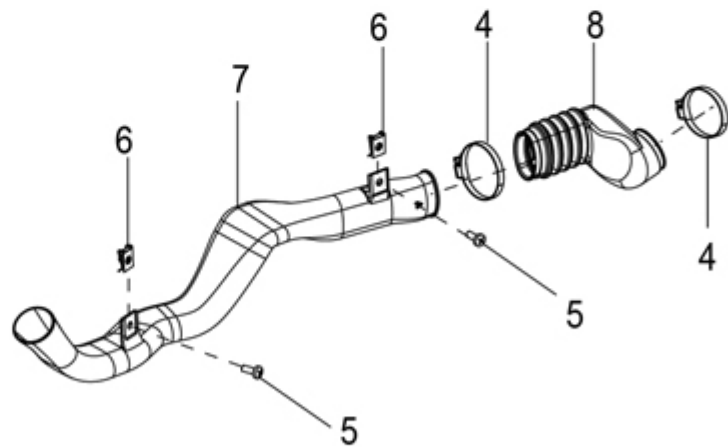
**1.17****Air Intake**

<b>Fig. No.</b>	<b>Part No.</b>	<b>Description</b>	<b>Qty</b>	<b>Remarks</b>
1	1A018276	AIR CLEANER BOX ASSY	1	Applicable For MY-20
1	1A016755	AIR CLEANER BOX ASSY	1	
1.1	1A006088	AIR CLEANER COVER	1	
1.2	1A006090	AIR BOX FILTER	1	
1.3	1A006092	GASKET	1	
1.4	1A006093	AIR CLEANER GASKET	1	
1.5	1A011982	COUPLING	1	
1.7	827831	AIR CLEANER BOX CAP	2	
1.8	258146	SELF TAPPING SCREW (3X20)	13	
1.9	B019254	CLAMP Ø42.4-Ø44.5	1	
1.10	614188	CLAMP 40-60	1	
1.11	CM002910	HOSE CLAMP	2	
2	CM002916	HOSE CLAMP	2	BLOW-BY PIPE/AIR BOX FIXING
3	CM259204	SPRING PLATE	2	AIR CLEANER BOX FIXING
4	1A003064	FLANGED HEX HEAD SCREW M6X55	2	AIR CLEANER BOX FIXING
5	3056	PLAIN WASHER M6 OD12	2	AIR CLEANER BOX FIXING
6	12533	PLAIN SPRING WASHER WITH EXTERNAL TABS	2	AIR CLEANER BOX FIXING
7	254485	SPRING PLATE (M6)	2	AIR CLEANER BOX FIXING
8	B018262	KNURLED BUSH	4	
9	1A016123	S.A.S INTAKE MANIFOLD	1	
10	1A014108	GROMMET	1	

**1.18**  
**Induction Pipe/Bellow**



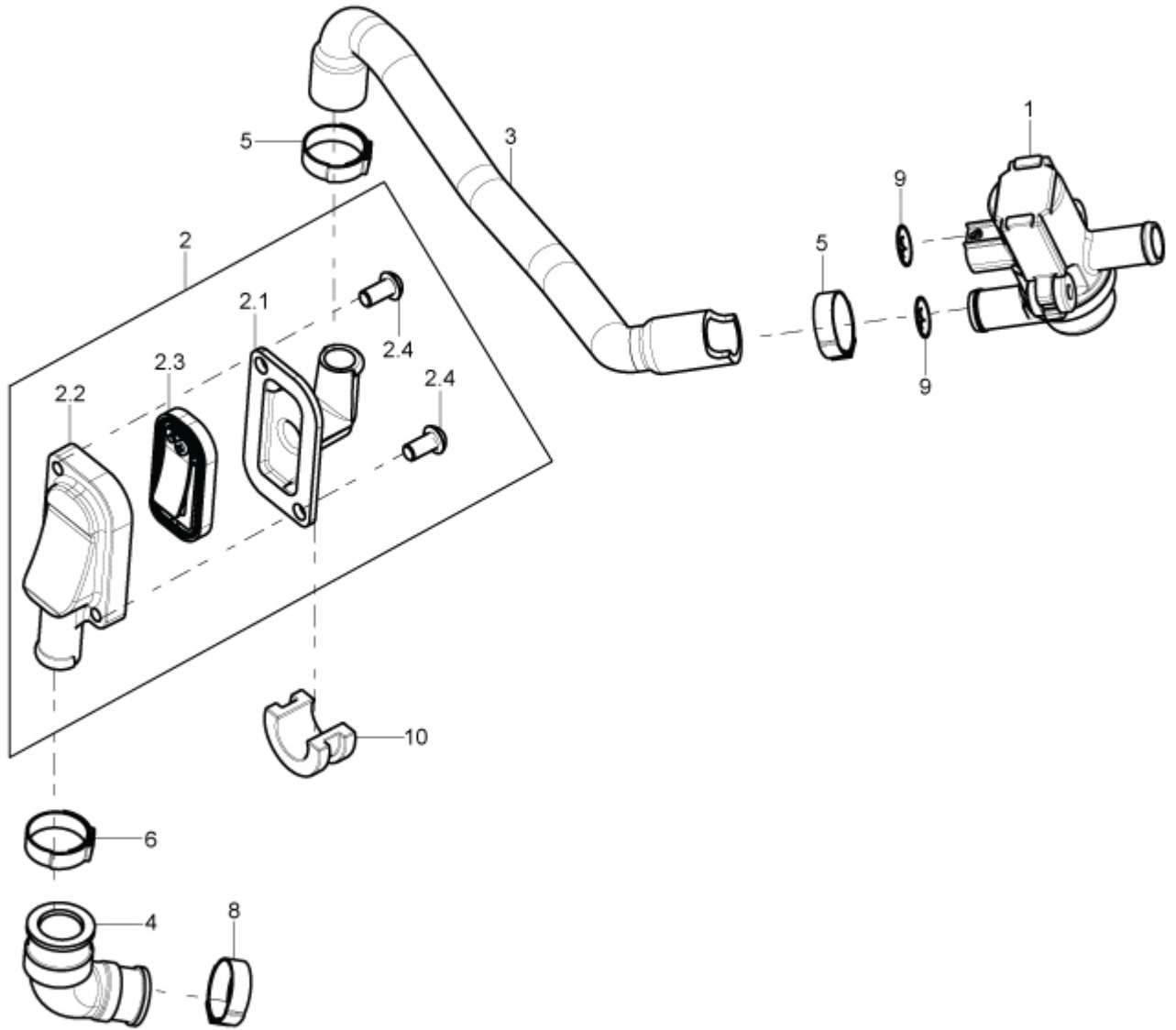
← FR.



**1.18****Induction Pipe/Bellow**

<b>Fig. No.</b>	<b>Part No.</b>	<b>Description</b>	<b>Qty</b>	<b>Remarks</b>
1	259348	METRICAL SCREW WITH CROSS MOULD	1	DUCTION PIPE FIXING
2	1B006743	DUCTION PIPE	1	
3	1B003394	INTAKE FITTING	1	
4	709519	CLAMP	4	
5	272836	METRICAL SCREW WITH CROSS MOULD	2	INDUCTION PIPE FIXING
6	254485	SPRING PLATE (M6)	2	INDUCTION PIPE FIXING
7	1B003395	INDUCTION PIPE	1	
8	1B003396	BELLOW	1	

**1.20**  
**S.A.S. System**

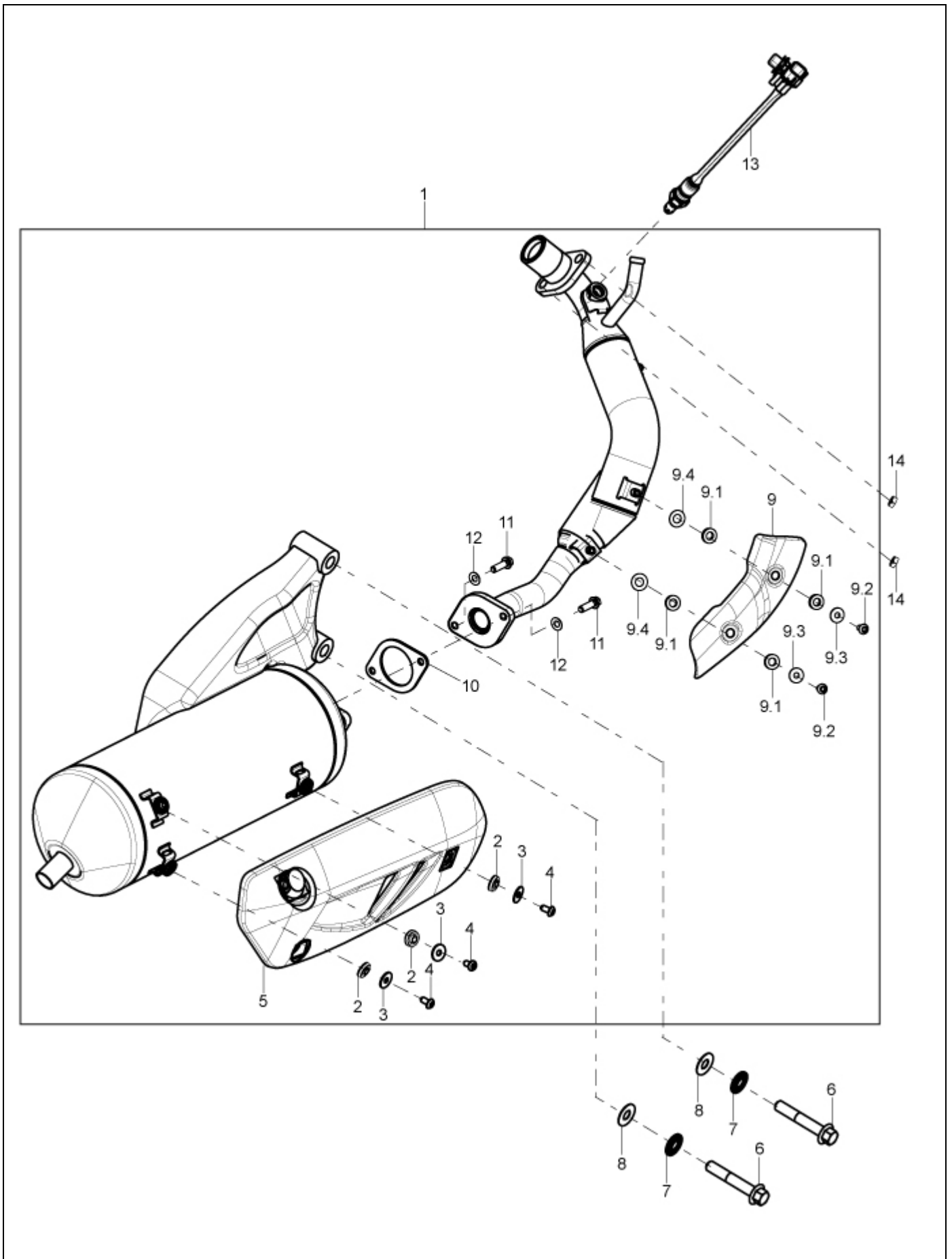




**1.20****S.A.S. System**

<b>Fig. No.</b>	<b>Part No.</b>	<b>Description</b>	<b>Qty</b>	<b>Remarks</b>
1	1A014086	AIR CUT VALVE	1	
2	SP1A0165444	COMPLETE SAS VALVE	1	
2.1	1A015026	COVER SAS VALVE	1	
2.2	1A016543	SUPPORT SAS VALVE	1	
2.3	1A017197	COMPLETE REED VALVE	1	
2.4	601039	SCREW	2	
3	1A014117	SAS INTAKE PIPE	1	
4	1A017797	S.A.S. BOX JOINT PIPE	1	
5	CM001927	HOSE CLAMP	2	S.A.S. PIPE/ELECTRIC VALVE FIXING
6	1A018013	CLAMP	1	S.A.S. VALVE SLEEVE FIXING
7	257134	RETAINING STRAP	1	S.A.S. VALVE SLEEVE FIXING
8	CM001927	HOSE CLAMP	1	S.A.S. VALVE SLEEVE FIXING
9	230359	CLIP	2	
10	1A014309	GROMMET	1	

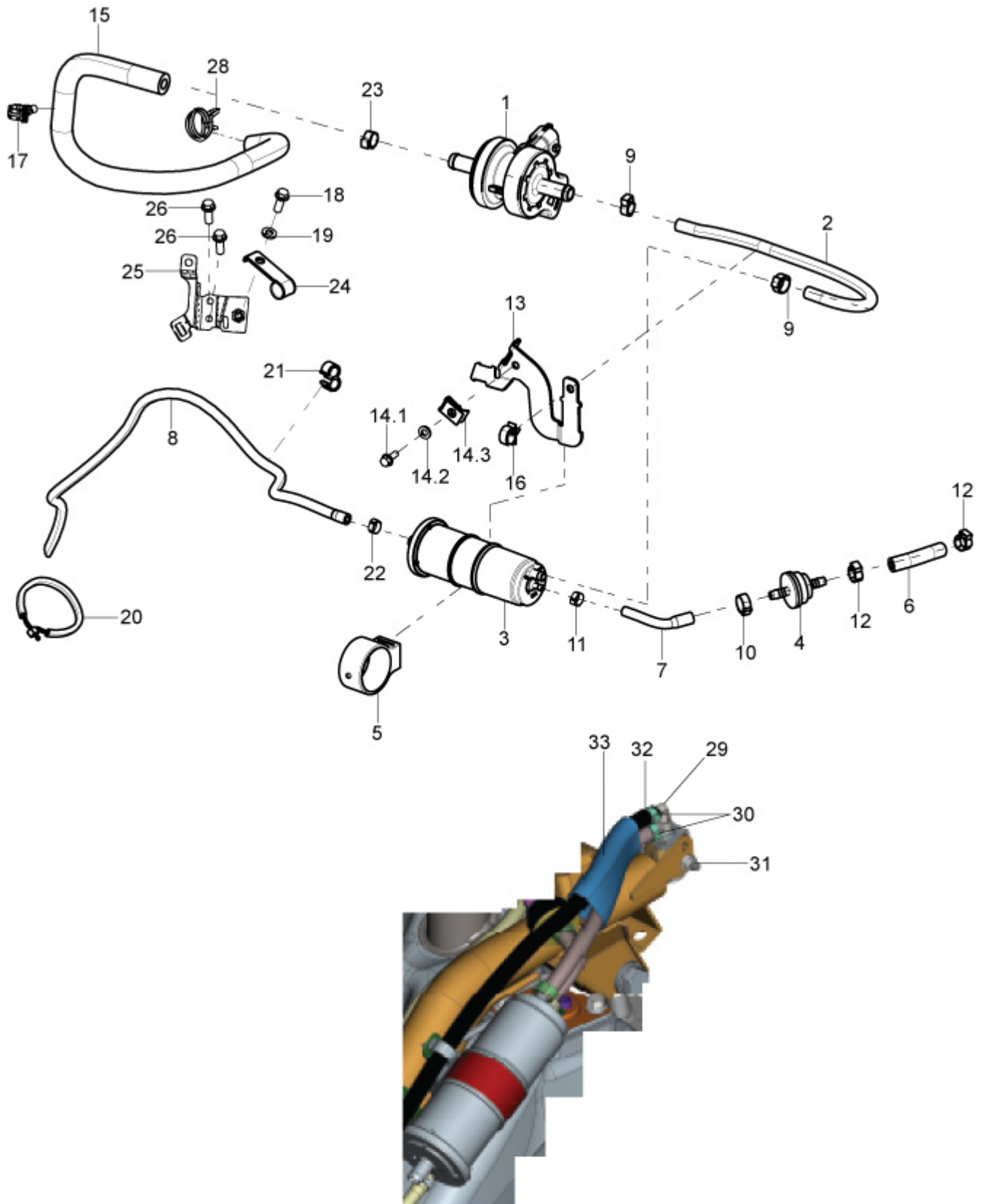
1.22  
Muffler



**1.22****Muffler**

<b>Fig. No.</b>	<b>Part No.</b>	<b>Description</b>	<b>Qty</b>	<b>Remarks</b>
1	SP1A018416	MUFFLER WITH PROTECTION	1	Applicable For MY-20
1	SP1A014619	MUFFLER WITH PROTECTION	1	
2	487665	FAIRLEAD	3	THERMAL PROTECTION FIXING
3	827526	WASHER	3	THERMAL PROTECTION FIXING
4	848766	SCREW	3	THERMAL PROTECTION FIXING
5	1A015909	THERMAL PROTECTION	1	
6	B016627	FLANGED HEXAGONAL HEAD SCREW	2	MUFFLER/FLY WHEEL COVER FIXING
7	B015320	PLAIN WASHER	2	MUFFLER/FLY WHEEL COVER FIXING
8	B015321	CONICAL KNURLED WASHER	2	MUFFLER/FLY WHEEL COVER FIXING
9	1A017964	THERMAL PROTECTION WITH PANEL	1	
9.1	876879	ELASTIC SPACER	4	PROTECTION FIXING
9.2	842908	COVEX HEAD SCREW WITH TORX IMPRESSION	2	PROTECTION FIXING
9.3	1A000244	PLANE WASHER	2	PROTECTION FIXING
9.4	287073	WASHER X OIL PUMP DRIVEN GEAR- 8,2X16X0,5	2	PROTECTION FIXING
10	1A018007	GASKET	1	
11	018639	SCREW M6X20	2	
12	016408	SPRING WASHER	2	
13	SP1A017774	LAMBDA SENSOR WITH HARNESS BAND	1	
14	436947	FLANGED NUT M7X1 H=8	2	

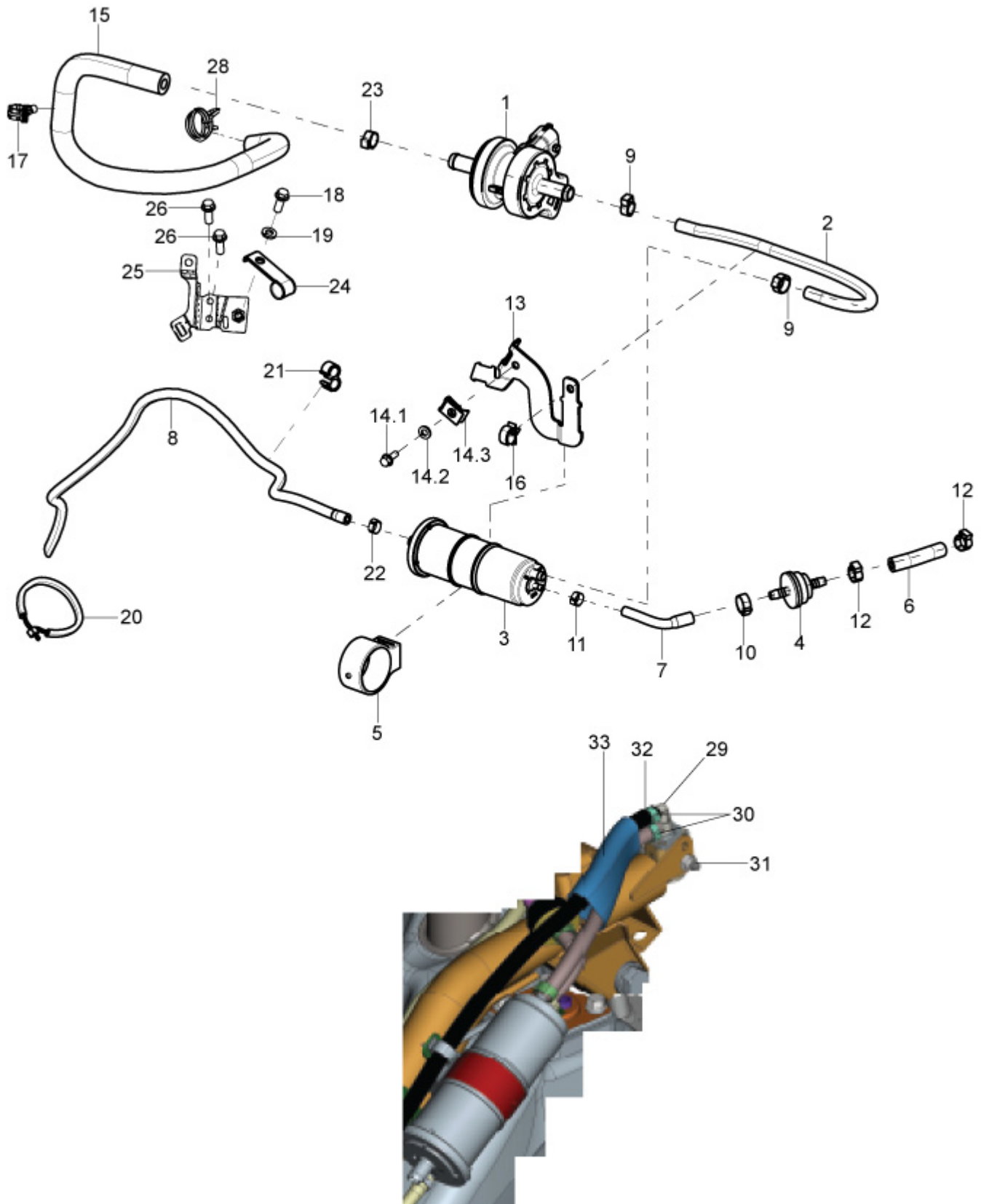
### 1.23 Canister



**1.23****Canister**

<b>Fig. No.</b>	<b>Part No.</b>	<b>Description</b>	<b>Qty</b>	<b>Remarks</b>
1	CM287405	COMPLETE AIR VALVE	1	
2	CM001237	BASE PROFILE PIPE D.6X10,5	1	Applicable For MY-20
2	CM001234	PIPE (NOT METALLIC)	1	
3	1B002848	CANISTER	1	
4	1B008067R	SAFETY VALVE	1	
5	1B002849	CANISTER SUPPORT	1	
6	CM177979	HOSE SAE J30	1	J30 R11-A/R12 1/4 L=70
7	CM283429	HOSE	1	
8	CM283431	PIPE FUEL SISTEM	1	
9	CM001901	CLAMP	2	
10	CM001901	CLAMP	1	
11	CM001912	CLAMP	1	
12	CM001914	CLAMP	2	
13	1B006608	PLATE	1	
14.1	434541	SCREW	1	FIX Plate
14.2	016406	SPRING WASHER	1	FIX Plate
14.3	254485	SPRING PLATE (M6)	1	FIX Plate
15	CM177978	HOSE	1	
16	231590	ELASTIC CLAMP	1	
17	CM006913	PIPINGS RETAINING SPRING	1	
18	434541	SCREW	1	FIX CANISTER
19	016406	SPRING WASHER	1	FIX CANISTER
20	257134	RETAINING STRAP	1	
21	667156	CLAMP	2	
22	CM001912	CLAMP	1	
23	CM001914	CLAMP	2	
24	1B007084	CLIP	1	
25	1B006711	FUEL PIPE BRACKET WITH I.P	1	
26	848766	SCREW	2	Fuel pipe bracket with I.P fixing
27	CM001913	CLAMP	1	
28	CM002917	HOSE CLAMP	1	
28	CM002903	HOSE CLAMP	1	Applicable For MY-20
29	1A017882	PURGE VALVE	1	Applicable For MY-20
30	CM001912	CLAMP	2	Applicable For MY-20
31	709116	HEXAGON NUT	1	Applicable For MY-20

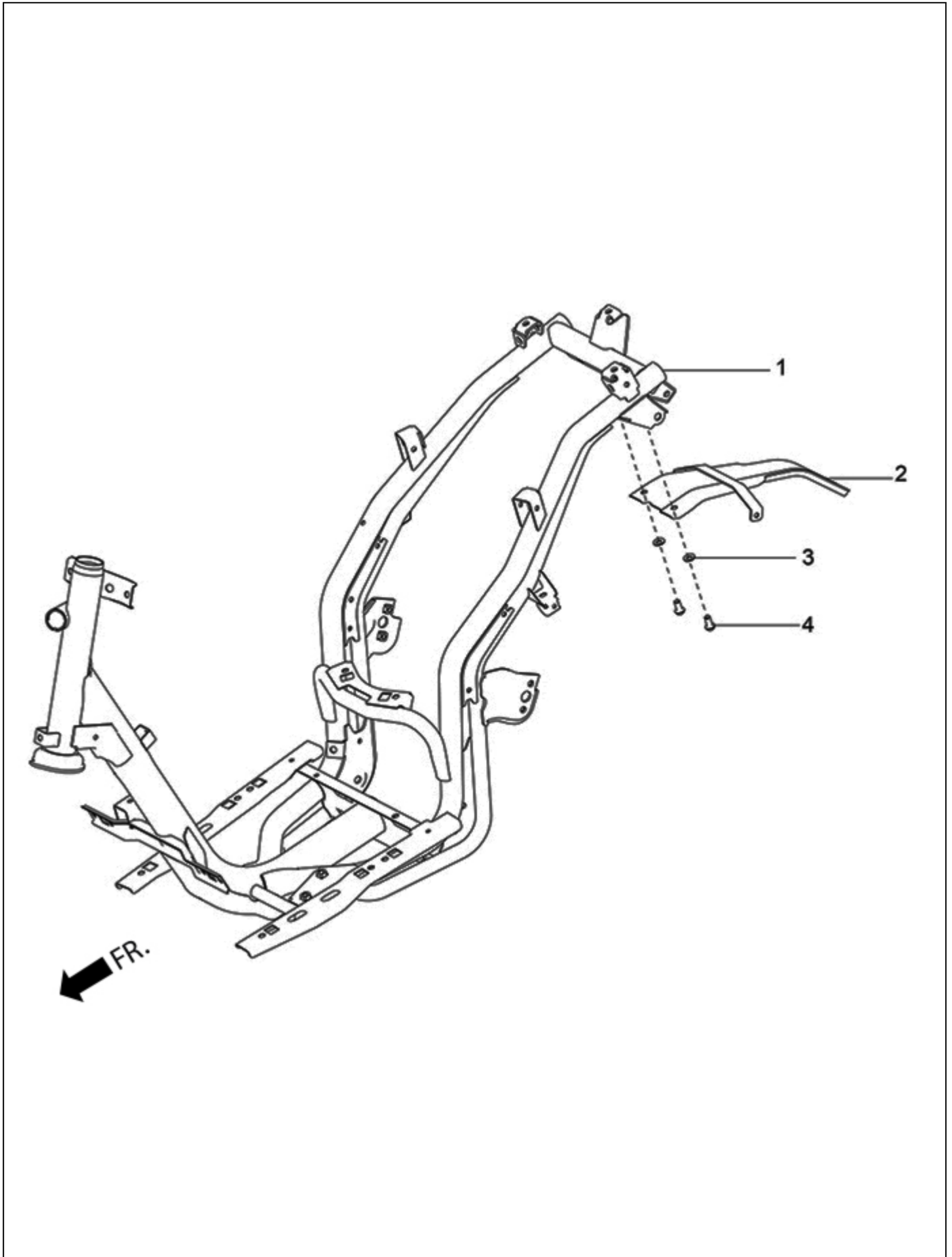
### 1.23 Canister



**1.23****Canister**

<b>Fig. No.</b>	<b>Part No.</b>	<b>Description</b>	<b>Qty</b>	<b>Remarks</b>
32	1B008150	PIPE WITH GROMMET	1	Applicable For MY-20
33	CM0074G8	SHEATH	1	Applicable For MY-20

**2.01**  
**Frame**

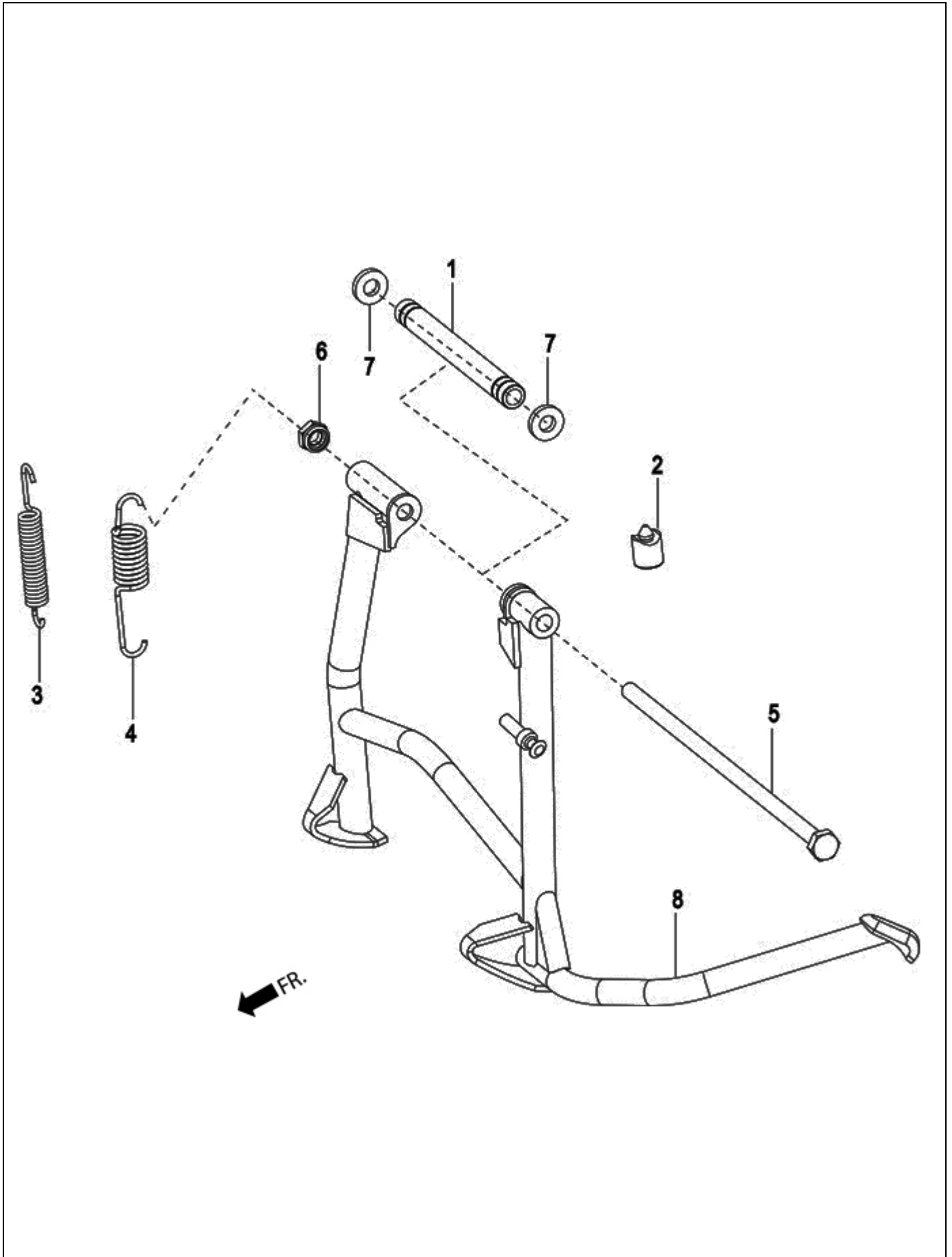




**2.01**  
**Frame**

<b>Fig. No.</b>	<b>Part No.</b>	<b>Description</b>	<b>Qty</b>	<b>Remarks</b>
1	SP1B007992	FRAME WITH I.P. SR BSVI	1	
2	SP1B003628	FRAME SUPPORT PLATE WITH IP	1	
3	834187	ELASTIC WASHER CONTACT TYPE	2	REAR FRAME SUPPORT/FRAME FIXING
4	263381	SCREW	2	REAR FRAME SUPPORT/FRAME FIXING

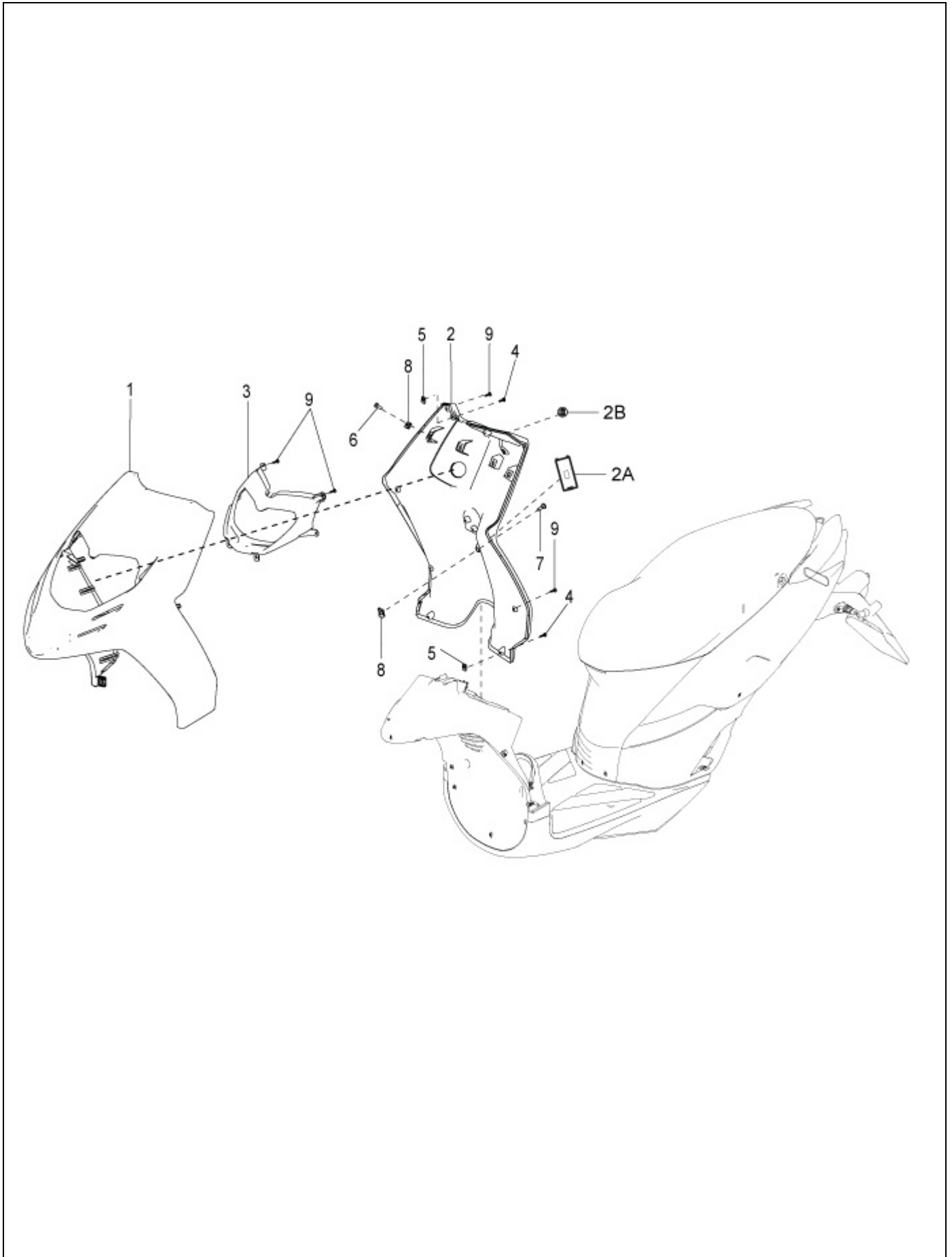
2.02  
Stand



**2.02**  
**Stand**

<b>Fig. No.</b>	<b>Part No.</b>	<b>Description</b>	<b>Qty</b>	<b>Remarks</b>
1	668585	SPACER	1	
2	666484	STOPPER	1	
3	667566	SPRING (INNER)	1	
4	667567	SPRING (OUTSIDE)	1	
5	597043	HEXAGONAL HEAD SCREW	1	
6	002440	SELF LOCKING NUT	1	
7	273754	OIL SEAL FOR VEHICLE STAND PIN	2	
8	1C005213	CENTRAL STAND WITH I.P.	1	

**2.03**  
**Front Shield**



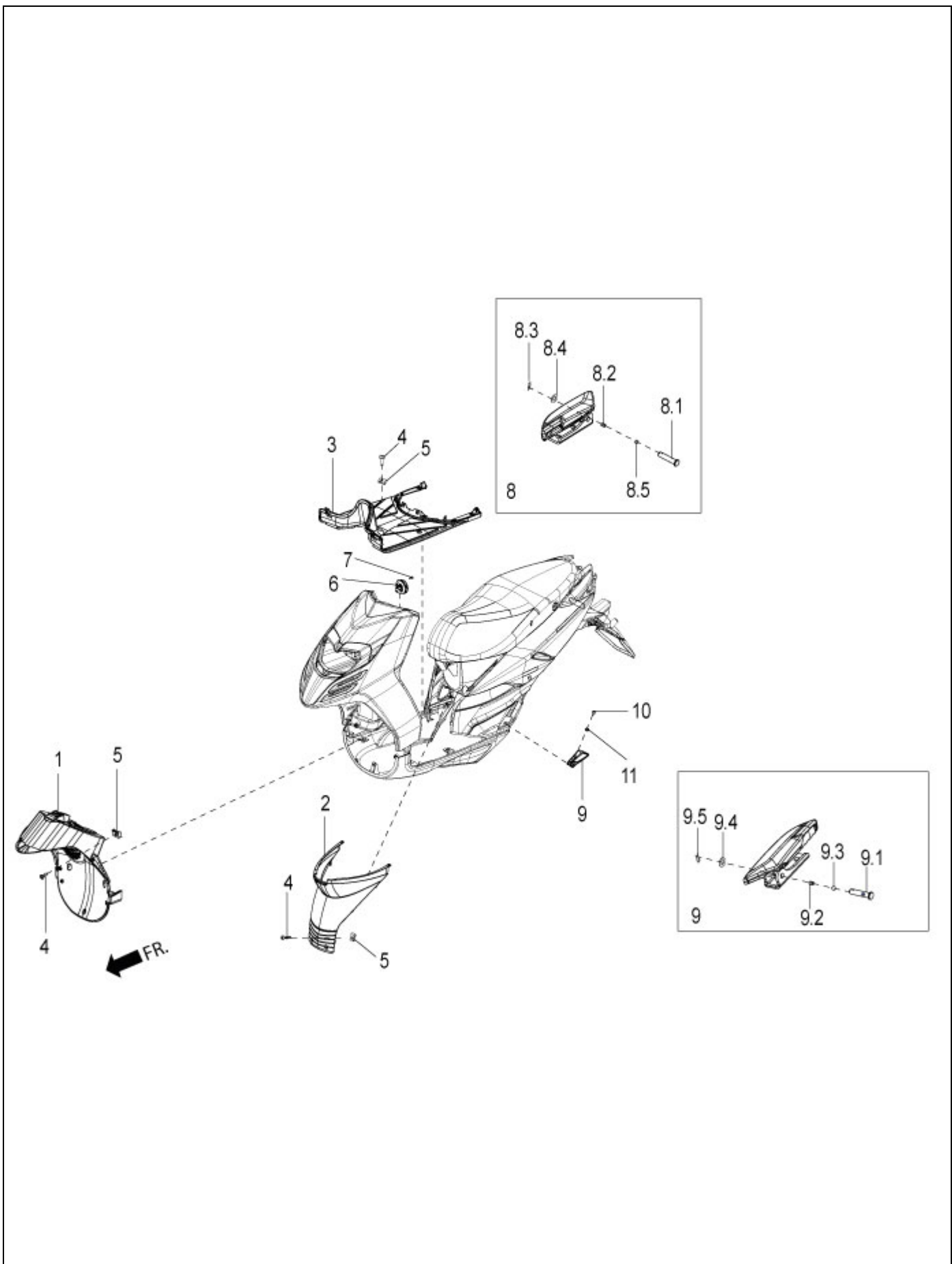
**2.03****Front Shield**

<b>Fig. No.</b>	<b>Part No.</b>	<b>Description</b>	<b>Qty</b>	<b>Remarks</b>
1	SB00314000NL	FRONT SHIELD	1	COLOR PART
1	SB00314000BR	FRONT SHIELD	1	COLOR PART
1	SP1B00314000R7	FRONT SHIELD - RED	1	COLOR PART
1	SP1B00314000DX	FRONT SHIELD -SPD	1	COLOR PART
1	SB00314000HL	FRONT SHIELD	1	COLOR PART
2	SKIT940060	KIT - COUNTER SHIELD, PLUG & COVER BSVI	1	
2A	1B005199	COVER-1	1	
2B	1B005790	PLUG	1	
3	1B003141	HEAD LIGHT COVER	1	
4	270793	SCREW	9	LOWER PROTECTION/SHIELD/SPOILER
5	CM017410	SPRING PLATE	9	LOWER PROTECTION/SHIELD/SPOILER
4	270793	SCREW	2	COUNTERSHIELD/FOOT./LOWER PROT.
5	CM017410	SPRING PLATE	2	COUNTERSHIELD/FOOT./LOWER PROT.
4	270793	SCREW	2	COUNTERSHIELD/SHIELD/LOWER PROT.
5	CM017410	SPRING PLATE	2	COUNTERSHIELD/SHIELD/LOWER PROT.
6	272836	METRICAL SCREW WITH CROSS MOULD	2	COUNTERSHIELD/FRAME
7	575249	METRICAL SCREW WITH CROSS MOULD	1	COUNTERSHIELD/FRAME
8	254485	SPRING PLATE (M6)	3	COUNTERSHIELD/FRAME
9	270793	SCREW	6	COUNTERSHIELD/SHIELD/LOWER PROT.



## 2.04

### Central covers & footrests



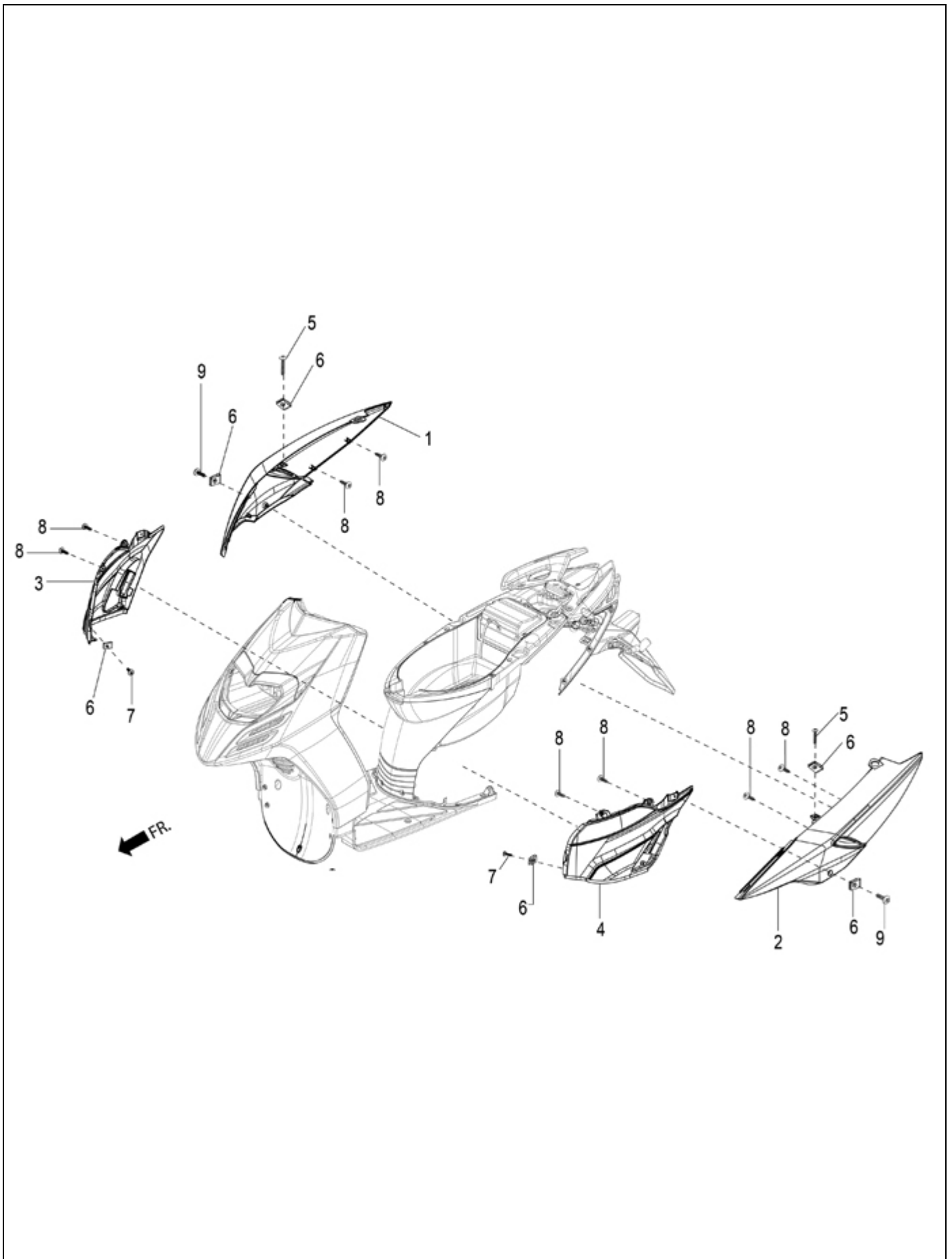
**2.04****Central covers & footrests**

<b>Fig. No.</b>	<b>Part No.</b>	<b>Description</b>	<b>Qty</b>	<b>Remarks</b>
1	1B006718	FRONT LOWER PROTECTION	1	
2	1B003143	CENTRAL COVER	1	
3	1B003142	FOOTREST	1	
4	575249	METRICAL SCREW WITH CROSS MOULD	3	LOWER PROTECTION/ FRAME FIXING
5	254485	SPRING PLATE (M6)	3	LOWER PROTECTION/ FRAME FIXING
6	575819	COMPLETE BAGS HOOK	1	
7	270793	SCREW	2	BAGS HOOK/COUNTERSHIELD FIXING
8	1B001787400NT	COMPLETE RIGHT FOOTREST	1	
8.1	975835	PIN	1	
8.2	295590	SPRING SPHERE	1	
8.3	259933	ELASTIC SPRING	1	
8.4	3058	PLAIN WASHER 15X8.4X1.5	1	
8.5	295591	SPHERE	1	
9	1B001786400NT	COMPLETE LEFT FOOTREST	1	
9.1	975835	PIN	1	
9.2	295590	SPRING SPHERE	1	
9.3	259933	ELASTIC SPRING	1	
9.4	3058	PLAIN WASHER 15X8.4X1.5	1	
9.5	295591	SPHERE	1	
10	263381	SCREW	1	RIGHT FOOTREST FIXING
10	263381	SCREW	1	LEFT FOOTREST FIXING
11	834187	ELASTIC WASHER CONTACT TYPE	1	RIGHT FOOTREST FIXING
11	834187	ELASTIC WASHER CONTACT TYPE	1	LEFT FOOTREST FIXING



## 2.05

### Side cover and spoiler



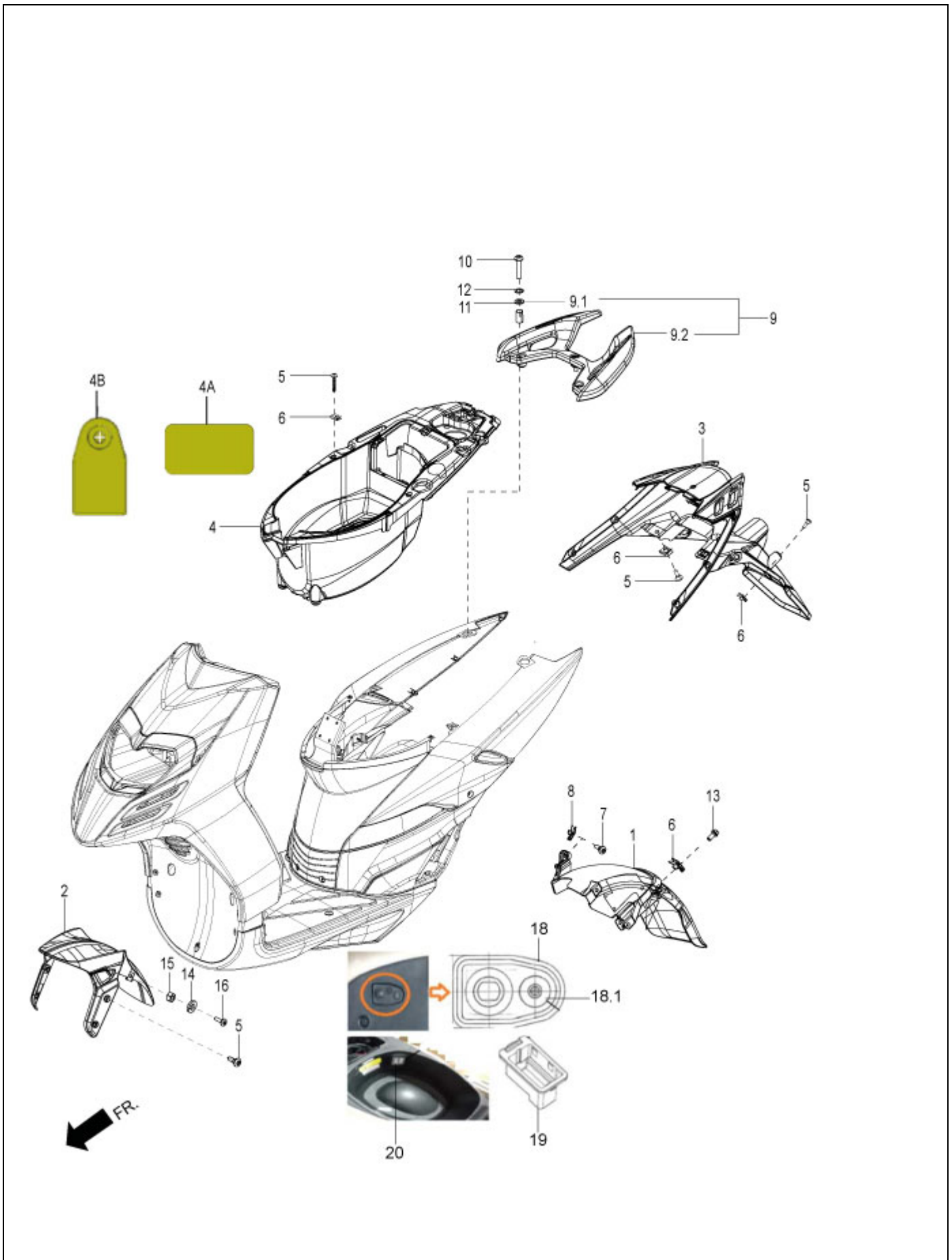
**2.05****Side cover and spoiler**

<b>Fig. No.</b>	<b>Part No.</b>	<b>Description</b>	<b>Qty</b>	<b>Remarks</b>
1	SB003147000NL	RIGHT LATERAL COVER	1	COLOR PART
2	SB003148000NL	LEFT LATERAL COVER	1	COLOR PART
3	1B005273	COMPLETE RIGHT LATERAL COVER	1	
4	1B005274	COMPLETE LEFT LATERAL COVER	1	
5	CM178608	SELF-TAPPING SCREW	1	RIGHT LATERAL COVER/HELMET CASE FIXING
6	CM017410	SPRING PLATE	1	RIGHT LATERAL COVER/HELMET CASE FIXING
5	259372	SCREW	1	LEFT LATERAL COVER/HELMET CASE FIXING
6	CM017410	SPRING PLATE	1	LEFT LATERAL COVER/HELMET CASE FIXING
6	CM017410	SPRING PLATE	1	RIGHT LATERAL COVER/FRAME FIXING
7	270793	SCREW	1	RIGHT LATERAL COVER/FRAME FIXING
6	CM017410	SPRING PLATE	1	LEFT LATERAL COVER/FRAME FIXING
7	270793	SCREW	1	LEFT LATERAL COVER/FRAME FIXING
6	CM017410	SPRING PLATE	3	RIGHT LATERAL COVER/FOOTREST FIXING
7	270793	SCREW	2	RIGHT LATERAL COVER/FOOTREST FIXING
9	258249	SCREW	1	RIGHT LATERAL COVER/FOOTREST FIXING
6	CM017410	SPRING PLATE	3	LEFT LATERAL COVER/FOOTREST FIXING
7	270793	SCREW	2	LEFT LATERAL COVER/FOOTREST FIXING
9	258249	SCREW	1	LEFT LATERAL COVER/FOOTREST FIXING
8	270793	SCREW	2	RIGHT LATERAL COVER/REAR SPLASHGUARD FIX
8	270793	SCREW	2	LEFT LATERAL COVER/REAR SPLASHGUARD FIX
8	270793	SCREW	2	RIGHT LATERAL COVER FIXING
8	270793	SCREW	2	LEFT LATERAL COVER FIXING
1	SB003147000BR	RIGHT LATERAL COVER	1	COLOR PART
1	SP1B003147000R7	RIGHT LATERAL COVER - RED	1	APPLICABLE FOR MY 18 MODEL
1	SP1B003147000DX	RIGHT LATERAL COVER - SPD	1	
2	SB003148000BR	LEFT LATERAL COVER	1	COLOR PART
2	SP1B003148000R7	LEFT LATERAL COVER - RED	1	APPLICABLE FOR MY 18 MODEL
2	SP1B003148000DX	LEFT LATERAL COVER-SPD	1	



## 2.06

### Mudguard and helmet Case

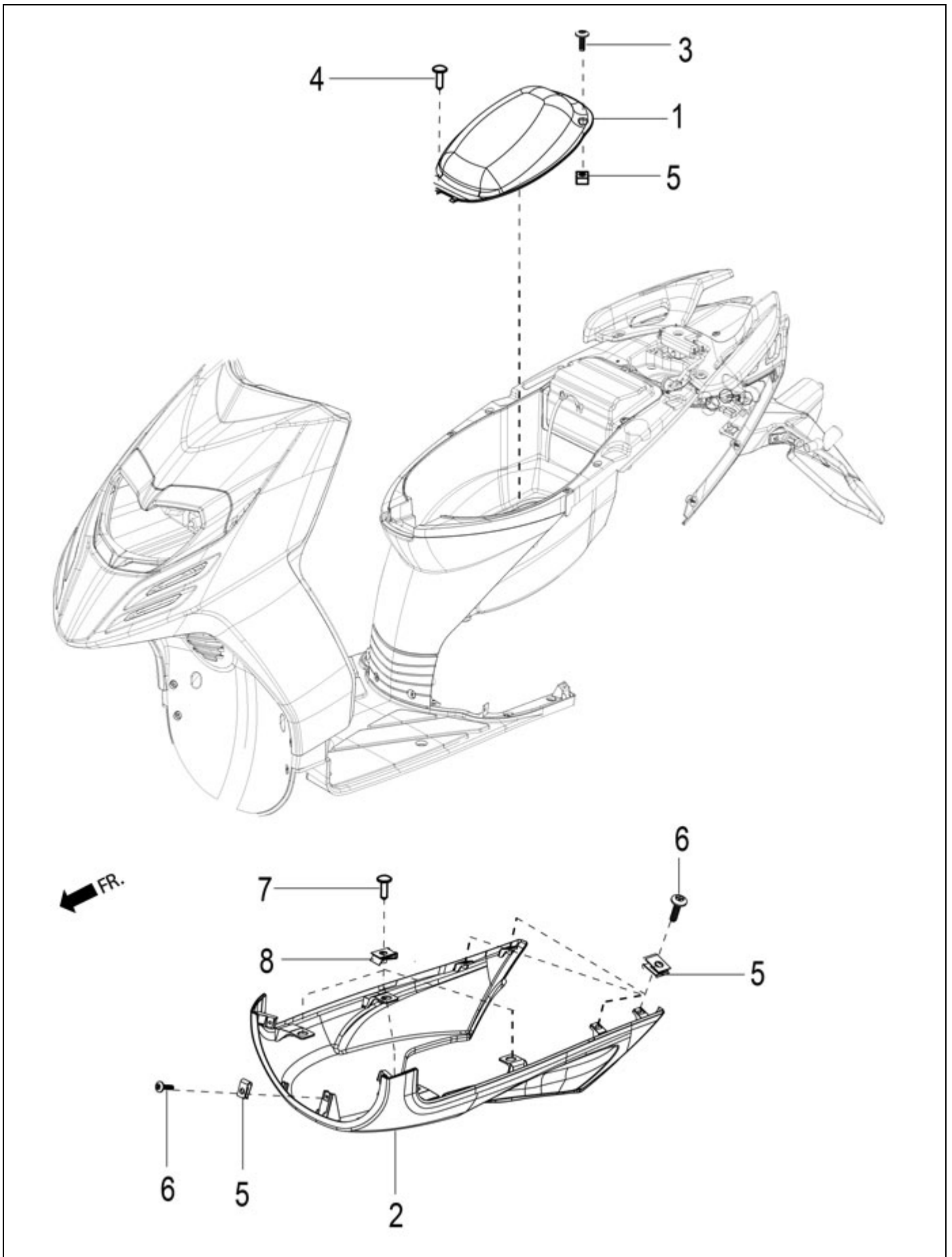


**2.06****Mudguard and helmet Case**

<b>Fig. No.</b>	<b>Part No.</b>	<b>Description</b>	<b>Qty</b>	<b>Remarks</b>
1	1B004769	REAR MUDGUARD	1	
2	1B003459	FRONT MUDGARD	1	
3	1B005461	REAR SPLASHGUARD	1	
4	1B007750	HELMET CASE	1	Applicable for Boot lamp Vehicle
4	SKIT940062	KIT-HELMET CASE	1	Applicable for W/O Boot lamp Vehicle
4A	1B008491	HELMET LIGHT CAP	1	
4B	1B008492	MICRO SWITCH CAP HELMET HOLDER	1	
5	575249	METRICAL SCREW WITH CROSS MOULD	3	REAR SPLASHGUARD / FRAME FIXING
5	575249	METRICAL SCREW WITH CROSS MOULD	2	HELMET CASE / FRAME FIXING
5	575249	METRICAL SCREW WITH CROSS MOULD	4	FRONT MUDGUARD FIXING
6	254485	SPRING PLATE (M6)	3	REAR SPLASHGUARD / FRAME FIXING
6	826275	ELASTIC SHEET	1	REAR MUDGARD / FILTER FIXING
6	254485	SPRING PLATE (M6)	2	HELMET CASE / FRAME FIXING
7	270793	SCREW	2	REAR MUDFLAT/HELMET CASE FIXING
8	CM017410	SPRING PLATE	2	REAR MUDFLAT/HELMET CASE FIXING
9	1B003610	REAR HANDLE WITH SPACERS	1	NS
9.1	1B003585	BUSH	3	
9.2	SB003150000NT	REAR HANDLE	1	
10	970273	SCREW	3	REAR HANDLE/FRAME FIXING
11	3058	PLAIN WASHER 15X8.4X1.5	3	REAR HANDLE/FRAME FIXING
12	016408	SPRING WASHER	3	REAR HANDLE/FRAME FIXING
13	830061	FLANGED HEXAGONAL HEAD SCREW	1	REAR MUDGARD / FILTER FIXING
14	78307	BENT SPRING WASHER M6	2	FRONT MUDGUARD FIXING
15	241936	SELF LOCKING NUT	2	FRONT MUDGUARD FIXING
16	259364	SCREW	2	FRONT MUDGUARD FIXING
17	575268	PLATE	3	NI
17	675546	ELASTIC CORRUGATED WASHER	1	FIX.RR MUDGARD
18	255323	BUTTON	1	Applicable for Boot Lamp Vehicle
18.1	018536	SCREW	1	Push Button Fixing
19	1B007449	COURTESY LIGHT HOUSING	1	Applicable for Boot Lamp Vehicle
20	293154	BULB	1	Applicable for Boot Lamp Vehicle

## 2.07

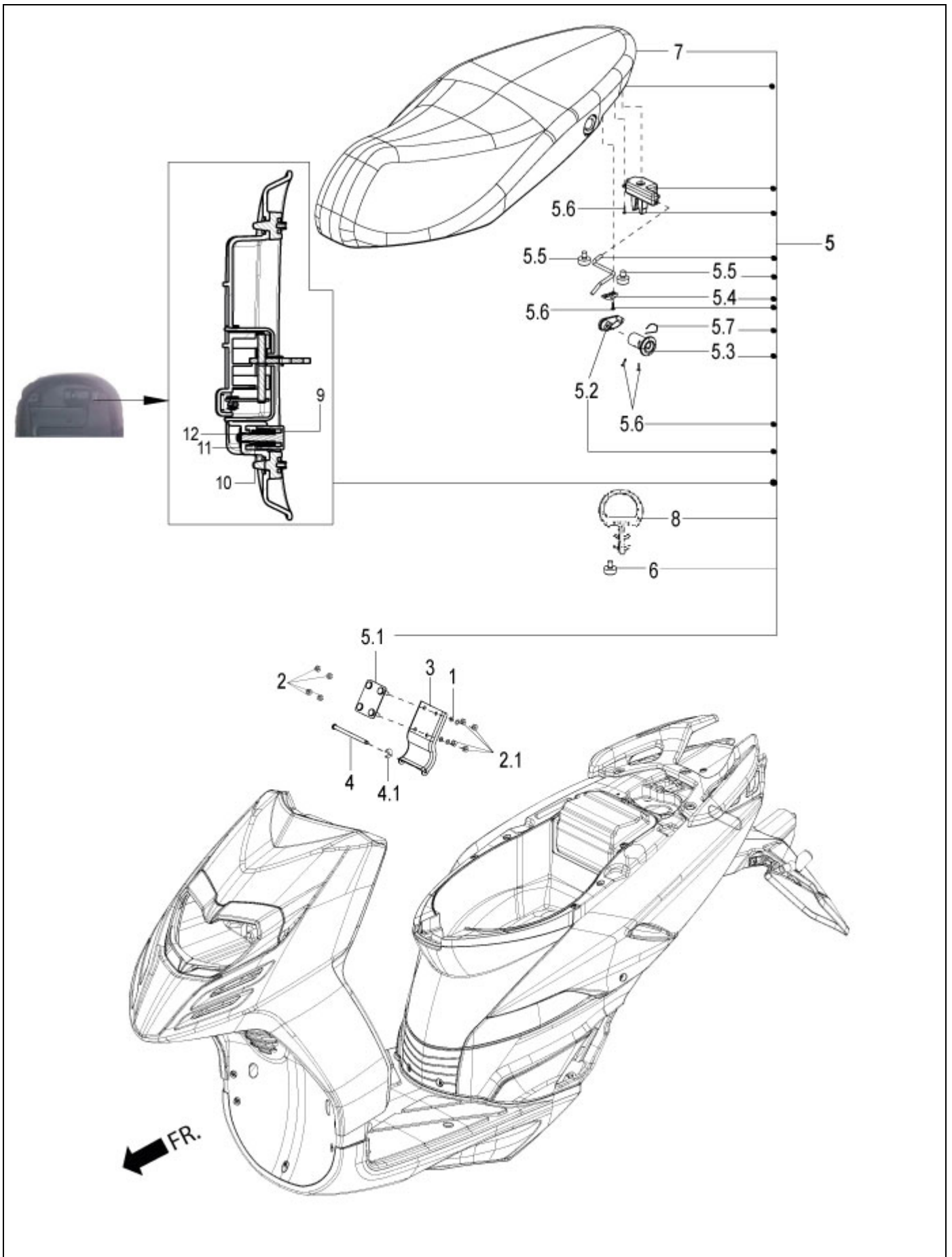
### Helmet Carrier Cover & Spoiler



**2.07****Helmet Carrier Cover & Spoiler**

<b>Fig. No.</b>	<b>Part No.</b>	<b>Description</b>	<b>Qty</b>	<b>Remarks</b>
1	1B003134	HELMET CARRIER COVER	1	
2	1B007341	SPOILER	1	
3	297498	SELF TAPPING SCREW	2	CENTRAL COVER/FOOTREST/HELMET CASE FIX
4	259372	SCREW	2	CENTRAL COVER/FOOTREST/HELMET CASE FIX
5	CM017410	SPRING PLATE	2	CENTRAL COVER/FOOTREST/HELMET CASE FIX
6	270793	SCREW	4	FOOTREST/SPOILER FIXING
5	CM017410	SPRING PLATE	4	FOOTREST/SPOILER FIXING
7	259364	SCREW	4	FOOTBOARD/FRAME FIXING
8	254485	SPRING PLATE (M6)	4	FOOTBOARD/FRAME FIXING

## 2.08 Complete Saddle

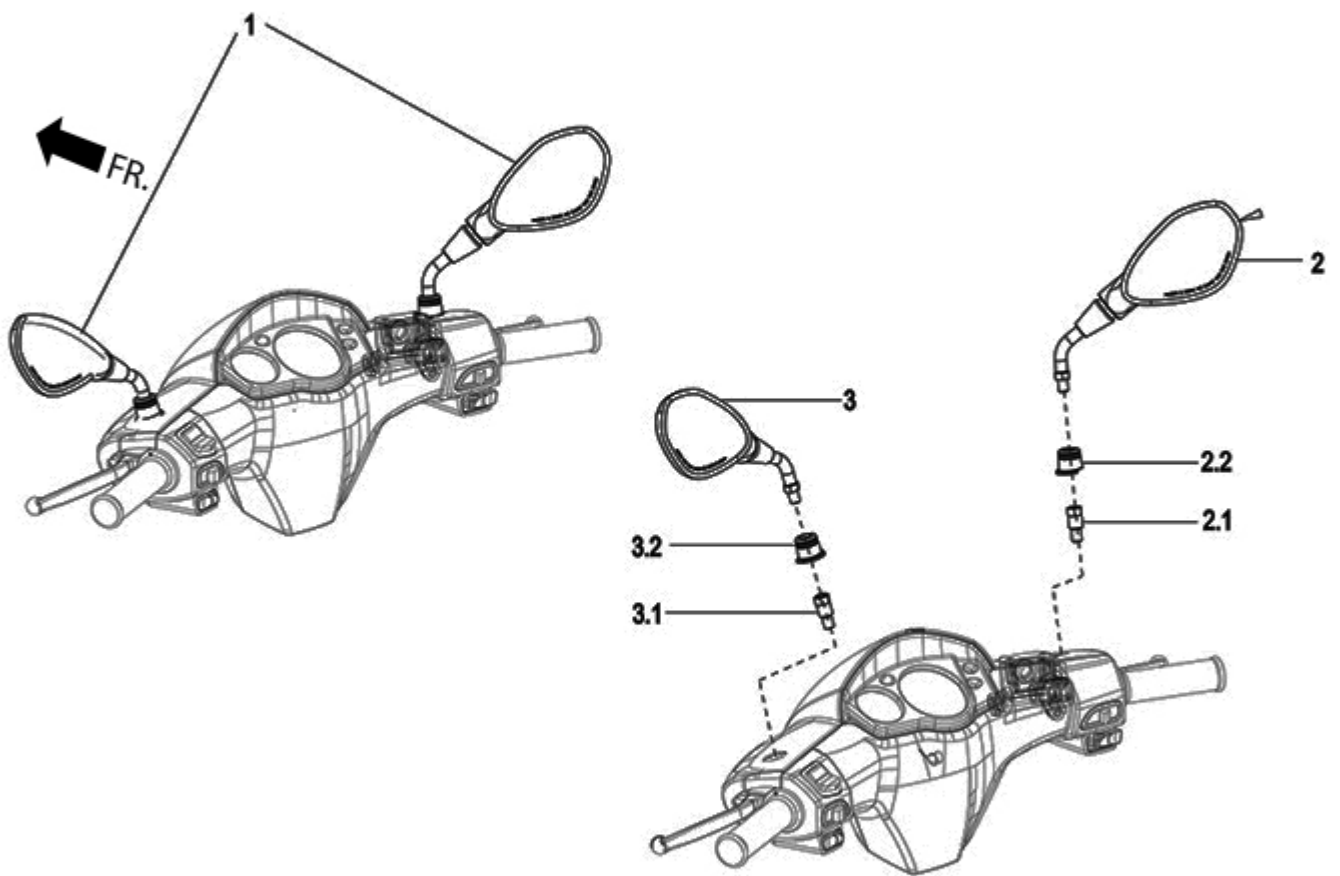




**2.08****Complete Saddle**

<b>Fig. No.</b>	<b>Part No.</b>	<b>Description</b>	<b>Qty</b>	<b>Remarks</b>
1	003056	PLAIN WASHER	4	
2	269136	NUT	4	
2.1	012533	PLAIN SPRING WASHER WITH EXTERNAL TABS	4	
3	1B007746	SADDLE HINGE	1	
4	1B004358	SADDLE SPIN	1	
4.1	005965	CIRCLIP DIA 5 E TYPE	1	
5	1B003129	COMPLETE SADDLE	1	
5	1B007745000C2	COMPLETE SADDLE	1	Applicable for Boot Lamp Vehicle
5.1	856467	PLATE	1	
5.2	1B003616	LEVER	1	
5.3	1B003642	LOCK SUPPORT	1	
5.4	296743	BRACKET (REAR LUGGAGE OR TANK)	1	
5.5	623504	STOP-PAD	2	
5.6	674163	THREAD FORMING SCREW	7	
5.7	674312	SPRING	1	
6	577492	STOP PAD	4	
7	1B003490	COVERAGE	1	
8	257535	EXTRUDED SECTION	1	
9	1B007797	EJECTOR	1	Applicable for Boot Lamp Vehicle
10	653281	SPRING	1	Applicable for Boot Lamp Vehicle
11	013963	WASHER	1	Applicable for Boot Lamp Vehicle
12	268596	SELF TAPPING SCREW	1	Applicable for Boot Lamp Vehicle

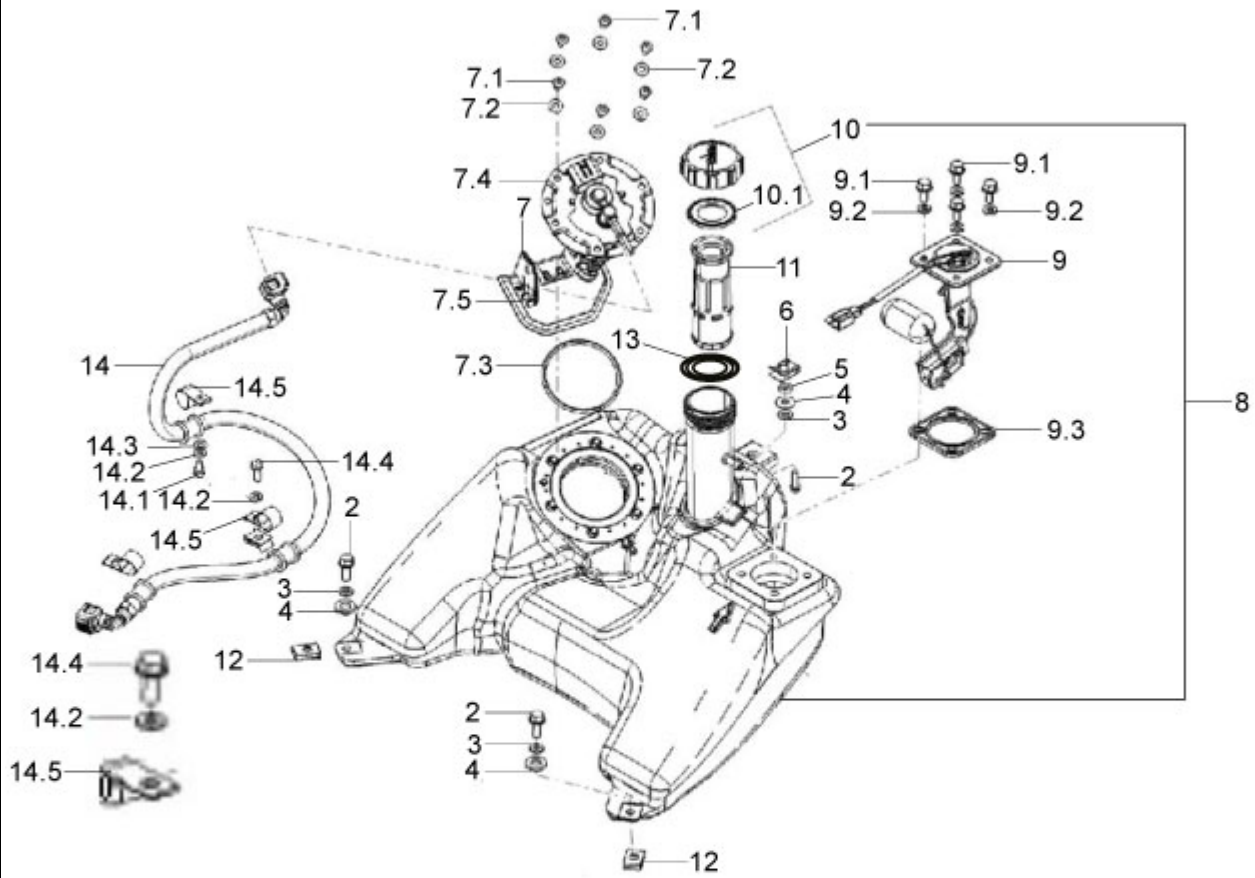
**2.09**  
**Mirrors**



**2.09****Mirrors**

<b>Fig. No.</b>	<b>Part No.</b>	<b>Description</b>	<b>Qty</b>	<b>Remarks</b>
1	CM281206	MIRROR SET	1	
2	CM281204	RIGHT REAR VIEW MIRROR	1	
2.1	1B005512	RIGHT THREADED PIN	1	
2.2	1B003798	GASKET FOR RIGHT REAR-VIEW MIRROR	1	
3	CM281205	LEFT REAR VIEW MIRROR	1	
3.1	1B005511	LEFT THREADED PIN	1	
3.2	1B003799	GASKET FOR LEFT REAR-VIEW MIRROR	1	

## 2.11 Fuel Tank

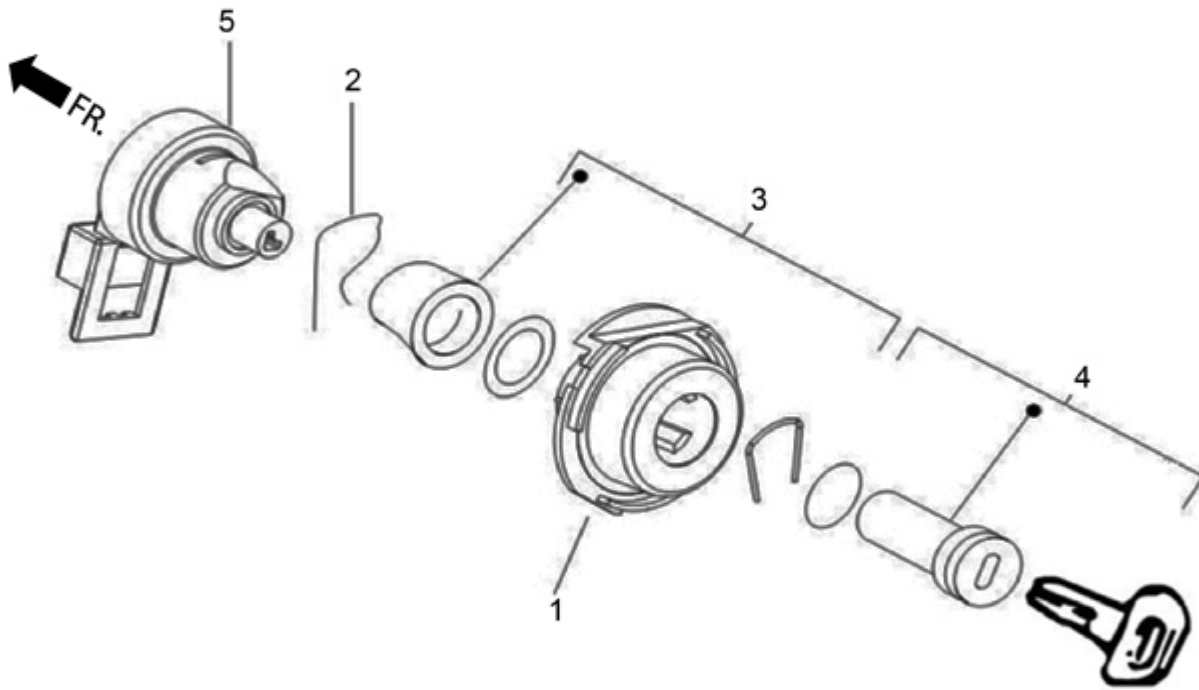


**2.11****Fuel Tank**

<b>Fig. No.</b>	<b>Part No.</b>	<b>Description</b>	<b>Qty</b>	<b>Remarks</b>
1	SP1B008444	COMPLETE FUEL TANK	1	It includes from sr. no. 7 to 12
2	018639	SCREW M6X20	3	COMPLETE FUEL TANK FIXING
3	016406	SPRING WASHER	3	COMPLETE FUEL TANK FIXING
4	013880	PLAIN WASHER	3	COMPLETE FUEL TANK FIXING
5	1B003715	SPACER	1	REAR SIDE FUEL TANK FIXING
6	254485	SPRING PLATE (M6)	1	REAR SIDE FUEL TANK FIXING
7	1D002701	FUEL PUMP	1	
7.1	848766	SCREW	6	Fuel Pump Fixing
7.2	6078	PLAIN WASHER 12 X 5.2 X 1	6	Fuel Pump Fixing
7.3	1B002953	FUEL PUMP GASKET	1	Fuel Pump Fixing
7.4	1B005066	FUEL PUMP SPRING HOLDER	1	
7.5	1D003477	FILTER	1	
8	SKIT940061	KIT FUEL TANK APRILIA BSVI	1	Includes bare Fuel tank & Cap
9	1D002219	FUEL LEVEL GAUGE	1	
9.1	436788	FLANGED HEXAGONAL HEAD SCREW	4	Fuel Level Gauge Fixing
9.2	016406	SPRING WASHER	4	Fuel Level Gauge Fixing
9.3	676200	GASKET	1	Fuel Level Gauge Fixing
10	1B004165	PETROL TANK CAP	1	
10.1	656021	PACKING	1	
11	675424	INSERT FOR PIPE UNION TANK	1	
12	CM259204	SPRING PLATE	2	
13	1B003729	GASKET	1	
14	1B006524	COMPLETE FUEL PIPE FLEXIBALE	1	
14.1	969296	HEXAGONAL FLANGED HEAD SCREW	1	COMPLETE FUEL PIPE FLEXIBALE FIXING
14.2	016406	SPRING WASHER	3	COMPLETE FUEL PIPE FLEXIBALE FIXING
14.3	003056	PLAIN WASHER	1	COMPLETE FUEL PIPE FLEXIBALE FIXING
14.4	434541	SCREW	2	COMPLETE FUEL PIPE FLEXIBALE FIXING
14.5	1B001321	CLAMP	3	COMPLETE FUEL PIPE FLEXIBALE FIXING



**2.12**  
**Locks**

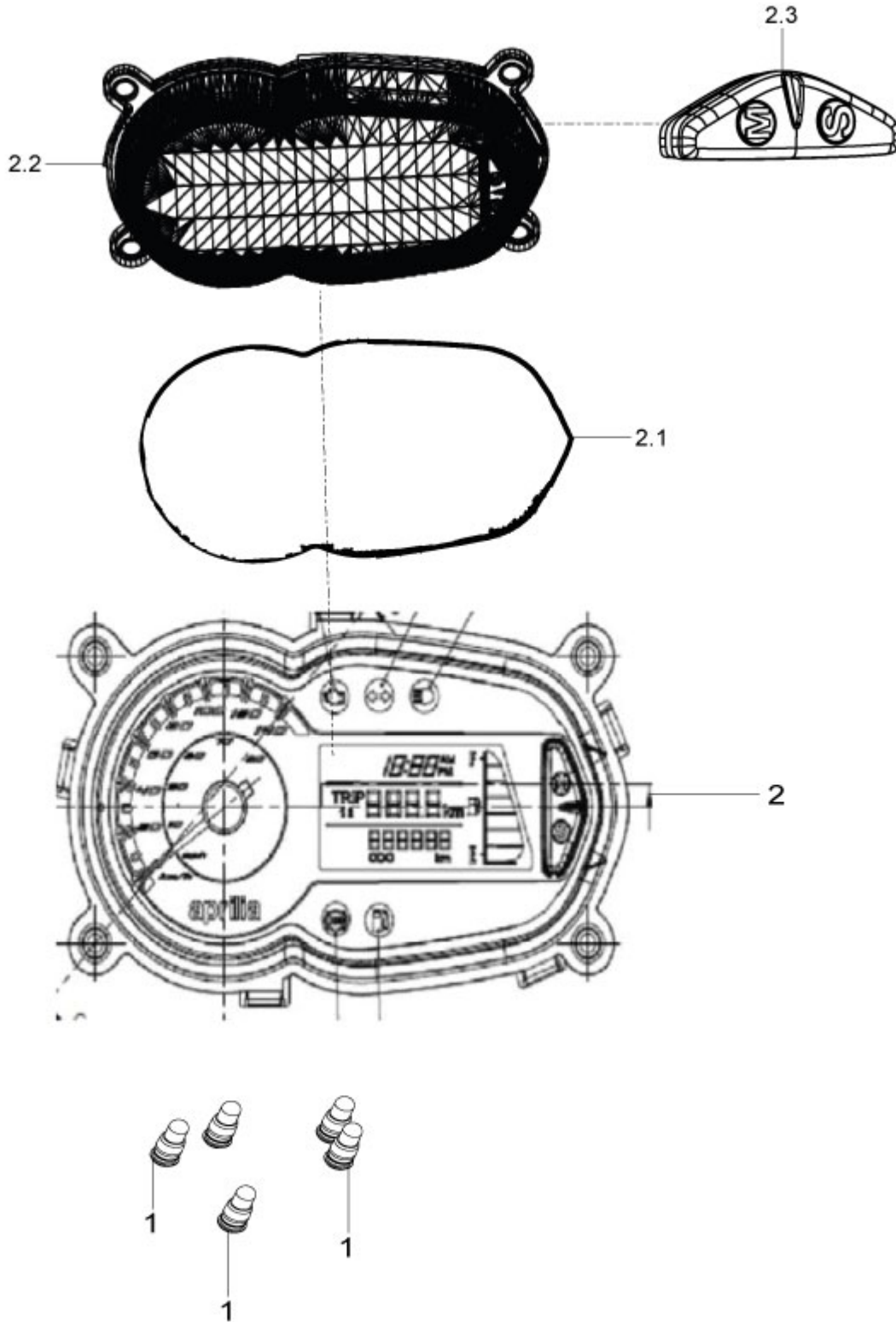


**2.12**  
**Locks**

<b>Fig. No.</b>	<b>Part No.</b>	<b>Description</b>	<b>Qty</b>	<b>Remarks</b>
1	1B002607	LOCK BODY	1	
2	253937	SPRING	1	
3	298903	COMPLETE LOCK BLOCK	1	
4	1B003598	SET OF CYLINDERS AND KEYS FOR LOCK	1	
5	580621	COMPLETE KEY SWITCH	1	



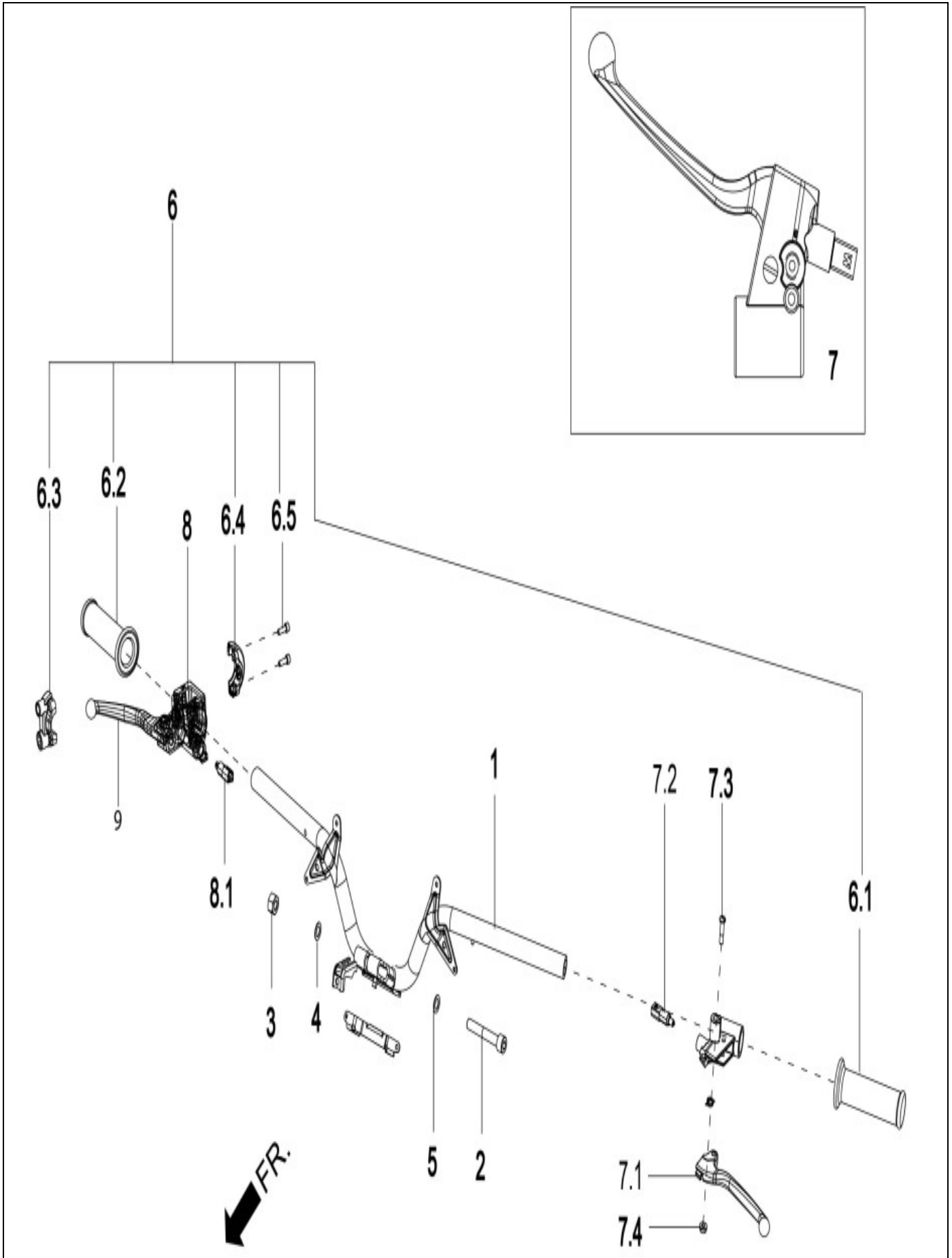
### 2.13 Speedometer



**2.13****Speedometer**

<b>Fig. No.</b>	<b>Part No.</b>	<b>Description</b>	<b>Qty</b>	<b>Remarks</b>
1	270793	SCREW	4	FIX. SPEEDOMETER
2	1D002400	SPEEDOMETER	1	
2.1	1D003474	SEAL	1	
2.2	1D003473	COMPLETE TRANSPARENT	1	
2.3	1D003519	SW RUBBER	1	

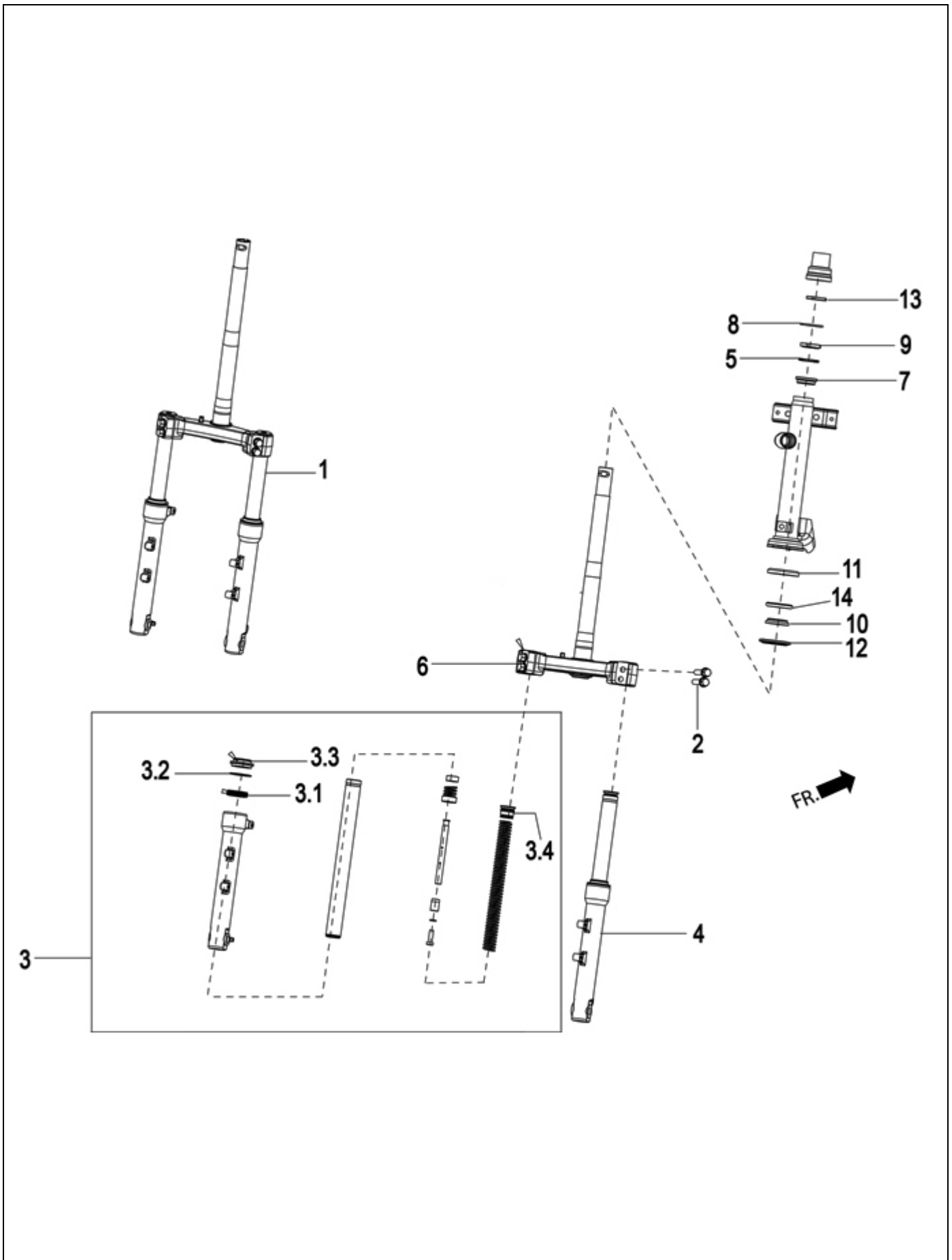
### 2.14 Handlebars



**2.14****Handlebars**

<b>Fig. No.</b>	<b>Part No.</b>	<b>Description</b>	<b>Qty</b>	<b>Remarks</b>
1	SP1B006076	HANDLEBAR WITH I.P.- SPD	1	
2	655554	SOCKET HEAD SCREW	1	
3	015330	NUT FOR HANDLEBAR SECURING BOLT-M10;H10	1	
4	012543	WASHER (10,3X17X2)	1	
5	178790	WASHER	1	
6	1C002151	COMPLETE THROTTLE MUFF	1	
6.1	274489	HAND GRIP (L.H.) TYPHOON 50	1	
6.2	274491	HAND GRIP (R.H.) TYPHOON 50	1	
6.3	781254	LOWER HALF-CLAMP	1	
6.4	666758	UPPER HALF-CLAMP	1	
6.5	651293	SOCKET HEAD SCREW	2	
7	1C004257	COMPLETE MUFF WITH REAR BRAKE LEVER	1	
7.1	667387	LEFT BRAKE LEVER	1	
7.2	1D002507	PUSH BUTTON	1	
7.3	121780	SCREW	1	
7.4	123394	SCREW-BUSH	1	
8	SP1C003780	SPD FRONT BRAKE HYDRAULIC PUMP WITH SWITCH	1	
8.1	1D002507	PUSH BUTTON	1	
9	4A000002	BRAKE LEVER	1	Right Brake Lever

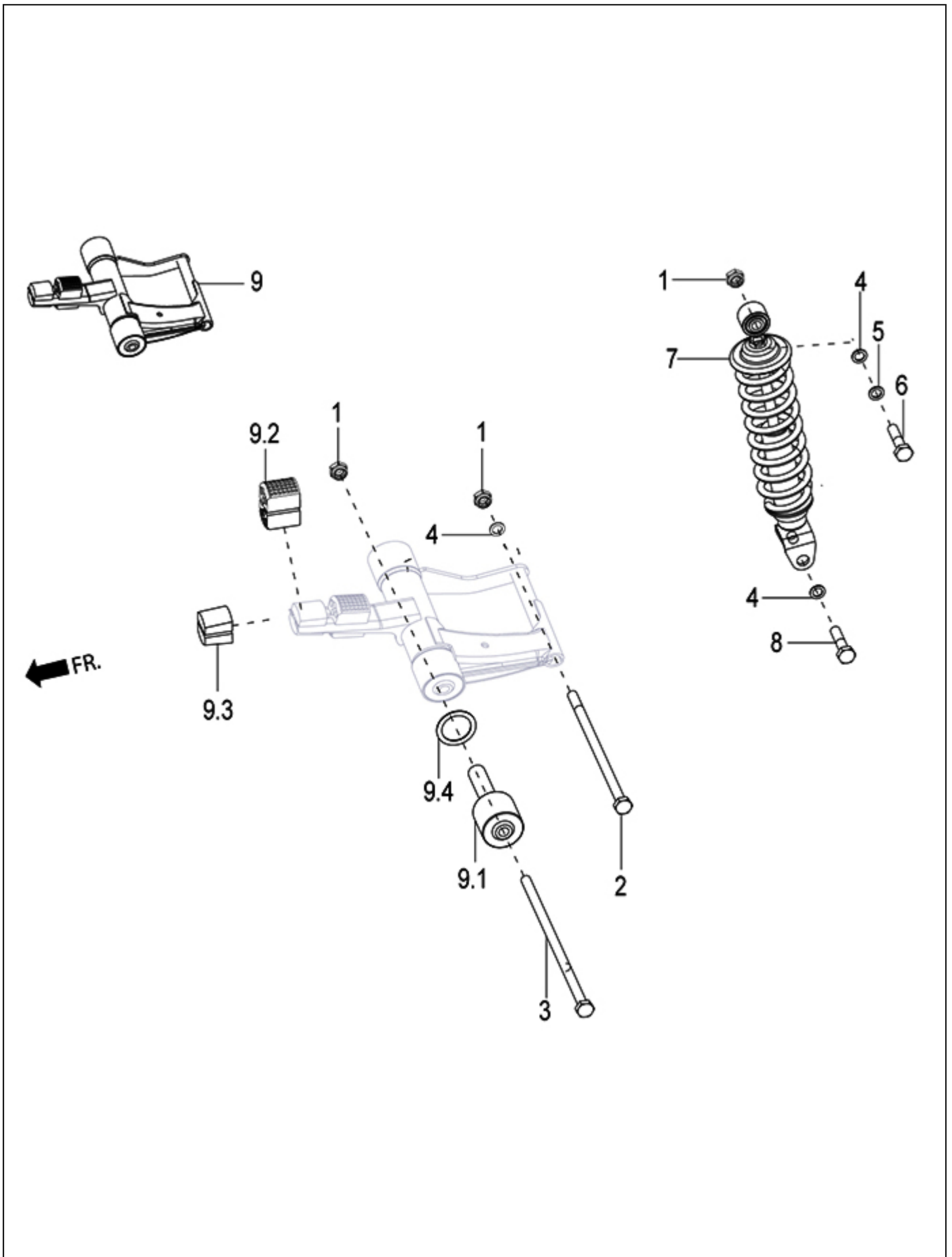
## 2.15 Front suspension



**2.15****Front suspension**

<b>Fig. No.</b>	<b>Part No.</b>	<b>Description</b>	<b>Qty</b>	<b>Remarks</b>
1	SP1C004619	ASSEMBLY FRONT FORK	1	
2	1C002421	FLANGED HEXAGONAL HEAD SCREW	4	
3	1C004621	LEFT LEG ASSEMBLY	1	
3.1	1C002469	SEAL OIL	2	
3.2	1C002470	RING SNAP	2	
3.3	1C002471	DUST COVER	2	
3.4	1C002472	PLUG WITH O-RING	2	
4	1C004620	RIGHT LEG ASSEMBLY	1	
5	564260	RETAINER WITH BALLS	1	
6	1C002568	COMPLETE UNDER BRACKET	1	
7	564256	STEER.UPP.BEAR.LOW.TRACK	1	
8	003751	WASHER FOR STEERING COLUMN (3,2X40X2,5)	1	
9	564258	RING NUT	1	
10	564259	STEER.LOW.BEAR.EXT.TRACK	1	
11	665602	STEER.LOW.BEAR.INT.TRACK	1	
12	1C001628	PROTECTION WASHER	1	
13	011109	RING NUT	1	
14	564257	STEERING BEARING ASSY. MC3 -56002R	1	

## 2.16 Rear Suspension



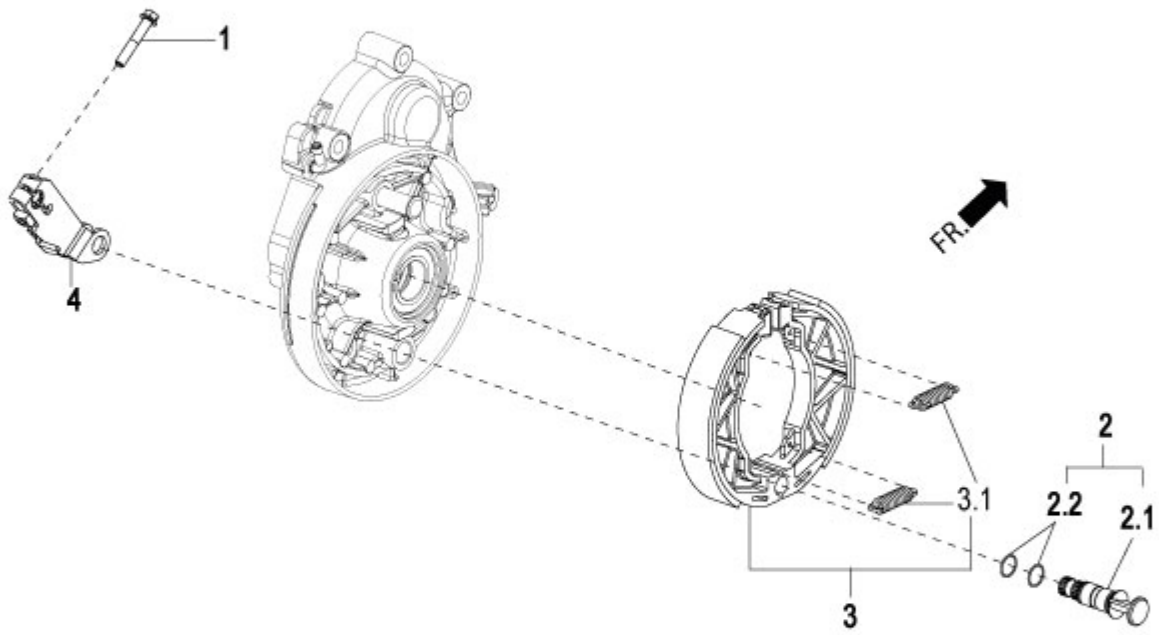
**2.16****Rear Suspension**

<b>Fig. No.</b>	<b>Part No.</b>	<b>Description</b>	<b>Qty</b>	<b>Remarks</b>
1	002440	SELF LOCKING NUT	1	ENGINE/WISHBONE ARM FIXING
1	002440	SELF LOCKING NUT	1	FRAME/WISHBONE ARM FIXING
1	002440	SELF LOCKING NUT	1	REAR SHOCK ABSORBER UPPER FIXING
2	668302	SCREW BOLT SHANK THREADED PARTIALLY	1	ENGINE/WISHBONE ARM FIXING
3	1C002598	(* ) SCREW BOLT SHANK THREADED PART	1	FRAME/WISHBONE ARM FIXING
4	B015320	PLAIN WASHER	2	REAR SHOCK ABSORBER UPPER FIXING
4	B015320	PLAIN WASHER	1	FRAME/WISHBONE ARM FIXING
4	B015320	PLAIN WASHER	1	REAR SHOCK ABSORBER LOWER FIXING
5	B015321	CONICAL KNURLED WASHER	1	REAR SHOCK ABSORBER UPPER FIXING
6	B024614	HEX HEAD BOLT M10X45 CL 10.9	1	REAR SHOCK ABSORBER UPPER FIXING
7	1C005077	REAR SHOCK ABSORBER ASSY	1	
8	268158	FLANGED HEXAGONAL HEAD SCREW	1	REAR SHOCK ABSORBER LOWER FIXING
9	1C005078	SWINGING ARM ASSY	1	
9.1	563076	SILENTBLOC.	2	
9.2	267550	BUFFER	1	
9.3	267589	BUFFER	1	
9.4	562576	WASHER	2	





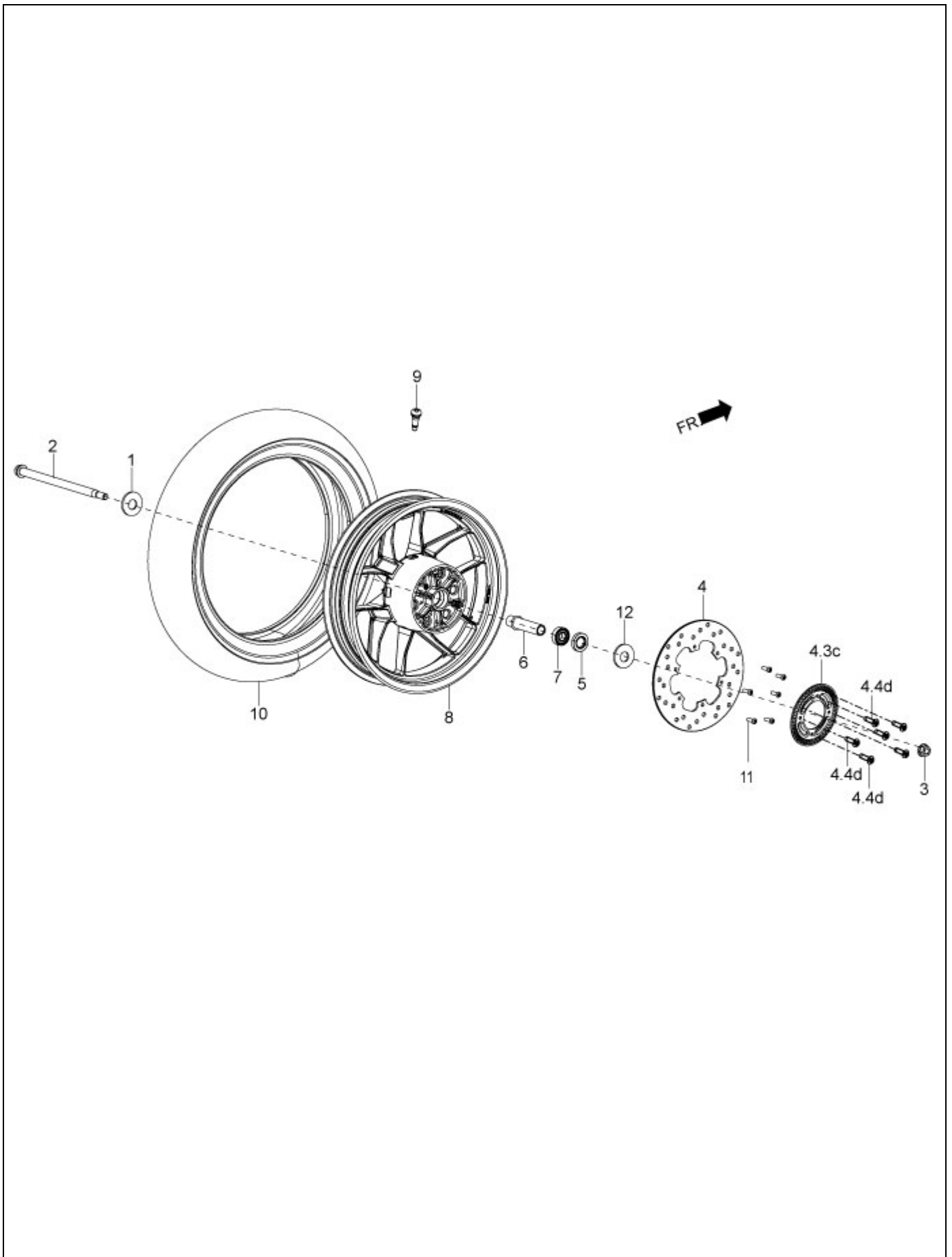
## 2.17 Rear Brake



**2.17****Rear Brake**

<b>Fig. No.</b>	<b>Part No.</b>	<b>Description</b>	<b>Qty</b>	<b>Remarks</b>
1	1A003063	FLANGED HEX HEAD SCREW M6X35	1	REAR BRAKE DRIVE LEVER FIXING
2	564136	COMPLETE BRAKE LEVER AXLE	1	
2.2	564134	GASKET	2	
3	1C000655R	BRAKE SHOES COUPLE	1	
3.1	647384	SPRING	2	
4	564112	REAR BRAKE LEVER AXLE	1	

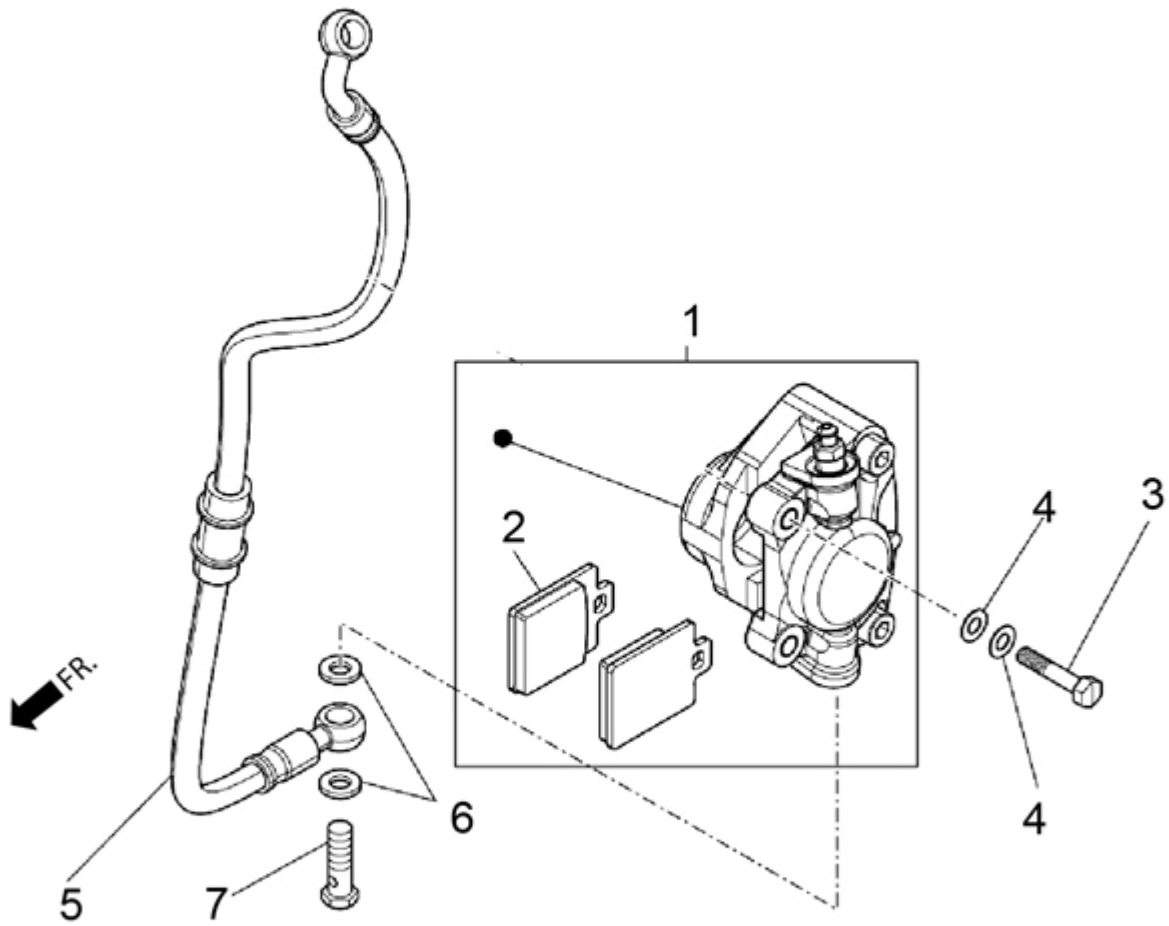
## 2.18 Front wheel



**2.18****Front wheel**

<b>Fig. No.</b>	<b>Part No.</b>	<b>Description</b>	<b>Qty</b>	<b>Remarks</b>
1	709037	WASHER	1	FRONT WHEEL SPINDLE FIXING
2	1C002728	FRONT WHEEL AXLE	1	FRONT WHEEL SPINDLE FIXING
3	265216	SELF LOCKING NUT M12 H=11	1	FRONT WHEEL SPINDLE FIXING
4	1C003293	BRAKE DISK	1	
4.1a	SP1D003869	COMPLETE ABSWHEEL SPEED SENSOR ACTIVE SR	1	NI
4.2b	1D002664	SHEATH HARNESS WRAP	1	NI
4.3c	1C004558	ABS FRONT TONE RING	1	
4.4d	667152	SOCKET HEAD SCREW	6	
5	1C001322	SEAL RING	1	
6	1C002415	COMPLETE SPACER	1	
7	649910	DEEP GROOVE BALL BEARING	2	
8	1C003290	FRONT WHEEL 14 INCH X 2.75 INCH	1	
9	270991	TUBELESS VALVE	1	
10	1C002641R	TYRE 120/70-14	1	
11	1C000291	SCREW BOLT SHANK	6	
12	1C002414	SPACER	1	FRONT WHEEL SPINDLE FIXING
13	1C003909	SENSOR SUPPORT PLATE	1	

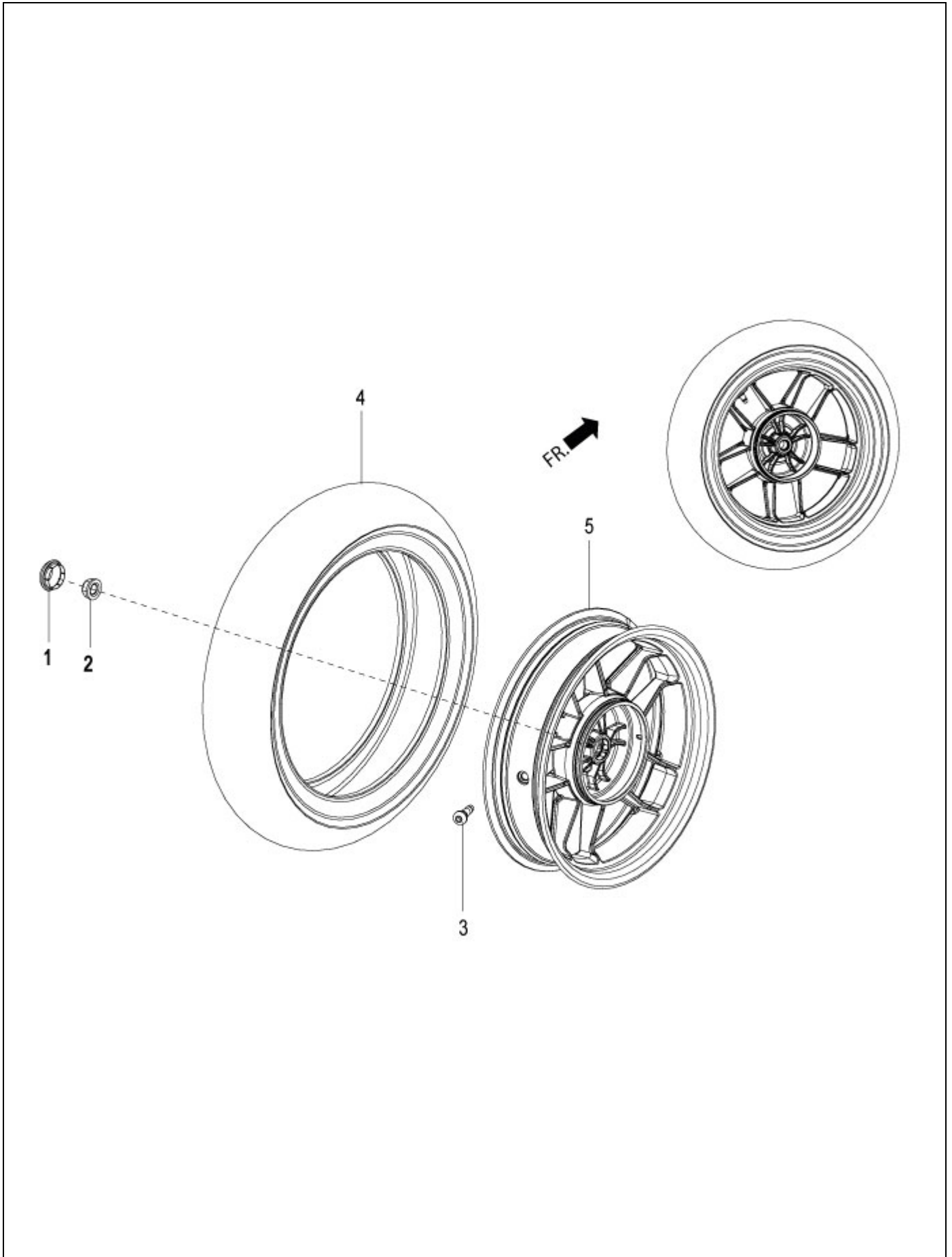
## 2.20 Brake Pipes and Calipers



**2.20****Brake Pipes and Calipers**

<b>Fig. No.</b>	<b>Part No.</b>	<b>Description</b>	<b>Qty</b>	<b>Remarks</b>
1	1C005952R	CALIPER	1	
2	1C002634	BRAKE COUPLR PAD	1	
3	271596	SCREW	2	BRAKE CALIPER/FRONT FORK FIXING
4	709047	ELASTIC CORRUGATED WASHER	2	BRAKE CALIPER/FRONT FORK FIXING
5	1C004175	BRAKE HOSE MASTER CYLINDER - ABS HECU	1	APPLICABLE FOR MY 18 MODEL
5	1C004176	BRAKE HOSE FRONT CALIPER - ABS HECU	1	
6	127927	WASHER	4	PIPE FITTING
7	1C002059R	SPECIAL SCREW	2	PIPE FITTING
8	1C003702	ABS UNIT ( SPARE PART)	1	
10	1B005789	ABS SUPPORT BRACKET WITH I.P.	1	
11	640879	CLAMP	1	
12	435634	FLANGED HEXAGONAL HEAD SCREW	1	
13	1C004174	CLAMP	1	
14	1C000870	SPACER	6	FISS.UNITA
15	15856	SCREW WITH CYLINDR.CUP HEAD (M5X21)	3	FISS.UNITA
16	6965	SPRING WASHER DIA 5	3	FISS.UNITA
17	939278	BUFFER	3	FISS.UNITA

**2.21**  
**Rear Wheel**



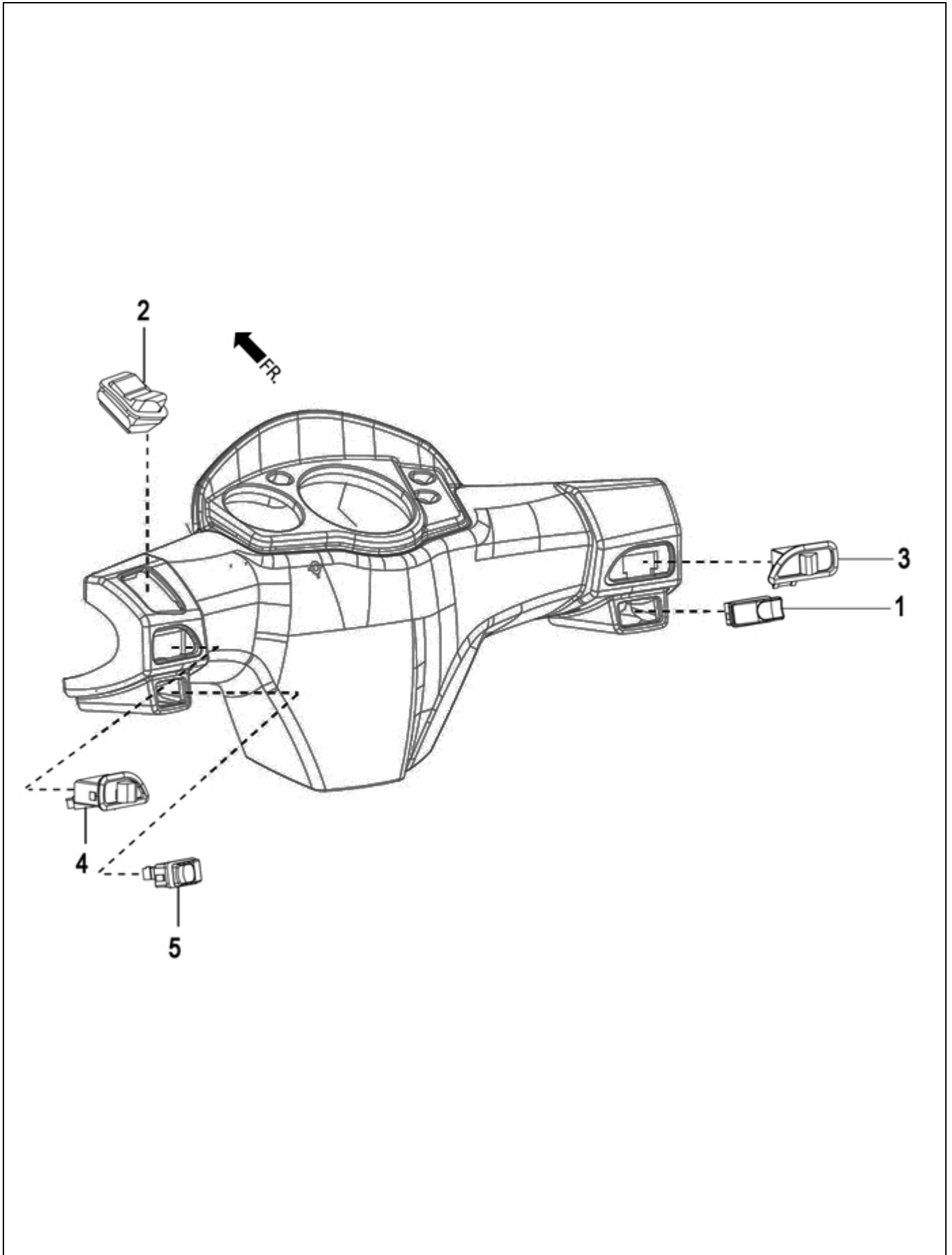


**2.21****Rear Wheel**

<b>Fig. No.</b>	<b>Part No.</b>	<b>Description</b>	<b>Qty</b>	<b>Remarks</b>
1	665657	PLUG WHEEL AXIS	1	COMPLETE REAR WHEEL FIXING
2	1C002806	SELF LOCKING FLANGE U NUT	1	COMPLETE REAR WHEEL FIXING
3	270991	TUBELESS VALVE	1	
4	1C002641R	TYRE 120/70-14	1	
5	1C002994	REAR WHEEL 14 X 3.50	1	

## 2.22

### Selector Switches

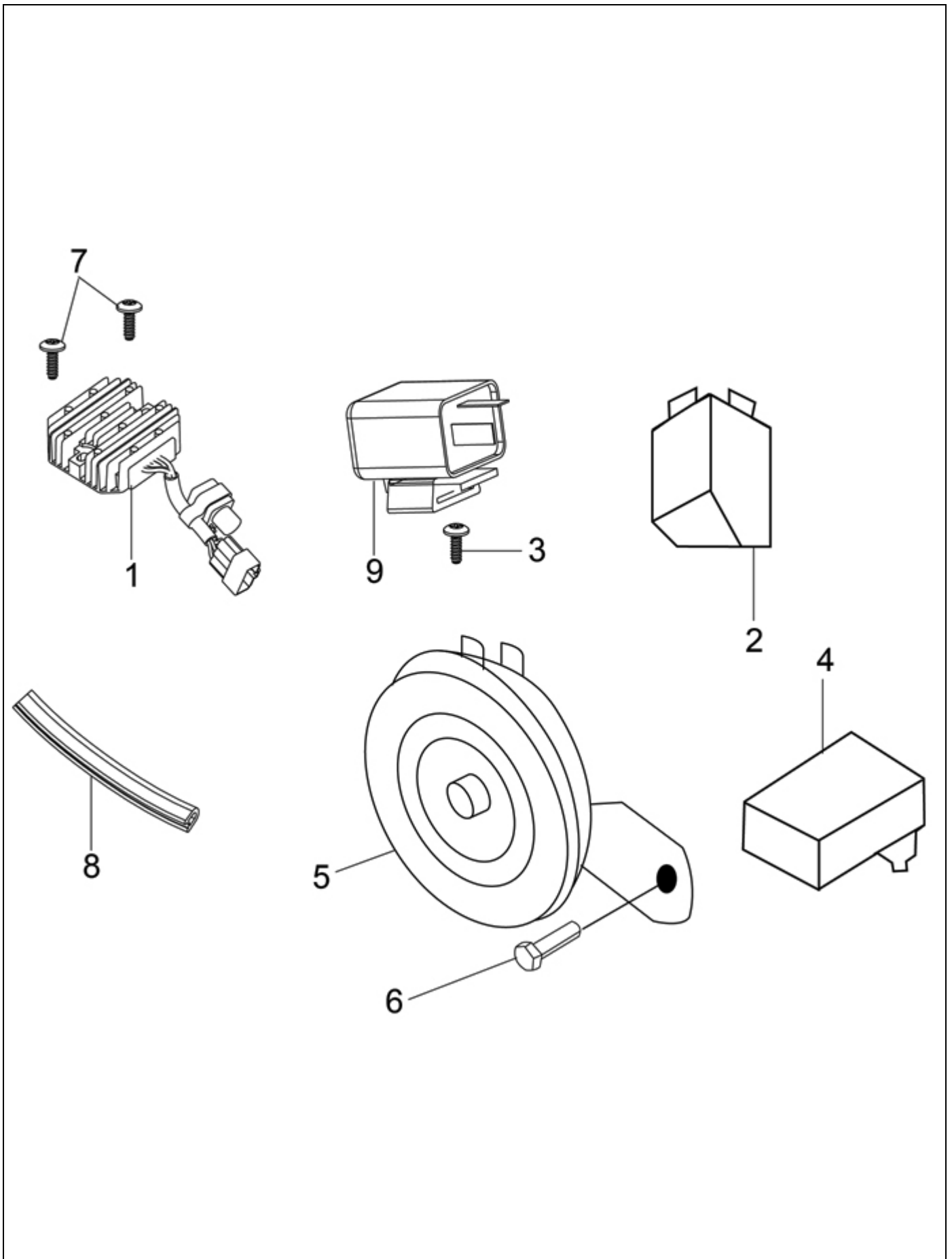


**2.22****Selector Switches**

<b>Fig. No.</b>	<b>Part No.</b>	<b>Description</b>	<b>Qty</b>	<b>Remarks</b>
1	641359	START PUSH BUTTON	1	
2	642967	HI-LO SWITCH WITH PASSING	1	
3	584426	PLUG	1	
4	642679	BLINKER SWITCH	1	
5	641358	CLAXON PUSH BUTTON	1	

## 2.23

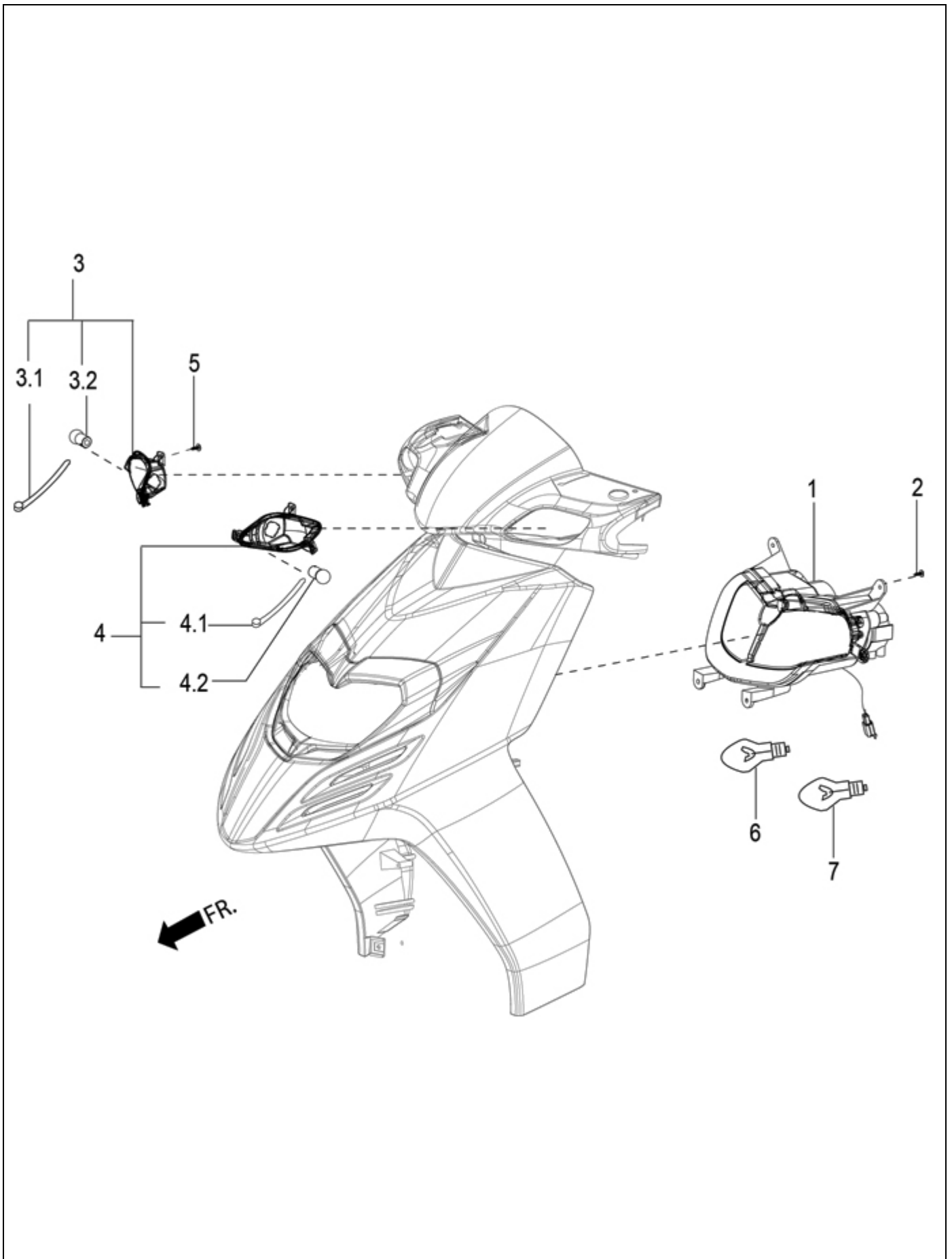
### Remote Control Switches



**2.23****Remote Control Switches**

<b>Fig. No.</b>	<b>Part No.</b>	<b>Description</b>	<b>Qty</b>	<b>Remarks</b>
1	1A017429	VOLTAGE REGULATOR	1	
2	1D003013	FLASHING DEVICE COMPLETE	1	
3	435634	FLANGED HEXAGONAL HEAD SCREW	1	REMOTE CONTR. SWITCH FIXING
4	CM301404	ELECTRONIC DEVICE	1	
4	CM301412	ELECTRONIC DEVICE	1	Applicable For MY-20
5	CM087614	KLAXON	1	
6	434541	SCREW	1	HORN FIXING
7	018639	SCREW M6X20	2	REGULATOR FIXING
8	CM023903	EDGE PROTECTION	1	
9	680154	REMOTE CONTROL SWITCH 12V-70A	1	
10	1D001636	ELECTROMAGNETIC SWITCH	1	
11	1B007245	BRACKET WITH I.P.	1	
12	1D002592	HELLA MULTIMEDIA CDI	1	NI
13	434541	SCREW	2	HELLA MULTIMEDIA CDI FIXING

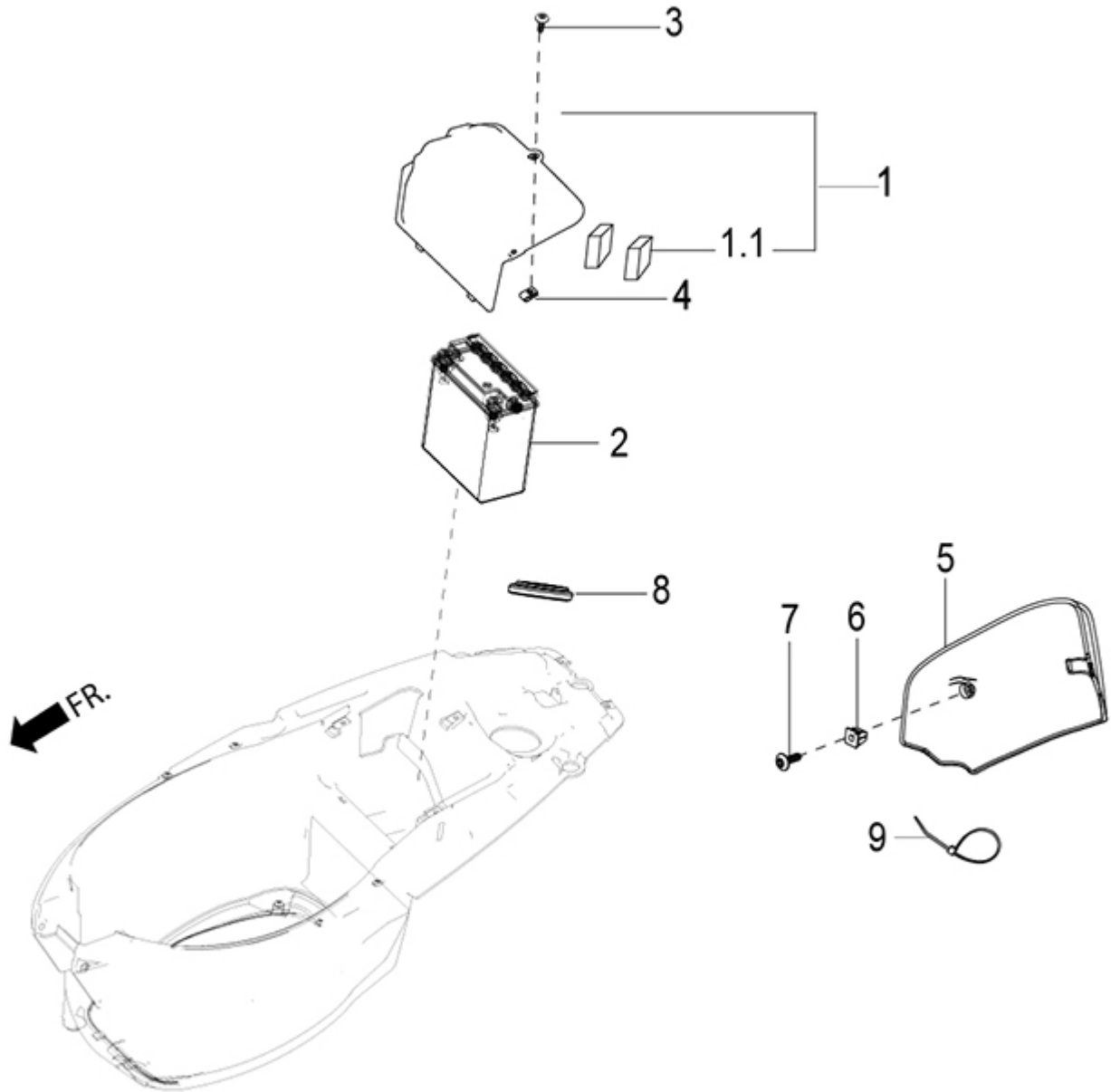
## 2.24 Front lamp Group



**2.24****Front lamp Group**

<b>Fig. No.</b>	<b>Part No.</b>	<b>Description</b>	<b>Qty</b>	<b>Remarks</b>	
1	1D002965	COMPLETE SINGLE CHAMBER HEADLAMP	1	HEADLAMP FIXING	
2	270793	SCREW	4		
3	1D001570	FRONT RIGHT TURN SIGNAL LIGHT	1		
3.1	1D001926	COMP. FRONT RH WIRE HARNESS	1		
3.2	584332	12V-10W AMBER LAMP	1		
4	1D001571	FRONT LEFT TURN SIGNAL LIGHT	1		
4.1	1D001927	COMP. FRONT LH WIRE HARNESS	1		
4.2	584332	12V-10W AMBER LAMP	1		
5	297498	SELF TAPPING SCREW	6		FRONT TURN SIGNAL LIGHT FIXING
6	231215	LAMP 12V/35/35W HS1 (HALOGEN)	2		
7	292022	LAMP (12V - 5W)	1		

**2.26**  
**Battery**

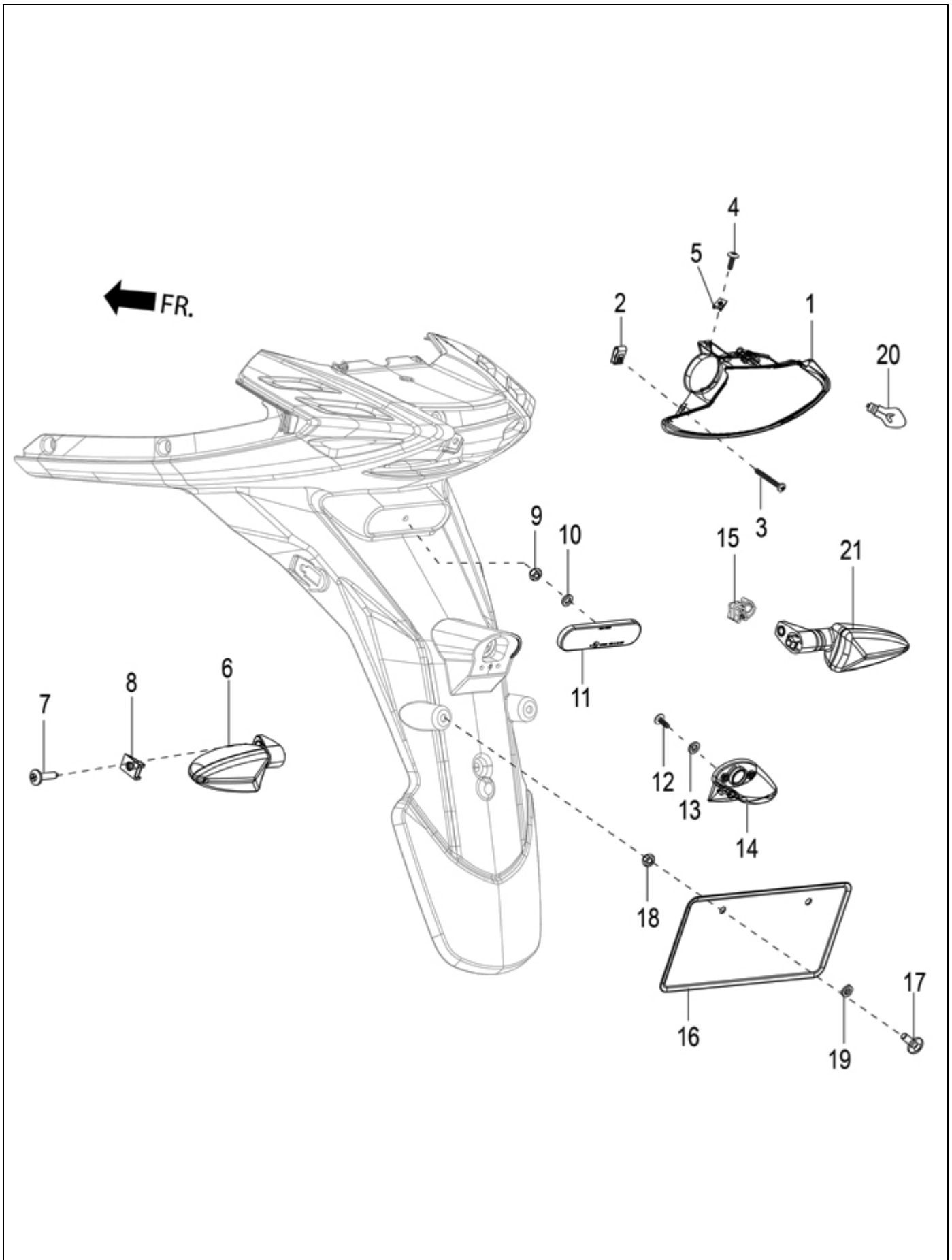




## 2.26 Battery

Fig. No.	Part No.	Description	Qty	Remarks
1	1B006598	COMPLETE BATTERY COVER	1	Without Hole For USB Socket
1	1B006600	BATTERY COVER WITH STOP PADS	1	With Hole for USB Socket
1.1	575937	BATTERY PAD	2	
2	1D003122R	SEALED FACTORY CHARGED BATTERY 12V-5AH	1	
3	259349	SCREW	3	BATTERY COVER/HELMET CASE FIXING
4	CM017410	SPRING PLATE	3	BATTERY COVER/HELMET CASE FIXING
3	259349	SCREW	3	HELMET CARRIER COVER/HELMET CASE FIX
4	CM017410	SPRING PLATE	3	HELMET CARRIER COVER/HELMET CASE FIX
5	1B003793	COIL COVER	1	
6	157716	SCREW ANCHORE	1	COIL COVER FIXING
7	CM178603	THREAD FORMING SCREW	1	COIL COVER FIXING
8	1B003729	GASKET	1	GROUP COMPONENTS HELMET CASE
9	257134	RETAINING STRAP	1	GROUP COMPONENTS HELMET CASE

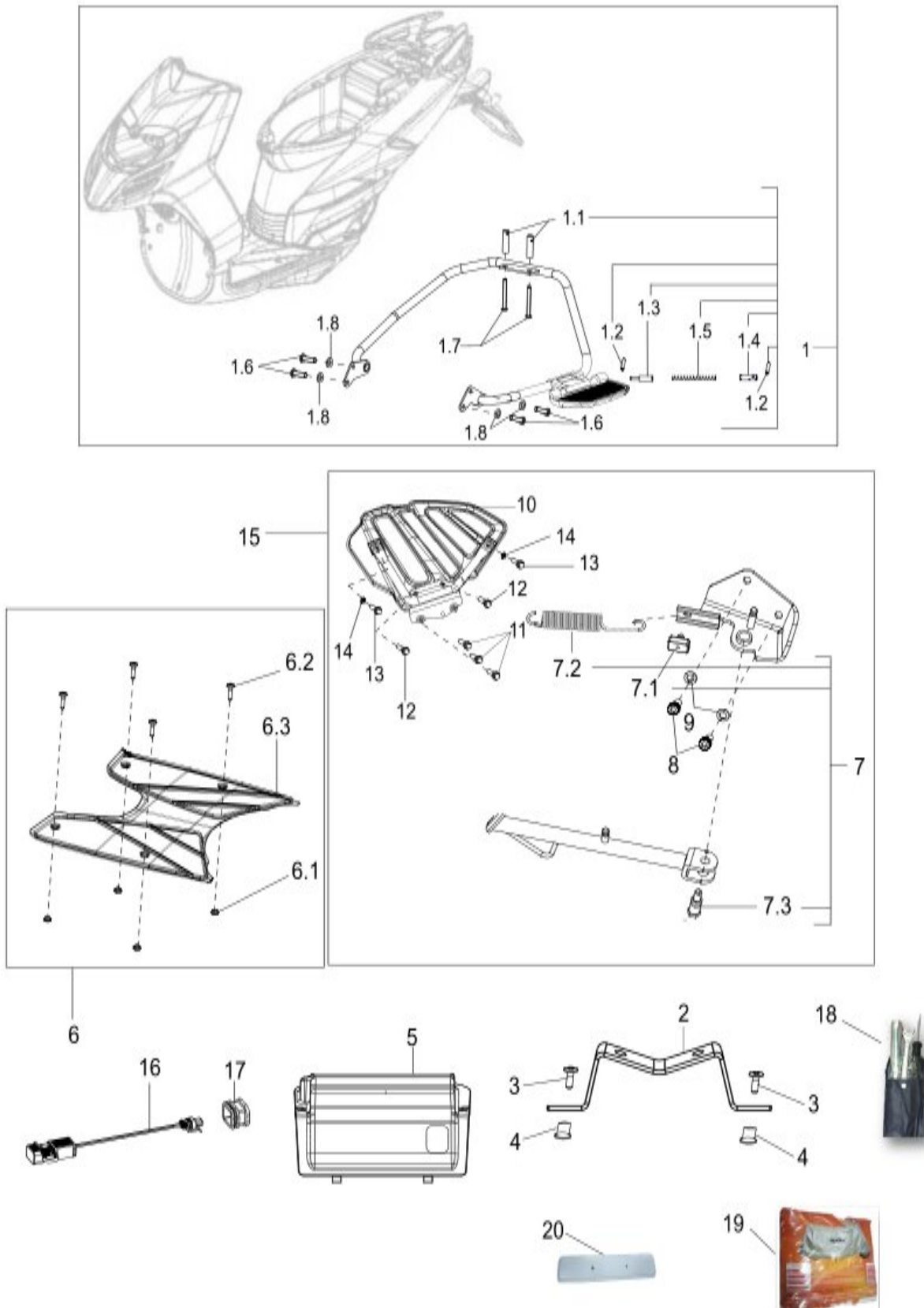
### 2.27 Rear lamp Group



**2.27****Rear lamp Group**

<b>Fig. No.</b>	<b>Part No.</b>	<b>Description</b>	<b>Qty</b>	<b>Remarks</b>
1	1D001567	COMPLETE TAIL LAMP	1	
2	CM017410	SPRING PLATE	2	REAR LAMP FIXING
3	018534	SCREW	2	REAR LAMP FIXING
4	259349	SCREW	1	REAR LAMP FIXING
5	CM017408	SPRING PLATE	1	REAR LAMP FIXING
6	1D001569	REAR LEFT TURN SIGNAL LIGHT	1	
7	259364	SCREW	2	REAR TURN SIG. LIGHT FIXING
8	254485	SPRING PLATE (M6)	2	REAR TURN SIG. LIGHT FIXING
9	20105	PLAIN NUT M5	1	REAR REFLECTOR FIXING
10	6965	SPRING WASHER DIA 5	1	REAR REFLECTOR FIXING
11	642906	REAR REFLECTOR	1	
12	267115	SCREW	1	Licence plate LAMP fixing
13	003054	PLAIN WASHER	1	Licence plate LAMP fixing
14	639088	TAIL LAMP	1	E - Marked (Export)
15	CM013203	SPRING	2	REAR INDICATOR CABLE FIXING
16	673918A	REAR LICENSE PLATE	1	
17	272836	METRICAL SCREW WITH CROSS MOULD	2	REAR PLATE FIXING
18	709116	HEXAGON NUT	2	REAR PLATE FIXING
19	709003	PLAIN WASHER	2	REAR PLATE FIXING
20	129953	BULB FOR TAIL LAMP (12V - 5/21W)	1	
21	1D001568	REAR RIGHT TURN SIGNAL LIGHT	1	

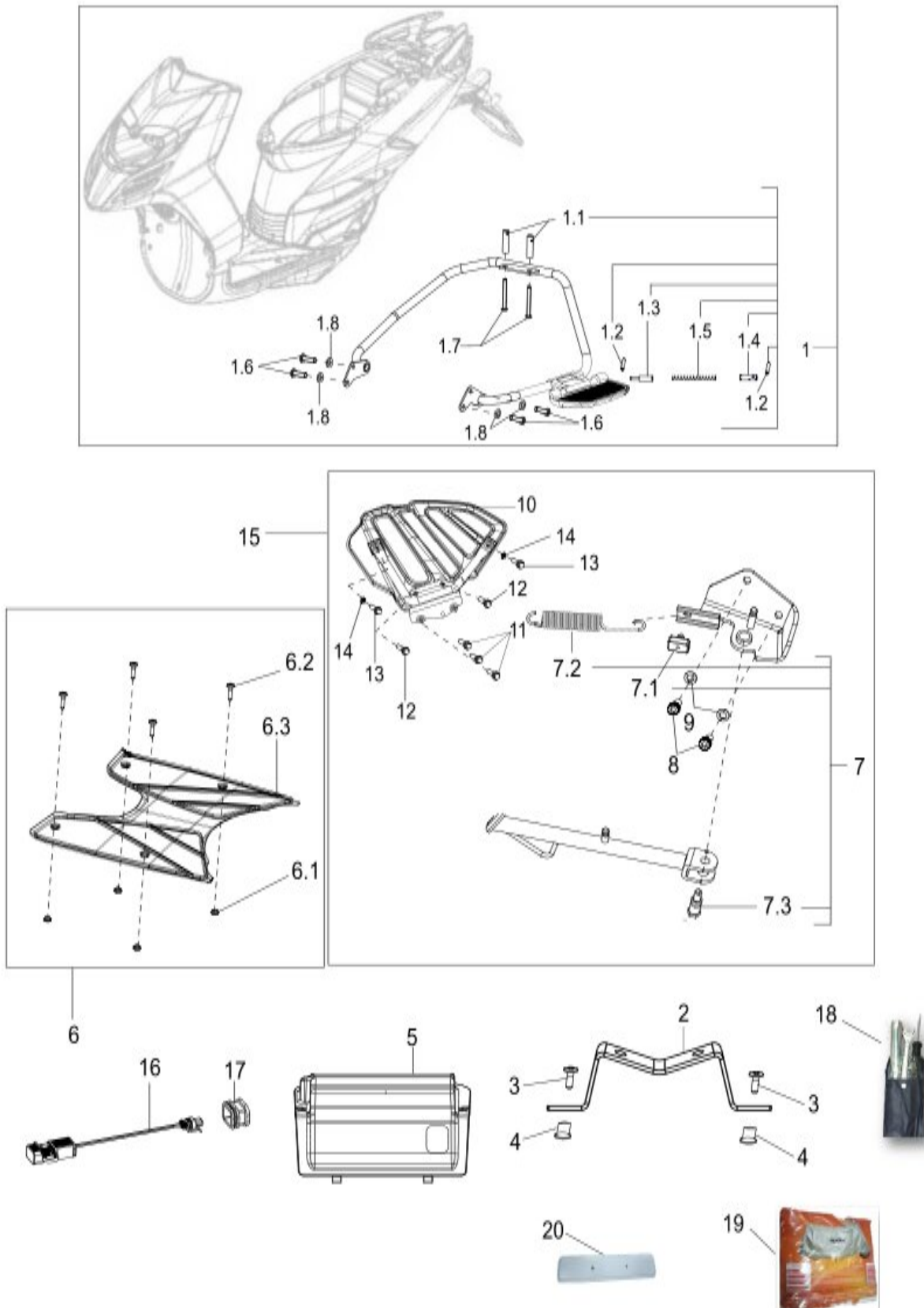
## 2.28 Accessories



**2.28****Accessories**

<b>Fig. No.</b>	<b>Part No.</b>	<b>Description</b>	<b>Qty</b>	<b>Remarks</b>
1	SKIT940034R	COMPLETE FOOT REST SUPPORTING	1	
1.1	1B003804	SPACER	2	
1.2	008817	SPRING PIN	2	
1.3	218667	PIN	1	
1.4	561837	PIN	1	
1.5	561838	SPRING	1	
1.6	564606	SCREW M8X25	4	
1.7	833663	FLANGED HEXAGONAL HEAD SCREW	2	
1.8	834187	ELASTIC WASHER CONTACT TYPE	4	
2	1B003542	FRONT PLATE HOLDER	1	
3	018591	CYLINDRICAL SCREW	2	FRONT PLATE HOLDER FIXING
4	1B000951	BUSH EXPANSION	2	FRONT PLATE HOLDER FIXING
5	1B006598	COMPLETE BATTERY COVER	1	Without Hole For USB Socket
5	1B006600	BATTERY COVER WITH STOP PADS	1	With Hole for USB Socket
6	SKIT940033R	RUBBER FOOT MAT	1	
6.1	1B004131	SPACER	4	MAT FIXING
6.2	CM179303	METRICAL SCREW (TORX IMPRESSION)	4	MAT FIXING
6.3	SKIT940033R	RUBBER FOOT MAT	1	
7	-	NOT SERVICEABLE	1	
7.1	164245	REBOUND BUMPER	1	
7.2	1C001871	SPRING LATERAL STAND	1	
7.3	560619	PIN	1	
7.4	1C002807	SELF-LOCKING HEXAGON NUT	1	
8	295822	SCREW	2	
9	016408	SPRING WASHER	2	
10	SKIT940031R	COMPLETE SAREE COVER	1	
11	1A003063	FLANGED HEX HEAD SCREW M6X35	3	LATERAL PROTECTION FIXING
12	270793	SCREW	2	SAREE COVER FIXING
13	272836	METRICAL SCREW WITH CROSS MOULD	2	SAREE COVER FIXING
14	254485	SPRING PLATE (M6)	2	SAREE COVER FIXING
15	SKIT940032R	LATERAL STAND KIT	1	
16	1D002753	COMPLETE USB SOCKET	1	
17	1B001591	GROMMET FOR USB SOCKET	1	
18	1C002659	COMPLETE TOOL KIT	1	NI
19	783363	BODY COVER	1	NI

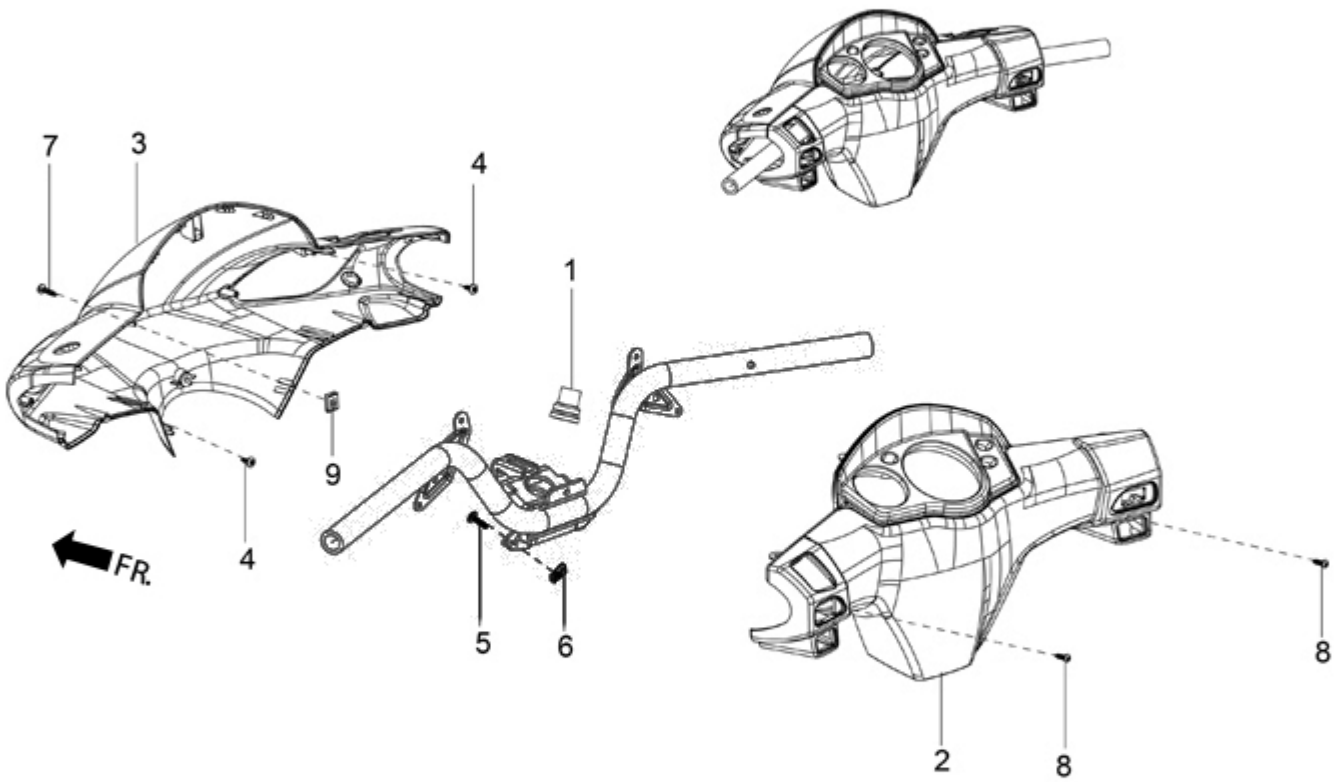
## 2.28 Accessories



**2.28****Accessories**

<b>Fig. No.</b>	<b>Part No.</b>	<b>Description</b>	<b>Qty</b>	<b>Remarks</b>
20	673917A	FRONT LICENSE PLATE	1	NI
21	SKIT940091	KIT-SR LATERAL STAND_PUSH BUTTON AND SAREECOVER	1	
22	SKIT940092	KIT-SR LATERAL STAND WITH SAREECOVER	1	

## 2.29 Handlebar Coverages



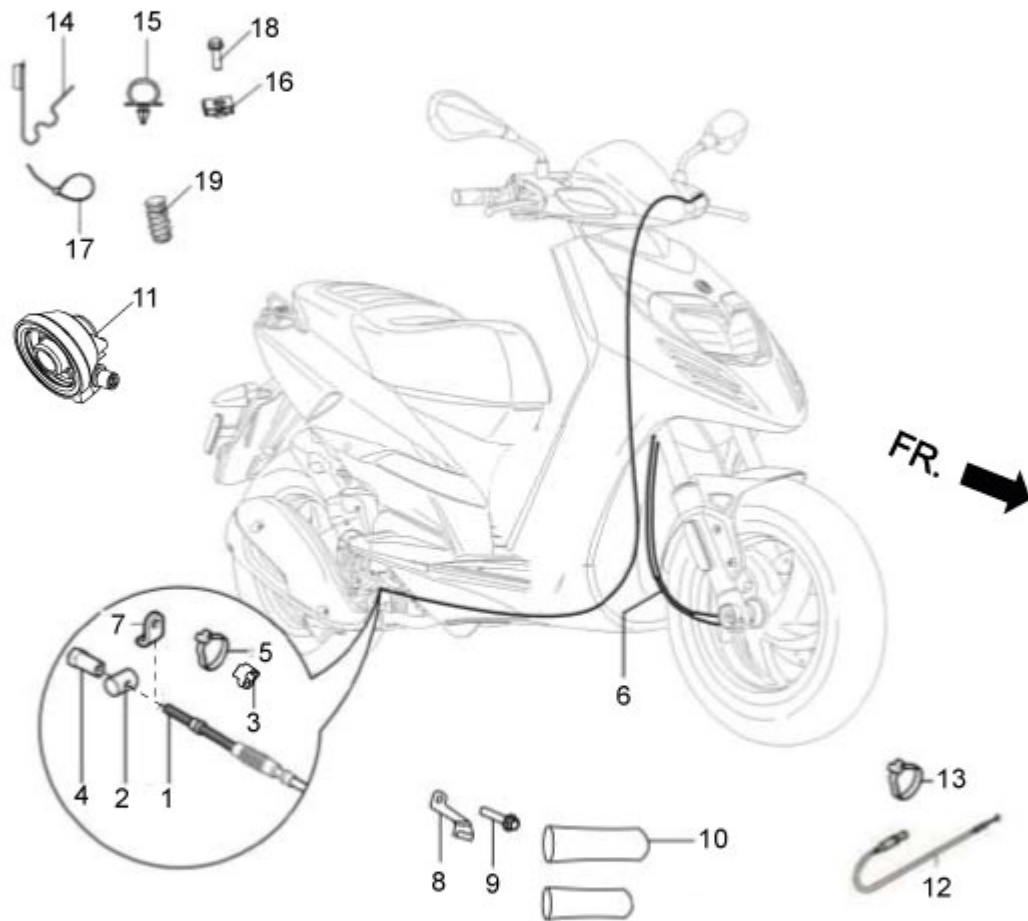


**2.29****Handlebar Coverages**

<b>Fig. No.</b>	<b>Part No.</b>	<b>Description</b>	<b>Qty</b>	<b>Remarks</b>
1	1B003841	PROTECTION CUP	1	HANDLEBARS COMP
2	1B006204	REAR HANDLEBAR COVER	1	
3	SP1B006986000NT	SPD SR FRONT HANDLEBAR COVER-GLOSSY BLAC	1	COLOR PART
3	SP1B006986000DX	SPD SR FRONT HANDLEBAR COVER - BLUE	1	COLOR PART
3	SP1B006986000BR	SPD SR FRONT HANDLEBAR COVER - WHILTE	1	COLOR PART
3	SP1B006986000NL	SPD SR FR. HANDLEBAR COVER - MATT BLACK	1	COLOR PART
3	SP1B006986000HL	SPD SR FRONT HANDLEBAR COVER- GREY	1	COLOR PART
4	270793	SCREW	2	FRONT HANDLEBARS COVER FIXING
4	270793	SCREW	2	REAR HANDLEBARS COVER FIXING
5	270793	SCREW	2	FRONT HANDLEBARS COVER FIXING
6	CM017410	SPRING PLATE	2	FRONT HANDLEBARS COVER FIXING
8	267115	SCREW	2	REAR HANDLEBARS COVER FIXING
7	018620	SELF TAPPING SCREW	1	REAR HANDLEBARS COVER FIXING
9	CM017409	SPRING PLATE	1	REAR HANDLEBARS COVER FIXING

### 2.30

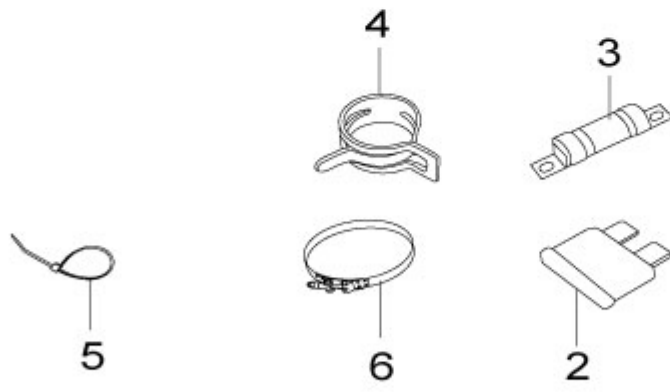
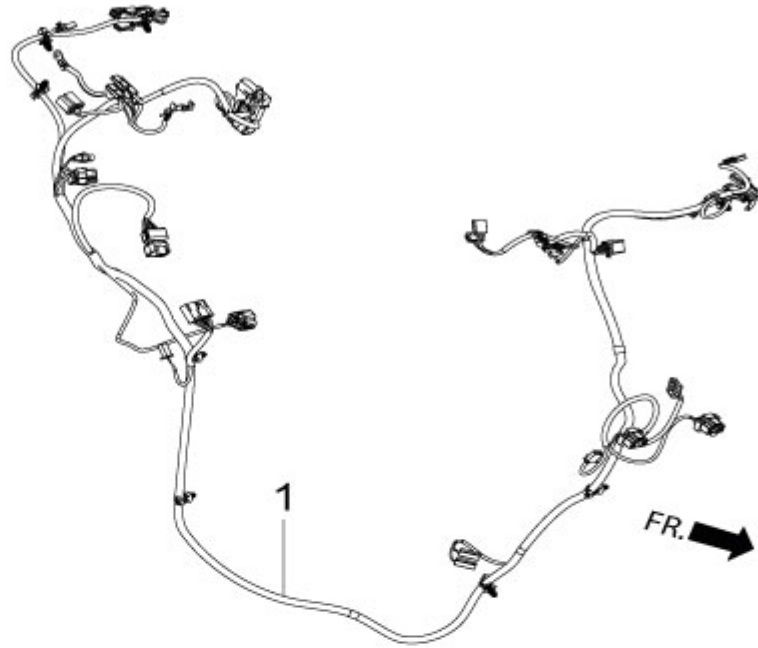
### Transmission cables



**2.30****Transmission cables**

<b>Fig. No.</b>	<b>Part No.</b>	<b>Description</b>	<b>Qty</b>	<b>Remarks</b>
1	1C002153	COMPLETE REAR BRAKE TRANSMISSION	1	
2	179640	PIN	1	REAR BRAKE TRANSMISSION FIXING
3	1C001642	SPACER	1	REAR BRAKE TRANSMISSION FIXING
4	270310	BRAKE ADJUSTER	1	REAR BRAKE TRANSMISSION FIXING
5	257134	RETAINING STRAP	1	REAR BRAKE TRANSMISSION FIXING
7	564645	PLATE FOR REAR BRAKE TRANSMISSION FIXING	1	REAR BRAKE TRANSMISSION FIXING
8	667842	TRANSMISSION BRAKE CLAMP	1	REAR BRAKE TRANSMISSION FIXING
9	1A003060	FLANGED HEX. HEAD SCREW M6X45	1	REAR BRAKE TRANSMISSION FIXING
13	667841	CLIP	1	REAR BRAKE TRANSMISSION FIXING
20	1C004610	THROTTLE CONTROL TRANSMISSION	1	
21	1C004874	CLIP	1	
22	1C004912	CLIP	1	

**2.31**  
**Wiring Harness**

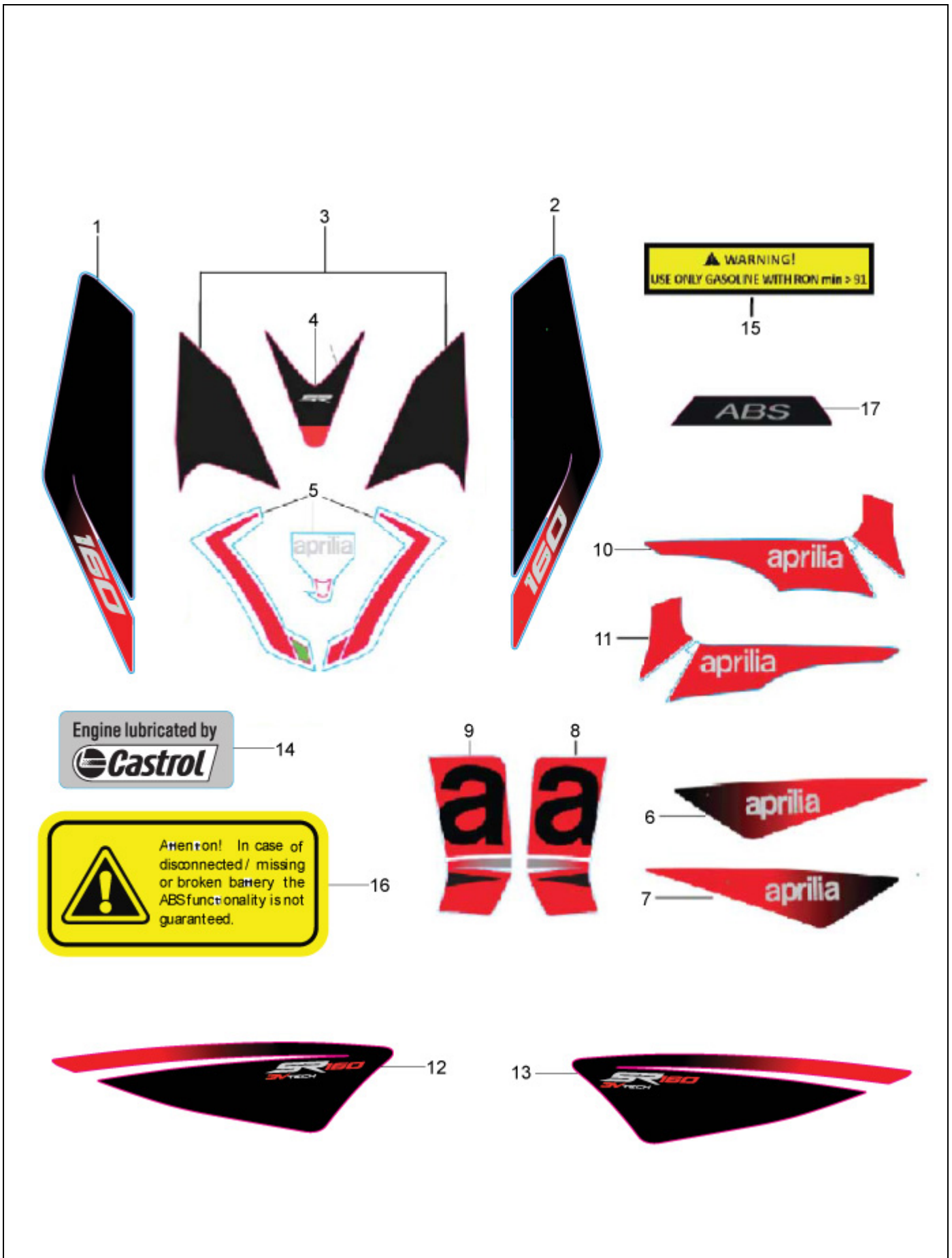


**2.31****Wiring Harness**

<b>Fig. No.</b>	<b>Part No.</b>	<b>Description</b>	<b>Qty</b>	<b>Remarks</b>
1	1D003220	WIRE HARNESS OF FRAME	1	
1	1D003405	WIRE HARNESS OF FRAME	1	Applicable For MY-20
1	1D003496	WIRE HARNESS OF FRAME	1	Applicable for Boot Lamp Vehicle
2	CM080908	MINI FUSE 20A	1	
3	CM080906	MINE-FUSE 10A	1	
4	231590	ELASTIC CLAMP	1	MAIN WIRING HARNESS FIXING
5	145298	PLASTIC CLAMP	5	MAIN WIRING HARNESS FIXING
6	257134	RETAINING STRAP	2	MAIN WIRING HARNESS FIXING
6	1D001143	CLIP	9	
6	1D001143	CLIP	3	MAIN WIRING HARNESS FIXING
7	CM080904	MINI FUSE 5A	2	NI
8	CM080905	MINE-FUSE 7.5A	2	NI

### 2.32

### Logos and Emblem



**2.32****Logos and Emblem**

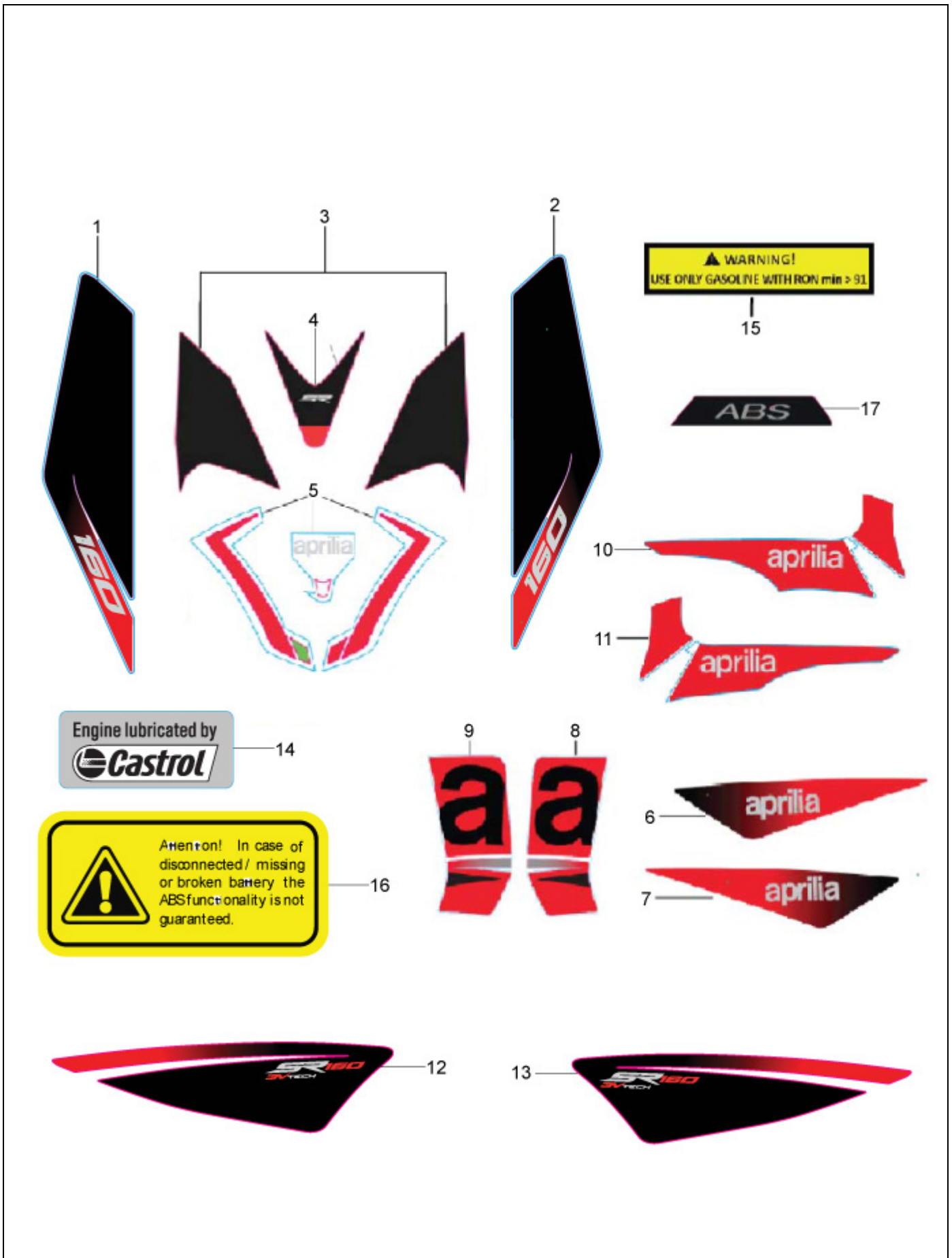
<b>Fig. No.</b>	<b>Part No.</b>	<b>Description</b>	<b>Qty</b>	<b>Remarks</b>
1	2H003948000A3	RIGHT LAT. 160 SHIELD STICKER	1	Applicable for Grey & Red color Vehicle
1	2H003948000A2	RIGHT LAT. 160 SHIELD STICKER	1	Applicable for Black color Vehicle
1	2H003948000A1	RIGHT LAT. 160 SHIELD STICKER	1	Applicable for White & Blue color Vehicle
2	2H003949000A3	LEFT LAT. 160 SHIELD STICKER	1	Applicable for Grey & Red color Vehicle
2	2H003949000A2	LEFT LAT. 160 SHIELD STICKER	1	Applicable for Black color Vehicle
2	2H003949000A1	LEFT LAT. 160 SHIELD STICKER	1	Applicable for White & Blue color Vehicle
3	SH0018056000A1	KIT R AND L FRONT SHIELD DECAL WHITE	1	Applicable for Grey & Red color Vehicle
3	SH0018056000A2	KIT R & L FRONT SHIELD DECAL BLACK	1	Applicable for Black color Vehicle
3	SH0018056000A1	KIT R AND L FRONT SHIELD DECAL WHITE	1	Applicable for White & Blue color Vehicle
4	2H001807000A3	SHIELD SR DECAL	1	Applicable for Grey & Red color Vehicle
4	2H001807000A2	SHIELD SR DECAL	1	Applicable for Black color Vehicle
4	2H001807000A1	SHIELD SR DECAL	1	Applicable for White & Blue color Vehicle
5	2H001816000A3	HANDLEBAR DECALS GROUP	1	Applicable for Grey & Red color Vehicle
5	2H002660000A1	HANDLEBAR DECALS GROUP	1	Applicable for Black color Vehicle
5	2H002660000A1	HANDLEBAR DECALS GROUP	1	Applicable for White & Blue color Vehicle
6	2H001808000A3	APRILIA RIGHT SHIELD DECAL	1	Applicable for Grey & Red color Vehicle
6	SH0018089000A2	KIT APRILIA R & L SHIELD DECAL	1	Applicable for Black color Vehicle
6	SH0018089000A1	KIT APRILIA R AND L SHIELD DECAL WHITE	1	Applicable for White & Blue color Vehicle
7	2H001809000A3	APRILIA LEFT SHIELD DECAL	1	Applicable for Grey & Red color Vehicle
7	SH0018089000A2	KIT APRILIA R & L SHIELD DECAL	1	Applicable for Black color Vehicle
7	SH0018089000A1	KIT APRILIA R AND L SHIELD DECAL WHITE	1	Applicable for White & Blue color Vehicle
8	2H002290000A3	RIGHT LOWER SHIELD STICKER	1	Applicable for Grey & Red color Vehicle
8	2H002290000A2	RIGHT LOWER SHIELD STICKER	1	Applicable for Black color Vehicle
8	2H002290000A1	RIGHT LOWER SHIELD STICKER	1	Applicable for White & Blue color Vehicle
9	2H002291000A3	LEFT LOWER SHIELD STICKER	1	Applicable for Grey & Red color Vehicle
9	2H002291000A2	LEFT LOWER SHIELD STICKER	1	Applicable for Black color Vehicle
9	2H002291000A1	LEFT LOWER SHIELD STICKER	1	Applicable for White & Blue color Vehicle
10	2H001814000A3	RIGHT SPOILER DECALS GROUP	1	Applicable for Grey & Red color Vehicle
10	SH00181415000A1	KIT RH LH SPOILER DECALS GROUP WHITE	1	Applicable for Black color Vehicle
10	SH00181415000A1	KIT RH LH SPOILER DECALS GROUP WHITE	1	Applicable for White & Blue color Vehicle
11	2H001815000A3	LEFT SPOILER DECALS GROUP	1	Applicable for Grey & Red color Vehicle
11	SH00181415000A1	KIT RH LH SPOILER DECALS GROUP WHITE	1	Applicable for Black color Vehicle
11	SH00181415000A1	KIT RH LH SPOILER DECALS GROUP WHITE	1	Applicable for White & Blue color Vehicle
12	2H003950000A3	160 3V-TECH RIGHT COVER STICKER	1	Applicable for Grey & Red color Vehicle
12	2H003950000A2	160 3V-TECH RIGHT COVER STICKER	1	Applicable for Black color Vehicle





### 2.32

### Logos and Emblem



**2.32****Logos and Emblem**

<b>Fig. No.</b>	<b>Part No.</b>	<b>Description</b>	<b>Qty</b>	<b>Remarks</b>
12	2H00395000A1	160 3V-TECH RIGHT COVER STICKER	1	Applicable for White & Blue color Vehicle
13	2H003951000A3	160 3V-TECH LEFT COVER STICKER	1	Applicable for Grey & Red color Vehicle
13	2H003951000A2	160 3V-TECH LEFT COVER STICKER	1	Applicable for Black color Vehicle
13	2H003951000A1	160 3V-TECH LEFT COVER STICKER	1	Applicable for White & Blue color Vehicle
14	2H002046	STICKER	1	
15	2H002790	WARNING GASOLINE SPECIFICATION STICKER	1	
16	2H003262	ABS FUNCTIONALITY WARNING STICKER	1	
17	2H003263	ABS STICKER	2	

# **PARTS INDEX**

**APRILIA\_SR\_160ABS\_BSVI**

<b>PART NO</b>	<b>BLOCK</b>	<b>PART NO</b>	<b>BLOCK</b>	<b>PART NO</b>	<b>BLOCK</b>
-	2.28	12533	1.17	1A002444	1.15
000267	1.10	127927	2.20	1A002446	1.15
002440	2.02	129953	2.27	1A002691	1.14
002440	2.16	145298	2.31	1A003060	1.03
002440	2.16	157716	2.26	1A003060	2.30
002440	2.16	15856	2.20	1A003060	1.06
003054	2.27	164245	2.28	1A003063	1.14
003056	2.08	178790	2.14	1A003063	2.17
003056	2.11	179640	2.30	1A003063	2.28
003751	2.15	1A000244	1.22	1A003064	1.17
005965	2.08	1A000612	1.03	1A003065	1.16
006416	1.03	1A000745	1.05	1A003068	1.02
006647	1.04	1A000784	1.15	1A004153	1.07
006975	1.12	1A000787	1.15	1A005055	1.15
008817	2.28	1A001023	1.12	1A005057	1.15
011109	2.15	1A001073	1.10	1A005058R	1.15
012533	2.08	1A001073	1.13	1A005843	1.03
012543	2.14	1A001256	1.02	1A006088	1.17
013880	1.10	1A001278	1.02	1A006090	1.17
013880	2.11	1A001443R	1.14	1A006092	1.17
013963	2.08	1A001742	1.15	1A006093	1.17
015330	2.14	1A001743	1.15	1A006149	1.15
016404	1.14	1A001744	1.15	1A006307	1.03
016406	1.23	1A001745	1.15	1A006482	1.06
016406	1.23	1A001746	1.15	1A006483	1.04
016406	2.11	1A001748	1.15	1A006499	1.15
016406	2.11	1A001793	1.10	1A006503	1.15
016406	2.11	1A001795	1.10	1A006545	1.07
016408	1.22	1A002013	1.12	1A006780	1.04
016408	2.06	1A002425	1.15	1A006988	1.15
016408	2.28	1A002426	1.15	1A007468	1.14
018534	2.27	1A002427	1.15	1A007571	1.03
018536	2.06	1A002428	1.15	1A007618	1.04
018591	2.28	1A002429	1.15	1A008057	1.03
018620	2.29	1A002430	1.15	1A008397	1.08
018639	1.10	1A002431	1.15	1A008521	1.03
018639	1.22	1A002432	1.15	1A008637	1.05
018639	2.11	1A002433	1.15	1A008638	1.05
018639	2.23	1A002439	1.15	1A008639	1.05
018639	1.07	1A002440	1.15	1A009397	1.13
018644	1.14	1A002441	1.15	1A009606	1.16
121780	2.14	1A002442	1.15	1A011087	1.12
123394	2.14	1A002443	1.15	1A011982	1.17

<b>PART NO</b>	<b>BLOCK</b>	<b>PART NO</b>	<b>BLOCK</b>	<b>PART NO</b>	<b>BLOCK</b>
1A013415	1.13	1B002607	2.12	1B006524	2.11
1A013712	1.15	1B002848	1.23	1B006598	2.26
1A013713	1.15	1B002849	1.23	1B006598	2.28
1A013856	1.10	1B002953	2.11	1B006600	2.26
1A014086	1.20	1B003129	2.08	1B006600	2.28
1A014108	1.17	1B003134	2.07	1B006608	1.23
1A014117	1.20	1B003141	2.03	1B006711	1.23
1A014294	1.13	1B003142	2.04	1B006718	2.04
1A014309	1.20	1B003143	2.04	1B006743	1.18
1A014739	1.09	1B003394	1.18	1B007084	1.23
1A014986	1.10	1B003395	1.18	1B007245	2.23
1A014986	1.12	1B003396	1.18	1B007341	2.07
1A015026	1.20	1B003459	2.06	1B007449	2.06
1A015053	1.02	1B003490	2.08	1B007745000C2	2.08
1A015231	1.14	1B003542	2.28	1B007746	2.08
1A015303	1.16	1B003585	2.06	1B007750	2.06
1A015812	1.16	1B003598	2.12	1B007797	2.08
1A015909	1.22	1B003610	2.06	1B008067R	1.23
1A016010	1.16	1B003616	2.08	1B008150	1.23
1A016123	1.17	1B003642	2.08	1B008491	2.06
1A016543	1.20	1B003715	2.11	1B008492	2.06
1A016605	1.10	1B003729	2.11	1C000291	2.18
1A016755	1.17	1B003729	2.26	1C000655R	2.17
1A017197	1.20	1B003784	1.10	1C000870	2.20
1A017429	2.23	1B003793	2.26	1C001322	2.18
1A017647	1.10	1B003798	2.09	1C001628	2.15
1A017797	1.20	1B003799	2.09	1C001642	2.30
1A017882	1.23	1B003804	2.28	1C001871	2.28
1A017964	1.22	1B003841	2.29	1C002059R	2.20
1A018007	1.22	1B004131	2.28	1C002151	2.14
1A018013	1.20	1B004165	2.11	1C002153	2.30
1A018232	1.10	1B004358	2.08	1C002414	2.18
1A018276	1.17	1B004769	2.06	1C002415	2.18
1A018501	1.10	1B005066	2.11	1C002421	2.15
1A018847	1.10	1B005199	2.03	1C002469	2.15
1A018849R	1.10	1B005273	2.05	1C002470	2.15
1A019253	1.09	1B005274	2.05	1C002471	2.15
1A019310	1.16	1B005461	2.06	1C002472	2.15
1B000951	2.28	1B005511	2.09	1C002568	2.15
1B001321	2.11	1B005512	2.09	1C002598	2.16
1B001591	2.28	1B005789	2.20	1C002634	2.20
1B001786400NT	2.04	1B005790	2.03	1C002641R	2.18
1B001787400NT	2.04	1B006204	2.29	1C002641R	2.21

<b>PART NO</b>	<b>BLOCK</b>	<b>PART NO</b>	<b>BLOCK</b>	<b>PART NO</b>	<b>BLOCK</b>
1C002659	2.28	1D002753	2.28	259348	1.18
1C002728	2.18	1D002965	2.24	259349	2.26
1C002806	2.21	1D003013	2.23	259349	2.26
1C002807	2.28	1D003122R	2.26	259349	2.27
1C002994	2.21	1D003220	2.31	259364	2.06
1C003290	2.18	1D003405	2.31	259364	2.07
1C003293	2.18	1D003473	2.13	259364	2.27
1C003702	2.20	1D003474	2.13	259372	2.05
1C003909	2.18	1D003477	2.11	259372	2.07
1C004174	2.20	1D003496	2.31	259933	2.04
1C004175	2.20	1D003519	2.13	259933	2.04
1C004176	2.20	1F000110	1.09	263381	2.01
1C004257	2.14	1F000110	1.12	263381	2.04
1C004558	2.18	20105	2.27	263381	2.04
1C004610	2.30	216369	1.12	265216	2.18
1C004620	2.15	218667	2.28	267115	2.27
1C004621	2.15	230359	1.20	267115	2.29
1C004874	2.30	231215	2.24	267550	2.16
1C004912	2.30	231590	1.23	267589	2.16
1C005077	2.16	231590	2.31	268158	2.16
1C005078	2.16	241936	2.06	268596	2.08
1C005213	2.02	253937	2.12	269136	2.08
1C005952R	2.20	254485	1.17	269755	1.02
1D000698	1.16	254485	1.18	270310	2.30
1D001143	2.31	254485	1.23	270793	2.03
1D001143	2.31	254485	2.03	270793	2.03
1D001198	1.16	254485	2.04	270793	2.03
1D001567	2.27	254485	2.06	270793	2.03
1D001568	2.27	254485	2.06	270793	2.04
1D001569	2.27	254485	2.07	270793	2.05
1D001570	2.24	254485	2.11	270793	2.05
1D001571	2.24	254485	2.27	270793	2.05
1D001636	2.23	254485	2.28	270793	2.05
1D001640	1.14	255323	2.06	270793	2.05
1D001926	2.24	257134	1.20	270793	2.05
1D001927	2.24	257134	1.23	270793	2.05
1D002219	2.11	257134	2.26	270793	2.05
1D002400	2.13	257134	2.30	270793	2.06
1D002507	2.14	257134	2.31	270793	2.07
1D002507	2.14	257535	2.08	270793	2.13
1D002592	2.23	258146	1.17	270793	2.24
1D002664	2.18	258249	2.05	270793	2.28
1D002701	2.11	258249	2.05	270793	2.29

<b>PART NO</b>	<b>BLOCK</b>	<b>PART NO</b>	<b>BLOCK</b>	<b>PART NO</b>	<b>BLOCK</b>
270793	2.29	2H002790	2.32	564134	2.17
270793	2.29	2H003262	2.32	564136	2.17
270991	2.18	2H003263	2.32	564256	2.15
270991	2.21	2H003948000A1	2.32	564257	2.15
271596	2.20	2H003948000A2	2.32	564258	2.15
272836	1.18	2H003948000A3	2.32	564259	2.15
272836	2.03	2H003949000A1	2.32	564260	2.15
272836	2.27	2H003949000A2	2.32	564606	2.28
272836	2.28	2H003949000A3	2.32	564645	2.30
273754	2.02	2H003950000A1	2.32	575249	2.03
274489	2.14	2H003950000A2	2.32	575249	2.04
274491	2.14	2H003950000A3	2.32	575249	2.06
285536	1.13	2H003951000A1	2.32	575249	2.06
287073	1.22	2H003951000A2	2.32	575249	2.06
288673	1.03	2H003951000A3	2.32	575268	2.06
292022	2.24	3056	1.17	575819	2.04
293154	2.06	3058	2.04	575937	2.26
295590	2.04	3058	2.04	577492	2.08
295590	2.04	3058	2.06	580621	2.12
295591	2.04	433987	1.03	58273R	1.12
295591	2.04	434541	1.23	584332	2.24
295822	2.28	434541	1.23	584332	2.24
296743	2.08	434541	2.11	584426	2.22
297498	2.07	434541	2.23	597043	2.02
297498	2.24	434541	2.23	601039	1.20
298903	2.12	434716	1.07	6078	2.11
2H001807000A1	2.32	435571	1.07	614188	1.17
2H001807000A2	2.32	435634	2.20	623504	2.08
2H001807000A3	2.32	435634	2.23	639088	2.27
2H001808000A3	2.32	436788	2.11	640879	2.20
2H001809000A3	2.32	436947	1.22	641358	2.22
2H001814000A3	2.32	483711	1.07	641359	2.22
2H001815000A3	2.32	485703	1.02	642537	1.10
2H001816000A3	2.32	485703	1.07	642679	2.22
2H002046	2.32	487034	1.03	642906	2.27
2H002290000A1	2.32	487665	1.22	642967	2.22
2H002290000A2	2.32	4A000002	2.14	643114	1.12
2H002290000A3	2.32	560619	2.28	643149	1.10
2H002291000A1	2.32	561837	2.28	643156	1.10
2H002291000A2	2.32	561838	2.28	643367	1.10
2H002291000A3	2.32	562576	2.16	647384	2.17
2H002660000A1	2.32	563076	2.16	649910	2.18
2H002660000A1	2.32	564112	2.17	651293	2.14

<b>PART NO</b>	<b>BLOCK</b>	<b>PART NO</b>	<b>BLOCK</b>	<b>PART NO</b>	<b>BLOCK</b>
653281	2.08	830061	2.06	B014705	1.07
655554	2.14	830269	1.09	B014706	1.07
656021	2.11	83033R	1.14	B014732	1.07
665602	2.15	83044R	1.04	B014750	1.12
665657	2.21	83053R	1.07	B014755	1.02
666484	2.02	83054R	1.07	B014760	1.08
666758	2.14	83062R	1.08	B014830	1.09
666991	1.02	833663	2.28	B015288	1.07
667152	2.18	834187	2.01	B015312	1.12
667156	1.23	834187	2.04	B015320	1.22
667387	2.14	834187	2.04	B015320	2.16
667566	2.02	834187	2.28	B015320	2.16
667567	2.02	842908	1.22	B015320	2.16
667841	2.30	844719	1.07	B015321	1.22
667842	1.03	844719	1.12	B015321	2.16
667842	2.30	844719	1.07	B015483	1.08
668302	2.16	847928	1.09	B015591	1.02
668585	2.02	848766	1.22	B015592	1.02
668686	1.02	848766	1.23	B015592	1.03
673917A	2.28	848766	2.11	B015598	1.13
673918A	2.27	856467	2.08	B015598	1.13
674163	2.08	872816	1.10	B015676	1.02
674312	2.08	876879	1.22	B016047	1.03
675424	2.11	879474	1.05	B016419	1.03
675546	2.06	880805	1.10	B016627	1.22
676200	2.11	880841	1.05	B016887	1.02
680154	2.23	939278	2.20	B016922	1.15
6965	2.20	969296	2.11	B016953	1.04
6965	2.27	970273	2.06	B016954	1.02
709003	2.27	975835	2.04	B016955	1.02
709037	2.18	975835	2.04	B016957	1.02
709047	2.20	B013524	1.03	B017080	1.12
709116	1.23	B013685	1.03	B017113	1.08
709116	2.27	B014041	1.03	B017323	1.08
709519	1.18	B014063	1.10	B017406	1.09
781254	2.14	B014063	1.12	B017406	1.13
78307	2.06	B014066	1.10	B017425	1.08
783363	2.28	B014066	1.12	B017426	1.08
811081025	1.02	B014094	1.03	B017431	1.08
811081025	1.07	B014188	1.03	B017438	1.07
826275	2.06	B014237	1.09	B017445	1.03
827526	1.22	B014585	1.10	B017446	1.02
827831	1.17	B014684	1.07	B017456	1.07



<b>PART NO</b>	<b>BLOCK</b>	<b>PART NO</b>	<b>BLOCK</b>	<b>PART NO</b>	<b>BLOCK</b>
B017481	1.03	CM002916	1.17	CM283431	1.23
B017597	1.03	CM002916	1.04	CM287405	1.23
B017599	1.15	CM002917	1.13	CM291501	1.05
B018020	1.13	CM002917	1.23	CM291501	1.07
B018038	1.03	CM002917	1.04	CM291502	1.05
B018139	1.02	CM006913	1.23	CM291502	1.07
B018140	1.06	CM0074G8	1.23	CM291503	1.07
B018262	1.17	CM013203	2.27	CM291503	1.05
B018304	1.03	CM017408	2.27	CM301404	2.23
B018306	1.15	CM017409	2.29	CM301412	2.23
B018308	1.15	CM017410	2.03	CM305604	1.01
B018421	1.12	CM017410	2.03	SB003140000BR	2.03
B018421	1.03	CM017410	2.03	SB003140000HL	2.03
B018442	1.16	CM017410	2.05	SB003140000NL	2.03
B018448	1.13	CM017410	2.05	SB003147000BR	2.05
B018476	1.10	CM017410	2.05	SB003147000NL	2.05
B018533	1.07	CM017410	2.05	SB003148000BR	2.05
B018718	1.09	CM017410	2.05	SB003148000NL	2.05
B018718	1.02	CM017410	2.05	SB003150000NT	2.06
B018853	1.16	CM017410	2.06	SH0018056000A1	2.32
B018854	1.07	CM017410	2.07	SH0018056000A1	2.32
B018946	1.08	CM017410	2.07	SH0018056000A2	2.32
B019040	1.09	CM017410	2.26	SH0018089000A1	2.32
B019107	1.02	CM017410	2.26	SH0018089000A1	2.32
B019108	1.04	CM017410	2.27	SH0018089000A2	2.32
B019134	1.10	CM017410	2.29	SH0018089000A2	2.32
B019254	1.17	CM023903	2.23	SH00181415000A1	2.32
B024614	2.16	CM080904	2.31	SH00181415000A1	2.32
CM001234	1.23	CM080905	2.31	SH00181415000A1	2.32
CM001237	1.23	CM080906	2.31	SH00181415000A1	2.32
CM001901	1.23	CM080908	2.31	SKIT940031R	2.28
CM001901	1.23	CM087614	2.23	SKIT940032R	2.28
CM001912	1.23	CM177978	1.23	SKIT940033R	2.28
CM001912	1.23	CM177979	1.23	SKIT940033R	2.28
CM001912	1.23	CM178603	2.26	SKIT940034R	2.28
CM001913	1.23	CM178608	2.05	SKIT940060	2.03
CM001914	1.23	CM179303	2.28	SKIT940061	2.11
CM001914	1.23	CM259204	1.17	SKIT940062	2.06
CM001927	1.20	CM259204	2.11	SKIT940091	2.28
CM001927	1.20	CM281204	2.09	SKIT940092	2.28
CM002903	1.23	CM281205	2.09	SP1A006405	1.08
CM002910	1.17	CM281206	2.09	SP1A007948	1.04
CM002916	1.13	CM283429	1.23	SP1A014351	1.06

