

# Parts Catalog

## Two Wheeler

Vespa S


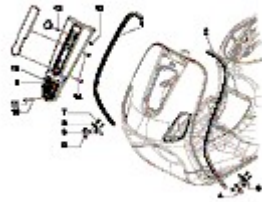
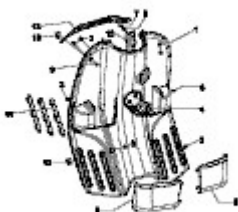
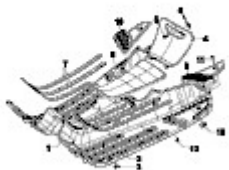

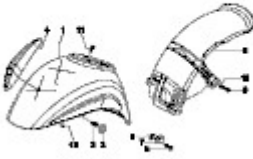
**PIAGGIO VEHICLES PRIVATE LIMITED**

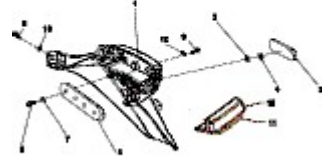
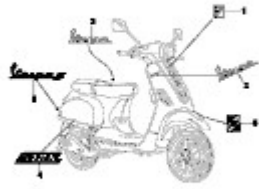
Registered Office: Bund Garden Road ,Opp. Residency Club , Pune (India)

**PLATES INDEX**

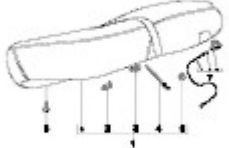

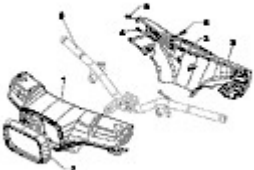
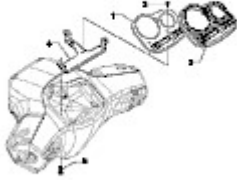
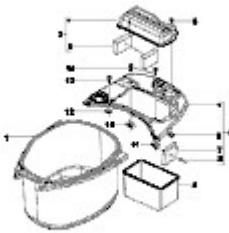
<b>Sr No.</b>	<b>Plate Name</b>	<b>Plate No.</b>	<b>Page No.</b>
1	Body Shell	01.01	1-2
2	Front Shield	01.02	3-4
3	Front Glove Box- Knee Guard Panel	01.03	5-6
4	Central Cover- Footrests	01.04	7-8
5	Side covers-Spoiler	01.05	9-10
6	Wheel Housing - Mudguard	01.06	11-12
7	Plates and Emblem	01.07	13-14
8	Rear Cover- Splash Guard	01.08	15-16
9	Saddle/Seats	01.09	17-18
10	Driving Mirror	01.10	19-20
11	Handlebar & coverages	01.11	21-22
12	Meter Combinations	01.12	23-24
13	Helemt Housing - Battery Cover	01.13	25-26
14	Headlamp-turn signal lamp	01.14	27-28
15	Rear Headlamps - turn signal lamp	01.15	29-30
16	Main Cable harness	01.16	31-32
17	Exclusive parts	01.17	33-34
18	Accessories	01.18	35-36

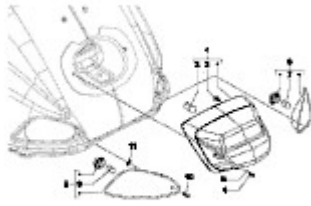
## PICTORIAL PLATES INDEX

<p><b>01.01</b>            <b>Body Shell</b></p> <p><b>Page No. :1-2</b></p> <div style="text-align: center; margin-top: 50px;">  </div>	<p><b>01.02</b>            <b>Front Shield</b></p> <p><b>Page No. :3-4</b></p> <div style="text-align: center; margin-top: 50px;">  </div>
<p><b>01.03</b>            <b>Front Glove Box- Knee Guard Panel</b></p> <p><b>Page No. :5-6</b></p> <div style="text-align: center; margin-top: 50px;">  </div>	<p><b>01.04</b>            <b>Central Cover- Footrests</b></p> <p><b>Page No. :7-8</b></p> <div style="text-align: center; margin-top: 50px;">  </div>
<p><b>01.05</b>            <b>Side covers-Spoiler</b></p> <p><b>Page No. :9-10</b></p> <div style="text-align: center; margin-top: 50px;">  </div>	<p><b>01.06</b>            <b>Wheel Housing - Mudguard</b></p> <p><b>Page No. :11-12</b></p> <div style="text-align: center; margin-top: 50px;">  </div>
<p><b>01.07</b>            <b>Plates and Emblem</b></p> <p><b>Page No. :13-14</b></p>	<p><b>01.08</b>            <b>Rear Cover- Splash Guard</b></p> <p><b>Page No. :15-16</b></p>



## PICTORIAL PLATES INDEX

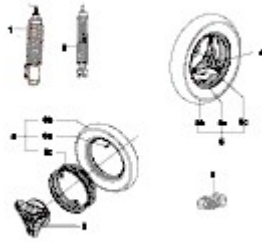
<p><b>01.09</b>                    <b>Saddle/Seats</b></p> <p><b>Page No. :17-18</b></p> <div style="text-align: center; margin-top: 20px;">  </div>	<p><b>01.10</b>                    <b>Driving Mirror</b></p> <p><b>Page No. :19-20</b></p> <div style="text-align: center; margin-top: 20px;">  </div>
<p><b>01.11</b>                    <b>Handlebar &amp; coverages</b></p> <p><b>Page No. :21-22</b></p> <div style="text-align: center; margin-top: 20px;">  </div>	<p><b>01.12</b>                    <b>Meter Combinations</b></p> <p><b>Page No. :23-24</b></p> <div style="text-align: center; margin-top: 20px;">  </div>
<p><b>01.13</b>                    <b>Helemt Housing - Battery Cover</b></p> <p><b>Page No. :25-26</b></p> <div style="text-align: center; margin-top: 20px;">  </div>	<p><b>01.14</b>                    <b>Headlamp-turn signal lamp</b></p> <p><b>Page No. :27-28</b></p>
<p><b>01.15</b>                    <b>Rear Headlamps - turn signal lamp</b></p> <p><b>Page No. :29-30</b></p>	<p><b>01.16</b>                    <b>Main Cable harness</b></p> <p><b>Page No. :31-32</b></p>



## PICTORIAL PLATES INDEX

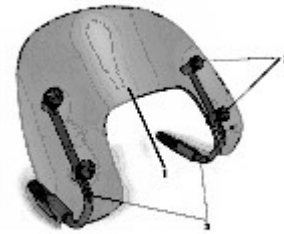
**01.17 Exclusive parts**

**Page No. :33-34**

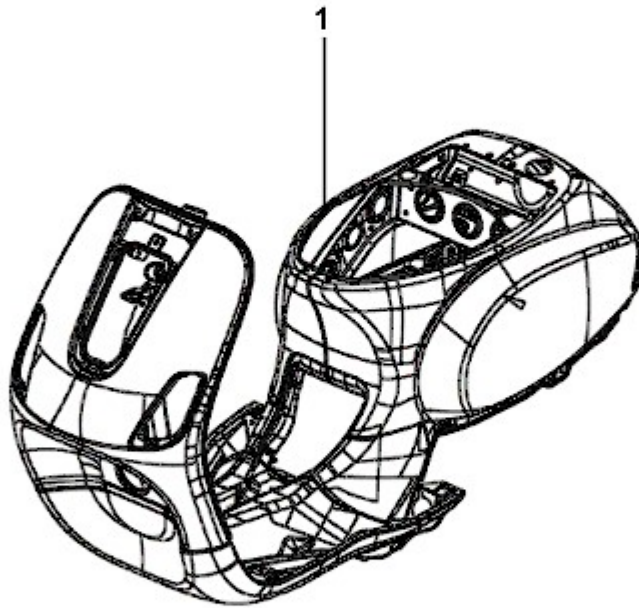


**01.18 Accessories**

**Page No. :35-36**



**01.01**  
**Body Shell**

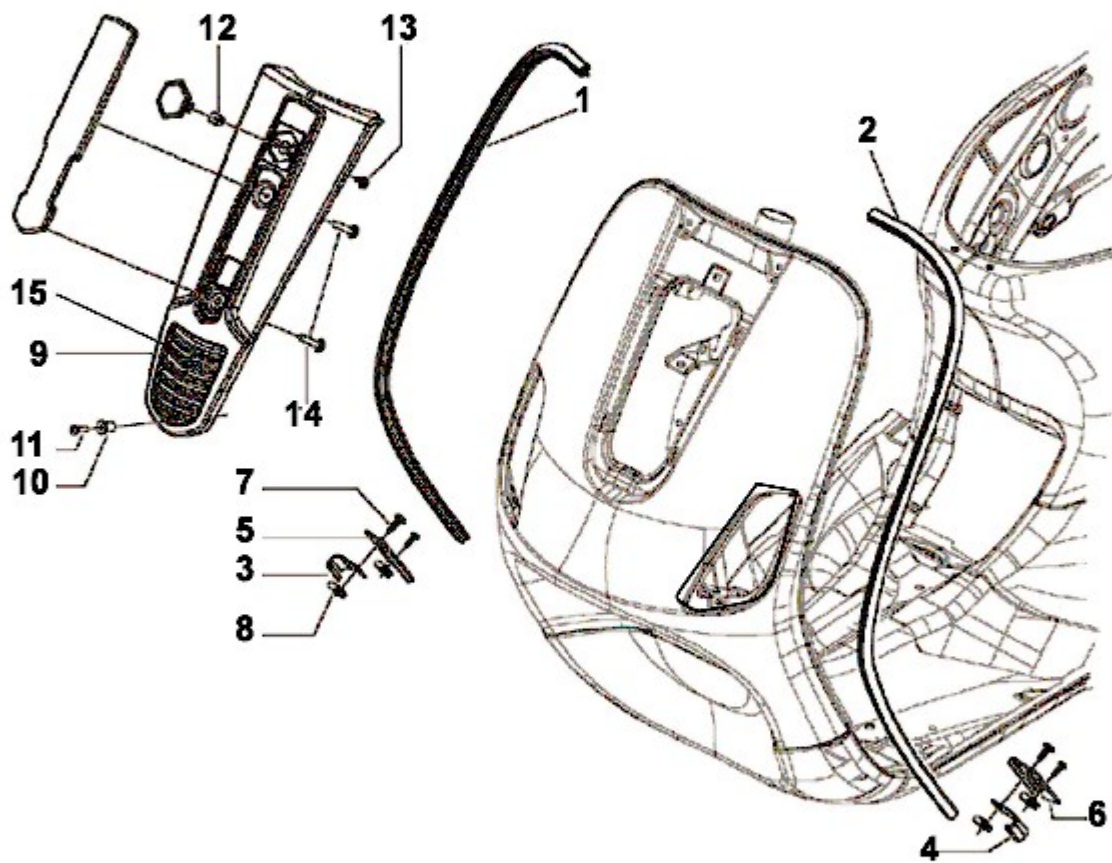




**01.01****Body Shell**

<b>Fig. No.</b>	<b>Part No.</b>	<b>Description</b>	<b>Qty</b>	<b>Remarks</b>
1	SP1B007310AI	SHELL WITH I.P. ORANGE VS	1	
1	SP1B007310NL	SHELL WITH I.P.(WITH HOLE) VS MAT BLACK	1	Vespa S
1	S67266210BR	SHELL WITH I.P. (PAINTED)-WHITE	1	
1	SP1B007310R7	SHELL WITH I.P.(PAINTED WITH HOLE)-RED	1	Vespa S

**01.02**  
**Front Shield**

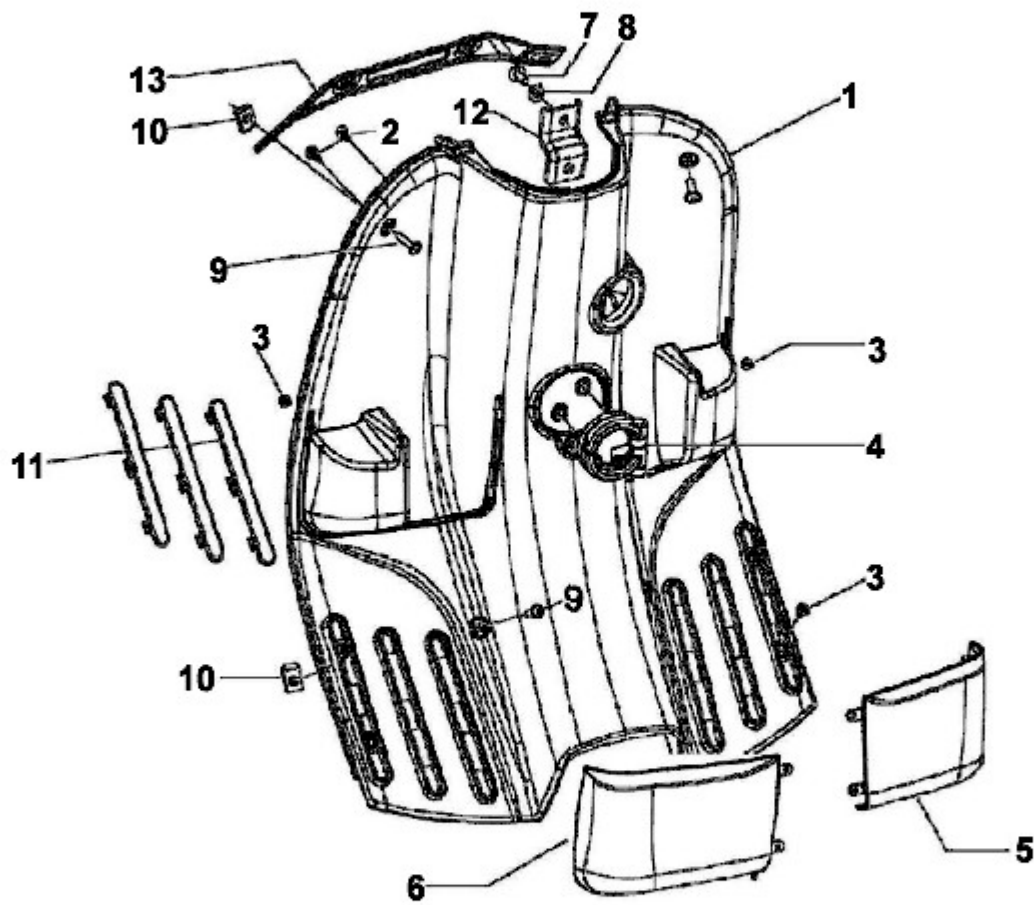


**01.02****Front Shield**

<b>Fig. No.</b>	<b>Part No.</b>	<b>Description</b>	<b>Qty</b>	<b>Remarks</b>
1	622188	RIGHT SIDE SHIELD BOARD	1	
2	622187	LEFT SIDE SHIELD BOARD	1	
3	299965	TIGHTENING X LEGSHIELD BEADING (R.H.)	1	
4	299964	TIGHTENING X LEGSHIELD BEADING (L.H.)	1	
5	654913	FIXING PLATE BACKSHIELD	1	
6	654899	FIXING PLATE BACKSHIELD	1	
7	8432	SCREW	2	
8	CM017403	SPRING PLATE	2	
9	S67532300AI	COVERING STEERING VESPA S - ORANGE	1	
9	S67532300NL	COVERING STEERING VESPA S - MAT BLACK	1	
9	S67532300BR	COVERING STEERING VESPA S - WHITE	1	
9	S67532300R7	COVERING STEERING VESPA S - RED	1	
10	1B000951	BUSH EXPANSION	1	
11	18544	SCREW	1	
12	576464	ORNAMENT,FR PIAGGIO	1	
13	157716	SCREW ANCHORE	1	
14	297498	SELF TAPPING SCREW	1	
15	S67532500BR	HORN MASK VESPA S	1	

01.03

Front Glove Box- Knee Guard Panel

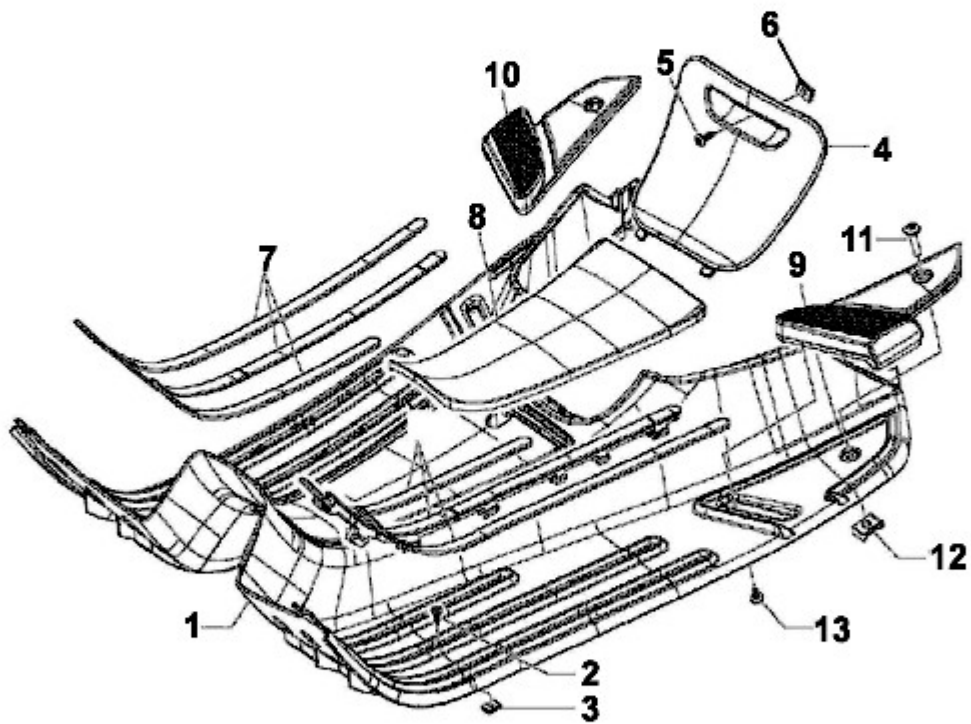


**01.03****Front Glove Box- Knee Guard Panel**

<b>Fig. No.</b>	<b>Part No.</b>	<b>Description</b>	<b>Qty</b>	<b>Remarks</b>
1	S00000441AI	REAR CARRIER VESPA S -ORANGE	1	
1	S00000441NL	REAR CARRIER VESPA S -MAT BLACK	1	
1	S00000441BR	REAR CARRIER VESPA S-WHITE	1	
1	S00000441R7	REAR CARRIER VESPA S-RED	1	
2	259349	SCREW	2	
3	297498	SELF TAPPING SCREW	8	
4	575819	COMPLETE BAGS HOOK	1	
5	S65429500AI	RIGHT HOLDER VESPA S - ORANGE	1	
5	S65429500NL	RIGHT HOLDER VESPA S -MAT BLACK	1	
5	S65429500BR	RIGHT HOLDER VESPA S - WHITE	1	
5	S65429500R7	RIGHT HOLDER VESPA S - RED	1	
6	S65429400AI	LEFT HOLDER VESPA S- ORANGE	1	
6	S65429400NL	LEFT HOLDER VESPA S- MAT BLACK	1	
6	S65429400BR	LEFT HOLDER VESPA S- WHITE	1	
6	S65429400R7	LEFT HOLDER VESPA S- RED	1	
7	576189	SCREW	2	
8	CM017409	SPRING PLATE	2	
9	AP8152338	SCREW W/ FLANGE M5X20	5	
10	248419	SPRING PLATE	5	
11	654297	STRIPE	6	
12	1B000979	STIRRUP	1	
13	654290	FIXING PLATE GLOVE COMPARTEMENT WITH IP	1	

01.04

Central Cover- Footrests

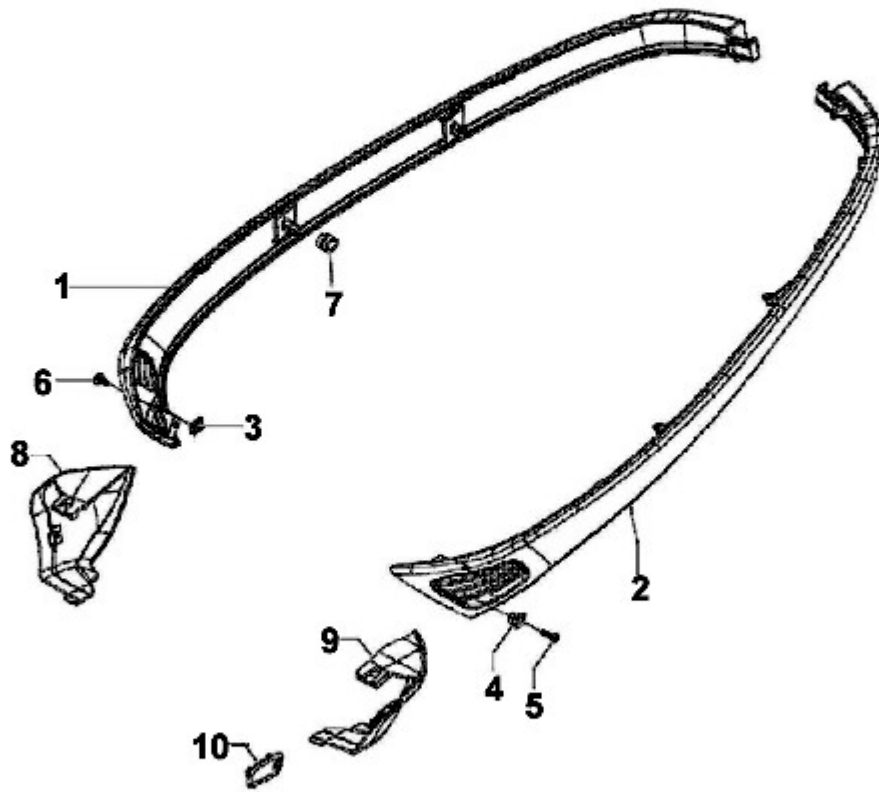


**01.04****Central Cover- Footrests**

<b>Fig. No.</b>	<b>Part No.</b>	<b>Description</b>	<b>Qty</b>	<b>Remarks</b>
1	SP1B005791000AI	FOOT BOARD - ORANGE	1	
1	SP1B005791000NL	FOOT BOARD - MATT BLACK	1	
1	SP1B005791000BR	FOOT BOARD - WHITE	1	
1	SP1B005791000R7	FOOT BOARD - RED	1	
2	576189	SCREW	2	
3	CM017406	SPRING PLATE	2	
4	S67521700AI	SPARKING PLUG INSPECTION DOOR (VS) - ORANGE	1	
4	S67521700NL	SPARKING PLUG INSPECTION DOOR (VS) -MAT BLACK	1	
4	S67521700BR	SPARKING PLUG INSP.DOOR-WHITE	1	
4	S67521700R7	SPARKING PLUG INSP. DOOR-RED DRAGON	1	
5	576189	SCREW	1	
6	157716	SCREW ANCHORE	1	
7	672681	FOOTREST STRIPES KIT	1	
8	657125	CENTRAL CARMAT	1	
9	673260	LEFT PASSENGER FOOTREST	1	
10	673261	RIGHT PASSENGER FOOTREST	1	
11	CM179303	METRICAL SCREW (TORX IMPRESSION)	4	
12	CM259201	SPRING PLATE	4	
13	297498	SELF TAPPING SCREW	8	

01.05

Side covers-Spoiler



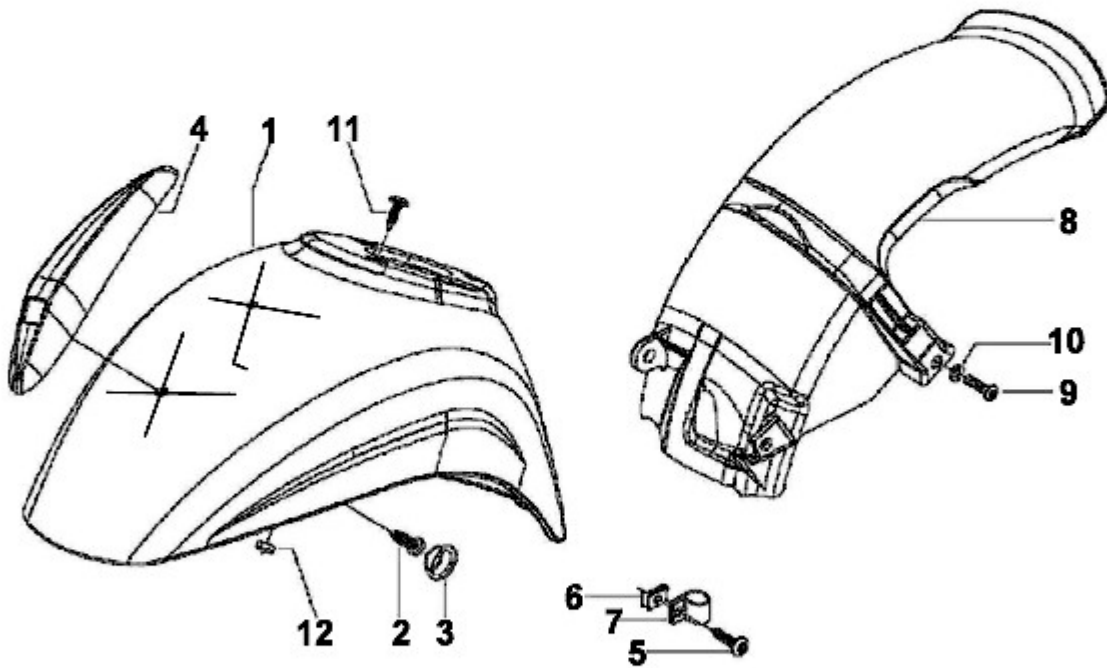


**01.05****Side covers-Spoiler**

<b>Fig. No.</b>	<b>Part No.</b>	<b>Description</b>	<b>Qty</b>	<b>Remarks</b>
1	S67267900AI	LOWER RIGHT FAIRING ORANGE	1	
1	S67267900NL	LOWER RIGHT FAIRING- MAT BLACK	1	
1	S67267900BR	LOWER RIGHT FAIRING -WHITE	1	
1	S67267900R7	LOWER RIGHT FAIRING -RED DRAGON	1	
2	S67268000AI	LOWER LEFT FAIRING ORANGE	1	
2	S67268000NL	LOWER LEFT FAIRING -MAT BLACK	1	
2	S67268000BR	LOWER LEFT FAIRING- WHITE	1	
2	S67268000R7	LOWER LEFT FAIRING- RED DRAGON	1	
3	157716	SCREW ANCHORE	1	
4	463195	BUFFER FOR FAIRING FITTING	4	
5	CM178603	THREAD FORMING SCREW	2	
6	296141	SELF THREADING SCREW	2	
7	463195	BUFFER FOR FAIRING FITTING	4	
8	S67268500AI	RIGHT TERMINAL SPOILER (VS) -ORANGE	1	
8	S67268500NL	RIGHT TERMINAL SPOILER (VS) -MAT BLACK	1	
8	S67268500BR	RIGHT TERMINAL SPOILER- WHITE	1	
8	SP1B007271R7	RIGHT TERMINAL SPOILER- RED DRAGON	1	
9	S67268600AI	LEFT TERMINAL SPOILER (VS) -ORANGE	1	
9	S67268600NL	LEFT TERMINAL SPOILER (VS) -MAT BLACK	1	
9	S67268600BR	LEFT TERMINAL SPOILER - WHITE	1	
9	S67268600R7	LEFT TERMINAL SPOILER - RED DRAGON	1	
10	620556	SPOILER PLUG	2	

01.06

Wheel Housing - Mudguard

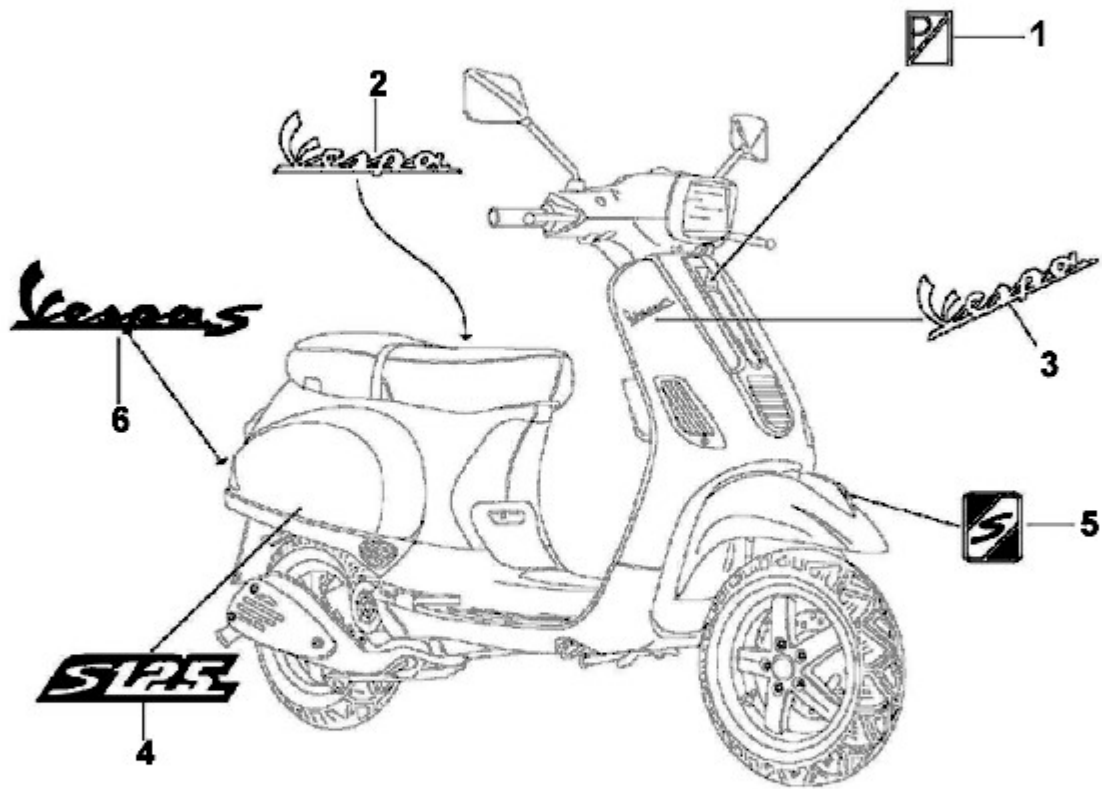


**01.06****Wheel Housing - Mudguard**

<b>Fig. No.</b>	<b>Part No.</b>	<b>Description</b>	<b>Qty</b>	<b>Remarks</b>
1	SP1B002204000AI	FRONT MUDGUARD (VS) -ORANGE	1	
1	SP1B002204000NL	FRONT MUDGUARD (VS) -MAT BLACK	1	
1	SP1B002204000BR	FRONT MUDGUAD- WHITE	1	
1	SP1B002204000R7	FRONT MUDGUAD- RED DRAGON	1	
2	15727	PAN SELF TAPPING SCREW	2	
3	192598	CAP	2	
4	S00000485BR	MUDGUARD CREST VESPA S	1	
5	15900	HEAD LAMP SECURING SCREW/PAN SELF TAP SCREW	1	
6	CM017410	SPRING PLATE	1	
7	562919	CLAMP FOR FRONT MUDGUARD REFLECTOR	1	
8	672692	REAR MUDGARD	1	
9	575249	METRICAL SCREW WITH CROSS MOULD	1	
10	675546	ELASTIC CORRUGATED WASHER	1	
11	575249	METRICAL SCREW WITH CROSS MOULD	3	
12	241936	SELF LOCKING NUT	3	

01.07

Plates and Emblem

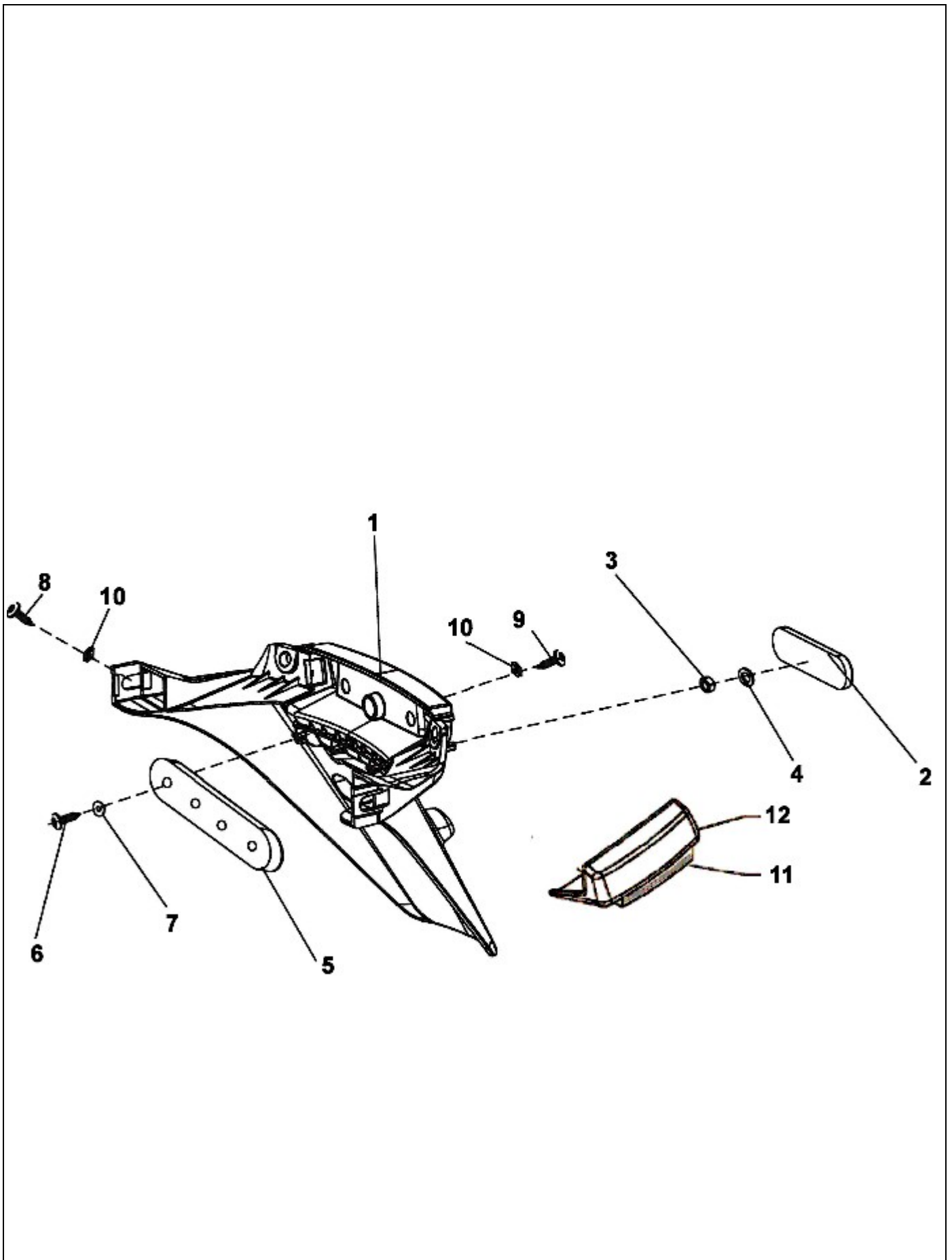


**01.07****Plates and Emblem**

<b>Fig. No.</b>	<b>Part No.</b>	<b>Description</b>	<b>Qty</b>	<b>Remarks</b>
1	576464	ORNAMENT,FR PIAGGIO	1	
2	656220	VESPA LATERAL STICKER	1	
3	656219	VESPA FRONTAL STICKER	1	
4	656231	S125 STICKER	1	
5	654821	VESPA S MUDGUARD STICKER	1	
6	656228	VESPA S STICKER	1	

01.08

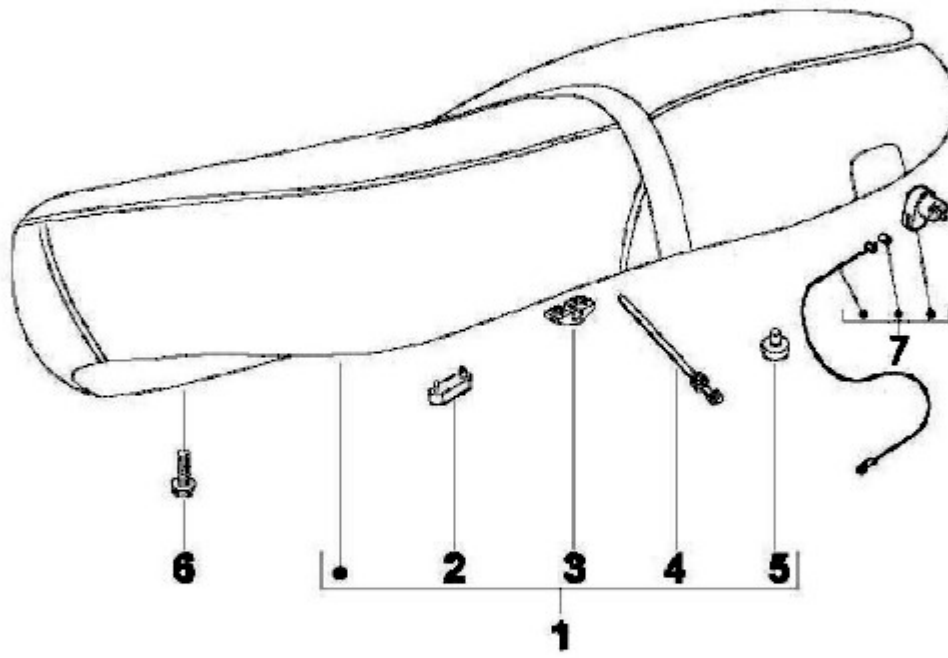
Rear Cover- Splash Guard



**01.08****Rear Cover- Splash Guard**

<b>Fig. No.</b>	<b>Part No.</b>	<b>Description</b>	<b>Qty</b>	<b>Remarks</b>
1	SP1B002528000AI	BACK PROTECTION (VS) -ORANGE	1	
1	SP1B002528000NL	BACK PROTECTION (VS) -MAT BLACK	1	
1	SP1B002528000BR	BACK POTECTION -WHITE	1	
1	SP1B002528000R7	BACK POTECTION -RED DRAGON	1	
2	642906	REAR REFLECTOR	1	
3	20105	PLAIN NUT M5	1	
4	006975	WAVY WASHER 5.3X10X0.5	1	
5	623420	PROTECTION	1	
6	296141	SELF THREADING SCREW	4	
7	013763	PLAIN WASHER (4,2X12X1)	4	
8	575249	METRICAL SCREW WITH CROSS MOULD	2	
9	CM179302	METRICAL SCREW	2	
10	254485	SPRING PLATE (M6)	4	
11	639335	GLASS FOR LICENCE PLATE LAMP	1	
12	673853	COVER ASSY FOR LICENCE PLATE LAMP	1	

**01.09**  
**Saddle/Seats**

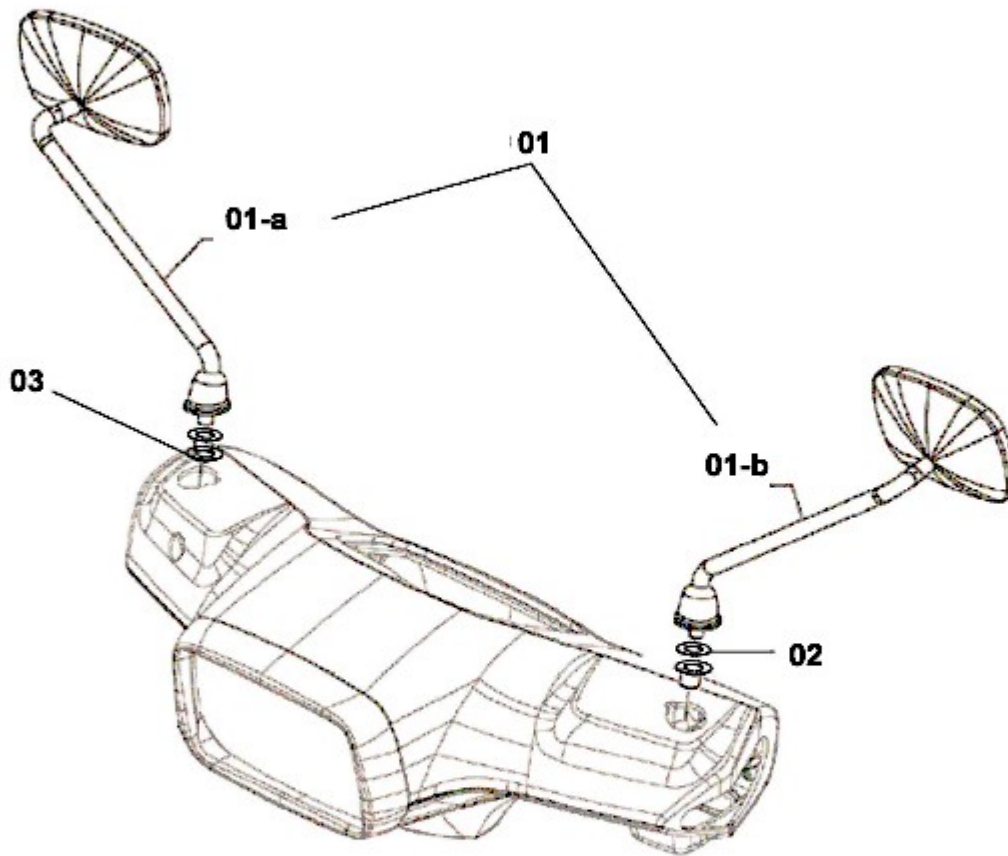




**01.09****Saddle/Seats**

<b>Fig. No.</b>	<b>Part No.</b>	<b>Description</b>	<b>Qty</b>	<b>Remarks</b>
1	1B002605000C4	COMPLETE SADDLE	1	
2	296456	SADDLE STOP-PAD	2	
3	296743	BRACKET (REAR LUGGAGE OR TANK)	2	
4	298729	DIMANTLED CLAMP	1	
5	577492	STOP PAD	2	
6	436788	FLANGED HEXAGONAL HEAD SCREW	2	
7	653994	SADDLE OPENING TRANSMISSION KIT	1	

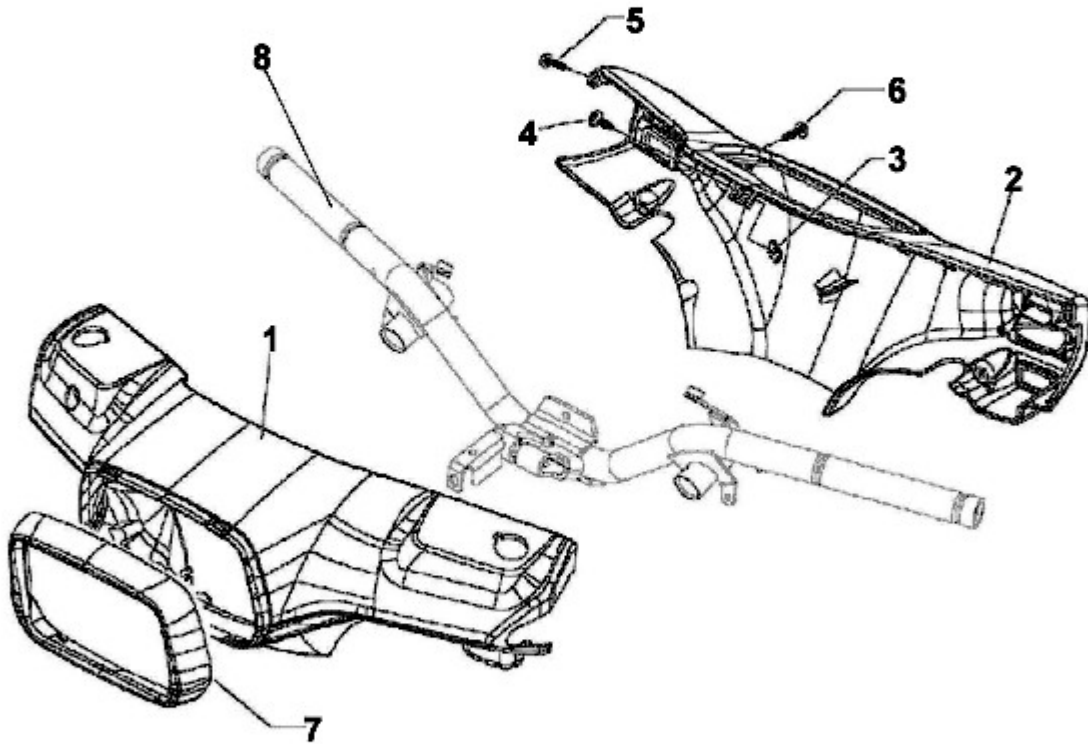
**01.10**  
**Driving Mirror**



**01.10****Driving Mirror**

<b>Fig. No.</b>	<b>Part No.</b>	<b>Description</b>	<b>Qty</b>	<b>Remarks</b>
01	CM267603	COMPLETE MIRROR NEW VESPA S	1	
01-a	CM180405	RIGHT REAR-VIEW MIRROR	1	
01-b	CM180404	LEFT REAR-VIEW MIRROR	1	
02	3060	PLAIN WASHER RAW	2	
03	006970	CURVED SPRING WASHER	2	
04	031091	SCREW BOLT SHANK THREADED COMPLETELY	2	NI

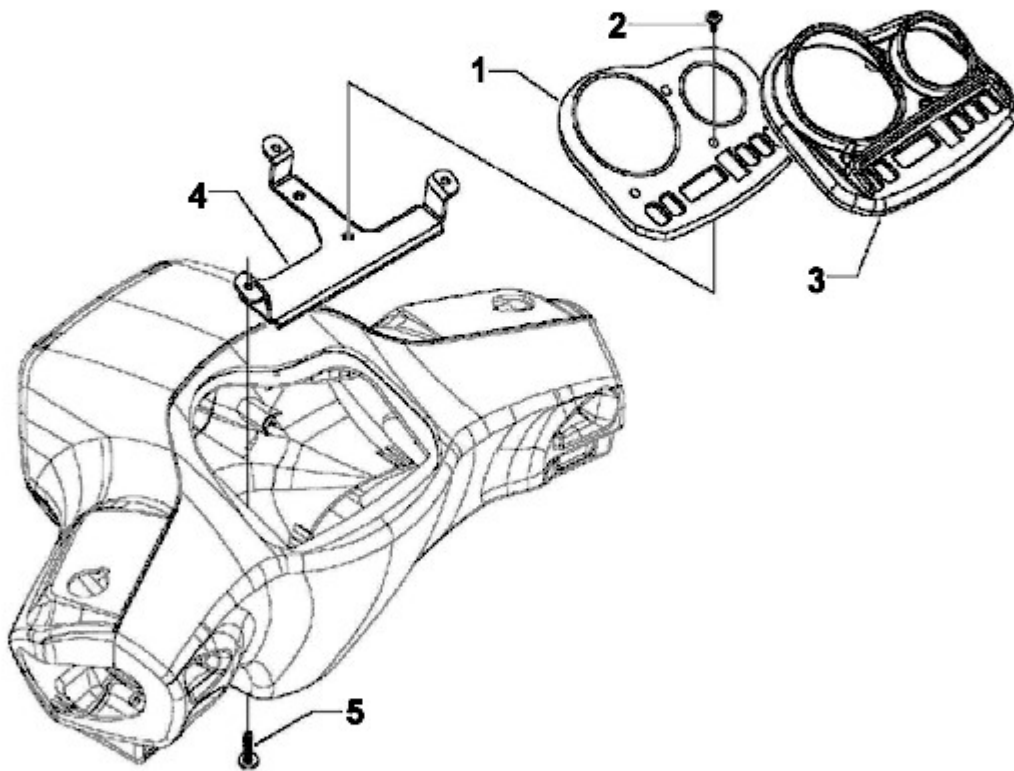
**01.11**  
**Handlebar & coverages**



**01.11****Handlebar & coverages**

<b>Fig. No.</b>	<b>Part No.</b>	<b>Description</b>	<b>Qty</b>	<b>Remarks</b>
1	SP1B006983AI	FRONT HANDLEBAR COVER (VS) -ORANGE	1	
1	SP1B006983NL	FRONT HANDLEBAR COVER (VS) -MAT BLACK	1	
1	SP1B006983BR	FRONT HANDLEBAR COVER (VS) -WHITE	1	
1	S65426300R7	FRONT HANDLEBAR COVER VESPA S- RED	1	
2	S65426400AI	REAR HANDLEBAR COVER VESPA S -ORANGE	1	
2	SP1B004450NL	REAR HANDLEBAR COVER VESPA S- M	1	
2	SP1B004450BR	REAR HANDLEBAR COVER VESPA S -WHITE	1	
2	SP1B004450R7	REAR HANDLEBAR COVER VESPA S- RED	1	
3	CM017409	SPRING PLATE	1	
4	018620	SELF TAPPING SCREW	1	
5	258146	SELF TAPPING SCREW (3X20)	2	
6	270793	SCREW	3	
7	654265	HEAD LAMP FRAME	1	
8	654267	HANDLEBAR WITH I.P.	1	

**01.12**  
**Meter Combinations**

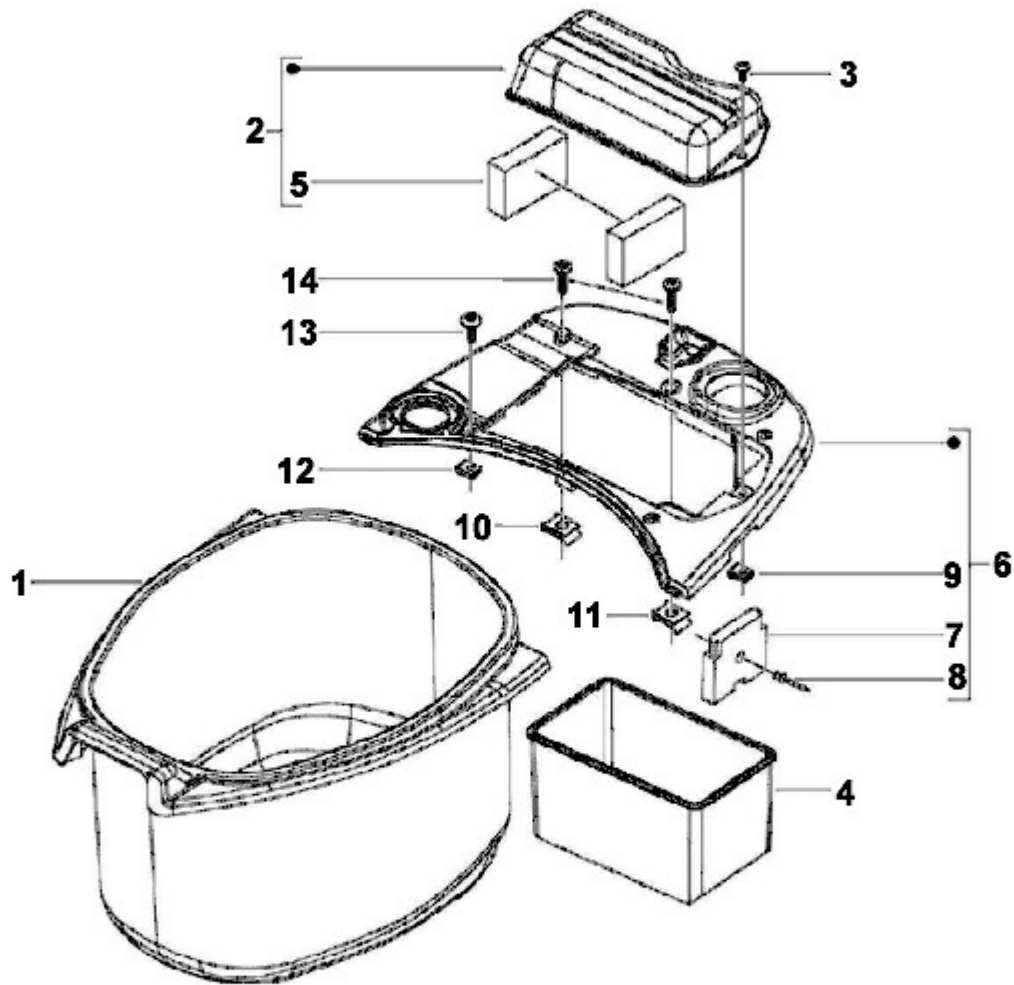


**01.12****Meter Combinations**

<b>Fig. No.</b>	<b>Part No.</b>	<b>Description</b>	<b>Qty</b>	<b>Remarks</b>
1	1D000471	SPEEDOMETER	1	
2	654300	CONVEX HEAD SCREW WITH TORX IMPRESSION	3	
3	S00000956BR	INSTRUMENT FRAME VESPA S	1	
4	654298	SUPPORT BRACKET INSTRUMENT WITH I.P.	1	
5	297498	SELF TAPPING SCREW	3	

01.13

Helemt Housing - Battery Cover



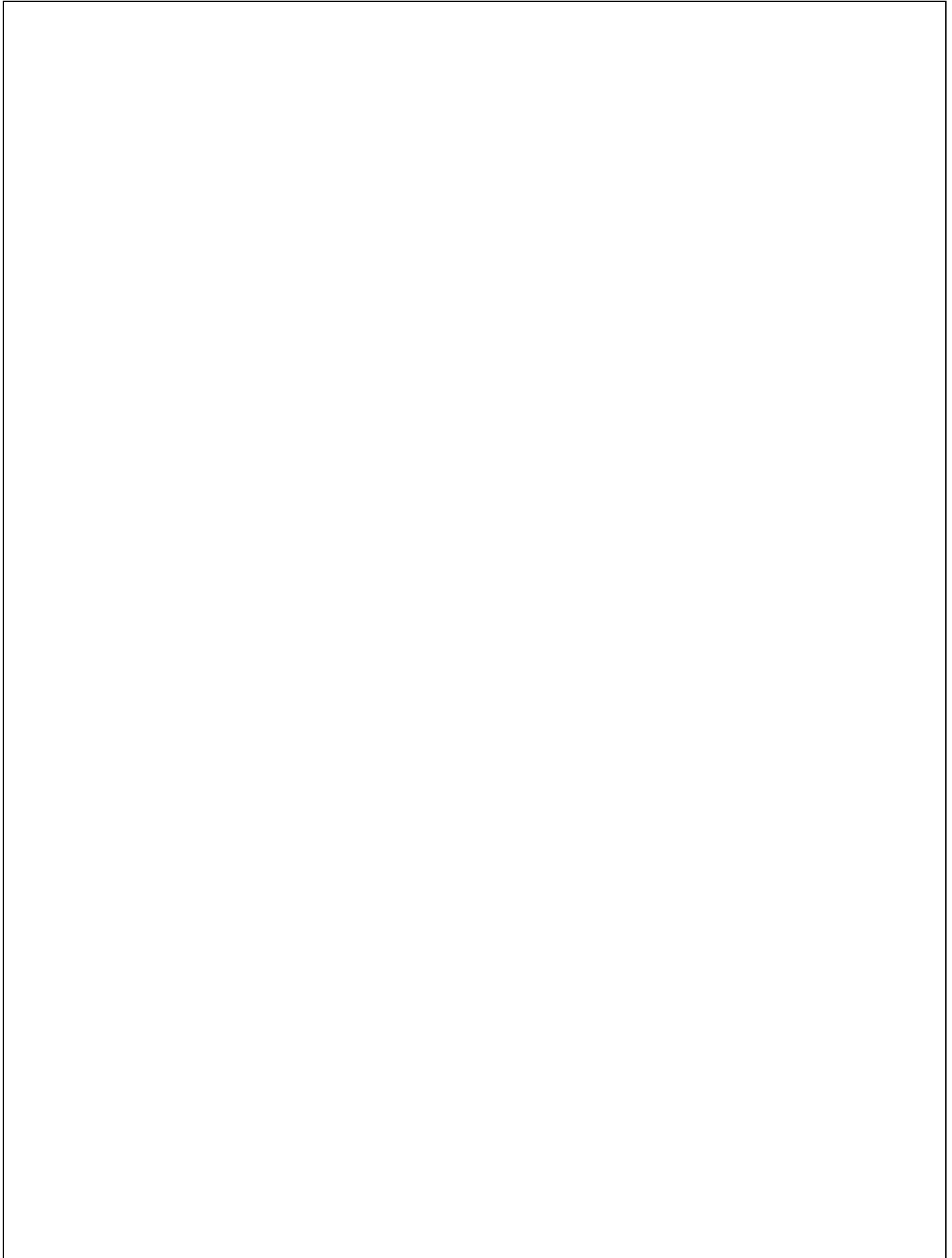


**01.13****Helmet Housing - Battery Cover**

<b>Fig. No.</b>	<b>Part No.</b>	<b>Description</b>	<b>Qty</b>	<b>Remarks</b>
1	672693	HELMET HOUSING	1	
2	576017	COMPLETE BATTERY COVER	1	
3	576189	SCREW	1	
4	675396	BATTERY LOADING TRAY	1	
5	575937	BATTERY PAD	2	
6	1B001409	COMPLETE TANK-BATTERY COVER	1	Old
6	1B001409	COMPLETE TANK-BATTERY COVER	1	New
7	1B001181	TANK - BATTERY COVER	1	
8	623315	BUSH	1	
9	CM017410	SPRING PLATE	1	
10	CM017408	SPRING PLATE	2	
11	CM017410	SPRING PLATE	2	
12	254485	SPRING PLATE (M6)	1	
13	CM179303	METRICAL SCREW (TORX IMPRESSION)	1	
14	CM178608	SELF-TAPPING SCREW	3	

**01.14**

**Headlamp-turn signal lamp**

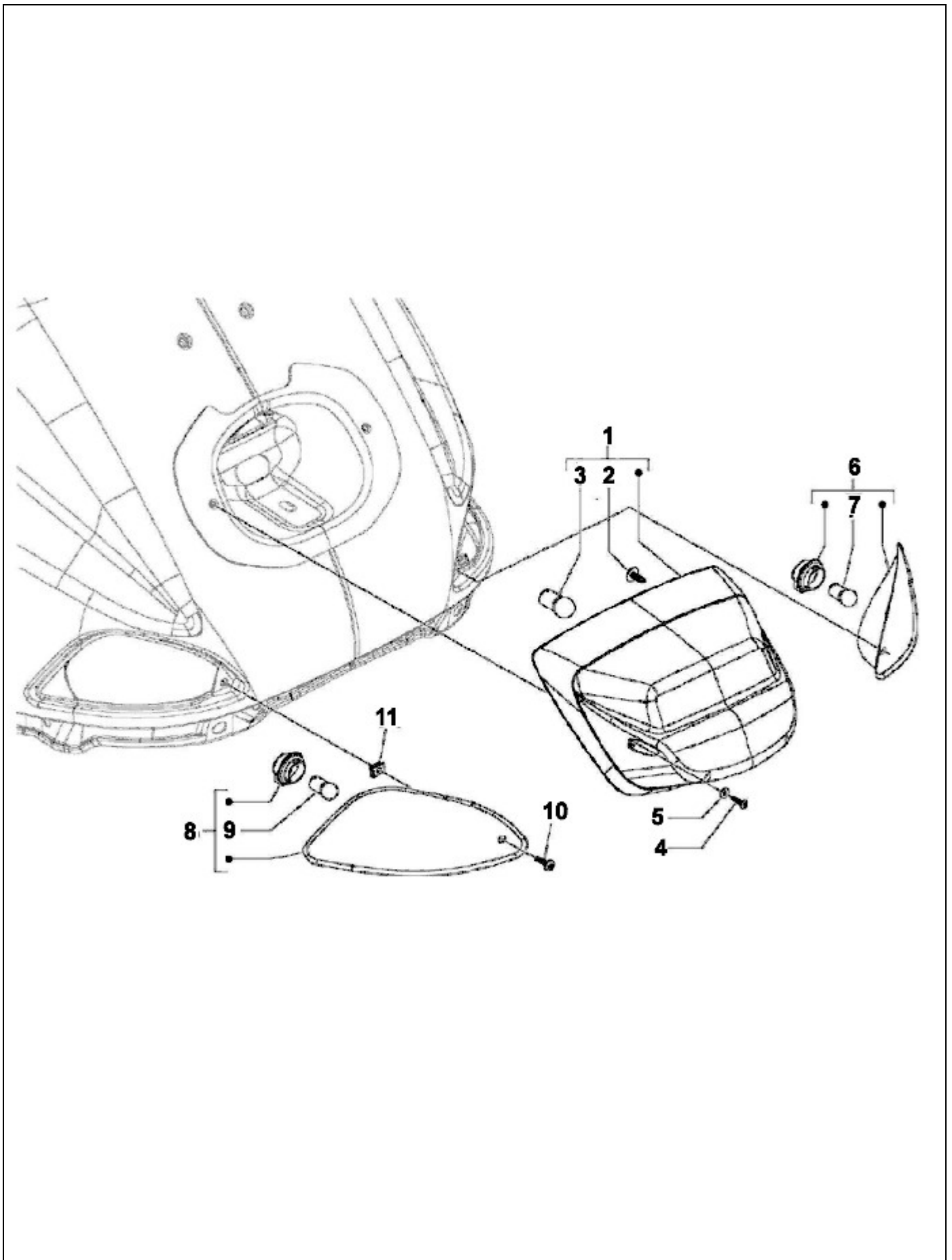


**01.14****Headlamp-turn signal lamp**

<b>Fig. No.</b>	<b>Part No.</b>	<b>Description</b>	<b>Qty</b>	<b>Remarks</b>
1	640725	COMPLETE HEADLAMP	1	OLD
1	1D001812	SYMMETRICAL COMPLETEHEADLAMP	1	NEW
2	231215	LAMP 12V/35/35W HS1 (HALOGEN)	1	
3	654271	SUPPORT CONTROL HEADLIGHT	2	
4	654890	COMPLETE HEADLIGHT SUPPORT	1	
5	654301	CONTROL HEADLIGHT SPACER	2	
6	270793	SCREW	4	
7	654276	FIXING PART FOR CONTR.HEADLIGHT SUPPORT	1	
8	640800	ADJUSTEMENT BLOCK	1	
9	640801	AIMING SCREW	1	
10	018631	SCREW	2	
11	006976	WAVED SPRING WASHER	2	
12	015935	SCREW WITH CYLINDRICAL HEAD	2	
13	6965	SPRING WASHER DIA 5	2	
14	292022	LAMP (12V - 5W)	1	
15	643324	LEFT FRONT TURN SIGNAL LAMP	1	
16	584332	12V-10W AMBER LAMP	1	
17	643325	RIGHT FRONT TURN SIGNAL LAMP	1	
18	654876	LAMP GASKET	1	
19	008457	SCREW FOR HANDLEBARS (D 4,2X19)	2	
20	CM017406	SPRING PLATE	2	
21	1D000517	HEADLAMP WIRING HARNESS	1	

01.15

Rear Headlamps - turn signal lamp



**01.15****Rear Headlamps - turn signal lamp**

<b>Fig. No.</b>	<b>Part No.</b>	<b>Description</b>	<b>Qty</b>	<b>Remarks</b>
1	1D000540	COMPLETE TAIL LAMP	1	
2	015724	SELF-TAPPING SCREW	2	
3	643323	BULB LAMP	1	
4	018591	CYLINDRICAL SCREW	2	
5	6965	SPRING WASHER DIA 5	2	
6	643327	RIGHT REAR TURN SIGNAL LAMP	1	
7	584332	12V-10W AMBER LAMP	1	
8	643326	LEFT REAR TURN SIGNAL LAMP	1	
9	584332	12V-10W AMBER LAMP	1	
10	008372	SCREW FOR REAR TURN SIGNAL LAMP (M3,5X16)	2	
11	CM017405	SPRING PLATE	2	

**01.16**

**Main Cable harness**

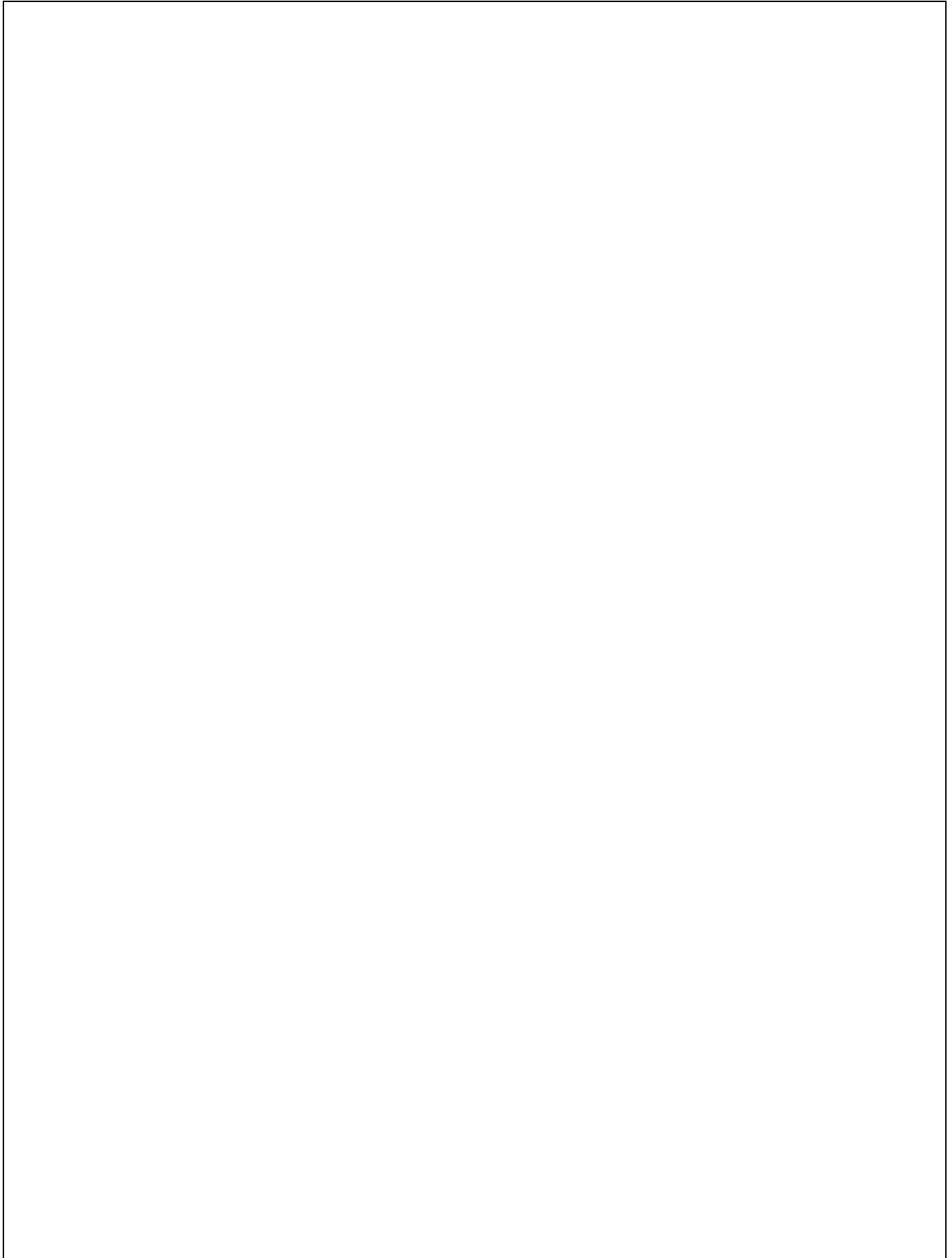


**01.16****Main Cable harness**

<b>Fig. No.</b>	<b>Part No.</b>	<b>Description</b>	<b>Qty</b>	<b>Remarks</b>
1	1D000530	WIRING HARNESS	1	

**01.17**

**Exclusive parts**

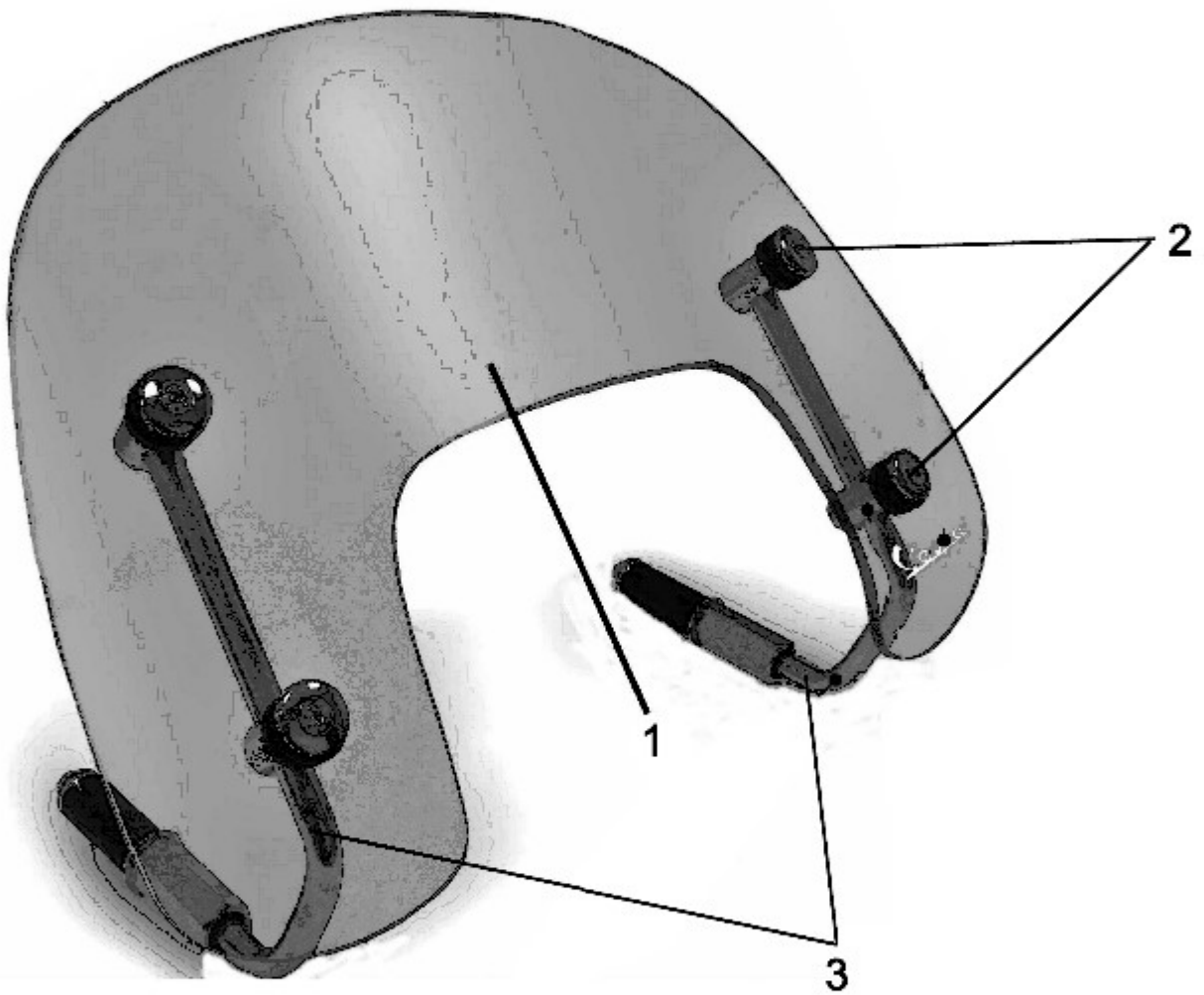




**01.17****Exclusive parts**

<b>Fig. No.</b>	<b>Part No.</b>	<b>Description</b>	<b>Qty</b>	<b>Remarks</b>
1	1C003017	FRONT SHOCK ABSORBER ASSY	1	
2	1C005187	REAR SUSPENSION, ASSY	1	
3	1C000491	FRONT WHEEL HUB WITH I.P.	1	
4	1C004243	REAR BRAKE DRUM	1	
5	SP1C000495	REAR RIM ASSY- SPD	1	
5a	1C000522	TUBELESS VALVE	1	
5b	1C000432R	TYRE 90/100-10	1	
5c	1C000494	REAR RIM WITH I.P.	1	
6	SP1C000497	FRONT RIM ASSY- SPD	1	
6a	1C000522	TUBELESS VALVE	1	
6b	1C000432R	TYRE 90/100-10	1	
6c	1C000496	FRONT RIM WITH I.P.	1	
7	1C000612	SPEEDOMETER FLEXIBLE SHAFT ASSY	1	
8	675324	COVER	1	
9	1C000726R	SHOCK ABSORBER AND CALIPER SUPPORT	1	

**01.18**  
**Accessories**



**01.18****Accessories**

<b>Fig. No.</b>	<b>Part No.</b>	<b>Description</b>	<b>Qty</b>	<b>Remarks</b>
1	SKIT940029R	WINDSHIELD ASSY (CLEAR)	1	added on 26.12.14
1	SKIT940029R	WINDSHIELD ASSY (CLEAR)	1	added on 26.12.14
2	S11655376	FIXING BUSHING ASSY	4	added on 26.12.14
3	S22655376	WINDSHIELD STEM SUPPORT ASSY.	2	added on 26.12.14
4	783003	VESPA BODY COVER(SLIVER)	1	
5	783004	VESPA BODY COVER-(TYVEK)	1	

# **PARTS INDEX**

**Vespa S**

<b>PART NO</b>	<b>BLOCK</b>	<b>PART NO</b>	<b>BLOCK</b>	<b>PART NO</b>	<b>BLOCK</b>
006970	01.10	231215	01.14	622187	01.02
006975	01.08	241936	01.06	622188	01.02
006976	01.14	248419	01.03	623315	01.13
008372	01.15	254485	01.08	623420	01.08
008457	01.14	254485	01.13	639335	01.08
013763	01.08	258146	01.11	640725	01.14
015724	01.15	259349	01.03	640800	01.14
015935	01.14	270793	01.11	640801	01.14
018591	01.15	270793	01.14	642906	01.08
018620	01.11	292022	01.14	643323	01.15
018631	01.14	296141	01.08	643324	01.14
031091	01.10	296141	01.05	643325	01.14
15727	01.06	296456	01.09	643326	01.15
157716	01.02	296743	01.09	643327	01.15
157716	01.04	297498	01.12	653994	01.09
157716	01.05	297498	01.02	654265	01.11
15900	01.06	297498	01.03	654267	01.11
18544	01.02	297498	01.04	654271	01.14
192598	01.06	298729	01.09	654276	01.14
1B000951	01.02	299964	01.02	654290	01.03
1B000979	01.03	299965	01.02	654297	01.03
1B001181	01.13	3060	01.10	654298	01.12
1B001409	01.13	436788	01.09	654300	01.12
1B001409	01.13	463195	01.05	654301	01.14
1B002605000C4	01.09	463195	01.05	654821	01.07
1C000432R	01.17	562919	01.06	654876	01.14
1C000432R	01.17	575249	01.08	654890	01.14
1C000491	01.17	575249	01.06	654899	01.02
1C000494	01.17	575249	01.06	654913	01.02
1C000496	01.17	575819	01.03	656219	01.07
1C000522	01.17	575937	01.13	656220	01.07
1C000522	01.17	576017	01.13	656228	01.07
1C000612	01.17	576189	01.13	656231	01.07
1C000726R	01.17	576189	01.03	657125	01.04
1C003017	01.17	576189	01.04	672681	01.04
1C004243	01.17	576189	01.04	672692	01.06
1C005187	01.17	576464	01.07	672693	01.13
1D000471	01.12	576464	01.02	673260	01.04
1D000517	01.14	577492	01.09	673261	01.04
1D000530	01.16	584332	01.14	673853	01.08
1D000540	01.15	584332	01.15	675324	01.17
1D001812	01.14	584332	01.15	675396	01.13
20105	01.08	620556	01.05	675546	01.06

