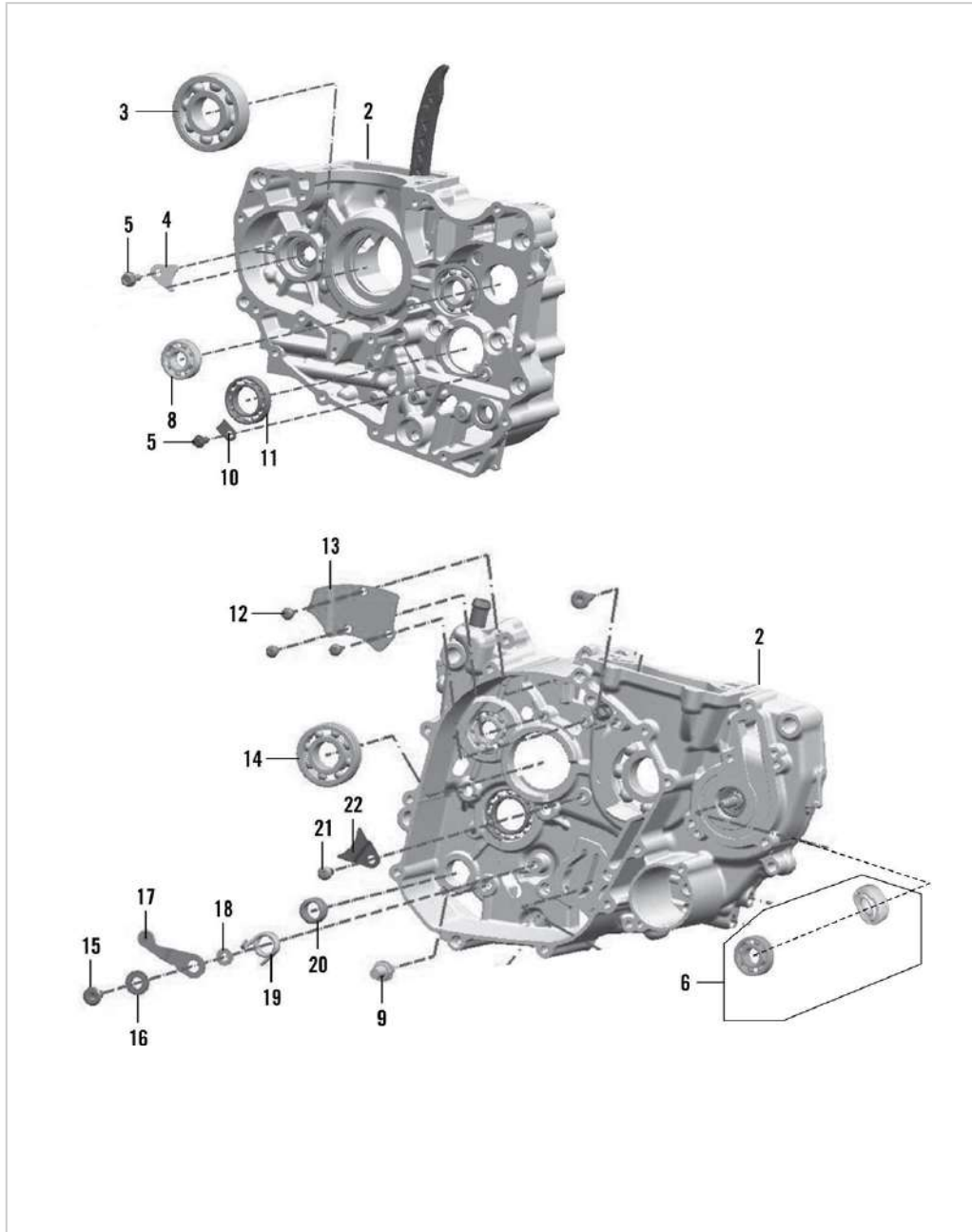


RC-200-GEN2 MY-22

RC-200-GEN2 MY-22

1. CRANKCASE RH

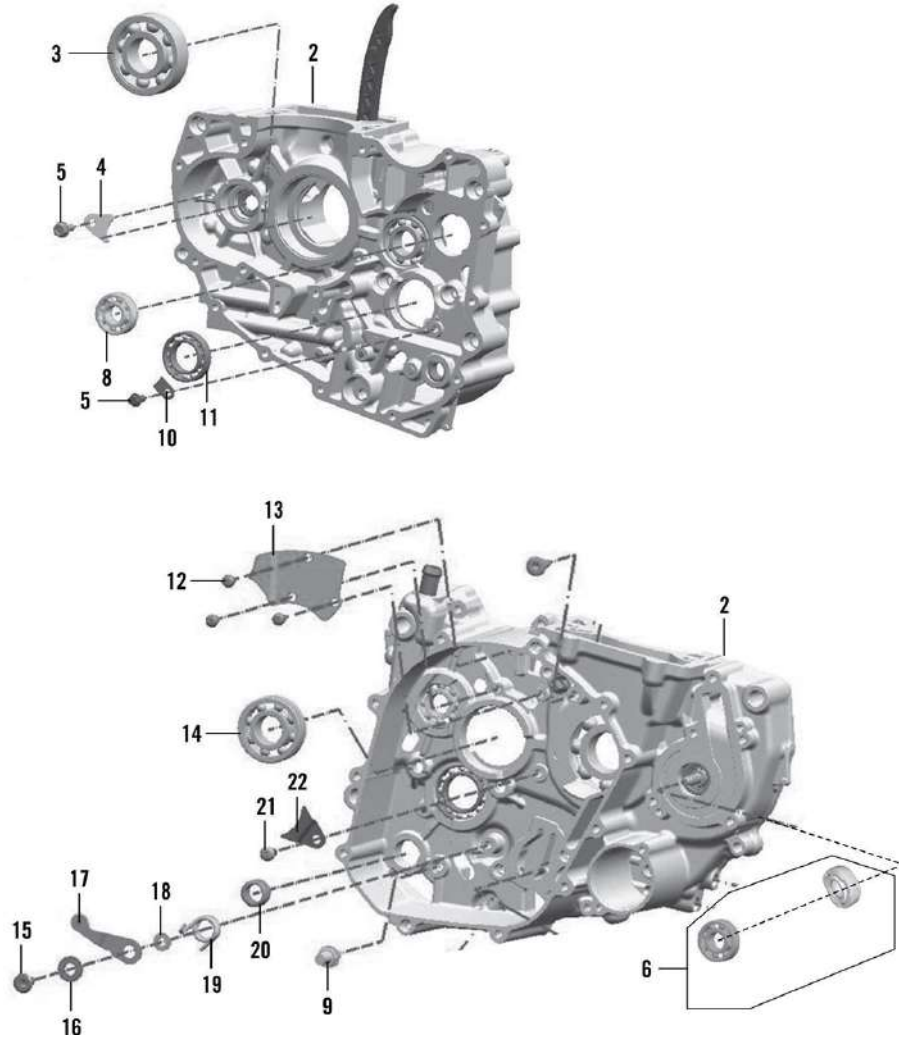


SN	Part No.	Description	QTY
1	36JU0125	PACKING KIT ENGINE TRANSMISSION 200	1
2	36JP0057	KIT CR' CASE ASY RH 200 MY20	1
3	39193120	BEARING - BALL :- 28 X 68 X 18	1
4	JY541047	STOPPER I/P SHAFT BEARING	1
5	DJ101300	BOLT FLANGE	2
6	36JG0091	KIT WATER PUMP SEALS W/GRASE	1
7	83020473	GREASE PETAMO GHY 441 3 GM POUCH	1
8	39260220	BEARING - BALL 6202/HN3	1
9	DP101191	BOLT (M8 X 1.25 X LENGTH = 15.5)	1
10	JG541059	PLATE STOPPER BEARING DRUM	1
11	39260120	BEARING - BALL :- 61905 (25 X 42 X 9)	1
12	DJ101314	PAN HEAD SCREW	3
13	JU541005	PLATE BREATHER	1
14	59200036	BEARING - BALL 6203 HN3 C3	1
15	JG561204	BOLT STOPPER DRUM	1
16	JG561205	WASHER DRUM STOPPER	1
17	JG561009	STOPPER DRUM COMP	1
18	39200511	WASHER	1
19	JG561226	SPRING STOPPER DRUM	1
20	39256220	BEARING - NEEDLE ROLLER :- 13 X 19 X 12	1

RC-200-GEN2 MY-22

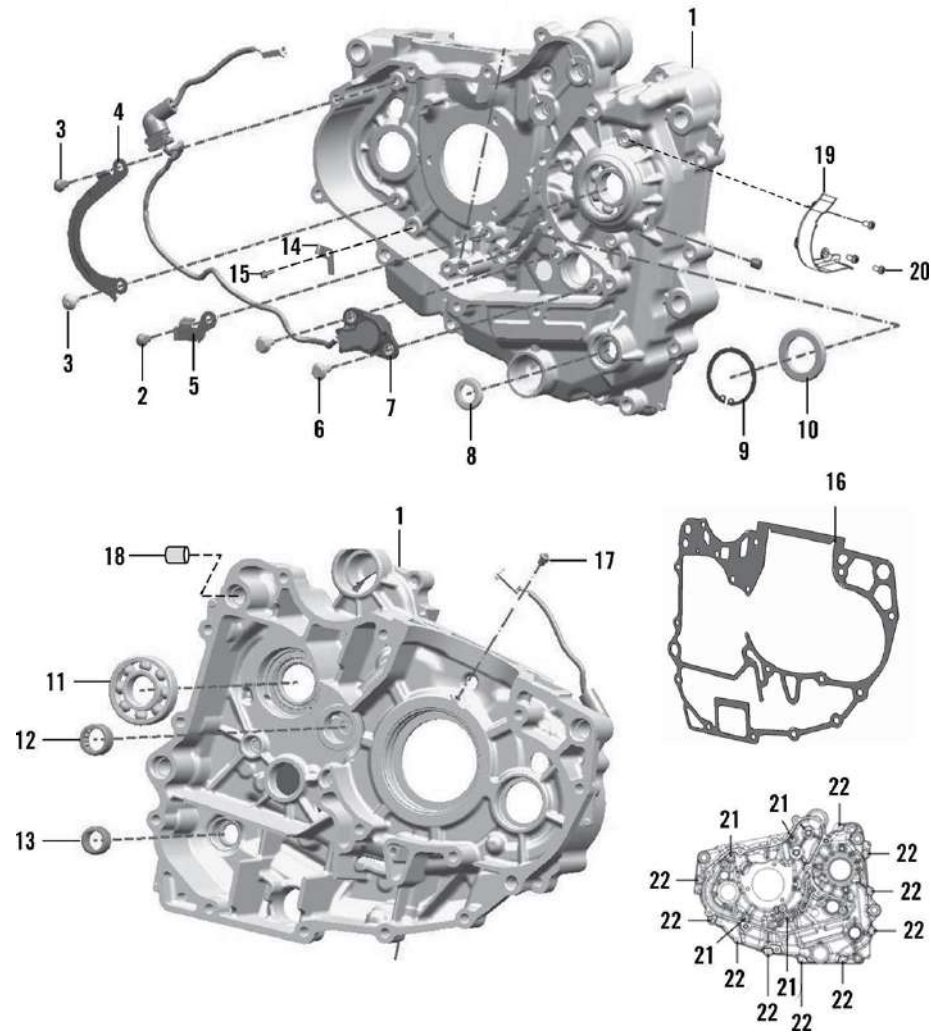
1. CRANKCASE RH

SN	Part No.	Description	QTY
21	LBB00007	SCREW PAN CROSS M6X1	1
22	JG541045	PLATE STOPPER	1



RC-200-GEN2 MY-22

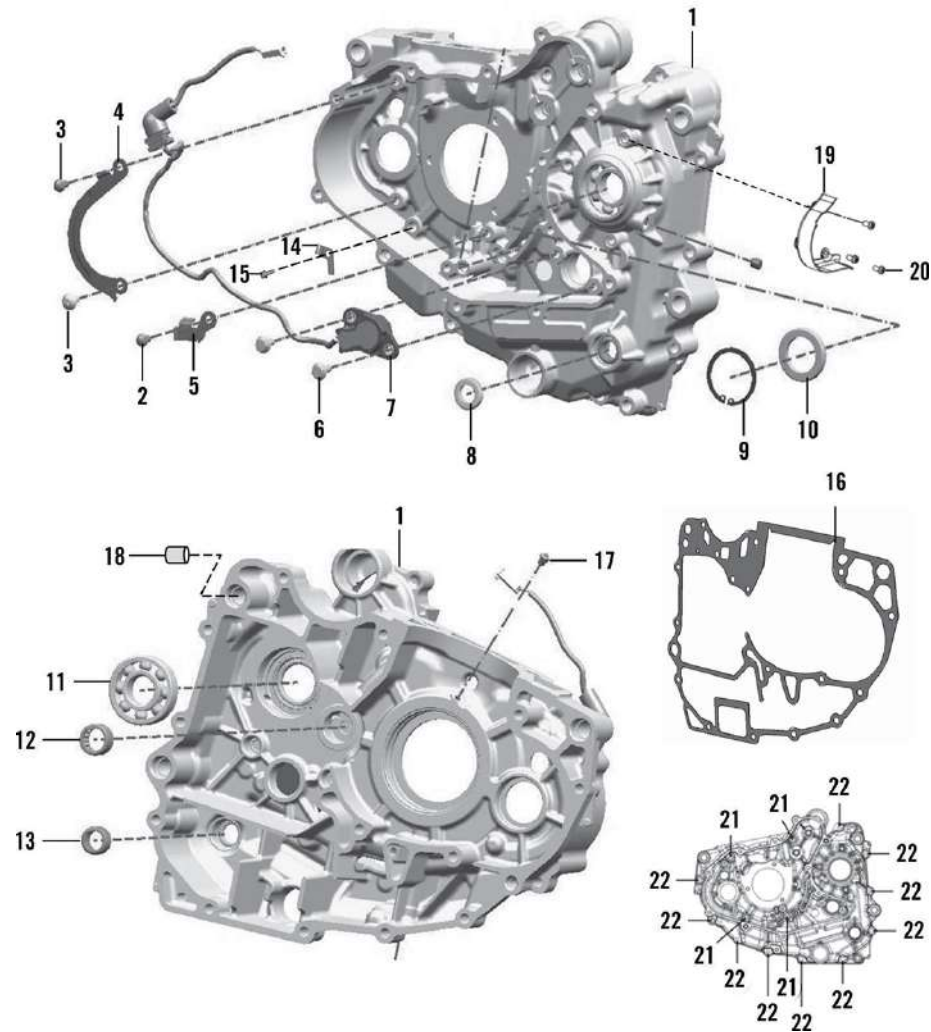
2. CRANKCASE LH



SN	Part No.	Description	QTY
1	36JP0058	KIT CR' CASE ASY LH 200 MY20	1
2	LBB00007	SCREW PAN CROSS M6X1	1
3	DJ101300	BOLT FLANGE	2
4	JU541018	BRACKET HARNESS UPPER	1
5	JG541044	BRACKET HARNESS LOWER_G2	1
6	KADP0516	HEXAGONAL FLANGE BOLT	1
7	JP351010	SENSOR ASSEMBLY PICK UP	1
8	39104319	SEAL - OIL	1
9	KEBA3715	CIRCLIP INTERNAL	1
10	JY541058	OIL SEAL OUTPUT SHAFT	1
11	59200006	BEARING - BALL	1
12	JG541015	BEARING NEEDLE	1
13	39256220	BEARING - NEEDLE ROLLER :- 13 X 19 X 12	1
14	JG541043	RETAINER GEAR STARTER	1
15	LAE00042	BOLT FLANGED-M6X1	1
16	JG541041	GASKET CRANKCASE	1
17	JG541074	OIL NOZZLE	1
18	39218106	PIN - HOLLOW DOWEL :- 14 X 20	4
19	JG541058	CHAIN GUARD	1
20	LBB00007	SCREW PAN CROSS M6X1	3

RC-200-GEN2 MY-22

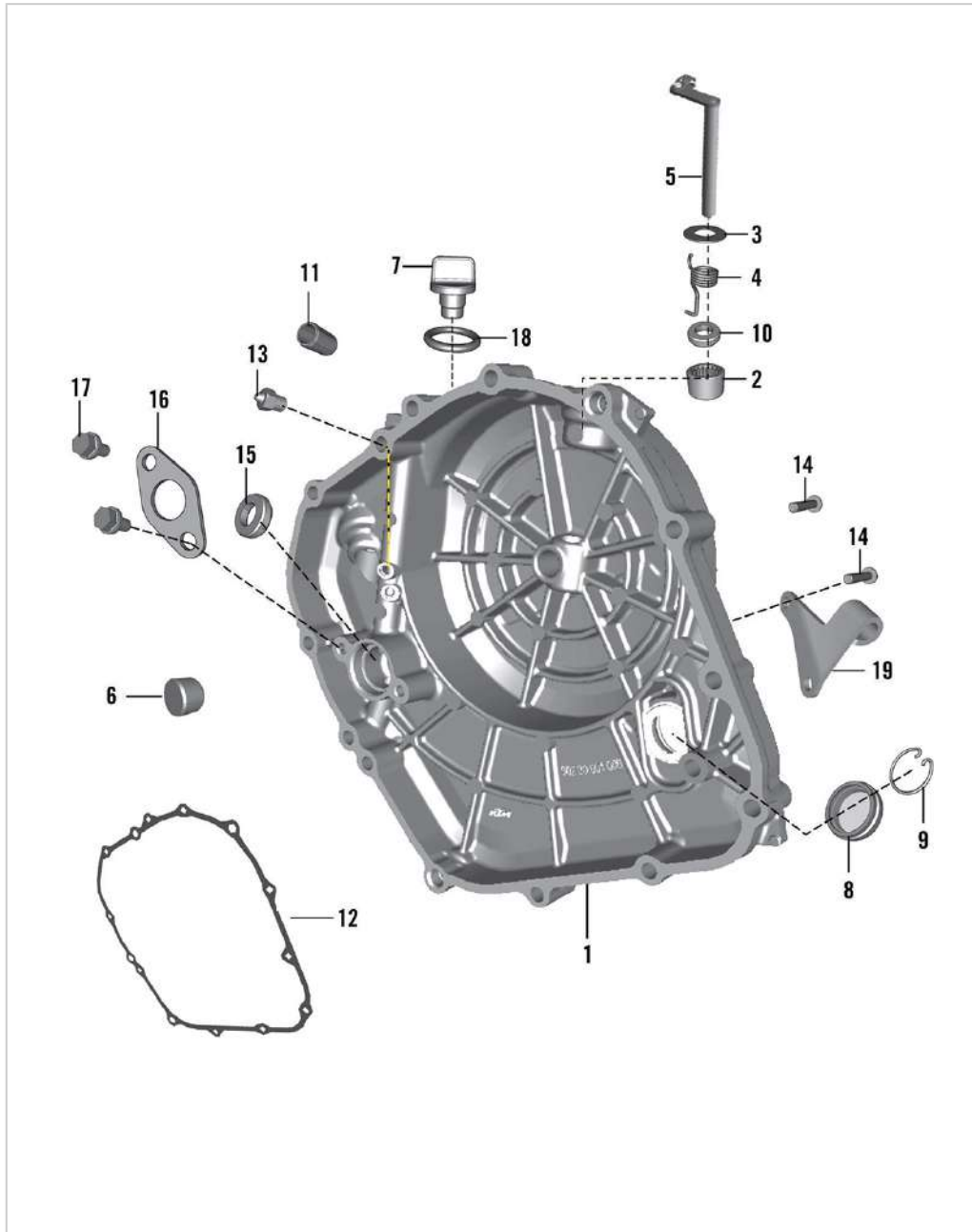
2. CRANKCASE LH



SN	Part No.	Description	QTY
21	LAD00081	BOLT FLANGED M6X1X60L- PRECOATED	4
22	KAEQ0640	BOLT FLANGE SMALL- M6X1XL40XDACRO	10
23	83020473	GREASE PETAMO GHY 441 3 GM POUCH	1

RC-200-GEN2 MY-22

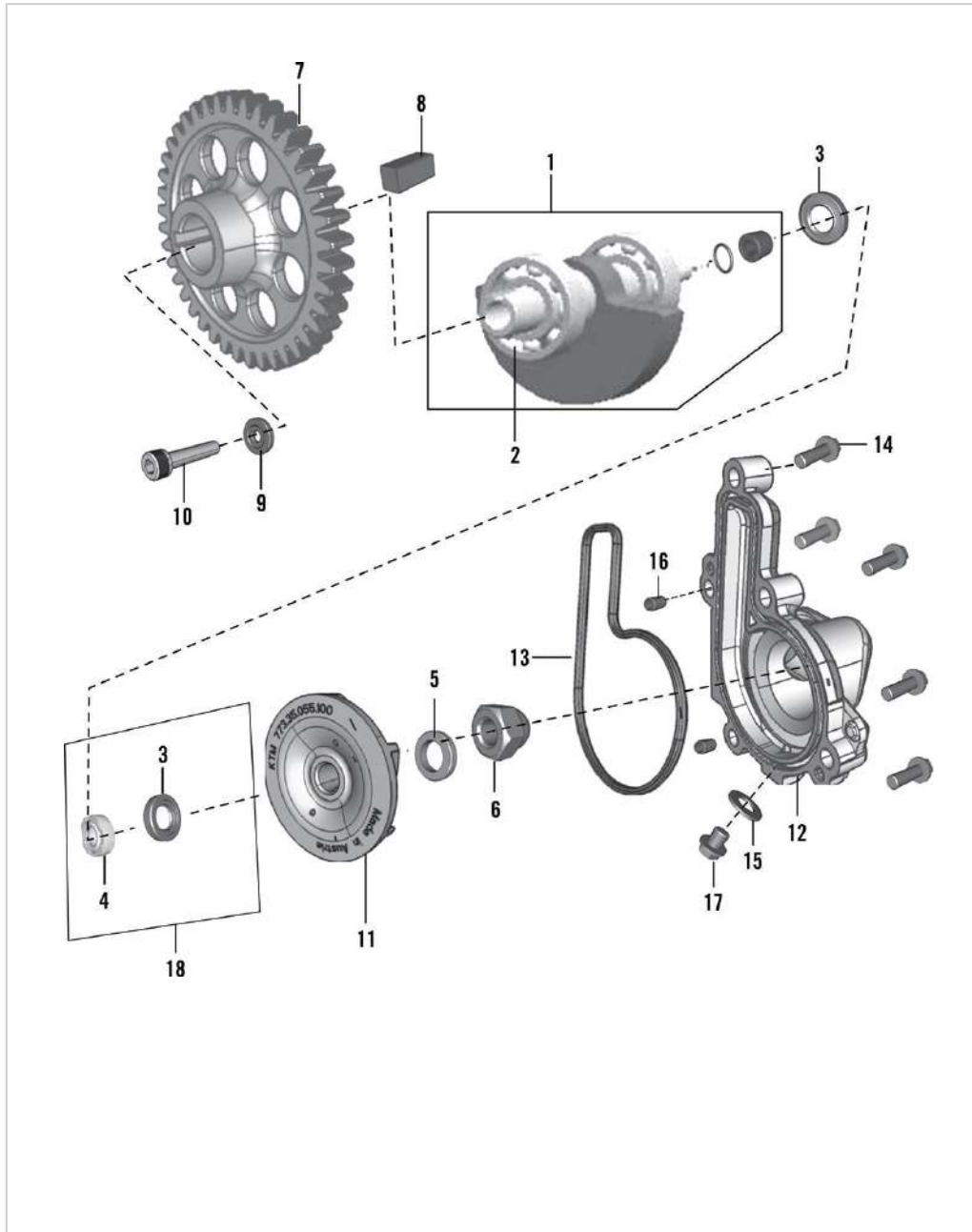
3. CLUTCH COVER



SN	Part No.	Description	QTY
1	JY541267	COVER CLUTCH	1
2	39199020	BEARING - NEEDLE	1
3	LDB00020	WASHER 12.5X24X0.8T	1
4	JY541221	SPRING LEVER CLUTCH	1
5	JY541251	SHAFT CLUTCH RELEASE ASSY	1
6	JY551404	ROD PULL	1
7	JG541230	CAP OIL FILLING	1
8	JL541227	WINDOW OIL GUAGE	1
9	DH102117	WIRE CLIP	1
10	39104119	SEAL - OIL	1
11	39099906	PIN - HOLLOW DOWEL	2
12	JL541277	GASKET CLUTCH COVER	1
13	JG541021	OIL NOZZLE	2
14	KAEW0635	BOLT FLANGE SMAL- M6X1XL35XBRIGHT	12
15	39201619	SEAL - OIL	1
16	JY541220	PLATE OIL SEAL	1
17	DJ101300	BOLT FLANGE	2
18	39153721	RING - O	1
19	JY541253	BRACKET CLUTCH CABLE	1

RC-200-GEN2 MY-22

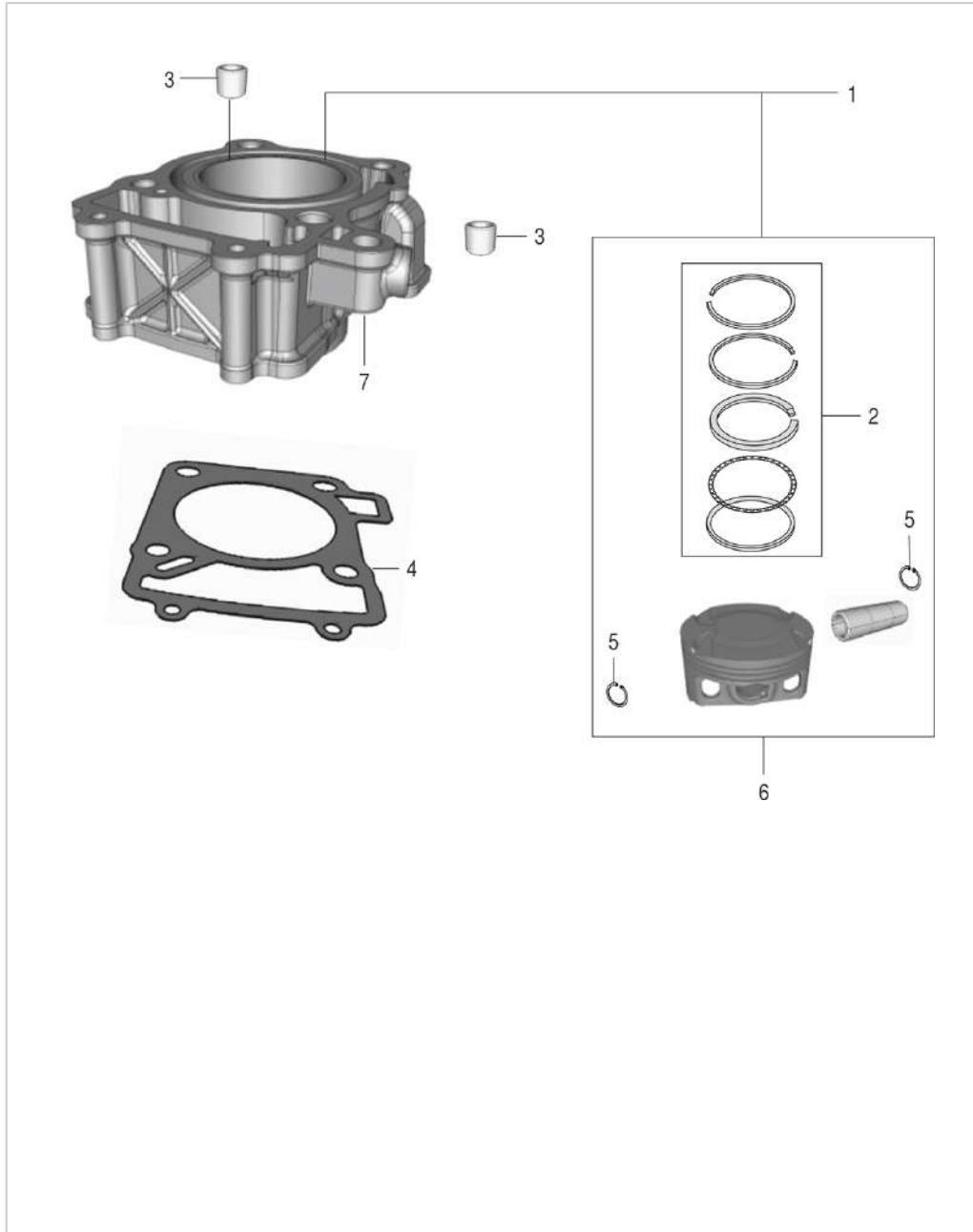
4. BALANCER SHAFT



SN	Part No.	Description	QTY
1	JL531205	KIT BALANCER SHAFT	1
2	KPBF6304	BEARING-BALL-C3 CLEARANCE-HN3	2
3	JG601007	SEAL OIL	1
4	JL601010	WATER SEAL_DOUBLE LIP	1
5	JG531215	WASHER 2.5MM	1
6	JG601005	DOME NUT	1
7	JG531207	GEAR BALANCER DRIVEN	1
8	DS101154	KEY	1
9	LDB00051	WASHER PLAIN-ID 8.2XOD 26XTHK 3	1
10	LAC00086	BOLT SOCKET-M8X1XL40	1
11	JG601013	WATER PUMP ROTOR_G2	1
12	JG601024	COVER PUMP WATER	1
13	JG601012	O-RING (WATER PUMP COVER)	1
14	KAEW0620	BOLT FLANGE SMAL-M6X1XL20XBRIGHT	5
15	39166511	WASHER - SEAL :- 6	1
16	39260607	PIN - PARALLEL	2
17	LAE00048	BOLT FLANGED M6X1	1
18	36JG0091	KIT WATER PUMP SEALS W/GRASE	1

RC-200-GEN2 MY-22

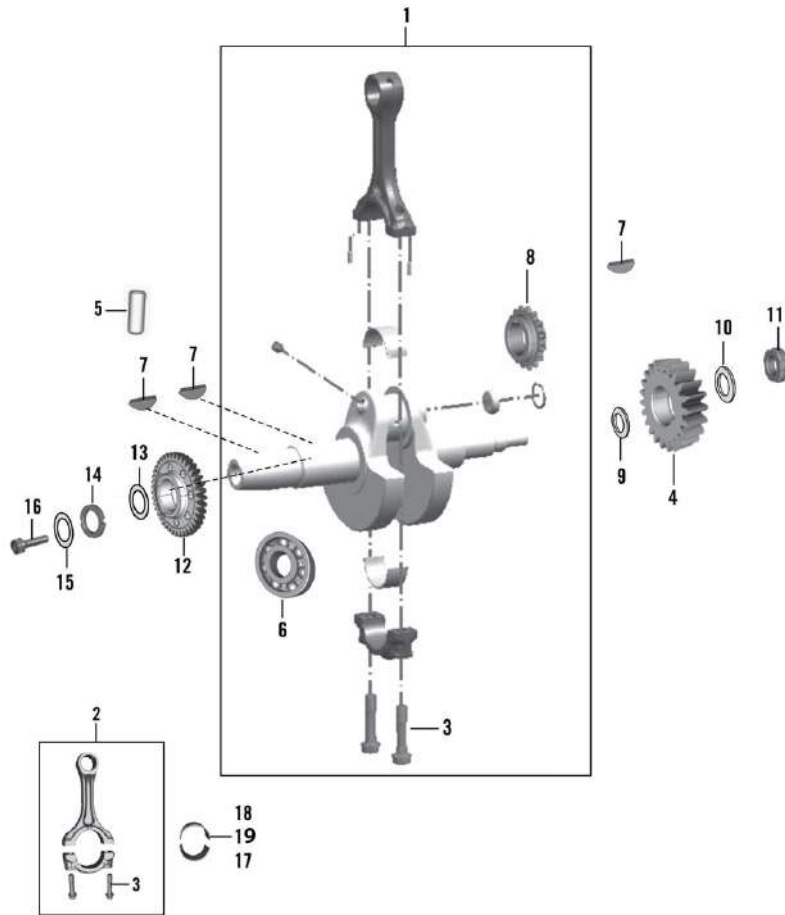
5. CYLINDER PISTON



SN	Part No.	Description	QTY
1	36JU0007	KIT CYLINDER BLOCK PISTON ASSLY DUKE 200	1
2	36JU0001	KIT RING SET KTM 200	1
3	39218106	PIN - HOLLOW DOWEL :- 14 X 20	2
4	JG521008	GASKET BLOCK CYLINDER	1
5	39213217	RING - SNAP	2
6	JL521200	PISTON ASSEMBLY	1
7	JU521005	BLOCK CYLINDER	1

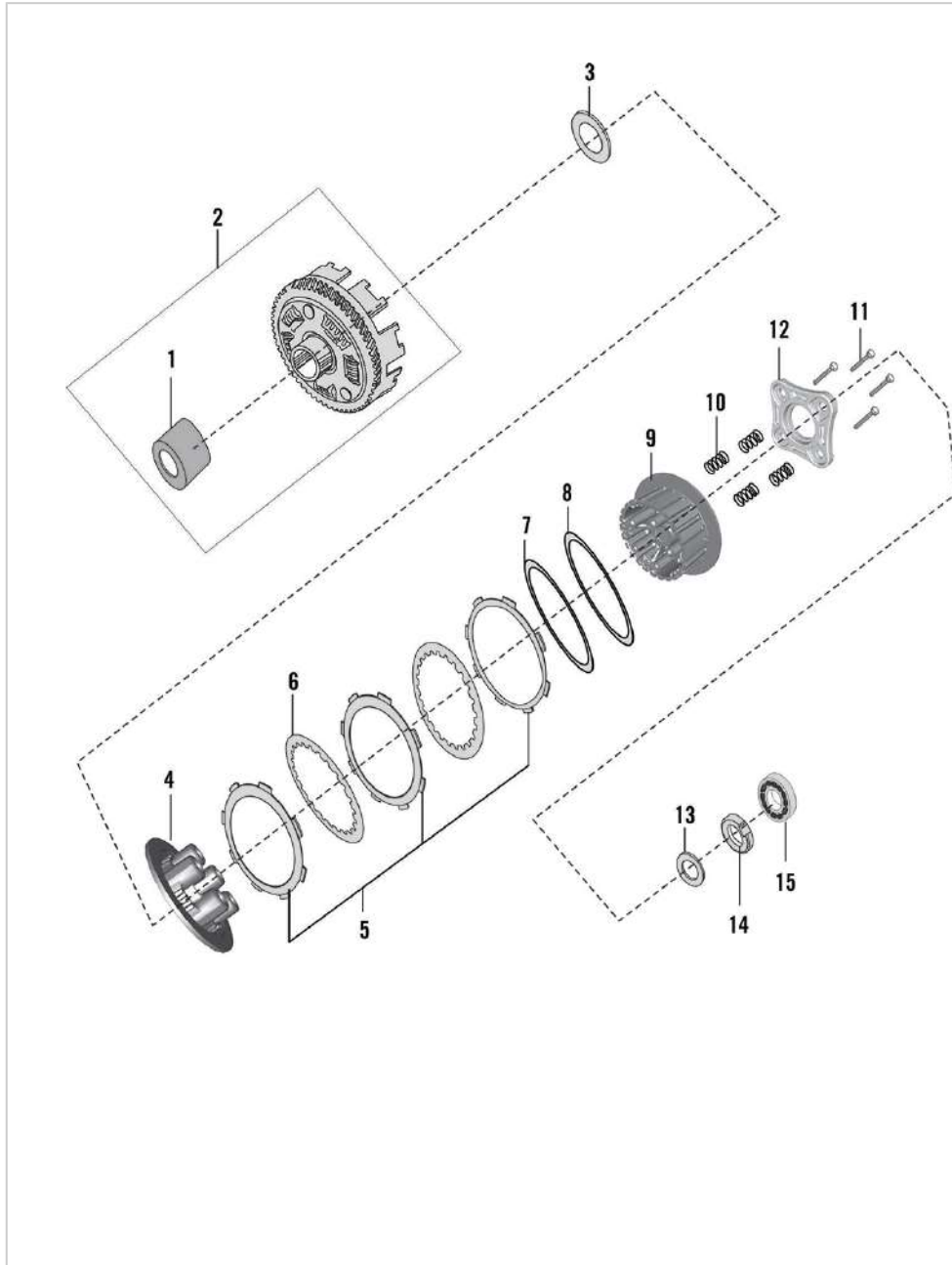
RC-200-GEN2 MY-22

6. CRANKSHAFT



SN	Part No.	Description	QTY
1	36JU0036	ASSEMBLY CRANKSHAFT	1
2	JF531007	CONROD ASSEMBLY	1
3	JF531014	BOLT (JF CON ROD)	2
4	JY551212	GEAR PRIMARY DRIVE	1
5	39260607	PIN - PARALLEL	1
6	LFB00001	KEY SUNK- WD4XHT4XL12XPHOSPHATISE	1
7	31101173	KEY -WOODRUFF FOR CRANKSHAFT CLUTCH SIDE	1
8	JY531026	SPROCKET CRANKSHAFT(18T)	1
9	DG101275	WASHER (SPECIAL)	1
10	JY531008	WASHER PLAIN	1
11	LCG00002	NUT - FLANGED - M16X1.5X10L	1
12	JY551220	GEAR BALANCER DRIVE	1
13	LDH00002	WASHER CONICAL-28.35X38X1.75	1
14	JG531040	NUT BALANCER DRIVE LOCK	1
15	LDB00041	WASHER PLAIN-ID 10.3XOD 29XT 8	1
16	LAD00124	BOLT FLANGE- M10X1.25XL55XDACRO	1
17	LDB00033	WASHER PLAIN-ID28.2XOD39XTHK 1.5	1
18	36JY0004	KIT Split Bearing Bush Green KTM 390	2
19	36JY0005	KIT Split Bearing Bush Blue KTM 390	2
20	36JY0006	KIT Split Bearing Bush None KTM 390	2

RC-200-GEN2 MY-22

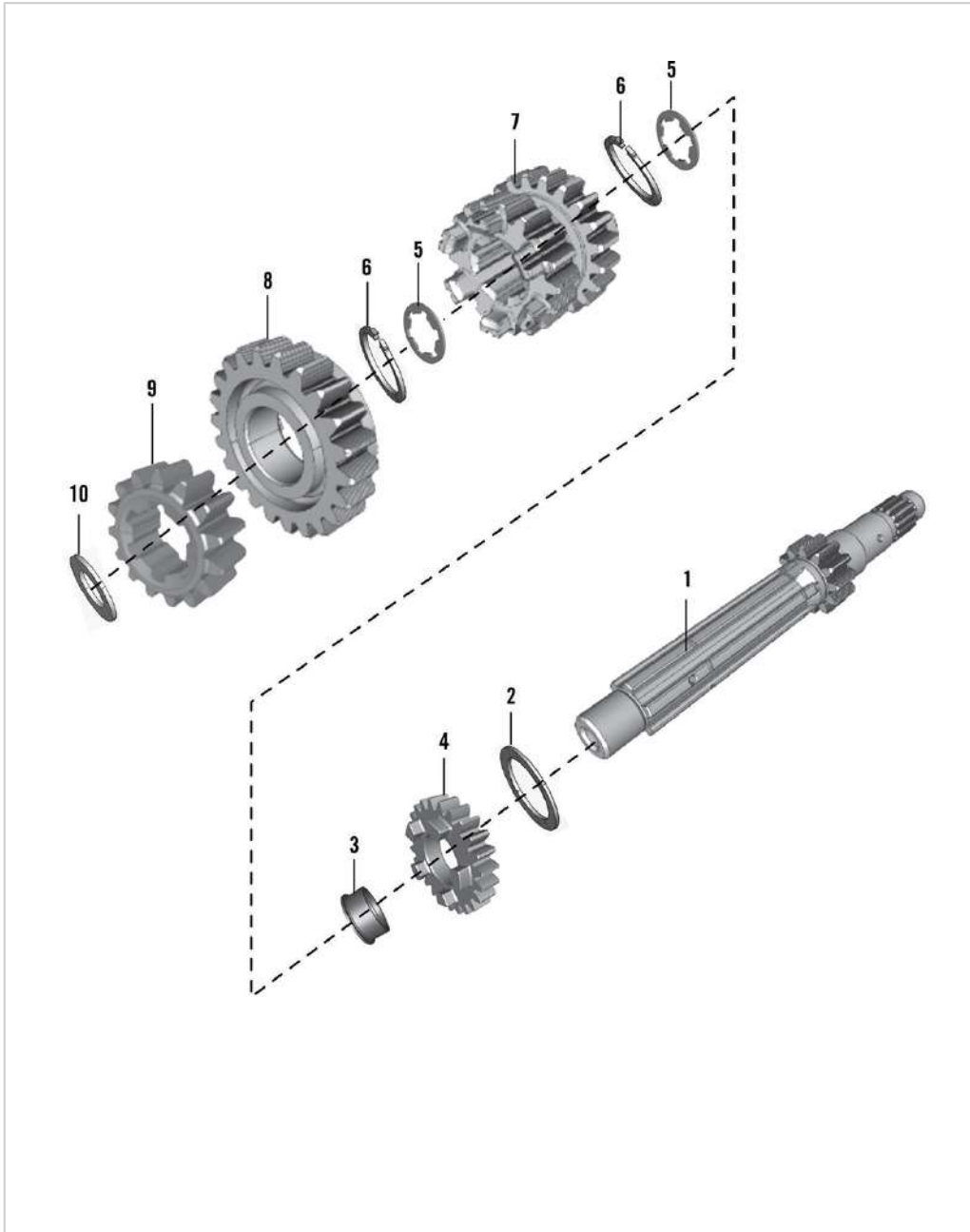


7. CLUTCH

SN	Part No.	Description	QTY
1	DT551412	COLLAR	1
2	36JU0136	CLUTCH HOUSING ASSEMBLY KIT	1
3	JG551428	WASHER CLUTCH_G2	1
4	JG551449	PLATE	1
5	36JU0002	KIT FRIC PLATES KTM 200	1
6	DT551408	CLUTCH PLATE	5
7	DP101243	PLATE (JUDDER SPRING)	1
8	DP101114	SPRING	1
9	JU551406	CLUTCH CENTER_G2	1
10	JU551402	SPRING -CLUTCH	4
11	JG551451	BOLT SH 6*22	4
12	JG551443	CLUTCH HOLDER	1
13	JL551407	SPRING BELLVILLE	1
14	DH101648	NUT CLUTCH CENTER LOCK PRECOATED	1
15	JG551423	CLUTCH LIFTER BEARING	1

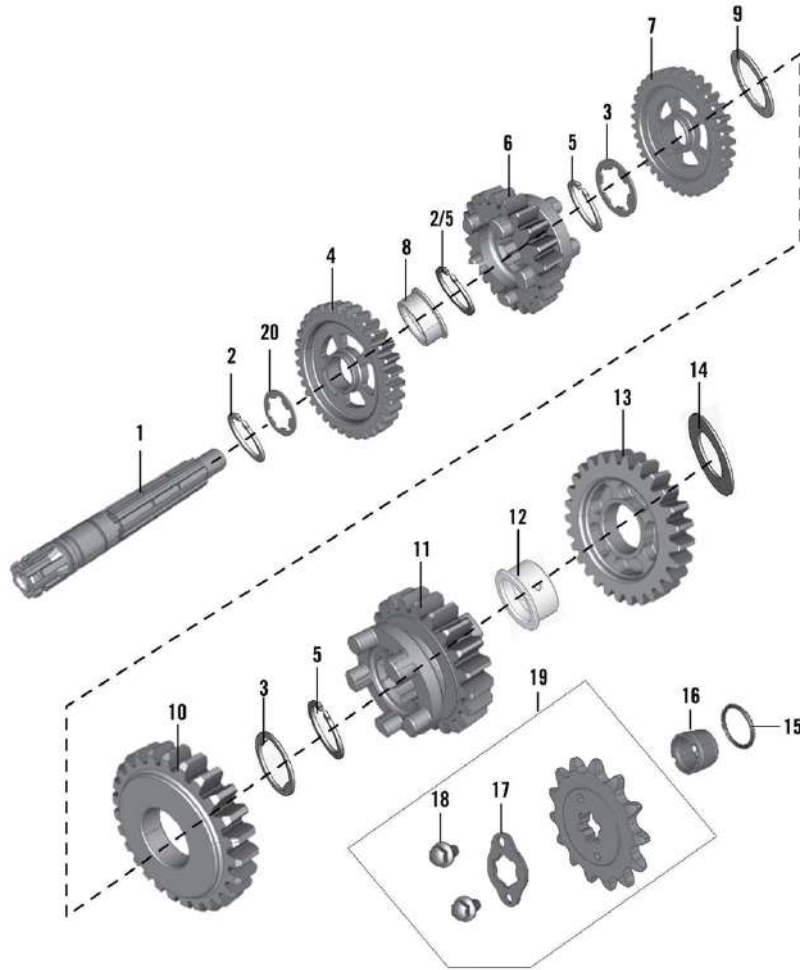
RC-200-GEN2 MY-22

8. TRANSMISSION I - MAIN SHAFT (INPUT SHAFT)



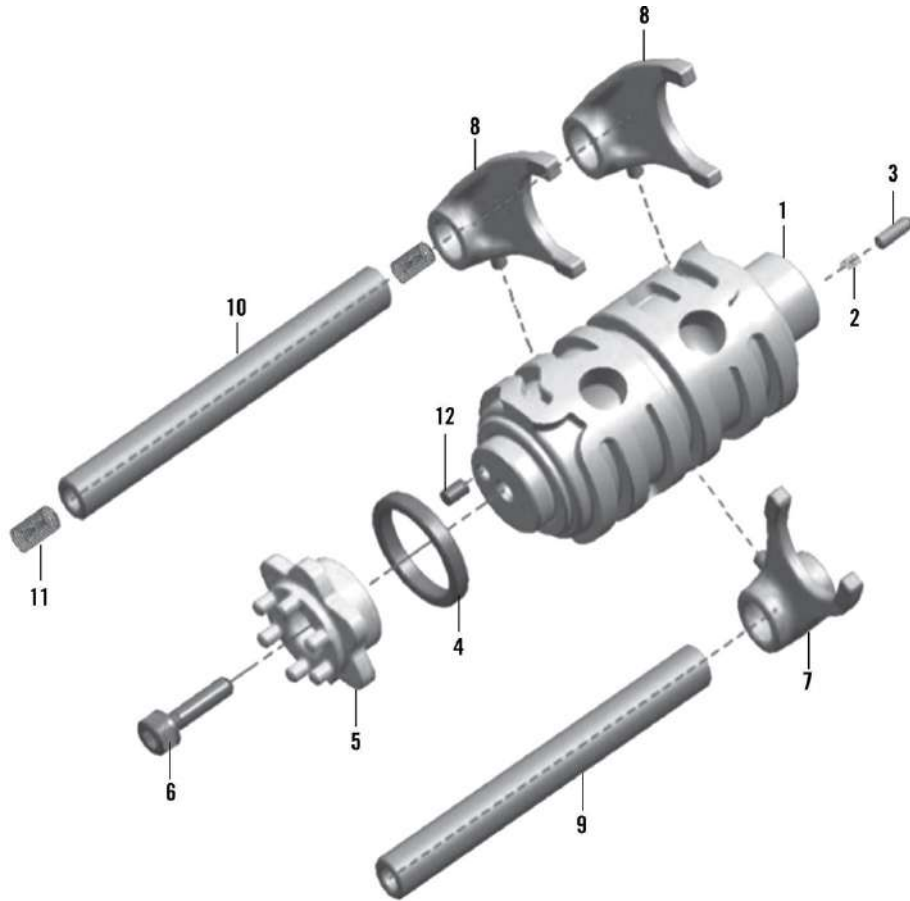
SN	Part No.	Description	QTY
1	JG551027	SHAFT INPUT T/M COMP	1
2	39215811	WASHER - PLAIN	1
3	JG551013	BUSH 6TH DRIVE / BUSH 2ND DRIVEN	1
4	JG551213	GEAR 6TH DRIVE	1
5	JG551020	WASHER SPLINED O/P SHAFT	2
6	BF551037	RING SNAP OUTPUT	2
7	JG551214	GEAR THIRD-FOURTH DRIVE	1
8	JG551220	GEAR 5TH DRIVE (G2)	1
9	JG551227	GEAR 2ND DRIVE	1
10	JG551022	WASHER PLAIN 2ND GEAR I/P SHAFT	1

9. TRANSMISSION II - COUNTER SHAFT (OUTPUT SHAFT)



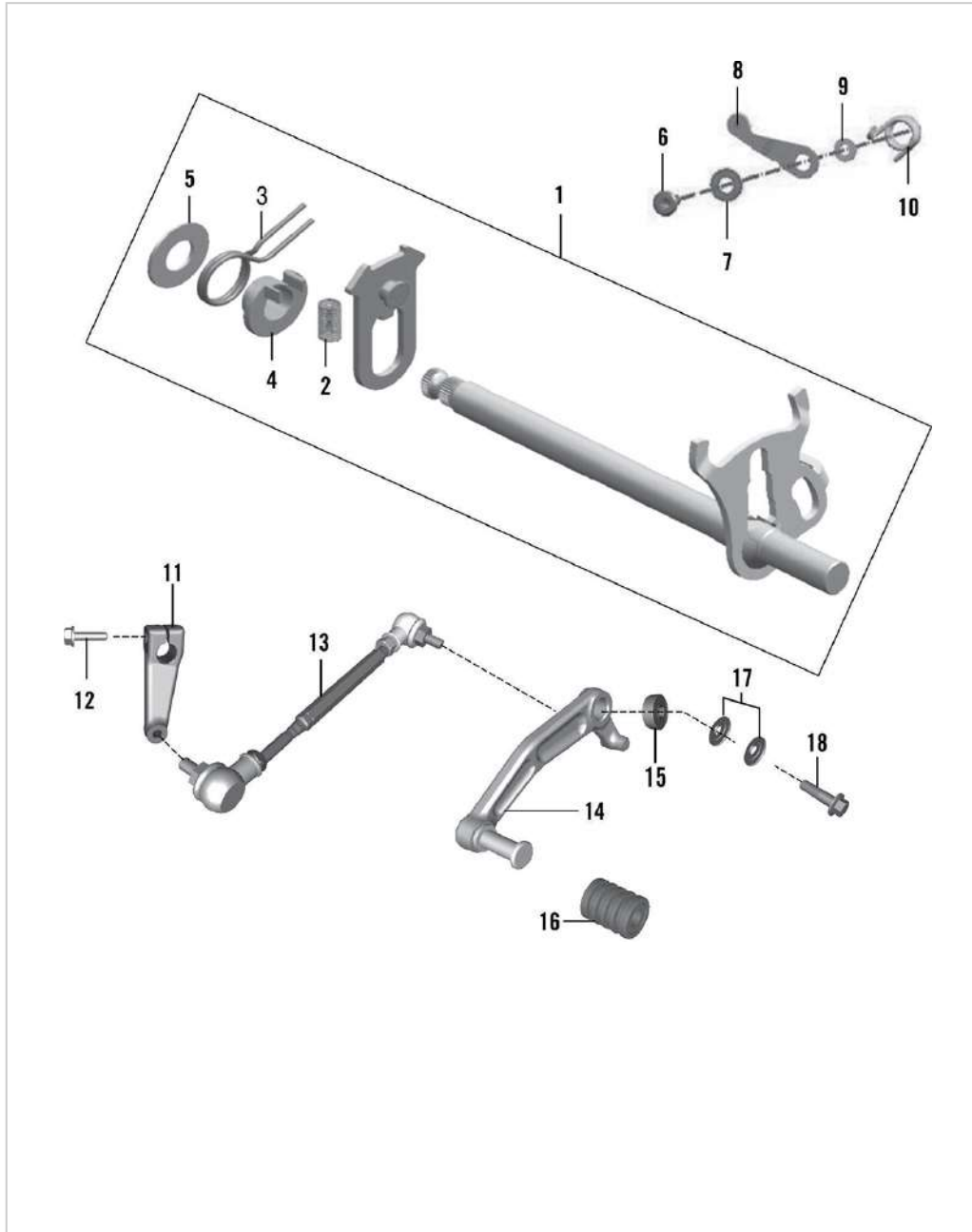
SN	Part No.	Description	QTY
1	JU551003	SHAFT OUTPUT-PLUG	1
2	DH101235	CIRCLIP	2
3	JG551020	WASHER SPLINED O/P SHAFT	2
4	JU551201	GEAR DRIVEN SECOND	1
5	BF551037	RING SNAP OUTPUT	2
6	JP551225	GEAR FIFTH DRIVEN	1
7	JP551224	GEAR THIRD DRIVEN	1
8	JG551013	BUSH 6TH DRIVE / BUSH 2ND DRIVEN	2
9	JG551021	WASHER PLAIN-ID 20.2XOD30XT 2.15	1
10	JG551215	GEAR 4TH DRIVEN	1
11	JP551226	GEAR SIXTH DRIVEN	1
12	JG551000	BUSH 1ST DRIVEN	1
13	JG551225	GEAR 1ST DRIVEN (G2)	1
14	39215911	WASHER - PLAIN	1
15	DK101352	O-RING SPROCKET COLLAR(17.5*1.5)	1
16	JG551031	COLLAR SPROCKET	1
17	JG551019	PLATE DRIVE SPROCKET	1
18	LAE00017	BOLT FLANGED M6X1	2
19	36JU0135	KIT OUTPUT SPROCKET DUKE 200	1
20	DH101336	WASHER - SPECIAL :- 20.2 X 27 X 1	1

10. SHIFTING MECHANISM- DRUM GEAR SHIFT



SN	Part No.	Description	QTY
1	JG561017	DRUM COMPLETE GEAR SHIFT	1
2	EC561023	SPRING GEAR SWITCH INDICATOR	1
3	JG561008	GEAR INDICATOR PIN	1
4	JG561010	SPACER-GUIDE GEAR SHIFT	1
5	JG561222	GUIDE GEAR SHIFT	1
6	LAC00024	BOLT SOCKET HEAD M6X1X20L- PRECOATED	1
7	JG561012	FORK GEAR SHIFT INPUT	1
8	JG561013	FORK GEAR SHIFT OUTPUT	2
9	JG561016	SHAFT GEAR SHIFT FORK_G2	1
10	JG561225	SHAFT GEAR SHIFT FORK OUTPUT	1
11	JG561215	COMPRESSION SPRING	2
12	39260607	PIN - PARALLEL	1

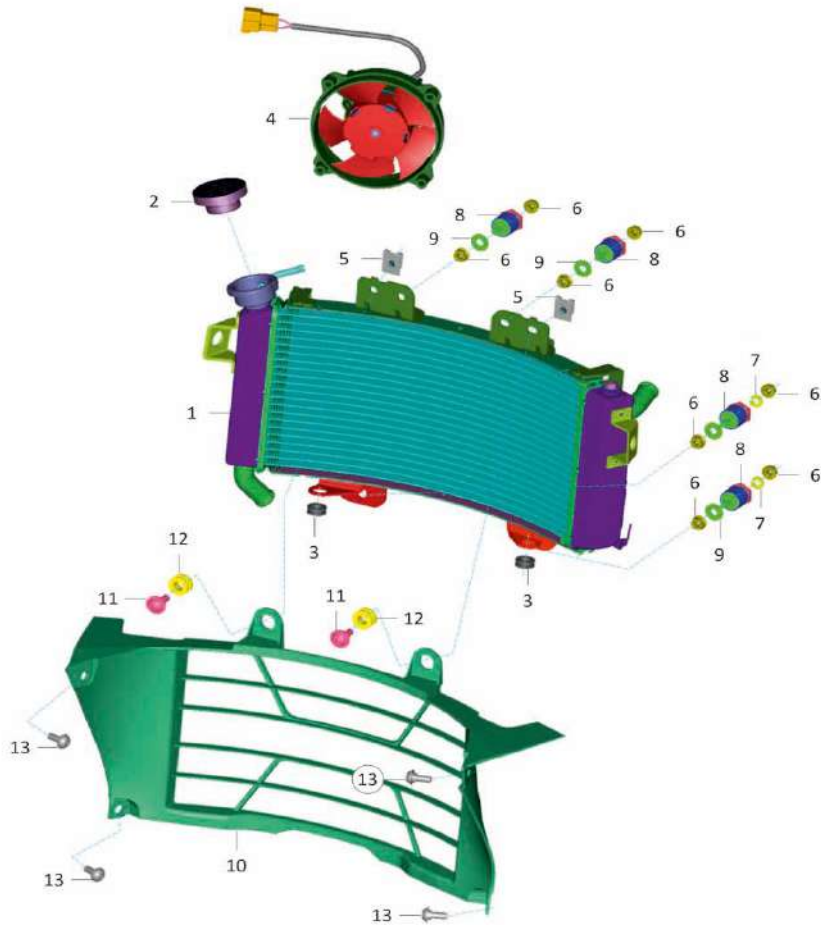
11. SHIFTING MECHANISM - LEVER GEAR SHIFT



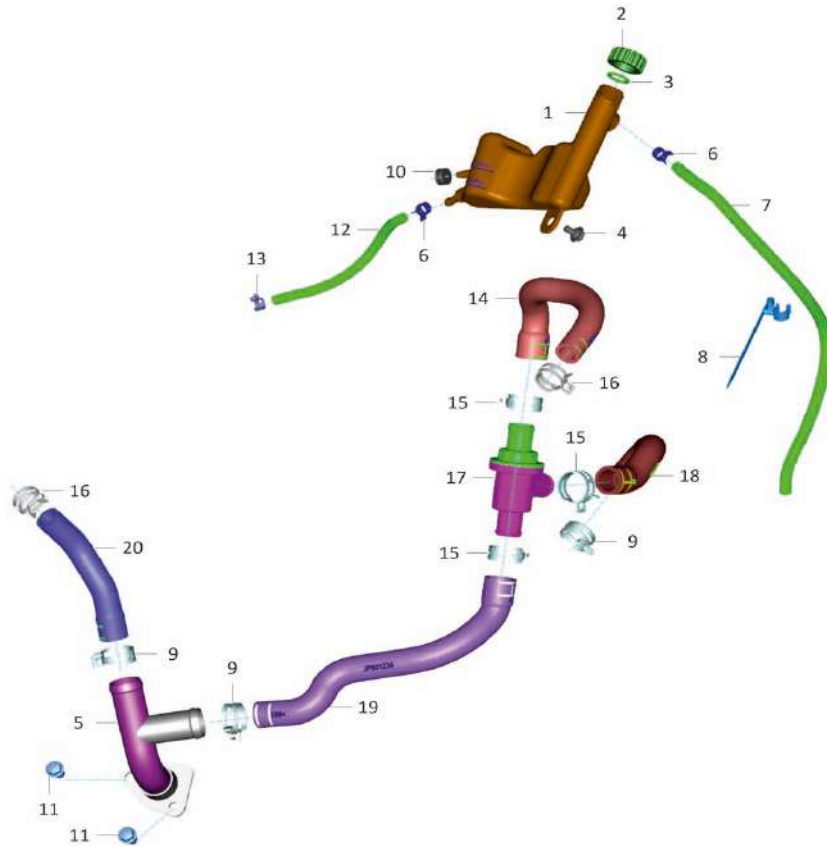
SN	Part No.	Description	QTY
1	JG561200	ASSEMBLY LEVER GEAR SHIFT	1
2	JG561215	COMPRESSION SPRING	1
3	JG561218	TORSION SPRING (FINAL CONFG)	1
4	JG561217	BUSH-TORSION SPRING	1
5	JG561216	WASHER 14X30X1.5	1
6	JG561204	BOLT STOPPER DRUM	1
7	JG561205	WASHER DRUM STOPPER	1
8	JG561009	STOPPER DRUM COMP	1
9	39200511	WASHER	1
10	JG561226	SPRING STOPPER DRUM	1
11	JU561400	LEVER CHANGE ARM COMP	1
12	KADD0622	BOLT-FLANGE-KAD ST-D DIA-06 L-22	1
13	JY561213	ROD ASSEMBLY TIE	1
14	JY561211	ASSEMBLY CHANGE LEVER	1
15	JG113061	BEARING CHANGE LEVER	2
16	JG113010	DAMPER CHANGE LEVER	1
17	JY113015	SPACER FOR CHANGE LEVER	2
18	JY113025	BOLT CHANGE LEVER	1

12. RADIATOR ASSEMBLY

SN	Part No.	Description	QTY
1	JY601279	RADIATOR	1
2	JG601235	PRESSURE CAP RADIATOR	1
3	JL181256	GROMMET FOR RADIATOR COWL	2
4	JG601250	FAN RADIATOR	2
5	DJ181065	CLIP NUT M6	2
6	LCG00029	NUT HEX FLANGED M6X1	8
7	KDDB0612	WASHER SPRING THIN	2
8	JP601217	RUBBER DAMPER RADIATOR MOUNTING	4
9	LDB00072	WASHER PLAIN-ID6.5XOD16XTHK1XBK	4
10	JY181359	SHROUD RADIATOR	1
11	LBU00093	SCREW BUTN HD-M6X1XL10XBLKXSTEP	2
12	JP181279	GROMMET FRONT FAIRING ASSY	2
13	LBU00048	SCREW BUTTON HD-M6X1XL13XSTEPPED	4



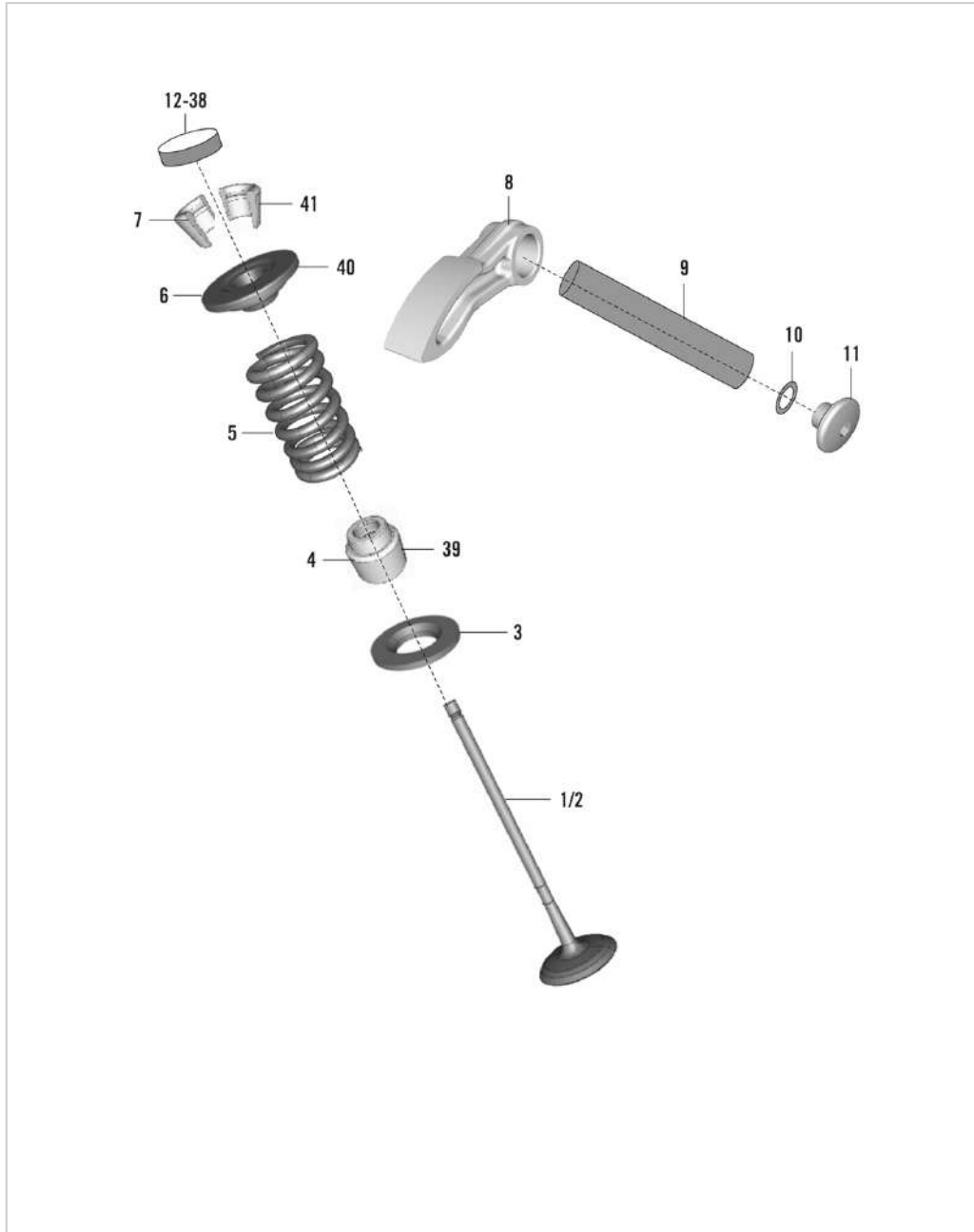
13. COOLING SYSTEM



SN	Part No.	Description	QTY
1	JY601280	TANK EXPANSION	1
2	JG601211	CAP EXPANSION TANK	1
3	JG601230	EXPANSION TANK O RING	1
4	JG181250	BOLT FLANGED STEP M6X1	1
5	JG601239	ASSEMBLY COOLANT PIPE T	1
6	JG171029	CLAMP	2
7	JY601277	PIPE	1
8	JG601257	STRAP-CLIP SWIVEL	1
9	JG601016	CLAMP RADIATOR PIPE DIA 26	3
10	JG113806	GROMMET EXPANSION TANK	1
11	LAE00049	BOLT FLANGE-M6X1XL14XBRTXPRECOAT	2
12	JY601274	PIPE COOLANT	1
13	JL171101	CLAMP BAND SPRING	1
14	JG601252	PIPE THERMOSTAT-RADIATOR	1
15	JG601210	CLAMP RADIATOR PIPE DIA 28	3
16	JG601234	CLAMP DIA 23	2
17	JG601014	UNIT THERMOSTAT	1
18	JP601210	HOSE COOLANT ENG-THERM	1
19	JP601224	PIPE THERMOSTAT-CONNECTOR	1
20	JG601251	PIPE RADIATOR-CONNECTOR	1

RC-200-GEN2 MY-22

14. VALVE DRIVE



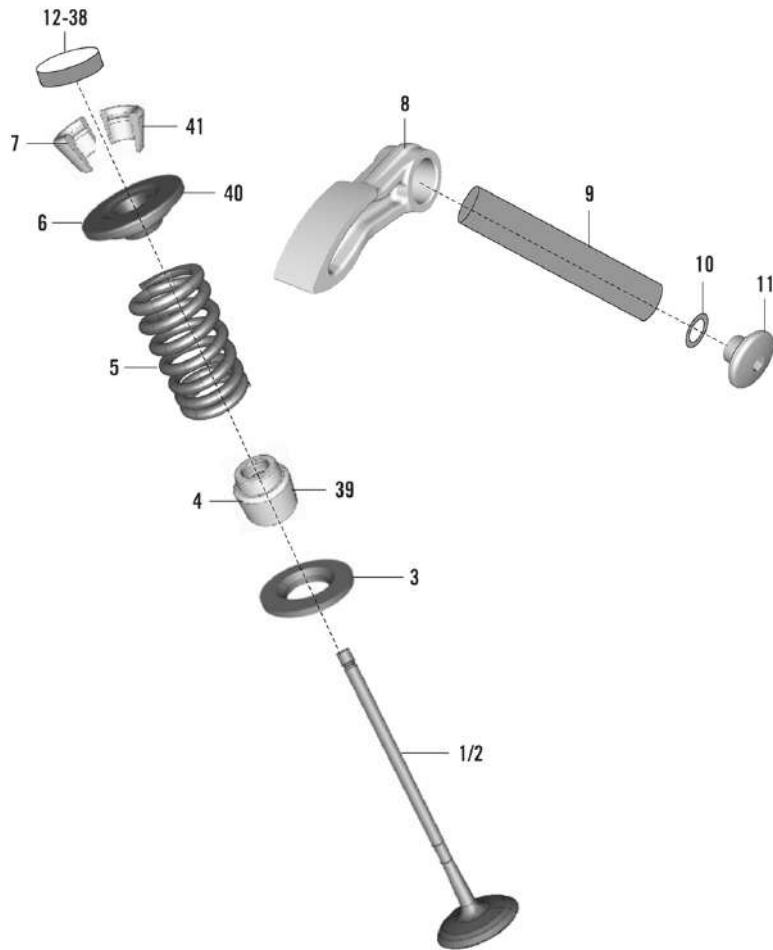
SN	Part No.	Description	QTY
1	JU511219	ASSEMBLY CAMSHAFT INTAKE	1
1	JP511230	VALVE EXHAUST	2
2	JU511205	VALVE INTAKE_G2	2
2	JU511221	ASSEMBLY CAMSHAFT EXHAUST	1
3	JP511248	SEAT SPRING VALVE	4
3	LAC00077	BOLT SOCKET-M8X1XL 32XSTEPEDXBRT	2
4	39201719	SEAL - OIL	2
4	JU511223	SPROCKET CAMSHAFT	2
5	JG511262	SPACER CAMSHAFT_G2	1
5	JP511249	SPRING VALVE	4
6	JG511259	RETAINER VALVE SPRING (BAL)_G2	2
6	JG511261	BALL BEARING_G2	1
7	JG511250	GUIDE CHAIN TOP	1
7	DG101029	COLLET	4
8	39194904	BOLT - FLANGED :- SMALL	2
8	JU511204	ROCKER ARM (FINGER TYPE)	4
9	JG511016	PLUG	2
9	JG541048	GUIDE CHAIN (TIGHT SIDE)	1
10	39102121	RING - O	2
10	JG511247	TIMING CHAIN	1
11	JG511243	ROCKER ARM SHAFT	2
11	JG541047	GUIDE CHAIN (SLACKSIDE)	1
12	36JU0040	KIT SHIM 2MM JG511268AA	1
12	DH101392	PRECOATED TENSIONER PIVOT BOLT - DH10101	1
13	CS101128	Gasket	1

13	36JU0041	KIT SHIM 2.04MM JG511268AB	1
14	36JU0042	KIT SHIM 2.08MM JG511268AC	1
14	39266921	RING - O (ID 10.15 X 1.5)	1
15	36JU0043	KIT SHIM 2.12MM JG511268AD	1
15	JG511211	TENSIONER ASSLY_G2	1
16	KAEW0620	BOLT FLANGE SMAL- M6X1XL20XBRIGHT	2
16	36JU0044	KIT SHIM 2.16MM JG511268AE	1
17	JG511270	BOLT FLANGED M6X1	1
17	36JU0045	KIT SHIM 2.20MM JG511268AF	1
18	36JU0046	KIT SHIM 2.24MM JG511268AG	1
19	36JU0047	KIT SHIM 2.28MM JG511268AH	1
20	36JU0048	KIT SHIM 2.32MM JG511268AI	1

RC-200-GEN2 MY-22

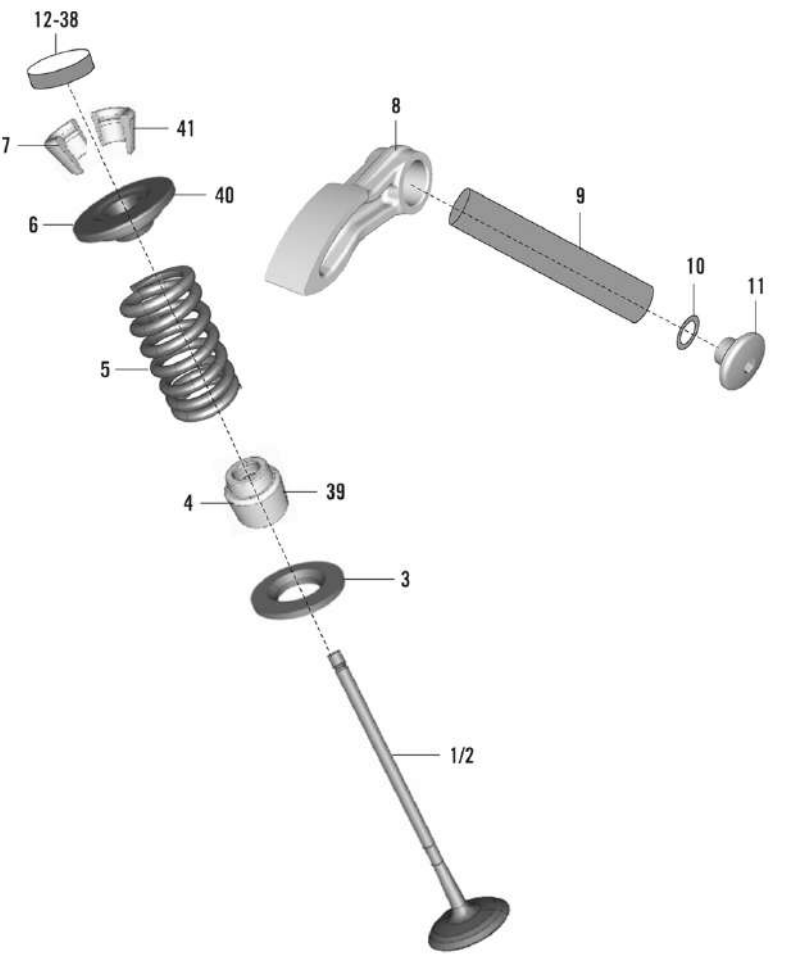
14. VALVE DRIVE

oemship +919495961664



SN	Part No.	Description	QTY
21	36JU0049	KIT SHIM 2.36MM JG511268AJ	1
22	36JU0050	KIT SHIM 2.40MM JG511268AK	1
23	36JU0051	KIT SHIM 2.44 MM JG511268AL	1
24	36JU0052	KIT SHIM 2.48 MM JG511268AM	1
25	36JU0053	KIT SHIM 2.52 MM JG511268AN	1
26	36JU0054	KIT SHIM 2.56 MM JG511268AO	1
27	36JU0055	KIT SHIM 2.60 MM JG511268AP	1
28	36JU0056	KIT SHIM 2.64 MM JG511268AQ	1
29	36JU0057	KIT SHIM 2.68 MM JG511268AR	1
30	36JU0058	KIT SHIM 2.72 MM JG511268AS	1
31	36JU0059	KIT SHIM 2.76 MM JG511268AT	1
32	36JU0060	KIT SHIM 2.80 MM JG511268AU	1
33	36JU0061	KIT SHIM 2.84 MM JG511268AV	1
34	36JU0062	KIT SHIM 2.88 MM JG511268AW	1
35	36JU0063	KIT SHIM 2.92 MM JG511268AX	1
36	36JU0064	KIT SHIM 2.96 MM JG511268AY	1
37	36JU0065	KIT SHIM 3 MM JG511268AZ	1
38	36JU0066	KIT SHIM 3.04 MM JG511268BA	1
39	CB101009	SEAL - VALVE STEM	2
40	JU511226	RETAINER SPRING VALVE	2

SN	Part No.	Description	QTY
41	CB101022	COTTER VALVE	4

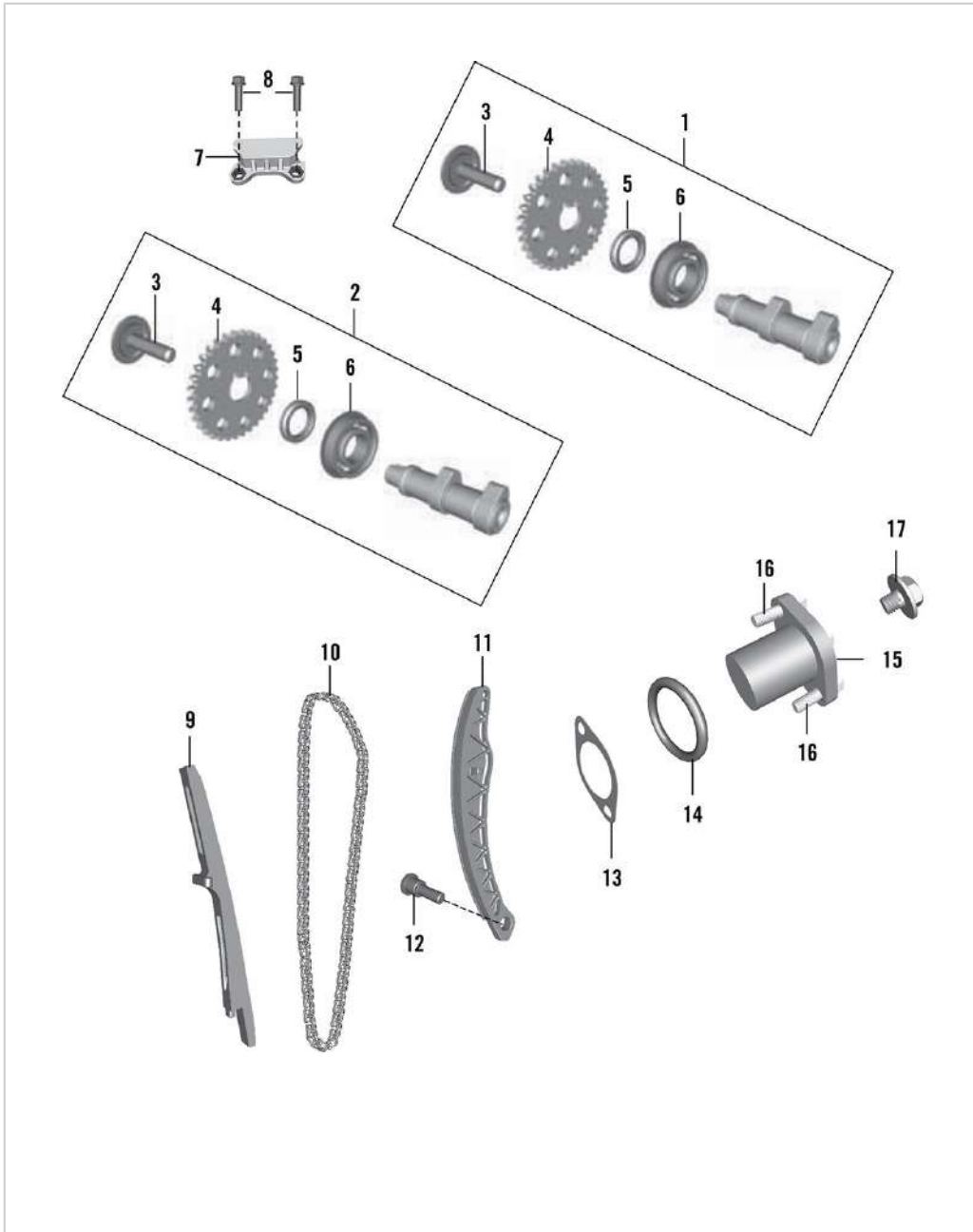


The diagram shows an exploded view of a timing drive assembly. The components are numbered as follows: 1 (rod), 2 (nut), 3 (washer), 4 (nut), 5 (spring), 6 (disc), 7 (cup), 8 (armature), 9 (rod), 10 (washer), 11 (disc), 12-38 (disc), 39 (nut), 40 (disc), and 41 (cup). Dashed lines indicate the assembly path.

RC-200-GEN2 MY-22

15. TIMING DRIVE

oemship +919495961664

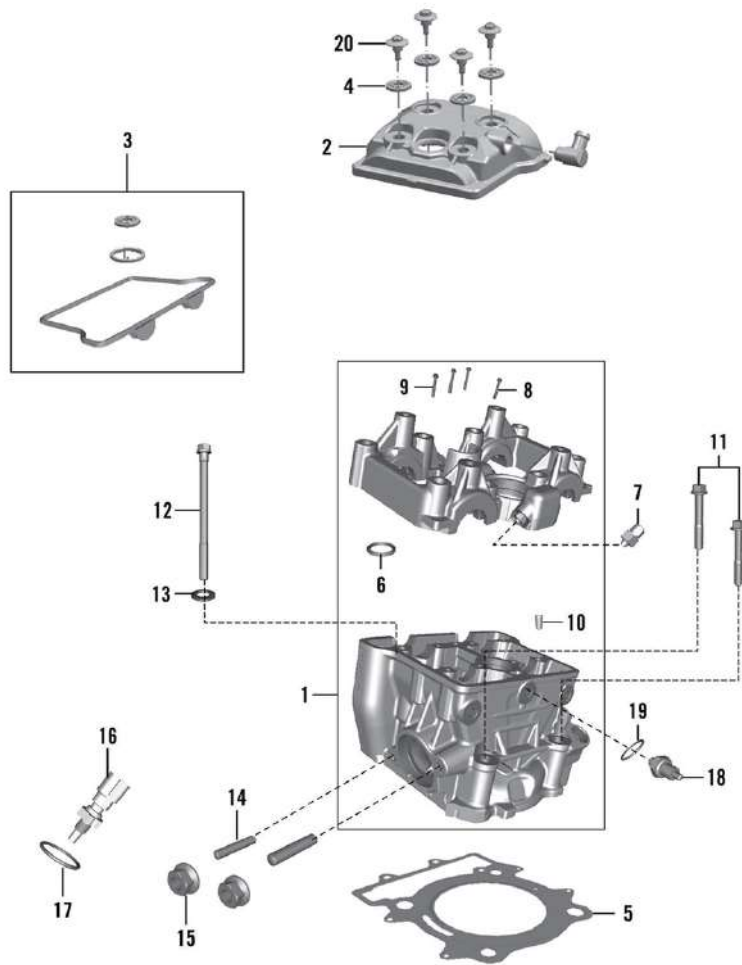


SN	Part No.	Description	QTY
1	JU511219	ASSEMBLY CAMSHAFT INTAKE	1
2	JU511221	ASSEMBLY CAMSHAFT EXHAUST	1
3	LAC00077	BOLT SOCKET-M8X1XL 32XSTEPEDXBRT	2
4	JU511223	SPROCKET CAMSHAFT	2
5	JG511262	SPACER CAMSHAFT_G2	1
6	JG511261	BALL BEARING_G2	1
7	JG511250	GUIDE CHAIN TOP	1
8	39194904	BOLT - FLANGED :- SMALL	2
9	JG541048	GUIDE CHAIN (TIGHT SIDE)	1
10	JG511247	TIMING CHAIN	1
11	JG541047	GUIDE CHAIN (SLACKSIDE)	1
12	DH101392	PRECOATED TENSIONER PIVOT BOLT - DH10101	1
13	CS101128	Gasket	1
14	39266921	RING - O (ID 10.15 X 1.5)	1
15	JG511211	TENSIONER ASSLY_G2	1
16	KAEW0620	BOLT FLANGE SMAL- M6X1XL20XBRIGHT	2
17	JG511270	BOLT FLANGED M6X1	1

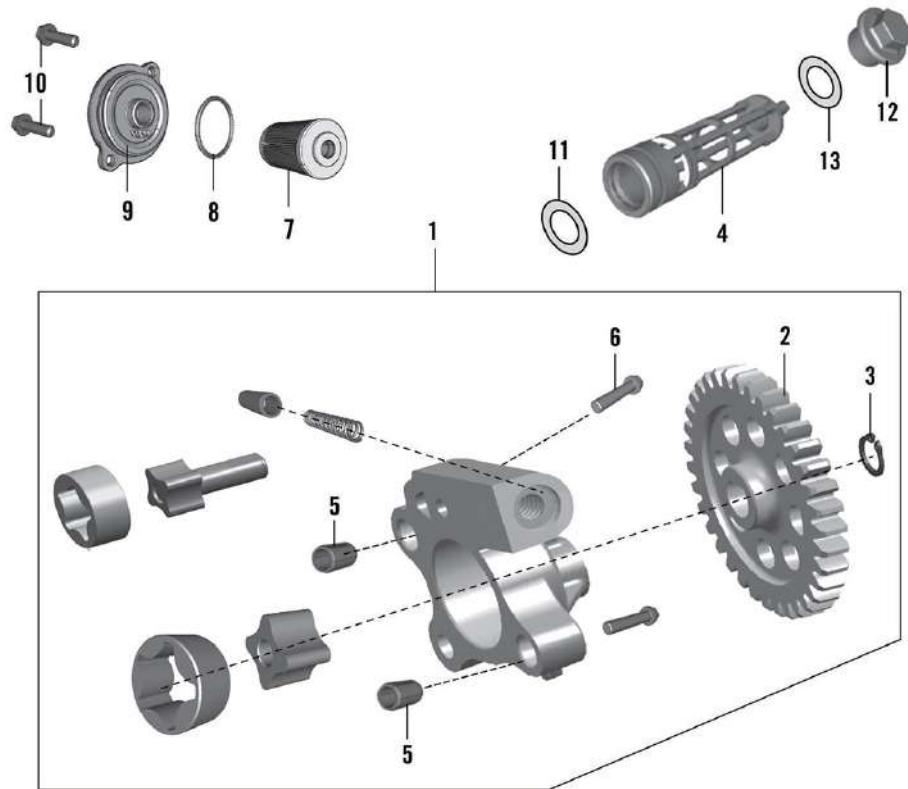
RC-200-GEN2 MY-22

16. CYLINDER HEAD

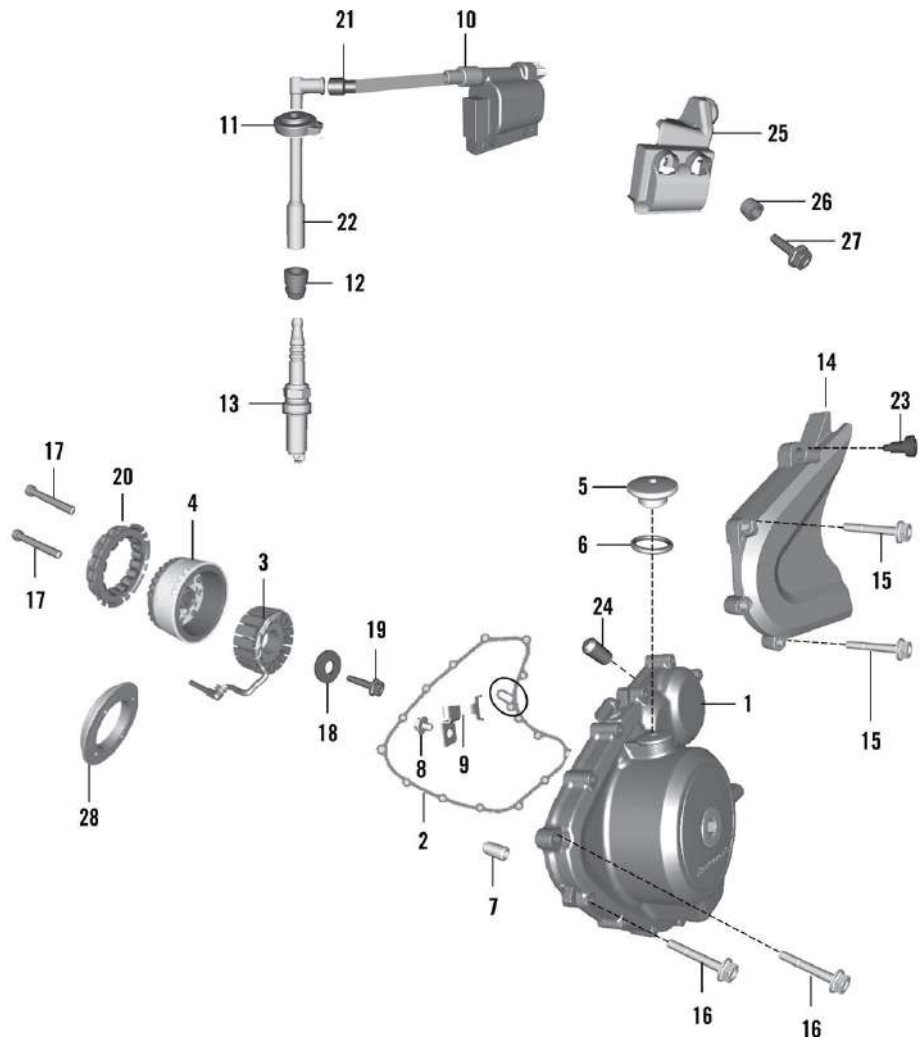
oemship +919495961664



SN	Part No.	Description	QTY
1	JU511049	HEAD CYLINDER-HOLDER CAMSHAFT	1
2	JU511038	COVER HEAD CYLINDER	1
3	36JU0124	KIT D VALVE COVER GASKET 200	1
4	JG511021	WASHER	4
5	JU511055	GASKET HEAD CYLINDER	1
6	39101721	RING - O	1
7	JG541021	OIL NOZZLE	4
8	39106504	BOLT - FLANGED :- SMALL	2
9	39107504	BOLT - FLANGED :- SMALL	6
10	39099906	PIN - HOLLOW DOWEL	2
11	JG501008	HEX BOLT WITH FLANGE	2
12	JG541068	BOLT FLANGED STEP M10X1.25	4
13	LDA00008	WASHER 11.2*20*2T	4
14	JG511046	STUD M8*1.25	2
15	LCG00024	NUT HEX FLANGED- M8X1.25XHT.8XBRT	2
16	JG351400	COOLANT WATER TEMP SENSOR	1
17	DK101340	O RING (OIL COOLER PIPE)	1
18	DK101225	SWITCH PRESSURE OIL	1
19	DK101340	O RING (OIL COOLER PIPE)	1
20	JG511022	BOLT SPECIAL	4



SN	Part No.	Description	QTY
1	JU571000	ASSEMBLY OIL PUMP	1
2	JG571018	GEAR OIL PUMP DRIVE	1
3	KEAB1010	CIRCLIP EXTERNAL	1
4	JY571030	MESH STRAINER ASSLY	1
5	39099906	PIN - HOLLOW DOWEL	2
6	LAE00018	BOLT FLANGED M6X1	3
7	JG571014	OIL FILTER	1
8	JG571016	RING O	1
9	JY571033	CAP OIL FILTER	1
10	KAEW0616	BOLT FLANGE SMAL- M6X1XL16XBRIGHT	2
11	LJA00004	STRAINER O RING	1
12	JA541021	CAP STRAINER	1
13	59210023	RING - O	1



SN	Part No.	Description	QTY
1	JG351600	STARTER MOTOR ASSY 350W BLACK	1
1	JY541294	COVER ASSEMBLY MAGNETO	1
2	JG541211	GASKET COVER MAGNETO	1
2	JG621413	GEAR ASSEMBLY STARTER COUNTER II	1
3	JY351038	STATOR ASSEMBLY	1
3	JG621412	GEAR STARTER COUNTER 1	1
4	JY351019	ROTOR ASSLY W/O CLUTCH ASSLY	1
4	JG621417	ASSEMBLY GEAR STARTER CLUTCH	1
5	BF621402	NEEDLE BEARING (25X32X16)	1
5	JL541245	CAP TDC FINDER	1
6	KADQ0625	BOLT M6	2
6	30101195	RING - O	1
7	39099906	PIN - HOLLOW DOWEL	2
7	JY402210	CABLE RELAY-MOTOR	1
8	JG541043	RETAINER GEAR STARTER	1
8	KADD0508	BOLT FLANGED	1
9	LAE00042	BOLT FLANGED-M6X1	1
9	JG541223	BRACKET HARNESS	1
10	JP351207	COIL IGNITION	1
11	JG351208	GROMMET SPARK PLUG CAP	1
12	JP351209	GROMMET PLUG SPARK	1
13	JY351206	PLUG SPARK	1
14	JG541207	COVER LH RR	1
15	KAEQ0645	BOLT FLANGE SMALL-M6X1XL45XDACRO	3
16	KAEQ0630	BOLT FLANGE SMALL-M6X1XL30XDACRO	11
17	LAC00003	BOLT SOCKET-M5X0.8XL	

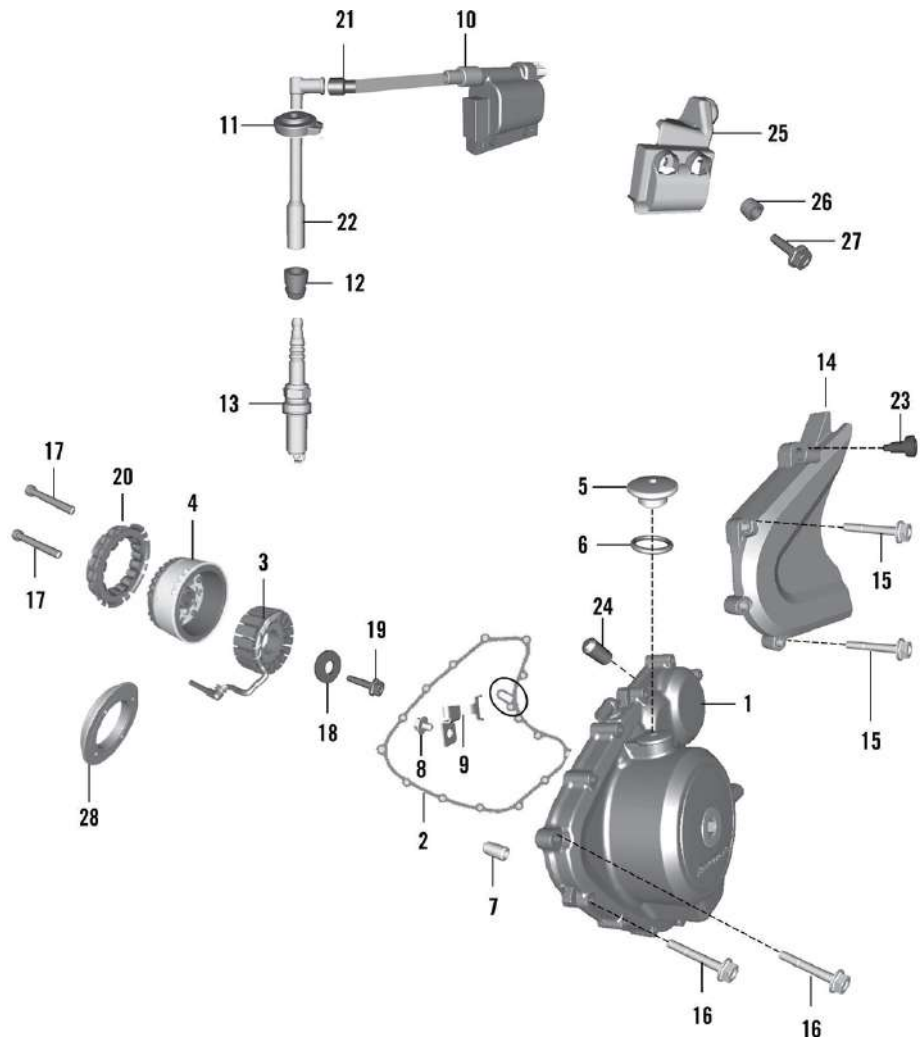
oemship +919495961664

40XPRECOAT		3	
18	LDB00010	WASHER PLAIN-ID 10.3XOD29XT3.2XBR	1
19	52JY0185	BOLT FLANGE PRECOATED M10X1.25XL50	1
20	JY551402	CLUTCH ONE WAY ASSLY	1

RC-200-GEN2 MY-22

18. IGNITION SYSTEM

oemship +919495961664

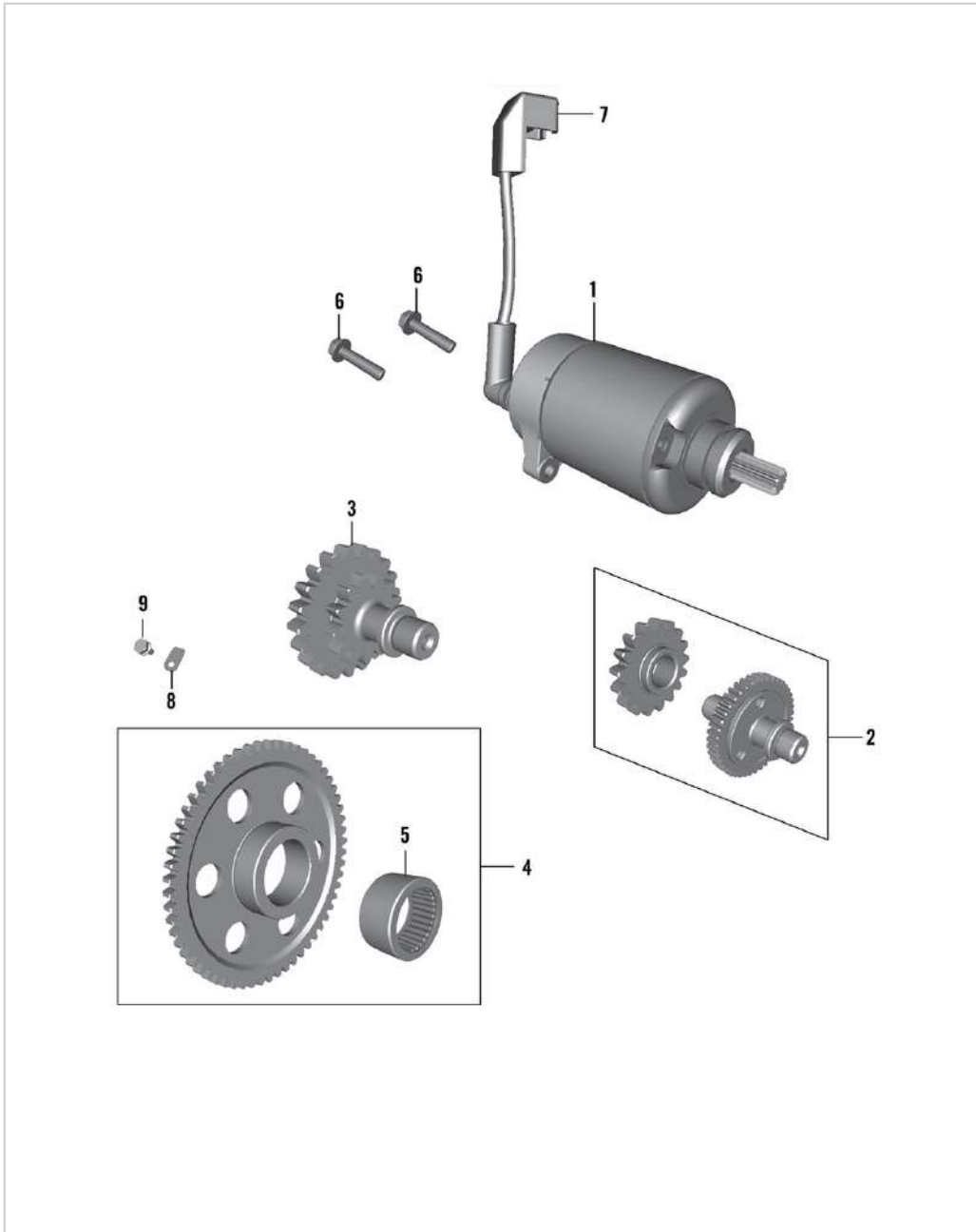


SN	Part No.	Description	QTY
21	DD111012	GROMMET FOR H. T. CABLE	1
22	JG351201	SPARK PLUG CAP	1
23	LAC00014	BOLT SPROCKET COVER MTG	1
24	JG541074	OIL NOZZLE	1
25	JY181276	COVER HT COIL	1
26	JY113825	SLEEVE UNDER TRAY	2
27	KADD0625	BOLT-FLANGE-KAD ST-D DIA-06 L-25	2
28	JG351019	BODY STARTER CLUTCH	1

RC-200-GEN2 MY-22

19. ELECTRICAL STARTER

oemship +919495961664

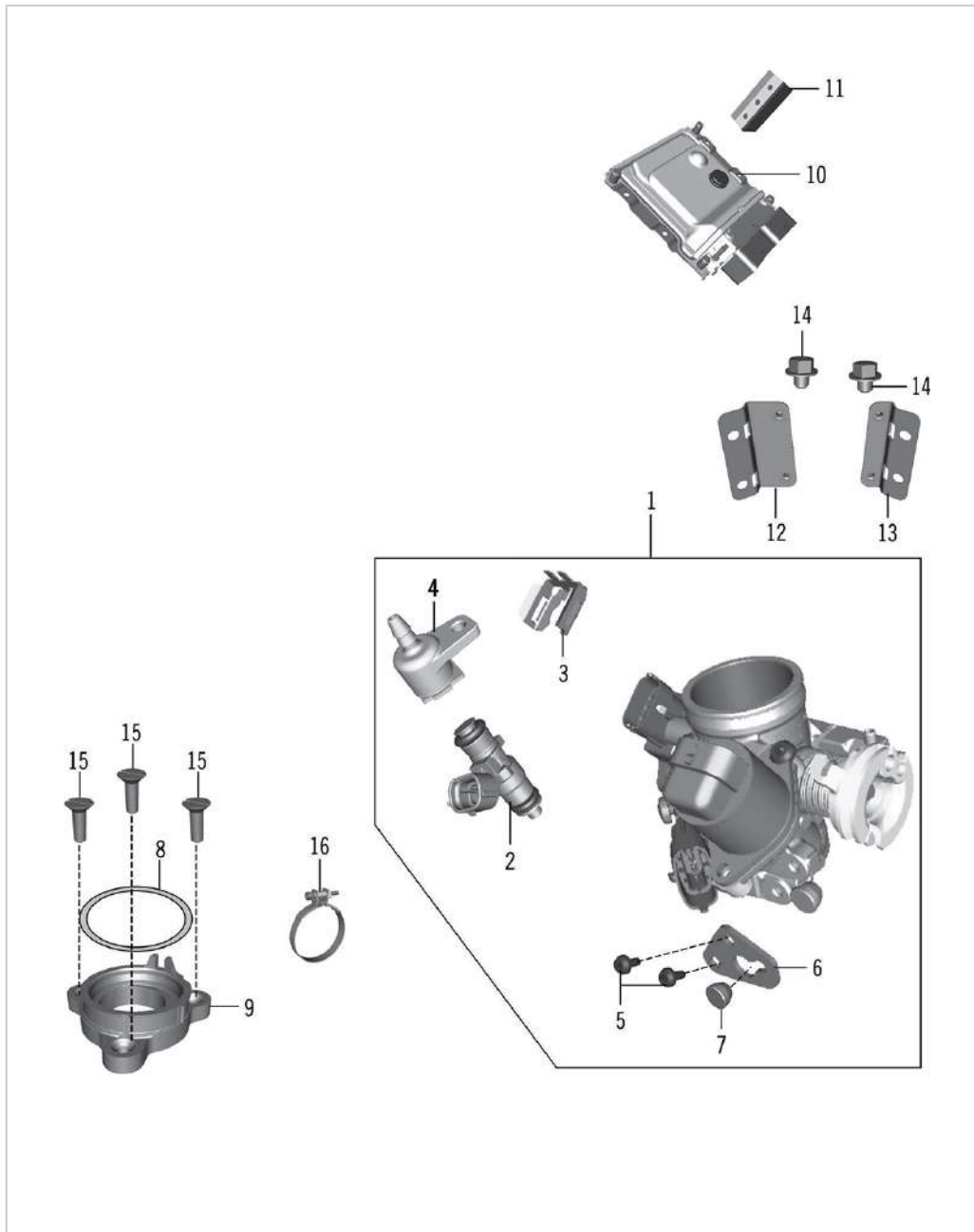


SN	Part No.	Description	QTY
1	JG351600	STARTER MOTOR ASSY 350W BLACK	1
2	JG621413	GEAR ASSEMBLY STARTER COUNTER II	1
3	JG621412	GEAR STARTER COUNTER 1	1
4	JG621417	ASSEMBLY GEAR STARTER CLUTCH	1
5	BF621402	NEEDLE BEARING (25X32X16)	1
6	KADQ0625	BOLT M6	2
7	JY402210	CABLE RELAY-MOTOR	1
8	JG541043	RETAINER GEAR STARTER	1
9	LAE00042	BOLT FLANGED-M6X1	1

RC-200-GEN2 MY-22

20. THROTTLE BODY

oemship +919495961664



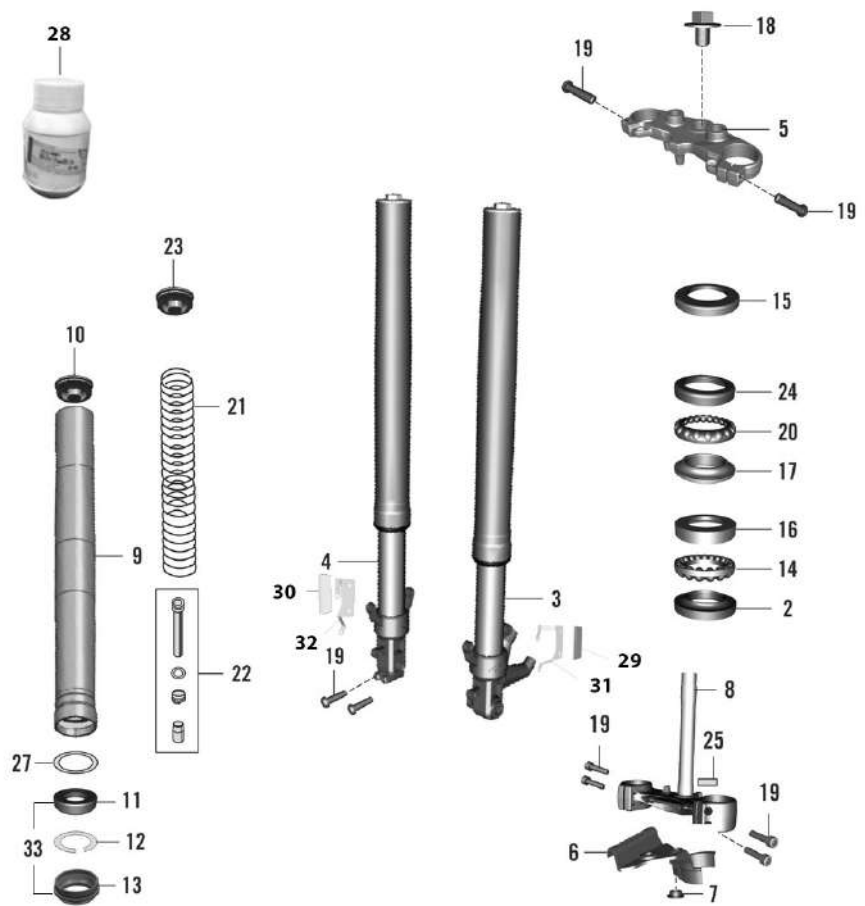
SN	Part No.	Description	QTY
1	JY611236	BODY THROTTLE ASSEMBLY	1
2	JG611004	FUEL INJECTOR	1
3	JG611006	CLIP INJECTOR CLIP	1
4	JG611010	INJECTOR CAP	1
5	JG581424	FIXING SCREW	5
6	JG581419	BRACKET THROTTLE CABLE	1
7	DS161156	PLUG - SEAT LOCK CABLE	1
8	JG581407	RING O	1
9	JU581413	PIPE INTAKE	1
10	JP351464	ECU EMS	1
11	JY113856	ASSEMBLY ECU RUBBER DAMPER	1
12	JY113806	BRACKET ECU MTG LH	1
13	JY113807	BRACKET ECU MTG RH	1
14	KBBA0408	SCREW PAN CROSS	4
15	LBC00003	SCREW CSK CROSS M6X1	3
16	JU581006	CLAMP CONNECTING TUBE	2

RC-200-GEN2 MY-22

21. FRONT FORK

oemship +919495961664

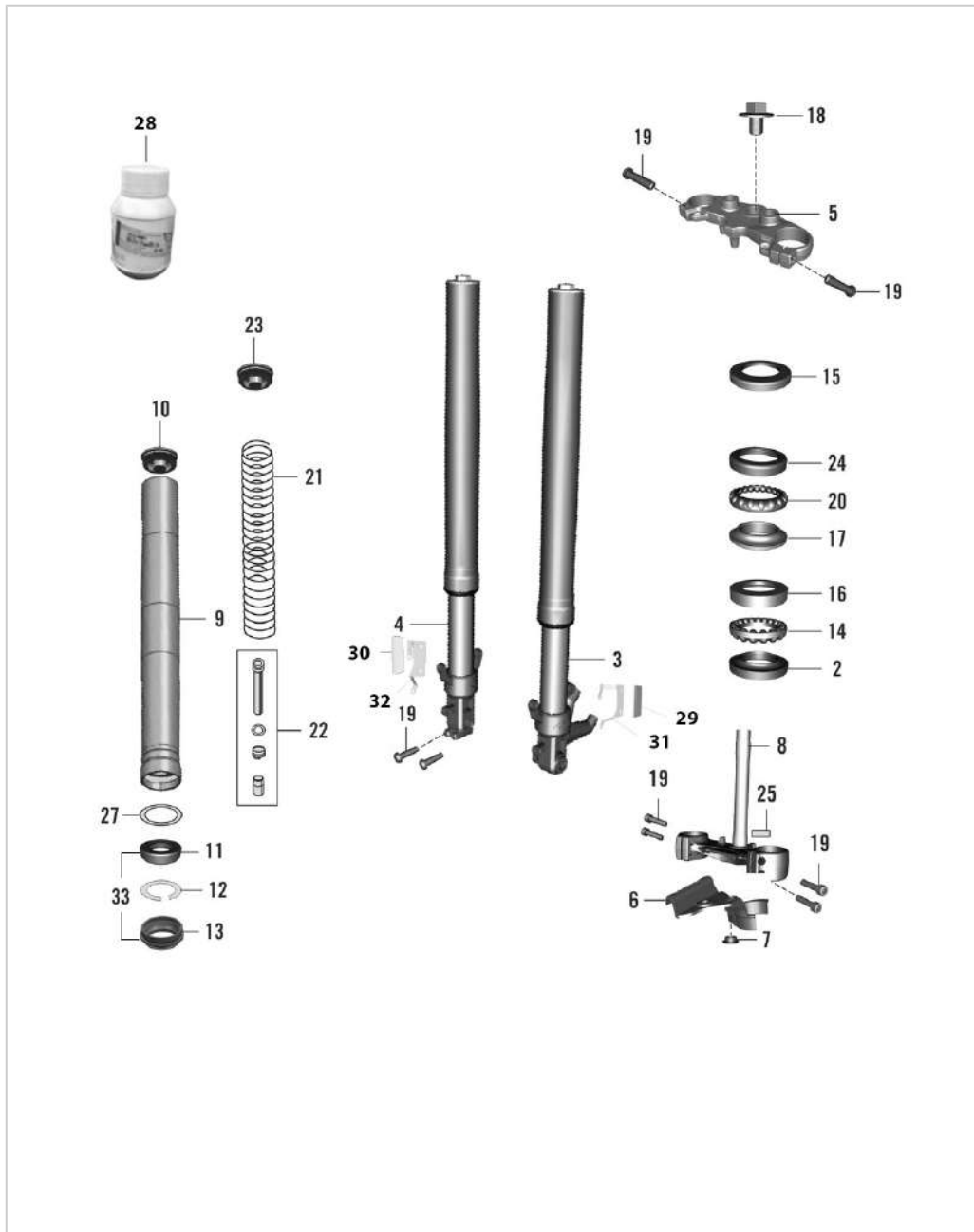
SN	Part No.	Description	QTY
1	JY121092	BRACKET ASSEMBLY UNDER	1
2	JP151011	LOWER TRIPLE CLAMP GDC	1
3	YJY0E001	AXLE CLAMP&FORK PIPE ASSY LH	1
4	YJY0E002	AXLE CLAMP&FORK PIPE ASSY RH	1
5	56JY4W33	TRIPPLE CLAMP UPPER JY151042 BLACK MATT	1
6	DG181005	BEARING CONE	1
7	JY121011	BOLT SOCKET- M8X1.25XL30XCL8.8XBL	6
8	JY121092	BRACKET ASSEMBLY UNDER	1
9	JU121037	OUTER TUBE	1
10	DG181045	BEARING CONE :- UPPER	1
10	YJG48007	FORK BOLT	1
11	DK181050	CAGE BEARING STEERING TOP	1
12	DG181046	BEARING RACE - UPPER	1
13	DG181047	BEARING RACE - LOWER	1
14	DK181051	CAGE BEARING STEERING BOTTOM	1
15	JG121015	PLUG STEERING TUBE	1
16	JG113857	HOSE CLAMP	1
17	LAC00010	BOLT SOCKET M6X1	2
18	JG113832	COLLAR	2
19	YJY96007	SOCKET HEADED BOLT M8x1.25x20	2
20	DK181050	CAGE BEARING STEERING TOP	1



RC-200-GEN2 MY-22

21. FRONT FORK

oemship +919495961664

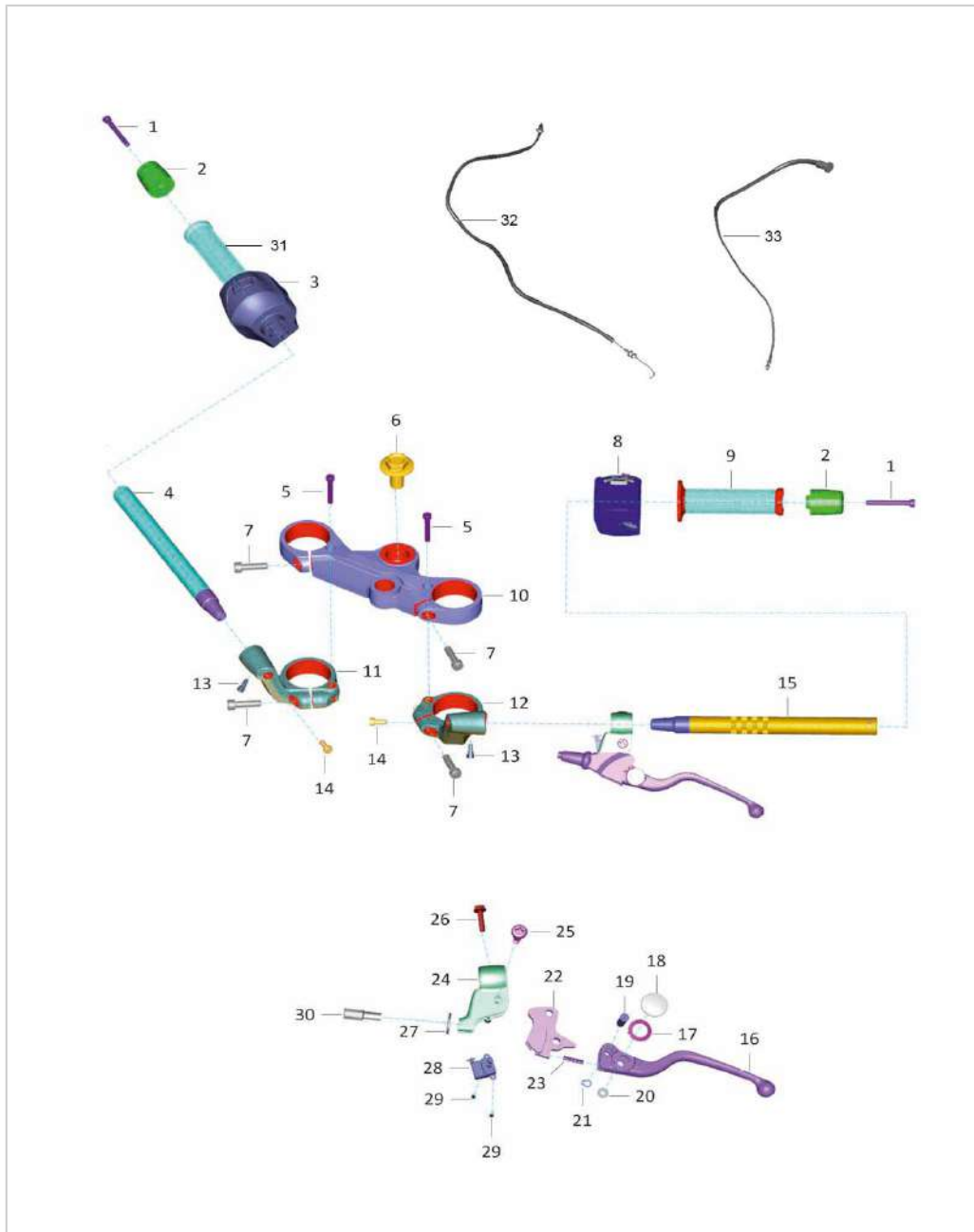


SN	Part No.	Description	QTY
21	YJY0E004	MAIN SPRING & WASHER	1
22	YJY0E003	PISTON ROD ASSY	1
23	JU121009	CIRCLIP	2
24	LDB00036	WASHER PLAIN-ID45XOD 52.5XTHK1.5	2
25	JP121024	TUBE INNER DIA 43	2
26	JG121011	INNER DUST SEAL	2
27	JG121013	OIL SEAL	2
28	36JG0087	KTM FORK OIL	2
29	JP121040	GUIDE BUSH UPPER	2
30	LAC00126	BOLT SOCKET-M10X1.5XL 25XBRIGHT	2
31	LBN00001	SCREW SET SOCKT- M4X0.7XL8XSUS304	2
32	JP181262	GROMMET HL COVER BOTTOM	2
33	YJU34002	KIT FORK OIL SEAL SKF BLK	2
34	36JU0075	KIT STEERING RACE LOWER JU/JY	1
35	36JU0074	KIT STEERING RACE UPPER JU/JY	1
36	-	-	1
37	JP121041	GUIDE BUSH LOWER	1
37	JP121040	GUIDE BUSH UPPER	1

RC-200-GEN2 MY-22

22. HANDLEBAR, CONTROLS

oemship +919495961664

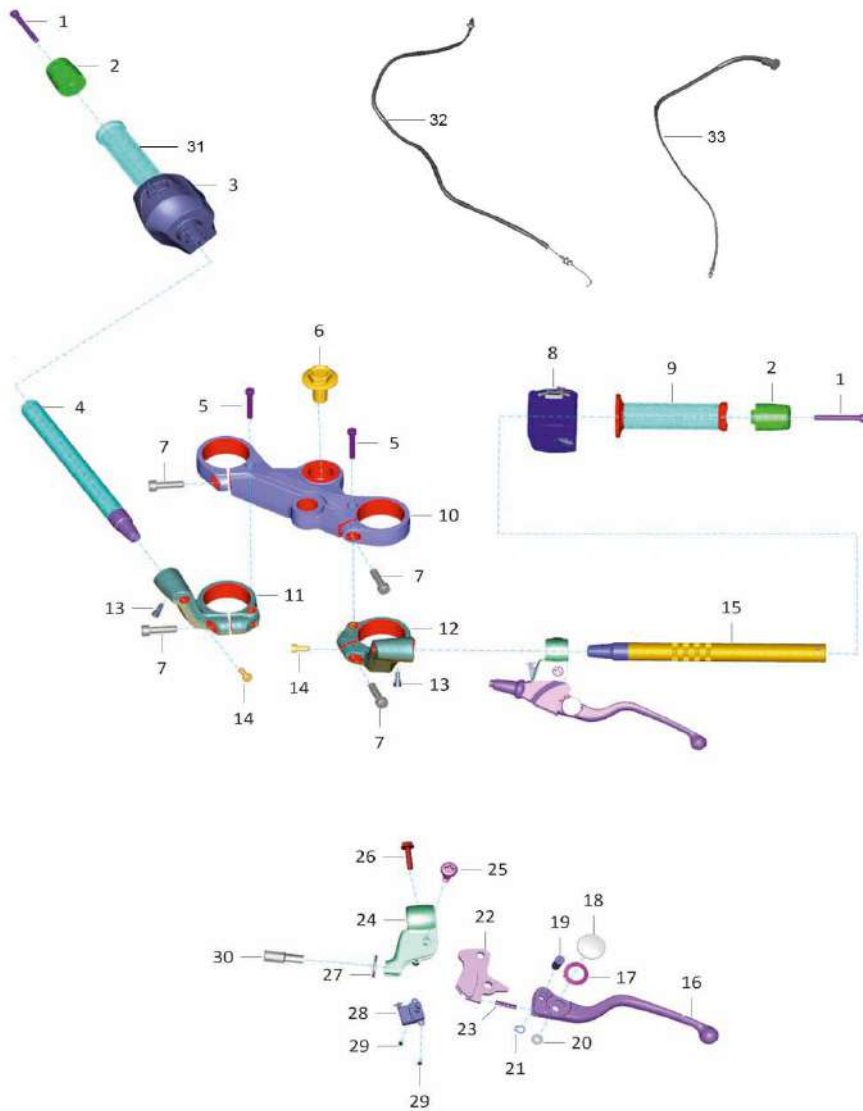


SN	Part No.	Description	QTY
1	KACG0650	BOLT SOCKET M6X1	2
2	DK181043	HANDLE BAR WEIGHT	2
3	JY401421	SWITCH CONTROL RH	1
4	JY151047	TUBE HANDLEBAR RH	1
5	LAC00181	BOLT SOCKET M6X1	2
6	JY151011	BOLT FLANGED M16X1.5	1
7	JY121011	BOLT SOCKET-M8X1.25XL30XCL8.8XB	4
8	JG401406	SWITCH CONTROL LH	1
9	JY151063	GRIP LH	1
10	JY151042	BRACKET UPPER	1
11	JY151041	HOLDER HANDLE RH	1
12	JY151040	HOLDER HANDLE LH	1
13	LAC00055	BOLT SOCKET-M5X0.8XL13XSTEPPED	2
14	LAC00073	BOLT SOCKET M6X1	2
15	JY151046	TUBE HANDLEBAR LH	1
16	JY161007	LEVER CLUTCH	1
17	-	WASHER CAM SPRING	1
18	-	CAM LEVER CLUTCH	1
19	-	SLEEVE CAM LEVER PIVOT	1
20	KDBF0512	WASHER PLAIN-ID5.5XOD12XT0.8XB	1

RC-200-GEN2 MY-22

22. HANDLEBAR, CONTROLS

oemship +919495961664

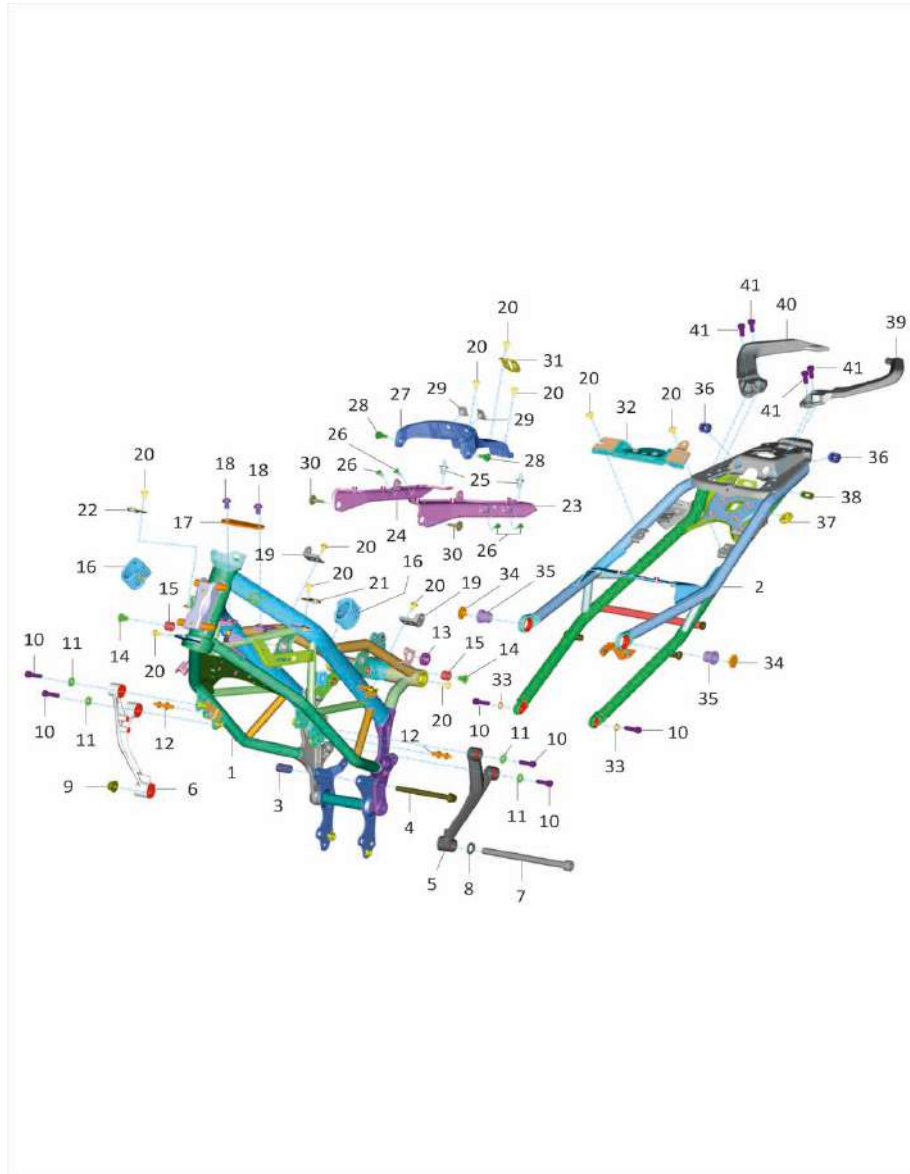


SN	Part No.	Description	QTY
21	LEA00001	CIRCLIP EXTERNAL-ID5.6XT 0.7XBULK	1
22	-	CAM LEVER CLUTCH	1
23	-	SPRING RETURN MAIN LEVER	1
24	DT161010	HOLDER LEVER	1
25	JZ161028	LEVER PIVOT BOLT	1
26	KADT0625	BOLT FLANGED-M6X1XL25XCL8.8XBULK	1
27	30191017	NUT ROUND M8X1.25	1
28	JY401425	SWITCH CLUTCH	1
29	LBU00012	SCREW PAN CROSS M3X0.5	2
30	DD191147	ADJUSTER SCREW	1
31	JY151067	GRIP ASSEMBLY RH	1
32	JY161209	Accelerator Cable	1
33	JP161200	Clutch Cable	1

RC-200-GEN2 MY-22

23. FRAME

oemship +919495961664

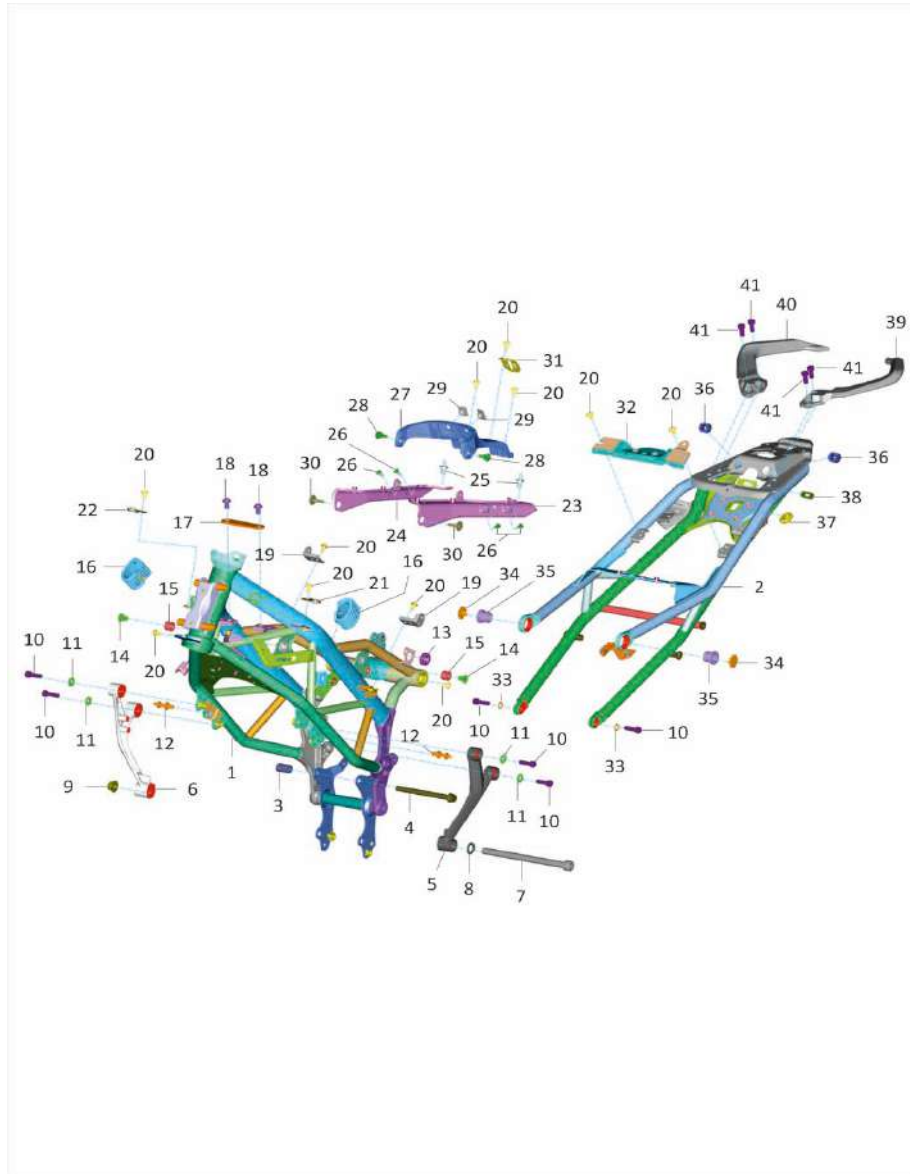


SN	Part No.	Description	QTY
1	36JY0310 - RC FRONT FRAME EBONY		
	36JY0310 - BLK	BLACK 36JY0311 - RC FR FRAME	
	36JY0311 - ORG	EBONY ORANGE	1
2	52JY2524 - ORG	52JY2524 - RC REAR FRAME ORANGE	
	52JY2525 - BLK	52JY2525 - RC REAR FRAME BLACK	1
3	JP113837	NUT SOCKET-M10X1.25XHT. 24XBRT	1
4	JG113403	BOLT FLANGED M10X1.25	1
5	56JP0231	ENGINE HANGER LH MAT BLACK	1
6	56JP0331	ENGINE HANGER RH MAT BLACK	1
7	LAC00061	BOLT SOCKET-M10X1.25XL 135XBRIGHT	1
8	KDAA1018	WASHER_PLAIN_SMALL	1
9	KCGD1010	NUT HEX FLANGED	1
10	LAC00113	BOLT SOCKET M8X1.25	6
11	LDB00065	WASHER PLAIN-ID8.5XOD 18XTHK 1.6	4
12	JY113900	PIN	2
13	DS161082	GROMMET SIDE COVER RR	2
14	GL113811	COLLAR	2
15	GL113812	GROMMET	2
16	JY113912	DAMPER	2
17	JY113891	BRACKET FRAME FRONT MIDDLE	1
18	LBU00094	SCREW BUTTON HEAD- M8X1.25XL14XBL	2
19	JY113897	BRACKET FAIRING REAR LH	2
20	JY113821	SCREW BUTTON HEAD- M6X1XL12XBLACK	11

RC-200-GEN2 MY-22

23. FRAME

oemship +919495961664

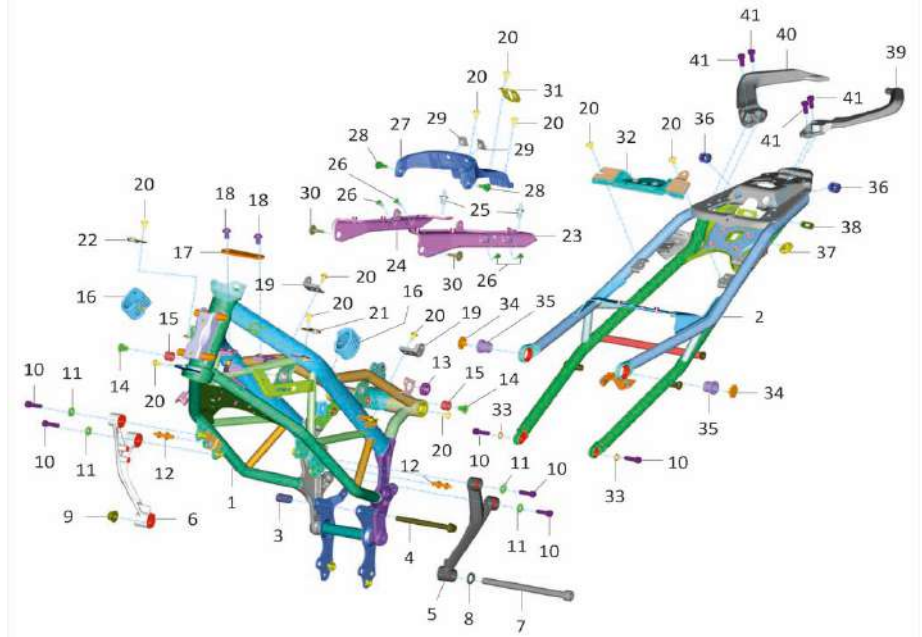


SN	Part No.	Description	QTY
21	-	-	0
22	-	-	0
23	JY111203	BRACKET SPIDER LH	1
24	JY111204	BRACKET SPIDER RH	1
25	JY113899	PIN	2
26	JY113890	DAMPER	4
27	JY181382	CARRIER COVER TANK	1
28	JY181264	BOLT SOCKET- M6X1XL17XBLACKXSTEP	2
29	JY191008	DAMPER	2
30	LAE00034	BOLT FL- M8X1.25XL23.5XBLKXSTEPED	2
31	JY113901	HOLDER COUPLER	1
32	JY111209	BRACKET LATCH SEAT	1
33	LDA00071	WASHER PLAIN- ID8.2XOD15XT2XBLACK	2
34	JY113931	PLUG	2
35	LBN00003	SCREW SET SOCKET M22X1.25	2
36	JG171024	GROMMET TOP COVER	2
37	JY113837	GROMMET FOR CABLE	1
38	JY113822	GROMMET BATTERY BOX	1
39	56JY5U31	GRAB HANDLE LH JY231407 BLACK GLOSS	1
40	56JY5V31	GRAB HANDLE RH JY231408 BLACK GLOSS	1

RC-200-GEN2 MY-22

23. FRAME

oemship +919495961664

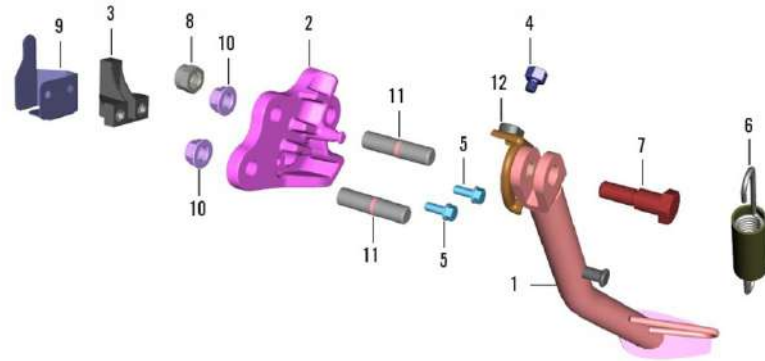


SN	Part No.	Description	QTY
41	LAC00153	BOLT SOCKET-M8X1.25XL 18XPRECOAT	4

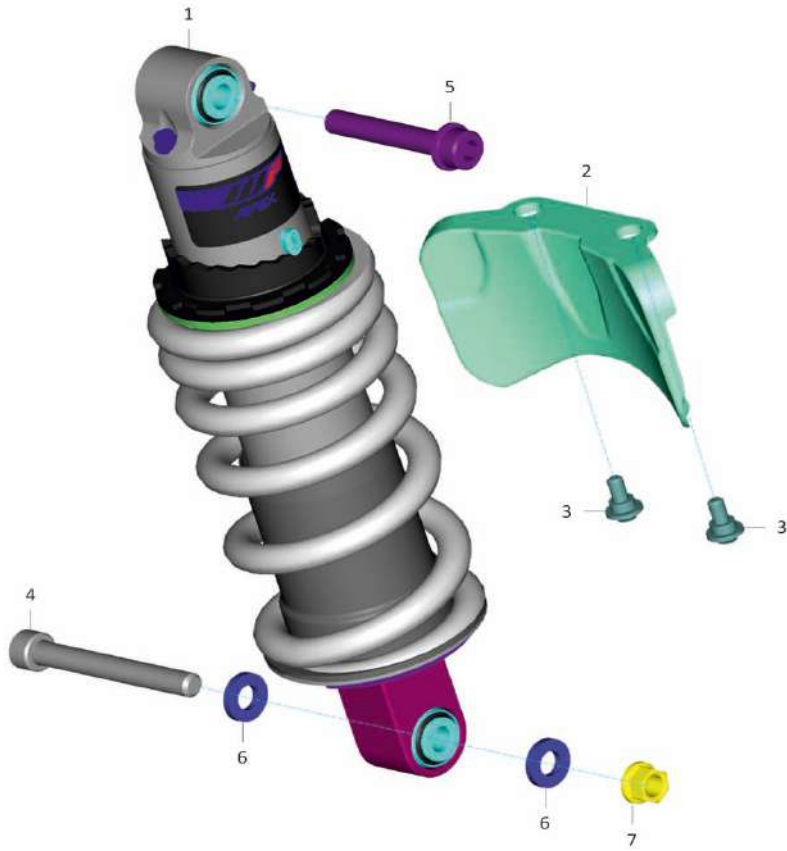
RC-200-GEN2 MY-22

24. SIDE STAND

oemship +919495961664



SN	Part No.	Description	QTY
1	JY113212	STAND SIDE	1
2	JP113229	PLATE STAND SIDE	1
3	JP401435	SWITCH STAND SIDE	1
4	JP401434	HOLDER MAGNET	1
5	LAE00010	BOLT FLANGED M5X0.8	2
6	JU113200	SPRING SIDE STAND WITH COVER	1
7	JG113207	BOLT	1
8	LCH00001	NUT NYLOC-M10X1.25XHT.11XCL6XBRT	1
9	JY113210	GUARD SWITCH STAND SIDE	1
10	LCL00006	NUT U FLANG-M10X1.25XHT. 8.5XBRT	2
11	LAJ00028	BOLT STUD-M10X1.25XL 25XPRECOAT	2
12	JG113215	BRACKET HOLDER MAGNET	1

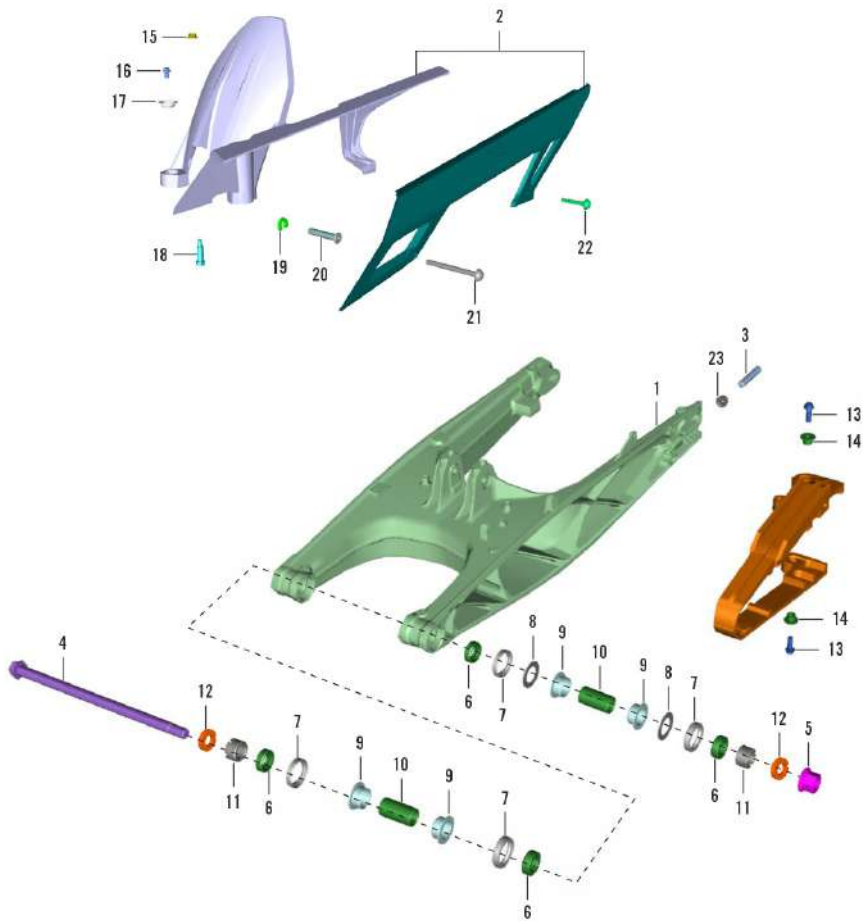


SN	Part No.	Description	QTY
1	JY122030	SHOCKABSORBER REAR	1
2	JY181739	PROTECTOR SHOCKABSORBER	1
3	LBU00116	SCREW BUTTON HEAD STEP M6X1	2
4	LAC00006	BOLT SOCKET M10X1.25	1
5	LAC00157	BOLT FLANGED M10X1.25	1
6	LDB00011	WASHER PLAIN	2
7	LCG00003	NUT FLANGED M10 X 1.25	1

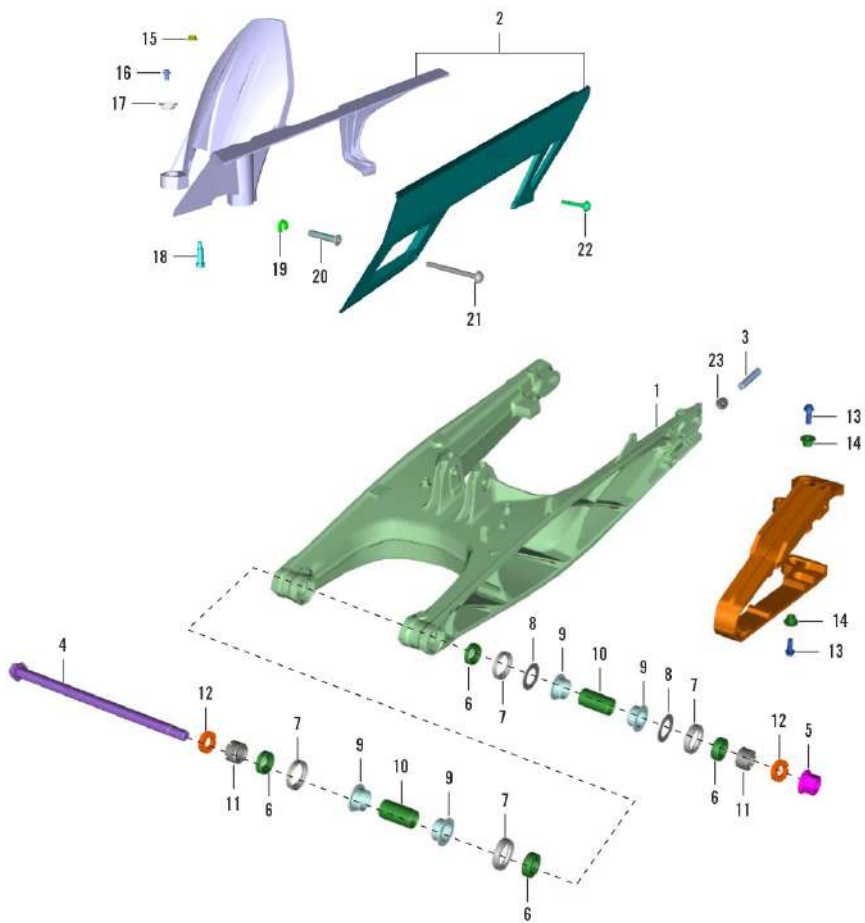
RC-200-GEN2 MY-22

26. SWING ARM

oemship +919495961664



SN	Part No.	Description	QTY
1	52JU0723	SWING ARM SUB ASSY COMP HUSKVERNA 390	1
2	JY181724	CHAIN CHAIN COVER ASSEMBLY	1
3	LAA00007	BOLT HEX M10 X 1.25 X 50	2
4	JG122016	SHAFT SWING ARM	1
5	LCG00004	NUT FLANGED M14 X 1.5	1
6	JG122011	BUSH	4
7	JG122012	OIL SEAL	4
8	JG122026	WASHER PLAIN	2
9	JG122009	IGUS BUSH	4
10	JG122010	COLLAR	2
11	JG122033	WASHER THREADED-SWING ARM STACK	2
12	LDB00055	WASHER PLAIN-ID 15.5XOD 29XTHK 5	2
13	KAED0616	BOLT-FLANGE-KAE ST-D DIA-06 L-16	2
14	JG122037	SLEEVE	2
15	KCGA0505	NUT HEX FLANGED	1
16	LAE00050	BOLT FLANGED SMALL- M6X1XL8XBLACK	2
17	JP181408	WASHER EXTRUDED	2
18	JG181273	BOLT CHAIN CASE MTG	1
19	JG113846	SPACER SLIDER CHAIN	1
20	JY122004	SLEEVE CHAIN SLIDER	1

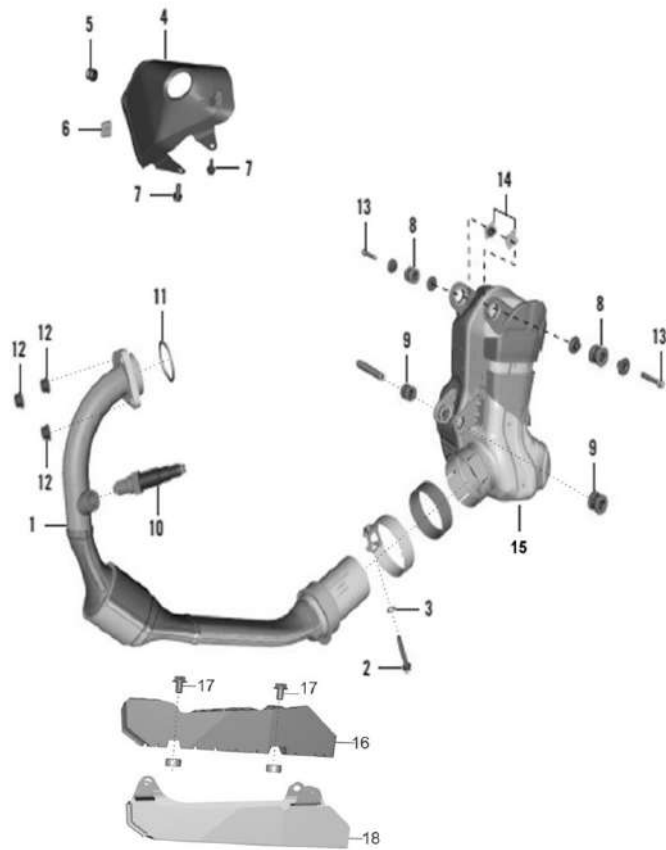


SN	Part No.	Description	QTY
21	LBU00052	SCREW TRUS- M5X0.8XL55XBLXPRECOAT	1
22	LBR00007	SCREW TAPPING PAN CROS- 6XL30XBLK	1
23	LCG00003	NUT FLANGED M10 X 1.25	2

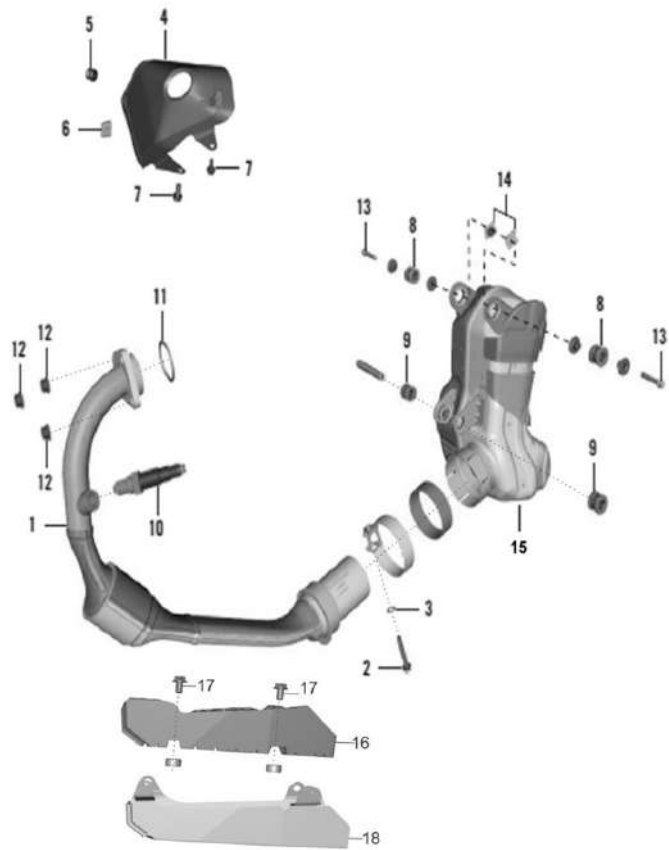
RC-200-GEN2 MY-22

27. EXHAUST SYSTEM

oemship +919495961664



SN	Part No.	Description	QTY
1	JP591214	PIPE ASSEMBLY A	1
2	LAD00236	BOLT FLANGED	1
3	LDB00120	WASHER PLAIN	1
4	JP591117	SHIELD ASSEMBLY MUFFLER	1
5	LDA00009	WASHER PLAIN	2
6	JL591165	DAMPER SILENCER MOUNTING LOWER	2
7	JG591100	DAMPER SILENCER MOUNTING LOWER	2
8	j1591165	DAMPER SILENCER	1
9	JY591303	GROMMET SHIELD MUFFLER	2
10	JP591114	SENSOR OXYGEN	1
11	JP591106	GASKET EXHAUST	1
12	JG591070	GASKET EXHAUST	1
13	LCG00024	NUT HEX FLANGED-M8X1.25XHT.8XBRT	2
14	JY591245	COLLAR	2
15	52JP0797	ASSEMBLY PREMUFFLER DUKE 200 BS6	1
16	JP591095	PROTECTOR MUFFLER INNER	1
17	JG113404	CLIP NUT	2
18	JP591105	PROTECTOR ASSEMBLY MUFFLER OUTER	1
19	LAD00075	BOLT FLANGED-M8X1.25XL 105XBRT	1
20	KADD0835	BOLT-FLANGE-KAD ST-D DIA-08 L-35	1

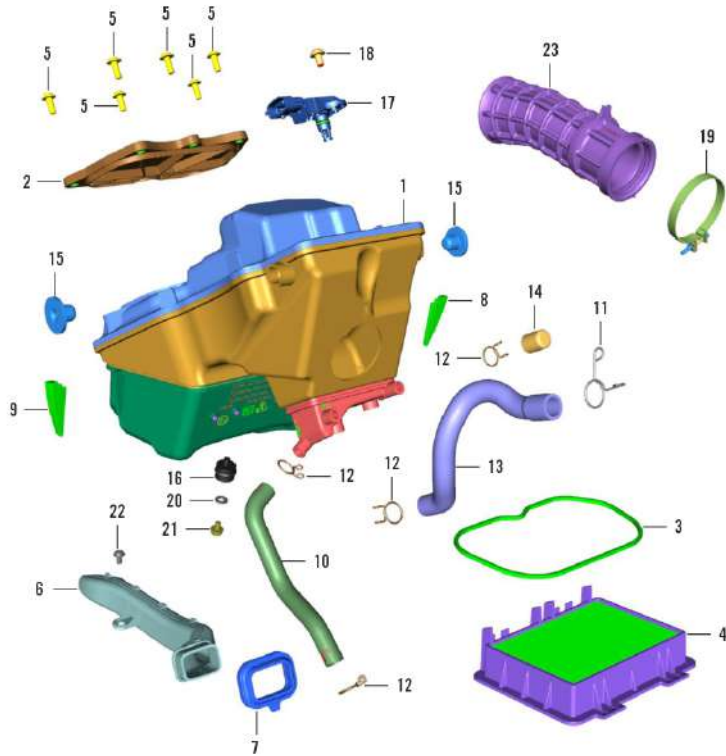


SN	Part No.	Description	QTY
21	-	-	0
22	-	-	0
23	-	-	0

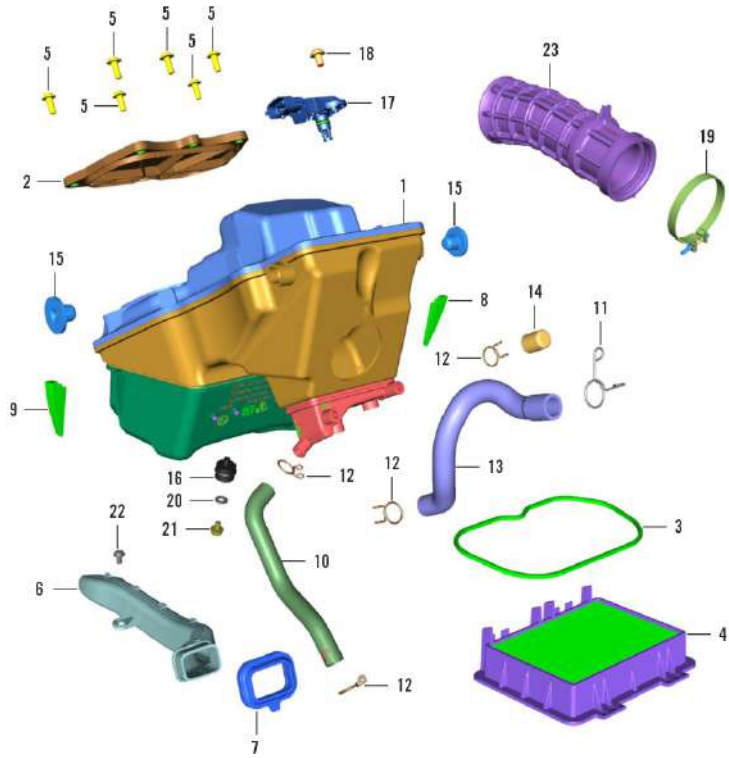
RC-200-GEN2 MY-22

28. AIR FILTER

oemship +919495961664



SN	Part No.	Description	QTY
1	52JY2506	AIR FILTER SUB ASSLY RC 200 MY21	1
2	JP581008	CAP TOP COVER	1
3	JP581009	SEAL CAP TOP COVER	1
4	JP581003	ELEMENT FILTER AIR	1
5	LBU00072	SCREW BUTTON HEAD-M6X1XL 16XBRT	6
6	JG581086	DUCT INTAKE	1
7	JP581012	GROMMET DUCT DIRTY SIDE	1
8	JP581031	RUBBER FLAP	1
9	JP581037	FLAP-RUBBER-RH	1
10	JP581013	BREATHER TUBE	1
11	JY581028	CLAMP	1
12	JG581056	CLAMP (BREATHER TUBE)	4
13	JP581014	TUBE OIL RETURN	1
14	JP581018	TUBE DRAIN	1
15	JP581019	RUBBER DAMPER	2
16	JG581058	BUSH SILENT	1
17	JG351805	SENSOR TMAP	1
18	LBU00045	SCREW BUTTON HD- M6X1XL10XPRECOAT	1
19	JY581405	CLAMP INTAKE PIPE	2
20	LDB00026	WASHER PLAIN	1



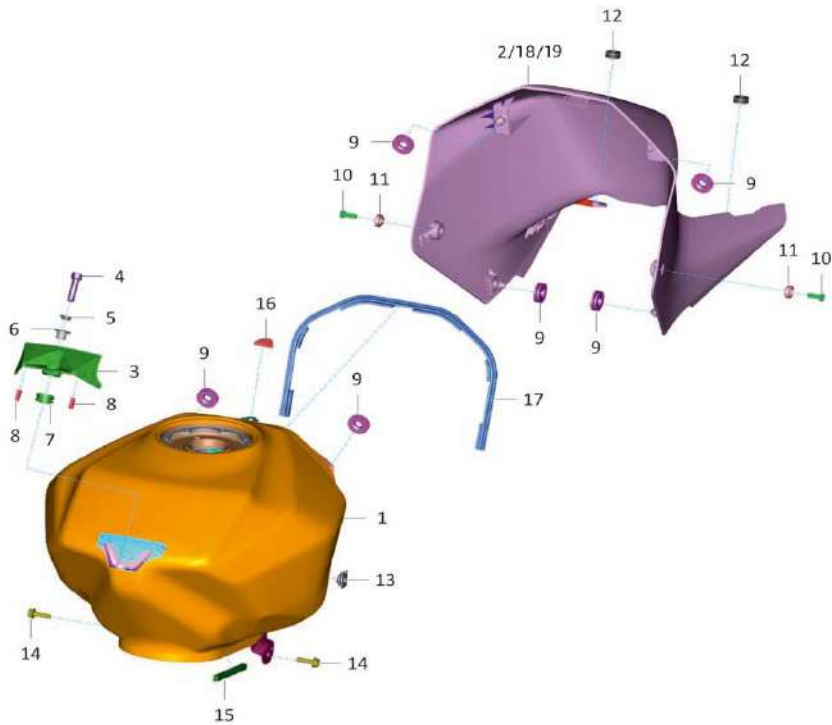
SN	Part No.	Description	QTY
21	KADD0608	BOLT FLANGED	1
22	JY113821	SCREW BUTTON HEAD- M6X1XL12XBLACK	1
23	JP581016	CONNECTING TUBE	1

RC-200-GEN2 MY-22

29. TANK, COVER

oemship +919495961664

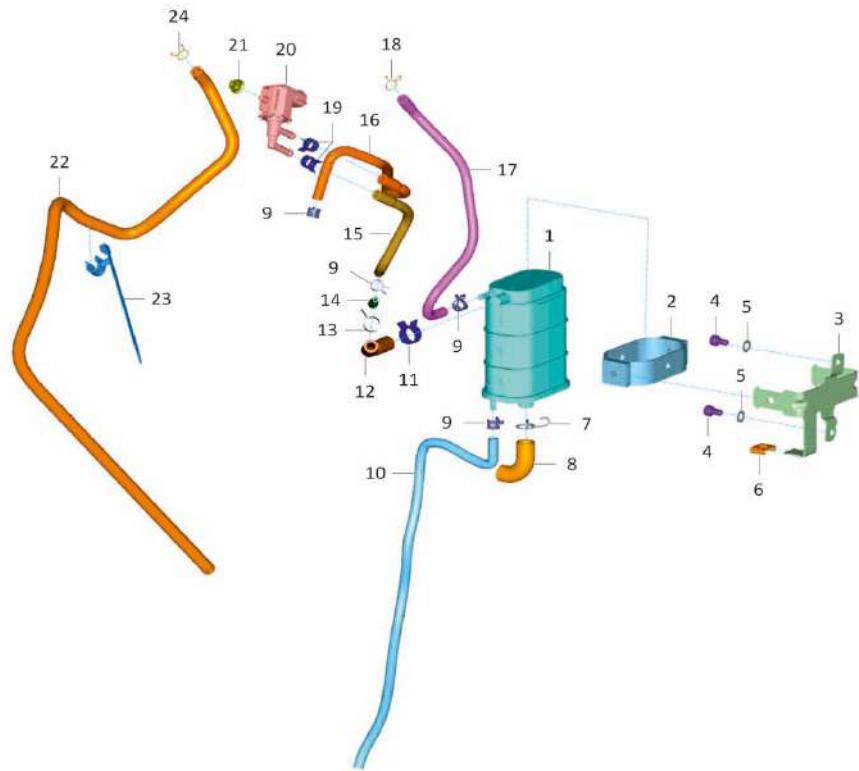
SN	Part No.	Description	QTY
1	52JY2988	GPRC200/390 FUEL TANKJY171174 EB ORG+DCL	1
2	52JY2558	RC 200 GEN 2 COVER TANK SILV + DCL	1
3	JY181721	COVER BRACKET TANK	1
4	KACF0830	BOLT SOKET- M8X1.25XL30XCL8.8XBRT	1
5	JY181742	COLLAR	1
6	JL171019	COLLAR	1
7	JL171020	GROMMET TANK MTG REAR	1
8	JY181753	BEADING	2
9	DS161082	GROMMET SIDE COVER RR	6
10	LAC00057	BOLT SOCKET-M6X1XL 16XCL 8.8XBLK	2
11	JY181404	CUP WASHER FRONT FENDER MTG BLK	2
12	JP181013	GROMMET UNDER TRAY	2
13	JG591088	CLIP NUT M6	2
14	KADD0622	BOLT FLANGED	2
15	JL171038	BEADING TANK LH	1
16	JY171182	CAP	1
17	JY171183	BEADING	1
18	52JY2577	RC 200 GEN 2 COVER TANK BLK + DCL	1
19	52JY2965	RC200 COVER TANK EB ORG MATT + DCL	1



RC-200-GEN2 MY-22

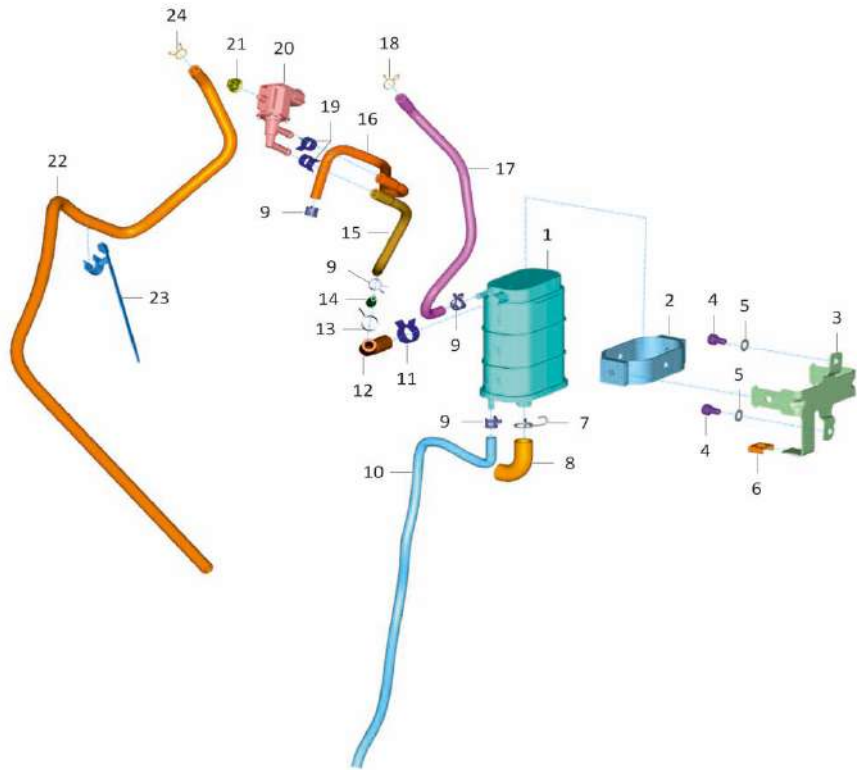
30. EVAP SYSTEM

oemship +919495961664



SN	Part No.	Description	QTY
1	JY171077	CANISTER	1
2	JY113925	STRAP CANISTER	1
3	JY113886	BRACKET CANISTER	1
4	KACA0610	BOLT MASTER KAC	2
5	KDAA0611	WASHER_PLAIN_SMALL	2
6	JY181315	CANISTER RUBBER DAMPER	1
7	DG121040	CLAMP	1
8	JY171620	PIPE BREATHER	1
9	JL171101	CLAMP BAND SPRING	4
10	JY171617	PIPE DRAIN	1
11	JY171069	SPRING BAND CLAMP 15X10	1
12	JY171616	PIPE FUEL	1
13	JY171090	SPRING BAND CLAMP 13X12	1
14	JG171086	CONNECTOR TUBE EVAP	1
15	JY171615	PIPE FUEL	1
16	JY171614	PIPE FUEL	1
17	JY171858	PIPE FUEL	1
18	JG171030	CLAMP	1
19	JG171029	CLAMP	2
20	JU171606	VALVE PURGE	1

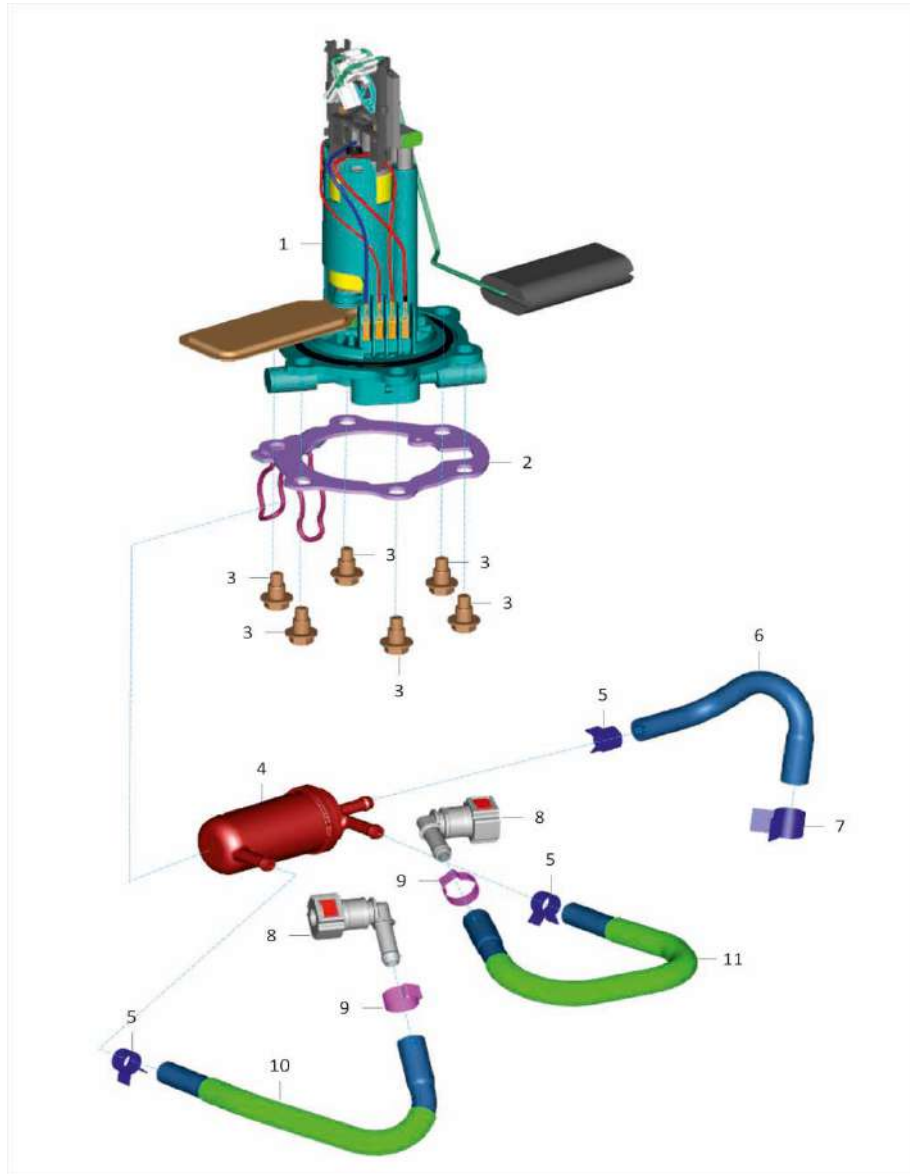
SN	Part No.	Description	QTY
21	KCGA0606	NUT HEX FLANGED M6X1	1
22	JY171860	PIPE FUEL	1
23	JG601257	STRAP-CLIP SWIVEL	1
24	DJ141002	CLAMP DRAIN PIPE	1



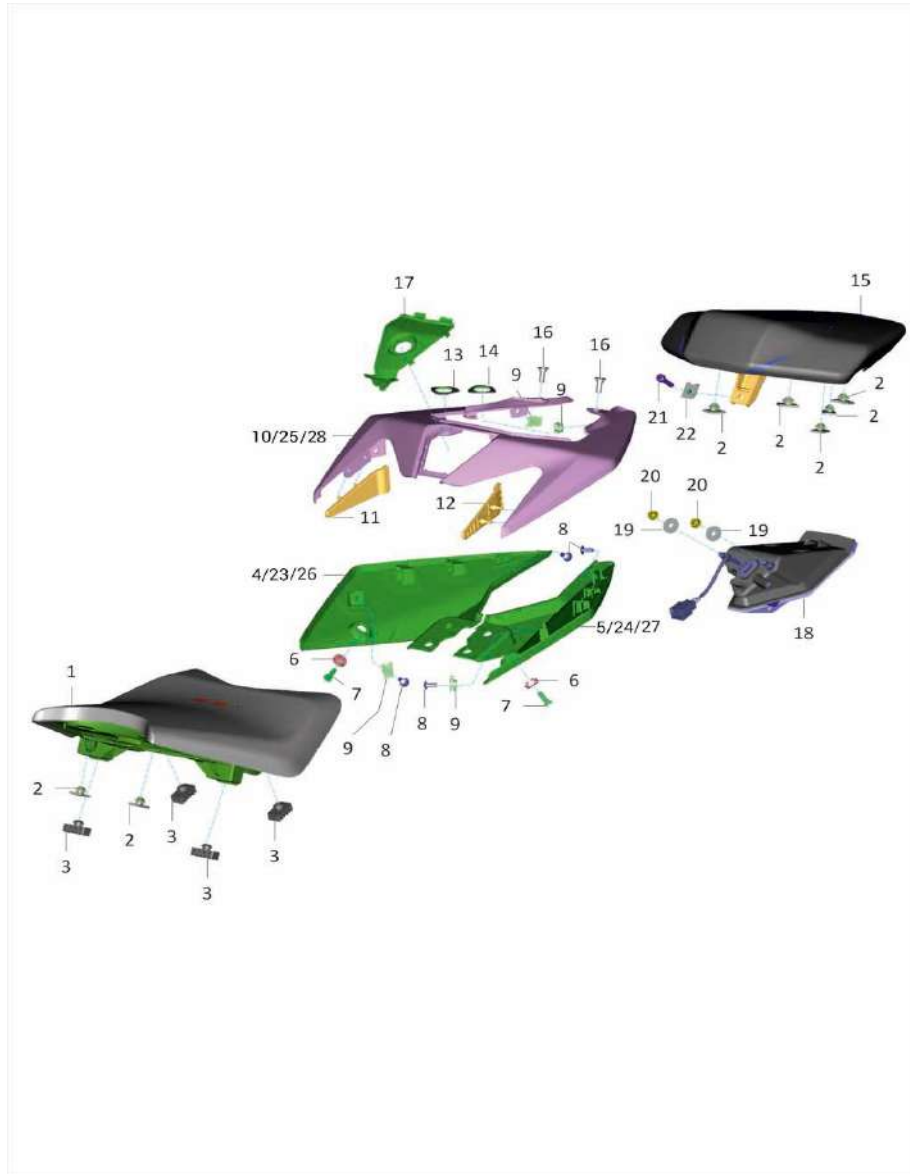
RC-200-GEN2 MY-22

31. FUEL PUMP

oemship +919495961664



SN	Part No.	Description	QTY
1	JY171862	PUMP FUEL	1
2	JY171180	PLATE PUMP FUEL	1
3	LAD00154	BOLT FLANGE-M6X1XL 12.8XBRTXSTEP	6
4	DT171814	INLINE FUEL FILTER (QUICK CONNECTOR)	1
5	JG171029	CLAMP	2
6	JY171859	PIPE FUEL	1
7	JY171090	CLAMP	1
8	JU171048	CONNECTOR QUICK	2
9	DT171822	CLAMP QUICK CONNECTOR END PERMANENT	2
10	JY171855	PIPE FUEL	1
11	JY171856	PIPE FUEL	1

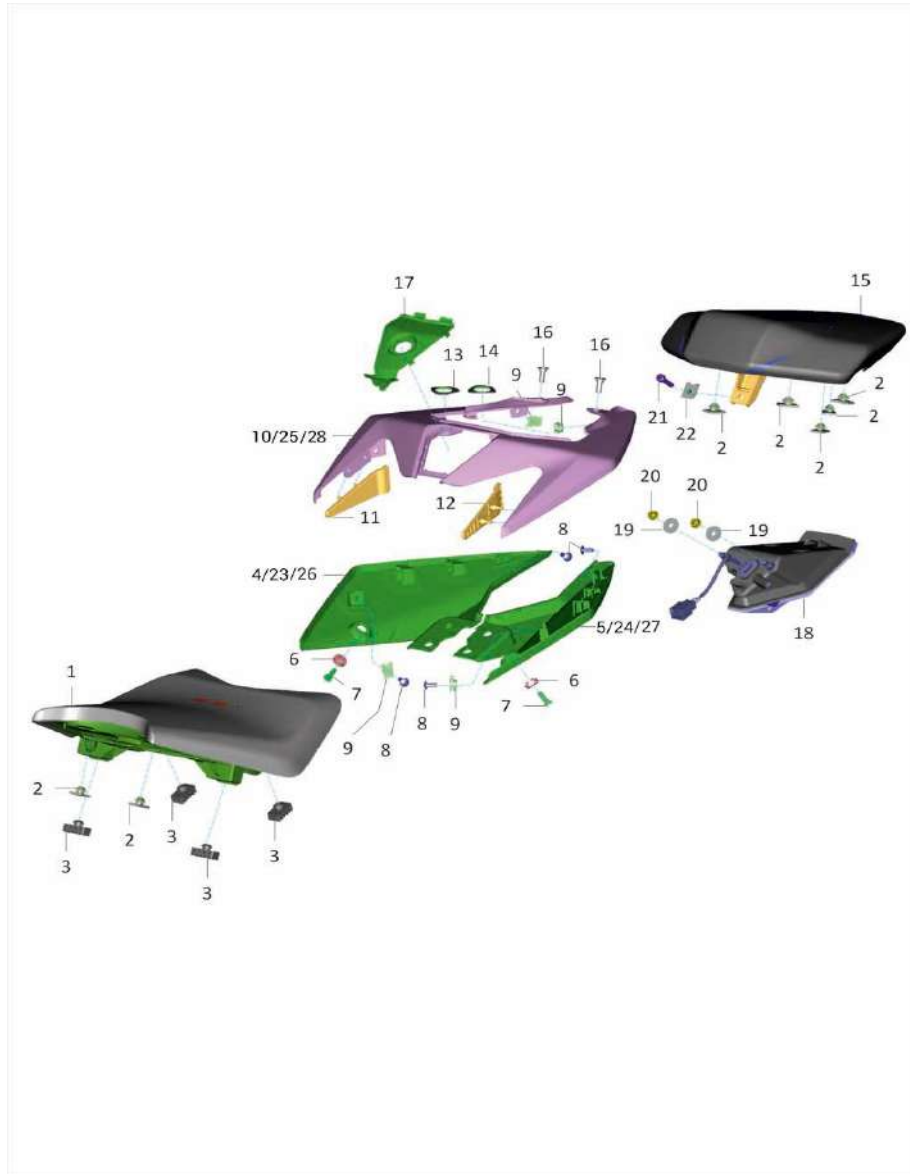


SN	Part No.	Description	QTY
1	JY191034	SEAT ASSEMBLY FRONT	1
2	JY191008	DAMPER	7
3	JP191007	SEAT DAMPER REAR	4
4	52JY2560	RC 200 GEN 2 SEAT COWL BOTM RH SILV + DC	1
5	52JY2559	RC 200 GEN 2 SEAT COWL BOTM LH SILV + DC	1
6	JY181404	CUP WASHER FRONT FENDER MTG BLK	2
7	LAC00057	BOLT SOCKET-M6X1XL 16XCL 8.8XBLK	2
8	KBUA0512	SCREW TRUSS	4
9	JG171031	CLIP NUT M5	4
10	56JYG392	SEAT COWL TOP JY181353 ADV SILVER MATT	1
11	JY181702	FLAP COWL SEAT RH	1
12	JY181701	FLAP COWL SEAT LH	1
13	JY113911	FOAM RH	1
14	JY113910	FOAM LH	1
15	JY191035	SEAT ASSEMBLY PILLION	1
16	JG561204	BOLT STOPPER DRUM	2
17	JY181384	COVER LOCK SEAT	1
18	JY401037	LAMP TAIL	1
19	LDB00014	WASHER PLAIN-ID 6.2XOD20XT1.5XBR	2
20	LCL00002	NUT HEX FLANGED M6X1	2

RC-200-GEN2 MY-22

32. SEAT

oemship +919495961664



SN	Part No.	Description	QTY
21	KACA0625	BOLT MASTER KAC	1
22	DJ181065	CLIP NUT M6	1
23	52JY2579	RC 200 GEN 2 SEAT COWL BOTM RH EB BLK+DL	1
24	52JY2578	RC 200 GEN 2 SEAT COWL BOTM LH EB BLK+DL	1
25	56JYG3X3	SEAT COWL TOP JY181353 EBONY BLACK	1
26	52JY2963	RC200 SEAT COWL BTM RH BLK MAT+DCL	1
27	52JY2964	RC200 SEAT COWL BTM LH BLK MATT+DCL	1
28	56JYG343	SEAT COWL TOP JY181353 EB ORANGE MATT	1

RC-200-GEN2 MY-22

33. FENDERS & SIDE FAIRING

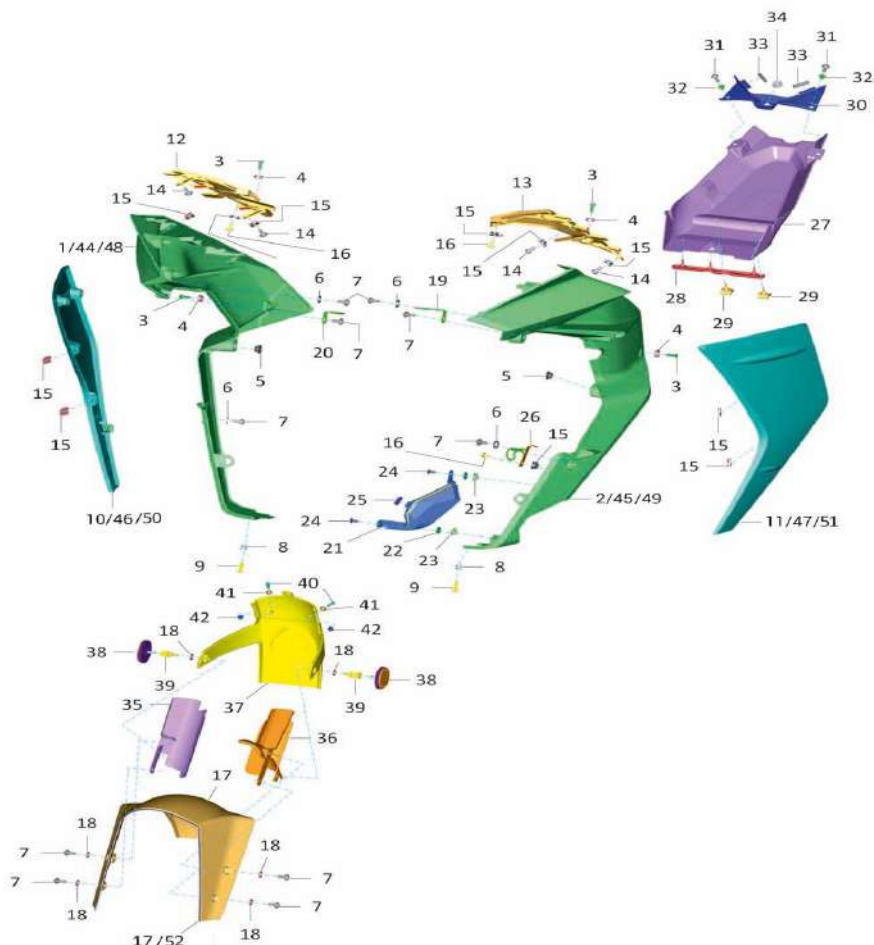
oemship +919495961664



RC390 SILVER

RC200 BLACK

RC200 GP



SN	Part No.	Description	QTY
1	52JY2555	RC 200 GEN 2 INN FRNG RH SILVR GLOS+DL	1
2	52JY2554	RC 200 GEN 2 INN FRNG LH SILVR GLOS+DL	1
3	LAC00057	BOLT SOCKET-M6X1XL 16XCL 8.8XBLK	4
4	JY181404	CUP WASHER FRONT FENDER MTG BLK	4
5	JP181229	GROMMET IGNITION SWITCH COVER	2
6	KDAA1018	WASHER_PLAIN_SMALL	4
7	LBU00059	SCREW BUTTON HD-M6X1XL13XSTEPPED	10
8	JY181312	SLEEVE	2
9	LAC00008	SCREW BUTTON HEAD-M6X1XL20XBLACK	2
10	52JY2557	RC 200 GEN 2 OUT FAIRG RH ORG + DCL	1
11	52JY2556	RC 200 GEN 2 OUT FAIRG LH ORG + DCL	1
12	JY181393	FLAP SPEEDOMETER RH	1
13	JY181392	FLAP SPEEDOMETER LH	1
14	LBU00112	SCREW BUTTON HEAD STEP M6X1	4
15	JG113404	CLIP NUT	11
16	JY113821	SCREW BUTTON HEAD-M6X1XL12XBLACK	3
17	56JYG1X3	FENDER FRONT JY181419 EBONY BLACK	1
18	JZ171021	WASHER VAPOUR SEALING	6
19	JY113921	BRACKET FAIRING SIDE LH	1
20	JY113922	BRACKET FAIRING SIDE RH	1

33. FENDERS & SIDE FAIRING

RC-200-GEN2 MY-22

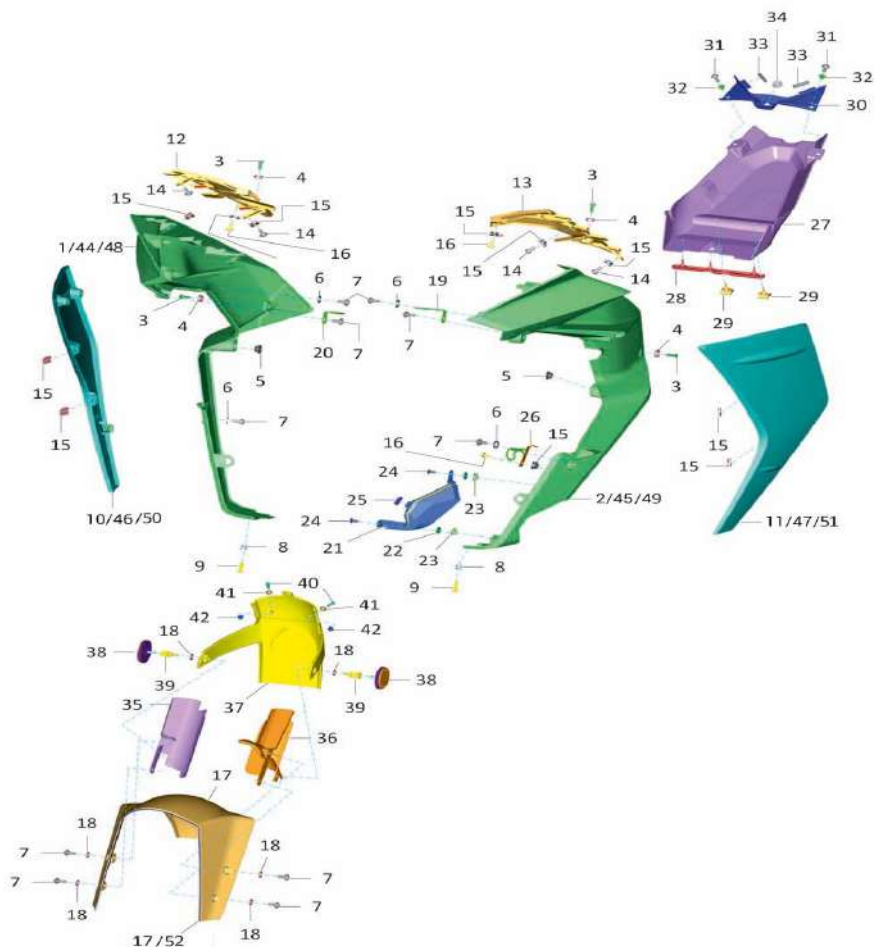
oemship +919495961664



RC390 SILVER

RC200 BLACK

RC200 GP



SN	Part No.	Description	QTY
21	JY181700	COVER CATALYST	1
22	JY181255	WASHER END CAP	2
23	JG171031	CLIP NUT M5	2
24	LBU00002	SCREW TRUSS M5X0.8	2
25	JU591160	DAMPER	1
26	JY181327	BRACKET	1
27	JY181358	TRAY UNDER	1
28	JY181760	DAMPER	1
29	JY181714	DAMPER	2
30	JY181385	COVER REAR	1
31	LAC00054	BOLT SOCKET-M6X1XL16XBLKXFL.HEAD	2
32	JH181263	COLLAR	2
33	JH181253	BEADING RUBBER	2
34	JH181426	GROMMET UNDER TRAY	1
35	JY181425	PROTECTOR FORK INNER RH	1
36	JY181424	PROTECTOR FORK INNER LH	1
37	JY181421	FENDER FRONT REAR	1
38	JY401042	REFLECTOR REFLEX	2
39	LAA00073	BOLT STEP M6X1	2
40	KBBJ0514	SCREW PAN CROSS-M5X0.8XL14XBLACK	2

RC-200-GEN2 MY-22

33. FENDERS & SIDE FAIRING

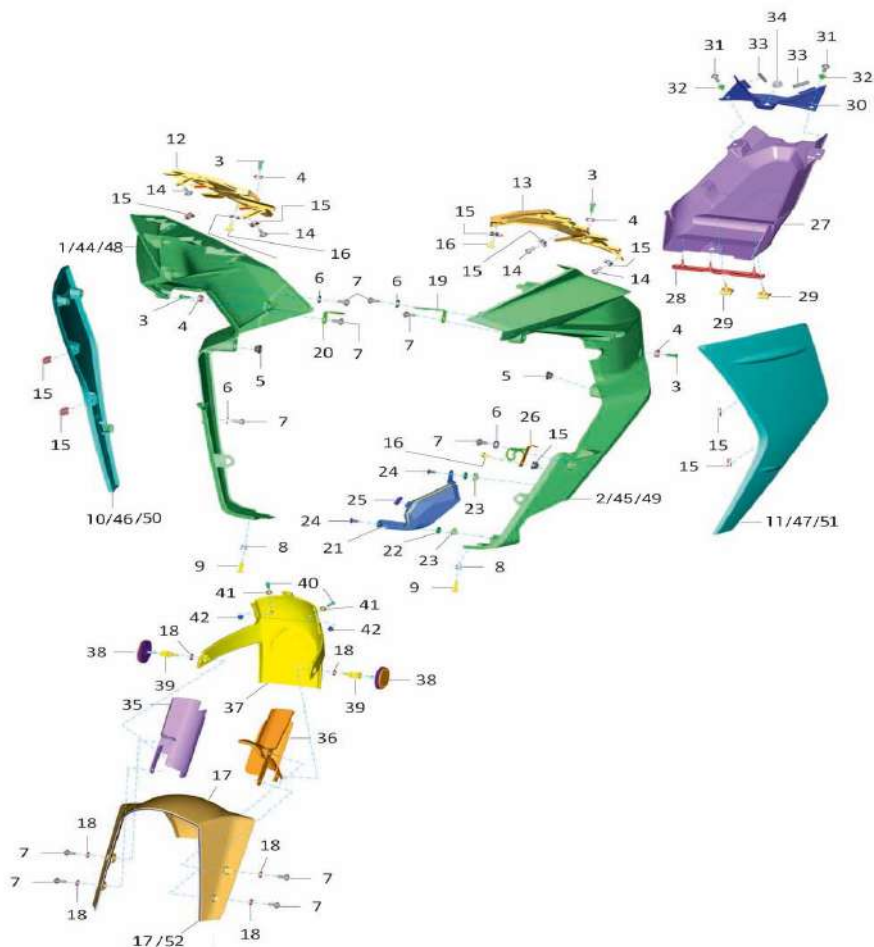
oemship +919495961664



RC390 SILVER

RC200 BLACK

RC200 GP

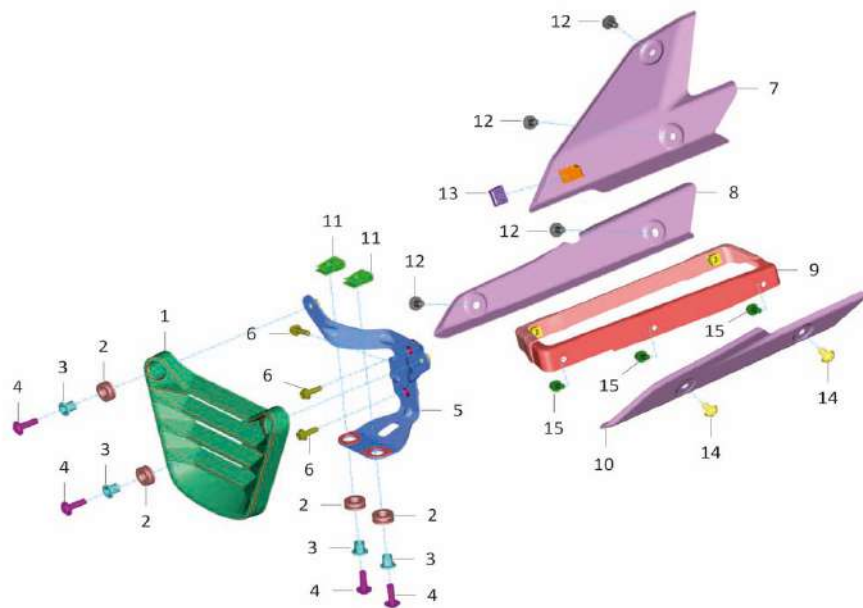


SN	Part No.	Description	QTY
42	KCKE0507	NUT NYLOC FL-M5X0.8XHT. 7.1XBLK	2
43	KDBF0512	WASHER PLAIN- ID5.5XOD12XT0.8XBLK	2
44	52JY2571	RC 200 GEN 2 INN FAIRING RH BLK GLOS+DCL	1
45	52JY2569	RC 200 GEN 2 INN FAIRING LH BLK GLOS+DCL	1
46	52JY2575	RC 200 GEN 2 OUT FAIRG RH ORG GLOS + DCL	1
47	52JY2573	RC 200 GEN 2 OUT FAIRG LH ORG GLOSS + DC	1
48	52JY2961	RC200 INR FAIRING EB ORG MAT RH + DCL	1
49	52JY2972	RC200 INR FAIRING EB ORG MAT LH+DCL	1
50	52JY2967	RC 200 OUTER FAIRING EB ORG GLOSS RH+DCL	1
51	52JY2966	RC200 OUTER FAIRING EB ORG GLOSS LH +DCL	1
52	52JY2952	FENDER FRONT JY181419 EB ORG MAT+ DCL	1

RC-200-GEN2 MY-22

34. BELLY PAN

oemship +919495961664



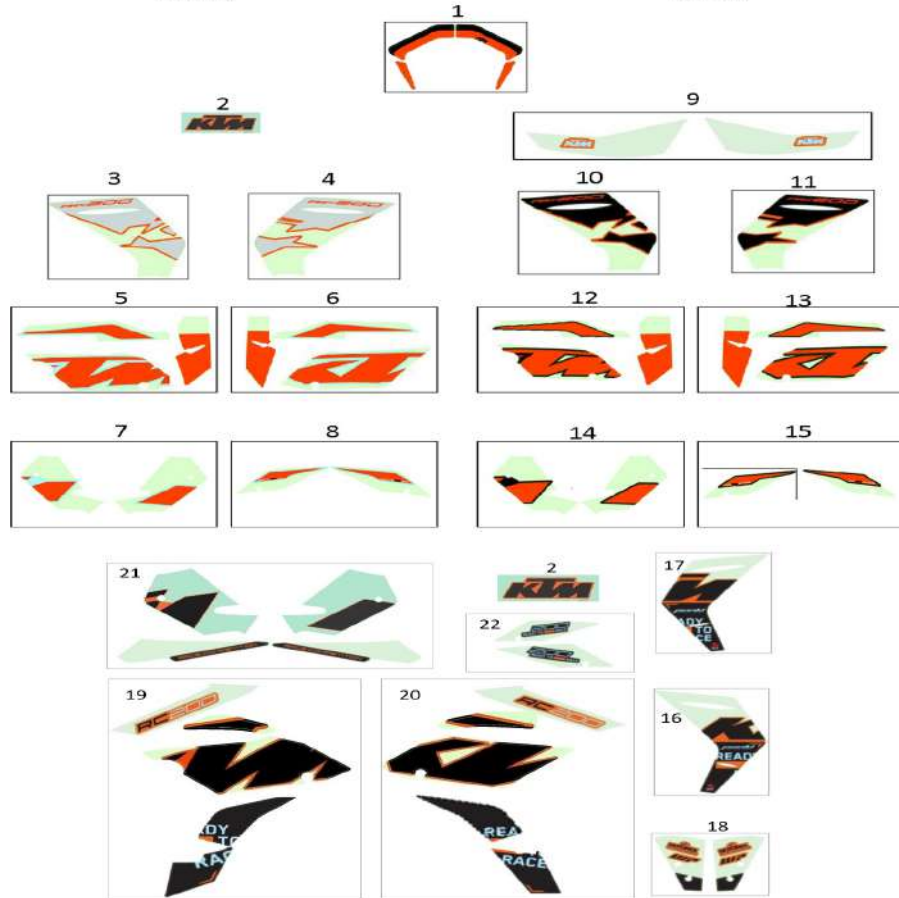
SN	Part No.	Description	QTY
1	JY181356	BELLY PAN MIDDLE	1
2	JY181310	GROMMET BELLY PAN CENTRAL	4
3	JY181312	SLEEVE	4
4	LAC00008	SCREW BUTTON HEAD-M6X1XL20XBLACK	4
5	JY181705	BRACKET ASSY BELLY PAN MIDDLE	1
6	KADD0516	BOLT FLANGED	3
7	JY181725	BELLY PAN ASSEMBLY REAR RH	1
8	JY181726	BELLY PAN ASSEMBLY FRONT RH	1
9	-	-	0
10	JY181354	BELLY PAN LH	1
11	BF181814	CLIP NUT M6	2
12	LBU00045	SCREW BUTTON HD-M6X1XL10XPRECOAT	4
13	JY591303	GROMMET SHIELD MUFFLER	1
14	LBU00135	SCREW BUTTON HEAD M6X1	2
15	KADD0510	BOLT FLANGED	3



KTM RC 200 GP

SILVER

BLACK



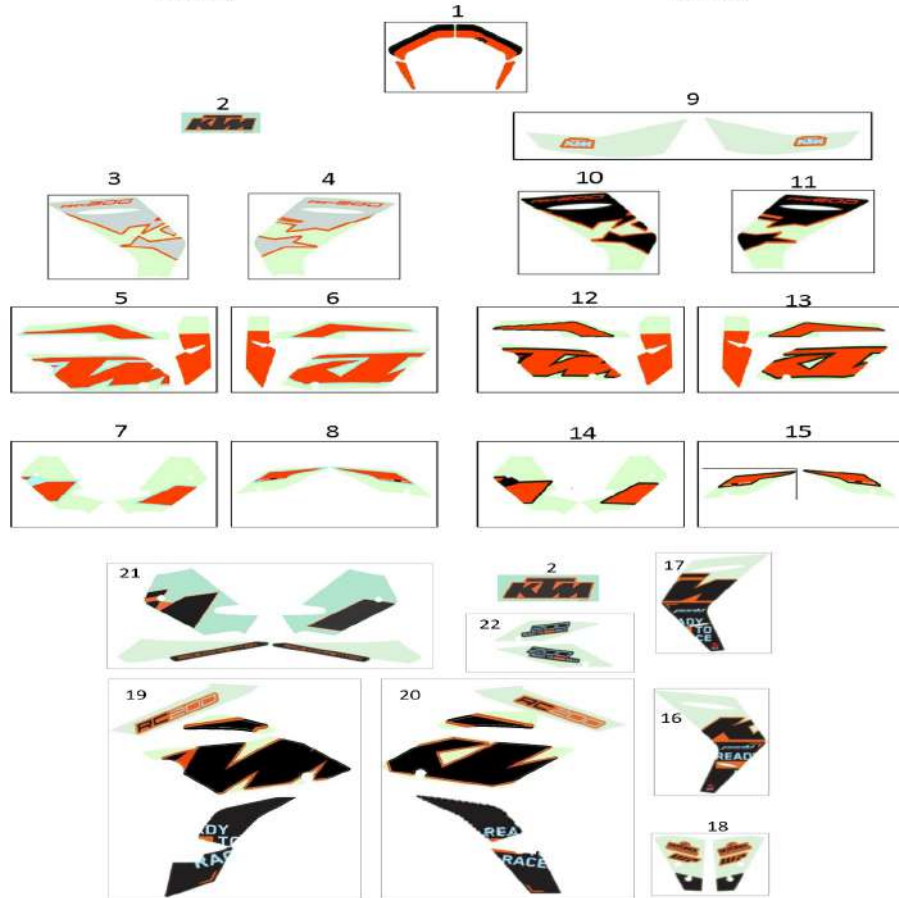
SN	Part No.	Description	QTY
1	36JY0346	KIT DECAL STRUCTURE FAIRING	1
2	JY233449	DECAL KTM BLACK	1
3	JY233341	DECAL FAIRING SIDE OUTER LH SLVR	1
4	JY233342	DECAL FAIRING SIDE OUTER RH SLVR	1
5	36JY0301	KIT DECAL IN FAIR LH SLVR	1
6	36JY0302	KIT DECAL IN FAIR RH SLVR	1
7	36JY0303	KIT DECAL COVER TANK SLVR	1
8	36JY0304	KIT DECAL SEAT COWL SLVR	1
9	36JY0299	KIT DECAL TANK ORG	1
10	JY233352	DECAL FAIRING SIDE OUTER LH BLK	1
11	JY233353	DECAL FAIRING SIDE OUTER RH BLK	1
12	36JY0295	KIT DECAL IN FAIR LH BLK	1
13	36JY0296	KIT DECAL IN FAIR RH BLK	1
14	36JY0307	KIT DECAL COVER TANK BLK	1
15	36JY0298	KIT DECAL SEAT COWL BLK	1
16	JY233462	DECAL FAIRING SIDE OUTER LH	1
17	JY233463	DECAL FAIRING SIDE OUTER RH	1
18	36JY0350	RC200 KIT DECAL FENDER	1
19	36JY0351	RC200 KIT DECAL INNER FAIRING LH	1
20	36JY0352	RC200 KIT DECAL INNER FAIRING RH	1



KTM RC 200 GP

SILVER

BLACK

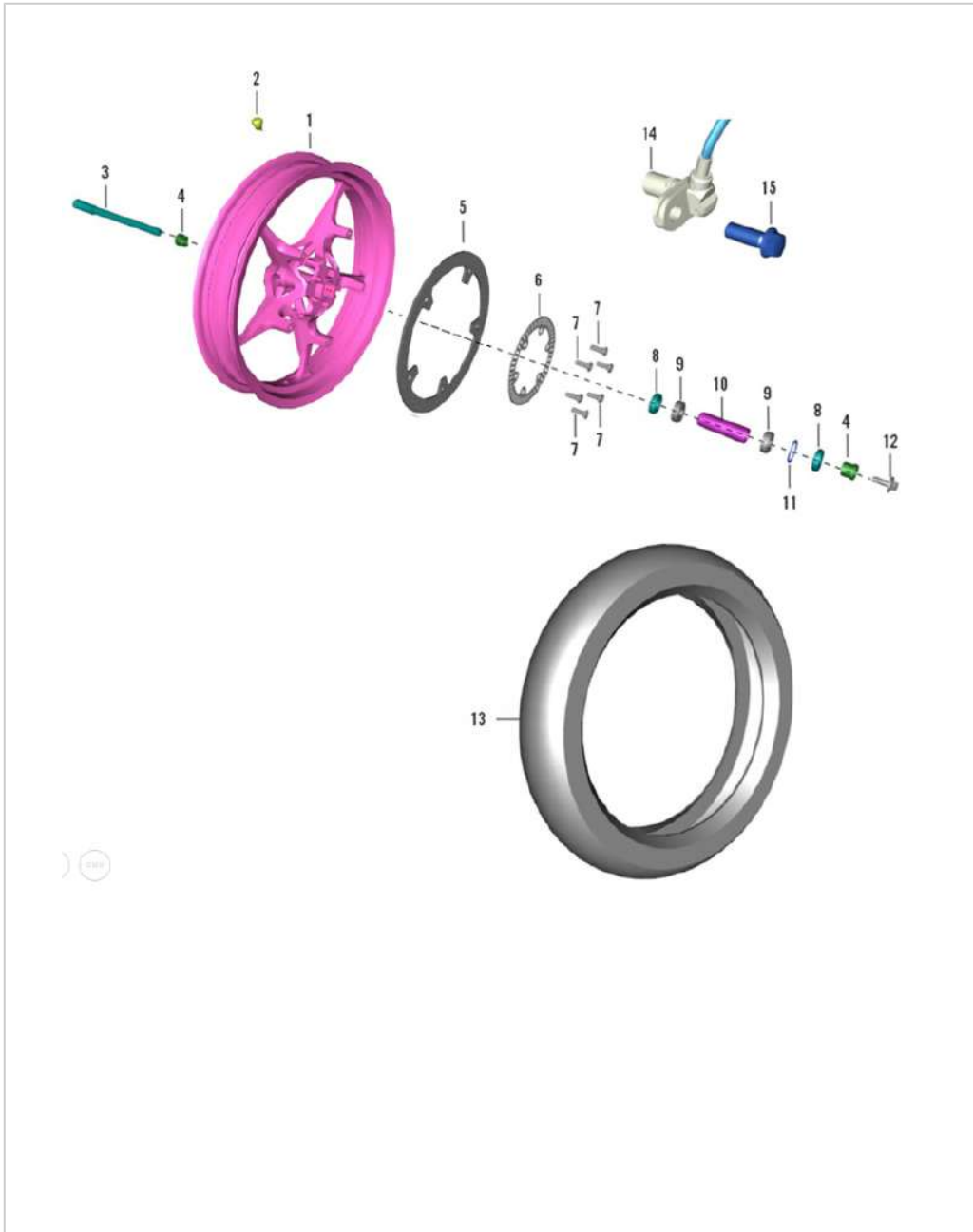


SN	Part No.	Description	QTY
21	36JY0353	RC200 KIT DECAL COVER TANK	1
22	36JY0354	RC200 KIT DECAL SEAT COWL	1

RC-200-GEN2 MY-22

36. FRONT WHEEL

oemship +919495961664

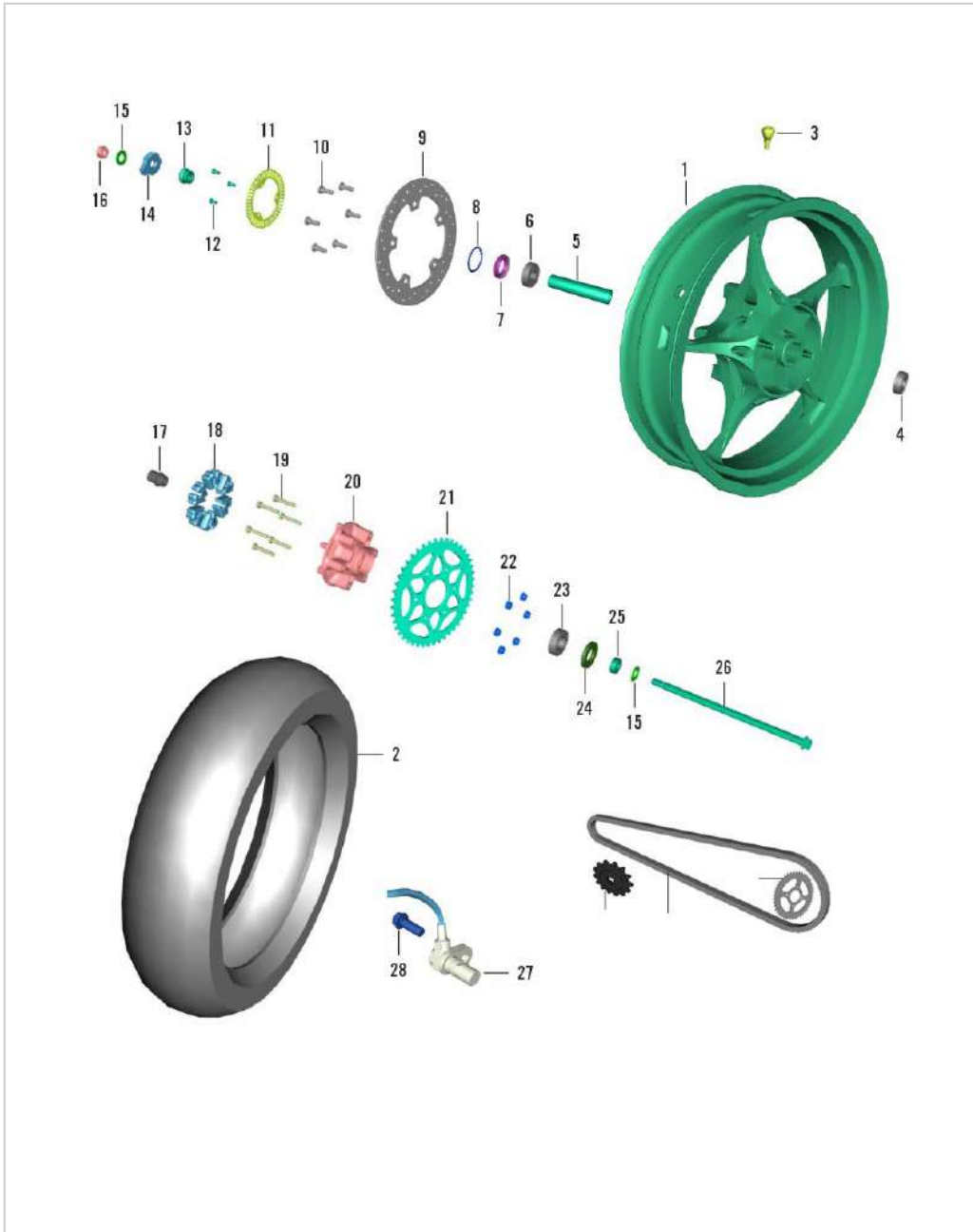


SN	Part No.	Description	QTY
1	36JY0321 - ORG	36JY0321 - WHEEL FR EB ORG	1
	36JY0323 - BLK	36JY0323 - WHEEL FR EB BLK	
2	DK151026	VALVE TUBELESS TYRE	1
3	JG131030	AXLE	1
4	JG131029	COLLAR	2
5	JY131880	DISC BRAKE DIA 320	1
6	JY131025	SENSOR DISC FRONT	1
7	LAC00179	BOLT SOCKET M8X1.25	6
8	DG151005	SEAL - OIL	2
9	BF131722	BEARING-BALL-C3 CLEARANCE	2
10	JG131028	SPACER	1
11	KEBA3515	CIRCLIP INTERNAL	1
12	JG131031	BOLT - AXLE FRONT MY17	1
13	JG131038	TYRE FRONT 110/70 R17	1
14	DK201164	SENSOR SPEED WHEEL	1
15	KAEF0612	BOLT-FLANGE-KAE ST-F DIA-06 L-12	1

RC-200-GEN2 MY-22

37. REAR WHEEL

oemship +919495961664

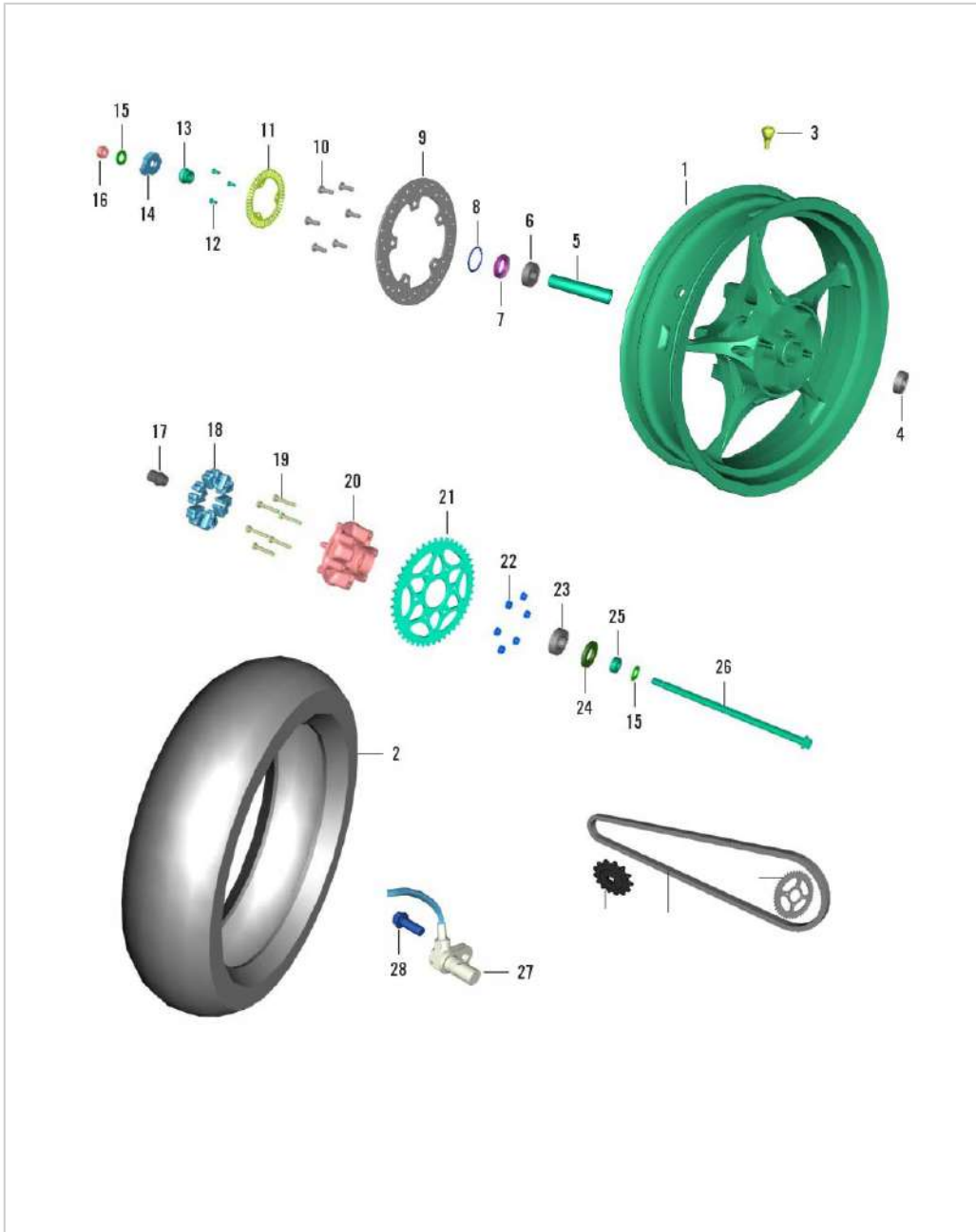


SN	Part No.	Description	QTY
1	36JY0322	WHEEL RR EB ORG	1
2	JG131245	TYRE REAR 150/60R17	1
3	DK151026	VALVE TUBELESS TYRE	1
4	KPBC6202	BEARING-BALL-C3 CLEARANCE	1
5	JG131206	SLEEVE	1
6	KPBC6302	BEARING-BALL-C3 CLEARANCE	1
7	30151082	SEAL OIL	1
8	KEBA4217	CIRCLIP INTERNAL	1
9	JY131881	DISC BRAKE DIA 230	1
10	JD131811	SCREW SOCKET STEP M8X1.25	6
11	JY131025	SENSOR DISC	1
12	JG131220	SCREW PAN CROSS-M6X1XL12XPRECOAT	3
13	JG131211	SPACER	1
14	JG122007	CHAIN ADJUSTER RH	2
15	LDB00034	WASHER PLAIN-ID 15.2XOD 30XTHK 2	2
16	DH171019	NUT - U :- SWING ARM	1
17	DT131210	SLEEVE	1
18	JY131201	DAMPER 6 RUBBER	6
19	JG131228	BOLT D-M8X1.25XL48XCL 10.9XBLACK	6
20	DT131213	COUPLING 6 LUG	1

RC-200-GEN2 MY-22

37. REAR WHEEL

oemship +919495961664

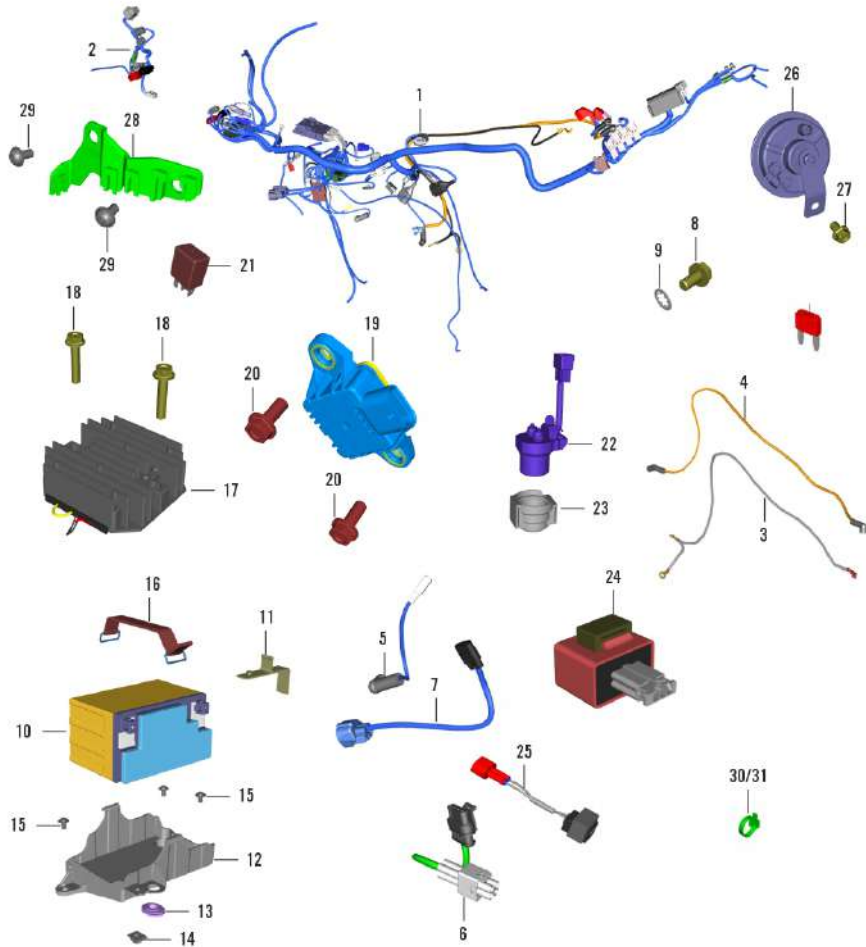


SN	Part No.	Description	QTY
21	JY141004	SPROCKET DRIVEN	1
22	LCL00004	NUT U FLANGE-M8X1.25XHT8.5XBRT	6
23	KPAC6205	BEARING BALL ORDINARY CLEARANCE	1
24	DT131214	SEAL OIL 52 DIA	1
25	JG131209	SPACER	1
26	JG131224	AXLE -M14X1.5XL 295XBRIGHT	1
27	DK201164	SENSOR SPEED WHEEL	1
28	KAEF0612	BOLT-FLANGE-KAE ST-F DIA-06 L-12	1
29	DV101048	SPROCKET	1
30	JU141006	CHAIN 520 X RING 110 LINK	1
31	JY141004	SPROCKET DRIVEN	1

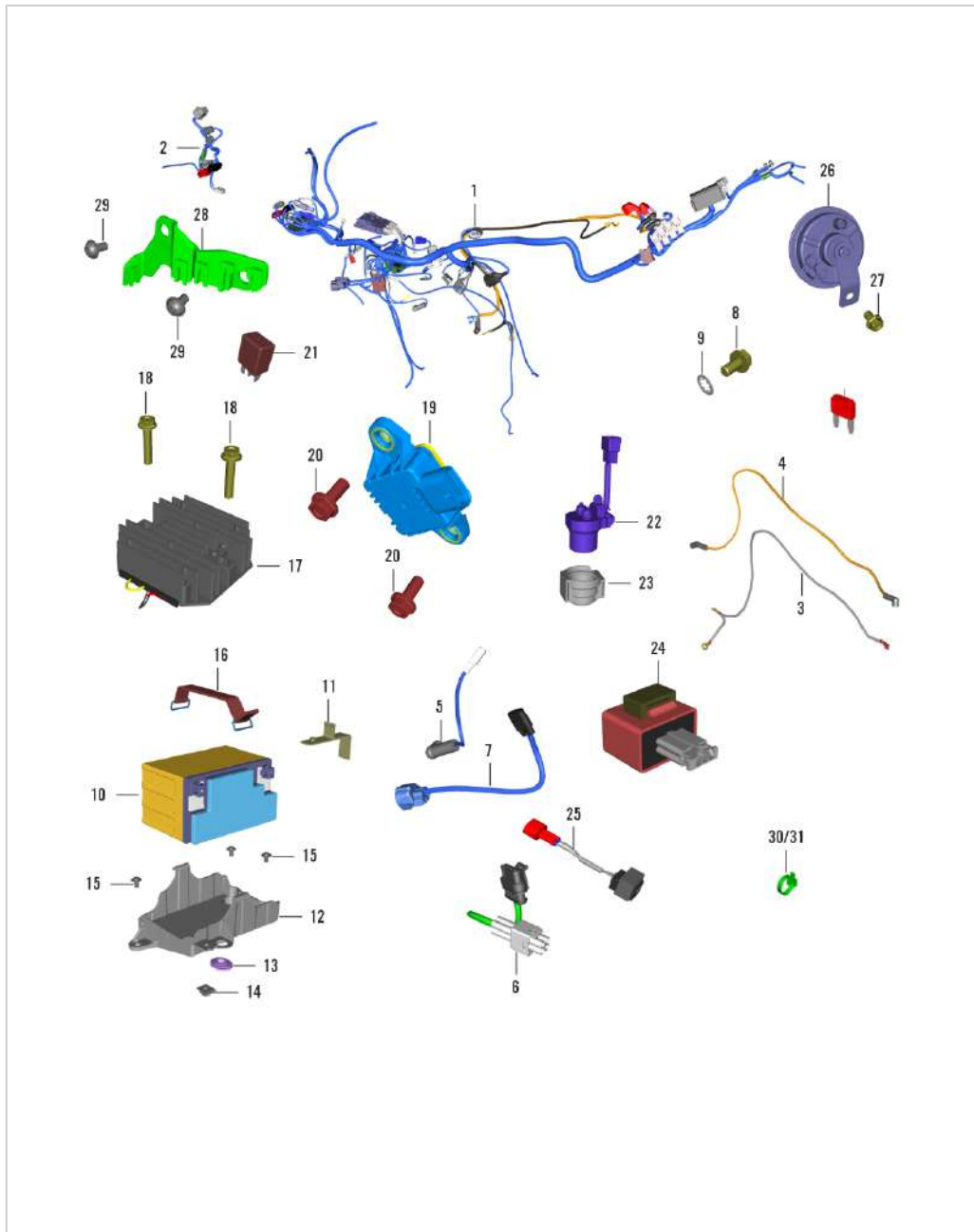
RC-200-GEN2 MY-22

38. WIRING HARNESS

oemship +919495961664



SN	Part No.	Description	QTY
1	JY402283	HARNESS WIRING	1
2	JD402216	BAND	1
3	JG402269	CABLE EARTH	1
4	JG402270	CABLE RELAY-MOTOR STARTER	1
5	JP402218	PIGTAIL OIL PRESSURE SWITCH MY17	1
6	JY402235	PIGTAIL PH-3 FUEL PUMP	1
7	JY402246	PIGTAIL COOLANT TEMP SENSOR RC MY16	1
8	KADD0612	BOLT FLANGED	3
9	LDF00001	WASHER TOOTHED-ID 6.4XOD11XT 0.7	3
10	JG401800	12V 8AH VRLA BATTERY	1
11	JG401811	BAND BATTERY	1
12	JY401804	CASE BATTERY	1
13	JZ171124	GROMMET	1
14	DJ181065	NUT - CLIP :- M6	1
15	JY181285	SCREW BUTTON HEAD-M6X1XL10XBLACK	3
16	JA401801	BATTERY BAND 5 AH	1
17	JY402000	REGULATOR	1
18	KADD0630	BOLT-FLANGE-KAD ST-D DIA-06 L-30	2
19	JG351811	SENSOR LEAN ANGLE	1
20	KADT0616	BOLT FLANGED-M6X1XL16XCL8.8XBLAK	2

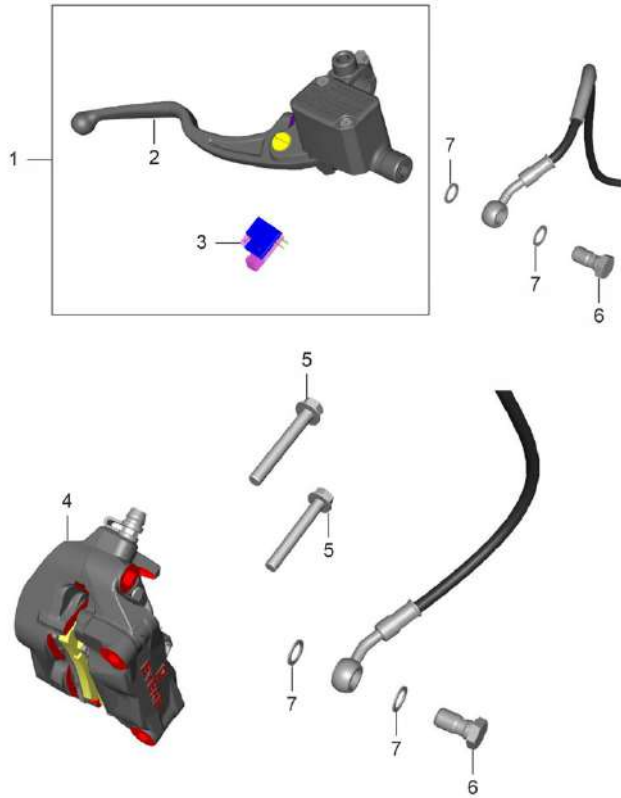


SN	Part No.	Description	QTY
21	JL403000	RELAY INTERLOCK	5
22	JP403000	RELAY STARTER	1
23	JG403003	DAMPER RELAY STARTER	1
24	JG402002	DC FLASHER	1
25	AA201382	UNIT TRANSIL	1
26	JY401600	HORN	1
27	KADD0812	BOLT-FLANGE-KAD ST-D DIA-08 L-12	1
28	JG181314	HOLDER RELAY	1
29	JY113821	SCREW BUTTON HEAD-M6X1XL12XBLACK	2
30	JD402212	BAND(LENGTH 200MM)	16
31	JD402216	BAND	2
32	36JU0015	KIT KTM 200 8AH BATTERY+Bottle	1

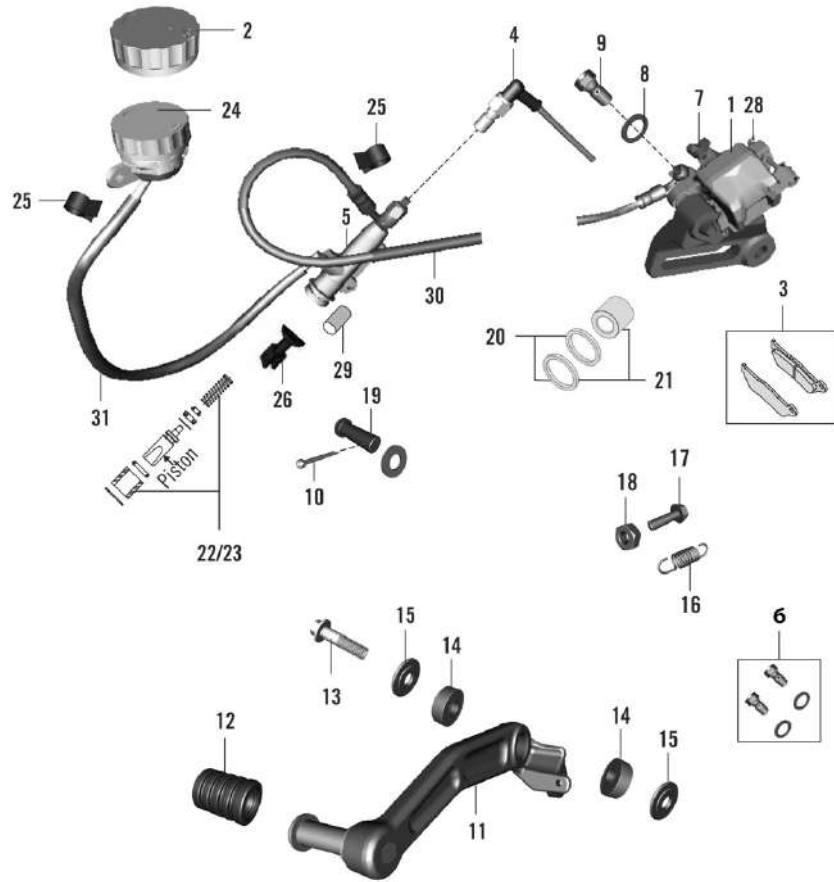
RC-200-GEN2 MY-22

39. BRAKE SYSTEM - FRONT

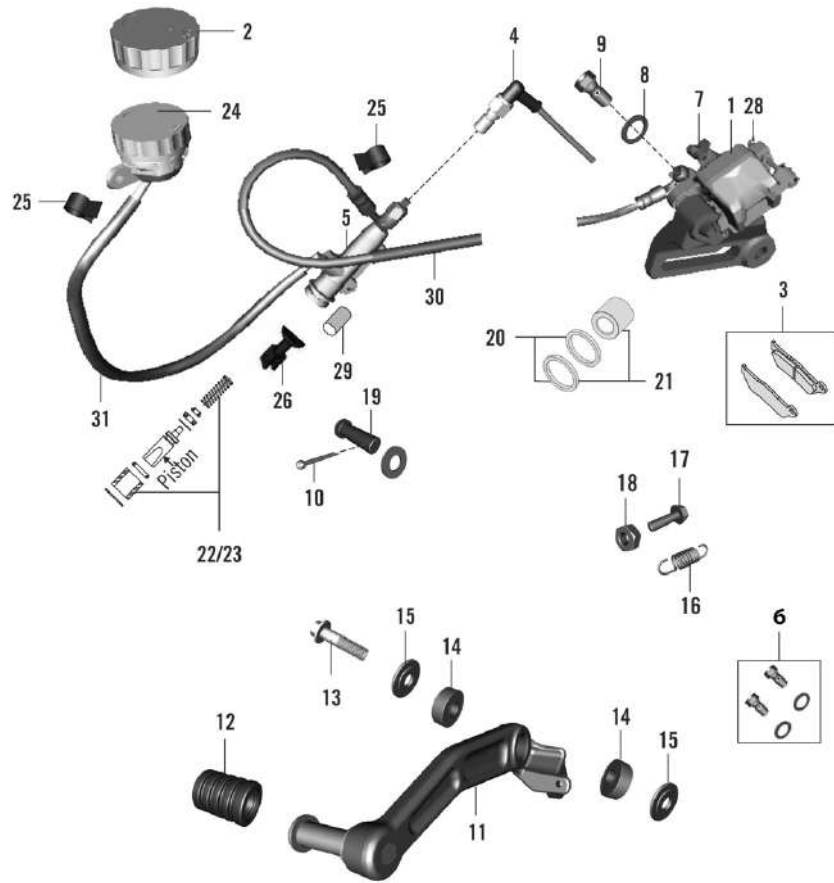
oemship +919495961664



SN	Part No.	Description	QTY
1	JY131844	CYLINDER ASSEMBLY MASTER FRONT	1
2	JG161010	BRAKE LEVER FRONT	1
3	DJ201109	SWITCH BRAKE	1
4	JY131921	CALIPER ASSEMBLY FRONT	1
5	LAD00079	BOLT FLANGED M8X1	2
6	DK151069	BOLT -M10X1XL 19XCL 8.8XBRIGHT	2
7	DE191010	WASHER - COPPER :- KBX	4
8	36JP0017	KIT FR.M/CYL ASSLY W/O CLAMP-22	1
9	36JY0222	CLAMP KIT - KT22 10WO5251	1
10	36JY0186	FR M/CYL BRAKE LEVER KIT	1
11	36JU0114	KIT BRAKE PAD FRONT	1
12	36JY0180	MINOR KIT REAR CALIPER	1
13	36JY0179	MAJOR KIT REAR CALIPER	1
14	36JY0183	FRONT MASTER CYLINDER MAJOR KIT	1
15	36JY0184	FRONT MASTER CYLINDER MINOR KIT	1
16	36JY0187	FR M/CYL BOOT SPD KIT	1



SN	Part No.	Description	QTY
1	JY131923	CALIPER ASSEMBLY REAR	1
2	DK151045	REAR MASTER CYLINDER CAP	1
3	DK151085	PAD BRAKE REAR SET	1
4	JG401400	SWITCH BRAKE PRESSURE	1
5	JY131888	CYLINDER ASSEMBLY MASTER REAR	1
6	36JY0076	KIT BANJO BOLT RC	1
7	DE151046	SCREW - BLEEDER :- KBX	1
8	DE191010	WASHER - COPPER :- KBX	8
9	DK151069	BOLT -M10X1XL 19XCL 8.8XBRIGHT	4
10	KHAD2015	PIN-COTTER	1
11	JY161027	PEDAL ASSEMBLY BRAKE	1
12	JG561240	DAMPER CHANGE LEVER	1
13	JY113025	BOLT CHANGE LEVER	1
14	JG113061	BEARING CHANGE LEVER	2
15	JY113015	SPACER FOR CHANGE LEVER	2
16	JG161001	SPRING TENSION	1
17	KAAA0625	BOLT-KAA ST-A DIA-06 L-25	1
18	KCAD0605	NUT HEX THICK	1
19	LHA00001	PIN	1
20	36JY0180	MINOR KIT REAR CALIPER	1

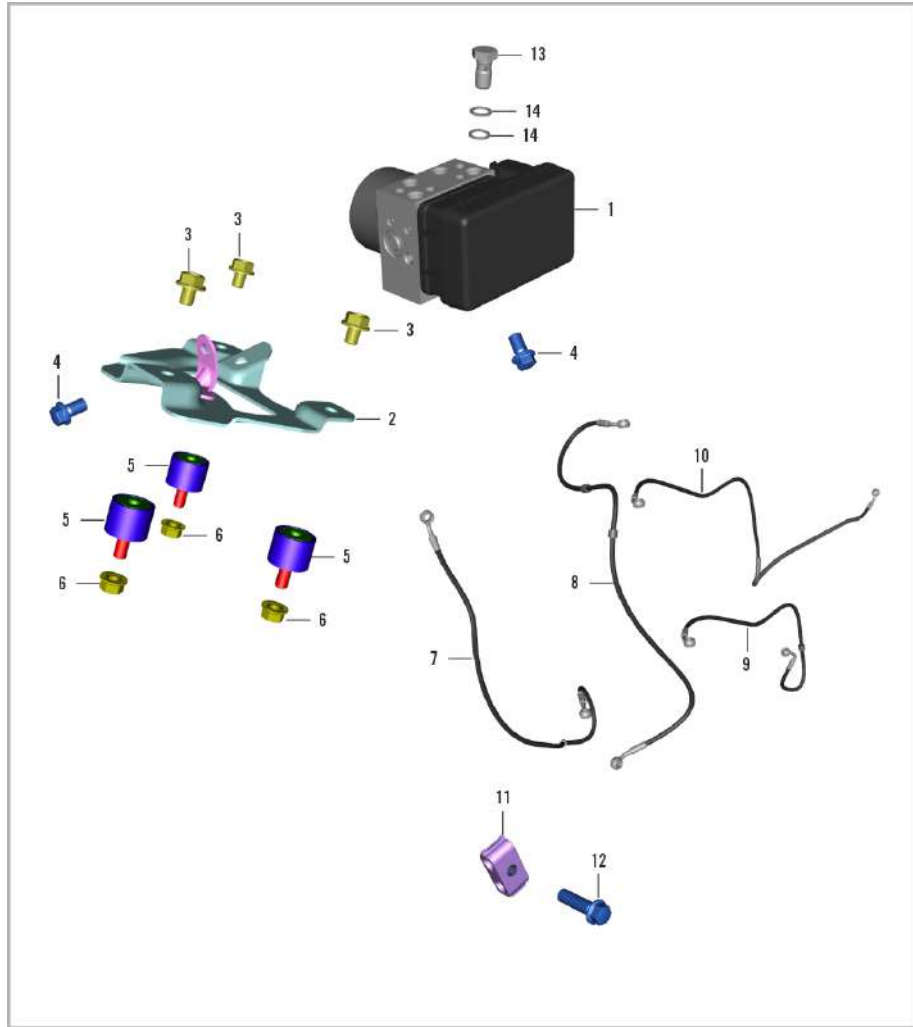


SN	Part No.	Description	QTY
21	36JY0179	MAJOR KIT REAR CALIPER	1
22	36DK0069	KIT Major Kit Master cyl with grease	1
23	36DK0070	KIT Minor Kit Master Cyl with grease	1
24	DK151072	DIAPHRAGM RESERVIOR - KBX	1
25	DK151063	CLIP RESERVOR	2
26	36JY0182	PUSH ROD ASSY KIT REAR MASTER CYLINDER	1
27	36JY0181	PRIMARY PIN KIT REAR CALIPER	1
28	DE151041	CLIP - LOCKING :- KBX	2
29	DK151042	BOOT (MASTER CYLINDER)	1
30	36JY0240	KIT BRAKE HOSE REAR 200	1
31	JY131805	TUBE RESERVOIR	1

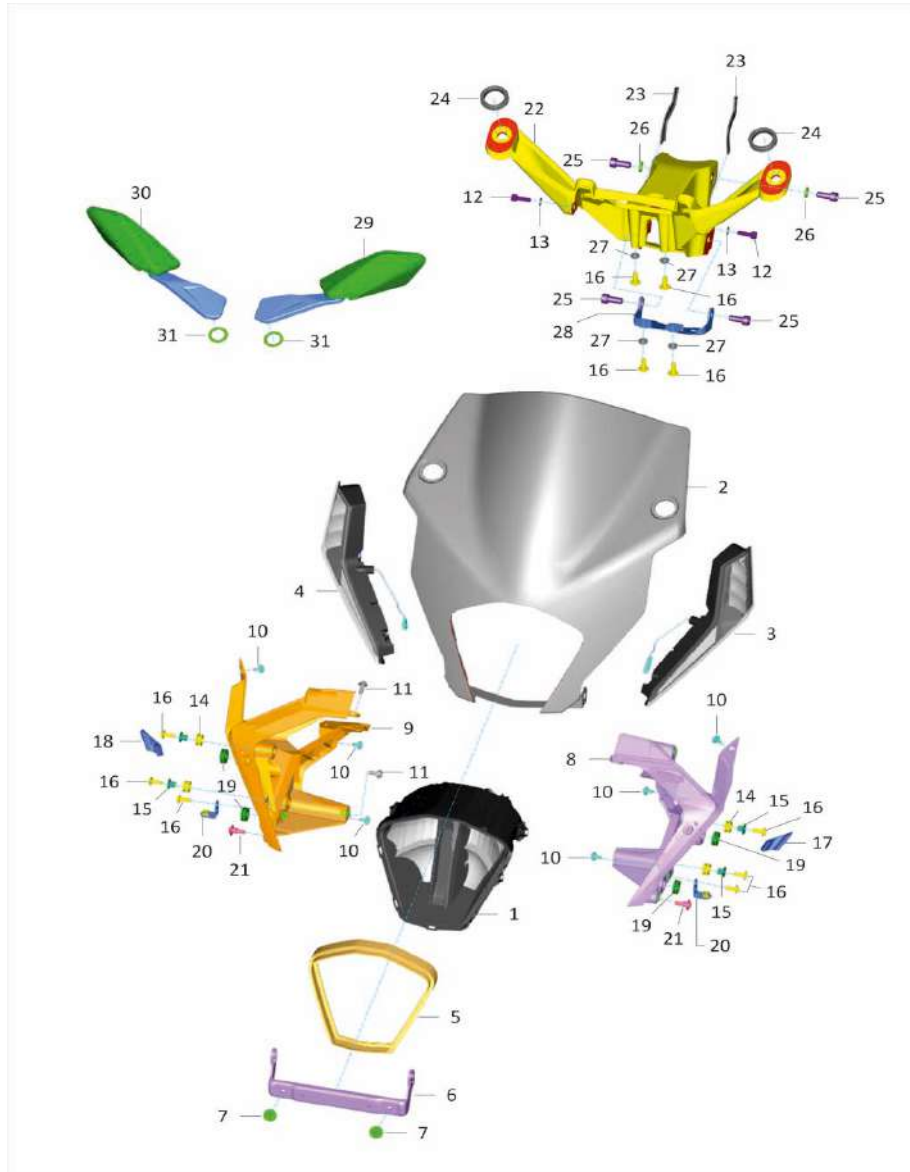
RC-200-GEN2 MY-22

41. BRAKE SYSTEM - ABS FRONT & REAR

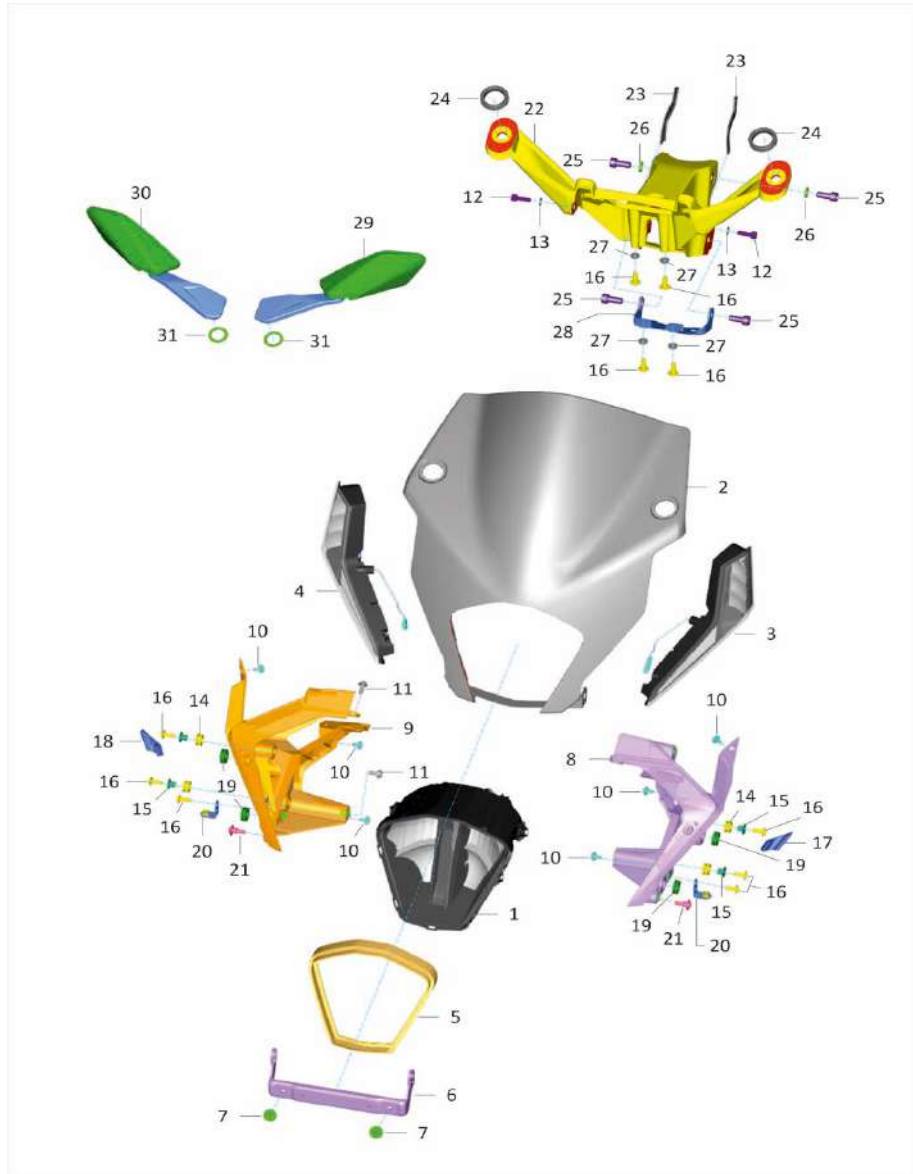
oemship +919495961664



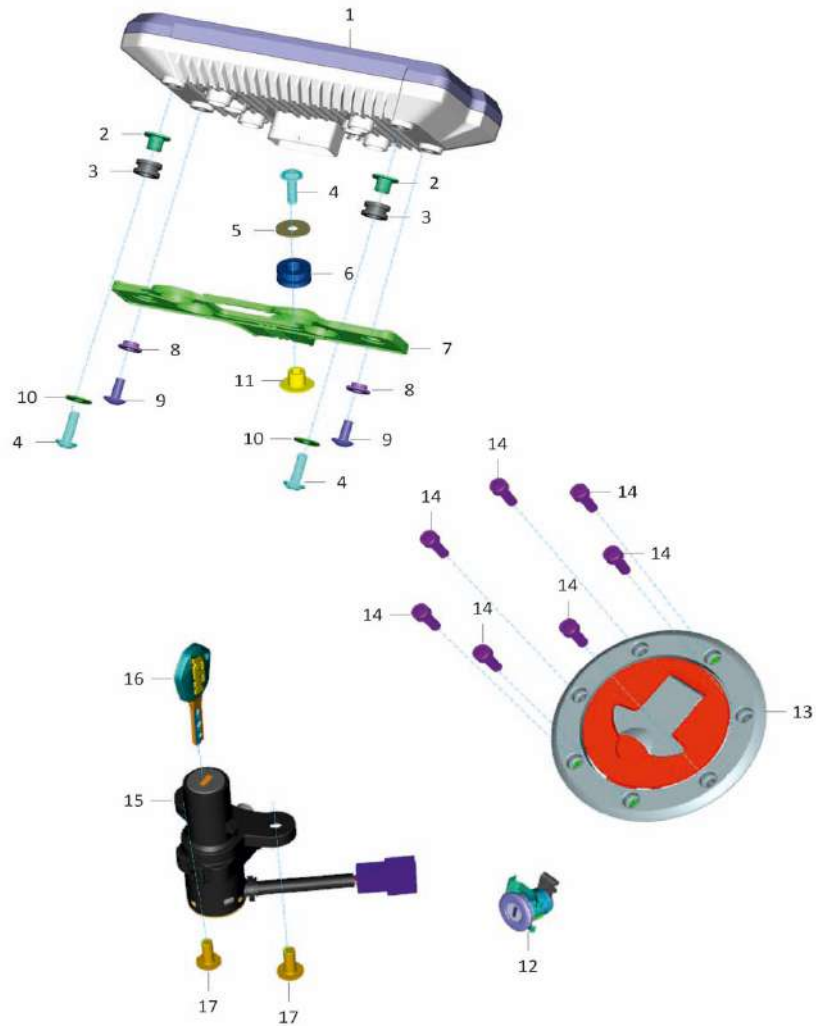
SN	Part No.	Description	QTY
1	JY131901	UNIT ABS WET	1
2	JP113804	BRACKET ABS MTG LOOSE	1
3	KADD0608	BOLT FLANGED	3
4	KAED0610	BOLT-FLANGE-KAE ST-D DIA-06 L-10	2
5	JG581014	SILENT BLOCK(M6)	3
6	LCL00002	NUT FLANGED-M6X1XHT.6XCL4	3
7	36JY0313	HOSE CYLINDER MASTER FR-UNIT ABS	1
8	36JY0314	HOSE UNIT ABS-CALIPER FRONT	1
9	36JY0319	HOSE CYLINDER MASTER RR-UNIT ABS	1
10	36JY0320	HOSE UNIT ABS-CALIPER REAR	1
11	DT131849	CLAMP FOR ABS HOSE	1
12	KAED0620	BOLT-FLANGED-SMALL (HT COIL) BOL	1
13	DK151069	BOLT -M10X1XL 19XCL 8.8XBRIGHT	3
14	DE191010	WASHER - COPPER :- KBX	8



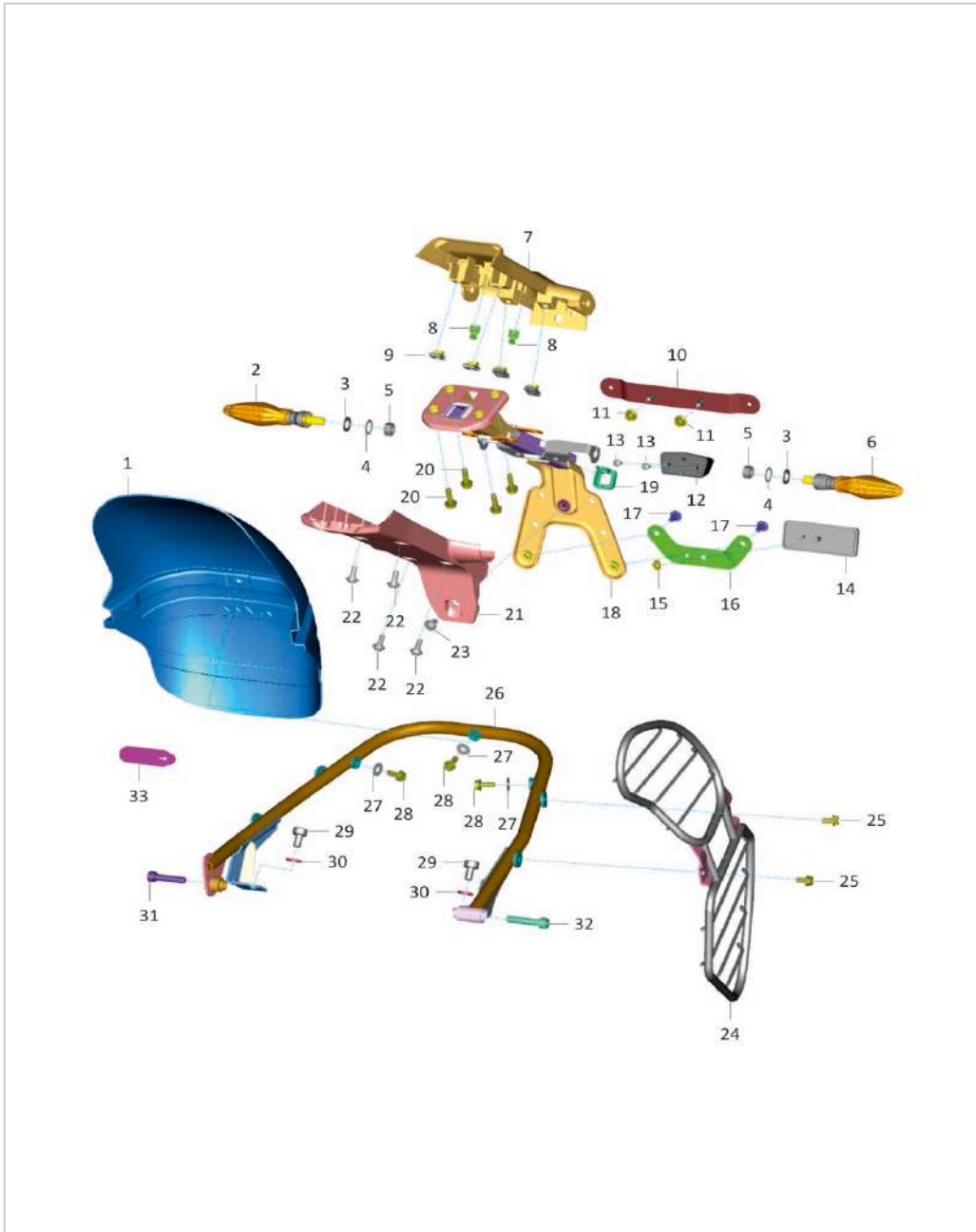
SN	Part No.	Description	QTY
1	JY401036	LAMP HEAD	1
2	JY184001	WINDSHIELD (BLK)	1
3	JY401038	INDICATOR FRONT LH	1
4	JY401039	INDICATOR FRONT RH	1
5	JY181741	BEADING LAMP HEAD	1
6	JY232829	HOLDER PLATE NUMBER FRONT	1
7	DT232804	DAMPER	2
8	JY181387	STRUCTURE FAIRING LH	1
9	JY181388	STRUCTURE FAIRING RH	1
10	LBU00113	SCREW BUTTON HEAD STEP M5X0.8	6
11	LBU00048	SCREW BUTTON HD-M6X1XL13XSTEPPED	2
12	KACF0618	BOLT SOCKET-M6X1XL18XCL 8.8XBRT	2
13	KDAB0611	WASHER PLAIN SMALL-6.5X11.5XT0.8	2
14	JP181279	GROMMET FRONT FAIRING ASSY	4
15	JP181280	COLLAR HEAD LAMP HOLDER MTG	4
16	LBU00072	SCREW BUTTON HEAD-M6X1XL 16XBRT	10
17	JY181710	DAMPER WINDSHIELD LH	1
18	JY181729	DAMPER WINDSHIELD RH	1
19	DT181265	GROMMET	4
20	JY113923	BRACKET FAIRING SIDE MIDDLE	2



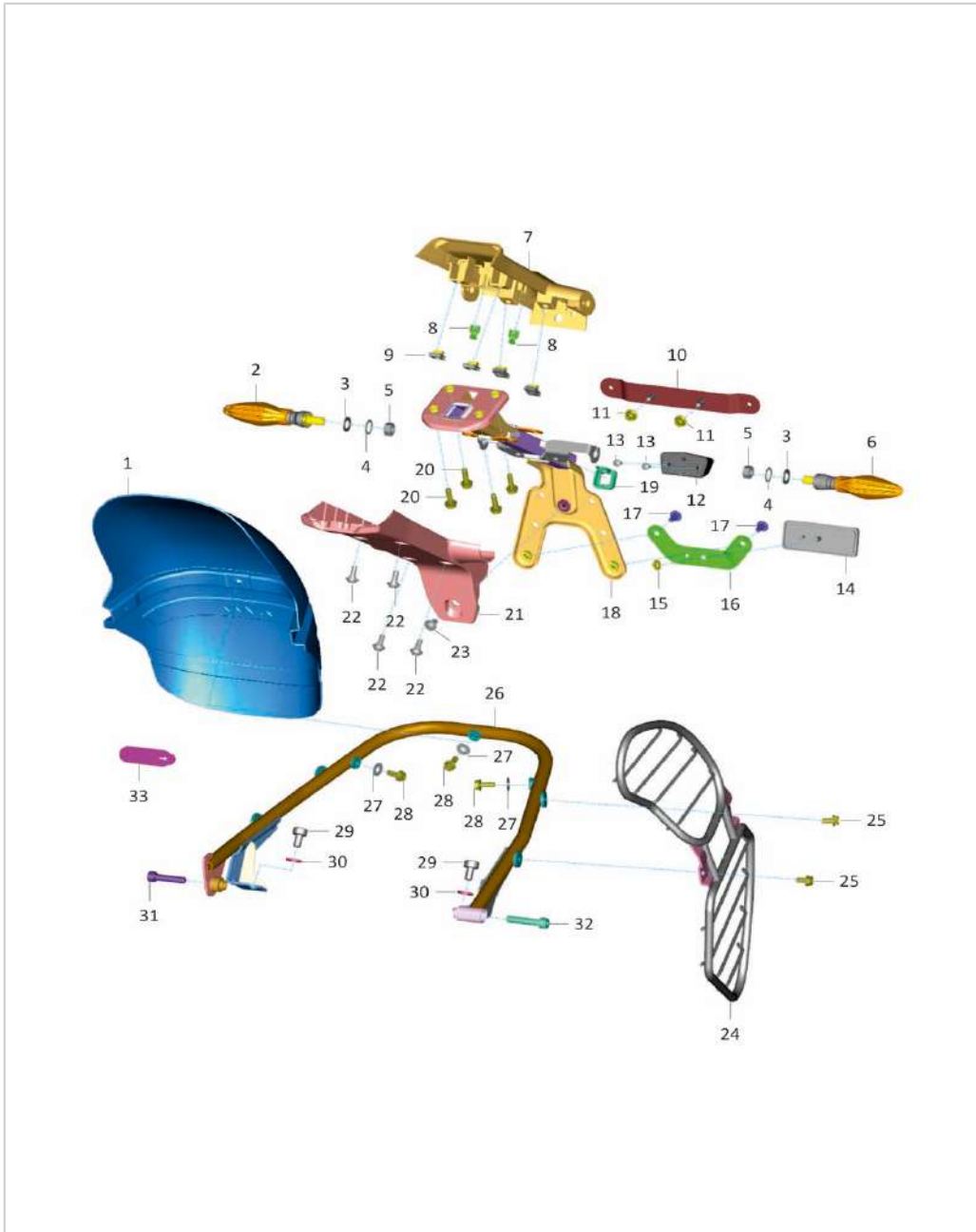
SN	Part No.	Description	QTY
21	LBU00105	SCREW BUTTON HEAD-M6X1XL 12XSTEP	2
22	56JYL261	STR FAIRING MIDDLE JY181386 SPECKLE BLK	1
23	JY181738	BEADING	2
24	LLA00005	GROMMET	2
25	KACA0818	BOLT MASTER KAC	4
26	LDA00034	WASHER PLAIN-ID8.2XOD 14XT 2XBLK	2
27	JG113832	COLLAR	4
28	JY181707	BRACKET ASSEMBLY FAIRING MIDDLE	1
29	JY231620	MIRROR LH	1
30	JY231621	MIRROR RH	1
31	LDA00077	WASHER PLAIN	2
32	YJY96006	Belleville Spring	4
33	YJY96005	Special Bolt M8	1



SN	Part No.	Description	QTY
1	JY402426	INSTRUMENT CLUSTER	1
2	JY181740	COLLAR	2
3	JY113930	GROMMET	2
4	LBU00060	SCREW BUTTON HD-M5X0.8XL18XBLACK	3
5	JW181229	WASHER PLAIN ID5.5 X OD18 X T 1 X BL	1
6	JY171037	GROMMET TANK COVER MTG	1
7	JY181764	BRACKET SPEEDOMETER	1
8	GL181135	COLLAR	2
9	KBUF0512	SCREW TRUSS-M5X0.8XL 12XBLACK	2
10	39183911	WASHER PLAIN	2
11	JP113832	COLLAR TFT SPEEDO SMALL	1
12	JG232602	LOCK SEAT	1
13	JY171608	CAP FUEL TANK EVAP E10 MY16	1
14	LAC00039	BOLT SOCKET-M5X0.8XL15XCL10.9XBL	7
15	36JY0342	LOCK 3 IN 1 WITH CAP EVAP	1
16	JG232605	TWO TRACK KEY	1
17	LBU00114	SCREW M6X1	2

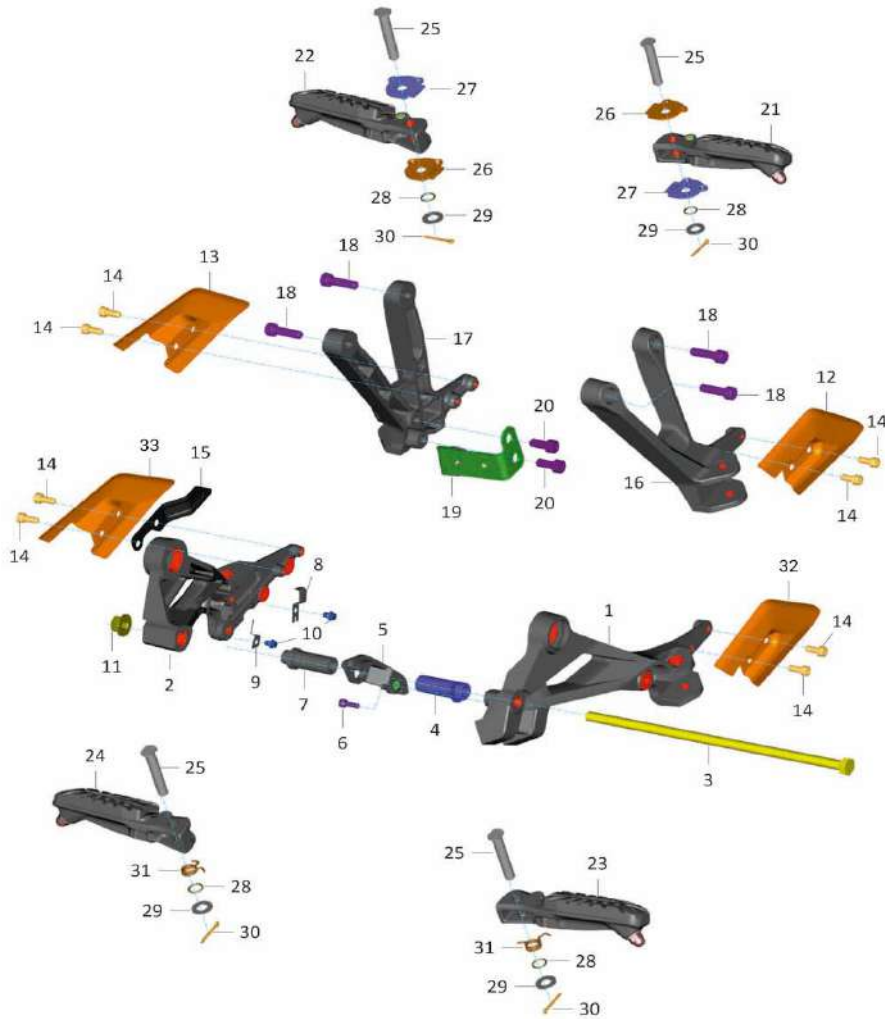


SN	Part No.	Description	QTY
1	JY181405	COVER MUD REAR	1
2	JY401025	INDICATOR REAR RH	1
3	KDAA1018	WASHER_PLAIN_SMALL	2
4	KDFB1018	WASHER TOOTHED INTERNAL	2
5	KCAD1008	NUT HEX THICK	2
6	JY401024	INDICATOR REAR LH	1
7	JY232819	COVER STRUCTURE PLATE NUMBER TOP	1
8	BF182011	METALLIC TOWER CLIP FASCIA	2
9	05161256	CLIP NUT-M6	4
10	JP232830	BRACKET PLATE NUMBER REAR	1
11	KCGK0606	NUT HEX FLANGED-M6X1XCL 4XBLACK	2
12	JG401006	NUMBER PLATE ILLUMINATION LAMP	1
13	LBR00003	SCREW TAPING PAN CROS-4X1.59XL12	2
14	JG401036	REFLECTOR REFLEX	1
15	KCGC0505	NUT HEX FLANGED	1
16	JP181407	BRACKET REFLEX REFLECTOR	1
17	KBUF0612	SCREW TRUSS-M6X1XL 12XBLACK	2
18	JY232821	STRUCTURE ASSEMBLY PLATE NUMBER	1
19	JY113933	CAP	1
20	KADA0620	BOLT FLANGED M6X1	4



SN	Part No.	Description	QTY
21	JY232820	COVER STRUCTURE PLATE NUMBER BTM	1
22	LBU00048	SCREW BUTTON HD- M6X1XL13XSTEPPED	4
23	LBU00050	SCREW BUTTON HEAD- M6X1XL9XPRECOAT	1
24	JY231200	GUARD SAREE	1
25	KADD0612	BOLT FLANGED	2
26	JP181000	TUBE ASSEMBLY HUGGER REAR	1
27	39150811	WASHER PLAIN	3
28	LAD00077	BOLT FLANGE- M6X1XL16XBLKXPRECOAT	3
29	24171117	BOLT SOCKET M8X1.25	2
30	LDB00053	WASHER PLAIN-ID 8.5XOD 18XTHK 2	2
31	LAC00046	BOLT SOCKET-M8X1.25XL35XBRIGHT	1
32	JU231206	BOLT SOCKET M8X1.25	1
33	JY113853	RUBBER STRAP	1

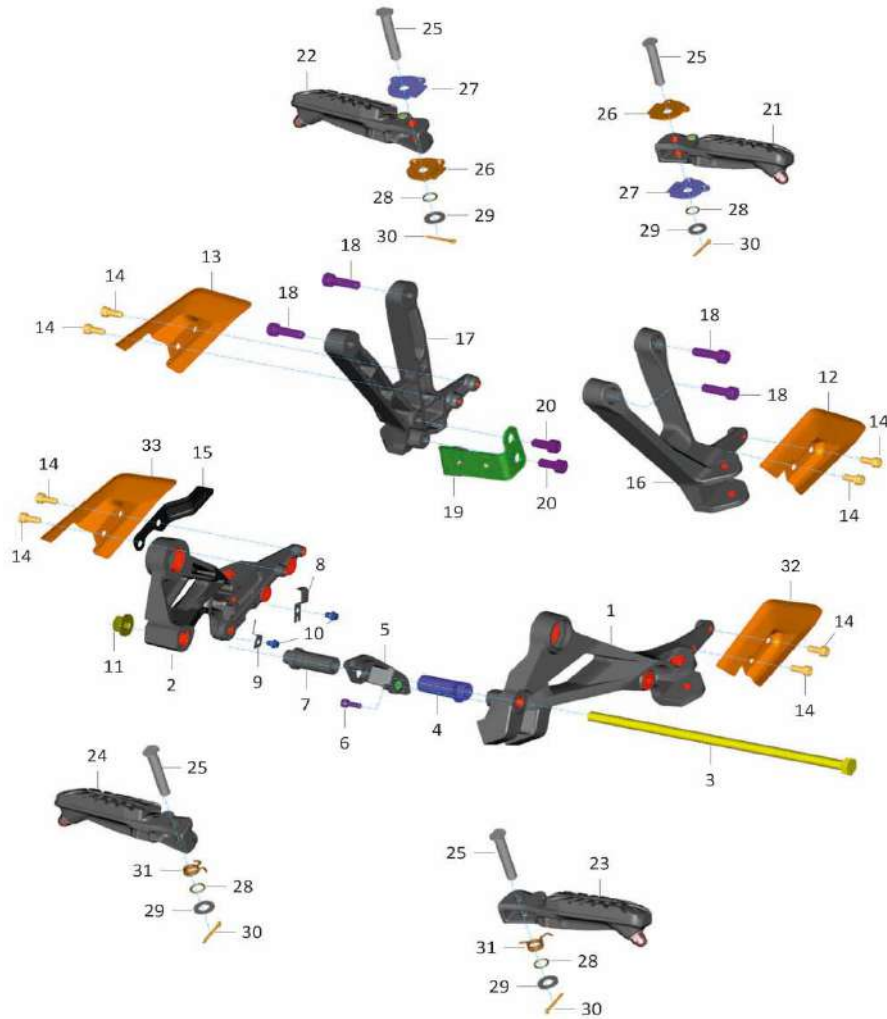
SN	Part No.	Description	QTY
1	56JY3X33	STEP HOLDER LH (JY113035) BLACK MATT	1
2	56JY3Y33	STEP HOLDER RH (JY113037) BLACK MATT	1
3	LAD00038	BOLT FLANGE-M10 X 1.25 X L267XBRIGHT	1
4	JG113103	SPACER GUIDE CHAIN	1
5	JG113102	GUIDE CHAIN	1
6	LAC00072	BOLT SOCKET-M5X0.8XL 14XPRECOAT	1
7	JG113104	SPACER	1
8	JY113049	BRACKET HOSE I	1
9	JY113050	BRACKET HOSE II	1
10	KAED0608	BOLT-FLANGED-SMALL	2
11	KCGD1010	NUT HEX FLANGED	1
12	JY113057	GUARD HEEL LH REAR	1
13	JY113058	GUARD HEEL RH REAR	1
14	LAC00073	BOLT SOCKET M6X1	8
15	JY113056	BRACKET HOSE	1
16	56JY4J33	STEP HOLDER PILLON LH JY113039 BLACK MAT	1
17	56JY4K33	STEP HOLDER PILLON RH JY113041 BLACK MAT	1
18	LAC00067	BOLT SOCKET-M8X1.25XL 27XPRECOAT	4
19	JY113885	BRACKET MUFFLER	1
20	LAC00153	BOLT SOCKET-M8X1.25XL 18XPRECOAT	2



RC-200-GEN2 MY-22

45. STEP HOLDERS

oemship +919495961664



SN	Part No.	Description	QTY
21	JP113029	STEP ASSEMBLY PILLION LH	1
22	JP113030	STEP ASSEMBLY PILLION RH	1
23	JP113027	STEP ASSEMBLY RIDER LH	1
24	JP113028	STEP ASSEMBLY RIDER RH	1
25	JL113037	PIN CLEVIS DIA 8	4
26	JY113020	PLATE LOCK UPPER	2
27	JY113021	PLATE LOCK LOWER	2
28	30141031	RING O	4
29	KDAA0816	WASHER_PLAIN_SMALL	4
30	KHAC2518	PIN COTTER-DIA. 2.5XL 18	4
31	JP113035	SPRING TORSION	2
32	JY113054	GUARD HEEL LH FRONT	1
33	JY113055	GUARD HEEL RH FRONT	1