

Parts Catalog

Two Wheeler

Aprilia SR 160 ABS RACE BSVI

PIAGGIO VEHICLES PRIVATE LIMITED

Registered Office: Bund Garden Road ,Opp. Residency Club , Pune (India)

PLATES INDEX

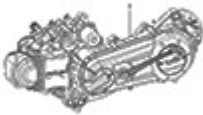
| Sr No. | Plate Name | Plate No. | Page No. |
|---------------|----------------------------|------------------|-----------------|
| 1 | Engine | 1.01 | 1-2 |
| 2 | Crankcase | 1.02 | 3-4 |
| 3 | Transmission Cover | 1.03 | 5-6 |
| 4 | Gear Box cover | 1.04 | 7-8 |
| 5 | Cylinder Piston Group | 1.05 | 9-10 |
| 6 | Flywheel Cover | 1.06 | 11-12 |
| 7 | Cylinder Head | 1.07 | 13-14 |
| 8 | Camshaft | 1.08 | 15-16 |
| 9 | Timing Group | 1.09 | 17-18 |
| 10 | Electric Component | 1.10 | 19-20 |
| 11 | Crankshaft | 1.11 | 21-22 |
| 12 | Fan cover and Shroud | 1.12 | 23-24 |
| 13 | Lubrication component | 1.13 | 25-26 |
| 14 | Starting Group | 1.14 | 27-28 |
| 15 | Transmission Group | 1.15 | 29-32 |
| 16 | Fuel supply System | 1.16 | 33-34 |
| 17 | Air Intake | 1.17 | 35-36 |
| 18 | Induction Pipe/Bellow | 1.18 | 37-38 |
| 19 | S.A.S. System | 1.20 | 39-40 |
| 20 | Canister | 1.23 | 41-44 |
| 21 | Muffler | 1.24 | 45-46 |
| 22 | Frame | 2.01 | 47-48 |
| 23 | Stand | 2.02 | 49-50 |
| 24 | Front Shield | 2.03 | 51-52 |
| 25 | Central covers & footrests | 2.04 | 53-54 |
| 26 | Side cover and spoiler | 2.05 | 55-56 |
| 27 | Mudguard and helmet Case | 2.06 | 57-58 |
| 28 | Logos and Emblem | 2.07 | 59-60 |
| 29 | Complete Saddle | 2.08 | 61-62 |
| 30 | Mirrors | 2.09 | 63-64 |

PLATES INDEX

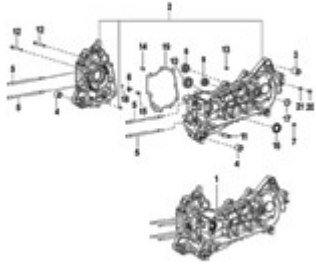
| Sr No. | Plate Name | Plate No. | Page No. |
|---------------|--------------------------------|------------------|-----------------|
| 31 | Fuel Tank | 2.11 | 65-66 |
| 32 | Locks | 2.12 | 67-68 |
| 33 | Speedometer | 2.13 | 69-70 |
| 34 | Handlebars | 2.14 | 71-72 |
| 35 | Rear Suspension | 2.16 | 73-74 |
| 36 | Rear Brake | 2.17 | 75-76 |
| 37 | Front wheel | 2.18 | 77-78 |
| 38 | Brake Pipes and Calipers | 2.20 | 79-80 |
| 39 | Rear Wheel | 2.21 | 81-82 |
| 40 | Selector Switches | 2.22 | 83-84 |
| 41 | Remote Control Switches | 2.23 | 85-86 |
| 42 | Front lamp Group | 2.24 | 87-88 |
| 43 | Battery | 2.26 | 89-90 |
| 44 | Rear lamp Group | 2.27 | 91-92 |
| 45 | Accessories | 2.28 | 93-96 |
| 46 | Transmission cables | 2.30 | 97-98 |
| 47 | Wiring Harness | 2.31 | 99-100 |
| 48 | Helmet Carrier Cover & Spoiler | 2.32 | 101-102 |
| 49 | Front suspension | 2.33 | 103-104 |
| 50 | Handlebar Coverages | 2.34 | 105-106 |

PICTORIAL PLATES INDEX

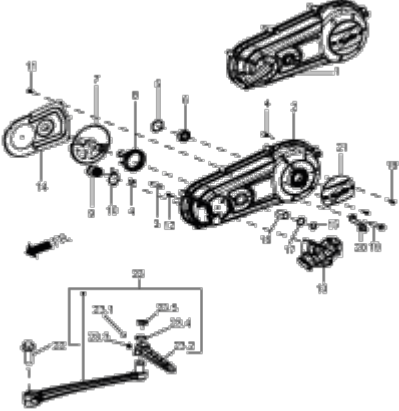
1.01 Engine
Page No. :1-2



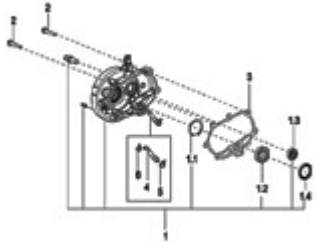
1.02 Crankcase
Page No. :3-4



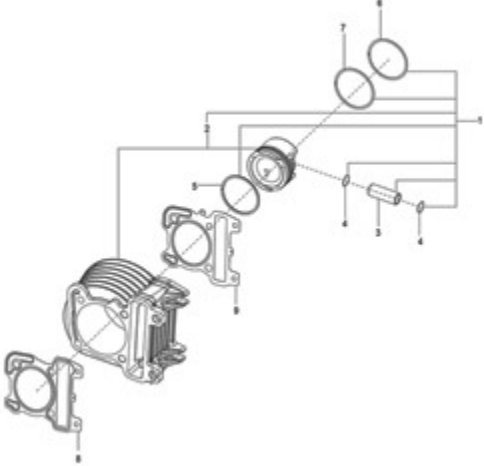
1.03 Transmission Cover
Page No. :5-6



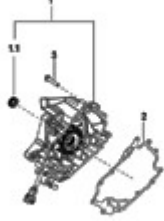
1.04 Gear Box cover
Page No. :7-8



1.05 Cylinder Piston Group
Page No. :9-10

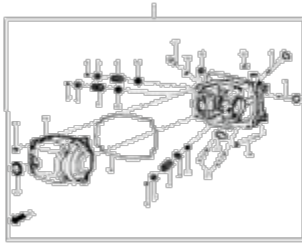


1.06 Flywheel Cover
Page No. :11-12



1.07 Cylinder Head
Page No. :13-14

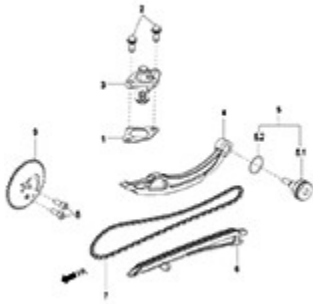
1.08 Camshaft
Page No. :15-16



PICTORIAL PLATES INDEX

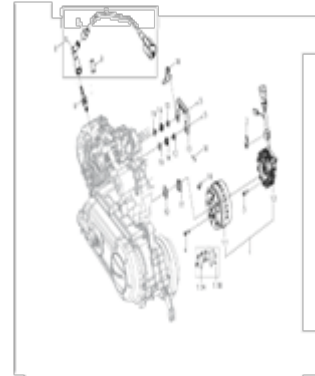
1.09 Timing Group

Page No. :17-18



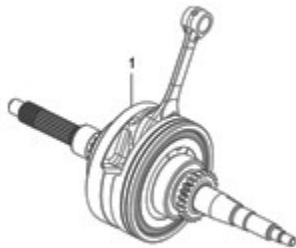
1.10 Electric Component

Page No. :19-20



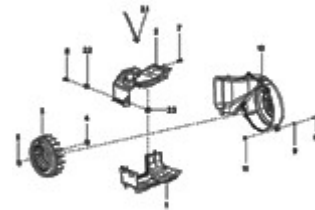
1.11 Crankshaft

Page No. :21-22



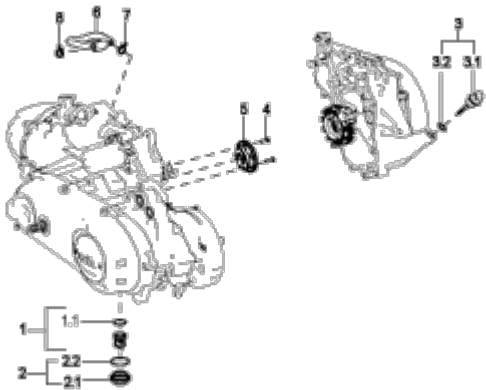
1.12 Fan cover and Shroud

Page No. :23-24



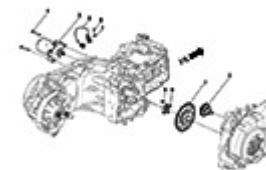
1.13 Lubrication component

Page No. :25-26



1.14 Starting Group

Page No. :27-28

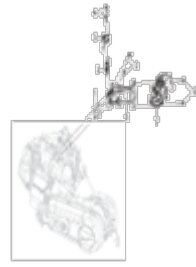
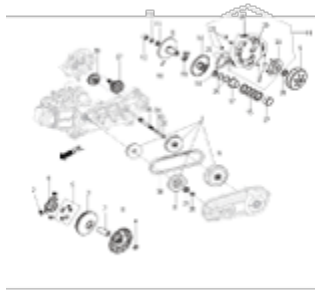


1.15 Transmission Group

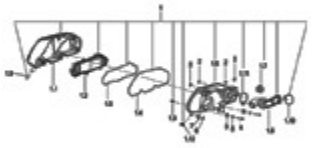
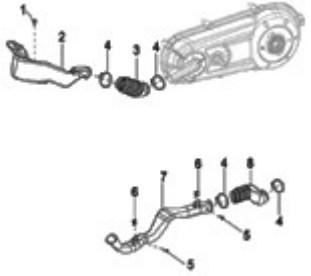
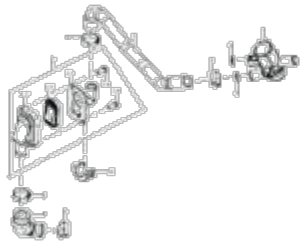
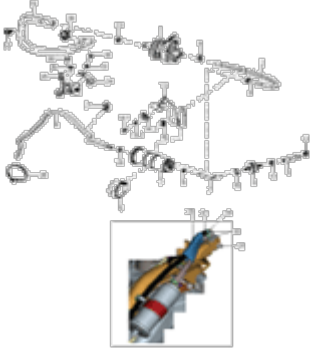
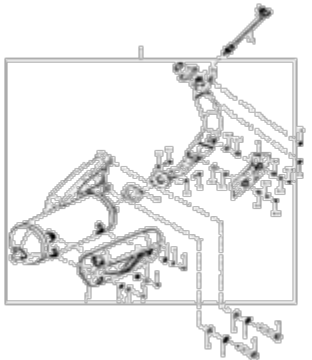
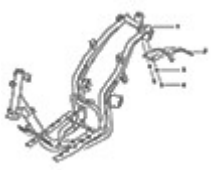
Page No. :29-32

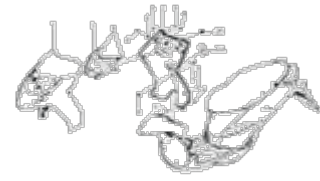
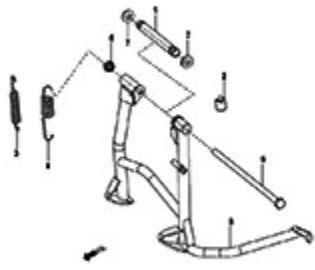
1.16 Fuel supply System

Page No. :33-34



PICTORIAL PLATES INDEX

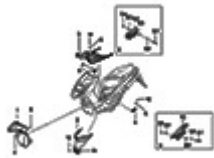
| | |
|---|---|
| <p>1.17 Air Intake Page No. :35-36</p>  | <p>1.18 Induction Pipe/Bellow Page No. :37-38</p>  |
| <p>1.20 S.A.S. System Page No. :39-40</p>  | <p>1.23 Canister Page No. :41-44</p>  |
| <p>1.24 Muffler Page No. :45-46</p>  | <p>2.01 Frame Page No. :47-48</p>  |
| <p>2.02 Stand Page No. :49-50</p> | <p>2.03 Front Shield Page No. :51-52</p> |



PICTORIAL PLATES INDEX

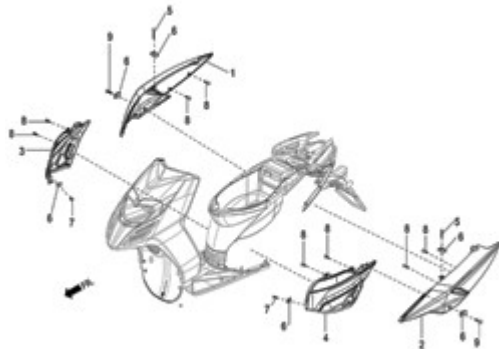
2.04 Central covers & footrests

Page No. :53-54



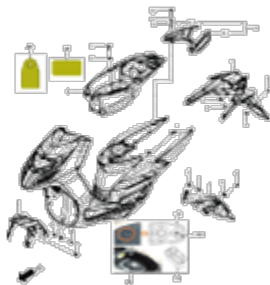
2.05 Side cover and spoiler

Page No. :55-56



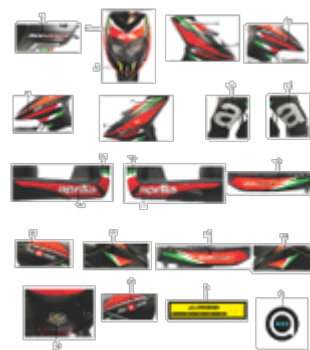
2.06 Mudguard and helmet Case

Page No. :57-58



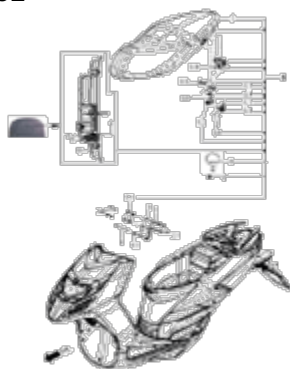
2.07 Logos and Emblem

Page No. :59-60



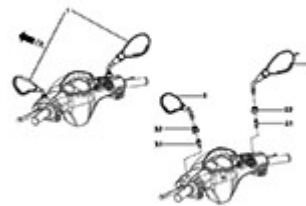
2.08 Complete Saddle

Page No. :61-62



2.09 Mirrors

Page No. :63-64

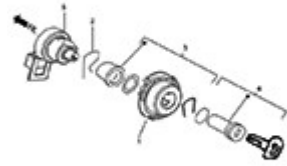
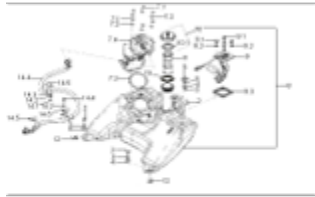


2.11 Fuel Tank

Page No. :65-66

2.12 Locks

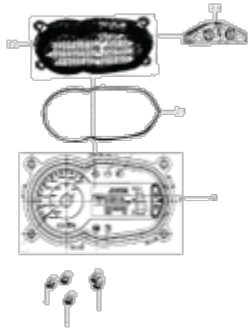
Page No. :67-68



PICTORIAL PLATES INDEX

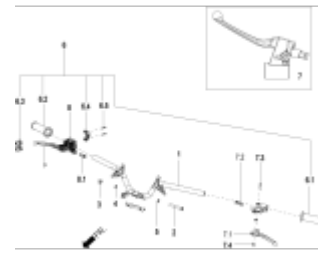
2.13 Speedometer

Page No. :69-70



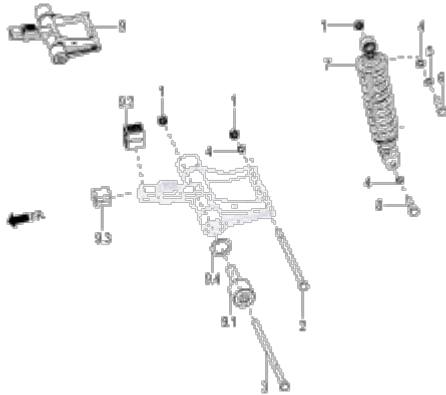
2.14 Handlebars

Page No. :71-72



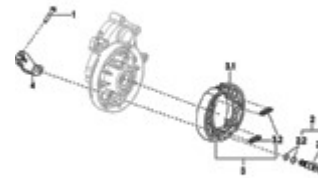
2.16 Rear Suspension

Page No. :73-74



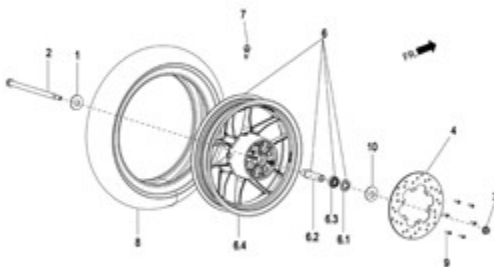
2.17 Rear Brake

Page No. :75-76



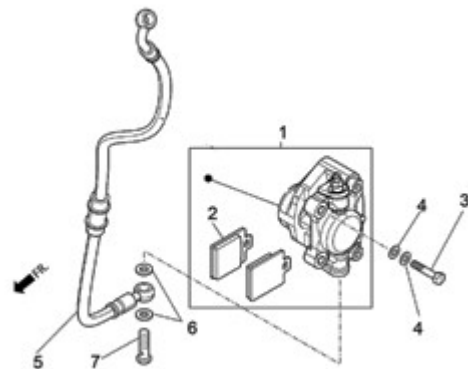
2.18 Front wheel

Page No. :77-78



2.20 Brake Pipes and Calipers

Page No. :79-80

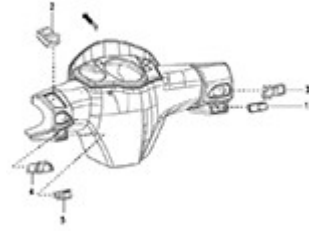
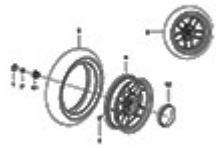


2.21 Rear Wheel

Page No. :81-82

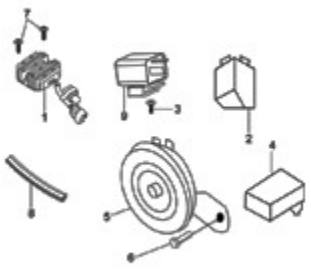
2.22 Selector Switches

Page No. :83-84

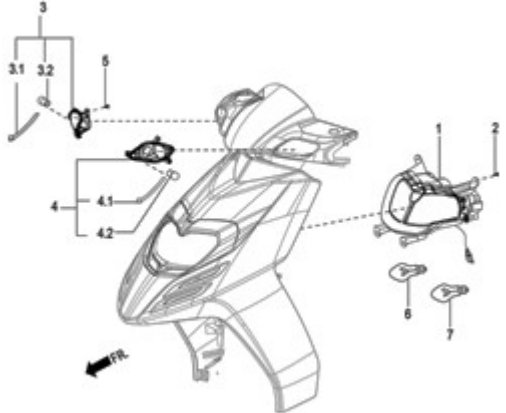


PICTORIAL PLATES INDEX

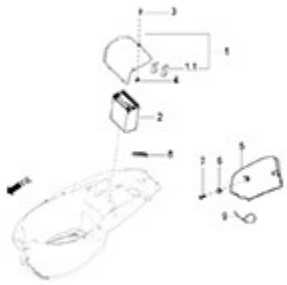
2.23 Remote Control Switches
Page No. :85-86



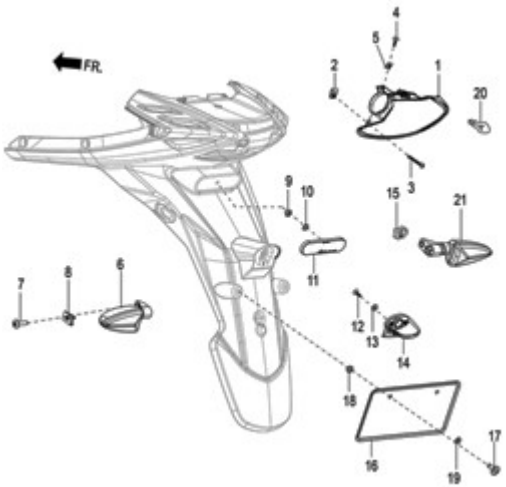
2.24 Front lamp Group
Page No. :87-88



2.26 Battery
Page No. :89-90



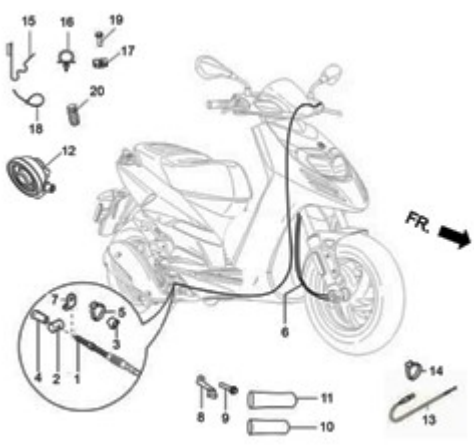
2.27 Rear lamp Group
Page No. :91-92



2.28 Accessories
Page No. :93-96

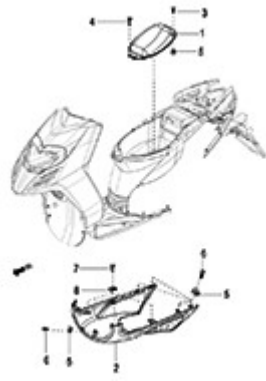
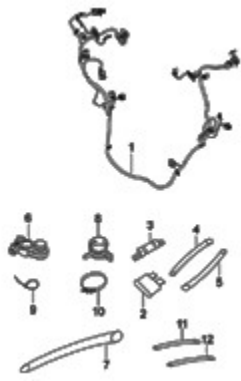


2.30 Transmission cables
Page No. :97-98

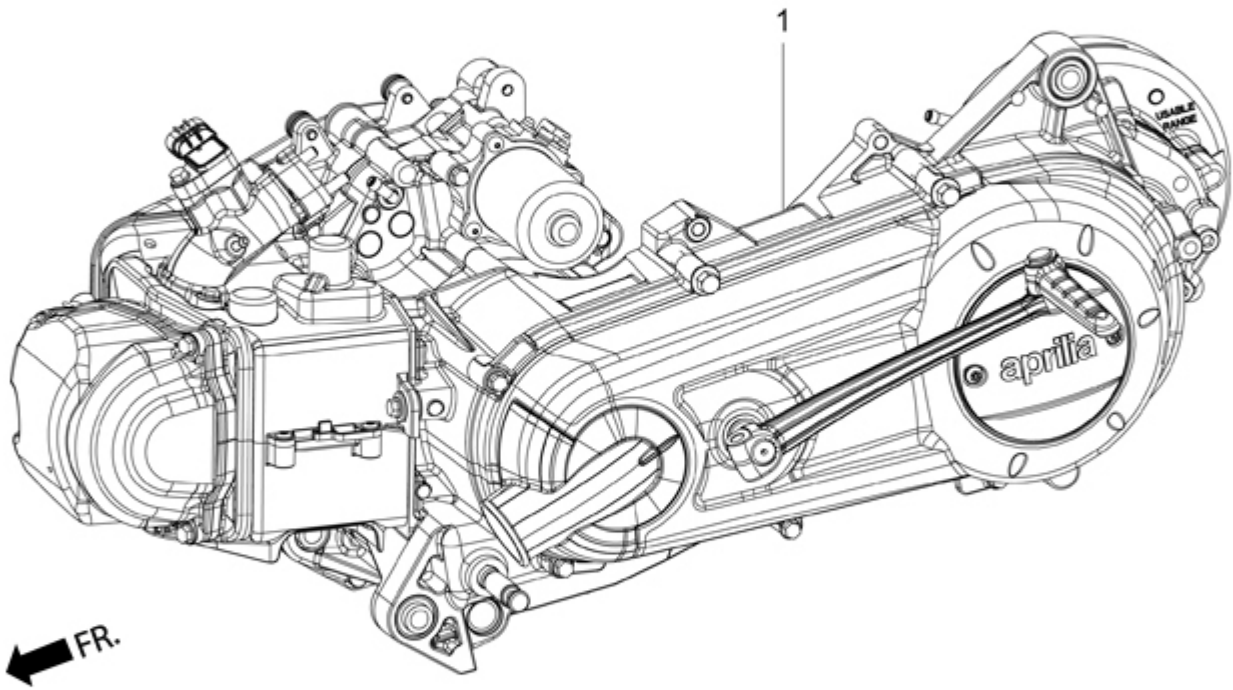


2.31 Wiring Harness
Page No. :99-100

2.32 Helmet Carrier Cover & Spoiler
Page No. :101-102



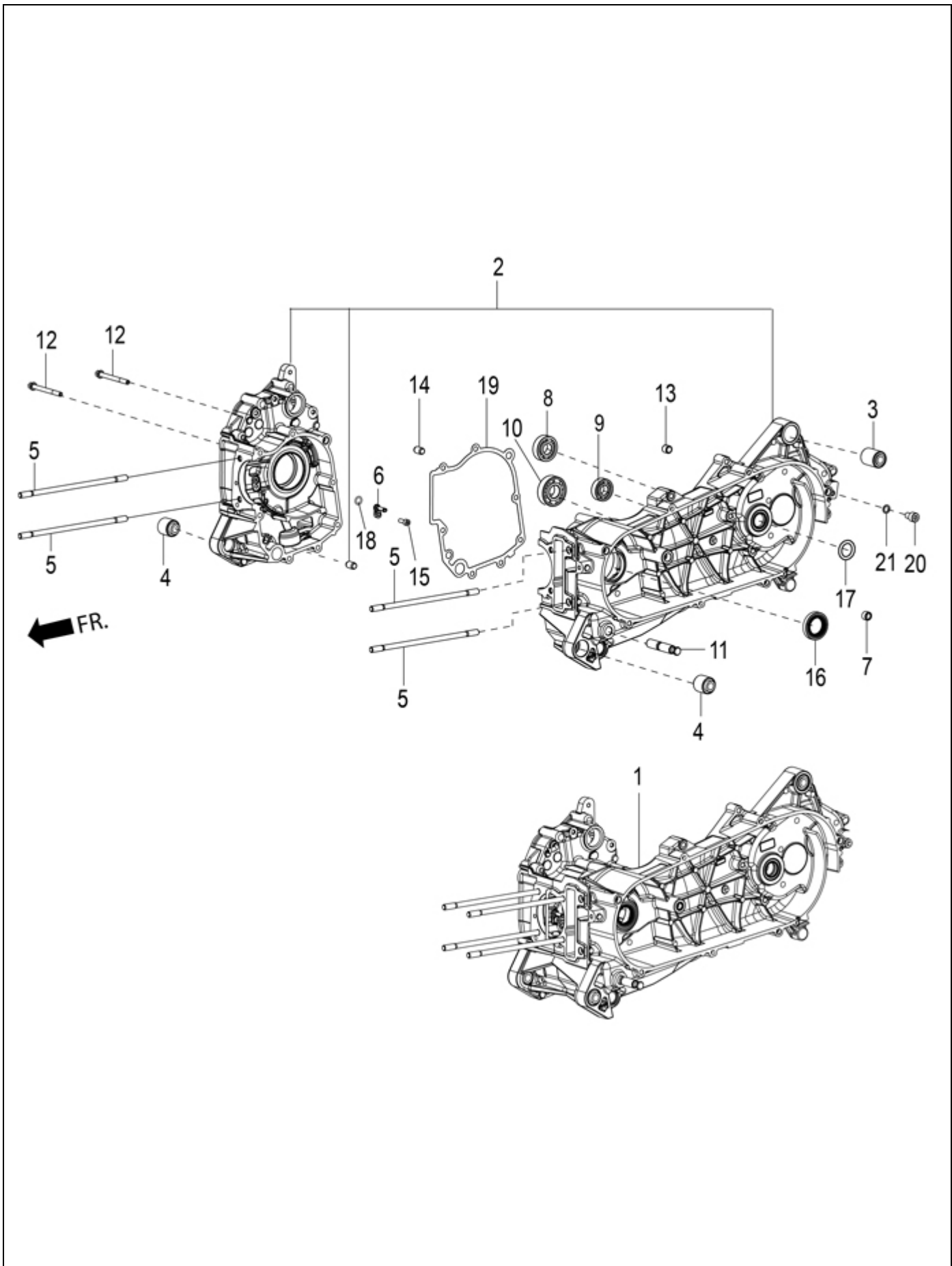
1.01
Engine



1.01
Engine

| Fig. No. | Part No. | Description | Qty | Remarks |
|-----------------|-----------------|------------------------------------|------------|----------------|
| 1 | CM305605 | ENG. 160 4S/3V BSVI SR MOTARD RACE | 1 | |

1.02 Crankcase

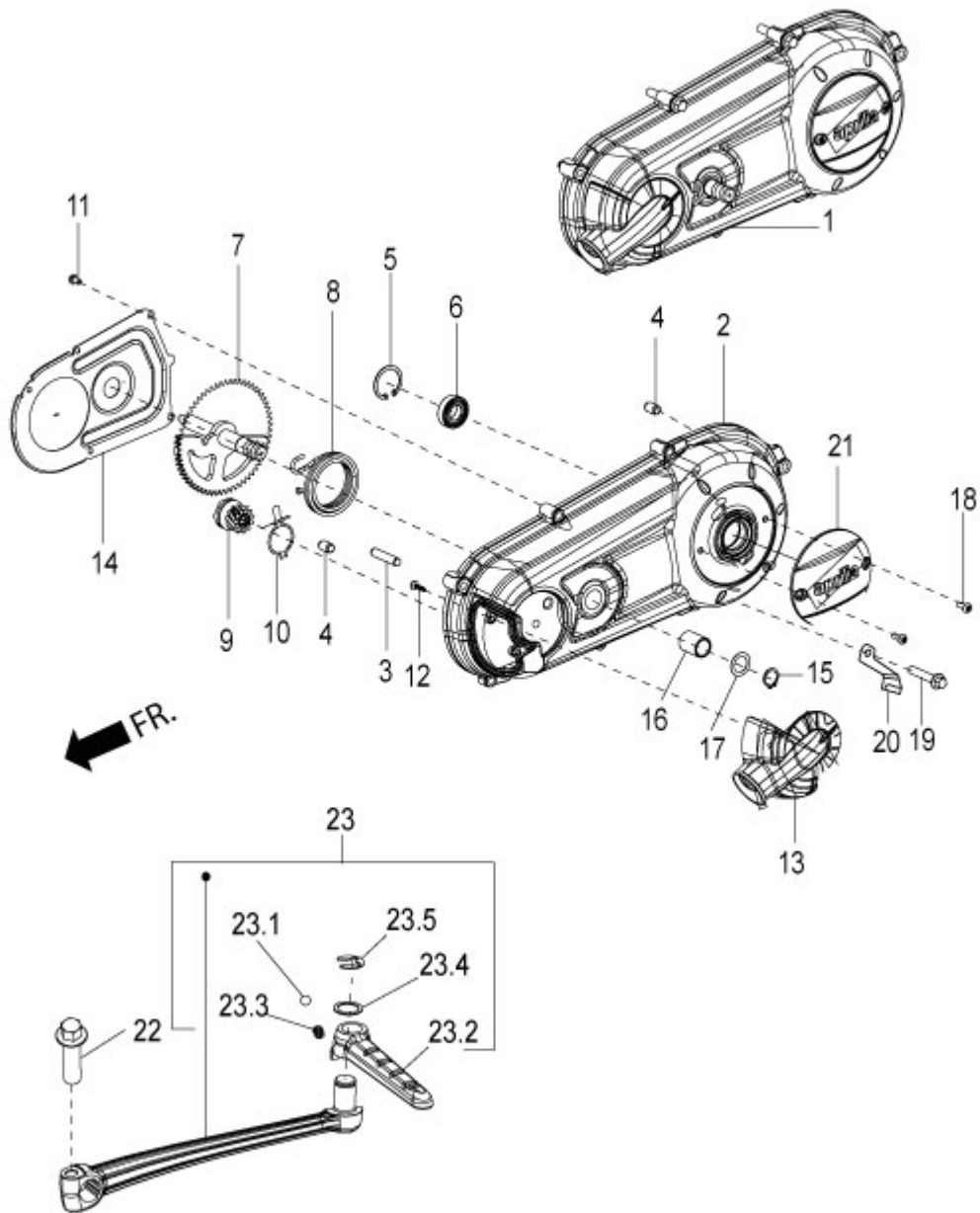


1.02**Crankcase**

| Fig. No. | Part No. | Description | Qty | Remarks |
|-----------------|-----------------|--------------------------------------|------------|----------------------|
| 1 | SP1A015088 | CRANKCASE ASSY | 1 | |
| 2 | SP1A015089 | COUPLED CRANKCASE | 1 | |
| 3 | 666991 | RUBBER BUSHING | 1 | |
| 4 | B015676 | RUBBER BUSHING | 2 | |
| 5 | B014755 | STUD SCREW | 4 | |
| 6 | 1A015053 | LUBRICATION SPRAY JET | 1 | |
| 7 | B017446 | BUSH | 1 | |
| 8 | B016955 | DEEP GROOVE BALL BEARING | 1 | |
| 9 | B016957 | BALL BEARING | 1 | |
| 10 | B016954 | DEEP GROOVE BALL BEARING | 1 | |
| 11 | 668686 | STAND SPRING HOOKING PIN | 1 | |
| 12 | 1A003068 | FLANGED HEX HEAD SCREW M6X65 | 9 | CRANKCASE FIXING |
| 13 | B015591 | REFERENCE DOWEL | 2 | |
| 14 | B015592 | REFERENCE DOWEL (D.9,5 H=15) | 2 | |
| 15 | B018718 | EXAG. SOCKET CYLIND.HEAD SCREW M5X14 | 1 | |
| 16 | B018139 | SEAL RING 40X25X7 | 1 | |
| 17 | B019107 | SEAL RING 20X32X7 | 1 | |
| 18 | 1A001256 | SEAL RING (O-RING) | 1 | |
| 19 | 1A001278 | HALF-CRANKCASES GASKET | 1 | CRANKCASE FIXING |
| 20 | 269755 | SOCKET HEAD SCREW (M8X12) | 2 | CRANKCASE COMPONENTS |
| 21 | 485703 | WASHER | 2 | CRANKCASE COMPONENTS |
| 22 | 811081025 | HEX HEAD SCREW M8 X 10 (DRAIN PLUG) | 2 | CRANKCASE COMPONENTS |
| 23 | B016887 | PIPE FITTING | 1 | |

1.03

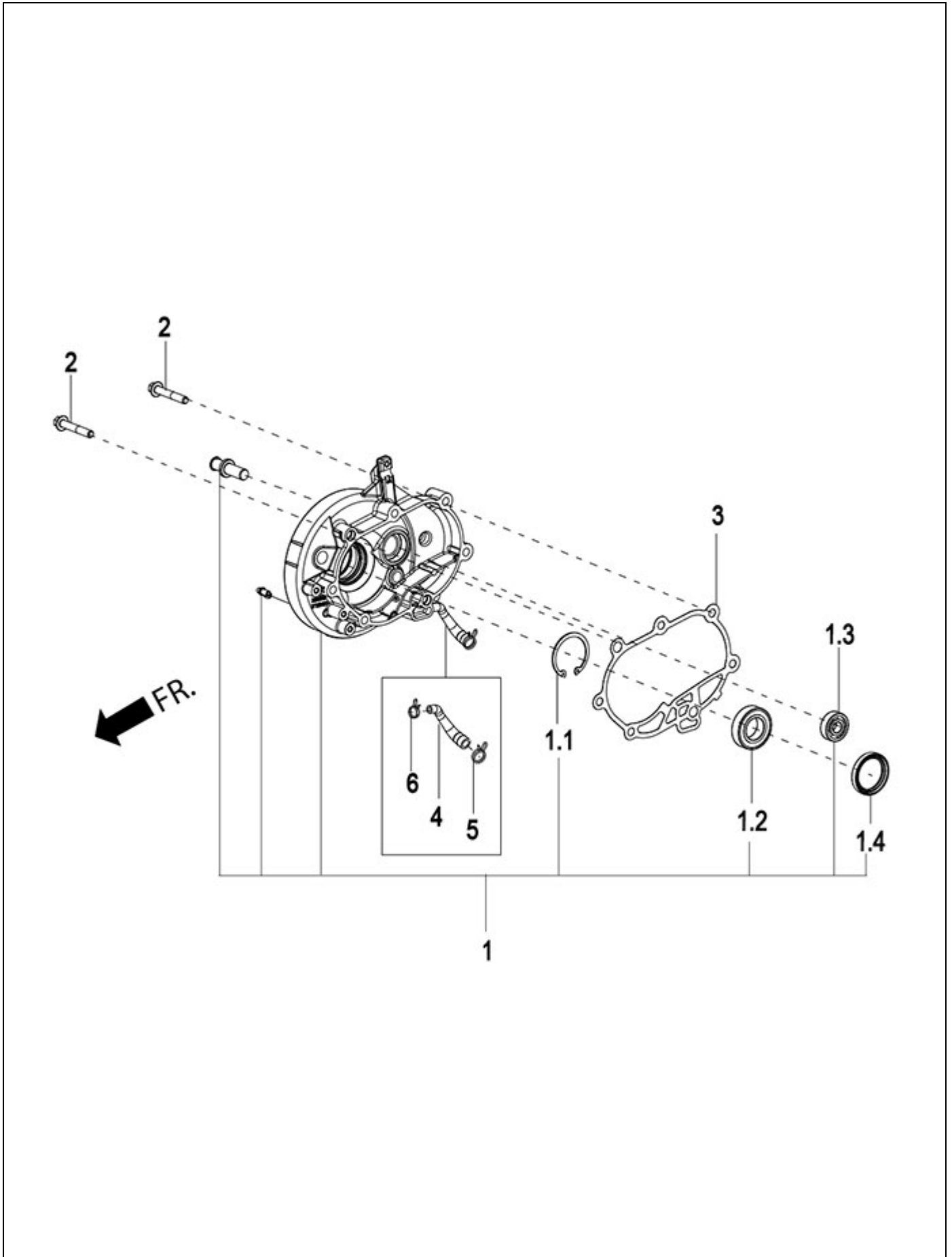
Transmission Cover



1.03**Transmission Cover**

| Fig. No. | Part No. | Description | Qty | Remarks |
|-----------------|-----------------|----------------------------------|------------|-------------------------------------|
| 1 | SP1A017432 | COMPLETE TRANSMISSION COVER | 1 | |
| 2 | SP1A017433 | TRANSMISSION COVER WITH I.P.-SPD | 1 | |
| 3 | B017481 | STARTER PINION GEAR PIVOT | 1 | |
| 4 | B015592 | REFERENCE DOWEL (D.9,5 H=15) | 2 | |
| 5 | 1A006307 | ELASTIC RING | 1 | |
| 6 | B018304 | BALL BEARING | 1 | |
| 7 | B018038 | STARTING AXLE WITH I.P. | 1 | |
| 8 | B014188 | START LEVER RETURNING SPRING | 1 | |
| 9 | B017597 | STARTER PINION GEAR WITH I.P. | 1 | |
| 10 | 288673 | SPRING | 1 | |
| 11 | 1A000612 | RETAINER SCREW - PRE COATED | 5 | AIR DEFLECTOR FIXING |
| 12 | B018421 | SULF-THREADING SCREW 3.8X16 | 3 | COOLING COVER FIXING |
| 13 | B013524 | COOLING COVER | 1 | |
| 14 | B013685 | AIR DEFLECTOR | 1 | |
| 15 | 006416 | SPRING RING | 1 | |
| 16 | B017445 | BUSH | 1 | |
| 17 | 433987 | PLANE WASHER 16.3X23.8X0.6 | 1 | |
| 18 | 1A008521 | COVEX HEAD SCREW WITH TORX | 2 | TRANSMISSION COVER CAP FIXING (OIM) |
| 19 | 1A003060 | FLANGED HEX. HEAD SCREW M6X45 | 6 | TRANSMISSION COVER FIXING |
| 20 | 667842 | TRANSMISSION BRAKE CLAMP | 1 | TRANSMISSION COVER FIXING |
| 21 | 1A005843 | TRANSMISSION COVER CUP | 1 | |
| 22 | 1A007571 | FLANGED HEX. HEAD SCREW M6X25 | 1 | STARTING LEVER FIXING |
| 23 | 1A008057 | STARTING LEVER ASSY | 1 | |
| 23.1 | 487034 | SPHERE | 1 | |
| 23.2 | B014041 | PEDAL CRANK | 1 | |
| 23.3 | B016419 | LOCK PEDAL CRANK SPRING | 1 | |
| 23.4 | B016047 | PLAIN WASHER | 1 | |
| 23.5 | B014094 | CIRCLIP | 1 | |

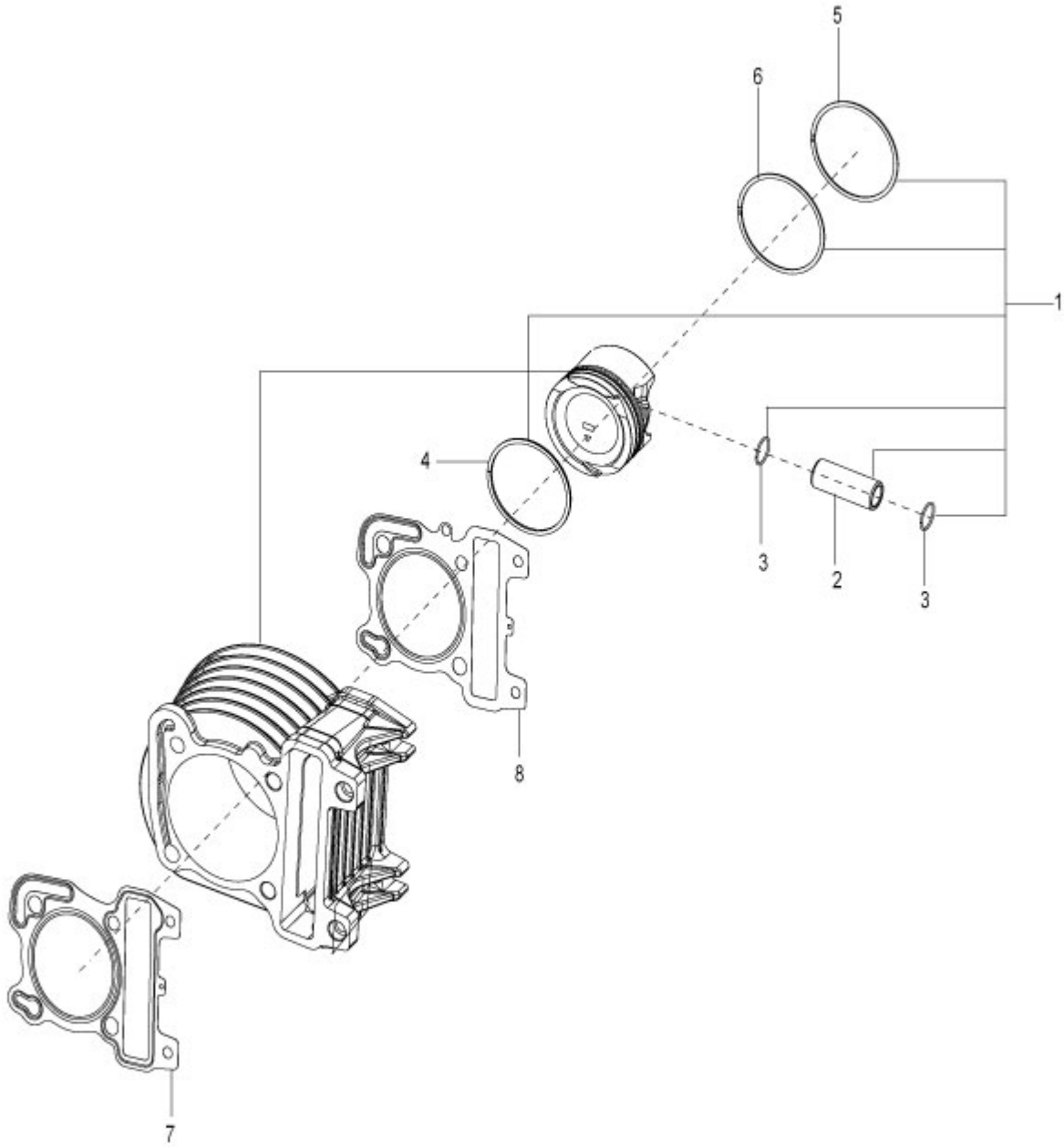
1.04
Gear Box cover



1.04**Gear Box cover**

| Fig. No. | Part No. | Description | Qty | Remarks |
|-----------------|-----------------|------------------------------|------------|-------------------|
| 1 | SP1A007948 | GEAR BOX COVER WITH I.P.-SPD | 1 | |
| 1.1 | 006647 | SPRING RING 47X50.5X1.75 | 1 | |
| 1.2 | 83044R | DEEP GROOVE BALL BEARING | 1 | |
| 1.3 | B016953 | DEEP GROOVE BALL BEARING | 1 | |
| 1.4 | B019108 | SEAL RING 35X47X7 | 1 | |
| 2 | 1A007618 | FLANGED HEXAGONAL HEAD SCREW | 7 | GEAR COVER FIXING |
| 3 | 1A006483 | GEAR BOX GASKET | 1 | GEAR COVER FIXING |
| 4 | 1A006780 | OIL BREATHER PIPE | 1 | |
| 5 | CM002916 | HOSE CLAMP | 1 | |
| 6 | CM002917 | HOSE CLAMP | 1 | |

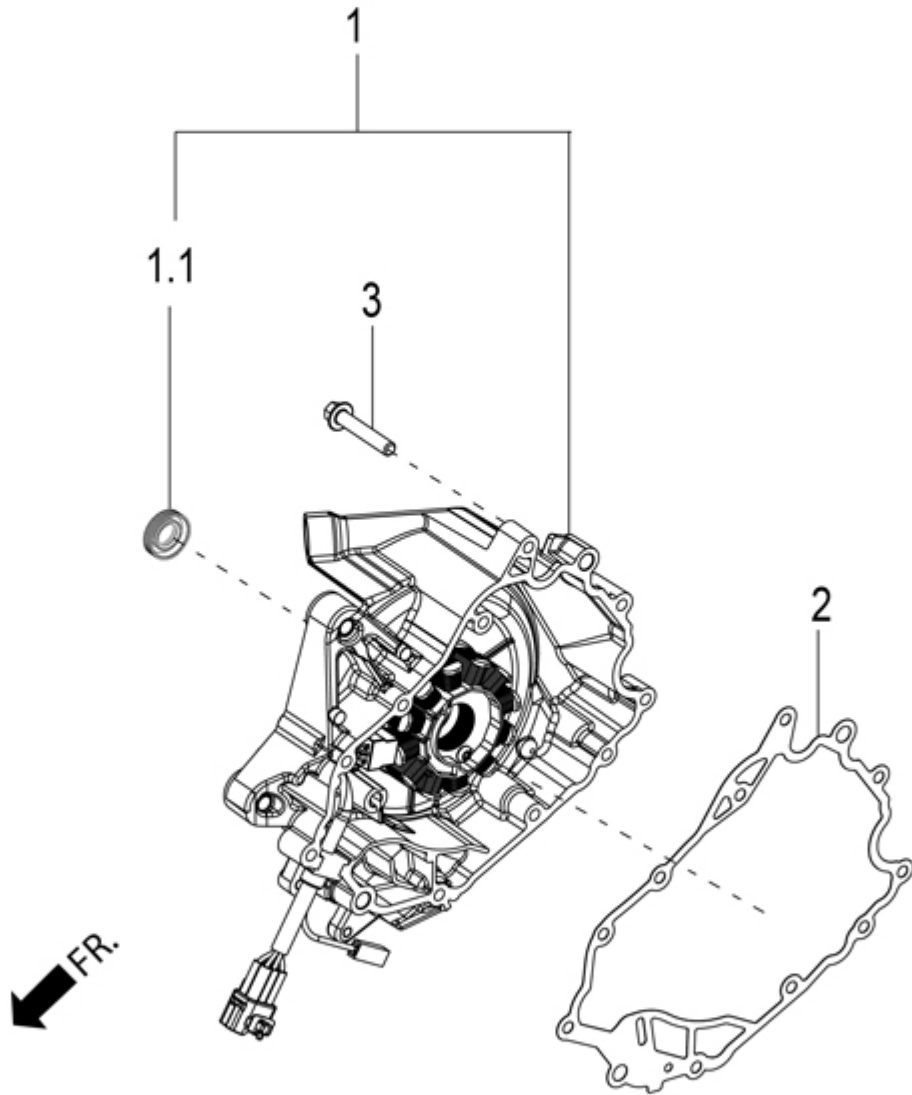
1.05
Cylinder Piston Group



1.05**Cylinder Piston Group**

| Fig. No. | Part No. | Description | Qty | Remarks |
|-----------------|-----------------|---------------------------------------|------------|--------------------------------|
| 1 | SP1L004485C | CYLINDER-PISTON KIT ASSLY | 1 | |
| 2 | 880841 | PISTON PIN | 1 | |
| 3 | 879474 | CIRCLIP | 2 | |
| 4 | 1A008637 | 1ST COMPRESSION RING | 1 | |
| 5 | 1A008638 | 2ND COMPRESSION RING | 1 | |
| 6 | 1A008639 | 1A008639 OIL CONTROL RING 3RD HOUSING | 1 | |
| 7 | 1A000745 | HEAD/CYLINDER GASKET | 1 | CYLINDER HEAD/CRANKCASE FIXING |
| 8 | CM291501 | CRANKCASE-CYLINDER GASKET 0.4 | 1 | |
| 8 | CM291502 | CRANKCASE-CYLINDER GASKET 0.6 | 1 | |
| 8 | CM291503 | CRANKCASE-CYLINDER GASKET 0.8 | 1 | |

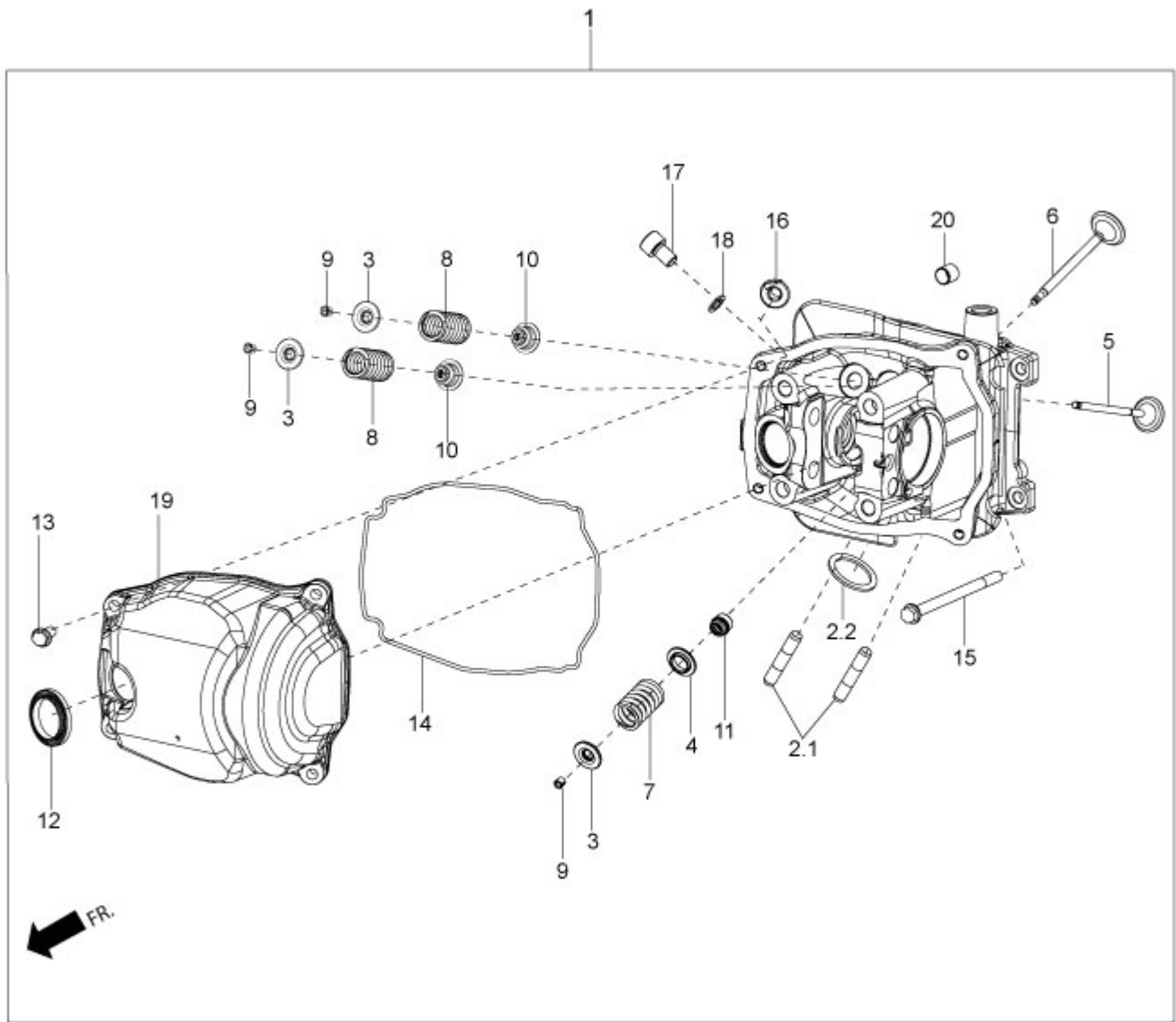
1.06
Flywheel Cover



1.06**Flywheel Cover**

| Fig. No. | Part No. | Description | Qty | Remarks |
|-----------------|-----------------|-------------------------------|------------|-----------------------|
| 1 | SP1A014351 | FLYWHEEL COVER ASSY | 1 | |
| 1.1 | B018140 | SEAL RING 14X28X7 | 1 | |
| 2 | 1A006482 | FLYWHEEL COVER GASKET | 1 | FLYWHEEL COVER FIXING |
| 3 | 1A003060 | FLANGED HEX. HEAD SCREW M6X45 | 12 | FLYWHEEL COVER FIXING |

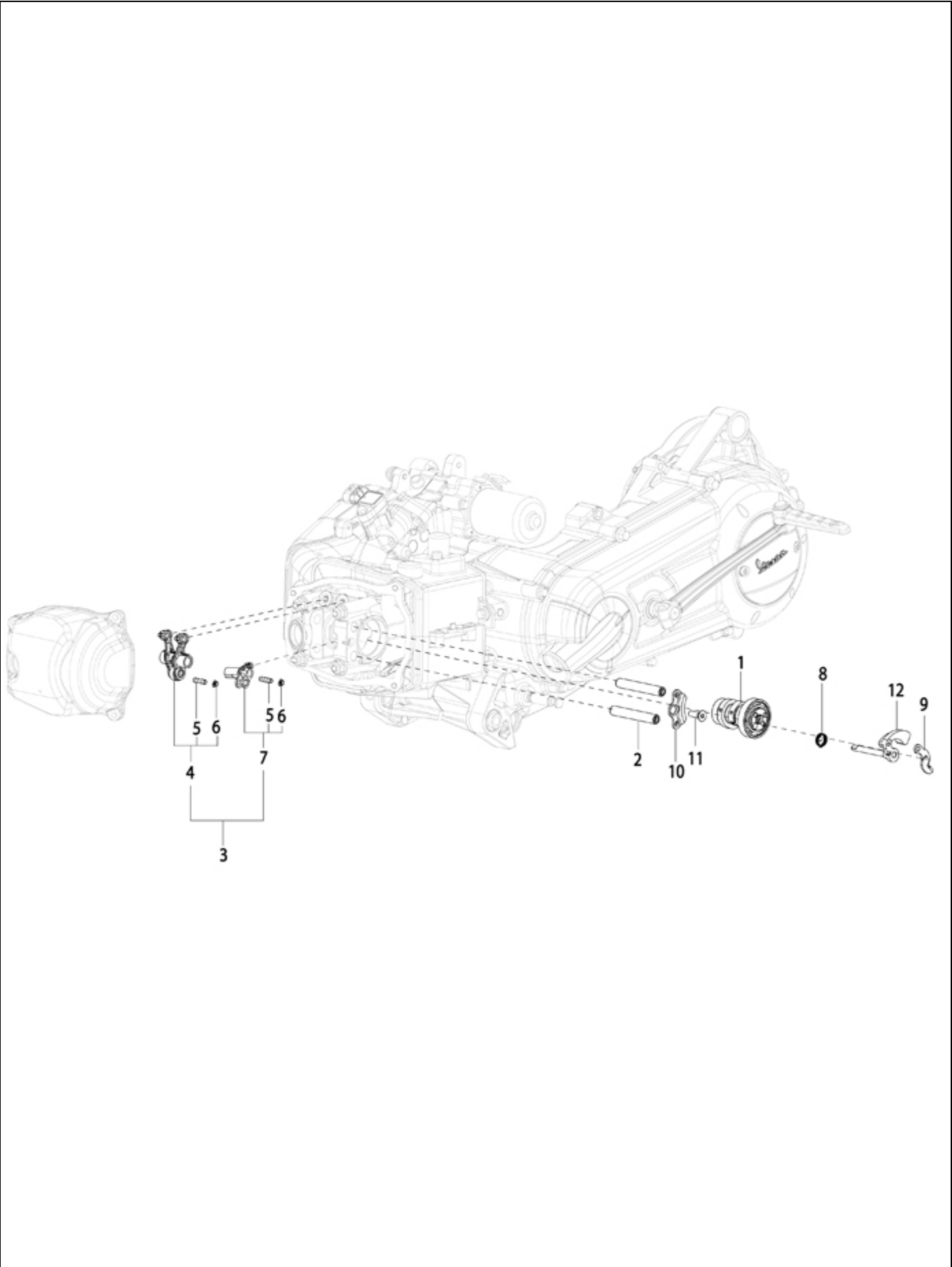
1.07 Cylinder Head



1.07**Cylinder Head**

| Fig. No. | Part No. | Description | Qty | Remarks |
|-----------------|-----------------|-------------------------------------|------------|------------------------------|
| 1 | SP1A016610 | CYLINDER HEAD ASSY | 1 | |
| 2.1 | 1A004153 | STUD SCREW | 2 | |
| 2.2 | 434716 | CYLINDER HEAD/MUFFLER GASKET | 1 | |
| 3 | B017456 | UPPER CUP | 3 | |
| 4 | 483711 | LOWER CUP | 1 | |
| 5 | B014684 | INTAKE VALVE Ø20 | 2 | |
| 6 | B017438 | EXHAUST VALVE Ø22 | 1 | |
| 7 | B014705 | VALVE SPRING (EXHAUST) | 1 | |
| 8 | B014706 | VALVE SPRING (INTAKE) | 2 | |
| 9 | B015288 | HALF-CONE | 6 | |
| 10 | 83054R | VALVE SEAL RING | 2 | |
| 11 | 83053R | VALVE SEAL RING | 1 | |
| 12 | B014732 | SPARK PLUG HOLE GASKET | 1 | HEAD COVER FIXING |
| 13 | 018639 | SCREW M6X20 | 4 | HEAD COVER FIXING |
| 14 | B018533 | CYLINDER HEAD COVER GASKET | 4 | HEAD COVER FIXING |
| 15 | B018854 | HEXAGONAL HEAD FLANGED SCREW M6X90 | 2 | |
| 16 | 844719 | FLANGED NUT M8X1.25 | 4 | |
| 17 | 811081025 | HEX HEAD SCREW M8 X 10 (DRAIN PLUG) | 1 | CYLINDER HEAD COMPONENTS (4S |
| 18 | 485703 | WASHER | 1 | CYLINDER HEAD COMPONENTS (4S |
| 19 | 1A006545 | HEAD COVER | 1 | |
| 20 | 435571 | REFERENCE DOWEL | 4 | |
| 21 | CM291501 | CRANKCASE-CYLINDER GASKET 0.4 | 1 | |
| 21 | CM291502 | CRANKCASE-CYLINDER GASKET 0.6 | 1 | |
| 21 | CM291503 | CRANKCASE-CYLINDER GASKET 0.8 | 1 | |
| 22 | 844719 | FLANGED NUT M8X1.25 | 4 | |

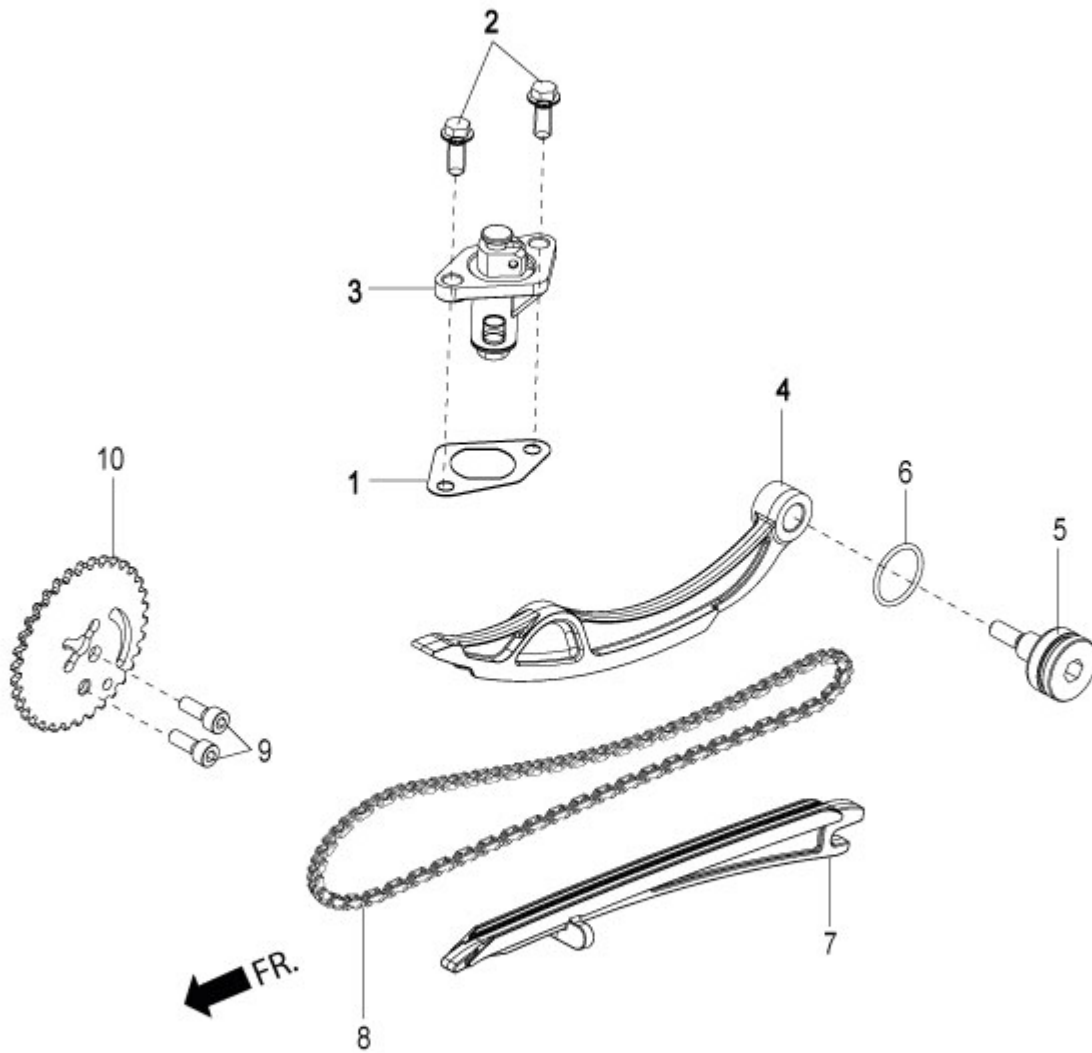
1.08 Camshaft



1.08**Camshaft**

| Fig. No. | Part No. | Description | Qty | Remarks |
|-----------------|-----------------|------------------------------------|------------|---|
| 1 | SP1A017005 | CAMSHAFT COMPLETE OF BEARING | 1 | |
| 2 | B017113 | ROCKER ARM SHAFT | 2 | |
| 3 | 83062R | ROCKER ARM GROUP | 1 | |
| 4 | B017425 | COMPLETE INLET SIDE ROCKER ARM | 1 | |
| 5 | B017323 | VALVE ADJUSTMENT SCREW | 2 | |
| 6 | B017431 | ROCKER ARM NUT | 2 | |
| 7 | B017426 | COMPLETE EXHAUST SIDE ROCKER ARM | 1 | |
| 8 | B015483 | DECOMPRESSION SPRING | 1 | |
| 9 | 1A008397 | CENTRIFUGAL MASS CONTAINMENT SHEET | 1 | |
| 10 | B014760 | CAMSHAFT CONTAINMENT SHEET-STEEL | 1 | CAMSHAFT CONTAINMENT SHEET-STEEL FIXING |
| 11 | B018946 | COUNTERSUNK SCREW M6X18 | 1 | CAMSHAFT CONTAINMENT SHEET-STEEL FIXING |
| 12 | SP1A006405 | CENTRIFUGAL MASS WITH I.P. | 1 | |

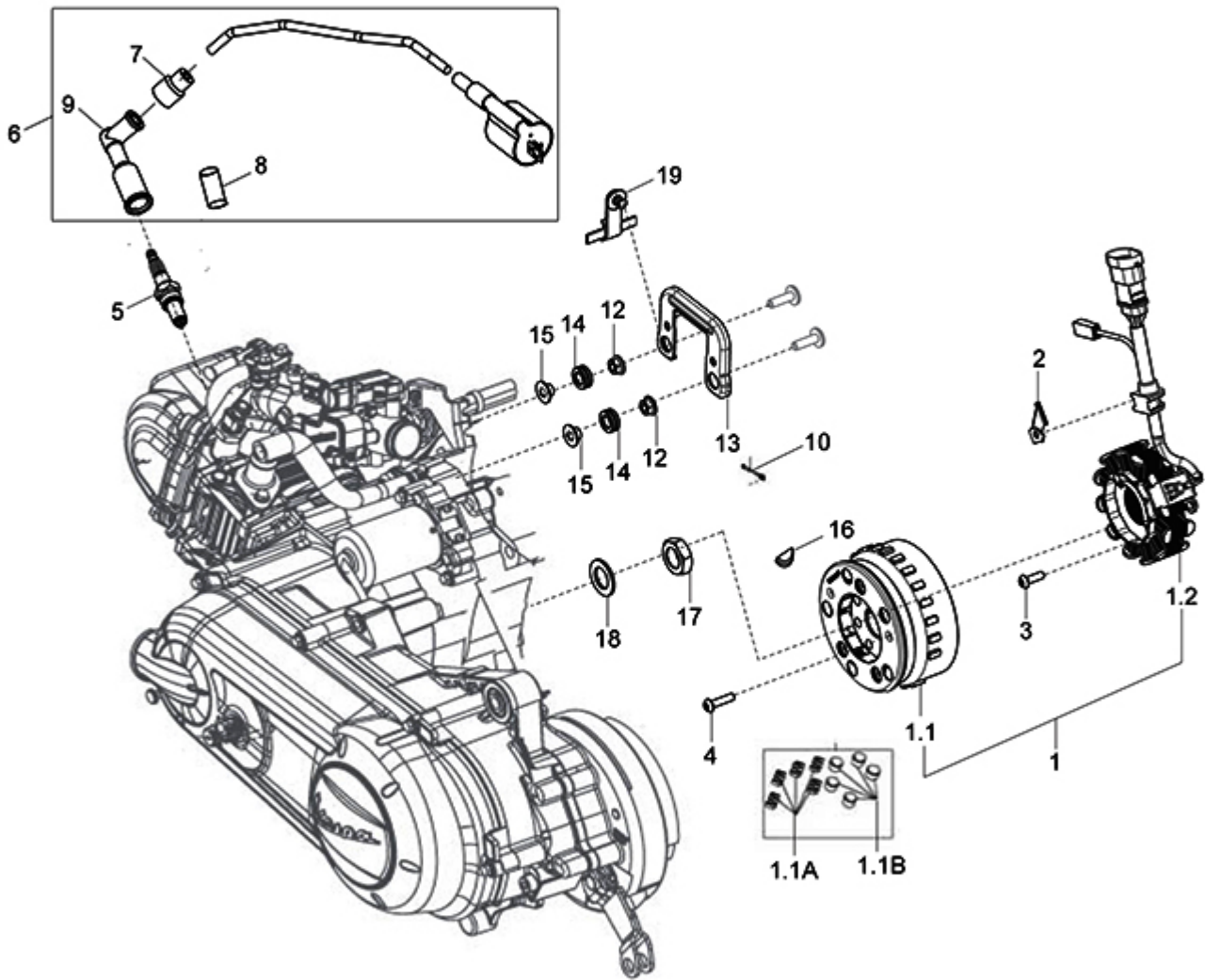
1.09
Timing Group



1.09**Timing Group**

| Fig. No. | Part No. | Description | Qty | Remarks |
|-----------------|-----------------|--------------------------------------|------------|--------------------------------|
| 1 | 847928 | CHAIN SUPPORT GASKET | 1 | CHAIN TIGHTENING DEVICE FIXING |
| 2 | 1F000110 | FLANGED HEXAGONAL SCREW | 2 | CHAIN TIGHTENING DEVICE FIXING |
| 3 | 1A019253 | CHAIN TIGHTENING DEVICE | 1 | |
| 4 | 1A014739 | COMPLETE CHAIN TIGHTENING ROD | 1 | |
| 5 | B014237 | SPECIAL SCREW ASSY | 1 | CHAIN TIGHTENING ROD FIXING |
| 6 | B017406 | O-RING (20,35X1,78) | 1 | |
| 7 | B014830 | FIXED PAD | 1 | |
| 8 | 830269 | SOUNDLESS TIMING CHAIN | 1 | |
| 9 | B018718 | EXAG. SOCKET CYLIND.HEAD SCREW M5X14 | 2 | TIMING CROWN FIXING |
| 10 | B019040 | TIMING CROWN | 1 | |

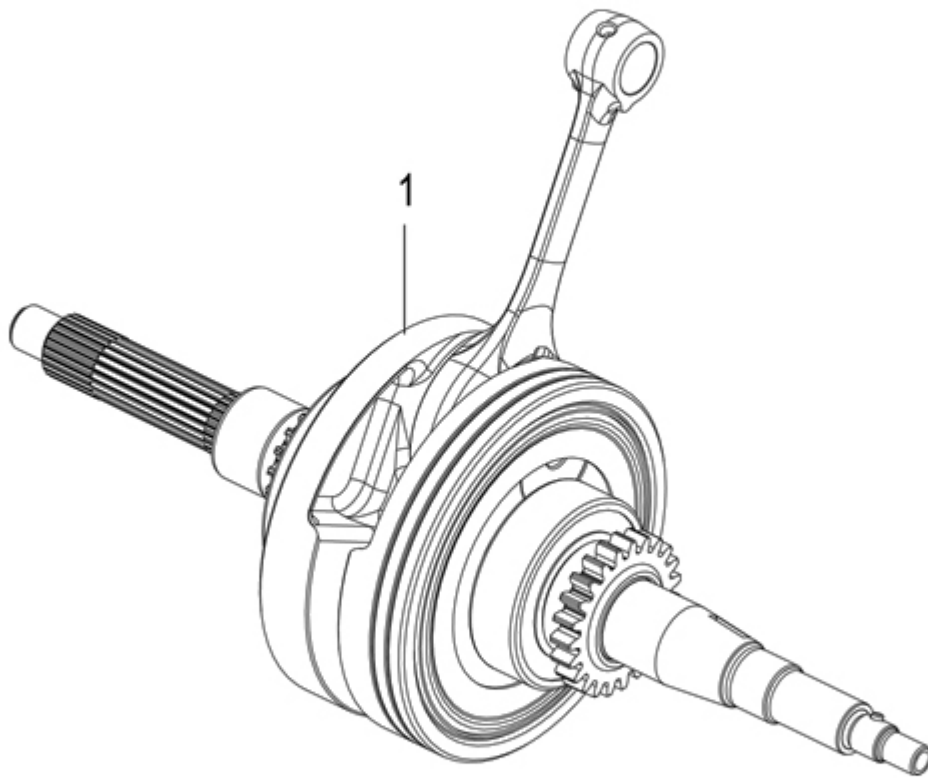
1.10 Electric Component



1.10**Electric Component**

| Fig. No. | Part No. | Description | Qty | Remarks |
|-----------------|-----------------|----------------------------------|------------|---|
| 1 | 1A018849R | A.C. GENERATOR ASSY | 1 | |
| 1.1 | 1A013856 | ASSEMBLY ROTOR CLAM CLUTCH | 1 | Kokusan ID mark - LK written at bottom |
| 1.1 | 1A018232 | ASSEMBLY ROTOR CLAM CLUTCH | 1 | Ducati ID mark - Ducati written on outer side |
| 1.1a | B019134 | PLANE SPRING | 5 | |
| 1.1b | B018476 | ROLLER | 5 | |
| 1.2 | 1A018501 | COMPLETE STATOR | 1 | Kokusan ID mark - stator Casing Redish in color |
| 1.2 | 1A018847 | COMPLETE STATOR | 1 | Ducati ID mark - stator Casing brown in color |
| 2 | 1A001793 | PICK-UP PLATE CONTAINMENT CABLES | 1 | |
| 3 | 1A001073 | TORX HEAD SCREW M5X16 | 2 | PULSER COIL FIXING |
| 4 | 1A014986 | TORX HEAD SCREW M5X21 | 2 | STATOR FIXING |
| 5 | 643367 | SPARK PLUG | 1 | |
| 6 | 1A017647 | H.T.COIL COMPLETE WITH CAP | 1 | |
| 7 | 642537 | PROTECTION CAP | 1 | |
| 8 | 1A001795 | SPARK PLUG PROTECTION COLLAR | 1 | |
| 9 | 643149 | SPARK PLUG CAP | 1 | |
| 10 | 643156 | GROUND WIRE | 1 | H.T.COIL / BRACKET FIXING |
| 11 | 872816 | FLANGED NUT | 2 | H.T.COIL / BRACKET FIXING |
| 12 | 013880 | PLAIN WASHER | 1 | H.T.COIL / BRACKET FIXING |
| 13 | 1B003784 | COIL SUPPORT BRACKET WITH I.P. | 1 | |
| 14 | B014063 | BUFFER DAMPER | 2 | |
| 15 | B014066 | SPACER | 2 | |
| 16 | 000267 | WOODRUFF KEY | 1 | FLYWHEEL ASSY FIXING |
| 17 | 880805 | LOW HEXAGONAL NUT | 1 | FLYWHEEL ASSY FIXING |
| 18 | B014585 | FLAT WASHER | 1 | FLYWHEEL ASSY FIXING |
| 19 | 1A016605 | CLAMP | 1 | H.T.COIL / BRACKET FIXING |
| 20 | 018639 | SCREW M6X20 | 1 | H.T.COIL BRACKET/CRANKCASE FIXING |

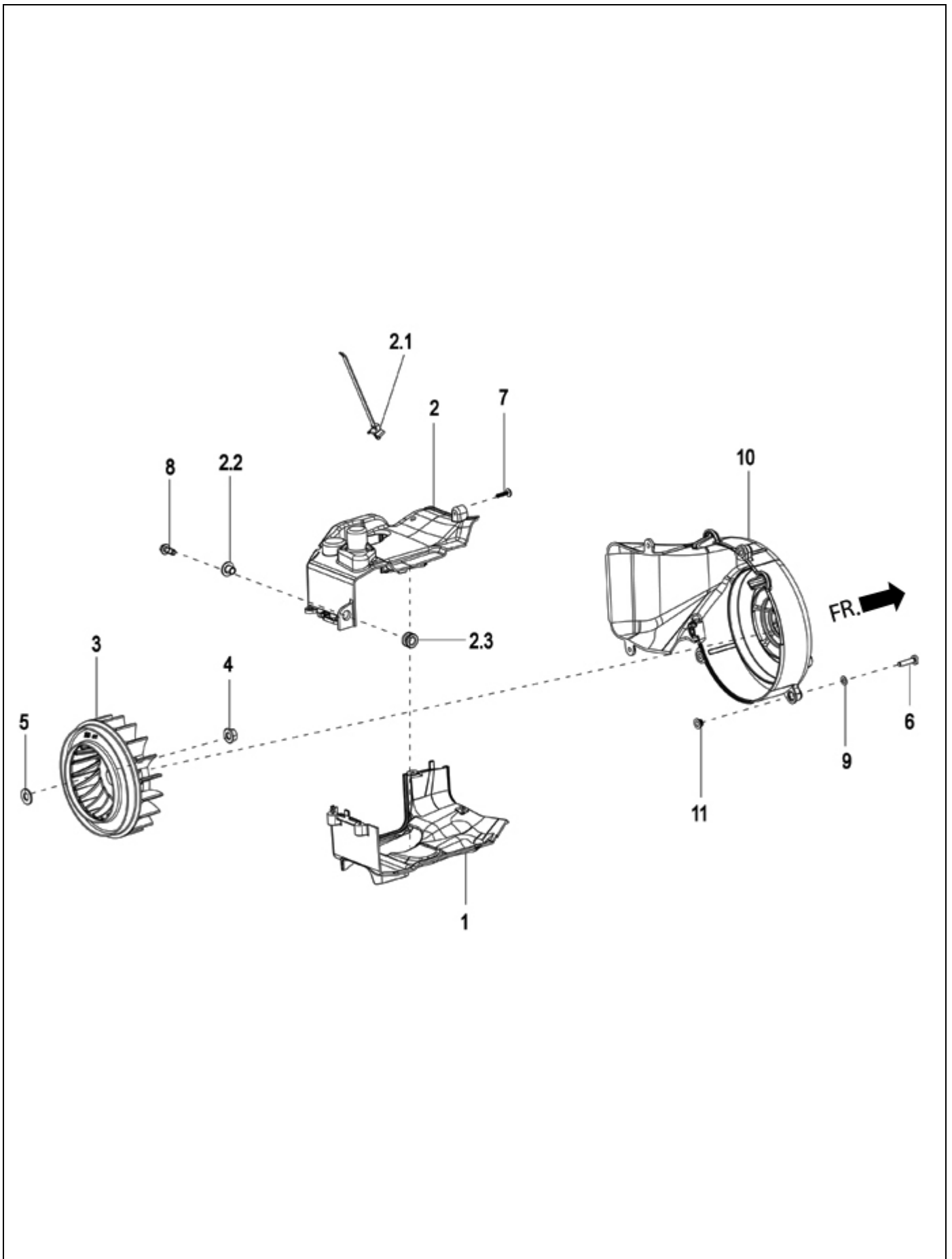
1.11
Crankshaft



1.11**Crankshaft**

| Fig. No. | Part No. | Description | Qty | Remarks |
|-----------------|-----------------|---|------------|----------------|
| 1 | SP1A015904 | CRANKSHAFT WITH BALL BEARING AND PINION | 1 | |

1.12
Fan cover and Shroud

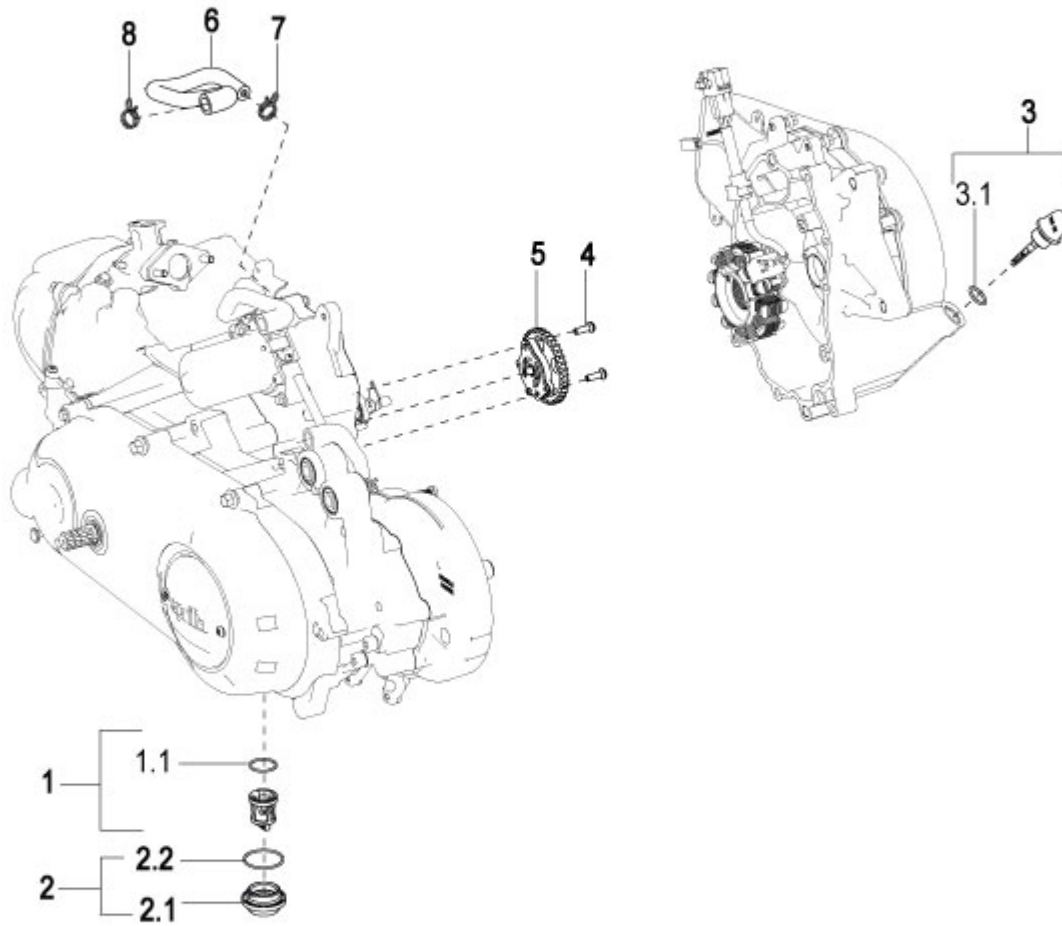


1.12**Fan cover and Shroud**

| Fig. No. | Part No. | Description | Qty | Remarks |
|-----------------|-----------------|-----------------------------|------------|------------------|
| 1 | 1A011087 | EXHAUST SIDE SHROUD | 1 | |
| 2 | 1A001023 | INTAKE SIDE CONVEYOR | 1 | |
| 2.1 | 643114 | CLAMP | 1 | |
| 2.2 | B014063 | BUFFER DAMPER | 1 | |
| 2.3 | B014066 | SPACER | 1 | |
| 2.4 | 216369 | CLAMP | 1 | NI |
| 3 | 1A002013 | FAN WITH INSERT | 1 | |
| 4 | 844719 | FLANGED NUT M8X1.25 | 1 | FAN ASSY FIXING |
| 5 | B017080 | PLAIN WASHER | 1 | FAN ASSY FIXING |
| 6 | 1A014986 | TORX HEAD SCREW M5X21 | 3 | FAN COVER FIXING |
| 7 | B018421 | SULF-THREADING SCREW 3.8X16 | 5 | FAN COVER FIXING |
| 8 | 1F000110 | FLANGED HEXAGONAL SCREW | 1 | FAN COVER FIXING |
| 9 | 006975 | WAVY WASHER 5.3X10X0.5 | 3 | FAN COVER FIXING |
| 10 | B014750 | FAN COVER | 1 | |
| 11 | B015312 | KNURLED BUSH | 6 | |
| 12 | 58273R | THERMIC SENSOR | 1 | |

1.13

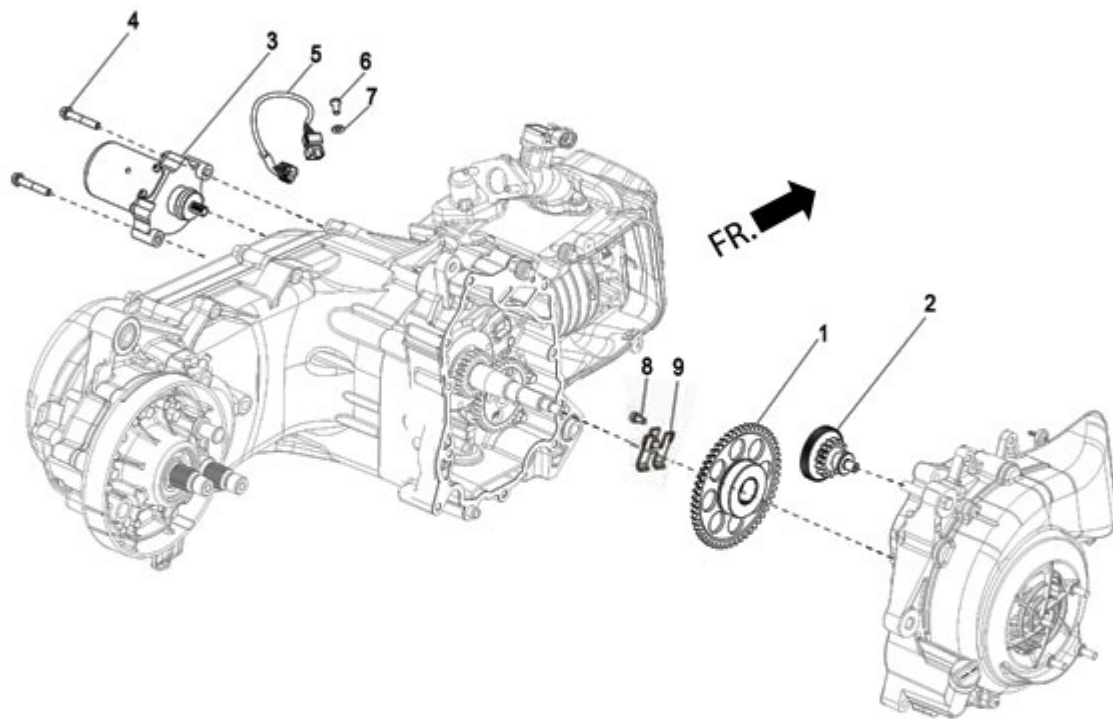
Lubrication component



1.13**Lubrication component**

| Fig. No. | Part No. | Description | Qty | Remarks |
|-----------------|-----------------|----------------------------|------------|--------------------------|
| 1 | B018020 | COMPLETE INTAKE OIL FILTER | 1 | |
| 1.1 | B017406 | O-RING (20,35X1,78) | 1 | |
| 2 | B015598 | OIL FILTER PLUG | 1 | |
| 2.1 | B015598 | OIL FILTER PLUG | 1 | |
| 2.2 | 285536 | O-RING GASKET 31.47X1.78 | 1 | |
| 3 | 1A013415 | COMPLETE OIL DIPSTICK | 1 | |
| 3.1 | 1A009397 | O-RING GASKET | 1 | |
| 4 | 1A001073 | TORX HEAD SCREW M5X16 | 2 | OIL PUMP ASSY FIXING |
| 5 | B018448 | COMPLETE OIL PUMP | 1 | |
| 6 | 1A014294 | OIL BREATHER PIPE | 1 | |
| 7 | CM002917 | HOSE CLAMP | 1 | OIL BREATHER PIPE FIXING |
| 8 | CM002916 | HOSE CLAMP | 1 | OIL BREATHER PIPE FIXING |

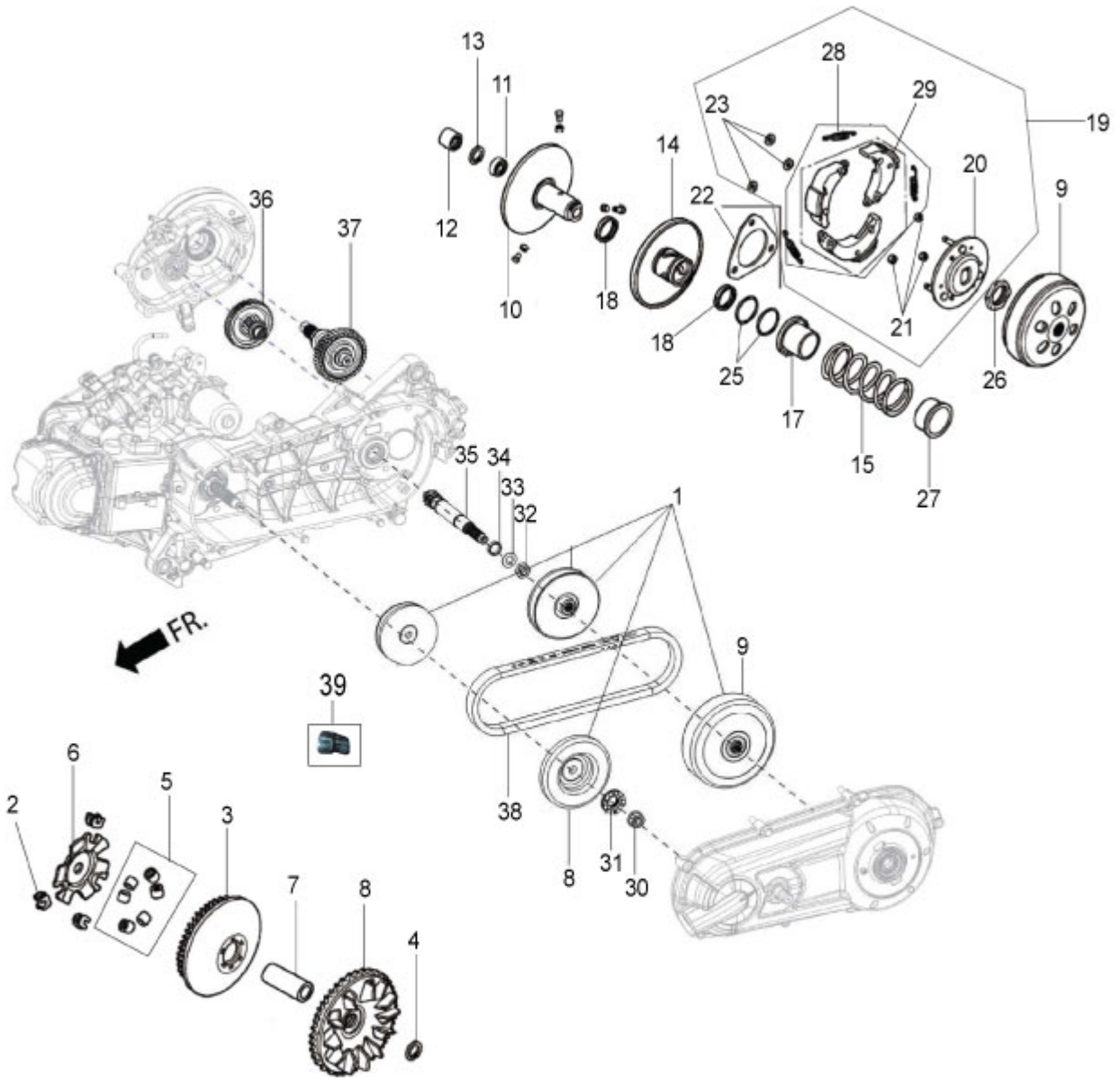
1.14
Starting Group



1.14**Starting Group**

| Fig. No. | Part No. | Description | Qty | Remarks |
|-----------------|-----------------|-------------------------------------|------------|---|
| 1 | 83033R | STARTER CROWN WITH I.P. GROUP | 1 | |
| 2 | 1A001443R | ELECTRIC STARTER INTERMEDIATE GEAR | 1 | |
| 3 | 1A015231 | STARTING MOTOR | 1 | |
| 4 | 1A003063 | FLANGED HEX HEAD SCREW M6X35 | 2 | STARTING MOTOR FIXING (OIM) |
| 5 | 1D001640 | STARTING MOTOR WIRING HARNESS | 1 | |
| 6 | 018644 | CROSS CYLINDRICAL HEAD SCREW | 1 | STARTING MOTOR WIRING HARNESS FIXING |
| 7 | 016404 | SPRING WASHER M4 | 1 | STARTING MOTOR WIRING HARNESS FIXING |
| 8 | 1A002691 | FLANGED HEX HEAD SCREW M6X20 CL10 | 1 | |
| 9 | 1A007468 | CONTAINMENT ELECTRIC STARTING CROWN | 1 | |

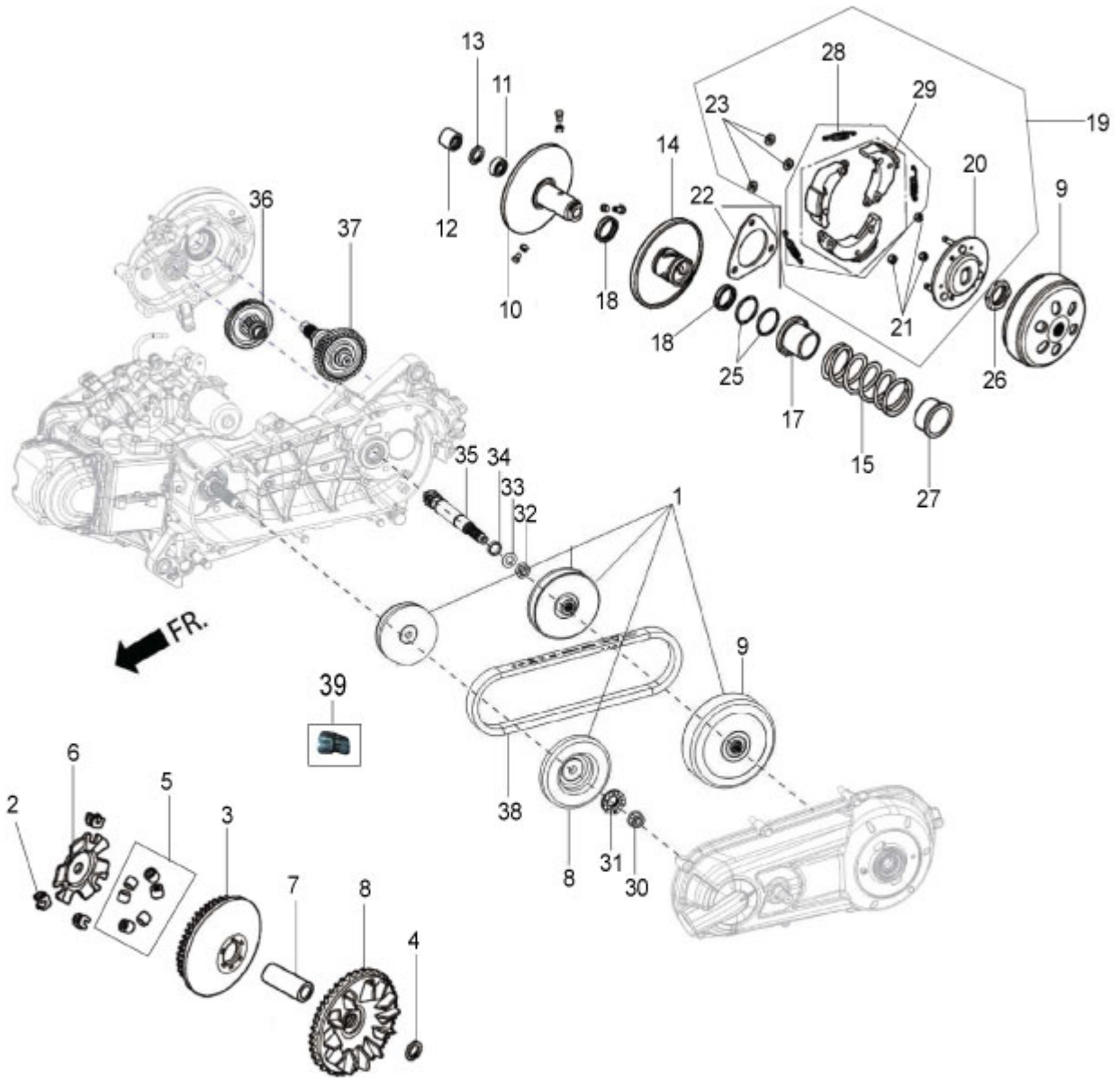
1.15 Transmission Group



1.15**Transmission Group**

| Fig. No. | Part No. | Description | Qty | Remarks |
|-----------------|-----------------|-------------------------------------|------------|--|
| 1 | 1A017936R | COMPLETE TRANSMISSION GROUP | 1 | |
| 2 | 1A001746 | PIECE SLIDE | 1 | |
| 3 | 1A001742 | FACE COMP MOVABLE DRIVE | 1 | |
| 4 | 1A002443 | CIRCLIP MOVABLE DRIVE | 1 | |
| 5 | 1A020099 | COMPLETE ROLLER | 6 | |
| 6 | 1A001745 | PLATE RAMP | 1 | |
| 7 | 1A002446 | BOSS DRIVE FACE | 1 | |
| 8 | 1A005055 | FIXED DRIVER HALF-PULLEY | 1 | |
| 9 | 1A005057 | CLUTCH HOUSING WITH I.P. | 1 | |
| 10 | 1A002430 | FACE COMP. FIX DRIVEN | 1 | |
| 11 | 1A002431 | BRG. BALL RADIAL | 1 | |
| 12 | 1A002432 | BRG. NEEDLE | 1 | |
| 13 | 1A002433 | CIRCLIP IN 24 | 1 | |
| 14 | 1A013713 | COMPLETE MOVABLE DRIVEN HALF-PULLEY | 1 | |
| 15 | 1A002439 | SPG. DRIVEN FACE | 1 | |
| 17 | 1A002440 | COLLAR SEAL | 1 | |
| 18 | 1A002441 | OIL SEAL | 2 | |
| 19 | 1A002425 | PLATE ASSY. DRIVEN | 1 | |
| 20 | 1A002426 | PLATE COMP. DRIVE | 1 | |
| 21 | 1A002427 | DAMPER CLUTCH | 3 | |
| 22 | 1A002428 | SIDE WASHER | 1 | |
| 23 | 1A002429 | E RING 7MM | 3 | |
| 25 | 1A002442 | O-RING | 2 | |
| 26 | 1A001748 | NUT SPECIAL 28MM | 1 | |
| 27 | B016922 | DRIVEN PULLEY SIDE CAP | 1 | |
| 28 | 1A001744 | SHOE CLUTCH | 1 | |
| 29 | 1A001743 | SPRING CLUTCH | 3 | |
| 30 | 1A006988 | NUT WITH SPRING WASHER | 1 | FRONT TRASMISSION GROUP FIXING |
| 31 | B017599 | CLAW COUPLING | 1 | FRONT TRASMISSION GROUP FIXING |
| 32 | B018308 | HEXAGOLAN NUT | 1 | REAR TRASMISSION GROUP FIXING (OIM) |
| 33 | 1A006499 | PLAIN WASHER | 1 | REAR TRASMISSION GROUP FIXING (OIM) |
| 34 | B018306 | SPACER | 1 | REAR TRASMISSION GROUP FIXING (OIM) |
| 35 | 1A006503 | DRIVEN PULLEY SHAFT | 1 | |
| 36 | 1A000784 | LAY-SHAFT ASSY WITH I.P. | 1 | |
| 37 | 1A000787 | GEAR WHEEL WITH I.P. | 1 | |

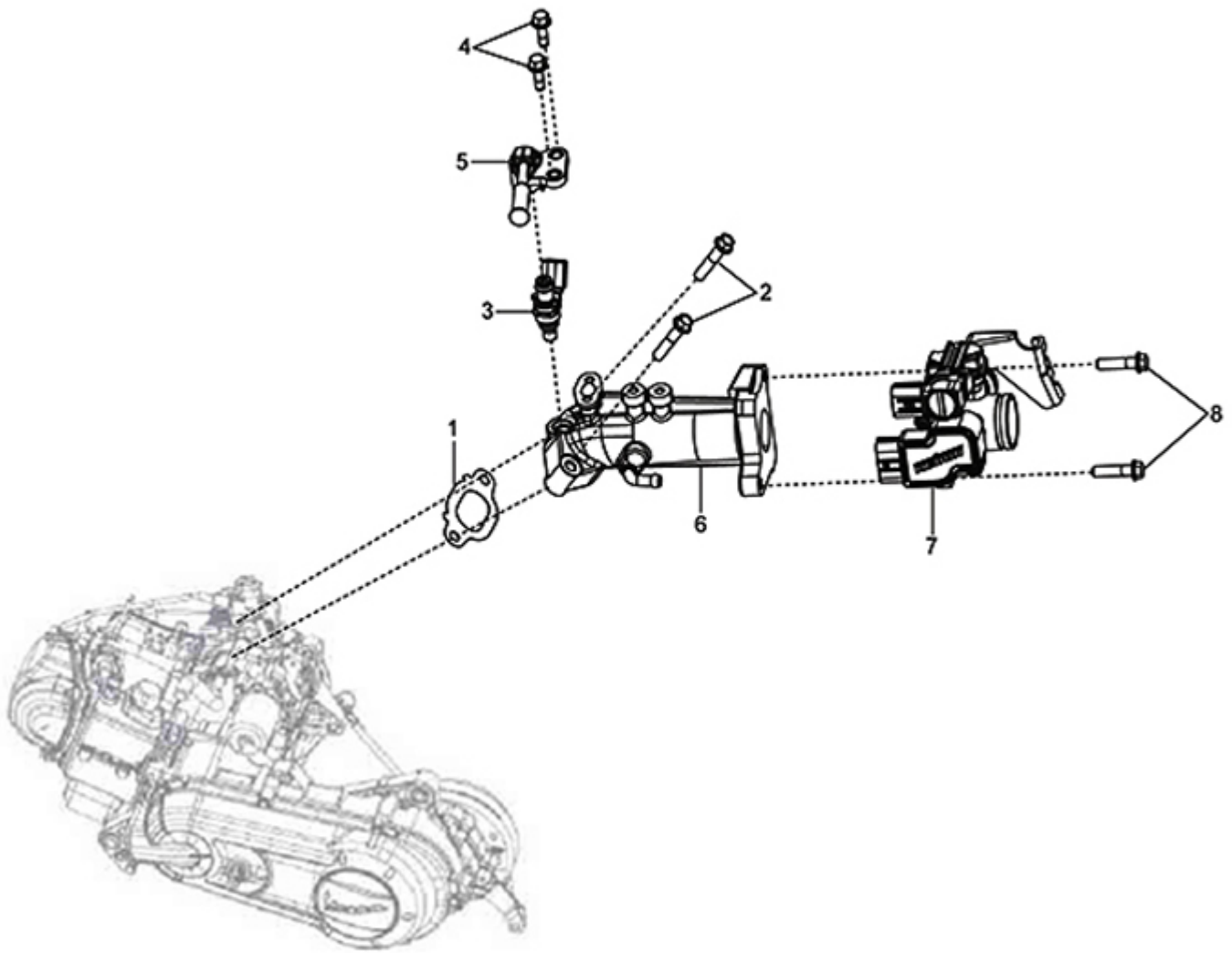
1.15 Transmission Group



1.15**Transmission Group**

| Fig. No. | Part No. | Description | Qty | Remarks |
|-----------------|-----------------|--------------------|------------|----------------|
| 38 | 1A006149 | V-BELT | 1 | |
| 39 | 1A013712 | INTEGRATED PIN | 1 | NI |

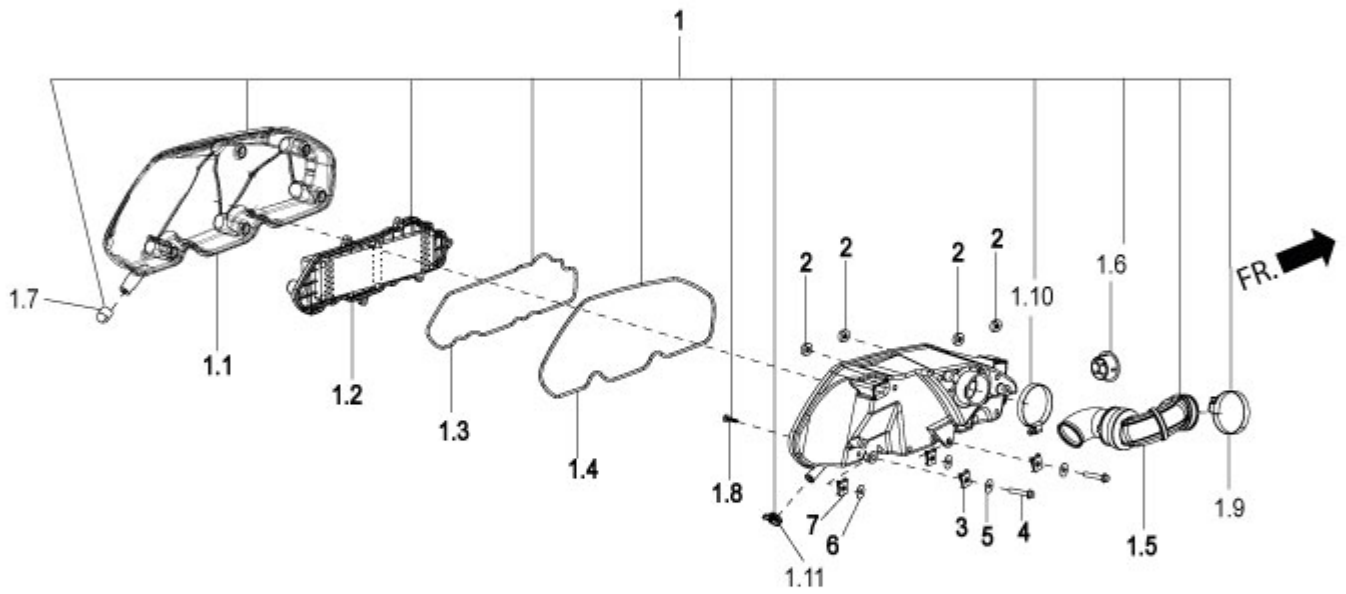
1.16
Fuel supply System



1.16**Fuel supply System**

| Fig. No. | Part No. | Description | Qty | Remarks |
|-----------------|-----------------|------------------------------------|------------|-------------------------|
| 1 | B018442 | INTAKE FITTING GASKET | 1 | INTAKE FITTING FIXING |
| 2 | B018853 | FLANGED HEXAGONAL HEAD SCREW M6X30 | 2 | INTAKE FITTING FIXING |
| 3 | 1D000698 | FUEL INJECTOR | 1 | COMPLETE INTAKE FITTING |
| 4 | 1A015812 | FLANGED HEXAGONAL HEAD SCREW | 2 | INJECTOR FIXING |
| 5 | 1A015303 | INJECTOR SUPPORT WITH FUEL CAP | 1 | |
| 6 | 1A016010 | INTAKE FITTING WITH I.P. | 1 | |
| 7 | 1A019310 | THROTTLE BODY | 1 | |
| 8 | 1A003065 | FLANGED HEX. HEAD SCREW M6X25 | 2 | THROTTLE BODY FIXING |
| 9 | 1D001198 | SEAL RINGS KIT | 1 | NI -Under Development |
| 10 | 1A009606 | INIECTOR RETAINING PLATE | 1 | NI , INJECTOR FIXING |

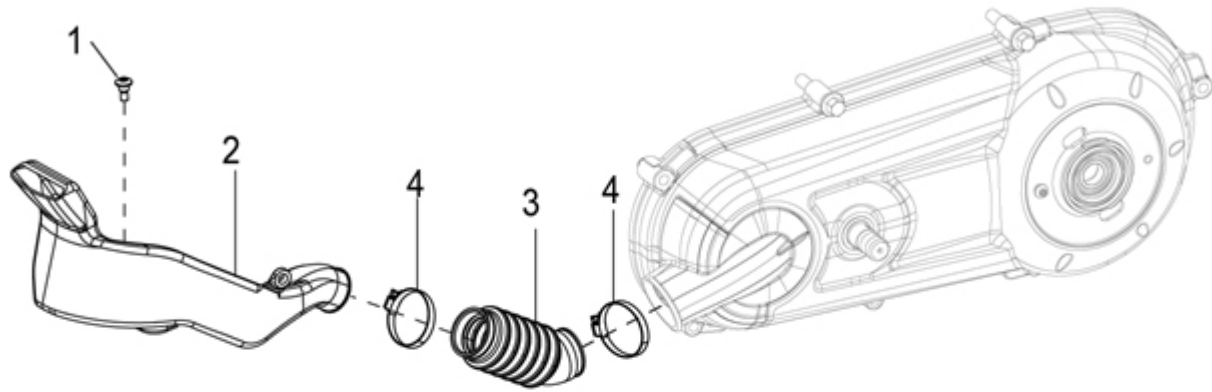
1.17
Air Intake



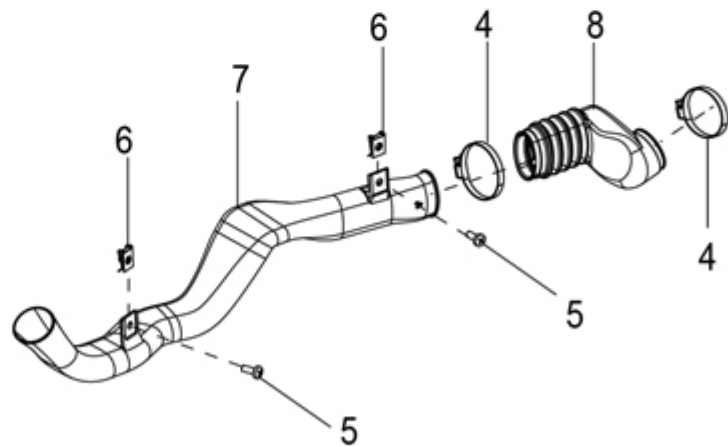
1.17**Air Intake**

| Fig. No. | Part No. | Description | Qty | Remarks |
|-----------------|-----------------|--|------------|-----------------------------|
| 1 | 1A018276 | AIR CLEANER BOX ASSY | 1 | Applicable For MY-20 |
| 1 | 1A016755 | AIR CLEANER BOX ASSY | 1 | |
| 1.1 | 1A006088 | AIR CLEANER COVER | 1 | |
| 1.2 | 1A006090 | AIR BOX FILTER | 1 | |
| 1.3 | 1A006092 | GASKET | 1 | |
| 1.4 | 1A006093 | AIR CLEANER GASKET | 1 | |
| 1.5 | 1A011982 | COUPLING | 1 | |
| 1.7 | 827831 | AIR CLEANER BOX CAP | 2 | |
| 1.8 | 258146 | SELF TAPPING SCREW (3X20) | 13 | |
| 1.9 | B019254 | CLAMP Ø42.4-Ø44.5 | 1 | |
| 1.10 | 614188 | CLAMP 40-60 | 1 | |
| 1.11 | CM002910 | HOSE CLAMP | 2 | |
| 2 | CM002916 | HOSE CLAMP | 2 | BLOW-BY PIPE/AIR BOX FIXING |
| 3 | CM259204 | SPRING PLATE | 2 | AIR CLEANER BOX FIXING |
| 4 | 1A003064 | FLANGED HEX HEAD SCREW M6X55 | 2 | AIR CLEANER BOX FIXING |
| 5 | 3056 | PLAIN WASHER M6 OD12 | 2 | AIR CLEANER BOX FIXING |
| 6 | 12533 | PLAIN SPRING WASHER WITH EXTERNAL TABS | 2 | AIR CLEANER BOX FIXING |
| 7 | 254485 | SPRING PLATE (M6) | 2 | AIR CLEANER BOX FIXING |
| 8 | B018262 | KNURLED BUSH | 4 | |
| 9 | 1A016123 | S.A.S INTAKE MANIFOLD | 1 | |
| 10 | 1A014108 | GROMMET | 1 | |

1.18
Induction Pipe/Bellow



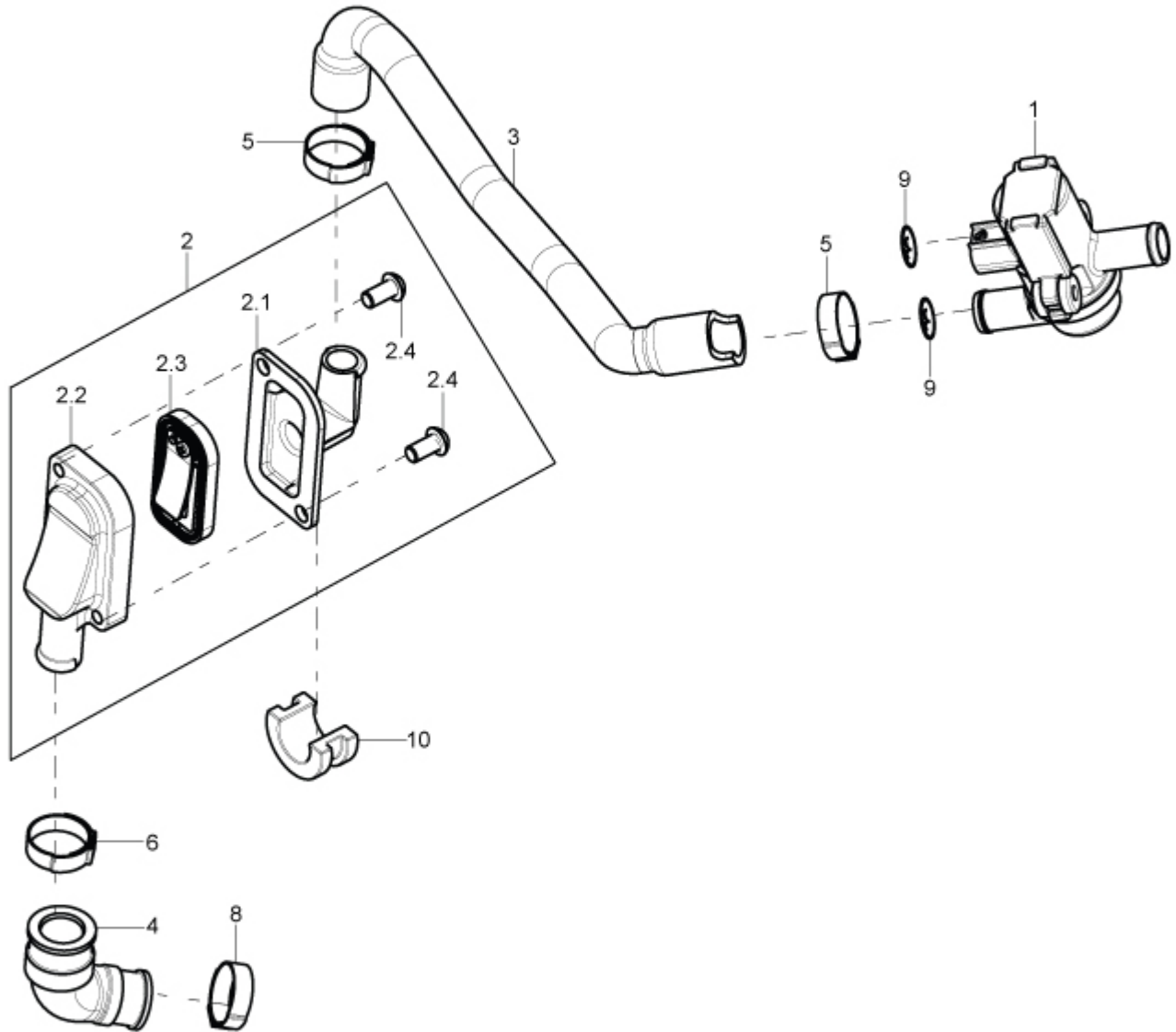
← FR.



1.18**Induction Pipe/Bellow**

| Fig. No. | Part No. | Description | Qty | Remarks |
|-----------------|-----------------|---------------------------------|------------|-----------------------|
| 1 | 259348 | METRICAL SCREW WITH CROSS MOULD | 1 | DUCTION PIPE FIXING |
| 2 | 1B006743 | DUCTION PIPE | 1 | |
| 3 | 1B003394 | INTAKE FITTING | 1 | |
| 4 | 709519 | CLAMP | 4 | |
| 5 | 272836 | METRICAL SCREW WITH CROSS MOULD | 2 | INDUCTION PIPE FIXING |
| 6 | 254485 | SPRING PLATE (M6) | 2 | INDUCTION PIPE FIXING |
| 7 | 1B003395 | INDUCTION PIPE | 1 | |
| 8 | 1B003396 | BELLOW | 1 | |

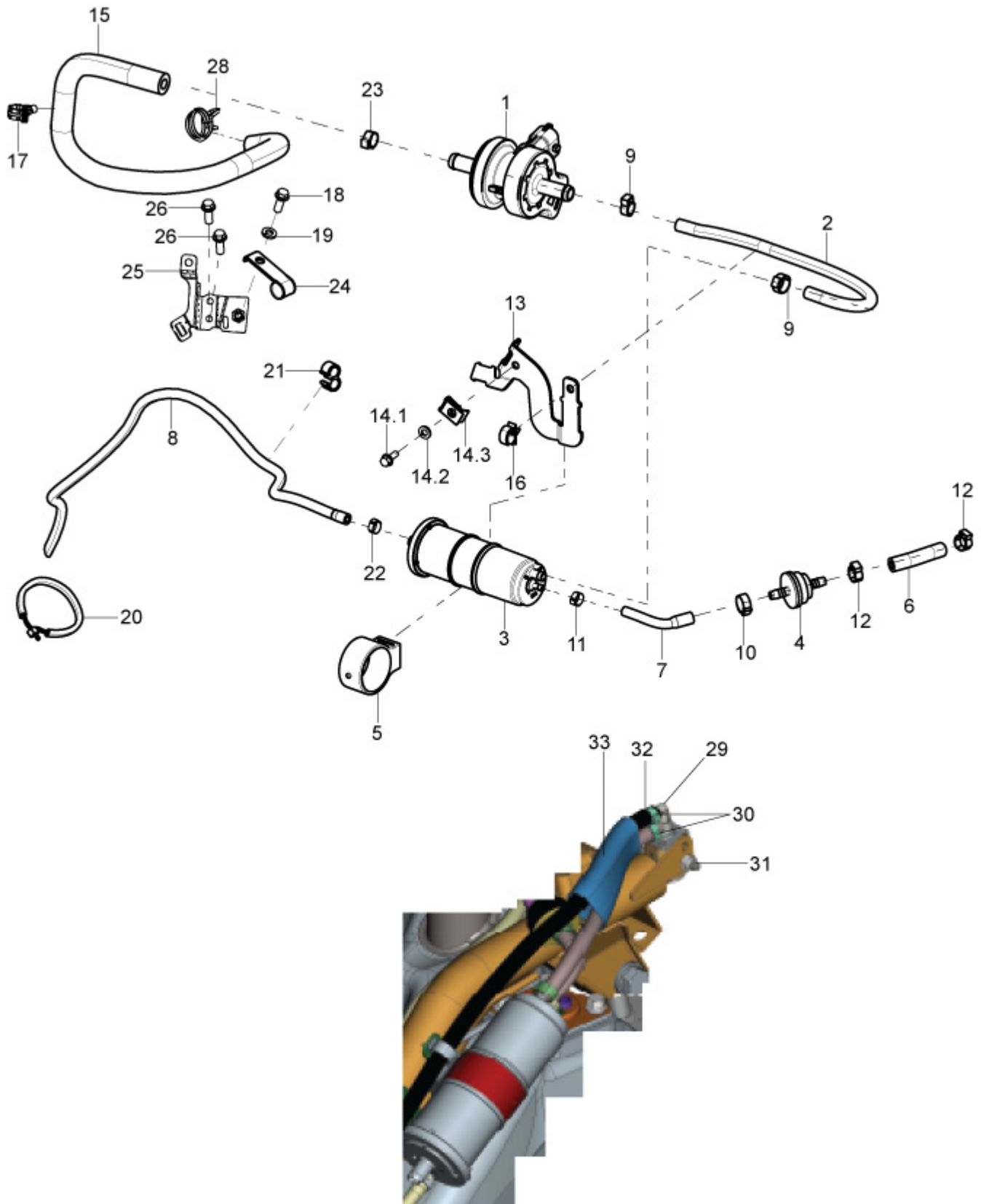
1.20
S.A.S. System



1.20**S.A.S. System**

| Fig. No. | Part No. | Description | Qty | Remarks |
|-----------------|-----------------|-----------------------|------------|-----------------------------------|
| 1 | 1A014086 | AIR CUT VALVE | 1 | |
| 2 | SP1A0165444 | COMPLETE SAS VALVE | 1 | |
| 2.1 | 1A015026 | COVER SAS VALVE | 1 | |
| 2.2 | 1A016543 | SUPPORT SAS VALVE | 1 | |
| 2.3 | 1A017197 | COMPLETE REED VALVE | 1 | |
| 2.4 | 601039 | SCREW | 2 | |
| 3 | 1A014117 | SAS INTAKE PIPE | 1 | |
| 4 | 1A017797 | S.A.S. BOX JOINT PIPE | 1 | |
| 5 | CM001927 | HOSE CLAMP | 2 | S.A.S. PIPE/ELECTRIC VALVE FIXING |
| 6 | 1A018013 | CLAMP | 1 | S.A.S. VALVE SLEEVE FIXING |
| 7 | 257134 | RETAINING STRAP | 1 | S.A.S. VALVE SLEEVE FIXING |
| 8 | CM001927 | HOSE CLAMP | 1 | S.A.S. VALVE SLEEVE FIXING |
| 9 | 230359 | CLIP | 2 | |
| 10 | 1A014309 | GROMMET | 1 | |

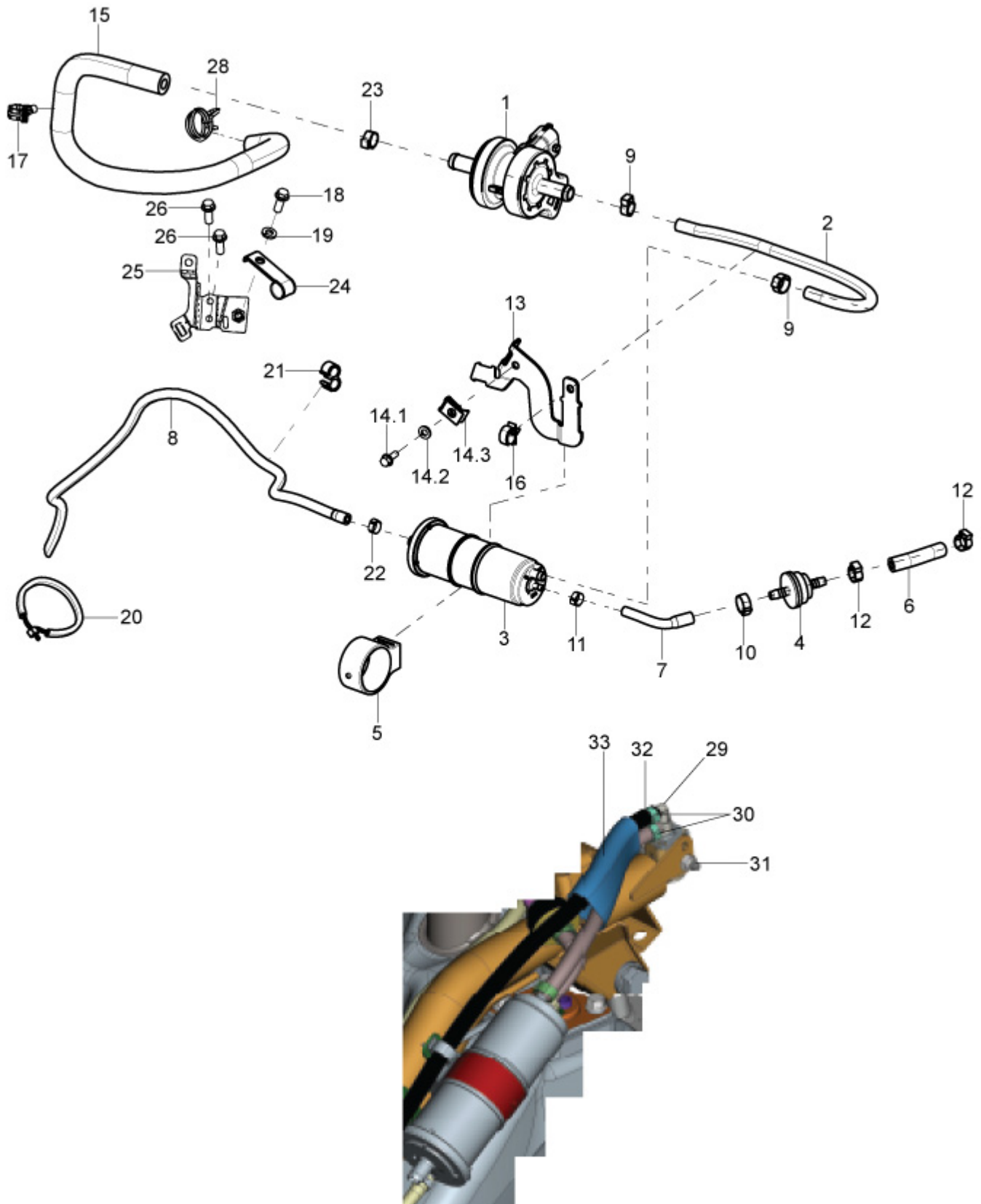
1.23 Canister



1.23**Canister**

| Fig. No. | Part No. | Description | Qty | Remarks |
|-----------------|-----------------|----------------------------|------------|-----------------------------------|
| 1 | CM287405 | COMPLETE AIR VALVE | 1 | |
| 2 | CM001237 | BASE PROFILE PIPE D.6X10,5 | 1 | Applicable For MY-20 |
| 2 | CM001234 | PIPE (NOT METALLIC) | 1 | |
| 3 | 1B002848 | CANISTER | 1 | |
| 4 | 1B008067R | SAFETY VALVE | 1 | |
| 5 | 1B002849 | CANISTER SUPPORT | 1 | |
| 6 | CM177979 | HOSE SAE J30 | 1 | J30 R11-A/R12 1/4 L=70 |
| 7 | CM283429 | HOSE | 1 | |
| 8 | CM283431 | PIPE FUEL SISTEM | 1 | |
| 9 | CM001901 | CLAMP | 2 | |
| 10 | CM001901 | CLAMP | 1 | |
| 11 | CM001912 | CLAMP | 1 | |
| 12 | CM001914 | CLAMP | 2 | |
| 13 | 1B006608 | PLATE | 1 | |
| 14.1 | 434541 | SCREW | 1 | FIX Plate |
| 14.2 | 016406 | SPRING WASHER | 1 | FIX Plate |
| 14.3 | 254485 | SPRING PLATE (M6) | 1 | FIX Plate |
| 15 | CM177978 | HOSE | 1 | |
| 16 | 231590 | ELASTIC CLAMP | 1 | |
| 17 | CM006913 | PIPINGS RETAINING SPRING | 1 | |
| 18 | 434541 | SCREW | 1 | FIX CANISTER |
| 19 | 016406 | SPRING WASHER | 1 | FIX CANISTER |
| 20 | 257134 | RETAINING STRAP | 1 | |
| 21 | 667156 | CLAMP | 2 | |
| 22 | CM001912 | CLAMP | 1 | |
| 23 | CM001914 | CLAMP | 2 | |
| 24 | 1B007084 | CLIP | 1 | |
| 25 | 1B006711 | FUEL PIPE BRACKET WITH I.P | 1 | |
| 26 | 848766 | SCREW | 2 | Fuel pipe bracket with I.P fixing |
| 27 | CM001913 | CLAMP | 1 | |
| 28 | CM002917 | HOSE CLAMP | 1 | |
| 28 | CM002903 | HOSE CLAMP | 1 | Applicable For MY-20 |
| 29 | 1A017882 | PURGE VALVE | 1 | Applicable For MY-20 |
| 30 | CM001912 | CLAMP | 2 | Applicable For MY-20 |
| 31 | 709116 | HEXAGON NUT | 1 | Applicable For MY-20 |

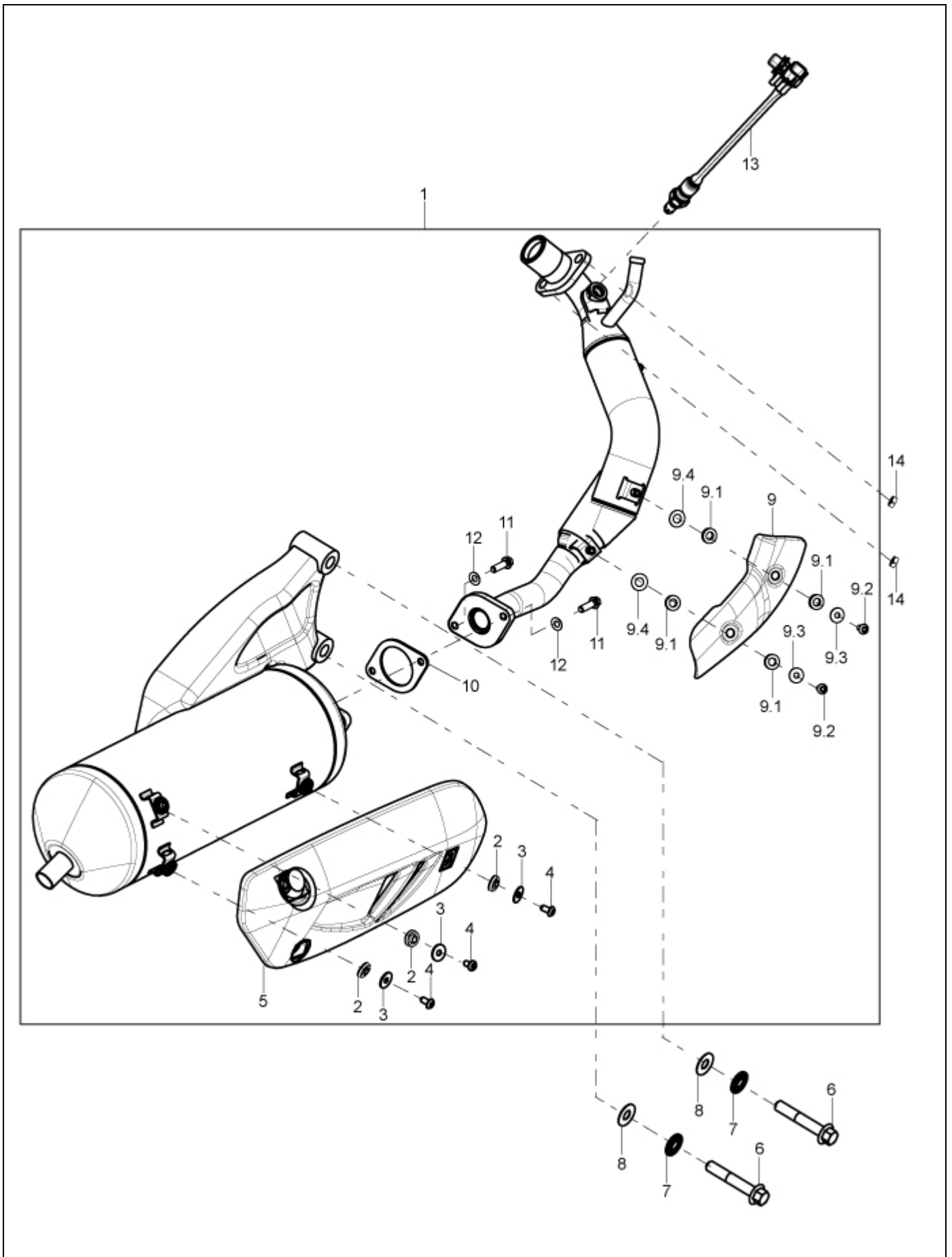
1.23 Canister



1.23**Canister**

| Fig. No. | Part No. | Description | Qty | Remarks |
|-----------------|-----------------|--------------------|------------|----------------------|
| 32 | 1B008150 | PIPE WITH GROMMET | 1 | Applicable For MY-20 |
| 33 | CM0074G8 | SHEATH | 1 | Applicable For MY-20 |

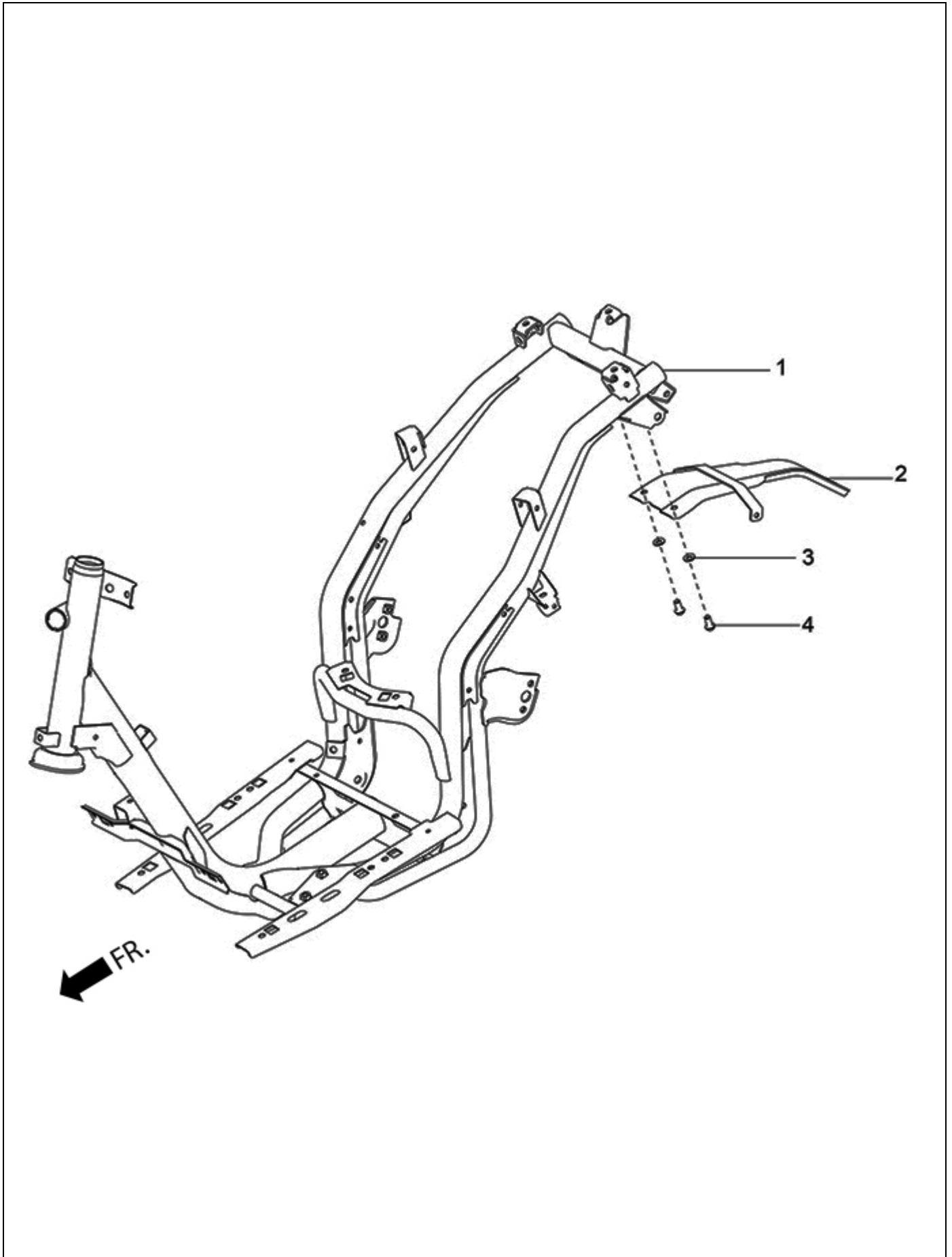
1.24
Muffler



1.24**Muffler**

| Fig. No. | Part No. | Description | Qty | Remarks |
|-----------------|-----------------|--|------------|--------------------------------|
| 1 | SP1A018416 | MUFFLER WITH PROTECTION | 1 | Applicable For MY-20 |
| 1 | SP1A014619 | MUFFLER WITH PROTECTION | 1 | |
| 2 | 487665 | FAIRLEAD | 3 | THERMAL PROTECTION FIXING |
| 3 | 827526 | WASHER | 3 | THERMAL PROTECTION FIXING |
| 4 | 848766 | SCREW | 3 | THERMAL PROTECTION FIXING |
| 5 | 1A015909 | THERMAL PROTECTION | 1 | |
| 6 | B016627 | FLANGED HEXAGONAL HEAD SCREW | 2 | MUFFLER/FLY WHEEL COVER FIXING |
| 7 | B015320 | PLAIN WASHER | 2 | MUFFLER/FLY WHEEL COVER FIXING |
| 8 | B015321 | CONICAL KNURLED WASHER | 2 | MUFFLER/FLY WHEEL COVER FIXING |
| 9 | 1A017964 | THERMAL PROTECTION WITH PANEL | 1 | |
| 9.1 | 876879 | ELASTIC SPACER | 4 | PROTECTION FIXING |
| 9.2 | 842908 | COVEX HEAD SCREW WITH TORX IMPRESSION | 2 | PROTECTION FIXING |
| 9.3 | 1A000244 | PLANE WASHER | 2 | PROTECTION FIXING |
| 9.4 | 287073 | WASHER X OIL PUMP DRIVEN GEAR- 8,2X16X0,5 | 2 | PROTECTION FIXING |
| 10 | 1A018007 | GASKET | 1 | |
| 11 | 018639 | SCREW M6X20 | 2 | |
| 12 | 016408 | SPRING WASHER | 2 | |
| 13 | SP1A017774 | LAMBDA SENSOR WITH HARNESS BAND | 1 | |
| 14 | 436947 | FLANGED NUT M7X1 H=8 | 2 | |

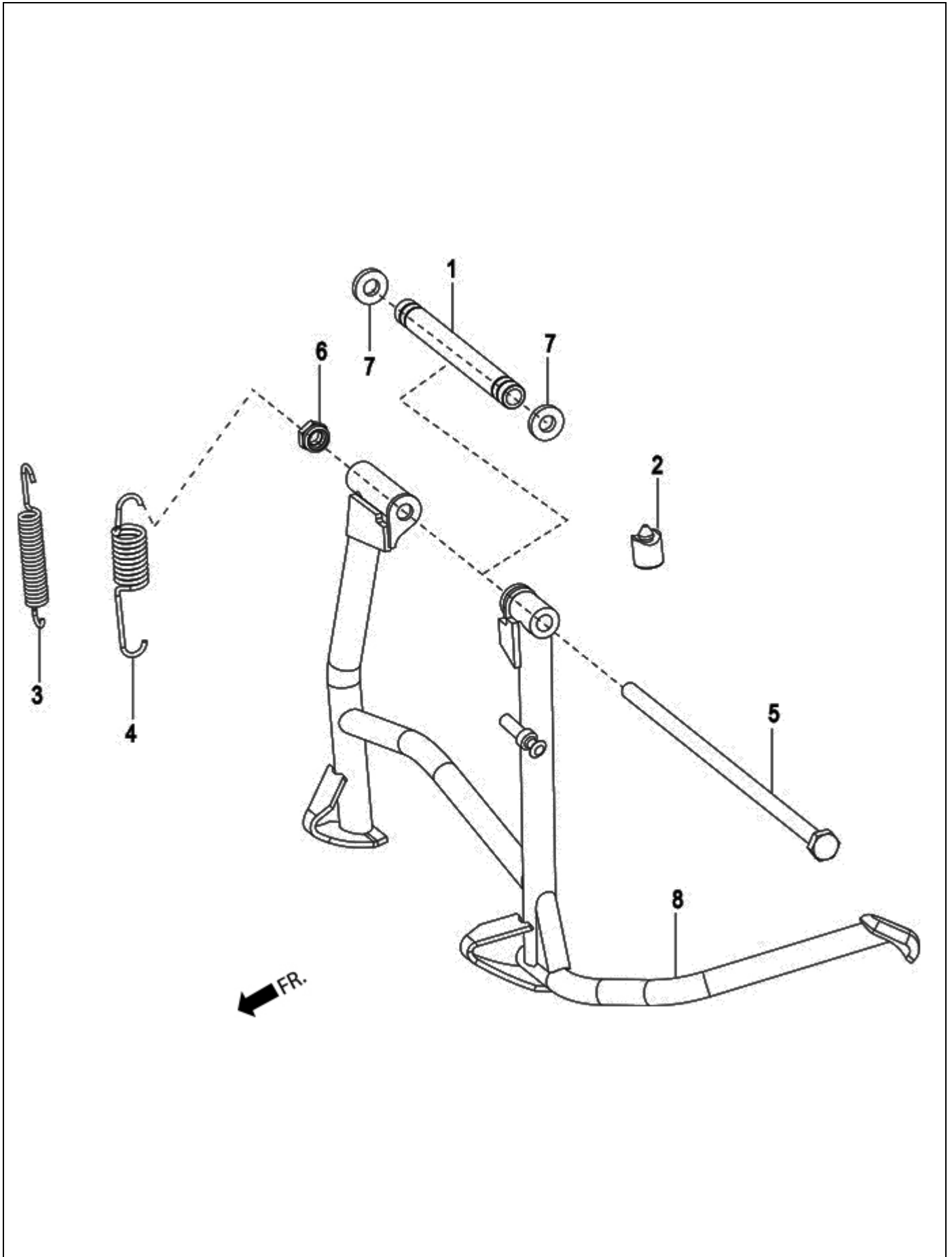
2.01
Frame



2.01
Frame

| Fig. No. | Part No. | Description | Qty | Remarks |
|-----------------|-----------------|-----------------------------|------------|------------------------------------|
| 1 | SP1B007992 | FRAME WITH I.P. SR BSVI | 1 | |
| 2 | SP1B003628 | FRAME SUPPORT PLATE WITH IP | 1 | |
| 3 | 834187 | ELASTIC WASHER CONTACT TYPE | 2 | REAR FRAME SUPPORT/FRAME FIXING |
| 4 | 263381 | SCREW | 2 | REAR FRAME SUPPORT/FRAME FIXING |

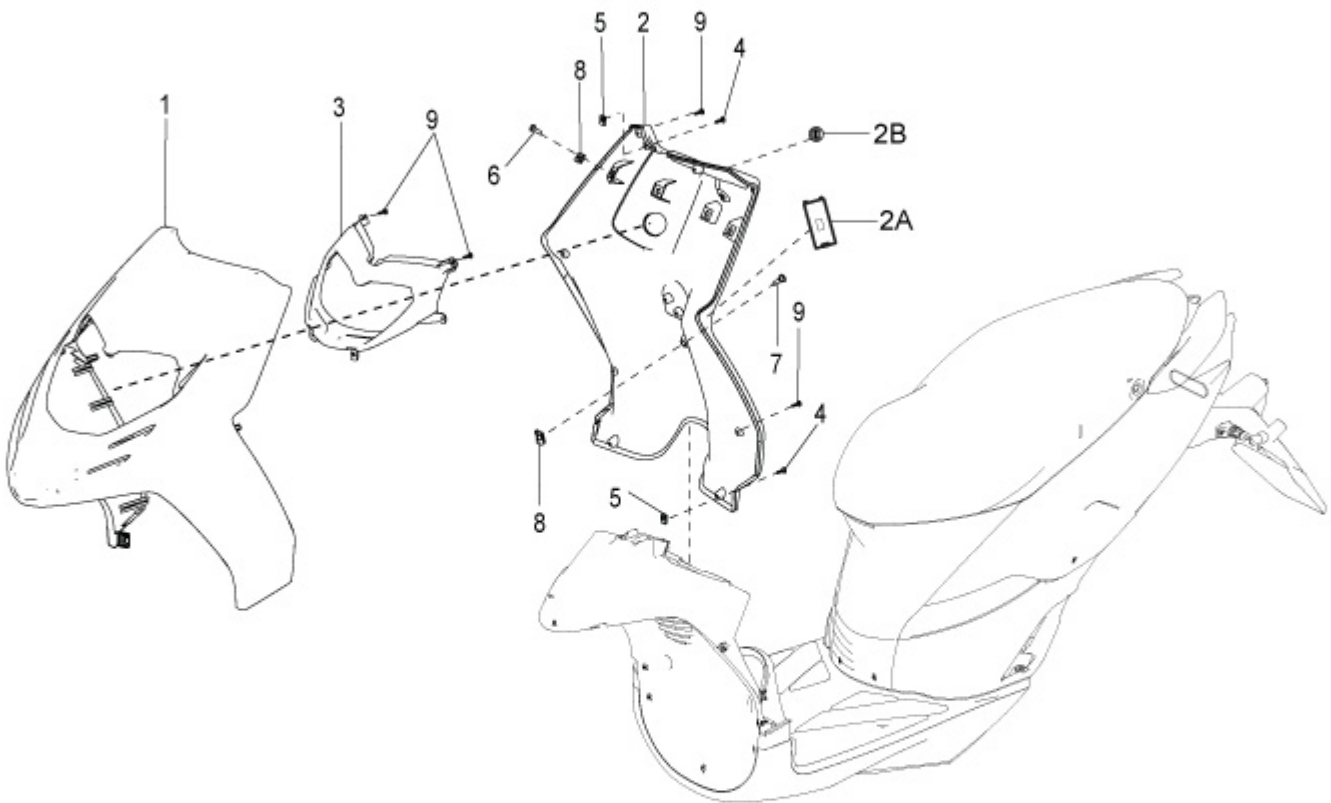
2.02
Stand



2.02
Stand

| Fig. No. | Part No. | Description | Qty | Remarks |
|-----------------|-----------------|--------------------------------|------------|----------------|
| 1 | 668585 | SPACER | 1 | |
| 2 | 666484 | STOPPER | 1 | |
| 3 | 667566 | SPRING (INNER) | 1 | |
| 4 | 667567 | SPRING (OUTSIDE) | 1 | |
| 5 | 597043 | HEXAGONAL HEAD SCREW | 1 | |
| 6 | 002440 | SELF LOCKING NUT | 1 | |
| 7 | 273754 | OIL SEAL FOR VEHICLE STAND PIN | 2 | |
| 8 | 1C005213 | CENTRAL STAND WITH I.P. | 1 | |

2.03
Front Shield

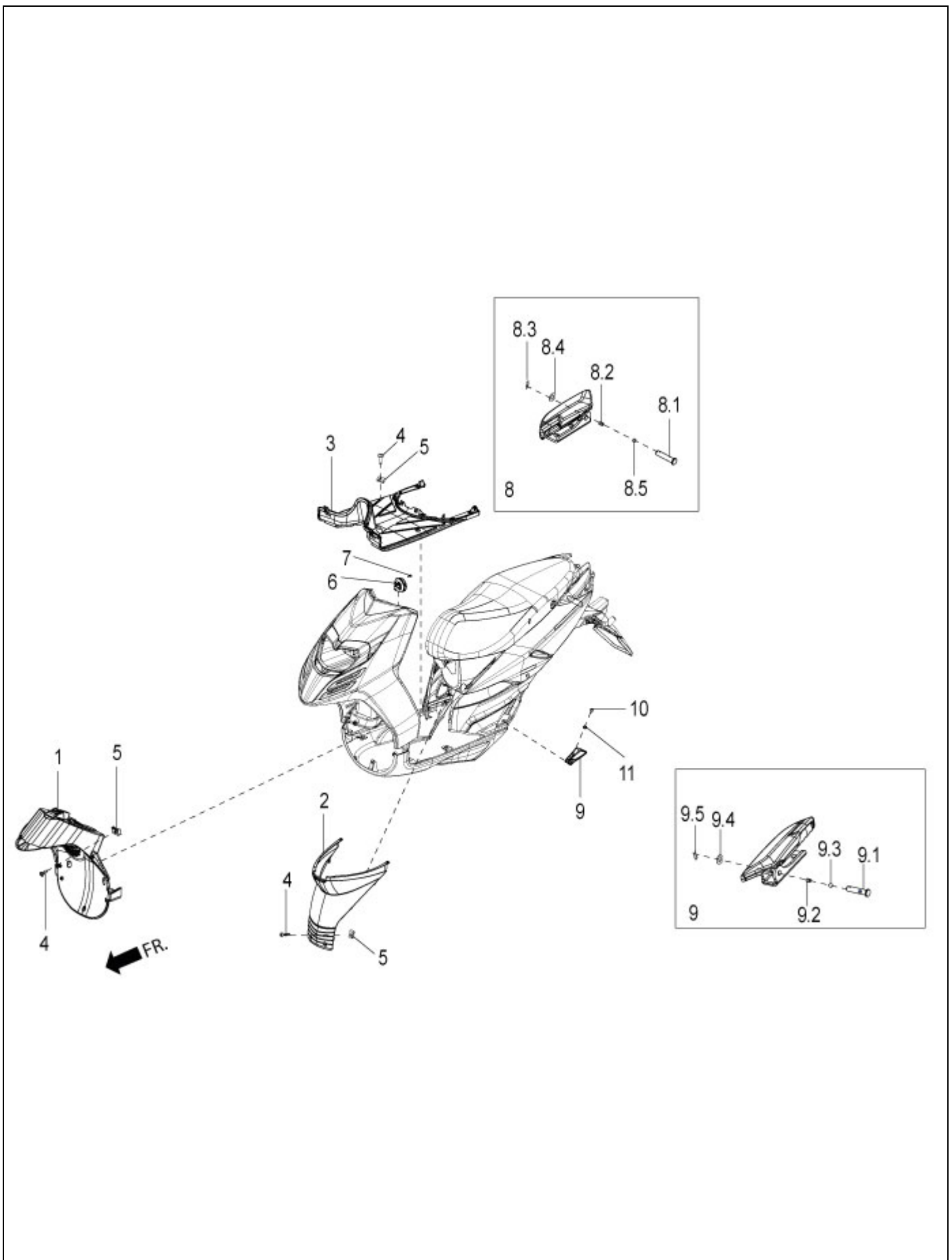


2.03**Front Shield**

| Fig. No. | Part No. | Description | Qty | Remarks |
|-----------------|-----------------|---|------------|----------------------------------|
| 1 | SB003140000NL | FRONT SHIELD | 1 | COLOR PART |
| 2 | SKIT940060 | KIT - COUNTER SHIELD, PLUG & COVER BSVI | 1 | |
| 2A | 1B005199 | COVER-1 | 1 | |
| 2B | 1B005790 | PLUG | 1 | |
| 3 | 1B003141 | HEAD LIGHT COVER | 1 | |
| 4 | 270793 | SCREW | 9 | LOWER PROTECTION/SHIELD/SPOILER |
| 5 | CM017410 | SPRING PLATE | 9 | LOWER PROTECTION/SHIELD/SPOILER |
| 4 | 270793 | SCREW | 2 | COUNTERSHIELD/FOOT./LOWER PROT. |
| 5 | CM017410 | SPRING PLATE | 2 | COUNTERSHIELD/FOOT./LOWER PROT. |
| 4 | 270793 | SCREW | 2 | COUNTERSHIELD/SHIELD/LOWER PROT. |
| 5 | CM017410 | SPRING PLATE | 2 | COUNTERSHIELD/SHIELD/LOWER PROT. |
| 6 | 272836 | METRICAL SCREW WITH CROSS MOULD | 2 | COUNTERSHIELD/FRAME |
| 7 | 575249 | METRICAL SCREW WITH CROSS MOULD | 1 | COUNTERSHIELD/FRAME |
| 8 | 254485 | SPRING PLATE (M6) | 3 | COUNTERSHIELD/FRAME |
| 9 | 270793 | SCREW | 6 | COUNTERSHIELD/SHIELD/LOWER PROT. |

2.04

Central covers & footrests

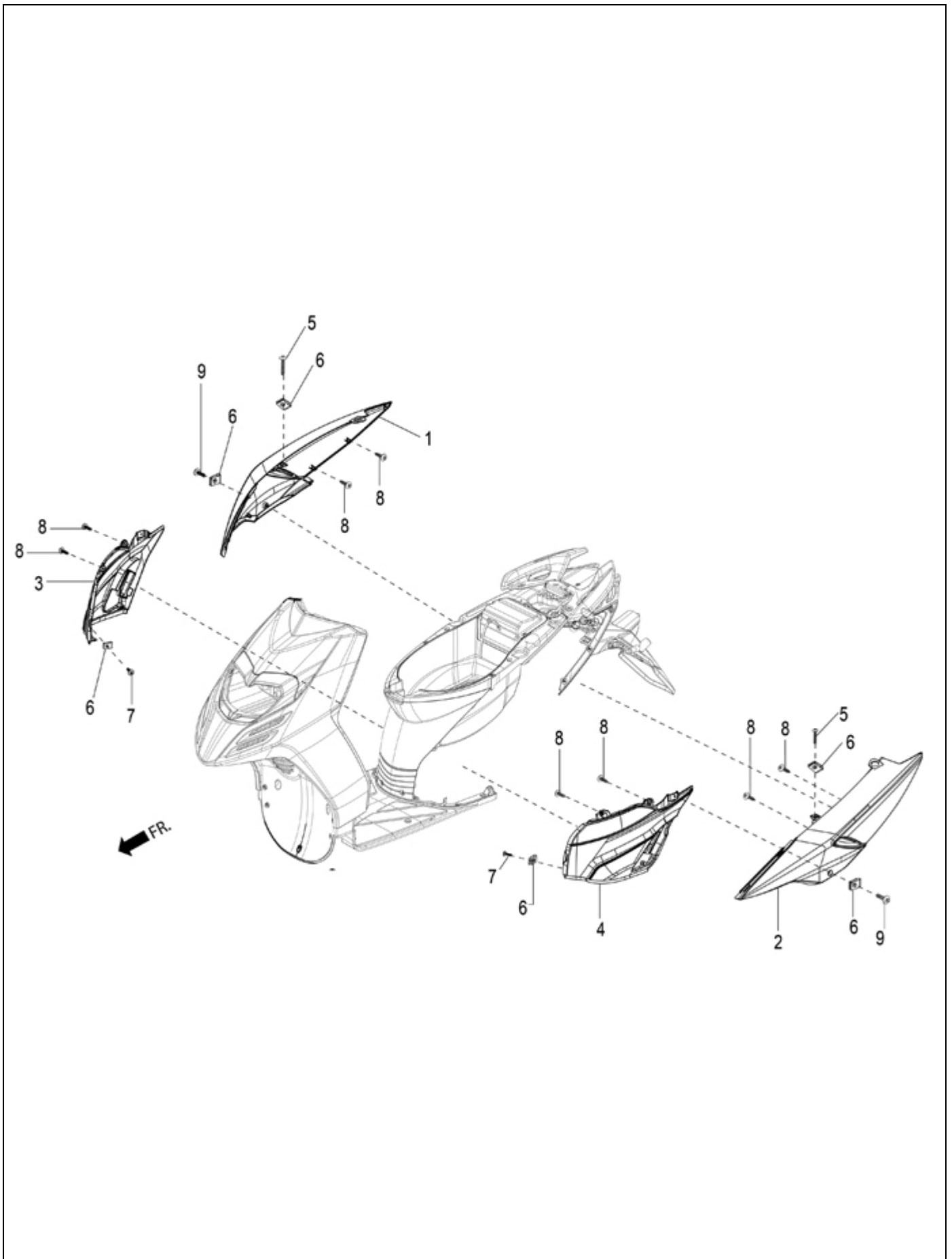


2.04**Central covers & footrests**

| Fig. No. | Part No. | Description | Qty | Remarks |
|-----------------|-----------------|---------------------------------|------------|-----------------------------------|
| 1 | 1B006718 | FRONT LOWER PROTECTION | 1 | |
| 2 | 1B003143 | CENTRAL COVER | 1 | |
| 3 | 1B003142 | FOOTREST | 1 | |
| 4 | 575249 | METRICAL SCREW WITH CROSS MOULD | 3 | LOWER PROTECTION/ FRAME FIXING |
| 5 | 254485 | SPRING PLATE (M6) | 3 | LOWER PROTECTION/ FRAME FIXING |
| 6 | 575819 | COMPLETE BAGS HOOK | 1 | |
| 7 | 270793 | SCREW | 2 | BAGS HOOK/COUNTERSHIELD FIXING |
| 8 | 1B001787400NT | COMPLETE RIGHT FOOTREST | 1 | |
| 8.1 | 975835 | PIN | 1 | |
| 8.2 | 295590 | SPRING SPHERE | 1 | |
| 8.3 | 259933 | ELASTIC SPRING | 1 | |
| 8.4 | 3058 | PLAIN WASHER 15X8.4X1.5 | 1 | |
| 8.5 | 295591 | SPHERE | 1 | |
| 9 | 1B001786400NT | COMPLETE LEFT FOOTREST | 1 | |
| 9.1 | 975835 | PIN | 1 | |
| 9.2 | 295590 | SPRING SPHERE | 1 | |
| 9.3 | 259933 | ELASTIC SPRING | 1 | |
| 9.4 | 3058 | PLAIN WASHER 15X8.4X1.5 | 1 | |
| 9.5 | 295591 | SPHERE | 1 | |
| 10 | 263381 | SCREW | 1 | RIGHT FOOTREST FIXING |
| 10 | 263381 | SCREW | 1 | LEFT FOOTREST FIXING |
| 11 | 834187 | ELASTIC WASHER CONTACT TYPE | 1 | RIGHT FOOTREST FIXING |
| 11 | 834187 | ELASTIC WASHER CONTACT TYPE | 1 | LEFT FOOTREST FIXING |

2.05

Side cover and spoiler



2.05**Side cover and spoiler**

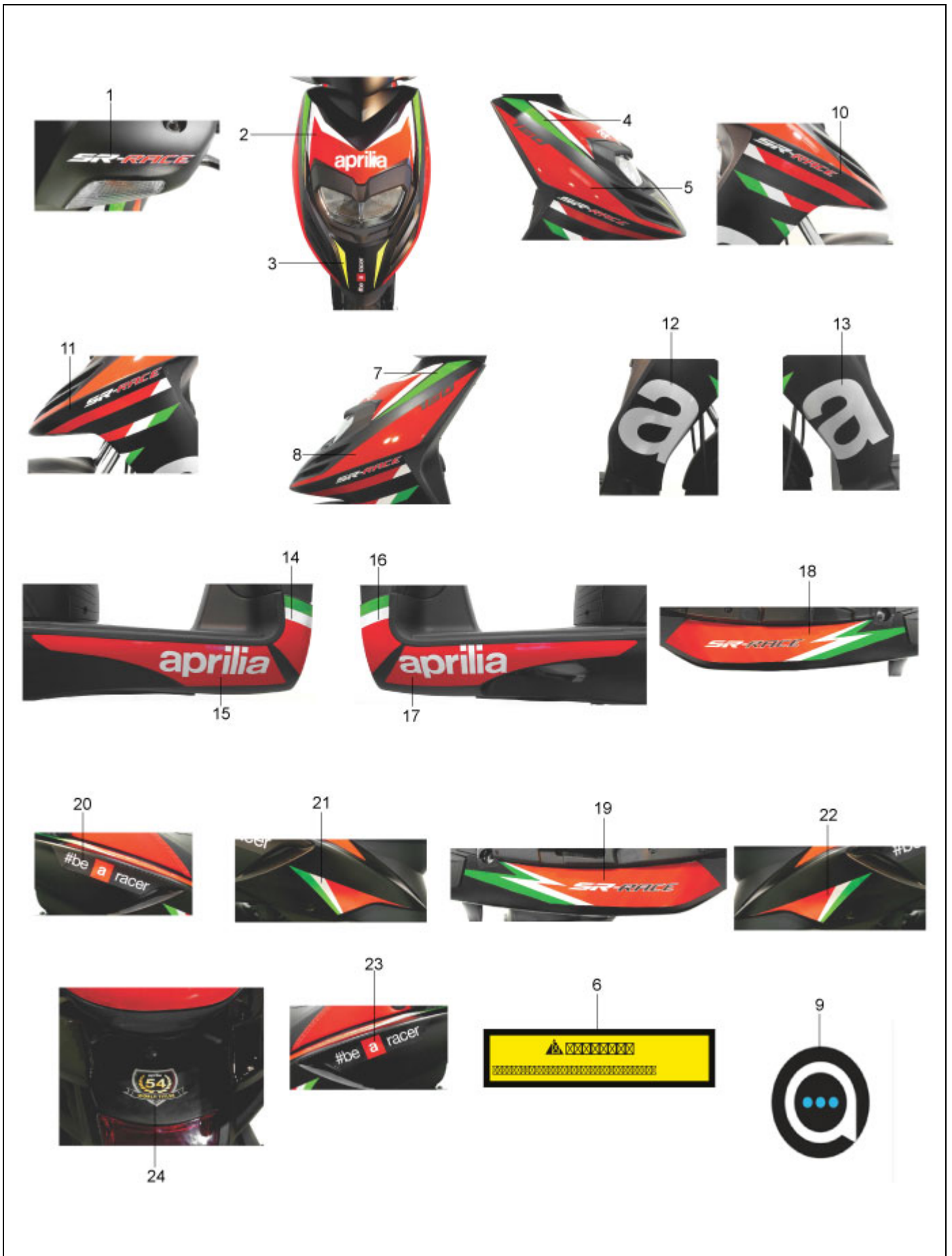
| Fig. No. | Part No. | Description | Qty | Remarks |
|-----------------|-----------------|------------------------------|------------|--|
| 1 | SB003147000NL | RIGHT LATERAL COVER | 1 | COLOR PART |
| 2 | SB003148000NL | LEFT LATERAL COVER | 1 | COLOR PART |
| 3 | 1B005273 | COMPLETE RIGHT LATERAL COVER | 1 | |
| 4 | 1B005274 | COMPLETE LEFT LATERAL COVER | 1 | |
| 5 | CM178608 | SELF-TAPPING SCREW | 1 | RIGHT LATERAL COVER/HELMET CASE FIXING |
| 6 | CM017410 | SPRING PLATE | 1 | RIGHT LATERAL COVER/HELMET CASE FIXING |
| 5 | 259372 | SCREW | 1 | LEFT LATERAL COVER/HELMET CASE FIXING |
| 6 | CM017410 | SPRING PLATE | 1 | LEFT LATERAL COVER/HELMET CASE FIXING |
| 6 | CM017410 | SPRING PLATE | 1 | RIGHT LATERAL COVER/FRAME FIXING |
| 7 | 270793 | SCREW | 1 | RIGHT LATERAL COVER/FRAME FIXING |
| 6 | CM017410 | SPRING PLATE | 1 | LEFT LATERAL COVER/FRAME FIXING |
| 7 | 270793 | SCREW | 1 | LEFT LATERAL COVER/FRAME FIXING |
| 6 | CM017410 | SPRING PLATE | 3 | RIGHT LATERAL COVER/FOOTREST FIXING |
| 7 | 270793 | SCREW | 2 | RIGHT LATERAL COVER/FOOTREST FIXING |
| 9 | 258249 | SCREW | 1 | RIGHT LATERAL COVER/FOOTREST FIXING |
| 6 | CM017410 | SPRING PLATE | 3 | LEFT LATERAL COVER/FOOTREST FIXING |
| 7 | 270793 | SCREW | 2 | LEFT LATERAL COVER/FOOTREST FIXING |
| 9 | 258249 | SCREW | 1 | LEFT LATERAL COVER/FOOTREST FIXING |
| 8 | 270793 | SCREW | 2 | RIGHT LATERAL COVER/REAR SPLASHGUARD FIX |
| 8 | 270793 | SCREW | 2 | LEFT LATERAL COVER/REAR SPLASHGUARD FIX |
| 8 | 270793 | SCREW | 2 | RIGHT LATERAL COVER FIXING |
| 8 | 270793 | SCREW | 2 | LEFT LATERAL COVER FIXING |
| 1 | SB003147000BR | RIGHT LATERAL COVER | 1 | COLOR PART |
| 1 | SP1B003147000R7 | RIGHT LATERAL COVER - RED | 1 | APPLICABLE FOR MY 18 MODEL |
| 1 | SP1B003147000DX | RIGHT LATERAL COVER - SPD | 1 | |
| 2 | SB003148000BR | LEFT LATERAL COVER | 1 | COLOR PART |
| 2 | SP1B003148000R7 | LEFT LATERAL COVER - RED | 1 | APPLICABLE FOR MY 18 MODEL |
| 2 | SP1B003148000DX | LEFT LATERAL COVER-SPD | 1 | |

2.06**Mudguard and helmet Case**

| Fig. No. | Part No. | Description | Qty | Remarks |
|-----------------|-----------------|---------------------------------|------------|--------------------------------------|
| 1 | 1B004769 | REAR MUDGUARD | 1 | |
| 2 | 1B003459 | FRONT MUDGARD | 1 | |
| 3 | 1B005461 | REAR SPLASHGUARD | 1 | |
| 4 | 1B007750 | HELMET CASE | 1 | Applicable for Boot lamp Vehicle |
| 4 | SKIT940062 | KIT-HELMET CASE | 1 | Applicable for W/O Boot lamp Vehicle |
| 4A | 1B008491 | HELMET LIGHT CAP | 1 | |
| 4B | 1B008492 | MICRO SWITCH CAP HELMET HOLDER | 1 | |
| 5 | 575249 | METRICAL SCREW WITH CROSS MOULD | 3 | REAR SPLASHGUARD / FRAME FIXING |
| 5 | 575249 | METRICAL SCREW WITH CROSS MOULD | 2 | HELMET CASE / FRAME FIXING |
| 5 | 575249 | METRICAL SCREW WITH CROSS MOULD | 4 | FRONT MUDGUARD FIXING |
| 6 | 254485 | SPRING PLATE (M6) | 3 | REAR SPLASHGUARD / FRAME FIXING |
| 6 | 826275 | ELASTIC SHEET | 1 | REAR MUDGARD / FILTER FIXING |
| 6 | 254485 | SPRING PLATE (M6) | 2 | HELMET CASE / FRAME FIXING |
| 7 | 270793 | SCREW | 2 | REAR MUDFLAT/HELMET CASE FIXING |
| 8 | CM017410 | SPRING PLATE | 2 | REAR MUDFLAT/HELMET CASE FIXING |
| 9 | 1B003610 | REAR HANDLE WITH SPACERS | 1 | NS |
| 9.1 | 1B003585 | BUSH | 3 | |
| 9.2 | SB003150000NT | REAR HANDLE | 1 | |
| 10 | 970273 | SCREW | 3 | REAR HANDLE/FRAME FIXING |
| 11 | 3058 | PLAIN WASHER 15X8.4X1.5 | 3 | REAR HANDLE/FRAME FIXING |
| 12 | 016408 | SPRING WASHER | 3 | REAR HANDLE/FRAME FIXING |
| 13 | 830061 | FLANGED HEXAGONAL HEAD SCREW | 1 | REAR MUDGARD / FILTER FIXING |
| 14 | 78307 | BENT SPRING WASHER M6 | 2 | FRONT MUDGUARD FIXING |
| 15 | 241936 | SELF LOCKING NUT | 2 | FRONT MUDGUARD FIXING |
| 16 | 259364 | SCREW | 2 | FRONT MUDGUARD FIXING |
| 17 | 575268 | PLATE | 3 | NI |
| 17 | 675546 | ELASTIC CORRUGATED WASHER | 1 | FIX.RR MUDGARD |
| 18 | 255323 | BUTTON | 1 | Applicable for Boot Lamp Vehicle |
| 18.1 | 018536 | SCREW | 1 | Push Button Fixing |
| 19 | 1B007449 | COURTESY LIGHT HOUSING | 1 | Applicable for Boot Lamp Vehicle |
| 20 | 293154 | BULB | 1 | Applicable for Boot Lamp Vehicle |

2.07

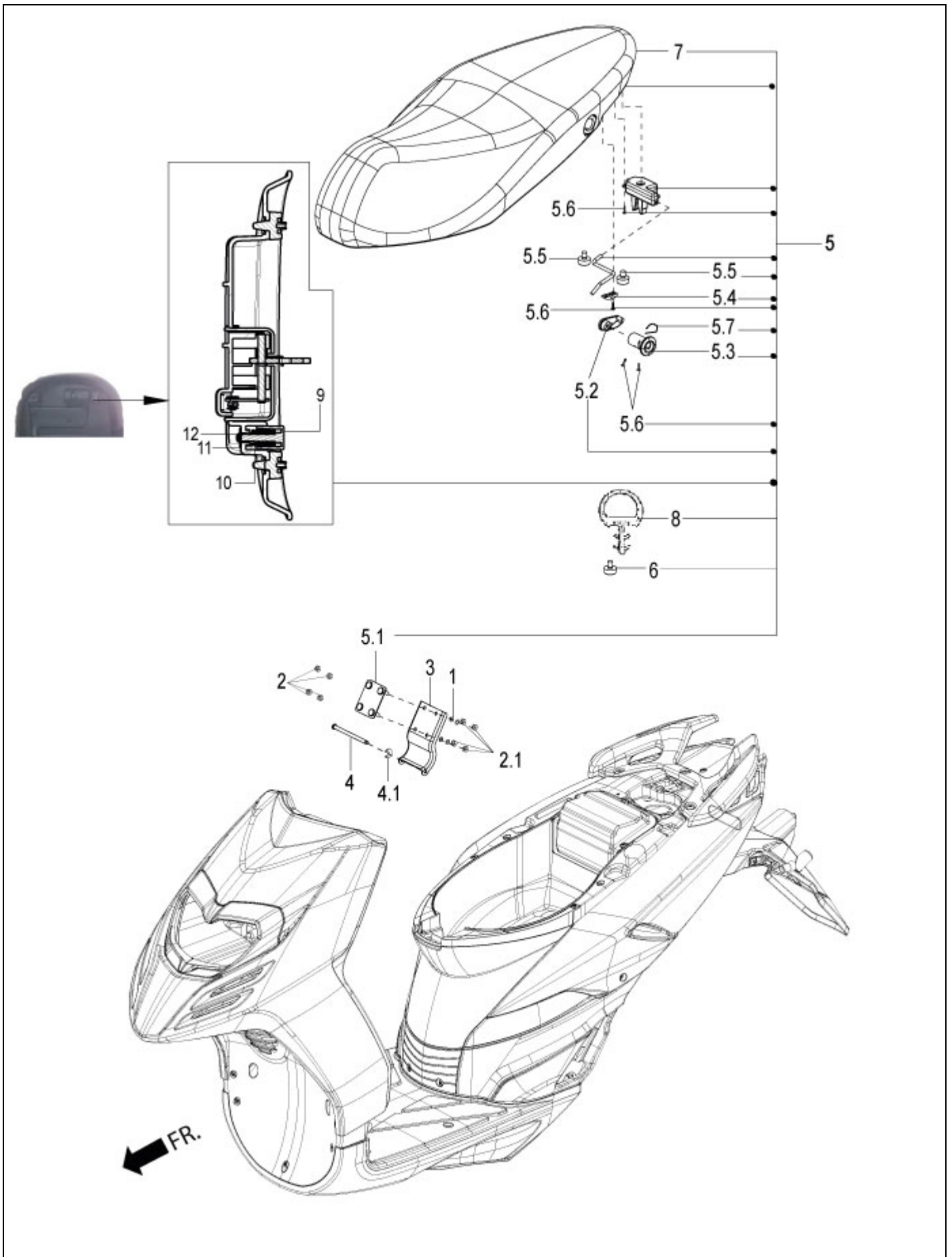
Logos and Emblem



2.07**Logos and Emblem**

| Fig. No. | Part No. | Description | Qty | Remarks |
|-----------------|-----------------|--|------------|----------------|
| 1 | 2H003760 | FRONT HANDLEBAR COVER SR RACE STICKER | 1 | |
| 2 | 2H003761 | UPPER SHIELD APRILIA STICKER | 1 | |
| 3 | 2H003762 | FRONT SHIELD BE A RACER STICKER | 1 | |
| 4 | 2H003763 | RH UPPER SHIELD GREEN STICKER | 1 | |
| 5 | 2H004456 | 160 RIGHT UPPER SHIELD STICKER | 1 | |
| 6 | 2H002790 | WARNING GASOLINE SPECIFICATION STICKER | 2 | |
| 7 | 2H003764 | LH UPPER SHIELD GREEN | 1 | |
| 8 | 2H004457 | 160 LEFT UPPER SHIELD STICKER | 1 | |
| 9 | 2H003225 | MIA STICKER ID | 1 | |
| 10 | 2H003769 | RH LOWER SHIELD SR RACE STICKER | 1 | |
| 11 | 2H003770 | LH LOWER SHIELD SR RACE STICKER | 1 | |
| 12 | 2H003771 | RH LOWER SHIELD A STICKER | 1 | |
| 13 | 2H003772 | LH LOWER SHIELD STICKER | 1 | |
| 14 | 2H003773 | RH UPPER SPOILER ITALY STICKER | 1 | |
| 15 | 2H003775 | RH LOWER SPOILER APRILIA STICKER | 1 | |
| 16 | 2H003774 | LH UPPER SPOILER ITALY STICKER | 1 | |
| 17 | 2H003776 | LH LOWER SPOILER APRILIA STICKER | 1 | |
| 18 | 2H003777 | RH UPPER COVER SR RACE STICKER | 1 | |
| 19 | 2H003778 | LH UPPER COVER SR RACE STICKER | 1 | |
| 20 | 2H003779 | RH SIDE COVER BE A RACER STICKER | 1 | |
| 21 | 2H003781 | RH LOWER COVER ITALY STICKER | 1 | |
| 22 | 2H003782 | LH LOWER COVER ITALY STICKER | 1 | |
| 23 | 2H003780 | LH SIDE COVER BE A RACER STICKER | 1 | |
| 24 | 2H003783 | REAR TAIL 54 WORLD TITLES STICKER | 1 | |

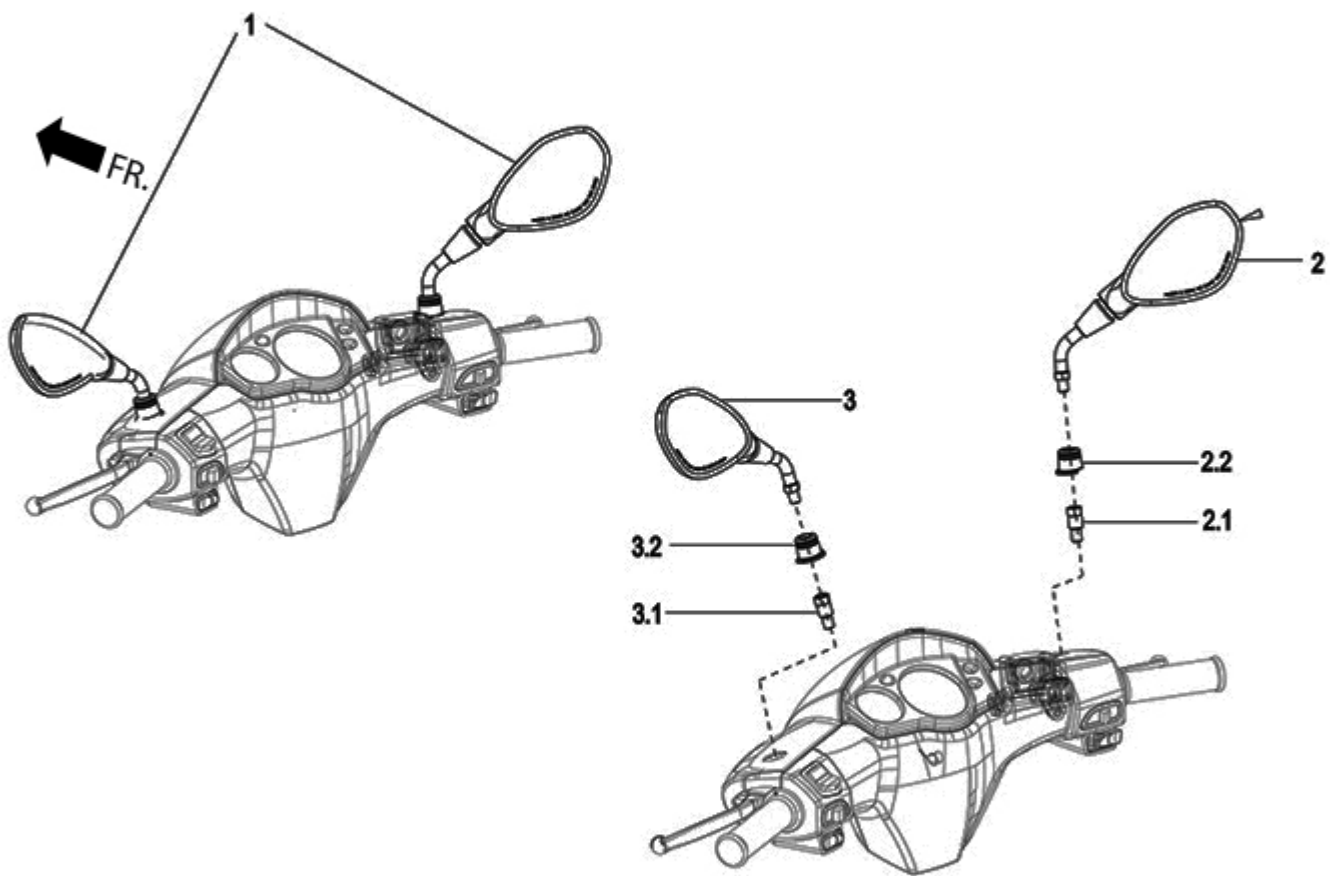
2.08 Complete Saddle



2.08**Complete Saddle**

| Fig. No. | Part No. | Description | Qty | Remarks |
|-----------------|-----------------|--|------------|----------------------------------|
| 1 | 003056 | PLAIN WASHER | 4 | |
| 2 | 269136 | NUT | 4 | |
| 2.1 | 012533 | PLAIN SPRING WASHER WITH EXTERNAL TABS | 4 | |
| 3 | 1B007746 | SADDLE HINGE | 1 | |
| 4 | 1B004358 | SADDLE SPIN | 1 | |
| 4.1 | 005965 | CIRCLIP DIA 5 E TYPE | 1 | |
| 5 | 1B003129 | COMPLETE SADDLE | 1 | |
| 5 | 1B007745000C2 | COMPLETE SADDLE | 1 | Applicable for Boot Lamp Vehicle |
| 5.1 | 856467 | PLATE | 1 | |
| 5.2 | 1B003616 | LEVER | 1 | |
| 5.3 | 1B003642 | LOCK SUPPORT | 1 | |
| 5.4 | 296743 | BRACKET (REAR LUGGAGE OR TANK) | 1 | |
| 5.5 | 623504 | STOP-PAD | 2 | |
| 5.6 | 674163 | THREAD FORMING SCREW | 7 | |
| 5.7 | 674312 | SPRING | 1 | |
| 6 | 577492 | STOP PAD | 4 | |
| 7 | 1B003490 | COVERAGE | 1 | |
| 8 | 257535 | EXTRUDED SECTION | 1 | |
| 9 | 1B007797 | EJECTOR | 1 | Applicable for Boot Lamp Vehicle |
| 10 | 653281 | SPRING | 1 | Applicable for Boot Lamp Vehicle |
| 11 | 013963 | WASHER | 1 | Applicable for Boot Lamp Vehicle |
| 12 | 268596 | SELF TAPPING SCREW | 1 | Applicable for Boot Lamp Vehicle |

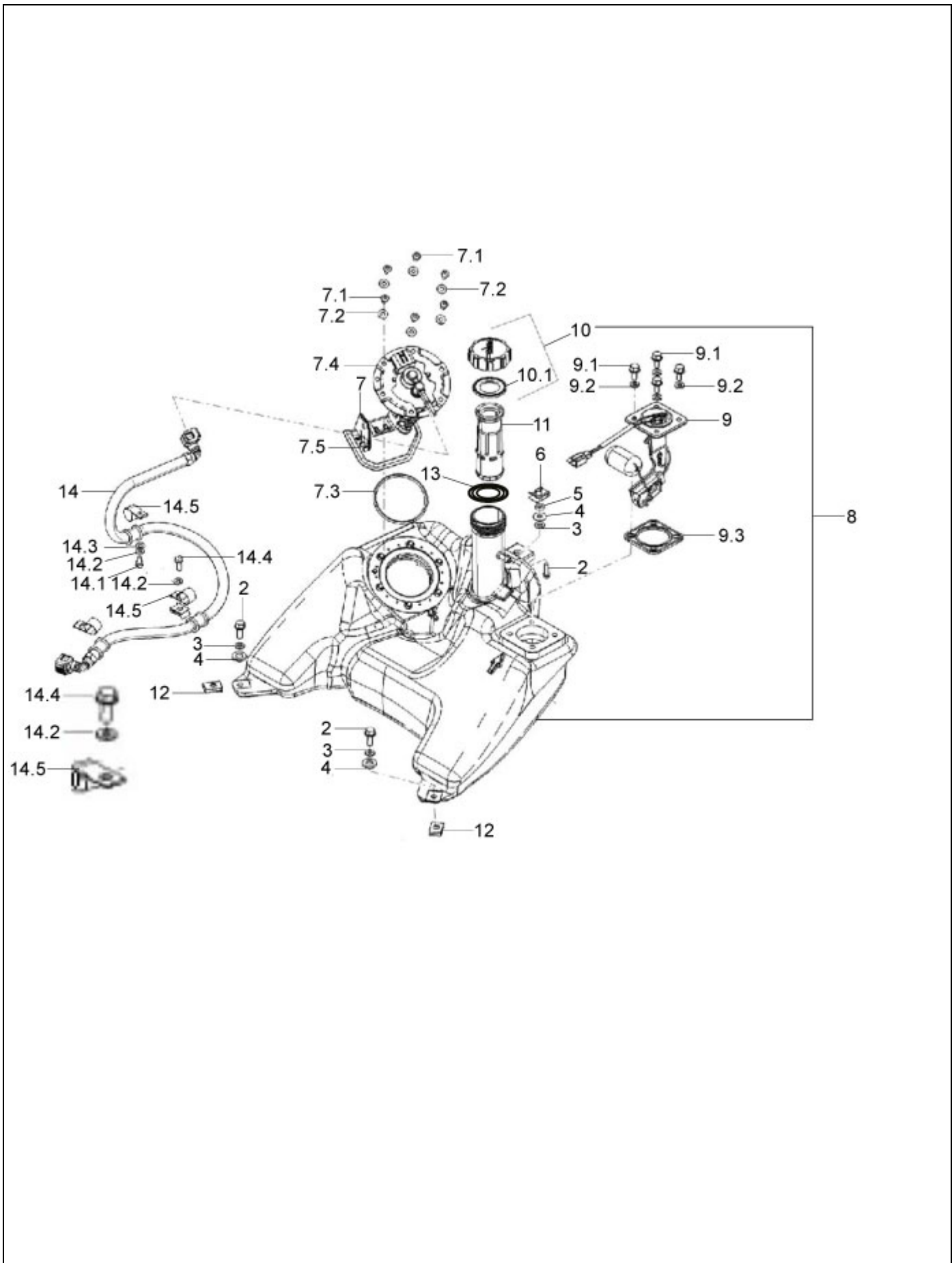
2.09 Mirrors



2.09**Mirrors**

| Fig. No. | Part No. | Description | Qty | Remarks |
|-----------------|-----------------|-----------------------------------|------------|----------------|
| 1 | CM281206 | MIRROR SET | 1 | |
| 2 | CM281204 | RIGHT REAR VIEW MIRROR | 1 | |
| 2.1 | 1B005512 | RIGHT THREADED PIN | 1 | |
| 2.2 | 1B003798 | GASKET FOR RIGHT REAR-VIEW MIRROR | 1 | |
| 3 | CM281205 | LEFT REAR VIEW MIRROR | 1 | |
| 3.1 | 1B005511 | LEFT THREADED PIN | 1 | |
| 3.2 | 1B003799 | GASKET FOR LEFT REAR-VIEW MIRROR | 1 | |

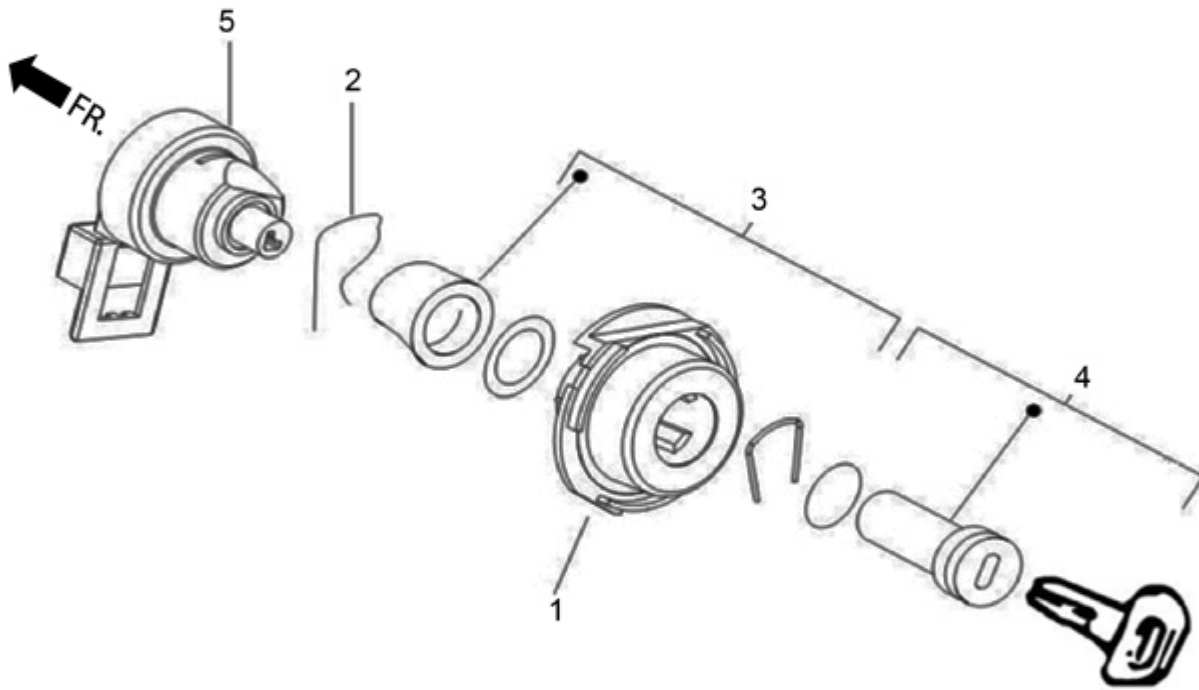
2.11 Fuel Tank



2.11**Fuel Tank**

| Fig. No. | Part No. | Description | Qty | Remarks |
|-----------------|-----------------|------------------------------|------------|--|
| 1 | SP1B008444 | COMPLETE FUEL TANK | 1 | It includes from sr. no. 7 to 12 |
| 2 | 018639 | SCREW M6X20 | 3 | COMPLETE FUEL TANK FIXING |
| 3 | 016406 | SPRING WASHER | 3 | COMPLETE FUEL TANK FIXING |
| 4 | 013880 | PLAIN WASHER | 3 | COMPLETE FUEL TANK FIXING |
| 5 | 1B003715 | SPACER | 1 | REAR SIDE FUEL TANK FIXING |
| 6 | 254485 | SPRING PLATE (M6) | 1 | REAR SIDE FUEL TANK FIXING |
| 7 | 1D002701 | FUEL PUMP | 1 | |
| 7.1 | 848766 | SCREW | 6 | Fuel Pump Fixing |
| 7.2 | 6078 | PLAIN WASHER 12 X 5.2 X 1 | 6 | Fuel Pump Fixing |
| 7.3 | 1B002953 | FUEL PUMP GASKET | 1 | Fuel Pump Fixing |
| 7.4 | 1B005066 | FUEL PUMP SPRING HOLDER | 1 | |
| 7.5 | 1D003477 | FILTER | 1 | |
| 8 | SKIT940061 | KIT FUEL TANK APRILIA BSVI | 1 | Includes bare Fuel tank & Cap |
| 9 | 1D002219 | FUEL LEVEL GAUGE | 1 | |
| 9.1 | 436788 | FLANGED HEXAGONAL HEAD SCREW | 4 | Fuel Level Gauge Fixing |
| 9.2 | 016406 | SPRING WASHER | 4 | Fuel Level Gauge Fixing |
| 9.3 | 676200 | GASKET | 1 | Fuel Level Gauge Fixing |
| 10 | 1B004165 | PETROL TANK CAP | 1 | |
| 10.1 | 656021 | PACKING | 1 | |
| 11 | 675424 | INSERT FOR PIPE UNION TANK | 1 | |
| 12 | CM259204 | SPRING PLATE | 2 | |
| 13 | 1B003729 | GASKET | 1 | |
| 14 | 1B006524 | COMPLETE FUEL PIPE FLEXIBALE | 1 | |
| 14.1 | 969296 | HEXAGONAL FLANGED HEAD SCREW | 1 | COMPLETE FUEL PIPE FLEXIBALE FIXING |
| 14.2 | 016406 | SPRING WASHER | 3 | COMPLETE FUEL PIPE FLEXIBALE FIXING |
| 14.3 | 003056 | PLAIN WASHER | 1 | COMPLETE FUEL PIPE FLEXIBALE FIXING |
| 14.4 | 434541 | SCREW | 2 | COMPLETE FUEL PIPE FLEXIBALE FIXING |
| 14.5 | 1B001321 | CLAMP | 3 | COMPLETE FUEL PIPE FLEXIBALE FIXING |

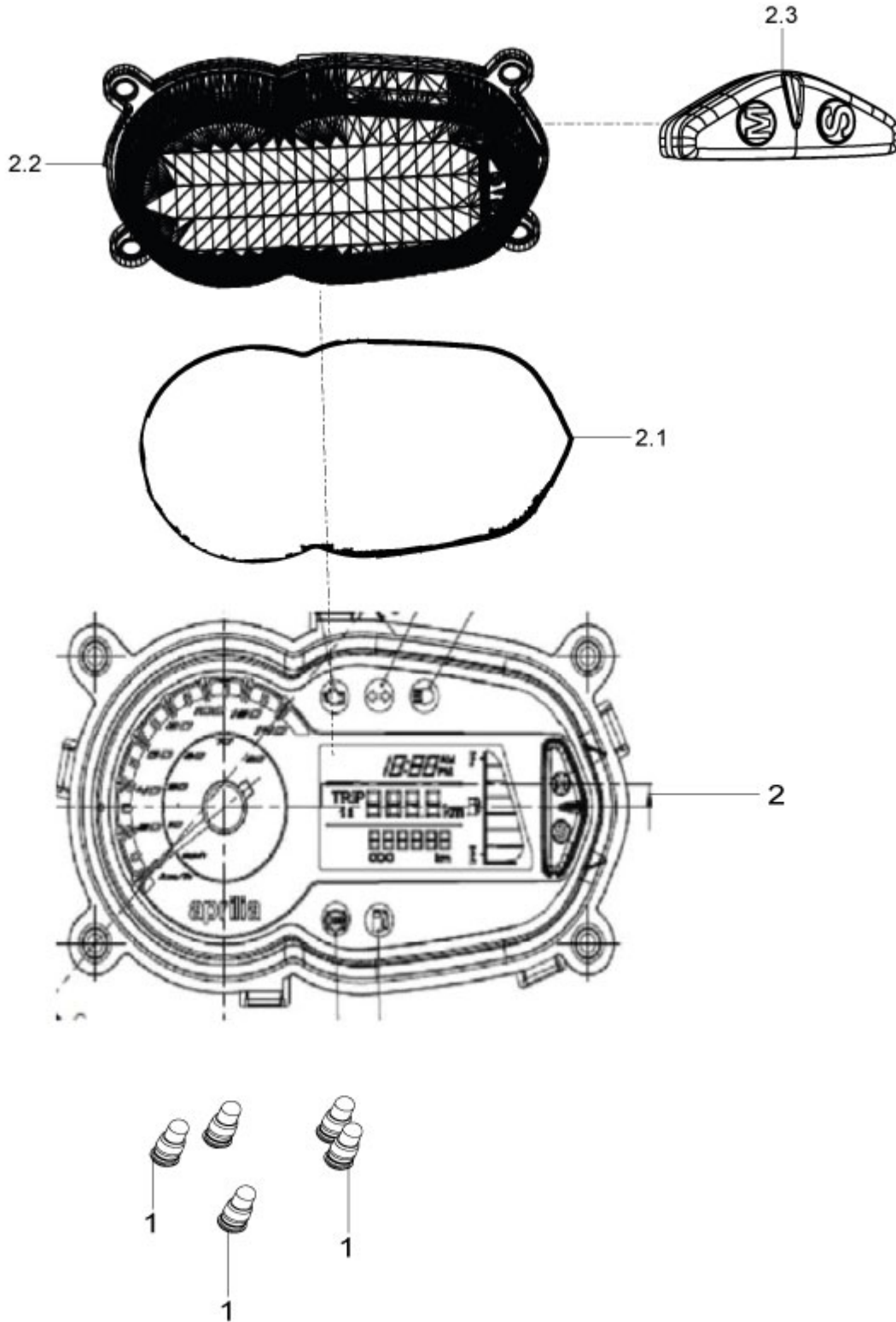
2.12
Locks



2.12
Locks

| Fig. No. | Part No. | Description | Qty | Remarks |
|-----------------|-----------------|------------------------------------|------------|----------------|
| 1 | 1B002607 | LOCK BODY | 1 | |
| 2 | 253937 | SPRING | 1 | |
| 3 | 298903 | COMPLETE LOCK BLOCK | 1 | |
| 4 | 1B003598 | SET OF CYLINDERS AND KEYS FOR LOCK | 1 | |
| 5 | 580621 | COMPLETE KEY SWITCH | 1 | |

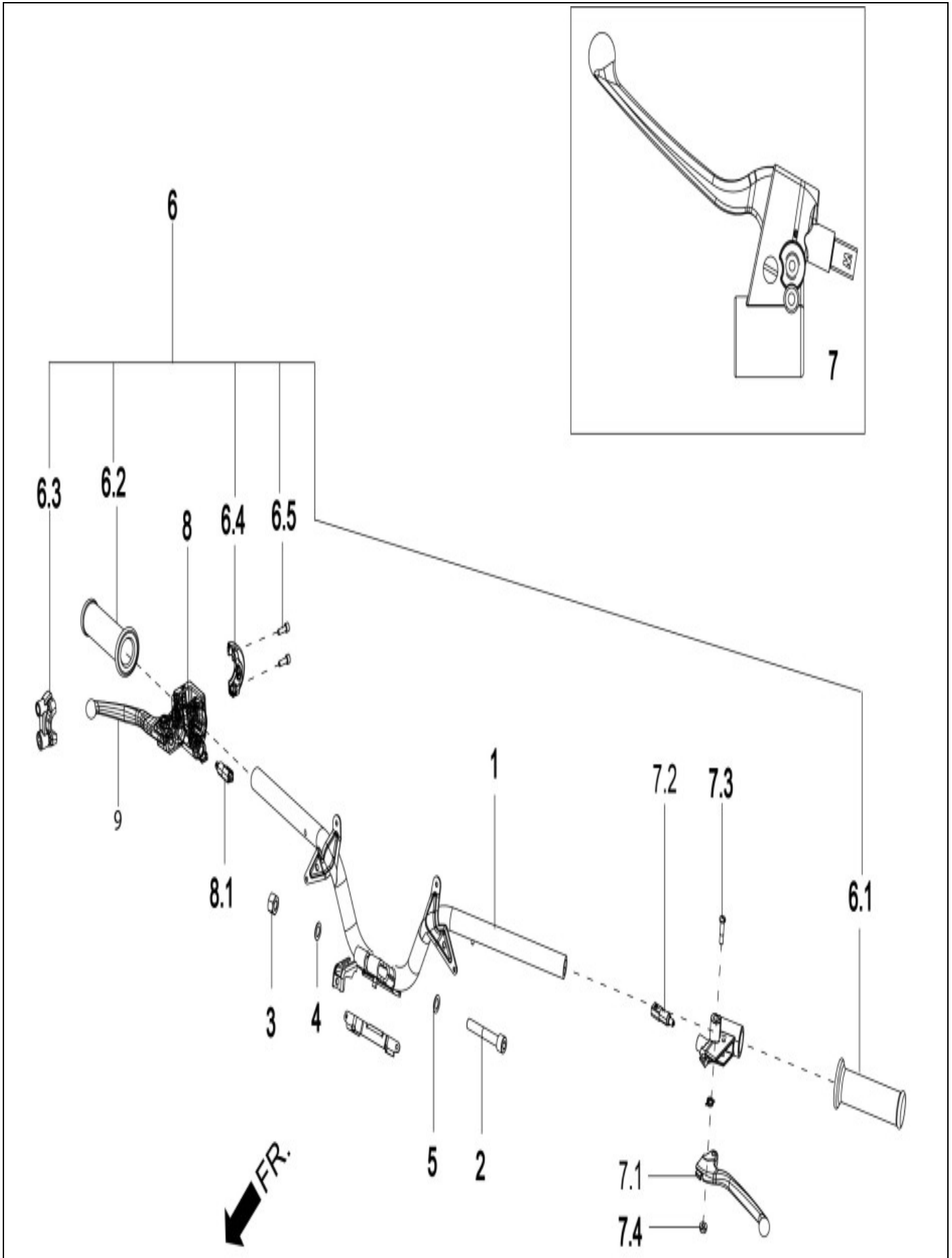
2.13 Speedometer



2.13**Speedometer**

| Fig. No. | Part No. | Description | Qty | Remarks |
|-----------------|-----------------|----------------------|------------|------------------|
| 1 | 270793 | SCREW | 4 | FIX. SPEEDOMETER |
| 2 | 1D002400 | SPEEDOMETER | 1 | |
| 2.1 | 1D003474 | SEAL | 1 | |
| 2.2 | 1D003473 | COMPLETE TRANSPARENT | 1 | |
| 2.3 | 1D003519 | SW RUBBER | 1 | |

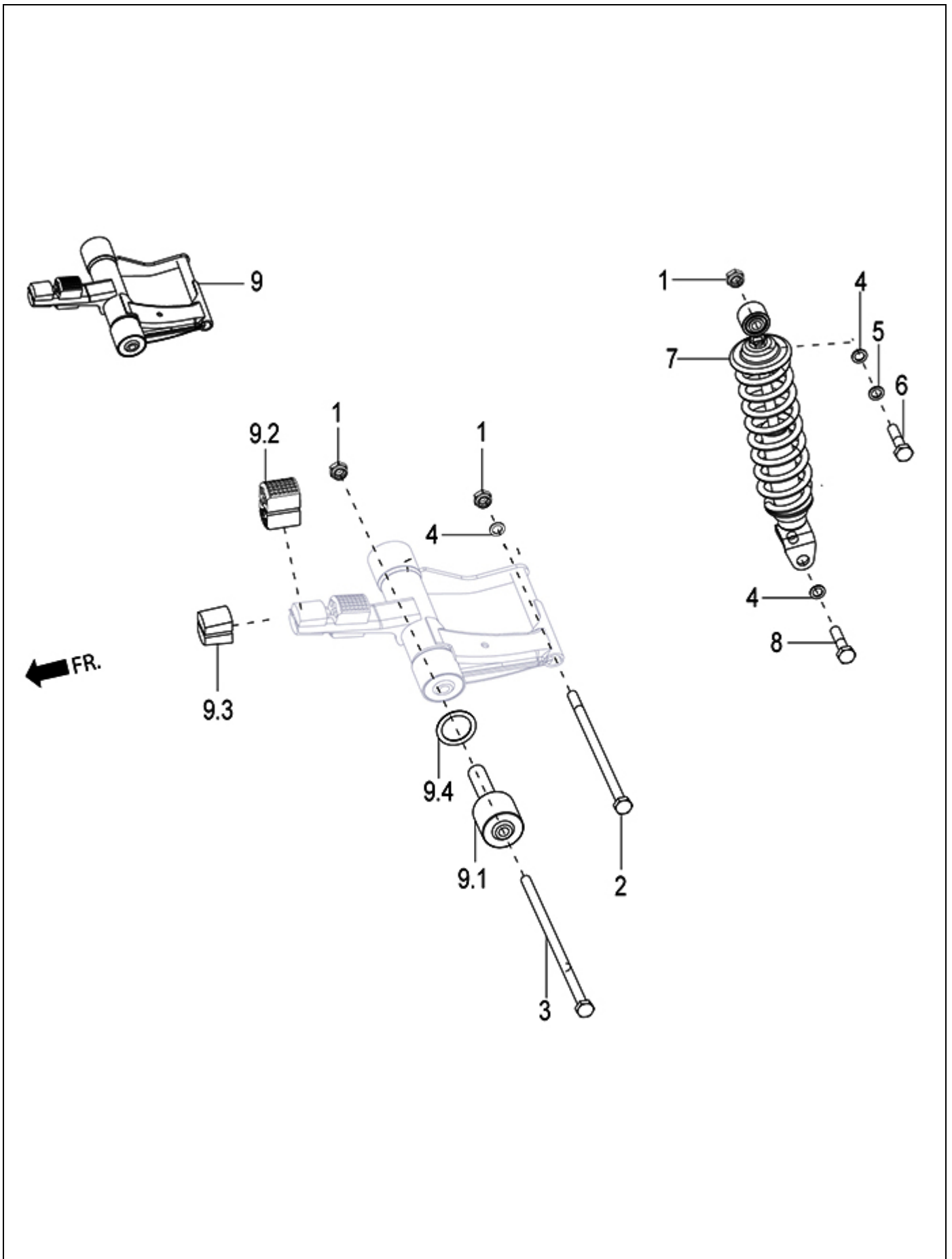
2.14 Handlebars



2.14**Handlebars**

| Fig. No. | Part No. | Description | Qty | Remarks |
|-----------------|-----------------|--|------------|-------------------|
| 1 | SP1B006076 | HANDLEBAR WITH I.P.- SPD | 1 | |
| 2 | 655554 | SOCKET HEAD SCREW | 1 | |
| 3 | 015330 | NUT FOR HANDLEBAR SECURING BOLT-M10;H10 | 1 | |
| 4 | 012543 | WASHER (10,3X17X2) | 1 | |
| 5 | 178790 | WASHER | 1 | |
| 6 | 1C002151 | COMPLETE THROTTLE MUFF | 1 | |
| 6.1 | 274489 | HAND GRIP (L.H.) TYPHOON 50 | 1 | |
| 6.2 | 274491 | HAND GRIP (R.H.) TYPHOON 50 | 1 | |
| 6.3 | 781254 | LOWER HALF-CLAMP | 1 | |
| 6.4 | 666758 | UPPER HALF-CLAMP | 1 | |
| 6.5 | 651293 | SOCKET HEAD SCREW | 2 | |
| 7 | 1C004257 | COMPLETE MUFF WITH REAR BRAKE LEVER | 1 | |
| 7.1 | 667387 | LEFT BRAKE LEVER | 1 | |
| 7.2 | 1D002507 | PUSH BUTTON | 1 | |
| 7.3 | 121780 | SCREW | 1 | |
| 7.4 | 123394 | SCREW-BUSH | 1 | |
| 8 | SP1C003780 | SPD FRONT BRAKE HYDRAULIC PUMP WITH SWITCH | 1 | |
| 8.1 | 1D002507 | PUSH BUTTON | 1 | |
| 9 | 4A000002 | BRAKE LEVER | 1 | Right Brake Lever |

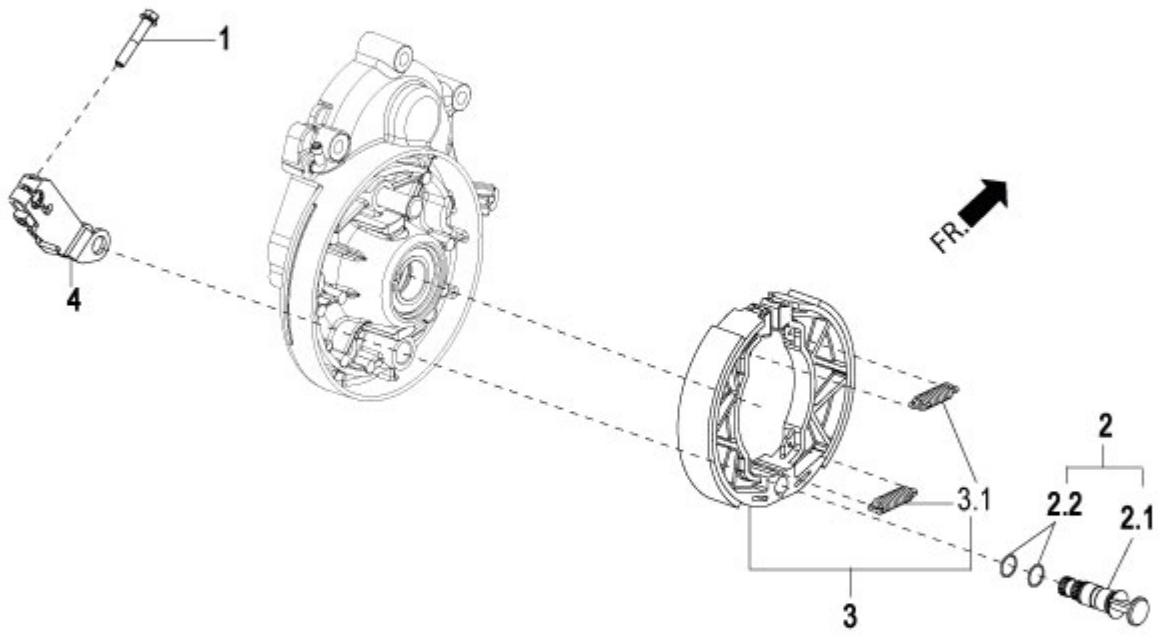
2.16 Rear Suspension



2.16**Rear Suspension**

| Fig. No. | Part No. | Description | Qty | Remarks |
|-----------------|-----------------|-------------------------------------|------------|----------------------------------|
| 1 | 002440 | SELF LOCKING NUT | 1 | ENGINE/WISHBONE ARM FIXING |
| 1 | 002440 | SELF LOCKING NUT | 1 | FRAME/WISHBONE ARM FIXING |
| 1 | 002440 | SELF LOCKING NUT | 1 | REAR SHOCK ABSORBER UPPER FIXING |
| 2 | 668302 | SCREW BOLT SHANK THREADED PARTIALLY | 1 | ENGINE/WISHBONE ARM FIXING |
| 3 | 1C002598 | (*) SCREW BOLT SHANK THREADED PART | 1 | FRAME/WISHBONE ARM FIXING |
| 4 | B015320 | PLAIN WASHER | 2 | REAR SHOCK ABSORBER UPPER FIXING |
| 4 | B015320 | PLAIN WASHER | 1 | FRAME/WISHBONE ARM FIXING |
| 4 | B015320 | PLAIN WASHER | 1 | REAR SHOCK ABSORBER LOWER FIXING |
| 5 | B015321 | CONICAL KNURLED WASHER | 1 | REAR SHOCK ABSORBER UPPER FIXING |
| 6 | B024614 | HEX HEAD BOLT M10X45 CL 10.9 | 1 | REAR SHOCK ABSORBER UPPER FIXING |
| 7 | 1C005077 | REAR SHOCK ABSORBER ASSY | 1 | |
| 8 | 268158 | FLANGED HEXAGONAL HEAD SCREW | 1 | REAR SHOCK ABSORBER LOWER FIXING |
| 9 | 1C005078 | SWINGING ARM ASSY | 1 | |
| 9.1 | 563076 | SILENTBLOC. | 2 | |
| 9.2 | 267550 | BUFFER | 1 | |
| 9.3 | 267589 | BUFFER | 1 | |
| 9.4 | 562576 | WASHER | 2 | |

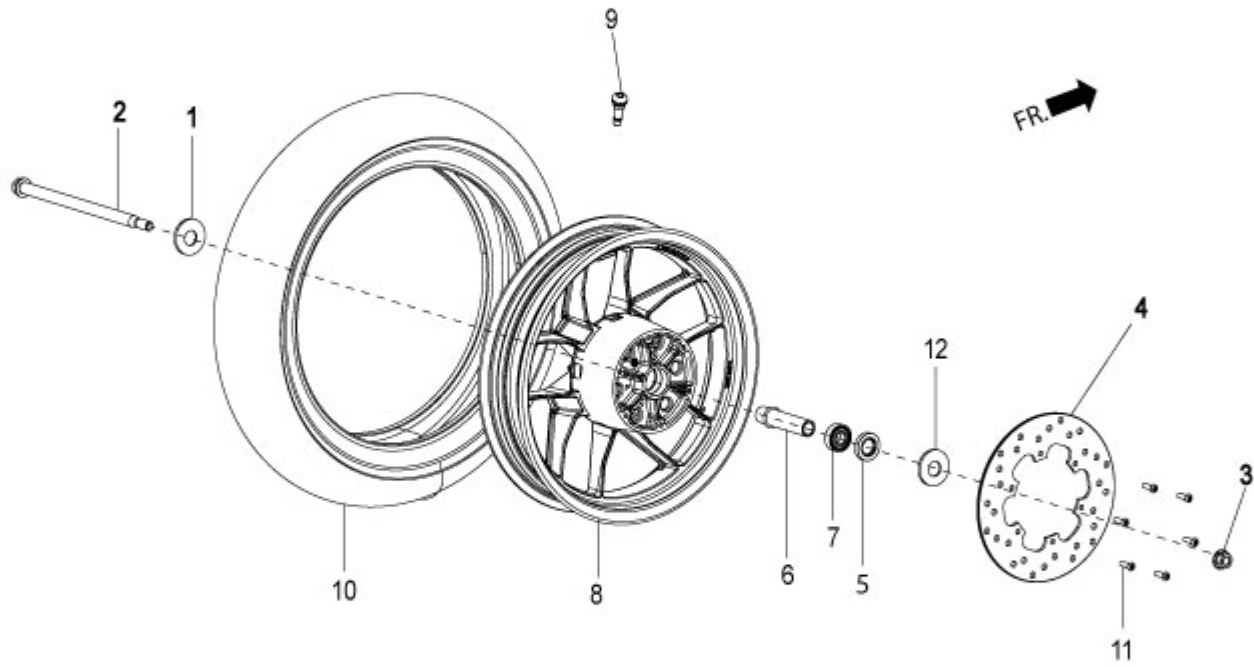
2.17
Rear Brake



2.17**Rear Brake**

| Fig. No. | Part No. | Description | Qty | Remarks |
|-----------------|-----------------|------------------------------|------------|-------------------------------|
| 1 | 1A003063 | FLANGED HEX HEAD SCREW M6X35 | 1 | REAR BRAKE DRIVE LEVER FIXING |
| 2 | 564136 | COMPLETE BRAKE LEVER AXLE | 1 | |
| 2.2 | 564134 | GASKET | 2 | |
| 3 | 1C000655R | BRAKE SHOES COUPLE | 1 | |
| 3.1 | 647384 | SPRING | 2 | |
| 4 | 564112 | REAR BRAKE LEVER AXLE | 1 | |

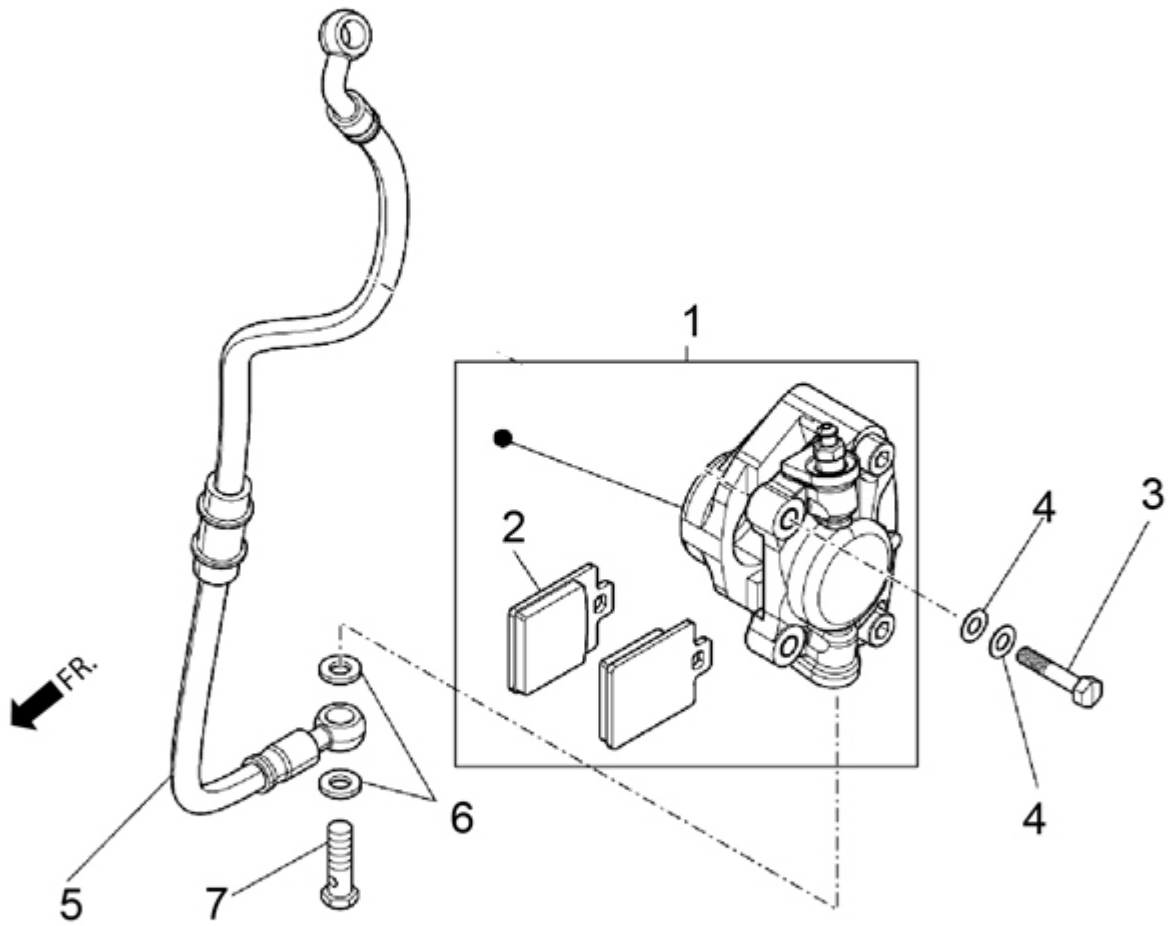
2.18
Front wheel



2.18**Front wheel**

| Fig. No. | Part No. | Description | Qty | Remarks |
|-----------------|-----------------|--|------------|----------------------------|
| 1 | 709037 | WASHER | 1 | FRONT WHEEL SPINDLE FIXING |
| 2 | 1C002728 | FRONT WHEEL AXLE | 1 | FRONT WHEEL SPINDLE FIXING |
| 3 | 265216 | SELF LOCKING NUT M12 H=11 | 1 | FRONT WHEEL SPINDLE FIXING |
| 4 | 1C003293 | BRAKE DISK | 1 | |
| 4.1 | 1C004558 | ABS FRONT TONE RING | 1 | |
| 4.2 | SP1D003869 | COMPLETE ABSWHEEL SPEED SENSOR ACTIVE SR | 1 | |
| 4.2a | 1D002664 | SHEATH HARNESS WRAP | 1 | NI |
| 4.3 | 1C004839 | SOCKET HEAD SCREW | 1 | Sensor fixing |
| 4.4 | 006975 | WAVY WASHER 5.3X10X0.5 | 1 | Sensor fixing |
| 4.5 | 1C004839 | SOCKET HEAD SCREW | 1 | Sensor fixing |
| 4.6 | 669282 | WASHER | 1 | Sensor fixing |
| 5 | 1C001322 | SEAL RING | 1 | |
| 6 | 1C002415 | COMPLETE SPACER | 1 | |
| 7 | 649910 | DEEP GROOVE BALL BEARING | 2 | |
| 8 | 1C004330 | WHEEL RIM | 1 | |
| 9 | 270991 | TUBELESS VALVE | 1 | |
| 10 | 1C002641R | TYRE 120/70-14 | 1 | |
| 11 | 1C000291 | SCREW BOLT SHANK | 6 | |
| 12 | 1C002414 | SPACER | 1 | FRONT WHEEL SPINDLE FIXING |

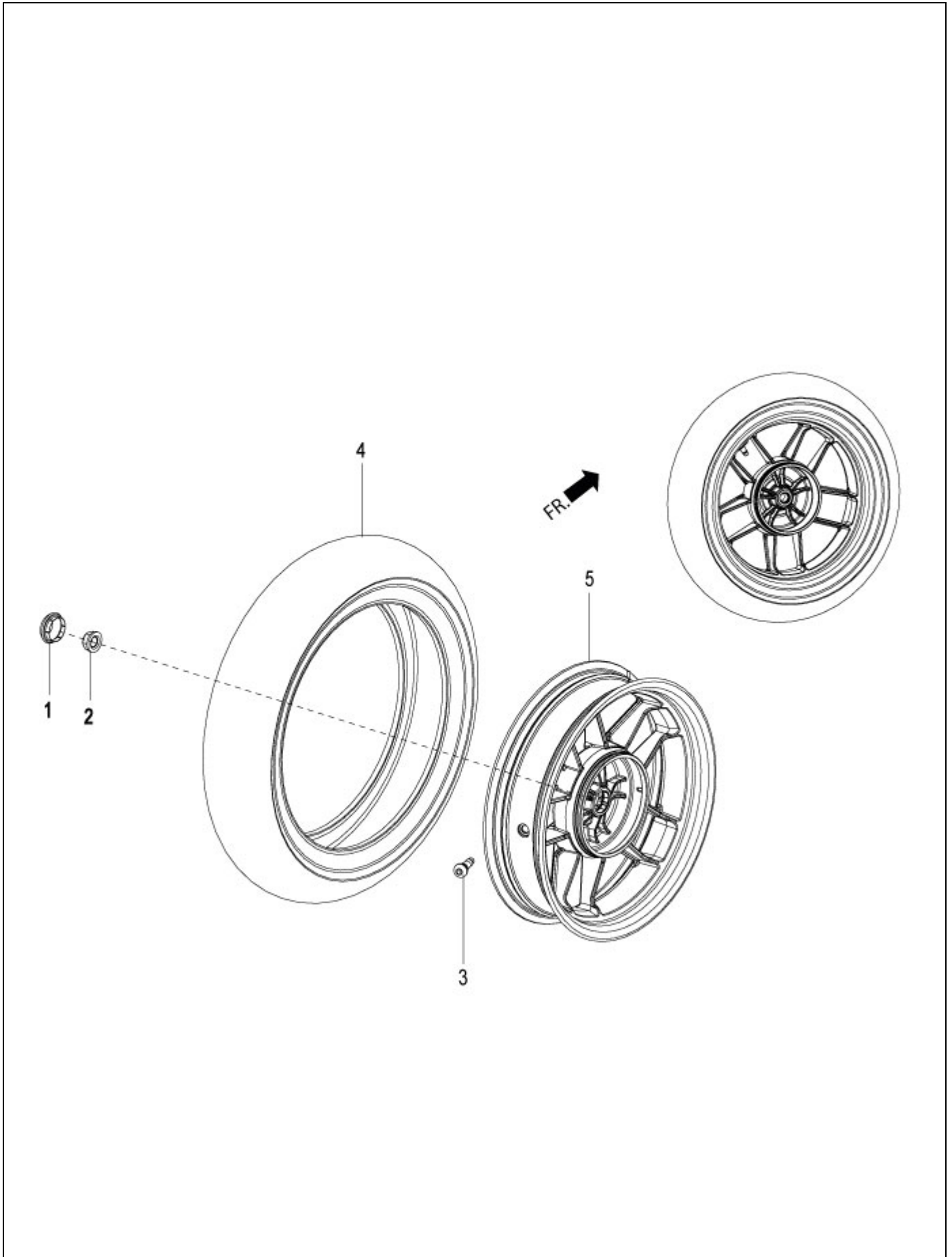
2.20 Brake Pipes and Calipers



2.20**Brake Pipes and Calipers**

| Fig. No. | Part No. | Description | Qty | Remarks |
|-----------------|-----------------|---------------------------------------|------------|---------------------------------------|
| 1 | 1C005953R | CALIPER | 1 | |
| 2 | 1C002634 | BRAKE COUPLR PAD | 1 | |
| 3 | 271596 | SCREW | 2 | BRAKE CALIPER/FRONT FORK FIXING |
| 4 | 709047 | ELASTIC CORRUGATED WASHER | 2 | BRAKE CALIPER/FRONT FORK FIXING |
| 5 | 1C004175 | BRAKE HOSE MASTER CYLINDER - ABS HECU | 1 | APPLICABLE FOR MY 18 MODEL |
| 5 | 1C004176 | BRAKE HOSE FRONT CALIPER - ABS HECU | 1 | |
| 6 | 127927 | WASHER | 4 | PIPE FITTING |
| 7 | 666294 | SPECIAL SCREW (BANJO BOLT CKD) | 2 | FRONT BRAKE HYDRAULIC/CALIPER/PUMP |
| 7 | 1C002059R | SPECIAL SCREW | 2 | PIPE FITTING |
| 10 | 1B005789 | ABS SUPPORT BRACKET WITH I.P. | 1 | |
| 11 | 640879 | CLAMP | 1 | |
| 12 | 435634 | FLANGED HEXAGONAL HEAD SCREW | 1 | FISSAGGIO TUBAZIONE ABS STAFFA |
| 13 | 1C004174 | CLAMP | 1 | FISSAGGIO TUBAZIONE ABS STAFFA |
| 14 | 1C003702 | ABS UNIT (SPARE PART) | 1 | |
| 15 | 1C000870 | SPACER | 6 | FISS.UNITA |
| 16 | 15856 | SCREW WITH CYLINDR.CUP HEAD (M5X21) | 3 | FISS.UNITA |
| 17 | 6965 | SPRING WASHER DIA 5 | 3 | FISS.UNITA |
| 18 | 939278 | BUFFER | 3 | FISS.UNITA |

2.21
Rear Wheel

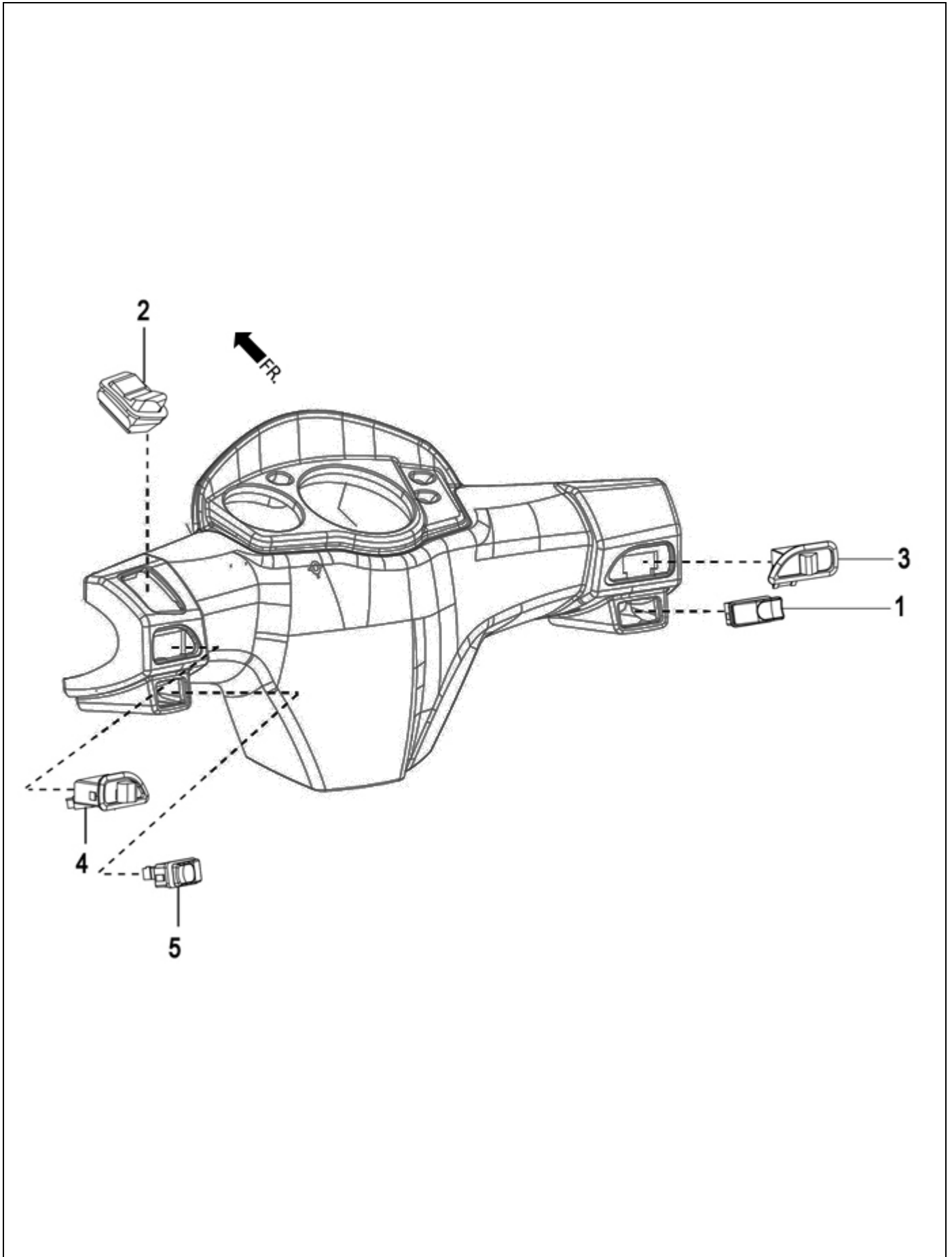


2.21**Rear Wheel**

| Fig. No. | Part No. | Description | Qty | Remarks |
|-----------------|-----------------|---------------------------|------------|----------------------------|
| 1 | 665657 | PLUG WHEEL AXIS | 1 | COMPLETE REAR WHEEL FIXING |
| 2 | 1C002806 | SELF LOCKING FLANGE U NUT | 1 | COMPLETE REAR WHEEL FIXING |
| 3 | 270991 | TUBELESS VALVE | 1 | |
| 4 | 1C002641R | TYRE 120/70-14 | 1 | |
| 5 | 1C003090 | REAR WHEEL | 1 | |

2.22

Selector Switches

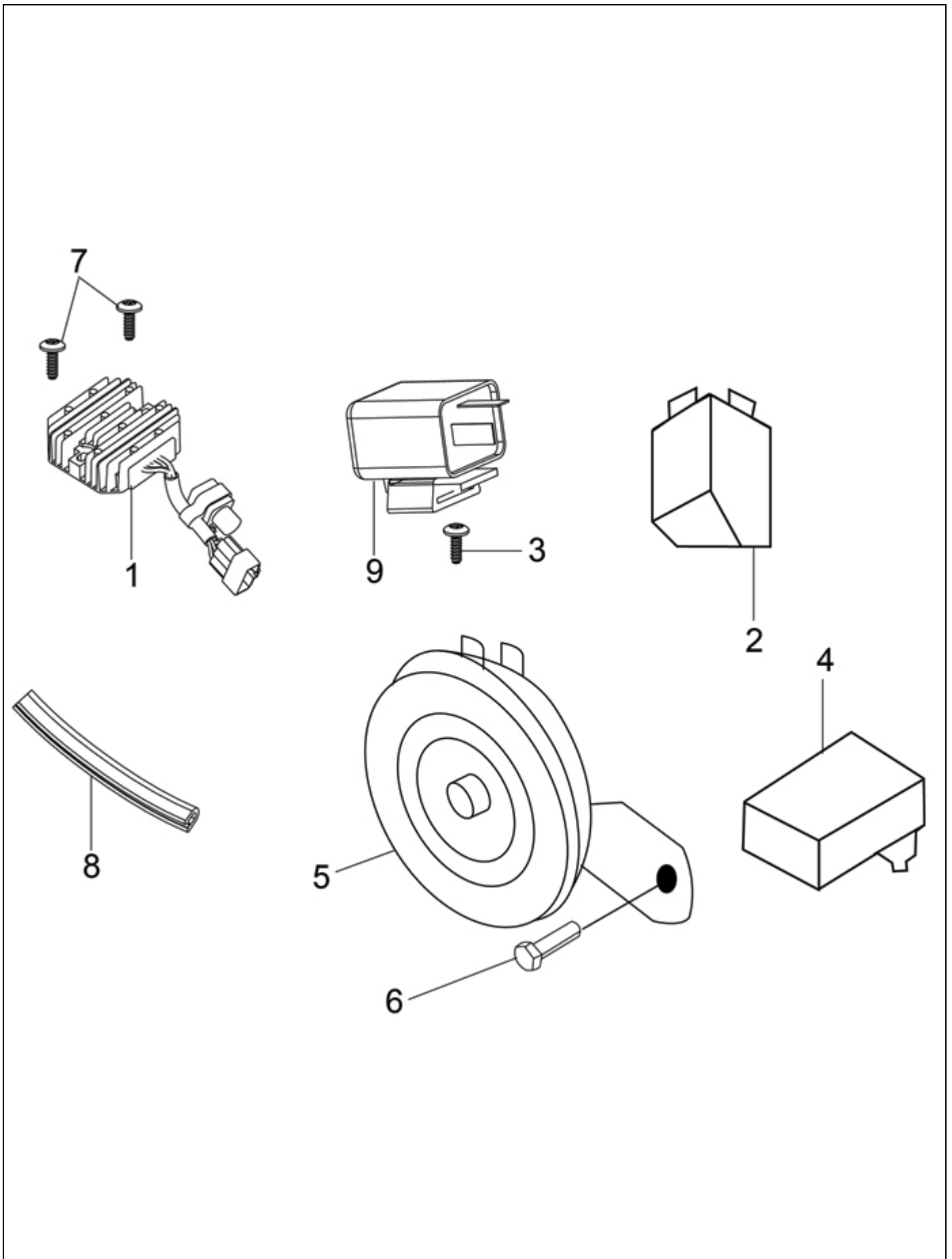


2.22**Selector Switches**

| Fig. No. | Part No. | Description | Qty | Remarks |
|-----------------|-----------------|---------------------------|------------|----------------|
| 1 | 641359 | START PUSH BUTTON | 1 | |
| 2 | 642967 | HI-LO SWITCH WITH PASSING | 1 | |
| 3 | 584426 | PLUG | 1 | |
| 4 | 642679 | BLINKER SWITCH | 1 | |
| 5 | 641358 | CLAXON PUSH BUTTON | 1 | |

2.23

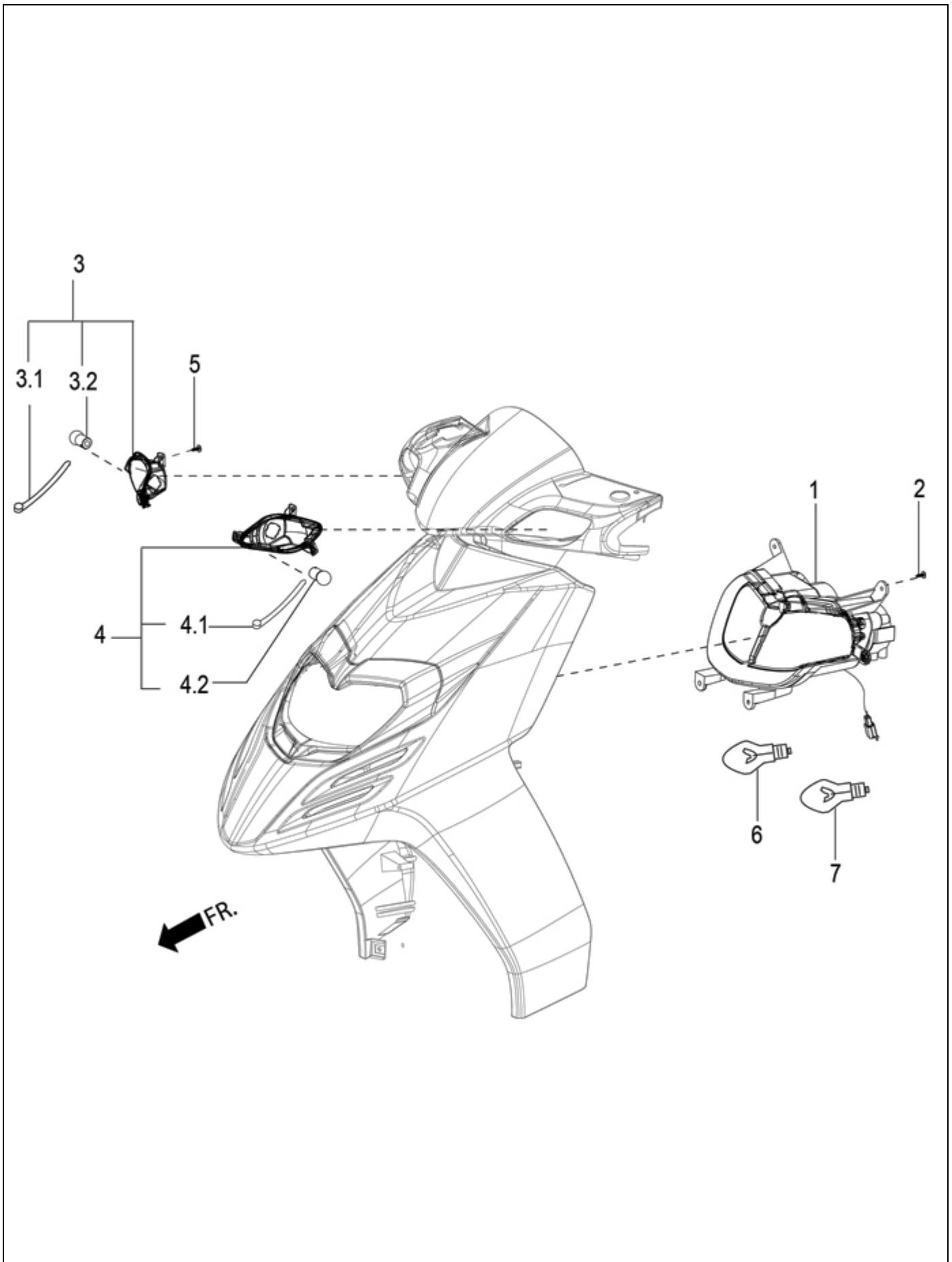
Remote Control Switches



2.23**Remote Control Switches**

| Fig. No. | Part No. | Description | Qty | Remarks |
|-----------------|-----------------|-------------------------------|------------|-----------------------------|
| 1 | 1A017429 | VOLTAGE REGULATOR | 1 | |
| 2 | 1D003013 | FLASHING DEVICE COMPLETE | 1 | |
| 3 | 435634 | FLANGED HEXAGONAL HEAD SCREW | 1 | REMOTE CONTR. SWITCH FIXING |
| 4 | CM301404 | ELECTRONIC DEVICE | 1 | |
| 4 | CM301412 | ELECTRONIC DEVICE | 1 | Applicable For MY-20 |
| 5 | CM087614 | KLAXON | 1 | |
| 6 | 434541 | SCREW | 1 | HORN FIXING |
| 7 | 018639 | SCREW M6X20 | 2 | REGULATOR FIXING |
| 8 | CM023903 | EDGE PROTECTION | 1 | |
| 9 | 680154 | REMOTE CONTROL SWITCH 12V-70A | 1 | |
| 10 | 1D001636 | ELECTROMAGNETIC SWITCH | 1 | |
| 11 | 1B007245 | BRACKET WITH I.P. | 1 | |
| 12 | 1D002592 | HELLA MULTIMEDIA CDI | 1 | NI |
| 13 | 434541 | SCREW | 2 | HELLA MULTIMEDIA CDI FIXING |

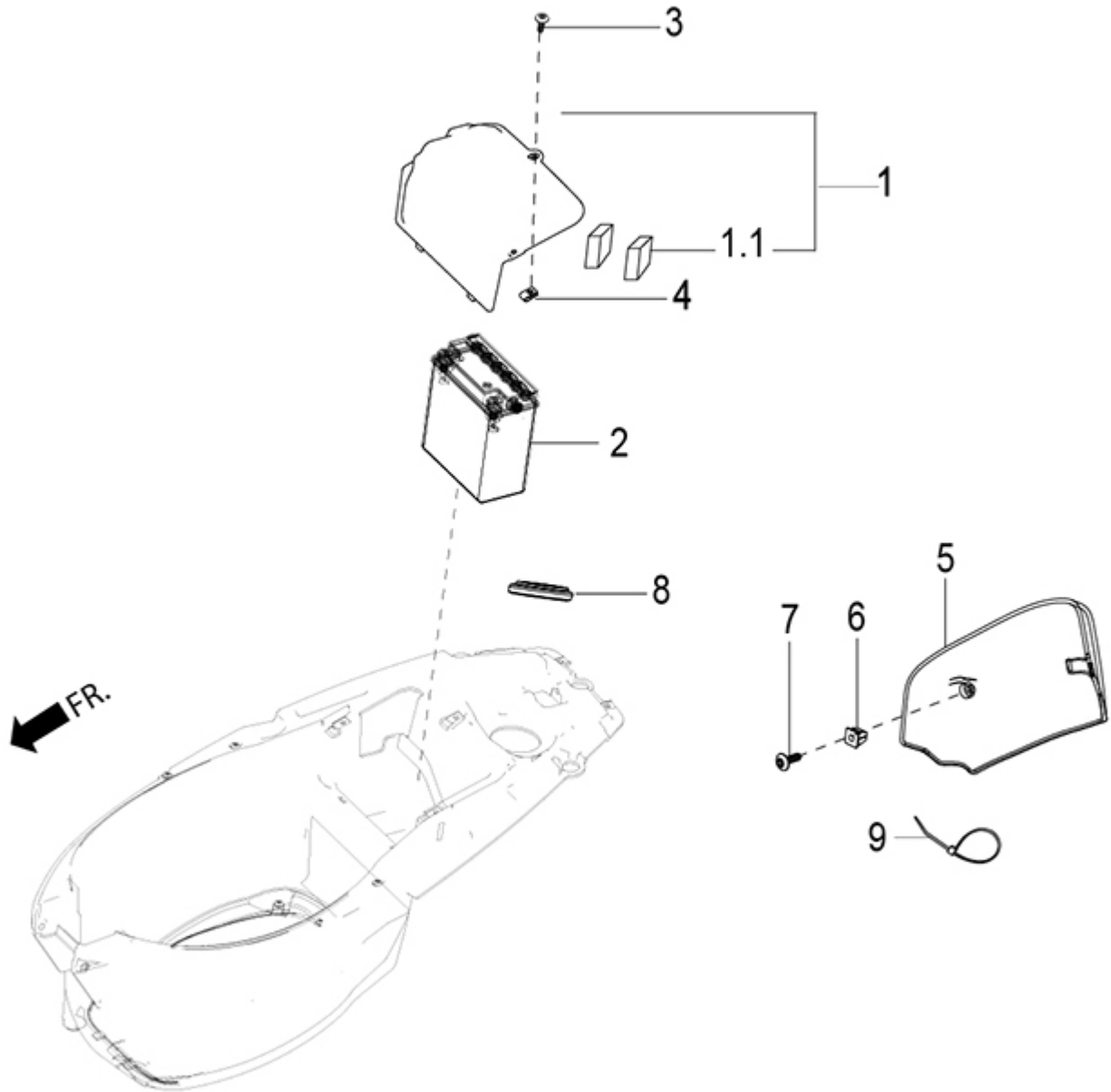
2.24 Front lamp Group



2.24**Front lamp Group**

| Fig. No. | Part No. | Description | Qty | Remarks | |
|-----------------|-----------------|----------------------------------|------------|-----------------|--------------------------------|
| 1 | 1D002965 | COMPLETE SINGLE CHAMBER HEADLAMP | 1 | HEADLAMP FIXING | |
| 2 | 270793 | SCREW | 4 | | |
| 3 | 1D001570 | FRONT RIGHT TURN SIGNAL LIGHT | 1 | | |
| 3.1 | 1D001926 | COMP. FRONT RH WIRE HARNESS | 1 | | |
| 3.2 | 584332 | 12V-10W AMBER LAMP | 1 | | |
| 4 | 1D001571 | FRONT LEFT TURN SIGNAL LIGHT | 1 | | |
| 4.1 | 1D001927 | COMP. FRONT LH WIRE HARNESS | 1 | | |
| 4.2 | 584332 | 12V-10W AMBER LAMP | 1 | | |
| 5 | 297498 | SELF TAPPING SCREW | 6 | | FRONT TURN SIGNAL LIGHT FIXING |
| 6 | 231215 | LAMP 12V/35/35W HS1 (HALOGEN) | 2 | | |
| 7 | 292022 | LAMP (12V - 5W) | 1 | | |

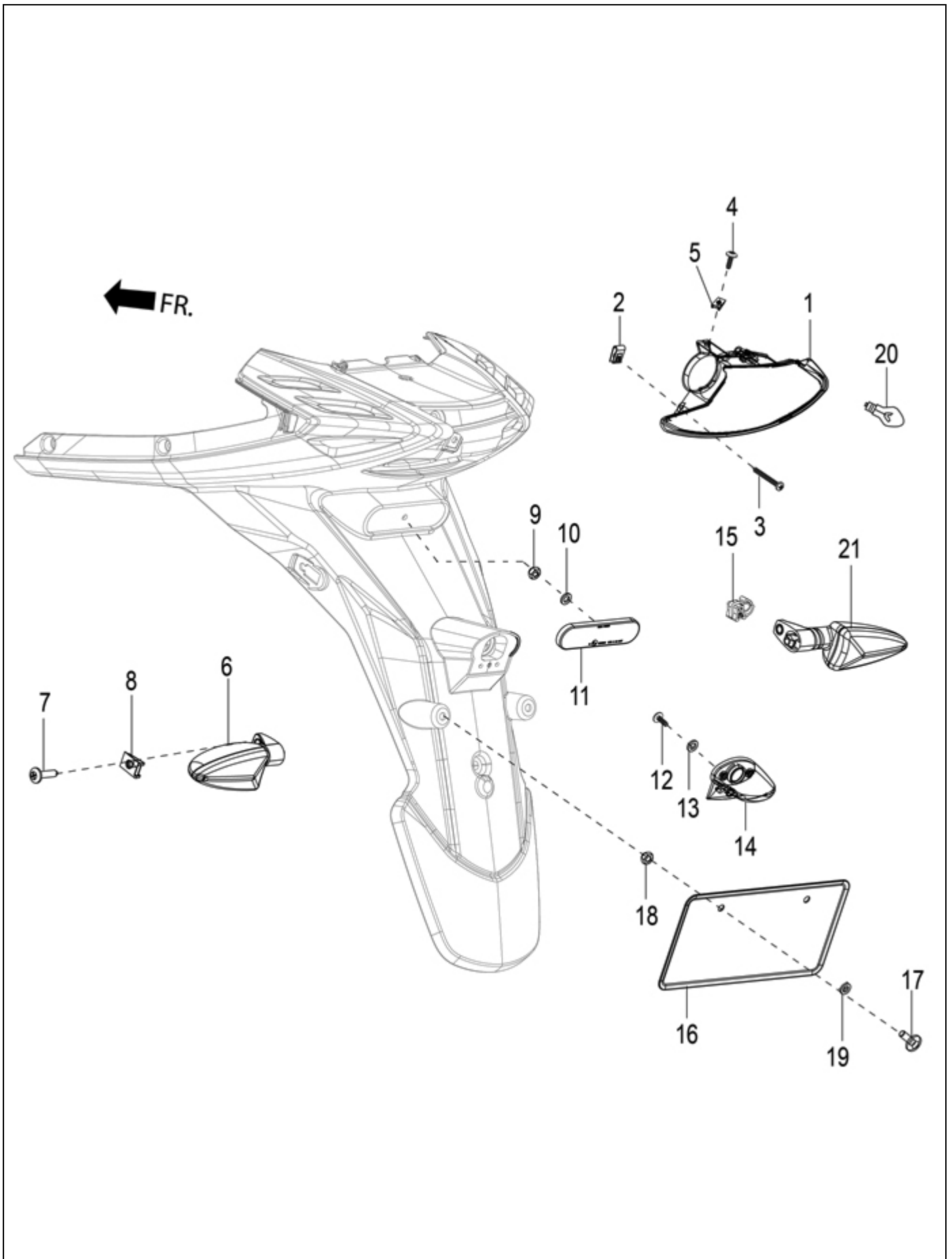
2.26 Battery



2.26 Battery

| Fig. No. | Part No. | Description | Qty | Remarks |
|----------|-----------|--|-----|---|
| 1 | 1B006598 | COMPLETE BATTERY COVER | 1 | Without Hole For USB Socket |
| 1 | 1B006600 | BATTERY COVER WITH STOP PADS | 1 | With Hole for USB Socket |
| 1.1 | 575937 | BATTERY PAD | 2 | |
| 2 | 1D003122R | SEALED FACTORY CHARGED BATTERY 12V-5AH | 1 | |
| 3 | 259349 | SCREW | 3 | BATTERY COVER/HELMET CASE FIXING |
| 4 | CM017410 | SPRING PLATE | 3 | BATTERY COVER/HELMET CASE FIXING |
| 3 | 259349 | SCREW | 3 | HELMET CARRIER COVER/HELMET CASE FIX |
| 4 | CM017410 | SPRING PLATE | 3 | HELMET CARRIER COVER/HELMET CASE FIX |
| 5 | 1B003793 | COIL COVER | 1 | |
| 6 | 157716 | SCREW ANCHORE | 1 | COIL COVER FIXING |
| 7 | CM178603 | THREAD FORMING SCREW | 1 | COIL COVER FIXING |
| 8 | 1B003729 | GASKET | 1 | GROUP COMPONENTS HELMET CASE |
| 9 | 257134 | RETAINING STRAP | 1 | GROUP COMPONENTS HELMET CASE |

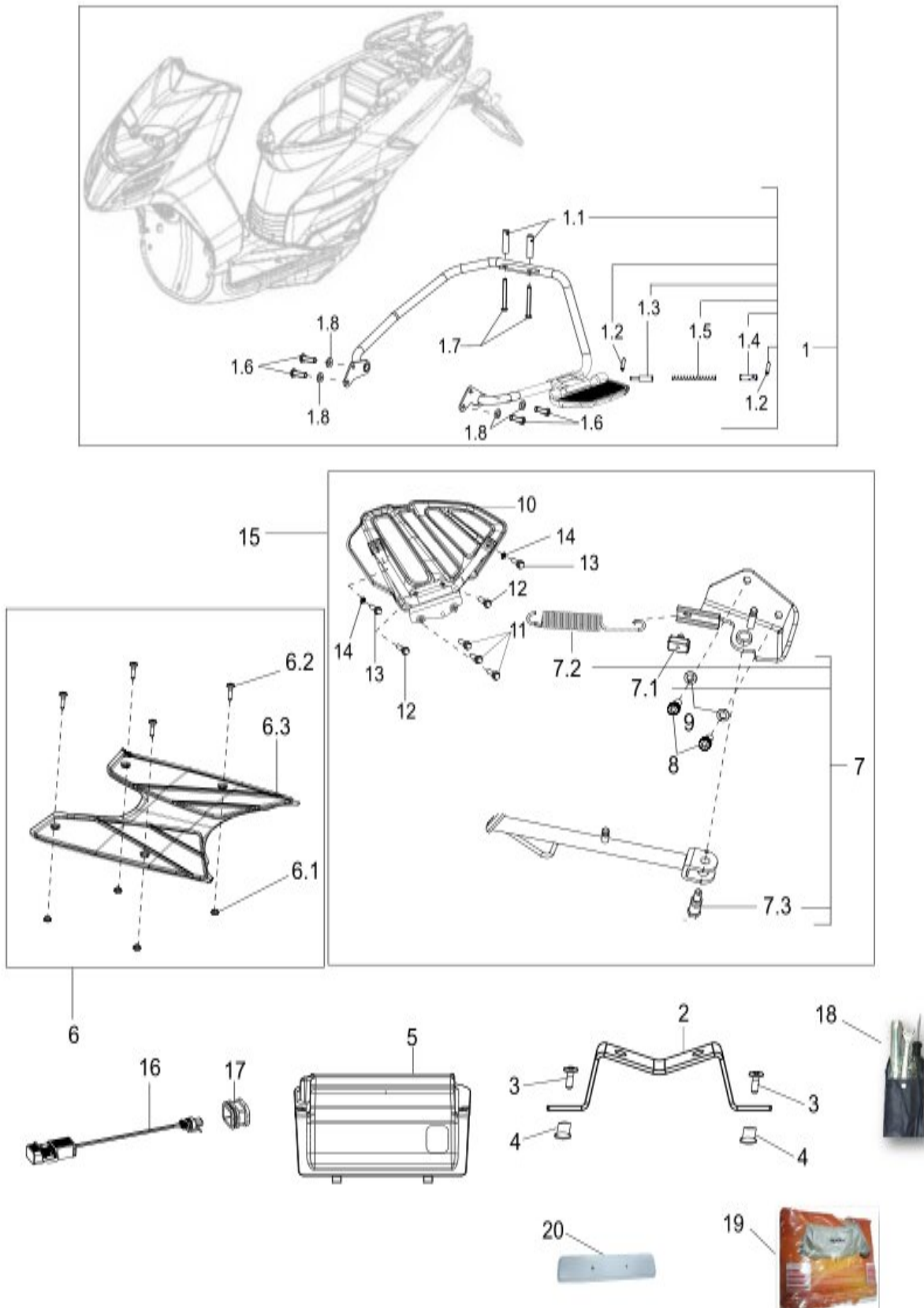
2.27
Rear lamp Group



2.27**Rear lamp Group**

| Fig. No. | Part No. | Description | Qty | Remarks |
|-----------------|-----------------|----------------------------------|------------|-----------------------------|
| 1 | 1D001567 | COMPLETE TAIL LAMP | 1 | |
| 2 | CM017410 | SPRING PLATE | 2 | REAR LAMP FIXING |
| 3 | 018534 | SCREW | 2 | REAR LAMP FIXING |
| 4 | 259349 | SCREW | 1 | REAR LAMP FIXING |
| 5 | CM017408 | SPRING PLATE | 1 | REAR LAMP FIXING |
| 6 | 1D001569 | REAR LEFT TURN SIGNAL LIGHT | 1 | |
| 7 | 259364 | SCREW | 2 | REAR TURN SIG. LIGHT FIXING |
| 8 | 254485 | SPRING PLATE (M6) | 2 | REAR TURN SIG. LIGHT FIXING |
| 9 | 20105 | PLAIN NUT M5 | 1 | REAR REFLECTOR FIXING |
| 10 | 6965 | SPRING WASHER DIA 5 | 1 | REAR REFLECTOR FIXING |
| 11 | 642906 | REAR REFLECTOR | 1 | |
| 12 | 267115 | SCREW | 1 | Licence plate LAMP fixing |
| 13 | 003054 | PLAIN WASHER | 1 | Licence plate LAMP fixing |
| 14 | 639088 | TAIL LAMP | 1 | E - Marked (Export) |
| 15 | CM013203 | SPRING | 2 | REAR INDICATOR CABLE FIXING |
| 16 | 673918A | REAR LICENSE PLATE | 1 | |
| 17 | 272836 | METRICAL SCREW WITH CROSS MOULD | 2 | REAR PLATE FIXING |
| 18 | 709116 | HEXAGON NUT | 2 | REAR PLATE FIXING |
| 19 | 709003 | PLAIN WASHER | 2 | REAR PLATE FIXING |
| 20 | 129953 | BULB FOR TAIL LAMP (12V - 5/21W) | 1 | |
| 21 | 1D001568 | REAR RIGHT TURN SIGNAL LIGHT | 1 | |

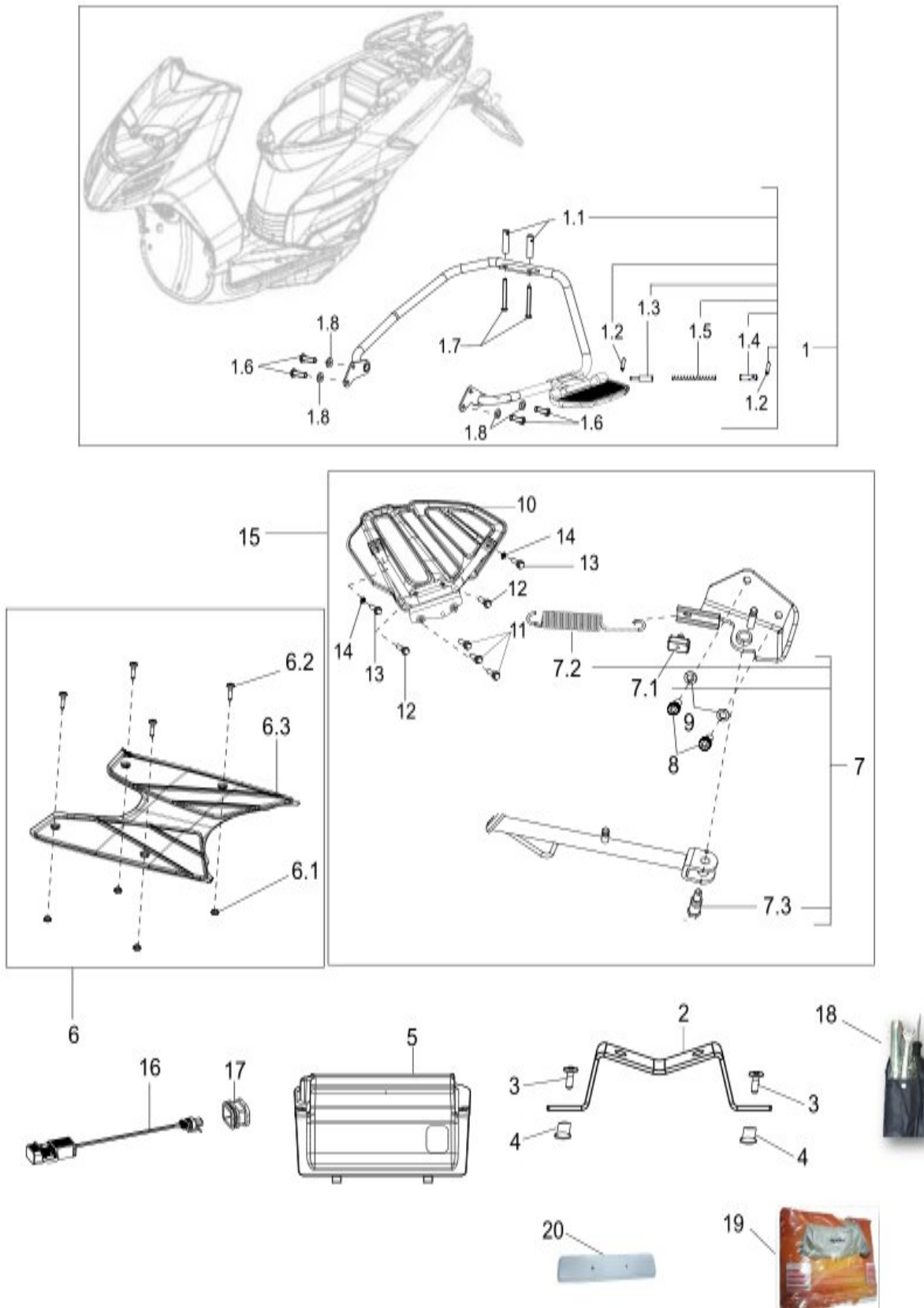
2.28 Accessories



2.28**Accessories**

| Fig. No. | Part No. | Description | Qty | Remarks |
|-----------------|-----------------|----------------------------------|------------|-----------------------------|
| 1 | SKIT940034R | COMPLETE FOOT REST SUPPORTING | 1 | |
| 1.1 | 1B003804 | SPACER | 2 | |
| 1.2 | 008817 | SPRING PIN | 2 | |
| 1.3 | 218667 | PIN | 1 | |
| 1.4 | 561837 | PIN | 1 | |
| 1.5 | 561838 | SPRING | 1 | |
| 1.6 | 564606 | SCREW M8X25 | 4 | |
| 1.7 | 833663 | FLANGED HEXAGONAL HEAD SCREW | 2 | |
| 1.8 | 834187 | ELASTIC WASHER CONTACT TYPE | 4 | |
| 2 | 1B003542 | FRONT PLATE HOLDER | 1 | |
| 3 | 018591 | CYLINDRICAL SCREW | 2 | FRONT PLATE HOLDER FIXING |
| 4 | 1B000951 | BUSH EXPANSION | 2 | FRONT PLATE HOLDER FIXING |
| 5 | 1B006598 | COMPLETE BATTERY COVER | 1 | Without Hole For USB Socket |
| 5 | 1B006600 | BATTERY COVER WITH STOP PADS | 1 | With Hole for USB Socket |
| 6 | SKIT940033R | RUBBER FOOT MAT | 1 | |
| 6.1 | 1B004131 | SPACER | 4 | MAT FIXING |
| 6.2 | CM179303 | METRICAL SCREW (TORX IMPRESSION) | 4 | MAT FIXING |
| 6.3 | SKIT940033R | RUBBER FOOT MAT | 1 | |
| 7 | - | NOT SERVICEABLE | 1 | |
| 7.1 | 164245 | REBOUND BUMPER | 1 | |
| 7.2 | 1C001871 | SPRING LATERAL STAND | 1 | |
| 7.3 | 560619 | PIN | 1 | |
| 7.4 | 1C002807 | SELF-LOCKING HEXAGON NUT | 1 | |
| 8 | 295822 | SCREW | 2 | |
| 9 | 016408 | SPRING WASHER | 2 | |
| 10 | SKIT940031R | COMPLETE SAREE COVER | 1 | |
| 11 | 1A003063 | FLANGED HEX HEAD SCREW M6X35 | 3 | LATERAL PROTECTION FIXING |
| 12 | 270793 | SCREW | 2 | SAREE COVER FIXING |
| 13 | 272836 | METRICAL SCREW WITH CROSS MOULD | 2 | SAREE COVER FIXING |
| 14 | 254485 | SPRING PLATE (M6) | 2 | SAREE COVER FIXING |
| 15 | SKIT940032R | LATERAL STAND KIT | 1 | |
| 16 | 1D002753 | COMPLETE USB SOCKET | 1 | |
| 17 | 1B001591 | GROMMET FOR USB SOCKET | 1 | |
| 18 | 1C002659 | COMPLETE TOOL KIT | 1 | NI |
| 19 | 783363 | BODY COVER | 1 | NI |

2.28 Accessories

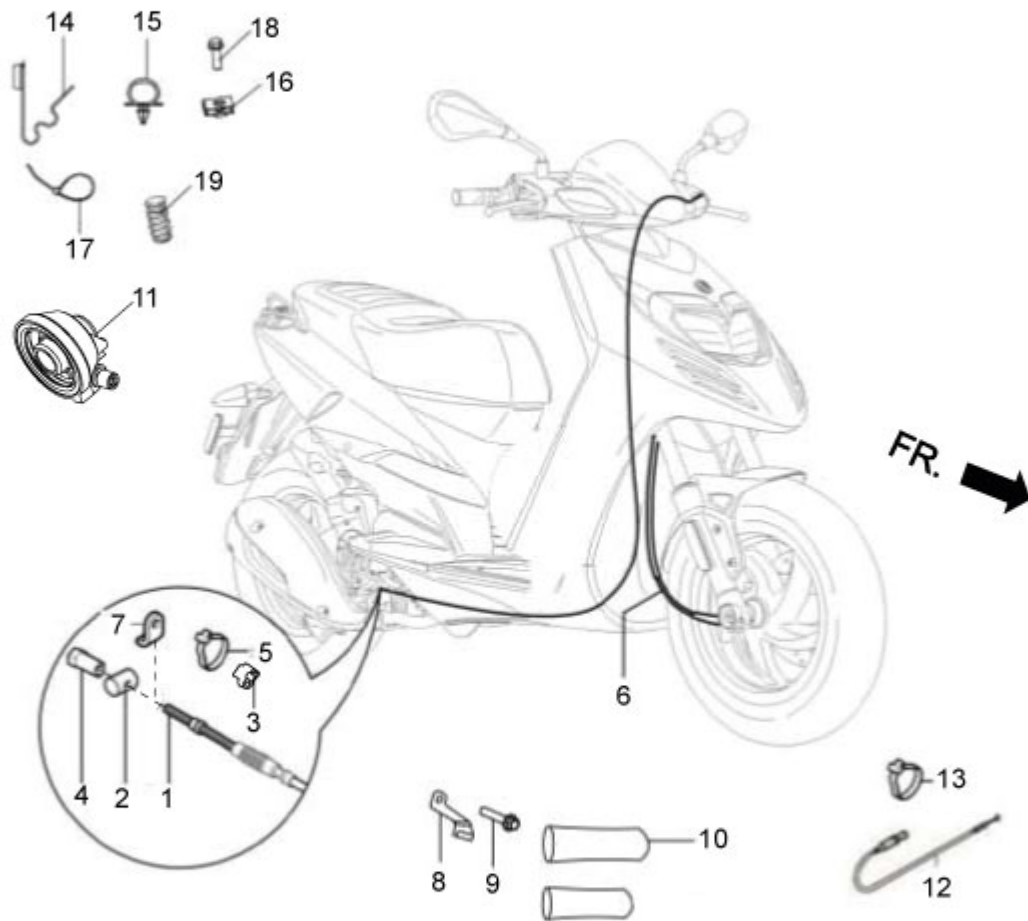


2.28**Accessories**

| Fig. No. | Part No. | Description | Qty | Remarks |
|-----------------|-----------------|---|------------|----------------|
| 20 | 673917A | FRONT LICENSE PLATE | 1 | NI |
| 21 | SKIT940091 | KIT-SR LATERAL STAND_PUSH BUTTON AND SAREECOVER | 1 | |
| 22 | SKIT940092 | KIT-SR LATERAL STAND WITH SAREECOVER | 1 | |

2.30

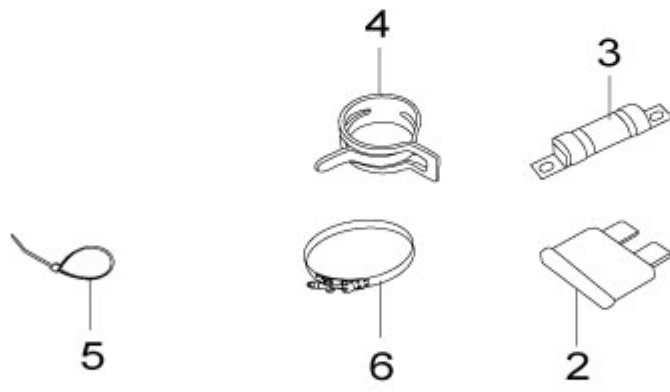
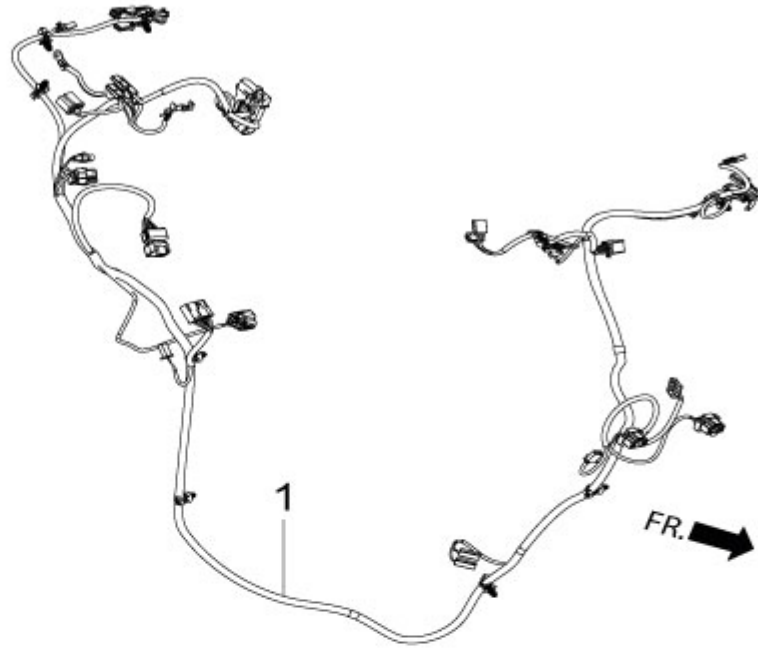
Transmission cables



2.30**Transmission cables**

| Fig. No. | Part No. | Description | Qty | Remarks |
|-----------------|-----------------|---|------------|--------------------------------|
| 1 | 1C002153 | COMPLETE REAR BRAKE TRANSMISSION | 1 | |
| 2 | 179640 | PIN | 1 | REAR BRAKE TRANSMISSION FIXING |
| 3 | 1C001642 | SPACER | 1 | REAR BRAKE TRANSMISSION FIXING |
| 4 | 270310 | BRAKE ADJUSTER | 1 | REAR BRAKE TRANSMISSION FIXING |
| 5 | 257134 | RETAINING STRAP | 1 | REAR BRAKE TRANSMISSION FIXING |
| 7 | 564645 | PLATE FOR REAR BRAKE TRANSMISSION FIXING | 1 | REAR BRAKE TRANSMISSION FIXING |
| 8 | 667842 | TRANSMISSION BRAKE CLAMP | 1 | REAR BRAKE TRANSMISSION FIXING |
| 9 | 1A003060 | FLANGED HEX. HEAD SCREW M6X45 | 1 | REAR BRAKE TRANSMISSION FIXING |
| 13 | 667841 | CLIP | 1 | REAR BRAKE TRANSMISSION FIXING |
| 20 | 1C004610 | THROTTLE CONTROL TRANSMISSION | 1 | |
| 21 | 1C004874 | CLIP | 1 | |
| 22 | 1C004912 | CLIP | 1 | |

2.31 Wiring Harness

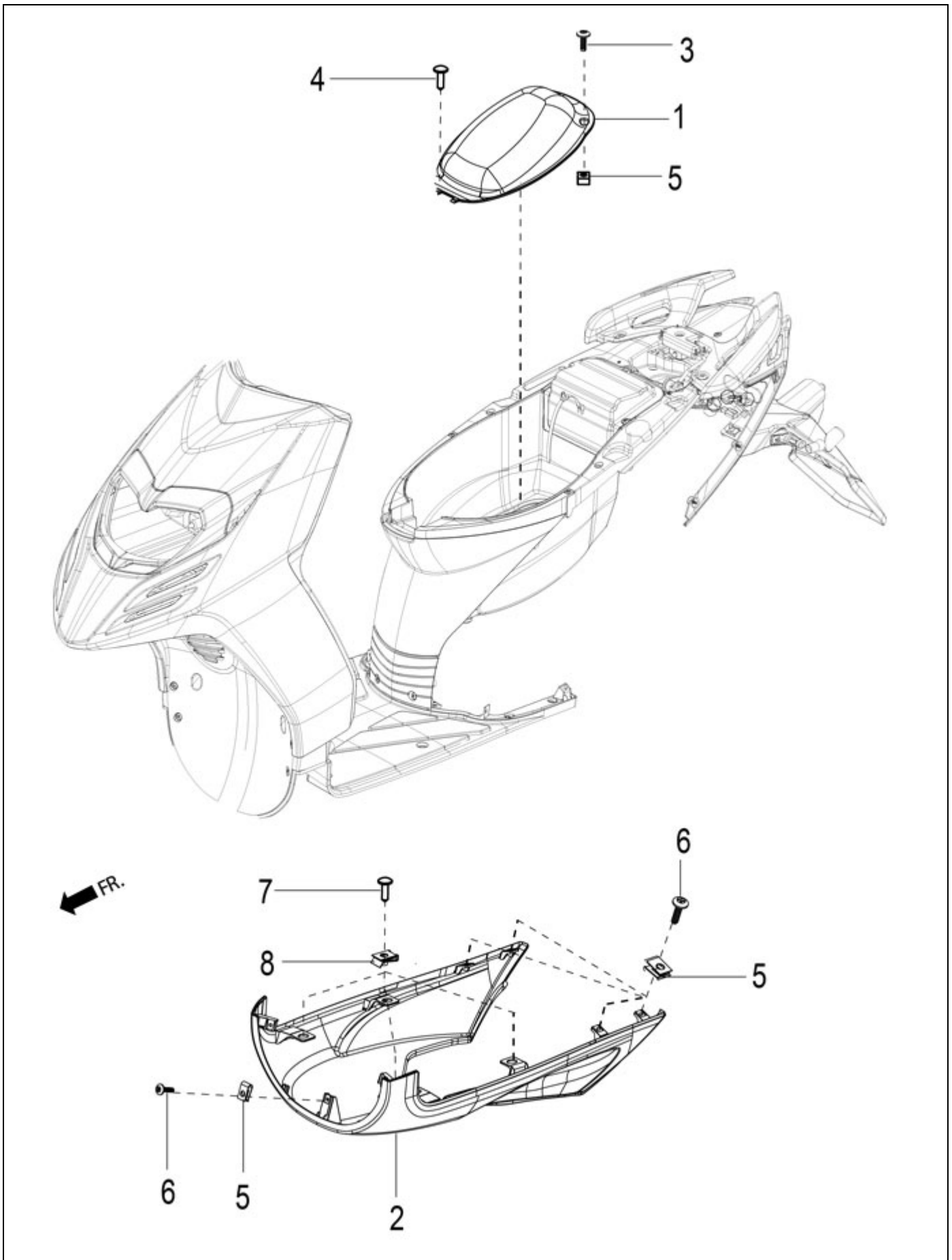


2.31**Wiring Harness**

| Fig. No. | Part No. | Description | Qty | Remarks |
|-----------------|-----------------|-----------------------|------------|----------------------------------|
| 1 | 1D003220 | WIRE HARNESS OF FRAME | 1 | |
| 1 | 1D003405 | WIRE HARNESS OF FRAME | 1 | Applicable For MY-20 |
| 1 | 1D003496 | WIRE HARNESS OF FRAME | 1 | Applicable for Boot Lamp Vehicle |
| 2 | CM080908 | MINI FUSE 20A | 1 | |
| 3 | CM080906 | MINE-FUSE 10A | 1 | |
| 4 | 231590 | ELASTIC CLAMP | 1 | MAIN WIRING HARNESS FIXING |
| 5 | 145298 | PLASTIC CLAMP | 5 | MAIN WIRING HARNESS FIXING |
| 6 | 257134 | RETAINING STRAP | 2 | MAIN WIRING HARNESS FIXING |
| 6 | 1D001143 | CLIP | 9 | |
| 6 | 1D001143 | CLIP | 3 | MAIN WIRING HARNESS FIXING |
| 7 | CM080904 | MINI FUSE 5A | 2 | NI |
| 8 | CM080905 | MINE-FUSE 7.5A | 2 | NI |

2.32

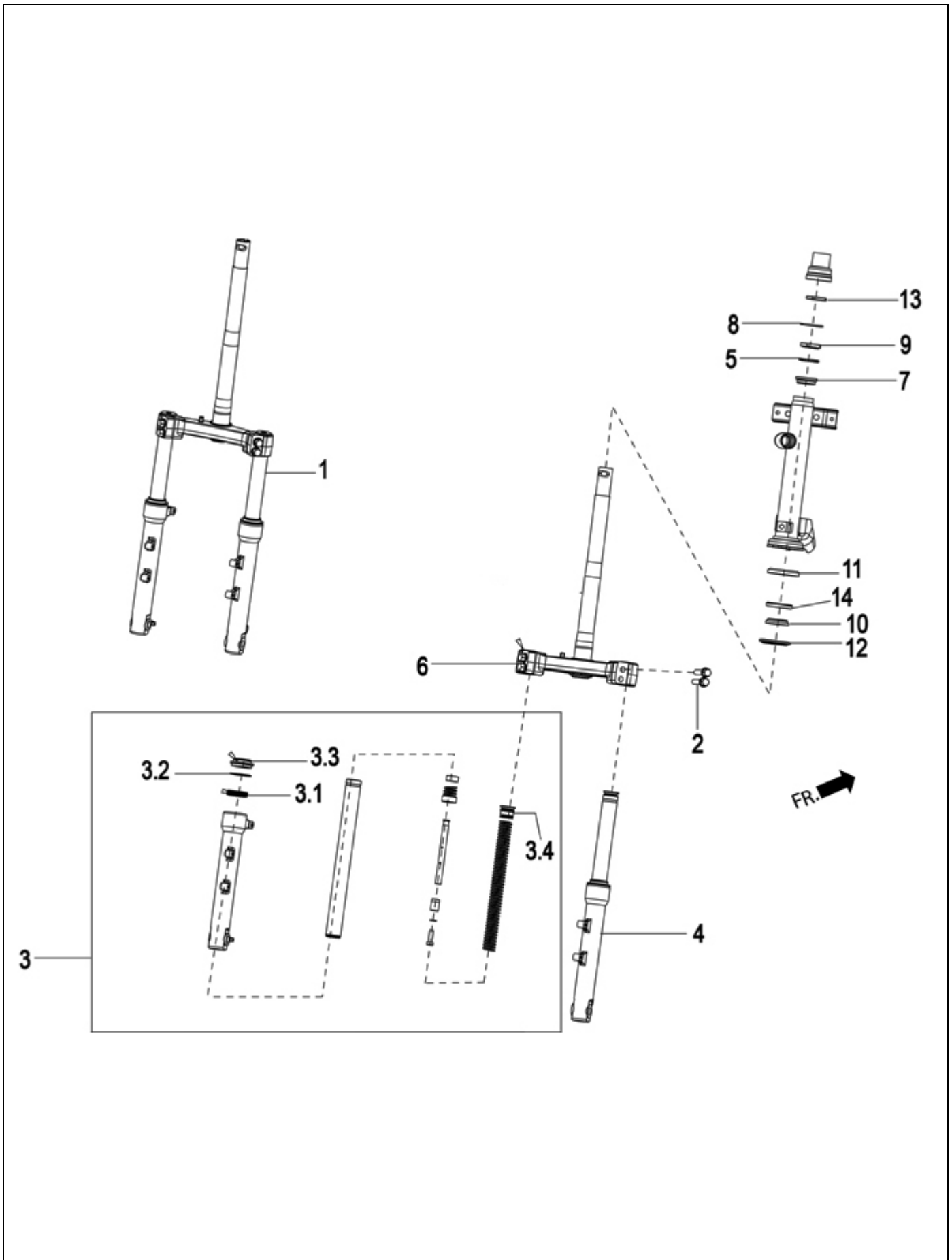
Helmet Carrier Cover & Spoiler



2.32**Helmet Carrier Cover & Spoiler**

| Fig. No. | Part No. | Description | Qty | Remarks |
|-----------------|-----------------|----------------------|------------|--|
| 1 | 1B003134 | HELMET CARRIER COVER | 1 | |
| 2 | 1B007341 | SPOILER | 1 | |
| 3 | 297498 | SELF TAPPING SCREW | 2 | CENTRAL COVER/FOOTREST/HELMET CASE FIX |
| 4 | 259372 | SCREW | 2 | CENTRAL COVER/FOOTREST/HELMET CASE FIX |
| 5 | CM017410 | SPRING PLATE | 2 | CENTRAL COVER/FOOTREST/HELMET CASE FIX |
| 6 | 270793 | SCREW | 4 | FOOTREST/SPOILER FIXING |
| 5 | CM017410 | SPRING PLATE | 4 | FOOTREST/SPOILER FIXING |
| 7 | 259364 | SCREW | 4 | FOOTBOARD/FRAME FIXING |
| 8 | 254485 | SPRING PLATE (M6) | 4 | FOOTBOARD/FRAME FIXING |

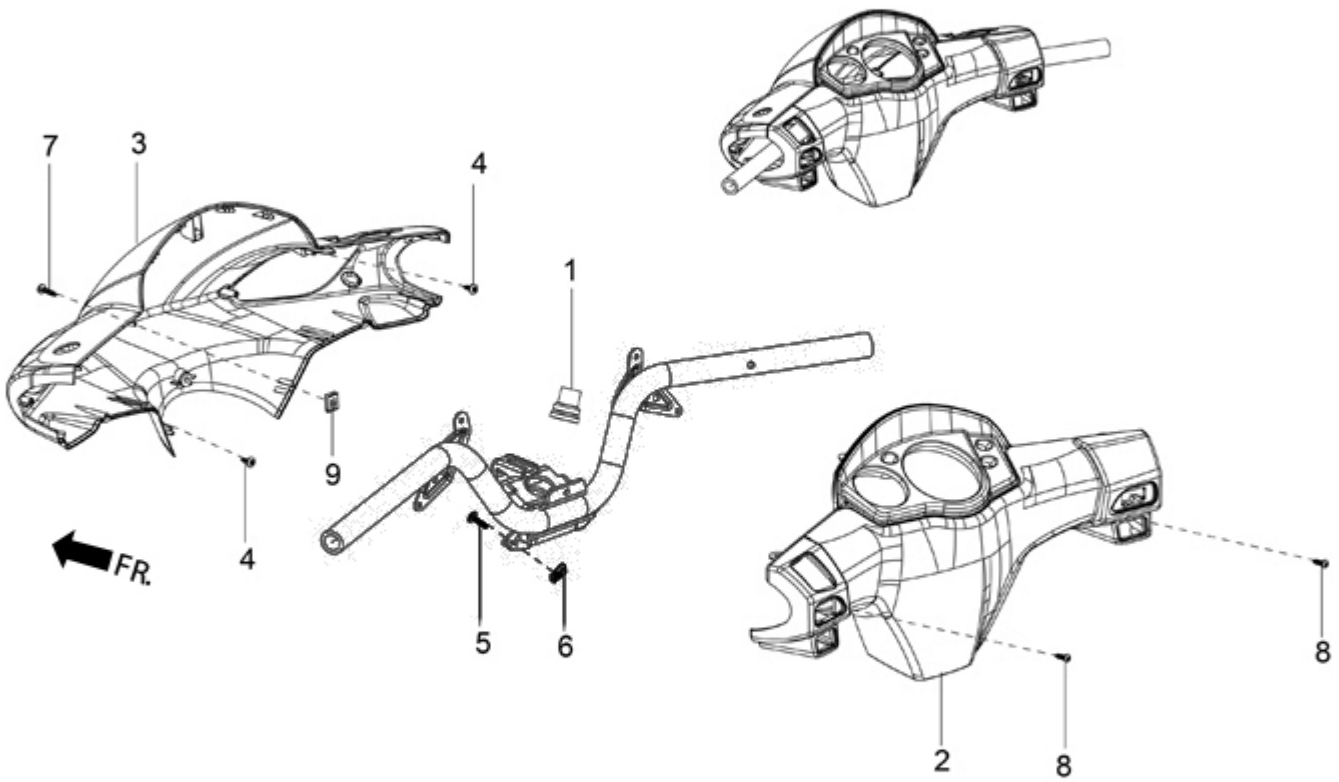
2.33 Front suspension



2.33**Front suspension**

| Fig. No. | Part No. | Description | Qty | Remarks |
|-----------------|-----------------|--|------------|----------------|
| 1 | SP1C004619 | ASSEMBLY FRONT FORK | 1 | |
| 2 | 1C002421 | FLANGED HEXAGONAL HEAD SCREW | 4 | |
| 3 | 1C004621 | LEFT LEG ASSEMBLY | 1 | |
| 3.1 | 1C002469 | SEAL OIL | 2 | |
| 3.2 | 1C002470 | RING SNAP | 2 | |
| 3.3 | 1C002471 | DUST COVER | 2 | |
| 3.4 | 1C002472 | PLUG WITH O-RING | 2 | |
| 4 | 1C004620 | RIGHT LEG ASSEMBLY | 1 | |
| 5 | 564260 | RETAINER WITH BALLS | 1 | |
| 6 | 1C002568 | COMPLETE UNDER BRACKET | 1 | |
| 7 | 564256 | STEER.UPP.BEAR.LOW.TRACK | 1 | |
| 8 | 003751 | WASHER FOR STEERING COLUMN (3,2X40X2,5) | 1 | |
| 9 | 564258 | RING NUT | 1 | |
| 10 | 564259 | STEER.LOW.BEAR.EXT.TRACK | 1 | |
| 11 | 665602 | STEER.LOW.BEAR.INT.TRACK | 1 | |
| 12 | 1C001628 | PROTECTION WASHER | 1 | |
| 13 | 011109 | RING NUT | 1 | |
| 14 | 564257 | STEERING BEARING ASSY. MC3 -56002R | 1 | |

2.34 Handlebar Coverages



2.34**Handlebar Coverages**

| Fig. No. | Part No. | Description | Qty | Remarks |
|-----------------|-----------------|---|------------|-------------------------------|
| 1 | 1B003841 | PROTECTION CUP | 1 | HANDLEBARS COMP |
| 2 | 1B006204 | REAR HANDLEBAR COVER | 1 | |
| 3 | SP1B006986000NL | SPD SR FR. HANDLEBAR COVER - MATT BLACK | 1 | COLOR PART |
| 4 | 270793 | SCREW | 2 | FRONT HANDLEBARS COVER FIXING |
| 4 | 270793 | SCREW | 2 | REAR HANDLEBARS COVER FIXING |
| 5 | 270793 | SCREW | 2 | FRONT HANDLEBARS COVER FIXING |
| 6 | CM017410 | SPRING PLATE | 2 | FRONT HANDLEBARS COVER FIXING |
| 8 | 267115 | SCREW | 2 | REAR HANDLEBARS COVER FIXING |
| 7 | 018620 | SELF TAPPING SCREW | 1 | REAR HANDLEBARS COVER FIXING |
| 9 | CM017409 | SPRING PLATE | 1 | REAR HANDLEBARS COVER FIXING |

PARTS INDEX

Aprilia SR 160 ABS RACE BSVI

| PART NO | BLOCK | PART NO | BLOCK | PART NO | BLOCK |
|----------------|--------------|----------------|--------------|----------------|--------------|
| - | 2.28 | 123394 | 2.14 | 1A002443 | 1.15 |
| 000267 | 1.10 | 12533 | 1.17 | 1A002446 | 1.15 |
| 002440 | 2.02 | 127927 | 2.20 | 1A002691 | 1.14 |
| 002440 | 2.16 | 129953 | 2.27 | 1A003060 | 1.03 |
| 002440 | 2.16 | 145298 | 2.31 | 1A003060 | 2.30 |
| 002440 | 2.16 | 157716 | 2.26 | 1A003060 | 1.06 |
| 003054 | 2.27 | 15856 | 2.20 | 1A003063 | 1.14 |
| 003056 | 2.08 | 164245 | 2.28 | 1A003063 | 2.17 |
| 003056 | 2.11 | 178790 | 2.14 | 1A003063 | 2.28 |
| 003751 | 2.33 | 179640 | 2.30 | 1A003064 | 1.17 |
| 005965 | 2.08 | 1A000244 | 1.24 | 1A003065 | 1.16 |
| 006416 | 1.03 | 1A000612 | 1.03 | 1A003068 | 1.02 |
| 006647 | 1.04 | 1A000745 | 1.05 | 1A004153 | 1.07 |
| 006975 | 1.12 | 1A000784 | 1.15 | 1A005055 | 1.15 |
| 006975 | 2.18 | 1A000787 | 1.15 | 1A005057 | 1.15 |
| 008817 | 2.28 | 1A001023 | 1.12 | 1A005843 | 1.03 |
| 011109 | 2.33 | 1A001073 | 1.10 | 1A006088 | 1.17 |
| 012533 | 2.08 | 1A001073 | 1.13 | 1A006090 | 1.17 |
| 012543 | 2.14 | 1A001256 | 1.02 | 1A006092 | 1.17 |
| 013880 | 1.10 | 1A001278 | 1.02 | 1A006093 | 1.17 |
| 013880 | 2.11 | 1A001443R | 1.14 | 1A006149 | 1.15 |
| 013963 | 2.08 | 1A001742 | 1.15 | 1A006307 | 1.03 |
| 015330 | 2.14 | 1A001743 | 1.15 | 1A006482 | 1.06 |
| 016404 | 1.14 | 1A001744 | 1.15 | 1A006483 | 1.04 |
| 016406 | 1.23 | 1A001745 | 1.15 | 1A006499 | 1.15 |
| 016406 | 1.23 | 1A001746 | 1.15 | 1A006503 | 1.15 |
| 016406 | 2.11 | 1A001748 | 1.15 | 1A006545 | 1.07 |
| 016406 | 2.11 | 1A001793 | 1.10 | 1A006780 | 1.04 |
| 016406 | 2.11 | 1A001795 | 1.10 | 1A006988 | 1.15 |
| 016408 | 1.24 | 1A002013 | 1.12 | 1A007468 | 1.14 |
| 016408 | 2.06 | 1A002425 | 1.15 | 1A007571 | 1.03 |
| 016408 | 2.28 | 1A002426 | 1.15 | 1A007618 | 1.04 |
| 018534 | 2.27 | 1A002427 | 1.15 | 1A008057 | 1.03 |
| 018536 | 2.06 | 1A002428 | 1.15 | 1A008397 | 1.08 |
| 018591 | 2.28 | 1A002429 | 1.15 | 1A008521 | 1.03 |
| 018620 | 2.34 | 1A002430 | 1.15 | 1A008637 | 1.05 |
| 018639 | 1.10 | 1A002431 | 1.15 | 1A008638 | 1.05 |
| 018639 | 1.24 | 1A002432 | 1.15 | 1A008639 | 1.05 |
| 018639 | 2.11 | 1A002433 | 1.15 | 1A009397 | 1.13 |
| 018639 | 2.23 | 1A002439 | 1.15 | 1A009606 | 1.16 |
| 018639 | 1.07 | 1A002440 | 1.15 | 1A011087 | 1.12 |
| 018644 | 1.14 | 1A002441 | 1.15 | 1A011982 | 1.17 |
| 121780 | 2.14 | 1A002442 | 1.15 | 1A013415 | 1.13 |

| PART NO | BLOCK | PART NO | BLOCK | PART NO | BLOCK |
|----------------|--------------|----------------|--------------|----------------|--------------|
| 1A013712 | 1.15 | 1B001787400NT | 2.04 | 1B006204 | 2.34 |
| 1A013713 | 1.15 | 1B002607 | 2.12 | 1B006524 | 2.11 |
| 1A013856 | 1.10 | 1B002848 | 1.23 | 1B006598 | 2.26 |
| 1A014086 | 1.20 | 1B002849 | 1.23 | 1B006598 | 2.28 |
| 1A014108 | 1.17 | 1B002953 | 2.11 | 1B006600 | 2.26 |
| 1A014117 | 1.20 | 1B003129 | 2.08 | 1B006600 | 2.28 |
| 1A014294 | 1.13 | 1B003134 | 2.32 | 1B006608 | 1.23 |
| 1A014309 | 1.20 | 1B003141 | 2.03 | 1B006711 | 1.23 |
| 1A014739 | 1.09 | 1B003142 | 2.04 | 1B006718 | 2.04 |
| 1A014986 | 1.10 | 1B003143 | 2.04 | 1B006743 | 1.18 |
| 1A014986 | 1.12 | 1B003394 | 1.18 | 1B007084 | 1.23 |
| 1A015026 | 1.20 | 1B003395 | 1.18 | 1B007245 | 2.23 |
| 1A015053 | 1.02 | 1B003396 | 1.18 | 1B007341 | 2.32 |
| 1A015231 | 1.14 | 1B003459 | 2.06 | 1B007449 | 2.06 |
| 1A015303 | 1.16 | 1B003490 | 2.08 | 1B007745000C2 | 2.08 |
| 1A015812 | 1.16 | 1B003542 | 2.28 | 1B007746 | 2.08 |
| 1A015909 | 1.24 | 1B003585 | 2.06 | 1B007750 | 2.06 |
| 1A016010 | 1.16 | 1B003598 | 2.12 | 1B007797 | 2.08 |
| 1A016123 | 1.17 | 1B003610 | 2.06 | 1B008067R | 1.23 |
| 1A016543 | 1.20 | 1B003616 | 2.08 | 1B008150 | 1.23 |
| 1A016605 | 1.10 | 1B003642 | 2.08 | 1B008491 | 2.06 |
| 1A016755 | 1.17 | 1B003715 | 2.11 | 1B008492 | 2.06 |
| 1A017197 | 1.20 | 1B003729 | 2.11 | 1C000291 | 2.18 |
| 1A017429 | 2.23 | 1B003729 | 2.26 | 1C000655R | 2.17 |
| 1A017647 | 1.10 | 1B003784 | 1.10 | 1C000870 | 2.20 |
| 1A017797 | 1.20 | 1B003793 | 2.26 | 1C001322 | 2.18 |
| 1A017882 | 1.23 | 1B003798 | 2.09 | 1C001628 | 2.33 |
| 1A017936R | 1.15 | 1B003799 | 2.09 | 1C001642 | 2.30 |
| 1A017964 | 1.24 | 1B003804 | 2.28 | 1C001871 | 2.28 |
| 1A018007 | 1.24 | 1B003841 | 2.34 | 1C002059R | 2.20 |
| 1A018013 | 1.20 | 1B004131 | 2.28 | 1C002151 | 2.14 |
| 1A018232 | 1.10 | 1B004165 | 2.11 | 1C002153 | 2.30 |
| 1A018276 | 1.17 | 1B004358 | 2.08 | 1C002414 | 2.18 |
| 1A018501 | 1.10 | 1B004769 | 2.06 | 1C002415 | 2.18 |
| 1A018847 | 1.10 | 1B005066 | 2.11 | 1C002421 | 2.33 |
| 1A018849R | 1.10 | 1B005199 | 2.03 | 1C002469 | 2.33 |
| 1A019253 | 1.09 | 1B005273 | 2.05 | 1C002470 | 2.33 |
| 1A019310 | 1.16 | 1B005274 | 2.05 | 1C002471 | 2.33 |
| 1A020099 | 1.15 | 1B005461 | 2.06 | 1C002472 | 2.33 |
| 1B000951 | 2.28 | 1B005511 | 2.09 | 1C002568 | 2.33 |
| 1B001321 | 2.11 | 1B005512 | 2.09 | 1C002598 | 2.16 |
| 1B001591 | 2.28 | 1B005789 | 2.20 | 1C002634 | 2.20 |
| 1B001786400NT | 2.04 | 1B005790 | 2.03 | 1C002641R | 2.18 |

| PART NO | BLOCK | PART NO | BLOCK | PART NO | BLOCK |
|----------------|--------------|----------------|--------------|----------------|--------------|
| 1C002641R | 2.21 | 1D002664 | 2.18 | 258249 | 2.05 |
| 1C002659 | 2.28 | 1D002701 | 2.11 | 258249 | 2.05 |
| 1C002728 | 2.18 | 1D002753 | 2.28 | 259348 | 1.18 |
| 1C002806 | 2.21 | 1D002965 | 2.24 | 259349 | 2.26 |
| 1C002807 | 2.28 | 1D003013 | 2.23 | 259349 | 2.26 |
| 1C003090 | 2.21 | 1D003122R | 2.26 | 259349 | 2.27 |
| 1C003293 | 2.18 | 1D003220 | 2.31 | 259364 | 2.06 |
| 1C003702 | 2.20 | 1D003405 | 2.31 | 259364 | 2.27 |
| 1C004174 | 2.20 | 1D003473 | 2.13 | 259364 | 2.32 |
| 1C004175 | 2.20 | 1D003474 | 2.13 | 259372 | 2.05 |
| 1C004176 | 2.20 | 1D003477 | 2.11 | 259372 | 2.32 |
| 1C004257 | 2.14 | 1D003496 | 2.31 | 259933 | 2.04 |
| 1C004330 | 2.18 | 1D003519 | 2.13 | 259933 | 2.04 |
| 1C004558 | 2.18 | 1F000110 | 1.09 | 263381 | 2.01 |
| 1C004610 | 2.30 | 1F000110 | 1.12 | 263381 | 2.04 |
| 1C004620 | 2.33 | 20105 | 2.27 | 263381 | 2.04 |
| 1C004621 | 2.33 | 216369 | 1.12 | 265216 | 2.18 |
| 1C004839 | 2.18 | 218667 | 2.28 | 267115 | 2.27 |
| 1C004839 | 2.18 | 230359 | 1.20 | 267115 | 2.34 |
| 1C004874 | 2.30 | 231215 | 2.24 | 267550 | 2.16 |
| 1C004912 | 2.30 | 231590 | 1.23 | 267589 | 2.16 |
| 1C005077 | 2.16 | 231590 | 2.31 | 268158 | 2.16 |
| 1C005078 | 2.16 | 241936 | 2.06 | 268596 | 2.08 |
| 1C005213 | 2.02 | 253937 | 2.12 | 269136 | 2.08 |
| 1C005953R | 2.20 | 254485 | 1.17 | 269755 | 1.02 |
| 1D000698 | 1.16 | 254485 | 1.18 | 270310 | 2.30 |
| 1D001143 | 2.31 | 254485 | 1.23 | 270793 | 2.03 |
| 1D001143 | 2.31 | 254485 | 2.03 | 270793 | 2.03 |
| 1D001198 | 1.16 | 254485 | 2.04 | 270793 | 2.03 |
| 1D001567 | 2.27 | 254485 | 2.06 | 270793 | 2.03 |
| 1D001568 | 2.27 | 254485 | 2.06 | 270793 | 2.04 |
| 1D001569 | 2.27 | 254485 | 2.11 | 270793 | 2.05 |
| 1D001570 | 2.24 | 254485 | 2.27 | 270793 | 2.05 |
| 1D001571 | 2.24 | 254485 | 2.28 | 270793 | 2.05 |
| 1D001636 | 2.23 | 254485 | 2.32 | 270793 | 2.05 |
| 1D001640 | 1.14 | 255323 | 2.06 | 270793 | 2.05 |
| 1D001926 | 2.24 | 257134 | 1.20 | 270793 | 2.05 |
| 1D001927 | 2.24 | 257134 | 1.23 | 270793 | 2.05 |
| 1D002219 | 2.11 | 257134 | 2.26 | 270793 | 2.05 |
| 1D002400 | 2.13 | 257134 | 2.30 | 270793 | 2.06 |
| 1D002507 | 2.14 | 257134 | 2.31 | 270793 | 2.13 |
| 1D002507 | 2.14 | 257535 | 2.08 | 270793 | 2.24 |
| 1D002592 | 2.23 | 258146 | 1.17 | 270793 | 2.28 |

| PART NO | BLOCK | PART NO | BLOCK | PART NO | BLOCK |
|----------------|--------------|----------------|--------------|----------------|--------------|
| 270793 | 2.32 | 2H003777 | 2.07 | 564260 | 2.33 |
| 270793 | 2.34 | 2H003778 | 2.07 | 564606 | 2.28 |
| 270793 | 2.34 | 2H003779 | 2.07 | 564645 | 2.30 |
| 270793 | 2.34 | 2H003780 | 2.07 | 575249 | 2.03 |
| 270991 | 2.18 | 2H003781 | 2.07 | 575249 | 2.04 |
| 270991 | 2.21 | 2H003782 | 2.07 | 575249 | 2.06 |
| 271596 | 2.20 | 2H003783 | 2.07 | 575249 | 2.06 |
| 272836 | 1.18 | 2H004456 | 2.07 | 575249 | 2.06 |
| 272836 | 2.03 | 2H004457 | 2.07 | 575268 | 2.06 |
| 272836 | 2.27 | 3056 | 1.17 | 575819 | 2.04 |
| 272836 | 2.28 | 3058 | 2.04 | 575937 | 2.26 |
| 273754 | 2.02 | 3058 | 2.04 | 577492 | 2.08 |
| 274489 | 2.14 | 3058 | 2.06 | 580621 | 2.12 |
| 274491 | 2.14 | 433987 | 1.03 | 58273R | 1.12 |
| 285536 | 1.13 | 434541 | 1.23 | 584332 | 2.24 |
| 287073 | 1.24 | 434541 | 1.23 | 584332 | 2.24 |
| 288673 | 1.03 | 434541 | 2.11 | 584426 | 2.22 |
| 292022 | 2.24 | 434541 | 2.23 | 597043 | 2.02 |
| 293154 | 2.06 | 434541 | 2.23 | 601039 | 1.20 |
| 295590 | 2.04 | 434716 | 1.07 | 6078 | 2.11 |
| 295590 | 2.04 | 435571 | 1.07 | 614188 | 1.17 |
| 295591 | 2.04 | 435634 | 2.20 | 623504 | 2.08 |
| 295591 | 2.04 | 435634 | 2.23 | 639088 | 2.27 |
| 295822 | 2.28 | 436788 | 2.11 | 640879 | 2.20 |
| 296743 | 2.08 | 436947 | 1.24 | 641358 | 2.22 |
| 297498 | 2.24 | 483711 | 1.07 | 641359 | 2.22 |
| 297498 | 2.32 | 485703 | 1.02 | 642537 | 1.10 |
| 298903 | 2.12 | 485703 | 1.07 | 642679 | 2.22 |
| 2H002790 | 2.07 | 487034 | 1.03 | 642906 | 2.27 |
| 2H003225 | 2.07 | 487665 | 1.24 | 642967 | 2.22 |
| 2H003760 | 2.07 | 4A000002 | 2.14 | 643114 | 1.12 |
| 2H003761 | 2.07 | 560619 | 2.28 | 643149 | 1.10 |
| 2H003762 | 2.07 | 561837 | 2.28 | 643156 | 1.10 |
| 2H003763 | 2.07 | 561838 | 2.28 | 643367 | 1.10 |
| 2H003764 | 2.07 | 562576 | 2.16 | 647384 | 2.17 |
| 2H003769 | 2.07 | 563076 | 2.16 | 649910 | 2.18 |
| 2H003770 | 2.07 | 564112 | 2.17 | 651293 | 2.14 |
| 2H003771 | 2.07 | 564134 | 2.17 | 653281 | 2.08 |
| 2H003772 | 2.07 | 564136 | 2.17 | 655554 | 2.14 |
| 2H003773 | 2.07 | 564256 | 2.33 | 656021 | 2.11 |
| 2H003774 | 2.07 | 564257 | 2.33 | 665602 | 2.33 |
| 2H003775 | 2.07 | 564258 | 2.33 | 665657 | 2.21 |
| 2H003776 | 2.07 | 564259 | 2.33 | 666294 | 2.20 |

| PART NO | BLOCK | PART NO | BLOCK | PART NO | BLOCK |
|----------------|--------------|----------------|--------------|----------------|--------------|
| 666484 | 2.02 | 83054R | 1.07 | B014760 | 1.08 |
| 666758 | 2.14 | 83062R | 1.08 | B014830 | 1.09 |
| 666991 | 1.02 | 833663 | 2.28 | B015288 | 1.07 |
| 667156 | 1.23 | 834187 | 2.01 | B015312 | 1.12 |
| 667387 | 2.14 | 834187 | 2.04 | B015320 | 1.24 |
| 667566 | 2.02 | 834187 | 2.04 | B015320 | 2.16 |
| 667567 | 2.02 | 834187 | 2.28 | B015320 | 2.16 |
| 667841 | 2.30 | 842908 | 1.24 | B015320 | 2.16 |
| 667842 | 1.03 | 844719 | 1.07 | B015321 | 1.24 |
| 667842 | 2.30 | 844719 | 1.12 | B015321 | 2.16 |
| 668302 | 2.16 | 844719 | 1.07 | B015483 | 1.08 |
| 668585 | 2.02 | 847928 | 1.09 | B015591 | 1.02 |
| 668686 | 1.02 | 848766 | 1.23 | B015592 | 1.02 |
| 669282 | 2.18 | 848766 | 1.24 | B015592 | 1.03 |
| 673917A | 2.28 | 848766 | 2.11 | B015598 | 1.13 |
| 673918A | 2.27 | 856467 | 2.08 | B015598 | 1.13 |
| 674163 | 2.08 | 872816 | 1.10 | B015676 | 1.02 |
| 674312 | 2.08 | 876879 | 1.24 | B016047 | 1.03 |
| 675424 | 2.11 | 879474 | 1.05 | B016419 | 1.03 |
| 675546 | 2.06 | 880805 | 1.10 | B016627 | 1.24 |
| 676200 | 2.11 | 880841 | 1.05 | B016887 | 1.02 |
| 680154 | 2.23 | 939278 | 2.20 | B016922 | 1.15 |
| 6965 | 2.20 | 969296 | 2.11 | B016953 | 1.04 |
| 6965 | 2.27 | 970273 | 2.06 | B016954 | 1.02 |
| 709003 | 2.27 | 975835 | 2.04 | B016955 | 1.02 |
| 709037 | 2.18 | 975835 | 2.04 | B016957 | 1.02 |
| 709047 | 2.20 | B013524 | 1.03 | B017080 | 1.12 |
| 709116 | 1.23 | B013685 | 1.03 | B017113 | 1.08 |
| 709116 | 2.27 | B014041 | 1.03 | B017323 | 1.08 |
| 709519 | 1.18 | B014063 | 1.10 | B017406 | 1.09 |
| 781254 | 2.14 | B014063 | 1.12 | B017406 | 1.13 |
| 78307 | 2.06 | B014066 | 1.10 | B017425 | 1.08 |
| 783363 | 2.28 | B014066 | 1.12 | B017426 | 1.08 |
| 811081025 | 1.02 | B014094 | 1.03 | B017431 | 1.08 |
| 811081025 | 1.07 | B014188 | 1.03 | B017438 | 1.07 |
| 826275 | 2.06 | B014237 | 1.09 | B017445 | 1.03 |
| 827526 | 1.24 | B014585 | 1.10 | B017446 | 1.02 |
| 827831 | 1.17 | B014684 | 1.07 | B017456 | 1.07 |
| 830061 | 2.06 | B014705 | 1.07 | B017481 | 1.03 |
| 830269 | 1.09 | B014706 | 1.07 | B017597 | 1.03 |
| 83033R | 1.14 | B014732 | 1.07 | B017599 | 1.15 |
| 83044R | 1.04 | B014750 | 1.12 | B018020 | 1.13 |
| 83053R | 1.07 | B014755 | 1.02 | B018038 | 1.03 |

| PART NO | BLOCK | PART NO | BLOCK | PART NO | BLOCK |
|----------------|--------------|----------------|--------------|-----------------|--------------|
| B018139 | 1.02 | CM006913 | 1.23 | CM291502 | 1.07 |
| B018140 | 1.06 | CM0074G8 | 1.23 | CM291503 | 1.07 |
| B018262 | 1.17 | CM013203 | 2.27 | CM291503 | 1.05 |
| B018304 | 1.03 | CM017408 | 2.27 | CM301404 | 2.23 |
| B018306 | 1.15 | CM017409 | 2.34 | CM301412 | 2.23 |
| B018308 | 1.15 | CM017410 | 2.03 | CM305605 | 1.01 |
| B018421 | 1.12 | CM017410 | 2.03 | SB003140000NL | 2.03 |
| B018421 | 1.03 | CM017410 | 2.03 | SB003147000BR | 2.05 |
| B018442 | 1.16 | CM017410 | 2.05 | SB003147000NL | 2.05 |
| B018448 | 1.13 | CM017410 | 2.05 | SB003148000BR | 2.05 |
| B018476 | 1.10 | CM017410 | 2.05 | SB003148000NL | 2.05 |
| B018533 | 1.07 | CM017410 | 2.05 | SB003150000NT | 2.06 |
| B018718 | 1.09 | CM017410 | 2.05 | SKIT940031R | 2.28 |
| B018718 | 1.02 | CM017410 | 2.05 | SKIT940032R | 2.28 |
| B018853 | 1.16 | CM017410 | 2.06 | SKIT940033R | 2.28 |
| B018854 | 1.07 | CM017410 | 2.26 | SKIT940033R | 2.28 |
| B018946 | 1.08 | CM017410 | 2.26 | SKIT940034R | 2.28 |
| B019040 | 1.09 | CM017410 | 2.27 | SKIT940060 | 2.03 |
| B019107 | 1.02 | CM017410 | 2.32 | SKIT940061 | 2.11 |
| B019108 | 1.04 | CM017410 | 2.32 | SKIT940062 | 2.06 |
| B019134 | 1.10 | CM017410 | 2.34 | SKIT940091 | 2.28 |
| B019254 | 1.17 | CM023903 | 2.23 | SKIT940092 | 2.28 |
| B024614 | 2.16 | CM080904 | 2.31 | SP1A006405 | 1.08 |
| CM001234 | 1.23 | CM080905 | 2.31 | SP1A007948 | 1.04 |
| CM001237 | 1.23 | CM080906 | 2.31 | SP1A014351 | 1.06 |
| CM001901 | 1.23 | CM080908 | 2.31 | SP1A014619 | 1.24 |
| CM001901 | 1.23 | CM087614 | 2.23 | SP1A015088 | 1.02 |
| CM001912 | 1.23 | CM177978 | 1.23 | SP1A015089 | 1.02 |
| CM001912 | 1.23 | CM177979 | 1.23 | SP1A015904 | 1.11 |
| CM001912 | 1.23 | CM178603 | 2.26 | SP1A0165444 | 1.20 |
| CM001913 | 1.23 | CM178608 | 2.05 | SP1A016610 | 1.07 |
| CM001914 | 1.23 | CM179303 | 2.28 | SP1A017005 | 1.08 |
| CM001914 | 1.23 | CM259204 | 1.17 | SP1A017432 | 1.03 |
| CM001927 | 1.20 | CM259204 | 2.11 | SP1A017433 | 1.03 |
| CM001927 | 1.20 | CM281204 | 2.09 | SP1A017774 | 1.24 |
| CM002903 | 1.23 | CM281205 | 2.09 | SP1A018416 | 1.24 |
| CM002910 | 1.17 | CM281206 | 2.09 | SP1B003147000DX | 2.05 |
| CM002916 | 1.13 | CM283429 | 1.23 | SP1B003147000R7 | 2.05 |
| CM002916 | 1.17 | CM283431 | 1.23 | SP1B003148000DX | 2.05 |
| CM002916 | 1.04 | CM287405 | 1.23 | SP1B003148000R7 | 2.05 |
| CM002917 | 1.13 | CM291501 | 1.05 | SP1B003628 | 2.01 |
| CM002917 | 1.23 | CM291501 | 1.07 | SP1B006076 | 2.14 |
| CM002917 | 1.04 | CM291502 | 1.05 | SP1B006986000NL | 2.34 |

