

Parts Catalog

Two Wheeler

SR APRILIA 150 RACE

PIAGGIO VEHICLES PRIVATE LIMITED

Registered Office: Bund Garden Road ,Opp. Residency Club , Pune (India)

PLATES INDEX

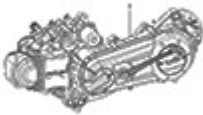
Sr No.	Plate Name	Plate No.	Page No.
1	Engine	1.01	1-2
2	Crankcase	1.02	3-4
3	Transmission Cover	1.03	5-6
4	Gear Box cover	1.04	7-8
5	Cylinder Piston Group	1.05	9-10
6	Flywheel Cover	1.06	11-12
7	Cylinder Head	1.07	13-14
8	Camshaft	1.08	15-16
9	Timing Group	1.09	17-18
10	Electric Component	1.10	19-20
11	Crankshaft	1.11	21-22
12	Fan cover and Shroud	1.12	23-24
13	Lubrication component	1.13	25-26
14	Starting Group	1.14	27-28
15	Transmission Group	1.15	29-32
16	Carburetor	1.16	33-34
17	Air Intake	1.17	35-36
18	Induction Pipe/Bellow	1.18	37-38
19	Muffler	1.19	39-40
20	Frame	2.01	41-42
21	Stand	2.02	43-44
22	Front Shield	2.03	45-46
23	Central covers & footrests	2.04	47-48
24	Side cover and spoiler	2.05	49-50
25	Helmet Carrier Cover & Spoiler	2.06	51-52
26	Mudguard and helmet Case	2.07	53-54
27	Logos and Emblem	2.08	55-56
28	Complete Saddle	2.09	57-58
29	Mirrors	2.10	59-60
30	Locks	2.11	61-62

PLATES INDEX

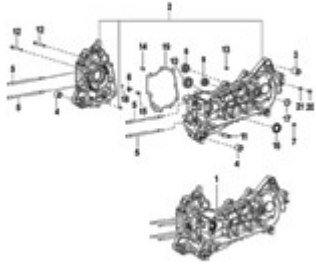
Sr No.	Plate Name	Plate No.	Page No.
31	Fuel Tank	2.12	63-64
32	Handlebar Coverages	2.13	65-66
33	Speedometer	2.14	67-68
34	Handlebars	2.15	69-70
35	Front suspension	2.16	71-72
36	Rear Suspension	2.17	73-74
37	Rear Brake	2.18	75-76
38	Front wheel	2.19	77-78
39	Rear Wheel	2.20	79-80
40	Brake Pipes and Calipers	2.21	81-82
41	Transmission cables	2.22	83-84
42	Selector Switches	2.23	85-86
43	Remote Control Switches	2.24	87-88
44	Front lamp Group	2.25	89-90
45	Rear lamp Group	2.26	91-92
46	Battery	2.27	93-94
47	Wiring Harness	2.28	95-96

PICTORIAL PLATES INDEX

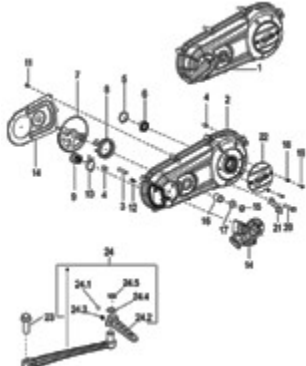
1.01 Engine
Page No. :1-2



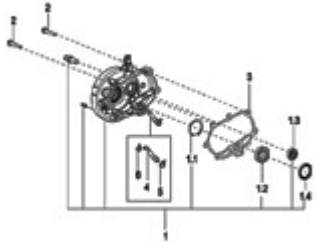
1.02 Crankcase
Page No. :3-4



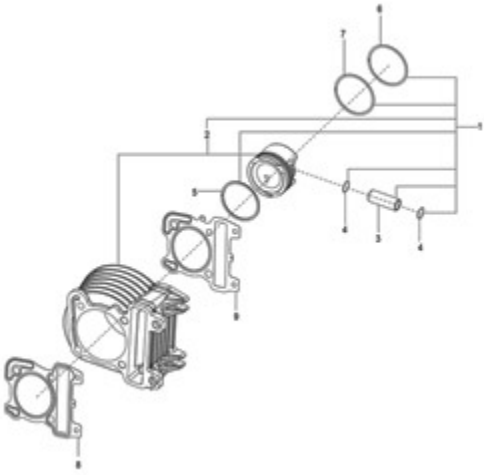
1.03 Transmission Cover
Page No. :5-6



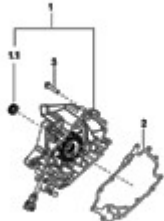
1.04 Gear Box cover
Page No. :7-8



1.05 Cylinder Piston Group
Page No. :9-10

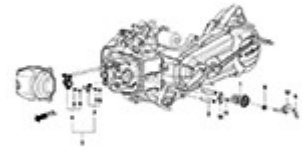
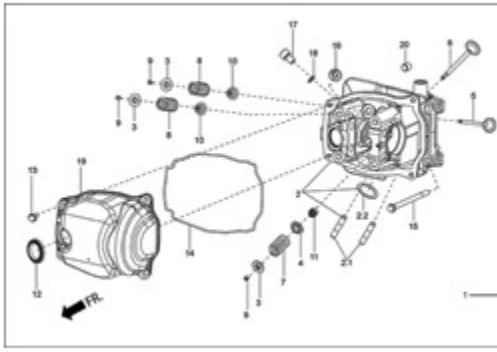


1.06 Flywheel Cover
Page No. :11-12

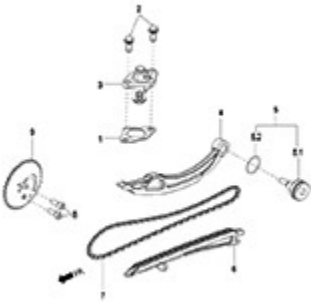
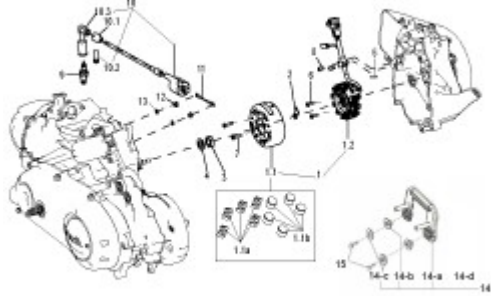
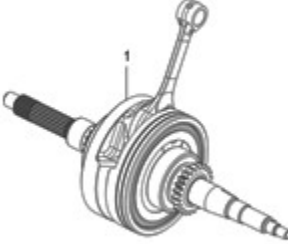
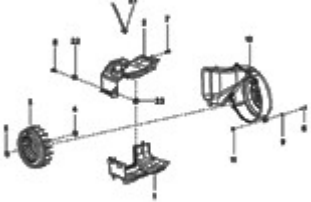
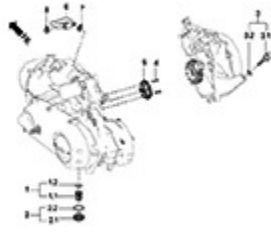
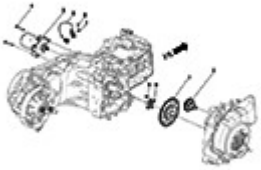


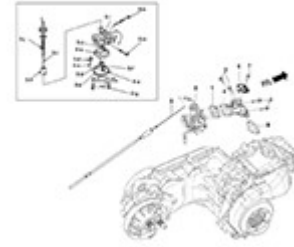
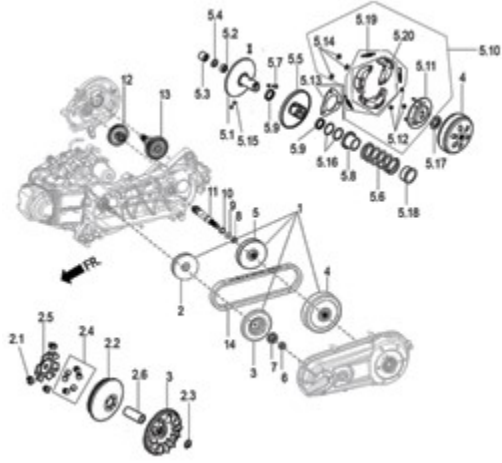
1.07 Cylinder Head
Page No. :13-14

1.08 Camshaft
Page No. :15-16

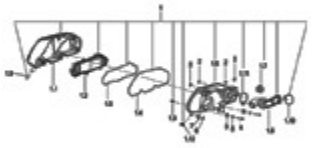
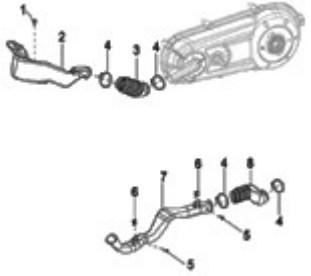
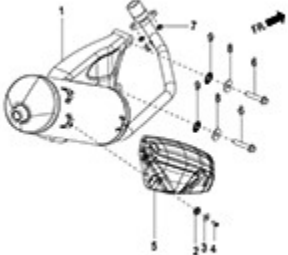

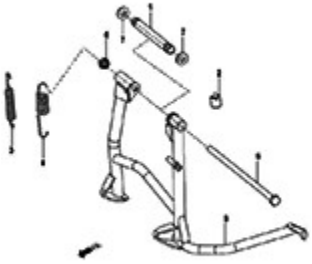



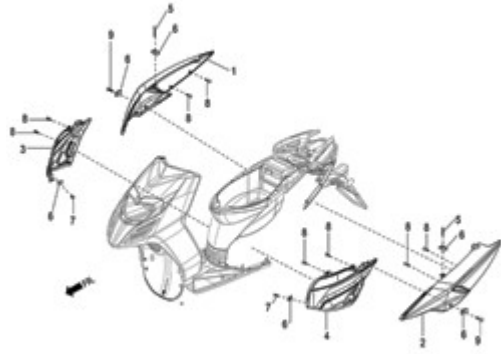
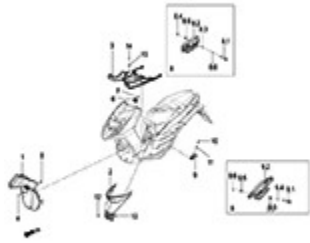
PICTORIAL PLATES INDEX

<p>1.09 Timing Group</p> <p>Page No. :17-18</p> 	<p>1.10 Electric Component</p> <p>Page No. :19-20</p> 
<p>1.11 Crankshaft</p> <p>Page No. :21-22</p> 	<p>1.12 Fan cover and Shroud</p> <p>Page No. :23-24</p> 
<p>1.13 Lubrication component</p> <p>Page No. :25-26</p> 	<p>1.14 Starting Group</p> <p>Page No. :27-28</p> 
<p>1.15 Transmission Group</p> <p>Page No. :29-32</p>	<p>1.16 Carburetor</p> <p>Page No. :33-34</p>



PICTORIAL PLATES INDEX

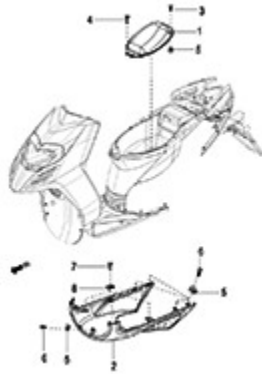
<p>1.17 Air Intake Page No. :35-36</p> 	<p>1.18 Induction Pipe/Bellow Page No. :37-38</p> 
<p>1.19 Muffler Page No. :39-40</p> 	<p>2.01 Frame Page No. :41-42</p> 
<p>2.02 Stand Page No. :43-44</p> 	<p>2.03 Front Shield Page No. :45-46</p> 
<p>2.04 Central covers & footrests Page No. :47-48</p>	<p>2.05 Side cover and spoiler Page No. :49-50</p>



PICTORIAL PLATES INDEX

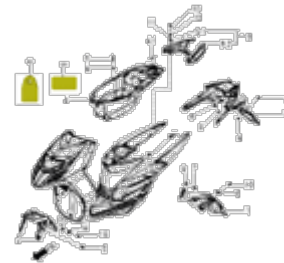
2.06 Helmet Carrier Cover & Spoiler

Page No. :51-52



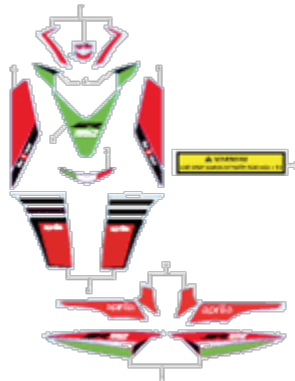
2.07 Mudguard and helmet Case

Page No. :53-54



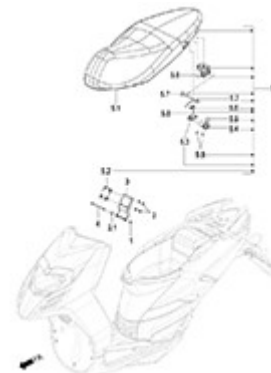
2.08 Logos and Emblem

Page No. :55-56



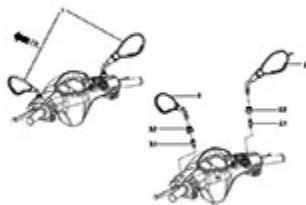
2.09 Complete Saddle

Page No. :57-58



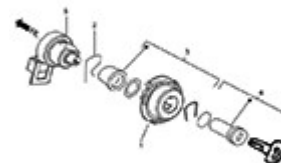
2.10 Mirrors

Page No. :59-60



2.11 Locks

Page No. :61-62



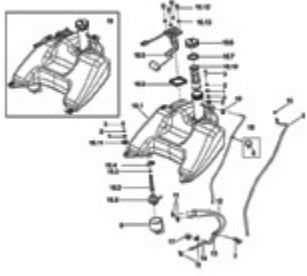
2.12 Fuel Tank

Page No. :63-64

2.13 Handlebar Coverages

Page No. :65-66

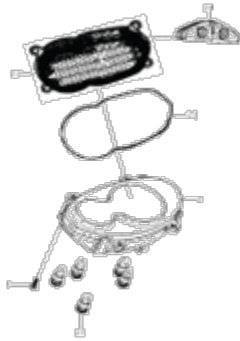




PICTORIAL PLATES INDEX

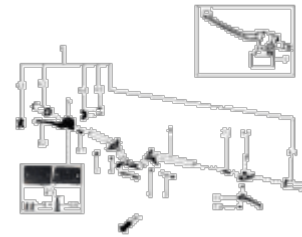
2.14 Speedometer

Page No. :67-68



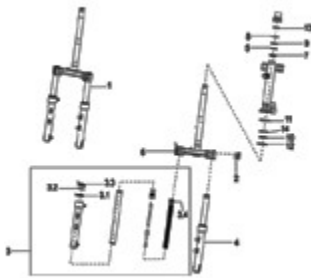
2.15 Handlebars

Page No. :69-70



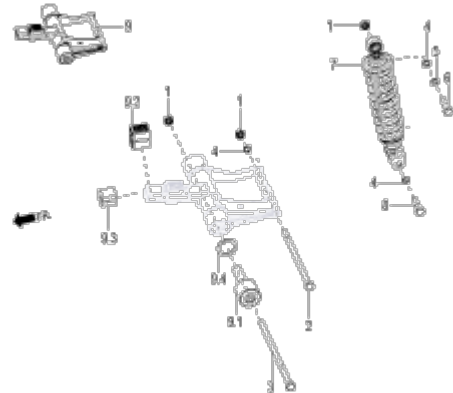
2.16 Front suspension

Page No. :71-72



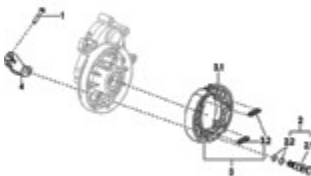
2.17 Rear Suspension

Page No. :73-74



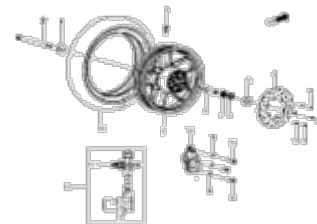
2.18 Rear Brake

Page No. :75-76



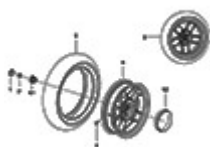
2.19 Front wheel

Page No. :77-78



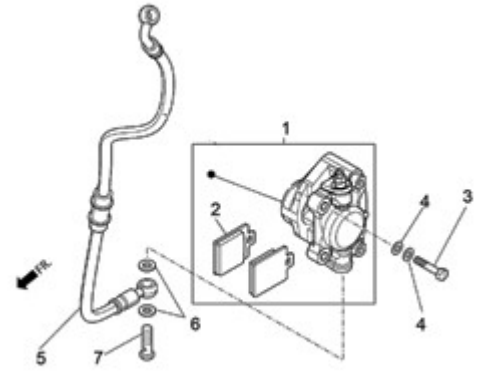
2.20 Rear Wheel

Page No. :79-80



2.21 Brake Pipes and Calipers

Page No. :81-82



PICTORIAL PLATES INDEX

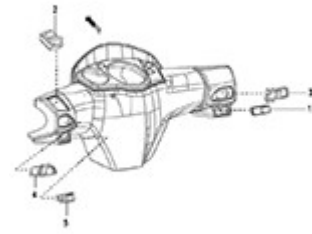
2.22 Transmission cables

Page No. :83-84



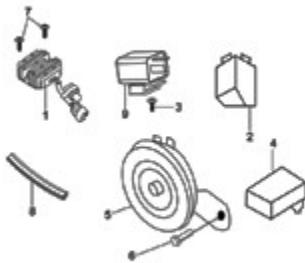
2.23 Selector Switches

Page No. :85-86



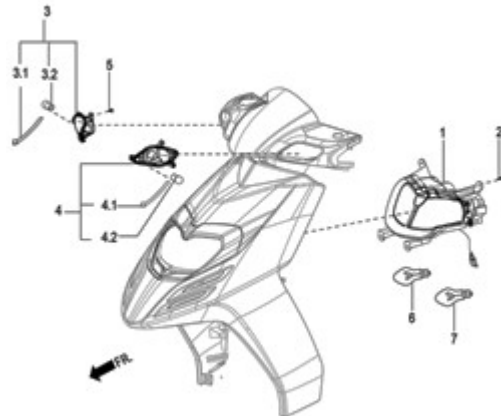
2.24 Remote Control Switches

Page No. :87-88



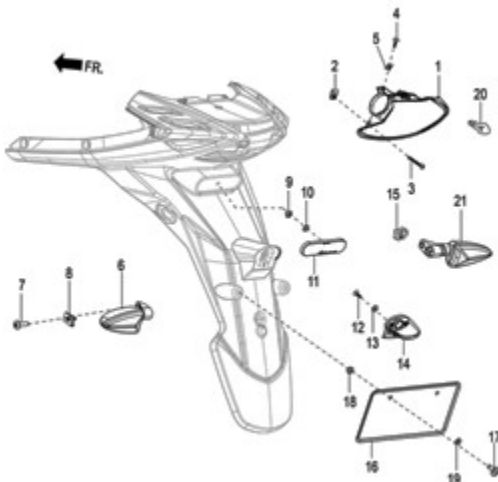
2.25 Front lamp Group

Page No. :89-90



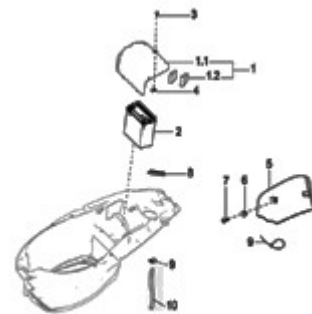
2.26 Rear lamp Group

Page No. :91-92



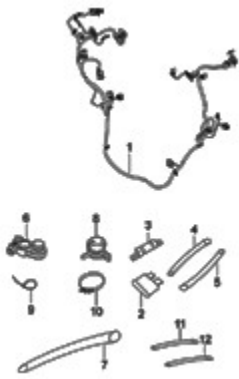
2.27 Battery

Page No. :93-94

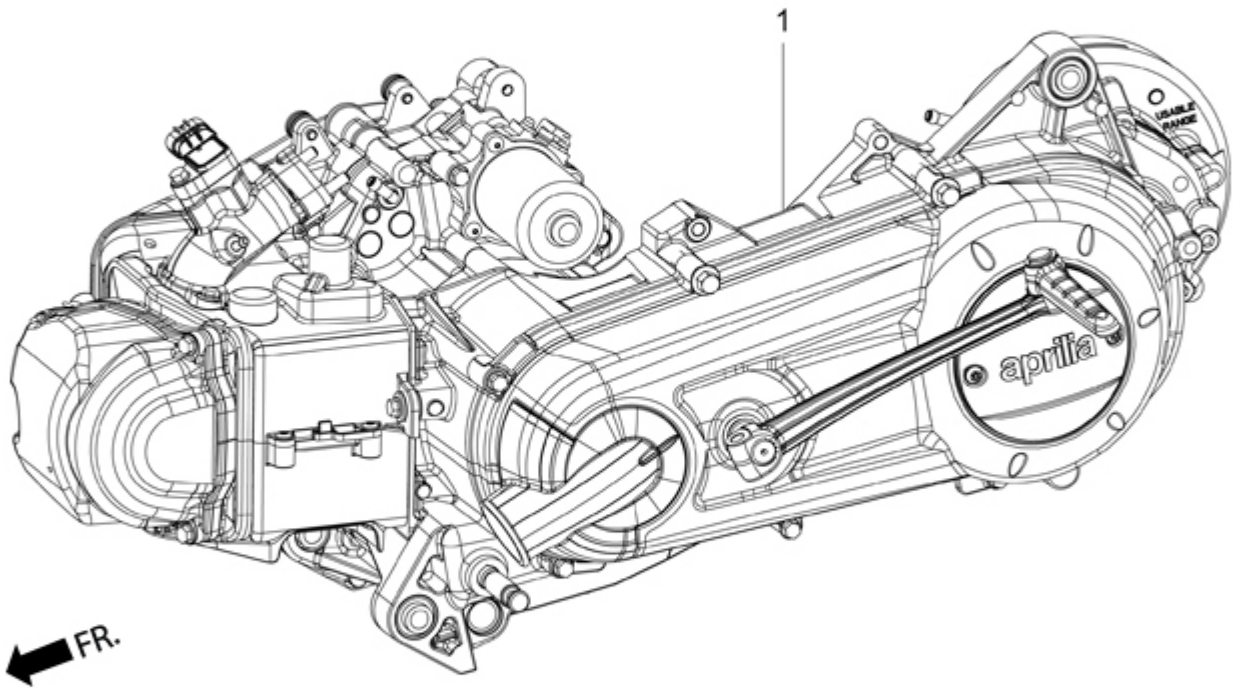


2.28 Wiring Harness

Page No. :95-96



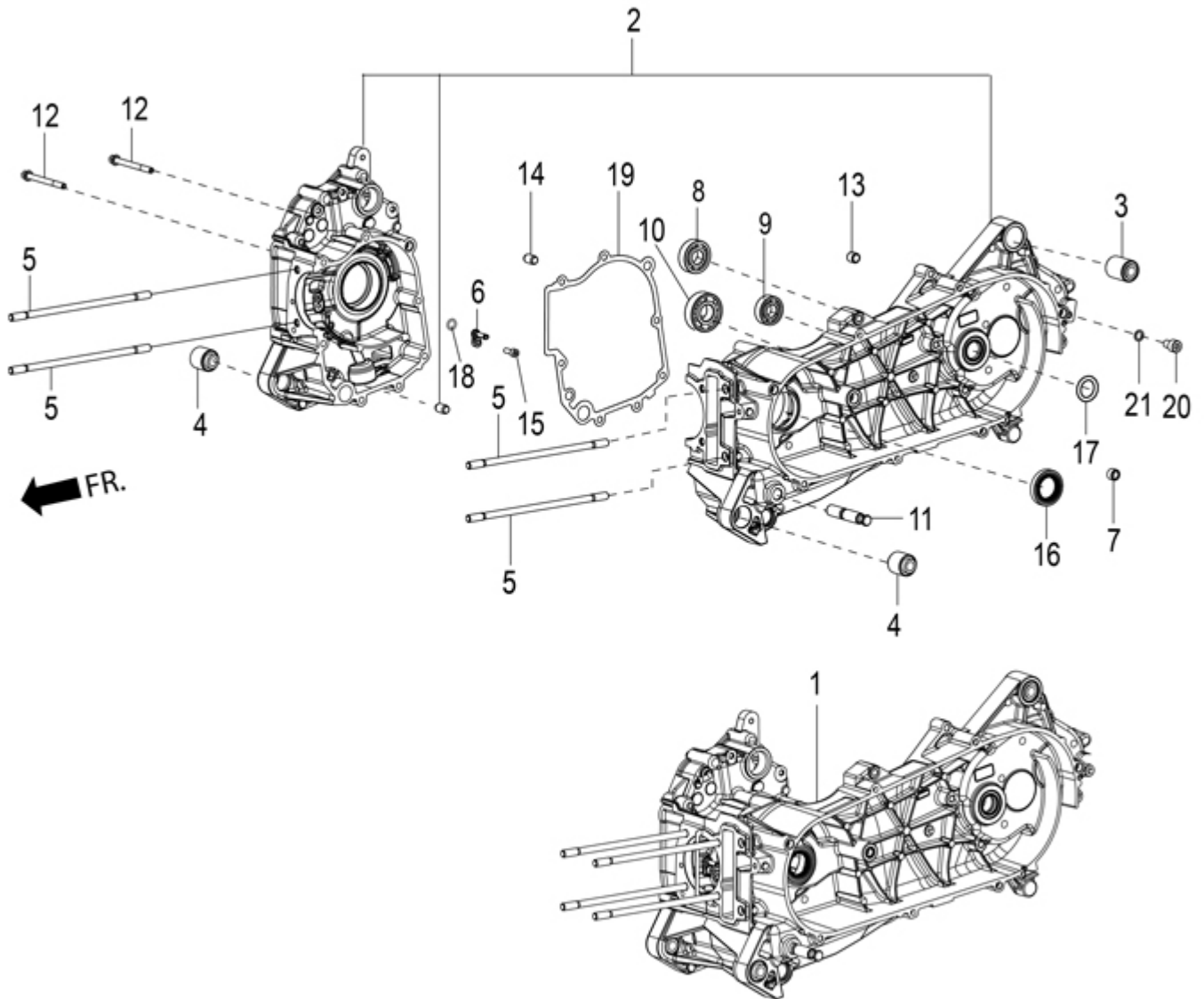
1.01
Engine



1.01
Engine

Fig. No.	Part No.	Description	Qty	Remarks
1	CM166934	ENG.150 4S/3V HE SR MOTARD SPORT	1	

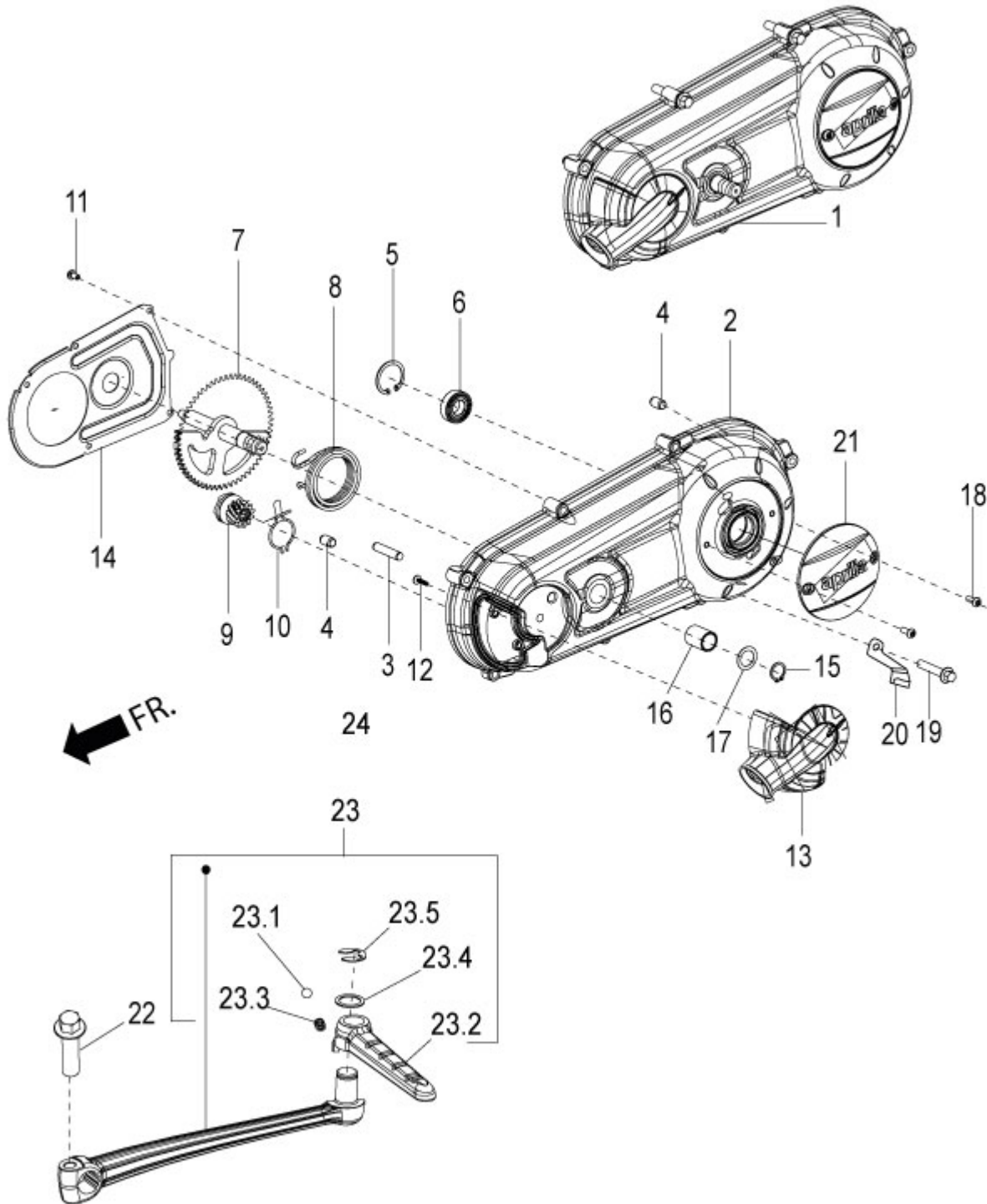
1.02 Crankcase



1.02**Crankcase**

Fig. No.	Part No.	Description	Qty	Remarks
1	SP1A005458	CRANKCASE ASSY	1	
2	SP1A015080	COUPLED CRANKCASE WITH I.P.	1	
3	666991	RUBBER BUSHING	1	
4	B015676	RUBBER BUSHING	2	
5	B014755	STUD SCREW	4	
6	1A015021	LUBRICATION SPRAY JET	1	
7	B017446	BUSH	1	
8	B016955	DEEP GROOVE BALL BEARING	1	
9	B016957	BALL BEARING	1	
10	B016954	DEEP GROOVE BALL BEARING	1	
11	668686	STAND SPRING HOOKING PIN	1	
12	1A003068	FLANGED HEX HEAD SCREW M6X65	9	CRANKCASE FIXING
13	B015591	REFERENCE DOWEL	2	
14	B015592	REFERENCE DOWEL (D.9,5 H=15)	2	
15	B018718	EXAG. SOCKET CYLIND.HEAD SCREW M5X14	1	
16	B018139	SEAL RING 40X25X7	1	
17	B019107	SEAL RING 20X32X7	1	
18	1A001256	SEAL RING (O-RING)	1	
19	1A001278	HALF-CRANKCASES GASKET	1	CRANKCASE FIXING
20	269755	SOCKET HEAD SCREW (M8X12)	2	CRANKCASE COMPONENTS
21	485703	WASHER	2	CRANKCASE COMPONENTS

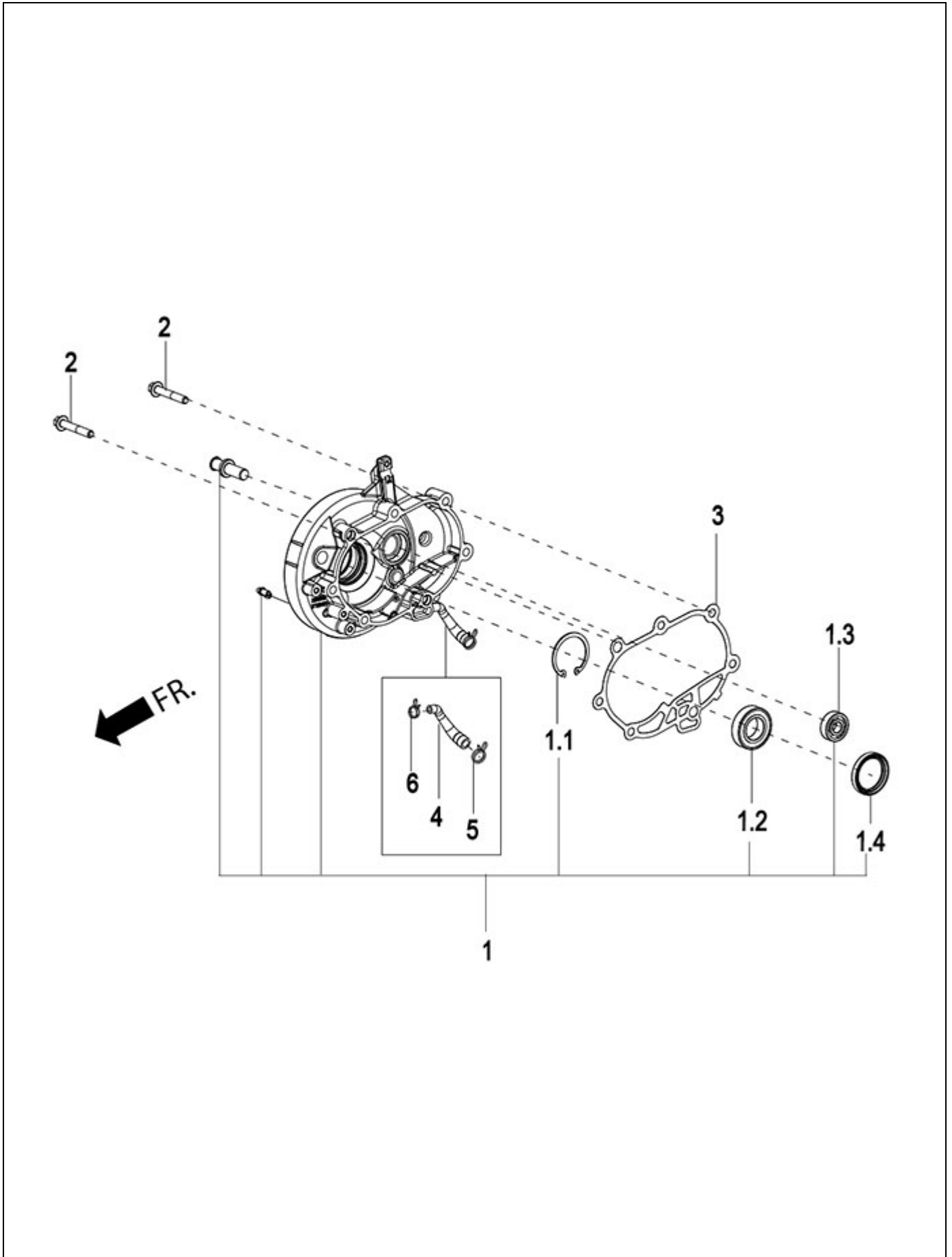
1.03 Transmission Cover



1.03**Transmission Cover**

Fig. No.	Part No.	Description	Qty	Remarks
1	SP1A017432	COMPLETE TRANSMISSION COVER	1	
2	SP1A017433	TRANSMISSION COVER WITH I.P.-SPD	1	
3	B017481	STARTER PINION GEAR PIVOT	1	
4	B015592	REFERENCE DOWEL (D.9,5 H=15)	2	
5	1A006307	ELASTIC RING	1	
6	B018304	BALL BEARING	1	
7	B018038	STARTING AXLE WITH I.P.	1	
8	B014188	START LEVER RETURNING SPRING	1	
9	B017597	STARTER PINION GEAR WITH I.P.	1	
10	288673	SPRING	1	
11	1A000612	RETAINER SCREW - PRE COATED	5	AIR DEFLECTOR FIXING
12	B018421	SULF-THREADING SCREW 3.8X16	3	COOLING COVER FIXING
13	B013524	COOLING COVER	1	
14	B013685	AIR DEFLECTOR	1	
15	006416	SPRING RING	1	
16	B017445	BUSH	1	
17	433987	PLANE WASHER 16.3X23.8X0.6	1	
18	1A008521	COVEX HEAD SCREW WITH TORX	2	TRANSMISSION COVER CAP FIXING (OIM)
19	1A003060	FLANGED HEX. HEAD SCREW M6X45	6	TRANSMISSION COVER FIXING
20	667842	TRANSMISSION BRAKE CLAMP	1	TRANSMISSION COVER FIXING
21	1A005843	TRANSMISSION COVER CUP	1	
22	1A007571	FLANGED HEX. HEAD SCREW M6X25	1	STARTING LEVER FIXING
23	1A008057	STARTING LEVER ASSY	1	
23.1	487034	SPHERE	1	
23.2	B014041	PEDAL CRANK	1	
23.3	B016419	LOCK PEDAL CRANK SPRING	1	
23.4	B016047	PLAIN WASHER	1	
23.5	B014094	CIRCLIP	1	

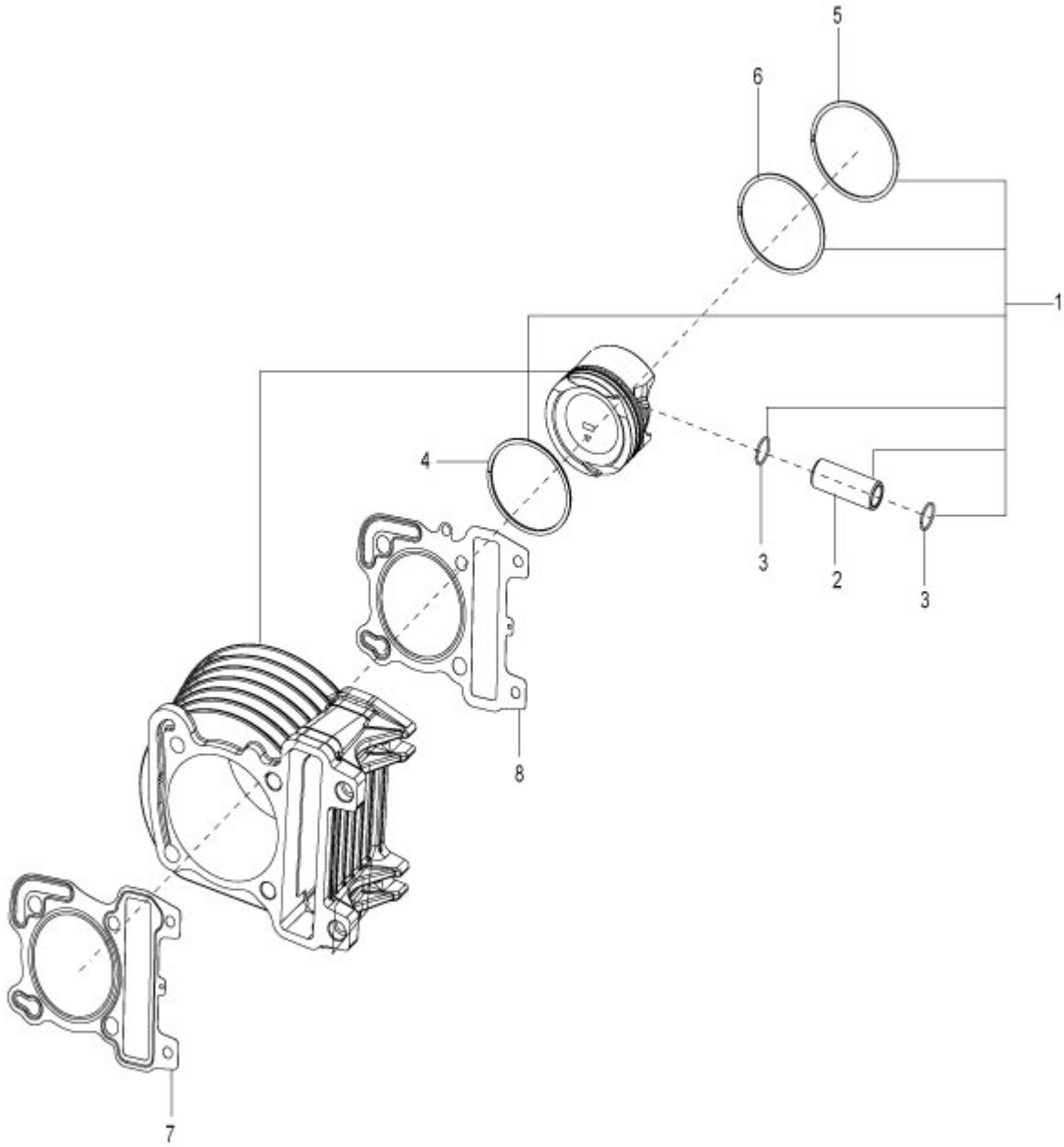
1.04
Gear Box cover



1.04**Gear Box cover**

Fig. No.	Part No.	Description	Qty	Remarks
1	SP1A007948	GEAR BOX COVER WITH I.P.-SPD	1	
1.1	006647	SPRING RING 47X50.5X1.75	1	
1.2	83044R	DEEP GROOVE BALL BEARING	1	
1.3	B016953	DEEP GROOVE BALL BEARING	1	
1.4	B019108	SEAL RING 35X47X7	1	
2	1A007618	FLANGED HEXAGONAL HEAD SCREW	7	GEAR COVER FIXING
3	1A006483	GEAR BOX GASKET	1	GEAR COVER FIXING
4	1A006780	OIL BREATHER PIPE	1	
5	CM002916	HOSE CLAMP	1	
6	CM002917	HOSE CLAMP	1	

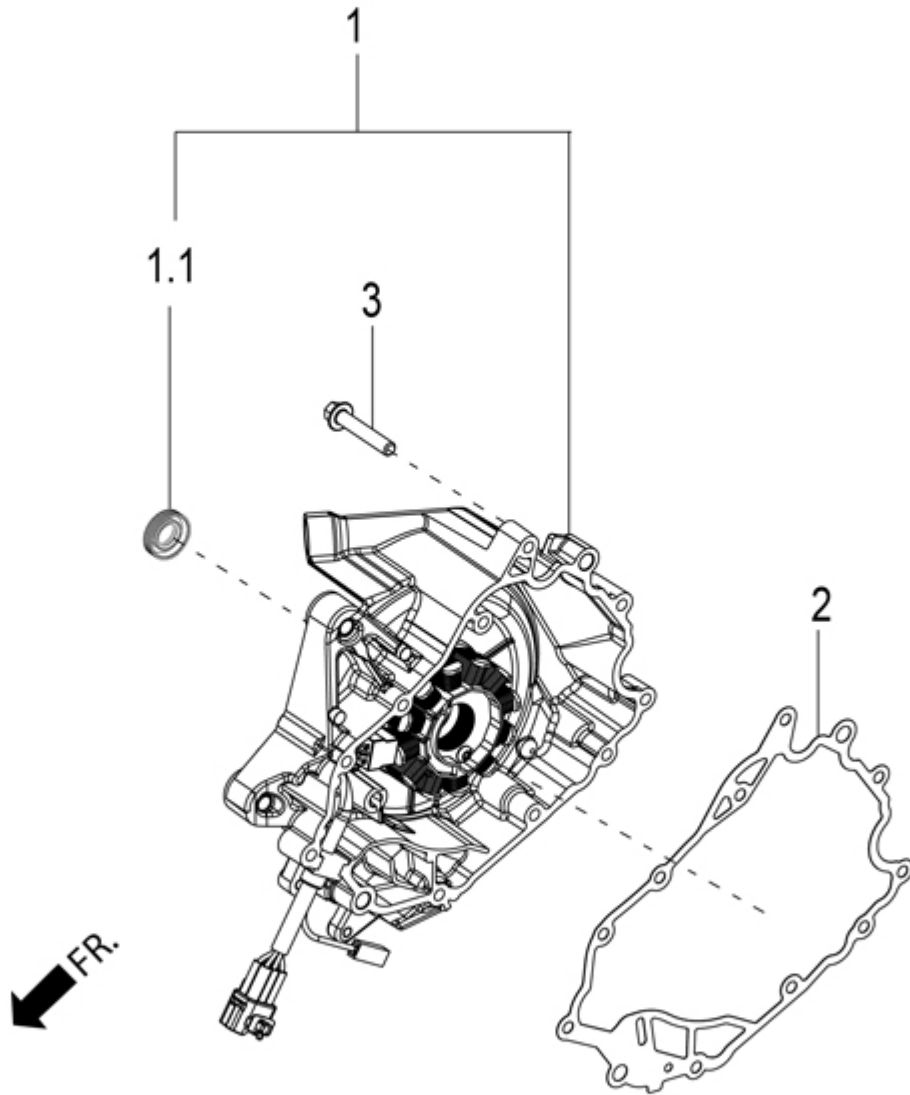
1.05
Cylinder Piston Group



1.05**Cylinder Piston Group**

Fig. No.	Part No.	Description	Qty	Remarks
1	SP1L004485C	CYLINDER-PISTON KIT ASSLY	1	
2	880841	PISTON PIN	1	
3	879474	CIRCLIP	2	
4	1A008637	1ST COMPRESSION RING	1	
5	1A008638	2ND COMPRESSION RING	1	
6	1A008639	1A008639 OIL CONTROL RING 3RD HOUSING	1	
7	1A000745	HEAD/CYLINDER GASKET	1	CYLINDER HEAD/CRANKCASE FIXING
8	CM291501	CRANKCASE-CYLINDER GASKET 0.4	1	
8	CM291502	CRANKCASE-CYLINDER GASKET 0.6	1	
8	CM291503	CRANKCASE-CYLINDER GASKET 0.8	1	

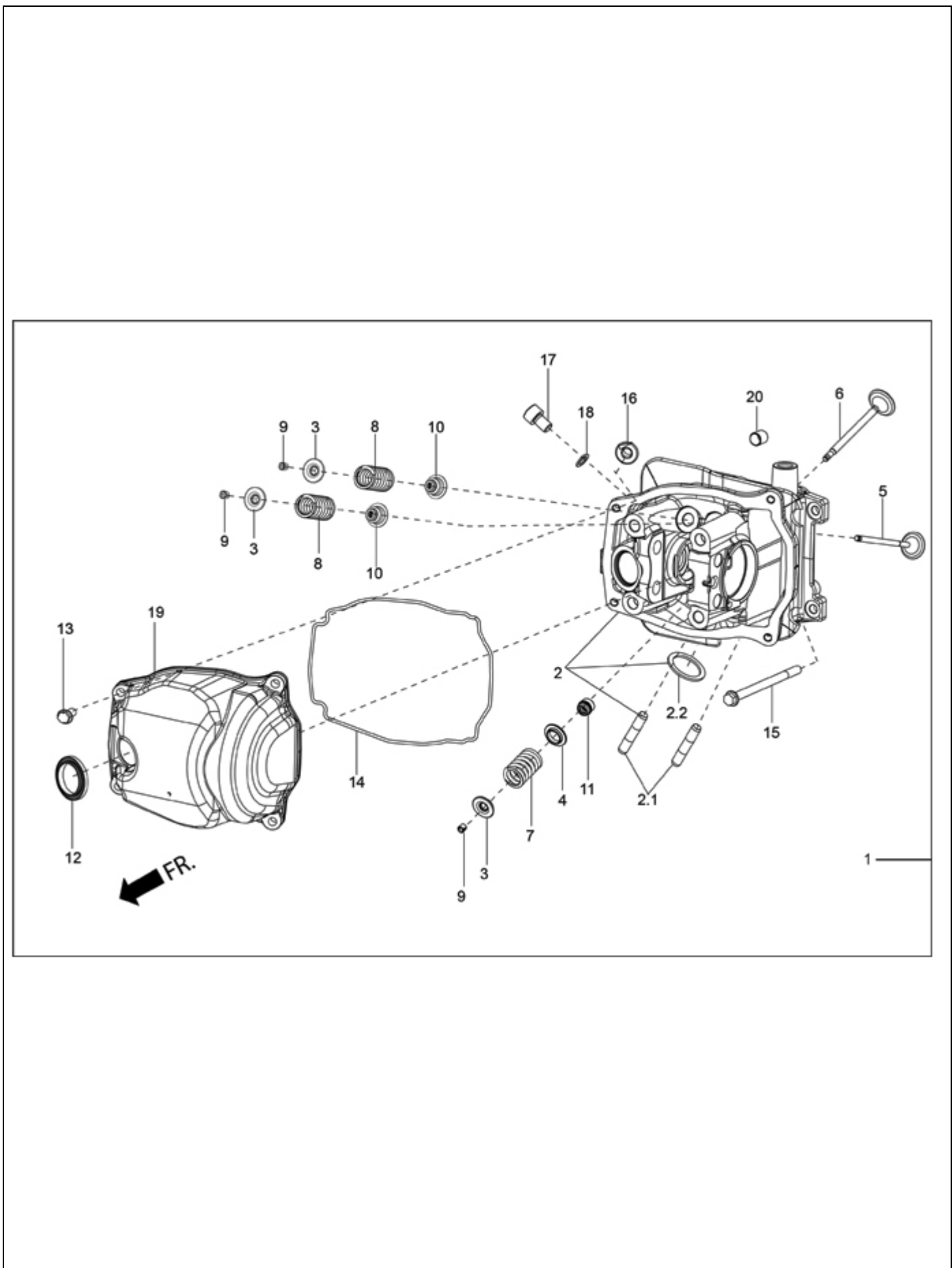
1.06
Flywheel Cover



1.06**Flywheel Cover**

Fig. No.	Part No.	Description	Qty	Remarks
1	SP1A000884	FLYWHEEL COVER ASSY - SPD	1	
1.1	B018140	SEAL RING 14X28X7	1	
2	1A006482	FLYWHEEL COVER GASKET	1	FLYWHEEL COVER FIXING
3	1A003060	FLANGED HEX. HEAD SCREW M6X45	12	FLYWHEEL COVER FIXING

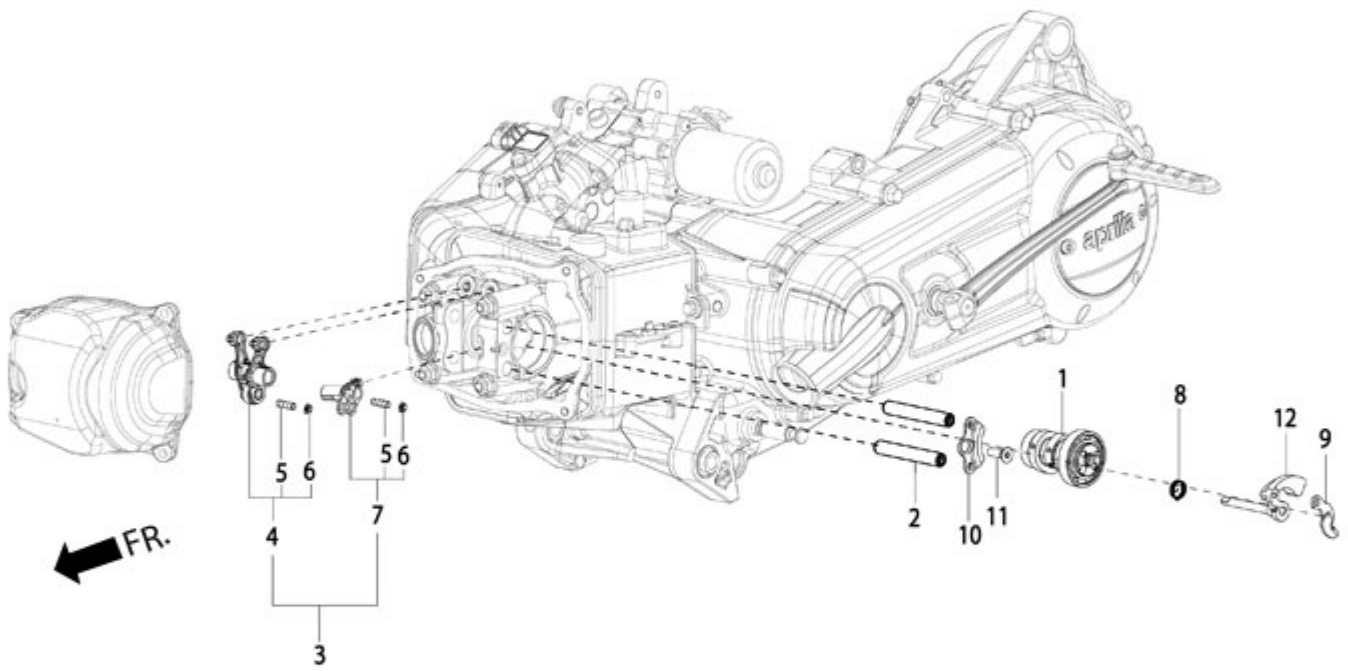
1.07 Cylinder Head



1.07**Cylinder Head**

Fig. No.	Part No.	Description	Qty	Remarks
1	SP1A004078R	CYLINDER HEAD ASSY HE VESPA SPD	1	
2	SP1A004078R	CYLINDER HEAD ASSY HE VESPA SPD	1	
2.1	1A004153	STUD SCREW	2	
2.2	434716	CYLINDER HEAD/MUFFLER GASKET	1	
3	B017456	UPPER CUP	3	
4	483711	LOWER CUP	1	
5	B014684	INTAKE VALVE Ø20	2	
6	B017438	EXHAUST VALVE Ø22	1	
7	B014705	VALVE SPRING (EXHAUST)	1	
8	B014706	VALVE SPRING (INTAKE)	2	
9	B015288	HALF-CONE	6	
10	83054R	VALVE SEAL RING	2	
11	83053R	VALVE SEAL RING	1	
12	B014732	SPARK PLUG HOLE GASKET	1	HEAD COVER FIXING
13	018639	SCREW M6X20	4	HEAD COVER FIXING
14	B018533	CYLINDER HEAD COVER GASKET	4	HEAD COVER FIXING
15	B018854	HEXAGONAL HEAD FLANGED SCREW M6X90	2	
16	844719	FLANGED NUT M8X1.25	4	
17	269755	SOCKET HEAD SCREW (M8X12)	2	
18	485703	WASHER	2	
19	1A006545	HEAD COVER	1	
20	435571	REFERENCE DOWEL	4	

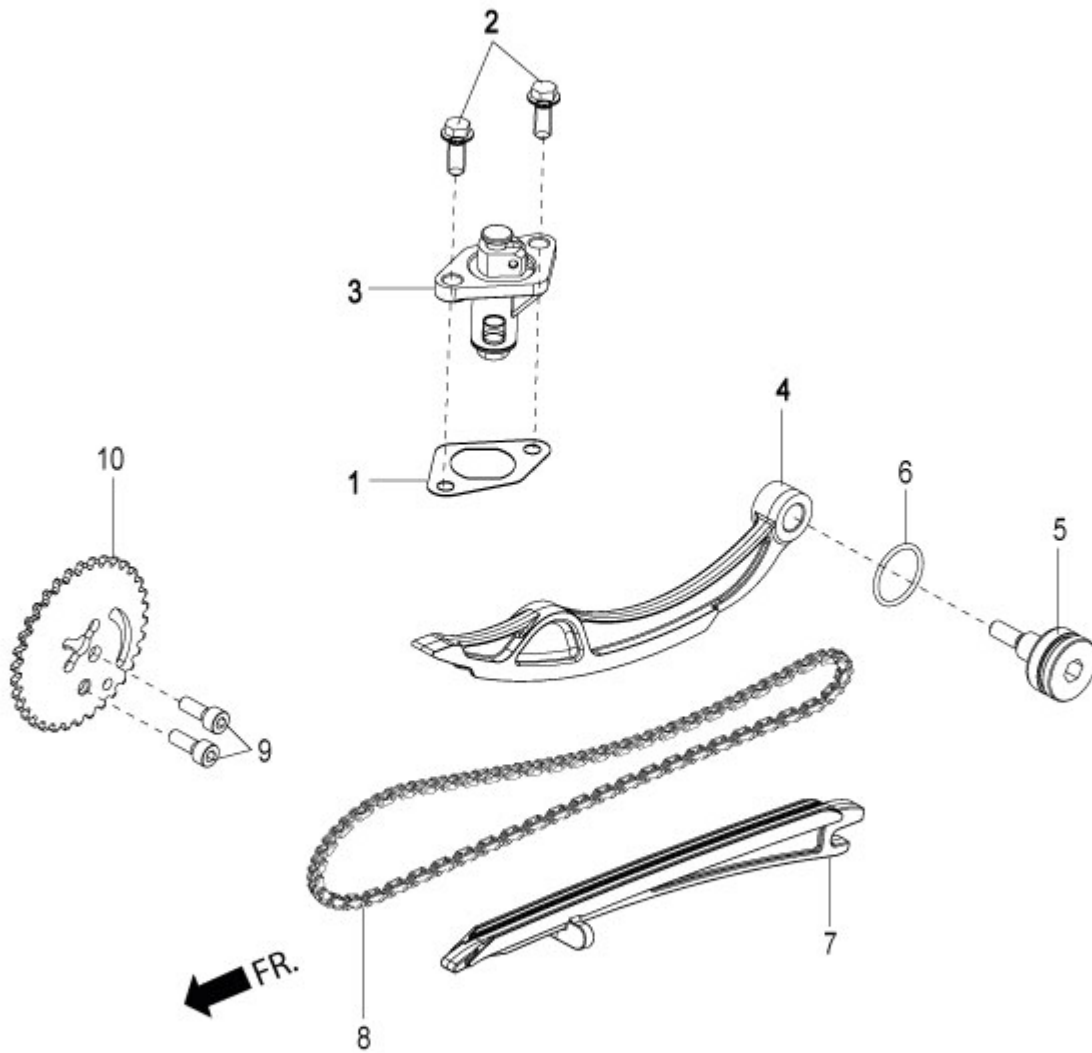
1.08 Camshaft



1.08**Camshaft**

Fig. No.	Part No.	Description	Qty	Remarks
1	SPB015309	CAMSHAFT COMPLETE OF BEARING HE VESP	1	
2	B017113	ROCKER ARM SHAFT	2	
3	83062R	ROCKER ARM GROUP	1	
4	B017425	COMPLETE INLET SIDE ROCKER ARM	1	
5	B017323	VALVE ADJUSTMENT SCREW	2	
6	B017431	ROCKER ARM NUT	2	
7	B017426	COMPLETE EXHAUST SIDE ROCKER ARM	1	
8	B015483	DECOMPRESSION SPRING	1	
9	1A008397	CENTRIFUGAL MASS CONTAINMENT SHEET	1	
10	B014760	CAMSHAFT CONTAINMENT SHEET-STEEL	1	CAMSHAFT CONTAINMENT SHEET-STEEL FIXING
11	B018946	COUNTERSUNK SCREW M6X18	1	CAMSHAFT CONTAINMENT SHEET-STEEL FIXING
12	SP1A006405	CENTRIFUGAL MASS WITH I.P.	1	

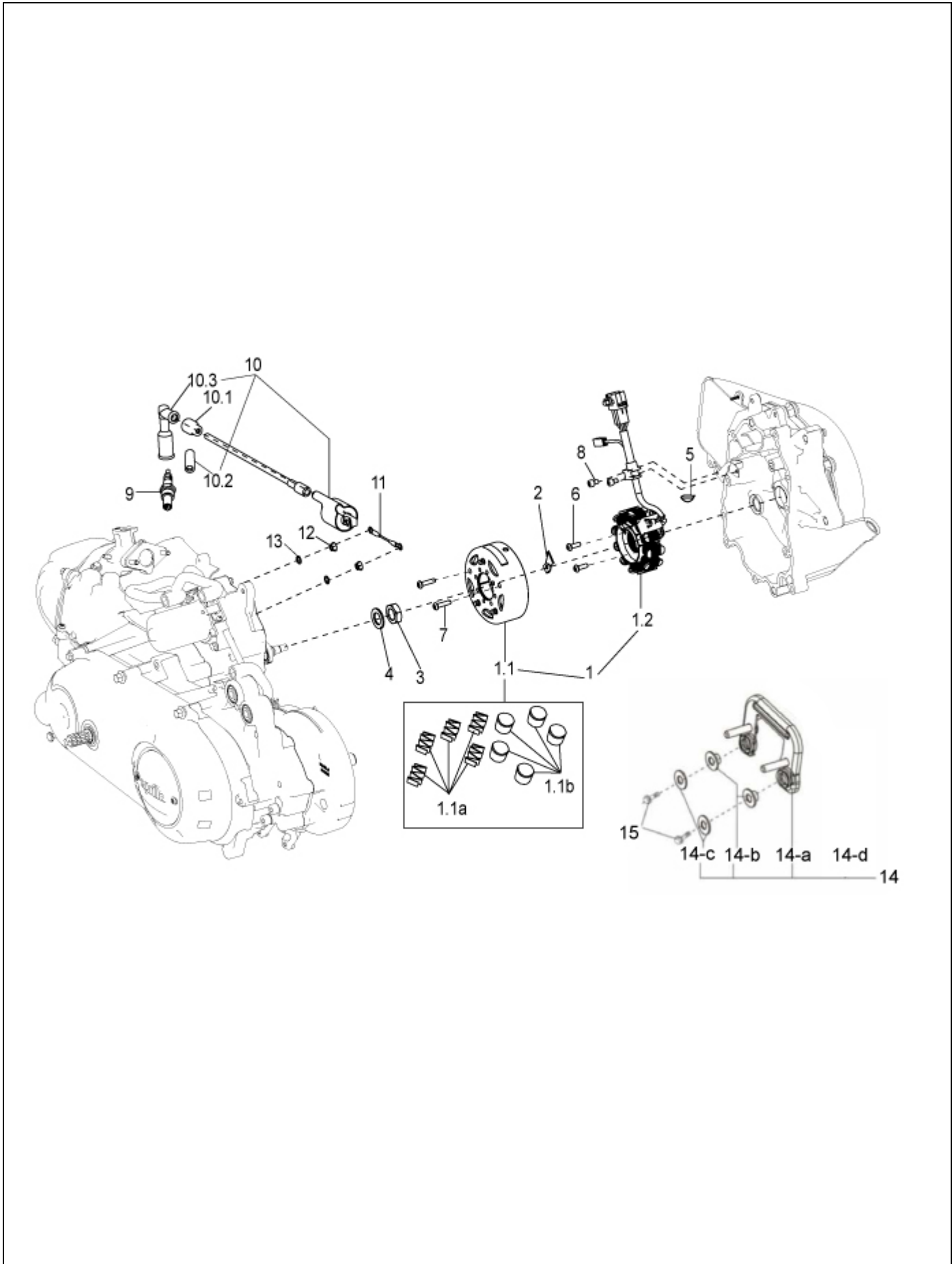
1.09
Timing Group



1.09**Timing Group**

Fig. No.	Part No.	Description	Qty	Remarks
1	847928	CHAIN SUPPORT GASKET	1	CHAIN TIGHTENING DEVICE FIXING
2	1F000110	FLANGED HEXAGONAL SCREW	2	CHAIN TIGHTENING DEVICE FIXING
3	B017165	CHAIN TENSIONER DEVICE	1	
4	B014831	CHAIN TIGHTENING ROD	1	
5	B014237	SPECIAL SCREW ASSY	1	CHAIN TIGHTENING ROD FIXING
6	B017406	O-RING (20,35X1,78)	1	
7	B014830	FIXED PAD	1	
8	830269	SOUNDLESS TIMING CHAIN	1	
9	B018718	EXAG. SOCKET CYLIND.HEAD SCREW M5X14	2	TIMING CROWN FIXING
10	B019040	TIMING CROWN	1	

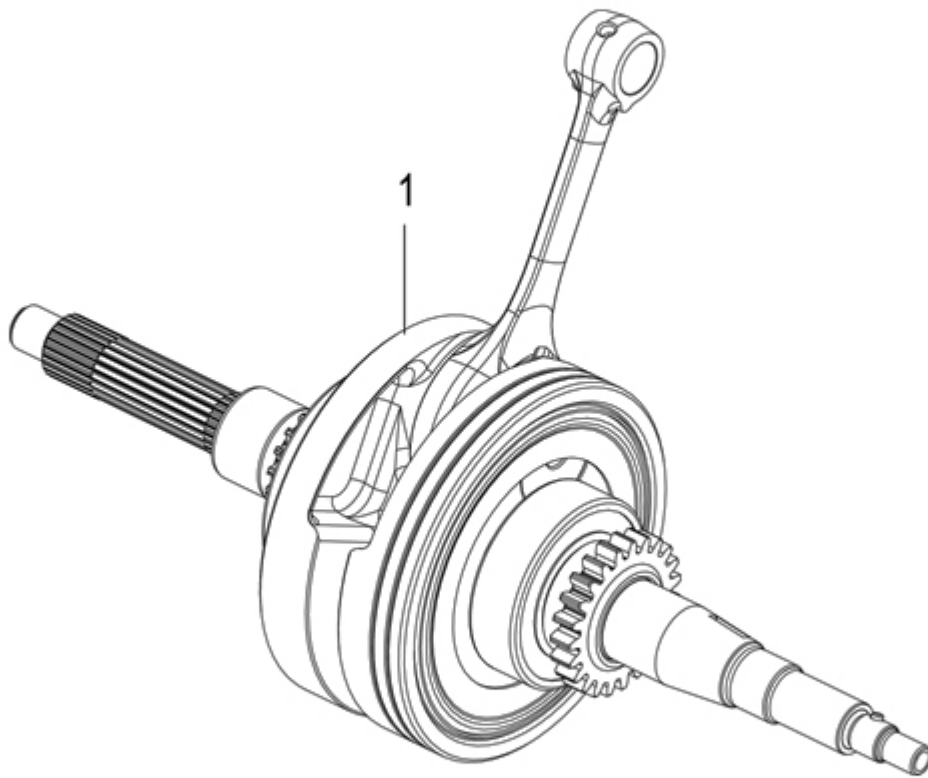
1.10 Electric Component



1.10**Electric Component**

Fig. No.	Part No.	Description	Qty	Remarks
1	1A011268R	A.C. GENERATOR ASSY	1	
1.1	1A006578	ASSEMBLY ROTOR CLAM CLUTCH	1	
1.1a	1A002661	PLANE SPRING - CLUTCH ASSY	5	
1.1b	B018476	ROLLER	5	
1.2	1D001584	COMPLETE STATOR	1	
2	1A001793	PICK-UP PLATE CONTAINMENT CABLES	1	
3	880805	LOW HEXAGONAL NUT	1	FLYWHEEL ASSY FIXING
4	B014585	FLAT WASHER	1	FLYWHEEL ASSY FIXING
5	000267	WOODRUFF KEY	1	FLYWHEEL ASSY FIXING
6	1A001073	TORX HEAD SCREW M5X16	2	PULSER COIL FIXING (OIM)
7	1A001113	TORX HEAD SCREW M5X22	2	STATOR FIXING (OIM)
8	B016617	SOCKET HEAD SCREW M5X8	2	STATOR CABLE CLAMP FIXING
9	643367	SPARK PLUG	1	
10	58297R	H.T.COIL COMPLETE	1	
10.1	642537	PROTECTION CAP	1	
10.2	1A001795	SPARK PLUG PROTECTION COLLAR	1	
10.3	643149	SPARK PLUG CAP	1	
11	643156	GROUND WIRE	1	H.T.COIL / BRACKET FIXING (OIM)
12	872816	FLANGED NUT	2	H.T.COIL / BRACKET FIXING (OIM)
13	013880	PLAIN WASHER	2	H.T.COIL / BRACKET FIXING (OIM)
14	SP1A006181	COMPLETE COIL SUPPORT BRACKET	1	
14-a	1B003784	COIL SUPPORT BRACKET WITH I.P.	1	
14-b	B014063	BUFFER DAMPER	2	
14-c	B014066	SPACER	2	
15	018639	SCREW M6X20	3	H.T.COIL BRACKET/CRANKCASE FIXING

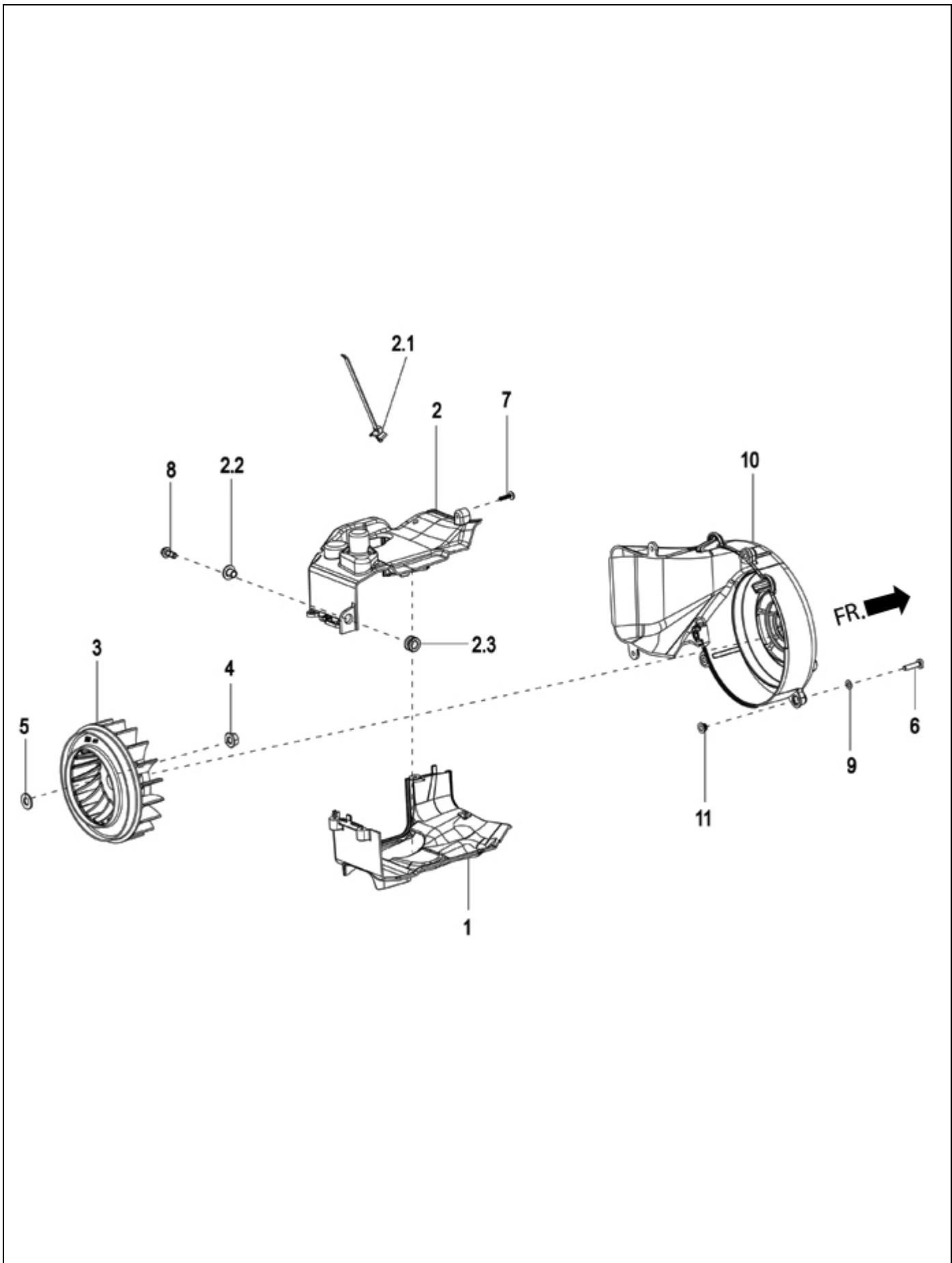
1.11
Crankshaft



1.11**Crankshaft**

Fig. No.	Part No.	Description	Qty	Remarks
1	SP1A020378	CRANKSHAFT WITH BALL BEARING AND PINION	1	

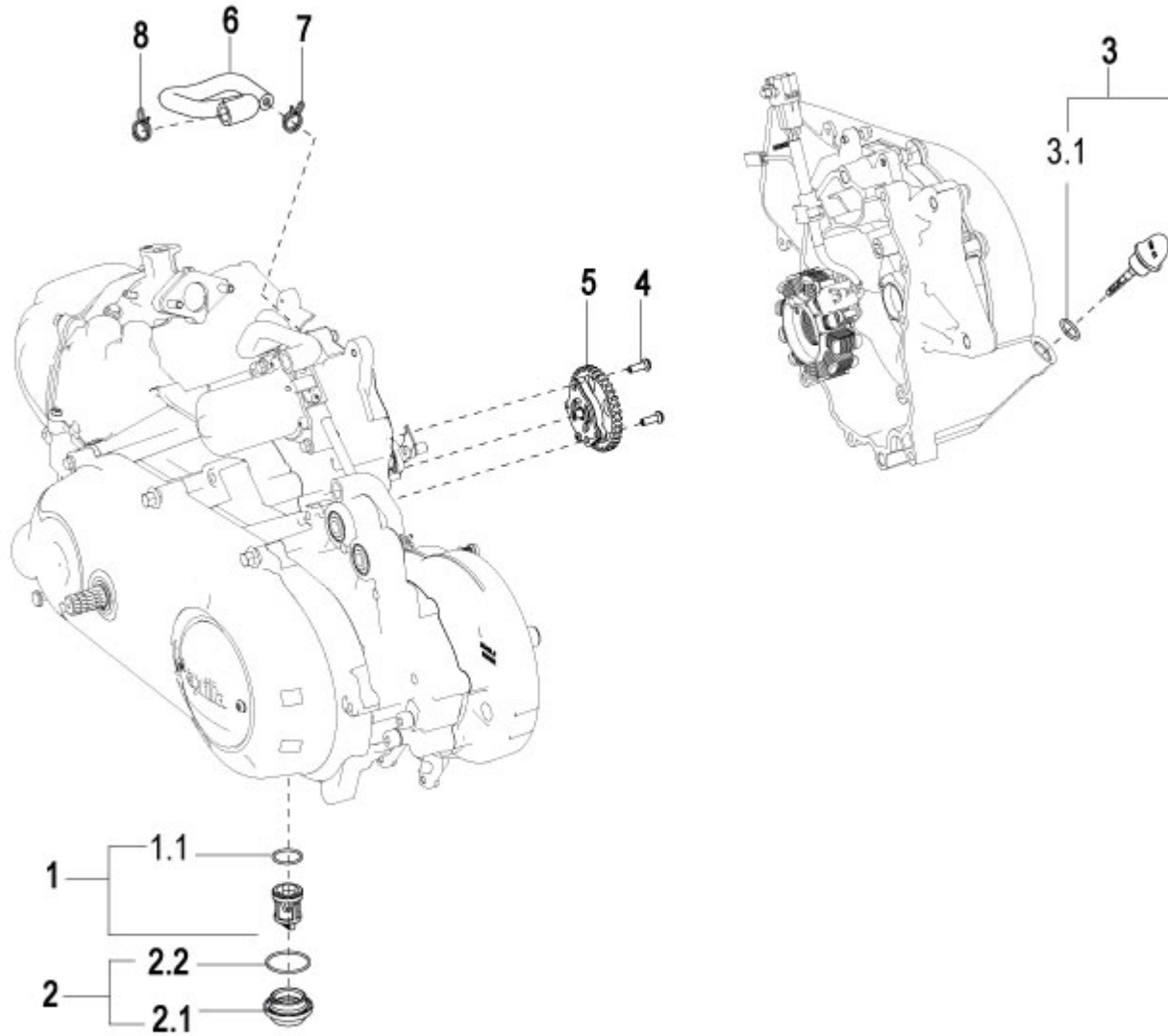
1.12 Fan cover and Shroud



1.12**Fan cover and Shroud**

Fig. No.	Part No.	Description	Qty	Remarks
1	1A011087	EXHAUST SIDE SHROUD	1	
2	1A005179	INTAKE SIDE CONVEYOR COMPLETE	1	
2.1	643114	CLAMP	1	
2.2	B014063	BUFFER DAMPER	1	
2.3	B014066	SPACER	1	
3	1A002013	FAN WITH INSERT	1	
4	844719	FLANGED NUT M8X1.25	1	FAN ASSY FIXING
5	B017080	PLAIN WASHER	1	FAN ASSY FIXING
6	B016620	SCREW WITH CYLINDRICAL HEAD M5X21	3	FAN COVER FIXING
7	B018421	SULF-THREADING SCREW 3.8X16	3	FAN COVER FIXING
8	1F000110	FLANGED HEXAGONAL SCREW	1	FAN COVER FIXING
9	006975	WAVY WASHER 5.3X10X0.5	3	FAN COVER FIXING
10	B014750	FAN COVER	1	
11	B018262	KNURLED BUSH	6	

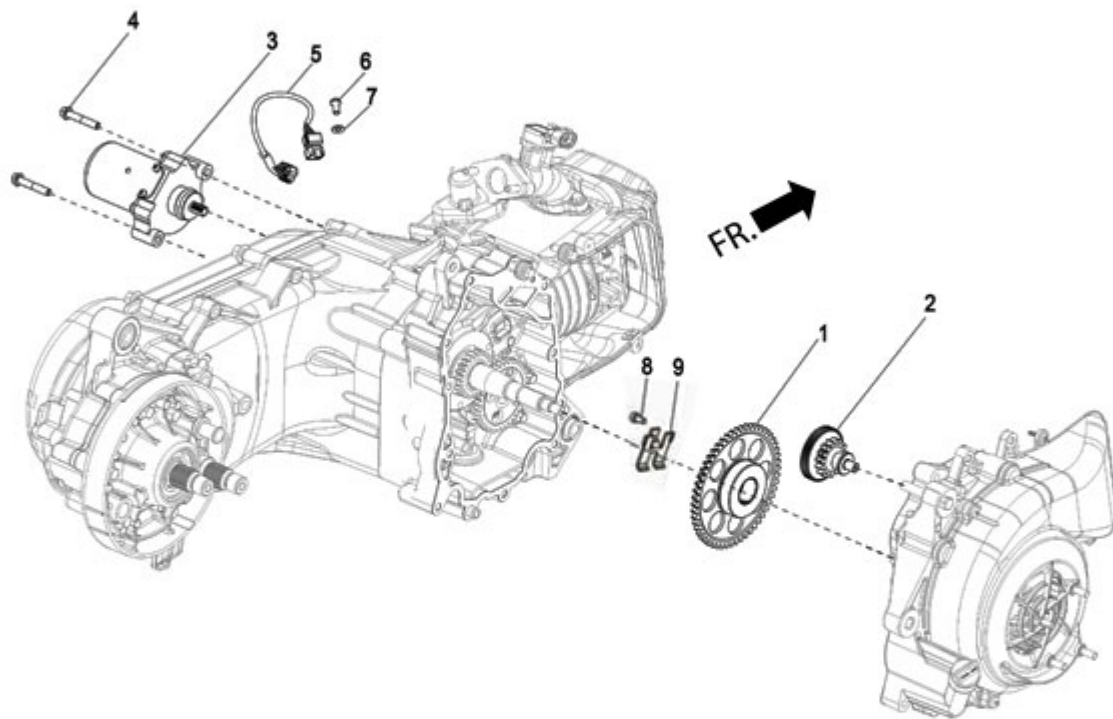
1.13
Lubrication component



1.13**Lubrication component**

Fig. No.	Part No.	Description	Qty	Remarks
1	B018020	COMPLETE INTAKE OIL FILTER	1	
1.1	B017406	O-RING (20,35X1,78)	1	
2	B015598	OIL FILTER PLUG	1	
2.1	B015598	OIL FILTER PLUG	1	
2.2	285536	O-RING GASKET 31.47X1.78	1	
3	1A013415	COMPLETE OIL DIPSTICK	1	
3.1	1A009397	O-RING GASKET	1	
4	1A001073	TORX HEAD SCREW M5X16	2	OIL PUMP ASSY FIXING
5	B018448	COMPLETE OIL PUMP	1	
6	1A006176	ENGINE BLOW-BY PIPE	1	
7	CM002917	HOSE CLAMP	1	OIL BREATHER PIPE FIXING
8	CM002916	HOSE CLAMP	1	OIL BREATHER PIPE FIXING

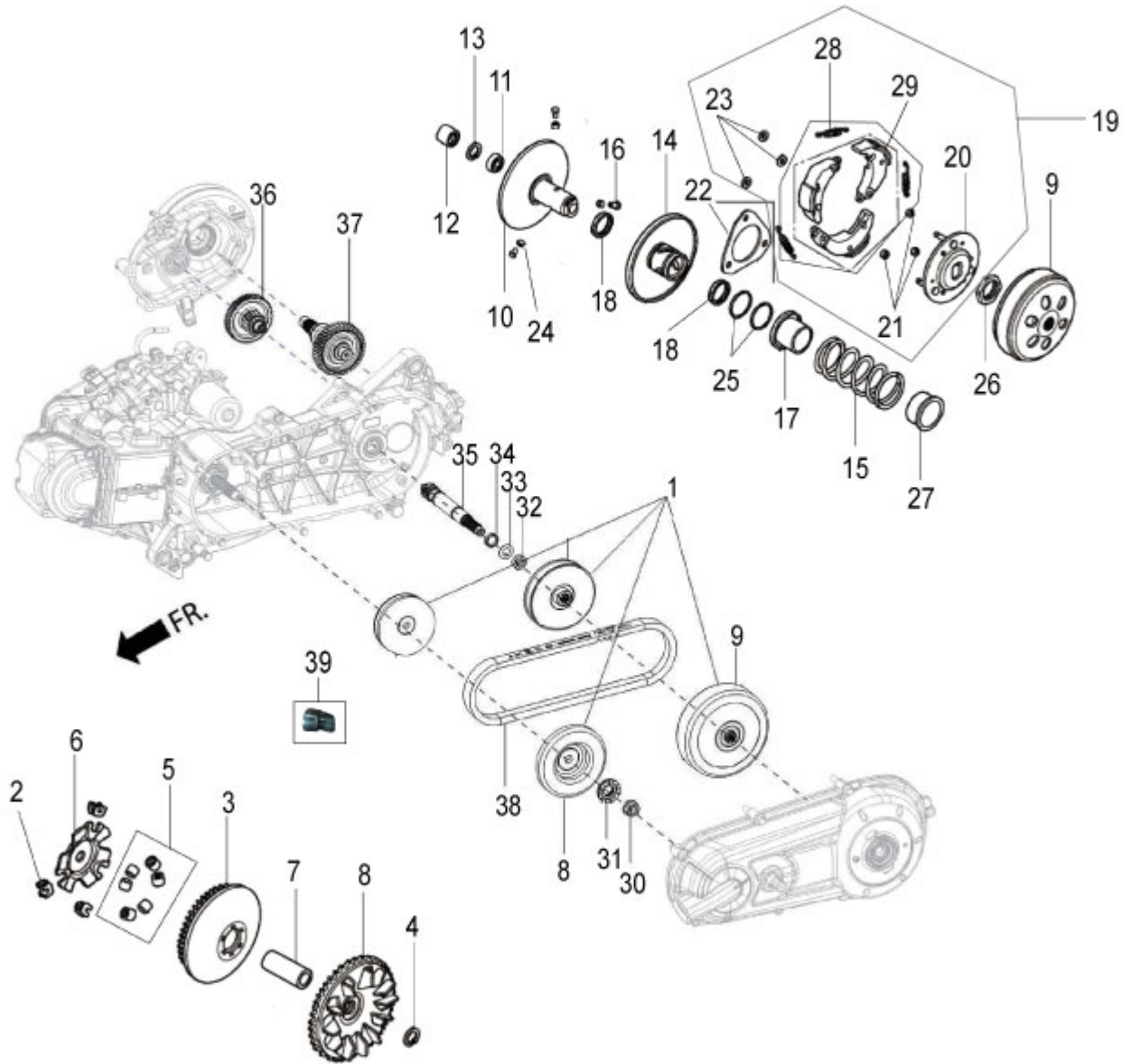
1.14
Starting Group



1.14**Starting Group**

Fig. No.	Part No.	Description	Qty	Remarks
1	83033R	STARTER CROWN WITH I.P. GROUP	1	
2	1A001443R	ELECTRIC STARTER INTERMEDIATE GEAR	1	
3	1A015231	STARTING MOTOR	1	
4	1A003063	FLANGED HEX HEAD SCREW M6X35	2	STARTING MOTOR FIXING (OIM)
5	1D001640	STARTING MOTOR WIRING HARNESS	1	
6	018644	CROSS CYLINDRICAL HEAD SCREW	1	STARTING MOTOR WIRING HARNESS FIXING
7	016404	SPRING WASHER M4	1	STARTING MOTOR WIRING HARNESS FIXING
8	1A002691	FLANGED HEX HEAD SCREW M6X20 CL10	1	
9	1A007468	CONTAINMENT ELECTRIC STARTING CROWN	1	

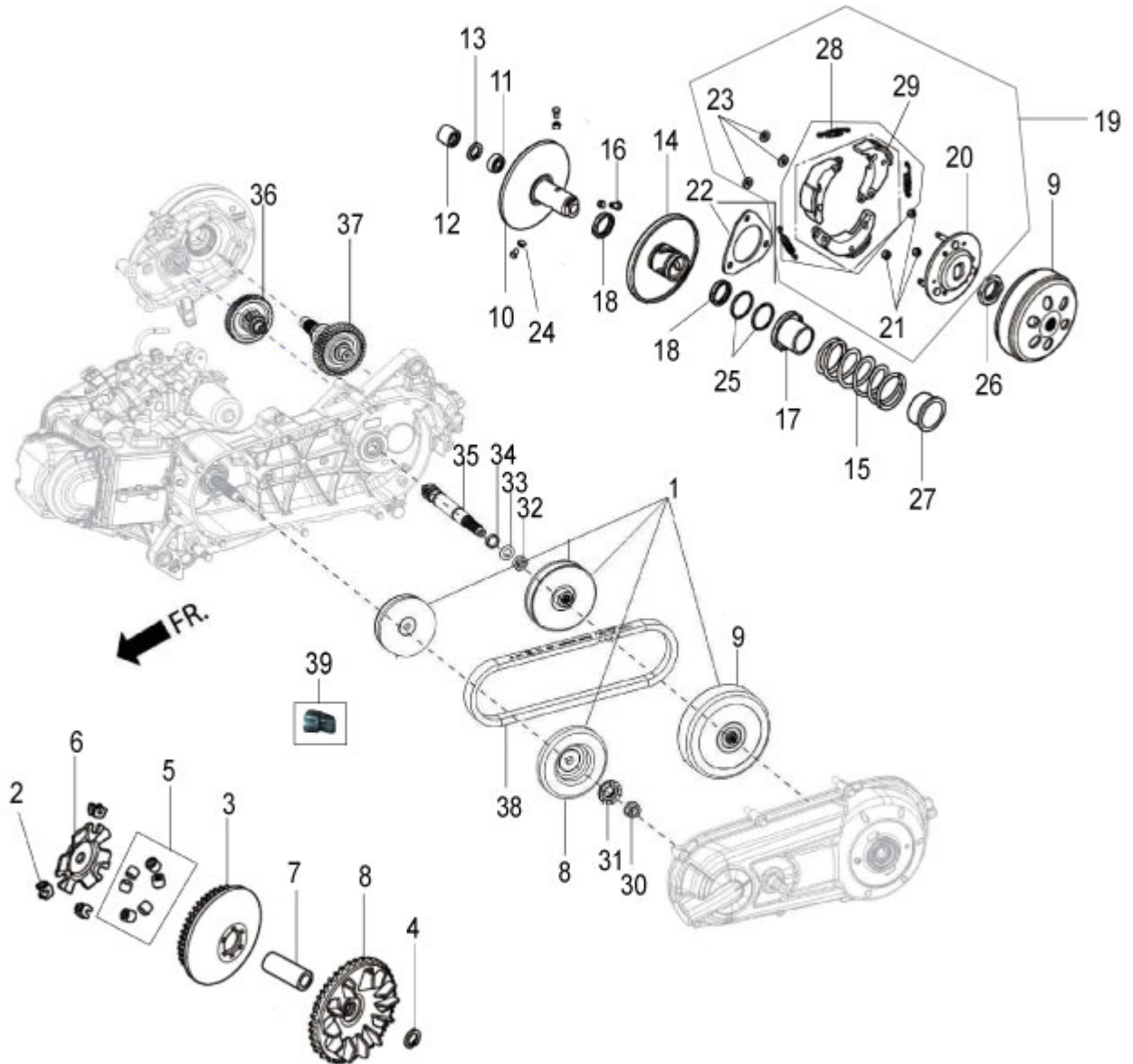
1.15 Transmission Group



1.15**Transmission Group**

Fig. No.	Part No.	Description	Qty	Remarks
1	1A008698	COMPLETE TRANSMISSION GROUP	1	
2	1A001746	PIECE SLIDE	1	
3	1A001742	FACE COMP MOVABLE DRIVE	1	
4	1A002443	CIRCLIP MOVABLE DRIVE	1	
5	1A008700	COMPLETE ROLLER	6	
6	1A001745	PLATE RAMP	1	
7	1A002446	BOSS DRIVE FACE	1	
8	1A005055	FIXED DRIVER HALF-PULLEY	1	
9	1A005057	CLUTCH HOUSING WITH I.P.	1	
10	1A002430	FACE COMP. FIX DRIVEN	1	
11	1A002431	BRG. BALL RADIAL	1	
12	1A002432	BRG. NEEDLE	1	
13	1A002433	CIRCLIP IN 24	1	
14	1A002434	FACE COMP. MOVABLE DRIVEN	1	
14	1A013713	COMPLETE MOVABLE DRIVEN HALF-PULLEY	1	For integrated PIN
15	1A002439	SPG. DRIVEN FACE	1	
16	1A002437	PIN ROLLER GUIDE	3	Applicable for driven pulley 1A002434
17	1A002440	COLLAR SEAL	1	
18	1A002441	OIL SEAL	2	
19	1A002425	PLATE ASSY. DRIVEN	1	
20	1A002426	PLATE COMP. DRIVE	1	
21	1A002427	DAMPER CLUTCH	3	
22	1A002428	SIDE WASHER	1	
23	1A002429	E RING 7MM	3	
24	1A002438	ROLLER GUIDE	3	Applicable for driven pulley 1A002434
25	1A002442	O-RING	2	
26	1A001748	NUT SPECIAL 28MM	1	
27	B016922	DRIVEN PULLEY SIDE CAP	1	
28	1A001744	SHOE CLUTCH	1	
29	1A001743	SPRING CLUTCH	3	
30	1A006988	NUT WITH SPRING WASHER	1	FRONT TRASMISSION GROUP FIXING
31	B017599	CLAW COUPLING	1	FRONT TRASMISSION GROUP FIXING
32	B018308	HEXAGOLAN NUT	1	REAR TRASMISSION GROUP FIXING (OIM)
33	1A006499	PLAIN WASHER	1	REAR TRASMISSION GROUP FIXING (OIM)
34	B018306	SPACER	1	REAR TRASMISSION GROUP FIXING (OIM)

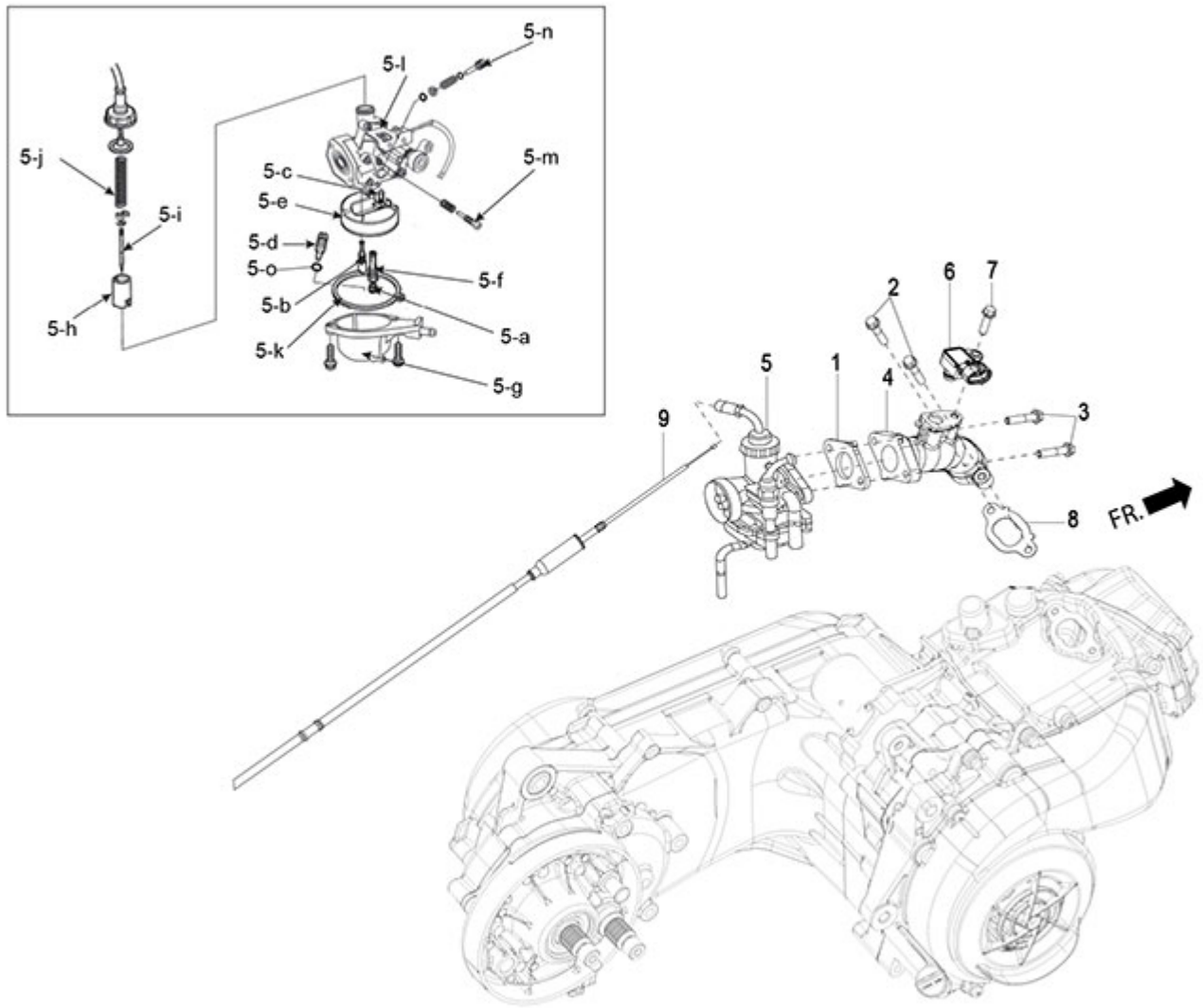
1.15
Transmission Group



1.15**Transmission Group**

Fig. No.	Part No.	Description	Qty	Remarks
35	1A006503	DRIVEN PULLEY SHAFT	1	
36	1A000784	LAY-SHAFT ASSY WITH I.P.	1	
37	1A000787	GEAR WHEEL WITH I.P.	1	
38	1A022660	V-BELT	1	
39	1A013712	INTEGRATED PIN	1	Applicable for driven pulley 1A013713

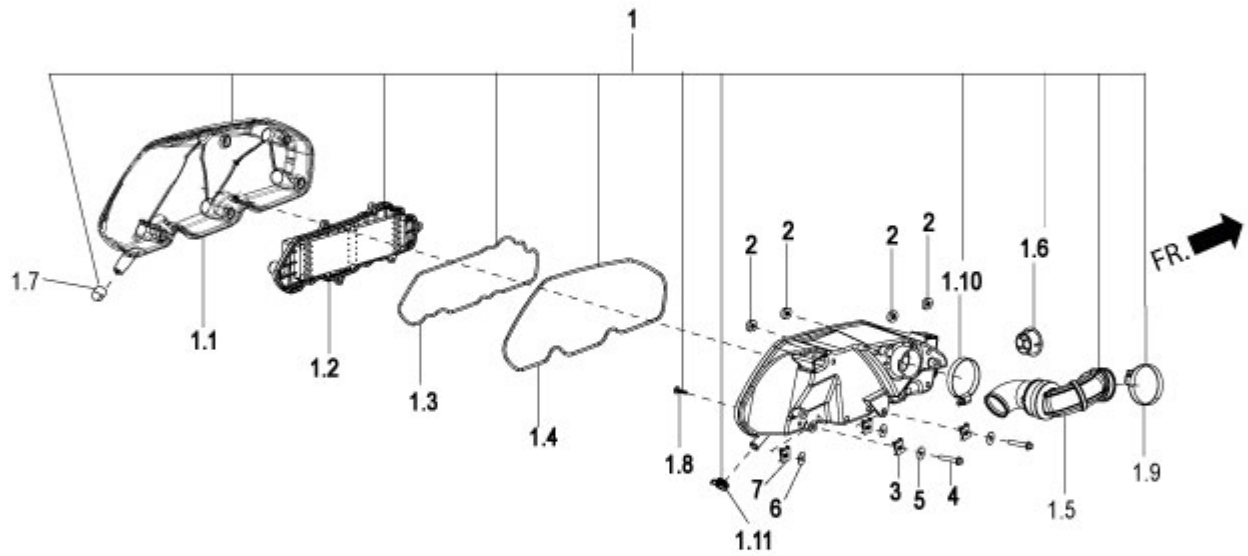
1.16 Carburetor



1.16**Carburetor**

Fig. No.	Part No.	Description	Qty	Remarks
1	B015543	COMPLETE INTAKE FITTING SUPPORT	1	COMPLETE CARBURETTOR FIXING (OIM)
2	018639	SCREW M6X20	3	INTAKE FITTING FIXING (OIM)
3	B018853	FLANGED HEXAGONAL HEAD SCREW M6X30	2	COMPLETE CARBURETTOR FIXING (OIM)
4	1A006346	INTAKE FITTING WITH I.P.	1	
5	CM283002	COMPLETE CARBURETOR PB 18/20	1	
5-a	CM166404	MAXIMUM JET	1	
5-b	CM166602	MINIMUM JET	1	
5-c	B016386	VALVE COMPLETE FLOAT-PTL(KEIHIN)	1	
5-d	B016390	SCREW DRAIN-PTL(KEIHIN)	1	
5-e	B016387	COMPLETE FLOAT-PTL(KEIHIN)	1	
5-f	CM166501	MAXIMUM DIFFUSER PIPE-PTL(KEIHIN)	1	
5-g	B016389	COMPLETE FLOAT CHAMBER-PTL(KEIHIN)	1	
5-h	1A007651	PISTON VALVE	1	
5-i	CM166702	CONIC NEEDLE	1	
5-j	1A007652	SPRING PISTON	1	
5-k	B016388	FLOAT CHAMBER GASKET-PTL(KEIHIN)	1	
5-l	B016393	TOP COMPLETE-PTL(KEIHIN)	1	
5-m	B016394	STOP SCREW AND SPRING-PTL(KEIHIN)	1	
5-n	1A007189	KIT ADJUST SCREW	1	
5-o	1A006875	SEAL RING O-RING	1	
6	58290R	AIR PRESSURE SENSOR	1	
7	018639	SCREW M6X20	2	AIR PRESSURE SENSOR FIXING (OIM)
8	B018442	INTAKE FITTING GASKET	1	INTAKE FITTING FIXING (OIM)
9	1C002152	THROTTLE CONTROL TRANSMISSION	1	

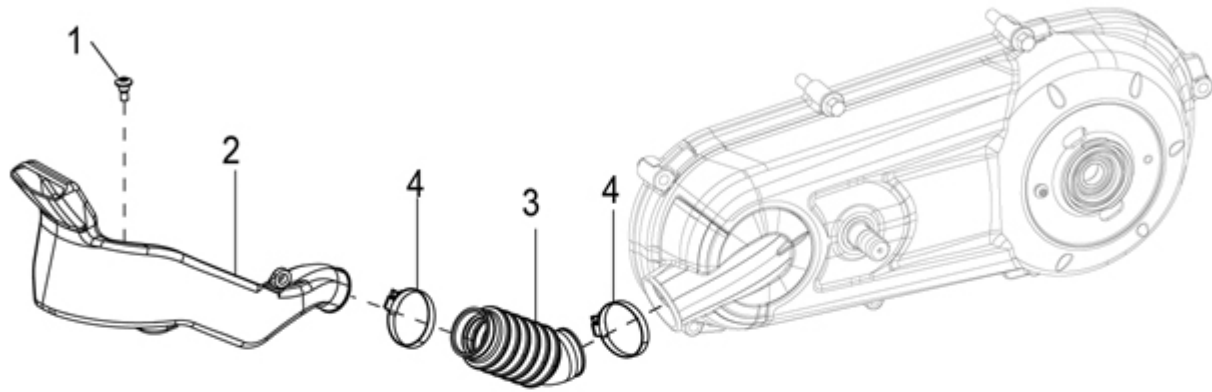
1.17
Air Intake



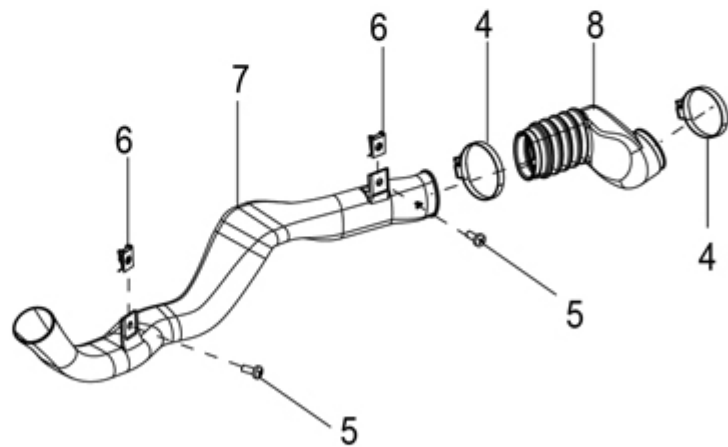
1.17**Air Intake**

Fig. No.	Part No.	Description	Qty	Remarks
1	1A005878	AIR CLEANER BOX ASSY	1	
1.1	1A006088	AIR CLEANER COVER	1	
1.2	1A006090	AIR BOX FILTER	1	
1.3	1A006092	GASKET	1	
1.4	1A006093	AIR CLEANER GASKET	1	
1.5	1A006091	COUPLING	1	
1.6	1A006173	COUPLING	1	
1.7	827831	AIR CLEANER BOX CAP	2	
1.8	258146	SELF TAPPING SCREW (3X20)	13	
1.9	B019254	CLAMP Ø42.4-Ø44.5	1	
1.10	B019255	CLAMP	1	
1.11	CM002910	HOSE CLAMP	2	
2	CM002916	HOSE CLAMP	2	BLOW-BY PIPE/AIR BOX FIXING
3	CM259204	SPRING PLATE	2	AIR CLEANER BOX FIXING
4	1A003064	FLANGED HEX HEAD SCREW M6X55	2	AIR CLEANER BOX FIXING
5	3056	PLAIN WASHER M6 OD12	2	AIR CLEANER BOX FIXING
6	12533	PLAIN SPRING WASHER WITH EXTERNAL TABS	2	AIR CLEANER BOX FIXING
7	254485	SPRING PLATE (M6)	2	AIR CLEANER BOX FIXING
8	B018262	KNURLED BUSH	4	

1.18
Induction Pipe/Bellow



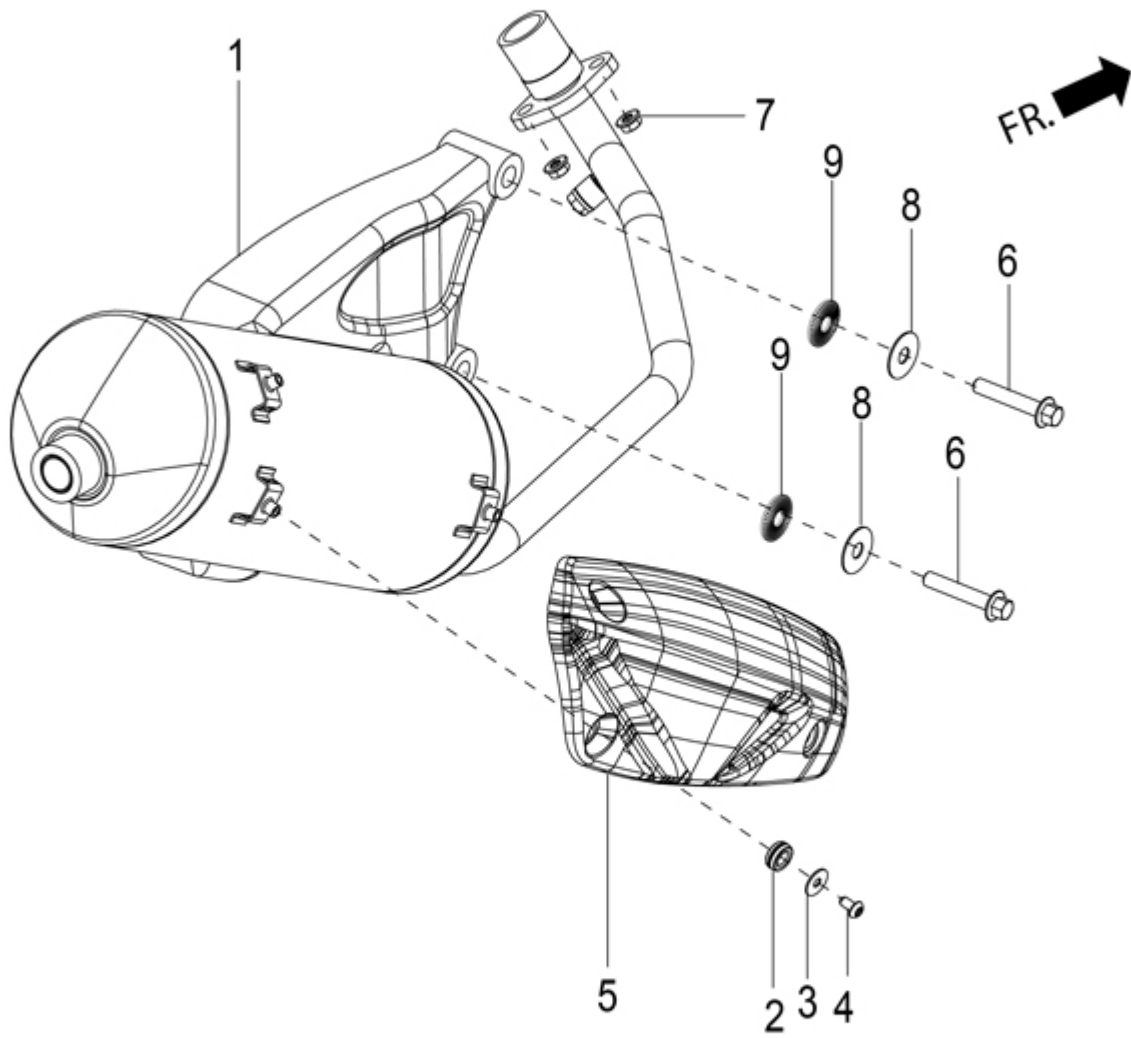
← FR.



1.18**Induction Pipe/Bellow**

Fig. No.	Part No.	Description	Qty	Remarks
1	259348	METRICAL SCREW WITH CROSS MOULD	1	DUCTION PIPE FIXING
2	1B006743	DUCTION PIPE	1	
3	1B003394	INTAKE FITTING	1	
4	709519	CLAMP	4	
5	272836	METRICAL SCREW WITH CROSS MOULD	2	INDUCTION PIPE FIXING
6	254485	SPRING PLATE (M6)	2	INDUCTION PIPE FIXING
7	1B003395	INDUCTION PIPE	1	
8	1B003396	BELLOW	1	

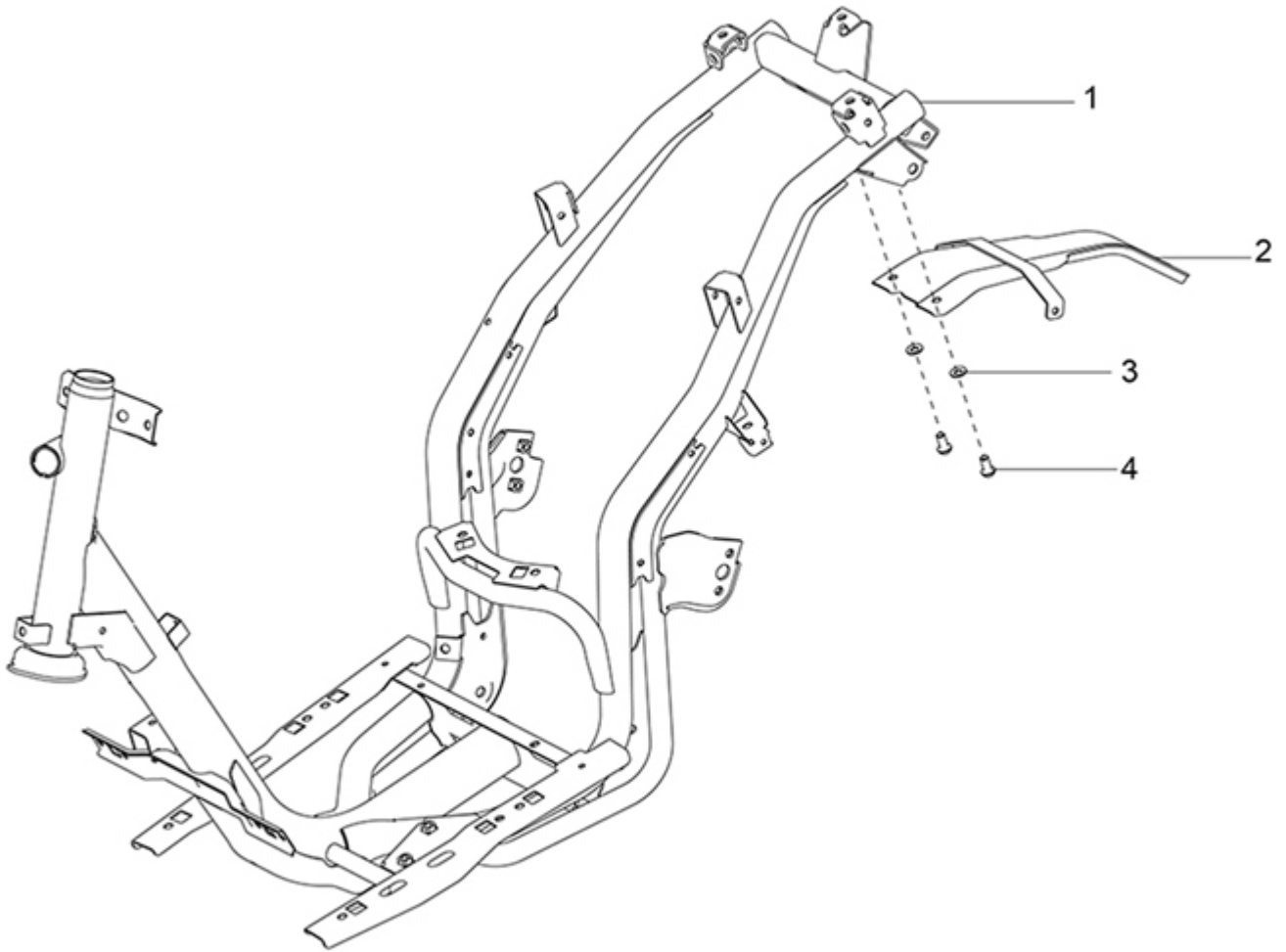
1.19
Muffler



1.19**Muffler**

Fig. No.	Part No.	Description	Qty	Remarks
1	1A007832	COMPLETE MUFFLER	1	
2	487665	FAIRLEAD	3	THERMAL PROTECTION FIXING
3	827526	WASHER	3	THERMAL PROTECTION FIXING
4	848766	SCREW	3	THERMAL PROTECTION FIXING
5	1A006410	THERMAL PROTECTION	1	
6	B016627	FLANGED HEXAGONAL HEAD SCREW	2	MUFFLER/FLY WHEEL COVER FIXING
7	436947	FLANGED NUT M7X1 H=8	2	MUFFLER/FLY WHEEL COVER FIXING
8	B015320	PLAIN WASHER	2	MUFFLER/FLY WHEEL COVER FIXING
9	B015321	CONICAL KNURLED WASHER	2	MUFFLER/FLY WHEEL COVER FIXING

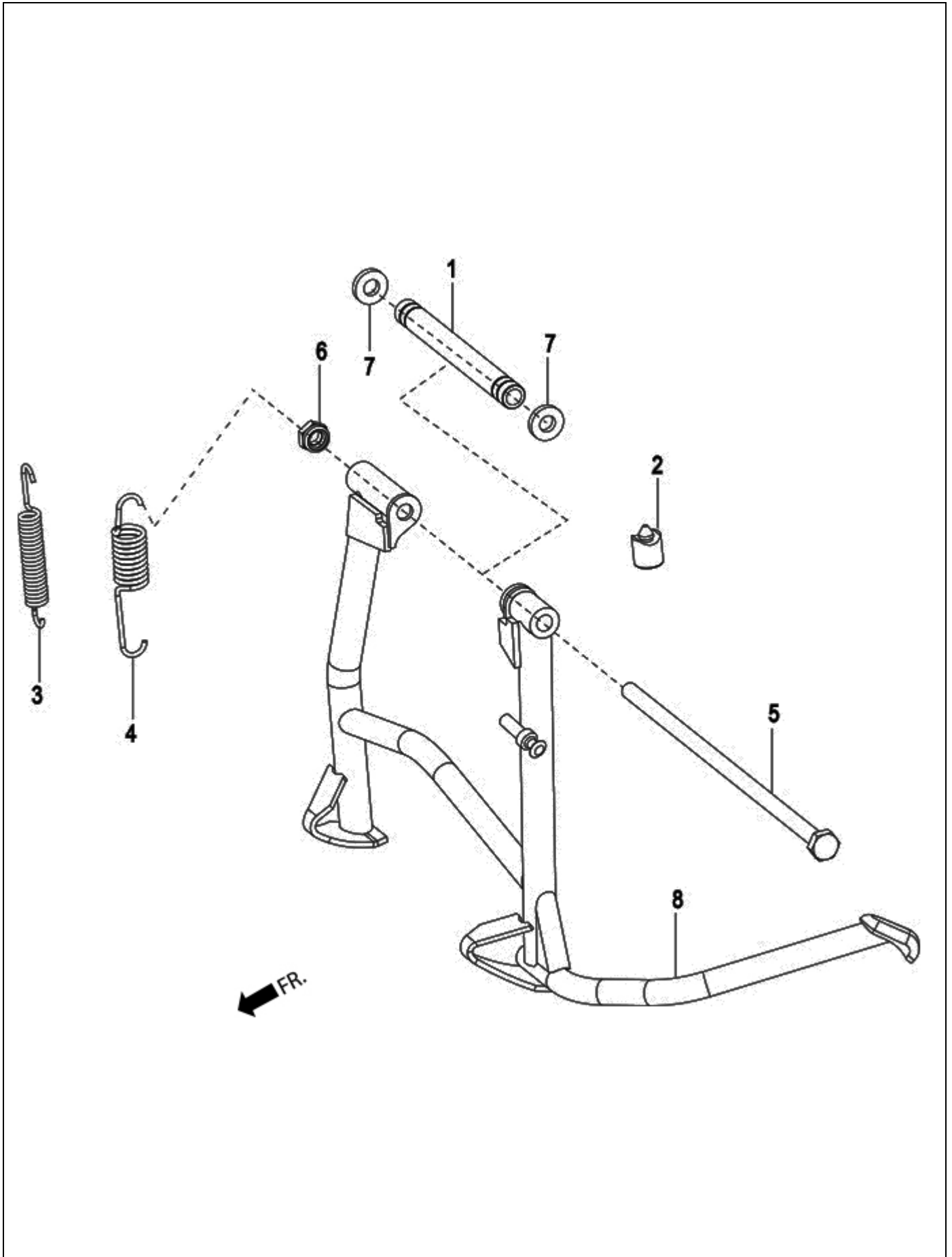
2.01
Frame



2.01
Frame

Fig. No.	Part No.	Description	Qty	Remarks
1	SP1B007992	FRAME WITH I.P. SR BSVI	1	
2	SP1B003628	FRAME SUPPORT PLATE WITH IP	1	
3	834187	ELASTIC WASHER CONTACT TYPE	2	
4	263381	SCREW	2	

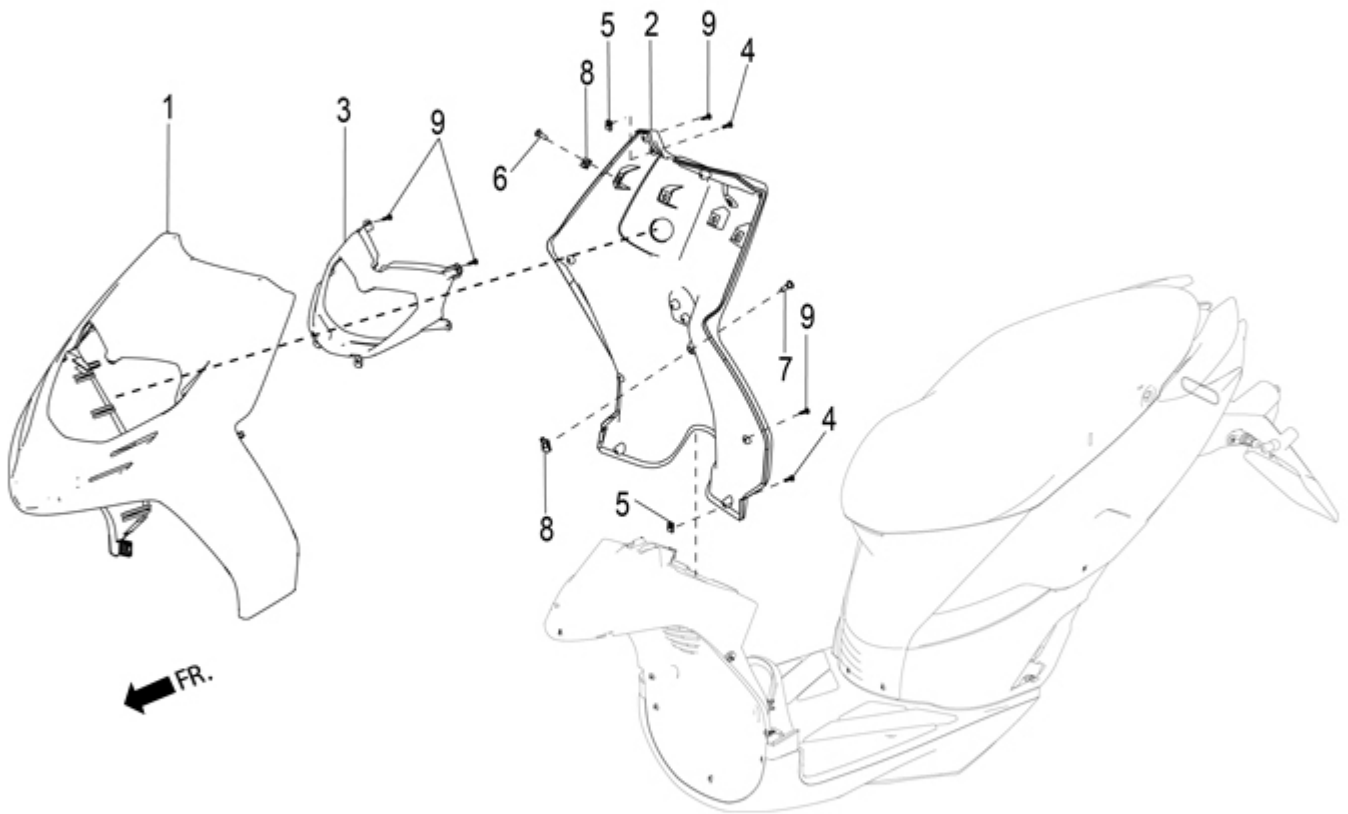
2.02
Stand



2.02
Stand

Fig. No.	Part No.	Description	Qty	Remarks
1	668585	SPACER	1	
2	666484	STOPPER	1	
3	667566	SPRING (INNER)	1	
4	667567	SPRING (OUTSIDE)	1	
5	597043	HEXAGONAL HEAD SCREW	1	
6	002440	SELF LOCKING NUT	1	
7	273754	OIL SEAL FOR VEHICLE STAND PIN	2	
8	1C005213	CENTRAL STAND WITH I.P.	1	

2.03
Front Shield

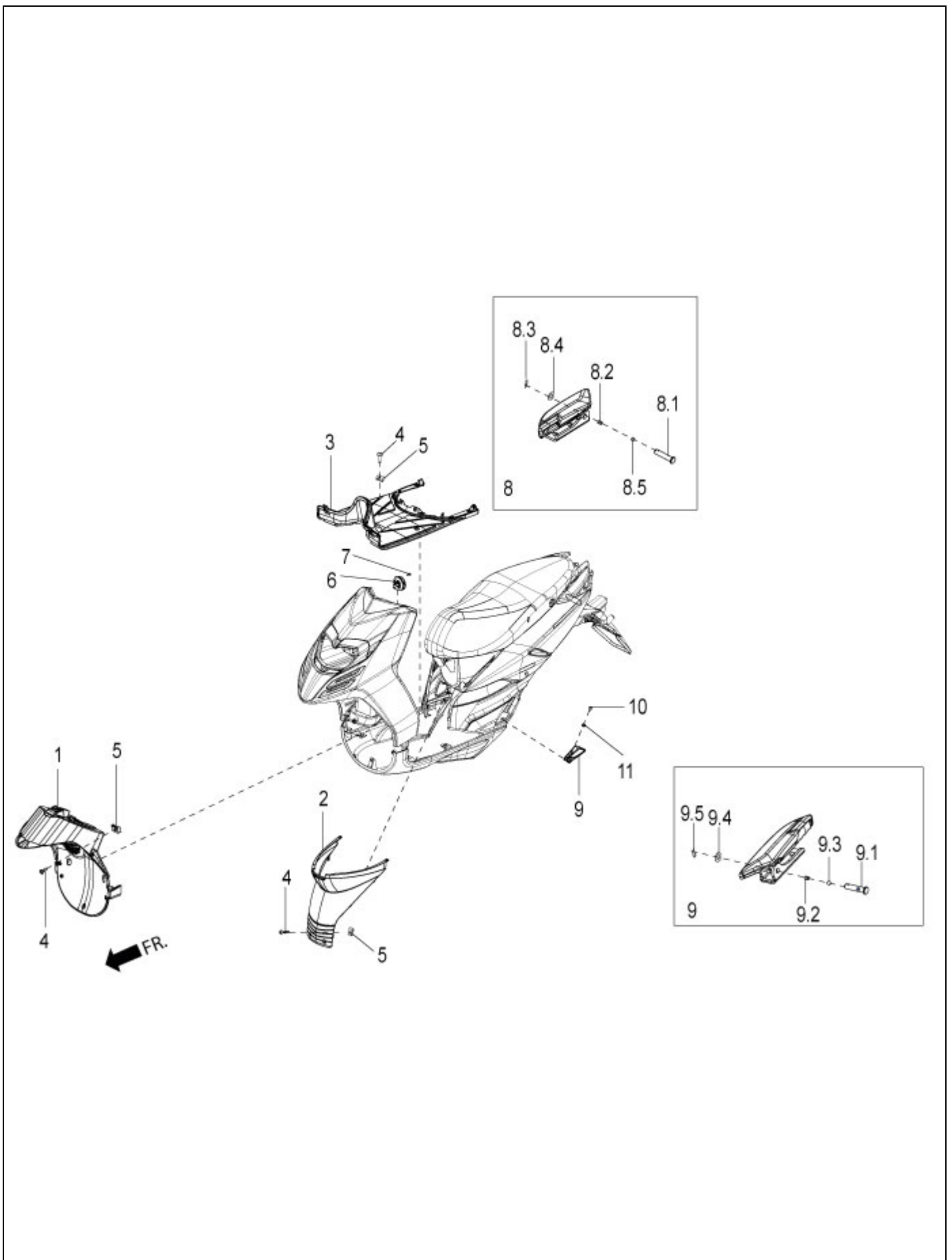


2.03**Front Shield**

Fig. No.	Part No.	Description	Qty	Remarks
1	SB003140000BR	FRONT SHIELD	1	COLOR PART
1	SB003140000HL	FRONT SHIELD	1	COLOR PART
2	SKIT940035R	KIT - COUNTER SHIELD AND COVER	1	
2A	1B005199	COVER-1	1	
3	1B003141	HEAD LIGHT COVER	1	
4	270793	SCREW	9	LOWER PROTECTION/SHIELD/SPOILER
5	CM017410	SPRING PLATE	9	LOWER PROTECTION/SHIELD/SPOILER
4	270793	SCREW	2	COUNTERSHIELD/FOOT./LOWER PROT.
5	CM017410	SPRING PLATE	2	COUNTERSHIELD/FOOT./LOWER PROT.
4	270793	SCREW	2	COUNTERSHIELD/SHIELD/LOWER PROT.
5	CM017410	SPRING PLATE	2	COUNTERSHIELD/SHIELD/LOWER PROT.
6	272836	METRICAL SCREW WITH CROSS MOULD	2	COUNTERSHIELD/FRAME
7	575249	METRICAL SCREW WITH CROSS MOULD	1	COUNTERSHIELD/FRAME
8	254485	SPRING PLATE (M6)	3	COUNTERSHIELD/FRAME
9	270793	SCREW	6	COUNTERSHIELD/SHIELD/LOWER PROT.

2.04

Central covers & footrests

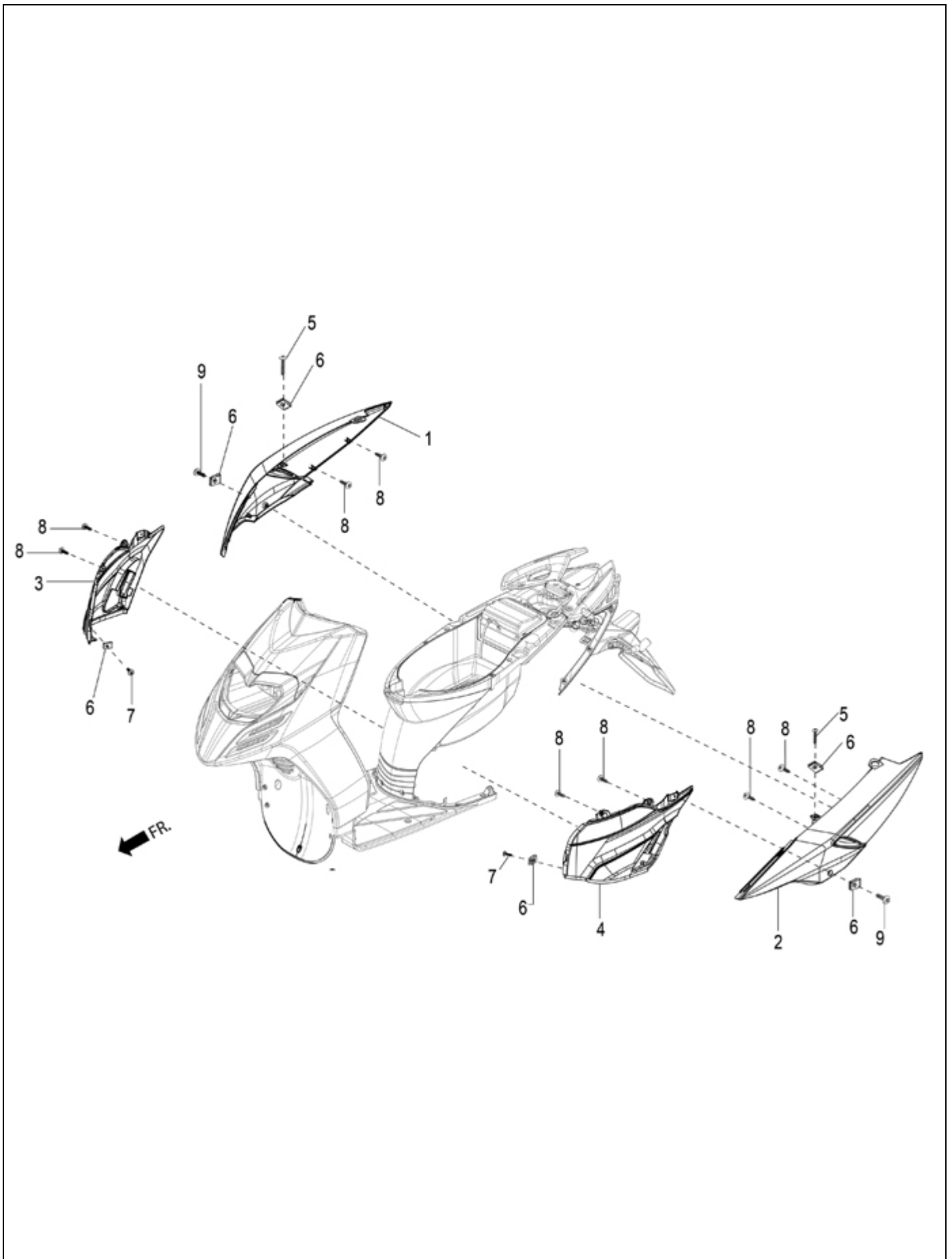


2.04**Central covers & footrests**

Fig. No.	Part No.	Description	Qty	Remarks
1	1B006718	FRONT LOWER PROTECTION	1	
2	1B003143	CENTRAL COVER	1	
3	1B003142	FOOTREST	1	
4	575249	METRICAL SCREW WITH CROSS MOULD	3	LOWER PROTECTION/ FRAME FIXING
5	254485	SPRING PLATE (M6)	3	LOWER PROTECTION/ FRAME FIXING
6	575819	COMPLETE BAGS HOOK	1	
7	270793	SCREW	2	BAGS HOOK/COUNTERSHIELD FIXING
8	1B001787400NT	COMPLETE RIGHT FOOTREST	1	
8.1	975835	PIN	1	
8.2	295590	SPRING SPHERE	1	
8.3	259933	ELASTIC SPRING	1	
8.4	3058	PLAIN WASHER 15X8.4X1.5	1	
8.5	295591	SPHERE	1	
9	1B001786400NT	COMPLETE LEFT FOOTREST	1	
9.1	975835	PIN	1	
9.2	295590	SPRING SPHERE	1	
9.3	259933	ELASTIC SPRING	1	
9.4	3058	PLAIN WASHER 15X8.4X1.5	1	
9.5	295591	SPHERE	1	
10	263381	SCREW	1	RIGHT FOOTREST FIXING
10	263381	SCREW	1	LEFT FOOTREST FIXING
11	834187	ELASTIC WASHER CONTACT TYPE	1	RIGHT FOOTREST FIXING
11	834187	ELASTIC WASHER CONTACT TYPE	1	LEFT FOOTREST FIXING

2.05

Side cover and spoiler

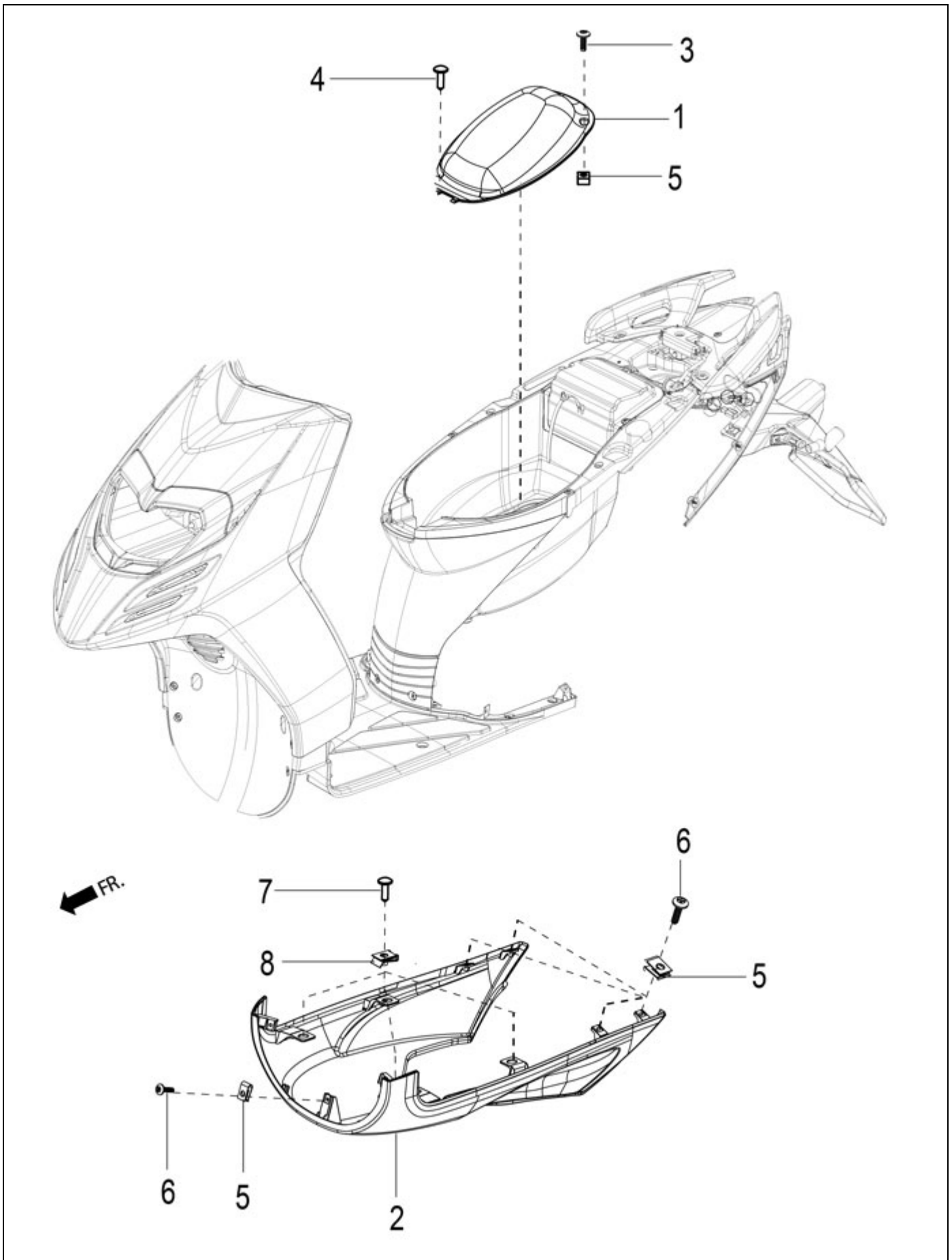


2.05**Side cover and spoiler**

Fig. No.	Part No.	Description	Qty	Remarks
1	SB003147000NL	RIGHT LATERAL COVER	1	COLOR PART
1	SB003147000HL	RIGHT LATERAL COVER	1	COLOR PART
2	SB003148000NL	LEFT LATERAL COVER	1	COLOR PART
2	SB003148000HL	LEFT LATERAL COVER	1	COLOR PART
3	1B005273	COMPLETE RIGHT LATERAL COVER	1	
4	1B005274	COMPLETE LEFT LATERAL COVER	1	
5	CM178608	SELF-TAPPING SCREW	1	RIGHT LATERAL COVER/HELMET CASE FIXING
5	259372	SCREW	1	LEFT LATERAL COVER/HELMET CASE FIXING
6	CM017410	SPRING PLATE	1	RIGHT LATERAL COVER/HELMET CASE FIXING
6	CM017410	SPRING PLATE	1	LEFT LATERAL COVER/HELMET CASE FIXING
6	CM017410	SPRING PLATE	1	RIGHT LATERAL COVER/FRAME FIXING
6	CM017410	SPRING PLATE	1	LEFT LATERAL COVER/FRAME FIXING
6	CM017410	SPRING PLATE	3	LEFT LATERAL COVER/FOOTREST FIXING
6	CM017410	SPRING PLATE	3	RIGHT LATERAL COVER/FOOTREST FIXING
7	270793	SCREW	1	RIGHT LATERAL COVER/FRAME FIXING
7	270793	SCREW	1	LEFT LATERAL COVER/FRAME FIXING
7	270793	SCREW	2	RIGHT LATERAL COVER/FOOTREST FIXING
7	270793	SCREW	2	LEFT LATERAL COVER/FOOTREST FIXING
8	270793	SCREW	2	RIGHT LATERAL COVER/REAR SPLASHGUARD FIX
8	270793	SCREW	2	LEFT LATERAL COVER/REAR SPLASHGUARD FIX
8	270793	SCREW	2	RIGHT LATERAL COVER FIXING
8	270793	SCREW	2	LEFT LATERAL COVER FIXING
9	259349	SCREW	1	RIGHT LATERAL COVER/FOOTREST FIXING
9	259349	SCREW	1	LEFT LATERAL COVER/FOOTREST FIXING

2.06

Helmet Carrier Cover & Spoiler

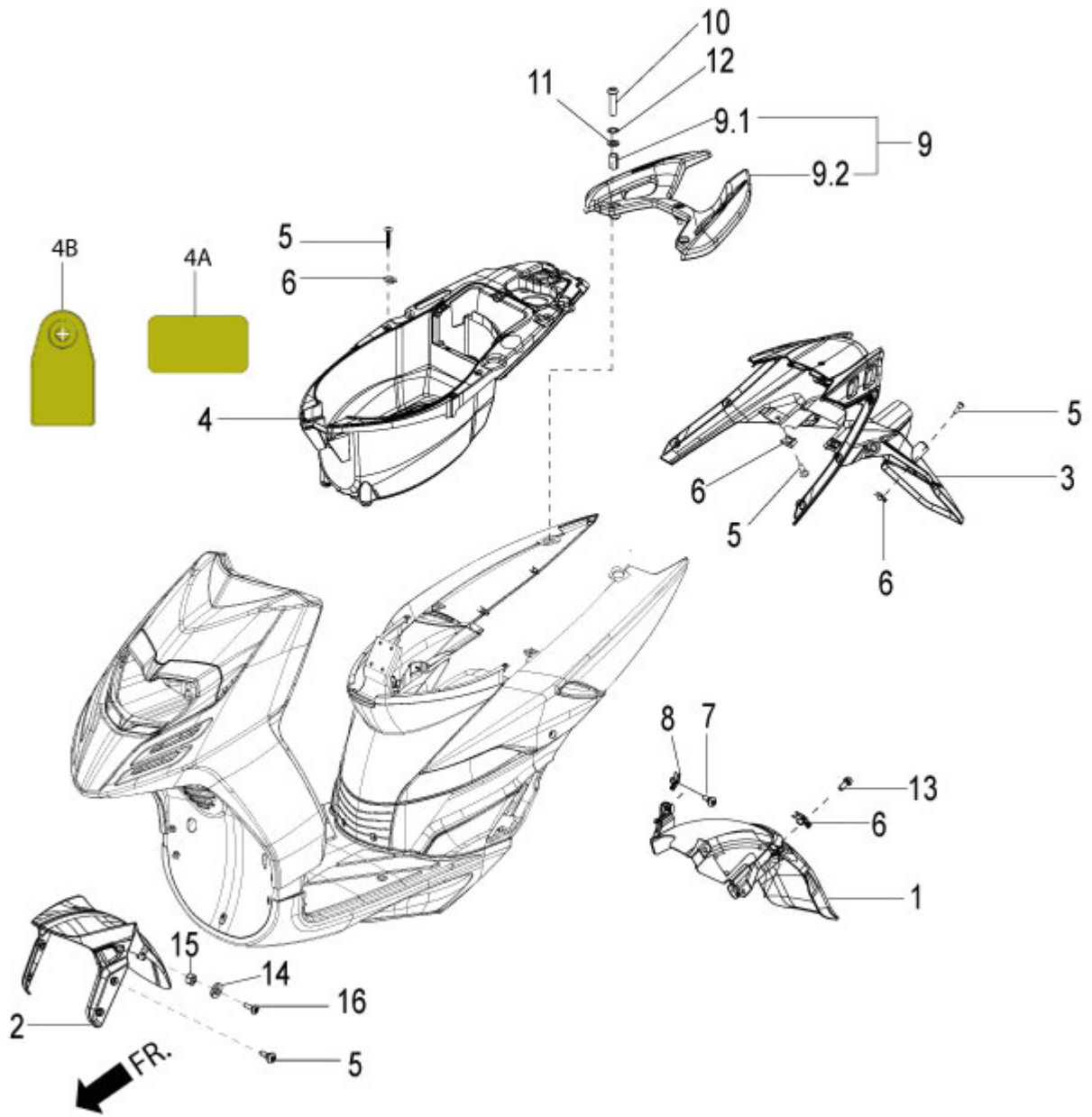


2.06**Helmet Carrier Cover & Spoiler**

Fig. No.	Part No.	Description	Qty	Remarks
1	1B003134	HELMET CARRIER COVER	1	
2	1B007341	SPOILER	1	
3	297498	SELF TAPPING SCREW	2	CENTRAL COVER/FOOTREST/HELMET CASE FIX
4	259372	SCREW	2	CENTRAL COVER/FOOTREST/HELMET CASE FIX
5	CM017410	SPRING PLATE	2	CENTRAL COVER/FOOTREST/HELMET CASE FIX
6	270793	SCREW	4	FOOTREST/SPOILER FIXING
5	CM017410	SPRING PLATE	4	FOOTREST/SPOILER FIXING
7	259364	SCREW	4	FOOTBOARD/FRAME FIXING
8	254485	SPRING PLATE (M6)	4	FOOTBOARD/FRAME FIXING

2.07

Mudguard and helmet Case

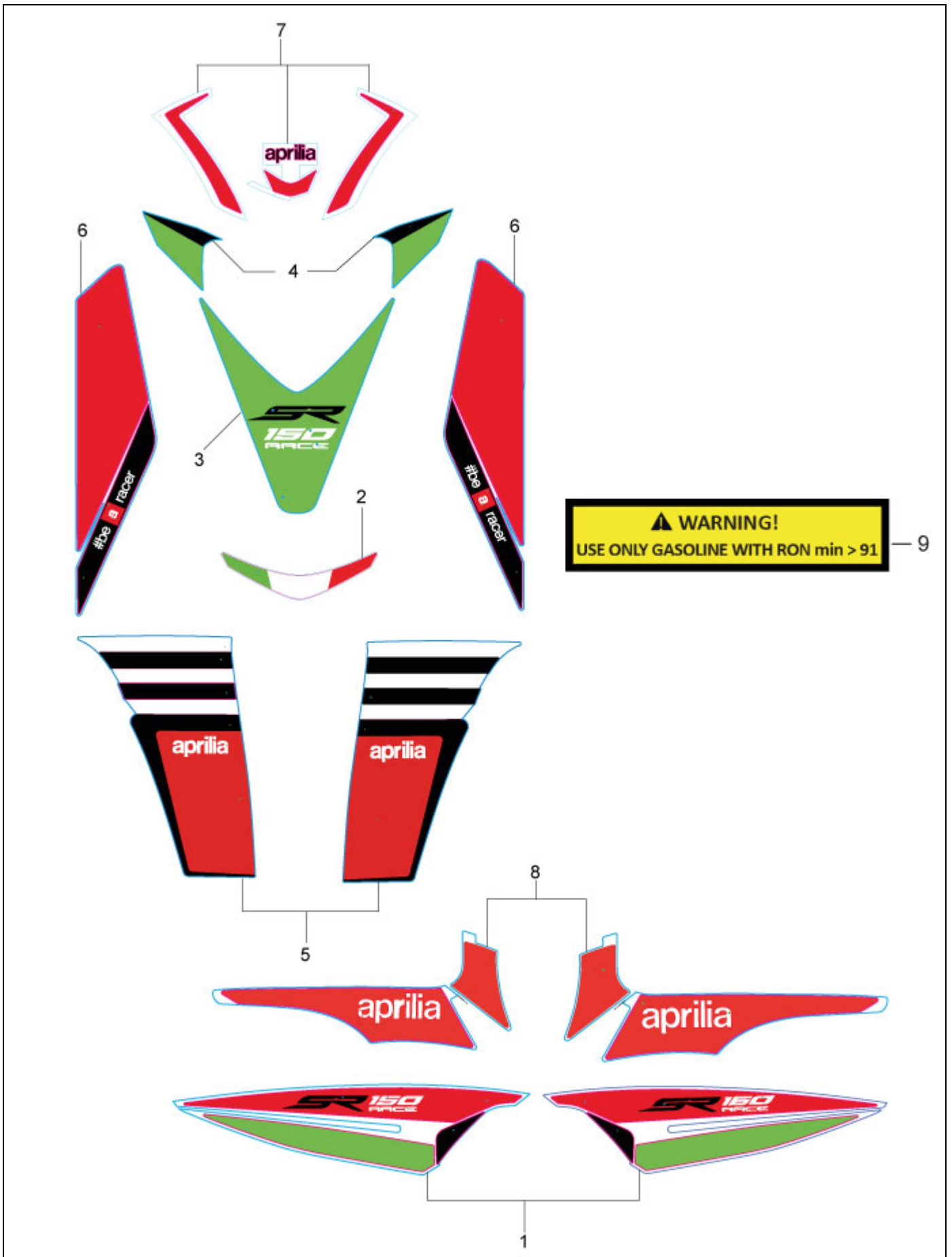


2.07**Mudguard and helmet Case**

Fig. No.	Part No.	Description	Qty	Remarks
1	1B004769	REAR MUDGUARD	1	
2	1B003459	FRONT MUDGARD	1	
3	1B005461	REAR SPLASHGUARD	1	
4	SKIT940062	KIT-HELMET CASE	1	It includes Sr. no. 4A & 4B
4A	1B008491	HELMET LIGHT CAP	1	
4B	1B008492	MICRO SWITCH CAP HELMET HOLDER	1	
5	575249	METRICAL SCREW WITH CROSS MOULD	3	REAR SPLASHGUARD / FRAME FIXING
5	575249	METRICAL SCREW WITH CROSS MOULD	2	HELMET CASE / FRAME FIXING
5	575249	METRICAL SCREW WITH CROSS MOULD	4	FRONT MUDGUARD FIXING
6	254485	SPRING PLATE (M6)	3	REAR SPLASHGUARD / FRAME FIXING
6	254485	SPRING PLATE (M6)	1	REAR MUDGARD / FILTER FIXING
6	254485	SPRING PLATE (M6)	2	HELMET CASE / FRAME FIXING
7	270793	SCREW	2	REAR MUDFLAT/HELMET CASE FIXING
8	CM017410	SPRING PLATE	2	REAR MUDFLAT/HELMET CASE FIXING
9	1B003610	REAR HANDLE WITH SPACERS	1	
9.1	1B003585	BUSH	3	
9.2	SB003150000NT	REAR HANDLE	1	
10	970273	SCREW	3	REAR HANDLE/FRAME FIXING
11	3058	PLAIN WASHER 15X8.4X1.5	3	REAR HANDLE/FRAME FIXING
12	016408	SPRING WASHER	3	REAR HANDLE/FRAME FIXING
13	1A015812	FLANGED HEXAGONAL HEAD SCREW	1	REAR MUDGARD / FILTER FIXING
14	78307	BENT SPRING WASHER M6	2	FRONT MUDGUARD FIXING
15	241936	SELF LOCKING NUT	2	FRONT MUDGUARD FIXING
16	259364	SCREW	2	FRONT MUDGUARD FIXING
17	575268	PLATE	3	NI

2.08

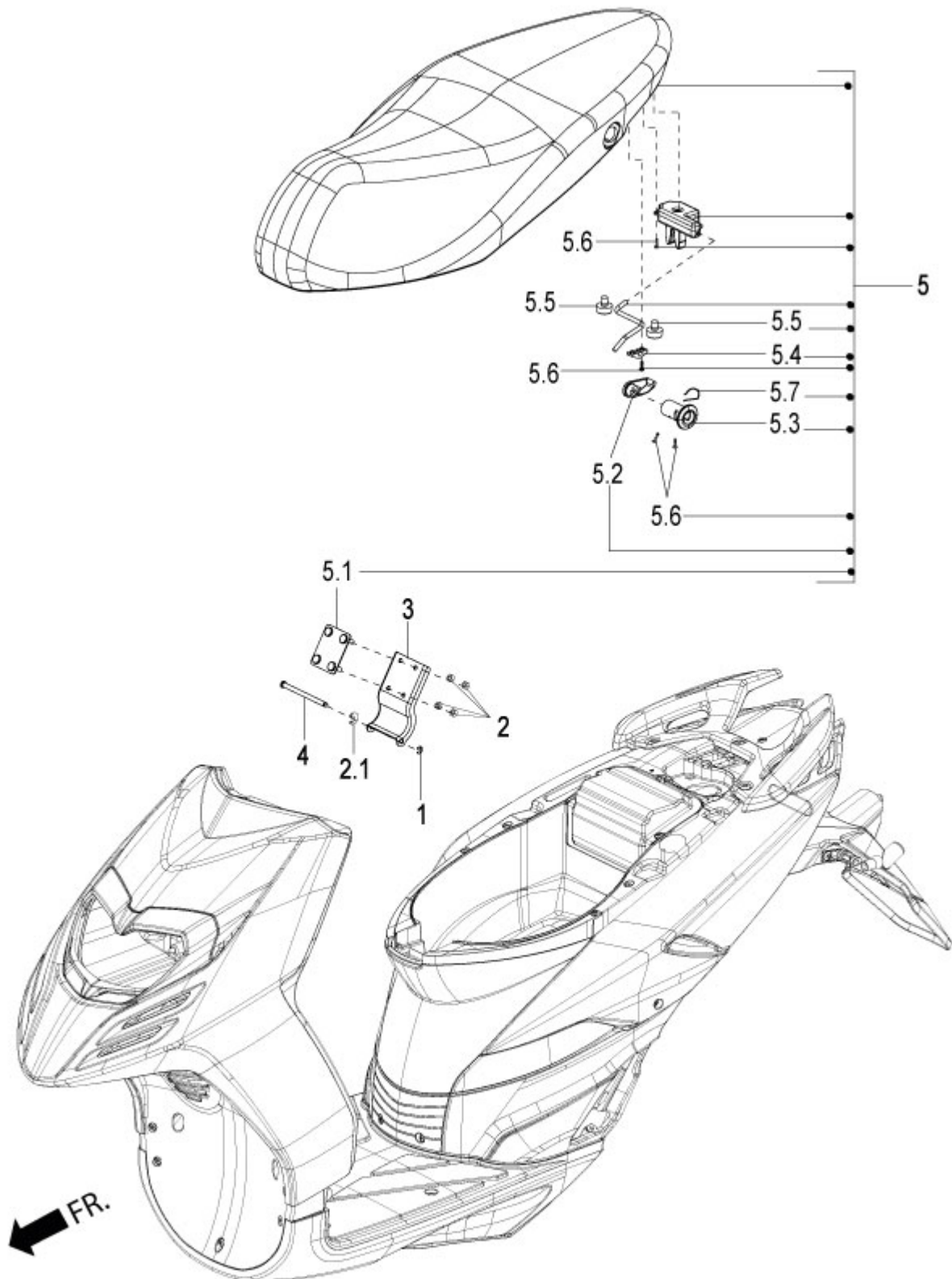
Logos and Emblem



2.08**Logos and Emblem**

Fig. No.	Part No.	Description	Qty	Remarks
1	SH00201617A3	SR 150 RACE REAR COVER DECAL KIT SET-SPD	1	
2	2H002018	SHIELD FLAG DECAL	1	
3	2H002019	SHIELD SR 150 STICKER	1	
4	SH00202021A3	SR 150 RACE FRONT SHIELD DECAL KIT -SPD	1	
5	SH00202223A3	SR 150 RACE LOWER SHIELD DECAL KIT -SPD	1	
6	SH00202425A3	SR 150 RACE UPPER SHIELD DECAL KIT -SPD	1	
7	2H002026	WINDSHIELD DECALS GROUP	1	
8	SH00202728A3	SR 150 RACE SPOILER DECAL GROUP -SPD	1	
9	2H002790	WARNING GASOLINE SPECIFICATION STICKER	1	

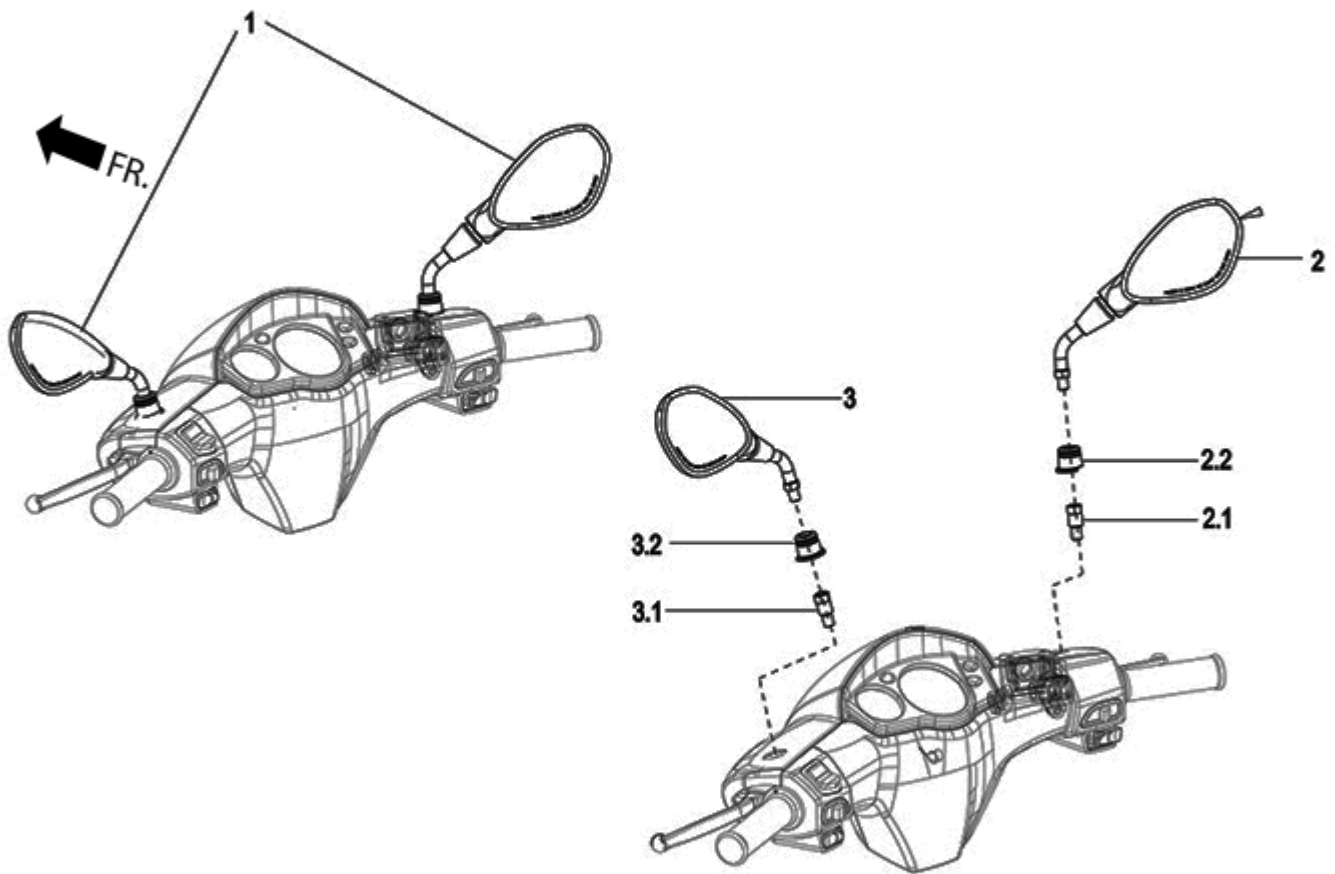
2.09 Complete Saddle



2.09**Complete Saddle**

Fig. No.	Part No.	Description	Qty	Remarks
1	3056	PLAIN WASHER M6 OD12	1	
2	269136	NUT	4	
2.1	005965	CIRCLIP DIA 5 E TYPE	1	
3	856465	SADDLE HINGE	1	
4	1B004358	SADDLE SPIN	1	
5	1B003129	COMPLETE SADDLE	1	
5.1	856467	PLATE	1	
5.2	1B003616	LEVER	1	
5.3	1B003642	LOCK SUPPORT	1	
5.4	296743	BRACKET (REAR LUGGAGE OR TANK)	1	
5.5	577492	STOP PAD	4	
5.6	674163	THREAD FORMING SCREW	7	
5.7	674312	SPRING	1	

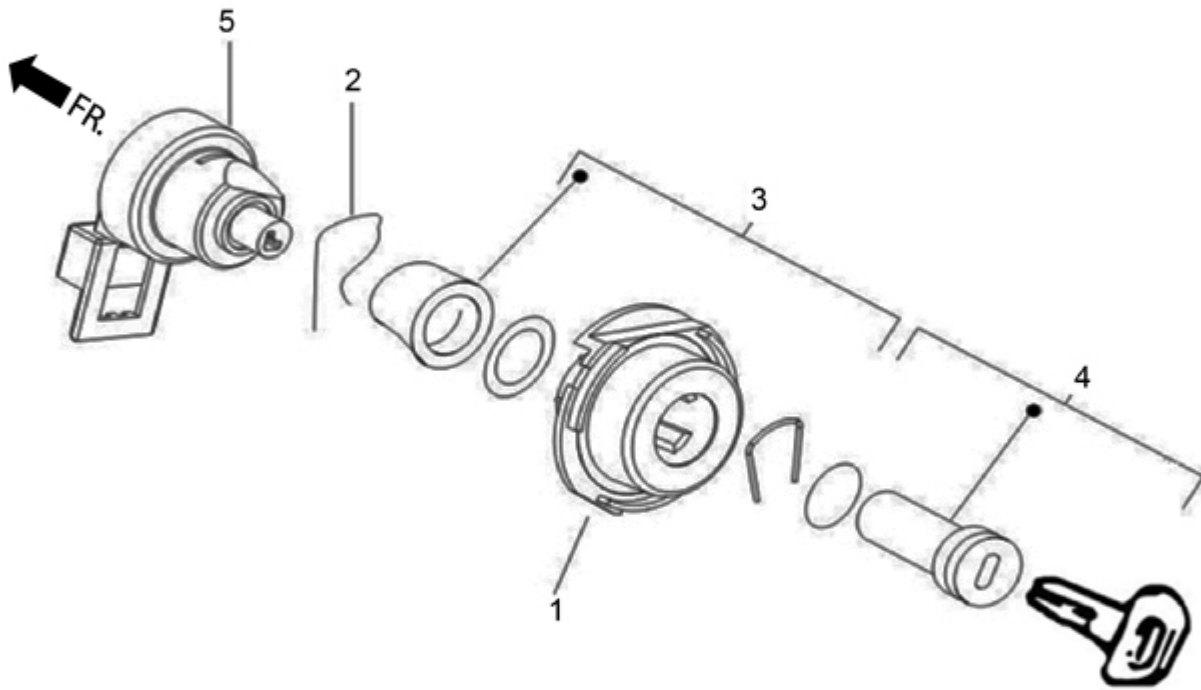
2.10 Mirrors



2.10
Mirrors

Fig. No.	Part No.	Description	Qty	Remarks
1	CM281206	MIRROR SET	1	
2	CM281204	RIGHT REAR VIEW MIRROR	1	
2.1	1B005512	RIGHT THREADED PIN	1	
2.2	1B003798	GASKET FOR RIGHT REAR-VIEW MIRROR	1	
3	CM281205	LEFT REAR VIEW MIRROR	1	
3.1	1B005511	LEFT THREADED PIN	1	
3.2	1B003799	GASKET FOR LEFT REAR-VIEW MIRROR	1	

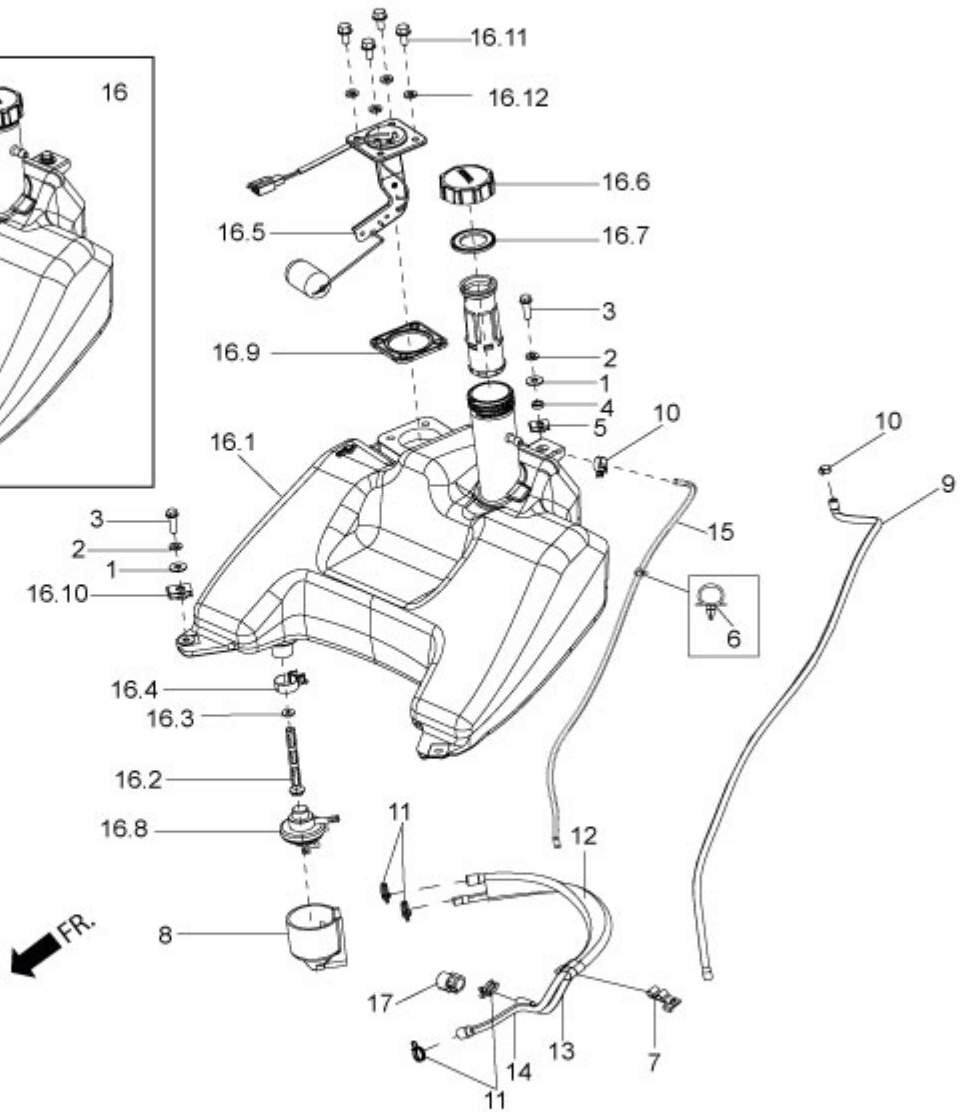
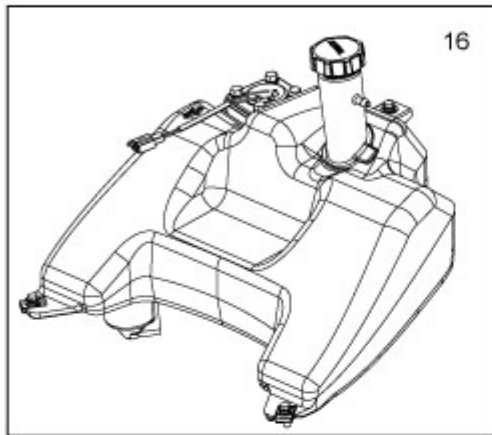
2.11
Locks



2.11
Locks

Fig. No.	Part No.	Description	Qty	Remarks
1	1B002607	LOCK BODY	1	
2	253937	SPRING	1	
3	298903	COMPLETE LOCK BLOCK	1	
4	1B003598	SET OF CYLINDERS AND KEYS FOR LOCK	1	
5	580621	COMPLETE KEY SWITCH	1	

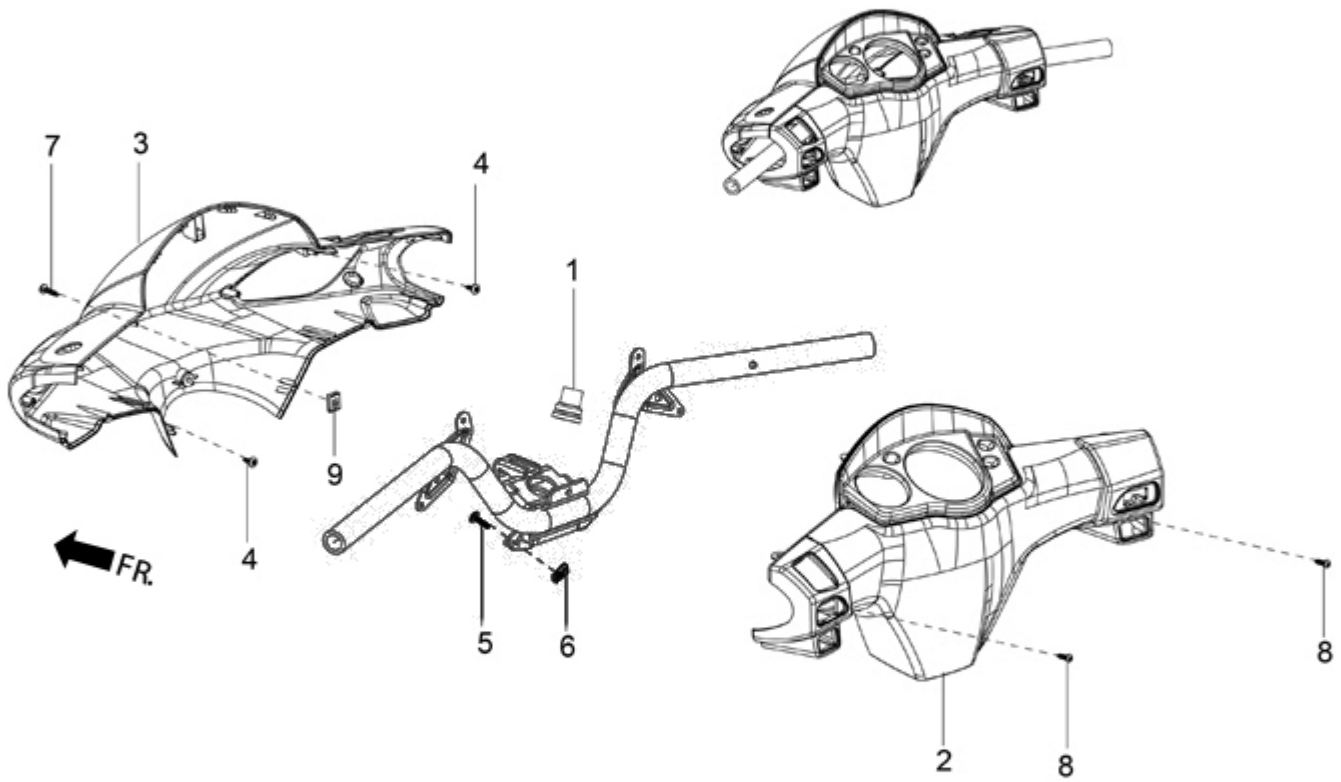
2.12 Fuel Tank



2.12**Fuel Tank**

Fig. No.	Part No.	Description	Qty	Remarks
1	013880	PLAIN WASHER	3	COMPLETE FUEL TANK FIXING
2	016406	SPRING WASHER	3	COMPLETE FUEL TANK FIXING
3	018639	SCREW M6X20	3	COMPLETE FUEL TANK FIXING
4	1B003715	SPACER	1	COMPLETE FUEL TANK FIXING
5	254485	SPRING PLATE (M6)	1	COMPLETE FUEL TANK FIXING
6	1B003944	CLIP	1	
7	231590	ELASTIC CLAMP	2	
8	576725	COVER COCK	1	
9	CM001228	PIPE (NOT METALLIC)	1	
10	CM001913	CLAMP	2	
11	CM002902	HOSE CLAMP- 9MM	4	
12	CM007465	SHEATH	1	
13	CM182604	PIPE (NOT METALLIC)	1	
14	CM283503	FLEXIBLE HOSE	1	
15	CM001206	PIPE (NOT METALLIC)	1	
16	1B003131	COMPLETE FUEL TANK	1	NS-Order on individual child part code
16.1	1B003194	FUEL TANK	1	
16.2	295533	FILTER ELEMENT	1	
16.3	235661	PACKING FOR FUEL COCK	1	
16.4	577557	CLAMP	1	
16.5	1D001409	FUEL LEVEL GAUGE	1	
16.6	1B004165	PETROL TANK CAP	1	
16.7	258160	GASKET	1	
16.8	674594	AUTOMATIC VACUUM COCK	1	
16.9	673916	GASKET	1	
16.10	CM259204	SPRING PLATE	1	
16.11	436788	FLANGED HEXAGONAL HEAD SCREW	4	
16.12	016406	SPRING WASHER	4	
17	667156	CLAMP	1	

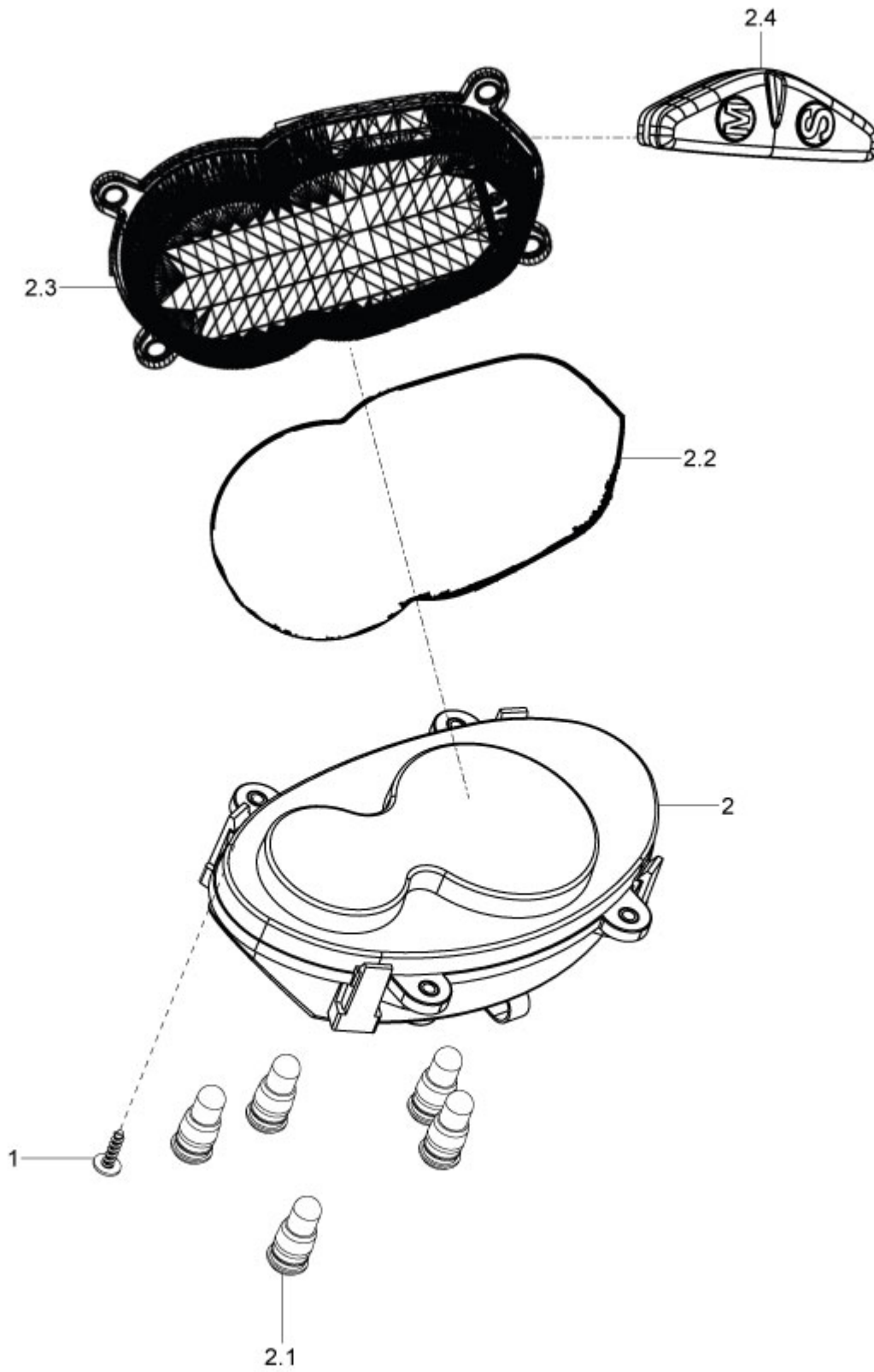
2.13 Handlebar Coverages



2.13**Handlebar Coverages**

Fig. No.	Part No.	Description	Qty	Remarks
1	1B003841	PROTECTION CUP	1	HANDLEBARS COMP
2	1B0061874	REAR HANDLEBAR COVER	1	
3	SP1B006986000HL	SPD SR FRONT HANDLEBAR COVER- GREY	1	COLOR PART
4	270793	SCREW	2	FRONT HANDLEBARS COVER FIXING
4	270793	SCREW	2	REAR HANDLEBARS COVER FIXING
5	270793	SCREW	2	FRONT HANDLEBARS COVER FIXING
6	CM017410	SPRING PLATE	2	FRONT HANDLEBARS COVER FIXING
8	267115	SCREW	2	REAR HANDLEBARS COVER FIXING
7	018620	SELF TAPPING SCREW	1	REAR HANDLEBAR COVER FIXING
9	CM017409	SPRING PLATE	1	REAR HANDLEBARS COVER FIXING

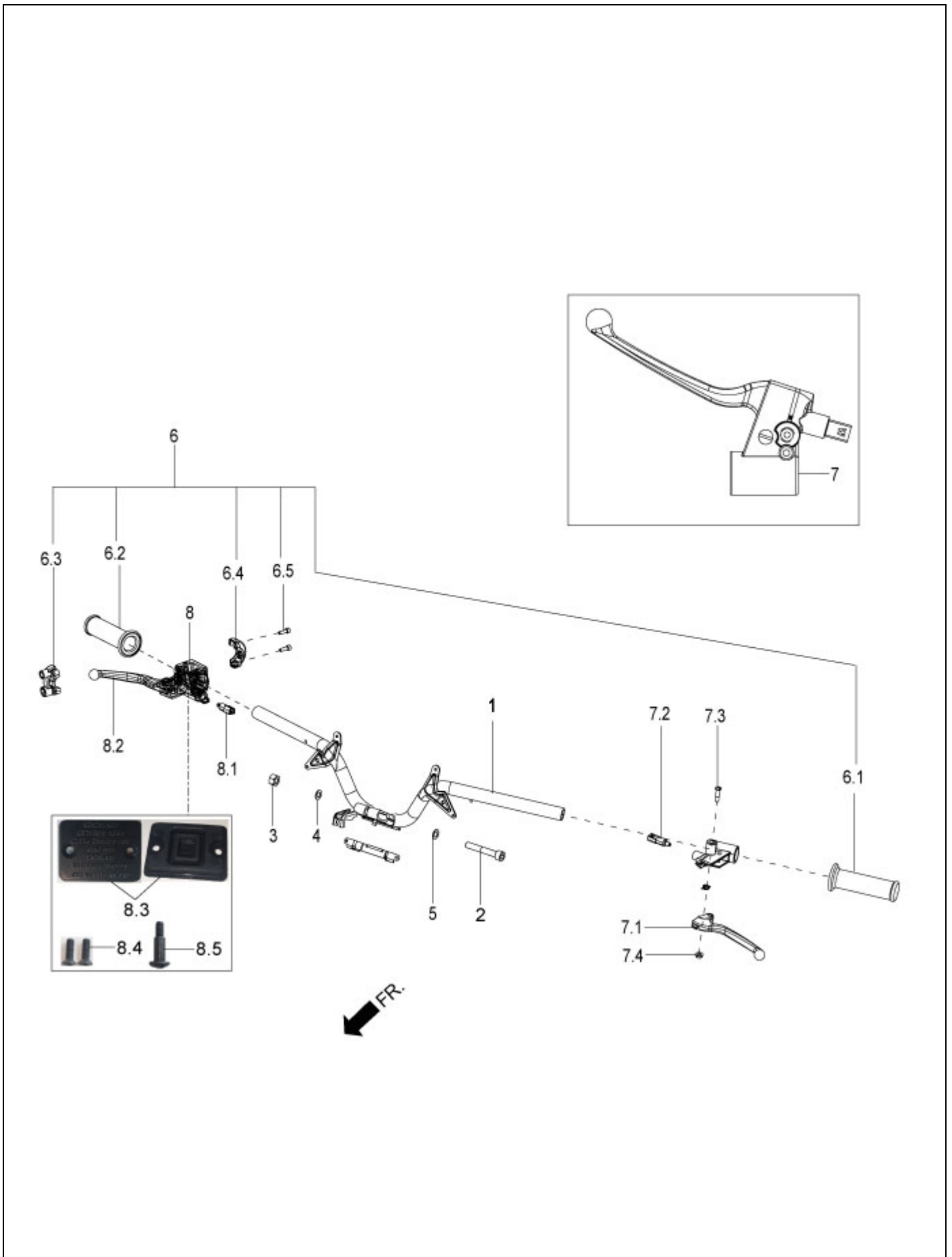
2.14
Speedometer



2.14**Speedometer**

Fig. No.	Part No.	Description	Qty	Remarks
1	270793	SCREW	4	FIX. SPEEDOMETER
2	1D002401	SPEEDOMETER	1	APPLICABLE FOR MY 18 MODEL
2	1D003035	SPEEDOMETER	1	
2.1	164634	BULB	5	
2.2	1D003474	SEAL	1	
2.3	1D003473	COMPLETE TRANSPARENT	1	
2.4	1D003519	SW RUBBER	1	

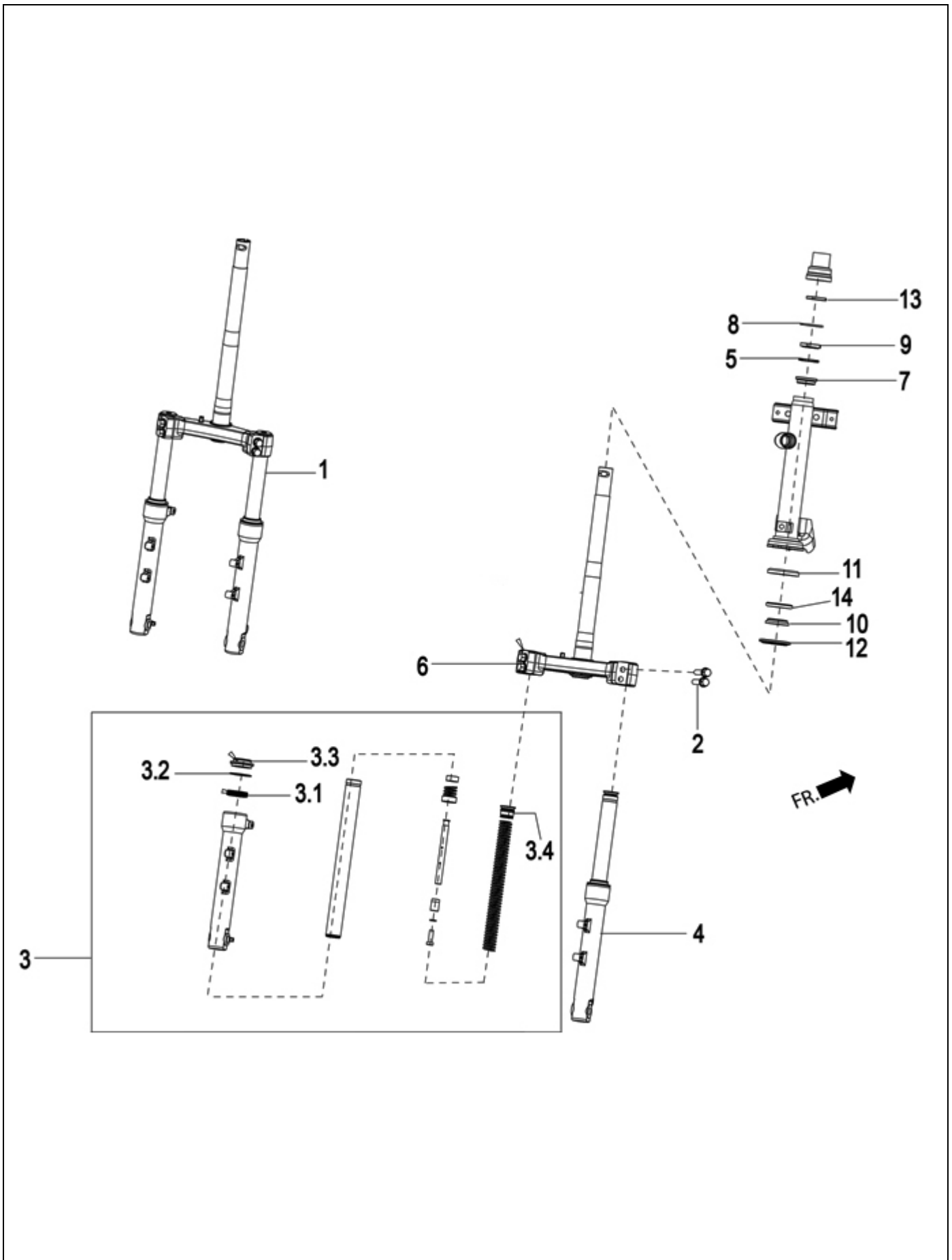
2.15 Handlebars



2.15**Handlebars**

Fig. No.	Part No.	Description	Qty	Remarks
1	SP1B006076	HANDLEBAR WITH I.P.- SPD	1	
1	SP1B005894	HANDLEBAR WITH I.P. - SPD	1	APPLICABLE FOR MY 18 MODEL
2	655554	SOCKET HEAD SCREW	1	
3	015330	NUT FOR HANDLEBAR SECURING BOLT-M10;H10	1	
4	012543	WASHER (10,3X17X2)	1	
5	178790	WASHER	1	
6	1C002151	COMPLETE THROTTLE MUFF	1	
6.1	274489	HAND GRIP (L.H.) TYPHOON 50	1	
6.2	274491	HAND GRIP (R.H.) TYPHOON 50	1	
6.3	598369	LOWER HALF-CLAMP	1	
6.4	666758	UPPER HALF-CLAMP	1	
6.5	651293	SOCKET HEAD SCREW	2	
7	CM063808	MUFF WITH REAR BRAKE LEVER	1	
7.1	667387	LEFT BRAKE LEVER	1	
7.2	640762	PUSH BUTTON REVERSE	1	
7.3	121780	SCREW	1	
7.4	123394	SCREW-BUSH	1	
8	SP1C004171	FRONT BRAKE HYDRAULIC PUMP WITH SWITCH	1	
8	SP41C003726	BRAKE PUMP	1	APPLICABLE FOR MY 18 MODEL
8.1	640762	PUSH BUTTON REVERSE	1	
8.2	1C003176	BRAKE LEVER	1	
8.3	4A000070	OIL PUMP COVER + PACKING	1	
8.4	4A000071	COUNTERSUNK SCREW	1	
8.5	4A000073	SCREW (CYLINDER HEAD) + NYLOCK NUT	1	

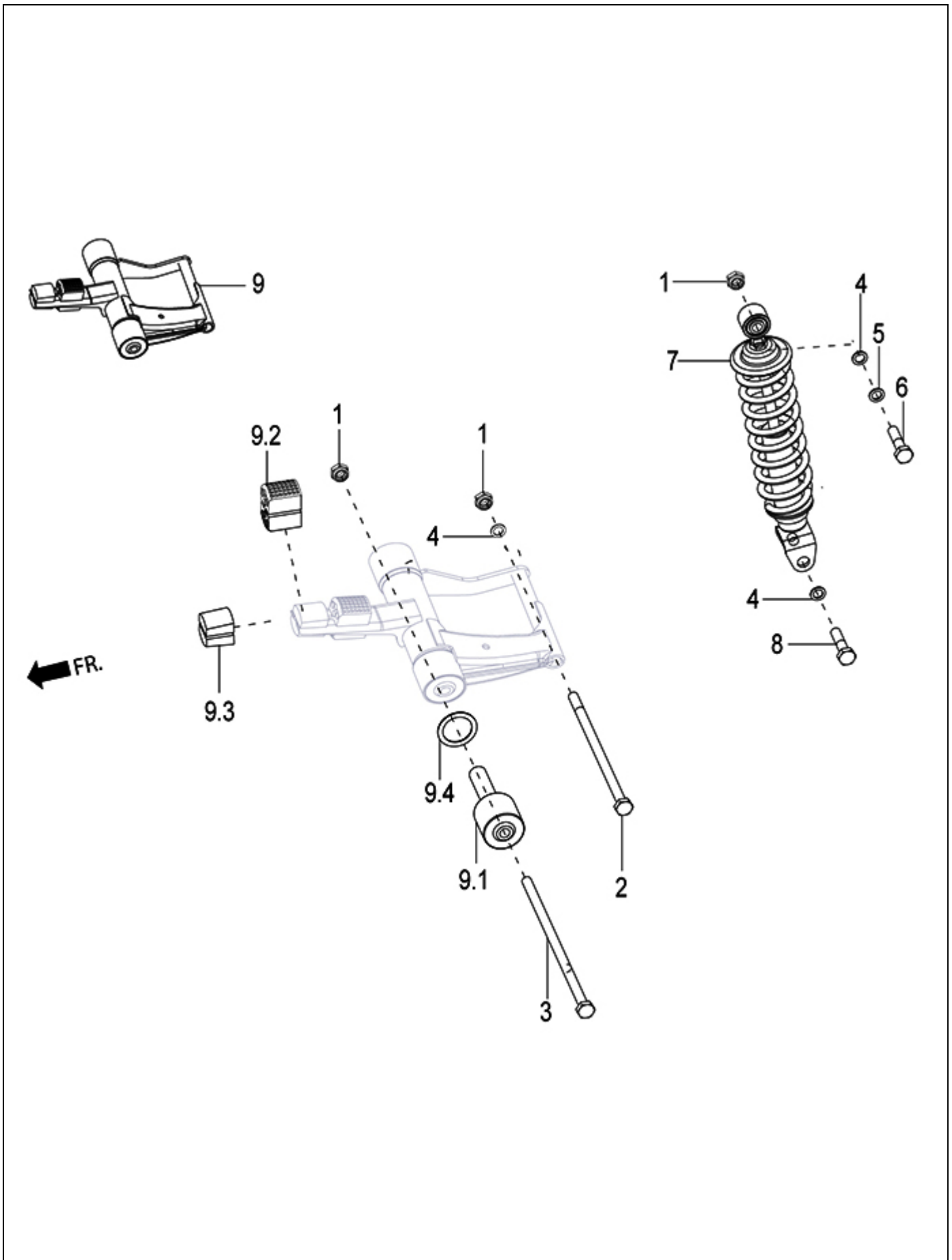
2.16 Front suspension



2.16**Front suspension**

Fig. No.	Part No.	Description	Qty	Remarks
1	SP1C0032884	FORK -SR/ TYPHOON 50	1	APPLICABLE FOR MY 18 MODEL
2	1C002421	FLANGED HEXAGONAL HEAD SCREW	4	
3	1C004621	LEFT LEG ASSEMBLY	1	APPLICABLE FOR MY 18 MODEL
3.1	1C002469	SEAL OIL	2	
3.2	1C002470	RING SNAP	2	
3.3	1C002471	DUST COVER	2	
3.4	1C002472	PLUG WITH O-RING	2	
4	1C004620	RIGHT LEG ASSEMBLY	1	
5	564260	RETAINER WITH BALLS	23	
6	1C002568	COMPLETE UNDER BRACKET	1	
7	564256	STEER.UPP.BEAR.LOW.TRACK	1	
8	003751	WASHER FOR STEERING COLUMN (3,2X40X2,5)	1	
9	564258	RING NUT	1	
10	564259	STEER.LOW.BEAR.EXT.TRACK	1	
11	665602	STEER.LOW.BEAR.INT.TRACK	1	
12	1C001628	PROTECTION WASHER	1	
13	011109	RING NUT	1	
14	564257	STEERING BEARING ASSY. MC3 -56002R	28	
1	SP1C004619	ASSEMBLY FRONT FORK	1	
3	1C004621	LEFT LEG ASSEMBLY	1	

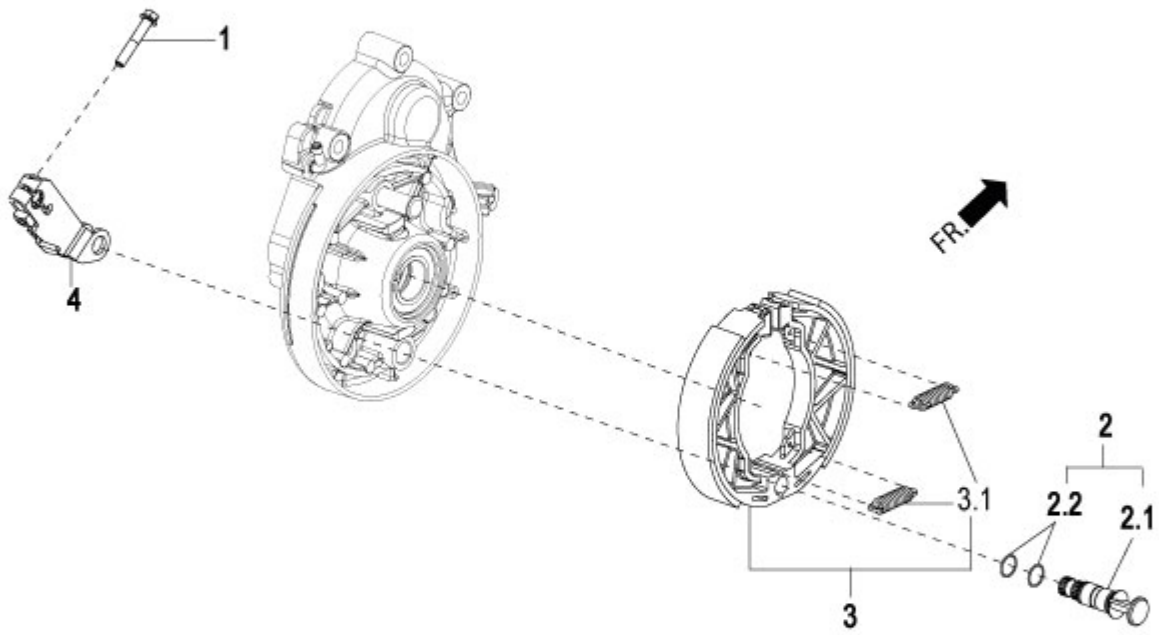
2.17 Rear Suspension



2.17**Rear Suspension**

Fig. No.	Part No.	Description	Qty	Remarks
1	002440	SELF LOCKING NUT	1	ENGINE/WISHBONE ARM FIXING
1	002440	SELF LOCKING NUT	1	FRAME/WISHBONE ARM FIXING
1	002440	SELF LOCKING NUT	1	REAR SHOCK ABSORBER UPPER FIXING
2	668302	SCREW BOLT SHANK THREADED PARTIALLY	1	ENGINE/WISHBONE ARM FIXING
3	1C002598	(*) SCREW BOLT SHANK THREADED PART	1	FRAME/WISHBONE ARM FIXING
4	B015320	PLAIN WASHER	2	REAR SHOCK ABSORBER UPPER FIXING
4	B015320	PLAIN WASHER	1	FRAME/WISHBONE ARM FIXING
4	B015320	PLAIN WASHER	1	REAR SHOCK ABSORBER LOWER FIXING
5	B015321	CONICAL KNURLED WASHER	1	REAR SHOCK ABSORBER UPPER FIXING
6	B024614	HEX HEAD BOLT M10X45 CL 10.9	1	REAR SHOCK ABSORBER UPPER FIXING
7	1C003767	REAR SHOCK ABSORBER ASSY	1	
8	268158	FLANGED HEXAGONAL HEAD SCREW	1	REAR SHOCK ABSORBER LOWER FIXING
9	1C005078	SWINGING ARM ASSY	1	
9.1	563076	SILENTBLOC.	2	
9.2	267550	BUFFER	1	
9.3	267589	BUFFER	1	
9.4	562576	WASHER	2	

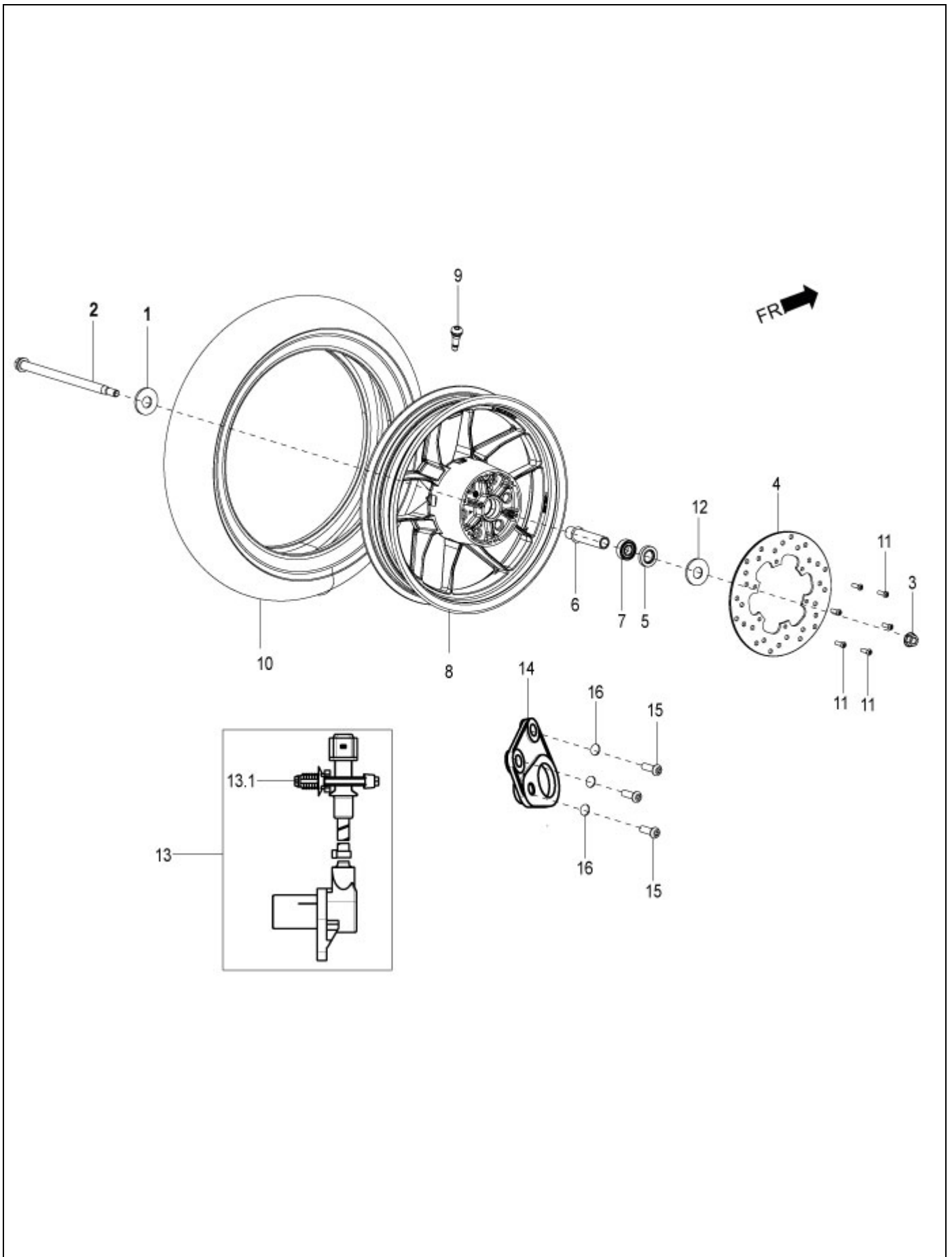
2.18
Rear Brake



2.18**Rear Brake**

Fig. No.	Part No.	Description	Qty	Remarks
1	1A003063	FLANGED HEX HEAD SCREW M6X35	1	REAR BRAKE DRIVE LEVER FIXING
2	564112	REAR BRAKE LEVER AXLE	1	
2.2	564134	GASKET	2	
3	1C000655R	BRAKE SHOES COUPLE	1	
3.1	647384	SPRING	2	
4	1C002607	REAR BRAKE DRIVE LEVER WITH I.P.	1	

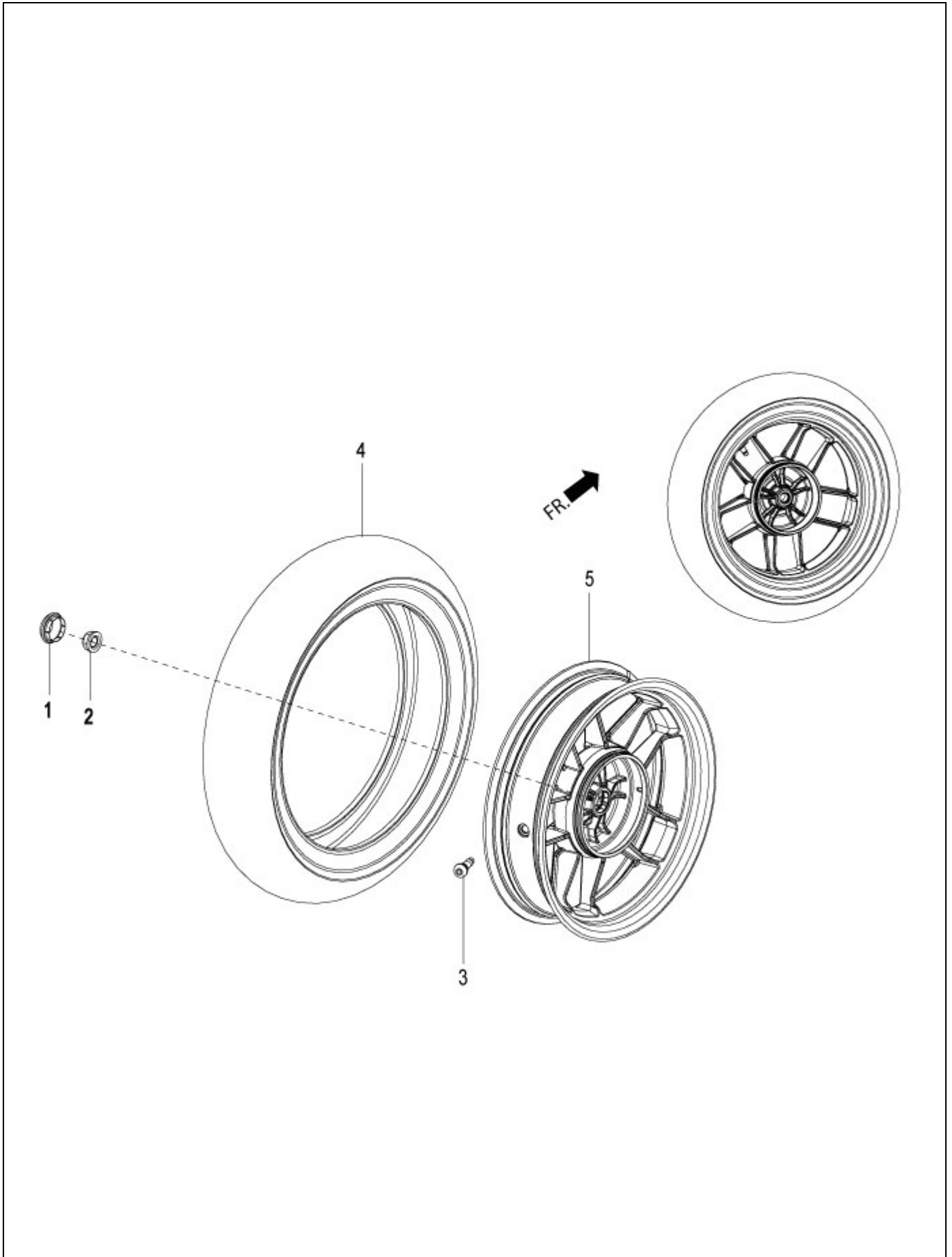
2.19 Front wheel



2.19**Front wheel**

Fig. No.	Part No.	Description	Qty	Remarks
1	709037	WASHER	1	FRONT WHEEL SPINDLE FIXING
2	1C002728	FRONT WHEEL AXLE	1	FRONT WHEEL SPINDLE FIXING
3	265216	SELF LOCKING NUT M12 H=11	1	FRONT WHEEL SPINDLE FIXING
4	1C003293	BRAKE DISK	1	
5	1C001322	SEAL RING	1	
6	1C002415	COMPLETE SPACER	1	
7	649910	DEEP GROOVE BALL BEARING	2	
8	1C002921	FRONT WHEEL 14 X 2.75	1	
9	270991	TUBELESS VALVE	1	
10	1C002641R	TYRE 120/70-14	1	
11	667152	SOCKET HEAD SCREW	6	
12	1C002414	SPACER	1	FRONT WHEEL SPINDLE FIXING
13	SP1D002493	COMPLETE SPEED SENSOR	1	Applicable for SR Non-ABS
13.1	1D001143	CLIP	1	
14	1C003296	SENSOR SUPPORT PLATE	1	
15	709099	SCREW	3	Sensor/Plate Fixing
16	006976	WAVED SPRING WASHER	3	Sensor/Plate Fixing

2.20
Rear Wheel

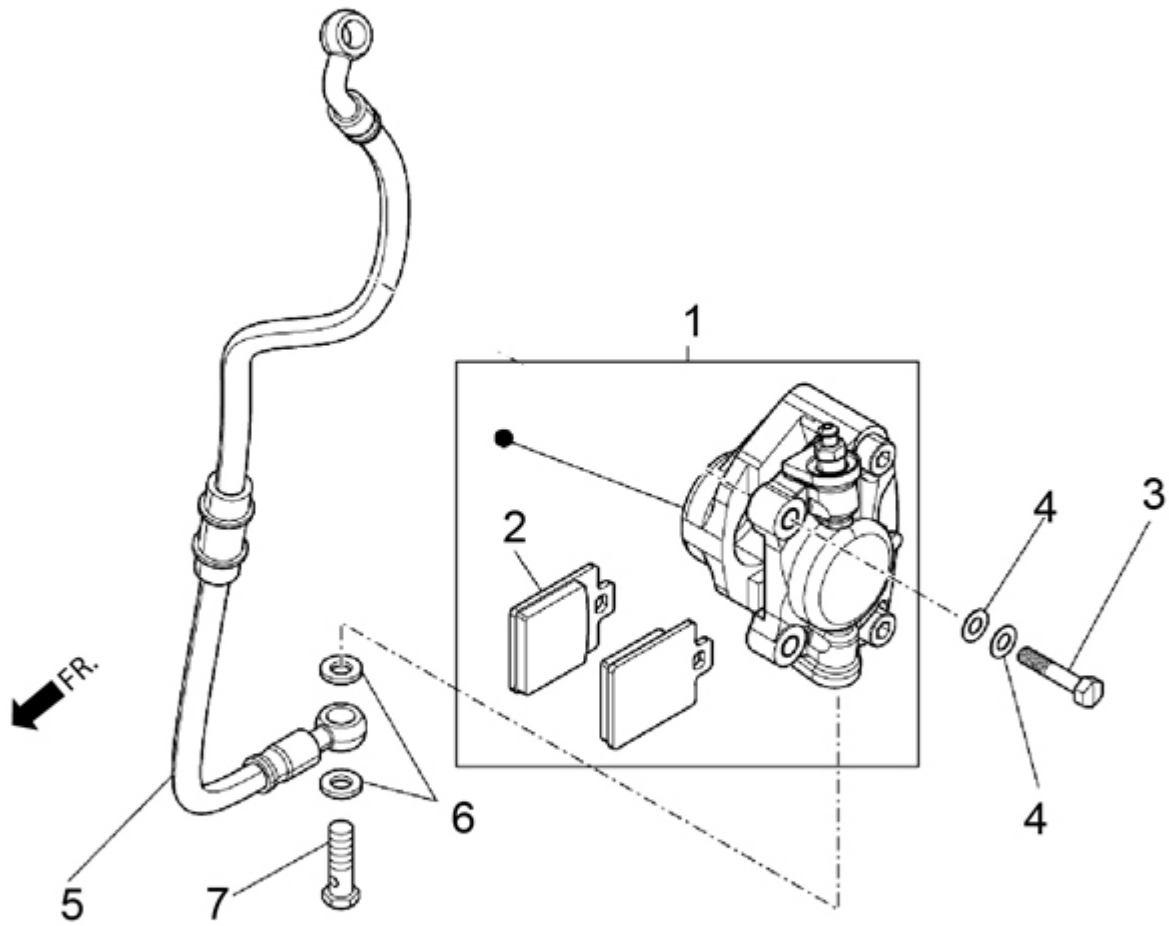


2.20**Rear Wheel**

Fig. No.	Part No.	Description	Qty	Remarks
1	665657	PLUG WHEEL AXIS	1	COMPLETE REAR WHEEL FIXING
2	1C002806	SELF LOCKING FLANGE U NUT	1	COMPLETE REAR WHEEL FIXING
3	270991	TUBELESS VALVE	1	
4	1C002641R	TYRE 120/70-14	1	
5	1C003090	REAR WHEEL	1	

2.21

Brake Pipes and Calipers

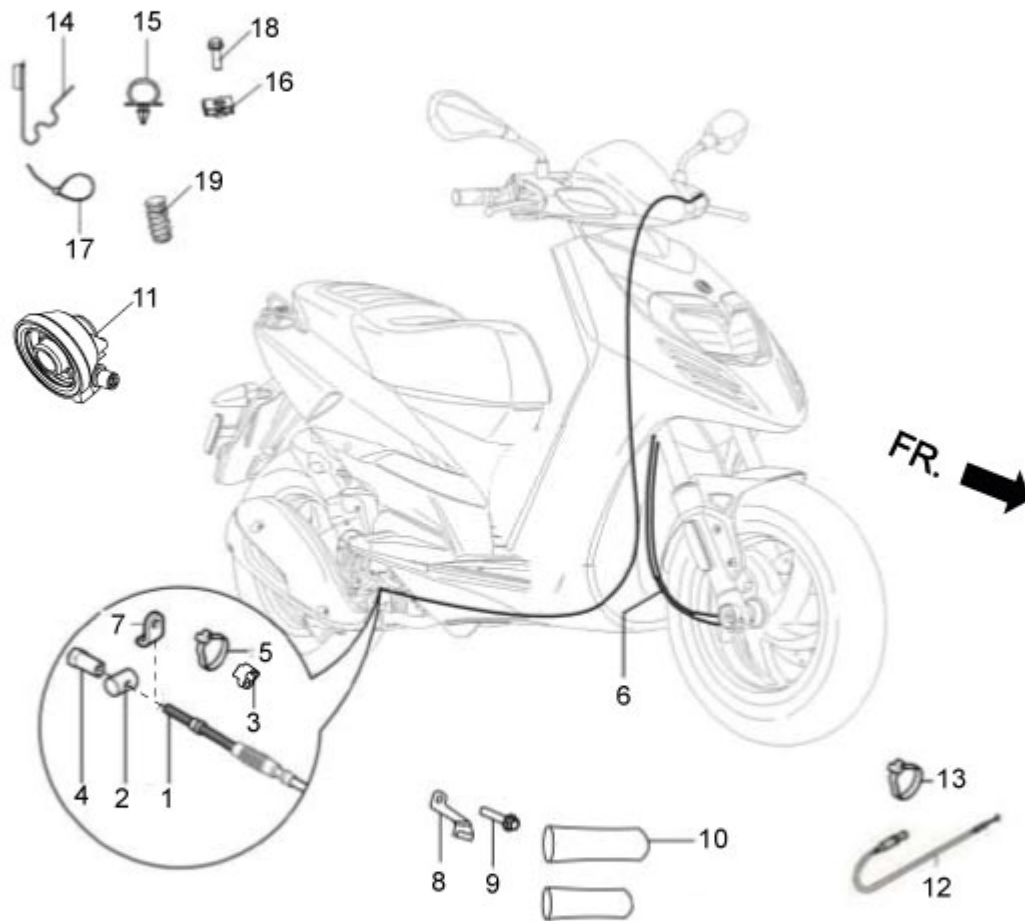


2.21**Brake Pipes and Calipers**

Fig. No.	Part No.	Description	Qty	Remarks
1	1C005953R	CALIPER	1	
2	1C002634	BRAKE COUPLR PAD	1	
3	271596	SCREW	2	BRAKE CALIPER/FRONT FORK FIXING
4	709047	ELASTIC CORRUGATED WASHER	2	BRAKE CALIPER/FRONT FORK FIXING
5	1C003510	FRONT BRAKE HYDRAULIC HOSE	1	
6	127927R	PACKING	4	FRONT BRAKE HYDRAULIC/CALIPER/PUMP
7	666294	SPECIAL SCREW (BANJO BOLT CKD)	2	FRONT BRAKE HYDRAULIC/CALIPER/PUMP

2.22

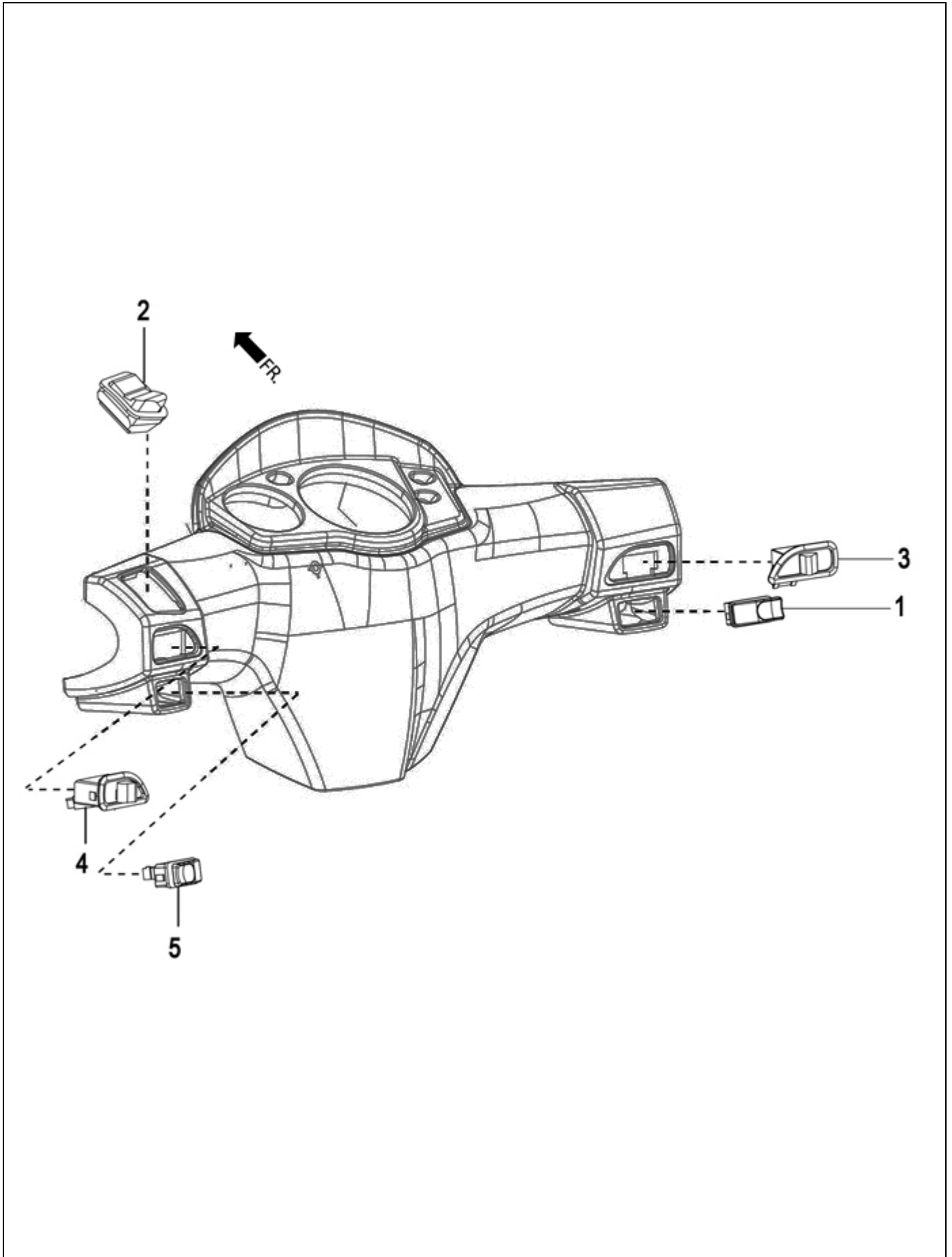
Transmission cables



2.22**Transmission cables**

Fig. No.	Part No.	Description	Qty	Remarks
1	1C002153	COMPLETE REAR BRAKE TRANSMISSION	1	
2	179640	PIN	1	REAR BRAKE TRANSMISSION FIXING
3	1C001642	SPACER	1	REAR BRAKE TRANSMISSION FIXING
4	270310	BRAKE ADJUSTER	1	REAR BRAKE TRANSMISSION FIXING
5	257134	RETAINING STRAP	1	REAR BRAKE TRANSMISSION FIXING
6	1C002432	SPEEDOMETER FLEX. TRANS.	1	
7	564645	PLATE FOR REAR BRAKE TRANSMISSION FIXING	1	REAR BRAKE TRANSMISSION FIXING
8	667842	TRANSMISSION BRAKE CLAMP	1	REAR BRAKE TRANSMISSION FIXING
9	1A003060	FLANGED HEX. HEAD SCREW M6X45	1	REAR BRAKE TRANSMISSION FIXING
10	CM0074C3	SHEATH (DI.5-S.0,5-L.220)	1	GAS /STARTING TRASMISSION FIXING
11	1C004116	SPEEDOMETER DRIVE	1	
12	1C002373	STARTER TRANSMISSION	1	
13	667841	CLIP	1	REAR BRAKE TRANSMISSION FIXING
14	1C002363	CLIP	3	GAS /STARTING TRASMISSION FIXING
15	216369	CLAMP	1	GAS /STARTING TRASMISSION FIXING
16	254485	SPRING PLATE (M6)	3	GAS /STARTING TRASMISSION FIXING
17	257134	RETAINING STRAP	3	GAS /STARTING TRASMISSION FIXING
18	1A015812	FLANGED HEXAGONAL HEAD SCREW	3	GAS /STARTING TRASMISSION FIXING
19	CM006905	SPRING	2	GAS /STARTING TRASMISSION FIXING

2.23 Selector Switches

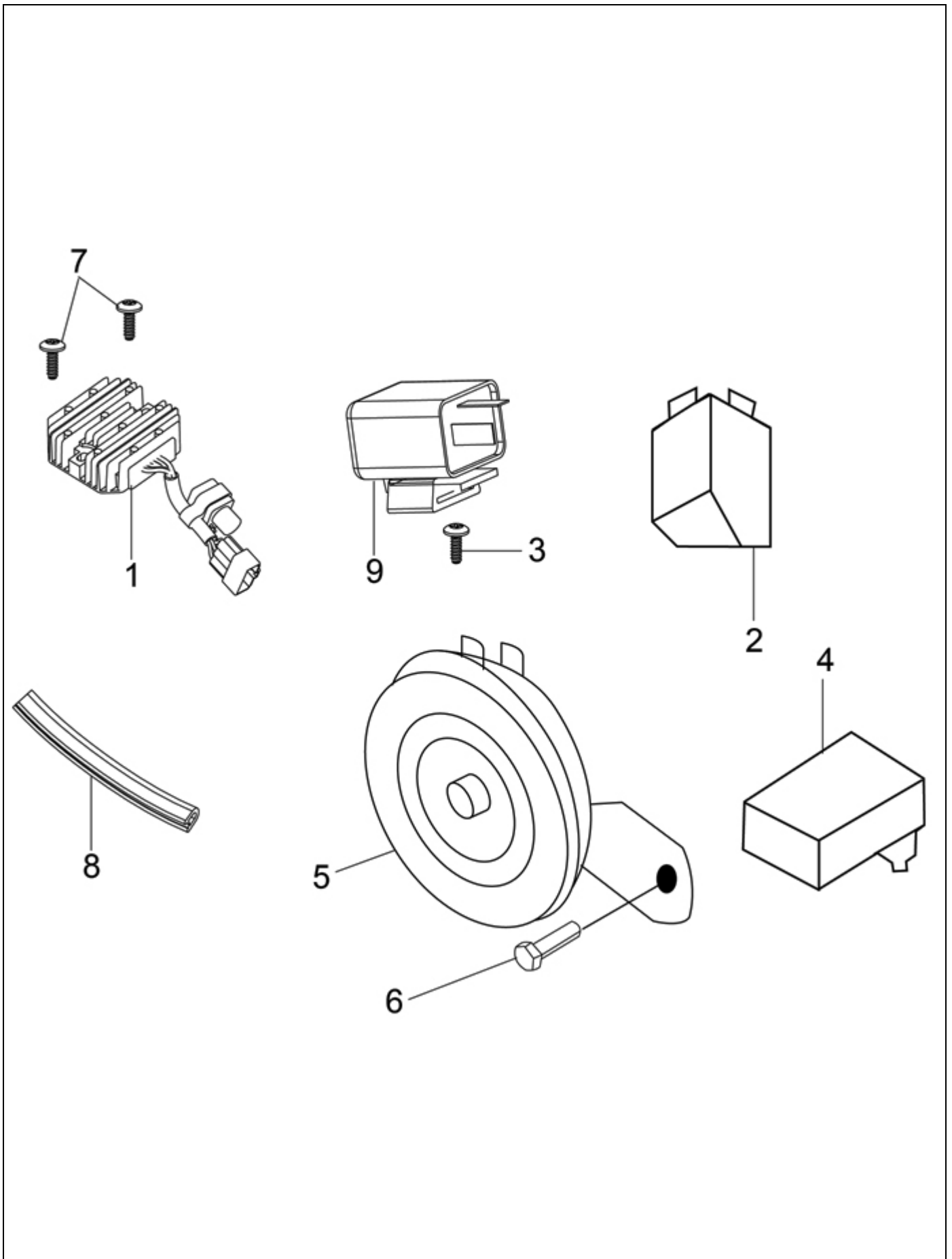


2.23**Selector Switches**

Fig. No.	Part No.	Description	Qty	Remarks
1	641359	START PUSH BUTTON	1	
2	642967	HI-LO SWITCH WITH PASSING	1	
3	584426	PLUG	1	
4	642679	BLINKER SWITCH	1	
5	1D000185	CLACSON PUSH BUTTON	1	
3	642365	LIGHTS SWITCH	1	

2.24

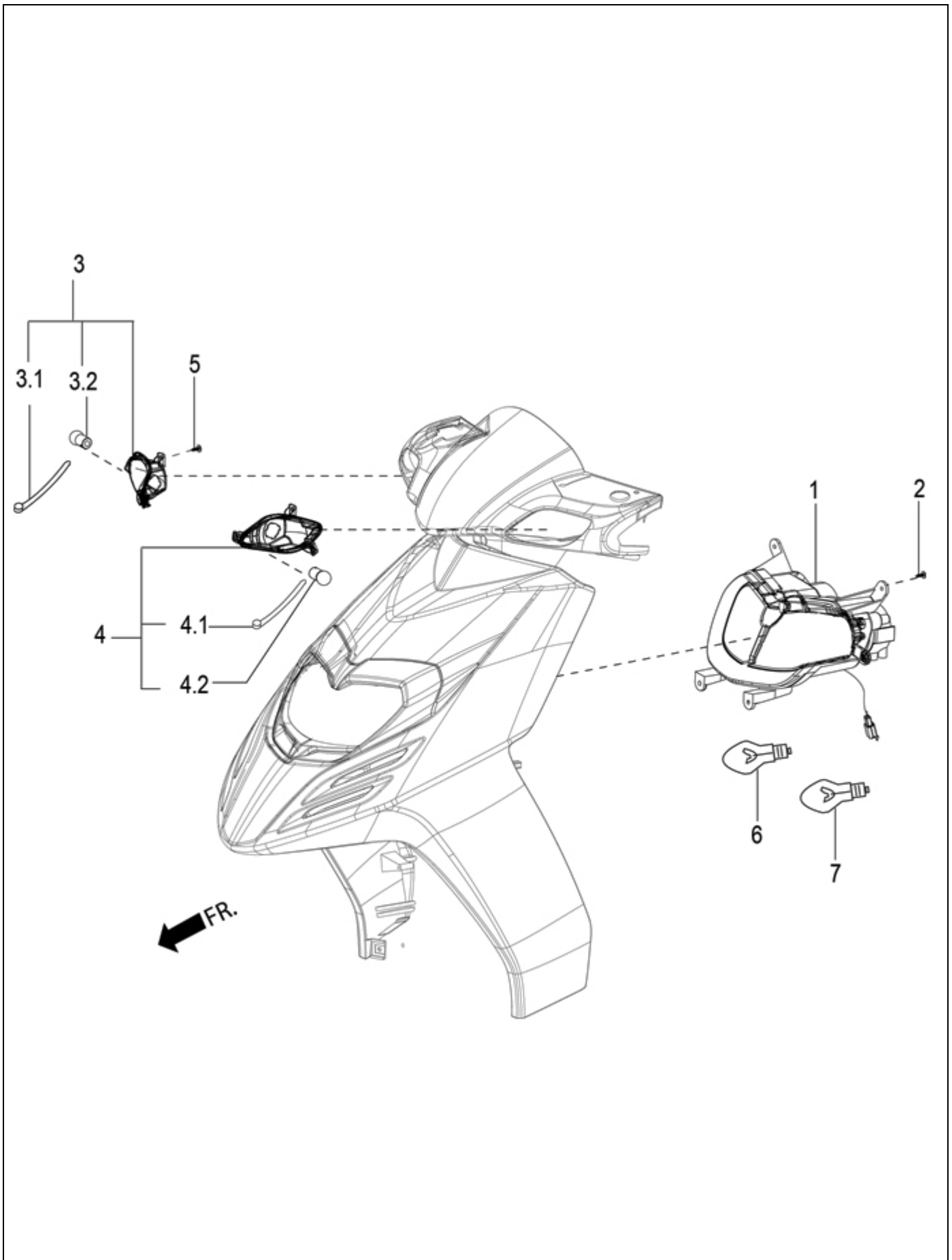
Remote Control Switches



2.24**Remote Control Switches**

Fig. No.	Part No.	Description	Qty	Remarks
1	1A016315R	VOLTAGE REGULATOR	1	
2	1D003013	FLASHING DEVICE COMPLETE	1	
3	435634	FLANGED HEXAGONAL HEAD SCREW	1	REMOTE CONTR. SWITCH FIXING
4	58250R	CONTROL DEVICE IGNITION	1	
5	58243R	HORN 12V - DC	1	
6	434541	SCREW	1	HORN FIXING
7	018639	SCREW M6X20	2	REGULATOR FIXING
8	CM023903	EDGE PROTECTION	1	
9	680154	REMOTE CONTROL SWITCH 12V-70A	1	

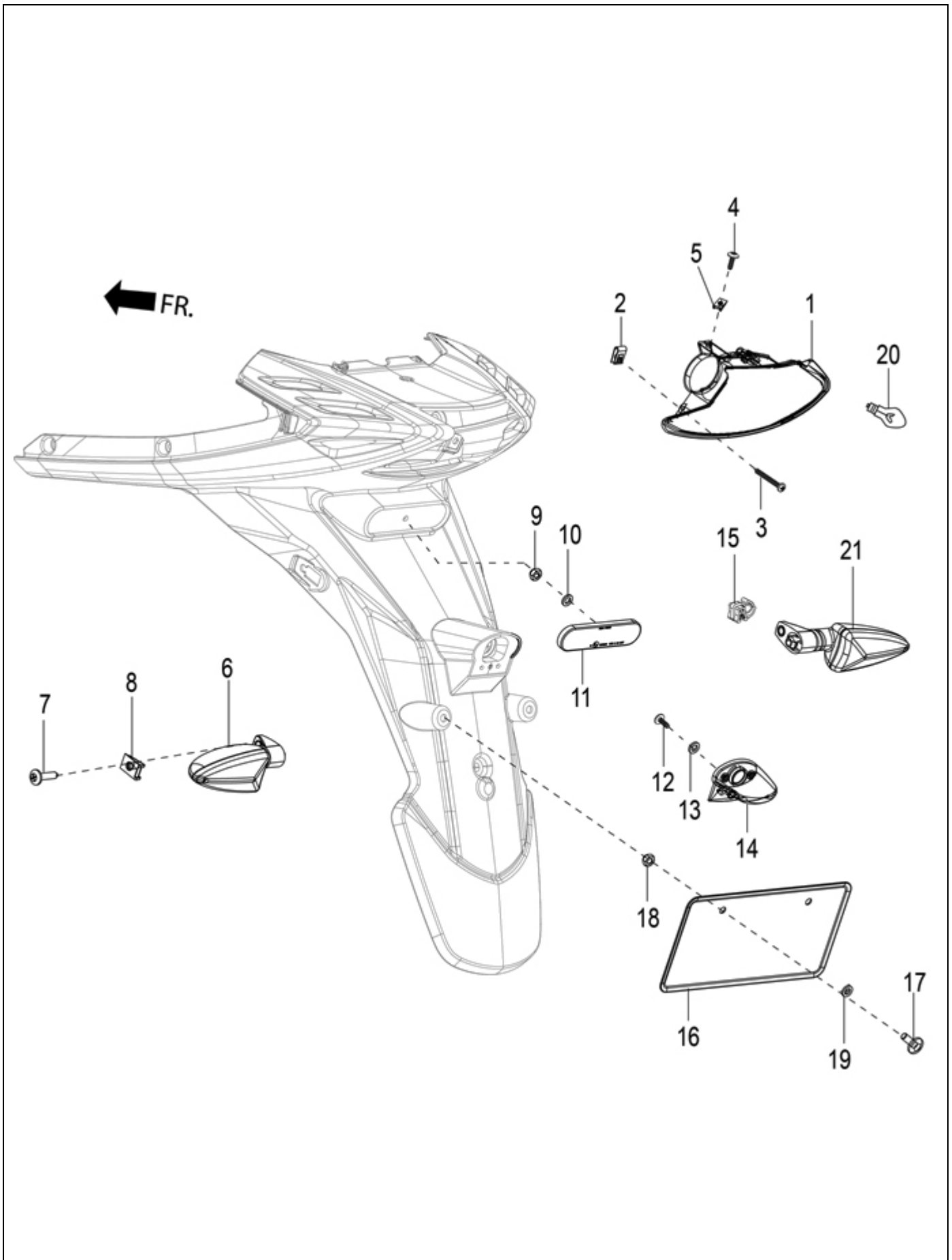
2.25 Front lamp Group



2.25**Front lamp Group**

Fig. No.	Part No.	Description	Qty	Remarks	
1	1D002965	COMPLETE SINGLE CHAMBER HEADLAMP	1	HEADLAMP FIXING	
2	270793	SCREW	4		
3	1D001570	FRONT RIGHT TURN SIGNAL LIGHT	1		
3.1	1D001926	COMP. FRONT RH WIRE HARNESS	1		
3.2	584332	12V-10W AMBER LAMP	1		
4	1D001571	FRONT LEFT TURN SIGNAL LIGHT	1		
4.1	1D001927	COMP. FRONT LH WIRE HARNESS	1		
4.2	584332	12V-10W AMBER LAMP	1		
5	297498	SELF TAPPING SCREW	6		FRONT TURN SIGNAL LIGHT FIXING
6	231215	LAMP 12V/35/35W HS1 (HALOGEN)	2		
7	292022	LAMP (12V - 5W)	1		

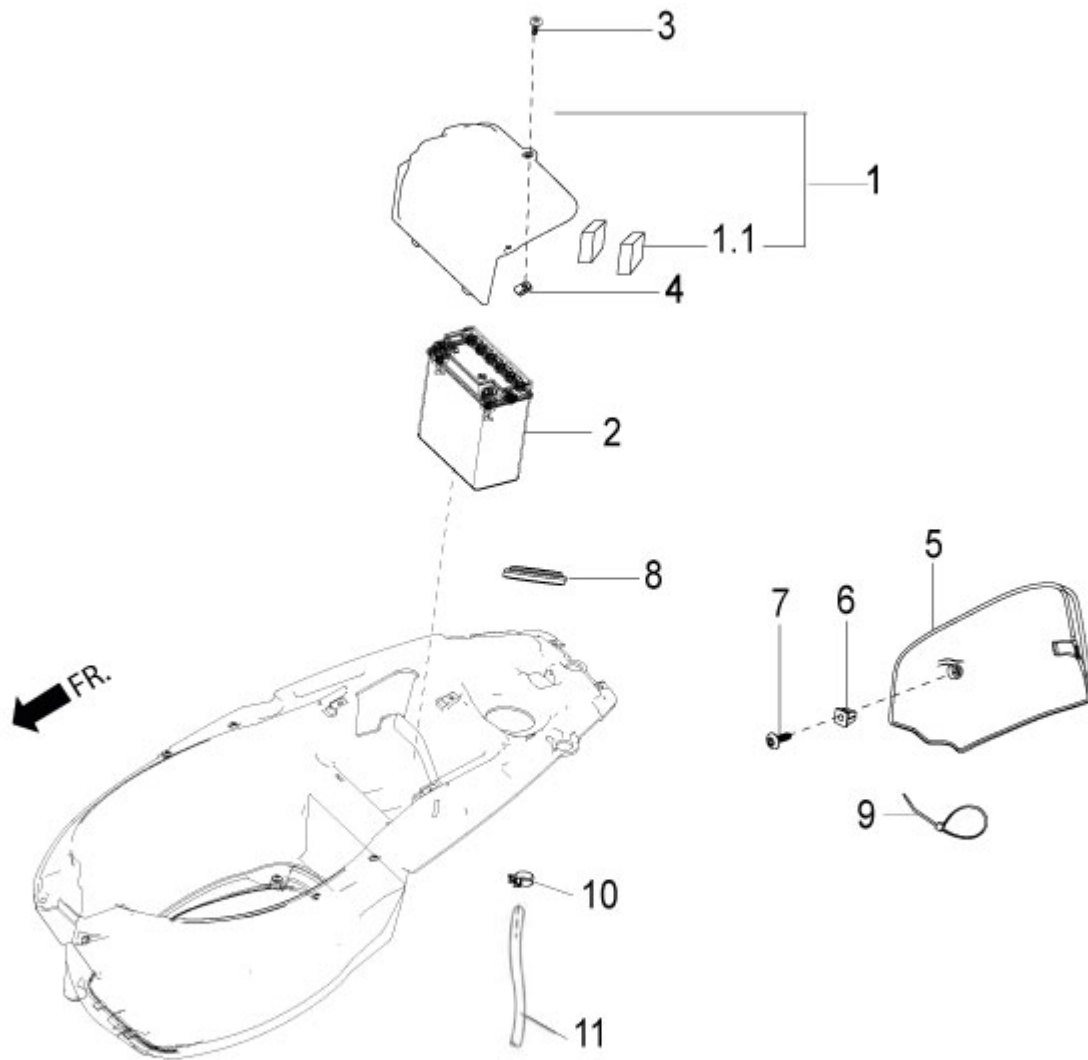
2.26 Rear lamp Group



2.26**Rear lamp Group**

Fig. No.	Part No.	Description	Qty	Remarks
1	1D001567	COMPLETE TAIL LAMP	1	
2	CM017410	SPRING PLATE	2	REAR LAMP FIXING
3	018534	SCREW	2	REAR LAMP FIXING
4	259349	SCREW	1	REAR LAMP FIXING
5	CM017408	SPRING PLATE	1	REAR LAMP FIXING
6	1D001569	REAR LEFT TURN SIGNAL LIGHT	1	
7	259364	SCREW	2	REAR TURN SIG. LIGHT FIXING
8	254485	SPRING PLATE (M6)	2	REAR TURN SIG. LIGHT FIXING
9	20105	PLAIN NUT M5	1	REAR REFLECTOR FIXING
10	6965	SPRING WASHER DIA 5	1	REAR REFLECTOR FIXING
11	642906	REAR REFLECTOR	1	
12	267115	SCREW	1	Licence plate LAMP fixing
13	003054	PLAIN WASHER	1	Licence plate LAMP fixing
14	639088	TAIL LAMP	1	E - Marked (Export)
15	CM013203	SPRING	2	REAR INDICATOR CABLE FIXING
16	673918A	REAR LICENSE PLATE	1	
17	272836	METRICAL SCREW WITH CROSS MOULD	2	REAR PLATE FIXING
18	709116	HEXAGON NUT	2	REAR PLATE FIXING
19	709003	PLAIN WASHER	2	REAR PLATE FIXING
20	129953	BULB FOR TAIL LAMP (12V - 5/21W)	1	
21	1D001568	REAR RIGHT TURN SIGNAL LIGHT	1	

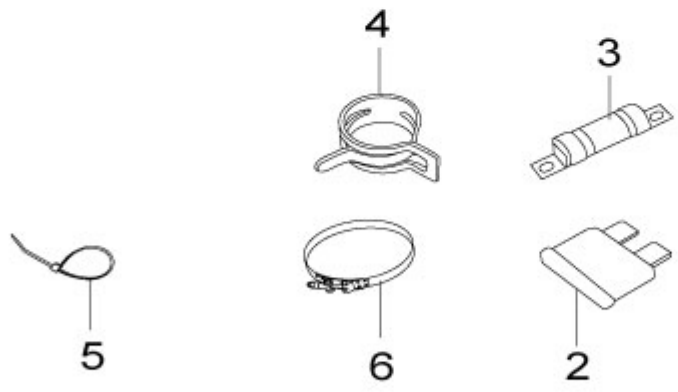
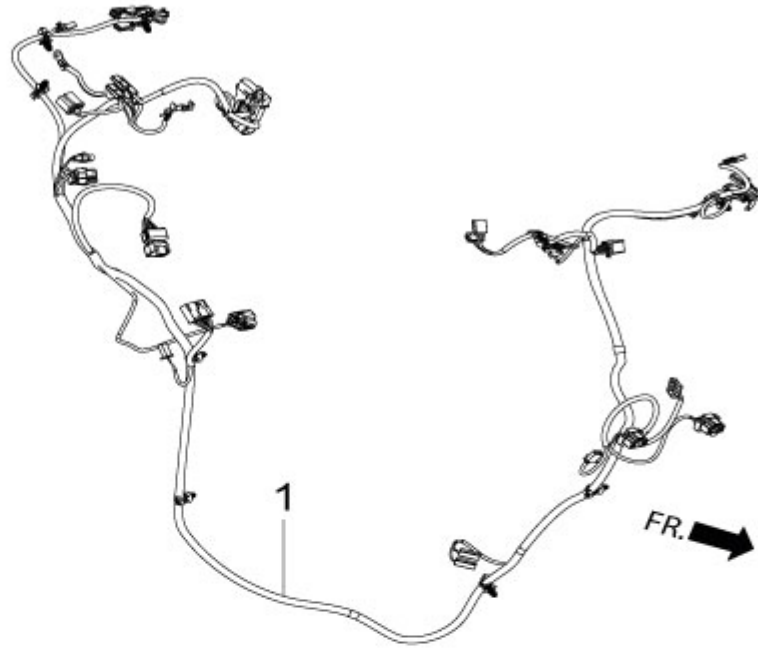
2.27 Battery



2.27**Battery**

Fig. No.	Part No.	Description	Qty	Remarks
1	1B004061	COMPLETE BATTERY COVER	1	
1.1	575937	BATTERY PAD	2	
2	1D002421	SEALED FACTORY CHARGED BATTERY 12V-5AH	1	
3	259349	SCREW	3	BATTERY COVER/HELMET CASE FIXING
4	CM017410	SPRING PLATE	3	BATTERY COVER/HELMET CASE FIXING
3	259349	SCREW	3	HELMET CARRIER COVER/HELMET CASE FIX
4	CM017410	SPRING PLATE	3	HELMET CARRIER COVER/HELMET CASE FIX
5	1B003793	COIL COVER	1	
6	157716	SCREW ANCHORE	1	COIL COVER FIXING
7	CM178603	THREAD FORMING SCREW	1	COIL COVER FIXING
8	1B003729	GASKET	1	GROUP COMPONENTS HELMET CASE
9	257134	RETAINING STRAP	1	GROUP COMPONENTS HELMET CASE
10	CM002908	HOSE CLAMP	1	GROUP COMPONENTS HELMET CASE
11	CM269402	PIPE (NOT METALLIC)	1	GROUP COMPONENTS HELMET CASE

2.28
Wiring Harness



2.28**Wiring Harness**

Fig. No.	Part No.	Description	Qty	Remarks
1	1D001407	MAIN WIRING HARNESS	1	Applicable for Non AHO Vehicle
1	1D002643	WIRE HARNESS OF FRAME	1	APPLICABLE FOR MY 18 MODEL
1	1D002168	WIRE HARNESS	1	APPLICABLE FOR AHO VEHICLES
2	290860	LAMELLAR FUSE 15A	1	
3	292507	FUSE 10A	2	
4	231590	ELASTIC CLAMP	1	MAIN WIRING HARNESS FIXING
5	145298	PLASTIC CLAMP	5	MAIN WIRING HARNESS FIXING
6	257134	RETAINING STRAP	2	MAIN WIRING HARNESS FIXING
6	1D001143	CLIP	9	
6	1D001143	CLIP	3	MAIN WIRING HARNESS FIXING

PARTS INDEX

SR APRILIA 150 RACE

PART NO	BLOCK	PART NO	BLOCK	PART NO	BLOCK
000267	1.10	1A000787	1.15	1A004153	1.07
002440	2.02	1A001073	1.10	1A005055	1.15
002440	2.17	1A001073	1.13	1A005057	1.15
002440	2.17	1A001113	1.10	1A005179	1.12
002440	2.17	1A001256	1.02	1A005843	1.03
003054	2.26	1A001278	1.02	1A005878	1.17
003751	2.16	1A001443R	1.14	1A006088	1.17
005965	2.09	1A001742	1.15	1A006090	1.17
006416	1.03	1A001743	1.15	1A006091	1.17
006647	1.04	1A001744	1.15	1A006092	1.17
006975	1.12	1A001745	1.15	1A006093	1.17
006976	2.19	1A001746	1.15	1A006173	1.17
011109	2.16	1A001748	1.15	1A006176	1.13
012543	2.15	1A001793	1.10	1A006307	1.03
013880	1.10	1A001795	1.10	1A006346	1.16
013880	2.12	1A002013	1.12	1A006410	1.19
015330	2.15	1A002425	1.15	1A006482	1.06
016404	1.14	1A002426	1.15	1A006483	1.04
016406	2.12	1A002427	1.15	1A006499	1.15
016406	2.12	1A002428	1.15	1A006503	1.15
016408	2.07	1A002429	1.15	1A006545	1.07
018534	2.26	1A002430	1.15	1A006578	1.10
018620	2.13	1A002431	1.15	1A006780	1.04
018639	1.10	1A002432	1.15	1A006875	1.16
018639	1.16	1A002433	1.15	1A006988	1.15
018639	1.16	1A002434	1.15	1A007189	1.16
018639	2.12	1A002437	1.15	1A007468	1.14
018639	2.24	1A002438	1.15	1A007571	1.03
018639	1.07	1A002439	1.15	1A007618	1.04
018644	1.14	1A002440	1.15	1A007651	1.16
121780	2.15	1A002441	1.15	1A007652	1.16
123394	2.15	1A002442	1.15	1A007832	1.19
12533	1.17	1A002443	1.15	1A008057	1.03
127927R	2.21	1A002446	1.15	1A008397	1.08
129953	2.26	1A002661	1.10	1A008521	1.03
145298	2.28	1A002691	1.14	1A008637	1.05
157716	2.27	1A003060	1.03	1A008638	1.05
164634	2.14	1A003060	2.22	1A008639	1.05
178790	2.15	1A003060	1.06	1A008698	1.15
179640	2.22	1A003063	1.14	1A008700	1.15
1A000612	1.03	1A003063	2.18	1A009397	1.13
1A000745	1.05	1A003064	1.17	1A011087	1.12
1A000784	1.15	1A003068	1.02	1A011268R	1.10

PART NO	BLOCK	PART NO	BLOCK	PART NO	BLOCK
1A013415	1.13	1B005461	2.07	1C004621	2.16
1A013712	1.15	1B005511	2.10	1C004621	2.16
1A013713	1.15	1B005512	2.10	1C005078	2.17
1A015021	1.02	1B0061874	2.13	1C005213	2.02
1A015231	1.14	1B006718	2.04	1C005953R	2.21
1A015812	2.07	1B006743	1.18	1D000185	2.23
1A015812	2.22	1B007341	2.06	1D001143	2.19
1A016315R	2.24	1B008491	2.07	1D001143	2.28
1A022660	1.15	1B008492	2.07	1D001143	2.28
1B001786400NT	2.04	1C000655R	2.18	1D001407	2.28
1B001787400NT	2.04	1C001322	2.19	1D001409	2.12
1B002607	2.11	1C001628	2.16	1D001567	2.26
1B003129	2.09	1C001642	2.22	1D001568	2.26
1B003131	2.12	1C002151	2.15	1D001569	2.26
1B003134	2.06	1C002152	1.16	1D001570	2.25
1B003141	2.03	1C002153	2.22	1D001571	2.25
1B003142	2.04	1C002363	2.22	1D001584	1.10
1B003143	2.04	1C002373	2.22	1D001640	1.14
1B003194	2.12	1C002414	2.19	1D001926	2.25
1B003394	1.18	1C002415	2.19	1D001927	2.25
1B003395	1.18	1C002421	2.16	1D002168	2.28
1B003396	1.18	1C002432	2.22	1D002401	2.14
1B003459	2.07	1C002469	2.16	1D002421	2.27
1B003585	2.07	1C002470	2.16	1D002643	2.28
1B003598	2.11	1C002471	2.16	1D002965	2.25
1B003610	2.07	1C002472	2.16	1D003013	2.24
1B003616	2.09	1C002568	2.16	1D003035	2.14
1B003642	2.09	1C002598	2.17	1D003473	2.14
1B003715	2.12	1C002607	2.18	1D003474	2.14
1B003729	2.27	1C002634	2.21	1D003519	2.14
1B003784	1.10	1C002641R	2.19	1F000110	1.09
1B003793	2.27	1C002641R	2.20	1F000110	1.12
1B003798	2.10	1C002728	2.19	20105	2.26
1B003799	2.10	1C002806	2.20	216369	2.22
1B003841	2.13	1C002921	2.19	231215	2.25
1B003944	2.12	1C003090	2.20	231590	2.12
1B004061	2.27	1C003176	2.15	231590	2.28
1B004165	2.12	1C003293	2.19	235661	2.12
1B004358	2.09	1C003296	2.19	241936	2.07
1B004769	2.07	1C003510	2.21	253937	2.11
1B005199	2.03	1C003767	2.17	254485	1.17
1B005273	2.05	1C004116	2.22	254485	1.18
1B005274	2.05	1C004620	2.16	254485	2.03

PART NO	BLOCK	PART NO	BLOCK	PART NO	BLOCK
254485	2.04	270793	2.03	2H002790	2.08
254485	2.06	270793	2.04	3056	1.17
254485	2.07	270793	2.05	3056	2.09
254485	2.07	270793	2.05	3058	2.04
254485	2.07	270793	2.05	3058	2.04
254485	2.12	270793	2.05	3058	2.07
254485	2.22	270793	2.05	433987	1.03
254485	2.26	270793	2.05	434541	2.24
257134	2.22	270793	2.05	434716	1.07
257134	2.22	270793	2.05	435571	1.07
257134	2.27	270793	2.06	435634	2.24
257134	2.28	270793	2.07	436788	2.12
258146	1.17	270793	2.13	436947	1.19
258160	2.12	270793	2.13	483711	1.07
259348	1.18	270793	2.13	485703	1.02
259349	2.05	270793	2.14	485703	1.07
259349	2.05	270793	2.25	487034	1.03
259349	2.26	270991	2.19	487665	1.19
259349	2.27	270991	2.20	4A000070	2.15
259349	2.27	271596	2.21	4A000071	2.15
259364	2.06	272836	1.18	4A000073	2.15
259364	2.07	272836	2.03	562576	2.17
259364	2.26	272836	2.26	563076	2.17
259372	2.05	273754	2.02	564112	2.18
259372	2.06	274489	2.15	564134	2.18
259933	2.04	274491	2.15	564256	2.16
259933	2.04	285536	1.13	564257	2.16
263381	2.01	288673	1.03	564258	2.16
263381	2.04	290860	2.28	564259	2.16
263381	2.04	292022	2.25	564260	2.16
265216	2.19	292507	2.28	564645	2.22
267115	2.13	295533	2.12	575249	2.03
267115	2.26	295590	2.04	575249	2.04
267550	2.17	295590	2.04	575249	2.07
267589	2.17	295591	2.04	575249	2.07
268158	2.17	295591	2.04	575249	2.07
269136	2.09	296743	2.09	575268	2.07
269755	1.02	297498	2.06	575819	2.04
269755	1.07	297498	2.25	575937	2.27
270310	2.22	298903	2.11	576725	2.12
270793	2.03	2H002018	2.08	577492	2.09
270793	2.03	2H002019	2.08	577557	2.12
270793	2.03	2H002026	2.08	580621	2.11

PART NO	BLOCK	PART NO	BLOCK	PART NO	BLOCK
58243R	2.24	673916	2.12	B014066	1.10
58250R	2.24	673918A	2.26	B014066	1.12
58290R	1.16	674163	2.09	B014094	1.03
58297R	1.10	674312	2.09	B014188	1.03
584332	2.25	674594	2.12	B014237	1.09
584332	2.25	680154	2.24	B014585	1.10
584426	2.23	6965	2.26	B014684	1.07
597043	2.02	709003	2.26	B014705	1.07
598369	2.15	709037	2.19	B014706	1.07
639088	2.26	709047	2.21	B014732	1.07
640762	2.15	709099	2.19	B014750	1.12
640762	2.15	709116	2.26	B014755	1.02
641359	2.23	709519	1.18	B014760	1.08
642365	2.23	78307	2.07	B014830	1.09
642537	1.10	827526	1.19	B014831	1.09
642679	2.23	827831	1.17	B015288	1.07
642906	2.26	830269	1.09	B015320	1.19
642967	2.23	83033R	1.14	B015320	2.17
643114	1.12	83044R	1.04	B015320	2.17
643149	1.10	83053R	1.07	B015320	2.17
643156	1.10	83054R	1.07	B015321	1.19
643367	1.10	83062R	1.08	B015321	2.17
647384	2.18	834187	2.01	B015483	1.08
649910	2.19	834187	2.04	B015543	1.16
651293	2.15	834187	2.04	B015591	1.02
655554	2.15	844719	1.12	B015592	1.02
665602	2.16	844719	1.07	B015592	1.03
665657	2.20	847928	1.09	B015598	1.13
666294	2.21	848766	1.19	B015598	1.13
666484	2.02	856465	2.09	B015676	1.02
666758	2.15	856467	2.09	B016047	1.03
666991	1.02	872816	1.10	B016386	1.16
667152	2.19	879474	1.05	B016387	1.16
667156	2.12	880805	1.10	B016388	1.16
667387	2.15	880841	1.05	B016389	1.16
667566	2.02	970273	2.07	B016390	1.16
667567	2.02	975835	2.04	B016393	1.16
667841	2.22	975835	2.04	B016394	1.16
667842	1.03	B013524	1.03	B016419	1.03
667842	2.22	B013685	1.03	B016617	1.10
668302	2.17	B014041	1.03	B016620	1.12
668585	2.02	B014063	1.10	B016627	1.19
668686	1.02	B014063	1.12	B016922	1.15

PART NO	BLOCK	PART NO	BLOCK	PART NO	BLOCK
B016953	1.04	B019254	1.17	CM178603	2.27
B016954	1.02	B019255	1.17	CM178608	2.05
B016955	1.02	B024614	2.17	CM182604	2.12
B016957	1.02	CM001206	2.12	CM259204	1.17
B017080	1.12	CM001228	2.12	CM259204	2.12
B017113	1.08	CM001913	2.12	CM269402	2.27
B017165	1.09	CM002902	2.12	CM281204	2.10
B017323	1.08	CM002908	2.27	CM281205	2.10
B017406	1.09	CM002910	1.17	CM281206	2.10
B017406	1.13	CM002916	1.13	CM283002	1.16
B017425	1.08	CM002916	1.17	CM283503	2.12
B017426	1.08	CM002916	1.04	CM291501	1.05
B017431	1.08	CM002917	1.13	CM291502	1.05
B017438	1.07	CM002917	1.04	CM291503	1.05
B017445	1.03	CM006905	2.22	SB003140000BR	2.03
B017446	1.02	CM007465	2.12	SB003140000HL	2.03
B017456	1.07	CM0074C3	2.22	SB003147000HL	2.05
B017481	1.03	CM013203	2.26	SB003147000NL	2.05
B017597	1.03	CM017408	2.26	SB003148000HL	2.05
B017599	1.15	CM017409	2.13	SB003148000NL	2.05
B018020	1.13	CM017410	2.03	SB003150000NT	2.07
B018038	1.03	CM017410	2.03	SH00201617A3	2.08
B018139	1.02	CM017410	2.03	SH00202021A3	2.08
B018140	1.06	CM017410	2.05	SH00202223A3	2.08
B018262	1.12	CM017410	2.05	SH00202425A3	2.08
B018262	1.17	CM017410	2.05	SH00202728A3	2.08
B018304	1.03	CM017410	2.05	SKIT940035R	2.03
B018306	1.15	CM017410	2.05	SKIT940062	2.07
B018308	1.15	CM017410	2.05	SP1A000884	1.06
B018421	1.12	CM017410	2.06	SP1A004078R	1.07
B018421	1.03	CM017410	2.06	SP1A004078R	1.07
B018442	1.16	CM017410	2.07	SP1A005458	1.02
B018448	1.13	CM017410	2.13	SP1A006181	1.10
B018476	1.10	CM017410	2.26	SP1A006405	1.08
B018533	1.07	CM017410	2.27	SP1A007948	1.04
B018718	1.09	CM017410	2.27	SP1A015080	1.02
B018718	1.02	CM023903	2.24	SP1A017432	1.03
B018853	1.16	CM063808	2.15	SP1A017433	1.03
B018854	1.07	CM166404	1.16	SP1A020378	1.11
B018946	1.08	CM166501	1.16	SP1B003628	2.01
B019040	1.09	CM166602	1.16	SP1B005894	2.15
B019107	1.02	CM166702	1.16	SP1B006076	2.15
B019108	1.04	CM166934	1.01	SP1B006986000HL	2.13

