

SPARE PARTS CATALOGUE

KTM RC 200

KTM RC 390

MY - 17



MY - 17



All information contained in this manual is based on the latest product information at the time of publication. Bajaj Auto Limited accepts no liability for any inaccuracies or omissions in this publication, although every possible care has been taken to make it as complete and accurate as possible. All procedures and specifications subject to change without prior notice. The right is reserved to make such changes at any time without prior notice and without incurring an obligation to make such changes to product manufactured previously. Contact authorized KTM Dealer for the latest information on product improvements incorporated after this manual was issued.

DOC. NO.: 71112505

REV. 01 JAN 17

Dear KTM dealers,

We are pleased to present the Spare Parts Catalogue for 'RC 200 & RC 390 Model. This catalogue has been specially designed to assist you in selecting the correct parts for procurement to maintain 100% availability.

The KTM spares are subjected to the stringent quality control standards to ensure longer life of the vehicle. It is therefore necessary that only the Genuine KTM Spares are used.

In a continual effort to improve Performance and Efficiency of the vehicles, Specifications, Diagrams, Illustrations and Part Numbers can change without notice. Consequently, the description in this Spare Parts Catalogue cannot therefore be final and binding on us.

The modifications / alterations which are carried out after the issue of this catalogue, will be conveyed to you through our Service Circulars. You are requested to make necessary corrections in the Parts Catalogue as per the circulars so as to keep your catalogue up-to-date. This will ensure the appropriate and speedy delivery of the Spare Parts as the order placed will bear the latest part numbers.

In case, if you need any technical assistance contact the concerned Regional Office or write to us on the following address :

**Service Department - KTM
Bajaj Auto Limited
Akurdi, Pune 411 035 India**



INDEX

RC 200/390

1. How to Read the Catalogue : Open the catalogue and from the pictorial index locate the group in which the part you want to find is present. Turn over to the concerned page number (as given by pictorial index). Now find out the figure of the part you wish to order. Write down the part number against that particular figure number from the text.

In case, if you have the part number and you need the other details, the part index can be used. The part index (at the end of the catalogue) will give you the figure and page number of the part you wish to order.

2. How to Order Spare Parts : The part number and the description of the part required should be invariably mentioned in the order as per the catalogue text.

The latest part number as conveyed through our service circulars should only appear on the order. In case of ordering painted components, colour shade of the components should be mentioned.

The quantity shown against the part number is the quantity per vehicle for that group so that particular quantity should be multiplied by the number of sets required.

3. Part Number System: We have used 8 digit system for part numbers. The model or hardware item is indicated by first two digits or alphanumeric, the next two or four digits indicate main group and the last four or two digits indicate serial number in main group or serial number or subgroup of fastener respectively. Thus the part numbers will be indicated by 2-2-4 or 2-4-2 digit system. Understanding this system will enable you to identify the spare parts easily.

4. Abbreviations : The following abbreviations are used in this catalogue.

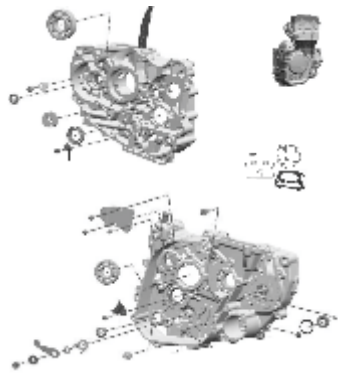
assly.	Assembly	V	Volts
N.I.	Not illustrated	W	Watts
C'case	Crankcase	accl.	Accelerator
Cyl	Cylinder	Comp.	Complete
o/s.	Over size	Fr	Front
Std.	Standard	L	Length
A/t.	Alternate	Rr	Rear
R.H.	Right hand	Hex.	Hexagonal
L.H.	Left hand	AR	As required
NS	Non Serviceable	NA	Not Applicable

No.	Description	Page No.	No.	Description	Page No.
1	Crankcase RH - RC 200	1	27	Handle Bar Controls	31
2	Crankcase RH - RC 390	2	28	Frame	33
3	Crankcase LH - RC 200	3	29	Side Stand	35
4	Crankcase LH - RC 390	4	30	Shock Absorber	36
5	Clutch Cover	5	31	Swing Arm	37
6	Balancer Shaft	6	32	Exhaust System	38
7	Cylinder Piston	7	33	Air Filter	39
8	Crankshaft	8	34	Tank, Cover	40
9	Clutch	9/9A	35	EVAP Parts	42
10	Transmission Main Shaft - RC 200	10	36	Seats	43
11	Transmission Main Shaft - RC 390	11	37	Fuel Pump	44
12	Transmission Counter Shaft - RC 200	12	38	Fenders & Side Fairing	45
13	Transmission Counter Shaft - RC 390	13	39	Belly Pan	47
14	Shifting Mechanism - Drum Gear Shift	14	40	Decal	48
15	Shifting Mechanism - Lever Gear Shift	15	41	Front Wheel	51
16	Radiator Assembly	16	42	Rear Wheel	52
17	Cooling System	17	43	Wiring Harness	54
18	Valve Drive	18	44	Brake System - Front	56
19	Valve Shims	20	45	Brake System - Rear	57
20	Timing Drive	21	46	Brake System - ABS Fr. & Rr.	58
21	Cylinder Head	22	47	Head Light Assembly	59
22	Lubrication System	24	48	Instruments Lock System	61
23	Ignition System	25	49	Saree Guard/Rear Number Plate	62
24	Electric Starter	27	50	Tool Kit	64
25	Throttle Body	28		KTM Consumables	65
26	Front Fork Triple Clamp	29		KTM Accessories	66
				KIT List	67
				Part Index	68



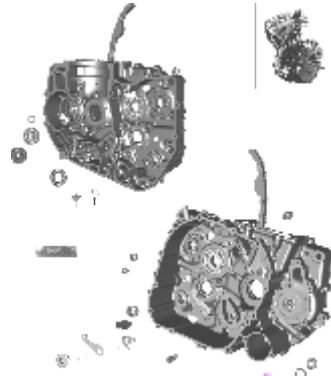
CRANKCASE RH - RC 200

1



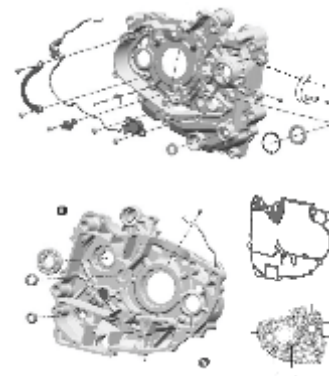
CRANKCASE RH - RC 390

2



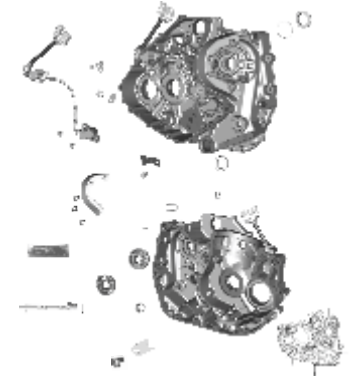
CRANKCASE LH - RC 200

3



CRANKCASE LH - RC 390

4



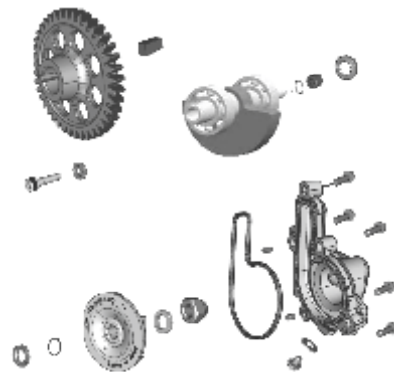
CLUTCH COVER

5



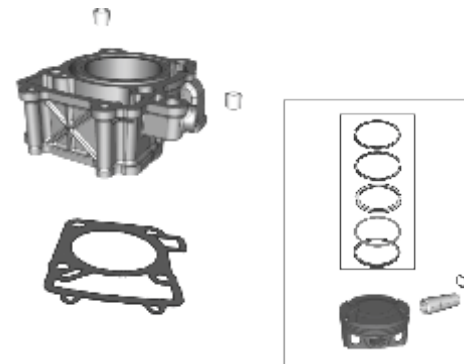
BALANCER SHAFT

6



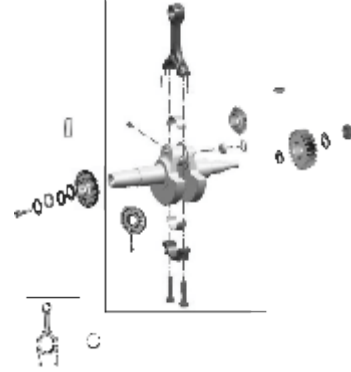
CYLINDER PISTON

7



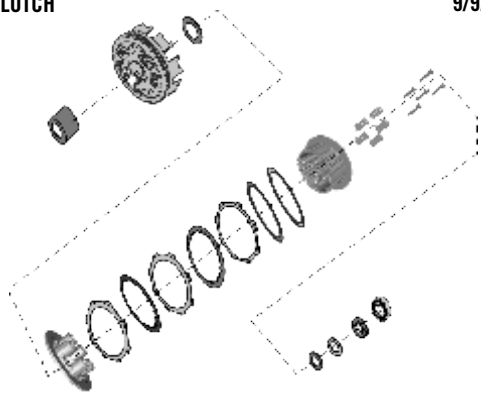
CRANKSHAFT

8



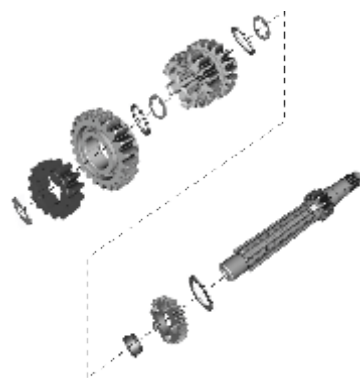
CLUTCH

9/9A



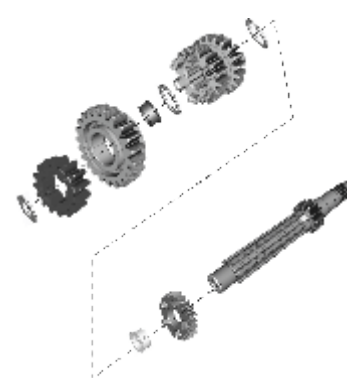
TRANSMISSION I - MAIN SHAFT (INPUT SHAFT)

10



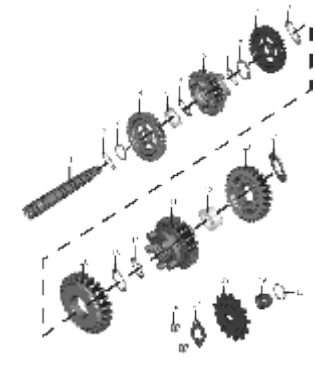
TRANSMISSION I - MAIN SHAFT (INPUT SHAFT)


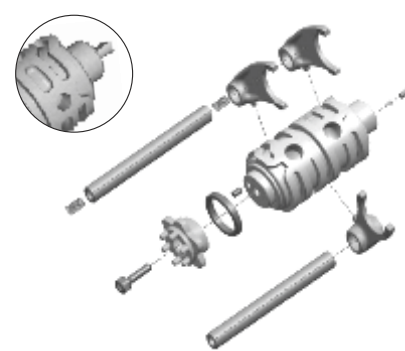
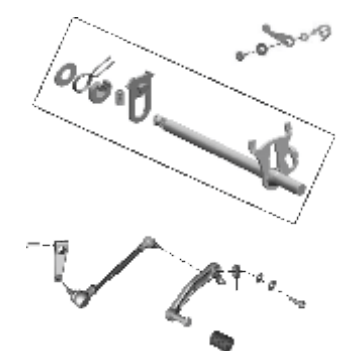
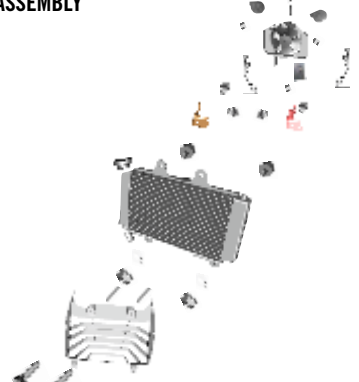
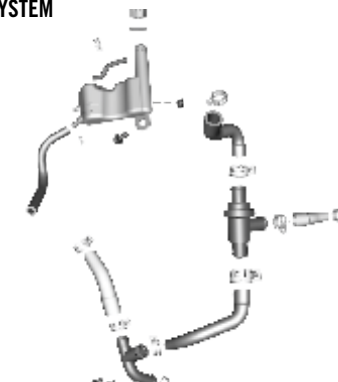
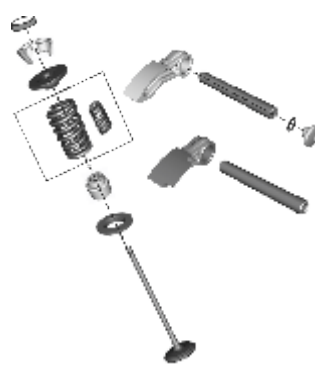
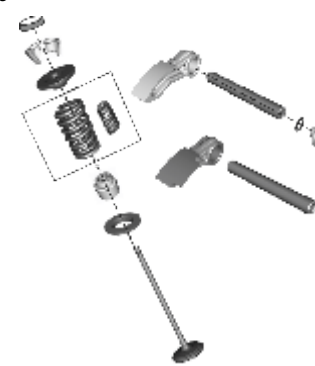
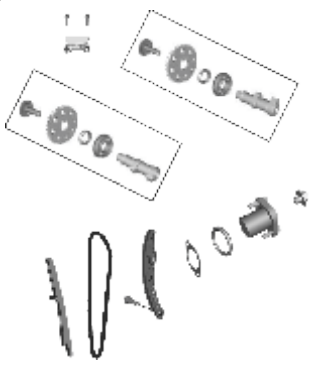
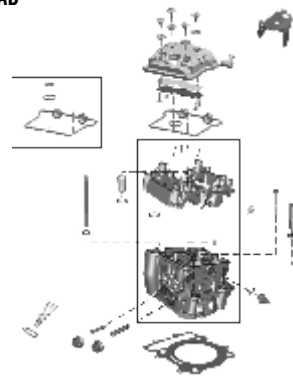
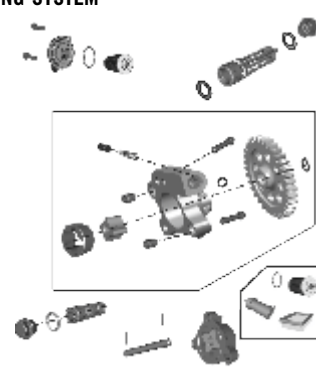
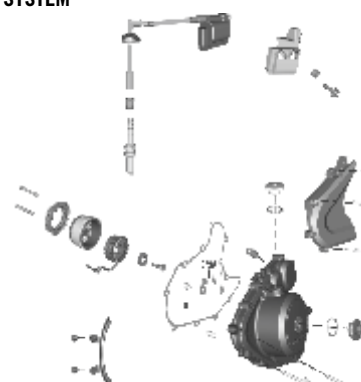
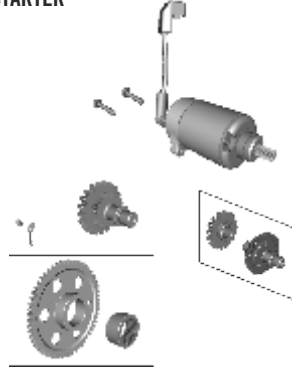
11

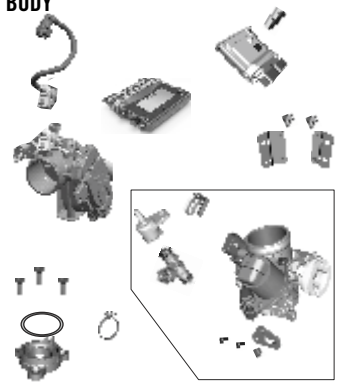
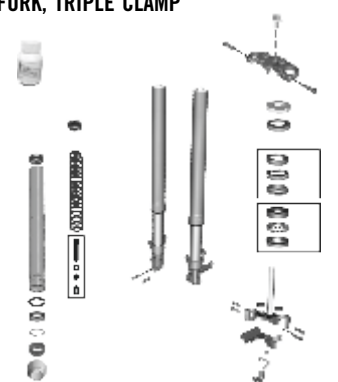
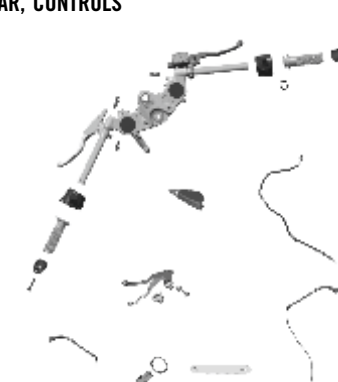

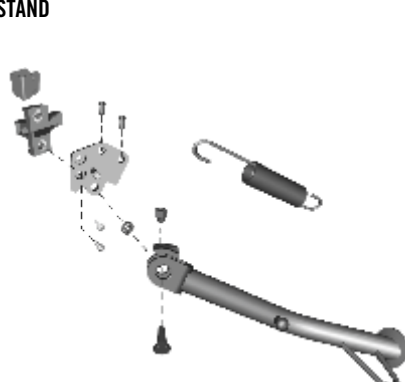
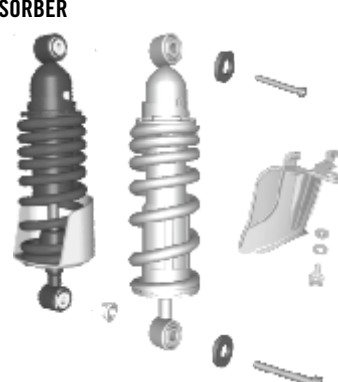
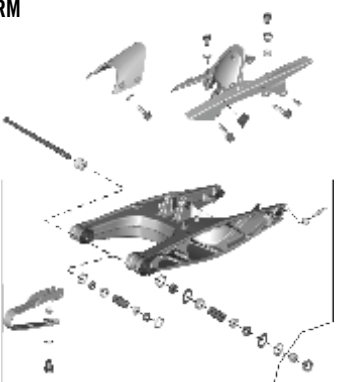
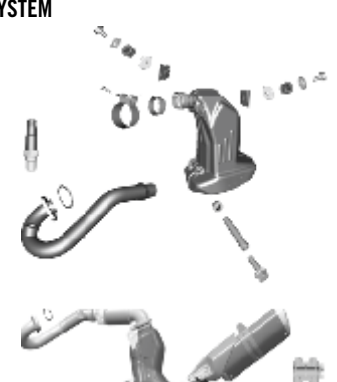
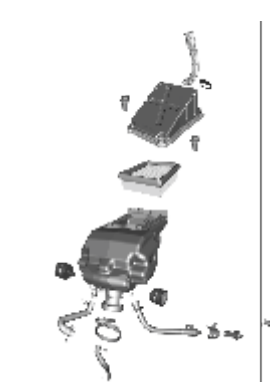

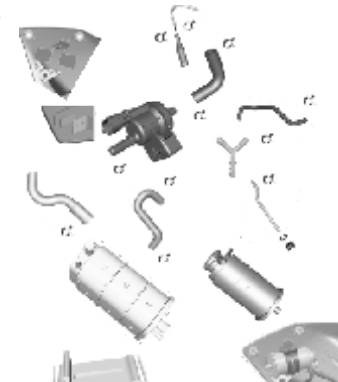



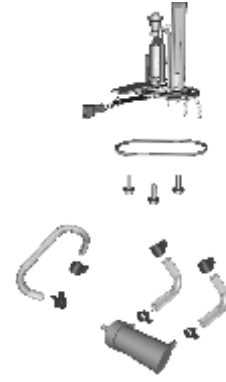
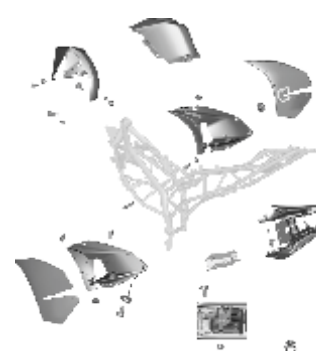
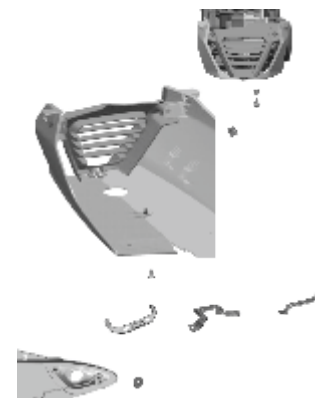

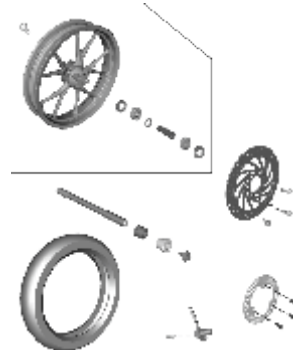
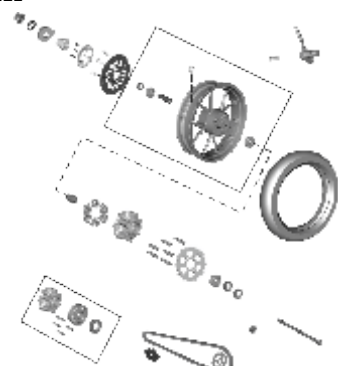
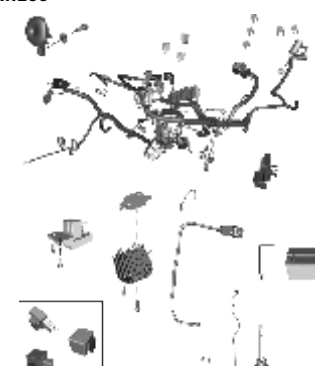
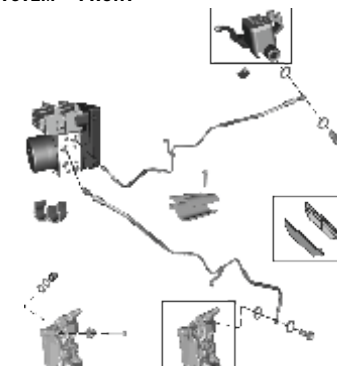
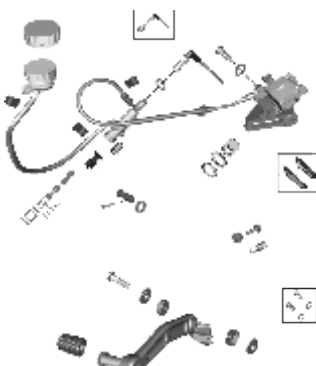
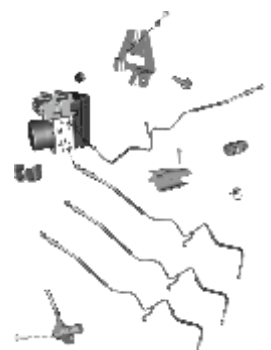
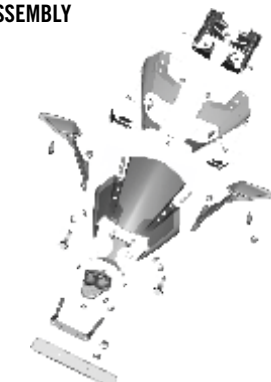
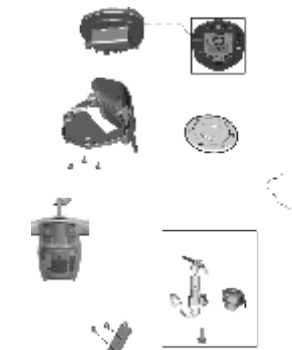
TRANSMISSION II - COUNTER SHAFT (OUTPUT SHAFT)

12



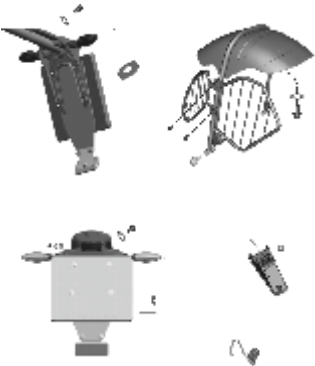
TRANSMISSION II - COUNTER SHAFT (OUTPUT SHAFT) 13 	SHIFTING MECHANISM - DRUM GEAR SHIFT 14 	SHIFTING MECHANISM - LEVER GEAR SHIFT 15 	RADIATOR ASSEMBLY 16 
COOLING SYSTEM 17 	VALVE DRIVE 18/19 	VALVE SHIMS 20 	TIMING DRIVE 21 
CYLINDER HEAD 22/23 	LUBRICATING SYSTEM 24 	IGNITION SYSTEM 25/26 	ELECTRICAL STARTER 27 

THROTTLE BODY 	28 FRONT FORK, TRIPLE CLAMP 	29/30 HANDLEBAR, CONTROLS 	31/32 FRAME 
35 SIDE STAND 	36 SHOCK ABSORBER 	37 SWING ARM 	38 EXHAUST SYSTEM 
39 AIR FILTER 	40/41 TANK, COVER 	42 EVAP PARTS 	43 SEATS 

FUEL PUMP 	44	FENDERS & SIDE FAIRING 	45	BELLY PAN 	47	DECAL 	48
FRONT WHEEL 	51	REAR WHEEL 	52	WIRING HARNESS 	54	BRAKE SYSTEM - FRONT 	56
BRAKE SYSTEM REAR 	57	BRAKE SYSTEM - ABS FRONT & REAR 	58	HEAD LIGHT ASSEMBLY 	59	INSTRUMENT, LOCK SYSTEM 	61

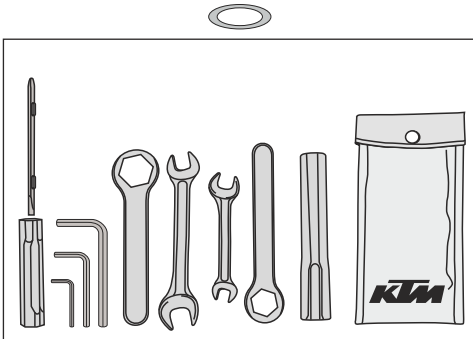
SAREE GUARD / REAR NUMBER PLATE

62



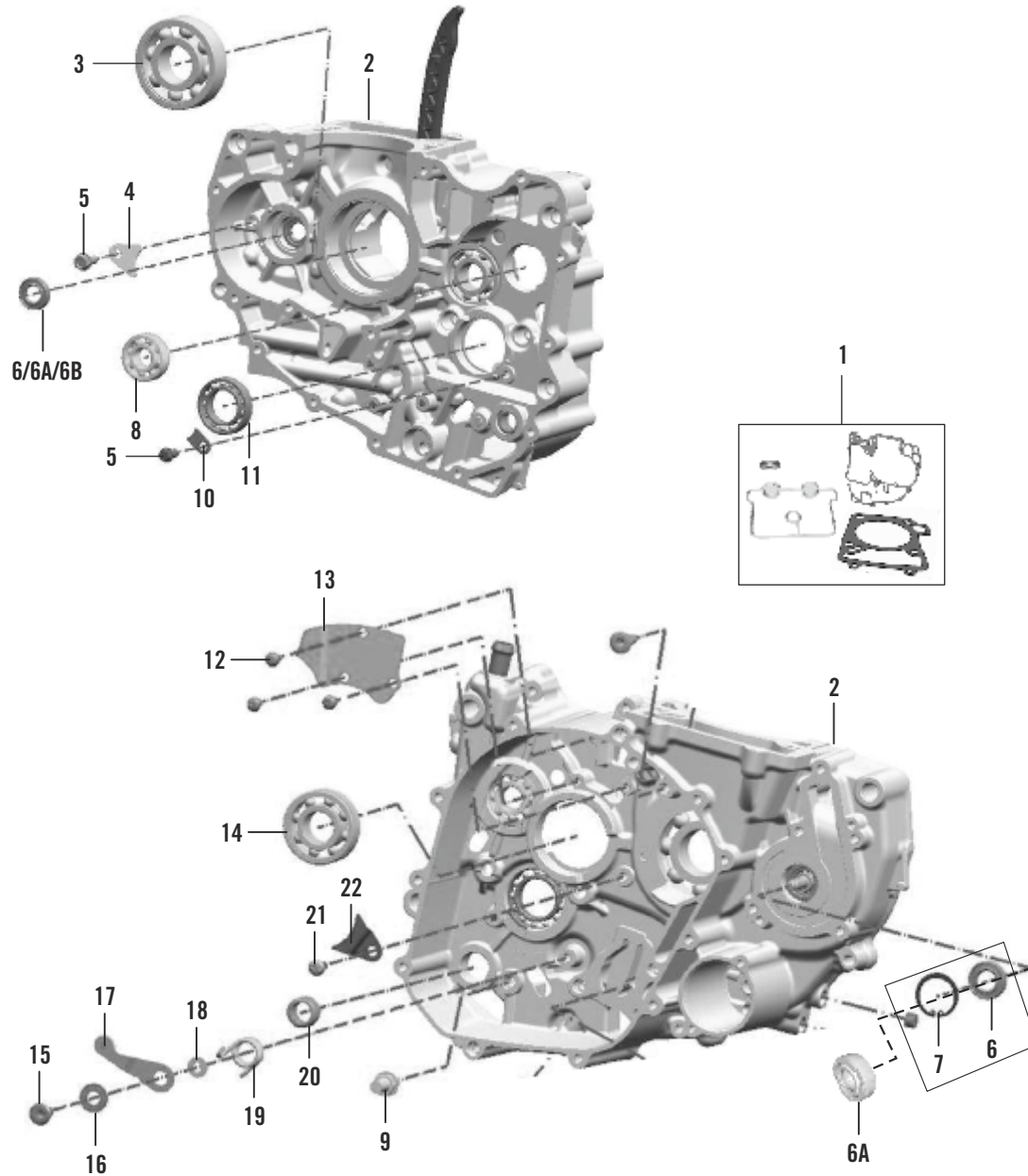
TOOL KIT

64



CRANKCASE RH

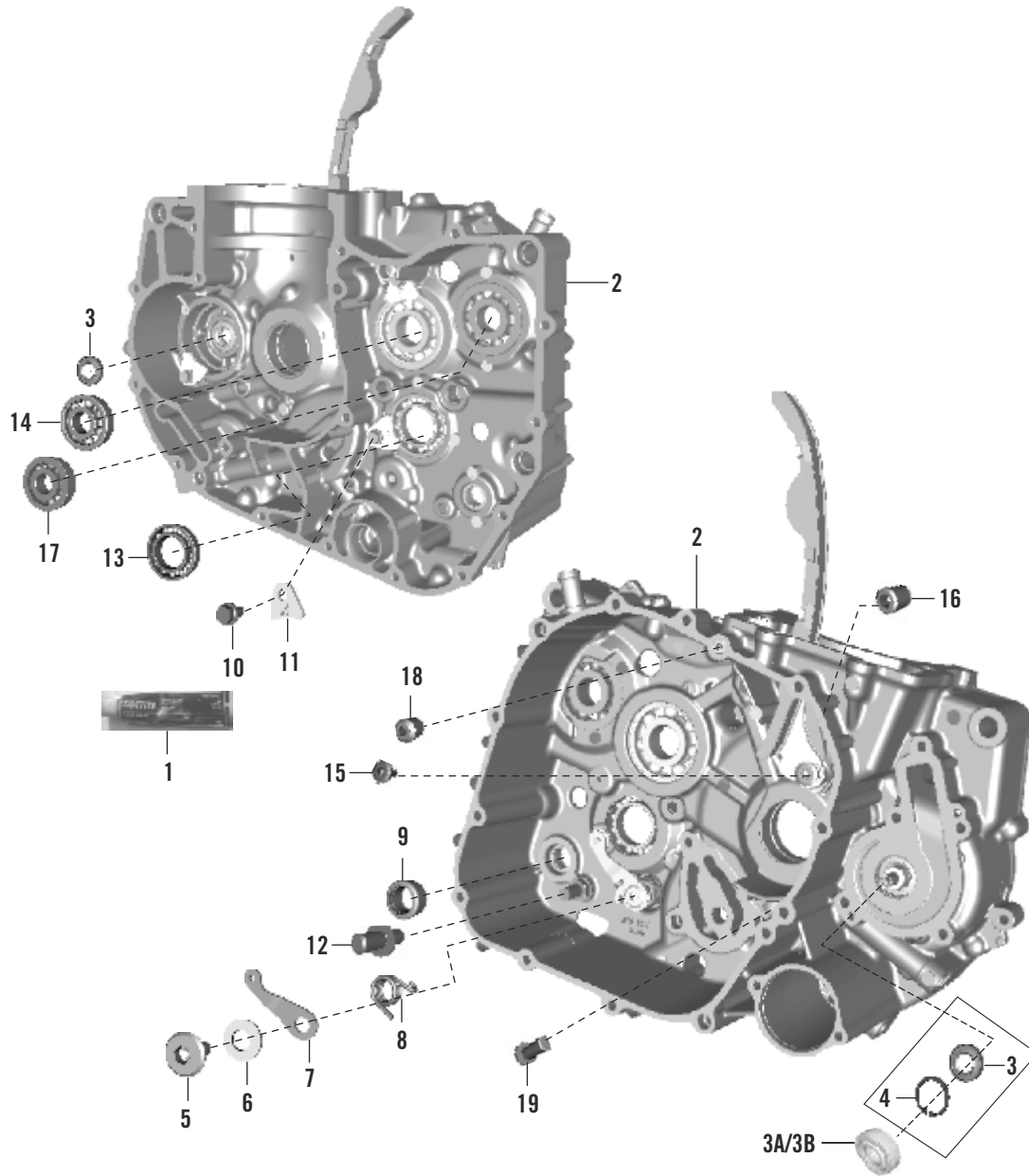
RC 200



No.	Part No.	Description	Qty for 200			
			MY15	MY16	MY17	
1	36JU0076	Kit Engine Repair	1	1	----	Only C'case
1A	36JU0125	Kit Engine Transmission (N.I.)	1	1	1	
2	36JU0123	Crankcase Assly RH	1	1	1	
3	39193120	Ball Bearing 28 X 68 X 18	1	1	1	
4	JY541047	Balancer Bearing Stopper	1	1	1	
5	DJ101300	Bolt Flanged M6 x 16	2	2	2	
6	JG601007	Oil Seal	2	2	1	
6A	JL601010	Water Seal Double LIP	--	----	1	
6B	36JG0091	Water Pump Seal Kit with Grease	1	1	1	
7	LEB00001	Circlip Internal	1	1	----	
8	39260220	Bearing - Ball 6202/HN3	1	1	1	
9	DP101191	Bolt Shifter	1	1	1	
10	JG541059	Plate Stopper Bearing Drum	1	1	1	
11	39260120	Bearing - Ball : 61905 (25 X 42 X 9)	1	1	1	
12	DJ101314	Screw Pan head	3	3	3	
13	JU541005	Breather Plate	1	1	1	
14	59200036	Bearing Ball HN3 - C3	1	1	1	
15	JG561204	Bolt Drum Stopper	1	1	1	
16	JG561205	Washer Drum Stopper	1	1	1	
17	JG561009	Stopper Drum Complete	1	1	1	
18	39200511	Washer 12.8/6/1.2	1	1	1	
19	JG561226	Spring Drum Stopper	1	1	1	
20	39256220	Bearing - Needle Roller : 13X19X12	1	1	1	
21	LBB00007	Screw Pan Cross - M6	1	1	1	
22	JG541045	Input Shaft Bearing Stopper	1	1	1	
23	83020473	Petamo Grease for Pump Seals	1	1	1	N.I.

CRANKCASE RH

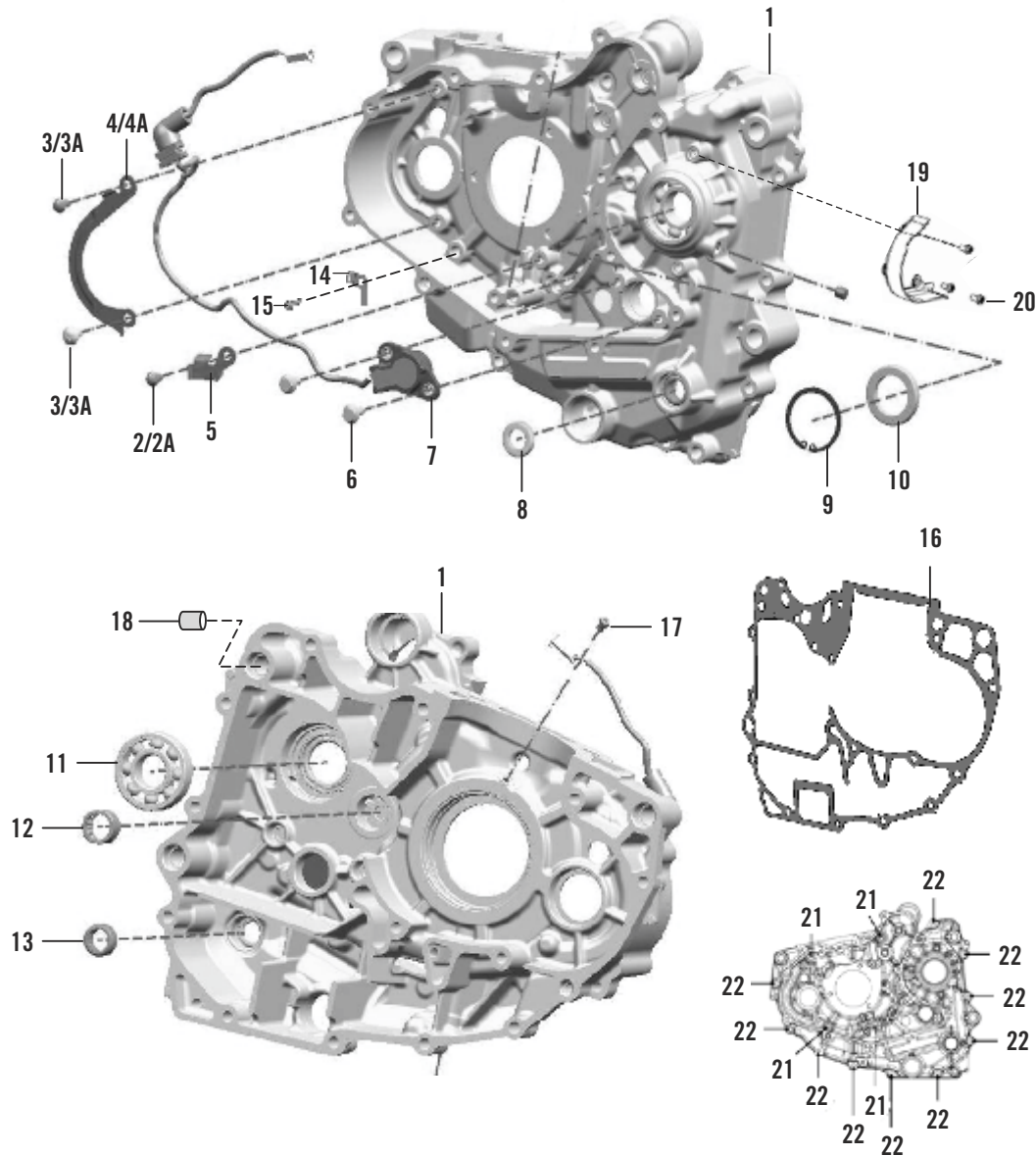
RC 390



No.	Part No.	Description	Qty for 390			
			MY15	MY16	MY17	
1	JG541071	Liquid Sealant	1	1	1	
2	36JY0198	Crankcase Assly RH	1	1	1	
3	JG601007	Oil Seal	2	2	1	
3A	JL601010	Water Seal Double Lip	--	--	1	
3B	36JG0091	Water Pump Seal Kit with Grease	1	1	1	
4	LEB00001	Circlip Internal	1	1	--	
5	JG561204	Bolt Drum Stopper	1	1	1	
6	JG561205	Washer	1	1	1	
7	JG561009	Stopper Drum Complete	1	1	1	
8	JG561226	Spring	1	1	1	
9	39256220	Bearing - Needle Roller : 13X19X12	1	1	1	
10	DJ101300	Bolt Flanged Small	3	3	3	
11	JY541047	Bearing Stopper	3	3	3	
12	DP101191	Bolt Shifter	1	1	1	
13	39260120	Bearing- Ball : 61905 (25X42X9)	1	1	1	
14	39186420	Ball Bearing	1	1	1	
15	JY541009	Bolt Special Chain Guide	1	1	1	
16	JY541051	Jet Oil	1	1	--	
17	39218520	Deep Groove Ball Bearing	1	1	1	
18	JY541029	Oil Nozzle	1	1	--	
19	LAE00001	Flange Bolt M8x1.25x20L	1	1	1	
20	36JY0200	Kit Engine Crankcase Repair 390	1	1	1	N.I.
21	83020473	Petamo Grease for Pump Seals	1	1	1	N.I.

CRANKCASE LH

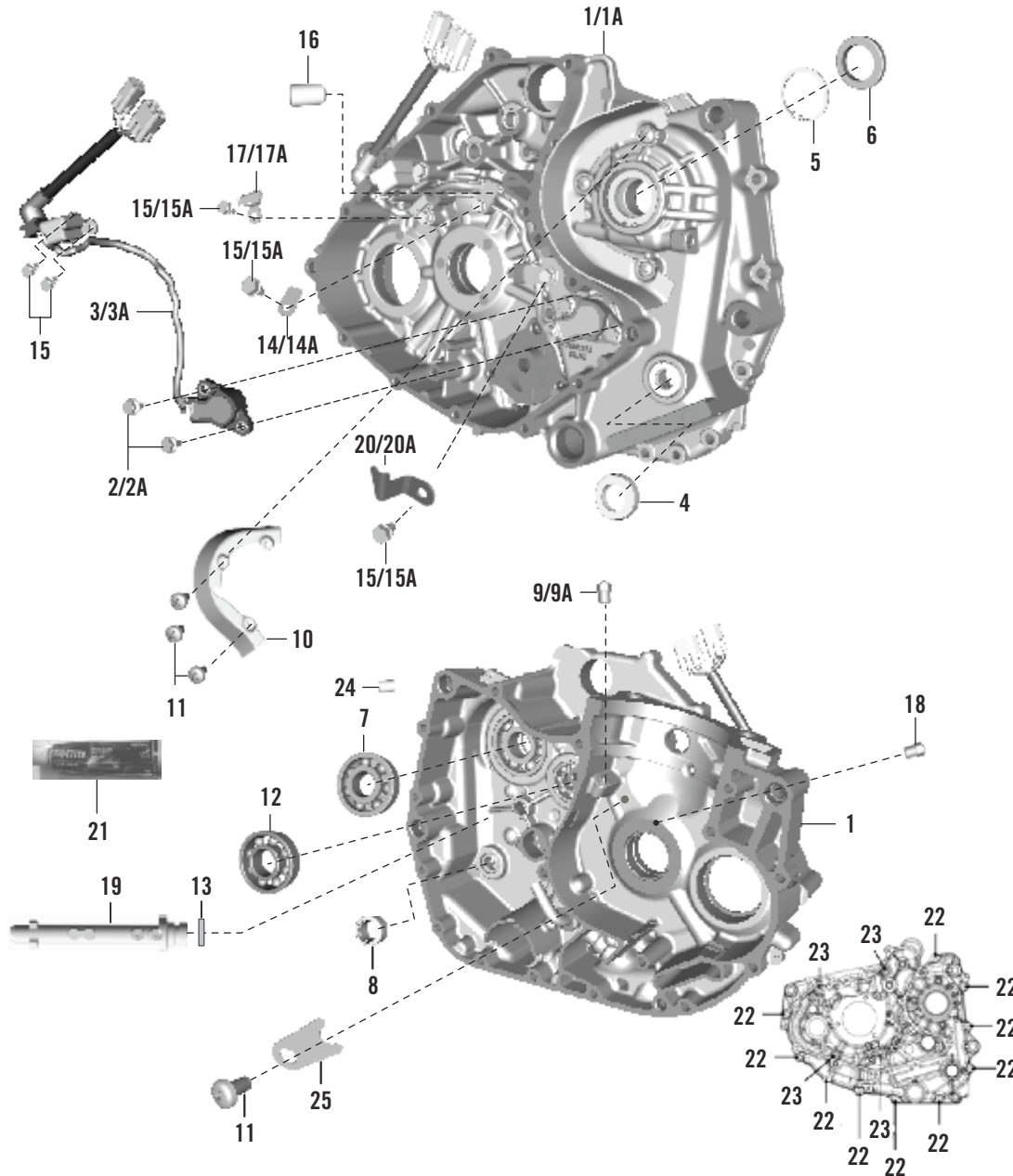
RC 200



No.	Part No.	Description	Qty for 200			
			MY15	MY16	MY17	
1	36JU0116	Crankcase Assly LH	1	1	1	
2	LAE00014	Bolt Flanged	1	---	---	
2A	LBB00007	Screw pan cross M6	--	1	1	
3	LAE00014	Pre-Coated pan Screw	2	---	---	
3A	DJ101300	Bolt flanged small	--	2	2	
4	JG541063	Bracket Harness Upper	1	---	---	
4A	JU541018	Bracket Harness Upper	--	1	1	
5	JG541044	Bracket Harness Lower	1	1	1	
6	39177304	Bolt M-5 x 16	2	2	2	
7	JG351002	Neutral Indicator Switch & Pulsing Coil	1	1	1	
8	39104319	Seal Oil	1	1	1	
9	KEBA3715	Circlip Internal	1	1	1	
10	JY541058	Seal Oil	1	1	1	
11	59200006	Bearing Ball 6204Z HN3	1	1	1	
12	JG541015	Needle Bearing 1514 RS	1	1	1	
13	39256220	Needle Bearing	1	1	1	
14	JG541043	Retainer Gear Starter	1	1	1	
15	LAE00042	Flanged Bolt M8x16	1	1	1	
16	JG541041	Gasket Crankcase	1	1	1	
17	JG541074	Oil Nozzle	1	1	1	
18	39218106	Dowel D14	4	4	4	
19	JG541058	Chain Guard	1	1	1	
20	LBB00007	Flat Head Screw M6X12 PH	3	3	3	
21	LAD00081	HH Collar Screw M6X60 SW10	4	4	4	
22	KAEQ0640	HH Collar Screw M6X40 SW10	10	10	10	
23	83020473	Petamo Grease for Pump Seals	1	1	1	N.I.

CRANKCASE LH

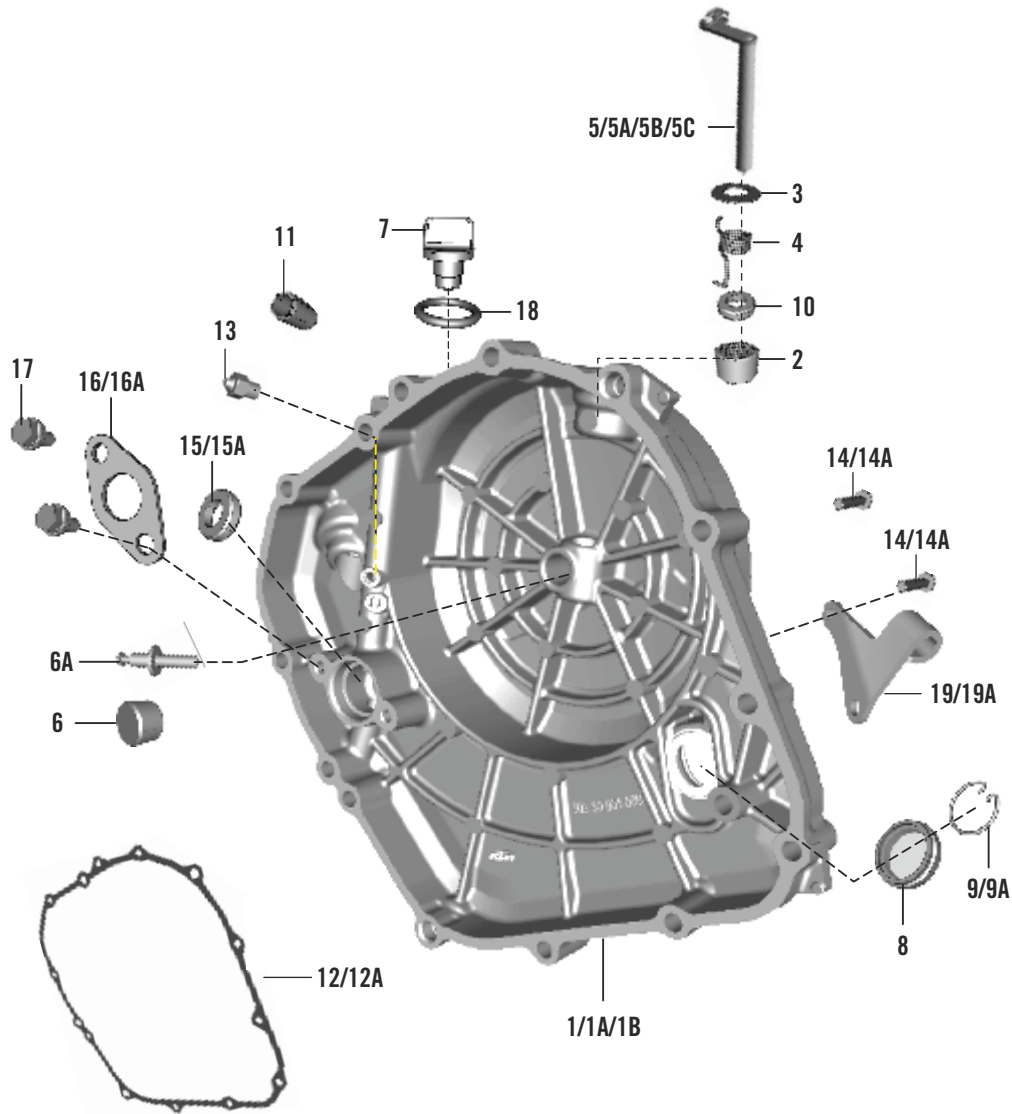
RC 390



No.	Part No.	Description	Qty for 390			
			MY15	MY16	MY17	
1	JY541035	Crankcase Assly LH	1	---	---	
1A	36JY0197	Crankcase Assly LH	---	1	1	
2	KADP0516	Bolt M-5 x 16	2	2	---	
2A	LAE00010	Bolt	---	---	1	
3A	JY351801	Gear Indicator Sensor	---	---	1	
3	JY351800	Neutral Indicator Switch	1	1	---	
4	39104319	Seal Oil	1	1	1	
5	KEBA3715	Circlip Internal	1	1	1	
6	JY541058	Seal Oil	1	1	1	
7	LPB00003	Bearing Ball 22x56x16 - C3	1	1	1	
8	39256220	Needle Bearing	1	1	1	
9	JY541050	Jet Oil	1	---	---	
9A	JF541016	Nozzle	---	1	1	
10	JY541031	Chain Guard	1	1	1	
11	LBB00007	Flat Head Screw M6X12 PH	3	3	4	
12	LPB00002	Ball Bearing	1	1	1	
13	LJA00002	O Ring	1	1	1	
14	JY541016	Plate Harness	1	---	---	
14A	JY541080	Plate Harness	---	1	1	
15	LAE00010	Bolt Flange M5x13L	5	2	2	
15A	DJ101300	Bolt Flange	---	3	3	
16	JY541052	Oil Jet	1	1	1	
17	JY541042	Bracket Harness	1	---	---	
17A	JY541081	Bracket Harness	---	1	1	
18	JG541074	Oil Nozzle	---	---	1	
19	JY571029	Oil Rail	1	1	1	
20	JY541053	Bracket Harness Z type for GI Switch-MY14	1	---	---	
20A	JY541082	Bracket Harness Z type For GI Switch-MY16	---	1	1	
21	36001051	Liquid Sealant	1	1	1	
22	KAEQ0635	Bolt Flange M6x1x35	11	11	11	
23	LAE00002	Bolt Flange M6x1x75	5	5	5	
24	39218106	Dowel D4	2	2	2	
25	JF541017	Bracket	---	---	1	
26	83020473	Petamo Grease for Pump Seals	1	1	1	N.I.

CLUTCH COVER

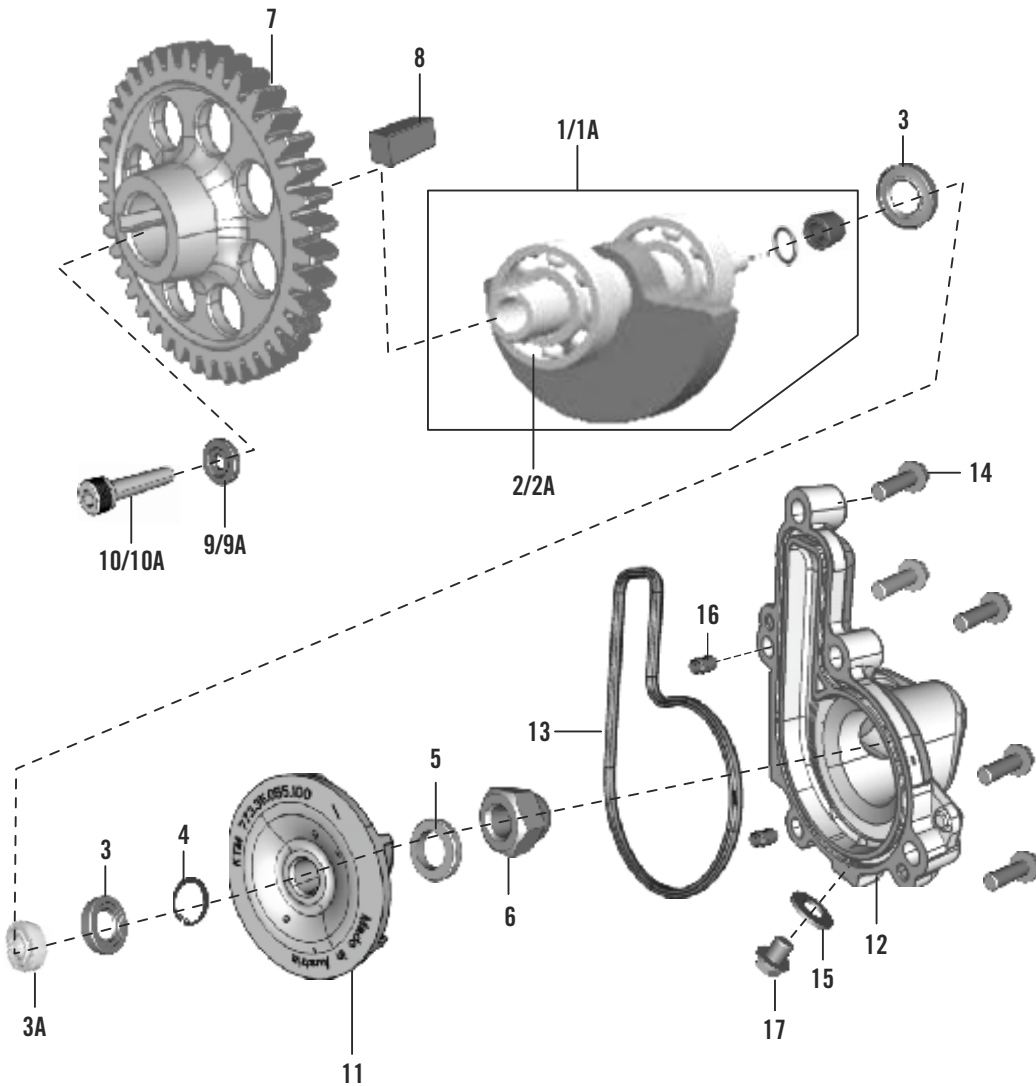
RC 200/390



No.	Part No.	Description	Qty for 200			Qty for 390			
			MY15	MY16	MY17	MY15	MY16	MY17	
1	JG541235	Clutch Cover Assly.	1	1	--	--	----	----	
1A	JY541254	Clutch Cover Assly.	--	--	--	--	1	1	A&S
1B	JY541268	Clutch Cover Assly.	--	--	1	--	----	----	
1C	JY541236	Clutch Cover Assly.	--	--	--	1	----	----	
2	39199020	Bearing - Needle	1	1	1	1	1	1	
3	LDB00020	Washer 12.5X24X0.8T	1	1	1	1	1	1	
4	JY541221	Spring	1	1	--	1	1	1	
4A	JG551017	Spring	--	--	1	--	----	----	
5	JG551015	Shaft Clutch Release Assly	1	1	--	--	----	----	
5A	JY541251	Shaft Clutch Release Assly	--	--	--	--	1	1	A&S
5B	JY551450	Shaft Clutch Release Assly	--	--	1	--	----	----	
5C	JY541217	Shaft Clutch Release Assly	--	--	--	1	----	----	
6	JU551401	Rod Push	1	1	1	--	----	----	
6A	JY551404	Rod Pull	--	--	--	1	1	1	
7	JG541230	Cap Oil Filling	1	1	1	1	1	1	
8	JL541227	Gauge	1	1	1	1	1	1	
9	DS101215	Clip - Wire	1	1	1	1	1	1	
10	39104119	Seal - Oil	1	1	1	1	1	1	
11	39099906	Pin - Hollow Dowel	2	2	2	2	2	2	
12	JG541221	Gasket Clutch Cover	1	1	1	--	----	----	
12A	JY541225	Gasket Clutch Cover	--	--	--	1	1	1	
13	JG541021	Oil Nozzle	1	1	1	2	2	2	
14	KAEQ0630	Bolt Flanged	11	11	11	--	----	----	
14A	KAEQ0635	Bolt Flanged M6x1x1.35xDacro	--	--	--	11	11	12	
15	39104619	Seal - Oil	1	1	1	--	----	----	
15A	39201619	Seal - Oil	--	--	--	1	1	1	
16	JG541231	Cover Plate Position	1	1	1	--	----	----	
16A	JY541220	Cover Plate Position	--	--	--	1	1	1	
17	DJ101300	Bolt M6	2	2	2	2	2	2	
18	39153721	O ring	1	1	1	1	1	1	
19	JY551448	Bracket Clutch Cable	--	--	1	--	----	----	
19A	JY541253	Bracket Clutch Cable	--	--	--	1	1	1	

BALANCER SHAFT

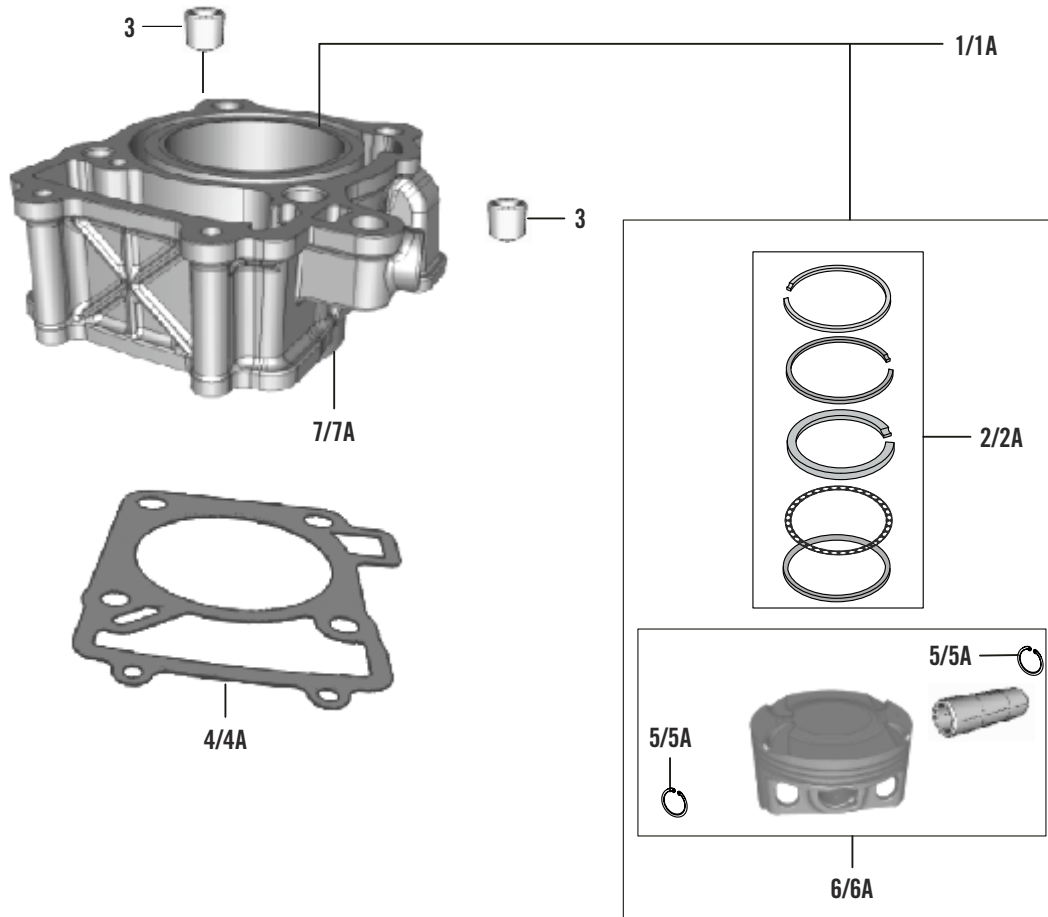
RC 200/390



No.	Part No.	Description	Qty for 200			Qty for 390		
			MY15	MY16	MY17	MY15	MY16	MY17
1	JL531205	Balancer Assy Integral	1	1	1	--	--	----
1A	36JY0192	Balancer Assy Kit	--	--	--	1	1	1
2	59200036	Balancer Bearing (6203/HN3C3D8)	2	2	2	--	----	----
2A	KPBF6304	Balancer Bearing (6202/HN3C3D8)	--	--	--	2	2	2
3	JG601007	Special Shaft Seal Ring (Oil)	2	2	1	2	2	1
3A	JL601010	Water Seal Double LIP	--	--	1	--	----	1
3B	36JG0091	Water Pump Seal Kit w/Grease	1	1	1	1	1	1
4	LEB00001	Circlip	1	1	--	1	1	----
5	JG531215	Washer (2 MM)	1	1	1	1	1	1
6	JG601005	Dome Nut	1	1	1	1	1	1
7	JG531207	Gear Balancer Driven	1	1	1	1	1	1
8	DS101154	Key	1	1	1	1	1	1
9	DH101048	Washer	1	1	--	--	----	----
9A	LDB00051	Washer - Special - Camshaft (For the balancer shaft kit 36JY0192)	--	--	1	1	1	1
10	DK101386	Bolt	1	1	--	--	----	----
10A	LAC00086	"Pre-coated SoCHD Cap Bolt M8X40 (For the balancer shaft kit 36JY0192)"	--	--	1	1	1	1
11	JG601013	Water Pump Rotor	1	1	1	1	1	1
12	JG601011	Cover Water Pump	1	1	1	1	1	1
13	JG601012	O-Ring (Water Pump Cover)	1	1	1	1	1	1
14	KADQ0620	Bolt Flange Small-M6X1XL20X Bright	5	5	5	5	5	5
15	39166511	Copper Gasket	1	1	1	1	1	1
16	39260607	Pin - Parallel	2	2	2	2	2	2
17	LAE00048	Bolt Flange-M6X1XL10XBRTX Pre-coat	1	1	1	1	1	1

CYLINDER PISTON

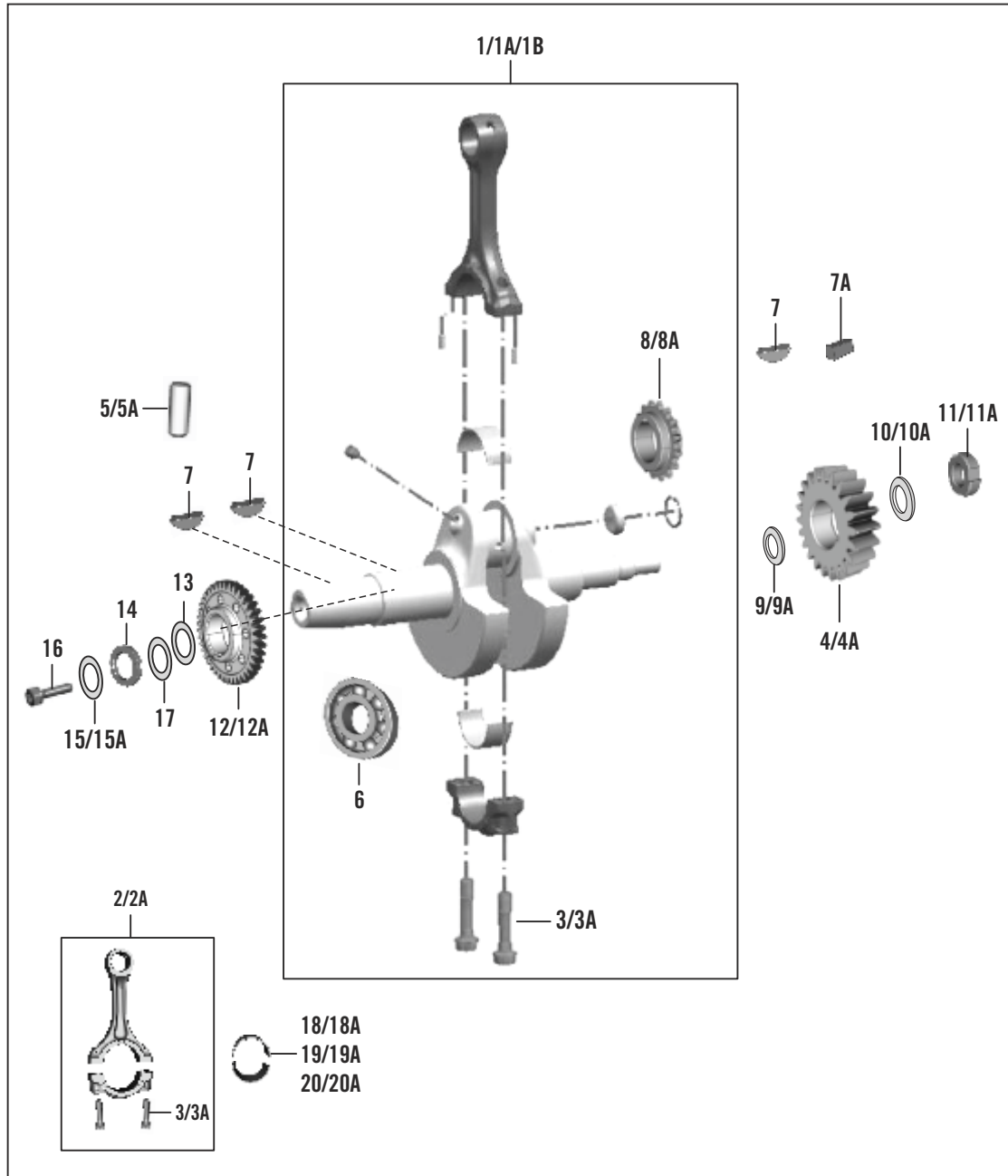
RC 200/390



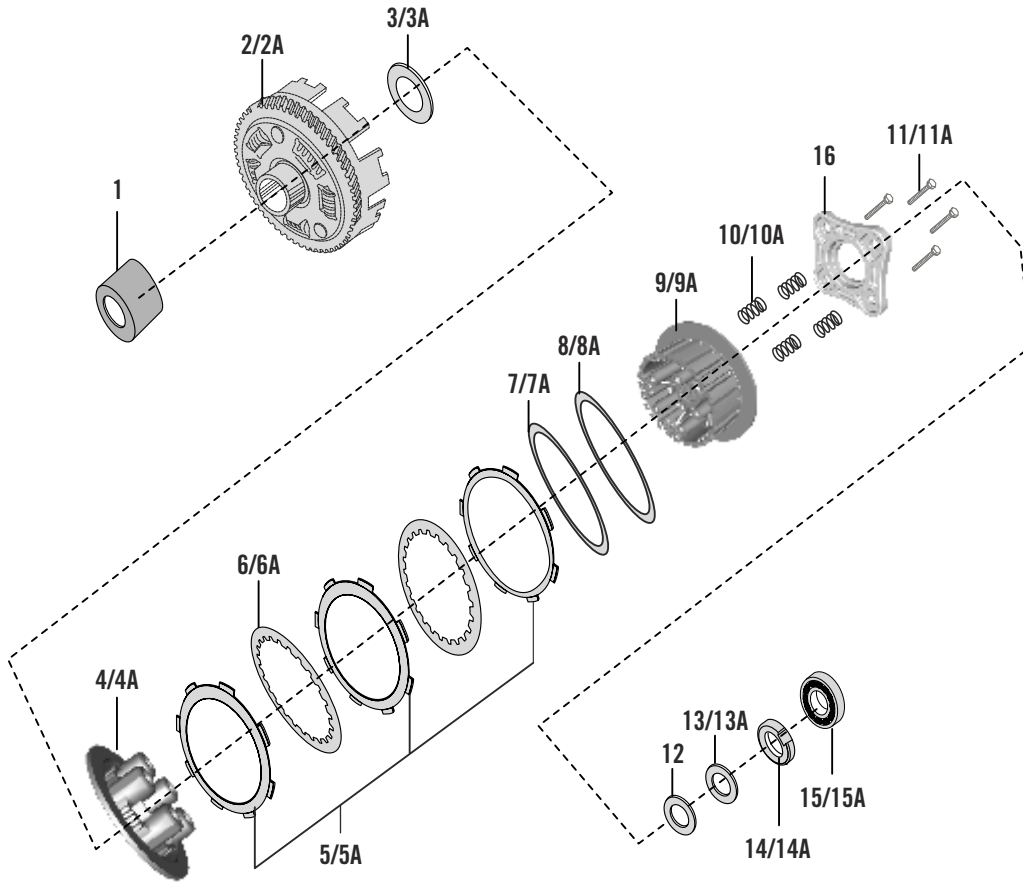
No.	Part No.	Description	Qty for 200			Qty for 390		
			MY15	MY16	MY17	MY15	MY16	MY17
1	36JU0007	Kit Cylinder Block Piston Asly.	1	1	1	--	--	----
1A	36JY0007	Kit Cylinder Block Piston Asly.	-	--	--	1	1	1
2	36JU0001	Kit Piston Ring	1	1	1	--	--	----
2A	36JY0003	Kit Piston Ring	--	--	--	1	1	1
3	39218106	Pin - Hollow Dowel : 14x20	2	2	2	2	2	2
4	JG521008	Gasket Cylinder Block	1	1	1	--	--	----
4A	JY521006	Gasket Cylinder Block	--	--	--	1	1	1
5	39213217	Ring - Snap	2	2	2	--	--	----
5A	JY521220	Ring - Snap	--	--	--	2	2	2
6	JL521200	Piston Complete	1	1	1	--	--	----
6A	JY521214	Piston Complete	--	--	--	1	1	1
7	JU521005	Cylinder	1	1	1	--	--	--
7A	JY521003	Cylinder	--	--	--	1	1	1

CRANKSHAFT

RC 200/390



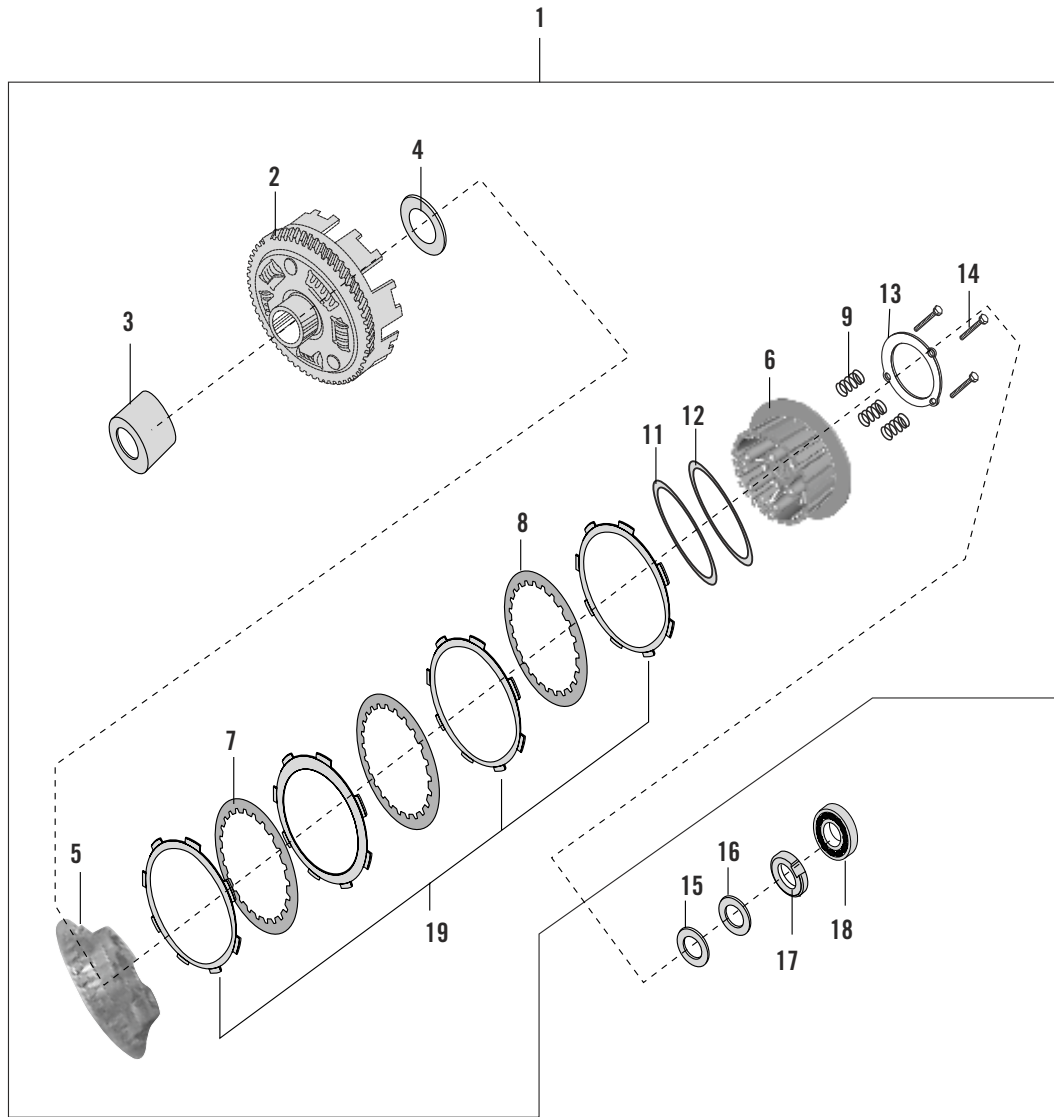
No.	Part No.	Description	Qty for 200			Qty for 390			
			MY15	MY16	MY17	MY15	MY16	MY17	
1	36JU0036	Kit Crankshaft Assly Comp	1	1	1	--	--	--	
1A	JY531039	Crankshaft Assembly Comp	--	--	--	1	1	--	with 7A
1B	JF531020	Crankshaft Assembly Comp	--	--	--	--	--	1	
2	JF531007	Connecting Rod Assly.	1	1	1	--	--	--	
2A	JY531036	Connecting Rod Assly.	--	--	--	1	1	1	
3	JF531014	Bolt (JF Con Rod)	2	2	2	--	--	--	
3A	JY531005	Bolt	--	--	--	2	2	2	
4	JG551216	Primary Gear 22 T	1	1	1	--	--	--	
4A	JY551212	Primary Gear 29 T	--	--	--	1	1	1	
5	39220307	Pin - Parallel	2	2	2	--	--	--	
5A	39260607	Pin - Parallel	--	--	--	1	1	1	
6	39193120	Bearing - Ball : 28X68X18	1	1	1	--	--	--	
7	31101173	Key-Woodruff	3	3	3	3	3	2	
7A	LFB00001	Key Sunk	--	--	--	--	--	1	with 1B
8	JG531027	Sprocket Crankshaft	1	1	1	--	--	--	
8A	JY531026	Sprocket Crankshaft 18-T	--	--	--	1	1	1	
9	JG531031	Spacer Crankshaft	1	1	1	--	--	--	
9A	DG101275	Washer Crankshaft	--	--	--	1	1	1	
10	39220011	Washer-Plain	1	1	1	--	--	--	
10A	JY531008	Washer-Plain	--	--	--	1	1	1	
11	LCD00001	Nut Sprocket Drive Lock	1	1	1	--	--	--	
11A	LCG00002	Nut Sprocket Drive Lock	--	--	--	1	1	1	
12	JG531041	Balancer Drive Gear	1	1	1	--	--	--	
12A	JY551220	Balancer Drive Gear	--	--	--	1	1	1	
13	LDH00002	Belleville Washer	1	1	1	1	1	1	
14	JG531040	Nut Balancer Drive Lock	1	1	1	1	1	1	
15	LDB00010	Washer - Plain, 10.3x29x3.2	1	1	1	--	--	--	
15A	LDB00041	Washer - Plain	--	--	--	1	1	1	
16	LAD00124	Flanged Bolt M10X1, 25X50	--	--	--	1	1	1	
17	LDB00033	Washer Plain	--	--	--	1	1	1	
18	36JU0004	Split Bearing Bush Green	2	2	2	--	--	--	
18A	36JY0004	Split Bearing Bush Green	--	--	--	2	2	2	
19	36JU0006	Split Bearing Bush Blue	2	2	2	--	--	--	
19A	36JY0005	Split Bearing Bush Blue	--	--	--	2	2	2	
20	36JU0005	Split Bearing Bush None	2	2	2	--	--	--	
20A	36JY0006	Split Bearing Bush None	--	--	--	2	2	2	



No.	Part No.	Description	Qty for 200			Qty for 390		
			MY15	MY16	MY17	MY15	MY16	MY17
1	JG551427	Collared Bush	1	1	1	--	--	----
2	JU551405	Clutch Housing Assly.	1	1	1	--	--	----
2A	JY551430	Clutch Housing Assly.	--	--	--	1	--	----
3	JG551428	Washer Clutch	1	1	1	--	--	----
3A	JY551403	Washer Clutch	--	--	--	1	--	----
4	JG551449	Plate (Wheel Clutch)	1	1	1	--	--	----
4A	JY551421	Plate (Wheel Clutch)	--	--	--	1	--	----
5	36JU0002	Kit Friction Plate	1	1	1	--	--	----
5A	36JY0002	Kit Friction Plate	--	--	--	1	--	----
6	JG551447	Pressure Plate	5	5	5	--	--	----
6A	JY551417	Pressure Plate	--	--	--	7	--	----
7	DP101243	Plate Judder Spring	1	1	1	--	--	----
7A	JY551427	Spring Anti Judder	--	--	--	1	--	----
8	DP101114	Seat Judder Spring	1	1	1	--	--	----
8A	JY551426	Seat Judder Spring	--	--	--	1	--	----
9	JU551406	Clutch Center	1	1	1	--	--	----
9A	JY551416	Clutch Center	--	--	--	1	--	----
10	JU551402	Spring - Clutch	4	4	4	--	--	----
10A	JY551422	Spring - Clutch	--	--	--	5	--	----
11	JG551451	Bolt SH 6x22	4	4	4	--	--	----
11A	JY551413	Bolt SH 6x22	--	--	--	5	--	----
12	JY551019	Plain Washer	--	--	--	1	--	----
13	JL551407	Spring Belleville	1	1	1	--	--	----
13A	DG101275	Spring Belleville	--	--	--	1	--	----
14	DH101648	Nut Clutch Center Lock	1	1	1	--	--	----
14A	LCG00009	Nut Clutch Center Lock	--	--	--	1	--	----
15	JG551423	Clutch Lifter Bearing	1	1	1	--	--	----
15A	39172420	Clutch Lifter Bearing 15x32x9	--	--	--	1	----	----
16	JG551443	Clutch Holder	1	1	1	1	--	----

CLUTCH - ASSIST AND SLIPPER TYPE

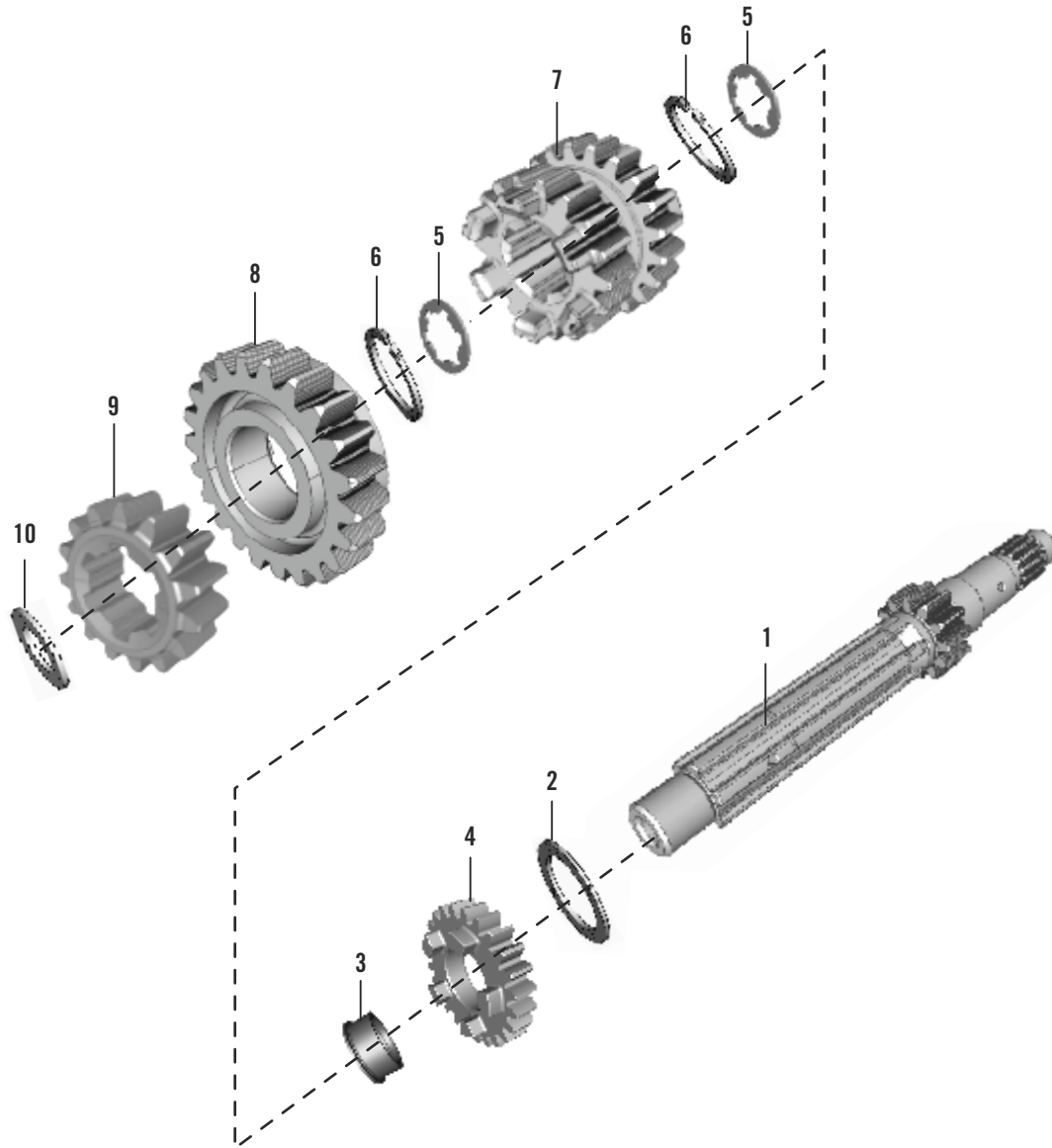
RC 390



No.	Part No.	Description	Qty for 390		
			MY15	MY16	MY17
1	JY551429	Clutch Assembly	--	1	1
2	JY551430	Clutch Outer Comp.	--	1	1
3	JY551401	Bush Collared	--	1	1
4	JY551403	Clutch Washer	--	1	1
5	JY551438	Plate Clutch Pressure	--	1	1
6	JY551435	Clutch Center	--	1	1
7	JY551436	Plate A Clutch	--	5	5
8	JY551437	Plate B Clutch	--	1	1
9	JY551439	Spring Clutch	--	3	3
10	JY551440	Seat Spring	--	3	3
11	JY551441	Spring Judder	--	1	1
12	JY551442	Spring Seat Judder	--	1	1
13	JY551443	Plate Stopper	--	1	1
14	KADD0635	Bolt Flanged	--	3	3
15	JY551019	Washer Plain	--	1	1
16	DG101275	Washer (Special)	--	1	1
17	LCG00009	Nut Hex Flanged - M16x1.5LH	--	1	1
18	LPA00004	Bearing Ball-ID15xOD28xTHK7	--	1	1
19	36JY0103	Kit Friction Plate	--	1	1

TRANSMISSION I - MAIN SHAFT (INPUT SHAFT)

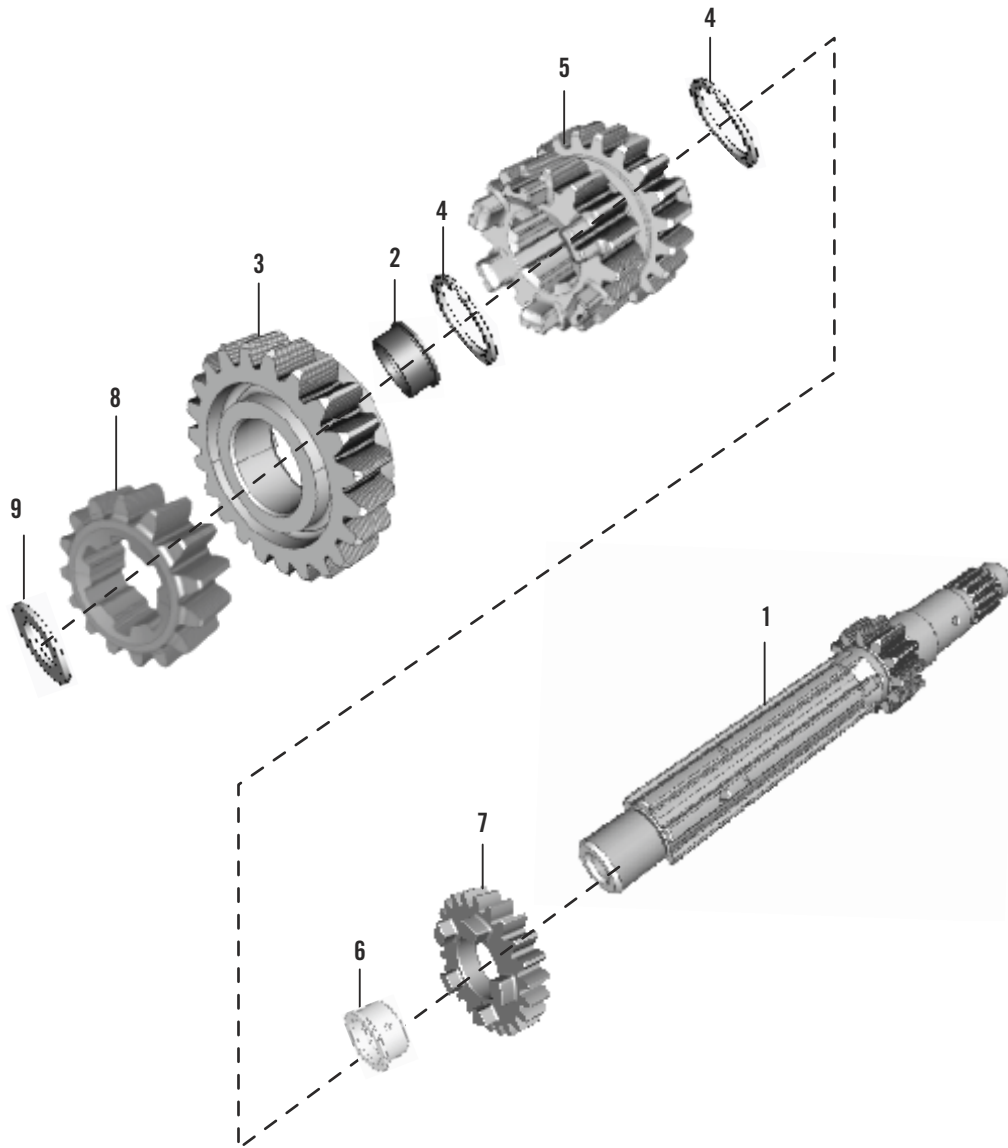
RC 200



No.	Part No.	Description	Qty for 200		
			MY15	MY16	MY17
1	JG551027	Shaft Input T/M Comp	1	1	1
2	39215811	Washer - Plain	1	1	1
3	JG551013	Bush 6th Drive/Bush 2nd Driven	1	1	1
4	JG551213	Gear 6th Drive	1	1	1
5	JG551020	Washer Shim	2	2	2
6	BF551037	Ring - Snap	2	2	2
7	JG551214	Gear Drive Multiple 3&4	1	1	1
8	JG551220	Gear 5th Drive	1	1	1
9	JG551227	Gear 2nd Drive	1	1	1
10	JG551022	Washer - Plain	1	1	1

TRANSMISSION I - MAIN SHAFT (INPUT SHAFT)

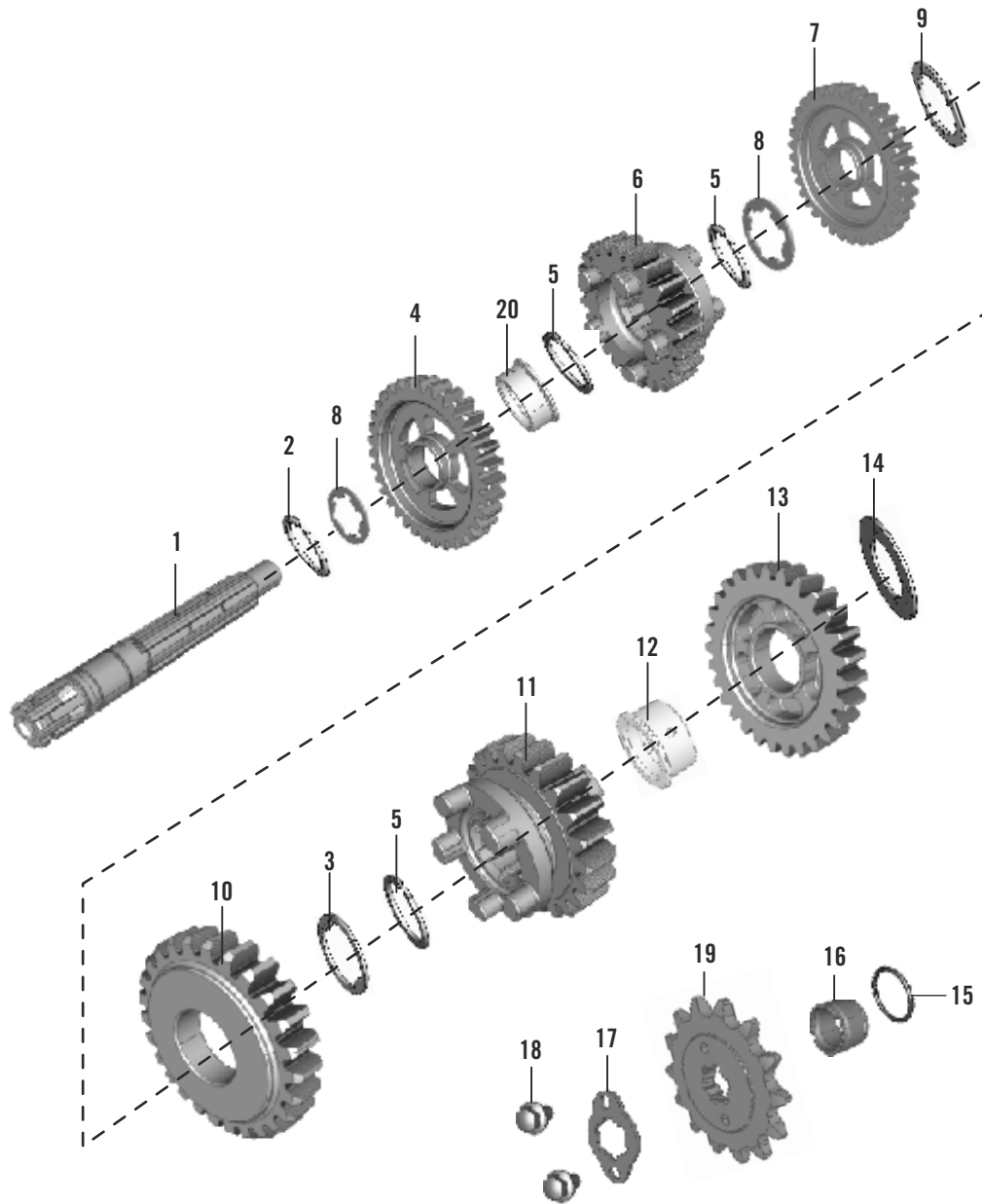
RC 390



No.	Part No.	Description	Qty for 390		
			MY15	MY16	MY17
1	JY551022	Shaft Input T/M Comp	1	1	1
2	JY551021	Bush 6th Drive	1	1	1
3	JY551231	Gear 6th Drive	1	1	1
4	JY551214	Circlip	2	2	2
5	JY551229	Gear Drive Multiple 3&4	1	1	1
6	JY551010	Bush	1	1	1
7	JY551230	Gear 5th Drive	1	1	1
8	JY551228	Gear 2nd Drive	1	1	1
9	JY551215	Washer - Thrust	1	1	1

TRANSMISSION II - COUNTER SHAFT (OUTPUT SHAFT)

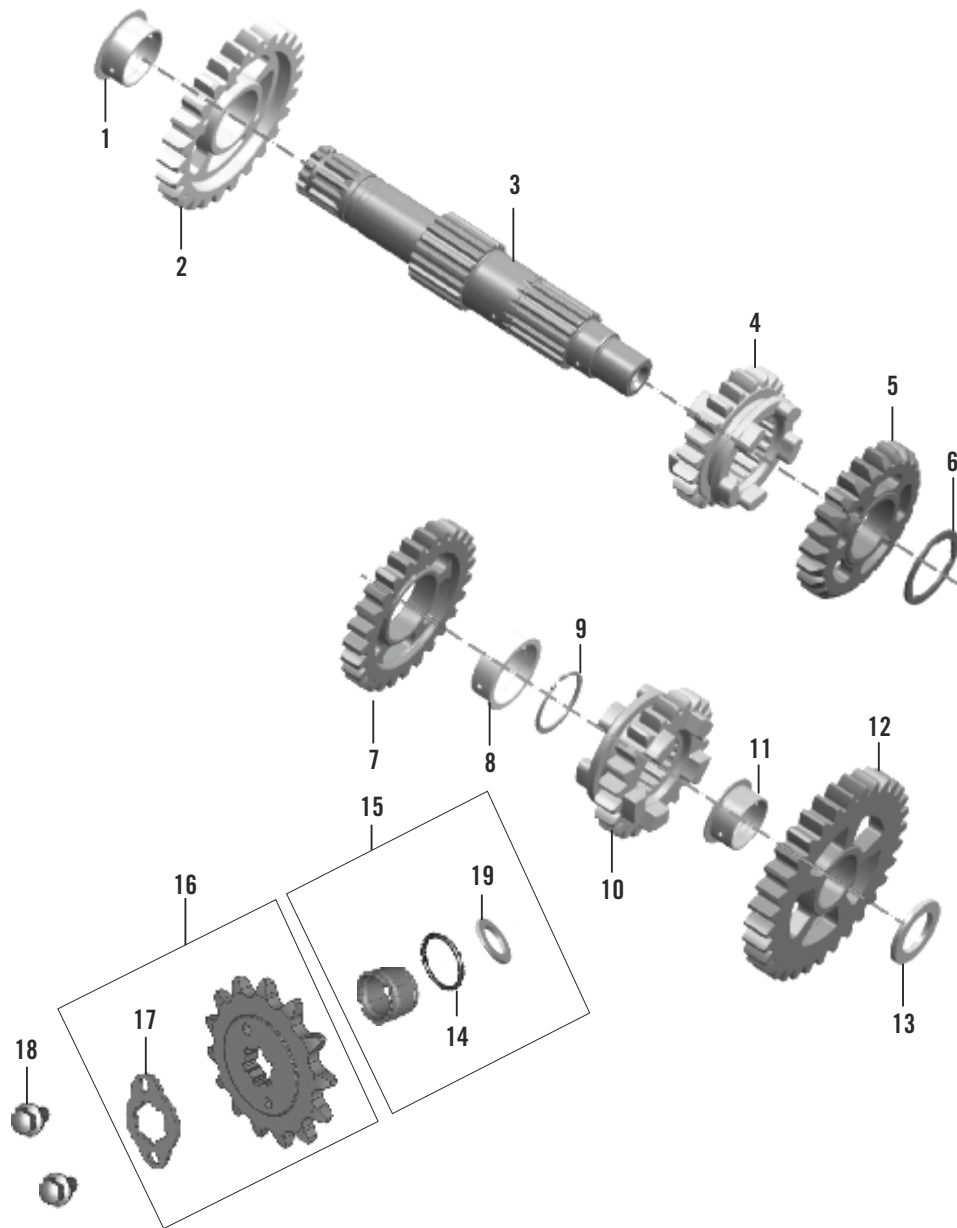
RC 200



No.	Part No.	Description	Qty for 200		
			MY15	MY16	MY17
1	JG551025	Output Shaft Assy With Plug	1	1	1
2	DH101235	Circlip Ext.	1	1	1
3	JG551020	Washer Special	1	1	1
4	JG551228	Gear 2nd Driven	1	1	1
5	BF551037	Ring - Snap	3	3	3
6	JG551222	Gear 5th Driven	1	1	1
7	JG551223	Gear 3rd Driven	1	1	1
8	JG551020	Spline Thrust Washer	2	2	2
9	JG551021	Washer Plain Output Shaft	1	1	1
10	JG551215	Gear 4th Driven	1	1	1
11	JG551224	Gear 6th Driven	1	1	1
12	JG551000	Bush 1st Driven	1	1	1
13	JG551225	Gear 1st Driven	1	1	1
14	39215911	Washer - Plain	1	1	1
15	DK101352	O-Ring Sprocket Collar(17.5x1.5)	1	1	1
16	JG551031	Collar Sprocket	1	1	1
17	JG551019	Plate Drive Sprocket	1	1	1
18	LAE00017	Bolt Flanged M6X1X10L-Precoated	2	2	2
19	DV101048	Sprocket Output (14T)	1	1	1
20	JG551013	Bushing	1	1	1

TRANSMISSION II - COUNTER SHAFT (OUTPUT SHAFT)

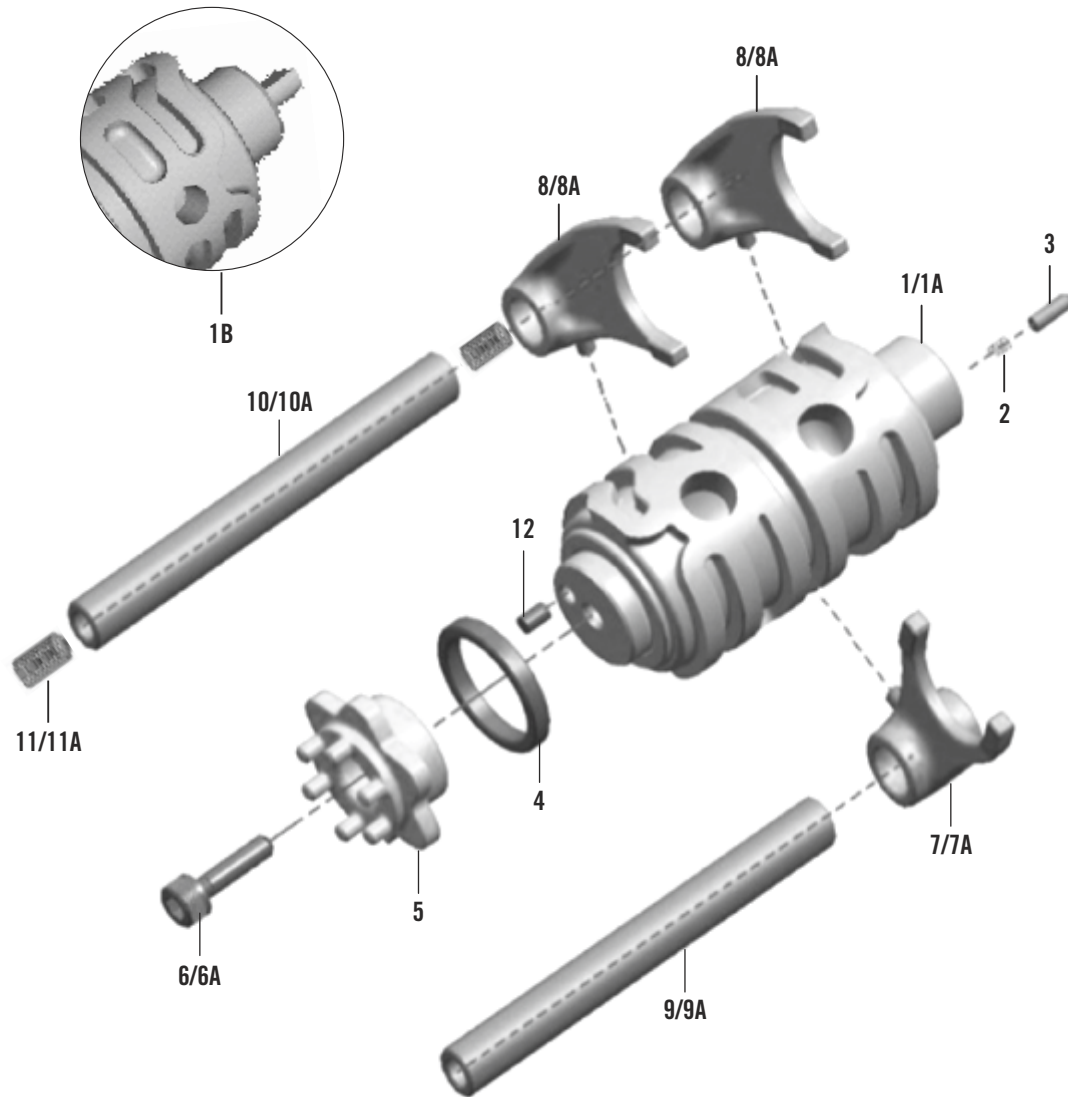
RC 390



No.	Part No.	Description	Qty for 390		
			MY15	MY16	MY17
1	JY551006	Bush 2nd Driven	1	1	1
2	JY551233	Gear 2nd Driven	1	1	1
3	JY551008	Output Shaft Assy With Plug	1	1	1
4	JY551237	Gear 6th Driven	1	1	1
5	JY551235	Gear 4th Driven	1	1	1
6	JY551005	Washer Thrust 3rd Driven	1	1	1
7	JY551234	Gear 3rd Driven	1	1	1
8	JY551027	Bush 3rd Driven	1	1	1
9	JY551218	Circlip Output Shaft	1	1	1
10	JY551236	Gear 5th Driven	1	1	1
11	JY551205	BusH1st Driven	1	1	1
12	JY551232	Gear 1st Driven	1	1	1
13	JY551217	Washer Thrust 1st Driven	1	1	1
14	JY551018	O-Ring Sprocket Collar (17.5x1.5)	1	1	1
15	36JY0102	Kit output shaft assembly	1	1	1
16	36JY0071	Sprocket Output Kit (15T)	1	1	1
17	JY551030	Plate Drive Sprocket	1	1	1
18	LAE00017	Bolt Flanged M6X1X10L-Precoated	2	2	2
19	JY541058	Oil Seal Output Shaft	1	1	1

SHIFTING MECHANISM - DRUM GEAR SHIFT

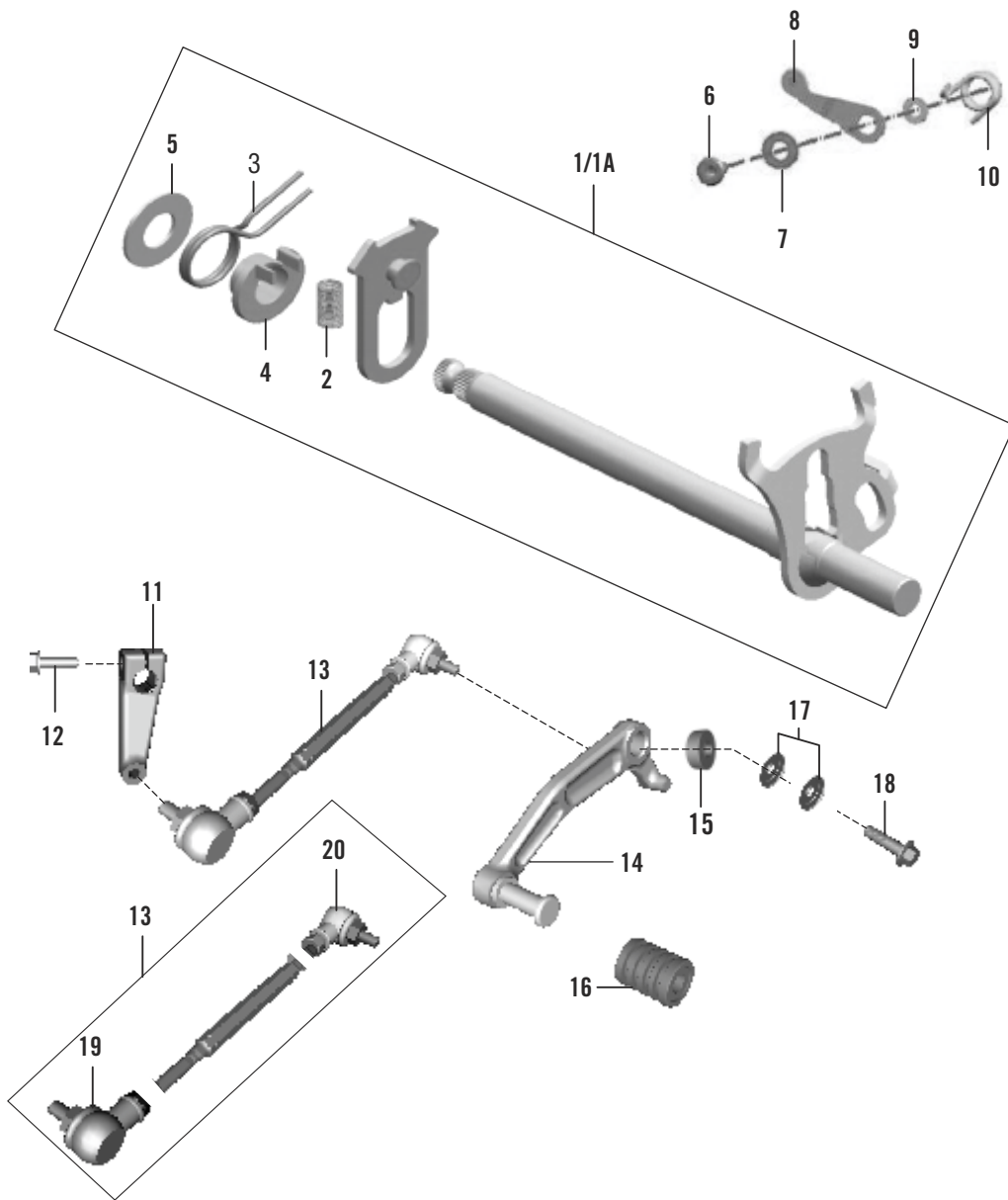
RC 200/390



No.	Part No.	Description	Qty for 200			Qty for 390		
			MY15	MY16	MY17	MY15	MY16	MY17
1	JG561011	Drum Complete Gear Shift	1	1	1	--	--	----
1A	JY561001	Drum Complete Gear Shift	--	--	--	1	1	----
1B	JY561013	Drum Complete Gear Shift	--	--	--	--	----	1
2	EC561023	Spring Gear Switch Indicator	1	1	1	1	1	----
3	JG561008	Gear Indicator Pin	1	1	1	1	1	----
4	JG561010	Spacer-Guide Gear Shift	1	1	1	1	1	1
5	JG561222	Guide Gear Shift	1	1	1	1	1	1
6	LAC00024	Bolt Socket Head M6X1X20L	--	--	1	1	1	1
6A	DH101389	Bolt	1	1	--	--	--	----
7	JG561012	Fork Gear Shift Input	1	1	1	--	----	----
7A	JY561002	Fork Gear Shift Input	--	--	--	1	1	1
8	JG561013	Fork Gear Shift Output	2	2	2	----	----	----
8A	JY561008	Fork Gear Shift Output	--	--	--	2	2	2
9	JG561016	Shaft Gear Shift Fork	1	1	1	----	----	----
9A	JY561004	Shaft Gear Shift Fork	--	--	--	1	1	1
10	JG561225	Shaft Gear Shift Fork Output	1	1	1	----	----	----
10A	JF561001	Shaft Gear Shift Fork Output	--	--	--	1	1	1
11	JG561215	Spring for Shaft Gear Shift	2	2	2	----	----	----
11A	JY541039	Spring for Shaft Gear Shift	--	--	--	2	2	2
12	39260607	Pin - Parallel	1	1	1	1	1	----

SHIFTING MECHANISM - LEVER GEAR SHIFT

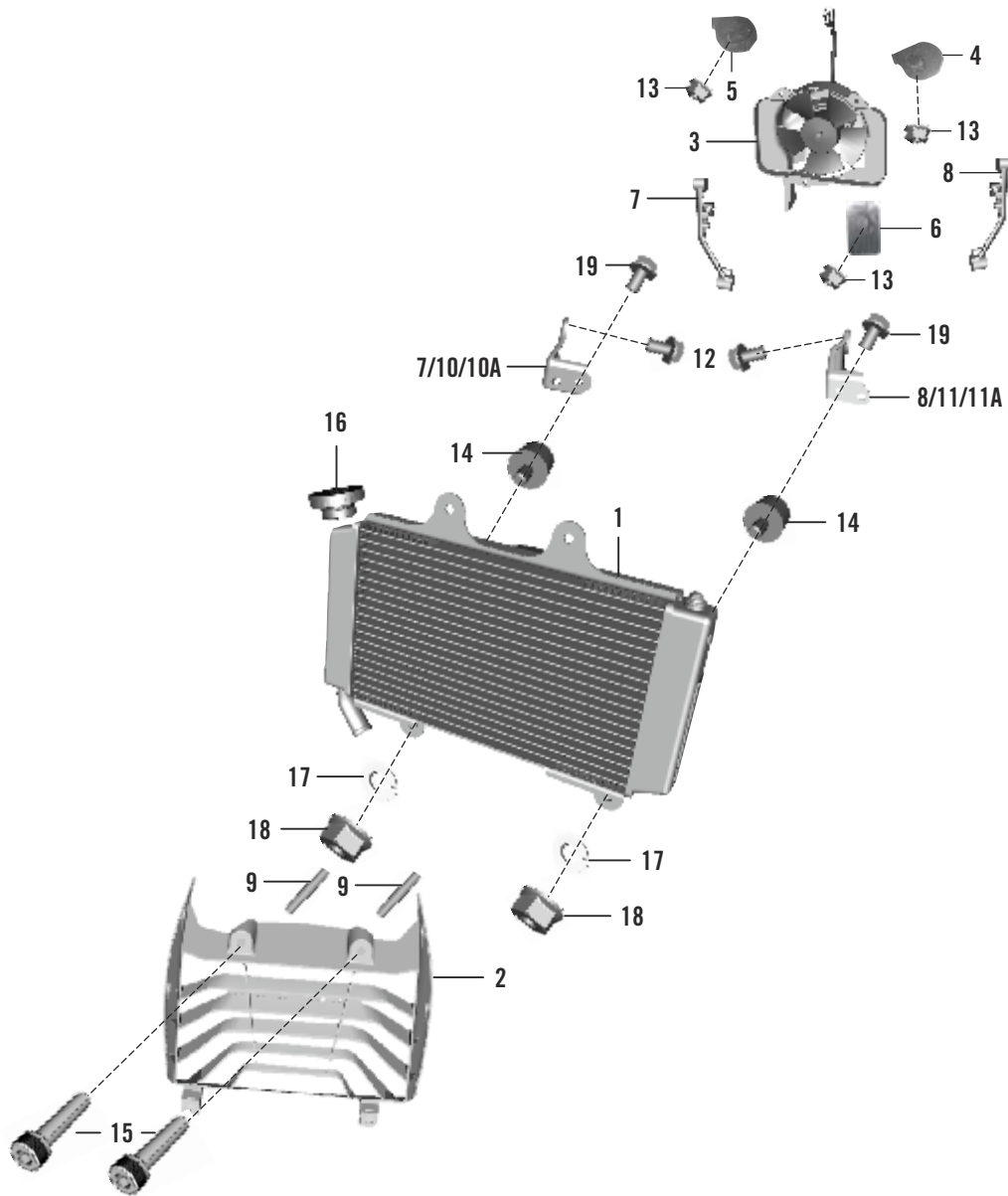
RC 200/390



No.	Part No.	Description	Qty for 200			Qty for 390		
			MY15	MY16	MY17	MY15	MY16	MY17
1	JG561200	Lever Gear Shift Assy Comp.	1	1	1	--	--	--
1A	JY561205	Lever Gear Shift Assy Comp.	--	--	--	1	1	1
2	JG561215	Compression Spring	1	1	1	1	1	1
3	JG561218	Torsion Spring	1	1	1	1	1	1
4	JG561217	Bush-Torsion Spring	1	1	1	1	1	1
5	JG561216	Washer Steel, Mx30x1.5	1	1	1	1	1	1
6	JG561204	Bolt Drum Stopper	1	1	1	1	1	1
7	JG561205	Washer	1	1	1	1	1	1
8	JG561009	Stopper Drum Complete	1	1	1	1	1	1
9	39200511	Washer Drum Stopper	1	1	1	1	1	1
10	JG561226	Spring Stopper Drum	1	1	1	1	1	1
11	JU561400	Lever Change Arm	1	1	1	1	1	1
12	KADM0622	HH Collar Screw M6X22	1	1	1	1	1	1
13	JY113008	Assembly Tie Rod	1	1	1	1	1	1
14	JU161007	Change Lever Assly	1	1	1	1	1	1
15	JG113061	Bearing Change Lever	2	2	2	2	2	2
16	JG113010	Rubber	1	1	1	1	1	1
17	JY113015	Washer	2	2	2	2	2	2
18	JY113025	Bolt Change Lever	1	1	1	1	1	1
19	36JY0201	Tie rod end LH	1	1	1	1	1	1
20	36JY0202	Tie rod end RH	1	1	1	1	1	1

RADIATOR ASSEMBLY

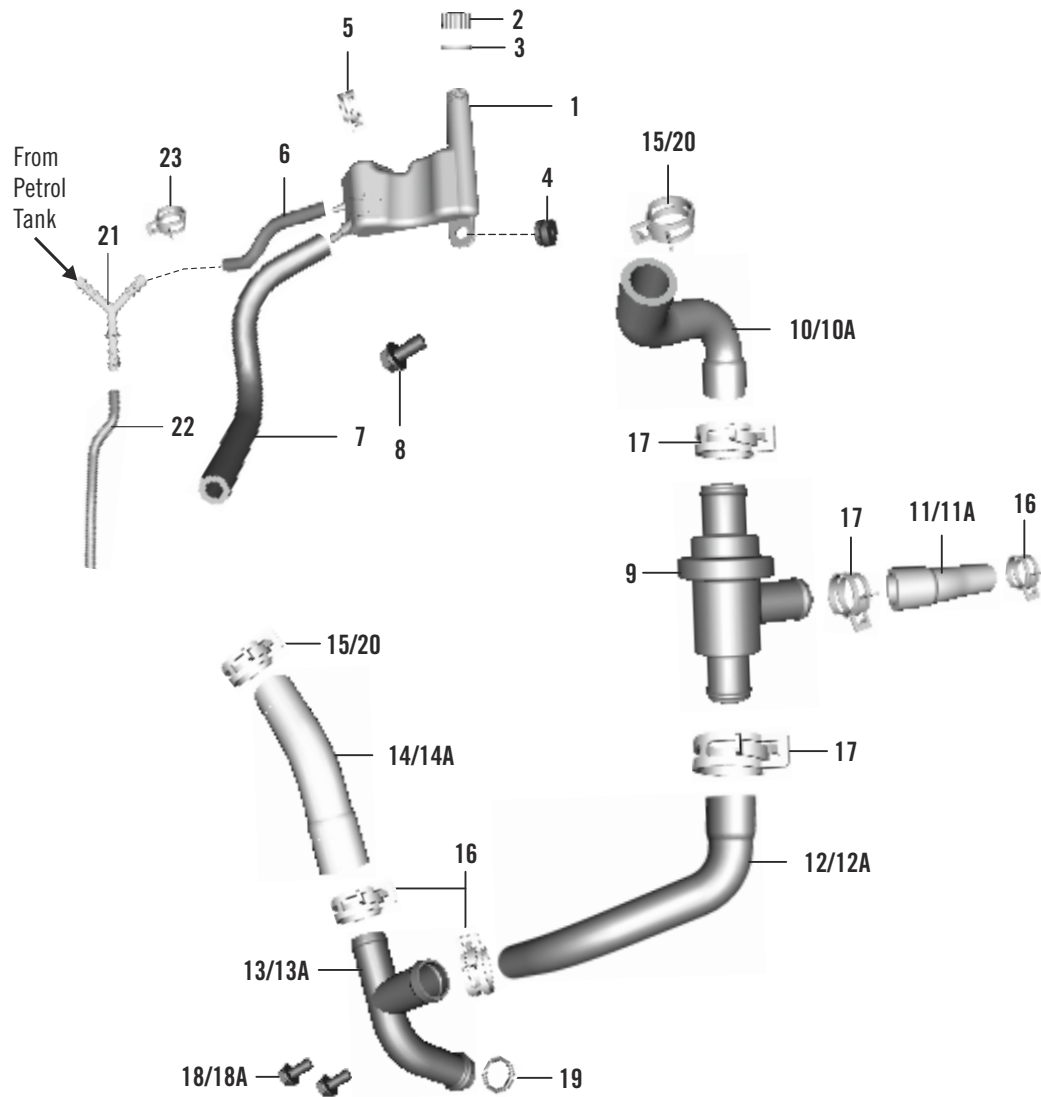
RC 200/390



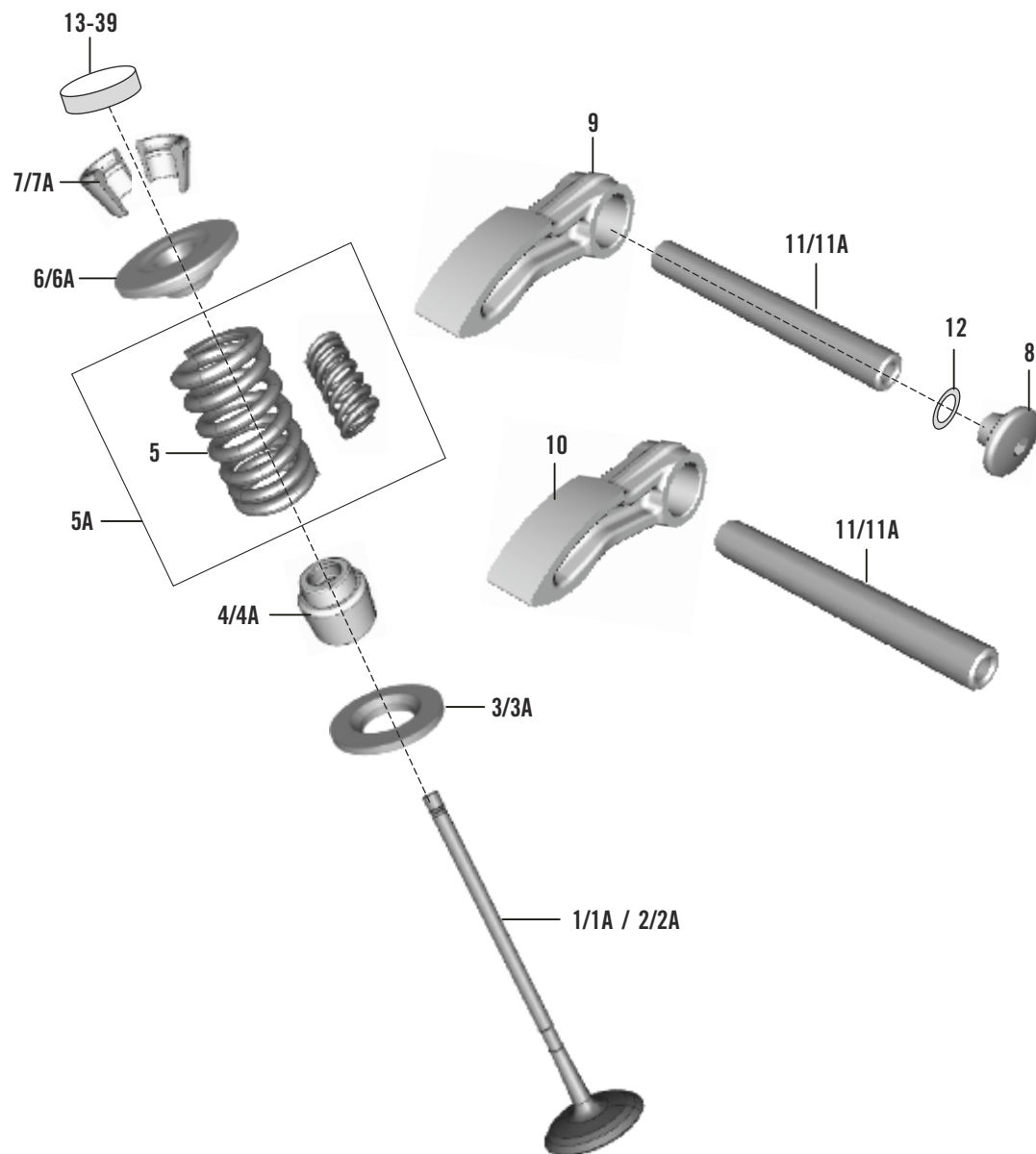
No.	Part No.	Description	Qty for 200			Qty for 390		
			MY15	MY16	MY17	MY15	MY16	MY17
1	JY601246	Radiator Cpl. (w/o Fan)	1	1	1	1	1	1
2	JY181256	Radiator Shroud	1	1	1	1	1	1
3	JY601235	Radiator Fan	1	1	1	1	1	1
4	JY601248	Bracket Fan assembly A LH	1	1	1	1	1	1
5	JY601249	Bracket Fan assembly B RH	1	1	1	1	1	1
6	JY601250	Bracket Fan assy C Bottom	1	1	1	1	1	1
7	JG113805	Radiator Support R/S Below	1	--	--	1	--	--
8	JG113804	Radiator Support L/S Below	1	--	--	1	--	--
9	JY113813	Bush Radiator Mounting	4	4	4	4	4	4
10	JY113812	Radiator Bracket RH	1	1	--	--	--	--
10A	JY113879	Radiator Bracket RH	--	--	1	--	--	--
10B	JY113832	Radiator Bracket RH	--	--	--	1	1	1
11	JY113809	Radiator Bracket LH	1	1	1	--	--	--
11A	JY113831	Radiator Bracket LH	--	--	--	1	1	1
12	KADM0610	HH Collar Screw M6x10 Sw8	4	4	4	4	4	4
13	JY601241	Flange Nut	3	3	3	3	3	3
14	JY601227	Bush Radiator Mounting	4	4	4	4	4	4
15	JY181265	Bolt Radiator Cowl	4	4	4	4	4	4
16	JG601235	Radiator Cap	1	1	1	1	1	1
17	KDCF0612	Washer Spring	4	4	4	4	4	4
18	LCL00002	Flanged Nut M6	4	4	4	4	4	4
19	LAD00040	Bolt Flanged M6 - 6L	4	4	4	4	4	4

COOLING SYSTEM

RC 200/390



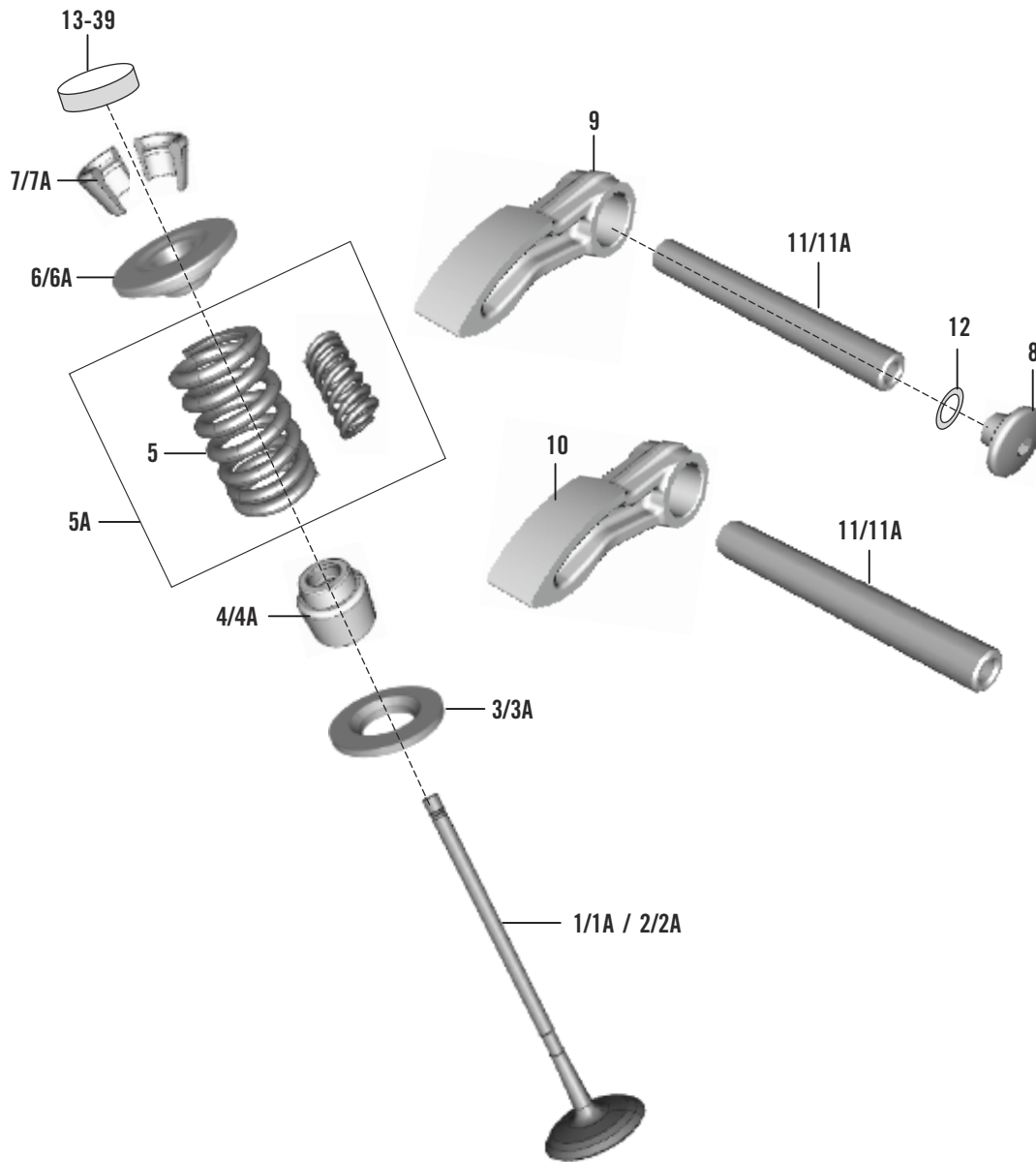
No.	Part No.	Description	Qty for 200			Qty for 390		
			MY15	MY16	MY17	MY15	MY16	MY17
1	JY601217	Tank Expansion Assly	1	1	1	1	1	1
2	JG601211	Reservoir Cap	1	1	1	1	1	1
3	JG601230	O Ring Tank Cap	1	1	1	1	1	1
4	JG113806	Grommet Expansion Tank	1	1	1	1	1	1
5	JG171029	Clamp 10mm	4	4	4	4	4	4
6	JY601237	Tube Drain	1	1	1	1	1	1
7	JG601215	Tube Connecting	1	1	1	1	1	1
8	JG181250	Step Bolt	1	1	1	1	1	1
9	JG601014	Thermostat	1	1	1	1	1	1
10	JY601232	Radiator Hose Therm. Radiator	1	1	1	--	--	--
10A	JY601228	Radiator Hose Therm. Radiator	--	--	--	1	1	1
11	JG601238	Radiator Hose Engine-therm.	1	1	1	--	--	--
11A	JY601215	Radiator Hose Engine-therm.	--	--	--	1	1	1
12	JG601018	Radiator Hose Therm. Cool. Pipe	1	1	1	--	--	--
12A	JY601204	Radiator Hose Therm. Cool. Pipe	--	--	--	1	1	1
13	JG601019	Cooling Pipe "T" Cpl.	1	--	--	1	--	--
13A	JG601239	Cooling Pipe "T" Cpl.	--	1	1	--	1	1
14	JY601233	Radiator Hose Radi-Cool L.T	1	1	1	--	--	--
14A	JY601229	Radiator Hose Radi-Cool L.T	--	--	--	1	1	1
15	JG601209	Hose Clamp D24	--	--	--	2	2	2
16	JG601016	Hose Clamp D26	3	3	3	3	3	3
17	JG601210	Hose Clamp D28	3	3	3	3	3	3
18	LAD00082	HH Collar Screw M6x12 SW10	2	--	--	2	--	--
18A	LAE00041	Bolt flanged M6xL14	--	2	2	--	2	2
19	JG601221	O-Ring 18,5x3	1	1	1	1	1	1
20	JG601234	Clamp Dia 23	2	2	2	--	--	---
21	JY113842	Y Connector	1	1	1	1	1	1
22	JY171096	Tube Drain	1	1	1	1	1	1
23	JG171029	Clamps for 'Y' Connector	3	3	3	3	3	3



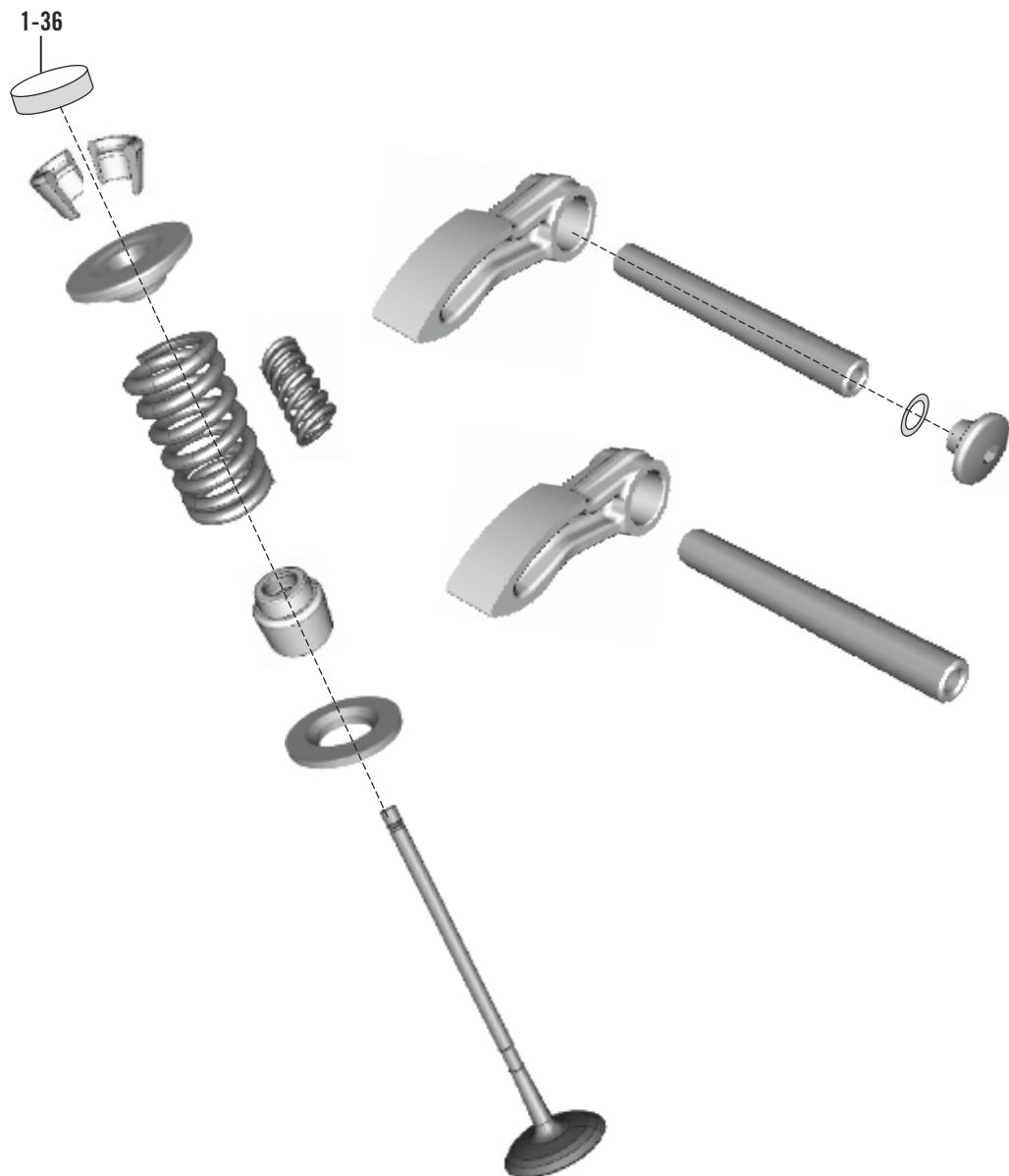
No.	Part No.	Description	Qty for 200			Qty for 390		
			MY15	MY16	MY17	MY15	MY16	MY17
1	JU511224	Exhaust Valve	2	2	2	--	----	----
1A	JY511222	Exhaust Valve	--	--	--	2	2	2
2	JU511205	Intake Valve	2	2	2	--	----	----
2A	JY511221	Intake Valve	--	--	--	2	2	2
3	JG511042	Valve Spring Holder	4	4	4	--	----	----
3A	JY511223	Seat Valve Spring	--	--	--	4	4	4
4	39201719	Valve-stem Sealing (Oil Seal)	4	4	4	--	----	----
4A	CB101009	Valve-stem Sealing (Oil Seal)	--	--	--	4	4	4
5	JG511255	Valve Spring	4	4	4	--	----	----
5A	36JY0065	Kit Valve Spring	--	--	--	4	4	4
6	JG511259	Valve Spring Retainer	4	4	4	--	----	----
6A	JY511225	Valve Spring Retainer	--	--	--	4	4	4
7	DG101029	Valve Collet	8	8	8	--	----	----
7A	CB101022	Valve Collet	--	--	--	8	8	8
8	JG511016	Screw Plug	2	2	2	2	2	2
9	JU511204	Rocker Arm	4	4	4	3	3	3
10	JY511212	Rocker Arm De-comp	--	--	--	1	1	1
11	JG511243	Valve Lever Shaft	2	2	2	--	----	----
11A	JY511226	Valve Lever Shaft	--	--	--	2	2	2
12	39102121	O ring 10,3x1,2 mm	2	2	2	2	2	2
13	36JU0040	Shim 2 mm	1	1	1	--	----	----
14	36JU0041	Shim 2.04 mm	1	1	1	--	--	--
15	36JU0042	Shim 2.08 mm	1	1	1	--	--	--
16	36JU0043	Shim 2.12 mm	1	1	1	--	--	--
17	36JU0044	Shim 2.16 mm	1	1	1	--	--	--
18	36JU0045	Shim 2.20 mm	1	1	1	--	--	--
19	36JU0046	Shim 2.24 mm	1	1	1	--	--	--
20	36JU0047	Shim 2.28 mm	1	1	1	--	--	--
21	36JU0048	Shim 2.32 mm	1	1	1	--	--	--
22	36JU0049	Shim 2.36 mm	1	1	1	--	--	--
23	36JU0050	Shim 2.40 mm	1	1	1	--	--	--
24	36JU0051	Shim 2.44 mm	1	1	1	--	--	--
25	36JU0052	Shim 2.48 mm	1	1	1	--	--	--

VALVE DRIVE

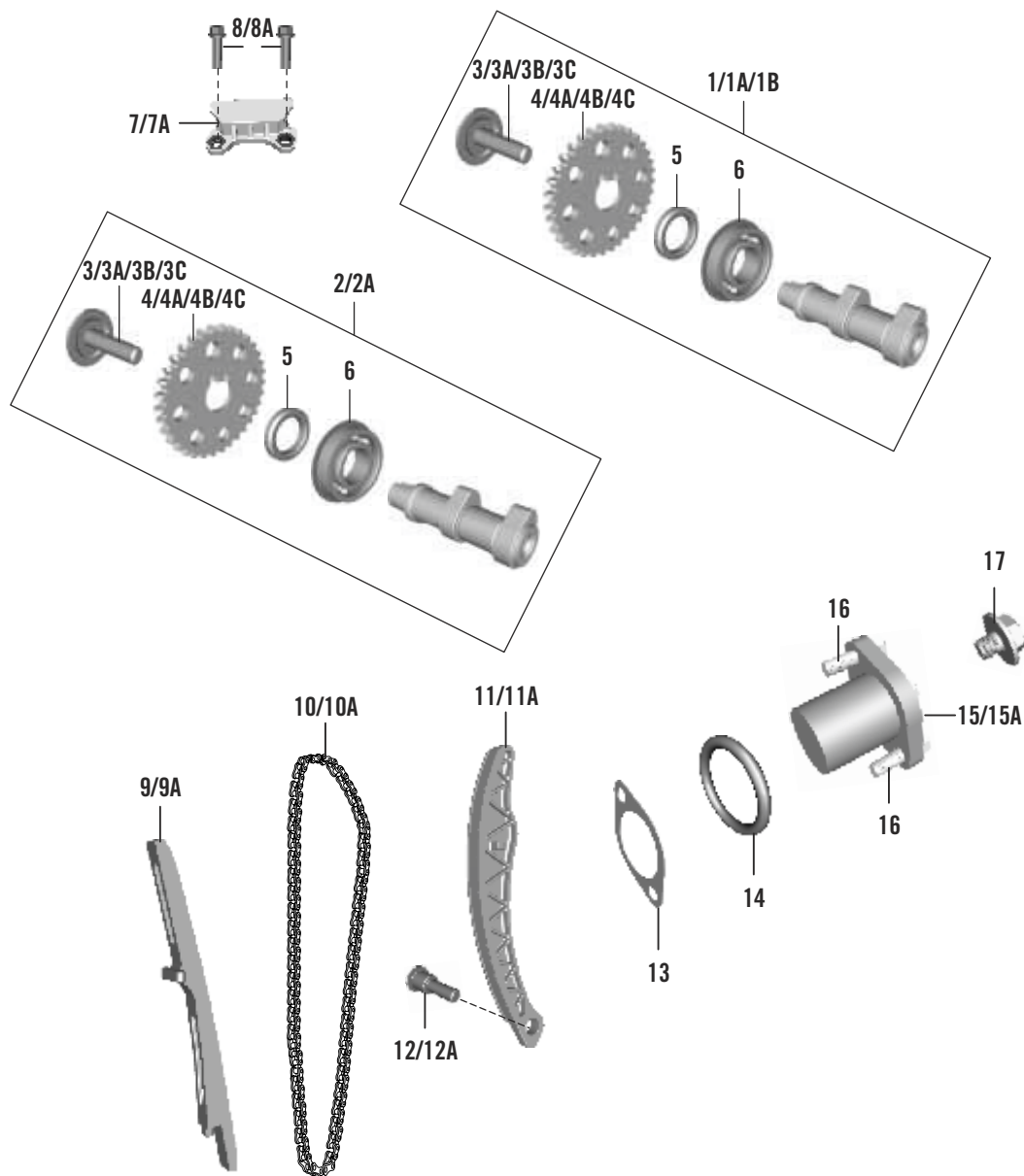
RC 200/390



No.	Part No.	Description	Qty for 200			Qty for 390		
			MY15	MY16	MY17	MY15	MY16	MY17
26	36JU0053	Shim 2.52 mm	1	1	1	--	--	--
27	36JU0054	Shim 2.56 mm	1	1	1	--	--	--
28	36JU0055	Shim 2.60 mm	1	1	1	--	--	--
29	36JU0056	Shim 2.64 mm	1	1	1	--	--	--
30	36JU0057	Shim 2.68 mm	1	1	1	--	--	--
31	36JU0058	Shim 2.72 mm	1	1	1	--	--	--
32	36JU0059	Shim 2.76 mm	1	1	1	--	--	--
33	36JU0060	Shim 2.80 mm	1	1	1	--	--	--
34	36JU0061	Shim 2.84 mm	1	1	1	--	--	--
35	36JU0062	Shim 2.88 mm	1	1	1	--	--	--
36	36JU0063	Shim 2.92 mm	1	1	1	--	--	--
37	36JU0064	Shim 2.96 mm	1	1	1	--	--	--
38	36JU0065	Shim 3 mm	1	1	1	--	----	----
39	36JU0066	Shim 3.04 mm	1	1	1	--	--	--



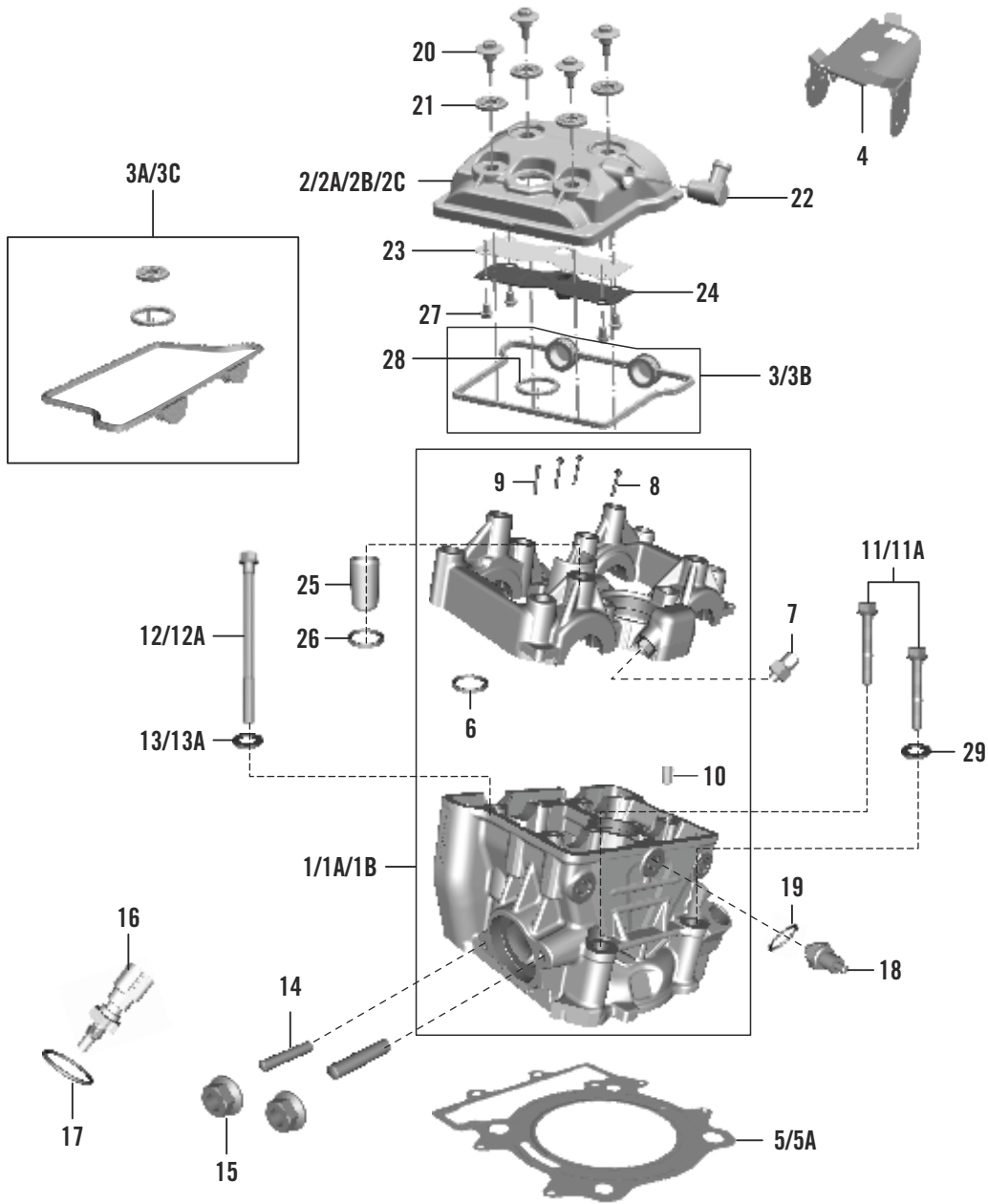
No.	Part No.	Description	Qty for 390		
			MY15	MY16	MY17
1	36 JY00 29	Kit Shim 2 mm	1	1	1
2	36 JY00 30	Kit Shim 2.04 mm	1	1	1
3	36 JY00 31	Kit Shim 2.08 mm	1	1	1
4	36 JY00 32	Kit Shim 2.12 mm	1	1	1
5	36 JY00 33	Kit Shim 2.16 mm	1	1	1
6	36 JY00 34	Kit Shim 2.20 mm	1	1	1
7	36 JY00 35	Kit Shim 2.24 mm	1	1	1
8	36 JY00 36	Kit Shim 2.28 mm	1	1	1
9	36 JY00 37	Kit Shim 2.32 mm	1	1	1
10	36 JY00 38	Kit Shim 2.36 mm	1	1	1
11	36 JY00 39	Kit Shim 2.40 mm	1	1	1
12	36 JY00 40	Kit Shim 2.44 mm	1	1	1
13	36 JY00 41	Kit Shim 2.48 mm	1	1	1
14	36 JY00 42	Kit Shim 2.52 mm	1	1	1
15	36 JY00 43	Kit Shim 2.56 mm	1	1	1
16	36 JY00 44	Kit Shim 2.60 mm	1	1	1
17	36 JY00 45	Kit Shim 2.64 mm	1	1	1
18	36 JY00 46	Kit Shim 2.68 mm	1	1	1
19	36 JY00 47	Kit Shim 2.72 mm	1	1	1
20	36 JY00 48	Kit Shim 2.76 mm	1	1	1
21	36 JY00 49	Kit Shim 2.80 mm	1	1	1
22	36 JY00 50	Kit Shim 2.84 mm	1	1	1
23	36 JY00 51	Kit Shim 2.88 mm	1	1	1
24	36 JY00 52	Kit Shim 2.92 mm	1	1	1
25	36 JY00 53	Kit Shim 2.96 mm	1	1	1
26	36 JY00 54	Kit Shim 3 mm	1	1	1
27	36 JY00 55	Kit Shim 3.04 mm	1	1	1
28	36 JY00 56	Kit Shim 2.30 mm	1	1	1
29	36 JY00 57	Kit Shim 2.34 mm	1	1	1
30	36 JY00 58	Kit Shim 2.38 mm	1	1	1
31	36 JY00 59	Kit Shim 2.42 mm	1	1	1
32	36 JY00 60	Kit Shim 2.46 mm	1	1	1
33	36 JY00 61	Kit Shim 2.50 mm	1	1	1
34	36 JY00 62	Kit Shim 2.54 mm	1	1	1
35	36 JY00 63	Kit Shim 2.58 mm	1	1	1
36	36 JY00 64	Kit Shim 2.62 mm	1	1	1



No.	Part No.	Description	Qty for 200			Qty for 390			
			MY15	MY16	MY17	MY15	MY16	MY17	
1	JY511217	Camshaft Intake (Alt. JU511219)	1	1	--	--	----	----	with SL 3&4
1A	JY511272	Intake Camshaft Assly	--	--	--	1	1	1	
1B	JU511219	Camshaft Intake	1	1	1	--	----	----	with SL 3A & 4A
2	JU511218	Camshaft Exhaust (Alt. JU511221)	1	1	--	----	----	----	with SL 3&4
2A	JY511269	Ex camshaft Assly	--	--	--	1	1	1	
2B	JU511221	Camshaft Exhaust	1	1	1	--	----	----	with SL 3A & 4A
3	JG511269	Special Screw Camshaft	2	2	----	--	----	----	with SL 1&4
3A	LAC00077	Bolt Socket-M8X1XL	--	--	2	--	----	----	with SL 1B, 2B & 4A
3B	LAD00128	Special Screw Camshaft	--	--	--	2	----	----	
3C	LAC00076	Bolt Socket	--	----	----	----	2	2	
4	JG511276	Sprocket Camshaft	2	2	--	--	----	----	with SL 1&3
4A	JU511223	Sprocket Camshaft	--	--	2	--	----	----	with SL 1B, 2B & 3A
4B	JY511219	Sprocket Camshaft	--	--	--	2	----	----	
4C	JY511271	Sprocket Camshaft	--	--	--	--	2	2	
5	JG511262	Spacer Camshaft	1	1	1	NA	NA	NA	
6	JG511261	Ball Bearing 6003NR/C3D817x35x10	1	1	1	NA	NA	NA	
7	JG511250	Guide Chain Top	1	1	1	----	----	----	
7A	JY511058	Guide Rail Top	--	--	--	1	1	1	
8	LAE00016	HH - Collar Screw M6x14WS8	1	1	1	----	----	----	
8A	KAEG0645	HH - Collar Screw M6x14WS8	--	--	--	2	2	2	
9	JG541048	Chain Guide Tight Side	1	1	1	----	----	----	
9A	JY511229	Timing Chain Guide (Tight Side)	--	--	--	1	1	1	
10	JG511247	Timing Chain	1	1	1	----	----	----	
10A	JY511220	Timing Chain	--	--	--	1	1	1	
11	JG541047	Chain Guide (Slack Side)	1	1	1	-	----	----	
11A	JY511227	Chain Guide (Slack Side)	--	--	--	1	1	1	
12	DH101392	Pivot Bolt	1	1	1	----	----	----	
12A	JY541009	Pivot Bolt Special	--	--	--	1	1	1	
13	CS101128	Gasket Chain Adjuster	1	1	1	1	1	1	
14	39266921	O-Ring 10,15x1,5	1	1	1	1	1	1	
15	JG511211	Chain Tensioner	1	1	1	----	----	----	
15A	JY511238	Chain Tensioner	--	--	--	1	1	1	
16	KAEW0620	Bolt Flange Small- M6X1XL20X Bright	2	2	2	2	2	2	
17	JG511270	Bolt Special	1	1	1	1	1	1	

CYLINDER HEAD

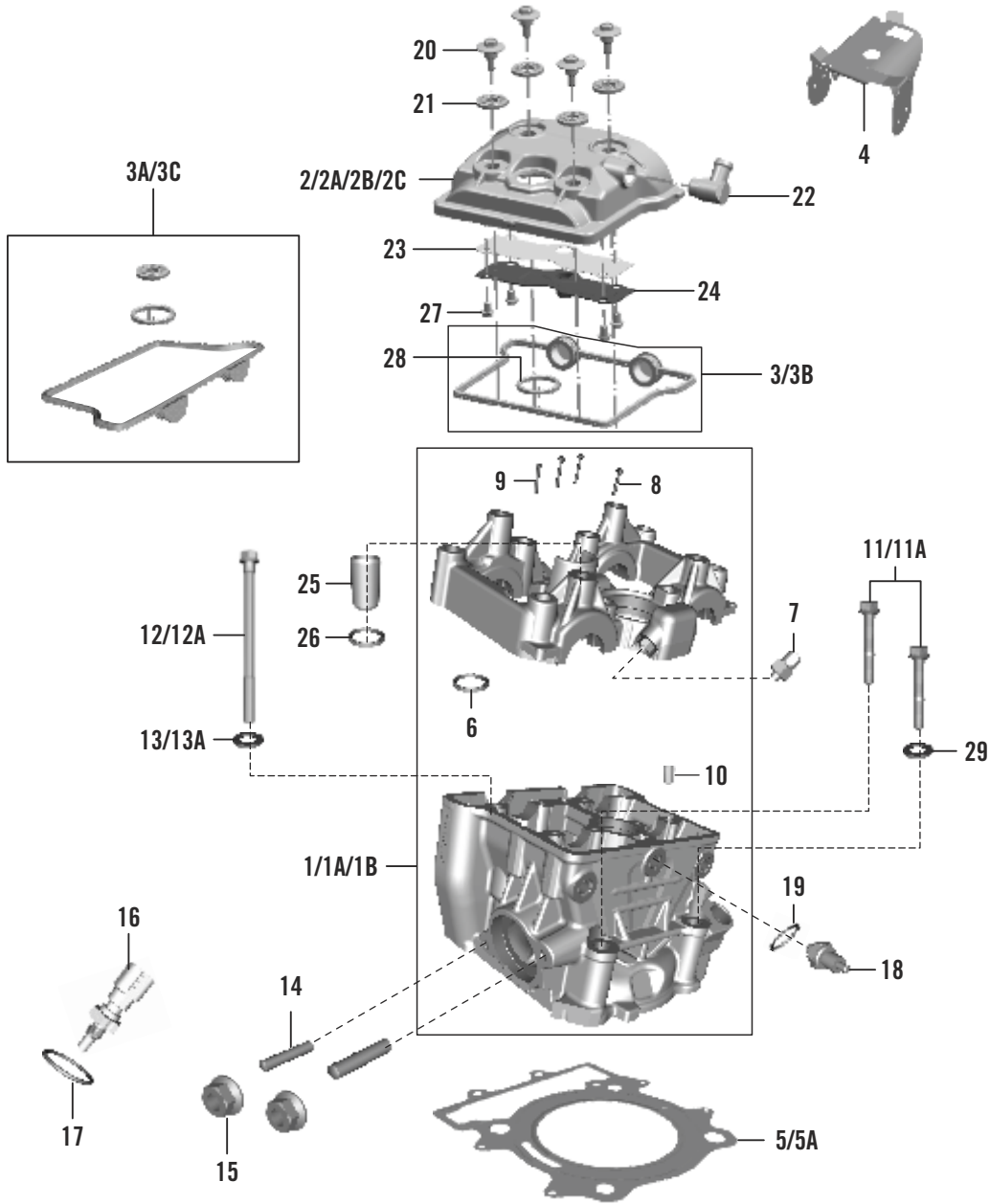
RC 200/390



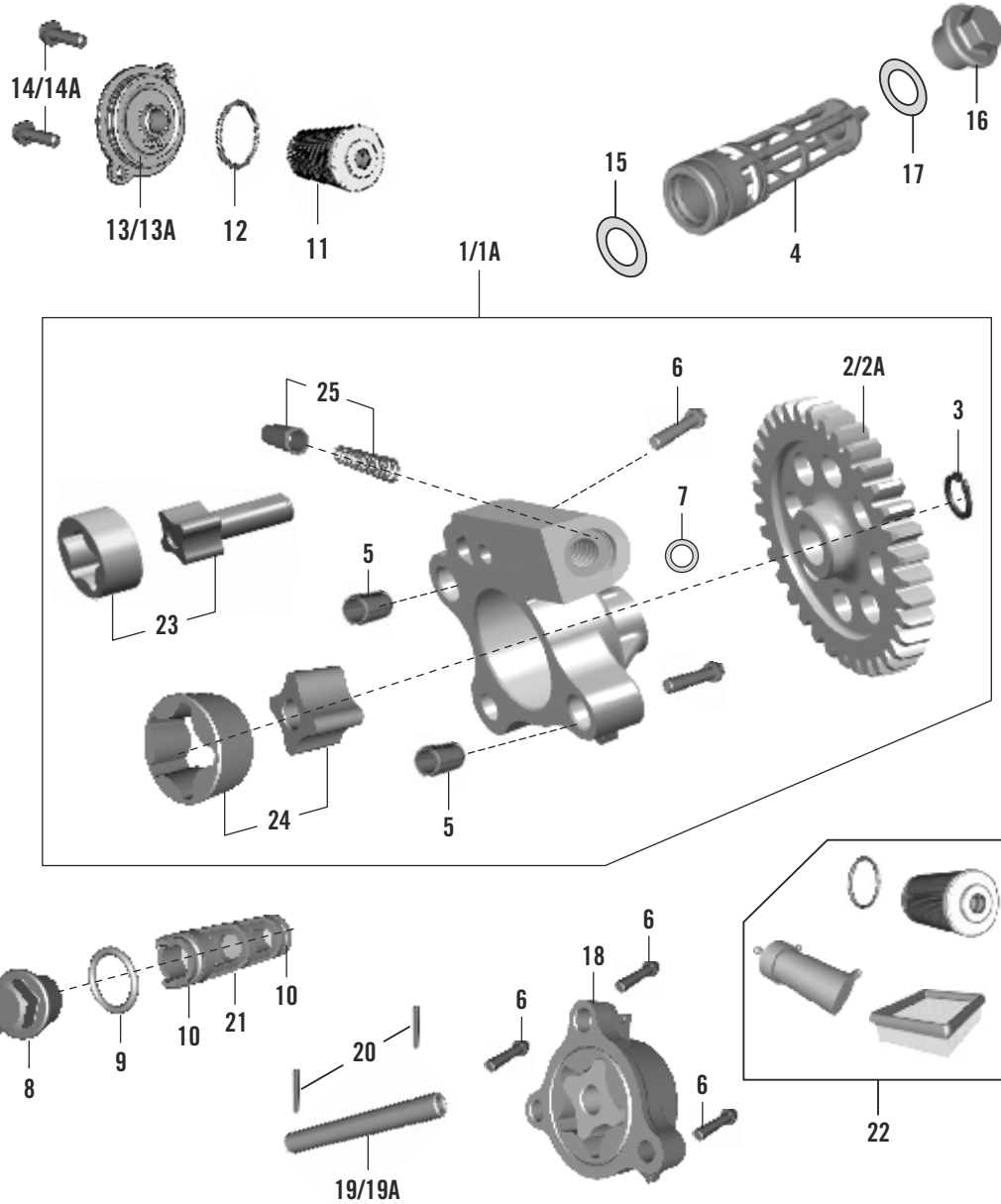
No.	Part No.	Description	Qty for 200			Qty for 390			
			MY15	MY16	MY17	MY15	MY16	MY17	
1	JU511027	Cylinder Head Cpl.	1	--	--	--	----	----	
1A	JU511045	Cylinder Head Cpl.	--	1	1	--	--	----	
1B	JY511067	Cylinder Head Cpl.	--	--	--	1	1	1	
2	JG511030	Cylinder Head Cover	1	1	--	--	--	----	
2A	JU511038	Cylinder Head Cover	--	--	1	--	--	----	With Pic 3A
2B	JY511066	Cylinder Head Cover	--	--	--	1	1	----	
2C	JY511127	Cylinder Head Cover	--	--	--	--	--	1	With Pic 3C
3	36JU0073	Valve Cover Gasket Kit	1	1	--	--	--	----	
3A	36JU0124	Valve Cover Gasket Kit	--	--	1	--	--	----	With Pic 2A
3B	36JY0069	Valve Cover Gasket Kit	--	--	--	1	1	----	
3C	36JY0199	Valve Cover Gasket Kit	--	--	--	--	--	1	With Pic 2C
4	JY113845	Rubber Heat Shield	--	--	--	1	1	1	
5	JU511013	Cylinder Head Gasket	1	1	1	--	--	----	
5A	JY511070	Cylinder Head Gasket	--	--	--	1	1	1	
6	39101721	O Ring	1	1	1	--	--	----	
7	JG541021	Oil Nozzle	4	4	4	4	4	4	
8	39106504	Bolt Flanged - M6X40	2	2	2	--	--	----	
8A	KAEQ0640	Bolt Flange Small-M6X1XL40XDACRO	--	--	--	2	2	2	
9	39107504	Bolt Flange Small	6	6	6	6	6	6	
10	39099906	Pin Dowel 8x6,4x14mm	2	2	2	2	2	2	
11	JG501008	Collar Screw M6	2	2	2	--	--	----	
11A	LAC00024	Collar Screw M6	--	--	--	2	2	2	
12	JG541068	Flanged Head Hex Bolt M10	4	4	4	--	--	----	
12A	LAC00106	Bolt Soket-M10X1.25XL143.75XSTEP	--	--	--	4	4	4	
13	LDA00008	Washer 11,2x20x2	4	4	4	--	--	----	
13A	LDA00015	Washer 11,2x20x2	--	--	--	4	4	4	
14	JG511046	Stud M8	2	2	2	2	2	2	
15	LCG00006	Flanged Nut M8 H7,5 Ws12	2	2	2	2	2	2	
16	JG351400	Coolant Water Temp. Sensor	1	1	1	1	1	1	
17	39269920	O-ring	1	1	1	1	1	1	
18	DK101225	Oil Pressure Sensor	1	1	1	1	1	1	
19	DK101340	O-ring	1	1	1	1	1	1	
20	JG511022	Bolt Special	4	4	4	4	4	4	

CYLINDER HEAD

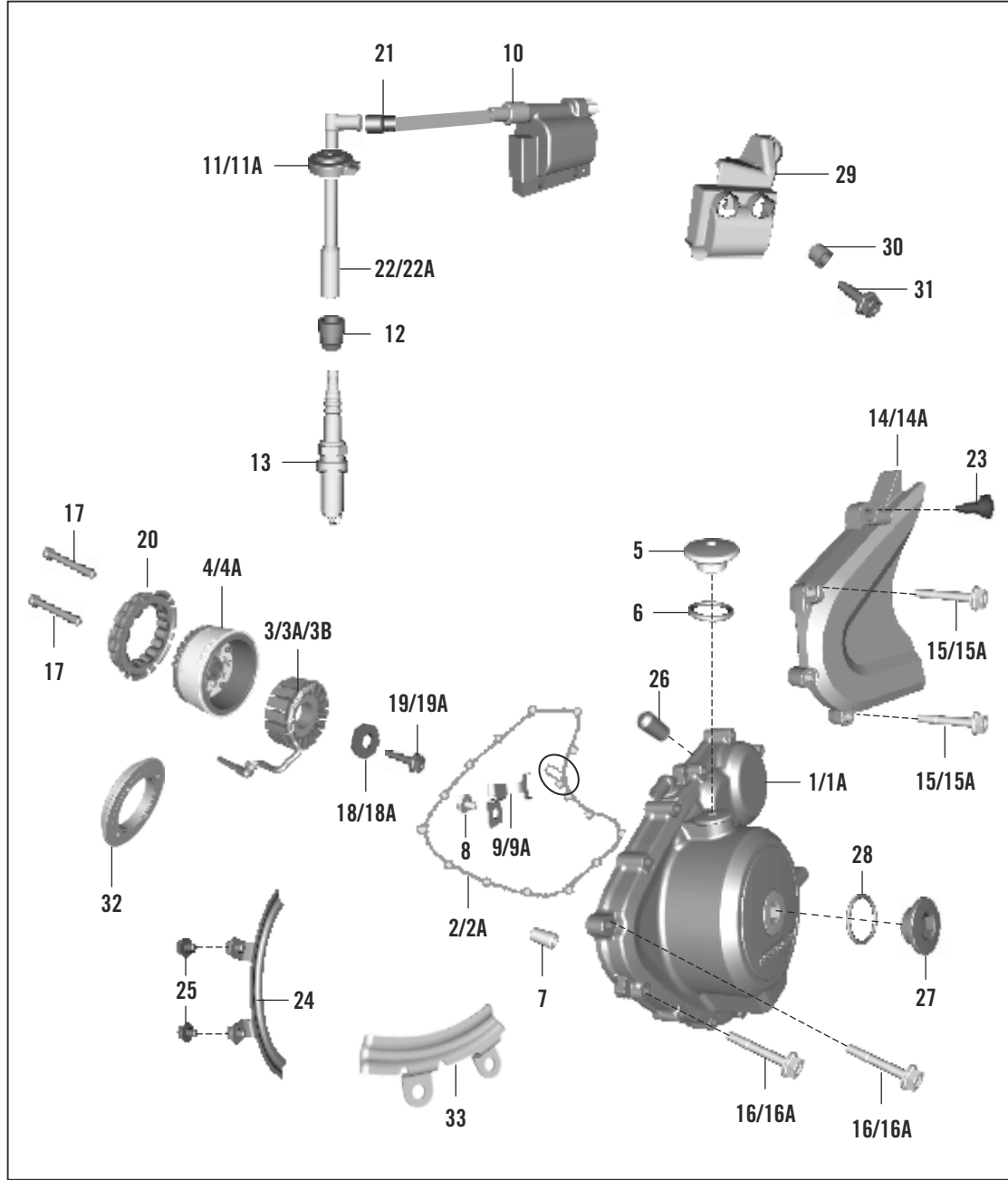
RC 200/390



No.	Part No.	Description	Qty for 200			Qty for 390		
			MY15	MY16	MY17	MY15	MY16	MY17
20	JG511022	Bolt Special	4	4	4	4	4	4
21	JG511021	Rubber Washer	4	4	4	4	4	4
22	JY511071	Nozzle Breather	--	--	--	1	1	1
23	JY511059	Cyl. Head Gasket Breather	--	--	--	1	1	1
24	JY511060	Plate Breather	--	--	--	1	1	1
25	JY511068	Sleeve Spark Plug	--	--	--	1	1	1
26	LJA00001	O Ring	--	--	--	2	2	2
27	LAE00017	Bolt Flange M6X10	--	--	--	4	4	4
28	JY511074	Gasket Sleeve Spark Plug	--	--	--	1	1	1
29	LDA00014	Washer 11,2x20x2	--	--	--	4	4	4



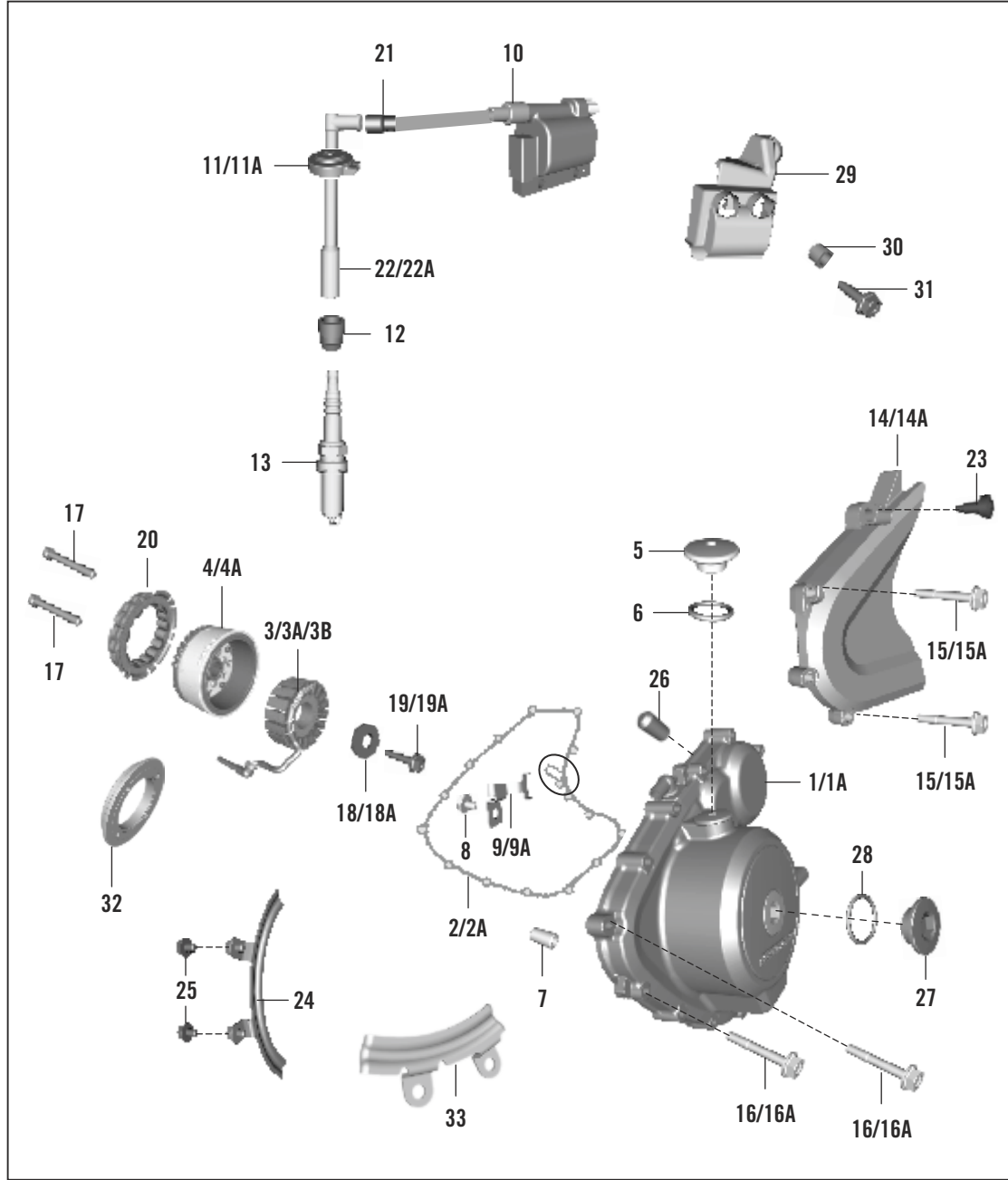
No.	Part No.	Description	Qty for 200			Qty for 390		
			MY15	MY16	MY17	MY15	MY16	MY17
1	JU571000	Oil Pump Assly Complete	1	1	1	--	----	----
1A	JY571012	Oil Pump Assly Complete	--	--	--	1	1	1
2	JG571018	Gear Oil Pump Drive	1	1	1	--	----	----
2A	JY571023	Gear Oil Pump Drive	--	--	--	1	1	1
3	KEAB1010	Circlip	1	1	1	1	1	1
4	JY571030	Mesh Strainer Assly.	1	1	1	1	1	1
5	39099906	Pin - Hollow Dowel	2	2	2	2	2	2
6	LAE00018	Bolt Flanged M6X1X30L-Precoated	3	3	3	3	3	3
7	LDA00017	Plain Washer	--	--	--	2	2	2
8	JY571009	Strainer Cap Evacuation	--	--	--	1	1	1
9	LJA00006	O Ring Strainer Cap	--	--	--	1	1	1
10	LJA00002	O Ring Strainer Evacuation	--	--	--	2	2	2
11	JG571014	Oil Filter	1	1	1	1	1	1
12	JG571016	O Ring	1	1	1	1	1	1
13	JG571015	Cap Oil Filter	1	--	--	1	----	----
13A	JY571033	Cap Oil Filter	--	1	1	--	1	1
14	KADP0516	Hexagonal Flange Bolt	2	--	--	2	----	----
14A	KAEQ0616	Hexagonal Flange Bolt	--	2	2	--	2	2
15	LJA00004	O Ring	1	1	1	1	1	1
16	JA541021	Strainer Cap	1	1	1	1	1	1
17	59210023	O Ring	1	1	1	1	1	1
18	JY571015	Pump Evacuation Assly.	--	--	--	1	1	1
19	JY571024	Oil Pump Shaft	--	--	--	1	1	1
20	LHD00001	Pin Parallel	--	--	--	3	3	3
21	JY571008	Strainer Evacuation	--	--	--	1	1	1
22	36JU0067	KTM Periodic Parts Kit	1	1		1	1	
23	36JU0126	Kit Water Pump Gears 200	1	1	1	--	----	----
24	36JY0203	Kit Water Pump Gears 390	--	--	--	1	1	1
25	36JY0204	Kit PRV KTM	1	1	1	1	1	1



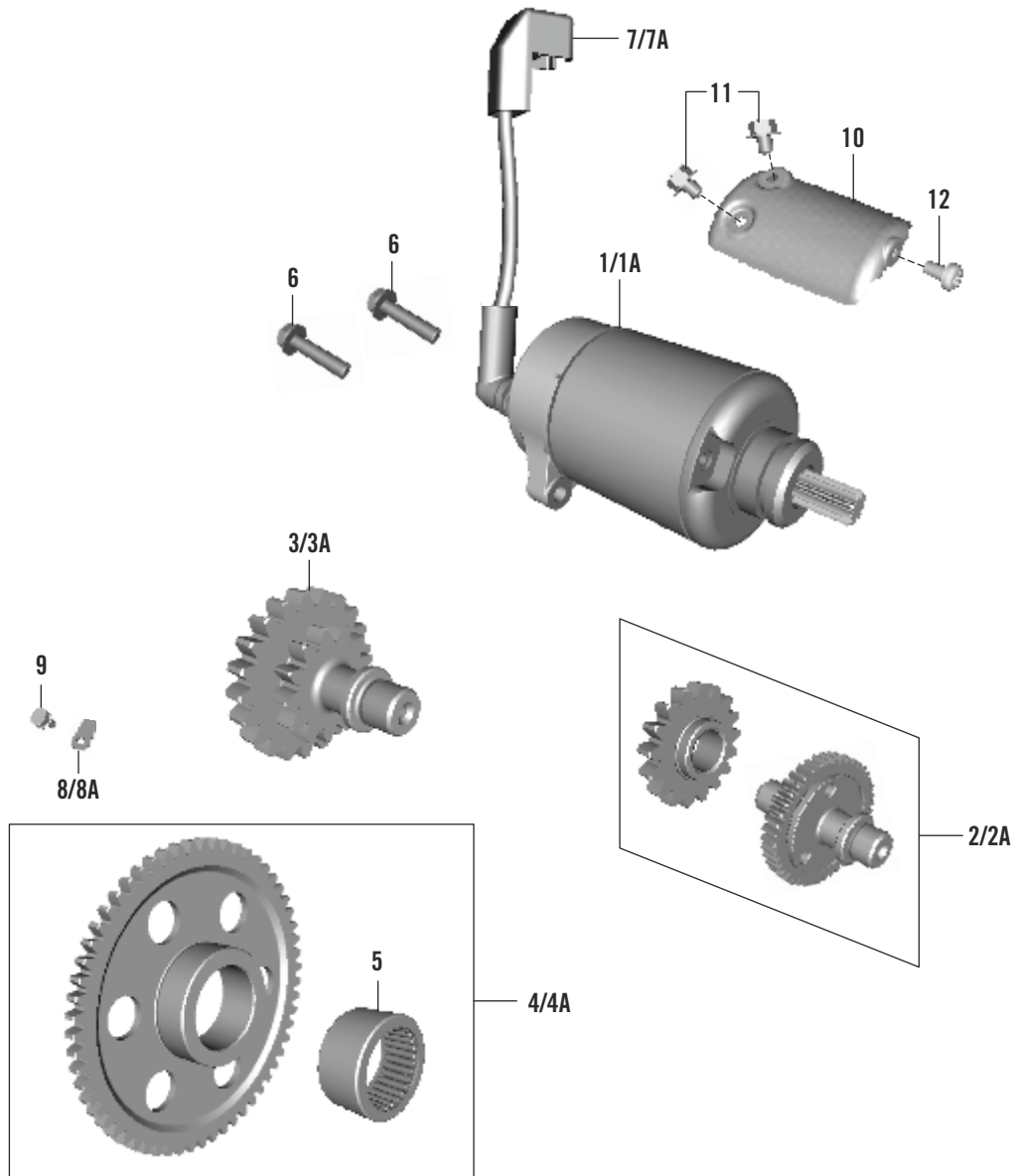
No.	Part No.	Description	Qty for 200			Qty for 390			
			MY15	MY16	MY17	MY15	MY16	MY17	
1	JY541228	Magneto Cover Assly	1	1	1	--	--	----	
1A	JY541240	Magneto Cover Assly	--	--	--	1	--	----	
1B	JY541274	Magneto Cover Assly	--	--	--	--	1	1	with 2A
2	JG541224	Magneto Cover Gasket	1	1	1	--	--	----	
2A	JY541276	Magneto Cover Gasket	--	--	--	1	1	1	with 1B
3	JY351015	Stator Cpl.	1	1	1	--	----	----	
3A	DT351001	Stator Cpl.	--	--	--	1	--	----	
3B	JY351029	Stator Cpl.	--	--	--	--	1	1	
4	JY351019	Rotor Assly without Clutch	1	1	1	--	--	----	
4A	JY351025	Rotor Cpl.	--	--	--	1	1	1	
5	JG541232	Cap TDC Finder	1	1	1	1	1	1	
6	30101195	O-rinG15,8x2,4	1	1	1	1	1	1	
7	39099906	Pin Dowel 8x6,4x14mm	2	2	2	2	2	2	
8	LAE00016	Pan Cross Screw M5X10 PH	1	1	1	1	1	1	
9	JG541223	Bracket F. Stator Cable	1	1	1	--	--	----	
9A	JY541208	Bracket F. Stator Cable	--	--	--	1	1	1	
10	JG351203	Ignition Coil With Cable	1	1	1	1	1	1	
11	JG351208	Gasket Spark Plug Connect.	1	1	1	--	--	----	
11A	JY351203	Gasket Spark Plug Connect.	--	--	--	1	1	1	
12	JG351202	Rubber Gasket Spark Plug	1	1	1	1	1	1	
13	JY351205	Spark Plug M12 (BOSCH)	1	1	1	1	1	1	
14	JG541207	Cover LH RR	1	1	1	--	--	----	
14A	JY541227	Cover LH RR	--	--	--	1	1	1	
15	KAEQ0645	Bolt Flange M6x1x45L	3	3	3	--	--	----	
15A	KAEQ0650	HH Collar Screw M6x50 SW10	--	--	--	3	3	3	
16	KAEQ0630	Bolt Flange Small M6x1x30	11	11	11	--	--	----	
16A	KAEQ0635	HH Collar Screw M6x35 Sw10	--	--	--	11	11	11	
17	LAC00003	Bolt Socket	3	3	3	3	3	3	
18	LDB00010	Washer	1	1	1	--	--	----	
18A	LDB00041	Washer PlaiN10.3xOD29xT8	--	--	--	1	1	1	
19	52JY0185	Flanged Bolt M10X1,25x50	1	1	1	--	--	----	
19A	LAD00124	Flanged Bolt M10X1,25x55	--	--	--	1	1	1	
20	JY551402	Assly Gear Starter Clutch	1	1	1	1	1	1	

IGNITION SYSTEM

RC 200/390



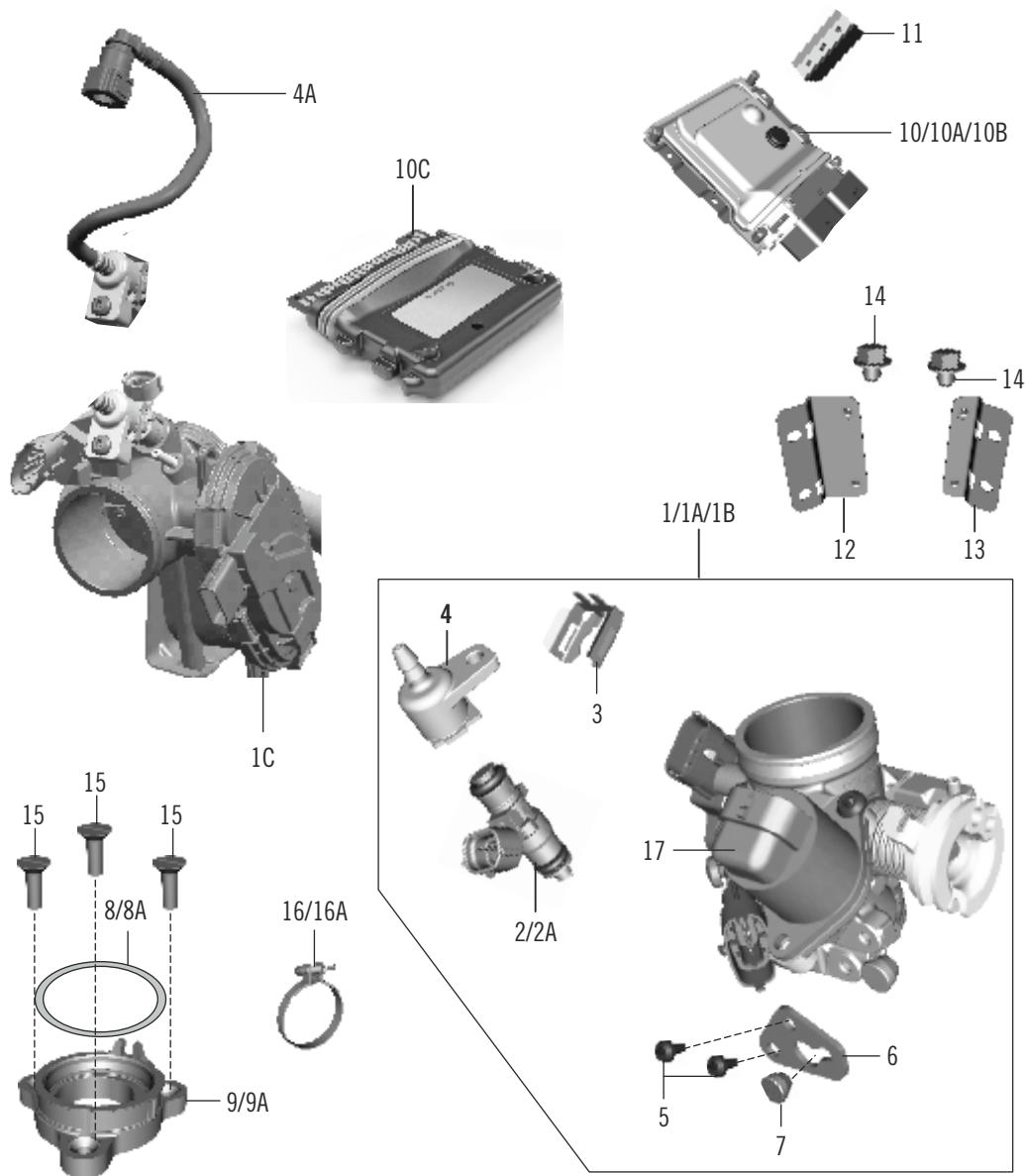
No.	Part No.	Description	Qty for 200			Qty for 390		
			MY15	MY16	MY17	MY15	MY16	MY17
21	DD111012	Grommet H.T Coil	1	1	1	1	1	1
22	JG351201	Spark Plug Cap	1	1	1	--	--	--
22A	JY351200	Spark Plug Cap	--	--	--	1	1	1
23	LAC00014	Bolt Sprocket Cover Mounting	--	1	1	1	1	1
24	JY541222	Plate Harness	--	--	--	1	1	1
25	LAE00016	Flange Bolt M5x0.8x6L	--	--	--	4	4	4
26	JY541255	Oil Jet	--	1	--	1	1	1
26A	JG541074	Oil Jet	--	--	1	--	--	--
27	JY541206	Cap Crankcase Centre	--	--	--	1	1	1
28	LJA00007	O Ring Cap C'case 24x2.5	--	--	--	1	1	1
29	JY181276	Cover H.T. Coil	1	1	1	1	1	1
30	JY113825	Sleeve Under Tray	2	2	2	2	2	2
31	KADM0625	Bolt Flanged	1	1	1	1	1	1
32	JG351019	Body starter clutch	1	1	1	1	1	1
33	JY541071	Plate Harness 2	--	--	--	--	1	1



No.	Part No.	Description	Qty for 200			Qty for 390		
			MY15	MY16	MY17	MY15	MY16	MY17
1	JG351600	Starter Motor Assly	1	1	1	--	--	--
1A	JY351607	Starter Motor Assly	--	--	--	1	1	1
2	JG621413	Gear Starter Counter Assly 2	1	1	1	----	----	----
2A	JY551226	Gear Starter Counter Assly 1	--	--	--	1	1	1
3	JG621412	Gear Starter Counter Assly 1	1	1	1	--	--	--
3A	JY551225	Gear Starter Counter Assly 2	--	--	--	1	1	1
4	JG621417	Gear Starter Assly	1	1	1	--	--	--
4A	JY621411	Gear Starter Assly	--	--	--	1	1	1
5	BF621402	Needle Roller Bearing 25x32x16	1	1	1	1	1	1
6	KADQ0625	Bolt Flanged	2	2	2	2	2	2
7	JC201027	Cable Relay to Starter Motor	1	--	--	--	--	--
7A	JY402210	Cable Relay to Starter Motor	--	1	1	1	1	1
8	JG541043	Retainer Starter Gear	1	1	1	--	--	--
8A	JY541040	Retainer Starter Gear	--	--	--	1	1	1
9	LAD00077	Starter Gear Retainer Bolt M6x16	1	1	1	1	1	1
10	JY591308	Shield Starter Motor	--	--	--	1	1	1
11	LAE00016	Bolt Flanged M5X0.8X6L-Precoated	--	--	--	2	2	2
12	KBBE0408	Screw Pan Cross	--	--	--	1	1	1

THROTTLE BODY

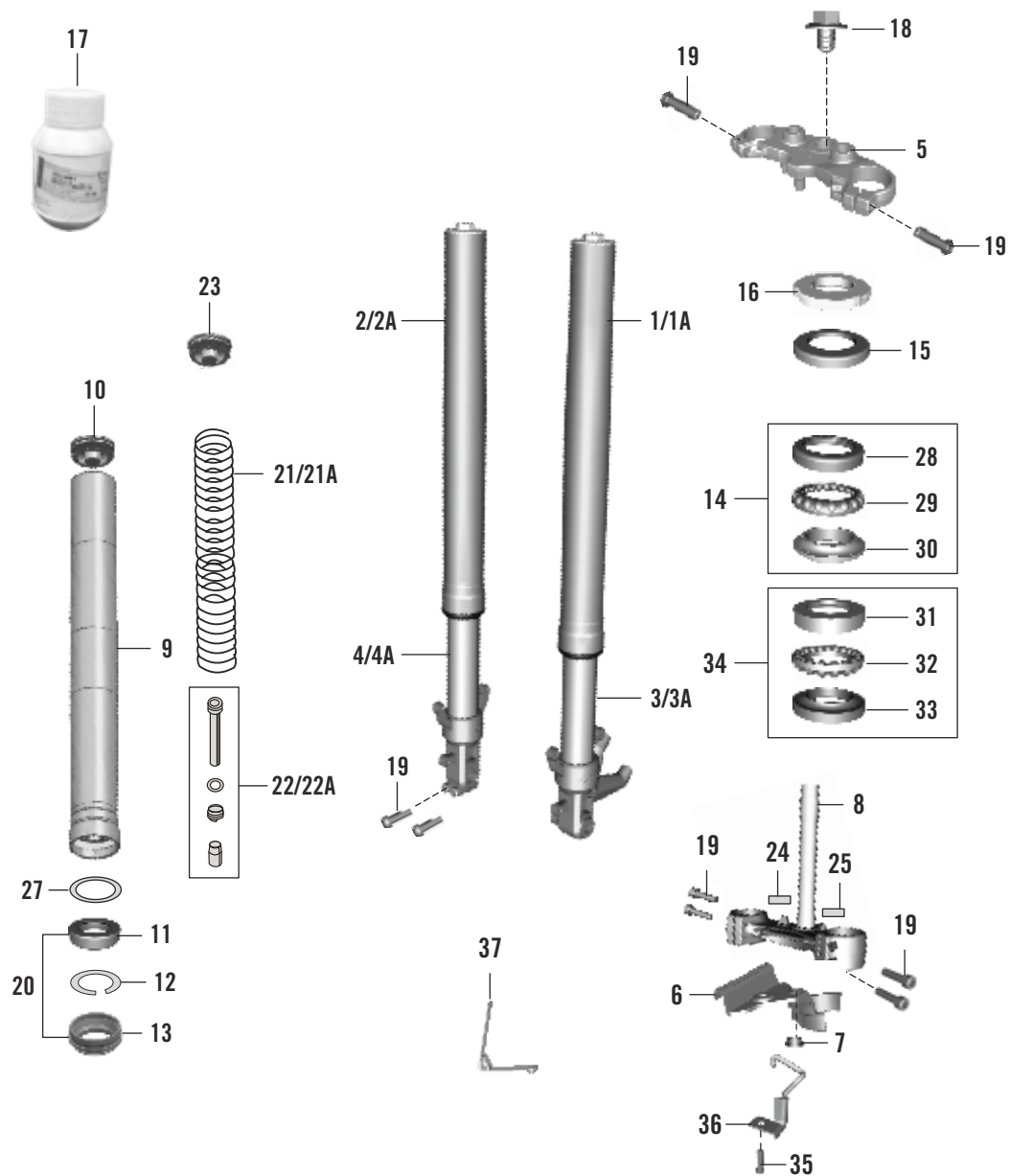
RC 200/390



No.	Part No.	Description	Qty for 200			Qty for 390		
			MY15	MY16	MY17	MY15	MY16	MY17
1	JU581404	Throttle Body Cpl.	1	1	--	--	----	----
1A	JU611206	Throttle Body Cpl. (EVAP)	--	--	1	--	----	----
1B	JY611202	Throttle Body Cpl.	--	--	--	1	1	----
1C	JY611215	Electronic Throttle Body	--	--	--	----	----	1
2	JG611007	Fuel Injector	1	1	1	--	----	----
2A	JY611000	Fuel Injector	--	--	--	1	1	1
3	JG611006	Clamp F. Injector	1	1	1	1	1	1
4	JG581416	Injector Cap	1	1	1	1	1	----
4A	JY611216	Assembly Inj Cap With QC	--	--	--	----	----	1
5	JG581424	Special Screw M5x12	5	5	5	5	5	----
6	JG581419	Bracket Throttle Cable	1	1	1	1	1	----
7	DS161156	Grommet	1	1	1	1	1	----
8	JG581407	O-ring Conn. Fl. Cyl.- Thr. Body	1	1	1	--	----	----
8A	JY581404	O-ring Conn. Fl. Cyl.- Thr. Body	--	--	--	1	1	1
9	JU581413	Intake Pipe	1	1	1	--	----	----
9A	JY581200	Intake Pipe	--	--	--	1	1	1
10	JU351400	ECU - KM906IN1518007	1	1	--	--	----	----
10A	JU351400	ECU - KM906CN1519003	--	--	1	--	----	----
10B	JU351400	ECU - KM902EU1519005	--	--	--	1	1	----
10C	JP351410	ECU - KM938EU1610301	--	--	--	----	----	1
11	JG171046	ECU Damper Assly	1	1	1	1	1	----
12	JY113806	Bracket ECU Mounting LH	1	1	1	1	1	----
13	JY113807	Bracket ECU Mounting RH	1	1	1	1	1	----
14	KBBF0408	HH Collar Screw M5X6 SW8	4	4	4	4	4	----
15	LBC00003	Flat Head Screw M6X18	3	3	3	3	3	3
16	JU581006	Clamp Connecting Tube	1	1	1	--	----	----
16A	JY581405	Clamp Connecting Tube	--	--	--	1	1	1
17	JG611206	Stepper Motor	1	1	--	1	1	----

FRONT FORK, TRIPLE CLAMP

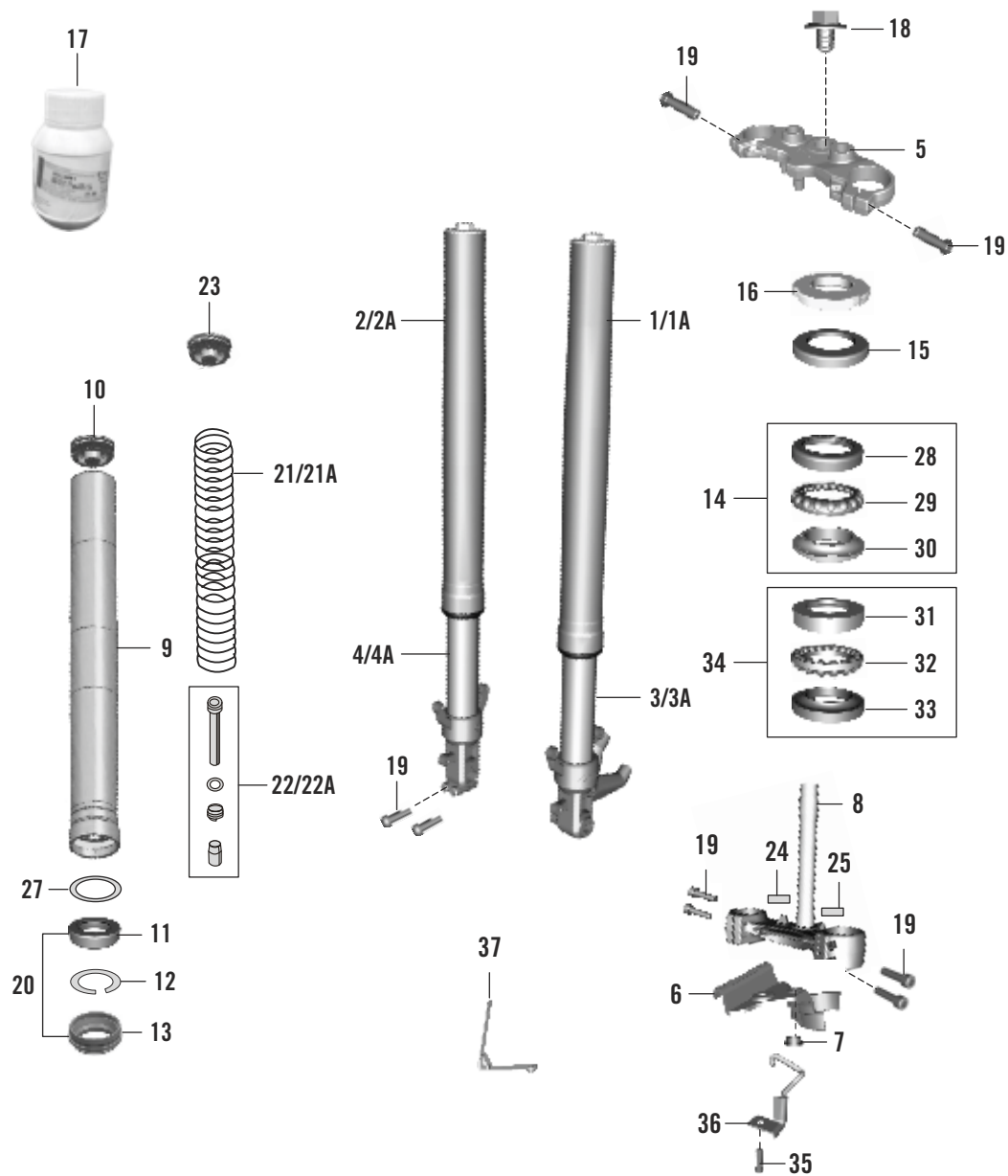
RC 200/390



No.	Part No.	Description	Qty for 200			Qty for 390			
			MY15	MY16	MY17	MY15	MY16	MY17	
1	JY121033	Leg Assly LH	1	1	N.S.	--	----	----	
1A	JY121040	Leg Assly LH	--	--	--	1	1	N.S.	
2	JY121034	Leg Assly RH	1	1	N.S.	--	----	----	
2A	JY121041	Leg Assly RH	--	--	--	1	1	N.S.	
3	JG121038	Axle Clamp & Fork Pipe Assly	1	1	--	1	1	----	LH
3A	JY121066	Axle Clamp & Fork Pipe Assly	--	--	1	----	----	1	LH
4	JU121007	Axle Clamp & Fork Pipe Assly	1	1	--	1	1	----	RH
4A	JY121067	Axle Clamp & Fork Pipe Assly	--	--	1	----	----	1	RH
5	JY151018	Clamp Triple (Upper)	1	1	1	1	1	1	
6	JG113831	Hose Clamp	--	--	--	1	1	----	
6A	JG113857	Hose Clamp	--	--	--	----	----	1	
7	JG113832	Sleeve for ABS Hose Clamp	--	--	--	1	1	1	
8	JY121010	Bot. Fork Plate Cpl.	1	1	1	1	1	1	
9	JU121037	Outer Tube Assly	2	2	--	2	2	----	
9A	JY121082	Outer Tube Assly	--	--	2	----	----	2	SKF
10	JG121012	Fork Top Bolt	2	2	2	2	2	2	
11	JG121013	Oil Seal	2	2	--	2	2	----	
12	JU121009	Circlip	2	2	2	2	2	2	
13	JG121011	Inner Dust Seal	2	2	--	2	2	----	
14	36JU0074	Kit Steering Race Upper	1	1	1	1	1	1	
15	DK181076	Protection Cap	1	1	1	1	1	1	
16	JG151026	Steering Nut	1	1	1	1	1	1	
17	36JG0087	Fork Oil For KTM	2	2	2	2	2	2	
18	JY151011	Steering Bolt Top	1	1	1	1	1	1	
19	JY121011	Bolt Socket M8x125x30L Blk	8	8	8	8	8	8	
20	36JU0019	Kit Fork Oil Seal	2	2	--	2	2	----	
20A	JP121039	Kit Fork Oil Seal	--	--	2	--	--	2	SKF
21	JY121029	Main Spring & Washer	1	1	1	--	----	----	
21A	JY121036	Main Spring & Washer	--	--	--	1	1	1	
22	JY121030	Piston Rod Assembly	1	1	1	--	----	----	
22A	JY121037	Piston Rod Assembly	--	--	--	1	1	1	
23	JU121018	Cap Screw	2	2	2	2	2	2	
24	JG233080	Anti Abrasive Tape	1	1	1	1	1	1	
25	JY233041	Tape Anti Abrasive	1	1	1	1	1	1	

FRONT FORK, TRIPLE CLAMP

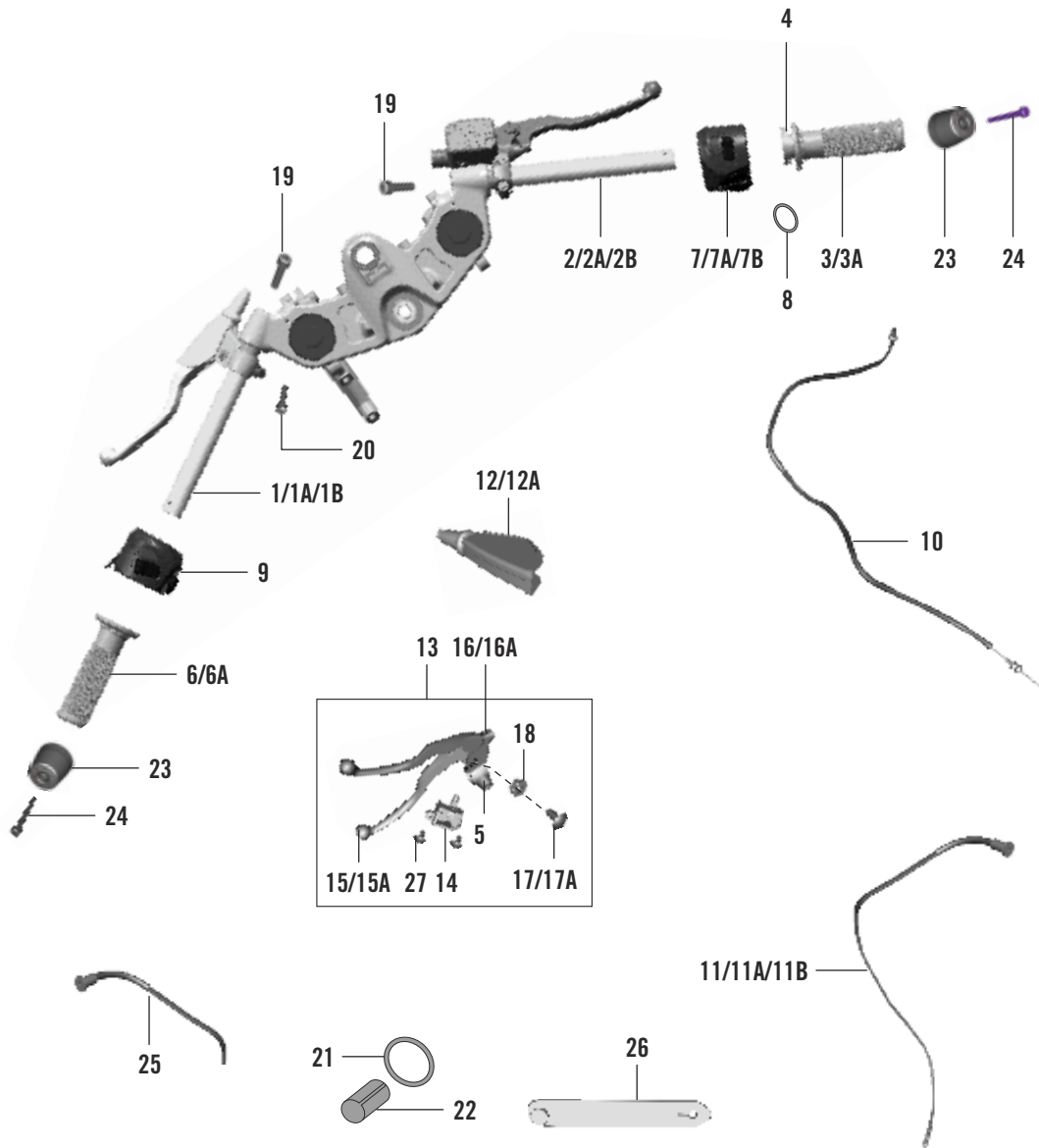
RC 200/390



No.	Part No.	Description	Qty for 200			Qty for 390		
			MY15	MY16	MY17	MY15	MY16	MY17
26	JG121028	Dust Cover	2	2	--	2	2	--
27	LDB00036	Washer	2	2	2	2	2	2
28	DG181045	Bearing Cone Upper	1	1	1	1	1	1
29	DK181050	Cage Bearing Steering Top	1	1	1	1	1	1
30	DG181046	Bearing Race Upper	1	1	1	1	1	1
31	DG181047	Bearing Race Lower	1	1	1	1	1	1
32	DK181051	Cage Bearing Steering Bottom	1	1	1	1	1	1
33	DG181005	Bearing Cone	1	1	1	1	1	1
34	36JU0075	Kit Steering Race Lower	1	1	1	1	1	1
35	LAC00010	Bolt for Hose ABS Bracket	--	--	--	2	2	2
36	JG111139	Hook Bracket ABS Hose	--	--	--	1	--	--
37	JY113862	Rubber Stop	1	1	1	1	--	--

HANDLEBAR, CONTROLS

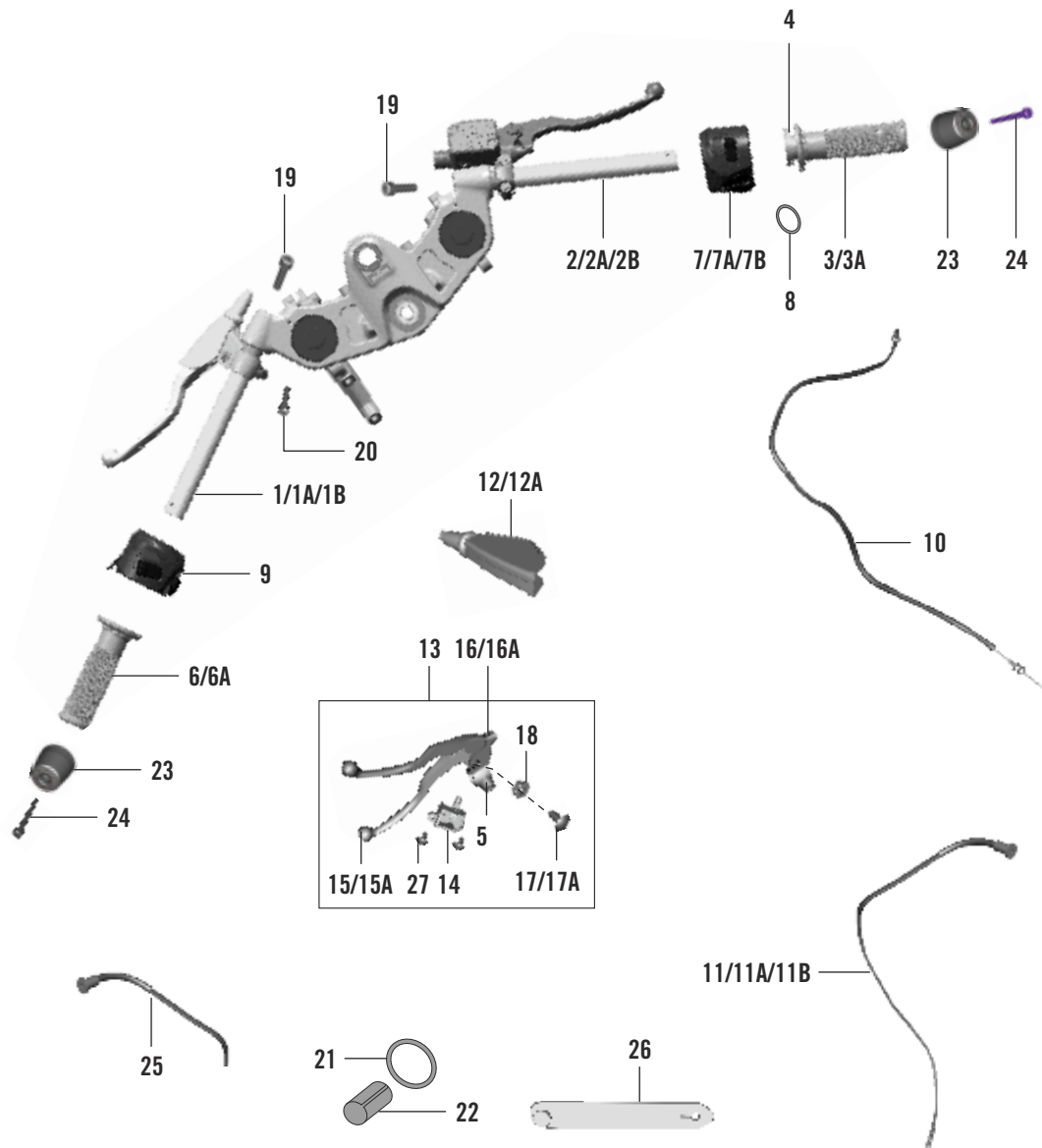
RC 200/390



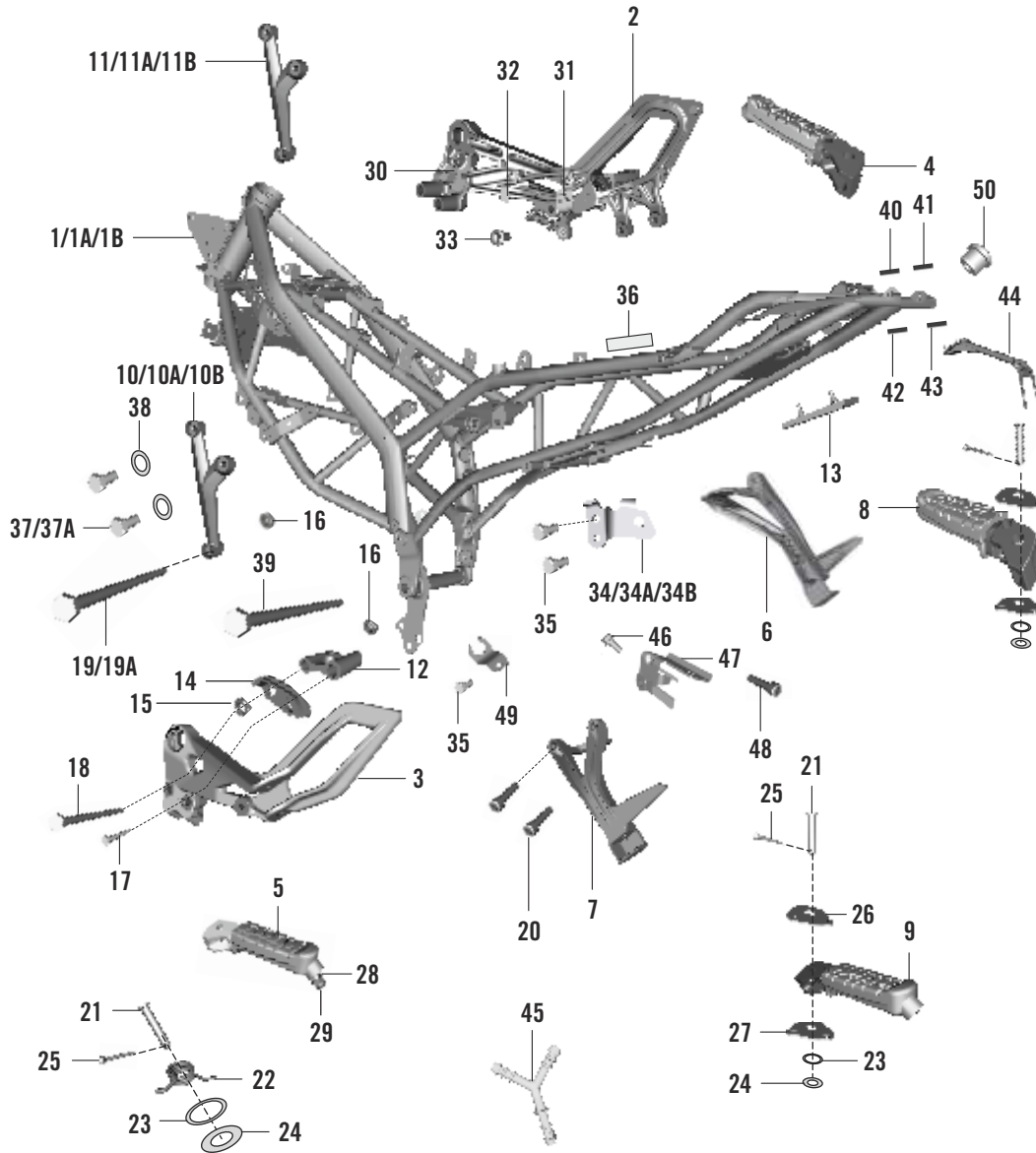
No.	Part No.	Description	Qty for 200			Qty for 390		
			MY15	MY16	MY17	MY15	MY16	MY17
1	36JY0168	Tube Handlebar LH	1	--	--	--	----	----
1A	36JY0170	Tube Handlebar LH	--	1	1	1	1	----
1B	JY151023	Handlebar Tube LH KT06-MY16	--	--	--	----	----	1
2	36JY0169	Tube Handlebar RH	1	--	--	--	----	----
2A	36JY0171	Tube Handlebar RH	--	1	1	1	1	----
2B	JY151024	Handlebar Tube RH KT06-MY16	--	--	--	----	----	1
3	JY151014	Throttle Grip Cpl.	1	1	1	--	----	----
3A	JY151036	Throttle Grip Cpl.	--	--	--	----	----	1
4	JY151017	Grip RH	--	--	--	1	1	----
5	39155304	Bolt - Flange M6-Holder Assembly	1	1	1	1	1	1
6	JY151012	Grip Hand LH	1	1	1	--	----	----
6A	JY151015	Grip Hand LH	--	--	--	1	1	1
7	JY401405	Control Switch RH	1	--	--	1	----	----
7A	JY401403	Control Switch RH	--	1	1	--	1	----
7B	JY401407	Control Switch RH	--	--	--	----	----	1
8	30191048	Band	2	2	2	2	2	2
9	JY401402	Control Switch LH	1	1	1	1	1	1
10	JY161204	Throttle Cable	1	1	1	1	1	----
11	JY161202	Clutch Cable	1	1	--	--	----	----
11A	JP161200	Clutch Cable	--	--	1	--	----	----
11B	JY161205	Clutch Cable	--	--	--	1	1	1
12	DS191052	Lever Boot	1	1	1	1	1	----
12A	JY161023	Lever Boot	--	--	--	----	----	1
13	JY161000	Clutch Lever Complete	1	1	1	1	1	----
14	JY401404	Clutch Switch	1	1	1	1	1	1
15	JG161008	Clutch Lever	1	1	1	1	1	----
15A	JY161008	Adjustable Clutch lever	--	--	--	----	----	1
16	DK181096	Holder LH	1	1	1	1	1	----
16A	DT161010	Holder Assly LH Support Lever	--	--	--	----	----	1
17	DL191014	Stud For lever Handle	1	1	1	1	1	----
17A	JZ161028	Stud For lever Handle	--	--	--	----	----	1
18	39118415	Nut For lever Handle Stud	1	1	1	1	1	1
19	LAC00073	Bolt Socket M5x0.8xL10x9x8L	2	2	2	2	2	2
20	LAC00055	Bolt Socket M5x0.8xL14	2	2	2	2	2	2

HANDLEBAR, CONTROLS

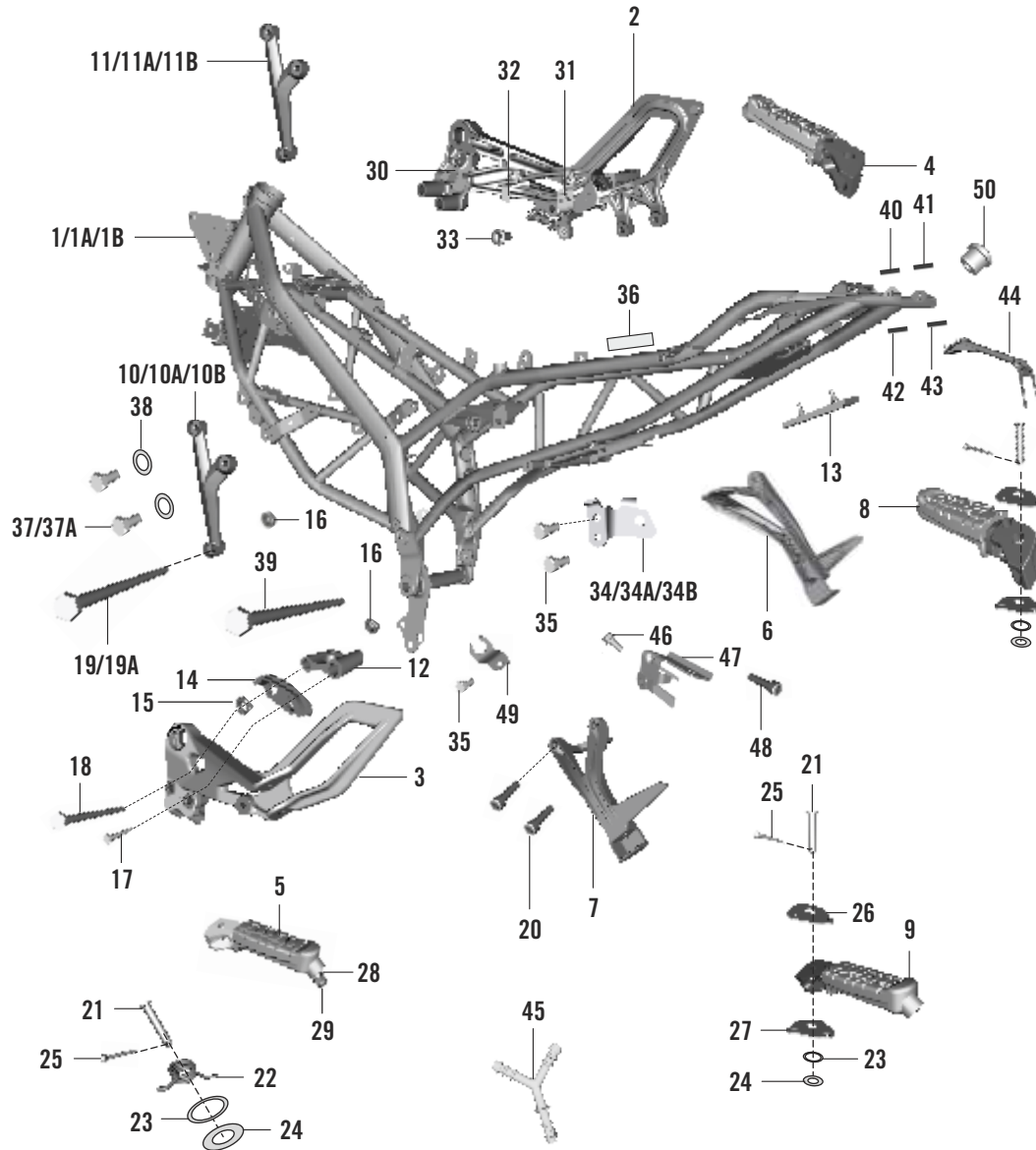
RC 200/390



No.	Part No.	Description	Qty for 200			Qty for 390		
			MY15	MY16	MY17	MY15	MY16	MY17
21	36DU1901	Cable Adjusting Kit	1	1	1	1	1	1
22	30191017	Nut Adjusting Screw	1	1	1	1	1	1
23	DK181043	Handle Bar Weight	--	--	--	2	2	2
24	KACJ0655	Bolt Master KAC	--	--	--	2	2	2
25	DJ201108	Cable Assly Front Brake Micro Switch	1	1	1	1	1	1
26	JY113848	Cable Tie for Clutch Cable	--	--	--	1	1	1
27	LBU00012	Clutch switch screws	2	2	2	2	2	2



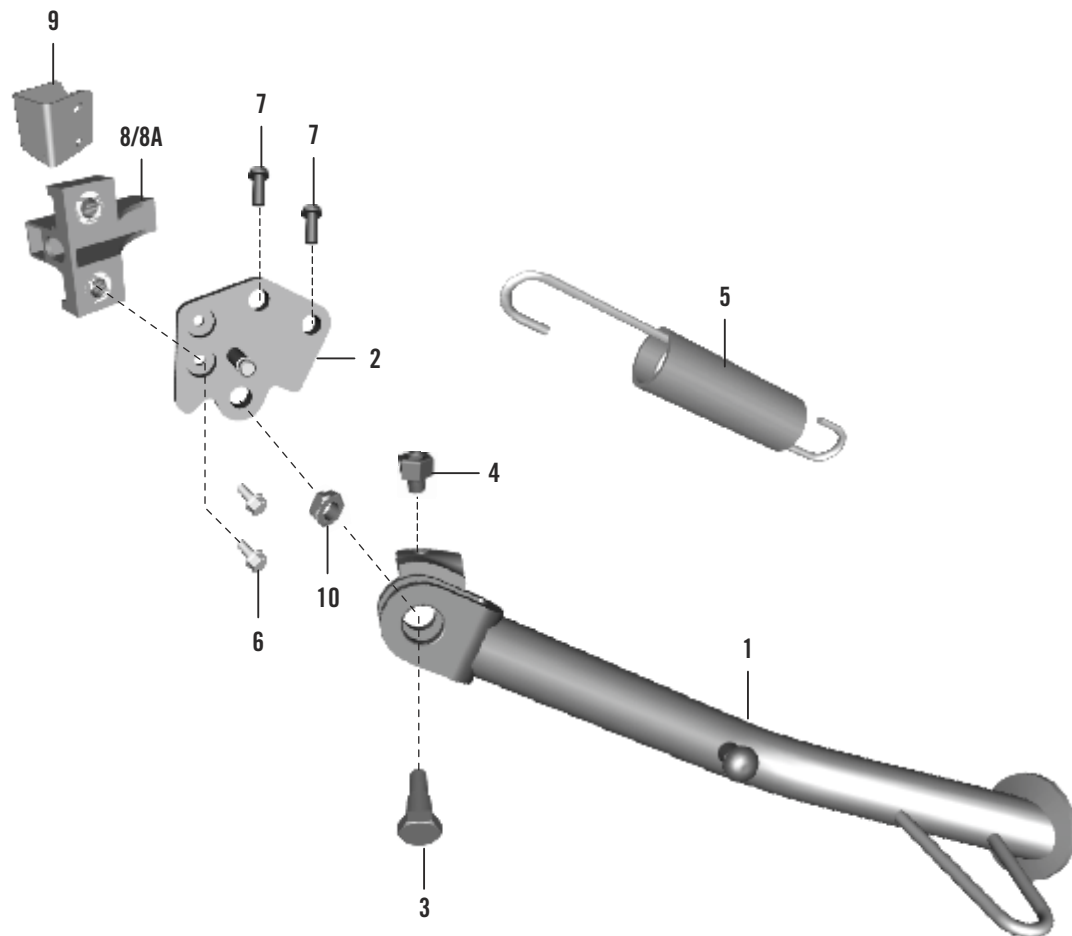
No.	Part No.	Description	Qty for 200			Qty for 390		
			MY15	MY16	MY17	MY15	MY16	MY17
1	52JY0635	Frame Assly.	1	1	--	1	1	----
1A	52JY0797	Frame Assly.	--	--	1	--	----	--
1B	52JY0796	Frame Assly.	--	--	--	--	----	1
2	JY113005	Holder Step RH	1	1	1	1	1	1
3	JY113004	Holder Step LH	1	1	1	1	1	1
4	JG113040	Footrest Front R/S Cpl.	1	1	1	1	1	1
5	JG113039	Footrest Front L/S Cpl.	1	1	1	1	1	1
6	JY113007	Holder Step Pillion RH	1	1	1	1	1	1
7	JY113006	Holder Step Pillion LH	1	1	1	1	1	1
8	JG113042	Assly Pillion Foot Peg LH	1	1	1	1	1	1
9	JG113041	Assly Pillion Foot Peg RH	1	1	1	1	1	1
10	JG113400	Engine Hanger LH	1	1	--	--	----	----
10A	JP113400	Engine Hanger LH	--	--	1	--	----	----
10B	JY113400	Engine Hanger LH	--	--	--	1	1	----
10C	JP113402	Engine Hanger LH	--	--	--	--	--	1
11	JG113401	Engine Hanger RH	1	1	--	--	----	----
11A	JP113401	Engine Hanger RH	--	--	1	--	----	----
11B	JY113401	Engine Hanger RH	--	--	--	1	1	----
11C	JP113403	Engine Hanger RH	--	--	--	----	----	1
12	JG113800	Dumble Spacers for Step Holder	2	2	2	2	2	2
13	JY113836	Rubber Pad for Pillion Stay LH & RH	2	2	2	2	2	2
14	JG122015	Chain Guide	1	1	1	1	1	1
15	JG113802	Spacer Chain Guide	2	2	2	2	2	2
16	KCGJ1010	Nut Hex Flange M10	2	2	2	2	2	2
17	LAD00039	HH Collar Screw M10x1,25x92	2	2	2	2	2	2
18	LAD00038	HH Collar Screw M10x1,25x265	1	1	1	1	1	1
19	JG113403	Bolt Engine Hanger	1	1	1	--	----	----
19A	JG113406	Bolt Engine Hanger	--	--	--	1	1	1
20	LAC00067	AH Screw M8x27	4	4	4	4	4	4
21	JY113018	Pin Footrest Pivot	4	4	4	4	4	4
22	JG113007	Return Spring Footrest	2	2	2	2	2	2
23	30141031	O-ring 9x1,5	4	4	4	4	4	4
24	KDAA0816	Washer M8	4	4	4	4	4	4
25	LHA00002	Pin 25x1,8mm	4	4	4	4	4	4



No.	Part No.	Description	Qty for 200			Qty for 390		
			MY15	MY16	MY17	MY15	MY16	MY17
26	JY113020	Lock Plate Upper	2	2	2	2	2	2
27	JY113021	Lock Plate Lower	2	2	2	2	2	2
28	LDB00019	Plain Washer 6,4x12x1	2	2	2	2	2	2
29	JG113052	Cap Screw M6x10 SS	2	2	2	2	2	2
30	JG113814	Brake Hose Guide Clamp Front	1	1	1	1	1	1
31	JY113828	Bracket Hose Clamp 2	1	1	1	1	1	1
32	JY113827	Bracket Hose Clamp 1	1	1	1	1	1	1
33	KAEM0608	Bolt Flange	3	3	3	3	3	3
34	JG113824	Bracket Reservoir Mounting	1	--	--	1	--	--
34A	JG113849	Bracket Reservoir	--	1	--	--	1	--
34B	JY113876	Bracket Reservoir Mtg MY16	--	--	1	--	--	1
35	KAEM0610	Bolt Flanged M6X14	2	2	2	2	2	2
36	JG233001	Tape Adhesive	1	1	1	1	1	1
37	KACF0818	Bolt Socket for Engine Hanger	4	4	--	--	--	----
37A	KACF0825	Bolt Socket for Engine Hanger	--	--	--	4	4	4
37B	KACA0822	BOLT MASTER KAC	--	--	4	--	--	----
38	KDBA0818	Washer for Engine Hanger Bolt	4	4	4	4	4	4
39	JG113403	Bolt Flange M10x110	1	1	1	1	1	1
40	JY113834	Rubber Pad LH Top	1	1	1	1	1	1
41	JY113835	Rubber Pad RH Top	1	1	1	1	1	1
42	JY113838	Rubber Pad LH Bottom	1	1	1	1	1	1
43	JY113839	Rubber Pad RH Bottom	1	1	1	1	1	1
44	JY232801	Rear Number Plate Structure	1	1	1	1	1	1
45	JY113842	Connector Y Shape	1	1	1	1	1	1
46	KAEA0510	Bolt for Plate	--	1	1	--	1	1
47	JL131878	Bracket Reservoir cap	--	1	1	--	1	1
48	KAEA0510	Bolt Flanged Small	--	1	1	--	1	1
49	JG113813	Bracket for SS Cable	1	1	1	1	1	1
50	JY113847	Cap Frame	2	2	2	2	2	2

SIDE STAND

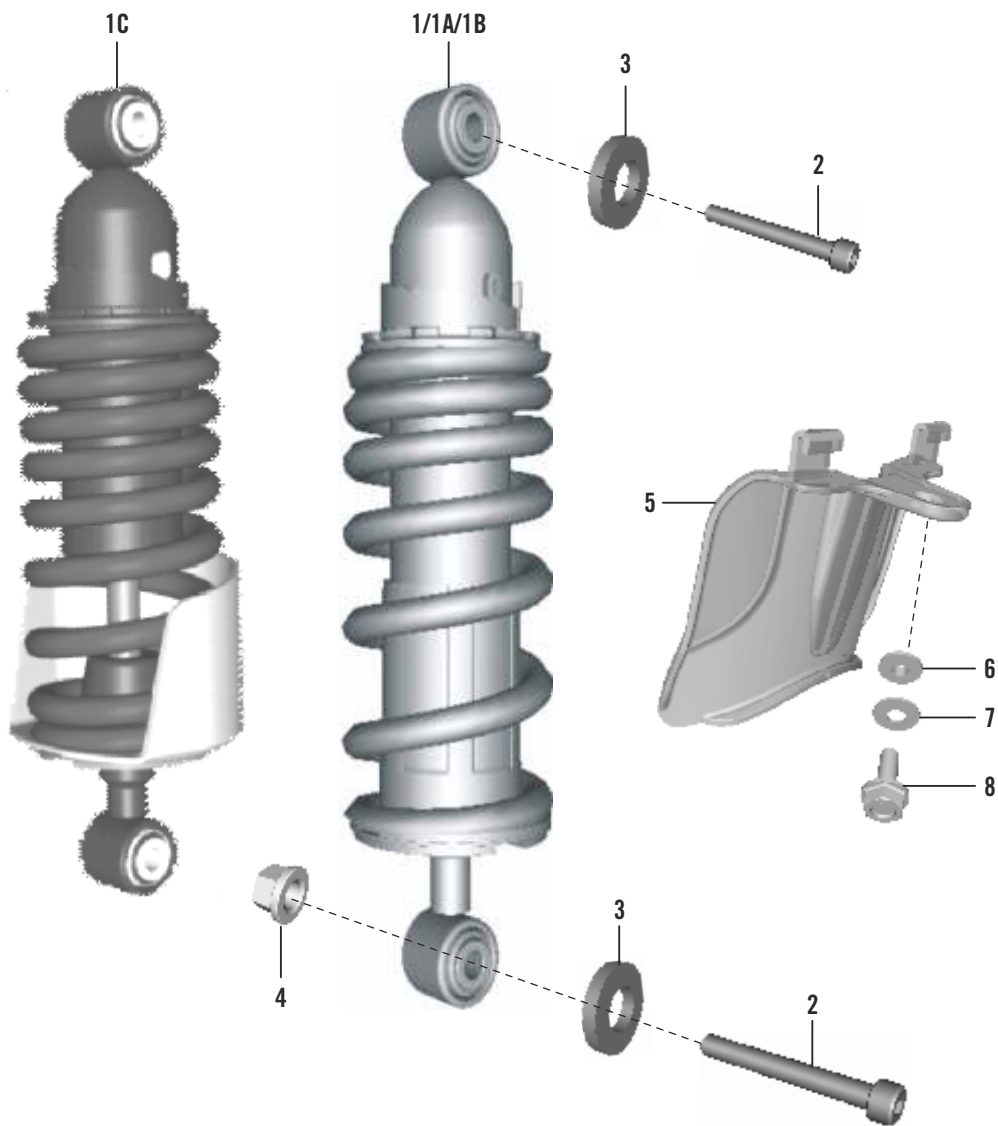
RC 200/390



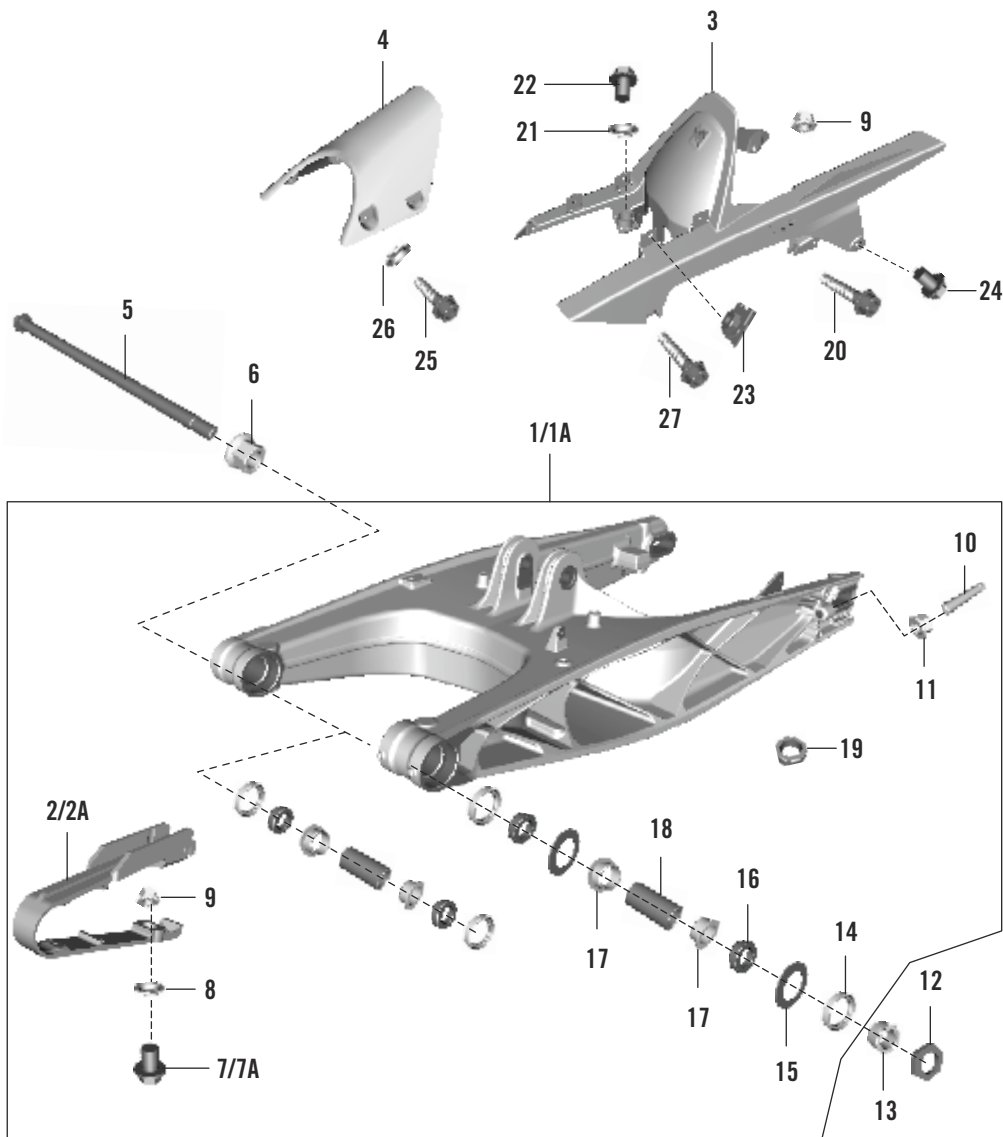
No.	Part No.	Description	Qty for 200			Qty for 390			
			MY15	MY16	MY17	MY15	MY16	MY17	
1	JG113203	Side Stand	1	1	1	1	1	1	
2	JG113204	Side Stand Bracket	1	1	1	1	1	1	
3	JG113207	Bolt Side Stand	1	1	1	1	1	1	
4	JG401411	Magnet Holder	1	1	1	1	1	1	
5	JU113200	Spring for Side Stand with Cover	1	1	1	1	1	1	
6	LAE00010	Bolt Flange M5X13 SW8	2	2	2	2	2	2	
7	LAD00133	Bolt Flange M10X1X25 SS	2	2	2	2	2	2	
8	JG401402	Side Stand Switch	1	1	1	1	1	--	
8A	JY401408	Side Stand Switch	--	--	--	--	--	1	Can Bus
9	JG113210	Guard Side Stand Switch	1	1	1	1	1	1	
10	LCH00001	Nut Nyloc M10 for Side Stand Bolt	1	1	1	1	1	1	

SHOCK ABSORBER

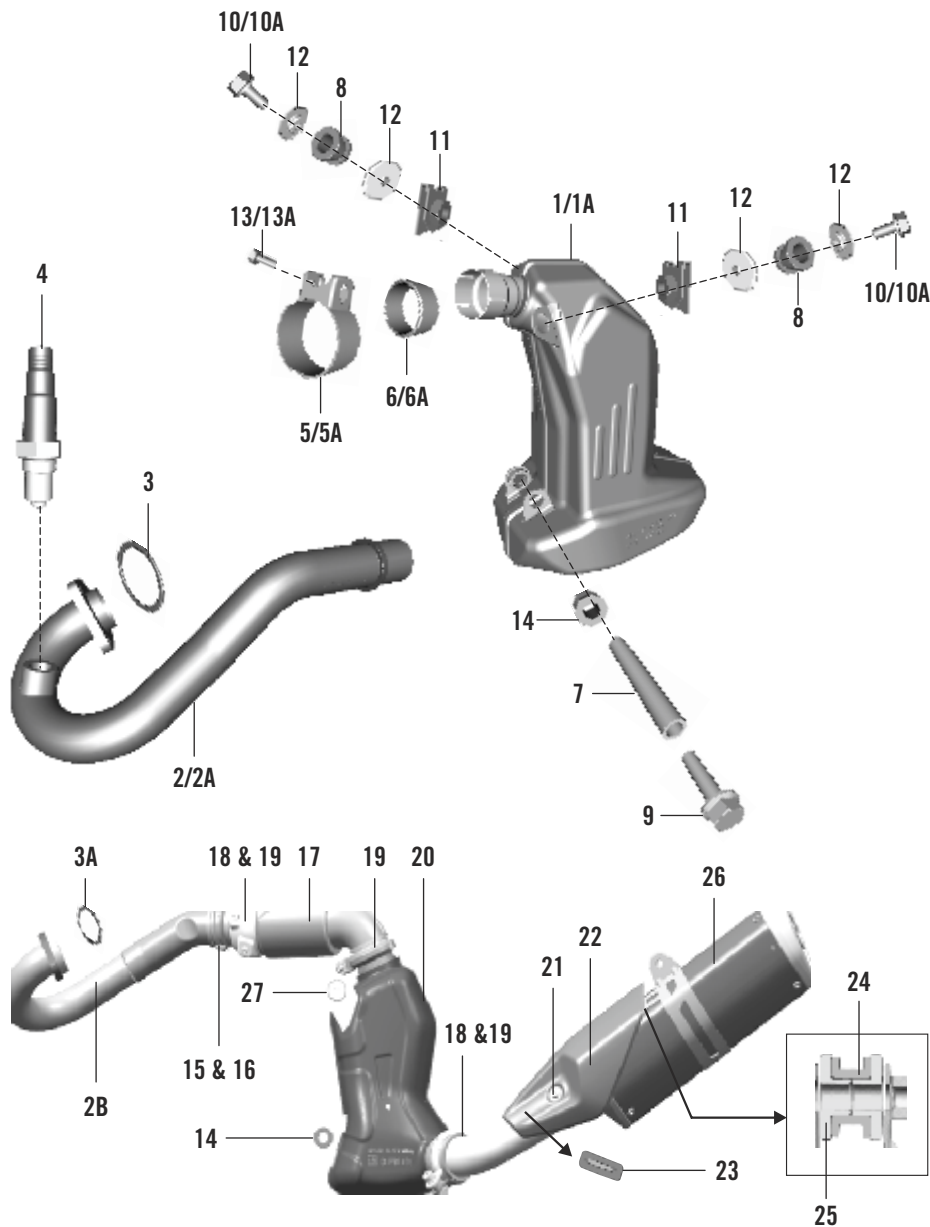
RC 200/390



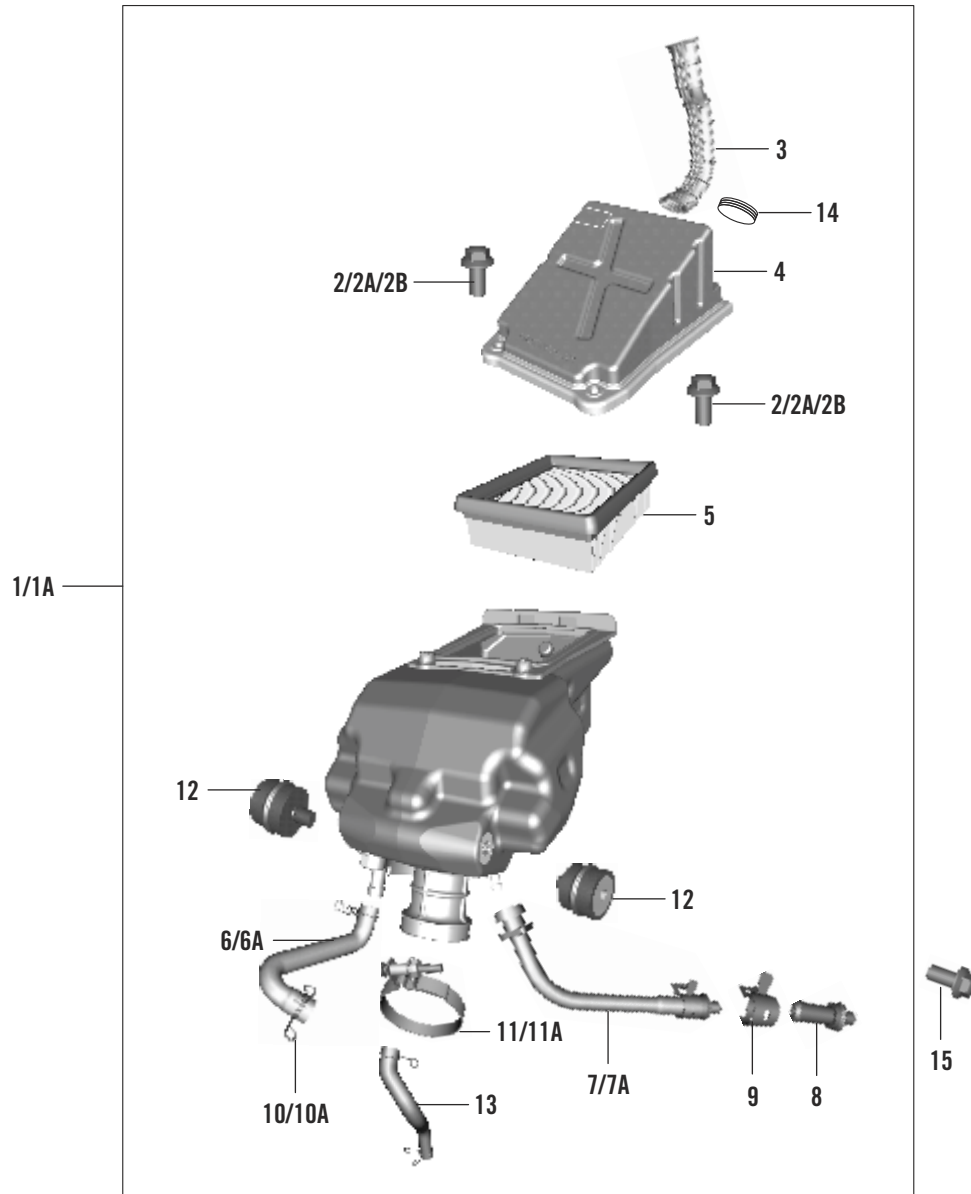
No.	Part No.	Description	Qty for 200			Qty for 390		
			MY15	MY16	MY17	MY15	MY16	MY17
1	JY122012	Monoshock Cpl.	1	1	--	--	----	----
1A	JY122019	Monoshock Cpl.	--	--	1	--	----	----
1B	JY122013	Monoshock Cpl.	--	--	--	1	1	----
1C	JY122020	Monoshock Cpl.	--	--	--	--	----	1
2	LAC00006	Bolt Socket Head	2	2	2	2	2	2
3	LDB00011	Plain Washer	2	2	2	2	2	2
4	LCG00003	Nut Flanged	1	1	1	1	1	1
5	JY181316	Flap Shocker cover	1	1	1	1	1	1
6	JY113826	Collar Under Tray	1	1	1	1	1	1
7	LDB00023	Washer Plain	1	1	1	1	1	1
8	KADM0616	Bolt Flanged	1	1	1	1	1	1



No.	Part No.	Description	Qty for 200			Qty for 390		
			MY15	MY16	MY17	MY15	MY16	MY17
1	JG122043	Swing Arm Cpl.	1	1	1	--	--	--
1A	JG122044	Swing Arm Cpl.	--	--	--	1	1	1
1B	JG122042	Swing Arm	1	1	1	1	1	1
2	JG122036	Chain Slider Guard	1	1	1	--	--	--
2A	JG122039	Chain Slider Guard	--	--	--	1	1	1
3	JY181226	Chain Cover cum Hugger	1	1	1	1	1	1
4	JY181300	Hugger Envelope	1	1	1	1	1	1
5	JG122016	Swing Arm Bolt L=298mm	1	1	1	1	1	1
6	LCG00004	Flanged Nut M14x1,5	1	1	1	1	1	1
7	KAEM0616	Bolt Flange	1	1	1	----	--	--
7A	JG181273	Bolt Flange - Chain Case	--	--	--	1	1	1
8	JY122004	Sleeve Chain Slider	1	1	1	1	1	1
9	LCA00008	Nut	1	1	1	1	1	1
10	LAA00007	Bolt Hex M10x1,25x50 WS10	2	2	2	2	2	2
11	LCG00003	Nut Flanged M10x1,25 WS13	2	2	2	2	2	2
12	JG122032	Hexagonal Washer	2	2	2	2	2	2
13	JG122033	Adjusting Ring Swing Arm (Threaded Washer)	2	2	2	2	2	2
14	JG122012	Oil Seal RingG25x32x7	4	4	4	4	4	4
15	JG122026	Stop Disk22.2x31.7x1	2	2	2	2	2	2
16	JG122011	Bucket for Shaft Seal Ring (Collar)	4	4	4	4	4	4
17	JG122009	Igus Slide Bearing	4	4	4	4	4	4
18	JG122010	Bushing Sleeve 15.1x20x38	2	2	2	2	2	2
19	JY181258	Sleeve Chain Guide	2	2	2	2	2	2
20	JY181288	Screw	2	2	2	2	2	2
21	JY181228	Extruded Washer	2	2	2	2	2	2
22	KAEM0608	Bolt	2	2	2	2	2	2
23	JG113404	Clip Nut M6	4	4	4	4	4	4
24	JY181270	Bolt Flange M8	2	2	2	2	2	2
25	LAC00057	Bolt Socket M6	4	4	4	4	4	4
26	JY181298	Cup Washer for Envelope	4	4	4	4	4	4
27	LAC00054	Bolt for Chain Cover	--	1	1	--	1	1



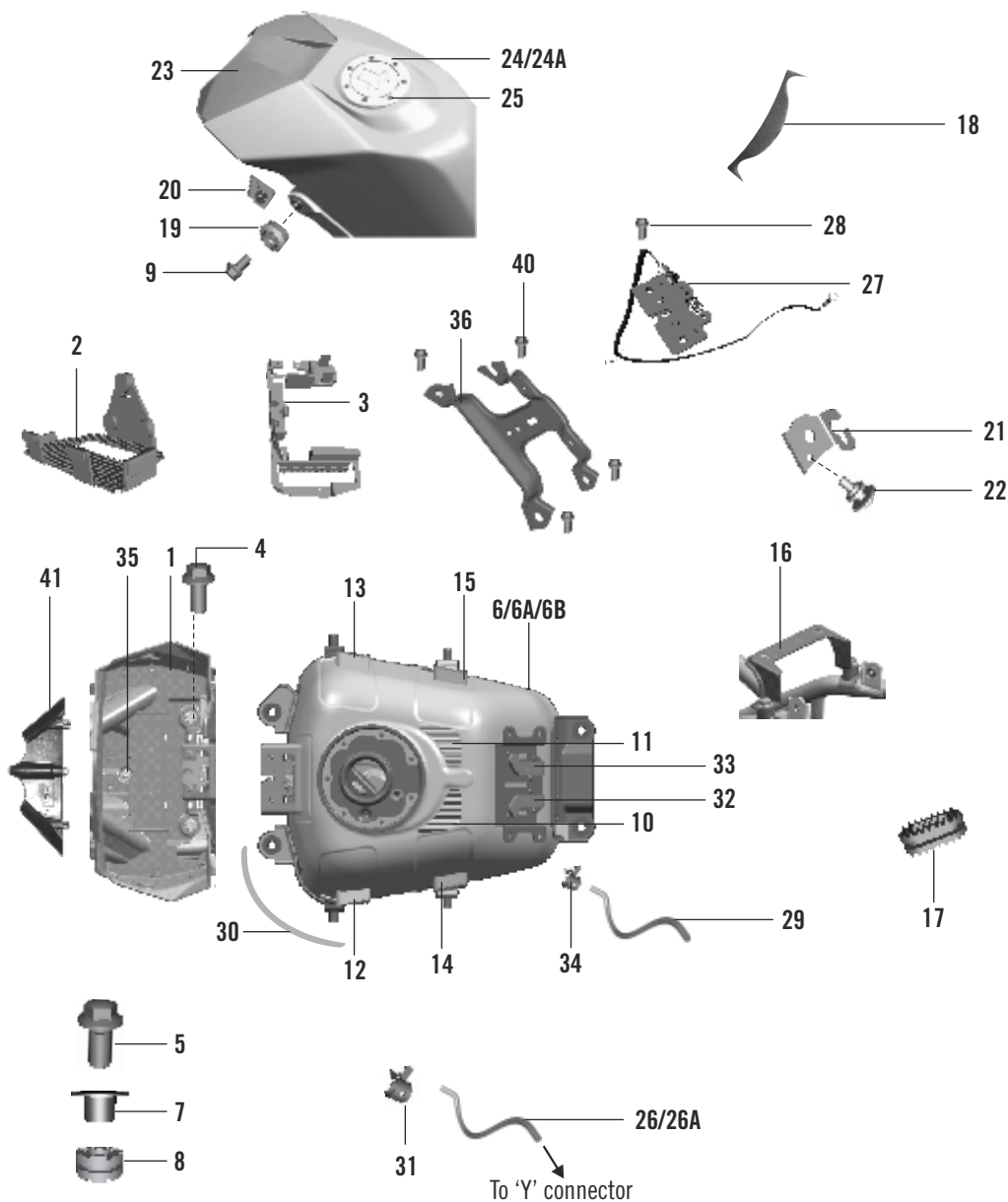
No.	Part No.	Description	Qty for 200			Qty for 390		
			MY15	MY16	MY17	MY15	MY16	MY17
1	JY591299	Silencer Sub Assembly	1	1	1	--	----	----
1A	JY591250	Silencer Sub Assembly	--	--	--	1	1	----
2	JU591019	Exhaust Pipe A Complete	1	1	1	--	----	----
2A	JY591032	Exhaust Pipe A Complete	--	--	--	1	1	----
2B	JY591275	Assembly Exhaust Pipe A	--	--	--	----	----	1
3	JG591070	Manifold Gasket	1	1	1	1	1	1
4	JG511010	O2 Sensor	1	1	1	1	1	1
5	JG591038	Clamp Complete	1	1	--	--	----	----
5A	JY591015	Clamp Complete	--	--	--	1	1	----
5B	JU591081	Clamp Complete	--	--	1	--	----	----
6	JG591039	Seal Ring Exhaust Pipe A	1	1	1	--	----	----
6A	JY591014	Seal Ring Exhaust Pipe A	--	--	--	1	1	----
7	JG591055	Mounting Tube	1	1	1	1	1	1
8	JL591165	Damping Element	2	2	2	2	2	2
9	LAD00061	Bolt Flanged M8*1.25*110L	1	1	1	1	1	--
10	KADQ0635	HH Collar Screw M8X110SW12	2	--	--	2	----	----
10A	KADQ0625	Bolt silencer mounting	--	2	2	--	2	2
11	JG591088	Clip Nut	2	2	2	2	2	--
12	JL591156	Collar Bushing	4	4	4	4	4	4
13	LAD00065	Bolt for Clamp	--	--	--	1	1	--
13A	LAD00036	Bolt for Clamp	1	1	1	--	----	----
14	JG591100	Damper Silencer	2	2	2	2	2	2
15	JY591278	Gasket Pipe B	--	--	--	----	----	1
16	JY591279	Clamp Dia 54	--	--	--	----	----	1
17	JY591280	Assembly CAT	--	--	--	----	----	1
18	JY591286	Gasket Pipe C	--	--	--	----	----	2
19	JY591287	Clamp Dia 60	--	--	--	----	----	2
20	JY591299	Assembly Pre Muffler	--	--	--	----	----	1
21	LBU00045	Screw Button HD	--	--	--	----	----	1
22	JY591297	Shield Muffler	--	--	--	----	----	1
23	JY591303	Grommet Shield Muffler	--	--	--	----	----	2
24	JY591246	Damper Muffler	--	--	--	----	----	1
25	JY591245	Bush Muffler	--	--	--	----	----	2
26	JY591009	Silencer Tail End	--	--	--	----	----	2
27	JL591165	Damper Lower	--	--	--	----	----	2



No.	Part No.	Description	Qty for 200			Qty for 390		
			MY15	MY16	MY17	MY15	MY16	MY17
1	JY581024	Filter Box Cpl.	1	1	1	--	--	--
1A	JY581025	Filter Box Cpl.	--	--	--	1	1	--
1B	JY581049	Filter Box Cpl.	--	--	--	--	--	1
2	KAEM0612	HH Collar Screw M6x12 SW10	--	--	--	2	2	--
2A	KAEB0612	Bolt flanged small	2	2	--	--	--	--
2B	KBUA0612	Screw Truss	--	--	2	--	--	2
3	JG581033	Air Intake	1	--	--	1	--	--
3A	JY581014	Air Intake	--	1	1	--	1	1
4	JY581075	Assembly Top Cover	1	1	1	1	1	1
5	JG581004	Air Filter	1	1	1	1	1	1
6	JG581036	Engine Breather Tube	1	1	1	--	--	--
6A	JY581003	Eng Breather Tube (Air Filter to Head Cover)	--	--	--	1	1	1
6B	JY581052	Breather Tube	--	--	--	--	--	1
7	JG581073	Tube Drain Assly	1	1	1	--	----	----
7A	JG581037	Tube Drain Assly	--	--	--	1	1	--
7B	JY581054	Tube Drain	--	--	--	--	--	1
8	DS121126	Plug Drainage	1	1	1	1	1	--
8A	JY581065	Plug Drain	--	--	--	--	--	1
9	JG581061	Hose Clamp	1	1	1	2	2	2
10	JG581056	Hose Clamp	2	2	2	--	--	4
10A	JY581028	Hose Clamp	--	--	--	4	4	2
11	JU581006	Hose Clamp	2	2	2	--	--	--
11A	JY581405	Clamp Intake Pipe	--	--	--	1	1	1
12	JG581058	Silent Block	3	3	3	3	3	3
13	JY581026	Drain Tube (Air Filter to Crankcase)	--	--	--	1	1	--
13A	JY581056	Oil Return Tube	--	--	--	--	--	1
14	JY581019	Garter Spring	2	2	2	2	2	2
15	LAD00040	Bolt M6 Air Filter Box	2	2	2	2	2	2

TANK, COVER

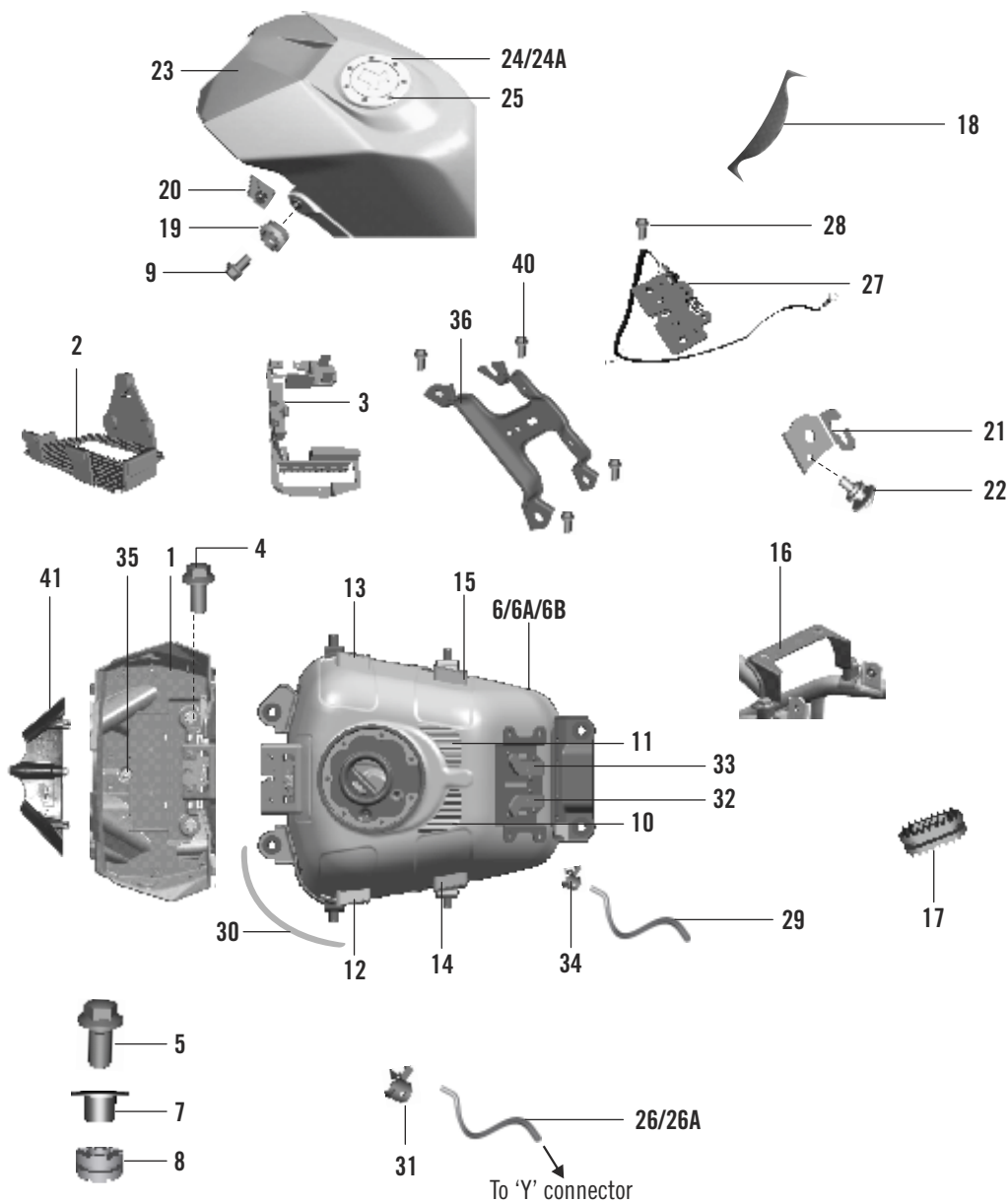
RC 200/390



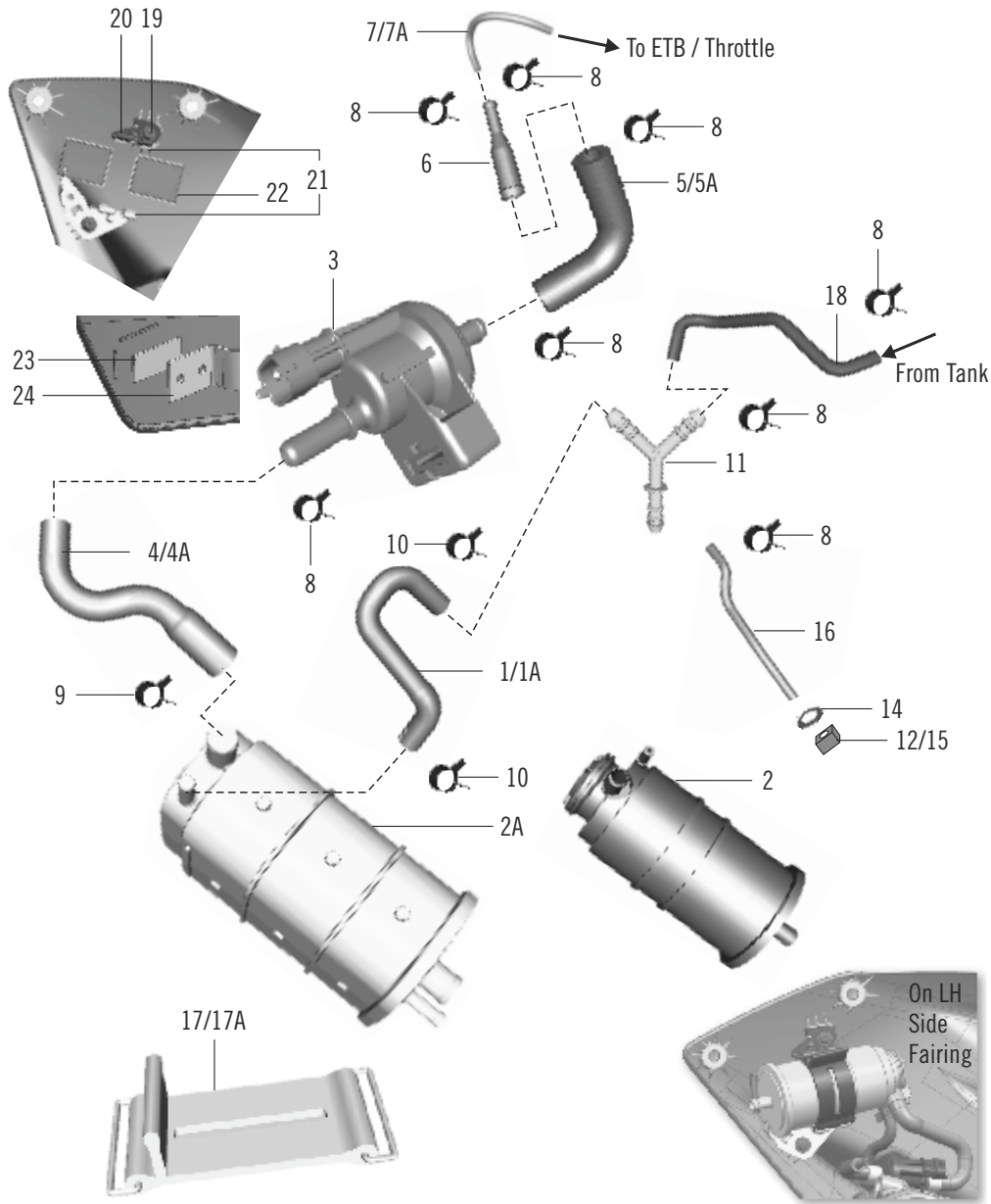
No.	Part No.	Description	Qty for 200			Qty for 390			
			MY15	MY16	MY17	MY15	MY16	MY17	
1	JY181214	Battery Mounting Case	1	1	1	1	1	1	
2	JY113805	Base Battery	1	1	1	1	1	1	
3	JY181216	Panel Electrical Comp Mtg	1	1	1	1	1	1	
4	KACF0508	Bolt Socket Head	5	5	5	5	5	5	
5	KADM0820	Bolt Flanged	2	2	2	2	2	2	
6	JY171097	Assly Fuel Tank	1	1	--	1	1	---	
6A	JY171108	Assly Fuel Tank	--	--	--	---	---	1	
6B	JY171125	Assly Fuel Tank	--	--	1	--	---	---	
7	JL171019	Sleeve Tank Mtg Front	4	4	4	4	4	4	
8	JL171020	Grommet Tank Mtg Rear	4	4	4	4	4	4	
9	JY113821	Bolt Socket	4	4	4	4	4	4	
10	JY171040	Damper Tank Top LH	1	1	1	1	1	1	
11	JY171041	Damper Tank Top RH	1	1	1	1	1	1	
12	JY171042	Damper Tank Front LH	1	1	1	1	1	1	
13	JY171043	Damper Tank Front RH	1	1	1	1	1	1	
14	JY171044	Damper Tank Rear LH	1	1	1	1	1	1	
15	JY171045	Damper Tank Rear RH	1	1	1	1	1	1	
16	JY171006	Bracket Tank Mtg Rear	1	1	1	1	1	1	
17	JY113822	Grommet Battery Box	2	2	2	2	2	2	
18	JY171088	Seat Tape	1	1	1	1	1	1	
19	JY171037	Grommet Tank Cover Mtg	4	4	4	4	4	4	
20	JG113404	Clip Nut	4	4	4	4	4	4	
21	JY113824	Bracket Cable Lid Lock	1	1	1	1	1	1	
22	JG171023	Screw Seat Hooking & Tank Mtg.	2	2	2	2	2	2	
23	JY181215	Lid Battery	1	1	1	1	1	1	
24	JY171093	Tank Cap	1	1	--	1	1	---	
24A	JY171608	Cap Fuel Tank EVAP-E10 M16	--	--	1	---	---	1	N.S.
25	KACB0514	Bolt Socket Head M5x15L	7	7	7	7	7	7	

TANK, COVER

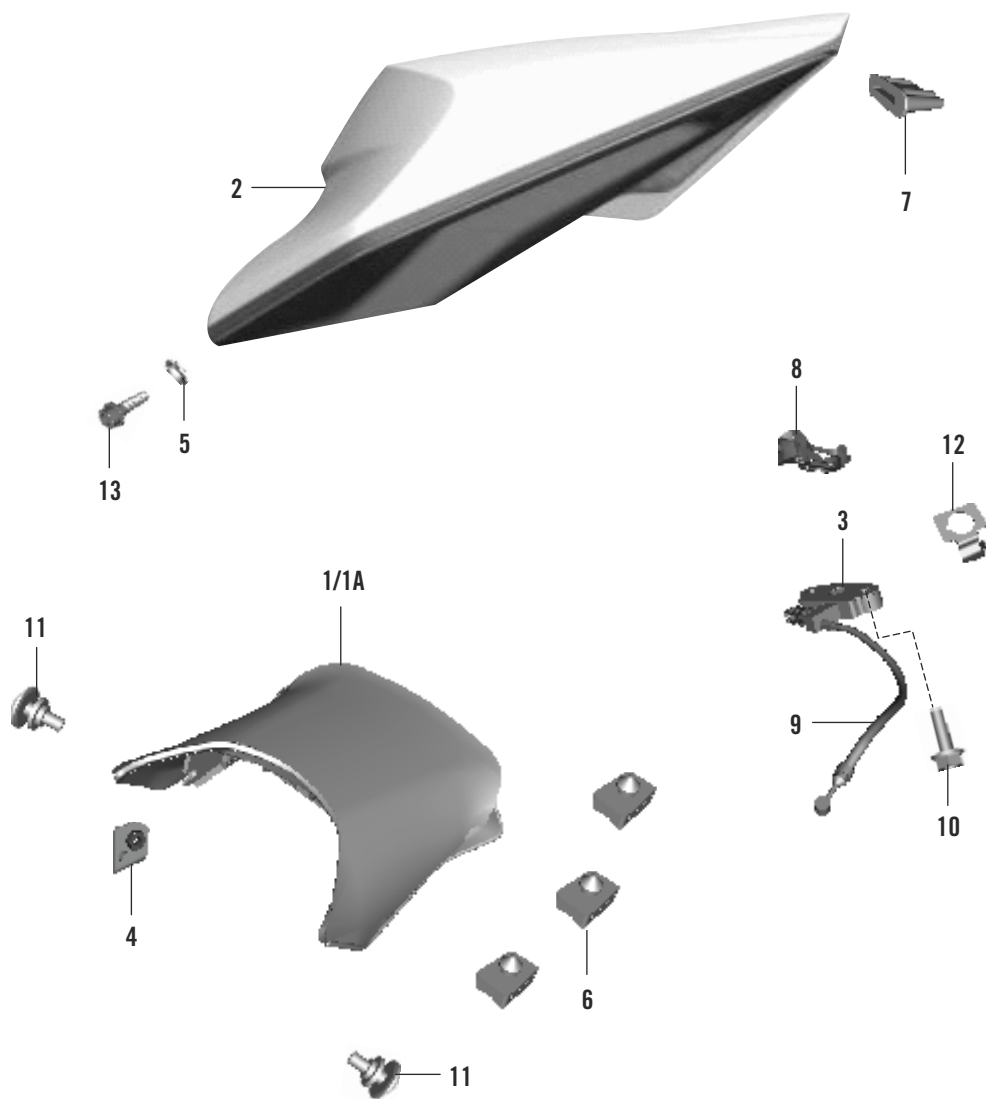
RC 200/390



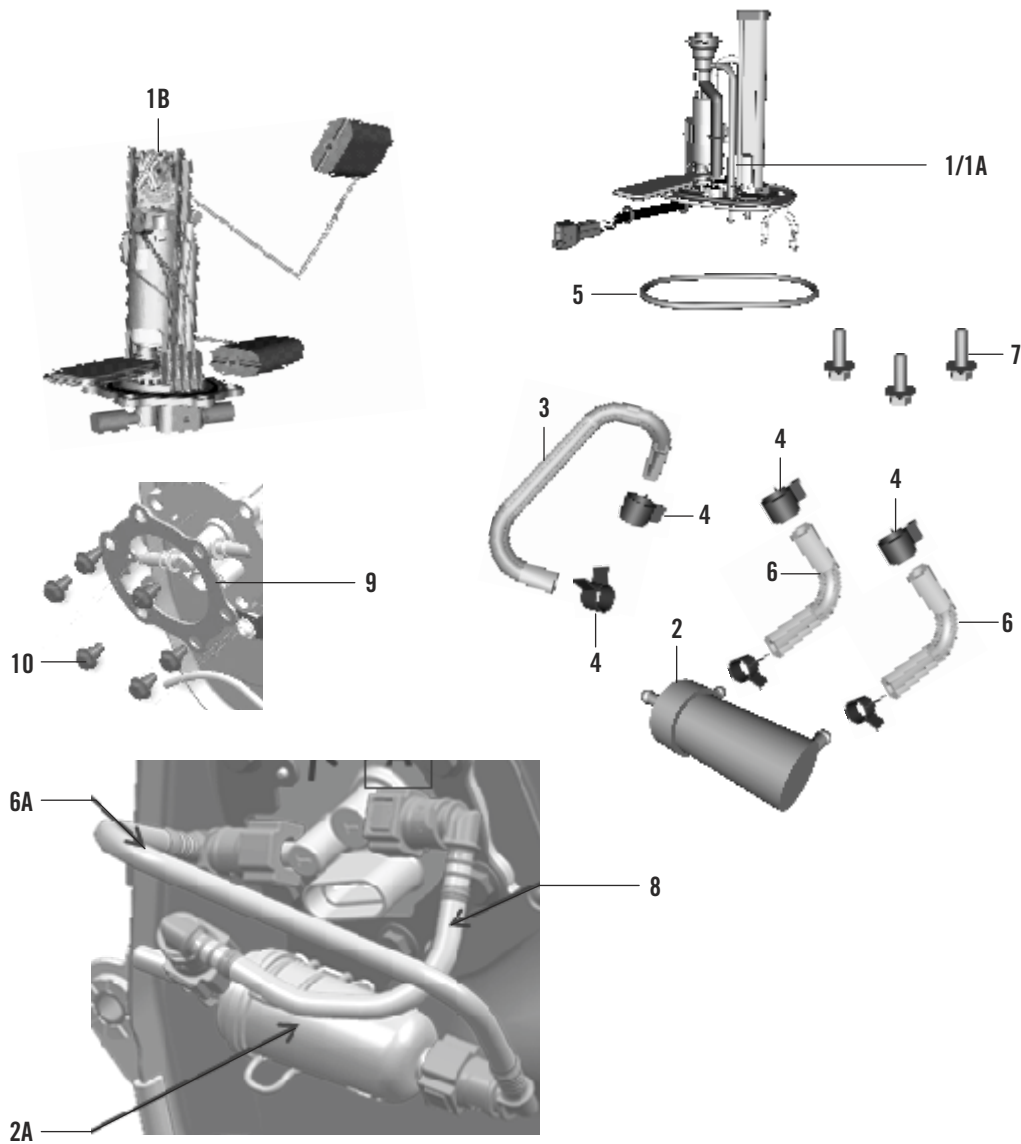
No.	Part No.	Description	Qty for 200			Qty for 390			
			MY15	MY16	MY17	MY15	MY16	MY17	
26	JY171095	Tube Drain	1	1	1	1	1	----	
26A	JY171605	Tube Drain	--	--	1	----	----	1	
27	JY232603	Assly Battery Lead Lock	1	1	1	1	1	1	
	LAC00037	Screw for Battery Lead Lock	2	2	2	2	2	2	
28	JY171066	Tube Tank to Canister	--	--	1	----	----	1	
30	JL171038	Beading Tank LH	--	--	2	----	----	3	
31	DJ141002	Clamp Drain Pipe	--	--	1	----	----	1	
32	JY113872	Pad Resting ECU LH	--	--	--	----	----	1	
33	JY113873	Pad Resting ECU RH	--	--	--	----	----	1	
34	JY171090	Spring Band	--	--	1	----	----	1	
35	JY113821	Screw Button Head	1	1	1	1	1	1	
36	JY113864	Sub Assembly Bracket	--	--	--	----	----	1	
37	JY171007	Pad Rubber ECU	--	--	----	----	--	2	N.I.
38	JY113874	Damper ECU Top	--	--	--	----	----	1	N.I.
39	JY113877	Damper ECU Locator	--	--	--	----	----	1	N.I.
40	LAC00037	Bolt LAC Special Head	--	--	--	----	----	4	
41	JY181262	Cover Coupler Protection	1	1	1	1	1	1	
42	KACF0508	Bolt Socket M5x0.8	1	1	1	1	1	1	
43	KDBB0512	Washer Plain	1	1	1	1	1	1	



No.	Part No.	Description	Qty for 200			Qty for 390		
			MY15	MY16	MY17	MY15	MY16	MY17
1	JY171603	Canister To Tube Connector	--	--	--	----	----	1
1A	JY171823	Tube Connector To Canister	--	--	1	--	----	----
2	JY171072	Tank Canister	--	--	1	--	--	----
2A	JY171077	Canister	--	--	--	----	----	1
3	JG171601	Valve Purge	--	--	1	----	----	1
4	JY171602	Tube Canister to Purge Valve	--	--	--	----	----	1
4A	JY171067	Tube Canister to Purge Valve (US)	--	--	1	--	----	----
5	JY171606	Tube Purge Valve To Connector	--	--	--	----	----	1
5A	JG171067	Tube Purge Valve To Connector	--	--	1	--	----	----
6	JG171086	Connector Tube EVAP	--	--	1	----	----	1
7	JY171604	Tube Connector To ETB	--	--	--	----	----	1
7A	JY171089	Tube Connector To Injector	--	--	1	--	----	----
8	JY171090	Spring Band Clamp 13X12	--	--	6	----	----	8
9	JY171069	Spring Band Clamp 15X10	--	--	1	----	----	1
10	JY171070	Spring Band Clamp 9 X8.4	--	--	3	--	--	3
11	JY113842	Connector Y Shape	--	--	1	----	----	1
12	JP171807	Plug EVAP Drain	--	--	1	--	----	----
13	JP171808	Cap Plug EVAP Drain	--	--	1	--	----	----
14	JP171809	Gasket O Ring Plug EVAP Drain	--	--	1	--	----	----
15	JY171825	Plug Fuel Drain	--	--	--	----	----	1
16	JY171824	Tube Connector To Plug	--	--	1	----	----	1
17	JY181314	Rubber Band	--	--	--	----	----	1
17A	JY113857	Strap Canister	--	--	1	--	----	----
18	JY171066	Tube Tank to Canister	--	--	1	----	----	1
19	JY113821	Bolt Socket Special Head	--	--	2	----	----	2
20	JY113849	Bracket Canister Mtg Lower	--	--	1	----	----	1
21	JY113851	Rubber Pad Canister Bracket	--	--	4	----	----	4
22	GF161168	Pad Foam	--	--	2	----	----	2
23	JG171048	Dual Tape	--	--	1	----	----	1
24	JY181207	Bracket Drain Tube Holding	--	--	1	----	----	1



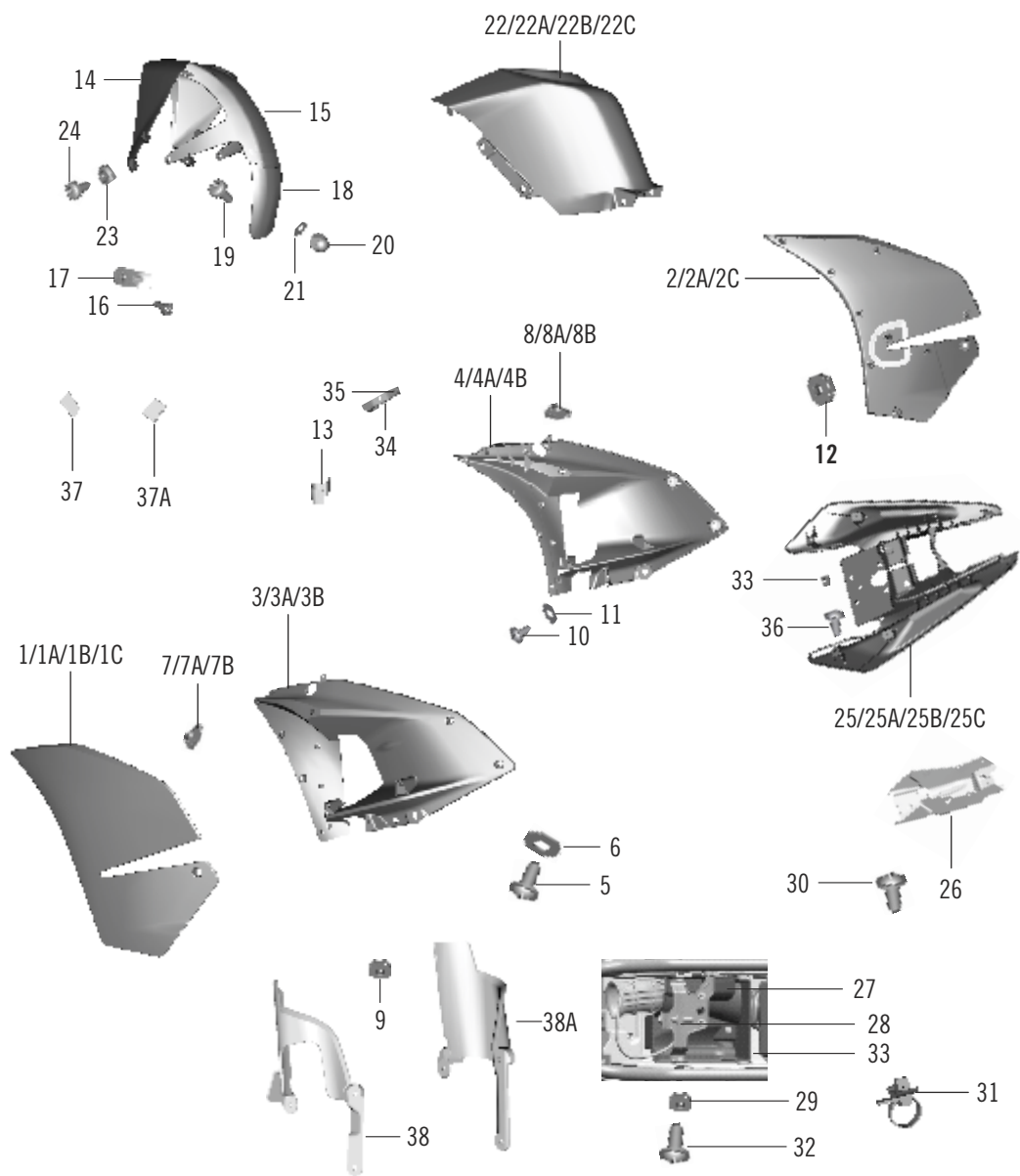
No.	Part No.	Description	Qty for 200			Qty for 390		
			MY15	MY16	MY17	MY15	MY16	MY17
1	JY191000	Seat Assly Front	1	--	--	1	--	--
1A	JY191012	Seat Assly Front	--	1	1	--	1	1
2	JY191010	Seat Assly Rear	1	1	1	1	1	1
3	JY232604	Seat Lock	1	1	1	1	1	1
4	JY113824	Bracket Cable Lid Lock	1	1	1	1	1	1
5	JY113826	Sleeve for Seat Bolt	2	2	2	2	2	2
6	JL191007	Damper Seat Front	4	4	4	4	4	4
7	JY191007	Grommet Rear Seat	1	1	1	1	1	1
8	JY113808	Bridge Bracket Seat Mounting	1	1	1	1	1	1
9	JY232605	Seat Lock Cable	1	1	1	1	1	1
10	KADM0618	HH Collar Screw M6x20 Sw10	2	2	2	2	2	2
11	JG171023	Screw Seat Hooking & Tank Mtg.	2	2	2	2	2	2
12	JG232603	Bracket Seat Lock Barrel	1	1	1	1	1	1
13	KACF0612	Bolt Socket - M6X1XL12XCL 8.8XBRT	2	2	2	2	2	2



No.	Part No.	Description	Qty for 200			Qty for 390		
			MY15	MY16	MY17	MY15	MY16	MY17
1	JY171816	Fuel Pump	1	1	1	--	--	--
1A	JY171817	Fuel Pump	--	--	--	1	1	----
1B	JY171834	Fuel Pump	--	--	--	--	--	1
2	JG171802	Fuel Filter	1	1	1	1	1	----
2A	DT171814	Inline Fuel Filter (Quick Connector)	--	--	--	--	--	1
3	DK141005	Fuel Hose R9	1	1	1	1	1	--
4	JG171029	Spring Band Clip 10 mm	6	6	6	6	6	--
5	DT171811	O Ring Fuel Pump	1	1	1	1	1	--
6	JY171812	Fuel Hose Pump to Filter	2	2	2	2	2	----
6A	JY171829	Assembly Hose Pump To Fuel Filter With QC	--	--	--	--	--	1
7	JY171815	Bolt Step Fuel Pump	6	6	6	6	6	--
8	JY171831	Assly Hose Fuel Filter To Regulator WT QC	--	--	--	--	--	1
9	JY171837	Pressure Plate Fuel Pump Mtg PH3	--	--	--	--	--	1
10	LAD00154	Bolt Flange- M6X1XL 12.8XBRTXSTEP	--	--	--	--	--	6

FENDERS & SIDE FAIRING

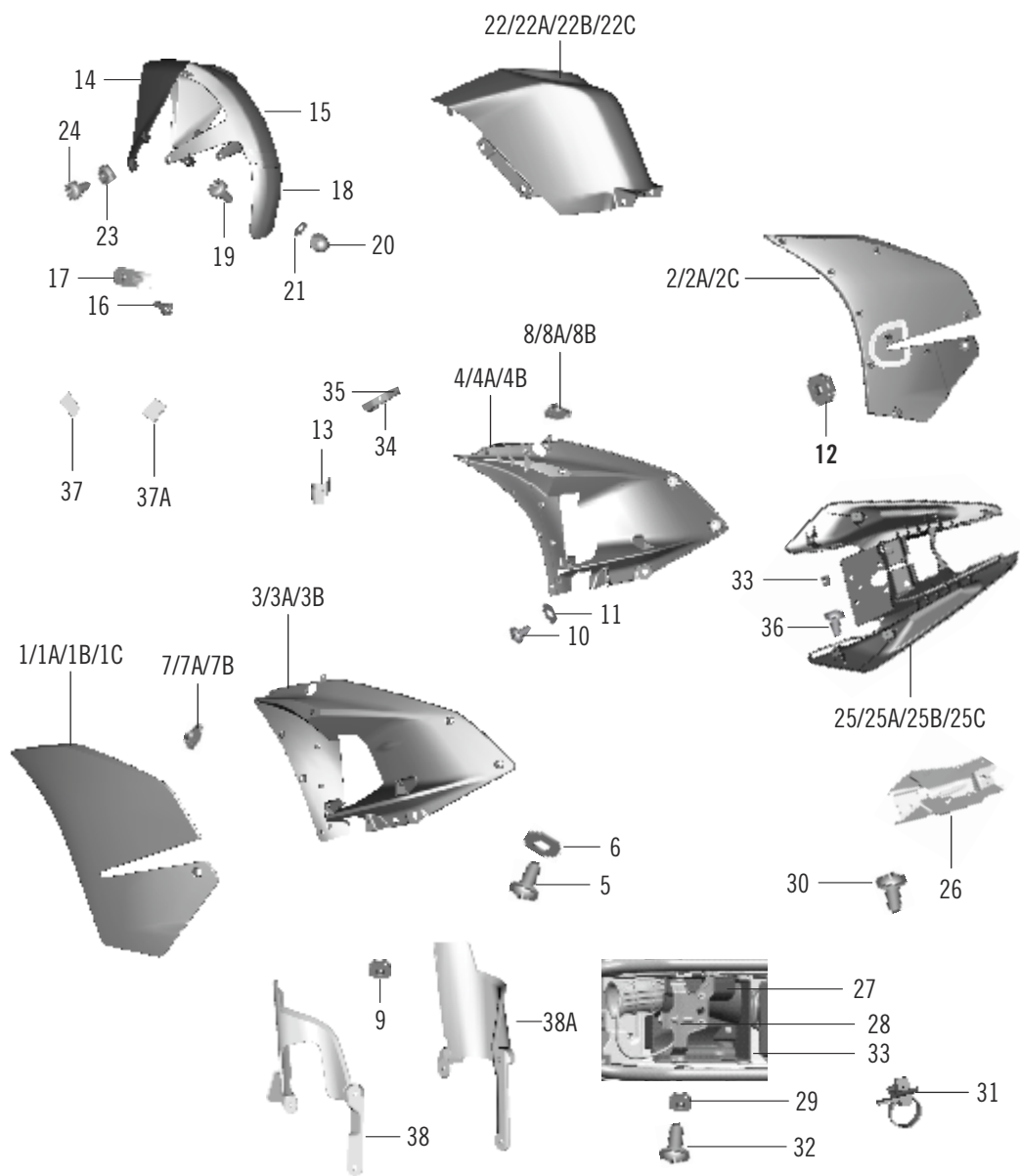
RC 200/390



No.	Part No.	Description	Qty for 200			Qty for 390			
			MY15	MY16	MY17	MY15	MY16	MY17	
1	36JY0084	Kit Side Fairing LH	1	1	--	--	----	----	
1A	52JY0747	Outer Fairing LH With Decal	--	--	1	--	----	----	
1B	52JY0721	Outer Fairing LH With Decal	--	--	--	--	----	1	
1C	36JY0089	Kit Side Fairing LH with Decal	--	--	--	1	1	----	
2	36JY0085	Kit Side Fairing RH with Decal	1	1	--	--	----	----	
2A	52JY0746	Outer Fairing RH with Decal	--	--	1	--	----	----	
2B	36JY0090	Kit Side Fairing RH with Decal	--	--	--	1	1	----	
2C	52JY0722	Outer Fairing RH with Decal	--	--	--	----	----	1	
3	56JY434X	Fairing Inner LH	1	1	--	1	1	----	
3A	52JY0748	Inner Fairing LH with Decal	--	--	1	--	----	----	
3B	52JY0723	Inner Fairing LH with Decal	--	--	--	----	----	1	
4	56JY444X	Fairing Inner RH	1	1	--	1	1	----	
4A	52JY0749	Inner Fairing RH with Decal	--	--	1	--	----	----	
4B	52JY0724	Inner Fairing RH with Decal	--	--	--	----	----	1	
5	LAC00057	Bolt Socket M6x1xL16xCL	6	6	6	6	6	6	
6	JY181404	Collar	6	6	6	6	6	6	
7	56JY534X	Cover Blinker Front LH	1	1	--	1	1	----	
7A	56JY46X3	Cover Blinker Front LH	--	--	1	--	----	----	Ebony Black Orange
7B	56JY461T	Cover Blinker Front LH	--	--	--	----	----	1	
8	56JY544X	Cover Blinker Front RH	1	1	--	1	1	----	
8A	56JY47X3	Cover Blinker Front RH	--	--	1	----	----	----	Ebony Black Orange
8B	56JY471T	Cover Blinker Front RH	--	--	--	----	----	1	
9	JY171037	Grommet Tank Cover Mtg	5	5	5	5	5	5	
10	JY181279	Screw Self Tapping	10	10	10	10	10	10	
11	KDBF0512	Washer Plain IDS	10	10	10	10	10	10	
12	DJ161091	Grommet Front Fender	1	1	1	1	1	1	
13	JY181327	Bracket drain tube	1	1	1	1	1	1	
14	56JY056A	Fender Front	1	1	1	1	1	1	
15	JY181408	Front Fender Rear	1	1	1	1	1	1	
16	KACE0616	Hexagon Socket Head Bolt	2	2	2	2	2	2	
17	JG113404	Clip Nut M6	2	2	4	2	2	4	
18	JP181402	Mud Flap Front Fender	1	1	1	1	1	1	
19	KBBJ0514	Screw Pan	3	3	3	3	3	3	
20	KCKE0507	Nut Nyloc	3	3	3	3	3	3	

FENDERS & SIDE FAIRING

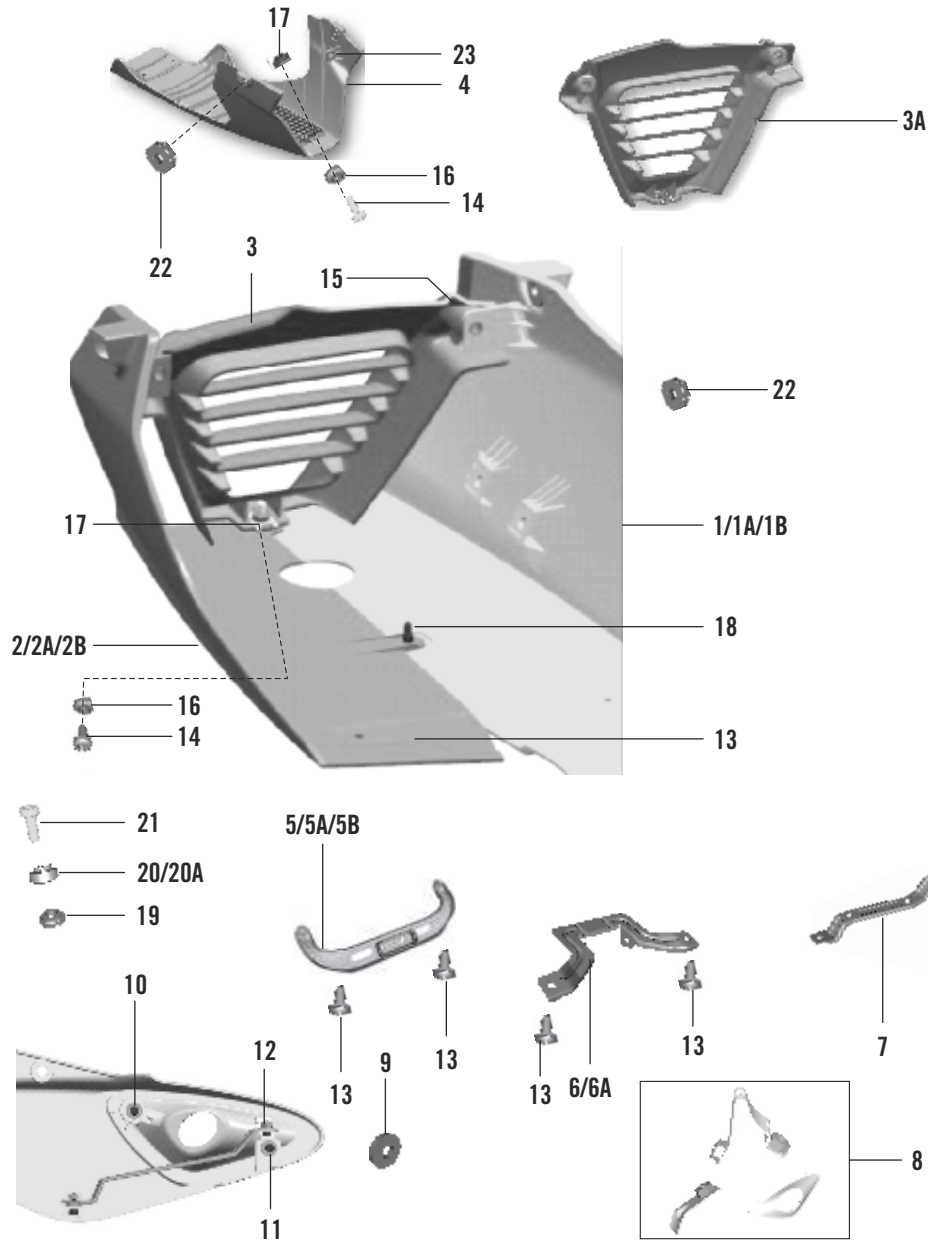
RC 200/390



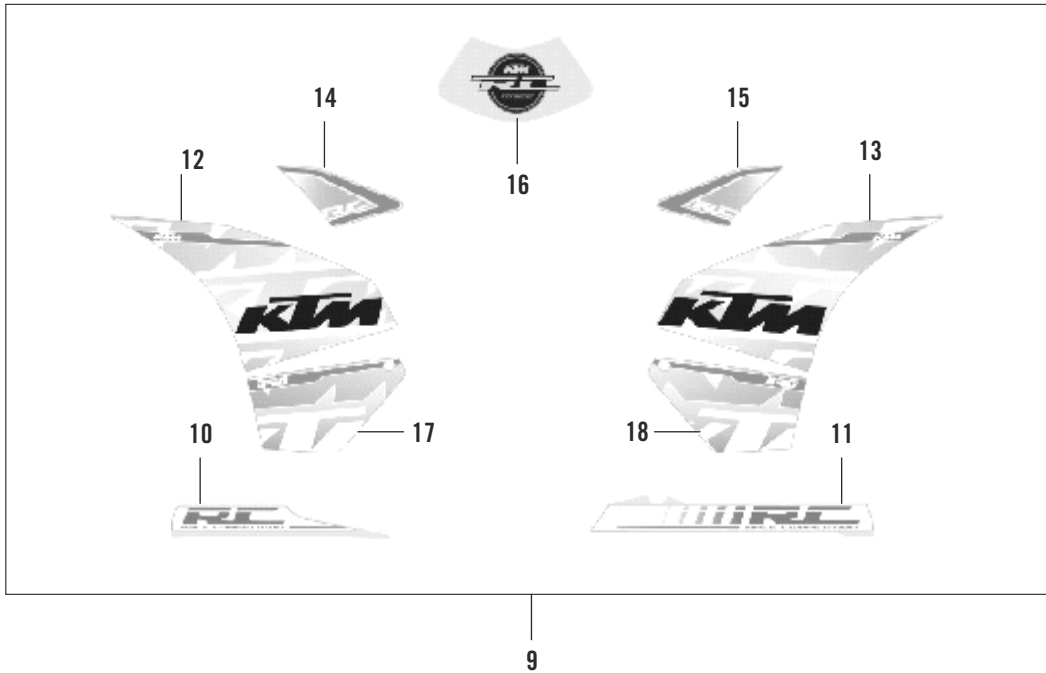
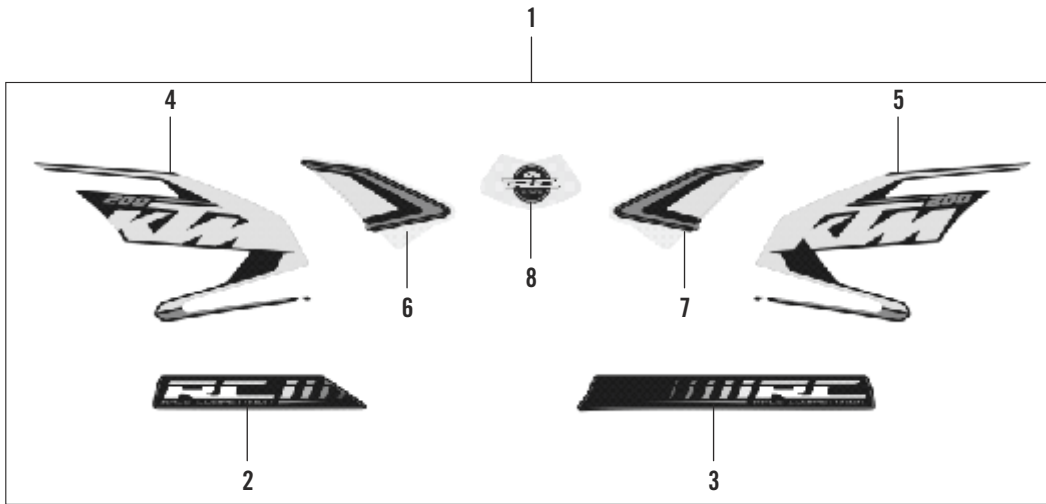
No.	Part No.	Description	Qty for 200			Qty for 390		
			MY15	MY16	MY17	MY15	MY16	MY17
21	KDAE0510	Washer Plain	3	3	3	3	3	3
22	36JY0086	Kit Fuel Tank Cover with Decal	1	1	--	--	----	----
22A	52JY0750	Tank Cover Top with Decal	--	--	1	--	----	----
22B	36JY0091	Kit Fuel Tank Cover with Decal	--	--	--	1	1	----
22C	52JY0725	Tank Cover Top With Decal	--	--	--	----	----	1
23	JY181404	Cup Washer Front Fender Mtg	6	6	6	6	6	6
24	LAC00082	Bolt Socket-M6X1XL20XHD	6	6	6	6	6	6
25	56JY405S	Under Tray Bottom RC200 White	1	1	--	--	----	----
25A	52JY0751	Under Tray Bottom with Decal	--	--	1	--	----	----
25B	56JY406A	Under Tray Bottom	--	--	--	1	1	----
25C	52JY0726	Under Tray Bottom with Decal	--	--	--	----	----	1
26	JY181213	Under Tray Front	1	1	1	1	1	1
27	JY181233	Box Utility	1	1	1	1	1	1
28	JY113825	Sleeve	2	2	2	2	2	2
29	JG171031	Clip Nut M5	5	5	5	5	5	5
30	39190701	Mushroom Head Screw M5	1	1	1	1	1	1
31	60111415	Cable Tie Lock	2	2	2	2	2	2
32	KADD0645	Bolt Flanged	2	2	2	2	2	2
33	JY113822	Grommet Battery Box	2	2	2	2	2	2
34	JY113819	Bracket Side Fairing Mtg.	2	2	2	2	2	2
35	KADM0610	Bolt for Bracket Side Fairing	4	4	4	4	4	4
36	KACF0512	Bolt for Under Tray Cover Bracket Side Fairing Mtg. LH1	4	4	4	4	4	4
37	JY113870	Cover Bracket Side Fairing Mtg. LH2	1	1	1	1	1	1
37A	JY113871	Cover Bracket Side Fairing Mtg. LH2	1	1	1	1	1	1
38	JG181280	Fork Protector Front LH	1	1	1	1	1	1
38A	JG181282	Fork Protector Front RH	1	1	1	1	1	1

BELLY PAN

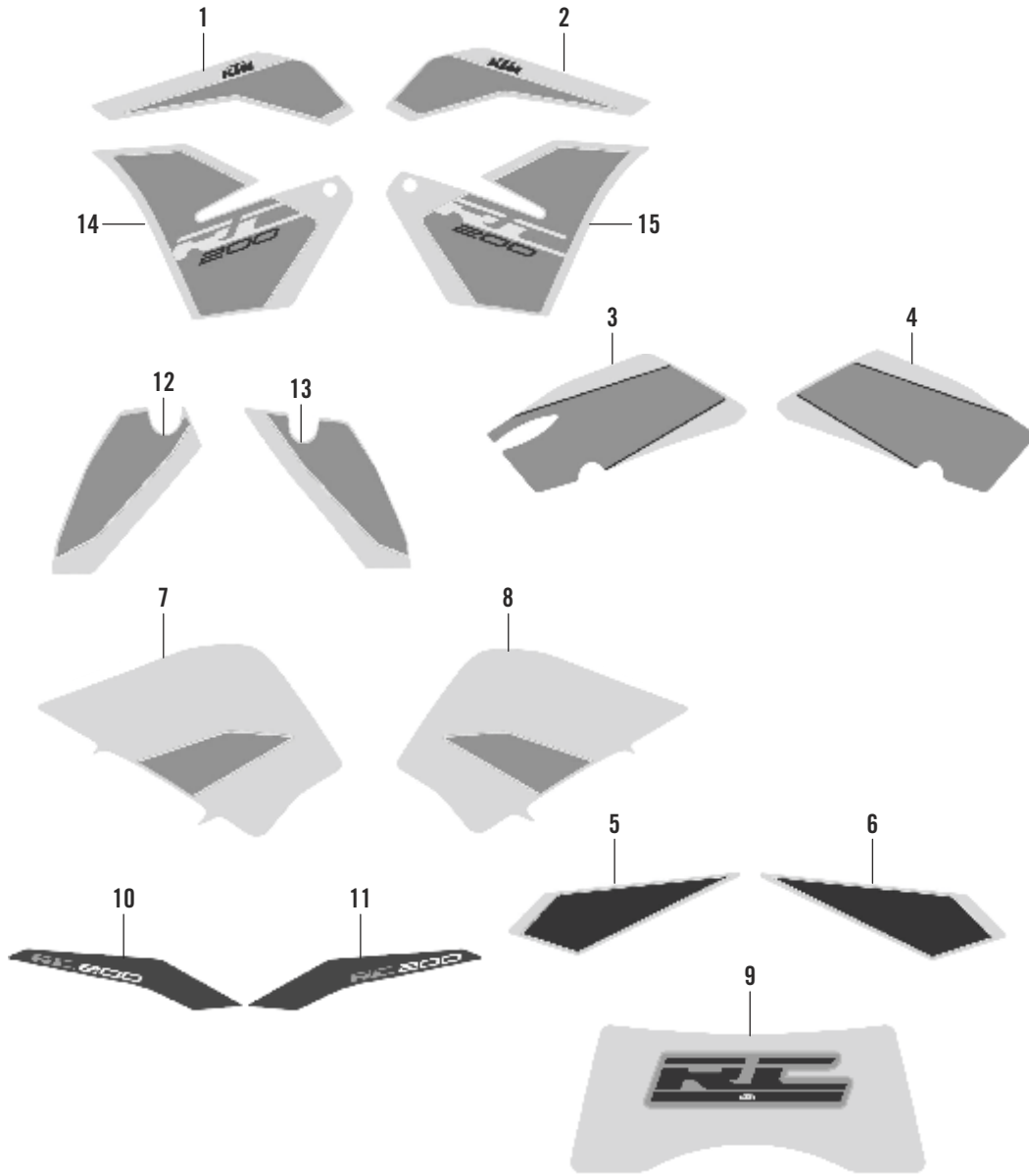
RC 200/390



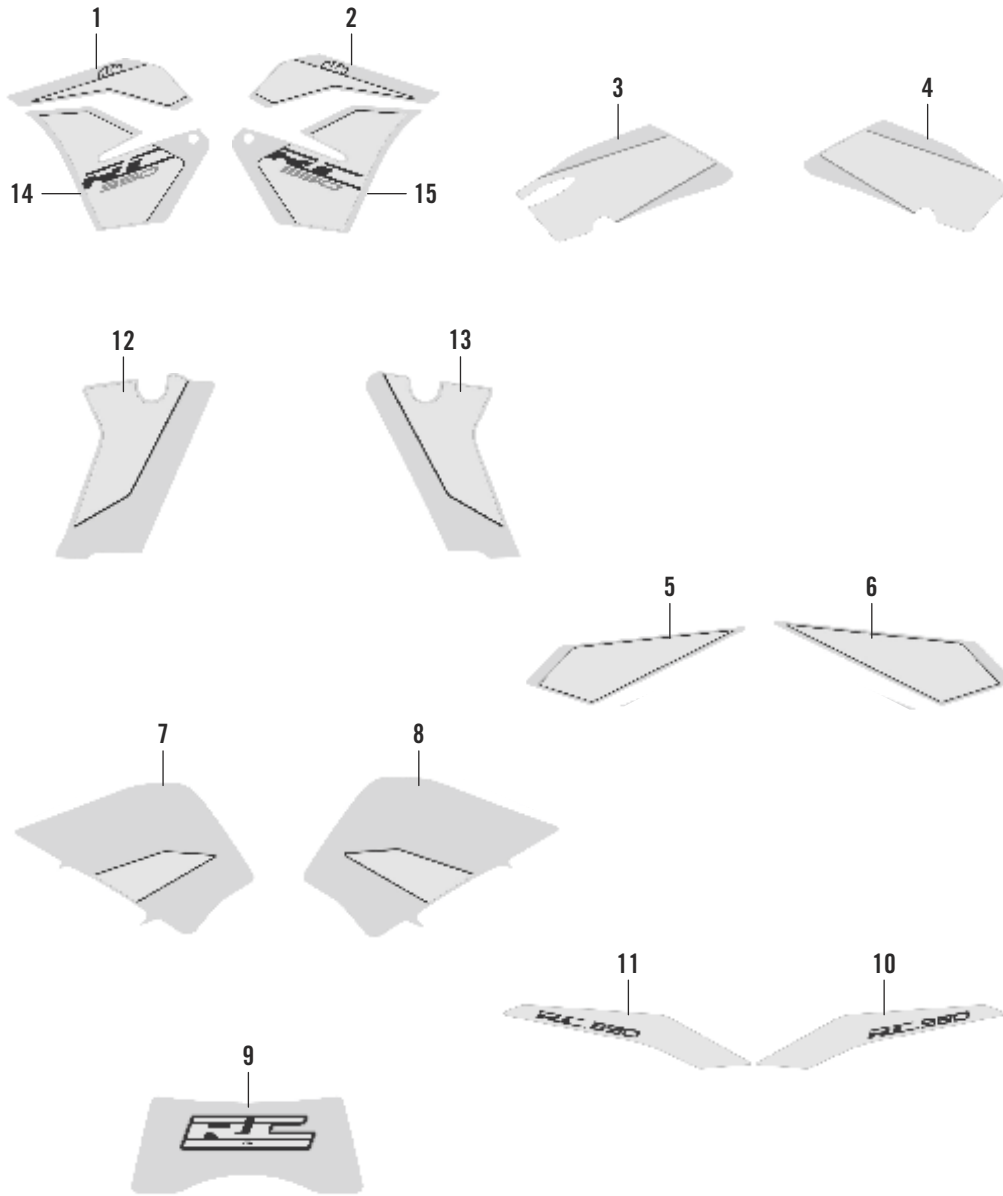
No.	Part No.	Description	Qty for 200			Qty for 390		
			MY15	MY16	MY17	MY15	MY16	MY17
1	36JY0087	Belly Pan RH with Decal	1	1	--	--	----	----
1A	52JY0752	Belly Pan RH with Decal	--	--	1	--	----	----
1B	36JY0093	Belly Pan RH with Decal	--	--	--	1	1	----
2	36JY0088	Belly Pan LH with Decal	1	1	--	--	----	----
2A	52JY0755	Belly Pan LH with Decal	--	--	1	--	----	----
2B	36JY0092	Belly Pan LH with Decal	--	--	--	1	1	----
3	JY181235	Radiator Shroud Lower	1	1	1	1	1	----
3A	JY181309	Belly Pan Central	--	--	--	----	----	1
4	52JY0727	Belly Pan with Decal	--	--	--	----	----	1
5	JY181236	Bracket Belly Pan Front	1	1	1	--	----	----
5A	JY181277	Bracket Belly Pan Front	--	--	--	1	1	----
5B	JY181307	Bracket Belly Pan Front	--	--	--	----	----	1
6	JY181238	Bracket Belly Pan Rear	1	1	1	--	----	----
6A	JY181278	Bracket Belly Pan Rear	--	--	--	1	1	----
6B	JY181234	Bracket Belly Pan Rear	--	--	--	----	----	1
7	JY591050	Bracket Belly Pan Mounting	1	1	1	1	1	----
8	JY591047	Assembly End Cap	1	1	1	1	1	----
9	JY181255	Washer Asbestos	5	5	5	5	5	----
10	KDBE0512	Washer Plain	4	4	4	4	4	----
11	KACA0516	Bolt Socket	3	3	3	3	3	----
12	JG171031	Clip Nut M5	1	1	1	1	1	----
13	KADM0620	Bolt Flanged	4	4	4	4	4	4
14	LAC00054	Bolt Master	1	1	1	1	1	1
15	JY113821	Bolt Socket Special Head M6x1	4	4	4	4	4	4
16	KACA0516	Bolt Socket	1	1	1	1		
17	JG113404	Clip Nut M6	1	1	1	1	1	1
18	BF185019	Quick Rivet	1	1	1	1	1	----
19	JY181248	Collar Belly Pan	1	1	1	1	1	----
20	JL181411	Bush	1	--	--	----	----	----
20A	JY181298	Special Washer	---	1	1	1	1	1
21	LAC00057	Bolt Socket M6	1	1	1	1	1	1
22	DT181254	Grommet Side Fairing	2	2	2	2	2	2
23	JY181310	Grommet Belly Pan Central	--	--	--	----	----	2



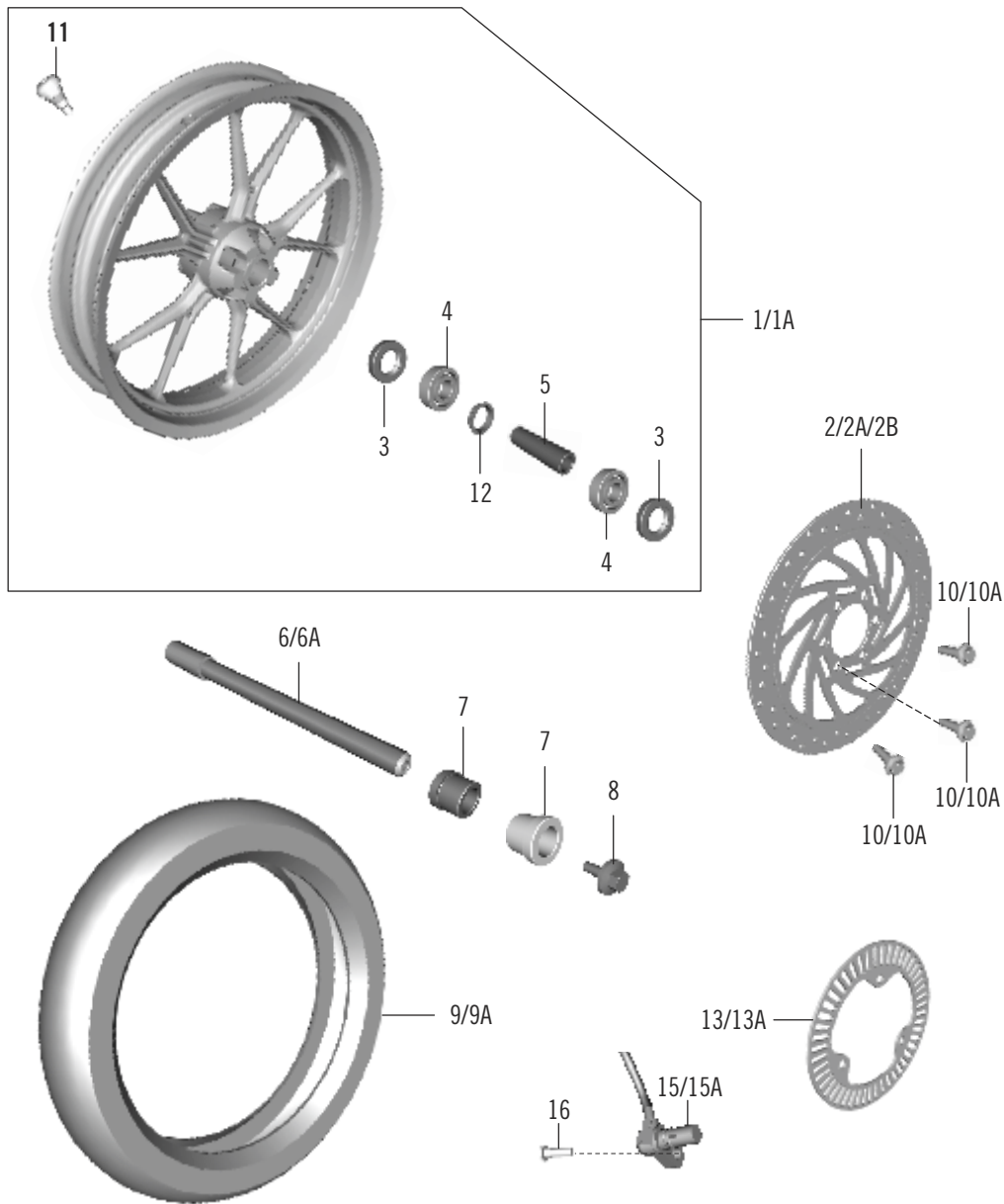
No.	Part No.	Description	Qty for 200			Qty for 390		
			MY15	MY16	MY17	MY15	MY16	MY17
1	JY233015	Decal Set RC200	1	1	--	--	--	--
2	JY233000	Decal Belly Pan LH	1	1	--	--	--	--
3	JY233001	Decal Belly Pan RH	1	1	--	--	--	--
4	JY233004	Decal Side Fairing LH	1	1	--	--	--	--
5	JY233005	Decal Side Fairing RH	1	1	--	--	--	--
6	JY233008	Decal Tank Cover LH	1	1	--	--	--	--
7	JY233009	Decal Tank Cover RH	1	1	--	--	--	--
8	JY233010	Decal Tank Top	1	1	--	--	--	--
9	JY233020	Decal Set RC 390	--	--	--	1	1	--
10	JY233011	Decal Belly Pan LH	--	--	--	1	1	--
11	JY233012	Decal Belly Pan RH	--	--	--	1	1	--
12	JY233013	Decal Side Fairing LH	--	--	--	1	1	--
13	JY233014	Decal Side Fairing RH	--	--	--	1	1	--
14	JY233017	Decal Tank Cover LH	--	--	--	1	1	--
15	JY233018	Decal Tank Cover RH	--	--	--	1	1	--
16	JY233010	Decal Tank Top	--	--	--	1	1	--
17	JY233006	Decal Side Fairing LH Lower	--	--	--	1	1	--
18	JY233007	Decal Side Fairing RH Lower	--	--	--	1	1	--



No.	Part No.	Description	Qty for 200		
			MY15	MY16	MY17
1	JY233137	Decal Outer Spoiler Upper LH	---	---	1
1	JY233138	Decal Outer Spoiler Upper RH	---	---	1
3	JY233123	Decal Inner Spoiler LH	---	---	1
4	JY233124	Decal Inner Spoiler RH	---	---	1
5	JY233129	Decal Tank Upper LH	---	---	1
6	JY233130	Decal Tank Upper RH	---	---	1
7	JY233127	Decal Tank Lower LH	---	---	1
8	JY233128	Decal Tank Lower RH	---	---	1
9	JY233131	Decal Tank Logo	---	---	1
10	JY233093	Decal Under Tray RC200 LH	---	---	1
11	JY233094	Decal Under Tray RC200 RH	---	---	1
12	JY233125	Decal Belly Pan LH	---	---	1
13	JY233126	Decal Belly Pan RH	---	---	1
14	JY233083	Decal Outer Spoiler RC200 LH	---	---	1
15	JY233084	Decal Outer Spoiler RC200 RH	---	---	1



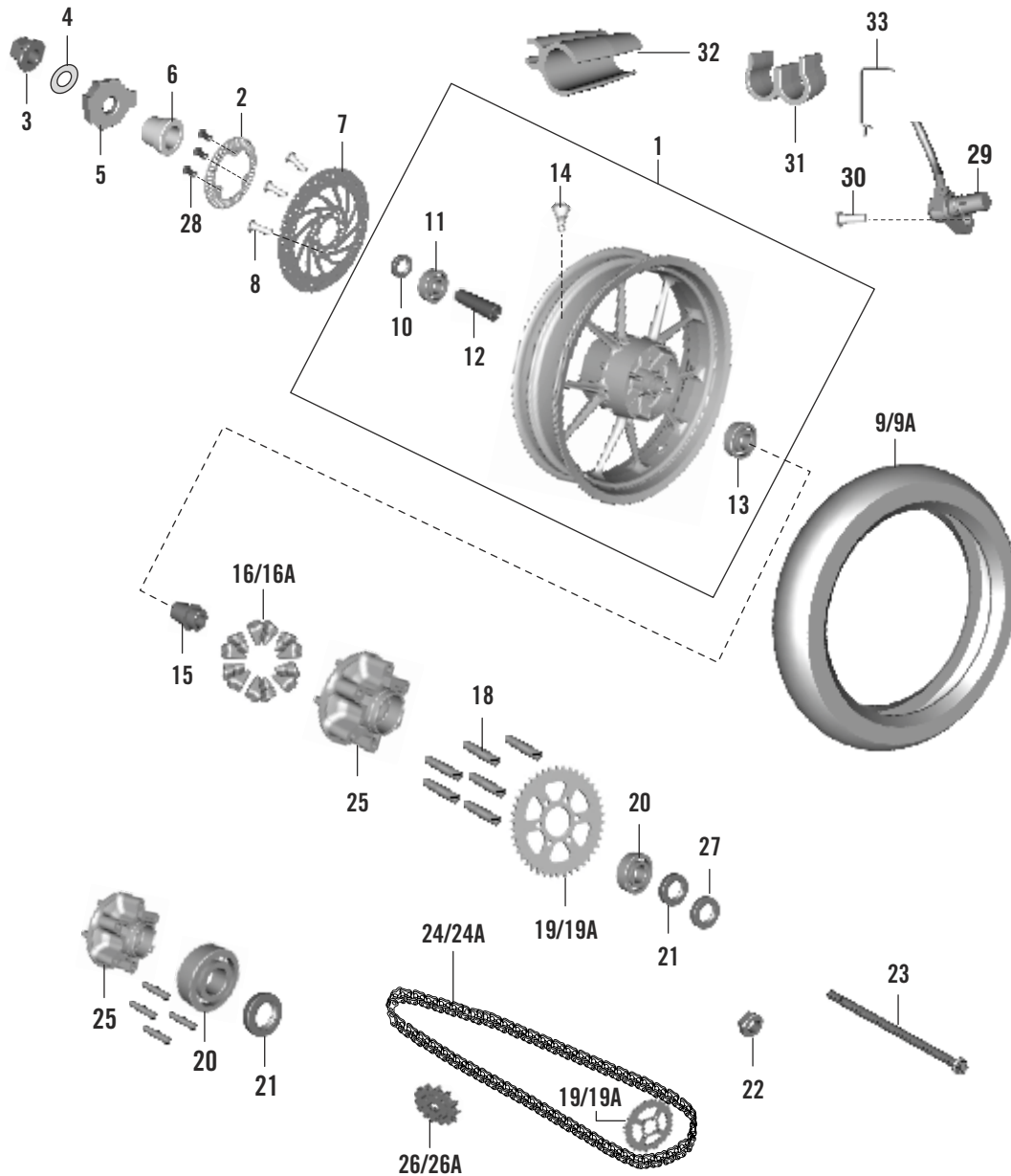
No.	Part No.	Description	Qty for 390		
			MY15	MY16	MY17
1	JY233104	Decal Outer Spoiler RC390 LH	---	---	1
2	JY233105	Decal Outer Spoiler RC390 RH	---	---	1
3	JY233102	Decal Inner Spoiler LH	---	---	1
4	JY233103	Decal Inner Spoiler RH	---	---	1
5	JY233108	Decal Tank Upper LH	---	---	1
6	JY233109	Decal Tank Upper RH	---	---	1
7	JY233110	Decal Tank Lower LH	---	---	1
8	JY233111	Decal Tank Lower RH	---	---	1
9	JY233116	Decal Tank Logo	---	---	1
10	JY233114	Decal Under Tray RC390 LH 1	---	---	1
11	JY233115	Decal Under Tray RC390 RH 1	---	---	1
12	JY233106	Decal Belly Pan LH	---	---	1
13	JY233107	Decal Belly Pan RH	---	---	1
14	JY233133	Decal Fairing Outer Lower LH	---	---	1
15	JY233134	Decal Fairing Outer Lower RH	---	---	1



No.	Part No.	Description	Qty for 200			Qty for 390			
			MY15	MY16	MY17	MY15	MY16	MY17	
1	36JY0081	Kit Front Wheel (Orange)	1	1	-	1	1	-	
1A	36JY0205	Kit Front Wheel Electric (Orange)	--	--	1	--	----	1	
2	JY131800	Wave Brake Disc 300 mm	1	1	-	1	1	-	
2A	JP131817	Brake disc 300 mm	-	-	1	-	-	-	
2B	JP131818	Brake disc 320 mm	-	-	-	-	-	1	
3	DG151005	Oil Seal 22x35x8	2	2	2	2	2	2	
4	KPBC6202	Ball Bearing 6202	2	2	2	2	2	2	
5	JG131001	Bearing Spacer Tube Front	1	1	1	1	1	1	
6	JG131003	Axle Front D=15mm	1	1	--	1	1	--	
6A	JP131009	Axle Front	--	--	1	--	----	1	
7	JG131006	Spacer Bushing Front Wheel	2	2	2	2	2	2	
8	JG131007	Axle Screw M8	1	1	1	1	1	1	
9	JG131038	Tyre Front	1	1	1	--	--	--	N.S.
9A	JG131008	Tyre Front	--	--	--	1	1	1	N.S.
10	JG131802	Disc Mounting Bolt M8x30	6	6	6	6	6	----	
10A	JD131811	Disc Mounting Bolt	--	--	--	--	----	6	
11	DK151026	Valve Cpl.	1	1	1	1	1	1	
13	JU131801	Sensor Disc for 300 mm	--	--	--	1	1	--	with 2A
13A	DT131867	Sensor Disc for 320 mm	--	--	--	--	--	1	with 2B
14	JD402215	Band	--	--	--	--	--	2	N.I.
15	JG402400	Sensor Speed	1	1	1	--	--	----	
15A	DT402404	Wheel Speed Sensor (ABS)	--	--	--	1	1	1	
16	LAD00093	Bolt M6	--	--	--	2	2	2	
17	JG403603	Clamp Sensor Cable Holding	--	--	--	--	----	3	

REAR WHEEL

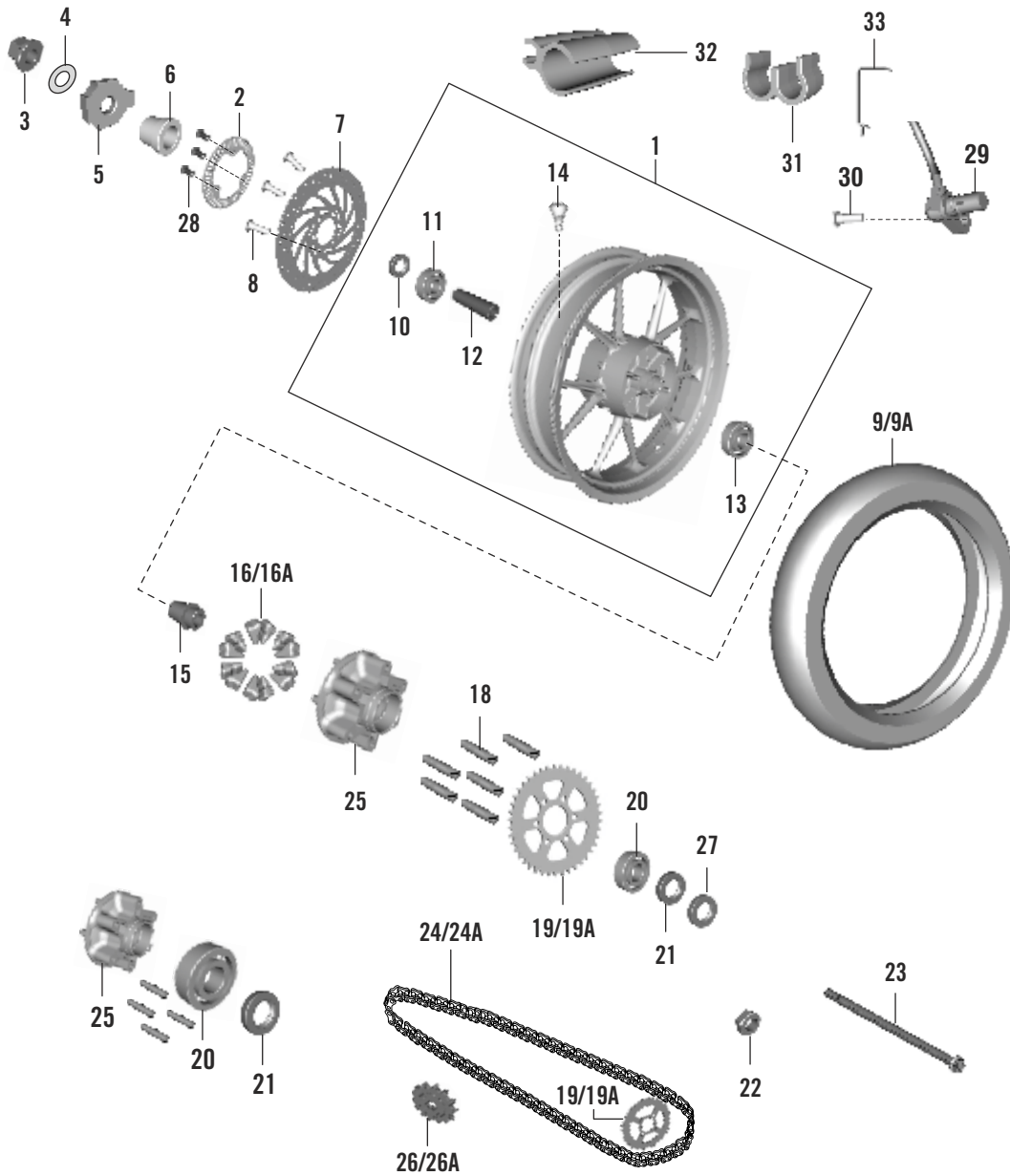
RC 200/390



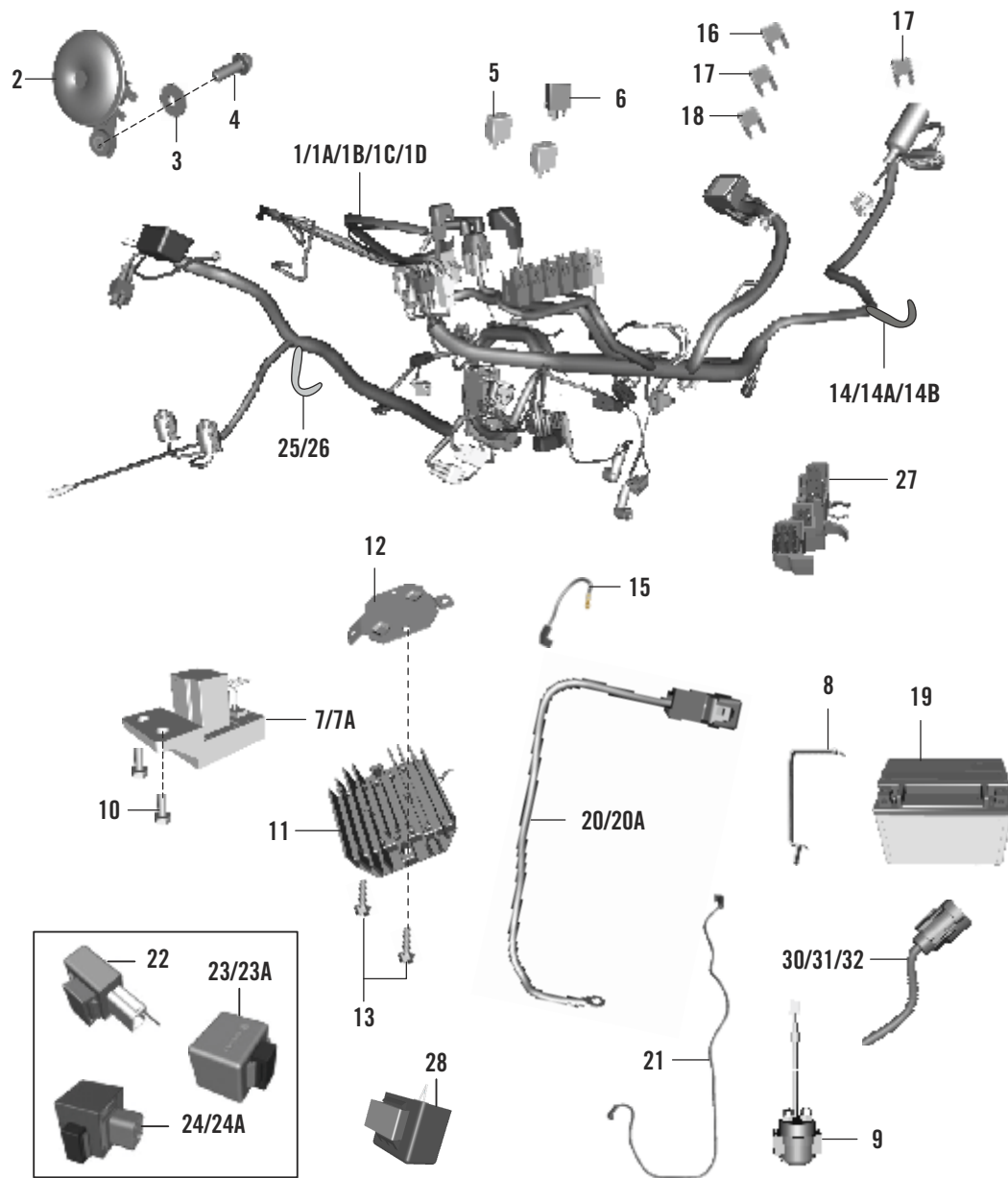
No.	Part No.	Description	Qty for 200			Qty for 390			
			MY15	MY16	MY17	MY15	MY16	MY17	
1	36JY0082	Kit Rear Wheel (Orange)	1	1	--	1	1	----	
1A	36JY0206	Kit Rear Wheel Elec. Orange	--	--	1	--	----	1	
2	JU131802	Sensor Disc Rear	--	--	--	1	1	1	
3	DH171019	Collar Nut Wheel Spindle Rear	1	1	1	1	1	1	
4	LDB00034	Washer 15,2x30x2mm	2	2	2	2	2	2	
5	JG122007	Chain Adjuster RH	2	2	2	2	2	2	
6	JG131211	Spacer Bushing Rear Wheel	1	1	1	1	1	1	
7	JG131809	Wave Brake Disc Rear	1	1	1	1	1	1	
8	JD131811	Spl Screw M8x25 Self Lock.	6	6	6	6	6	6	
9	JG131245	Tyre Rear	1	1	1	--	----	----	N.S.
9A	JG131221	Tyre Rear	--	--	--	1	1	1	N.S.
10	30151082	Oil Seal 26x42x8	1	1	1	1	1	1	
11	KPBC6302	Ball Bearing 6302	1	1	1	1	1	1	
12	JG131205	Bearing Spacer Tube Rear	1	1	1	1	1	1	
13	KPBC6202	Ball Bearing 6202	1	1	1	1	1	1	
14	DK151026	Valve Cpl.	1	1	1	1	1	1	
15	DT131210	Sleeve	1	1	1	1	1	1	
16	JU131222	Damping Rubber	6	6	6	--	----	----	
16A	JY131201	Damping Rubber	--	--	--	6	6	6	
17	JD402215	Band	--	--	--	2	2	2	N.S.
18	JG131228	Bolt D (Stud M10)	6	6	6	6	6	6	
19	JU141008	Sprocket 42T	1	1	1	--	----	----	
19A	JG131236	Sprocket 45T	--	--	--	1	1	----	
19B	JP131205	Sprocket 44T	--	--	--	----	----	1	
20	KPAC6205	Ball Bearing 6005 RS	1	1	1	1	1	1	
21	DT131214	Oil Seal 30x47x8	1	1	1	1	1	1	
22	LCL00004	Nut U Flange	6	6	6	6	6	6	
23	JG131224	Axle Rear Cpl.	1	1	1	1	1	1	
24	JU141006	Drive Chain	1	1	1	--	----	----	
24A	JG141001	Drive Chain	--	--	--	1	1	1	
25	DT131213	Coupling (6 Lug)	1	1	1	1	1	1	

REAR WHEEL

RC 200/390



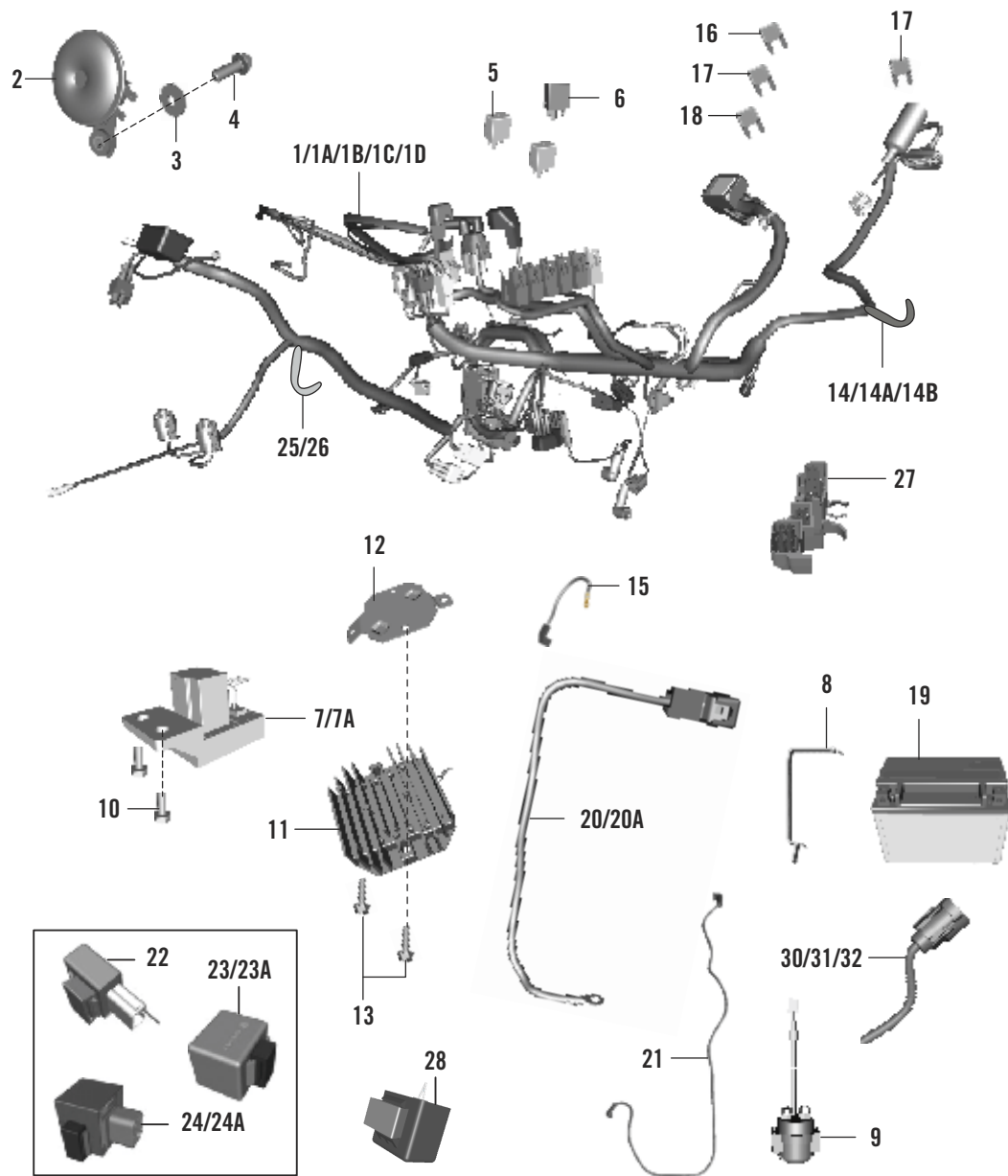
No.	Part No.	Description	Qty for 200			Qty for 390		
			MY15	MY16	MY17	MY15	MY16	MY17
26	DV101048	Sprocket Output (14T)	1	1	1	--	----	----
26A	JY551029	Sprocket Output (15T)	--	--	--	1	1	1
27	JG131209	Spacer	1	1	1	1	1	1
28	JG131220	Screw	--	--	--	3	3	3
29	DT402404	Sensor Speed For ABS	--	--	--	1	1	1
30	LAD00093	Bolt M6	--	--	--	2	2	2
31	JG403603	Clamp Sensor Cable Holding	--	--	--	1	1	1
32	JG113858	Clamp Brake Hose RR	--	--	--	2	2	2



No.	Part No.	Description	Qty for 200			Qty for 390		
			MY15	MY16	MY17	MY15	MY16	MY17
1	JY402218	Wiring Harness	1	--	--	--	--	--
1A	JY402217	Wiring Harness	--	1	1	--	--	--
1B	JY402209	Wiring Harness	--	--	--	1	--	--
1C	JY402203	Wiring Harness	--	--	--	--	1	--
1D	JY402213	Wiring Harness	--	--	--	--	--	1
2	JG401601	DC Horn	1	1	1	1	1	1
3	LDB00021	Washer 8,2x16x1,5	1	1	1	1	1	1
4	KADM0820	HH Collar Screw M8x20 Sw12	1	1	1	1	1	1
5	JL403000	Relay	6	6	6	6	6	4
6	JL403001	Relay with Diode	1	1	1	1	1	--
7	JG403200	Roll Over Sensor	1	1	1	1	1	--
7A	JY403604	Roll Over Sensor Can Bus	--	--	--	--	--	1
8	JY401801	Battery Band	1	1	1	1	1	1
9	JN351604	Starter Relay	1	1	1	1	1	1
10	LAE00010	HH Collar Screw M5x13 Sw8	2	2	2	2	2	2
11	JY402000	Regulator Assly with Capacitor	1	1	1	1	1	1
12	JY113804	Bracket Regulator Sink Mtg	1	1	1	1	1	1
13	KADM0625	HH Collar Screw	2	2	2	2	2	2
14	JD402212	Band (200 mm)	12	12	12	13	13	13
14A	JD402217	Band (150 mm)	12	12	12	12	12	12
14B	PA402204	Band (110 mm)	7	7	7	7	7	7
15	JY402205	Cable Battery to Earth	1	1	1	1	1	--
16	JG402228	Fuse 10A	1	1	1	1	1	8
17	JG402229	Fuse 15A	4	4	4	4	4	1
18	JG402230	Fuse 30A	1	1	1	1	1	1
19	36JU0015	Battery	1	1	1	1	1	1
20	JG402237	Cable Earth	1	1	1	1	1	--
20A	JY402229	Cable Earth	--	--	--	--	--	1
21	JY402210	Cable Relay to Motor	1	1	1	1	1	1
22	JG402002	DC Flasher	1	1	1	1	1	1
23	JU401004	Head Lamp Control Unit	1	1	1	--	--	--
23A	JG401044	Head Lamp Control Unit	--	--	--	1	1	--
24	JG401405	Termination Unit	1	1	1	1	1	--
24A	JL403200	Termination Unit	--	--	--	--	--	1
25	JG402244	Cable Tie Orange 150 mm L	1	1	1	1	1	1

WIRING HARNESS

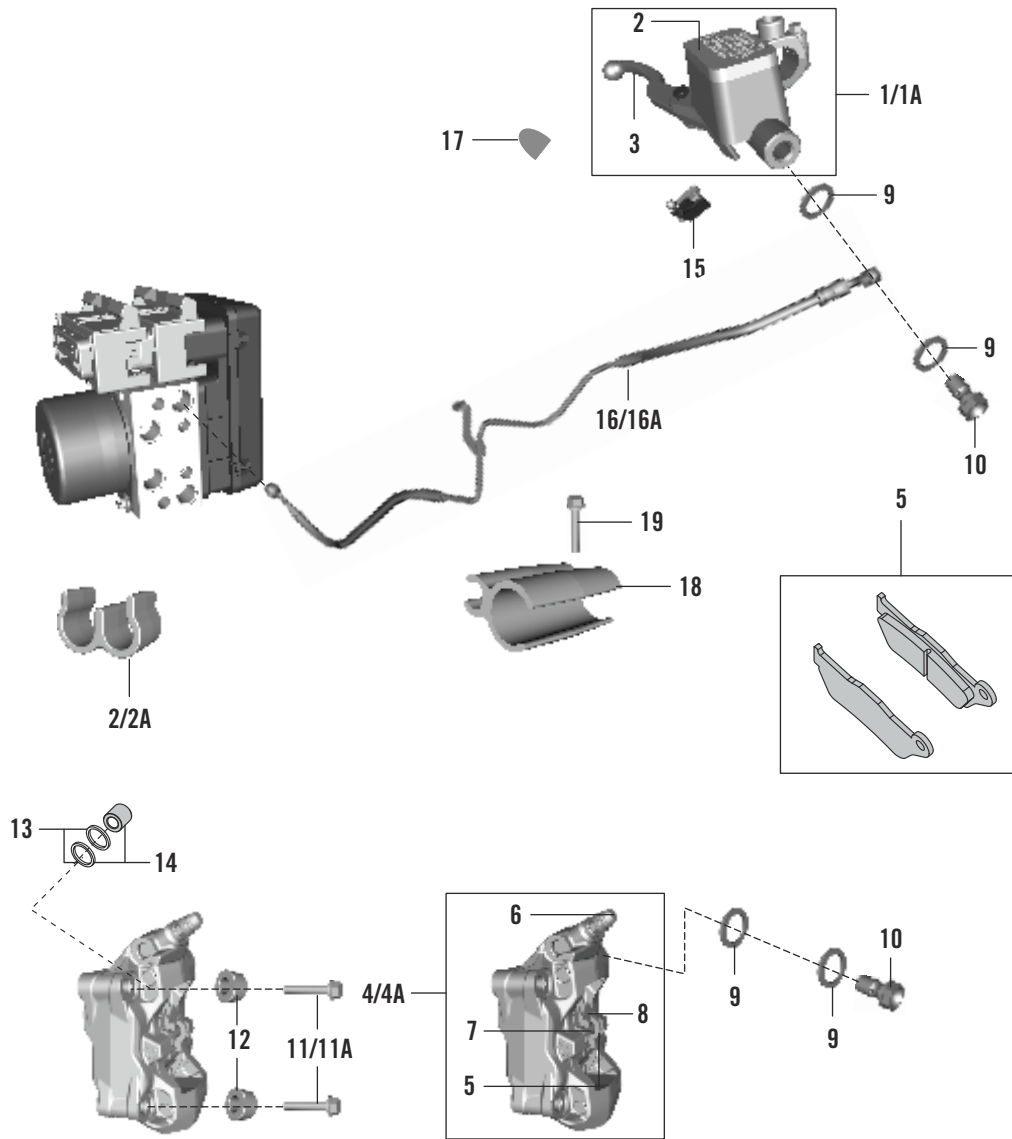
RC 200/390



No.	Part No.	Description	Qty for 200			Qty for 390		
			MY15	MY16	MY17	MY15	MY16	MY17
26	JG402245	Cable Tie Orange 200 mm L	1	1	1	1	1	1
27	JY181299	Cover Fairing Coupler	1	1	1	1	1	1
28	JY401410	Resistor Unit	--	--	--	--	--	1
29	KAEM0620	Bolt Master KAE	--	--	--	--	--	1
30	JP402217	Pigtail Intake Air Temp Sensor	--	--	--	--	--	2
31	JL402219	Pigtail Oil Pressure Switch	--	1	1	--	1	1
32	JY402246	Pigtail Coolant Temp Sensor	--	--	--	--	--	1

BRAKE SYSTEM - FRONT

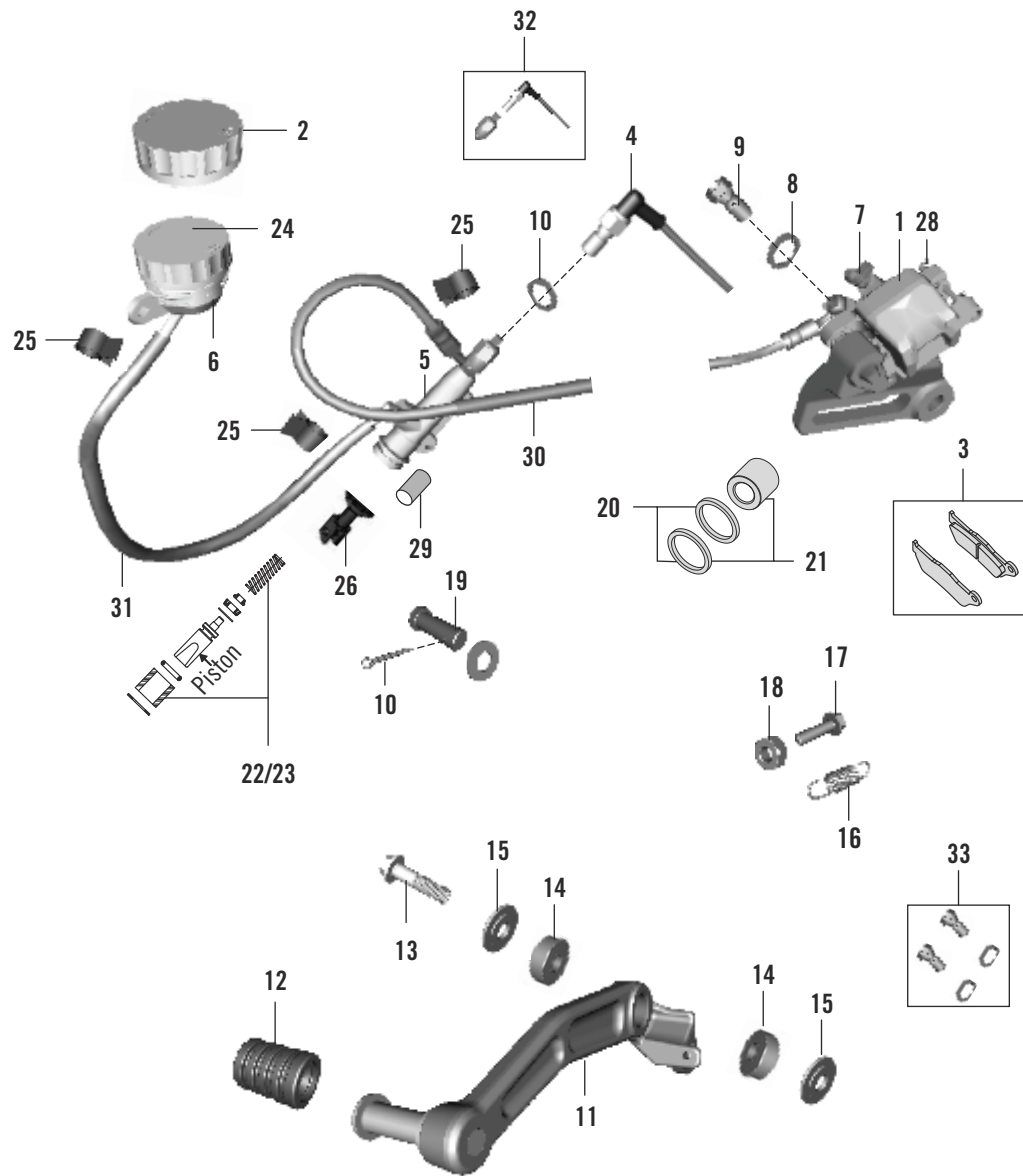
RC 200/390



No.	Part No.	Description	Qty for 200			Qty for 390			
			MY15	MY16	MY17	MY15	MY16	MY17	
1	36JP0016	Front Master Cylinder 130 dia	1	1	1	1	1	--	W/o Clamp
1A	36JP0017	Front Master Cylinder 130 dia	--	--	--	----	----	1	W/o Clamp
2	JG403600	Clamp	1	1	1	1	1	----	
2A	36JY0185	Clamp	--	--	--	----	----	1	
3	JG161010	Brake Lever Front	1	1	1	1	1	----	
3A	36JY0186	Kit Brake Lever Adjustable	--	--	--	----	----	1	
4	JG131804	Brake Caliper Radial	1	1	1	1	1	----	
4A	JY131823	Caliper Assembly	--	--	--	----	----	1	
5	36JU0114	Kit Brake Pad Front	1	1	1	1	1	----	
5A	36JY0188	Kit Brake Pad	--	--	--	----	----	1	
6	JG131811	Bleeder Screw	1	1	1	1	1	1	
7	JG131814	Pin Clip	1	1	1	1	1	1	
8	DK151092	Pad Spring	1	1	1	1	1	1	
9	DE191010	Copper Gasket	4	4	4	4	4	4	
10	DK151069	Banjo Screw	2	2	2	2	2	2	
11	LAD00037	Bolt Flange	2	--	2	--	----	----	
11A	LAD00079	Bolt Flange	--	2	--	2	2	2	
12	JU131004	Spacer For Caliper	2	2	--	2	2	2	
13	JU131816	Minor Kit Caliper Assly.	1	1	1	1	1	1	
14	JU131815	Major Kit Caliper Assly.	1	1	1	1	1	1	
15	DJ201109	Front Brake Switch	1	1	1	1	1	1	
16	JG131805	Hose Front Brake	1	1	--	--	----	----	
16A	JY131819	Hose Front Brake	--	--	1	--	----	----	
17	36JY0187	Front MC Boot Kit	--	--	--	1	1	1	
18	JG113826	Clamp for ABS Hose	--	--	--	1	1	----	
19	LAD00094	Bolt ABS Clamp	--	--	--	1	1	----	
20	36JY0184	Minor Kit Master Cylinder	1	1	1	1	1	1	N.I.
20A	36JY0183	Major Kit Master Cylinder	1	1	1	1	1	1	N.I.

BRAKE SYSTEM - REAR

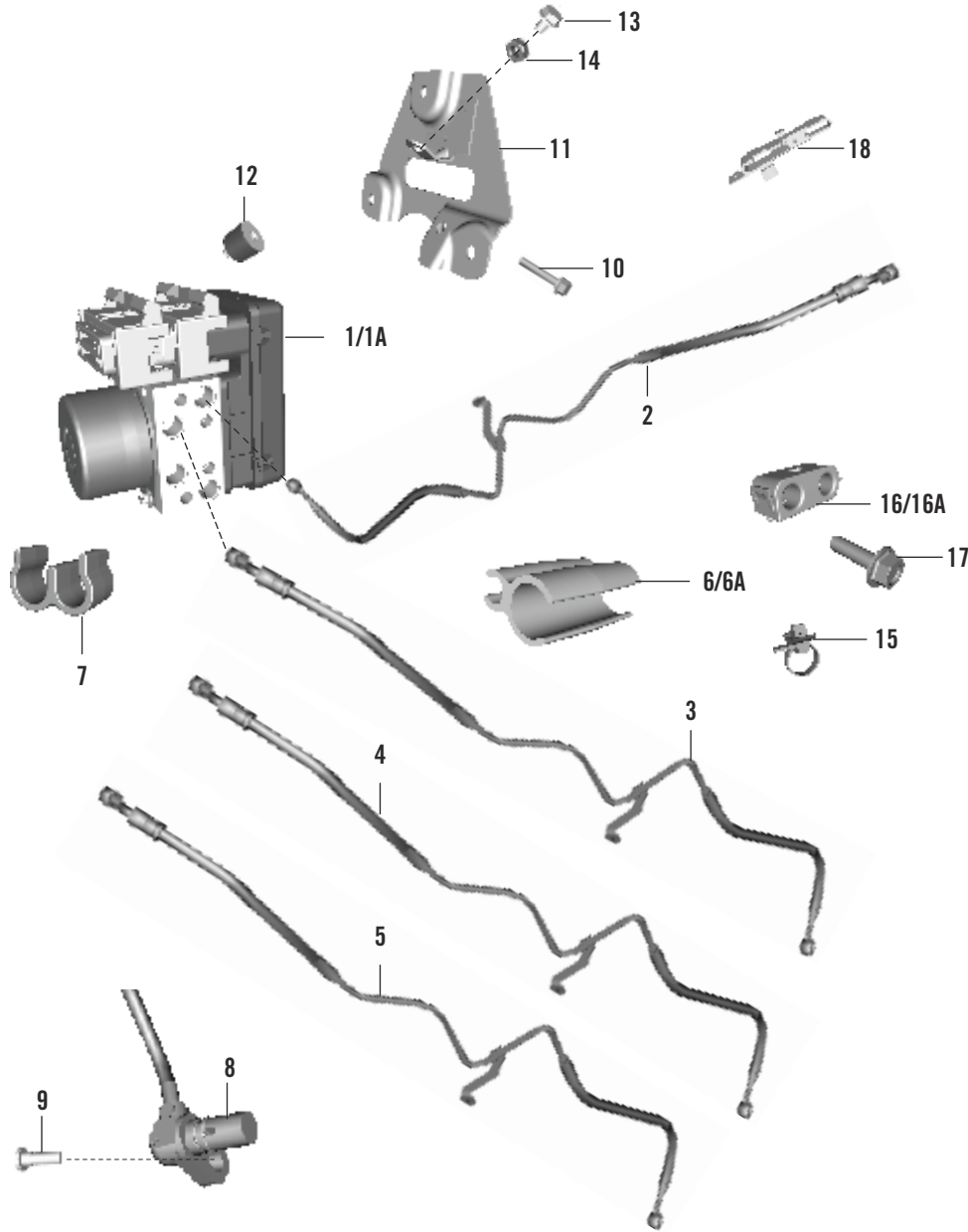
RC 200/390



No.	Part No.	Description	Qty for 200			Qty for 390			
			MY15	MY16	MY17	MY15	MY16	MY17	
1	JG131815	Brake Caliper Rear Cpl.	1	1	1	1	1	1	
2	DK151045	Rear Master Cylinder Cap	1	1	--	1	1	----	
3	DK151085	Rear Brake Pads Set	1	1	1	1	1	1	
4	JG401400	Brake Light Switch Rear	1	1	1	1	1	1	
5	JG131808	Assly Rear Master Cylinder	1	1	1	1	1	1	
6	JG131821	Brake Fluid Reservoir Cpl.	1	1	--	1	1	----	
7	DE151046	Bleeder Screw	1	1	1	1	1	1	
8	DE191010	Copper Gasket	8	8	8	8	8	----	
9	DK151069	Banjo Screw	4	4	4	4	4	----	
10	KHAD2015	Pin 2x15mm	1	1	1	1	1	1	
11	JU161006	Foot Brake Lever	1	1	1	1	1	1	
12	JG113010	Rubber For Brake Pedal	1	1	1	1	1	1	
13	JY113025	Bolt Brake Lever	1	1	1	1	1	1	
14	JG113061	Bearing Brake Lever	2	2	2	2	2	2	
15	JY113015	Washer Brake Lever	2	2	2	2	2	2	
16	JG161001	Spring Foot Brake Lever	1	1	1	1	1	1	
17	KAAA0625	Bolt Flanged M6x20 SW10	1	1	1	1	1	1	
18	KCAJ0605	Hexagon Nut M6	1	1	1	1	1	1	
19	LHA00001	Pin	1	1	1	1	1	1	
20	36JY0180	Minor Kit Caliper (w/o Piston)	1	1	1	1	1	1	
21	36JY0179	Major Kit Caliper (with Piston)	1	1	1	1	1	1	
22	36DK0069	Major Kit Master Cylinder (with Piston)	1	1	1	1	1	1	
23	36DK0070	Minor Kit Master Cylinder (w/o Piston)	1	1	1	1	1	1	
24	DK151072	Diaphragm Reservoir	1	1	1	1	1	1	
25	DK151063	Clip For Reservoir Tube	2	2	2	2	2	2	
26	36JY0182	Kit Push Rod	1	1	1	1	1	1	
27	36JY0181	Pin Pad	1	1	1	1	1	1	N.I.
28	DE151041	Clip for Pin Pad	2	2	2	2	2	2	
29	DK151042	Boot Master Cylinder	1	1	1	1	1	1	
30	JY131821	Hose Rear Brake	1	1	1	--	--	----	
31	JY131805	Tube Reservoir	1	1	1	1	1	1	
32	36JY0075	Pressure Switch Kit	--	--	--	1	1	1	
33	36JY0076	Banjo Bolt Kit	1	1	1	1	1	1	

BRAKE SYSTEM - ABS FRONT & REAR

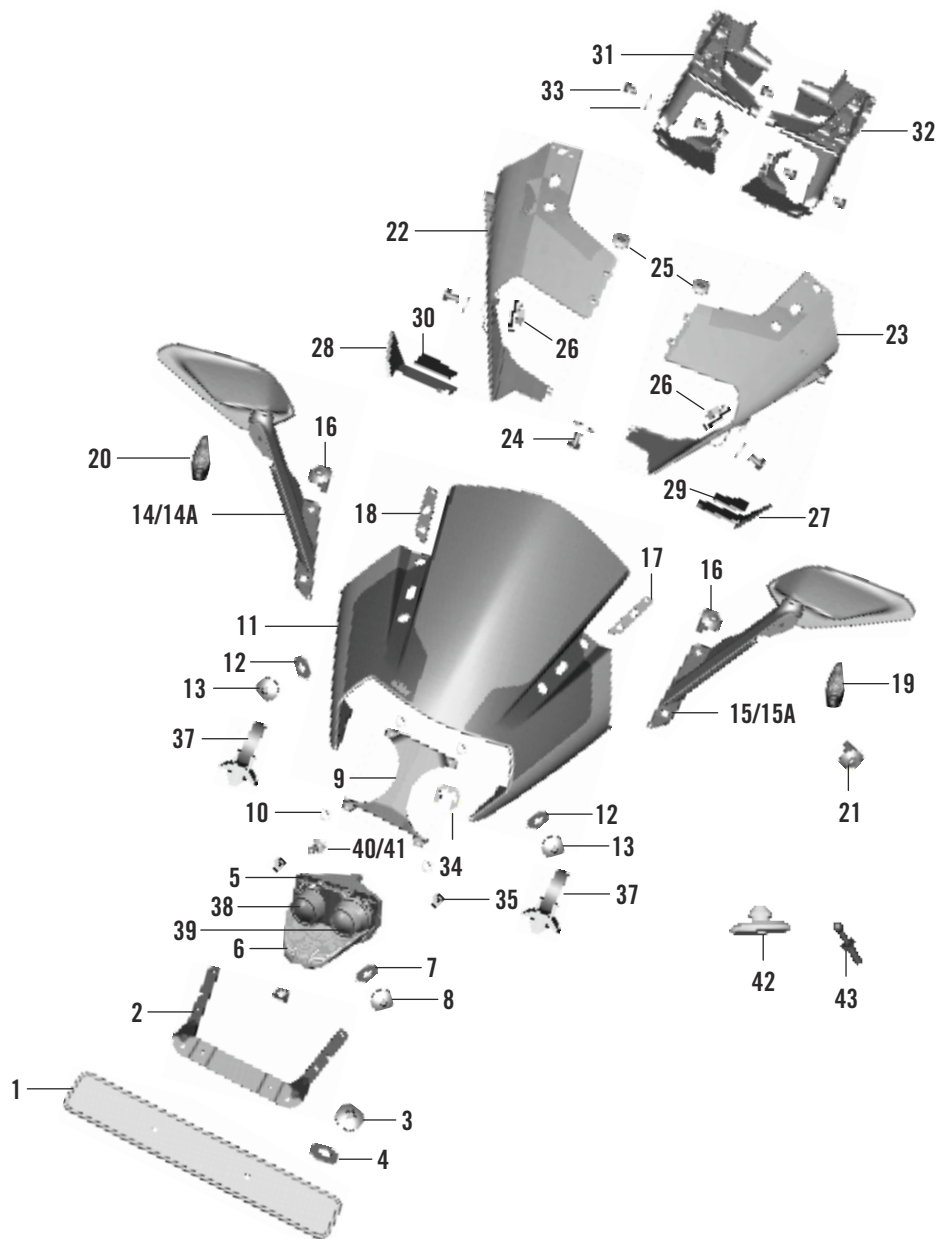
RC 390



No.	Part No.	Description	Qty for 390		
			MY15	MY16	MY17
1	JY131816	Anti lock Brake System	1	1	---
1A	JY131834	Unit ABS Wet_9.1 MB_Can	--	--	1
2	36JY0077	Brake Hose Kit ABS to Master Cyl. Front	1	1	1
3	36JY0079	Brake Hose Kit Front ABS to Caliper	1	1	1
4	36JY0178	Brake Hose Rear MC To ABS	1	1	1
5	36JY0177	Brake Hose Rear Caliper To ABS	1	1	1
6	JG113836	Clamp Hose	2	2	---
6A	DT131849	Clamp For ABS Hose	--	---	3
7	JG403600	Clamp Sensor cable holding	2	2	---
8	DT402404	Sensor Speed For ABS	1	1	1
9	LAD00093	Bolt M6	2	2	2
10	KAEM0610	Bolt Master KAE	--	---	1
11	JG113822	Bracket ABS Mounting	1	1	1
12	JG581014	Silent Blocks	3	3	3
13	LAD00040	Bolt Flanged	3	3	3
14	LCL00002	Nut Flanged M-6	3	3	3
15	60111415	Cable Tie Lock	1	1	-
16	JG113826	Clamp for ABS Hose	1	1	-
16A	DT131849	Clamp for ABS Hose	-	-	3
17	KAEM0620	Bolt ABS Clamp	3	3	-

HEAD LIGHT ASSEMBLY

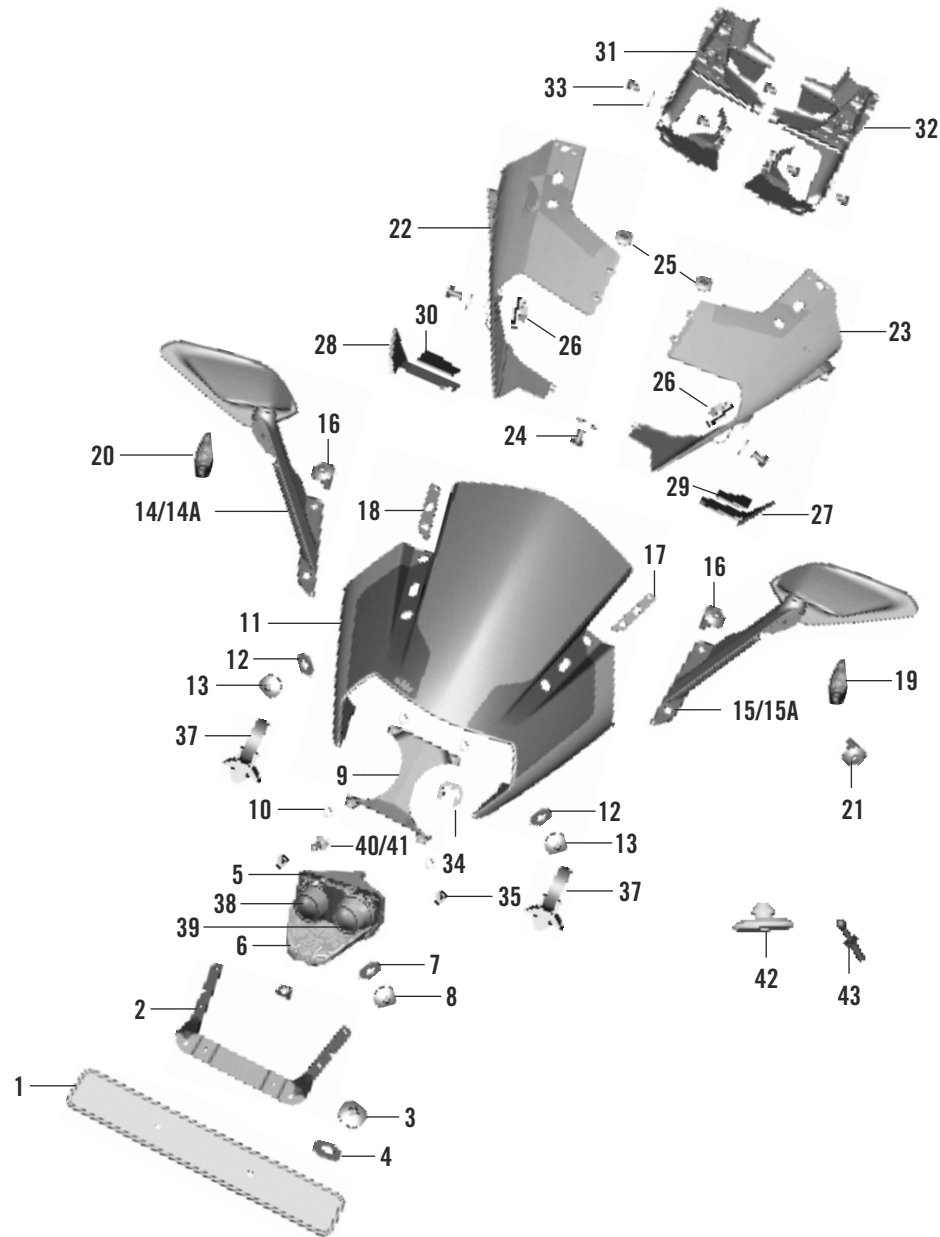
RC 200/390



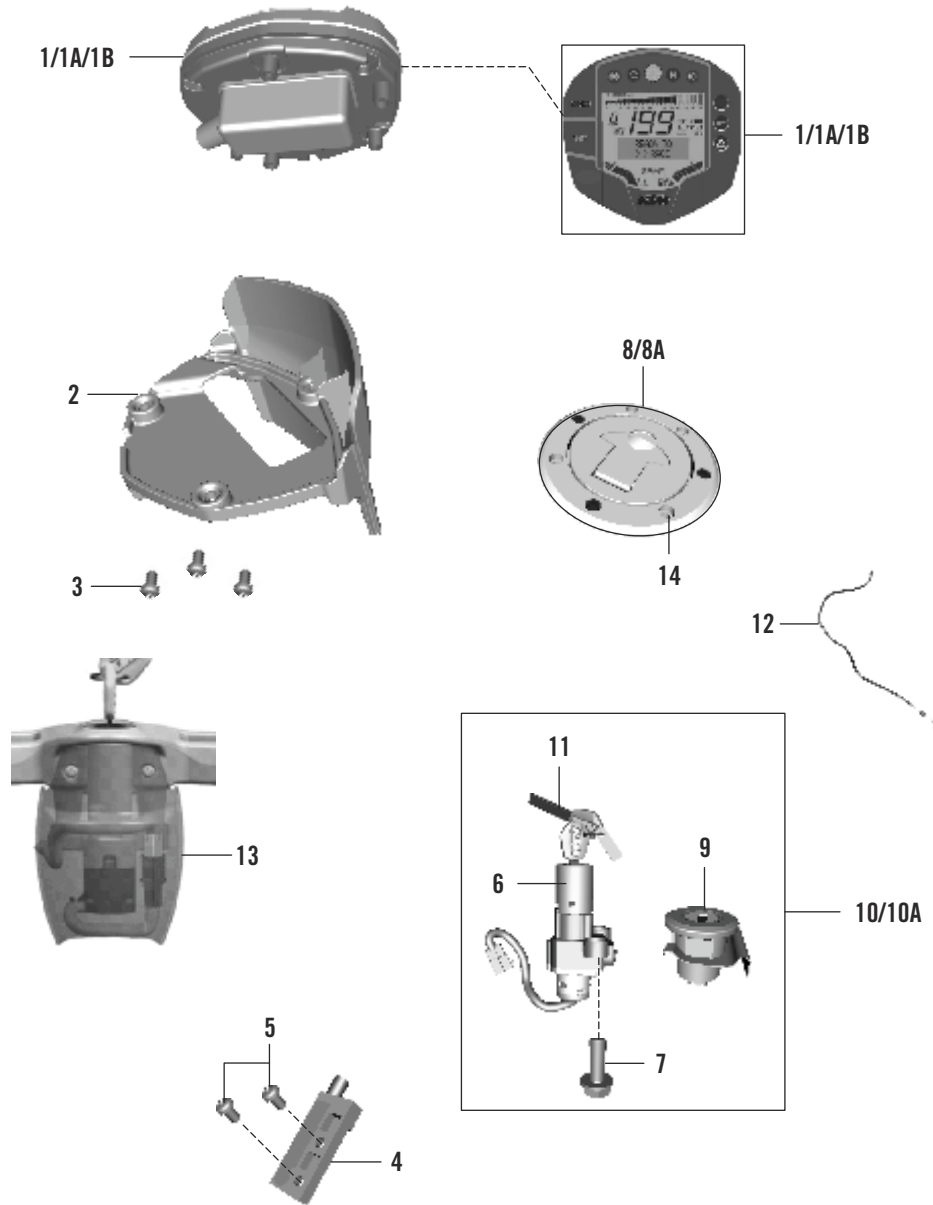
No.	Part No.	Description	Qty for 200			Qty for 390		
			MY15	MY16	MY17	MY15	MY16	MY17
1	36DT0053	Number Plate Front	1	1	1	1	1	1
2	JY232807	Bracket Fr. Number Plate Mtg	1	1	1	1	1	1
3	LBU00009	Screw Mushroom Head	2	2	2	2	2	2
4	39214124	Washer	2	2	2	2	2	2
5	JY181246	Structure Projector Head Lamp	1	1	1	1	1	1
6	JY401006	Position Lamp	1	1	1	1	1	1
7	KDBF0512	Washer Plain	3	3	3	3	3	3
8	KBBK0510	Screw Pan Cross	3	3	3	3	3	3
9	JY181272	Cover Position Lamp	1	1	1	1	1	1
10	KBRD3513	Screw Tapping Pan Cross	4	4	4	4	4	4
11	JY181241	Visor	1	1	1	1	1	1
12	JY181284	Washer Nylon	4	4	4	4	4	4
13	JY181285	Bolt Socket Special Head M6x1	4	4	4	4	4	4
14	JY231610	Mirror LHS w/o blinker	1	--	--	1	--	--
14A	JY231616	Mirror LHS w/o blinker	--	1	1	--	1	1
15	JY231611	Mirror RHS w/o blinker	1	--	--	1	--	--
15A	JY231617	Mirror RHS w/o blinker	--	1	1	--	1	1
16	JY181264	Bolt Socket Special Head	4	4	4	4	4	4
17	JY181282	Rubber Pad LH	1	1	1	1	1	1
18	JY181283	Rubber Pad RH	1	1	1	1	1	1
19	JY401007	Indicator Assembly Front LH	1	1	1	1	1	1
20	JY401008	Indicator Assembly Front RH	1	1	1	1	1	1
21	LBU00041	Screw Indicator	2	2	2	2	2	2
22	56JY144X	Side Mask LH	1	1	--	1	1	--
23	56JY154X	Side Mask RH	1	1	--	1	1	--
24	JY113821	Bolt Socket Special Head	1	1	1	1	1	1
25	JG181259	Rivet Snap	6	6	6	6	6	6
26	JG113404	Clip Nut M6	2	2	2	2	2	2
27	JY181204	Pad Rubber Side Mask LH Fr.	1	1	1	1	1	1
28	JY181205	Pad Rubber Side Mask RH Fr.	1	1	1	1	1	1
29	JY181209	Pad Rubber Side Mask LH Rr.	1	1	1	1	1	1
30	JY181210	Pad Rubber Side Mask RH Rr.	1	1	1	1	1	1

HEAD LIGHT ASSEMBLY

RC 200/390



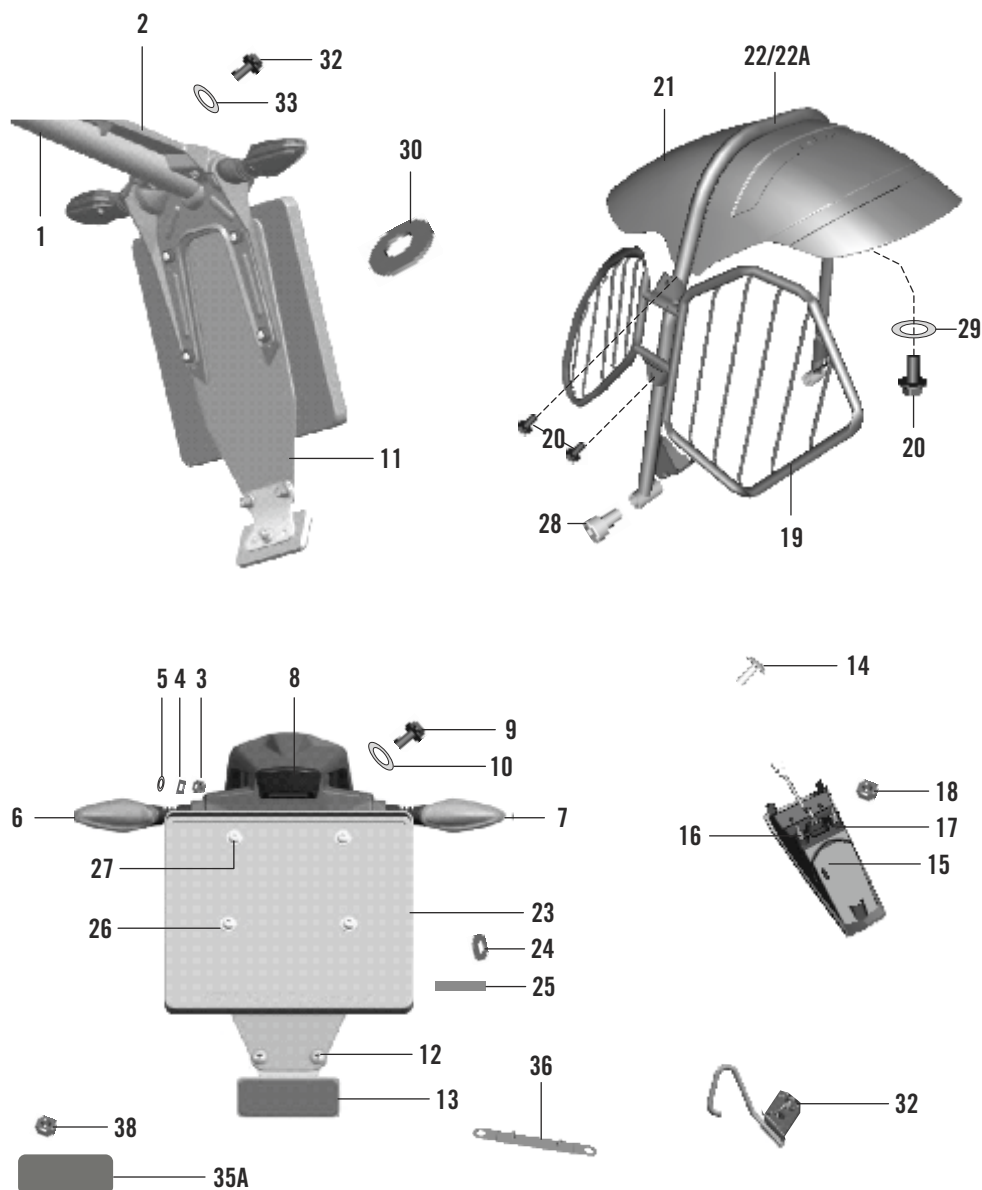
No.	Part No.	Description	Qty for 200			Qty for 390		
			MY15	MY16	MY17	MY15	MY16	MY17
31	JY181244	Fairing Structure LH	1	1	--	1	1	--
32	JY181245	Fairing Structure RH	1	1	--	1	1	--
33	JY181264	Bolt Socket Special Head	6	6	6	6	6	6
34	LDA00005	Washer	6	6	6	6	6	6
35	JY401020	Screw Adjusting Projector	4	4	4	4	4	4
36	KECE6008	Circlip Type E	4	4	4	4	4	4
37	60111415	Cable Tie Lock 51.7160 N-66B	2	2	2	2	2	2
38	JY401014	Assly Low Beam Projector	1	1	1	1	1	1
39	JY401015	Assly Hi Beam Projector	1	1	1	1	1	1
40	DT401024	12V H9 65W Bulb	1	1	--	1	1	--
41	DT401012	Bulb H1155W Sealed Coupler	1	1	--	1	1	--
42	JY232808	Rubber Pad Number Plate Mounting Bracket	2	2	2	2	2	2
43	JY401019	Screw Projector Mounting	2	2	2	2	2	2



No.	Part No.	Description	Qty for 200			Qty for 390			
			MY15	MY16	MY17	MY15	MY16	MY17	
1	JY402405	Speedometer RC200 Non ABS	1	1	1	--	--	--	Can Bus
1A	JY402401	Speedometer with ABS	--	--	--	1	1	--	
1B	JY402404	Meter Assly RC-MY17	--	--	--	--	--	1	
2	JY181247	Dashboard	1	1	1	1	1	1	
3	LBR00002	Self Tapping Screw	3	3	3	3	3	3	
4	JG402400	Speed Sensor	1	1	1	--	--	--	N.S.
5	LBB00005	Pan Cross Screw M4	2	2	2	--	--	--	
6	JY401401	Ignition Lock	1	1	1	1	1	1	
7	LAD00077	HH Collar Screw M6x16 Sw10	2	2	2	2	2	2	
8	JY171093	Tank Cap	1	1	--	1	1	--	
8A	JY171608	Tank Cap EVAP	--	--	1	--	--	1	
9	JY232604	Seat Lock Assly	1	1	1	1	1	1	
10	JY232607	Lock Set	1	1	--	1	1	----	
10A	52JY0547	Lock Set (EVAP)	--	--	1	--	--	1	
11	JG232605	Blank Key Set	1	1	1	1	1	1	
12	JY232605	Seat Lock Cable	1	1	1	1	1	1	
13	JY181263	Cover Ignition Switch	1	1	1	1	1	1	
14	KACB0514	Bolt Socket	7	7	7	7	7	7	

SAREE GUARD / REAR NUMBER PLATE

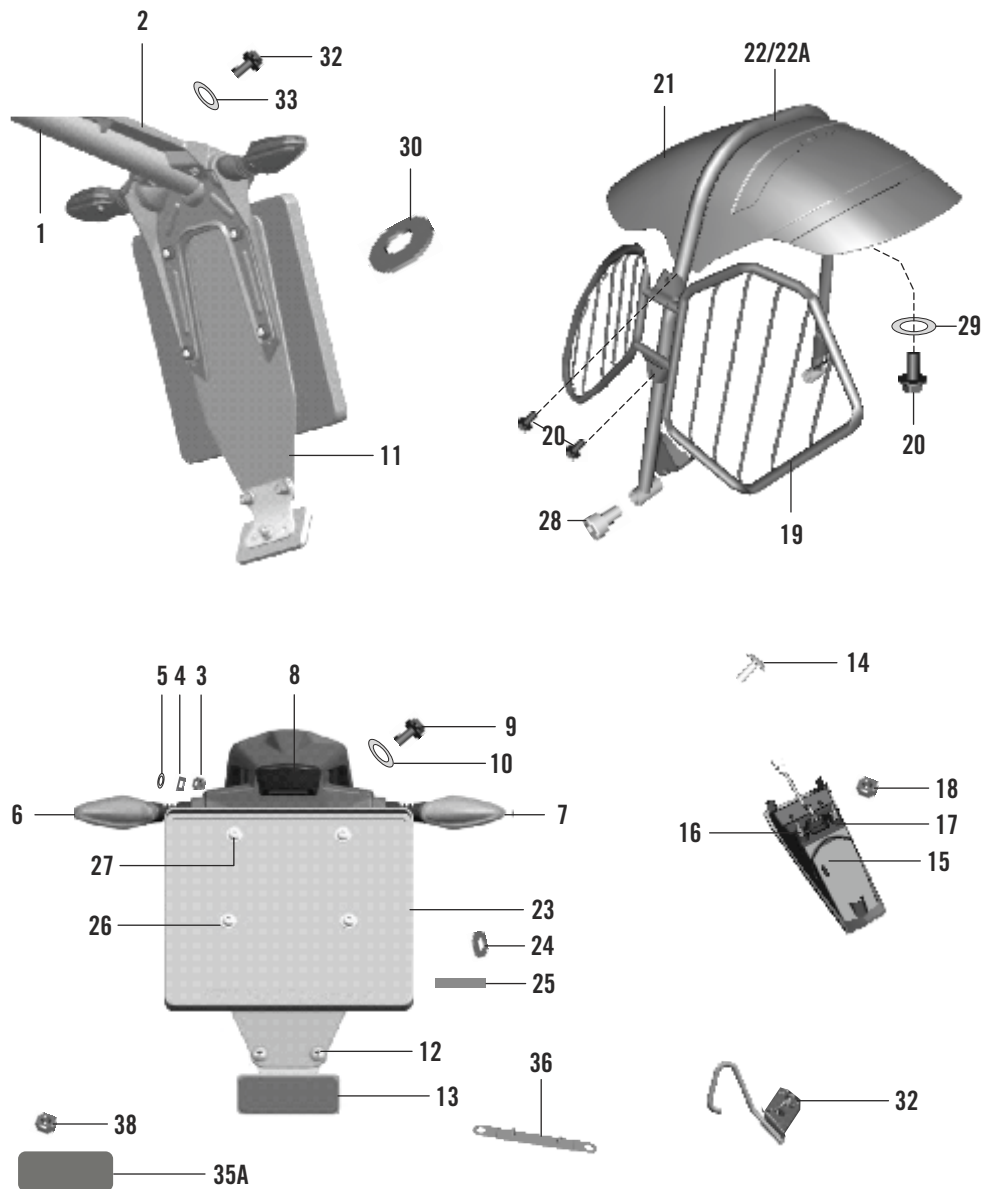
RC 200/390



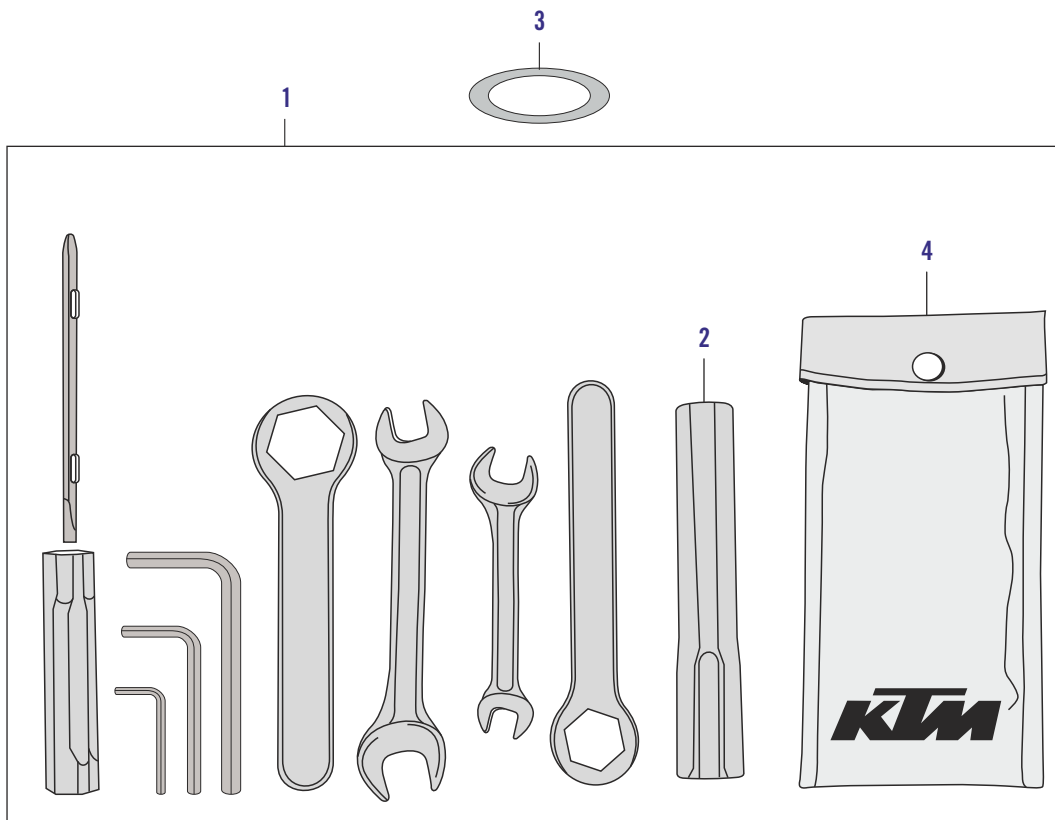
No.	Part No.	Description	Qty for 200			Qty for 390		
			MY15	MY16	MY17	MY15	MY16	MY17
1	JY232801	Number Plate Structure	1	1	1	1	1	1
2	JY181232	Cover Number Plate Structure	1	1	1	1	1	1
3	KCGJ1010	Nut Hex Flanged	2	2	2	2	2	2
4	LDA00012	Washer Plain	2	2	2	2	2	2
5	LDF00002	Washer Toothed	2	2	2	2	2	2
6	JY401024	Indicator Assly Rear LH	1	1	1	1	1	1
7	JY401025	Indicator Assly Rear RH	1	1	1	1	1	1
8	JG401006	Lamp Number Plate	1	1	1	1	1	1
9	KBRD4213	Screw CR Pan Hd Tap 4x1.59	4	4	4	4	4	4
10	LDA00011	Washer Plain Small	2	2	2	2	2	2
11	JG181416	Rear Fender Extension	1	1	--	1	1	--
12	LAC00008	Bolt Socket Spl Head M6x20	4	4	--	4	4	--
13	JY232806	Reflex Reflector Mtg. Panel	1	1	1	1	1	1
14	LBU00010	Screw Struss M5xL12	2	2	--	2	2	--
15	JY401002	Tail Lamp	1	1	1	1	1	1
16	LDB00014	Washer	2	2	2	2	2	2
17	JG171024	Grommet Top Cover	2	2	2	2	2	2
18	LCL00002	Nut Flanged M6x1P	2	2	2	2	2	2
19	JY231200	Guard Saree	1	1	1	1	1	1
20	KADD0612	Bolt	5	5	5	5	5	5
21	JY181405	Cover Mud Rear	1	1	1	1	1	1
22	JY181000	Tube Rear Hugger Mounting	1	1	--	1	1	--
22A	JY231205	Tube Saree Guard	--	--	1	--	--	1
23	36PD0056	Number Plate Rear	1	1	1	1	1	1
24	JU181408	Grommet Number Plate Rear	2	2	2	2	2	2
25	JU181412	Dual Lock Tape	2	2	2	2	2	2
26	LDB00031	Plain Washer-for Plastic Plate	2	--	--	2	--	--
27	KADM0620	Bolt M6 - For Plastic Plate	2	--	--	2	--	--
28	JU231206	Bolt M8	--	2	2	--	2	2
29	KDBE0613	Washer Plain Small	5	5	5	5	5	5
30	JY232803	Grommet	1	1	1	1	1	1

SAREE GUARD / REAR NUMBER PLATE

RC 200/390



No.	Part No.	Description	Qty for 200			Qty for 390		
			MY15	MY16	MY17	MY15	MY16	MY17
31	JY231401	Grab Assly	1	1	1	1	1	1
32	KBRD4213	Screw for Structure	4	4	4	4	4	4
33	LDA00011	Washer for Structure	2	2	2	2	2	2
34	JG401036	Reflector Reflex	1	1	1	1	1	1
35	JU181410	Bracket Rr. Number Plate (NI)	1	1	--	1	1	--
35A	JY232804	Bkt Number Plate Domestic	--	--	1	--	--	1
36	JZ232805	Foam Rear Number Plate	--	--	1	--	--	1
37	LAC00008	Nut Reflector Reflex	1	1	1	1	1	1

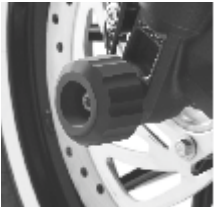










No.	Part No.	Description	Qty for 200			Qty for 390			
			MY15	MY16	MY17	MY15	MY16	MY17	
1	JY231000	Tool Kit RC	1	1	1	1	1	1	
2	JG231003	Spark Plug Spanner	1	1	1	1	1	1	
3	DK221024	Band Tool Kit	1	1	1	1	1	1	
4	JG231002	Tool Kit Bag	1	1	1	1	1	1	
5	JG231006	Screw Driver	1	1	1	1	1	1	N.S.
6	JG231014	Tool Wrench 22 A/F	1	1	1	1	1	1	N.S.
7	JG231008	Tool Bar	1	1	1	1	1	1	N.S.
8	JG231009	Spanner Flat 13 X 14	1	1	1	1	1	1	N.S.
9	JG231010	Spanner Flat 08 X 10	1	1	1	1	1	1	N.S.
10	JY231001	Tool Allen Key 4MM	1	1	1	1	1	1	N.S.
11	JG231011	Key Allen -5 MM	1	1	1	1	1	1	N.S.
12	JG231012	Key Allen -6 MM	1	1	1	1	1	1	N.S.
13	JG231013	Key Allen -10 MM	1	1	1	1	1	1	N.S.
14	JY231002	Tool Spring Adjuster	1	1	1	1	1	1	N.S.

KTM RECOMMENDED CONSUMABLES

RC 200/390

No.	Part No.	Description	
1.	OILCRGJU	Engine oil Motul 71004T 20 W 50	
2.	OILCRGJG	Engine oil Motul 7100 10 W 50	
3.	36 DH40 61	Brake oil	
4.	36 PB00 04	Fork oil	
5.	36 0010 58	Engine coolant Koolex	
6.	36 DK00 45	Molybdenum general purpose grease	
7.	36 DH40 29	Chain lubricant OKS	
8.	JG 5410 71	Liquid Gasket	
9.	36 0010 52	Steering Grease (Bajaj Genuine Pouch) Grease Lethon - 10 Gm RR 3	
10.	36 DK00 45	General Grease Application Molybdenum grease	
11.	36 0010 52	Grease for brake caliper pins (Bajaj Genuine Pouch) Silicone grease/ Poly butyl cuprysil grease	
12.	83020473	Petamo Grease	

No.	Part No.	Description		
1.	36 JT00 08	Crash Pad - Front		
2.	36 JT00 07	Tank Pad		
3.	36 JT00 34	Tank Cap sticker		
4.	36 JT00 54	Bike - Cover		
5.	36 JT00 14	WINDSHIELD		
6.	36 JT00 55	GRAPHICS KIT "RACE" 390 CHROME STICKER SET		

No.	Part No.	Description		
7.	36 JT00 17	CRASH PAD REAR		
8.	36 JT00 29	BRAKE LEVER LOCK		
9.	36 PB00 06	KTM REAR WHEEL STAND		

Sr No	Kit Part No.	Kit Description	Consisting of Following Parts					
			Part No.	Description	Qty/Kit			
1	36JU0124	Kit "D" Shaped Valve Cover Gasket 200	JU511039	Gasket	1			
			JG511021	Decoupling Rubber	4			
2	36JY0199	Kit "D" Shaped Valve Cover Gasket 390	JY511128	Gasket	1			
			JG511021	Decoupling Rubber	4			
3	36JU0125	Kit Engine Transmission 200	JG541041	Gasket Crank Case	1			
			JG601007	Special Shaft Seal	1			
			DG101456	Oil Seal Output Shaft	1			
			39104319	Oil Seal GSL	1			
			JG541221	Gasket Clutch Cover	1			
			JG531215	Washer	1			
			JG601005	Nut	1			
			DK101352	O Ring Sprocket	1			
			JG541224	Ignition Cover Gasket	1			
			JL601010	Oil Seal Double Lip	1			
			83020473	Grease Pouch Kluber	1			
4	36JY0200	Kit Engine Crankcase 390	JG541071	Liquid Gasket	1			
			JG601007	Special Shaft Seal	1			
			DG101456	Oil Seal Output Shaft	1			
			39104319	Oil Seal GSL	1			
			JG531215	Washer	1			
			JG601005	Nut	1			
			DK101352	O Ring Sprocket	1			
			JL601010	Oil Seal Double Lip	1			
			83020473	Grease Pouch Kluber	1			
			5	36JY0201	Kit Tie Rod End LH	LCA00006	Nut Inhibitor	1
						JG113048	Tie Rod End Lh	1
JG113078	Cover Dust Tie Rod	1						
6	36JY0202	Kit Tie Rod End RH	LCB00003	Nut (IM6x1)	1			
			JG113049	Tie Rod End RH	1			
			JG113078	Cover Dust Tie Rod	1			
7	36JY0203	Kit Water Pump Gears 390	JY571019	Rotor Oil Pump Inner	1			
			JY571002	Rotor Oil Pump Outer	1			
8	36JU0126	Kit Water Pump Gears 200	JG571022	Rotor Oil Pump Inner with Shaft	1			
			28121008	Rotor Oil PUP Outer	1			

Sr No	Kit Part No.	Kit Description	Consisting of Following Parts		
			Part No.	Description	Qty/Kit
9	36JY0204	Kit PRV KTM	JG571028	Piston PRV	1
			JG571029	Spring PRV Assy	1
10	JY541025	Oil Pump Body with PRV	JY571025	Body Oil Pump	1
			JG571028	Piston PRV	1
			JG571029	Spring PRV Assy	1
			LDB00012	Washer Plain-Id 6XOd 14XTHK 3XBR	1
11	36JU0127	Oil Pump Body with PRV 200	JG571028	Piston PRV	1
			JG571029	Spring PRV_assy	1
			JG509003	Washer Plain	1
			JG571017	Oil Pump Body	1
12	36JY0205	Kit Fr Wheel Elec Orange MY17	56JP601T	Front Wheel	1
			JG131001	Spacer Front Wheel	1
			KPBC6202	Bearing Ball - C3 Clearance	2
			DG151005	Seal Oil	2
			DK151026	Valve Tubeless Tyre	1
13	36JY0206	Kit Rr Wheel Elec Orange MY17	56JP611T	Rear Wheel Elec Orange	1
			KPBC6202	Bearing Ball - C3 Clearance	1
			KPBC6302	Bearing Ball - C3 Clearance	1
			30151082	Seal Oil	2
			JG131205	Collar Bearing	1
			DK151026	Valve Tubeless Tyre	1
14	36JG0091	Kit Water Pump Seals with Grease	JG601007	Special Shaft Seal Ring (Oil)	1
			JL601010	Water Seal Double LIP	1
			83020473	Grease Pouch Kluber	1
			JG601012	O-Ring (Water Pump Cover)	1

PART INDEX

RC 200/390

Part Number	Figure No.	Page No.	Part Number	Figure No.	Page No.	Part Number	Figure No.	Page No.	Part Number	Figure No.	Page No.	Part Number	Figure No.	Page No.	Part Number	Figure No.	Page No.	Part Number	Figure No.	Page No.	Part Number	Figure No.	Page No.
30101195	6	25	39218106	18	3	36JU0004	18	8	36JU0116	1	3	36JY0056	28	20	36JY0181	27	57	52JY0796	1B	33	DH101392	12	21
30141031	23	33	39218106	24	4	36JU0005	20	8	36JU0123	2	1	36JY0057	29	20	36JY0182	26	57	52JY0797	1A	33	DH101648	14	9
30151082	10	52	39218520	17	2	36JU0006	19	8	36JU0124	3A	22	36JY0058	30	20	36JY0183	20A	56	56JY056A	14	45	DH171019	3	52
30191017	22	32	39220011	10	8	36JU0007	1	7	36JU0125	1A	1	36JY0059	31	20	36JY0184	20	56	56JY144X	22	59	DJ101300	5	1
30191048	8	31	39220307	5	8	36JU0015	19	54	36JU0126	23	24	36JY0060	32	20	36JY0185	2A	56	56JY154X	23	59	DJ101300	10	2
31101173	7	8	39256220	8	4	36JU0019	20	29	36JU0127	1	24	36JY0061	33	20	36JY0186	3A	56	56JY405S	25	46	DJ101300	17	5
36001051	21	4	39256220	9	2	36JU0036	1	8	36JY0002	5A	9	36JY0062	34	20	36JY0187	17	56	56JY406A	25B	46	DJ101300	15A	4
39099906	5	24	39256220	13	3	36JU0040	13	18	36JY0003	2A	7	36JY0063	35	20	36JY0188	5A	56	56JY434X	3	45	DJ101300	3A	3
39099906	7	25	39256220	20	1	36JU0041	14	18	36JY0004	18A	8	36JY0064	36	20	36JY0192	1A	6	56JY444X	4	45	DJ101314	12	1
39099906	10	22	39260120	11	1	36JU0042	15	18	36JY0005	19A	8	36JY0065	5A	18	36JY0197	1A	4	56JY46X3	7A	45	DJ141002	31	41
39099906	11	5	39260120	13	2	36JU0043	16	18	36JY0006	20A	8	36JY0069	3B	22	36JY0198	2	2	56JY471T	8B	45	DJ161091	12	45
39101721	6	22	39260220	8	1	36JU0044	17	18	36JY0007	1A	7	36JY0071	16	13	36JY0199	3C	22	56JY47X3	8A	45	DJ201108	25	32
39102121	12	18	39260607	12	14	36JU0045	18	18	36JY0029	1	20	36JY0075	32	57	36JY0200	20	2	56JY534X	7	45	DJ201109	15	56
39104119	10	5	39260607	16	6	36JU0046	19	18	36JY0030	2	20	36JY0076	33	57	36JY0201	19	15	56JY544X	8	45	DK101225	18	22
39104319	4	4	39260607	5A	8	36JU0047	20	18	36JY0031	3	20	36JY0077	2	58	36JY0202	20	15	BF185019	18	47	DK101340	19	22
39104319	8	3	39266921	14	21	36JU0048	21	18	36JY0032	4	20	36JY0079	3	58	36JY0203	24	24	BF551037	5	12	DK101352	15	12
39104619	15	5	39269920	17	22	36JU0049	22	18	36JY0033	5	20	36JY0081	1	51	36JY0204	25	24	BF551037	6	10	DK101386	10	6
39106504	8	22	59200006	11	3	36JU0050	23	18	36JY0034	6	20	36JY0082	1	52	36JY0205	1A	51	BF621402	5	27	DK101852	2	56
39107504	9	22	59200036	2	6	36JU0051	24	18	36JY0035	7	20	36JY0084	1	45	36JY0206	1A	52	CB101009	4A	18	DK141005	3	44
39118415	18	31	59200036	14	1	36JU0052	25	18	36JY0036	8	20	36JY0085	2	45	36JY461T	7B	45	CB101022	7A	18	DK151026	11	51
39153721	18	5	59210023	17	24	36JU0053	26	19	36JY0037	9	20	36JY0086	22	46	36PD0056	23	62	CS101128	13	21	DK151026	14	52
39155304	28	32	60111415	15	58	36JU0054	27	19	36JY0038	10	20	36JY0087	1	47	52JY0185	19	25	DD111012	21	26	DK151042	29	57
39166511	15	6	60111415	31	46	36JU0055	28	19	36JY0039	11	20	36JY0088	2	47	52JY0547	10A	61	DD191147	21	32	DK151045	2	57
39172420	15A	9	60111415	37	60	36JU0056	29	19	36JY0040	12	20	36JY0089	1C	45	52JY0635	1	33	DE151041	28	57	DK151063	25	57
39177304	6	3	83020473	21	2	36JU0057	30	19	36JY0041	13	20	36JY0090	2B	45	52JY0721	1B	45	DE151046	7	57	DK151069	9	57
39186420	14	2	83020473	23	1	36JU0058	31	19	36JY0042	14	20	36JY0091	22B	46	52JY0722	2C	45	DE191010	8	57	DK151069	10	56
39190701	30	46	83020473	23	3	36JU0059	32	19	36JY0043	15	20	36JY0092	2B	47	52JY0723	3B	45	DE191010	9	56	DK151072	24	57
39193120	3	1	83020473	26	4	36JU0060	33	19	36JY0044	16	20	36JY0093	1B	47	52JY0724	4B	45	DG101029	7	18	DK151085	3	57
39193120	6	8	36DK0069	22	57	36JU0061	34	19	36JY0045	17	20	36JY0102	15	13	52JY0725	22C	46	DG101275	16	9A	DK151092	8	56
39199020	2	5	36DK0070	23	57	36JU0062	35	19	36JY0046	18	20	36JY0103	19	9A	52JY0726	25C	46	DG101275	13A	9	DK181043	23	32
39200511	9	15	36DT0053	1	59	36JU0063	36	19	36JY0047	19	20	36JY0114	5	56	52JY0727	4	47	DG101275	9A	8	DK181050	29	30
39200511	18	1	36JG0087	17	29	36JU0064	37	19	36JY0048	20	20	36JY0168	1	31	52JY0746	2A	45	DG151005	3	51	DK181051	32	30
39201619	15A	5	36JG0091	3B	2	36JU0065	38	19	36JY0049	21	20	36JY0169	2	31	52JY0747	1A	45	DG181005	33	30	DK181076	15	29
39201719	4	18	36JG0091	3B	6	36JU0066	39	19	36JY0050	22	20	36JY0170	1A	31	52JY0748	3A	45	DG181045	28	30	DK181096	16	31
39213217	5	7	36JG0091	6B	1	36JU0067	22	24	36JY0051	23	20	36JY0171	2A	31	52JY0749	4A	45	DG181046	30	30	DK221024	3	64
39214124	4	59	36JP0016	1	56	36JU0073	3	22	36JY0052	24	20	36JY0177	5	58	52JY0750	22A	46	DG181047	31	30	DL191014	17	31
39215811	2	10	36JP0017	1A	56	36JU0074	14	29	36JY0053	25	20	36JY0178	4	58	52JY0751	25A	46	DH101048	9	6	DP101114	8	9
39215911	14	12	36JU0001	2	7	36JU0075	34	30	36JY0054	26	20	36JY0179	21	57	52JY0752	1A	47	DH101235	2	12	DP101191	9	1
39218106	3	7	36JU0002	5	9	36JU0076	1	1	36JY0055	27	20	36JY0180	20	57	52JY0755	2A	47	DH101389	6A	14	DP101191	12	2

PART INDEX

RC 200/390

Part Number	Figure No.	Page No.	Part Number	Figure No.	Page No.	Part Number	Figure No.	Page No.	Part Number	Figure No.	Page No.	Part Number	Figure No.	Page No.	Part Number	Figure No.	Page No.	Part Number	Figure No.	Page No.			
DP101243	7	9	JF561001	10A	14	JG113836	6	58	JG131802	10	51	JG231010	9	64	JG511010	4	38	JG541068	12	22	JG551423	15	9
DS101154	8	6	JG111139	36	30	JG113849	34A	34	JG131804	4	56	JG231011	11	64	JG511016	8	18	JG541071	1	2	JG551427	1	9
DS101215	9	5	JG113007	22	33	JG113857	6A	29	JG131805	16	56	JG231012	12	64	JG511021	21	23	JG541074	18	4	JG551428	3	9
DS121126	8	39	JG113010	12	57	JG113858	32	53	JG131809	7	52	JG231013	13	64	JG511022	20	22	JG541074	17A	3	JG551443	16	9
DS161156	7	28	JG113010	16	15	JG121011	13	29	JG131811	6	56	JG231014	6	64	JG511022	20	23	JG541074	26A	26	JG551447	6	9
DS191052	12	31	JG113039	5	33	JG121012	10	29	JG131814	7	56	JG232603	12	43	JG511030	2	22	JG541207	14	25	JG551449	4	9
DT131210	15	52	JG113040	4	33	JG121013	11	29	JG131815	1	57	JG232605	11	61	JG511042	3	18	JG541220	17	3	JG551451	11	9
DT131213	25	52	JG113041	9	33	JG121028	26	30	JG131821	6	57	JG233001	36	34	JG511046	14	22	JG541221	12	5	JG561008	3	14
DT131214	21	52	JG113042	8	33	JG121038	3	29	JG141001	24A	52	JG233080	24	29	JG511211	15	21	JG541223	9	25	JG561009	7	2
DT131849	16A	58	JG113052	29	34	JG122007	5	52	JG151022	4	31	JG351002	7	3	JG511243	11	18	JG541224	2	25	JG561009	8	15
DT131849	6A	58	JG113061	14	57	JG122009	17	37	JG151026	16	29	JG351019	32	26	JG511247	10	21	JG541230	7	5	JG561009	17	1
DT131867	13A	51	JG113061	15	15	JG122010	18	37	JG161001	16	57	JG351201	22	26	JG511250	7	21	JG541231	16	5	JG561010	4	14
DT161010	16A	31	JG113203	1	35	JG122011	16	37	JG161008	15	31	JG351202	12	25	JG511255	5	18	JG541232	5	25	JG561011	1	14
DT171811	5	44	JG113204	2	35	JG122012	14	37	JG161010	3	56	JG351203	10	25	JG511259	6	18	JG541235	1	5	JG561012	7	14
DT171814	2A	44	JG113207	3	35	JG122015	14	33	JG171023	11	43	JG351208	11	25	JG511261	6	21	JG551000	12	12	JG561013	8	14
DT181254	22	47	JG113210	9	35	JG122016	5	37	JG171023	22	40	JG351400	16	22	JG511262	5	21	JG551013	3	10	JG561016	9	14
DT351001	3A	25	JG113400	10	33	JG122026	15	37	JG171024	17	62	JG351600	1	27	JG511269	3	21	JG551013	20	12	JG561200	1	15
DT401012	41	60	JG113401	11	33	JG122032	12	37	JG171029	4	44	JG401006	8	62	JG511270	17	21	JG551015	5	5	JG561204	5	2
DT401024	40	60	JG113403	19	33	JG122033	13	37	JG171029	5	17	JG401036	34	63	JG511276	4	21	JG551017	4A	5	JG561204	6	15
DT402404	8	58	JG113403	39	34	JG122036	2	37	JG171029	23	17	JG401044	23A	54	JG521008	4	7	JG551019	17	12	JG561204	15	1
DT402404	29	53	JG113404	17	45	JG122039	2A	37	JG171031	12	47	JG401400	4	57	JG531027	8	8	JG551020	3	12	JG561205	6	2
DT402404	15A	51	JG113404	17	47	JG122042	1B	37	JG171031	29	46	JG401402	8	35	JG531031	9	8	JG551020	5	10	JG561205	7	15
DV101048	19	12	JG113404	20	40	JG122043	1	37	JG171046	11	28	JG401405	24	54	JG531040	14	8	JG551020	8	12	JG561205	16	1
DV101048	26	53	JG113404	23	37	JG122044	1A	37	JG171048	23	42	JG401411	4	35	JG531041	12	8	JG551021	9	12	JG561215	2	15
EC561023	2	14	JG113404	26	59	JG131001	5	51	JG171067	5A	42	JG401601	2	54	JG531207	7	6	JG551022	10	10	JG561215	11	14
GF161168	22	42	JG113406	19A	33	JG131003	6	51	JG171086	6	42	JG402002	22	54	JG531215	5	6	JG551025	1	12	JG561216	5	15
JA541021	16	24	JG113800	12	33	JG131006	7	51	JG171601	3	42	JG402228	16	54	JG541015	12	3	JG551027	1	10	JG561217	4	15
JC201027	7	27	JG113802	15	33	JG131007	8	51	JG171802	2	44	JG402229	17	54	JG541021	7	22	JG551031	16	12	JG561218	3	15
JD131811	8	52	JG113804	8	16	JG131008	9A	51	JG181250	8	17	JG402230	18	54	JG541021	13	5	JG551213	4	10	JG561222	5	14
JD131811	10A	51	JG113805	7	16	JG131038	9	51	JG181259	25	59	JG402237	20	54	JG541041	16	3	JG551214	7	10	JG561225	10	14
JD402212	14	54	JG113806	4	17	JG131205	12	52	JG181273	7A	37	JG402244	25	54	JG541043	8	27	JG551215	10	12	JG561226	8	2
JD402215	14	51	JG113813	49	34	JG131209	27	53	JG181280	38	46	JG402245	26	55	JG541043	14	3	JG551216	4	8	JG561226	10	15
JD402215	17	52	JG113814	30	34	JG131211	6	52	JG181282	38A	46	JG402400	4	61	JG541044	5	3	JG551220	8	10	JG561226	19	1
JD402217	14A	54	JG113822	11	58	JG131220	28	53	JG181416	11	62	JG402400	15	51	JG541045	22	1	JG551222	6	12	JG571014	11	24
JF531007	2	8	JG113824	34	34	JG131221	9A	52	JG231002	4	64	JG403200	7	54	JG541047	11	21	JG551223	7	12	JG571015	13	24
JF531014	3	8	JG113826	16	58	JG131224	23	52	JG231003	2	64	JG403600	7	58	JG541048	9	21	JG551224	11	12	JG571016	12	24
JF531020	1B	8	JG113826	18	56	JG131228	18	52	JG231006	5	64	JG403603	17	51	JG541058	19	3	JG551225	13	12	JG571018	2	24
JF541016	9A	4	JG113831	6	29	JG131236	19A	52	JG231008	7	64	JG403603	31	53	JG541059	10	1	JG551227	9	10	JG581004	5	39
JF541017	25	4	JG113832	7	29	JG131245	9	52	JG231009	8	64	JG501008	11	22	JG541063	4	3	JG551228	4	12	JG581014	12	58

PART INDEX

RC 200/390

Part Number	Figure No.	Page No.	Part Number	Figure No.	Page No.	Part Number	Figure No.	Page No.	Part Number	Figure No.	Page No.	Part Number	Figure No.	Page No.	Part Number	Figure No.	Page No.	Part Number	Figure No.	Page No.	Part Number	Figure No.	Page No.
JG581033	3	39	JG611006	3	28	JP171809	14	42	JU541005	13	1	JY113821	19	42	JY113877	39	41	JY151036	3A	31	JY171606	5	42
JG581036	6	39	JG611007	2	28	JP181402	18	45	JU541018	4A	3	JY113821	24	59	JY113879	10A	16	JY161000	13	31	JY171608	24A	40
JG581037	7A	39	JG611206	17	28	JP351410	10C	28	JU551401	6	5	JY113821	35	41	JY121010	8	29	JY161008	15A	31	JY171608	8A	61
JG581056	10	39	JG621412	3	27	JP402217	30	55	JU551402	10	9	JY113822	17	40	JY121011	19	29	JY161023	12A	31	JY171812	6	44
JG581058	12	39	JG621413	2	27	JU113200	5	35	JU551405	2	9	JY113822	33	46	JY121029	21	29	JY161202	11	31	JY171815	7	44
JG581061	9	39	JG621417	4	27	JU121007	4	29	JU551406	9	9	JY113824	4	43	JY121030	22	29	JY161204	10	31	JY171816	1	44
JG581073	7	39	JL131878	47	34	JU121009	12	29	JU561400	11	15	JY113824	21	40	JY121033	1	29	JY161205	11B	31	JY171817	1A	44
JG581407	8	28	JL171019	7	40	JU121018	23	29	JU581006	11	39	JY113825	28	46	JY121034	2	29	JY171006	16	40	JY171823	1A	42
JG581416	4	28	JL171020	8	40	JU121037	9	29	JU581006	16	28	JY113825	30	26	JY121036	21A	29	JY171007	37	41	JY171824	16	42
JG581419	6	28	JL171038	30	41	JU131004	12	56	JU581404	1	28	JY113826	5	43	JY121037	22A	29	JY171037	9	45	JY171825	15	42
JG581424	5	28	JL181411	20	47	JU131222	16	52	JU581413	9	28	JY113826	6	36	JY121040	1A	29	JY171037	19	40	JY171829	6A	44
JG591038	5	38	JL191007	6	43	JU131801	13	51	JU591019	2	38	JY113827	32	34	JY121041	2A	29	JY171040	10	40	JY171831	8	44
JG591039	6	38	JL402219	31	55	JU131802	2	52	JU591081	5B	38	JY113828	31	34	JY121066	3A	29	JY171041	11	40	JY171834	1B	44
JG591055	7	38	JL403000	5	54	JU131815	14	56	JU611206	1A	28	JY113831	11A	16	JY121067	4A	29	JY171042	12	40	JY171837	9	44
JG591070	3	38	JL403001	6	54	JU131816	13	56	JY113004	3	33	JY113832	10B	16	JY121082	9A	29	JY171043	13	40	JY181000	22	62
JG591088	11	38	JL403200	24A	54	JU141006	24	52	JY113005	2	33	JY113834	40	34	JY122004	8	37	JY171044	14	40	JY181204	27	59
JG591099	26	38	JL521200	6	7	JU141008	19	52	JY113006	7	33	JY113835	41	34	JY122012	1	36	JY171045	15	40	JY181205	28	59
JG591100	14	38	JL531205	1	6	JU161006	11	57	JY113007	6	33	JY113836	13	33	JY122013	1B	36	JY171066	18	42	JY181207	24	42
JG601005	6	6	JL541227	8	5	JU161007	14	15	JY113008	13	15	JY113838	42	34	JY122019	1A	36	JY171066	29	41	JY181209	29	59
JG601007	3	2	JL551407	13	9	JU181408	24	62	JY113015	15	57	JY113839	43	34	JY122020	1C	36	JY171067	4A	42	JY181210	30	59
JG601007	3	6	JL591156	12	38	JU181410	35	63	JY113015	17	15	JY113842	11	42	JY131201	16A	52	JY171069	9	42	JY181213	26	46
JG601007	6	1	JL591165	8	38	JU181412	25	62	JY113018	21	33	JY113842	21	17	JY131800	2	51	JY171070	10	42	JY181214	1	40
JG601011	12	6	JL591165	27	38	JU231206	28	62	JY113020	26	34	JY113842	45	34	JY131805	31	57	JY171072	2	42	JY181215	23	40
JG601012	13	6	JL601010	3A	2	JU351400	10	28	JY113021	27	34	JY113845	4	22	JG131808	5	57	JY171077	2A	42	JY181216	3	40
JG601013	11	6	JL601010	3A	6	JU351400	10A	28	JY113025	13	57	JY113847	50	34	JY131816	1	58	JY171088	18	40	JY181226	3	37
JG601014	9	17	JL601010	6A	1	JU351400	10B	28	JY113025	18	15	JY113848	26	32	JY131819	16A	56	JY171089	7A	42	JY181228	21	37
JG601016	16	17	JN351604	9	54	JU401004	23	54	JY113400	10B	33	JY113849	20	42	JY131821	30	57	JY171090	8	42	JY181232	2	62
JG601018	12	17	JP113400	10A	33	JU511013	5	22	JY113401	11B	33	JY113851	21	42	JY131823	4A	56	JY171090	34	41	JY181233	27	46
JG601019	13	17	JP113401	11A	33	JU511027	1	22	JY113804	12	54	JY113854	39	46	JY131834	1A	58	JY171093	8	61	JY181234	6B	47
JG601209	15	17	JP113402	10C	33	JU511038	2A	22	JY113805	2	40	JY113855	40	46	JY151011	18	29	JY171093	24	40	JY181235	3	47
JG601210	17	17	JP113403	11C	33	JU511045	1A	22	JY113806	12	28	JY113857	17A	42	JY151012	6	31	JY171095	26	41	JY181236	5	47
JG601211	2	17	JP121039	20A	29	JU511204	9	18	JY113807	13	28	JY113862	37	30	JY151013	5	31	JY171096	22	17	JY181238	6	47
JG601215	7	17	JP131009	6A	51	JU511205	2	18	JY113808	8	43	JY113864	36	41	JY151014	3	31	JY171097	6	40	JY181241	11	59
JG601221	19	17	JP131205	19B	52	JU511218	2	21	JY113809	11	16	JY113870	37	46	JY151015	6A	31	JY171108	6A	40	JY181244	31	60
JG601230	3	17	JP131817	2A	51	JU511219	1B	21	JY113812	10	16	JY113871	37A	46	JY151016	5B	31	JY171125	6B	40	JY181245	32	60
JG601234	20	17	JP131818	2B	51	JU511221	2B	21	JY113813	9	16	JY113872	32	41	JY151017	5A	31	JY171602	4	42	JY181246	5	59
JG601235	16	16	JP161200	11A	31	JU511223	4A	21	JY113819	34	46	JY113873	33	41	JY151018	5	29	JY171603	1	42	JY181247	2	61
JG601238	11	17	JP171807	12	42	JU511224	1	18	JY113821	9	40	JY113874	38	41	JY151023	1B	31	JY171604	7	42	JY181248	19	47
JG601239	13A	17	JP171808	13	42	JU521005	7	7	JY113821	15	47	JY113876	34B	34	JY151024	2B	31	JY171605	26A	41	JY181255	9	47

PART INDEX

RC 200/390

Part Number	Figure No.	Page No.	Part Number	Figure No.	Page No.	Part Number	Figure No.	Page No.	Part Number	Figure No.	Page No.	Part Number	Figure No.	Page No.	Part Number	Figure No.	Page No.	Part Number	Figure No.	Page No.	Part Number	Figure No.	Page No.
JY181256	2	16	JY231200	19	62	JY233083	14	49	JY351801	3A	4	JY511066	2B	22	JY541040	8A	27	JY551019	15	9A	JY551430	2A	9
JY181258	19	37	JY231205	22A	62	JY233084	15	49	JY401002	15	62	JY511067	1B	22	JY541042	17	4	JY551021	2	11	JY551435	6	9A
JY181262	41	41	JY231401	31	63	JY233093	10	49	JY401006	6	59	JY511068	25	23	JY541047	4	1	JY551022	1	11	JY551436	7	9A
JY181263	13	61	JY231610	14	59	JY233094	11	49	JY401007	19	59	JY511070	5A	22	JY541047	11	2	JY551027	8	13	JY551437	8	9A
JY181264	16	59	JY231611	15	59	JY233102	3	50	JY401008	20	59	JY511071	22	23	JY541050	9	4	JY551029	26A	53	JY551438	5	9A
JY181264	33	60	JY231616	14A	59	JY233103	4	50	JY401014	38	60	JY511074	28	23	JY541051	16	2	JY551030	17	13	JY551439	9	9A
JY181265	15	16	JY231617	15A	59	JY233104	1	50	JY401015	39	60	JY511127	2C	22	JY541052	16	4	JY551205	11	13	JY551440	10	9A
JY181270	24	37	JY232603	27	41	JY233105	2	50	JY401019	43	60	JY511212	10	18	JY541053	20	4	JY551212	4A	8	JY551441	11	9A
JY181272	9	59	JY232604	3	43	JY233106	12	50	JY401020	35	60	JY511217	1	21	JY541058	6	4	JY551214	4	11	JY551442	12	9A
JY181276	29	26	JY232604	9	61	JY233107	13	50	JY401024	6	62	JY511219	4B	21	JY541058	10	3	JY551215	9	11	JY551443	13	9A
JY181277	5A	47	JY232605	9	43	JY233108	5	50	JY401025	7	62	JY511220	10A	21	JY541058	19	13	JY551217	13	13	JY551448	19	5
JY181278	6A	47	JY232605	12	61	JY233109	6	50	JY401026	41	46	JY511221	2A	18	JY541071	33	26	JY551218	9	13	JY551450	5B	5
JY181279	10	45	JY232607	10	61	JY233110	7	50	JY401401	6	61	JY511222	1A	18	JY541080	14A	4	JY551220	12A	8	JY561001	1A	14
JY181282	17	59	JY232801	1	62	JY233111	8	50	JY401402	9	31	JY511223	3A	18	JY541081	17A	4	JY551225	3A	27	JY561002	7A	14
JY181283	18	59	JY232801	44	34	JY233114	10	50	JY401403	7A	31	JY511225	6A	18	JY541082	20A	4	JY551226	2A	27	JY561004	9A	14
JY181284	12	59	JY232803	30	62	JY233115	11	50	JY401404	14	31	JY511226	11A	18	JY541206	27	26	JY551228	8	11	JY561008	8A	14
JY181285	13	59	JY232804	35A	63	JY233116	9	50	JY401405	7	31	JY511227	11A	21	JY541208	9A	25	JY551229	5	11	JY561013	1B	14
JY181288	20	37	JY232806	13	62	JY233123	3	49	JY401407	7B	31	JY511229	9A	21	JY541217	5C	5	JY551230	7	11	JY561205	1A	15
JY181298	26	37	JY232807	2	59	JY233124	4	49	JY401408	8A	35	JY511238	15A	21	JY541220	16A	5	JY551231	3	11	JY571008	21	24
JY181298	20A	47	JY232808	42	60	JY233125	12	49	JY401410	28	55	JY511269	2A	21	JY541221	4	5	JY551232	12	13	JY571009	8	24
JY181299	27	55	JY233000	2	48	JY233126	13	49	JY401801	8	54	JY511271	4C	21	JY541222	24	26	JY551233	2	13	JY571015	18	24
JY181300	4	37	JY233001	3	48	JY233127	7	49	JY402000	11	54	JY511272	1A	21	JY541225	12A	5	JY551234	7	13	JY571023	2A	24
JY181307	5B	47	JY233004	4	48	JY233128	8	49	JY402203	1C	54	JY521003	7A	7	JY541227	14A	25	JY551235	5	13	JY571024	19	24
JY181309	3A	47	JY233005	5	48	JY233129	5	49	JY402205	15	54	JY521006	4A	7	JY541228	1	25	JY551236	10	13	JY571029	19	4
JY181310	23	47	JY233006	17	48	JY233130	6	49	JY402209	1B	54	JY521214	6A	7	JY541236	1C	5	JY551237	4	13	JY571030	4	24
JY181314	17	42	JY233007	18	48	JY233131	9	49	JY402210	21	54	JY521220	5A	7	JY541240	1A	25	JY551401	3	9A	JY571033	13A	24
JY181316	5	36	JY233008	6	48	JY233133	14	50	JY402210	7A	27	JY531005	3A	8	JY541251	5A	5	JY551402	20	25	JY581003	6A	39
JY181327	13	45	JY233009	7	48	JY233134	15	50	JY402213	1D	54	JY531008	10A	8	JY541253	19A	5	JY551403	4	9A	JY581014	3A	39
JY181404	6	45	JY233010	8	48	JY233137	1	49	JY402217	1A	54	JY531026	8A	8	JY541254	1A	5	JY551403	3A	9	JY581019	14	39
JY181404	23	46	JY233010	16	48	JY233138	1	49	JY402218	1	54	JY531036	2A	8	JY541255	26	26	JY551404	6A	5	JY581024	1	39
JY181405	21	62	JY233011	10	48	JY351015	3	25	JY402229	20A	54	JY531039	1A	8	JY541268	1B	5	JY551413	11A	9	JY581025	1A	39
JY181408	15	45	JY233012	11	48	JY351019	4	25	JY402246	32	55	JY541009	15	2	JY541274	1B	25	JY551416	9A	9	JY581026	13	39
JY191000	1	43	JY233013	12	48	JY351025	4A	25	JY402401	1A	61	JY541009	12A	21	JY541276	2A	25	JY551417	6A	9	JY581028	10A	39
JY191007	7	43	JY233014	13	48	JY351029	3B	25	JY402404	1B	61	JY541016	14	4	JY551005	6	13	JY551421	4A	9	JY581049	1B	39
JY191010	2	43	JY233015	1	48	JY351200	22A	26	JY402405	1	61	JY541025	1A	24	JY551006	1	13	JY551422	10A	9	JY581051	6B	39
JY191012	1A	43	JY233017	14	48	JY351203	11A	25	JY403604	7A	54	JY541029	18	2	JY551008	3	13	JY551426	8A	9	JY581053	7B	39
JY231000	1	64	JY233018	15	48	JY351205	13	25	JY511058	7A	21	JY541031	10	4	JY551010	6	11	JY551427	7A	9	JY581055	13A	39
JY231001	10	64	JY233020	9	48	JY351607	1A	27	JY511059	23	23	JY541035	1	4	JY551018	14	13	JY551429	1	9A	JY581065	8A	39
JY231002	14	64	JY233041	25	29	JY351800	3	4	JY511060	24	23	JY541039	11A	14	JY551019	12	9	JY551430	2	9A	JY581075	4	39

PART INDEX

RC 200/390

Part Number	Figure No.	Page No.	Part Number	Figure No.	Page No.	Part Number	Figure No.	Page No.	Part Number	Figure No.	Page No.	Part Number	Figure No.	Page No.	Part Number	Figure No.	Page No.	Part Number	Figure No.	Page No.
JY581200	9A	28	JY611000	2A	28	KAEA0510	46	34	KDBE0512	10	47	LAC00086	10A	6	LAE00017	27	23	LDB00010	15	8
JY581404	8A	28	JY611202	1B	28	KAEA0510	48	34	KDBE0613	29	62	LAC00106	12A	22	LAE00018	6	24	LDB00010	18	25
JY581405	11A	39	JY611215	1C	28	KAEB0612	2A	39	KDBF0512	7	59	LAD00036	13A	38	LAE00041	18A	17	LDB00011	3	36
JY581405	16A	28	JY611216	4A	28	KAEG0645	8A	21	KDBF0512	11	45	LAD00037	11	56	LAE00042	15	3	LDB00014	16	62
JY591009	28	38	JY621411	4A	27	KAEM0608	22	37	KDCF0612	17	16	LAD00038	18	33	LAE00048	17	6	LDB00019	28	34
JY591014	6A	38	JZ161028	17A	31	KAEM0608	33	34	KEAB1010	3	24	LAD00039	17	33	LBB00005	5	61	LDB00020	3	5
JY591015	5A	38	JZ232805	36	63	KAEM0610	10	58	KEBA3715	5	4	LAD00040	13	58	LBB00007	11	4	LDB00021	3	54
JY591032	2A	38	KAAA0625	17	57	KAEM0610	35	34	KEBA3715	9	3	LAD00040	15	39	LBB00007	20	3	LDB00023	7	36
JY591047	8	47	KACA0516	11	47	KAEM0612	2	39	KECE6008	36	60	LAD00040	19	16	LBB00007	21	1	LDB00031	26	62
JY591050	7	47	KACA0516	16	47	KAEM0616	7	37	KHAD2015	10	57	LAD00061	9	38	LBB00007	2A	3	LDB00033	17	8
JY591245	25	38	KACA0822	37B	34	KAEM0620	17	58	KPAC6205	20	52	LAD00065	13	38	LBC00003	15	28	LDB00034	4	52
JY591246	24	38	KACE0616	16	45	KAEM0620	29	55	KPBC6202	4	51	LAD00077	7	61	LBR00002	3	61	LDB00036	27	30
JY591250	1A	38	KACF0508	4	40	KAEQ0616	14A	24	KPBC6202	13	52	LAD00077	9	27	LBU00009	3	59	LDB00041	15A	8
JY591275	2B	38	KACF0508	42	41	KAEQ0630	14	5	KPBC6302	11	52	LAD00079	11A	56	LBU00010	14	62	LDB00041	18A	25
JY591278	15	38	KACF0512	36	46	KAEQ0630	16	25	KPBF6304	2A	6	LAD00081	21	3	LBU00012	27	32	LDB00051	9A	6
JY591279	16	38	KACF0612	13	43	KAEQ0635	22	4	LAA00007	10	37	LAD00082	18	17	LBU00041	21	59	LDF00002	5	62
JY591280	17	38	KACF0818	37	34	KAEQ0635	14A	5	LAC00003	17	25	LAD00093	9	58	LBU00045	21	38	LDH00002	13	8
JY591286	18	38	KACF0825	37A	34	KAEQ0635	16A	25	LAC00006	2	36	LAD00093	16	51	LCA00008	9	37	LEB00001	4	2
JY591287	19	38	KACJ0655	24	32	KAEQ0640	22	3	LAC00008	12	62	LAD00093	30	53	LCD00001	11	8	LEB00001	4	6
JY591297	22	38	KADD0612	20	62	KAEQ0640	8A	22	LAC00008	37	63	LAD00094	19	56	LCG00002	11A	8	LEB00001	7	1
JY591299	1	38	KADD0635	14	9A	KAEQ0645	15	25	LAC00010	35	30	LAD00124	16	8	LCG00003	4	36	LFB00001	7A	8
JY591299	20	38	KADD0645	32	46	KAEQ0650	15A	25	LAC00014	23	26	LAD00124	19A	25	LCG00003	11	37	LHA00001	19	57
JY591303	23	38	KADM0610	12	16	KAEW0620	16	21	LAC00024	6	14	LAD00128	3B	21	LCG00004	6	37	LHA00002	25	33
JY591308	10	27	KADM0610	35	46	KBBE0408	12	27	LAC00024	11A	22	LAD00133	7	35	LCG00006	15	22	LHD00001	20	24
JY601204	12A	17	KADM0616	8	36	KBBF0408	14	28	LAC00037	28	41	LAD00154	10	44	LCG00009	17	9A	LJA00001	26	23
JY601215	11A	17	KADM0618	10	43	KBBJ0514	19	45	LAC00037	40	41	LAE00001	19	2	LCG00009	14A	9	LJA00002	10	24
JY601217	1	17	KADM0620	13	47	KBBK0510	8	59	LAC00039	14	61	LAE00002	23	4	LCH00001	10	35	LJA00002	13	4
JY601227	14	16	KADM0620	27	62	KBRD3513	10	59	LAC00039	25	40	LAE00010	6	35	LCL00002	14	58	LJA00004	15	24
JY601228	10A	17	KADM0622	12	15	KBRD4213	9	62	LAC00054	14	47	LAE00010	10	54	LCL00002	18	16	LJA00006	9	24
JY601229	14A	17	KADM0625	13	54	KBRD4213	32	63	LAC00054	27	37	LAE00010	15	4	LCL00002	18	62	LJA00007	28	26
JY601232	10	17	KADM0625	31	26	KBUA0612	2B	39	LAC00055	20	31	LAE00010	2A	4	LCL00004	22	52	LPA00004	18	9A
JY601233	14	17	KADM0820	4	54	KCAJ0605	18	57	LAC00057	5	45	LAE00014	2	3	LDA00005	34	60	LPB00002	12	4
JY601235	3	16	KADM0820	5	40	KCGJ1010	3	62	LAC00057	21	47	LAE00014	3	3	LDA00008	13	22	LPB00003	7	4
JY601237	6	17	KADP0516	2	4	KCGJ1010	16	33	LAC00057	25	37	LAE00016	8	21	LDA00011	10	62	PA402204	14B	54
JY601241	13	16	KADP0516	14	24	KCKE0507	20	45	LAC00067	20	33	LAE00016	8	25	LDA00011	33	63			
JY601246	1	16	KADQ0620	14	6	KDAA0816	24	33	LAC00073	19	31	LAE00016	11	27	LDA00012	4	62			
JY601248	4	16	KADQ0625	6	27	KDAE0510	21	46	LAC00076	3C	21	LAE00016	25	26	LDA00014	29	23			
JY601249	5	16	KADQ0625	10A	38	KDBA0818	38	34	LAC00077	3A	21	LAE00017	18	12	LDA00015	13A	22			
JY601250	6	16	KADQ0635	10	38	KDBB0512	43	41	LAC00082	24	46	LAE00017	18	13	LDA00017	7	24			

MY - 15



MY - 15



MY - 16



MY - 16

