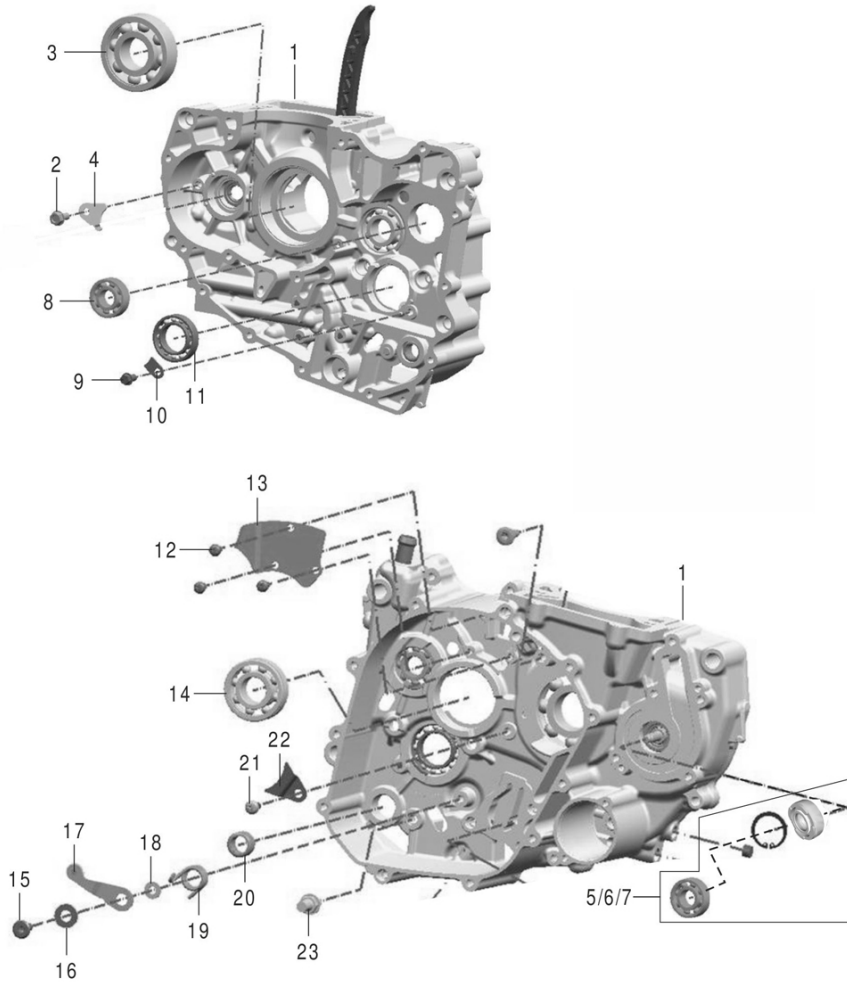


200-DUKE MY-23

200-DUKE MY-23

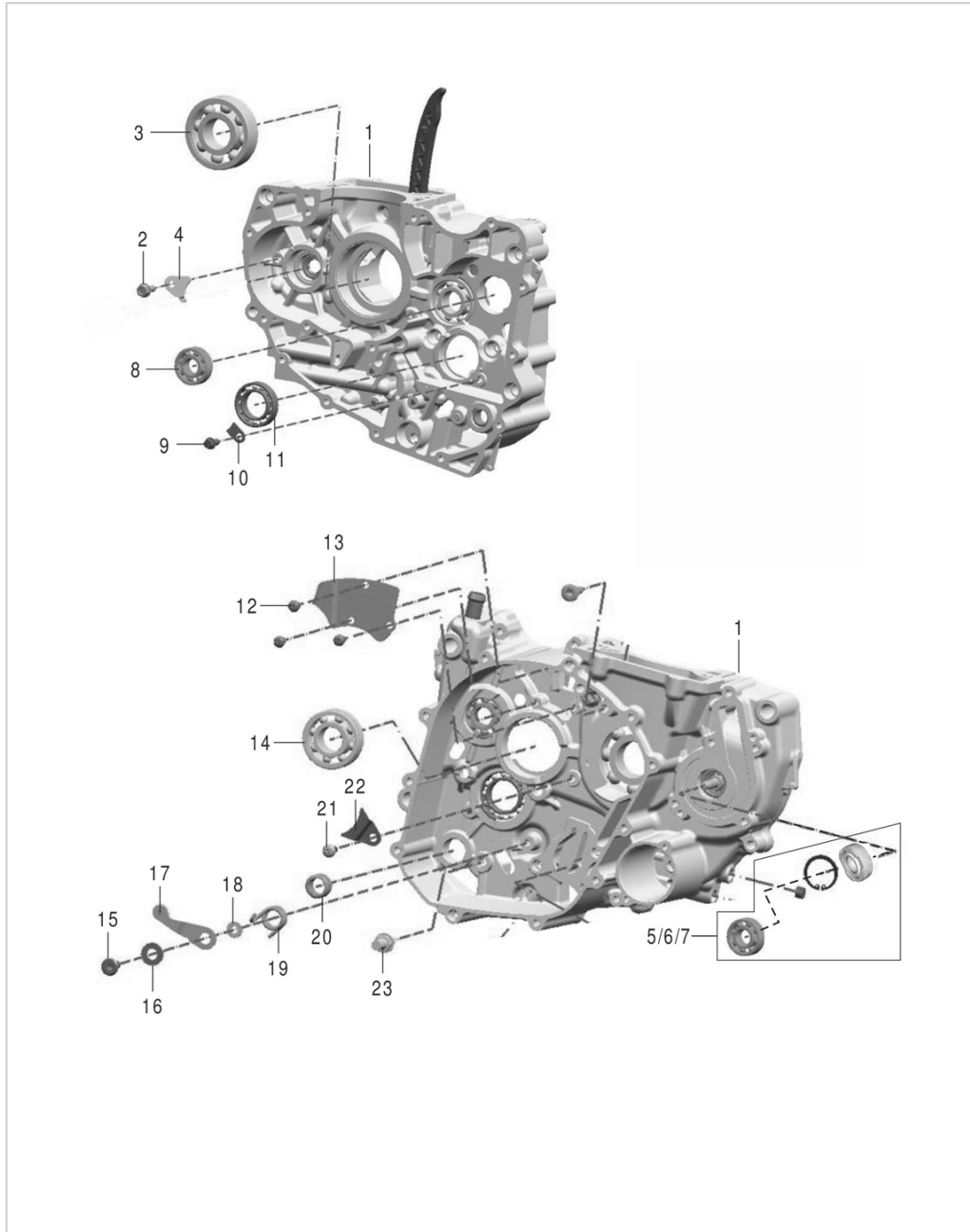
1. CRANKCASE RH



| SN | Part No. | Description | QTY |
|----|----------|---|-----|
| 1 | 36JP0057 | KIT CR' CASE ASY RH 200 MY20 | 1 |
| 2 | DJ101300 | BOLT FLANGE | 1 |
| 3 | 39193120 | BEARING - BALL :- 28 X 68 X 18 | 1 |
| 4 | JY541047 | STOPPER I/P SHAFT BEARING | 1 |
| 5 | JL601010 | WATER SEAL_DOUBLE LIP | 1 |
| 6 | JG601007 | SEAL OIL | 1 |
| 7 | 36JG0091 | KIT WATER PUMP SEALS W/GRASE | 1 |
| 8 | 39260220 | BEARING - BALL 6202/HN3 | 1 |
| 9 | DJ101300 | BOLT FLANGE | 1 |
| 10 | JG541059 | PLATE STOPPER BEARING DRUM | 1 |
| 11 | 39260120 | BEARING - BALL :- 61905 (25 X 42 X 9) | 1 |
| 12 | DJ101314 | PAN HEAD SCREW | 3 |
| 13 | JU541005 | PLATE BREATHER | 1 |
| 14 | KPBF6203 | BEARING-BALL-C3 CLEARANCE-HN3 | 1 |
| 15 | JG561204 | BOLT STOPPER DRUM | 1 |
| 16 | JG561205 | WASHER DRUM STOPPER | 1 |
| 17 | JG561009 | STOPPER DRUM COMP | 1 |
| 18 | 39200511 | WASHER | 1 |
| 19 | JG561226 | SPRING STOPPER DRUM | 1 |
| 20 | 39256220 | BEARING - NEEDLE ROLLER :- 13 X 19 X 12 | 1 |

200-DUKE MY-23

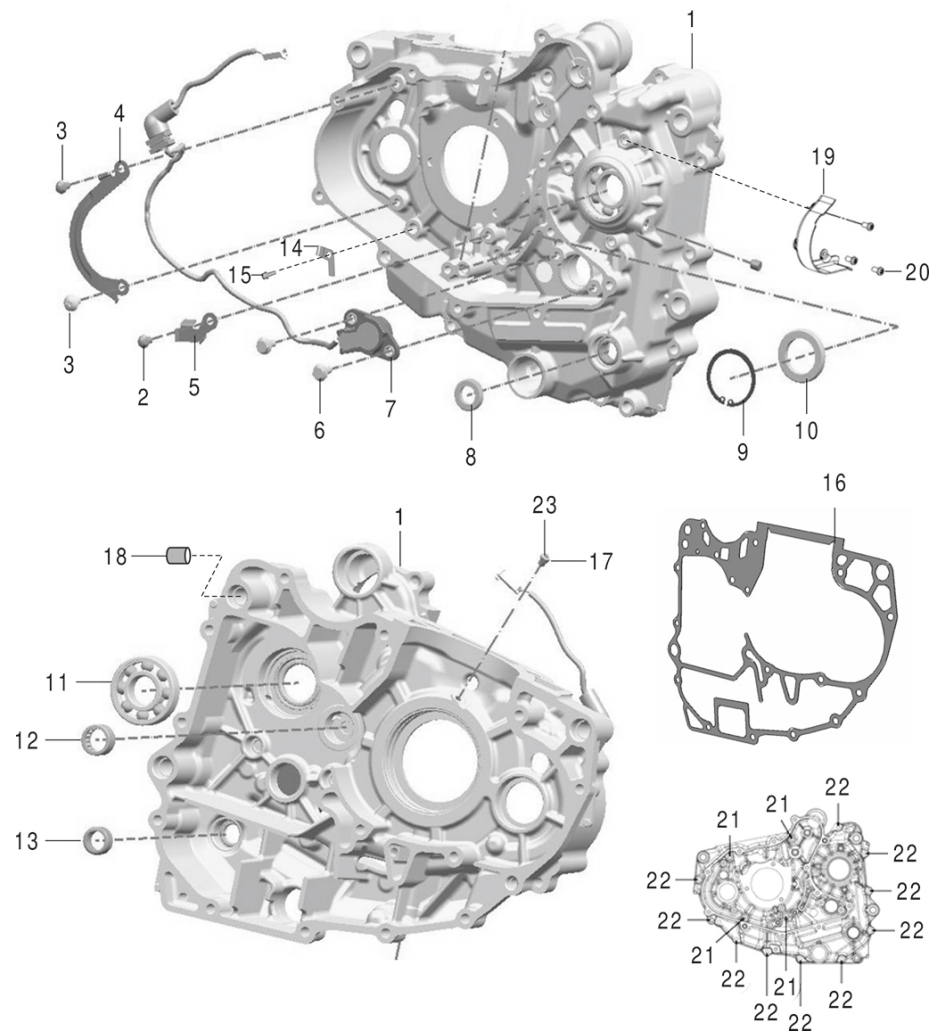
1. CRANKCASE RH



| SN | Part No. | Description | QTY |
|----|----------|-------------------------------------|-----|
| 21 | LBB00007 | SCREW PAN CROSS M6X1 | 1 |
| 22 | JG541045 | PLATE STOPPER | 1 |
| 23 | DP101191 | BOLT (M8 X 1.25 X LENGTH = 15.5) | 1 |
| 24 | 83020473 | GREASE PETAMO GHY 441 3 GM POUCH | 1 |

200-DUKE MY-23

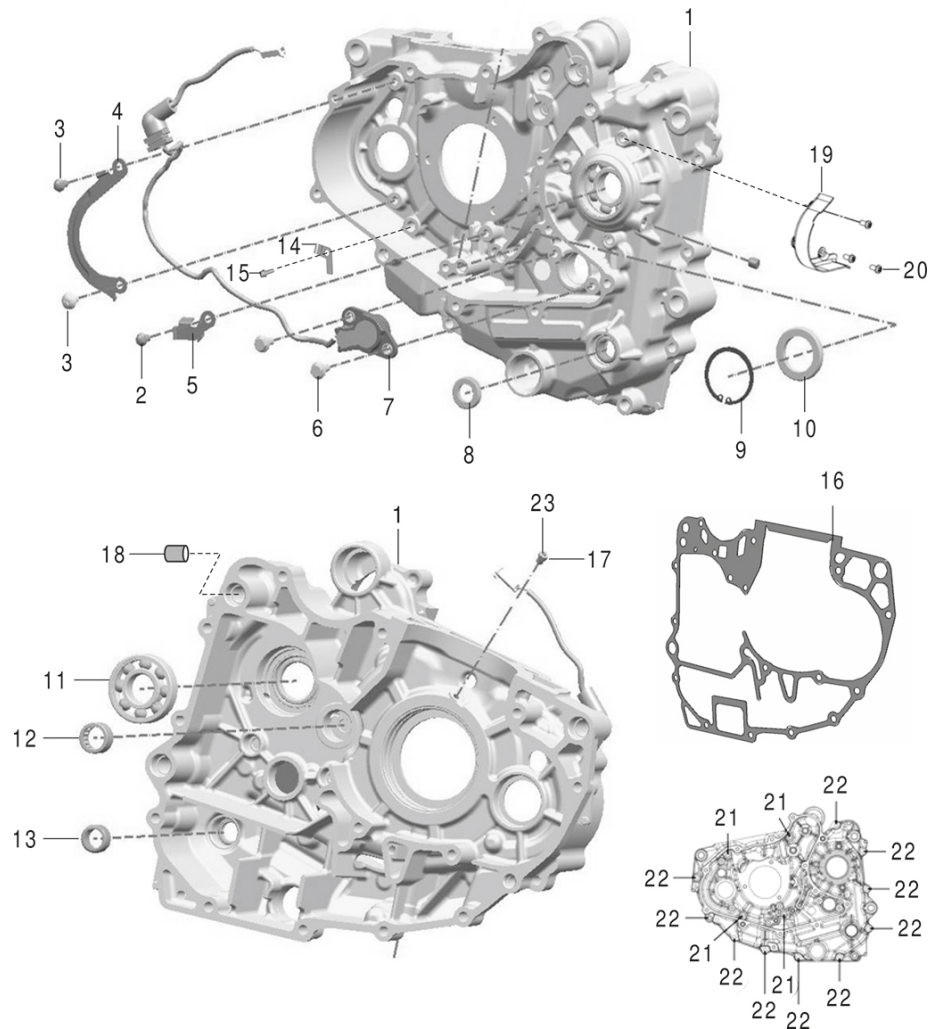
2. CRANKCASE LH



| SN | Part No. | Description | QTY |
|----|----------|--|-----|
| 1 | 36JP0058 | KIT CR' CASE ASY LH 200 MY20 | 1 |
| 2 | LBB00007 | SCREW PAN CROSS M6X1 | 1 |
| 3 | DJ101300 | BOLT FLANGE | 2 |
| 4 | JU541018 | BRACKET HARNESS UPPER | 1 |
| 5 | JG541044 | BRACKET HARNESS LOWER_G2 | 1 |
| 6 | JN181033 | BOLT FLANG- M5X0.8XL16XBRXPRECOAT | 2 |
| 7 | JP351010 | SENSOR ASSEMBLY PICK UP | 1 |
| 8 | 39104319 | SEAL - OIL | 1 |
| 9 | KEBA3715 | CIRCLIP INTERNAL | 1 |
| 10 | JY541058 | OIL SEAL OUTPUT SHAFT | 1 |
| 11 | 59200006 | BEARING - BALL | 1 |
| 12 | JG541015 | BEARING NEEDLE BEARING - NEEDLE ROLLER :- 13 X 19 X 12 | 1 |
| 13 | 39256220 | | 1 |
| 14 | JG541043 | RETAINER GEAR STARTER | 1 |
| 15 | LAE00042 | BOLT FLANGED-M6X1 | 1 |
| 16 | JG541041 | GASKET CRANKCASE | 1 |
| 17 | JG541020 | JET OIL CRANKCASE RH | 1 |
| 18 | 39218106 | PIN - HOLLOW DOWEL :- 14 X 20 | 4 |
| 19 | JG541058 | CHAIN GUARD | 1 |
| 20 | LBB00007 | SCREW PAN CROSS M6X1 | 3 |

200-DUKE MY-23

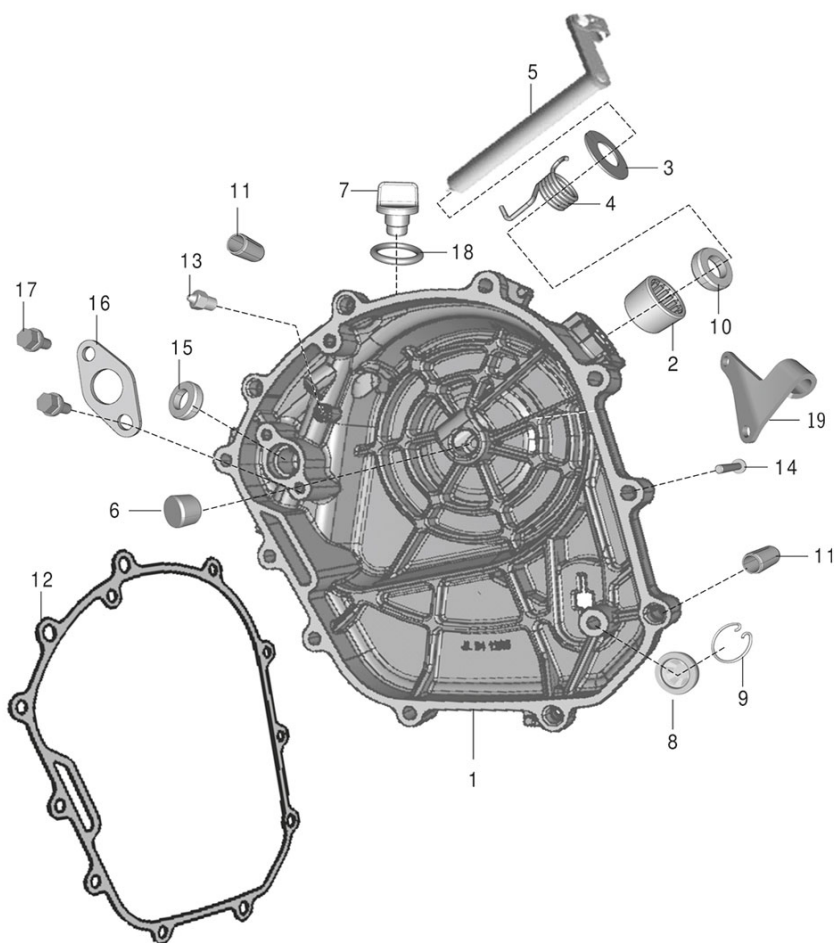
2. CRANKCASE LH



| SN | Part No. | Description | QTY |
|----|----------|--------------------------------------|-----|
| 21 | LAD00081 | BOLT FLANGED M6X1X60L- PRECOATED | 4 |
| 22 | KAEQ0640 | BOLT FLANGE SMALL- M6X1XL40XDACRO | 10 |
| 23 | JG541074 | OIL NOZZLE | 1 |

200-DUKE MY-23

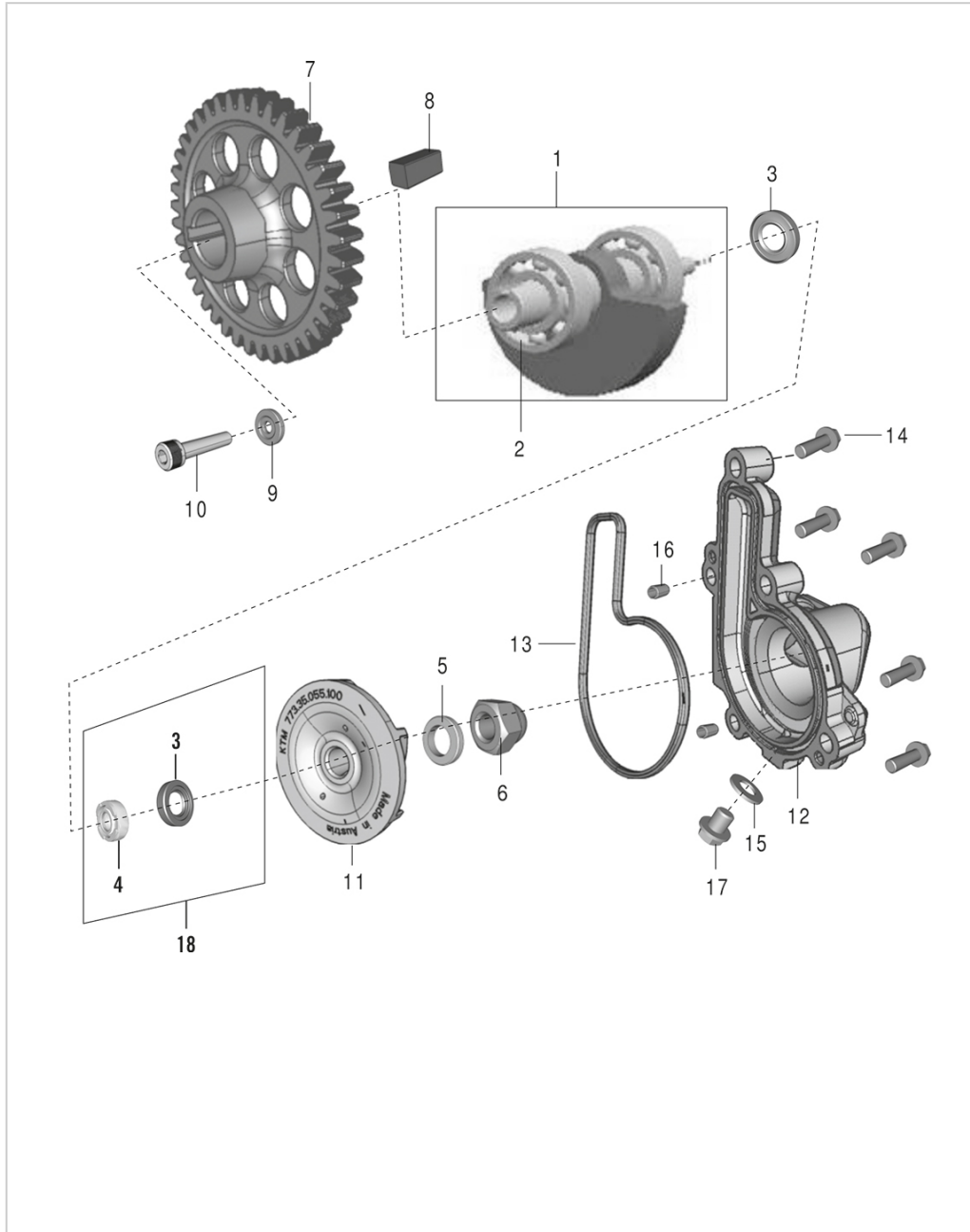
3. CLUTCH COVER



| SN | Part No. | Description | QTY |
|----|----------|----------------------------------|-----|
| 1 | JY541267 | COVER CLUTCH-PLUG | 1 |
| 2 | 39199020 | BEARING - NEEDLE | 1 |
| 3 | LDB00020 | WASHER 12.5X24X0.8T | 1 |
| 4 | JG551017 | SPRING (LEVER CLUTCH) | 1 |
| 5 | JY551450 | SHAFT CLUTCH RELEASE ASSEMBLY | 1 |
| 6 | JU551401 | ROD PUSH_G2 (FINAL) | 1 |
| 7 | JG541230 | CAP OIL FILLING | 1 |
| 8 | JL541227 | WINDOW OIL GUAGE | 1 |
| 9 | DS101215 | CLIP - WIRE | 1 |
| 10 | 39104119 | SEAL - OIL | 1 |
| 11 | 39099906 | PIN - HOLLOW DOWEL | 2 |
| 12 | JL541277 | GASKET COVER CLUTCH | 1 |
| 13 | JG541021 | OIL NOZZLE | 1 |
| 14 | KAEQ0630 | BOLT FLANGE SMALL-M6X1XL30XDACRO | 11 |
| 15 | 39104619 | SEAL - OIL | 1 |
| 16 | JG541231 | PLATE -POSITION | 1 |
| 17 | DJ101300 | BOLT FLANGE | 2 |
| 18 | 39153721 | RING - O | 1 |
| 19 | JY551448 | BRACKET CLUTCH CABLE | 1 |

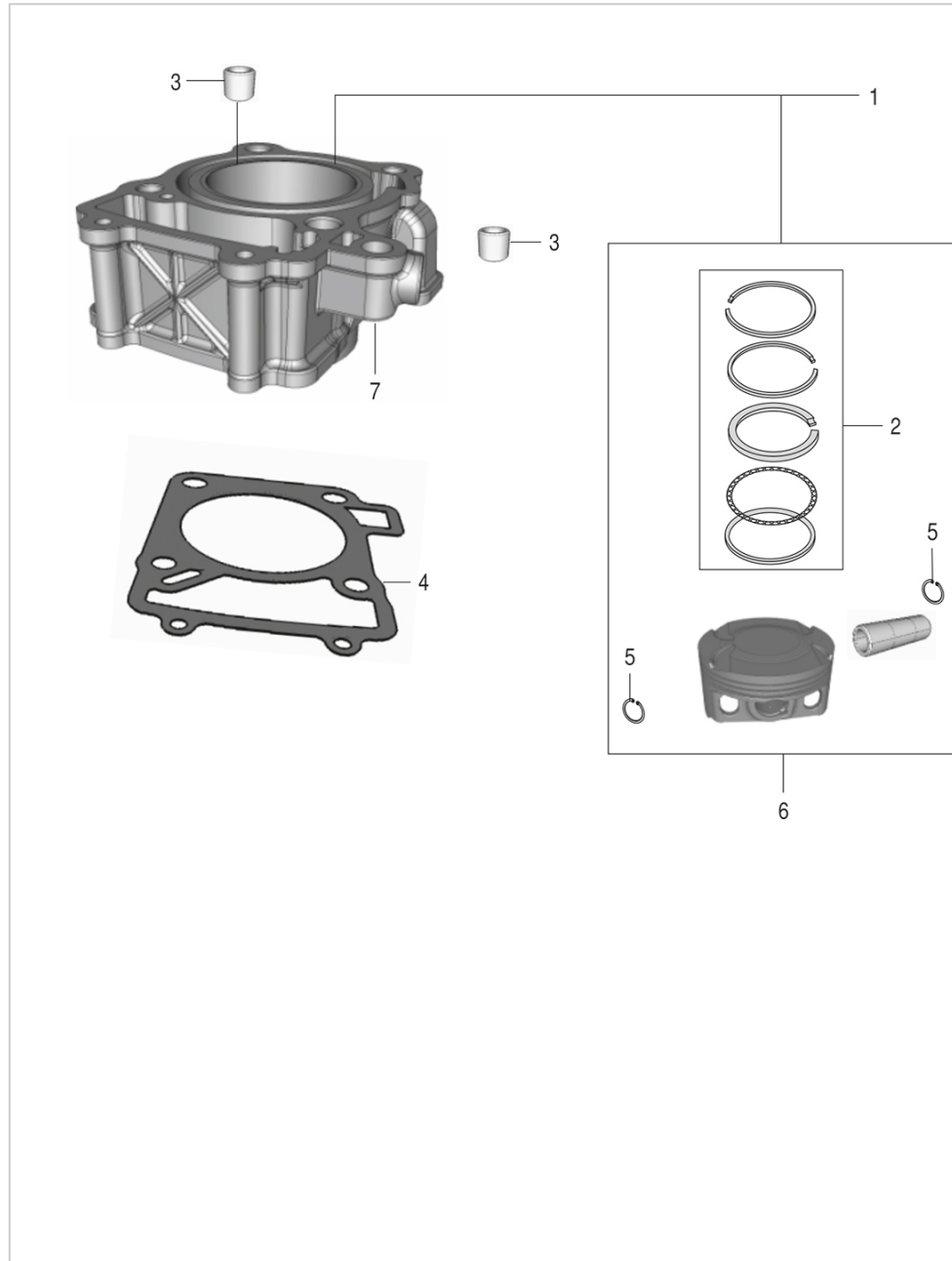
200-DUKE MY-23

4. BALANCER SHAFT



| SN | Part No. | Description | QTY |
|----|----------|---------------------------------|-----|
| 1 | JL531205 | BALANCER ASSEMBLY | 1 |
| 2 | 59200036 | BEARING - BALL 6203 HN3 C3 | 2 |
| 3 | JG601007 | SEAL OIL | 1 |
| 4 | JL601010 | WATER SEAL_DOUBLE LIP | 1 |
| 5 | JG531215 | WASHER 2.5MM | 1 |
| 6 | JG601005 | DOME NUT | 1 |
| 7 | JG531207 | GEAR BALANCER DRIVEN | 1 |
| 8 | DS101154 | KEY | 1 |
| 9 | LDB00051 | WASHER PLAIN-ID 8.2XOD 26XTHK 3 | 1 |
| 10 | LAC00086 | BOLT SOCKET-M8X1XL40 | 1 |
| 11 | JG601013 | WATER PUMP ROTOR_G2 | 1 |
| 12 | JG601024 | COVER PUMP WATER | 1 |
| 13 | JG601012 | O-RING (WATER PUMP COVER) | 1 |
| 14 | KADQ0620 | BOLT HEXAGONAL | 5 |
| 15 | 39166511 | WASHER - SEAL :- 6 | 1 |
| 16 | 39260607 | PIN - PARALLEL | 2 |
| 17 | LAE00048 | BOLT FLANGED M6X1 | 1 |
| 18 | 36JG0091 | KIT WATER PUMP SEALS W/GRASE | 1 |

200-DUKE MY-23

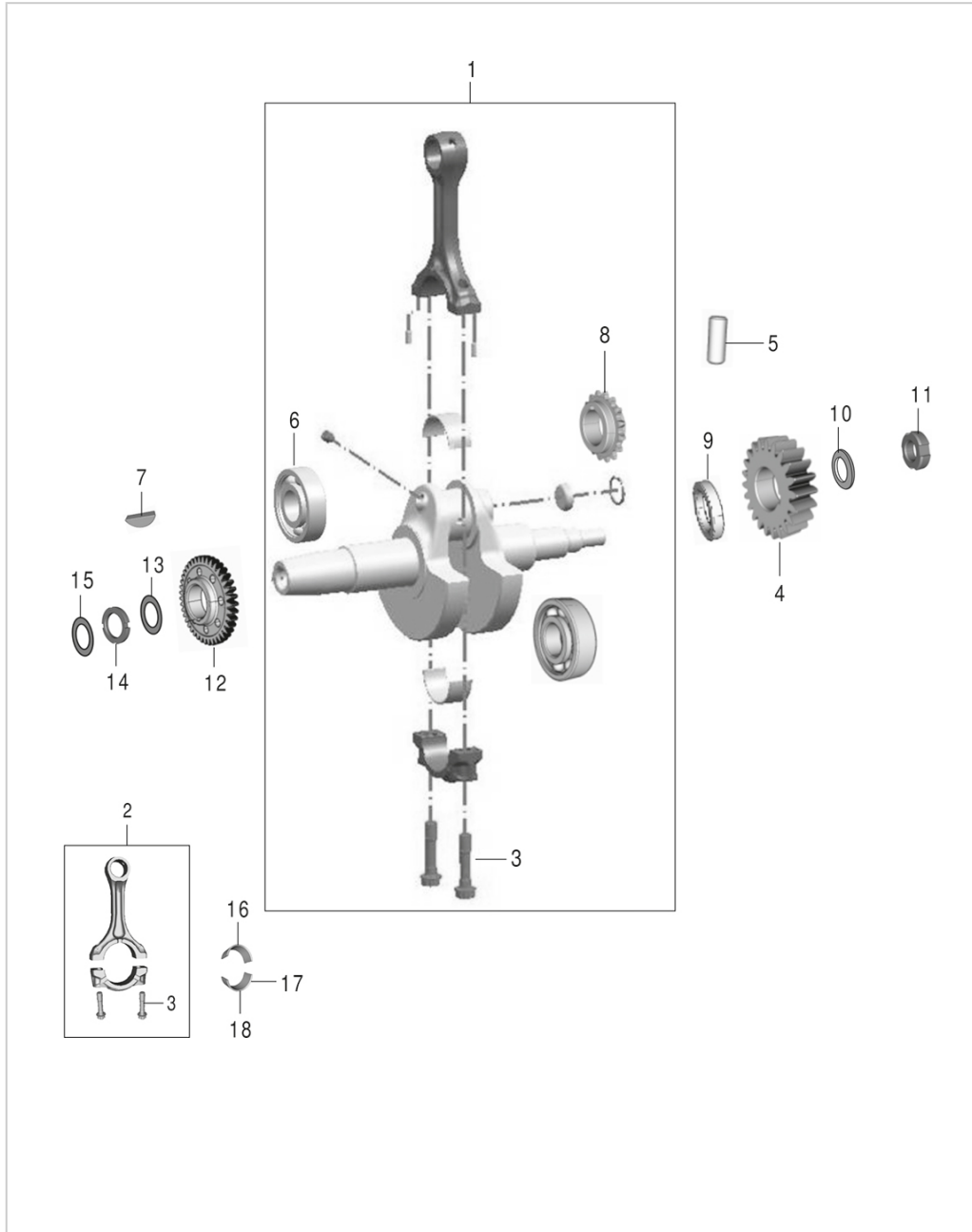


5. CYLINDER PISTON

| SN | Part No. | Description | QTY |
|----|----------|---|-----|
| 1 | 36JU0007 | KIT CYLINDER BLOCK PISTON ASSLY DUKE 200 | 1 |
| 2 | 36JU0001 | KIT RING SET KTM 200 | 1 |
| 3 | 39218106 | PIN - HOLLOW DOWEL :- 14 X 20 | 2 |
| 4 | JG521008 | GASKET BLOCK CYLINDER | 1 |
| 5 | 39213217 | RING - SNAP | 2 |
| 6 | JL521200 | PISTON ASSEMBLY | 1 |
| 7 | JU521005 | BLOCK CYLINDER | 1 |

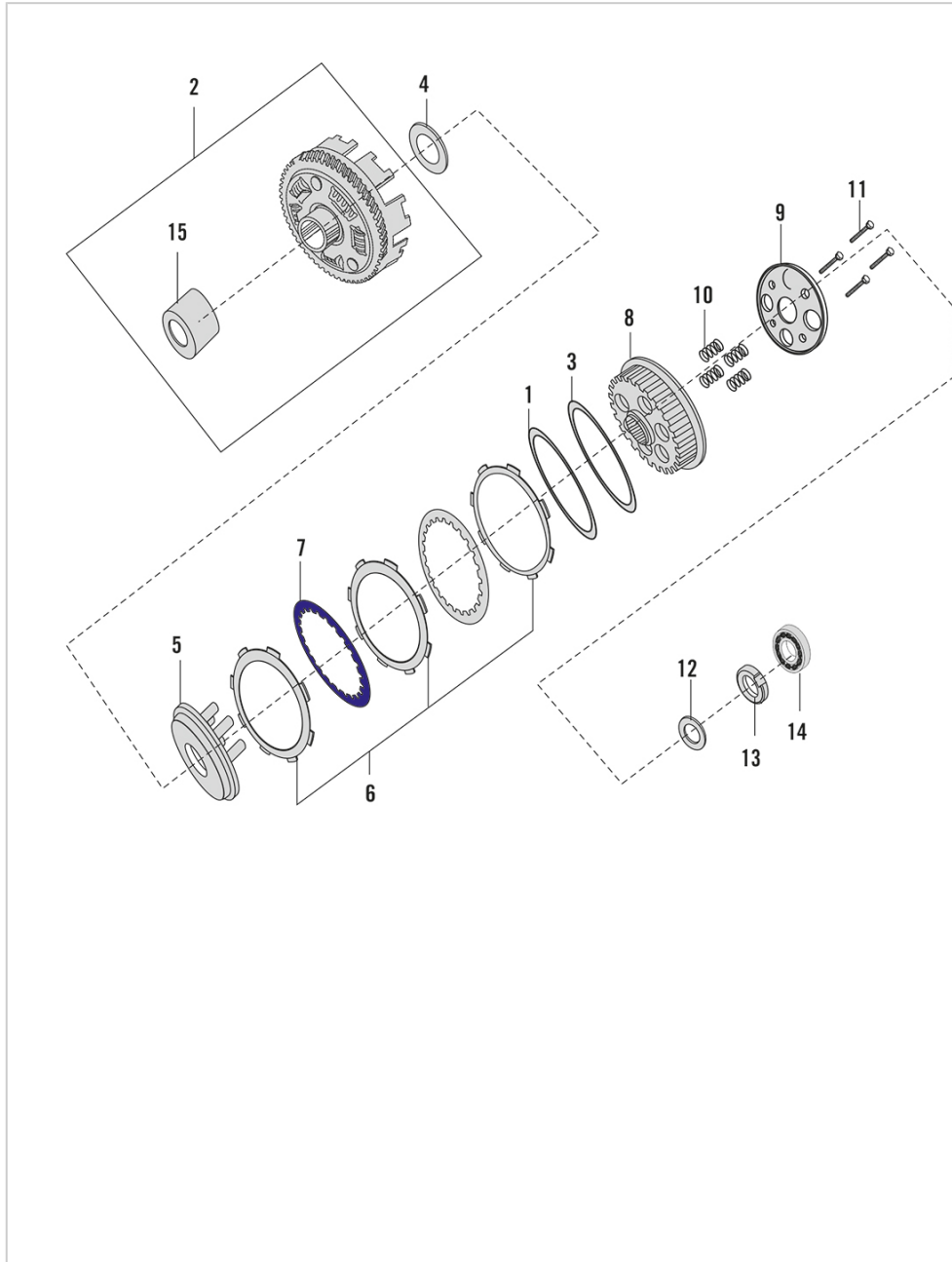
200-DUKE MY-23

6. CRANKSHAFT



| SN | Part No. | Description | QTY |
|----|----------|--|-----|
| 1 | 36JU0036 | KIT CRANK SHAFT ASSLY | 1 |
| 2 | JF531007 | CONROD ASSLY COMPL | 1 |
| 3 | JF531014 | BOLT CONROD | 2 |
| 4 | JG551216 | GEAR PRIMARY DRIVE 22T | 1 |
| 5 | 39220307 | PIN - PARALLEL | 2 |
| 6 | 39193120 | BEARING - BALL :- 28 X 68 X 18 | 1 |
| 7 | 31101173 | KEY -WOODRUFF FOR CRANKSHAFT CLUTCH SIDE | 3 |
| 8 | JG531027 | SPROCKET CRANKSHAFT 17T | 1 |
| 9 | JG531031 | SPACER CRANKSHAFT | 1 |
| 10 | 39220011 | WASHER - PLAIN (PRIMARY DRIVE GEAR) | 1 |
| 11 | LCD00001 | NUT SPROCKET DRIVE LOCK | 1 |
| 12 | JG531041 | BALANCER DRIVE GEAR | 1 |
| 13 | LDH00002 | WASHER CONICAL-28.35X38X1.75 | 1 |
| 14 | JG531040 | NUT BALANCER DRIVE LOCK | 1 |
| 15 | LDB00010 | WASHER PLAIN-ID 10.3XOD29XT3.2XBR | 1 |
| 16 | 36JU0004 | KIT SPLIT BUSH GREEN COLOUR | 2 |
| 17 | 36JU0005 | KIT SPLIT BUSH BLUE COLOUR | 2 |
| 18 | 36JU0006 | KIT SPLIT BUSH NONE COLOUR | 2 |

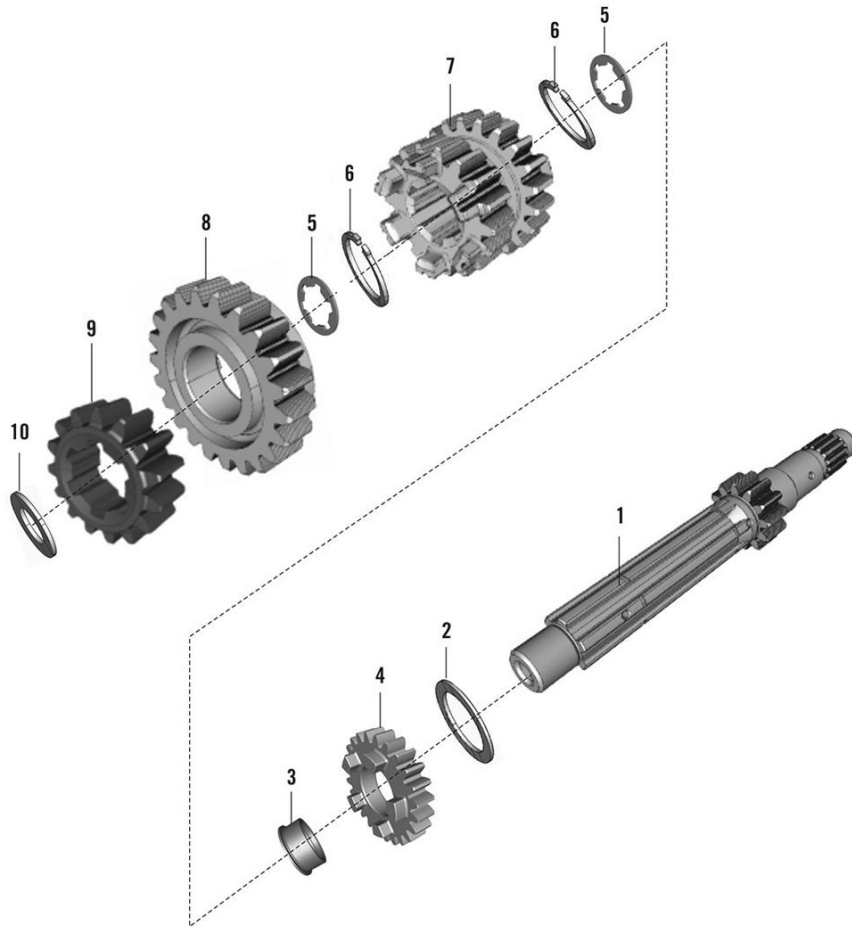
200-DUKE MY-23



7. CLUTCH

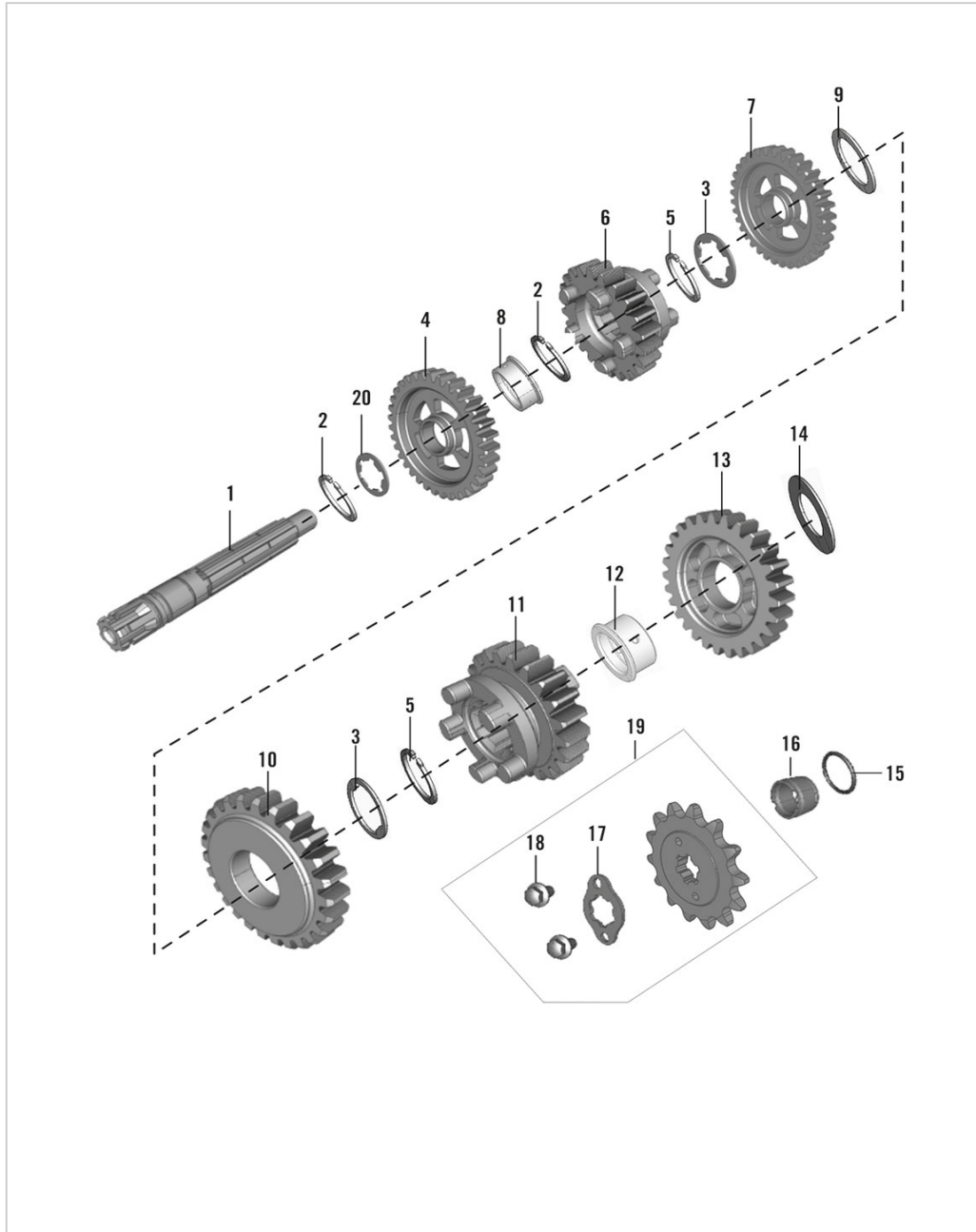
| SN | Part No. | Description | QTY |
|----|----------|-------------------------------------|-----|
| 1 | DP101243 | PLATE (JUDDER SPRING) | 1 |
| 2 | 36JU0136 | CLUTCH HOUSING ASSEMBLY KIT | 1 |
| 3 | DP101114 | SPRING | 1 |
| 4 | JG551428 | WASHER CLUTCH_G2 | 1 |
| 5 | JG551449 | PLATE | 1 |
| 6 | 36JU0002 | KIT FRIC PLATES KTM 200 | 1 |
| 7 | DT551408 | CLUTCH PLATE | 5 |
| 8 | JU551406 | CLUTCH CENTER_G2 | 1 |
| 9 | JG551443 | CLUTCH HOLDER | 1 |
| 10 | JU551402 | SPRING -CLUTCH | 4 |
| 11 | JG551451 | BOLT SH 6*22 | 4 |
| 12 | JL551407 | SPRING BELLVILLE | 1 |
| 13 | DH101648 | NUT CLUTCH CENTER LOCK PRECOATED | 1 |
| 14 | JG551423 | CLUTCH LIFTER BEARING | 1 |
| 15 | DT551412 | COLLAR | 1 |

8. TRANSMISSION I - MAIN SHAFT (INPUT SHAFT)



| SN | Part No. | Description | QTY |
|----|----------|----------------------------------|-----|
| 1 | JG551027 | SHAFT INPUT T/M COMP | 1 |
| 2 | 39215811 | WASHER - PLAIN | 1 |
| 3 | JG551013 | BUSH 6TH DRIVE / BUSH 2ND DRIVEN | 1 |
| 4 | JG551213 | GEAR 6TH DRIVE | 1 |
| 5 | JG551020 | WASHER SPLINED O/P SHAFT | 2 |
| 6 | BF551037 | RING SNAP OUTPUT | 2 |
| 7 | JG551214 | GEAR THIRD-FOURTH DRIVE | 1 |
| 8 | JG551220 | GEAR 5TH DRIVE (G2) | 1 |
| 9 | JG551227 | GEAR 2ND DRIVE | 1 |
| 10 | JG551022 | WASHER PLAIN 2ND GEAR I/P SHAFT | 1 |

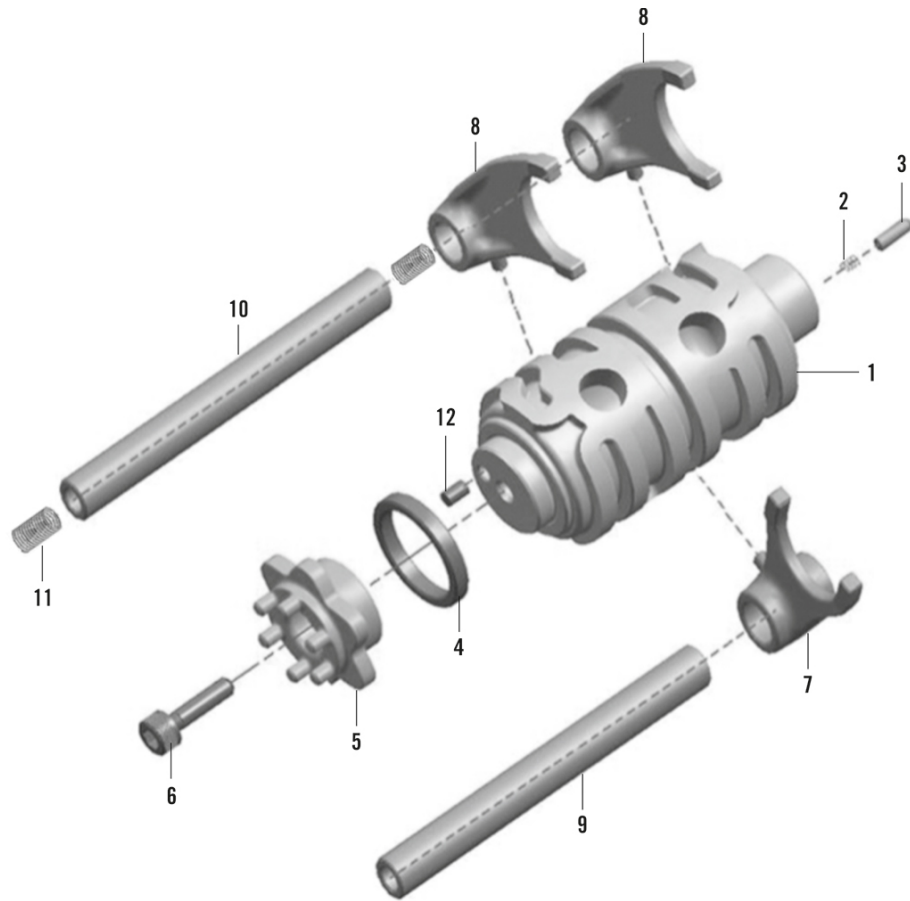
200-DUKE MY-23



9. TRANSMISSION II - COUNTER SHAFT (OUTPUT SHAFT)

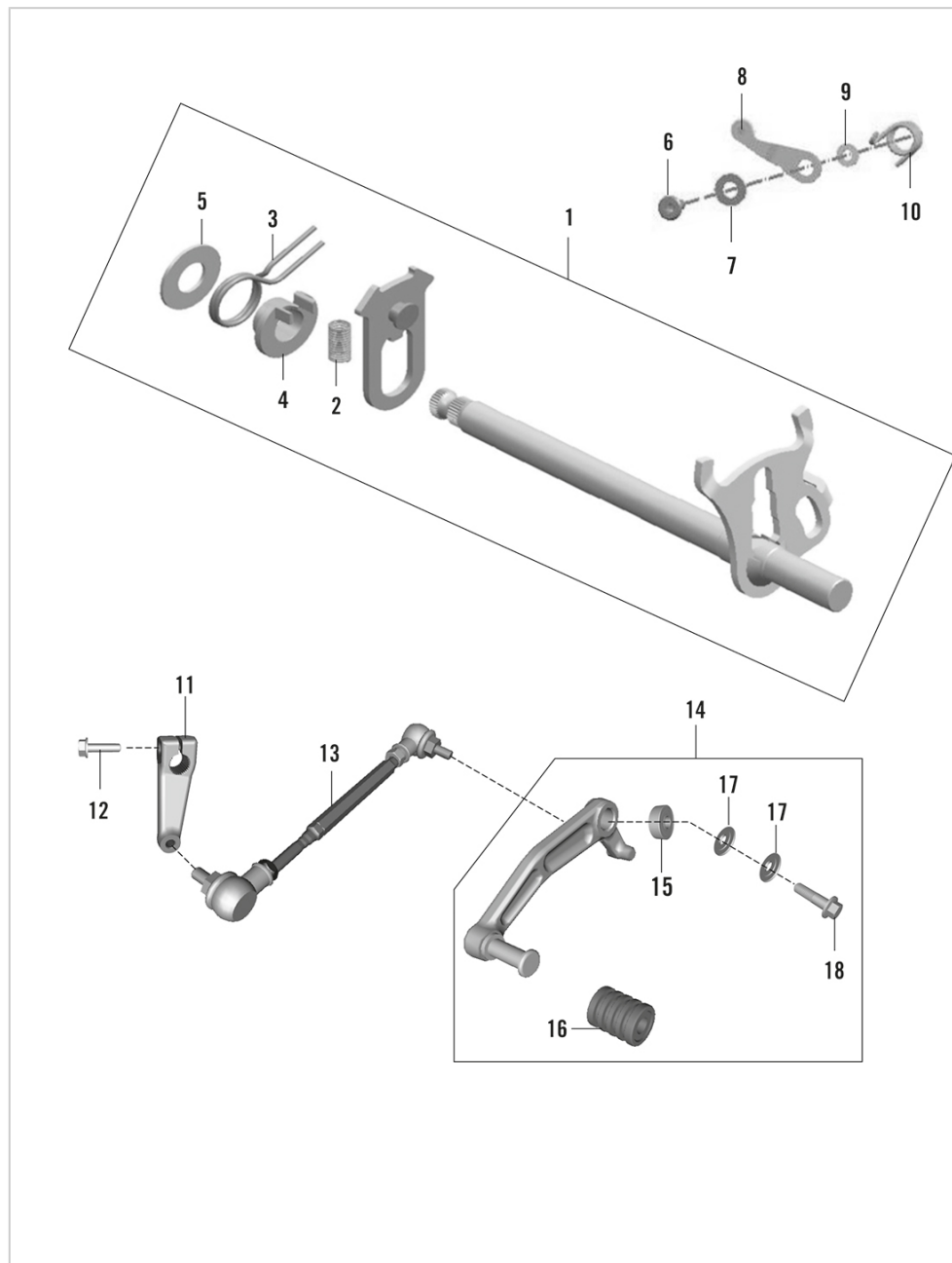
| SN | Part No. | Description | QTY |
|----|----------|-----------------------------------|-----|
| 1 | JU551003 | SHAFT OUTPUT-PLUG | 1 |
| 2 | DH101235 | CIRCLIP | 2 |
| 3 | JG551020 | WASHER SPLINED O/P SHAFT | 2 |
| 4 | JU551201 | GEAR DRIVEN SECOND | 1 |
| 5 | BF551037 | RING SNAP OUTPUT | 2 |
| 6 | JP551225 | GEAR FIFTH DRIVEN | 1 |
| 7 | JP551224 | GEAR THIRD DRIVEN | 1 |
| 8 | JG551013 | BUSH 6TH DRIVE / BUSH 2ND DRIVEN | 1 |
| 9 | JG551021 | WASHER PLAIN-ID 20.2XOD30XT 2.15 | 1 |
| 10 | JG551215 | GEAR 4TH DRIVEN | 1 |
| 11 | JP551226 | GEAR SIXTH DRIVEN | 1 |
| 12 | JG551000 | BUSH 1ST DRIVEN | 1 |
| 13 | JG551225 | GEAR 1ST DRIVEN (G2) | 1 |
| 14 | 39215911 | WASHER - PLAIN | 1 |
| 15 | DK101352 | O-RING SPROCKET COLLAR(17.5*1.5) | 1 |
| 16 | JG551031 | COLLAR SPROCKET | 1 |
| 17 | JG551019 | PLATE DRIVE SPROCKET | 1 |
| 18 | LAE00017 | BOLT FLANGED M6X1 | 2 |
| 19 | 36JU0135 | KIT OUTPUT SPROCKET DUKE 200 | 1 |
| 20 | DH101336 | WASHER - SPECIAL :- 20.2 X 27 X 1 | 1 |

10. SHIFTING MECHANISM - DRUM GEAR SHIFT



| SN | Part No. | Description | QTY |
|----|----------|---|-----|
| 1 | JG561017 | DRUM COMPLETE GEAR SHIFT | 1 |
| 2 | EC561023 | SPRING GEAR SWITCH INDICATOR | 1 |
| 3 | 39260607 | PIN - PARALLEL | 1 |
| 4 | JG561010 | SPACER-GUIDE GEAR SHIFT | 1 |
| 5 | JG561222 | GUIDE GEAR SHIFT | 1 |
| 6 | LAC00024 | BOLT SOCKET HEAD M6X1X20L- PRECOATED | 1 |
| 7 | JG561012 | FORK GEAR SHIFT INPUT | 1 |
| 8 | JP561003 | FORK GEAR SHIFT OUTPUT | 2 |
| 9 | JG561016 | SHAFT GEAR SHIFT FORK_G2 | 1 |
| 10 | JG561225 | SHAFT GEAR SHIFT FORK OUTPUT | 1 |
| 11 | JG561215 | COMPRESSION SPRING | 2 |
| 12 | JG561008 | GEAR INDICATOR PIN | 1 |

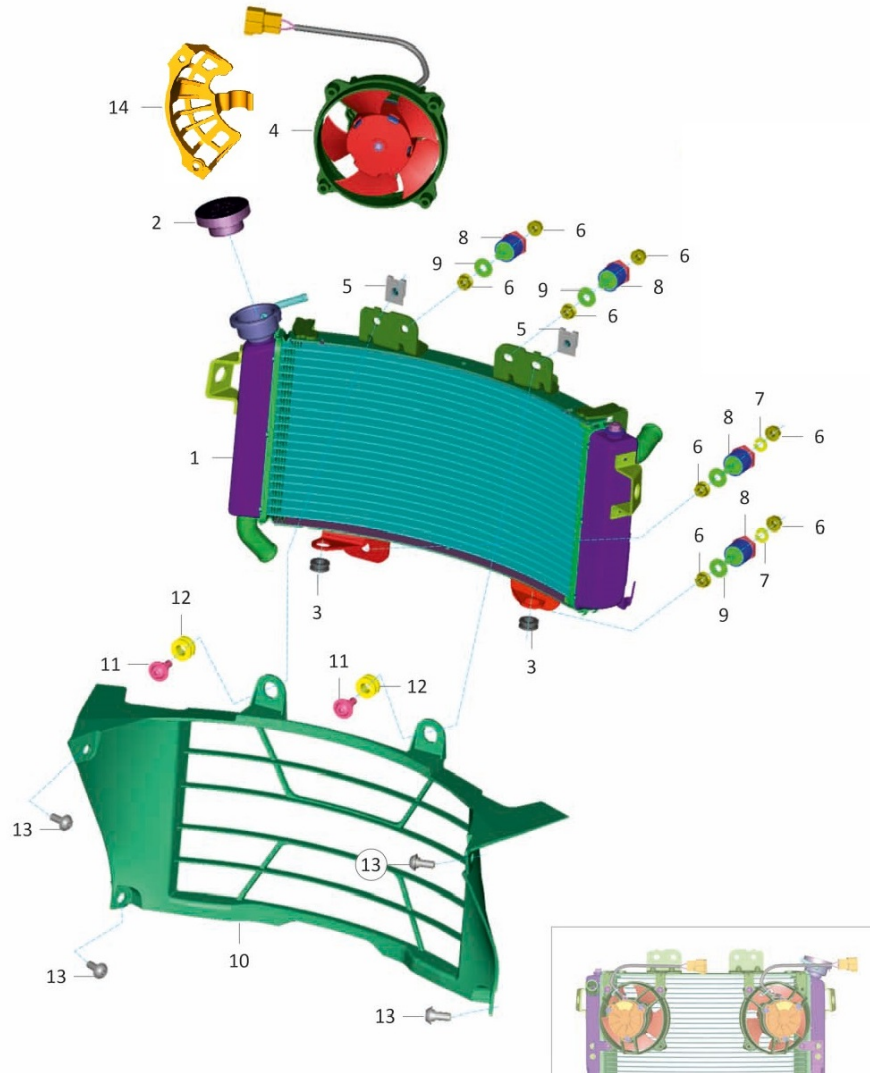
200-DUKE MY-23



11. SHIFTING MECHANISM - LEVER GEAR SHIFT

| SN | Part No. | Description | QTY |
|----|----------|----------------------------------|-----|
| 1 | JG561200 | ASSEMBLY LEVER GEAR SHIFT | 1 |
| 2 | JG561215 | COMPRESSION SPRING | 1 |
| 3 | JG561218 | TORSION SPRING (FINAL CONFG) | 1 |
| 4 | JG561217 | BUSH-TORSION SPRING | 1 |
| 5 | JG561216 | WASHER 14X30X1.5 | 1 |
| 6 | JG561204 | BOLT STOPPER DRUM | 1 |
| 7 | JG561205 | WASHER DRUM STOPPER | 1 |
| 8 | JG561009 | STOPPER DRUM COMP | 1 |
| 9 | 39200511 | WASHER | 1 |
| 10 | JG561226 | SPRING STOPPER DRUM | 1 |
| 11 | JU561400 | LEVER CHANGE ARM COMP | 1 |
| 12 | KADA0622 | BOLT-FLANGE-KAD ST-A DIA-06 L-22 | 1 |
| 13 | JU561401 | ROD ASSEMBLY TIE | 1 |
| 14 | JP561402 | ASSEMBLY CHANGE LEVER | 1 |
| 15 | JG113061 | BEARING CHANGE LEVER | 2 |
| 16 | JG113010 | DAMPER CHANGE LEVER | 1 |
| 17 | JG113062 | SPACER | 2 |
| 18 | JG113068 | BOLT SOCKET M8X1.25 | 1 |

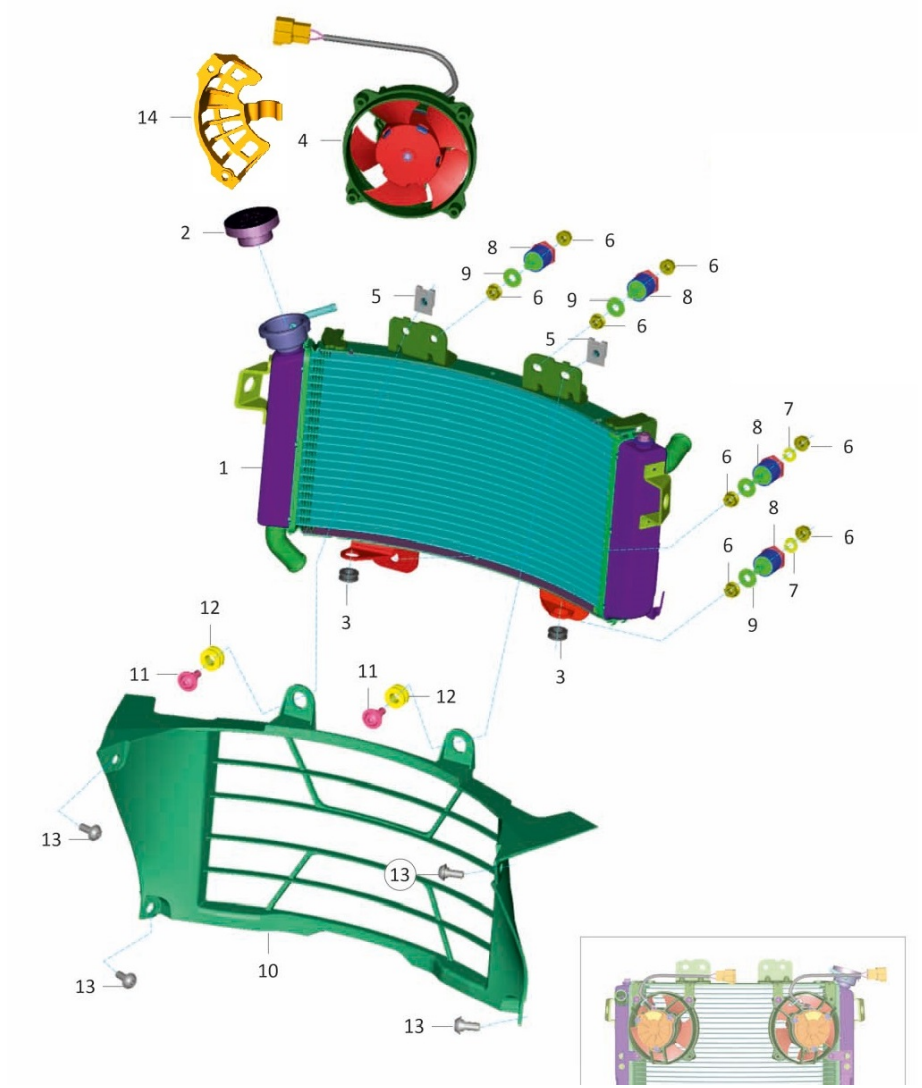
12. RADIATOR ASSEMBLY



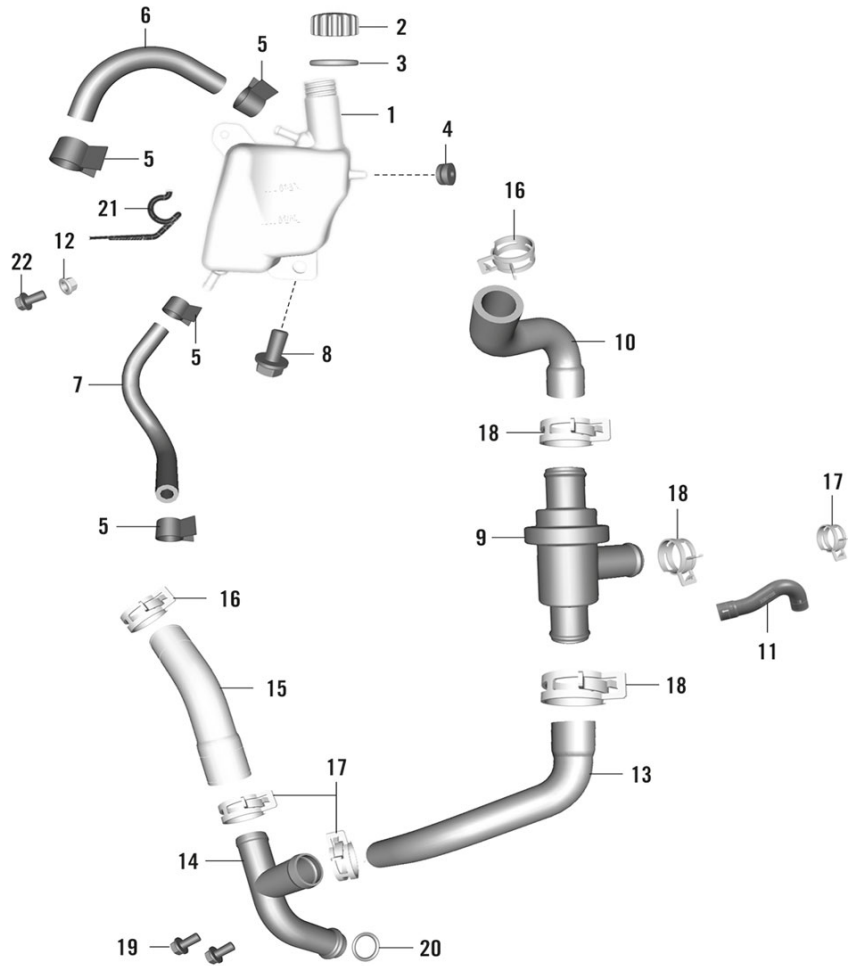
| SN | Part No. | Description | QTY |
|----|----------|----------------------------------|-----|
| 1 | JP601202 | RADIATOR | 1 |
| 2 | KADD0625 | BOLT-FLANGE-KAD ST-D DIA-06 L-25 | 2 |
| 3 | JP601240 | FAN RADIATOR | 1 |
| 4 | JP181374 | SHROUD RADIATOR RH | 1 |
| 5 | JP181373 | SHROUD RADIATOR LH | 1 |
| 6 | DS161082 | GROMMET - SIDE COVER :- REAR | 2 |
| 7 | JC141017 | GROMMET II TANK COVER | 2 |
| 8 | JP113800 | BRACKET RADIATOR MTG RH | 1 |
| 9 | JG113804 | BKT RAD MTG LH ON ENG HANGER | 1 |
| 10 | KADD0610 | BOLT-FLANGE-KAD ST-D DIA-06 L-10 | 2 |
| 11 | JG581014 | SILENT BLOCK(M6) | 4 |
| 12 | LAD00040 | BOLT FLANGED M6 - 6L | 2 |
| 13 | LCL00002 | NUT FLANGED-M6X1XHT.6XCL4 | 4 |
| 14 | KDCF0612 | SPRING WASHER | 4 |
| 15 | KADD0610 | BOLT-FLANGE-KAD ST-D DIA-06 L-10 | 2 |
| 16 | JU113801 | GROMMET RAD COWL | 4 |
| 17 | JG601235 | PRESSURE CAP RADIATOR | 1 |
| 18 | JY601248 | BRACKET FAN MOUNTING A | 1 |
| 19 | JY601249 | BRACKET FAN MOUNTING B | 1 |
| 20 | JY601250 | BRACKET FAN MOUNTING | 1 |

12. RADIATOR ASSEMBLY

| SN | Part No. | Description | QTY |
|----|----------|-------------|-----|
| 21 | JY601241 | FLANGE NUT | 3 |



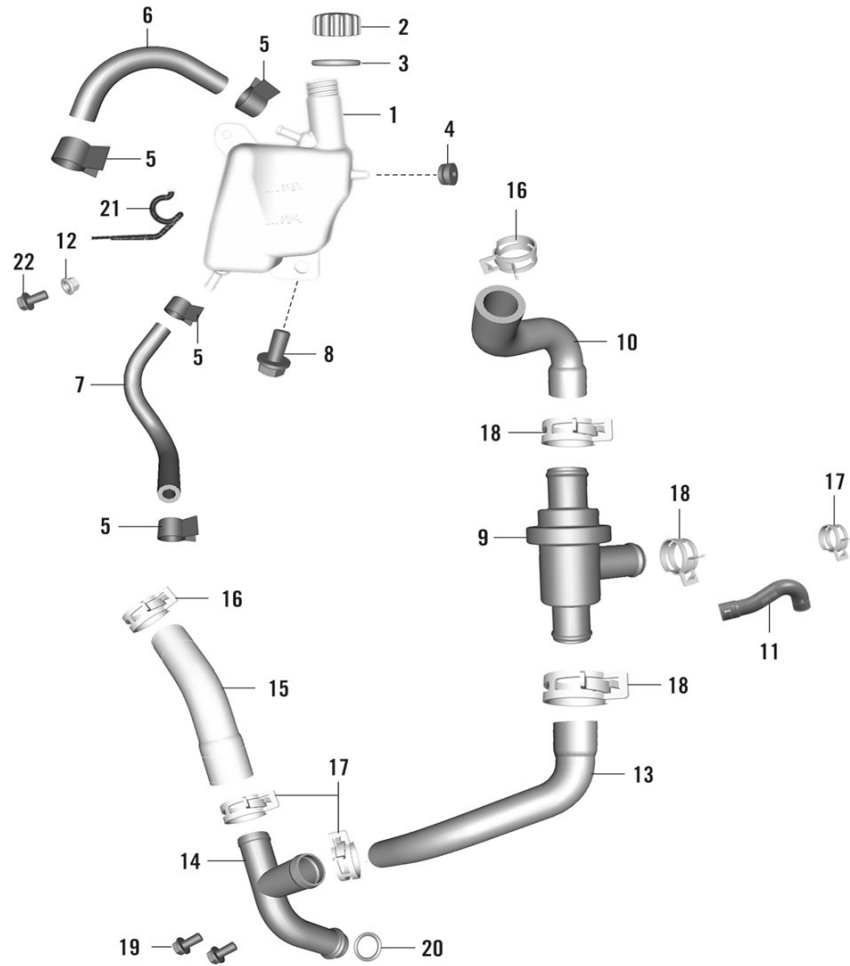
13. COOLING SYSYEM



| SN | Part No. | Description | QTY |
|----|----------|----------------------------------|-----|
| 1 | JP601204 | ASSEMBLY EXPANSION TANK | 1 |
| 2 | JG601211 | CAP EXPANSION TANK | 1 |
| 3 | JG601230 | EXPANSION TANK O RING | 1 |
| 4 | JG113806 | GROMMET EXPANSION TANK | 1 |
| 5 | JG171029 | SPRING BAND CLAMP 11.5 x 8.4 | 4 |
| 6 | JG601213 | TUBE DRAIN - EXPANSION TANK | 1 |
| 7 | JG601215 | TUBE CONNECTING-RAD TO EXP. TNK | 1 |
| 8 | JG181250 | BOLT FLANGED STEP M6X1 | 1 |
| 9 | JG601014 | UNIT THERMOSTAT | 1 |
| 10 | JP601216 | HOSE RADIATOR-THERMOSTAT | 1 |
| 11 | JP601214 | HOSE ENG TO THERMOSTAT | 1 |
| 12 | 39058915 | NUT - HEXAGON WELD :- M6 X 1 | 1 |
| 13 | JG601018 | COOLANT HOSE THERMOSTAT TO | 1 |
| 14 | JG601239 | ASSEMBLY COOLANT PIPE T | 1 |
| 15 | JG601218 | COOLANT HOSE_RADIATOR TO T | 1 |
| 16 | JG601234 | CLAMP DIA 23 | 2 |
| 17 | JG601016 | CLAMP_G2 | 3 |
| 18 | JG601210 | CLAMP RADIATOR PIPE DIA 25.2 | 3 |
| 19 | LAE00041 | BOLT FLNG-M6X1XL14XDACROXPRECOAT | 2 |
| 20 | JG601221 | O-RING COOLANT PIPE | 2 |

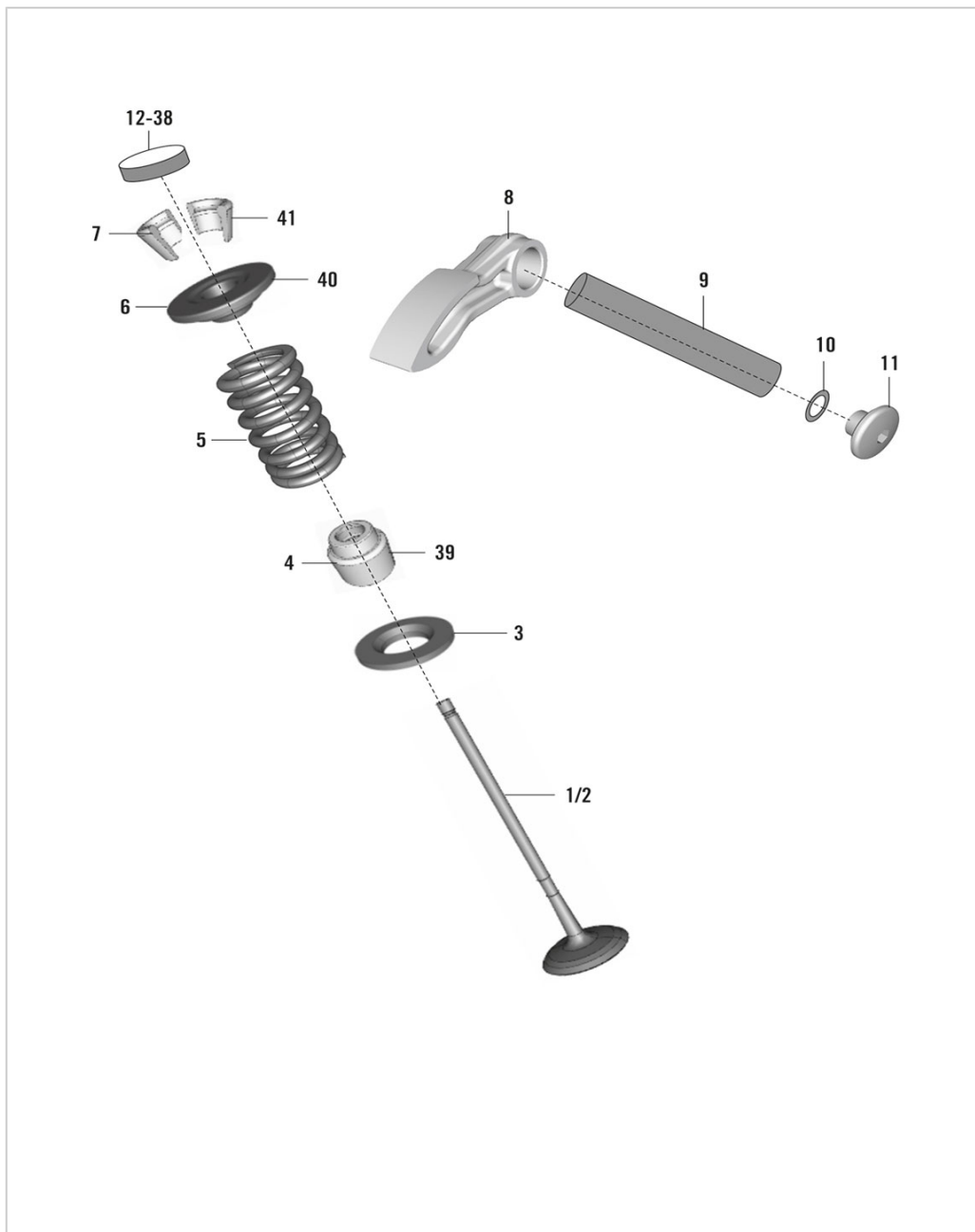
200-DUKE MY-23

13. COOLING SYSYEM



| SN | Part No. | Description | QTY |
|----|----------|---------------------------|-----|
| 21 | JG113839 | BRACKET TUBE DRAIN | 1 |
| 22 | KAAD0612 | BOLT-KAA ST-D DIA-06 L-12 | 1 |

200-DUKE MY-23

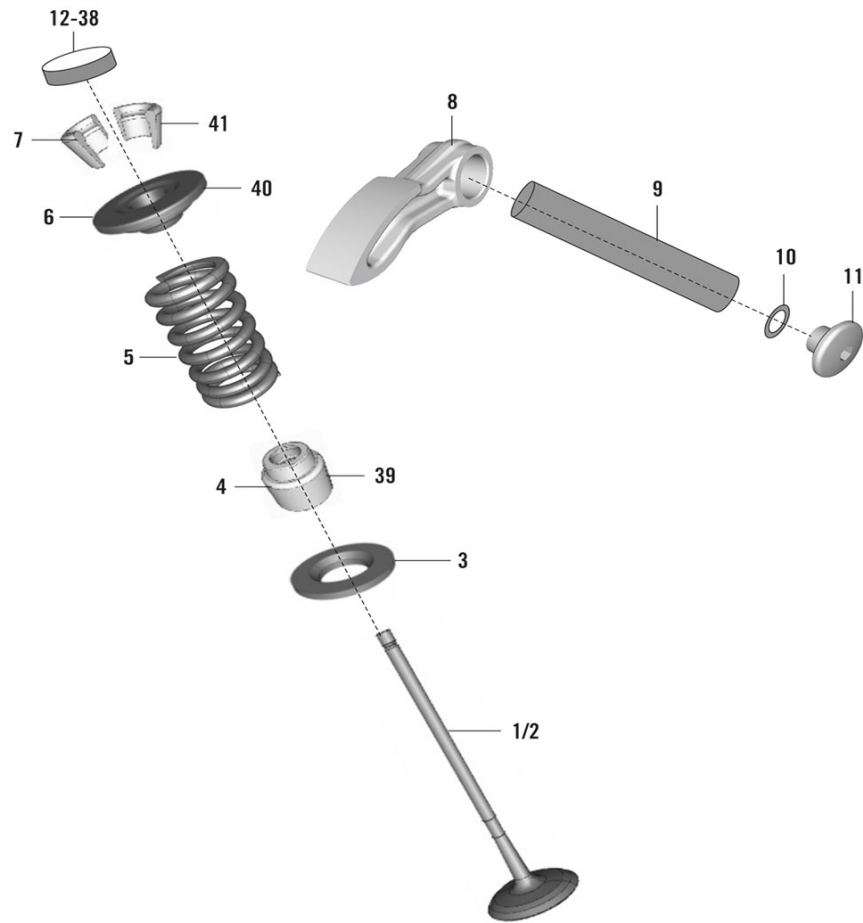


14. VALVE DRIVE

| SN | Part No. | Description | QTY |
|----|----------|--------------------------------|-----|
| 1 | JP511230 | VALVE EXHAUST | 2 |
| 2 | JU511205 | VALVE INTAKE_G2 | 2 |
| 3 | JG511042 | SEAT VALVE SPRING BAL | 4 |
| 4 | 39201719 | SEAL - OIL | 2 |
| 5 | JG511255 | SPRING VALVE (BAL)_G2 | 4 |
| 6 | JG511259 | RETAINER VALVE SPRING (BAL)_G2 | 2 |
| 7 | DG101029 | COLLET | 4 |
| 8 | JU511204 | ROCKER ARM (FINGER TYPE) | 4 |
| 9 | JG511243 | ROCKER ARM SHAFT | 2 |
| 10 | 39102121 | RING - O | 2 |
| 11 | JG511016 | PLUG | 2 |
| 12 | 36JU0040 | KIT SHIM 2MM JG511268AA | 1 |
| 13 | 36JU0041 | KIT SHIM 2.04MM JG511268AB | 1 |
| 14 | 36JU0042 | KIT SHIM 2.08MM JG511268AC | 1 |
| 15 | 36JU0043 | KIT SHIM 2.12MM JG511268AD | 1 |
| 16 | 36JU0044 | KIT SHIM 2.16MM JG511268AE | 1 |
| 17 | 36JU0045 | KIT SHIM 2.20MM JG511268AF | 1 |
| 18 | 36JU0046 | KIT SHIM 2.24MM JG511268AG | 1 |
| 19 | 36JU0047 | KIT SHIM 2.28MM JG511268AH | 1 |
| 20 | 36JU0048 | KIT SHIM 2.32MM JG511268AI | 1 |

200-DUKE MY-23

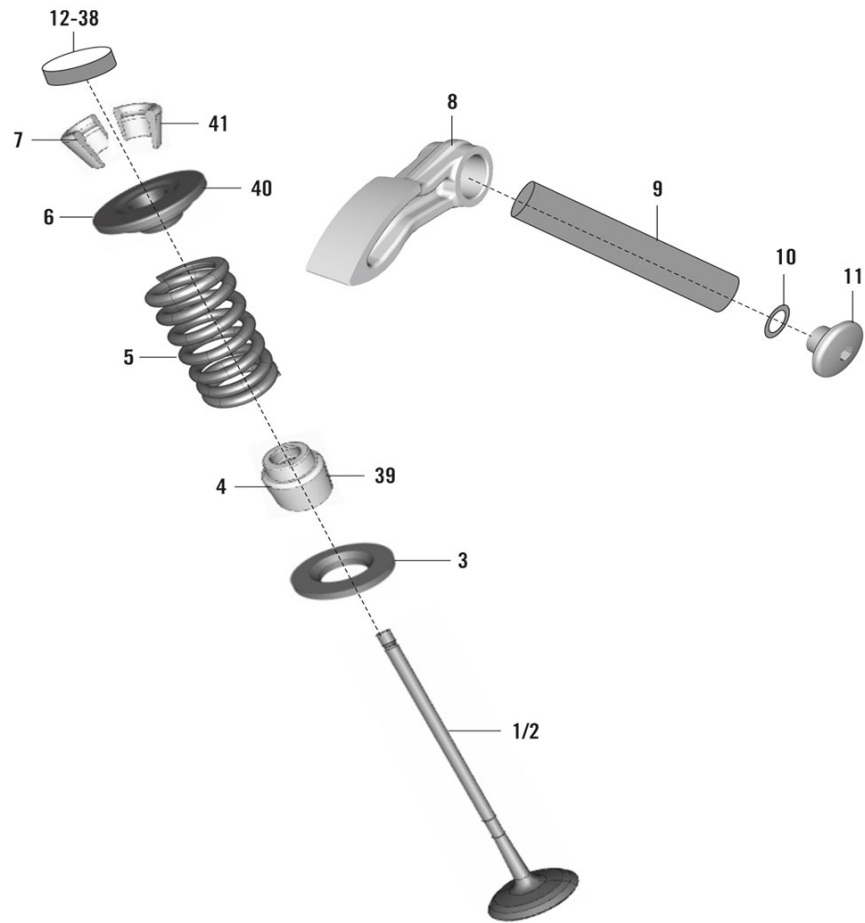
14. VALVE DRIVE



| SN | Part No. | Description | QTY |
|----|----------|-----------------------------|-----|
| 21 | 36JU0049 | KIT SHIM 2.36MM JG511268AJ | 1 |
| 22 | 36JU0050 | KIT SHIM 2.40MM JG511268AK | 1 |
| 23 | 36JU0051 | KIT SHIM 2.44 MM JG511268AL | 1 |
| 24 | 36JU0052 | KIT SHIM 2.48 MM JG511268AM | 1 |
| 25 | 36JU0053 | KIT SHIM 2.52 MM JG511268AN | 1 |
| 26 | 36JU0054 | KIT SHIM 2.56 MM JG511268AO | 1 |
| 27 | 36JU0055 | KIT SHIM 2.60 MM JG511268AP | 1 |
| 28 | 36JU0056 | KIT SHIM 2.64 MM JG511268AQ | 1 |
| 29 | 36JU0057 | KIT SHIM 2.68 MM JG511268AR | 1 |
| 30 | 36JU0058 | KIT SHIM 2.72 MM JG511268AS | 1 |
| 31 | 36JU0059 | KIT SHIM 2.76 MM JG511268AT | 1 |
| 32 | 36JU0060 | KIT SHIM 2.80 MM JG511268AU | 1 |
| 33 | 36JU0061 | KIT SHIM 2.84 MM JG511268AV | 1 |
| 34 | 36JU0062 | KIT SHIM 2.88 MM JG511268AW | 1 |
| 35 | 36JU0063 | KIT SHIM 2.92 MM JG511268AX | 1 |
| 36 | 36JU0064 | KIT SHIM 2.96 MM JG511268AY | 1 |
| 37 | 36JU0065 | KIT SHIM 3 MM JG511268AZ | 1 |
| 38 | 36JU0066 | KIT SHIM 3.04 MM JG511268BA | 1 |
| 39 | CB101009 | SEAL - VALVE STEM | 2 |
| 40 | JU511226 | RETAINER SPRING VALVE | 2 |

200-DUKE MY-23

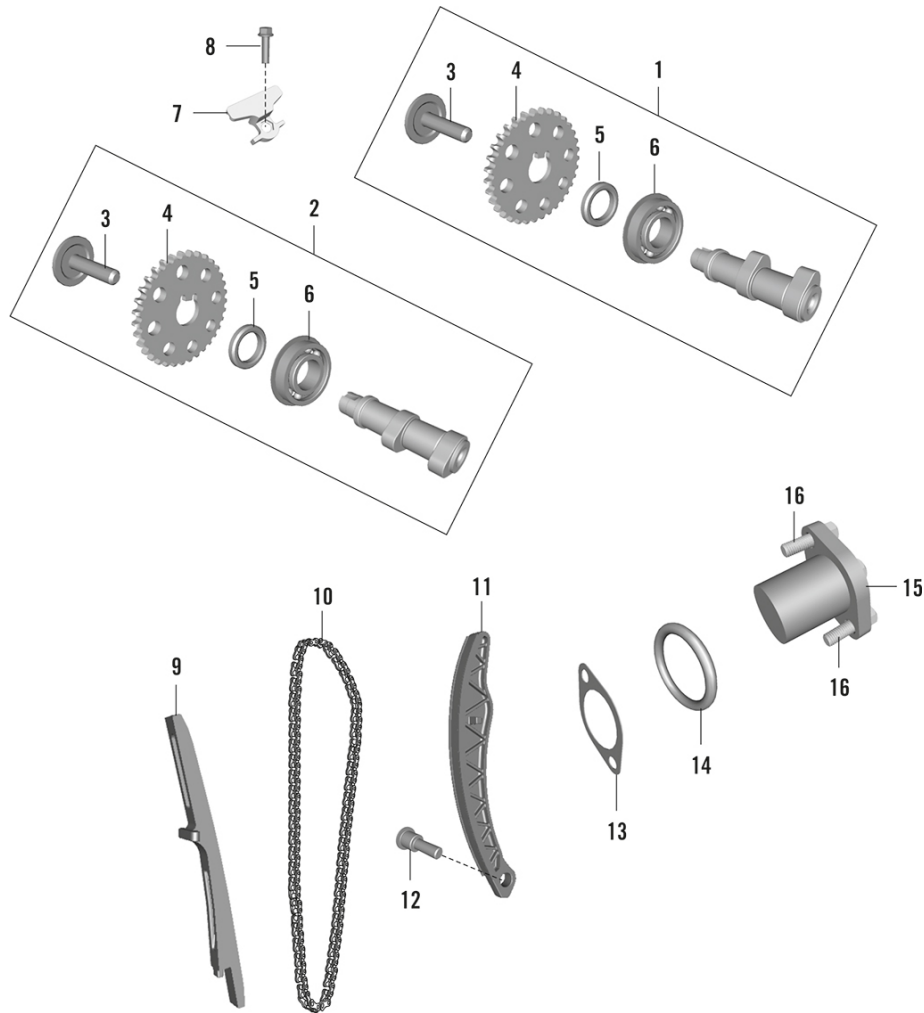
14. VALVE DRIVE



| SN | Part No. | Description | QTY |
|----|----------|--------------|-----|
| 41 | CB101022 | COTTER VALVE | 4 |

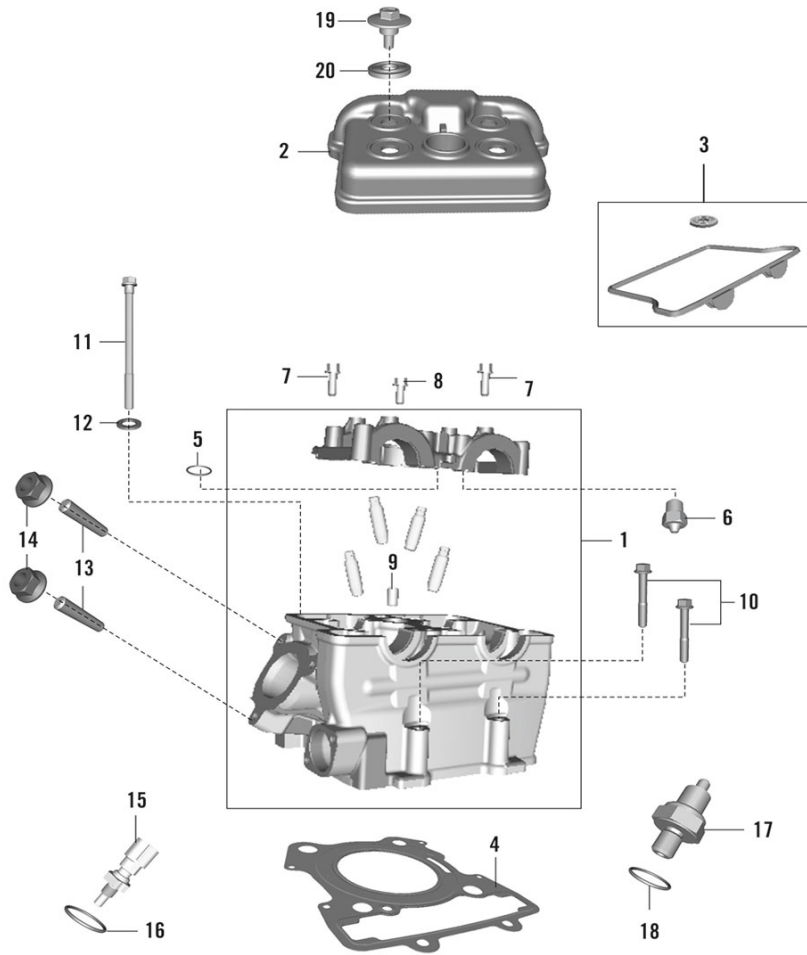
200-DUKE MY-23

15. TIMING DRIVE



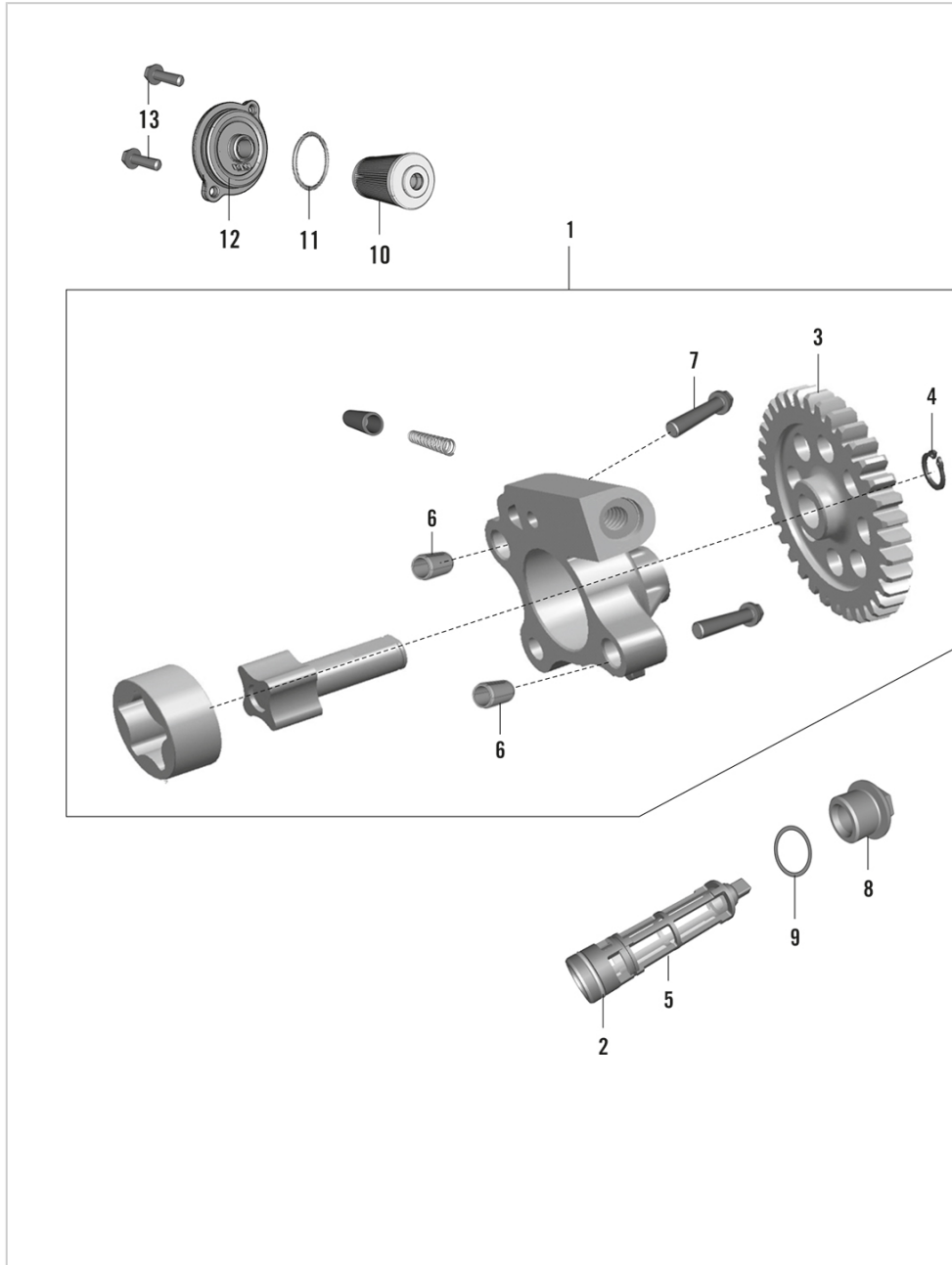
| SN | Part No. | Description | QTY |
|----|----------|---|-----|
| 1 | JU511219 | ASSEMBLY CAMSHAFT INTAKE | 1 |
| 2 | JU511221 | ASSEMBLY CAMSHAFT EXHAUST | 1 |
| 3 | LAC00077 | BOLT SOCKET-M8X1XL 32XSTEPEDXBRT | 2 |
| 4 | JU511223 | SPROCKET CAMSHAFT | 2 |
| 5 | JG511262 | SPACER CAMSHAFT_G2 | 1 |
| 6 | JG511261 | BALL BEARING_G2 | 2 |
| 7 | JG511250 | GUIDE CHAIN TOP | 1 |
| 8 | LAE00016 | BOLT FLANGED M5X0.8X6L- PRECOATED | 1 |
| 9 | JG541048 | GUIDE CHAIN (TIGHT SIDE) | 1 |
| 10 | JG511247 | TIMING CHAIN | 1 |
| 11 | JG541047 | GUIDE CHAIN (SLACKSIDE) | 1 |
| 12 | DH101392 | PRECOATED TENSIONER PIVOT BOLT - DH10101 | 1 |
| 13 | CS101128 | Gasket | 1 |
| 14 | 39266921 | RING - O (ID 10.15 X 1.5) | 1 |
| 15 | JG511211 | TENSIONER ASSLY_G2 | 1 |
| 16 | KADQ0620 | BOLT HEXAGONAL | 2 |

16. CYLINDER HEAD



| SN | Part No. | Description | QTY |
|----|----------|--------------------------------------|-----|
| 1 | JU511049 | HEAD CYLINDER-HOLDER CAMSHAFT | 1 |
| 2 | JU511038 | COVER HEAD CYLINDER | 1 |
| 3 | 36JU0124 | KIT D VALVE COVER GASKET 200 | 1 |
| 4 | JU511055 | GASKET HEAD CYLINDER | 1 |
| 5 | 39101721 | RING - O | 1 |
| 6 | JG541021 | OIL NOZZLE | 4 |
| 7 | KAEQ0640 | BOLT FLANGE SMALL- M6X1XL40XDACRO | 2 |
| 8 | 39107504 | BOLT - FLANGED :- SMALL | 6 |
| 9 | 39099906 | PIN - HOLLOW DOWEL | 2 |
| 10 | JG501008 | HEX BOLT WITH FLANGE | 2 |
| 11 | JG541068 | BOLT FLANGED STEP M10X1.25 | 4 |
| 12 | LDA00008 | WASHER 11.2*20*2T | 4 |
| 13 | JG511046 | STUD M8*1.25 | 3 |
| 14 | LCG00006 | NUT HEX FLANGED M8*1.25 | 3 |
| 15 | JG351400 | COOLANT WATER TEMP SENSOR | 1 |
| 16 | 39269920 | O-RING FOR TEMP. SENSOR | 1 |
| 17 | DK101225 | SWITCH PRESSURE OIL | 1 |
| 18 | DK101340 | O RING (OIL COOLER PIPE) | 1 |
| 19 | JG511022 | BOLT SPECIAL | 4 |
| 20 | JG511021 | WASHER | 4 |

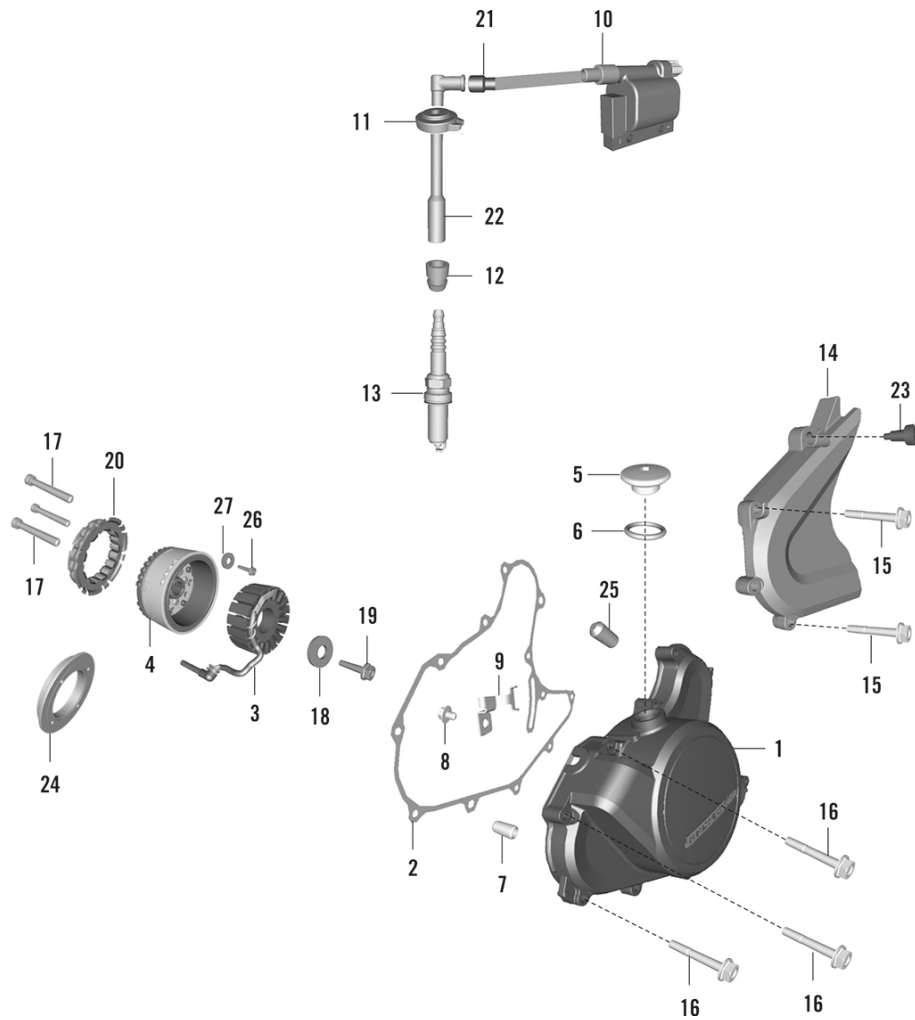
200-DUKE MY-23



17. LUBRICATING SYSTEM

| SN | Part No. | Description | QTY |
|----|----------|----------------------------------|-----|
| 1 | JU571000 | ASSEMBLY OIL PUMP | 1 |
| 2 | LJA00004 | STRAINER O RING | 1 |
| 3 | JG571018 | GEAR OIL PUMP DRIVE | 1 |
| 4 | KEAB1010 | CIRCLIP EXTERNAL | 1 |
| 5 | JY571030 | MESH STRAINER ASSLY | 1 |
| 6 | 39099906 | PIN - HOLLOW DOWEL | 2 |
| 7 | LAE00018 | BOLT FLANGED M6X1 | 3 |
| 8 | JA541021 | CAP STRAINER | 1 |
| 9 | 59210023 | RING - O | 1 |
| 10 | JG571014 | OIL FILTER | 1 |
| 11 | JG571016 | RING O | 1 |
| 12 | JY571033 | CAP OIL FILTER | 1 |
| 13 | KAEQ0616 | BOLT FLANGE SMALL-M6X1XL16XDACRO | 2 |

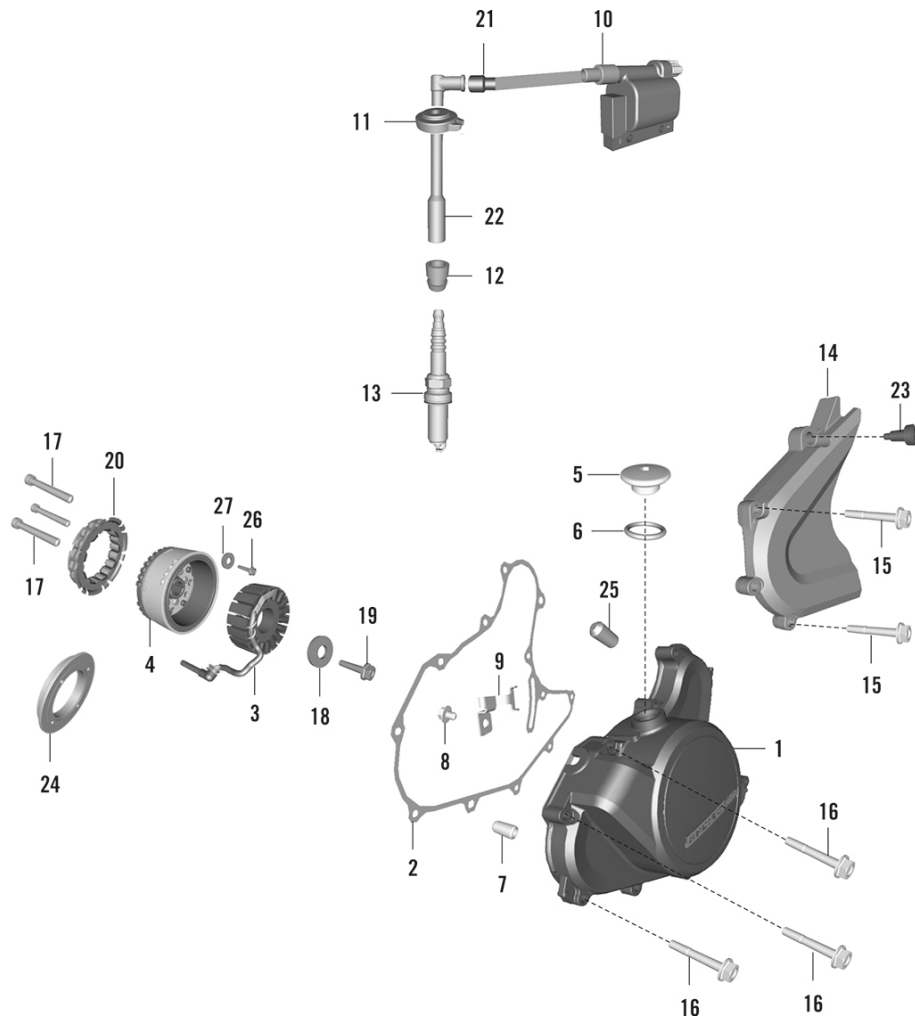
18. IGNITION SYSTEM



| SN | Part No. | Description | QTY |
|----|----------|------------------------------------|-----|
| 1 | JY541294 | COVER ASSEMBLY MAGNETO | 1 |
| 2 | JG541211 | GASKET COVER MAGNETO | 1 |
| 3 | JP351023 | STATOR ASSEMBLY | 1 |
| 4 | JP351024 | ROTOR ASSLY W/O CLUTCH ASSLY | 1 |
| 5 | JL541245 | CAP TDC FINDER | 1 |
| 6 | 30101195 | RING - O | 1 |
| 7 | 39099906 | PIN - HOLLOW DOWEL | 1 |
| 8 | KADD0508 | BOLT FLANGED | 1 |
| 9 | JG541223 | BRACKET HARNESS | 1 |
| 10 | JP351207 | COIL IGNITION | 1 |
| 11 | JG351208 | GROMMET SPARK PLUG CAP | 1 |
| 12 | JP351209 | GROMMET PLUG SPARK | 1 |
| 13 | JY351206 | PLUG SPARK | 1 |
| 14 | JG541207 | COVER LH RR | 1 |
| 15 | KAEQ0645 | BOLT FLANGE SMALL-M6X1XL45XDACRO | 3 |
| 16 | KAEQ0630 | BOLT FLANGE SMALL-M6X1XL30XDACRO | 11 |
| 17 | DK101284 | HEX SOCKET HEAD SCREW(M5X0.8X35) | 3 |
| 18 | LDB00010 | WASHER PLAIN-ID 10.3XOD29XT3.2XBR | 1 |
| 19 | 52JY0185 | BOLT FLANGE PRECOATED M10X1.25XL50 | 1 |
| 20 | JY551402 | CLUTCH ONE WAY ASSLY | 1 |

200-DUKE MY-23

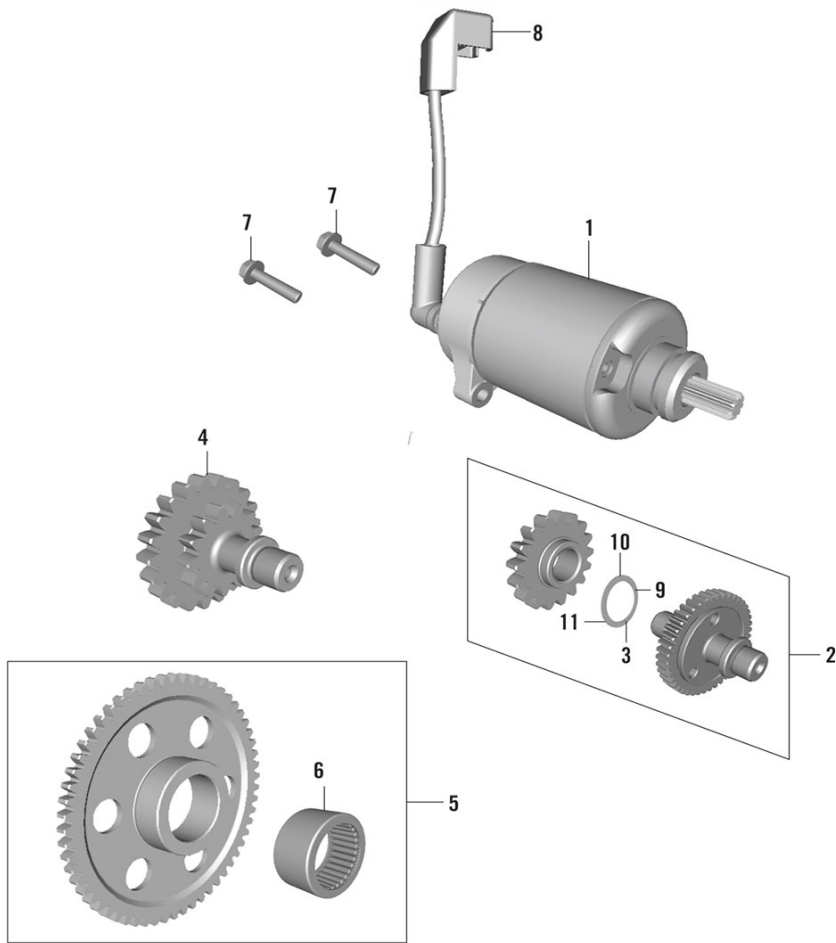
18. IGNITION SYSTEM



| SN | Part No. | Description | QTY |
|----|----------|--|-----|
| 21 | DD111012 | GROMMET FOR H. T. CABLE | 1 |
| 22 | JG351201 | SPARK PLUG CAP | 1 |
| 23 | LAC00014 | BOLT SPROCKET COVER MTG | 1 |
| 24 | JG351019 | BODY STARTER CLUTCH | 1 |
| 25 | JG541074 | OIL NOZZLE | 1 |
| 26 | DH101389 | PRECOATED PAN SCREW M6 X 20 - 39119704 | 4 |
| 27 | 39084914 | WASHER - LOCK :- TOOTHED | 4 |

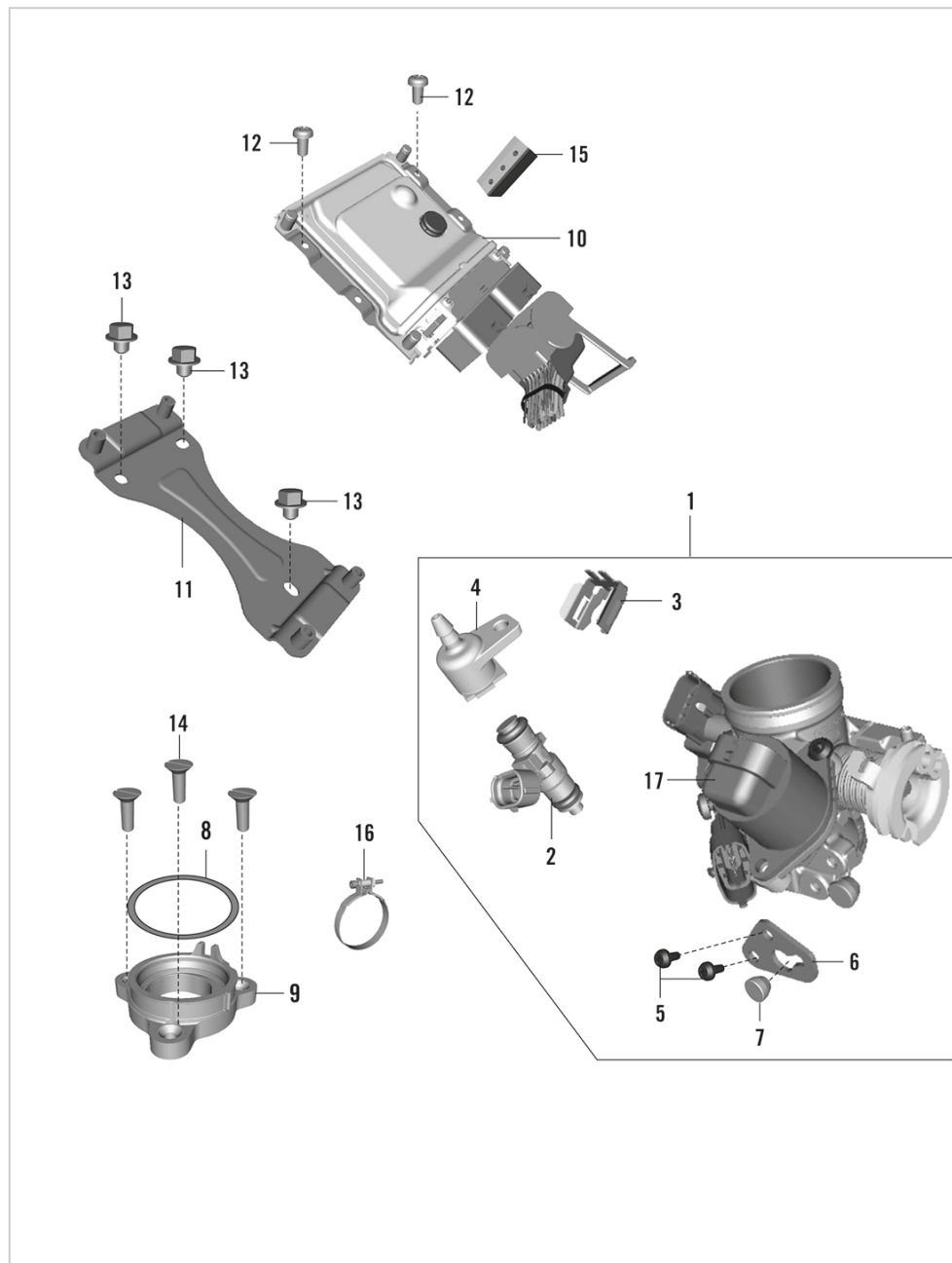
200-DUKE MY-23

19. ELECTRICAL STARTER



| SN | Part No. | Description | QTY |
|----|----------|----------------------------------|-----|
| 1 | JG351600 | STARTER MOTOR ASSY 350W BLACK | 1 |
| 2 | JG621413 | GEAR ASSEMBLY STARTER COUNTER II | 1 |
| 3 | DK101445 | SHIM (0.6 THK.) | 1 |
| 4 | JG621412 | GEAR STARTER COUNTER 1 | 1 |
| 5 | JG621417 | ASSEMBLY GEAR STARTER CLUTCH | 1 |
| 6 | BF621402 | NEEDLE BEARING (25X32X16) | 1 |
| 7 | KADQ0625 | BOLT M6 | 2 |
| 8 | JP402203 | CABLE RELAY TO MOTOR MY17 | 1 |
| 9 | DK101450 | SHIM (0.45 THK.) | 1 |
| 10 | DK101451 | SHIM (0.75 THK.) | 1 |
| 11 | DK101452 | SHIM (0.9 THK.) | 1 |

200-DUKE MY-23

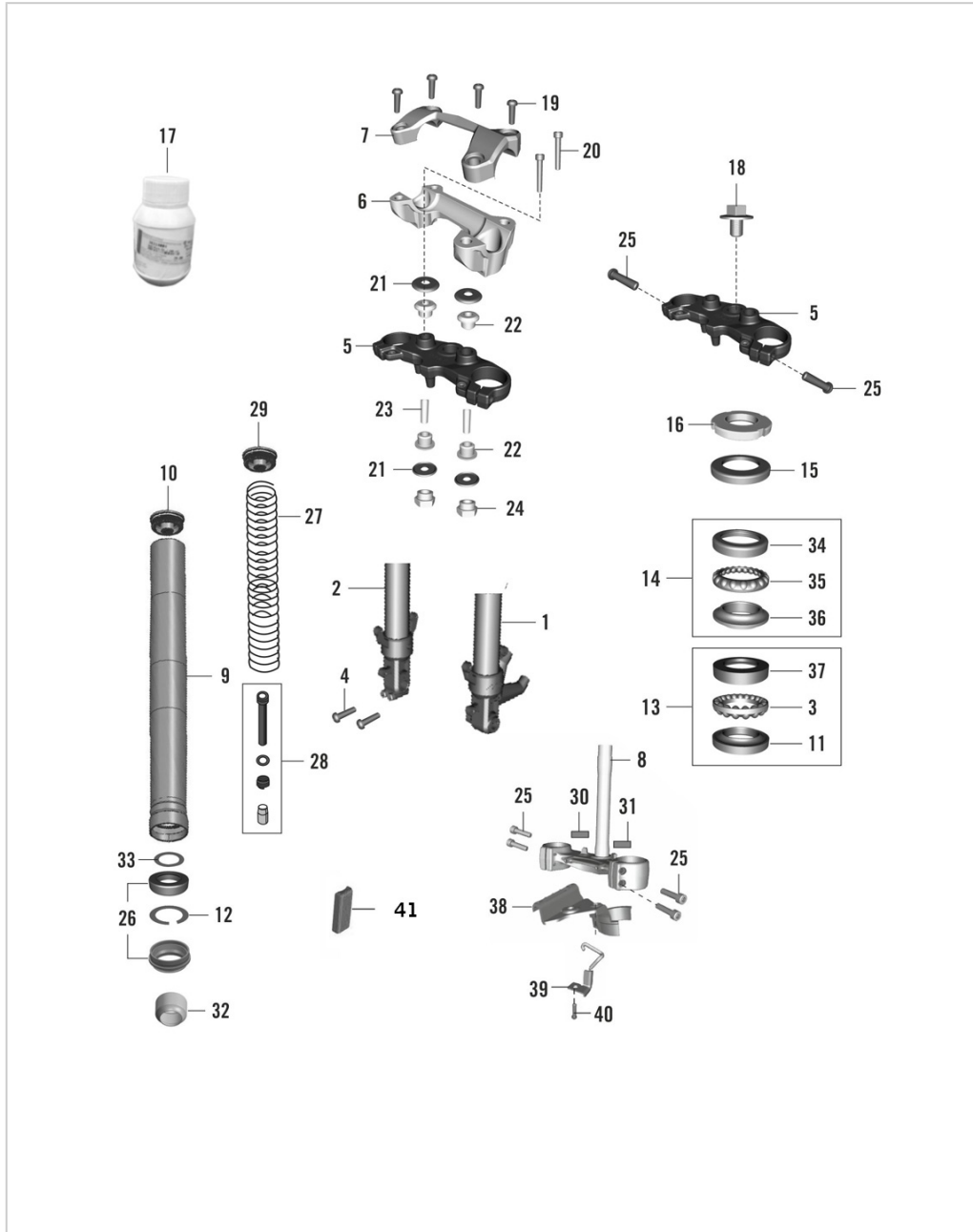


20. THROTTLE BODY

| SN | Part No. | Description | QTY |
|----|----------|-------------------------------|-----|
| 1 | JP611208 | ASSEMBLY THROTTLE BODY DIA.38 | 1 |
| 2 | JG611004 | FUEL INJECTOR | 1 |
| 3 | JG611006 | CLIP INJECTOR CLIP | 1 |
| 4 | JG581416 | INJECTOR CAP | 1 |
| 5 | JG581424 | FIXING SCREW | 5 |
| 6 | JG581419 | BRACKET THROTTLE CABLE | 1 |
| 7 | DS161156 | PLUG - SEAT LOCK CABLE | 1 |
| 8 | JG581407 | RING O | 1 |
| 9 | JU581413 | PIPE INTAKE | 1 |
| 10 | JP351464 | ECU EMS | 1 |
| 11 | JG171026 | BRACKET ECU MOUNTING | 1 |
| 12 | KBBA0408 | SCREW PAN CROSS | 4 |
| 13 | KADA0508 | FLANGE BOLT M5 X 0.8 | 3 |
| 14 | LBC00003 | SCREW CSK CROSS M6X1 | 3 |
| 15 | JG171074 | DAMPER ASSEMBLY | 1 |
| 16 | JU581006 | CLAMP CONNECTING TUBE | 1 |
| 17 | JG611206 | MOTOR STEPPER (IACV) | 1 |

200-DUKE MY-23

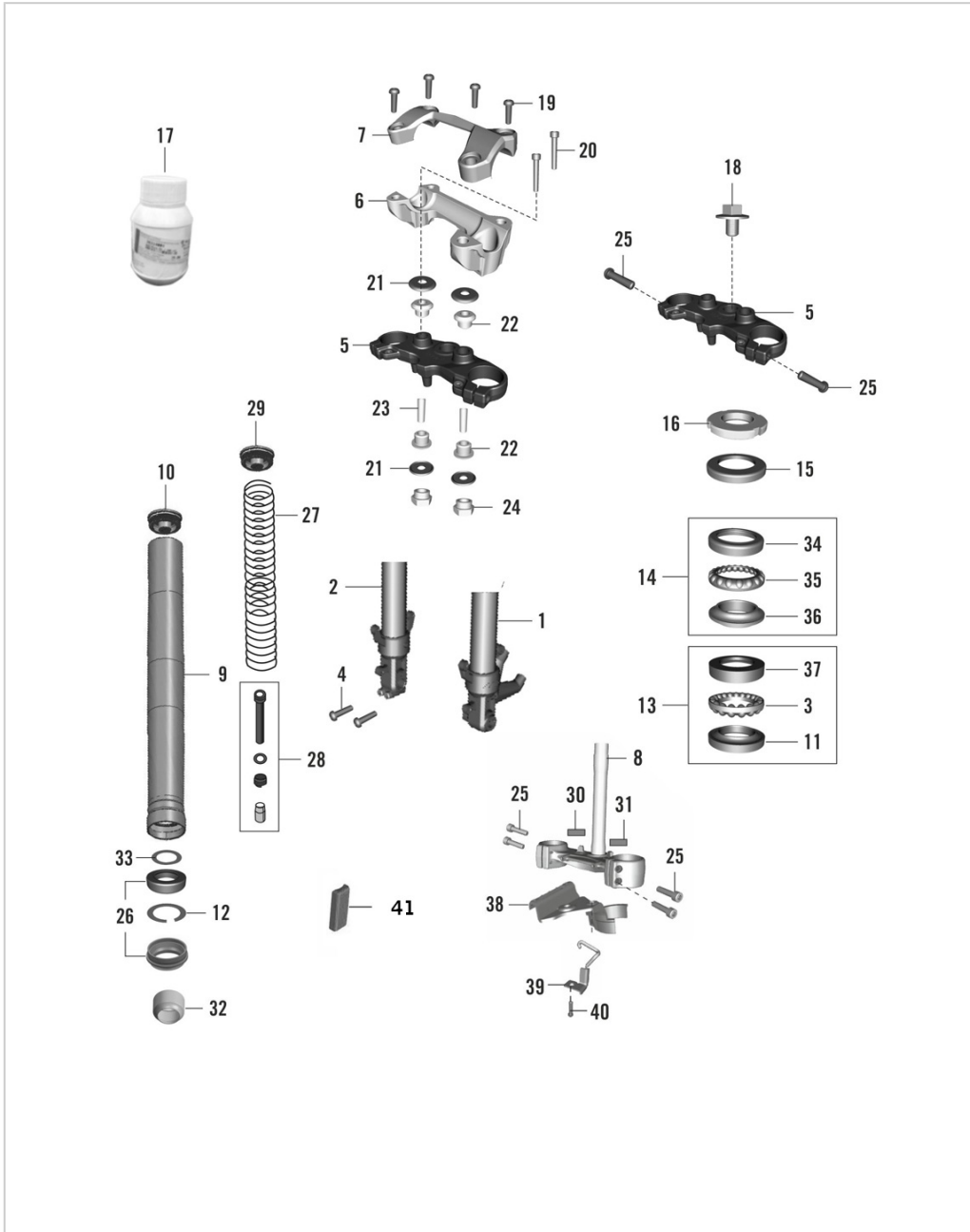
21. FRONT FORK, TRIPLE CLAMP



| SN | Part No. | Description | QTY |
|----|----------|---------------------------------|-----|
| 1 | YJP42002 | AXLE CLAMP AND FORK PIPE LH | 1 |
| 2 | YJP42001 | AXLE CLAMP AND FORK PIPE RH | 1 |
| 3 | DK181051 | CAGE BEARING STEERING BOTTOM | 1 |
| 4 | LAC00005 | BOLT SOCKET M8X1.25 | 2 |
| 5 | JP151080 | Bracket Upper | 1 |
| 6 | JG151014 | HANDLE HOLDER BOTTOM | 1 |
| 7 | JG151020 | TOP HANDLE HOLDER | 1 |
| 8 | JP121046 | ASSEMBLY LOWER TRIPLE CLAMP GDC | 1 |
| 9 | YJP42004 | ASSEMBLY OUTER TUBE | 2 |
| 10 | JG121012 | FORK TOP BOLT | 1 |
| 11 | DG181005 | BEARING CONE | 1 |
| 12 | JU121009 | CIRCLIP | 2 |
| 13 | 36JU0075 | KIT STEERING RACE LOWER JU/JY | 1 |
| 14 | 36JU0074 | KIT STEERING RACE UPPER JU/JY | 1 |
| 15 | DK181076 | CUP STEERING | 1 |
| 16 | JG151026 | NUT -STEERING | 1 |
| 17 | 36JG0087 | KTM FORK OIL | 6 |
| 18 | 59040005 | BOLT WITH WASHER M16X28L | 1 |
| 19 | JG151029 | BOLT SOCKET M8X1.25 | 4 |
| 20 | LAC00004 | BOLT SOCKET M10X1.25 | 2 |

200-DUKE MY-23

21. FRONT FORK, TRIPLE CLAMP

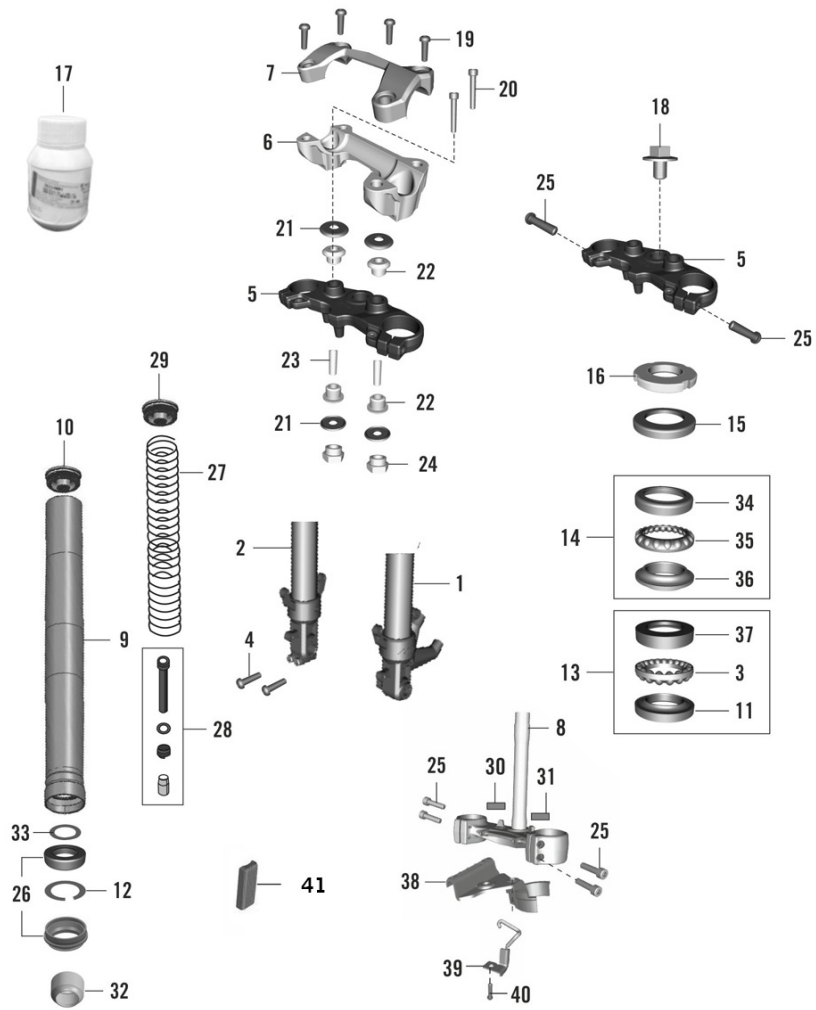


| SN | Part No. | Description | QTY |
|----|----------|-----------------------------------|-----|
| 21 | JG151013 | WASHER CUP | 4 |
| 22 | JG151012 | COLLAR | 4 |
| 23 | JG151021 | SPACER TUBE | 2 |
| 24 | LCH00001 | NUT NYLOC-M10X1.25XHT.11XCL6XBRT | 2 |
| 25 | LAC00013 | BOLT SOCKET HEADED M8X1.25X30L | 6 |
| 26 | 36JU0019 | Kit Fork Oil seal KTM 200 | 2 |
| 27 | JU121017 | MAIN SPRING & WASHER SUB ASSEMBLY | 2 |
| 28 | YJP42003 | ASSEMBLY PISTON ROD | 2 |
| 29 | JU121018 | SCREW CAP ASSEMBLY | 2 |
| 30 | JG233080 | TAPE ANTIABRASIVE | 1 |
| 31 | JG113841 | TAPE ANTIABRASIVE | 1 |
| 32 | JG121028 | FORK FRONT DUST COVER | 2 |
| 33 | LDB00036 | WASHER PLAIN-ID45XOD 52.5XTHK1.5 | 2 |
| 34 | DG181045 | BEARING CONE :- UPPER | 1 |
| 35 | DK181050 | CAGE BEARING STEERING TOP | 1 |
| 36 | DG181046 | BEARING RACE - UPPER | 1 |
| 37 | DG181047 | BEARING RACE - LOWER | 1 |
| 38 | JG113828 | CLAMP HOSE | 1 |
| 39 | JG111139 | HOOK ASSEMBLY | 1 |
| 40 | KAET0610 | BOLT FLANGE SMALL-M6X1XL10XBLACK | 1 |

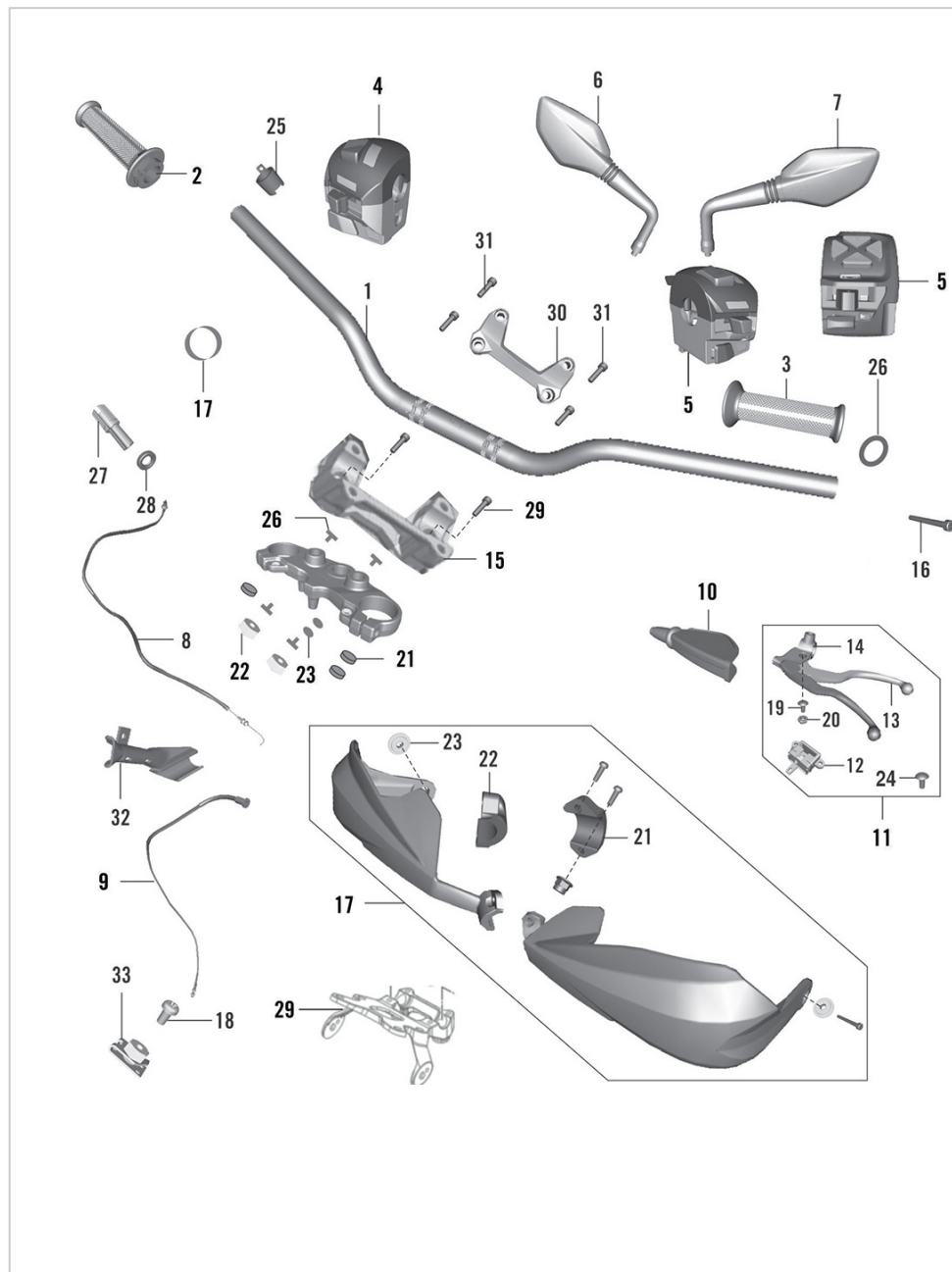
200-DUKE MY-23

21. FRONT FORK, TRIPLE CLAMP

| SN | Part No. | Description | QTY |
|----|----------|----------------------|-----|
| 41 | JG401038 | REFLECTOR FRONT SIDE | 2 |



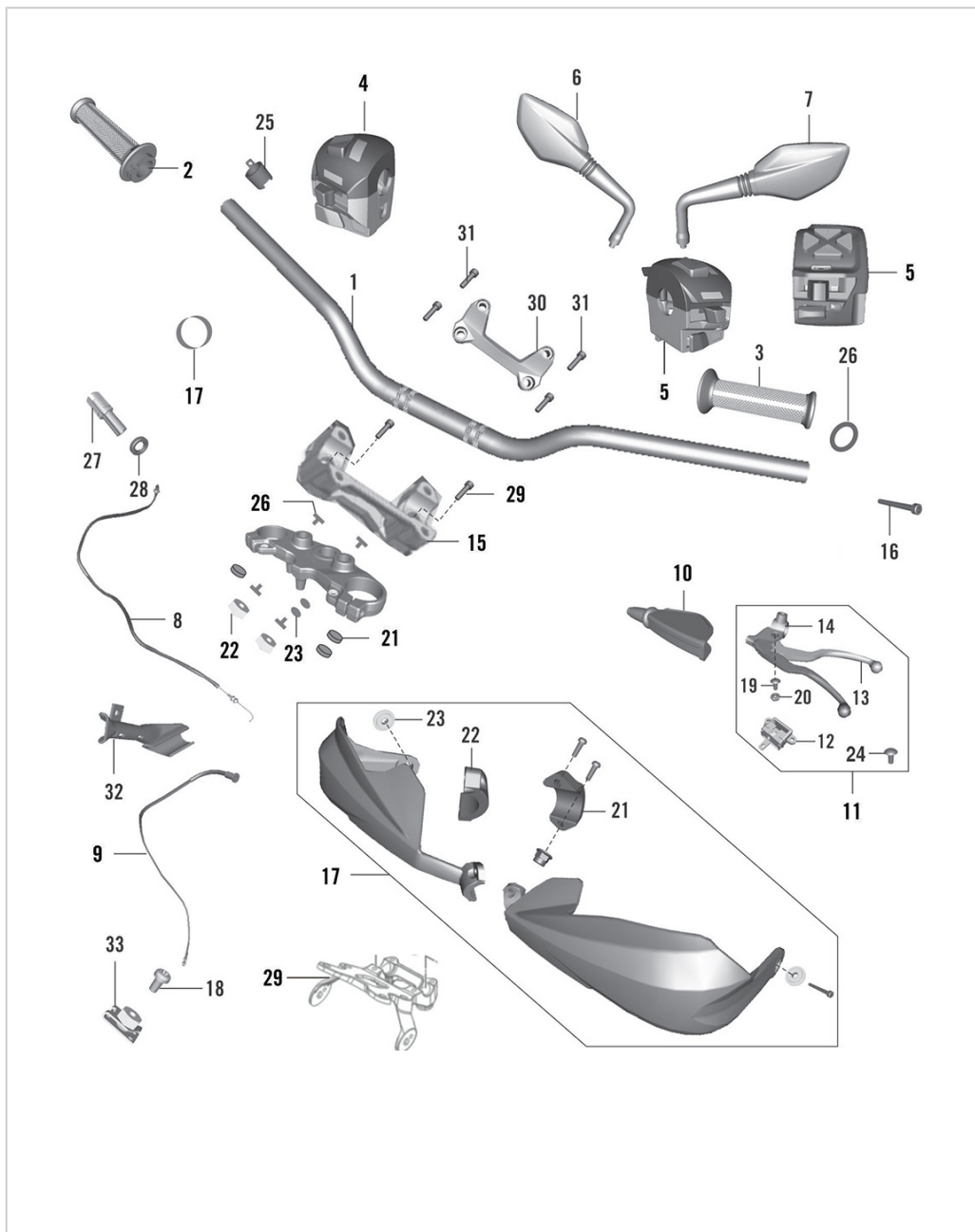
200-DUKE MY-23



22. HANDLEBAR, CONTROLS

| SN | Part No. | Description | QTY |
|----|----------|----------------------------------|-----|
| 1 | JP151031 | HANDLEBAR | 1 |
| 2 | JG151038 | GRIP ASSEMBLY DUKE 125_200 RH | 1 |
| 3 | JP151031 | HANDLEBAR | 1 |
| 4 | JP401412 | SWITCH CONTROL RH | 1 |
| 5 | JG401406 | SWITCH CONTROL LH | 1 |
| 6 | JP231600 | MIRROR LH | 1 |
| 7 | JP231601 | MIRROR RH | 1 |
| 8 | JP161202 | CABLE THROTTLE 125 | 1 |
| 9 | JP161200 | CLUTCH CABLE DUKE 125/200 | 1 |
| 10 | DS191052 | LEVER BOOT LH FOR CLUTCH SWITCH | 1 |
| 11 | JP161008 | ASSEMBLY LEVER-HOLDER LH | 1 |
| 12 | JG401426 | SWITCH CLUTCH | 1 |
| 13 | JY161007 | CLUTCH LEVER NON ADJUSTABLE | 1 |
| 14 | JL161014 | HOLDER LEVER LH | 1 |
| 15 | JP151015 | HANDLE HOLDER BOTTOM | 1 |
| 16 | LAC00116 | BOLT SOCKET-M6X1XL55XCL8.8XBLACK | 2 |
| 17 | PA402204 | BAND(LENGTH 110MM) | 2 |
| 18 | KBUF0512 | SCREW TRUSS-M5X0.8XL 12XBLACK | 1 |
| 19 | JZ161028 | LEVER PIVOT BOLT | 1 |
| 20 | 39118415 | NUT - NYLOC :- M5 X 0.8 | 1 |

200-DUKE MY-23

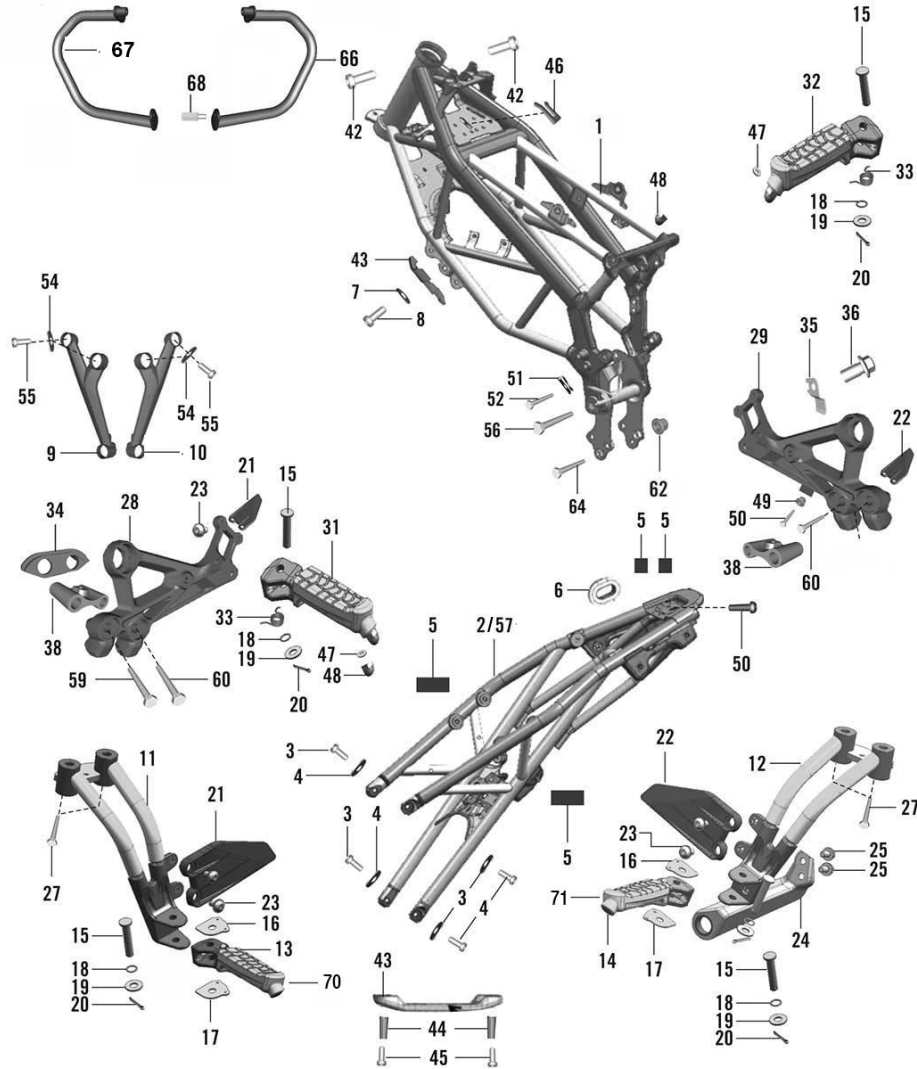


22. HANDLEBAR, CONTROLS

| SN | Part No. | Description | QTY |
|----|----------|-----------------------------------|-----|
| 21 | JG151013 | WASHER CUP | 3 |
| 22 | JP151009 | SPACER TUBE_MY17 | 2 |
| 23 | LCH00001 | NUT NYLOC-M10X1.25XHT.11XCL6XBRT | 2 |
| 24 | LBU00012 | SCREW PAN CROSS M3X0.5 | 2 |
| 25 | JP151012 | SPACER HANDLEBAR KT19/20/21 | 1 |
| 26 | JG151012 | COLLAR | 4 |
| 27 | 36DU1901 | CABLE ADJ.KIT - CT 100 | 1 |
| 28 | 30191017 | NUT | 1 |
| 29 | LAC00092 | BOLT SOKET-M10X1.25XL73XCL8.8XBRT | 2 |
| 30 | JP151016 | HANDLE HOLDER TOP | 1 |
| 31 | LAC00111 | BOLT SOCKET-M8X1.25XL 29XBLACK | 4 |
| 32 | JP113828 | GUIDE CLUTCH CABLE | 1 |
| 33 | JG171031 | CLIP NUT M5 | 1 |

200-DUKE MY-23

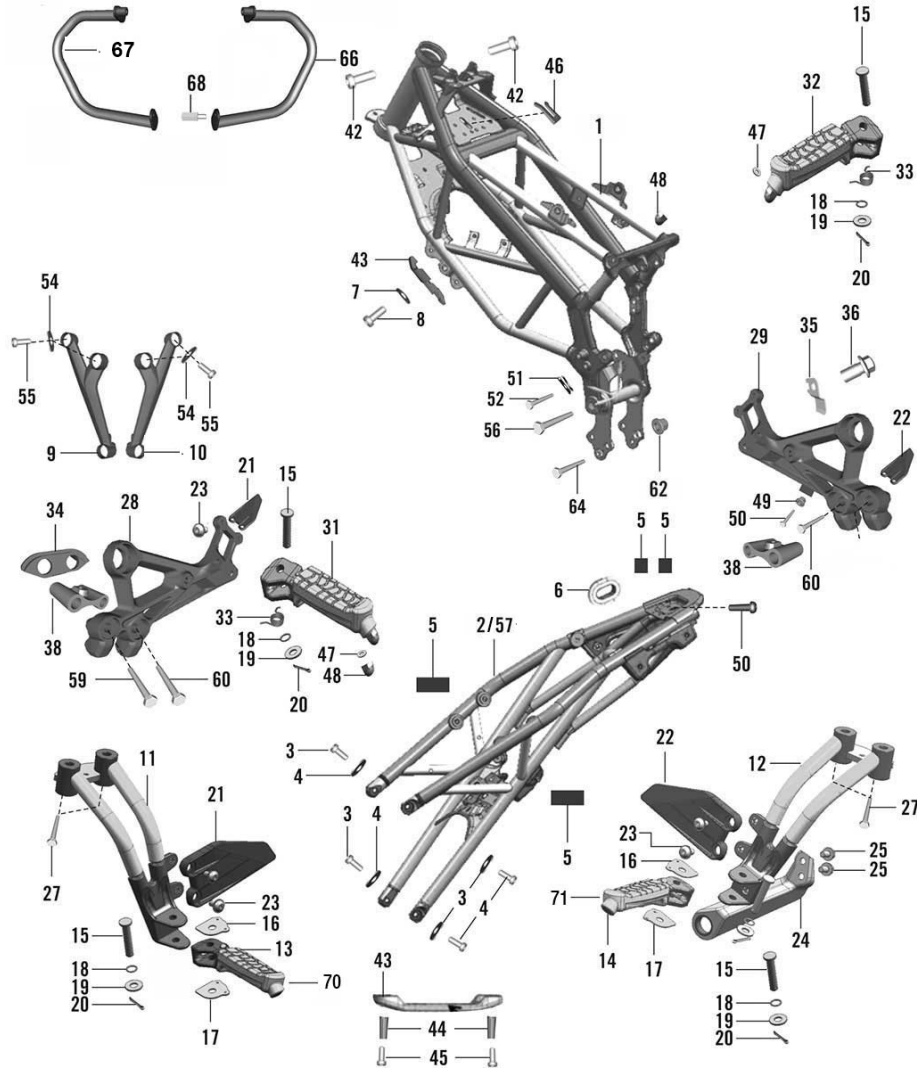
23. FRAME



| SN | Part No. | Description | QTY |
|----|----------|---|-----|
| 1 | 36JP0037 | FR FRAME ASY BLK DUKE MY18 | 1 |
| 2 | 52JP0903 | JP111002 FRAME REAR-CERAMIC WHTE | 1 |
| 3 | LAC00093 | BOLT SOKET- M8X1.25XL25XBLXPRECOT | 4 |
| 4 | LDA00034 | WASHER PLAIN-ID8.2XOD 14XT 2XBLK | 4 |
| 5 | JY191008 | DAMPER | 2 |
| 6 | JY113837 | GROMMET FOR CABLE | 1 |
| 7 | LDB00076 | WASHER PLAIN- ID6.5XOD13XTHK1XBLK | 1 |
| 8 | KACA0612 | BOLT-SOCKET-KAC ST-A DIA-06 L-12 | 1 |
| 9 | 56JP024U | ENGINE HANGER LH ALUMINIUM SILVER KT09 | 1 |
| 10 | 56JP034U | ENGINE HANGER RH ALUMINIUM SILVER KT09 | 1 |
| 11 | JP113041 | HOLDER STEP PILLION LH | 1 |
| 12 | JP113042 | HOLDER STEP PILLION RH | 1 |
| 13 | JP113029 | STEP ASSEMBLY PILLION LH | 1 |
| 14 | JP113030 | STEP ASSEMBLY PILLION RH | 1 |
| 15 | JL113037 | PIN PIN CLEVIS DIA 8 | 2 |
| 16 | JP113017 | PLATE LOCK PILLION STEP TOP | 2 |
| 17 | JP113018 | PLATE LOCK PILLION STEP BOTTOM | 2 |
| 18 | 30141031 | RING - O | 4 |
| 19 | KDBA0818 | WASHER PLAIN | 4 |
| 20 | LHA00002 | PIN -SPLIT | 4 |

200-DUKE MY-23

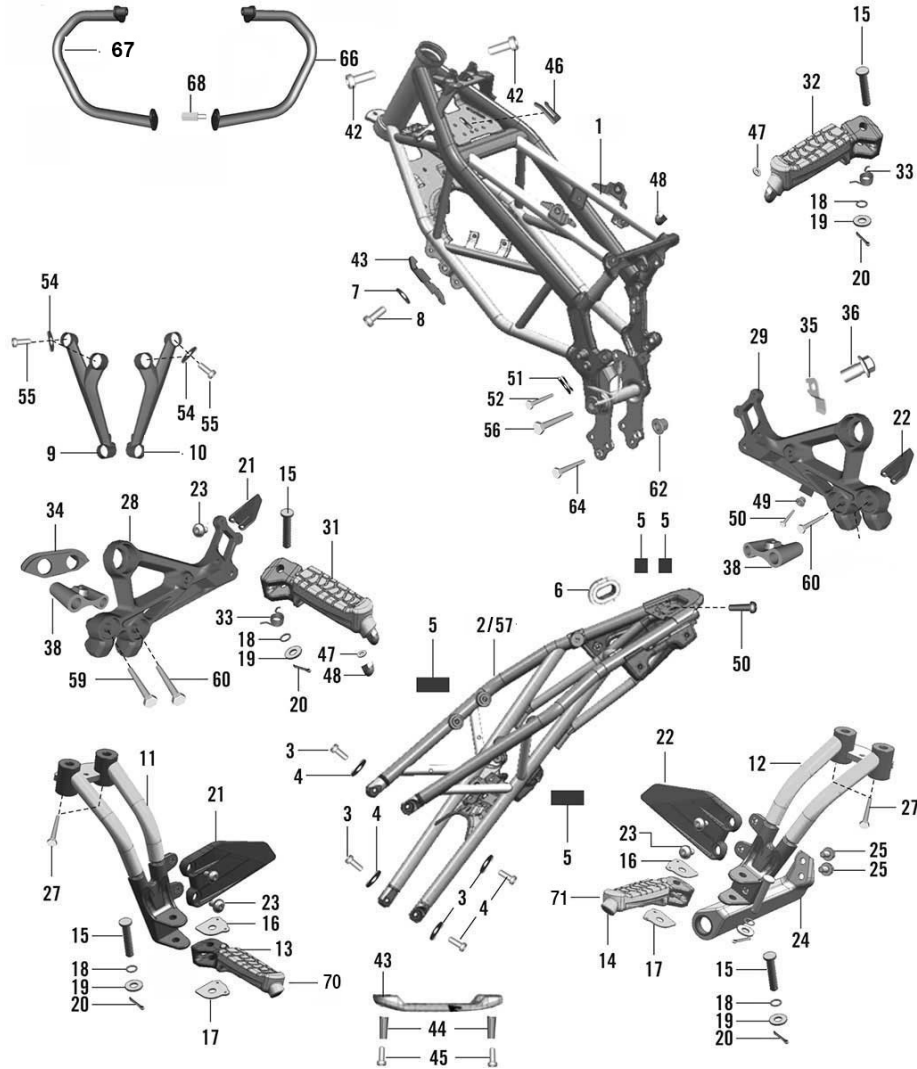
23. FRAME



| SN | Part No. | Description | QTY |
|----|----------|------------------------------------|-----|
| 21 | JP113012 | HEEL GUARD REAR LH | 2 |
| 22 | JP113013 | HEEL GUARD REAR RH | 2 |
| 23 | LBU00050 | SCREW BUTTON HEAD-M6X1XL9XPRECOAT | 4 |
| 24 | JP113810 | BRACKET SILENCER MOUNTING | 1 |
| 25 | KADA0610 | BOLT-FLANGE-KAD ST-A DIA-06 L-10 | 2 |
| 26 | DJ101305 | BOLT FLANGE | 2 |
| 27 | LAC00023 | BOLT SOCKET | 4 |
| 28 | JP113038 | HOLDER STEP RIDER RH | 1 |
| 29 | JP113037 | HOLDER STEP RIDER LH | 1 |
| 30 | JP113015 | PIN DOWEL | 2 |
| 31 | JP113027 | STEP ASSEMBLY RIDER LH | 1 |
| 32 | JP113028 | STEP ASSEMBLY RIDER RH | 1 |
| 33 | JP113035 | SPRING TORSION | 2 |
| 34 | JG113800 | DUMBLE SPACERS FOR STEPHOLDER | 1 |
| 35 | JP113811 | BRACKET GUIDE HOSE REAR | 1 |
| 36 | KAED0610 | BOLT-FLANGE-KAE ST-D DIA-06 L-10 | 1 |
| 37 | LBU00049 | SCREW BUTTON HD-M6X1XL25XSTEPPED | 1 |
| 38 | JG113800 | DUMBLE SPACERS FOR STEPHOLDER | 2 |
| 39 | JG113813 | BRACKET SIDE STAND SWITCH CABLE | 1 |
| 40 | LAE00015 | BOLT FLANGED M6X1 | 1 |

200-DUKE MY-23

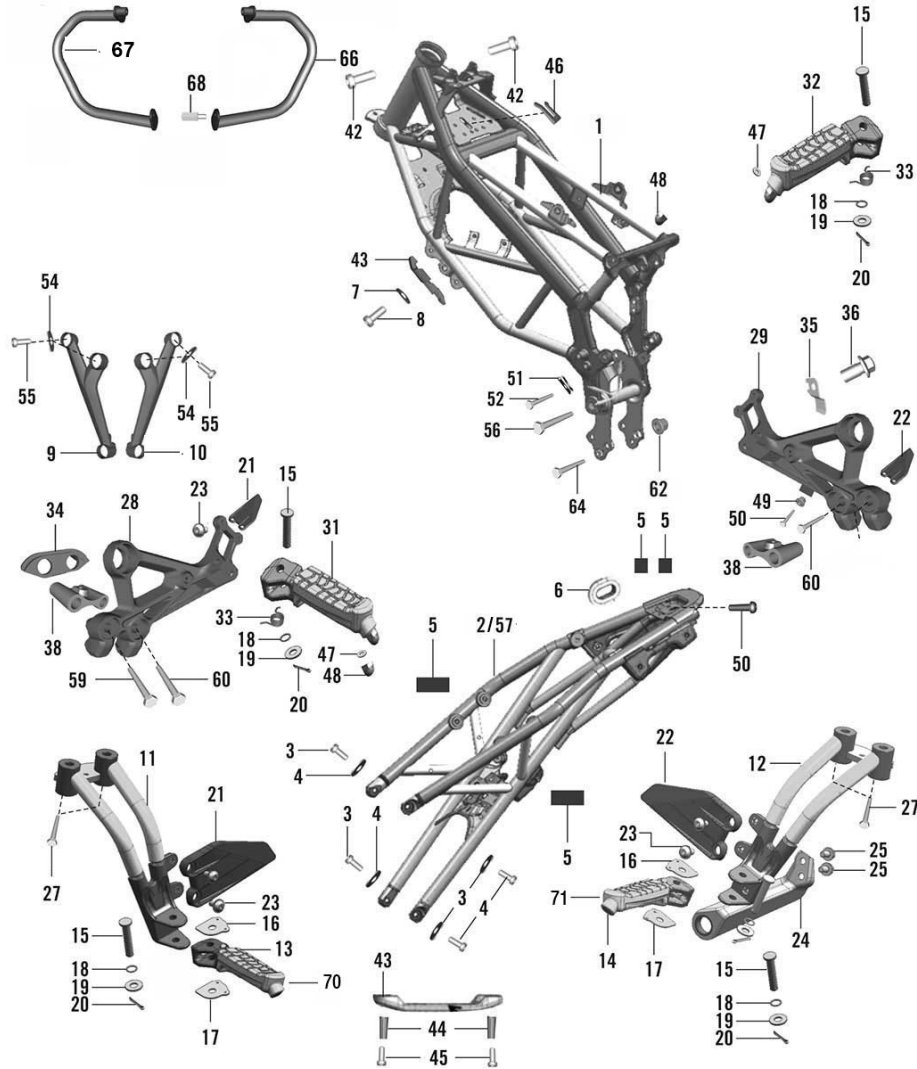
23. FRAME



| SN | Part No. | Description | QTY |
|----|---|---|-----|
| 41 | JG113802 | SPACER - CHAIN TENSIONER MTG | 2 |
| 42 | LAE00021 | BOLT FLANGED M6X1 | 2 |
| 43 | JP113014 | BRACKET BRIDGE PILLION STEP | 1 |
| 44 | LAC00115 | BOLT SOCKET- M6X1XL18XBLKXPRECOAT | 2 |
| 45 | JG113832 | COLLAR | 2 |
| 46 | JP112836 | PAD RESTING ECU | 1 |
| 47 | LDB00019 | WASHER PLAIN-ID 6.4XOD 20XT 1XBR | 2 |
| 48 | JG113052 | BOLT | 2 |
| 49 | KCAD0605 | NUT HEX THICK | 1 |
| 50 | KADD0620 | BOLT FLANGED | 2 |
| 51 | JG113404 | CLIP NUT | 2 |
| 52 | JG113837 | BOLT FLANGED M6X1 | 2 |
| 53 | JP113802 | BRACKET PURGE VALVE LOOSE KT22 | 1 |
| 54 | LDB00065 | WASHER PLAIN-ID8.5XOD 18XTHK 1.6 | 4 |
| 55 | LAC00113 | BOLT SOCKET- M8X1.25XL25XCL10.9XBL | 4 |
| 56 | JG113403 | BOLT FLANGED M10X1.25 | 1 |
| 57 | 52JP0126 - EL ORG, 52JP2018 - SL GREY | 52JP0126 - EL ORG, 52JP2018 - SL GREY | 1 |
| 58 | KDAA1018 | WASHER PLAIN | 1 |
| 59 | LAD00038 | BOLT FLANGE-M10 X 1.25 X L267XBRIGHT | 1 |
| 60 | LAD00039 | BOLT FLANGED-M10 X 1.25P X 92L | 2 |

200-DUKE MY-23

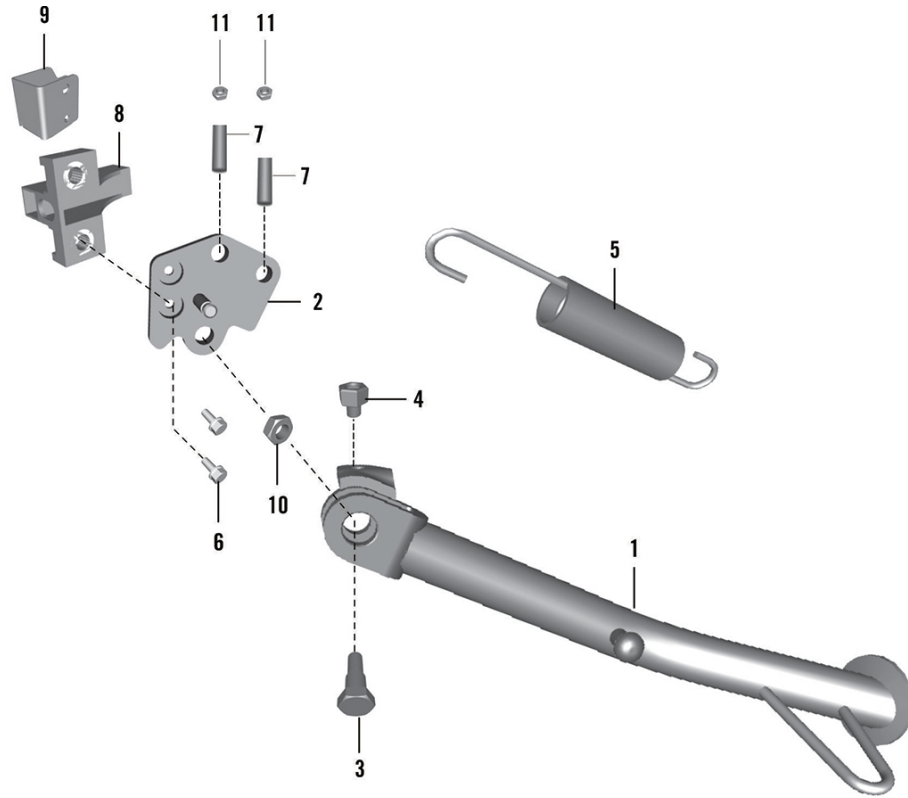
23. FRAME



| SN | Part No. | Description | QTY |
|----|----------|-------------------------------------|-----|
| 61 | LDB00076 | WASHER PLAIN- ID6.5XOD13XTHK1XBK | 1 |
| 62 | JP113837 | NUT SOCKET-M10X1.25XHT. 24XBRT | 1 |
| 63 | LAA00050 | BOLT M8X1.25 | 1 |
| 64 | LAD00075 | BOLT FLANGED-M8X1.25XL 105XBRT | 1 |
| 65 | JU231207 | NUT NYLOC M8X1.25 | 2 |
| 66 | JP231211 | GUARD LEG LH | 1 |
| 67 | JP231212 | GUARD LEG RH | 1 |
| 68 | LAA00050 | BOLT M8X1.25 | 1 |
| 69 | LAJ00014 | BOLT STUD-M10X1.25XL 153XBRIGHT | 1 |
| 70 | JP113029 | STEP ASSEMBLY PILLION LH | 1 |
| 71 | JP113030 | STEP ASSEMBLY PILLION RH | 1 |
| 72 | LZE00009 | SEALANT -LOCTITEÂ 620 | 1 |
| 73 | KACH0616 | BOLT SOCKET-M6X1XL16XCL 10.9XBLK | 1 |

200-DUKE MY-23

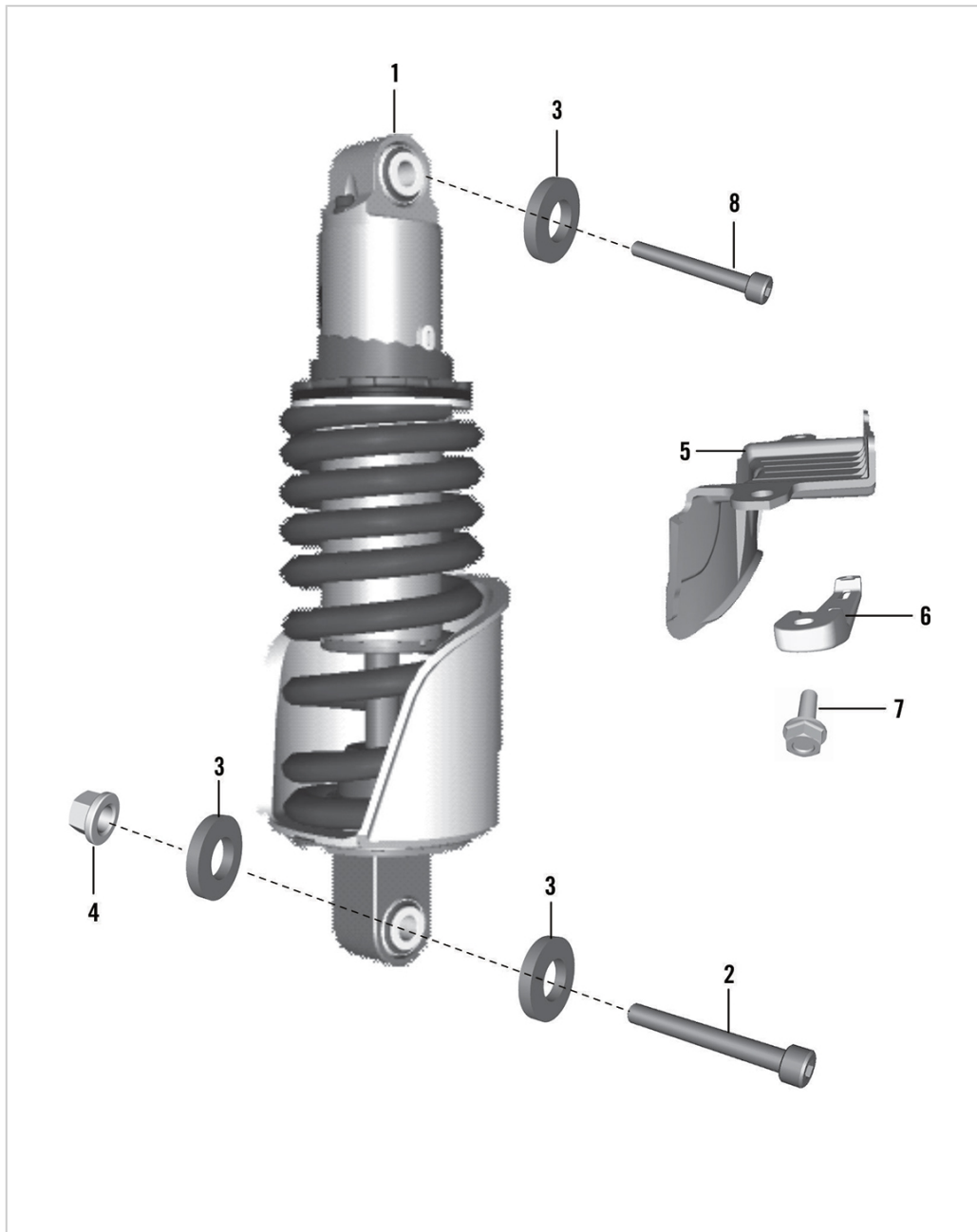
24. SIDE STAND



| SN | Part No. | Description | QTY |
|----|----------|-----------------------------------|-----|
| 1 | JY113217 | STAND SIDE | 1 |
| 2 | JP113229 | PLATE STAND SIDE | 1 |
| 3 | JG113207 | BOLT | 1 |
| 4 | JP401434 | HOLDER MAGNET | 1 |
| 5 | JU113200 | SPRING SIDE STAND WITH COVER | 1 |
| 6 | LAE00010 | BOLT FLANGED M5X0.8 | 2 |
| 7 | LAJ00019 | BOLT STUD-M10X1.25XL20XBRXPRECOAT | 2 |
| 8 | JP401435 | SWITCH STAND SIDE | 1 |
| 9 | JY113210 | SHIELD SWITCH STAND SIDE | 1 |
| 10 | LCH00001 | NUT NYLOC-M10X1.25XHT.11XCL6XBRT | 1 |
| 11 | LCL00006 | NUT U FLANG-M10X1.25XHT. 8.5XBRT | 2 |

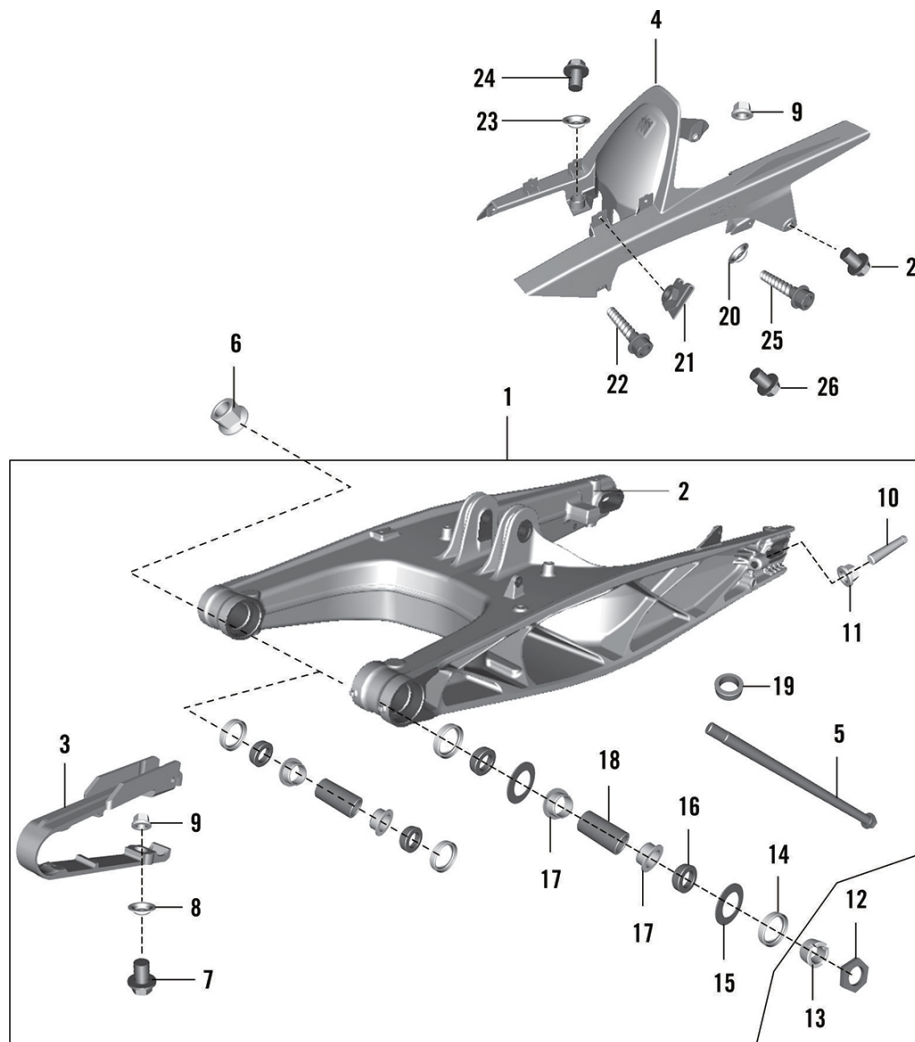
200-DUKE MY-23

25. SHOCK ABSORBER



| SN | Part No. | Description | QTY |
|----|----------|--------------------------------------|-----|
| 1 | JY122030 | SHOCKABSORBER REAR | 1 |
| 2 | LAC00006 | BOLT SOCKET M10X1.25 | 1 |
| 3 | LDB00011 | WASHER PLAIN | 3 |
| 4 | LCG00003 | NUT FLANGED M10 X 1.25 | 2 |
| 5 | JP181404 | FLAP PROTECTOR | 1 |
| 6 | JP113014 | BRACKET BRIDGE PILLION STEP | 1 |
| 7 | LAC00114 | BOLT SOCKET- M6X1XL14XBLKXPRECOAT | 2 |
| 8 | LAC00085 | BOLT SOCKET M10X1.25 | 1 |

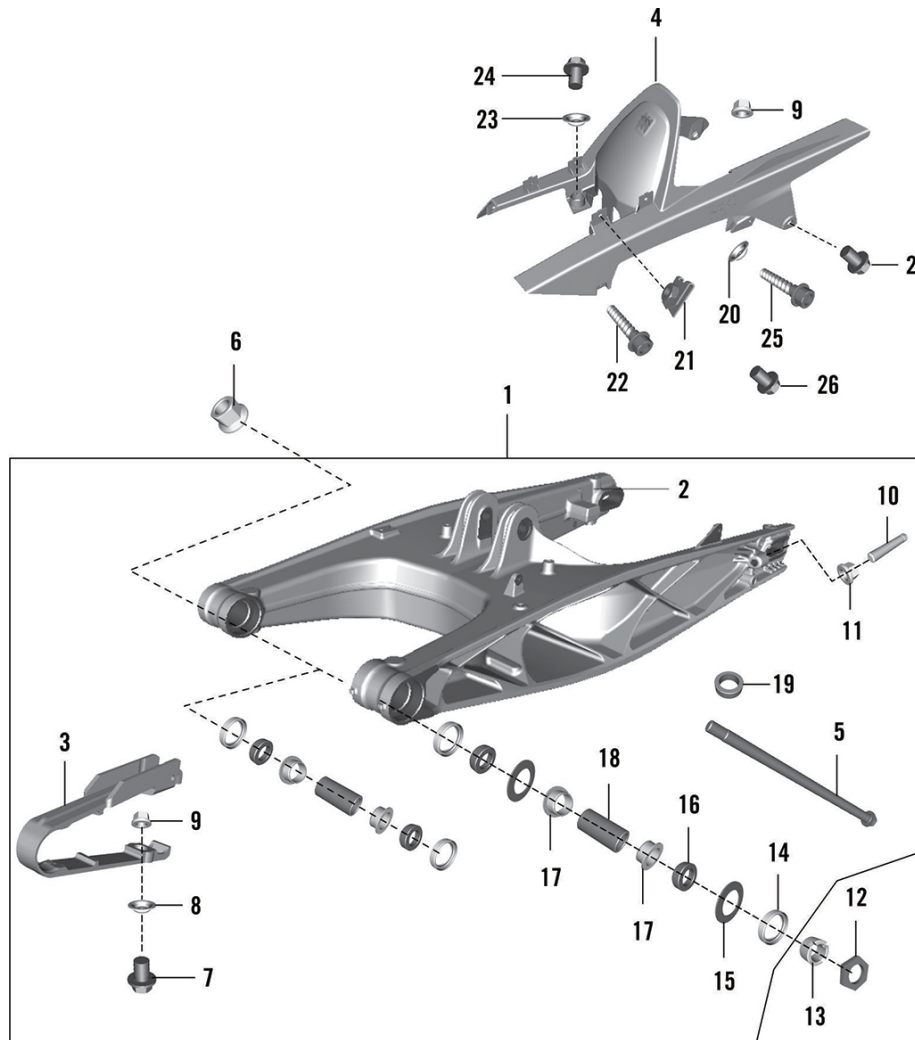
26. SWING ARM



| SN | Part No. | Description | QTY |
|----|----------|----------------------------------|-----|
| 1 | JG122043 | ASSEMBLY ARM SWING | 1 |
| 2 | LBR00007 | SCREW TAPPING PAN CROS-6XL30XBLK | 1 |
| 3 | JG122039 | SLIDER CHAIN | 1 |
| 4 | JP181228 | CHAIN CHAIN COVER ASSEMBLY | 1 |
| 5 | JG122016 | SHAFT SWING ARM | 1 |
| 6 | LCG00004 | NUT FLANGED M14 X 1.5 | 1 |
| 7 | JG181273 | BOLT CHAIN CASE MTG | 1 |
| 8 | JY122004 | SLEEVE CHAIN SLIDER | 1 |
| 9 | LCA00008 | NUT | 1 |
| 10 | LAA00007 | BOLT HEX M10 X 1.25 X 50 | 2 |
| 11 | LCG00003 | NUT FLANGED M10 X 1.25 | 2 |
| 12 | LDB00055 | WASHER PLAIN-ID 15.5XOD 29XTHK 5 | 2 |
| 13 | JG122033 | WASHER THREADED-SWING ARM STACK | 2 |
| 14 | JG122012 | OIL SEAL | 4 |
| 15 | JG122026 | WASHER PLAIN | 2 |
| 16 | JG122011 | BUSH | 4 |
| 17 | JG122009 | IGUS BUSH | 4 |
| 18 | JG122010 | COLLAR | 2 |
| 19 | JG122037 | SLEEVE | 2 |
| 20 | JG113846 | SPACER SLIDER CHAIN | 1 |

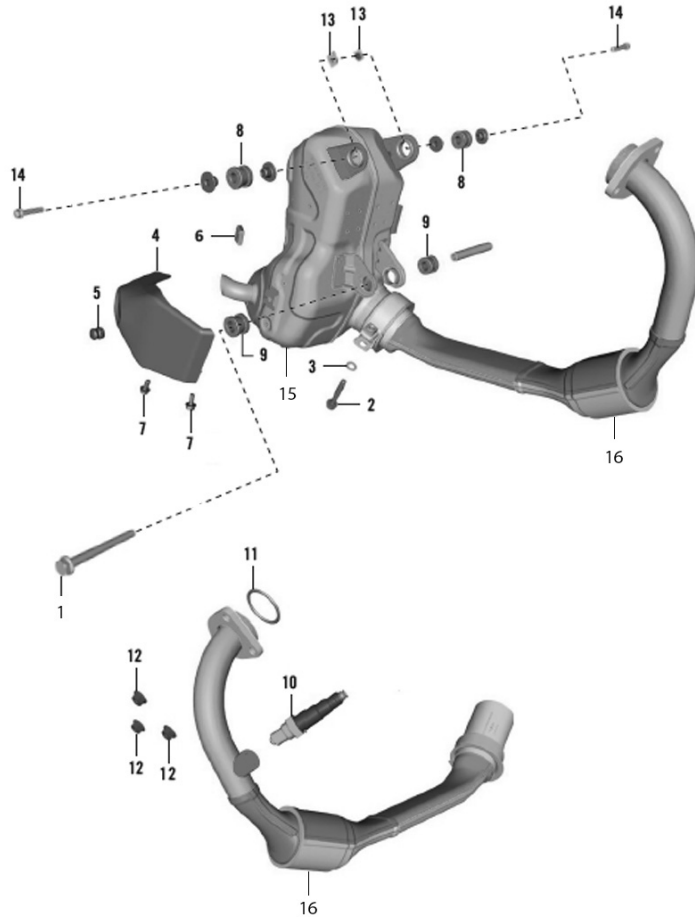
200-DUKE MY-23

26. SWING ARM



| SN | Part No. | Description | QTY |
|----|----------|----------------------------------|-----|
| 21 | JG113404 | CLIP NUT | 2 |
| 22 | LAC00054 | BOLT SOCKET-M6X1XL16XBLKXFL.HEAD | 2 |
| 23 | JP181408 | WASHER EXTRUDED | 2 |
| 24 | LAE00050 | BOLT FLANGED SMALL-M6X1XL8XBLACK | 2 |
| 25 | LBU00052 | SCREW TRUS-M5X0.8XL55XBLXPRECOAT | 1 |
| 26 | LBR00007 | SCREW TAPPING PAN CROS-6XL30XBLK | 1 |

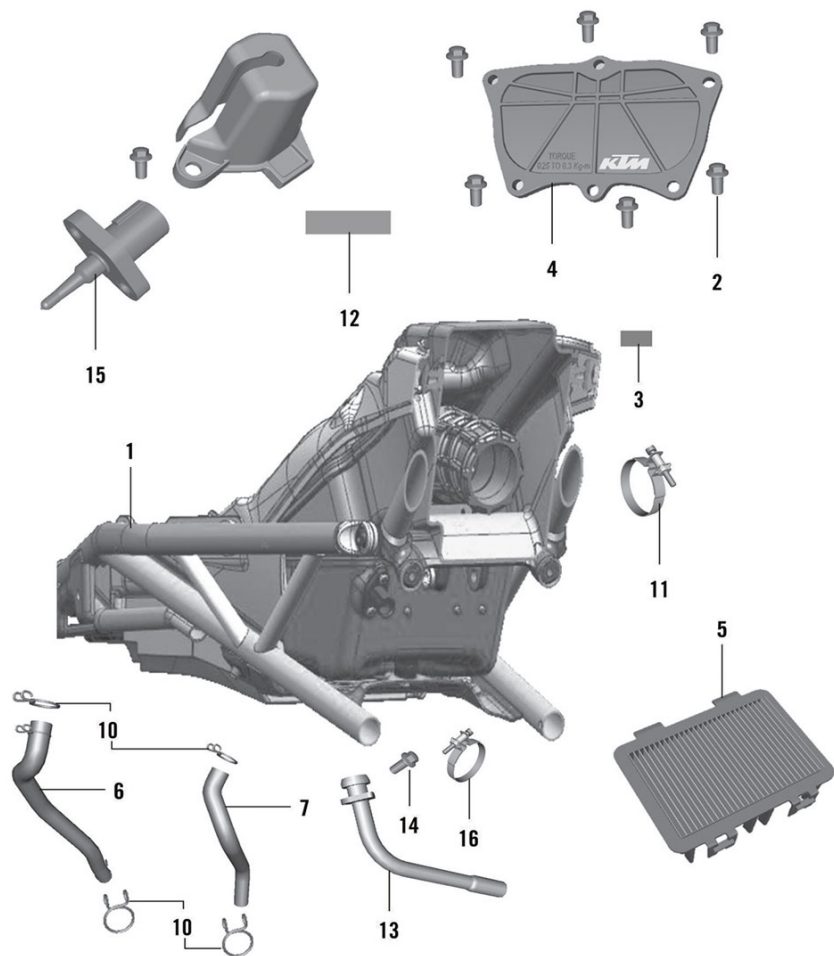
27. EXHAUST SYSTEM



| SN | Part No. | Description | QTY |
|----|----------|----------------------------------|-----|
| 1 | LAD00075 | BOLT FLANGED-M8X1.25XL 105XBRT | 1 |
| 2 | LAD00236 | BOLT FLANGED-M8X1.25XL50 | 1 |
| 3 | LDA00009 | WASHER PLAIN | 1 |
| 4 | JP591117 | SHIELD ASSEMBLY MUFFLER | 1 |
| 5 | JB591059 | DAMPER | 1 |
| 6 | JY591303 | GROMMET SHIELD MUFFLER | 1 |
| 7 | KADQ0614 | FLANGED BOLT | 2 |
| 8 | JL591165 | DAMPER SILENCER MOUNTING LOWER | 2 |
| 9 | JG591100 | DAMPER SILENCER MOUNTING LOWER | 2 |
| 10 | JP591114 | SENSOR OXYGEN | 1 |
| 11 | JG591070 | GASKET EXHAUST | 1 |
| 12 | LCG00024 | NUT HEX FLANGED-M8X1.25XHT.8XBRT | 3 |
| 13 | JG113404 | CLIP NUT | 2 |
| 14 | JG113837 | BOLT FLANGED M6X1 | 2 |
| 15 | 52JP0797 | ASSEMBLY PREMUFFLER DUKE 200 BS6 | 1 |
| 16 | JP591301 | PIPE ASSEMBLY A | 1 |

200-DUKE MY-23

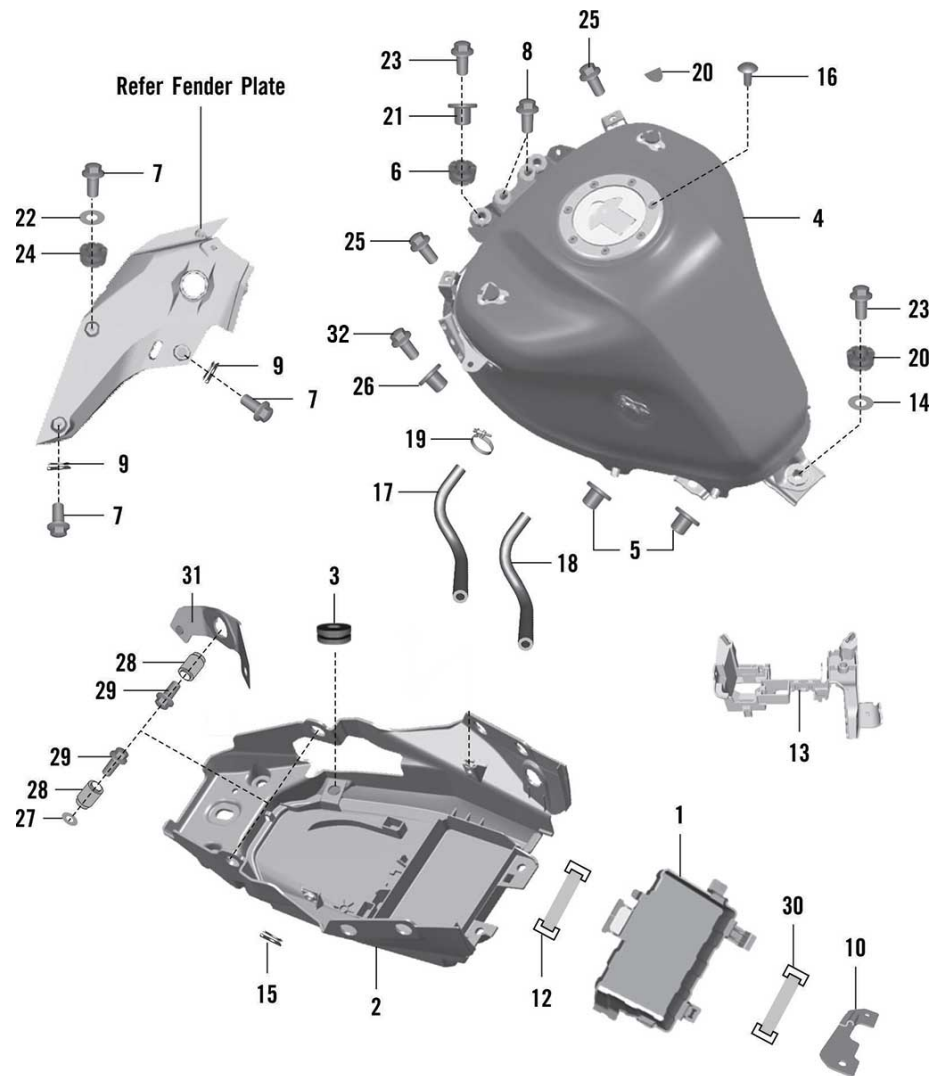
28. AIR FILTER



| SN | Part No. | Description | QTY |
|----|----------|------------------------------------|-----|
| 1 | JP581024 | FILTER ASSEMBLY AIR | 1 |
| 2 | LBU00072 | SCREW BUTTON HEAD-M6X1XL 16XBRT | 6 |
| 3 | JP581019 | RUBBER DAMPER | 2 |
| 4 | JP581008 | CAP TOP COVER | 1 |
| 5 | JP581003 | ELEMENT FILTER AIR | 1 |
| 6 | JP581027 | BREATHER TUBE | 1 |
| 7 | JP581018 | TUBE DRAIN | 1 |
| 8 | KBBA0512 | SCREW PAN CROSS SCREW PAN CROSS | 2 |
| 9 | JP581035 | SENSOR COVER | 1 |
| 10 | JG581056 | CLAMP (BREATHER TUBE) | 4 |
| 11 | JU581006 | CLAMP CONNECTING TUBE | 2 |
| 12 | JP581036 | DUAL LOCK 3M - SIZE 10X15 | 2 |
| 13 | JP581014 | TUBE OIL RETURN | 1 |
| 14 | LBB00010 | SCREW PAN CROSS M5X0.8 | 1 |
| 15 | JP351800 | SENSOR AIR INTAKE TEMP | 1 |
| 16 | JY581028 | CLAMP | 1 |

200-DUKE MY-23

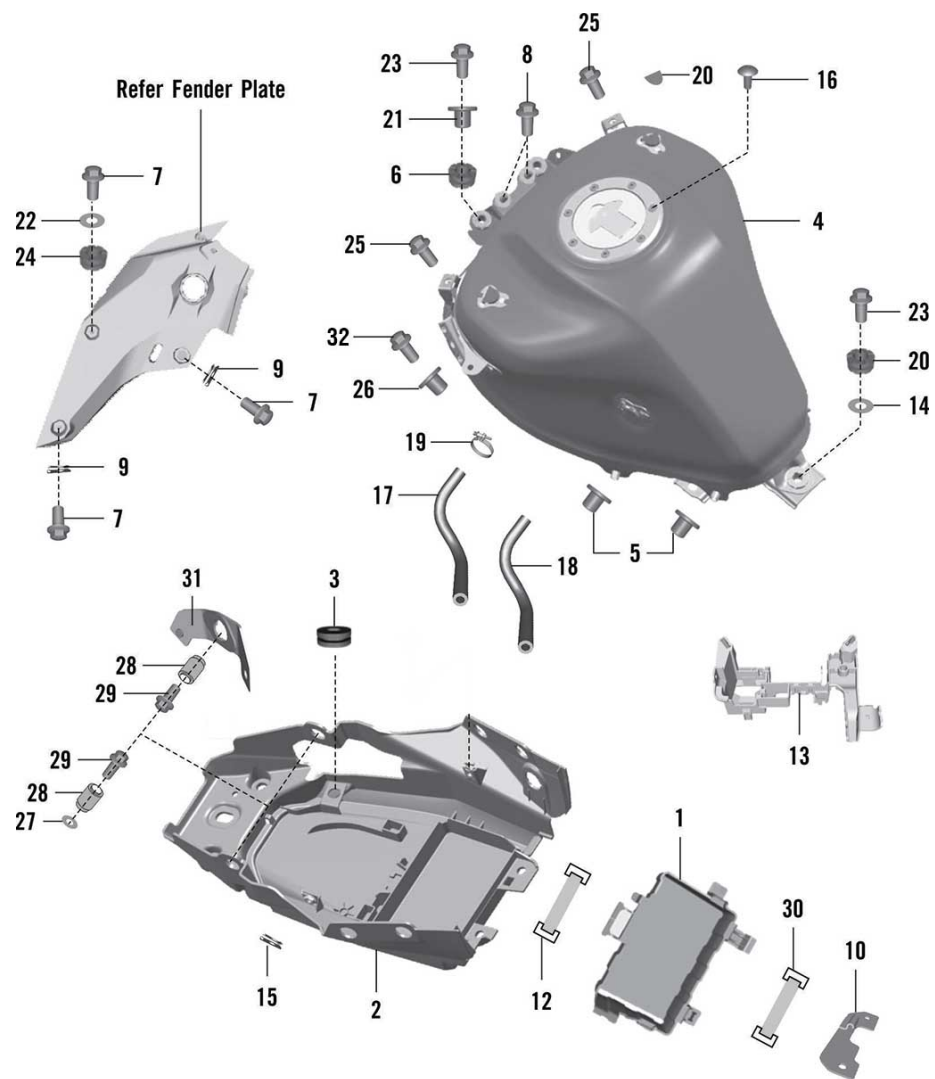
29. TANK, COVER



| SN | Part No. | Description | QTY |
|----|----------|---------------------------------------|-----|
| 1 | JP181297 | BOX BATTERY | 1 |
| 2 | JP181002 | UNDER TRAY FRONT | 1 |
| 3 | JP181013 | GROMMET UNDER TRAY | 1 |
| 4 | 56JP23X3 | KTM DUKE MY17 TANK BLACK | 1 |
| 5 | JP171056 | SLEEVE TANK MTG | 4 |
| 6 | JL171020 | GROMMET TANK MTG REAR | 2 |
| 7 | JY113821 | SCREW BUTTON HEAD- M6X1XL12XBLACK | 6 |
| 8 | LBU00050 | SCREW BUTTON HEAD- M6X1XL9XPRECOAT | 2 |
| 9 | JG113404 | CLIP NUT | 4 |
| 10 | JP401802 | BRACKET BATTERY BAND I | 1 |
| 11 | LAE00022 | BOLT FLANGED M6X10 PRECOATED | 4 |
| 12 | JP401800 | BAND BATTERY I | 1 |
| 13 | JP181001 | BRACKET MOUNT UNIT ELECTRICAL | 1 |
| 14 | LDB00021 | WASHER PLAIN-ID 8.4XOD 25XT 2XBR | 1 |
| 15 | JG171031 | CLIP NUT M5 | 2 |
| 16 | LAC00039 | BOLT SOCKET- M5X0.8XL15XCL10.9XBL | 7 |
| 17 | DH141024 | PIPE DRAIN | 1 |
| 18 | JP171026 | TUBE TANK TO Y CONNECTOR | 1 |
| 19 | JY171090 | SPRING BAND CLAMP 13X12 | 2 |
| 20 | JP171030 | GROMMET LATCH MTG BKT | 1 |

200-DUKE MY-23

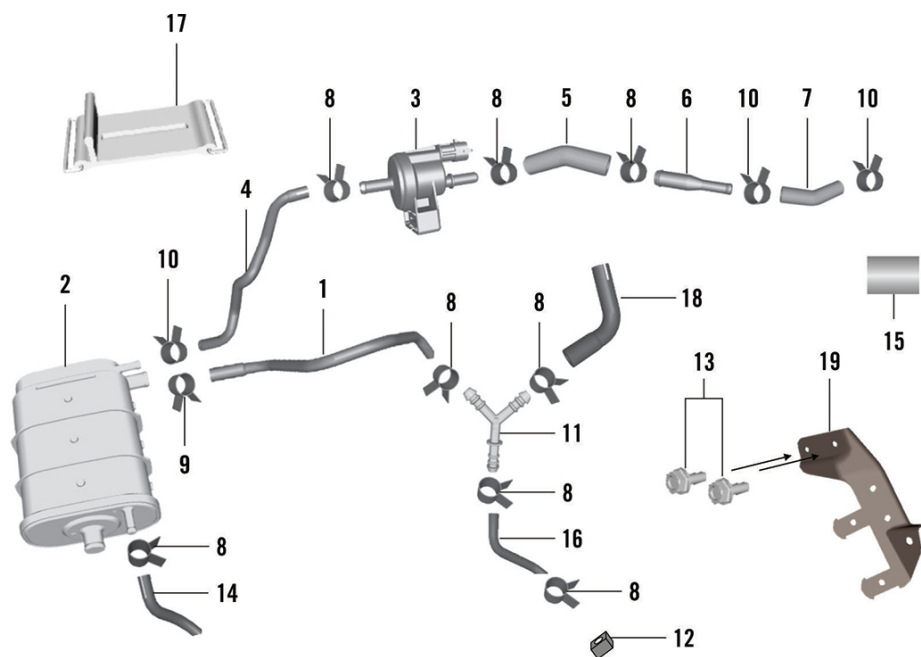
29. TANK, COVER



| SN | Part No. | Description | QTY |
|----|----------|--------------------------------------|-----|
| 21 | JP171057 | SLEEVE TANK MTG FRONT | 2 |
| 22 | LDA00018 | WASHER 6.2X20X1.5 Black | 4 |
| 23 | KADD0825 | BOLT-FLANGE-KAD ST-D DIA-08 L-25 | 3 |
| 24 | JP181227 | GROMMET SPOILER MTG | 2 |
| 25 | LAA00023 | BOLT -M6X1XL 8.5XBLACKXSTEPPED | 2 |
| 26 | JP181278 | SLEEVE SPOILER INNER RR MTG | 2 |
| 27 | 39020811 | WASHER - PLAIN | 1 |
| 28 | JP191012 | ASSEMBLY BUSH DAMPER SEAT | 2 |
| 29 | KACA0830 | BOLT-SOCKET-KAC ST-A DIA-08 L-30 | 2 |
| 30 | JP401801 | BAND BATTERY II | 1 |
| 31 | JP581020 | BRACKET DUCT DIRTY SIDE | 1 |
| 32 | LAC00054 | BOLT SOCKET- M6X1XL16XBLKXFL.HEAD | 2 |
| 33 | JG171031 | CLIP NUT M5 | 2 |

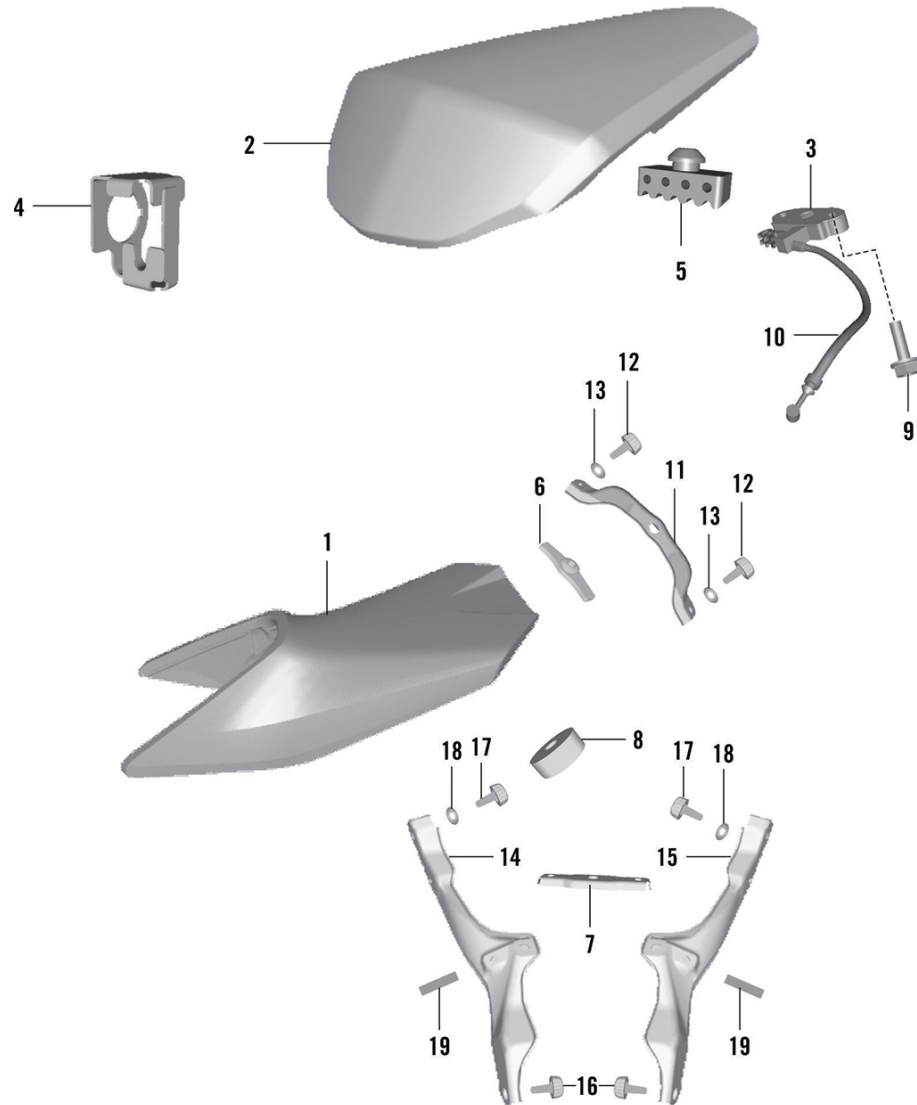
200-DUKE MY-23

30. EVAP



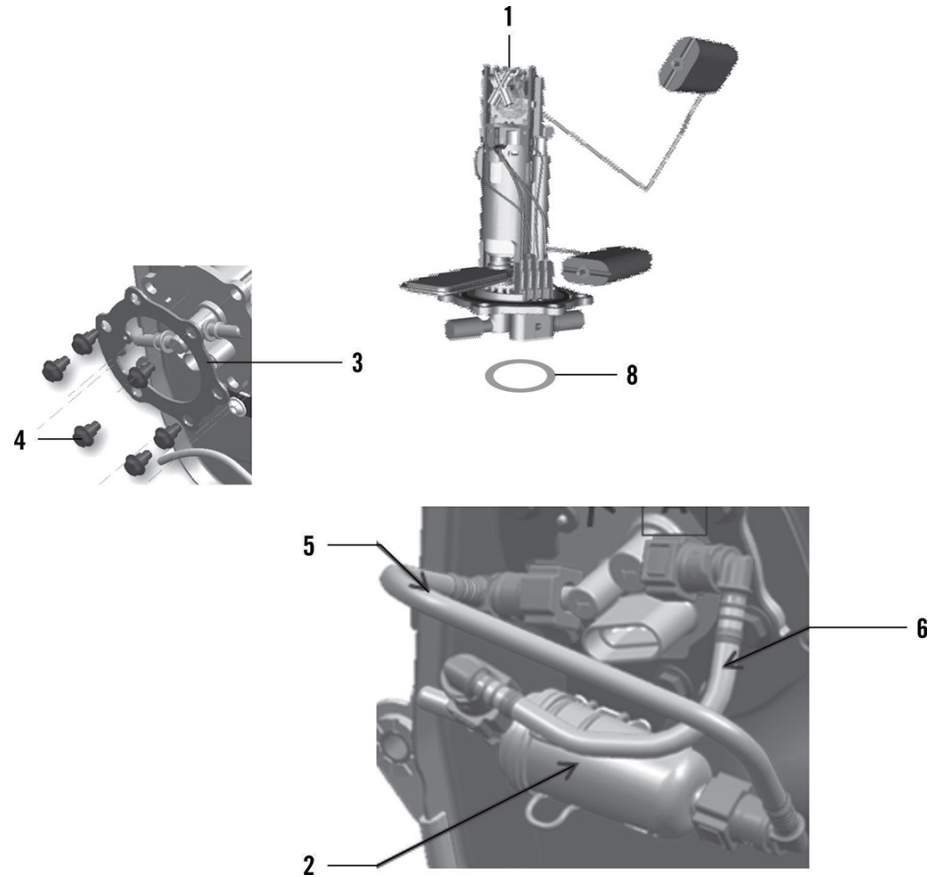
| SN | Part No. | Description | QTY |
|----|----------|-------------------------------------|-----|
| 1 | JP171038 | TUBE 'Y' CONNECTOR TO CANISTER | 1 |
| 2 | JY171077 | CANISTER | 1 |
| 3 | JU171606 | VALVE PURGE | 1 |
| 4 | JP171039 | TUBE CANISTER TO PURGE VALVE | 1 |
| 5 | JP171040 | TUBE PURGE VALVE TO CONNECTOR | 1 |
| 6 | JG171086 | CONNECTOR TUBE EVAP | 1 |
| 7 | JP171604 | TUBE CONNECTOR TO THROTTLE BODY MTB | 1 |
| 8 | JY171090 | SPRING BAND CLAMP 13X12 | 8 |
| 9 | JY171069 | SPRING BAND CLAMP 15X10 | 1 |
| 10 | JY171070 | SPRING BAND CLAMP 10.5 X 8.4 | 3 |
| 11 | JY113842 | CONNECTOR Y SHAPE | 1 |
| 12 | JY171825 | PLUG FUEL DRAIN | 1 |
| 13 | KADD0610 | BOLT-FLANGE-KAD ST-D DIA-06 L-10 | 4 |
| 14 | JP171062 | TUBE CANISTER DRAIN | 1 |
| 15 | JZ181000 | DUAL TAPE | 1 |
| 16 | JY171824 | PIPE CONNECTOR-PLUG | 1 |
| 17 | JZ171055 | STRAP CANISTER | 2 |
| 18 | JP171026 | TUBE TANK TO Y CONNECTOR | 1 |
| 19 | JP171044 | BRACKET CANISTER LOOSE | 1 |

31. SEATS



| SN | Part No. | Description | QTY |
|----|----------|--------------------------------------|-----|
| 1 | JP191021 | SEAT ASSEMBLY FRONT | 1 |
| 2 | JP191022 | SEAT ASSEMBLY REAR | 1 |
| 3 | JP232601 | SEAT LOCK | 1 |
| 4 | JP232600 | BRACKET SEAT LOCK | 1 |
| 5 | JP191007 | SEAT DAMPER REAR | 6 |
| 6 | JP191010 | GROMMET RIDER SEAT | 1 |
| 7 | JP111069 | BRACKET BRIDGE LOOSE | 1 |
| 8 | JP111070 | DAMPER RUBBER M8 | 2 |
| 9 | KADD0620 | BOLT FLANGED | 2 |
| 10 | JP232602 | SEAT LOCK CABLE | 1 |
| 11 | JP113801 | BRACKET SEAT MOUNT LOOSE | 1 |
| 12 | JP113814 | DAMPER WITH STUD | 2 |
| 13 | KDBA0818 | WASHER PLAIN | 2 |
| 14 | JP111067 | BRACKET SPIDER LH | 1 |
| 15 | JP111068 | BRACKET SPIDER RH | 1 |
| 16 | LAD00145 | BOLT FLANGE- M8X1.25XL26XBRTXSTEP | 2 |
| 17 | LAC00100 | BOLT SOCKET-M8X1.25XL 31XBLACK | 4 |
| 18 | 39122411 | WASHER - PLAIN | 4 |
| 19 | JY191008 | DAMPER | 2 |

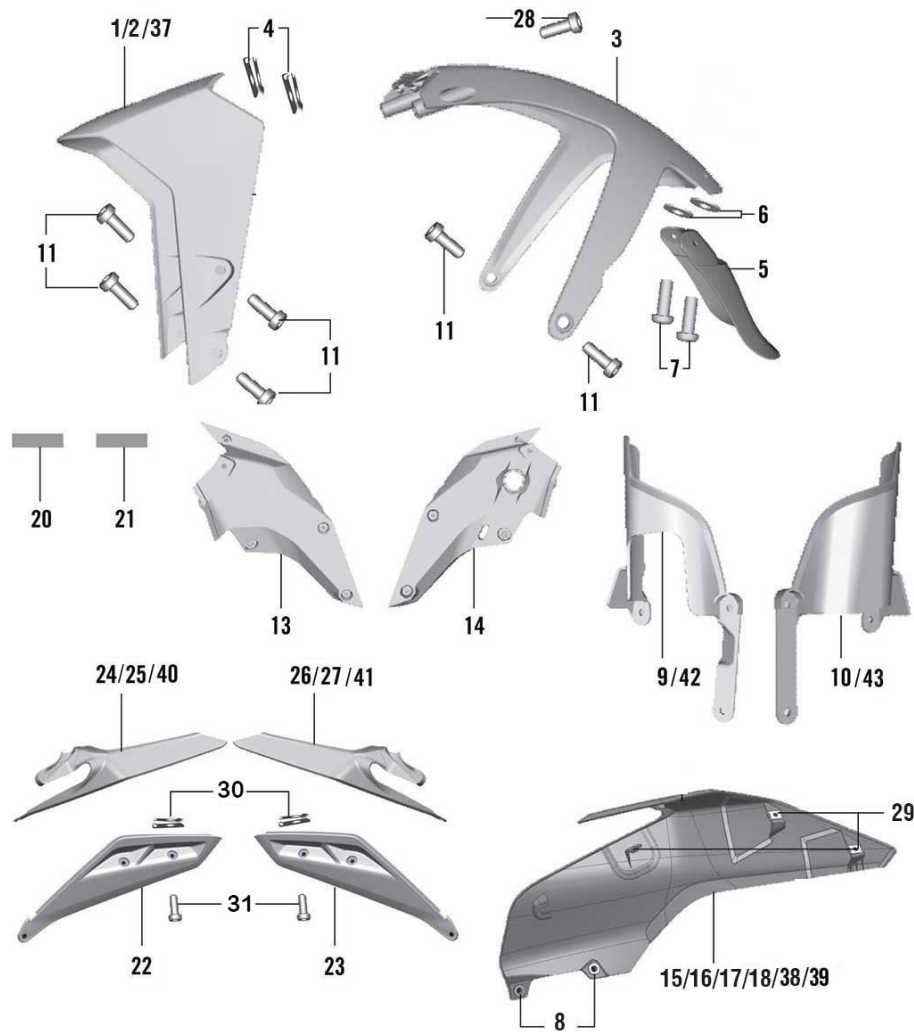
32. FUEL PUMP



| SN | Part No. | Description | QTY |
|----|----------|--|-----|
| 1 | JY171861 | PUMP FUEL | 1 |
| 2 | DT171814 | INLINE FUEL FILTER (QUICK CONNECTOR) | 1 |
| 3 | JP171031 | PLATE PRESSURE FUEL PUMP | 1 |
| 4 | LAD00154 | BOLT FLANGE-M6X1XL 12.8XBRTXSTEP | 6 |
| 5 | JP171008 | ASSEMBLY QC AND HOSE PUMP TO FUEL FILTER | 1 |
| 6 | JP171005 | ASSLY QC AND HOSE FUEL FILTER TO REGULAT | 1 |
| 7 | JY402235 | PIGTAIL PH-3 FUEL PUMP | 1 |
| 8 | JY171146 | RING O | 1 |

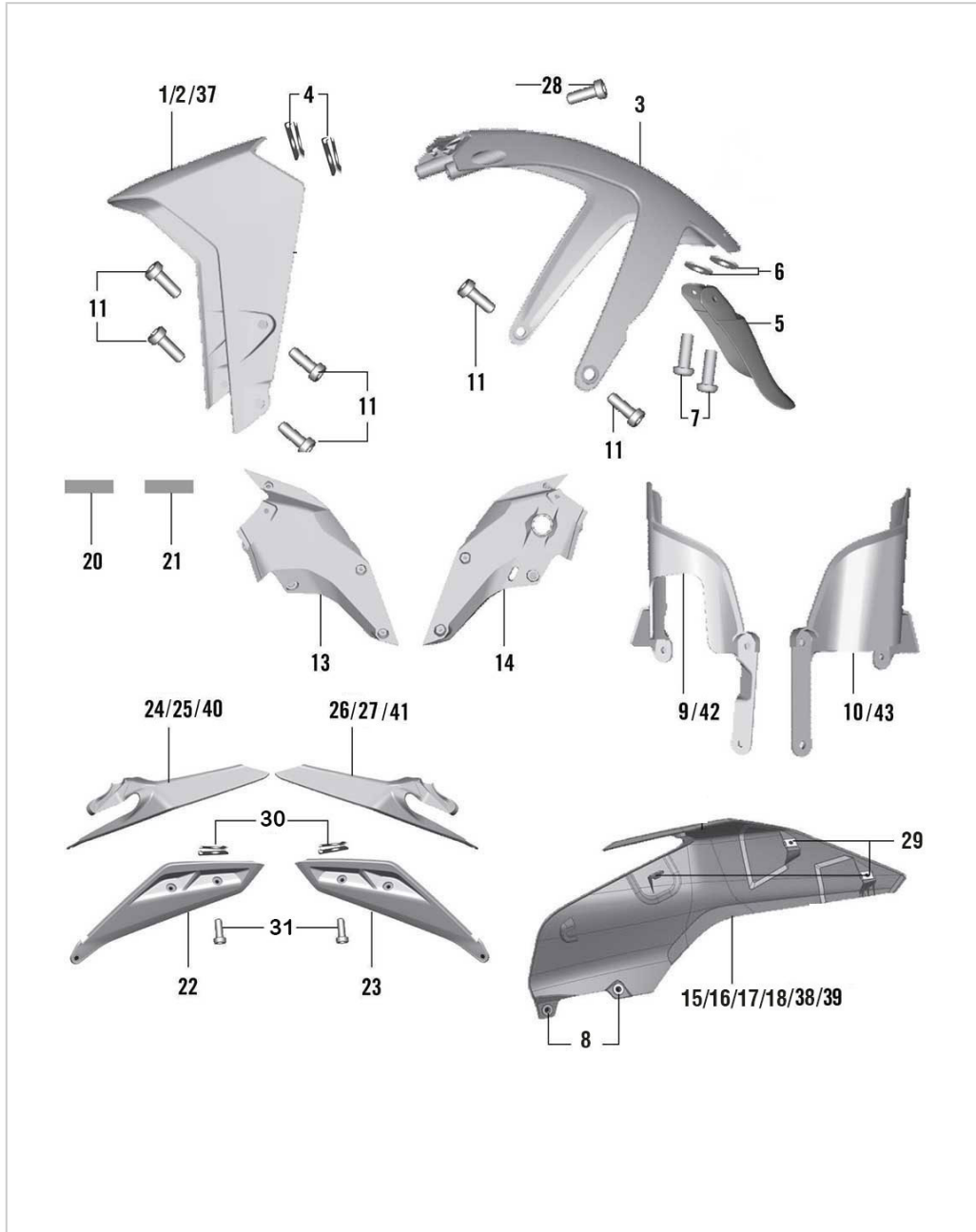
200-DUKE MY-23

33. MASK, FENDERS



| SN | Part No. | Description | QTY |
|----|----------|--|-----|
| 1 | 56JP0544 | DUKE 200 FRONT FENDER CERAMIC WHITE | 1 |
| 2 | 56JP05X3 | KTM DUKE MY17 FRONT FENDER EBONY BLACK | 1 |
| 3 | JY181408 | FENDER FRONT REAR | 1 |
| 4 | JG113404 | CLIP NUT | 2 |
| 5 | JP181415 | FLAP FENDER FRONT | 1 |
| 6 | KDBF0512 | WASHER PLAIN-ID5.5XOD12XT0.8XBLK | 3 |
| 7 | BF185019 | CLIP PLASTIC RIVET | 3 |
| 8 | JP181227 | GROMMET SPOILER MTG | 4 |
| 9 | JP181417 | PROTECTOR FORK LH | 1 |
| 10 | JP181418 | PROTECTOR FORK RH | 1 |
| 11 | LBU00059 | SCREW BUTTON HD-M6X1XL13XSTEPPED | 6 |
| 12 | JZ171021 | WASHER VAPOUR SEALING | 6 |
| 13 | JP181219 | TANK SPOILER INNER LH | 1 |
| 14 | JP181218 | TANK SPOILER INNER RH | 1 |
| 15 | 52JP0960 | DUKE 200 T COVER LH CERAMIC WHITE+DCAL | 1 |
| 16 | 52JP0952 | DUKE 200 TANK COVER LH EB.ORANGE+DECAL | 1 |
| 17 | 52JP0959 | DUKE 200 T COVER RH CERAMIC WHITE+DCAL | 1 |
| 18 | 52JP0953 | DUKE 200 TANK COVER RH EB.ORANGE+DECAL | 1 |
| 19 | JP181296 | GROMMET SPOILER TANK | 2 |
| 20 | JP181015 | TAPE COVER TANK LH | 1 |

200-DUKE MY-23



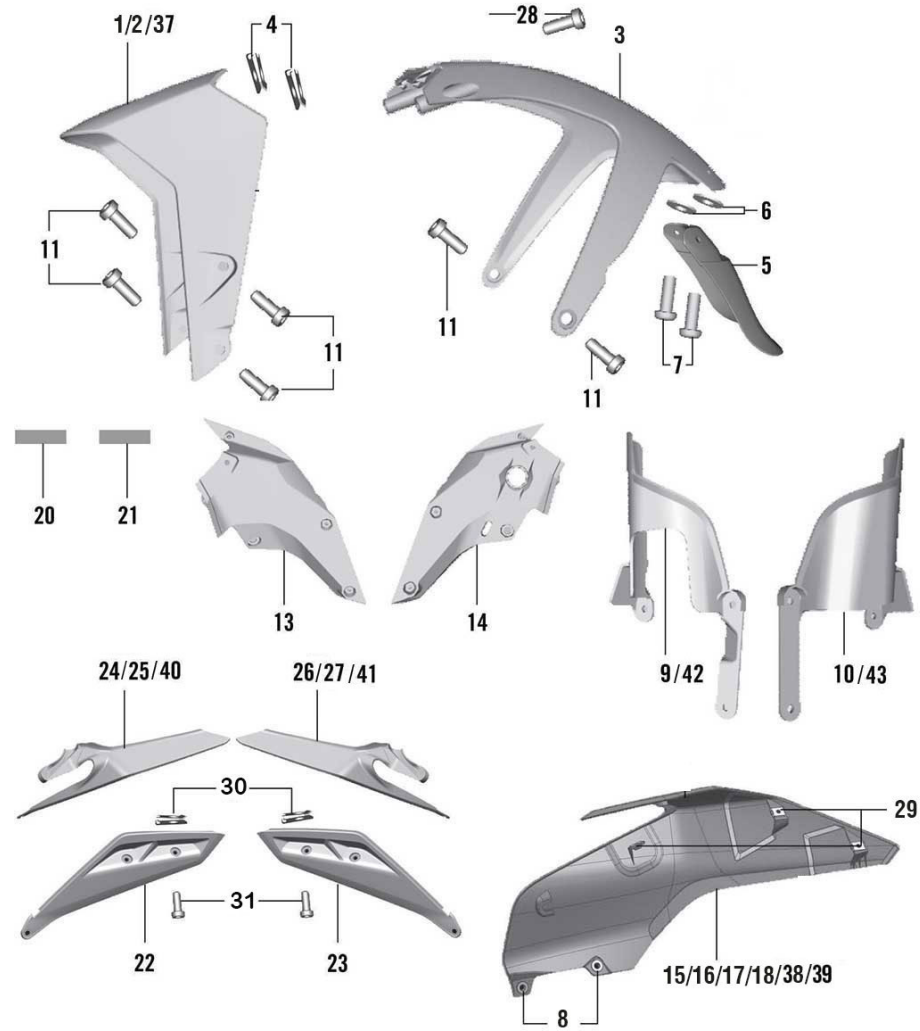
33. MASK, FENDERS

| SN | Part No. | Description | QTY |
|----|----------|--|-----|
| 21 | JP181016 | TAPE COVER TANK RH | 1 |
| 22 | JP181004 | SEAT COWL LOWER LH | 1 |
| 23 | JP181005 | SEAT COWL LOWER RH | 1 |
| 24 | 52JP0891 | DUKE 390 SEAT COWL LH CER WHITE + DCL | 1 |
| 25 | 52JP0936 | DUKE 250 SEAT COWL LH EB BLACK + DCL | 1 |
| 26 | 52JP0889 | DUKE 390 SEAT COWL RH CER WHITE + DCL | 1 |
| 27 | 52JP0932 | DUKE 250 SEAT COWL RH EBONY BLACK + DCL | 1 |
| 28 | KACF0616 | BOLT SOCKET-M6X1XL 16XCL 8.8XBRT | 2 |
| 29 | DJ181065 | NUT - CLIP :- M6 | 6 |
| 30 | JG171031 | CLIP NUT M5 | 4 |
| 31 | KBUA0512 | SCREW TRUSS | 4 |
| 32 | 56JPE6X3 | PROTECTOR FORK OUTER RH JP181420 EB BLACK | 1 |
| 33 | 56JPE5X3 | PROTECTOR FORK OUTER LHJP181419 EB BLACK | 1 |
| 34 | JP121118 | TAPE | 2 |
| 35 | 56JPE644 | PROTECTOR FORK OUTER RHJP181420CER WHITE | 1 |
| 36 | 56JPE544 | PROTECTOR FORK OUTER LHJP181419CER WHITE | 1 |
| 37 | 56JP05A9 | FRONT FENDER JP181400 SIL.METALIC MATT | 1 |
| 38 | 52JP1749 | DUKE 200 TANK CVR RH DARK SILVER +DECAL | 1 |
| 39 | 52JP1751 | DUKE 200 TANK CVR LH DARK | |

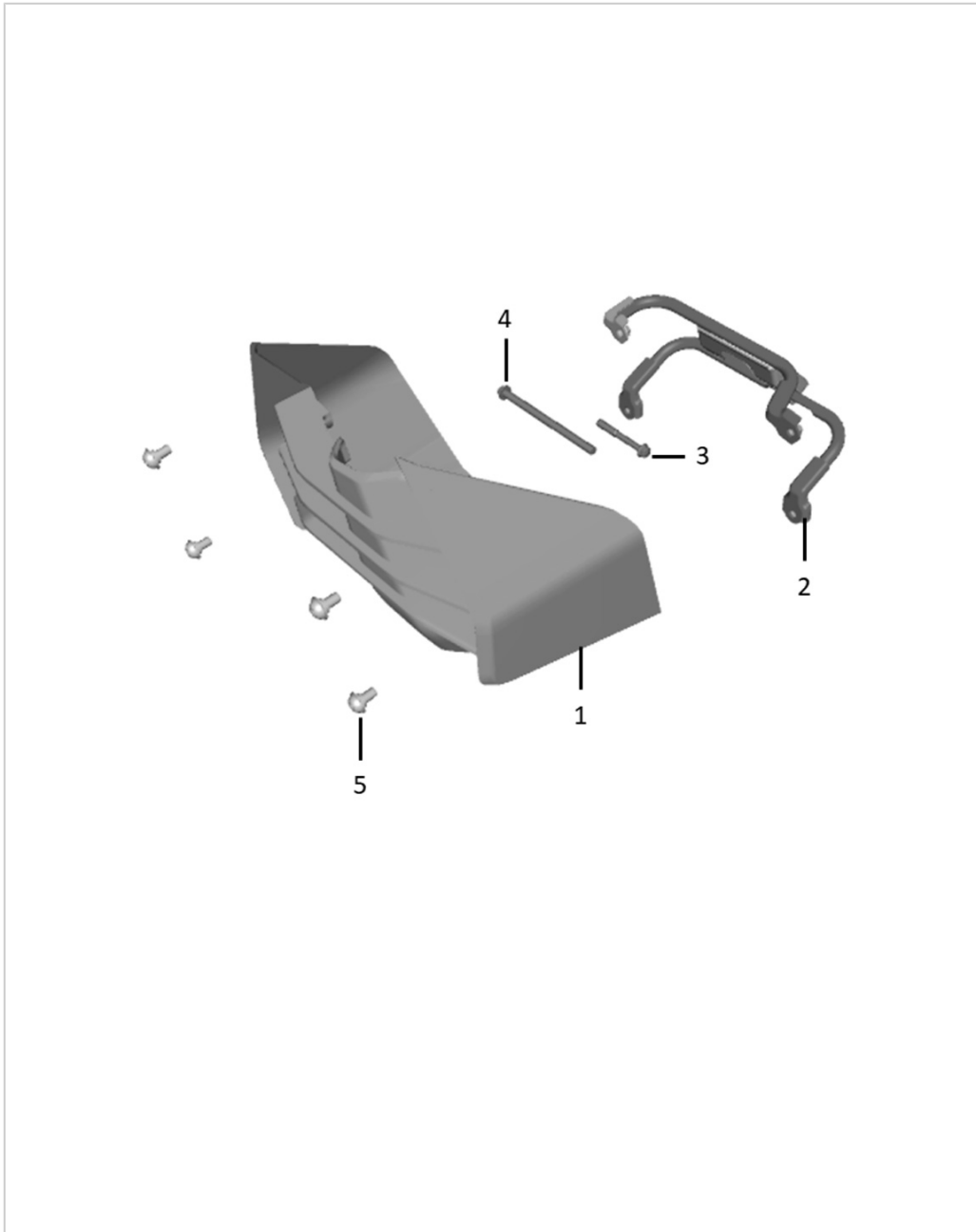
| | | | |
|----------------|----------|--|---|
| SILVER + DECAL | | 1 | |
| 40 | 52JP1746 | DUKE 200 SEAT COWL UP LH ORG GLOSS+ DECAL | 1 |

200-DUKE MY-23

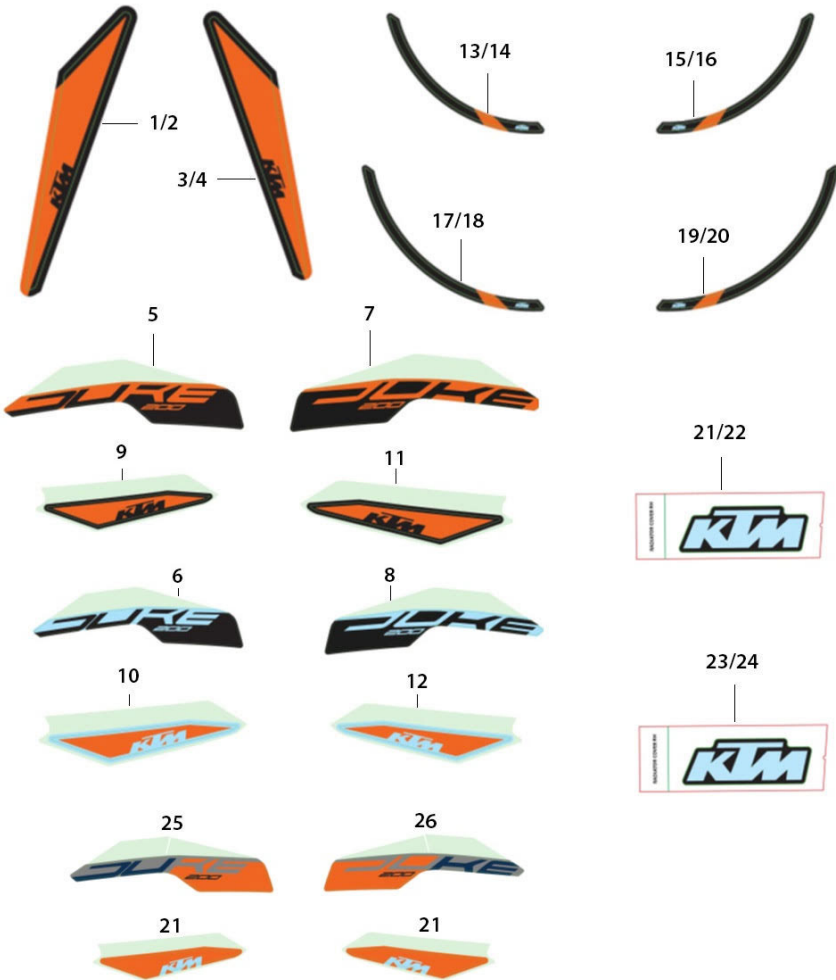
33. MASK, FENDERS



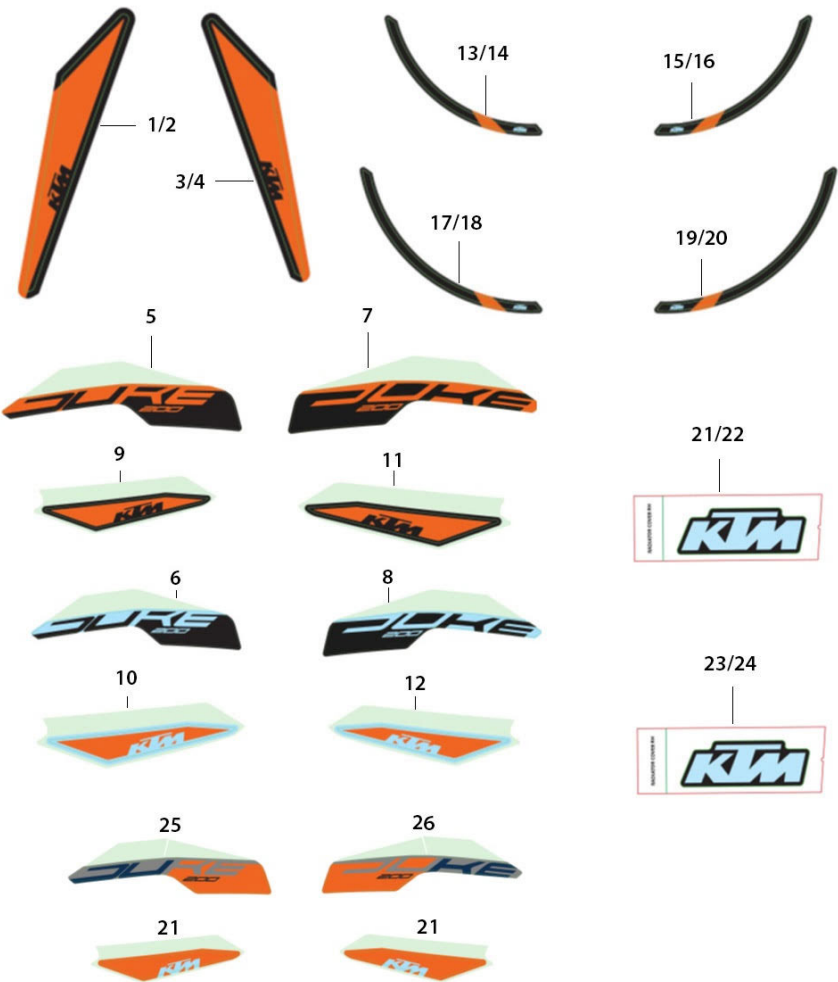
| SN | Part No. | Description | QTY |
|----|----------|---|-----|
| 41 | 52JP1744 | DUKE 200 SEAT COWL UP RH ORG OUTER+DECAL | 1 |
| 42 | 52JP1753 | DUKE FORK PROTECTOR OTR LH SIV MATT+TAPE | 1 |
| 43 | 52JP1754 | DUKE FORK PROTECTOR OTR RH SIL MAT+TAPE | 1 |



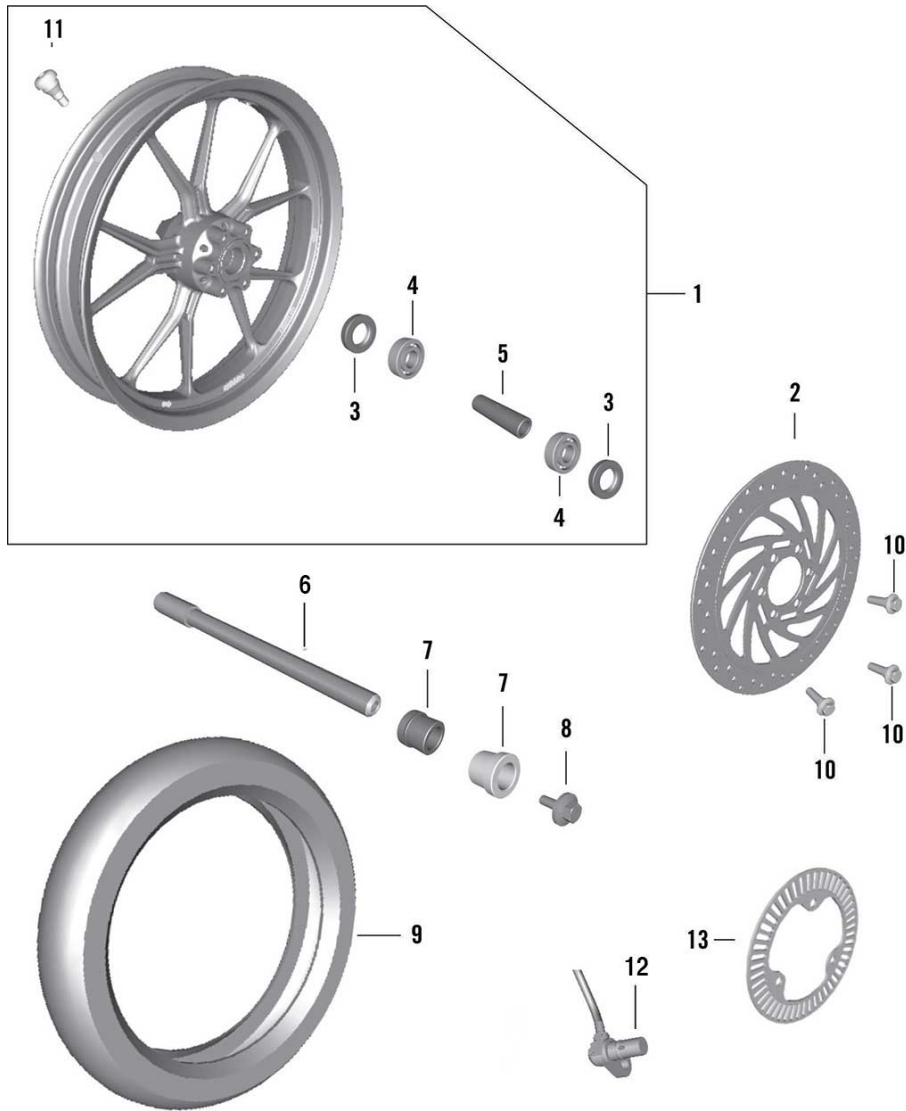
| SN | Part No. | Description | QTY |
|----|----------|-----------------------------------|-----|
| 1 | 56JP3PX3 | BELLY PAN | 1 |
| 2 | JP181357 | STRUCTURE BELLY PAN | 1 |
| 3 | KAED0645 | BOLT-FLANGED-SMALL | 1 |
| 4 | KAED0690 | BOLT-FLANGED-SMALL | 1 |
| 5 | LBU00050 | SCREW BUTTON HEAD-M6X1XL9XPRECOAT | 4 |



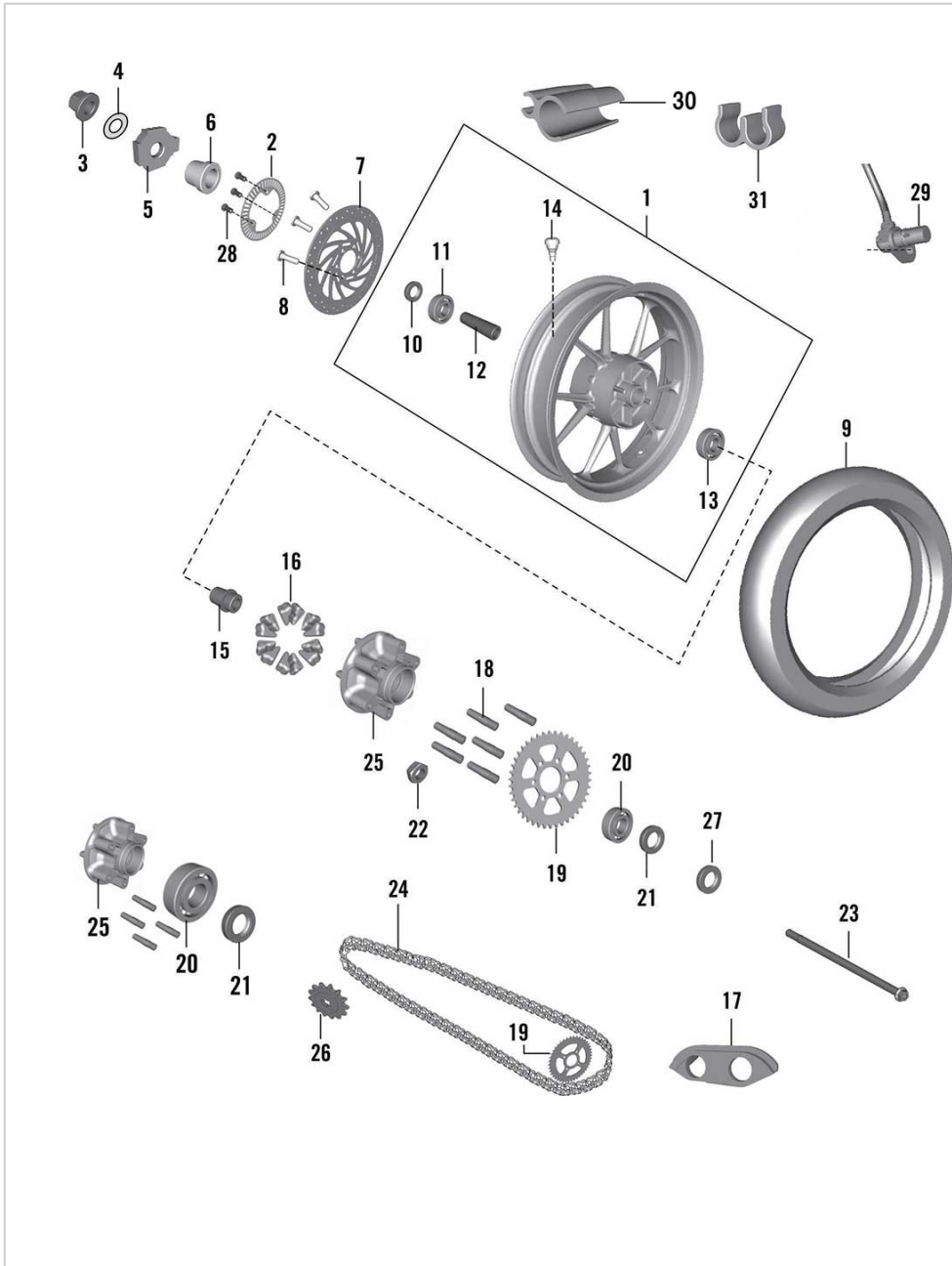
| SN | Part No. | Description | QTY |
|----|----------|----------------------------|-----|
| 1 | JP233159 | DECAL FAIRING LH ORANGE | 1 |
| 2 | JP233159 | DECAL FAIRING LH ORANGE | 1 |
| 3 | JP233160 | DECAL FAIRING RH ORANGE | 1 |
| 4 | JP233160 | DECAL FAIRING RH ORANGE | 1 |
| 5 | JP233161 | DECAL TANK LH ORANGE | 1 |
| 6 | JP233165 | DECAL TANK LH WHITE | 1 |
| 7 | JP233162 | DECAL TANK RH ORANGE | 1 |
| 8 | JP233166 | DECAL TANK RH WHITE | 1 |
| 9 | JP233163 | DECAL COWL SEAT LH ORANGE | 1 |
| 10 | JP233149 | DECAL COWL SEAT LH WHITE | 1 |
| 11 | JP233164 | DECAL COWL SEAT RH ORANGE | 1 |
| 12 | JP233150 | DECAL COWL SEAT RH WHITE | 1 |
| 13 | JP233169 | DECAL WHEEL FRONT LH BLACK | 1 |
| 14 | JP233169 | DECAL WHEEL FRONT LH BLACK | 1 |
| 15 | JP233170 | DECAL WHEEL FRONT RH BLACK | 1 |
| 16 | JP233170 | DECAL WHEEL FRONT RH BLACK | 1 |
| 17 | JP233130 | DECAL WHEEL REAR LH BLACK | 1 |
| 18 | JP233130 | DECAL WHEEL REAR LH BLACK | 1 |
| 19 | JP233171 | DECAL WHEEL REAR RH BLACK | 1 |
| 20 | JP233171 | DECAL WHEEL REAR RH BLACK | 1 |



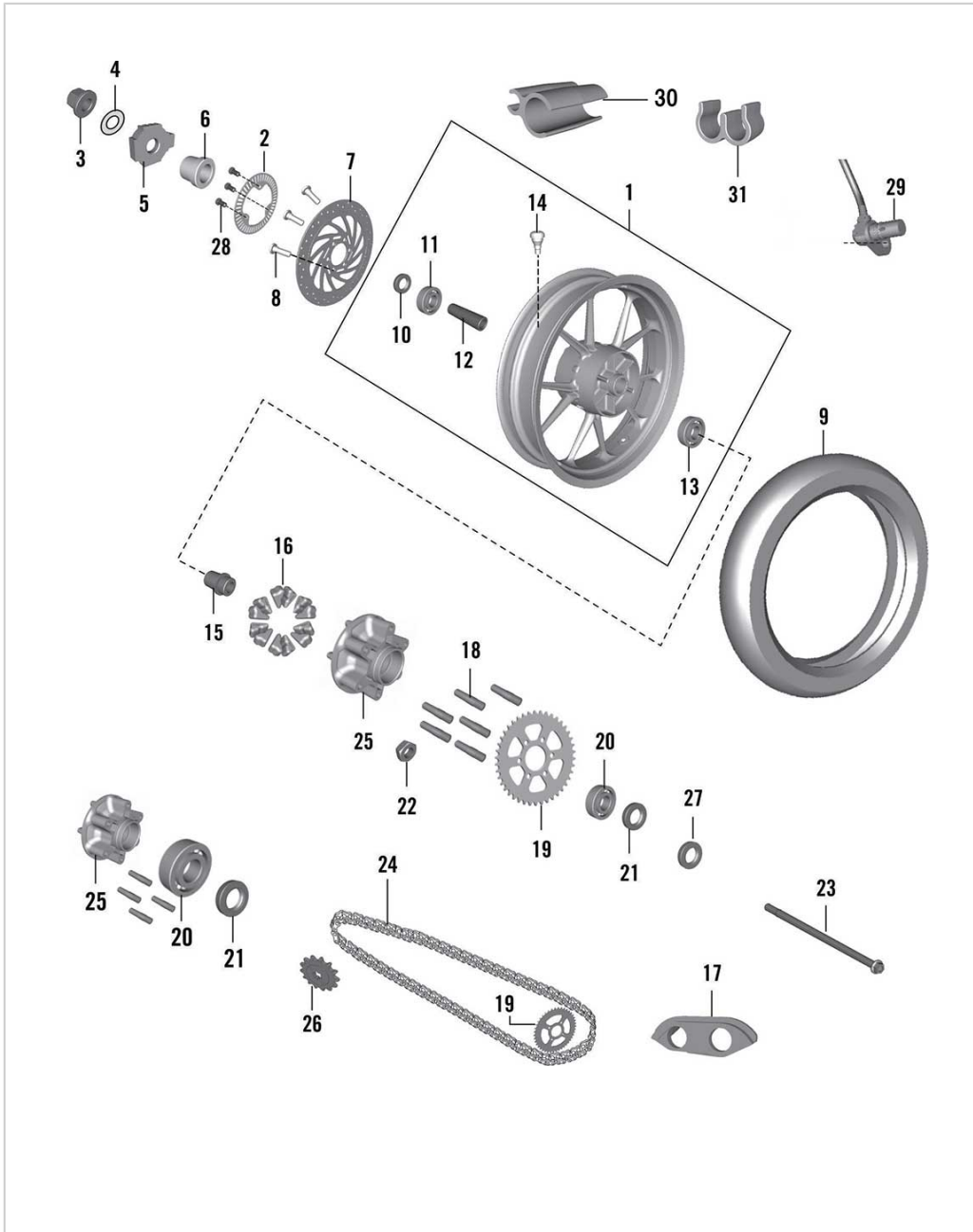
| SN | Part No. | Description | QTY |
|----|----------|---------------------------|-----|
| 21 | JP233122 | EMBLEM KTM LH | 1 |
| 22 | JP233122 | EMBLEM KTM LH | 1 |
| 23 | JP233123 | EMBLEM KTM RH | 1 |
| 24 | JP233123 | EMBLEM KTM RH | 1 |
| 25 | JP233226 | DECAL TANK LH ORANGE | 1 |
| 26 | JP233227 | DECAL TANK RH ORANGE | 1 |
| 27 | JP233228 | DECAL COWL SEAT LH ORANGE | 1 |
| 28 | JP233229 | DECAL COWL SEAT RH ORANGE | 1 |



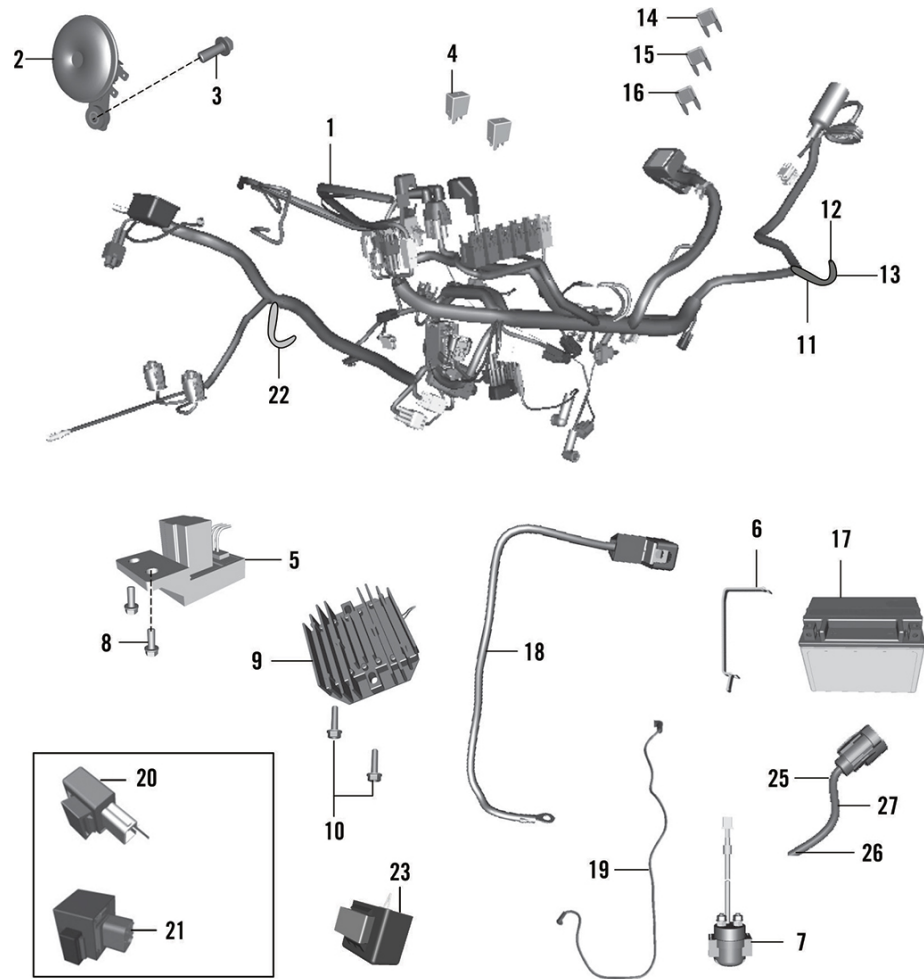
| SN | Part No. | Description | QTY |
|----|--|-------------------------------|-----|
| 1 | 36JY0205 JP131861 (OLD 300mm) / JP131860 (NEW 320mm) | KIT FR WHEEL ELEC ORANGE MY17 | 1 |
| 2 | | DISC BRAKE FRONT | 1 |
| 3 | DG151005 | SEAL - OIL | 2 |
| 4 | KPBC6202 | BEARING-BALL-C3 CLEARANCE | 2 |
| 5 | JG131001 | SLEEVE ASSEMBLY | 1 |
| 6 | JP131009 | AXLE -DIA. 15XL 185XBRIGHT | 1 |
| 7 | JG131020 | COLLAR CH 0.7_0.9 | 2 |
| 8 | JG131007 | BOLT FLANGED M8X1.25 | 1 |
| 9 | JG131038 | TYRE FRONT MRF VER 7 | 1 |
| 10 | JD131811 | SCREW SOCKET STEP M8X1.25 | 6 |
| 11 | DK151026 | VALVE TUBELESS TYRE | 1 |
| 12 | DT402404 | SENSOR SPEED WHEEL | 1 |
| 13 | DT131867 | SENSOR DISC FRONT K7 | 1 |
| 14 | JG403603 | CLAMP SENSOR CABLE HOLDING | 3 |



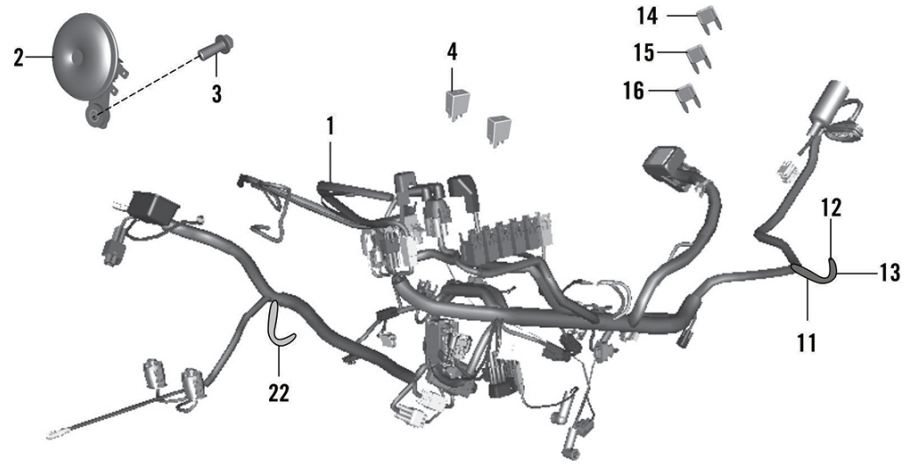
| SN | Part No. | Description | QTY |
|----|----------|-------------------------------------|-----|
| 1 | 36JY0206 | KIT RR WHEEL ELEC ORANGE MY17 | 1 |
| 2 | JU131802 | SENSOR DISC REAR | 1 |
| 3 | DH171019 | NUT - U :- SWING ARM | 1 |
| 4 | LDB00034 | WASHER PLAIN-ID 15.2XOD 30XTHK 2 | 2 |
| 5 | JG122007 | CHAIN ADJUSTER RH | 2 |
| 6 | JG131211 | SPACER | 1 |
| 7 | JG131809 | DISC BRAKE DIA 230 | 1 |
| 8 | JD131811 | SCREW SOCKET STEP M8X1.25 | 6 |
| 9 | JG131245 | TYRE MRF REAR VER 7 | 1 |
| 10 | 30151082 | SEAL OIL | 1 |
| 11 | KPBC6302 | BEARING-BALL-C3 CLEARANCE | 1 |
| 12 | JG131205 | SLEEVE ASSEMBLY | 1 |
| 13 | KPBC6202 | BEARING-BALL-C3 CLEARANCE | 2 |
| 14 | DK151026 | VALVE TUBELESS TYRE | 1 |
| 15 | DT131210 | SLEEVE | 1 |
| 16 | JU131222 | DAMPER COUPLING | 6 |
| 17 | JG122015 | CHAIN GUIDE | 1 |
| 18 | JG131228 | BOLT D-M8X1.25XL48XCL 10.9XBLACK | 6 |
| 19 | JU141008 | SPROCKET 42T SPOT FACING | 1 |
| 20 | KPAC6205 | BEARING BALL ORDINARY CLEARANCE | 1 |



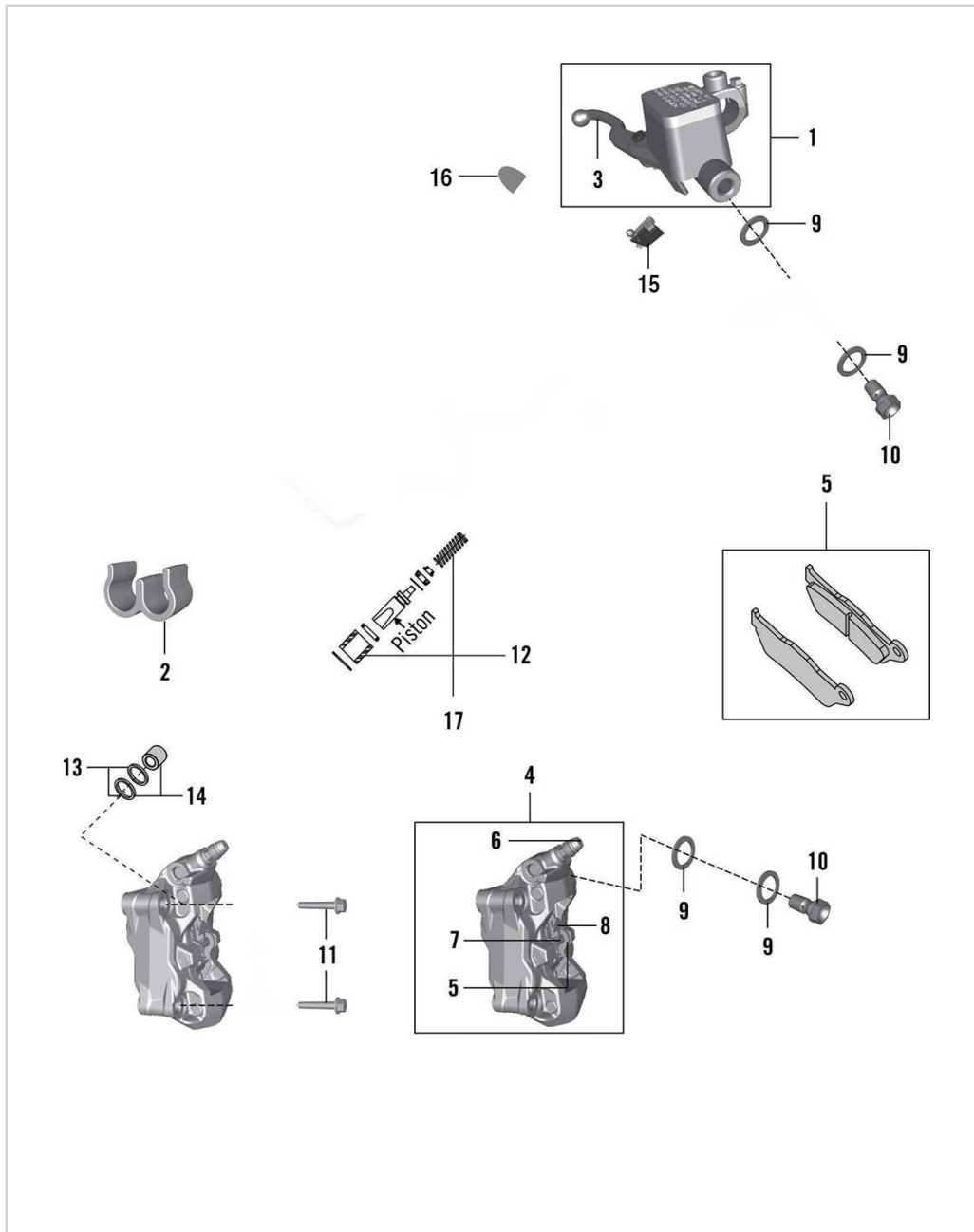
| SN | Part No. | Description | QTY |
|----|----------|----------------------------------|-----|
| 21 | DT131214 | SEAL OIL 52 DIA | 1 |
| 22 | LCL00004 | NUT U FLANGE-M8X1.25XHT8.5XBRT | 6 |
| 23 | JG131224 | AXLE -M14X1.5XL 295XBRIGHT | 1 |
| 24 | JU141006 | CHAIN 520 X RING 110 LINK | 1 |
| 25 | DT131213 | COUPLING 6 LUG | 1 |
| 26 | JU141008 | SPROCKET 42T SPOT FACING | 1 |
| 27 | JG131209 | SPACER | 1 |
| 28 | JG131220 | SCREW PAN CROSS-M6X1XL12XPRECOAT | 3 |
| 29 | DT402404 | SENSOR SPEED WHEEL | 1 |
| 30 | JG403603 | CLAMP SENSOR CABLE HOLDING | 3 |
| 31 | JG113858 | CLAMP FOR BRAKE HOSE | 1 |



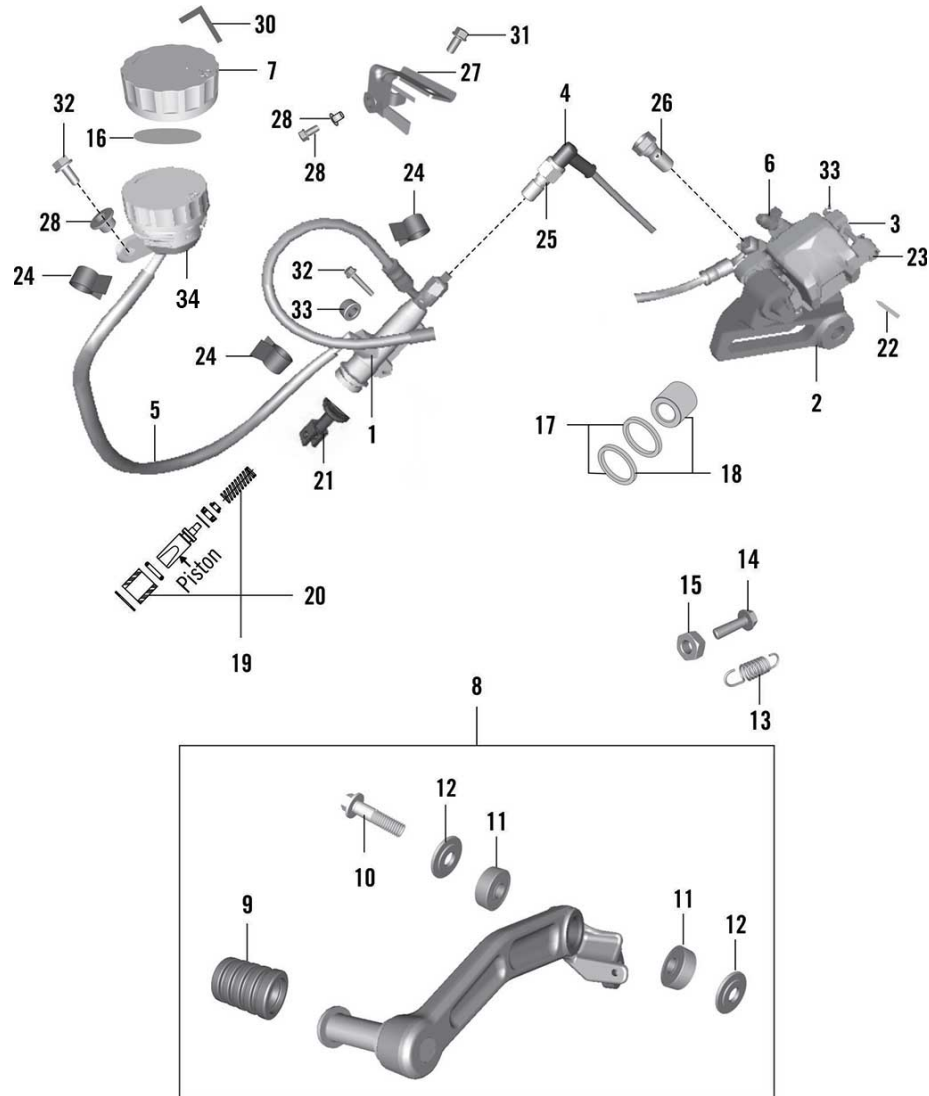
| SN | Part No. | Description | QTY |
|----|---------------------------------------|----------------------------------|-----|
| 1 | JP402263 (OLD) / JP402370 (NEW) | HARNESS WIRING | 1 |
| 2 | JP401600 | HORN KT22 | 1 |
| 3 | KADD0812 | BOLT-FLANGE-KAD ST-D DIA-08 L-12 | 1 |
| 4 | JL403000 | RELAY INTERLOCK | 5 |
| 5 | JY403604 | SENSOR ROLL OVER | 1 |
| 6 | JP401801 | BAND BATTERY II | 1 |
| 7 | JP403000 | RELAY STARTER | 1 |
| 8 | KAED0616 | BOLT-FLANGE-KAE ST-D DIA-06 L-16 | 2 |
| 9 | JU402001 | REGULATOR | 1 |
| 10 | KADD0625 | BOLT-FLANGE-KAD ST-D DIA-06 L-25 | 2 |
| 11 | JD402212 | BAND(LENGTH 200MM) | 13 |
| 12 | JD402217 | BAND(L 150) | 4 |
| 13 | PA402204 | BAND(LENGTH 110MM) | 3 |
| 14 | JG402228 | FUSE 10A (BLADE TYPE) | 8 |
| 15 | JG402229 | FUSE 15A (BLADE TYPE) | 3 |
| 16 | JG402230 | FUSE 30A (BLADE TYPE) | 2 |
| 17 | 36JU0015 | KIT KTM 200 8AH BATTERY+Bottle | 1 |
| 18 | JP402202 | CABLE EARTH | 1 |
| 19 | JP402203 | CABLE RELAY TO MOTOR MY17 | 1 |
| 20 | JG402002 | DC FLASHER | 1 |



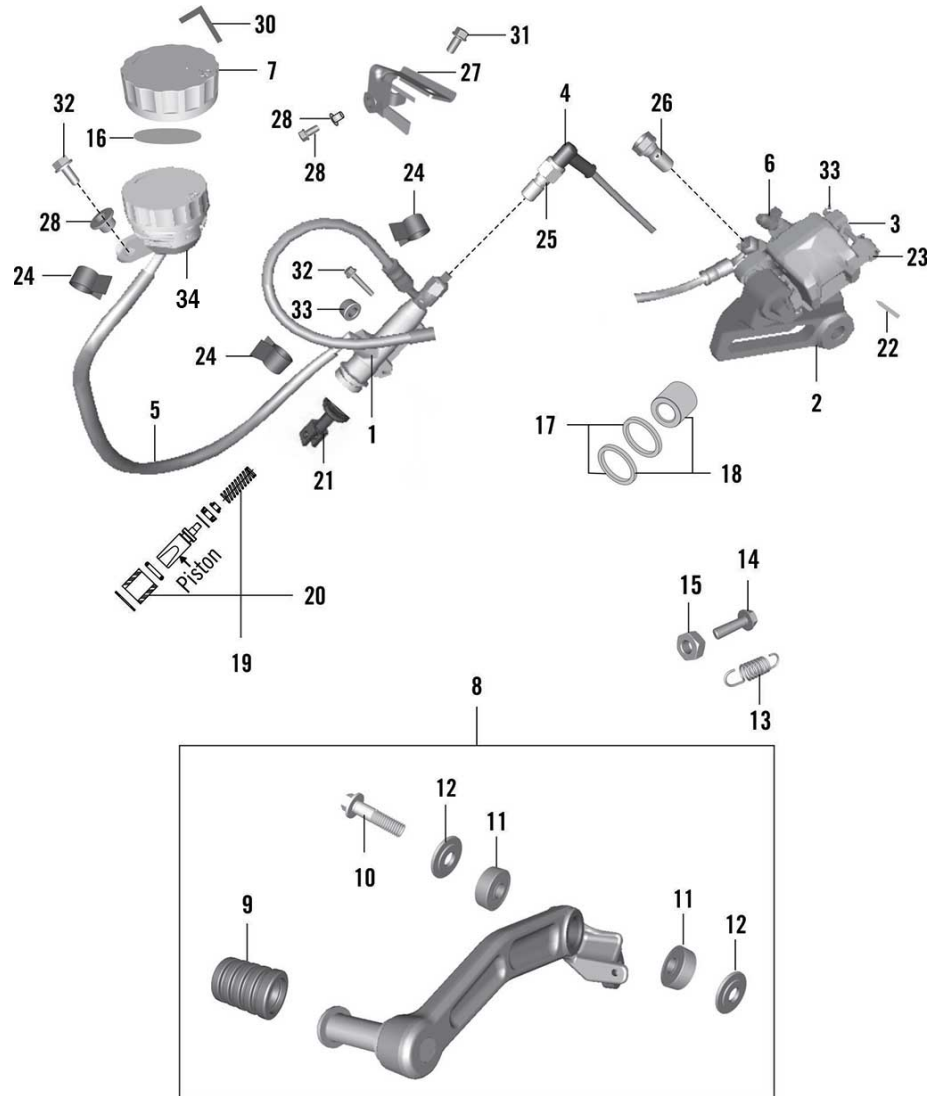
| SN | Part No. | Description | QTY |
|----|----------|---------------------------------------|-----|
| 21 | JL403200 | TERMINATION UNIT | 1 |
| 22 | JG402245 | CABLE TIE ORANGE 200 L | 9 |
| 23 | JY401410 | RESISTOR UNIT | 1 |
| 24 | KAED0620 | BOLT-FLANGED-SMALL (HT COIL BOL | 2 |
| 25 | JP402217 | PIGTAIL INTAKE AIR TEMPERATURE SENSOR | 1 |
| 26 | JP402218 | PIGTAIL OIL PRESSURE SWITCH MY17 | 1 |
| 27 | JY402246 | PIGTAIL COOLANT TEMP SENSOR RC MY16 | 1 |



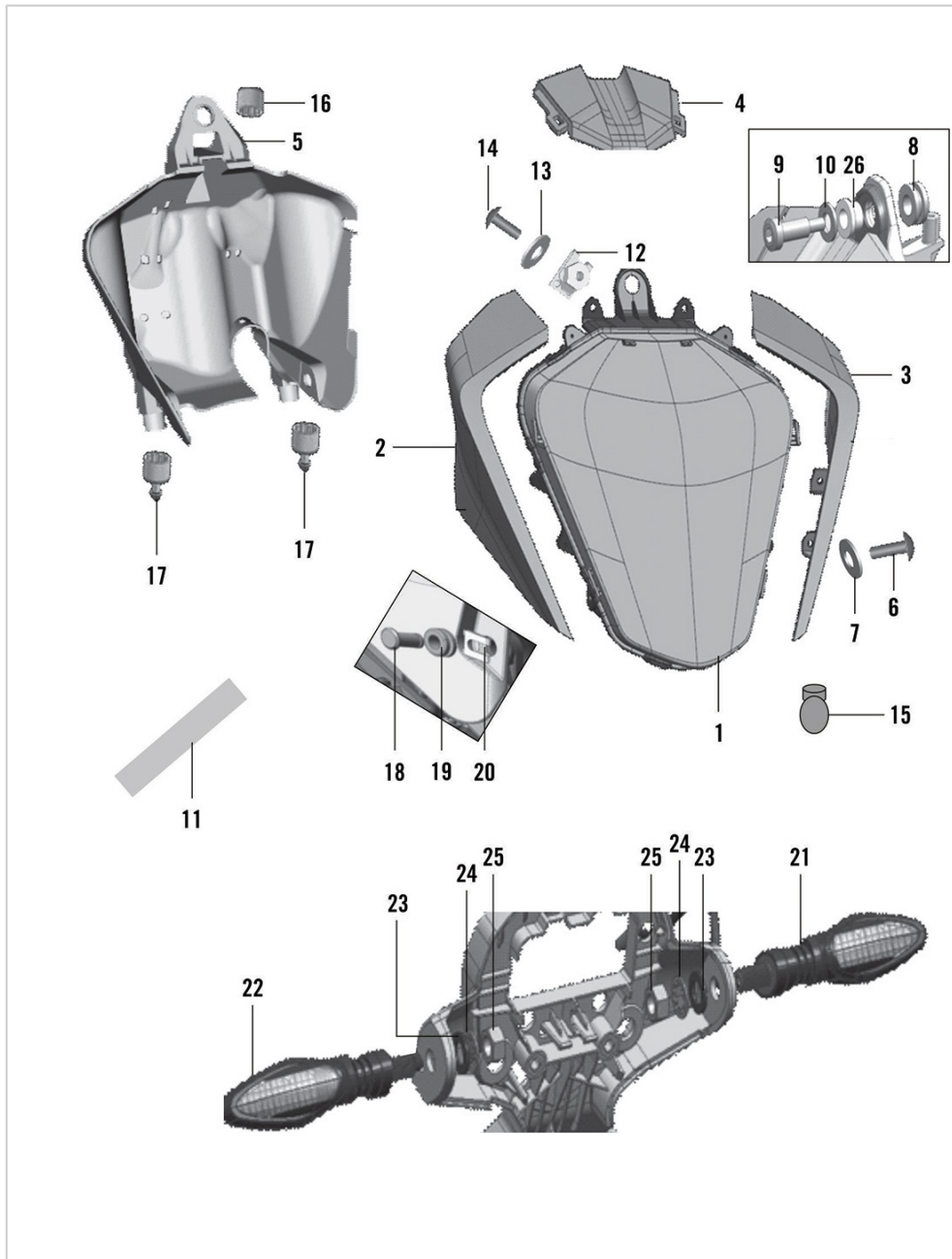
| SN | Part No. | Description | QTY |
|----|----------|----------------------------------|-----|
| 1 | 36JP0016 | KIT FR.M/CYL ASY W/O CLAMP-JY13 | 1 |
| 2 | 36JY0221 | CLAMP KIT - KT19,20, 22 10W05270 | 1 |
| 3 | 36JY0220 | BRAKE LEVER KIT 10W02622 | 1 |
| 4 | JY131921 | CALIPER ASY BRAKE FRONT | 1 |
| 5 | 36JU0114 | KIT FRONT BRAKE PAD WITH SHIM | 1 |
| 6 | DE151046 | SCREW - BLEEDER :- KBX | 1 |
| 7 | JG131814 | PIN CLIP | 1 |
| 8 | DK151092 | PAD SPRING | 1 |
| 9 | DE191010 | WASHER - COPPER :- KBX | 4 |
| 10 | DK151069 | BOLT -M10X1XL 19XCL 8.8XBRIGHT | 2 |
| 11 | LAD00037 | BOLT FLANGED M8X1 | 2 |
| 12 | 36JY0184 | FRONT MASTER CYLINDER MINOR KIT | 1 |
| 13 | 36JY0180 | MINOR KIT REAR CALIPER | 1 |
| 14 | 36JY0179 | MAJOR KIT REAR CALIPER | 1 |
| 15 | DJ201109 | SWITCH BRAKE | 1 |
| 16 | 36JY0187 | FR M/CYL BOOT SPD KIT | 1 |
| 17 | 36JY0183 | FRONT MASTER CYLINDER MAJOR KIT | 1 |



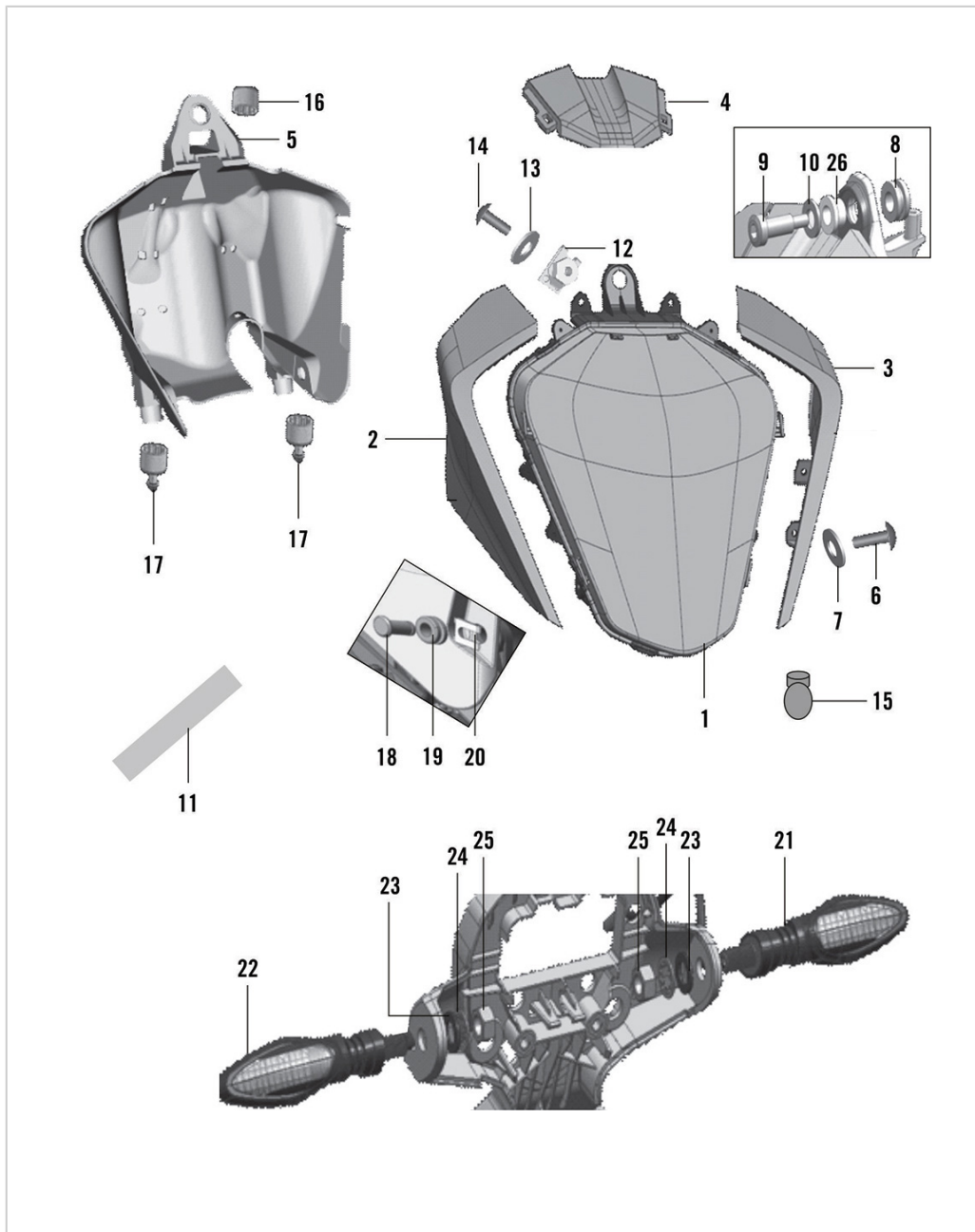
| SN | Part No. | Description | QTY |
|----|----------|--------------------------------|-----|
| 1 | JP131802 | ASSEMBLY MASTER CYLINDER | 1 |
| 2 | JG131815 | CALIPER ASSEMBLY REAR | 1 |
| 3 | DK151085 | PAD BRAKE REAR SET | 1 |
| 4 | JG401400 | SWITCH BRAKE PRESSURE | 1 |
| 5 | 36JY0225 | RE RESERVOIR TUBE KIT 06W12414 | 1 |
| 6 | DE151046 | SCREW - BLEEDER :- KBX | 1 |
| 7 | DK151045 | REAR MASTER CYLINDER CAP | 1 |
| 8 | JP161027 | ASSEMBLY BRAKE LEVER | 1 |
| 9 | JG113010 | DAMPER CHANGE LEVER | 1 |
| 10 | JY113025 | BOLT CHANGE LEVER | 1 |
| 11 | JG113061 | BEARING CHANGE LEVER | 2 |
| 12 | JY113015 | SPACER FOR CHANGE LEVER | 2 |
| 13 | JG161001 | SPRING TENSION | 1 |
| 14 | KADD0620 | BOLT FLANGED | 1 |
| 15 | KCAD0605 | NUT HEX THICK | 1 |
| 16 | DK151072 | DIAPHRAGM RESERVIOR - KBX | 1 |
| 17 | 36JY0180 | MINOR KIT REAR CALIPER | 1 |
| 18 | 36JY0179 | MAJOR KIT REAR CALIPER | 1 |
| 19 | 36JY0223 | MAJOR KIT RE MAST CYL 10W02822 | 1 |
| 20 | 36JY0224 | MINOR KIT RE MAST CYL 10W05712 | 1 |



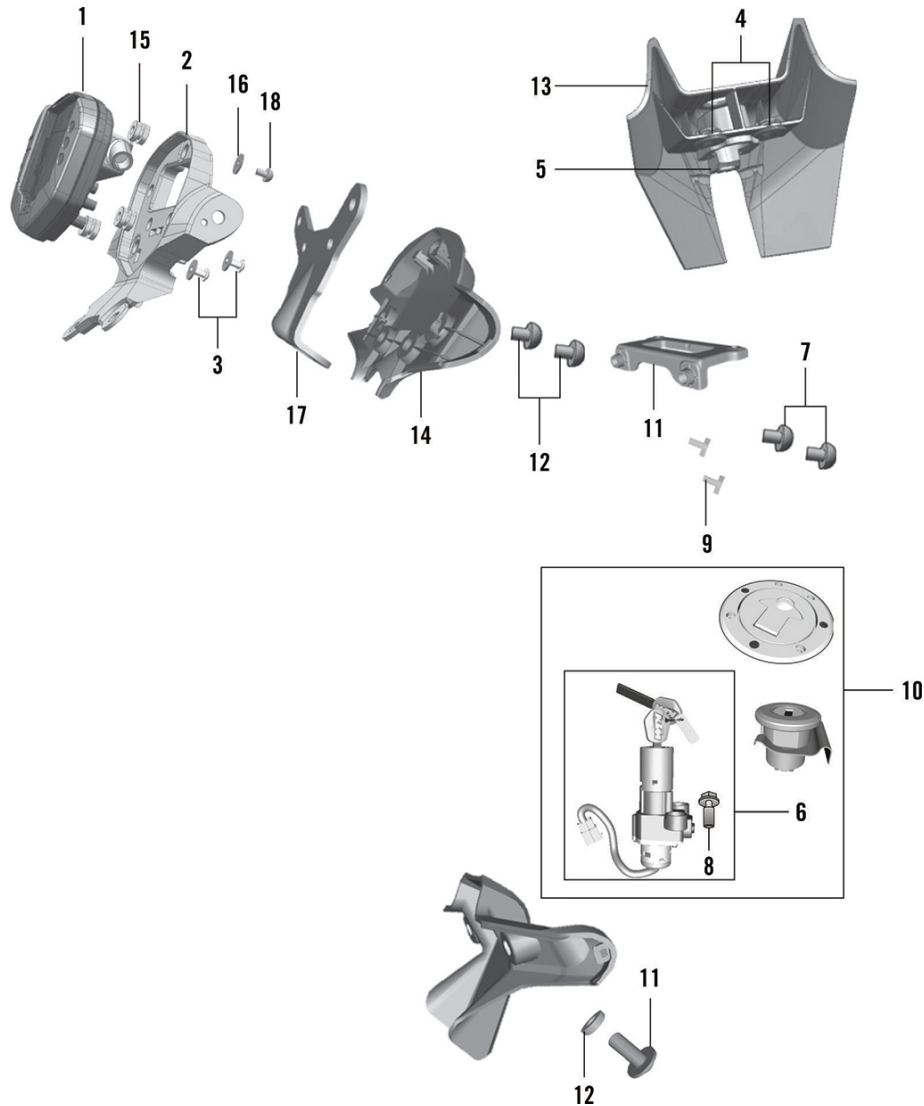
| SN | Part No. | Description | QTY |
|----|----------|--------------------------------------|-----|
| 21 | 36JY0226 | PUSH ROD ASY KIT 10W02931 | 1 |
| 22 | JG131830 | PIN PAD | 1 |
| 23 | DE151041 | CLIP - LOCKING :- KBX | 2 |
| 24 | DK151034 | RESERVOIR TUBE RAER DISC | 2 |
| 25 | 36JY0075 | KIT PRESSURE SWITCH RC | 1 |
| 26 | 36JY0076 | KIT BANJO BOLT RC | 1 |
| 27 | JP113809 | BRACKET RESERVOIR MTG | 1 |
| 28 | JP181247 | SLEEVE | 1 |
| 29 | LAE00051 | BOLT FLANGE SMALL- M6X1XL18XBLACK | 1 |
| 30 | JP131823 | BRACKET CAP RESERVOIR | 1 |
| 31 | LAE00053 | BOLT FLANGE SMALL- M5X0.8XL10XBLK | 1 |
| 32 | LAD00077 | BOLT FLANGE- M6X1XL16XBLKXPRECOAT | 1 |
| 33 | DE151041 | CLIP - LOCKING :- KBX | 2 |
| 34 | JG131821 | RESERVOIR REAR BRAKE | 1 |



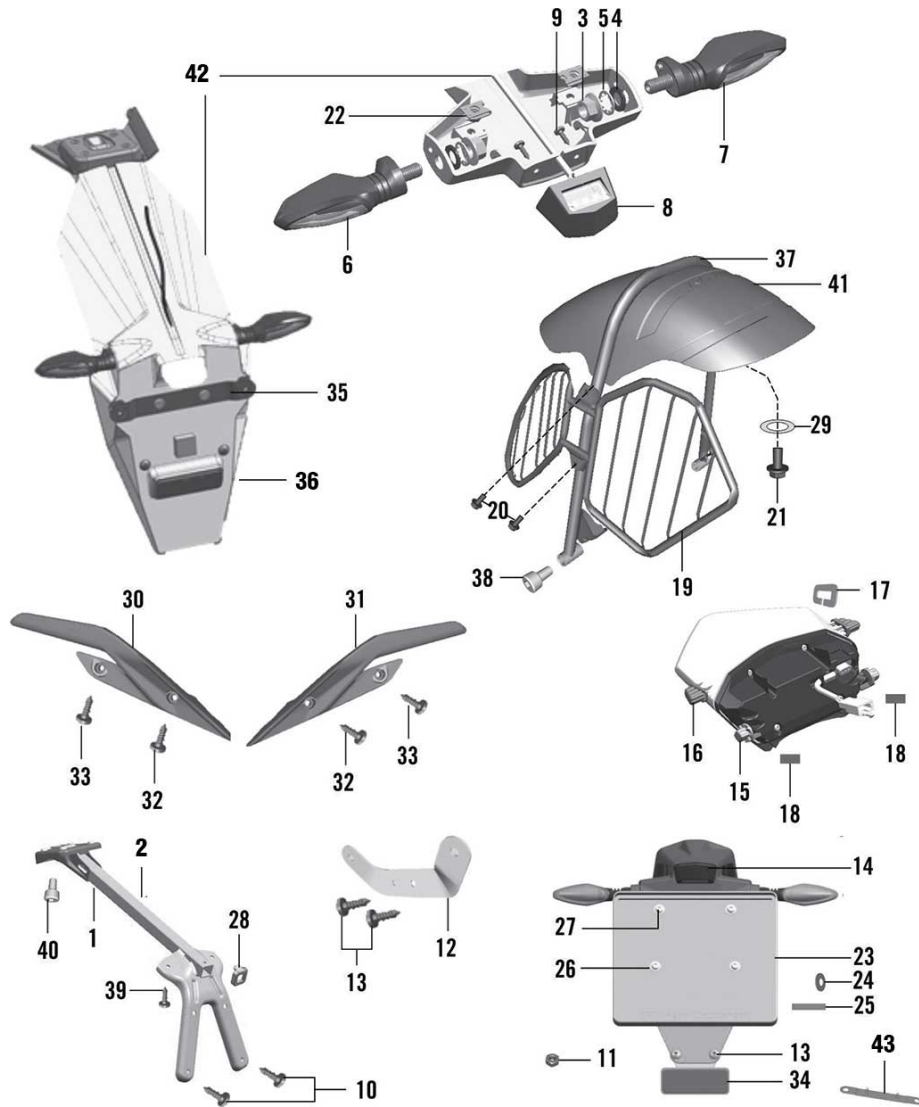
| SN | Part No. | Description | QTY |
|----|---------------------------------------|---|-----|
| | JP401003 (OLD) / JP401039 (NEW) | LAMP HEAD | 1 |
| 1 | | | |
| 2 | 52JP0956 | DUKE 200 SIDE MASK LH EBONY BLACK+DECAL | 1 |
| 3 | 52JP0957 | DUKE 200 SIDE MASK RH EBONY BLACK+DECAL | 1 |
| 4 | 56JP4DX3 | DUKE MASK BULB HL EB BLACK | 1 |
| 5 | JP181242 | FAIRING BACK COVER BULB HL | 1 |
| 6 | KBRD3513 | SCREW TAPPING PAN CROS- ST3.5XL13 | 6 |
| 7 | KDAE0408 | WASHER PLAIN SMALL- 4.5X8X0.5XBLK | 6 |
| 8 | JP181279 | GROMMET FRONT FAIRING ASSY | 1 |
| 9 | LAC00101 | BOLT SOCKET-M6X1XL12XBLKXSTEP | 1 |
| 10 | JB113007 | PLAIN WASHER | 1 |
| 11 | 36DT0053 | KIT FR.NUMBER PLATE PULSAR RS 200 / AS 2 | 1 |
| 12 | JL181027 | NUT CLIP M6 | 3 |
| 13 | KDBF0512 | WASHER PLAIN- ID5.5XOD12XT0.8XBLK | 2 |
| 14 | KBUF0514 | SCREW TRUSS-M5X0.8XL 14XBLACK | 2 |
| 15 | DG201071 | LAMP :- 12V, 60 / 55 W | 1 |
| 16 | JP181261 | GROMMET HL COVER TOP | 1 |
| 17 | JP181262 | GROMMET HL COVER BOTTOM | 2 |
| 18 | LAD00046 | PIN CLEVIS DIA 8 | 2 |
| 19 | JG181242 | GROMMET PIVOT BOLT-MASK CARRIER | 2 |
| 20 | JG181243 | SECURING CLIP-PIV BOLT-MASK CARR | 2 |



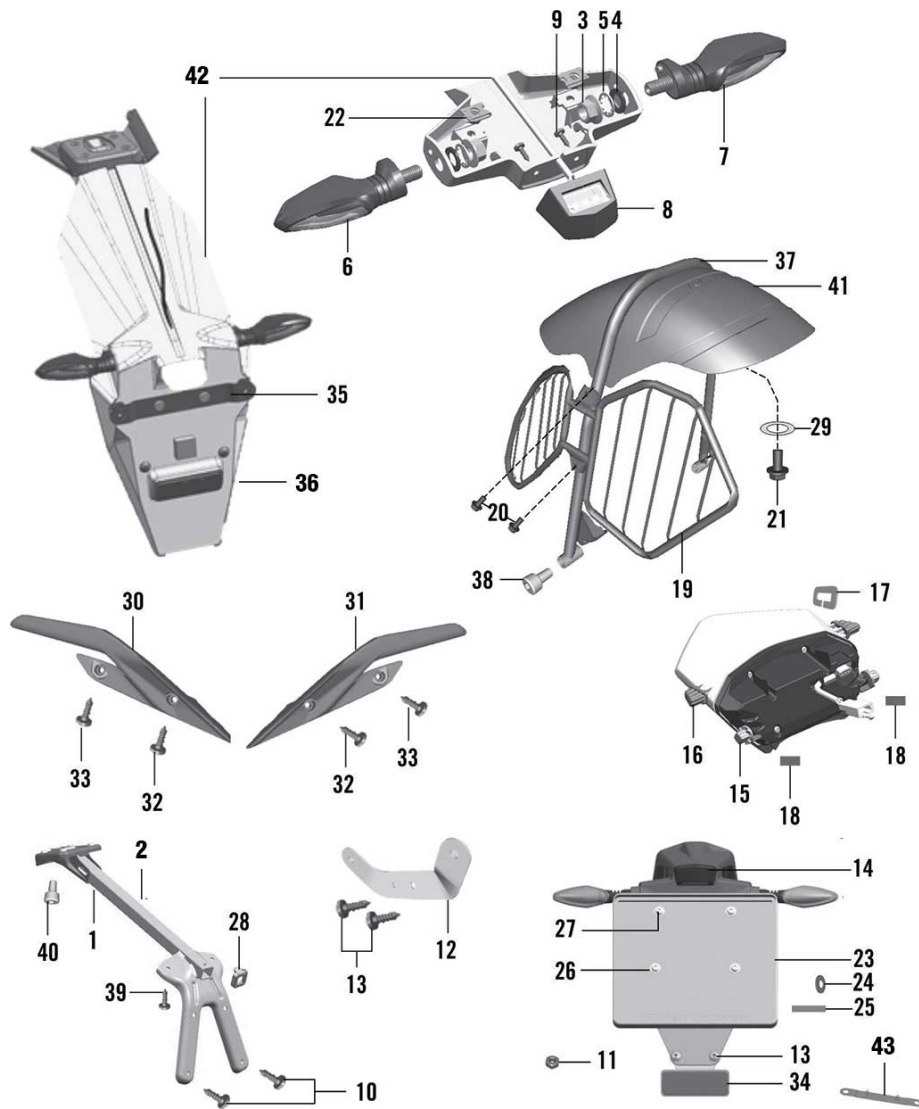
| SN | Part No. | Description | QTY |
|----|----------|----------------------------------|-----|
| 21 | JP401018 | INDICATOR FRONT LH | 1 |
| 22 | JP401019 | INDICATOR FRONT RH | 1 |
| 23 | LDA00012 | WASHER PLAIN | 2 |
| 24 | LDF00002 | WASHER TOOTHED | 2 |
| 25 | LCA00005 | NUT HEX M10X1.25 | 2 |
| 26 | JP181263 | GROMMET RUBBER 2 FRONT FAIRING | 1 |
| 27 | LAC00008 | SCREW BUTTON HEAD-M6X1XL20XBLACK | 2 |
| 28 | LBU00048 | SCREW BUTTON HD-M6X1XL13 | 2 |



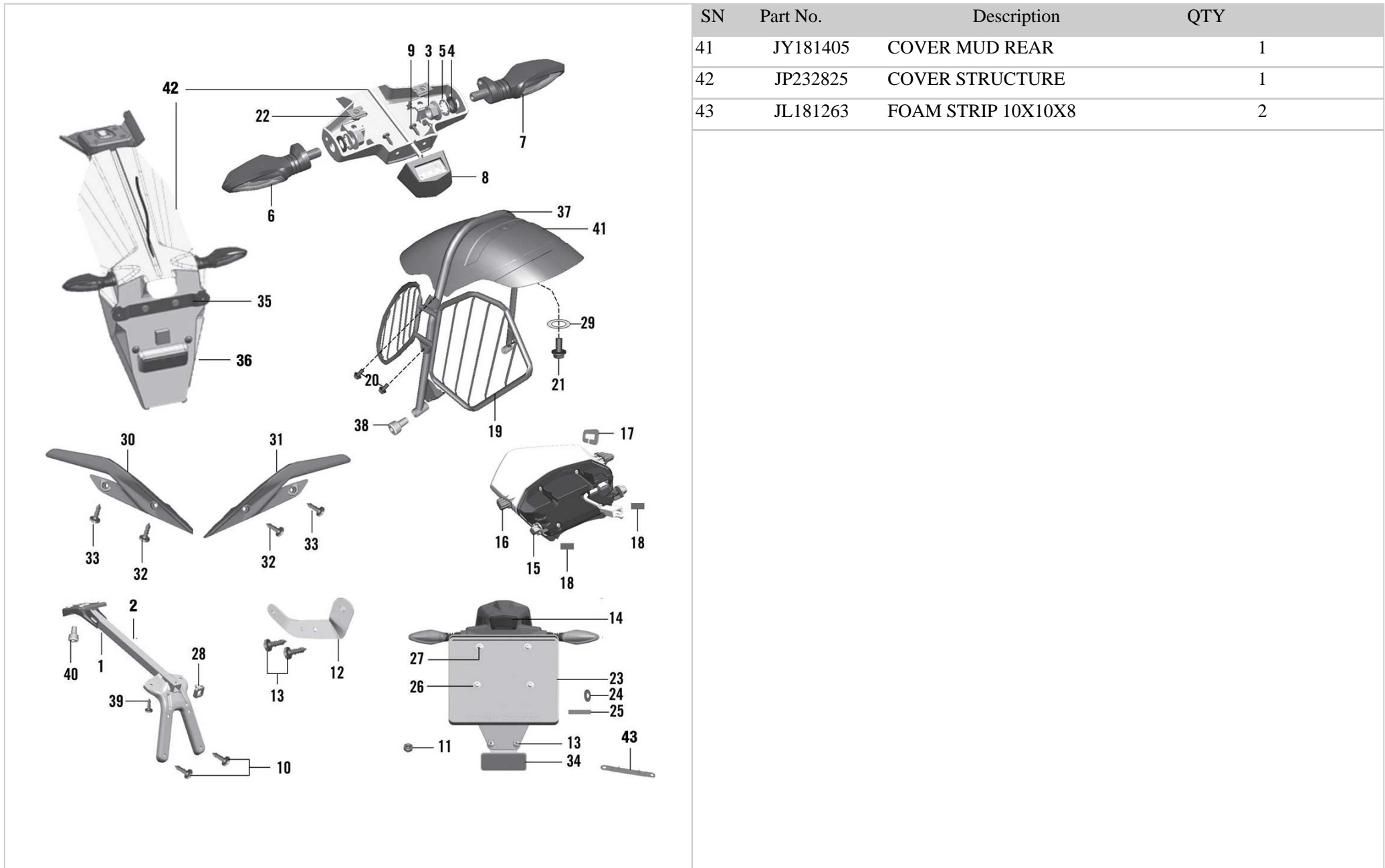
| SN | Part No. | Description | QTY |
|----|---------------------------------------|---------------------------------------|-----|
| | JP402410 (OLD) / JP402416 (NEW) | SPEEDOMETER | 1 |
| 1 | JP181240 | DASHBOARD LCD SPEEDOMETER | 1 |
| 2 | LBR00002 | SCREW TAPPING PAN DIA 5 | 2 |
| 3 | JP181229 | mROMMET IGNITION SWITCH COVER | 2 |
| 4 | JP181234 | GROMMET IGNITION COVER | 1 |
| 5 | 36JP0035 | IGN LOCK WITH SHEAR BOLTS MY17 | 1 |
| 6 | JY113821 | SCREW BUTTON HEAD- M6X1XL12XBLACK | 1 |
| 7 | LAA00030 | BOLT -M6X1XL30XCL8.8XBLXSHEAR HD | 2 |
| 8 | JL181453 | COLLAR WIND SHIELD | 2 |
| 9 | 36JP0036 | LOCK SET EVAP SHEAR BOLTS MY17 | 1 |
| 10 | JP232808 | HOLDER PLATE NUMBER | 1 |
| 11 | LBU00050 | SCREW BUTTON HEAD- M6X1XL9XPRECOAT | 2 |
| 12 | JP181239 | COVER ASSEMBLY SWITCH IGNITION | 1 |
| 13 | JP181249 | SPEEDOMETER HOLDER BACKCOVER | 1 |
| 14 | JG181238 | GROMMET DASHBOARD | 3 |
| 15 | LDB00016 | WASHER -PLAIN | 3 |
| 16 | JP181250 | BRACKET SPEEDOMETER HOLDER | 1 |
| 17 | LBR00008 | SCREW TAPING SOKET- DIA.5XL12XBLK | 1 |
| 18 | 36JG0114 | 3M SPEEDOMETER TAPE (25 QTY) KIT | 1 |
| 19 | 36JP0079 | PRIMER (5 QTY) KIT | 1 |
| 20 | | | |



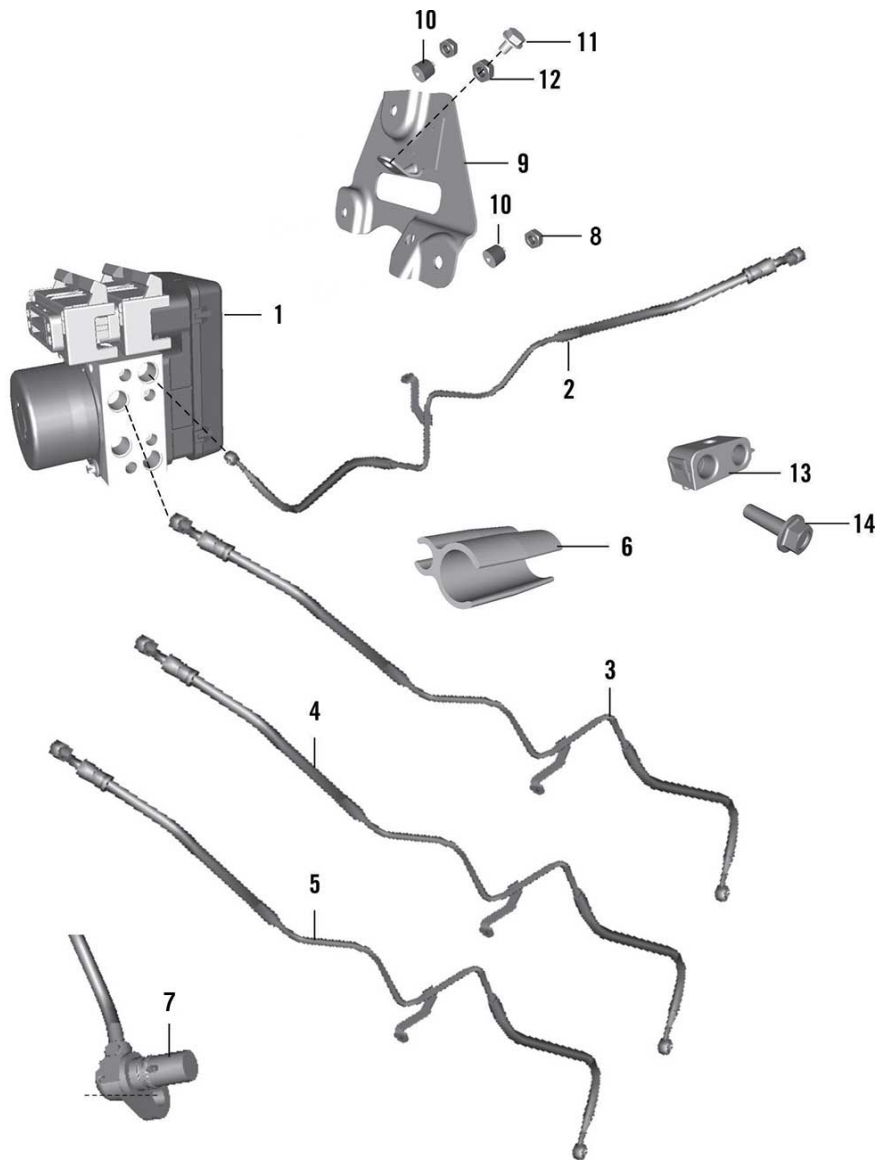
| SN | Part No. | Description | QTY |
|----|----------|-----------------------------------|-----|
| 1 | JP232824 | STRUCTURE ASSEMBLY PLATE NUMBER | 1 |
| 2 | JP232824 | STRUCTURE ASSEMBLY PLATE NUMBER | 1 |
| 3 | KCAD1008 | NUT HEX THICK | 2 |
| 4 | KDAA1018 | WASHER PLAIN | 2 |
| 5 | LDF00002 | WASHER TOOTHED | 2 |
| 6 | JY401024 | INDICATOR REAR LH | 1 |
| 7 | JY401025 | INDICATOR REAR RH | 1 |
| 8 | JG401006 | NUMBER PLATE ILLUMINATION LAMP | 1 |
| 9 | KBRD4213 | SCREW TAPPING PAN CROSS-ST4.2XL13 | 2 |
| 10 | KBUA0612 | Mushroom Head screw - M6-L12 | 2 |
| 11 | LCA00008 | NUT | 1 |
| 12 | JP181407 | BRACKET REFLEX REFLECTOR | 1 |
| 13 | KBUF0612 | SCREW TRUSS-M6X1XL 12XBLACK | 4 |
| 14 | JP401001 | LAMP TAIL MY17 | 1 |
| 15 | JP401004 | GROMMET ROUND | 2 |
| 16 | JP401005 | GROMMET TAIL LAMP LH | 1 |
| 17 | JP401006 | NYLON WASHER SQUARE | 2 |
| 18 | JP401007 | SPACER GROMMET ROUND | 2 |
| 19 | JY231200 | SAREE GAURD | 1 |
| 20 | LAC00118 | BOLT SOCKET-M8X1.25XL18XCL10.9XBL | 2 |



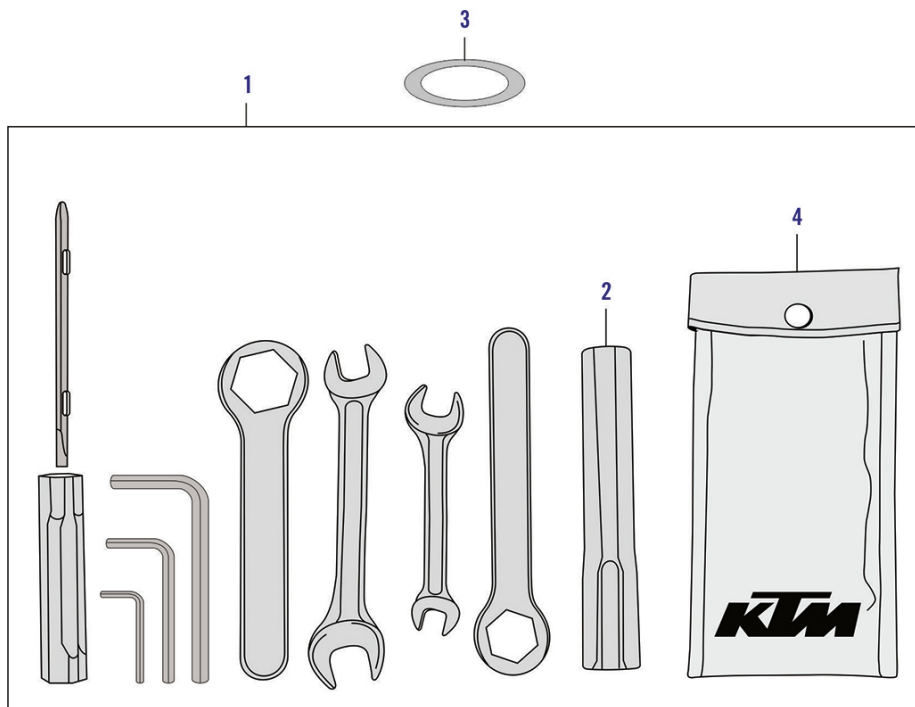
| SN | Part No. | Description | QTY |
|----|----------|---|-----|
| 21 | KACH0616 | BOLT SOCKET-M6X1XL16XCL 10.9XBLK | 2 |
| 22 | DJ161229 | CLIP NUT M5 | 2 |
| 23 | 36PD0056 | KIT RR.NUMBER PLATE AVENGER 220 CRUISE / | 1 |
| 24 | JU181408 | GROMMET REAR NO PLATE | 2 |
| 25 | JU181412 | DUEL LOCK REAR NO PLATE | 2 |
| 26 | LDB00031 | WASHER REAR NO PLATE | 2 |
| 27 | KADM0620 | BOLT FLANGED | 4 |
| 28 | JP232802 | CAP RUBBER REAR NUMBER PLATE STRUCTURE | 1 |
| 29 | KDBE0613 | WASHER PLAIN | 5 |
| 30 | JP231409 | GRAB HANDLE LH | 1 |
| 31 | JP231410 | GRAB HANDLE RH | 1 |
| 32 | LAC00095 | BOLT SOKET- M8X1.25XL30XBLXPRECOT | 2 |
| 33 | LAC00096 | BOLT SOKET- M8X1.25XL40XBLXPRECOT | 2 |
| 34 | JG401036 | REFLECTOR REFLEX | 1 |
| 35 | JP232812 | BRACKET PLATE NUMBER REAR | 1 |
| 36 | JP232830 | BRACKET PLATE NUMBER REAR | 1 |
| 37 | JP181000 | TUBE ASSEMBLY HUGGER REAR | 1 |
| 38 | JU231206 | BOLT SOCKET M8X1.25 | 1 |
| 39 | KBUA0512 | SCREW TRUSS | 2 |
| 40 | LAD00189 | BOLT FLANGE-M6X1XL 22XCL 8.8XBLK | 4 |



| SN | Part No. | Description | QTY |
|----|----------|--------------------|-----|
| 41 | JY181405 | COVER MUD REAR | 1 |
| 42 | JP232825 | COVER STRUCTURE | 1 |
| 43 | JL181263 | FOAM STRIP 10X10X8 | 2 |



| SN | Part No. | Description | QTY |
|----|----------|-------------------------------------|-----|
| 1 | JP131859 | UNIT ABS WET | 1 |
| 2 | 36JP0066 | BR HOSE KIT ABS TO MAST CYL. FR | 1 |
| 3 | 36JP0067 | BR HOSE KIT ABS TO FR CALIPER | 1 |
| 4 | 36JP0068 | BR HOSE KIT REAR MC TO ABS | 1 |
| 5 | 36JP0069 | BR HOSE KIT REAR CALIPER TO ABS | 1 |
| 6 | DT131849 | CLAMP FOR ABS HOSE | 3 |
| 7 | DT402404 | SENSOR SPEED WHEEL | 1 |
| 8 | LCL00002 | NUT FLANGED-M6X1XHT.6XCL4 | 3 |
| 9 | JP113804 | BRACKET ABS MTG LOOSE | 1 |
| 10 | JG581014 | SILENT BLOCK(M6) | 3 |
| 11 | KADD0610 | BOLT-FLANGE-KAD ST-D DIA-06 L-10 | 3 |
| 12 | LCL00002 | NUT FLANGED-M6X1XHT.6XCL4 | 3 |
| 13 | DT131849 | CLAMP FOR ABS HOSE | 3 |
| 14 | KAED0620 | BOLT-FLANGED-SMALL (HT COIL) BOL | 3 |



| SN | Part No. | Description | QTY |
|----|----------|----------------------|-----|
| 1 | JY231000 | TOOLKIT | 1 |
| 2 | JG231003 | SPANNER BOX | 1 |
| 3 | DK221024 | O RING | 1 |
| 4 | JG231002 | BAG TOOL | 1 |
| 5 | JG231006 | SCREWDRIVER | 1 |
| 6 | JG231014 | TOOL WRENCH 22 | 1 |
| 7 | JG231008 | TOOL BAR | 1 |
| 8 | JG231009 | SPANNER FLAT 13 X 14 | 1 |
| 9 | JG231010 | SPANNER FLAT 8X10 | 1 |
| 10 | JY231001 | TOOL ALLEN KEY 4MM | 1 |
| 11 | JG231011 | KEY ALLEN -5 MM | 1 |
| 12 | JG231012 | KEY ALLEN 6 | 1 |
| 13 | JG231013 | KEY ALLEN 10 | 1 |
| 14 | JY231002 | TOOL SPRING ADJUSTER | 1 |