

# SPARE PARTS CATALOGUE

## 200 Duke

MY - 17



**KTM**

All information contained in this manual is based on the latest product information at the time of publication. Bajaj Auto Limited accepts no liability for any inaccuracies or omissions in this publication, although every possible care has been taken to make it as complete and accurate as possible. All procedures and specifications subject to change without prior notice. The right is reserved to make such changes at any time without prior notice and without incurring an obligation to make such changes to product manufactured previously. Contact authorized KTM Dealer for the latest information on product improvements incorporated after this manual was issued.

**DOC. NO.: 71112504**

**REV. 01 FEB 17**

**Dear KTM dealers,**

We are pleased to present the Spare Parts Catalogue for 'KTM 200 DUKE' Model. This catalogue has been specially designed to assist you in selecting the correct parts for procurement to maintain 100% availability.

The KTM spares are subjected to the stringent quality control standards to ensure longer life of the vehicle. It is therefore necessary that only the Genuine KTM Spares are used.

In a continual effort to improve Performance and Efficiency of the vehicles, Specifications, Diagrams, Illustrations and Part Numbers can change without notice. Consequently, the description in this Spare Parts Catalogue cannot therefore be final and binding on us.

The modifications / alterations which are carried out after the issue of this catalogue, will be conveyed to you through our Service Circulars. You are requested to make necessary corrections in the Parts Catalogue as per the circulars so as to keep your catalogue up-to-date. This will ensure the appropriate and speedy delivery of the Spare Parts as the order placed will bear the latest part numbers.

In case, if you need any technical assistance contact the concerned Regional Office or write to us on the following address :

**Service Department - KTM  
Bajaj Auto Limited  
Akurdi, Pune 411 035 India**



**1. How to Read the Catalogue :** Open the catalogue and from the pictorial index locate the group in which the part you want to find is present. Turn over to the concerned page number (as given by pictorial index). Now find out the figure of the part you wish to order. Write down the part number against that particular figure number from the text, and as per the model year applicable (MY).

In case, if you have the part number and you need the other details, the part index can be used. The part index (at the end of the catalogue) will give you the figure and page number of the part you wish to order.

**2. How to Order Spare Parts :** The part number and the description of the part required should be invariably mentioned in the order as per the catalogue text.

The latest part number as conveyed through our service circulars should only appear on the order. In case of ordering painted components, colour shade of the components should be mentioned.

The quantity shown against the part number is the quantity per vehicle for that group so that particular quantity should be multiplied by the number of sets required.

**3. Part Number System:** We have used 8 digit system for part numbers. The model or hardware item is indicated by first two digits or alphanumeric, the next two or four digits indicate main group and the last four or two digits indicate serial number in main group or serial number or subgroup of fastener respectively. Thus the part numbers will be indicated by 2-2-4 or 2-4-2 digit system. Understanding this system will enable you to identify the spare parts easily.

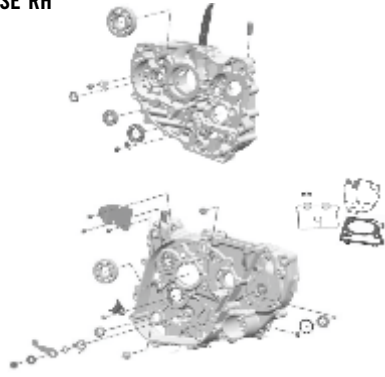
**4. Abbreviations :** The following abbreviations are used in this catalogue.

assly.	Assembly	V	Volts
N.I.	Not illustrated	W	Watts
C'case	Crankcase	accl.	Accelerator
Cyl	Cylinder	Comp.	Complete
o/s.	Over size	Fr	Front
Std.	Standard	L	Length
A/t.	Alternate	Rr	Rear
RH	Right hand	Hex.	Hexagonal
LH	Left hand	AR	As required
		NA	Not applicable

No.	Description	Page No.	No.	Description	Page No.
1	Crankcase RH	1	27	Air Filter	31
2	Crankcase LH	2	28	Tank, Cover	32
3	Clutch Cover	3	29	EVAP Parts	33
4	Balancer Shaft	4	29	Seats	34
5	Cylinder, Piston	5	30	Fuel Pump	35
6	Crankshaft	6	31	Mask, Fender	36
7	Clutch	7	32	Belly Pan	37
8	Transmission I Main Shaft	8	33	Decal	38
9	Transmission II Counter Shaft	9	33	Decal MY17	38A
10	Shifting Mechanism	10,11	34	Front Wheel	39
11	Radiator Assembly	12	35	Rear Wheel	40,41
12	Cooling System	13	36	Wiring Harness	42
13	Valve Drive	14,15	37	Brake System - Front	43
14	Timing Drive	16	38	Brake System - Rear	44
15	Cylinder Head	17	39	Lighting System	45
16	Lubrication System	18	40	Instrument Lock System	46
17	Ignition System	19	41	Tool Kit	47
18	Electric Starter	20	42	Leg Guard, Saree Guard	48,49
19	Throttle Body	21	43	KTM Recommended Consumables	50
20	Front Fork Triple Clamp	22,23	44	KTM Accessories	51
21	Handle Bar Controls	24	45	Kit List	52
22	Frame	25,26	46	Parts Index	53
23	Side Stand	27			
24	Shock Absorber	28			
25	Swing Arm	29			
26	Exhaust System	30			

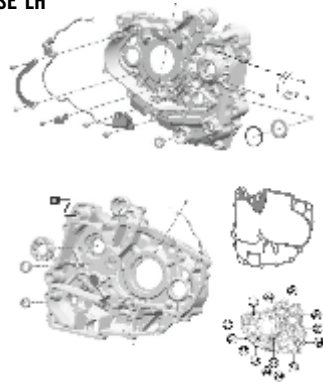
CRANKCASE RH

1



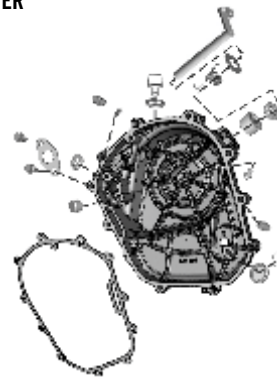
CRANKCASE LH

2



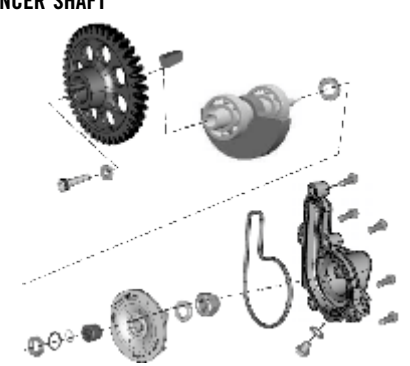
CLUTCH COVER

3



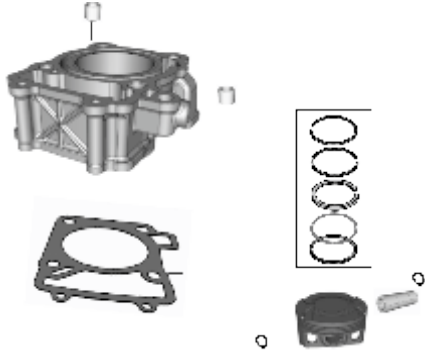
BALANCER SHAFT

4



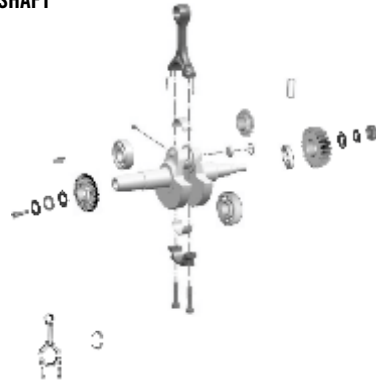
CYLINDER, PISTON

5



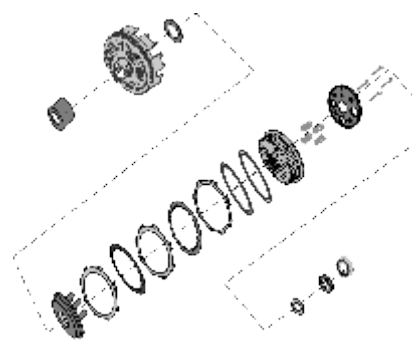
CRANKSHAFT

6



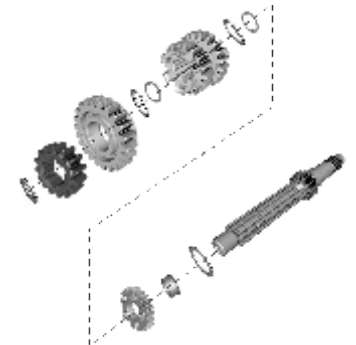
CLUTCH

7



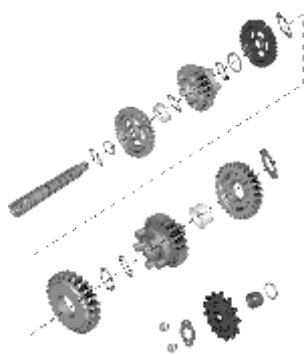
TRANSMISSION I MAIN SHAFT

8



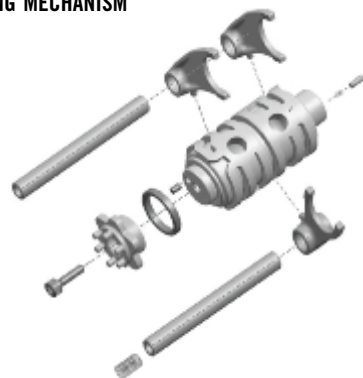
TRANSMISSION II COUNTER SHAFT

9



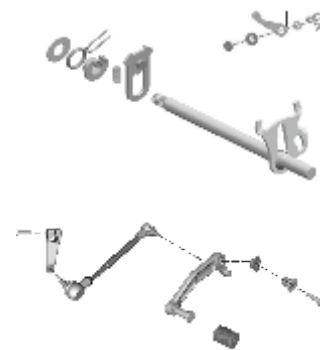
SHIFTING MECHANISM

10



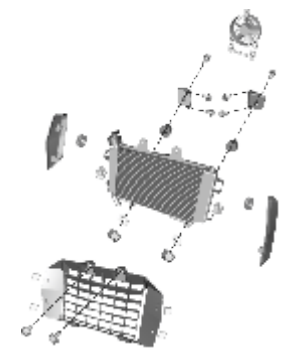
SHIFTING MECHANISM

11

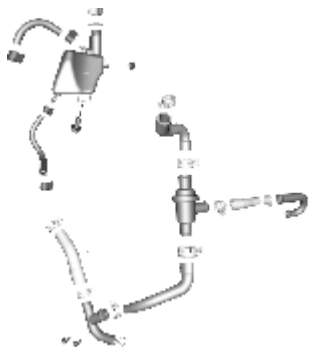

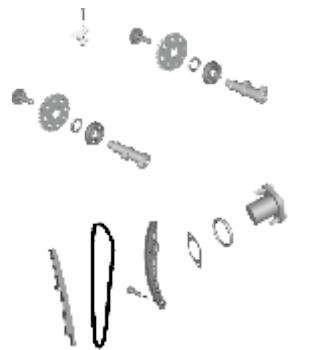
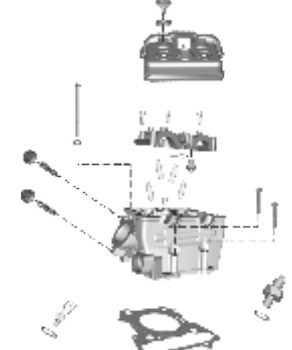
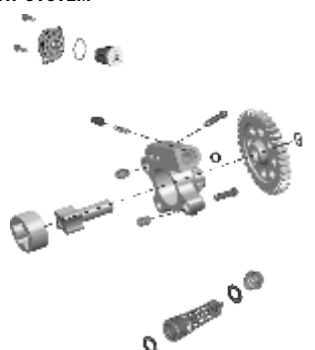
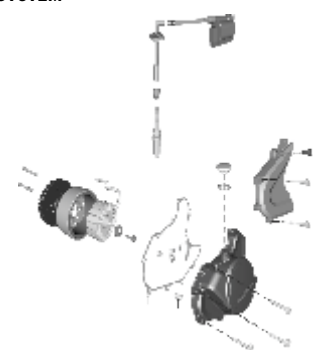
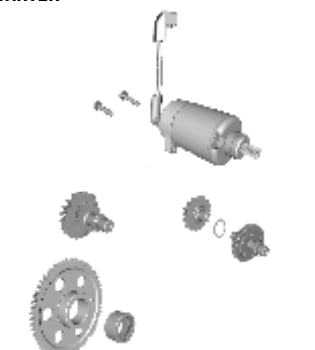
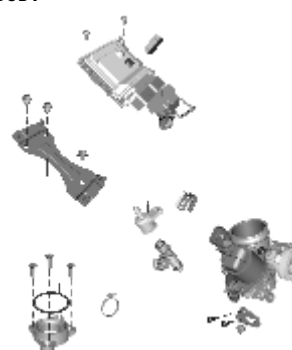
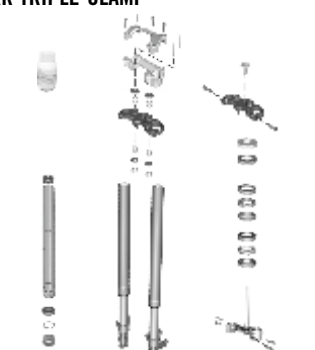

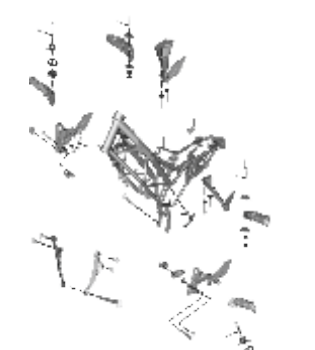
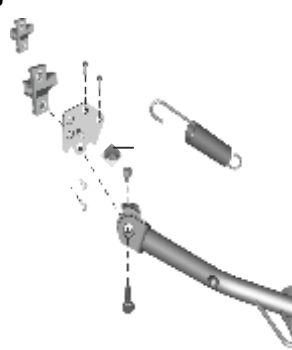


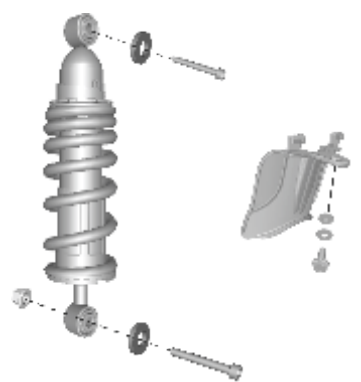
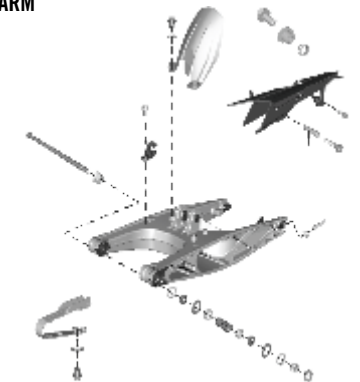
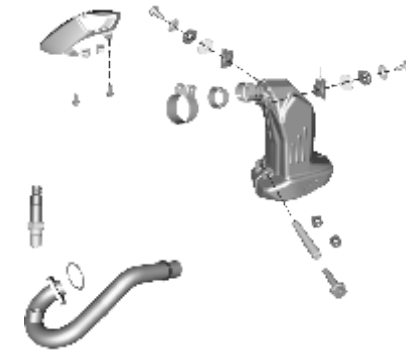
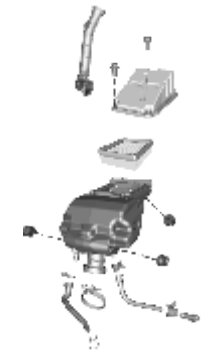
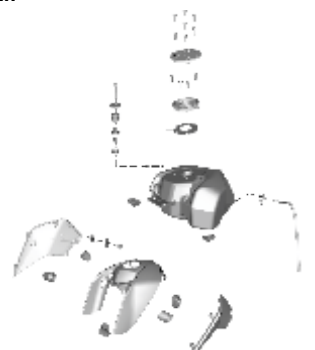
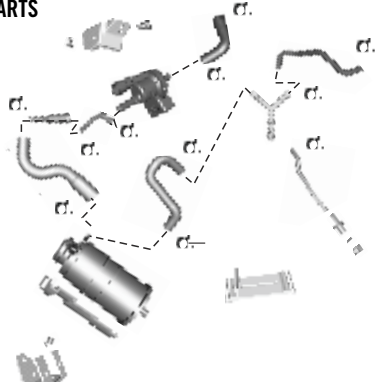
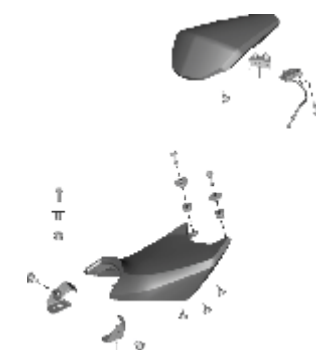
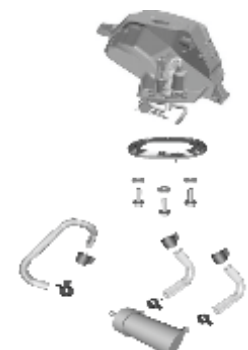

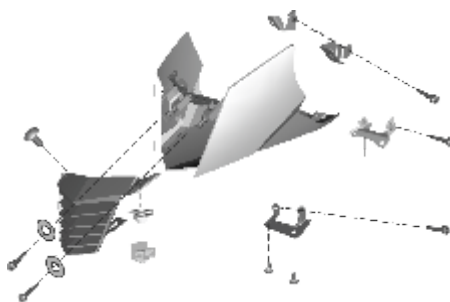


RADIATOR ASSEMBLY

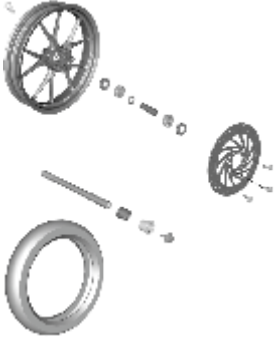
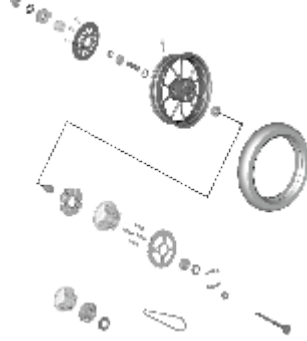
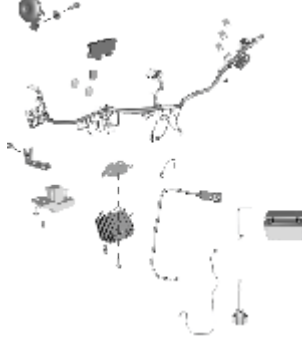
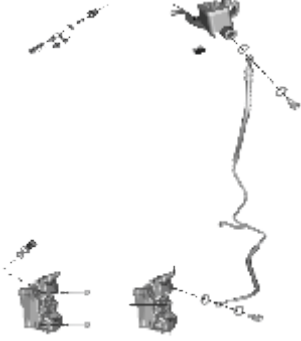
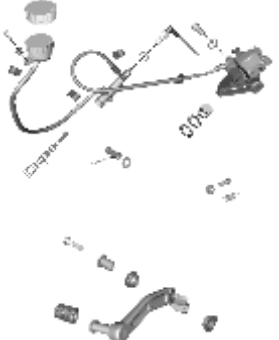


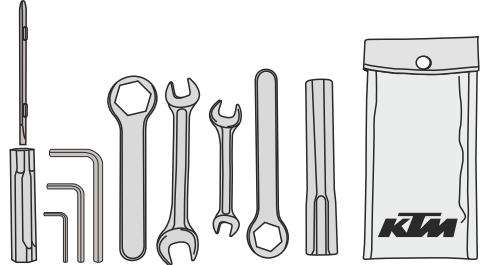
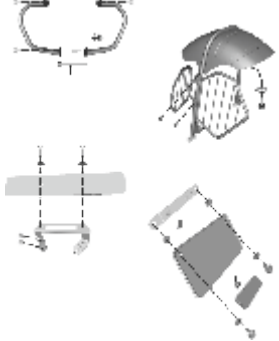
12





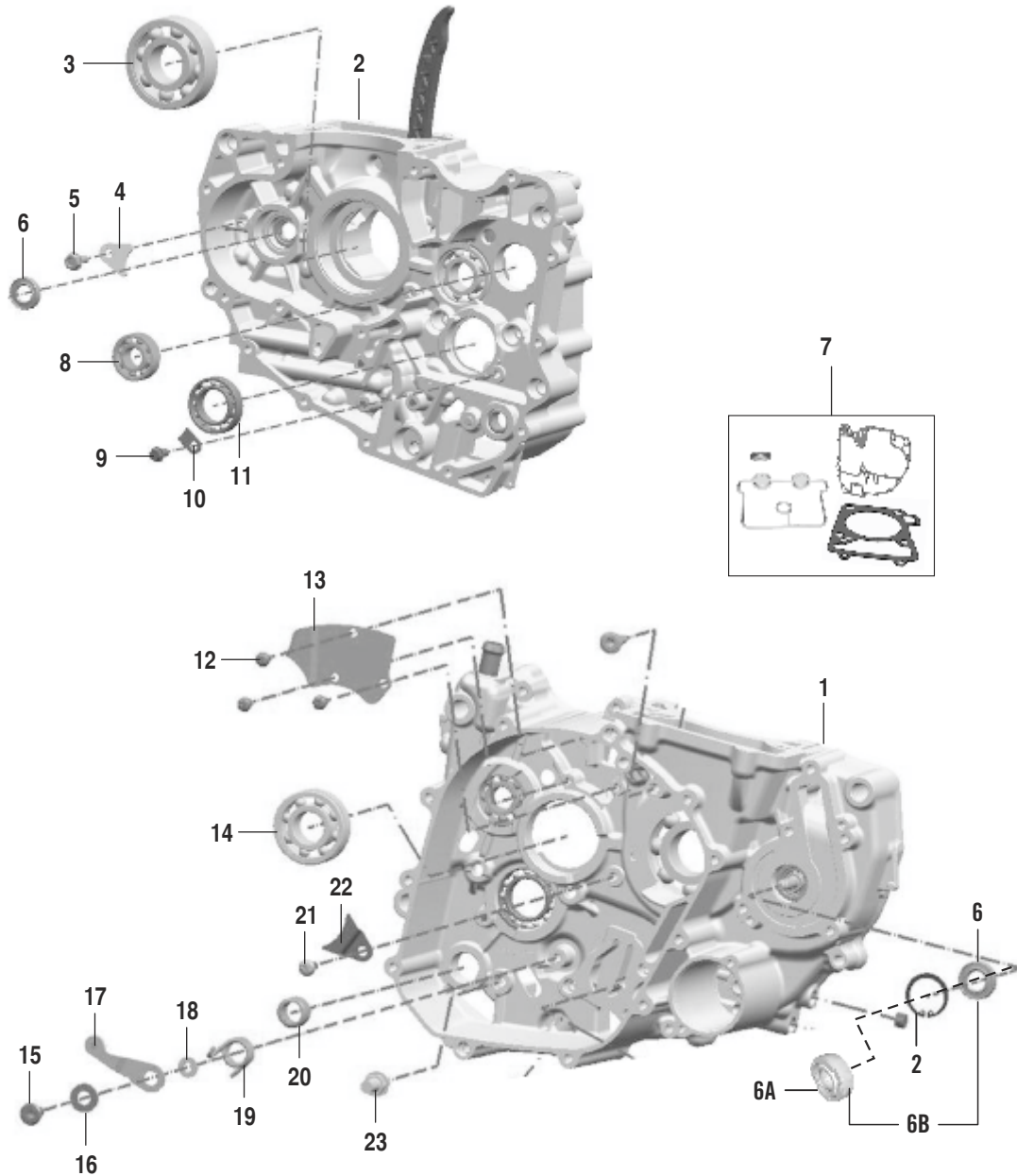
<p><b>COOLING SYSTEM</b> 13</p> 	<p><b>VALVE DRIVE</b> 14/15</p> 	<p><b>TIMING DRIVE</b> 16</p> 	<p><b>CYLINDER HEAD</b> 17</p> 
<p><b>LUBRICATION SYSTEM</b> 18</p> 	<p><b>IGNITION SYSTEM</b> 19</p> 	<p><b>ELECTRIC STARTER</b> 20</p> 	<p><b>THROTTLE BODY</b> 21</p> 
<p><b>FRONT FORK TRIPLE CLAMP</b> 22/23</p> 	<p><b>HANDLE BAR CONTROLS</b> 24</p> 	<p><b>FRAME</b> 25/26</p> 	<p><b>SIDE STAND</b> 27</p> 

<b>SHOCK ABSORBER</b> 28 	<b>SWING ARM</b> 29 	<b>EXHAUST SYSTEM</b> 30 	<b>AIR FILTER</b> 31 
<b>TANK, COVER</b> 32 	<b>EVAP PARTS</b> 33 	<b>SEATS</b> 34 	<b>FUEL PUMP</b> 35 
<b>MASK, FENDER</b> 36 	<b>BELLY PAN</b> 37 	<b>DECAL</b> 38 	<b>DECAL</b> 38A 

<p><b>FRONT WHEEL</b> 39</p> 	<p><b>REAR WHEEL</b> 40/41</p> 	<p><b>WIRING HARNESS</b> 42</p> 	<p><b>BRAKE SYSTEM - FRONT</b> 43</p> 
<p><b>BRAKE SYSTEM - REAR</b> 44</p> 	<p><b>LIGHTING SYSTEM</b> 45</p> 	<p><b>INSTRUMENT LOCK SYSTEM</b> 46</p> 	<p><b>TOOL KIT</b> 47</p> 
<p><b>LEG GUARD, SAREE GUARD</b> 48</p> 			

# CRANKCASE RH

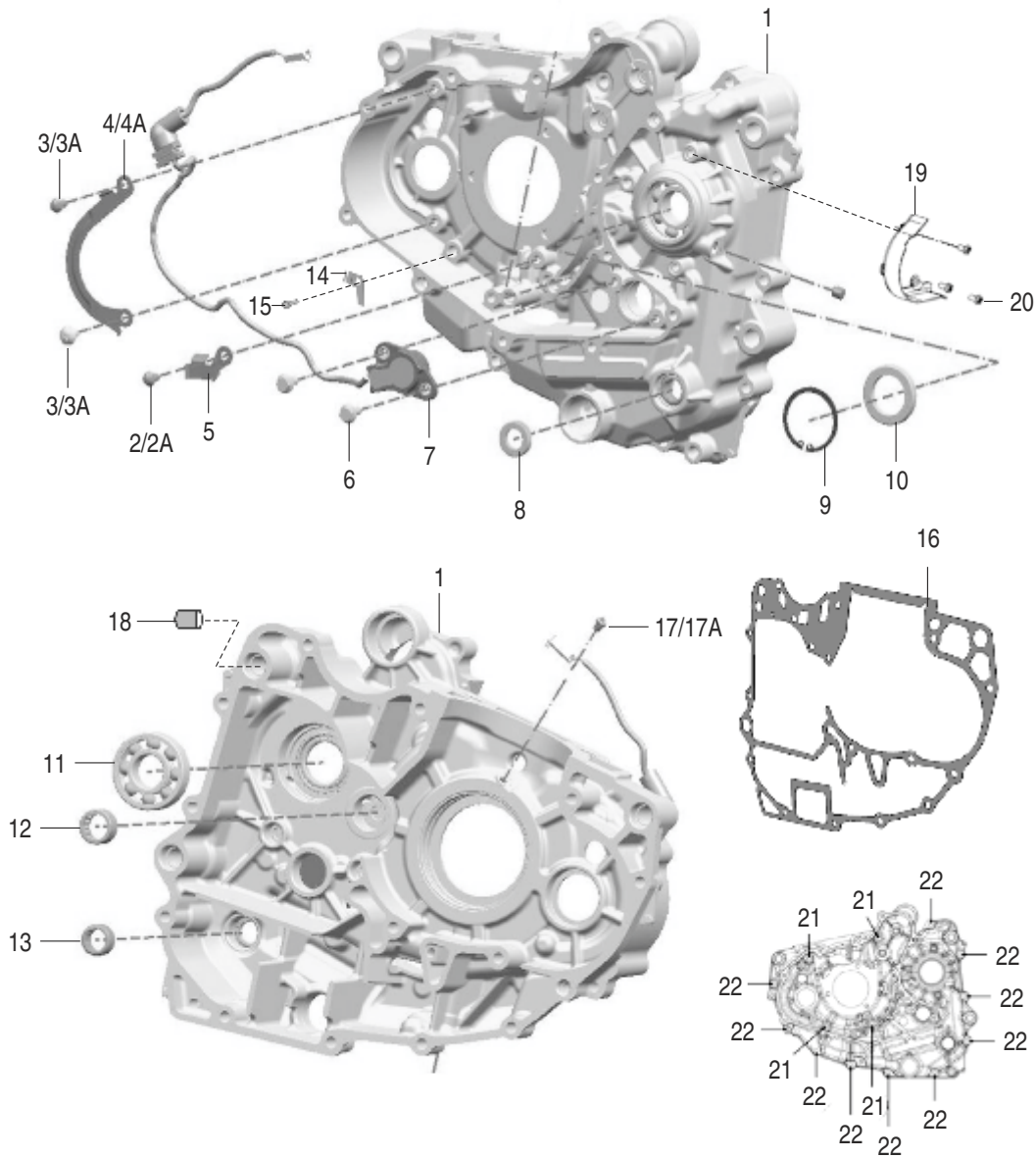
200 Duke



No.	Part No.	Description	Qty				
			MY13	MY14	MY15	MY16	MY17
1	36JU0123	Crankcase Assly RH	1	1	1	1	1
2	LEB00001	Circlip Internal	1	1	1	1	--
3	39193120	Ball Bearing 28 X 68 X 18	1	1	1	1	1
4	JY541047	Balancer Bearing Stopper	1	1	1	1	1
5	DJ101300	Bolt Flanged M6x16	1	1	1	1	1
6	JG601007	Special Shaft Seal Ring (oil)	1	1	1	1	1
6A	JL601010	Water Seal Double LIP	1	1	1	1	1
6B	36JG0091	Water Pump Seal Kit with Grease	1	1	1	1	1
7	36JU0076	Kit Engine Repair	1	1	1	1	--
8	39260220	Bearing - Ball 6202/HN3	1	1	1	1	1
9	DJ101300	Pre-coated Flanged Bolt M6	1	1	1	1	1
10	JG541059	Plate Stopper Bearing Drum	1	1	1	1	1
11	39260120	Bearing - Ball: 61905 (25X42X9)	1	1	1	1	1
12	DJ101314	Screw Pan head	3	3	1	3	3
13	JU541005	Breather Plate	1	1	1	1	1
14	59200036	Bearing Ball RH	1	1	1	1	1
15	JG561204	Bolt Drum Stopper	1	1	1	1	1
16	JG561205	Washer	1	1	1	1	1
17	JG561009	Stopper Drum Complete	1	1	1	1	1
18	39200511	Washer	1	1	1	1	1
19	JG561226	Spring	1	1	1	1	1
20	39256220	Bearing - Needle Roller: 13X19X12	1	1	1	1	1
21	LBB00007	Screw Pan Cross - M6	1	1	1	1	1
22	JG541045	Input Shaft Bearing Stopper	1	1	1	1	1
23	DP101191	Bolt Shifter	1	1	1	1	1
24	83020473	Petamo Grease for Pump Seals (N.I.)	1	1	1	1	1
25	36JU0125	Kit Crankcase Packing (N.I.)	1	1	1	1	1

# CRANKCASE LH

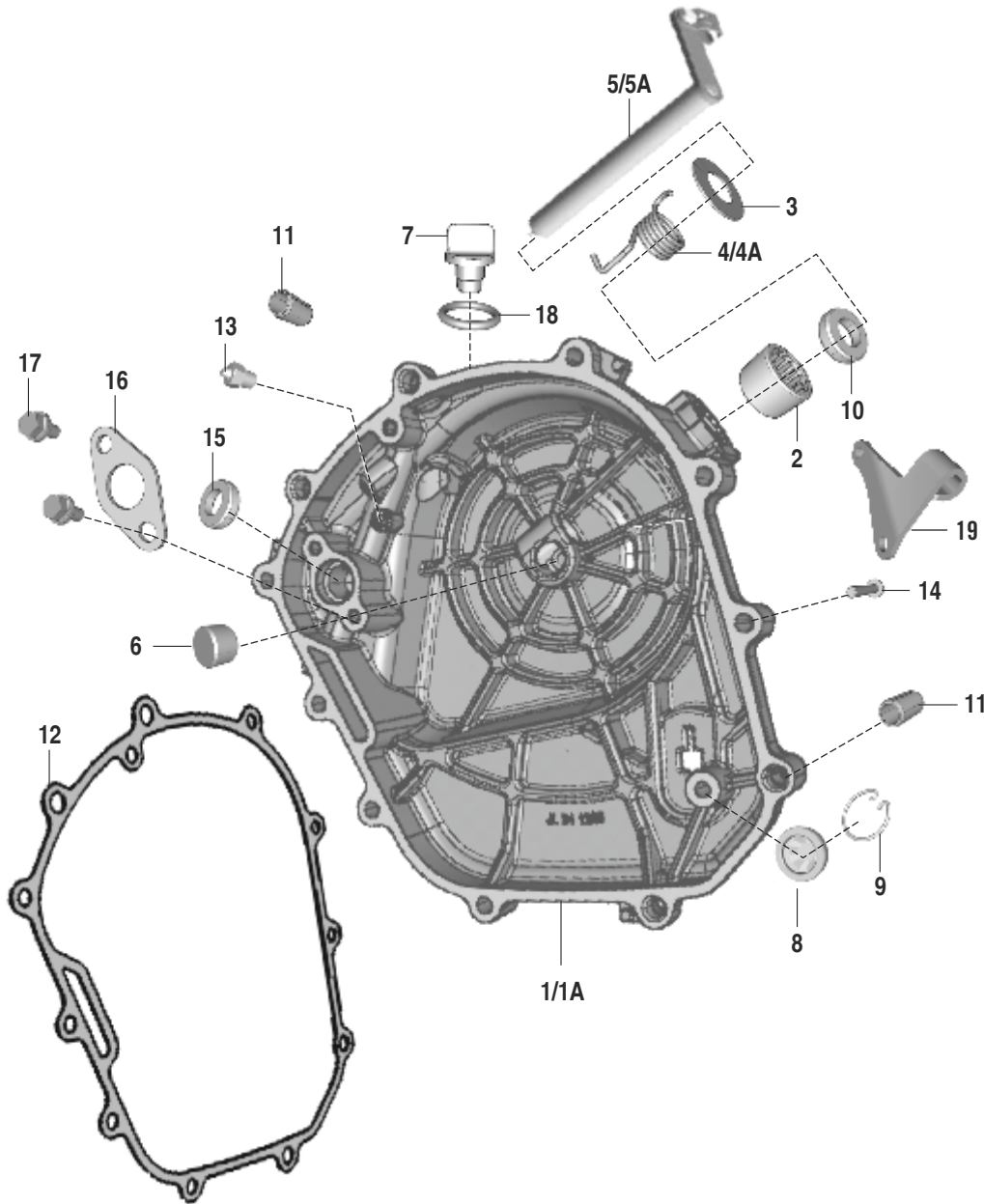
200 Duke



No.	Part No.	Description	Qty				
			MY13	MY14	MY15	MY16	MY17
1	36JU0116	Crankcase Assly LH Mod.	1	1	1	1	1
2	LBB00007	Bolt Flanged	--	--	--	1	1
2A	LAE00014	Bolt Flanged	1	1	1	--	--
3	LAE00014	Pre Coated pan Screw	2	2	2	--	--
3A	DJ101300	Bolt Flanged	--	--	--	2	2
4	JU541018	Bracket Harness Upper	--	--	--	1	1
4A	JG541063	Bracket Harness Upper	1	1	1	--	--
5	JG541044	Bracket Harness Lower	1	1	1	1	1
6	39177304	Bolt M-5 x 16	2	2	2	2	2
7	JG351002	Neutral Indi. Switch & Pulsing Coil	1	1	1	1	1
8	39104319	Seal Oil	1	1	1	1	1
9	KEBA3715	Circlip Internal	1	1	1	1	1
10	JY541058	Seal Oil	1	1	1	1	1
11	59200006	Bearing Ball	1	1	1	1	1
12	JG541015	Needle Bearing	1	1	1	1	1
13	39256220	Needle Bearing	1	1	1	1	1
14	JG541043	Retainer Gear Starter	1	1	1	1	1
15	LAE00042	HH Collar Screw M6x16 WS8	1	1	1	1	1
16	JG541041	Gasket Crankcase	1	1	1	1	1
17	JG541020	Oil Jet	1	1	1	1	--
17A	JG541074	Oil Nozzle	--	--	--	--	1
18	39218106	Dowel D14	4	4	4	4	4
19	JG541058	Chain Guard	1	1	1	1	1
20	LBB00007	Flat Head Screw M6X12 PH	3	3	3	3	3
21	LAD00081	HH Collar Screw M6X60 SW10	4	4	4	4	4
22	KAEQ0640	HH Collar Screw M6X40 SW10	10	10	10	10	10

# CLUTCH COVER

200 Duke

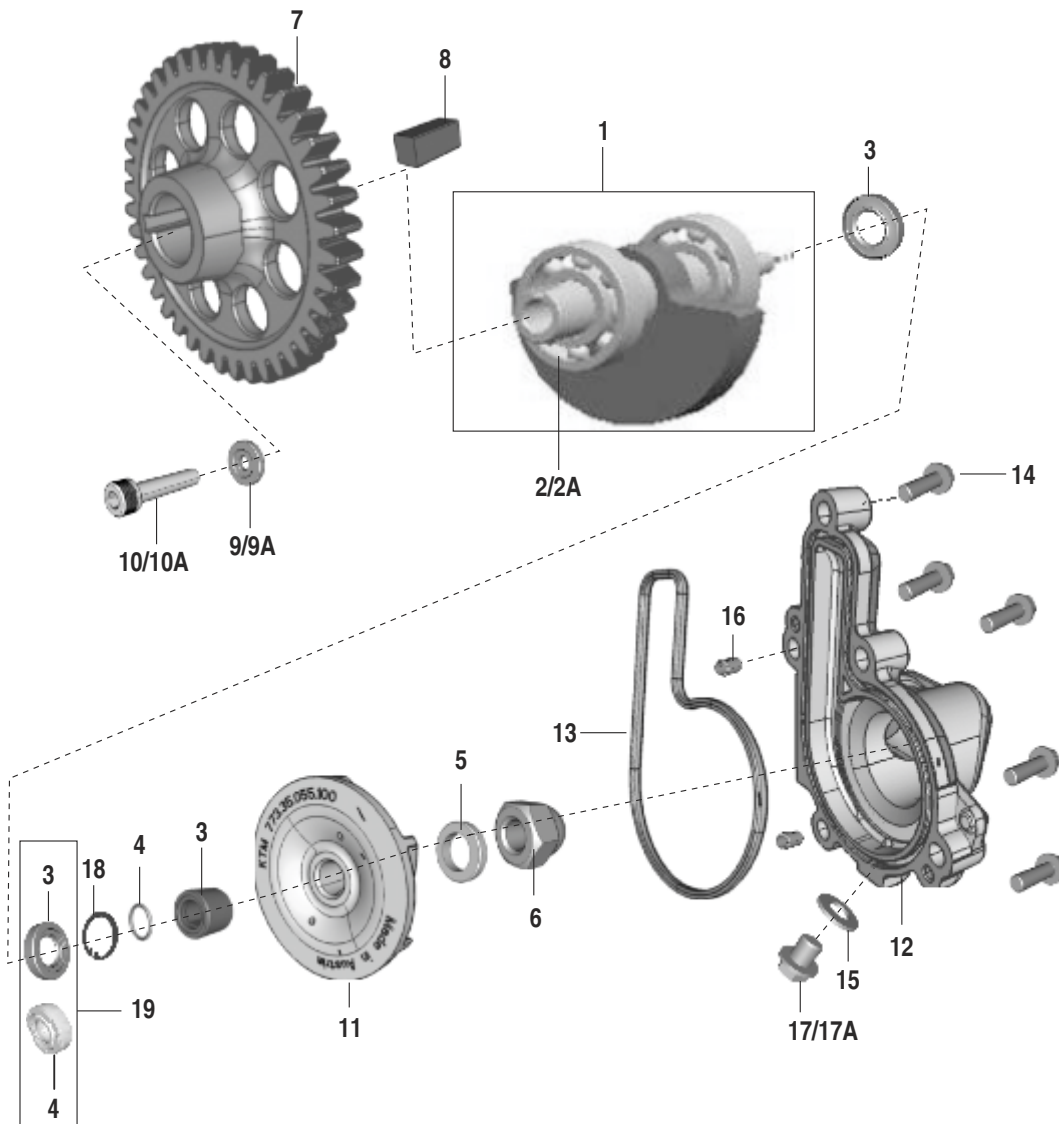


No.	Part No.	Description	Qty				
			MY13	MY14	MY15	MY16	MY17
1	JG541235	Clutch Cover Assly	1	1	1	1	--
1A	JY541268	Clutch Cover Assly.	--	--	--	--	1
2	39199020	Bearing - Needle	1	1	1	1	1
3	LDB00020	Washer 12.5X24X0.8T	1	1	1	1	1
4A	JY541221	Spring	--	--	--	--	1
4	JG551017	Spring	1	1	1	1	--
5A	JY551450	Shaft Clutch Release Assly	--	--	--	--	1
5	JG551015	Shaft Clutch Release Assy	1	1	1	1	--
6	JU551401	Rod Push	1	1	1	1	1
7	JG541230	Cap Oil Filling	1	1	1	1	1
8	JL541227	Window Oil Gauge (MY-14)	1	1	1	1	1
9	DS101215	Clip - Wire	1	1	1	1	1
10	39104119	Seal - Oil	1	1	1	1	1
11	39099906	Pin - Hollow Dowel	2	2	2	2	2
12	JG541221	Gasket Clutch Cover	1	1	1	1	1
13	JG541021	Oil Jet	1	1	1	1	1
14	KAEQ0630	Bolt Flanged	11	11	11	11	11
15	39104619	Seal - Oil	1	1	1	1	1
16	JG541231	Cover Plate Position	1	1	1	1	1
17	DJ101300	Bolt M6	2	2	2	2	2
18	39153721	'O' ring	1	1	1	1	1
19	JY551448	Bracket Clutch Cable	--	--	--	--	1



# BALANCER SHAFT

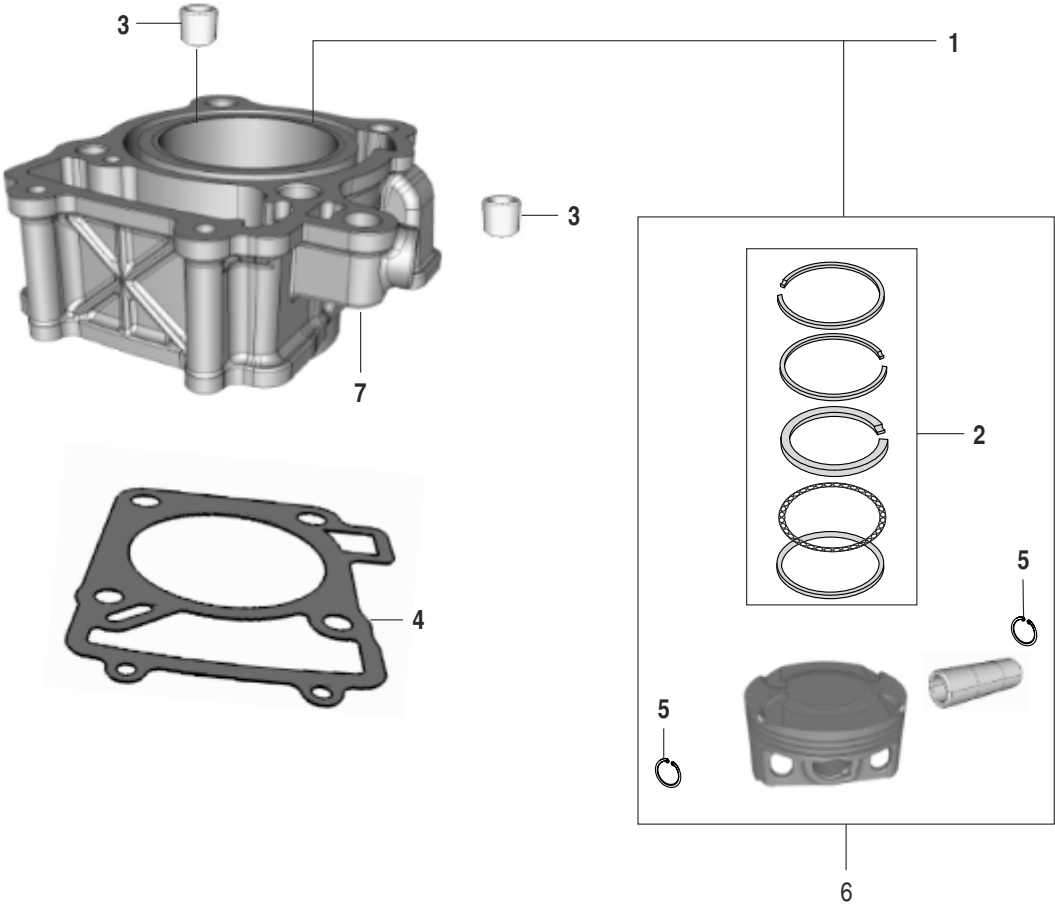
200 Duke



No.	Part No.	Description	Qty				
			MY13	MY14	MY15	MY16	MY17
1	JL531205	Balancer Assy Modified (Bigger Bearing) (to be replaced with Crankcase LH & RH in MY 12 & 13)	1	1	1	1	1
2	59200036	Balancer Bearing 40 mm	--	2	2	2	2
2A	JG531220	Balancer Bearing 35 mm	2	--	--	--	--
3	JG601007	Shaft Oil Seal	1	1	1	1	1
4	JL601010	Water Seal Double LIP	1	1	1	1	1
5	JG531215	Washer (2.5MM)	1	1	1	1	1
6	JG601005	Dome Nut	1	1	1	1	1
7	JG531207	Gear Balancer Driven (Grinding)	1	1	1	1	1
8	DS101154	Key	1	1	1	1	1
9	DH101048	Washer - Special	1	1	1	1	--
9A	LDB00051	Washer - Special	--	--	--	--	1
10	DK101386	Pre-coated SOHDC Cap Bolt M8X40	1	1	1	1	--
10A	LAC00086	Pre-coated SOCHD Cap Bolt	--	--	--	--	1
11	JG601013	Water Pump Rotor	1	1	1	1	1
12	JG601011	Cover Water Pump	1	1	1	1	1
13	JG601012	O-Ring (Water Pump Cover)	1	1	1	1	1
14	KADQ0620	Bolt Hexagonal	5	5	5	5	5
15	39166511	Copper Gasket	1	1	1	1	1
16	39260607	Pin - Parallel	2	2	2	2	2
17	KADQ0606	HS Collar Screw	1	1	--	--	--
17A	LAE00048	HS Collar Screw	--	--	1	1	1
18	LEB00001	Circlip	1	1	1	1	-
19	36JG0091	Water Pump Seal Kit with Grease	1	1	1	1	1

# CYLINDER PISTON

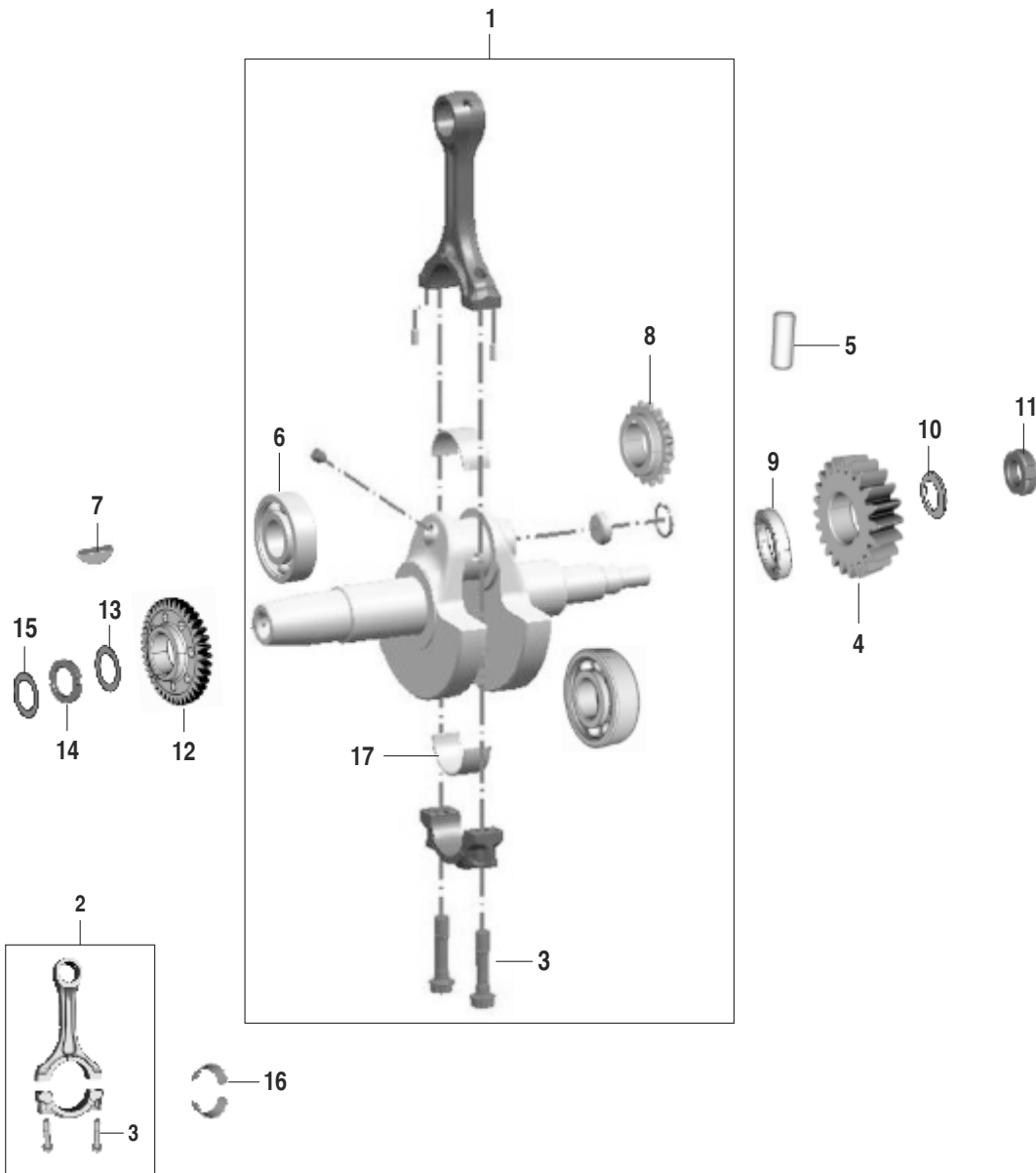
200 Duke



No.	Part No.	Description	Qty				
			MY13	MY14	MY15	MY16	MY17
1	36JU0007	Kit Asly Block Piston	1	1	1	1	1
2	36JU0001	Kit Piston Ring	1	1	1	1	1
3	39218106	Pin - Hollow Dowel : 14 X 20	2	2	2	2	2
4	JG521008	Gasket Cylnder Block	1	1	1	1	1
5	39213217	Ring - Snap	2	2	2	2	2
6	JL521200	Piston Complete	1	1	1	1	1
7	JU521005	Cylinder	1	1	1	1	1

# CRANKSHAFT

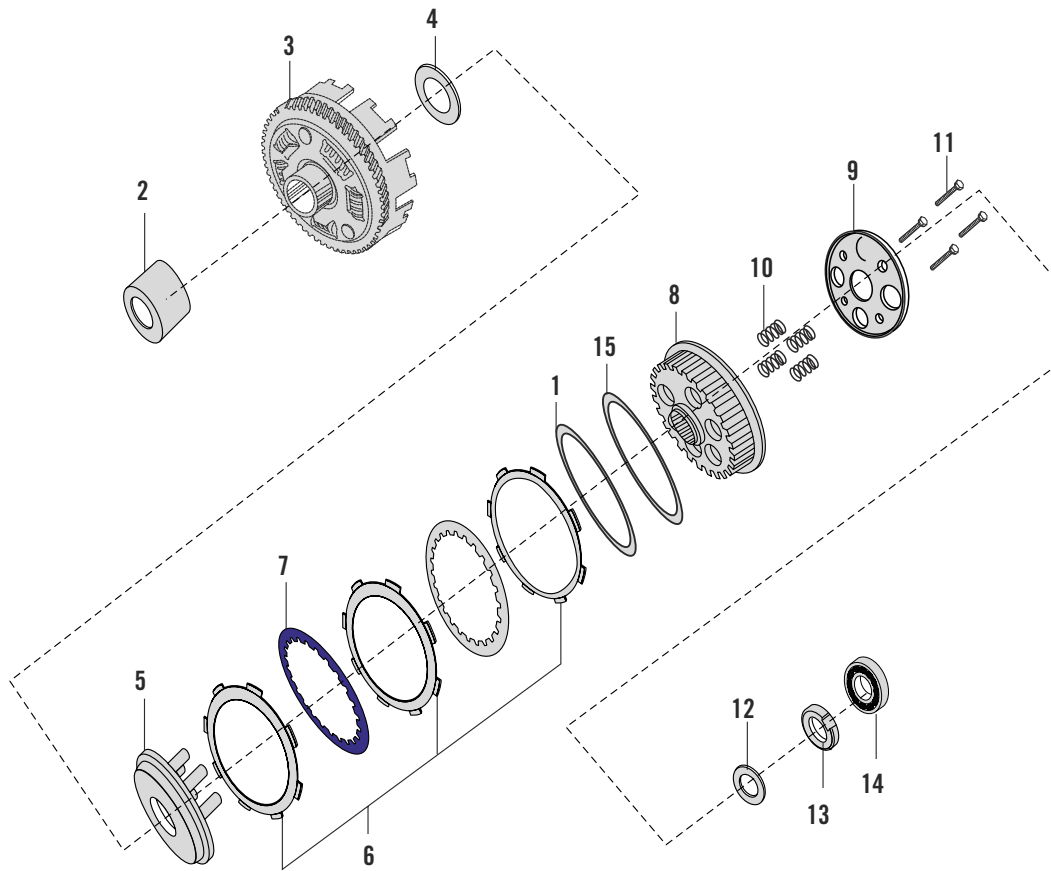
200 Duke



No.	Part No.	Description	Qty				
			MY13	MY14	MY15	MY16	MY17
1	36JU0036	Kit Crankshaft Assembly Comp	1	1	1	1	1
2	JF531007	Connecting Rod Assly.	1	1	1	1	1
3	JF531014	Bolt (JF Con Rod)	2	2	2	2	2
4	JG551216	Primary Gear 22 T	1	1	1	1	1
5	39220307	Pin - Parallel	2	2	2	2	2
6	39193120	Bearing - Ball : 28 X 68 X 18	1	1	1	1	1
7	31101173	Key-Woodruff for Crankshaft Cl. Side	3	3	3	3	3
8	JG531027	Sprocket Crankshaft	1	1	1	1	1
9	JG531031	Spacer Crankshaft	1	1	1	1	1
10	39220011	Washer-Plain (Primary Drive Gear)	1	1	1	1	1
11	LCD00001	Nut Sprocket Drive Lock	1	1	1	1	1
12	JG531041	Balancer Drive Gear	1	1	1	1	1
13	LDH00002	Belleville Washer (MY-14)	—	1	1	1	1
14	JG531040	Nut Balancer Drive Lock	1	1	1	1	1
15	LDB00010	Washer - Plain	1	1	1	1	1
16	36JU0004	Split Bearing Bush Green	2	2	2	2	2
16A	36JU0005	Split Bearing Bush None	2	2	2	2	2
16B	36JU0006	Split Bearing Bush Blue	2	2	2	2	2

# CLUTCH

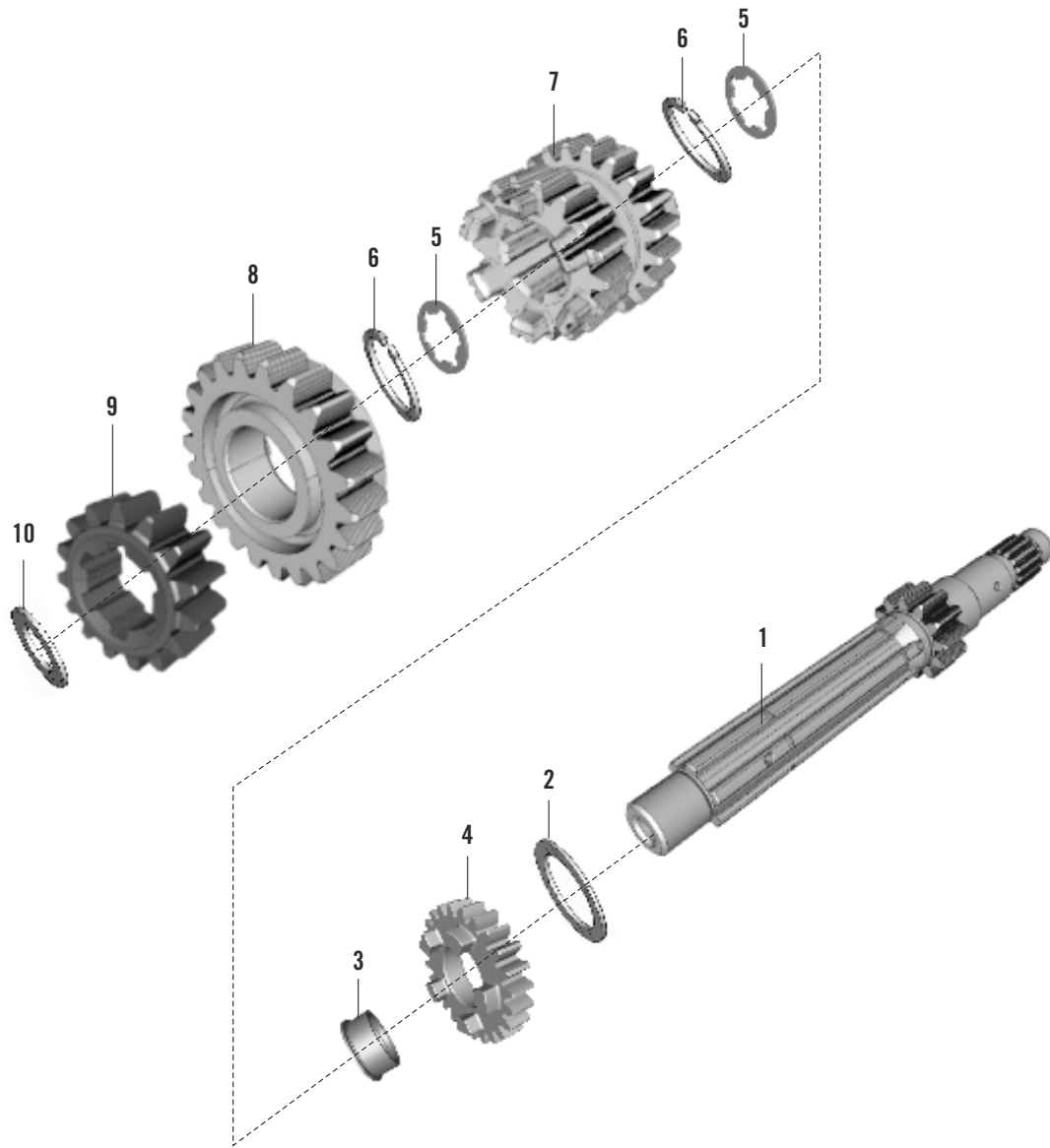
200 Duke



No.	Part No.	Description	Qty				
			MY13	MY14	MY15	MY16	MY17
1	DP101243	Plate Judder Spring	1	1	1	1	1
2	JG551427	Collared Bush	1	1	1	1	1
3	JU551405	Outer Clutch Hub	1	1	1	1	1
4	JG551428	Washer Clutch	1	1	1	1	1
5	JG551449	Plate (Wheel Clutch)	1	1	1	1	1
6	36JU0002	Kit Friction Plate	1	1	1	1	1
7	JG551447	Pressure Plate	5	5	5	5	5
8	JU551406	Clutch Holder (Hub Clutch)	1	1	1	1	1
9	JG551443	Clutch Center (Holder Clutch)	1	1	1	1	1
10	JU551402	Spring -Clutch	4	4	4	4	4
11	JG551451	Bolt SH 6x22	4	4	4	4	4
12	JL551407	Spring Belleville	1	1	1	1	1
13	DH101648	Nut Clutch Center Lock (Pre-coated)	1	1	1	1	1
14	JG551423	Clutch Lifter Bearing	1	1	1	1	1
15	DP101114	Spring Anti Judder	1	1	1	1	1

# TRANSMISSION I - MAIN SHAFT (INPUT SHAFT)

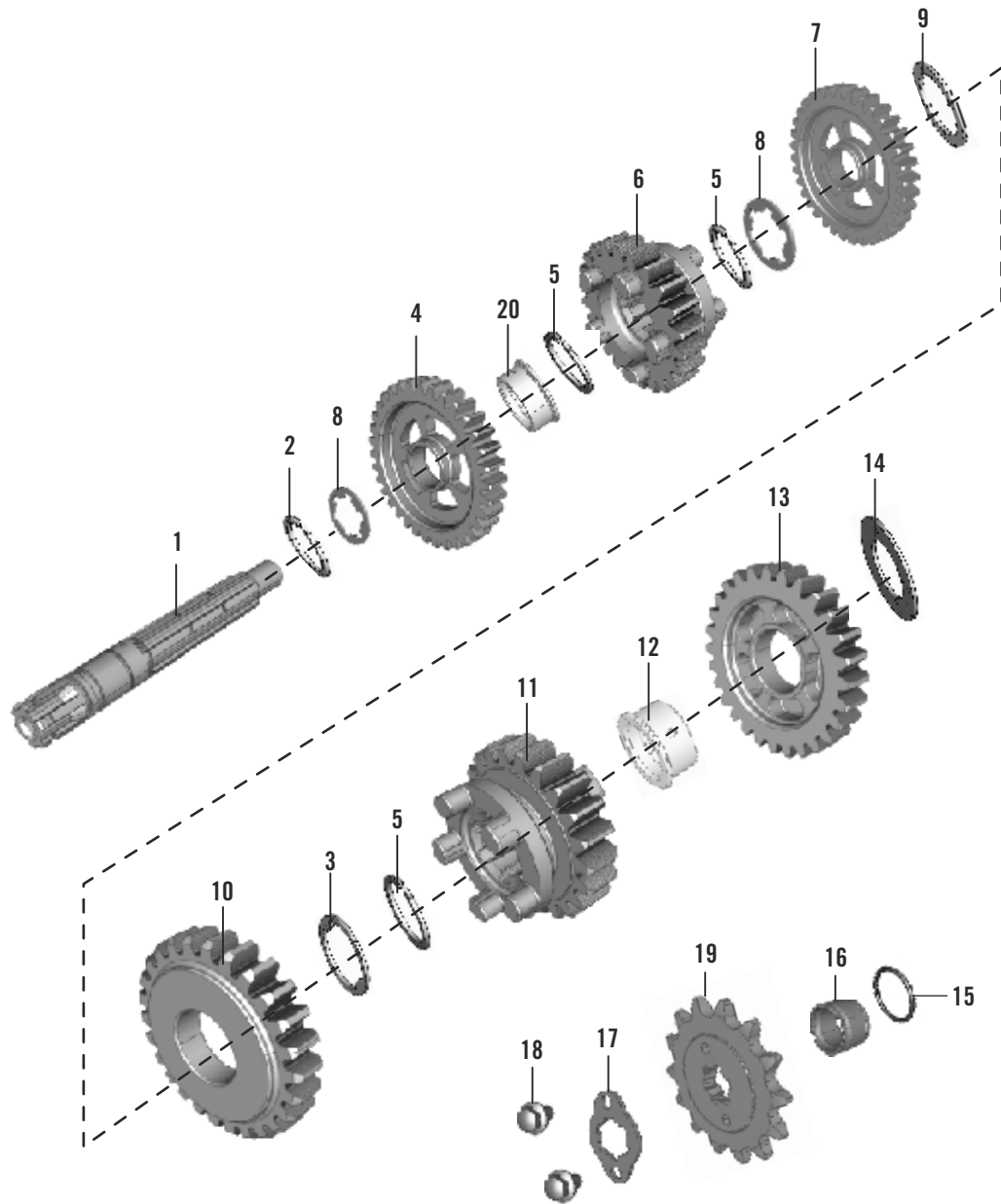
200 Duke



No.	Part No.	Description	Qty				
			MY13	MY14	MY15	MY16	MY17
1	JG551027	Shaft Input T/M Comp	1	1	1	1	1
2	39215811	Washer - Plain	1	1	1	1	1
3	JG551013	Bush 6th Drive / Bush 2nd Driven	1	1	1	1	1
4	JG551213	Gear 6th Drive	1	1	1	1	1
5	JG551020	Washer Shim	2	2	2	2	2
6	BF551037	Ring - Snap	2	2	2	2	2
7	JG551214	Gear Drive Multiple 3&4	1	1	1	1	1
8	JG551220	Gear 5th Drive	1	1	1	1	1
9	JG551227	Gear 2nd Drive	1	1	1	1	1
10	JG551022	Washer - Plain	1	1	1	1	1

# TRANSMISSION II - COUNTER SHAFT (OUTPUT SHAFT)

200 Duke

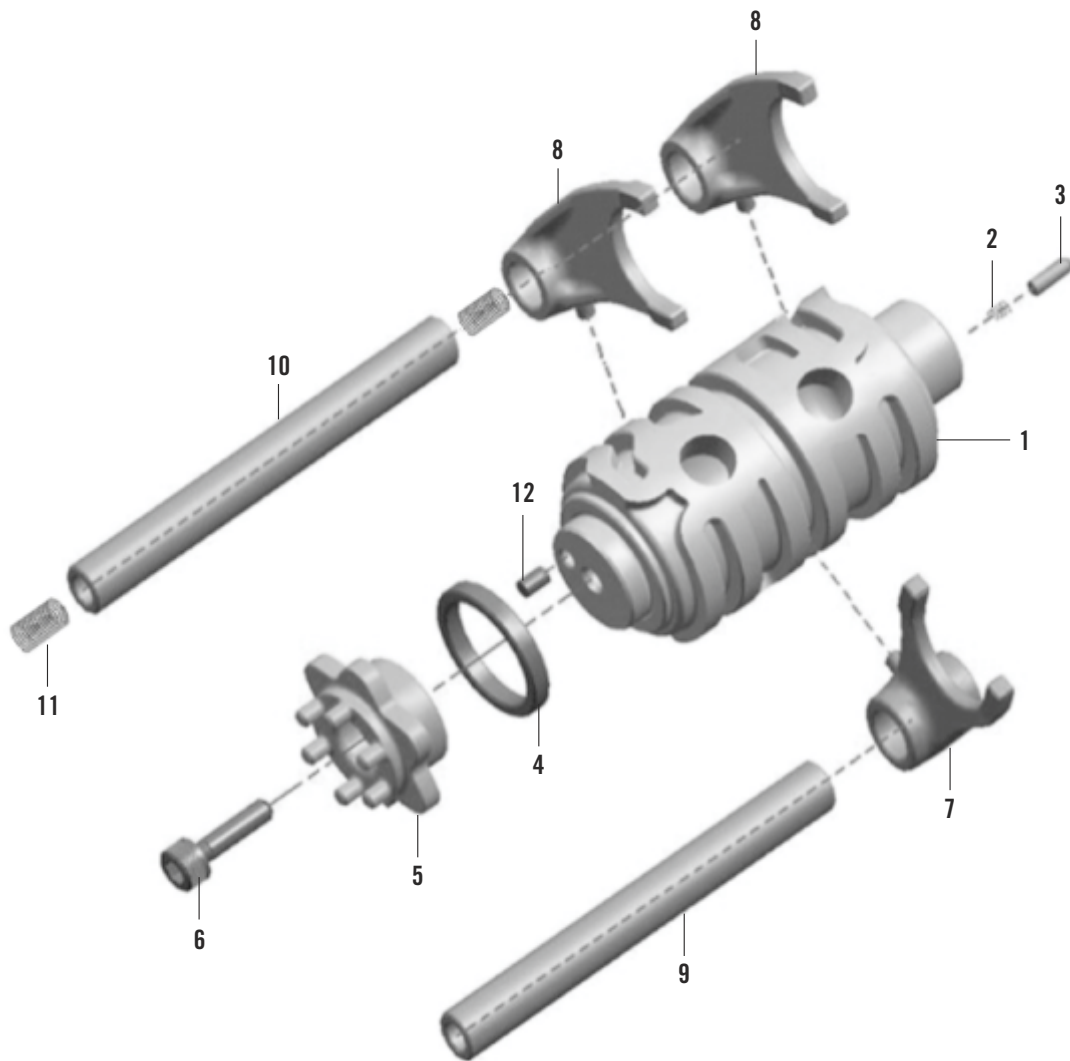


No.	Part No.	Description	Qty				
			MY13	MY14	MY15	MY16	MY17
1	JG551025	Output Shaft Assy With Plug	1	1	1	1	1
2	DH101235	Circlip Ext.	1	1	1	1	1
3	JG551020	Washer Special	1	1	1	1	1
4	JG551228	Gear 2nd Driven	1	1	1	1	1
5	BF551037	Ring - Snap	3	3	3	3	3
6	JG551222	Gear 5th Driven	1	1	1	1	1
7	JG551223	Gear 3rd Driven	1	1	1	1	1
8	JG551020	Spline Thrust Washer	2	2	2	2	2
9	JG551021	Washer Plain Output Shaft	1	1	1	1	1
10	JG551215	Gear 4th Driven	1	1	1	1	1
11	JG551224	Gear 6th Driven	1	1	1	1	1
12	JG551000	Bush 1st Driven	1	1	1	1	1
13	JG551225	Gear 1st Driven	1	1	1	1	1
14	39215911	Washer - Plain	1	1	1	1	1
15	DK101352	O-Ring Sprocket Collar(17.5x1.5)	1	1	1	1	1
16	JG551031	Collar Sprocket	1	1	1	1	1
17	JG551019	Plate Drive Sprocket	1	1	1	1	1
18	LAE00017	Bolt Flanged M6X1X10L-Precoated	2	2	2	1	1
19	DV101048	Sprocket Output (14T)	1	1	1	1	1
20	JG551013	Bushing	1	1	1	1	1



# SHIFTING MECHANISM - DRUM GEAR SHIFT

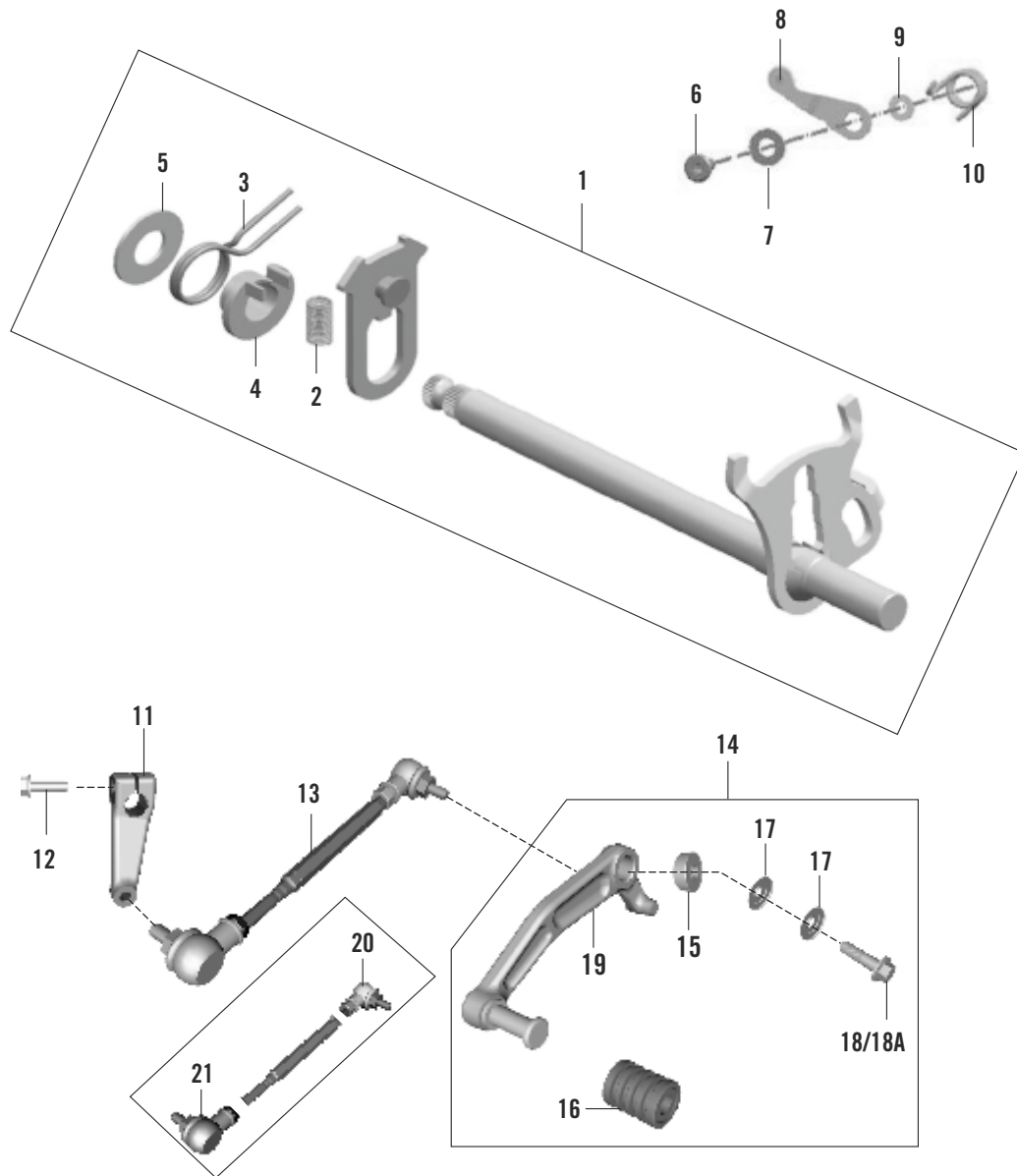
200 Duke



No.	Part No.	Description	Qty				
			MY13	MY14	MY15	MY16	MY17
1	JG561011	Drum Complete Gear Shift	1	1	1	1	1
2	EC561023	Spring Gear Switch Indicator	1	1	1	1	1
3	39260607	Pin - Parallel	1	1	1	1	1
4	JG561010	Spacer-Guide Gear Shift	1	1	1	1	1
5	JG561222	Guide Gear Shift	1	1	1	1	1
6	LAC00024	Bolt Socket Head M6X1X20L	1	1	1	1	1
7	JG561012	Fork Gear Shift Input	1	1	1	1	1
8	JG561013	Fork Gear Shift Output	2	2	2	2	2
9	JG561016	Shaft Gear Shift Fork	1	1	1	1	1
10	JG561225	Shaft Gear Shift Fork Output	1	1	1	1	1
11	JG561215	Spring for Shaft Gear Shift	2	2	2	2	2
12	JG561008	Pin Drum	1	1	1	1	1

# SHIFTING MECHANISM - LEVER GEAR SHIFT

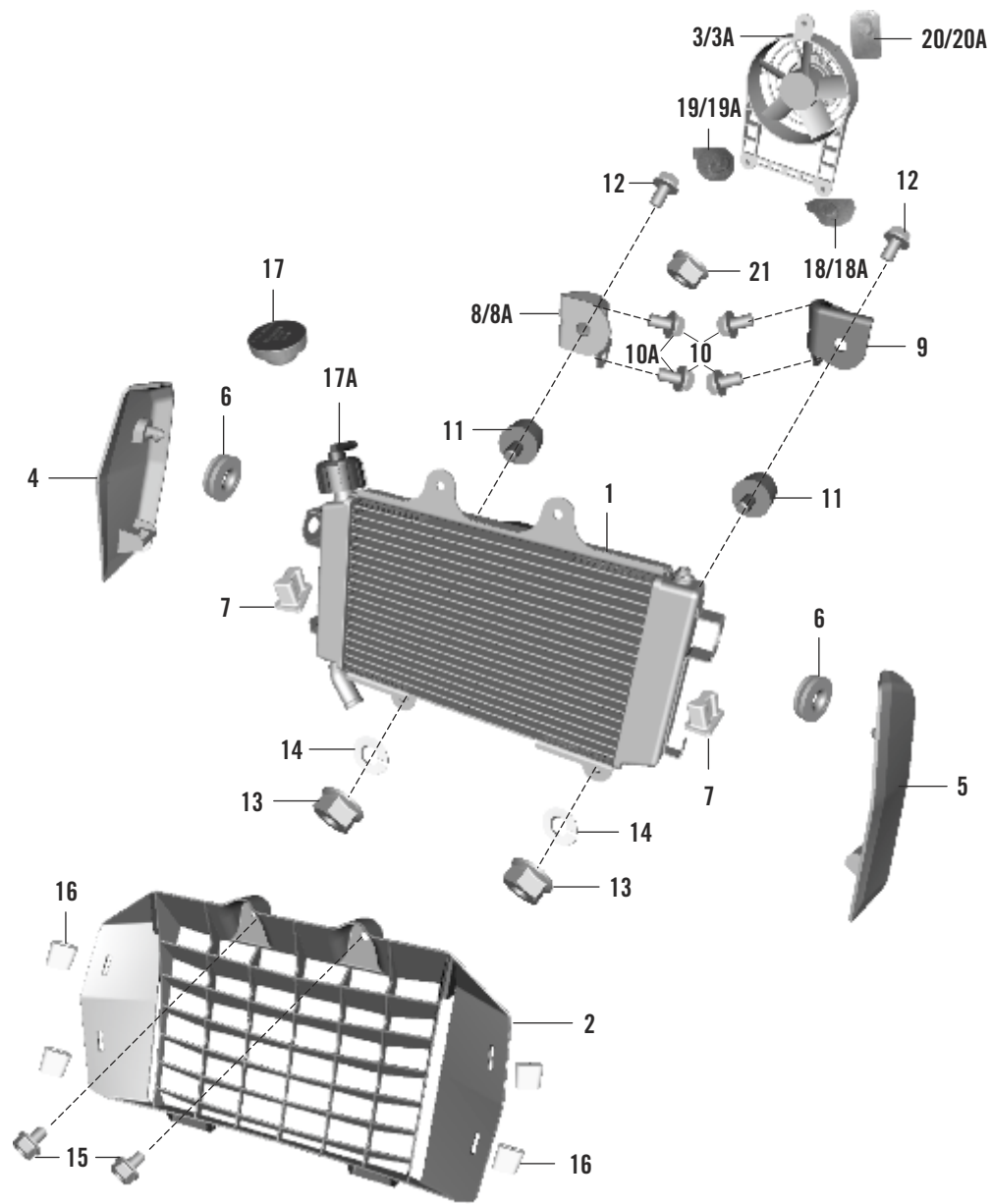
200 Duke



No.	Part No.	Description	Qty				
			MY13	MY14	MY15	MY16	MY17
1	JG561200	Lever Gear Shift Assy Comp.	1	1	1	1	1
2	JG561215	Compression Spring	1	1	1	1	1
3	JG561218	Torsion Spring (Final Config)	1	1	1	1	1
4	JG561217	Bush-Torsion Spring	1	1	1	1	1
5	JG561216	Stopper Disc (Washer Steel)	1	1	1	1	1
6	JG561204	Bolt Drum Stopper	1	1	1	1	1
7	JG561205	Washer	1	1	1	1	1
8	JG561009	Stopper Drum Complete	1	1	1	1	1
9	39200511	Washer	1	1	1	1	1
10	JG561226	Spring	1	1	1	1	1
11	JU561400	Relay Shift Lever	1	1	1	1	1
12	KADM0622	HH Collar Screw M6X22	1	1	1	1	1
13	JU561401	Tension Rod Complete	1	1	1	1	1
14	JG161015	Change Lever Assly.	1	1	1	--	--
15	JG113061	Bearing	2	2	2	2	2
16	JG113010	Rubber	1	1	1	1	1
17	JG113062	Washer	2	2	2	2	2
18	JG113068	Bolt Brake Lever	--	1	1	1	1
18A	JG113063	Bolt Brake Lever	1	--	--	--	--
19	JG161015	Change Lever	--	--	--	1	1
20	36JY0201	Tie rod end LH	1	1	1	1	1
21	36JY0202	Tie rod end RH	1	1	1	1	1

# RADIATOR ASSEMBLY

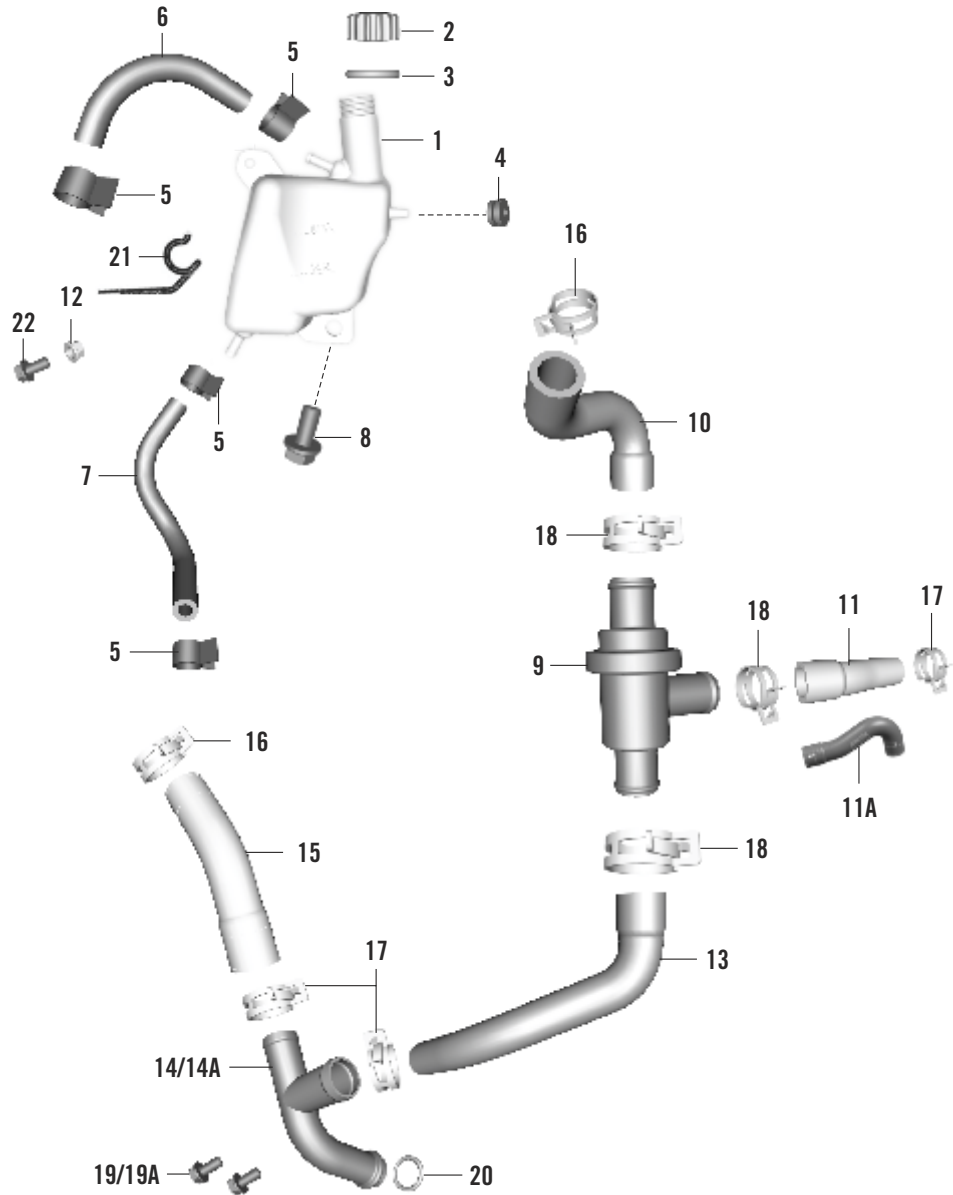
200 Duke



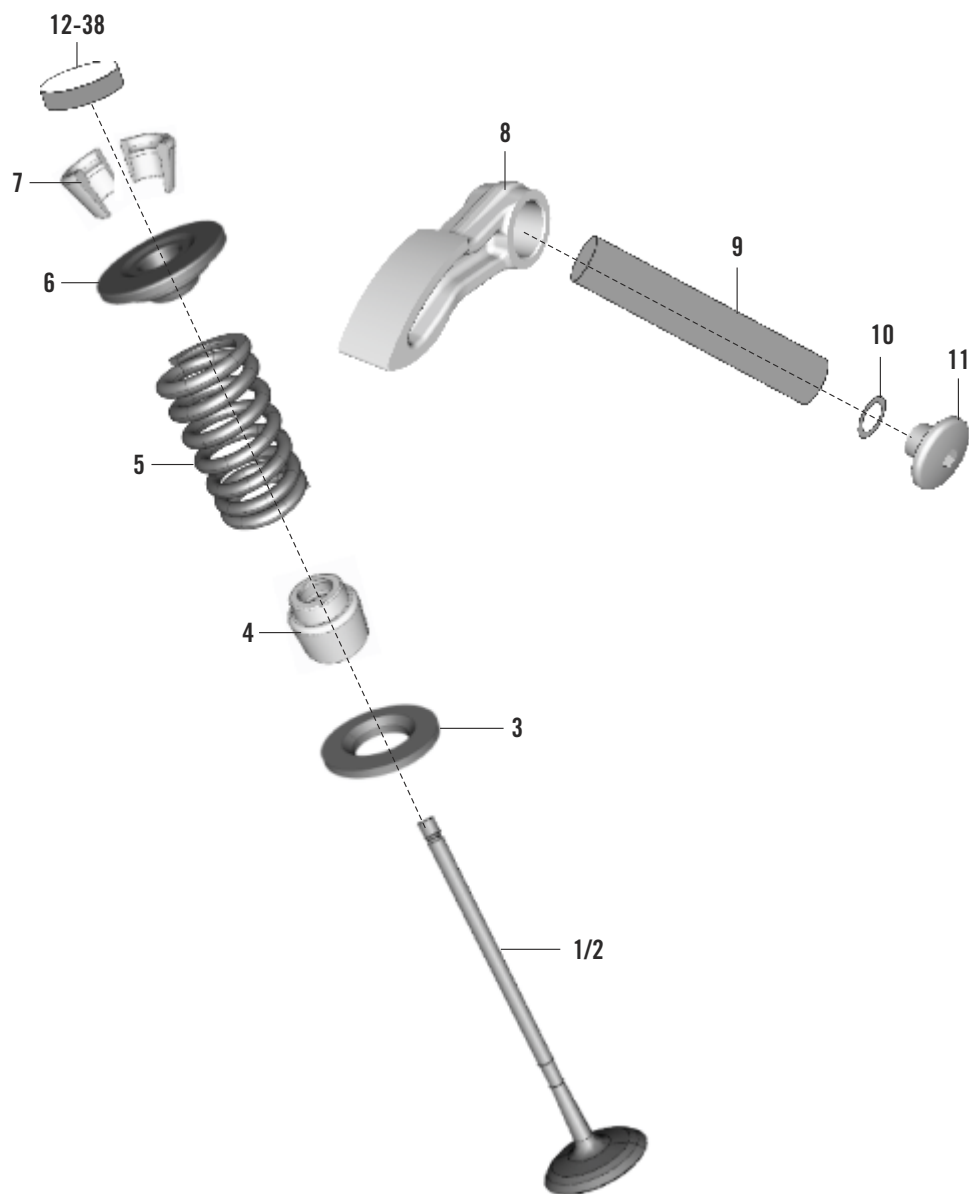
No.	Part No.	Description	Qty				
			MY13	MY14	MY15	MY16	MY17
1	JG601204	Radiator Cpl. (Without Fan)	1	1	1	1	1
2	JU601200	Radiator Cowl	1	1	1	1	1
3	JG601237	Radiator Fan Assembly	1	1	--	--	--
3A	JY601235	Radiator Fan Assembly	--	--	1	1	1
4	JU181201	Radiator Protector R/S	1	1	1	1	1
5	JU181200	Radiator Protector L/S	1	1	1	1	1
6	DS161082	Damping Rubber I Radiator Prot	2	2	2	2	2
7	JC141017	Damp. Rubber II Radiator Prot	2	2	2	2	2
8	JG113805	Radiator Support R/S Below	1	1	1	1	--
8A	JP113800	Radiator Support R/S Below	--	--	--	--	1
9	JG113804	Radiator Support L/S Below	1	1	1	1	1
10A	KADM0625	Bolt Flanged	--	--	--	--	2
10	KADM0610	HH Collar Screw M6x10 Sw8	4	4	4	4	2
11	JG581014	Rubber Grommet	4	4	4	4	4
12	LAD00040	HH Collar Screw M6X8 SW10	2	2	2	2	2
13	LCL00002	Flanged Nut M6 WS10 Self Lock.	4	4	4	4	4
14	KDCF0612	Washer Spring B6	4	4	4	4	4
15	KADM0610	Bolt Radiator Cowl	2	2	2	2	2
16	JU113801	Damper Radiator Cowl	4	4	4	4	4
17	JG601235	Radiator Cap (Modified)	--	1	1	1	1
17A	JG601229	Radiator Cap	1	--	--	--	--
18	JY601238	Bracket Fan Assembly A LH	1	1	--	--	--
18A	JY601248	Bracket Fan Assembly A LH	--	--	1	1	1
19	JY601239	Bracket Fan Assembly BRH	1	1	--	--	--
19A	JY601249	Bracket Fan Assembly BRH	--	--	1	1	1
20	JY601240	Bracket Fan Assembly C Bottom	1	1	--	--	--
20A	JY601250	Bracket Fan Assembly C Bottom	--	--	1	1	1
21	JY601241	Nut Flanged	--	--	3	3	3

# COOLING SYSTEM

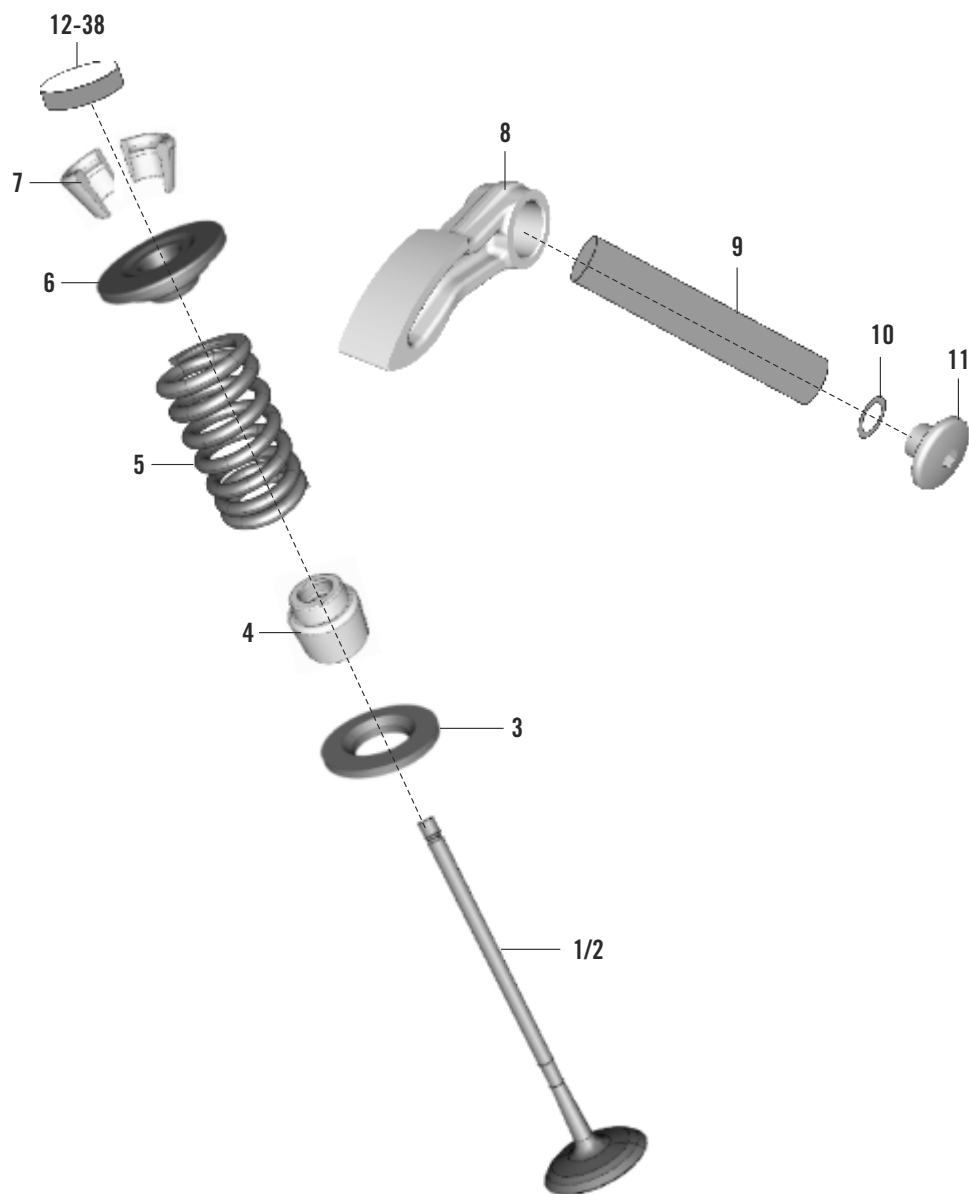
200 Duke



No.	Part No.	Description	Qty				
			MY13	MY14	MY15	MY16	MY17
1	JG601208	Tank Reservoir	1	1	1	1	1
2	JG601211	Plug F. Expansion Tank (Reservoir Cap)	1	1	1	1	1
3	JG601230	"O" Ring Tank Cap	1	1	1	1	1
4	JG113806	Grommet Expansion Tank	1	1	1	1	1
5	JG171029	Clamp 10mm	4	4	4	4	4
6	JG601213	Hose 6X10,5X80 mm	1	1	1	1	1
7	JG601215	Hose 6X10X154 mm	1	1	1	1	1
8	JG181250	Special Screw M6x12 Flanged	1	1	1	1	1
9	JG601014	Thermostat	1	1	1	1	1
10	JG601220	Radiator Hose Therm. Radiator	1	1	1	1	1
11	JG601223	Radiator Hose Engine-therm.	1	--	--	--	--
11A	JG601238	Radiator Hose Engine-therm. (MY-14)	--	1	1	1	1
12	39058915	Nut Bracket Tube Drain	1	1	1	1	1
13	JG601018	Radiator Hose Therm. - Cool. Pipe	1	1	1	1	1
14	JG601019	Cooling Pipe "T" Cpl.	1	1	1	--	--
14A	JG601239	Cooling Pipe "T" Cpl.	--	--	--	1	1
15	JG601218	Radiator Hose Radi. - Cool L. "T"	1	1	1	1	1
16	JG601209	Hose Clamp D24	2	2	2	2	--
17	JG601016	Hose Clamp D26	3	3	3	3	3
18	JG601210	Hose Clamp D28	3	3	3	3	3
19	LAD00082	HH Collar Screw M6x12 Sw10	2	2	2	-	-
19A	LAE00041	Bolt Flanged M6X1XL14	--	--	--	2	2
20	JG601221	O-ring 18,5x3	2	2	2	2	2
21	JG113839	Bracket Tube Drain	1	1	1	1	1
22	KAAD0612	Bolt Bracket Tube Drain	1	1	1	1	1



No.	Part No.	Description	Qty				
			MY13	MY14	MY15	MY16	MY17
1	JU511206	Exhaust Valve	2	2	2	2	2
2	JU511205	Intake Valve	2	2	2	2	2
3	JG511042	Valve Spring Holder	4	4	4	4	4
4	39201719	Valve-stem Sealing (oil Seal)	4	4	4	4	4
5	JG511255	Valve Spring	4	4	4	4	4
6	JG511259	Valve Spring Retainer	4	4	4	4	4
7	DG101029	Valve Collet	8	8	8	8	8
8	JU511204	Valve Lever	4	4	4	4	4
9	JG511243	Valve Lever Shaft	2	2	2	2	2
10	39102121	O-ring 10,3x1,2 mm	2	2	2	2	2
11	JG511016	Screw Plug	2	2	2	2	2
12	36JU0040	Shim 2 mm	AR	AR	AR	AR	AR
13	36JU0041	Shim 2.04 mm	AR	AR	AR	AR	AR
14	36JU0042	Shim 2.08 mm	AR	AR	AR	AR	AR
15	36JU0043	Shim 2.12 mm	AR	AR	AR	AR	AR
16	36JU0044	Shim 2.16 mm	AR	AR	AR	AR	AR
17	36JU0045	Shim 2.20 mm	AR	AR	AR	AR	AR
18	36JU0046	Shim 2.24 mm	AR	AR	AR	AR	AR
19	36JU0047	Shim 2.28 mm	AR	AR	AR	AR	AR
20	36JU0048	Shim 2.32 mm	AR	AR	AR	AR	AR
21	36JU0049	Shim 2.36 mm	AR	AR	AR	AR	AR
22	36JU0050	Shim 2.40 mm	AR	AR	AR	AR	AR
23	36JU0051	Shim 2.44 mm	AR	AR	AR	AR	AR
24	36JU0052	Shim 2.48 mm	AR	AR	AR	AR	AR
25	36JU0053	Shim 2.52 mm	AR	AR	AR	AR	AR
26	36JU0054	Shim 2.56 mm	AR	AR	AR	AR	AR
27	36JU0055	Shim 2.60 mm	AR	AR	AR	AR	AR
28	36JU0056	Shim 2.64 mm	AR	AR	AR	AR	AR
29	36JU0057	Shim 2.68 mm	AR	AR	AR	AR	AR
30	36JU0058	Shim 2.72 mm	AR	AR	AR	AR	AR

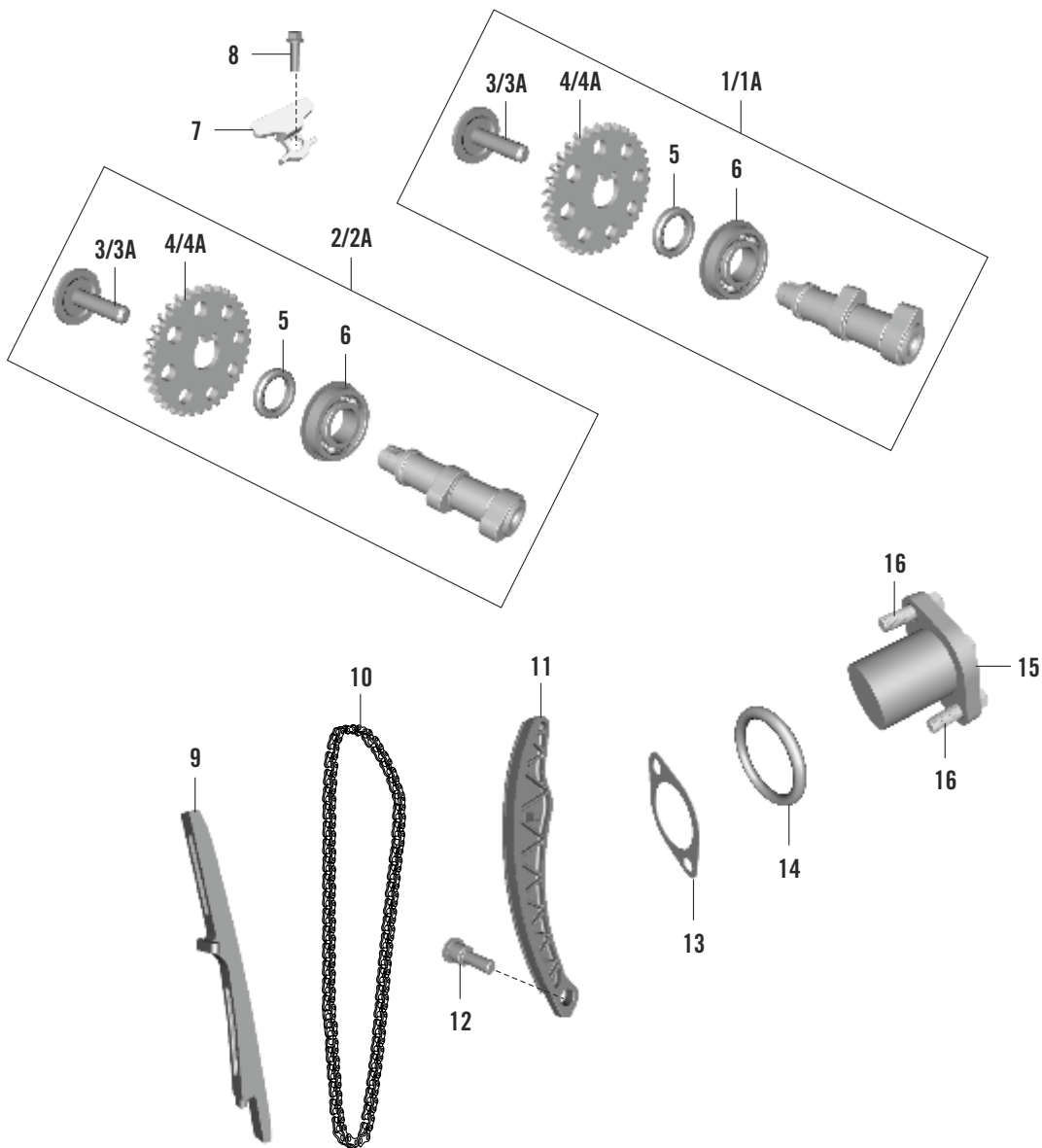


No.	Part No.	Description	Qty				
			MY13	MY14	MY15	MY16	MY17
31	36JU0059	Shim 2.76 mm	AR	AR	AR	AR	AR
32	36JU0060	Shim 2.80 mm	AR	AR	AR	AR	AR
33	36JU0061	Shim 2.84 mm	AR	AR	AR	AR	AR
34	36JU0062	Shim 2.88 mm	AR	AR	AR	AR	AR
35	36JU0063	Shim 2.92 mm	AR	AR	AR	AR	AR
36	36JU0064	Shim 2.96 mm	AR	AR	AR	AR	AR
37	36JU0065	Shim 3 mm	AR	AR	AR	AR	AR
38	36JU0066	Shim 3.04 mm	AR	AR	AR	AR	AR



# TIMING DRIVE

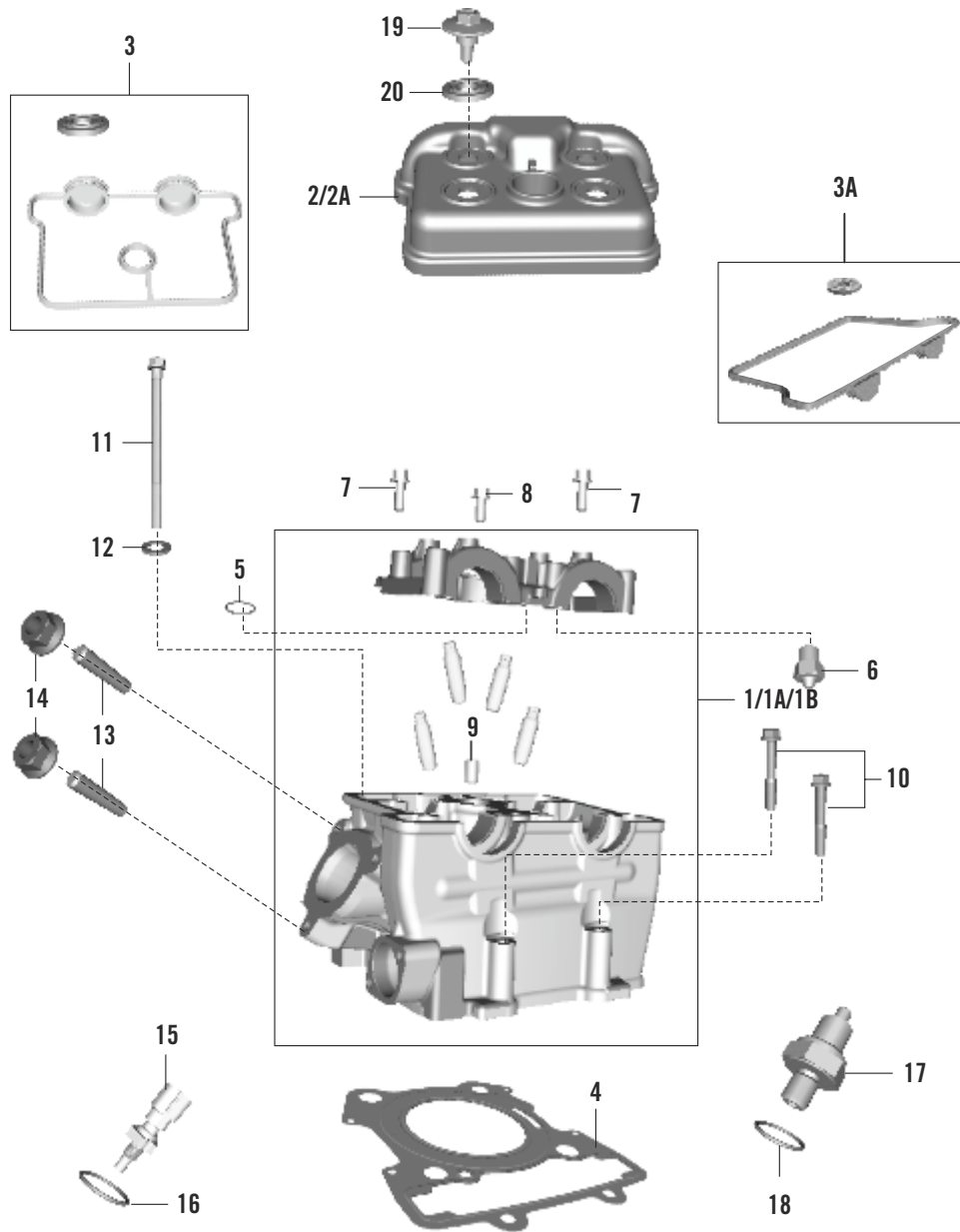
200 Duke



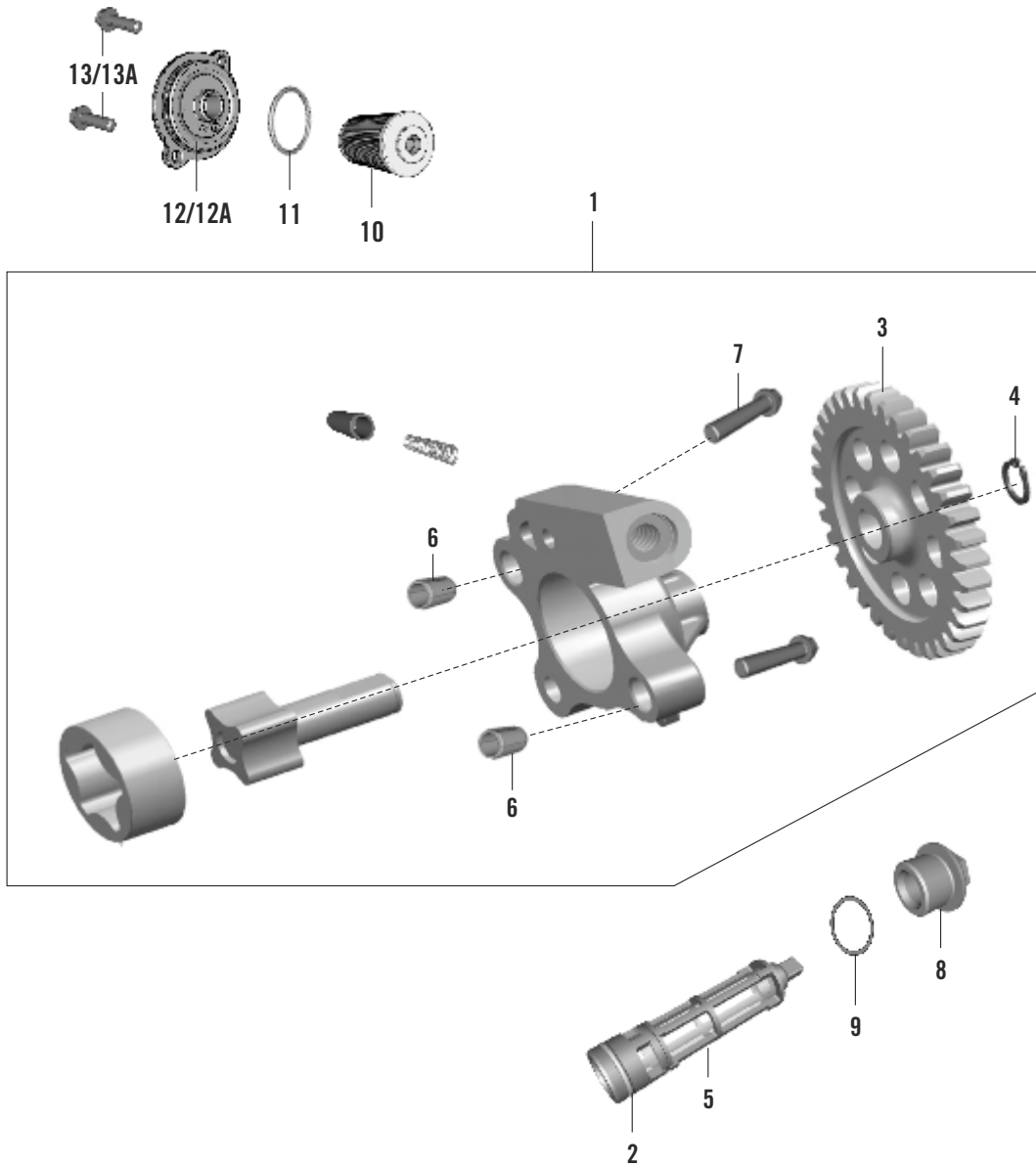
No.	Part No.	Description	Qty				
			MY13	MY14	MY15	MY16	MY17
1	JY511217	Camshaft Intake (Alt. JU511219)	1	1	1	1	--
1B	JU511219	Camshaft Intake	1	1	1	1	1
2	JU511218	Camshaft Exhaust (Alt. JU511221)	1	1	1	1	--
2B	JU511221	Camshaft Exhaust	1	1	1	1	1
3	JG511269	Special Screw Camshaft	2	2	2	2	----
3A	LAC00077	Bolt Socket-M8X1XL	--	--	--	--	2
4	JG511276	Sprocket Camshaft	2	2	2	2	--
4A	JU511223	Sprocket Camshaft	--	--	--	--	2
5	JG511262	Spacer Camshaft	1	1	1	1	1
6	JG511261	Ball Bearing 6003nr/c3d817x35x10	2	2	2	2	2
7	JG511250	Guide Rail Top	1	1	1	1	1
8	LAE00016	HH - Collar Screw M6x14 WS8	1	1	1	1	1
9	JG541048	Timing Chain Guide	1	1	1	1	1
10	JG511247	Timing Chain	1	1	1	1	1
11	JG541047	Tensioner Rail (chain Guide)	1	1	1	1	1
12	DH101392	Special Screw 6x14,9	1	1	1	1	1
13	CS101128	Gasket Chain Adjuster	1	1	1	1	1
14	39266921	O-ring 10,15x1,5	1	1	1	1	1
15	JG511211	Chain Adjuster	1	1	1	1	1
16	KADQ0620	HH Collar Screw M6 X20 Sw10	2	2	2	2	2

# CYLINDER HEAD

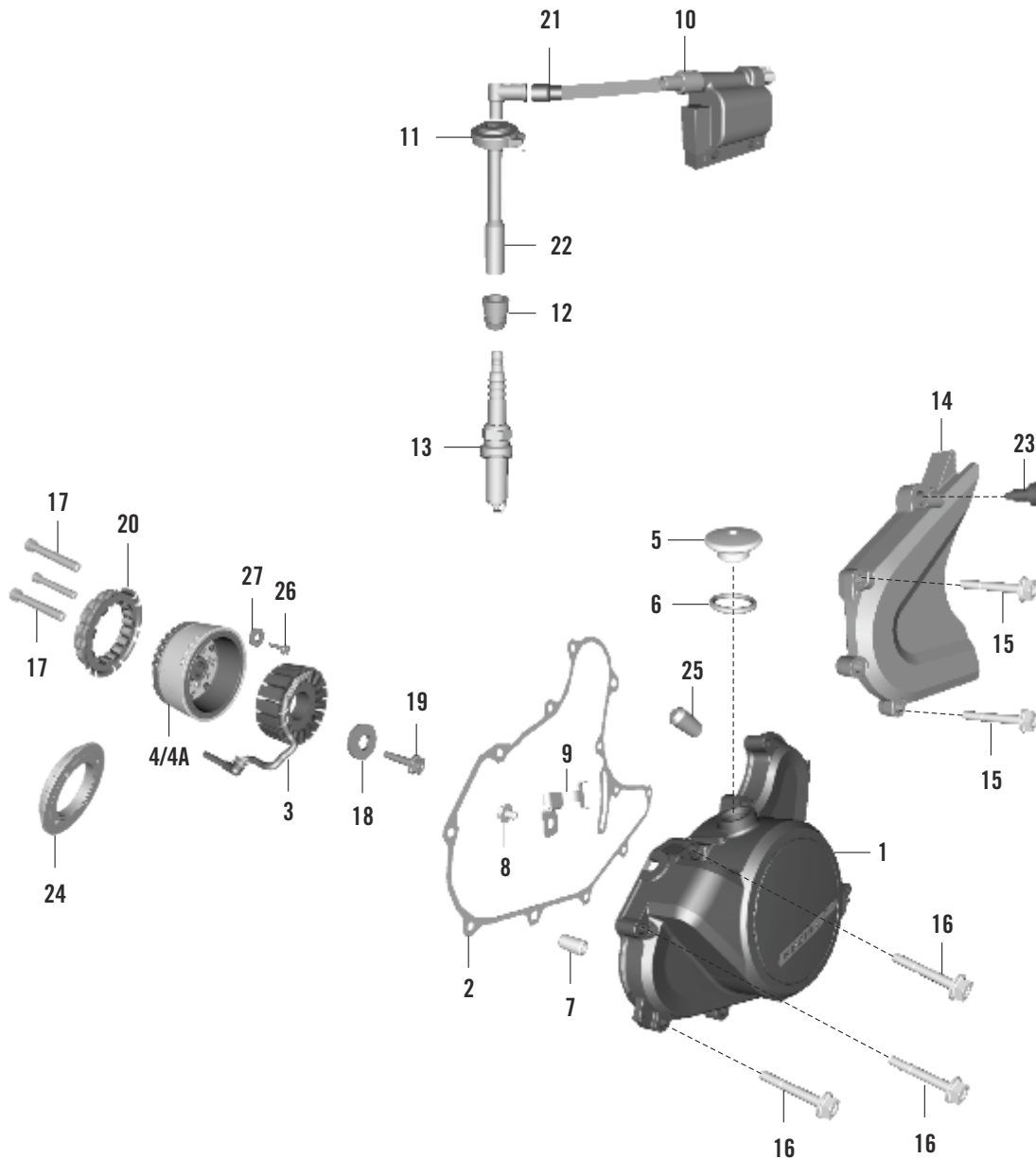
200 Duke



No.	Part No.	Description	Qty				
			MY13	MY14	MY15	MY16	MY17
1	36JU0069	Kit Cylinder Head Cpl. (Head Assly+Radiator Hose) (MY13)	1	—	—	—	—
1A	JU511027	Cylinder Head Cpl.	—	1	1	1	1
2	JG511030	Cylinder Head Cover Cover	1	1	1	1	--
2A	JU511038	Cylinder Head Cover	—	—	—	—	1
3	36JU0073	Valve Cover Gasket Kit	1	1	1	1	--
3A	36JU0124	Valve Cover Gasket Kit	--	--	--	--	1
4	JU511013	Cylinder Head Gasket	1	1	1	1	1
5	39101721	'O' Ring	1	1	1	1	1
6	JG541021	Oil Jet	4	4	4	4	4
7	KAEQ0640	HH-collar Screw M6X40 WS10	2	2	2	2	2
8	39107504	HH-collar Screw M6X35 WS8	6	6	6	6	6
9	39099906	Pin Dowel 8x6,4x14mm	2	2	2	2	2
10	JG501008	Collar Screw M6	2	2	2	2	2
11	JG541068	HH Collar ScreW10x147,5	4	4	4	4	4
12	LDA00008	Washer 11,2x20x2	4	4	4	4	4
13	JG511046	Stud M8	3	3	3	3	3
14	LCG00006	Flanged Nut M8 H7,5 Ws12	3	3	3	3	3
15	JG351400	Temperature Sensor	1	1	1	1	1
16	39269920	O-ring	1	1	1	1	1
17	DK101225	Oil Pressure Sensor	1	1	1	1	1
18	DK101340	O-ring	1	1	1	1	1
19	JG511022	Valve Cover Screw	4	4	4	4	4
20	JG511021	Decoupling Element	4	4	4	4	4



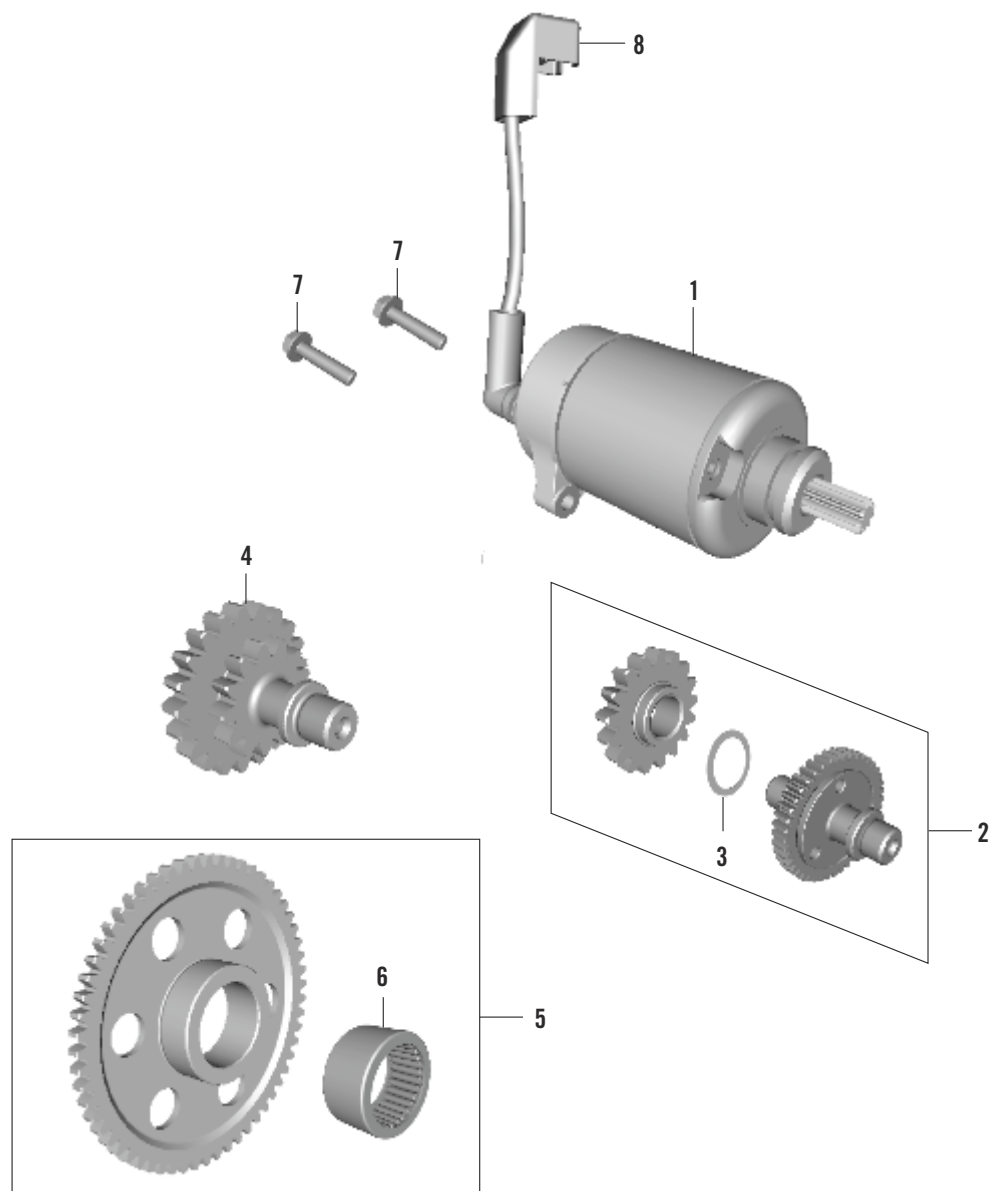
No.	Part No.	Description	Qty				
			MY13	MY14	MY15	MY16	MY17
1	JU571000	Oil Pump Assy Comp	1	1	1	1	1
2	LJA00004	'O' Ring	1	1	1	1	1
3	JG571018	Gear Oil Pump Drive	1	1	1	1	1
4	KEAB1010	Circlip	1	1	1	1	1
5	JY571030	Mesh Strainer Assly.	1	1	1	1	1
6	39099906	Pin - Hollow Dowel	2	2	2	2	2
7	LAE00018	Bolt Flanged M6X1X30L-Precoated	3	3	3	3	3
8	JA541021	Strainer Cap	1	1	1	1	1
9	59210023	'O' Ring	1	1	1	1	1
10	JG571014	Oil Filter	1	1	1	1	1
11	JG571016	O-Ring	1	1	1	1	1
12	JG571015	Cap Oil Filter	1	1	1	--	--
12A	JY571033	Cap Oil Filter	--	--	--	1	1
13	KADP0516	Hexagonal Flange Bolt	2	2	2	--	--
13A	KAEQ0616	Hexagonal Flange Bolt	--	--	--	2	2



No.	Part No.	Description	Qty				
			MY13	MY14	MY15	MY16	MY17
1	JY541228	Ign. Cover (magneto cover) with jet	1	1	1	1	1
2	JG541224	Ignition Cover Gasket	1	1	1	1	1
3	JG351005	Stator Cpl.	1	1	1	1	1
4	JG351021	Rotor Cpl.	1	1	1	--	--
4A	JG351020	Rotor Cpl.	--	--	--	1	1
5	JG541232	Plug Without O-ring (Cap TDC Finder)	1	1	1	1	1
6	30101195	O-ring 15,8x2,4	1	1	1	1	1
7	39099906	Pin Dowel 8x6,4x14mm	2	2	2	2	2
8	LAE00016	Pan Cross Screw M5X10 PH	1	1	1	1	1
9	JG541223	Bracket F. Stator Cable	1	1	1	1	1
10	JG351203	Ignition Coil With Cable	1	1	1	1	1
11	JG351208	Gasket Spark Plug Connect.	1	1	1	1	1
12	JG351202	Rubber Gasket Spark Plug	1	1	1	1	1
13	JY351205	Spark Plug M12 (BOSCH)	1	1	1	1	1
14	JG541207	Chain Guard	1	1	1	1	1
15	KAEQ0645	HH Collar Screw M6x45 SW10	3	3	3	3	3
16	KAEQ0630	HH Collar Screw M6x30 SW10	11	11	11	11	11
17	DK101284	AH Screw M5x35 Self Locking	3	3	3	3	3
18	LDB00010	Washer	1	1	1	1	1
19	52JY0185	Flanged Bolt M10X1,25X30	1	1	1	1	1
20	JY551402	Sprag Clutch	1	1	1	1	1
21	DD111012	Grommet H.T Coil	1	1	1	1	1
22	JG351201	Spark Plug Cap	1	1	1	1	1
23	LAC00014	Bolt	1	1	1	1	1
24	JG351019	Body starter clutch	1	1	1	1	1
25	JG541074	Oil Nozzle	--	--	--	1	1
26	DH101389	Bolt	4	4	4	4	4
27	39084914	Washer Lock Toothed	4	4	4	4	4

# ELECTRICAL STARTER

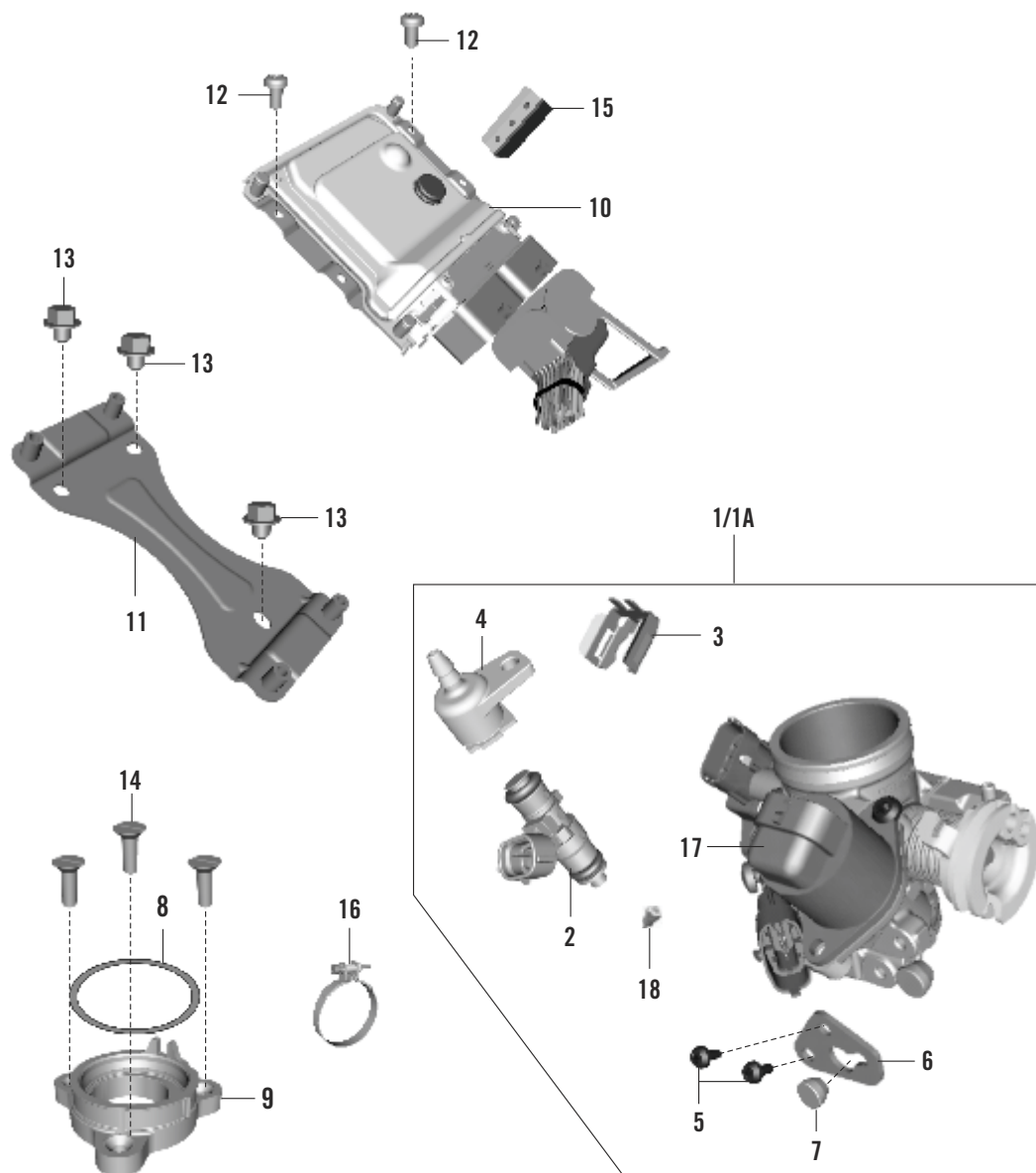
200 Duke



No.	Part No.	Description	Qty				
			MY13	MY14	MY15	MY16	MY17
1	JG351600	E-starter Engine Cpl. (Starter Motor)	1	1	1	1	1
2	JG621413	Torque Limiter Cpl.	1	1	1	1	1
3	DK101445	Shim 0,6 mm	NS	NS	NS	NS	NS
3	DK101450	Shim 0,45 mm	NS	NS	NS	NS	NS
3	DK101451	Shim 0,75 mm	NS	NS	NS	NS	NS
3	DK101452	Shim 0,9 mm	NS	NS	NS	NS	NS
4	JG621412	Intermediate Starting Gear	1	1	1	1	1
5	JG621417	Freewheel Gear Cpl.	1	1	1	1	1
6	BF621402	Needle Roller Bearing HK2516	1	1	1	1	1
7	KADQ0625	HH Collar Screw M6X25 SW10	2	2	2	2	2
8	JG402236	Starter Cable	1	1	1	1	1

# THROTTLE BODY

200 Duke

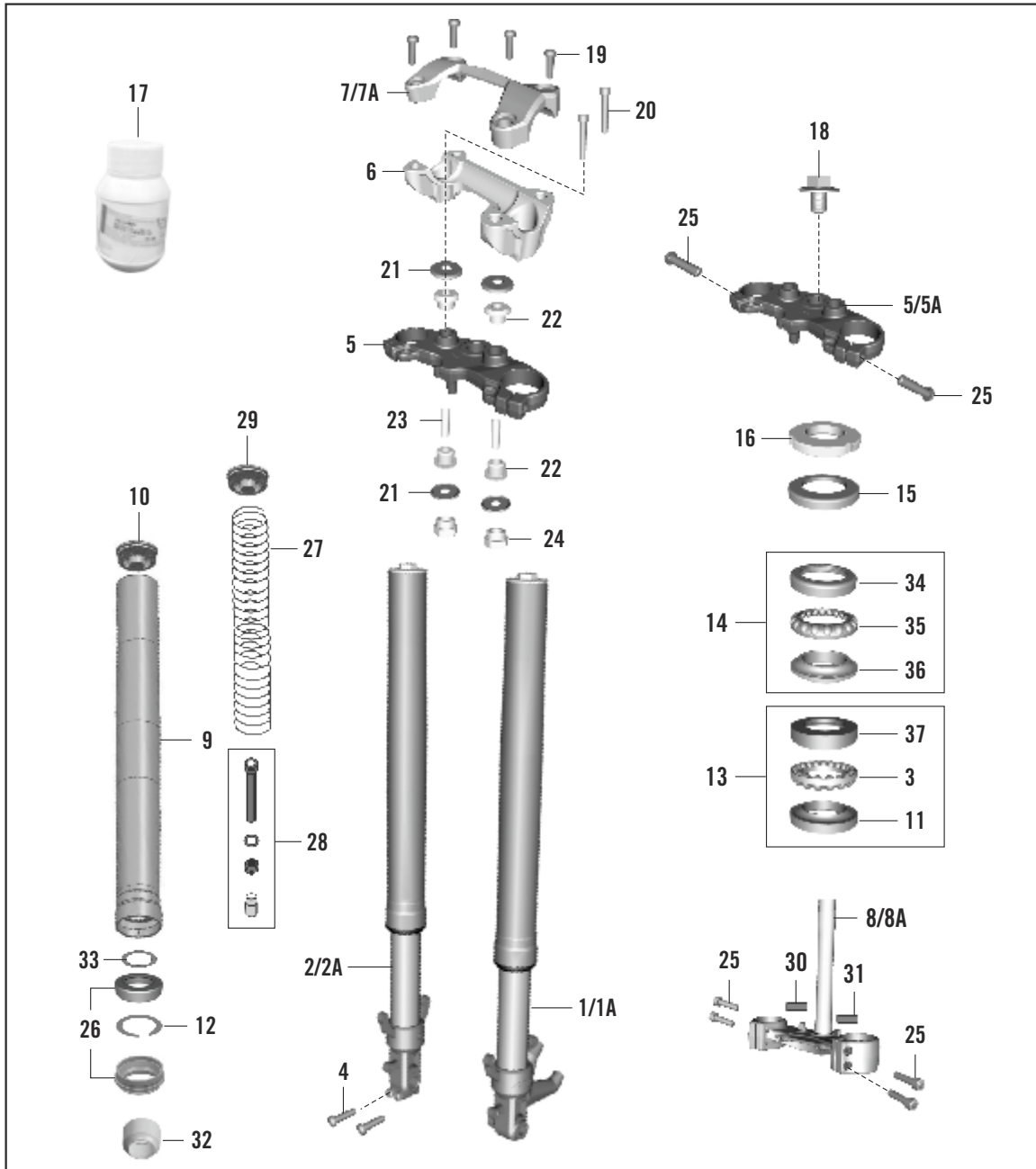


No.	Part No.	Description	Qty				
			MY13	MY14	MY15	MY16	MY17
1	JU581404	Throttle Body Cpl.	1	1	1	1	--
1A	JU611210	Throttle Body Cpl. with EVAP	--	--	--	--	1
2	JG611007	Fuel Injector White Dot	1	1	1	1	1
3	JG611006	Clamp F. Injector	1	1	1	1	1
4	JG581416	Connector Fuel Rail	1	1	1	1	1
5	JG581424	Special Screw M5x12	5	5	5	5	5
6	JG581419	Cable Support	1	1	1	1	1
7	DS161156	Grommet	1	1	1	1	1
8	JG581407	O-ring Conn. Fl. Cyl. - Thr. Body	1	1	1	1	1
9	JU581413	Intake Pipe	1	1	1	1	1
10	JU351400	Engine Control Unit (KM906IN1418006)	--	1	--	--	--
10A	JU351400	Engine Control Unit (KM906EU1211004)	1	--	--	--	--
11	JG171026	Bracket Timing Charger (Bracket ECU)	1	1	1	1	1
12	KBBF0408	Flat Head Screw M4X8 PH	4	4	4	4	4
13	KADA0508	HH Collar Screw M5X6 SW8	3	3	3	3	3
14	LBC00003	Flat Head Screw M6X20	3	3	3	3	3
15	JG171074	ECU Damper Assy	1	1	1	1	1
16	JU581006	Clamp Connecting Tube	1	1	1	1	1
17	JG611206	Stepper Motor	1	1	1	1	1
18	JY611210	Nozzle	--	--	--	--	1



# FRONT FORK, TRIPLE CLAMP

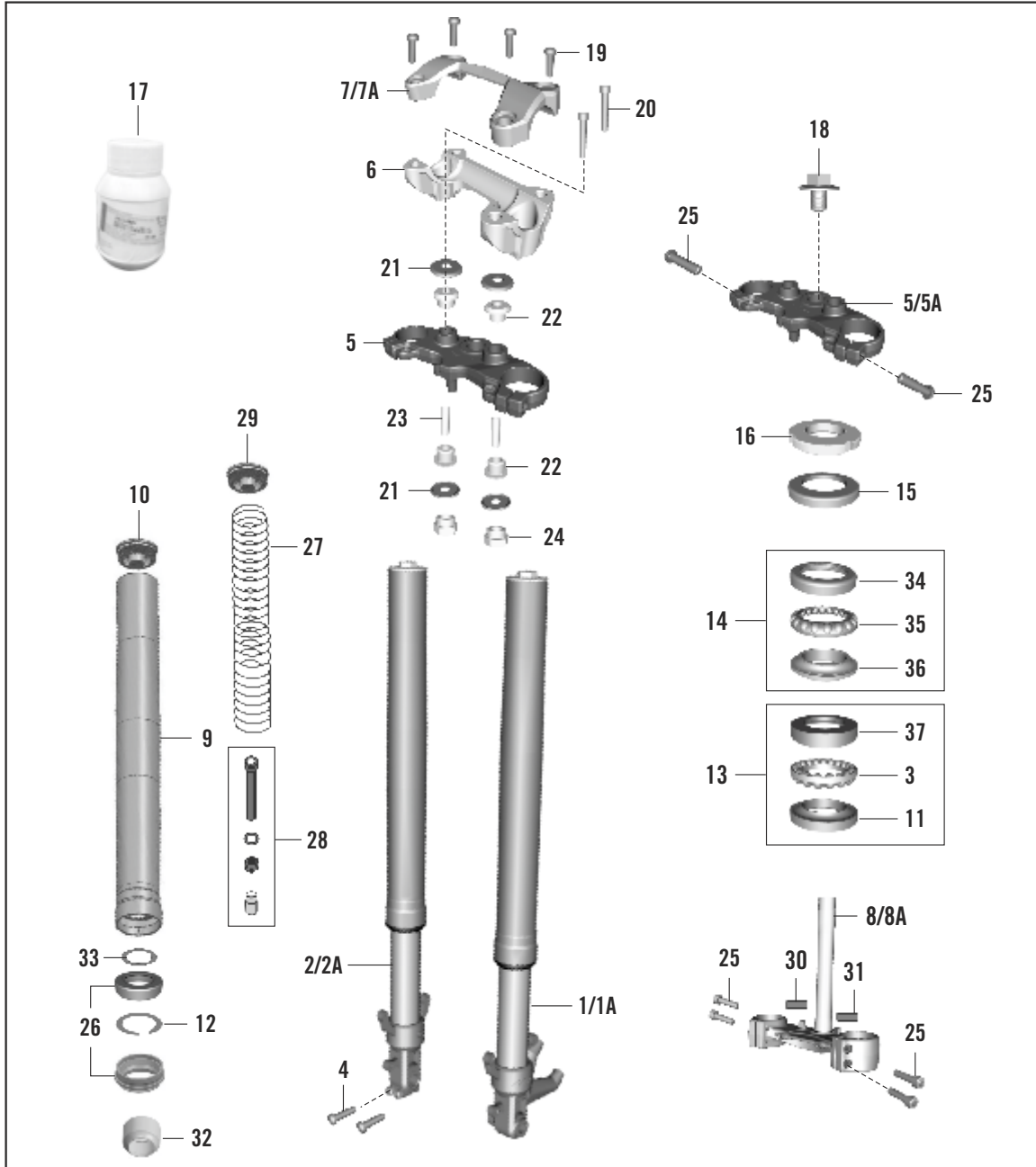
200 Duke



No.	Part No.	Description	Qty				
			MY13	MY14	MY15	MY16	MY17
1	JG121038	Axle Clamp-Fork Pipe Assly LH (Till Apr)	1	1	1	1	1
1A	JY121066	Axle Clamp-Fork Pipe Assly LH	--	--	--	--	1
2	JU121007	Axle Clamp-Fork Pipe Assly RH (Till Apr)	1	1	1	1	1
2A	JY121067	Axle Clamp-Fork Pipe Assly RH	--	--	--	--	1
3	DK181051	Cage Bearing Stg. Bottom (20 Balls)	1	1	1	1	1
4	LAC00005	AH Screw M8x27	2	2	2	2	2
5	JG151002	Top Triple Clamp (upper)	1	1	1	1	--
5A	JU151013	Top Triple Clamp (upper)	--	--	--	--	1
6	JG151014	Handle Holder Bottom	1	1	1	1	1
7	JG151020	Top Handle Holder	1	1	1	1	--
7A	JP151010	Upper Bracket	--	--	--	--	1
8	36JG0010	Bot. Fork Plate Cpl.	1	1	1	1	--
8A	JU151015	Top Triple Clamp (Lower)	--	--	--	--	1
9	JU121037	Outer Tube Assly.	2	2	2	2	2
10	JG121012	Fork Top Bolt	2	2	2	2	2
11	DG181005	Bearing Cone	1	1	1	1	1
12	JU121009	Circlip	2	2	2	2	2
13	36JU0075	Kit Steering Race Lower (Gr)	1	1	1	1	1
14	36JU0074	Kit Steering Race Upper (Gr)	1	1	1	1	1
15	DK181076	Protection Cap	1	1	1	1	1
16	JG151026	Adjusting Ring Stg. Head (Stg. Nut)	1	1	1	1	1
17	36JG0087	Fork Oil For KTM 200 - 480 ml.	2	2	2	2	2
18	59040005	Clamp Screw Steering Head	1	1	1	1	1
19	JG151029	AH Screw M8X26	4	4	4	4	4
20	LAC00004	AH Screw M10x1,25x64	2	2	2	2	2
21	JG151013	Washer 10,5x32x2	4	4	4	4	4
22	JG151012	Rubber Bushing	4	4	4	4	4
23	JG151021	Spacer Tube	2	2	2	2	2
24	LCH00001	Self L. Nut M10x1,25 H11 Ws17	2	2	2	2	2
25	LAC00013	AH Screw M8X30	6	6	6	6	6

# FRONT FORK, TRIPLE CLAMP

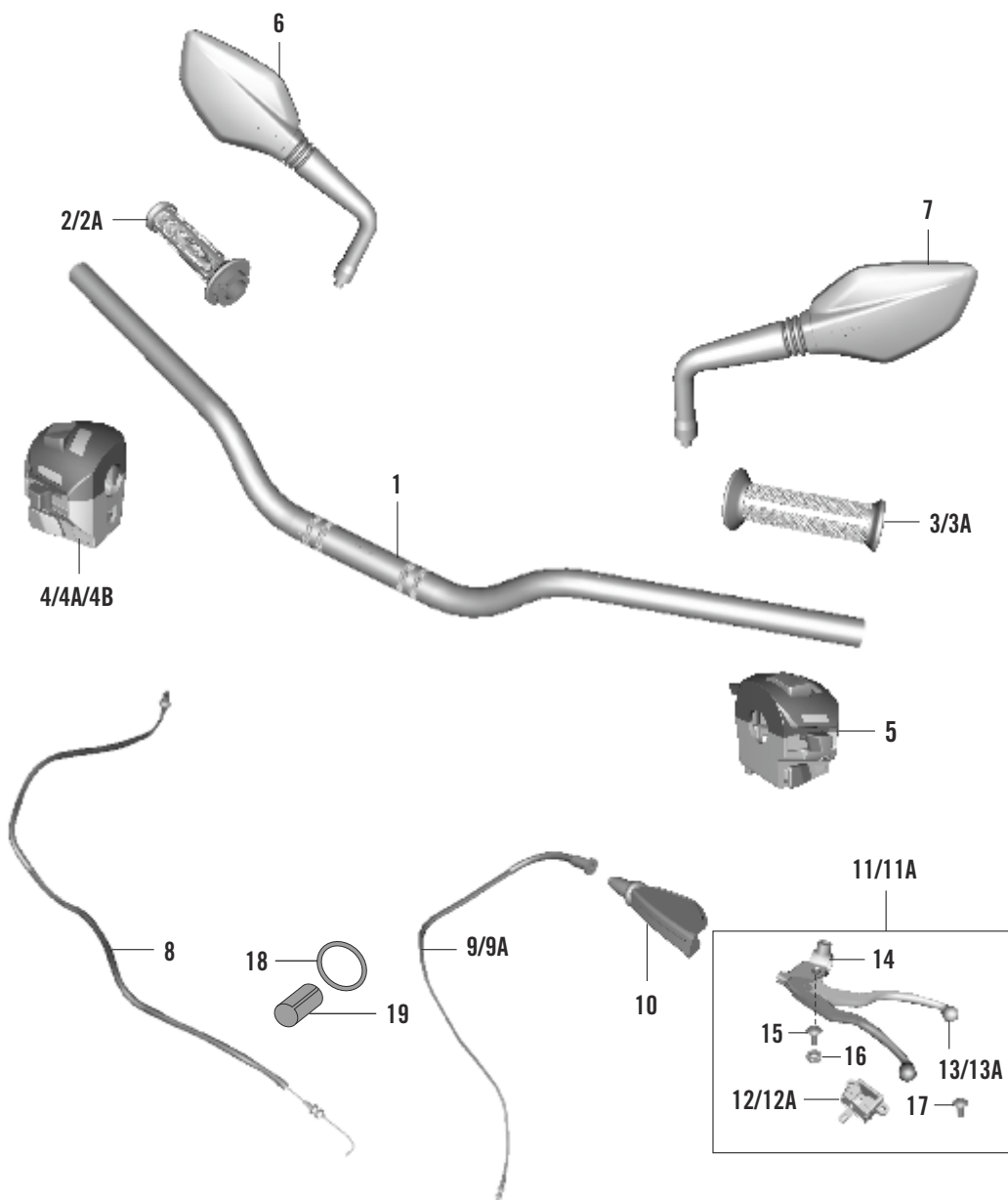
200 Duke



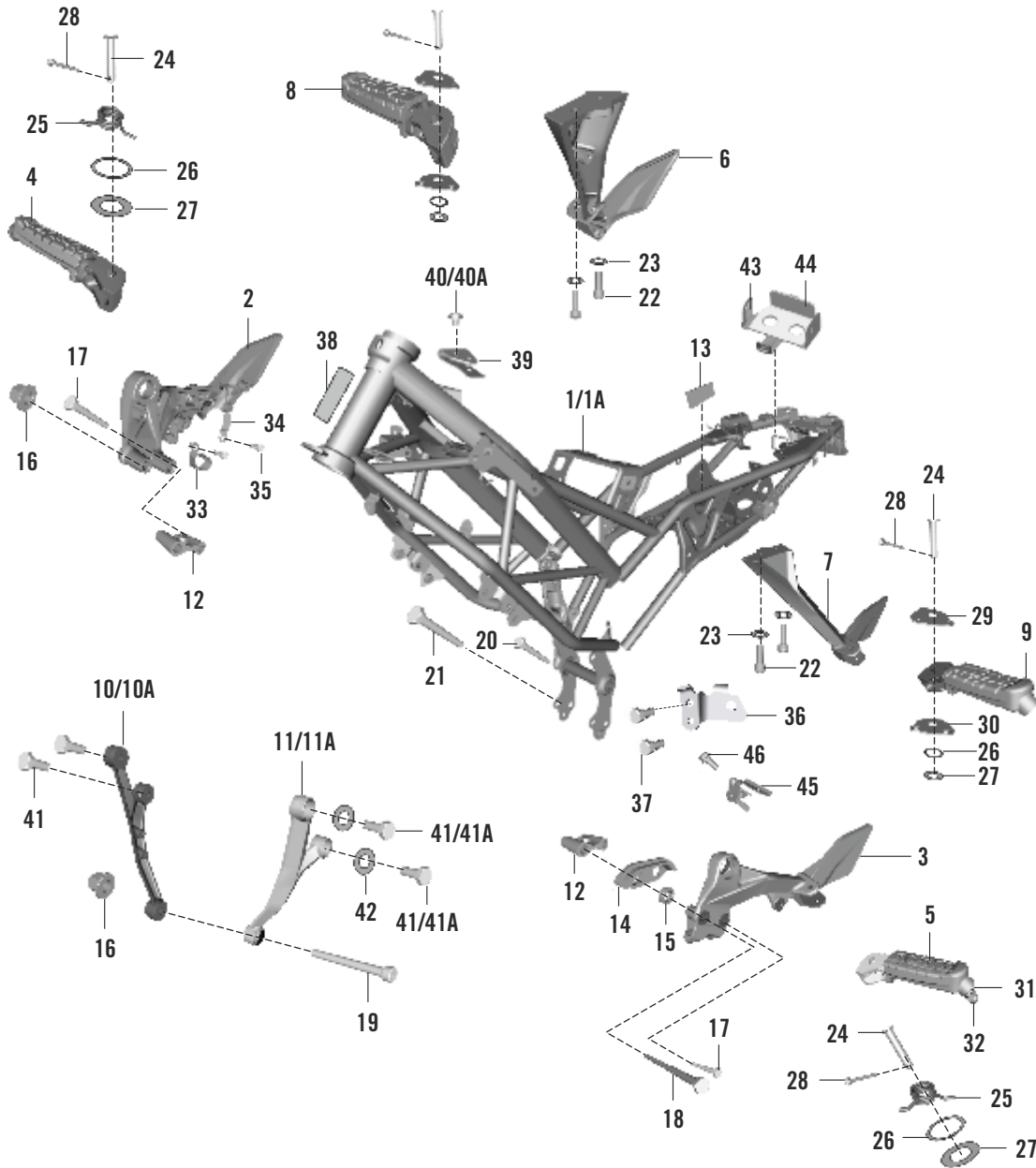
No.	Part No.	Description	Qty				
			MY13	MY14	MY15	MY16	MY17
26	36JU0019	Kit Fork Oil Seal	2	2	2	2	2
27	JU121017	Main Spring & Washer	2	2	2	2	2
28	JU121019	Piston Rod Assembly	2	2	2	2	--
28A	JY121014	Piston Rod Assembly	--	--	--	--	2
29	JU121018	Cap Screw	2	2	2	2	2
30	JG233080	Anti Abrasive Tape	1	1	1	1	1
31	JG113841	Tape Anti Abrasive	1	1	1	1	1
32	JG121028	Dust Cover	2	2	2	2	2
33	LDB00036	Washer	2	2	2	2	2
34	DG181045	Bearing Cone Upper	1	1	1	1	1
35	DK181050	Cage Bearing Steering Top (19 Balls)	1	1	1	1	1
36	DG181046	Bearing Race Upper	1	1	1	1	1
37	DG181047	Bearing Race Lower	1	1	1	1	1

# HANDLEBAR, CONTROLS

200 Duke



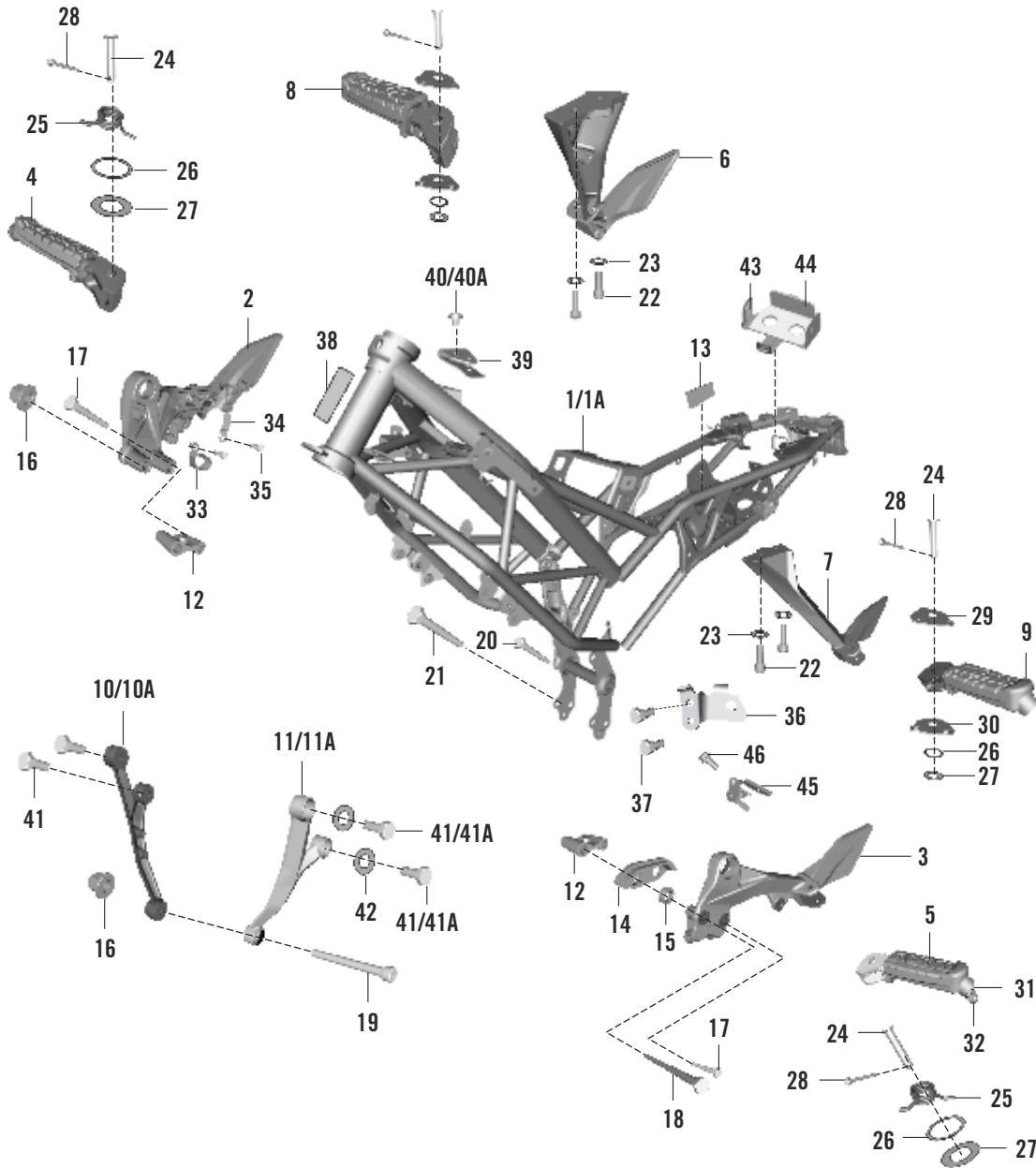
No.	Part No.	Description	Qty				
			MY13	MY14	MY15	MY16	MY17
1	JG151031	Handlebar	1	1	1	1	1
2	JG151023	Throttle Grip Cpl.	1	1	--	--	--
2A	JG151038	Grip Assly DukeE125, 200 RH	--	--	1	1	1
3	JG151027	Fixed Grip	1	1	--	--	--
3A	JY151012	Fixed Grip	--	--	1	1	1
4	JU401400	Control Switch RH	1	1	--	--	--
4A	JG401418	Control Switch RH	--	--	1	--	--
4B	JG401417	Control Switch RH	--	--	--	1	1
5	JG401406	Control Switch LH	1	1	1	1	1
6	JG231601	Mirror RHS	1	1	1	1	1
7	JG231600	Mirror LHS	1	1	1	1	1
8	JG161200	Throttle Cable	1	1	1	1	1
9	JG161201	Clutch Cable	1	1	1	1	--
9A	JP161200	Clutch Cable	--	--	--	--	1
10	DS191052	Protection Cap Throttle Cable (Lever Boot)	1	1	1	1	1
11	JG161005	Clutch Lever Cpl.	1	--	--	--	--
11A	JG161009	Clutch Lever Cpl. (MY-14)	--	1	1	1	1
12	JG401416	Clutch Switch	--	1	1	1	1
12A	JG401410	Clutch switch	1	--	--	--	--
13	DJ191083	Lever Grip Left (Clutch Lever)	1	--	--	--	--
13A	JG161008	Lever Grip Left (Clutch Lever) (MY-14)	--	1	1	1	1
14	DJ191081	Holder LH	1	1	1	1	1
15	39155304	Stud For lever Handle	1	1	1	1	1
16	39118415	Nut For lever Handle Stud	1	1	1	1	1
17	LBU00012	Screw	1	1	1	1	1
18	DD191147	ADJUSTING SCREW	1	1	1	1	1
19	30191017	NUT	1	1	1	1	1



No.	Part No.	Description	Qty				
			MY13	MY14	MY15	MY16	MY17
1	52JG0308	Frame	1	--	--	--	--
1A	52JU0184	Frame	--	1	1	1	1
2	JG113024	Foot R. Bracket Front R/S (holder Step RH)	1	1	1	1	1
3	JG113001	Footrest Bracket Front L/S (holder Step LH)	1	1	1	1	1
4	JG113040	Footrest Front R/S Cpl.	1	1	1	1	1
5	JG113039	Footrest Front L/S Cpl.	1	1	1	1	1
6	JG113029	Footrest Bracket Rear R/S	1	1	1	1	1
7	JG113020	Footrest Bracket Rear L/S	1	1	1	1	1
8	JG113042	Footrest Rear R/S Cpl.	1	1	1	1	1
9	JG113041	Footrest Rear L/S Cpl.	1	1	1	1	1
10	JG113401	Engine Support R/S	1	1	1	1	--
10A	JP113400	Engine Support R/S	--	--	--	--	1
11	JG113400	Engine Support L/S	1	1	1	1	--
11A	JP113401	Engine Support L/S	--	--	--	--	1
12	JG113800	Tap Footrest Bkt Front (Spacer)	2	2	2	2	2
13	JG401808	Battery Foam	2	2	2	2	2
14	JG122015	Chain Guide	1	1	1	1	1
15	JG113802	Spacer Chain Guide	2	2	2	2	2
16	DU151031	Nut Hex Flanged	2	2	2	2	2
17	LAD00039	HH Collar Screw M10x1,25x92	2	2	2	2	2
18	LAD00038	HH Collar Screw M10x1,25x265	1	1	1	1	1
19	JU231203	HH Collar Screw M8x110 WS14	1	1	1	1	1
20	JG113403	Bolt Flanged M10x110	1	1	1	1	1
21	LAD00075	HH Collar Screw M8x105 SW12	1	1	1	1	1
22	LAC00023	AH Screw M8x27	4	4	4	4	4
23	LDB00018	Washer 8,2x16x1,5	4	4	4	4	4
24	JG113043	Pin Footrest Pivot	4	4	4	4	4
25	JG113007	Return Spring Footrest	2	2	2	2	2

# FRAME

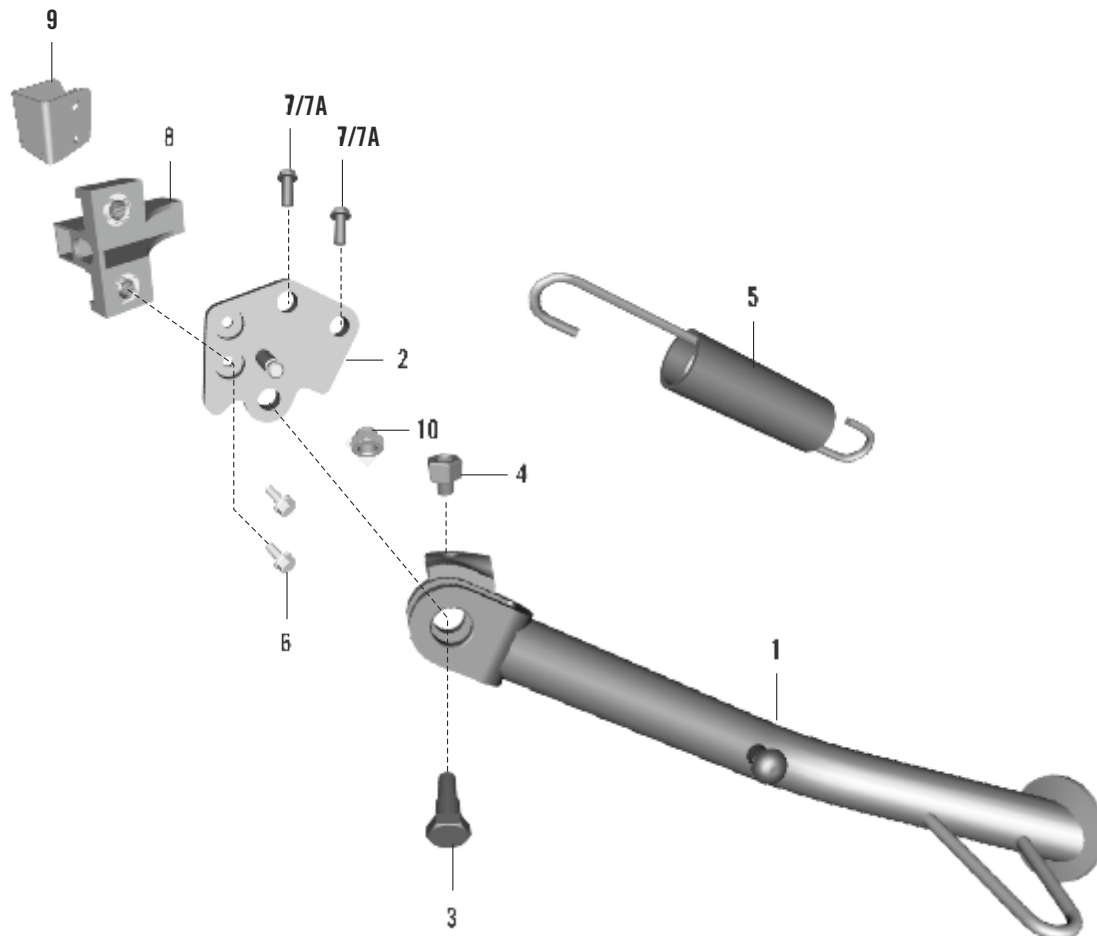
200 Duke



No.	Part No.	Description	Qty				
			MY13	MY14	MY15	MY16	MY17
26	30141031	O-ring 9x1,5	4	4	4	4	4
27	LDB00019	Washer M8	4	4	4	4	4
28	LHA00002	Pin 25x1,8mm	4	4	4	4	4
29	JG113034	Engage Panel Footrest1	2	2	2	2	2
30	JG113035	Engage Panel Footrest 2	2	2	2	2	2
31	LDB00019	Plain Washer 6,4x12x1	2	2	2	2	2
32	JG113052	Cap Screw M6x10 SS	2	2	2	2	2
33	JG113814	Brake Hose Guide Clamp Front	1	1	1	1	1
34	JG113815	Brake Hose Guide Clamp Rear	1	1	1	1	1
35	KAEM0610	Bolt Clamp	2	2	2	2	2
36	JG113824	Bracket Reservoir Mounting	1	1	1	1	1
37	JU161200	Bolt M6x10	2	2	2	2	2
38	JG233001	Tape Adhesive	1	--	--	--	--
39	JG111151	Bracket Flasher Mounting (MY-14)	--	1	1	1	2
40A	KAEM0610	Bolt For Bracket	--	--	--	--	1
40	LAC00037	Bolt For Bracket (MY-14)	--	1	1	1	--
41A	KACA0822	Bolt Socket	--	--	--	--	4
41	KACF0818	Bolt Socket (MY-14)	4	4	4	4	--
42	KDBA0818	Washer (MY-14)	4	4	4	4	4
43	JG401808	Battery Foam (MY-14)	--	2	2	2	2
44	JG113851	Battery Pad (MY-14)	--	1	1	1	1
45	JL131878	Bracket Reservoir Cap	--	--	--	1	1
46	KAEA0510	Bolt Flanged Small	--	--	--	1	1

# SIDE STAND

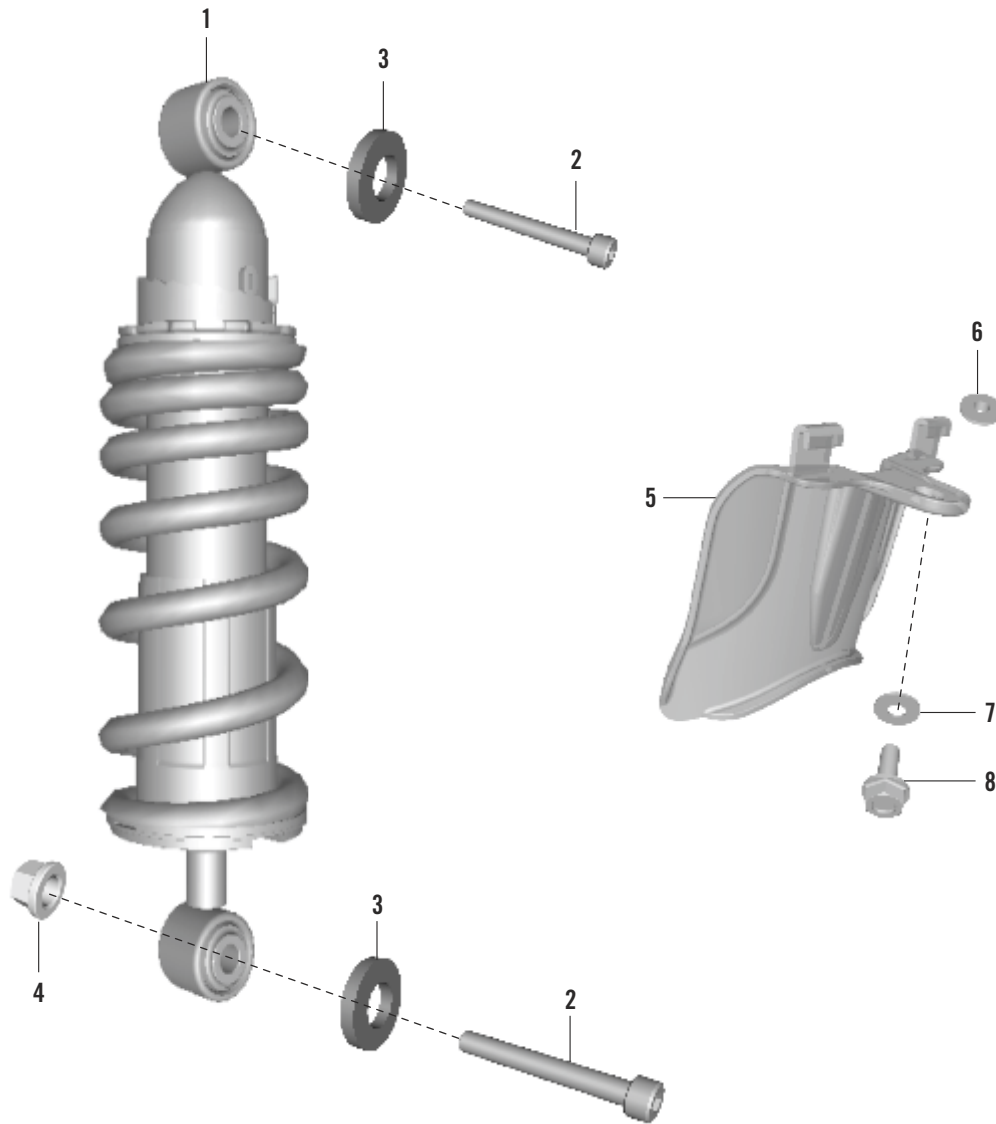
200 Duke



No.	Part No.	Description	Qty				
			MY13	MY14	MY15	MY16	MY17
1	JG113203	Side Stand	1	1	1	1	1
2	JG113204	Side Stand Bracket	1	1	1	1	1
3	JG113207	Screw F. Side Stand	1	1	1	1	1
4	JG401411	Magnet Holder	1	1	1	1	1
5	JU113200	Spring For Side Stand With Cover	1	1	1	1	1
6	LAE00010	HH Collar Screw M5X13 SW8	2	2	2	2	2
7	LAD00044	HH Collar Screw M10X1X25 SS	2	2	2	2	--
7A	LAD00133	BOLT FLANGE-M10X1.25XL25XSTEPPED	--	--	--	--	2
8	JG401402	Side Stand Switch	1	1	1	1	1
9	JG113210	Guard Side Stand Switch	1	1	1	1	1
10	LCH00001	Lock Nut	1	1	1	1	1

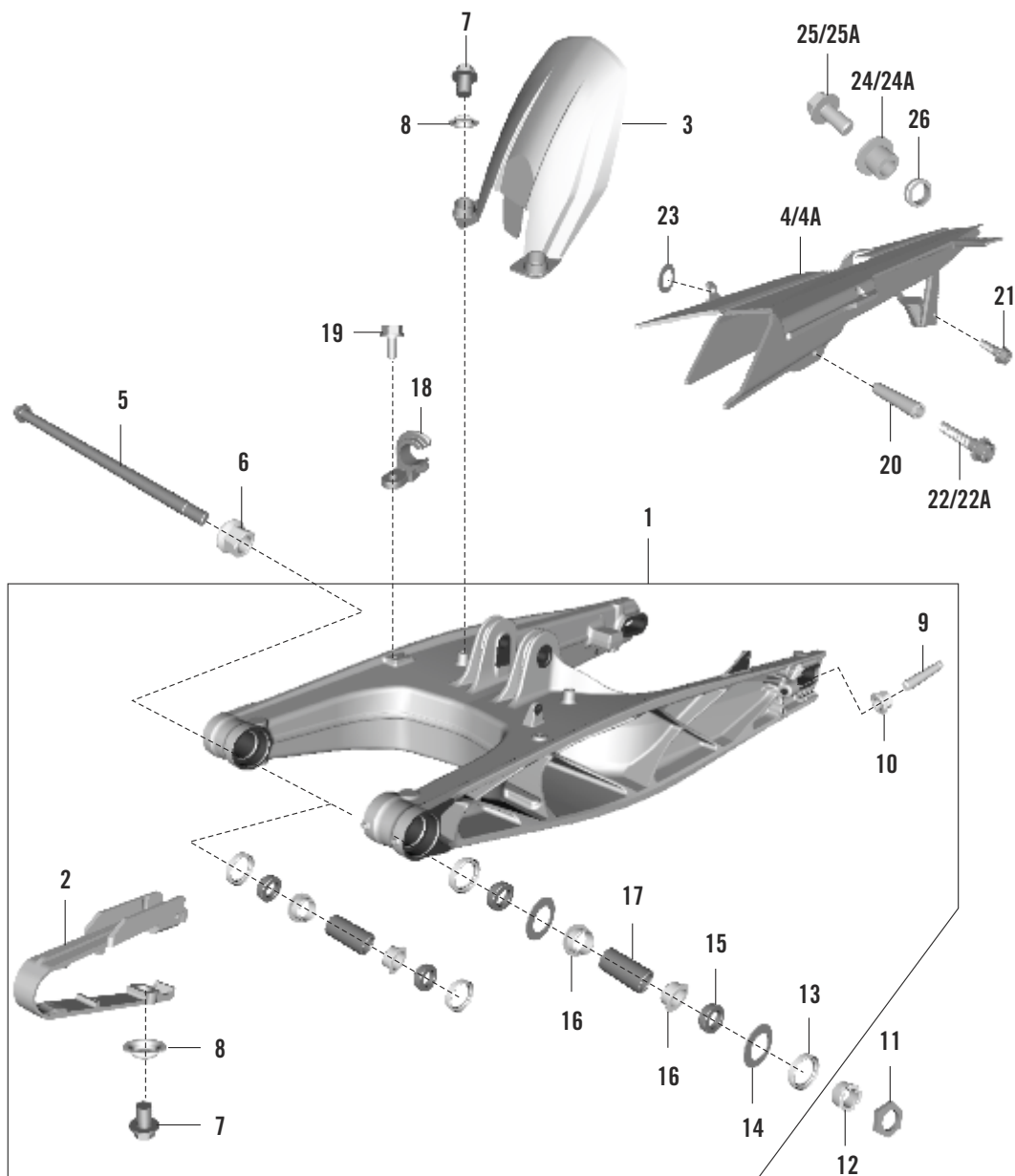
# SHOCK ABSORBER

200 Duke



No.	Part No.	Description	Qty				
			MY13	MY14	MY15	MY16	MY17
1	JU122009	Monoshock Cpl.	1	1	1	1	1
2	LAC00006	AH Screw M10x1,25x8010.9	2	2	2	2	2
3	LDB00011	Plain Washer 10,2x20x3mm	2	2	2	2	2
4	LCG00003	Nut Flanged M10x1,25 WS13	1	1	1	1	1
5	JG181281	Flap Protector Shocker	--	--	1	1	1
6	JY113826	Collar Under Tray	--	--	1	1	1
7	LDB00023	Plain Washer	--	--	1	1	1
8	KADM0618	Bolt Flanged	--	--	1	1	1

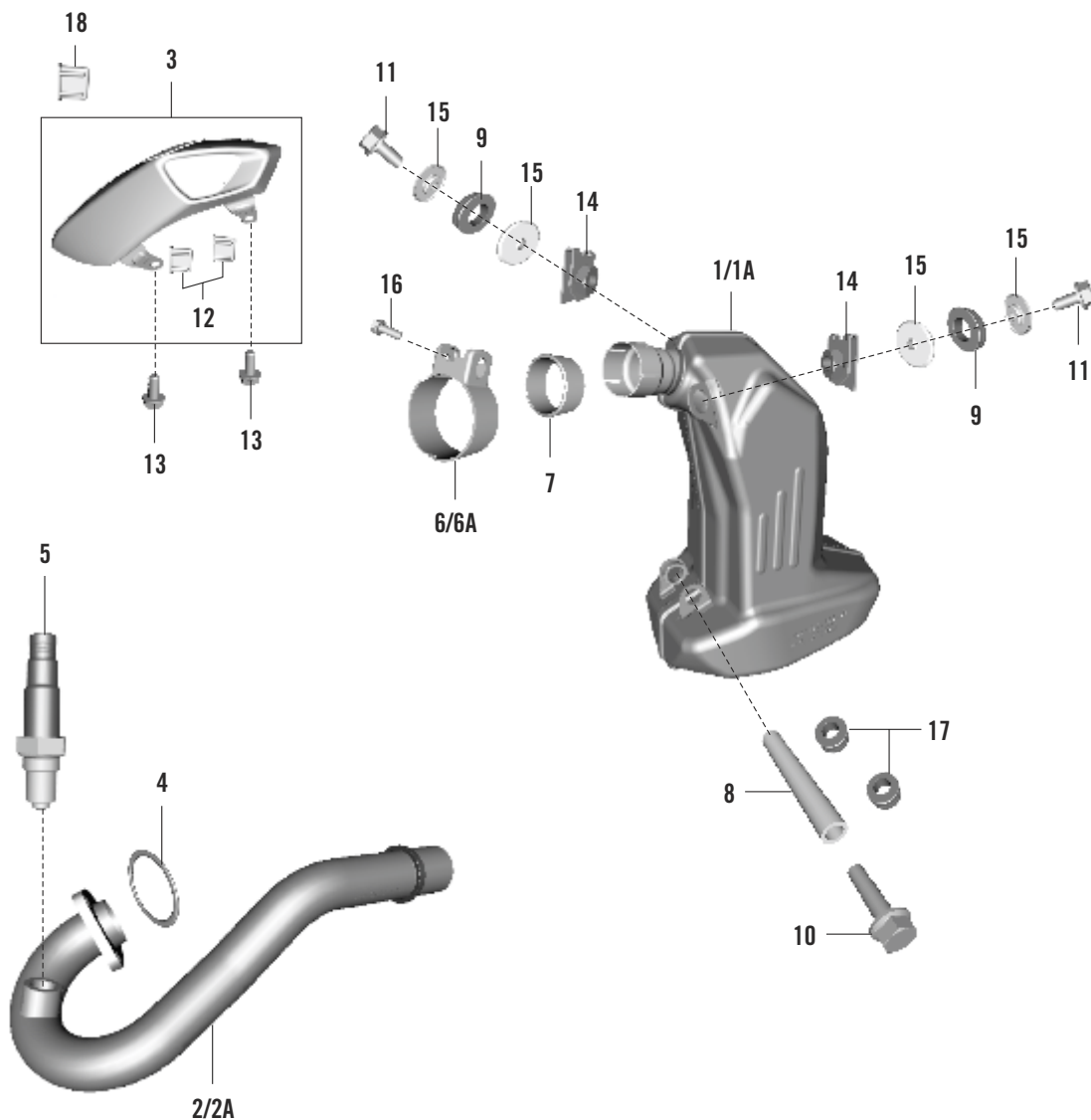




No.	Part No.	Description	Qty				
			MY13	MY14	MY15	MY16	MY17
1	JY122008	Swing Arm Cpl.	1	1	1	1	1
2	JG122036	Chain Slider Guard	1	1	1	1	1
3	JG181406	Splash Protector (front Hugger)	1	1	1	1	1
4	JG181210	Chain Guard Cpl.	1	1	--	--	1
4A	JG181279	Chain Cover Assly	--	--	1	1	--
5	JG122016	Swing Arm Bolt L=298mm	1	1	1	1	1
6	LCG00004	Flanged Nut M14x1,5	1	1	1	1	1
7	KAEM0608	Bolt Flange	4	4	4	4	4
8	JG122028	EXTRUDED WASHER	2	2	2	2	2
9	LAA00007	Bolt Hex M10x1,25x50 WS10	2	2	2	2	2
10	LCG00003	Nut Flanged M10x1,25 WS13	2	2	2	2	2
11	JG122032	Hexagonal Washer	2	2	2	2	2
12	JG122033	Adjusting Ring Swing Arm (Threaded Washer)	2	2	2	2	2
13	JG122012	Oil Seal Ring 25x32x7	4	4	4	4	4
14	JG122026	Stop Disk 22.2x31.7x1	2	2	2	2	2
15	JG122011	Bucket For Shaft Seal Ring (collar)	4	4	4	4	4
16	JG122009	Igus Slide Bearing	4	4	4	4	4
17	JG122010	Bushing SleeveE15.1x20x38	2	2	2	2	2
18	JG122004	Brake Hose Guide	2	2	2	2	2
19	LAE00010	HH Collar Screw M5x 13 Sw8	2	2	2	2	2
20	JG122034	Tube For Chain Guide	1	1	1	1	1
21	JG181232	Bolt Chain Guide (Fr.)	1	1	1	1	1
22	JG181233	Bolt Chain Guide	1	1	1	1	--
22A	LAD00076	Bolt Flange M5x55	--	--	--	--	1
23	JG113846	D Washer Chain Slider	1	1	1	1	1
24	JY181240	Sleeve Chain Cover Mounting	--	--	2	2	--
24A	JG181273	Bolt Chain Case MTG	--	--	--	--	2
25	KADM0612	Bolt Flanged	--	--	2	2	--
25A	KAEM0616	Bolt Flange	--	--	--	--	2
26	JG122037	Sleeve	--	--	2	2	2

# EXHAUST SYSTEM

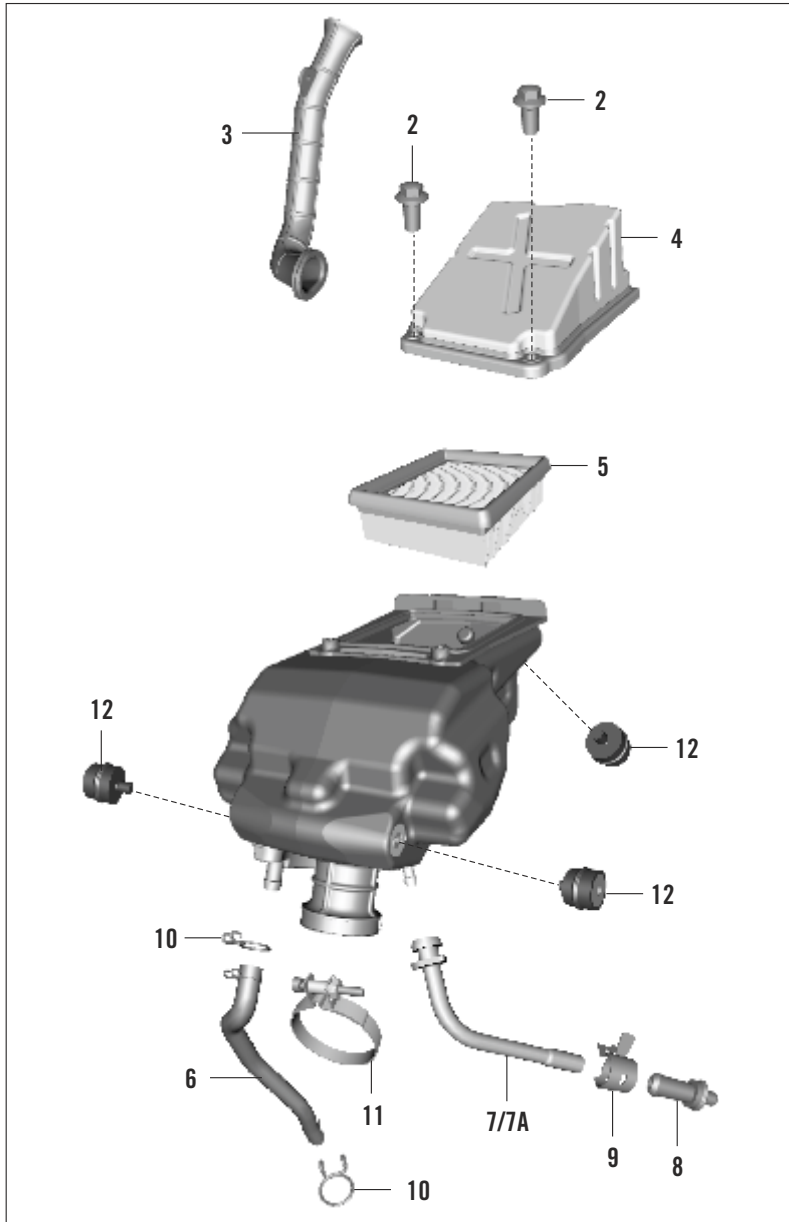
200 Duke



No.	Part No.	Description	Qty				
			MY13	MY14	MY15	MY16	MY17
1	JU591084	Silencer Cpl.	1	1	1	1	--
1A	JU591107	Silencer Cpl. (Only with 2A)	--	--	--	--	1
2	JU591019	Exhaust Pipe ACpl.	1	1	1	1	--
2A	JU591091	Exhaust Pipe ACpl. (Only with 1A)	--	--	--	--	1
3	JG591064	Heat Shield Cpl.	1	1	1	1	1
4	JG591070	Manifold Gasket	1	1	1	1	1
5	JG511010	Lambda Sensor	1	1	1	1	1
6	JG591038	Clamp Cpl.	1	1	1	1	--
6A	JU591081	Clamp Cpl.	--	--	--	--	1
7	JG591039	Seal Ring Exhaust PipEA	1	1	1	1	1
8	JG591055	Mounting Tube	1	1	1	1	1
9	JL591165	Damping Element	2	2	2	2	2
10	LAD00075	Bolt Flange	1	1	1	1	1
11	JG113837	HH Collar Screw M8X110 SW12	2	2	2	2	2
12	JG591068	Rubber Cap	2	2	2	2	2
13	KADQ0614	HH Collar Screw M6X14 SW10	2	2	2	2	2
14	JG113404	Clip Nut	2	2	2	2	2
15	JL591156	Collar Bushing	4	4	4	4	4
16	LAD00036	Bolt for Clamp	1	1	1	1	1
17	JG591100	Damper Silencer	--	--	2	2	2
18	JB591059	Damper Shield	1	1	1	1	1

# AIR FILTER

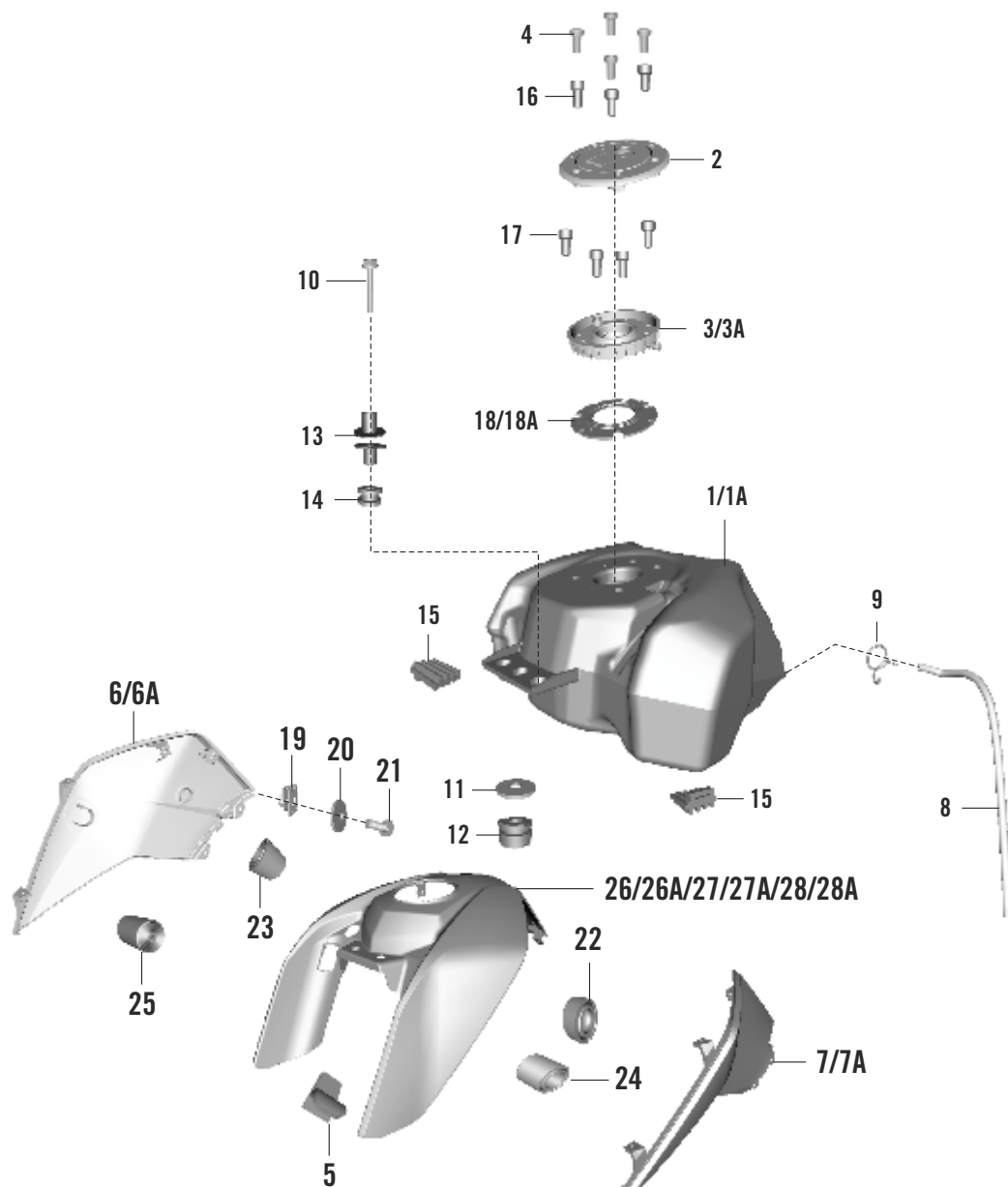
200 Duke



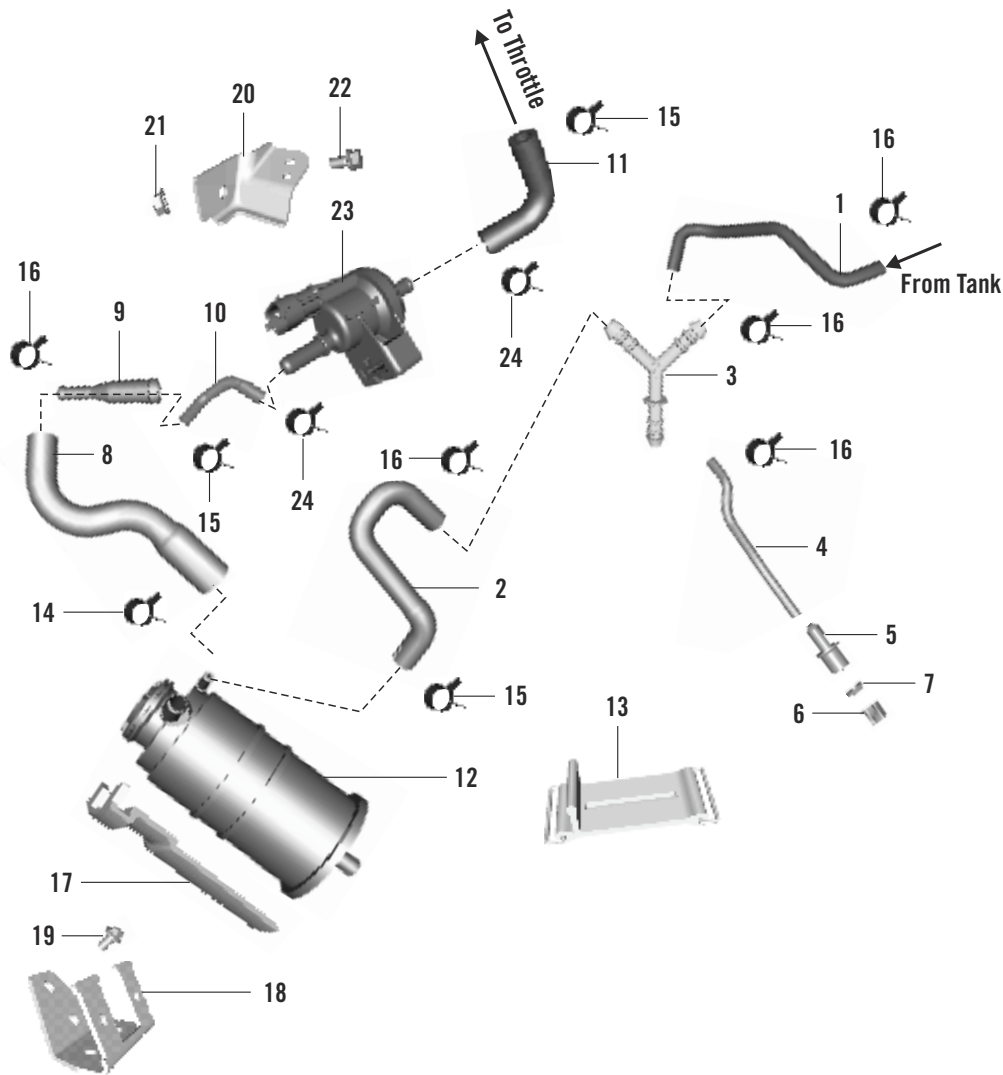
No.	Part No.	Description	Qty				
			MY13	MY14	MY15	MY16	MY17
1	JU581016	Filter Box Cpl. (Old JU581001)	1	1	1	1	1
2	KBUA0612	HH Collar Screw M6x 12 Sw10	2	2	2	2	2
3	JG581033	Air Intake	1	1	1	1	1
4	JG581081	Cap (Filter Box Cover)	1	1	1	1	1
5	JG581004	Air Filter	1	1	1	1	1
6	JG581036	Engine Breather Tube	1	1	1	1	1
7	JG581060	Drainage Hose	1	1	1	--	--
7A	JG581073	Drainage Hose	--	--	--	1	1
8	DS121126	Plug Drainage	1	1	1	1	1
9	JG581061	Hose Clamp	1	1	1	1	1
10	JG581056	Hose Clamp	2	2	2	2	2
11	JU581006	Hose Clamp	1	1	1	1	1
12	JG581058	Rubber Grommet	3	3	3	3	3

# TANK, COVER

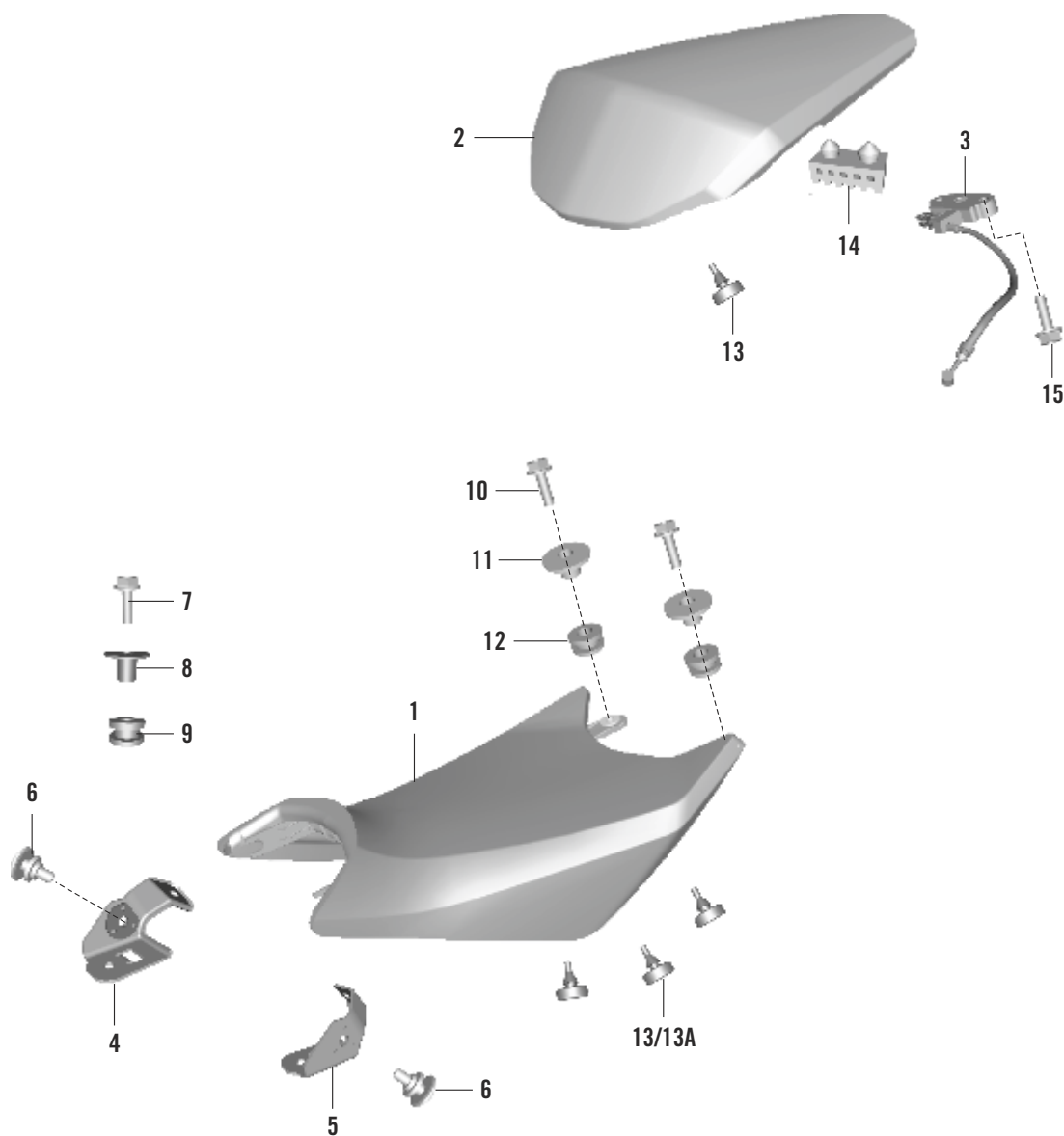
200 Duke



No.	Part No.	Description	Qty				
			MY13	MY14	MY15	MY16	MY17
1	JG171056	Fuel Tank	1	1	1	1	--
1A	JU171010	Fuel Tank EVAP Hdpe	--	--	--	--	1
2	JG171044	Tank Cap	1	1	1	1	--
3	JG171055	Cup Cap	1	1	1	1	--
3A	JG171061	Cup Cap	--	--	--	--	1
4	JG171053	Plug Tank Cap	4	4	4	4	--
5	JG171037	Lug Drain Pipe Return	1	1	1	1	1
6	JG72034W	Cover Fuel Tank R/S Black Mat	1	1	1	--	--
6A	56JG134X	Cover Fuel Tank RHS S.Black	--	--	--	1	1
7	JG72024W	Cover Fuel Tank L/S Black Mat	1	1	1	--	--
7A	56JG124X	Cover Fuel Tank LHS S.Black	--	--	--	1	1
8	JG171025	Tube Drain Cup Cap	1	1	1	1	1
9	JG171030	Clamp	1	1	1	1	1
10	JG191009	HH Collar Screw M6x40 Sw10	2	2	2	2	2
11	JG171039	D Washer	2	2	2	2	2
12	JG171024	Grommet Top Cover	2	2	2	2	2
13	JG171020	Sleeve Tank Mounting	6	6	6	6	6
14	JG171022	Grommet Tank Mounting	4	4	4	4	4
15	JG171027	Tank Rest Rubber	2	2	2	2	2
16	LAC00011	AH Screw	3	3	3	3	3
17	LAC00038	AH Screw	4	4	4	4	4
18	JG171054	Gasket For Cup Cap Tank	1	1	1	1	--
18A	JG171062	Gasket For Cup Cap Tank	--	--	--	--	1
19	JG171031	Clip Nut M5	8	8	8	8	8
20	39214124	Shim PVC5,3x11,5x1,5 (Washer)	8	8	8	8	8
21	LBU00009	Cheese-Head Screw M5x15	8	8	8	8	8
22	JG171033	Tank Rubber Pad Small L/S	1	1	1	1	1
23	JG171035	Tank Rubber Pad Small R/S	1	1	1	1	1
24	JG171034	Tank Rubber Pad Large L/S	1	1	1	1	1
25	JG171036	Tank Rubber Pad Large R/S	1	1	1	1	1
26	36JU0077	Kit Petrol Tank Cover+Decals-Orange	1	1	1	1	--
26A	52JU0218	Tank Cover Top+Decals - Elec Orange	--	--	--	--	1
27	36JU0079	Petrol Tank Cover + Decals - White	1	1	1	1	--
27A	JG72025S	Petrol Tank Cover - White	--	--	--	--	1
28	52JU0155	Kit Petrol Tank Cover+Decals-Black	1	1	1	1	--
28A	56JG22X3	Kit Petrol Tank Cover - Black	--	--	--	--	1



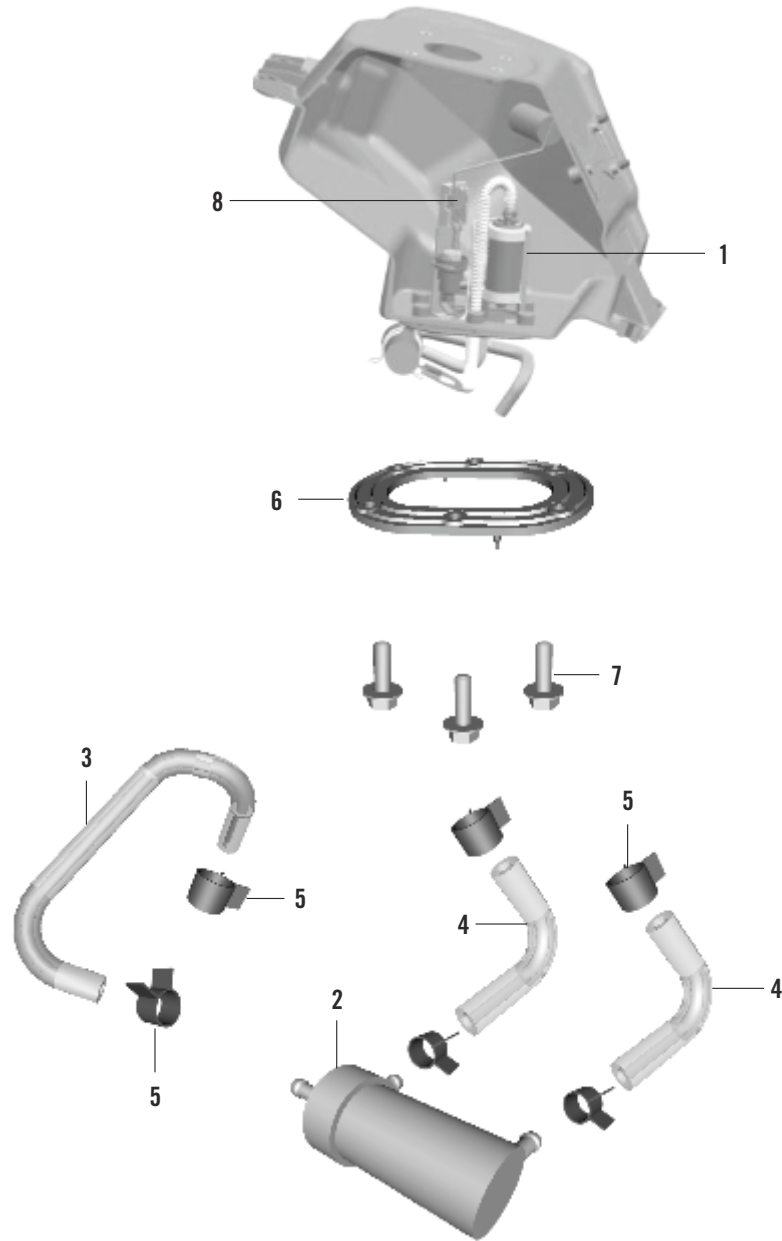
No.	Part No.	Description	Qty				
			MY13	MY14	MY15	MY16	MY17
1	JG171603	Tube Tank to Connector	--	--	--	--	1
2	JG171604	Tube Connector to Canister	--	--	--	--	1
3	JY113842	Connector Y Shape	--	--	--	--	1
4	JY171824	Tube Connector to Plug	--	--	--	--	1
5	JP171807	Plug Evap Drain	--	--	--	--	1
6	JP171808	Cap Plug Evap Drain	--	--	--	--	1
7	JP171809	Gasket 'O' Ring Plug Evap Drain	--	--	--	--	1
8	JU171603	Tube Canister to Connector	--	--	--	--	1
9	JG171086	Connector Tube Evap	--	--	--	--	1
10	JU171604	Tube Connector to Purge Valve	--	--	--	--	1
11	JU171605	Tube Purge Valve to Throttle Body	--	--	--	--	1
12	JY171072	Tank Canister (us Homologation)	--	--	--	--	1
13	JG181274	Strap Canister	--	--	--	--	2
14	JY171069	Spring Band Clamp 15x10	--	--	--	--	1
15	JY171070	Spring Band Clamp 9 X8.4	--	--	--	--	3
16	JY171090	Spring Band Clamp 13x12	--	--	--	--	5
17	JG113852	Locator Cap Canister	--	--	--	--	1
18	JG113848	Bracket Canister Mtg Loose	--	--	--	--	1
19	KAEM0610	Bolt Flanged	--	--	--	--	3
20	JU113804	Bracket Purge Valve	--	--	--	--	1
21	KCGA0606	Nut Hex Flanged	--	--	--	--	1
22	KAED0610	Bolt-Flanged-Small	--	--	--	--	1
23	JU171606	Valve Purge	--	--	--	--	1
24	JG171029	Spring Band Clamp	--	--	--	--	2



No.	Part No.	Description	Qty				
			MY13	MY14	MY15	MY16	MY17
1	JU191001	Seat	1	1	1	1	1
2	JU191000	Passenger Seat	1	1	1	1	1
3	JG232601	Seat Lock Rear	1	1	1	1	1
4	JG113809	Mounting Bracket R/S -seat	1	1	1	1	1
5	JG113808	Mounting Bracket L/S -seat	1	1	1	1	1
6	JG171023	Special Bolt	2	2	2	2	2
7	KADM0625	HH Collar Screw M6x25 Sw10	2	2	2	2	2
8	JG171020	Sleeve Tank Mounting	2	2	2	2	2
9	JG171022	Grommet Tank Mounting	2	2	2	2	2
10	JG191009	Special Screw M6x25	2	2	2	2	2
11	JG191008	Collar Bushing Seat Bracket	2	2	2	2	2
12	FD211006	Rubber Sleeve	2	2	2	2	2
13	JG191006	Seat Rubber	8	8	4	4	4
13A	JL191017	Seal Damper Front	--	--	4	4	--
14	DS211004	Seat Rubber Rear	1	1	1	1	1
15	KADM0620	HH Collar Screw M6x20 Sw10	2	2	2	2	2

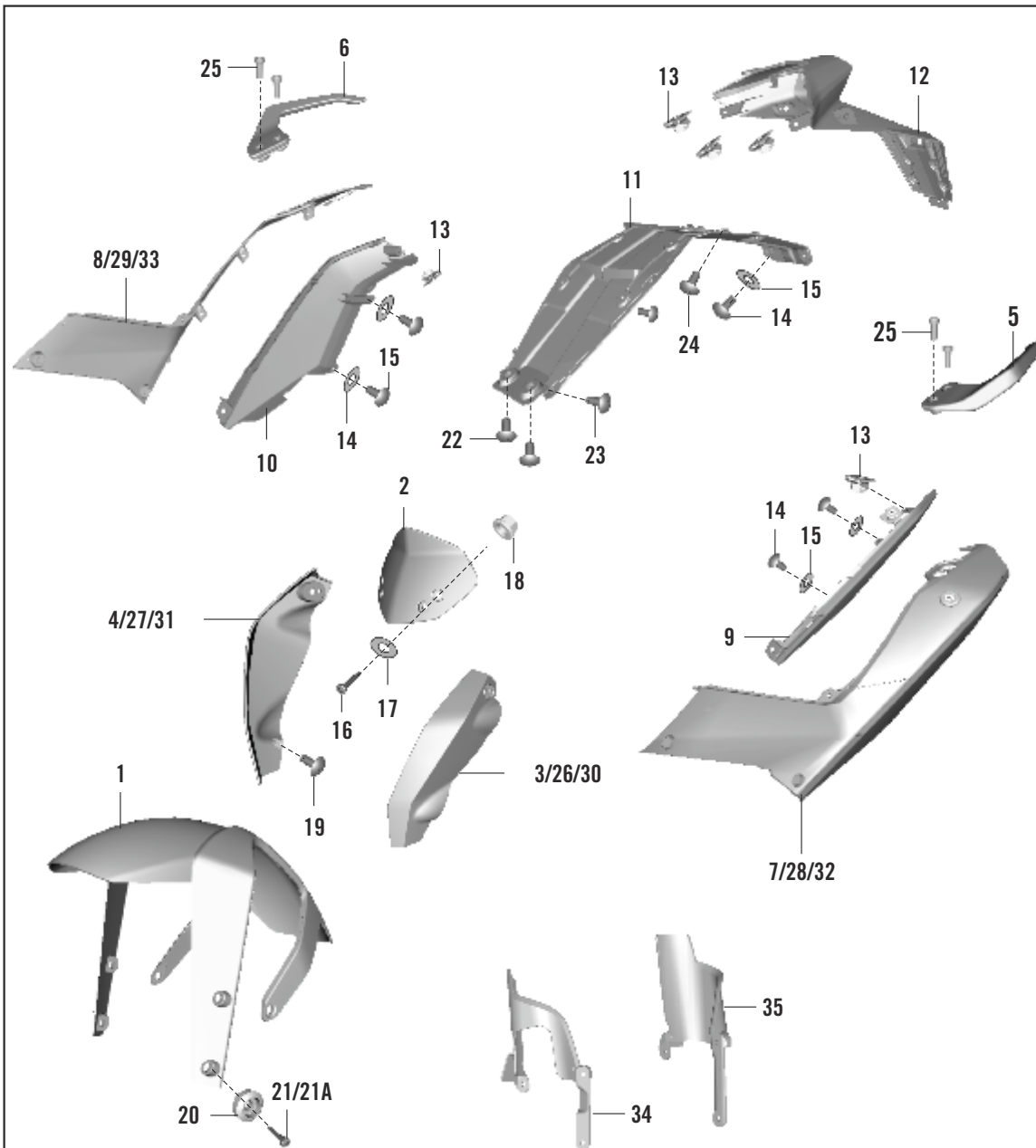
# FUEL PUMP

200 Duke



No.	Part No.	Description	Qty				
			MY13	MY14	MY15	MY16	MY17
1	JG171800	Fuel Pump	1	1	1	1	1
2	JG171802	Fuel Filter	1	1	1	1	1
3	DK141005	Fuel Hose R9	1	1	1	1	1
4	JY171812	Fuel Hose	2	2	2	2	2
5	JG171029	ClampP10mm	6	6	6	6	6
6	JG171018	Gasket F. Fuel Pump	1	1	1	1	1
7	LAD00080	HH Collar Screw M5x12 SW8	6	6	6	6	6
8	36JU0028	Sensor Fuel Level	1	1	1	1	1

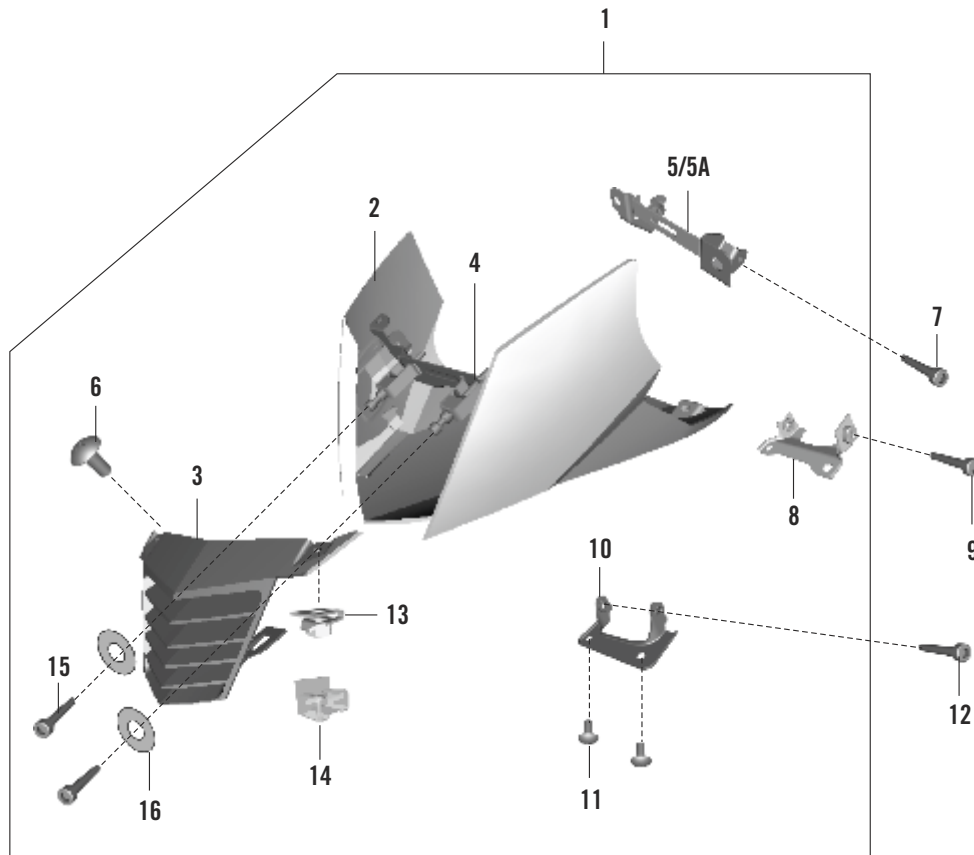




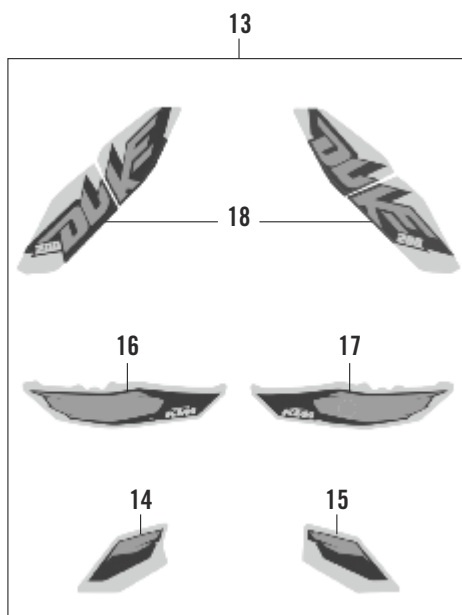
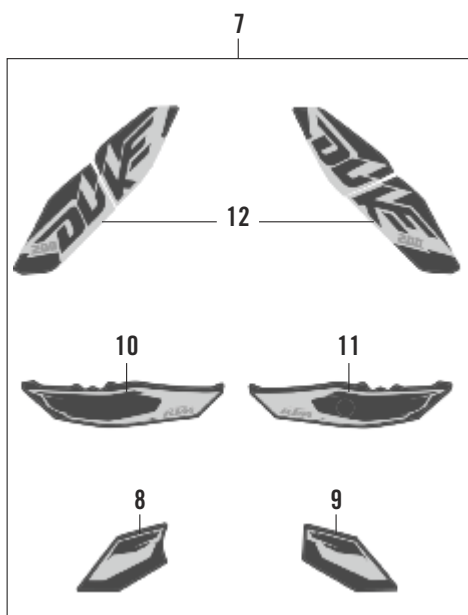
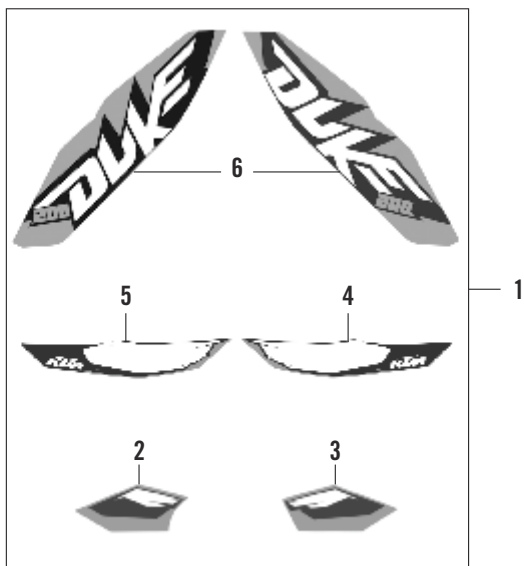
No.	Part No.	Description	Qty				
			MY13	MY14	MY15	MY16	MY17
1	56JG05X3	Front Fender E. Black	1	1	1	1	1
2	JG181230	Wind Shield	1	1	1	1	1
3	JG73015C	Mask Spoiler L/S Orange	1	1	1	1	--
3A	56JU141T	Mask Spoiler L/S E. Orange	--	--	--	--	1
4	JG73025C	Mask Spoiler R/S Orange	1	1	1	1	--
4A	56JU151T	Mask Spoiler R/S E. Orange	--	--	--	--	1
5	JG231404	Grip L/S Cpl.	1	1	1	1	1
6	JG231405	Grip R/S Cpl.	1	1	1	1	1
7	JG74015C	Side Cowl LHS Top Orange	1	1	1	1	--
8	JG74035C	Side Cowl RHS Top Orange	1	1	1	1	--
9	JG181205	Side Cover Bottom L/S	1	1	1	1	1
10	JG181206	Side Cover Bottom R/S	1	1	1	1	1
11	JG181429	Rear End Lower Part (Under Tray)	1	1	1	1	1
12	JG181428	Number Plate Support	1	1	1	1	1
13	JG171031	Clip Nut M5	9	9	9	9	9
14	LBR00003	Cross Pan Screw 4x12 PH	10	10	10	10	10
15	LDA00007	Washer 4,5x12x1mm	10	10	10	10	10
16	LAC00040	AH Screw M5x20	4	4	4	4	4
17	LDB00027	Washer For Windshield	4	4	4	4	4
18	JG181236	Well Nut M5 L16	4	4	4	4	4
19	LBR00002	Self Tapping Screw K50x12 T20	2	2	2	2	2
20	JG181408	Bushing Front Fender	6	6	6	6	6
21	KACE0616	AH Screw M6x16	6	6	--	--	--
21A	LAC00071	AH Screw M6x16	--	--	6	6	6
22	KADM0614	HH Collar Screw M6x14 Sw8	2	2	2	2	2
23	LBU00007	Cheese Head Screw M5x16	10	10	10	10	10
24	LAD00043	Special Screw M6x12,5 Ws8	2	2	2	2	2
25	LAC00053	AH Screw M8x27	4	4	4	4	4
26	56JG14X3	Side Mask LH E. Black	1	1	1	1	1
27	56JG15X3	Side Mask RH E. Black	1	1	1	1	1
28	56JG104X	Seat Cowl LH E.Black	1	1	1	1	1
29	56JG114X	Seat Cowl RH E.Black	1	1	1	1	1
30	JG73015S	Mask Spoiler LHS White	1	1	1	1	1
31	JG73025S	Mask Spoiler RHS White	1	1	1	1	1
32	JG72054W	Side Cowl LHS White	1	1	1	1	--
33	JG72054W	Seat Cowl RH White	1	1	1	1	--
34	JG181280	Fork Protector LH	--	--	1	1	1
35	JG181282	Fork Protector RH	--	--	1	1	1

# BELLY PAN

200 Duke



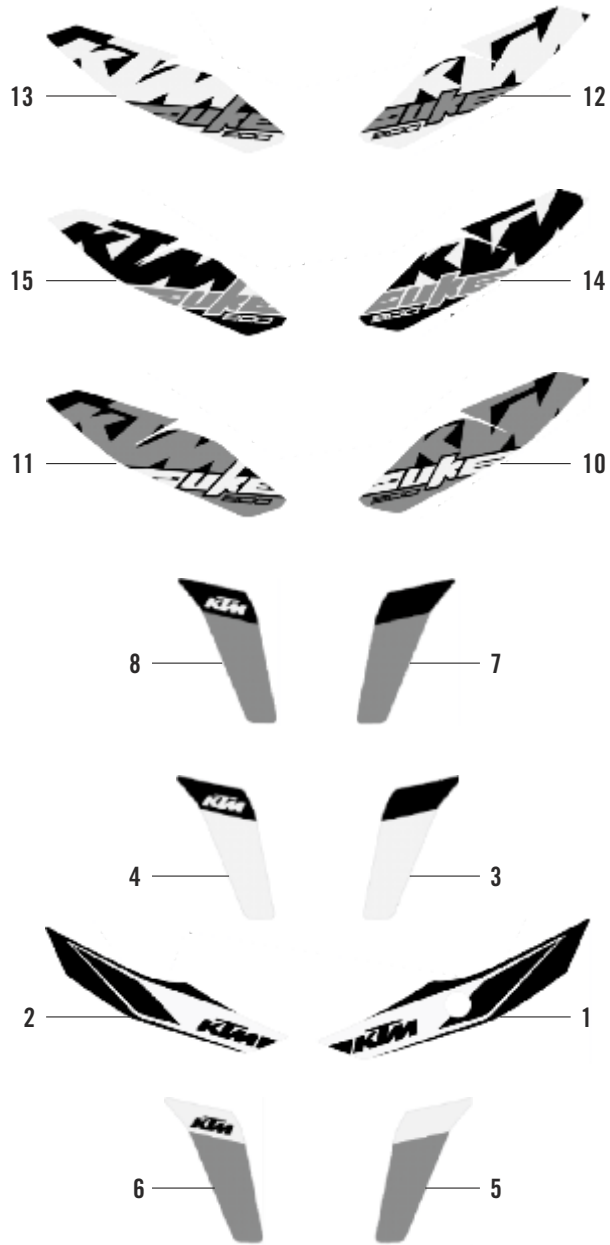
No.	Part No.	Description	Qty				
			MY13	MY14	MY15	MY16	MY17
1	36JU0016	Kit Belly Pan Assly	1	1	1	1	1
2	JG181211	Belly Pan	1	1	1	1	1
3	JG181234	Front Spoiler Top Part	1	1	1	1	1
4	JG181219	Bracket Front Belly Pan	1	1	1	1	1
5	JG113838	Bracket Belly Pan	1	1	1	1	--
5A	JG181288	Bracket Belly Pan	--	--	--	--	1
6	LAE00010	Special Screw Belly Pan	2	2	2	2	2
7	JG181252	HH Collar Screw M6x90	1	1	1	1	1
8	JG181254	Bracket Rear Belly Pan	1	1	1	1	1
9	KADM0618	HH Collar Screw M6x60 Sw10	1	1	1	1	1
10	JG181253	Bracket Center Belly Pan	1	1	1	1	1
11	JG181255	Bolt	4	4	4	4	4
12	JG181252	HH Collar Screw M6x90	1	1	1	1	1
13	JG171031	Clip Nut	2	2	2	2	2
14	JW161017	Grommet Belly Pan	2	2	2	2	2
15	KACE0650	AH Screw M6x50	2	2	2	2	2
16	KDBE0613	Washer	2	2	2	2	2



No.	Part No.	Description	Qty				
			MY13	MY14	MY15	MY16	MY17
1	JU233039	Decal Set 200 Duke Orange	1	1	1	1	--
2	JG233008	Bell Pan LH Decal Orange	1	1	1	1	--
3	JG233009	Bell Pan RH Decal Orange	1	1	1	1	--
4	JG233084	Decal Seat Cowl LH Orange	1	1	1	1	--
5	JG233085	Decal Seat Cowl RH Orange	1	1	1	1	--
6	JU233001	Decal Set Petrol Tank Cover LH+RH Orange	1	1	1	1	--
7	JU233031	Decal Set 200 Duke Black MY13	1	1	1	1	--
8	JG233069	Bell Pan LH Decal Black	1	1	1	1	--
9	JG233070	Bell Pan RH Decal Black	1	1	1	1	--
10	JG233071	Decal Seat Cowl LH Black MY13	1	1	1	1	--
11	JG233072	Decal Seat Cowl RH Black MY13	1	1	1	1	--
12	JU233032	Decal Set Petrol Tank Cover LH+RH Black	1	1	1	1	--
13	JU233040	Decal Set 200 Duke White	1	1	1	1	--
14	JG233044	Bell Pan LH Decal White	1	1	1	1	--
15	JG233045	Bell Pan RH Decal White	1	1	1	1	--
16	JG233088	Decal Seat Cowl LH White	1	1	1	1	--
17	JG233089	Decal Seat Cowl RH White	1	1	1	1	--
18	JU233027	Decal Set Petrol Tank Cover LH+RH White	1	1	1	1	--

# DECAL

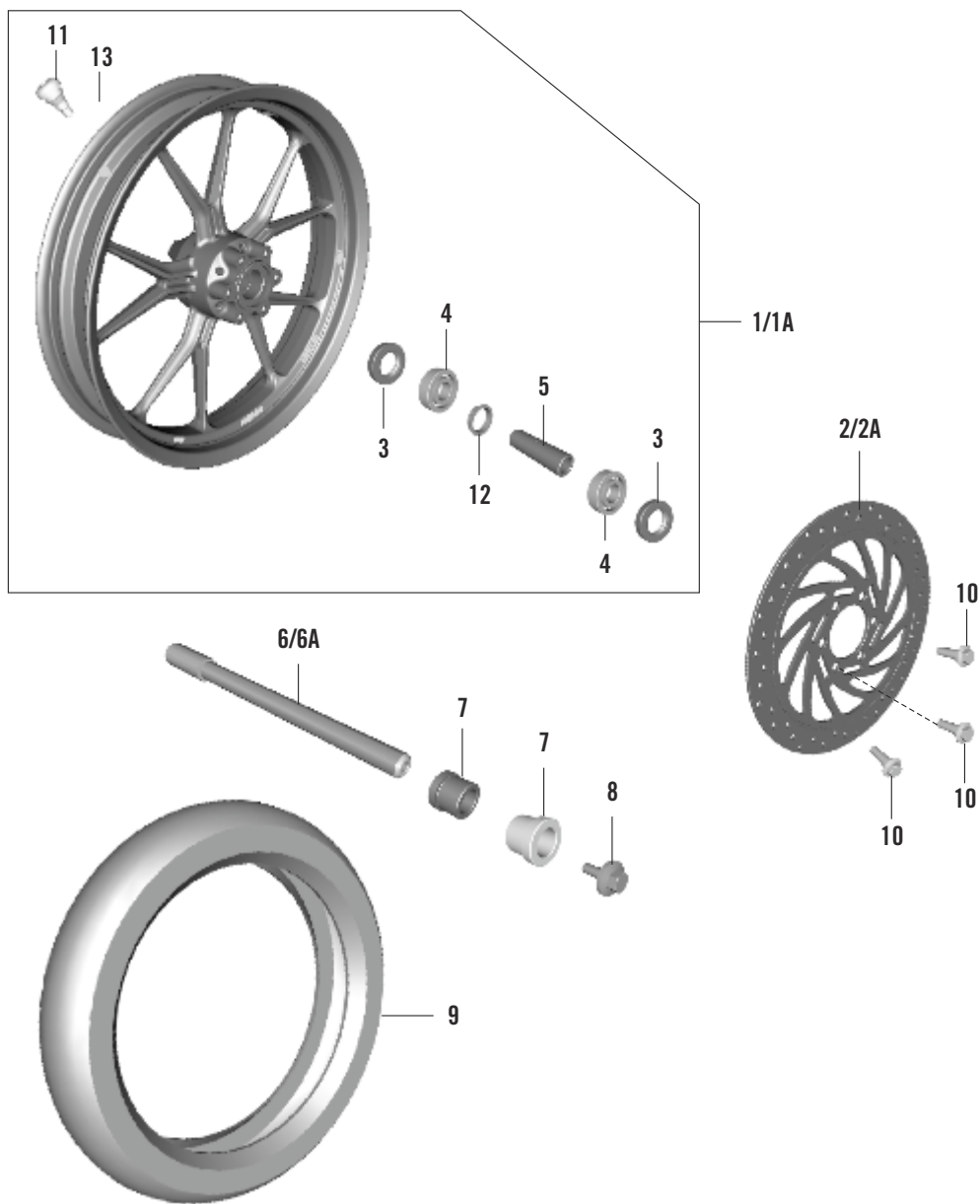
200 Duke



No.	Part No.	Description	Qty				
			MY13	MY14	MY15	MY16	MY17
1	JU233067	Decal Cowl Seat LH	--	--	--	--	1
2	JU233068	Decal Cowl Seat RH	--	--	--	--	1
3	JU233079	Decal Mask LH Org	--	--	--	--	1
4	JU233080	Decal Mask RH Org	--	--	--	--	1
5	JU233072	Decal Mask LH Blk	--	--	--	--	1
6	JU233073	Decal Mask RH Blk	--	--	--	--	1
7	JU233086	Decal Mask LH White	--	--	--	--	1
8	JU233087	Decal Mask RH White	--	--	--	--	1
9	JU233066	Decal Tank Logo	--	--	--	--	1
10	JU233077	Decal Cover Tank LH Org	--	--	--	--	1
11	JU233078	Decal Cover Tank RH Org	--	--	--	--	1
12	JU233084	Decal Cover Tank LH White	--	--	--	--	1
13	JU233085	Decal Cover Tank RH White	--	--	--	--	1
14	JU233070	Decal Cover Tank LH Blk	--	--	--	--	1
15	JU233071	Decal Cover Tank RH Blk	--	--	--	--	1

# FRONT WHEEL

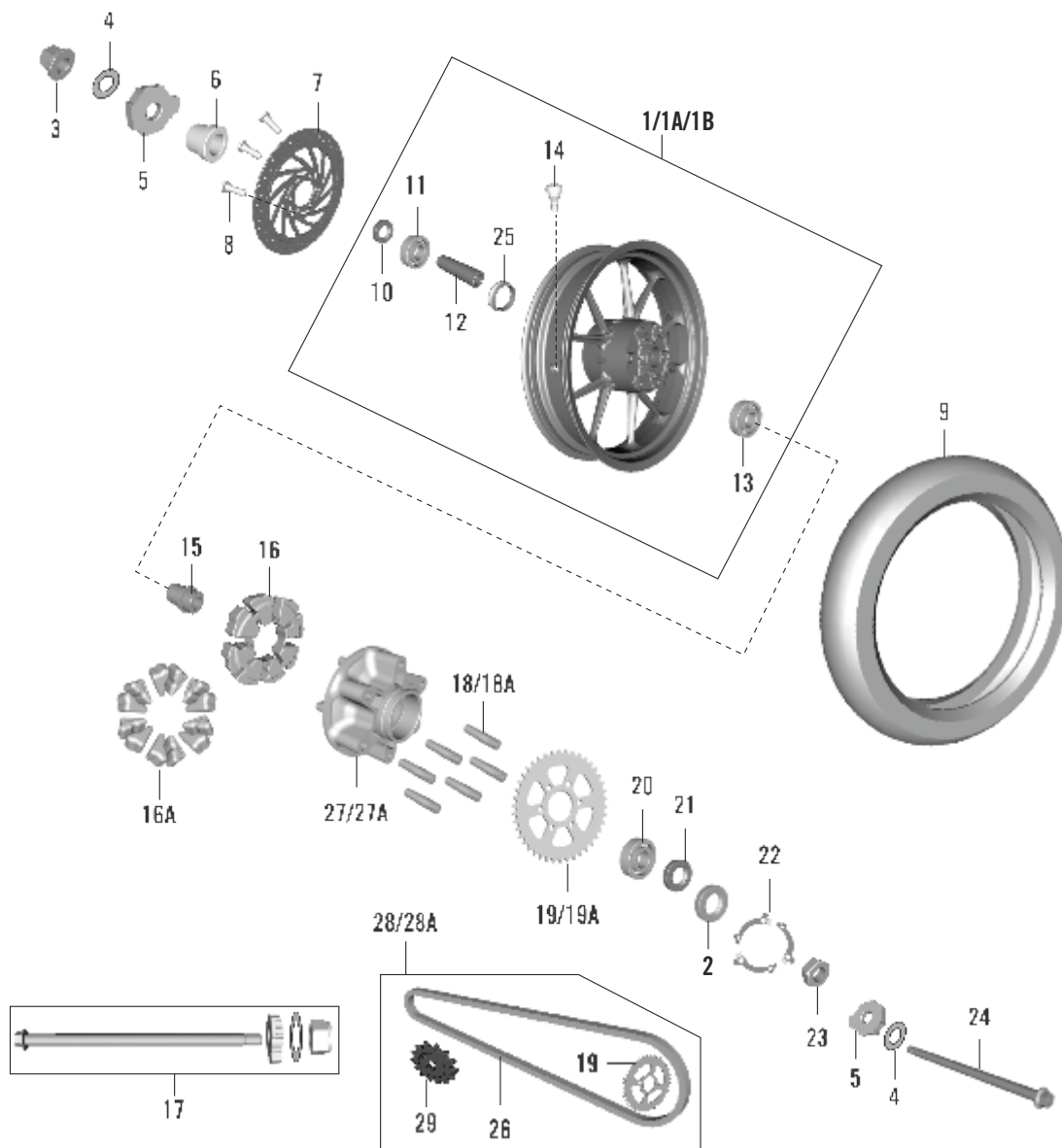
200 Duke



No.	Part No.	Description	Qty				
			MY13	MY14	MY15	MY16	MY17
1	36JU0080	Front Wheel Cpl. Black MY16	1	1	1	1	--
1A	36JY0205	Front Wheel Cpl. Elec. Orange MY17	--	--	--	--	1
2	JY131800	Wave Brake Disc Front (with spacer)	1	1	1	1	--
2A	JP131818	Brake Disc	--	--	--	--	1
3	DG151005	Shaft Seal Ring22x35x8 (oil Seal)	2	2	2	2	2
4	KPBC6202	Ball bearing	2	2	2	2	2
5	JG131002	Bearing Spacer Tube Front	1	1	1	1	1
6	JG131003	Axle Front D=15mm	1	1	1	1	--
6A	JP131009	Axle Front	--	--	--	--	1
7	JG131020	Spacer Bushing Front Wheel	2	2	2	2	2
8	JG131007	Axle Screw M8	1	1	1	1	1
9	JG131038	Tyre Front	1	1	1	1	1
10	JG131802	Special Screw M8x30 Self Lock.	6	6	6	6	6
11	DK151026	Valve Cpl.	1	1	1	1	1
12	30151098	Support	1	1	1	1	1
13	KEBA3515	Circlip Internal	1	1	1	1	1

# REAR WHEEL

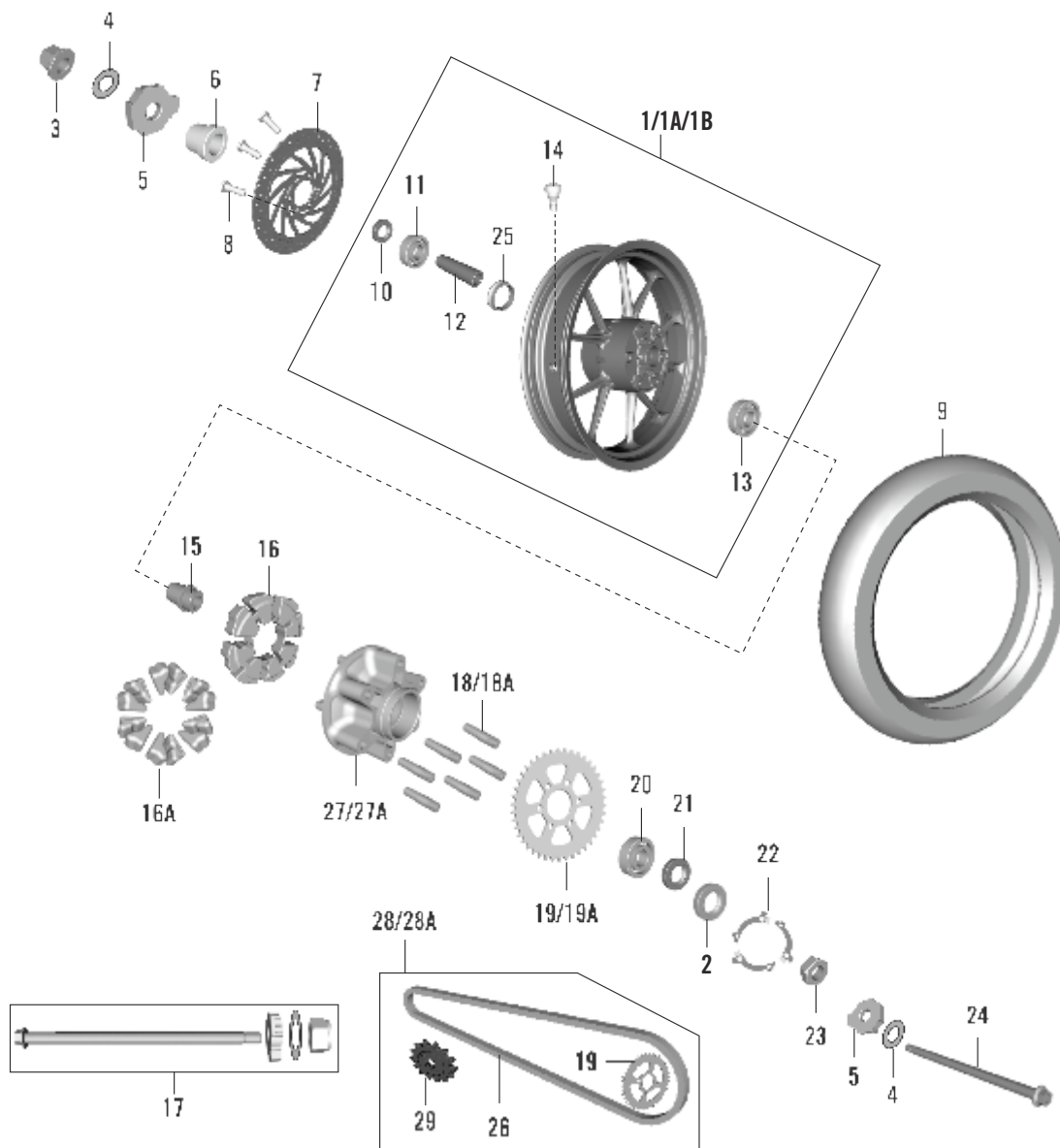
200 Duke



No.	Part No.	Description	Qty				
			MY13	MY14	MY15	MY16	MY17
1	36JG0007	Rear Wheel Cpl. 4.00x17	1	--	--	--	--
1A	36JU0081	Kit Rear Wheel Assly (MY-14)	--	1	1	1	--
1B	36JY0206	Rear Wheel Assly	--	--	--	--	1
2	JG131209	Spacer	1	1	1	1	1
3	DH171019	Collar Nut Wheel Spindle Rear	1	1	1	1	1
4	LDB00034	Washer 15,2x30x2mm	2	2	2	2	2
5	JG122007	Chain Tensioner R/S (Chain Adj. RH)	2	2	2	2	2
6	JG131211	Spacer Bushing Rear Wheel R/s	1	1	1	1	1
7	JG131809	Wave Brake Disc Rear	1	1	1	1	1
8	JD131811	Special Screw M8x25 Self Lock.	6	6	6	6	6
9	JG131245	Tyre Rear	1	1	1	1	1
10	30151082	Shaft Seal Ring 26x42x8 (Oil Seal)	1	1	1	1	1
11	KPBC6302	Ball Bearing 6302	1	1	1	1	1
12	JG131206	Bearing Spacer Tube Rear	1	1	1	1	1
13	KPBC6202	Ball Bearing 6202	1	1	1	1	1
14	DK151026	Valve Cpl.	1	1	1	1	1
15	DT131210	Spacer Bushing Krt Inside	--	1	1	1	1
16	JG131219	Damping Rubber	1	--	--	--	--
16A	JU131222	Damping Rubber (MY-14)	--	6	6	6	6
17	36JU0068	Rear Axle Kit	1	1	1	1	1
18	JG131217	Bolt D (Stud M10)	4	--	--	--	--
18A	JG131228	Bolt D (Stud M10)	--	6	6	6	6
19	JU141002	SprockeT42 T.	1	--	--	--	--
19A	JU141008	SprockeT42 T	--	1	1	1	1
20	KPAC6205	Ball Bearing 6005 Rs	1	1	1	1	1
21	DT131214	Shaft Seal Ring 30x47x8 (Oil Seal)	1	1	1	1	1
22	JG131216	Twist Lock Washer	3	3	3	---	---
23	LCL00004	Flanged Nut M10x1,25 H6 Ws14	4	6	6	6	6
24	JG131224	Axle Rear Cpl.	1	1	1	1	1
25	30151098	Support	1	1	1	1	1

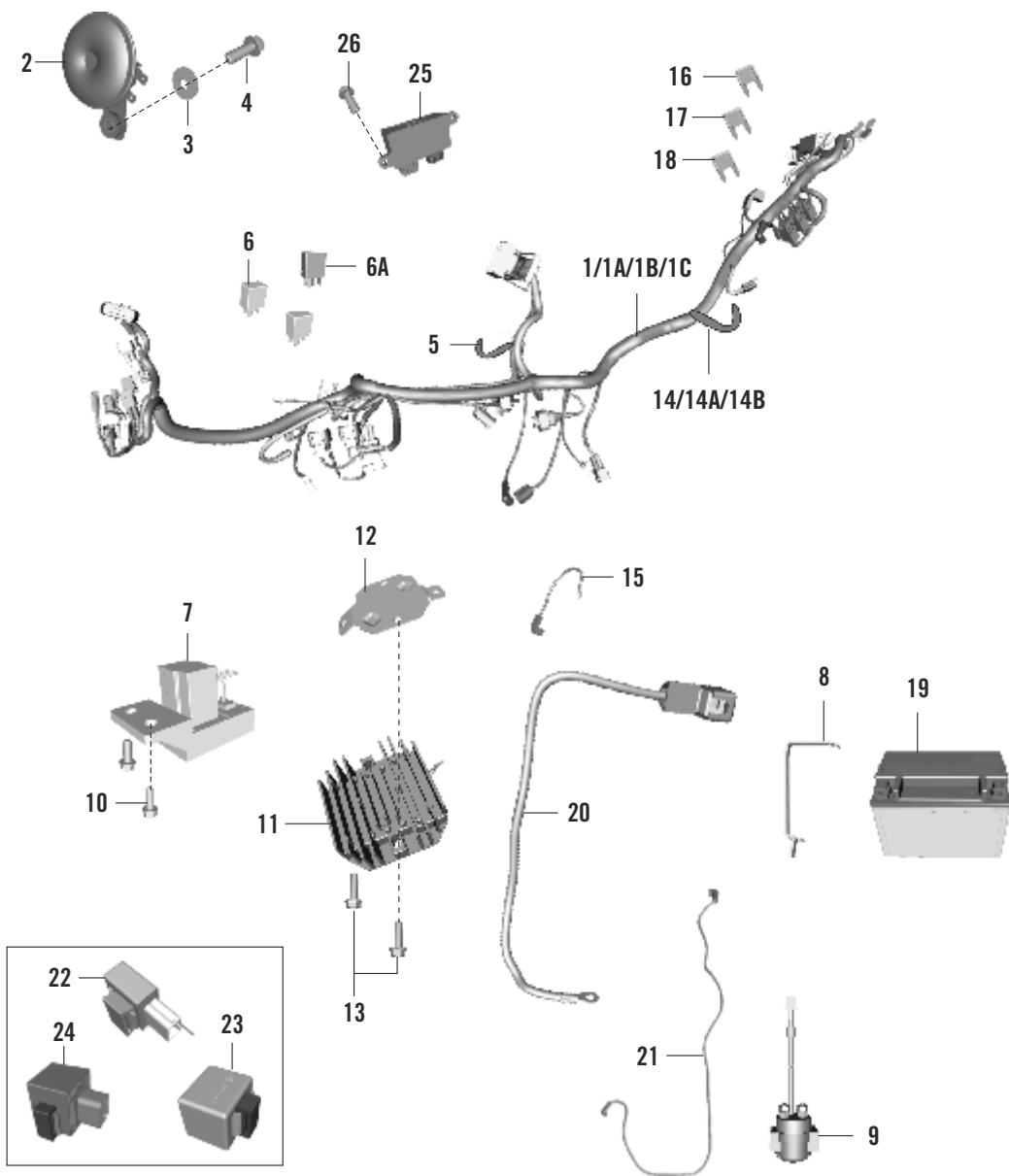
# REAR WHEEL

200 Duke



No.	Part No.	Description	Qty				
			MY13	MY14	MY15	MY16	MY17
26	JU141006	Drive Chain 520 X Ring 110 Link	1	1	1	1	1
27	JC151016	Coupling	1	--	--	--	--
27A	DT131213	Coupling (MY-14)	--	1	1	1	1
28	36JU0018	Kit Chain Sprocket	1	--	--	--	--
28A	36JY0100	Kit Chain Sprocket (MY-15)	--	1	1	1	1
29	DV101048	Sprocket Output (14T)	1	1	1	1	1

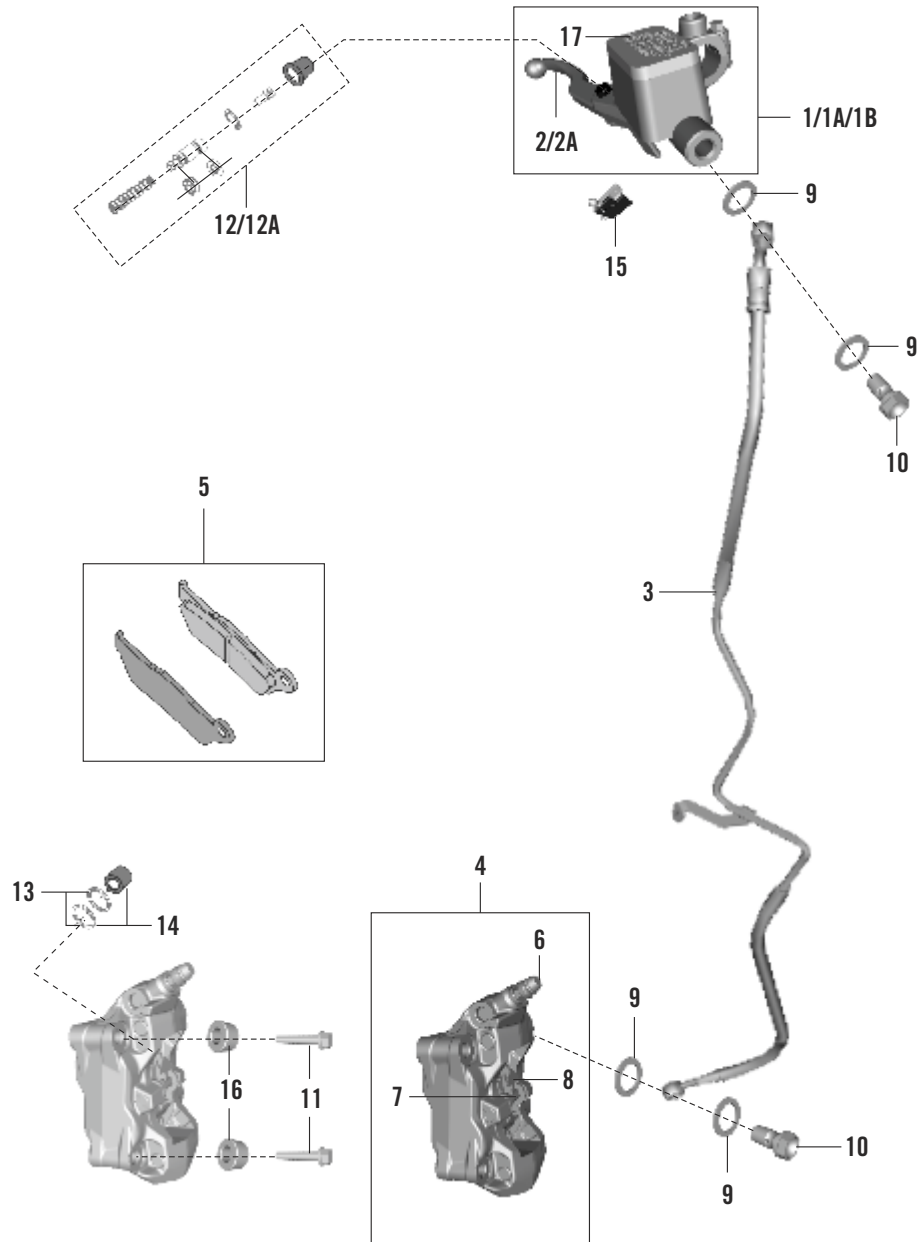




No.	Part No.	Description	Qty				
			MY13	MY14	MY15	MY16	MY17
1	JU402202	Wiring Harness	1	—	—	—	—
1A	JU402226	Wiring Harness (MY-14)	—	1	1	—	—
1B	JU402229	Wiring Harness	—	—	—	1	—
1C	JU402239	HARNESS WIRING	—	—	—	—	1
2	JG401601	DC Horn	1	1	1	1	1
3	LDB00021	Washer 8,2x16x1,5	1	1	1	1	1
4	KADM0820	HH Collar Screw M8x20 Sw12	1	1	1	1	1
5	60111418	Cable Tie	1	1	1	1	1
6	JL403000	Relay	5	5	5	5	5
6A	JL403001	Relay With Diode	1	1	1	1	1
7	JG403200	Roll Over Sensor	1	1	1	1	1
8	JG401801	Battery Band	1	1	1	1	1
9	JN351604	Starter Relay	1	1	1	1	1
10	LAE00010	HH Collar Screw M5x13 Sw8	2	2	2	2	2
11	JG402003	Voltage Regulator	1	1	1	1	1
12	JG113825	Bracket Voltage Regulator	1	1	1	1	1
13	KADM0625	HH Collar Screw M6X25 Sw10	2	2	2	2	2
14	JD402217	Cable Ties For Harness 150mm	12	12	12	12	12
14A	PA402204	Cable Ties For Harness 110mm	5	5	5	5	5
14B	JD402212	Cable Ties For Harness 200mm	12	12	12	12	12
15	JG402237	Ground Cable	1	1	1	1	1
16	JG402228	Fuse 10A	1	1	1	1	1
17	JG402229	Fuse 15A	4	4	4	4	4
18	JG402230	Fuse 30A	1	1	1	1	1
19	36JU0015	Battery	1	1	1	1	1
20	JG402235	Cable Assly Earth	1	1	1	1	1
21	JG402236	Starter Cable	1	1	1	1	1
22	JG402002	DC Flasher (MY-14)	—	1	1	1	1
23	JU401004	Head Lamp Control Unit (MY-14)	—	1	1	1	1
24	JG401405	Termination Unit (MY-14)	—	1	1	1	1
25	JG402004	Integral Unit	1	—	—	—	—
26	KAEM0614	Bolt Integral Unit	1	—	—	—	—

# BRAKE SYSTEM - FRONT

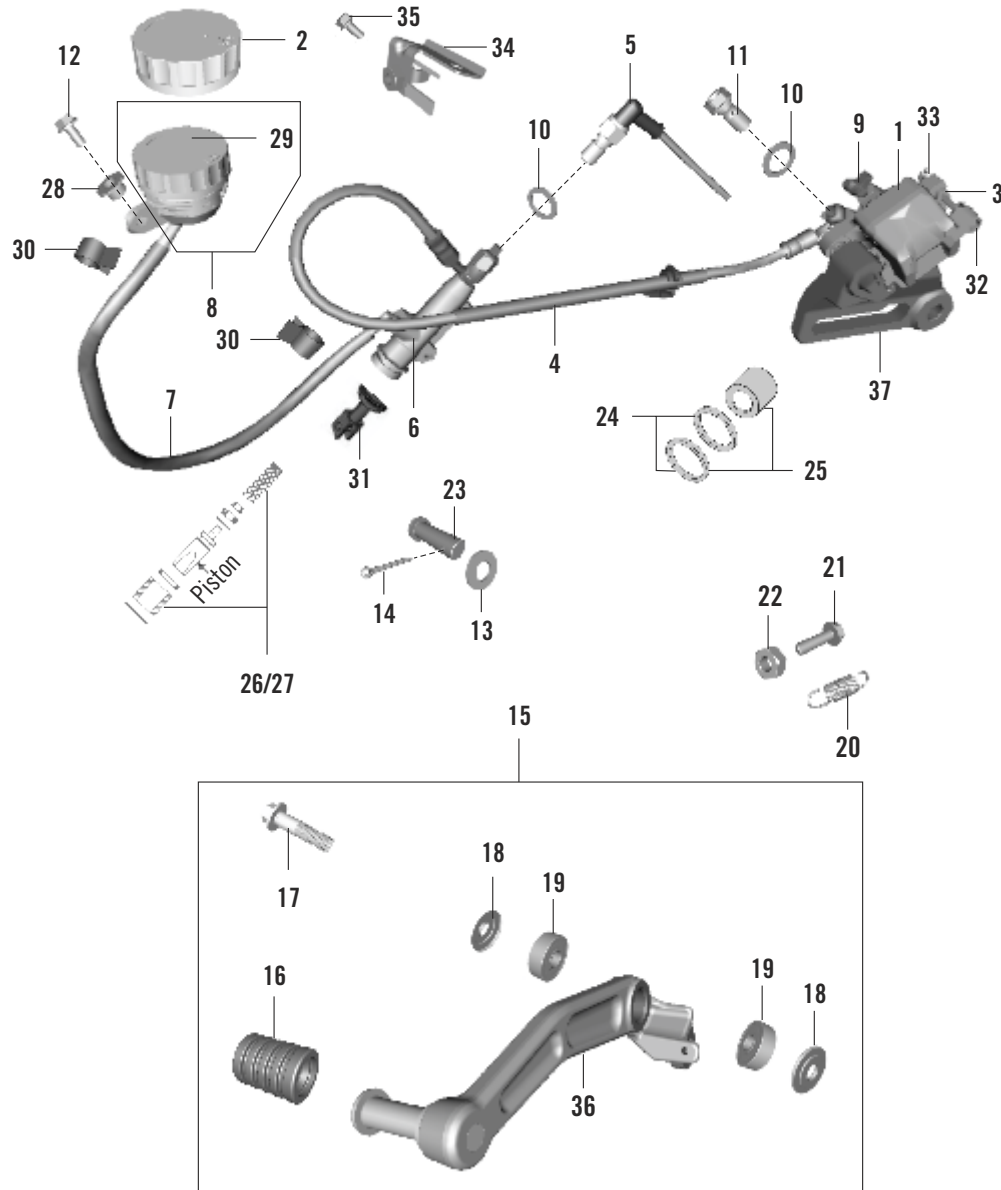
200 Duke



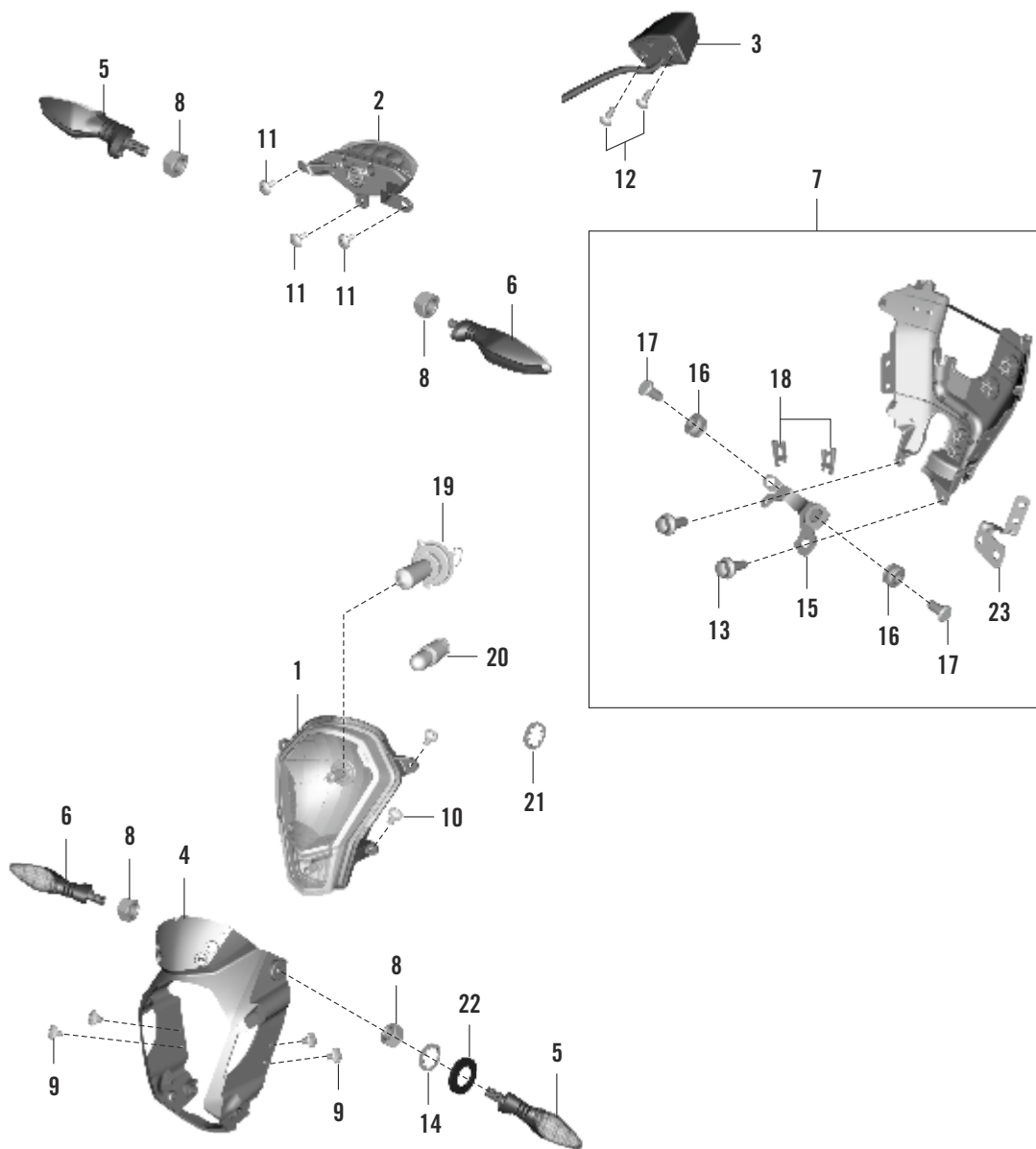
No.	Part No.	Description	Qty				
			MY13	MY14	MY15	MY16	MY17
1	JG131826	Assembly Master Cylinder Front	1	--	--	--	--
1A	JG131840	Assembly Master Cylinder Front	--	1	1	--	--
1B	36JP0016	Assembly Master Cylinder Front	--	--	--	1	1
2	DJ191057	Lever Grip RH	1	--	--	--	--
2A	36JY0220	Lever Grip RH (MY-14)	--	1	1	1	1
3	JG131805	Brake Hose Front	1	1	1	1	1
4	JG131804	Brake Caliper Radial	1	1	1	1	1
5	36JU0114	Kit Brake Pad Front	1	1	1	1	1
6	JG131811	Bleeder Screw	1	1	1	1	1
7	59040048	Bolt F. Brake Pads	1	1	1	1	1
8	JG131813	Spring Clip	1	1	1	1	1
9	DE191010	Copper Gasket	4	4	4	4	4
10	DK151069	Banjo Screw	2	2	2	2	2
11	LAD00037	HH Collar Screw M8x1x50 SW12SS	2	2	2	2	2
12	36DH4048	Major Kit Master Cylinder	1	1	1	--	--
12A	36JY0183	Major Kit Master Cylinder	--	--	--	1	1
13	JU131816	Minor Kit Caliper Assly.	1	1	1	1	1
14	JU131815	Major Kit Caliper Assly.	1	1	1	1	1
14A	36JY0184	Minor Kit Master Cylinder	--	--	--	1	1
15	DJ201109	Front Brake Switch	1	1	1	1	1
16	JU131004	Distant Piece	--	--	--	2	2
17	36JY0221	Clamp Kit	1	1	1	1	1
18	36JY0187	Front MC Boot Kit	1	1	1	1	1

# BRAKE SYSTEM - REAR

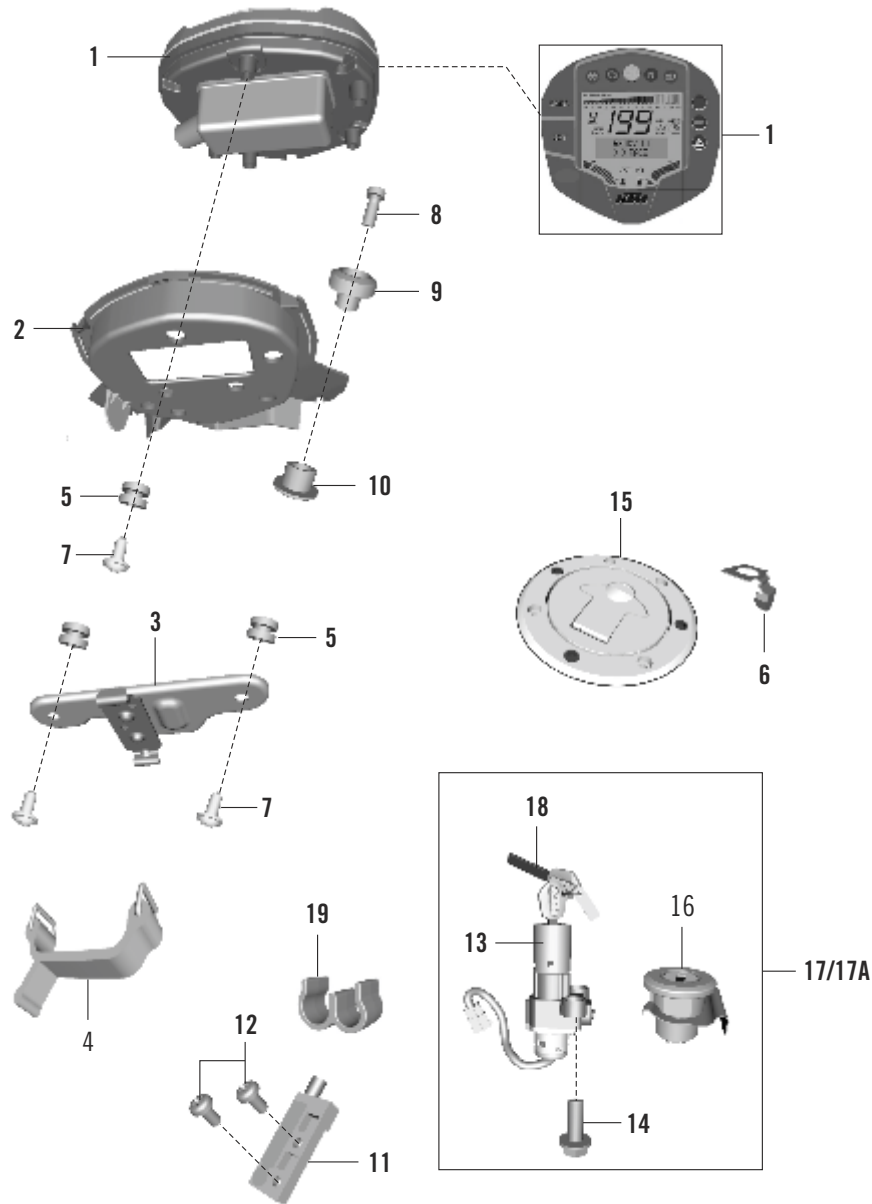
200 Duke



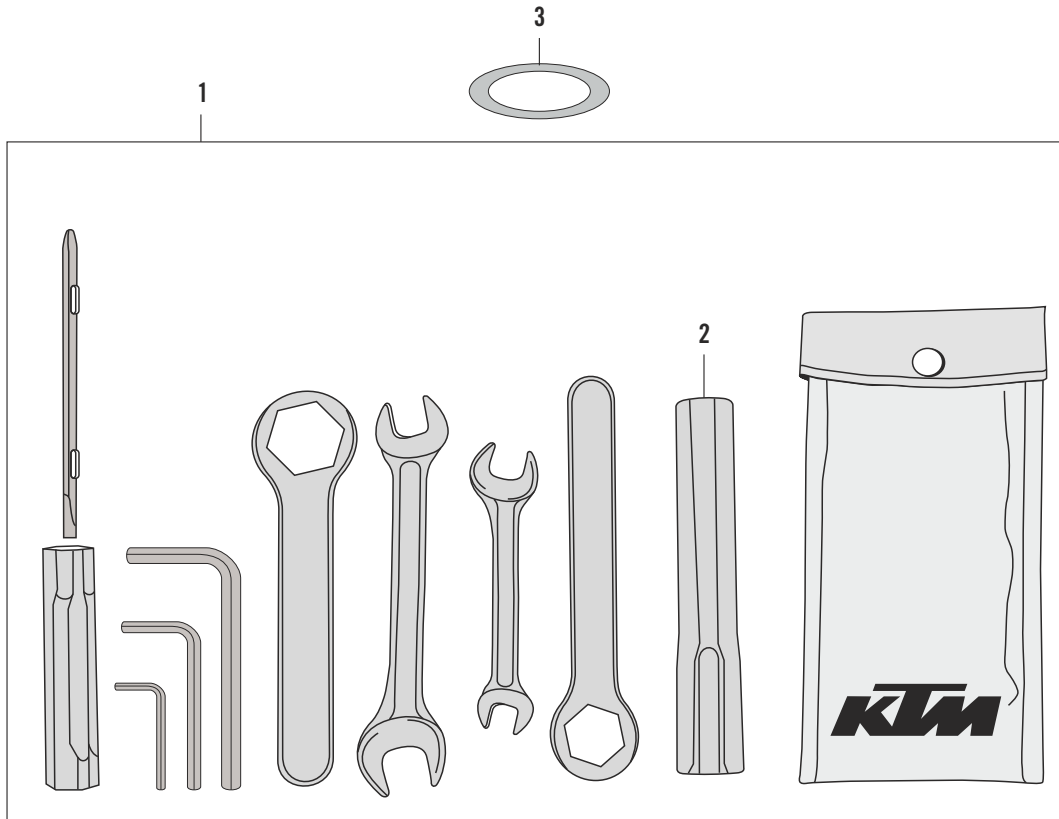
No.	Part No.	Description	Qty				
			MY13	MY14	MY15	MY16	MY17
1	JG131815	Brake Caliper Rear Cpl.	1	1	1	1	1
2	DK151045	Rear Master Cylinder Cap	1	1	1	1	1
3	DK151085	Rear Brake Pads	1	1	1	1	1
4	JG131807	Brake Hose Rear	1	1	1	1	1
5	JG401400	Brake Light Switch Rear	1	1	1	1	1
6	JG131808	Rear Brake Cylinder Cpl.	1	1	1	1	1
7	JG131822	Hose F. Reservoir	1	1	1	1	1
8	36JG0083	Kit Brake Fluid Reservoir Cpl.	1	1	1	1	1
9	DE151046	Bleeder Screw	1	1	1	1	1
10	DE191010	Copper Gasket	4	4	4	4	4
11	DK151069	Banjo Screw	1	1	1	1	1
12	KADM0614	HH Collar Screw M6x12 Sw8	1	1	1	1	1
13	KDBE0613	Plain Washer 6,5x13x1	1	1	1	1	1
14	KHAD2015	Pin 2x15mm	1	1	1	1	1
15	JG161014	Kit Foot Brake Lever Assly	1	1	1	--	--
16	JG113010	Rubber For Brake Pedal	1	1	1	1	1
17	JG113068	HH Collar Screw M8x30 Ss Sw10	1	1	1	1	1
18	JG113062	Washer Brake Lever	2	2	2	2	2
19	JG113061	Bearing Brake Lever	2	2	2	2	2
20	JG161001	Spring Foot Brake Lever	1	1	1	1	1
21	KADM0620	HH Collar Screw M6x20 Sw10	1	1	1	1	1
22	KCAJ0605	Hexagon Nut M6	1	1	1	1	1
23	LHA00001	Pin	1	1	1	1	1
24	36DK0067	Major Kit Cal. Assly. (with Piston)	1	1	1	1	1
25	36DK0068	Minor Kit Cal. Assly. (w/o Piston)	1	1	1	1	1
26	36DK0069	Major Kit Master Cyl. (with Piston)	1	1	1	1	1
27	36DK0070	Minor Kit Master Cyl. (w/o Piston)	1	1	1	1	1
28	JG181239	Collar Bushing	1	1	1	1	1
29	DK151072	Diaphragm Reservoir	1	1	1	1	1
30	DK151063	Clip For Reservoir Tube	2	2	2	2	2
31	DK151043	Push Rod	1	1	1	1	1
32	JG131830	Pin Pad	1	1	1	1	1
33	DE151041	Clip for Pin Pad	2	2	2	2	2
34	JL131878	Bracket reservoir cap	--	--	--	1	1
35	KAEA0510	Bolt for bracket	--	--	--	1	1
36	JG161014	Foot Brake Lever	--	--	--	1	1
37	JG131819	Caliper Mount	1	1	1	1	1



No.	Part No.	Description	Qty				
			MY13	MY14	MY15	MY16	MY17
1	JG401041	Head Light (MY-14)	1	1	1	1	1
2	JG401001	Rear Light Led	1	1	1	1	1
3	JG401006	License Plate Illumination	1	1	1	1	1
4	JG181226	Mask Carrier	1	1	1	1	1
5	DT401002	Flasher Cpl. Re. R/S Fr. L/s	2	2	2	2	2
6	DT401003	Flasher Cpl. Re. L/S Fr. R/s	2	2	2	2	2
7	JG181225	Head Light Cover Rear Cpl.	1	1	1	1	1
8	LCA00005	Flanged Nut	4	4	4	4	4
9	JG181259	Rivet Snap	4	4	4	4	4
10	LBR00002	Self Tapping Screw K50x12 T20	4	4	4	4	4
11	LBU00009	Cheese-head Screw M5x15	3	3	3	3	3
12	LBR00003	Cross Pan Screw 4x12 Ph	2	2	2	2	2
13	KAEM0616	HH Collar Screw M6x16 Sw10	2	2	2	2	2
14	LDA00012	Plain Washer For Indicator	4	4	4	4	4
15	JG181245	Hinge Bkt Head L. - Cover	1	1	1	1	1
16	JG181242	Grommet Mask Carr. Pivot Bkt	2	2	2	2	2
17	LAD00046	Safety Bolt 8x1,5	2	2	2	2	2
18	JG181243	Sec. Clip Mask Carr. Pivot Bkt	2	2	2	2	2
19	DG201071	Head Light Bulb	1	1	1	1	1
20	DJ201072	Pilot Bulb	1	1	1	1	1
21	LDF00002	Toothed Washer	4	4	4	4	4
22	JG401027	Head Light Dust Cap	4	4	4	4	4
23	JG181249	Bracket for Harness Routing	1	1	1	1	1



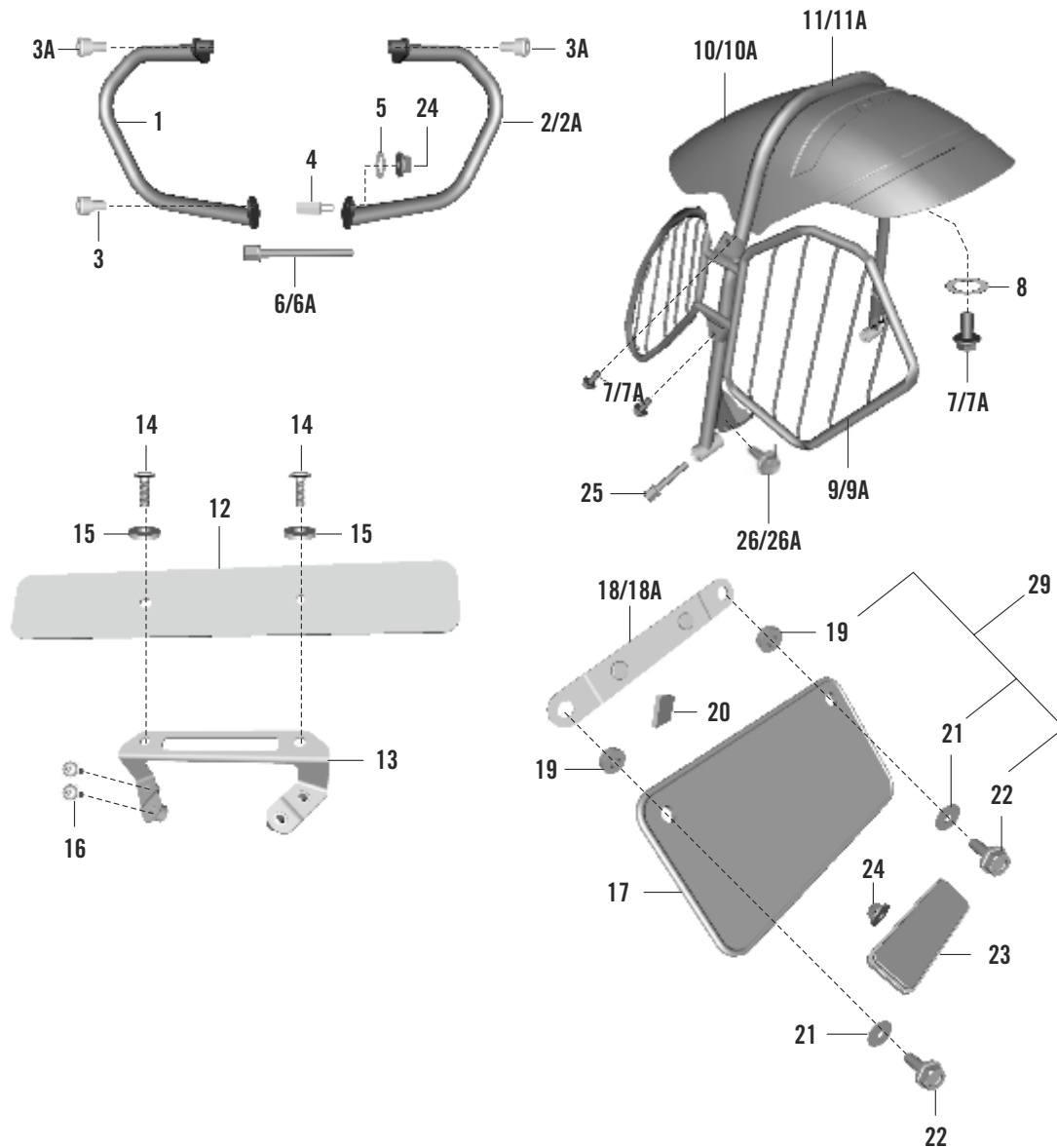
No.	Part No.	Description	Qty				
			MY13	MY14	MY15	MY16	MY17
1	JG402401	Speedometer	1	1	1	1	1
2	JG181227	Speedometer Support	1	1	1	1	1
3	JG181257	Bracket F. Speedom.conn.	1	1	1	1	1
4	JG181258	Rub. Strap F. Bkt Speedom.conn	1	1	1	1	1
5	JG181238	Grommet Dashboard	3	3	3	3	3
6	JG232603	Bracket Seat Lock	1	1	1	1	1
7	LBR00002	Self Tapping Screw K50x12 T20	3	3	3	3	3
8	LAC00010	AH Screw M6X1510.9	2	2	2	2	2
9	JG181240	Special Washer	2	2	2	2	2
10	JG181239	Collar Bushing	2	2	2	2	2
11	JG402400	Speedometer Sensor	1	1	1	1	1
12	LBB00005	Pan Cross Screw M4	2	2	2	2	2
13	JG401401	Ignition Lock	1	1	1	1	1
14	LAD00077	HH Collar Screw M6x16 SW10	2	2	2	2	2
15	JG171044	Tank Cap	1	1	1	1	--
16	JG232602	Seat Lock	1	1	1	1	1
17	JG232604	Lock Set	1	1	1	1	--
17A	JG232608	Lock Set EVAP	--	--	--	--	1
18	JG232605	Blank Key Set	1	1	1	1	1
19	JG403600	W Clamp for Speed Sensor	1	1	1	1	--



No.	Part No.	Description	Qty				
			MY13	MY14	MY15	MY16	MY17
1	JY231000	Tool Kit	1	1	1	1	1
2	JG231003	Spark Plug Spanner	1	1	1	1	1
3	DK221024	Band Tool Kit	1	1	1	1	1

# LEG GUARD, SAREE GUARD

200 Duke

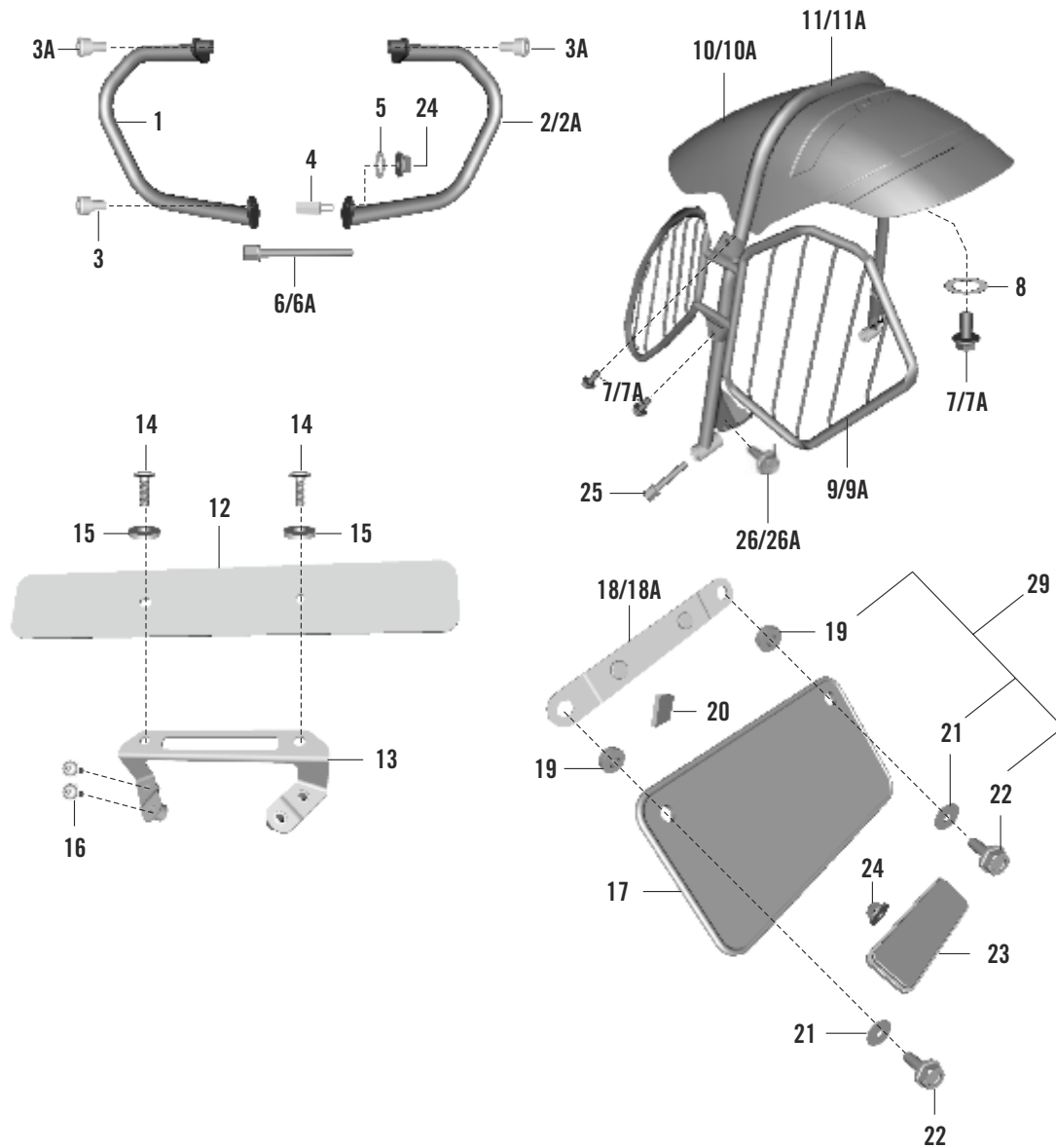


No.	Part No.	Description	Qty				
			MY13	MY14	MY15	MY16	MY17
1	JU231200	Leg Guard LH	1	1	1	1	1
2	JU231201	Leg Guard RH	1	1	1	1	--
2A	JP231200	Leg Guard RH	--	--	--	--	1
3	LAC00029	Bolt Leg Guard Lower Mounting	1	1	1	1	1
3A	LAC00027	Bolt Leg Guard Upper Mounting	2	2	2	2	2
4	JU231205	Special Nut For Leg Guard	2	2	2	2	2
5	LDC00001	Washer Leg Guard	2	2	2	2	2
6	JU231203	Special Bolt For RH Leg Guard	1	1	1	1	--
6A	LAD00171	Bolt FL-M10X1.25XL 130XBRXTaping	--	--	--	--	1
7	LAD00084	Bolt Flanged	5	5	--	--	--
7A	KADD0612	Bolt Flanged	--	--	5	5	5
8	KDBE0613	Plain Washer	5	5	5	5	5
9	JU231204	Saree Guard	1	1	--	--	--
9A	JY231200	Saree Guard	--	--	1	1	1
10	JU181405	Cover Mud Rear	1	1	--	--	--
10A	JY181405	Cover Mud Rear	--	--	1	1	2
11	JU181000	Tube Rear Hugger Mounting	1	1	--	--	--
11A	JY181000	Tube Rear Hugger	--	--	1	1	2
12	36DT0053	Number Plate Front	1	1	1	1	1
13	JU232805	Bracket Front Number Plate	1	1	1	1	1
14	LBU00009	Screw Mushroom Head	2	2	2	2	2
15	39214124	Washer Non Metallic	2	2	2	2	2
16	LAC00040	Screw Front Number Plate Bracket	4	4	4	4	4
17	JU181409	Number Plate Rear	1	1	1	--	--
18	JU181410	Bracket Number Plate Rear	1	1	1	--	--
18A	DJ161072	Bracket Rear No. Plate (For HSRP)	--	--	--	1	1
19	JU181408	Grommet Number Plate Rear	2	2	2	2	2
20	JU181412	Dual Lock Tape	2	2	2	2	2
21	LDB00031	Plain Washer	2	2	2	2	2
22	KADM0620	Bolt M6	2	2	2	2	2
23	JG401036	Reflector Reflex	1	1	1	1	1
24	LCA00008	Nut	1	1	1	1	1
25	JU231206	Bolt M8	2	2	2	2	2



# LEG GUARD, SAREE GUARD

200 Duke











No.	Part No.	Description	Qty				
			MY13	MY14	MY15	MY16	MY17
26	LAC00041	Bolt Socket	2	2	--	---	---
26A	KACF0816	Bolt Socket	--	--	2	2	2
27	JU181411	Sleeve number plate (N.I.)	2	2	2	2	2
28	LCG00008	Nut number plate (N.I.)	2	2	2	2	2
29	36JU0115	Kit Number Plate Rear (Non HSRP)	1	1	1	1	1

# KTM RECOMMENDED CONSUMABLES

200 Duke

No.	Part No.	Description	
1.	OILCRGJU	Engine oil Motul 71004T 20 W 50	
2.	OILCRGJG	Engine oil Motul 7100 10 W 50	
3.	36 DH40 61	Brake oil	
4.	36 PB00 04	Fork oil	
5.	36 0010 58	Engine coolant Koolex	
6.	36 DK00 45	Molybdenum general purpose grease	
7.	36 DH40 29	Chain lubricant OKS	
8.	36 0010 62	Liquid Gasket	
9.	36 0010 52	Steering Grease (Bajaj Genuine Pouch) Grease Lethon - 10 Gm RR 3	
10.	36 DK00 45	General Grease Application Molybdenum grease	
11.	36 0010 52	Grease for brake caliper pins (Bajaj Genuine Pouch) Silicone grease/ Poly butyl cuprysil grease	
12.	83020473	Petamo Grease	

No.	Part No.	Description		
1.	36 JT00 08	Crash Pad - Front		
2.	36 JT00 07	Tank Pad		
3.	36 JT00 34	Tank Cap sticker		
4.	36 JT00 54	Bike - Cover		
5.	36 JT00 14	WINDSHIELD		
6.	36 JT00 55	GRAPHICS KIT "RACE" 390 CHROME STICKER SET		

No.	Part No.	Description		
7.	36 JT00 17	CRASH PAD REAR		
8.	36 JT00 29	BRAKE LEVER LOCK		

# KIT LIST

200 Duke

Sr No	Kit Part No.	Kit Description	Consisting of Following Parts		
			Part No.	Description	Qty/Kit
1	3 6JU00 73	KIT VALVE CVR GSKT- DUKE 200	JG 5110 29	Valve Cover Gasket	1
			JG 5110 21	Decoupling element	4
2	36 JU00 74	KIT STEERING RACE UPPER JU/JY	DG 1810 45	Bearing Cone upper	1
			DK 1810 50	Bearing cage top	1
			DG 1810 46	Bearing Race Upper	1
			36 0010 52	Grease RR3 10 gm	1
3	36 JU00 75	KIT STEERING RACE LOWER JU/JY	DG 1810 47	Bearing Race Lower	1
			DK 1810 51	Cage bearing stem bottom	1
			DG 1810 05	Bearing Cone.	1
			36 0010 52	Grease RR3 10 gm	
4	36 JU00 76	KIT ENG REPAIR - DUKE 200	JG 5110 29	Valve Cover Gasket	1
			JG 5110 21	Decoupling element	4
			JG 5410 41	Gasket Crankcase	1
			JG 6010 07	Special shaft seal	2
			LE B000 01	Circlip Internal	1
			DG 1014 56	Oil seal O/P shaft	1
			39 1043 19	Seal GSL	1
			JG 5412 21	Gasket Clutch Cover	1
			39 1046 19	Cl cover oil seal	1
			JG 5312 15	Washer	1
			JG 6010 05	Nut	1
			DK 1013 52	O ring spkt	1
			JG 5412 24	Ignition cover gasket	1
			JG 5210 08	Gasket Cyl Block	1
			JU 5110 13	Gasket Cyl head	1
			CS 1011 28	Gasket Chain tensioner	1

Sr No	Kit Part No.	Kit Description	Consisting of Following Parts		
			Part No.	Description	Qty/Kit
5	36 JU00 80	Kit Frnt wheel assy KTM 200 MY14- Dom Blk	56 JG60 Z3	Wheel Rim Front Black domestic	1
			KP BC62 02	BEARING - BALL	2
			DG 1510 05	SEAL - OIL	2
			DK 1510 26	VALVE TUBELESS TYRE	1
			JG 1310 01	SPACER	1
6	36 JU00 81	Kit Rear wheel assy KTM 200 MY14- Dom Blk	56 JG61 Z3	Wheel Rim Rear Black domestic	1
			30 1510 82	SEAL OIL	1
			KP BC63 02	BEARING - BALL	1
			KP BC62 02	BEARING - BALL	1
			JG 1312 05	COLLAR BEARING ASSLY	1
7	36 JY01 00	Kit Chain Sprocket KTM 200 My15	DK 1510 26	VALVE TUBELESS TYRE	1
			JU 1410 06	Chain 520 X Ring 110 Link	1
			JU 1410 08	Sprocket 42T Spot Facing	1
			DV 1010 48	Sprocket Output (14T)	1

# PART INDEX

200 Duke

Part Number	Figure No.	Page No.	Part Number	Figure No.	Page No.	Part Number	Figure No.	Page No.	Part Number	Figure No.	Page No.	Part Number	Figure No.	Page No.	Part Number	Figure No.	Page No.	Part Number	Figure No.	Page No.			
30101195	6	19	39260607	3	10	36JU0046	18	14	36JY0221	17	43	DJ101300	3A	2	DT131214	21	40	JG113210	9	27	JG131003	6	39
30141031	26	26	39260607	16	4	36JU0047	19	14	52JG0308	1	25	DJ101314	12	1	DT401002	5	45	JG113400	11	25	JG131007	8	39
30151082	10	40	39266921	14	16	36JU0048	20	14	52JU0155	28	32	DJ161072	18A	48	DT401003	6	45	JG113401	10	25	JG131020	7	39
30151098	12	39	39269920	16	17	36JU0049	21	14	52JU0184	1A	25	DJ191057	2	43	DU151031	16	25	JG113403	20	25	JG131038	9	39
30151098	25	40	59040005	18	22	36JU0050	22	14	52JU0218	26A	32	DJ191081	14	24	DV101048	19	9	JG113404	14	30	JG131206	12	40
30191017	19	24	59040048	7	43	36JU0051	23	14	52JY0185	19	19	DJ191083	13	24	DV101048	29	41	JG113800	12	25	JG131209	2	40
31101173	7	6	59200006	11	2	36JU0052	24	14	56JG05X3	1	36	DJ201072	20	45	EC561023	2	10	JG113802	15	25	JG131211	6	40
39058915	12	13	59200036	2	4	36JU0053	25	14	56JG104X	28	36	DJ201109	15	43	FD211006	12	34	JG113804	9	12	JG131216	22	40
39084914	27	19	59200036	14	1	36JU0054	26	14	56JG114X	29	36	DK101225	17	17	JA541021	8	18	JG113805	8	12	JG131217	18	40
39099906	6	18	59210023	9	18	36JU0055	27	14	56JG124X	7A	32	DK101284	17	19	JB591059	18	30	JG113806	4	13	JG131219	16	40
39099906	7	19	60111418	5	42	36JU0056	28	14	56JG134X	6A	32	DK101340	18	17	JC141017	7	12	JG113808	5	34	JG131224	24	40
39099906	9	17	83020473	24	1	36JU0057	29	14	56JG14X3	26	36	DK101352	15	9	JC151016	27	41	JG113809	4	34	JG131228	18A	40
39099906	11	3	36DH4048	12	43	36JU0058	30	14	56JG15X3	27	36	DK101386	10	4	JD131811	8	40	JG113814	33	26	JG131245	9	40
39101721	5	17	36DK0067	24	44	36JU0059	31	15	56JG22X3	28A	32	DK101445	3	20	JD402212	14B	42	JG113815	34	26	JG131802	10	39
39102121	10	14	36DK0068	25	44	36JU0060	32	15	56JU141T	3A	36	DK101450	3	20	JD402217	14	42	JG113824	36	26	JG131804	4	43
39104119	10	3	36DK0069	26	44	36JU0061	33	15	56JU151T	4A	36	DK101451	3	20	JF531007	2	6	JG113825	12	42	JG131805	3	43
39104319	8	2	36DK0070	27	44	36JU0062	34	15	BF551037	5	9	DK101452	3	20	JF531014	3	6	JG113837	11	30	JG131807	4	44
39104619	15	3	36DT0053	12	48	36JU0063	35	15	BF551037	6	8	DK141005	3	35	JG111151	39	26	JG113838	5	37	JG131808	6	44
39107504	8	17	36JG0007	1	40	36JU0064	36	15	BF621402	6	20	DK151026	11	39	JG113001	3	25	JG113839	21	13	JG131809	7	40
39118415	16	24	36JG0010	8	22	36JU0065	37	15	CS101128	13	16	DK151026	14	40	JG113007	25	25	JG113841	31	23	JG131811	6	43
39153721	18	3	36JG0083	8	44	36JU0066	38	15	DD111012	21	19	DK151043	31	44	JG113010	16	11	JG113846	23	29	JG131813	8	43
39155304	15	24	36JG0087	17	22	36JU0068	17	40	DD191147	18	24	DK151045	2	44	JG113010	16	44	JG113848	18	33	JG131815	1	44
39166511	15	4	36JG0091	19	4	36JU0069	1	17	DE151041	33	44	DK151063	30	44	JG113020	7	25	JG113851	44	26	JG131819	37	44
39177304	6	2	36JG0091	6B	1	36JU0073	3	17	DE151046	9	44	DK151069	10	43	JG113024	2	25	JG113852	17	33	JG131822	7	44
39193120	3	1	36JP0016	1B	43	36JU0074	14	22	DE191010	9	43	DK151069	11	44	JG113029	6	25	JG121012	10	22	JG131826	1	43
39193120	6	6	36JU0001	2	5	36JU0075	13	22	DE191010	10	44	DK151072	29	44	JG113034	29	26	JG121028	32	23	JG131830	32	44
39199020	2	3	36JU0002	6	7	36JU0076	7	1	DG101029	7	14	DK151085	3	44	JG113035	30	26	JG121038	1	22	JG131840	1A	43
39200511	9	11	36JU0004	16	6	36JU0077	26	32	DG151005	3	39	DK181050	35	23	JG113039	5	25	JG122004	18	29	JG151002	5	22
39200511	18	1	36JU0005	16A	6	36JU0079	27	32	DG181005	11	22	DK181051	3	22	JG113040	4	25	JG122007	5	40	JG151012	22	22
39201719	4	14	36JU0006	16B	6	36JU0080	1	39	DG181045	34	23	DK181076	15	22	JG113041	9	25	JG122009	16	29	JG151013	21	22
39213217	5	5	36JU0007	1	5	36JU0081	1A	40	DG181046	36	23	DK221024	3	47	JG113042	8	25	JG122010	17	29	JG151014	6	22
39214124	15	48	36JU0015	19	42	36JU0114	5	43	DG181047	37	23	DP101114	15	7	JG113043	24	25	JG122011	15	29	JG151020	7	22
39214124	20	32	36JU0016	1	37	36JU0115	29	49	DG201071	19	45	DP101191	23	1	JG113052	32	26	JG122012	13	29	JG151021	23	22
39215811	2	8	36JU0018	28	41	36JU0116	1	2	DH101048	9	4	DP101243	1	7	JG113061	15	11	JG122015	14	25	JG151023	2	24
39215911	14	9	36JU0019	26	22	36JU0123	1	1	DH101235	2	9	DS101154	8	4	JG113061	19	44	JG122016	5	29	JG151026	16	22
39218106	3	5	36JU0028	8	35	36JU0124	3A	17	DH101389	6	10	DS101215	9	3	JG113062	17	11	JG122026	14	29	JG151027	3	24
39218106	18	2	36JU0036	1	6	36JU0125	25	1	DH101389	26	19	DS121126	8	31	JG113062	18	44	JG122028	8	29	JG151029	19	22
39220011	10	6	36JU0040	12	14	36JY0100	28A	41	DH101392	12	16	DS161082	6	12	JG113063	18A	11	JG122032	11	29	JG151031	1	24
39220307	5	6	36JU0041	13	14	36JY0201	20	11	DH101648	13	7	DS161156	7	21	JG113068	17	44	JG122033	12	29	JG151038	2A	24
39256220	13	2	36JU0042	14	14	36JY0202	21	11	DH171019	3	40	DS191052	10	24	JG113068	18	11	JG122034	20	29	JG161001	20	44
39256220	20	1	36JU0043	15	14	36JY0205	1A	39	DJ101300	5	1	DS211004	14	34	JG113203	1	27	JG122036	2	29	JG161005	11	24
39260120	11	1	36JU0044	16	14	36JY0206	1B	40	DJ101300	9	1	DT131210	15	40	JG113204	2	27	JG122037	26	29	JG161008	13A	24
39260220	8	1	36JU0045	17	14	36JY0220	2A	43	DJ101300	17	3	DT131213	27A	41	JG113207	3	27	JG131002	5	39	JG161009	11A	24



# PART INDEX

200 Duke

Part Number	Figure No.	Page No.	Part Number	Figure No.	Page No.	Part Number	Figure No.	Page No.	Part Number	Figure No.	Page No.	Part Number	Figure No.	Page No.	Part Number	Figure No.	Page No.	Part Number	Figure No.	Page No.			
JG161014	15	44	JG181205	9	36	JG191009	10	32	JG401400	5	44	JG511262	5	16	JG551021	9	9	JG561226	10	11	JG601215	7	13
JG161014	36	44	JG181206	10	36	JG191009	10	34	JG401401	13	46	JG511269	3	16	JG551022	10	8	JG561226	19	1	JG601218	15	13
JG161015	14	11	JG181210	4	29	JG231003	2	47	JG401402	8	27	JG511276	4	16	JG551025	1	9	JG571014	10	18	JG601220	10	13
JG161015	19	11	JG181211	2	37	JG231404	5	36	JG401405	24	42	JG521008	4	5	JG551027	1	8	JG571015	12	18	JG601221	20	13
JG161200	8	24	JG181219	4	37	JG231405	6	36	JG401406	5	24	JG531027	8	6	JG551031	16	9	JG571016	11	18	JG601223	11	13
JG161201	9	24	JG181225	7	45	JG231600	7	24	JG401410	12A	24	JG531031	9	6	JG551213	4	8	JG571018	3	18	JG601229	17A	12
JG171018	6	35	JG181226	4	45	JG231601	6	24	JG401411	4	27	JG531040	14	6	JG551214	7	8	JG581004	5	31	JG601230	3	13
JG171020	8	34	JG181227	2	46	JG232601	3	34	JG401416	12	24	JG531041	12	6	JG551215	10	9	JG581014	11	12	JG601235	17	12
JG171020	13	32	JG181230	2	36	JG232602	16	46	JG401417	4B	24	JG531207	7	4	JG551216	4	6	JG581033	3	31	JG601237	3	12
JG171022	9	34	JG181232	21	29	JG232603	6	46	JG401418	4A	24	JG531215	5	4	JG551220	8	8	JG581036	6	31	JG601238	11A	13
JG171022	14	32	JG181233	22	29	JG232604	17	46	JG401601	2	42	JG531220	2A	4	JG551222	6	9	JG581056	10	31	JG601239	14A	13
JG171023	6	34	JG181234	3	37	JG232605	18	46	JG401801	8	42	JG541015	12	2	JG551223	7	9	JG581058	12	31	JG611006	3	21
JG171024	12	32	JG181236	18	36	JG232608	17A	46	JG401808	13	25	JG541020	17	2	JG551224	11	9	JG581060	7	31	JG611007	2	21
JG171025	8	32	JG181238	5	46	JG233001	38	26	JG401808	43	26	JG541021	6	17	JG551225	13	9	JG581061	9	31	JG611206	17	21
JG171026	11	21	JG181239	10	46	JG233008	2	38	JG402002	22	42	JG541021	13	3	JG551227	9	8	JG581073	7A	31	JG621412	4	20
JG171027	15	32	JG181239	28	44	JG233009	3	38	JG402003	11	42	JG541041	16	2	JG551228	4	9	JG581081	4	31	JG621413	2	20
JG171029	5	13	JG181240	9	46	JG233044	14	38	JG402004	25	42	JG541043	14	2	JG551423	14	7	JG581407	8	21	JG621417	5	20
JG171029	5	35	JG181242	16	45	JG233045	15	38	JG402228	16	42	JG541044	5	2	JG551427	2	7	JG581416	4	21	JG72024W	7	32
JG171029	24	33	JG181243	18	45	JG233069	8	38	JG402229	17	42	JG541045	22	1	JG551428	4	7	JG581419	6	21	JG72025S	27A	32
JG171030	9	32	JG181245	15	45	JG233070	9	38	JG402230	18	42	JG541047	11	16	JG551443	9	7	JG581424	5	21	JG72034W	6	32
JG171031	13	36	JG181249	23	45	JG233071	10	38	JG402235	20	42	JG541048	9	16	JG551447	7	7	JG591038	6	30	JG72054W	32	36
JG171031	13	37	JG181250	8	13	JG233072	11	38	JG402236	8	20	JG541058	19	2	JG551449	5	7	JG591039	7	30	JG72054W	33	36
JG171031	19	32	JG181252	7	37	JG233080	30	22	JG402236	21	42	JG541059	10	1	JG551451	11	7	JG591055	8	30	JG73015C	3	36
JG171033	22	32	JG181252	12	37	JG233084	4	38	JG402237	15	42	JG541063	4A	2	JG561008	12	10	JG591064	3	30	JG73015S	30	36
JG171034	24	32	JG181253	10	37	JG233085	5	38	JG402400	11	46	JG541068	11	17	JG561009	8	11	JG591068	12	30	JG73025C	4	36
JG171035	23	32	JG181254	8	37	JG233088	16	38	JG402401	1	46	JG541074	25	19	JG561009	17	1	JG591070	4	30	JG73025S	31	36
JG171036	25	32	JG181255	11	37	JG233089	17	38	JG403200	7	42	JG541074	17A	2	JG561010	4	10	JG591100	17	30	JG74015C	7	36
JG171037	5	32	JG181257	3	46	JG351002	7	2	JG403600	19	46	JG541207	14	19	JG561011	1	10	JG601005	6	4	JG74035C	8	36
JG171039	11	32	JG181258	4	46	JG351005	3	19	JG501008	10	17	JG541221	12	3	JG561012	7	10	JG601007	3	4	JL131878	34	44
JG171044	2	32	JG181259	9	45	JG351019	24	19	JG511010	5	30	JG541223	9	19	JG561013	8	10	JG601007	6	1	JL131878	45	26
JG171044	15	46	JG181273	24A	29	JG351020	4A	19	JG511016	11	14	JG541224	2	19	JG561016	9	10	JG601011	12	4	JL191017	13A	34
JG171053	4	32	JG181274	13	33	JG351021	4	19	JG511021	20	17	JG541230	7	3	JG561200	1	11	JG601012	13	4	JL403000	6	42
JG171054	18	32	JG181279	4A	29	JG351201	22	19	JG511022	19	17	JG541231	16	3	JG561204	6	11	JG601013	11	4	JL403001	6A	42
JG171055	3	32	JG181280	34	36	JG351202	12	19	JG511030	2	17	JG541232	5	19	JG561204	15	1	JG601014	9	13	JL521200	6	5
JG171056	1	32	JG181281	5	28	JG351203	10	19	JG511042	3	14	JG541235	1	3	JG561205	7	11	JG601016	17	13	JL531205	1	4
JG171061	3A	32	JG181282	35	36	JG351208	11	19	JG511046	13	17	JG551000	12	9	JG561205	16	1	JG601018	13	13	JL541227	8	3
JG171062	18A	32	JG181288	5A	37	JG351400	15	17	JG511211	15	16	JG551013	3	8	JG561215	2	11	JG601019	14	13	JL551407	12	7
JG171074	15	21	JG181406	3	29	JG351600	1	20	JG511243	9	14	JG551013	8	9	JG561215	11	10	JG601204	1	12	JL591156	15	30
JG171086	9	33	JG181408	20	36	JG401001	2	45	JG511247	10	16	JG551015	5	3	JG561216	5	11	JG601208	1	13	JL591165	9	30
JG171603	1	33	JG181428	12	36	JG401006	3	45	JG511250	7	16	JG551017	4	3	JG561217	4	11	JG601209	16	13	JL601010	4	4
JG171604	2	33	JG181429	11	36	JG401027	22	45	JG511255	5	14	JG551019	17	9	JG561218	3	11	JG601210	18	13	JL601010	6A	1
JG171800	1	35	JG191006	13	34	JG401036	23	48	JG511259	6	14	JG551020	3	9	JG561222	5	10	JG601211	2	13	JN351604	9	42
JG171802	2	35	JG191008	11	34	JG401041	1	45	JG511261	6	16	JG551020	5	8	JG561225	10	10	JG601213	6	13	JP113400	10A	25



# PART INDEX

200 Duke

Part Number	Figure No.	Page No.	Part Number	Figure No.	Page No.	Part Number	Figure No.	Page No.	Part Number	Figure No.	Page No.	Part Number	Figure No.	Page No.	Part Number	Figure No.	Page No.	Part Number	Figure No.	Page No.			
JP113401	11A	25	JU181411	27	49	JU511038	2A	17	JY171824	4	33	KADM0620	21	44	KPBC6202	4	39	LAE00010	6	37	LDB00010	18	19
JP113800	8A	12	JU181412	20	48	JU511204	8	14	JY181000	11A	48	KADM0620	22	48	KPBC6202	13	40	LAE00010	10	42	LDB00011	3	28
JP121039	26A	22	JU191000	2	34	JU511205	2	14	JY181240	24	29	KADM0622	12	11	KPBC6302	11	40	LAE00010	19	29	LDB00018	23	25
JP131009	6A	39	JU191001	1	34	JU511218	2	16	JY181405	10A	48	KADM0625	7	34	LA000007	9	29	LAE00014	3	2	LDB00019	27	26
JP131818	2A	39	JU231200	1	48	JU511219	1B	16	JY231000	1	47	KADM0625	13	42	LAC00004	20	22	LAE00014	2A	2	LDB00019	31	26
JP151010	7A	22	JU231201	2	48	JU511221	2B	16	JY231200	9A	48	KADM0625	10A	12	LAC00005	4	22	LAE00016	8	16	LDB00020	3	3
JP161200	9A	24	JU231203	6	48	JU511223	4A	16	JY351205	13	19	KADM0820	4	42	LAC00006	2	28	LAE00016	8	19	LDB00021	3	42
JP171807	5	33	JU231203	19	25	JU511224	1	14	JY511217	1	16	KADP0516	13	18	LAC00010	8	46	LAE00017	18	9	LDB00023	7	28
JP171808	6	33	JU231204	9	48	JU521005	7	5	JY541047	4	1	KADQ0606	17	4	LAC00011	16	32	LAE00018	7	18	LDB00027	17	36
JP171809	7	33	JU231205	4	48	JU541005	13	1	JY541058	10	2	KADQ0614	13	30	LAC00013	25	22	LAE00041	19A	13	LDB00031	21	48
JP231200	2A	48	JU231206	25	48	JU541018	4	2	JY541221	4A	3	KADQ0620	14	4	LAC00014	23	19	LAE00042	15	2	LDB00034	4	40
JU113200	5	27	JU232805	13	48	JU551401	6	3	JY541228	1	19	KADQ0620	16	16	LAC00023	22	25	LAE00048	17A	4	LDB00036	33	23
JU113801	16	12	JU233001	6	38	JU551402	10	7	JY541268	1A	3	KADQ0625	7	20	LAC00024	6A	10	LBB00005	12	46	LDB00051	9A	4
JU113804	20	33	JU233027	18	38	JU551405	3	7	JY551402	20	19	KAEA0510	35	44	LAC00027	3A	48	LBB00007	2	2	LDC00001	5	48
JU121007	2	22	JU233031	7	38	JU551406	8	7	JY551448	19	3	KAEA0510	46	26	LAC00029	3	48	LBB00007	20	2	LDF00002	21	45
JU121009	12	22	JU233032	12	38	JU561400	11	11	JY551450	5A	3	KAED0610	22	33	LAC00037	40	26	LBB00007	21	1	LDH00002	13	6
JU121017	27	22	JU233039	1	38	JU561401	13	11	JY571030	5	18	KAEM0608	7	29	LAC00038	17	32	LBC00003	14	21	LEB00001	2	1
JU121018	29	22	JU233040	13	38	JU571000	1	18	JY571033	12A	18	KAEM0610	19	33	LAC00040	16	36	LBR00002	7	46	LEB00001	18	4
JU121019	28	22	JU233066	9	38A	JU581006	11	31	JY601235	3A	12	KAEM0610	35	26	LAC00040	16	48	LBR00002	10	45	LHA00001	23	44
JU121037	9	22	JU233067	1	38A	JU581006	16	21	JY601238	18	12	KAEM0610	40A	26	LAC00041	26	49	LBR00002	19	36	LHA00002	28	26
JU122009	1	28	JU233068	2	38A	JU581016	1	31	JY601239	19	12	KAEM0614	26	42	LAC00053	25	36	LBR00003	12	45	LJA00004	2	18
JU131004	16	43	JU233070	14	38A	JU581404	1	21	JY601240	20	12	KAEM0616	13	45	LAC00071	21A	36	LBR00003	14	36	PA402204	14A	42
JU131222	16A	40	JU233071	15	38A	JU581413	9	21	JY601241	21	12	KAEM0616	25A	29	LAC00077	3A	16	LBU00007	23	36	YJY10002	12A	43
JU131815	14	43	JU233072	5	38A	JU591019	2	30	JY601248	18A	12	KAEQ0616	13A	18	LAC00086	10A	4	LBU00009	11	45			
JU131816	13	43	JU233073	6	38A	JU591081	6A	30	JY601249	19A	12	KAEQ0630	14	3	LAD00036	16	30	LBU00009	14	48			
JU141002	19	40	JU233077	10	38A	JU591084	1	30	JY601250	20A	12	KAEQ0630	16	19	LAD00037	11	43	LBU00009	21	32			
JU141006	26	41	JU233078	11	38A	JU591091	2A	30	JY611210	18	21	KAEQ0640	7	17	LAD00038	18	25	LBU00012	17	24			
JU141008	19A	40	JU233079	3	38A	JU591107	1A	30	KAAD0612	22	13	KAEQ0640	22	2	LAD00039	17	25	LCA00005	8	45			
JU151013	5A	22	JU233080	4	38A	JU601200	2	12	KACA0822	41A	26	KAEQ0645	15	19	LAD00040	12	12	LCA00008	24	48			
JU151015	8A	22	JU233084	12	38A	JU611210	1A	21	KACE0616	21	36	KBBF0408	12	21	LAD00043	24	36	LCD00001	11	6			
JU161200	37	26	JU233085	13	38A	JW161017	14	37	KACE0650	15	37	KBUA0612	2	31	LAD00044	7	27	LCG00003	4	28			
JU171010	1A	32	JU233086	7	38A	JY113826	6	28	KACF0816	26A	49	KCAJ0605	22	44	LAD00046	17	45	LCG00003	10	29			
JU171603	8	33	JU233087	8	38A	JY113842	3	33	KACF0818	41	26	KCGA0606	21	33	LAD00075	10	30	LCG00004	6	29			
JU171604	10	33	JU351400	10	21	JY121066	1A	22	KADA0508	13	21	KDBA0818	42	26	LAD00075	21	25	LCG00006	14	17			
JU171605	11	33	JU351400	10A	21	JY121067	2A	22	KADD0612	7A	48	KDBE0613	8	48	LAD00076	22A	29	LCG00008	28	49			
JU171606	23	33	JU401004	23	42	JY122008	1	29	KADM0610	10	12	KDBE0613	13	44	LAD00077	14	46	LCH00001	10	27			
JU181000	11	48	JU401400	4	24	JY131800	2	39	KADM0610	15	12	KDBE0613	16	37	LAD00080	7	35	LCH00001	24	22			
JU181200	5	12	JU402202	1	42	JY151012	3A	24	KADM0612	25	29	KDCF0612	14	12	LAD00081	21	2	LCL00002	13	12			
JU181201	4	12	JU402226	1A	42	JY171069	14	33	KADM0614	12	44	KEAB1010	4	18	LAD00082	19	13	LCL00004	23	40			
JU181405	10	48	JU402229	1B	42	JY171070	15	33	KADM0614	22	36	KEBA3515	13	39	LAD00084	7	48	LDA00007	15	36			
JU181408	19	48	JU402239	1C	42	JY171072	12	33	KADM0618	8	28	KEBA3715	9	2	LAD00133	7A	27	LDA00008	12	17			
JU181409	17	48	JU511013	4	17	JY171090	16	33	KADM0618	9	37	KHAD2015	14	44	LAD00171	6A	48	LDA00012	14	45			
JU181410	18	48	JU511027	1A	17	JY171812	4	35	KADM0620	15	34	KPAC6205	20	40	LAE00010	6	27	LDB00010	15	6			





MY - 13



MY - 14



MY - 15



MY - 16