

Parts Catalog

Two Wheeler

RS 457 4S 8V TWIN CYLINDER ABS

PIAGGIO VEHICLES PRIVATE LIMITED

Registered Office: Bund Garden Road ,Opp. Residency Club , Pune (India)

PLATES INDEX

Sr No.	Plate Name	Plate No.	Page No.
1	FRAME ASSEMBLY	1	1-2
2	FOOT RESTS	2	3-4
3	STAND	3	5-6
4	SWING ARM	4	7-8
5	FRONT MUDGUARD-PILLAR	5	9-10
6	FRONT FAIRING	6	11-12
7	SIDE FAIRING	7	13-14
8	TANK COVER	8	15-16
9	CENTRAL BODY AND SAREEGUARD	9	17-18
10	SADDLE	10	19-20
11	SADDLE COMPARTMENT	11	21-22
12	REAR BODY	12	23-24
13	LOCKS	13	25-26
14	DECALS (OPALESCENT LIGHT)	14	27-28
15	DECALS (PRISMATIC DARK)	15	29-30
16	ENGINE ASSEMBLY	17	31-32
17	CRANKCASE ASSEMBLY	18	33-36
18	AIR BOX	19	37-38
19	THROTTLE BODY	20	39-40
20	CYLINDER HEAD COVER	21	41-42
21	CYLINDER HEAD - VALVES	22	43-44
22	PAD	23	45-46
23	TIMING SYSTEM	24	47-48
24	CYLINDER - PISTON	25	49-50
25	CRANKSHAFT	26	51-52
26	GEAR BOX / SELECTOR / SHIFT CAM	27	53-54
27	GEAR BOX - GEAR ASSEMBLY	28	55-56
28	LUBRICATION	29	57-58
29	COOLER PUMP	30	59-60
30	CLUTCH COVER	31	61-62

PLATES INDEX

Sr No.	Plate Name	Plate No.	Page No.
31	CLUTCH	32	63-64
32	FLYWHEEL COVER	33	65-66
33	CDI MAGNETO ASSY / IGNITION UNIT	34	67-68
34	SECONDARY AIR	35	69-70
35	SILENCER	36	71-72
36	FRONT FORK	37	73-74
37	SHOCK ABSORBER	38	75-76
38	FRONT WHEEL	39	77-78
39	REAR WHEEL	40	79-80
40	FRONT BRAKE MASTER CYLINDER	41	81-82
41	FRONT BRAKE CALIPER	42	83-84
42	REAR MASTER CYLINDER	43	85-86
43	REAR BRAKE CALIPER	44	87-88
44	ABS Brake system	45	89-90
45	STEERING	46	91-92
46	HANDLEBAR - CONTROLS	47	93-94
47	CLUTCH CONTROL	48	95-96
48	FRONT HEADLAMPS	49	97-98
49	INSTRUMENTS	50	99-100
50	TAIL LAMPS AND TURN INDICATORS	51	101-102
51	FUEL TANK	52	103-104
52	FUEL VAPOUR RECOVER SYSTEM	53	105-106
53	COOLING SYSTEM	54	107-110
54	FRONT ELECTRICAL SYSTEM	55	111-114
55	ACCESSORIES	56	115-116
56	DECALS RACING STRIPES I	16A	117-118
57	DECALS RACING STRIPES II	16B	119-120

PICTORIAL PLATES INDEX

PLATE-1 FRAME ASSEMBLY

Page No. :1-2

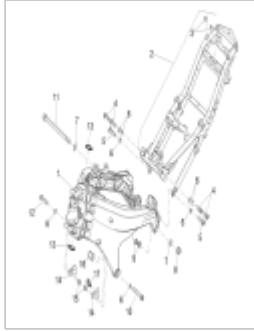


PLATE-2 FOOT RESTS

Page No. :3-4



PLATE-3 STAND

Page No. :5-6

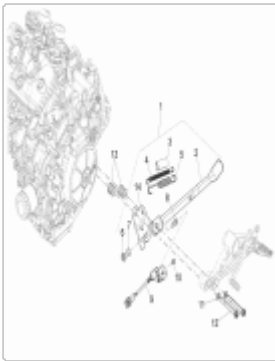


PLATE-4 SWING ARM

Page No. :7-8

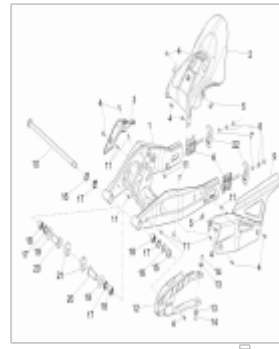


PLATE-5 FRONT MUDGUARD-PILLAR

Page No. :9-10



PLATE-6 FRONT FAIRING

Page No. :11-12



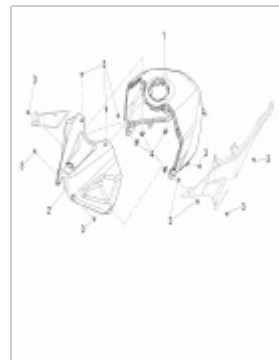
PLATE-7 SIDE FAIRING

Page No. :13-14



PLATE-8 TANK COVER

Page No. :15-16



PICTORIAL PLATES INDEX

PLATE-9 CENTRAL BODY AND SAREEGUARD

Page No. :17-18

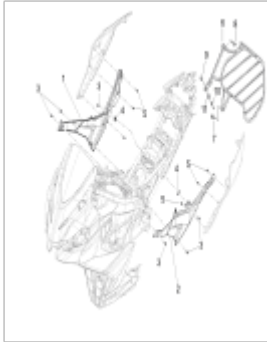


PLATE-10 SADDLE

Page No. :19-20



PLATE-11 SADDLE COMPARTMENT

Page No. :21-22

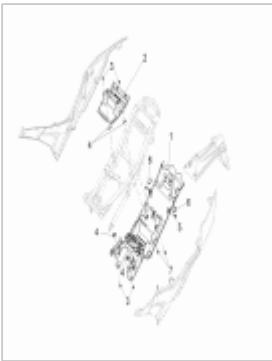


PLATE-12 REAR BODY

Page No. :23-24

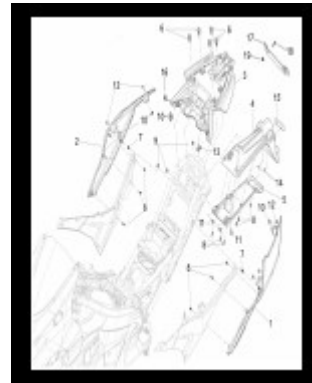


PLATE-13 LOCKS

Page No. :25-26



PLATE-14 DECALS (OPALESCENT LIGHT)

Page No. :27-28



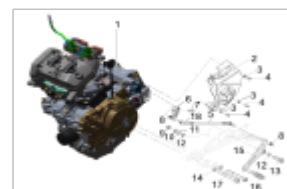
PLATE-15 DECALS (PRISMATIC DARK)

Page No. :29-30



PLATE-17 ENGINE ASSEMBLY

Page No. :31-32



PICTORIAL PLATES INDEX

PLATE-18 CRANKCASE ASSEMBLY

Page No. :33-36

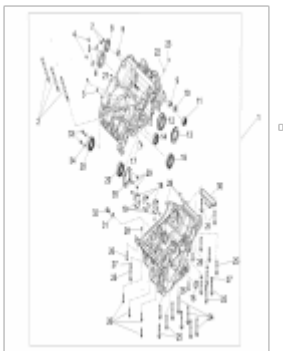


PLATE-19 AIR BOX

Page No. :37-38

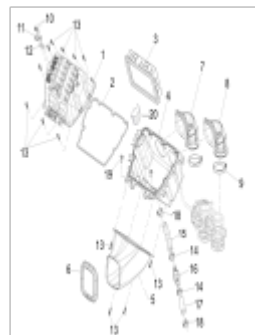


PLATE-20 THROTTLE BODY

Page No. :39-40

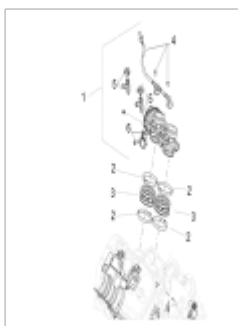


PLATE-21 CYLINDER HEAD COVER

Page No. :41-42



PLATE-22 CYLINDER HEAD - VALVES

Page No. :43-44

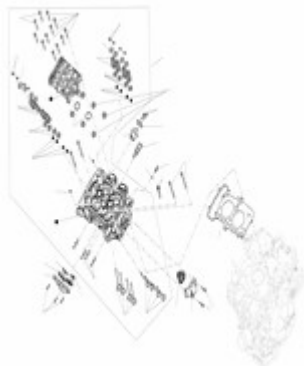


PLATE-23 PAD

Page No. :45-46



PLATE-24 TIMING SYSTEM

Page No. :47-48

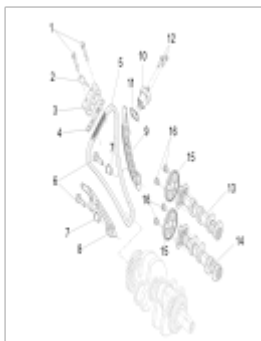
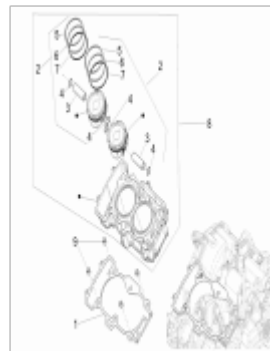


PLATE-25 CYLINDER - PISTON

Page No. :49-50



PICTORIAL PLATES INDEX

PLATE-26 CRANKSHAFT

Page No. :51-52

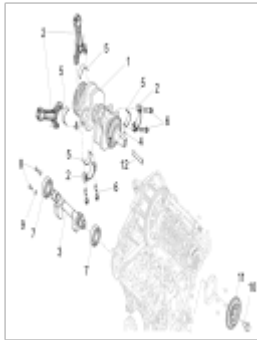


PLATE-27 GEAR BOX / SELECTOR / SHIFT CAM

Page No. :53-54

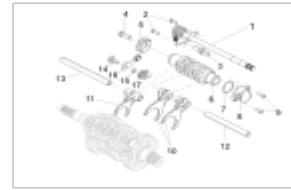


PLATE-28 GEAR BOX - GEAR ASSEMBLY

Page No. :55-56

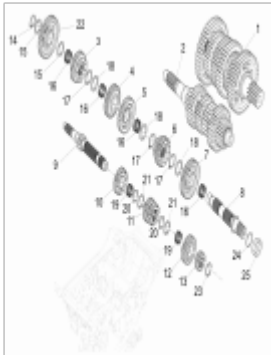


PLATE-29 LUBRICATION

Page No. :57-58

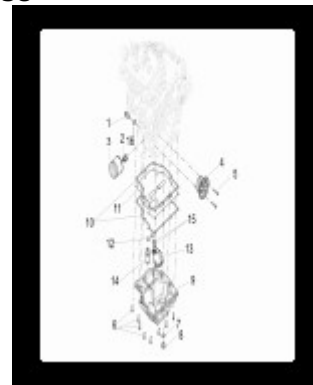


PLATE-30 COOLER PUMP

Page No. :59-60

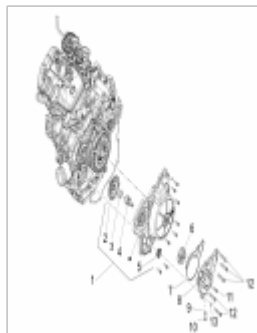


PLATE-31 CLUTCH COVER

Page No. :61-62

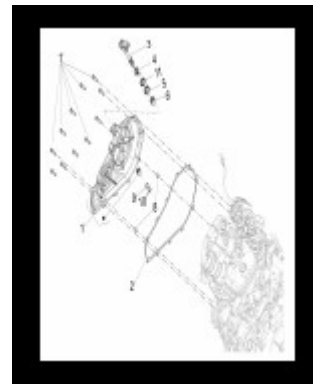


PLATE-32 CLUTCH

Page No. :63-64

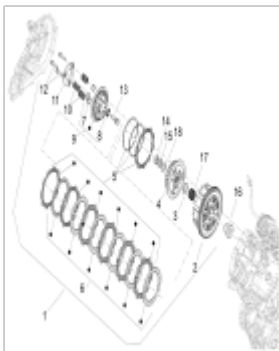
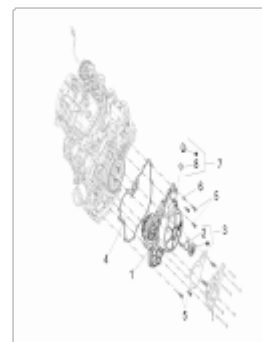


PLATE-33 FLYWHEEL COVER

Page No. :65-66



PICTORIAL PLATES INDEX

PLATE-34 CDI MAGNETO ASSY / IGNITION UNIT

Page No. :67-68

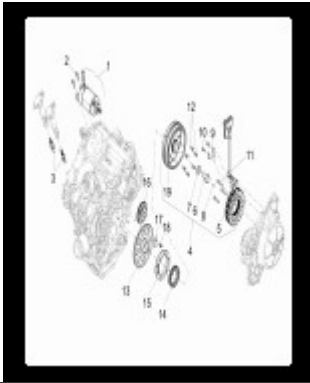


PLATE-35 SECONDARY AIR

Page No. :69-70

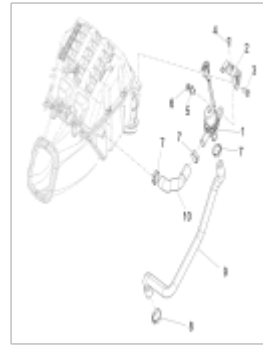


PLATE-36 SILENCER

Page No. :71-72

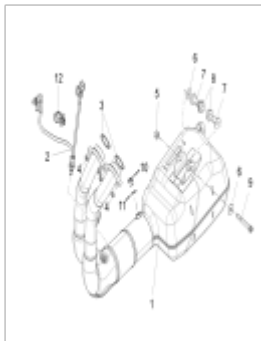


PLATE-37 FRONT FORK

Page No. :73-74

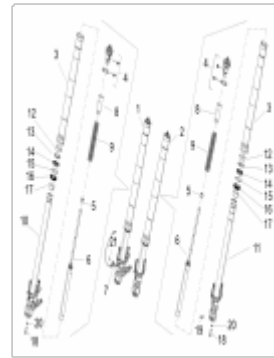


PLATE-38 SHOCK ABSORBER

Page No. :75-76

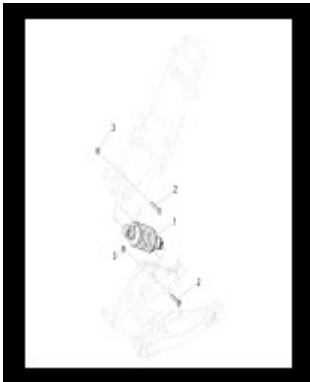


PLATE-39 FRONT WHEEL

Page No. :77-78

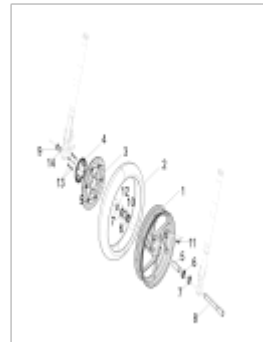


PLATE-40 REAR WHEEL

Page No. :79-80

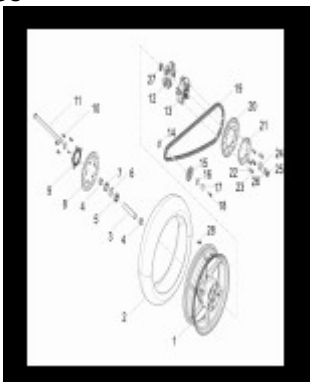
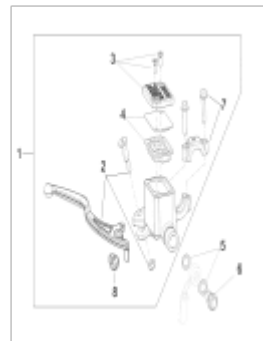


PLATE-41 FRONT BRAKE MASTER CYLINDER

Page No. :81-82



PICTORIAL PLATES INDEX

PLATE-42 FRONT BRAKE CALIPER

Page No. :83-84

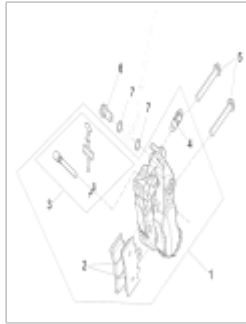


PLATE-43 REAR MASTER CYLINDER

Page No. :85-86



PLATE-44 REAR BRAKE CALIPER

Page No. :87-88

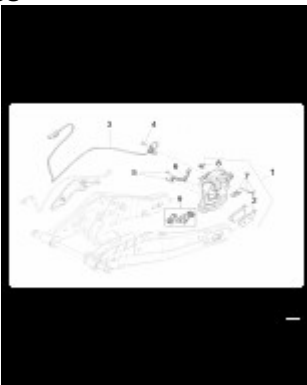


PLATE-45 ABS Brake system

Page No. :89-90

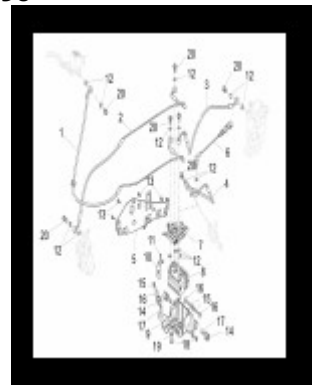


PLATE-46 STEERING

Page No. :91-92

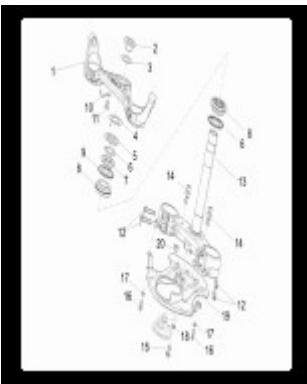


PLATE-47 HANDLEBAR - CONTROLS

Page No. :93-94

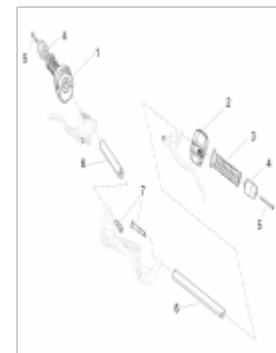


PLATE-48 CLUTCH CONTROL

Page No. :95-96



PLATE-49 FRONT HEADLAMPS

Page No. :97-98



PICTORIAL PLATES INDEX

PLATE-50 INSTRUMENTS

Page No. :99-100

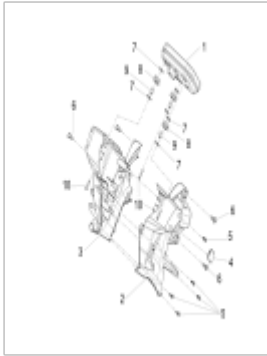


PLATE-51 TAIL LAMPS AND TURN INDICATORS

Page No. :101-102

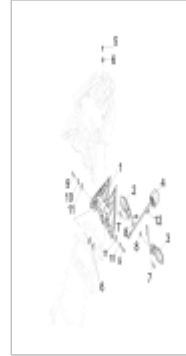


PLATE-52 FUEL TANK

Page No. :103-104

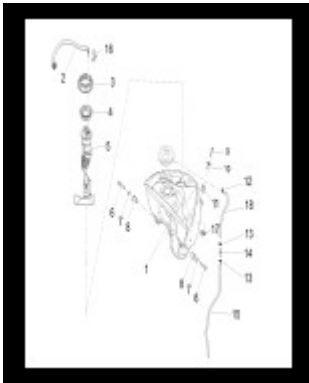


PLATE-53 FUEL VAPOUR RECOVER SYSTEM

Page No. :105-106



PLATE-54 COOLING SYSTEM

Page No. :107-110

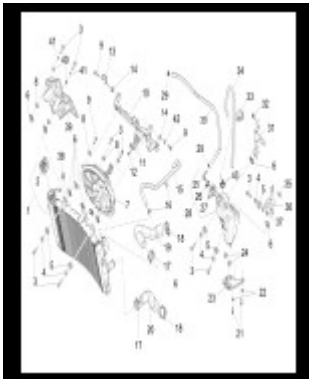


PLATE-55 FRONT ELECTRICAL SYSTEM

Page No. :111-114

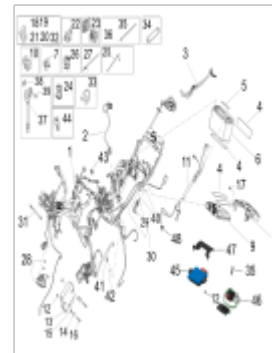


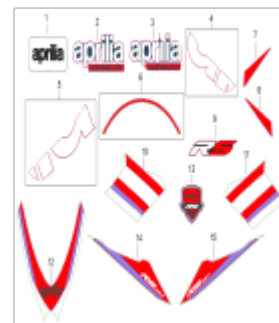
PLATE-56 ACCESSORIES

Page No. :115-116



PLATE-16A DECALS RACING STRIPES I

Page No. :117-118



PICTORIAL PLATES INDEX

PLATE-16B DECALS RACING STRIPES II

Page No. :119-120



PLATE-1
FRAME ASSEMBLY

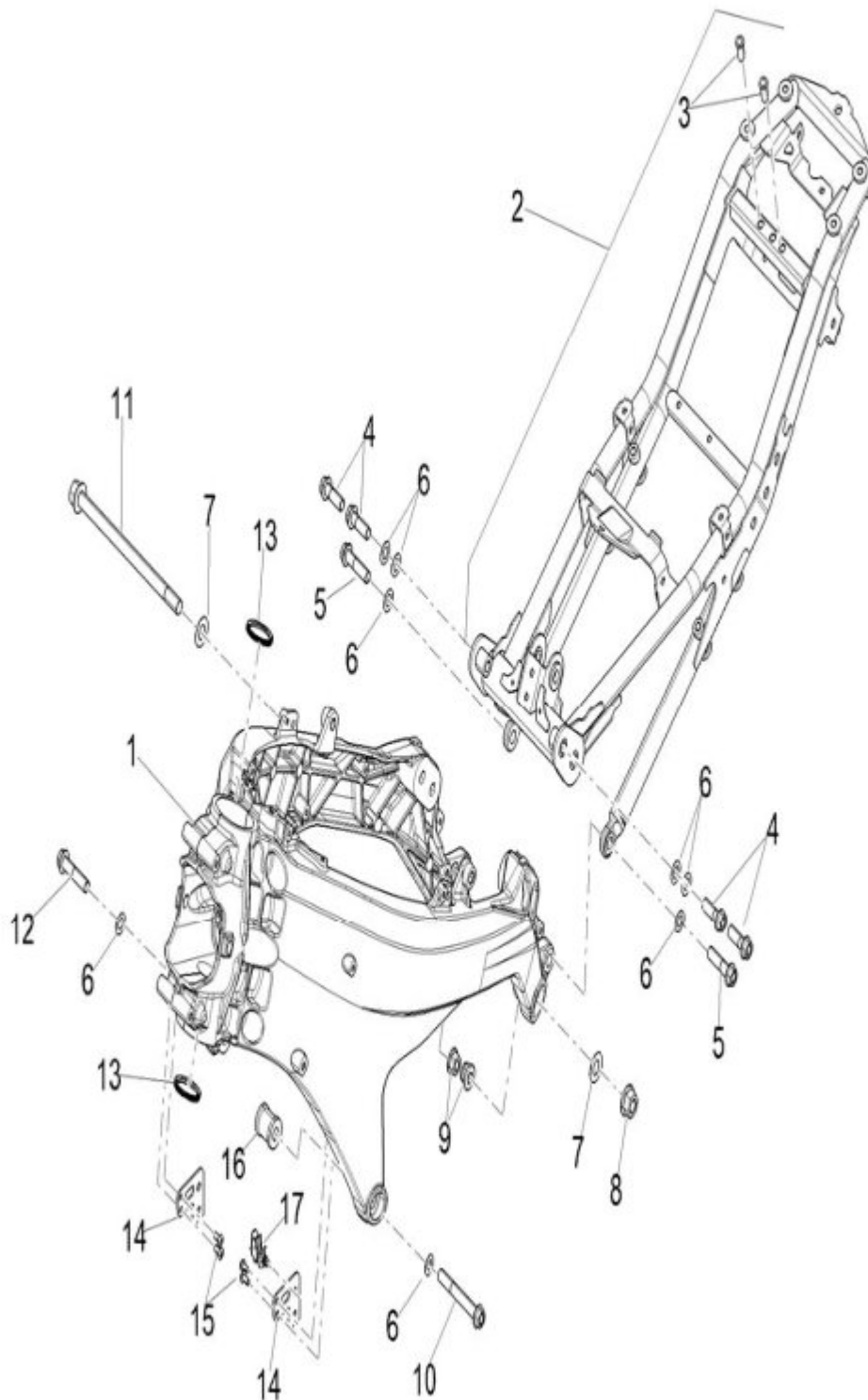


PLATE-1
FRAME ASSEMBLY

Fig. No.	Part No.	Description	Qty	Remarks
1	2B011239	P1 MACHINED FRAME ASSEMBLY	1	
2	2B010602	SEAT SUPPORT FRAME	1	
3	AP8102544	THREADED RIVET M6	2	
4	2B011640	M10X30X1.25 FLANGED TE SCREW	4	
5	AP8152325	SCREW FLANGE M10X40 DA-8.8	2	
6	2B012126	CURVED SPRING WASHER	8	
7	2B006864	FLAT WASHER	2	
8	271740	NUT (WHEEL)	1	
9	2B013149	FLANG.SELFLOCK NUT M10 DIN6926 (EN1663)	2	
10	AP8152316	SCREW W/ FLANGE M10X75	1	
11	2B006865	PIN M12	1	
12	2B006609	M10X45 FLANGED TE SCREW	1	
13	2B011224	ROTARY SHAFT SEAL Ø30XØ38X4	2	
14	2B011501	PLATE	2	
15	848766	SCREW	4	
16	2B009448	FRAME SPACER	1	
17	AP8221310	FAIRLEAD D10,6	1	

PLATE-2
FOOT RESTS

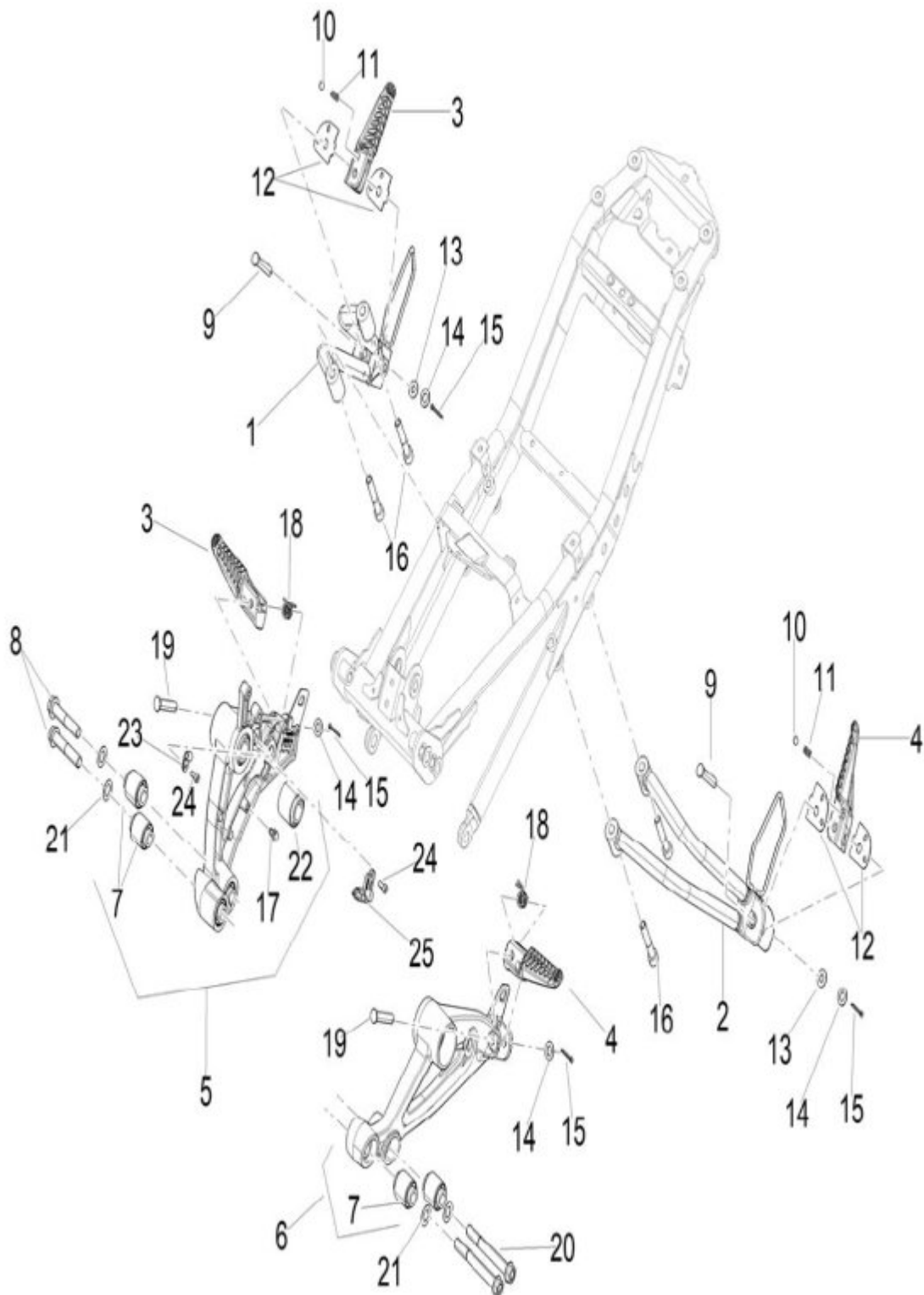


PLATE-2
FOOT RESTS

Fig. No.	Part No.	Description	Qty	Remarks
1	2B011314	RH REAR FOOTREST SUPPORT	1	
2	2B011313	LH REAR FOOTREST SUPPORT	1	
3	2B011215	RH PASSENGER FOOTREST MACHINED	2	
4	2B011219	LH PASSENGER FOOTREST MACHINED	2	
5	2B011478	SEMIASSEMBLED RIGHT FOOTREST SUPPORT	1	
6	2B011475	SEMIASSEMBLED LEFT FOOTREST SUPPORT	1	
7	2B012866	SILENTBLOCK	4	
8	598838	SCREW	2	
9	2B009229	FOOTREST PIN	2	
10	AP8110110	BALL D.7	2	
11	AP8121133	COIL COMPRESS. SPRING	2	
12	2B011307	FOOTREST LIMIT SWITCH	4	
13	AP8120592	RUBBER WASHER	2	
14	003058	PLAIN WASHER 15X8.4X1.5	4	
15	2B011998	COTTER PIN 2.5X16 UNI EN ISO 1234	4	
16	826298	SCREW WITH CYLINDRICAL HEAD	4	
17	2B004785	SPRINGS FIXING PIN M5X7 THR.	1	
18	2B011200	FOOTREST SPRING	2	
19	2B009229	FOOTREST PIN	2	
20	AP8152482	SCREW W/ FLANGE M10 X 85	2	
21	2B012126	CURVED SPRING WASHER	4	
22	2B005210	SILENT BLOCK	2	
23	859777	CABLE CLAMP	1	
24	581957	SOCKET HEAD SCREW	1	
25	2D000787	RIGHT BRAKE SWITCH	1	

PLATE-3
STAND

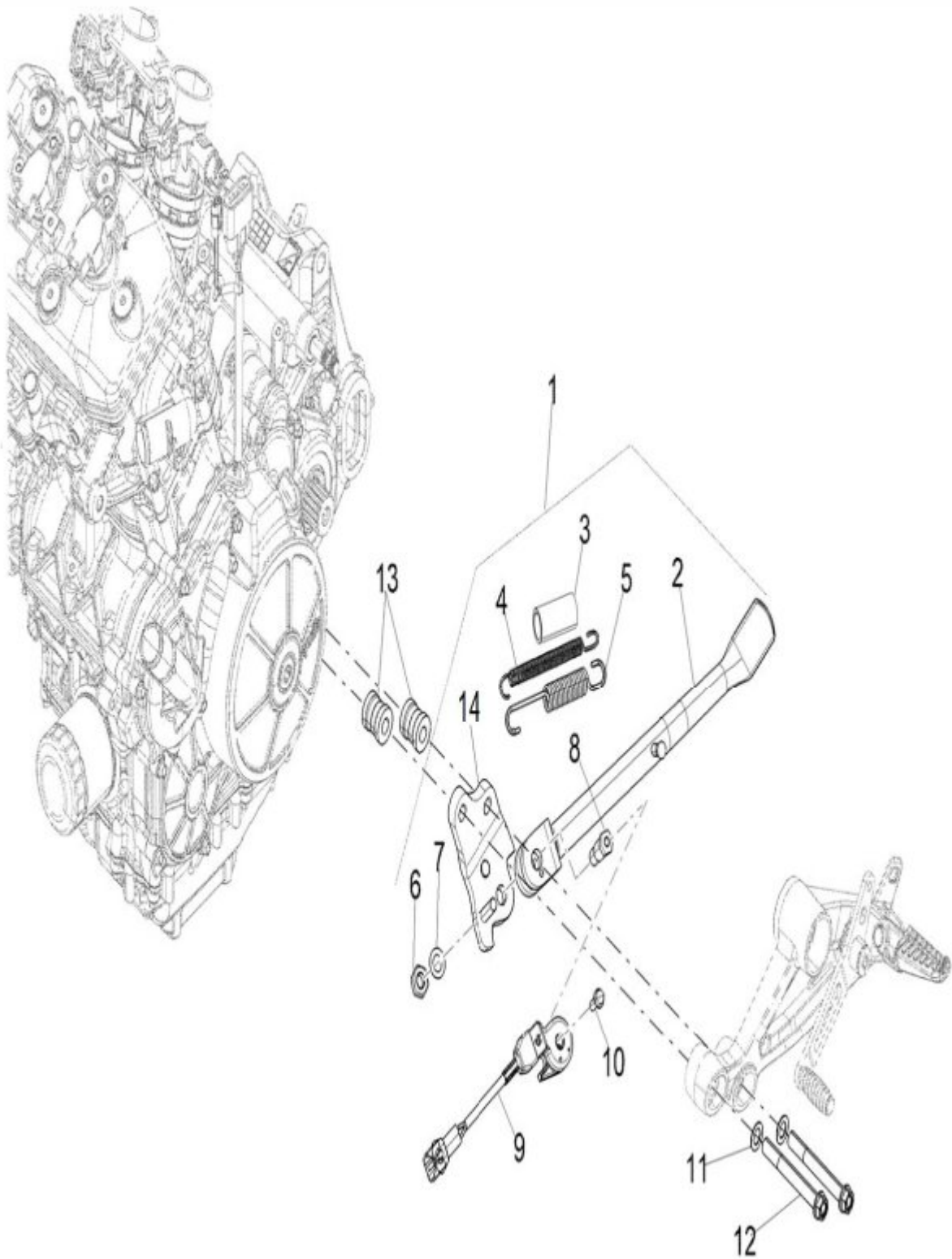


PLATE-3
STAND

Fig. No.	Part No.	Description	Qty	Remarks
1	2B011515	SIDE STAND ASSY	1	CONSIST OF ITEM NO. 2, 3, 4, 5, 6, 7, 8 & 14
2	2B011516	SIDE STAND WITH I.P.	1	
3	AP8102524	STAND SPRING PROTECTION	1	
4	AP8221211	INTERNAL SPRING	1	
5	AP8221204	EXTERNAL SPRING	1	
6	AP8152001	LOW NUT M10X1,25	1	
7	AP8150292	CURVED SPRING WASHER	1	
8	2B007560	SIDE STAND SCREW	1	
9	2D000530	SIDE STAND SWITCH	1	
10	1A002691	FLANGED HEX HEAD SCREW M6X20 CL10	1	
11	2B012126	CURVED SPRING WASHER	2	
12	AP8152482	SCREW W/ FLANGE M10 X 85	2	
13	2B006346	SPACER BUSH	2	
14	2B011688	SIDE STAND BRACKET WITH I.P.	1	

PLATE-4
SWING ARM

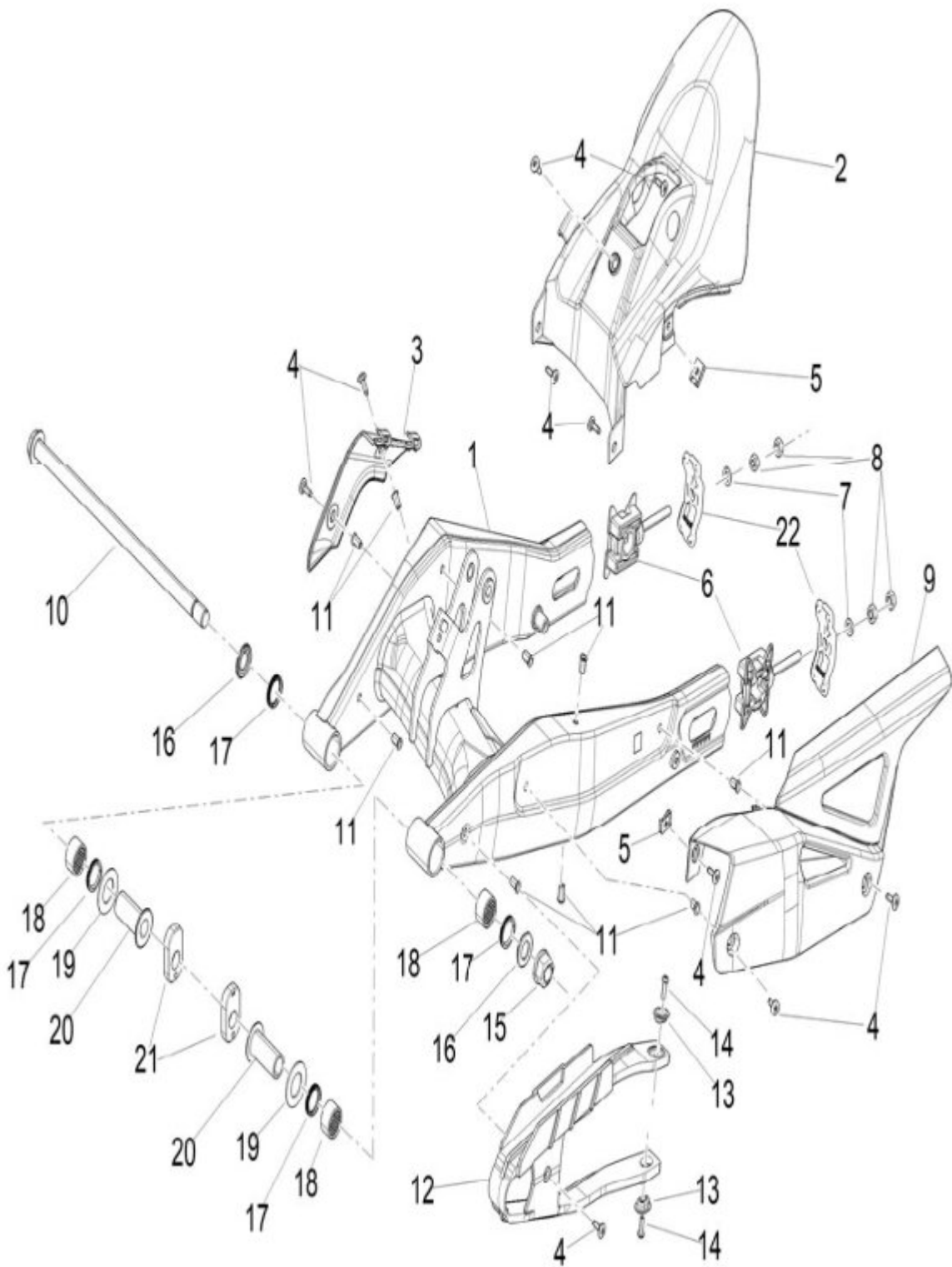


PLATE-4
SWING ARM

Fig. No.	Part No.	Description	Qty	Remarks
1	2B012037	PAINTED SWINGARM	1	
2	2B011173	REAR FENDER	1	
3	2B010834	RIGHT FOOTREST PROTECTION	1	
4	2B011940	TORX SOCKET SCREW M5X12 NERINOX	10	
5	AP8102375	CLIP M5	2	
6	2B011526	CHAIN TENSIONER WITH P.I.	2	
7	2B013269	SPACER	2	
8	020108	HEXAGONAL NUT	4	
9	2B011174	CHAIN COVER	1	
10	2B010755	SWINGARM PIVOT	1	
11	2B013405	HEXAGONAL RIVET M5	10	
12	2B010672	CHAIN GUIDE SHOE	1	
13	2B011064	CUP FOR CHAIN SLIDE SHOE	2	
14	B016796	CONVEX HEAD SCREW TORX M5X16	2	
15	1C002565	SELF-BRAKING FLANGE NUT	1	
16	2B005460	SPACER	2	
17	2B012914	RADIAL SHAFT SEAL Ø22XØ28X4	4	
18	AP8110067	NEEDLE BEARING 22X28X16	3	
19	2B007102	WASHER	2	
20	2B005212	BUSH	2	
21	2B010720	SWINGARM INSERT	2	
22	2B010089	SWINGARM END CAP	2	

PLATE-5
FRONT MUDGUARD-PILLAR

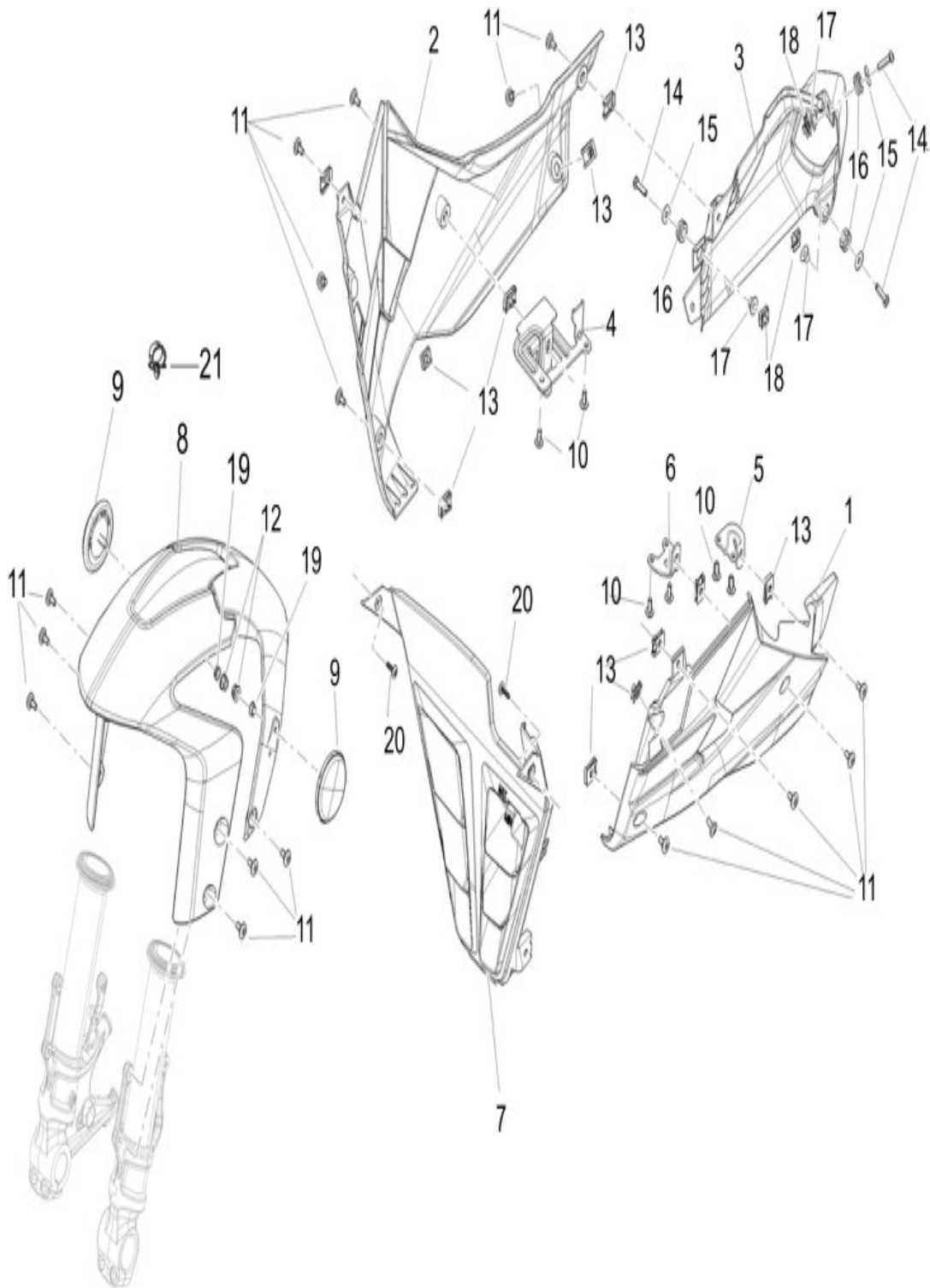


PLATE-5**FRONT MUDGUARD-PILLAR**

Fig. No.	Part No.	Description	Qty	Remarks
1	2B011157	LEFT LOWER FAIRING	1	
2	2B011158	RIGHT LOWER FAIRING	1	
3	2B011179	SILENCER COVER	1	
4	2B011006	BRACKET	1	
5	2B011719	BRACKET	1	
6	2B011663	BRACKET	1	
7	2B011156	FAIRING TIP	1	
8	2B010723	FRONT MUDGUARD	1	
9	2B012613	AMBER REFLECTOR	2	
10	2B012700	TORX SOCKET FLANGED PAN SCREW	6	
11	2B011991	TORX SOCKET SCREW M5X9 NERINOX	17	
12	241936	SELF LOCKING NUT	2	
13	AP8102375	CLIP M5	9	
14	1A014986	TORX HEAD SCREW M5X21	3	
15	827526	WASHER	3	
16	487665	FAIRLEAD	3	
17	2B012665	BUSH	3	
18	00G04401462	NUT	3	
19	AP8121811	BUSHING	2	
20	CM178603	THREAD FORMING SCREW	2	
21	231590	ELASTIC CLAMP	1	

PLATE-6
FRONT FAIRING

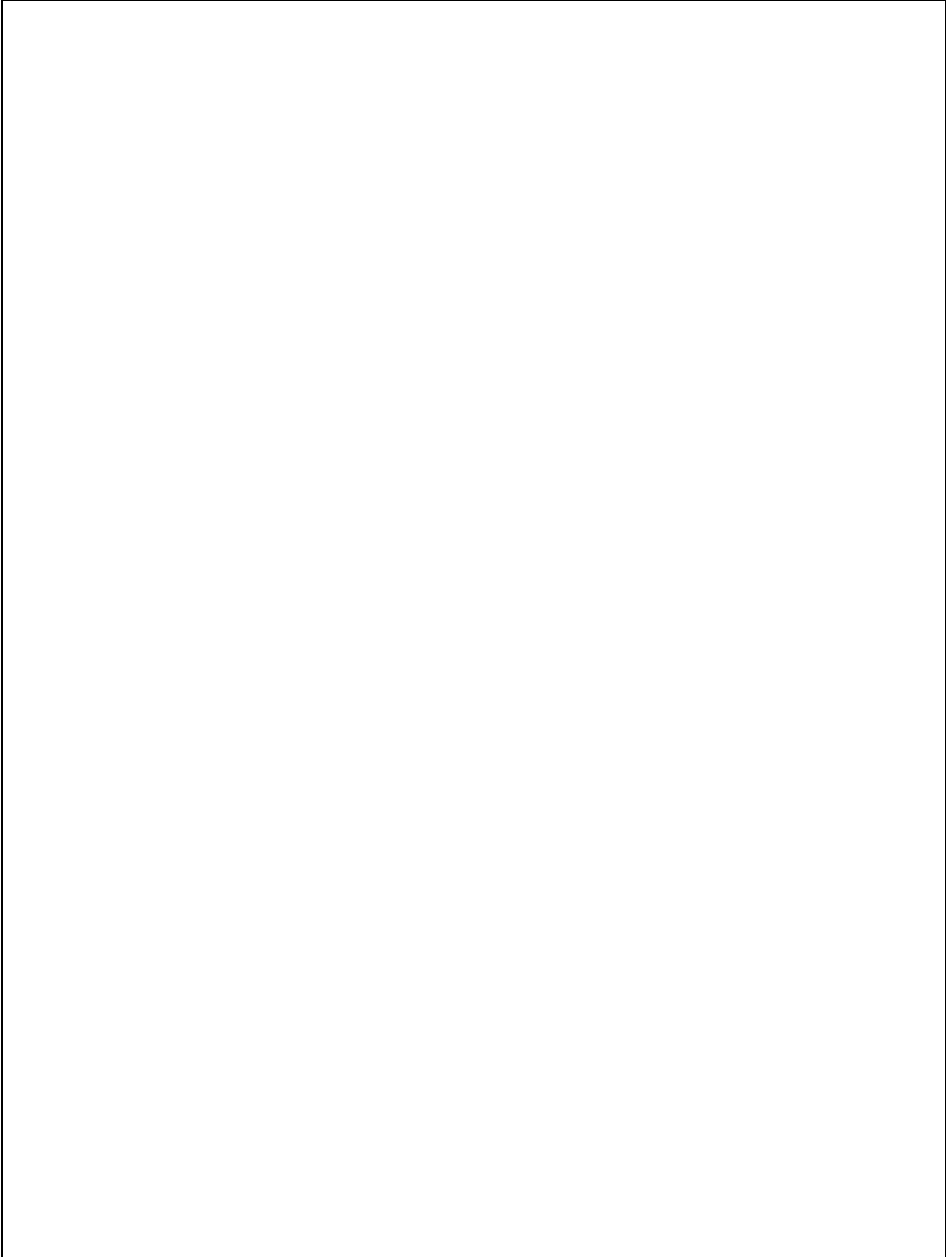


PLATE-6
FRONT FAIRING

Fig. No.	Part No.	Description	Qty	Remarks
1	SP2B011160000B06	FRONT FAIRING, WHITE	1	Colour:White[B06]
1	SP2B011160000G48	FRONT FAIRING, GREY	1	Colour:Grey[G48]
1	SP2B011160000NL	FRONT FAIRING, BLACK	1	Colour: BLACK[NL]
2	2B011159	WINDSHIELD	1	
3	2B010603	RIGHT REAR-VIEW MIRROR	1	
4	2B010604	LEFT REAR-VIEW MIRROR	1	
5	AP8152117	HEXAGON COCKET SCREWS M6X25 Z.N.	4	
6	241936	SELF LOCKING NUT	4	
7	2B011467	FLANGED BUSH	4	
8	AP8144564	RUBBER W/ INSERT	4	
9	895916	NON METAL WASHER	4	
10	2B011184	LEFT HEADLIGHT MOLDING	1	
11	2B011185	RIGHT HEADLIGHT MOLDING	1	
12	581957	SOCKET HEAD SCREW	4	
13	181351	ELASTIC PLATE	6	
14	2B011167	DASHBOARD UPPER COVER	1	
15	2B011991	TORX SOCKET SCREW M5X9 NERINOX	4	
16	2B011153	LOWER FRONT FAIRING	1	
17	00G04401462	NUT	21	
18	270793	SCREW	2	
19	2B011165	LEFT INTERNAL COVER	1	
20	2B011166	RIGHT INTERNAL COVER	1	
21	581957	SOCKET HEAD SCREW	6	
22	AP8102381	SPRING PLATE M4	6	
23	CM178603	THREAD FORMING SCREW	2	
24	2B011522	FRONT LICENSE PLATE BRACKET	1	
25	270793	SCREW	4	

PLATE-7
SIDE FAIRING

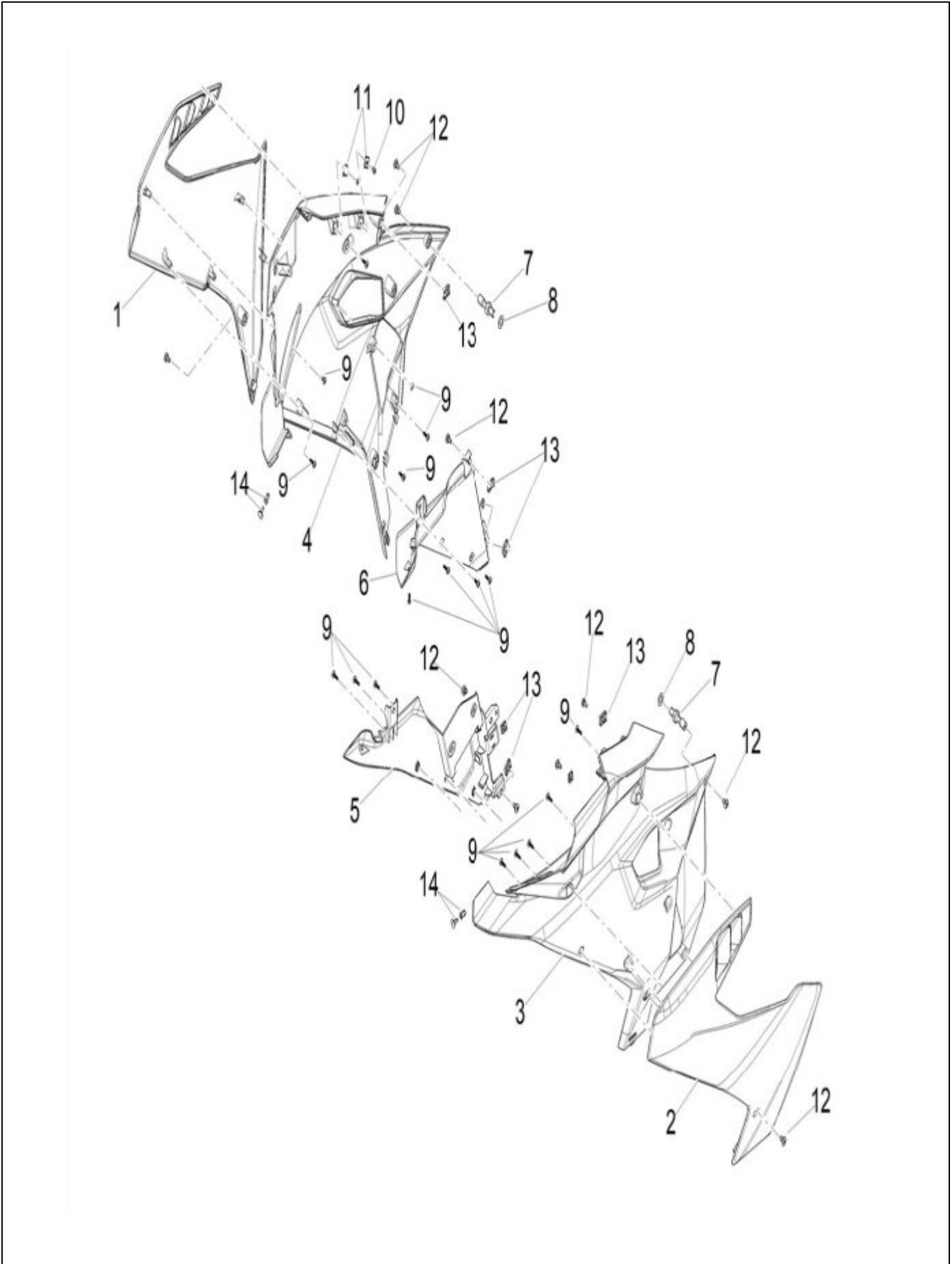


PLATE-7
SIDE FAIRING

Fig. No.	Part No.	Description	Qty	Remarks
1	SP2B011164000B06	RIGHT SIDE FAIRING, WHITE	1	Colour:White[B06]
1	SP2B011164000NL	RIGHT SIDE FAIRING, BLACK	1	Colour:BLACK[NL]
1	SP2B011164000G48	RIGHT SIDE FAIRING, GREY	1	Colour:Grey[G48]
2	SP2B011163000B06	LEFT SIDE FAIRING, WHITE	1	Colour:White[B06]
2	SP2B011163000NL	LEFT SIDE FAIRING, BLACK	1	Colour:BLACK[NL]
2	SP2B011163000G48	LEFT SIDE FAIRING, GREY	1	Colour:Grey[G48]
3	2B011161	LEFT INTERNAL SIDE FAIRING	1	
4	2B011162	RIGHT INTERNAL SIDE FAIRING	1	
5	2B011154	LEFT INTERNAL FAIRING	1	
6	2B011155	RIGHT INTERNAL FAIRING	1	
7	2B011465	SPACER	2	
8	2B012126	CURVED SPRING WASHER	2	
9	270793	SCREW	26	
10	581957	SOCKET HEAD SCREW	6	
11	AP8102381	SPRING PLATE M4	6	
12	2B011991	TORX SOCKET SCREW M5X9 NERINOX	10	
13	AP8102375	CLIP M5	10	
14	898899	PLASTIC RIVET	2	

PLATE-8
TANK COVER

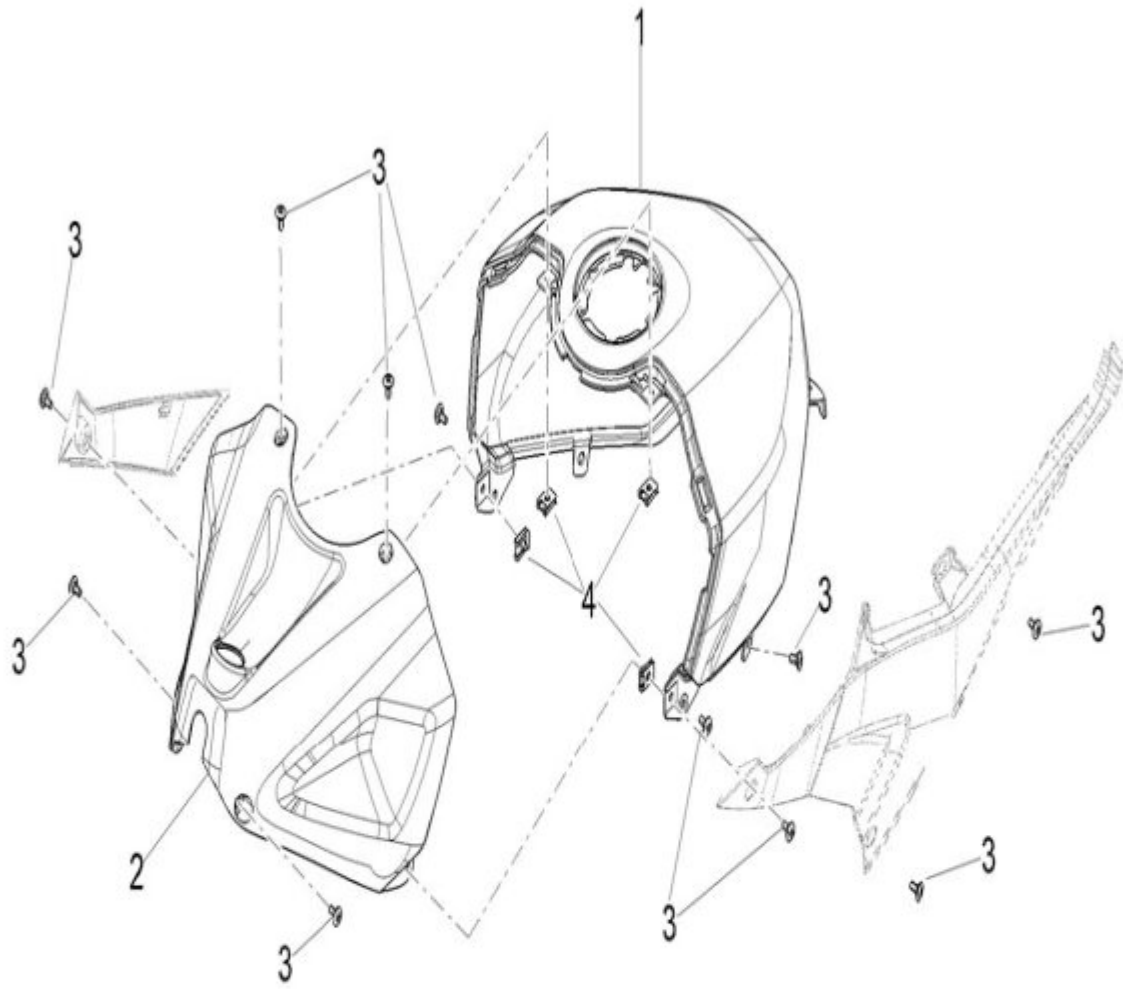


PLATE-8
TANK COVER

Fig. No.	Part No.	Description	Qty	Remarks
1	SP2B011176000B06	TANK COVER, WHITE	1	Colour:White[B06]
1	SP2B011176000G48	TANK COVER, GREY	1	Colour:Grey[G48]
1	SP2B011176000NL	TANK COVER, BLACK	1	Colour:BLACK[NL]
2	SP2B011177000NL	AIRBOX COVER, BLACK	1	
3	2B011991	TORX SOCKET SCREW M5X9 NERINOX	12	
4	AP8102375	CLIP M5	4	

PLATE-9
CENTRAL BODY AND SAREEGUARD

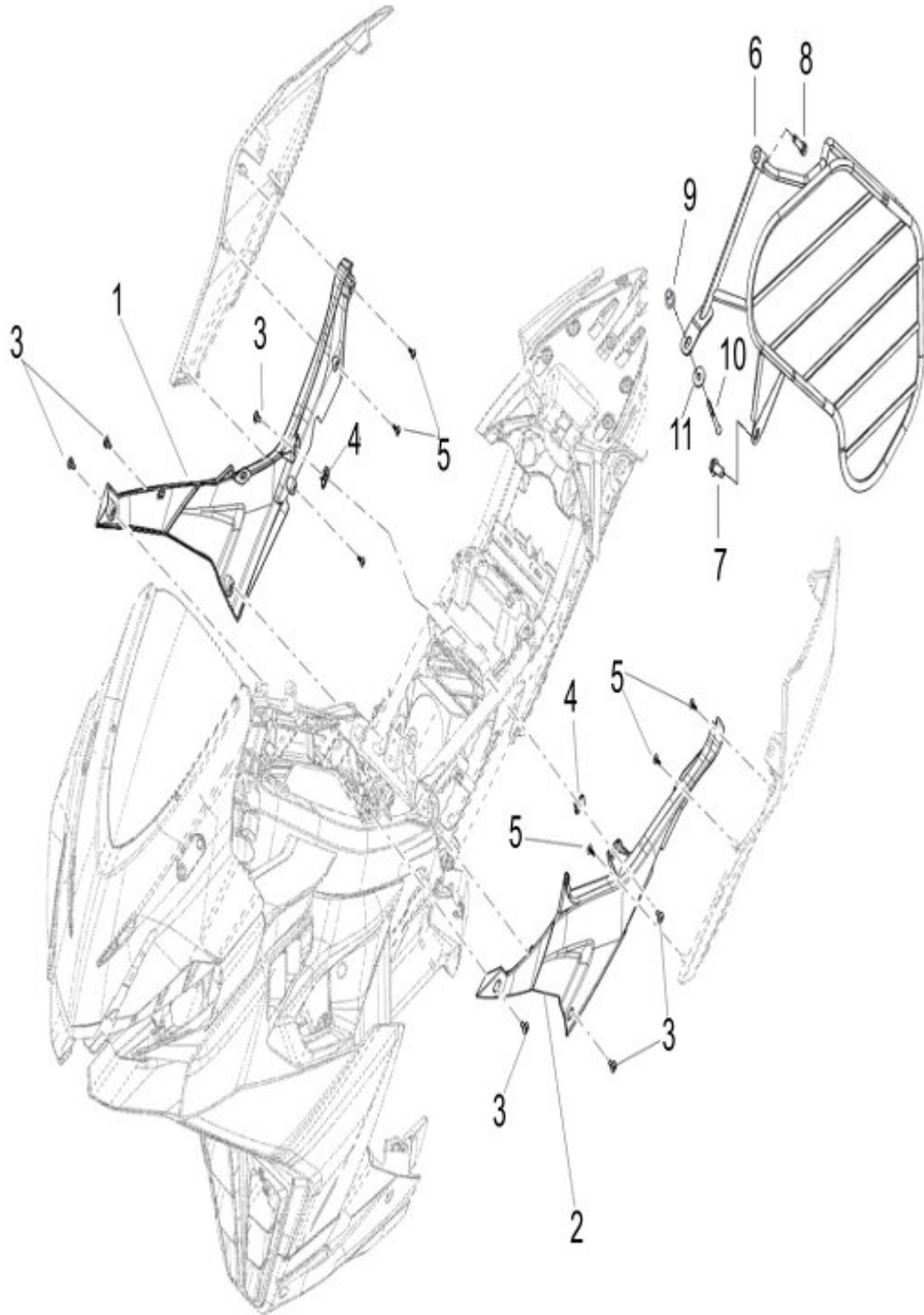


PLATE-9**CENTRAL BODY AND SAREEGUARD**

Fig. No.	Part No.	Description	Qty	Remarks
1	2B011169	RIGHT SIDE PANEL	1	
2	2B011168	LEFT SIDE PANEL	1	
3	2B011991	TORX SOCKET SCREW M5X9 NERINOX	3	
4	AP8102375	CLIP M5	2	
5	CM178603	THREAD FORMING SCREW	6	
6	2B010899	SAREEGUARD	1	
7	AP8152285	FLANGED HEXAGONAL HEAD M8X16	1	
8	598921	SCREW	1	
9	2B012077	FLANGED SPACER	1	
10	872997	HEX SOCKET SCREW M8X55	1	

PLATE-10
SADDLE

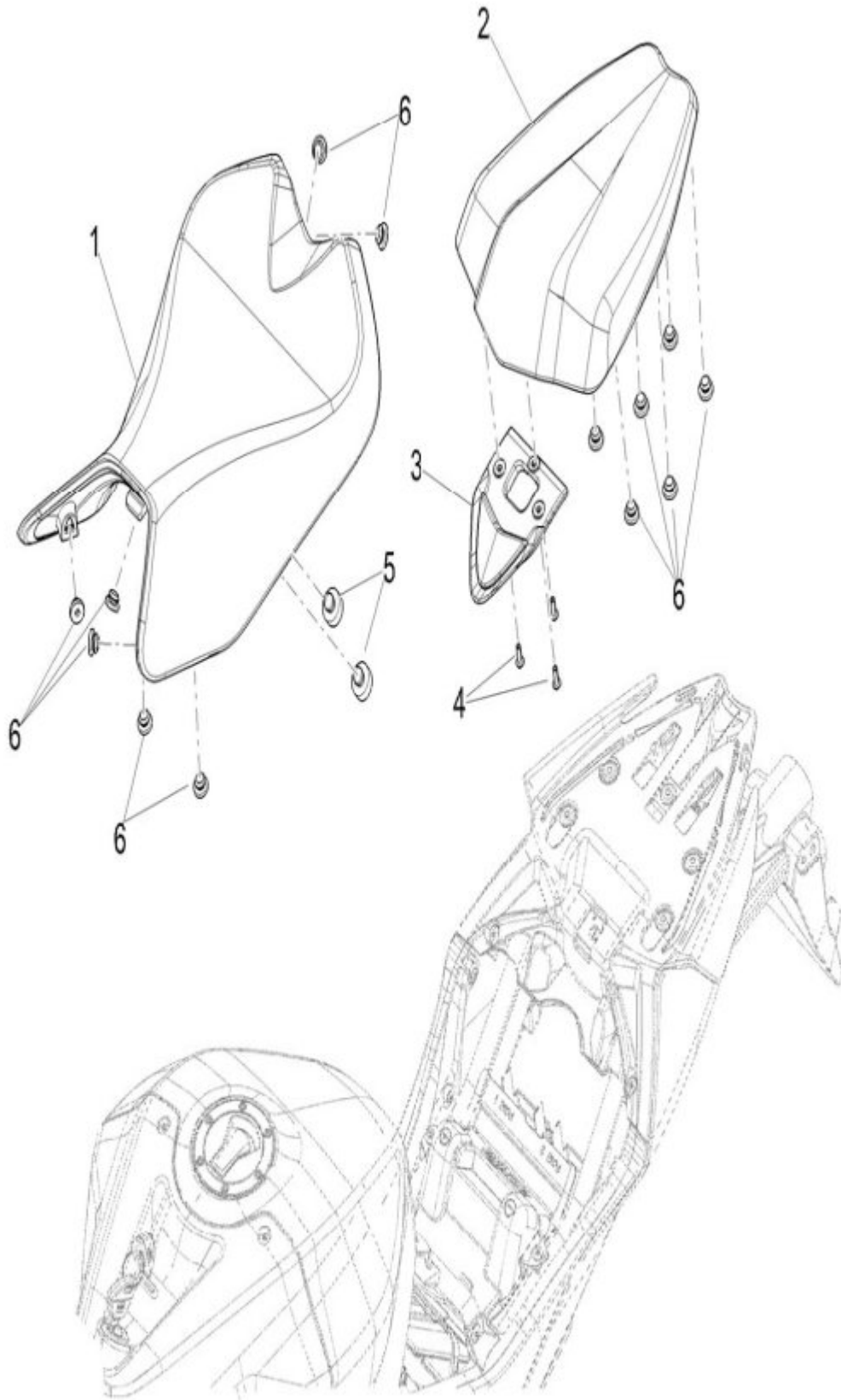


PLATE-10
SADDLE

Fig. No.	Part No.	Description	Qty	Remarks
1	2B010927000C1	RIDER SADDLE	1	
2	2B010925000C1	PASSENGER SADDLE	1	
3	2B011137	SEAT LOCK PADDLE	1	
4	AP8150509	SCREW FOR PLAST. 5X14 T1/2T WITH FL.	3	
5	B043941	BUFFER	2	
6	B043933	BUFFER	13	

PLATE-11
SADDLE COMPARTMENT

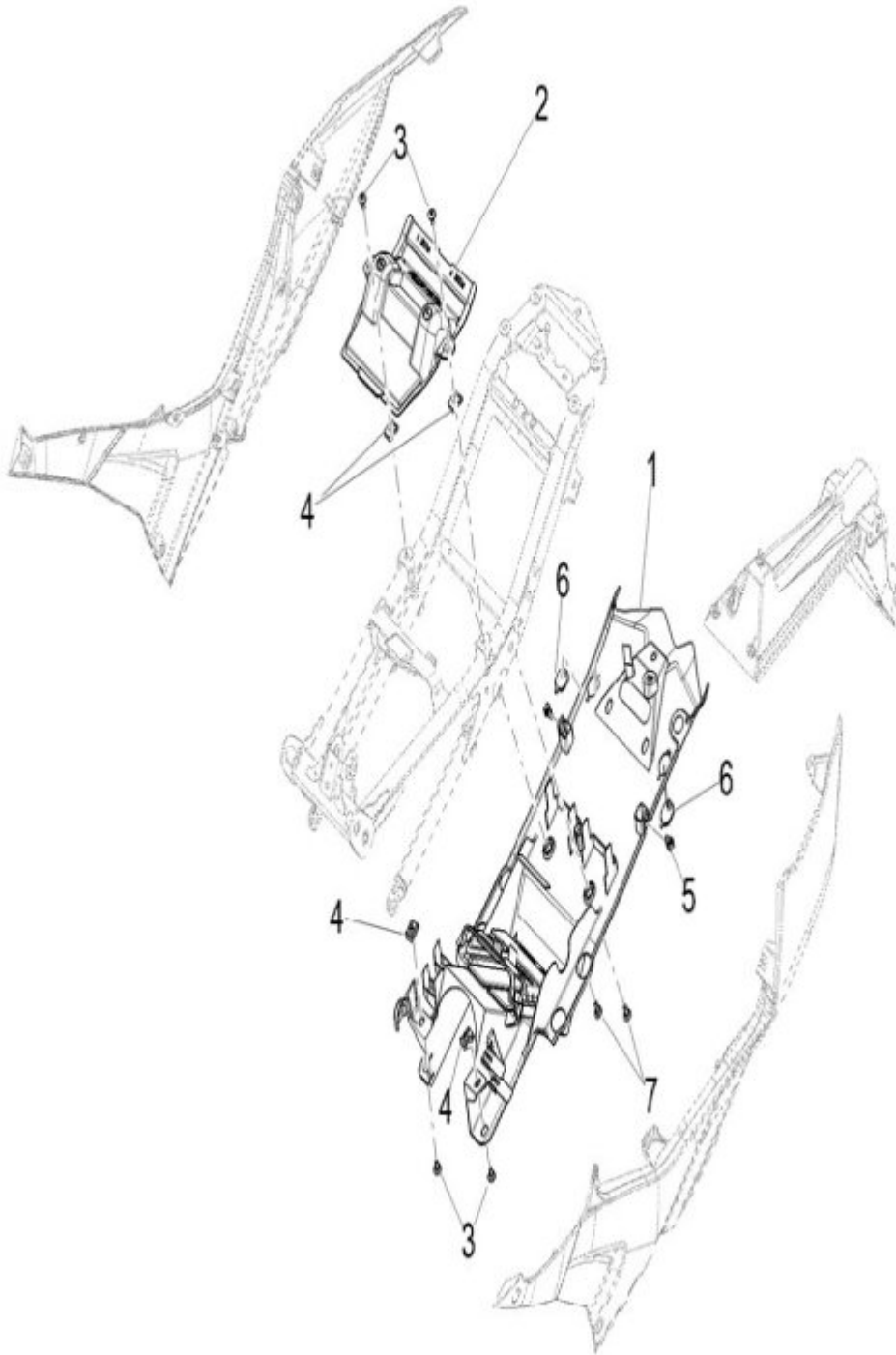


PLATE-11
SADDLE COMPARTMENT

Fig. No.	Part No.	Description	Qty	Remarks
1	2B011178	LOWER SEAT CLOSURE	1	
2	2B010987	BATTERY COVER	1	
3	2B011991	TORX SOCKET SCREW M5X9 NERINOX	4	
4	AP8102375	CLIP M5	4	
5	D9004468091	CLIP	2	
6	2B011872	PLUG	2	
7	2B011940	TORX SOCKET SCREW M5X12 NERINOX	2	

PLATE-12
REAR BODY

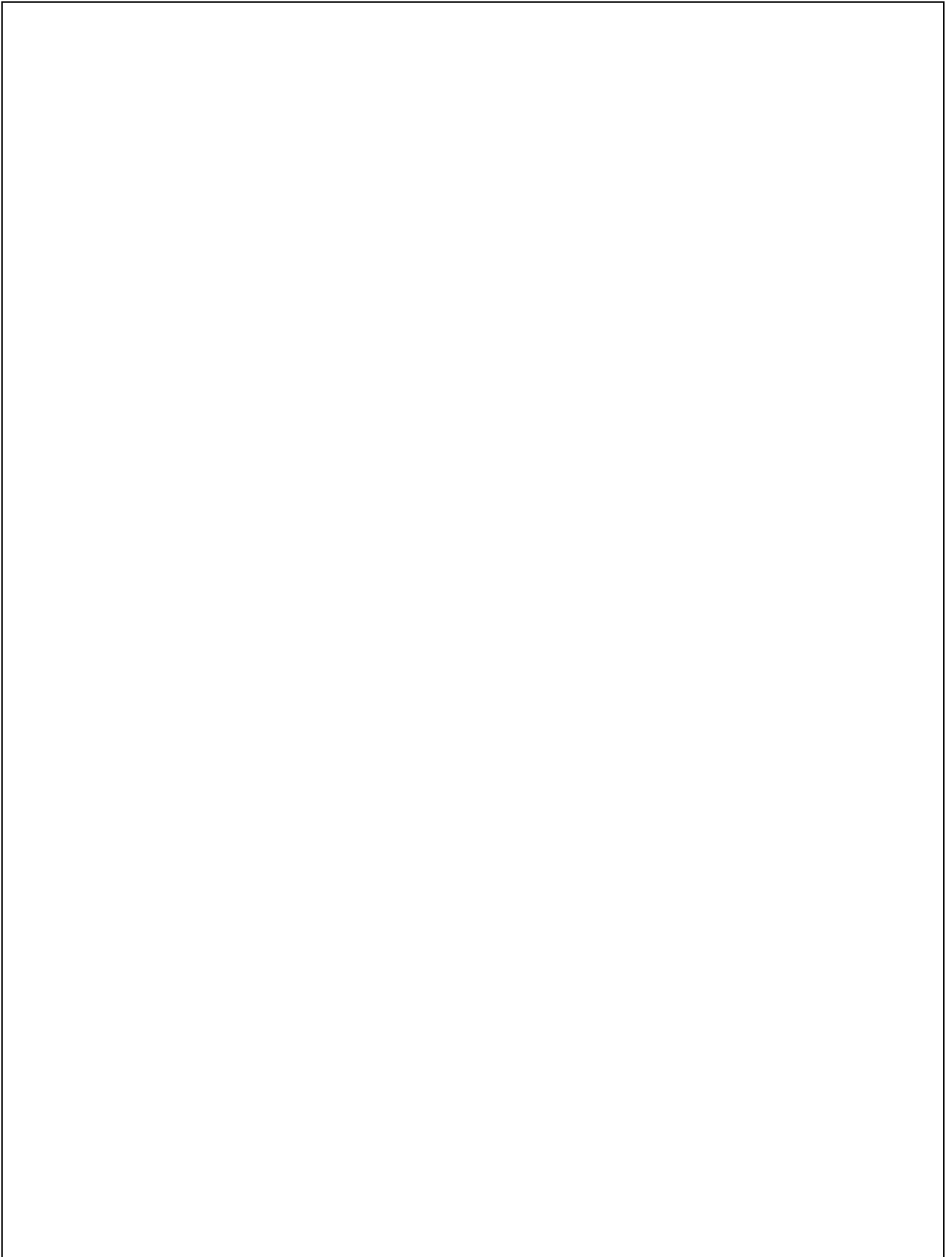


PLATE-12
REAR BODY

Fig. No.	Part No.	Description	Qty	Remarks
1	SP2B011170000NL	LEFT REAR FAIRING, BLACK	1	
2	SP2B011171000NL	RIGHT REAR FAIRING, BLACK	1	
3	2B011071000NL	REAR HANDLE, BLACK	1	
4	2B011172	REAR LICENSE PLATE SUPPORT	1	
5	2B011183	LOWER CLOSING LICENSE PLATE	1	
6	2B011713	REAR HANDLE SCREW	5	
7	D9004468091	CLIP	2	
8	CM178603	THREAD FORMING SCREW	12	
9	241936	SELF LOCKING NUT	3	
10	00G04401462	NUT	4	
11	CM179201	METRICAL SCREW	3	
12	2B012700	TORX SOCKET FLANGED PAN SCREW	2	
13	575268	NUT	1	
14	181351	ELASTIC PLATE	2	
15	294519	REFLECTOR	1	
16	2B011991	TORX SOCKET SCREW M5X9 NERINOX	2	
17	1C004838	REAR PLATE HOLDER	1	
18	B016796	CONVEX HEAD SCREW TORX M5X16	2	
19	241937	M5 FLANGE NUT	2	

PLATE-13
LOCKS

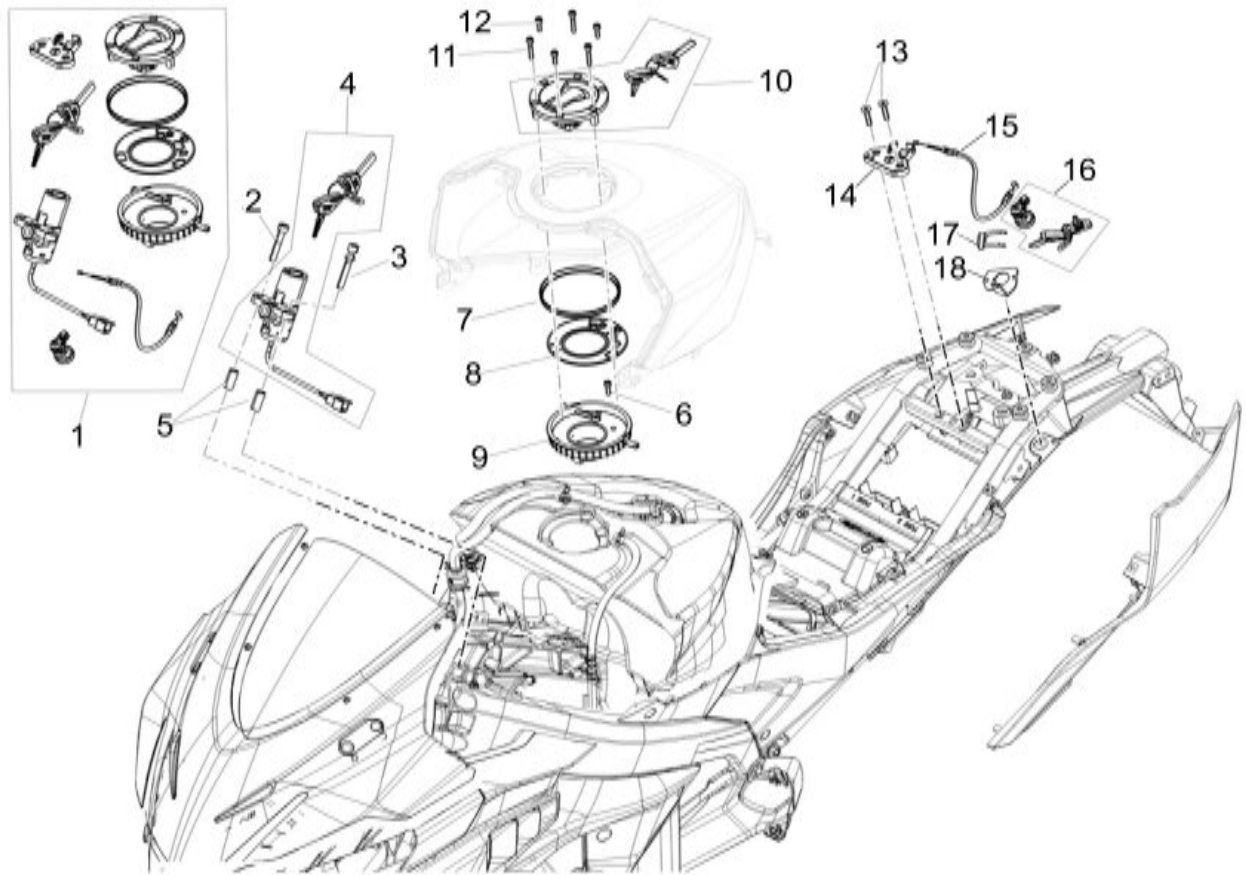


PLATE-13
LOCKS

Fig. No.	Part No.	Description	Qty	Remarks
1	2B010806	LOCKS KIT	1	
2	826298	SCREW WITH CYLINDRICAL HEAD	1	
3	2B011953	M8X40 LATCH SCREW	1	
4	2B011246	KEY SWITCH	1	
5	2B013599	SPACER	2	
6	AP8150454	HSB SCREW M5X16 INOX A2-70 UNI 5931	1	
7	899105	PLUG GASKET	1	
8	899106	PACKING	1	
9	899107	FLOAT CHAMBER	1	
10	2B009073	FUEL TANK CAP WITH KEYS	1	
11	AP8150453	HSB SCREW M5X30 INOX A2-70 UNI 5931	3	
12	AP8150454	HSB SCREW M5X16 INOX A2-70 UNI 5931	3	
13	GU98250630	SCREW TSPCE M6X30	2	
14	899543	PLATE	1	
15	2B009375	SADDLE LOCK CABLE	1	
16	2B003729	SEAT LOCK WITH KEY	1	
17	2B013143	FORK SPRING	1	
18	978415	PLATE	1	

PLATE-14

DECALS (OPALESCENT LIGHT)



PLATE-14**DECALS (OPALESCENT LIGHT)**

Fig. No.	Part No.	Description	Qty	Remarks
1	AP8157770	APRILIA DATAPLATE	1	
2	2H006246	FRONT MUDGUARD BE A RACER DECAL	1	
3	2H006279	LOWER FRONT FAIRING BLACK DECAL	1	
4	2H006278	FRONT FAIRING NUMBER PLATE DECAL	1	
5	2H006280	AIRBOX COVER 54 DECAL	1	
6	2H006283	RIGHT SIDE FAIRING A DECAL	1	
7	2H006281	RIGHT TANK COVER APRILIA RACING DECAL	1	
8	2H006282	LEFT TANK COVER APRILIA RACING DECAL	1	
9	2H006284	LEFT SIDE FAIRING A DECAL	1	
10	2H006285	LOWER RIGHT SIDE FAIRING RS DECAL	1	
11	2H006286	LOWER LEFT SIDE FAIRING RS DECAL	1	
12	2H006287	RIGHT REAR FAIRING RS DECAL	1	
13	2H006288	LEFT REAR FAIRING RS DECAL	1	
14	2H006289	LOWER RIGHT REAR FAIRING BANDS DECAL	1	
15	2H006290	LOWER LEFT REAR FAIRING BANDS DECAL	1	

PLATE-15

DECALS (PRISMATIC DARK)



PLATE-15**DECALS (PRISMATIC DARK)**

Fig. No.	Part No.	Description	Qty	Remarks
1	AP8157770	APRILIA DATAPLATE	1	
2	2H006246	FRONT MUDGUARD BE A RACER DECAL	1	
3	2H006279	LOWER FRONT FAIRING BLACK DECAL	1	
4	2H006291	FRONT FAIRING NUMBER PLATE DECAL	1	
5	2H006280	AIRBOX COVER 54 DECAL	1	
6	2H006294	RIGHT SIDE FAIRING A DECAL	1	
7	2H006292	RIGHT TANK COVER APRILIA RACING DECAL	1	
8	2H006293	LEFT TANK COVER APRILIA RACING DECAL	1	
9	2H006295	LEFT SIDE FAIRING A DECAL	1	
10	2H006285	LOWER RIGHT SIDE FAIRING RS DECAL	1	
11	2H006286	LOWER LEFT SIDE FAIRING RS DECAL	1	
12	2H006287	RIGHT REAR FAIRING RS DECAL	1	
13	2H006288	LEFT REAR FAIRING RS DECAL	1	
14	2H006296	LOWER RIGHT REAR FAIRING BANDS DECAL	1	
15	2H006297	LOWER LEFT REAR FARING BANDS DECAL	1	

PLATE-17
ENGINE ASSEMBLY

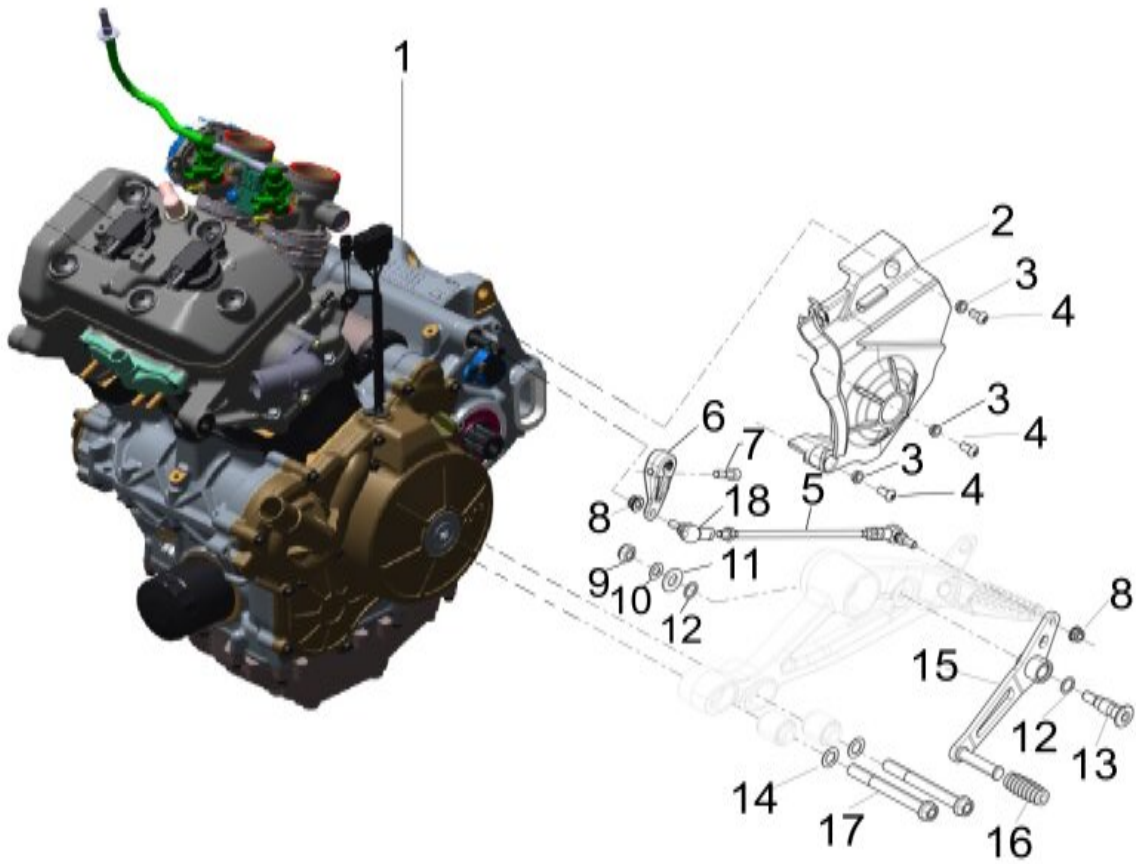


PLATE-17
ENGINE ASSEMBLY

Fig. No.	Part No.	Description	Qty	Remarks
1	CM327601	ENGINE 440 4S 8V TWIN CYL APRILIA RS	1	
2	2B011180	SPROCKET COVER	1	
3	AP8121811	BUSHING	3	
4	601039	SCREW	3	
5	2B011541	ASSEMBLED GEAR SHIFT ROD	1	
6	2B011144	GEARSHIFT CONTROL LEVER	1	
7	2B011110	HSCH M6X20 PARTIAL THREADED SCREW	1	
8	241936	SELF LOCKING NUT	2	
9	AP8150431	NUT M8 -UNI 7474-INOX A2-70	1	
10	AP8150376	CURVED SPRING WASHE 8,4X15X0,8	1	
11	AP8150020	WASHER 10,5X21X2*	1	
12	AP8144007	OR RING 114 VITON (FKM 80)	2	
13	2B013522	REAR BRAKE LEVER PIN WITH THREADLOCKER	1	
14	2B012126	CURVED SPRING WASHER	1	
15	2B010988	GEAR LEVER	2	
16	AP8120912	RUBBER LEVER BREKE	1	
17	AP8152482	SCREW W/ FLANGE M10 X 85	2	
18	2B013472	BALL JOINT M6 RIGHT-HAND THREAD	1	

PLATE-18
CRANKCASE ASSEMBLY

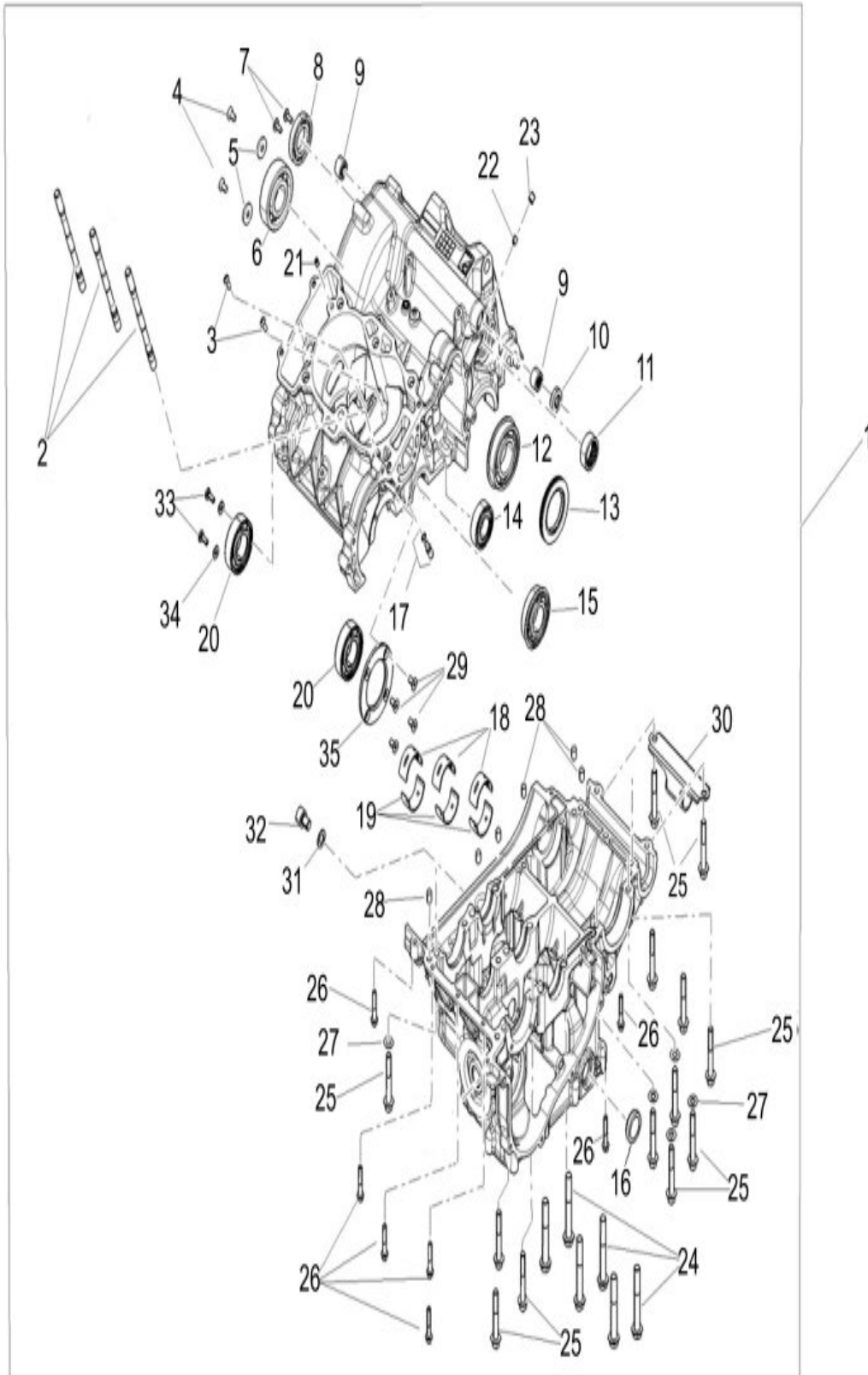


PLATE-18
CRANKCASE ASSEMBLY

Fig. No.	Part No.	Description	Qty	Remarks
1	SP1A020893	COMPLETE CRANKCASE	1	
2	1A020894	STUD	6	
3	1A024025	SOCKET FLANGED SCREW TORX KEY	2	
4	1A024024	COUNTERSUNK SCREW TORX KEY	2	
5	1A024249	WASHER	2	
6	1A024180R	BALL BEARING	1	
7	1A024025	SOCKET FLANGED SCREW TORX KEY	2	
8	1A025098R	BALL BEARING 25X47X8	1	
9	1A024178R	ROLLER CAGE	2	
10	1A023673	SEAL RING	1	
11	1A024177R	ROLLER CAGE	1	
12	1A024179R	BALL BEARING 30.62.16 WITH SNAP RING	1	
13	1A023670	SEAL RING	1	
14	1A025322R	BALL BEARING 20X42X12 WITH SEALING	1	
15	1A025105R	BALL BEAR. 25X52X15 STOPPER AND SCREEN	1	
16	1A024537	OIL LEVEL GAUGE	1	
17	1A018625	PISTON COOLING JET	2	
18	CM342801	CRANKSHAFT HALF BEARING	3	
18	CM342802	CRANKSHAFT HALF BEARING	3	
19	CM342901	CRANKSHAFT HALF BEARING	3	
19	CM342902	CRANKSHAFT HALF BEARING	3	
20	1A002957	DEEP GROOVE BALL BEARING	2	
21	1A024985	DOWEL	1	
22	1A009339	DOWEL	1	
23	1A020900	TAPER THREAD	1	
24	1A024021	FLANGED HEXAGONAL HEAD SCREW	6	
25	1A007618	FLANGED HEXAGONAL HEAD SCREW	13	
26	B018853	FLANGED HEXAGONAL HEAD SCREW M6X30	7	
27	1A024234	WASHER	7	
28	1A024233	PIN	6	
29	1A024024	COUNTERSUNK SCREW TORX KEY	1	
30	2B006844	EXHAUST SYSTEM SUPPORT BRACKET	1	
31	1A011500	WASHER	1	
32	1A024269	SCREW M10X14	1	
33	1A024032	CYLINDRICAL HEAD SCREW TORX KEY	2	

PLATE-18
CRANKCASE ASSEMBLY

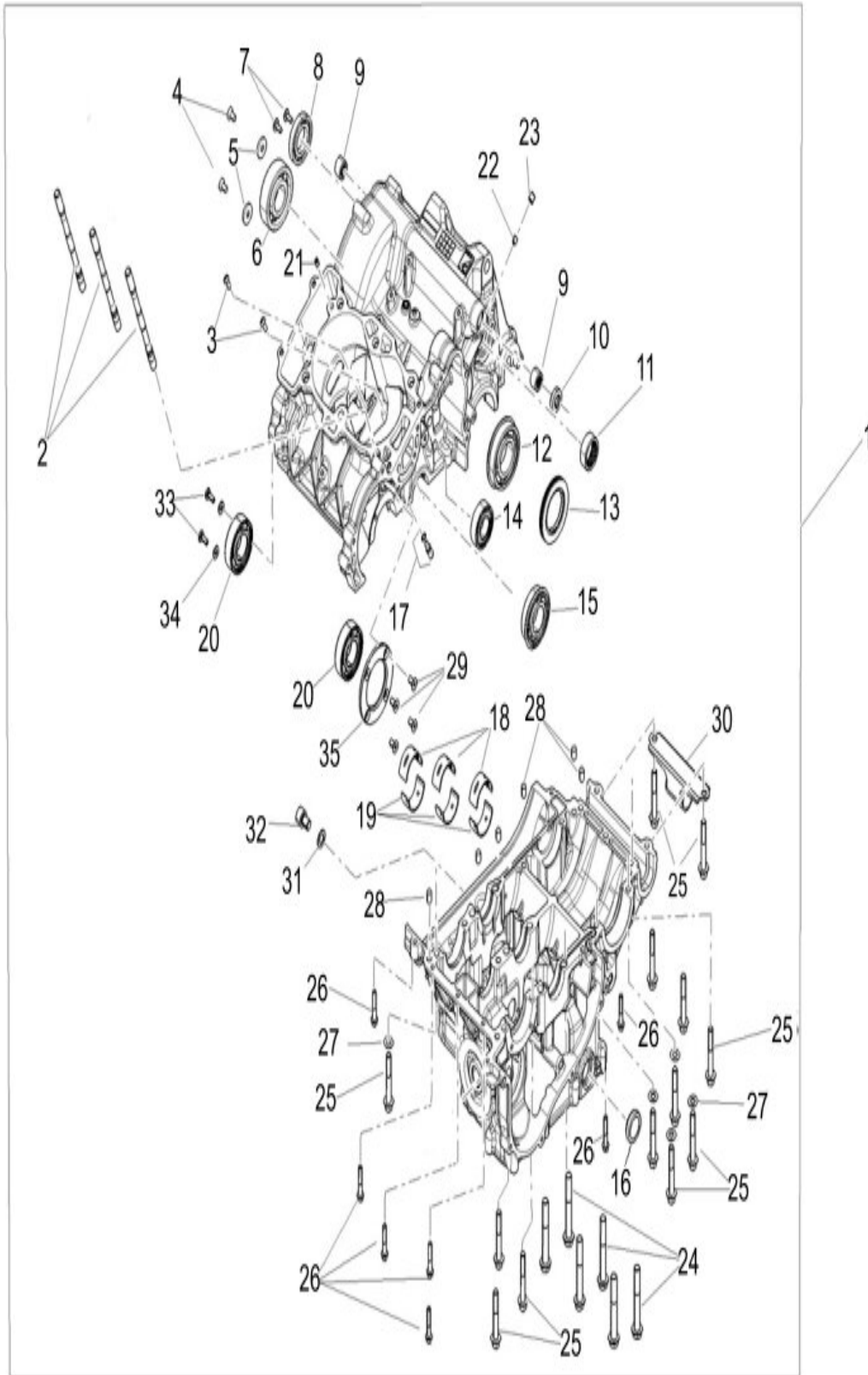


PLATE-18
CRANKCASE ASSEMBLY

Fig. No.	Part No.	Description	Qty	Remarks
34	1A024104	WASHER	2	
35	1A020877	BALL BEARING RING RETAINER	1	

PLATE-19
AIR BOX

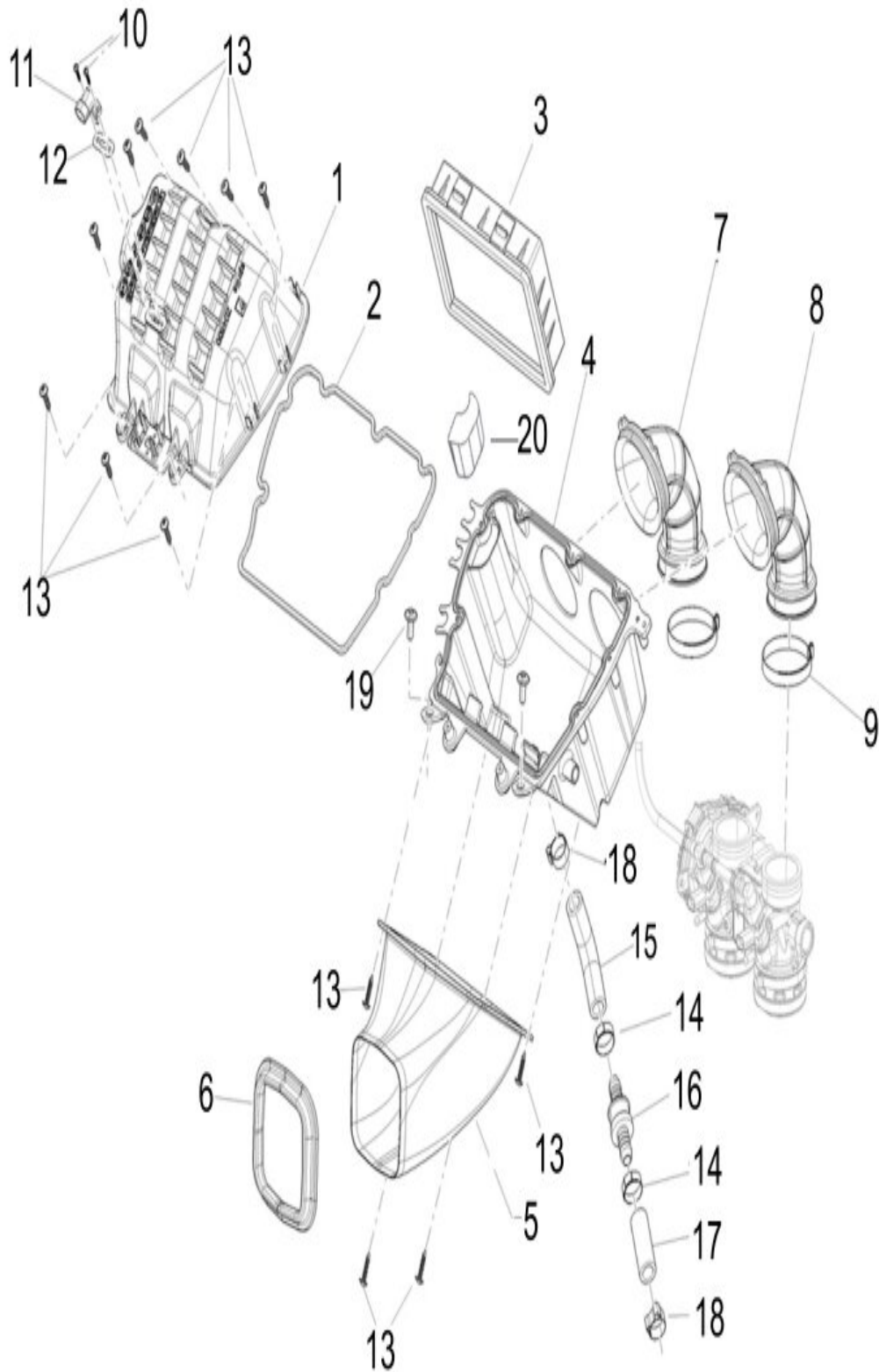


PLATE-19**AIR BOX**

Fig. No.	Part No.	Description	Qty	Remarks
1	2B011841	AIRBOX TOP CASE	1	
2	2B011052	AIRBOX GASKET	1	
3	2B011842	AIR FILTER	1	
4	2B011840	AIRBOX BOTTOM CASE	1	
5	2B011888	AIRBOX DUCT	1	
6	2B010558	AIR CLEANER MANIFOLD	1	
7	2B011978	RIGHT INTAKE DUCT	1	
8	2B011977	LEFT INTAKE DUCT	1	
9	CM338601	CLIC CLAMP D56.0	2	
10	009000	SELF TAP SCREW 4 SG X 13 AB3	2	
11	GU30729330	AIR TEMP SENSOR	1	
12	2B011801	GASKET	1	
13	267958	SCREW	13	
14	CM001927	HOSE CLAMP	2	
15	2B010676	BLOW-BY HOSE	1	
16	2B003105	VALVE	1	
17	2B011354	BLOW-BY HOSE	1	
18	CM001938	HOSE CLAMP	2	
19	2B011991	TORX SOCKET SCREW M5X9 NERINOX	2	
20	AP8104525	FILTER BLOW-BY	1	

PLATE-20
THROTTLE BODY

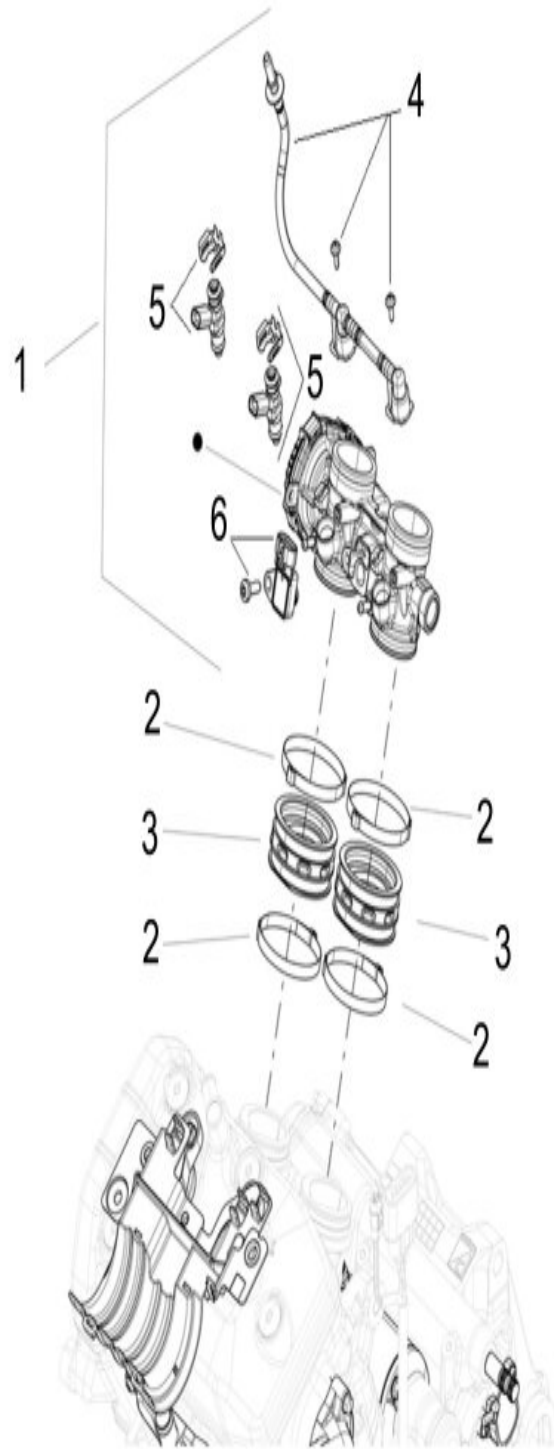


PLATE-20**THROTTLE BODY**

Fig. No.	Part No.	Description	Qty	Remarks
1	1A021486	THROTTLE BODY	1	
2	1A026175	CLAMP	4	
3	1A020915	HEAD-THROTTLE BODY INTAKE MANIFOLD	2	
4	1A027122	THROTTLE BODY FUEL PIPE+SCREW	1	
5	1A027123	THROTTLE BODY FUEL INJECTOR+CLIP	2	
6	1A027124	THROTTLE BODY MAP SENSOR+SCREW	1	

PLATE-21
CYLINDER HEAD COVER

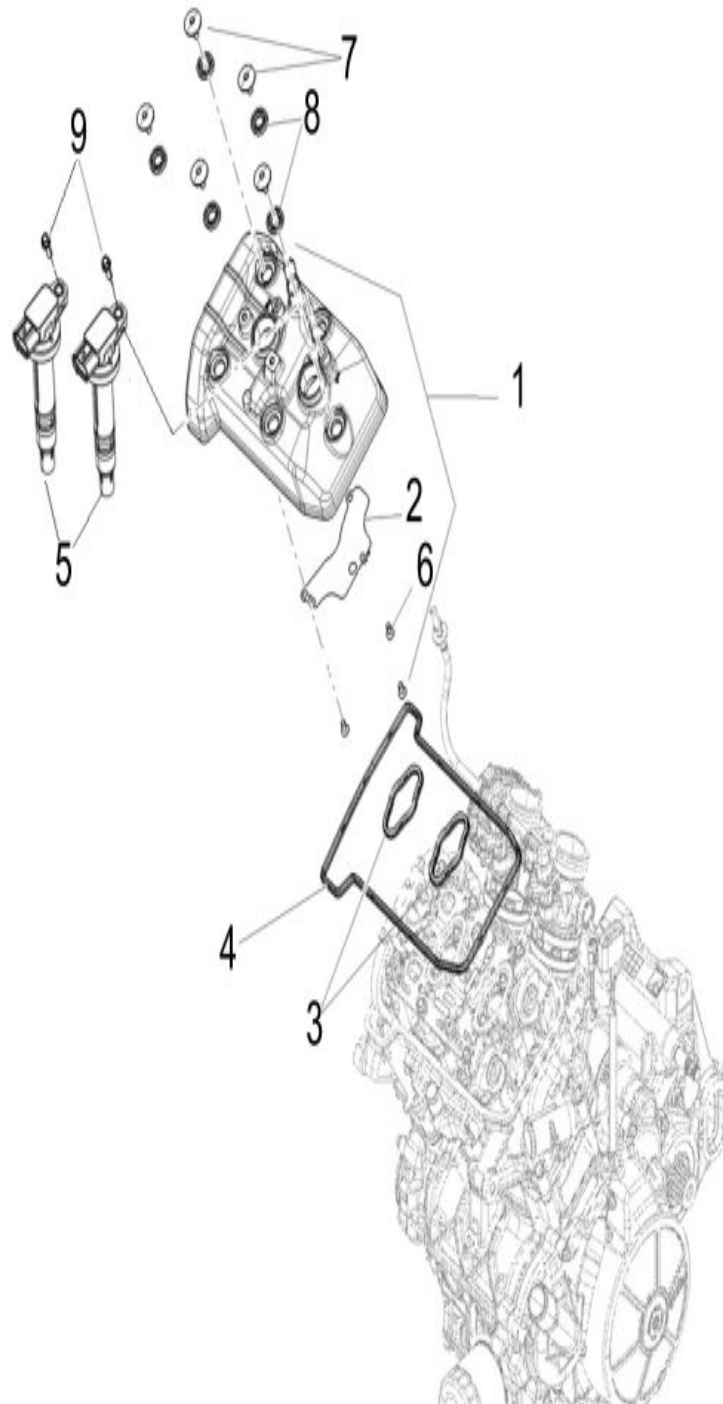


PLATE-21
CYLINDER HEAD COVER

Fig. No.	Part No.	Description	Qty	Remarks
1	SP1A024320	COMPLETE HEAD COVER	1	
2	1A023188	BLOW-BY GASKET	1	
3	1A020906	GASKET SPARK COMPARTMENT	2	
4	1A020905	HEAD COVER GASKET	1	
5	1A021836	H.T. PENCIL COIL	2	
6	1A024048	COUNTERSUNK SCREW TORX KEY	3	
7	1A024056	SPECIAL SCREW	5	
8	1A024259	BUFFER	5	
9	018639	SCREW M6X20	2	

PLATE-22
CYLINDER HEAD - VALVES

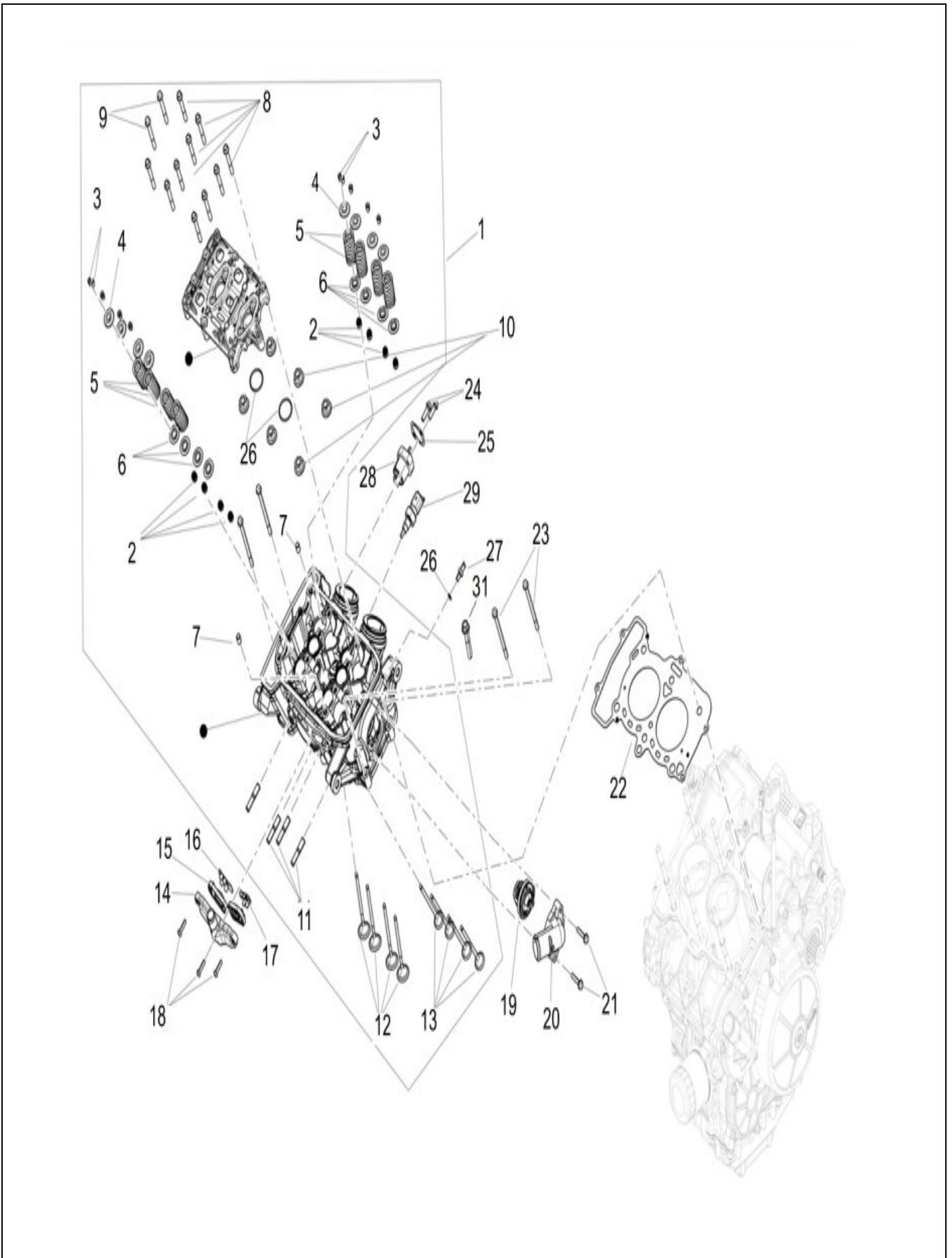


PLATE-22**CYLINDER HEAD - VALVES**

Fig. No.	Part No.	Description	Qty	Remarks
1	1A0205404	COMPLETE CYLINDER HEAD	1	
2	83054R	VALVE SEAL RING	8	
3	1A021968	VALVE FIXING COTTER	16	
4	1A021250	UPPER CUP	8	
5	1A024777	VALVE SPRING	8	
6	1A024778	BOTTOM CUP	8	
7	1A024235	DOWEL	2	
8	1A024266	FLANGED HEXAGONAL HEAD SCREW	10	
9	1A024047	FLANGED HEXAGONAL HEAD SCREW	2	
10	1A024237	FALNGED HEX NUT STANDARD	6	
11	1A023821	SPECIAL STUD	4	
12	1A020560	INTAKE VALVE	4	
13	1A026456	EXHAUST VALVE	4	
14	1A022687	REED VALVE COVER	1	
15	1A022685	AIR VALV	2	
16	1A023872	FLAME TRAP DIAPHRAGM CHAIN SIDE	1	
17	1A023871	FLAME TRAP DIAPHRAGM	1	
18	1A024270	SOCKET HEAD SCREW TORX KEY	3	
19	1A021484	THERMOSTAT	1	
20	1A023720	THERMOSTAT COVER	1	
21	1A024068	FLANGED HEXAGONAL HEAD SCREW	2	
22	1A024543R	HEAD/CYLINDER GASKET	1	
23	1A024045	FLANGED HEXAGONAL HEAD SCREW	4	
24	018639	SCREW M6X20	2	
25	1A024276	CHAIN SUPPORT GASKET	1	
26	1A024247	WASHER	1	
27	1A024248	UNION	1	
28	1A018752	COMPLETE CHAIN TIGHTENER SUPPORT	1	
29	1A021287R	WATER TEMPERATURE SENSOR	1	
30	1A020918	O-RING (26.7X1.78)	2	
31	B018853	FLANGED HEXAGONAL HEAD SCREW M6X30	1	

PLATE-23
PAD

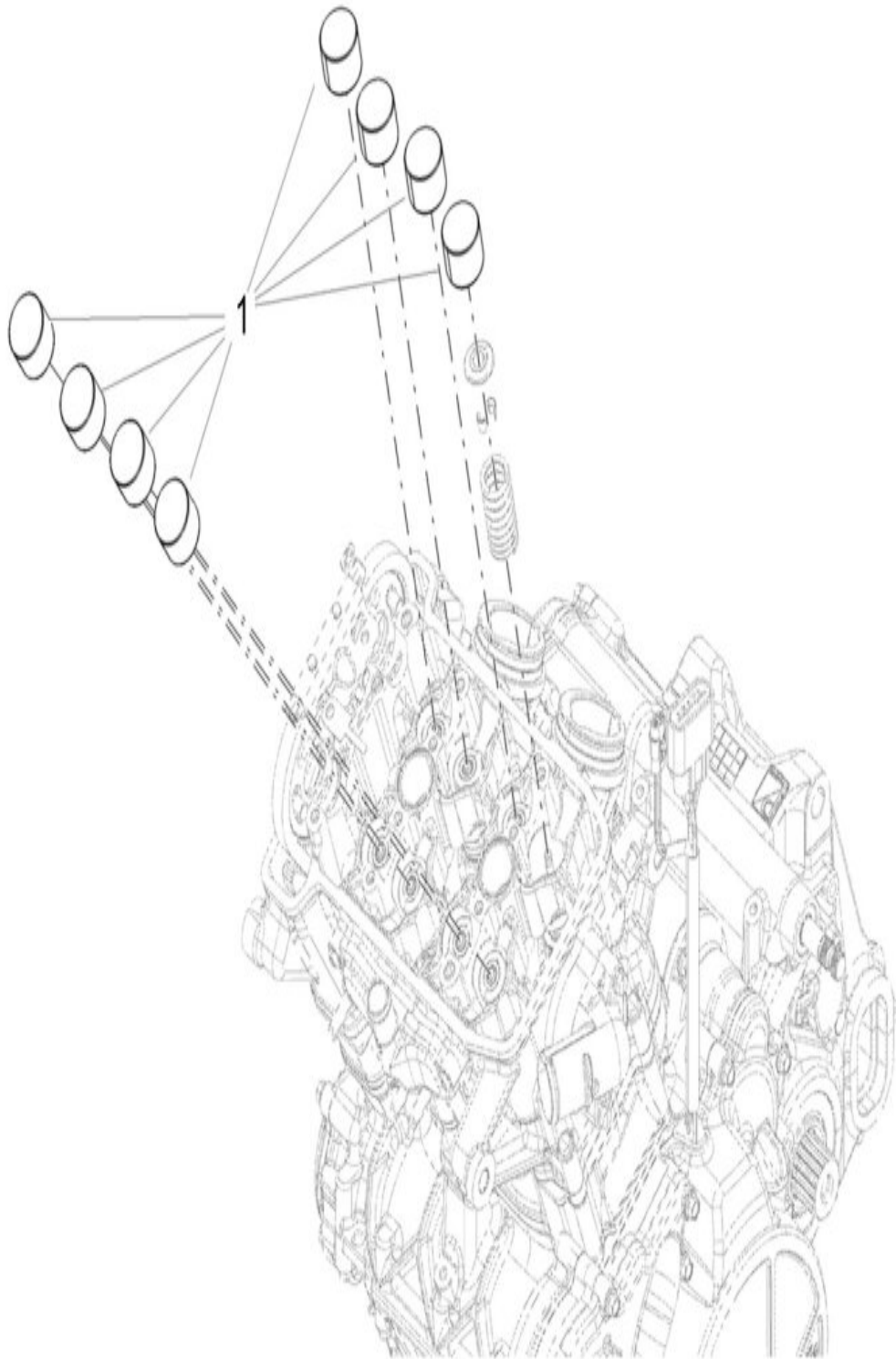


PLATE-23**PAD**

Fig. No.	Part No.	Description	Qty	Remarks
1	CM342401	CALIBRATED CUP - THK. 2.70	1	
1	CM342402	CALIBRATED CUP - THK. 2.73	1	
1	CM342403	CALIBRATED CUP - THK. 2.76	1	
1	CM342404	CALIBRATED CUP - THK. 2.79	1	
1	CM342405	CALIBRATED CUP - THK. 2.82	1	
1	CM342406	CALIBRATED CUP - THK. 2.85	1	
1	CM342407	CALIBRATED CUP - THK. 2.88	1	
1	CM342408	CALIBRATED CUP - THK. 2.91	1	
1	CM342409	CALIBRATED CUP - THK. 2.94	1	
1	CM342410	CALIBRATED CUP - THK. 2.97	1	
1	CM342411	CALIBRATED CUP - THK. 3.00	1	
1	CM342412	CALIBRATED CUP - THK. 3.03	1	
1	CM342413	CALIBRATED CUP - THK. 3.06	1	
1	CM342414	CALIBRATED CUP - THK. 3.09	1	
1	CM342415	CALIBRATED CUP - THK. 3.12	1	
1	CM342416	CALIBRATED CUP - THK. 3.15	1	
1	CM342417	CALIBRATED CUP - THK. 3.18	1	
1	CM342418	CALIBRATED CUP - THK. 3.21	1	
1	CM342419	CALIBRATED CUP - THK. 3.24	1	
1	CM342420	CALIBRATED CUP - THK. 3.27	1	
1	CM342421	CALIBRATED CUP - THK. 3.30	1	
1	CM342422	CALIBRATED CUP - THK. 3.33	1	
1	CM342423	CALIBRATED CUP - THK. 3.36	1	
1	CM342424	CALIBRATED CUP - THK. 3.39	1	
1	CM342425	CALIBRATED CUP - THK. 3.42	1	
1	CM342426	CALIBRATED CUP - THK. 3.45	1	
1	CM342427	CALIBRATED CUP - THK. 3.48	1	
1	CM342428	CALIBRATED CUP - THK. 3.51	1	
1	CM342429	CALIBRATED CUP - THK. 3.54	1	
1	CM342430	CALIBRATED CUP - THK. 3.57	1	

PLATE-24
TIMING SYSTEM

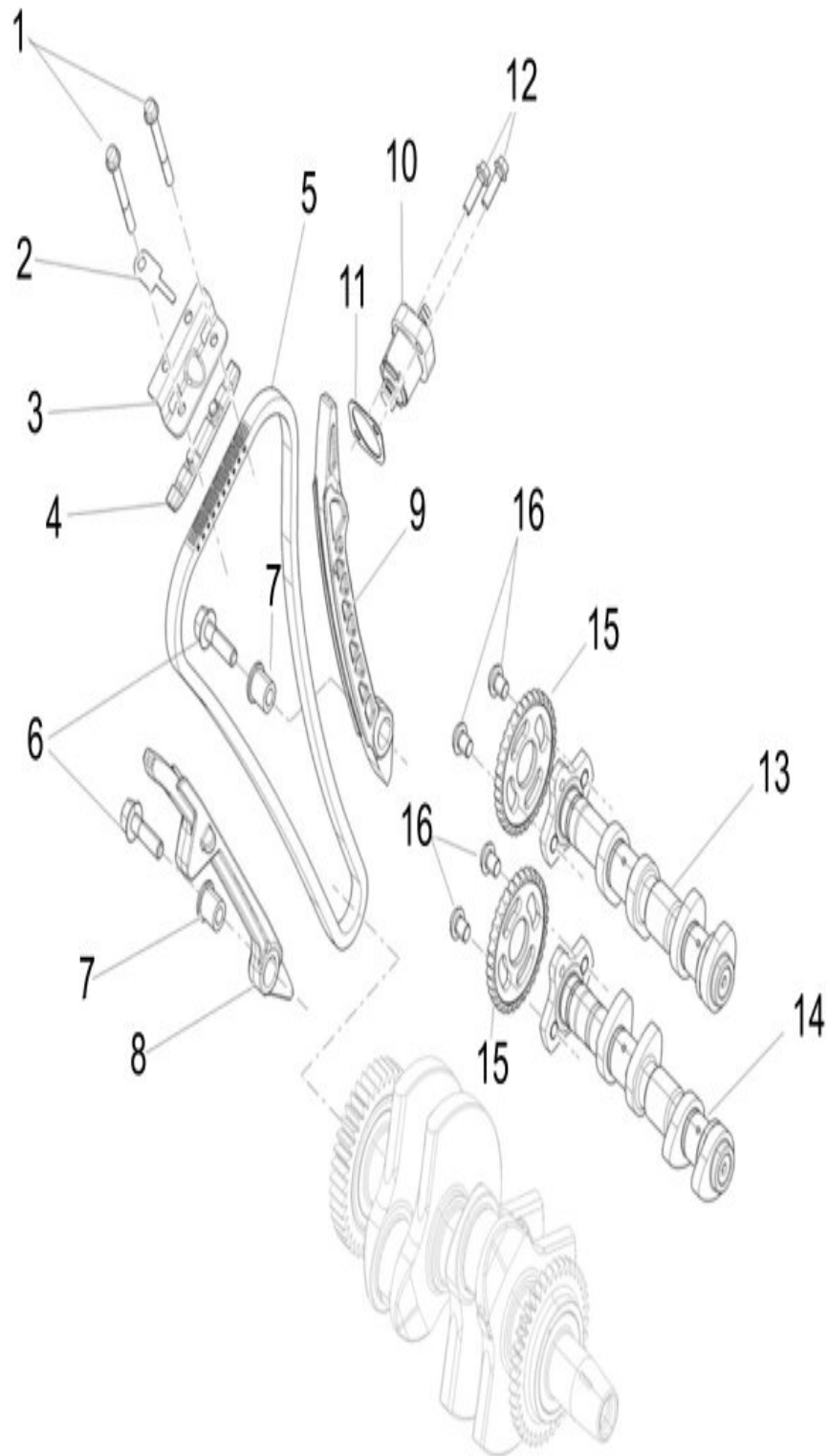


PLATE-24
TIMING SYSTEM

Fig. No.	Part No.	Description	Qty	Remarks
1	1A024047	FLANGED HEXAGONAL HEAD SCREW	2	
2	1A020912	SHEET	1	
3	1A020907	SHEET	1	
4	1A024274	FIXED PAD	1	
5	1A020884	TIMING CHAIN	1	
6	1A024277	FLANGED HEXAGONAL HEAD SCREW	2	
7	1A020883	SPACER FOR PAD	2	
8	1A020878	FIXED PAD	1	
9	1A020908	CHAIN TIGHTENING ROD	1	
10	1A018752	COMPLETE CHAIN TIGHTENER SUPPORT	1	
11	1A024276	CHAIN SUPPORT GASKET	1	
12	018639	SCREW M6X20	2	
13	1A026345	INLET CAMSHAFT WITH I.P.	1	
14	1A026347	EXHAUST CAMSHAFT WITH I.P.	1	
15	1A022679	TIMING CROWN (FOR CHAIN TYPE 98XRH2015)	2	
16	1A024049	SOCKET HEAD SCREW TORX KEY	4	

PLATE-25
CYLINDER - PISTON

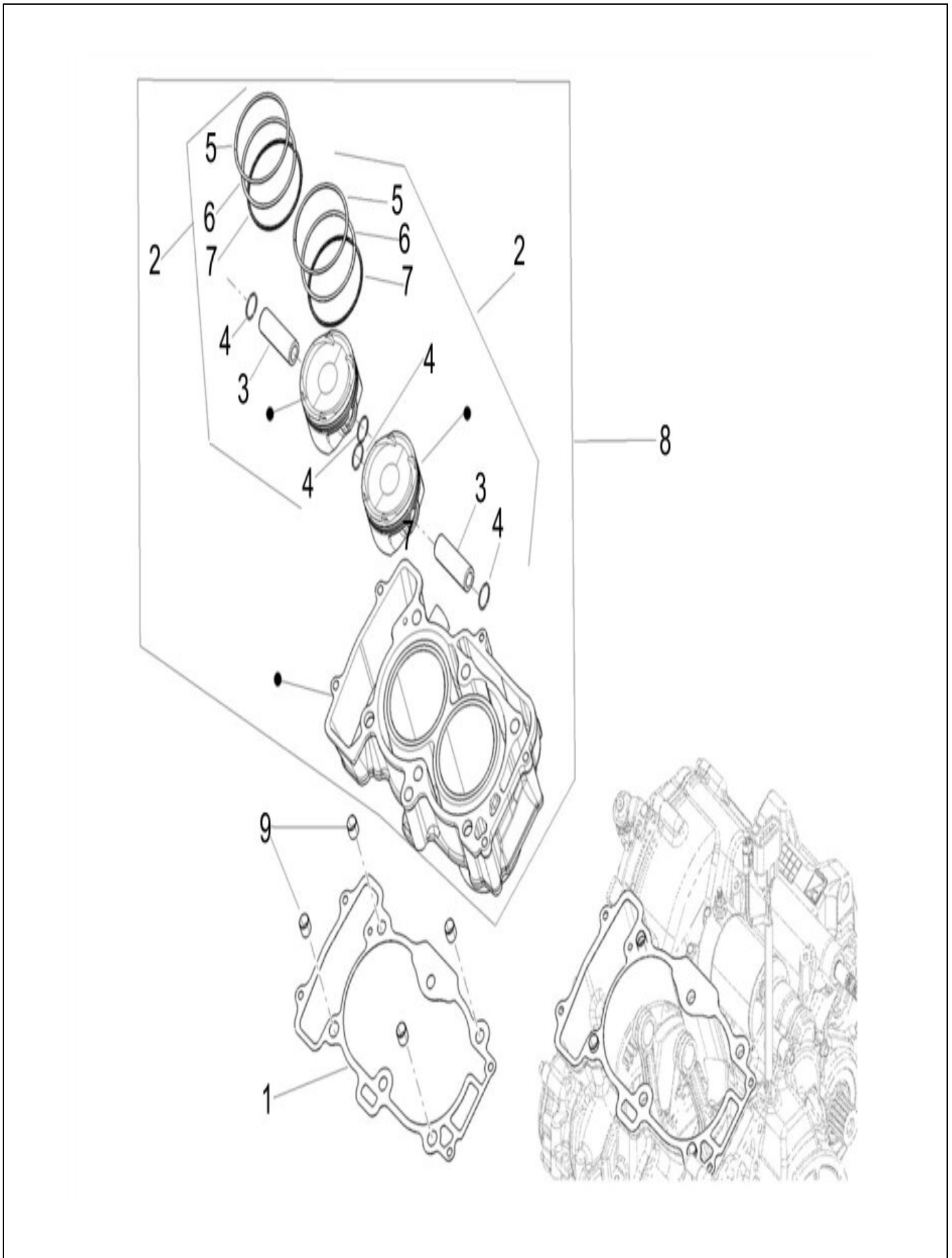


PLATE-25**CYLINDER - PISTON**

Fig. No.	Part No.	Description	Qty	Remarks
1	1A020869	CRANKCASE/CYLINDER GASKET	1	
2	SP1A0213300B	PISTON ASSY CLASS B-SPD	1	
2	SP1A0213300A	PISTON ASSY CLASS A -SPD	1	
3	1A021334	PISTON PIN	2	
4	1A012388	CIRCLIP	4	
5	1A021331	1ST COMPRESSION RING	2	
6	1A021332	2ND PISTON RING	2	
7	1A021333	OIL CONTROL RING	2	
8	SP1A020853	CYLINDER AND PISTONS GROUP	1	
9	1A024236	DOWEL	4	

PLATE-26
CRANKSHAFT

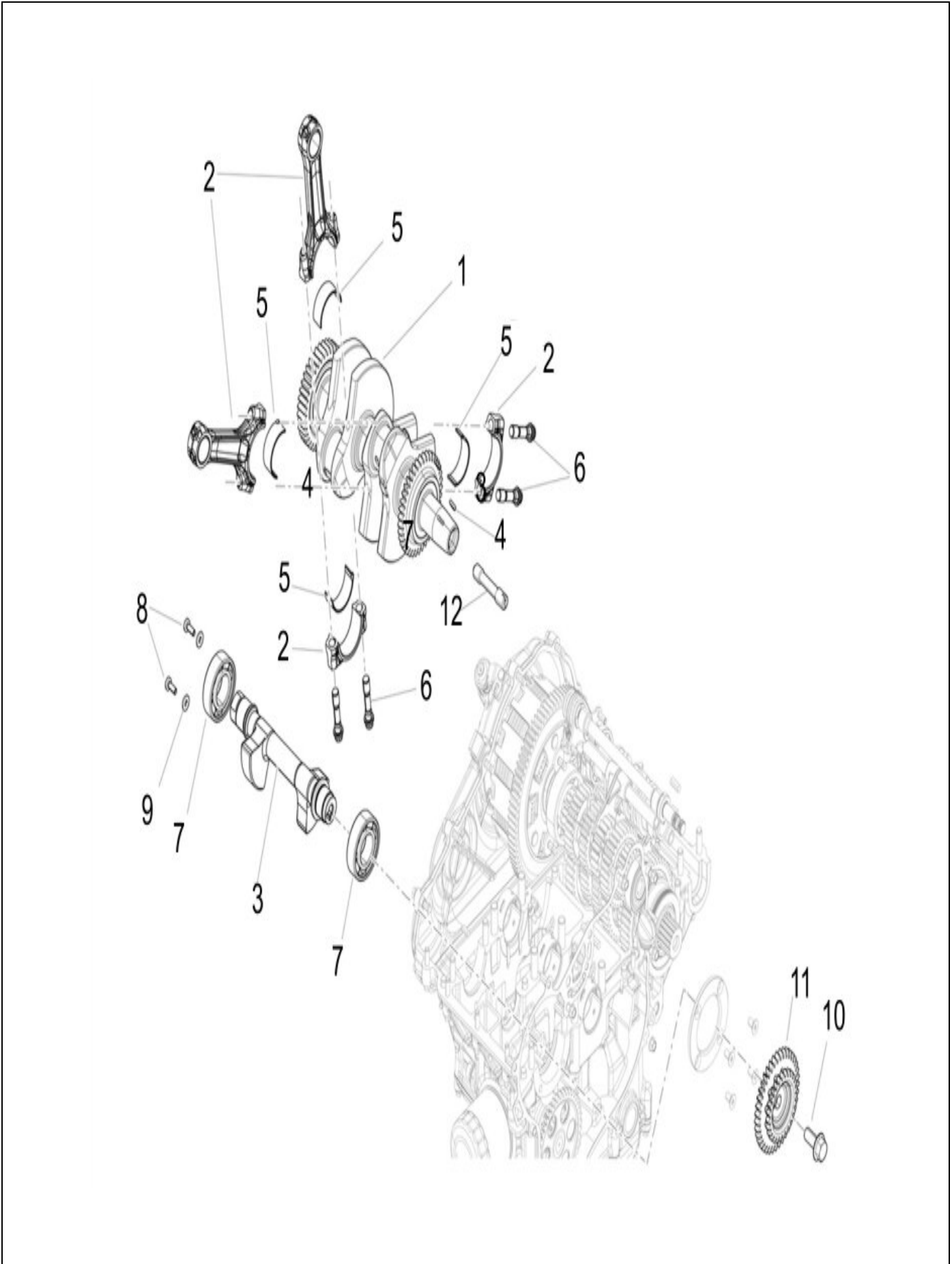


PLATE-26
CRANKSHAFT

Fig. No.	Part No.	Description	Qty	Remarks
1	SP1A022114E1	ENGINE CRANKSHAFT WI PI WEIGHT CLASS E1-SPD	1	
1	SP1A022114E2	ENGINE CRANKSHAFT WI PI WEIGHT CLASS E2-SPD	1	
1	SP1A022114E3	ENGINE CRANKSHAFT WI PI WEIGHT CLASS E3-SPD	1	
1	SP1A022114E4	ENGINE CRANKSHAFT WI PI WEIGHT CLASS E4-SPD	1	
1	SP1A022114E5	ENGINE CRANKSHAFT WI PI WEIGHT CLASS E5-SPD	1	
2	1A022694	CONNECTING ROD ASSEMBLY	1	
3	SP1A022678	BALANCING COUNTERSHAFT WITH I.P.	1	
4	000267	WOODRUFF KEY	1	
5	CM328101	CONROD HALF BEARING	4	
5	CM328102	CONROD HALF BEARING	4	
6	1A023020	CONNECTING ROD BOLT	4	
7	1A002957	DEEP GROOVE BALL BEARING	2	
8	1A024032	CYLINDRICAL HEAD SCREW TORX KEY	2	
9	1A024104	WASHER	2	
10	1A020917	HEXAG. HEAD SCREW	1	
11	1A020847	BALANCING SHAFT DRIVING GEAR	1	
12	1A025194	DOWEL	1	

PLATE-27

GEAR BOX / SELECTOR / SHIFT CAM

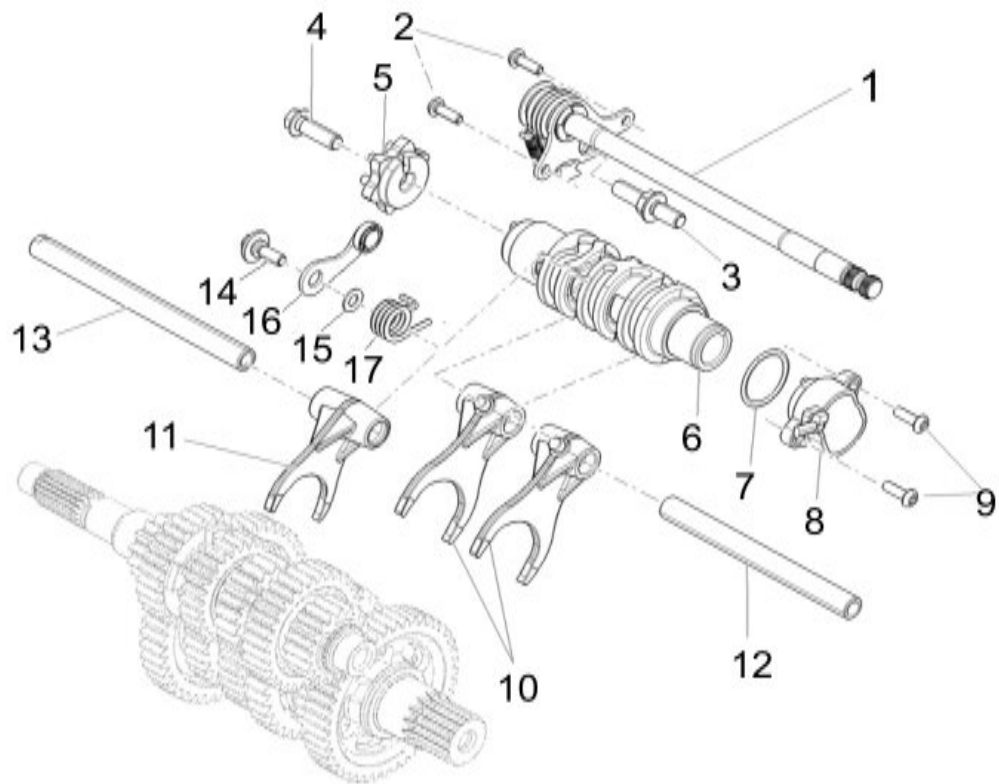


PLATE-27**GEAR BOX / SELECTOR / SHIFT CAM**

Fig. No.	Part No.	Description	Qty	Remarks
1	1A021415	COMPLETE SELECTOR SHAFT	1	
2	1A001073	TORX HEAD SCREW M5X16	2	
3	1A021555	GEAR SELECTOR PIN	1	
4	1A024282	FLANGED HEXAGONAL HEAD SCREW	1	
5	1A021407	CAM DRIVER GEAR	1	
6	1A023473	GEAR SHIFTING DRUM COMPLETE	1	
7	1A025802	O-RING	1	
8	1A018096R	GEAR REFERENCE SENSOR	1	
9	1A024029	SOCKET HEAD SCREW TORX KEY	2	
10	1A023448	GEARSHIFT FORK SECONDARY SHAFT	2	
11	1A023792	GEARSHIFT FORK PRIMARY SHAFT	1	
12	1A021482	SECONDARY FORK ROD	1	
13	1A021481	PRIMARY FORK ROD	1	
14	1A021636	SPECIAL SCREW	1	
15	1A021654	WASHER	1	
16	SP1A027136	COMPLETE GEAR FIXING	1	
17	1A021613	GEAR SPRING	1	

PLATE-28

GEAR BOX - GEAR ASSEMBLY

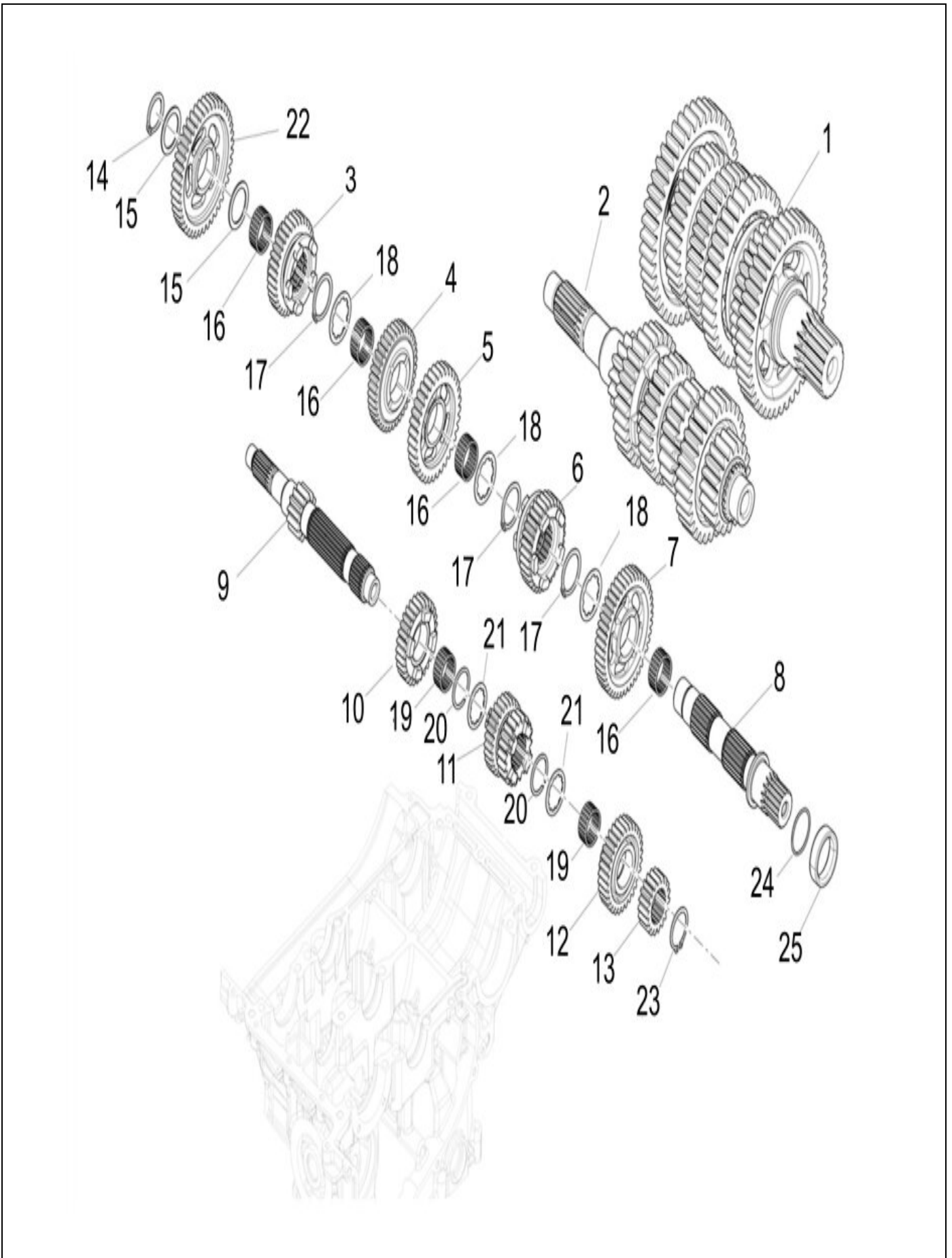


PLATE-28**GEAR BOX - GEAR ASSEMBLY**

Fig. No.	Part No.	Description	Qty	Remarks
1	1A023781	COMPLETE SECONDARY GEAR SHAFT	1	
2	1A023771	COMPLETE PRIMARY GEAR SHAFT	1	
3	1A023786	5TH SPEED GEAR SECONDARY SHAFT	1	
4	1A023785	4TH SPEED GEAR SECONDARY SHAFT	1	
5	1A023784	3RD SPEED GEAR SECONDARY SHAFT	1	
6	1A023787	6TH SPEED GEAR SECONDARY SHAFT	1	
7	1A023783	2ND SPEED GEAR SECONDARY SHAFT	1	
8	1A023788	GEAR DRIVE SHAFT	1	
9	1A023772	PRIMARY GEAR SHAFT WITH. I.P.	1	
10	1A023776	5TH SPEED GEAR PRIMARY SHAFT	1	
11	1A023775	SLIDING 3/4TH GEAR PRIMARY SHAFT	1	
12	1A023777	6TH SPEED GEAR PRIMARY SHAFT	1	
13	1A023774	2ND SPEED GEAR PRIMARY SHAFT	1	
14	1A023802	CIRCLIP FOR SHAFT	1	
15	1A023791	PLAIN WASHER	2	
16	1A023789	NEEDLE CAGE	4	
17	1A023801	CIRCLIP	3	
18	1A023790	SHOULDER WASHER	3	
19	1A023778	NEEDLE CAGE	2	
20	1A023780	CIRCLIP FOR SHAFT 27 SW	2	
21	1A023779	SHOULDER WASHER	2	
22	1A023782	1ST SPEED GEAR SECONDARY SHAFT	1	
23	1A026218	CIRCLIP FOR SHAFT	1	
24	1A024257	O-RING OR 2118	1	
25	1A024256	SPACER	1	

PLATE-29
LUBRICATION

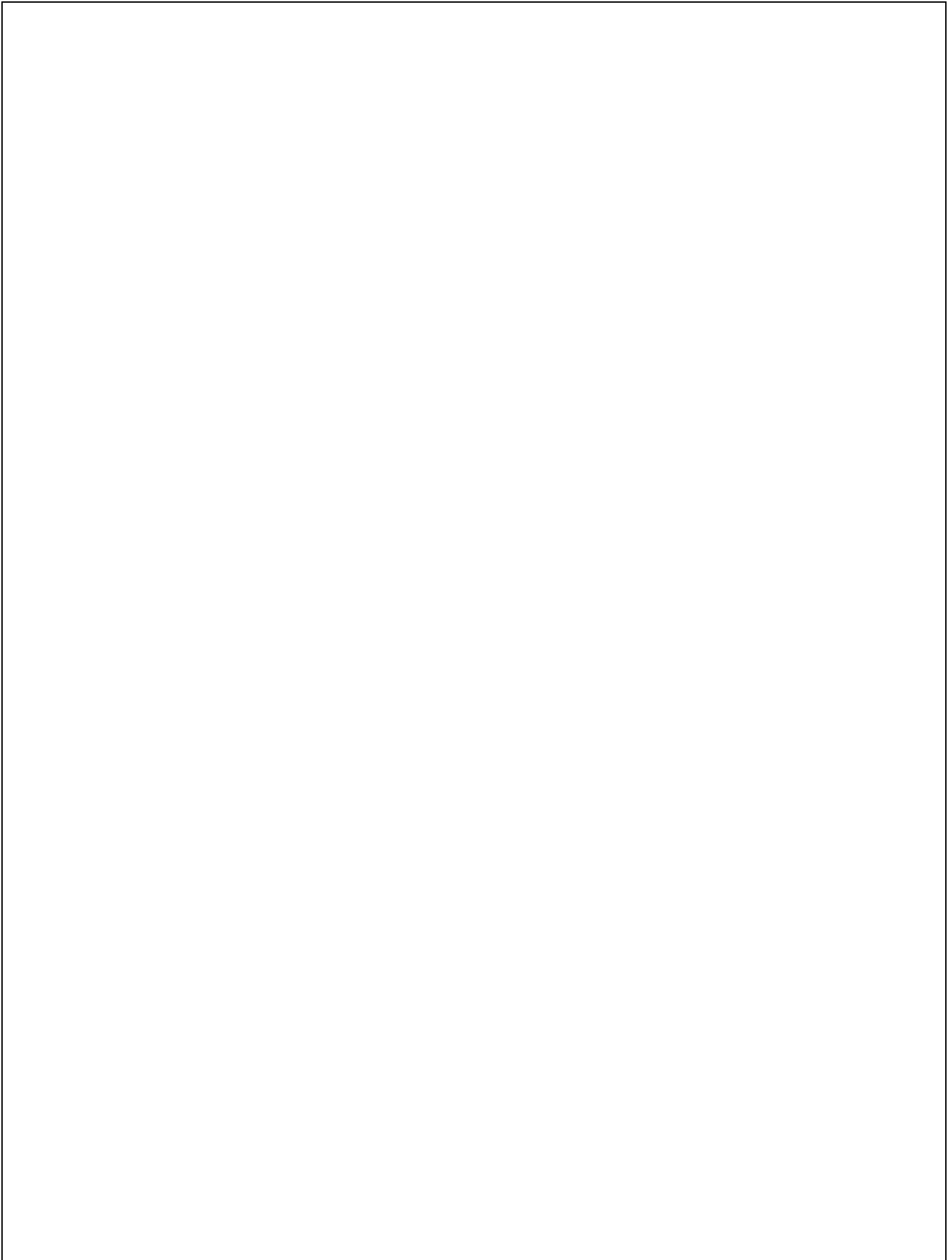


PLATE-29
LUBRICATION

Fig. No.	Part No.	Description	Qty	Remarks
1	1A024308R	MINIMUM PRESSURE OIL SWITCH	1	
2	1A026669	OIL FILTER SCREW	1	
3	1A023538	OIL FILTER	1	
4	1A022501	OIL PUMP ASSY	1	
5	1A024063	FLANGED HEXAGONAL HEAD SCREW	2	
6	1A024028	FLANGED HEXAGONAL HEAD SCREW	12	
7	1A024245	PACKING	1	
8	1A023933	MAGNETIC PLUG TCEI - DIN908	1	
9	1A020843	OIL PAN	1	
10	1A020873	OIL PAN GASKET	2	
11	1A020872	OIL PAN GASKET	1	
12	1A024064	FLANGED HEXAGONAL HEAD SCREW	2	
13	1A020857	SUCTION STRAINER ASSY	1	
14	1A020916	OIL PRESSURE ADJUSTING VALVE ASSY	1	
15	1A024240	O-RING	2	
16	1A011500	WASHER	1	

PLATE-30
COOLER PUMP

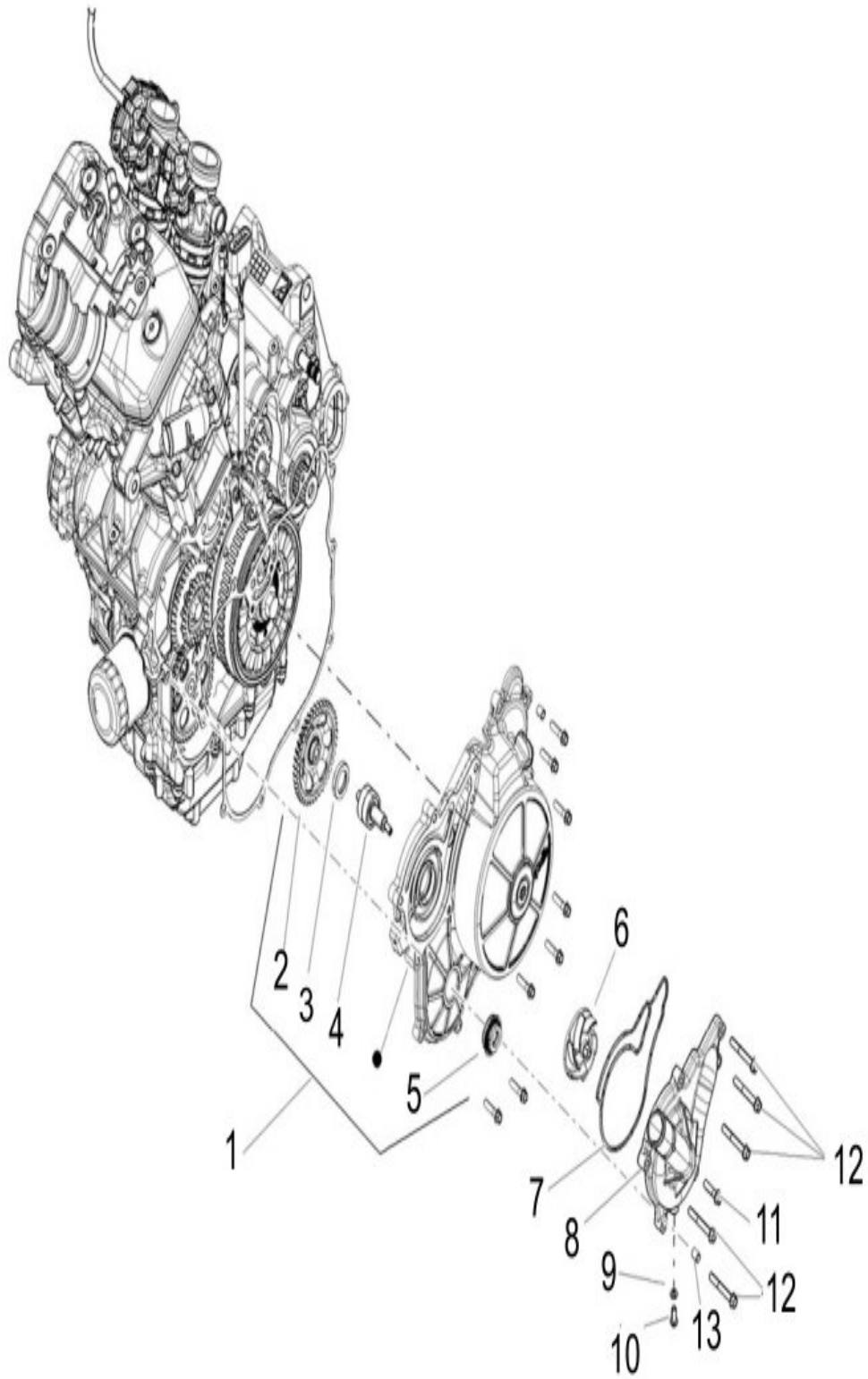


PLATE-30
COOLER PUMP

Fig. No.	Part No.	Description	Qty	Remarks
1	SP1A022716	FLYWHEEL COVER WITH I.P.	1	
2	1A023036	WATER PUMP GEAR	1	
3	1A023676	SEAL RING	1	
4	SP1A021328	COMPLETE BEARING SHAFT	1	
5	82991R	WATER PUMP SEAL RING	1	
6	1A020876	WATER PUMP FAN	1	
7	1A020871	WATER PUMP COVER GASKET	1	
8	1A020862	WATER PUMP COVER	1	
9	1A024247	WASHER	1	
10	1A010966	FLANGED HEXAGONAL HEAD SCREW	1	
11	1A024028	FLANGED HEXAGONAL HEAD SCREW	1	
12	1A024266	FLANGED HEXAGONAL HEAD SCREW	5	
13	1A024235	DOWEL	2	

PLATE-31

CLUTCH COVER

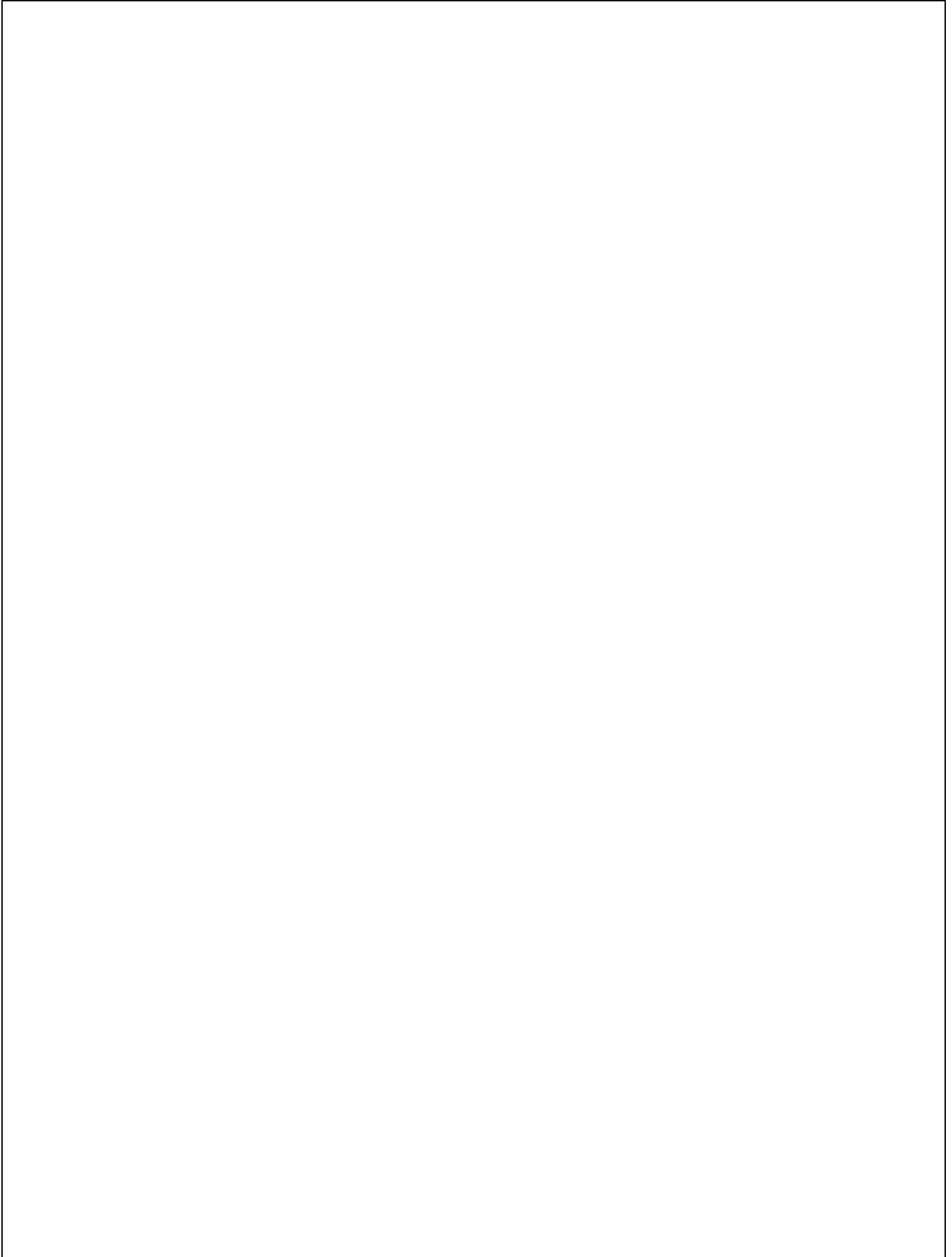


PLATE-31
CLUTCH COVER

Fig. No.	Part No.	Description	Qty	Remarks
1	SP1A026013	CLUTCH COVER WITH I.P.	1	INCLUDES ITEM NO. 5,6
2	1A020864	CLUTCH COVER GASKET	1	
3	1A025958	CLUTCH DRIVE SHAFT WITH I.P.	1	
4	1A025962	CLUTCH LEVER DRIVE SPRING	1	
5	1A020875	SEAL RING	1	
6	1A024572R	ROLLER CAGE	1	
7	1A024028	FLANGED HEXAGONAL HEAD SCREW	11	
8	1A024235	DOWEL	2	
9	1A023846	WASHER	1	
10	006410	CIRCLIP	1	
11	1A026538	WASHER	1	

PLATE-32
CLUTCH

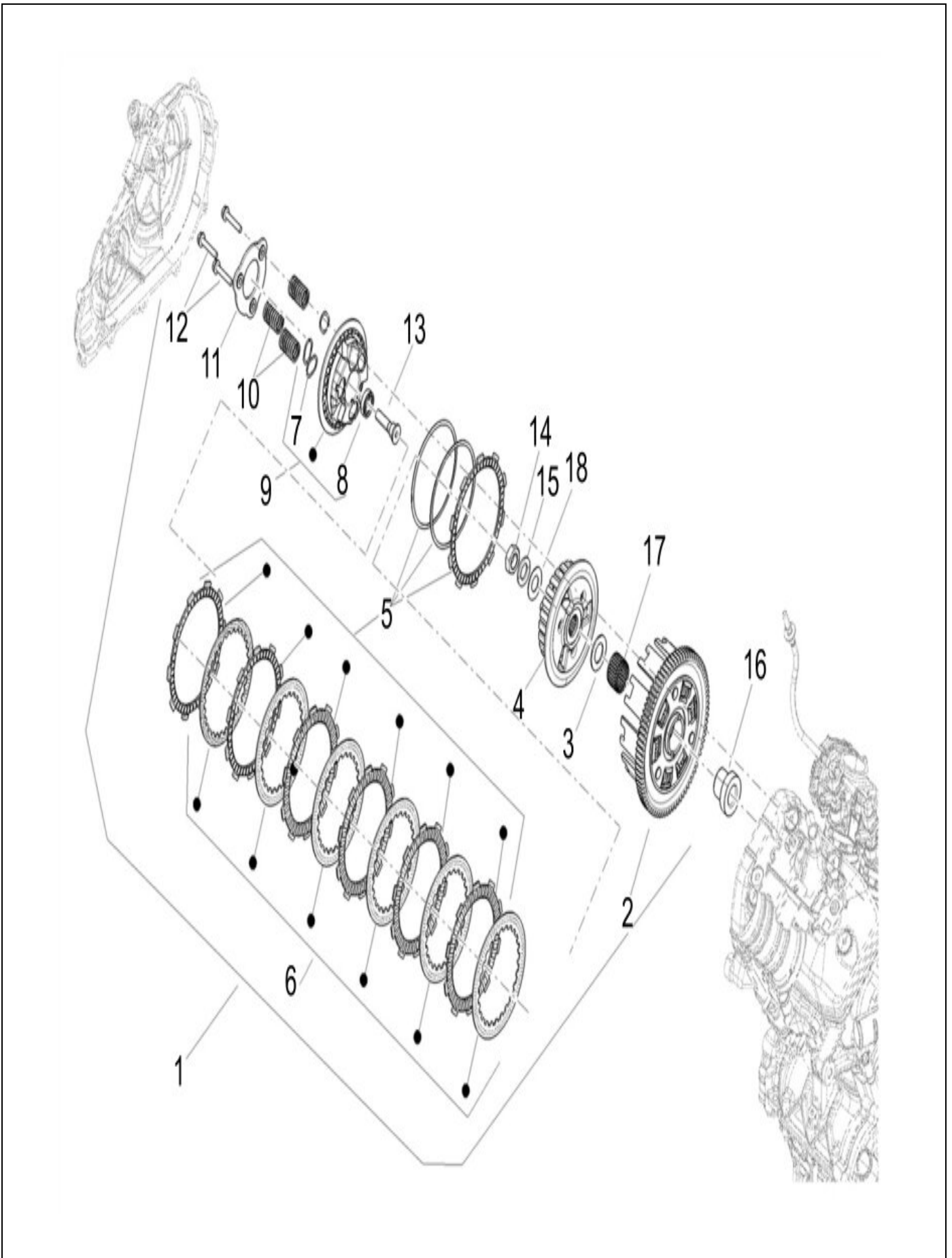


PLATE-32**CLUTCH**

Fig. No.	Part No.	Description	Qty	Remarks
1	1A021345	CLUTCH ASSY	1	
2	1A021350	OUTER COMP. CLUTCH	1	
3	1A021367	WASHER	1	
4	1A021354	PLATE HUB	1	
5	1A026087	KIT CLUTCH DISKS (DRIVER)	1	
6	1A026089	KIT CLUTCH DISKS (DRIVEN)	1	
7	1A021362	DAMPER SPRING RETAINER	3	
8	1A021368	BALLBEARING	1	
9	1A021369	CLUTCH PRESSURE PLATE ASSY	1	
10	1A021361	DAMPER SPRING	3	
11	1A021365	STOPPER PLATE	1	
12	1A021366	CYLINDER HEXAGONAL SCREW	3	
13	1A020886	CLUTCH CONTROL SHAFT	1	
14	1A023967	HEX. NUT M16X1.5	1	
15	B018464	BELLEVILLE SPRING	1	
16	1A021600	SPACER	1	
17	1A024879R	NEEDLE CAGE	1	
18	1A021572	WASHER	1	

PLATE-33
FLYWHEEL COVER

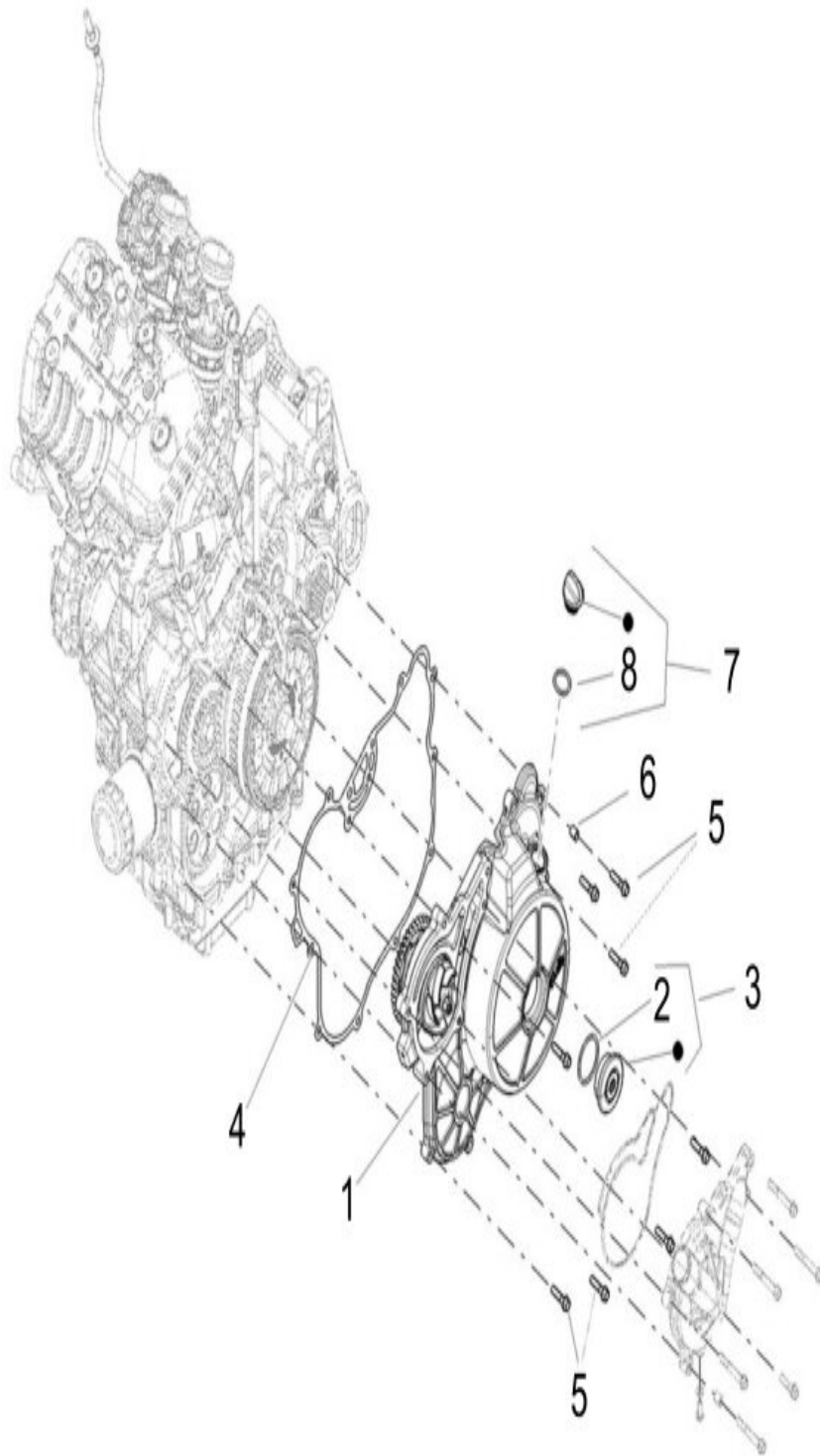


PLATE-33**FLYWHEEL COVER**

Fig. No.	Part No.	Description	Qty	Remarks
1	SP1A020858	FLYWHEEL COVER ASSY SPD 457CC	1	INCLUDES ITEM NO. 3
2	1A022765	PACKING	1	
3	1A022756	COMPLETE FLYWHEEL COVER PLUG	1	
4	1A020865	FLYWHEEL COVER GASKET	1	
5	1A024028	FLANGED HEXAGONAL HEAD SCREW	8	
6	1A024235	DOWEL	2	
7	1A020745	COMPLETE OIL CAP	1	
8	1A024263	RING	1	

PLATE-34

CDI MAGNETO ASSY / IGNITION UNIT

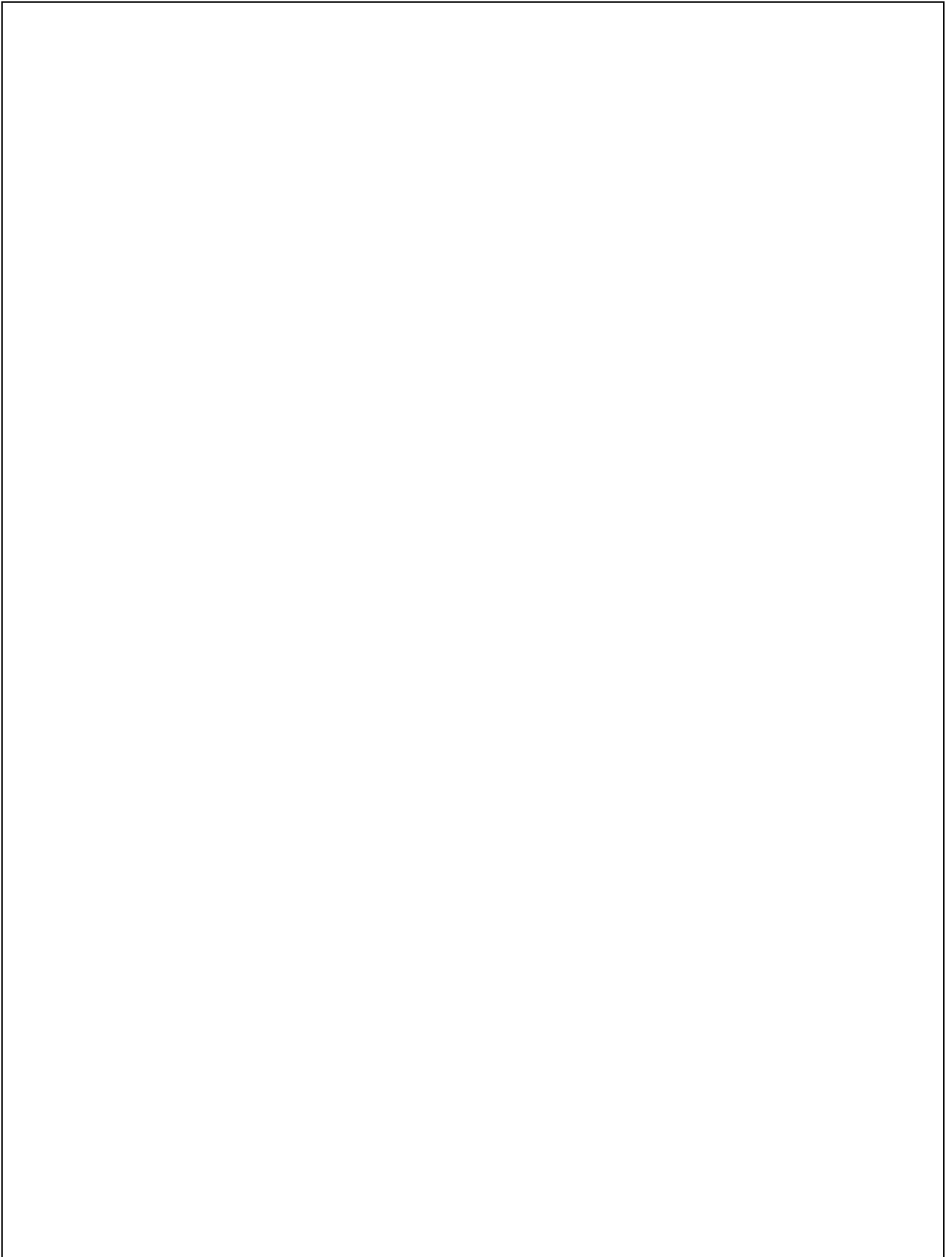


PLATE-34**CDI MAGNETO ASSY / IGNITION UNIT**

Fig. No.	Part No.	Description	Qty	Remarks
1	1A026690R	STARTING MOTOR	1	
2	B018853	FLANGED HEXAGONAL HEAD SCREW M6X30	2	
3	1A015311	SPARK PLUG	2	
4	1A022707	FLYWHEEL COMPLETE	1	INCLUDES ITEM NO. 5 AND 19
5	1A022705	COMPLETE STATOR	1	
6	1A024069	FLANGED HEXAGONAL HEAD SCREW	1	Flywheel fixing
7	1A024238	FLAT WASHER	1	Flywheel fixing
8	000267	WOODRUFF KEY	1	Flywheel fixing
9	1A024241	PLATE	1	
10	1A024032	CYLINDRICAL HEAD SCREW TORX KEY	2	
11	1A024035	CYLINDRICAL HEXAGONAL HEAD SCREW	3	
12	1A024072	CYLINDRICAL HEAD SCREW TORX KEY	6	
13	1A020855	ELECTRIC STARTING CROWN WITH I.P.	1	
14	1A022759	ONE WAY CLUTCH	1	
15	1A024272	EXTERNAL RING	1	
16	1A020848	ELECTRIC STARTER INTERMEDIATE WITH I.P.	1	
17	1A024252	PANEL	1	
18	1A024073	FLANGED HEX. HEAD SCREW (WITH RECESS)	1	
19	1A022706	COMPLETE ROTOR	1	

PLATE-35
SECONDARY AIR

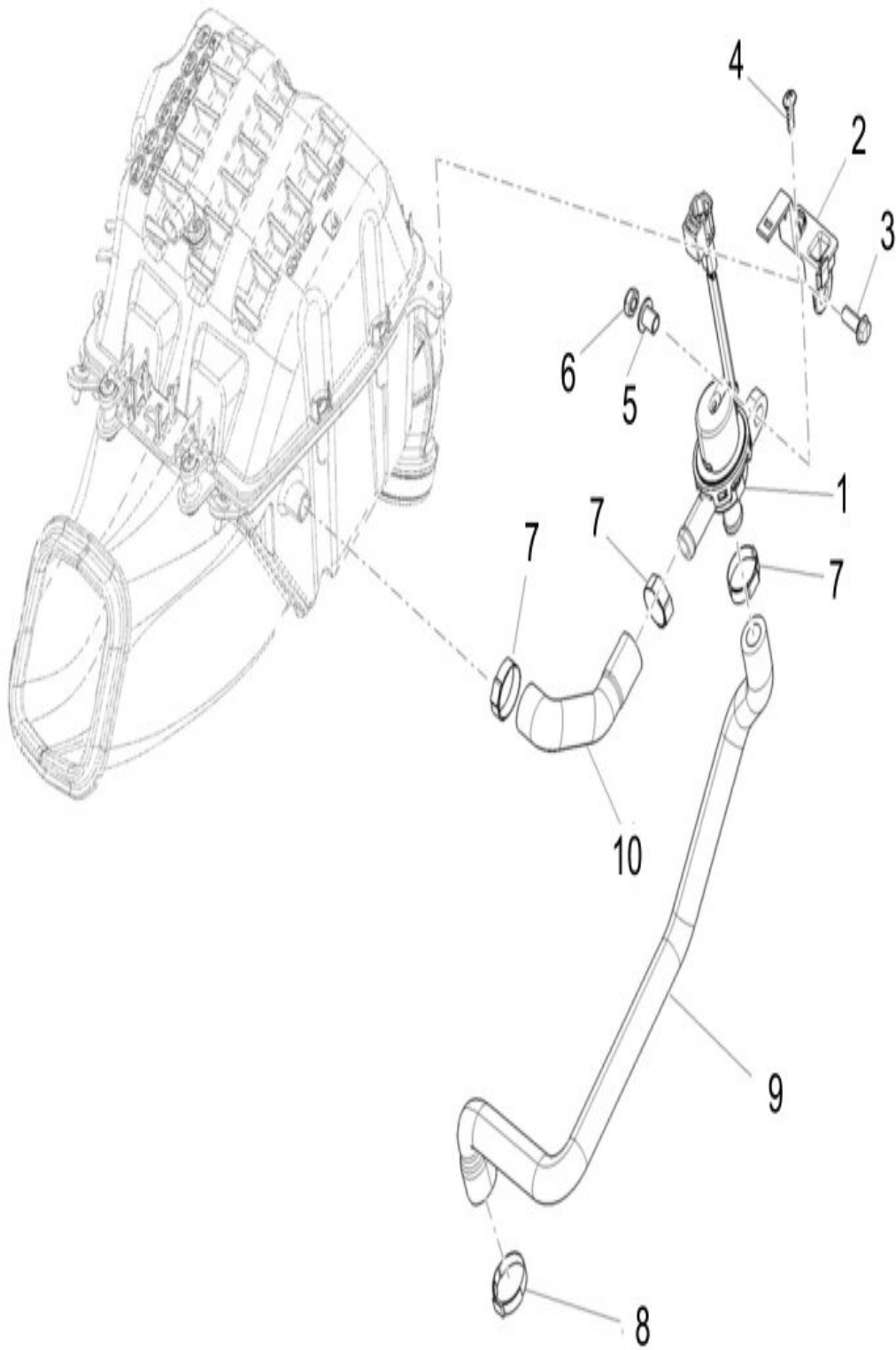


PLATE-35
SECONDARY AIR

Fig. No.	Part No.	Description	Qty	Remarks
1	1A023492	S.A.S. VALVE	1	
2	2B010621	AIR CUT VALVE BRACKET	1	
3	018639	SCREW M6X20	1	
4	267958	SCREW	1	
5	AP8121790	BUSHING	1	
6	709116	NUT, LOCK	1	
7	CM001927	HOSE CLAMP	3	
8	CM001906	HOSE CLAMP	1	
9	2B010624	ENGINE AIR INDUCTION SYSTEM PIPE	1	
10	2B011846	AIRBOX AIR INDUCTION SYSTEM PIPE	1	

PLATE-36
SILENCER

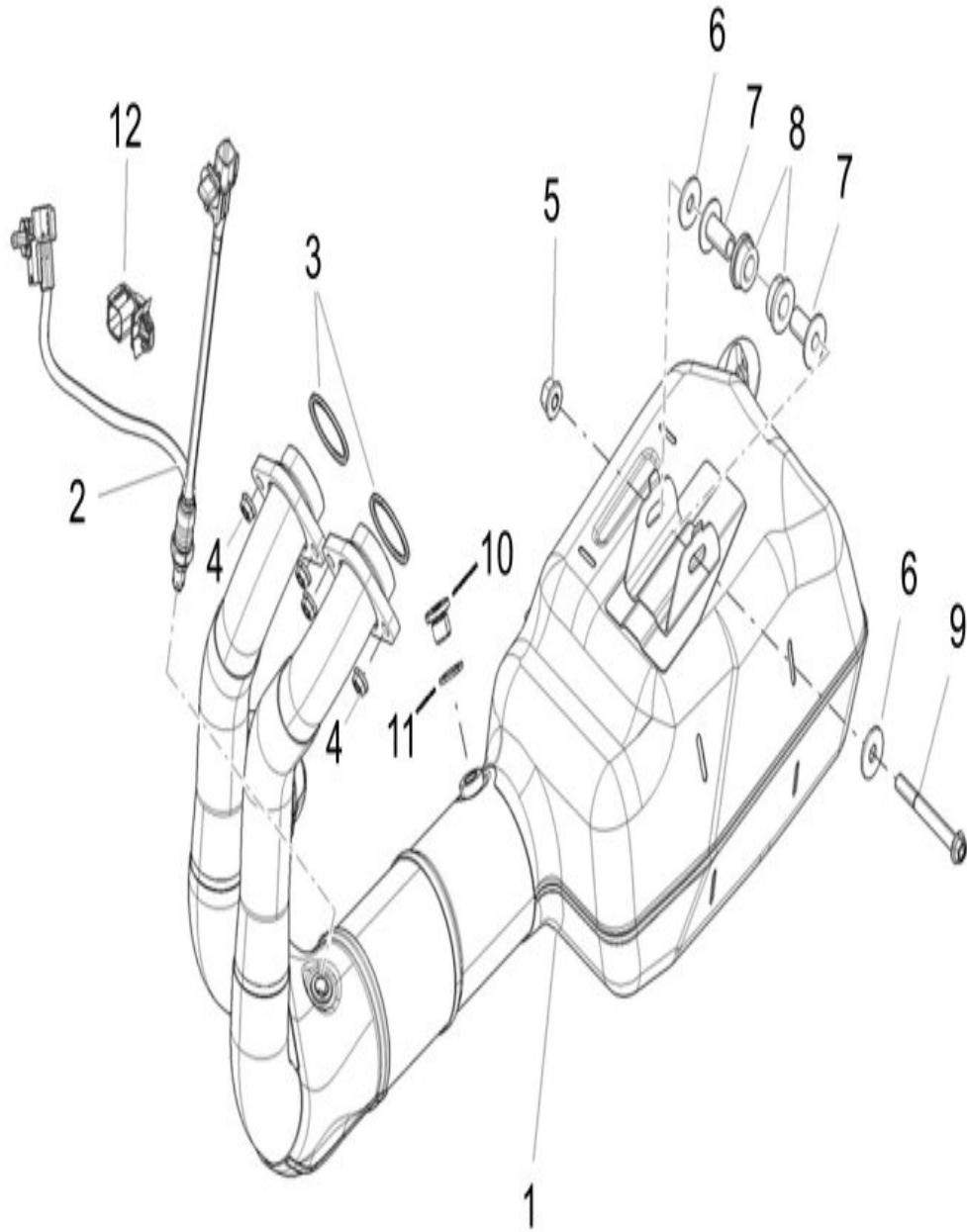


PLATE-36
SILENCER

Fig. No.	Part No.	Description	Qty	Remarks
1	2B013060	MUFFLER ASSEMBLY	1	
2	1A024117	LAMBDA SENSOR	1	
3	2B009579	EXHAUST PIPE GASKET	2	
4	436947	FLANGED NUT M7X1 H=8	4	
5	967363	NUT	1	
6	AP8150018	WASHER 8.5X24X2 DA UNI 6593 R40	2	
7	AP8121509	BUSH	2	
8	2B006742	GROMMET	2	
9	AP8152294	SCREW W/ FLANGE M8X70	1	
10	2B012269	CLOSING CAP	1	
11	2B012270	FLAT COPPER WASHER	1	
12	2D000837	LAMBDA PLUG	1	

PLATE-37
FRONT FORK

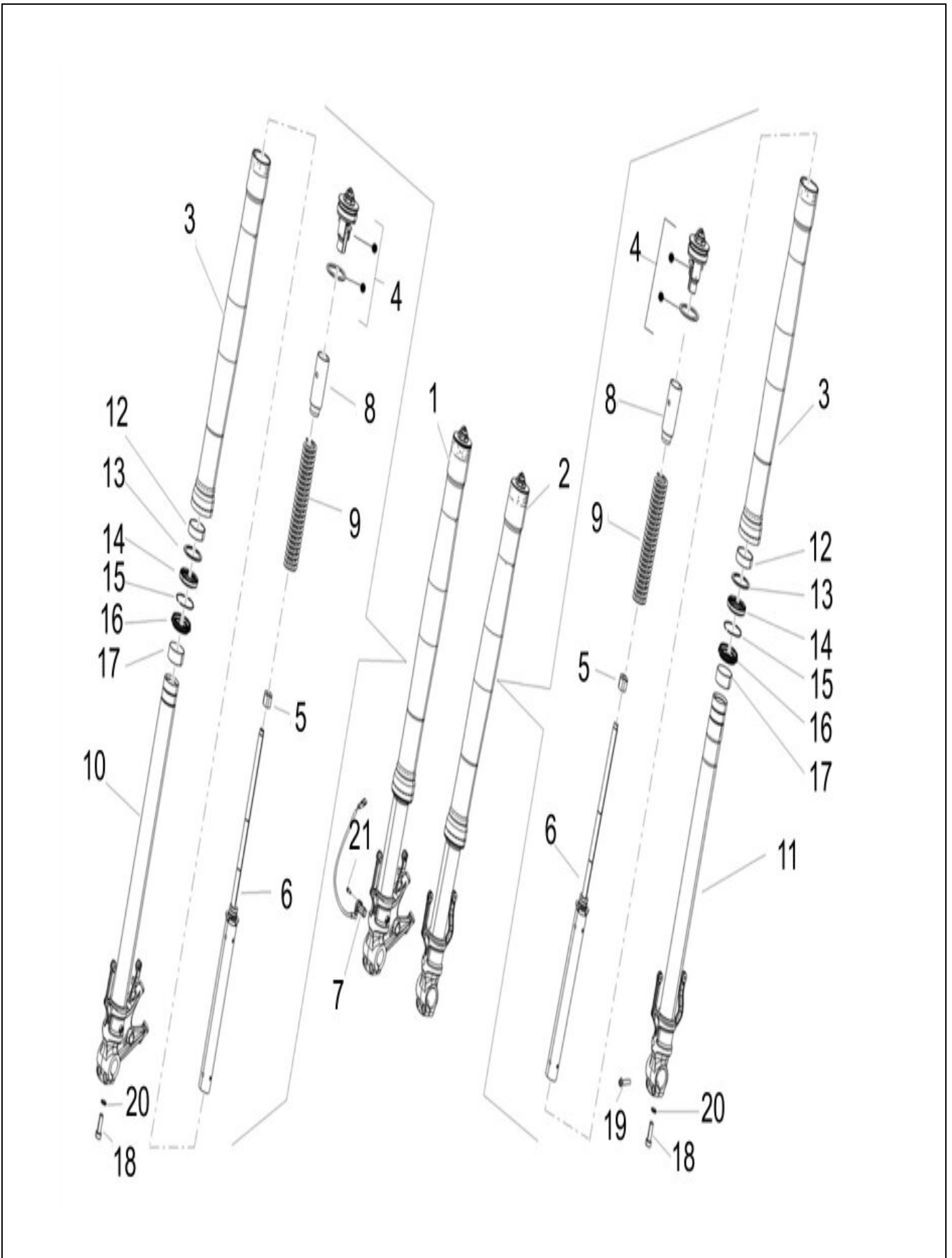


PLATE-37
FRONT FORK

Fig. No.	Part No.	Description	Qty	Remarks
1	2B009635	RH FORK LEG	1	
2	2B009636	LH FORK LEG	1	
3	2B012953	SHEAT	2	
4	2B012952	BOLT CAP ASSY	2	
5	2B012961	NUT	2	
6	2B012962	CARTRIDGE TUBE ASSY	2	
7	1D003350	ACTIVE ABS WHEEL SPEED SENSOR	1	
8	2B012963	SPACER	2	
9	2B012954	SPRING	2	
10	2B012950	RH AXLE BRACKET AND ROD	1	
11	2B012960	LH AXLE BRACKET AND ROD	1	
12	2B012955	DU BUSH OUTER	2	
13	2B013063	DU WASHER	2	
14	2B013062	OIL SEAL	2	
15	2B013061	CIRCLIP	2	
16	2B012951	DUST SEAL	2	
17	2B012957	DU BUSH INNER	2	
18	2B012959	BOLT	2	
19	AP8152281	FLANGED HEXAGONAL HEAD SCREW M6X30	4	
20	2B012958	WASHER	2	
21	1C005394	SCREW	1	

PLATE-38

SHOCK ABSORBER

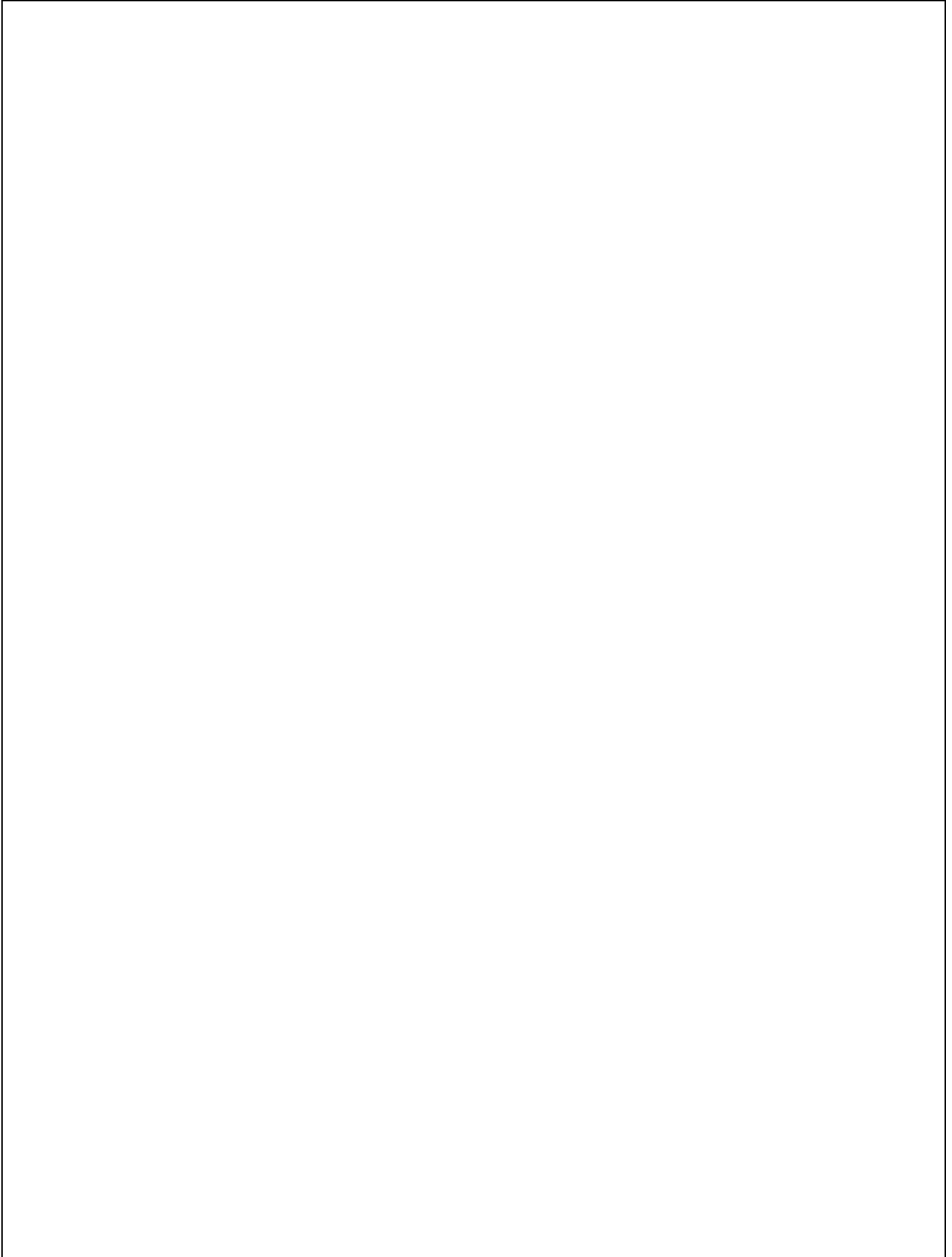


PLATE-38**SHOCK ABSORBER**

Fig. No.	Part No.	Description	Qty	Remarks
1	2B010382	REAR SHOCK ABSORBER	1	
2	B016627	FLANGED HEXAGONAL HEAD SCREW	2	
3	2B013149	FLANG.SELFLOCK NUT M10 DIN6926 (EN1663)	2	

PLATE-39
FRONT WHEEL

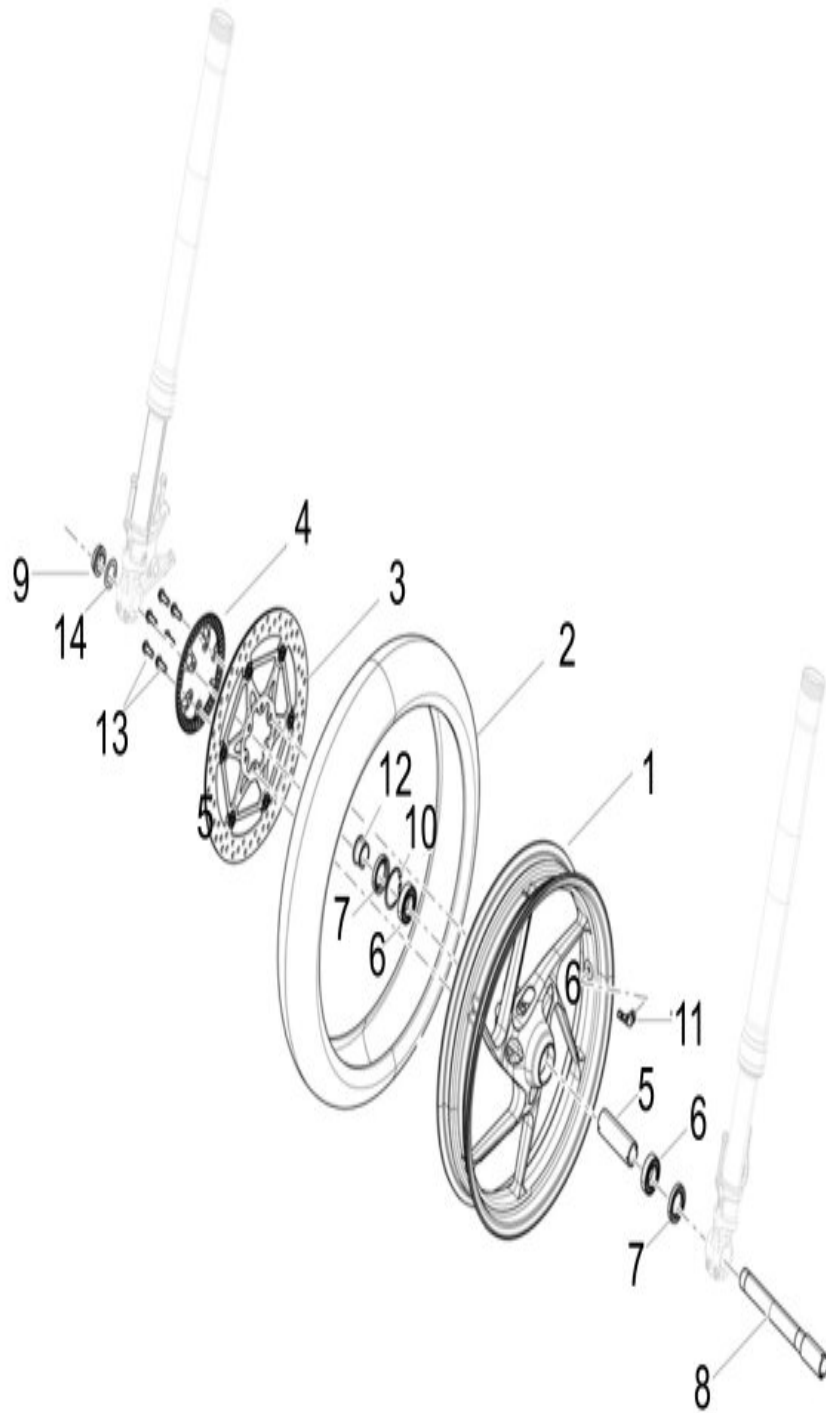


PLATE-39
FRONT WHEEL

Fig. No.	Part No.	Description	Qty	Remarks
1	2B012664	MACHINED FRONT WHEEL 3X17-RED	1	Colour:Prismatic Dark[G48] Opalescent Light[B06]
1	2B010568	MACHINED FRONT WHEEL 3X17	1	Colour:Racing Stripes[NL]
2	2B011054	FRONT TYRE	1	
3	85250R	D.320 RIGHT FLOATING FRONT BRAKE DISC	1	
4	2B011847	TONE WHEEL	1	
5	2B011295	FRONT WHEEL INTERNAL SPACER	1	
6	AP8110094	BEARING 6005-2RSH/C3 25X47X12	2	
7	2B012913	GASKET RING 30X47X7 NBR75	2	
8	2B010975	FRONT WHEEL PIVOT	1	
9	2B010976	WHEEL SPINDLE NUT	1	
10	AP8125842	SAFETY CIRCLIP Ø47XØ50.5 SP. 1.75	1	
11	2B011586	TUBELESS TYRE VALVE	1	
12	AP8125728	FRONT WHEEL RIGHT SPACER	1	
13	2B002416	HEX HEAD M8X20 FLANGED PRE-IMPREGNATED	6	
14	AP8152323	WASHER 25,2 X 36 X 1 INOX AISI 304	1	

PLATE-40
REAR WHEEL

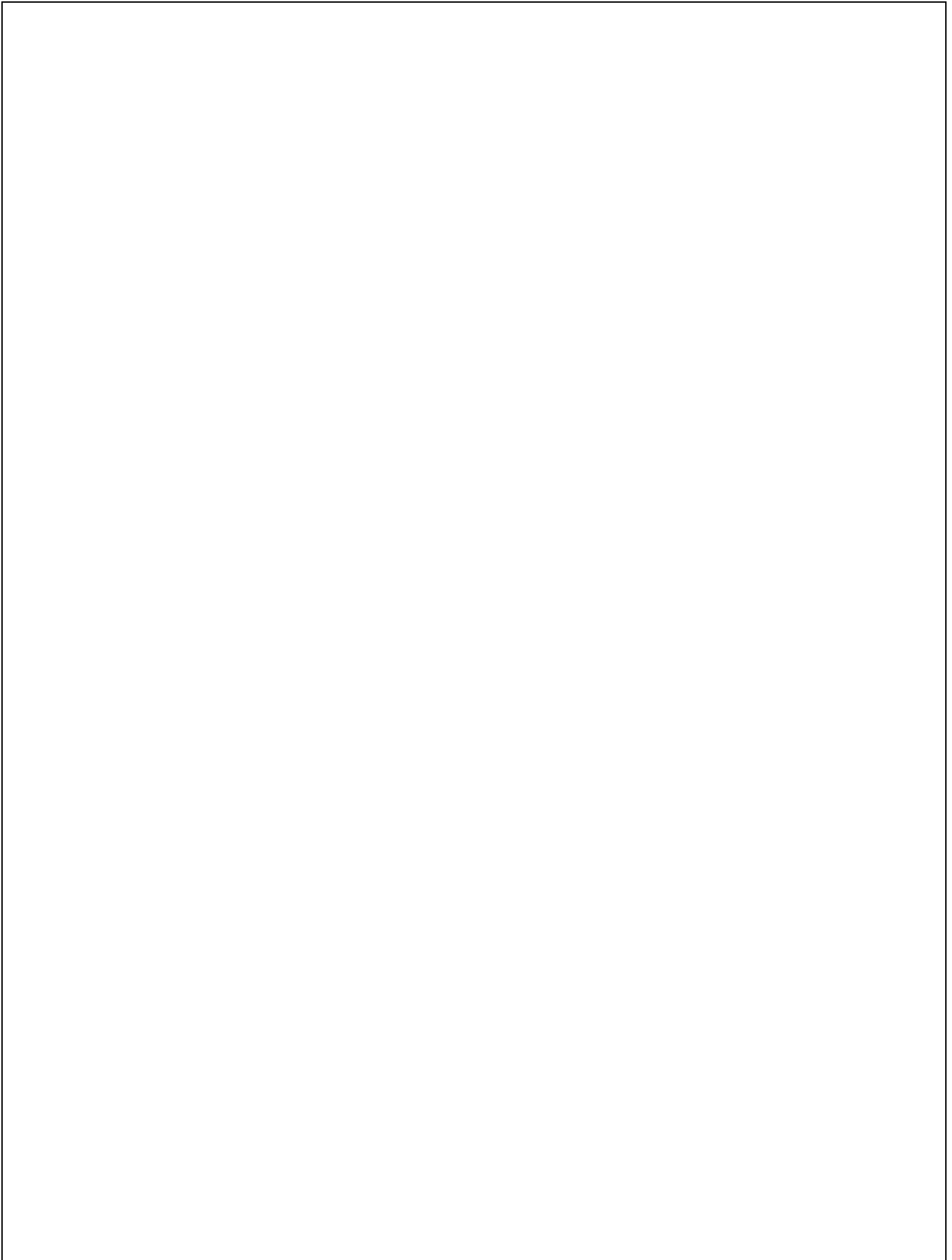


PLATE-40
REAR WHEEL

Fig. No.	Part No.	Description	Qty	Remarks
1	2B009407	MACHINED REAR WHEEL 4.5 X17	1	Colour:Racing Stripes[NL]
1	2B012668	MACHINED REAR WHEEL 4.5 X17-RED	1	Colour:Prismatic Dark[G48] & Opalescent Light[B06]
2	2B011053	REAR TYRE 150/60 R17	1	
3	2B009409	INTERNAL SPACER	1	
4	2B006284	REAR WHEEL SPACER	2	
5	2B007581	BALL BEARING 20X47X14	1	
6	AP8125842	SAFETY CIRCLIP Ø47XØ50.5 SP. 1.75	1	
7	2B012913	GASKET RING 30X47X7 NBR75	1	
8	2B011912	REAR BRAKE DISC	1	
9	2B011202	REAR TONE WHEEL	1	
10	2B010674	BRAKE DISC SCREW	5	
11	2B010526	REAR WHEEL PIVOT	1	
12	2B010982	RUBBER HUB DAMPER	5	
13	2B013302	ASSEMBLED CROWN HOLDER	1	
14	2B006792	SPROCKET SPACER	1	
15	2B011852	PINION Z15	1	
16	2B002193	WASH SPRING	1	
17	2B013221	T BUSH	1	
18	B043047	SCREW M10X26 THR.	1	
19	2B010203	520 CHAIN - 106 LINKS	1	
20	2B012018	DRIVEN SPROCKET Z=43	1	
21	2B011795	CHAIN PROTECTION	1	
22	2B007292	FLAT WASHER	5	
23	2B002634	STEEL CLASS 8	5	
24	2B009412	REAR WHEEL SPACER	1	
25	648708	REAR FRONT NUT	1	
26	2B011199	FLAT WASHER	1	
27	2B007580	BALL BEARING 20X40X12	1	
28	2B011586	TUBELESS TYRE VALVE	1	
29	SKIT940097	DRIVE CHAIN KIT	1	KIT CONSIST OF ITEM NO. 15, 19 & 20

PLATE-41

FRONT BRAKE MASTER CYLINDER

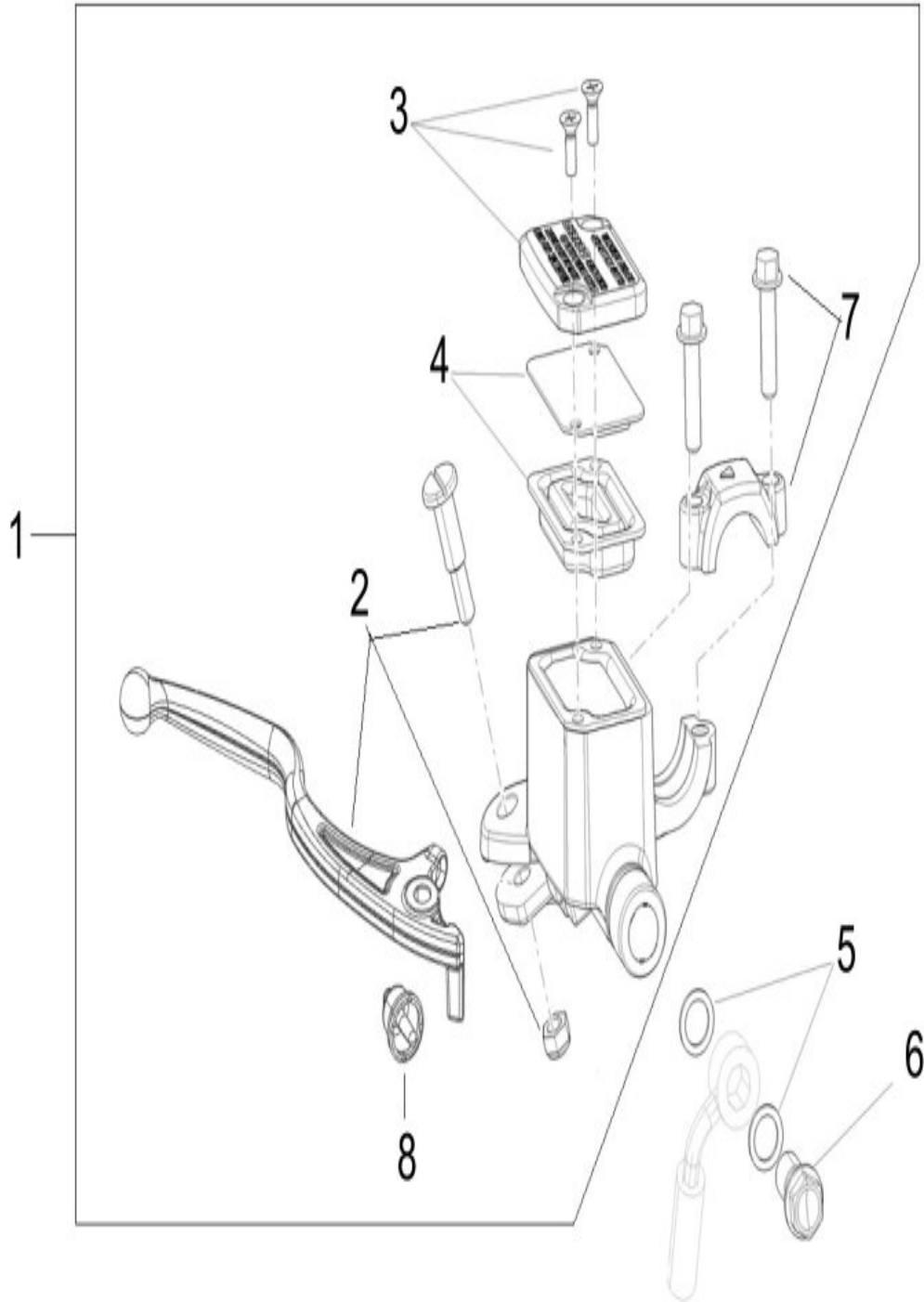


PLATE-41**FRONT BRAKE MASTER CYLINDER**

Fig. No.	Part No.	Description	Qty	Remarks
1	2B011379	FRONT BRAKE PUMP Ø13 LONG LEVER	1	
2	2B013035	FRONT MASTER CYLINDER LEVER	1	
3	2B012824	COVER PUMP BRAKE	1	RESERVOIR COVER KIT
4	2B012827	BRAKE PUMP DIAPHGRAM	1	DIAPHGRAM KIT
5	127927	WASHER	2	
6	1C002059R	SPECIAL SCREW	1	
7	2B013041	CLAMP KIT	1	
8	2B013042	PUSHROD ASSY	1	

PLATE-42
FRONT BRAKE CALIPER

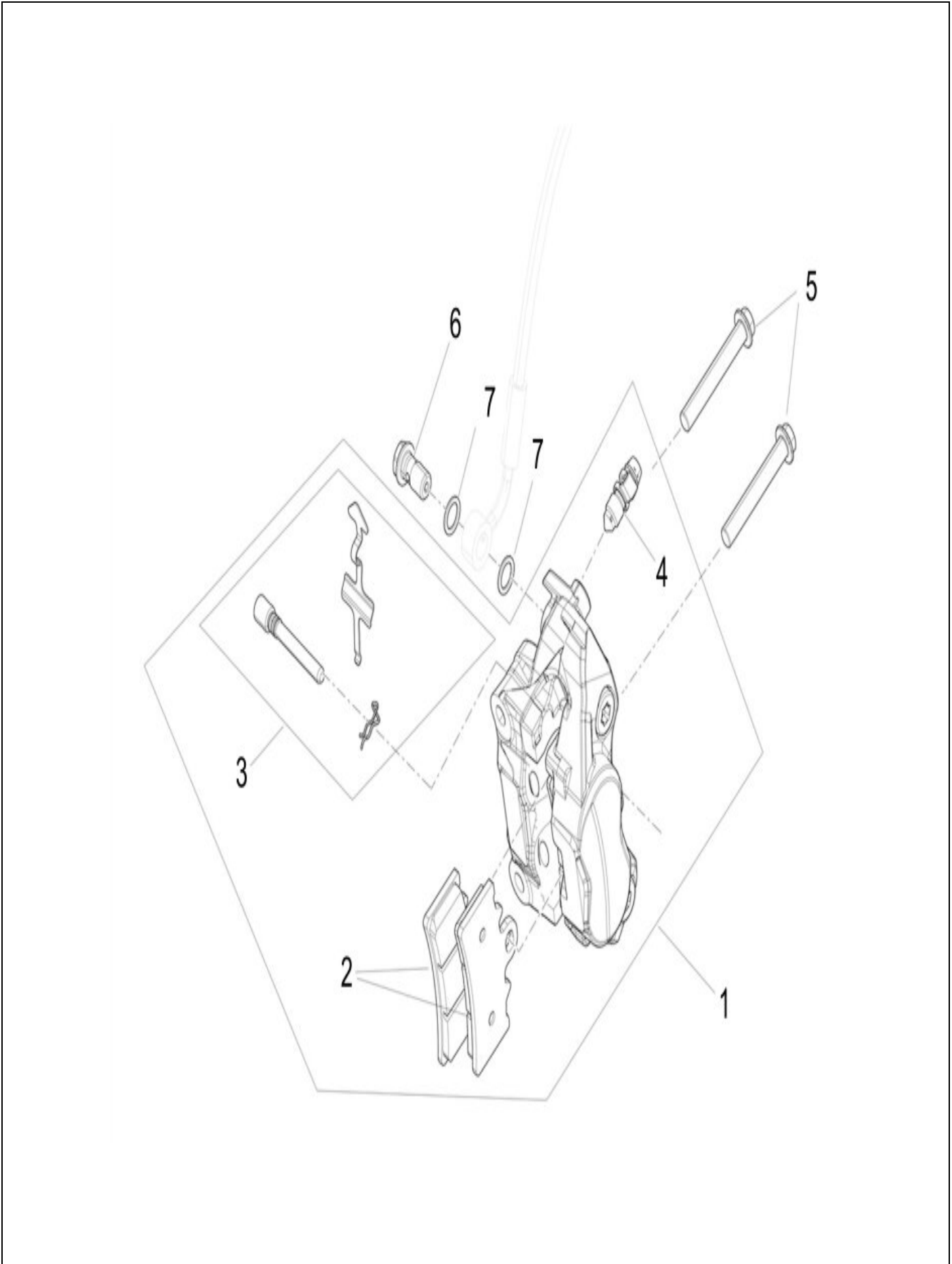


PLATE-42**FRONT BRAKE CALIPER**

Fig. No.	Part No.	Description	Qty	Remarks
1	2B011886	FRONT CALIPER	1	
2	2B011361	FRONT BRAKE PADS TT2910	1	
3	2B012814	PIN, LOCK, SPRING	1	
4	2B012818	BLEEDER SCREW	1	
5	2B010031	HEX HEAD M8X1X55 FLANGED	2	
6	1C002059R	SPECIAL SCREW	1	
7	127927	WASHER	2	

PLATE-43
REAR MASTER CYLINDER

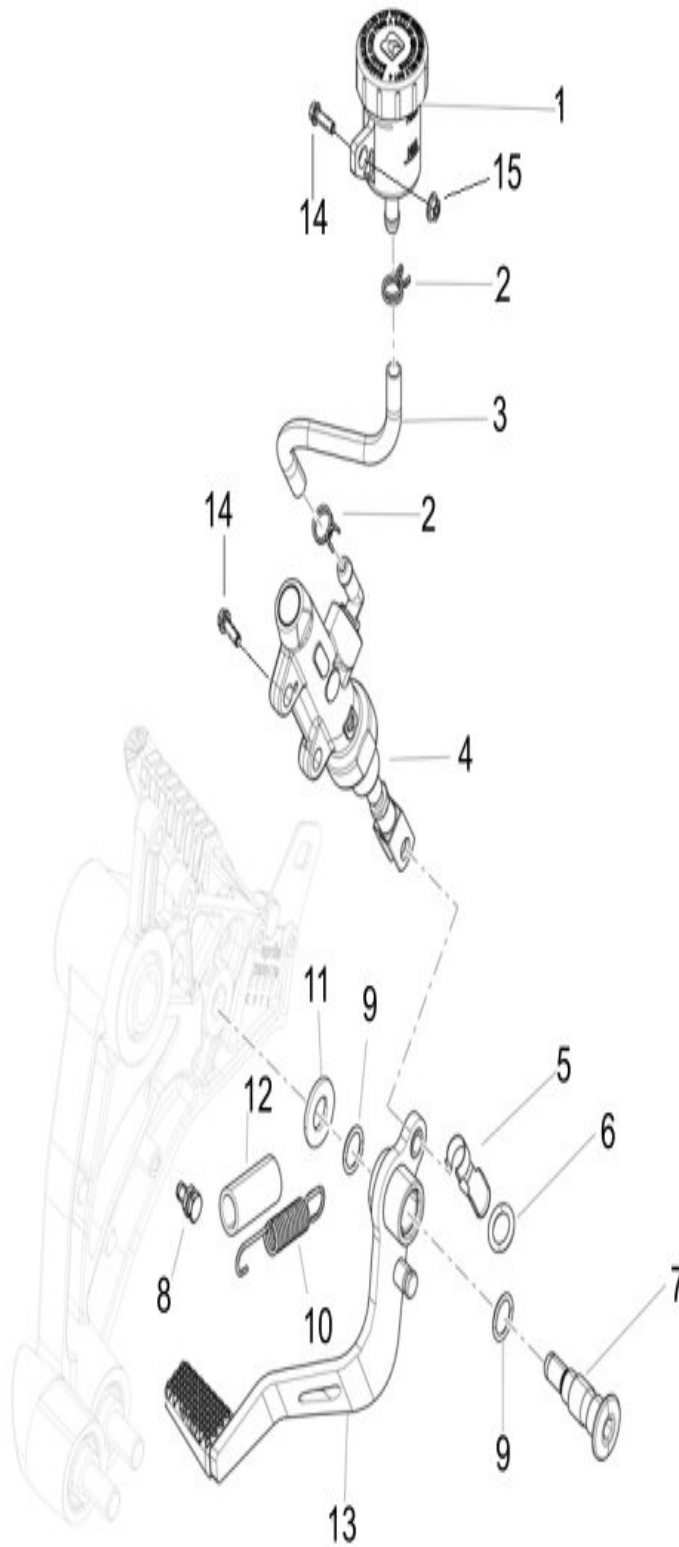


PLATE-43**REAR MASTER CYLINDER**

Fig. No.	Part No.	Description	Qty	Remarks
1	2B010860	BRAKE OIL TANK	1	
2	2B012836	FLY SPRING	2	
3	2B010861	CONNECTION TUBE OIL	1	
4	2B010849	REAR BRAKE PUMP	1	
5	2B013254	PIN WITH SPRING	1	
6	AP8120178	OR 112 NBR 70 SH-A RING	1	
7	2B013522	REAR BRAKE LEVER PIN WITH THREADLOCKER	1	
8	2B004785	SPRINGS FIXING PIN M5X7 THR.	1	
9	AP8144007	OR RING 114 VITON (FKM 80)	2	
10	893138	SPRING	1	
11	AP8150020	WASHER 10,5X21X2*	1	
12	2B011982	SPRING ANTI-VIBRATION RUBBER	1	
13	2B010995	REAR BRAKE LEVER	1	
14	1A002691	FLANGED HEX HEAD SCREW M6X20 CL10	3	
15	872816	FLANGED NUT	1	

PLATE-44

REAR BRAKE CALIPER

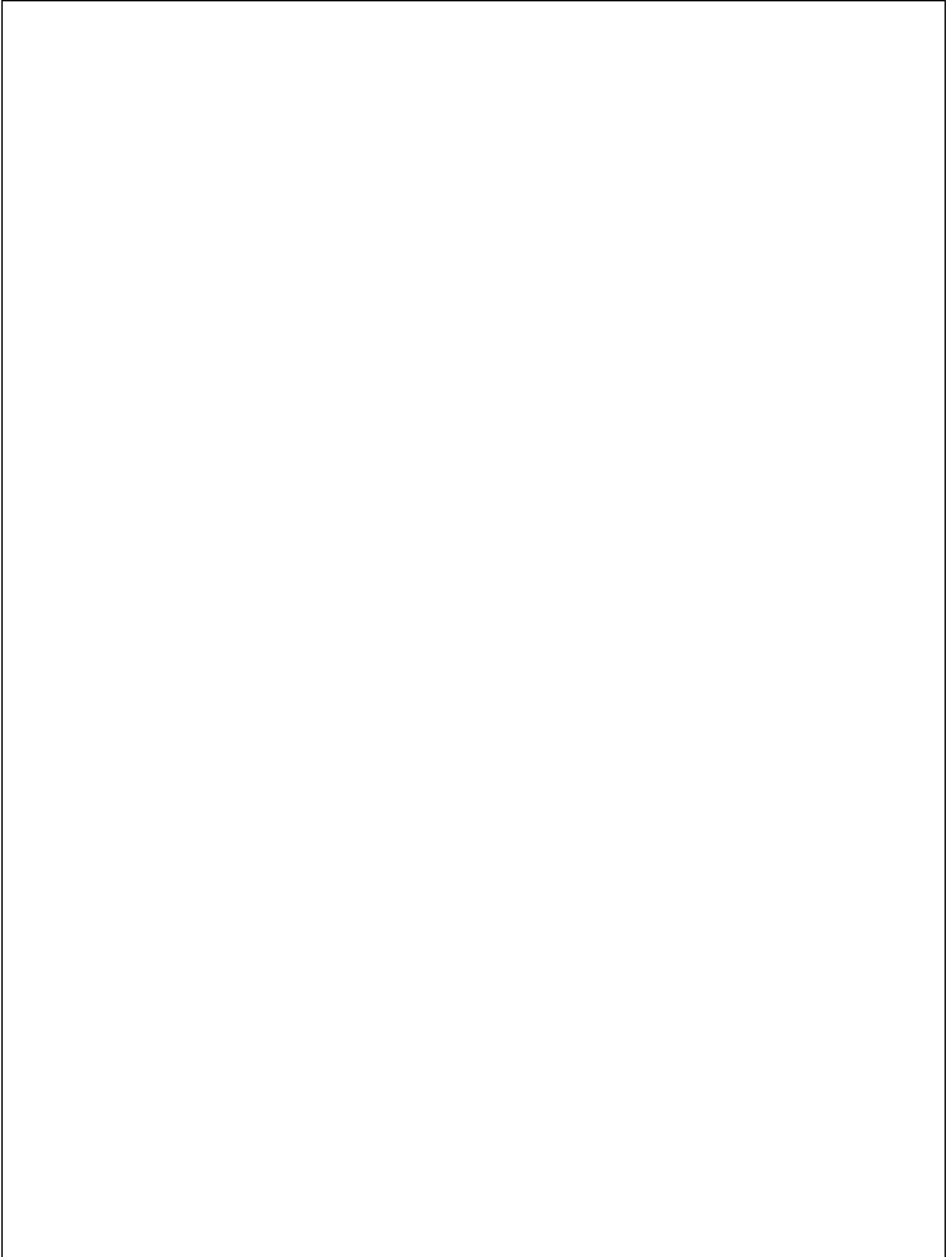


PLATE-44**REAR BRAKE CALIPER**

Fig. No.	Part No.	Description	Qty	Remarks
1	2B009998	REAR CALIPER	1	INCLUDES ITEM NO. 2, 7, 8 & 9
2	2B013121	REAR BRAKE PAD RD 61	2	
3	1D003350	ACTIVE ABS WHEEL SPEED SENSOR	1	
4	1C005394	SCREW	1	
5	664194	HEXAG. HEAD SCREW M4 X 10	2	
6	2B011273	REAR ABS SENSOR BRACKET	1	
7	2B012740	PIN, LOCK, SPRING	1	
8	2B012741	BLEEDER SCREW	1	
9	2B012822	DUST COVERS, WEAR PAD	1	

PLATE-45

ABS Brake system

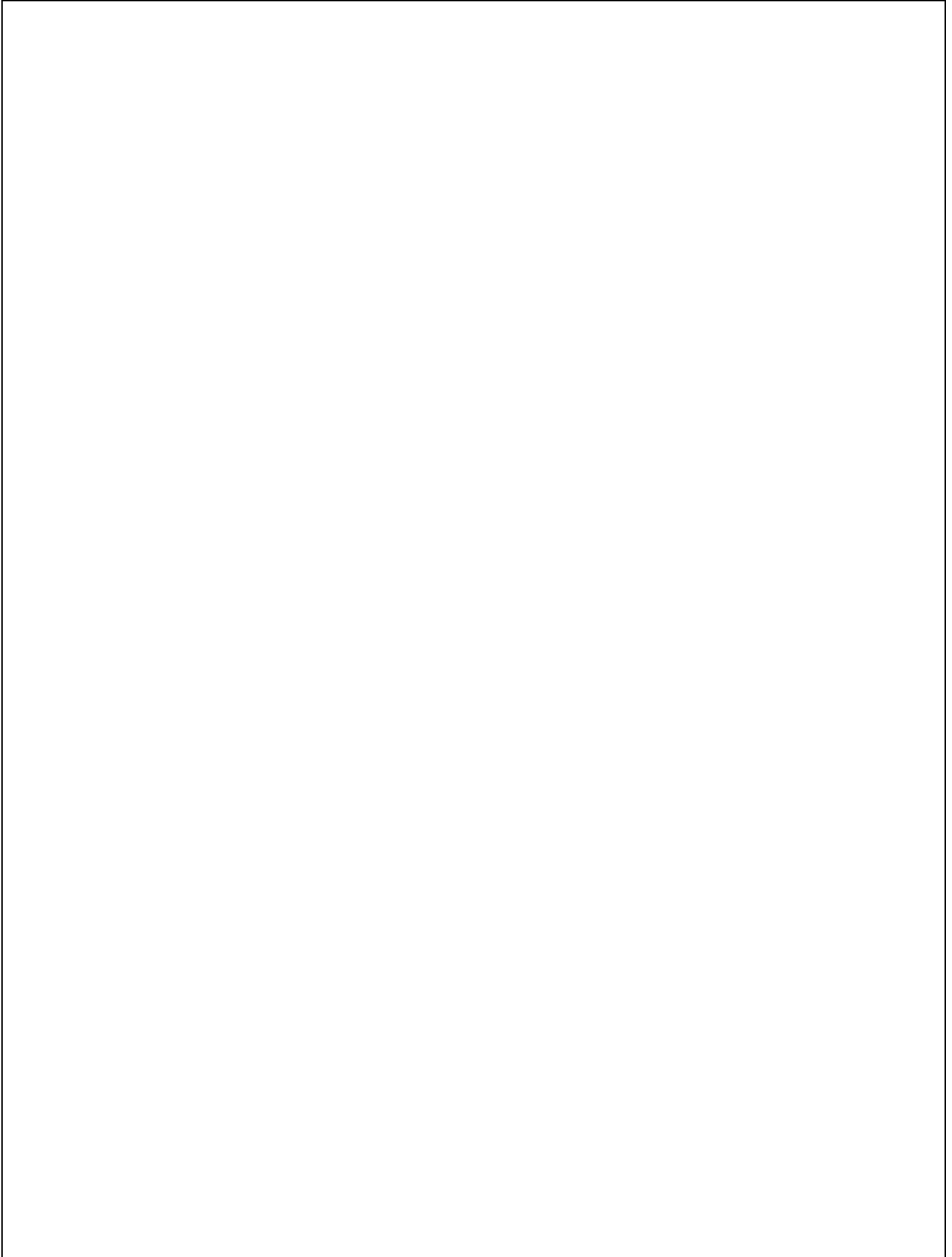


PLATE-45**ABS Brake system**

Fig. No.	Part No.	Description	Qty	Remarks
1	2B012120	FRONT BRAKE HOSE CPL (HECU-PUMP)	1	
2	2B012119	FRONT BRAKE HOSE CPL (HECU-CALIPER)	1	
3	2B010628	REAR BRAKE HOSE CPL (HECU-CALIPER)	1	
4	2B010630	REAR BRAKE HOSE CPL (HECU-PUMP)	1	
5	2B010758	PIPE ROUTING BRACKET	1	
6	2D000821	BRAKE SWITCH - IDROSTOP	1	
7	2B011333	ABS HOSE POKA-JOKE	1	
8	2D000893	FILLED ABS - SPARE PARTS	1	
9	2B009705	ABS UNIT SUPPORT	1	
10	2B011436	CONNECTOR PROTECTION	1	
11	009000	SELF TAP SCREW 4 SG X 13 AB3	1	
12	127927	WASHER	16	
13	2B003422	SCREW	4	
14	AP8144328	RUBBER SPACER	3	
15	B018853	FLANGED HEXAGONAL HEAD SCREW M6X30	3	
16	227838	PLAIN WASHER	3	
17	2B013125	BUSH	3	
18	2B004031	SCREW	2	
19	AP9100053	BUSH	2	
20	1C002059R	SPECIAL SCREW	5	

PLATE-46
STEERING

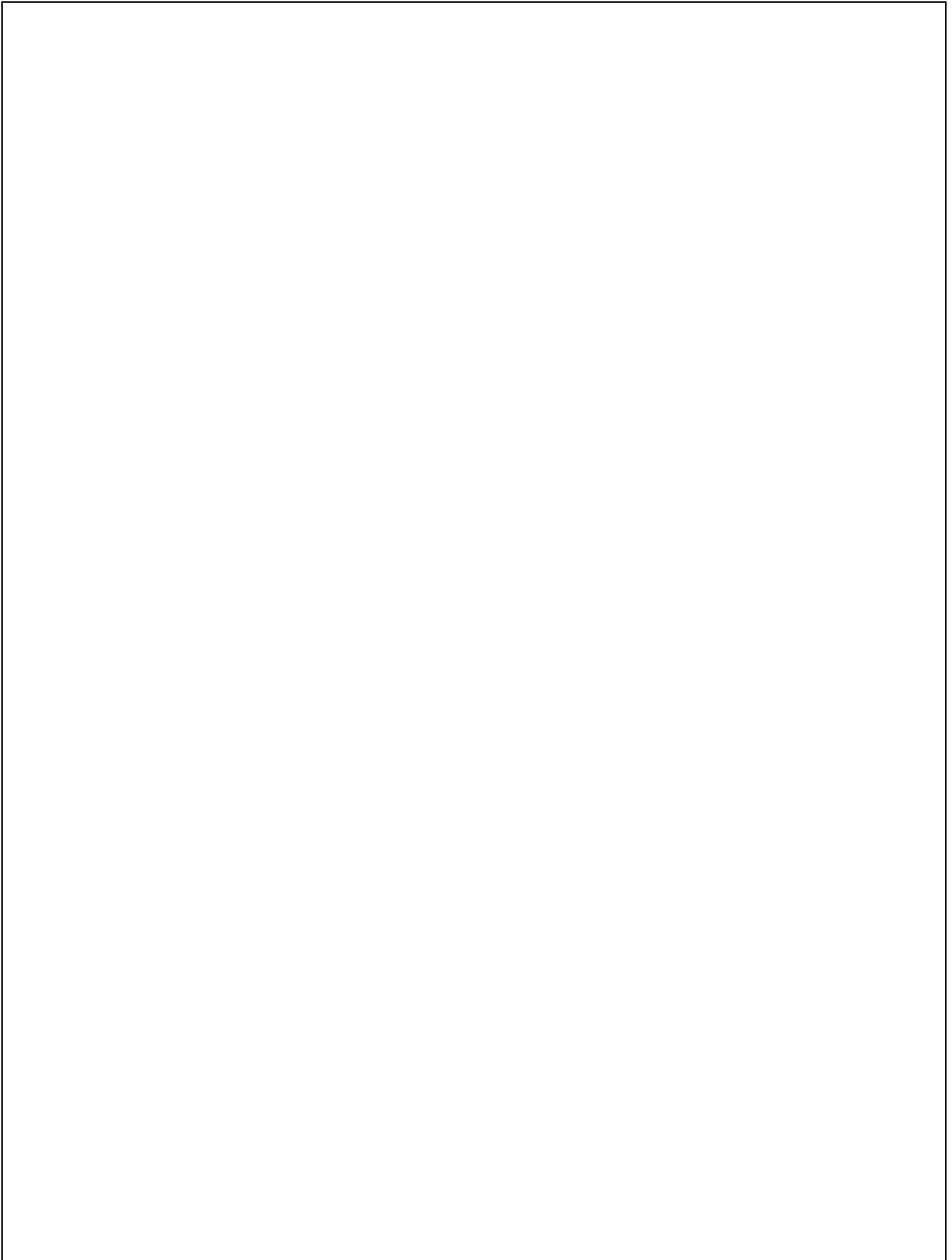


PLATE-46
STEERING

Fig. No.	Part No.	Description	Qty	Remarks
1	2B011523	UPPER TRIPLE CLAMP	1	
2	896327	CAP NUT	1	
3	896961	PLAIN WASHER	1	
4	2B011231	SAFETY PLATE	1	
5	2B011230	RETURN RING NUT	1	
6	2B011229	RUBBER SPACER	2	
7	2B011329	RING NUT	1	
8	2B011221	ANGULAR CONTACT BALL BEARING	2	
9	896260	DUST COVER RING	1	
10	2B011631	WIRE GUIDE	1	
11	601039	SCREW	1	
12	2B012276	TORX SCREW M8X35	4	
13	2B011701	LOWER TRIPLE CLAMP ASSY	1	
14	2B011527	STEERING STOP PIVOT	2	
15	AP8152285	FLANGED HEXAGONAL HEAD M8X16	1	
16	434541	SCREW	2	
17	AP8121811	BUSHING	2	
18	2B013606	HORN BUSH	1	
19	2B011152	FRONT FORK LOWER PROTECTION	1	
20	2B013148	FLANG.SELF-LOCK NUT M8 DIN 6926 (EN1663)	2	

PLATE-47
HANDLEBAR - CONTROLS

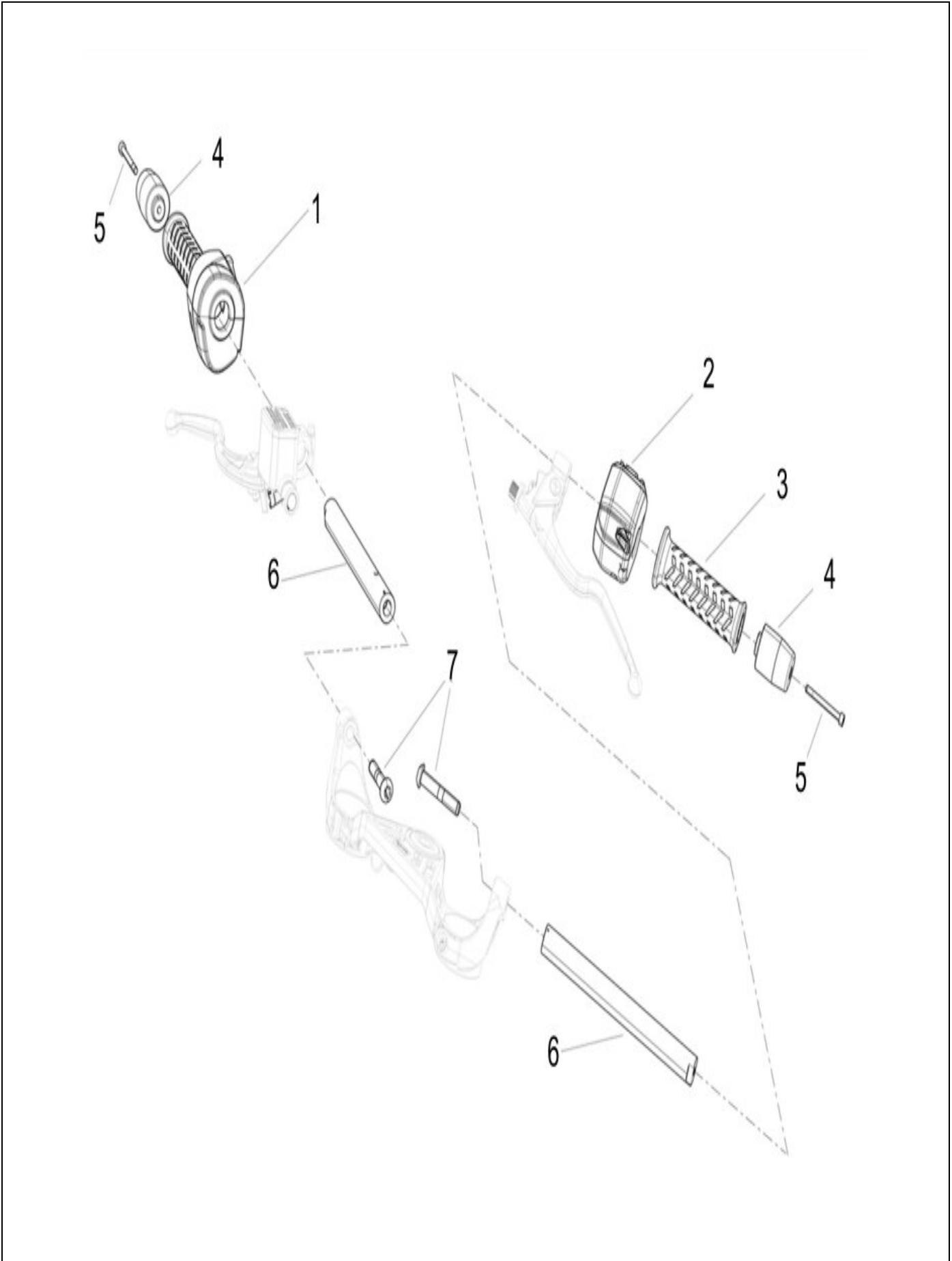


PLATE-47**HANDLEBAR - CONTROLS**

Fig. No.	Part No.	Description	Qty	Remarks
1	2D000780	RBW THROTTLE CONTROL WITH SWITCH MINDA	1	
2	2D000781	LEFT HANDLEBAR COMMAND	1	
3	2B011350	LH HANDLE GRIP	1	
4	2B011366	HANDLEBAR COUNTERWEIGHT	2	
5	2B002580	SCREW M5X50 8.8 UNI 5931 THREADLOCKER	2	
6	2B011364	HALF HANDLEBAR	2	
7	2B010886	TORX SOCKET BUTTON HEAD SCREW, M10X55	2	

PLATE-48
CLUTCH CONTROL

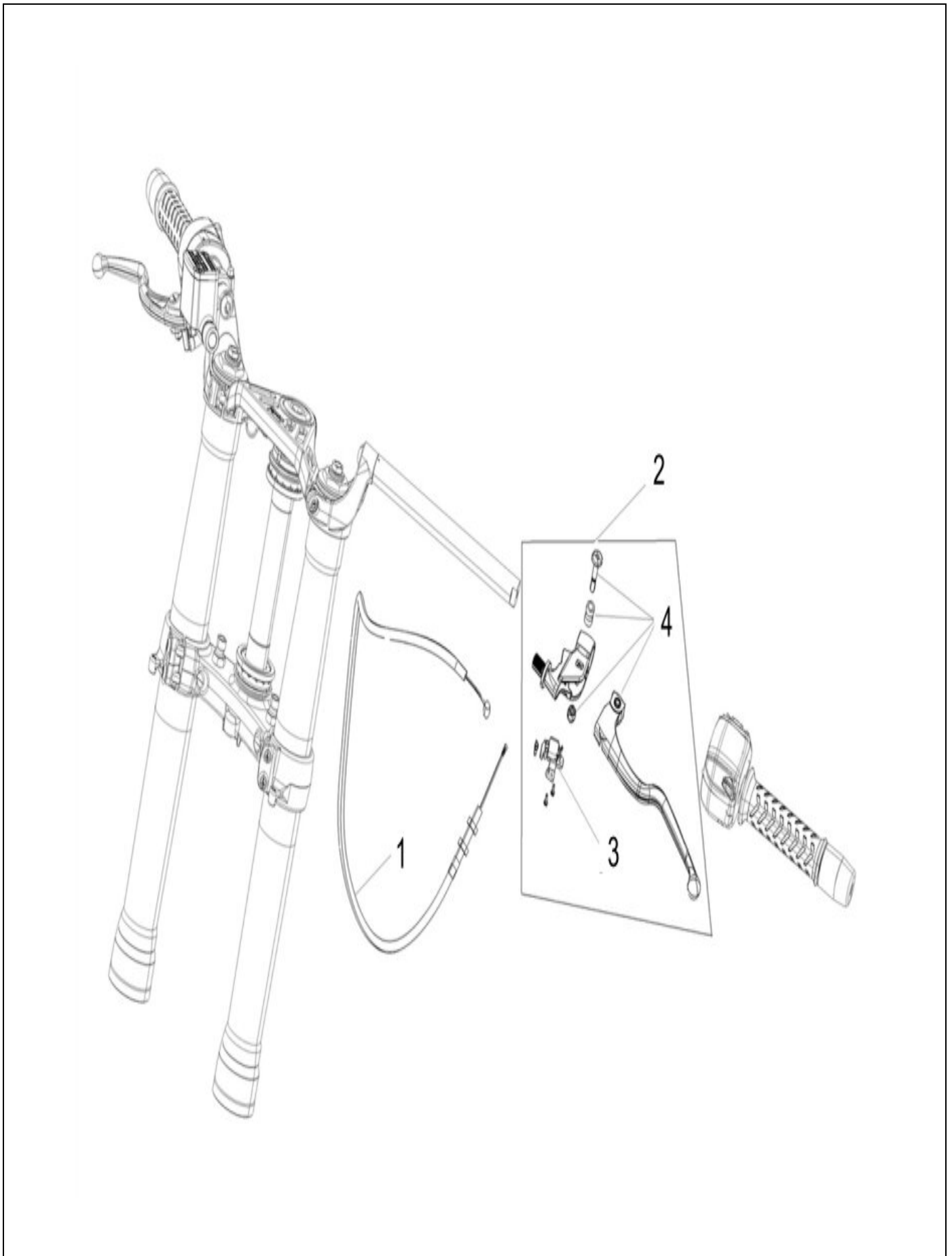


PLATE-48**CLUTCH CONTROL**

Fig. No.	Part No.	Description	Qty	Remarks
1	2B012056	CLUTCH CABLE	1	
2	2B010302	CLUTCH LEVER	1	
3	2D000791	CLUTCH SWITCH	1	
4	2B013049	CLUTCH LEVER WITH SCREW AND NUT	1	

PLATE-49
FRONT HEADLAMPS

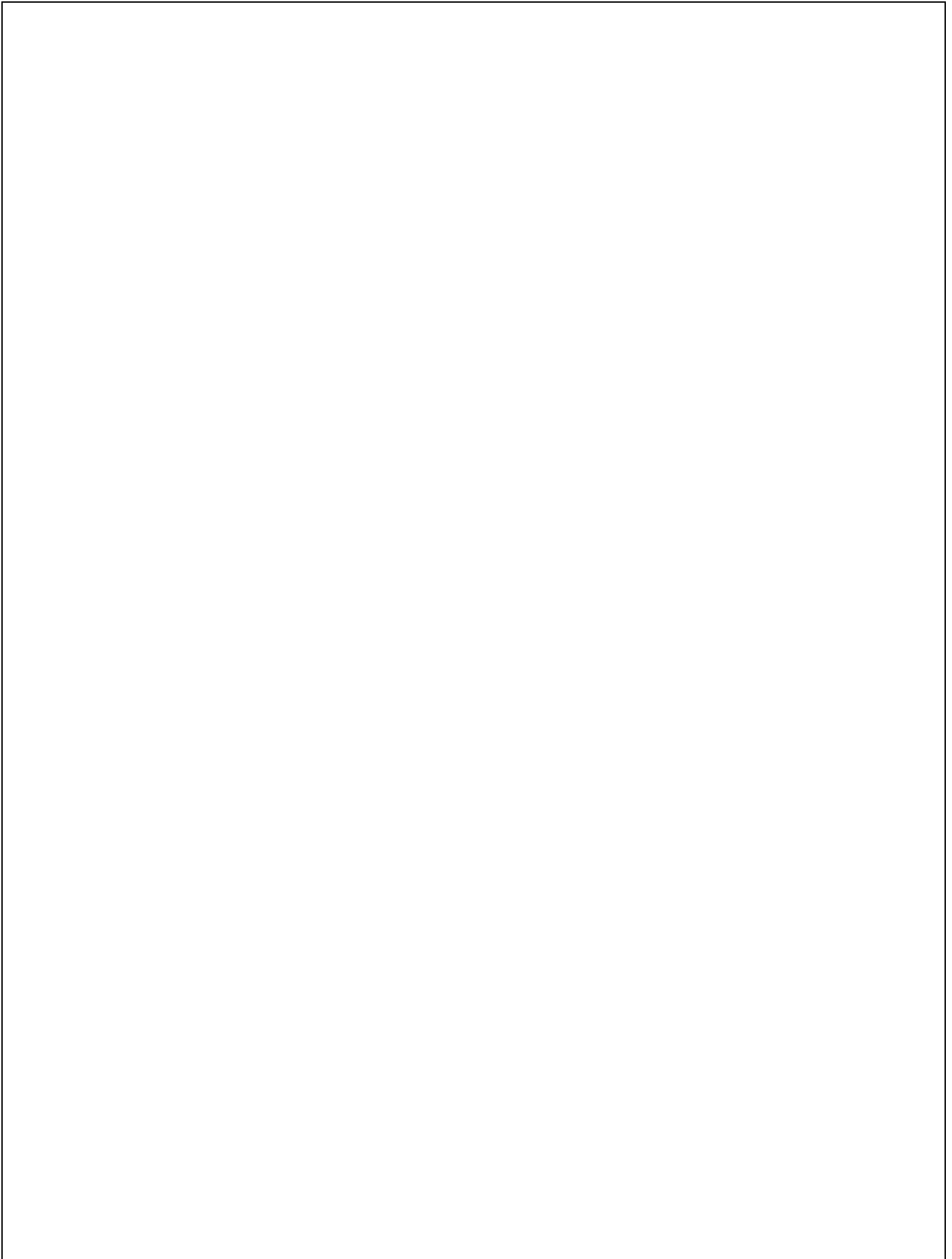
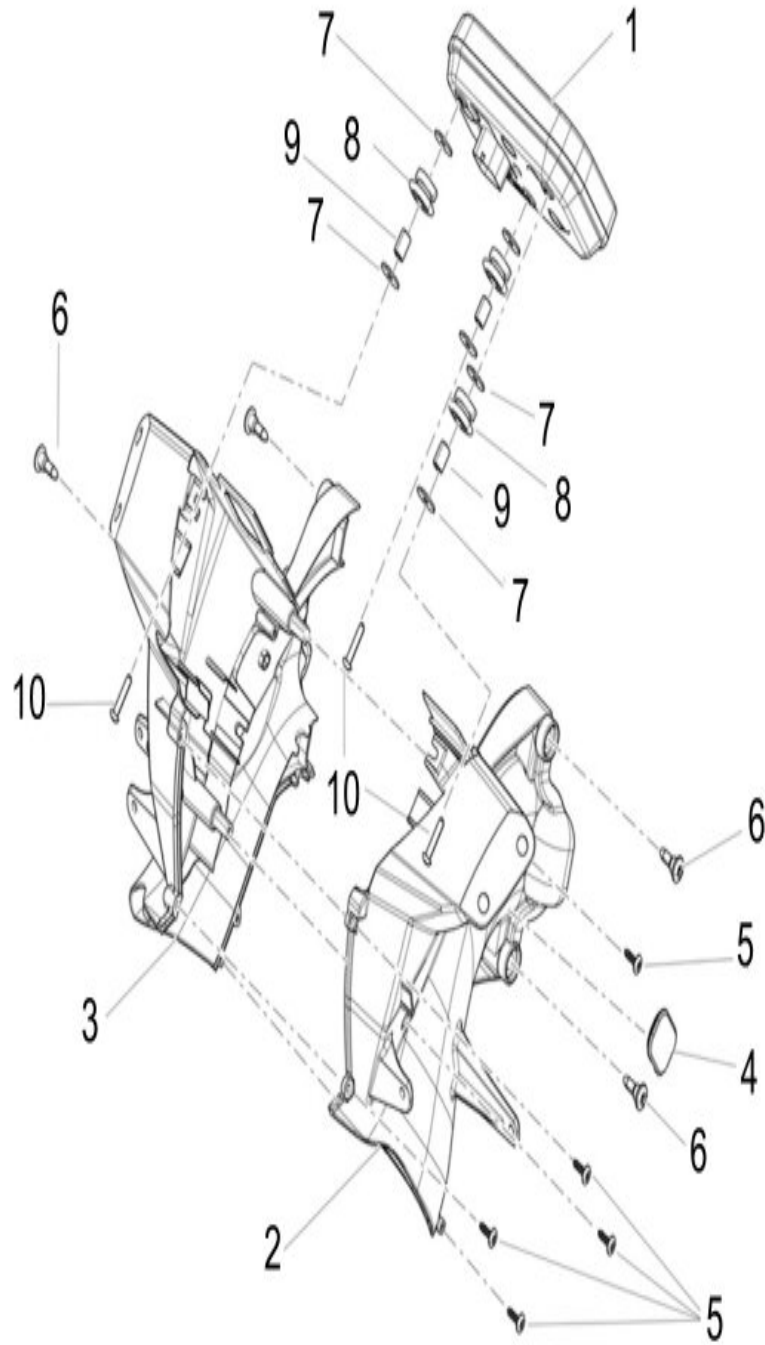


PLATE-49**FRONT HEADLAMPS**

Fig. No.	Part No.	Description	Qty	Remarks
1	2B009983	HEADLAMP	1	
2	B016796	CONVEX HEAD SCREW TORX M5X16	8	
3	00G04401462	NUT	8	
4	CM178603	THREAD FORMING SCREW	4	

PLATE-50
INSTRUMENTS



**PLATE-50
INSTRUMENTS**

Fig. No.	Part No.	Description	Qty	Remarks
1	2D000735	TFT DASHBOARD	1	
2	2B011150	RIGHT DASHBOARD SUPPORT	1	
3	2B011151	LEFT DASHBOARD SUPPORT	1	
4	2B011889	USB SOCKET CAP 440	1	
5	270793	SCREW	5	
6	CM179201	METRICAL SCREW	4	
7	AP8150255	WASHER 5,3X20X1,6	6	
8	2B011951	RUBBEN	3	
9	2B011908	SPACER	3	
10	AP8152270	HEXAGON COCKET SCREWS M5X25 Z.N.	3	

PLATE-51

TAIL LAMPS AND TURN INDICATORS

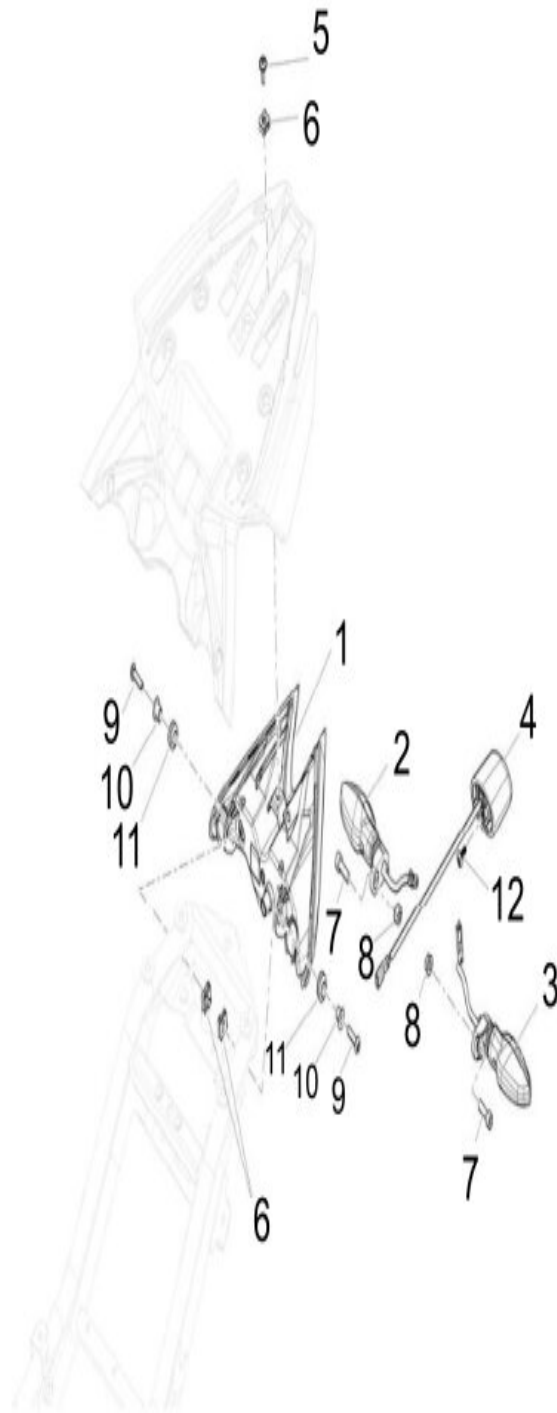


PLATE-51**TAIL LAMPS AND TURN INDICATORS**

Fig. No.	Part No.	Description	Qty	Remarks
1	2B010805	REAR LAMP	1	
2	2B010224	RH REAR- LH FRONT INDICATOR	1	
3	2B010223	LH REAR- RH FRONT INDICATOR	1	
4	2B010225	LICENSE PLATE LIGHT	1	
5	2B012700	TORX SOCKET FLANGED PAN SCREW	1	
6	00G04401462	NUT	3	
7	2B012867	SCREW M6X20	2	
8	241936	SELF LOCKING NUT	2	
9	1A014986	TORX HEAD SCREW M5X21	2	
10	2B013250	T BUSH	2	
11	2B011950	RUBBEN	2	
12	CM178603	THREAD FORMING SCREW	1	

PLATE-52
FUEL TANK

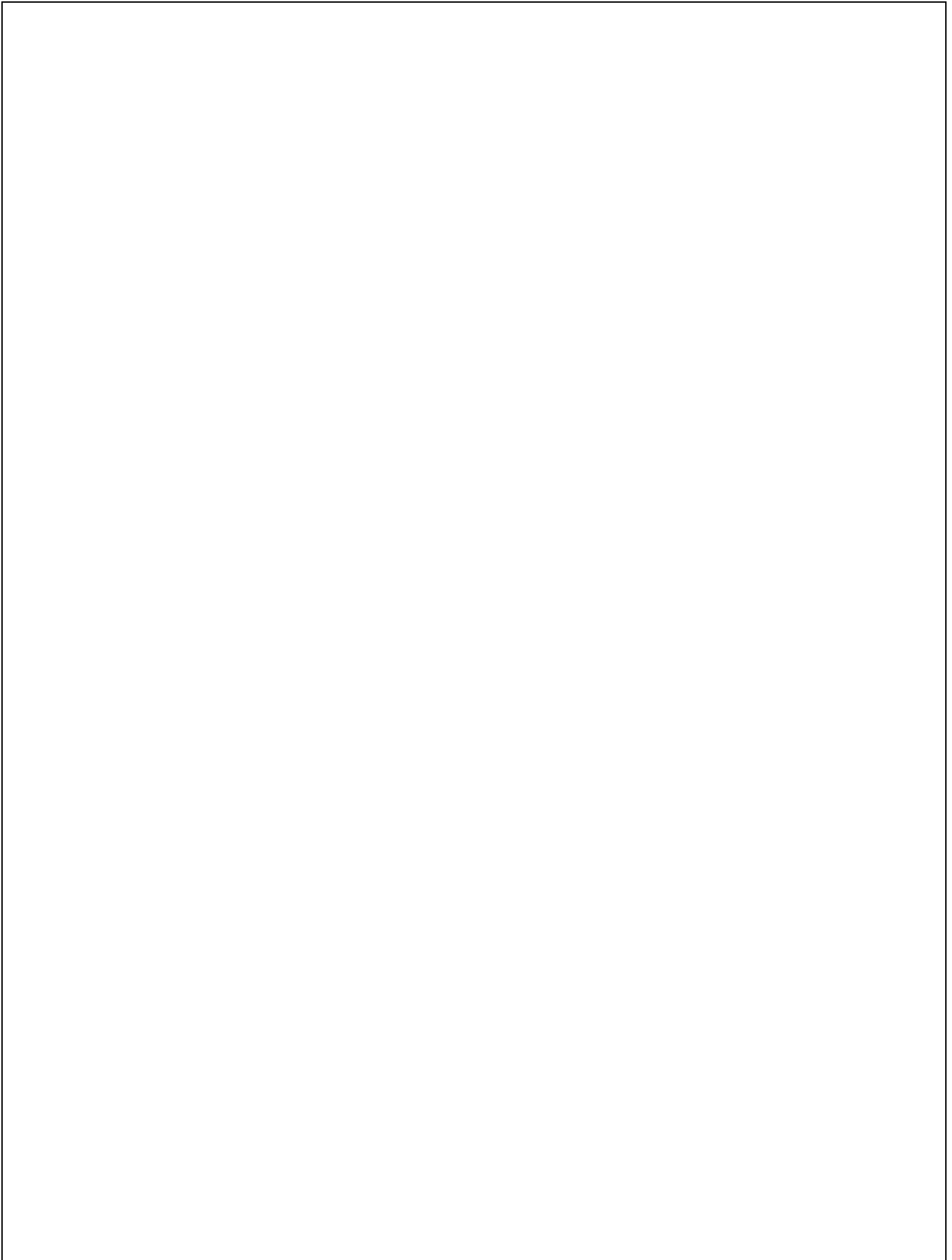


PLATE-52
FUEL TANK

Fig. No.	Part No.	Description	Qty	Remarks
1	2B010771	COMPLETE FUEL TANK	1	
2	2B010871	COMPLETE FUEL HOSE	1	
3	576546	PUMP TIGHTENING FERRULE	1	
4	656003	GASKET	1	
5	2B010152	FUEL PUMP	1	
6	2B010824	TANK THREADED PIN	2	
7	012543	WASHER (10,3X17X2)	2	
8	2B011689	GROMMET	2	
9	2B013206	COUNTERSUNK SCREW M6X35-UNI 5933 10.9	1	
10	2B011283	FLANGED BUSH	1	
11	2B012140	GROMMET	1	
12	CM002906	HOSE CLAMP	1	
13	CM002905	HOSE CLAMP	2	
14	2B009598	PIPE FITTING	1	
15	CM338705	PIPE FUEL STEAM	1	
16	2B011377	FUEL PIPE SECURE LOCK	1	
17	254485	SPRING PLATE (M6)	1	
18	CM338702	PIPE FUEL STEAM	1	

PLATE-53

FUEL VAPOUR RECOVER SYSTEM

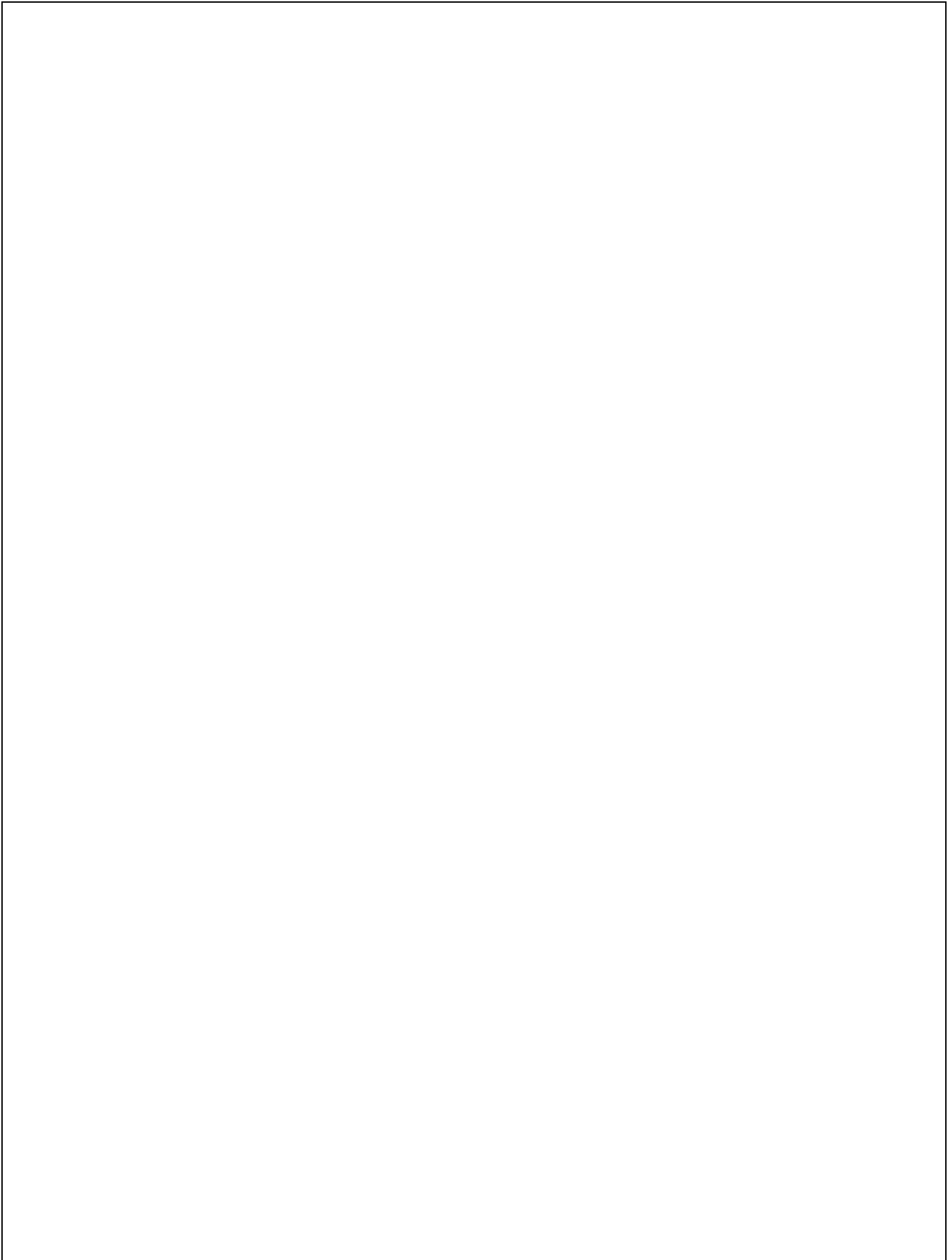


PLATE-53**FUEL VAPOUR RECOVER SYSTEM**

Fig. No.	Part No.	Description	Qty	Remarks
1	2B011065	CANISTER SENTEC 309016	1	
2	257134	RETAINING STRAP	2	
3	2B011440	CANISTER FLANGE CPL	1	
4	1A017882	PURGE VALVE	1	
5	CM339104	HOSE SAE J30 R11-A/R12 1/4 L=210	1	
6	CM179001	SAFETY VALVE	1	
7	CM340404	HOSE SAE J30 R11-A O R-12 3/16	1	
8	CM340405	HOSE SAE J30 R11-A O R-12 3/16	1	
9	CM283455	CANISTER VENT HOSE	1	
10	709116	NUT, LOCK	1	
11	AP8121811	BUSHING	1	
12	435634	FLANGED HEXAGONAL HEAD SCREW	2	
13	2B012060	DEWCAP	1	
14	2B012001	ELASTIC BAND	1	
15	CM002909	HOSE CLAMP	1	
16	CM002901	HOSE CLAMP	1	
17	CM002906	HOSE CLAMP	5	
18	AP8104666	TEE UNION D.5	1	
19	CM001901	CLAMP	3	
20	CM002917	HOSE CLAMP	3	
21	CM340402	HOSE SAE J30 R11-A O R-12 3/16	1	
22	CM340403	HOSE SAE J30 R11-A O R-12 3/16	1	
23	CM340401	HOSE SAE J30 R11-A O R-12 3/16	1	

PLATE-54
COOLING SYSTEM

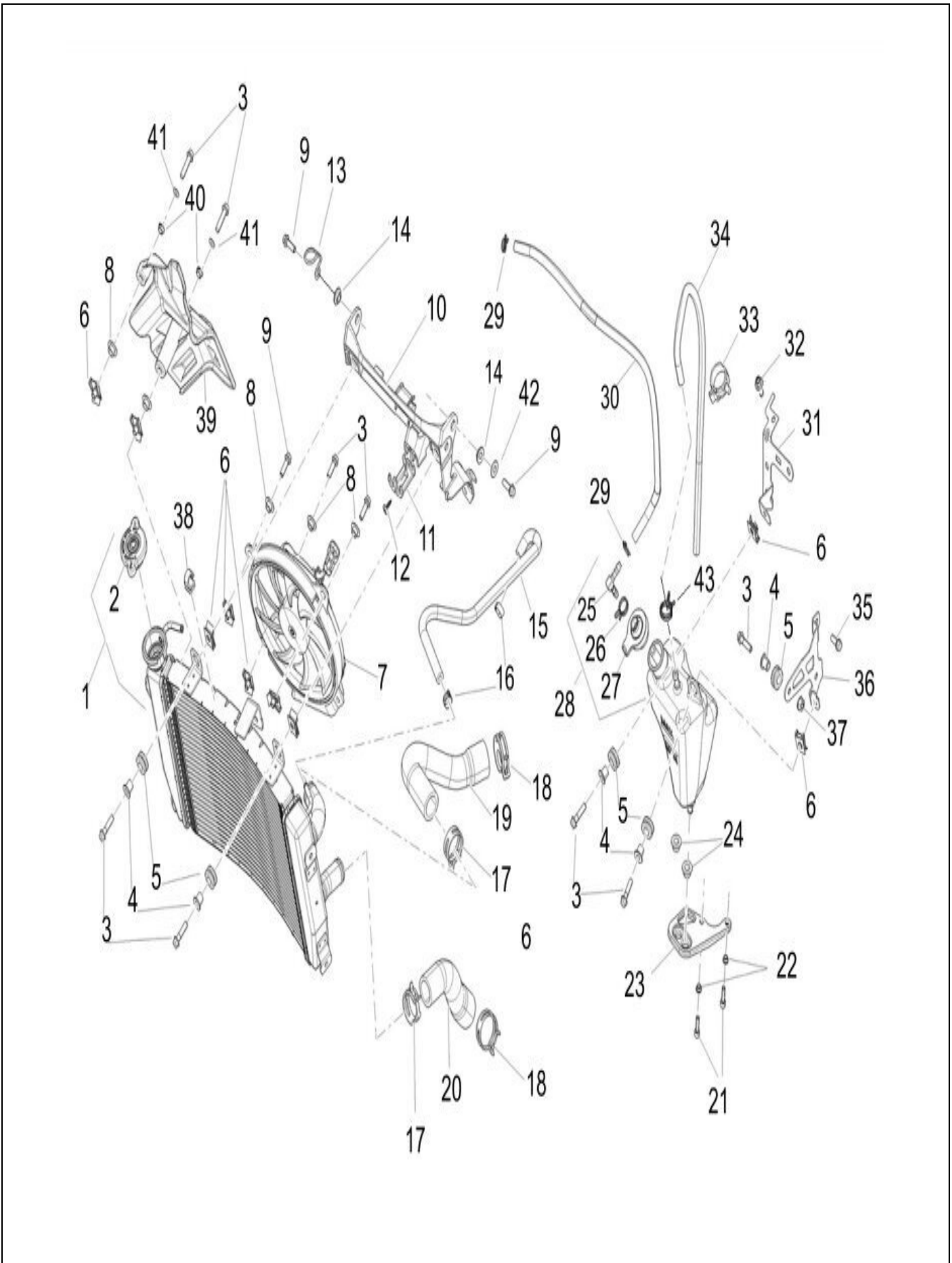


PLATE-54
COOLING SYSTEM

Fig. No.	Part No.	Description	Qty	Remarks
1	2B010887	WATER RADIATOR	1	
2	2B011670	RADIATOR FILLER CAP	1	
3	1A003065	FLANGED HEX. HEAD SCREW M6X25	8	
4	2B008123	FLANGED SPACER	5	
5	2B011909	RUBBER	5	
6	254485	SPRING PLATE (M6)	7	
7	2D000572	ELECTRIC FAN	1	
8	AP8221349	T BUSH	3	
9	018639	SCREW M6X20	2	
10	2B010765	RADIATOR SUPPORT	1	
11	2B012133	BRAKE HOSE FIXING BRACKET	1	
12	297498	SELF TAPPING SCREW	1	
13	2B012879	WIRE GUIDE	1	
14	AP9100053	BUSH	2	
15	2B010709	ENGINE-RADIATOR COOLING PIPE	1	
16	AP8102239	HOSE CLIP D12,5X8	2	
17	CM226905	SPRING BAND CLAMP 32/12	2	
18	CM226906	SPRING BAND CLAMP DIN 3021	2	
19	2B010752	COOLING PIPE, RADIATOR-THERMOSTAT	1	
20	2B011594	COOLING PIPE, RADIATOR-PUMP	1	
21	AP8150454	HSH SCREW M5X16 INOX A2-70 UNI 5931	2	
22	2B013142	FLANGED SPACER	2	
23	2B012044	COOLANT TANK SUPPORT	1	
24	2B011386	WIRE GUIDE	2	
25	2B008778	L SHAPE PIPE FITTING	1	
26	CM002917	HOSE CLAMP	1	
27	899642	PLUG	1	
28	2B011399	ASSEMBLED EXPANSION TANK	1	
29	CM002904	HOSE CLAMP	2	
30	CM341903	COOLING PIPES	1	
31	2B011355	CABLING SUPPORT BRACKET	1	
32	2B011430	SCREW M6X16 (DIN6921) WITH THREADLOCKER	1	
33	CM006914	PIPING RETAINING SPRING	1	
34	CM341902	COOLING PIPES	1	
35	434541	SCREW	1	

PLATE-54
COOLING SYSTEM

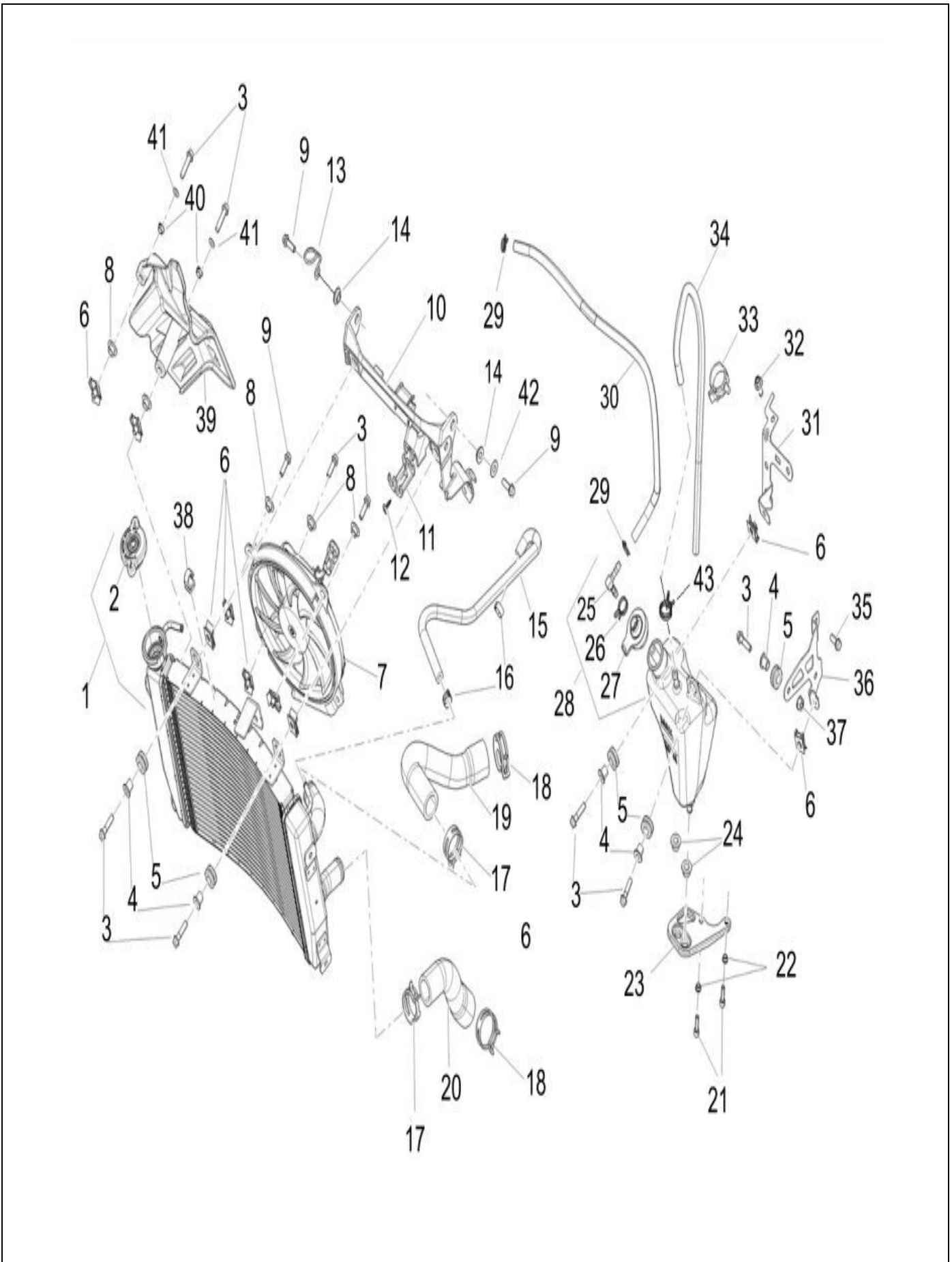


PLATE-54
COOLING SYSTEM

Fig. No.	Part No.	Description	Qty	Remarks
36	2B010754	RADIATOR BRACKET	1	
37	241936	SELF LOCKING NUT	1	
38	AP8201727	SPRING FIX TUBE D10 APPL	1	
39	2B012481	SIDE DEFLECTOR	1	
40	AP8121811	BUSHING	2	
41	709003	PLAIN WASHER	2	
42	013880	PLAIN WASHER	1	
43	CM002906	HOSE CLAMP	1	

PLATE-55
FRONT ELECTRICAL SYSTEM

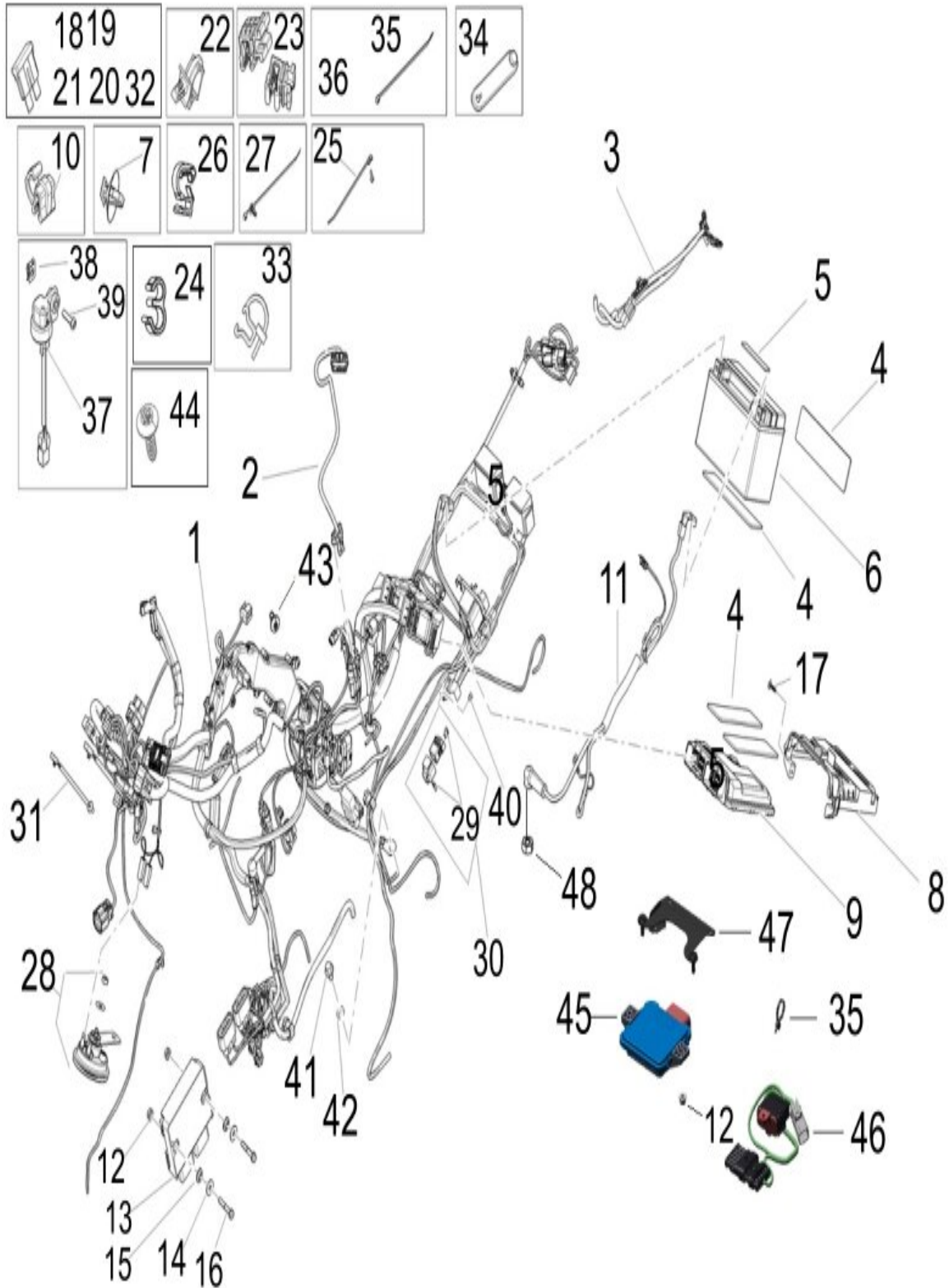


PLATE-55**FRONT ELECTRICAL SYSTEM**

Fig. No.	Part No.	Description	Qty	Remarks
1	2D000819	MAIN HARNESS	1	
2	2D000792	FUEL PUMP WIRING HARNESS	1	
3	2D000773	TAIL LIGHT WIRE HARNESS	1	
4	AP8144552	SUPPORT RUBBER PART	5	
5	2B008990	ADHESIVE EPDM FOAM 70X15 TH2	1	
6	2D000749	BATTERY	1	
7	890760	FLY SPRING	2	
8	2B010935	ECU COVER	1	
9	CM332902	ELECTRONIC CONTROL UNIT	1	
10	CM013203	SPRING	3	
11	2D000772	BATTERY CABLE	1	
12	241936	SELF LOCKING NUT	4	
13	1A021852	VOLTAGE REGULATOR	1	
14	227838	PLAIN WASHER	2	
15	AP9100053	BUSH	2	
16	1A003063	FLANGED HEX HEAD SCREW M6X35	2	
17	270793	SCREW	2	
18	CM225605	FUSE 5A	7	
19	CM225607	FUSE 7,5A	4	
20	CM225610	FUSE 10A	2	
21	CM225615	FUSE 15A	3	
22	AP8221310	FAIRLEAD D10,6	1	
23	2D000348	CONNECTION	1	
24	2B013271	FLY SPRING	6	
25	1D001143	CLIP	5	
26	2B013270	HOSE RETAINING SPRING	6	
27	2D000676	CLAMP	1	
28	2B011431	HORN ASSEMBLY	1	
29	CM225730	FUSE 30A	1	
30	582690	12V-150A RELAY SWITCH	1	
31	1D003720R	ROOM TEMPERATURE SENSOR	1	
32	CM225602	FUSE 2A	4	
33	668762	CABLE STRAP	1	
34	2B012862	SPRING CLAMP	4	
35	145298	PLASTIC CLAMP	11	

PLATE-55
FRONT ELECTRICAL SYSTEM

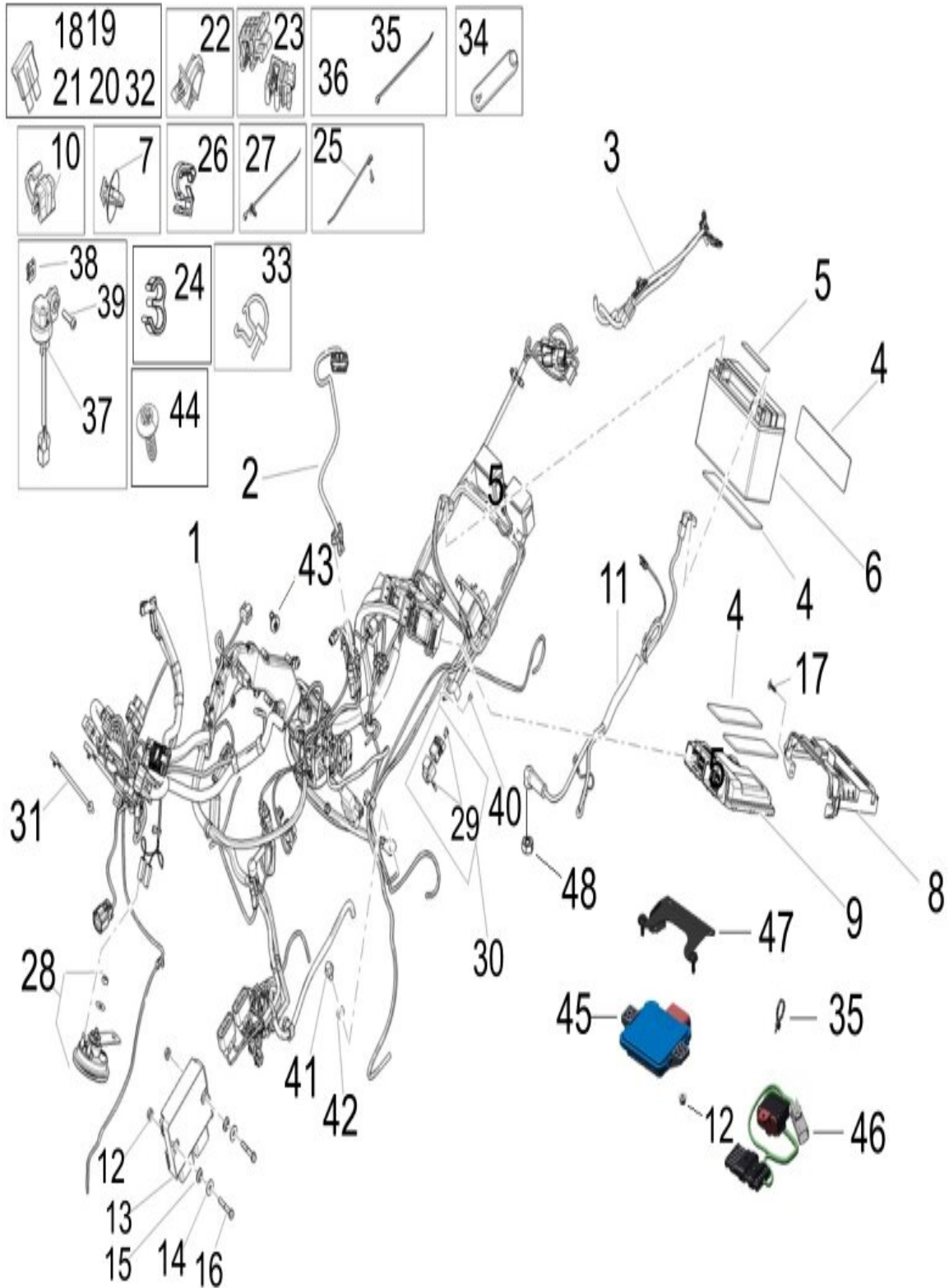


PLATE-55**FRONT ELECTRICAL SYSTEM**

Fig. No.	Part No.	Description	Qty	Remarks
36	257134	RETAINING STRAP	7	
37	642248	ROLL-OVER SENSOR	1	
38	00G04401462	NUT	1	
39	1A014986	TORX HEAD SCREW M5X21	1	
40	581596	SCREW (M6X25) FOR STARTER	2	
41	435634	FLANGED HEXAGONAL HEAD SCREW	1	
42	006976	WAVED SPRING WASHER	1	
43	2B003422	SCREW	4	
44	CM178603	THREAD FORMING SCREW	1	
45	CM335207	HELLA MULTIMEDIA CDI	1	
46	2D000807	PMP-TPMS WIRE HARNESS	1	
47	2B011394	PMP3 FIXING BRACKET	1	
48	020106	HEXAGONAL NUT	1	

PLATE-56
ACCESSORIES

1



2



3



4



5



6



7



8



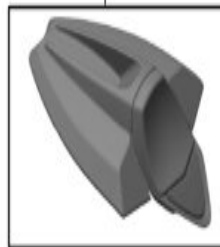
9



10



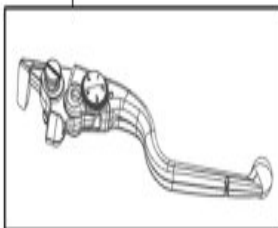
11



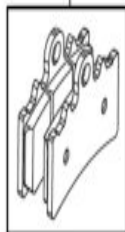
12



13



14



15



PLATE-56
ACCESSORIES

Fig. No.	Part No.	Description	Qty	Remarks
1	1D002554	ELECTRONIC ANTI THEFT	1	
2	2S001550	FRONT BRAKE LEVER PROTECTION	1	
3	2S002189	HIGH WINDSCREEN	1	
4	2S002192	ASSEMBLY SYSTEM FOR ELECTRONIC ANTI THEFT	1	
5	2S002193	QUICKSHIFTER	1	
6	2S002196	EXTERNAL BIKE COVER	1	
7	2S002202	TPMS RS440	1	
8	2S002273	FRONT AXLE PROTECTOR	1	
9	2S002288	HELMET LOCK (WIRE TYPE)	1	
10	607590M	INTERNAL BIKE COVER	1	
11	CM343001	PASSENGER SEAT COVER	1	
12	SKIT2S002027	USB CHARGING	1	
13	2B012826	FRONT MASTER CYLINDER LEVER	1	
14	SKIT2S002298	FRONT BRAKE PADS SINTERED	1	
15	783548	RS 457 HELMET BLACK (M SIZE)	1	
15	783549	RS 457 HELMET BLACK (L SIZE)	1	
15	783554	RS 457 HELMET WHITE (M SIZE)	1	
15	783555	RS 457 HELMET WHITE (L SIZE)	1	

PLATE-16A

DECALS RACING STRIPES I

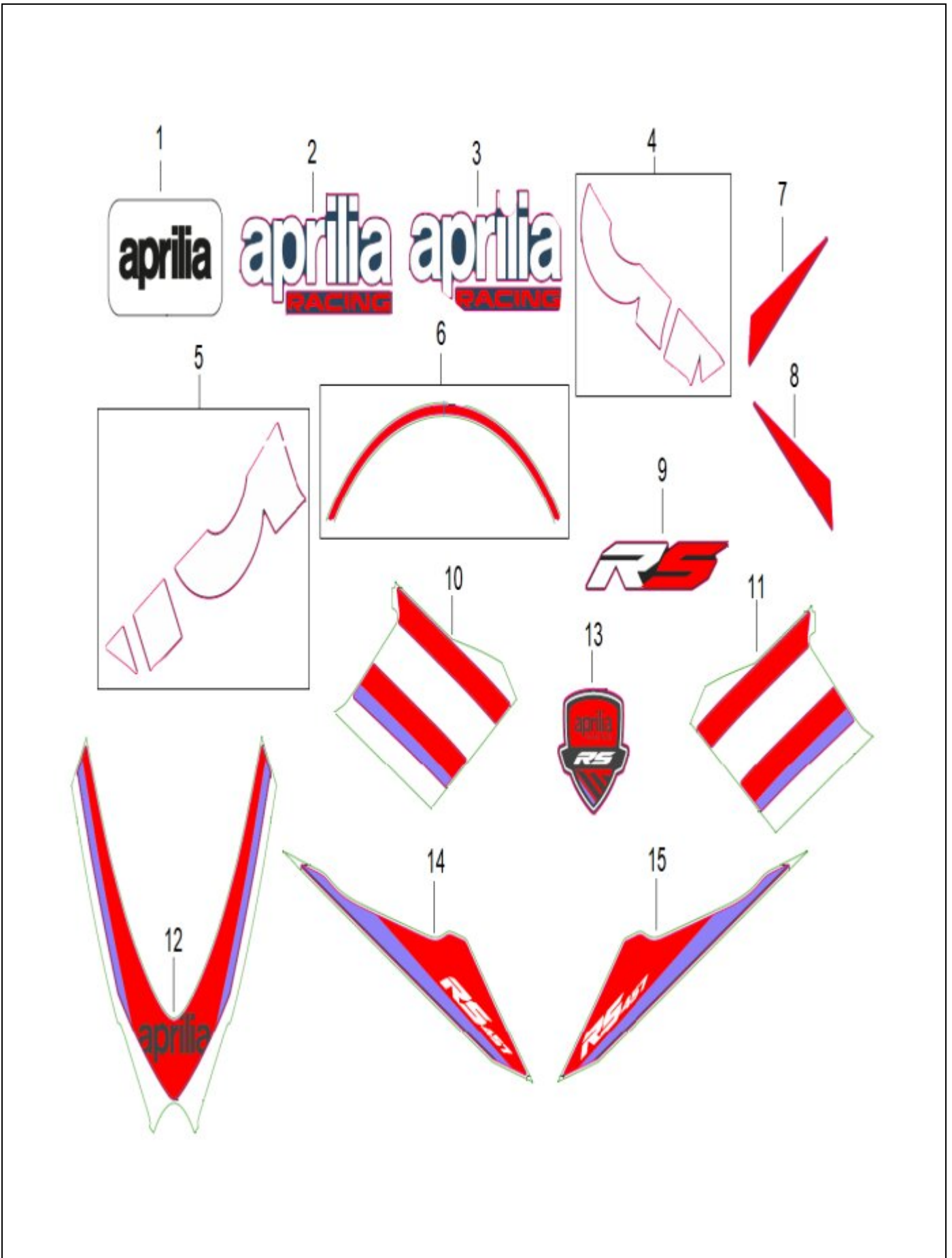


PLATE-16A**DECALS RACING STRIPES I**

Fig. No.	Part No.	Description	Qty	Remarks
1	AP8157770	APRILIA DATAPLATE	1	
2	2H006268	RIGHT LOWER FAIRING APRILIA RACING DECAL	1	
3	2H006269	LEFT LOWER FAIRING APRILIA RACING DECAL	1	
4	2H006270	LOWER RIGHT REAR FAIRING AP DECAL	1	
5	2H006271	LOWER LEFT REAR FAIRING LIA DECAL	1	
6	2H006274	FRONT WHEEL RIM RED DECAL	6	
7	2H006267	LEFT LOWER FAIRING RED DECAL	1	
8	2H006266	RIGHT LOWER FAIRING RED DECAL	1	
9	2H006263	RIGHT-LEFT SIDE FAIRING RS DECAL	2	
10	2H006261	RIGHT SIDE FAIRING BANDS DECAL	1	
11	2H006262	LEFT SIDE FAIRING BANDS DECAL	1	
12	2H006247	FRONT FAIRING NUMBER PLATE DECAL	1	
13	2H006250	AIRBOX COVER RS DECAL	1	
14	2H006272	RIGHT REAR FAIRING RS DECAL	1	
15	2H006273	LEFT REAR FAIRING RS DECAL	1	

PLATE-16B

DECALS RACING STRIPES II

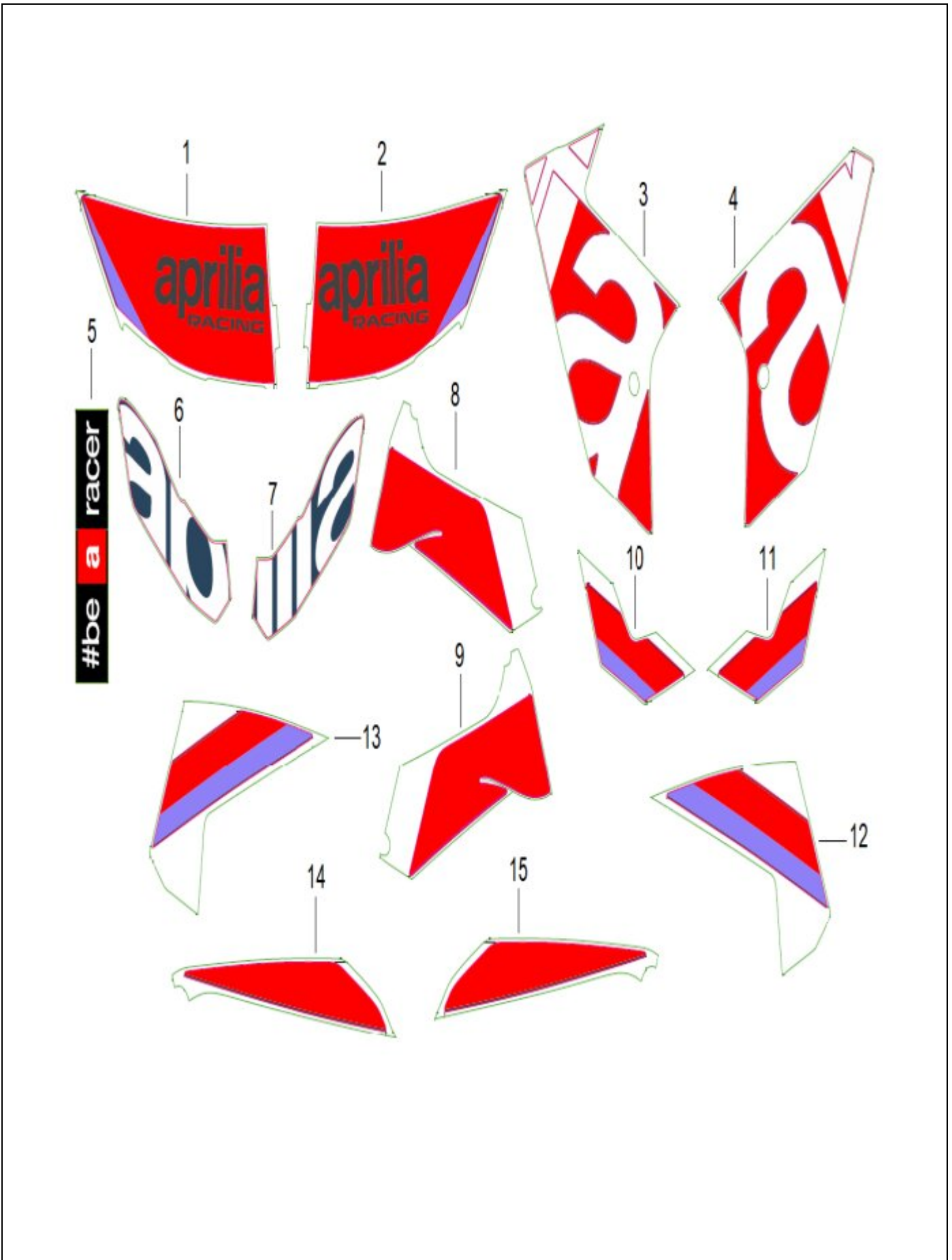


PLATE-16B**DECALS RACING STRIPES II**

Fig. No.	Part No.	Description	Qty	Remarks
1	2H006255	RIGHT TANK COVER APRILIA RACING DECAL	1	
2	2H006256	LEFT TANK COVER APRILIA RACING DECAL	1	
3	2H006264	LOWER RIGHT SIDE FAIRING A DECAL	1	
4	2H006265	LOWER LEFT SIDE FARING A DECAL	1	
5	2H006246	FRONT MUDGUARD BE A RACER DECAL	1	
6	2H006248	RIGHT INTERNAL SIDE FAIRING AP DECAL	1	
7	2H006249	LEFT INTERNAL SIDE FAIRING ILIA DECAL	1	
8	2H006251	RIGHT AIRBOX COVER RED DECAL	1	
9	2H006252	LEFT AIRBOX COVER RED DECAL	1	
10	2H006253	RIGHT AIRBOX COVER BANDS DECAL	1	
11	2H006254	LEFT AIRBOX COVER BANDS DECAL	1	
12	2H006257	RIGHT TANK COVER BANDS DECAL	1	
13	2H006258	LEFT TANK COVER BANDS DECAL	1	
14	2H006259	UPPER RIGHT SIDE FAIRING RED DECAL	1	
15	2H006260	UPPER LEFT SIDE FAIRING RED DECAL	1	

PARTS INDEX
RS 457 4S 8V TWIN CYLINDER ABS

PART NO	BLOCK	PART NO	BLOCK	PART NO	BLOCK
000267	PLATE-26	1A014986	PLATE-5	1A021332	PLATE-25
000267	PLATE-34	1A015311	PLATE-34	1A021333	PLATE-25
003058	PLATE-2	1A017882	PLATE-53	1A021334	PLATE-25
006410	PLATE-31	1A018096R	PLATE-27	1A021345	PLATE-32
006976	PLATE-55	1A018625	PLATE-18	1A021350	PLATE-32
009000	PLATE-19	1A018752	PLATE-22	1A021354	PLATE-32
009000	PLATE-45	1A018752	PLATE-24	1A021361	PLATE-32
00G04401462	PLATE-6	1A0205404	PLATE-22	1A021362	PLATE-32
00G04401462	PLATE-12	1A020560	PLATE-22	1A021365	PLATE-32
00G04401462	PLATE-49	1A020745	PLATE-33	1A021366	PLATE-32
00G04401462	PLATE-51	1A020843	PLATE-29	1A021367	PLATE-32
00G04401462	PLATE-55	1A020847	PLATE-26	1A021368	PLATE-32
00G04401462	PLATE-5	1A020848	PLATE-34	1A021369	PLATE-32
012543	PLATE-52	1A020855	PLATE-34	1A021407	PLATE-27
013880	PLATE-54	1A020857	PLATE-29	1A021415	PLATE-27
018639	PLATE-21	1A020862	PLATE-30	1A021481	PLATE-27
018639	PLATE-22	1A020864	PLATE-31	1A021482	PLATE-27
018639	PLATE-24	1A020865	PLATE-33	1A021484	PLATE-22
018639	PLATE-35	1A020869	PLATE-25	1A021486	PLATE-20
018639	PLATE-54	1A020871	PLATE-30	1A021555	PLATE-27
020106	PLATE-55	1A020872	PLATE-29	1A021572	PLATE-32
020108	PLATE-4	1A020873	PLATE-29	1A021600	PLATE-32
127927	PLATE-41	1A020875	PLATE-31	1A021613	PLATE-27
127927	PLATE-42	1A020876	PLATE-30	1A021636	PLATE-27
127927	PLATE-45	1A020877	PLATE-18	1A021654	PLATE-27
145298	PLATE-55	1A020878	PLATE-24	1A021836	PLATE-21
181351	PLATE-6	1A020883	PLATE-24	1A021852	PLATE-55
181351	PLATE-12	1A020884	PLATE-24	1A021968	PLATE-22
1A001073	PLATE-27	1A020886	PLATE-32	1A022501	PLATE-29
1A002691	PLATE-3	1A020894	PLATE-18	1A022679	PLATE-24
1A002691	PLATE-43	1A020900	PLATE-18	1A022685	PLATE-22
1A002957	PLATE-18	1A020905	PLATE-21	1A022687	PLATE-22
1A002957	PLATE-26	1A020906	PLATE-21	1A022694	PLATE-26
1A003063	PLATE-55	1A020907	PLATE-24	1A022705	PLATE-34
1A003065	PLATE-54	1A020908	PLATE-24	1A022706	PLATE-34
1A007618	PLATE-18	1A020912	PLATE-24	1A022707	PLATE-34
1A009339	PLATE-18	1A020915	PLATE-20	1A022756	PLATE-33
1A010966	PLATE-30	1A020916	PLATE-29	1A022759	PLATE-34
1A011500	PLATE-18	1A020917	PLATE-26	1A022765	PLATE-33
1A011500	PLATE-29	1A020918	PLATE-22	1A023020	PLATE-26
1A012388	PLATE-25	1A021250	PLATE-22	1A023036	PLATE-30
1A014986	PLATE-51	1A021287R	PLATE-22	1A023188	PLATE-21
1A014986	PLATE-55	1A021331	PLATE-25	1A023448	PLATE-27

PART NO	BLOCK	PART NO	BLOCK	PART NO	BLOCK
1A023473	PLATE-27	1A024028	PLATE-31	1A024256	PLATE-28
1A023492	PLATE-35	1A024028	PLATE-33	1A024257	PLATE-28
1A023538	PLATE-29	1A024029	PLATE-27	1A024259	PLATE-21
1A023670	PLATE-18	1A024032	PLATE-18	1A024263	PLATE-33
1A023673	PLATE-18	1A024032	PLATE-26	1A024266	PLATE-22
1A023676	PLATE-30	1A024032	PLATE-34	1A024266	PLATE-30
1A023720	PLATE-22	1A024035	PLATE-34	1A024269	PLATE-18
1A023771	PLATE-28	1A024045	PLATE-22	1A024270	PLATE-22
1A023772	PLATE-28	1A024047	PLATE-22	1A024272	PLATE-34
1A023774	PLATE-28	1A024047	PLATE-24	1A024274	PLATE-24
1A023775	PLATE-28	1A024048	PLATE-21	1A024276	PLATE-22
1A023776	PLATE-28	1A024049	PLATE-24	1A024276	PLATE-24
1A023777	PLATE-28	1A024056	PLATE-21	1A024277	PLATE-24
1A023778	PLATE-28	1A024063	PLATE-29	1A024282	PLATE-27
1A023779	PLATE-28	1A024064	PLATE-29	1A024308R	PLATE-29
1A023780	PLATE-28	1A024068	PLATE-22	1A024537	PLATE-18
1A023781	PLATE-28	1A024069	PLATE-34	1A024543R	PLATE-22
1A023782	PLATE-28	1A024072	PLATE-34	1A024572R	PLATE-31
1A023783	PLATE-28	1A024073	PLATE-34	1A024777	PLATE-22
1A023784	PLATE-28	1A024104	PLATE-18	1A024778	PLATE-22
1A023785	PLATE-28	1A024104	PLATE-26	1A024879R	PLATE-32
1A023786	PLATE-28	1A024117	PLATE-36	1A024985	PLATE-18
1A023787	PLATE-28	1A024177R	PLATE-18	1A025098R	PLATE-18
1A023788	PLATE-28	1A024178R	PLATE-18	1A025105R	PLATE-18
1A023789	PLATE-28	1A024179R	PLATE-18	1A025194	PLATE-26
1A023790	PLATE-28	1A024180R	PLATE-18	1A025322R	PLATE-18
1A023791	PLATE-28	1A024233	PLATE-18	1A025802	PLATE-27
1A023792	PLATE-27	1A024234	PLATE-18	1A025958	PLATE-31
1A023801	PLATE-28	1A024235	PLATE-22	1A025962	PLATE-31
1A023802	PLATE-28	1A024235	PLATE-30	1A026087	PLATE-32
1A023821	PLATE-22	1A024235	PLATE-31	1A026089	PLATE-32
1A023846	PLATE-31	1A024235	PLATE-33	1A026175	PLATE-20
1A023871	PLATE-22	1A024236	PLATE-25	1A026218	PLATE-28
1A023872	PLATE-22	1A024237	PLATE-22	1A026345	PLATE-24
1A023933	PLATE-29	1A024238	PLATE-34	1A026347	PLATE-24
1A023967	PLATE-32	1A024240	PLATE-29	1A026456	PLATE-22
1A024021	PLATE-18	1A024241	PLATE-34	1A026538	PLATE-31
1A024024	PLATE-18	1A024245	PLATE-29	1A026669	PLATE-29
1A024024	PLATE-18	1A024247	PLATE-22	1A026690R	PLATE-34
1A024025	PLATE-18	1A024247	PLATE-30	1A027122	PLATE-20
1A024025	PLATE-18	1A024248	PLATE-22	1A027123	PLATE-20
1A024028	PLATE-29	1A024249	PLATE-18	1A027124	PLATE-20
1A024028	PLATE-30	1A024252	PLATE-34	1C002059R	PLATE-41

PART NO	BLOCK	PART NO	BLOCK	PART NO	BLOCK
1C002059R	PLATE-42	2B003729	PLATE-13	2B010224	PLATE-51
1C002059R	PLATE-45	2B004031	PLATE-45	2B010225	PLATE-51
1C002565	PLATE-4	2B004785	PLATE-2	2B010302	PLATE-48
1C004838	PLATE-12	2B004785	PLATE-43	2B010382	PLATE-38
1C005394	PLATE-37	2B005210	PLATE-2	2B010526	PLATE-40
1C005394	PLATE-44	2B005212	PLATE-4	2B010558	PLATE-19
1D001143	PLATE-55	2B005460	PLATE-4	2B010568	PLATE-39
1D002554	PLATE-56	2B006284	PLATE-40	2B010602	PLATE-1
1D003350	PLATE-37	2B006346	PLATE-3	2B010603	PLATE-6
1D003350	PLATE-44	2B006609	PLATE-1	2B010604	PLATE-6
1D003720R	PLATE-55	2B006742	PLATE-36	2B010621	PLATE-35
227838	PLATE-45	2B006792	PLATE-40	2B010624	PLATE-35
227838	PLATE-55	2B006844	PLATE-18	2B010628	PLATE-45
231590	PLATE-5	2B006864	PLATE-1	2B010630	PLATE-45
241936	PLATE-6	2B006865	PLATE-1	2B010672	PLATE-4
241936	PLATE-12	2B007102	PLATE-4	2B010674	PLATE-40
241936	PLATE-17	2B007292	PLATE-40	2B010676	PLATE-19
241936	PLATE-51	2B007560	PLATE-3	2B010709	PLATE-54
241936	PLATE-54	2B007580	PLATE-40	2B010720	PLATE-4
241936	PLATE-55	2B007581	PLATE-40	2B010723	PLATE-5
241936	PLATE-5	2B008123	PLATE-54	2B010752	PLATE-54
241937	PLATE-12	2B008778	PLATE-54	2B010754	PLATE-54
254485	PLATE-52	2B008990	PLATE-55	2B010755	PLATE-4
254485	PLATE-54	2B009073	PLATE-13	2B010758	PLATE-45
257134	PLATE-53	2B009229	PLATE-2	2B010765	PLATE-54
257134	PLATE-55	2B009229	PLATE-2	2B010771	PLATE-52
267958	PLATE-19	2B009375	PLATE-13	2B010805	PLATE-51
267958	PLATE-35	2B009407	PLATE-40	2B010806	PLATE-13
270793	PLATE-6	2B009409	PLATE-40	2B010824	PLATE-52
270793	PLATE-6	2B009412	PLATE-40	2B010834	PLATE-4
270793	PLATE-7	2B009448	PLATE-1	2B010849	PLATE-43
270793	PLATE-50	2B009579	PLATE-36	2B010860	PLATE-43
270793	PLATE-55	2B009598	PLATE-52	2B010861	PLATE-43
271740	PLATE-1	2B009635	PLATE-37	2B010871	PLATE-52
294519	PLATE-12	2B009636	PLATE-37	2B010886	PLATE-47
297498	PLATE-54	2B009705	PLATE-45	2B010887	PLATE-54
2B002193	PLATE-40	2B009983	PLATE-49	2B010899	PLATE-9
2B002416	PLATE-39	2B009998	PLATE-44	2B010925000C1	PLATE-10
2B002580	PLATE-47	2B010031	PLATE-42	2B010927000C1	PLATE-10
2B002634	PLATE-40	2B010089	PLATE-4	2B010935	PLATE-55
2B003105	PLATE-19	2B010152	PLATE-52	2B010975	PLATE-39
2B003422	PLATE-45	2B010203	PLATE-40	2B010976	PLATE-39
2B003422	PLATE-55	2B010223	PLATE-51	2B010982	PLATE-40

PART NO	BLOCK	PART NO	BLOCK	PART NO	BLOCK
2B010987	PLATE-11	2B011219	PLATE-2	2B011586	PLATE-39
2B010988	PLATE-17	2B011221	PLATE-46	2B011586	PLATE-40
2B010995	PLATE-43	2B011224	PLATE-1	2B011594	PLATE-54
2B011006	PLATE-5	2B011229	PLATE-46	2B011631	PLATE-46
2B011052	PLATE-19	2B011230	PLATE-46	2B011640	PLATE-1
2B011053	PLATE-40	2B011231	PLATE-46	2B011663	PLATE-5
2B011054	PLATE-39	2B011239	PLATE-1	2B011670	PLATE-54
2B011064	PLATE-4	2B011246	PLATE-13	2B011688	PLATE-3
2B011065	PLATE-53	2B011273	PLATE-44	2B011689	PLATE-52
2B011071000NL	PLATE-12	2B011283	PLATE-52	2B011701	PLATE-46
2B011110	PLATE-17	2B011295	PLATE-39	2B011713	PLATE-12
2B011137	PLATE-10	2B011307	PLATE-2	2B011719	PLATE-5
2B011144	PLATE-17	2B011313	PLATE-2	2B011795	PLATE-40
2B011150	PLATE-50	2B011314	PLATE-2	2B011801	PLATE-19
2B011151	PLATE-50	2B011329	PLATE-46	2B011840	PLATE-19
2B011152	PLATE-46	2B011333	PLATE-45	2B011841	PLATE-19
2B011153	PLATE-6	2B011350	PLATE-47	2B011842	PLATE-19
2B011154	PLATE-7	2B011354	PLATE-19	2B011846	PLATE-35
2B011155	PLATE-7	2B011355	PLATE-54	2B011847	PLATE-39
2B011156	PLATE-5	2B011361	PLATE-42	2B011852	PLATE-40
2B011157	PLATE-5	2B011364	PLATE-47	2B011872	PLATE-11
2B011158	PLATE-5	2B011366	PLATE-47	2B011886	PLATE-42
2B011159	PLATE-6	2B011377	PLATE-52	2B011888	PLATE-19
2B011161	PLATE-7	2B011379	PLATE-41	2B011889	PLATE-50
2B011162	PLATE-7	2B011386	PLATE-54	2B011908	PLATE-50
2B011165	PLATE-6	2B011394	PLATE-55	2B011909	PLATE-54
2B011166	PLATE-6	2B011399	PLATE-54	2B011912	PLATE-40
2B011167	PLATE-6	2B011430	PLATE-54	2B011940	PLATE-11
2B011168	PLATE-9	2B011431	PLATE-55	2B011940	PLATE-4
2B011169	PLATE-9	2B011436	PLATE-45	2B011950	PLATE-51
2B011172	PLATE-12	2B011440	PLATE-53	2B011951	PLATE-50
2B011173	PLATE-4	2B011465	PLATE-7	2B011953	PLATE-13
2B011174	PLATE-4	2B011467	PLATE-6	2B011977	PLATE-19
2B011178	PLATE-11	2B011475	PLATE-2	2B011978	PLATE-19
2B011179	PLATE-5	2B011478	PLATE-2	2B011982	PLATE-43
2B011180	PLATE-17	2B011501	PLATE-1	2B011991	PLATE-6
2B011183	PLATE-12	2B011515	PLATE-3	2B011991	PLATE-7
2B011184	PLATE-6	2B011516	PLATE-3	2B011991	PLATE-8
2B011185	PLATE-6	2B011522	PLATE-6	2B011991	PLATE-9
2B011199	PLATE-40	2B011523	PLATE-46	2B011991	PLATE-11
2B011200	PLATE-2	2B011526	PLATE-4	2B011991	PLATE-12
2B011202	PLATE-40	2B011527	PLATE-46	2B011991	PLATE-19
2B011215	PLATE-2	2B011541	PLATE-17	2B011991	PLATE-5

PART NO	BLOCK	PART NO	BLOCK	PART NO	BLOCK
2B011998	PLATE-2	2B012914	PLATE-4	2D000348	PLATE-55
2B012001	PLATE-53	2B012950	PLATE-37	2D000530	PLATE-3
2B012018	PLATE-40	2B012951	PLATE-37	2D000572	PLATE-54
2B012037	PLATE-4	2B012952	PLATE-37	2D000676	PLATE-55
2B012044	PLATE-54	2B012953	PLATE-37	2D000735	PLATE-50
2B012056	PLATE-48	2B012954	PLATE-37	2D000749	PLATE-55
2B012060	PLATE-53	2B012955	PLATE-37	2D000772	PLATE-55
2B012077	PLATE-9	2B012957	PLATE-37	2D000773	PLATE-55
2B012119	PLATE-45	2B012958	PLATE-37	2D000780	PLATE-47
2B012120	PLATE-45	2B012959	PLATE-37	2D000781	PLATE-47
2B012126	PLATE-7	2B012960	PLATE-37	2D000787	PLATE-2
2B012126	PLATE-17	2B012961	PLATE-37	2D000791	PLATE-48
2B012126	PLATE-2	2B012962	PLATE-37	2D000792	PLATE-55
2B012126	PLATE-3	2B012963	PLATE-37	2D000807	PLATE-55
2B012126	PLATE-1	2B013035	PLATE-41	2D000819	PLATE-55
2B012133	PLATE-54	2B013041	PLATE-41	2D000821	PLATE-45
2B012140	PLATE-52	2B013042	PLATE-41	2D000837	PLATE-36
2B012269	PLATE-36	2B013049	PLATE-48	2D000893	PLATE-45
2B012270	PLATE-36	2B013060	PLATE-36	2H006246	PLATE-14
2B012276	PLATE-46	2B013061	PLATE-37	2H006246	PLATE-15
2B012481	PLATE-54	2B013062	PLATE-37	2H006246	PLATE-16B
2B012613	PLATE-5	2B013063	PLATE-37	2H006247	PLATE-16A
2B012664	PLATE-39	2B013121	PLATE-44	2H006248	PLATE-16B
2B012665	PLATE-5	2B013125	PLATE-45	2H006249	PLATE-16B
2B012668	PLATE-40	2B013142	PLATE-54	2H006250	PLATE-16A
2B012700	PLATE-12	2B013143	PLATE-13	2H006251	PLATE-16B
2B012700	PLATE-51	2B013148	PLATE-46	2H006252	PLATE-16B
2B012700	PLATE-5	2B013149	PLATE-38	2H006253	PLATE-16B
2B012740	PLATE-44	2B013149	PLATE-1	2H006254	PLATE-16B
2B012741	PLATE-44	2B013206	PLATE-52	2H006255	PLATE-16B
2B012814	PLATE-42	2B013221	PLATE-40	2H006256	PLATE-16B
2B012818	PLATE-42	2B013250	PLATE-51	2H006257	PLATE-16B
2B012822	PLATE-44	2B013254	PLATE-43	2H006258	PLATE-16B
2B012824	PLATE-41	2B013269	PLATE-4	2H006259	PLATE-16B
2B012826	PLATE-56	2B013270	PLATE-55	2H006260	PLATE-16B
2B012827	PLATE-41	2B013271	PLATE-55	2H006261	PLATE-16A
2B012836	PLATE-43	2B013302	PLATE-40	2H006262	PLATE-16A
2B012862	PLATE-55	2B013405	PLATE-4	2H006263	PLATE-16A
2B012866	PLATE-2	2B013472	PLATE-17	2H006264	PLATE-16B
2B012867	PLATE-51	2B013522	PLATE-17	2H006265	PLATE-16B
2B012879	PLATE-54	2B013522	PLATE-43	2H006266	PLATE-16A
2B012913	PLATE-39	2B013599	PLATE-13	2H006267	PLATE-16A
2B012913	PLATE-40	2B013606	PLATE-46	2H006268	PLATE-16A

PART NO	BLOCK	PART NO	BLOCK	PART NO	BLOCK
2H006269	PLATE-16A	435634	PLATE-55	896961	PLATE-46
2H006270	PLATE-16A	436947	PLATE-36	898899	PLATE-7
2H006271	PLATE-16A	487665	PLATE-5	899105	PLATE-13
2H006272	PLATE-16A	575268	PLATE-12	899106	PLATE-13
2H006273	PLATE-16A	576546	PLATE-52	899107	PLATE-13
2H006274	PLATE-16A	581596	PLATE-55	899543	PLATE-13
2H006278	PLATE-14	581957	PLATE-6	899642	PLATE-54
2H006279	PLATE-14	581957	PLATE-6	967363	PLATE-36
2H006279	PLATE-15	581957	PLATE-7	978415	PLATE-13
2H006280	PLATE-14	581957	PLATE-2	AP8102239	PLATE-54
2H006280	PLATE-15	582690	PLATE-55	AP8102375	PLATE-7
2H006281	PLATE-14	598838	PLATE-2	AP8102375	PLATE-8
2H006282	PLATE-14	598921	PLATE-9	AP8102375	PLATE-9
2H006283	PLATE-14	601039	PLATE-17	AP8102375	PLATE-11
2H006284	PLATE-14	601039	PLATE-46	AP8102375	PLATE-4
2H006285	PLATE-14	607590M	PLATE-56	AP8102375	PLATE-5
2H006285	PLATE-15	642248	PLATE-55	AP8102381	PLATE-6
2H006286	PLATE-14	648708	PLATE-40	AP8102381	PLATE-7
2H006286	PLATE-15	656003	PLATE-52	AP8102524	PLATE-3
2H006287	PLATE-14	664194	PLATE-44	AP8102544	PLATE-1
2H006287	PLATE-15	668762	PLATE-55	AP8104525	PLATE-19
2H006288	PLATE-14	709003	PLATE-54	AP8104666	PLATE-53
2H006288	PLATE-15	709116	PLATE-35	AP8110067	PLATE-4
2H006289	PLATE-14	709116	PLATE-53	AP8110094	PLATE-39
2H006290	PLATE-14	783548	PLATE-56	AP8110110	PLATE-2
2H006291	PLATE-15	783549	PLATE-56	AP8120178	PLATE-43
2H006292	PLATE-15	783554	PLATE-56	AP8120592	PLATE-2
2H006293	PLATE-15	783555	PLATE-56	AP8120912	PLATE-17
2H006294	PLATE-15	826298	PLATE-13	AP8121133	PLATE-2
2H006295	PLATE-15	826298	PLATE-2	AP8121509	PLATE-36
2H006296	PLATE-15	827526	PLATE-5	AP8121790	PLATE-35
2H006297	PLATE-15	82991R	PLATE-30	AP8121811	PLATE-17
2S001550	PLATE-56	83054R	PLATE-22	AP8121811	PLATE-46
2S002189	PLATE-56	848766	PLATE-1	AP8121811	PLATE-53
2S002192	PLATE-56	85250R	PLATE-39	AP8121811	PLATE-54
2S002193	PLATE-56	859777	PLATE-2	AP8121811	PLATE-5
2S002196	PLATE-56	872816	PLATE-43	AP8125728	PLATE-39
2S002202	PLATE-56	872997	PLATE-9	AP8125842	PLATE-39
2S002273	PLATE-56	890760	PLATE-55	AP8125842	PLATE-40
2S002288	PLATE-56	893138	PLATE-43	AP8144007	PLATE-17
434541	PLATE-46	895916	PLATE-6	AP8144007	PLATE-43
434541	PLATE-54	896260	PLATE-46	AP8144328	PLATE-45
435634	PLATE-53	896327	PLATE-46	AP8144552	PLATE-55

PART NO	BLOCK	PART NO	BLOCK	PART NO	BLOCK
AP8144564	PLATE-6	B018853	PLATE-18	CM328101	PLATE-26
AP8150018	PLATE-36	B018853	PLATE-22	CM328102	PLATE-26
AP8150020	PLATE-17	B018853	PLATE-34	CM332902	PLATE-55
AP8150020	PLATE-43	B018853	PLATE-45	CM335207	PLATE-55
AP8150255	PLATE-50	B043047	PLATE-40	CM338601	PLATE-19
AP8150292	PLATE-3	B043933	PLATE-10	CM338702	PLATE-52
AP8150376	PLATE-17	B043941	PLATE-10	CM338705	PLATE-52
AP8150431	PLATE-17	CM001901	PLATE-53	CM339104	PLATE-53
AP8150453	PLATE-13	CM001906	PLATE-35	CM340401	PLATE-53
AP8150454	PLATE-13	CM001927	PLATE-19	CM340402	PLATE-53
AP8150454	PLATE-13	CM001927	PLATE-35	CM340403	PLATE-53
AP8150454	PLATE-54	CM001938	PLATE-19	CM340404	PLATE-53
AP8150509	PLATE-10	CM002901	PLATE-53	CM340405	PLATE-53
AP8152001	PLATE-3	CM002904	PLATE-54	CM341902	PLATE-54
AP8152117	PLATE-6	CM002905	PLATE-52	CM341903	PLATE-54
AP8152270	PLATE-50	CM002906	PLATE-52	CM342401	PLATE-23
AP8152281	PLATE-37	CM002906	PLATE-53	CM342402	PLATE-23
AP8152285	PLATE-9	CM002906	PLATE-54	CM342403	PLATE-23
AP8152285	PLATE-46	CM002909	PLATE-53	CM342404	PLATE-23
AP8152294	PLATE-36	CM002917	PLATE-53	CM342405	PLATE-23
AP8152316	PLATE-1	CM002917	PLATE-54	CM342406	PLATE-23
AP8152323	PLATE-39	CM006914	PLATE-54	CM342407	PLATE-23
AP8152325	PLATE-1	CM013203	PLATE-55	CM342408	PLATE-23
AP8152482	PLATE-17	CM178603	PLATE-6	CM342409	PLATE-23
AP8152482	PLATE-2	CM178603	PLATE-9	CM342410	PLATE-23
AP8152482	PLATE-3	CM178603	PLATE-12	CM342411	PLATE-23
AP8157770	PLATE-14	CM178603	PLATE-49	CM342412	PLATE-23
AP8157770	PLATE-15	CM178603	PLATE-51	CM342413	PLATE-23
AP8157770	PLATE-16A	CM178603	PLATE-55	CM342414	PLATE-23
AP8201727	PLATE-54	CM178603	PLATE-5	CM342415	PLATE-23
AP8221204	PLATE-3	CM179001	PLATE-53	CM342416	PLATE-23
AP8221211	PLATE-3	CM179201	PLATE-12	CM342417	PLATE-23
AP8221310	PLATE-1	CM179201	PLATE-50	CM342418	PLATE-23
AP8221310	PLATE-55	CM225602	PLATE-55	CM342419	PLATE-23
AP8221349	PLATE-54	CM225605	PLATE-55	CM342420	PLATE-23
AP9100053	PLATE-45	CM225607	PLATE-55	CM342421	PLATE-23
AP9100053	PLATE-54	CM225610	PLATE-55	CM342422	PLATE-23
AP9100053	PLATE-55	CM225615	PLATE-55	CM342423	PLATE-23
B016627	PLATE-38	CM225730	PLATE-55	CM342424	PLATE-23
B016796	PLATE-12	CM226905	PLATE-54	CM342425	PLATE-23
B016796	PLATE-4	CM226906	PLATE-54	CM342426	PLATE-23
B016796	PLATE-49	CM283455	PLATE-53	CM342427	PLATE-23
B018464	PLATE-32	CM327601	PLATE-17	CM342428	PLATE-23