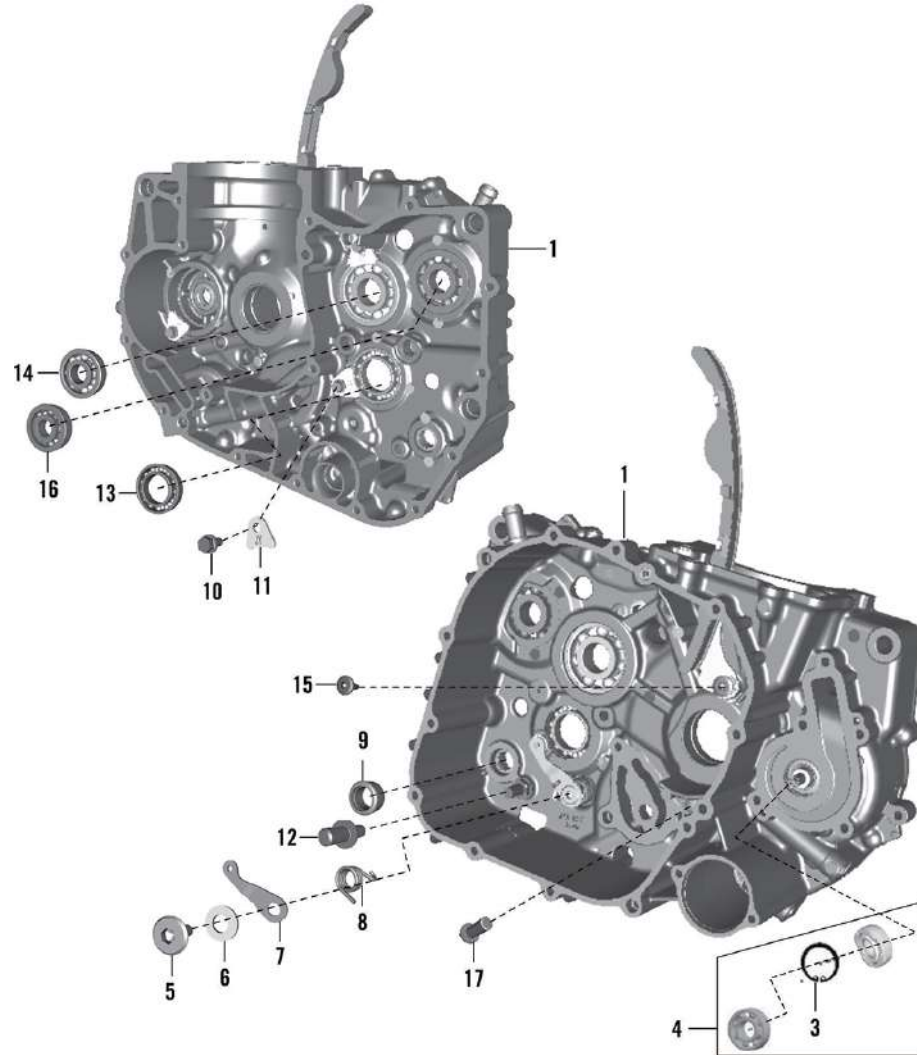


390-DUKE MY-21

## 390-DUKE MY-21

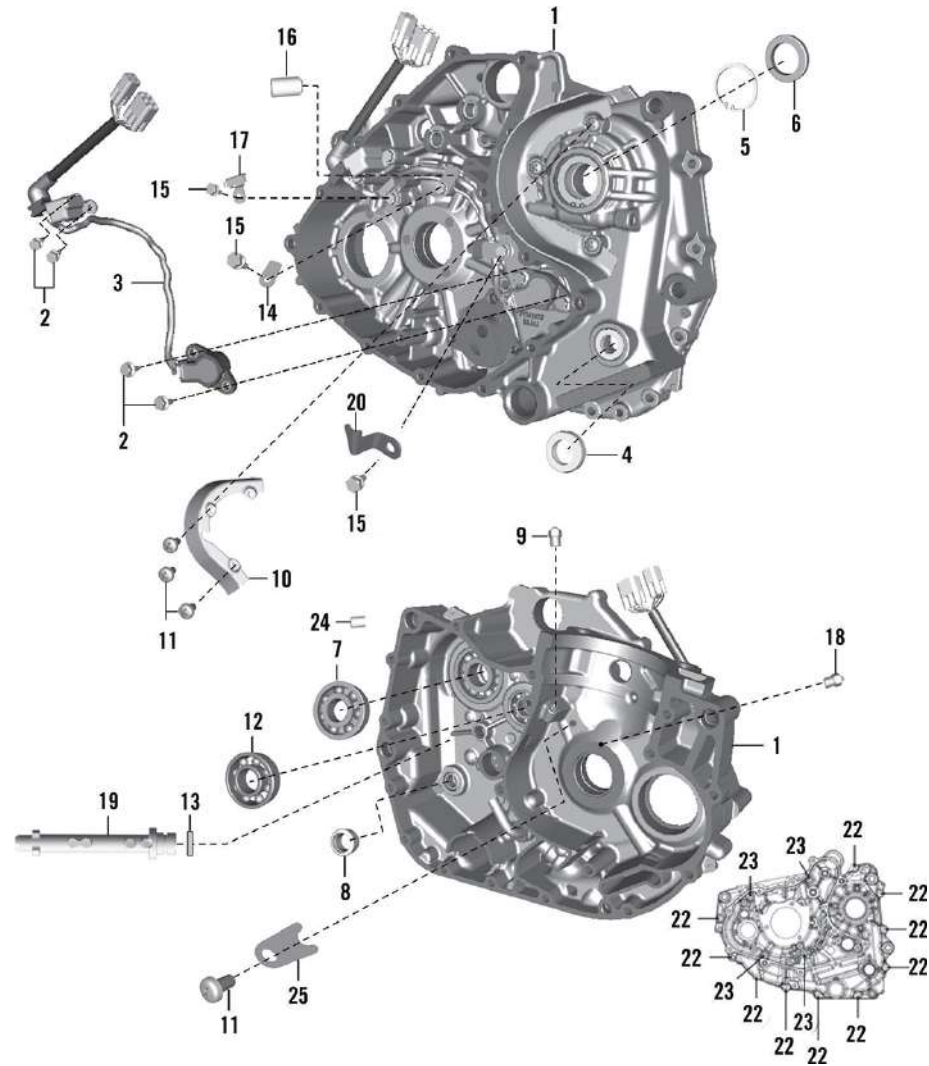
### 1. CRANKCASE RH



SN	Part No.	Description	QTY
1	36JG0113	KIT CR' CASE ASSY RH 390 CC MY20	1
2	36001062	LOCTITE LIQUID SEALANT L5910 (50ML TUBES	1
3	LEB00001	CIRCLIP INTERNAL	1
4	36JG0091	KIT WATER PUMP SEALS W/GRASE	1
5	JG561204	BOLT STOPPER DRUM	1
6	JG561205	WASHER DRUM STOPPER	1
7	JG561009	STOPPER DRUM COMP	1
8	JG561226	SPRING STOPPER DRUM	1
9	39256220	BEARING - NEEDLE ROLLER :- 13 X 19 X 12	1
10	AA101437	SCREW :- PRE-COATED	3
11	JY541047	STOPPER I/P SHAFT BEARING	3
12	DP101191	BOLT (M8 X 1.25 X LENGTH = 15.5)	1
13	39260120	BEARING - BALL :- 61905 (25 X 42 X 9)	1
14	39186420	BEARING - BALL :- 20 X 52 X 15	1
15	JY541009	BOLT SOCKET-M6X1XL 14.4XBRTXSTEP	1
16	39218520	BEARING - DEEP GROOVE BALL	1
17	LAE00001	BOLT FLANGED- M8X1.25XL20XPRECOAT	1
18	36JY0200	PACKING KIT ENGINE CRANKCASE 390	1
19	83020473	GREASE PETAMO GHY 441 3 GM POUCH	1

## 390-DUKE MY-21

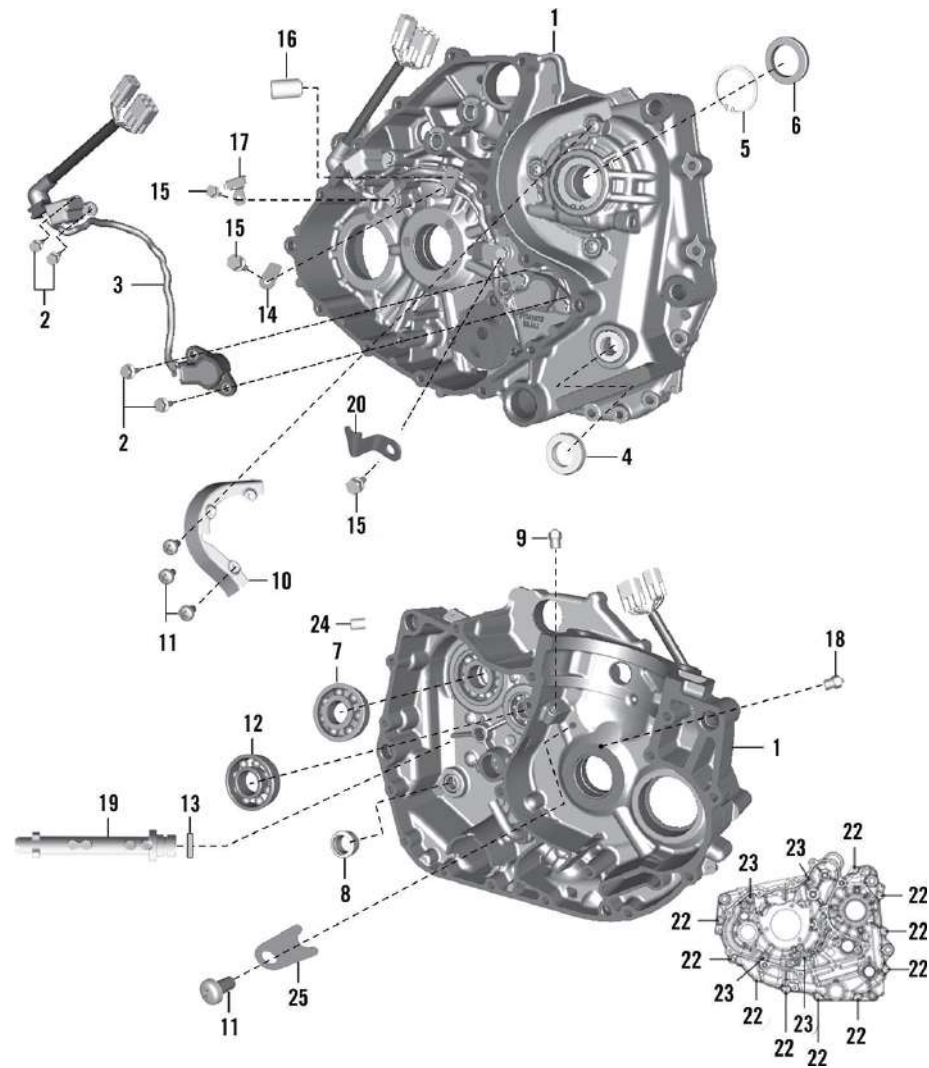
## 2. CRANKCASE LH



SN	Part No.	Description	QTY
1	36JG0112	KIT CR' CASE ASY LH 390 CC MY20	1
2	LAE00010	BOLT FLANGED M5X0.8	4
3	JP351005	SENSOR ASSEMBLY PICK UP	1
4	39104319	SEAL - OIL	1
5	KEBA3715	CIRCLIP INTERNAL	1
6	JY541058	OIL SEAL OUTPUT SHAFT	1
7	LPB00003	BEARING BALL-22X56X16-C3L-1RS-HN3	1
8	39256220	BEARING - NEEDLE ROLLER :- 13 X 19 X 12	1
9	JF541016	NOZZLE	1
10	JY541031	CHAIN GUARD	1
11	LBB00007	SCREW PAN CROSS M6X1	3
12	LPB00002	BEARING BALL-15X35X11-C3-1RS-HN3	1
13	LJA00002	O RING FOR E - 20	2
14	JY541080	PLATE HARNESS	1
15	AA101437	SCREW :- PRE-COATED	3
16	JY541052	JET TRANS	1
17	JY541081	BRACKET HARNESS	1
18	JG541074	OIL NOZZLE	1
19	JY571029	OIL RAIL	1
20	JY541082	BRACKET HARNESS GI SWITCH	1

## 390-DUKE MY-21

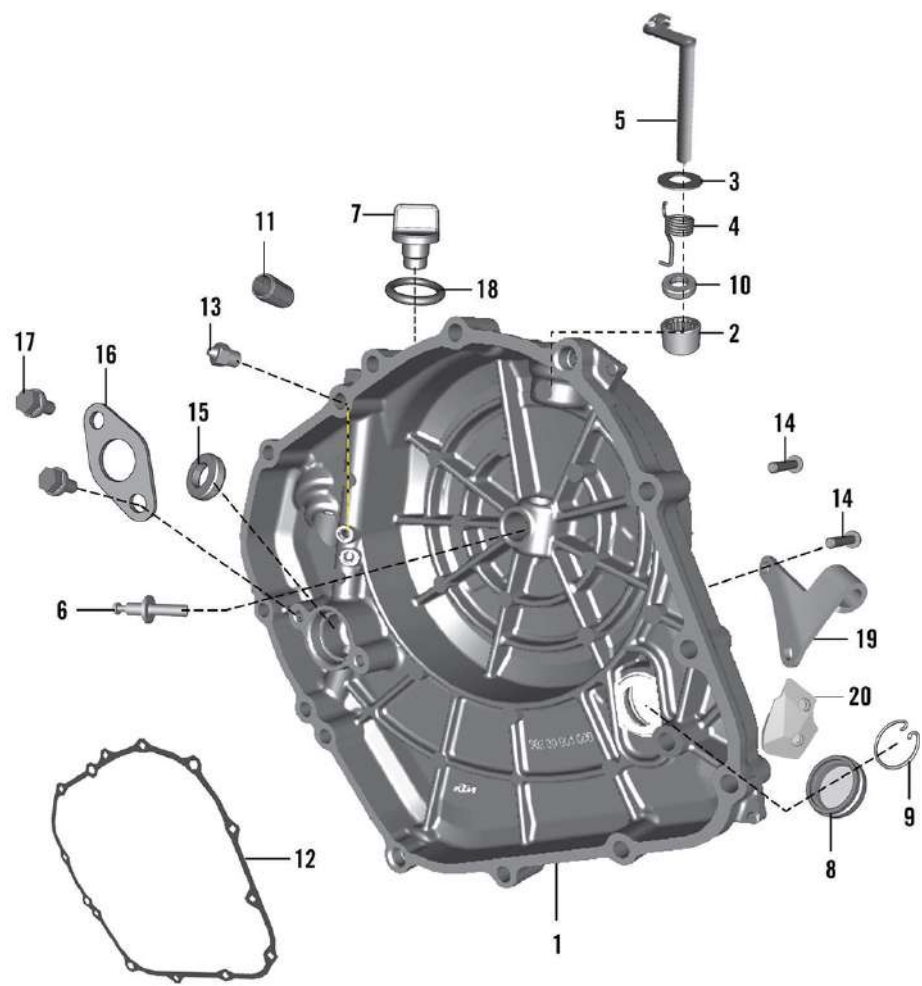
## 2. CRANKCASE LH



SN	Part No.	Description	QTY
21	36001062	LOCTITE LIQUID SEALANT L5910 (50ML TUBES)	1
22	KAEW0635	BOLT FLANGE SMAL-M6X1XL35XBRIGHT	11
23	LAE00002	BOLT FLANGED M6 X 1 X 75 PRECOAT	5
24	39218106	PIN - HOLLOW DOWEL :- 14 X 20	2
25	JF541017	BRACKET	1
26	83020473	GREASE PETAMO GHY 441 3 GM POUCH	1

### 390-DUKE MY-21

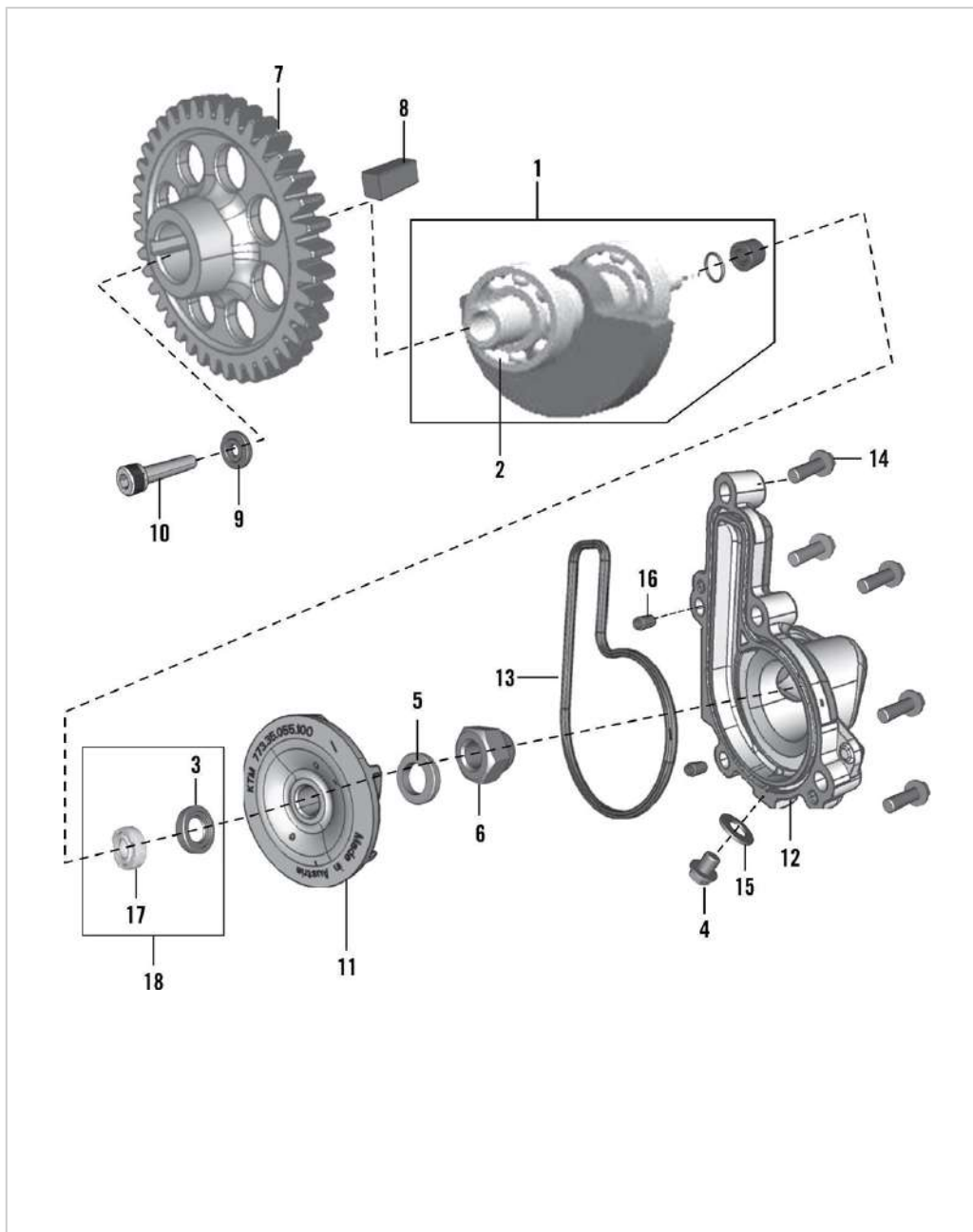
### 3. CLUTCH COVER



SN	Part No.	Description	QTY
1	JP541231	COVER ASSEMBLY CLUTCH	1
2	39199020	BEARING - NEEDLE	1
3	LDB00020	WASHER 12.5X24X0.8T	1
4	JY541221	SPRING LEVER CLUTCH	1
5	JY541251	SHAFT CLUTCH RELEASE ASSY	1
6	JY551404	ROD PULL	1
7	JG541230	CAP OIL FILLING	1
8	JL541227	WINDOW OIL GUAGE	1
9	DS101215	CLIP - WIRE	1
10	39104119	SEAL - OIL	1
11	39099906	PIN - HOLLOW DOWEL	2
12	JY541225	GASKET CLUTCH COVER	1
13	JG541021	OIL NOZZLE	4
14	KAEW0635	BOLT FLANGE SMAL- M6X1XL35XBRIGHT	12
15	39201619	SEAL - OIL	1
16	JY541220	PLATE OIL SEAL	1
17	AA101437	SCREW :- PRE-COATED	2
18	39153721	RING - O	1
19	JY541253	BRACKET CLUTCH CABLE	1
20	JU541229	COVER SENSOR	1

## 390-DUKE MY-21

## 4. BALANCER SHAFT

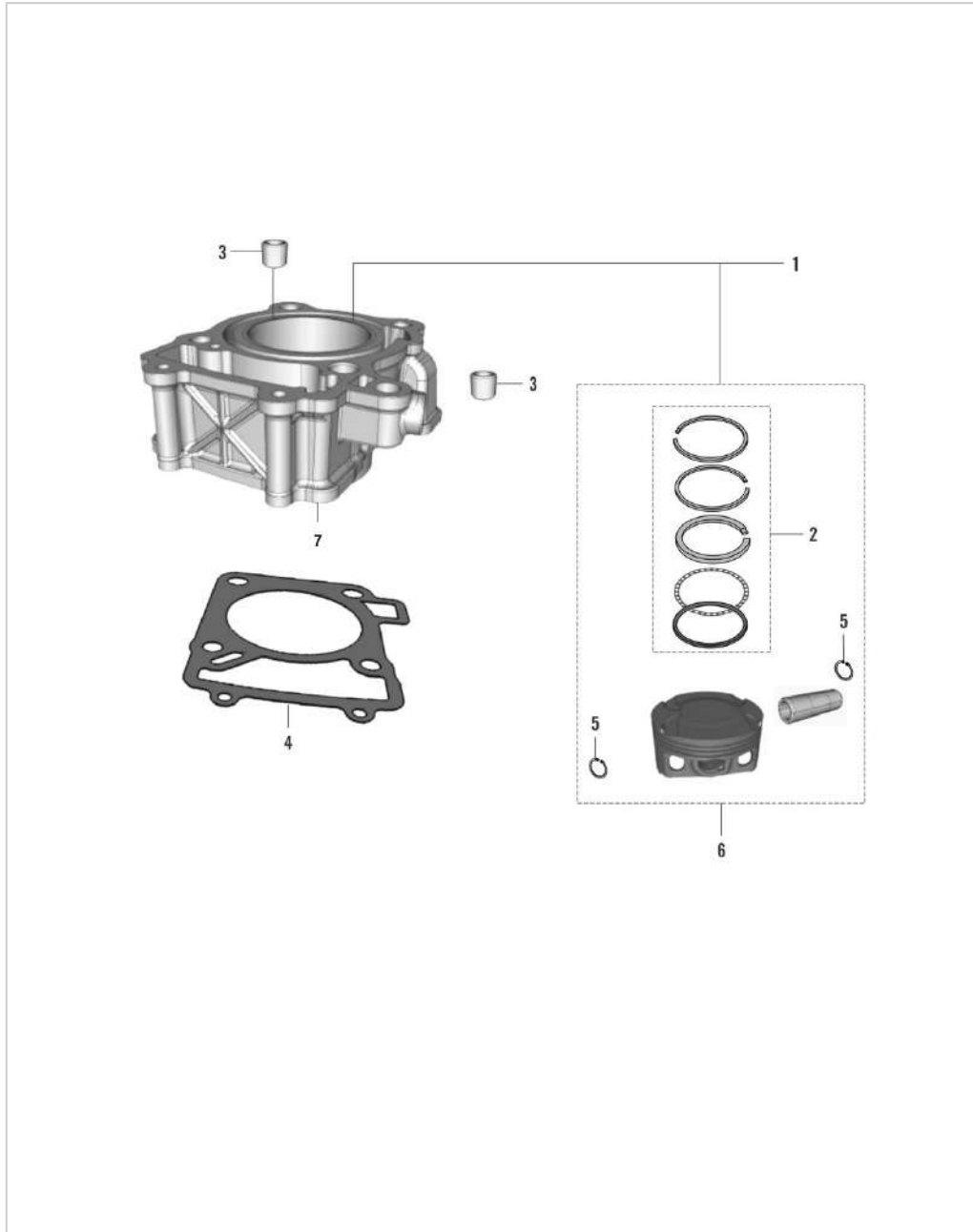


SN	Part No.	Description	QTY
1	36JY0192	KIT BALANCER SHAFT KTM 390	1
2	KPBF6304	BEARING-BALL-C3 CLEARANCE-HN3	2
3	JG601007	SEAL OIL	1
4	LAE00048	BOLT FLANGED M6X1	1
5	JG531215	WASHER 2.5MM	1
6	JG601005	DOME NUT	1
7	JG531207	GEAR BALANCER DRIVEN	1
8	DS101154	KEY	1
9	LDB00051	WASHER PLAIN-ID 8.2XOD 26XTHK 3	1
10	LAC00086	BOLT SOCKET-M8X1XL40	1
11	JG601013	WATER PUMP ROTOR_G2	1
12	JG601024	COVER PUMP WATER	1
13	JG601012	O-RING (WATER PUMP COVER)	1
14	KAEW0620	BOLT FLANGE SMAL-M6X1XL20XBRIGHT	5
15	39166511	WASHER - SEAL :- 6	1
16	39260607	PIN - PARALLEL	2
17	JL601010	WATER SEAL_DOUBLE LIP	1
18	36JG0091	KIT WATER PUMP SEALS W/GRASE	1



## 390-DUKE MY-21

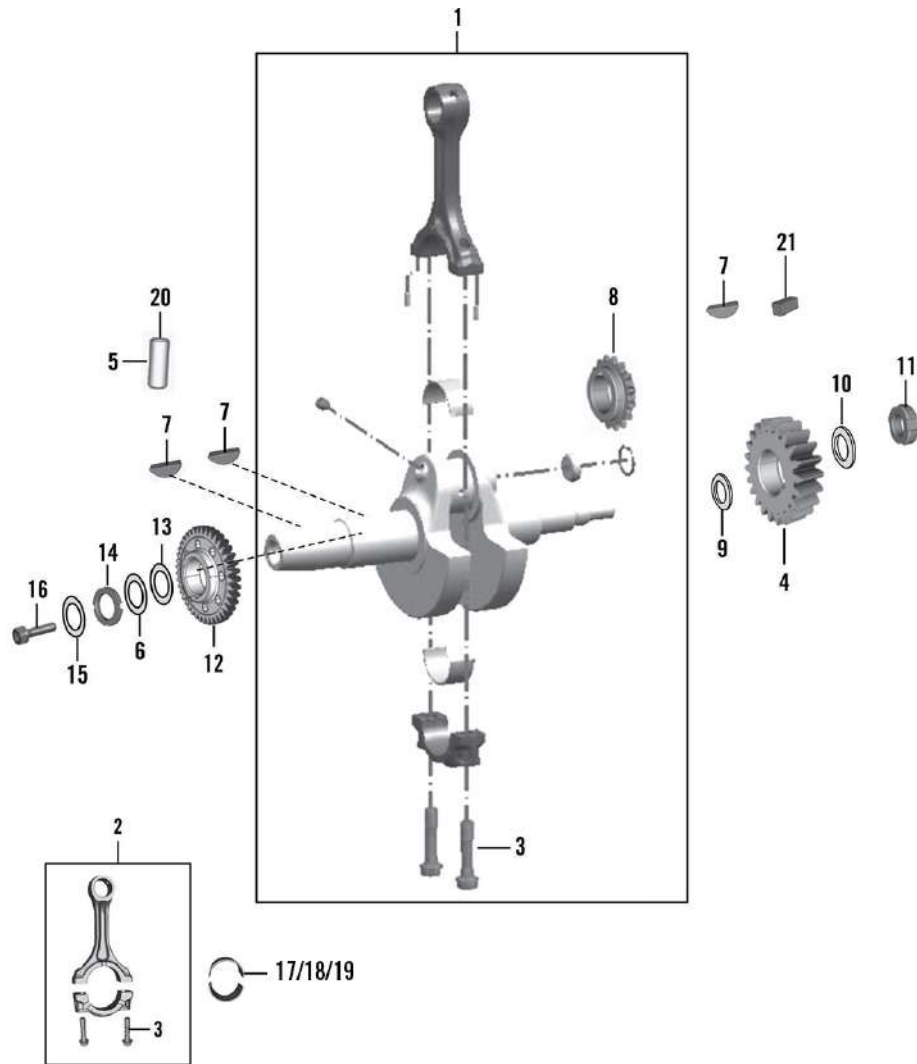
## 5. CYLINDER PISTON



SN	Part No.	Description	QTY
1	36JY0251	KIT BLOCK PISTON ASY KTM 390	1
2	36JF0116	PISTON RING SET- KT03	1
3	39218106	PIN - HOLLOW DOWEL :- 14 X 20	2
4	JY521006	GASKET CYLINDER BLOCK	1
5	JY521220	RING SNAP	2
6	JY521223	PISTON ASSEMBLY	1
7	56JY5D6A	CYL. BLOCK (JY521021) ANTHRASITE BLACK	1

## 390-DUKE MY-21

## 6. CRANKSHAFT

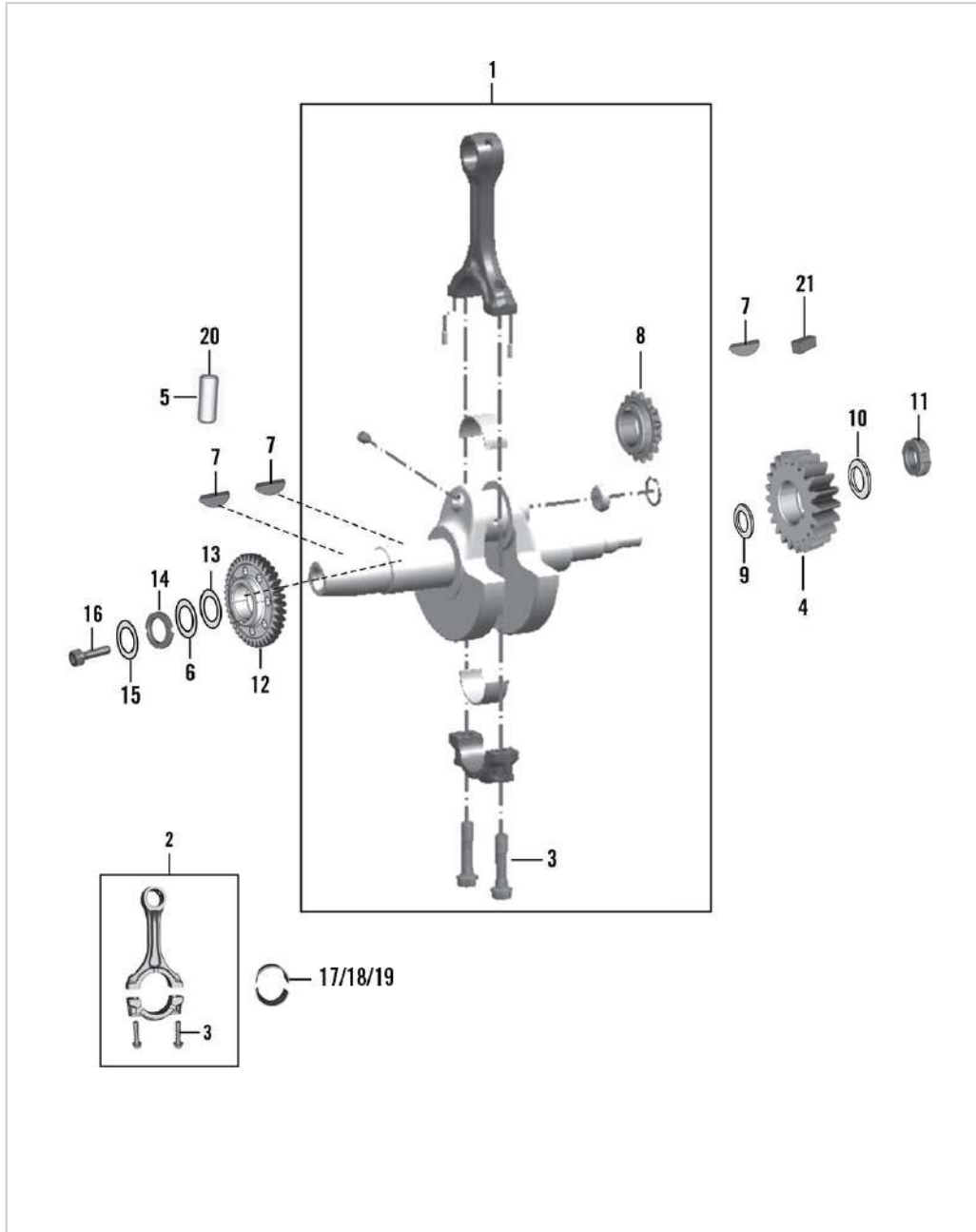


SN	Part No.	Description	QTY
1	JF531020	ASSEMBLY CRANKSHAFT	1
2	JY531063	CONROD ASSEMBLY	1
3	LAD00263	BOLT FLANGED M8.5X0.75	2
4	JY551212	GEAR PRIMARY DRIVE	1
5	39220307	PIN - PARALLEL	2
6	LDB00033	WASHER PLAIN-ID28.2XOD39XTHK 1.5	1
7	31101173	KEY -WOODRUFF FOR CRANKSHAFT CLUTCH SIDE	1
8	JY531026	SPROCKET CRANKSHAFT(18T)	1
9	DG101275	WASHER (SPECIAL)	1
10	JY531008	WASHER PLAIN	1
11	LCG00002	NUT - FLANGED - M16X1.5X10L	1
12	JY551220	GEAR BALANCER DRIVE	1
13	LDH00002	WASHER CONICAL-28.35X38X1.75	1
14	JG531040	NUT BALANCER DRIVE LOCK	1
15	LDB00041	WASHER PLAIN-ID 10.3XOD 29XT 8	1
16	LAD00124	BOLT FLANGE- M10X1.25XL55XDACRO	1
17	36JY0004	KIT Split Bearing Bush Green KTM 390	2
18	36JY0005	KIT Split Bearing Bush Blue KTM 390	2
19	36JY0006	KIT Split Bearing Bush None KTM 390	2
20	39260607	PIN - PARALLEL	1



**390-DUKE MY-21**

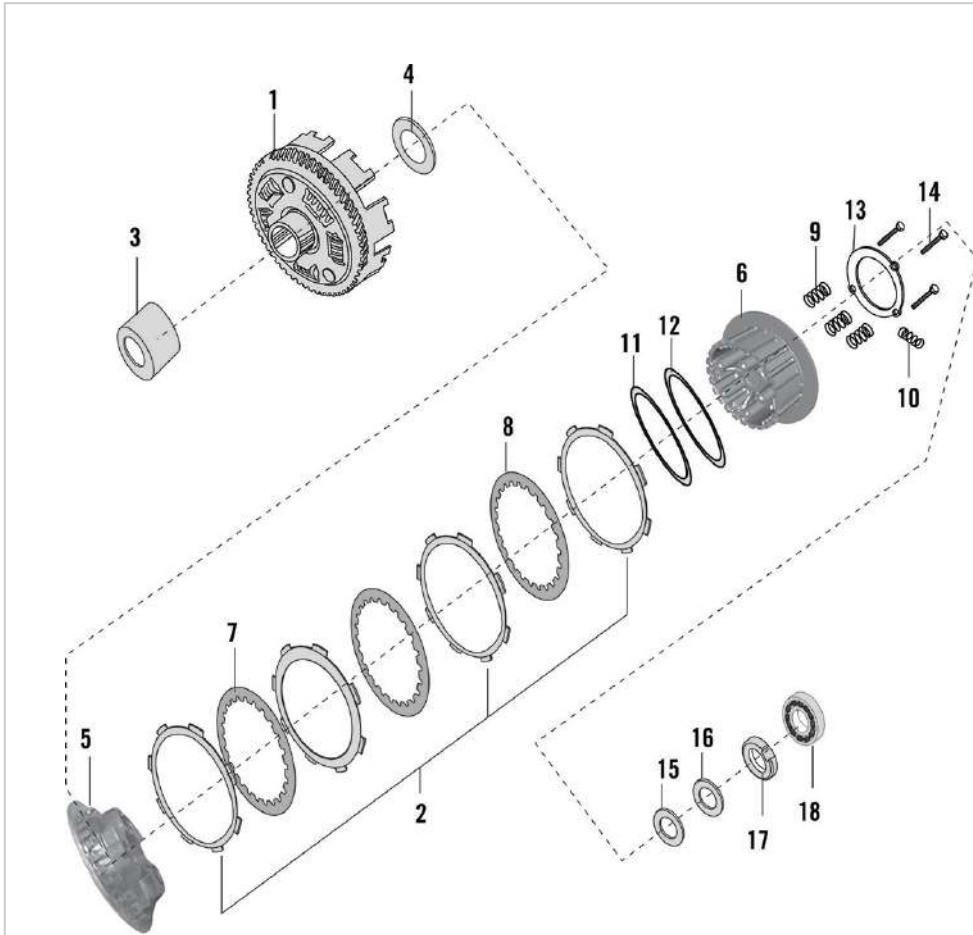
**6. CRANKSHAFT**



SN	Part No.	Description	QTY
21	LFB00001	KEY SUNK- WD4XHT4XL12XPHOSPHATISE	1

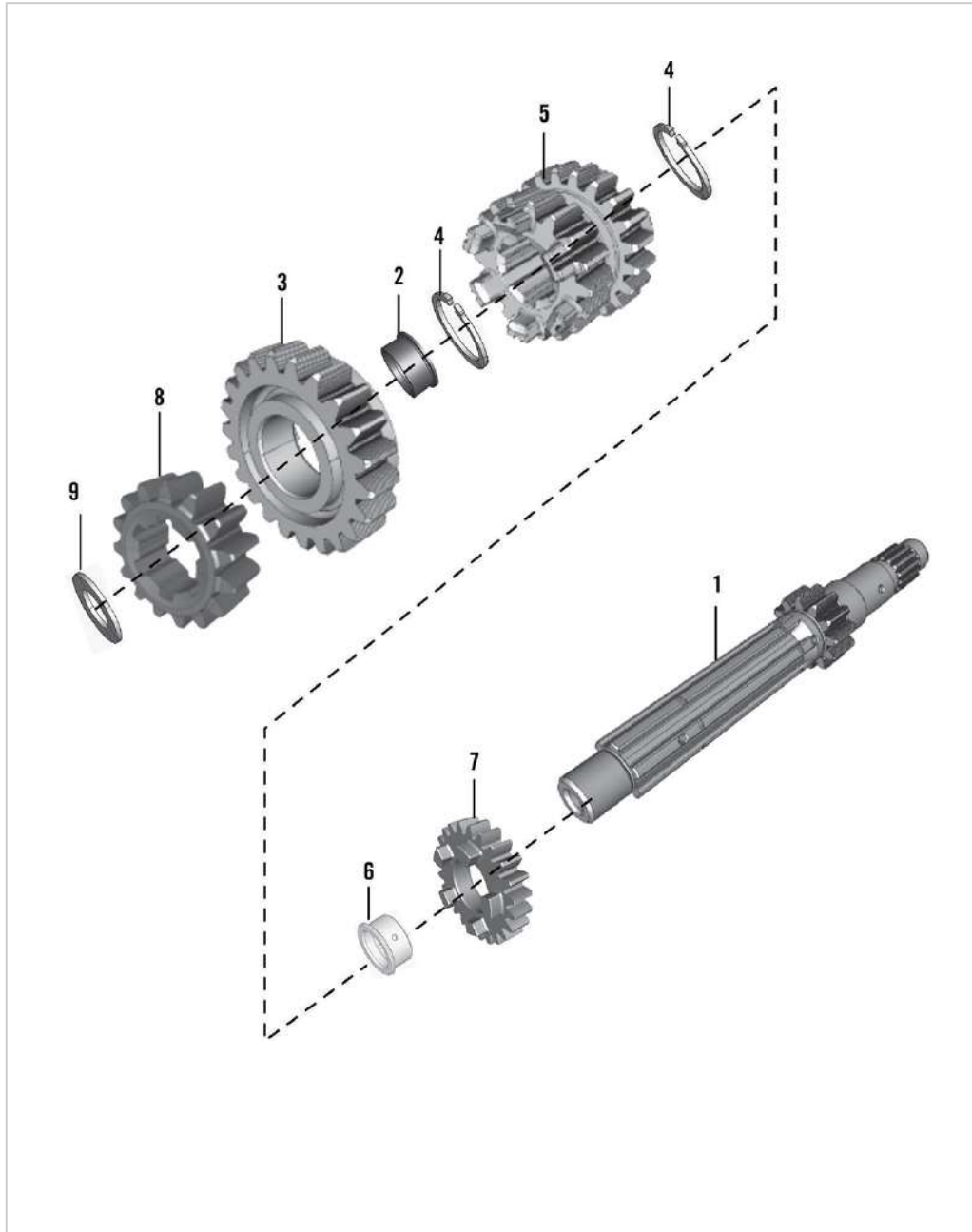
## 390-DUKE MY-21

## 7. CLUTCH



SN	Part No.	Description	QTY
1	JF551412	CLUTCH OUTER COMP.	1
2	36JY0103	KIT FRICTION PLATE KTM 390 A & S MY 15	1
3	JY551401	BUSH COLLARED	1
4	JY551403	CLUTCH WASHER	1
5	JY551438	PLATE CLUTCH PRESSURE	1
6	JY551435	CLUTCH CENTER	1
7	JY551436	PLATE A CLUTCH	5
8	JY551437	PLATE B CLUTCH	1
9	JY551439	SPRING CLUTCH	3
10	JY551440	SEAT SPRING	3
11	JY551441	SPRING JUDDER	1
12	JY551442	EAT JUDDER	1
13	JY551443	PLATE STOPPER	1
14	LAD00166	BOLT FLANGED-M6X1XL35XCL 8.8XBRT	3
15	JY551019	WASHER PLAIN	1
16	DG101275	WASHER (SPECIAL)	1
17	LCG00009	NUT HEX FLANGED-M16X1.5-LH	1
18	LPA00004	BEARING BALL-ID 15XOD 28XTHK 7	1

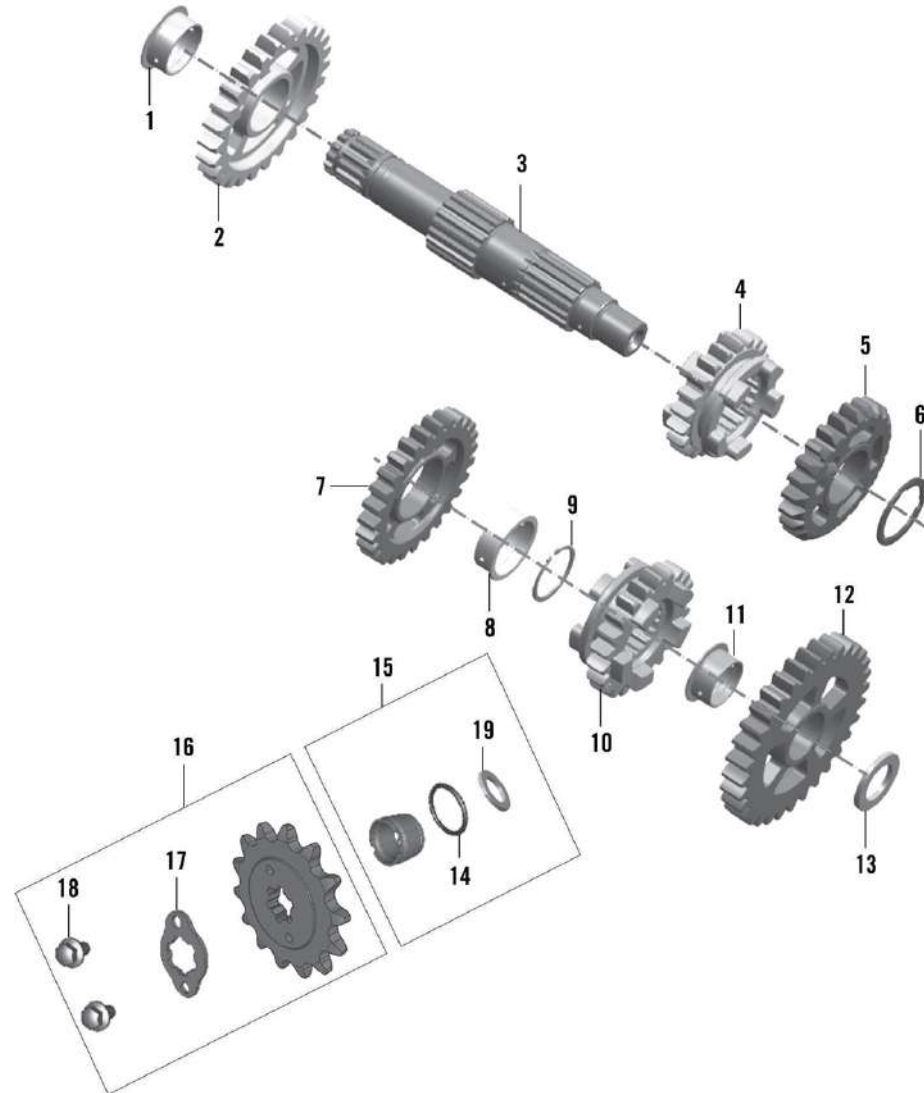
8. TRANSMISSION I - MAIN SHAFT (INPUT SHAFT)



SN	Part No.	Description	QTY
1	JY551022	SHAFT INPUT	1
2	JY551021	BUSH VI DRIVE	1
3	JY551231	GEAR 6TH DRIVE	1
4	JY551214	CIRCLIP EXTERNAL I/P SHAFT	2
5	JY551229	GEAR 3RD-4TH DRIVE	1
6	JY551010	BUSH V DRIVE	1
7	JY551230	GEAR 5TH DRIVE	1
8	JY551228	GEAR 2ND DRIVE	1
9	JY551215	WASHER THRUST 2D DRIVE	1

## 390-DUKE MY-21

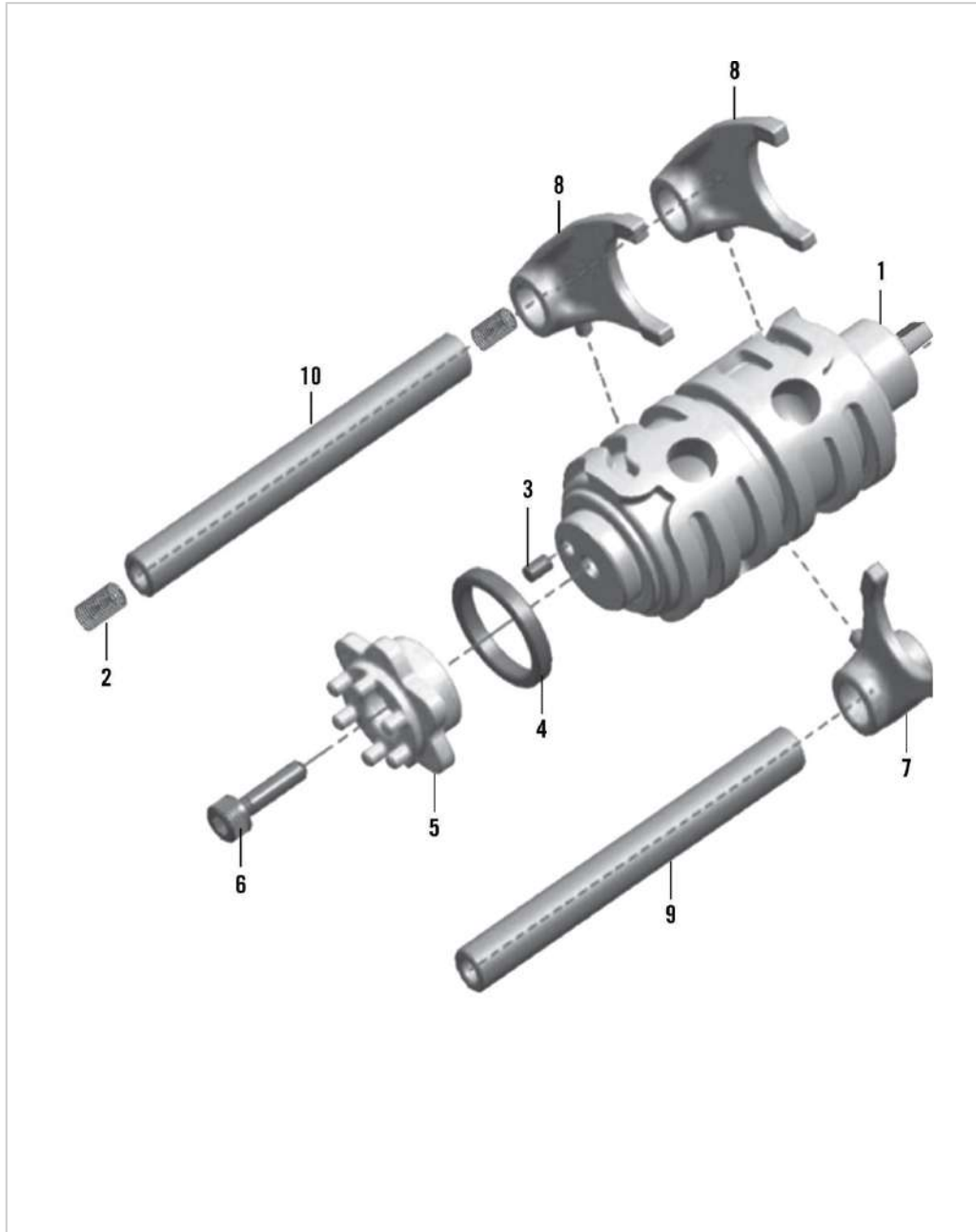
## 9. TRANSMISSION II - COUNTER SHAFT (OUTPUT SHAFT)



SN	Part No.	Description	QTY
1	JY551006	BUSH 2ND DRIVEN	1
2	JY551233	GEAR 2ND DRIVEN	1
3	JY551008	SHAFT OUTPUT ASSLY WITH PLUG	1
4	JY551237	GEAR 6TH DRIVEN	1
5	JY551235	GEAR 4TH DRIVEN	1
6	JY551005	WASHER THRUST 3RD DRIVEN	1
7	JY551234	GEAR 3RD DRIVEN	1
8	JY551027	BUSH 3RD DRIVEN	1
9	JY551218	CIRCLIP EXTERNAL O/P SHAFT	1
10	JY551236	GEAR 5TH DRIVEN	1
11	JY551205	BUSH 1 ST DRIVEN	1
12	JY551232	GEAR 1ST DRIVEN	1
13	JY551217	WASHER THRUST 1ST DRIVEN	1
14	JY551018	O RING SPROCKET COLLAR	1
15	36JY0102	KIT OUT PUT SHAFT OIL SEAL KTM 390 MY14	1
16	36JY0071	KIT DRIVE SPROCKET	1
17	JY551030	PLATE SPROCKET DRIVE	1
18	LAE00017	BOLT FLANGED M6X1	2
19	JY541058	OIL SEAL OUTPUT SHAFT	1

## 390-DUKE MY-21

## 10. SHIFTING MECHANISM - DRUM GEAR SHIFT



SN	Part No.	Description	QTY
1	JY561205	LEVER GEAR SHIFT ASSLY CPL	1
1	JY561013	DRUM GEAR SHIFT	1
2	JG561215	COMPRESSION SPRING	1
2	JY541039	SPRING	2
3	JG561218	TORSION SPRING (FINAL CONFG)	1
3	39260607	PIN - PARALLEL	1
4	JG561010	SPACER-GUIDE GEAR SHIFT	1
4	JG561217	BUSH-TORSION SPRING	1
5	JG561216	WASHER 14X30X1.5	1
5	JG561222	GUIDE GEAR SHIFT	1
6	JG561204	BOLT STOPPER DRUM	1
6	LAC00024	BOLT SOCKET HEAD M6X1X20L- PRECOATED	1
7	JG561205	WASHER DRUM STOPPER	1
7	JY561002	FORK GEAR SHIFT INPUT	1
8	JG561009	STOPPER DRUM COMP	1
8	JY561008	FORKSHIFT OUTPUT	2
9	LDB00050	WASHER PLAIN-ID 6XOD 14XTHK 1.2	1
9	JY561004	SHAFT INPUT GEAR SHIFT FORK	1
10	JG561226	SPRING STOPPER DRUM	1
10	JF561001	SHAFT OUTPUT FORK SHIFT	1
11	JP561400	CHANGE ARM	1
12	KADD0622	BOLT-FLANGE-KAD ST-D DIA-06 L-22	1
13	JP561401	TIE ROD	1
14	JP561402	ASSEMBLY CHANGE LEVER	1
15	JG113061	BEARING CHANGE LEVER	2

16	JG113010	DAMPER CHANGE LEVER	1
17	JY113015	SPACER FOR CHANGE LEVER	2
18	JY113025	BOLT CHANGE LEVER	1
19	JP561403	ROD ASSEMBLY TIE	1

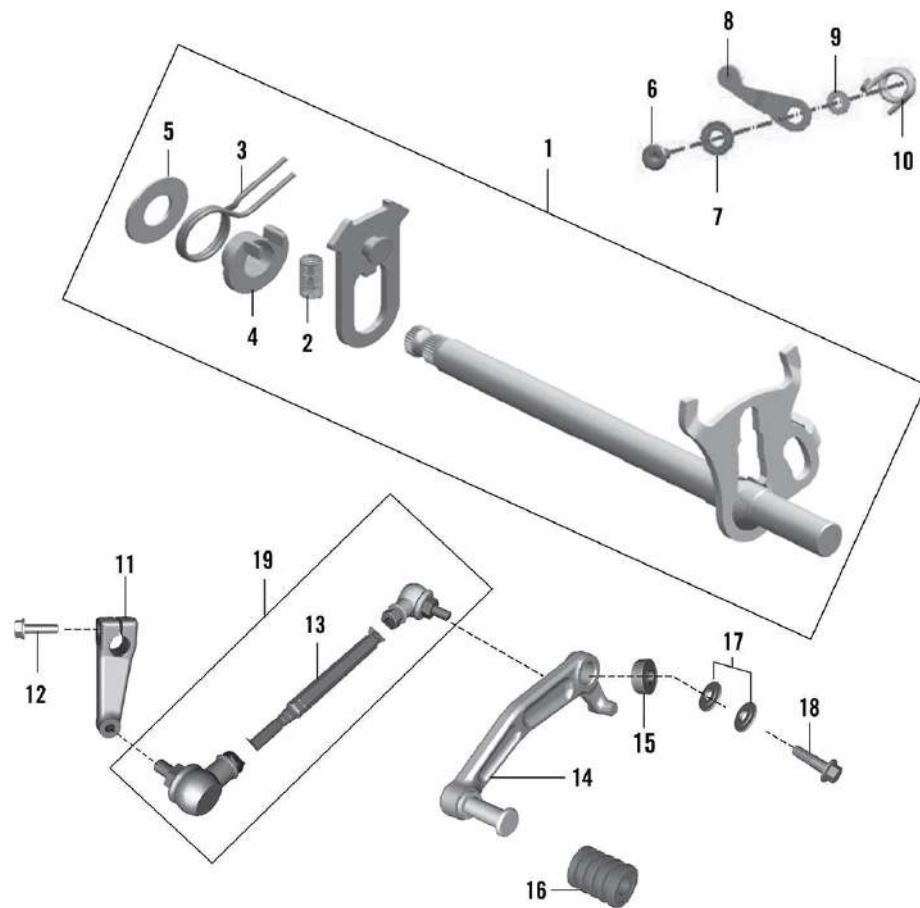
**390-DUKE MY-21**

10. SHIFTING MECHANISM - DRUM GEAR SHIFT

oemship +919495961664





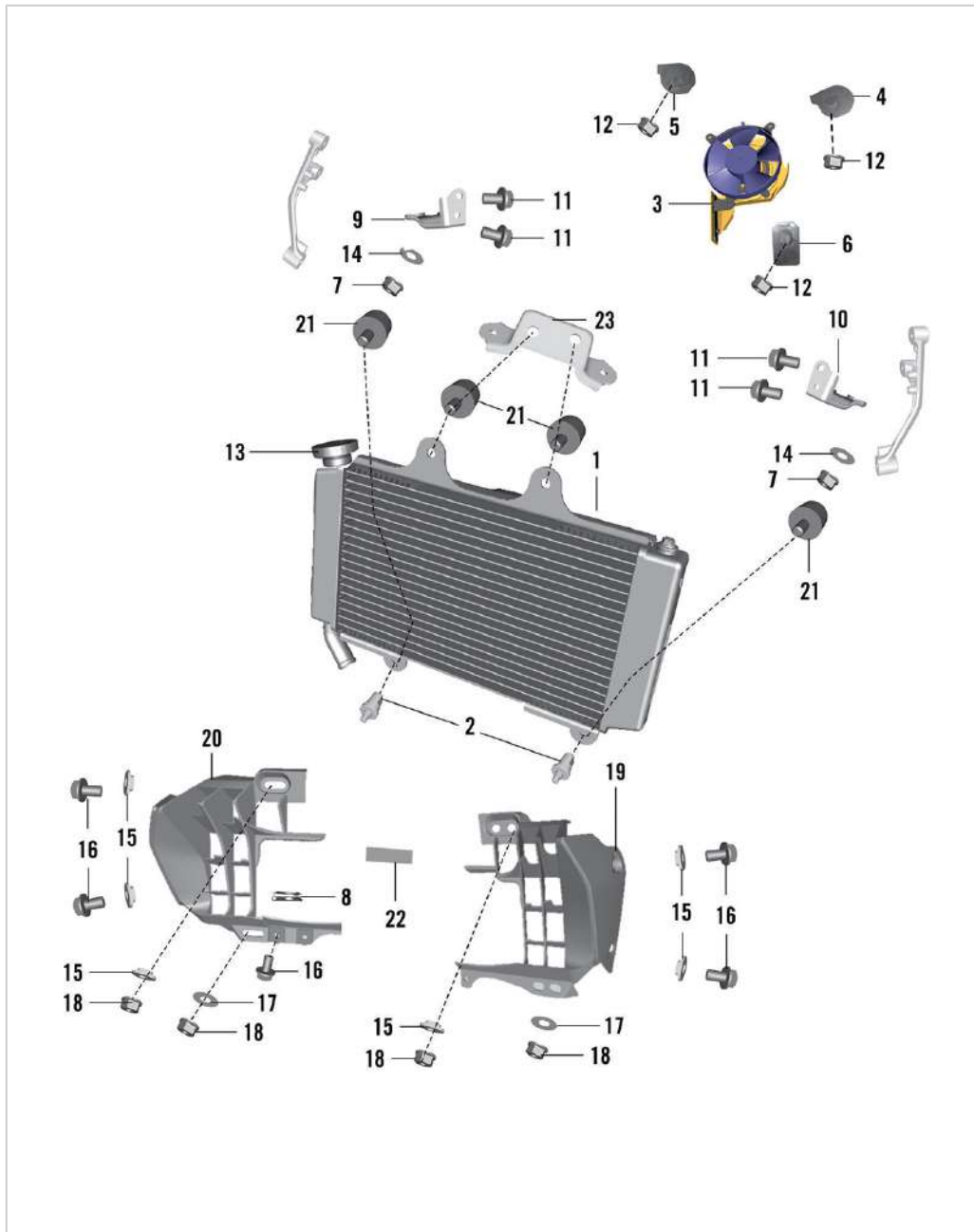


SN	Part No.	Description	QTY
1	JY561205	LEVER GEAR SHIFT ASSLY CPL	1
2	JG561215	COMPRESSION SPRING	1
3	JG561218	TORSION SPRING (FINAL CONFG)	1
4	JG561217	BUSH-TORSION SPRING	1
5	JG561216	WASHER 14X30X1.5	1
6	JG561204	BOLT STOPPER DRUM	1
7	JG561205	WASHER DRUM STOPPER	1
8	JG561009	STOPPER DRUM COMP	1
9	LDB00050	WASHER PLAIN-ID 6XOD 14XTHK 1.2	1
10	JG561226	SPRING STOPPER DRUM	1
11	JP561400	CHANGE ARM	1
12	KADD0622	BOLT-FLANGE-KAD ST-D DIA-06 L-22	1
13	JP561401	TIE ROD	1
14	JP561402	ASSEMBLY CHANGE LEVER	1
15	JG113061	BEARING CHANGE LEVER	2
16	JG113010	DAMPER CHANGE LEVER	1
17	JY113015	SPACER FOR CHANGE LEVER	2
18	JY113025	BOLT CHANGE LEVER	1
19	JP561403	ROD ASSEMBLY TIE	1

390-DUKE MY-21

12. RADIATOR ASSEMBLY

oemship +919495961664

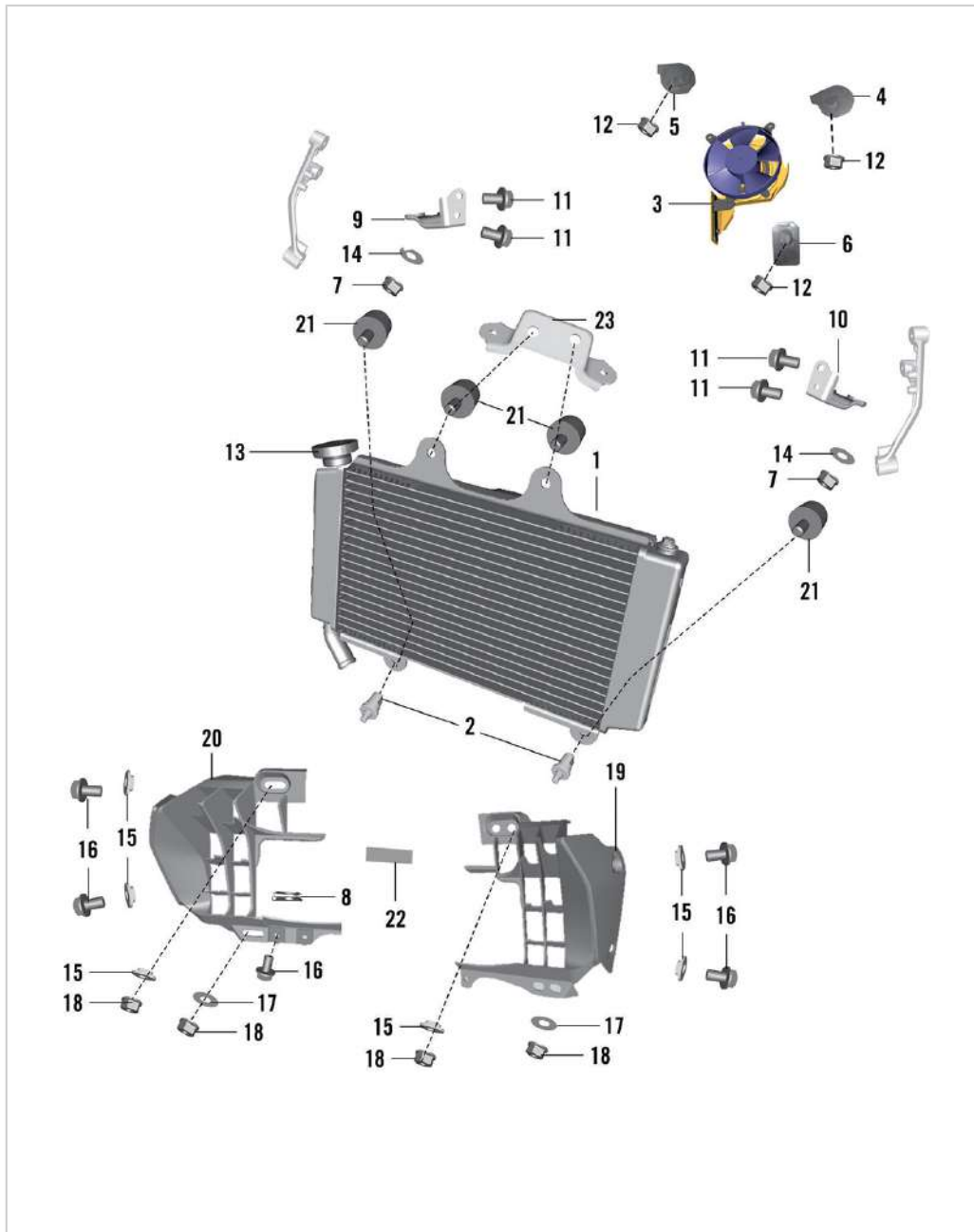


SN	Part No.	Description	QTY
1	JP601238	RADIATOR	1
2	JP181233	SPACER RADIATOR SHROUD	2
3	JY601257	FAN RADIATOR	1
4	JY601248	BRACKET FAN MOUNTING A	1
5	JY601249	BRACKET FAN MOUNTING B	1
6	JY601250	BRACKET FAN MOUNTING	1
7	LCL00002	NUT FLANGED-M6X1XHT.6XCL4	2
8	JL181027	NUT CLIP M6	1
9	JY113801	BRACKET ASSEMBLY RADIATOR RH	1
10	JY113800	BRACKET ASSEMBLY RADIATOR LH	1
11	KADD0610	BOLT-FLANGE-KAD ST-D DIA-06 L-10	4
12	JY601241	FLANGE NUT	3
13	JG601235	PRESSURE CAP RADIATOR	1
14	KDCB0612	WASHER SPRING	2
15	JP181232	SLEEVE RADIATOR	6
16	LAC00054	BOLT SOCKET-M6X1XL16XBLKXFL.HEAD	5
17	39130911	WASHER - PLAIN	2
18	KCEE0605	NUT DOME CAP SINGLE PIECE-M6 X 1	4
19	JP181373	SHROUD RADIATOR LH	1
20	JP181374	SHROUD RADIATOR RH	1

390-DUKE MY-21

12. RADIATOR ASSEMBLY

oemship +919495961664

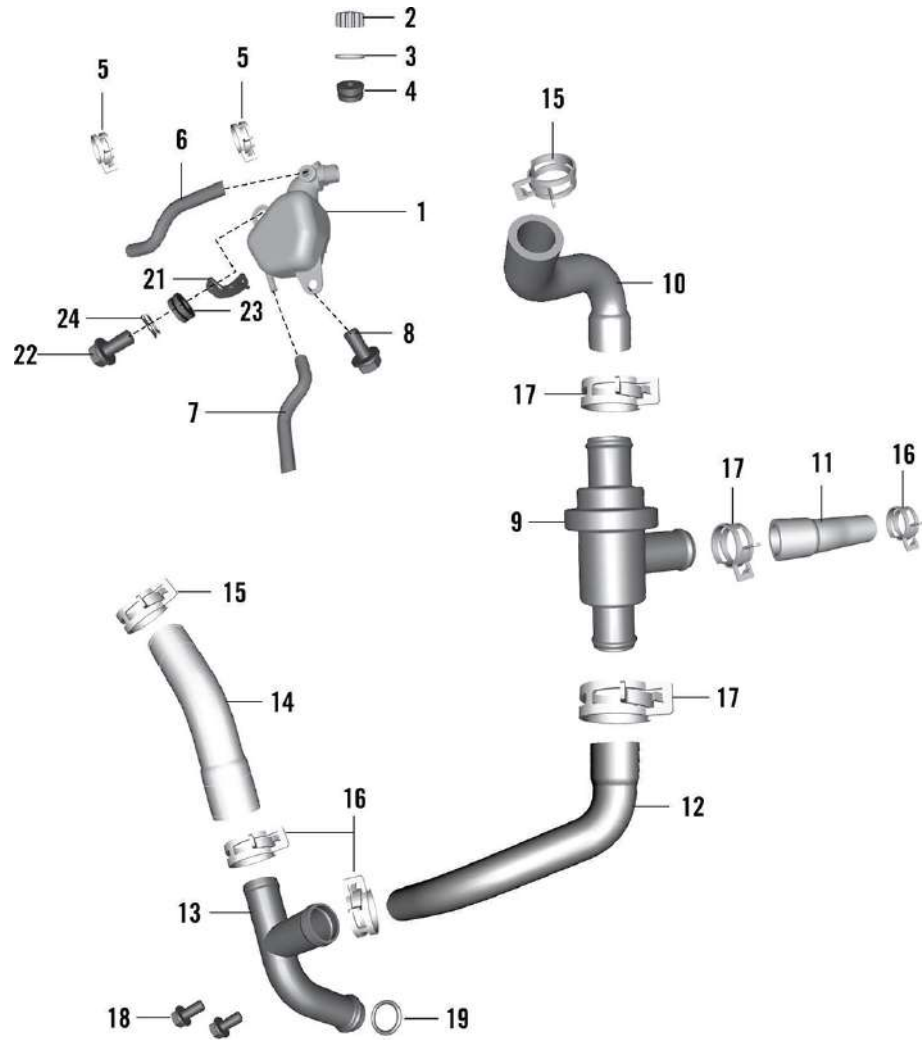


SN	Part No.	Description	QTY
21	JP601217	RUBBER DAMPER RADIATOR MOUNTING	4
22	JP181236	CAP RADIATOR SHROUD	1
23	JP113816	BRACKET RADIATOR MTG LOOSE	1

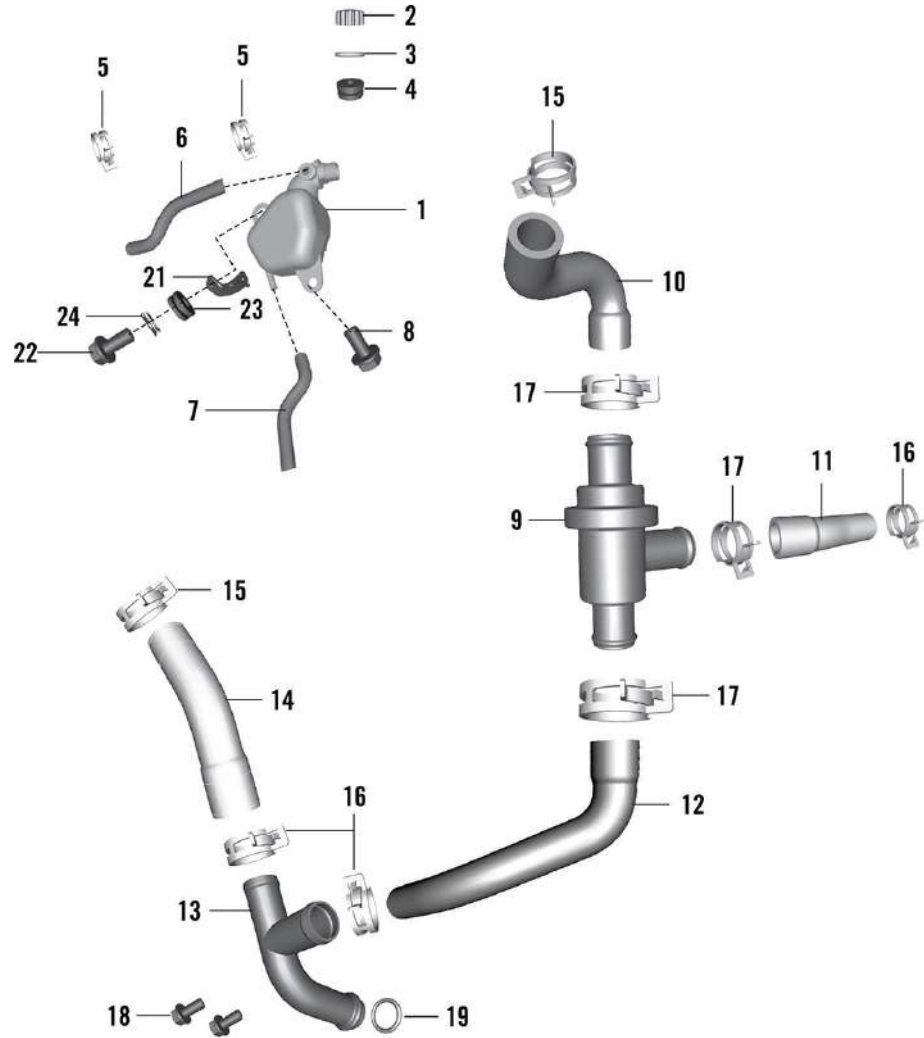
390-DUKE MY-21

13. COOLING SYSTEM

oemship +919495961664



SN	Part No.	Description	QTY
1	JP601205	TANK EXPANSION	1
2	JG601211	CAP EXPANSION TANK	1
3	JG601230	EXPANSION TANK O RING	1
4	JP181226	GROMMET EXPANSION TANK MTG	1
5	JG171029	SPRING BAND CLAMP 11.5 x 8.4	3
6	JG601213	TUBE DRAIN - EXPANSION TANK	1
7	JP601242	PIPE TANK EXPANSION-RADIATOR	1
8	JG181255	BOLT FLANGED STEP M6X1	1
9	JG601014	UNIT THERMOSTAT	1
10	JP601212	HOSE COOLANT THERM-RAD	1
11	JP601210	HOSE COOLANT ENG-THERM	1
12	JP601224	PIPE THERMOSTAT-CONNECTOR	1
13	JG601239	ASSEMBLY COOLANT PIPE T	1
14	JY601226	HOSE COOLANT-RAD TO T PIPE	1
15	JG601234	CLAMP DIA 23	2
16	JG601016	CLAMP_G2	3
17	JG601210	CLAMP RADIATOR PIPE DIA 25.2	3
18	LAE00049	BOLT FLANGE-M6X1XL14XBRTXPRECOAT	2
19	JG601221	O-RING COOLANT PIPE	1
20	JP171053	SLEEVE EXPANSION TANK MTG	1



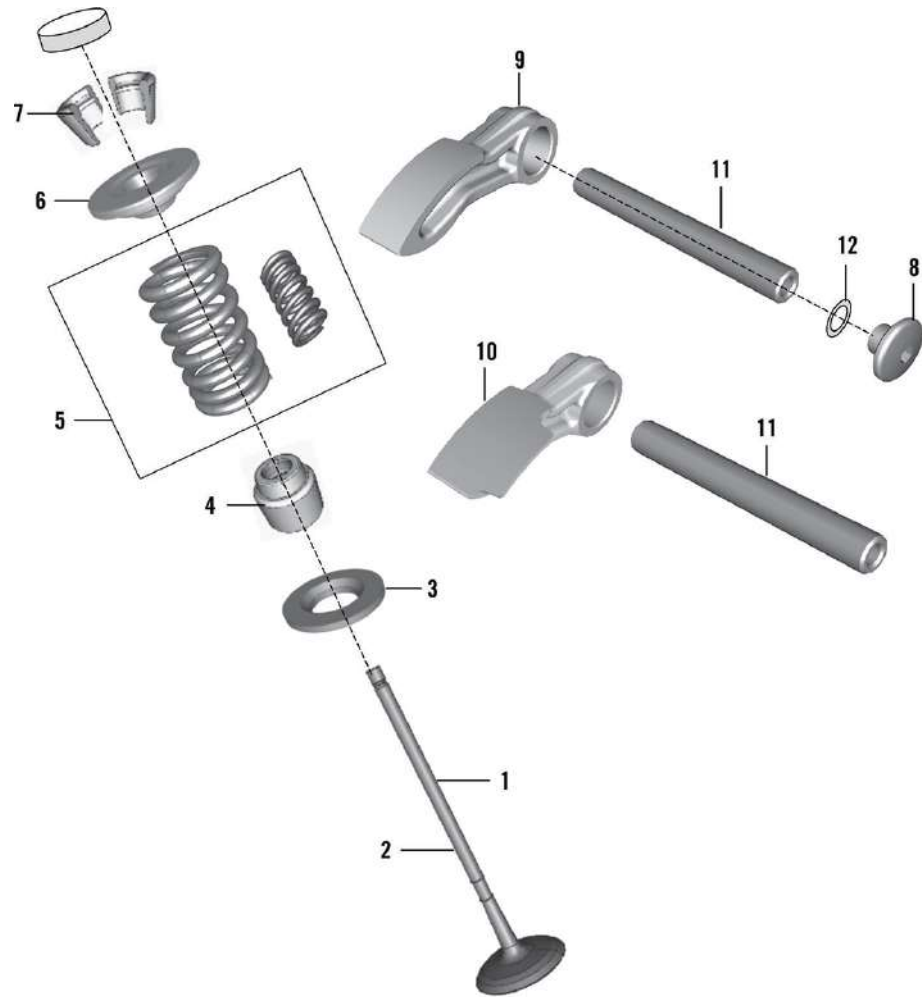
SN	Part No.	Description	QTY
21	JP171043	BRACKET EXPANSION TANK LOOSE	1
22	KADD0610	BOLT-FLANGE-KAD ST-D DIA-06 L-10	1
23	JP171051	GROMMET	1
24	JL181027	NUT CLIP M6	1

390-DUKE MY-21

14. VALVE DRIVE

oemship +919495961664





SN	Part No.	Description	QTY
1	DT511270	VALVE EXHAUST	2
2	JY511221	VALVE INTAKE	2
3	JY511223	SEAT VALVE SPRING	4
4	CB101009	SEAL - VALVE STEM	4
5	36JY0065	KIT VALVE SPRING KTM	4
6	JY511225	RETAINER VALVE SPRING	4
7	CB101022	COTTER VALVE	8
8	JG511016	PLUG	2
9	JU511204	ROCKER ARM (FINGER TYPE)	3
10	JY511212	ROCKER ARM DECOMP	1
11	JY511226	ROCKER ARM SHAFT	2
12	39102121	RING - O	2

390-DUKE MY-21

15. VALVE SHIMS

oemship +919495961664

1-36



SN	Part No.	Description	QTY
1	36 JY00 29	KIT SHIM 2 MM	1
2	36 JY00 30	KIT SHIM 2.04 MM	1
3	36 JY00 31	KIT SHIM 2.08 MM	1
4	36 JY00 32	KIT SHIM 2.12 MM	1
5	36 JY00 33	KIT SHIM 2.16 MM	1
6	36 JY00 34	KIT SHIM 2.20 MM	1
7	36 JY00 35	KIT SHIM 2.24 MM	1
8	36 JY00 36	KIT SHIM 2.28 MM	1
9	36 JY00 37	KIT SHIM 2.32 MM	1
10	36 JY00 38	KIT SHIM 2.36 MM	1
11	36 JY00 39	KIT SHIM 2.40 MM	1
12	36 JY00 40	KIT SHIM 2.44 MM	1
13	36 JY00 41	KIT SHIM 2.48 MM	1
14	36 JY00 42	KIT SHIM 2.52 MM	1
15	36 JY00 43	KIT SHIM 2.56 MM	1
16	36 JY00 44	KIT SHIM 2.60 MM	1
17	36 JY00 45	KIT SHIM 2.64 MM	1
18	36 JY00 46	KIT SHIM 2.68 MM	1
19	36 JY00 47	KIT SHIM 2.72 MM	1
20	36 JY00 48	KIT SHIM 2.76 MM	1

390-DUKE MY-21

15. VALVE SHIMS

oemship +919495961664

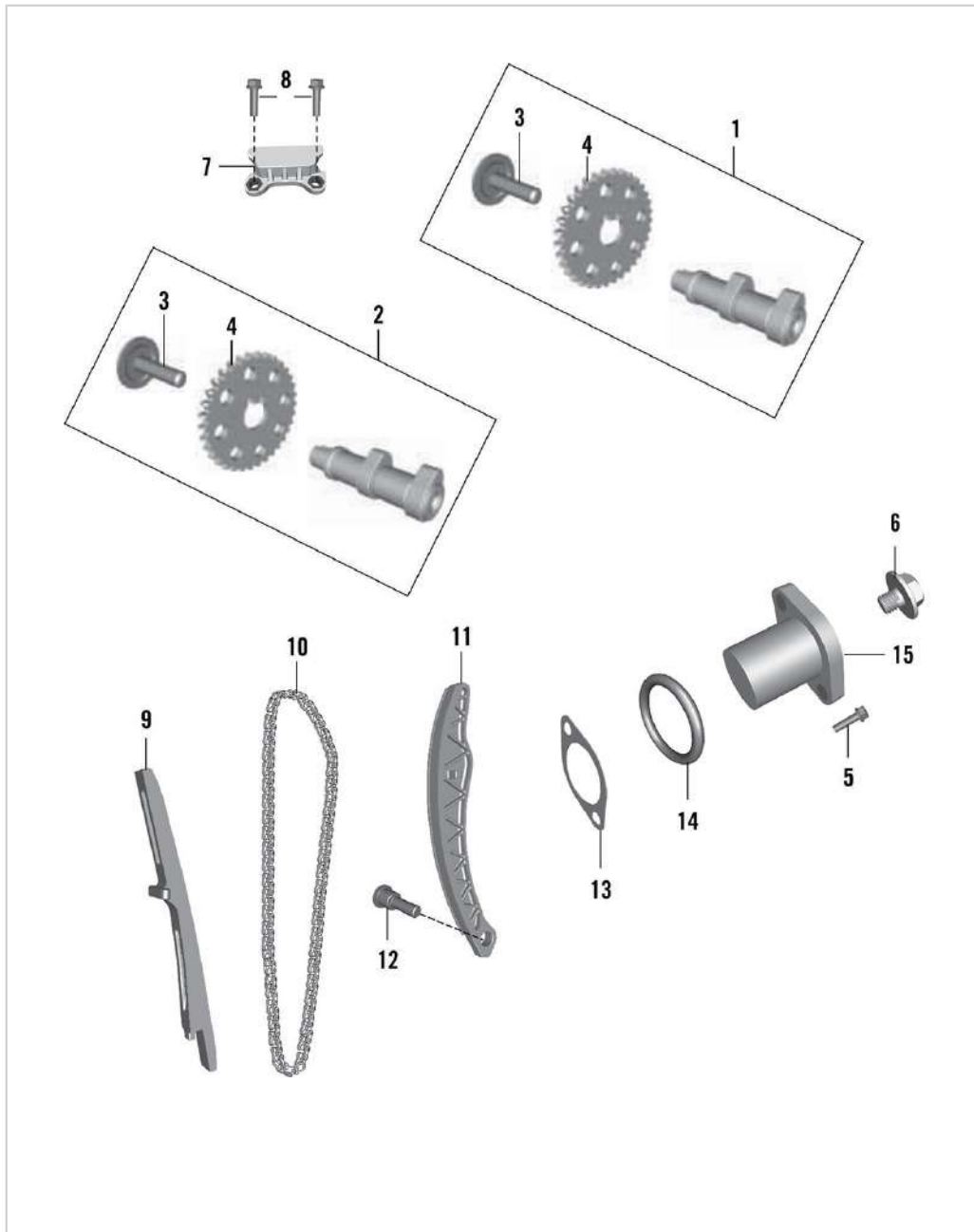


SN	Part No.	Description	QTY
21	36 JY00 49	KIT SHIM 2.80 MM	1
22	36 JY00 50	KIT SHIM 2.84 MM	1
23	36 JY00 51	KIT SHIM 2.88 MM	1
24	36 JY00 52	KIT SHIM 2.92 MM	1
25	36 JY00 53	KIT SHIM 2.96 MM	1
26	36 JY00 54	KIT SHIM 3 MM	1
27	36 JY00 55	KIT SHIM 3.04 MM	1
28	36 JY00 56	KIT SHIM 2.30 MM	1
29	36 JY00 57	KIT SHIM 2.34 MM	1
30	36 JY00 58	KIT SHIM 2.38 MM	1
31	36 JY00 59	KIT SHIM 2.42 MM	1
32	36 JY00 60	KIT SHIM 2.46 MM	1
33	36 JY00 61	KIT SHIM 2.50 MM	1
34	36 JY00 62	KIT SHIM 2.54 MM	1
35	36 JY00 63	KIT SHIM 2.58 MM	1
36	36 JY00 64	KIT SHIM 2.62 MM	1

**390-DUKE MY-21**

16. TIMING DRIVE

oemship +919495961664

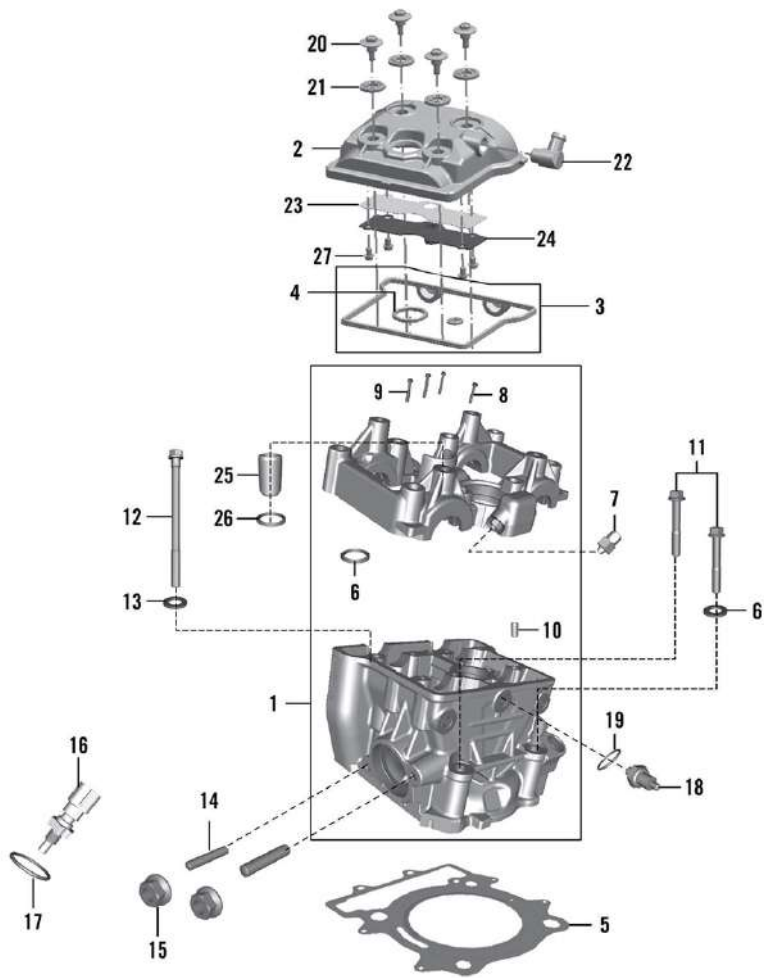


SN	Part No.	Description	QTY
1	JP511213	CAMSHAFT ASSEMBLY INTAKE	1
2	JP511214	CAMSHAFT ASSEMBLY EXHAUST	1
3	LAC00144	BOLT SOCKET STEP M10X1	2
4	JP511215	SPROCKET CAMSHAFT	2
5	KAEW0620	BOLT FLANGE SMAL-M6X1XL20XBRIGHT	2
6	JG511270	BOLT FLANGED M6X1	1
7	JY511058	GUIDE CHAIN TOP	1
8	KAEG0645	BOLT-FLANGED-SMALL	2
9	JY511229	GUIDE CHAIN TIGHT SIDE	1
10	JY511220	CHAIN TIMING	1
11	JY511227	GUIDE CHAIN SLACK SIDE	1
12	JY541009	BOLT SOCKET-M6X1XL14.4XBRTXSTEP	1
13	CS101128	Gasket	1
14	39266921	RING - O (ID 10.15 X 1.5)	1
15	JY511238	TENSIONER CHAIN	1

390-DUKE MY-21

17. CYLINDER HEAD

oemship +919495961664

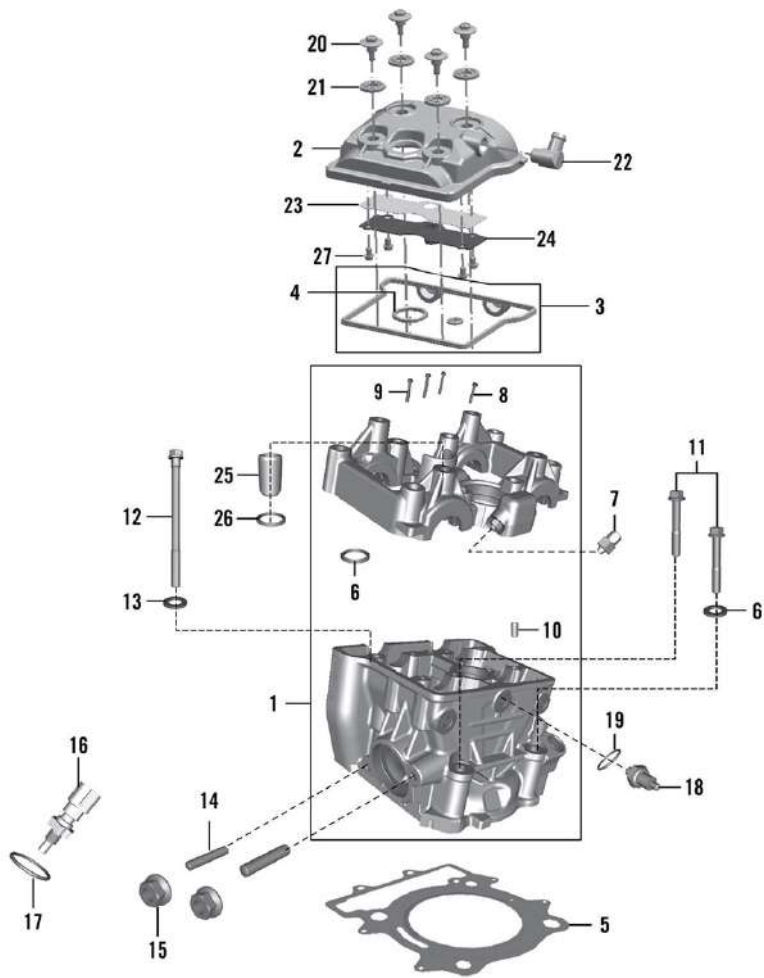


SN	Part No.	Description	QTY
1	JY511137	HEAD CYLINDER-HOLDER CAMSHAFT	1
2	JY511141	COVER HEAD CYLINDER	1
3	36JY0199	KIT VALVE COVER GASKET 390	1
4	JY511074	GASKET SLEEVE SPARK PLUG	1
5	JY511139	GASKET HEAD CYLINDER	1
6	LDA00014	WASHER PLAIN	4
7	JG541021	OIL NOZZLE	4
8	KAEQ0640	BOLT FLANGE SMALL- M6X1XL40XDACRO	2
9	39107504	BOLT - FLANGED :- SMALL	4
10	39099906	PIN - HOLLOW DOWEL	2
11	LAC00024	BOLT SOCKET HEAD M6X1X20L- PRECOATED	2
12	LAC00106	BOLT SOKET- M10X1.25XL143.75XSTEP	4
13	LDA00015	WASHER PLAIN	2
14	JG511046	STUD M8*1.25	2
15	LCG00024	NUT HEX FLANGED- M8X1.25XHT.8XBRT	2
16	JG351400	COOLANT WATER TEMP SENSOR	1
17	DK101340	O RING (OIL COOLER PIPE)	1
18	DK101225	SWITCH PRESSURE OIL	1
19	DK101340	O RING (OIL COOLER PIPE)	1
20	JG511022	BOLT SPECIAL	4

390-DUKE MY-21

17. CYLINDER HEAD

oemship +919495961664



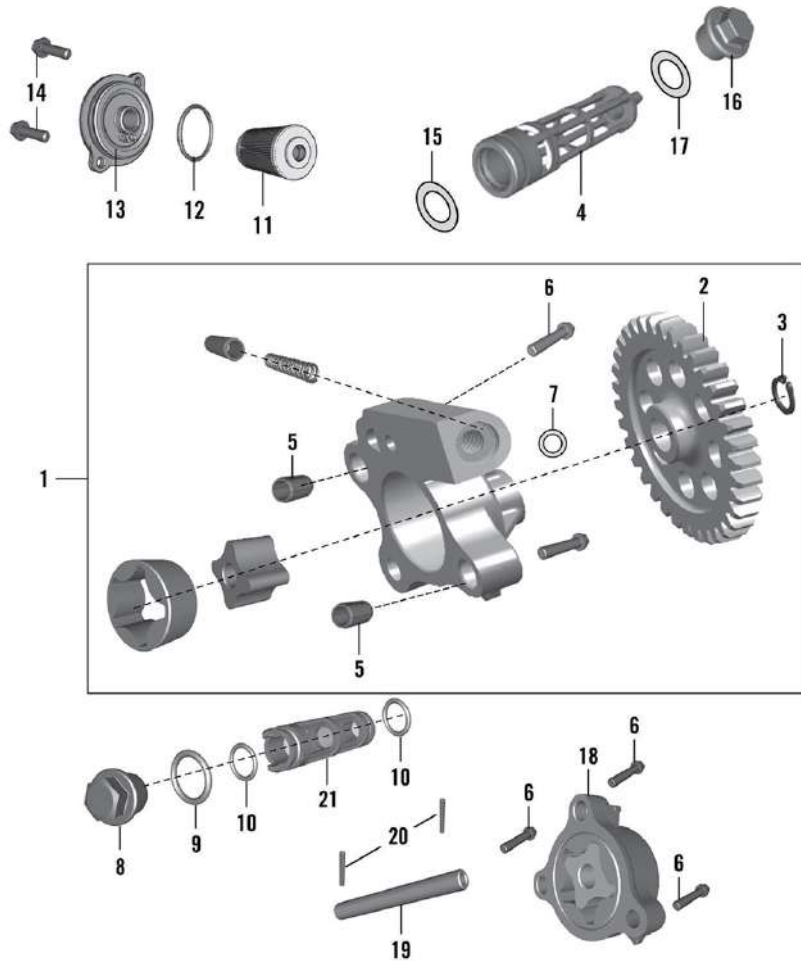
SN	Part No.	Description	QTY
21	JG511021	WASHER	4
22	JP511016	PIPE BREATHER	1
23	JY511059	GASKET BREATHER	1
24	JY511060	PLATE BREATHER	1
25	JY511068	SLEEVE SPARK PLUG	1
26	LJA00001	RING 0	2
27	LAE00017	BOLT FLANGED M6X1	4
28	36001051	KIT LOCTITE 5702 10 gm LIQUID GASKET	1

390-DUKE MY-21

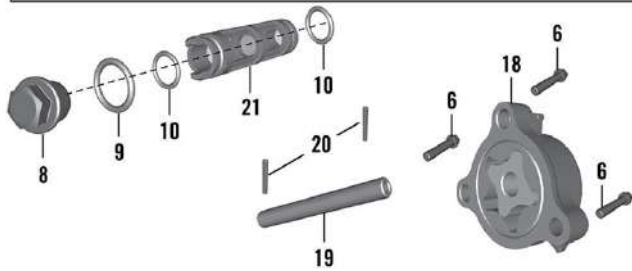
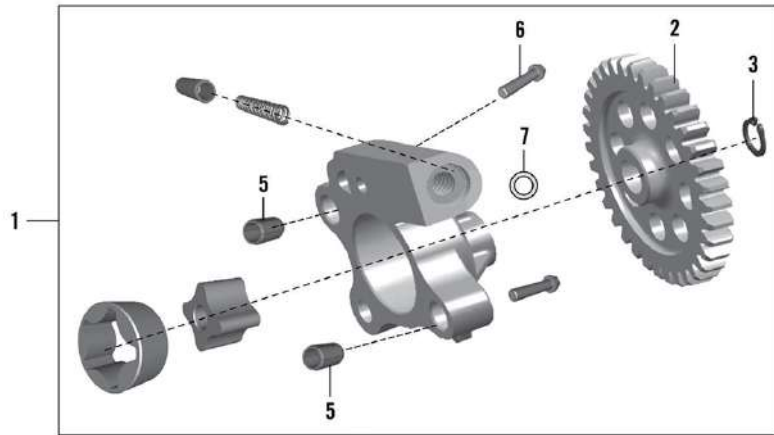
18. LUBRICATING SYSTEM

oemship +919495961664





SN	Part No.	Description	QTY
1	JY571012	OIL PUMP ASSLY COMP	1
2	JY571023	GEAR OIL PUMP DRIVE	1
3	KEAB1010	CIRCLIP EXTERNAL	1
4	JY571030	MESH STRAINER ASSLY	1
5	39099906	PIN - HOLLOW DOWEL	2
6	LAE00018	BOLT FLANGED M6X1	3
7	LDA00017	WASHER PLAIN	2
8	JY571009	CAP STRAINER EVACUATION	1
9	LJA00006	RING O - ID 12.5XSECT. DIA. 2	1
10	LJA00002	O RING FOR E - 20	2
11	JG571014	OIL FILTER	1
12	JG571016	RING O	1
13	JY571033	CAP OIL FILTER	1
14	KAEW0616	BOLT FLANGE SMAL- M6X1XL16XBRIGHT	2
15	LJA00004	STRAINER O RING	1
16	JA541021	CAP STRAINER	1
17	59210023	RING - O	1
18	JY571015	PUMP EVACUATION ASSLY	1
19	JY571024	SHAFT OIL PUMP	1
20	LHD00001	PIN PARALLEL	3

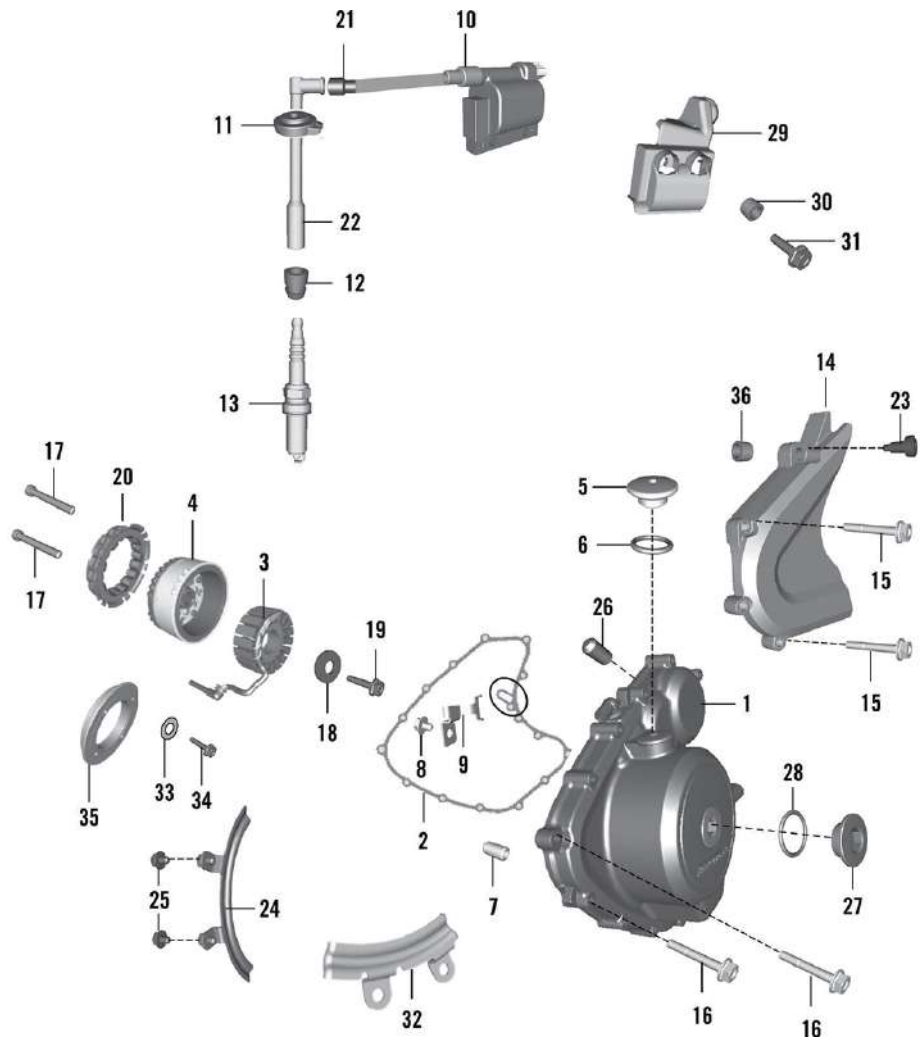


SN	Part No.	Description	QTY
21	JY571008	STRAINER EVACAUTION	1

390-DUKE MY-21

19. IGNITION SYSTEM

oemship +919495961664

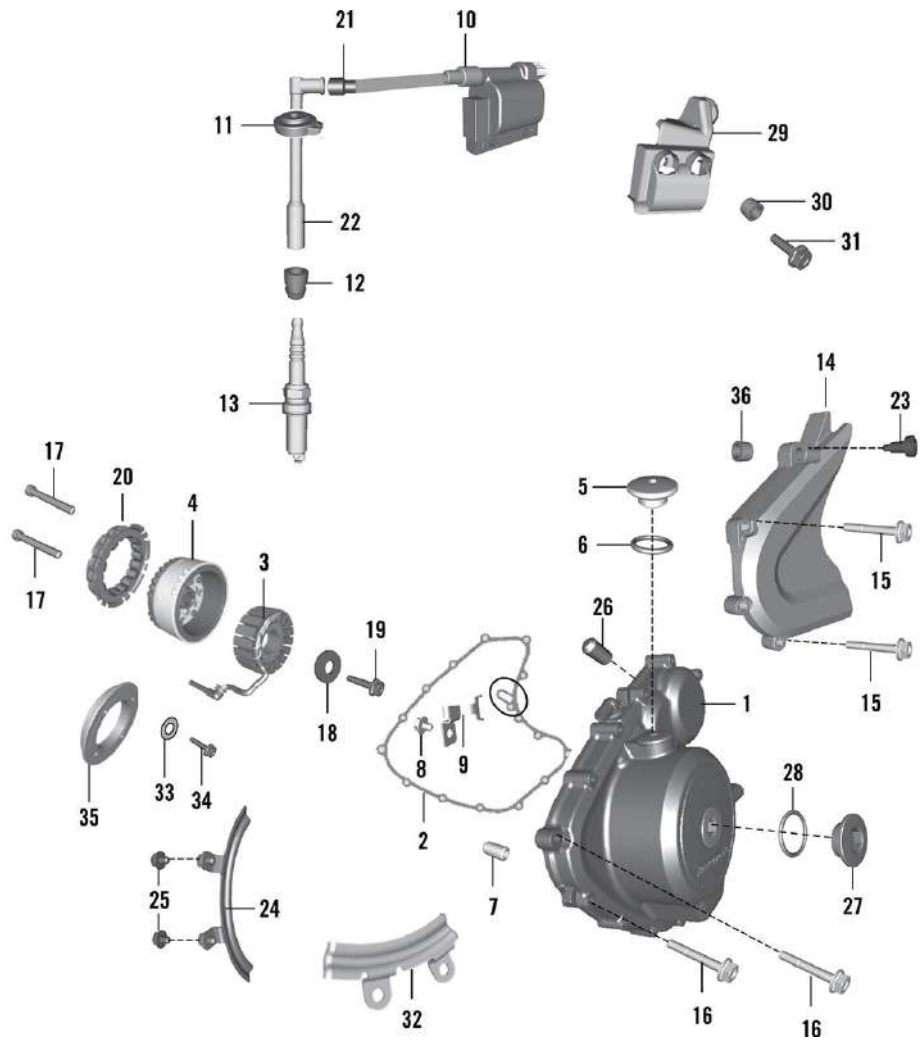


SN	Part No.	Description	QTY
1	JP541233	COVER ASSEMBLY MAGNETO	1
2	JY541214	GASKET COVER MAGNETO	1
3	JY351007	STATOR ASSEMBLY	1
4	JY351025	ROTOR ASSLY WITHOUT CLUTCH	1
5	JL541245	CAP TDC FINDER	1
6	30101195	RING - O	1
7	39099906	PIN - HOLLOW DOWEL	2
8	LAE00016	BOLT FLANGED M5X0.8X6L- PRECOATED	1
9	JY541208	BRACKET HARNESS MAGNETO	1
10	JP351203	COIL ASSEMBLY IGNITION	1
11	JY351203	GROMMET SPARK PLUG CAP	1
12	JP351209	GROMMET PLUG SPARK	1
13	JY351206	PLUG SPARK	1
14	JY541227	COVER LH RR	1
15	KAEW0650	BOLT FLANGE SMAL- M6X1XL50XBRIGHT	3
16	KAEW0635	BOLT FLANGE SMAL- M6X1XL35XBRIGHT	12
17	DK101284	HEX SOCKET HEAD SCREW(M5X0.8X35)	3
18	LDB00041	WASHER PLAIN-ID 10.3XOD 29XT 8	1
19	LAD00124	BOLT FLANGE- M10X1.25XL55XDACRO	1
20	JY551402	CLUTCH ONE WAY ASSLY	1

390-DUKE MY-21

19. IGNITION SYSTEM

oemship +919495961664

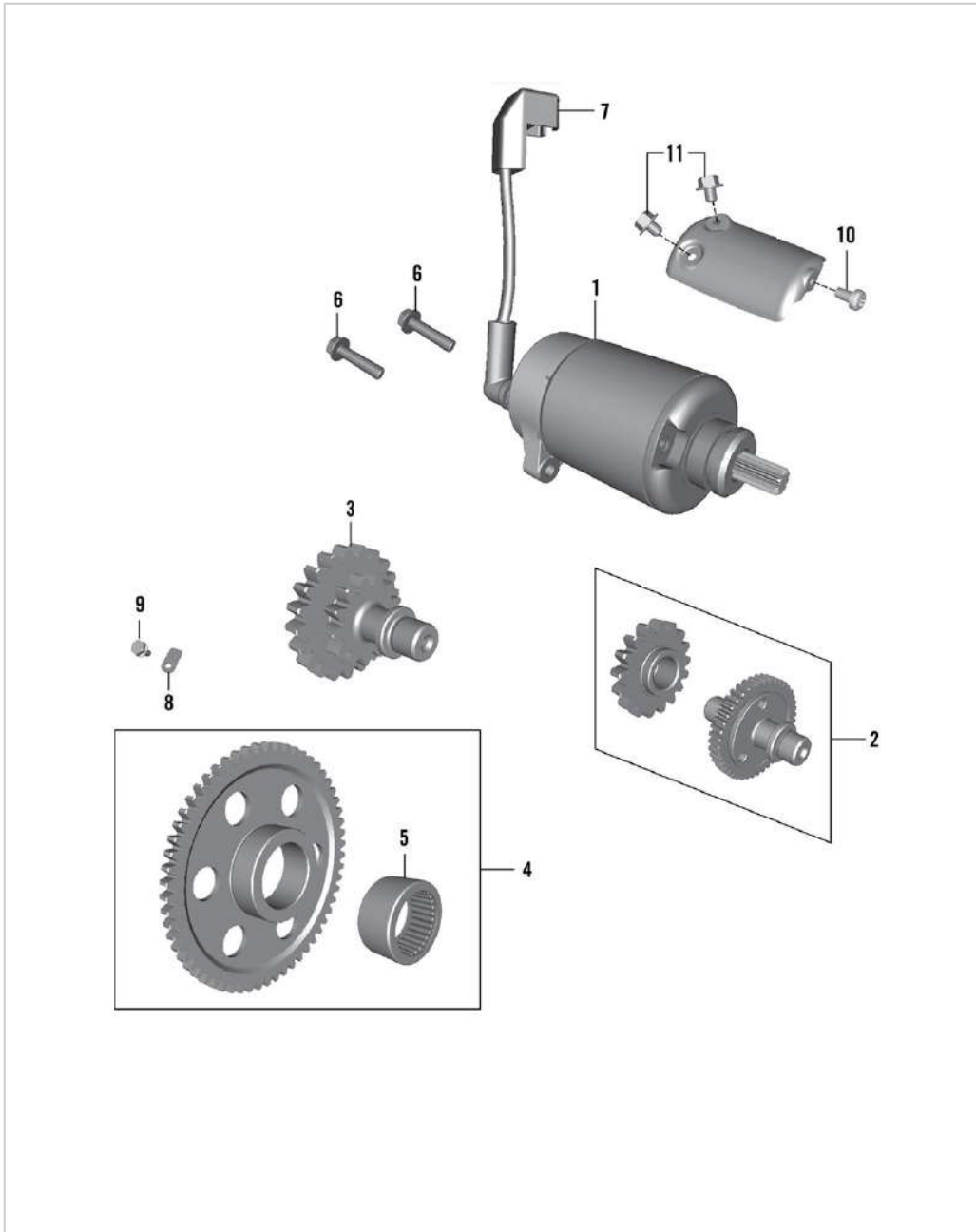


SN	Part No.	Description	QTY
21	DD111012	GROMMET FOR H. T. CABLE	1
22	JY351200	CAP SPARK PLUG	1
23	LAC00094	BOLT SOKET- M6X1XL22XBLKXSTEPED	1
24	JY541222	PLATE HARNESS MAGNETO	1
25	LAE00016	BOLT FLANGED M5X0.8X6L- PRECOATED	2
26	JY541255	JET OIL	1
27	JY541206	CAP CRANK CENTRE	1
28	LJA00007	RING O - ID 24XSECT. DIA. 2.5	1
29	JP181288	COVER IGNITION COIL	1
30	JP113835	SLEEVE COVER IGNITION COIL	2
31	LAC00120	BOLT SOCKET M6X1	2
32	JY541071	PLATE HARNESS 2	1
33	LDF00001	WASHER TOOTHED-ID 6.4XOD11XT 0.7	4
34	DH101389	PRECOATED PAN SCREW M6 X 20 - 39119704	4
35	JG351019	BODY STARTER CLUTCH	1
36	JP113822	SPACER PIVOT FORGING LH	1

390-DUKE MY-21

20. ELECTRICAL STARTER

oemship +919495961664

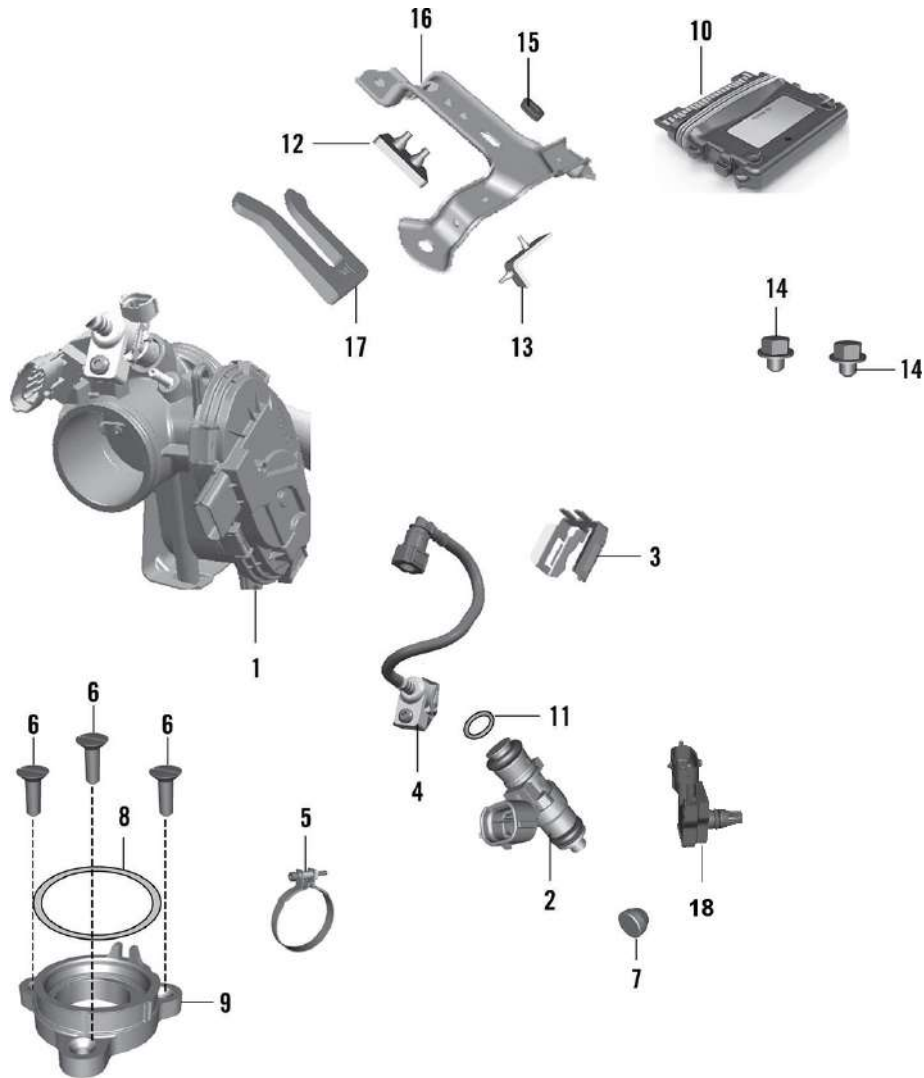


SN	Part No.	Description	QTY
1	JP351600	MOTOR STARTER	1
2	JY551226	GEAR STARTER COUNTER 1 ASSLY	1
3	JY551225	GEAR STARTER COUNTER 2	1
4	JY621411	ASSEMBLY GEAR STARTER CLUTCH	1
5	BF621402	NEEDLE BEARING (25X32X16)	1
6	KADQ0625	BOLT M6	2
7	JP402203	CABLE RELAY TO MOTOR MY17	1
8	JY541040	RETAINER GEAR STARTER	1
9	LAE00042	BOLT FLANGED-M6X1	1
10	KBBE0408	SCREW PAN CROSS BOLT FLANGED M5X0.8X6L-	1
11	LAE00016	PRECOATED	2

390-DUKE MY-21

21. THROTTLE BODY

oemship +919495961664



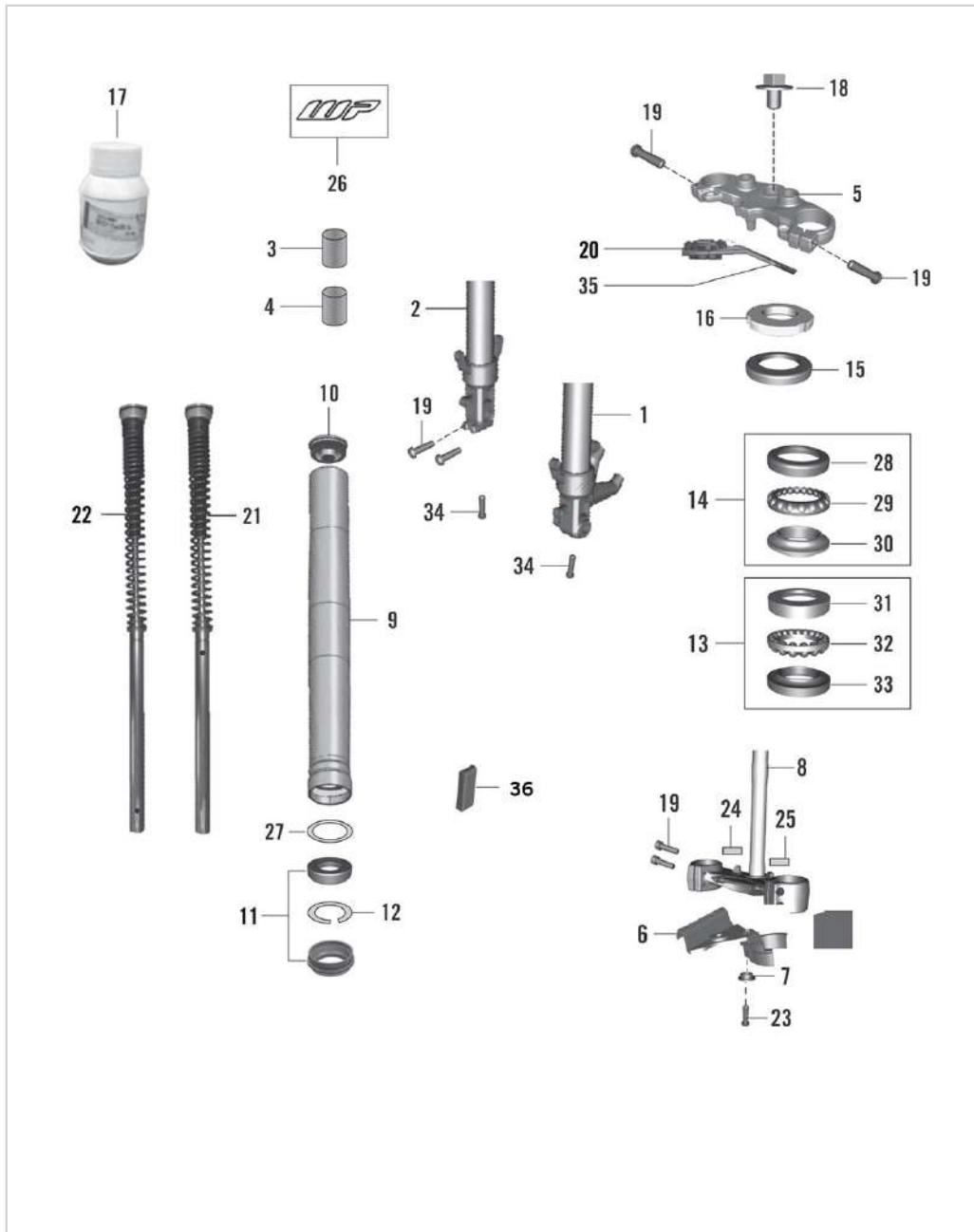
SN	Part No.	Description	QTY
1	JP611222	BODY THROTTLE ASSEMBLY	1
2	JY611000	FUEL INJECTOR	1
3	JG611006	CLIP INJECTOR CLIP	1
4	JY581201	CAP INJECTOR	1
5	JY581405	CLAMP INTAKE PIPE	1
6	LBC00003	SCREW CSK CROSS M6X1	3
7	DS161156	PLUG - SEAT LOCK CABLE	1
8	JY581404	O RING INTAKE PIPE	1
9	JY581200	PIPE INTAKE	1
10	JP351463	ECU EMS	1
11	JL611000	INJECTOR CAP O RING	1
12	JY113874	DAMPER ECU C SAMPLE MTG TOP	1
13	JY171007	PAD RUBBER NEW ECU MY16	2
14	KADD0610	BOLT-FLANGE-KAD ST-D DIA-06 L-10	2
15	JY113877	DAMPER ECU LOCATOR	1
16	JP181315	COVER ECU	1
17	JP113826	PAD RESTING ECU MY17	1
18	JP351801	SENSOR PRESSURE	1

390-DUKE MY-21

22. FRONT FORK, TRIPLE CLAMP

oemship +919495961664



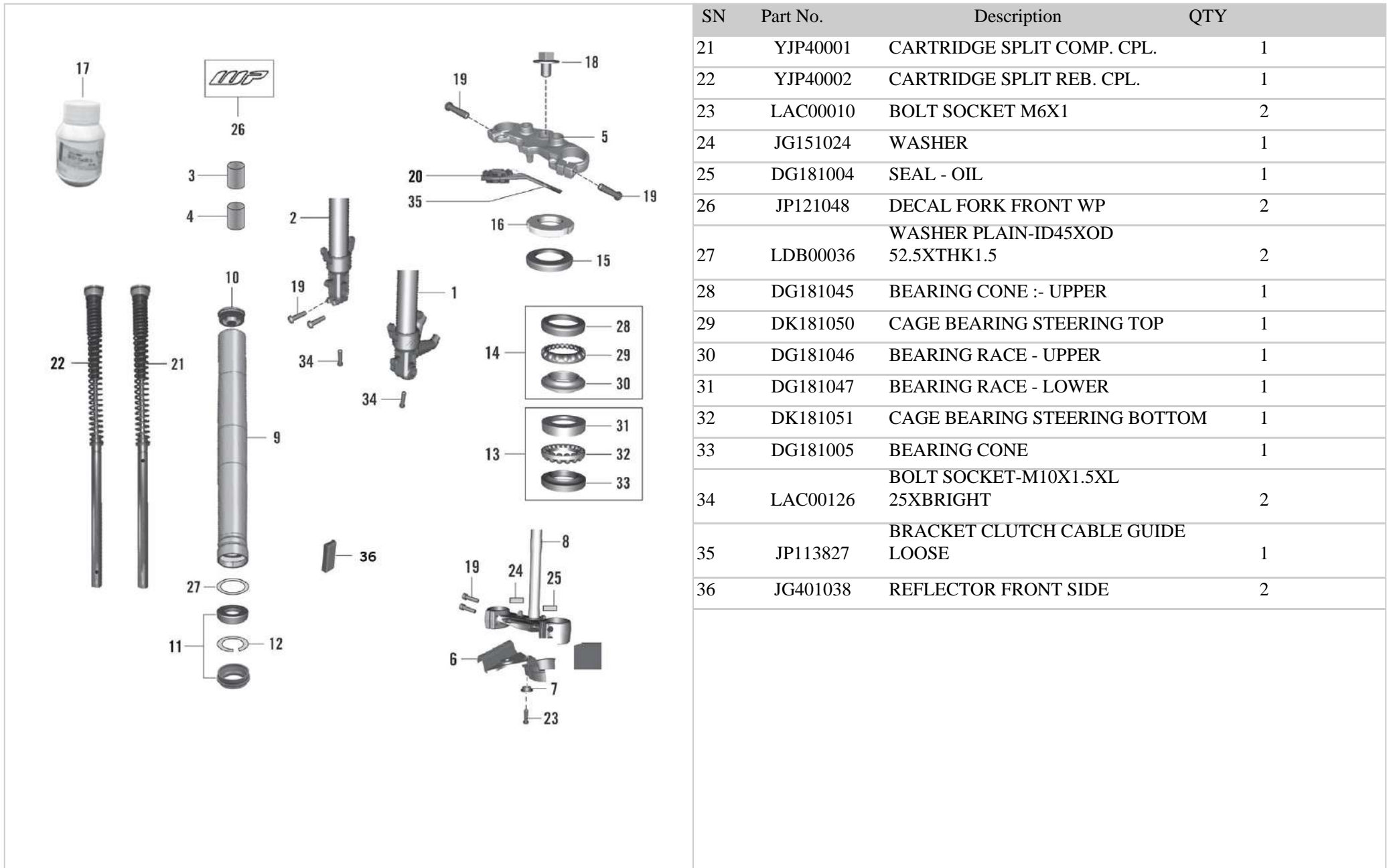


SN	Part No.	Description	QTY
1	YJP41003	AXLE CLAMP&FORK PIPE ASSY LH	1
2	YJP41004	AXLE CLAMP&FORK PIPE ASSEMBLY RH	1
3	JP121041	GUIDE BUSH LOWER	2
4	JP121040	GUIDE BUSH UPPER	2
5	JP151010	BRACKET UPPER	1
6	JG113857	HOSE CLAMP	1
7	JG113832	COLLAR	4
8	JP121046	ASSEMBLY LOWER TRIPLE CLAMP GDC	1
9	JP121022	TUBE OUTER HD	2
10	JP121047	BOLT FORK	2
11	YJP40003	KIT FORK OIL SEAL SKF RED	2
12	JU121009	CIRCLIP	2
13	36JU0075	KIT STEERING RACE LOWER JU/JY	1
14	36JU0074	KIT STEERING RACE UPPER JU/JY	1
15	DK181076	CUP STEERING	1
16	DK181075	NUT STEERING	1
17	JP121045	OIL PACKED FOR SINGLE LEG_450ML	2
18	JY151011	BOLT FLANGED-M16X1.5XL33XPRECOAT	1
19	JY121011	BOLT SOCKET-M8X1.25XL30XCL8.8XBL	8
20	JP113833	SLEEVE CLUTCH CABLE GUIDE	1

390-DUKE MY-21

22. FRONT FORK, TRIPLE CLAMP

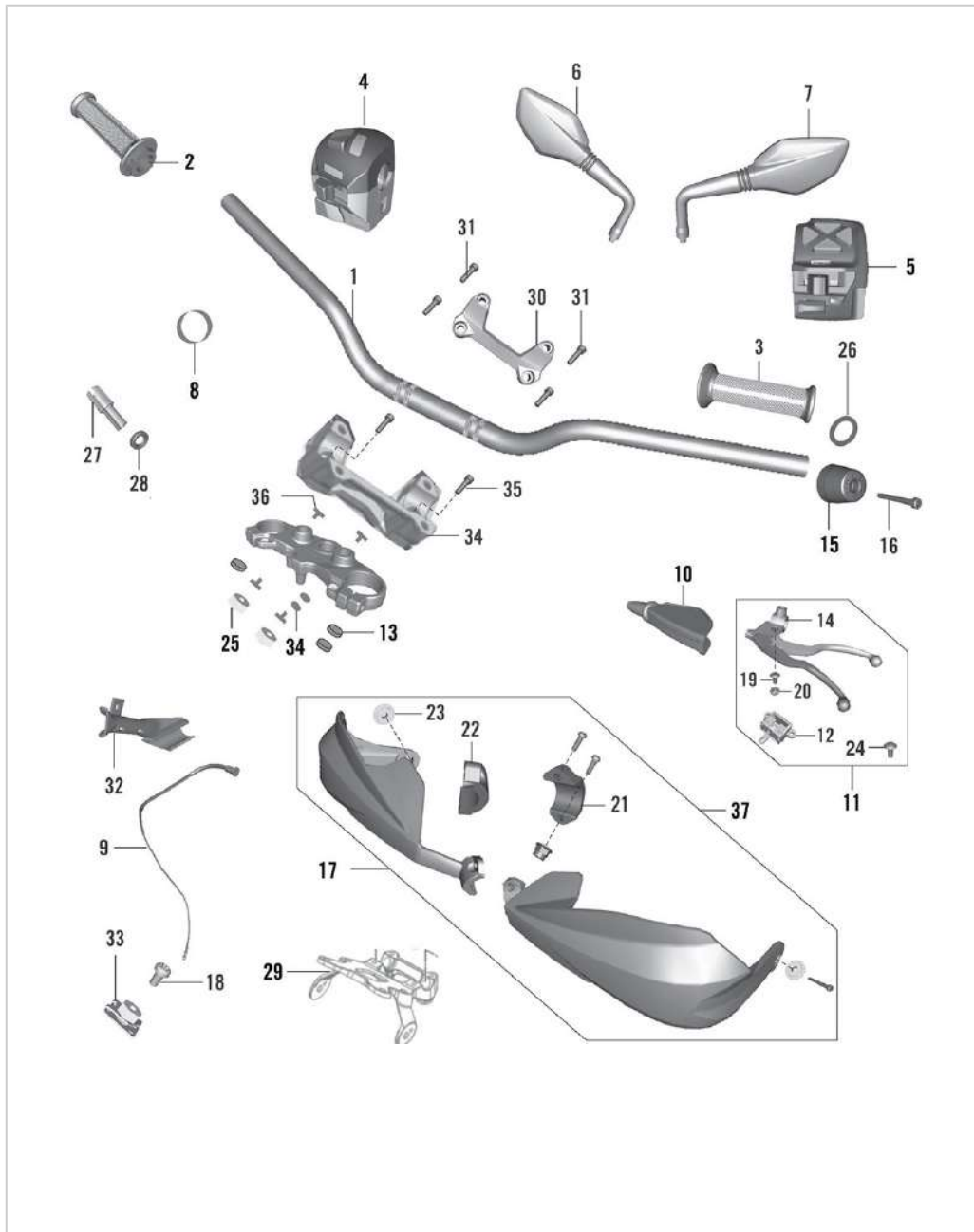
oemship +919495961664



390-DUKE MY-21

23. HANDLEBAR, CONTROLS

oemship +919495961664

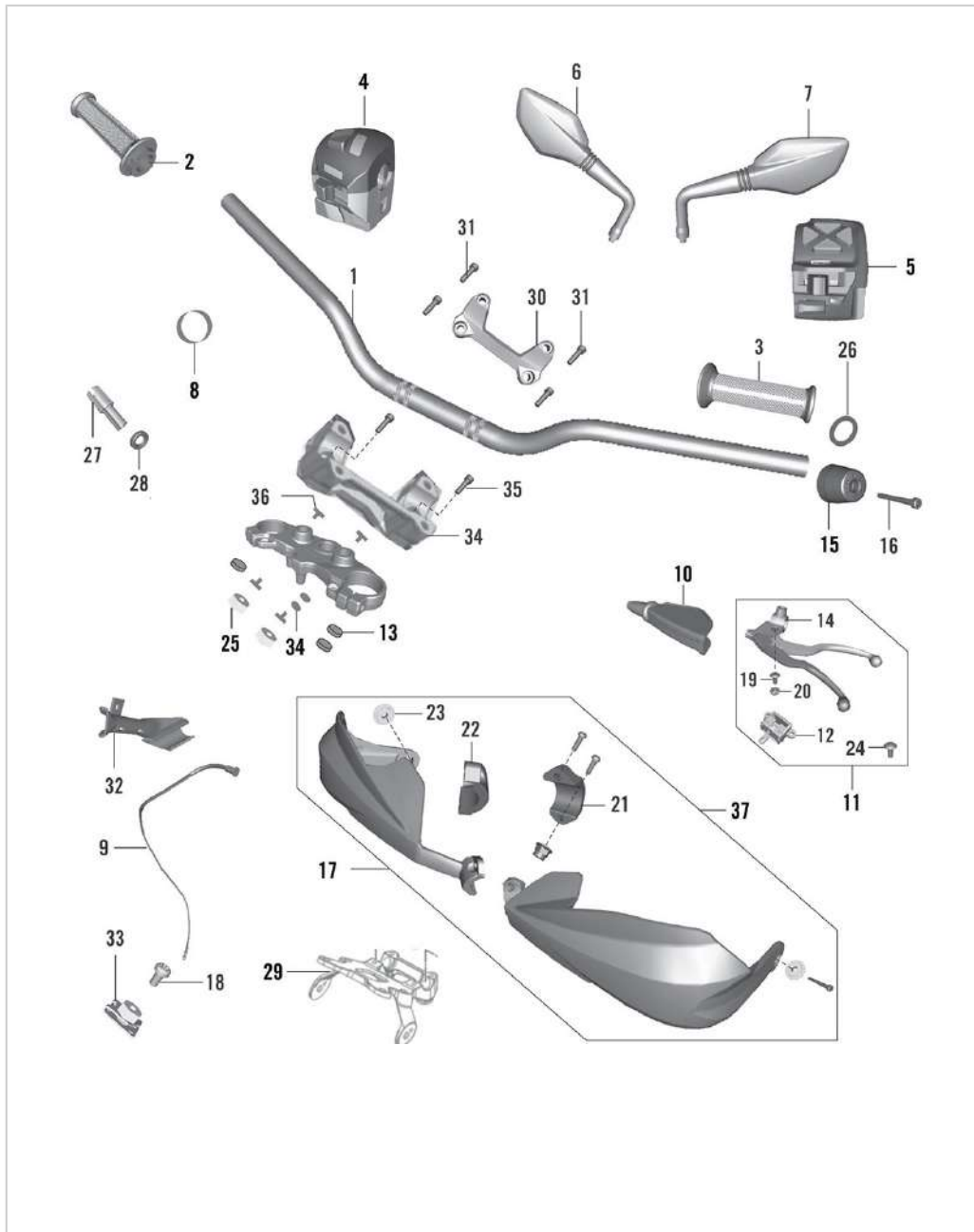


SN	Part No.	Description	QTY
1	JP151004	HANDLE BAR	1
2	JY151036	ASSEMBLY GRIP HANDLEBAR RH	1
3	JY151015	GRIP HAND LH KT06	1
4	JG401425	SWITCH CONTROL RH	1
5	JP401406	SWITCH CONTROL LH	1
6	JP231600	MIRROR LH	1
7	JP231601	MIRROR RH	1
8	PA402204	BAND(LENGTH 110MM)	2
9	52JY0823	CLUTCH CABLE KT06 KT22 MY17	1
10	JY161023	BOOT CLUTCH LEVER_ADJUSTABLE	1
11	JY161008	LEVER ASSEMBLY CLUTCH	1
12	JG401426	SWITCH CLUTCH	1
13	JG151013	WASHER CUP	3
14	JL161014	HOLDER LEVER LH	1
15	JZ151069	HANDLE BAR WEIGHT	2
16	LAC00116	BOLT SOCKET- M6X1XL55XCL8.8XBLACK	2
17	36JP0018	KIT HAND GUARD ELEC ORG D390	1
18	KBUF0512	SCREW TRUSS-M5X0.8XL 12XBLACK	1
19	JZ161028	LEVER PIVOT BOLT	1
20	39118415	NUT - NYLOC :- M5 X 0.8	1

390-DUKE MY-21

23. HANDLEBAR, CONTROLS

oemship +919495961664

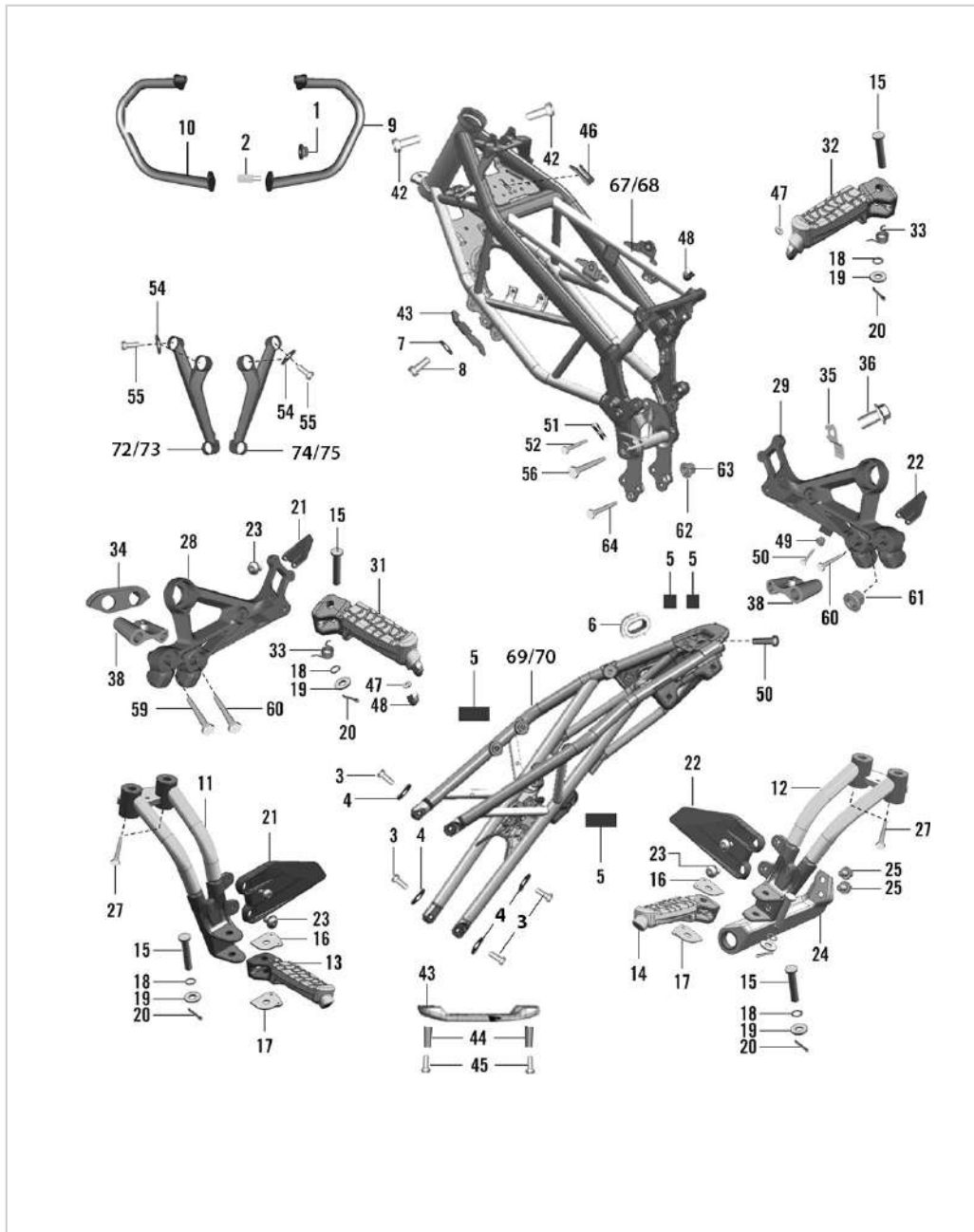


SN	Part No.	Description	QTY
21	JG231215	CLAMP HAND GAURD LH	1
22	JG231216	CLAMP HAND GAURD RH	1
23	JG231221	SPACER GUARD HAND	2
24	LBU00012	SCREW PAN CROSS M3X0.5	2
25	JP151009	SPACER TUBE_MY17	2
26	JZ151069	HANDLE BAR WEIGHT	2
27	36DU1901	CABLE ADJ.KIT - CT 100	1
28	30191017	NUT	1
29	JP151013	HOLDER HANDLEBAR CUM TFT SPEEDO	1
30	JP151016	HANDLE HOLDER TOP	1
31	LAC00111	BOLT SOCKET-M8X1.25XL 29XBLACK	4
32	JP113828	GUIDE CLUTCH CABLE	1
33	JG171031	CLIP NUT M5	1
34	LCH00001	NUT NYLOC-M10X1.25XHT.11XCL6XBRT	2
35	LAC00092	BOLT SOKET-M10X1.25XL73XCL8.8XBRT	2
36	JG151012	COLLAR	4
37	36JP0041	HAND GUARD KIT KTM 390 WHITE	1

390-DUKE MY-21

24. FRAME

oemship +919495961664



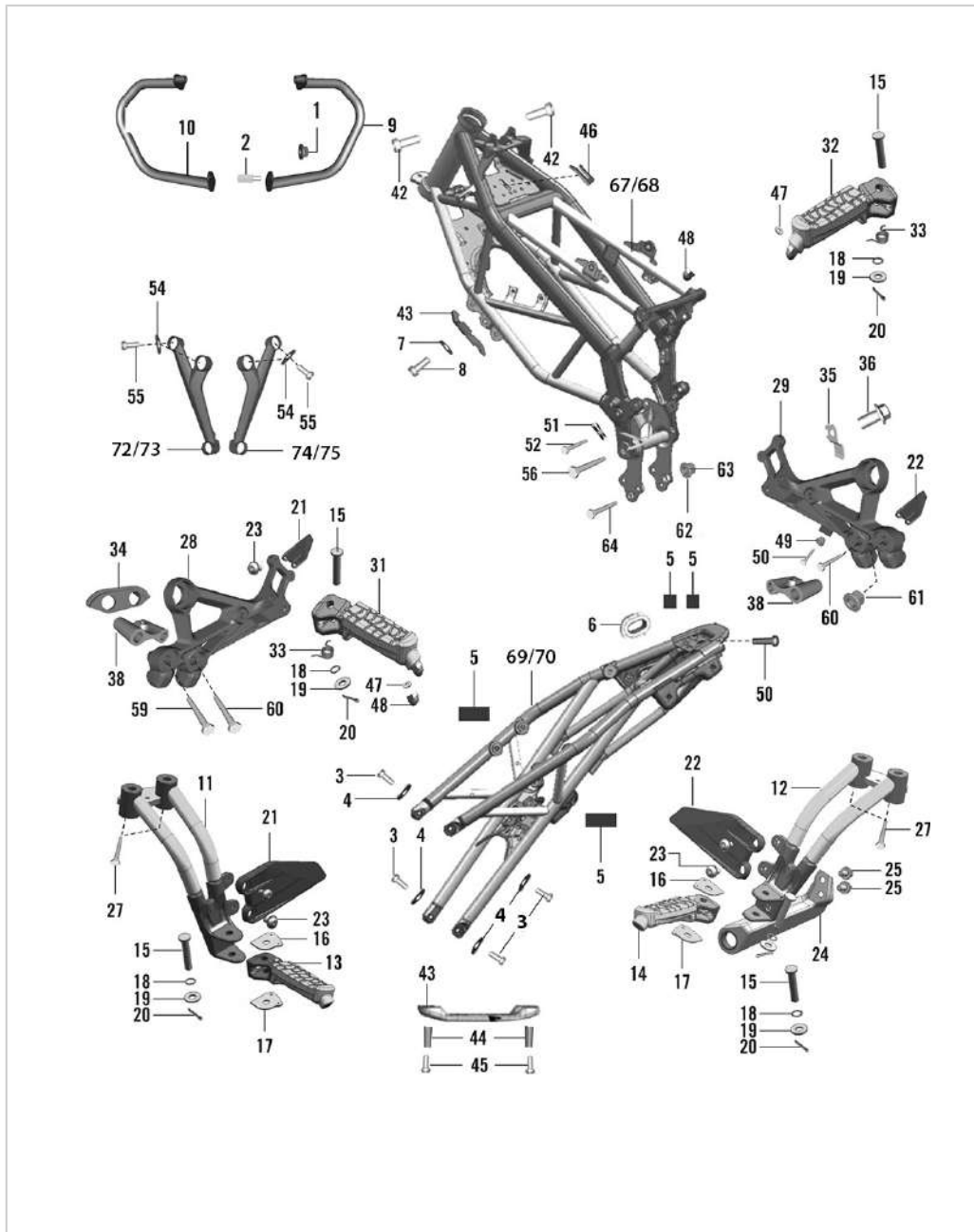
SN	Part No.	Description	QTY
1	JU231205	BOLT -M8X1.25XL 16XCL 8.8XBRIGHT	2
2	LAA00050	BOLT M8X1.25	1
3	LAC00093	BOLT SOKET-M8X1.25XL25XBLXPRECOT	4
4	LDA00034	WASHER PLAIN-ID8.2XOD 14XT 2XBLK	4
5	JY191008	DAMPER	2
6	JY113837	GROMMET FOR CABLE	1
7	KDBA0613	WASHER PLAIN	1
8	KACA0612	BOLT-SOCKET-KAC ST-A DIA-06 L-12	1
9	JP231213	GUARD ASSEMBLY LEG LH	1
10	JP231210	GUARD LEG RH	1
11	JP113006	HOLDER STEP PILLION LH	1
12	JP113007	HOLDER STEP PILLION RH	1
13	JP113029	STEP ASSEMBLY PILLION LH	1
14	JP113030	STEP ASSEMBLY PILLION RH	1
15	JP113019	PIN FOOTREST PIVOT BLACK	2
16	JP113017	PLATE LOCK PILLION STEP TOP	2
17	JP113018	PLATE LOCK PILLION STEP BOTTOM	2
18	30141031	RING - O	4
19	KDBA0818	WASHER PLAIN	4
20	LHA00002	PIN -SPLIT	4

390-DUKE MY-21

24. FRAME

oemship +919495961664



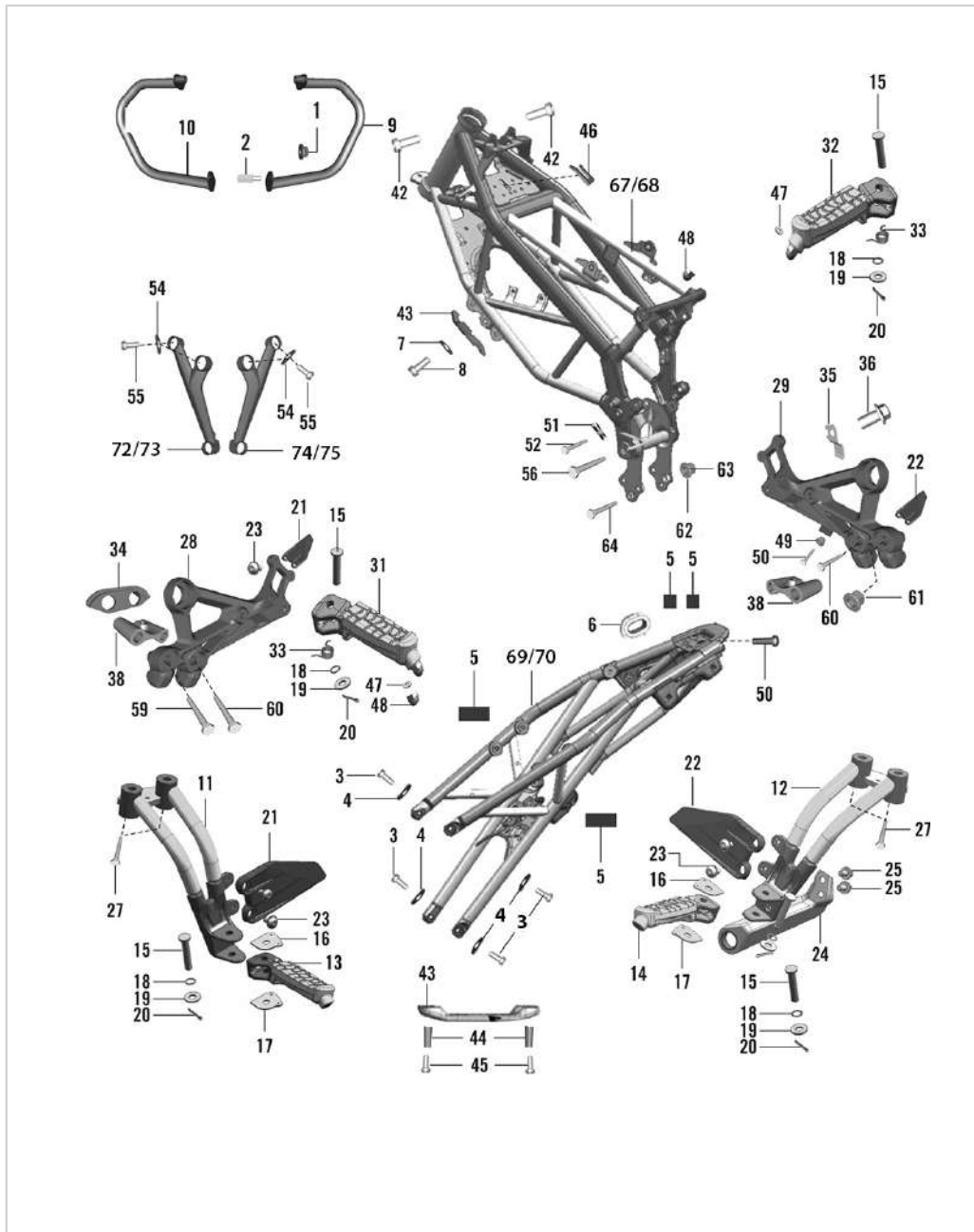


SN	Part No.	Description	QTY
21	JP113012	HEEL GUARD REAR LH	2
22	JP113013	HEEL GUARD REAR RH	2
23	LBU00050	SCREW BUTTON HEAD-M6X1XL9XPRECOAT	4
24	JP113810	BRACKET SILENCER MOUNTING	1
25	KADA0610	BOLT-FLANGE-KAD ST-A DIA-06 L-10	2
26	DJ101305	BOLT FLANGE	2
27	LAC00023	BOLT SOCKET	4
28	JP113004	STEP HOLDER RIDER LH	1
29	JP113005	STEP HOLDER RIDER RH	1
30	JP113015	PIN DOWEL	2
31	JP113027	STEP ASSEMBLY RIDER LH	1
32	JP113028	STEP ASSEMBLY RIDER RH	1
33	JG113007	SPRING TORSION	2
34	JG113800	DUMBLE SPACERS FOR STEPHOLDER	1
35	JP113811	BRACKET GUIDE HOSE REAR	1
36	KAED0610	BOLT-FLANGE-KAE ST-D DIA-06 L-10	1
37	LBU00049	SCREW BUTTON HD-M6X1XL25XSTEPPED	1
38	JG113800	DUMBLE SPACERS FOR STEPHOLDER	2
39	JG113813	BRACKET SIDE STAND SWITCH CABLE	1
40	LAE00015	BOLT FLANGED M6X1	2

390-DUKE MY-21

24. FRAME

oemship +919495961664



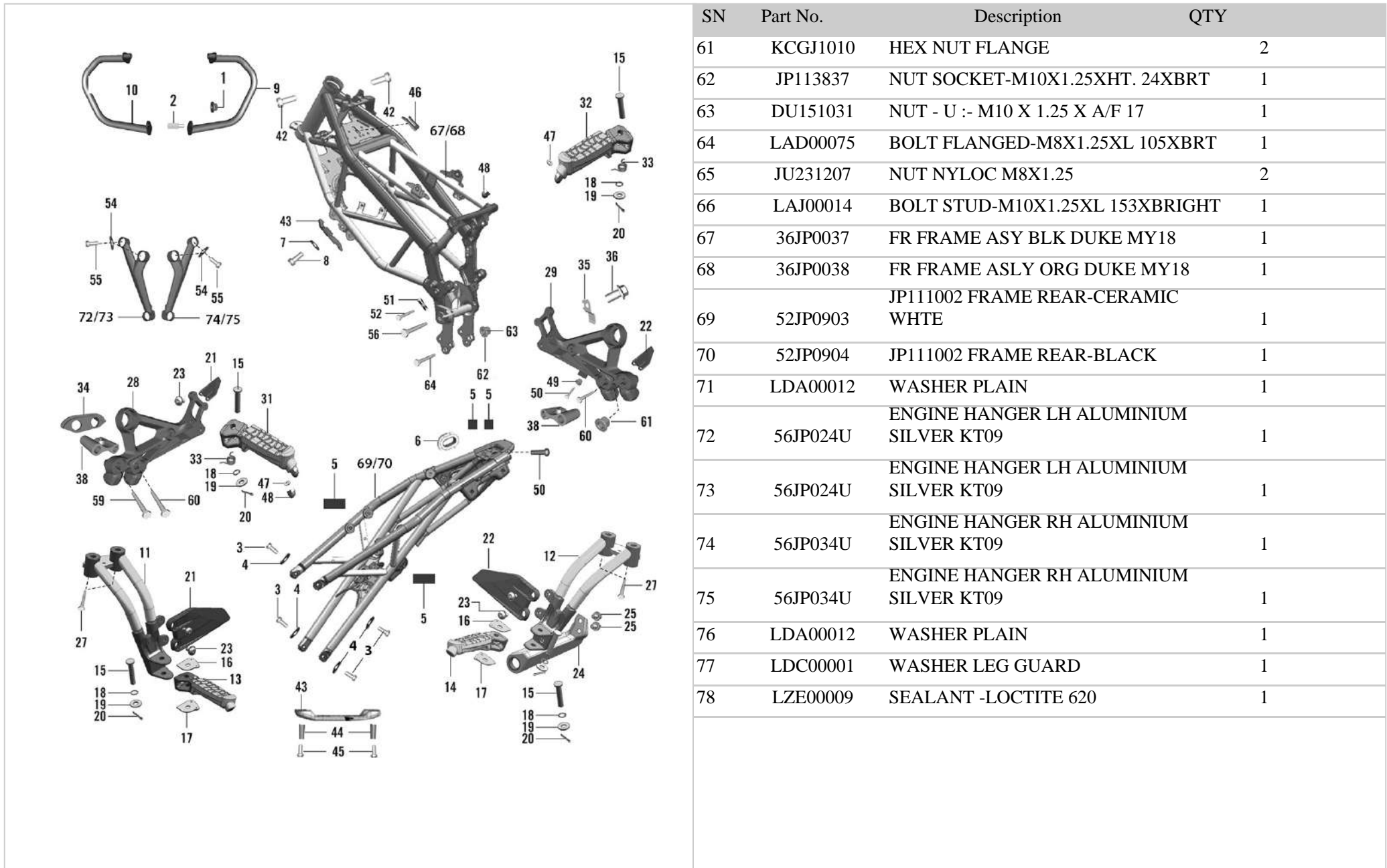
SN	Part No.	Description	QTY
41	JG113802	SPACER - CHAIN TENSIONER MTG	2
42	KADD0612	BOLT FLANGED	2
43	JP113014	BRACKET BRIDGE PILLION STEP	1
44	LAC00115	BOLT SOCKET-M6X1XL18XBLKXPRECOAT	2
45	JG113832	COLLAR	2
46	JP112836	PAD RESTING ECU	1
47	LDB00019	WASHER PLAIN-ID 6.4XOD 20XT 1XBR	2
48	JG113052	BOLT	2
49	KCAD0605	NUT HEX THICK	1
50	KADD0620	BOLT FLANGED	2
51	JG113404	CLIP NUT	2
52	JG113837	BOLT FLANGED M6X1	2
53	JP113802	BRACKET PURGE VALVE LOOSE KT22	1
54	LDB00065	WASHER PLAIN-ID8.5XOD 18XTHK 1.6	4
55	LAC00113	BOLT SOCKET-M8X1.25XL25XCL10.9XBL	4
56	JG113403	BOLT FLANGED M10X1.25	1
57	LAC00061	BOLT SOCKET-M10X1.25XL 135XBRIGHT	1
58	KDAA1018	WASHER PLAIN	1
59	LAD00038	BOLT FLANGE-M10 X 1.25 X L267XBRIGHT	1
60	LAD00039	BOLT FLANGED-M10 X 1.25P X 92L	2

390-DUKE MY-21

24. FRAME

oemship +919495961664

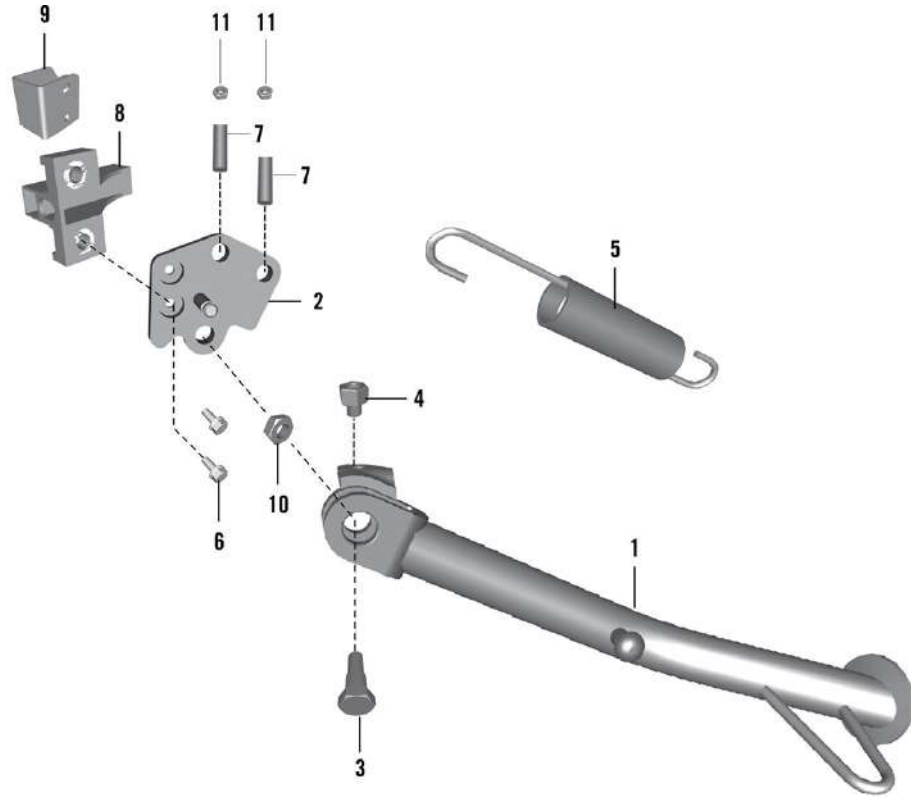




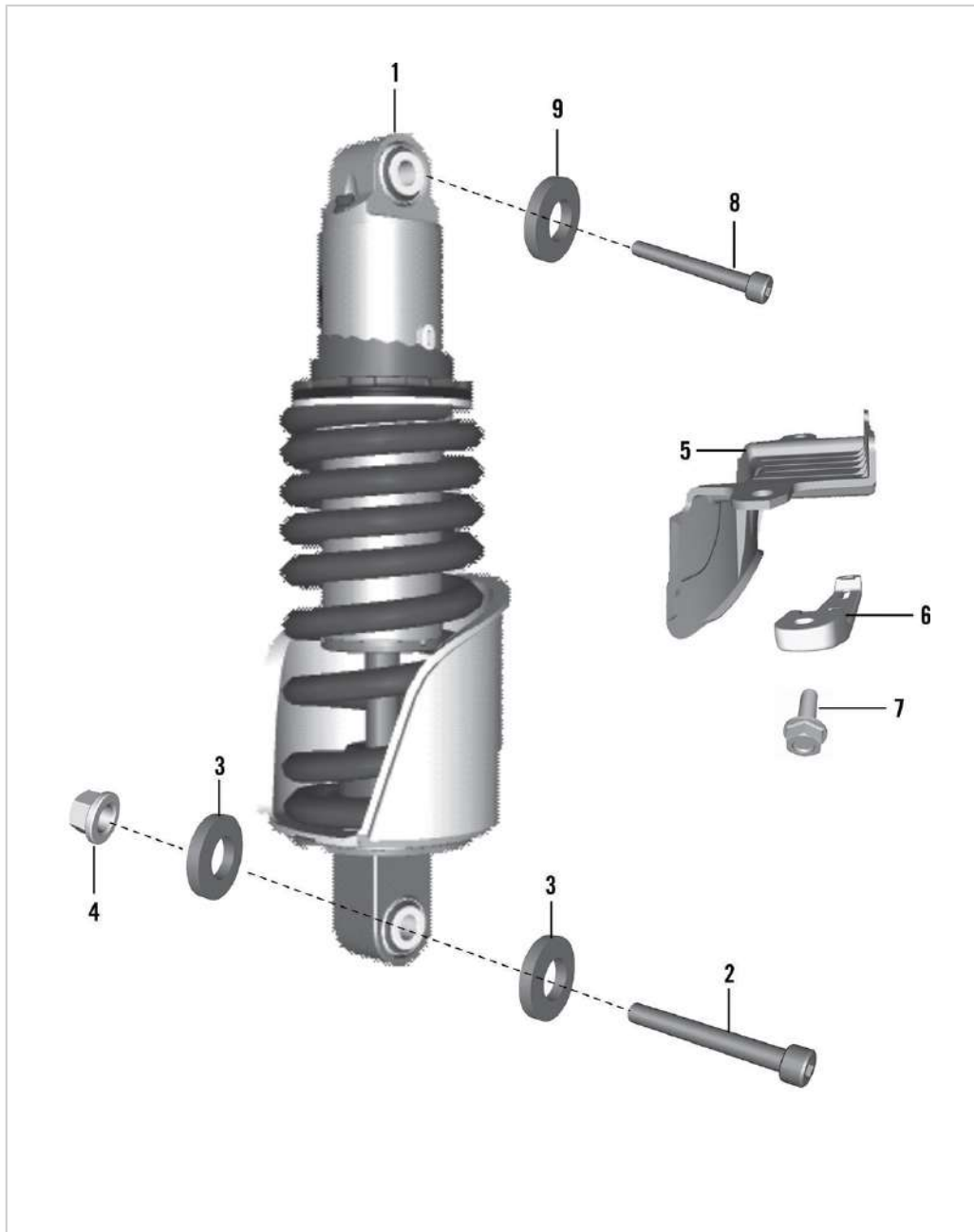
390-DUKE MY-21

25. SIDE STAND

oemship +919495961664



SN	Part No.	Description	QTY
1	JP113203	STAND ASSEMBLY SIDE	1
2	JP113204	PLATE STAND SIDE	1
3	JG113207	BOLT	1
4	JY401415	HOLDER MAGNET	1
5	JU113200	SPRING SIDE STAND WITH COVER	1
6	LAE00010	BOLT FLANGED M5X0.8	2
7	LAJ00019	BOLT STUD- M10X1.25XL20XBRXPRECOAT	2
8	JY401408	SWITCH SIDE STAND MY16	1
9	JY113210	SHIELD SWITCH STAND SIDE	1
10	LCH00001	NUT NYLOC- M10X1.25XHT.11XCL6XBRT	1
11	LCL00006	NUT U FLANG-M10X1.25XHT. 8.5XBRT	2

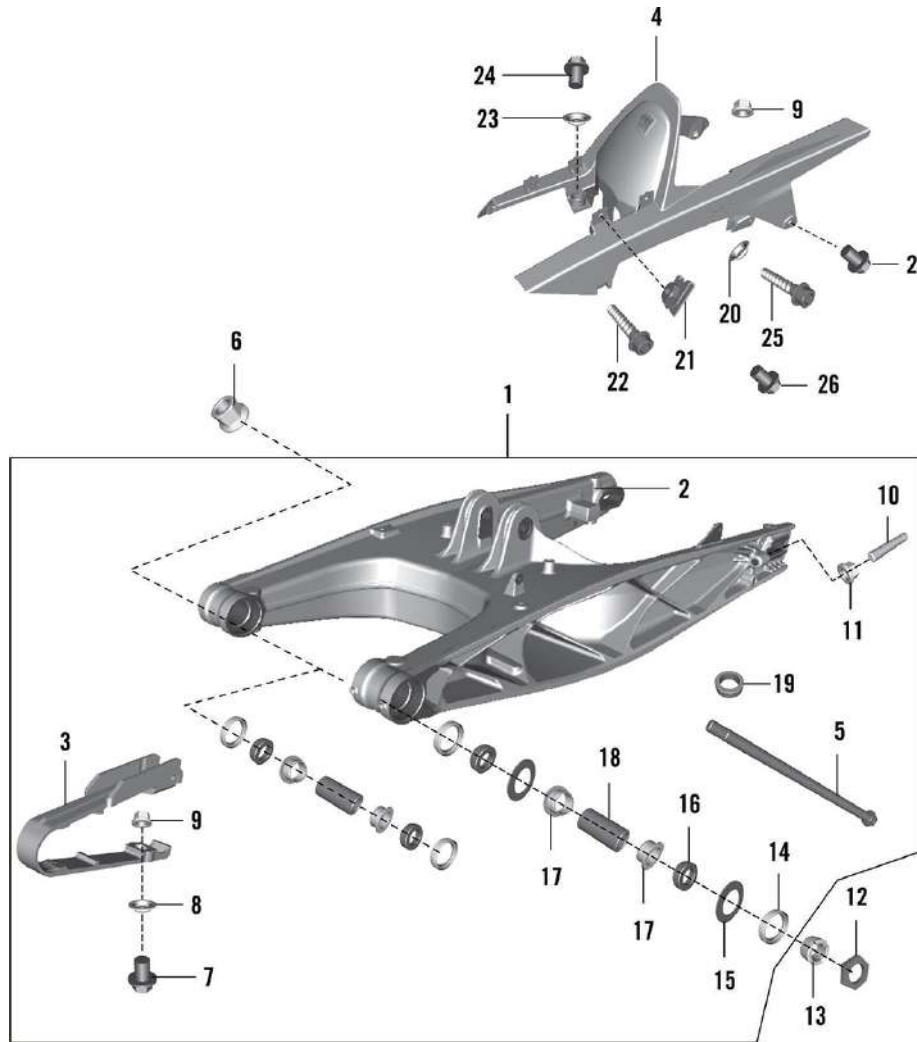


SN	Part No.	Description	QTY
1	JP122023	SHOCKABSORBER REAR	1
2	LAC00006	BOLT SOCKET M10X1.25	1
3	LDB00011	WASHER PLAIN	3
4	LCG00003	NUT FLANGED M10 X 1.25	2
5	JP181404	FLAP PROTECTOR	1
6	JP113014	BRACKET BRIDGE PILLION STEP	1
7	LAC00114	BOLT SOCKET- M6X1XL14XBLKXPRECOAT	2
8	LAC00085	BOLT SOCKET M10X1.25	1
9	39020111	WASHER - PLAIN	1

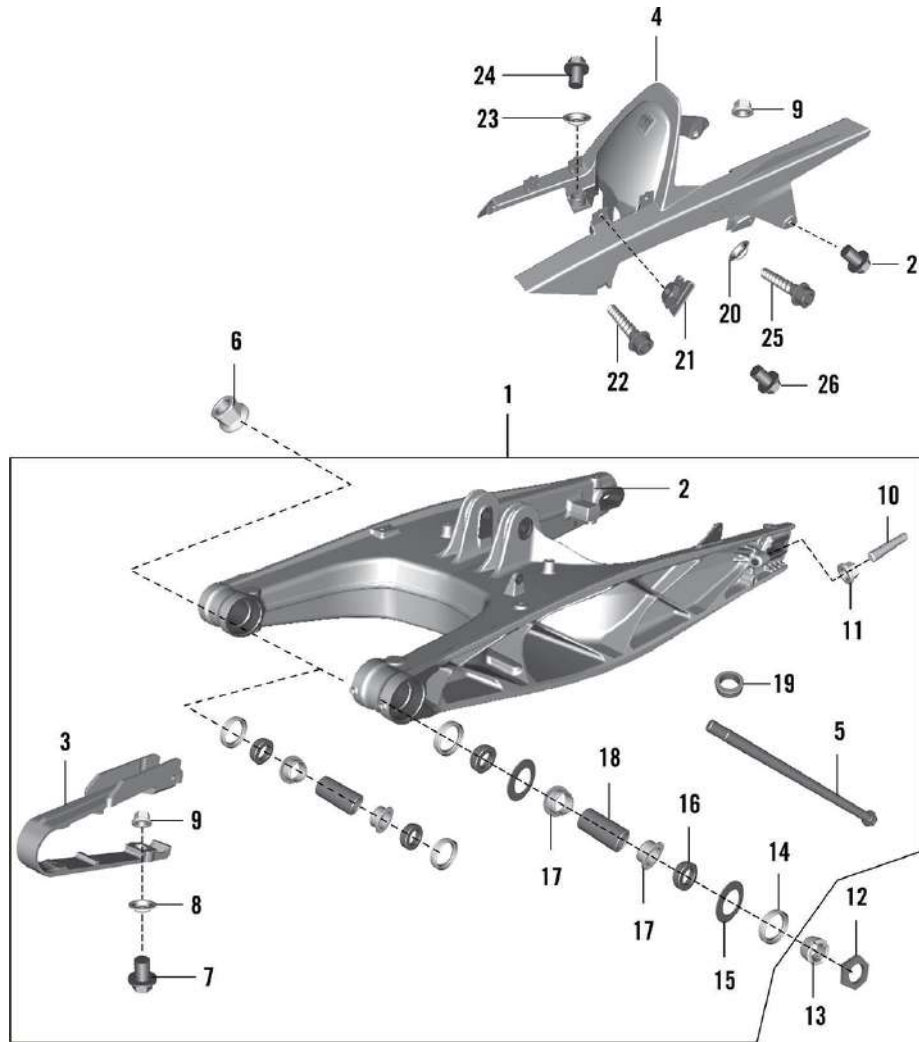
390-DUKE MY-21

27. SWING ARM

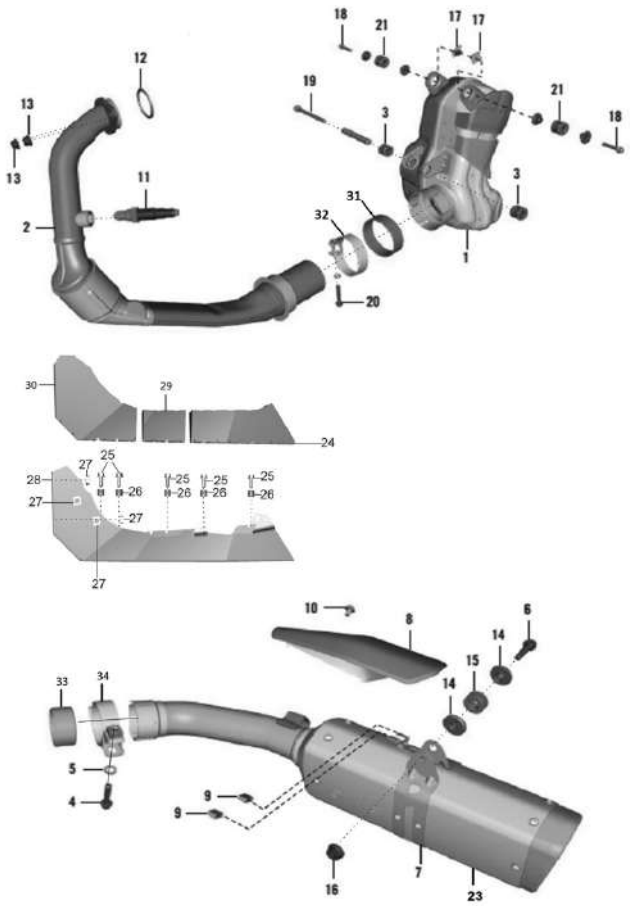
oemship +919495961664



SN	Part No.	Description	QTY
1	JG122044	ASSEMBLY ARM SWING	1
2	LBR00007	SCREW TAPPING PAN CROS-6XL30XBLK	1
3	JG122039	SLIDER CHAIN	1
4	JP181228	CHAIN COVER ASSEMBLY	1
5	JG122016	SHAFT SWING ARM	1
6	LCG00004	NUT FLANGED M14 X 1.5	1
7	JG181273	BOLT CHAIN CASE MTG	1
8	JY122004	SLEEVE CHAIN SLIDER	1
9	LCA00008	NUT	1
10	LAA00007	BOLT HEX M10 X 1.25 X 50	2
11	LCG00003	NUT FLANGED M10 X 1.25	2
12	LDB00055	WASHER PLAIN-ID 15.5XOD 29XTHK 5	2
13	JG122033	WASHER THREADED-SWING ARM STACK	2
14	JG122012	OIL SEAL	4
15	JG122026	WASHER PLAIN	2
16	JG122011	BUSH	4
17	JG122009	IGUS BUSH	4
18	JG122010	COLLAR	2
19	JG122037	SLEEVE	2
20	JG113846	SPACER SLIDER CHAIN	1



SN	Part No.	Description	QTY
21	JG113404	CLIP NUT	2
22	LAC00054	BOLT SOCKET-M6X1XL16XBLKXFL.HEAD	2
23	JP181408	WASHER EXTRUDED	2
24	LAE00050	BOLT FLANGED SMALL-M6X1XL8XBLACK	2
25	LBU00052	SCREW TRUS-M5X0.8XL55XBLXPRECOAT	1
26	LBR00007	SCREW TAPPING PAN CROS-6XL30XBLK	1

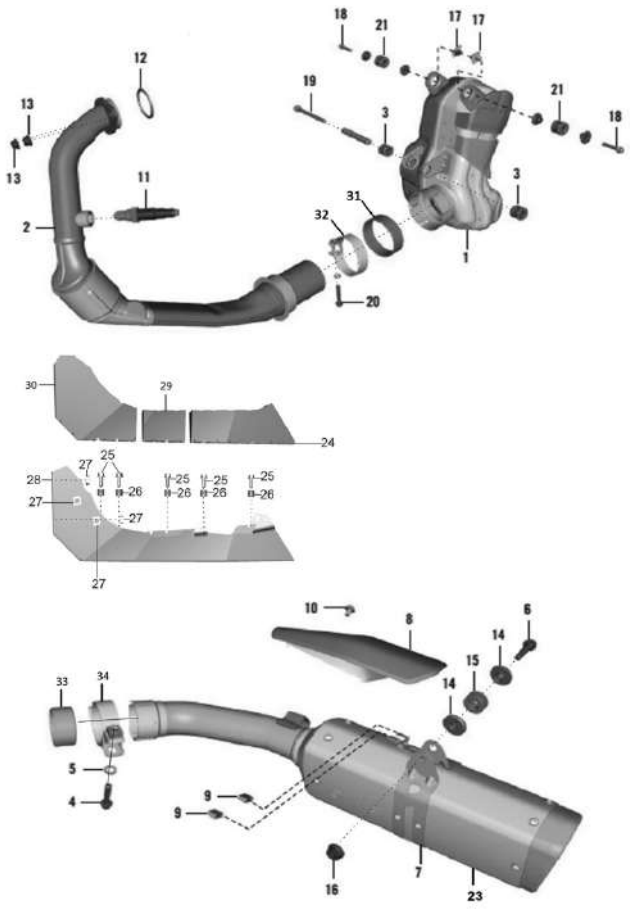


SN	Part No.	Description	QTY
1	52JP0670	ASSEMBLY PREMUFFLER WITH CHILD PARTS	1
2	JP591132	PIPE ASSEMBLY A	1
3	JG591100	DAMPER SILENCER MOUNTING LOWER	2
4	LAD00065	BOLT FLANGED-M8X1.25XL 43	1
5	LDA00009	WASHER PLAIN	2
6	KADD0835	BOLT-FLANGE-KAD ST-D DIA-08 L-35	1
7	JY591226	BRACKET MUFFLER	1
8	JY591297	ASSEMBLY SHIELD MUFFLER	1
9	JY591303	GROMMET SHIELD MUFFLER	2
10	LBU00045	SCREW BUTTON HD-M6X1XL10XPRECOAT	1
11	JP591114	SENSOR OXYGEN	1
12	JG591070	GASKET EXHAUST	1
13	LCG00024	NUT HEX FLANGED-M8X1.25XHT.8XBRT	2
14	JY591245	COLLAR	2
15	JY591246	DAMPER MUFFLER	1
16	KCGN0808	NUT HEX FLANGE-M8X1.25XCL8XDACRO	1
17	JG113404	CLIP NUT	2
18	JG113837	BOLT FLANGED M6X1	2
19	LAD00075	BOLT FLANGED-M8X1.25XL 105XBRT	1
20	LAD00236	BOLT FLANGED-M8X1.25XL50	1

390-DUKE MY-21

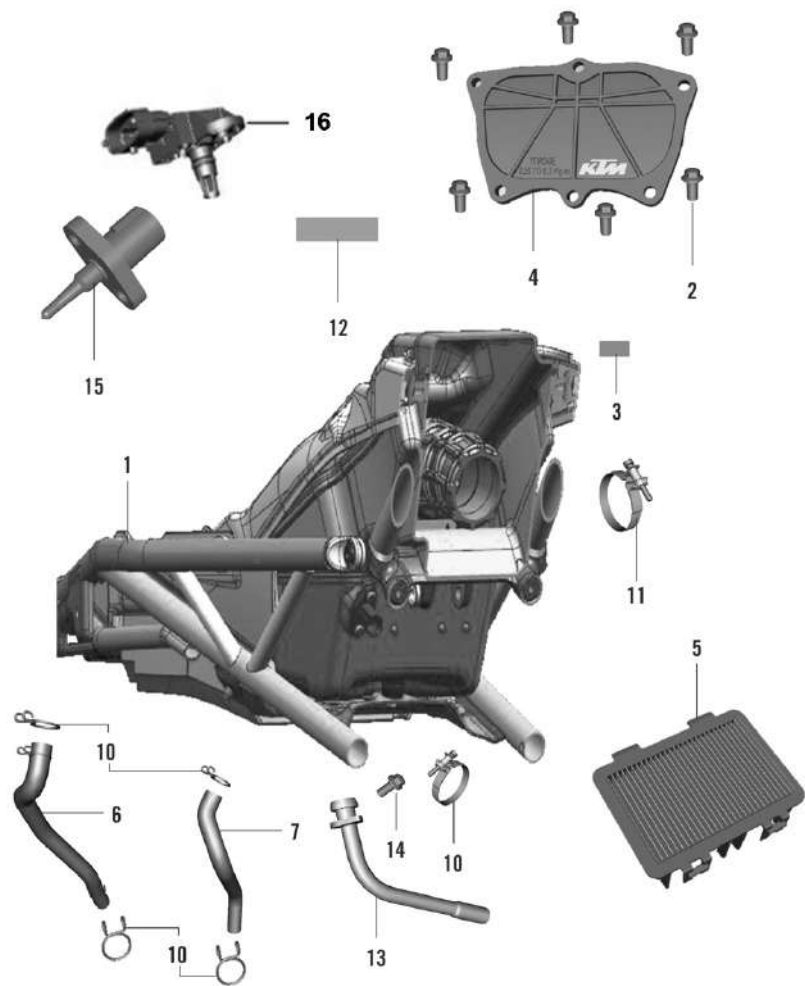
28. EXHAUST SYSTEM

oemship +919495961664

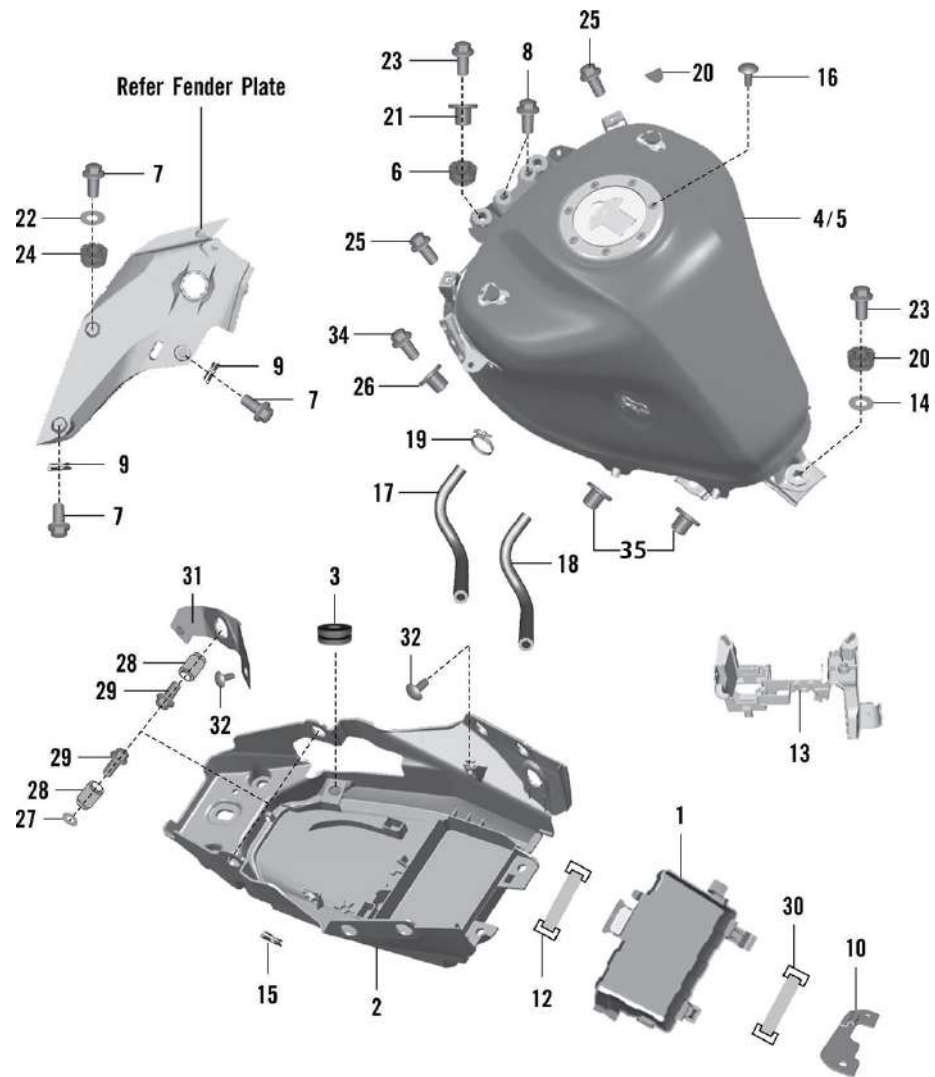


SN	Part No.	Description	QTY
21	JL591165	DAMPER SILENCER MOUNTING LOWER	2
22	LZC00011	ADHESIVE -LOCTITE C5-A COPR BASE	1
23	JP591028	MUFFLER ASSEMBLY SECONDARY	1
24	JP591044	PROTECTOR MUFFLER INNER REAR	1
25	KADD0612	BOLT FLANGED	5
26	JH111172	BUSH	5
27	JG113404	CLIP NUT	7
28	JP591045	PROTECTOR ASSEMBLY MUFFLER OUTER	1
29	JP591043	PROTECTOR MUFFLER INNER MIDDLE	1
30	JP591082	PROTECTOR MUFFLER INNER FRONT	1
31	JP591042	GASKET MUFFLER PRIMARY	1
32	JP591012	CLAMP	1
33	JP591033	GASKET MUFFLER SECONDARY	1
34	JP591013	CLAMP	1





SN	Part No.	Description	QTY
1	JP581059	FILTER ASSEMBLY AIR	1
2	LBU00072	SCREW BUTTON HEAD-M6X1XL 16XBRT	6
3	JP581019	RUBBER DAMPER	2
4	JP581008	CAP TOP COVER	1
5	JP581003	ELEMENT FILTER AIR	1
6	JP581013	BREATHER TUBE	1
7	JP581018	TUBE DRAIN	1
8	KBBA0512	SCREW PAN CROSSSCREW PAN CROSS	2
9	JP581035	SENSOR COVER	1
10	JG581056	CLAMP (BREATHER TUBE)	4
11	JY581405	CLAMP INTAKE PIPE	2
12	JP581036	DUAL LOCK 3M - SIZE 10X15	2
13	JP581014	TUBE OIL RETURN	1
14	LBB00010	SCREW PAN CROSS M5X0.8	1
15	JP351800	SENSOR AIR INTAKE TEMP	1
16	JG351805	SENSOR TMAP	1

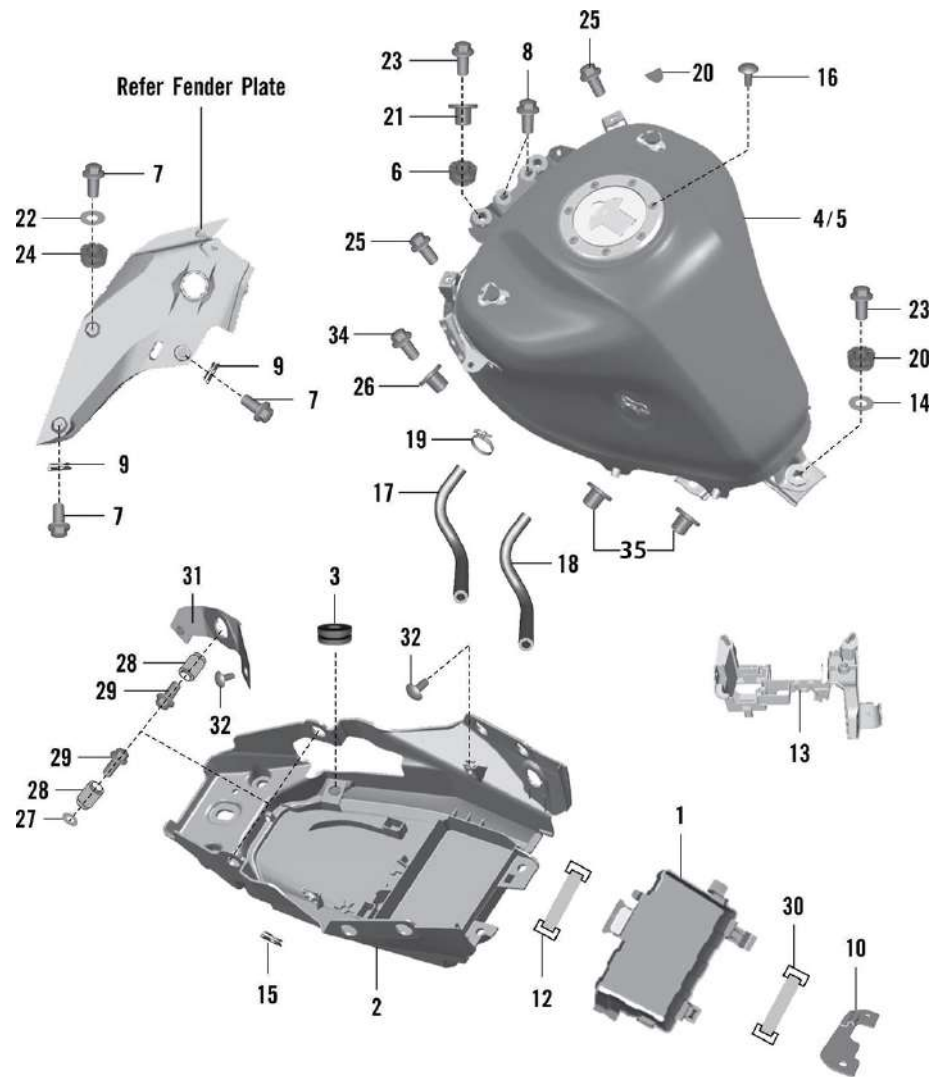


SN	Part No.	Description	QTY
1	JP181297	BOX BATTERY	1
2	JP181002	UNDER TRAY FRONT	1
3	JP181013	GROMMET UNDER TRAY	1
4	56JP23X3	KTM DUKE MY17 TANK BLACK	1
5	56JP23X3	KTM DUKE MY17 TANK BLACK	1
6	JL171020	GROMMET TANK MTG REAR	2
7	JY113821	SCREW BUTTON HEAD- M6X1XL12XBLACK	6
8	LBU00050	SCREW BUTTON HEAD- M6X1XL9XPRECOAT	2
9	JG113404	CLIP NUT	4
10	JP401802	BRACKET BATTERY BAND I	1
11	LAE00022	BOLT FLANGED M6X10 PRECOATED	4
12	JP401800	BAND BATTERY I	1
13	JP181001	BRACKET MOUNT UNIT ELECTRICAL	1
14	LDB00021	WASHER PLAIN-ID 8.4XOD 25XT 2XBR	1
15	JG171031	CLIP NUT M5	2
16	LAC00039	BOLT SOCKET- M5X0.8XL15XCL10.9XBL	7
17	DH141024	PIPE DRAIN	1
18	JP171026	TUBE TANK TO Y CONNECTOR	1
19	JY171090	SPRING BAND CLAMP 13X12	2
20	JP171030	GROMMET LATCH MTG BKT	1

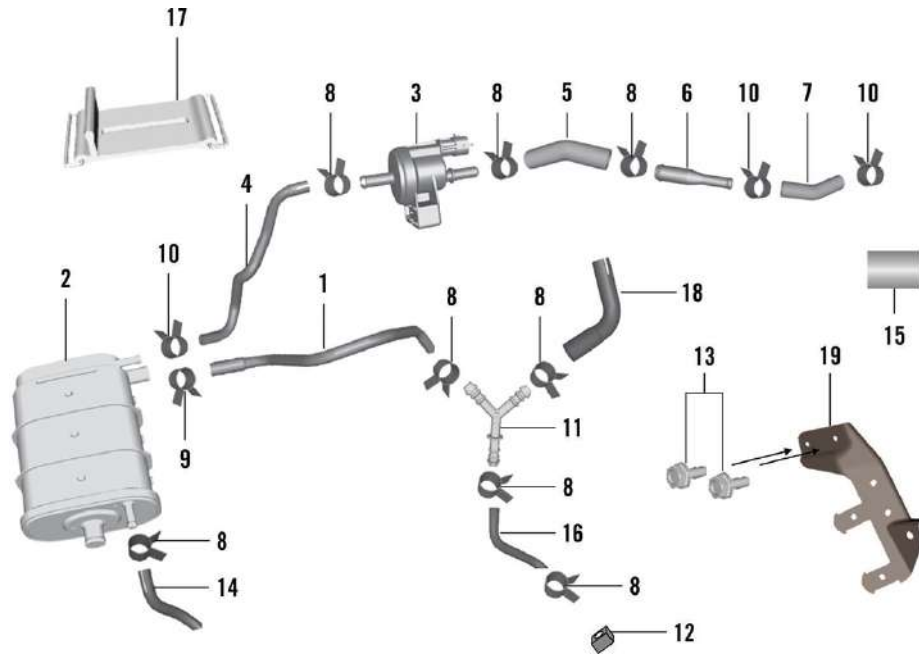
390-DUKE MY-21

30. TANK, COVER

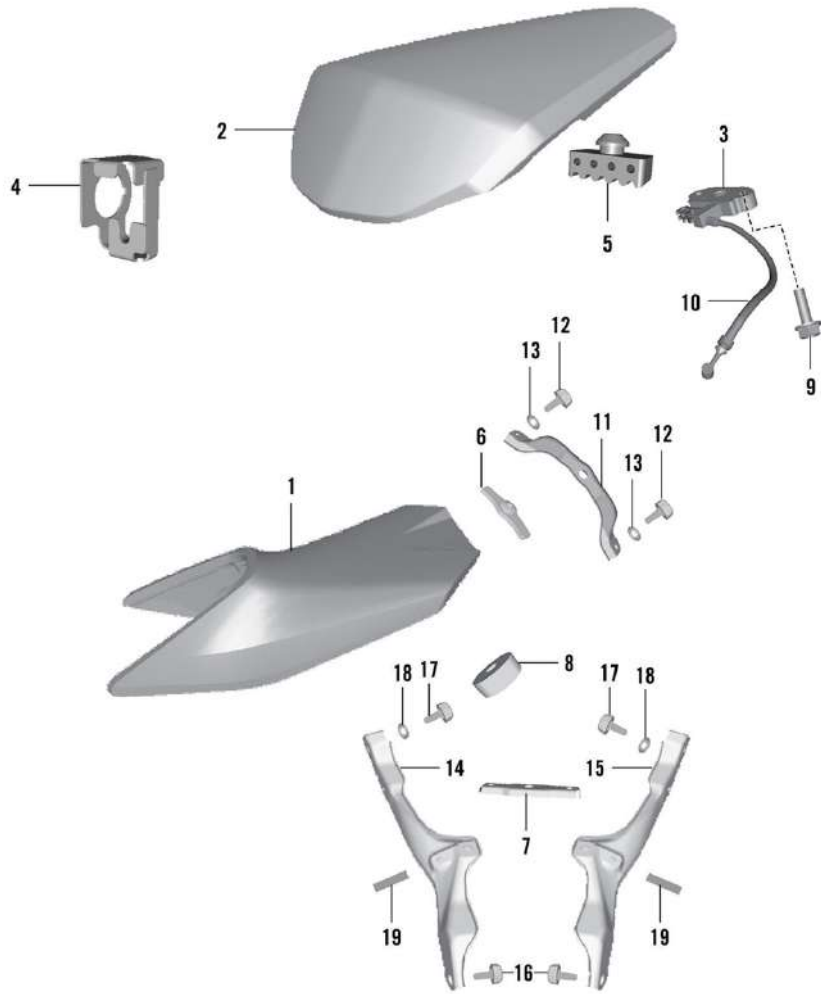
oemship +919495961664



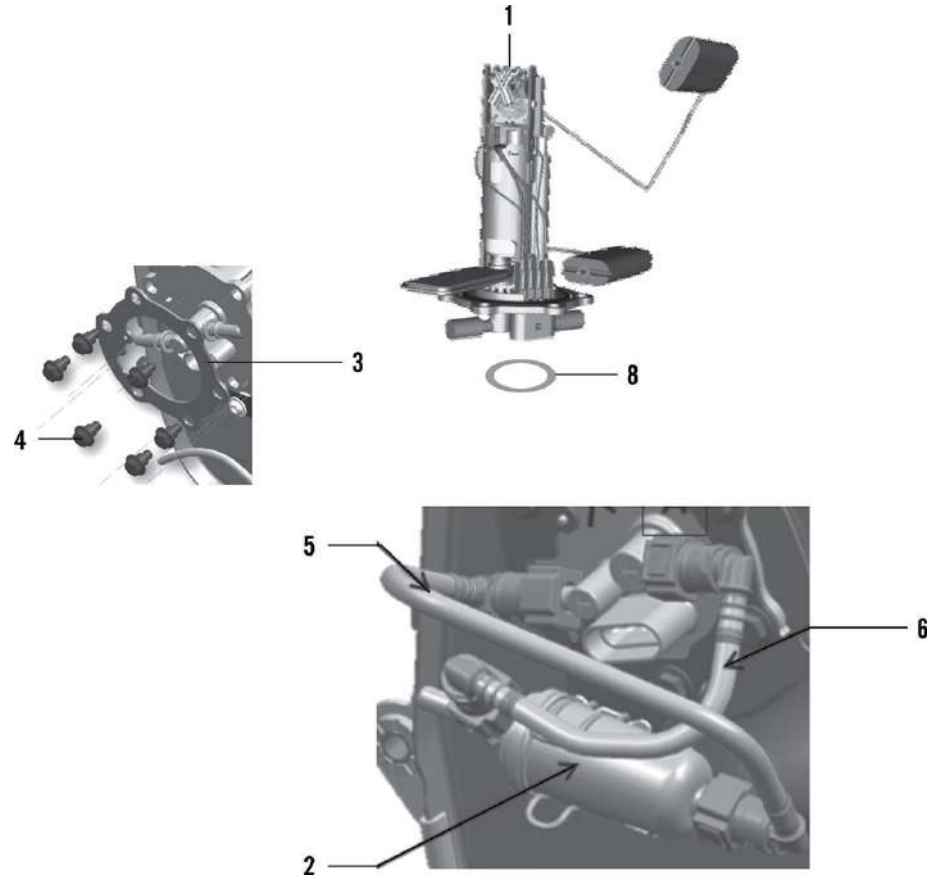
SN	Part No.	Description	QTY
21	JP171057	SLEEVE TANK MTG FRONT	2
22	LDA00018	WASHER 6.2X20X1.5 Black	4
23	KADD0825	BOLT-FLANGE-KAD ST-D DIA-08 L-25	3
24	JP181227	GROMMET SPOILER MTG	2
25	LAA00023	BOLT -M6X1XL 8.5XBLACKXSTEPPED	2
26	JP181278	SLEEVE SPOILER INNER RR MTG	2
27	39020811	WASHER - PLAIN	1
28	JP191012	ASSEMBLY BUSH DAMPER SEAT	2
29	KACA0830	BOLT-SOCKET-KAC ST-A DIA-08 L-30	2
30	JP401801	BAND BATTERY II	1
31	JP581020	BRACKET DUCT DIRTY SIDE	1
32	KBUB0516	SCREW TRUS	2
33	JG171031	CLIP NUT M5	2
34	LAC00054	BOLT SOCKET-M6X1XL16XBLKXFL.HEAD	2
35	JP171056	SLEEVE TANK MTG	4



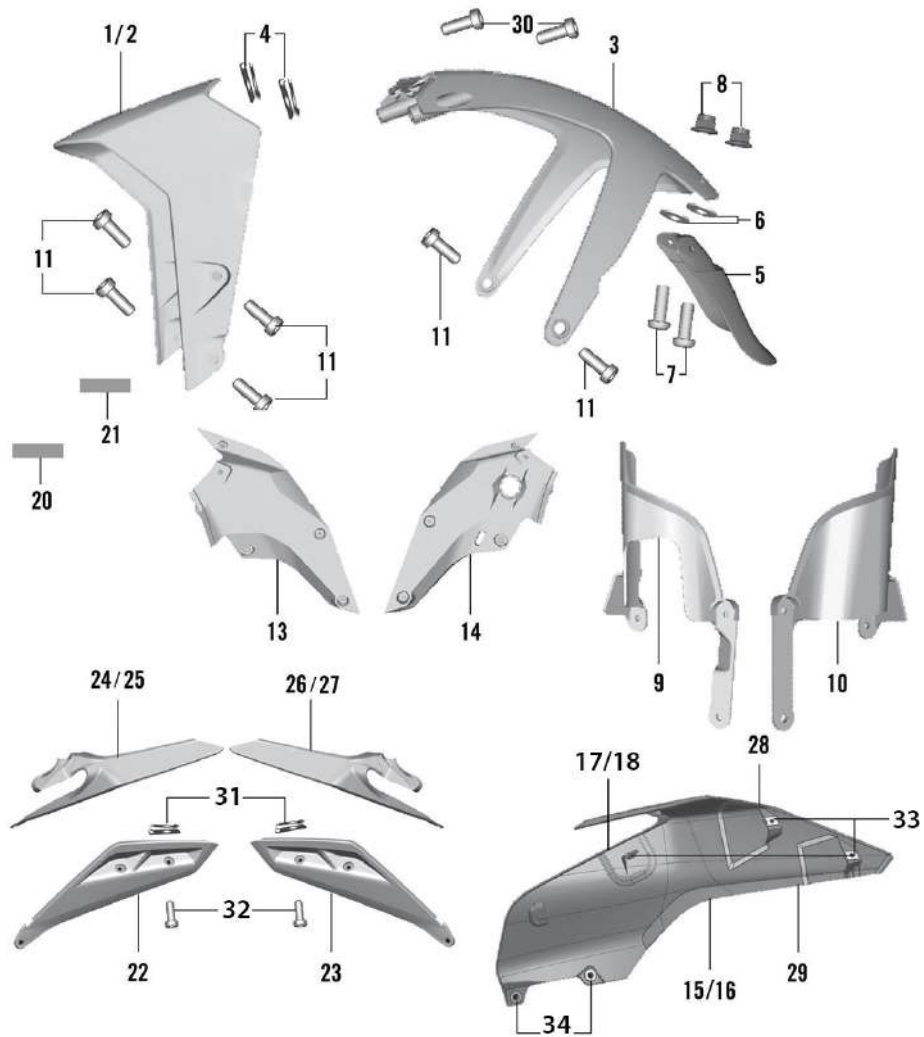
SN	Part No.	Description	QTY
1	JP171038	TUBE 'Y' CONNECTOR TO CANISTER	1
2	JY171077	CANISTER	1
3	JU171606	VALVE PURGE	1
4	JP171074	PIPE CANISTER-VALVE PURGE	1
5	JP171610	PIPE CONNECTOR-VALVE PURGE	1
6	JG171086	CONNECTOR TUBE EVAP	1
7	JP171060	TUBE CONNECTOR TO THROTTLE BODY ETB	1
8	JY171090	SPRING BAND CLAMP 13X12	8
9	JY171069	SPRING BAND CLAMP 15X10	1
10	JY171070	SPRING BAND CLAMP 10.5 X 8.4	3
11	JY113842	CONNECTOR Y SHAPE	1
12	JY171825	PLUG FUEL DRAIN	1
13	KADD0610	BOLT-FLANGE-KAD ST-D DIA-06 L-10	4
14	JP171062	TUBE CANISTER DRAIN	1
15	JZ181000	DUAL TAPE	1
16	JY171824	PIPE CONNECTOR-PLUG	1
17	JZ171055	STRAP CANISTER	2
18	JP171026	TUBE TANK TO Y CONNECTOR	1
19	JP171044	BRACKET CANISTER LOOSE	1



SN	Part No.	Description	QTY
1	JP191000	SEAT ASSEMBLY FRONT	1
2	JP191001	SEAT ASSEMBLY REAR	1
3	JP232601	SEAT LOCK	1
4	JP232600	BRACKET SEAT LOCK	1
5	JP191007	SEAT DAMPER REAR	6
6	JP191010	GROMMET RIDER SEAT	1
7	JP111069	BRACKET BRIDGE LOOSE	1
8	JP111070	DAMPER RUBBER M8	2
9	KADD0620	BOLT FLANGED	2
10	JP232602	SEAT LOCK CABLE	1
11	JP113801	BRACKET SEAT MOUNT LOOSE	1
12	JP113814	DAMPER WITH STUD	2
13	KDBA0818	WASHER PLAIN	2
14	JP111067	BRACKET SPIDER LH	1
15	JP111068	BRACKET SPIDER RH	1
16	LAD00145	BOLT FLANGE- M8X1.25XL26XBRTXSTEP	2
17	LAC00100	BOLT SOCKET-M8X1.25XL 31XBLACK	4
18	39122411	WASHER - PLAIN	4
19	JY191008	DAMPER	2



SN	Part No.	Description	QTY
1	JY171861	PUMP FUEL	1
2	DT171814	INLINE FUEL FILTER (QUICK CONNECTOR)	1
3	JP171031	PLATE PRESSURE FUEL PUMP	1
4	LAD00154	BOLT FLANGE-M6X1XL 12.8XBRTXSTEP	6
5	JP171008	ASSEMBLY QC AND HOSE PUMP TO FUEL FILTER	1
6	JP171005	ASSLY QC AND HOSE FUEL FILTER TO REGULAT	1
7	JY402235	PIGTAIL PH-3 FUEL PUMP	1
8	JY171146	RING O	1



SN	Part No.	Description	QTY
1	JP233145	DECAL FAIRING LH SILVER	1
		DUKE 200 FRONT FENDER CERAMIC WHITE	
1	56JP0544		1
2	JP233146	DECAL FAIRING RH SILVER	1
		KTM DUKE MY17 FRONT FENDER EBONY BLACK	
2	56JP05X3		1
3	JY181408	FENDER FRONT REAR	1
3	JP233147	DECAL TANK LH SILVER	1
4	JG113404	CLIP NUT	2
4	JP233153	DECAL TANK LH WHITE	1
5	JP181415	FLAP FENDER FRONT	1
5	JP233148	DECAL TANK RH SILVER	1
6	JP233154	DECAL TANK RH WHITE	1
6	KDBF0512	WASHER PLAIN-ID5.5XOD12XT0.8XBLK	3
7	JP233119	DECAL COWL SEAT LH SILVER	1
7	BF185019	CLIP PLASTIC RIVET	3
8	KCKE0507	NUT NYLOC FL-M5X0.8XHT. 7.1XBLK	3
8	JP233149	DECAL COWL SEAT LH WHITE	1
9	JP181417	PROTECTOR FORK LH	1
9	JP233120	DECAL COWL SEAT RH SILVER	1
10	JP233150	DECAL COWL SEAT RH WHITE	1
10	JP181418	PROTECTOR FORK RH	1
11	JP233169	DECAL WHEEL FRONT LH BLACK	1
11	LBU00059	SCREW BUTTON HD-M6X1XL13XSTEPPED	6
12	JZ171021	WASHER VAPOUR SEALING	6
12	JP233172	DECAL WHEEL FRONT LH ORANGE	1



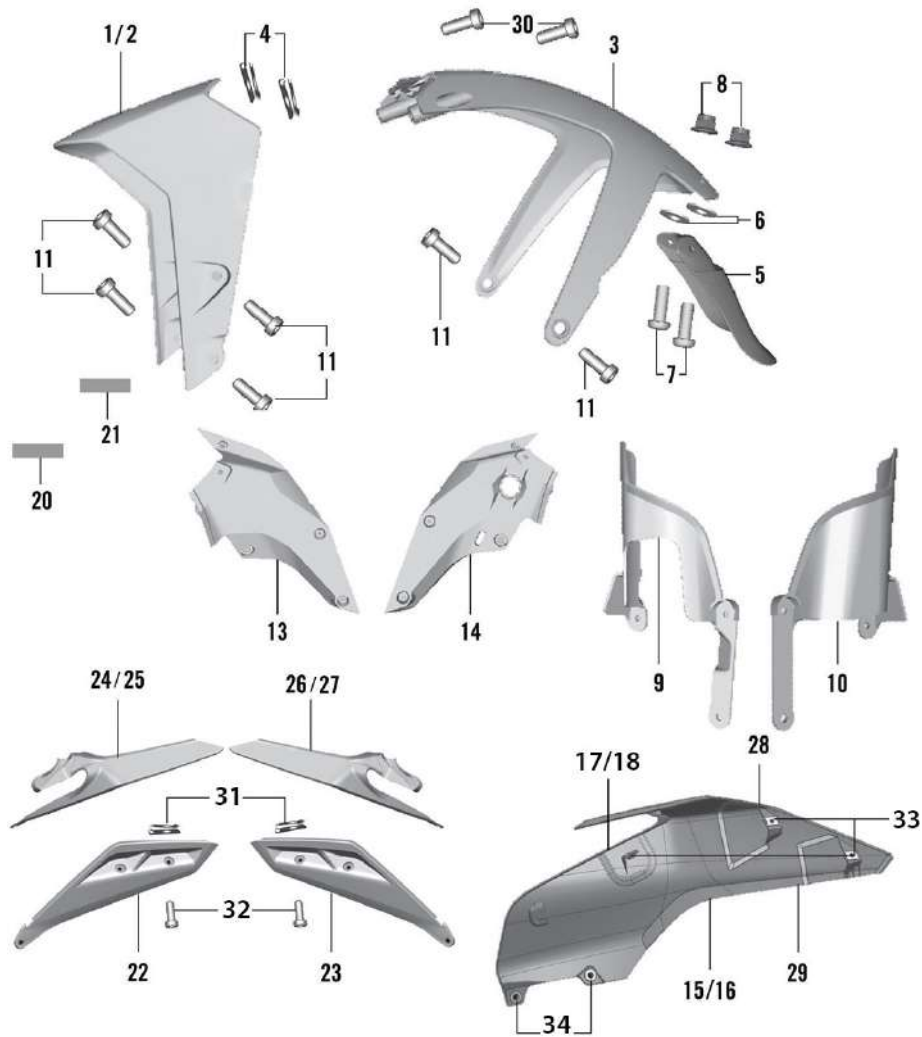
13	JP181219	TANK SPOILER INNER LH	1
13	JP233170	DECAL WHEEL FRONT RH BLACK	1
14	JP181218	TANK SPOILER INNER RH	1
14	JP233173	DECAL WHEEL FRONT RH ORANGE	1
15	JP233130	DECAL WHEEL REAR LH BLACK	1
15	52JP0887	DUKE 390 TCOVER LH CER WHITE + DCL	1
16	JP233121	DECAL WHEEL REAR LH ORANGE	1
16	52JP0915	DUKE 390 TCVR LH SILVER METALLIC MAT+DCL	1
17	52JP0885	DUKE 390 TCOVER RH CER WHITE + DCL	1
17	JP233171	DECAL WHEEL REAR RH BLACK	1
18	52JP0913	DUKE 390 TCVR RH SILVER METALLIC MAT+DCL	1
18	JP233174	DECAL WHEEL REAR RH ORANGE	1
19	JP181296	GROMMET SPOILER TANK	2
19	JP233122	EMBLEM KTM LH	1
20	JP233122	EMBLEM KTM LH	1

**390-DUKE MY-21**

**34. FENDERS & SIDE FAIRING**

oemship +919495961664

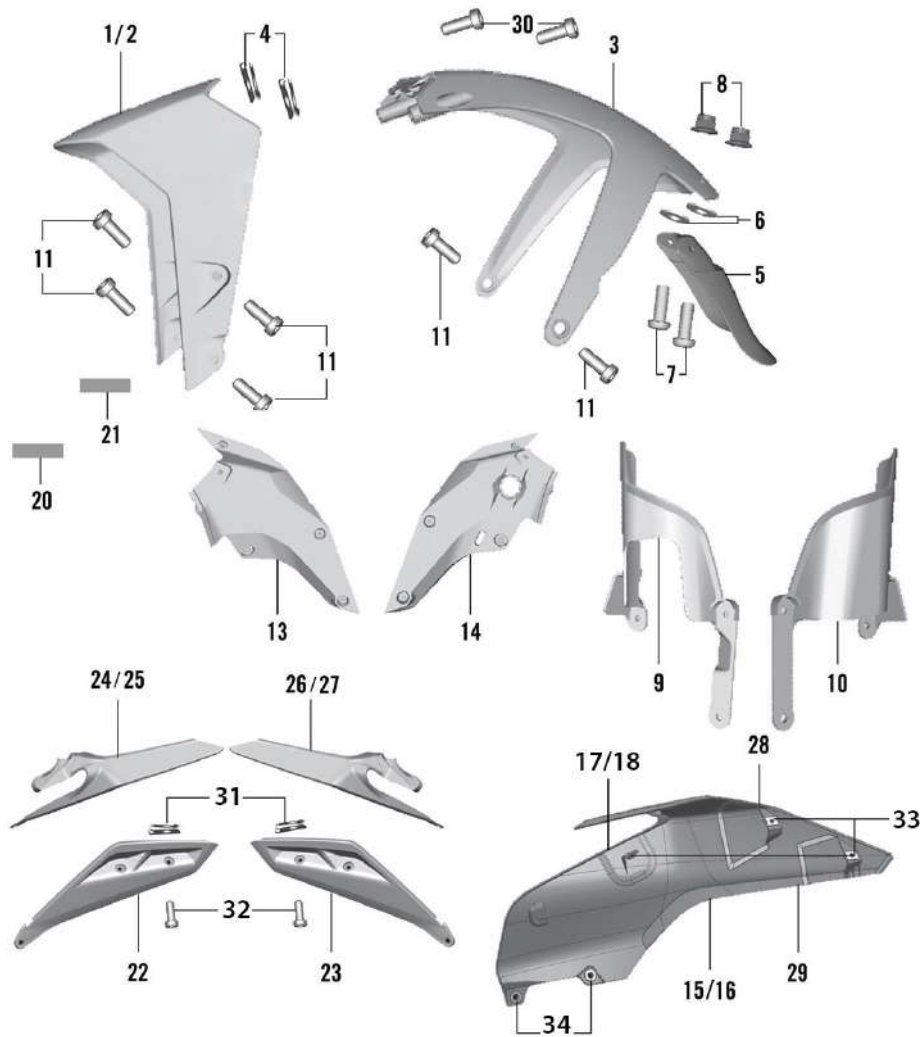
SN	Part No.	Description	QTY
20	JP181015	TAPE COVER TANK LH	1



390-DUKE MY-21

34. FENDERS & SIDE FAIRING

oemship +919495961664



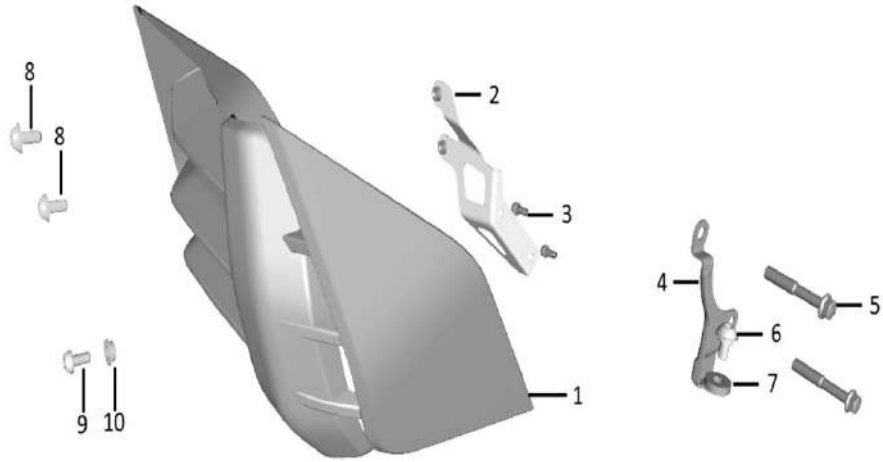
SN	Part No.	Description	QTY
21	JP233123	EMBLEM KTM RH	1
21	JP181016	TAPE COVER TANK RH	1
22	52JP0069	SEAT COWL LOWER LH+DCALKT22	1
22	JP233123	EMBLEM KTM RH	1
23	52JP0071	SEAT COWL LOWER RH+DCALKT22	1
23	JP233145	DECAL FAIRING LH SILVER	1
24	52JP0891	DUKE 390 SEAT COWL LH CER WHITE + DCL	1
24	JP233146	DECAL FAIRING RH SILVER	1
25	52JP0936	DUKE 250 SEAT COWL LH EB BLACK + DCL	1
26	52JP0889	DUKE 390 SEAT COWL RH CER WHITE + DCL	1
27	52JP0932	DUKE 250 SEAT COWL RH EBONY BLACK + DCL	1
28	52JP0087	DUKE MY17 TANK COVER RH WHI+DCALKT22	1
29	52JP0079	DUKE MY17 TANK COVER LH WHI+DCALKT22	1
30	KACF0616	BOLT SOCKET-M6X1XL 16XCL 8.8XBRT	2
31	JG171031	CLIP NUT M5	4
32	KBUA0512	SCREW TRUSS	4
33	DJ181065	NUT - CLIP :- M6	6
34	JP181227	GROMMET SPOILER MTG	4

390-DUKE MY-21

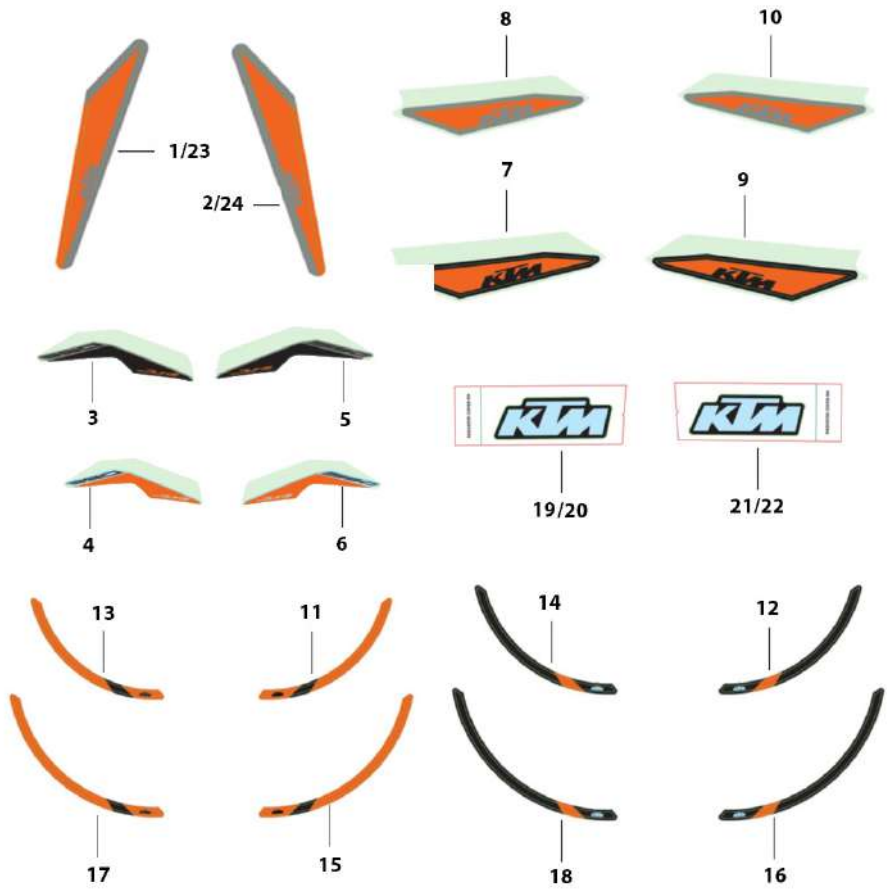
35. BELLY PAN

oemship +919495961664

SN	Part No.	Description	QTY
1	JP181326	BELLY PAN	1
2	JP181330	BRACKET BELLY PAN RH	1
3	KAED0510	BOLT-FLANGED-SMALL	2
4	JP181329	BRACKET BELLY PAN LH	1
5	KAED0635	BOLT-FLANGE-KAE ST-D DIA-06 L-35	2
6	LBU00050	SCREW BUTTON HEAD-M6X1XL9XPRECOAT	1
7	JY181255	WASHER END CAP	1
8	JY113821	SCREW BUTTON HEAD-M6X1XL12XBLACK	2
9	LBU00064	SCREW BUTN HD-M5X0.8XL10XPRECOAT	1
10	JH181262	COLLAR	1



SN	Part No.	Description	QTY
1	JP233145	DECAL FAIRING LH SILVER	1
2	JP233146	DECAL FAIRING RH SILVER	1
3	JP233147	DECAL TANK LH SILVER	1
4	JP233153	DECAL TANK LH WHITE	1
5	JP233148	DECAL TANK RH SILVER	1
6	JP233154	DECAL TANK RH WHITE	1
7	JP233119	DECAL COWL SEAT LH SILVER	1
8	JP233149	DECAL COWL SEAT LH WHITE	1
9	JP233120	DECAL COWL SEAT RH SILVER	1
10	JP233150	DECAL COWL SEAT RH WHITE	1
11	JP233169	DECAL WHEEL FRONT LH BLACK	1
12	JP233172	DECAL WHEEL FRONT LH ORANGE	1
13	JP233170	DECAL WHEEL FRONT RH BLACK	1
14	JP233173	DECAL WHEEL FRONT RH ORANGE	1
15	JP233130	DECAL WHEEL REAR LH BLACK	1
16	JP233121	DECAL WHEEL REAR LH ORANGE	1
17	JP233171	DECAL WHEEL REAR RH BLACK	1
18	JP233174	DECAL WHEEL REAR RH ORANGE	1
19	JP233122	EMBLEM KTM LH	1
20	JP233122	EMBLEM KTM LH	1



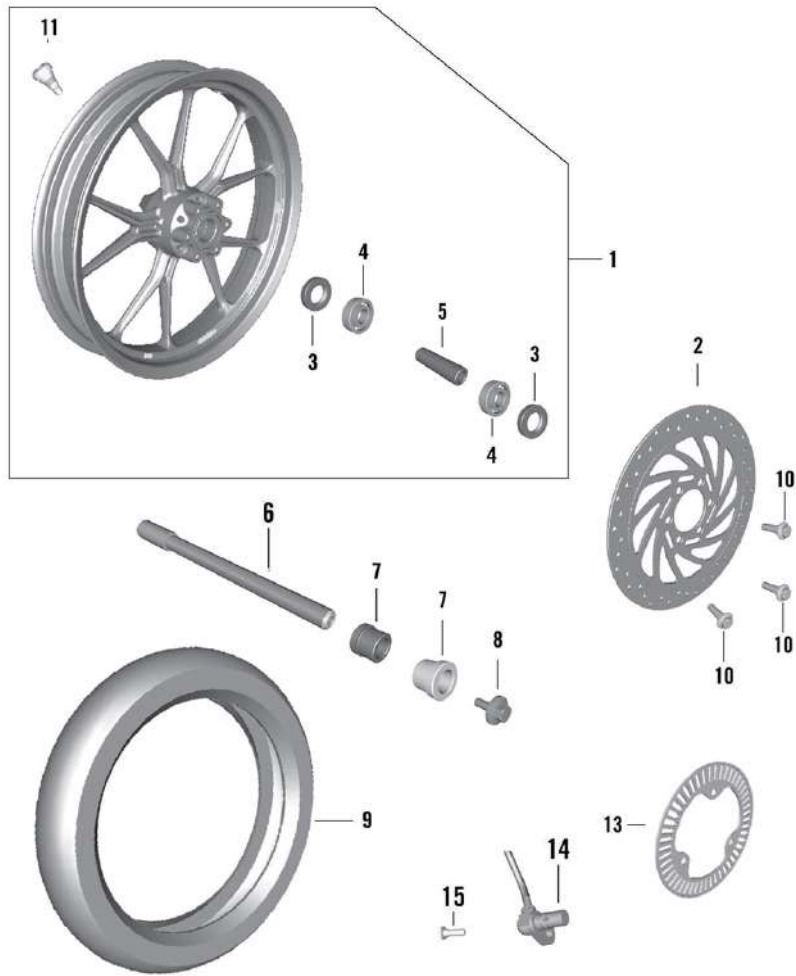
SN	Part No.	Description	QTY
21	JP233123	EMBLEM KTM RH	1
22	JP233123	EMBLEM KTM RH	1
23	JP233145	DECAL FAIRING LH SILVER	1
24	JP233146	DECAL FAIRING RH SILVER	1

390-DUKE MY-21

37. FRONT WHEEL

oemship +919495961664



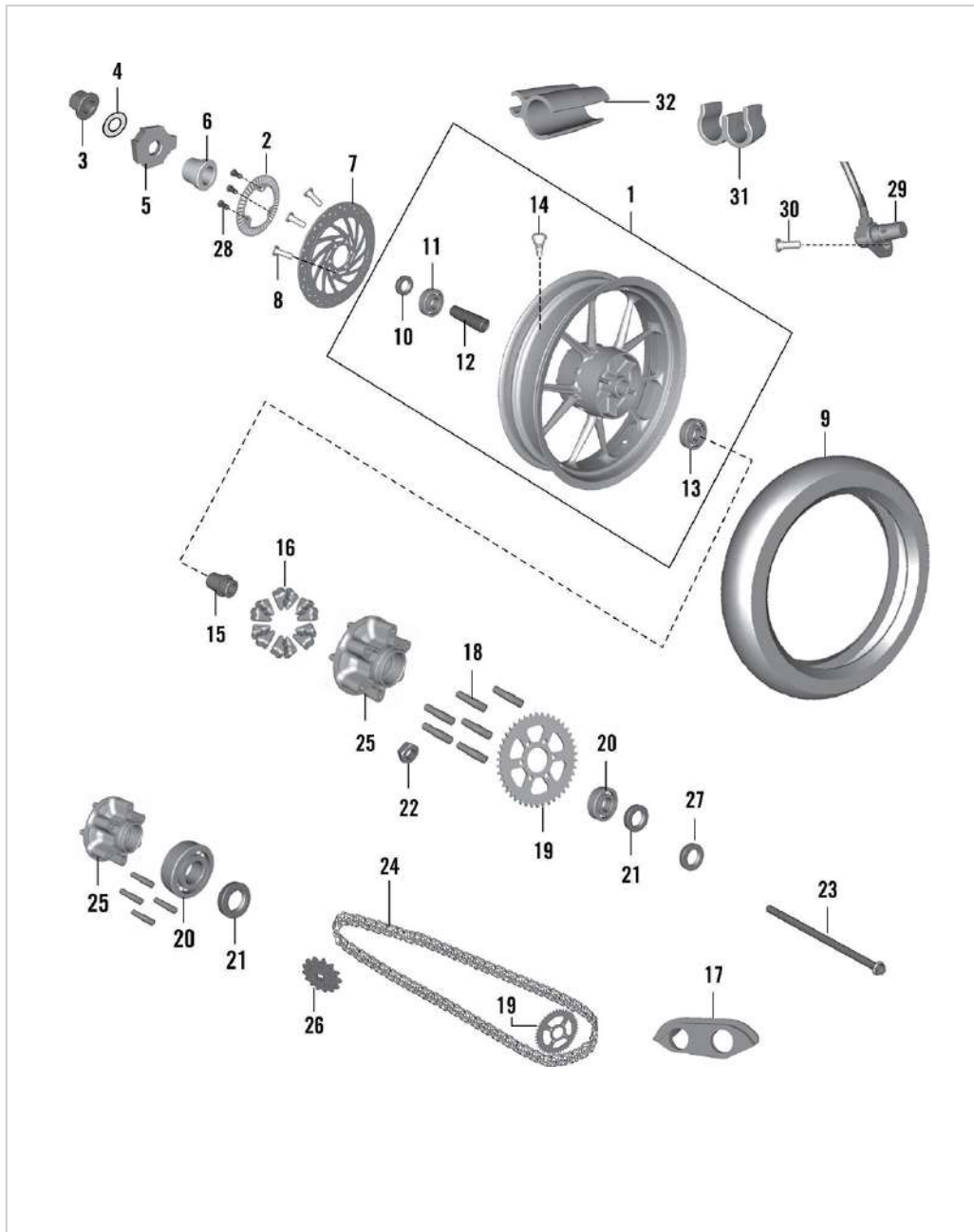
SN	Part No.	Description	QTY
1	36JY0205	KIT FR WHEEL ELEC ORANGE MY17	1
2	JF131876	DISC BRAKE DIA 320	1
3	DG151005	SEAL - OIL	2
4	KPBC6202	BEARING-BALL-C3 CLEARANCE	2
5	JG131001	SLEEVE ASSEMBLY	1
6	JP131009	AXLE -DIA. 15XL 185XBRIGHT	1
7	JG131020	COLLAR CH 0.7_0.9	2
8	JG131007	BOLT FLANGED M8X1.25	1
9	JG131008	TYRE FRONT 110/70 R17 TL	1
10	JD131811	SCREW SOCKET STEP M8X1.25	6
11	DK151026	VALVE TUBELESS TYRE	1
12	JG403603	CLAMP SENSOR CABLE HOLDING	3
13	DT131867	SENSOR DISC FRONT K7	1
14	DT402404	SENSOR SPEED WHEEL	1
15	LAD00093	BOLT M6 (ABS SENSOR MTG)	2

390-DUKE MY-21

38. REAR WHEEL

oemship +919495961664



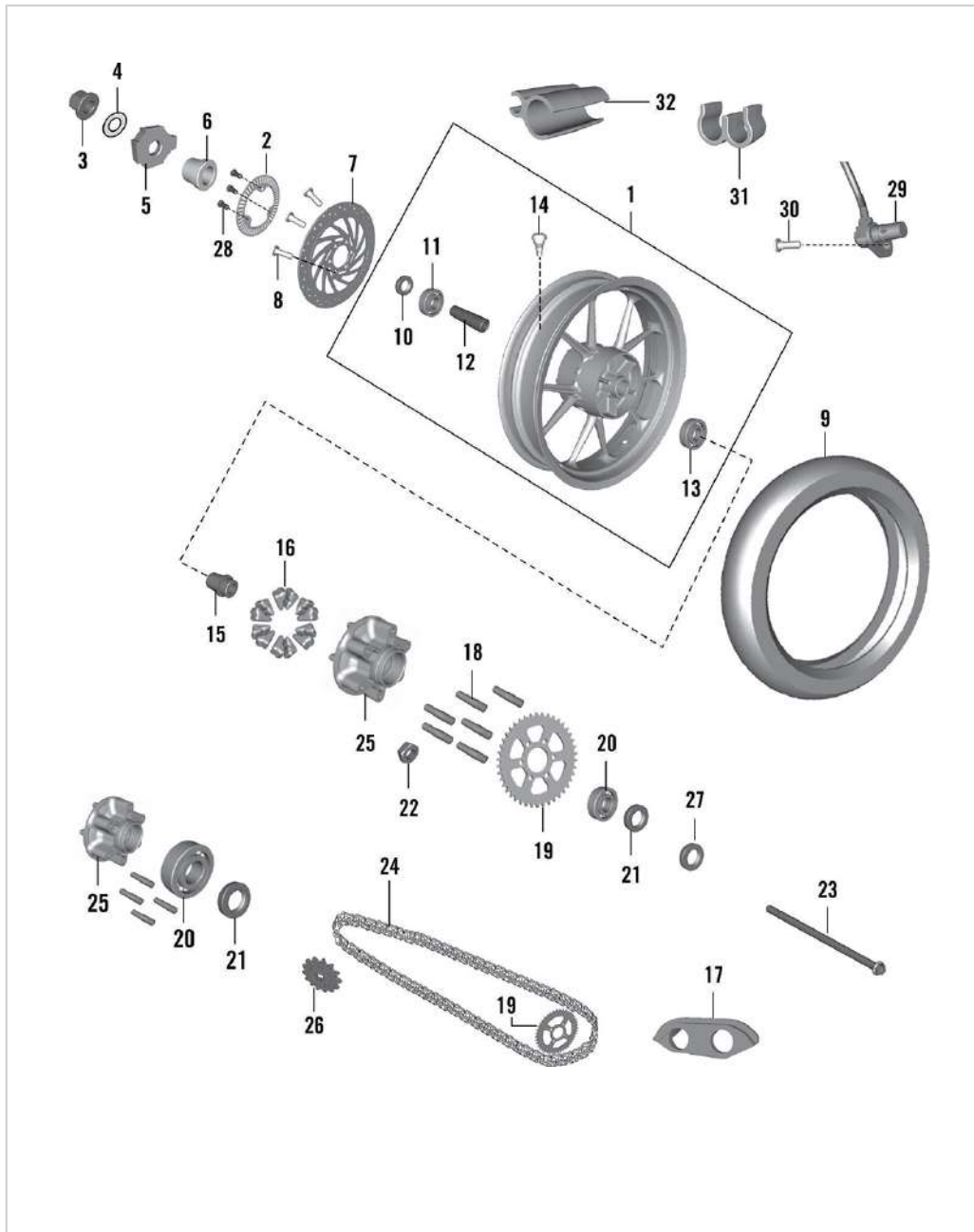


SN	Part No.	Description	QTY
1	36JY0206	KIT RR WHEEL ELEC ORANGE MY17	1
2	JU131802	SENSOR DISC REAR	1
3	DH171019	NUT - U :- SWING ARM	1
4	LDB00034	WASHER PLAIN-ID 15.2XOD 30XTHK 2	2
5	JG122007	CHAIN ADJUSTER RH	2
6	JG131211	SPACER	1
7	JG131809	DISC BRAKE DIA 230	1
8	JD131811	SCREW SOCKET STEP M8X1.25	6
9	JG131221	TYRE REAR 150/60 R17 TL	1
10	30151082	SEAL OIL	1
11	KPBC6302	BEARING-BALL-C3 CLEARANCE	1
12	JG131205	SLEEVE ASSEMBLY	1
13	KPBC6202	BEARING-BALL-C3 CLEARANCE	2
14	DK151026	VALVE TUBELESS TYRE	1
15	DT131210	SLEEVE	1
16	JY131201	DAMPER 6 RUBBER	6
17	JG122015	CHAIN GUIDE	1
18	JG131228	BOLT D-M8X1.25XL48XCL 10.9XBLACK	6
19	JG131236	SPROCKET 45 T	1
20	KPAC6205	BEARING BALL ORDINARY CLEARANCE	1

390-DUKE MY-21

38. REAR WHEEL

oemship +919495961664

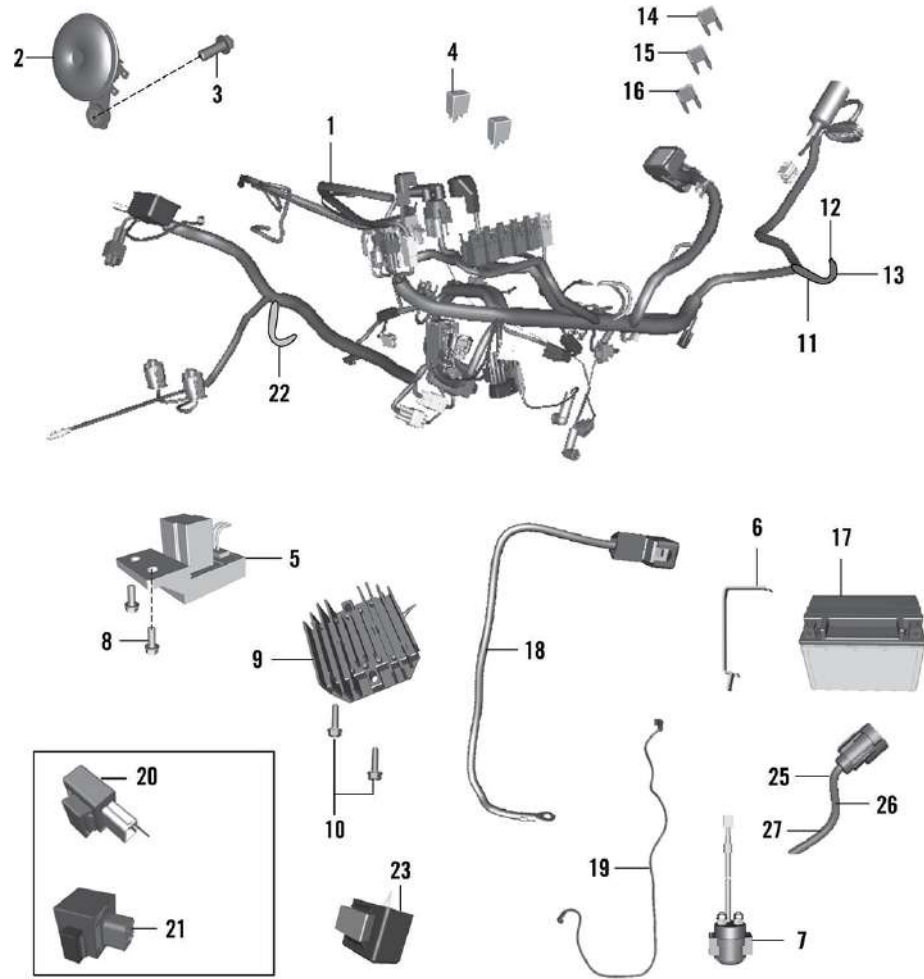


SN	Part No.	Description	QTY
21	DT131214	SEAL OIL 52 DIA	1
22	LCL00004	NUT U FLANGE-M8X1.25XHT8.5XBRT	6
23	JG131224	AXLE -M14X1.5XL 295XBRIGHT	1
24	JG141001	CHAIN 520 H O RINGS	1
25	DT131213	COUPLING 6 LUG	1
26	JY551029	SPROCKET DRIVE	1
27	JG131209	SPACER	1
28	JG131220	SCREW PAN CROSS-M6X1XL12XPRECOAT	3
29	DT402404	SENSOR SPEED WHEEL	1
30	LAD00093	BOLT M6 (ABS SENSOR MTG)	2
31	JG403603	CLAMP SENSOR CABLE HOLDING	3
32	JG113858	CLAMP FOR BRAKE HOSE	2

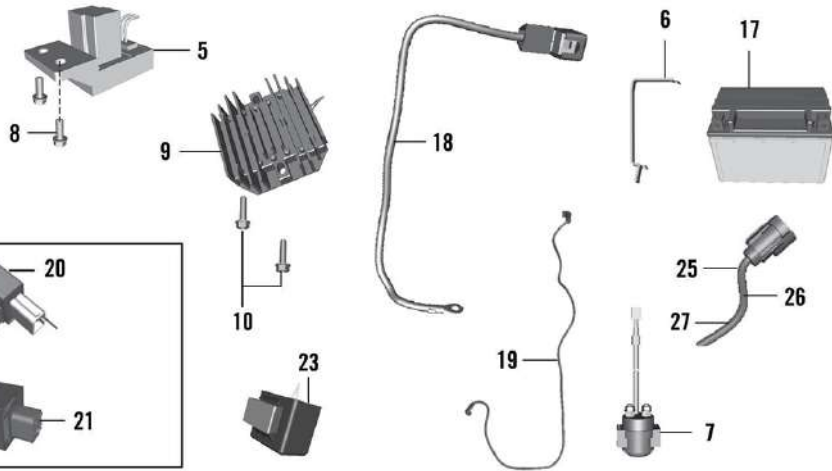
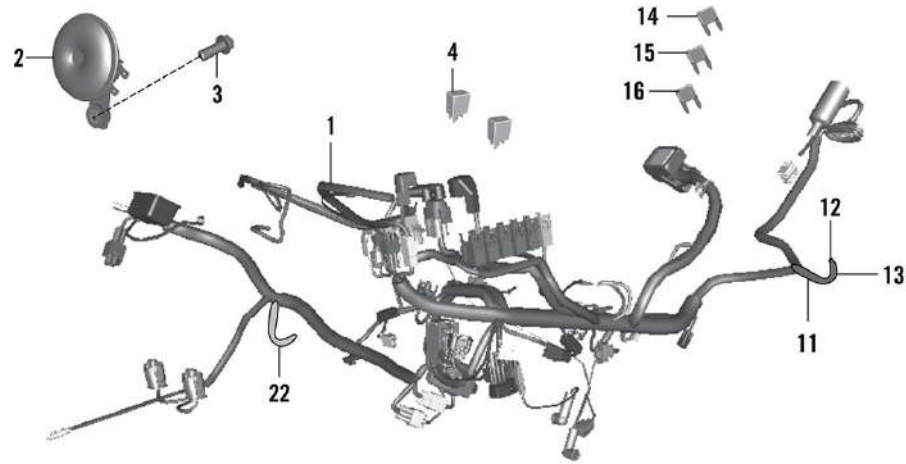
390-DUKE MY-21

39. WIRING HARNESS

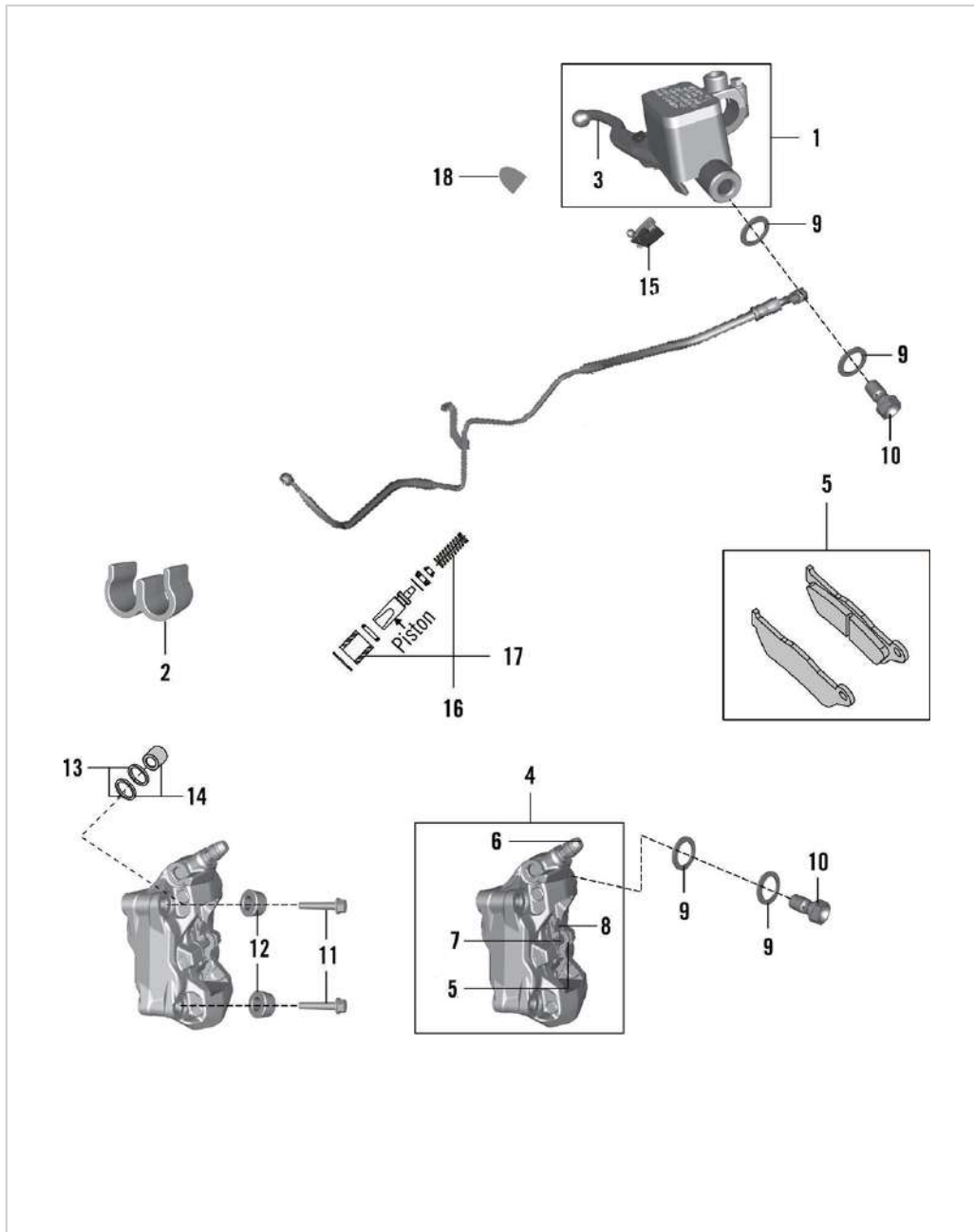
oemship +919495961664



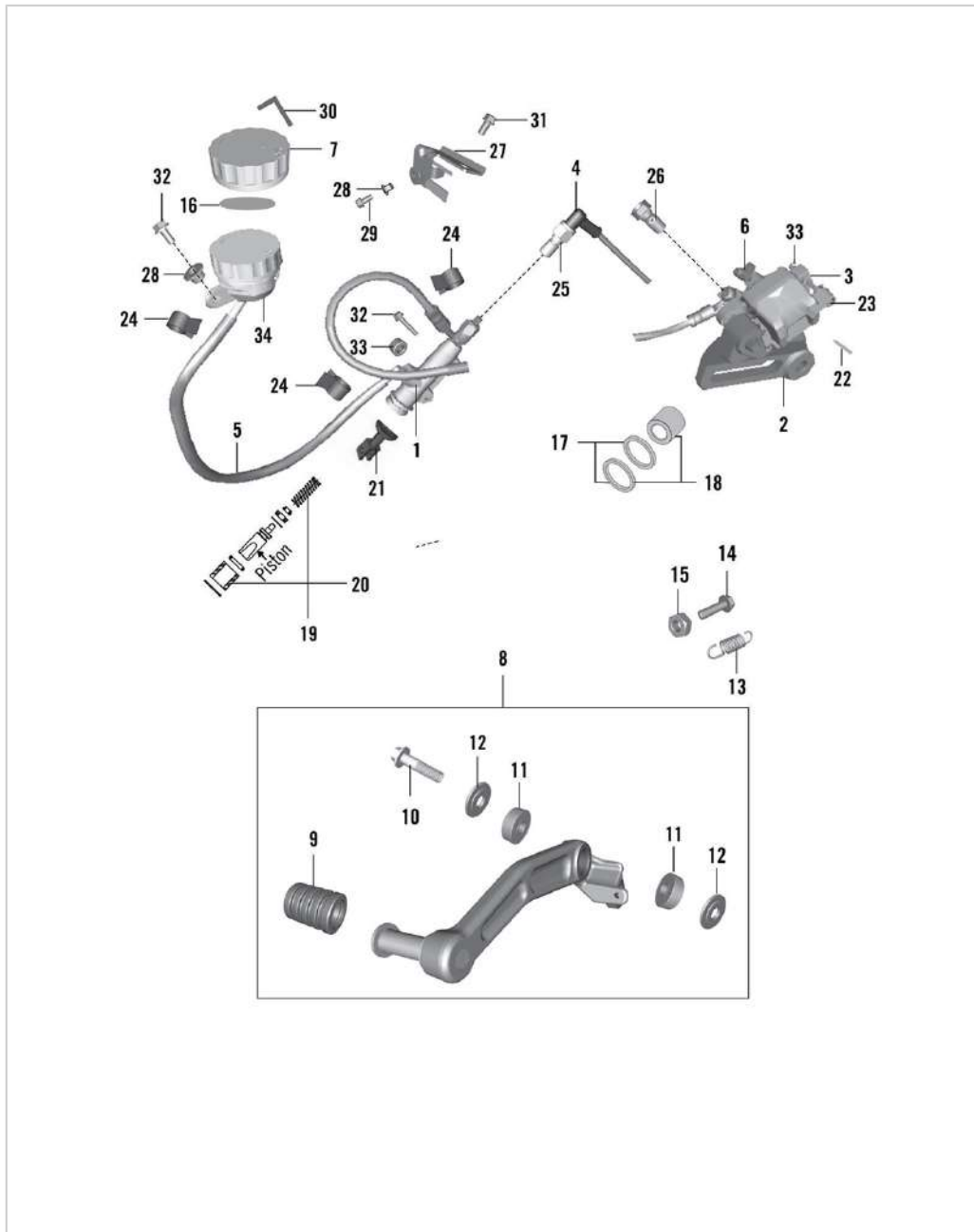
SN	Part No.	Description	QTY
1	JP402238	HARNESS WIRING	1
2	JP401600	HORN KT22	1
3	KADD0812	BOLT-FLANGE-KAD ST-D DIA-08 L-12	1
4	JL403000	RELAY INTERLOCK	4
5	JY403604	SENSOR ROLL OVER	1
6	JP401801	BAND BATTERY II	1
7	JP403000	RELAY STARTER	1
8	KAED0616	BOLT-FLANGE-KAE ST-D DIA-06 L-16	2
9	JU402001	REGULATOR	1
10	KADD0625	BOLT-FLANGE-KAD ST-D DIA-06 L-25	2
11	JD402212	BAND(LENGTH 200MM)	13
12	JD402217	BAND(L 150)	4
13	PA402204	BAND(LENGTH 110MM)	3
14	JG402228	FUSE 10A (BLADE TYPE)	8
15	JG402229	FUSE 15A (BLADE TYPE)	3
16	JG402230	FUSE 30A (BLADE TYPE)	2
17	36JU0015	KIT KTM 200 8AH BATTERY+ Bottle	1
18	JP402202	CABLE EARTH	1
19	JP402203	CABLE RELAY TO MOTOR MY17	1
20	JG402002	DC FLASHER	1



SN	Part No.	Description	QTY
21	JL403200	TERMINATION UNIT	1
22	JG402245	CABLE TIE ORANGE 200 L	9
23	JY401410	RESISTOR UNIT	1
24	KAED0620	BOLT-FLANGED-SMALL (HT COIL BOL	2
25	JP402217	PIGTAIL INTAKE AIR TEMPERATURE SENSOR	1
26	JP402218	PIGTAIL OIL PRESSURE SWITCH MY17	1
27	JY402246	PIGTAIL COOLANT TEMP SENSOR RC MY16	1



SN	Part No.	Description	QTY
1	36JP0017	KIT FR.M/CYL ASSLY W/O CLAMP-22	1
2	36JY0222	CLAMP KIT - KT22 10WO5251	1
3	36JY0186	FR M/CYL BRAKE LEVER KIT	1
4	JY131823	CALIPER ASSEMBLY	1
5	36JY0188	FR CALIPER BRAKE PAD KIT-SINTERED	1
6	DE151046	SCREW - BLEEDER :- KBX	1
7	JG131814	PIN CLIP	1
8	DK151092	PAD SPRING	1
9	DE191010	WASHER - COPPER :- KBX	4
10	DK151069	BOLT -M10X1XL 19XCL 8.8XBRIGHT	2
11	LAD00079	BOLT FLANGED M8X1	2
12	JU131004	SPACER FOR CALIPER	2
13	36JY0180	MINOR KIT REAR CALIPER	1
14	36JY0179	MAJOR KIT REAR CALIPER	1
15	DJ201109	SWITCH BRAKE	1
16	36JY0183	FRONT MASTER CYLINDER MAJOR KIT	1
17	36JY0184	FRONT MASTER CYLINDER MINOR KIT	1
18	36JY0187	FR M/CYL BOOT SPD KIT	1



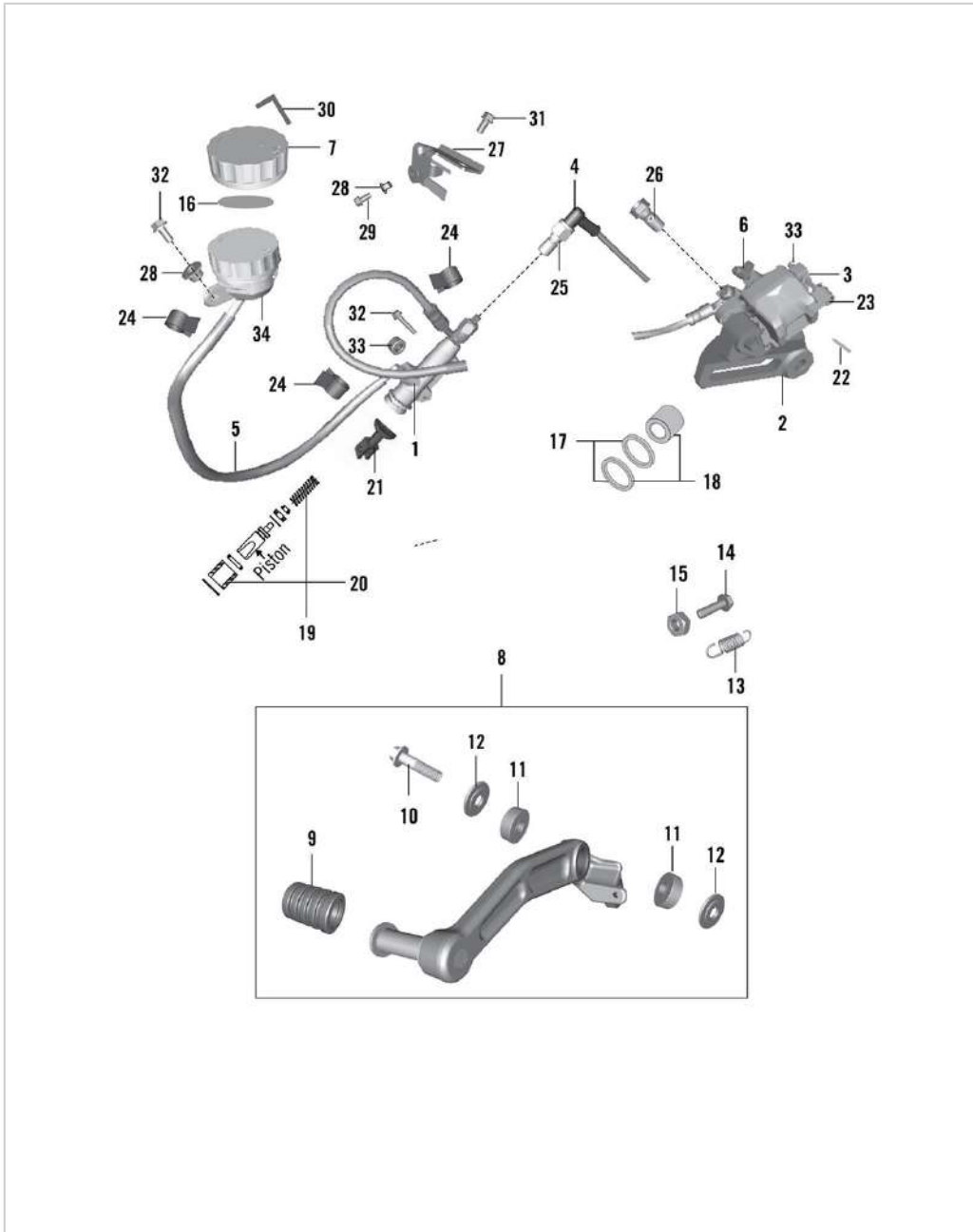
SN	Part No.	Description	QTY
1	JP131802	ASSEMBLY MASTER CYLINDER	1
2	JG131815	CALIPER ASSEMBLY REAR	1
3	DK151085	PAD BRAKE REAR SET	1
4	JG401400	SWITCH BRAKE PRESSURE	1
5	36JY0225	RE RESERVOIR TUBE KIT 06W12414	1
6	DE151046	SCREW - BLEEDER :- KBX	1
7	JG131821	RESERVOIR REAR BRAKE	1
8	JP161001	ASSEMBLY BRAKE LEVER MY17	1
9	JG113010	DAMPER CHANGE LEVER	1
10	JY113025	BOLT CHANGE LEVER	1
11	JG113061	BEARING CHANGE LEVER	2
12	JY113015	SPACER FOR CHANGE LEVER	2
13	JG161001	SPRING TENSION	1
14	KADD0620	BOLT FLANGED	1
15	KCAD0605	NUT HEX THICK	1
16	DK151072	DIAPHRAGM RESERVIOR - KBX	1
17	36JY0180	MINOR KIT REAR CALIPER	1
18	36JY0179	MAJOR KIT REAR CALIPER	1
19	36JY0223	MAJOR KIT RE MAST CYL 10W02822	1
20	36JY0224	MINOR KIT RE MAST CYL 10W05712	1

390-DUKE MY-21

41. BRAKE SYSTEM - REAR

oemship +919495961664





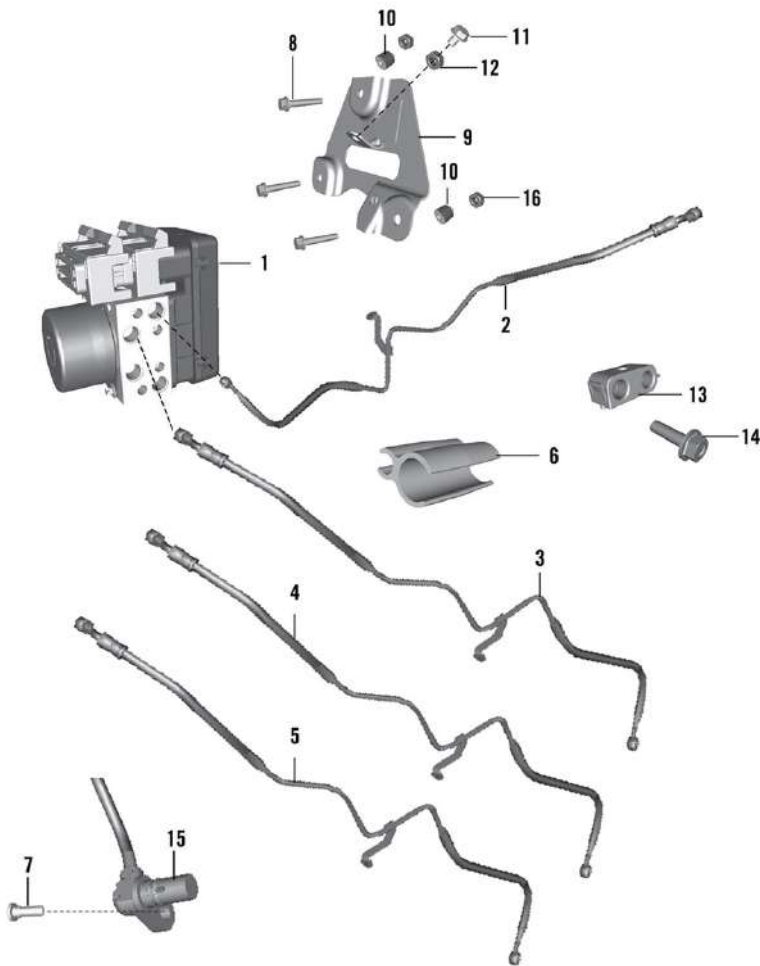
SN	Part No.	Description	QTY
21	36JY0226	PUSH ROD ASY KIT 10W02931	1
22	JG131830	PIN PAD	1
23	DE151041	CLIP - LOCKING :- KBX	2
24	DK151034	RESERVOIR TUBE RAER DISC	2
25	36JY0075	KIT PRESSURE SWITCH RC	1
26	36JY0076	KIT BANJO BOLT RC	1
27	JP113809	BRACKET RESERVOIR MTG	1
28	JP181247	SLEEVE	1
29	LAE00051	BOLT FLANGE SMALL- M6X1XL18XBLACK	1
30	JP131823	BRACKET CAP RESERVOIR	1
31	LAE00053	BOLT FLANGE SMALL- M5X0.8XL10XBLK	1
32	LAD00077	BOLT FLANGE- M6X1XL16XBLKXPRECOAT	1
33	DE151041	CLIP - LOCKING :- KBX	2
34	DK151045	REAR MASTER CYLINDER CAP	1

390-DUKE MY-21

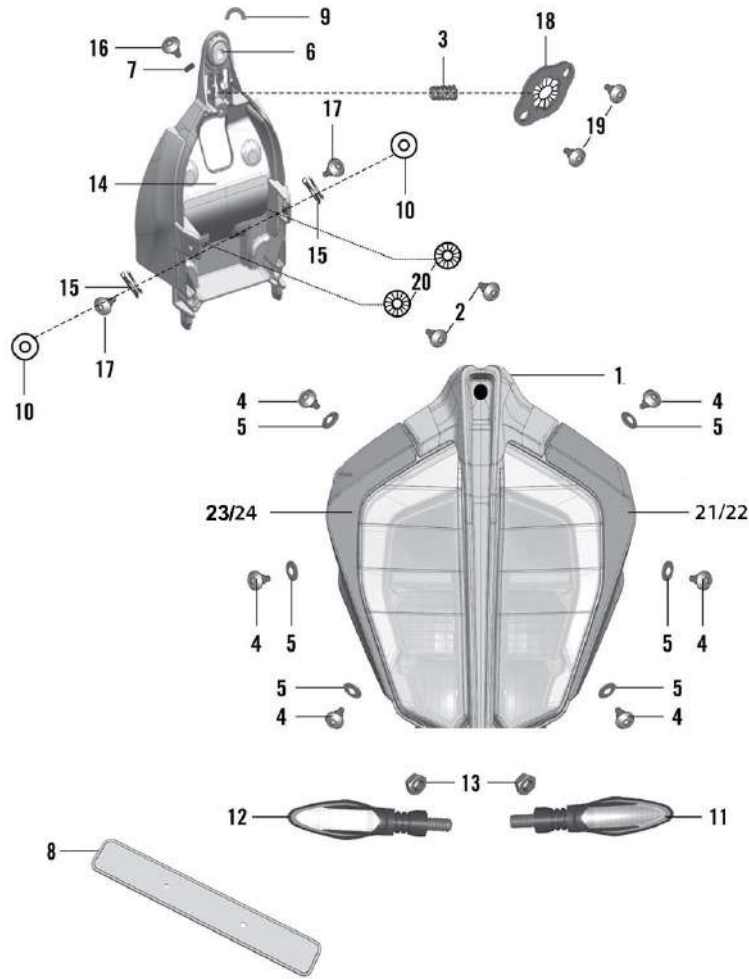
42. BRAKE SYSTEM - ABS FRONT & REAR

oemship +919495961664





SN	Part No.	Description	QTY
1	JP131850	UNIT ABS WET	1
2	36JP0011	BR HOSE ASY KIT(ABS TO FR M CY)	1
3	36JP0012	BR HOSE ASY KIT(ABS TO FRCLIPER)	1
4	36JP0013	BR HOSE ASY KIT(ABS- R MST CY)	1
5	36JP0014	BR HOSE ASY KIT(ABS-RE CALIPER)	1
6	DT131849	CLAMP FOR ABS HOSE	3
7	LAD00093	BOLT M6 (ABS SENSOR MTG)	2
8	LAD00040	BOLT FLANGED M6 - 6L	3
9	JP113804	BRACKET ABS MTG LOOSE	1
10	JG581014	SILENT BLOCK(M6)	3
11	KADD0610	BOLT-FLANGE-KAD ST-D DIA-06 L-10	3
12	LCL00002	NUT FLANGED-M6X1XHT.6XCL4	3
13	DT131849	CLAMP FOR ABS HOSE	3
14	KAED0620	BOLT-FLANGED-SMALL (HT COIL) BOL	3
15	DT402404	SENSOR SPEED WHEEL	1
16	LCL00002	NUT FLANGED-M6X1XHT.6XCL4	3

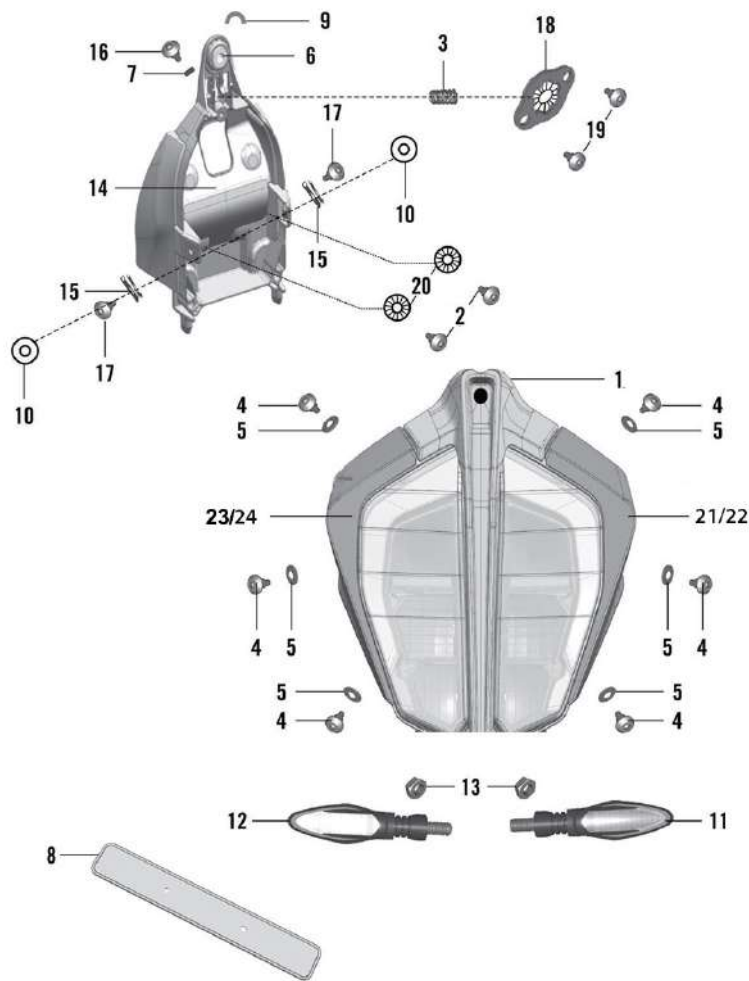


SN	Part No.	Description	QTY
1	52JP0951	LED HEAD LAMP ASSLY DUKE MY20	1
2	JP990403	SCREW M5X12	2
3	JP181017	SPRING	1
4	KBRD3510	SCREW TAPPING PAN CROSS-ST3.5XL10	6
5	KDAE0408	WASHER PLAIN SMALL-4.5X8X0.5XBLK	6
6	JP181279	GROMMET FRONT FAIRING ASSY	1
7	JP181280	COLLAR HEAD LAMP HOLDER MTG KIT FR.NUMBER PLATE PULSAR RS 200 / AS 2	1
8	36DT0053		1
9	JP181261	GROMMET HL COVER TOP	1
10	JP181262	GROMMET HL COVER BOTTOM	2
11	JP401018	INDICATOR FRONT LH	1
12	JP401019	INDICATOR FRONT RH	1
13	KCBK1006	NUT HEX THIN-M10X1.25XHT. 6XBLK	2
14	JP181241	FAIRING BACK COVER	1
15	JL181027	NUT CLIP M6	2
16	LAC00008	SCREW BUTTON HEAD-M6X1XL20XBLACK	1
17	LBU00048	SCREW BUTTON HD-M6X1XL13	2
18	JP990400	BUSH	1
19	JP990401	SCREW M4X14	1
20	JP990402	BUSH	2

390-DUKE MY-21

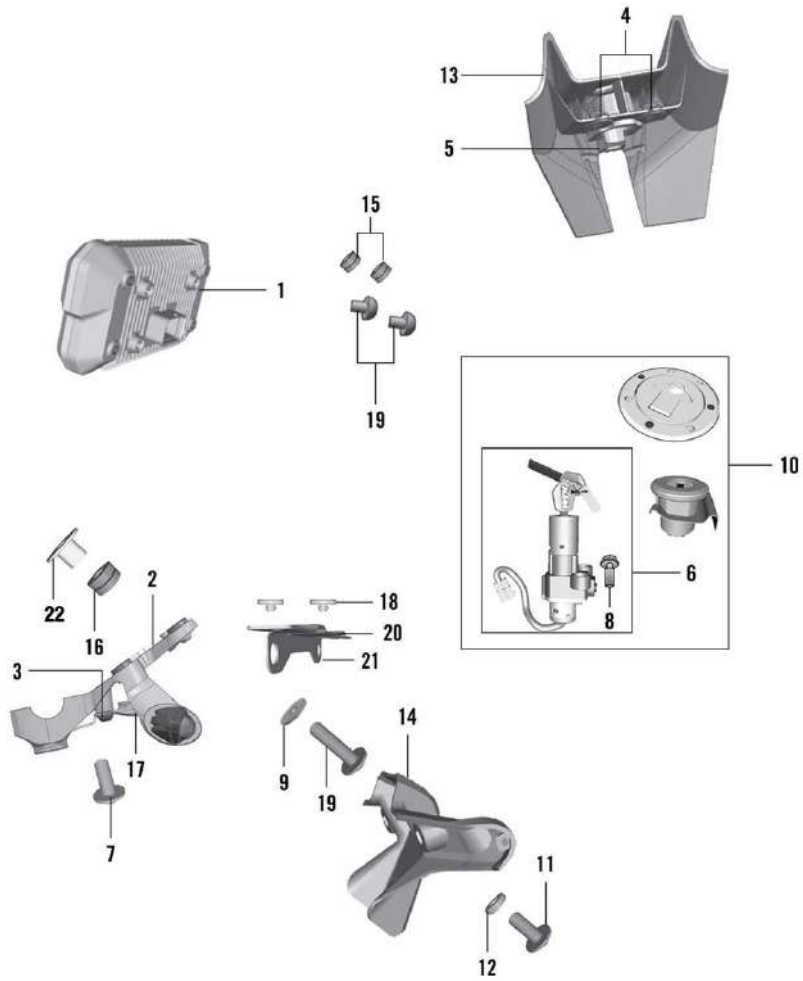
43. HEAD LIGHT ASSEMBLY

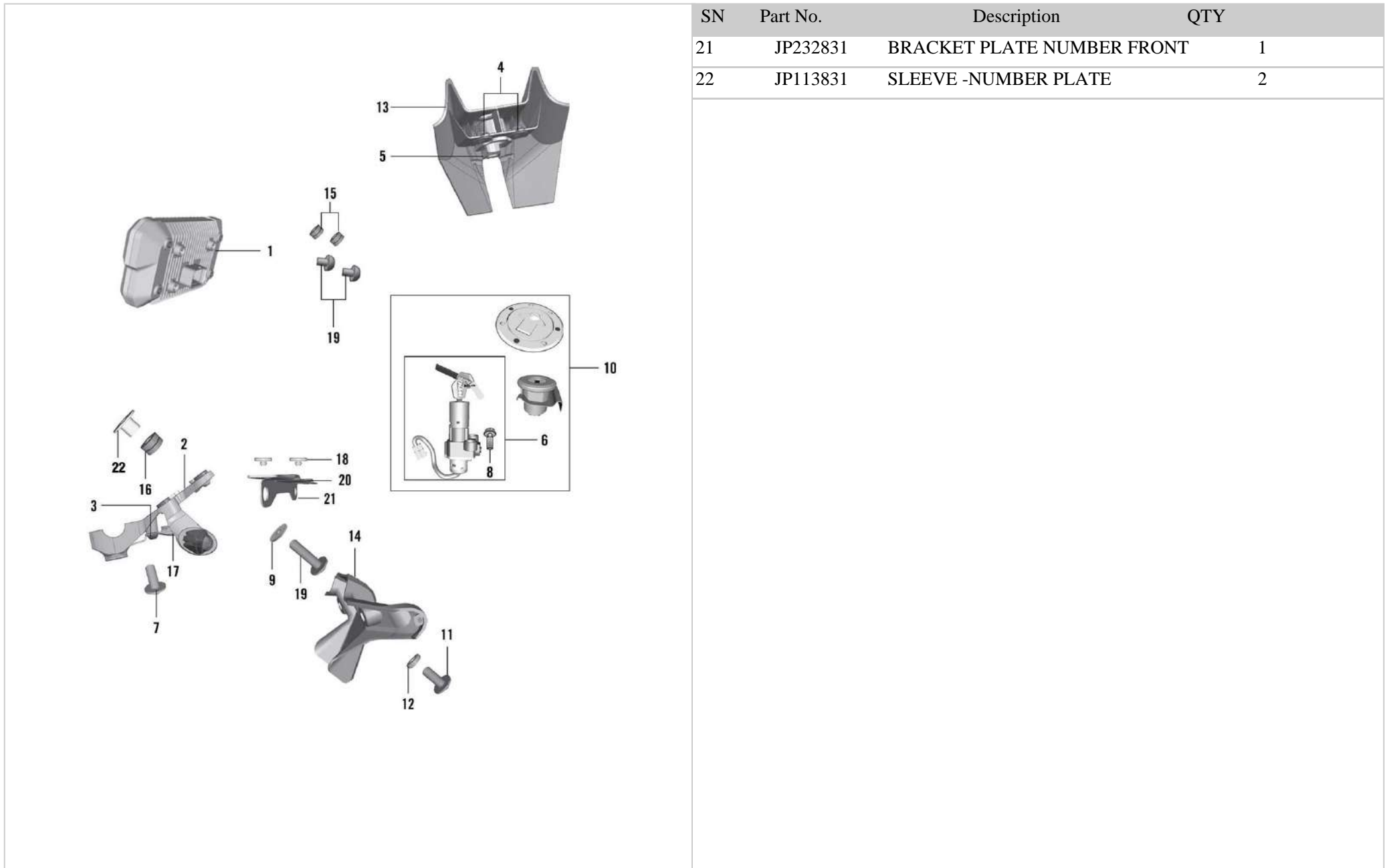
oemship +919495961664



SN	Part No.	Description	QTY
21	52JP0900	KTM DUKE MY20 SIDE MASK LH EB BLACK+DCL	1
22	52JP0900	KTM DUKE MY20 SIDE MASK LH EB BLACK+DCL	1
23	52JP0901	KTM DUKE MY20 SIDE MASK RH EB BLACK+DCL	1
24	52JP0901	KTM DUKE MY20 SIDE MASK RH EB BLACK+DCL	1

SN	Part No.	Description	QTY
1	JP402408	SPEEDOMETER	1
2	JP151013	HOLDER HANDLEBAR CUM TFT SPEEDO	1
3	KCBB1006	NUT-HEX-THIN-M10X1.25XTHK 6XBLK	2
4	JP181229	mROMMET IGNITION SWITCH COVER	2
5	JP181234	GROMMET IGNITION COVER	1
6	36JP0035	IGN LOCK WITH SHEAR BOLTS MY17	1
7	JY113821	SCREW BUTTON HEAD-M6X1XL12XBLACK	2
8	LAA00030	BOLT -M6X1XL30XCL8.8XBLXSHEAR HD	2
9	JW181229	WASHER PLAIN ID5.5 X OD18 X T 1 X BL	4
10	36JP0036	LOCK SET EVAP SHEAR BOLTS MY17	1
11	LBU00050	SCREW BUTTON HEAD-M6X1XL9XPRECOAT	2
12	JP113832	COLLAR TFT SPEEDO SMALL	2
13	JP181239	COVER ASSEMBLY SWITCH IGNITION	1
14	JP181243	BACK COVER TFT HOLDER	1
15	JP181291	GROMMET NUMBER PLATE MTG	2
16	JY171037	GROMMET TANK COVER MTG	2
17	JP181286	BRACKET TFT COVER BACK	1
18	JZ232814	PAD RUBBER NUMBER PLATE BKT	2
19	JR131221	SCREW BUTTON HEAD-M5X0.8XL28XBLACK	2
20	JP113830	BRACKET PLATE NUMBER	1



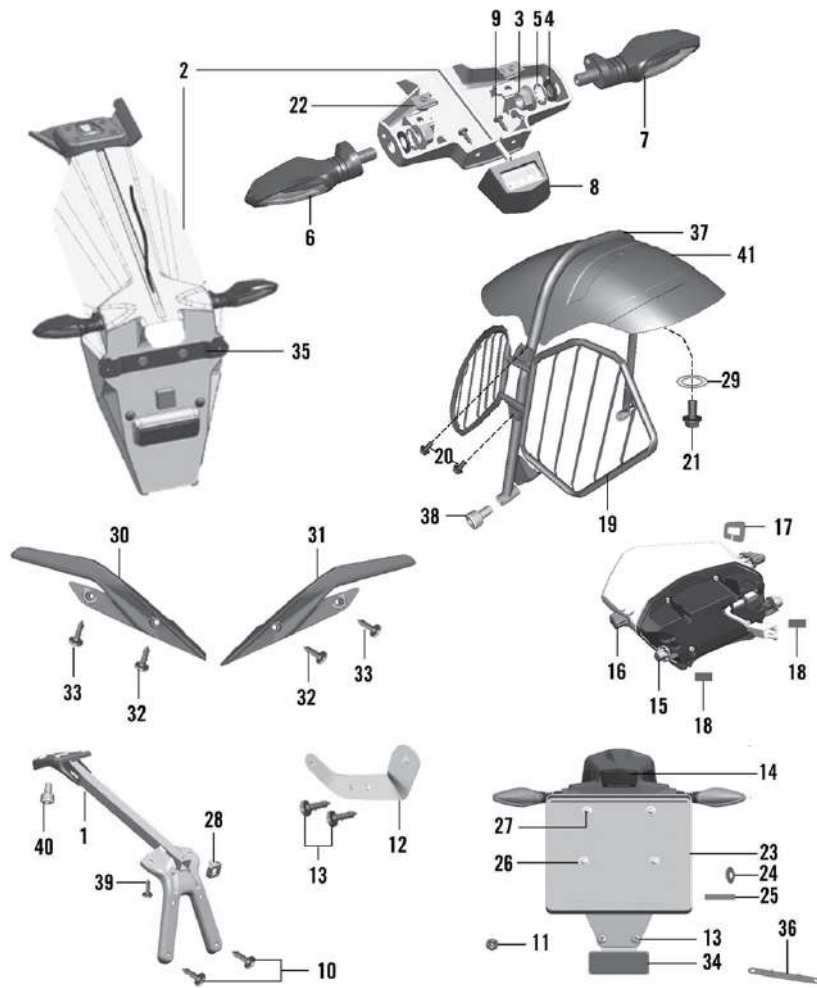


SN	Part No.	Description	QTY
21	JP232831	BRACKET PLATE NUMBER FRONT	1
22	JP113831	SLEEVE -NUMBER PLATE	2

390-DUKE MY-21

45. SAREE GUARD / REAR NUMBER PLATE

oemship +919495961664

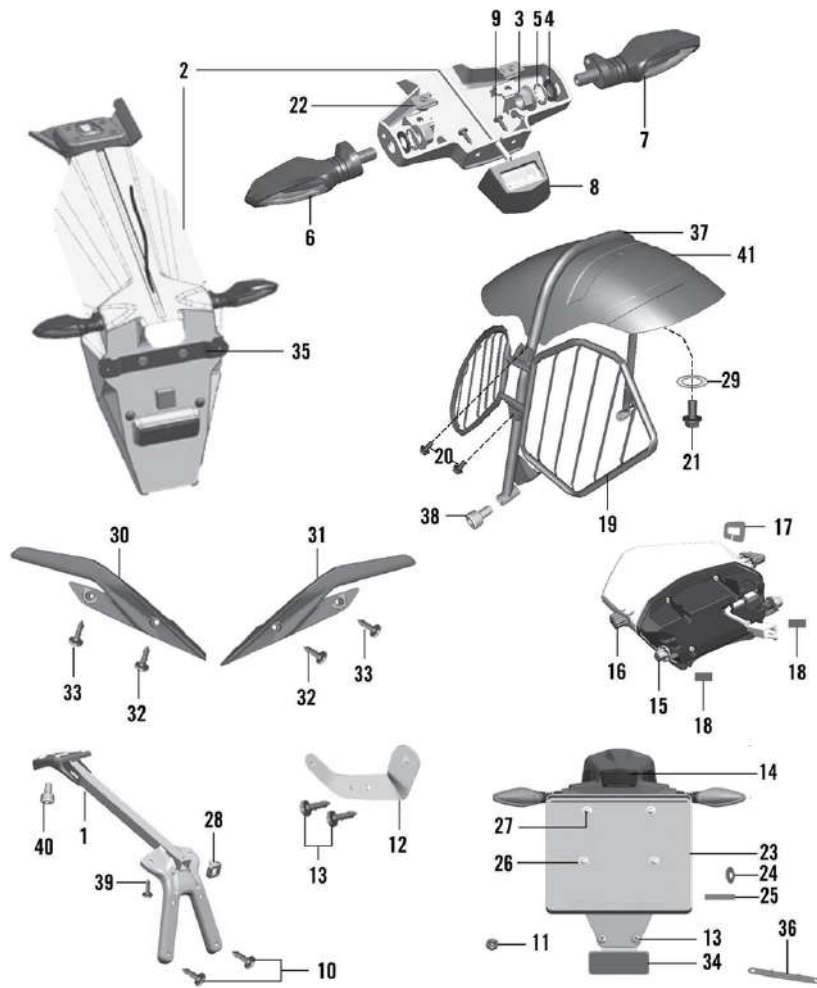


SN	Part No.	Description	QTY
1	JP232824	STRUCTURE ASSEMBLY PLATE NUMBER	1
2	JP232825	COVER STRUCTURE	1
3	KCAD1008	NUT HEX THICK	2
4	LDA00012	WASHER PLAIN	2
5	LDF00002	WASHER TOOTHED	2
6	JY401024	INDICATOR REAR LH	1
7	JY401025	INDICATOR REAR RH	1
8	JG401006	NUMBER PLATE ILLUMINATION LAMP	1
9	KBRD4213	SCREW TAPPING PAN CROSS-ST4.2XL13	2
10	KBUA0612	Mushroom Head screw - M6-L12	2
11	LCA00008	NUT	1
12	JP181407	BRACKET REFLEX REFLECTOR	1
13	KBUF0612	SCREW TRUSS-M6X1XL 12XBLACK	4
14	JP401001	LAMP TAIL MY17	1
15	JP401004	GROMMET ROUND	2
16	JP401005	GROMMET TAIL LAMP LH	2
17	JP401006	NYLON WASHER SQUARE	2
18	JP401007	SPACER GROMMET ROUND	2
19	JY231200	SAREE GAURD	1
20	LAC00118	BOLT SOCKET-M8X1.25XL18XCL10.9XBL	2

390-DUKE MY-21

45. SAREE GUARD / REAR NUMBER PLATE

oemship +919495961664



SN	Part No.	Description	QTY
21	KACH0616	BOLT SOCKET-M6X1XL16XCL 10.9XBLK	2
22	DJ161229	CLIP NUT M5	2
23	36PD0056	KIT RR.NUMBER PLATE AVENGER 220 CRUISE /	1
24	JU181408	GROMMET REAR NO PLATE	2
25	JU181412	DUEL LOCK REAR NO PLATE	2
26	LDB00031	WASHER REAR NO PLATE	2
27	KADM0620	BOLT FLANGED	4
28	JP232802	CAP RUBBER REAR NUMBER PLATE STRUCTURE	1
29	KDBE0613	WASHER PLAIN	5
30	JP231409	GRAB HANDLE LH	1
31	JP231410	GRAB HANDLE RH	1
32	LAC00095	BOLT SOKET- M8X1.25XL30XBLXPRECOT	2
33	LAC00096	BOLT SOKET- M8X1.25XL40XBLXPRECOT	2
34	JG401036	REFLECTOR REFLEX	1
35	JP232830	BRACKET PLATE NUMBER REAR	1
36	JL181263	FOAM STRIP 10X10X8	2
37	JP181000	TUBE ASSEMBLY HUGGER REAR	1
38	JU231206	BOLT SOCKET M8X1.25	1
39	KBUA0512	SCREW TRUSS	2
40	LAD00189	BOLT FLANGE-M6X1XL 22XCL 8.8XBLK	4

390-DUKE MY-21

45. SAREE GUARD / REAR NUMBER PLATE

oemship +919495961664



SN	Part No.	Description	QTY
41	JY181405	COVER MUD REAR	1

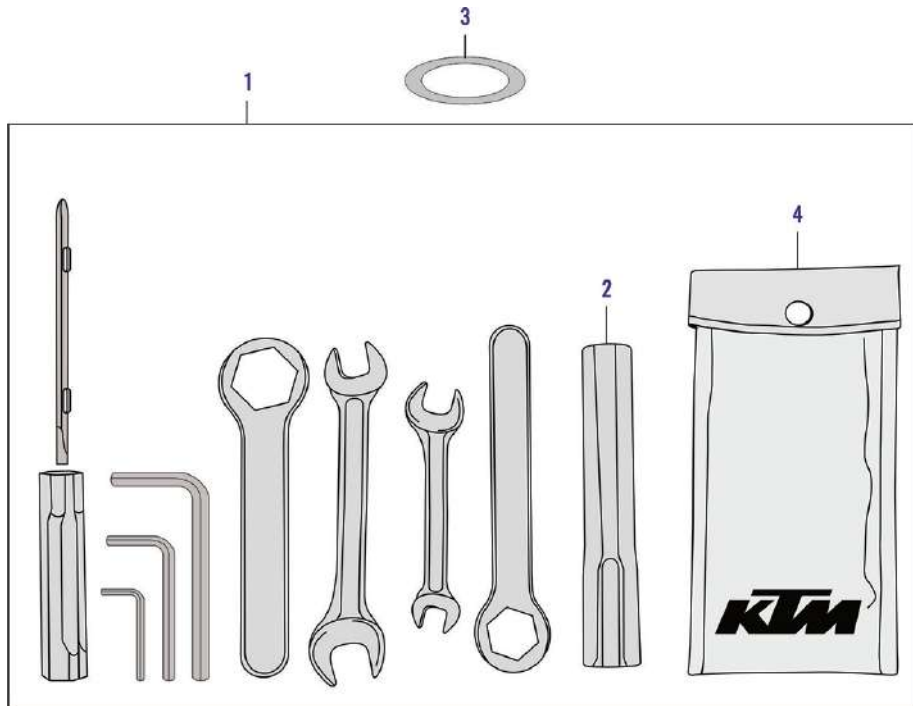
The diagram shows an exploded view of a rear mud cover assembly. The main components include:
 

- Part 1:** A long metal bracket with a hole at one end.
- Part 2:** A large, curved mud cover plate.
- Part 3:** A small metal pin or clip.
- Part 4:** A small metal pin or clip.
- Part 5:** A small metal pin or clip.
- Part 6:** A small metal pin or clip.
- Part 7:** A small metal pin or clip.
- Part 8:** A small metal pin or clip.
- Part 9:** A small metal pin or clip.
- Part 10:** A small metal pin or clip.
- Part 11:** A small metal pin or clip.
- Part 12:** A small metal pin or clip.
- Part 13:** A small metal pin or clip.
- Part 14:** A small metal pin or clip.
- Part 15:** A small metal pin or clip.
- Part 16:** A small metal pin or clip.
- Part 17:** A small metal pin or clip.
- Part 18:** A small metal pin or clip.
- Part 19:** A metal frame or support structure.
- Part 20:** A small metal pin or clip.
- Part 21:** A small metal pin or clip.
- Part 22:** A small metal pin or clip.
- Part 23:** A small metal pin or clip.
- Part 24:** A small metal pin or clip.
- Part 25:** A small metal pin or clip.
- Part 26:** A small metal pin or clip.
- Part 27:** A small metal pin or clip.
- Part 28:** A small metal pin or clip.
- Part 29:** A small metal pin or clip.
- Part 30:** A curved metal plate.
- Part 31:** A curved metal plate.
- Part 32:** A small metal pin or clip.
- Part 33:** A small metal pin or clip.
- Part 34:** A small metal pin or clip.
- Part 35:** A small metal pin or clip.
- Part 36:** A small metal pin or clip.
- Part 37:** A small metal pin or clip.
- Part 38:** A small metal pin or clip.
- Part 39:** A small metal pin or clip.
- Part 40:** A small metal pin or clip.

390-DUKE MY-21

46. Tool Kit

oemship +919495961664



SN	Part No.	Description	QTY
1	JY231000	TOOLKIT	1
2	JG231003	SPANNER BOX	1
3	DK221024	O RING	1
4	JG231002	BAG TOOL	1
5	JG231006	SCREWDRIVER	1
6	JG231014	TOOL WRENCH 22	1
7	JG231008	TOOL BAR	1
8	JG231009	SPANNER FLAT 13 X 14	1
9	JG231010	SPANNER FLAT 8X10	1
10	JY231001	TOOL ALLEN KEY 4MM	1
11	JG231011	KEY ALLEN -5 MM	1
12	JG231012	KEY ALLEN 6	1
13	JG231013	KEY ALLEN 10	1
14	JY231002	TOOL SPRING ADJUSTER	1