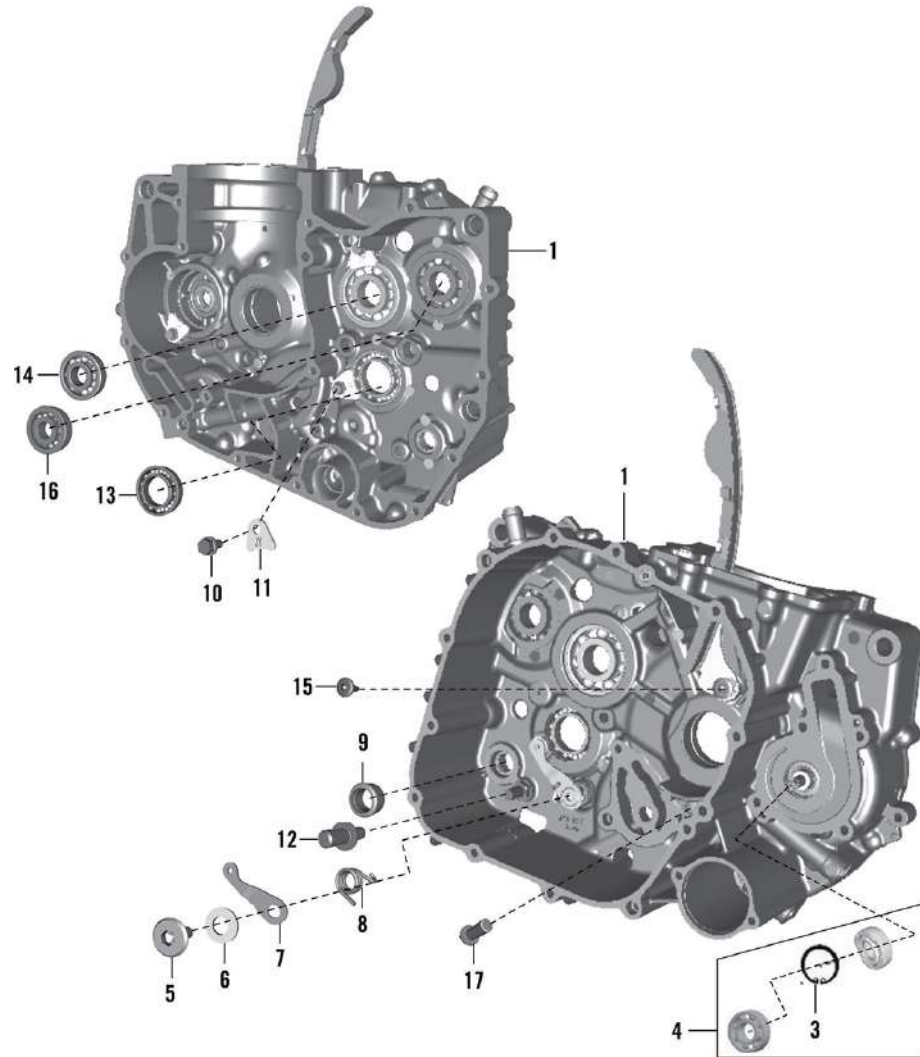


250-DUKE MY-22

## 250-DUKE MY-22

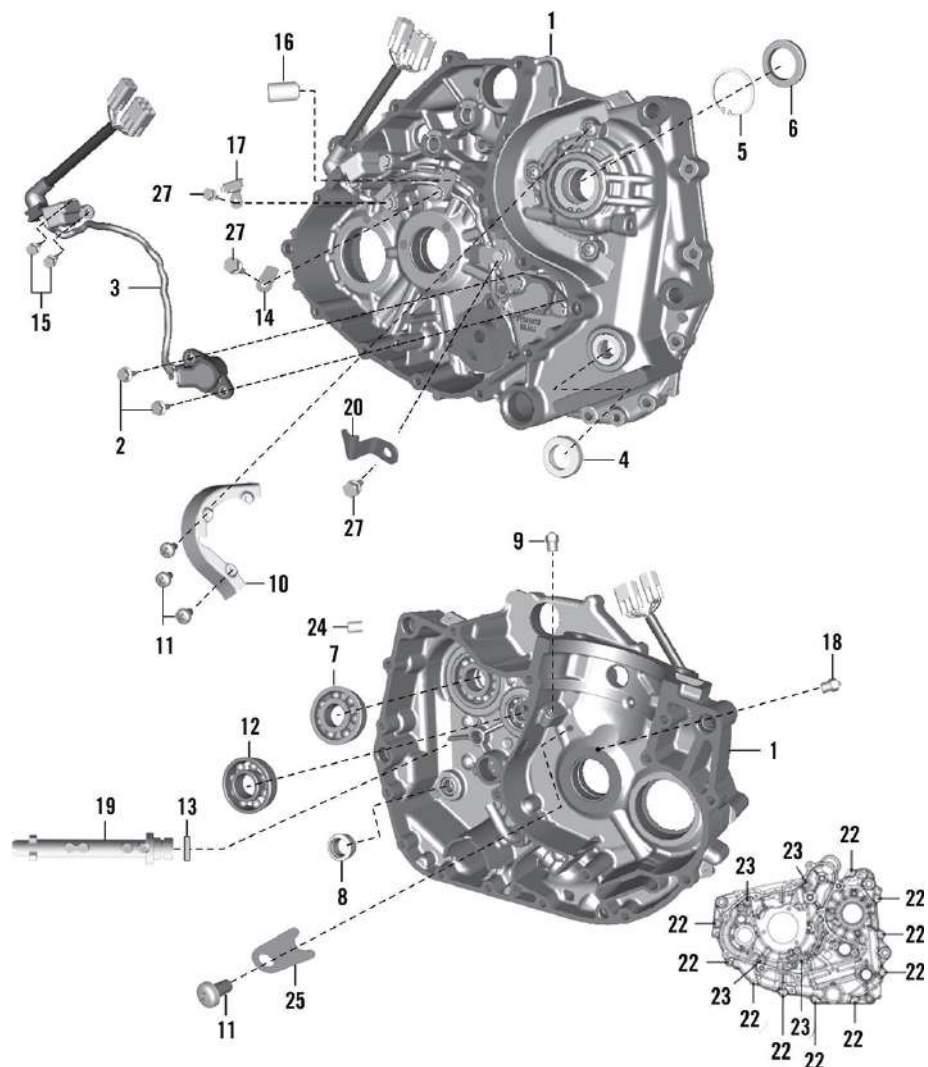
### 1. CRANKCASE RH



SN	Part No.	Description	QTY
1	36JG0113	KIT CR' CASE ASSY RH 390 CC MY20	1
2	36001062	LOCTITE LIQUID SEALANT L5910 (50ML TUBES	1
3	LEB00001	CIRCLIP INTERNAL	1
4	36JG0091	KIT WATER PUMP SEALS W/GRASE	1
5	JG561204	BOLT STOPPER DRUM	1
6	JG561205	WASHER DRUM STOPPER	1
7	JG561009	STOPPER DRUM COMP	1
8	JG561226	SPRING STOPPER DRUM	1
9	39256220	BEARING - NEEDLE ROLLER :- 13 X 19 X 12	1
10	AA101437	SCREW :- PRE-COATED	3
11	JY541047	STOPPER I/P SHAFT BEARING	3
12	DP101191	BOLT (M8 X 1.25 X LENGTH = 15.5)	1
13	39260120	BEARING - BALL :- 61905 (25 X 42 X 9)	1
14	39186420	BEARING - BALL :- 20 X 52 X 15	1
15	JY541009	BOLT SOCKET-M6X1XL 14.4XBRTXSTEP	1
16	39218520	BEARING - DEEP GROOVE BALL	1
17	LAE00001	BOLT FLANGED- M8X1.25XL20XPRECOAT	1
18	36JY0200	PACKING KIT ENGINE CRANKCASE 390	1
19	83020473	GREASE PETAMO GHY 441 3 GM POUCH	1

## 250-DUKE MY-22

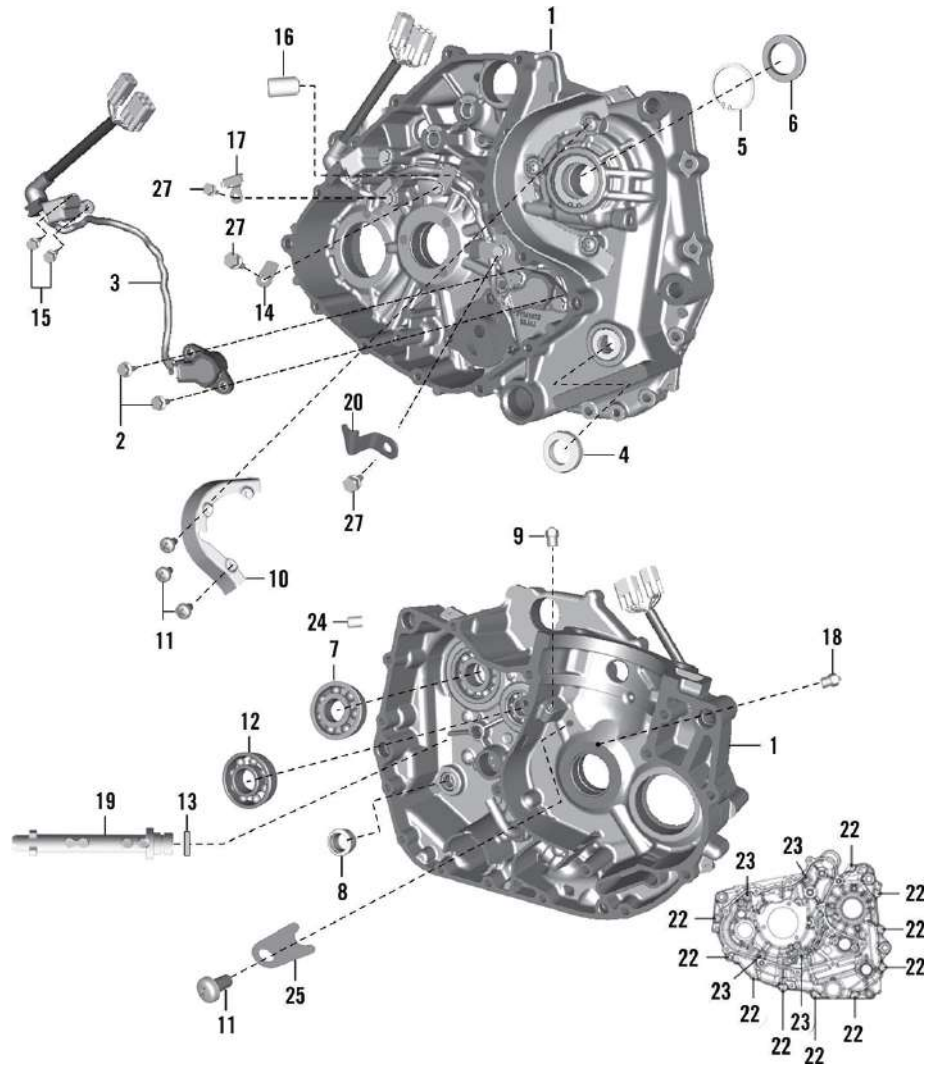
## 2. CRANKCASE LH



SN	Part No.	Description	QTY
1	36JG0112	KIT CR' CASE ASY LH 390 CC MY20	1
2	LAE00010	BOLT FLANGED M5X0.8	2
3	JP351005	SENSOR ASSEMBLY PICK UP	1
4	39104319	SEAL - OIL	1
5	KEBA3715	CIRCLIP INTERNAL	1
6	JY541058	OIL SEAL OUTPUT SHAFT	1
7	LPB00003	BEARING BALL-22X56X16-C3L-1RS-HN3	1
8	39256220	BEARING - NEEDLE ROLLER :- 13 X 19 X 12	1
9	JF541016	NOZZLE	1
10	JY541031	CHAIN GUARD	1
11	LBB00007	SCREW PAN CROSS M6X1	3
12	LPB00002	BEARING BALL-15X35X11-C3-1RS-HN3	1
13	LJA00002	O RING FOR E - 20	2
14	JY541080	PLATE HARNESS	1
15	AA101437	SCREW :- PRE-COATED	2
16	JY541052	JET TRANS	1
17	JY541081	BRACKET HARNESS	1
18	JG541074	OIL NOZZLE	1
19	JY571029	OIL RAIL	1
20	JY541082	BRACKET HARNESS GI SWITCH	1

## 250-DUKE MY-22

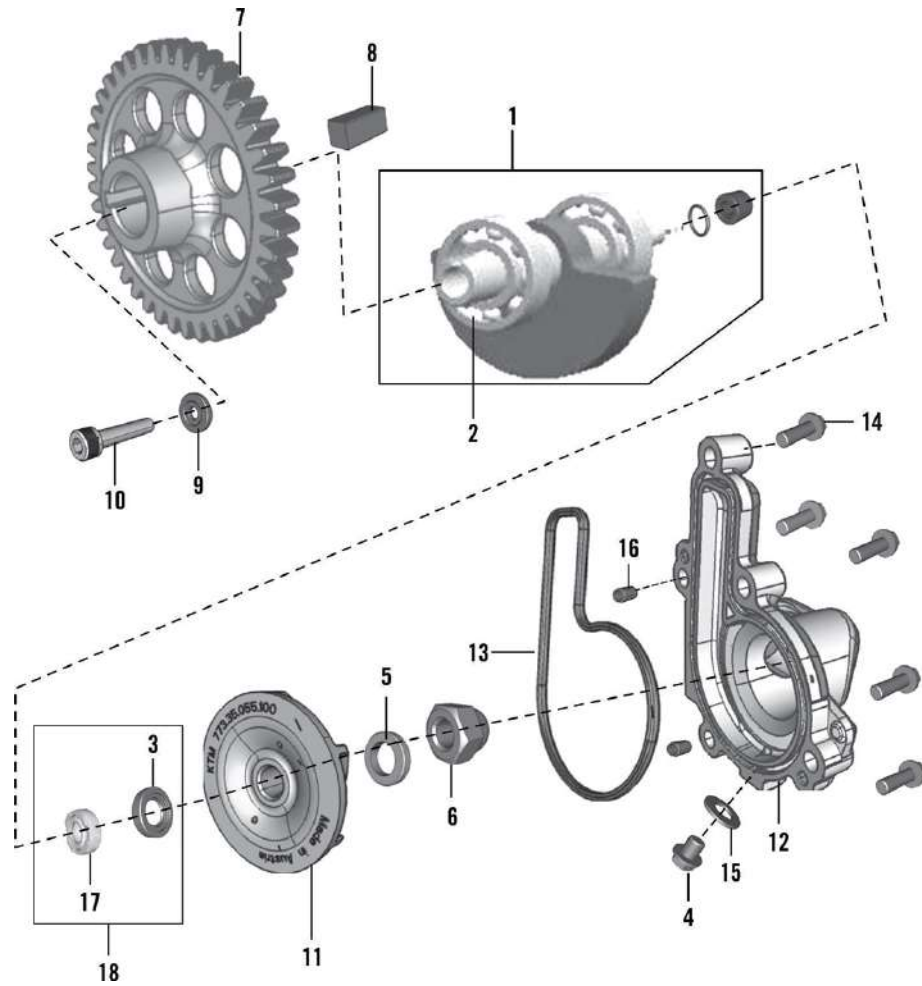
## 2. CRANKCASE LH



SN	Part No.	Description	QTY
21	36001062	LOCTITE LIQUID SEALANT L5910 (50ML TUBES)	1
22	KAEW0635	BOLT FLANGE SMAL- M6X1XL35XBRIGHT	11
23	LAE00002	BOLT FLANGED M6 X 1 X 75 PRECOAT	5
24	39218106	PIN - HOLLOW DOWEL :- 14 X 20	2
25	JF541017	BRACKET	1
26	83020473	GREASE PETAMO GHY 441 3 GM POUCH	1
27	DH101383	PRECOATED FLANGED BOLT M6 X 12 - 3910620	3

## 250-DUKE MY-22

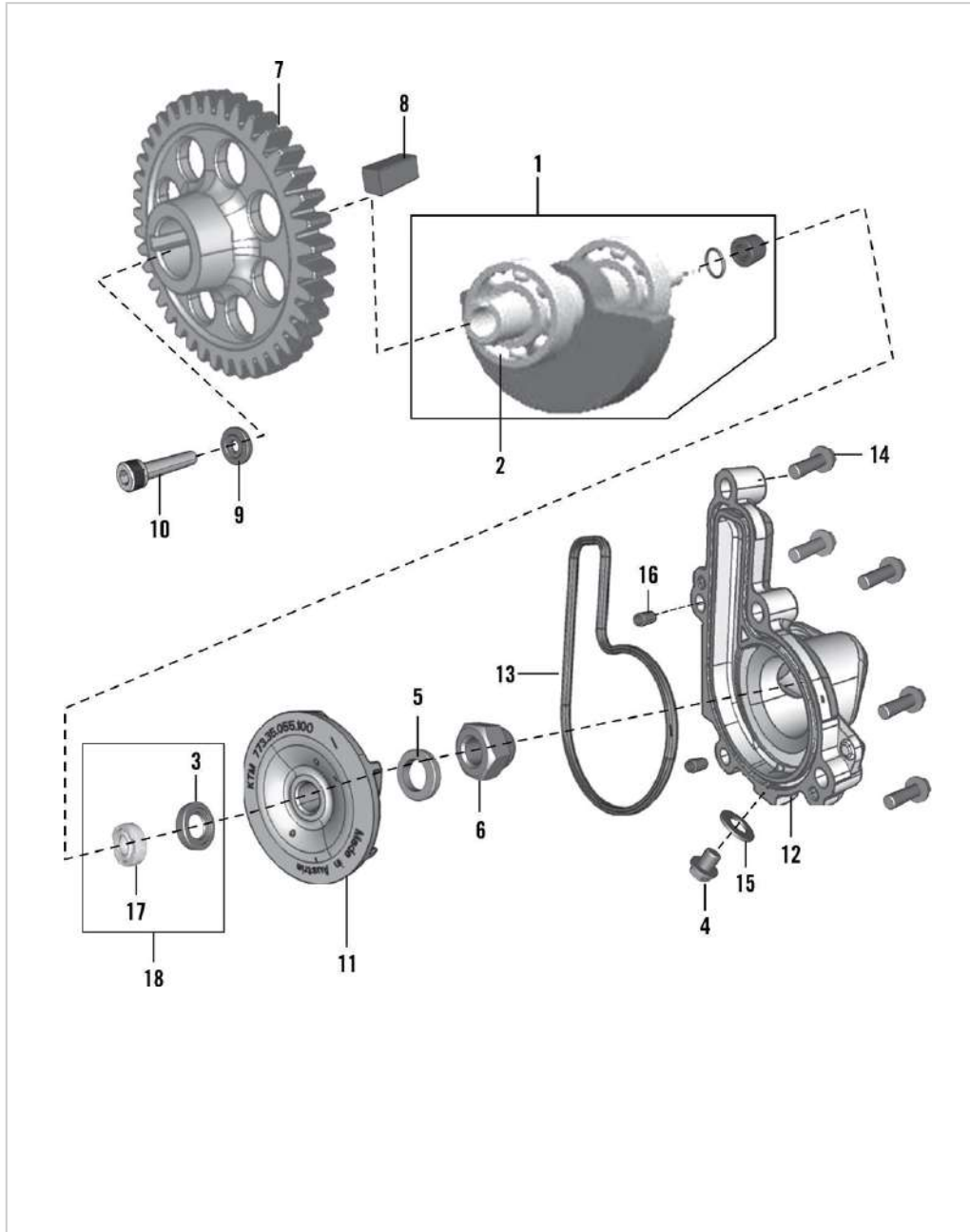
### 3. CLUTCH COVER



SN	Part No.	Description	QTY
1	JY541254	COVER ASSEMBLY CLUTCH	1
2	39199020	BEARING - NEEDLE	1
3	LDB00020	WASHER 12.5X24X0.8T	1
4	JY541221	SPRING LEVER CLUTCH	1
5	JY541251	SHAFT CLUTCH RELEASE ASSY	1
6	JY551404	ROD PULL	1
7	JG541230	CAP OIL FILLING	1
8	JL541227	WINDOW OIL GUAGE	1
9	DS101215	CLIP - WIRE	1
10	39104119	SEAL - OIL	1
11	39099906	PIN - HOLLOW DOWEL	2
12	JY541225	GASKET CLUTCH COVER	1
13	JG541021	OIL NOZZLE	4
14	KAEW0635	BOLT FLANGE SMAL- M6X1XL35XBRIGHT	12
15	39201619	SEAL - OIL	1
16	JY541220	PLATE OIL SEAL	1
17	AA101437	SCREW :- PRE-COATED	2
18	39153721	RING - O	1
19	JY541253	BRACKET CLUTCH CABLE	1

## 250-DUKE MY-22

## 4. BALANCER SHAFT

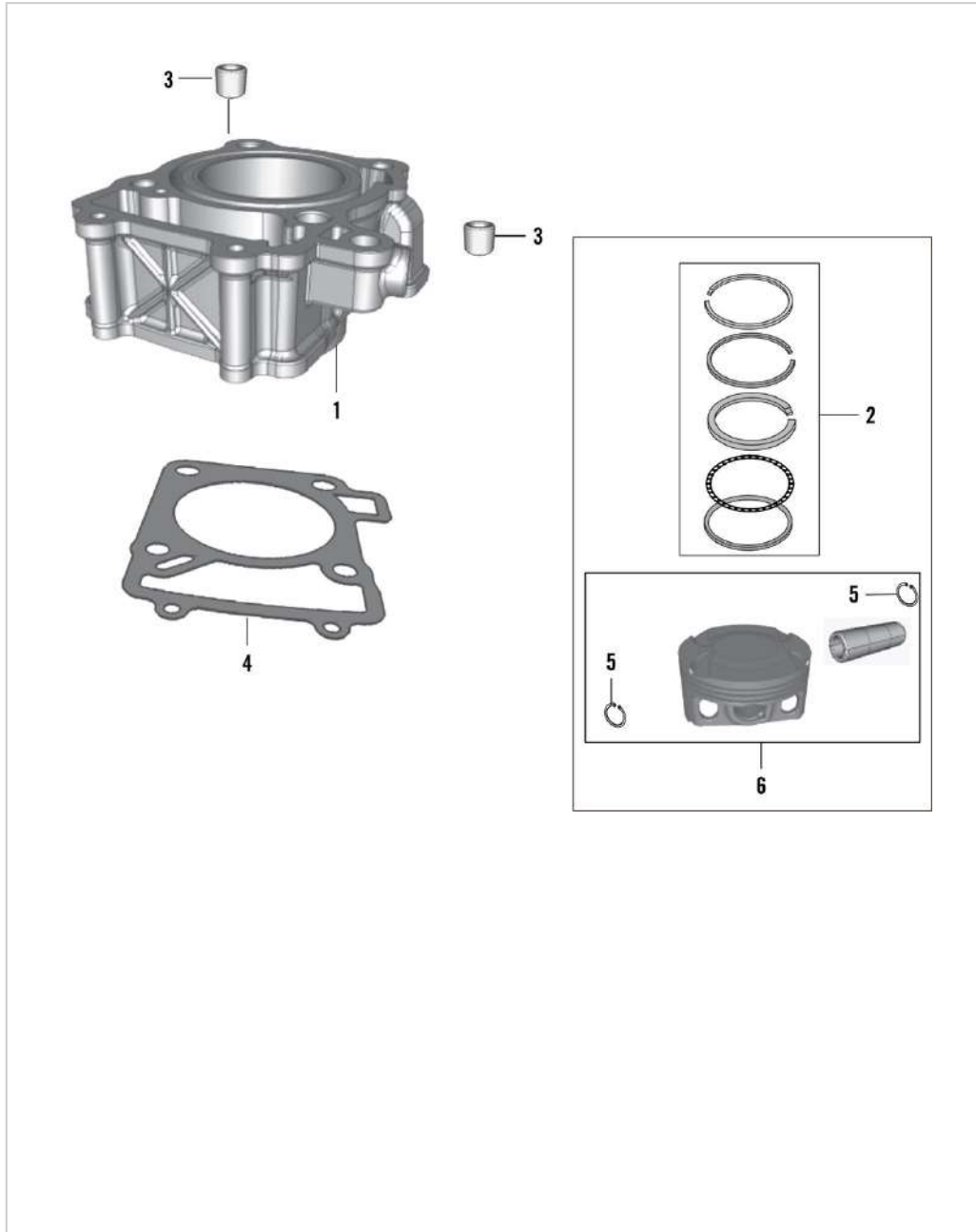


SN	Part No.	Description	QTY
1	36JY0192	KIT BALANCER SHAFT KTM 390	1
2	KPBF6304	BEARING-BALL-C3 CLEARANCE-HN3	2
3	JG601007	SEAL OIL	1
4	LAE00048	BOLT FLANGED M6X1	1
5	JG531215	WASHER 2.5MM	1
6	JG601005	DOME NUT	1
7	JG531207	GEAR BALANCER DRIVEN	1
8	DS101154	KEY	1
9	LDB00051	WASHER PLAIN-ID 8.2XOD 26XTHK 3	1
10	LAC00086	BOLT SOCKET-M8X1XL40	1
11	JG601013	WATER PUMP ROTOR_G2	1
12	JG601024	COVER PUMP WATER	1
13	JG601012	O-RING (WATER PUMP COVER)	1
14	KAEW0620	BOLT FLANGE SMAL-M6X1XL20XBRIGHT	5
15	39166511	WASHER - SEAL :- 6	1
16	39260607	PIN - PARALLEL	2
17	JL601010	WATER SEAL_DOUBLE LIP	1
18	36JG0091	KIT WATER PUMP SEALS W/GRASE	1



**250-DUKE MY-22**

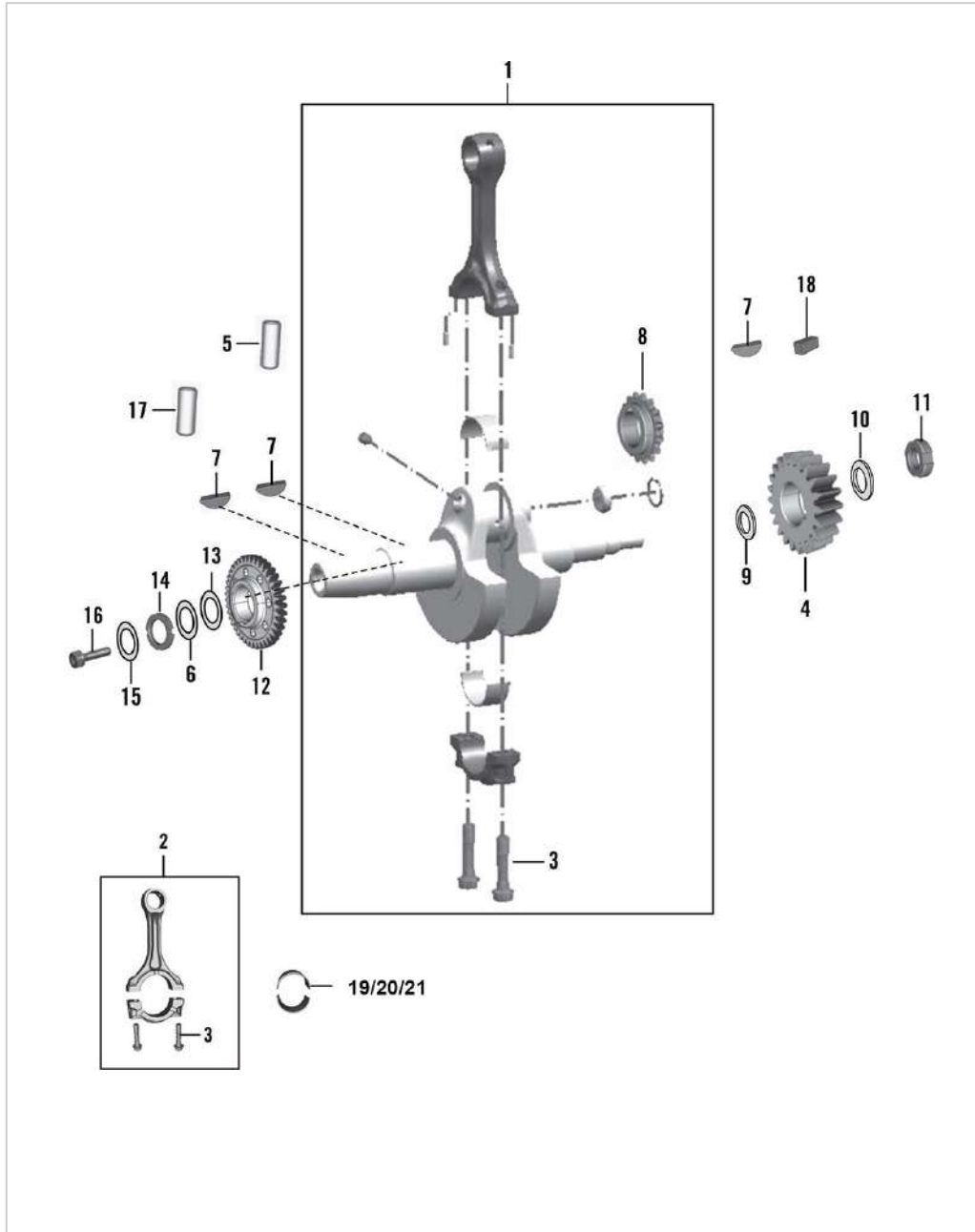
**5. CYLINDER PISTON**



SN	Part No.	Description	QTY
1	JY521012	BLOCK CYLINDER	1
2	36JY0153	KIT RING PISTON KT10	1
3	39218106	PIN - HOLLOW DOWEL :- 14 X 20	2
4	JY521006	GASKET CYLINDER BLOCK	1
5	JY521236	CIRCLIP	2
6	JY521226	PISTON ASSEMBLY-KT10	1

## 250-DUKE MY-22

## 6. CRANKSHAFT

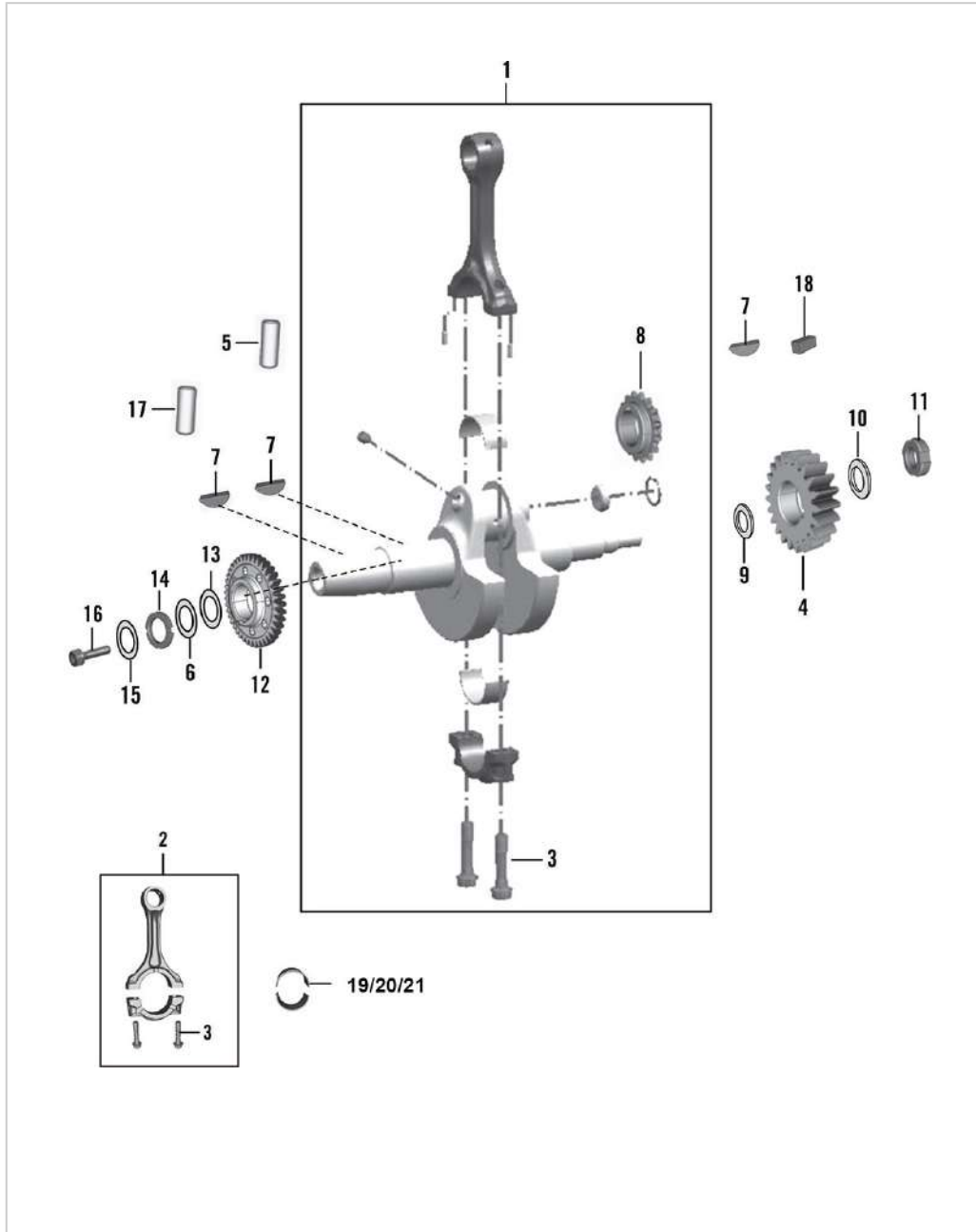


SN	Part No.	Description	QTY
1	JY531060	ASSEMBLY CRANKSHAFT	1
2	JY531045	CONROD ASSEMBLY	1
3	JY531005	BOLT-M8X0.75XL33XCL 12.9	2
4	JY551212	GEAR PRIMARY DRIVE	1
5	39220307	PIN - PARALLEL	2
6	LDB00033	WASHER PLAIN-ID28.2XOD39XTHK 1.5	1
7	31101173	KEY -WOODRUFF FOR CRANKSHAFT CLUTCH SIDE	1
8	JY531026	SPROCKET CRANKSHAFT(18T)	1
9	DG101275	WASHER (SPECIAL)	1
10	JY531008	WASHER PLAIN	1
11	LCG00002	NUT - FLANGED - M16X1.5X10L	1
12	JY551220	GEAR BALANCER DRIVE	1
13	LDH00002	WASHER CONICAL-28.35X38X1.75	1
14	JG531040	NUT BALANCER DRIVE LOCK	1
15	LDB00041	WASHER PLAIN-ID 10.3XOD 29XT 8	1
16	LAD00124	BOLT FLANGE- M10X1.25XL55XDACRO	1
17	39260607	PIN - PARALLEL	1
18	LFB00001	KEY SUNK- WD4XHT4XL12XPHOSPHATISE	1
19	36JY0156	KIT BUSH BIG END GREEN COLOUR	1
20	36JY0157	KIT BUSH BIG END NONE COLOUR	1



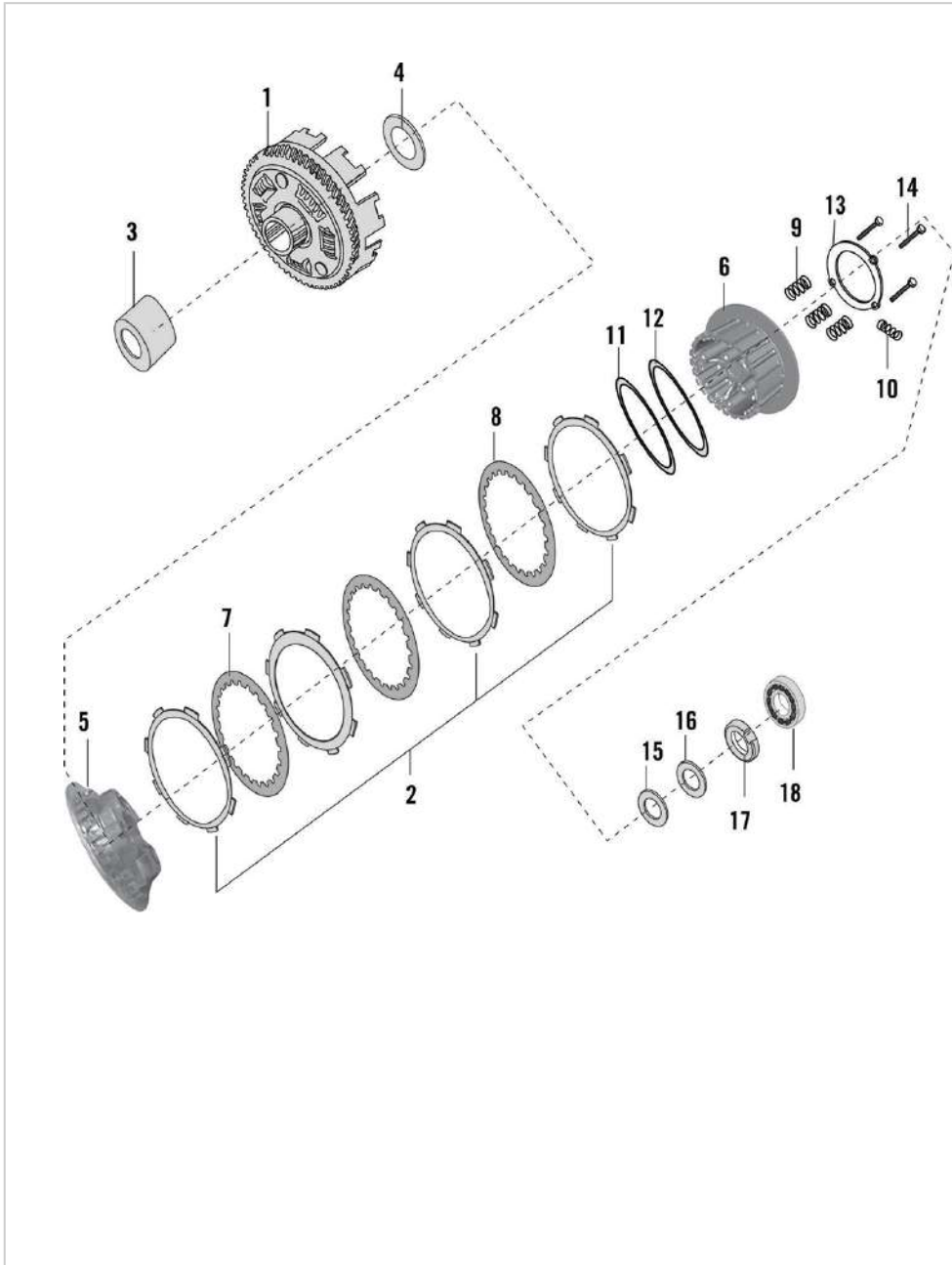
6. CRANKSHAFT

SN	Part No.	Description	QTY
21	36JY0158	KIT BUSH BIG END BLACK COLOUR	1



## 250-DUKE MY-22

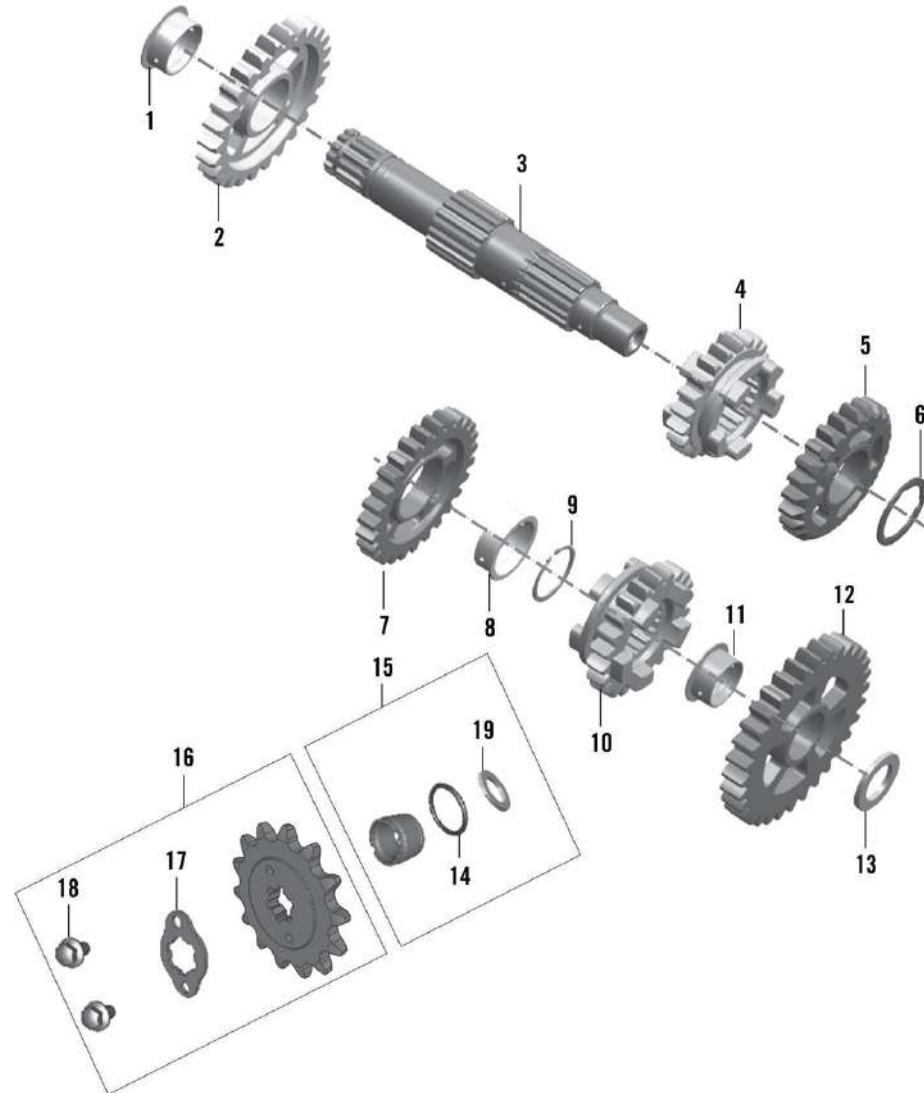
## 7. CLUTCH



SN	Part No.	Description	QTY
1	JF551412	CLUTCH OUTER COMP.	1
2	36JY0103	KIT FRICTION PLATE KTM 390 A & S MY 15	1
3	JY551401	BUSH COLLARED	1
4	JY551403	CLUTCH WASHER	1
5	JY551438	PLATE CLUTCH PRESSURE	1
6	JY551435	CLUTCH CENTER	1
7	JY551436	PLATE A CLUTCH	5
8	JY551437	PLATE B CLUTCH	1
9	JY551447	SPRING CLUTCH	3
10	JY551440	SEAT SPRING	3
11	JY551441	SPRING JUDDER	1
12	JY551442	EAT JUDDER	1
13	JY551443	PLATE STOPPER	1
14	LAD00166	BOLT FLANGED-M6X1XL35XCL 8.8XBRT	3
15	JY551019	WASHER PLAIN	1
16	DG101275	WASHER (SPECIAL)	1
17	LCG00009	NUT HEX FLANGED-M16X1.5-LH	1
18	LPA00004	BEARING BALL-ID 15XOD 28XTHK 7	1

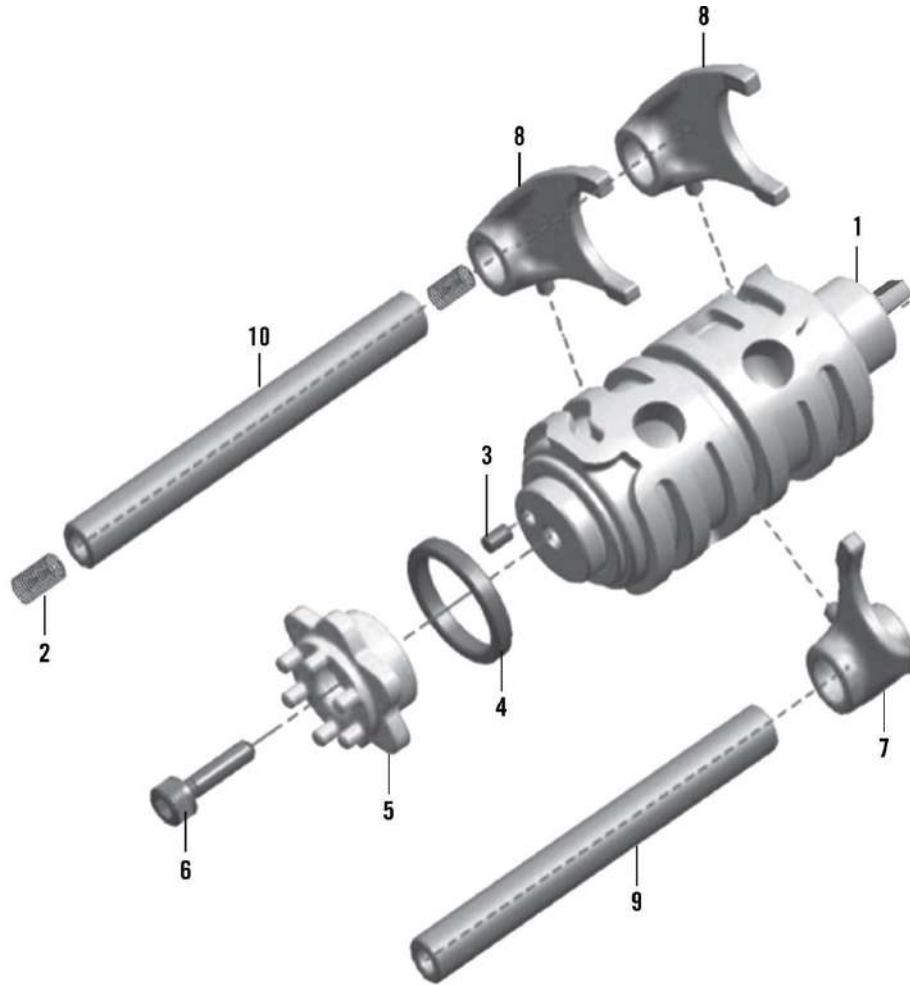


9. TRANSMISSION II - COUNTER SHAFT (OUTPUT SHAFT)



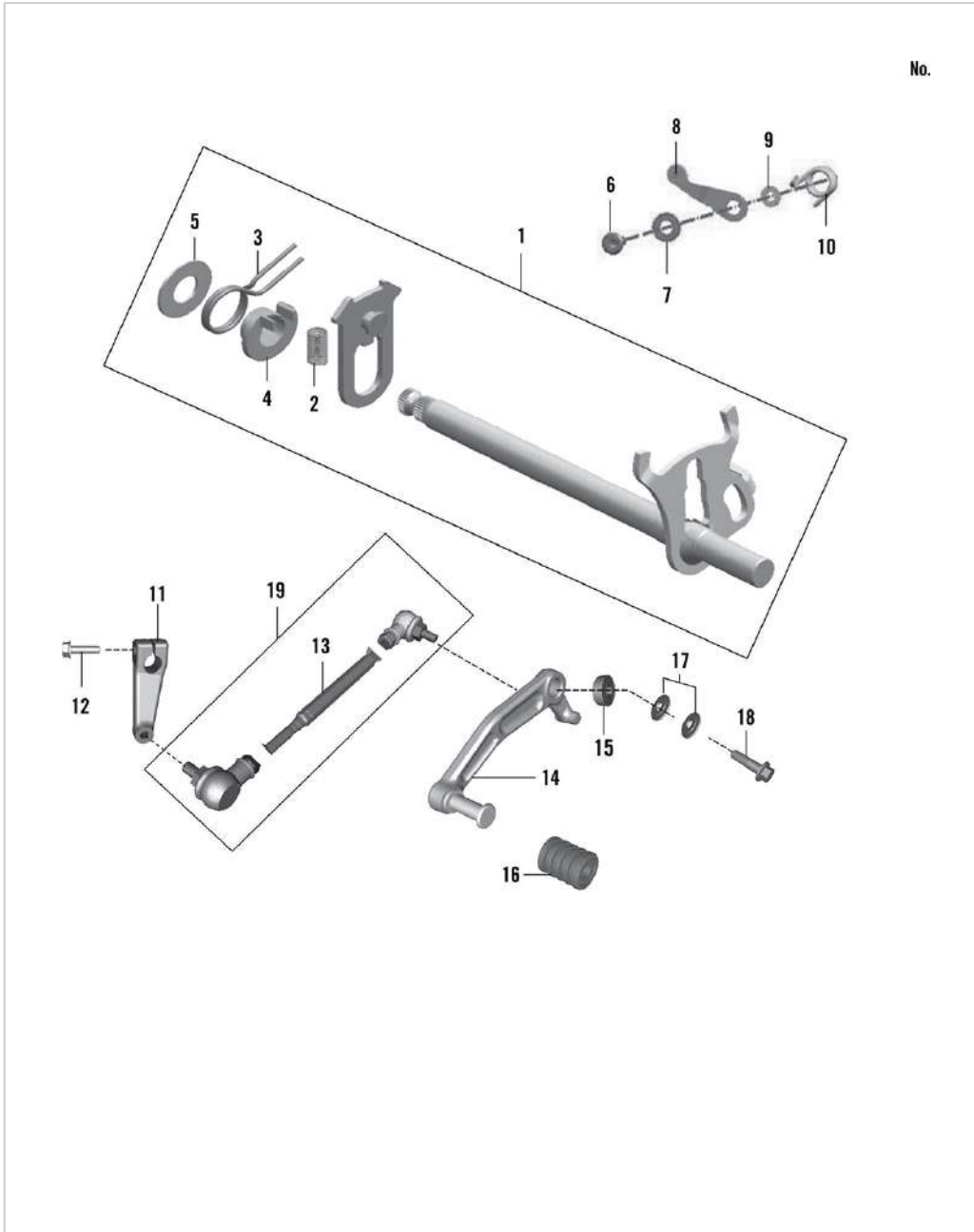
SN	Part No.	Description	QTY
1	JY551006	BUSH 2ND DRIVEN	1
2	JY551233	GEAR 2ND DRIVEN	1
3	JY551008	SHAFT OUTPUT ASSLY WITH PLUG	1
4	JY551237	GEAR 6TH DRIVEN	1
5	JY551235	GEAR 4TH DRIVEN	1
6	JY551005	WASHER THRUST 3RD DRIVEN	1
7	JY551234	GEAR 3RD DRIVEN	1
8	JY551027	BUSH 3RD DRIVEN	1
9	JY551218	CIRCLIP EXTERNAL O/P SHAFT	1
10	JY551236	GEAR 5TH DRIVEN	1
11	JY551205	BUSH 1 ST DRIVEN	1
12	JY551232	GEAR 1ST DRIVEN	1
13	JY551217	WASHER THRUST 1ST DRIVEN	1
14	JY551018	O RING SPROCKET COLLAR	1
15	36JY0102	KIT OUT PUT SHAFT OIL SEAL KTM 390 MY14	1
16	36JP0039	KIT OUTPUT SPROCKET DUKE 250	1
17	JY551030	PLATE SPROCKET DRIVE	1
18	LAE00017	BOLT FLANGED M6X1	2
19	JY541058	OIL SEAL OUTPUT SHAFT	1

10. SHIFTING MECHANISM - DRUM GEAR SHIFT



SN	Part No.	Description	QTY
1	JY561013	DRUM GEAR SHIFT	1
2	JY541039	SPRING	2
3	39260607	PIN - PARALLEL	1
4	JG561010	SPACER-GUIDE GEAR SHIFT	1
5	JG561222	GUIDE GEAR SHIFT	1
6	LAC00024	BOLT SOCKET HEAD M6X1X20L- PRECOATED	1
7	JY561002	FORK GEAR SHIFT INPUT	1
8	JY561008	FORKSHIFT OUTPUT	2
9	JY561004	SHAFT INPUT GEAR SHIFT FORK	1
10	JF561001	SHAFT OUTPUT FORK SHIFT	1

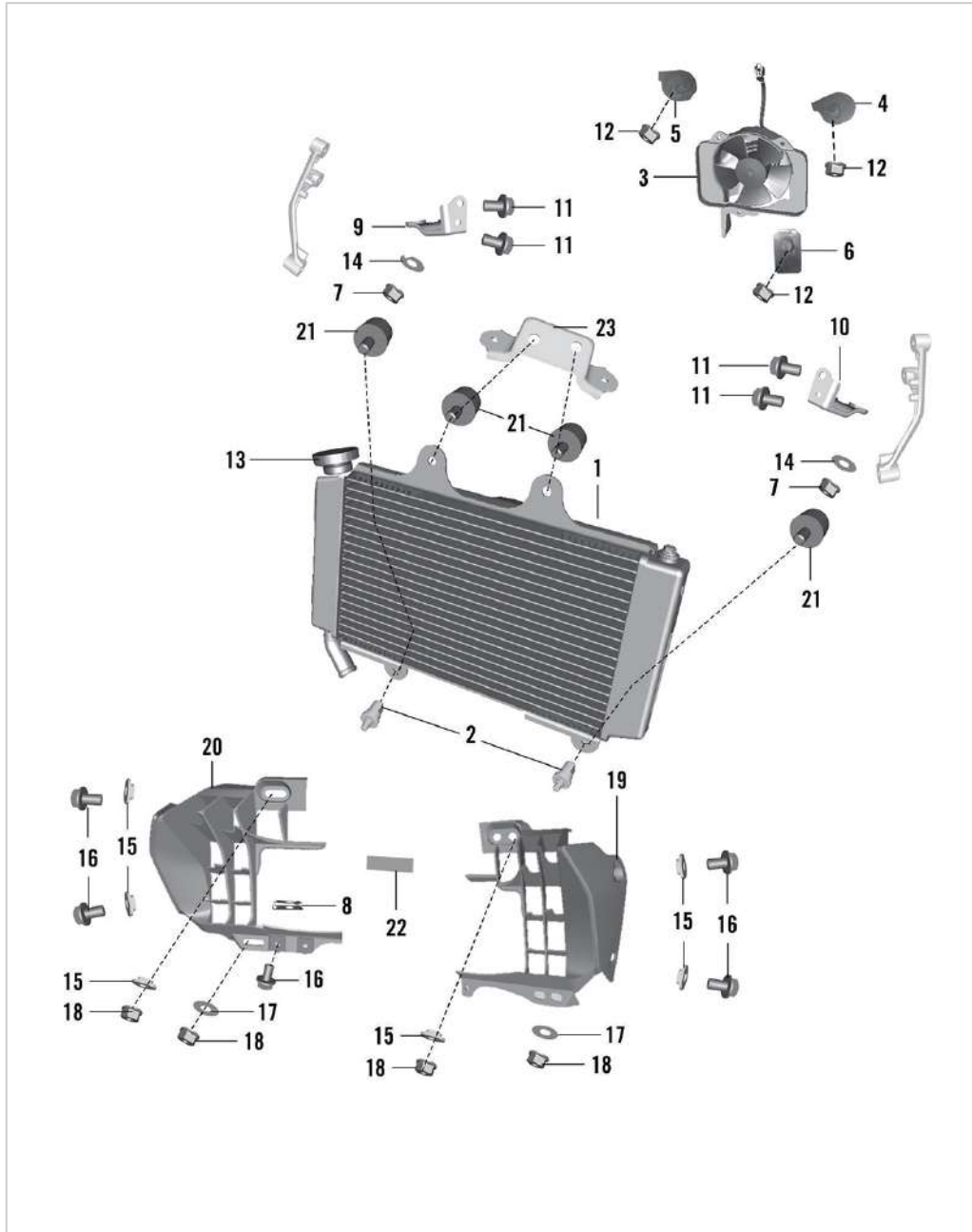
11. SHIFTING MECHANISM - LEVER GEAR SHIFT



SN	Part No.	Description	QTY
1	JY561205	LEVER GEAR SHIFT ASSLY CPL	1
2	JG561215	COMPRESSION SPRING	1
3	JG561218	TORSION SPRING (FINAL CONFG)	1
4	JG561217	BUSH-TORSION SPRING	1
5	JG561216	WASHER 14X30X1.5	1
6	JG561204	BOLT STOPPER DRUM	1
7	JG561205	WASHER DRUM STOPPER	1
8	JG561009	STOPPER DRUM COMP	1
9	LDB00050	WASHER PLAIN-ID 6XOD 14XTHK 1.2	1
10	JG561226	SPRING STOPPER DRUM	1
11	JP561400	CHANGE ARM	1
12	KADD0622	BOLT-FLANGE-KAD ST-D DIA-06 L-22	1
13	JP561401	TIE ROD	1
14	JP561402	ASSEMBLY CHANGE LEVER	1
15	JG113061	BEARING CHANGE LEVER	2
16	JG113010	DAMPER CHANGE LEVER	1
17	JY113015	SPACER FOR CHANGE LEVER	2
18	JY113025	BOLT CHANGE LEVER	1
19	JP561403	ROD ASSEMBLY TIE	1

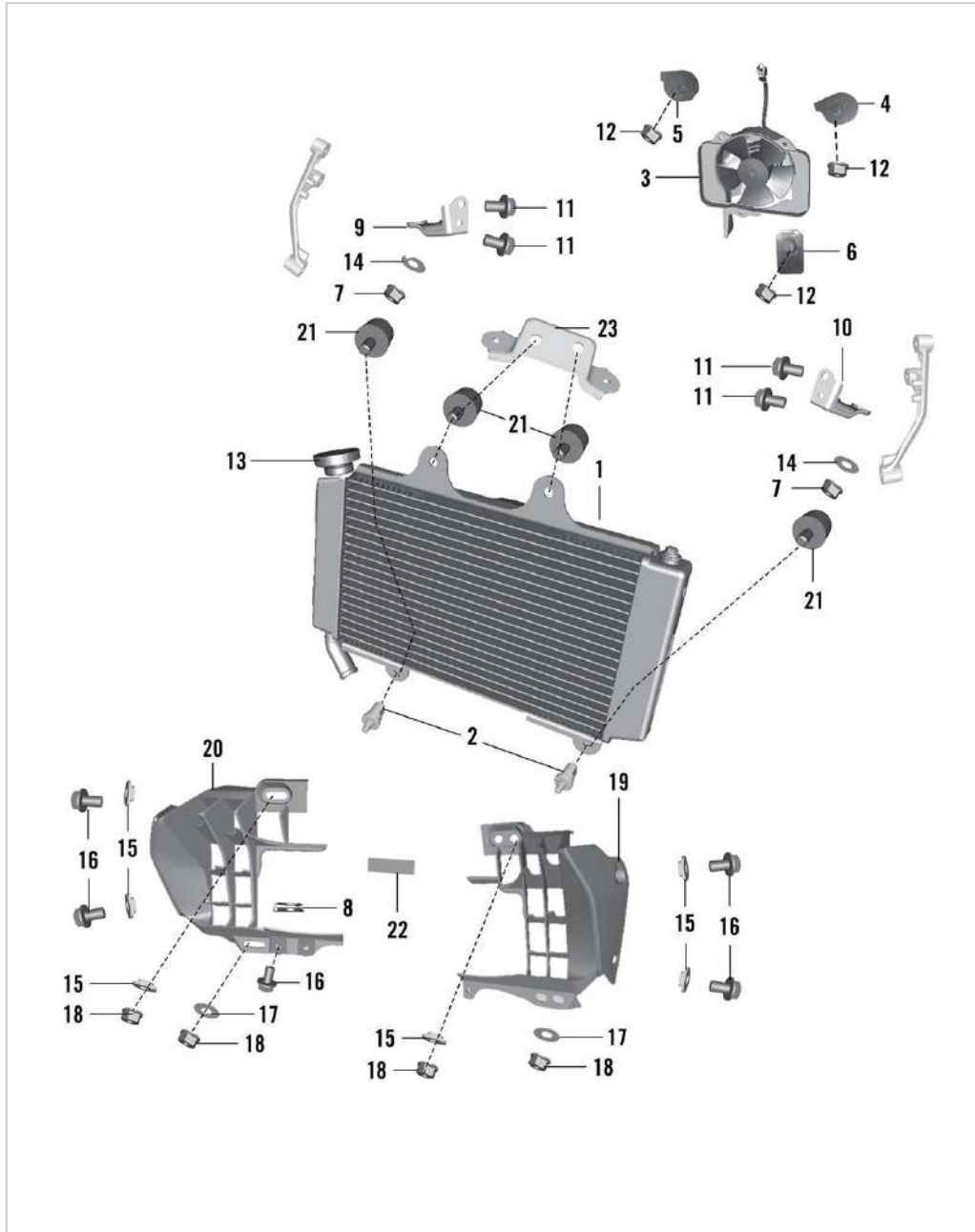


12. RADIATOR ASSEMBLY



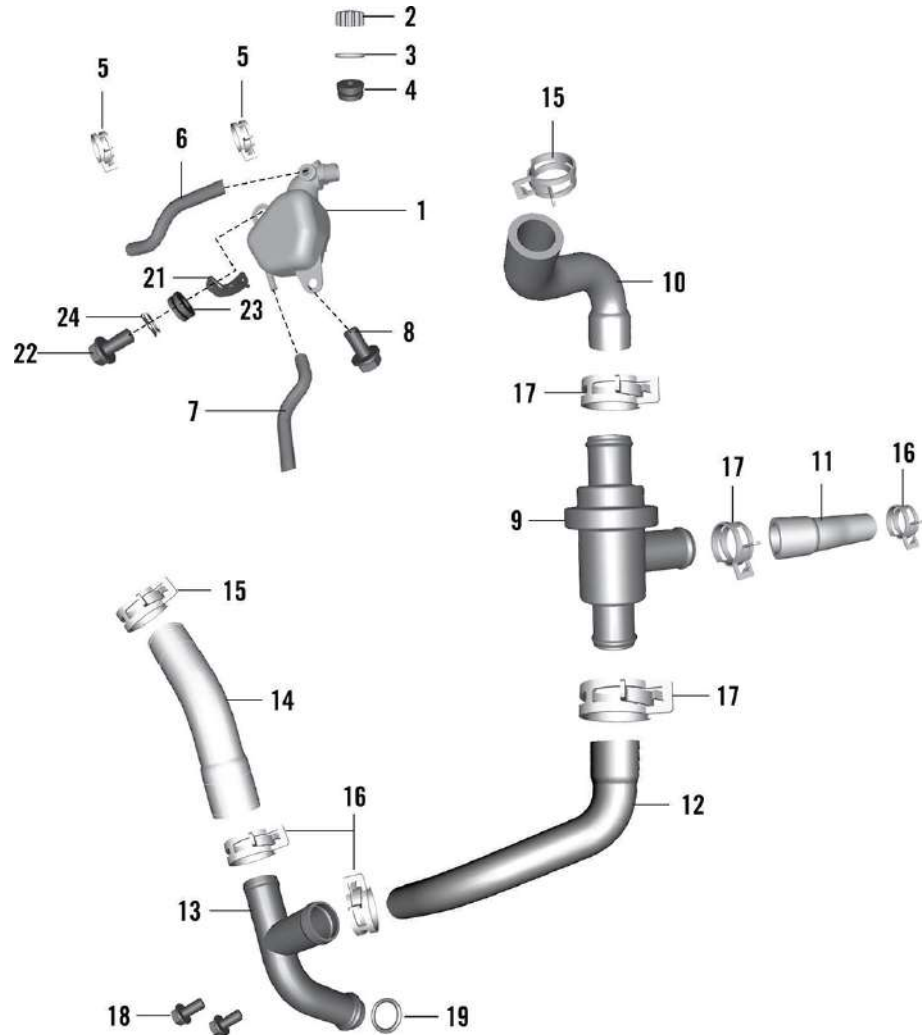
SN	Part No.	Description	QTY
1	JP601238	RADIATOR	1
2	JP181233	SPACER RADIATOR SHROUD	2
3	JP601240	FAN RADIATOR	1
4	JY601248	BRACKET FAN MOUNTING A	1
5	JY601249	BRACKET FAN MOUNTING B	1
6	JY601250	BRACKET FAN MOUNTING	1
7	LCL00002	NUT FLANGED-M6X1XHT.6XCL4	2
8	JL181027	NUT CLIP M6	1
9	JY113801	BRACKET ASSEMBLY RADIATOR RH	1
10	JY113800	BRACKET ASSEMBLY RADIATOR LH	1
11	KADD0610	BOLT-FLANGE-KAD ST-D DIA-06 L-10	4
12	JY601241	FLANGE NUT	3
13	JG601235	PRESSURE CAP RADIATOR	1
14	KDCB0612	WASHER SPRING	2
15	JP181232	SLEEVE RADIATOR	6
16	LAC00054	BOLT SOCKET-M6X1XL16XBLKXFL.HEAD	5
17	39130911	WASHER - PLAIN	2
18	KCEE0605	NUT DOME CAP SINGLE PIECE-M6 X 1	4
19	JP181373	SHROUD RADIATOR LH	1
20	JP181374	SHROUD RADIATOR RH	1

12. RADIATOR ASSEMBLY



SN	Part No.	Description	QTY
21	JP601217	RUBBER DAMPER RADIATOR MOUNTING	4
22	JP181236	CAP RADIATOR SHROUD	1
23	JP113816	BRACKET RADIATOR MTG LOOSE	1

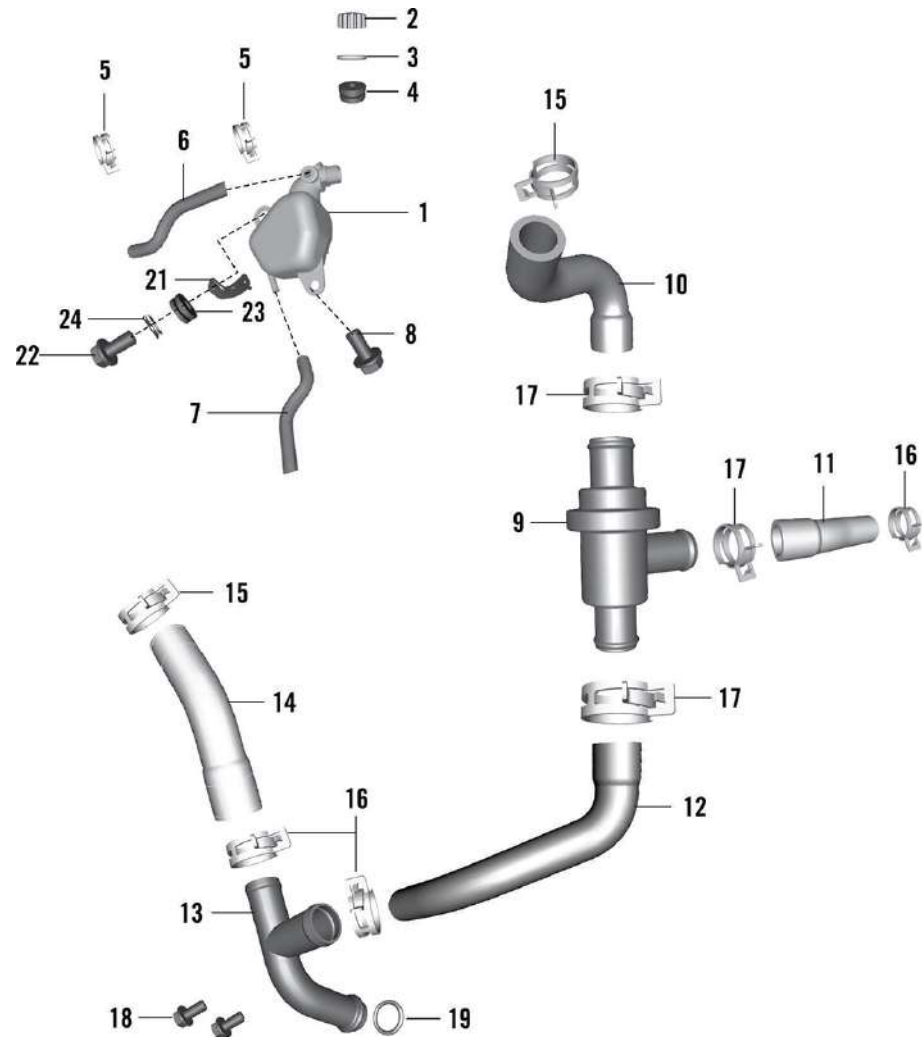
13. COOLING SYSTEM



SN	Part No.	Description	QTY
1	JP601205	TANK EXPANSION	1
2	JG601211	CAP EXPANSION TANK	1
3	JG601230	EXPANSION TANK O RING	1
4	JP181226	GROMMET EXPANSION TANK MTG	1
5	JG171029	SPRING BAND CLAMP 11.5 x 8.4	3
6	JG601213	TUBE DRAIN - EXPANSION TANK	1
7	JP601206	TUBE RADIATOR TO EXPANSION TANK	1
8	JG181255	BOLT FLANGED STEP M6X1	1
9	JG601014	UNIT THERMOSTAT	1
10	JP601212	HOSE COOLANT THERM-RAD	1
11	JP601210	HOSE COOLANT ENG-THERM	1
12	JP601211	HOSE COOLANT THERM-PIPE T	1
13	JG601239	ASSEMBLY COOLANT PIPE T	1
14	JY601226	HOSE COOLANT-RAD TO T PIPE	1
15	JG601234	CLAMP DIA 23	2
16	JG601016	CLAMP_G2	3
17	JG601210	CLAMP RADIATOR PIPE DIA 25.2	3
18	LAE00049	BOLT FLANGE-M6X1XL14XBRTXPRECOAT	2
19	JG601221	O-RING COOLANT PIPE	1
20	JP171053	SLEEVE EXPANSION TANK MTG	1

250-DUKE MY-22

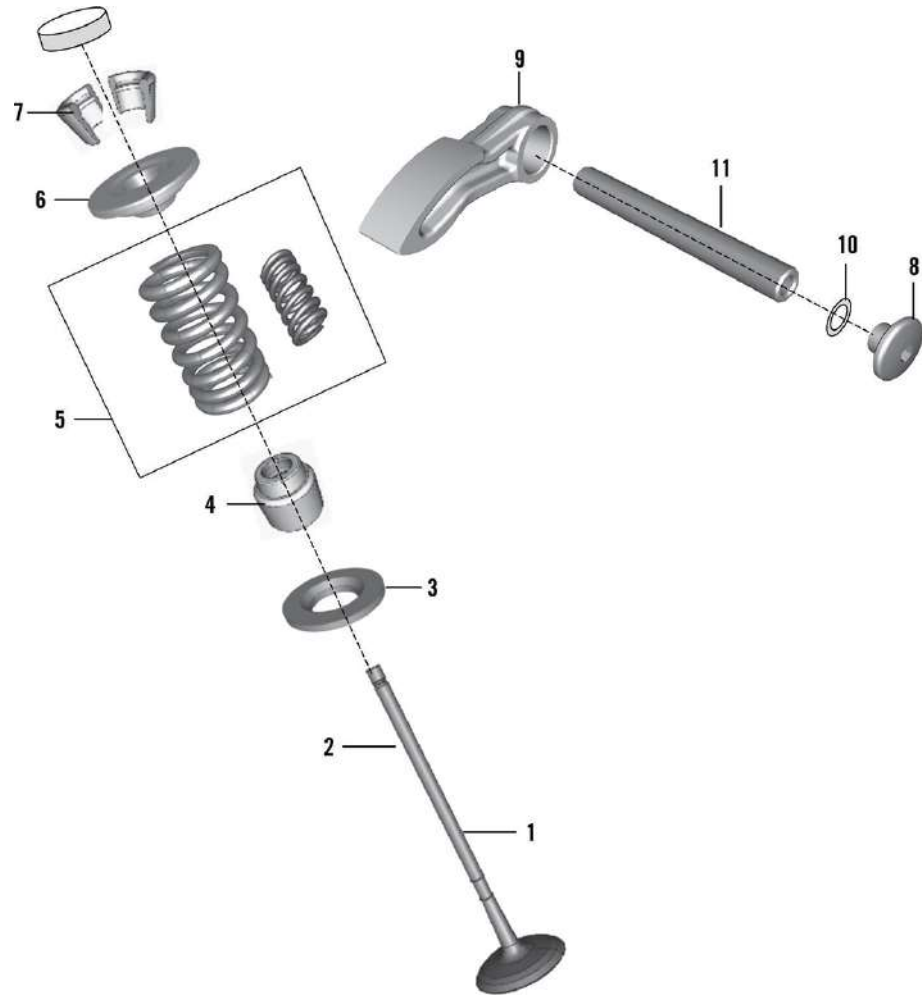
13. COOLING SYSTEM



SN	Part No.	Description	QTY
21	JP171043	BRACKET EXPANSION TANK LOOSE	1
22	KADD0610	BOLT-FLANGE-KAD ST-D DIA-06 L-10	1
23	JP171051	GROMMET	1
24	JL181027	NUT CLIP M6	1

**250-DUKE MY-22**

**14. VALVE DRIVE**



SN	Part No.	Description	QTY
1	JP511228	VALVE EXHAUST	2
2	JY511248	INTAKE VALVE	2
3	JY511223	SEAT VALVE SPRING	4
4	CB101009	SEAL - VALVE STEM	4
5	36JY0065	KIT VALVE SPRING KTM	4
6	JY511225	RETAINER VALVE SPRING	4
7	CB101022	COTTER VALVE	8
8	JG511016	PLUG	2
9	JU511204	ROCKER ARM (FINGER TYPE)	4
10	39102121	RING - O	2
11	JY511226	ROCKER ARM SHAFT	2

250-DUKE MY-22

15. VALVE SHIMS



SN	Part No.	Description	QTY
1	36JY0029	KIT SHIM 2 MM	1
2	36JY0030	KIT SHIM 2.04 MM	1
3	36JY0031	KIT SHIM 2.08 MM	1
4	36JY0032	KIT SHIM 2.12 MM	1
5	36JY0033	KIT SHIM 2.16 MM	1
6	36JY0034	KIT SHIM 2.20 MM	1
7	36JY0035	KIT SHIM 2.24 MM	1
8	36JY0036	KIT SHIM 2.28 MM	1
9	36JY0037	KIT SHIM 2.32 MM	1
10	36JY0038	KIT SHIM 2.36 MM	1
11	36JY0039	KIT SHIM 2.40 MM	1
12	36JY0040	KIT SHIM 2.44 MM	1
13	36JY0041	KIT 2.48 MM	1
14	36JY0042	KIT SHIM 2.52 MM	1
15	36JY0043	KIT SHIM 2.56 MM	1
16	36JY0044	KIT SHIM 2.60 MM	1
17	36JY0045	KIT 2.64 MM	1
18	36JY0046	KIT SHIM 2.68 MM	1
19	36JY0047	KIT 2.72 MM	1
20	36JY0048	KIT SHIM 2.76 MM	1



**250-DUKE MY-22**

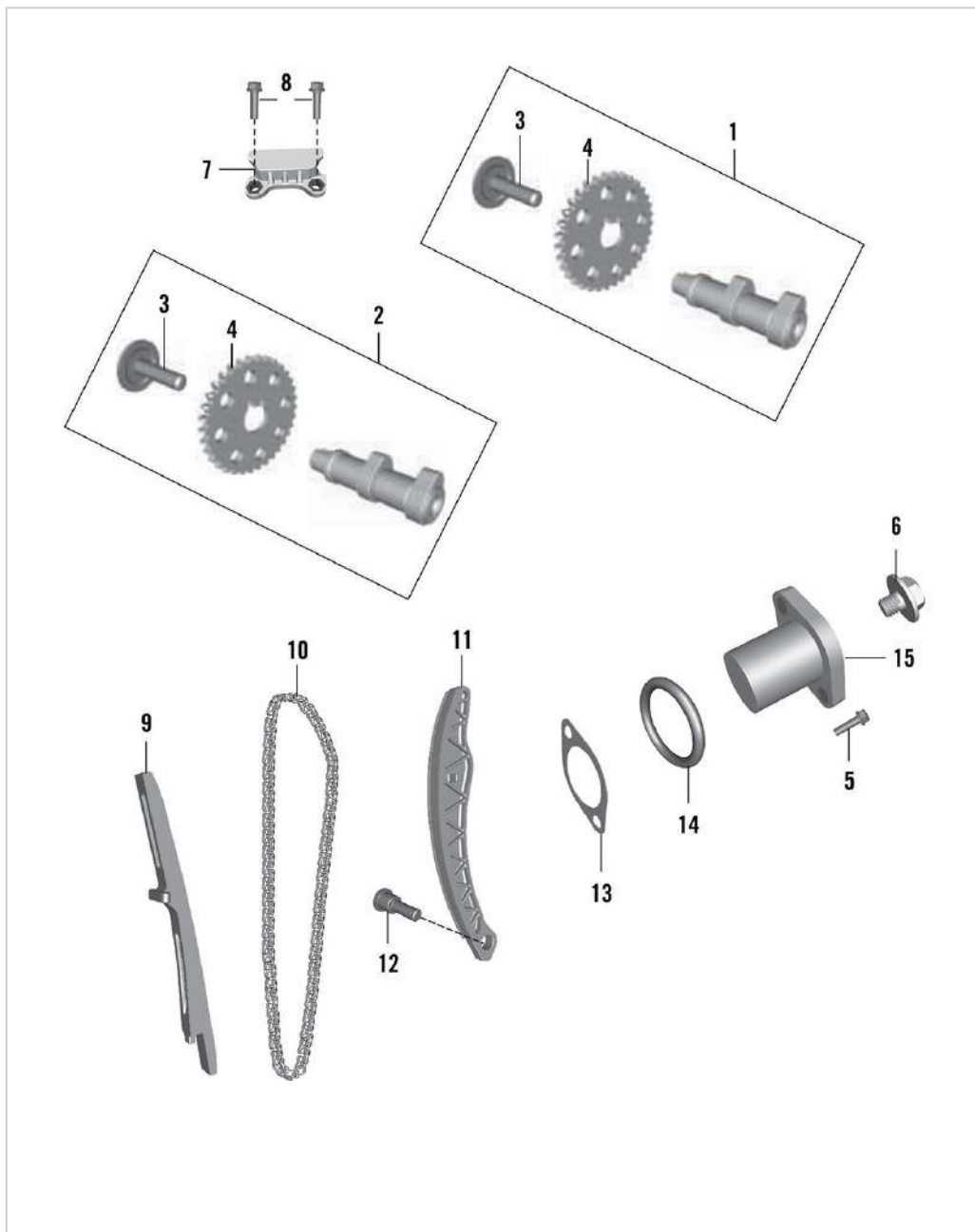
**15. VALVE SHIMS**



SN	Part No.	Description	QTY
21	36JY0049	KIT SHIM 2.80 MM	1
22	36JY0050	KIT SHIM 2.84 MM	1
23	36JY0051	KIT SHIM 2.88 MM	1
24	36JY0052	KIT SHIM 2.92 MM	1
25	36JY0053	KIT SHIM 2.96 MM	1
26	36JY0054	KIT SHIM 3 MM	1
27	36JY0055	KIT SHIM 3.04 MM	1
28	36JY0056	KIT SHIM 2.30 MM JY511231AP	1
29	36JY0057	KIT SHIM 2.34 MM JY511231AR	1
30	36JY0058	KIT SHIM 2.38 MM JY511231AT	1
31	36JY0059	KIT SHIM 2.42 MM JY511231AV	1
32	36JY0060	KIT SHIM 2.46 MM JY511231AX	1
33	36JY0061	KIT SHIM 2.50 MM JY511231AZ	1
34	36JY0062	KIT SHIM 2.54 MM JY511231BB	1
35	36JY0063	KIT SHIM 2.58 MM JY511231BD	1
36	36JY0064	KIT SHIM 2.62 MM JY511231BF	1

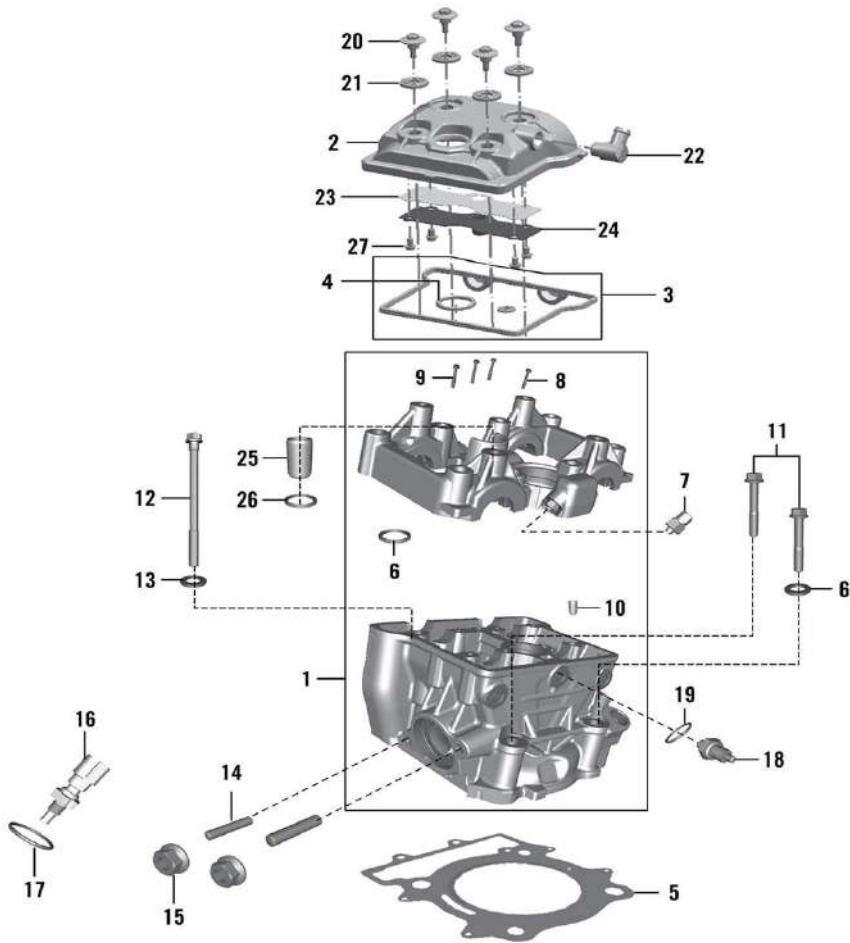
## 250-DUKE MY-22

## 16. TIMING DRIVE



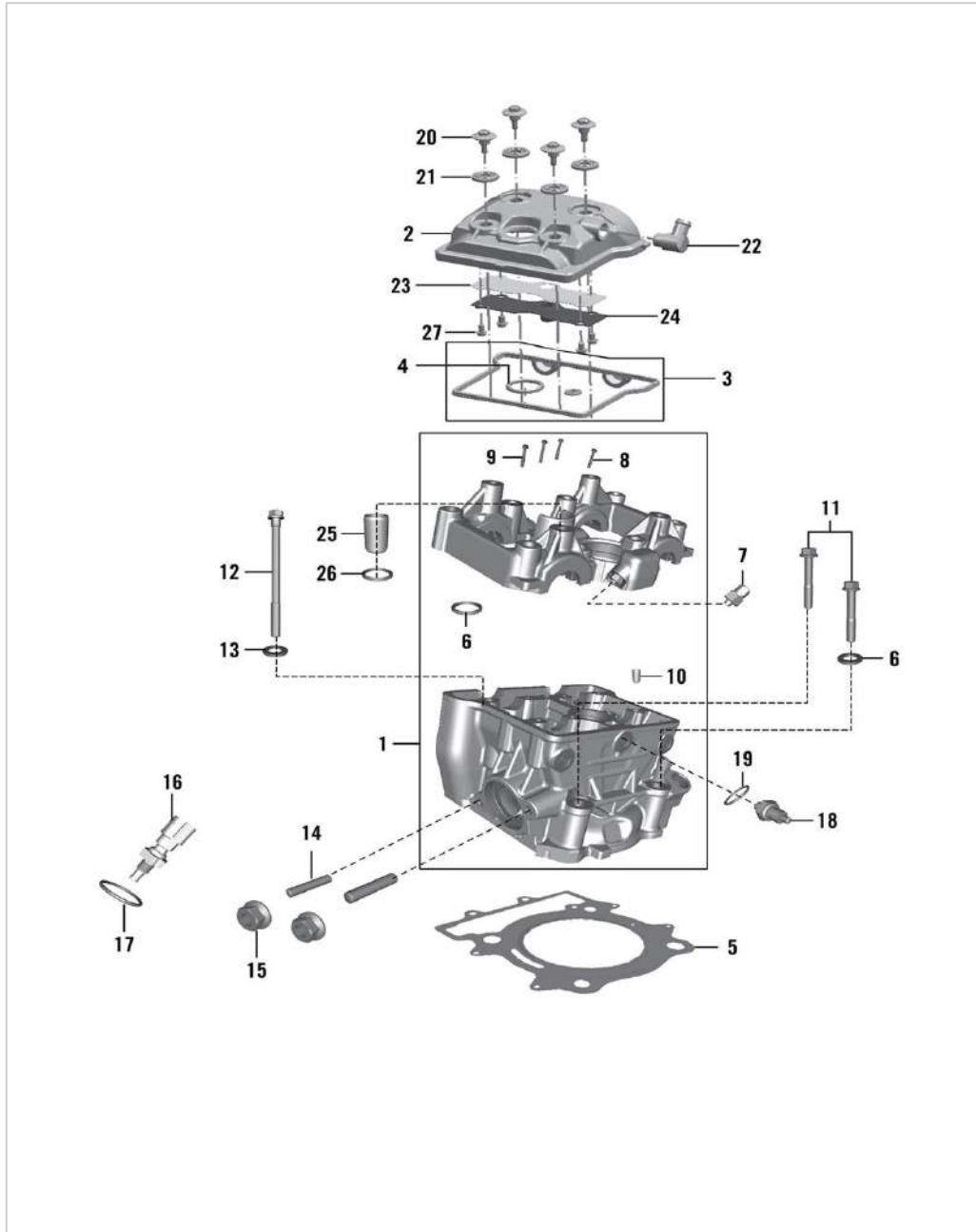
SN	Part No.	Description	QTY
1	JP511208	CAMSHAFT ASSEMBLY INTAKE	1
2	JP511209	CAMSHAFT ASSEMBLY EXHAUST	1
3	LAC00144	BOLT SOCKET STEP M10X1	2
4	JP511215	SPROCKET CAMSHAFT	2
5	KAEW0620	BOLT FLANGE SMAL- M6X1XL20XBRIGHT	2
6	JG511270	BOLT FLANGED M6X1	1
7	JY511058	GUIDE CHAIN TOP	1
8	KAEG0645	BOLT-FLANGED-SMALL	2
9	JY511229	GUIDE CHAIN TIGHT SIDE	1
10	JY511220	CHAIN TIMING	1
11	JY511227	GUIDE CHAIN SLACK SIDE	1
12	JY541009	BOLT SOCKET-M6X1XL 14.4XBRTXSTEP	1
13	CS101128	Gasket	1
14	39266921	RING - O (ID 10.15 X 1.5)	1
15	JY511238	TENSIONER CHAIN	1

17. CYLINDER HEAD



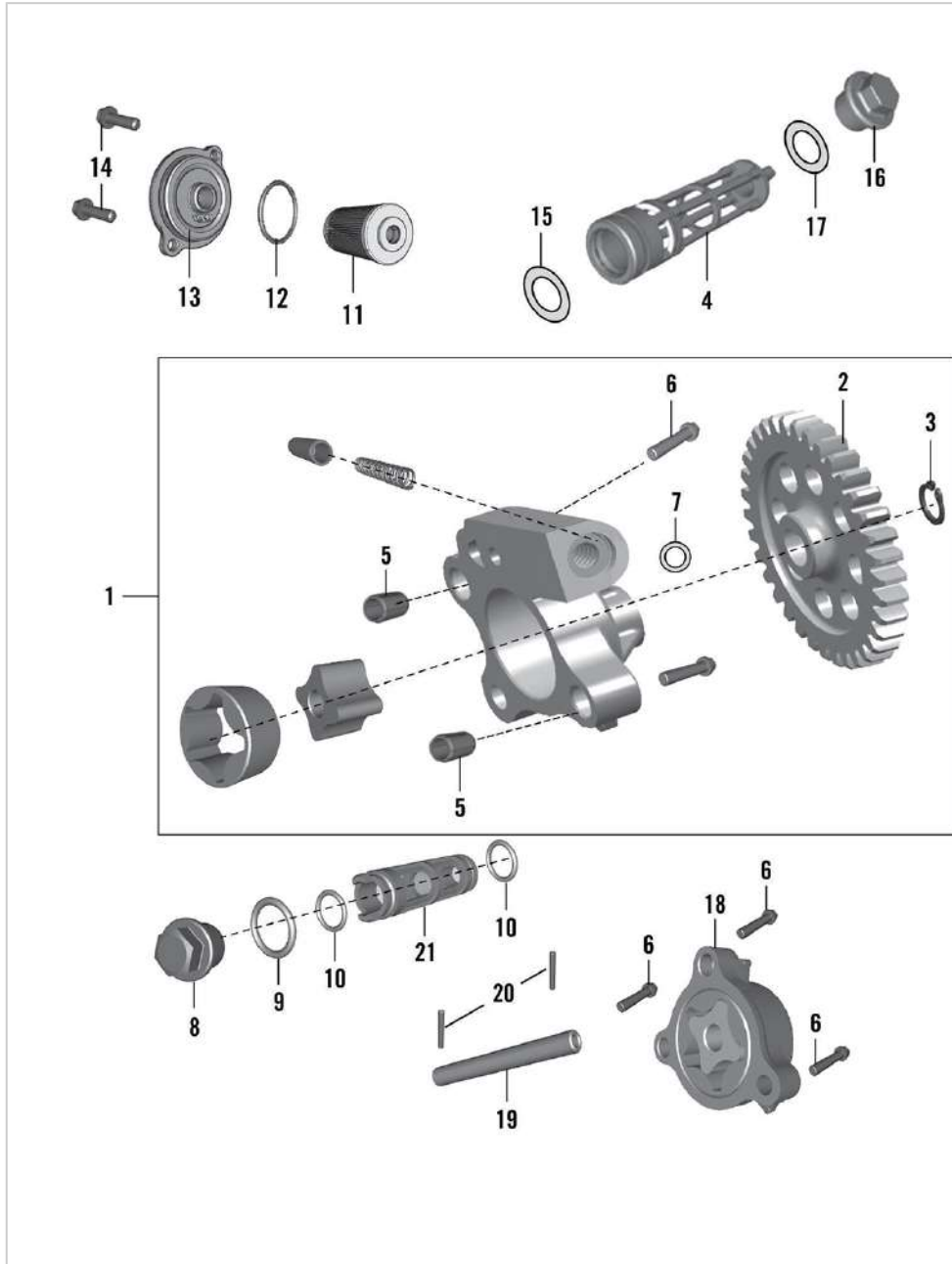
SN	Part No.	Description	QTY
1	JP511062	HEAD CYLINDER-HOLDER CAMSHAFT	1
2	JY511141	COVER HEAD CYLINDER	1
3	36JY0199	KIT VALVE COVER GASKET 390	1
4	JY511074	GASKET SLEEVE SPARK PLUG	1
5	JY511149	GASKET HEAD CYLINDER	1
6	LDA00014	WASHER PLAIN	4
7	JG541021	OIL NOZZLE	4
8	KAEQ0640	BOLT FLANGE SMALL- M6X1XL40XDACRO	2
9	39107504	BOLT - FLANGED :- SMALL	4
10	39099906	PIN - HOLLOW DOWEL	2
11	LAC00024	BOLT SOCKET HEAD M6X1X20L- PRECOATED	2
12	LAC00106	BOLT SOKET- M10X1.25XL143.75XSTEP	4
13	LDA00015	WASHER PLAIN	2
14	JG511046	STUD M8*1.25	2
15	LCG00024	NUT HEX FLANGED- M8X1.25XHT.8XBRT	2
16	JG351400	COOLANT WATER TEMP SENSOR	1
17	DK101340	O RING (OIL COOLER PIPE)	1
18	DK101225	SWITCH PRESSURE OIL	1
19	DK101340	O RING (OIL COOLER PIPE)	1
20	JG511022	BOLT SPECIAL	4

17. CYLINDER HEAD



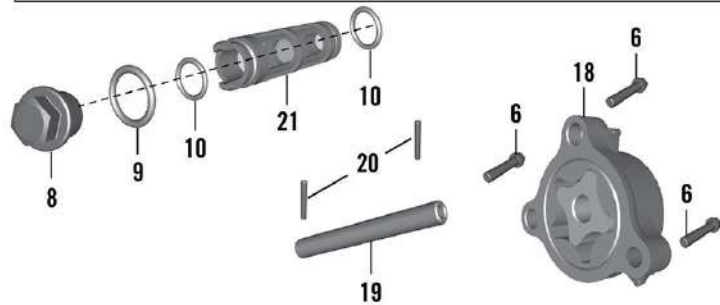
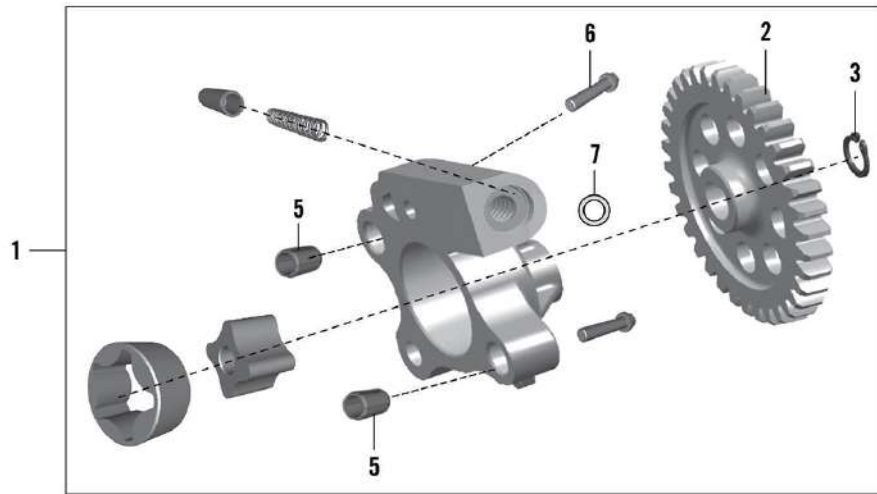
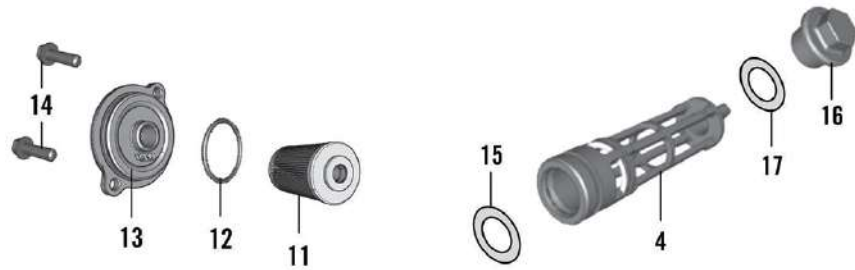
SN	Part No.	Description	QTY
21	JG511021	WASHER	4
22	JP511016	PIPE BREATHER	1
23	JY511059	GASKET BREATHER	1
24	JY511060	PLATE BREATHER	1
25	JY511068	SLEEVE SPARK PLUG	1
26	LJA00001	RING O	2
27	LAE00017	BOLT FLANGED M6X1	4
28	36001051	KIT LOCTITE 5702 10 gm LIQUID GASKET	1

## 250-DUKE MY-22



## 18. LUBRICATING SYSTEM

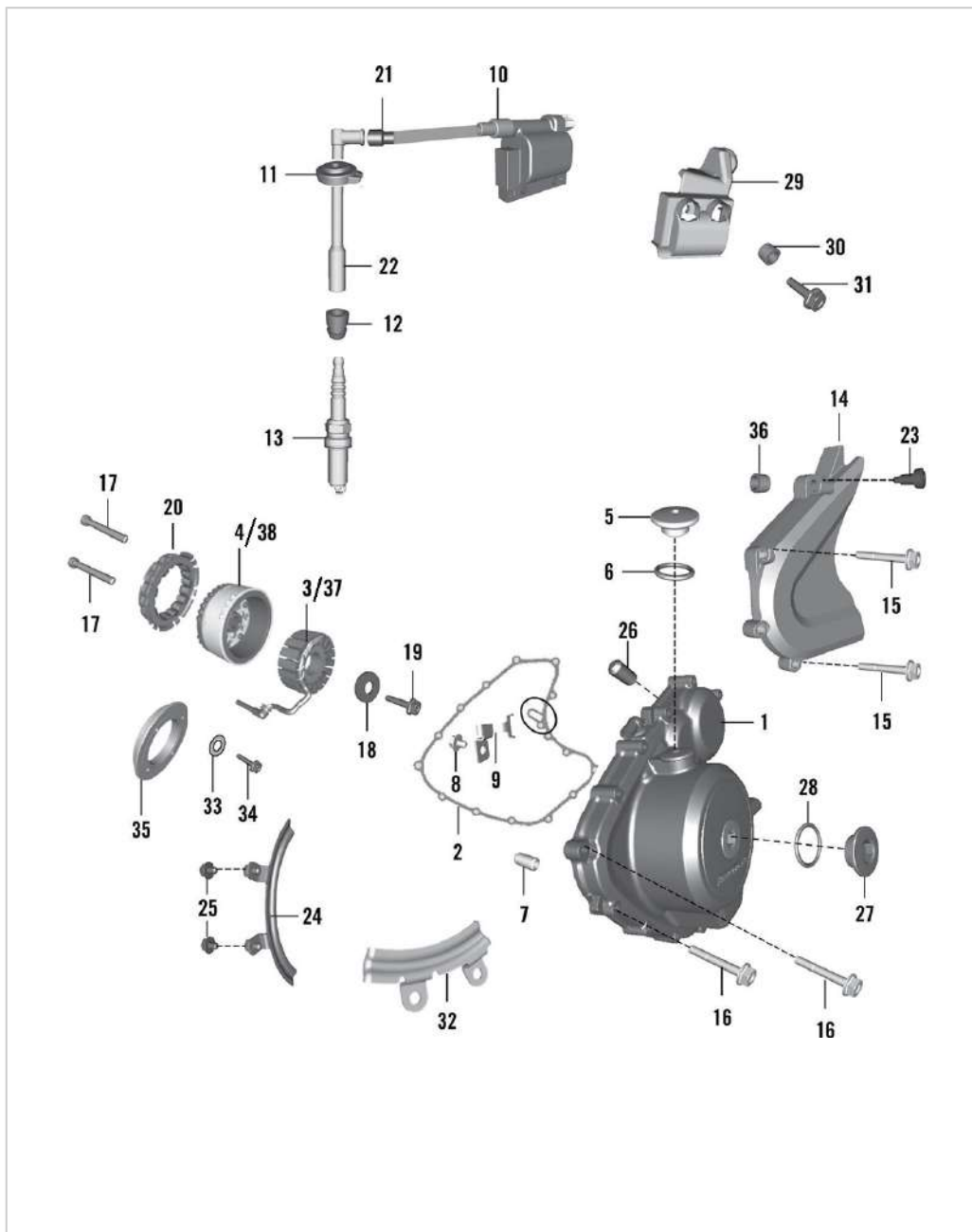
SN	Part No.	Description	QTY
1	JY571012	OIL PUMP ASSLY COMP	1
2	JY571023	GEAR OIL PUMP DRIVE	1
3	KEAB1010	CIRCLIP EXTERNAL	1
4	JY571030	MESH STRAINER ASSLY	1
5	39099906	PIN - HOLLOW DOWEL	2
6	LAE00018	BOLT FLANGED M6X1	3
7	LDA00017	WASHER PLAIN	2
8	JY571009	CAP STRAINER EVACUATION	1
9	LJA00006	RING O - ID 12.5XSECT. DIA. 2	1
10	LJA00002	O RING FOR E - 20	2
11	JG571014	OIL FILTER	1
12	JG571016	RING O	1
13	JY571033	CAP OIL FILTER	1
14	KAEW0616	BOLT FLANGE SMAL- M6X1XL16XBRIGHT	2
15	LJA00004	STRAINER O RING	1
16	JA541021	CAP STRAINER	1
17	59210023	RING - O	1
18	JY571015	PUMP EVACUATION ASSLY	1
19	JY571024	SHAFT OIL PUMP	1
20	LHD00001	PIN PARALLEL	3



SN	Part No.	Description	QTY
21	JY571008	STRAINER EVACAUTION	1



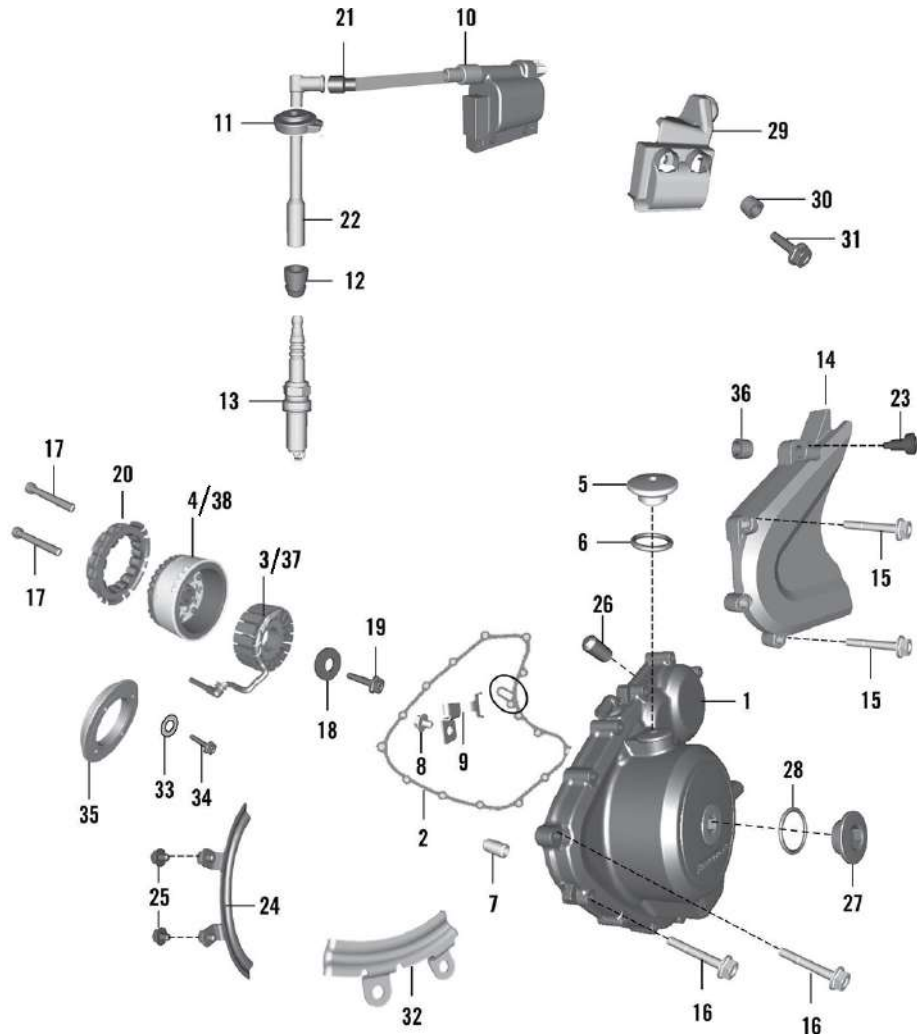
19. IGNITION SYSTEM



SN	Part No.	Description	QTY
1	JP541233	COVER ASSEMBLY MAGNETO	1
2	JY541214	GASKET COVER MAGNETO	1
3	JY351007	STATOR ASSEMBLY	1
3	JP351019	STATOR ASSEMBLY	1
4	JP351019	ROTOR ASSLY	1
4	JY351025	ROTOR ASSLY WITHOUT CLUTCH	1
4	JP351020	ROTOR ASSLY	1
5	JL541245	CAP TDC FINDER	1
6	30101195	RING - O	1
7	39099906	PIN - HOLLOW DOWEL	2
8	LAE00016	BOLT FLANGED M5X0.8X6L- PRECOATED	1
9	JY541208	BRACKET HARNESS MAGNETO	1
10	JP351207	COIL IGNITION	1
11	JY351203	GROMMET SPARK PLUG CAP	1
12	JG351202	GROMMET SPARK PLUG	1
13	JY351206	PLUG SPARK	1
14	JY541227	COVER LH RR	1
15	KAEW0650	BOLT FLANGE SMAL- M6X1XL50XBRIGHT	3
16	KAEW0635	BOLT FLANGE SMAL- M6X1XL35XBRIGHT	12
17	DK101284	HEX SOCKET HEAD SCREW(M5X0.8X35)	3
18	LDB00041	WASHER PLAIN-ID 10.3XOD 29XT 8	1
19	LAD00124	BOLT FLANGE- M10X1.25XL55XDACRO	1
20	JY551402	CLUTCH ONE WAY ASSLY	1

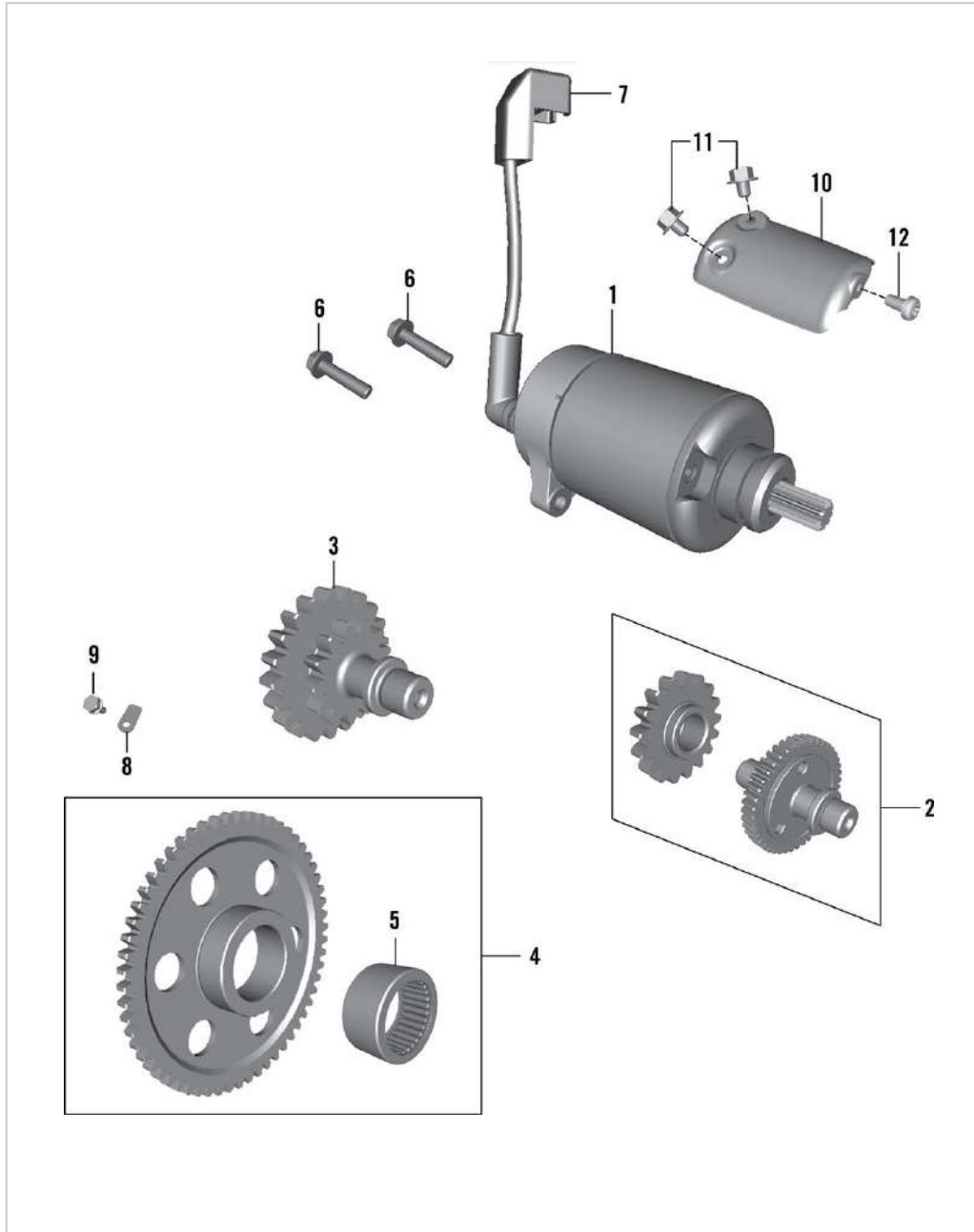
250-DUKE MY-22

19. IGNITION SYSTEM



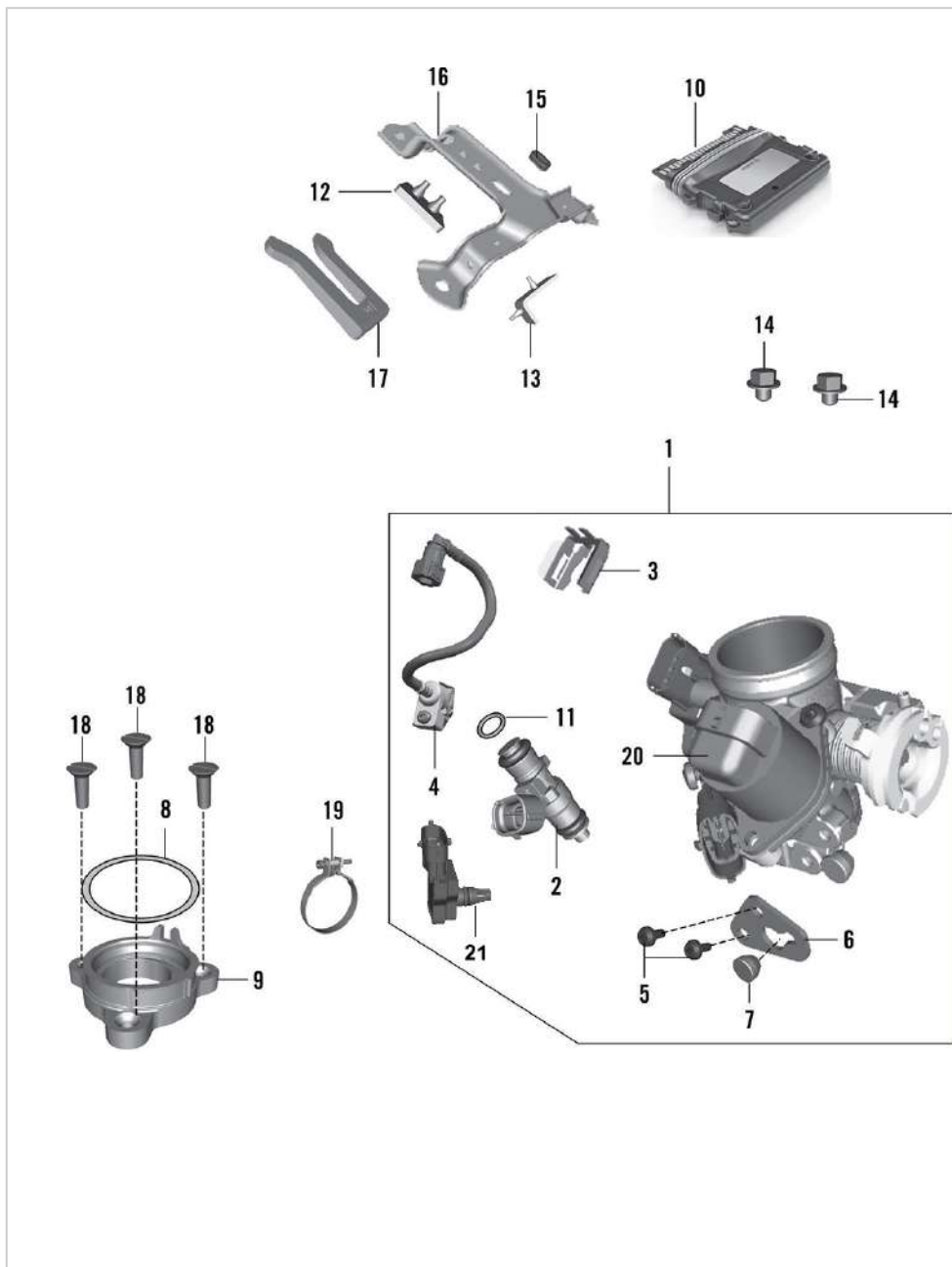
SN	Part No.	Description	QTY
21	DD111012	GROMMET FOR H. T. CABLE	1
22	JY351200	CAP SPARK PLUG	1
23	LAC00094	BOLT SOKET- M6X1XL22XBLKXSTEPED	1
24	JY541222	PLATE HARNESS MAGNETO	1
25	LAE00016	BOLT FLANGED M5X0.8X6L- PRECOATED	2
26	JY541255	JET OIL	1
27	JY541206	CAP CRANK CENTRE	1
28	LJA00007	RING O - ID 24XSECT. DIA. 2.5	1
29	JP181288	COVER IGNITION COIL	1
30	JP113835	SLEEVE COVER IGNITION COIL	2
31	LAC00120	BOLT SOCKET M6X1	2
32	JY541071	PLATE HARNESS 2	1
33	LDF00001	WASHER TOOTHED-ID 6.4XOD11XT 0.7	4
34	DH101389	PRECOATED PAN SCREW M6 X 20 - 39119704	4
35	JG351019	BODY STARTER CLUTCH	1
36	JP113822	SPACER PIVOT FORGING LH	1

20. ELECTRICAL STARTER



SN	Part No.	Description	QTY
1	JY351607	MOTOR STARTER	1
2	JY551226	GEAR STARTER COUNTER 1 ASSLY	1
3	JY551225	GEAR STARTER COUNTER 2	1
4	JY621411	ASSEMBLY GEAR STARTER CLUTCH	1
5	BF621402	NEEDLE BEARING (25X32X16)	1
6	KADQ0625	BOLT M6	2
7	JP402203	CABLE RELAY TO MOTOR MY17	1
8	JY541040	RETAINER GEAR STARTER	1
9	LAE00042	BOLT FLANGED-M6X1	1
10	JY591308	SHIELD STARTER MOTOR	1
11	LAE00016	BOLT FLANGED M5X0.8X6L- PRECOATED	2
12	KBBE0408	SCREW PAN CROSS	1

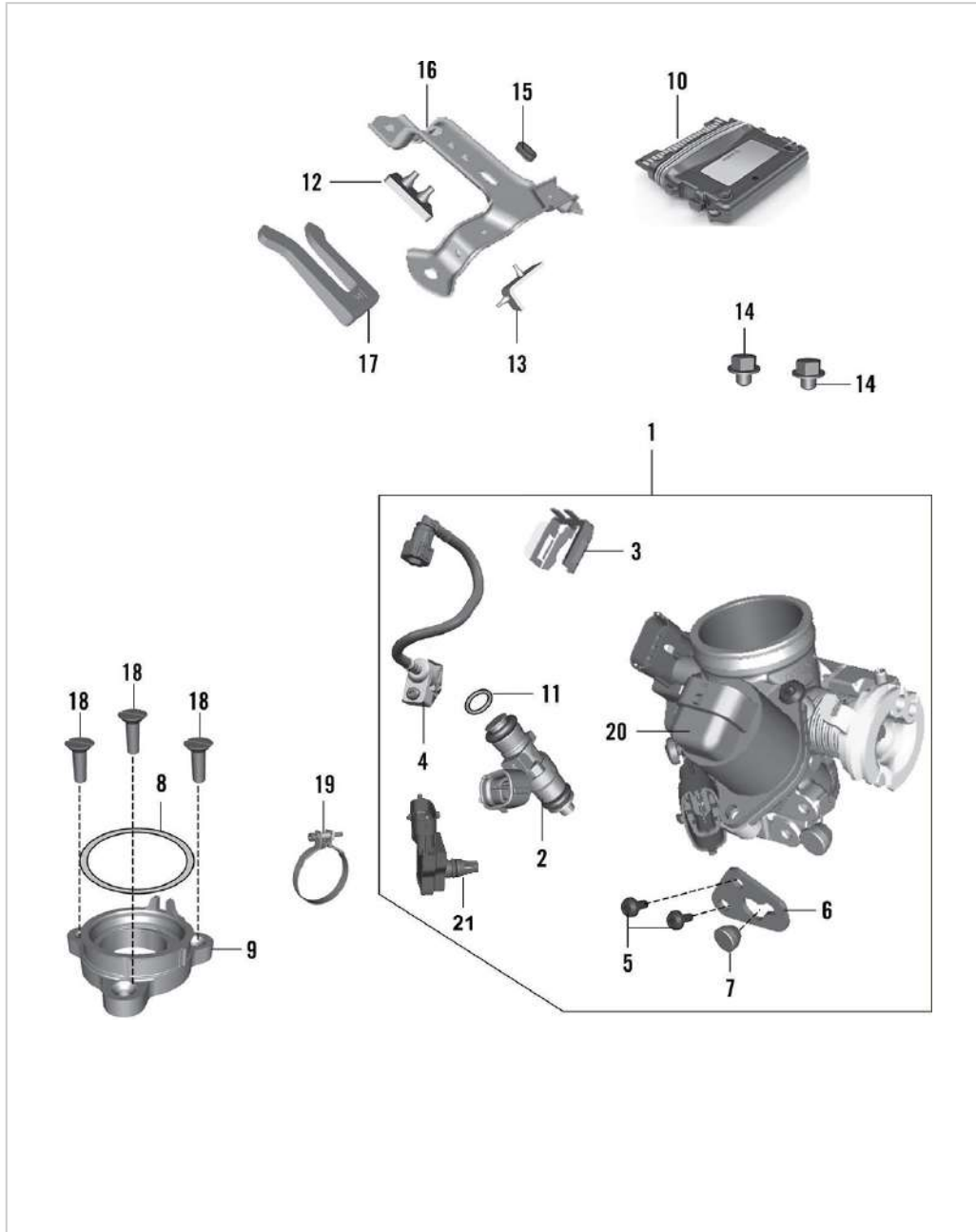
21. THROTTLE BODY



SN	Part No.	Description	QTY
1	JP611219	BODY THROTTLE ASSEMBLY	1
2	JG611007	FUEL INJECTOR	1
3	JG611006	CLIP INJECTOR CLIP	1
4	JP611206	ASSEMBLY INJECTOR CAP WITH QC KT21	1
5	JG581424	FIXING SCREW	5
6	JP611211	CABLE BRACKET	1
7	DS161156	PLUG - SEAT LOCK CABLE	1
8	JG581407	RING O	1
9	JU581413	PIPE INTAKE	1
10	JP351464	ECU EMS	1
11	JL611000	INJECTOR CAP O RING	1
12	JY113874	DAMPER ECU C SAMPLE MTG TOP	1
13	JY171007	PAD RUBBER NEW ECU MY16	2
14	KADD0610	BOLT-FLANGE-KAD ST-D DIA-06 L-10	2
15	JY113877	DAMPER ECU LOCATOR	1
16	JP181315	COVER ECU	1
17	JP113826	PAD RESTING ECU MY17	1
18	LBC00003	SCREW CSK CROSS M6X1	3
19	JU581006	CLAMP CONNECTING TUBE	1
20	JG611206	MOTOR STEPPER (IACV)	1

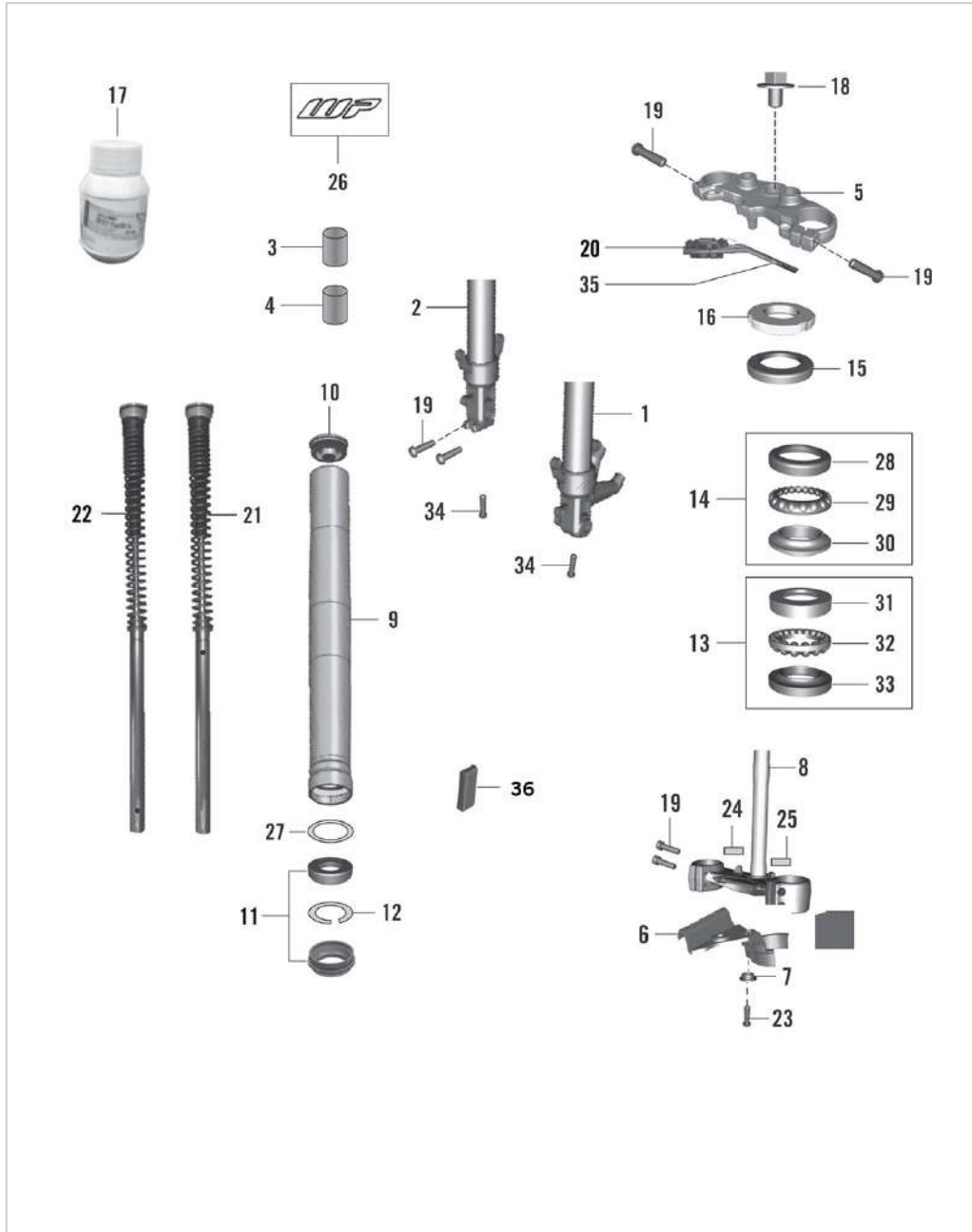
250-DUKE MY-22

21. THROTTLE BODY



SN	Part No.	Description	QTY
21	JP351801	SENSOR PRESSURE	1
22	KAAA0614	BOLT-KAA ST-A DIA-06 L-14	1
23	LCL00002	NUT FLANGED-M6X1XHT.6XCL4	1

22. FRONT FORK, TRIPLE CLAMP

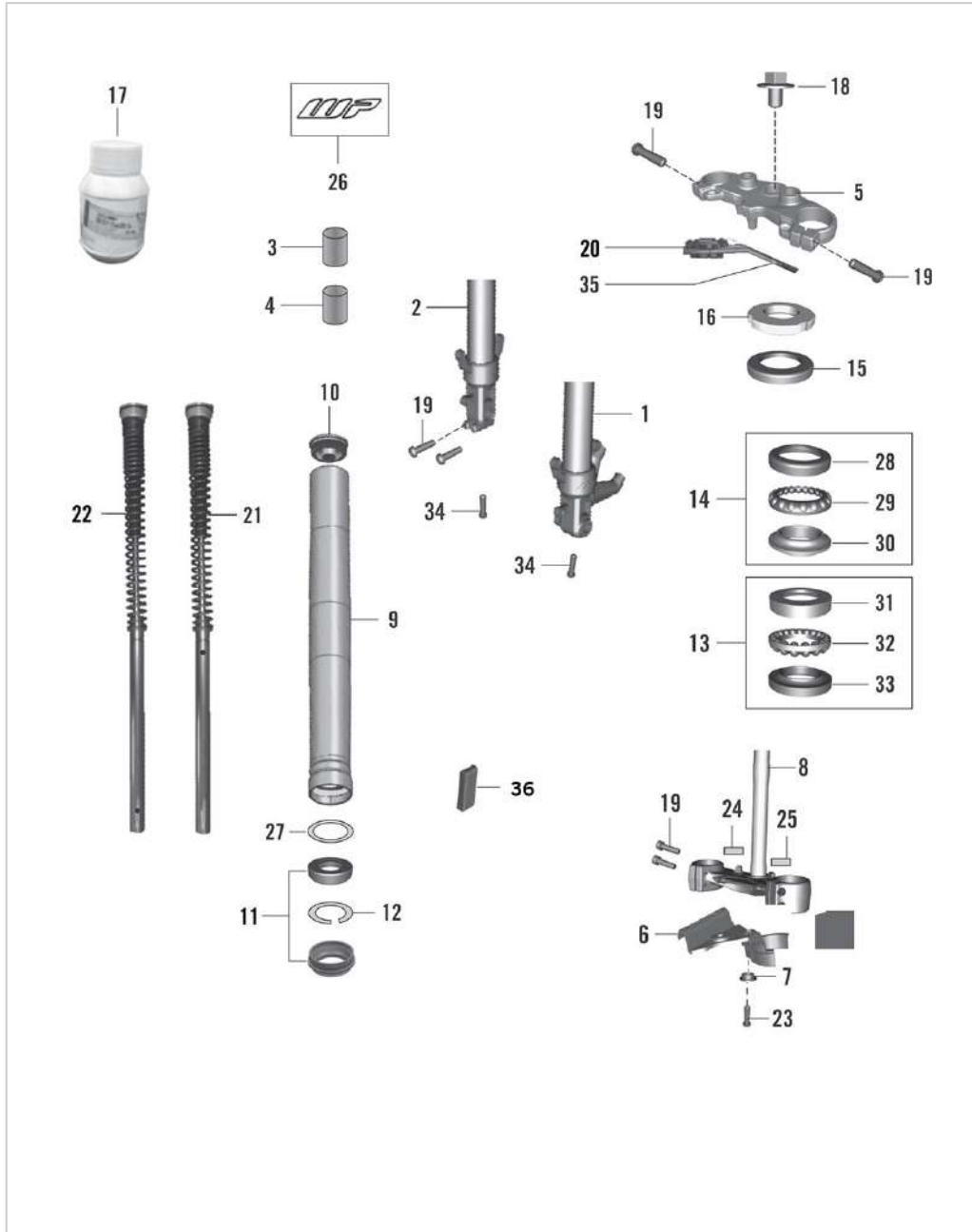


SN	Part No.	Description	QTY
1	YJP41003	AXLE CLAMP & FORK PIPE ASSEMBLY LH	1
2	YJP41004	AXLE CLAMP & FORK PIPE ASSEMBLY RH	1
3	JP121041	GUIDE BUSH LOWER	2
4	JP121040	GUIDE BUSH UPPER	2
5	JP151010	BRACKET UPPER	1
6	JG113857	HOSE CLAMP	1
7	JG113832	COLLAR	4
8	JP121046	ASSEMBLY LOWER TRIPLE CLAMP GDC	1
9	JP121022	TUBE OUTER HD	2
10	JP121047	BOLT FORK	2
11	36JU0019	Kit Fork Oil seal KTM 200	2
12	JU121009	CIRCLIP	2
13	36JU0075	KIT STEERING RACE LOWER JU/JY	1
14	36JU0074	KIT STEERING RACE UPPER JU/JY	1
15	DK181076	CUP STEERING	1
16	JG151026	NUT -STEERING	1
17	JP121045	OIL PACKED FOR SINGLE LEG_450ML	2
18	JY151011	BOLT FLANGED-M16X1.5XL33XPRECOAT	1
19	JY121011	BOLT SOCKET-M8X1.25XL30XCL8.8XBL	8
20	JP113833	SLEEVE CLUTCH CABLE GUIDE	1



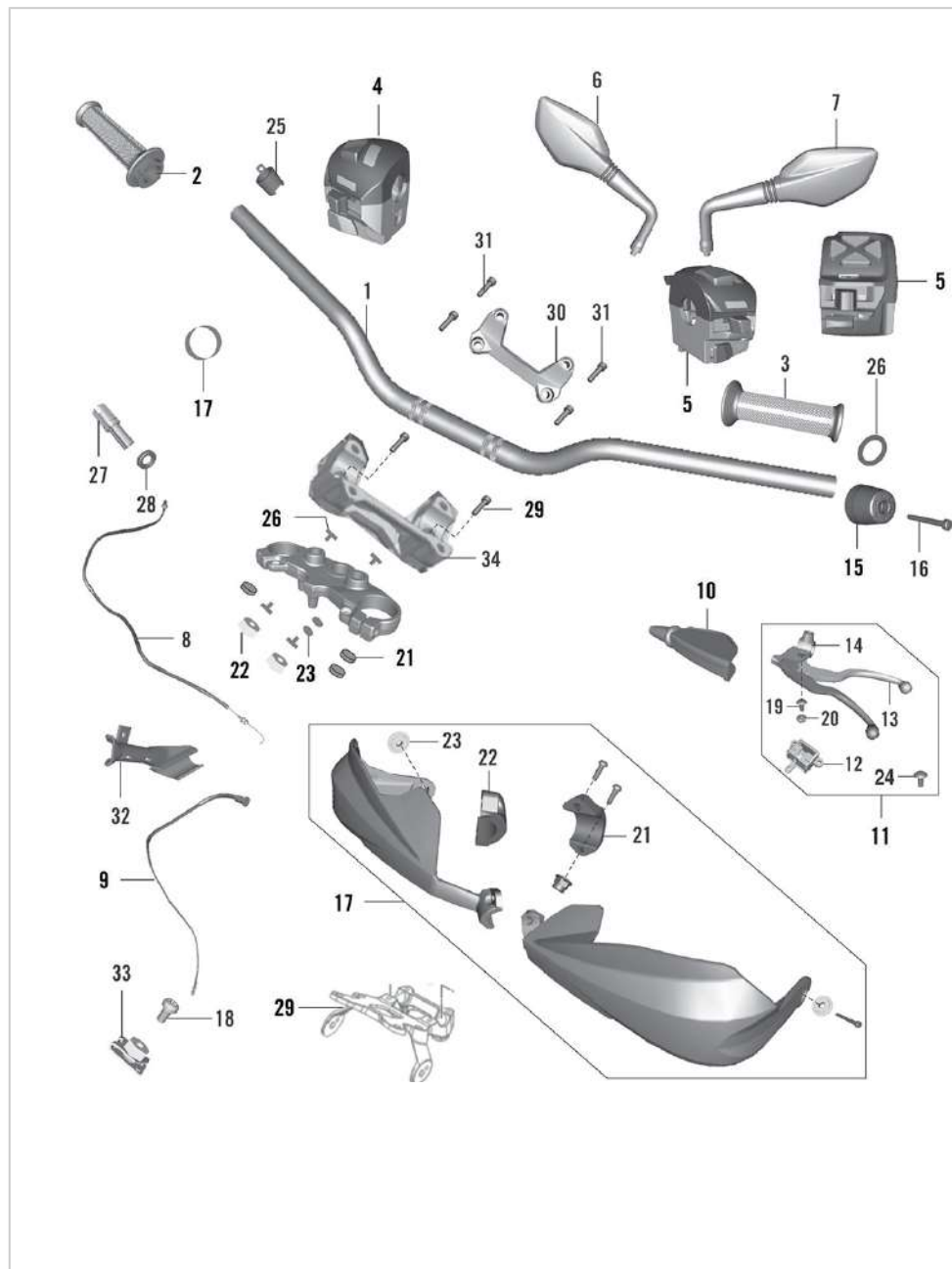
250-DUKE MY-22

22. FRONT FORK, TRIPLE CLAMP



SN	Part No.	Description	QTY
21	JP121043	CARTRIDGE SPLIT COMP.CPL KT22 H.D.	1
22	JP121044	CARTRIDGE SPLIT REB.CPL KT22 H.D.	1
23	LAC00010	BOLT SOCKET M6X1	2
24	JG151024	WASHER	1
25	DG181004	SEAL - OIL	1
26	JP121048	DECAL FORK FRONT WP	2
27	LDB00036	WASHER PLAIN-ID45XOD 52.5XTHK1.5	2
28	DG181045	BEARING CONE :- UPPER	1
29	DK181050	CAGE BEARING STEERING TOP	1
30	DG181046	BEARING RACE - UPPER	1
31	DG181047	BEARING RACE - LOWER	1
32	DK181051	CAGE BEARING STEERING BOTTOM	1
33	DG181005	BEARING CONE	1
34	LAC00126	BOLT SOCKET-M10X1.5XL 25XBRIGHT	2
35	JP113827	BRACKET CLUTCH CABLE GUIDE LOOSE	1
36	JG401038	REFLECTOR FRONT SIDE	2

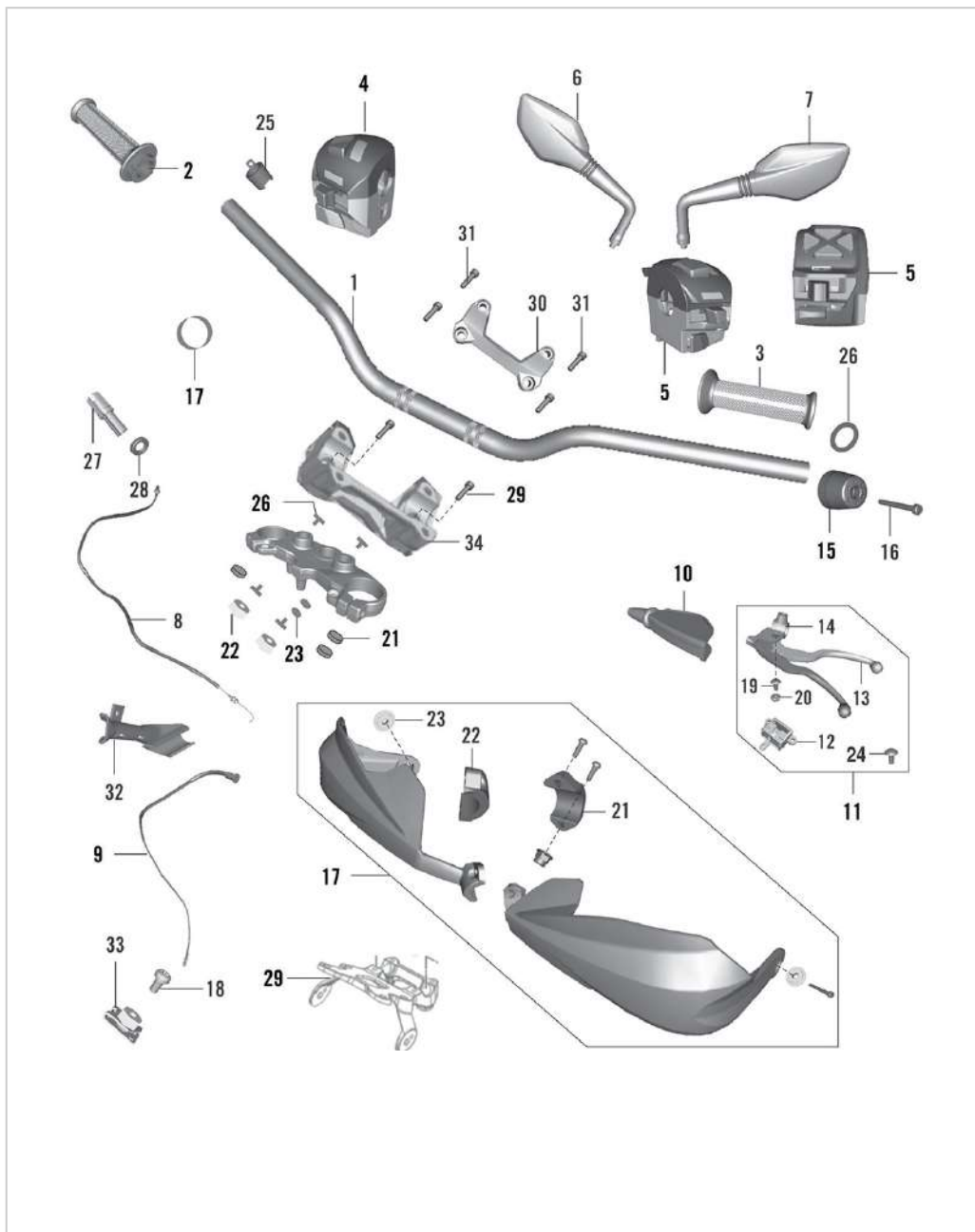
## 250-DUKE MY-22



## 23. HANDLEBAR, CONTROLS

SN	Part No.	Description	QTY
1	JP151004	HANDLE BAR	1
2	JG151036	GRIP ASSEMBLY DUKE390 RH	1
3	JY151015	GRIP HAND LH KT06	1
4	JP401412	SWITCH CONTROL RH	1
5	JG401406	SWITCH CONTROL LH	1
6	JP231600	MIRROR LH	1
7	JP231601	MIRROR RH	1
8	JP161202	CABLE THROTTLE 125	1
9	52JY0822	CLUTCH CABLE RC250	1
10	DS191052	LEVER BOOT LH FOR CLUTCH SWITCH	1
11	JP161008	ASSEMBLY LEVER-HOLDER LH	1
12	JG401426	SWITCH CLUTCH	1
13	JY161007	CLUTCH LEVER NON ADJUSTABLE	1
14	JL161014	HOLDER LEVER LH	1
15	DK181043	HANDLE BAR WEIGHT	2
16	LAC00116	BOLT SOCKET-M6X1XL55XCL8.8XBLACK	2
17	PA402204	BAND(LENGTH 110MM)	2
18	KBUF0512	SCREW TRUSS-M5X0.8XL 12XBLACK	1
19	JZ161028	LEVER PIVOT BOLT	1
20	39118415	NUT - NYLOC :- M5 X 0.8	1

## 250-DUKE MY-22

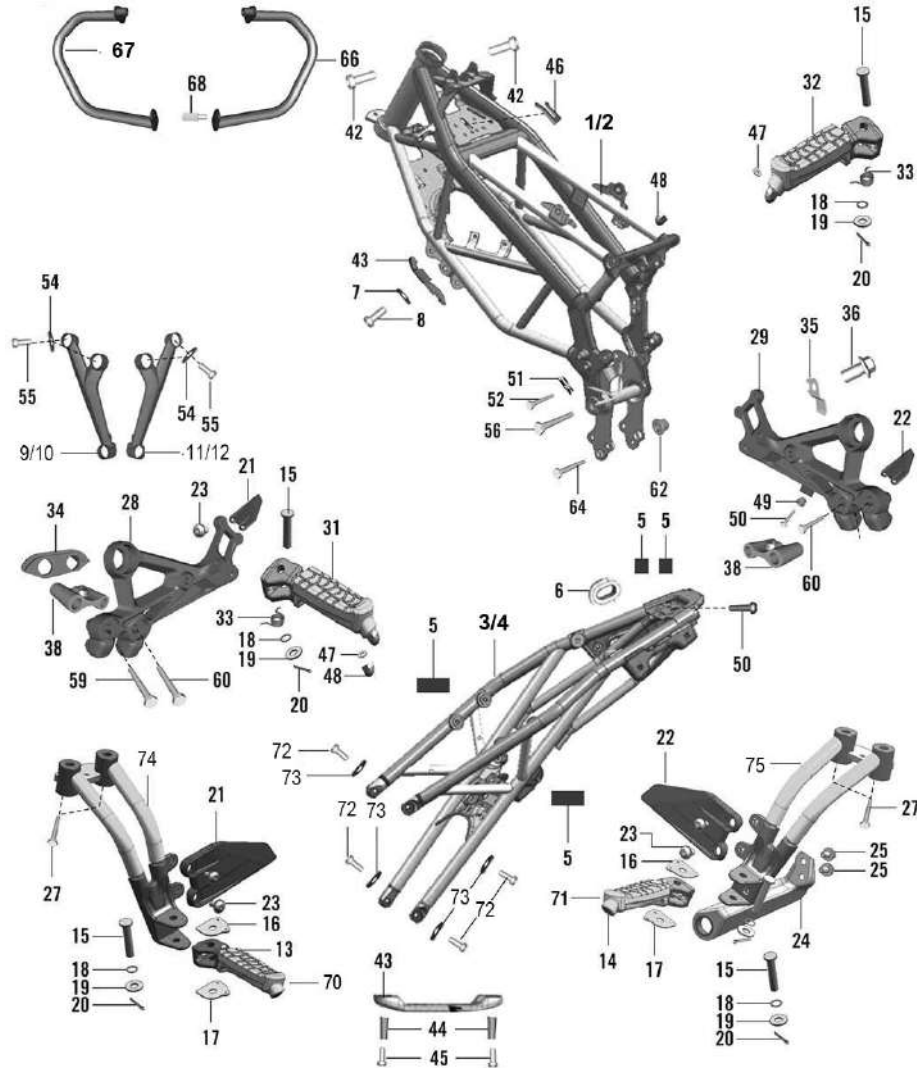


## 23. HANDLEBAR, CONTROLS

SN	Part No.	Description	QTY
21	JG151013	WASHER CUP	3
22	JP151009	SPACER TUBE_MY17	2
23	LCH00001	NUT NYLOC-M10X1.25XHT.11XCL6XBRT	2
24	LBU00012	SCREW PAN CROSS M3X0.5	2
25	JP151012	SPACER HANDLEBAR KT19/20/21	1
26	JG151012	COLLAR	4
27	36DU1901	CABLE ADJ.KIT - CT 100	1
28	30191017	NUT	1
29	LAC00092	BOLT SOKET-M10X1.25XL73XCL8.8XBRT	2
30	JP151016	HANDLE HOLDER TOP	1
31	LAC00111	BOLT SOCKET-M8X1.25XL 29XBLACK	4
32	JP113828	GUIDE CLUTCH CABLE	1
33	JG171031	CLIP NUT M5	1
34	JP151015	HANDLE HOLDER BOTTOM	1

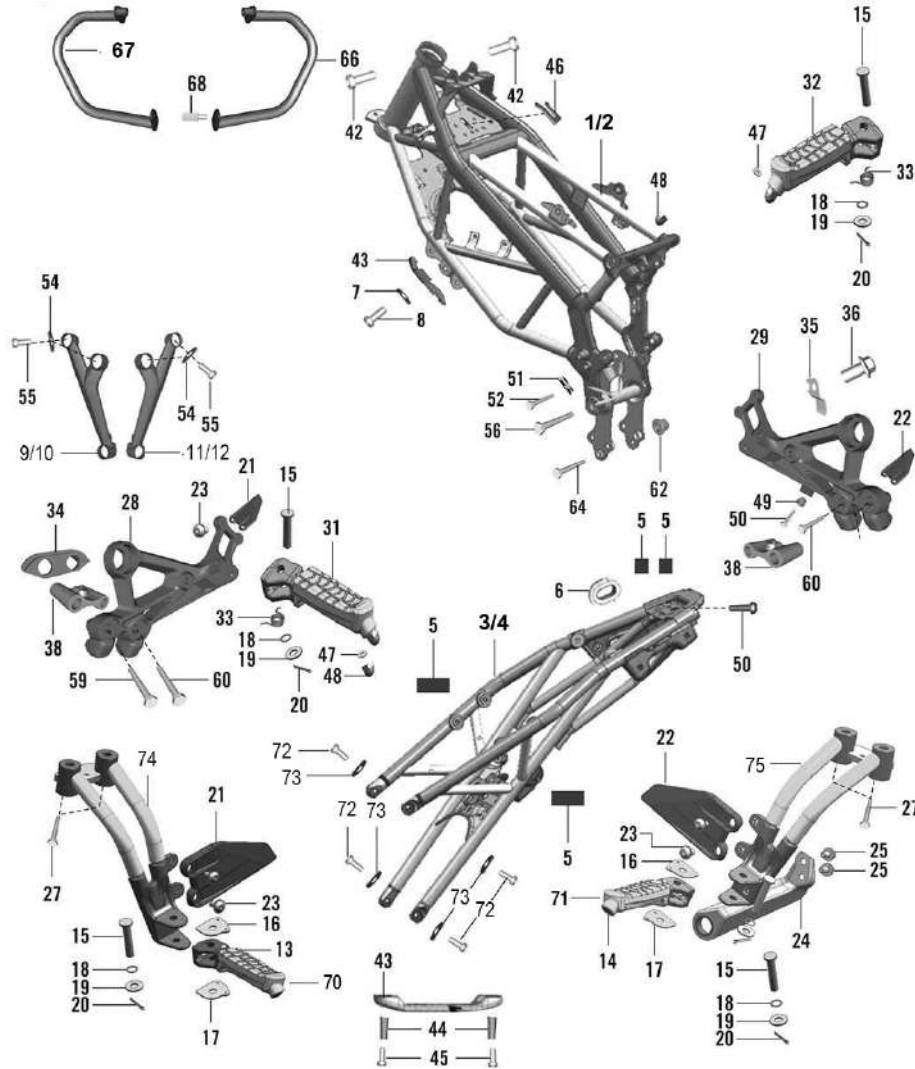
250-DUKE MY-22

24. FRAME



SN	Part No.	Description	QTY
1	36JP0038	FR FRAME ASLY ORG DUKE MY18	1
2	36JP0038	FR FRAME ASLY ORG DUKE MY18	1
3	52JP0905	JP111002 FRAME REAR-BLACK	1
4	52JP0906	JP111002 FRAME REAR-SILVER METALLIC MATT	1
5	JY191008	DAMPER	2
6	JY113837	GROMMET FOR CABLE	1
7	LDB00076	WASHER PLAIN-ID6.5XOD13XTHK1XBLK	1
8	KACA0612	BOLT-SOCKET-KAC ST-A DIA-06 L-12	1
9	56JPB131	ENGINE HANGER LH (JP113402) BLACK GLOSSY	1
10	56JPB131	ENGINE HANGER LH (JP113402) BLACK GLOSSY	1
11	56JPB231	ENGINE HANGER RH (JP113403) BLACK GLOSSY	1
12	56JPB231	ENGINE HANGER RH (JP113403) BLACK GLOSSY	1
13	JP113029	STEP ASSEMBLY PILLION LH	1
14	JP113030	STEP ASSEMBLY PILLION RH	1
15	JP113019	PIN FOOTREST PIVOT BLACK	2
16	JP113017	PLATE LOCK PILLION STEP TOP	2
17	JP113018	PLATE LOCK PILLION STEP BOTTOM	2
18	30141031	RING - O	4
19	KDBA0818	WASHER PLAIN	4
20	LHA00002	PIN -SPLIT	4

24. FRAME

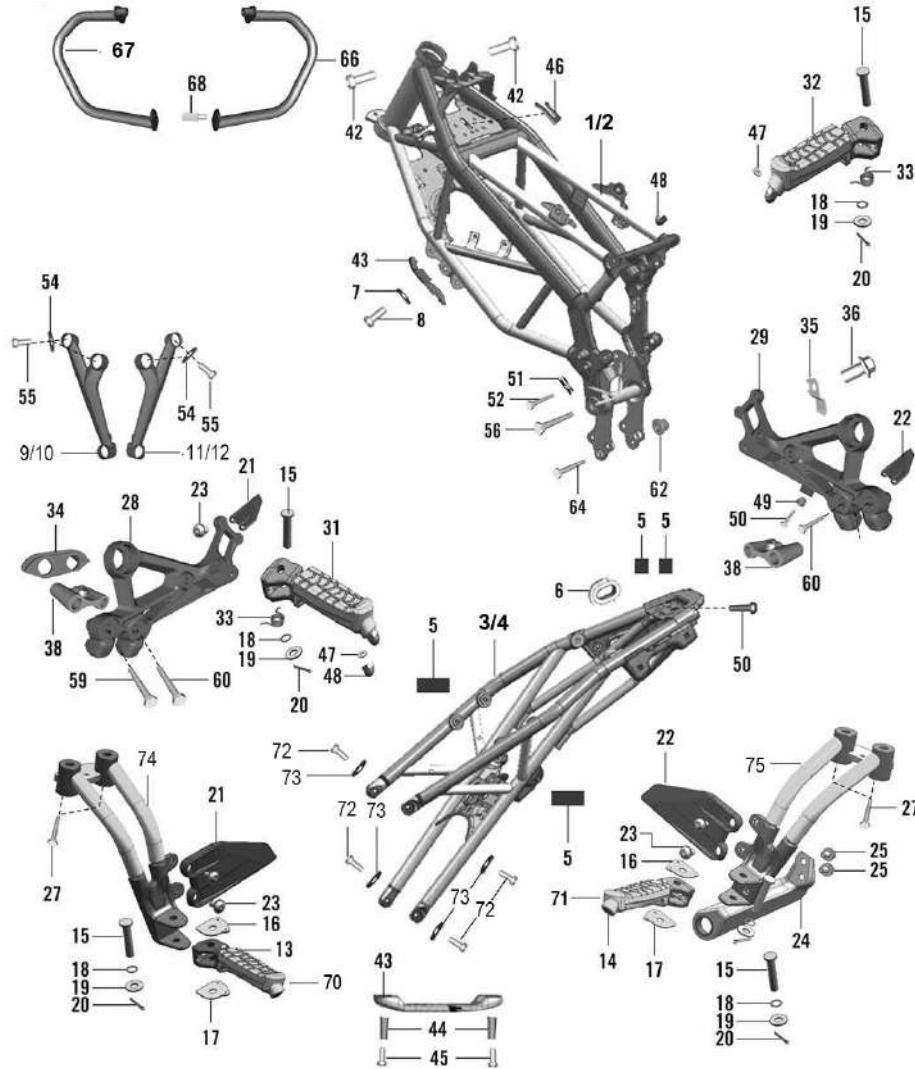


SN	Part No.	Description	QTY
21	JP113012	HEEL GUARD REAR LH	2
22	JP113013	HEEL GUARD REAR RH	2
23	LBU00050	SCREW BUTTON HEAD-M6X1XL9XPRECOAT	4
24	JP113810	BRACKET SILENCER MOUNTING	1
25	KADA0610	BOLT-FLANGE-KAD ST-A DIA-06 L-10	2
26	DJ101305	BOLT FLANGE	2
27	LAC00023	BOLT SOCKET	4
28	JP113004	STEP HOLDER RIDER LH	1
29	JP113005	STEP HOLDER RIDER RH	1
30	JP113015	PIN DOWEL	2
31	JP113027	STEP ASSEMBLY RIDER LH	1
32	JP113028	STEP ASSEMBLY RIDER RH	1
33	JP113035	SPRING TORSION	2
34	JG113800	DUMBLE SPACERS FOR STEPHOLDER	1
35	JP113811	BRACKET GUIDE HOSE REAR	1
36	KAED0610	BOLT-FLANGE-KAE ST-D DIA-06 L-10	1
37	LBU00049	SCREW BUTTON HD-M6X1XL25XSTEPPED	1
38	JG113800	DUMBLE SPACERS FOR STEPHOLDER	2
39	JG113813	BRACKET SIDE STAND SWITCH CABLE	1
40	LAE00015	BOLT FLANGED M6X1	1



250-DUKE MY-22

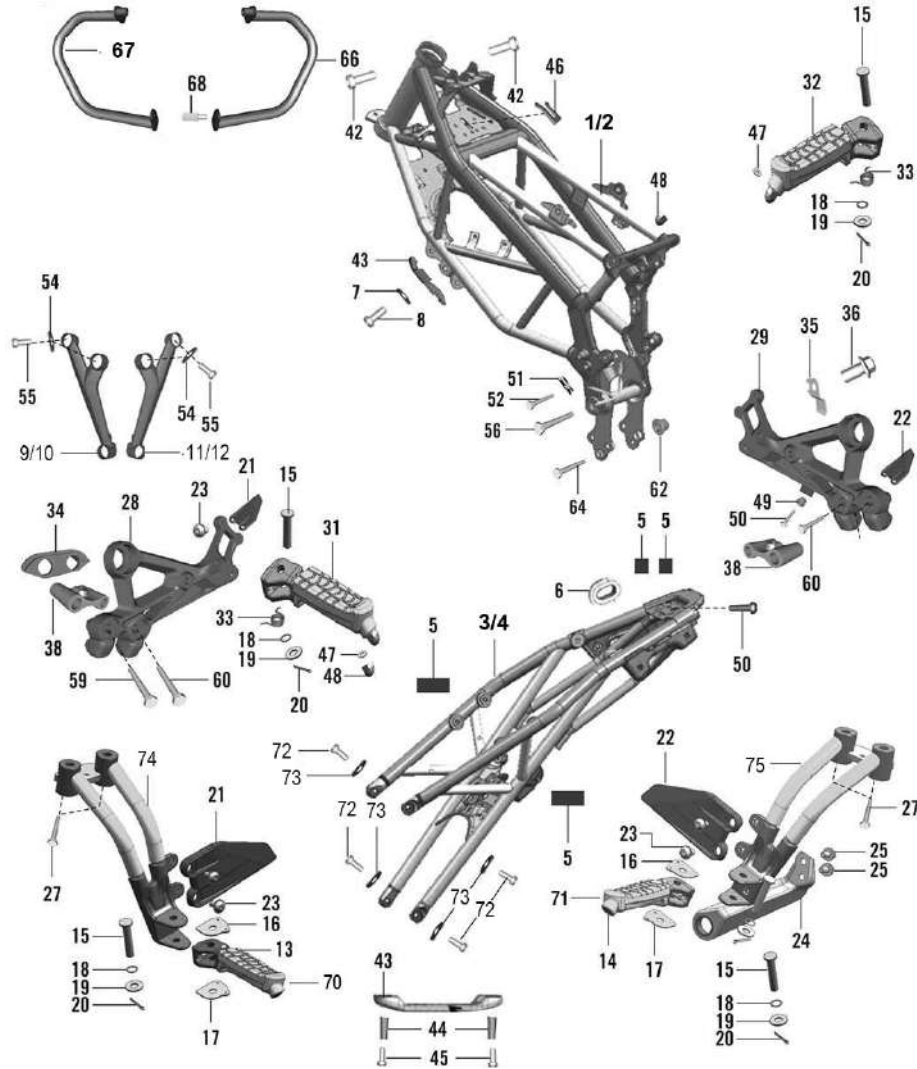
24. FRAME



SN	Part No.	Description	QTY
41	JG113802	SPACER - CHAIN TENSIONER MTG	2
42	LAE00021	BOLT FLANGED M6X1	2
43	JP113014	BRACKET BRIDGE PILLION STEP	1
44	LAC00115	BOLT SOCKET-M6X1XL18XBLKXPRECOAT	2
45	JG113832	COLLAR	2
46	JP112836	PAD RESTING ECU	1
47	LDB00019	WASHER PLAIN-ID 6.4XOD 20XT 1XBR	2
48	JG113052	BOLT	2
49	KCAD0605	NUT HEX THICK	1
50	KADD0620	BOLT FLANGED	2
51	JG113404	CLIP NUT	2
52	JG113837	BOLT FLANGED M6X1	2
53	JP113802	BRACKET PURGE VALVE LOOSE KT22	1
54	LDB00065	WASHER PLAIN-ID8.5XOD 18XTHK 1.6	4
55	LAC00113	BOLT SOCKET-M8X1.25XL25XCL10.9XBL	4
56	JG113403	BOLT FLANGED M10X1.25	1
57	KACH0616	BOLT SOCKET-M6X1XL16XCL 10.9XBLK	1
58	KDAA1018	WASHER PLAIN	1
59	LAD00038	BOLT FLANGE-M10 X 1.25 X L267XBRIGHT	1
60	LAD00039	BOLT FLANGED-M10 X 1.25P X 92L	2

250-DUKE MY-22

24. FRAME

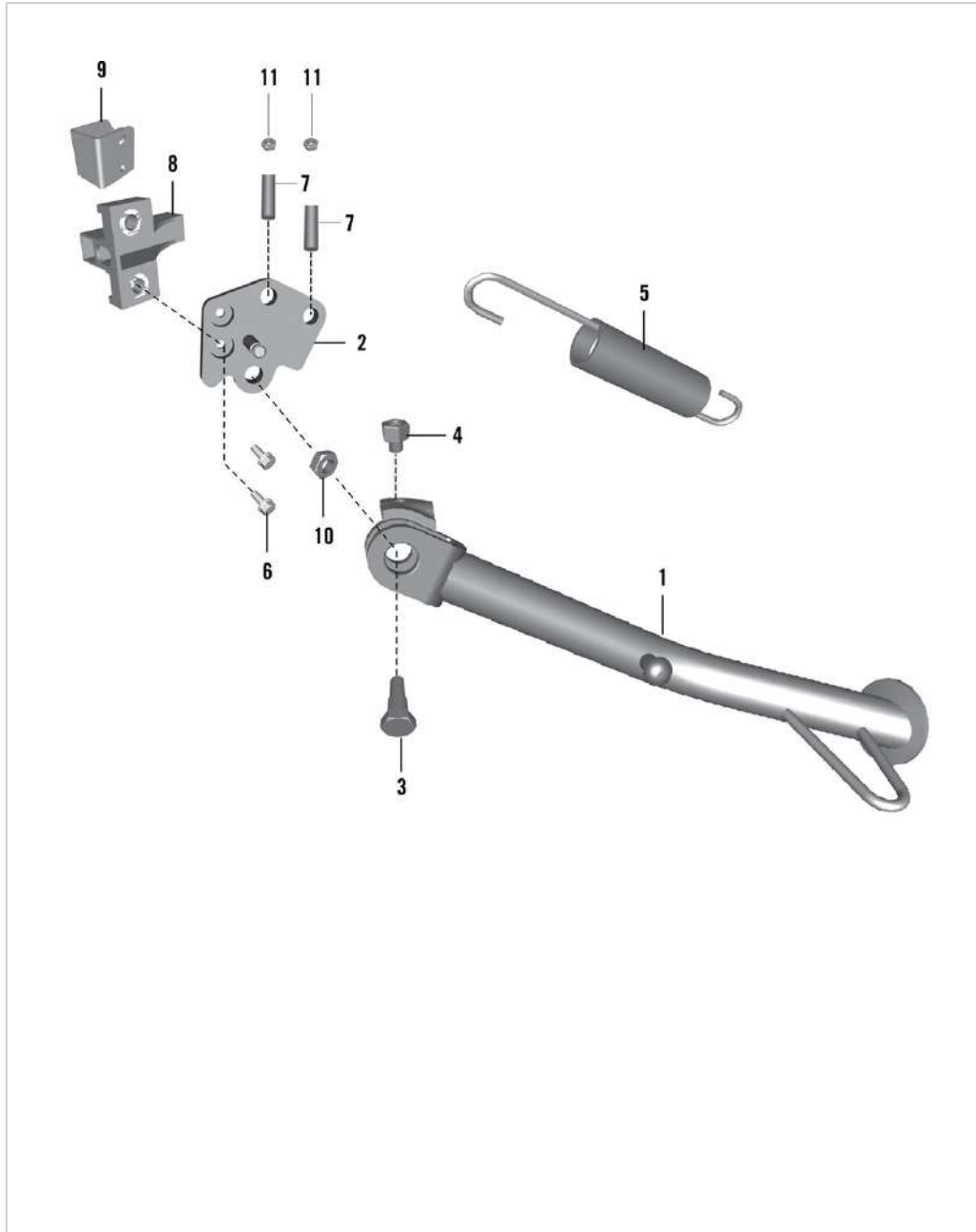


SN	Part No.	Description	QTY
61	LDB00076	WASHER PLAIN- ID6.5XOD13XTHK1XBK	1
62	JP113837	NUT SOCKET-M10X1.25XHT. 24XBRT	1
63	LAA00050	BOLT M8X1.25	1
64	LAD00075	BOLT FLANGED-M8X1.25XL 105XBRT	1
65	JU231207	NUT NYLOC M8X1.25	2
66	JP231213	GUARD ASSEMBLY LEG LH	1
67	JP231210	GUARD LEG RH	1
68	LAA00050	BOLT M8X1.25	1
69	LAJ00014	BOLT STUD-M10X1.25XL 153XBRIGHT	1
70	JP113029	STEP ASSEMBLY PILLION LH	1
71	JP113030	STEP ASSEMBLY PILLION RH	1
72	LAC00093	BOLT SOKET- M8X1.25XL25XBLXPRECOT	4
73	LDA00034	WASHER PLAIN-ID8.2XOD 14XT 2XBLK	4
74	JP113006	HOLDER STEP PILLION LH	1
75	JP113007	HOLDER STEP PILLION RH	1
76	LZE00009	SEALANT -LOCTITE 620	1



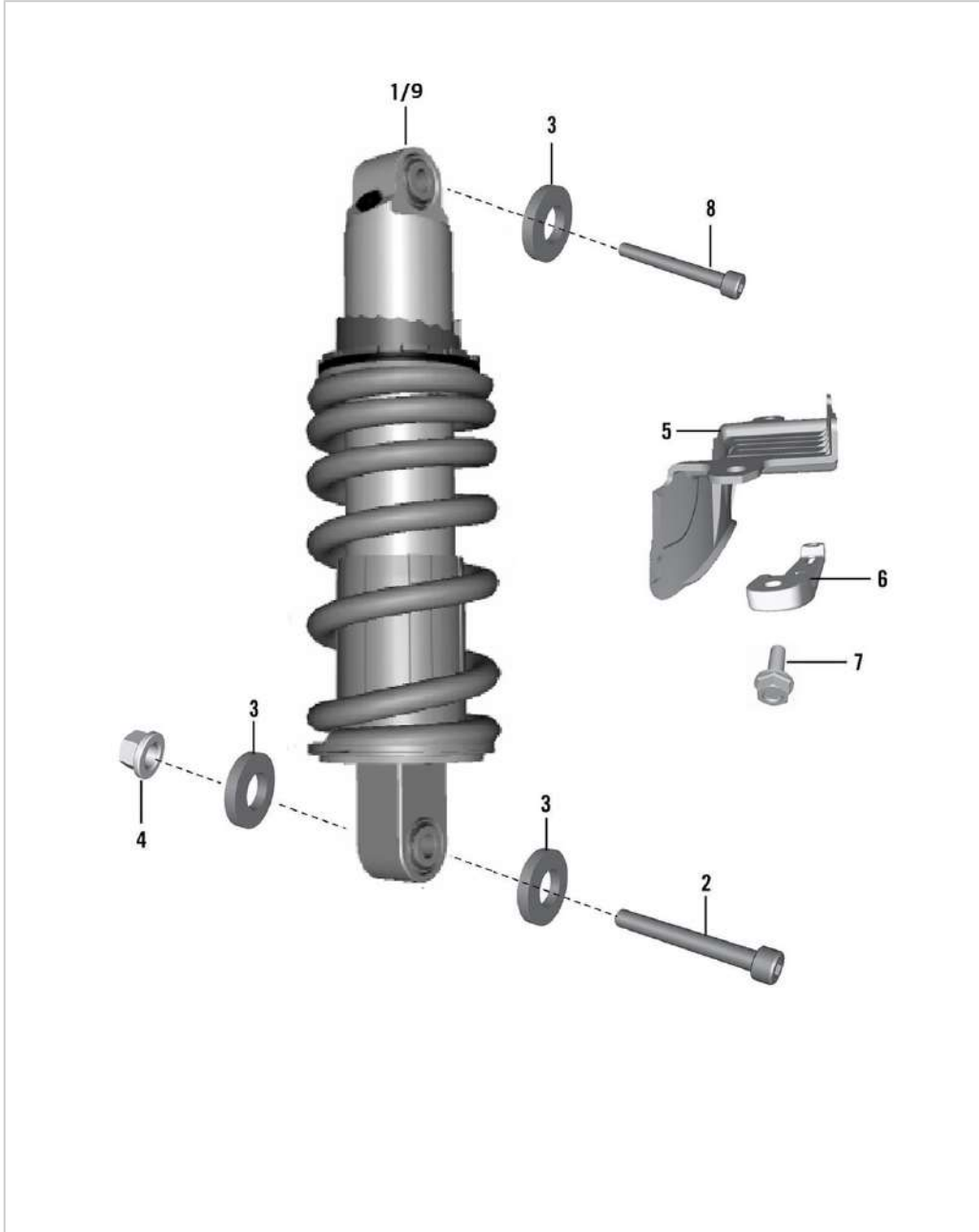
250-DUKE MY-22

25. SIDE STAND



SN	Part No.	Description	QTY
1	JP113203	STAND ASSEMBLY SIDE	1
2	JP113204	PLATE STAND SIDE	1
3	JG113207	BOLT	1
4	JY401415	HOLDER MAGNET	1
5	JU113200	SPRING SIDE STAND WITH COVER	1
6	LAE00010	BOLT FLANGED M5X0.8	2
7	LAJ00019	BOLT STUD-M10X1.25XL20XBRXPRECOAT	2
8	JY401408	SWITCH SIDE STAND MY16	1
9	JG113210	GUARD SIDE STAND SWITCH	1
10	LCH00001	NUT NYLOC-M10X1.25XHT.11XCL6XBRT	1
11	LCL00006	NUT U FLANG-M10X1.25XHT. 8.5XBRT	2

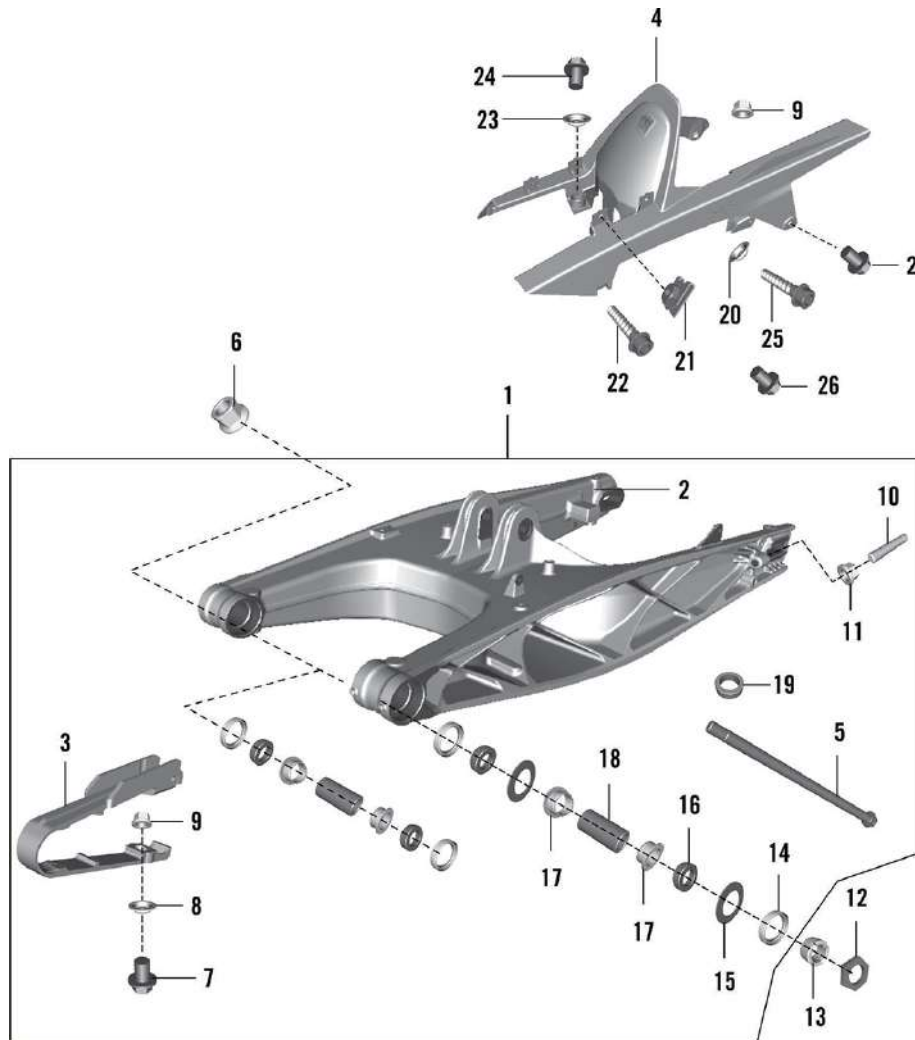
26. SHOCK ABSORBER



SN	Part No.	Description	QTY
1	JP122023	SHOCKABSORBER REAR	1
2	LAC00006	BOLT SOCKET M10X1.25	1
3	LDB00011	WASHER PLAIN	3
4	LCG00003	NUT FLANGED M10 X 1.25	2
5	JP181404	FLAP PROTECTOR	1
6	JP113014	BRACKET BRIDGE PILLION STEP	1
7	LAC00114	BOLT SOCKET- M6X1XL14XBLKXPRECOAT	2
8	LAC00085	BOLT SOCKET M10X1.25	1
9	JP122023	SHOCKABSORBER REAR	1

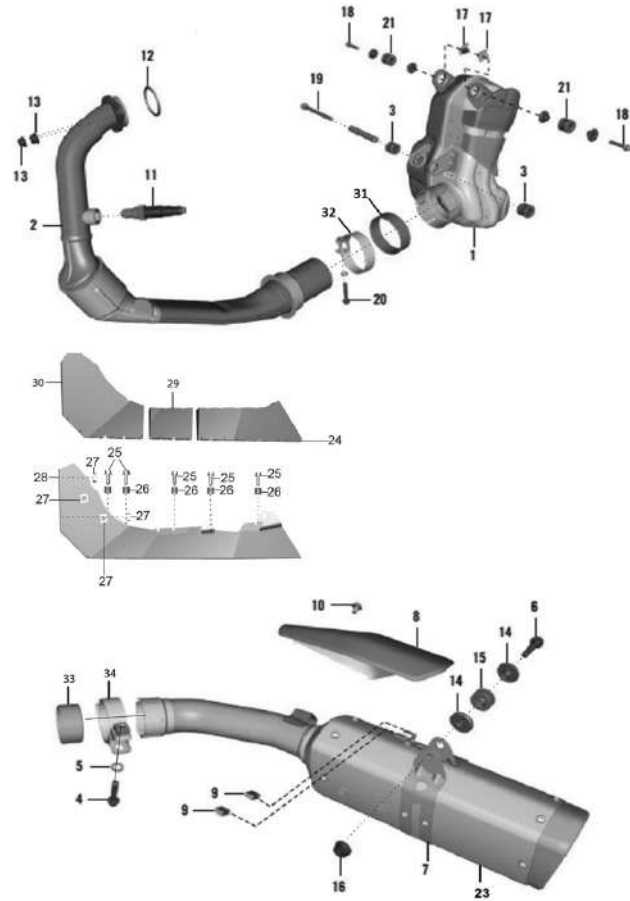


27. SWING ARM



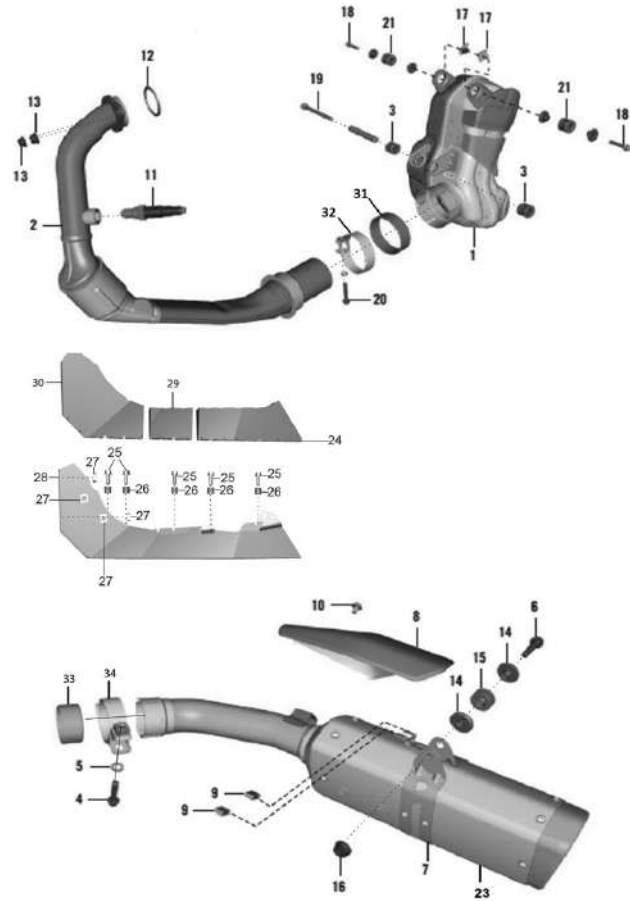
SN	Part No.	Description	QTY
21	JG113404	CLIP NUT	2
22	LAC00054	BOLT SOCKET-M6X1XL16XBLKXFL.HEAD	2
23	JP181408	WASHER EXTRUDED	2
24	LAE00050	BOLT FLANGED SMALL-M6X1XL8XBLACK	2
25	LBU00052	SCREW TRUS-M5X0.8XL55XBLXPRECOAT	1
26	LBR00007	SCREW TAPPING PAN CROS-6XL30XBLK	1

28. EXHAUST SYSTEM



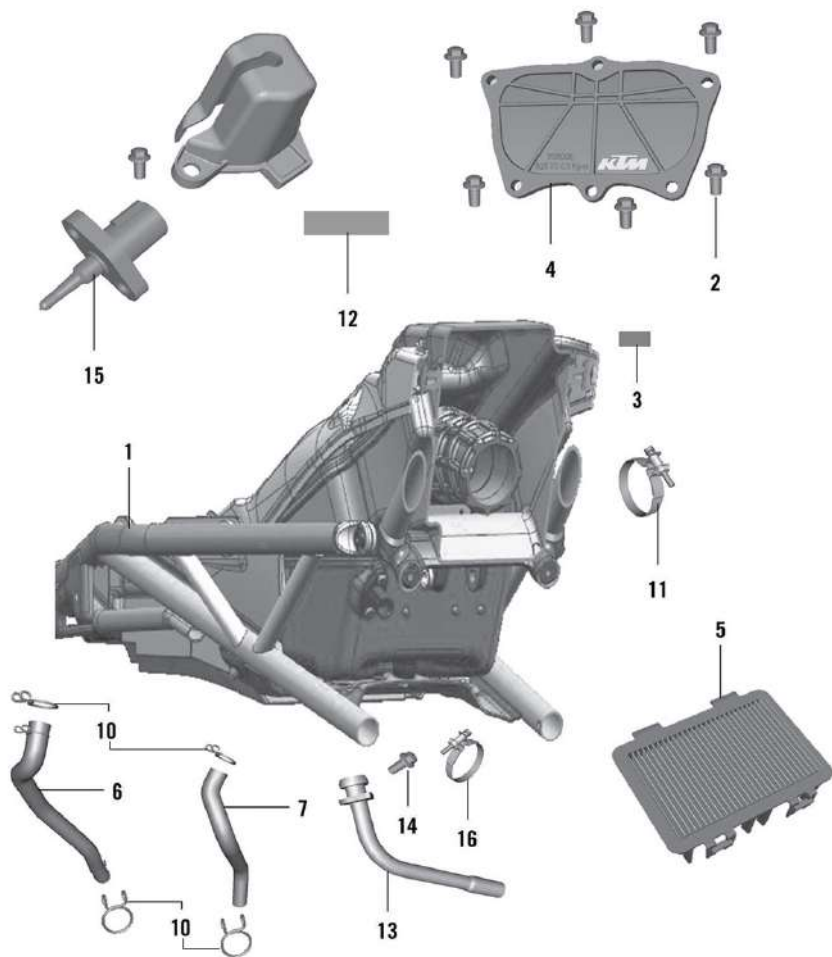
SN	Part No.	Description	QTY
1	52JP0670	ASSEMBLY PREMUFFLER WITH CHILD PARTS	1
2	JP591132	PIPE ASSEMBLY A	1
3	JG591100	DAMPER SILENCER MOUNTING LOWER	2
4	LAD00065	BOLT FLANGED-M8X1.25XL 43	1
5	LDA00009	WASHER PLAIN	2
6	KADD0835	BOLT-FLANGE-KAD ST-D DIA-08 L-35	1
7	JY591226	BRACKET MUFFLER	1
8	-	ASSEMBLY SHIELD MUFFLER	1
9	JY591303	GROMMET SHIELD MUFFLER	2
10	LBU00045	SCREW BUTTON HD-M6X1XL10XPRECOAT	1
11	JP591114	SENSOR OXYGEN	1
12	JG591070	GASKET EXHAUST	1
13	LCG00024	NUT HEX FLANGED-M8X1.25XHT.8XBRT	2
14	JY591245	COLLAR	2
15	JY591246	DAMPER MUFFLER	1
16	KCGN0808	NUT HEX FLANGE-M8X1.25XCL8XDACRO	1
17	JG113404	CLIP NUT	2
18	JG113837	BOLT FLANGED M6X1	2
19	LAD00075	BOLT FLANGED-M8X1.25XL 105XBRT	1
20	LAD00236	BOLT FLANGED-M8X1.25XL50	1

28. EXHAUST SYSTEM



SN	Part No.	Description	QTY
21	JL591165	DAMPER SILENCER MOUNTING LOWER	2
22	LZC00011	ADHESIVE -LOCTITE C5-A COPR BASE	1
23	JP591028	MUFFLER ASSEMBLY SECONDARY	1
24	JP591044	PROTECTOR MUFFLER INNER REAR	1
25	KADD0612	BOLT FLANGED	5
26	JH111172	BUSH	5
27	JG113404	CLIP NUT	7
28	JP591045	PROTECTOR ASSEMBLY MUFFLER OUTER	1
29	JP591043	PROTECTOR MUFFLER INNER MIDDLE	1
30	JP591082	PROTECTOR MUFFLER INNER FRONT	1
31	JP591042	GASKET MUFFLER PRIMARY	1
32	JP591012	CLAMP	1
33	JP591033	GASKET MUFFLER SECONDARY	1
34	JP591013	CLAMP	1

29. AIR FILTER

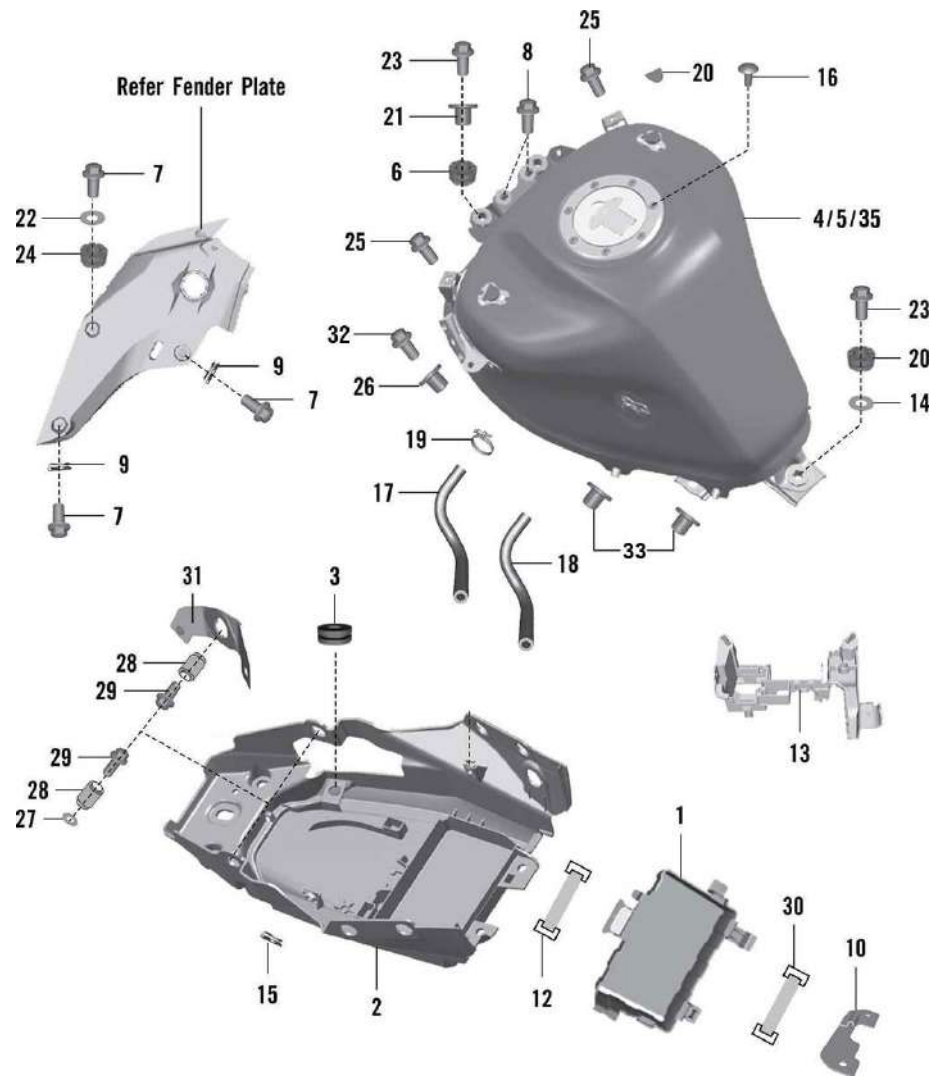


SN	Part No.	Description	QTY
1	JP581061	FILTER ASSEMBLY AIR	1
2	LBU00072	SCREW BUTTON HEAD-M6X1XL 16XBRT	6
3	JP581019	RUBBER DAMPER	2
4	JP581008	CAP TOP COVER	1
5	JP581003	ELEMENT FILTER AIR	1
6	JP581013	BREATHER TUBE	1
7	JP581018	TUBE DRAIN	1
8	KBBA0512	SCREW PAN CROSS SCREW PAN CROSS	2
9	JP581035	SENSOR COVER	1
10	JG581056	CLAMP (BREATHER TUBE)	4
11	JU581006	CLAMP CONNECTING TUBE	2
12	JP581036	DUAL LOCK 3M - SIZE 10X15	2
13	JP581014	TUBE OIL RETURN	1
14	LBB00010	SCREW PAN CROSS M5X0.8	1
15	JP351800	SENSOR AIR INTAKE TEMP	1
16	JY581028	CLAMP	1



## 250-DUKE MY-22

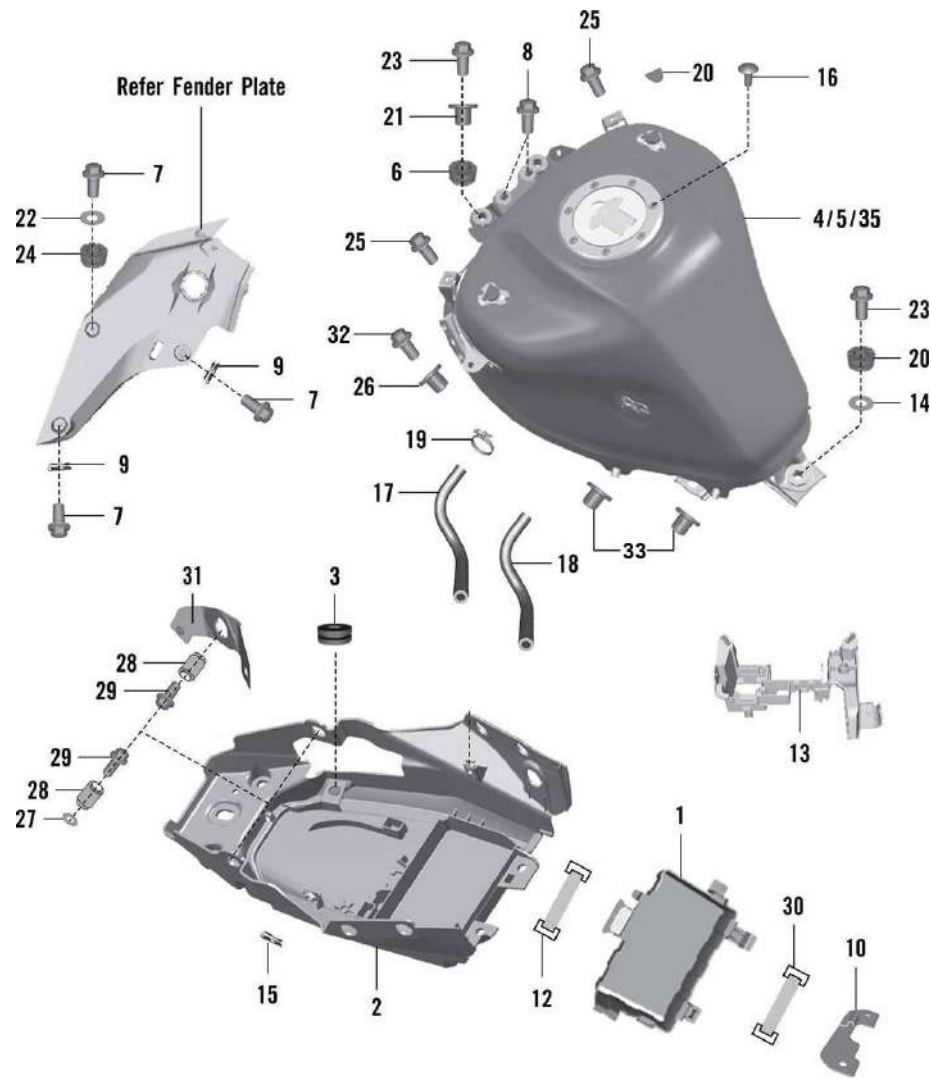
## 30. TANK, COVER



SN	Part No.	Description	QTY
1	JP181297	BOX BATTERY	1
2	JP181002	UNDER TRAY FRONT	1
3	JP181013	GROMMET UNDER TRAY	1
4	56JP23X3	KTM DUKE MY17 TANK BLACK	1
5	56JP23X3	KTM DUKE MY17 TANK BLACK	1
6	JL171020	GROMMET TANK MTG REAR	2
7	JY113821	SCREW BUTTON HEAD- M6X1XL12XBLACK	6
8	LBU00050	SCREW BUTTON HEAD- M6X1XL9XPRECOAT	2
9	JG113404	CLIP NUT	4
10	JP401802	BRACKET BATTERY BAND I	1
11	LAE00022	BOLT FLANGED M6X10 PRECOATED	4
12	JP401800	BAND BATTERY I	1
13	JP181001	BRACKET MOUNT UNIT ELECTRICAL	1
14	LDB00021	WASHER PLAIN-ID 8.4XOD 25XT 2XBR	1
15	JG171031	CLIP NUT M5	2
16	LAC00039	BOLT SOCKET- M5X0.8XL15XCL10.9XBL	7
17	DH141024	PIPE DRAIN	1
18	JP171026	TUBE TANK TO Y CONNECTOR	1
19	JY171090	SPRING BAND CLAMP 13X12	2
20	JP171030	GROMMET LATCH MTG BKT	1

250-DUKE MY-22

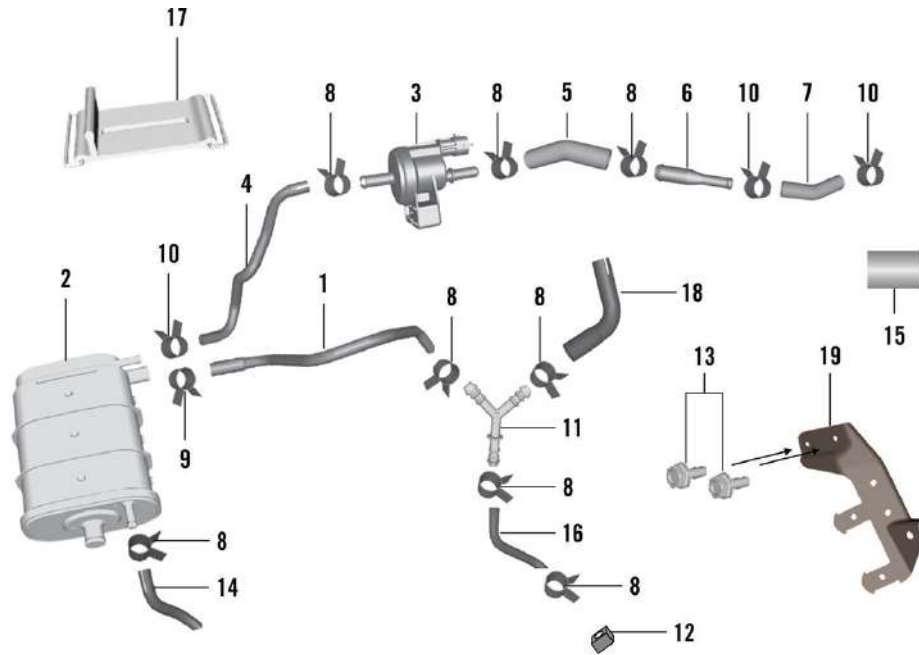
30. TANK, COVER



SN	Part No.	Description	QTY
21	JP171057	SLEEVE TANK MTG FRONT	2
22	LDA00018	WASHER 6.2X20X1.5 Black	4
23	KADD0825	BOLT-FLANGE-KAD ST-D DIA-08 L-25	3
24	JP181227	GROMMET SPOILER MTG	2
25	LAA00023	BOLT -M6X1XL 8.5XBLACKXSTEPPED	2
26	JP181278	SLEEVE SPOILER INNER RR MTG	2
27	39020811	WASHER - PLAIN	1
28	JP191012	ASSEMBLY BUSH DAMPER SEAT	2
29	KACA0830	BOLT-SOCKET-KAC ST-A DIA-08 L-30	2
30	JP401801	BAND BATTERY II	1
31	JP581020	BRACKET DUCT DIRTY SIDE	1
32	LAC00054	BOLT SOCKET- M6X1XL16XBLKXFL.HEAD	2
33	JP171056	SLEEVE TANK MTG	4
34	JG171031	CLIP NUT M5	2
35	56JP2X8S	MY22 EVAP TANK JP17001 LIQUID METAL MATT	2

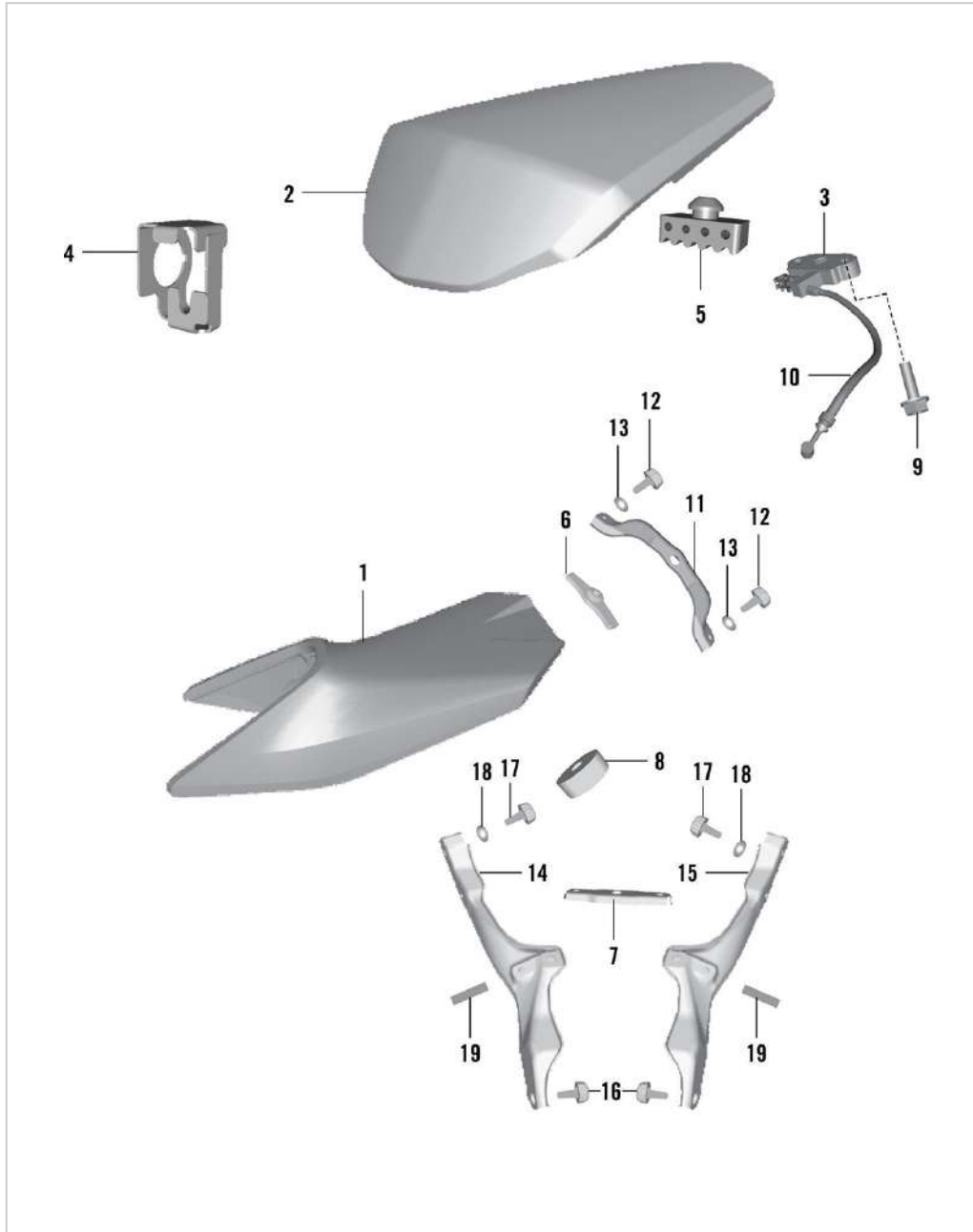
## 250-DUKE MY-22

## 31. EVAP PARTS



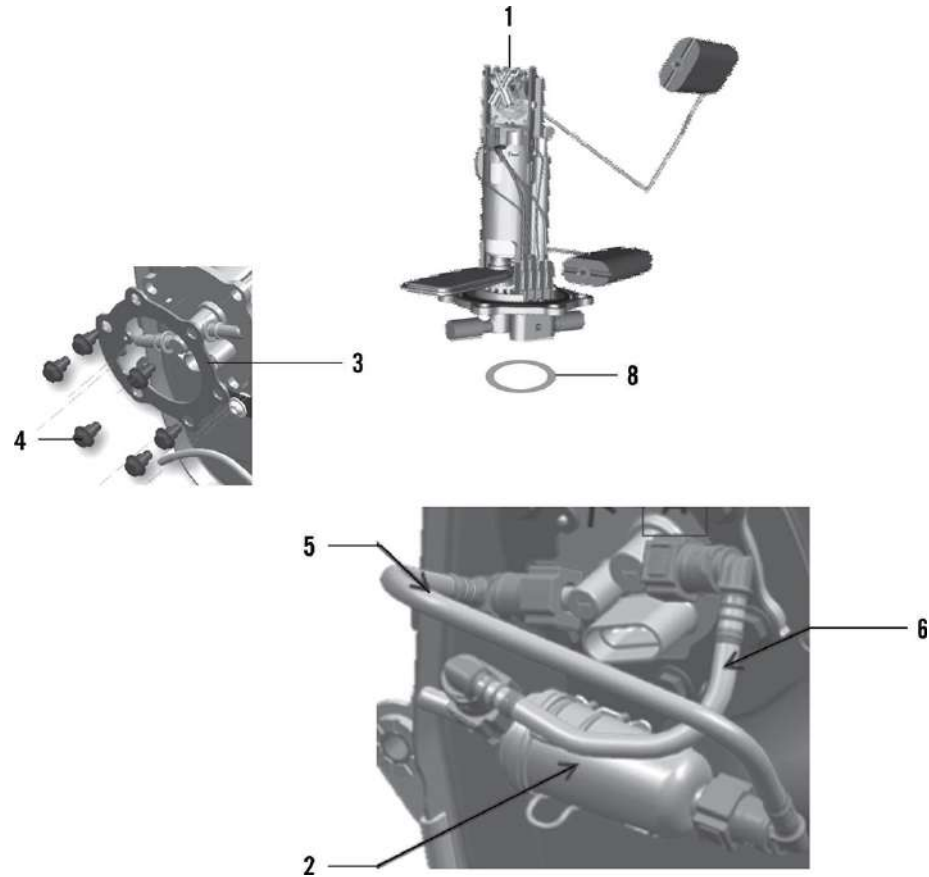
SN	Part No.	Description	QTY
1	JP171038	TUBE 'Y' CONNECTOR TO CANISTER	1
2	JY171077	CANISTER	1
3	JU171606	VALVE PURGE	1
4	JP171039	TUBE CANISTER TO PURGE VALVE	1
5	JP171040	TUBE PURGE VALVE TO CONNECTOR	1
6	JG171086	CONNECTOR TUBE EVAP	1
7	JP171604	TUBE CONNECTOR TO THROTTLE BODY MTB	1
8	JY171090	SPRING BAND CLAMP 13X12	8
9	JY171069	SPRING BAND CLAMP 15X10	1
10	JY171070	SPRING BAND CLAMP 10.5 X 8.4	3
11	JY113842	CONNECTOR Y SHAPE	1
12	JY171825	PLUG FUEL DRAIN	1
13	KADD0610	BOLT-FLANGE-KAD ST-D DIA-06 L-10	4
14	JP171062	TUBE CANISTER DRAIN	1
15	JZ181000	DUAL TAPE	1
16	JY171824	PIPE CONNECTOR-PLUG	1
17	JZ171055	STRAP CANISTER	2
18	JP171026	TUBE TANK TO Y CONNECTOR	1
19	JP171044	BRACKET CANISTER LOOSE	1

32. SEATS



SN	Part No.	Description	QTY
1	JP191000	SEAT ASSEMBLY FRONT	1
2	JP191001	SEAT ASSEMBLY REAR	1
3	JP232601	SEAT LOCK	1
4	JP232600	BRACKET SEAT LOCK	1
5	JP191007	SEAT DAMPER REAR	6
6	JP191010	GROMMET RIDER SEAT	1
7	JP111069	BRACKET BRIDGE LOOSE	1
8	JP111070	DAMPER RUBBER M8	2
9	KADD0620	BOLT FLANGED	2
10	JP232602	SEAT LOCK CABLE	1
11	JP113801	BRACKET SEAT MOUNT LOOSE	1
12	JP113814	DAMPER WITH STUD	2
13	KDBA0818	WASHER PLAIN	2
14	JP111067	BRACKET SPIDER LH	1
15	JP111068	BRACKET SPIDER RH	1
16	LAD00145	BOLT FLANGE- M8X1.25XL26XBRTXSTEP	2
17	LAC00100	BOLT SOCKET-M8X1.25XL 31XBLACK	4
18	39122411	WASHER - PLAIN	4
19	JY191008	DAMPER	2

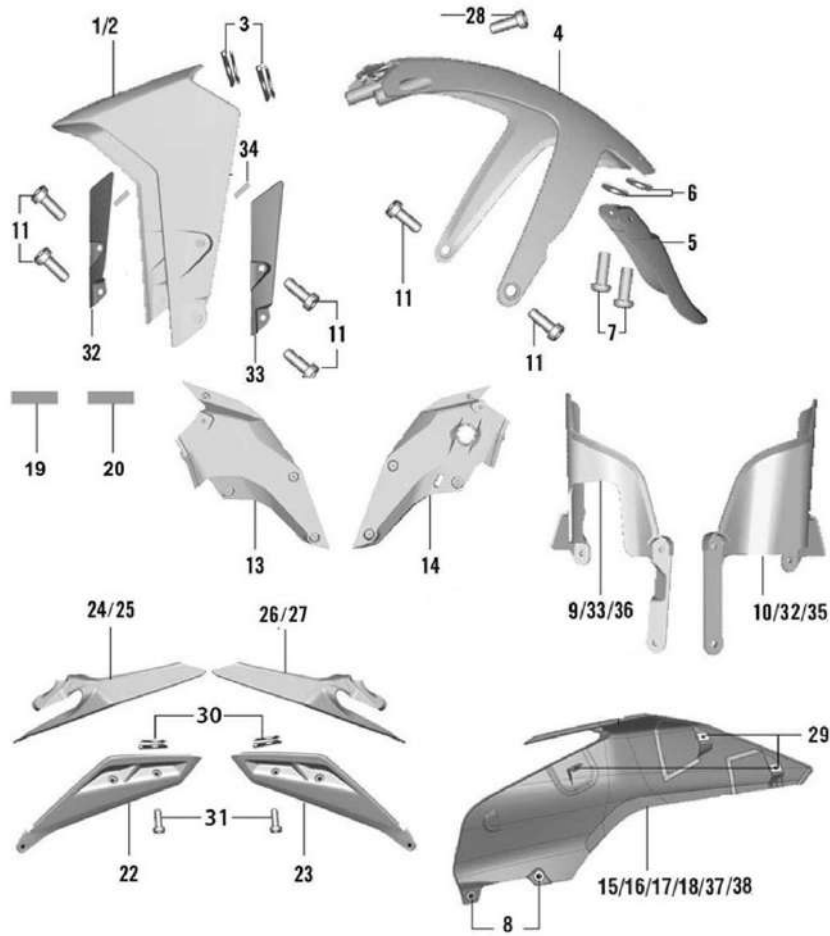
33. FUEL PUMP



SN	Part No.	Description	QTY
1	JY171861	PUMP FUEL	1
2	DT171814	INLINE FUEL FILTER (QUICK CONNECTOR)	1
3	JP171031	PLATE PRESSURE FUEL PUMP	1
4	LAD00154	BOLT FLANGE-M6X1XL 12.8XBRTXSTEP	6
5	JP171008	ASSEMBLY QC AND HOSE PUMP TO FUEL FILTER	1
6	JP171005	ASSLY QC AND HOSE FUEL FILTER TO REGULAT	1
7	JY402235	PIGTAIL PH-3 FUEL PUMP	1
8	JY171146	RING O	1

## 250-DUKE MY-22

## 34. FENDERS & SIDE FAIRING



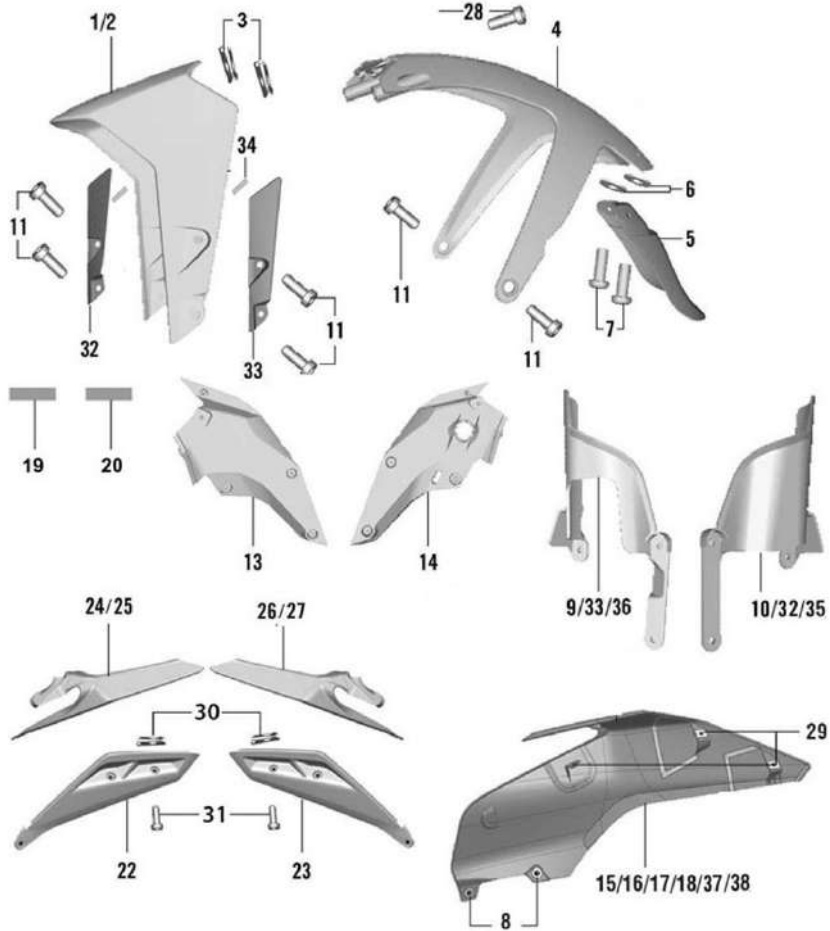
SN	Part No.	Description	QTY
1	56JP051T	KTM DUKE MY22 FR FENDER ELE-ORANGE GLOSS	1
2	52JP0346	ASSLY DUKE MY18 FRONT FENDER E BLK - EU	1
3	JG113404	CLIP NUT	2
4	JY181408	FENDER FRONT REAR	1
5	JP181415	FLAP FENDER FRONT	1
6	KDBF0512	WASHER PLAIN-ID5.5XOD12XT0.8XBLK	3
7	BF185019	CLIP PLASTIC RIVET	3
8	JP181227	GROMMET SPOILER MTG	4
9	52JP1851	PROTECTOR FORK OUTER LH ASSLY ELE-ORNGE	1
10	52JP1852	PROTECTOR FORK OUTER RH ASSLY ELE-ORNGE	1
11	LBU00059	SCREW BUTTON HD-M6X1XL13XSTEPPED	6
12	JZ171021	WASHER VAPOUR SEALING	6
13	JP181219	TANK SPOILER INNER LH	1
14	JP181218	TANK SPOILER INNER RH	1
15	52JP0924	DUKE 250 TCOVER LH DARK GAL MATT + DCL	1
16	52JP0928	DUKE 250 TCVRLH SILVER METALLICMATT+DCL	1
17	52JP0922	DUKE 250 TCOVER RH DARK GAL MATT + DCL	1
18	52JP0926	DUKE 250 TCOVER RH SILVER MET MATT+ DCL	1
19	JP181015	TAPE COVER TANK LH	1

34. FENDERS & SIDE FAIRING

**250-DUKE MY-22**

oemship +919495961664





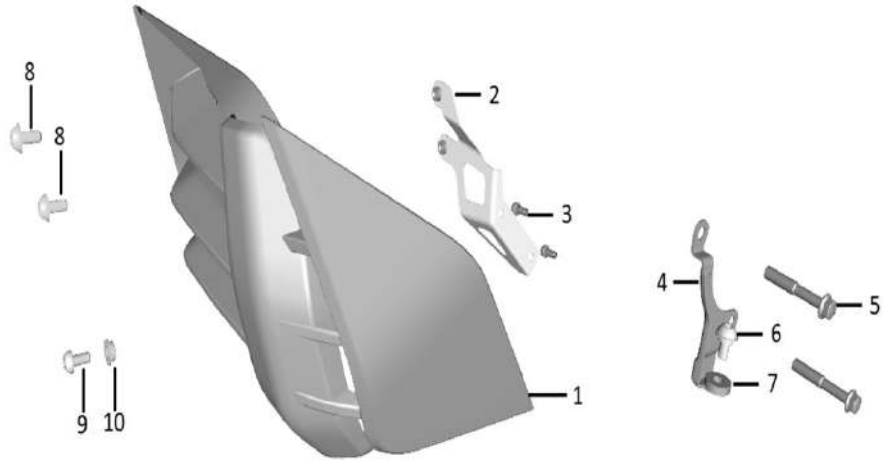
SN	Part No.	Description	QTY
21	JP181296	GROMMET SPOILER TANK	2
22	52JP0934	DUKE 250 SEAT COWL LH DARK GAL MAT +DCL	1
23	52JP0067	SEAT COWL LOWER RH+DCALKT21	1
24	52JP0934	DUKE 250 SEAT COWL LH DARK GAL MAT +DCL	1
25	52JP0936	DUKE 250 SEAT COWL LH EB BLACK + DCL	1
26	52JP0930	DUKE 250 SEAT COWL RHDARKGALVANO MAT+DCL	1
27	52JP0932	DUKE 250 SEAT COWL RH EBONY BLACK + DCL	1
28	KACF0616	BOLT SOCKET-M6X1XL 16XCL 8.8XBRT	2
29	DJ181065	NUT - CLIP :- M6	6
30	JG171031	CLIP NUT M5	4
31	KBUA0512	SCREW TRUSS	4
32	56JPE6X3	PROTECTOR FORK OUTER RHJHP181420 EB BLACK	1
33	56JPE5X3	PROTECTOR FORK OUTER LHJHP181419 EB BLACK	1
34	JP121118	TAPE	2
35	56JPE685	FORK PROTR OUT RHJHP181420 D GALV MATT KC	1
36	56JPE585	FORK PROTR OUT LHJHP181419 D GALV MATT KC	1
37	52JP1844	DUKE 250 TANK COVER RH BLACK GLOSS+ DCL	1
38	52JP1846	DUKE 250 TANK COVER LH BLACK GLOSS+ DCL	1

250-DUKE MY-22

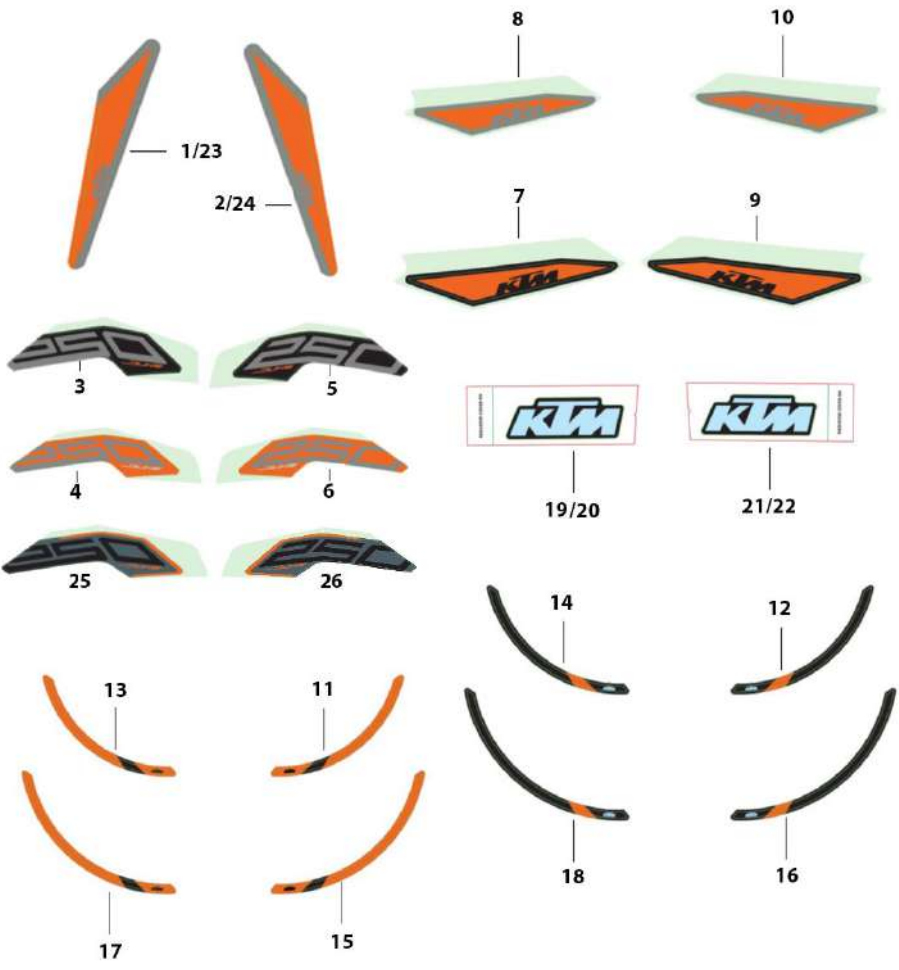
35. BELLY PAN

oemship +919495961664

SN	Part No.	Description	QTY
1	JP181326	BELLY PAN	1
2	JP181330	BRACKET BELLY PAN RH	1
3	KAED0510	BOLT-FLANGED-SMALL	2
4	JP181329	BRACKET BELLY PAN LH	1
5	KAED0635	BOLT-FLANGE-KAE ST-D DIA-06 L-35	2
6	LBU00050	SCREW BUTTON HEAD-M6X1XL9XPRECOAT	1
7	JY181255	WASHER END CAP	1
8	JY113821	SCREW BUTTON HEAD-M6X1XL12XBLACK	2
9	LBU00064	SCREW BUTN HD-M5X0.8XL10XPRECOAT	1
10	JH181262	COLLAR	1



SN	Part No.	Description	QTY
1	JP233115	DECAL FAIRING LH SILVER	1
2	JP233116	DECAL FAIRING RH SILVER	1
3	JP233136	DECAL TANK LH SILVER	1
4	JP233140	DECAL TANK LH BLACK	1
5	JP233137	DECAL TANK RH SILVER	1
6	JP233141	DECAL TANK RH BLACK	1
7	JP233163	DECAL COWL SEAT LH ORANGE	1
8	JP233128	DECAL COWL SEAT LH BLACK	1
9	JP233164	DECAL COWL SEAT RH ORANGE	1
10	JP233129	DECAL COWL SEAT RH BLACK	1
11	JP233172	DECAL WHEEL FRONT LH ORANGE	1
12	JP233169	DECAL WHEEL FRONT LH BLACK	1
13	JP233173	DECAL WHEEL FRONT RH ORANGE	1
14	JP233170	DECAL WHEEL FRONT RH BLACK	1
15	JP233121	DECAL WHEEL REAR LH ORANGE	1
16	JP233130	DECAL WHEEL REAR LH BLACK	1
17	JP233174	DECAL WHEEL REAR RH ORANGE	1
18	JP233171	DECAL WHEEL REAR RH BLACK	1
19	JP233122	EMBLEM KTM LH	1
20	JP233122	EMBLEM KTM LH	1



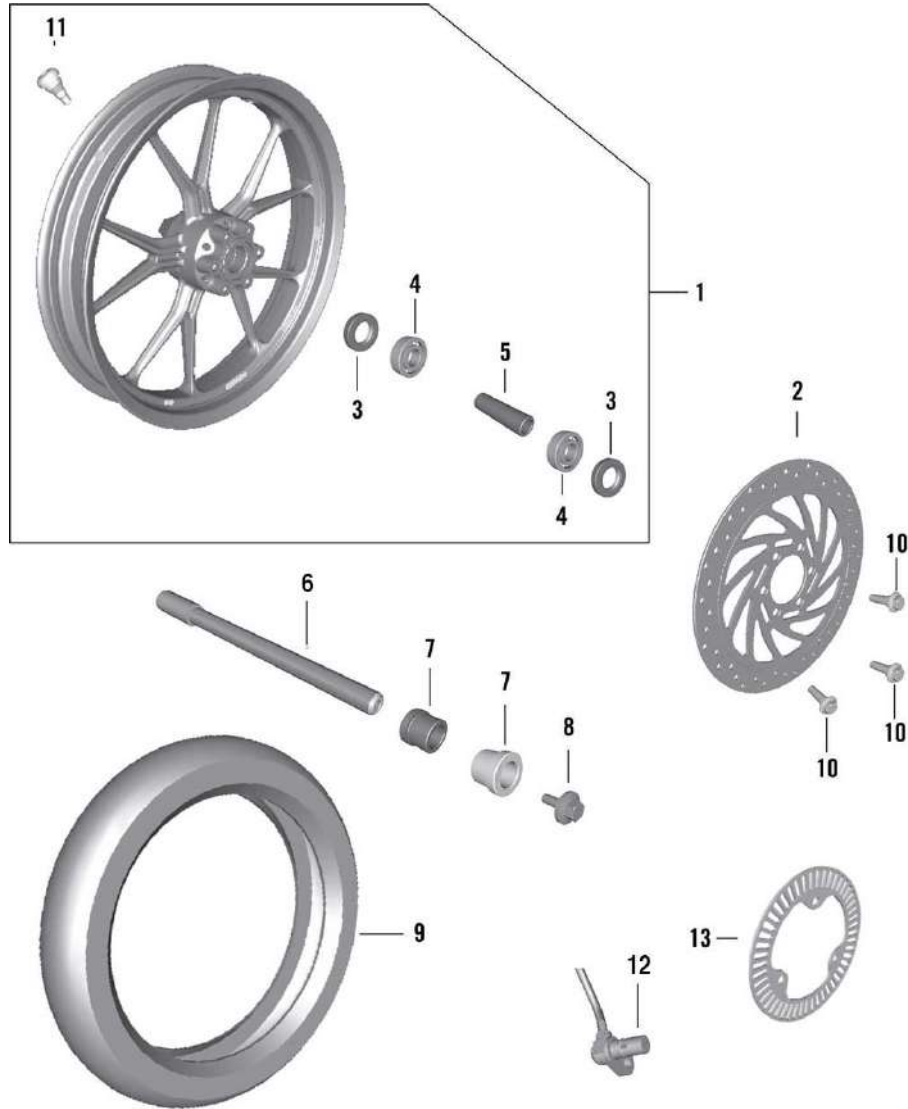
SN	Part No.	Description	QTY
21	JP233123	EMBLEM KTM RH	1
22	JP233123	EMBLEM KTM RH	1
23	JP233124	DECAL FAIRING LH BLACK	1
24	JP233125	DECAL FAIRING RH BLACK	1
25	JP233230	DECAL TANK LH BLACK	1
26	JP233231	DECAL TANK RH BLACK	1

250-DUKE MY-22

37. FRONT WHEEL

oemship +919495961664

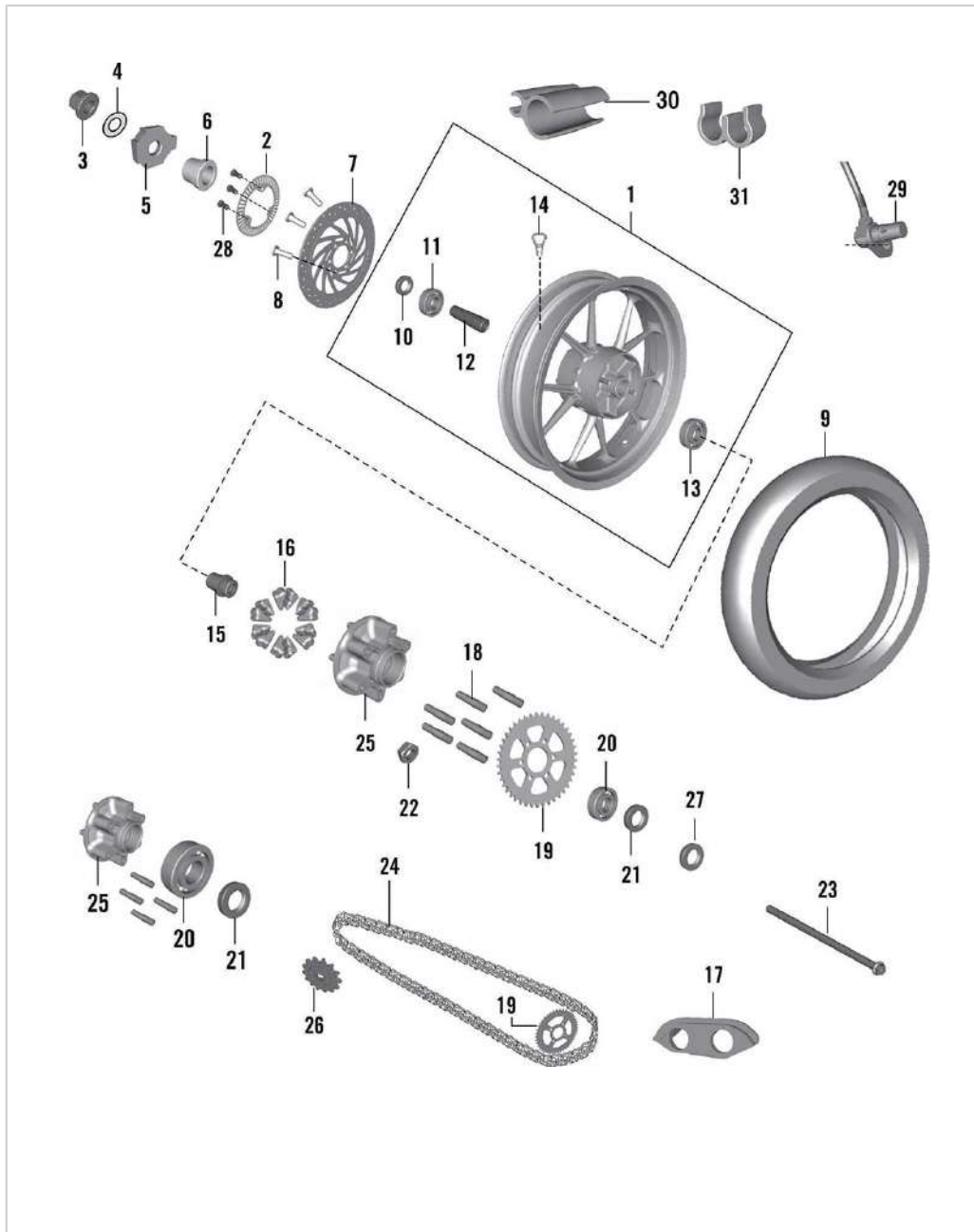


SN	Part No.	Description	QTY
1	36JY0205	KIT FR WHEEL ELEC ORANGE MY17	1
2	JF131876	DISC BRAKE DIA 320	1
3	DG151005	SEAL - OIL	2
4	KPBC6202	BEARING-BALL-C3 CLEARANCE	2
5	JG131001	SLEEVE ASSEMBLY	1
6	JP131009	AXLE -DIA. 15XL 185XBRIGHT	1
7	JG131020	COLLAR CH 0.7_0.9	2
8	JG131007	BOLT FLANGED M8X1.25	1
9	JG131038	TYRE FRONT MRF VER 7	1
10	JD131811	SCREW SOCKET STEP M8X1.25	6
11	DK151026	VALVE TUBELESS TYRE	1
12	DT402404	SENSOR SPEED WHEEL	1
13	DT131867	SENSOR DISC FRONT K7	1
14	JG403603	CLAMP SENSOR CABLE HOLDING	3

250-DUKE MY-22

38. REAR WHEEL

oemship +919495961664

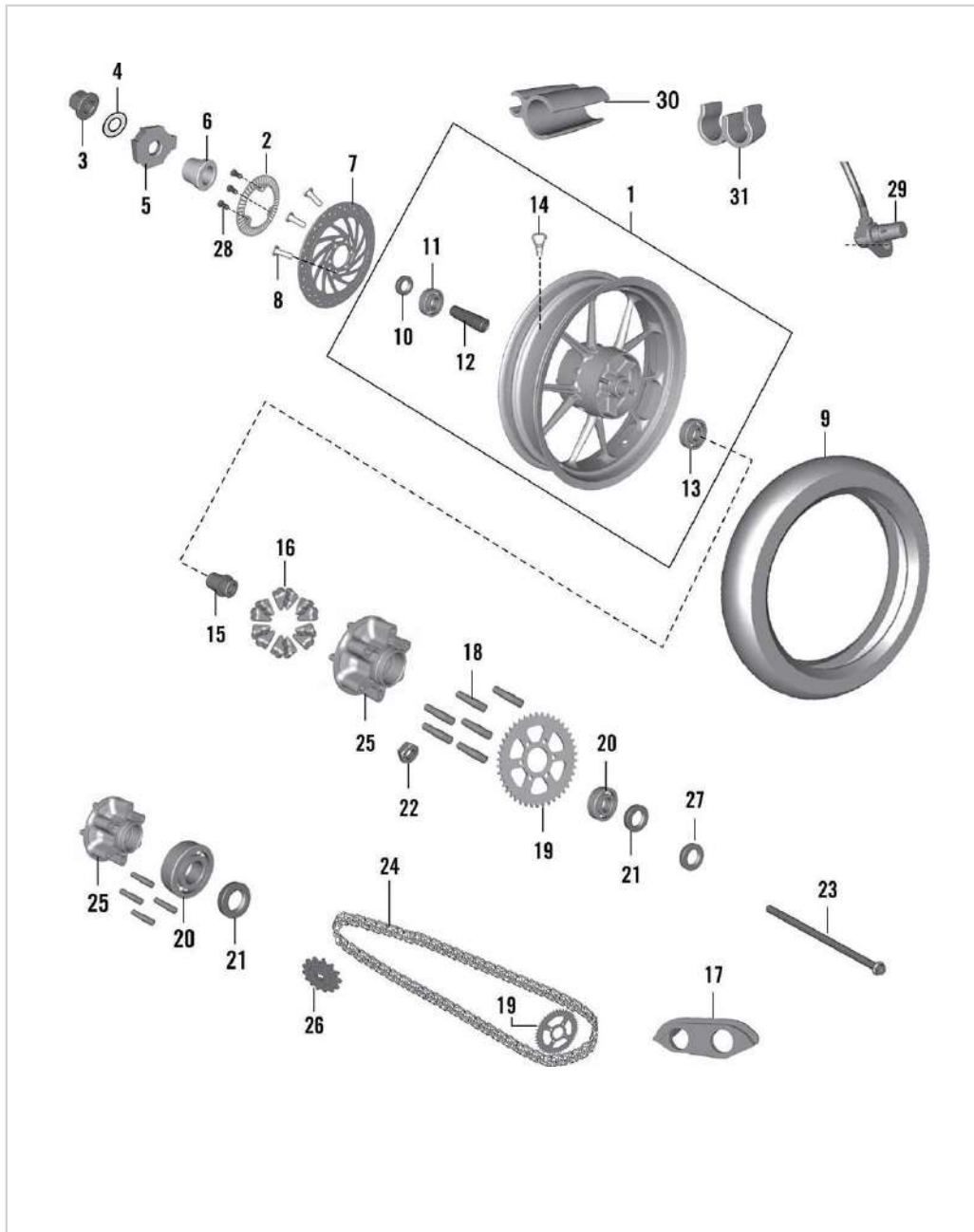


SN	Part No.	Description	QTY
1	36JP0023	KIT REAR WHEEL BLACK GLOSS	1
2	JG131254	TYRE REAR 130/80-17 TL (NOT SERVICEABLE)	1
3	DK151026	VALVE TUBELESS TYRE	1
4	KPBC6202	BEARING-BALL-C3 CLEARANCE	1
5	JG131206	SLEEVE	1
6	KPBC6302	BEARING-BALL-C3 CLEARANCE	1
7	30151082	SEAL OIL	1
8	KEBA4217	CIRCLIP INTERNAL	1
9	JG131809	DISC BRAKE DIA 230	1
10	JD131811	SCREW SOCKET STEP M8X1.25	6
11	JU131802	SENSOR DISC REAR	1
12	JG131220	SCREW PAN CROSS-M6X1XL12XPRECOAT	3
13	JG131211	SPACER	1
14	JG122007	CHAIN ADJUSTER RH	2
15	LDB00034	WASHER PLAIN-ID 15.2XOD 30XTHK 2	2
16	DH171019	NUT - U :- SWING ARM	1
17	DT131210	SLEEVE	1
18	JU131222	DAMPER 6 RUBBER	6
19	JG131228	BOLT D-M8X1.25XL48XCL 10.9XBLACK	6
20	DT131213	COUPLING 6 LUG	1

250-DUKE MY-22

38. REAR WHEEL

oemship +919495961664



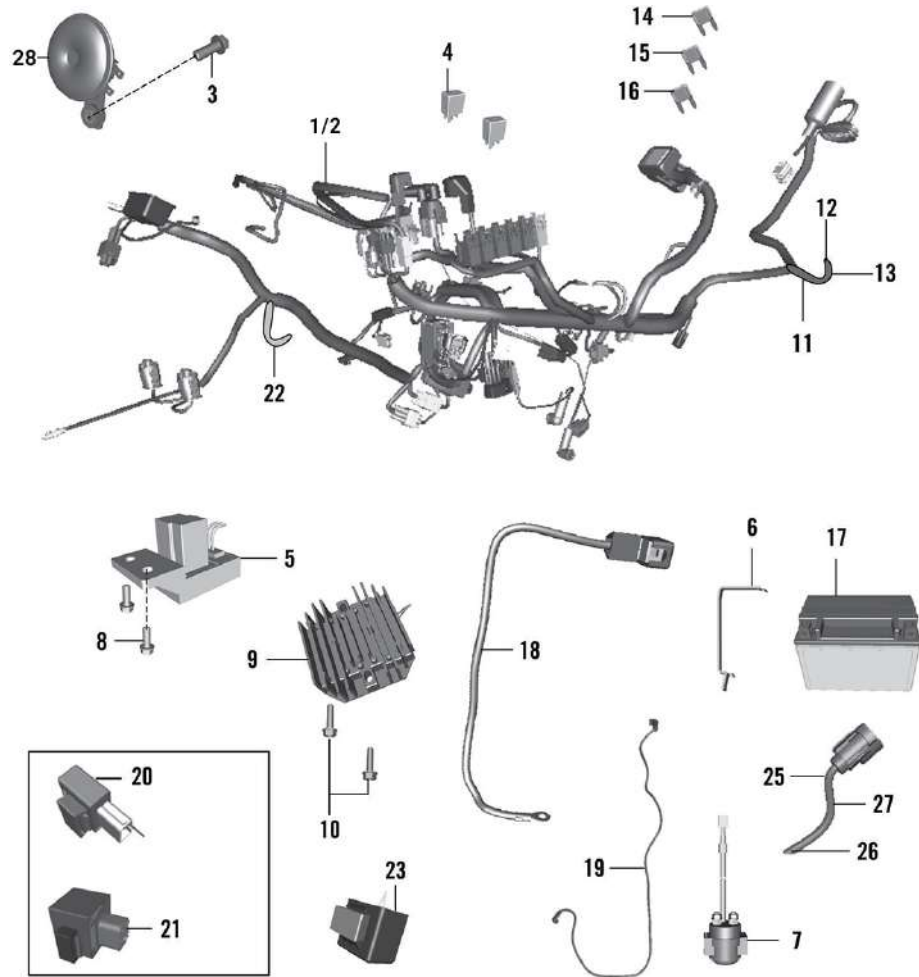
SN	Part No.	Description	QTY
21	JG141002	SPROCKET	1
22	LCL00004	NUT U FLANGE-M8X1.25XHT8.5XBRT	6
23	KPAC6205	BEARING BALL ORDINARY CLEARANCE	1
24	DT131214	SEAL OIL 52 DIA	1
25	JG131209	SPACER	1
26	JG131224	AXLE -M14X1.5XL 295XBRIGHT	1
27	DT402404	SENSOR SPEED WHEEL	1
28	JG141001	CHAIN	1
28	KAEF0612	BOLT-FLANGE-KAE ST-F DIA-06 L-12	1
29	JG141006	SPROCKET	1
30	JY551029	SPROCKET DRIVE	1

250-DUKE MY-22

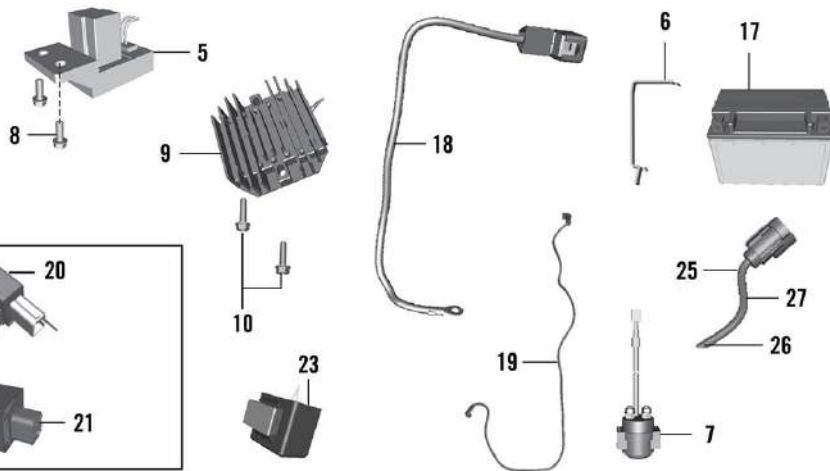
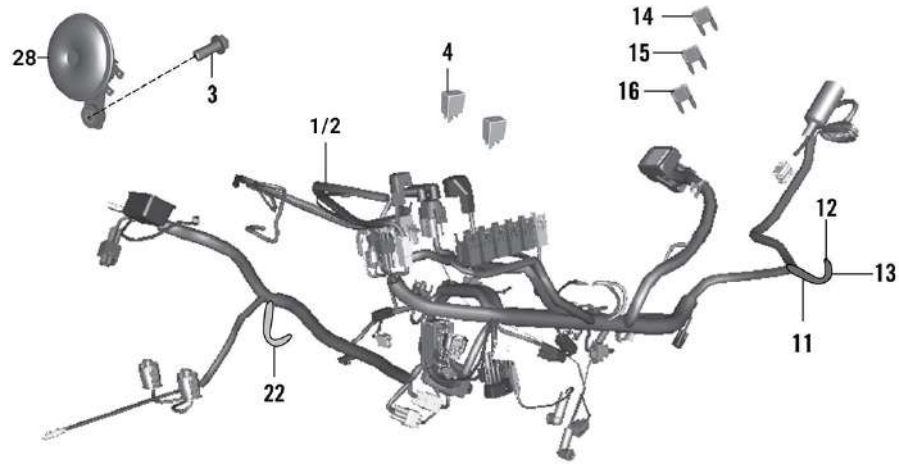
39. WIRING HARNESS

oemship +919495961664





SN	Part No.	Description	QTY
1	JP402262	HARNESS WIRING (LED DUKE 250)	1
2	JP402262	WIRING HARNESS (LED DUKE 250)	1
3	KADD0812	BOLT-FLANGE-KAD ST-D DIA-08 L-12	1
4	JL403000	RELAY INTERLOCK	5
5	JY403604	SENSOR ROLL OVER	1
6	JP401801	BAND BATTERY II	1
7	JP403000	RELAY STARTER	1
8	KAED0616	BOLT-FLANGE-KAE ST-D DIA-06 L-16	2
9	JU402001	REGULATOR	1
10	KADD0625	BOLT-FLANGE-KAD ST-D DIA-06 L-25	2
11	JD402212	BAND(LENGTH 200MM)	13
12	JD402217	BAND(L 150)	4
13	PA402204	BAND(LENGTH 110MM)	3
14	JG402228	FUSE 10A (BLADE TYPE)	8
15	JG402229	FUSE 15A (BLADE TYPE)	3
16	JG402230	FUSE 30A (BLADE TYPE)	2
17	36JU0015	KIT KTM 200 8AH BATTERY+Bottle	1
18	JP402202	CABLE EARTH	1
19	JP402203	CABLE RELAY TO MOTOR MY17	1
20	JG402002	DC FLASHER	1

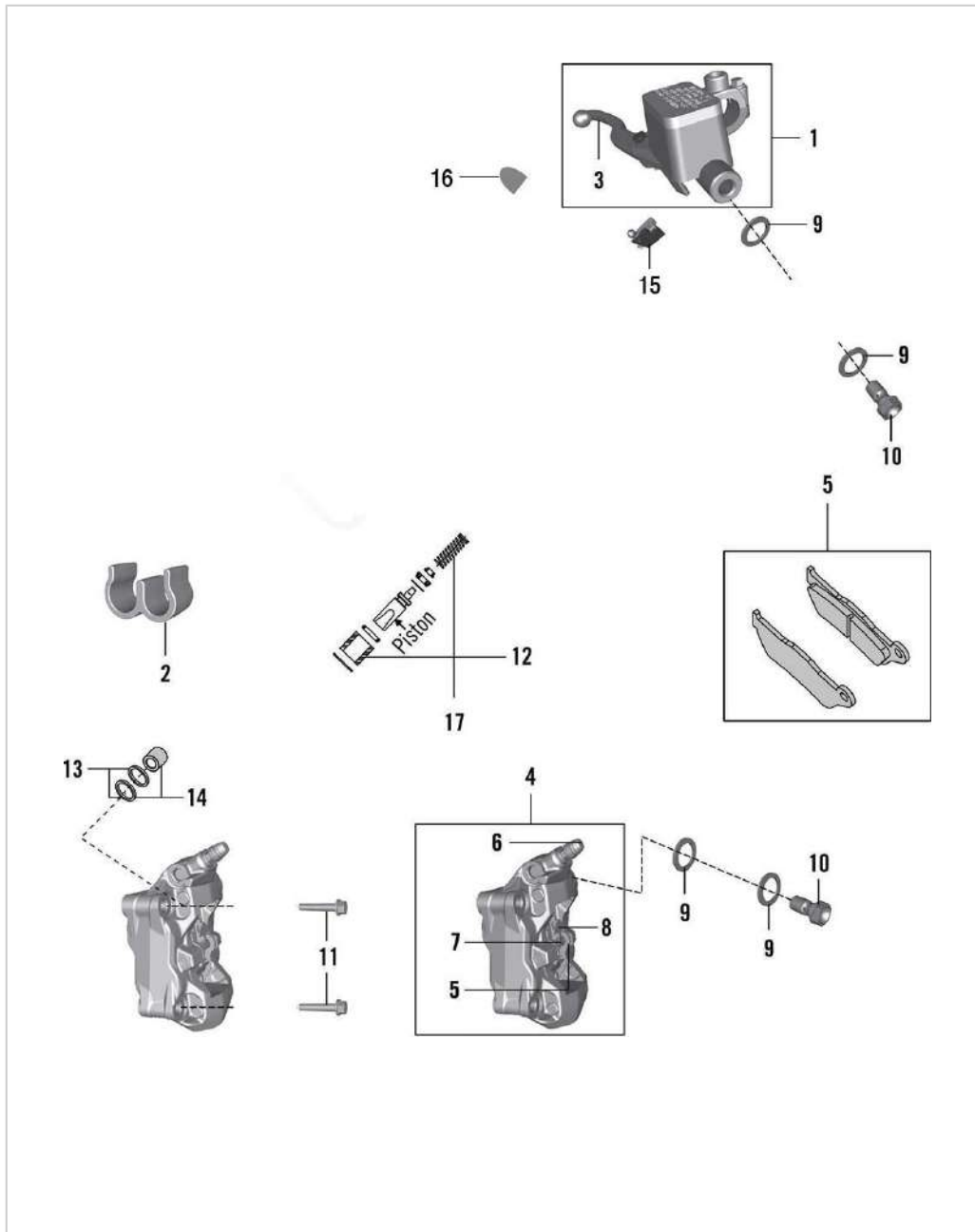


SN	Part No.	Description	QTY
21	AA201382	UNIT TRANSIL	1
22	JG402245	CABLE TIE ORANGE 200 L	9
23	JY401410	RESISTOR UNIT	1
24	KAED0620	BOLT-FLANGED-SMALL (HT COIL) BOL	2
25	JP402217	PIGTAIL INTAKE AIR TEMPERATURE SENSOR	1
26	JP402218	PIGTAIL OIL PRESSURE SWITCH MY17	1
27	JY402246	PIGTAIL COOLANT TEMP SENSOR RC MY16	1
28	JP401600	HORN KT22	1

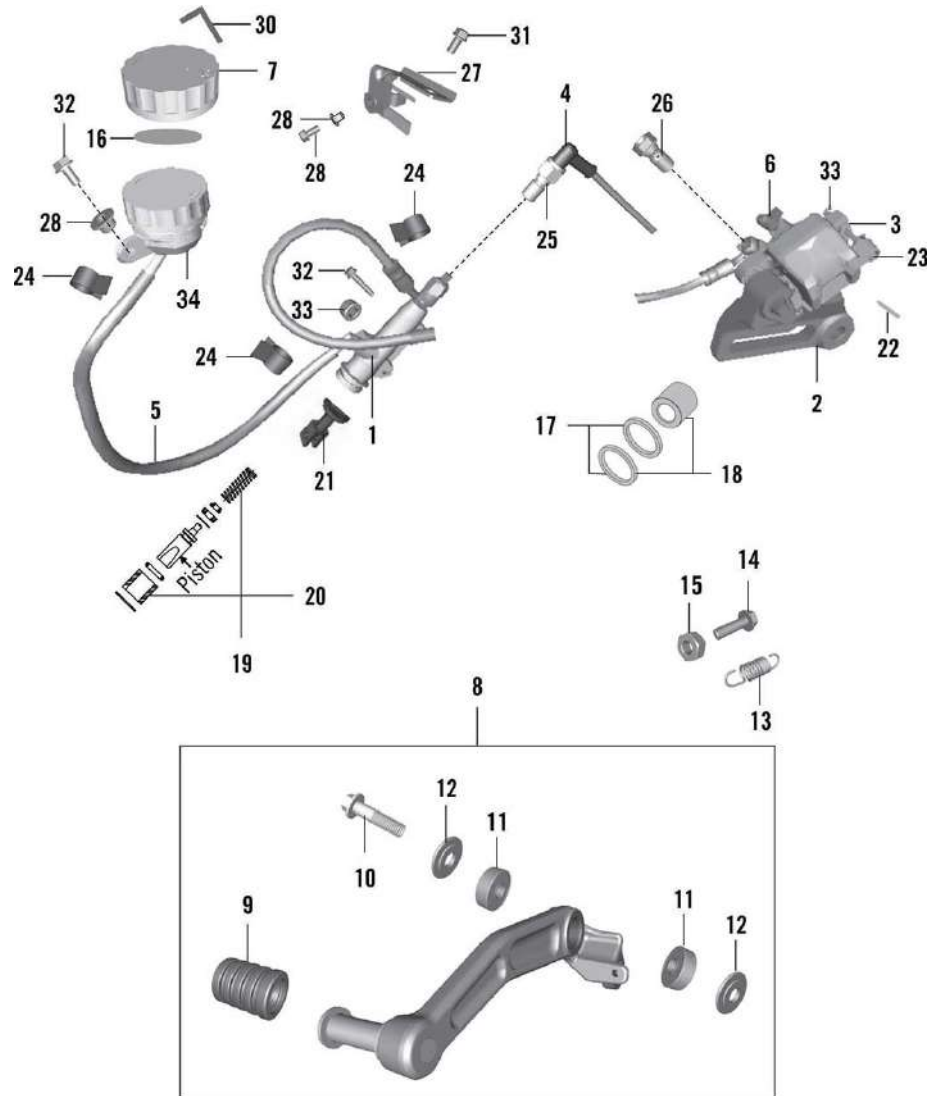
250-DUKE MY-22

40. BRAKE SYSTEM - FRONT

oemship +919495961664



SN	Part No.	Description	QTY
1	36JP0016	KIT FR.M/CYL ASY W/O CLAMP-JY13	1
2	36JY0221	CLAMP KIT - KT19,20, 22 10W05270	1
3	36JY0220	BRAKE LEVER KIT 10W02622	1
4	JG131804	CALIPER ASY BRAKE FRONT	1
5	36JU0114	KIT FRONT BRAKE PAD WITH SHIM	1
6	DE151046	SCREW - BLEEDER :- KBX	1
7	JG131814	PIN CLIP	1
8	DK151092	PAD SPRING	1
9	DE191010	WASHER - COPPER :- KBX	4
10	DK151069	BOLT -M10X1XL 19XCL 8.8XBRIGHT	2
11	LAD00037	BOLT FLANGED M8X1	2
12	36JY0184	FRONT MASTER CYLINDER MINOR KIT	1
13	36JY0180	MINOR KIT REAR CALIPER	1
14	36JY0179	MAJOR KIT REAR CALIPER	1
15	DJ201109	SWITCH BRAKE	1
16	36JY0187	FR M/CYL BOOT SPD KIT	1
17	36JY0183	FRONT MASTER CYLINDER MAJOR KIT	1

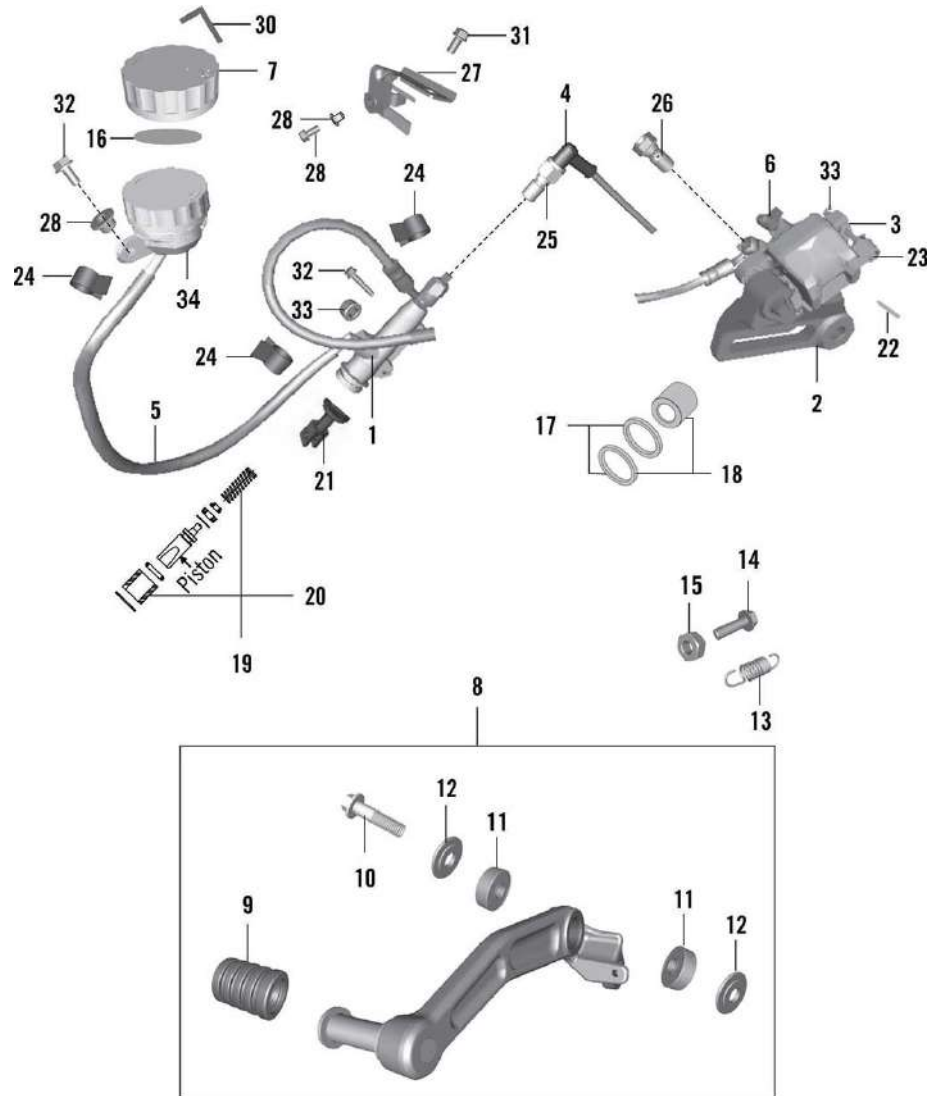


SN	Part No.	Description	QTY
1	JP131802	ASSEMBLY MASTER CYLINDER	1
2	JG131815	CALIPER ASSEMBLY REAR	1
3	DK151085	PAD BRAKE REAR SET	1
4	JG401400	SWITCH BRAKE PRESSURE	1
5	36JY0225	RE RESERVOIR TUBE KIT 06W12414	1
6	DE151046	SCREW - BLEEDER :- KBX	1
7	DK151045	REAR MASTER CYLINDER CAP	1
8	JP161001	ASSEMBLY BRAKE LEVER MY17	1
9	JG113010	DAMPER CHANGE LEVER	1
10	JY113025	BOLT CHANGE LEVER	1
11	JG113061	BEARING CHANGE LEVER	2
12	JY113015	SPACER FOR CHANGE LEVER	2
13	JG161001	SPRING TENSION	1
14	KADD0620	BOLT FLANGED	1
15	KCAD0605	NUT HEX THICK	1
16	DK151072	DIAPHRAGM RESERVIOR - KBX	1
17	36JY0180	MINOR KIT REAR CALIPER	1
18	36JY0179	MAJOR KIT REAR CALIPER	1
19	36JY0223	MAJOR KIT RE MAST CYL 10W02822	1
20	36JY0224	MINOR KIT RE MAST CYL 10W05712	1

250-DUKE MY-22

41. BRAKE SYSTEM - REAR

oemship +919495961664

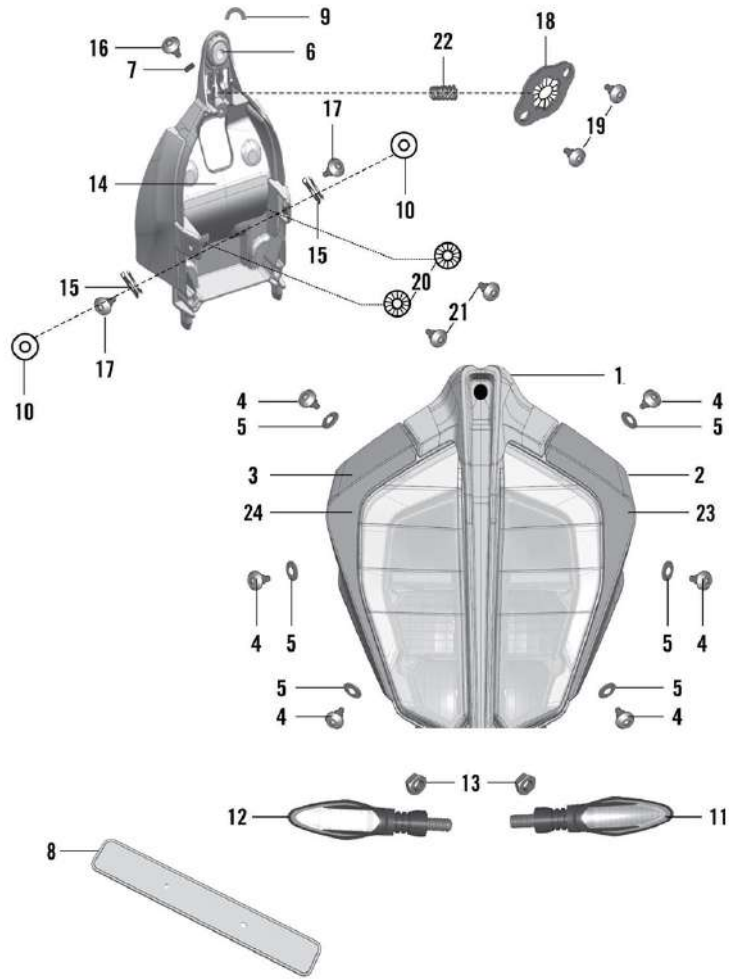


SN	Part No.	Description	QTY
21	36JY0226	PUSH ROD ASY KIT 10W02931	1
22	JG131830	PIN PAD	1
23	DE151041	CLIP - LOCKING :- KBX	2
24	DK151034	RESERVOIR TUBE RAER DISC	2
25	36JY0075	KIT PRESSURE SWITCH RC	1
26	36JY0076	KIT BANJO BOLT RC	1
27	JP113809	BRACKET RESERVOIR MTG	1
28	JP181247	SLEEVE	1
29	LAE00051	BOLT FLANGE SMALL- M6X1XL18XBLACK	1
30	JP131823	BRACKET CAP RESERVOIR	1
31	LAE00053	BOLT FLANGE SMALL- M5X0.8XL10XBLK	1
32	LAD00077	BOLT FLANGE- M6X1XL16XBLKXPRECOAT	1
33	DE151041	CLIP - LOCKING :- KBX	2
34	JG131821	RESERVOIR REAR BRAKE	1

250-DUKE MY-22

42. HEAD LIGHT ASSEMBLY

oemship +919495961664

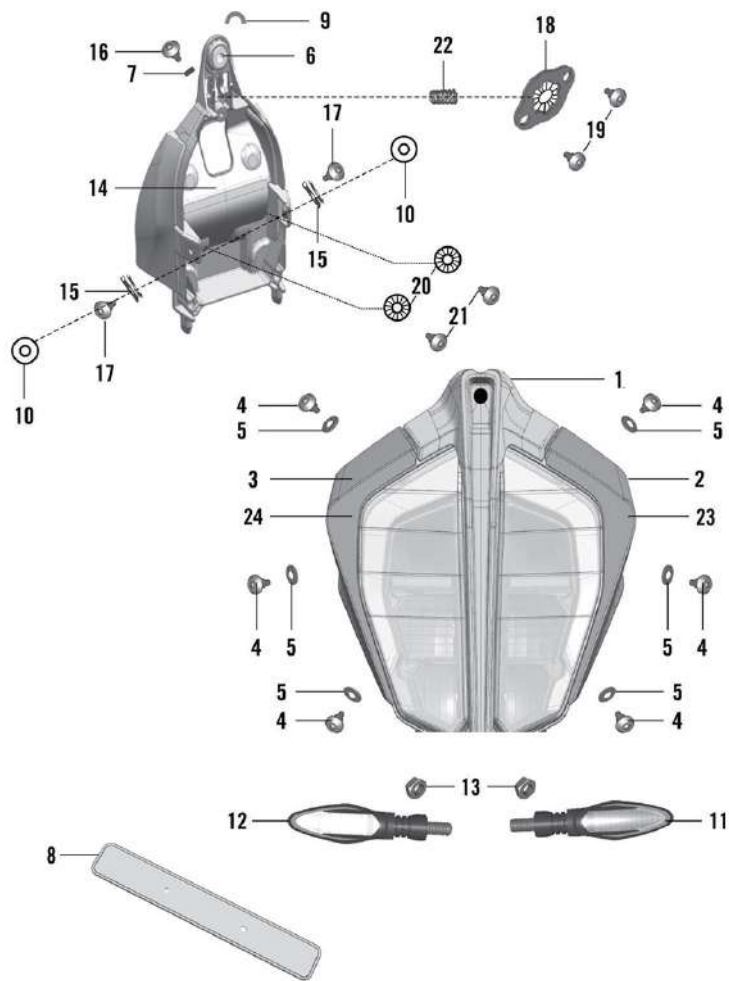


SN	Part No.	Description	QTY
1	52JP1183	LED HEAD LAMP ASSLY DUKE 250 BS6 MY20	1
2	52JP1131	SIDE MASK LH FR FRG SILVR MET MATT+DECAL	1
3	52JP1132	SIDE MASK RH FR FRG SILVR MET MATT+DECA	1
4	56JP4D1T	DUKE MASK BULB HL EB ORANGE	1
5	JP181242	FAIRING BACK COVER BULB HL	1
6	KBRD3513	SCREW TAPPING PAN CROS- ST3.5XL13	6
7	KDAE0408	WASHER PLAIN SMALL- 4.5X8X0.5XBLK	6
8	JP181279	GROMMET FRONT FAIRING ASSY	1
9	LAC00101	BOLT SOCKET-M6X1XL12XBLKXSTEP	1
10	JB113007	PLAIN WASHER	1
11	36DT0053	KIT FR.NUMBER PLATE PULSAR RS 200 / AS 2	1
12	JL181027	NUT CLIP M6	3
13	KDBF0512	WASHER PLAIN- ID5.5XOD12XT0.8XBLK	2
14	KBUF0514	SCREW TRUSS-M5X0.8XL 14XBLACK	2
15	DG201071	LAMP :- 12V, 60 / 55 W	1
16	JP181261	GROMMET HL COVER TOP	1
17	JP181262	GROMMET HL COVER BOTTOM	2
18	LAD00046	PIN CLEVIS DIA 8	2
19	JG181242	GROMMET PIVOT BOLT-MASK CARRIER	2
20	JG181243	SECURING CLIP-PIV BOLT-MASK CARR	2

250-DUKE MY-22

42. HEAD LIGHT ASSEMBLY

oemship +919495961664



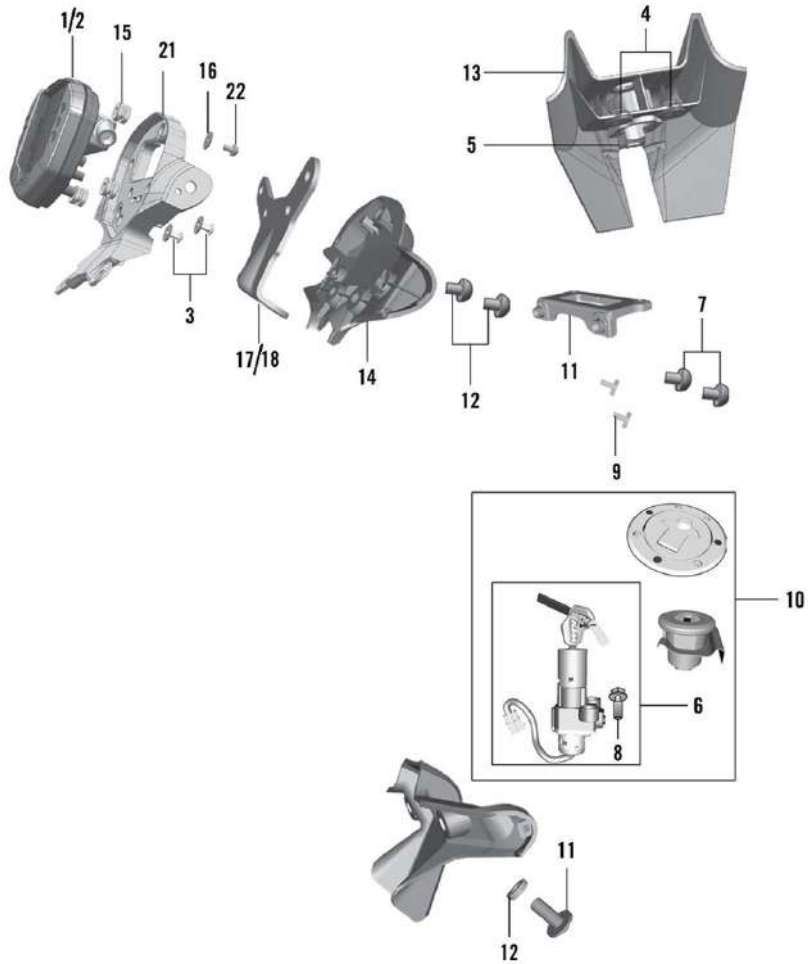
SN	Part No.	Description	QTY
21	JP401018	INDICATOR FRONT LH	1
22	JP401019	INDICATOR FRONT RH	1
23	52JP1127	SIDE MASK LH FR FRG DARK GAL MATT+DECAL	1
24	52JP1128	SIDE MASK RH FR FRG DARK GAL MATT+DECAL	1
25	LCA00005	NUT HEX M10X1.25	2
26	JP181263	GROMMET RUBBER 2 FRONT FAIRING	1
27	52JP0939	DUKE 250 MY20 SIDE MASK LH DARK GALV+DCL	1
28	52JP0942	DUKE 250 SIDE MASK LH SLVR MET MATT+DCL	1
29	52JP0940	DUKE 250 MY20 SIDE MASK RH DARK GALV+DCL	1
30	52JP0943	DUKE 250 SIDE MASK RH SLVR MET MATT+DCL	1
31	56JP4DX3	DUKE MASK BULB HL EB BLACK	1

250-DUKE MY-22

43. INSTRUMENTS, LOCK SYSTEM

oemship +919495961664



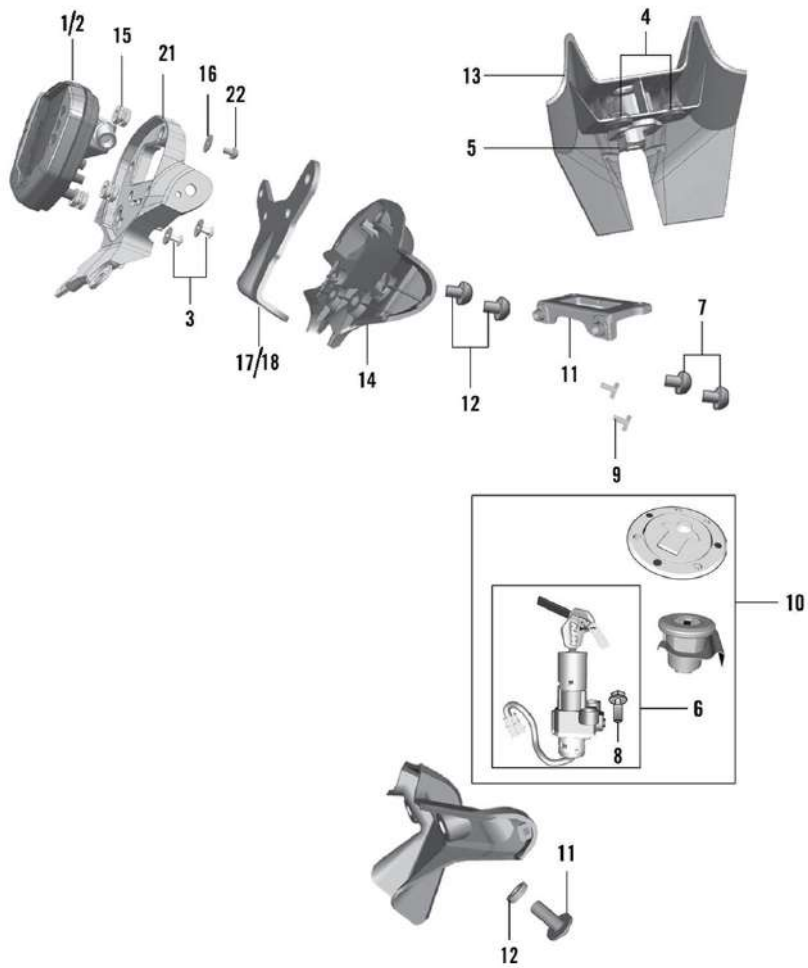


SN	Part No.	Description	QTY
1	JP402416	SPEEDOMETER (LED DUKE 250)	1
2	JP402416	SPEEDOMETER (LED DUKE 250)	1
3	LBR00002	SCREW TAPPING PAN DIA 5	2
4	JP181229	mROMMET IGNITION SWITCH COVER	2
5	JP181234	GROMMET IGNITION COVER	1
6	36JP0035	IGN LOCK WITH SHEAR BOLTS MY17	1
7	JY113821	SCREW BUTTON HEAD- M6X1XL12XBLACK	1
8	LAA00030	BOLT -M6X1XL30XCL8.8XBLXSHEAR HD	2
9	JL181453	COLLAR WIND SHIELD	2
10	36JP0036	LOCK SET EVAP SHEAR BOLTS MY17	1
11	JP232808	HOLDER PLATE NUMBER	1
12	LBU00050	SCREW BUTTON HEAD- M6X1XL9XPRECOAT	2
13	JP181239	COVER ASSEMBLY SWITCH IGNITION	1
14	JP181249	SPEEDOMETER HOLDER BACKCOVER	1
15	JG181238	GROMMET DASHBOARD	3
16	LDB00016	WASHER -PLAIN	3
17	JP181250	BRACKET SPEEDOMETER HOLDER	1
18	JP181379	BRACKET HOLDER SPEEDOMETER	1
19	36JG0114	3M SPEEDOMETER TAPE (25 QTY) KIT	1
20	36JP0079	PRIMER (5 QTY) KIT	1

250-DUKE MY-22

43. INSTRUMENTS, LOCK SYSTEM

oemship +919495961664

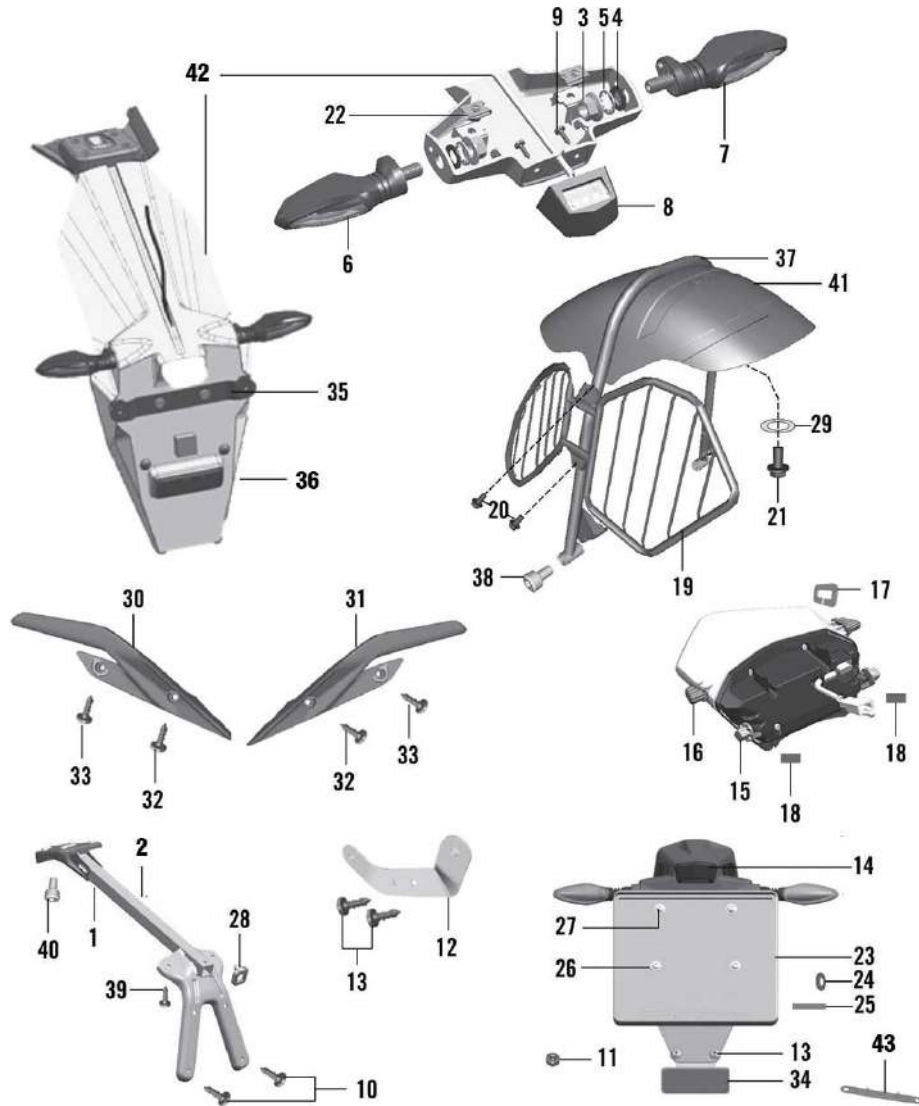


SN	Part No.	Description	QTY
21	JP181240	DASHBOARD LCD SPEEDOMETER	1
22	LBR00008	SCREW TAPING SOKET- DIA.5XL12XBLK	1

250-DUKE MY-22

44. SAREE GUARD / REAR NUMBER PLATE

oemship +919495961664

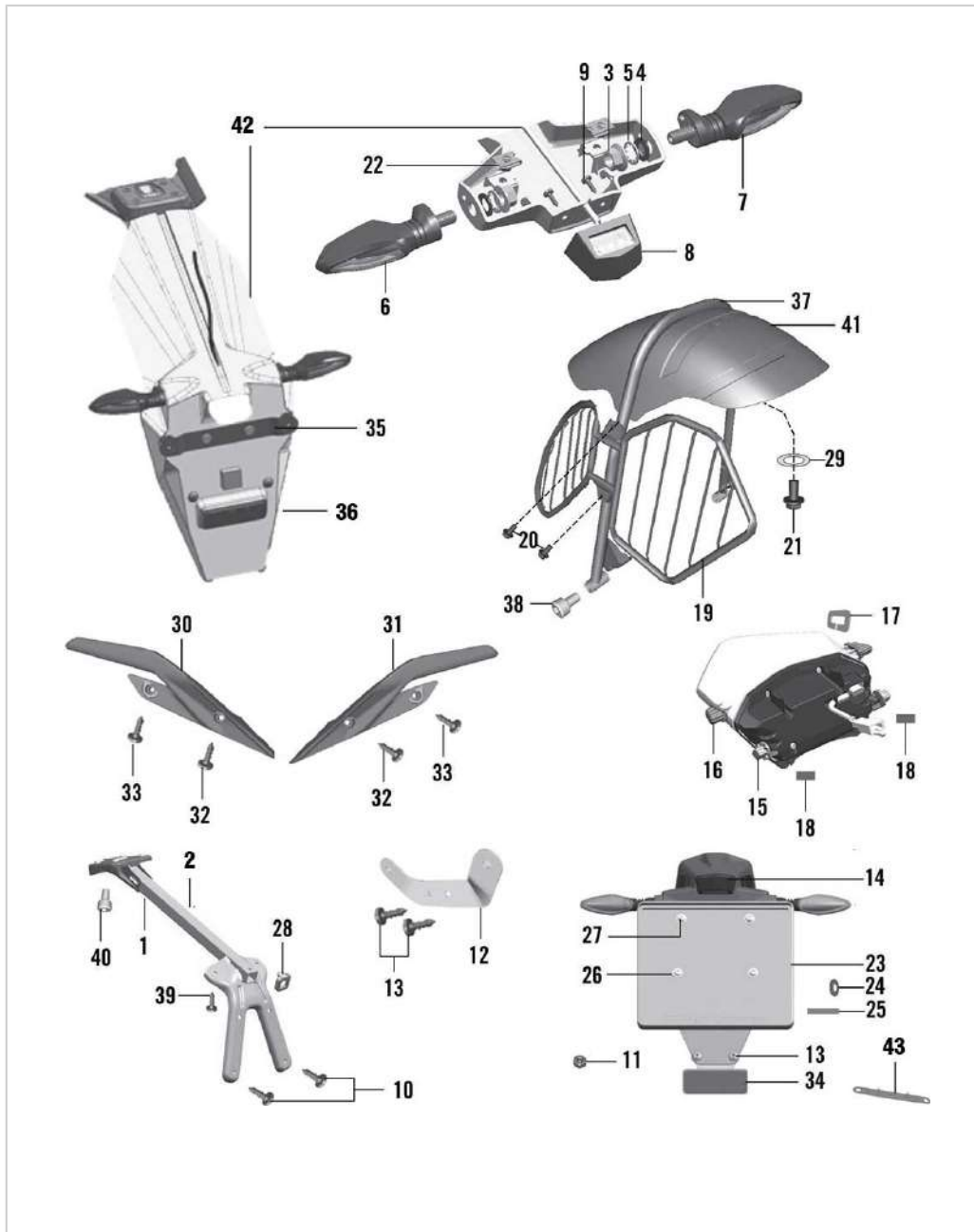


SN	Part No.	Description	QTY
1	JP232824	STRUCTURE ASSEMBLY PLATE NUMBER	1
2	JP232824	STRUCTURE ASSEMBLY PLATE NUMBER	1
3	KCAD1008	NUT HEX THICK	2
4	KDAA1018	WASHER PLAIN	2
5	LDF00002	WASHER TOOTHED	2
6	JY401024	INDICATOR REAR LH	1
7	JY401025	INDICATOR REAR RH	1
8	JG401006	NUMBER PLATE ILLUMINATION LAMP	1
9	KBRD4213	SCREW TAPPING PAN CROSS-ST4.2XL13	2
10	KBUA0612	Mushroom Head screw - M6-L12	2
11	LCA00008	NUT	1
12	JP181407	BRACKET REFLEX REFLECTOR	1
13	KBUF0612	SCREW TRUSS-M6X1XL 12XBLACK	4
14	JP401001	LAMP TAIL MY17	1
15	JP401004	GROMMET ROUND	2
16	JP401005	GROMMET TAIL LAMP LH	1
17	JP401006	NYLON WASHER SQUARE	2
18	JP401007	SPACER GROMMET ROUND	2
19	JY231200	SAREE GAURD	1
20	LAC00118	BOLT SOCKET-M8X1.25XL18XCL10.9XBL	2

250-DUKE MY-22

44. SAREE GUARD / REAR NUMBER PLATE

oemship +919495961664

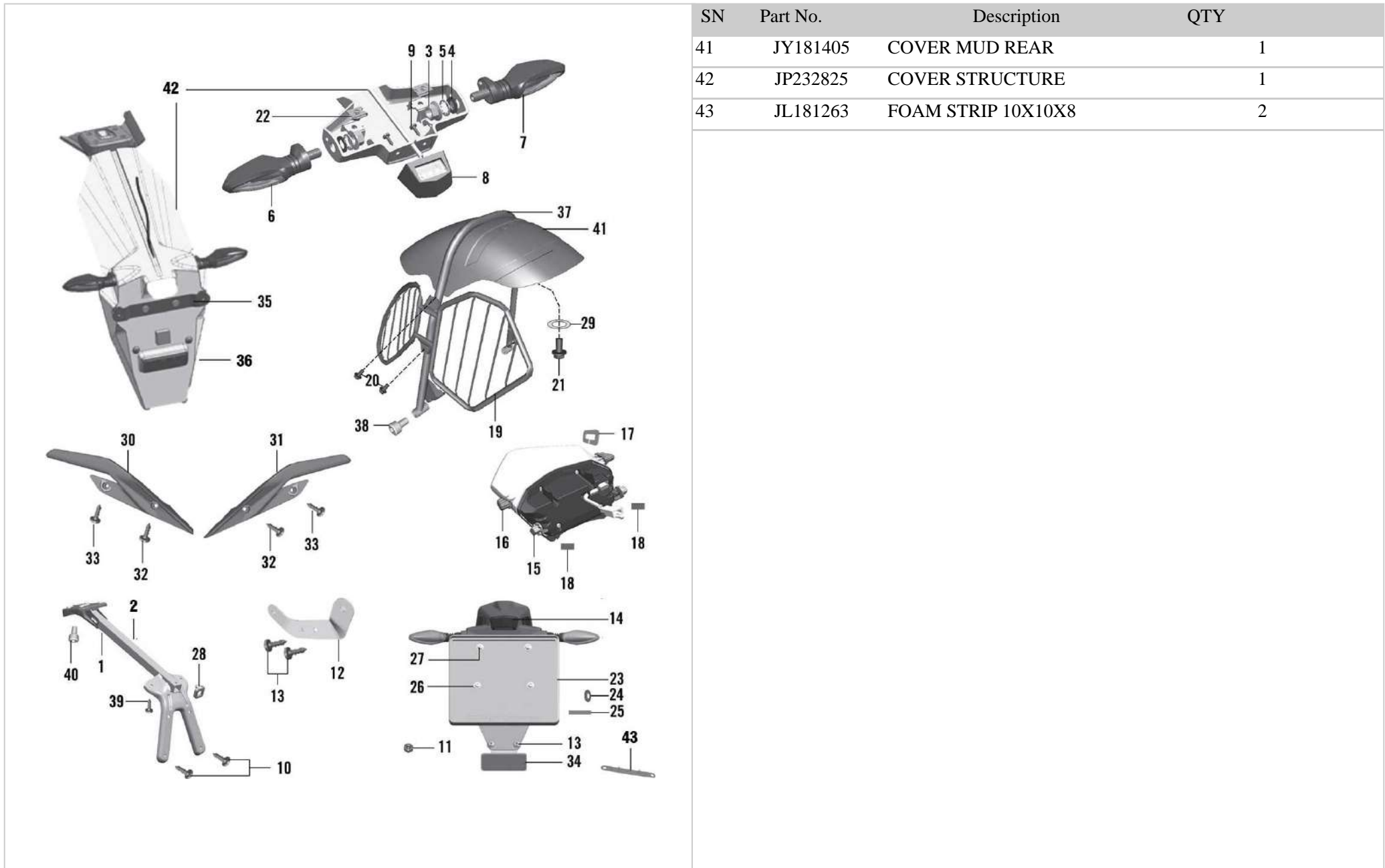


SN	Part No.	Description	QTY
21	KACH0616	BOLT SOCKET-M6X1XL16XCL 10.9XBLK	2
22	DJ161229	CLIP NUT M5	2
23	36PD0056	KIT RR.NUMBER PLATE AVENGER 220 CRUISE /	1
24	JU181408	GROMMET REAR NO PLATE	2
25	JU181412	DUEL LOCK REAR NO PLATE	2
26	LDB00031	WASHER REAR NO PLATE	2
27	KADM0620	BOLT FLANGED	4
28	JP232802	CAP RUBBER REAR NUMBER PLATE STRUCTURE	1
29	KDBE0613	WASHER PLAIN	5
30	JP231409	GRAB HANDLE LH	1
31	JP231410	GRAB HANDLE RH	1
32	LAC00095	BOLT SOKET- M8X1.25XL30XBLXPRECOT	2
33	LAC00096	BOLT SOKET- M8X1.25XL40XBLXPRECOT	2
34	JG401036	REFLECTOR REFLEX	1
35	JP232812	BRACKET PLATE NUMBER REAR	1
36	JP232830	BRACKET PLATE NUMBER REAR	1
37	JP181000	TUBE ASSEMBLY HUGGER REAR	1
38	JU231206	BOLT SOCKET M8X1.25	1
39	KBUA0512	SCREW TRUSS	2
40	LAD00189	BOLT FLANGE-M6X1XL 22XCL 8.8XBLK	4

250-DUKE MY-22

44. SAREE GUARD / REAR NUMBER PLATE

oemship +919495961664

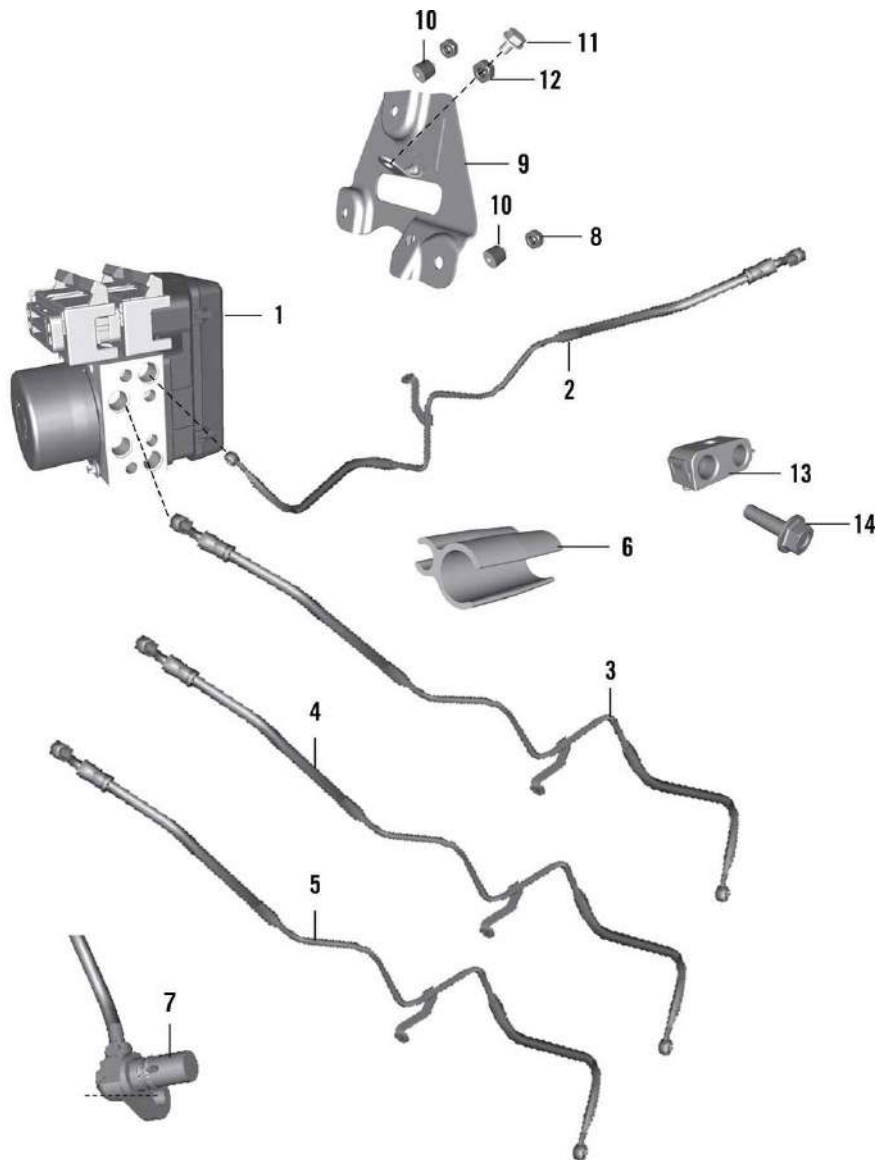


SN	Part No.	Description	QTY
41	JY181405	COVER MUD REAR	1
42	JP232825	COVER STRUCTURE	1
43	JL181263	FOAM STRIP 10X10X8	2

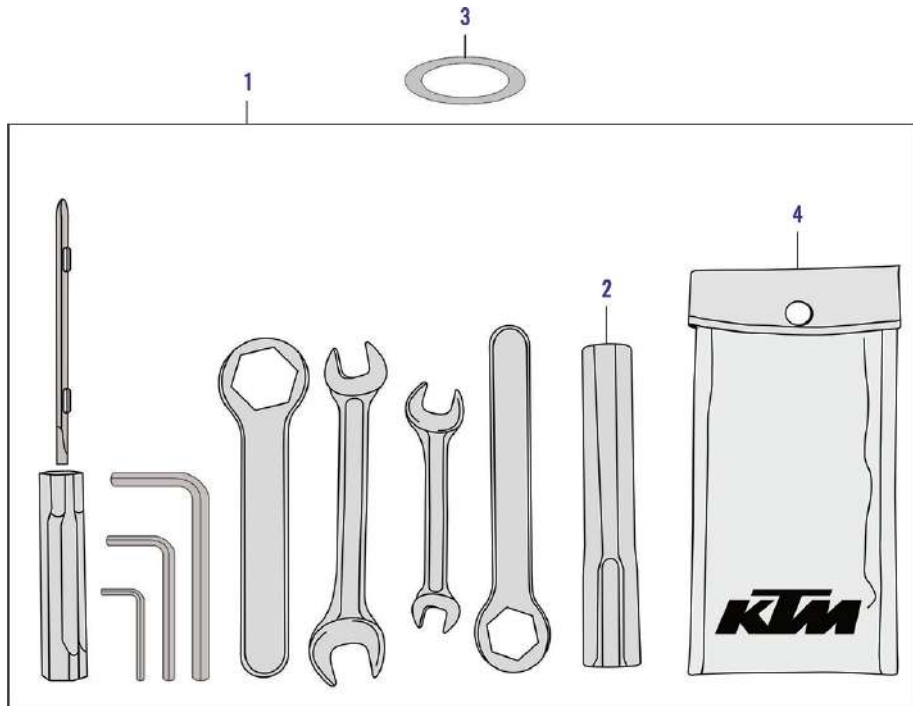
250-DUKE MY-22

45. BRAKE SYSTEM - ABS FRONT & REAR

oemship +919495961664



SN	Part No.	Description	QTY
1	JP131854	UNIT ABS WET	1
2	36JP0011	BR HOSE ASY KIT(ABS TO FR M CY)	1
3	36JP0012	BR HOSE ASY KIT(ABS TO FRCLIPER)	1
4	36JP0013	BR HOSE ASY KIT(ABS- R MST CY)	1
5	36JP0014	BR HOSE ASY KIT(ABS-RE CALIPER)	1
6	DT131849	CLAMP FOR ABS HOSE	3
7	DT402404	SENSOR SPEED WHEEL	1
8	LCL00002	NUT FLANGED-M6X1XHT.6XCL4	3
9	JP113804	BRACKET ABS MTG LOOSE	1
10	JG581014	SILENT BLOCK(M6)	3
11	KADD0610	BOLT-FLANGE-KAD ST-D DIA-06 L-10	3
12	LCL00002	NUT FLANGED-M6X1XHT.6XCL4	3
13	DT131849	CLAMP FOR ABS HOSE	3
14	KAED0620	BOLT-FLANGED-SMALL (HT COIL) BOL	3



SN	Part No.	Description	QTY
1	JY231000	TOOLKIT	1
2	JG231003	SPANNER BOX	1
3	DK221024	O RING	1
4	JG231002	BAG TOOL	1
5	JG231006	SCREWDRIVER	1
6	JG231014	TOOL WRENCH 22	1
7	JG231008	TOOL BAR	1
8	JG231009	SPANNER FLAT 13 X 14	1
9	JG231010	SPANNER FLAT 8X10	1
10	JY231001	TOOL ALLEN KEY 4MM	1
11	JG231011	KEY ALLEN -5 MM	1
12	JG231012	KEY ALLEN 6	1
13	JG231013	KEY ALLEN 10	1
14	JY231002	TOOL SPRING ADJUSTER	1