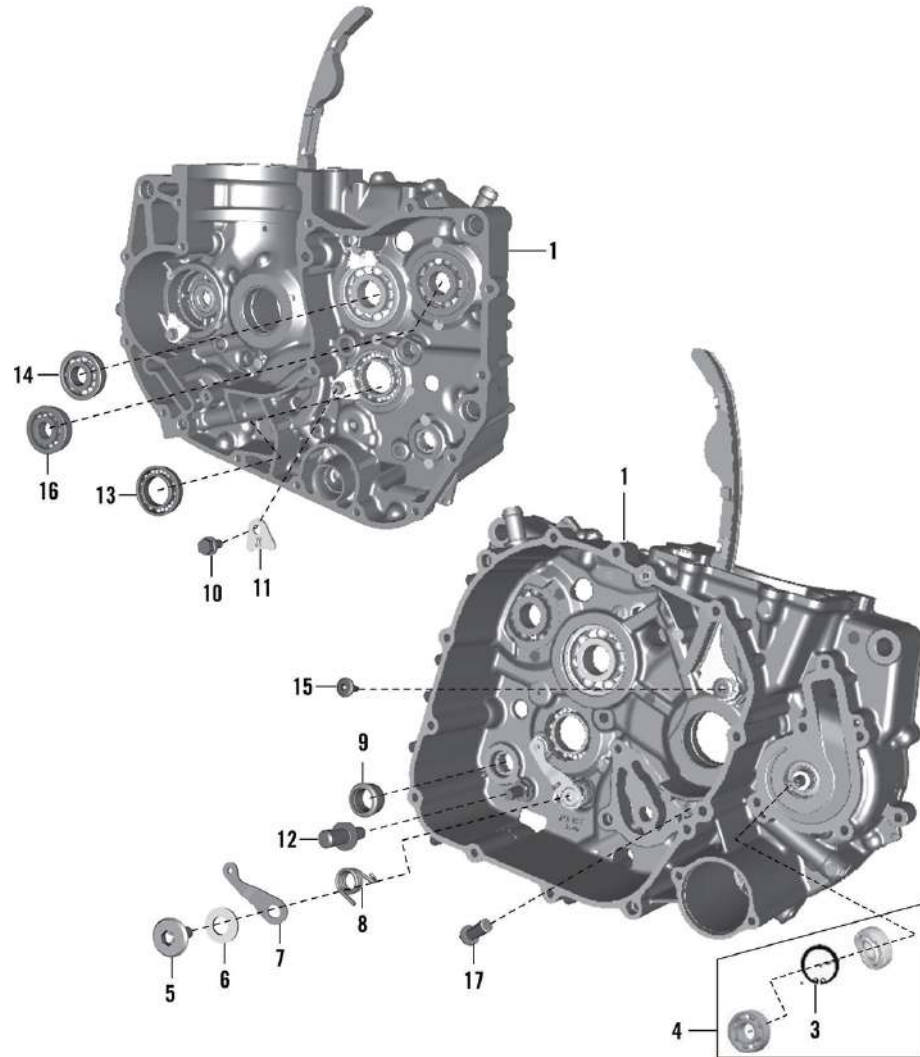


250-ADVENTURE MY-21

250-ADVENTURE MY-21

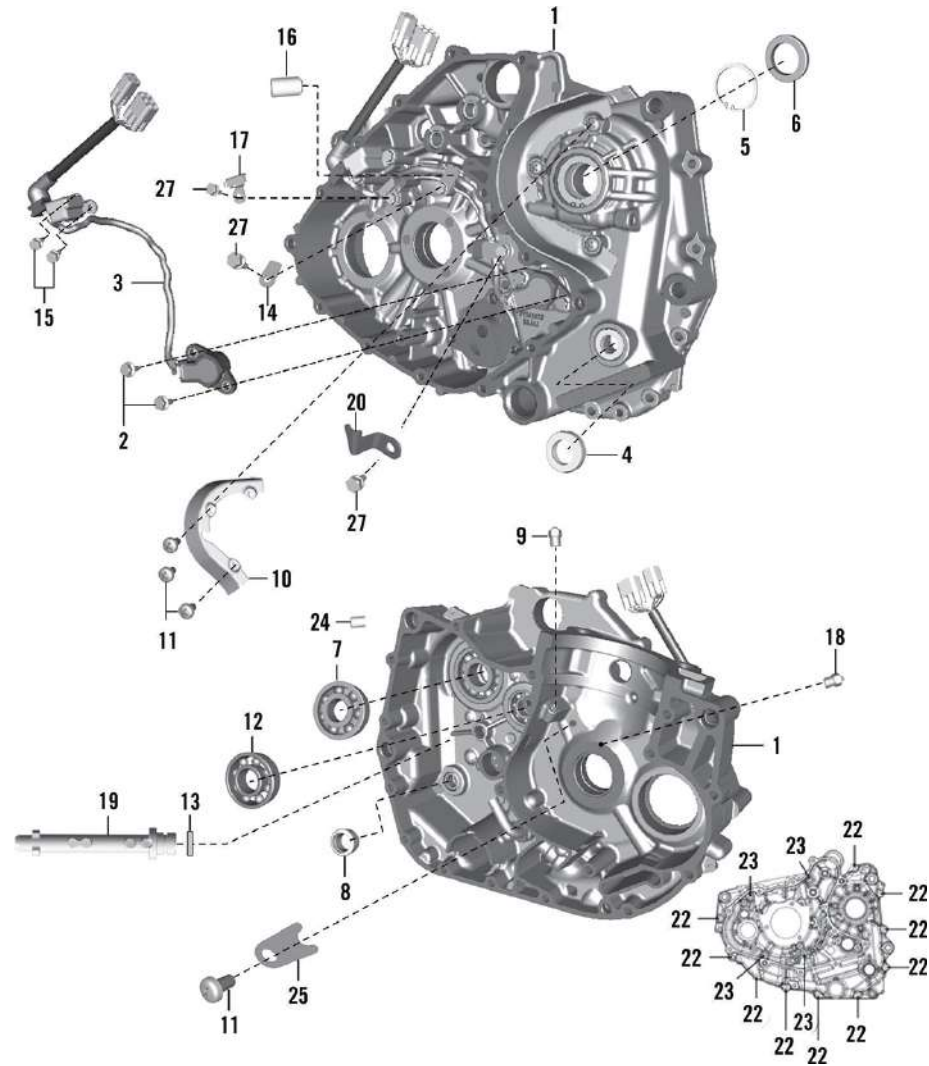
1. CRANKCASE RH



SN	Part No.	Description	QTY
1	36JG0113	KIT CR' CASE ASSY RH 390 CC MY20	1
2	36001062	LOCTITE LIQUID SEALANT L5910 (50ML TUBES	1
3	LEB00001	CIRCLIP INTERNAL	1
4	36JG0091	KIT WATER PUMP SEALS W/GRASE	1
5	JG561204	BOLT STOPPER DRUM	1
6	JG561205	WASHER DRUM STOPPER	1
7	JG561009	STOPPER DRUM COMP	1
8	JG561226	SPRING STOPPER DRUM	1
9	39256220	BEARING - NEEDLE ROLLER :- 13 X 19 X 12	1
10	AA101437	SCREW :- PRE-COATED	3
11	JY541047	STOPPER I/P SHAFT BEARING	3
12	DP101191	BOLT (M8 X 1.25 X LENGTH = 15.5)	1
13	39260120	BEARING - BALL :- 61905 (25 X 42 X 9)	1
14	39186420	BEARING - BALL :- 20 X 52 X 15	1
15	JY541009	BOLT SOCKET-M6X1XL 14.4XBRTXSTEP	1
16	39218520	BEARING - DEEP GROOVE BALL	1
17	LAE00001	BOLT FLANGED- M8X1.25XL20XPRECOAT	1
18	36JY0200	PACKING KIT ENGINE CRANKCASE 390	1
19	83020473	GREASE PETAMO GHY 441 3 GM POUCH	1

250-ADVENTURE MY-21

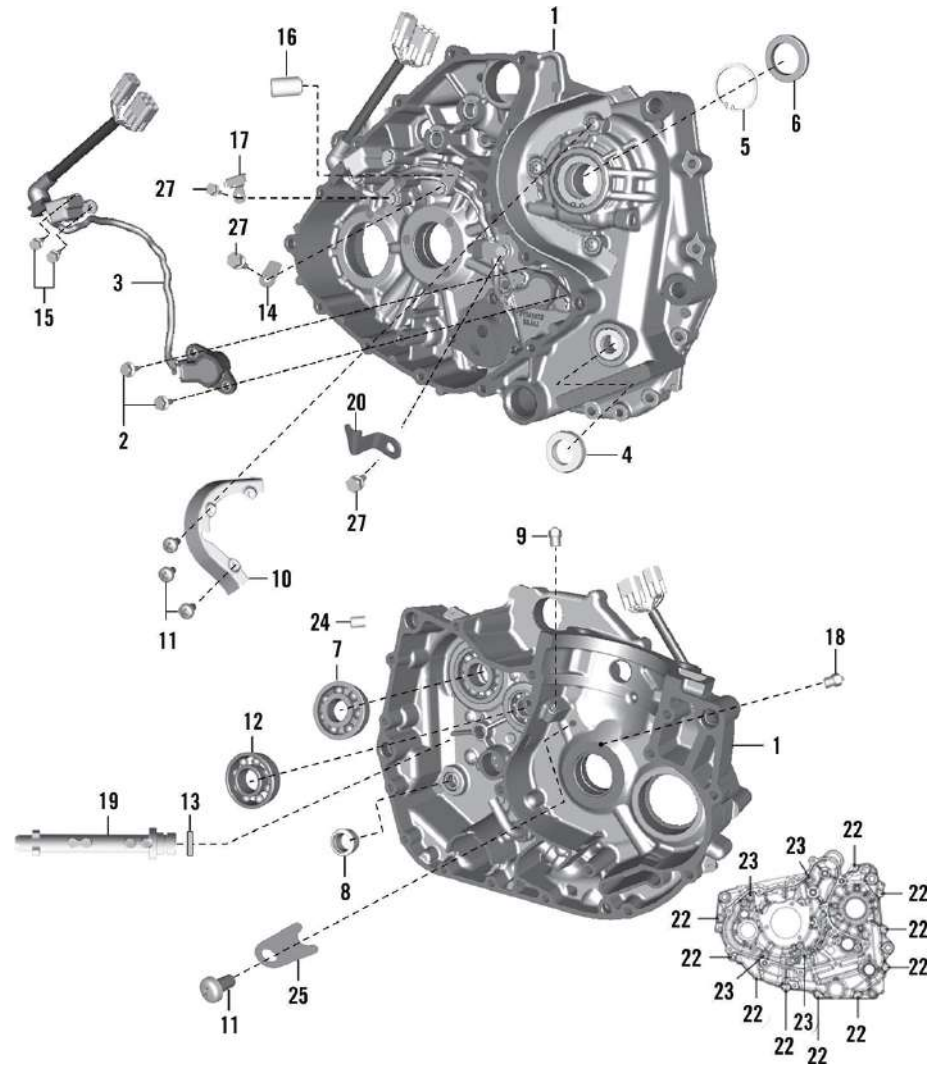
2. CRANKCASE LH



SN	Part No.	Description	QTY
1	36JG0112	KIT CR' CASE ASY LH 390 CC MY20	1
2	LAE00010	BOLT FLANGED M5X0.8	2
3	JP351005	SENSOR ASSEMBLY PICK UP	1
4	39104319	SEAL - OIL	1
5	KEBA3715	CIRCLIP INTERNAL	1
6	JY541058	OIL SEAL OUTPUT SHAFT	1
7	LPB00003	BEARING BALL-22X56X16-C3L-1RS-HN3	1
8	39256220	BEARING - NEEDLE ROLLER :- 13 X 19 X 12	1
9	JF541016	NOZZLE	1
10	JY541031	CHAIN GUARD	1
11	LBB00007	SCREW PAN CROSS M6X1	3
12	LPB00002	BEARING BALL-15X35X11-C3-1RS-HN3	1
13	LJA00002	O RING FOR E - 20	2
14	JY541080	PLATE HARNESS	1
15	AA101437	SCREW :- PRE-COATED	2
16	JY541052	JET TRANS	1
17	JY541081	BRACKET HARNESS	1
18	JG541074	OIL NOZZLE	1
19	JY571029	OIL RAIL	1
20	JY541082	BRACKET HARNESS GI SWITCH	1

250-ADVENTURE MY-21

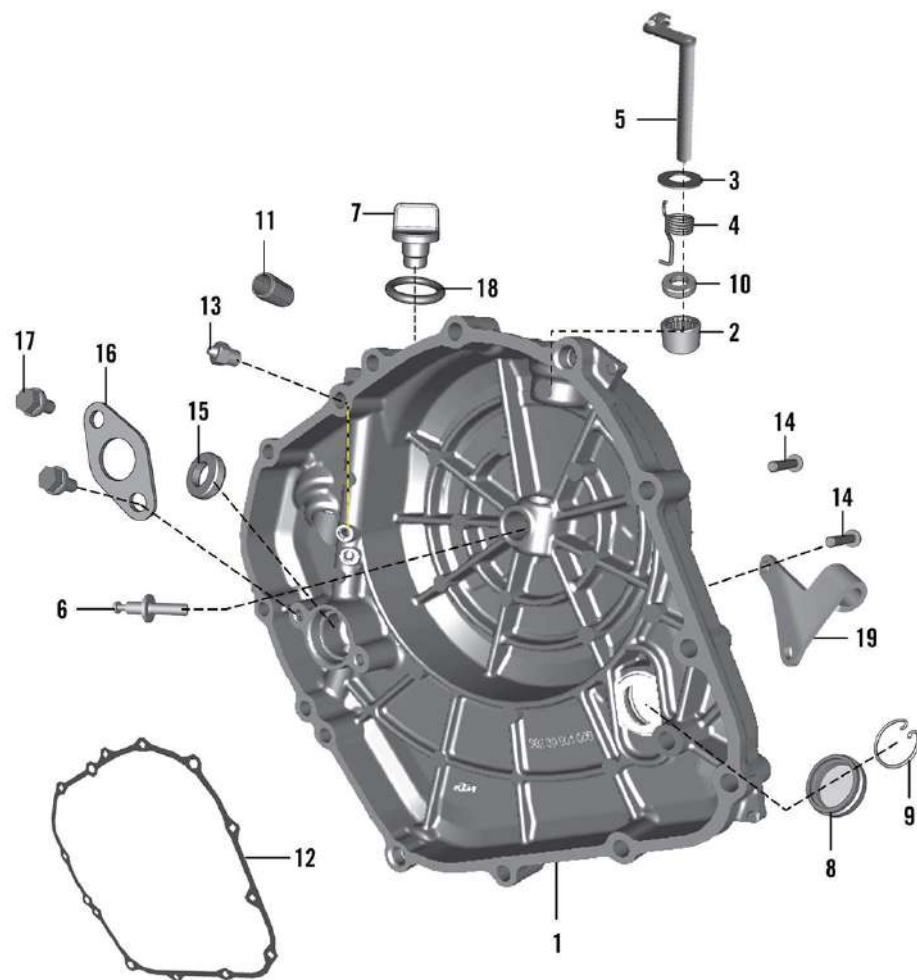
2. CRANKCASE LH



SN	Part No.	Description	QTY
21	36001062	LOCTITE LIQUID SEALANT L5910 (50ML TUBES)	1
22	KAEW0635	BOLT FLANGE SMAL-M6X1XL35XBRIGHT	11
23	LAE00002	BOLT FLANGED M6 X 1 X 75 PRECOAT	5
24	39218106	PIN - HOLLOW DOWEL :- 14 X 20	2
25	JF541017	BRACKET	1
26	83020473	GREASE PETAMO GHY 441 3 GM POUCH	1
27	DH101383	PRECOATED FLANGED BOLT M6 X 12 - 3910620	3

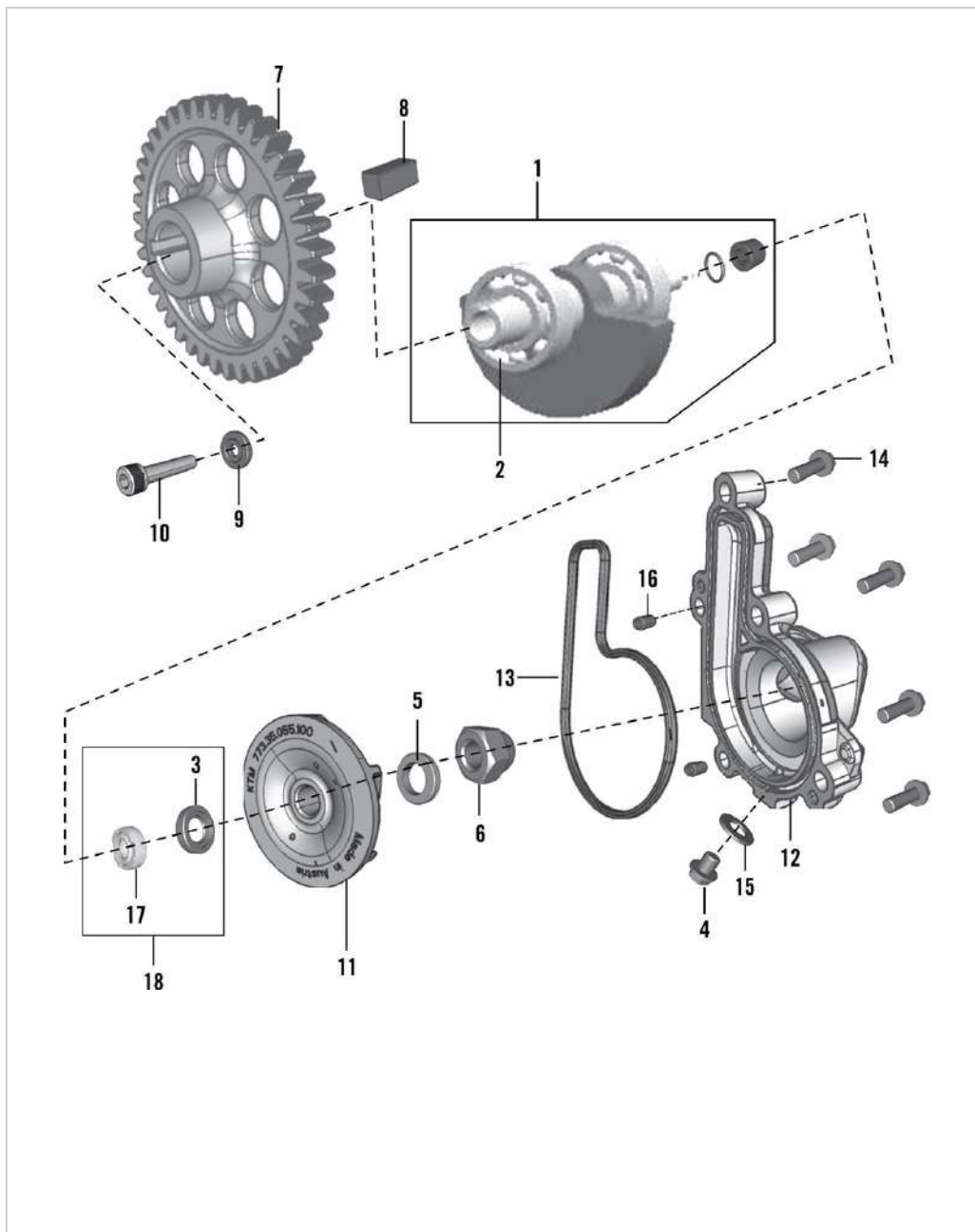
250-ADVENTURE MY-21

3. CLUTCH COVER



SN	Part No.	Description	QTY
1	JY541254	COVER ASSEMBLY CLUTCH	1
2	39199020	BEARING - NEEDLE	1
3	LDB00020	WASHER 12.5X24X0.8T	1
4	JY541221	SPRING LEVER CLUTCH	1
5	JY541251	SHAFT CLUTCH RELEASE ASSY	1
6	JY551404	ROD PULL	1
7	JG541230	CAP OIL FILLING	1
8	JL541227	WINDOW OIL GUAGE	1
9	DS101215	CLIP - WIRE	1
10	39104119	SEAL - OIL	1
11	39099906	PIN - HOLLOW DOWEL	2
12	JY541225	GASKET CLUTCH COVER	1
13	JG541021	OIL NOZZLE	4
14	KAEW0635	BOLT FLANGE SMAL- M6X1XL35XBRIGHT	12
15	39201619	SEAL - OIL	1
16	JY541220	PLATE OIL SEAL	1
17	AA101437	SCREW :- PRE-COATED	2
18	39153721	RING - O	1
19	JY541253	BRACKET CLUTCH CABLE	1

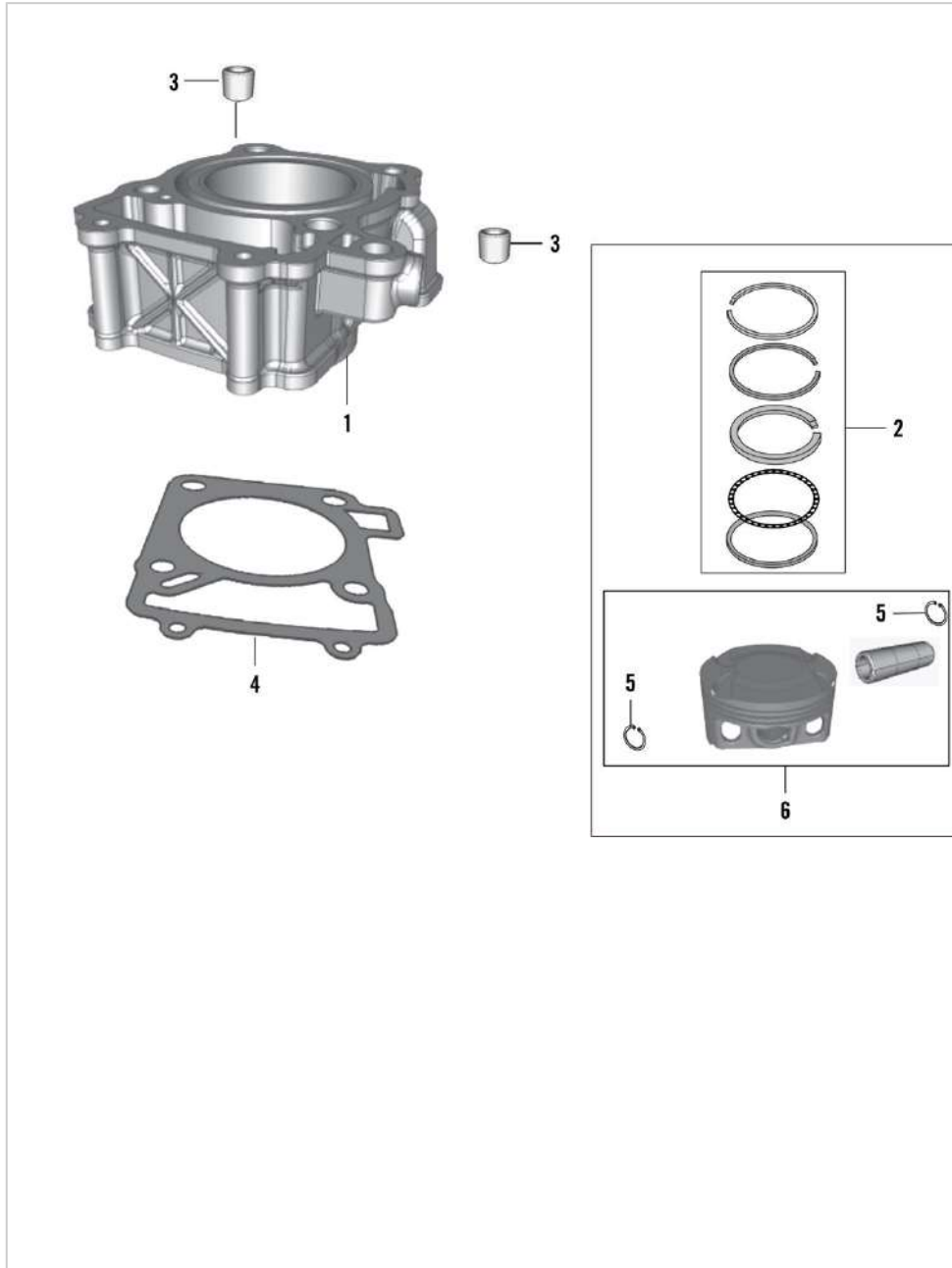
250-ADVENTURE MY-21



4. BALANCER SHAFT

SN	Part No.	Description	QTY
1	36JY0192	KIT BALANCER SHAFT KTM 390	1
2	KPBF6304	BEARING-BALL-C3 CLEARANCE-HN3	2
3	JG601007	SEAL OIL	1
4	LAE00048	BOLT FLANGED M6X1	1
5	JG531215	WASHER 2.5MM	1
6	JG601005	DOME NUT	1
7	JG531207	GEAR BALANCER DRIVEN	1
8	DS101154	KEY	1
9	LDB00051	WASHER PLAIN-ID 8.2XOD 26XTHK 3	1
10	LAC00086	BOLT SOCKET-M8X1XL40	1
11	JG601013	WATER PUMP ROTOR_G2	1
12	JG601024	COVER PUMP WATER	1
13	JG601012	O-RING (WATER PUMP COVER)	1
14	KAEW0620	BOLT FLANGE SMAL-M6X1XL20XBRIGHT	5
15	39166511	WASHER - SEAL :- 6	1
16	39260607	PIN - PARALLEL	2
17	JL601010	WATER SEAL_DOUBLE LIP	1
18	36JG0091	KIT WATER PUMP SEALS W/GRASE	1

250-ADVENTURE MY-21

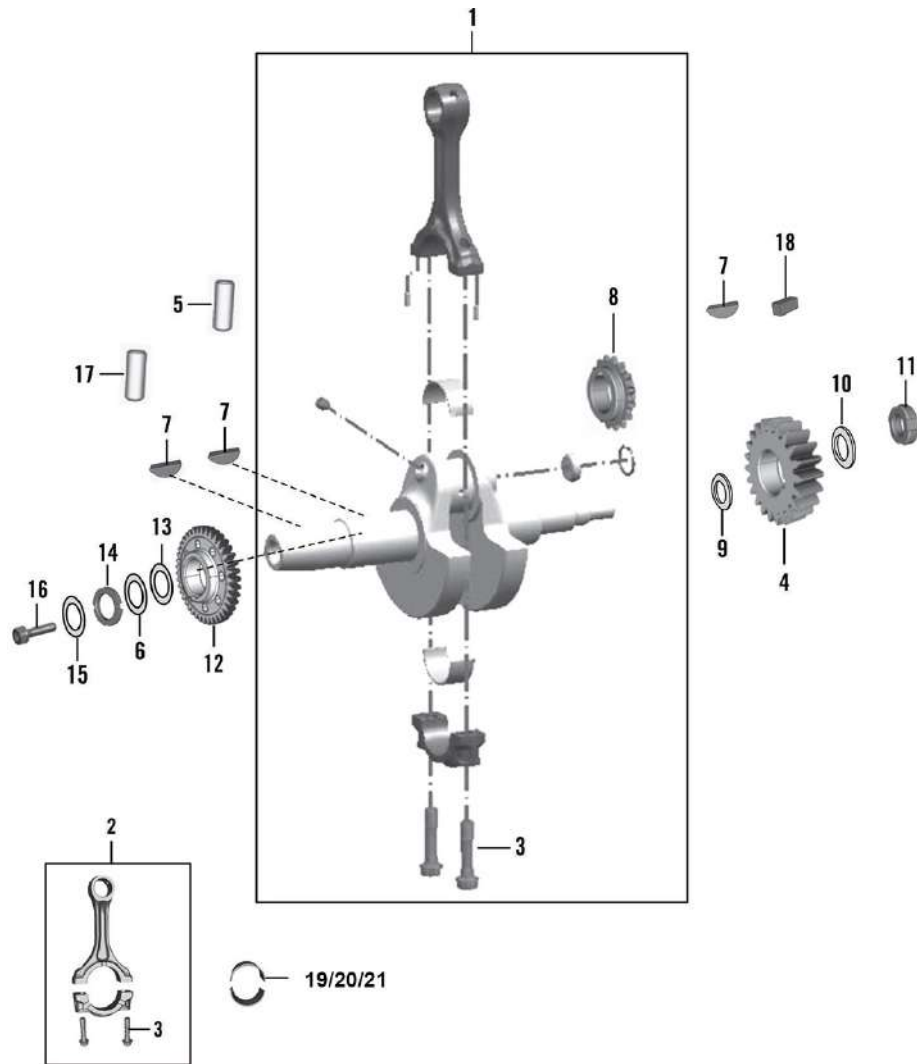


5. CYLINDER PISTON

SN	Part No.	Description	QTY
1	JY521012	BLOCK CYLINDER	1
2	36JY0153	KIT RING PISTON KT10	1
3	39218106	PIN - HOLLOW DOWEL :- 14 X 20	2
4	JY521006	GASKET CYLINDER BLOCK	1
5	JY521236	CIRCLIP	2
6	JY521226	PISTON ASSEMBLY-KT10	1

250-ADVENTURE MY-21

6. CRANKSHAFT

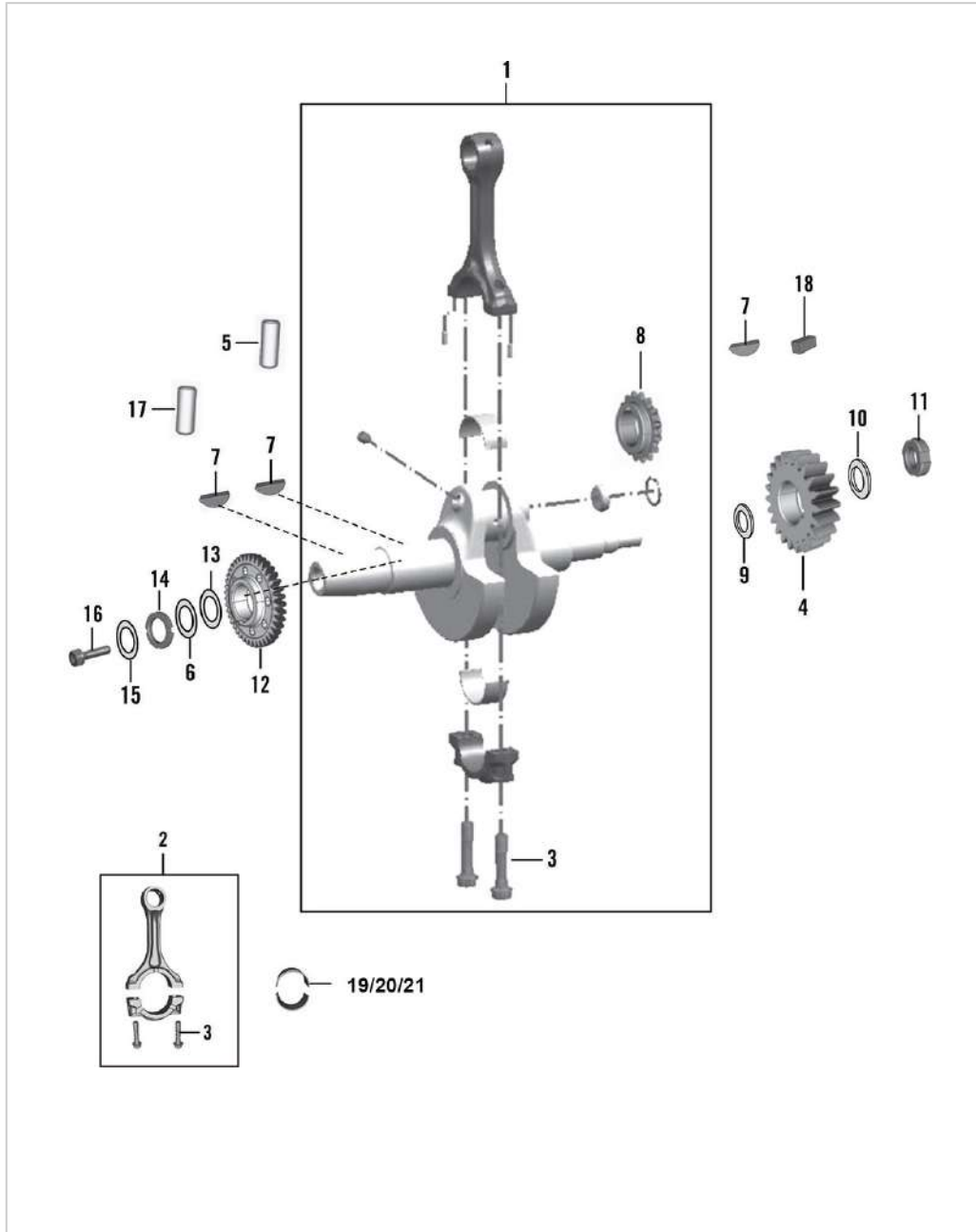


SN	Part No.	Description	QTY
1	JY531060	ASSEMBLY CRANKSHAFT	1
2	JY531045	CONROD ASSEMBLY	1
3	JY531005	BOLT-M8X0.75XL33XCL 12.9	2
4	JY551212	GEAR PRIMARY DRIVE	1
5	39220307	PIN - PARALLEL	2
6	LDB00033	WASHER PLAIN-ID28.2XOD39XTHK 1.5	1
7	31101173	KEY -WOODRUFF FOR CRANKSHAFT CLUTCH SIDE	1
8	JY531026	SPROCKET CRANKSHAFT(18T)	1
9	DG101275	WASHER (SPECIAL)	1
10	JY531008	WASHER PLAIN	1
11	LCG00002	NUT - FLANGED - M16X1.5X10L	1
12	JY551220	GEAR BALANCER DRIVE	1
13	LDH00002	WASHER CONICAL-28.35X38X1.75	1
14	JG531040	NUT BALANCER DRIVE LOCK	1
15	LDB00041	WASHER PLAIN-ID 10.3XOD 29XT 8	1
16	LAD00124	BOLT FLANGE- M10X1.25XL55XDACRO	1
17	39260607	PIN - PARALLEL	1
18	LFB00001	KEY SUNK- WD4XHT4XL12XPHOSPHATISE	1
19	36JY0156	KIT BUSH BIG END GREEN COLOUR	1
20	36JY0157	KIT BUSH BIG END NONE COLOUR	1

250-ADVENTURE MY-21

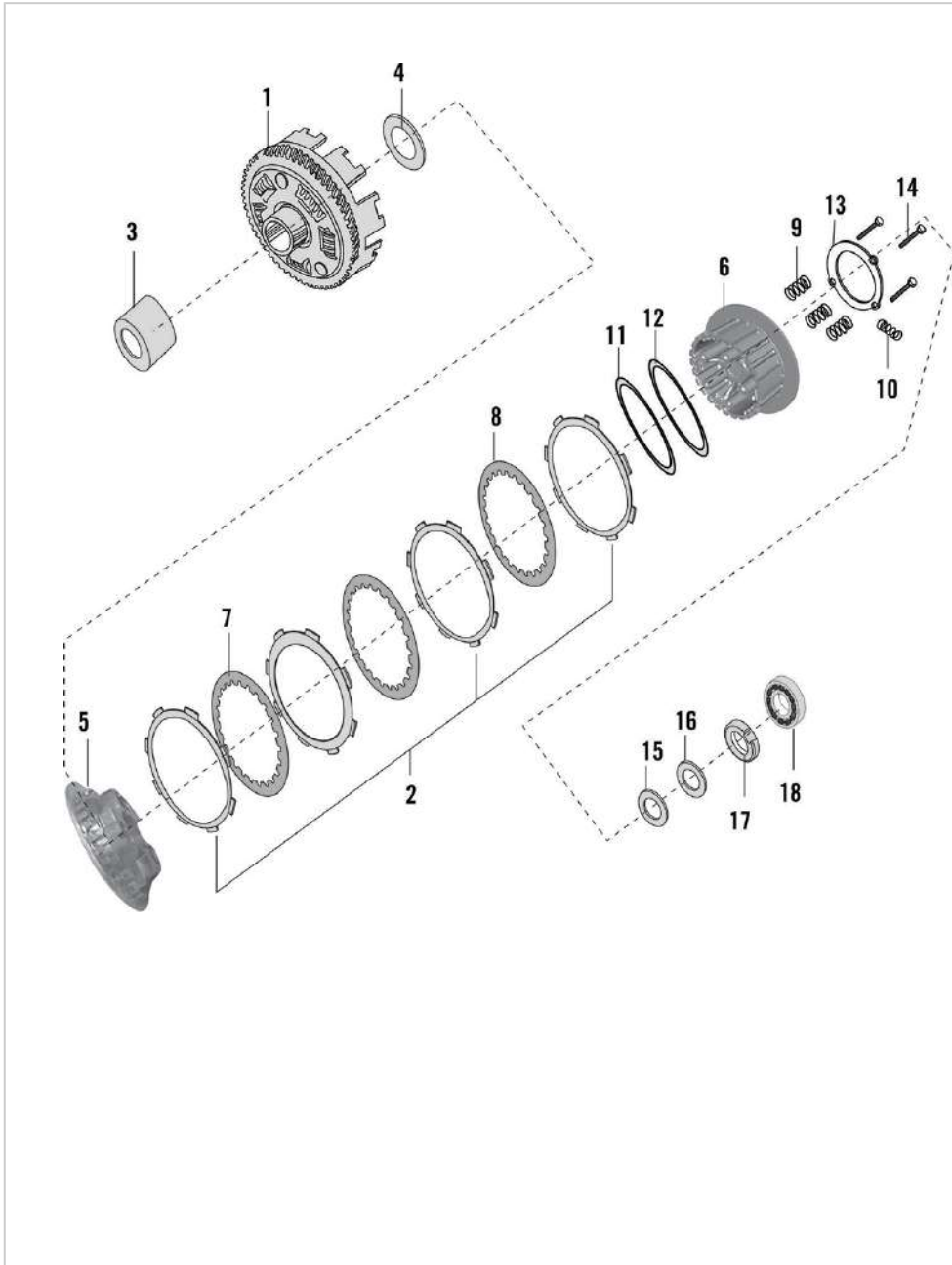
6. CRANKSHAFT

SN	Part No.	Description	QTY
21	36JY0158	KIT BUSH BIG END BLACK COLOUR	1



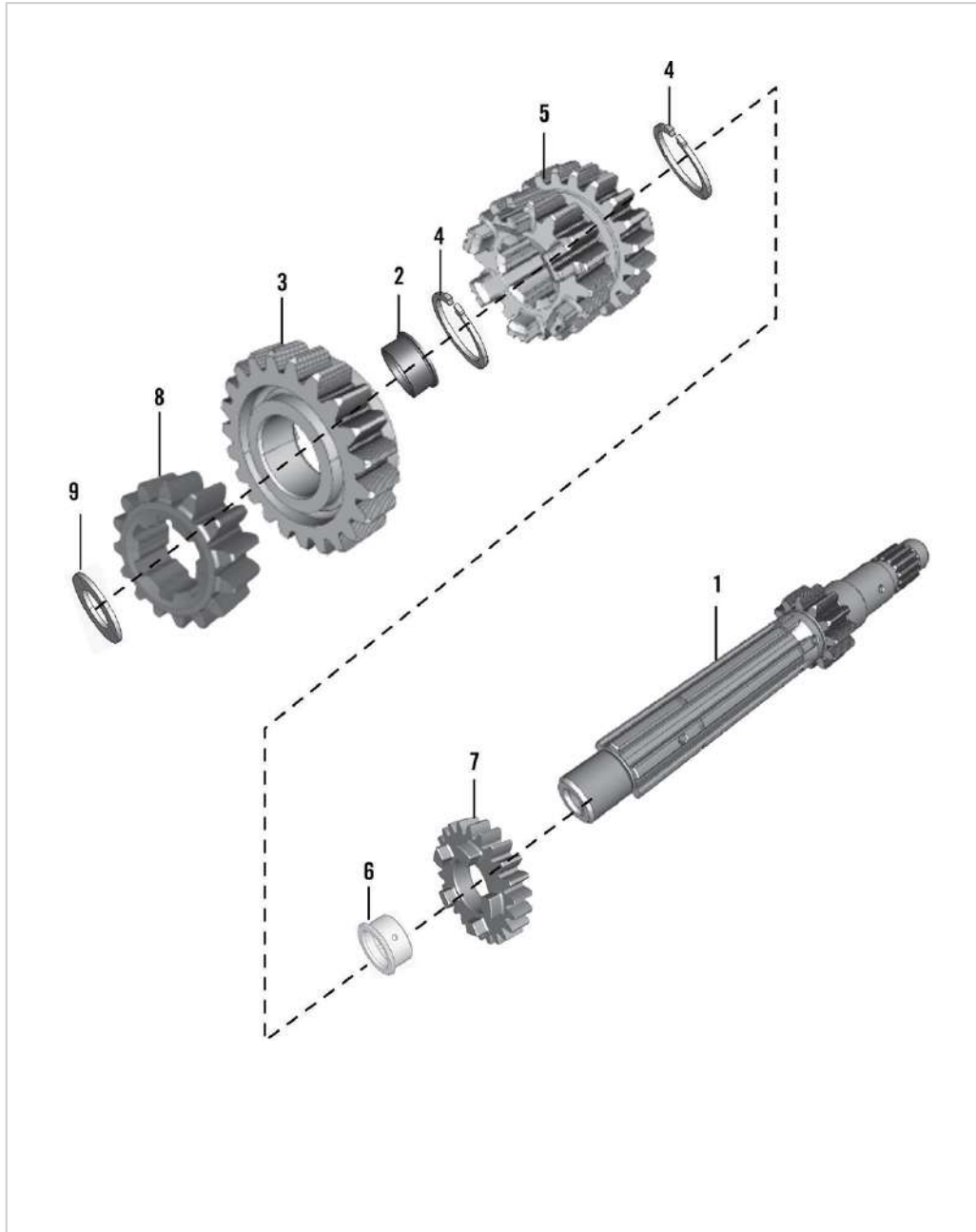
250-ADVENTURE MY-21

7. CLUTCH



SN	Part No.	Description	QTY
1	JF551412	CLUTCH OUTER COMP.	1
2	36JY0103	KIT FRICTION PLATE KTM 390 A & S MY 15	1
3	JY551401	BUSH COLLARED	1
4	JY551403	CLUTCH WASHER	1
5	JY551438	PLATE CLUTCH PRESSURE	1
6	JY551435	CLUTCH CENTER	1
7	JY551436	PLATE A CLUTCH	5
8	JY551437	PLATE B CLUTCH	1
9	JY551447	SPRING CLUTCH	3
10	JY551440	SEAT SPRING	3
11	JY551441	SPRING JUDDER	1
12	JY551442	EAT JUDDER	1
13	JY551443	PLATE STOPPER	1
14	LAD00166	BOLT FLANGED-M6X1XL35XCL 8.8XBRT	3
15	JY551019	WASHER PLAIN	1
16	DG101275	WASHER (SPECIAL)	1
17	LCG00009	NUT HEX FLANGED-M16X1.5-LH	1
18	LPA00004	BEARING BALL-ID 15XOD 28XTHK 7	1

250-ADVENTURE MY-21

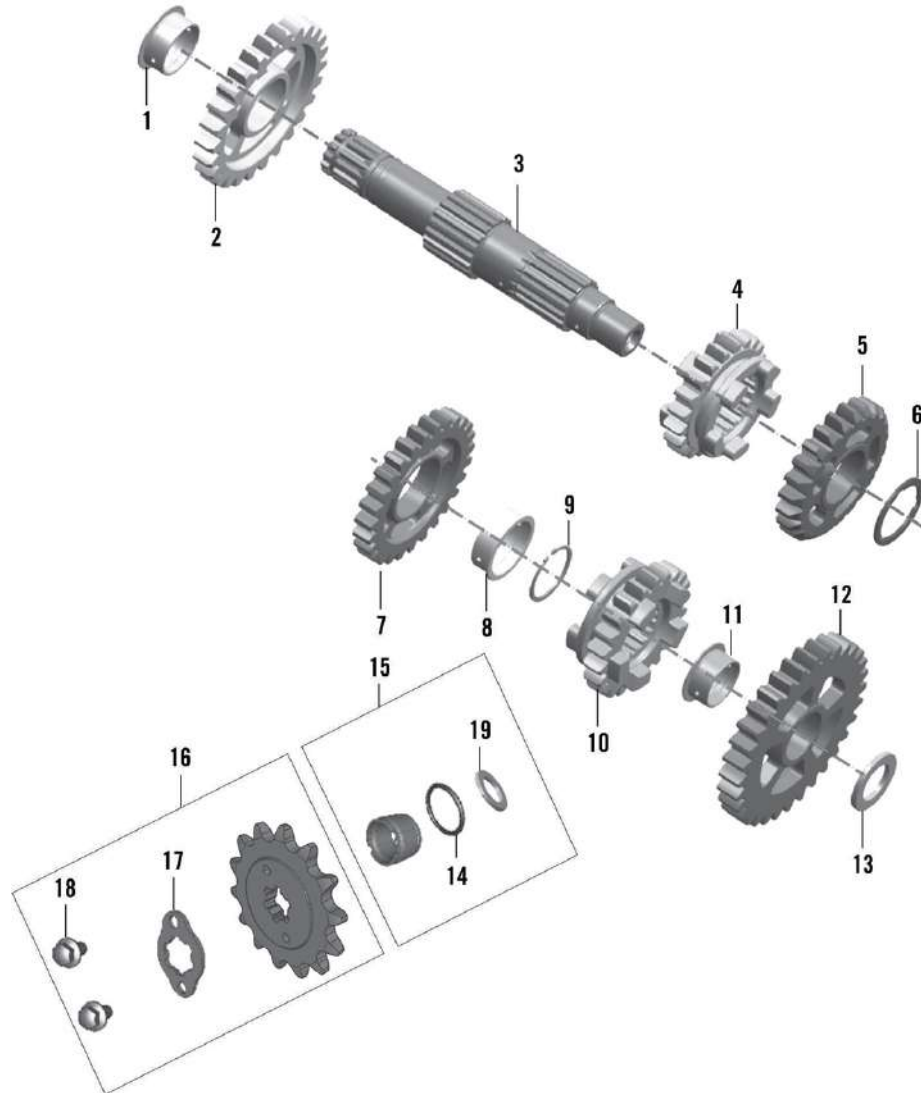


8. TRANSMISSION I - MAIN SHAFT (INPUT SHAFT)

SN	Part No.	Description	QTY
1	JY551022	SHAFT INPUT	1
2	JY551021	BUSH VI DRIVE	1
3	JY551231	GEAR 6TH DRIVE	1
4	JY551214	CIRCLIP EXTERNAL I/P SHAFT	2
5	JY551229	GEAR 3RD-4TH DRIVE	1
6	JY551010	BUSH V DRIVE	1
7	JY551230	GEAR 5TH DRIVE	1
8	JY551228	GEAR 2ND DRIVE	1
9	JY551215	WASHER THRUST 2D DRIVE	1

250-ADVENTURE MY-21

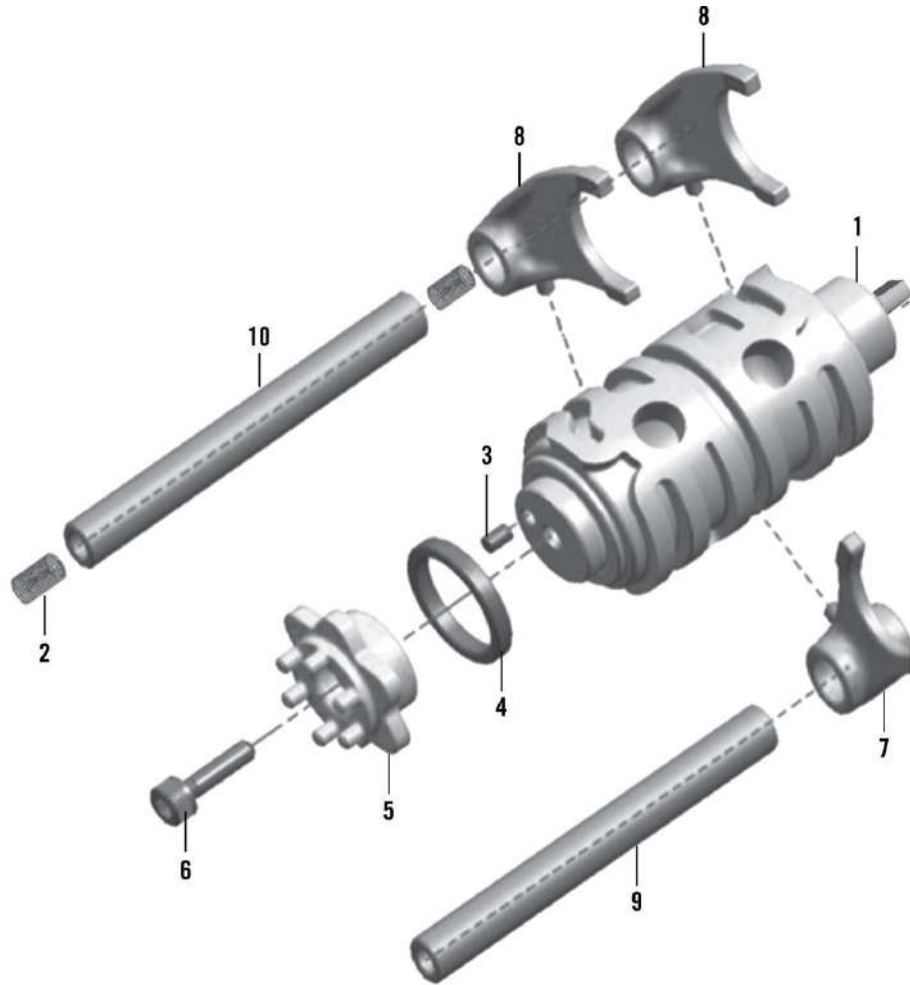
9. TRANSMISSION II - COUNTER SHAFT (OUTPUT SHAFT)



SN	Part No.	Description	QTY
1	JY551006	BUSH 2ND DRIVEN	1
2	JY551233	GEAR 2ND DRIVEN	1
3	JY551008	SHAFT OUTPUT ASSLY WITH PLUG	1
4	JY551237	GEAR 6TH DRIVEN	1
5	JY551235	GEAR 4TH DRIVEN	1
6	JY551005	WASHER THRUST 3RD DRIVEN	1
7	JY551234	GEAR 3RD DRIVEN	1
8	JY551027	BUSH 3RD DRIVEN	1
9	JY551218	CIRCLIP EXTERNAL O/P SHAFT	1
10	JY551236	GEAR 5TH DRIVEN	1
11	JY551205	BUSH 1 ST DRIVEN	1
12	JY551232	GEAR 1ST DRIVEN	1
13	JY551217	WASHER THRUST 1ST DRIVEN	1
14	JY551018	O RING SPROCKET COLLAR	1
15	36JY0102	KIT OUT PUT SHAFT OIL SEAL KTM 390 MY14	1
16	36JP0039	KIT OUTPUT SPROCKET DUKE 250	1
17	JY551030	PLATE SPROCKET DRIVE	1
18	LAE00017	BOLT FLANGED M6X1	2
19	JY541058	OIL SEAL OUTPUT SHAFT	1

250-ADVENTURE MY-21

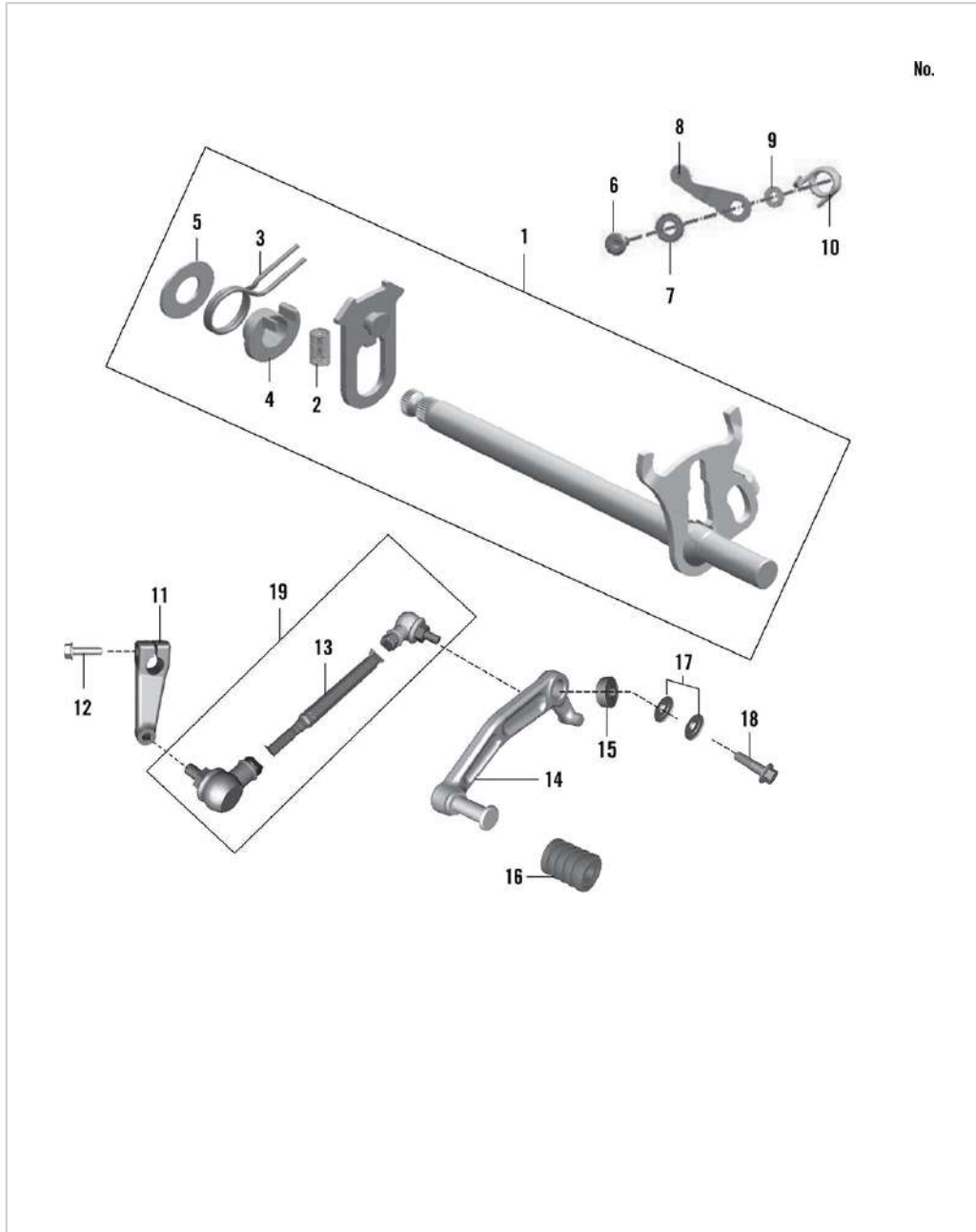
10. SHIFTING MECHANISM - DRUM GEAR SHIFT



SN	Part No.	Description	QTY
1	JY561013	DRUM GEAR SHIFT	1
2	JY541039	SPRING	2
3	39260607	PIN - PARALLEL	1
4	JG561010	SPACER-GUIDE GEAR SHIFT	1
5	JG561222	GUIDE GEAR SHIFT	1
6	LAC00024	BOLT SOCKET HEAD M6X1X20L- PRECOATED	1
7	JY561002	FORK GEAR SHIFT INPUT	1
8	JY561008	FORKSHIFT OUTPUT	2
9	JY561004	SHAFT INPUT GEAR SHIFT FORK	1
10	JF561001	SHAFT OUTPUT FORK SHIFT	1

250-ADVENTURE MY-21

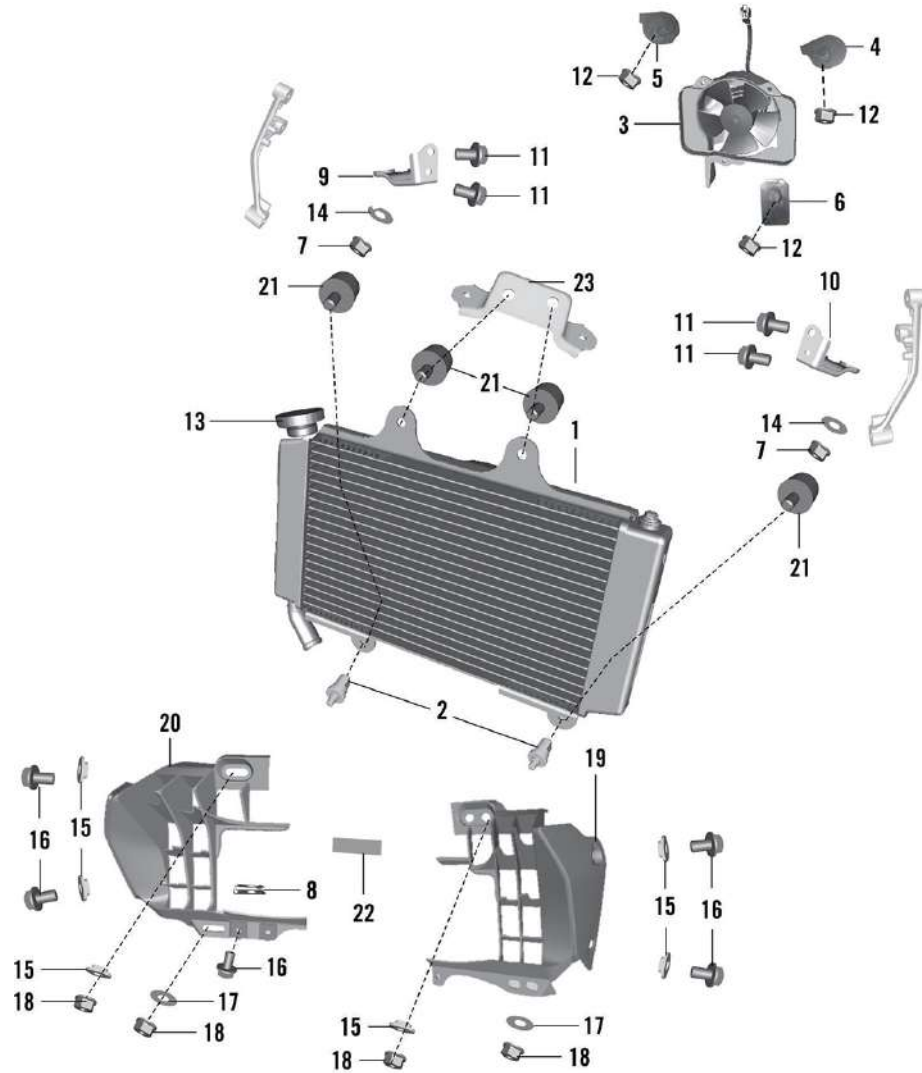
11. SHIFTING MECHANISM - LEVER GEAR SHIFT



SN	Part No.	Description	QTY
1	JY561205	LEVER GEAR SHIFT ASSLY CPL	1
2	JG561215	COMPRESSION SPRING	1
3	JG561218	TORSION SPRING (FINAL CONFG)	1
4	JG561217	BUSH-TORSION SPRING	1
5	JG561216	WASHER 14X30X1.5	1
6	JG561204	BOLT STOPPER DRUM	1
7	JG561205	WASHER DRUM STOPPER	1
8	JG561009	STOPPER DRUM COMP	1
9	LDB00050	WASHER PLAIN-ID 6XOD 14XTHK 1.2	1
10	JG561226	SPRING STOPPER DRUM	1
11	JP561400	CHANGE ARM	1
12	KADD0622	BOLT-FLANGE-KAD ST-D DIA-06 L-22	1
13	JP561401	TIE ROD	1
14	JY561205	ASSEMBLY CHANGE LEVER	1
15	JG113061	BEARING CHANGE LEVER	2
16	JG113010	DAMPER CHANGE LEVER	1
17	JY113015	SPACER FOR CHANGE LEVER	2
18	JY113025	BOLT CHANGE LEVER	1
19	JG561236	ROD ASSEMBLY TIE	1

250-ADVENTURE MY-21

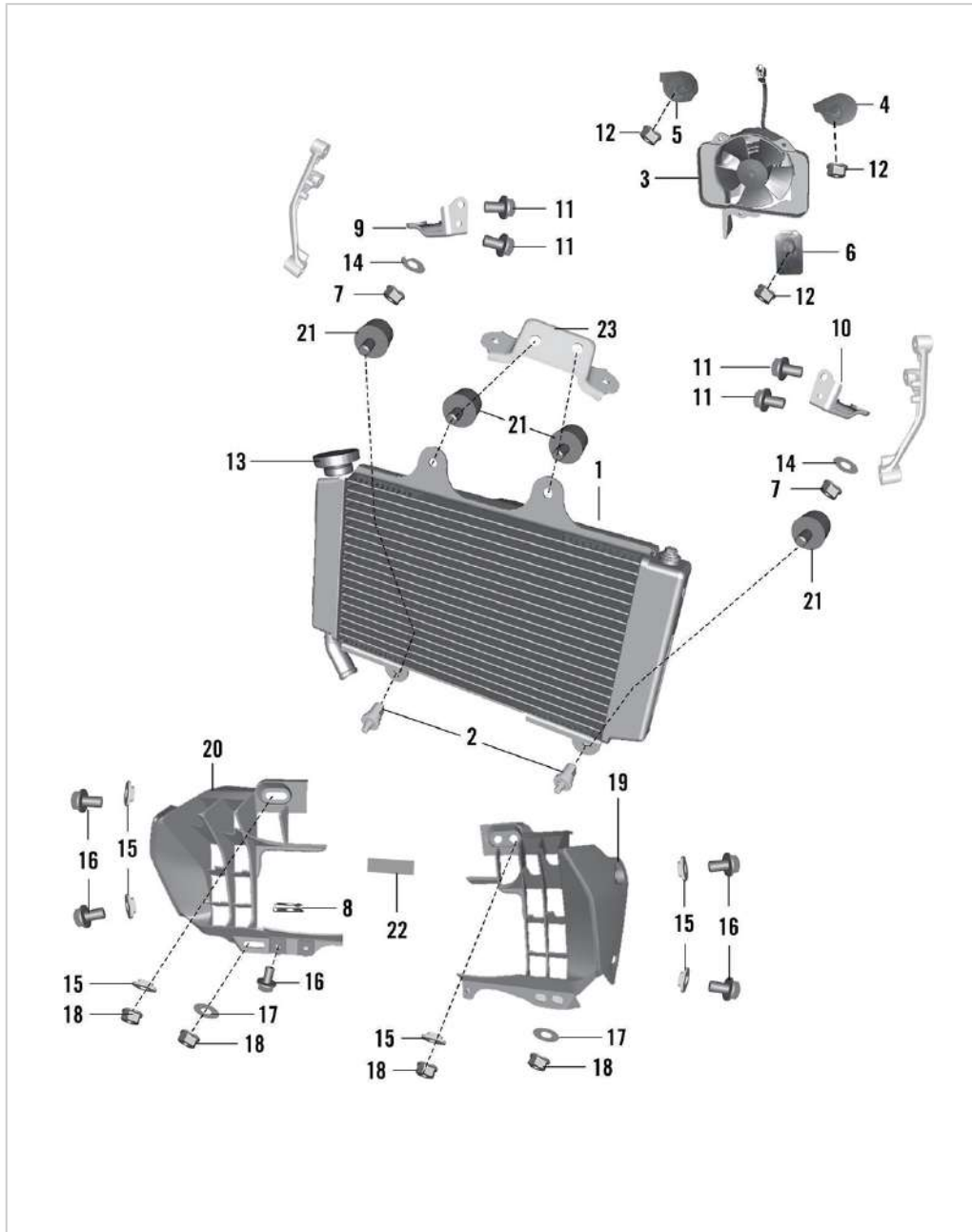
12. RADIATOR ASSEMBLY



SN	Part No.	Description	QTY
1	JG601249	RADIATOR	1
2	JP181233	SPACER RADIATOR SHROUD	2
3	JG601250	FAN RADIATOR	2
4	JY601248	BRACKET FAN MOUNTING A	1
5	JY601249	BRACKET FAN MOUNTING B	1
6	JY601250	BRACKET FAN MOUNTING	1
7	LCL00002	NUT FLANGED-M6X1XHT.6XCL4	2
8	JL181027	NUT CLIP M6	1
9	JY113801	BRACKET ASSEMBLY RADIATOR RH	1
10	JY113800	BRACKET ASSEMBLY RADIATOR LH	1
11	KADD0610	BOLT-FLANGE-KAD ST-D DIA-06 L-10	4
12	JY601241	FLANGE NUT	3
13	JG601235	PRESSURE CAP RADIATOR	1
14	KDCB0612	WASHER SPRING	2
15	JP181232	SLEEVE RADIATOR	6
16	LAC00054	BOLT SOCKET-M6X1XL16XBLKXFL.HEAD	5
17	39130911	WASHER - PLAIN	2
18	KCEE0605	NUT DOME CAP SINGLE PIECE-M6 X 1	4
19	JG181298	COVER RADIATOR LH	1
20	JG181299	COVER RADIATOR RH	1

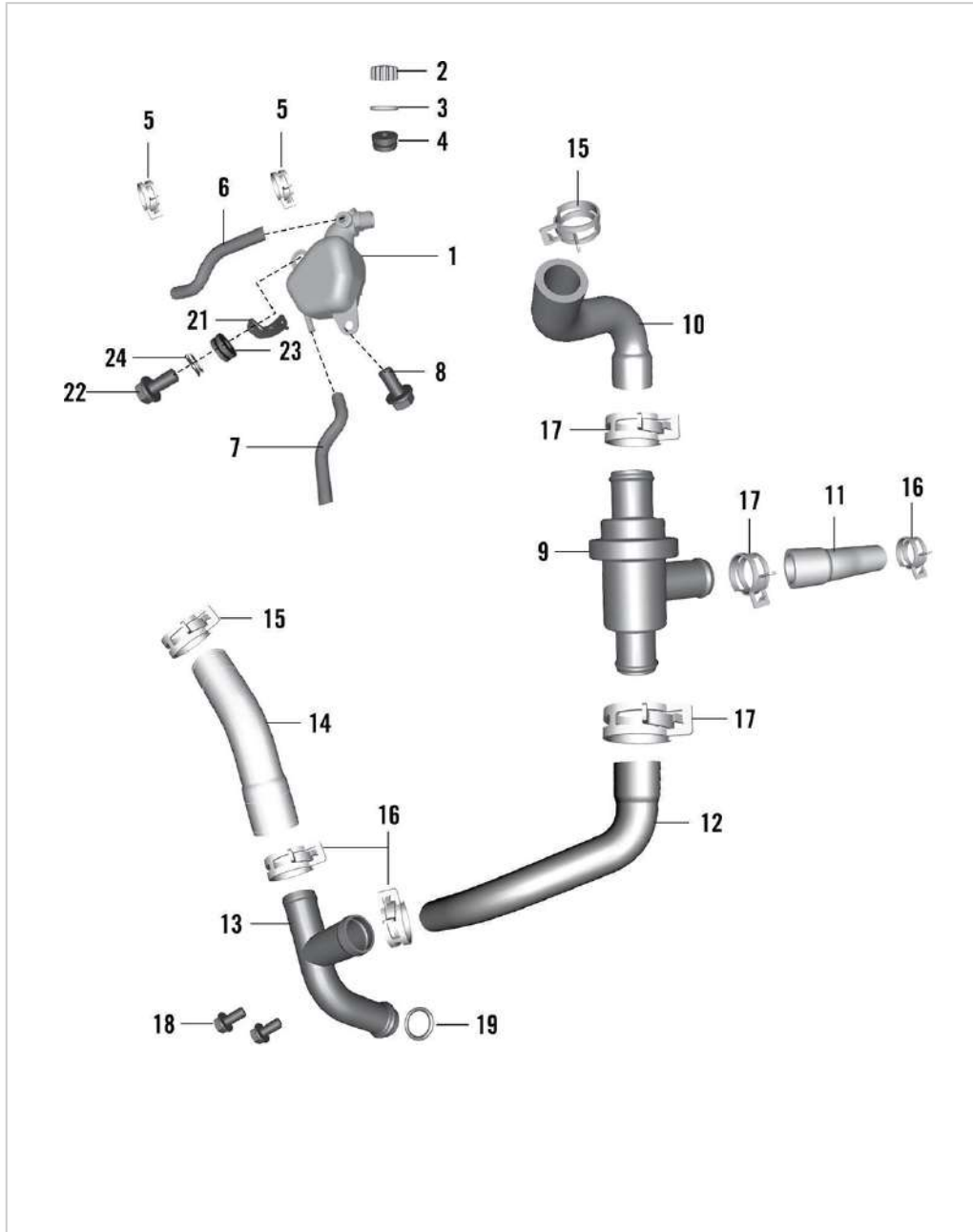
250-ADVENTURE MY-21

12. RADIATOR ASSEMBLY



SN	Part No.	Description	QTY
21	JP601217	RUBBER DAMPER RADIATOR MOUNTING	4
22	JP181236	CAP RADIATOR SHROUD	1
23	JP113816	BRACKET RADIATOR MTG LOOSE	1

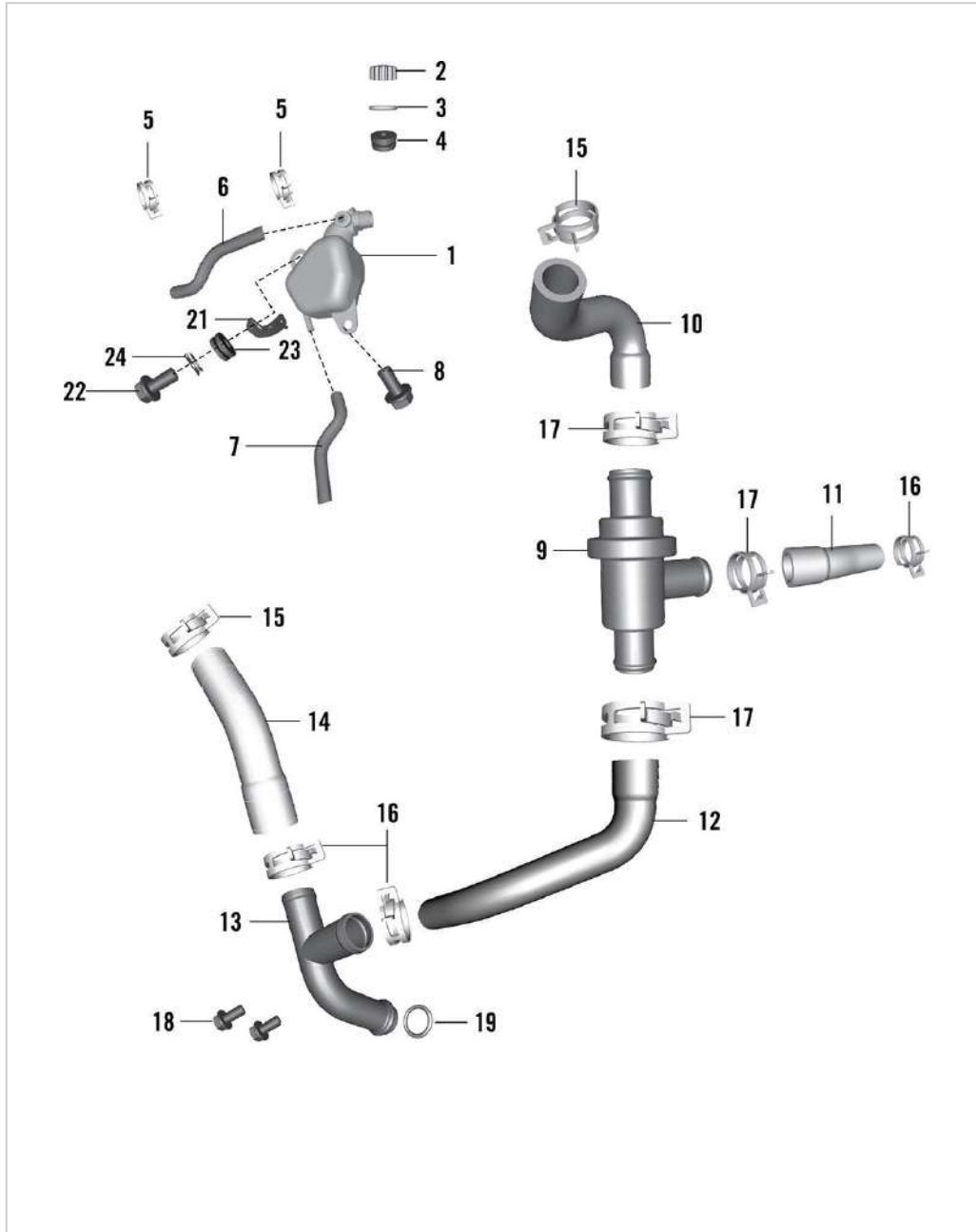
250-ADVENTURE MY-21



13. COOLING SYSTEM

SN	Part No.	Description	QTY
1	JG601243	TANK EXPANSION	1
2	JG601211	CAP EXPANSION TANK	1
3	JG601230	EXPANSION TANK O RING	1
4	JP181226	GROMMET EXPANSION TANK MTG	1
5	JG171029	SPRING BAND CLAMP 11.5 x 8.4	3
6	JG601213	TUBE DRAIN - EXPANSION TANK	1
7	JG601247	TUBE RADIATOR TO EXPANSION TANK	1
8	JG181255	BOLT FLANGED STEP M6X1	1
9	JG601014	UNIT THERMOSTAT	1
10	JG601252	HOSE COOLANT THERM-RAD	1
11	JP601210	HOSE COOLANT ENG-THERM	1
12	JP601211	HOSE COOLANT THERM-PIPE T	1
13	JG601239	ASSEMBLY COOLANT PIPE T	1
14	JY601226	HOSE COOLANT-RAD TO T PIPE	1
15	JG601234	CLAMP DIA 23	2
16	JG601016	CLAMP_G2	3
17	JG601210	CLAMP RADIATOR PIPE DIA 25.2	3
18	LAE00049	BOLT FLANGE-M6X1XL14XBRTXPRECOAT	2
19	JG601221	O-RING COOLANT PIPE	1
20	JP171053	SLEEVE EXPANSION TANK MTG	1

250-ADVENTURE MY-21

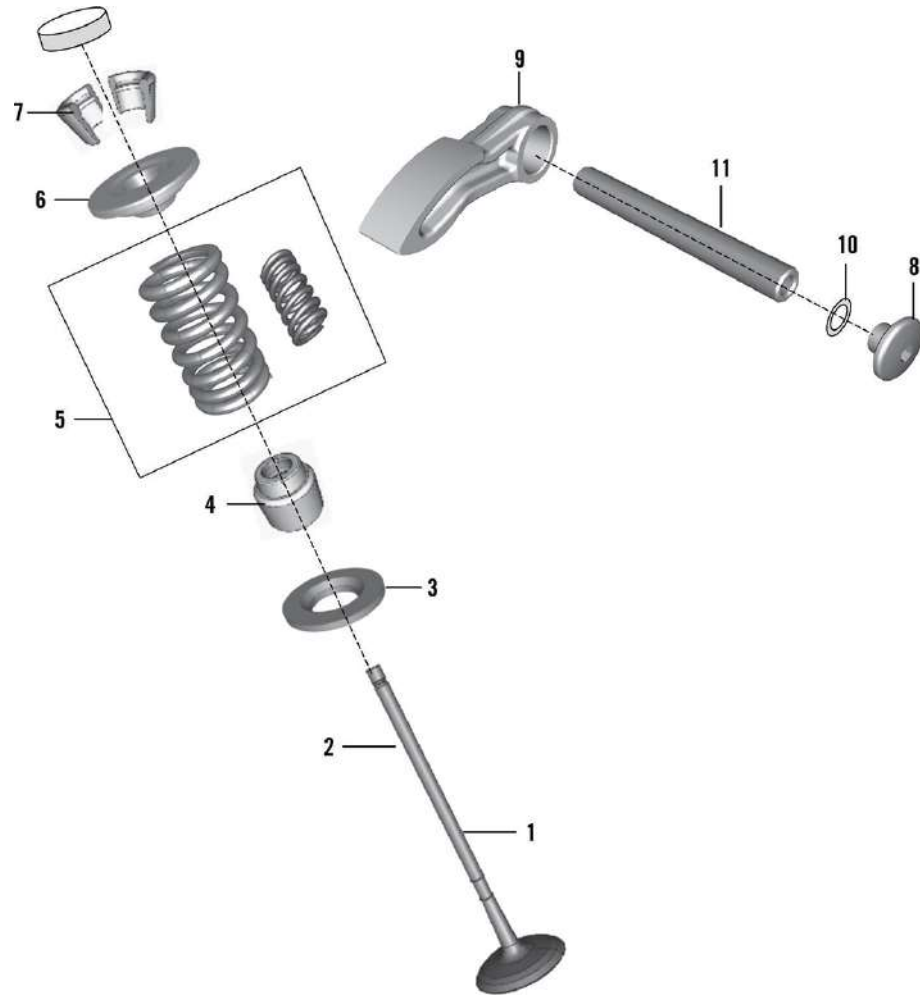


13. COOLING SYSTEM

SN	Part No.	Description	QTY
21	JP171043	BRACKET EXPANSION TANK LOOSE	1
22	KADD0610	BOLT-FLANGE-KAD ST-D DIA-06 L-10	1
23	JP171051	GROMMET	1
24	JL181027	NUT CLIP M6	1

250-ADVENTURE MY-21

14. VALVE DRIVE



SN	Part No.	Description	QTY
1	JP511228	VALVE EXHAUST	2
2	JY511248	INTAKE VALVE	2
3	JY511223	SEAT VALVE SPRING	4
4	CB101009	SEAL - VALVE STEM	4
5	36JY0065	KIT VALVE SPRING KTM	4
6	JY511225	RETAINER VALVE SPRING	4
7	CB101022	COTTER VALVE	8
8	JG511016	PLUG	2
9	JU511204	ROCKER ARM (FINGER TYPE)	4
10	39102121	RING - O	2
11	JY511226	ROCKER ARM SHAFT	2

250-ADVENTURE MY-21

15. VALVE SHIMS



SN	Part No.	Description	QTY
1	36JY0029	KIT SHIM 2 MM	1
2	36JY0030	KIT SHIM 2.04 MM	1
3	36JY0031	KIT SHIM 2.08 MM	1
4	36JY0032	KIT SHIM 2.12 MM	1
5	36JY0033	KIT SHIM 2.16 MM	1
6	36JY0034	KIT SHIM 2.20 MM	1
7	36JY0035	KIT SHIM 2.24 MM	1
8	36JY0036	KIT SHIM 2.28 MM	1
9	36JY0037	KIT SHIM 2.32 MM	1
10	36JY0038	KIT SHIM 2.36 MM	1
11	36JY0039	KIT SHIM 2.40 MM	1
12	36JY0040	KIT SHIM 2.44 MM	1
13	36JY0041	KIT 2.48 MM	1
14	36JY0042	KIT SHIM 2.52 MM	1
15	36JY0043	KIT SHIM 2.56 MM	1
16	36JY0044	KIT SHIM 2.60 MM	1
17	36JY0045	KIT 2.64 MM	1
18	36JY0046	KIT SHIM 2.68 MM	1
19	36JY0047	KIT 2.72 MM	1
20	36JY0048	KIT SHIM 2.76 MM	1

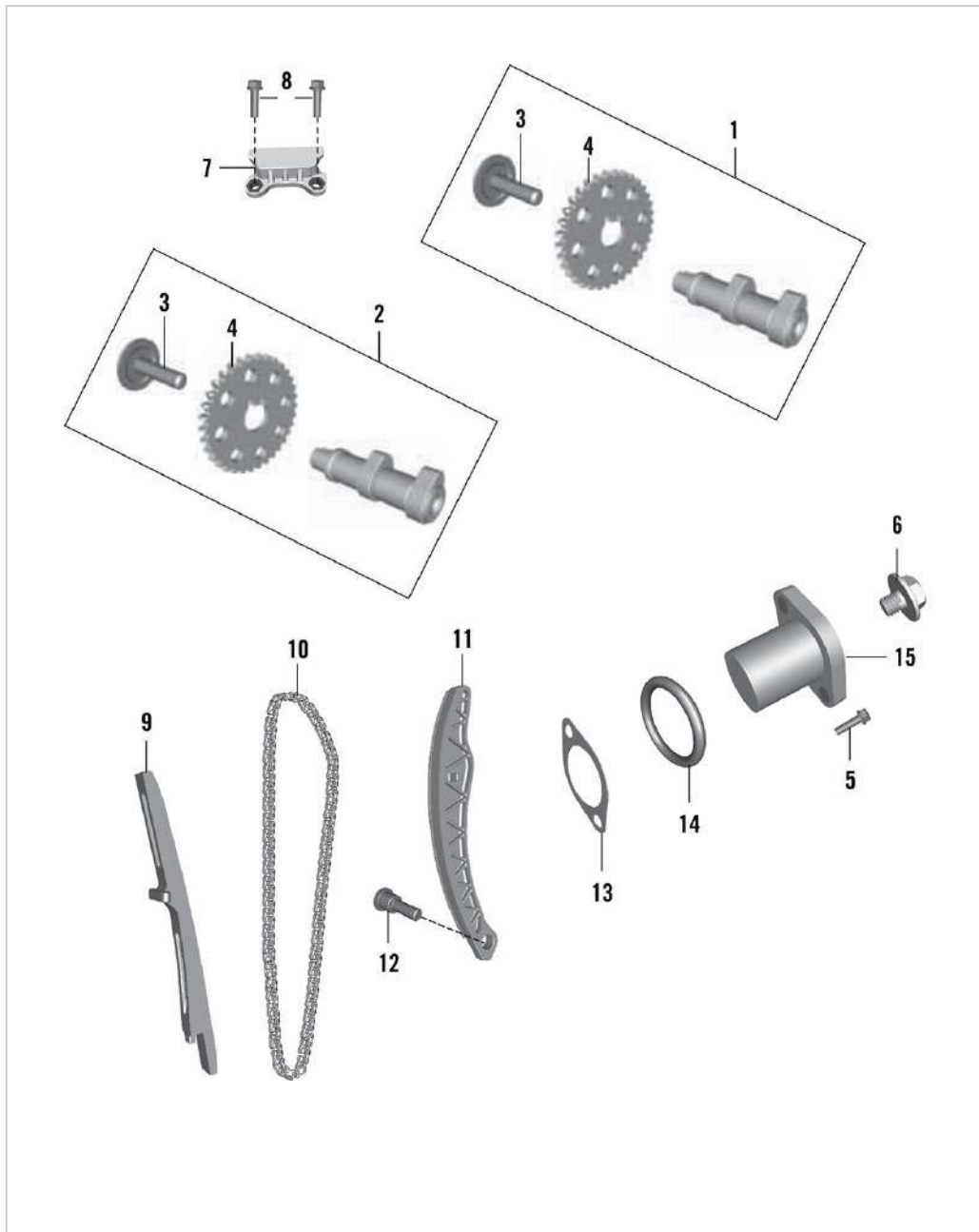
250-ADVENTURE MY-21

15. VALVE SHIMS



SN	Part No.	Description	QTY
21	36JY0049	KIT SHIM 2.80 MM	1
22	36JY0050	KIT SHIM 2.84 MM	1
23	36JY0051	KIT SHIM 2.88 MM	1
24	36JY0052	KIT SHIM 2.92 MM	1
25	36JY0053	KIT SHIM 2.96 MM	1
26	36JY0054	KIT SHIM 3 MM	1
27	36JY0055	KIT SHIM 3.04 MM	1
28	36JY0056	KIT SHIM 2.30 MM JY511231AP	1
29	36JY0057	KIT SHIM 2.34 MM JY511231AR	1
30	36JY0058	KIT SHIM 2.38 MM JY511231AT	1
31	36JY0059	KIT SHIM 2.42 MM JY511231AV	1
32	36JY0060	KIT SHIM 2.46 MM JY511231AX	1
33	36JY0061	KIT SHIM 2.50 MM JY511231AZ	1
34	36JY0062	KIT SHIM 2.54 MM JY511231BB	1
35	36JY0063	KIT SHIM 2.58 MM JY511231BD	1
36	36JY0064	KIT SHIM 2.62 MM JY511231BF	1

250-ADVENTURE MY-21

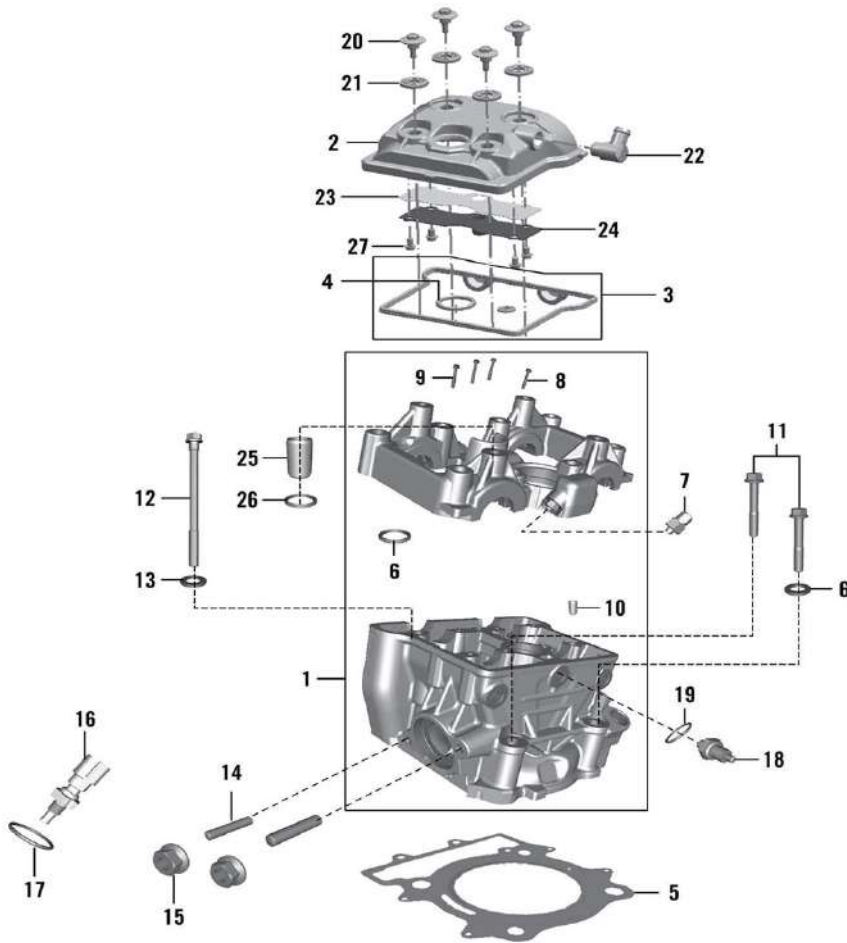


16. TIMING DRIVE

SN	Part No.	Description	QTY
1	JP511208	CAMSHAFT ASSEMBLY INTAKE	1
2	JP511209	CAMSHAFT ASSEMBLY EXHAUST	1
3	LAC00144	BOLT SOCKET STEP M10X1	2
4	JP511215	SPROCKET CAMSHAFT	2
5	KAEW0620	BOLT FLANGE SMAL- M6X1XL20XBRIGHT	2
6	JG511270	BOLT FLANGED M6X1	1
7	JY511058	GUIDE CHAIN TOP	1
8	KAEG0645	BOLT-FLANGED-SMALL	2
9	JY511229	GUIDE CHAIN TIGHT SIDE	1
10	JY511220	CHAIN TIMING	1
11	JY511227	GUIDE CHAIN SLACK SIDE	1
12	JY541009	BOLT SOCKET-M6X1XL 14.4XBRTXSTEP	1
13	CS101128	Gasket	1
14	39266921	RING - O (ID 10.15 X 1.5)	1
15	JY511238	TENSIONER CHAIN	1

250-ADVENTURE MY-21

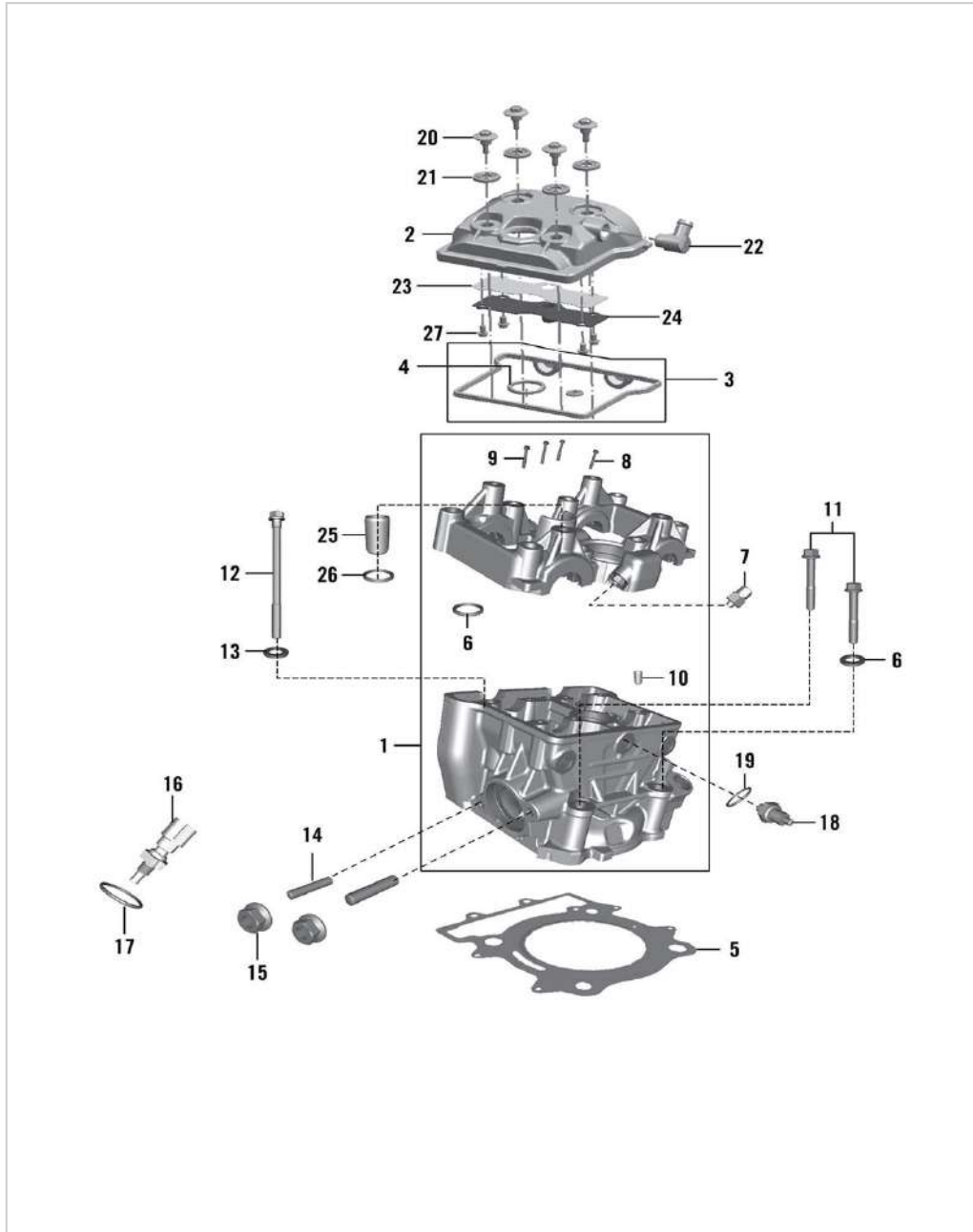
17. CYLINDER HEAD



SN	Part No.	Description	QTY
1	JP511062	HEAD CYLINDER-HOLDER CAMSHAFT	1
2	JY511141	COVER HEAD CYLINDER	1
3	36JY0199	KIT VALVE COVER GASKET 390	1
4	JY511074	GASKET SLEEVE SPARK PLUG	1
5	JY511149	GASKET HEAD CYLINDER	1
6	LDA00014	WASHER PLAIN	4
7	JG541021	OIL NOZZLE	4
8	KAEQ0640	BOLT FLANGE SMALL- M6X1XL40XDACRO	2
9	39107504	BOLT - FLANGED :- SMALL	4
10	39099906	PIN - HOLLOW DOWEL	2
11	LAC00024	BOLT SOCKET HEAD M6X1X20L- PRECOATED	2
12	LAC00106	BOLT SOKET- M10X1.25XL143.75XSTEP	4
13	LDA00015	WASHER PLAIN	2
14	JG511046	STUD M8*1.25	2
15	LCG00024	NUT HEX FLANGED- M8X1.25XHT.8XBRT	2
16	JG351400	COOLANT WATER TEMP SENSOR	1
17	DK101340	O RING (OIL COOLER PIPE)	1
18	DK101225	SWITCH PRESSURE OIL	1
19	DK101340	O RING (OIL COOLER PIPE)	1
20	JG511022	BOLT SPECIAL	4

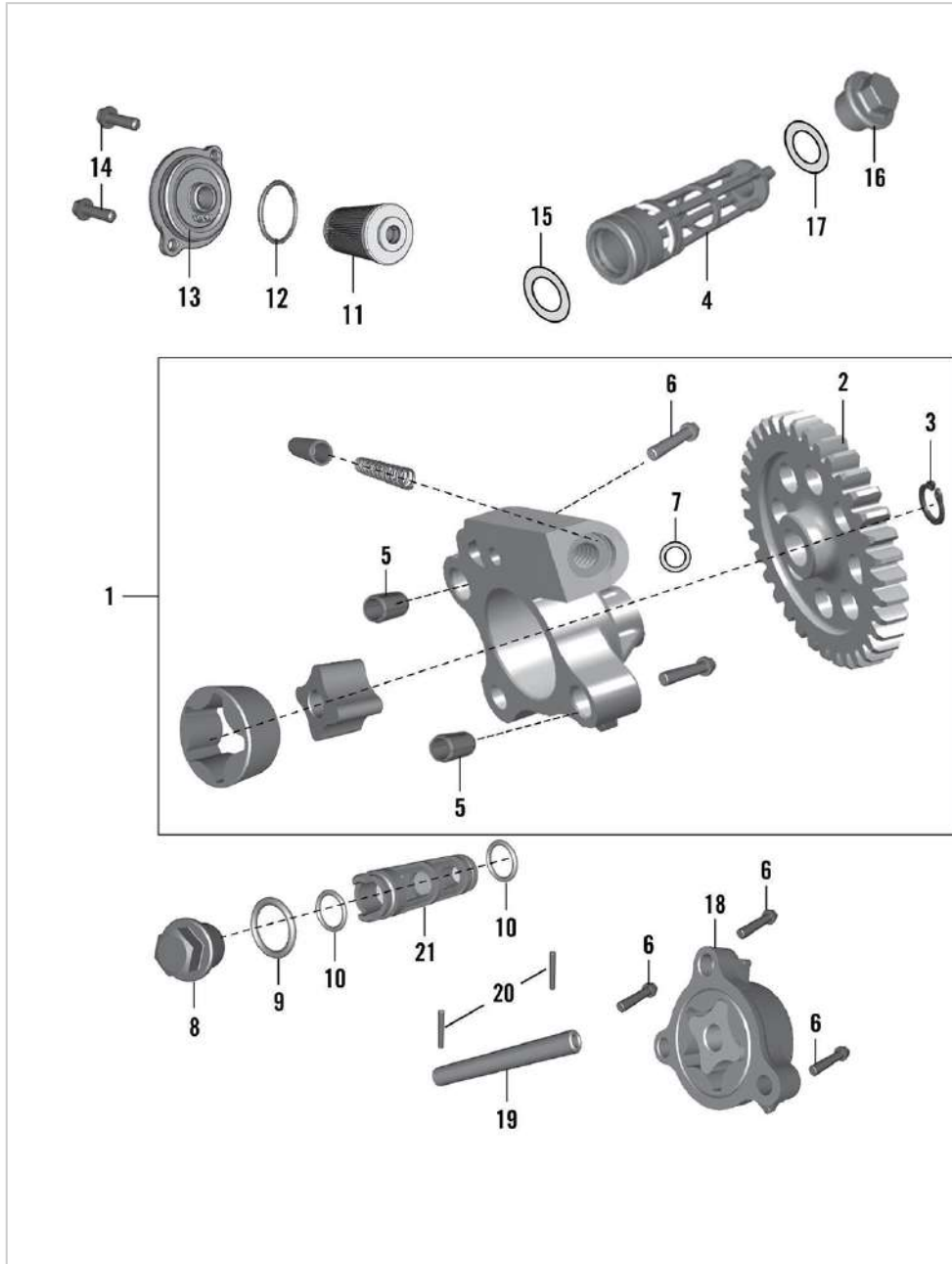
250-ADVENTURE MY-21

17. CYLINDER HEAD



SN	Part No.	Description	QTY
21	JG511021	WASHER	4
22	JP511016	PIPE BREATHER	1
23	JY511059	GASKET BREATHER	1
24	JY511060	PLATE BREATHER	1
25	JY511068	SLEEVE SPARK PLUG	1
26	LJA00001	RING O	2
27	LAE00017	BOLT FLANGED M6X1	4
28	36001051	KIT LOCTITE 5702 10 gm LIQUID GASKET	1

250-ADVENTURE MY-21



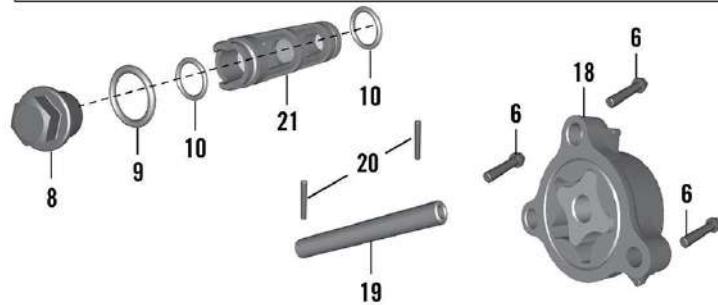
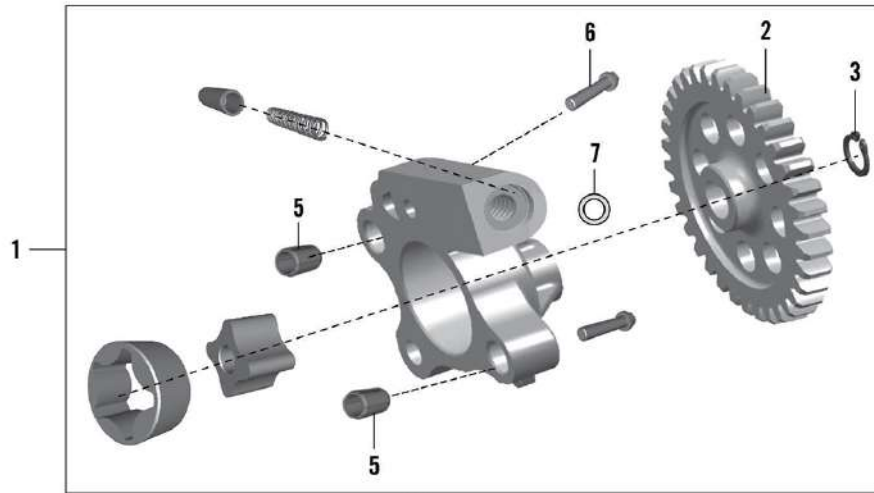
18. LUBRICATING SYSTEM

SN	Part No.	Description	QTY
1	JY571012	OIL PUMP ASSLY COMP	1
2	JY571023	GEAR OIL PUMP DRIVE	1
3	KEAB1010	CIRCLIP EXTERNAL	1
4	JY571030	MESH STRAINER ASSLY	1
5	39099906	PIN - HOLLOW DOWEL	2
6	LAE00018	BOLT FLANGED M6X1	3
7	LDA00017	WASHER PLAIN	2
8	JY571009	CAP STRAINER EVACUATION	1
9	LJA00006	RING O - ID 12.5XSECT. DIA. 2	1
10	LJA00002	O RING FOR E - 20	2
11	JG571014	OIL FILTER	1
12	JG571016	RING O	1
13	JY571033	CAP OIL FILTER	1
14	KAEW0616	BOLT FLANGE SMAL- M6X1XL16XBRIGHT	2
15	LJA00004	STRAINER O RING	1
16	JA541021	CAP STRAINER	1
17	59210023	RING - O	1
18	JY571015	PUMP EVACUATION ASSLY	1
19	JY571024	SHAFT OIL PUMP	1
20	LHD00001	PIN PARALLEL	3

250-ADVENTURE MY-21

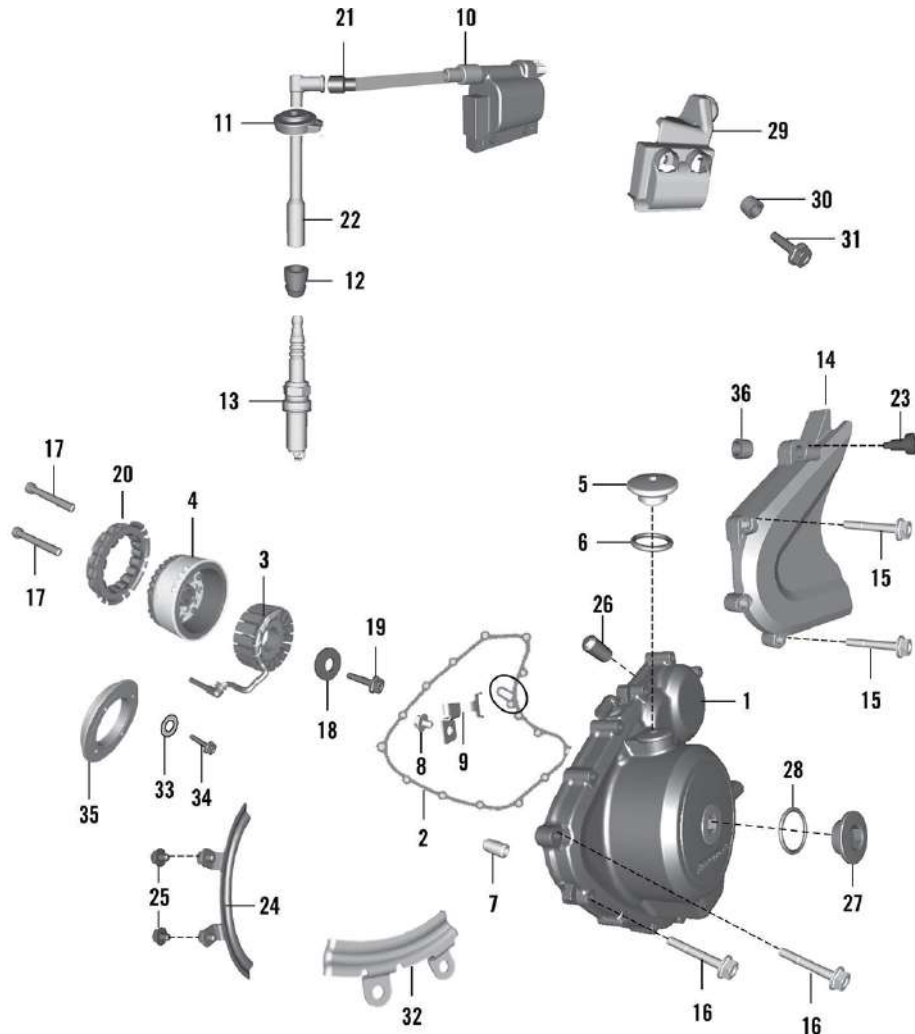
18. LUBRICATING SYSTEM

SN	Part No.	Description	QTY
21	JY571008	STRAINER EVACAUTION	1



250-ADVENTURE MY-21

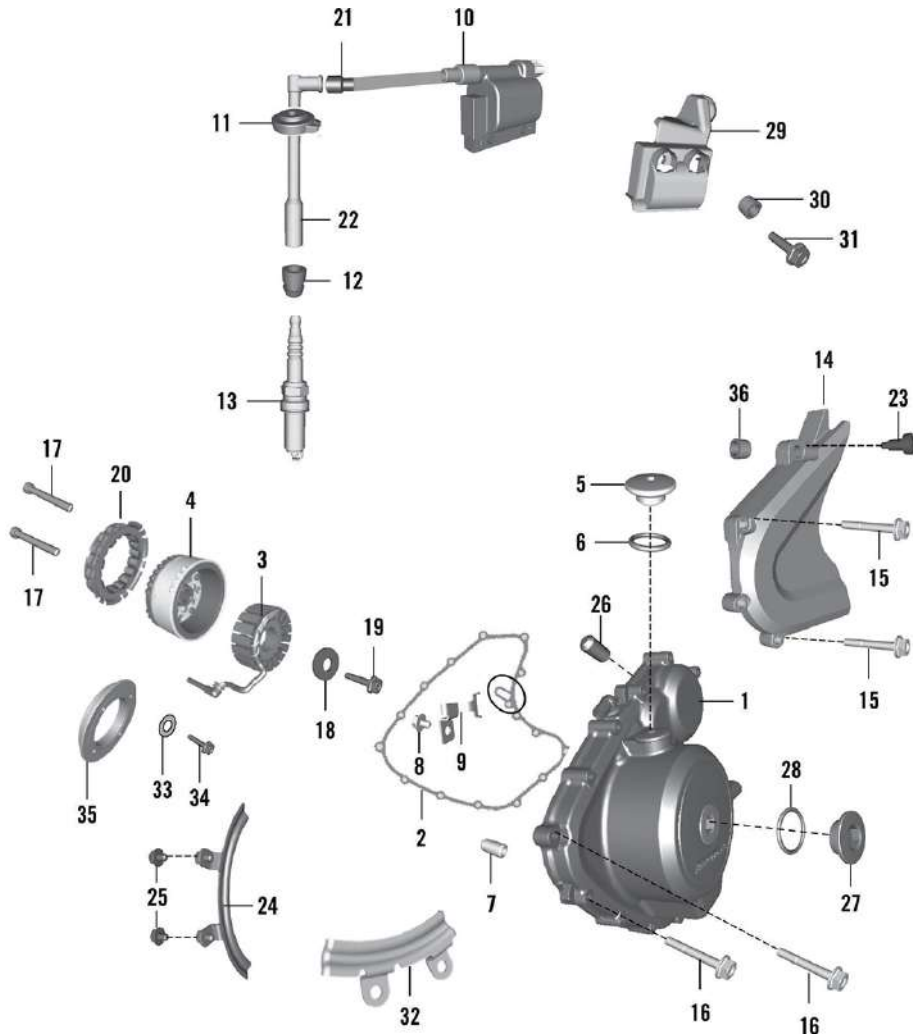
19. IGNITION SYSTEM



SN	Part No.	Description	QTY
1	JP541233	COVER ASSEMBLY MAGNETO	1
2	JY541214	GASKET COVER MAGNETO	1
3	JY351007	STATOR ASSEMBLY	1
4	JY351025	ROTOR ASSLY WITHOUT CLUTCH	1
5	JL541245	CAP TDC FINDER	1
6	30101195	RING - O	1
7	39099906	PIN - HOLLOW DOWEL	2
8	LAE00016	BOLT FLANGED M5X0.8X6L-PRECOATED	1
9	JY541208	BRACKET HARNESS MAGNETO	1
10	JP351207	COIL IGNITION	1
11	JY351203	GROMMET SPARK PLUG CAP	1
12	JG351202	GROMMET SPARK PLUG	1
13	JY351206	PLUG SPARK	1
14	JY541227	COVER LH RR	1
15	KAEW0650	BOLT FLANGE SMAL-M6X1XL50XBRIGHT	3
16	KAEW0635	BOLT FLANGE SMAL-M6X1XL35XBRIGHT	12
17	DK101284	HEX SOCKET HEAD SCREW(M5X0.8X35)	3
18	LDB00041	WASHER PLAIN-ID 10.3XOD 29XT 8	1
19	LAD00124	BOLT FLANGE-M10X1.25XL55XDACRO	1
20	JY551402	CLUTCH ONE WAY ASSLY	1

250-ADVENTURE MY-21

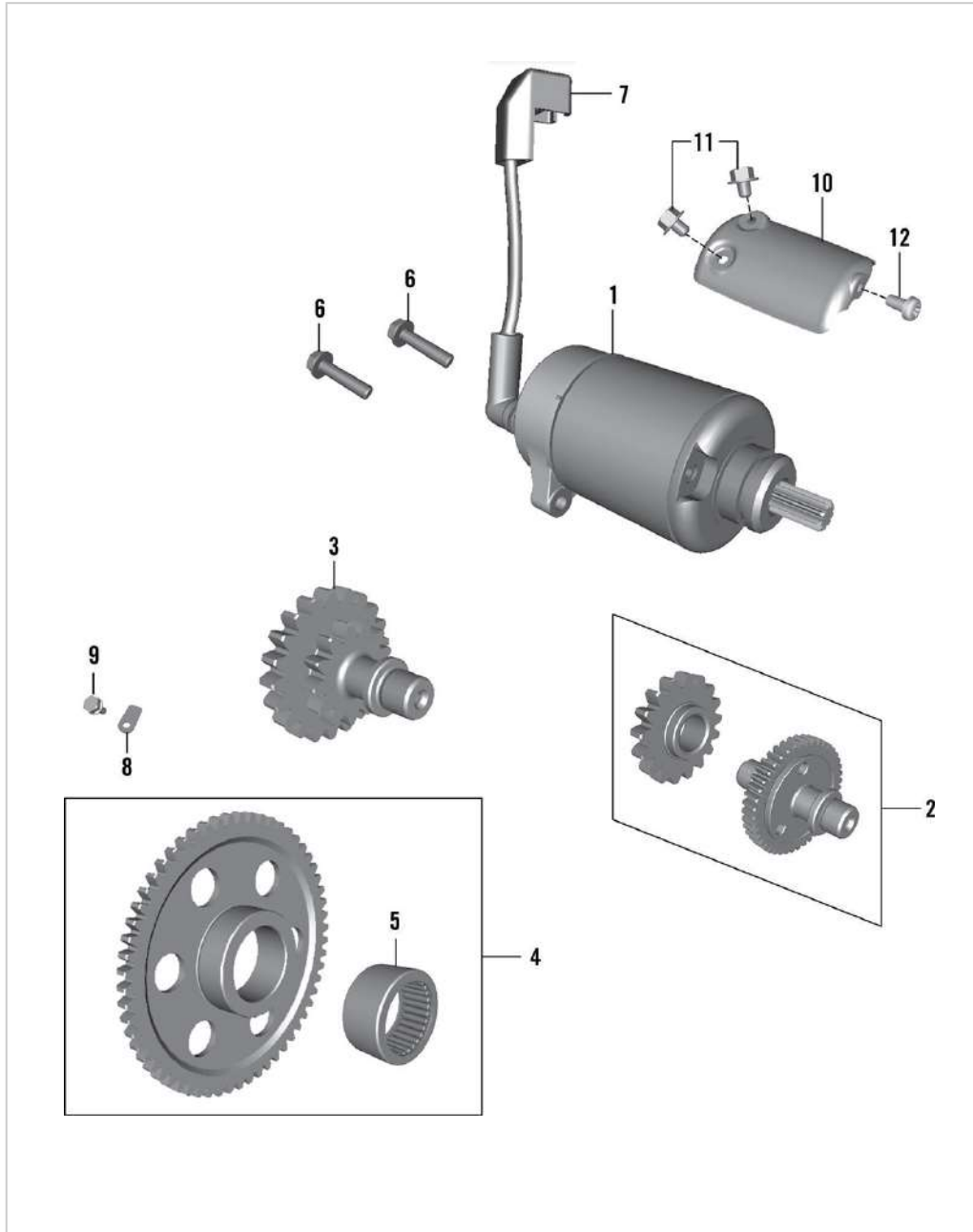
19. IGNITION SYSTEM



SN	Part No.	Description	QTY
21	DD111012	GROMMET FOR H. T. CABLE	1
22	JY351200	CAP SPARK PLUG	1
23	LAC00094	BOLT SOKET- M6X1XL22XBLKXSTEPED	1
24	JY541222	PLATE HARNESS MAGNETO	1
25	LAE00016	BOLT FLANGED M5X0.8X6L- PRECOATED	2
26	JY541255	JET OIL	1
27	JY541206	CAP CRANK CENTRE	1
28	LJA00007	RING O - ID 24XSECT. DIA. 2.5	1
29	JP181288	COVER IGNITION COIL	1
30	JP113835	SLEEVE COVER IGNITION COIL	2
31	LAC00120	BOLT SOCKET M6X1	2
32	JY541071	PLATE HARNESS 2	1
33	LDF00001	WASHER TOOTHED-ID 6.4XOD11XT 0.7	4
34	DH101389	PRECOATED PAN SCREW M6 X 20 - 39119704	4
35	JG351019	BODY STARTER CLUTCH	1
36	JP113822	SPACER PIVOT FORGING LH	1

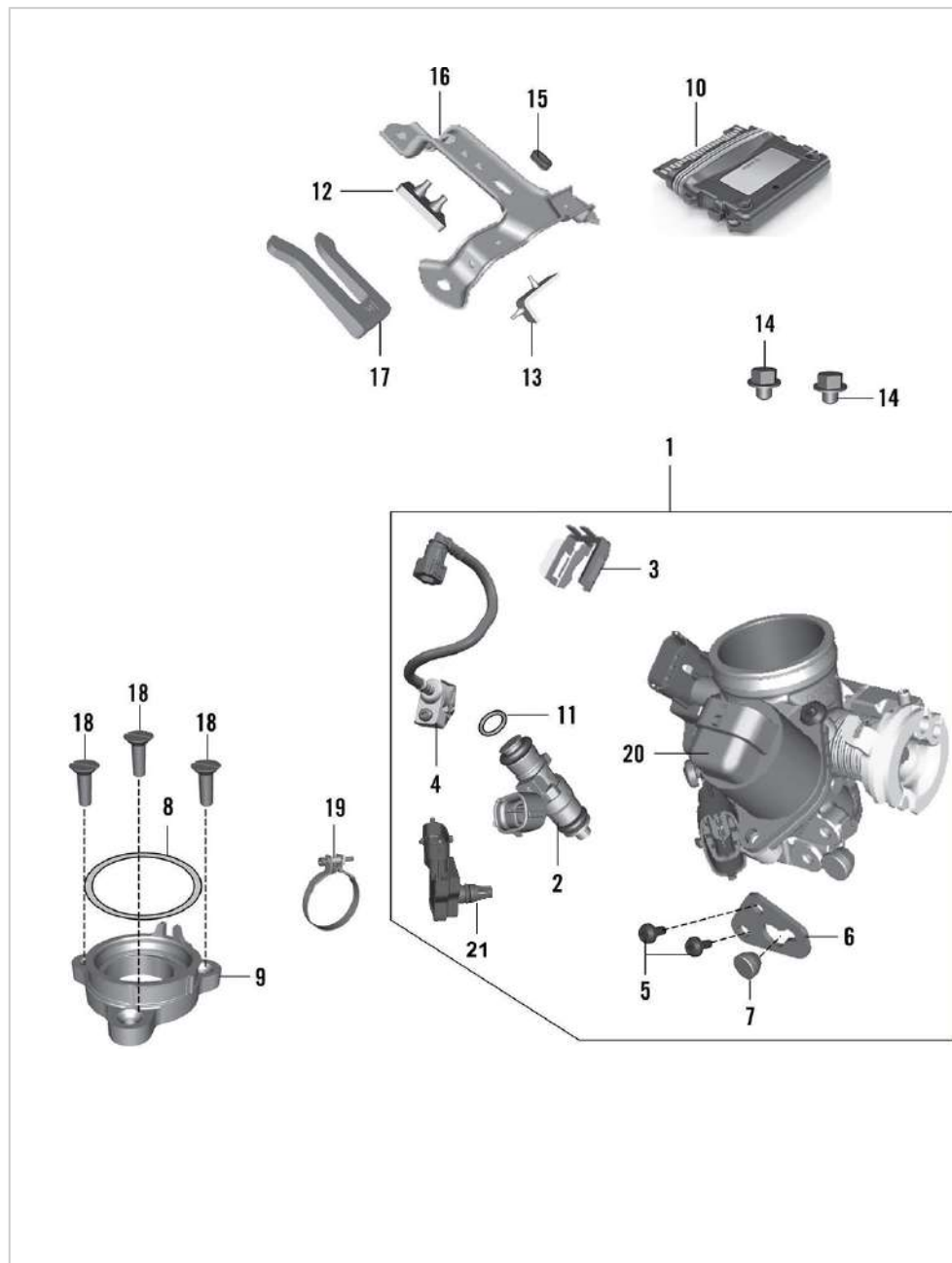
250-ADVENTURE MY-21

20. ELECTRICAL STARTER



SN	Part No.	Description	QTY
1	JY351607	MOTOR STARTER	1
2	JY551226	GEAR STARTER COUNTER 1 ASSLY	1
3	JY551225	GEAR STARTER COUNTER 2	1
4	JY621411	ASSEMBLY GEAR STARTER CLUTCH	1
5	BF621402	NEEDLE BEARING (25X32X16)	1
6	KADQ0625	BOLT M6	2
7	JP402203	CABLE RELAY TO MOTOR MY17	1
8	JY541040	RETAINER GEAR STARTER	1
9	LAE00042	BOLT FLANGED-M6X1	1
10	JY591308	SHIELD STARTER MOTOR	1
11	LAE00016	BOLT FLANGED M5X0.8X6L- PRECOATED	2
12	KBBE0408	SCREW PAN CROSS	1

250-ADVENTURE MY-21

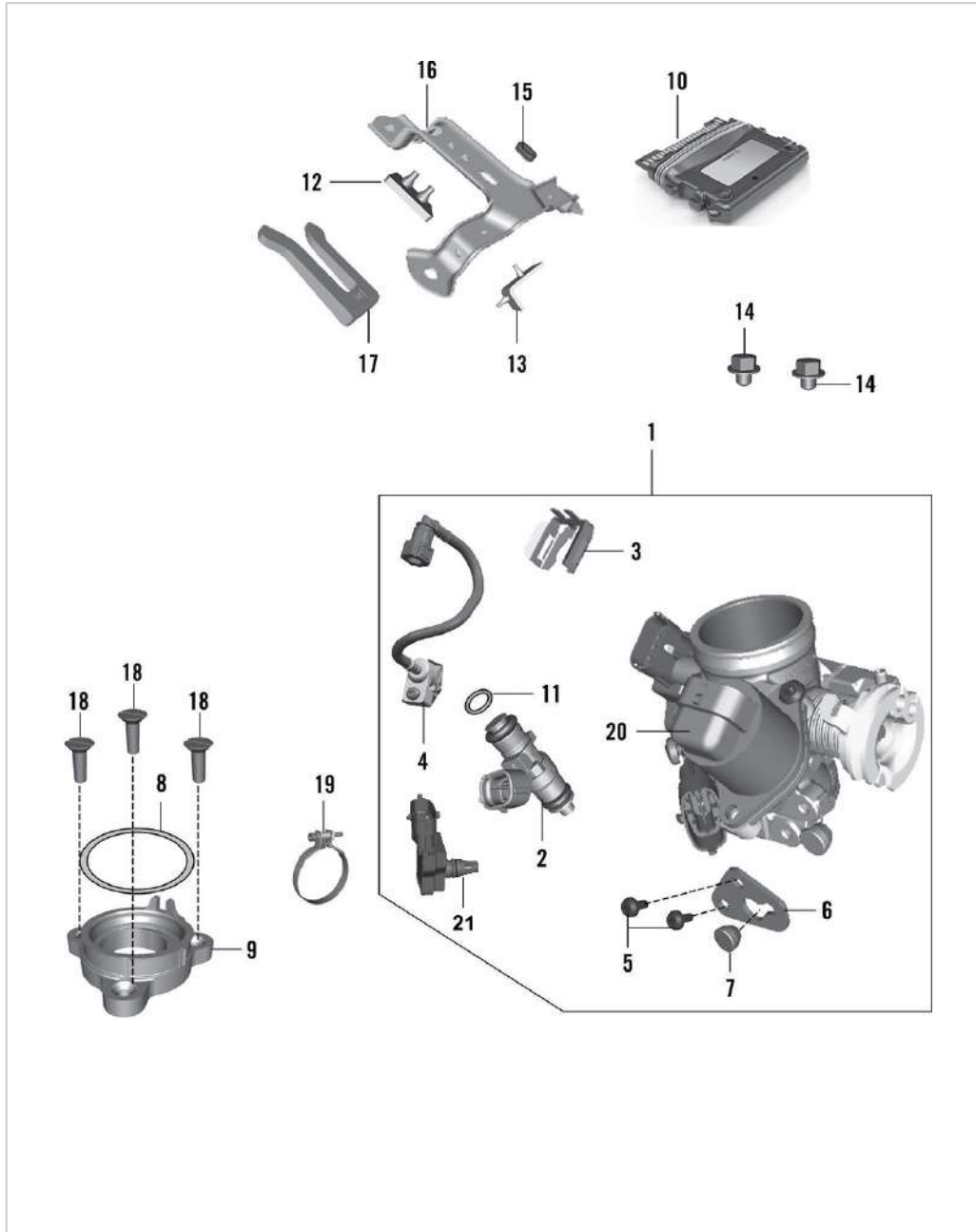


21. THROTTLE BODY

SN	Part No.	Description	QTY
1	JG611210	BODY THROTTLE ASSEMBLY	1
2	JG611007	FUEL INJECTOR	1
3	JG611006	CLIP INJECTOR CLIP	1
4	JP611206	ASSEMBLY INJECTOR CAP WITH QC KT21	1
5	JG581424	FIXING SCREW	5
6	JP611211	CABLE BRACKET	1
7	DS161156	PLUG - SEAT LOCK CABLE	1
8	JG581407	RING O	1
9	JU581413	PIPE INTAKE	1
10	JP351464	ECU EMS	1
11	JL611000	INJECTOR CAP O RING	1
12	JY113874	DAMPER ECU C SAMPLE MTG TOP	1
13	JY171007	PAD RUBBER NEW ECU MY16	2
14	KADD0610	BOLT-FLANGE-KAD ST-D DIA-06 L-10	2
15	JY113877	DAMPER ECU LOCATOR	1
16	JP181315	COVER ECU	1
17	JP113826	PAD RESTING ECU MY17	1
18	LBC00003	SCREW CSK CROSS M6X1	3
19	JU581006	CLAMP CONNECTING TUBE	1
20	JG611206	MOTOR STEPPER (IACV)	1

250-ADVENTURE MY-21

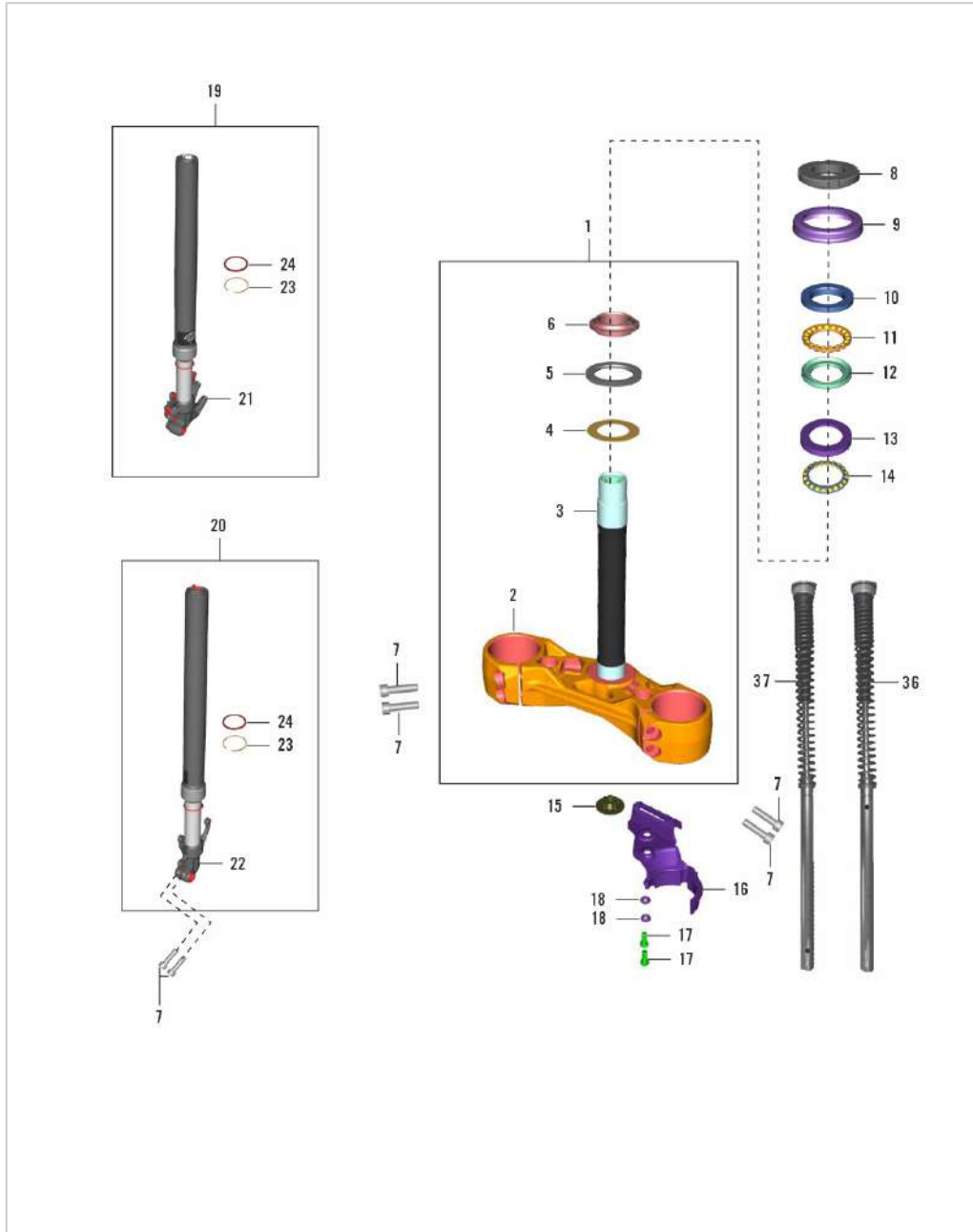
21. THROTTLE BODY



SN	Part No.	Description	QTY
21	JP351801	SENSOR PRESSURE	1
22	KAAA0614	BOLT-KAA ST-A DIA-06 L-14	1
23	LCL00002	NUT FLANGED-M6X1XHT.6XCL4	1

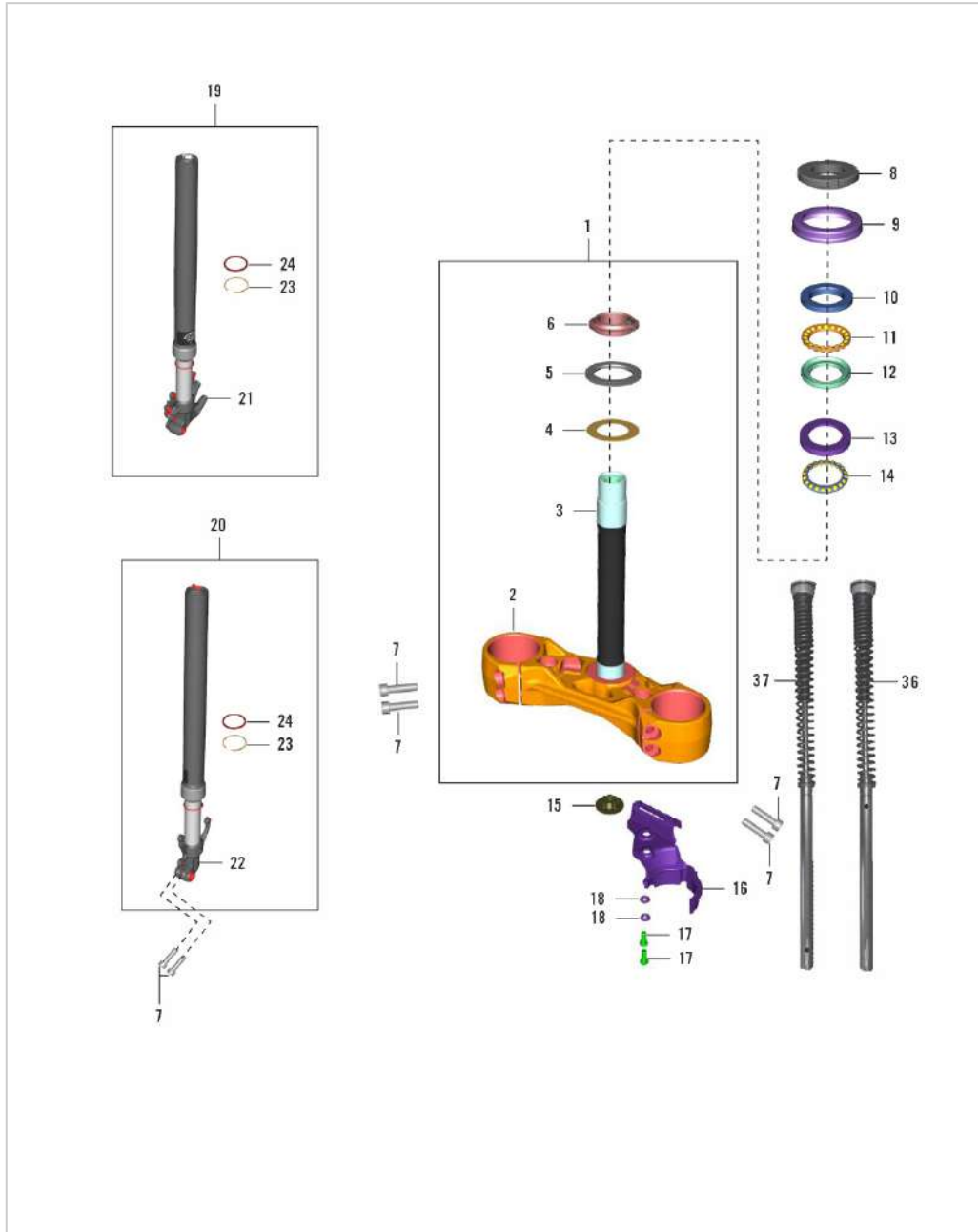
250-ADVENTURE MY-21

22. FRONT FORK



SN	Part No.	Description	QTY
1	JP121046	ASSEMBLY LOWER TRIPLE CLAMP GDC	1
2	JP151011	LOWER TRIPLE CLAMP GDC	1
3	JG151001	STEERING TUBE	1
4	JG151024	WASHER	1
5	DG181004	SEAL - OIL	1
6	DG181005	BEARING CONE	1
7	JY121011	BOLT SOCKET-M8X1.25XL30XCL8.8XBL	6
8	DK181075	NUT STEERING	1
9	DK181076	CUP STEERING	1
10	DG181045	BEARING CONE :- UPPER	1
11	DK181050	CAGE BEARING STEERING TOP	1
12	DG181046	BEARING RACE - UPPER	1
13	DG181047	BEARING RACE - LOWER	1
14	DK181051	CAGE BEARING STEERING BOTTOM	1
15	JG121015	PLUG STEERING TUBE	1
16	JG113857	HOSE CLAMP	1
17	LAC00010	BOLT SOCKET M6X1	2
18	JG113832	COLLAR	2
19	JG121063	LEG ASSEMBLY LH	1
20	JG121064	LEG ASSEMBLY RH	1

250-ADVENTURE MY-21

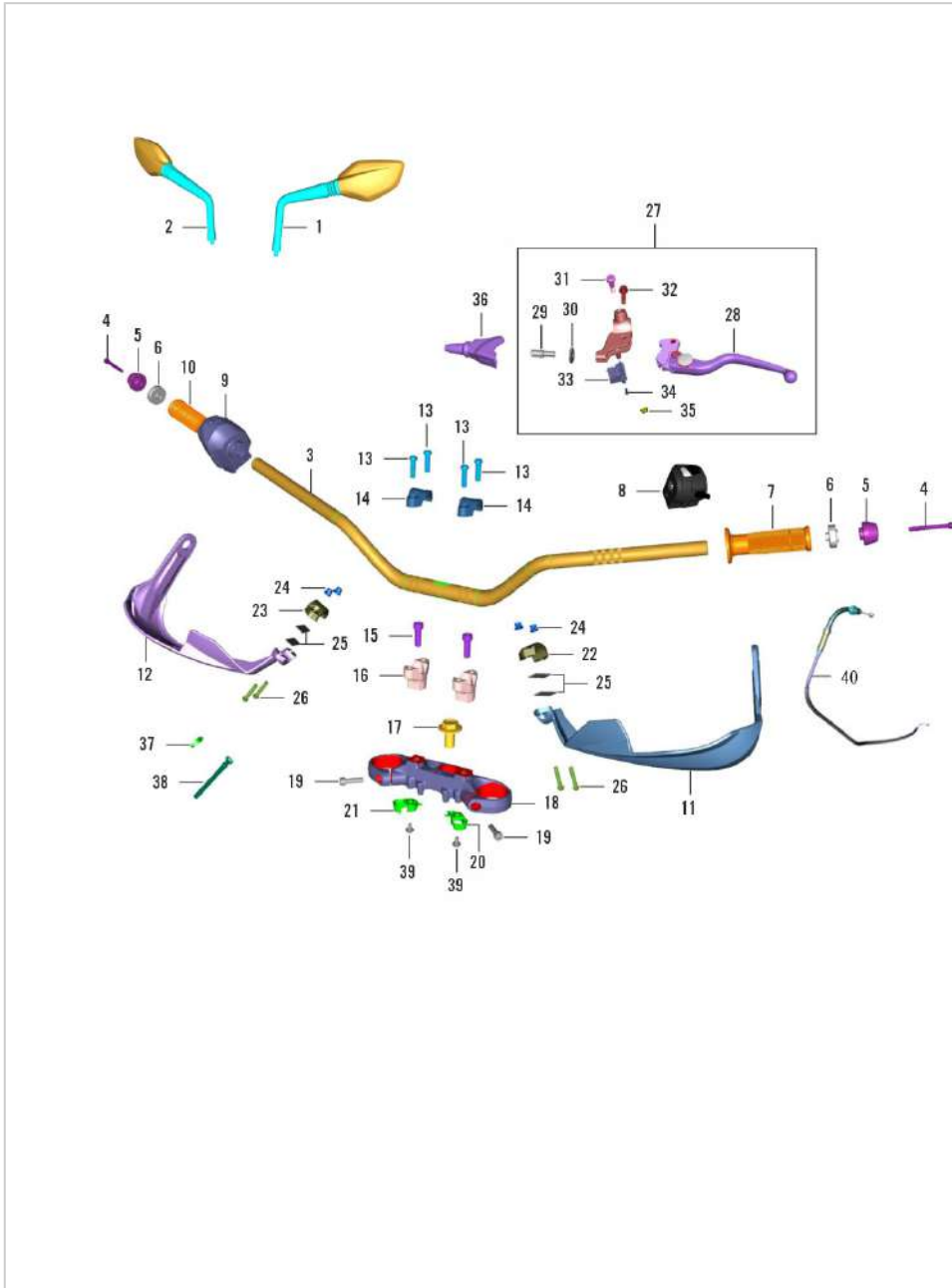


22. FRONT FORK

SN	Part No.	Description	QTY
21	YJG45005	AXLE CLAMP&FORK PIPE ASSY LH	1
22	YJG45006	AXLE CLAMP&FORK PIPE ASSY RH	1
23	JU121009	CIRCLIP	2
24	LDB00036	WASHER PLAIN-ID45XOD 52.5XTHK1.5	2
25	JP121024	TUBE INNER DIA 43	2
26	JG121011	INNER DUST SEAL	2
27	JG121013	OIL SEAL	2
28	JP121041	GUIDE BUSH LOWER	2
29	JP121040	GUIDE BUSH UPPER	2
30	LAC00126	BOLT SOCKET-M10X1.5XL 25XBRIGHT	2
31	LBN00001	SCREW SET SOCKT- M4X0.7XL8XSUS304	2
32	JP181262	GROMMET HL COVER BOTTOM	2
33	YJU34002	KIT FORK OIL SEAL SKF BLK	2
34	36JU0075	KIT STEERING RACE LOWER JU/JY	1
35	36JU0074	KIT STEERING RACE UPPER JU/JY	1
36	JG121096	CARTRIDGE SPLIT RH	1
37	JG121095	CARTRIDGE SPLIT LH	1

250-ADVENTURE MY-21

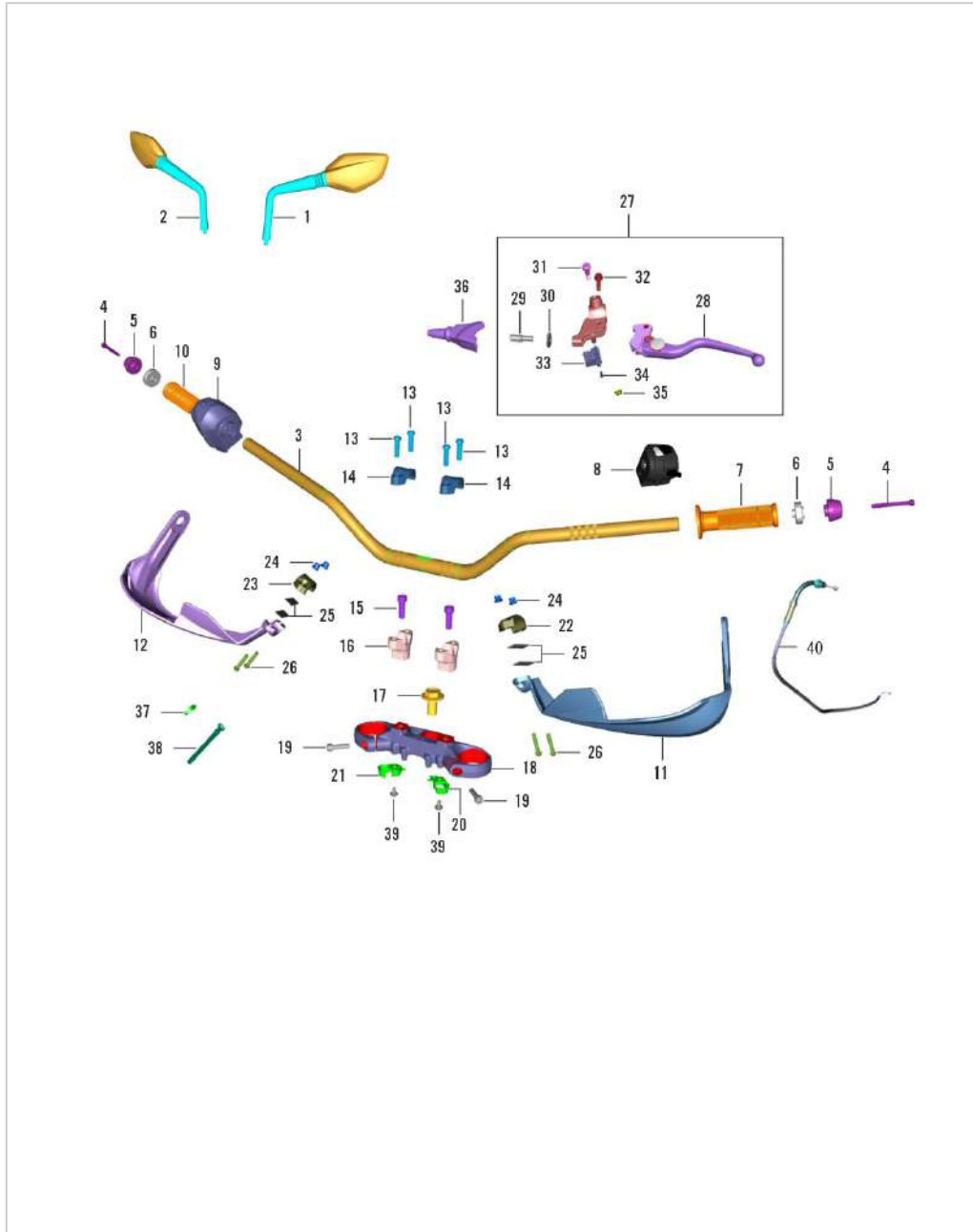
23. HANDLEBAR, CONTROLS



SN	Part No.	Description	QTY
1	JP231600	MIRROR LH	1
2	JP231601	MIRROR RH	1
3	JG151054	HANDLEBAR	1
4	LAC00116	BOLT SOCKET-M6X1XL55XCL8.8XBLACK	2
5	JZ151069	HANDLE BAR WEIGHT	2
6	JG231221	SPACER GUARD HAND	2
7	JY151015	GRIP HAND LH KT06	1
8	JG401427	SWITCH CONTROL LH	1
9	JG401428	SWITCH CONTROL RH	1
10	JG151036	ASSEMBLY GRIP HANDLEBAR RH	1
11	56JG296W	HAND GUARD JG231212-BLACK METALIC MATT	1
12	56JG306W	HAND GUARD RHJG231213-BLACK METALIC MATT	1
13	LAC00111	BOLT SOCKET-M8X1.25XL 29XBLACK	4
14	JG151043	HOLDER HANDLEBAR TOP	2
15	LAC00139	BOLT SOCKET M10X1.5	2
16	JG151044	HOLDER HANDLEBAR BOTTOM	2
17	JY151011	BOLT FLANGED-M16X1.5XL33XPRECOAT	1
18	JG151046	BRACKET UPPER	1
19	JY121011	BOLT SOCKET-M8X1.25XL30XCL8.8XBL	2
20	JG151048	GUIDE CABLE LH	1

250-ADVENTURE MY-21

23. HANDLEBAR, CONTROLS

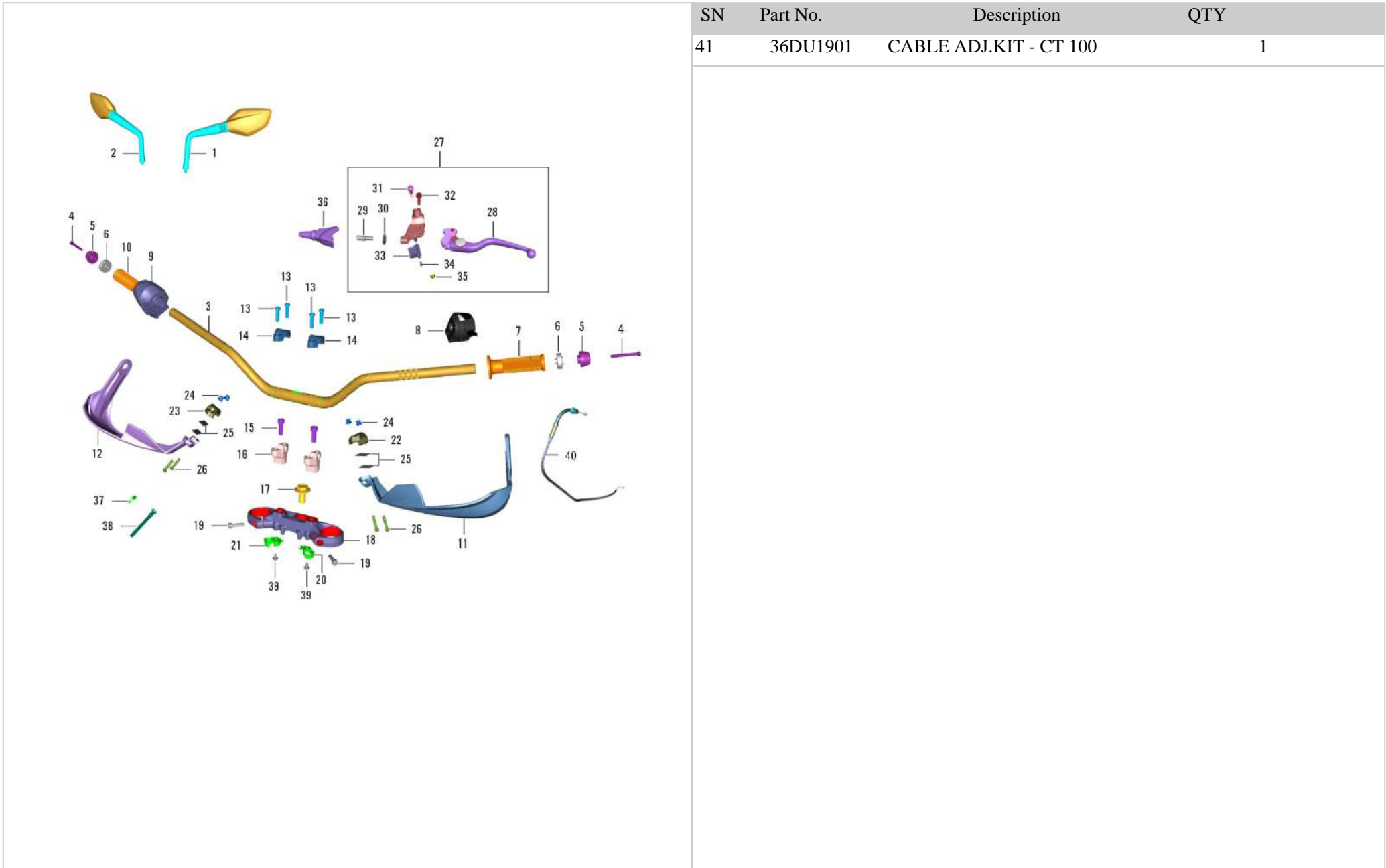


SN	Part No.	Description	QTY
21	JG151049	GUIDE CABLE RH	1
22	JG231215	CLAMP HAND GAURD LH	1
23	JG231216	CLAMP HAND GAURD RH	1
24	KCKC0609	NUT NYLOC FLANGED	4
25	JG231219	FOAM HAND GAURD	4
26	KAEF0630	BOLT-FLANGE-KAE ST-F DIA-06 L-30	4
27	JP161008	ASSEMBLY LEVER-HOLDER LH	1
28	JY161007	CLUTCH LEVER NON ADJUSTABLE	1
29	DD191147	SCREW FOR CABLE ADJUSTER	1
30	30191017	NUT	1
31	JZ161028	LEVER PIVOT BOLT	1
32	KADT0625	BOLT FLANGED-M6X1XL25XCL8.8XBLAK	1
33	JG401426	SWITCH CLUTCH	1
34	LBU00012	SCREW PAN CROSS M3X0.5	2
35	39118415	NUT - NYLOC :- M5 X 0.8	1
36	JY161023	BOOT CLUTCH LEVER_ADJUSTABLE	1
37	PA402204	BAND(LENGTH 110MM)	1
38	30191048	BAND	2
39	LBU00050	SCREW BUTTON HEAD-M6X1XL9XPRECOAT	2
40	JG161205	CABLE CLUTCH	1

250-ADVENTURE MY-21

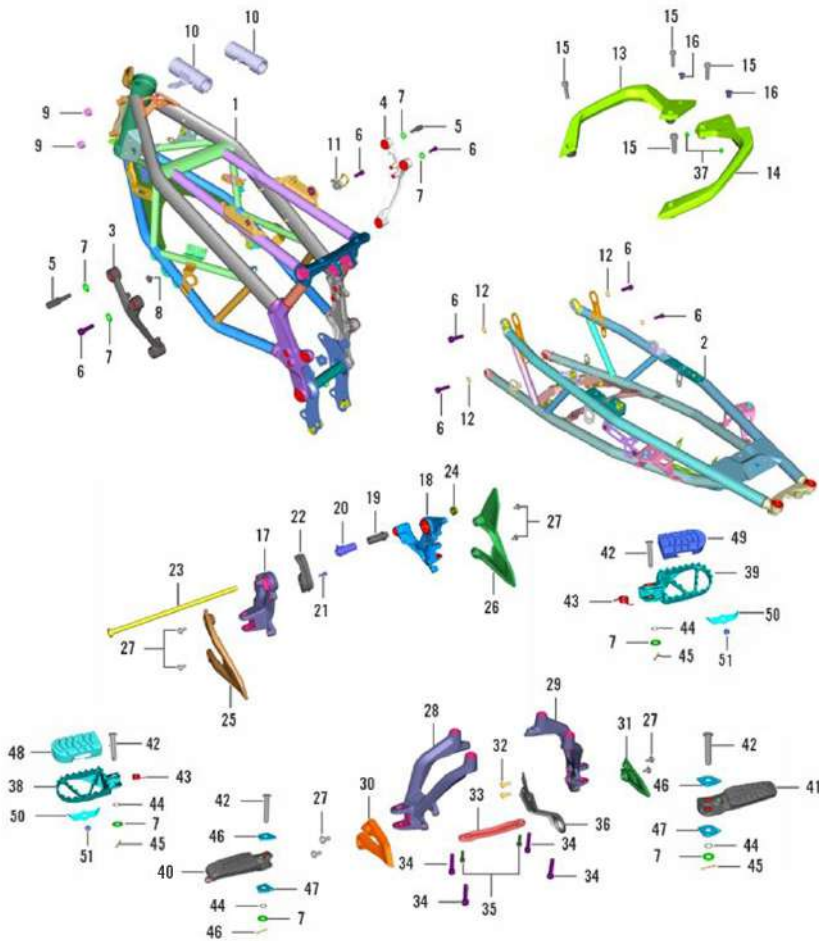
23. HANDLEBAR, CONTROLS

SN	Part No.	Description	QTY
41	36DU1901	CABLE ADJ.KIT - CT 100	1



250-ADVENTURE MY-21

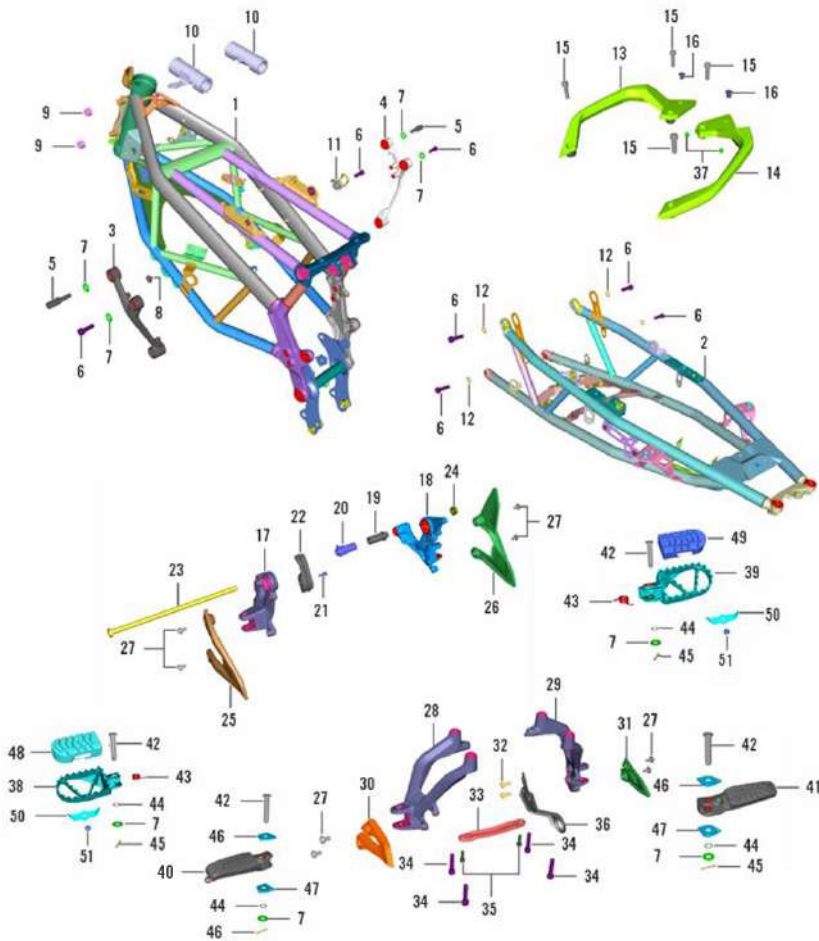
24. FRAME



SN	Part No.	Description	QTY
1	36JG0101	ADV FRAME FR	1
2	52JG1096	JG111195_ADV FRM RR ASY AFTR BLK POWD CT	1
3	JP113402	ENGINE HANGER LH KT21/KT22	1
4	JP113403	ENGINE HANGER RH KT21/KT22	1
5	LAA00046	BOLT M8X1.25	2
6	LAC00113	BOLT SOCKET- M8X1.25XL25XCL10.9XBL	7
7	LDB00065	WASHER PLAIN-ID8.5XOD 18XTHK 1.6	8
8	JP113852	PLUG BLACK	1
9	JG111319	SPACER	4
10	JG113866	DAMPER TANK	2
11	JG113882	GUIDE CABLE CLUTCH	1
12	LDA00071	WASHER PLAIN- ID8.2XOD15XT2XBLACK	4
13	JG231408	GRAB HANDLE LH	1
14	JG231409	GRAB HANDLE RH	1
15	LAC00141	BOLT SOCKET M8X1.25	4
16	JG231411	COLLAR	1
17	56JG3X84	ADV250HOLDER STEPLH JG113106 BLACK GLOSS	1
18	56JG3Y84	ADV250HOLDER STEPRH JG113107 BLACK GLOSS	1
19	JG113104	SPACER	1
20	JG113103	SPACER GUIDE CHAIN	1

250-ADVENTURE MY-21

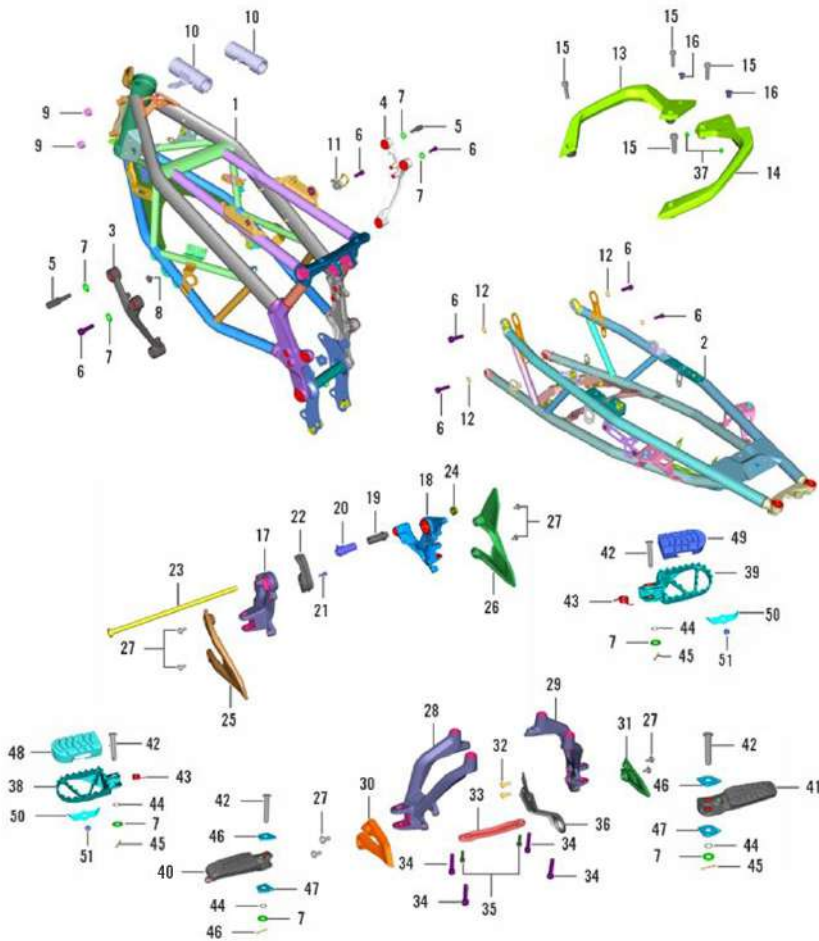
24. FRAME



SN	Part No.	Description	QTY
21	LAC00072	BOLT SOCKET-M5X0.8XL 14XPRECOAT	1
22	JG113102	GUIDE CHAIN	1
23	LAD00038	BOLT FLANGE-M10 X 1.25 X L267XBRIGHT	1
24	KCGD1010	NUT HEX FLANGED	1
25	JG113086	GUARD HEEL RIDER LH	1
26	JG113087	GUARD HEEL RIDER RH	1
27	LBU00050	SCREW BUTTON HEAD- M6X1XL9XPRECOAT	8
28	56JG1884	ADV250 STEP PILLION LHJG113108 BLK GLOSS	1
29	56JG1984	ADV250 STEP PILLION RHJG113109 BLK GLOSS	1
30	JG113088	GUARD HEEL PILLION LH	1
31	JG113089	GUARD HEEL PILLION RH	1
32	LAC00073	BOLT SOCKET M6X1	2
33	JG113098	BRACKET STEP PILLION	1
34	LAC00164	BOLT SOCKET M8X1.25	4
35	LAC00161	BOLT SOCKET M6X1	2
36	JG113873	BRACKET ASSEMBLY MUFFLER	1
37	JG231414	PAD	2
38	JG113090	STEP RIDER LH	1
39	JG113092	STEP RIDER RH	1
40	JP113029	STEP ASSEMBLY PILLION LH	1

250-ADVENTURE MY-21

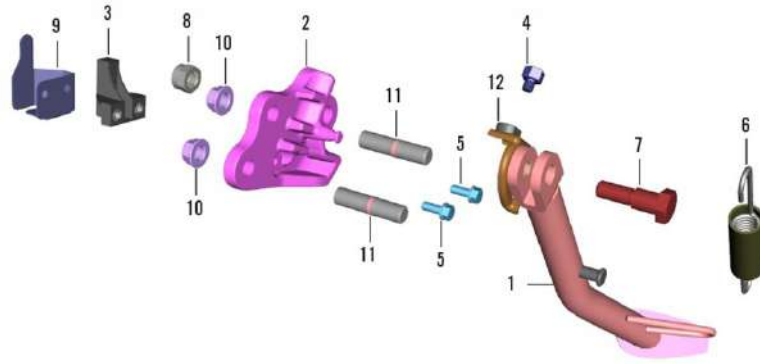
24. FRAME



SN	Part No.	Description	QTY
41	JP113030	STEP ASSEMBLY PILLION RH	1
42	JP113019	PIN FOOTREST PIVOT BLACK	1
43	JG113007	SPRING TORSION	1
44	30141031	RING - O	1
45	KHAE2518	PIN COTTER DIA 2.3	1
46	JP113017	PLATE LOCK PILLION STEP TOP	2
47	JP113018	PLATE LOCK PILLION STEP BOTTOM	2
48	JG113101	DAMPER STEP LH	1
49	JG113091	DAMPER STEP RH	1
50	JG113096	BRACKET STEP RIDER	2
51	LCH00005	NUT NYLOC-M5X0.8XHT. 4.5XCL6XBLK	2

250-ADVENTURE MY-21

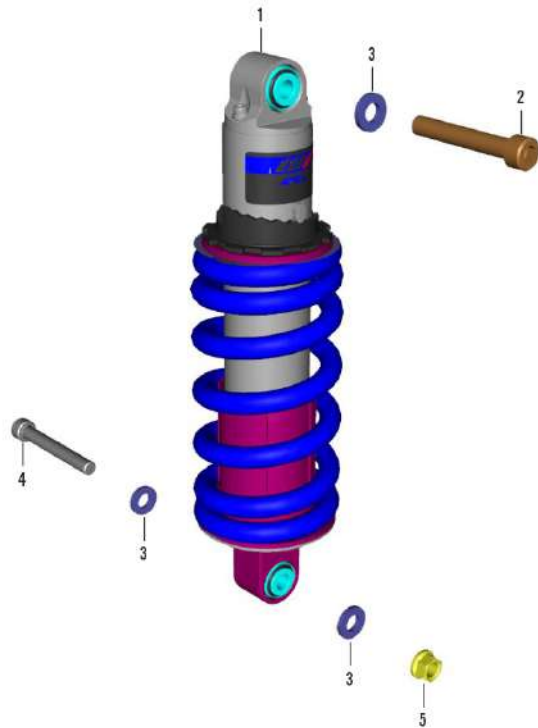
25. SIDE STAND



SN	Part No.	Description	QTY
1	JG113212	STAND ASSEMBLY SIDE	1
2	JG113213	PLATE STAND SIDE	1
3	JY401408	SWITCH SIDE STAND MY16	1
4	JY401415	HOLDER MAGNET	1
5	LAE00010	BOLT FLANGED M5X0.8	2
6	JU113200	SPRING SIDE STAND WITH COVER	1
7	JG113207	BOLT	1
8	LCH00001	NUT NYLOC- M10X1.25XHT.11XCL6XBRT	1
9	JP113205	GUARD SWITCH STAND SIDE	1
10	LCL00006	NUT U FLANG-M10X1.25XHT. 8.5XBRT	2
11	LAJ00028	BOLT STUD-M10X1.25XL 25XPRECOAT	2
12	JG113216	BRACKET HOLDER MAGNET	1

250-ADVENTURE MY-21

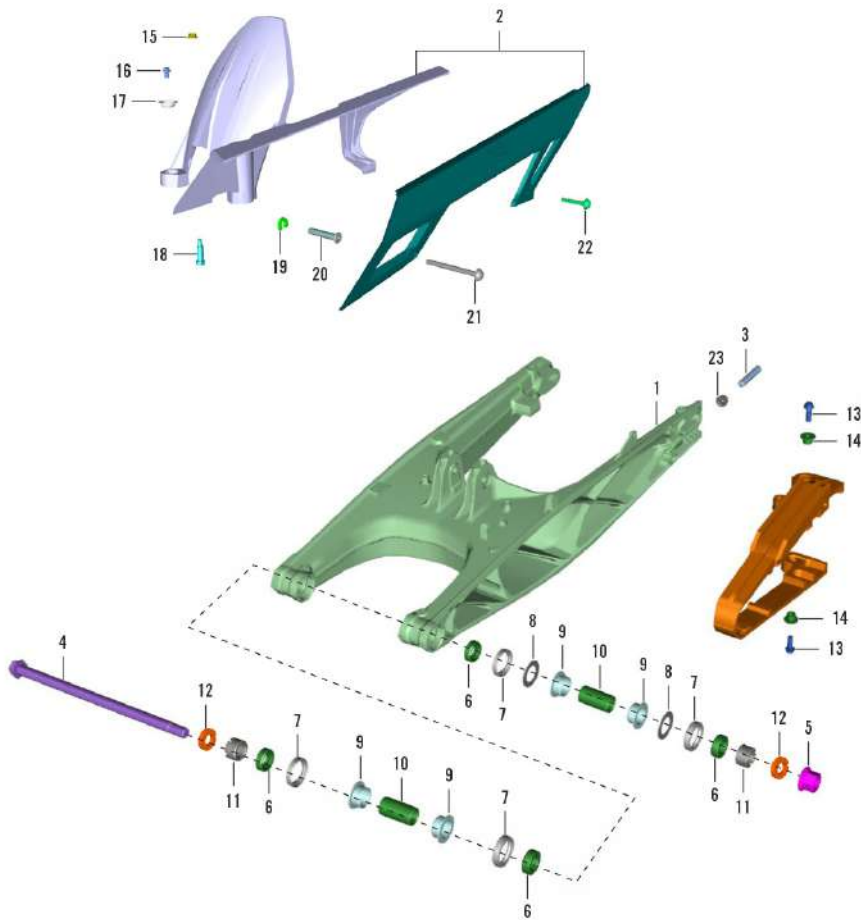
26. SHOCK ABSORBER



SN	Part No.	Description	QTY
1	JG122055	SHOCKABSORBER REAR	1
2	LAC00085	BOLT SOCKET M10X1.25	1
3	LDB00011	WASHER PLAIN	3
4	LAC00006	BOLT SOCKET M10X1.25	1
5	LCG00003	NUT FLANGED M10 X 1.25	1

250-ADVENTURE MY-21

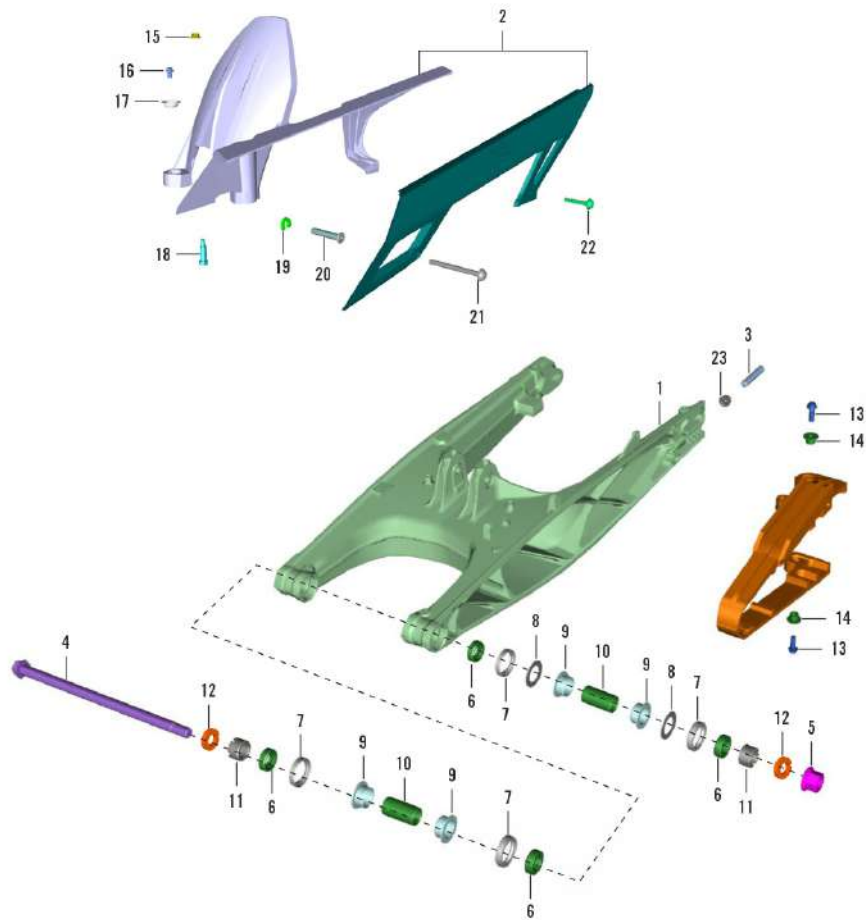
27. SWING ARM



SN	Part No.	Description	QTY
1	JG122048	ARM SWING	1
2	JP181228	CHAIN CHAIN COVER ASSEMBLY	1
3	LAA00007	BOLT HEX M10 X 1.25 X 50	2
4	JG122016	SHAFT SWING ARM	1
5	LCG00004	NUT FLANGED M14 X 1.5	1
6	JG122011	BUSH	4
7	JG122012	OIL SEAL	4
8	JG122026	WASHER PLAIN	2
9	JG122009	IGUS BUSH	4
10	JG122010	COLLAR	2
11	JG122033	WASHER THREADED-SWING ARM STACK	2
12	LDB00055	WASHER PLAIN-ID 15.5XOD 29XTHK 5	2
13	KAED0616	BOLT-FLANGE-KAE ST-D DIA-06 L-16	2
14	JG122037	SLEEVE	2
15	KCGA0505	NUT HEX FLANGED	1
16	LAE00050	BOLT FLANGED SMALL-M6X1XL8XBLACK	2
17	JP181408	WASHER EXTRUDED	2
18	JG181273	BOLT CHAIN CASE MTG	1
19	JG113846	SPACER SLIDER CHAIN	1
20	JY122004	SLEEVE CHAIN SLIDER	1

250-ADVENTURE MY-21

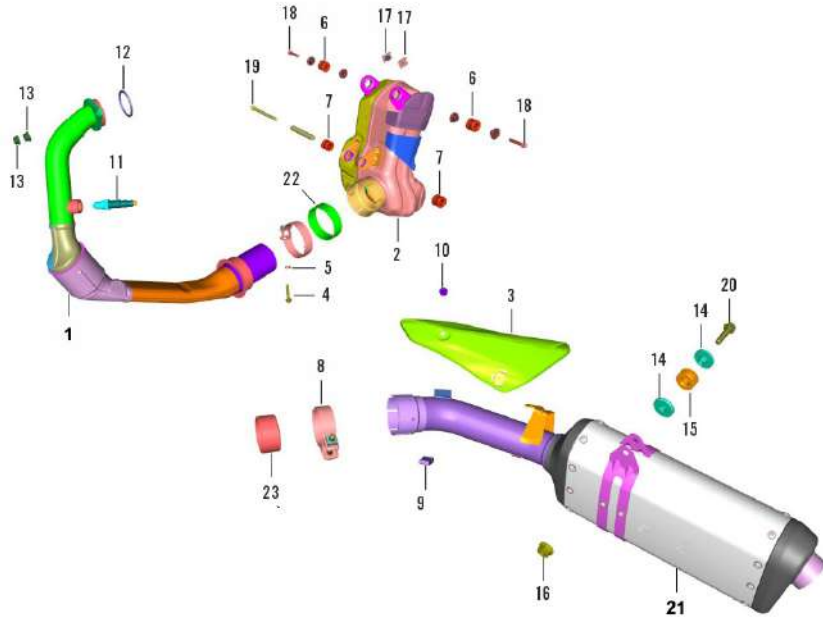
27. SWING ARM



SN	Part No.	Description	QTY
21	LBU00052	SCREW TRUS- M5X0.8XL55XBLXPRECOAT	1
22	LBR00007	SCREW TAPPING PAN CROS- 6XL30XBLK	1
23	LCG00003	NUT FLANGED M10 X 1.25	2

250-ADVENTURE MY-21

28. EXHAUST SYSTEM

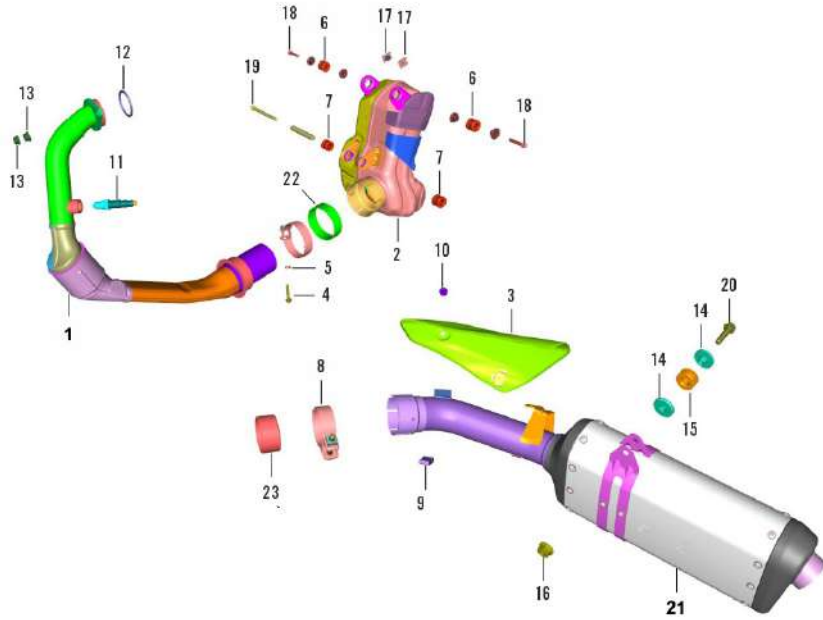


SN	Part No.	Description	QTY
1	JP591132	PIPE ASSEMBLY A	1
2	52JP0670	ASSEMBLY PREMUFFLER WITH CHILD PARTS	1
3	JG591136	SHIELD ASSEMBLY MUFFLER	1
4	LAD00236	BOLT FLANGED-M8X1.25XL50	1
5	LDA00009	WASHER PLAIN	2
6	JL591165	DAMPER SILENCER MOUNTING LOWER	2
7	JG591100	DAMPER SILENCER MOUNTING LOWER	2
8	JG591143	CLAMP	1
9	JY591303	GROMMET SHIELD MUFFLER	2
10	LBU00045	SCREW BUTTON HD-M6X1XL10XPRECOAT	1
11	JP591114	SENSOR OXYGEN	1
12	JG591070	GASKET EXHAUST	1
13	LCG00024	NUT HEX FLANGED-M8X1.25XHT.8XBRT	2
14	JY591245	COLLAR	2
15	JY591246	DAMPER MUFFLER	1
16	KCGN0808	NUT HEX FLANGE-M8X1.25XCL8XDACRO	1
17	JG113404	CLIP NUT	2
18	JG113837	BOLT FLANGED M6X1	2
19	LAD00075	BOLT FLANGED-M8X1.25XL 105XBRT	1
20	KADD0835	BOLT-FLANGE-KAD ST-D DIA-08 L-35	1

250-ADVENTURE MY-21

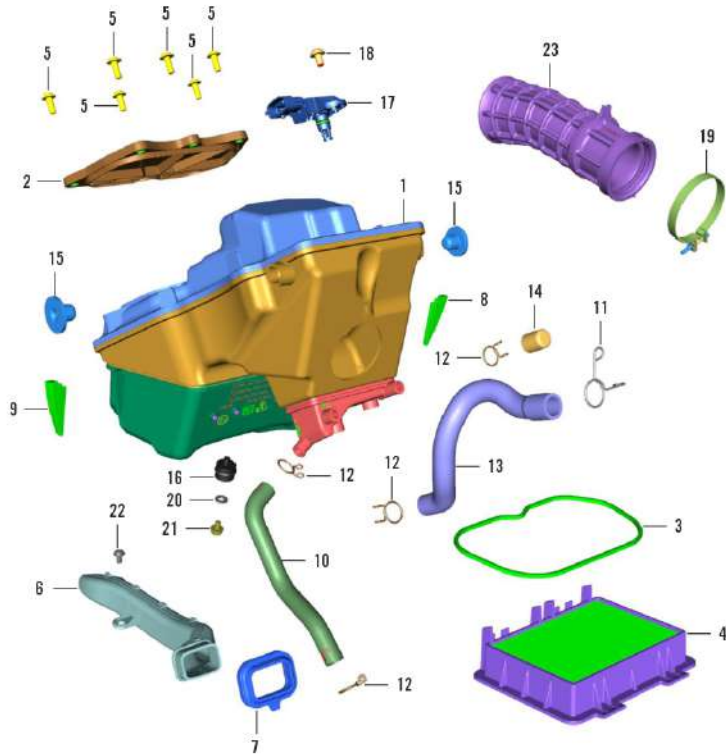
28. EXHAUST SYSTEM

SN	Part No.	Description	QTY
21	JG591120	MUFFLER ASSEMBLY SECONDARY	1
22	JP591042	GASKET MUFFLER PRIMARY	1
23	JP591033	GASKET MUFFLER SECONDARY	1



250-ADVENTURE MY-21

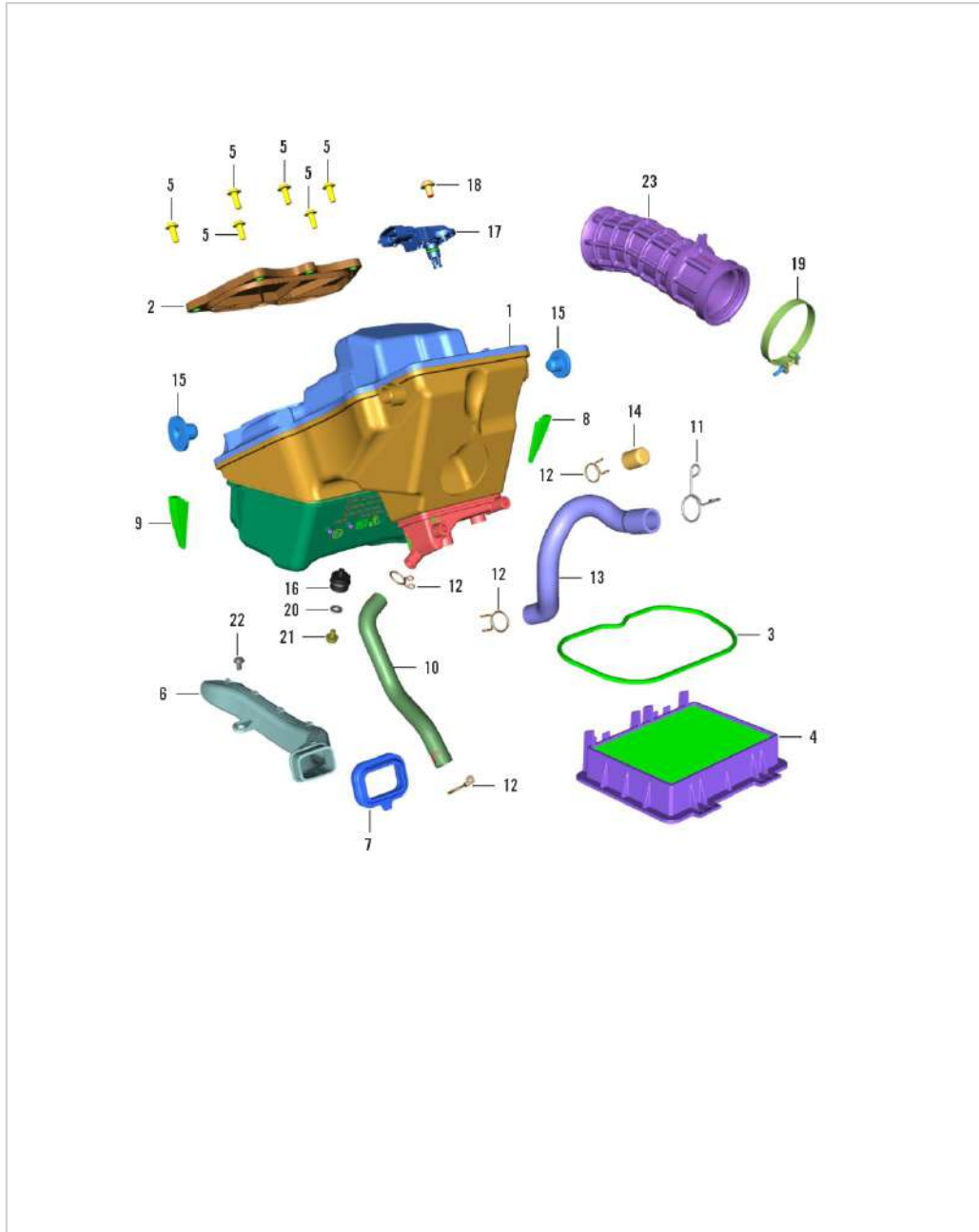
29. AIR FILTER



SN	Part No.	Description	QTY
1	JG581092	FILTER ASSEMBLY AIR	1
2	JP581008	CAP TOP COVER	1
3	JP581009	SEAL CAP TOP COVER	1
4	JP581003	ELEMENT FILTER AIR	1
5	LBU00072	SCREW BUTTON HEAD-M6X1XL 16XBRT	6
6	JG581086	DUCT INTAKE	1
7	JP581012	GROMMET DUCT DIRTY SIDE	1
8	JP581031	RUBBER FLAP	1
9	JP581037	FLAP-RUBBER-RH	1
10	JP581013	BREATHER TUBE	1
11	JY581028	CLAMP	1
12	JG581056	CLAMP (BREATHER TUBE)	4
13	JP581014	TUBE OIL RETURN	1
14	JP581018	TUBE DRAIN	1
15	JP581019	RUBBER DAMPER	2
16	JG581058	BUSH SILENT	1
17	JG351805	SENSOR TMAP	1
18	LBU00045	SCREW BUTTON HD- M6X1XL10XPRECOAT	1
19	JY581405	CLAMP INTAKE PIPE	2
20	LDB00026	WASHER PLAIN	1

250-ADVENTURE MY-21

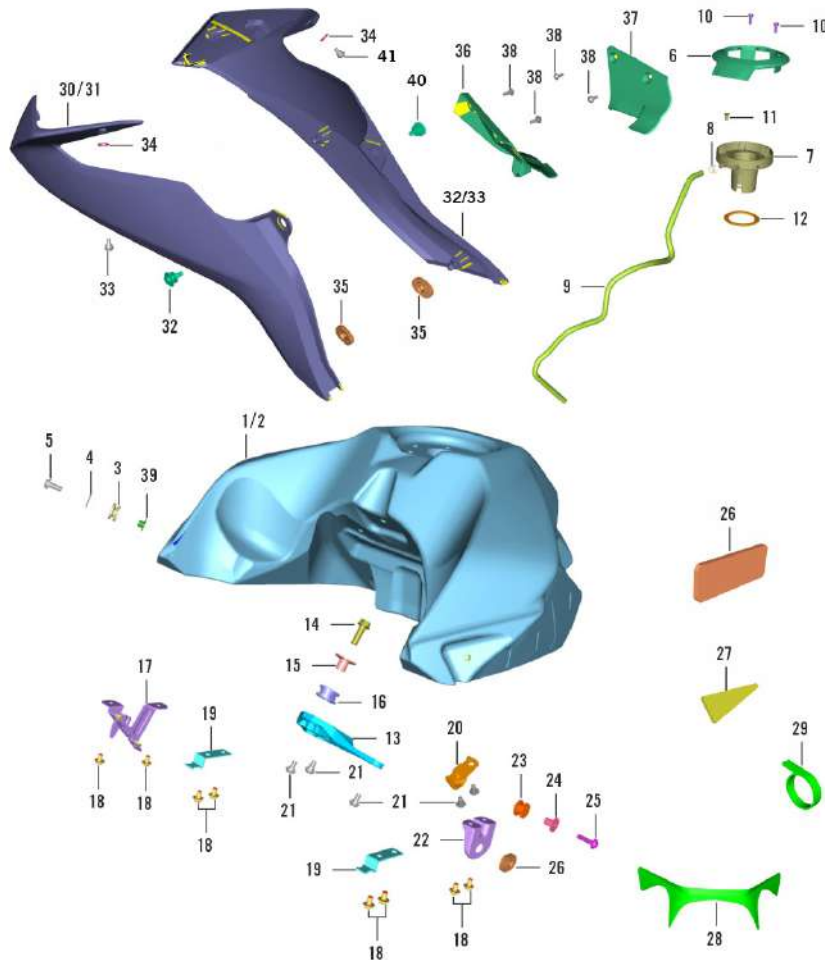
29. AIR FILTER



SN	Part No.	Description	QTY
21	KADD0608	BOLT FLANGED	1
22	JY113821	SCREW BUTTON HEAD-M6X1XL12XBLACK	1
23	JP581016	CONNECTING TUBE	1

250-ADVENTURE MY-21

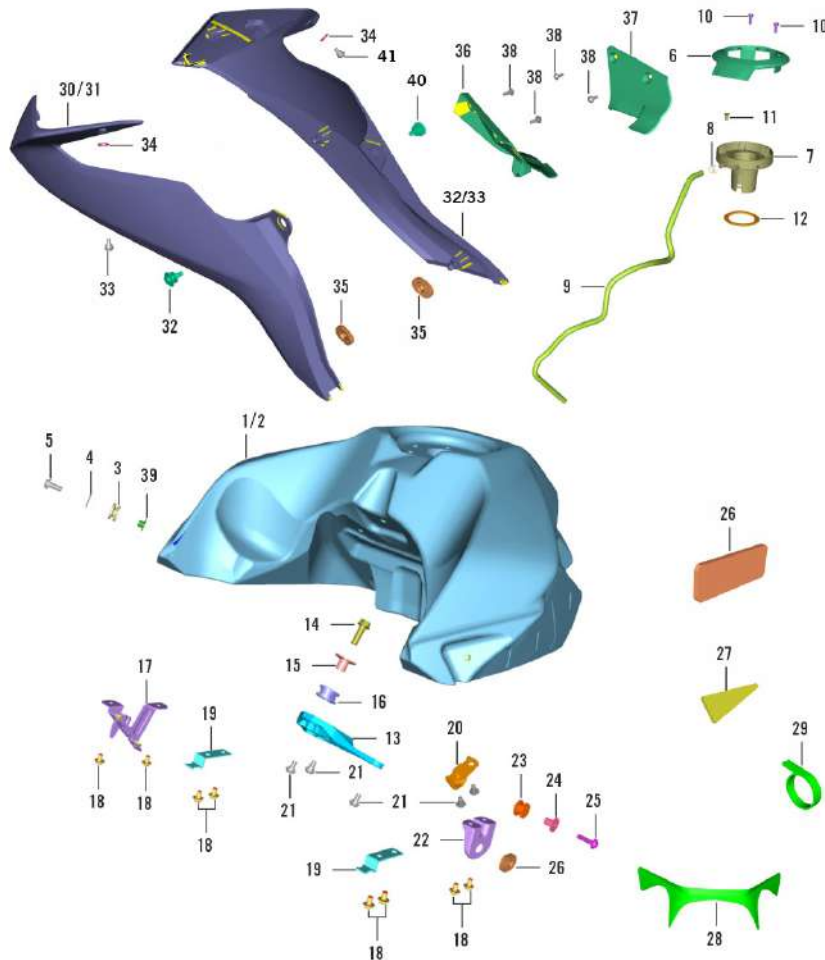
30. TANK, COVER



SN	Part No.	Description	QTY
1	36JG0124	ADV FUEL TANK BLK WITH DAMPER	1
2	36JG0125	ADV FUEL TANK ORG WITH DAMPER	1
3	JG171142	DAMPER	2
4	LDB00075	WASHER PLAIN- ID6.2XOD16XTHK1XBLK	2
5	LAC00054	BOLT SOCKET- M6X1XL16XBLKXFL.HEAD	2
6	JG171144	COVER CAP TANK	1
7	JG171136	CUP CAP	1
8	JG171029	SPRING BAND CLAMP 11.5 x 8.4	3
9	JG171147	PIPE DRAIN	1
10	KACF0512	BOLT SOCKET- M5X0.8XL12XCL8.8XBRT	2
11	LBC00010	SCREW CSK SOCKET M5X0.8	1
12	JG171137	GASKET	1
13	JG171139	BRACKET TANK FRONT	1
14	LAD00162	BOLT FLANG- M8X1.25XL25XCL10.9XBL	1
15	JG171152	COLLAR	1
16	JG171149	GROMMET	1
17	JG171150	BRACKET SENSOR	1
18	LBU00045	SCREW BUTTON HD- M6X1XL10XPRECOAT	10
19	JG171148	BRACKET COVER TANK FRONT	2
20	JG171140	BRACKET TANK REAR	2

250-ADVENTURE MY-21

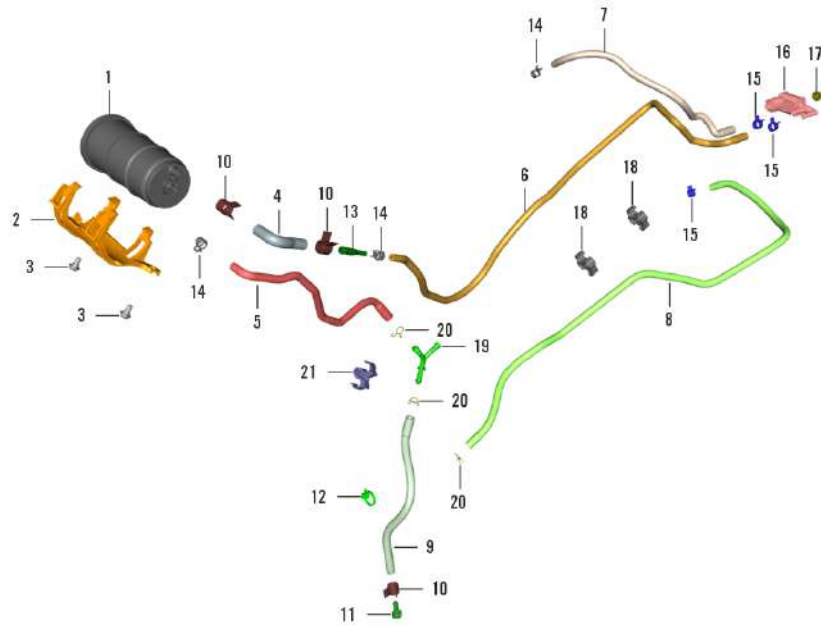
30. TANK, COVER



SN	Part No.	Description	QTY
21	LBU00050	SCREW BUTTON HEAD-M6X1XL9XPRECOAT	7
22	JG171151	BRACKET SPOILER TANK	2
23	JU171051	GROMMET	2
24	DP201037	COLLAR	1
25	LBU00053	SCREW BUTTON HEAD-M6X1XL25XBRT	2
26	JG181348	DAMPER	10
27	JG181349	DAMPER	2
28	JG171157	TAPE	1
29	JD402217	BAND(L 150)	1
30	52JG1175	ADV 250 TANK SPOILER LH BLKGLOSS + DCL	1
31	52JG1177	ADV 250 TANK SPOILER LH ECORG + DCL	1
32	52JG1176	ADV 250 TANK SPOILER RH BLKGLOSS + DCL	1
33	52JG1178	ADV 250 TANK SPOILER RH ECORG + DCL	1
34	JZ171021	WASHER VAPOUR SEALING	2
35	DS141012	GROMMET - SIDE COVER :- FRONT	2
36	JG181342	SPOILER TANK INNER LH	1
37	JG181343	SPOILER TANK INNER RH	1
38	LBU00048	SCREW BUTTON HD-M6X1XL13	4
39	JW171015	COLLAR	2
40	LAD00228	BOLT FLANGE- M6X1XL19XBRIGHTXSTEP	2

250-ADVENTURE MY-21

31. EVAP SYSTEM

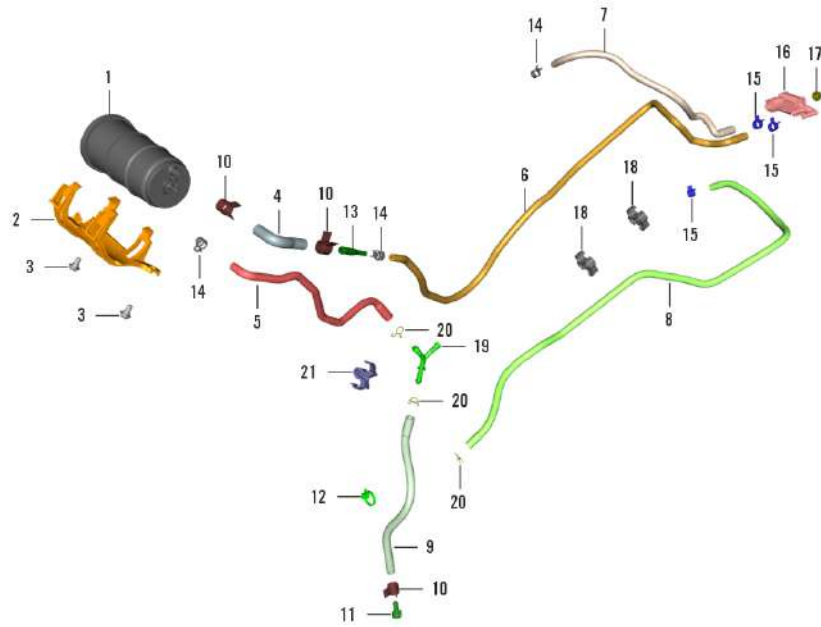


SN	Part No.	Description	QTY
1	JG171611	CANISTER	1
2	JG113864	HOLDER CANISTER	1
3	LBU00050	SCREW BUTTON HEAD-M6X1XL9XPRECOAT	2
4	JG171617	PIPE CANISTER-CONNECTOR	1
5	JG171615	PIPE CANISTER-CONNECTOR	1
6	JG171619	PIPE CONNECTOR-VALVE PURGE	1
7	JG171614	PIPE VALVE PURGE-BODY THROTTLE	1
8	JG171616	PIPE TANK-CONNECTOR	1
9	JG171618	PIPE DRAIN	1
10	JY171090	SPRING BAND CLAMP 13X12	3
11	JY171825	PLUG FUEL DRAIN	1
12	JD402215	BAND	1
13	JG171086	CONNECTOR TUBE EVAP	1
14	JL171101	CLAMP BAND SPRING	3
15	JG171029	SPRING BAND CLAMP 11.5 x 8.4	3
16	JU171606	VALVE PURGE	1
17	KCGA0606	NUT HEX FLANGED	1
18	JG131850	CLIP SEPARATOR	2
19	JY113842	CONNECTOR Y SHAPE	1
20	DJ141002	CLAMP - DRAIN PIPE	3

250-ADVENTURE MY-21

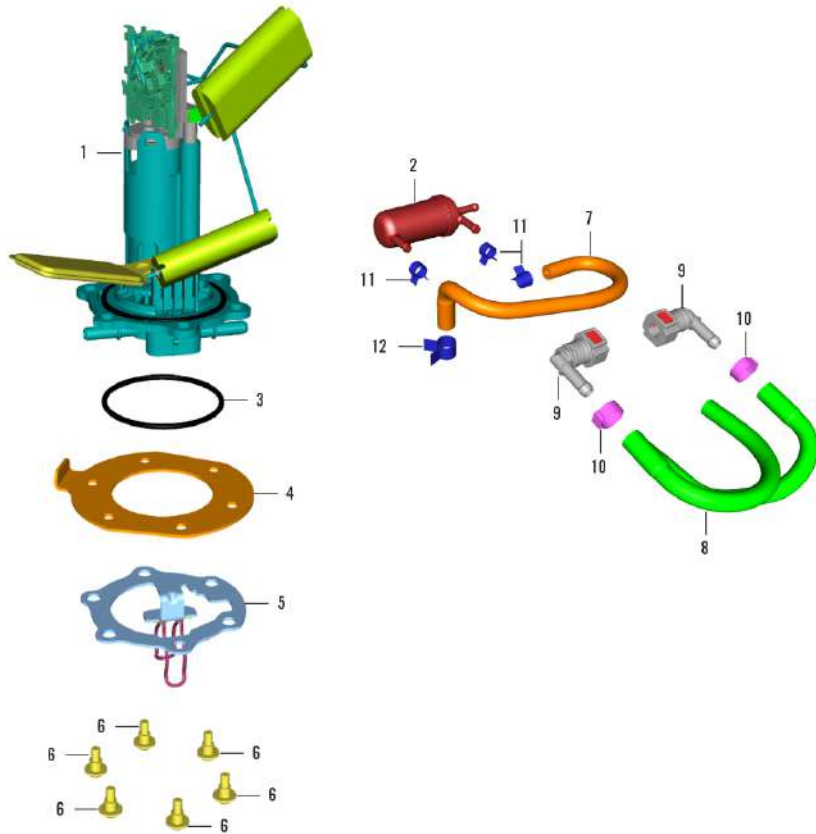
31. EVAP SYSTEM

SN	Part No.	Description	QTY
21	JG131857	CLIP SEPARATOR	1



250-ADVENTURE MY-21

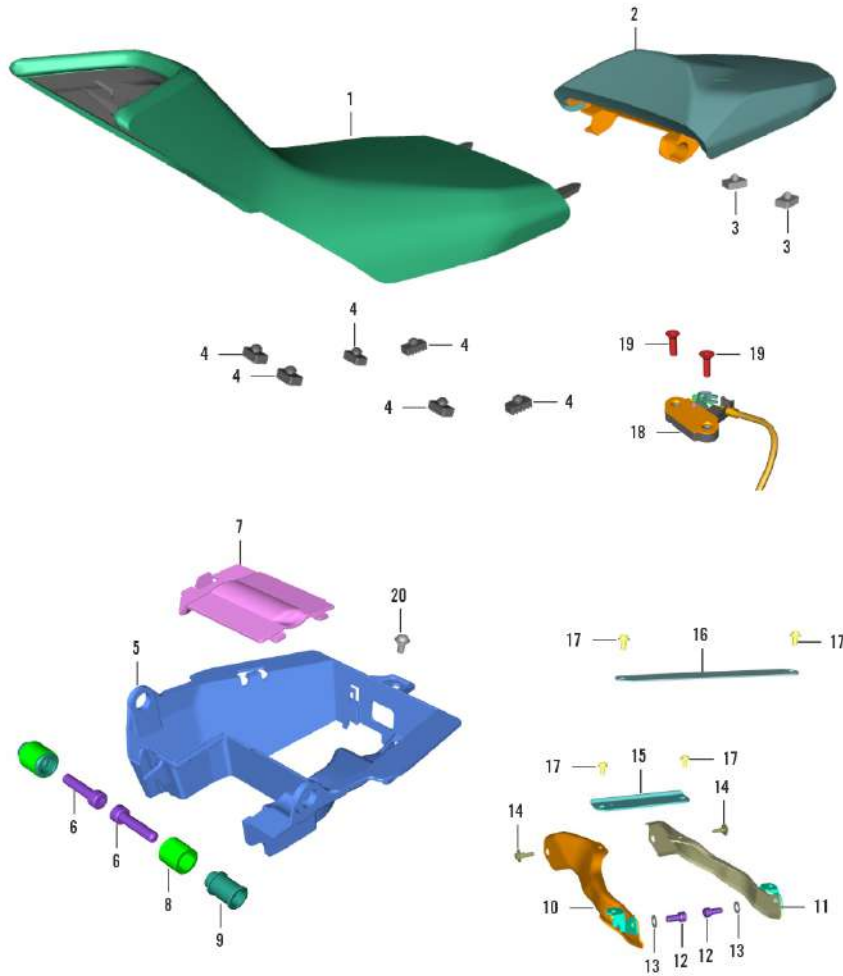
32. FUEL PUMP



SN	Part No.	Description	QTY
1	JG171816	PUMP FUEL	1
2	JG171802	FINE FUEL FILTER	1
3	JY171146	RING O	1
4	JG171003	PLATE PUMP FUEL	1
5	JG171141	FLANGE PUMP FUEL	1
6	LBU00095	SCREW BUTTON HEAD STEP M6X1	6
7	JP171816	PIPE FUEL	1
8	JG171817	PIPE FILTER FUEL-PUMP FUEL I	2
9	JU171048	CONNECTOR QUICK	2
10	DT171822	CLAMP QUICK CONNECTOR END PERMANENT	2
11	JG171029	SPRING BAND CLAMP 11.5 x 8.4	3
12	JY171090	SPRING BAND CLAMP 13X12	1

250-ADVENTURE MY-21

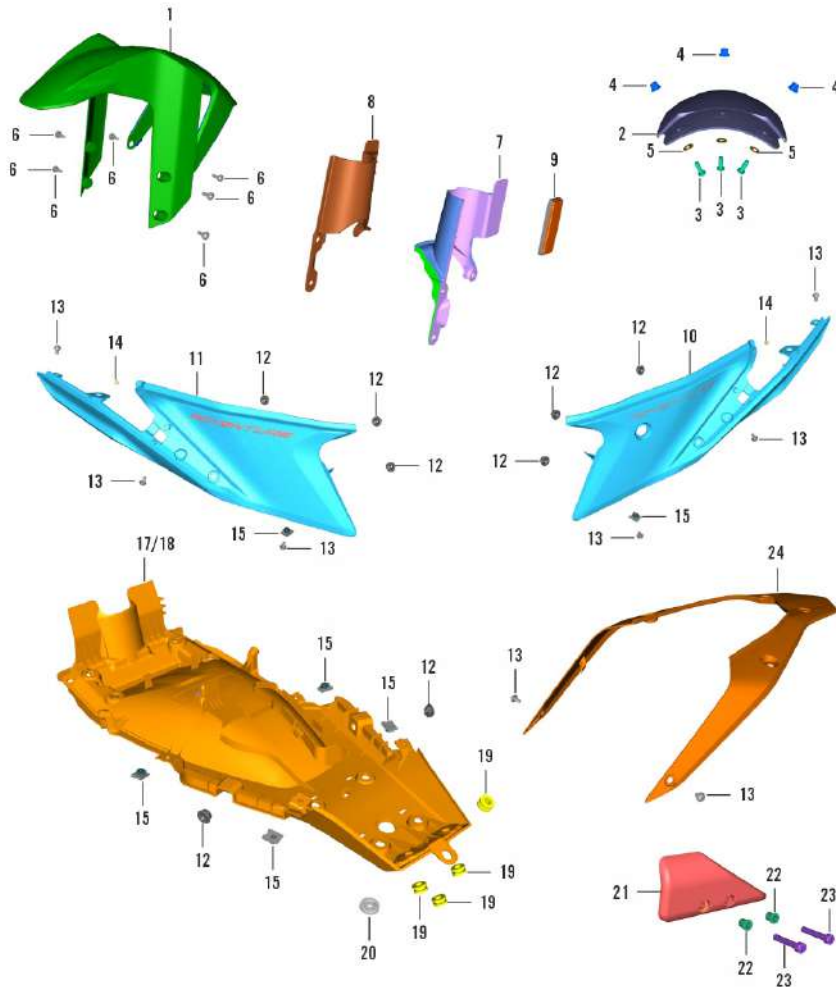
33. SEAT



SN	Part No.	Description	QTY
1	JG191024	SEAT ASSEMBLY RIDER	1
2	JG191028	SEAT ASSEMBLY PILLION	1
3	DJ211007	DAMPER FOR SEAT	2
4	JP191007	SEAT DAMPER REAR	6
5	JG181320	COVER	1
6	KACF0835	BOLT SOKET- M8X1.25XL35XCL8.8XBRT	2
7	JG181362	COVER RELAY STARTER	1
8	JP191011	BUSH DAMPER SEAT	1
9	JP191009	DAMPER SEAT	1
10	JG113867	BRACKET SPIDER LH	1
11	JG113868	BRACKET SPIDER RH	1
12	KACA0818	BOLT MASTER KAC	2
13	KDAB0816	WASHER PLAN SMALL 8.5X16X1.2	2
14	LAE00034	BOLT FL- M8X1.25XL23.5XBLKXSTEPED	2
15	JG113869	BRACKET CROSS FRONT	1
16	JG113870	BRACKET CROSS REAR	1
17	JY113821	SCREW BUTTON HEAD- M6X1XL12XBLACK	6
18	DS211009	LATCH SEAT	1
19	KBCA0620	SCREW CSK CROS- M6X1XL20XCL4.8XBR	2
20	LBU00050	SCREW BUTTON HEAD- M6X1XL9XPRECOAT	1

250-ADVENTURE MY-21

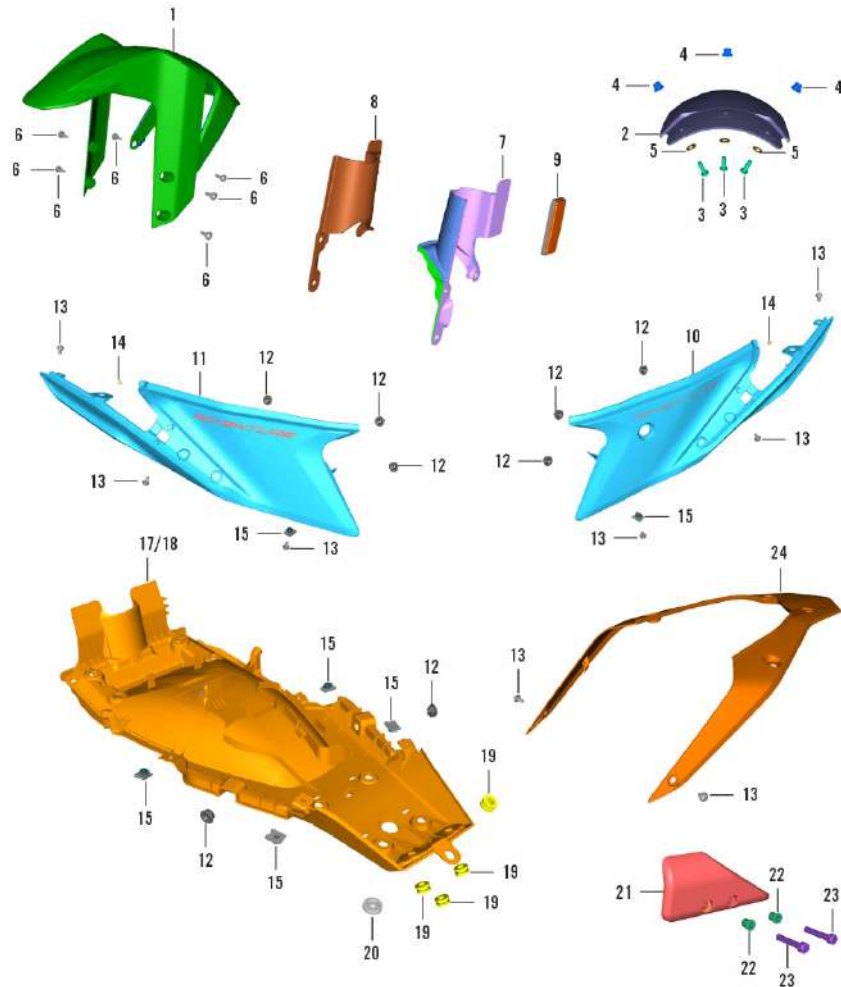
34. FENDERS & SIDE FAIRING



SN	Part No.	Description	QTY
1	JG181445	FENDER FRONT	1
2	JG181437	FLAP FENDER FRONT	1
3	KBBJ0514	SCREW PAN CROSS-M5X0.8XL14XBLACK	3
4	KCKE0507	NUT NYLOC FL-M5X0.8XHT. 7.1XBLK	3
5	KDBF0512	WASHER PLAIN-ID5.5XOD12XT0.8XBLK	3
6	LBU00099	SCREW BUTTON HEAD-M6X1XL16XSTEP	6
7	JG181439	PROTECTOR FORK LH	1
8	JG181440	PROTECTOR FORK RH	1
9	JY401026	REFLECTOR REFLEX	2
10	JG181375	COWL ASSEMBLY SEAT LOWER LH	1
11	JG181376	COWL ASSEMBLY SEAT LOWER RH	1
12	JP181229	mROMMET IGNITION SWITCH COVER	8
13	LBU00050	SCREW BUTTON HEAD-M6X1XL9XPRECOAT	8
14	JG181361	DAMPER	2
15	DJ181065	NUT - CLIP :- M6	6
16	JG181301	TRAY UNDER	1
17	52JG1181	ADV250 SEAT COWL UPP ELCORG+DECAL	1
18	52JG1182	ADV250 SEAT COWL UPPER BLK GLOSS+DECAL	1
19	JP181279	GROMMET FRONT FAIRING ASSY	4
20	JG181356	GROMMET	1

250-ADVENTURE MY-21

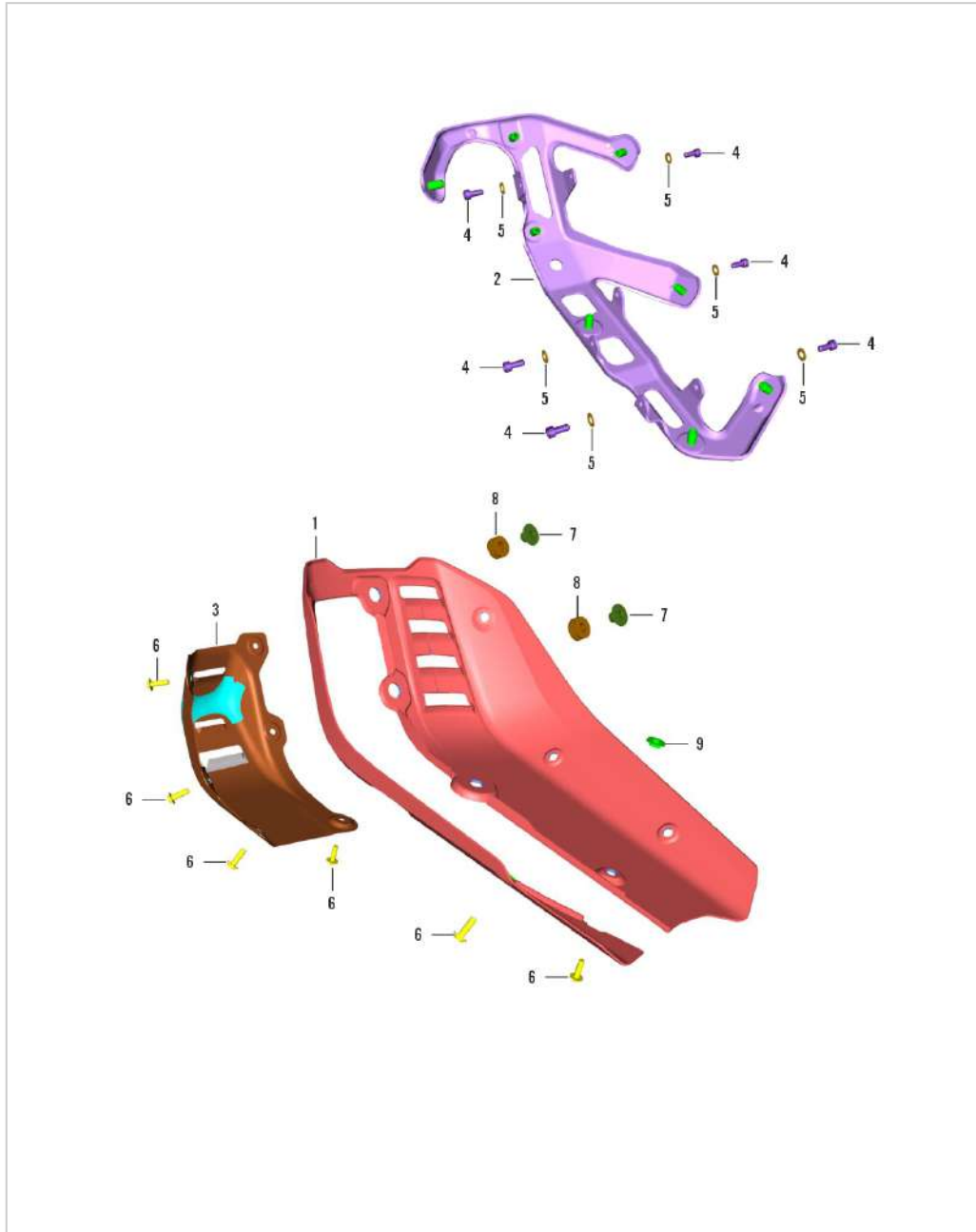
34. FENDERS & SIDE FAIRING



SN	Part No.	Description	QTY
21	JP181288	COVER IGNITION COIL	1
22	JP113835	SLEEVE COVER IGNITION COIL	2
23	LAC00120	BOLT SOCKET M6X1	2
24	LBR00014	SCREW TAPPING-DIA. 4.5XL 12XBRT	3

250-ADVENTURE MY-21

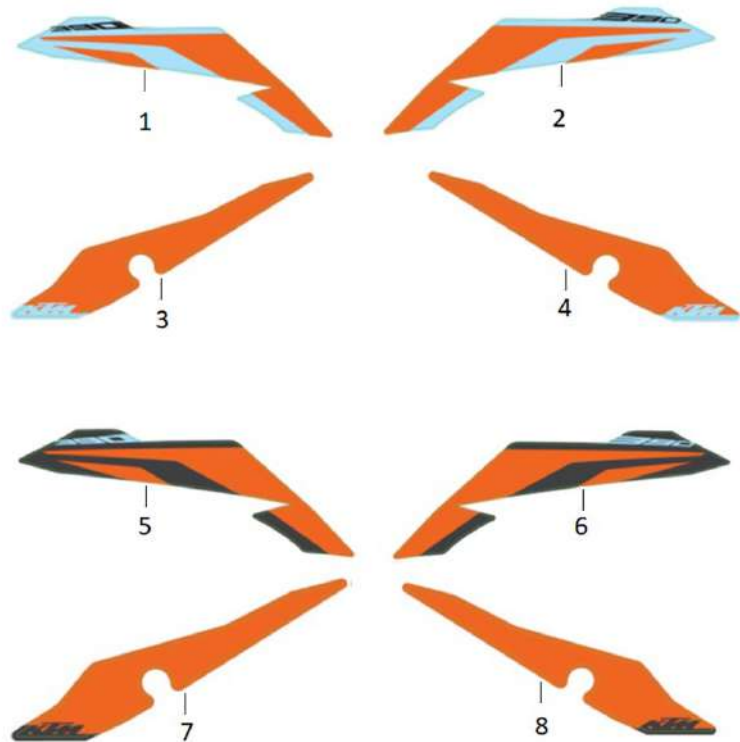
35. BELLY PAN



SN	Part No.	Description	QTY
1	JG181300	BELLY PAN	1
2	52JG1239	ADVENTURE BELLY PAN BRACKET SUB ASSLY	1
3	JG181357	COVER BELLY PAN	1
4	KACH0614	BOLT SOCKET-M6X1XL14XCL 10.9XBLK	6
5	KDBF0613	WASHER PLAIN-ID6.5XOD13XT1XBLACK	6
6	LAC00008	SCREW BUTTON HEAD-M6X1XL20XBLACK	11
7	JP171053	SLEEVE EXPANSION TANK MTG	4
8	JP171051	GROMMET	4
9	JG181358	SLEEVE	5

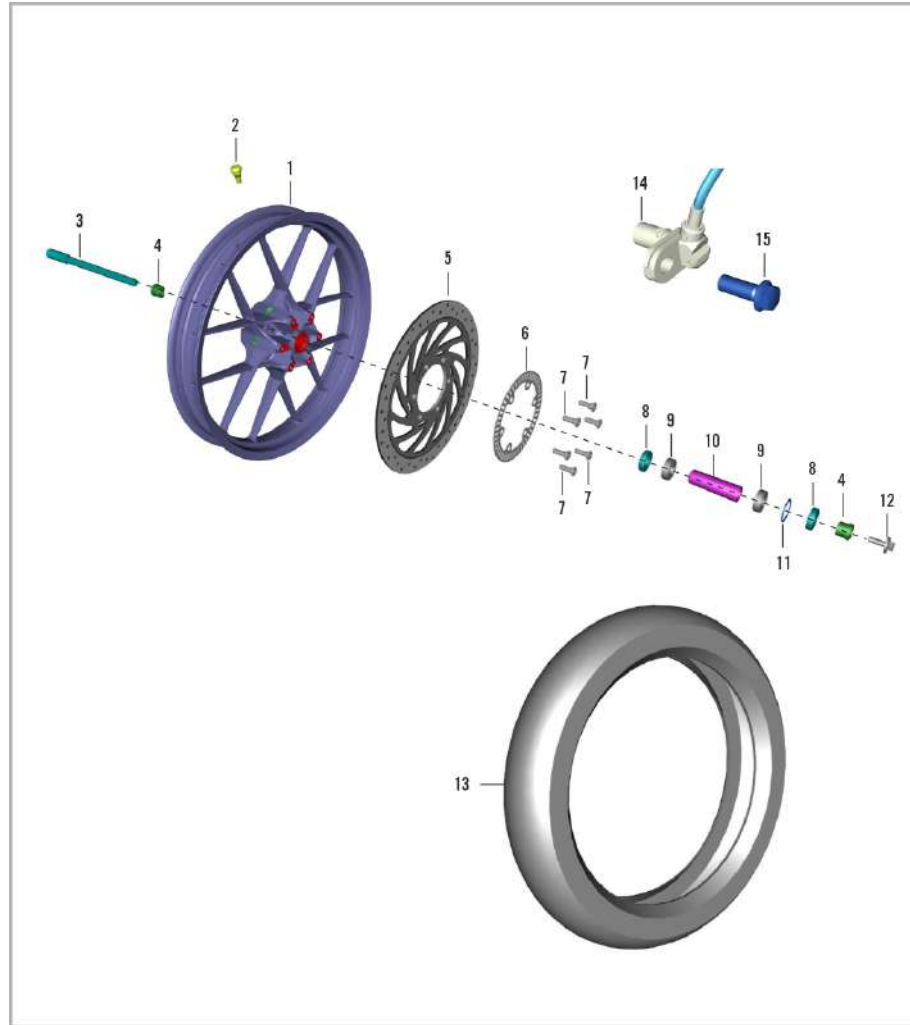
250-ADVENTURE MY-21

36. DECAL



SN	Part No.	Description	QTY
1	JG233171	DECAL SPOILER TANK LH WHITE	1
2	JG233172	DECAL SPOILER TANK RH WHITE	1
3	JG233173	DECAL COWL SEAT UPPER LH WHITE	1
4	JG233174	DECAL COWL SEAT UPPER RH WHITE	1
5	JG233175	DECAL SPOILER TANK LH BLACK	1
6	JG233176	DECAL SPOILER TANK RH BLACK	1
7	JG233177	DECAL COWL SEAT UPPER LH BLACK	1
8	JG233178	DECAL COWL SEAT UPPER RH BLACK	1

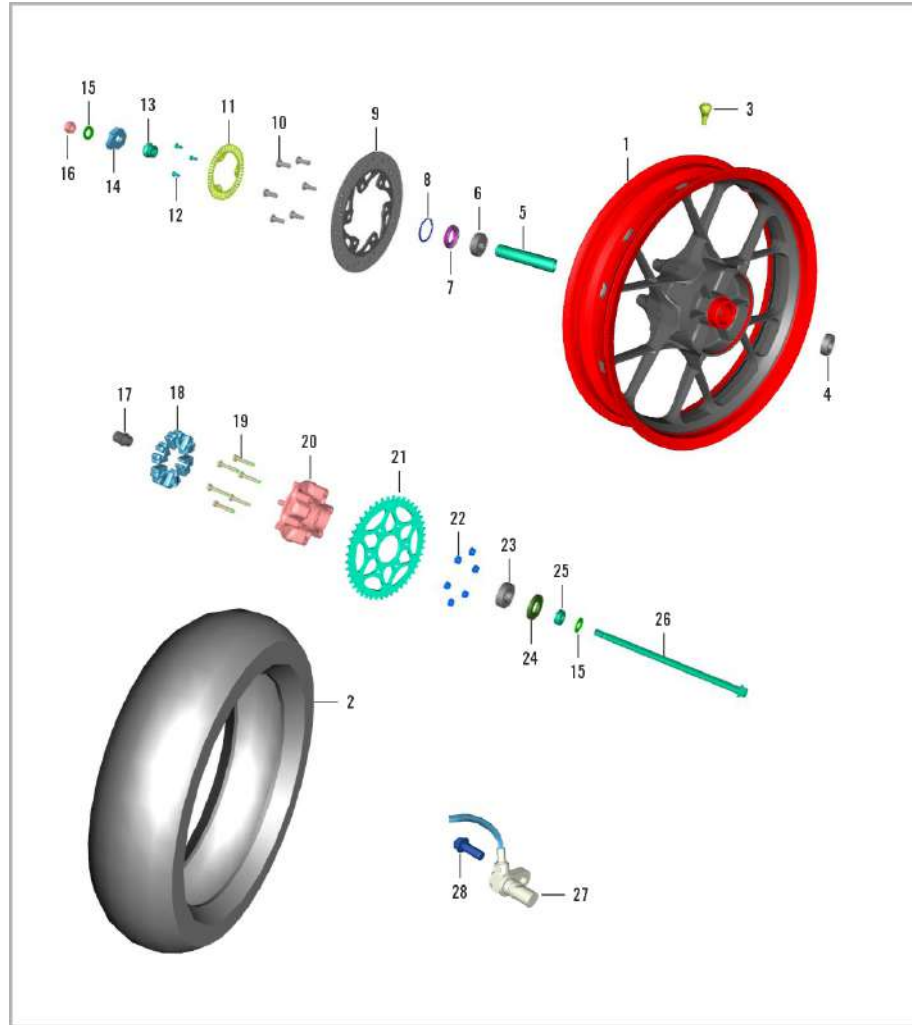
250-ADVENTURE MY-21



37. FRONT WHEEL

SN	Part No.	Description	QTY
1	36JG0109	KTI FRONT WHEEL	1
2	DK151026	VALVE TUBELESS TYRE	1
3	JP131009	AXLE -DIA. 15XL 185XBRIGHT	1
4	JG131020	COLLAR CH 0.7_0.9	2
5	JF131876	DISC BRAKE DIA 320	1
6	DT131867	SENSOR DISC FRONT K7	1
7	JD131811	SCREW SOCKET STEP M8X1.25	6
8	DG151005	SEAL - OIL	2
9	KPBC6202	BEARING-BALL-C3 CLEARANCE	2
10	JG131063	SPACER ASSEMBLY	1
11	KEBA3515	CIRCLIP INTERNAL	1
12	JG131007	BOLT FLANGED M8X1.25	1
13	JG131254	TYRE FRONT 100/90-19 57S TL (NOT SERVICEABLE)	1
14	DT402404	SENSOR SPEED WHEEL	1
15	KAEF0612	BOLT-FLANGE-KAE ST-F DIA-06 L-12	1

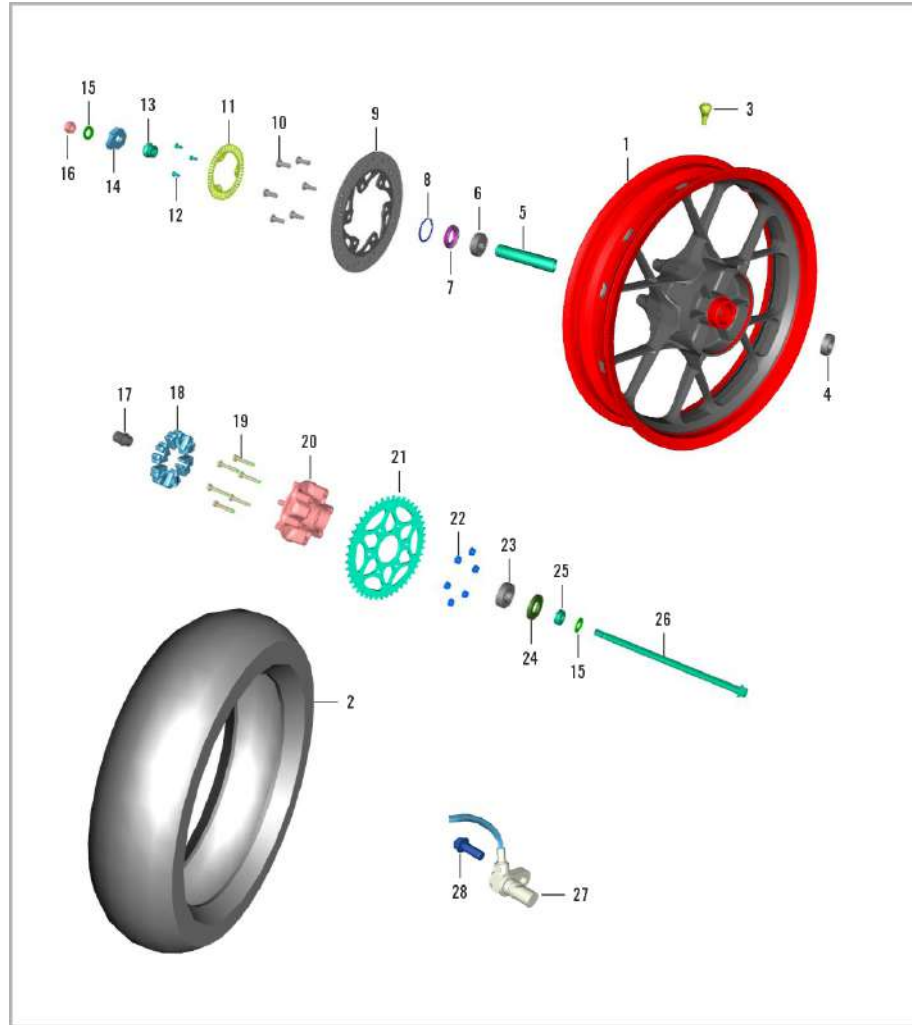
250-ADVENTURE MY-21



38. REAR WHEEL

SN	Part No.	Description	QTY
1	36JG0110	KTI REAR WHEEL	1
2	JG131254	TYRE REAR 130/80-17 TL (NOT SERVICEABLE)	1
3	DK151026	VALVE TUBELESS TYRE	1
4	KPBC6202	BEARING-BALL-C3 CLEARANCE	1
5	JG131206	SLEEVE	1
6	KPBC6302	BEARING-BALL-C3 CLEARANCE	1
7	30151082	SEAL OIL	1
8	KEBA4217	CIRCLIP INTERNAL	1
9	JG131809	DISC BRAKE DIA 230	1
10	JD131811	SCREW SOCKET STEP M8X1.25	6
11	JU131802	SENSOR DISC REAR	1
12	JG131220	SCREW PAN CROSS-M6X1XL12XPRECOAT	3
13	JG131211	SPACER	1
14	JG122007	CHAIN ADJUSTER RH	2
15	LDB00034	WASHER PLAIN-ID 15.2XOD 30XTHK 2	2
16	DH171019	NUT - U :- SWING ARM	1
17	DT131210	SLEEVE	1
18	JY131201	DAMPER 6 RUBBER	6
19	JG131228	BOLT D-M8X1.25XL48XCL 10.9XBLACK	6
20	DT131213	COUPLING 6 LUG	1

250-ADVENTURE MY-21

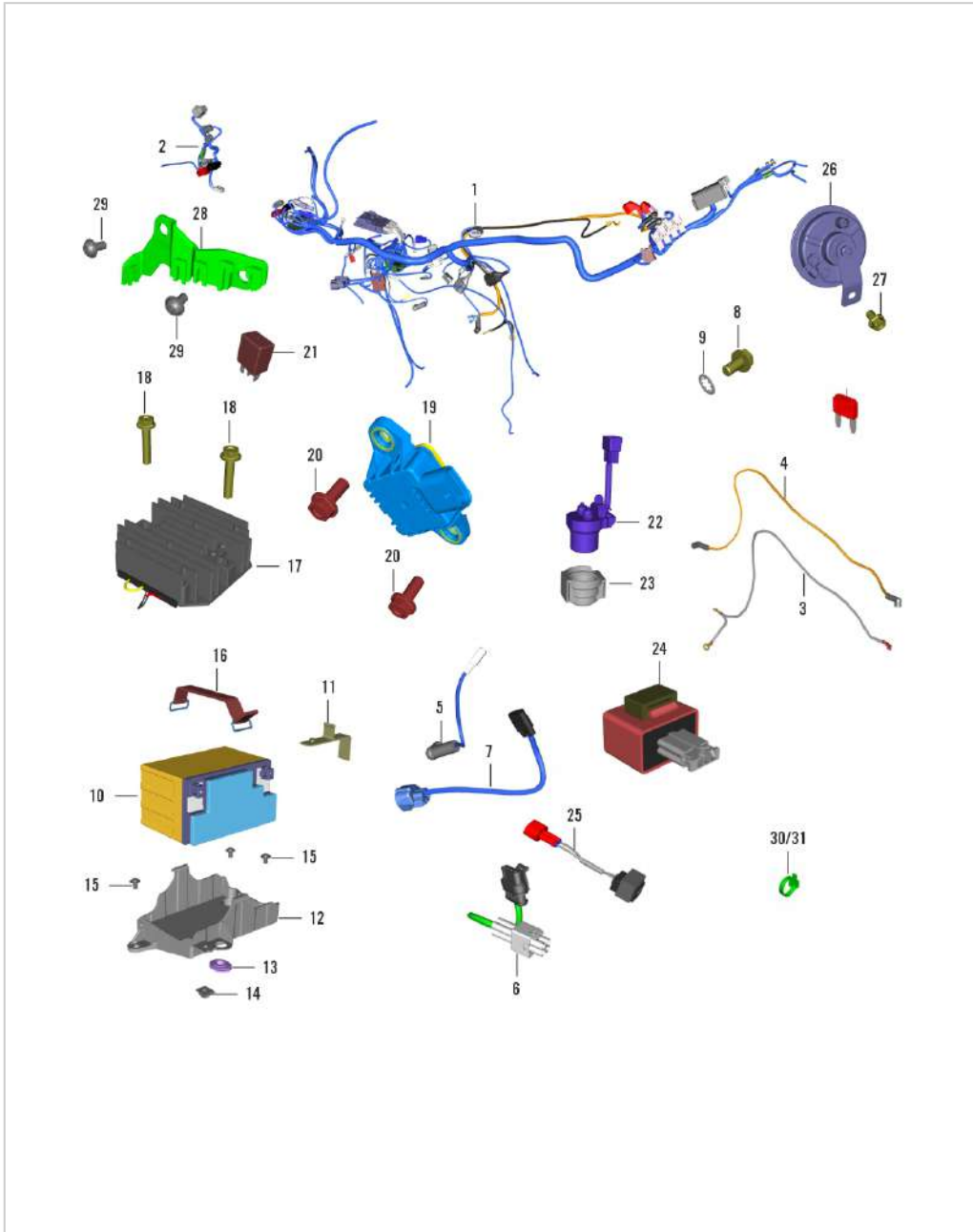


38. REAR WHEEL

SN	Part No.	Description	QTY
21	JG141002	SPROCKET	1
22	LCL00004	NUT U FLANGE-M8X1.25XHT8.5XBRT	6
23	KPAC6205	BEARING BALL ORDINARY CLEARANCE	1
24	DT131214	SEAL OIL 52 DIA	1
25	JG131209	SPACER	1
26	JG131224	AXLE -M14X1.5XL 295XBRIGHT	1
27	DT402404	SENSOR SPEED WHEEL	1
28	KAEF0612	BOLT-FLANGE-KAE ST-F DIA-06 L-12	1

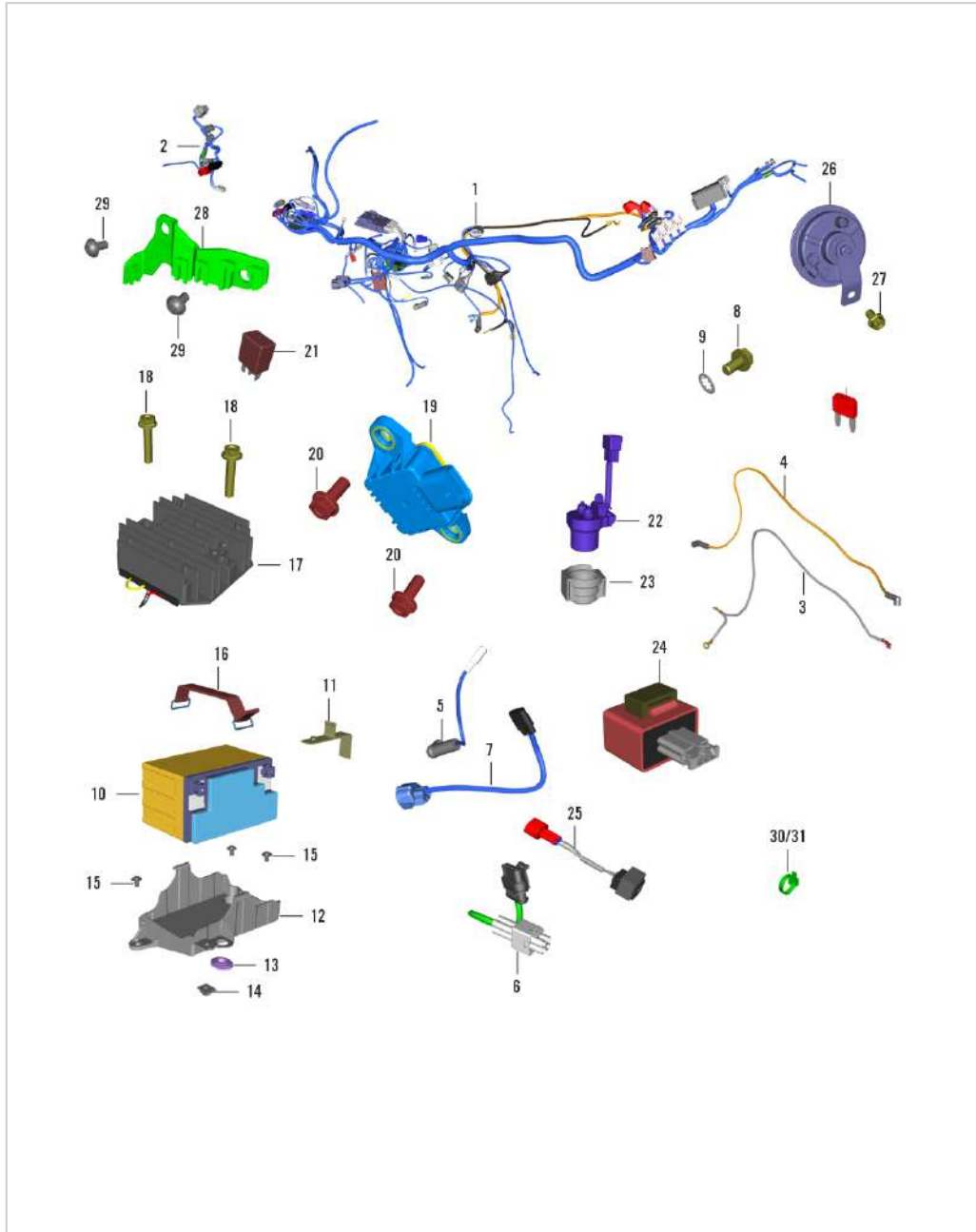
250-ADVENTURE MY-21

39. WIRING HARNESS



SN	Part No.	Description	QTY
1	JG402274	HARNESS WIRING REAR	1
2	JG402273	HARNESS WIRING FRONT	1
3	JG402269	CABLE EARTH	1
4	JG402270	CABLE RELAY-MOTOR STARTER	1
5	JP402218	PIGTAIL OIL PRESSURE SWITCH MY17	1
6	JY402235	PIGTAIL PH-3 FUEL PUMP	1
7	JY402246	PIGTAIL COOLANT TEMP SENSOR RC MY16	1
8	KADD0612	BOLT FLANGED	3
9	LDF00001	WASHER TOOTHED-ID 6.4XOD11XT 0.7	3
10	JG401800	12V 8AH VRLA BATTERY	1
11	JG401811	BAND BATTERY	1
12	JG401812	CASE BATTERY	1
13	JZ171124	GROMMET	1
14	DJ181065	NUT - CLIP :- M6	1
15	JY181285	SCREW BUTTON HEAD-M6X1XL10XBLACK	3
16	JA401801	BATTERY BAND 5 AH	1
17	JY402000	REGULATOR	1
18	KADD0630	BOLT-FLANGE-KAD ST-D DIA-06 L-30	2
19	JG351811	SENSOR LEAN ANGLE	1
20	KADT0616	BOLT FLANGED-M6X1XL16XCL8.8XBLAK	2

250-ADVENTURE MY-21

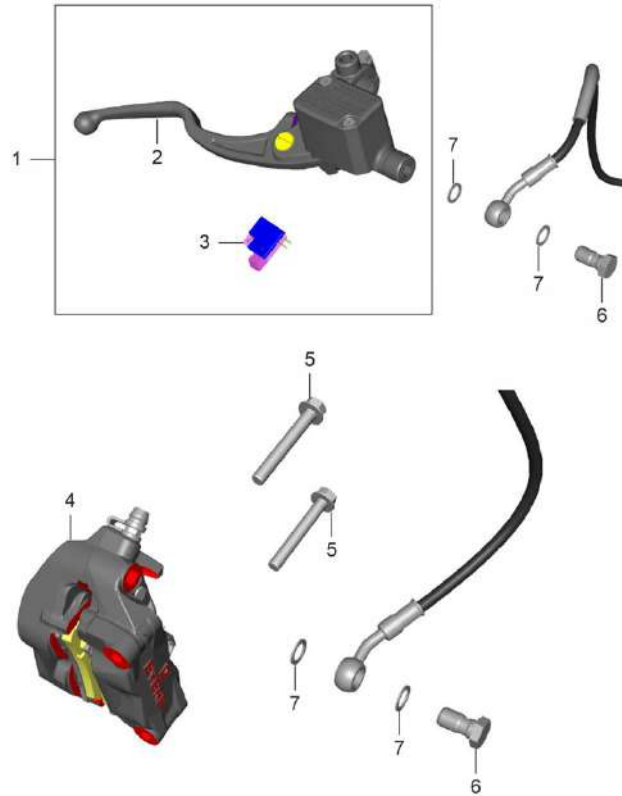


39. WIRING HARNESS

SN	Part No.	Description	QTY
21	JL403000	RELAY INTERLOCK	5
22	JP403000	RELAY STARTER	1
23	JG403003	DAMPER RELAY STARTER	1
24	JG402002	DC FLASHER	1
25	AA201382	UNIT TRANSIL	1
26	JG401607	HORN	1
27	KADD0812	BOLT-FLANGE-KAD ST-D DIA-08 L-12	1
28	JG181314	HOLDER RELAY	1
29	JY113821	SCREW BUTTON HEAD-M6X1XL12XBLACK	2
30	JD402212	BAND(LENGTH 200MM)	16
31	JD402216	BAND	2
32	36JU0015	KIT KTM 200 8AH BATTERY+Bottle	1

250-ADVENTURE MY-21

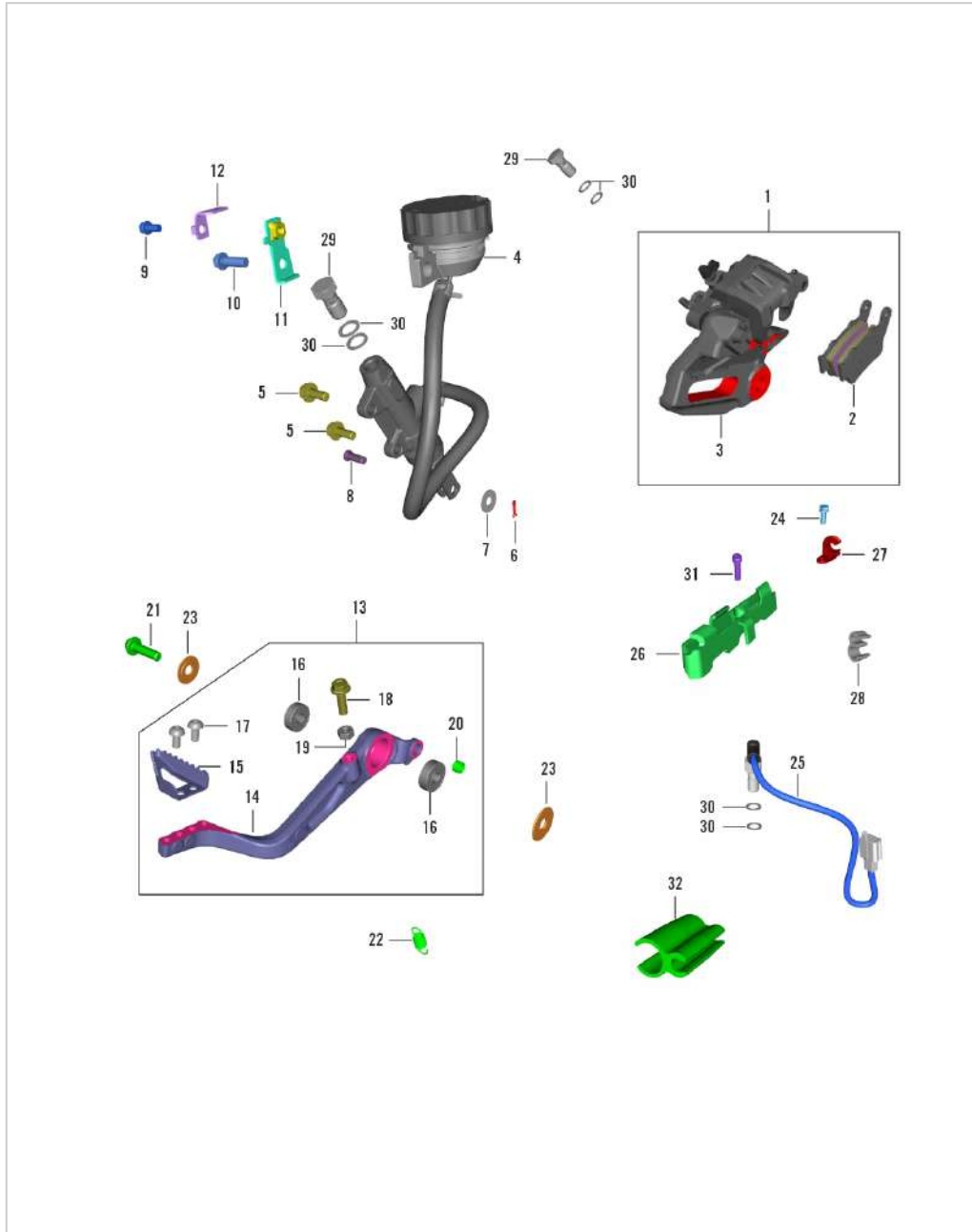
40. BRAKE SYSTEM - FRONT



SN	Part No.	Description	QTY
1	JY131829	CYLINDER ASSEMBLY MASTER FRONT	1
2	36JY0186	FR M/CYL BRAKE LEVER KIT	1
3	JU401407	SWITCH BRAKE	1
4	JG131804	CALIPER ASY BRAKE FRONT	1
5	LAD00079	BOLT FLANGED M8X1	2
6	DK151069	BOLT -M10X1XL 19XCL 8.8XBRIGHT	2
7	DE191010	WASHER - COPPER :- KBX	4
8	36JP0017	KIT FR.M/CYL ASSLY W/O CLAMP-22	1
9	36JY0222	CLAMP KIT - KT22 10WO5251	1
10	36JY0186	FR M/CYL BRAKE LEVER KIT	1
11	36JY0188	FR CALIPER BRAKE PAD KIT-SINTERED	1
12	36JY0180	MINOR KIT REAR CALIPER	1
13	36JY0179	MAJOR KIT REAR CALIPER	1
14	36JY0183	FRONT MASTER CYLINDER MAJOR KIT	1
15	36JY0184	FRONT MASTER CYLINDER MINOR KIT	1
16	36JY0187	FR M/CYL BOOT SPD KIT	1

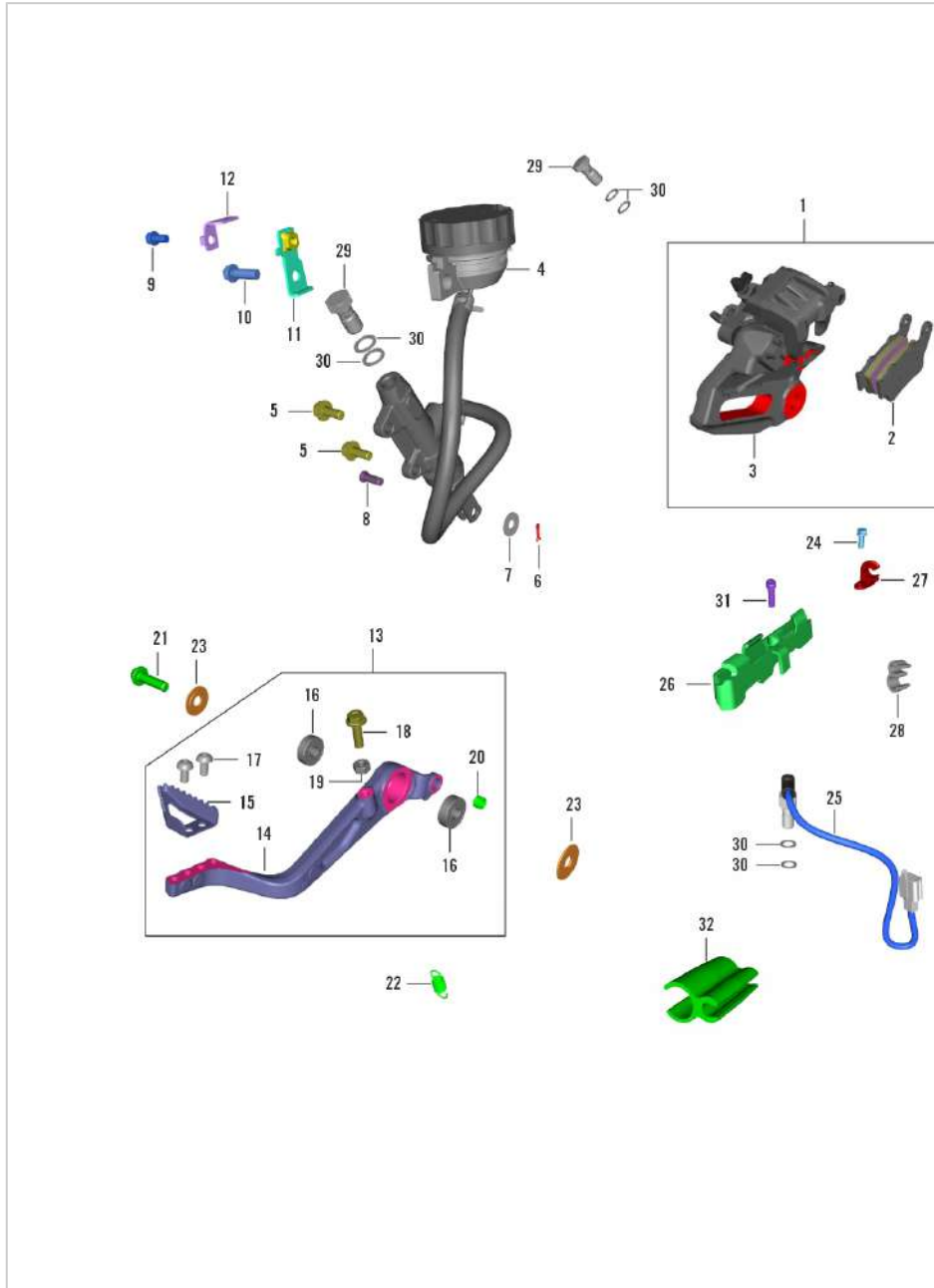
250-ADVENTURE MY-21

41. BRAKE SYSTEM - REAR



SN	Part No.	Description	QTY
1	JG131815	CALIPER ASSEMBLY REAR	1
2	DK151085	PAD BRAKE REAR SET	1
3	JY131823	CALIPER ASSEMBLY	1
4	JG131856	CYLINDER MASTER REAR	1
5	LAD00077	BOLT FLANGE- M6X1XL16XBLKXPRECOAT	2
6	KHAA2015	PIN SNAP	1
7	39178924	WASHER - NYLON	1
8	LHA00001	PIN	1
9	LAE00053	BOLT FLANGE SMALL- M5X0.8XL10XBLK	1
10	LAE00051	BOLT FLANGE SMALL- M6X1XL18XBLACK	1
11	JP113809	BRACKET RESERVOIR MTG	1
12	JP131823	BRACKET CAP RESERVOIR	1
13	52JG1103	PEDAL ASSLY BRAKE ADVENTURE	1
14	JG161016	PEDAL BRAKE	1
15	JG161019	PAD PEDAL BRAKE	1
16	JG113061	BEARING CHANGE LEVER	2
17	LBU00064	SCREW BUTN HD- M5X0.8XL10XPRECOAT	2
18	KADD0620	BOLT FLANGED	1
19	KCAD0605	NUT HEX THICK	1
20	JP181247	SLEEVE	1

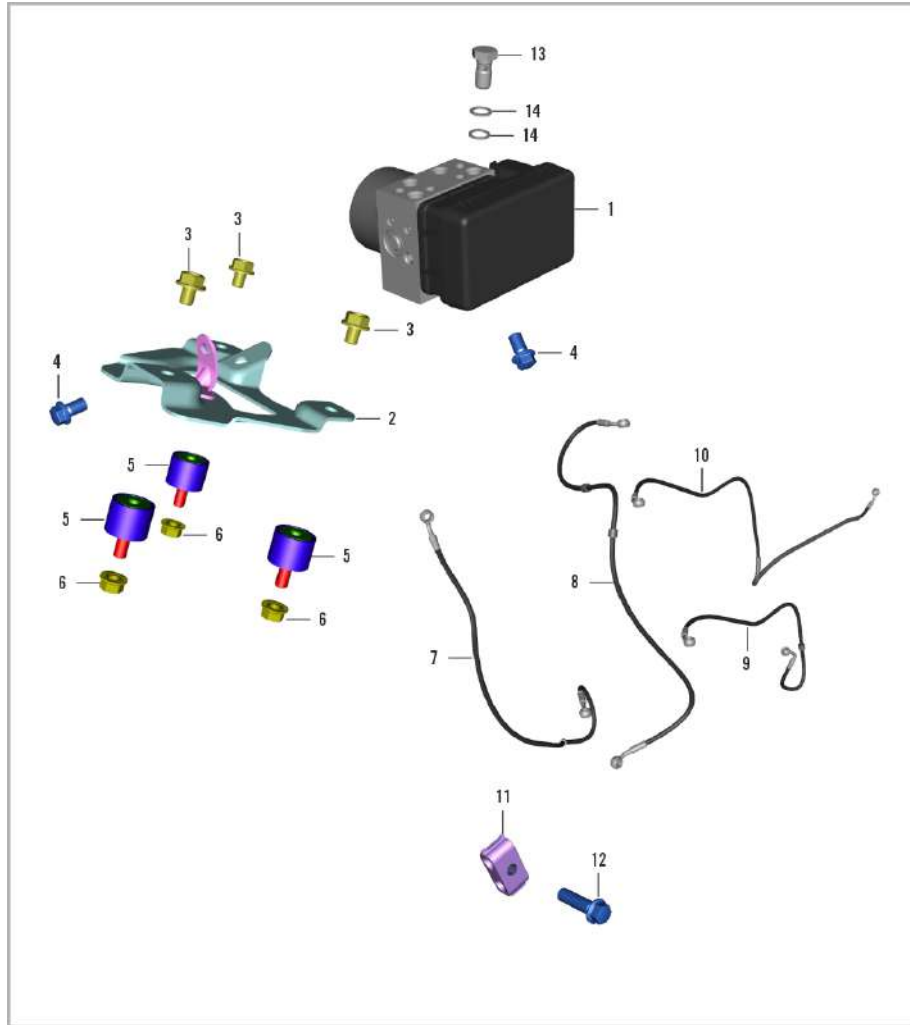
250-ADVENTURE MY-21



41. BRAKE SYSTEM - REAR

SN	Part No.	Description	QTY
21	JY113025	BOLT CHANGE LEVER	1
22	31101110	SPRING	1
23	JY113015	SPACER FOR CHANGE LEVER	2
24	LAE00010	BOLT FLANGED M5X0.8	1
25	JU401407	SWITCH BRAKE	1
26	JG131844	CLAMP BRAKE HOSE REA	1
27	JG122004	CLAMP HOSE	1
28	JG403603	CLAMP SENSOR CABLE HOLDING	1
29	DK151069	BOLT -M10X1XL 19XCL 8.8XBRIGHT	2
30	DE191010	WASHER - COPPER :- KBX	6
31	KACH0510	BOLT SOKET-M5X0.8XL10XCL10.9XBL	1
32	JG113858	CLAMP FOR BRAKE HOSE	1
33	36JY0225	RE RESERVOIR TUBE KIT 06W12414	1
34	36JY0180	MINOR KIT REAR CALIPER	1
35	36JY0179	MAJOR KIT REAR CALIPER	1
36	36JY0223	MAJOR KIT RE MAST CYL 10W02822	1
37	36JY0224	MINOR KIT RE MAST CYL 10W05712	1
38	36JY0226	PUSH ROD ASY KIT 10W02931	1
39	36JY0075	KIT PRESSURE SWITCH RC	1
40	36JY0076	KIT BANJO BOLT RC	1

250-ADVENTURE MY-21

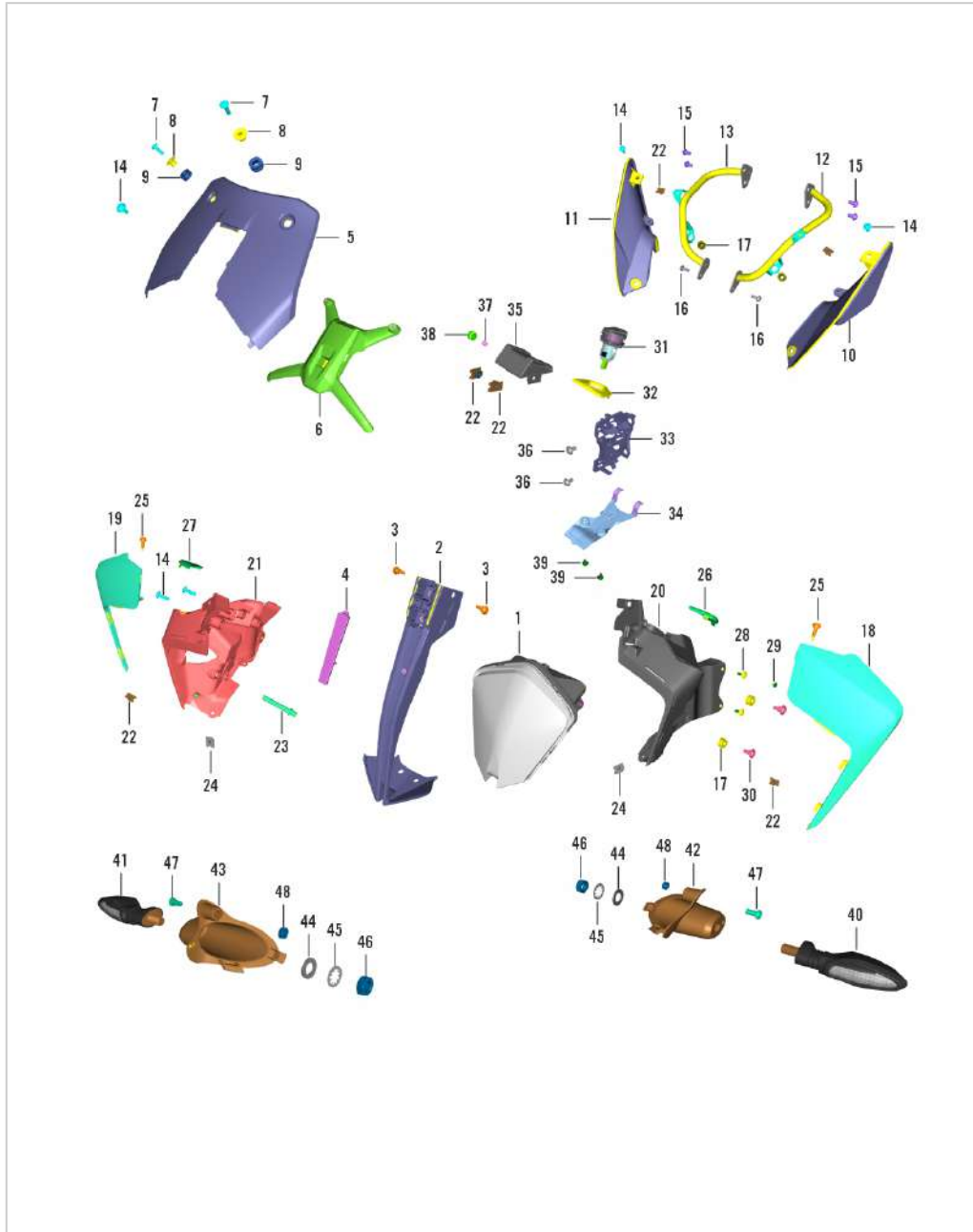


42. BRAKE SYSTEM - ABS FRONT & REAR

SN	Part No.	Description	QTY
1	JG131861	UNIT ABS WET	1
2	JP113804	BRACKET ABS MTG LOOSE	1
3	KADD0608	BOLT FLANGED	3
4	KAED0610	BOLT-FLANGE-KAE ST-D DIA-06 L-10	2
5	JG581014	SILENT BLOCK(M6)	3
6	LCL00002	NUT FLANGED-M6X1XHT.6XCL4	3
7	36JG0105	BR HOSE KIT ABS TO MAST CYL. FR	1
8	36JG0106	BR HOSE KIT FR ABS TO CALIPER	1
9	36JG0107	BR HOSE REAR MC TO ABS	1
10	36JG0108	BR HOSE REAR CALIPER TO ABS	1
11	DT131849	CLAMP FOR ABS HOSE	1
12	KAED0620	BOLT-FLANGED-SMALL (HT COIL) BOL	1
13	DK151069	BOLT -M10X1XL 19XCL 8.8XBRIGHT	3
14	DE191010	WASHER - COPPER :- KBX	8

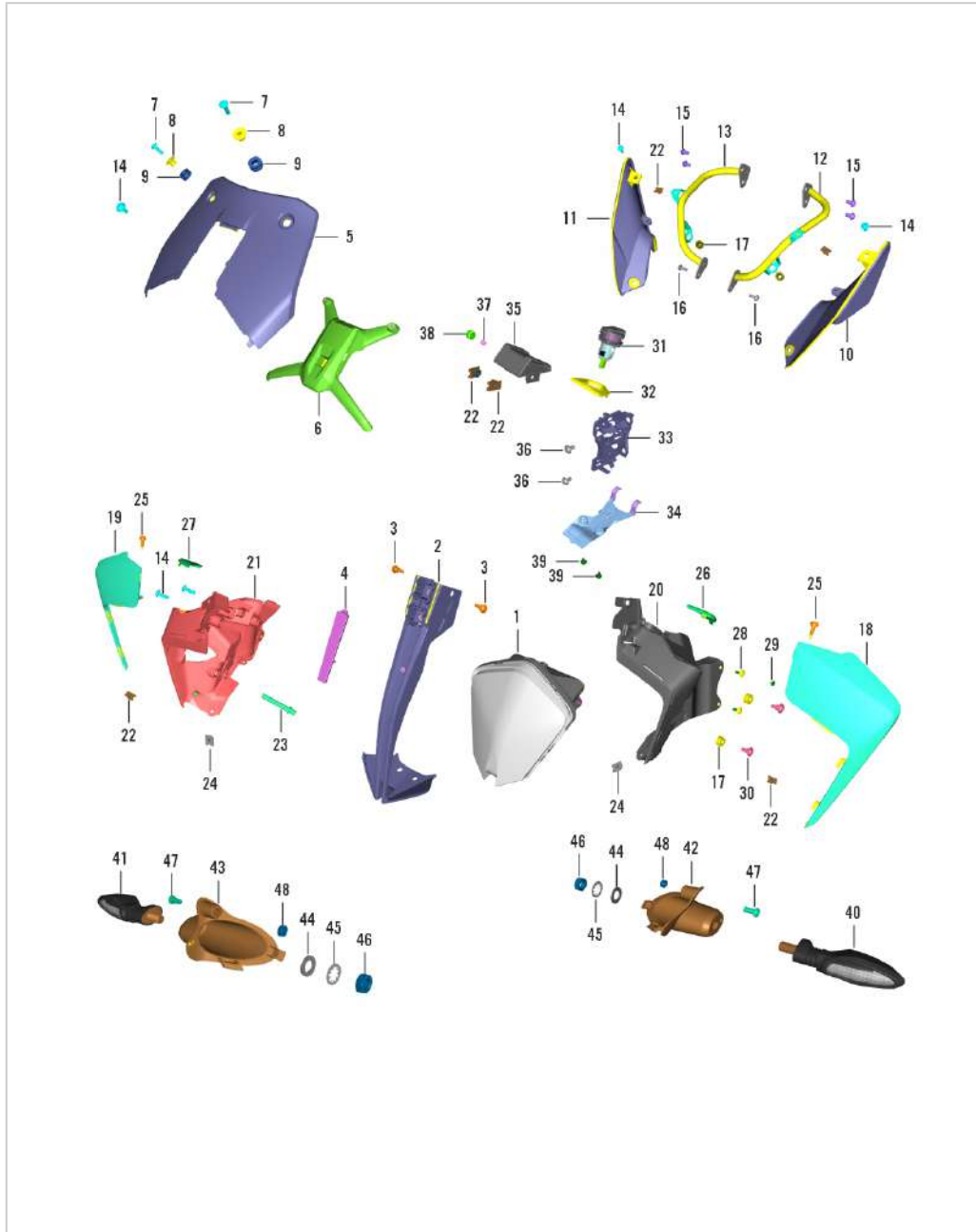
250-ADVENTURE MY-21

43. LAMP HEAD



SN	Part No.	Description	QTY
1	JG401049	LAMP HEAD	1
2	56JG4D45	ADV390 COVR MASK MIDDLE GUNMETAL METALIC	1
3	LBU00102	SCREW BUTTON HEAD- M5X0.8XL10XSTP	2
4	JG233166	EMBLEM KTM	1
5	JG184000	WINDSHIELD	1
6	JG184002	SUPPORT WINDSHIELD	1
7	LBU00060	SCREW BUTTON HD- M5X0.8XL18XBLACK	2
8	JP113832	COLLAR TFT SPEEDO SMALL	2
9	JY171037	GROMMET TANK COVER MTG	2
10	JG181316	FLAP LAMP HEAD LH	1
11	JG181317	FLAP LAMP HEAD RH	1
12	JG113875	BRACKET CARRIER LH	1
13	JG113876	BRACKET CARRIER RH	1
14	LBU00091	SCREW BUTN HD- M5X0.8XL10XBLKXSTEP	5
15	LBU00094	SCREW BUTTON HEAD- M8X1.25XL14XBL	4
16	LAC00054	BOLT SOCKET- M6X1XL16XBLKXFL.HEAD	2
17	JP181279	GROMMET FRONT FAIRING ASSY	6
18	JG181311	COVER MASK LH	1
19	JG181312	COVER MASK RH	1
20	JG181364	CARRIER MASK LH	1

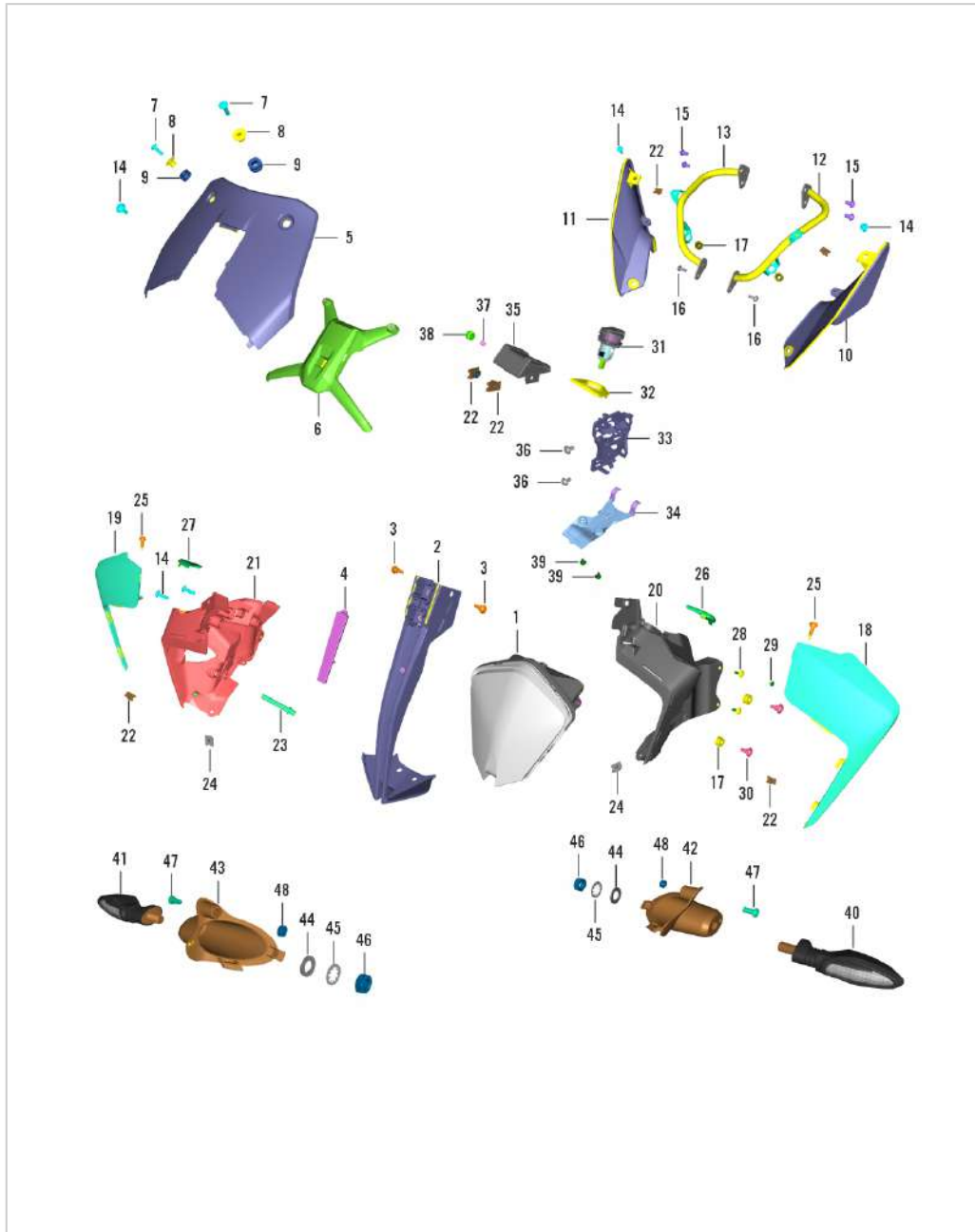
250-ADVENTURE MY-21



43. LAMP HEAD

SN	Part No.	Description	QTY
21	JG181365	CARRIER MASK RH	1
22	JG171031	CLIP NUT M5	6
23	JG181324	COLLAR CARRIER MASK	1
24	DJ181065	NUT - CLIP :- M6	2
25	LBU00092	SCREW BUTN HD- M5X0.8XL13XBLKXSTEP	2
26	JG181338	CAP CARRIER MASK LH	1
27	JG181339	CAP CARRIER MASK RH	1
28	LBU00103	SCREW STEP M6X1	4
29	JG151056	PLUG	1
30	LBU00093	SCREW BUTN HD- M6X1XL10XBLKXSTEP	4
31	JG402262	SOCKET CHARGER	1
32	JG181310	COVER SOCKET	1
33	JG181347	HOLDER CABLE	1
34	JG181305	COVER CABLE CARRIER MASK	1
35	JG181307	CAP CARRIER MASK	1
36	LBU00050	SCREW BUTTON HEAD- M6X1XL9XPRECOAT	2
37	JG181345	COLLAR	1
38	JG181344	GROMMET	1
39	BF185019	CLIP PLASTIC RIVET	2
40	DT401002	INDICATOR FRONT LH	1

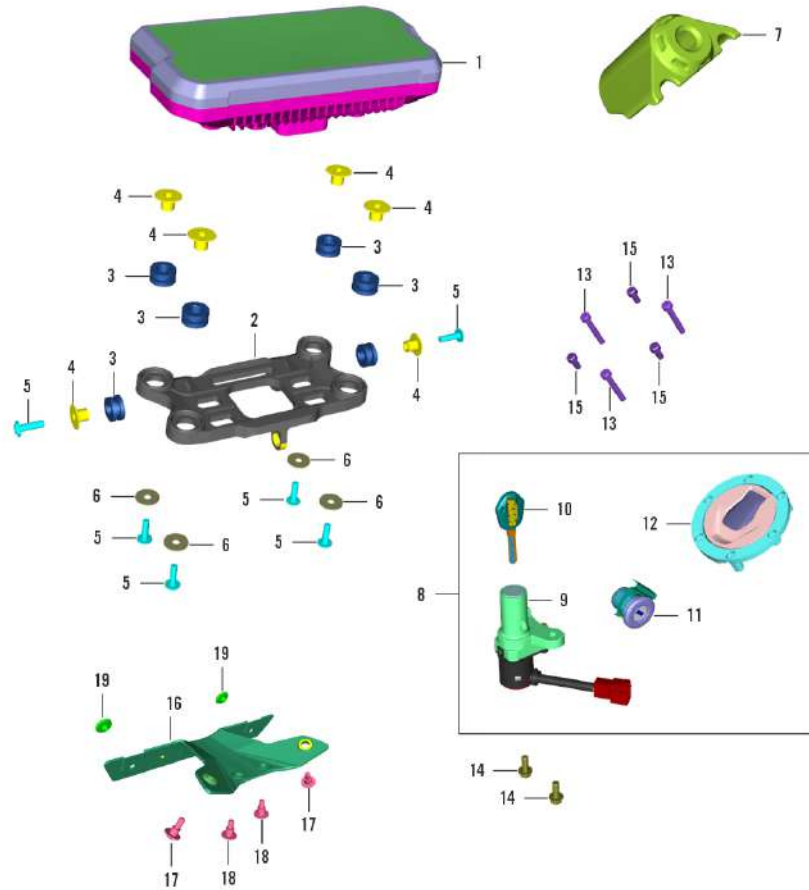
250-ADVENTURE MY-21



43. LAMP HEAD

SN	Part No.	Description	QTY
41	DT401003	INDICATOR FRONT RH	1
42	JG181326	HOLDER INDICATOR LH	1
43	JG181340	HOLDER INDICATOR RH	1
44	KDAA1018	WASHER PLAIN	2
45	KDFB1018	WASHER TOOTHED INTERNAL	2
46	KCBA0503	NUT HEX THIN-M5X0.8XHT3.2XBRIGHT	2
47	KBBJ0512	SCREW PAN CROSS-M5X0.8XL12XBLACK	2
48	KCBK1006	NUT HEX THIN-M10X1.25XHT. 6XBLK	2
49	36DT0053	KIT FR.NUMBER PLATE PULSAR RS 200 / AS 2	1

250-ADVENTURE MY-21



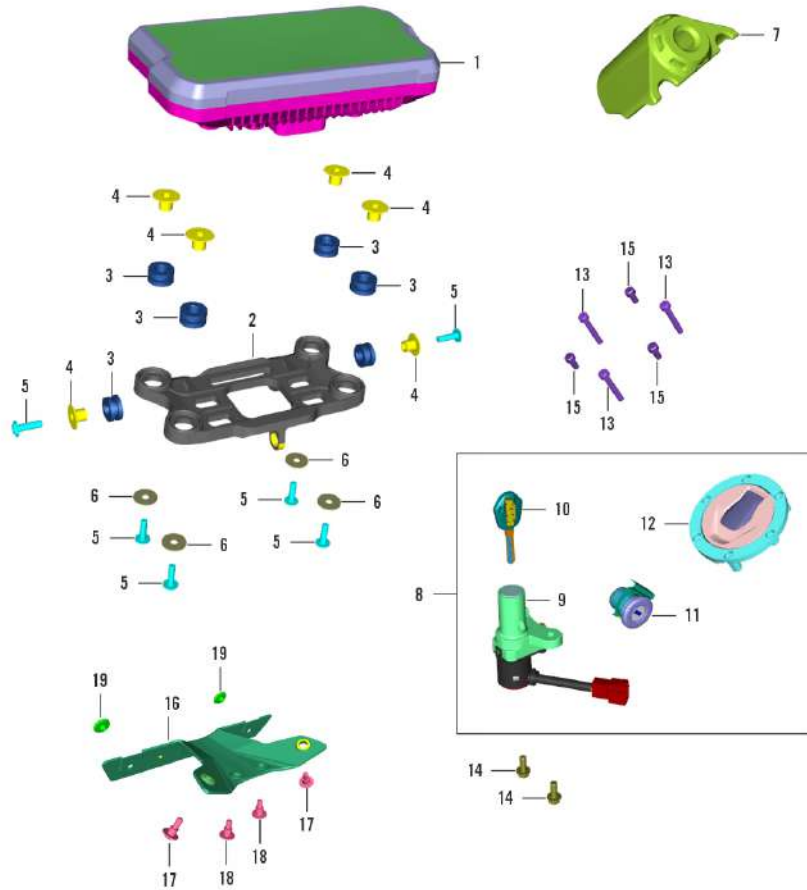
44. SPEEDOMETER

SN	Part No.	Description	QTY
1	JG402413	SPEEDOMETER	1
2	JG181325	HOLDER SPEEDOMETER	1
3	JY171037	GROMMET TANK COVER MTG	6
4	JP113832	COLLAR TFT SPEEDO SMALL	6
5	LBU00060	SCREW BUTTON HD-M5X0.8XL18XBLACK	6
6	JW181229	WASHER PLAIN ID5.5 X OD18 X T 1 X BL	4
7	JG181341	COVER LOCK IGNITION	1
8	JG232609	SET LOCK	1
9	JG232610	LOCK IGNITION	1
10	JG232605	TWO TRACK KEY	1
11	JG232602	SIDE LOCK	1
12	JG171610	CAP TANK FUEL	1
13	KACD0530	BOLT MASTER KAC	3
14	LAD00077	BOLT FLANGE-M6X1XL16XBLKXPRECOAT	2
15	KACD0510	BOLT MASTER KAC	3
16	JG232815	BRACKET PLATE NUMBER FRONT	1
17	LBU00105	SCREW BUTTON HEAD-M6X1XL12XSTEP	2
18	LBU00093	SCREW BUTN HD-M6X1XL10XBLKXSTEP	2
19	JZ232814	PAD RUBBER NUMBER PLATE BKT	2
20	36JP0035	IGN LOCK WITH SHEAR BOLTS MY17	1

250-ADVENTURE MY-21

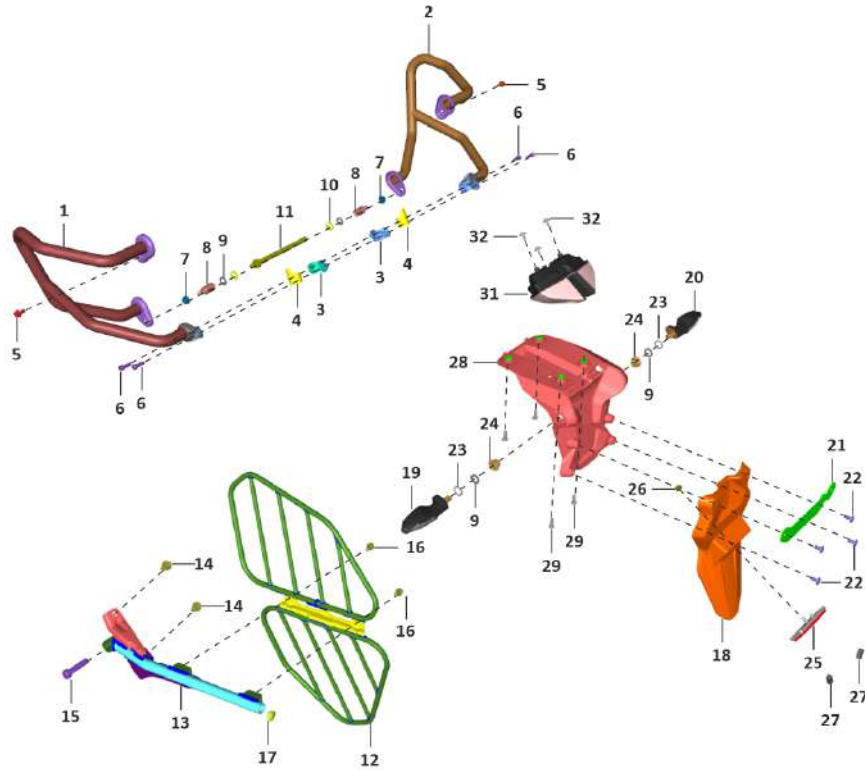
44. SPEEDOMETER

SN	Part No.	Description	QTY
21	36JP0036	LOCK SET EVAP SHEAR BOLTS MY17	1



250-ADVENTURE MY-21

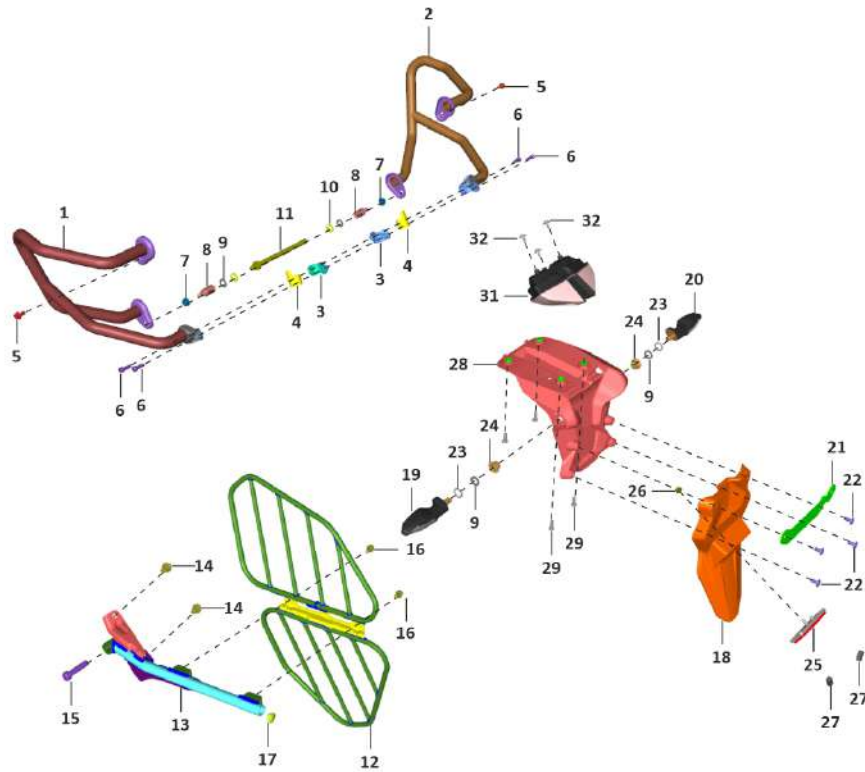
45. LEG GUARD



SN	Part No.	Description	QTY
1	JG231222	GUARD LEG LH	1
2	JG231223	GUARD LEG RH	1
3	JG231231	CLAMP REAR	2
4	JG231232	SPACER	2
5	LAD00233	BOLT FLANGED STEP M6X1	2
6	KACC0618	BOLT-SOCKET-KAC ST-C DIA-06 L-18 NUT U FLANGED-M8X1.25XHT	4
7	LCL00007	8.5XBK	2
8	LCA00014	BOLT M8X1.25	2
9	KDAA1018	WASHER PLAIN	4
10	KDDB1018	WASHER SPRING THIN	2
11	LAJ00021	BOLT STUD-M10X1.25XL 161XBRIGHT	1
12	JG231226	GUARD SAREE LH	1
13	JG231227	HOLDER GUARD SAREE II	1
14	KADA0814	BOLT-FLANGE-KAD ST-A DIA-08 L-14	2
15	KACA1040	BOLT MASTER KAC	1
16	KADD0812	BOLT-FLANGE-KAD ST-D DIA-08 L-12 PLUG FOR TUBE DIA. 17.46 MM X THK 1.6 MM	2
17	DU221005		1
18	JG181438	FLAP FENDER REAR	1
19	JG401046	INDICATOR REAR LH	1
20	JG401048	INDICATOR REAR RH	1

250-ADVENTURE MY-21

45. LEG GUARD



SN	Part No.	Description	QTY
21	JG232810	BRACKET PLATE NUMBER REAR	1
22	KBUA0612	Mushroom Head screw - M6-L12	4
23	KDFB1018	WASHER TOOTHED INTERNAL	2
24	KCGA1010	NUT-HEX-FLANGED	2
25	JG401036	REFLECTOR REFLEX	1
26	KCGA0505	NUT HEX FLANGED	1
27	JD113805	FOAM	2
28	JG181315	HOLDER PLATE NUMBER REAR	1
29	DH151040	BOLT -SOCKET HEAD:- PRE-COATED (M6 X 20)	4
30	36PD0056	KIT RR.NUMBER PLATE AVENGER 220 CRUISE /	1
31	JG401050	LAMP TAIL	1
32	LBR00014	SCREW TAPPING-DIA. 4.5XL 12XBRT	3

250-ADVENTURE MY-21

46. POWER PARTS



SN	Part No.	Description	QTY
1	36JT0088	GPS BRACKET	1
2	36JT0089	CRASH BUNG	1
3	36JT0083	REAR SPROCKET	1
4	36JT0087	HANDLEBAR PAD	1
5	36JT0082	HELMET LOCK	1
6	36JT0090	H. LIGHT PROTECTN	1