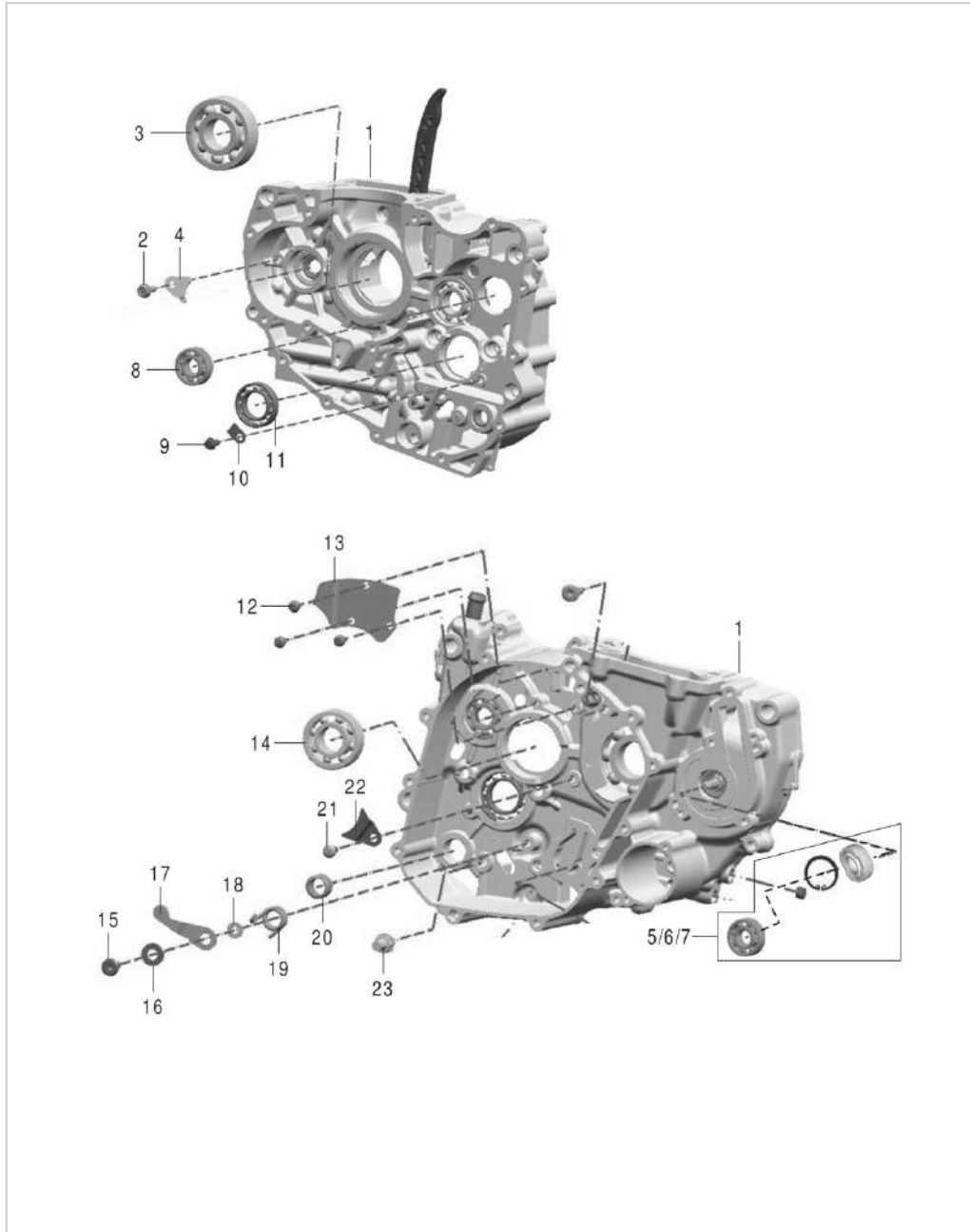


200-DUKE MY-23

## 200-DUKE MY-23

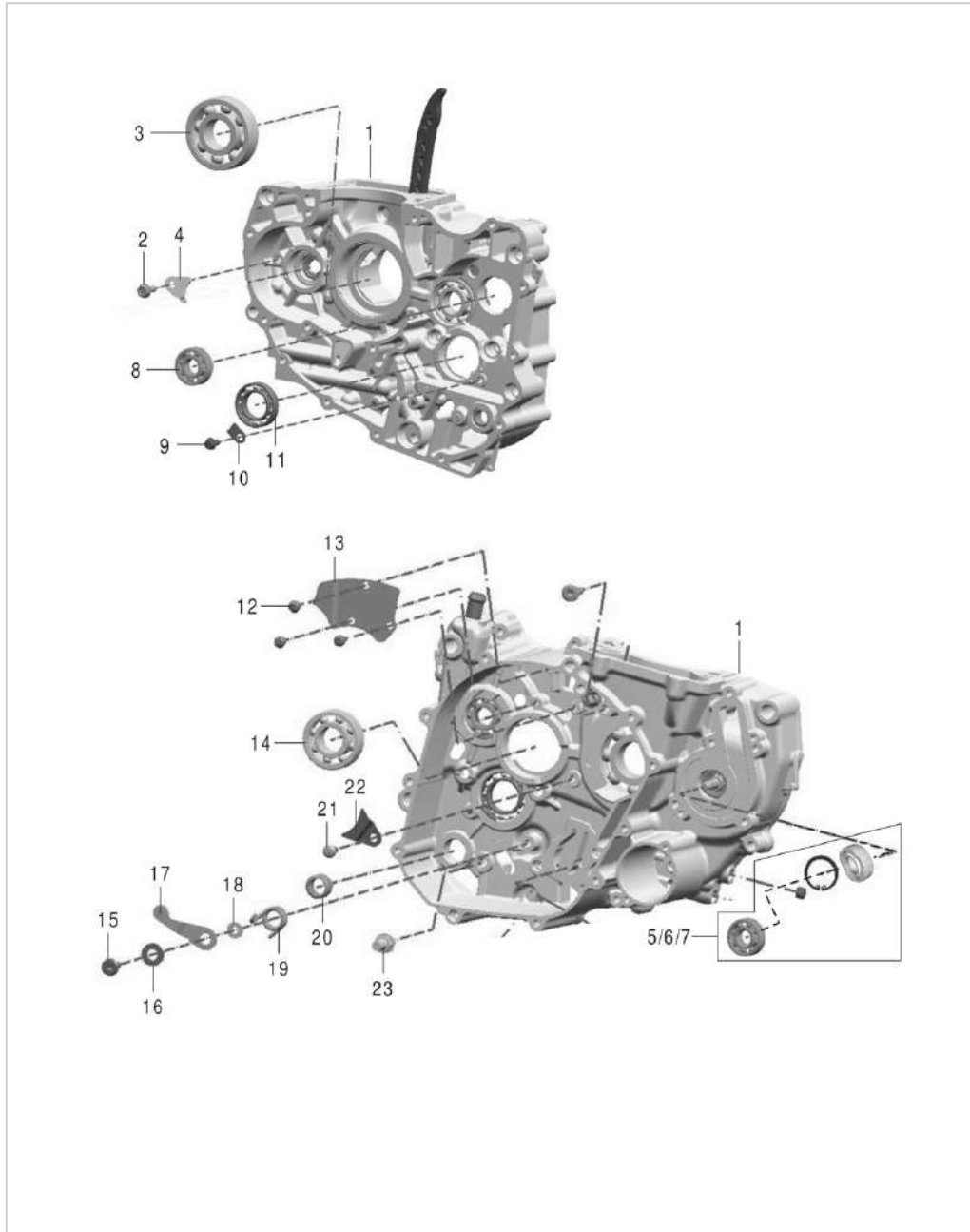
### 1. CRANKCASE RH



SN	Part No.	Description	QTY
1	36JP0057	KIT CR' CASE ASY RH 200 MY20	1
2	DJ101300	BOLT FLANGE	1
3	39193120	BEARING - BALL :- 28 X 68 X 18	1
4	JY541047	STOPPER I/P SHAFT BEARING	1
5	JL601010	WATER SEAL_DOUBLE LIP	1
6	JG601007	SEAL OIL	1
7	36JG0091	KIT WATER PUMP SEALS W/GRASE	1
8	39260220	BEARING - BALL 6202/HN3	1
9	DJ101300	BOLT FLANGE	1
10	JG541059	PLATE STOPPER BEARING DRUM	1
11	39260120	BEARING - BALL :- 61905 (25 X 42 X 9)	1
12	DJ101314	PAN HEAD SCREW	3
13	JU541005	PLATE BREATHER	1
14	KPBF6203	BEARING-BALL-C3 CLEARANCE-HN3	1
15	JG561204	BOLT STOPPER DRUM	1
16	JG561205	WASHER DRUM STOPPER	1
17	JG561009	STOPPER DRUM COMP	1
18	39200511	WASHER	1
19	JG561226	SPRING STOPPER DRUM	1
20	39256220	BEARING - NEEDLE ROLLER :- 13 X 19 X 12	1

## 200-DUKE MY-23

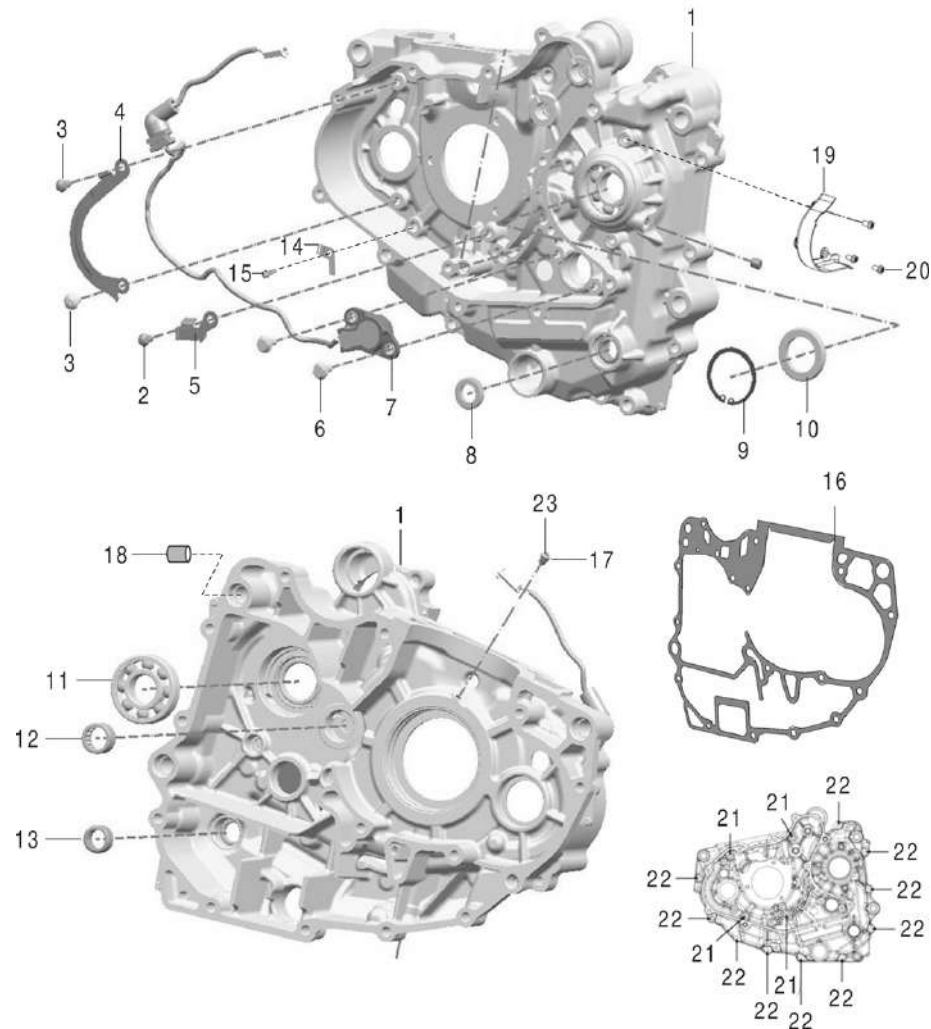
### 1. CRANKCASE RH



SN	Part No.	Description	QTY
21	LBB00007	SCREW PAN CROSS M6X1	1
22	JG541045	PLATE STOPPER	1
23	DP101191	BOLT (M8 X 1.25 X LENGTH = 15.5)	1
24	83020473	GREASE PETAMO GHY 441 3 GM POUCH	1

## 200-DUKE MY-23

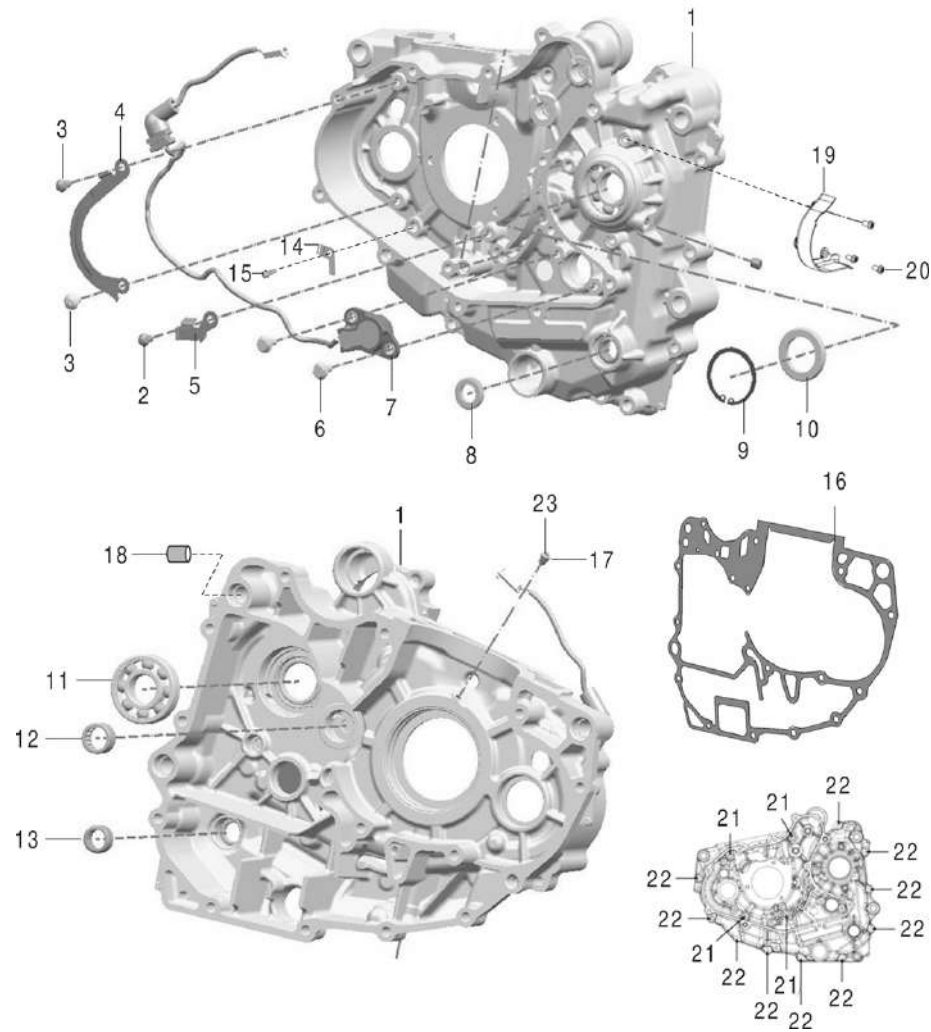
## 2. CRANKCASE LH



SN	Part No.	Description	QTY
1	36JP0058	KIT CR' CASE ASY LH 200 MY20	1
2	LBB00007	SCREW PAN CROSS M6X1	1
3	DJ101300	BOLT FLANGE	2
4	JU541018	BRACKET HARNESS UPPER	1
5	JG541044	BRACKET HARNESS LOWER_G2	1
6	JN181033	BOLT FLANG- M5X0.8XL16XBRXPRECOAT	2
7	JP351010	SENSOR ASSEMBLY PICK UP	1
8	39104319	SEAL - OIL	1
9	KEBA3715	CIRCLIP INTERNAL	1
10	JY541058	OIL SEAL OUTPUT SHAFT	1
11	59200006	BEARING - BALL	1
12	JG541015	BEARING NEEDLE BEARING - NEEDLE ROLLER :- 13 X	1
13	39256220	19 X 12	1
14	JG541043	RETAINER GEAR STARTER	1
15	LAE00042	BOLT FLANGED-M6X1	1
16	JG541041	GASKET CRANKCASE	1
17	JG541020	JET OIL CRANKCASE RH	1
18	39218106	PIN - HOLLOW DOWEL :- 14 X 20	4
19	JG541058	CHAIN GUARD	1
20	LBB00007	SCREW PAN CROSS M6X1	3

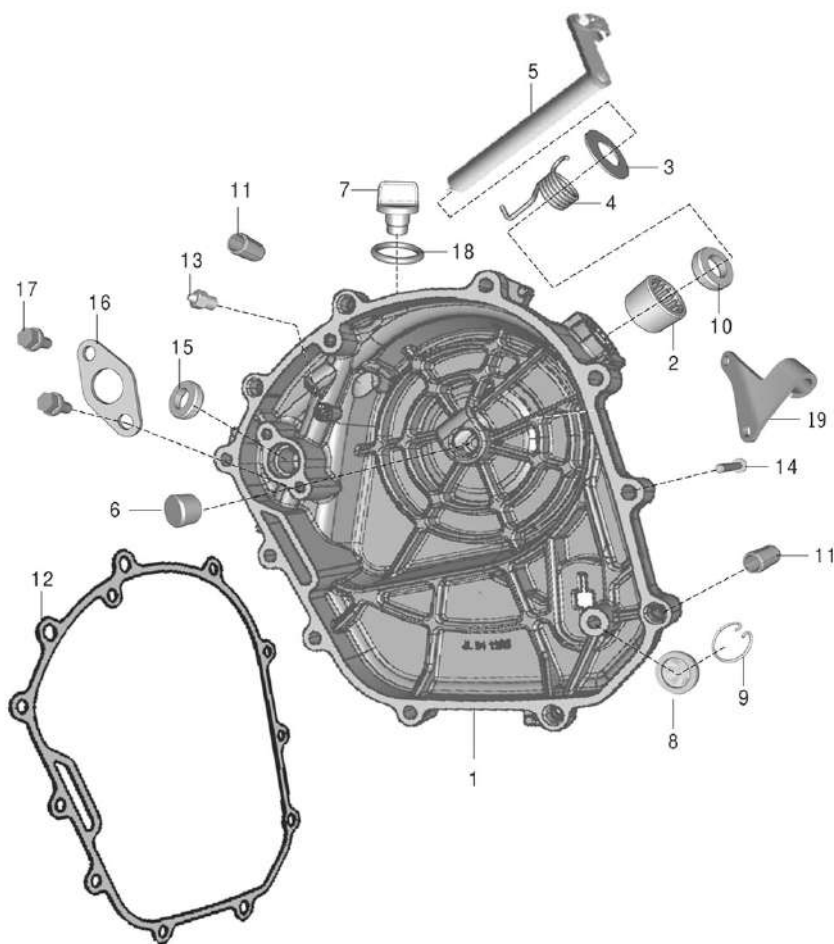
## 200-DUKE MY-23

## 2. CRANKCASE LH



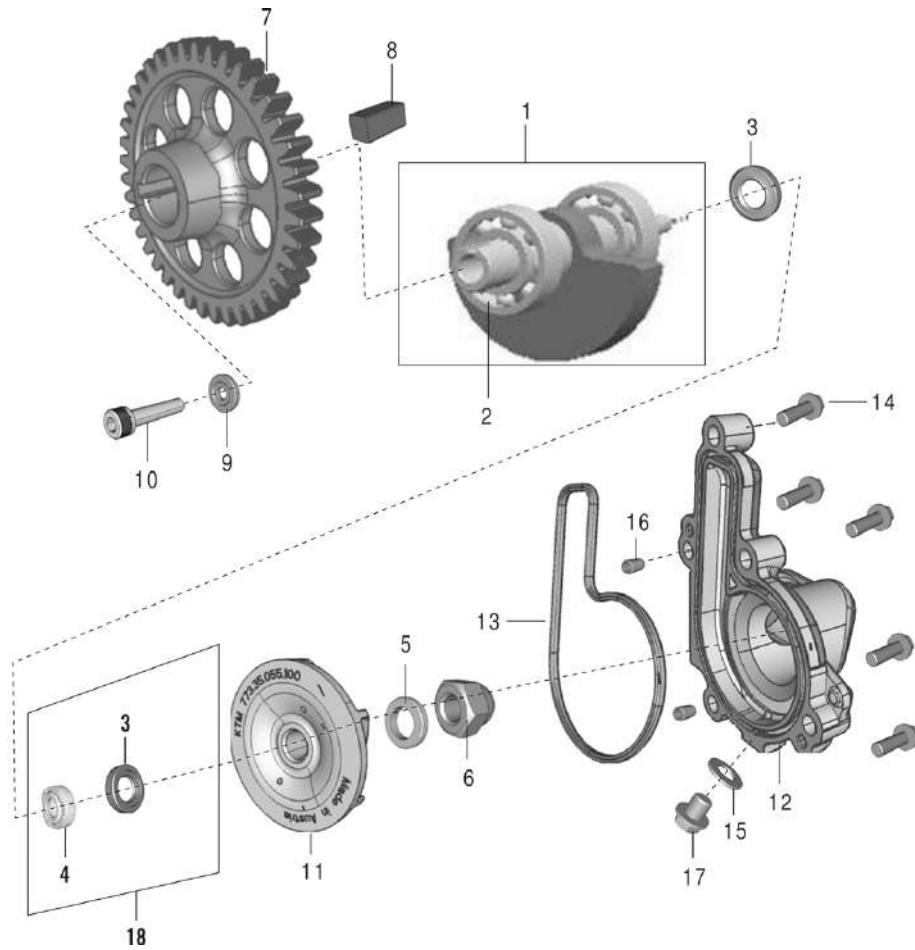
SN	Part No.	Description	QTY
21	LAD00081	BOLT FLANGED M6X1X60L- PRECOATED	4
22	KAEQ0640	BOLT FLANGE SMALL- M6X1XL40XDACRO	10
23	JG541074	OIL NOZZLE	1

3. CLUTCH COVER



SN	Part No.	Description	QTY
1	JY541267	COVER CLUTCH-PLUG	1
2	39199020	BEARING - NEEDLE	1
3	LDB00020	WASHER 12.5X24X0.8T	1
4	JG551017	SPRING (LEVER CLUTCH)	1
5	JY551450	SHAFT CLUTCH RELEASE ASSEMBLY	1
6	JU551401	ROD PUSH_G2 (FINAL)	1
7	JG541230	CAP OIL FILLING	1
8	JL541227	WINDOW OIL GUAGE	1
9	DS101215	CLIP - WIRE	1
10	39104119	SEAL - OIL	1
11	39099906	PIN - HOLLOW DOWEL	2
12	JL541277	GASKET COVER CLUTCH	1
13	JG541021	OIL NOZZLE	1
14	KAEQ0630	BOLT FLANGE SMALL-M6X1XL30XDACRO	11
15	39104619	SEAL - OIL	1
16	JG541231	PLATE -POSITION	1
17	DJ101300	BOLT FLANGE	2
18	39153721	RING - O	1
19	JY551448	BRACKET CLUTCH CABLE	1

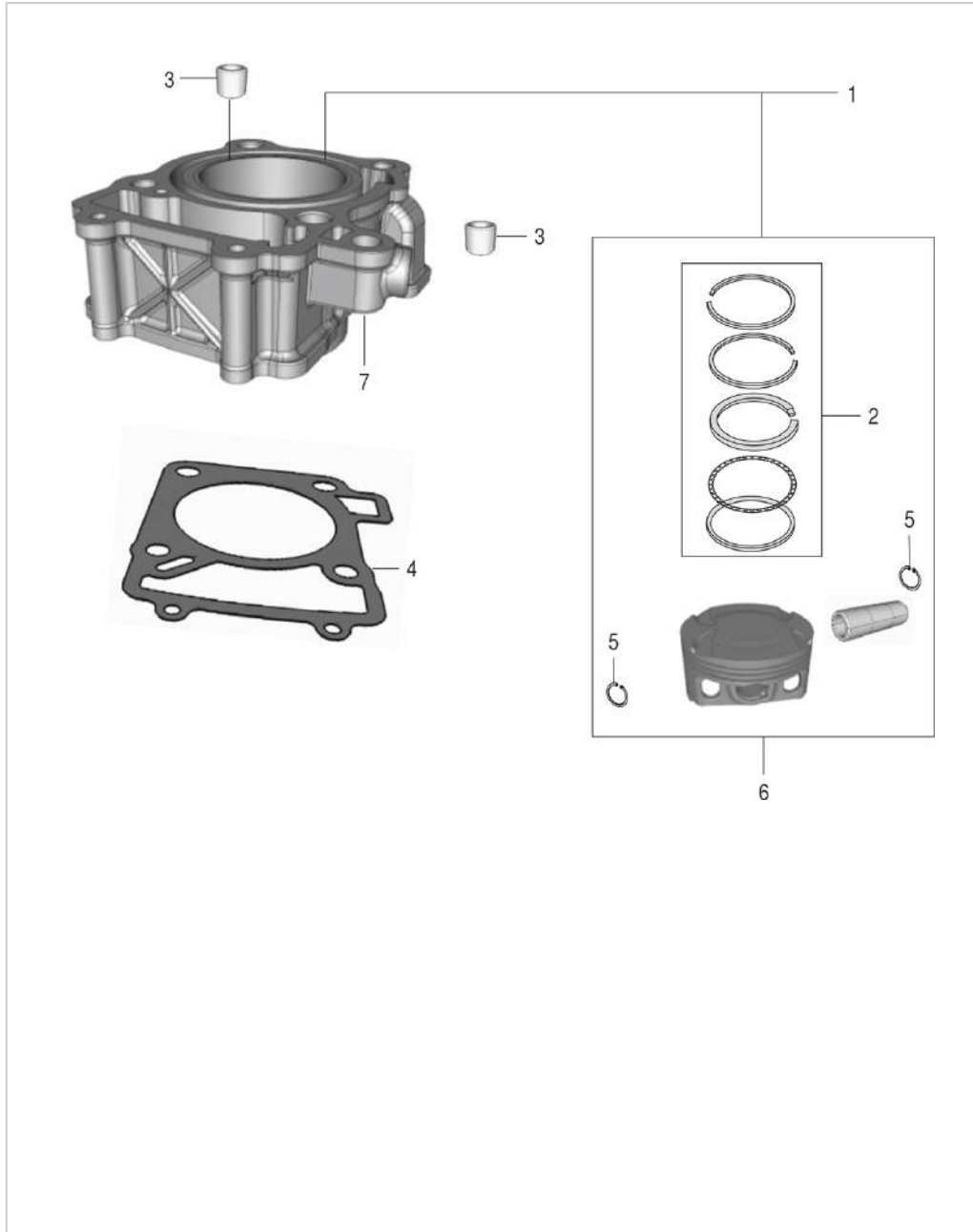
4. BALANCER SHAFT



SN	Part No.	Description	QTY
1	JL531205	BALANCER ASSEMBLY	1
2	59200036	BEARING - BALL 6203 HN3 C3	2
3	JG601007	SEAL OIL	1
4	JL601010	WATER SEAL_DOUBLE LIP	1
5	JG531215	WASHER 2.5MM	1
6	JG601005	DOME NUT	1
7	JG531207	GEAR BALANCER DRIVEN	1
8	DS101154	KEY	1
9	LDB00051	WASHER PLAIN-ID 8.2XOD 26XTHK 3	1
10	LAC00086	BOLT SOCKET-M8X1XL40	1
11	JG601013	WATER PUMP ROTOR_G2	1
12	JG601024	COVER PUMP WATER	1
13	JG601012	O-RING (WATER PUMP COVER)	1
14	KADQ0620	BOLT HEXAGONAL	5
15	39166511	WASHER - SEAL :- 6	1
16	39260607	PIN - PARALLEL	2
17	LAE00048	BOLT FLANGED M6X1	1
18	36JG0091	KIT WATER PUMP SEALS W/GRASE	1

## 200-DUKE MY-23

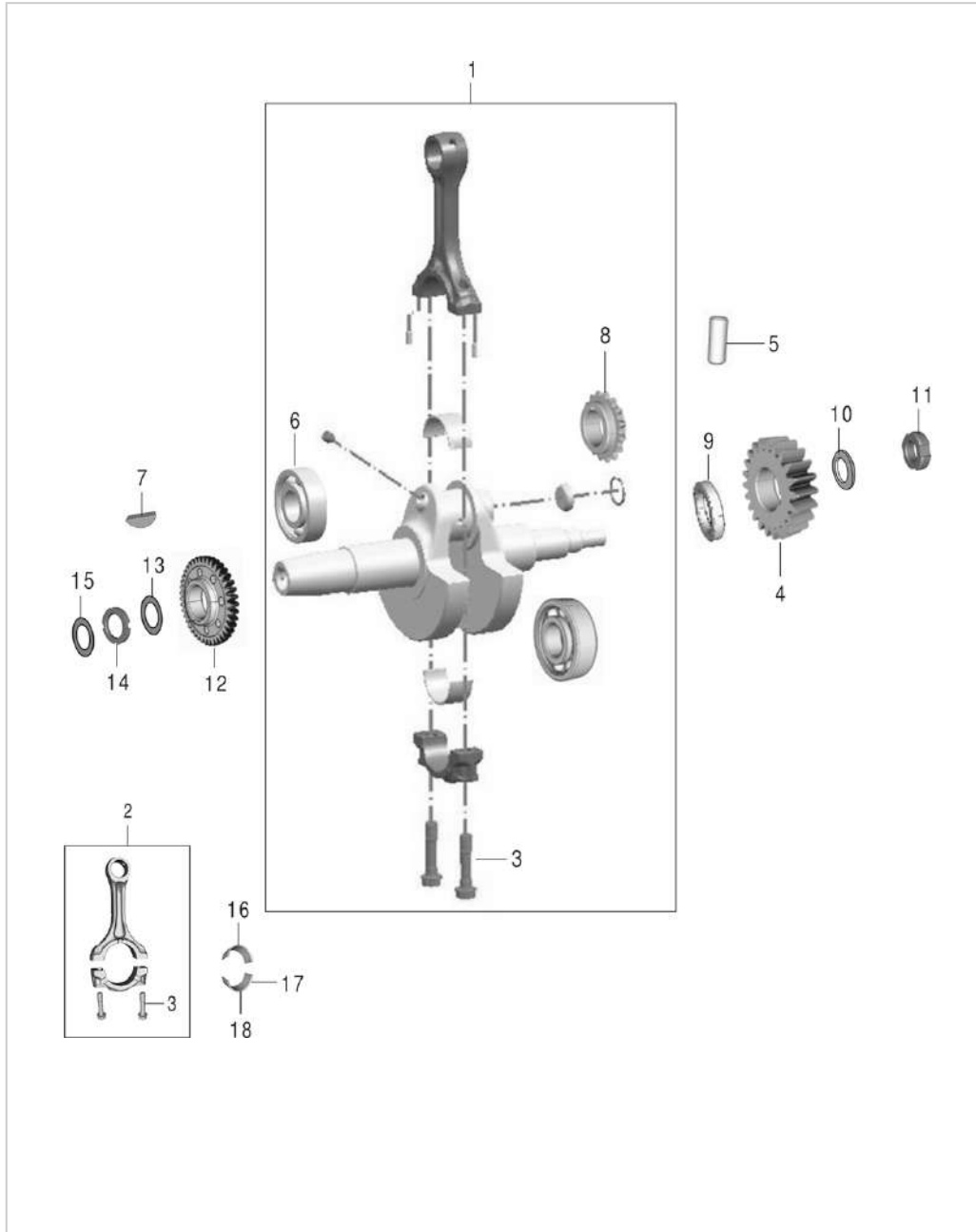
## 5. CYLINDER PISTON



SN	Part No.	Description	QTY
1	36JU0007	KIT CYLINDER BLOCK PISTON ASSLY DUKE 200	1
2	36JU0001	KIT RING SET KTM 200	1
3	39218106	PIN - HOLLOW DOWEL :- 14 X 20	2
4	JG521008	GASKET BLOCK CYLINDER	1
5	39213217	RING - SNAP	2
6	JL521200	PISTON ASSEMBLY	1
7	JU521005	BLOCK CYLINDER	1

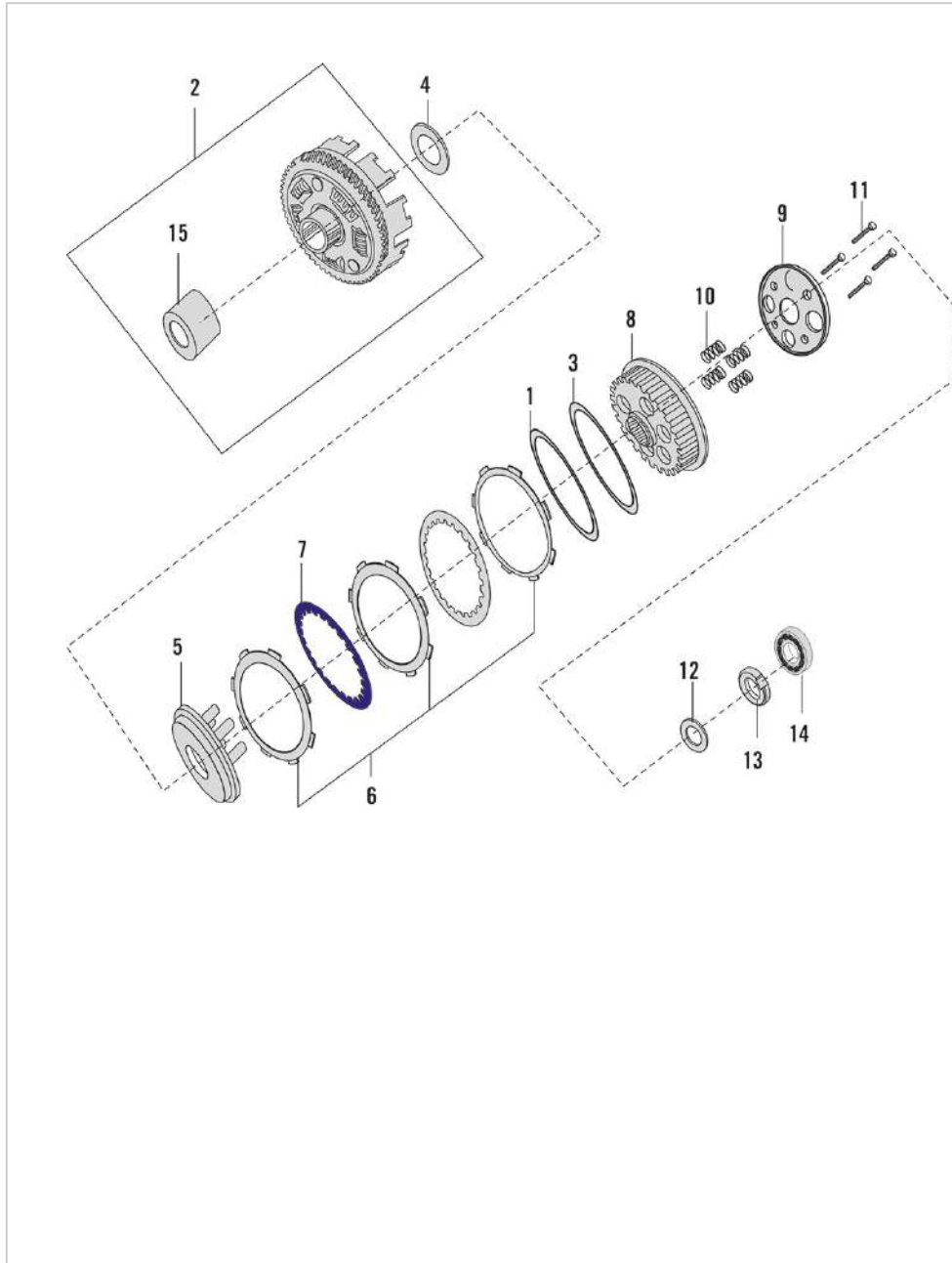


6. CRANKSHAFT



SN	Part No.	Description	QTY
1	36JU0036	KIT CRANK SHAFT ASSLY	1
2	JF531007	CONROD ASSLY COMPL	1
3	JF531014	BOLT CONROD	2
4	JG551216	GEAR PRIMARY DRIVE 22T	1
5	39220307	PIN - PARALLEL	2
6	39193120	BEARING - BALL :- 28 X 68 X 18	1
7	31101173	KEY -WOODRUFF FOR CRANKSHAFT CLUTCH SIDE	3
8	JG531027	SPROCKET CRANKSHAFT 17T	1
9	JG531031	SPACER CRANKSHAFT	1
10	39220011	WASHER - PLAIN (PRIMARY DRIVE GEAR)	1
11	LCD00001	NUT SPROCKET DRIVE LOCK	1
12	JG531041	BALANCER DRIVE GEAR	1
13	LDH00002	WASHER CONICAL-28.35X38X1.75	1
14	JG531040	NUT BALANCER DRIVE LOCK	1
15	LDB00010	WASHER PLAIN-ID 10.3XOD29XT3.2XBR	1
16	36JU0004	KIT SPLIT BUSH GREEN COLOUR	2
17	36JU0005	KIT SPLIT BUSH BLUE COLOUR	2
18	36JU0006	KIT SPLIT BUSH NONE COLOUR	2

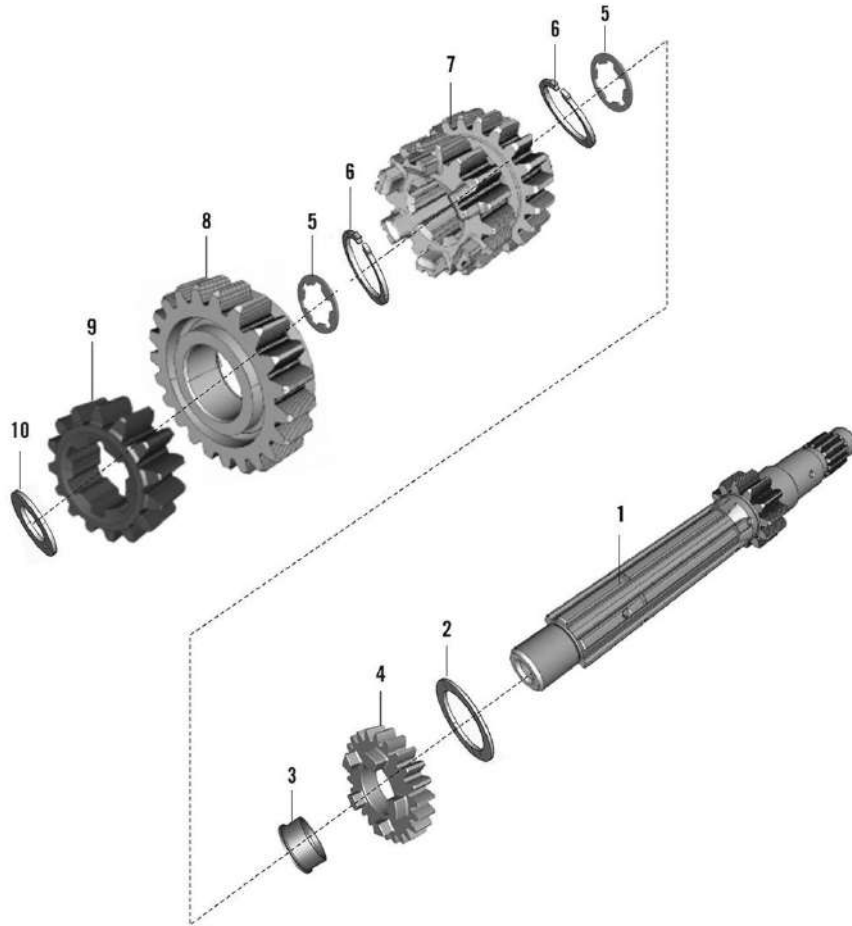
## 200-DUKE MY-23



## 7. CLUTCH

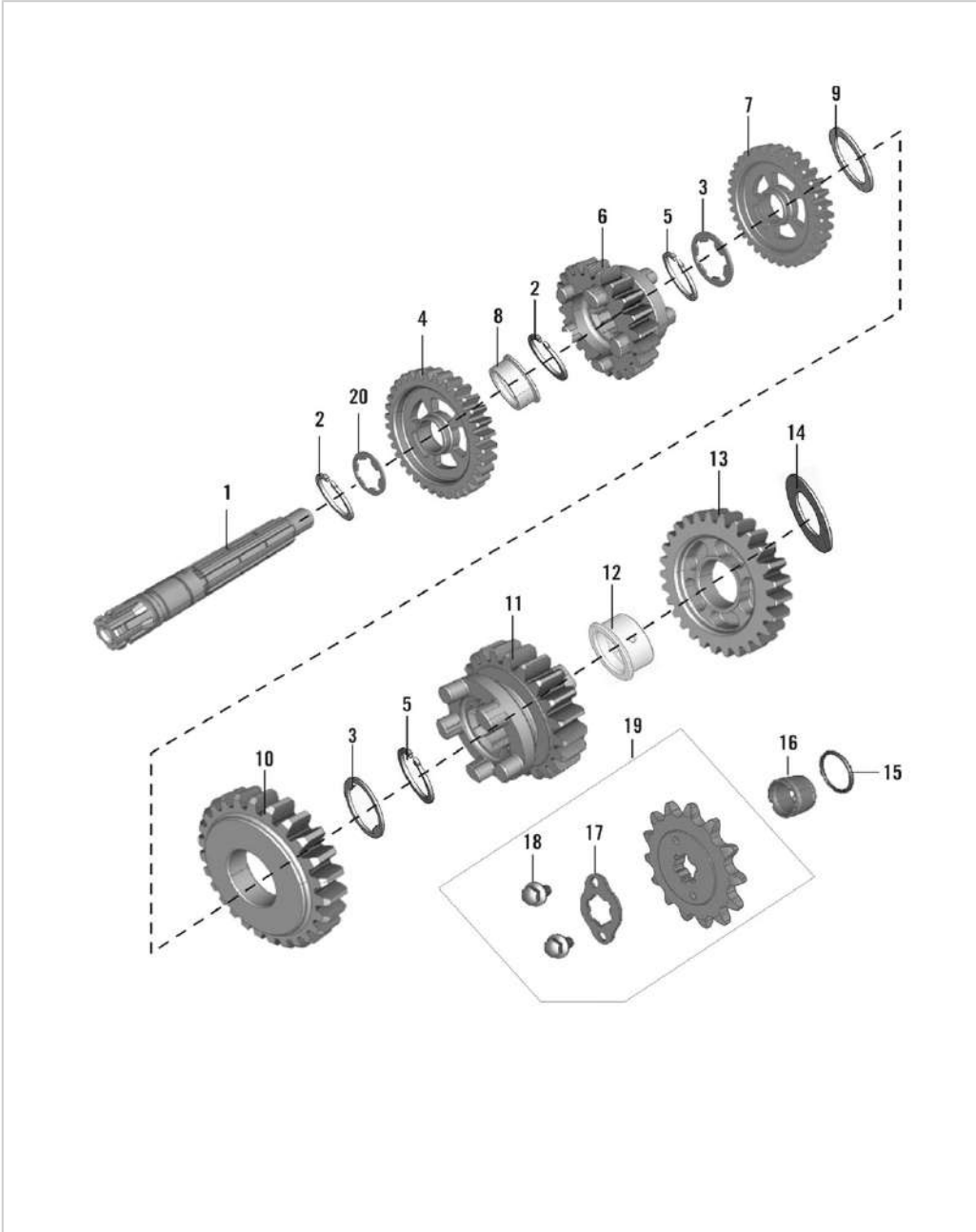
SN	Part No.	Description	QTY
1	DP101243	PLATE (JUDDER SPRING)	1
2	36JU0136	CLUTCH HOUSING ASSEMBLY KIT	1
3	DP101114	SPRING	1
4	JG551428	WASHER CLUTCH_G2	1
5	JG551449	PLATE	1
6	36JU0002	KIT FRIC PLATES KTM 200	1
7	DT551408	CLUTCH PLATE	5
8	JU551406	CLUTCH CENTER_G2	1
9	JG551443	CLUTCH HOLDER	1
10	JU551402	SPRING -CLUTCH	4
11	JG551451	BOLT SH 6*22	4
12	JL551407	SPRING BELLVILLE	1
13	DH101648	NUT CLUTCH CENTER LOCK PRECOATED	1
14	JG551423	CLUTCH LIFTER BEARING	1
15	DT551412	COLLAR	1

8. TRANSMISSION I - MAIN SHAFT (INPUT SHAFT)



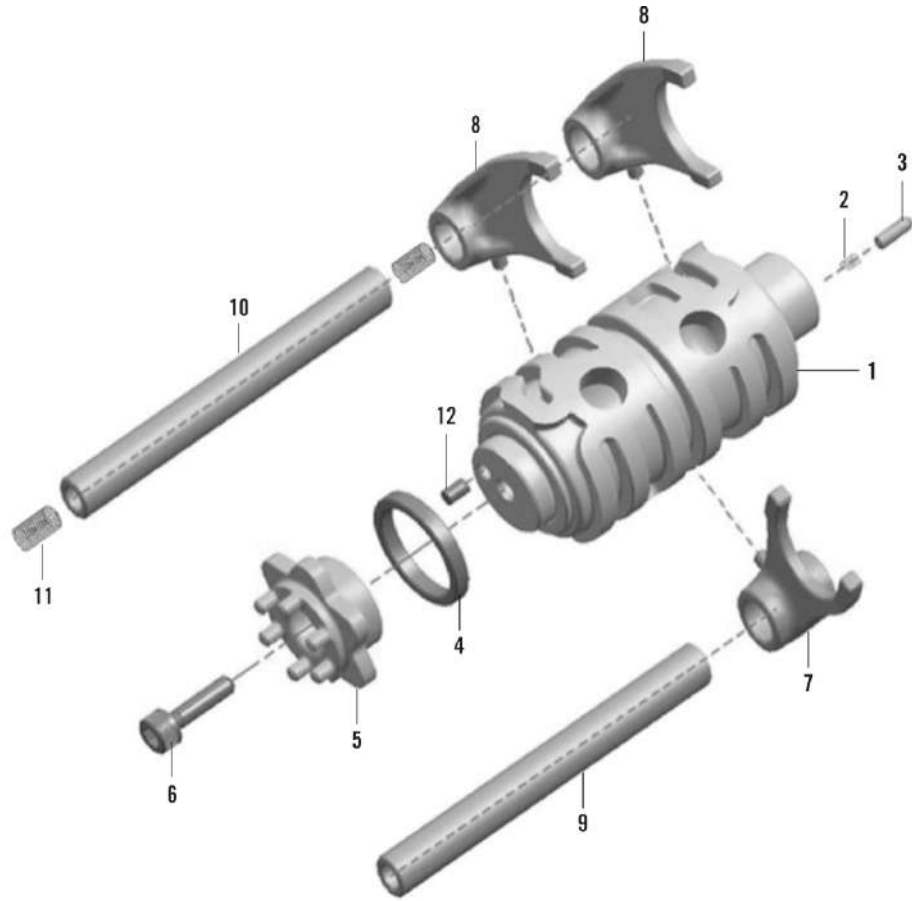
SN	Part No.	Description	QTY
1	JG551027	SHAFT INPUT T/M COMP	1
2	39215811	WASHER - PLAIN	1
3	JG551013	BUSH 6TH DRIVE / BUSH 2ND DRIVEN	1
4	JG551213	GEAR 6TH DRIVE	1
5	JG551020	WASHER SPLINED O/P SHAFT	2
6	BF551037	RING SNAP OUTPUT	2
7	JG551214	GEAR THIRD-FOURTH DRIVE	1
8	JG551220	GEAR 5TH DRIVE (G2)	1
9	JG551227	GEAR 2ND DRIVE	1
10	JG551022	WASHER PLAIN 2ND GEAR I/P SHAFT	1

9. TRANSMISSION II - COUNTER SHAFT (OUTPUT SHAFT)



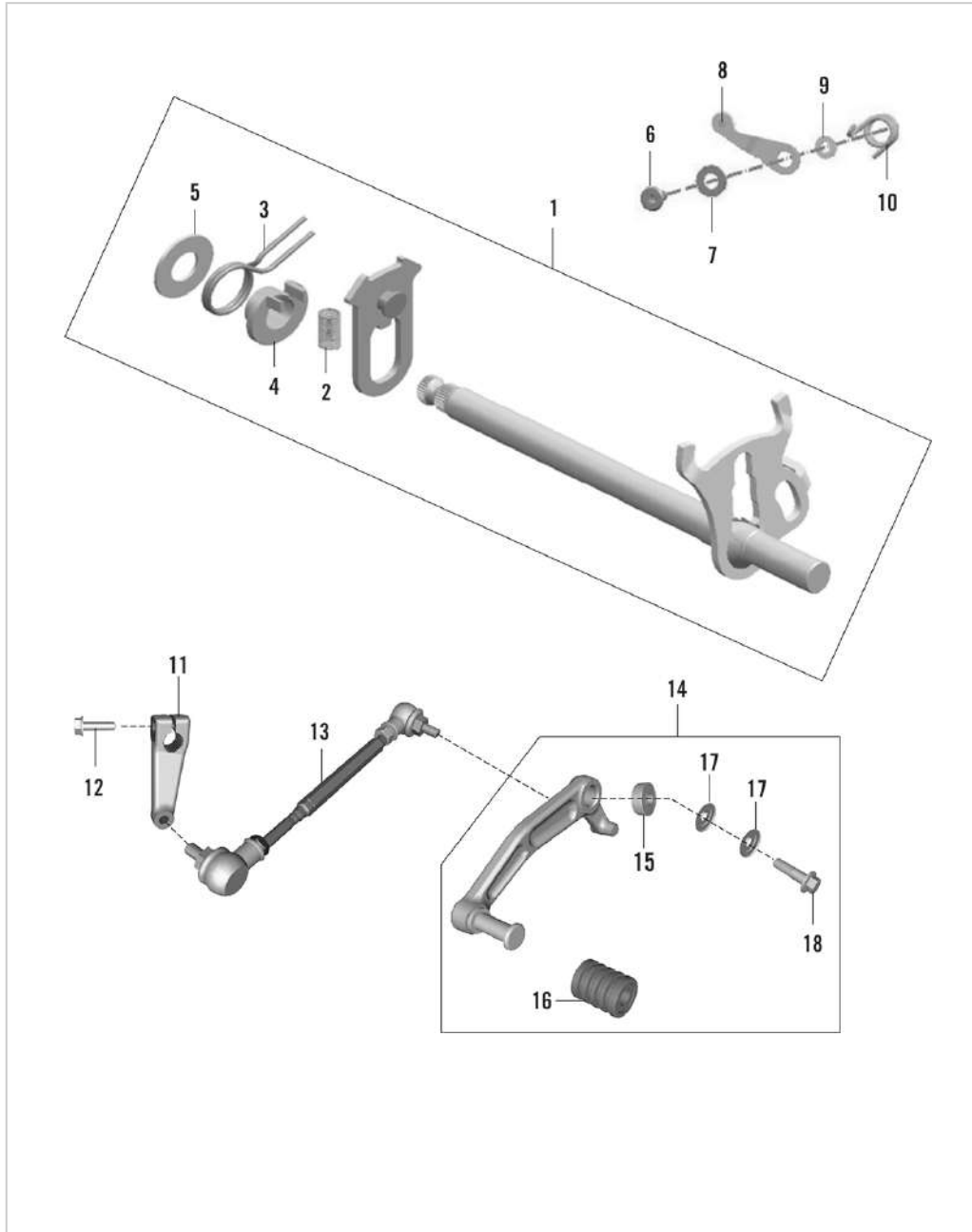
SN	Part No.	Description	QTY
1	JU551003	SHAFT OUTPUT-PLUG	1
2	DH101235	CIRCLIP	2
3	JG551020	WASHER SPLINED O/P SHAFT	2
4	JU551201	GEAR DRIVEN SECOND	1
5	BF551037	RING SNAP OUTPUT	2
6	JP551225	GEAR FIFTH DRIVEN	1
7	JP551224	GEAR THIRD DRIVEN	1
8	JG551013	BUSH 6TH DRIVE / BUSH 2ND DRIVEN	1
9	JG551021	WASHER PLAIN-ID 20.2XOD30XT 2.15	1
10	JG551215	GEAR 4TH DRIVEN	1
11	JP551226	GEAR SIXTH DRIVEN	1
12	JG551000	BUSH 1ST DRIVEN	1
13	JG551225	GEAR 1ST DRIVEN (G2)	1
14	39215911	WASHER - PLAIN	1
15	DK101352	O-RING SPROCKET COLLAR(17.5*1.5)	1
16	JG551031	COLLAR SPROCKET	1
17	JG551019	PLATE DRIVE SPROCKET	1
18	LAE00017	BOLT FLANGED M6X1	2
19	36JU0135	KIT OUTPUT SPROCKET DUKE 200	1
20	DH101336	WASHER - SPECIAL :- 20.2 X 27 X 1	1

10. SHIFTING MECHANISM - DRUM GEAR SHIFT



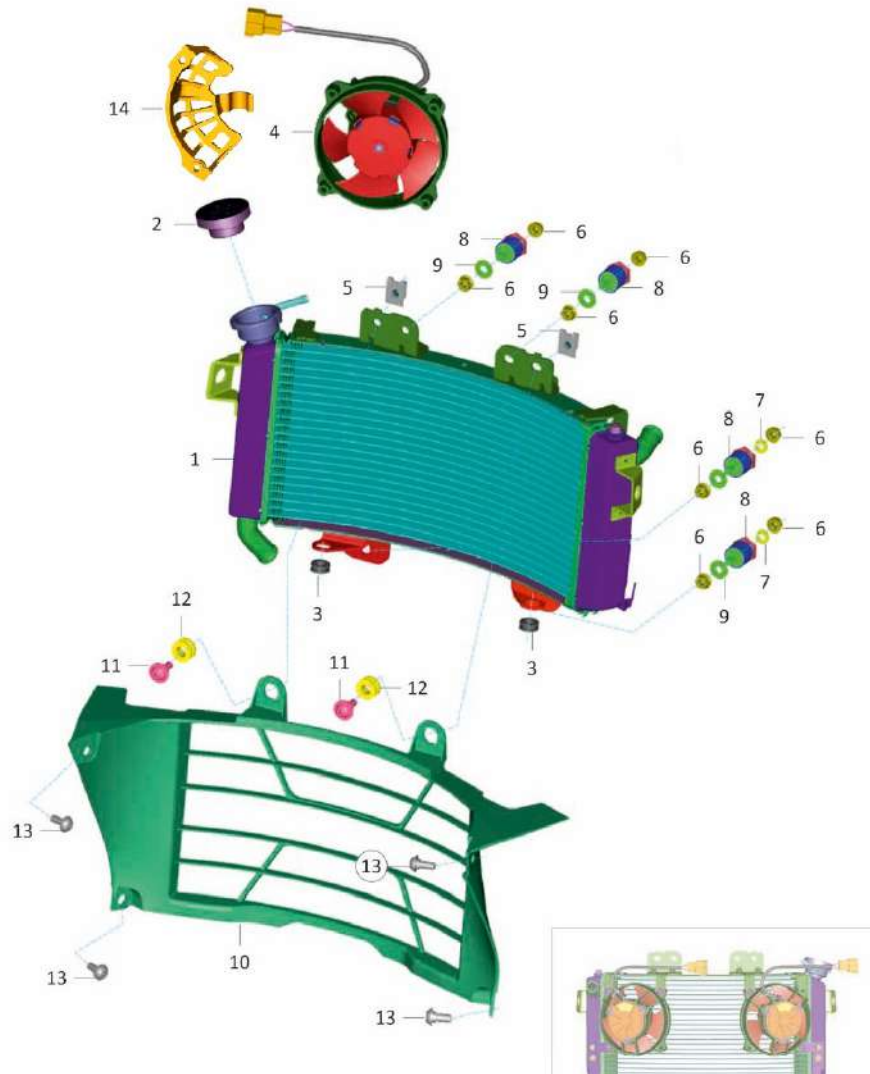
SN	Part No.	Description	QTY
1	JG561017	DRUM COMPLETE GEAR SHIFT	1
2	EC561023	SPRING GEAR SWITCH INDICATOR	1
3	39260607	PIN - PARALLEL	1
4	JG561010	SPACER-GUIDE GEAR SHIFT	1
5	JG561222	GUIDE GEAR SHIFT	1
6	LAC00024	BOLT SOCKET HEAD M6X1X20L- PRECOATED	1
7	JG561012	FORK GEAR SHIFT INPUT	1
8	JP561003	FORK GEAR SHIFT OUTPUT	2
9	JG561016	SHAFT GEAR SHIFT FORK_G2	1
10	JG561225	SHAFT GEAR SHIFT FORK OUTPUT	1
11	JG561215	COMPRESSION SPRING	2
12	JG561008	GEAR INDICATOR PIN	1

11. SHIFTING MECHANISM - LEVER GEAR SHIFT



SN	Part No.	Description	QTY
1	JG561200	ASSEMBLY LEVER GEAR SHIFT	1
2	JG561215	COMPRESSION SPRING	1
3	JG561218	TORSION SPRING (FINAL CONFG)	1
4	JG561217	BUSH-TORSION SPRING	1
5	JG561216	WASHER 14X30X1.5	1
6	JG561204	BOLT STOPPER DRUM	1
7	JG561205	WASHER DRUM STOPPER	1
8	JG561009	STOPPER DRUM COMP	1
9	39200511	WASHER	1
10	JG561226	SPRING STOPPER DRUM	1
11	JU561400	LEVER CHANGE ARM COMP	1
12	KADA0622	BOLT-FLANGE-KAD ST-A DIA-06 L-22	1
13	JU561401	ROD ASSEMBLY TIE	1
14	JP561402	ASSEMBLY CHANGE LEVER	1
15	JG113061	BEARING CHANGE LEVER	2
16	JG113010	DAMPER CHANGE LEVER	1
17	JG113062	SPACER	2
18	JG113068	BOLT SOCKET M8X1.25	1

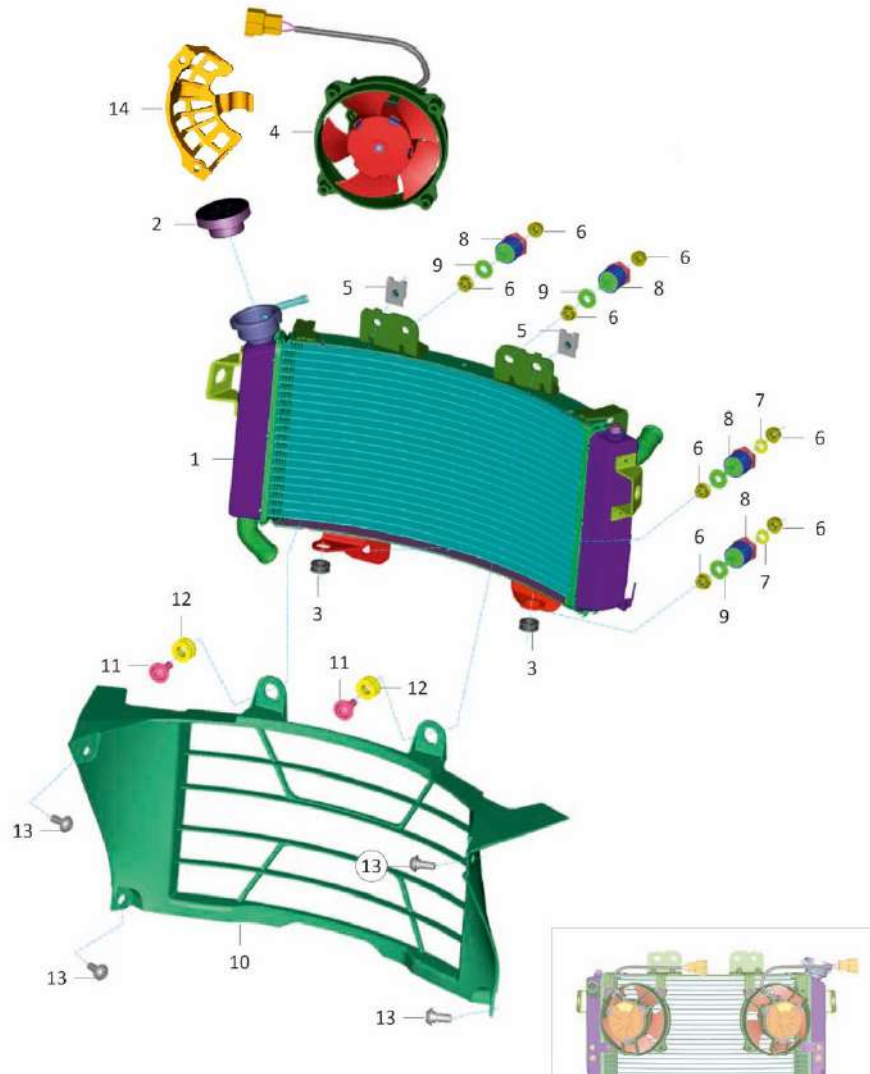
12. RADIATOR ASSEMBLY



SN	Part No.	Description	QTY
1	JP601202	RADIATOR	1
2	KADD0625	BOLT-FLANGE-KAD ST-D DIA-06 L-25	2
3	JP601240	FAN RADIATOR	1
4	JP181374	SHROUD RADIATOR RH	1
5	JP181373	SHROUD RADIATOR LH	1
6	DS161082	GROMMET - SIDE COVER :- REAR	2
7	JC141017	GROMMET II TANK COVER	2
8	JP113800	BRACKET RADIATOR MTG RH	1
9	JG113804	BKT RAD MTG LH ON ENG HANGER	1
10	KADD0610	BOLT-FLANGE-KAD ST-D DIA-06 L-10	2
11	JG581014	SILENT BLOCK(M6)	4
12	LAD00040	BOLT FLANGED M6 - 6L	2
13	LCL00002	NUT FLANGED-M6X1XHT.6XCL4	4
14	KDCF0612	SPRING WASHER	4
15	KADD0610	BOLT-FLANGE-KAD ST-D DIA-06 L-10	2
16	JU113801	GROMMET RAD COWL	4
17	JG601235	PRESSURE CAP RADIATOR	1
18	JY601248	BRACKET FAN MOUNTING A	1
19	JY601249	BRACKET FAN MOUNTING B	1
20	JY601250	BRACKET FAN MOUNTING	1

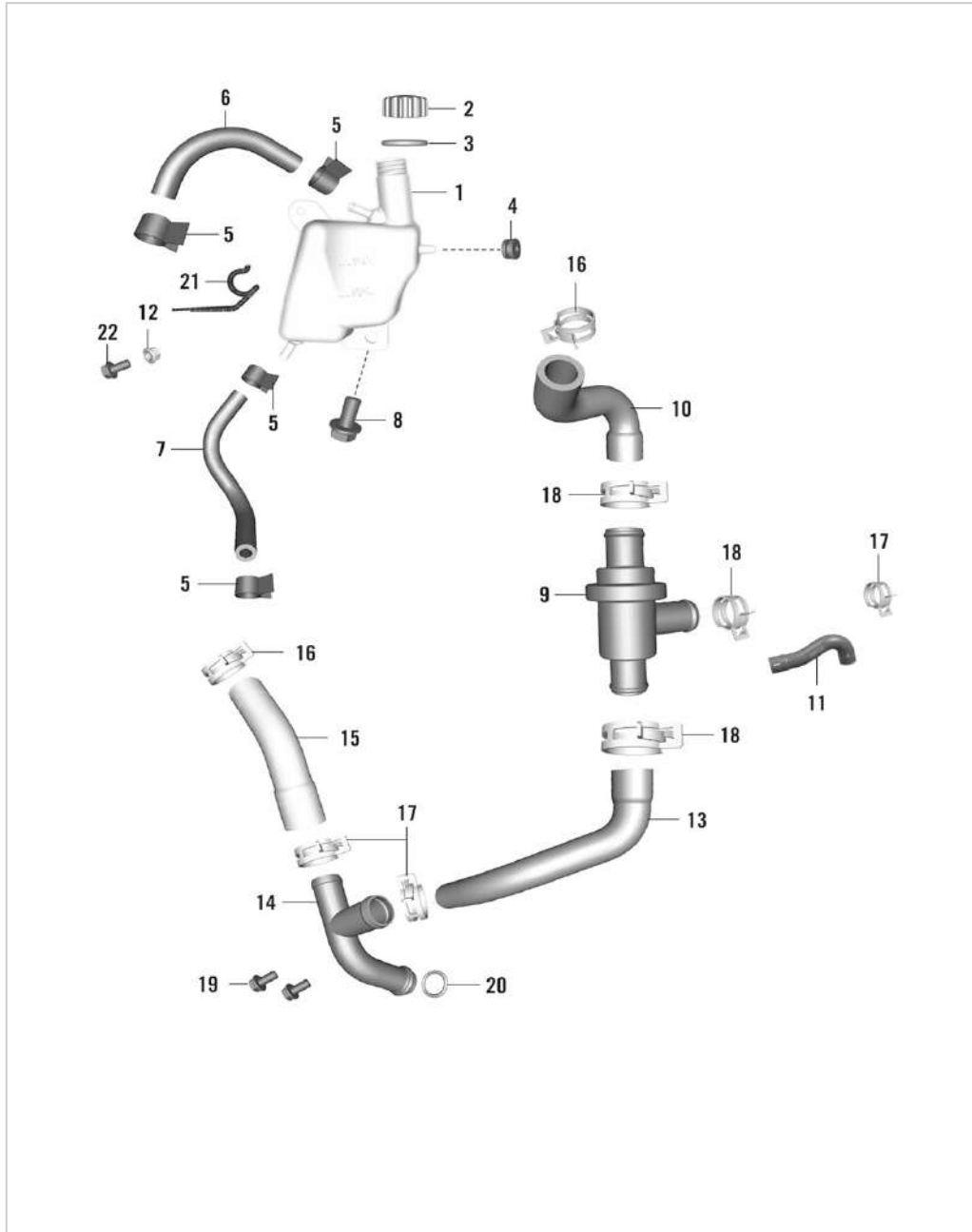
12. RADIATOR ASSEMBLY

SN	Part No.	Description	QTY
21	JY601241	FLANGE NUT	3





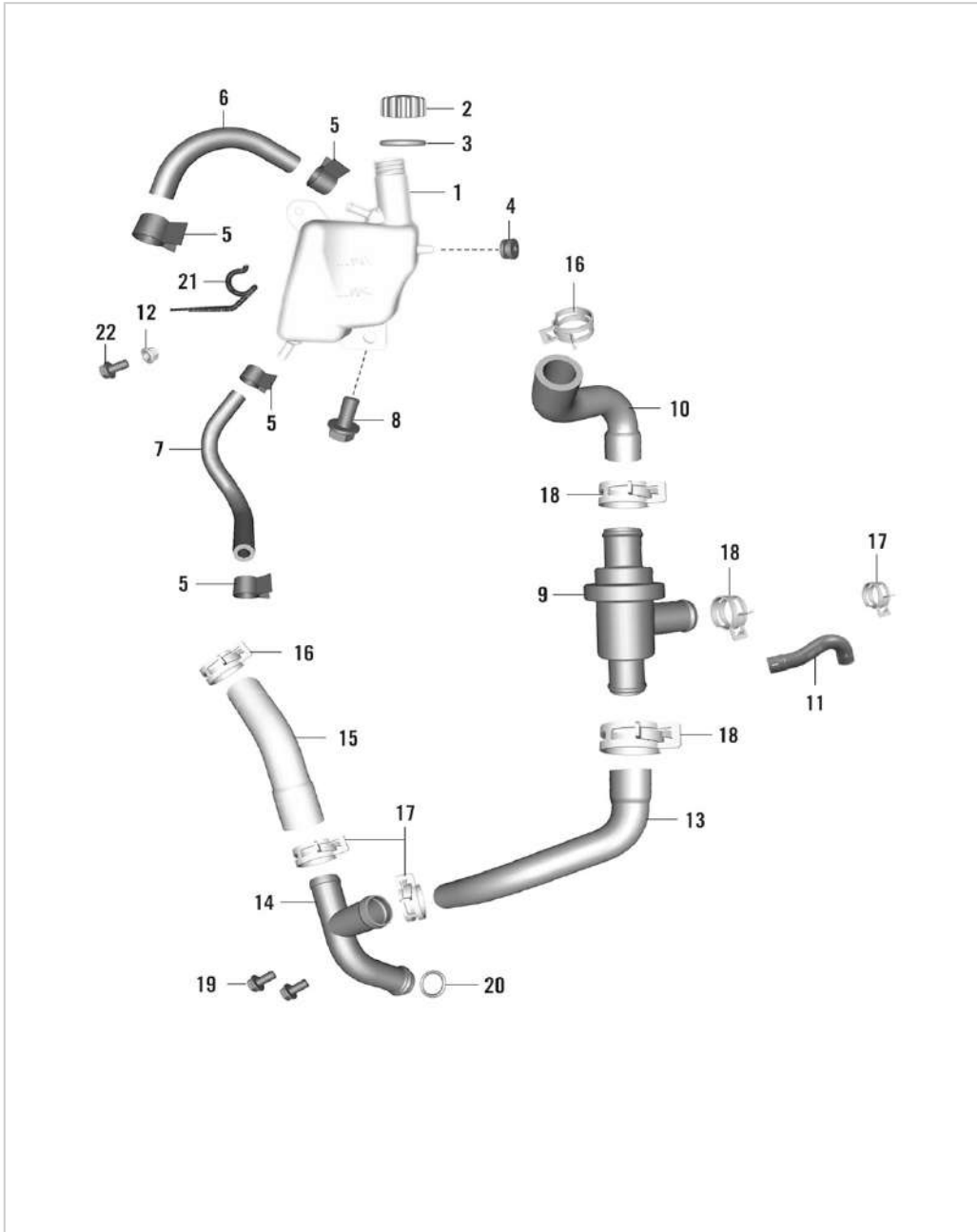
13. COOLING SYSYEM



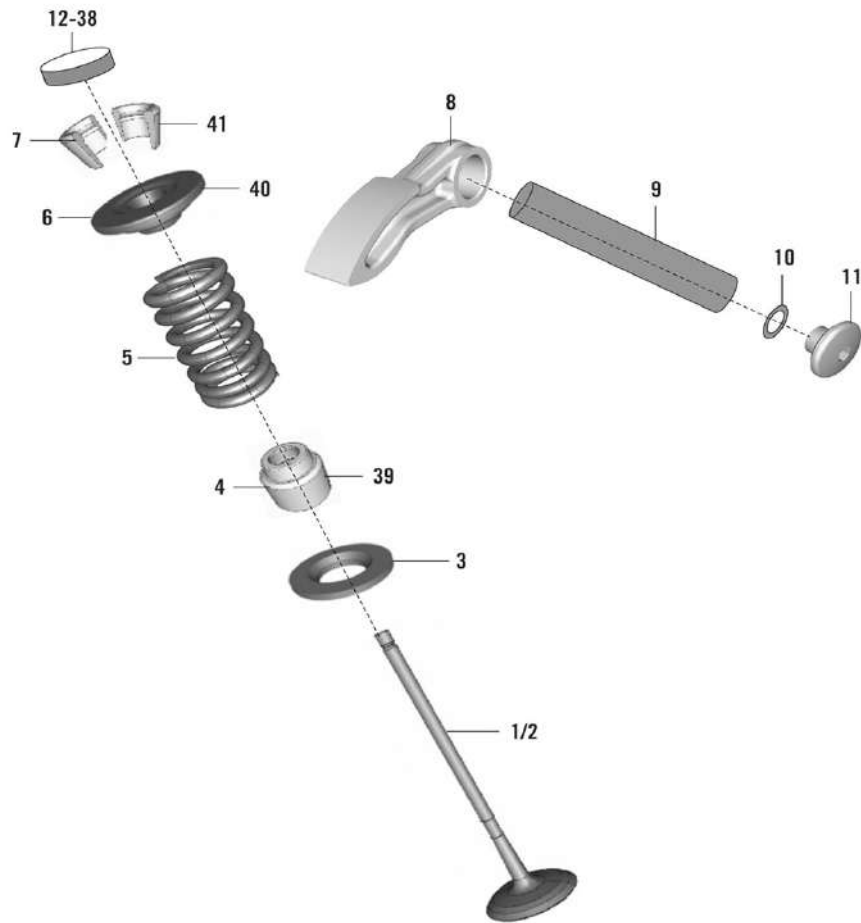
SN	Part No.	Description	QTY
1	JP601204	ASSEMBLY EXPANSION TANK	1
2	JG601211	CAP EXPANSION TANK	1
3	JG601230	EXPANSION TANK O RING	1
4	JG113806	GROMMET EXPANSION TANK	1
5	JG171029	SPRING BAND CLAMP 11.5 x 8.4	4
6	JG601213	TUBE DRAIN - EXPANSION TANK	1
7	JG601215	TUBE CONNECTING-RAD TO EXP. TNK	1
8	JG181250	BOLT FLANGED STEP M6X1	1
9	JG601014	UNIT THERMOSTAT	1
10	JP601216	HOSE RADIATOR-THERMOSTAT	1
11	JP601214	HOSE ENG TO THERMOSTAT	1
12	39058915	NUT - HEXAGON WELD :- M6 X 1	1
13	JG601018	COOLANT HOSE THERMOSTAT TO	1
14	JG601239	ASSEMBLY COOLANT PIPE T	1
15	JG601218	COOLANT HOSE_RADIATOR TO T	1
16	JG601234	CLAMP DIA 23	2
17	JG601016	CLAMP_G2	3
18	JG601210	CLAMP RADIATOR PIPE DIA 25.2	3
19	LAE00041	BOLT FLNG-M6X1XL14XDACROXPRECOAT	2
20	JG601221	O-RING COOLANT PIPE	2

13. COOLING SYSYEM

SN	Part No.	Description	QTY
21	JG113839	BRACKET TUBE DRAIN	1
22	KAAD0612	BOLT-KAA ST-D DIA-06 L-12	1



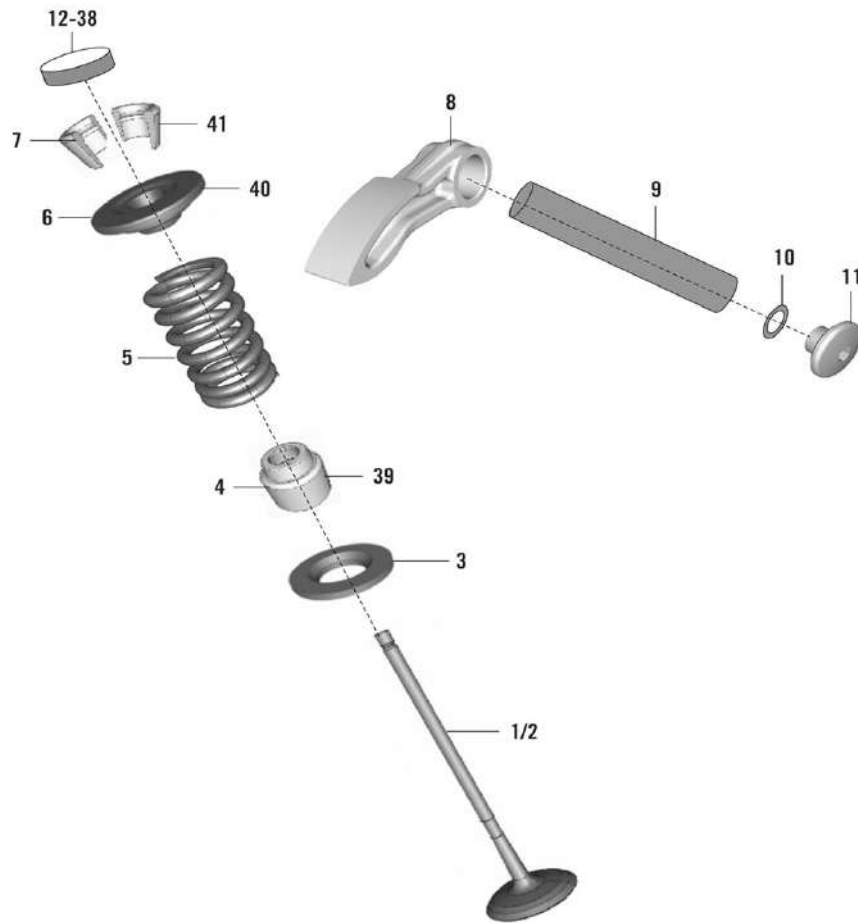
14. VALVE DRIVE



SN	Part No.	Description	QTY
1	JP511230	VALVE EXHAUST	2
2	JU511205	VALVE INTAKE_G2	2
3	JG511042	SEAT VALVE SPRING BAL	4
4	39201719	SEAL - OIL	2
5	JG511255	SPRING VALVE (BAL)_G2	4
6	JG511259	RETAINER VALVE SPRING (BAL)_G2	2
7	DG101029	COLLET	4
8	JU511204	ROCKER ARM (FINGER TYPE)	4
9	JG511243	ROCKER ARM SHAFT	2
10	39102121	RING - O	2
11	JG511016	PLUG	2
12	36JU0040	KIT SHIM 2MM JG511268AA	1
13	36JU0041	KIT SHIM 2.04MM JG511268AB	1
14	36JU0042	KIT SHIM 2.08MM JG511268AC	1
15	36JU0043	KIT SHIM 2.12MM JG511268AD	1
16	36JU0044	KIT SHIM 2.16MM JG511268AE	1
17	36JU0045	KIT SHIM 2.20MM JG511268AF	1
18	36JU0046	KIT SHIM 2.24MM JG511268AG	1
19	36JU0047	KIT SHIM 2.28MM JG511268AH	1
20	36JU0048	KIT SHIM 2.32MM JG511268AI	1

## 200-DUKE MY-23

## 14. VALVE DRIVE

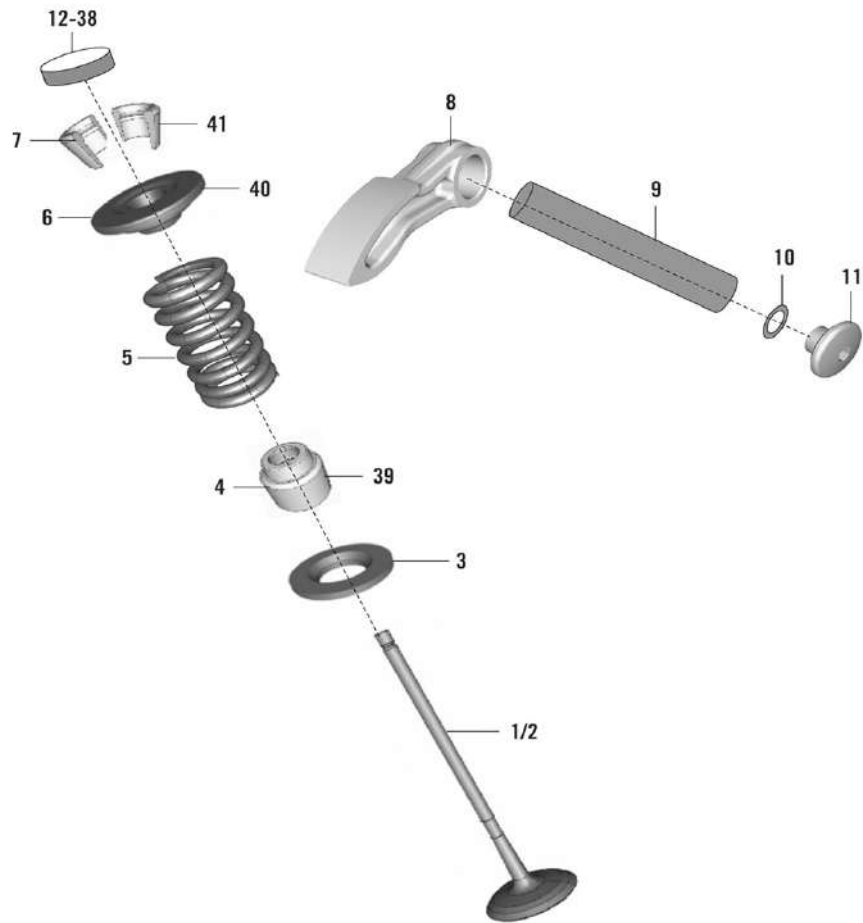


SN	Part No.	Description	QTY
21	36JU0049	KIT SHIM 2.36MM JG511268AJ	1
22	36JU0050	KIT SHIM 2.40MM JG511268AK	1
23	36JU0051	KIT SHIM 2.44 MM JG511268AL	1
24	36JU0052	KIT SHIM 2.48 MM JG511268AM	1
25	36JU0053	KIT SHIM 2.52 MM JG511268AN	1
26	36JU0054	KIT SHIM 2.56 MM JG511268AO	1
27	36JU0055	KIT SHIM 2.60 MM JG511268AP	1
28	36JU0056	KIT SHIM 2.64 MM JG511268AQ	1
29	36JU0057	KIT SHIM 2.68 MM JG511268AR	1
30	36JU0058	KIT SHIM 2.72 MM JG511268AS	1
31	36JU0059	KIT SHIM 2.76 MM JG511268AT	1
32	36JU0060	KIT SHIM 2.80 MM JG511268AU	1
33	36JU0061	KIT SHIM 2.84 MM JG511268AV	1
34	36JU0062	KIT SHIM 2.88 MM JG511268AW	1
35	36JU0063	KIT SHIM 2.92 MM JG511268AX	1
36	36JU0064	KIT SHIM 2.96 MM JG511268AY	1
37	36JU0065	KIT SHIM 3 MM JG511268AZ	1
38	36JU0066	KIT SHIM 3.04 MM JG511268BA	1
39	CB101009	SEAL - VALVE STEM	2
40	JU511226	RETAINER SPRING VALVE	2

200-DUKE MY-23

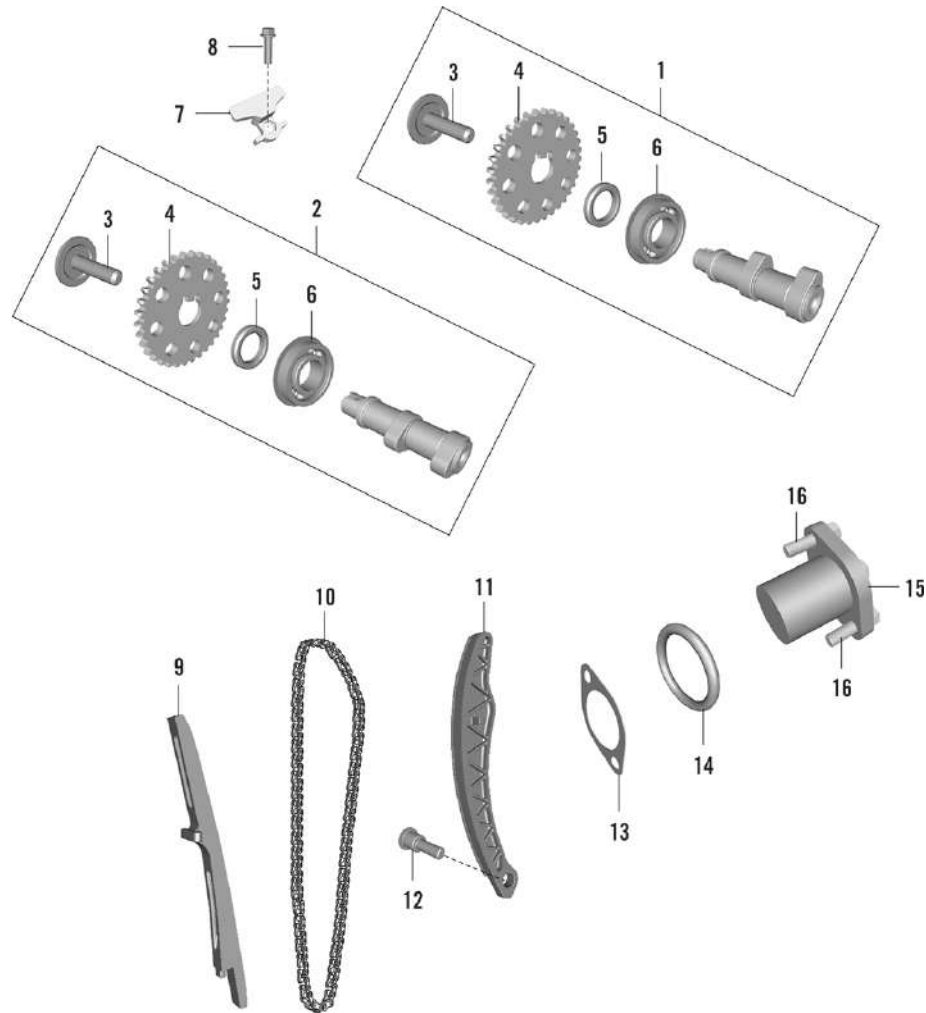
14. VALVE DRIVE

SN	Part No.	Description	QTY
41	CB101022	COTTER VALVE	4



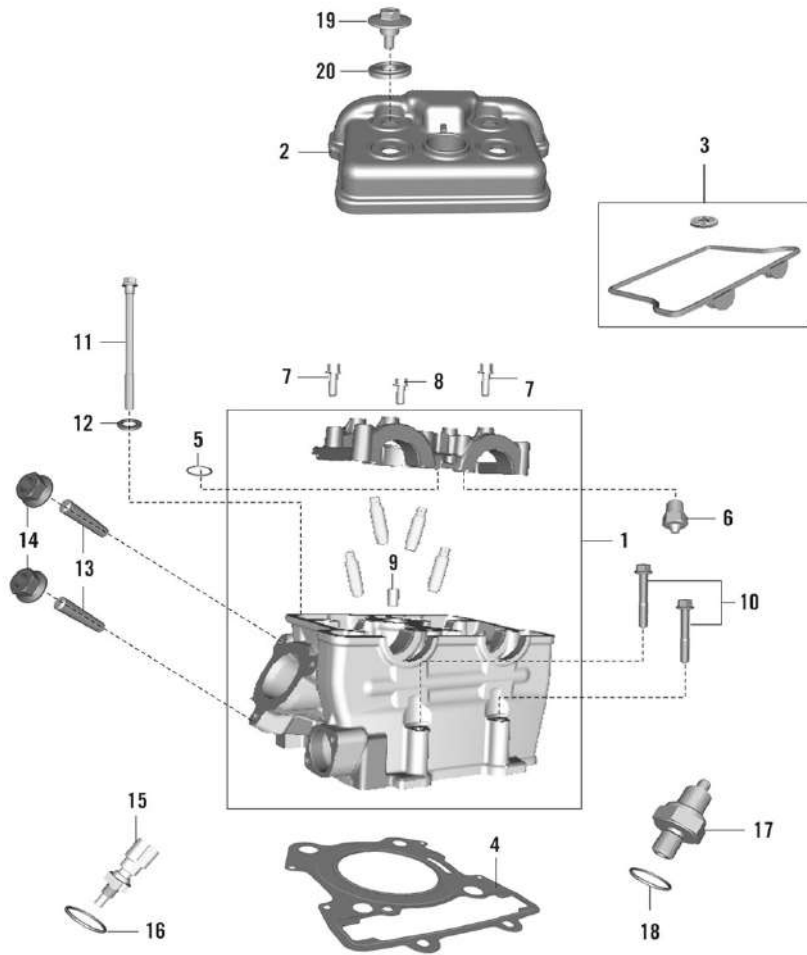
200-DUKE MY-23

15. TIMING DRIVE



SN	Part No.	Description	QTY
1	JU511219	ASSEMBLY CAMSHAFT INTAKE	1
2	JU511221	ASSEMBLY CAMSHAFT EXHAUST	1
3	LAC00077	BOLT SOCKET-M8X1XL 32XSTEPEDXBRT	2
4	JU511223	SPROCKET CAMSHAFT	2
5	JG511262	SPACER CAMSHAFT_G2	1
6	JG511261	BALL BEARING_G2	2
7	JG511250	GUIDE CHAIN TOP	1
8	LAE00016	BOLT FLANGED M5X0.8X6L- PRECOATED	1
9	JG541048	GUIDE CHAIN (TIGHT SIDE)	1
10	JG511247	TIMING CHAIN	1
11	JG541047	GUIDE CHAIN (SLACKSIDE)	1
12	DH101392	PRECOATED TENSIONER PIVOT BOLT - DH10101	1
13	CS101128	Gasket	1
14	39266921	RING - O (ID 10.15 X 1.5)	1
15	JG511211	TENSIONER ASSLY_G2	1
16	KADQ0620	BOLT HEXAGONAL	2

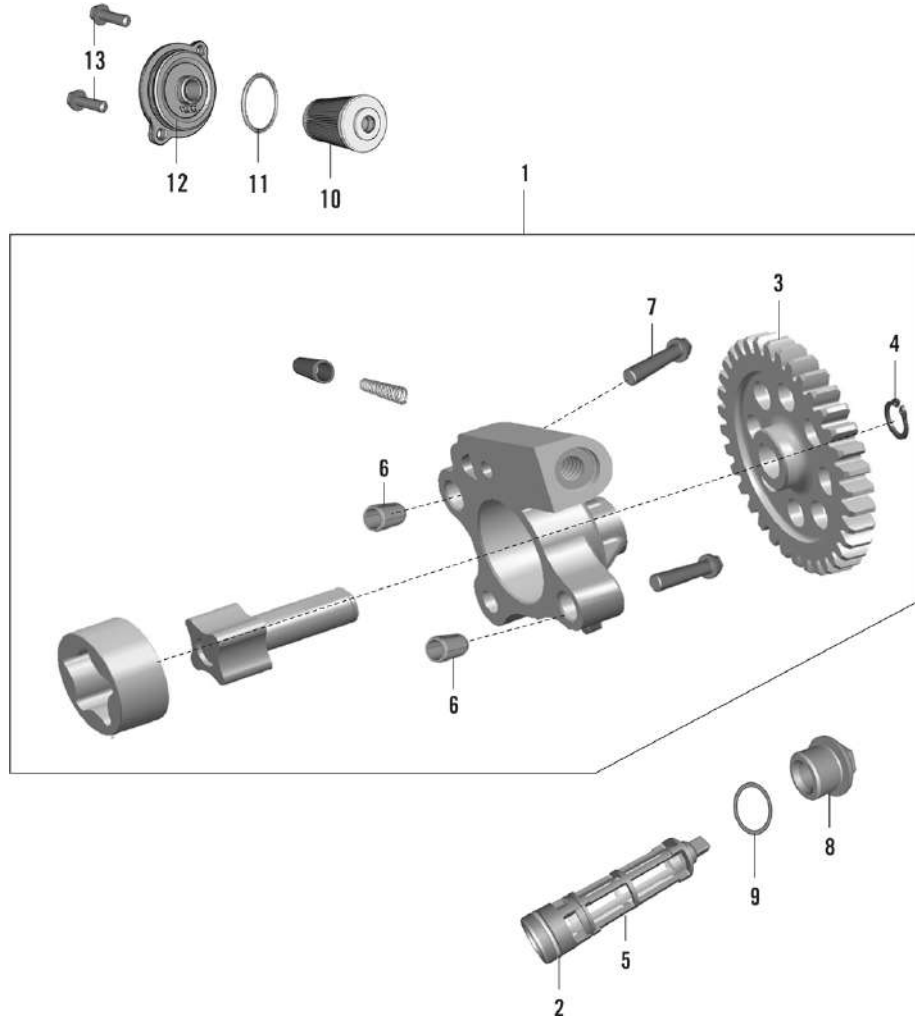
16. CYLINDER HEAD



SN	Part No.	Description	QTY
1	JU511049	HEAD CYLINDER-HOLDER CAMSHAFT	1
2	JU511038	COVER HEAD CYLINDER	1
3	36JU0124	KIT D VALVE COVER GASKET 200	1
4	JU511055	GASKET HEAD CYLINDER	1
5	39101721	RING - O	1
6	JG541021	OIL NOZZLE	4
7	KAEQ0640	BOLT FLANGE SMALL- M6X1XL40XDACRO	2
8	39107504	BOLT - FLANGED :- SMALL	6
9	39099906	PIN - HOLLOW DOWEL	2
10	JG501008	HEX BOLT WITH FLANGE	2
11	JG541068	BOLT FLANGED STEP M10X1.25	4
12	LDA00008	WASHER 11.2*20*2T	4
13	JG511046	STUD M8*1.25	3
14	LCG00006	NUT HEX FLANGED M8*1.25	3
15	JG351400	COOLANT WATER TEMP SENSOR	1
16	39269920	O-RING FOR TEMP. SENSOR	1
17	DK101225	SWITCH PRESSURE OIL	1
18	DK101340	O RING (OIL COOLER PIPE)	1
19	JG511022	BOLT SPECIAL	4
20	JG511021	WASHER	4

200-DUKE MY-23

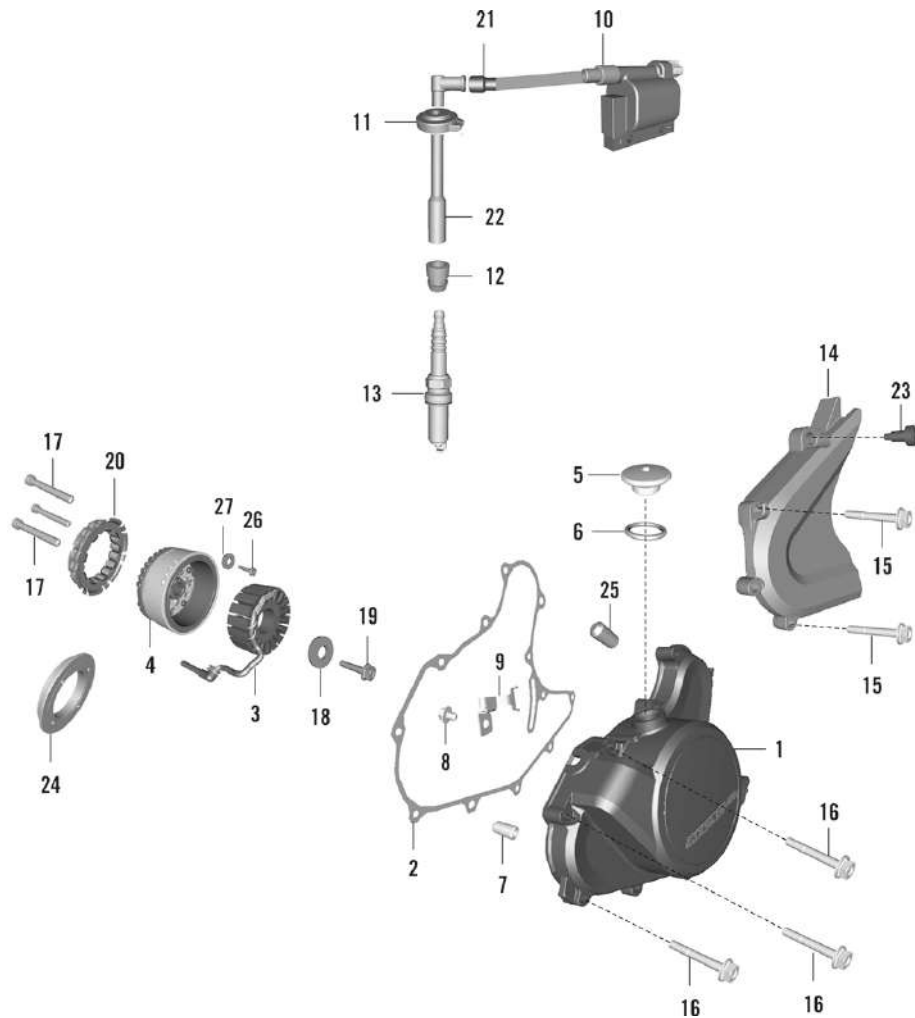
17. LUBRICATING SYSTEM



SN	Part No.	Description	QTY
1	JU571000	ASSEMBLY OIL PUMP	1
2	LJA00004	STRAINER O RING	1
3	JG571018	GEAR OIL PUMP DRIVE	1
4	KEAB1010	CIRCLIP EXTERNAL	1
5	JY571030	MESH STRAINER ASSLY	1
6	39099906	PIN - HOLLOW DOWEL	2
7	LAE00018	BOLT FLANGED M6X1	3
8	JA541021	CAP STRAINER	1
9	59210023	RING - O	1
10	JG571014	OIL FILTER	1
11	JG571016	RING O	1
12	JY571033	CAP OIL FILTER	1
13	KAEQ0616	BOLT FLANGE SMALL-M6X1XL16XDACRO	2

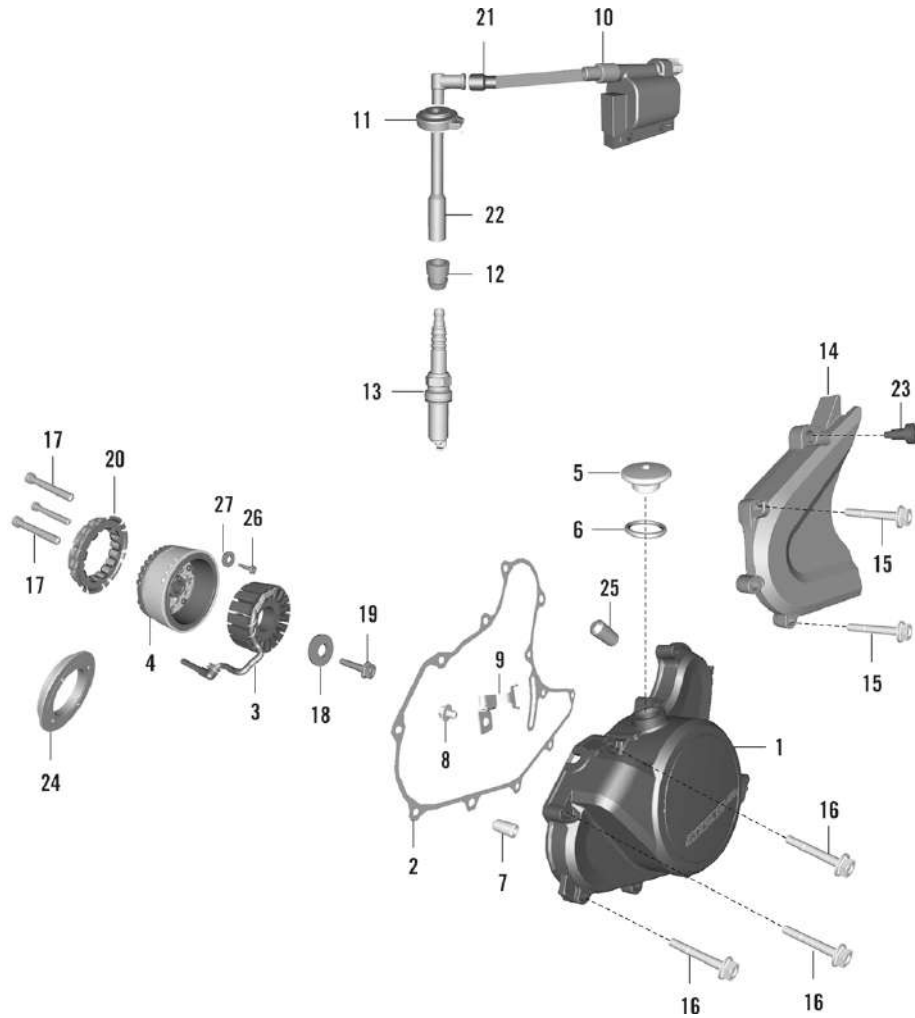


18. IGNITION SYSTEM



SN	Part No.	Description	QTY
1	JY541294	COVER ASSEMBLY MAGNETO	1
2	JG541211	GASKET COVER MAGNETO	1
3	JY351038	STATOR ASSEMBLY	1
4	JY351019	ROTOR ASSLY W/O CLUTCH ASSLY	1
5	JL541245	CAP TDC FINDER	1
6	30101195	RING - O	1
7	39099906	PIN - HOLLOW DOWEL	1
8	KADD0508	BOLT FLANGED	1
9	JG541223	BRACKET HARNESS	1
10	JP351207	COIL IGNITION	1
11	JG351208	GROMMET SPARK PLUG CAP	1
12	JP351209	GROMMET PLUG SPARK	1
13	JY351206	PLUG SPARK	1
14	JG541207	COVER LH RR	1
15	KAEQ0645	BOLT FLANGE SMALL-M6X1XL45XDACRO	3
16	KAEQ0630	BOLT FLANGE SMALL-M6X1XL30XDACRO	11
17	DK101284	HEX SOCKET HEAD SCREW(M5X0.8X35)	3
18	LDB00010	WASHER PLAIN-ID 10.3XOD29XT3.2XBR	1
19	52JY0185	BOLT FLANGE PRECOATED M10X1.25XL50	1
20	JY551402	CLUTCH ONE WAY ASSLY	1

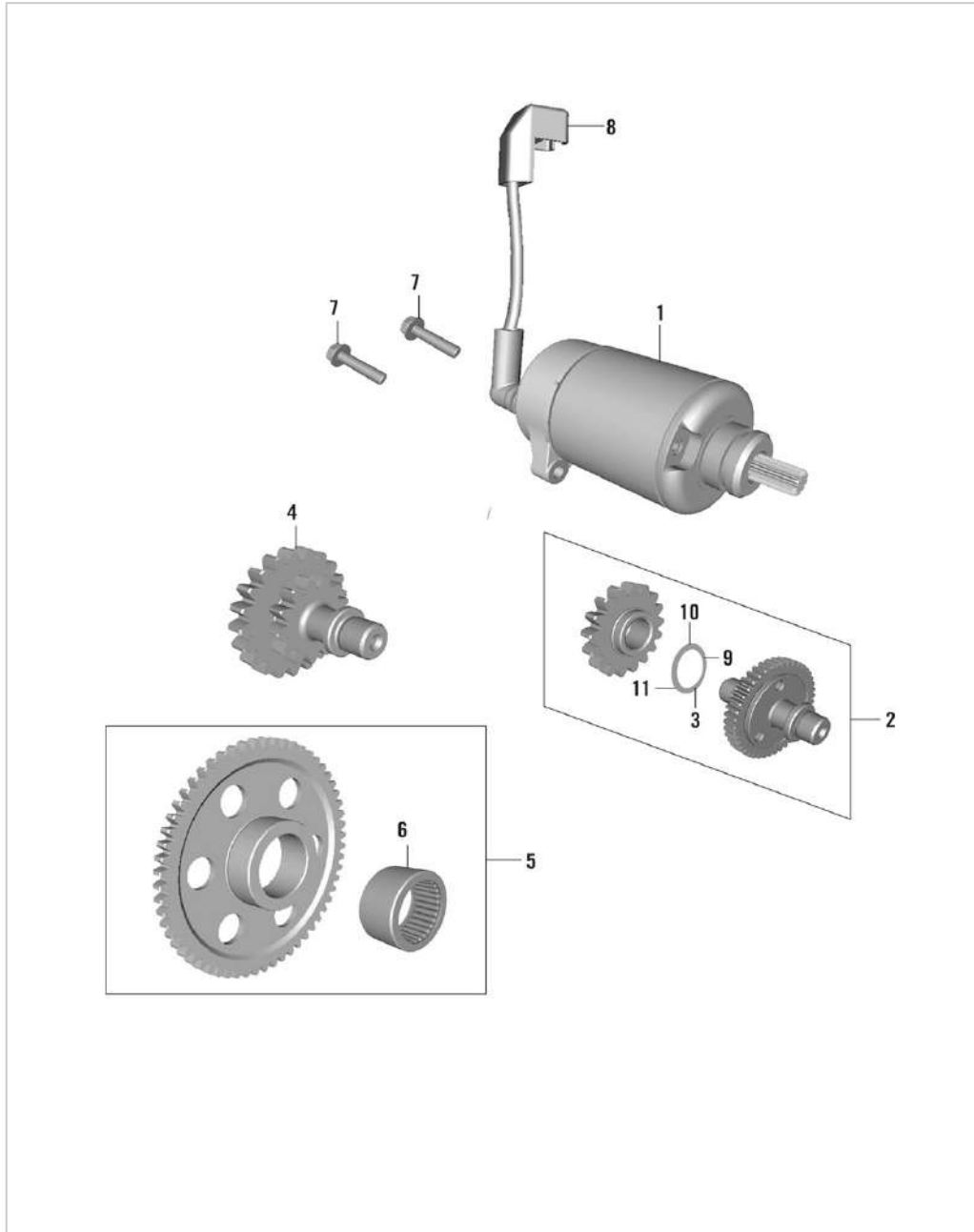
18. IGNITION SYSTEM



SN	Part No.	Description	QTY
21	DD111012	GROMMET FOR H. T. CABLE	1
22	JG351201	SPARK PLUG CAP	1
23	LAC00014	BOLT SPROCKET COVER MTG	1
24	JG351019	BODY STARTER CLUTCH	1
25	JG541074	OIL NOZZLE	1
26	DH101389	PRECOATED PAN SCREW M6 X 20 - 39119704	4
27	39084914	WASHER - LOCK :- TOOTHED	4

**200-DUKE MY-23**

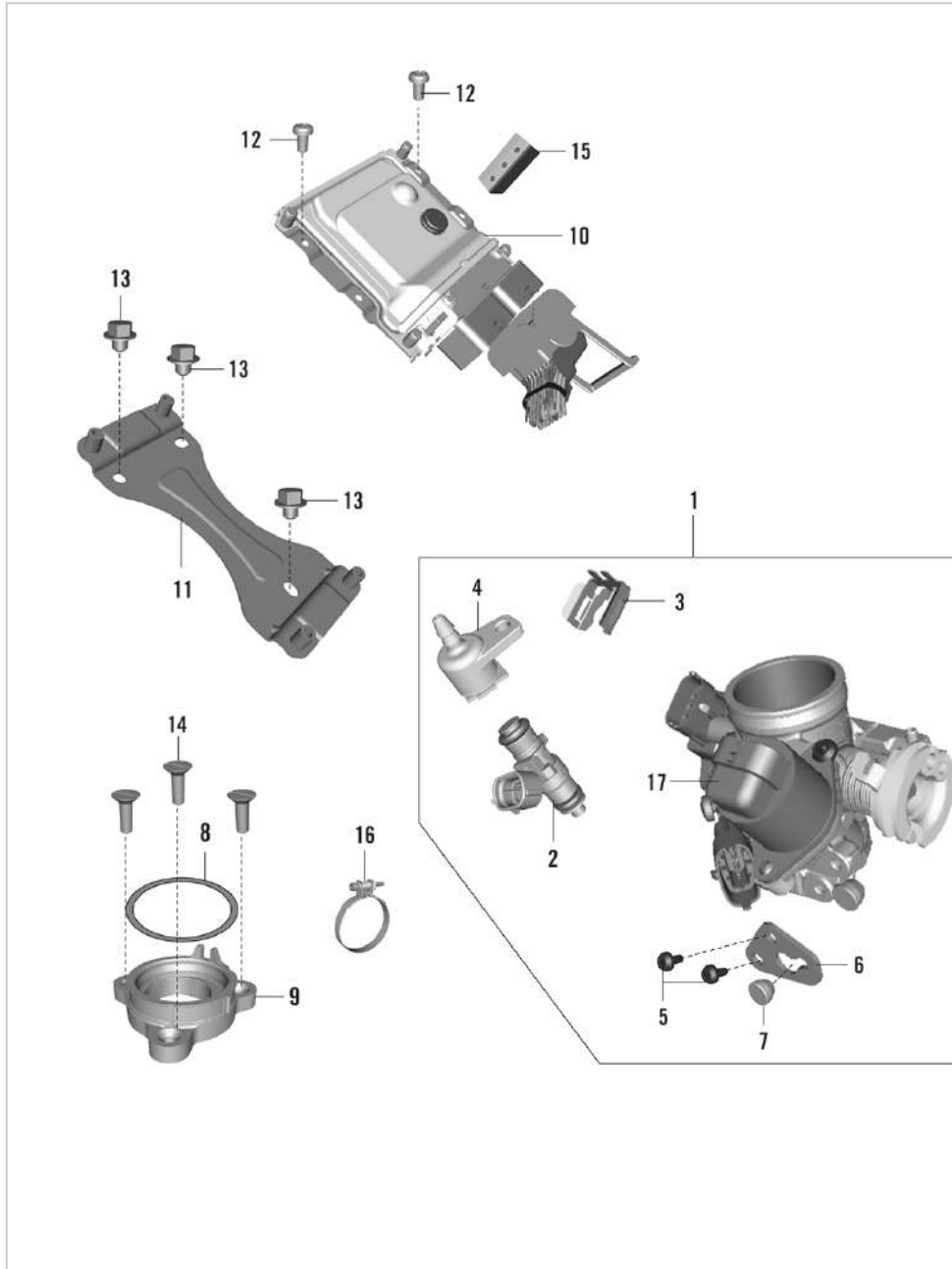
**19. ELECTRICAL STARTER**



SN	Part No.	Description	QTY
1	JG351600	STARTER MOTOR ASSY 350W BLACK	1
2	JG621413	GEAR ASSEMBLY STARTER COUNTER II	1
3	DK101445	SHIM (0.6 THK.)	1
4	JG621412	GEAR STARTER COUNTER 1	1
5	JG621417	ASSEMBLY GEAR STARTER CLUTCH	1
6	BF621402	NEEDLE BEARING (25X32X16)	1
7	KADQ0625	BOLT M6	2
8	JP402203	CABLE RELAY TO MOTOR MY17	1
9	DK101450	SHIM (0.45 THK.)	1
10	DK101451	SHIM (0.75 THK.)	1
11	DK101452	SHIM (0.9 THK.)	1

## 200-DUKE MY-23

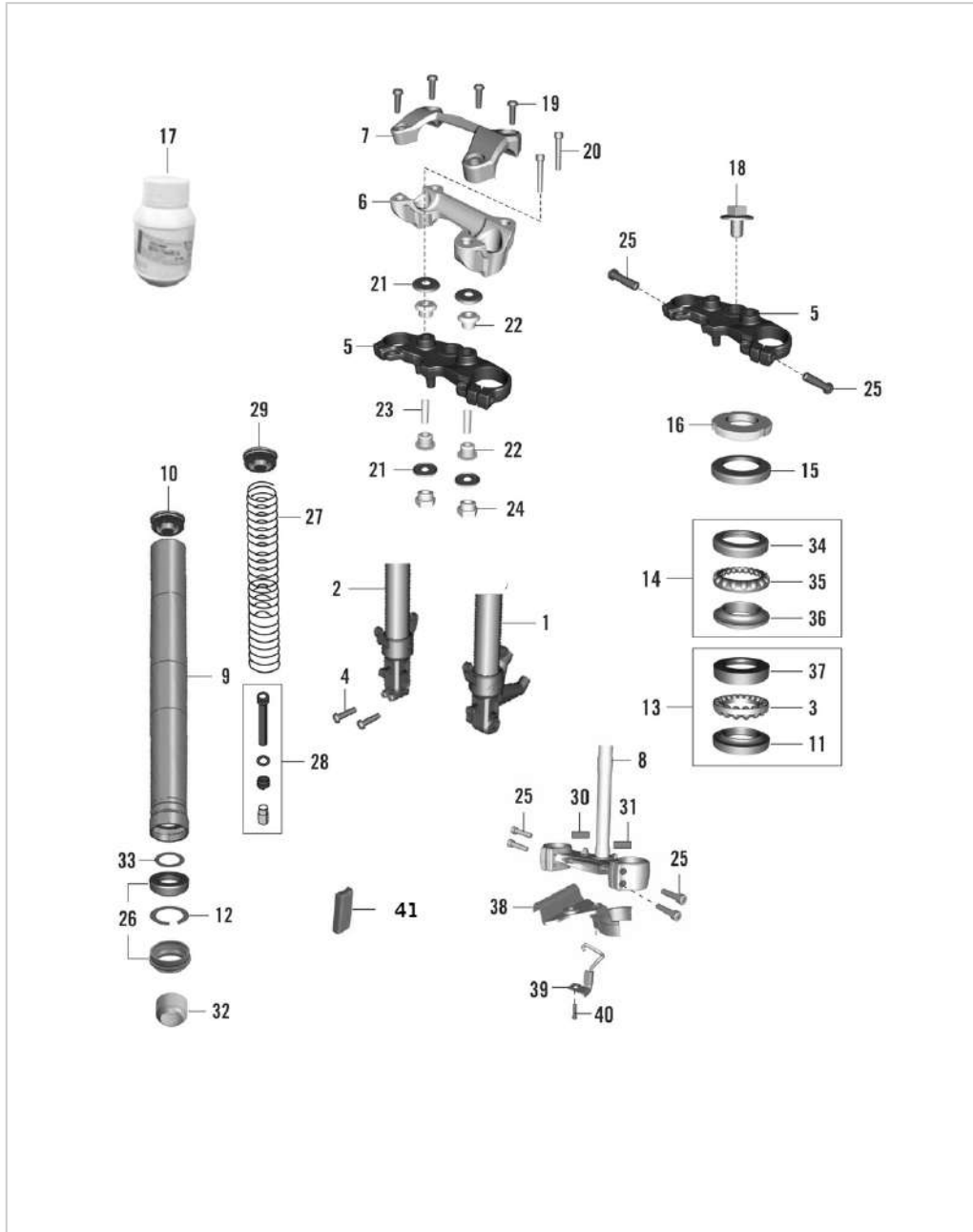
## 20. THROTTLE BODY



SN	Part No.	Description	QTY
1	JP611208	ASSEMBLY THROTTLE BODY DIA.38	1
2	JG611004	FUEL INJECTOR	1
3	JG611006	CLIP INJECTOR CLIP	1
4	JG581416	INJECTOR CAP	1
5	JG581424	FIXING SCREW	5
6	JG581419	BRACKET THROTTLE CABLE	1
7	DS161156	PLUG - SEAT LOCK CABLE	1
8	JG581407	RING O	1
9	JU581413	PIPE INTAKE	1
10	JP351464	ECU EMS	1
11	JG171026	BRACKET ECU MOUNTING	1
12	KBBA0408	SCREW PAN CROSS	4
13	KADA0508	FLANGE BOLT M5 X 0.8	3
14	LBC00003	SCREW CSK CROSS M6X1	3
15	JG171074	DAMPER ASSEMBLY	1
16	JU581006	CLAMP CONNECTING TUBE	1
17	JG611206	MOTOR STEPPER (IACV)	1

## 200-DUKE MY-23

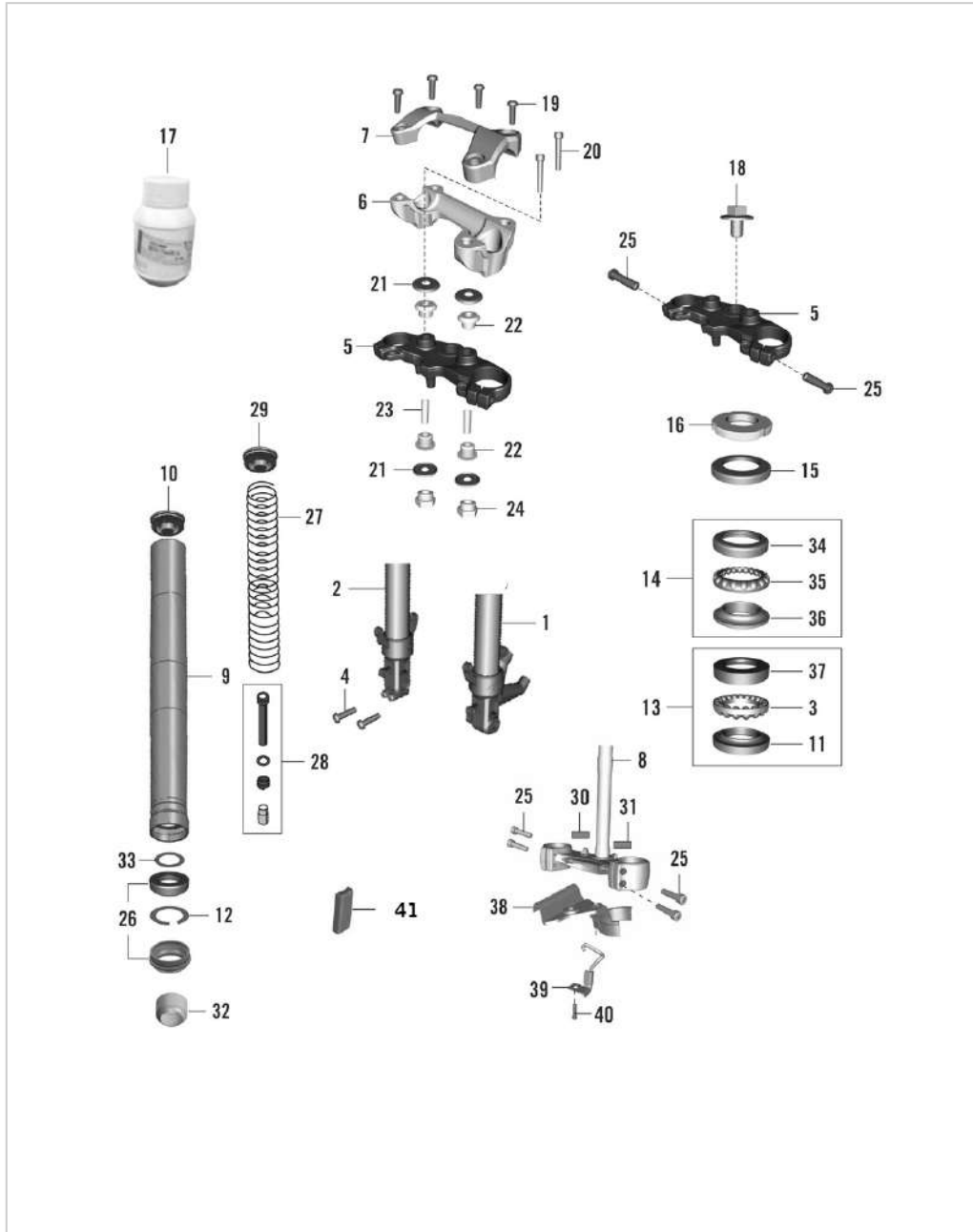
## 21. FRONT FORK, TRIPLE CLAMP



SN	Part No.	Description	QTY
1	YJP42002	AXLE CLAMP AND FORK PIPE LH	1
2	YJP42001	AXLE CLAMP AND FORK PIPE RH	1
3	DK181051	CAGE BEARING STEERING BOTTOM	1
4	LAC00005	BOLT SOCKET M8X1.25	2
5	JU151013	CLAMP TRIPPLE UPPER	1
6	JG151014	HANDLE HOLDER BOTTOM	1
7	JG151020	TOP HANDLE HOLDER	1
8	JP121046	ASSEMBLY LOWER TRIPLE CLAMP GDC	1
9	YJP42004	ASSEMBLY OUTER TUBE	2
10	JG121012	FORK TOP BOLT	1
11	DG181005	BEARING CONE	1
12	JU121009	CIRCLIP	2
13	36JU0075	KIT STEERING RACE LOWER JU/JY	1
14	36JU0074	KIT STEERING RACE UPPER JU/JY	1
15	DK181076	CUP STEERING	1
16	JG151026	NUT -STEERING	1
17	36JG0087	KTM FORK OIL	6
18	59040005	BOLT WITH WASHER M16X28L	1
19	JG151029	BOLT SOCKET M8X1.25	4
20	LAC00004	BOLT SOCKET M10X1.25	2

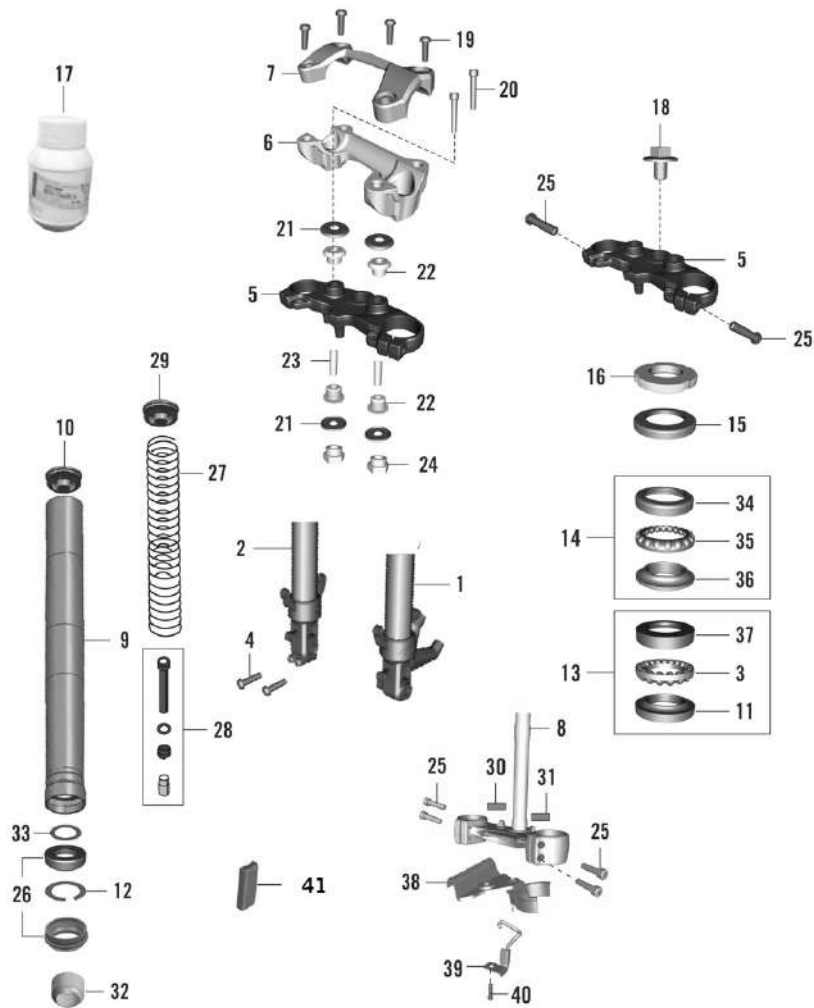
## 200-DUKE MY-23

## 21. FRONT FORK, TRIPLE CLAMP

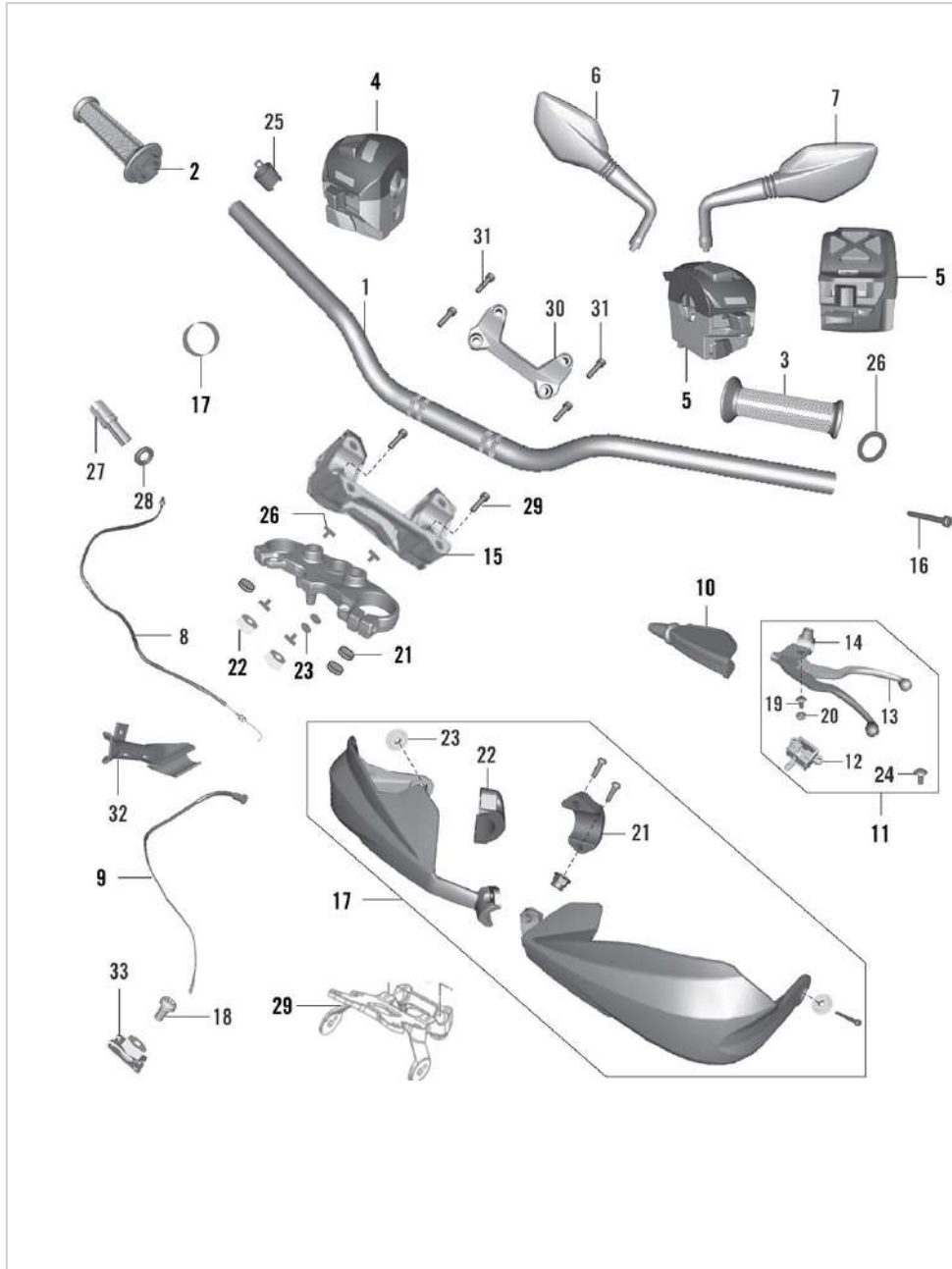


SN	Part No.	Description	QTY
21	JG151013	WASHER CUP	4
22	JG151012	COLLAR	4
23	JG151021	SPACER TUBE	2
24	LCH00001	NUT NYLOC-M10X1.25XHT.11XCL6XBRT	2
25	LAC00013	BOLT SOCKET HEADED M8X1.25X30L	6
26	36JU0019	Kit Fork Oil seal KTM 200	2
27	JU121017	MAIN SPRING & WASHER SUB ASSEMBLY	2
28	YJP42003	ASSEMBLY PISTON ROD	2
29	JU121018	SCREW CAP ASSEMBLY	2
30	JG233080	TAPE ANTIABRASIVE	1
31	JG113841	TAPE ANTIABRASIVE	1
32	JG121028	FORK FRONT DUST COVER	2
33	LDB00036	WASHER PLAIN-ID45XOD 52.5XTHK1.5	2
34	DG181045	BEARING CONE :- UPPER	1
35	DK181050	CAGE BEARING STEERING TOP	1
36	DG181046	BEARING RACE - UPPER	1
37	DG181047	BEARING RACE - LOWER	1
38	JG113828	CLAMP HOSE	1
39	JG111139	HOOK ASSEMBLY	1
40	KAET0610	BOLT FLANGE SMALL-M6X1XL10XBLACK	1

SN	Part No.	Description	QTY
41	JG401038	REFLECTOR FRONT SIDE	2



## 200-DUKE MY-23

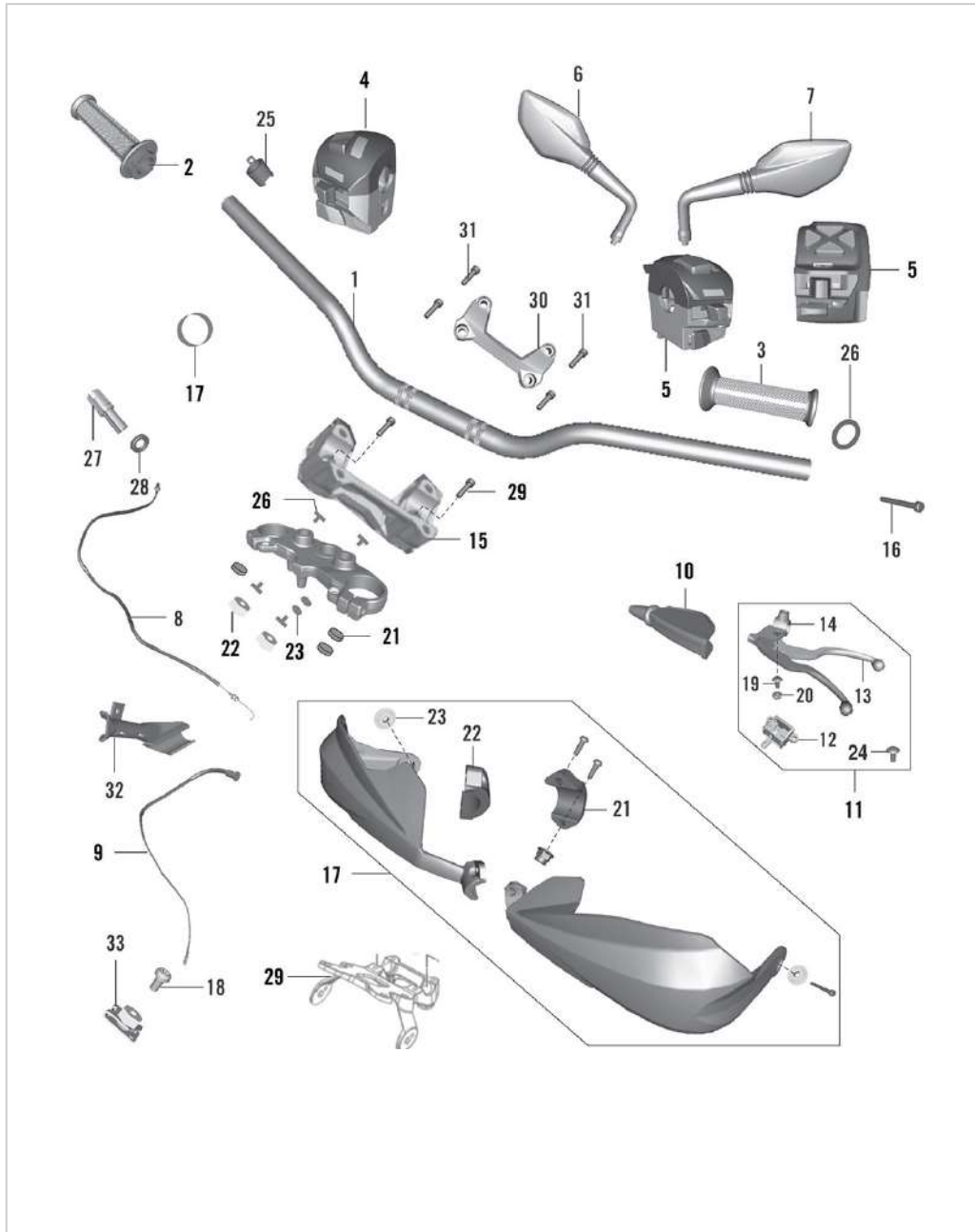


## 22. HANDLEBAR, CONTROLS

SN	Part No.	Description	QTY
1	JP151031	HANDLEBAR	1
2	JG151038	GRIP ASSEMBLY DUKE 125_200 RH	1
3	JP151031	HANDLEBAR	1
4	JP401412	SWITCH CONTROL RH	1
5	JG401406	SWITCH CONTROL LH	1
6	JP231600	MIRROR LH	1
7	JP231601	MIRROR RH	1
8	JP161202	CABLE THROTTLE 125	1
9	JP161200	CLUTCH CABLE DUKE 125/200	1
10	DS191052	LEVER BOOT LH FOR CLUTCH SWITCH	1
11	JP161008	ASSEMBLY LEVER-HOLDER LH	1
12	JG401426	SWITCH CLUTCH	1
13	JY161007	CLUTCH LEVER NON ADJUSTABLE	1
14	JL161014	HOLDER LEVER LH	1
15	JP151015	HANDLE HOLDER BOTTOM	1
16	LAC00116	BOLT SOCKET-M6X1XL55XCL8.8XBLACK	2
17	PA402204	BAND(LENGTH 110MM)	2
18	KBUF0512	SCREW TRUSS-M5X0.8XL 12XBLACK	1
19	JZ161028	LEVER PIVOT BOLT	1
20	39118415	NUT - NYLOC :- M5 X 0.8	1



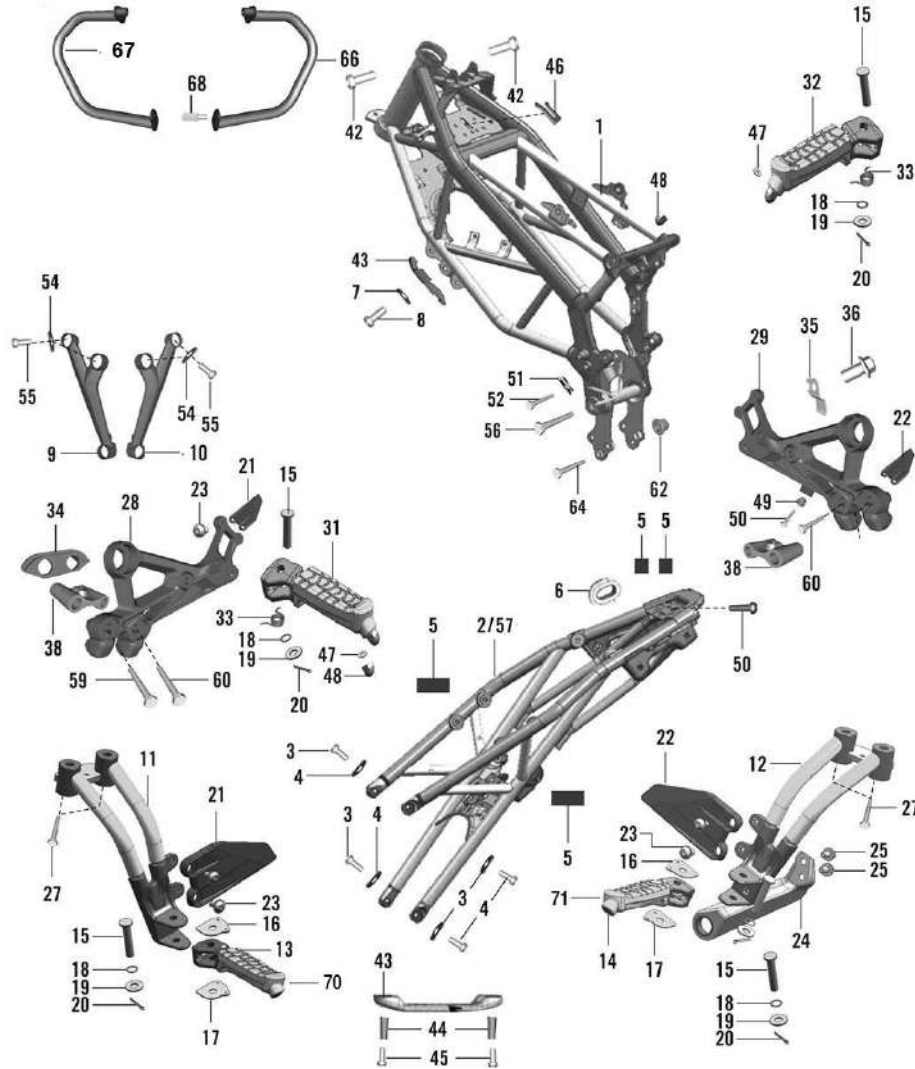
## 200-DUKE MY-23



## 22. HANDLEBAR, CONTROLS

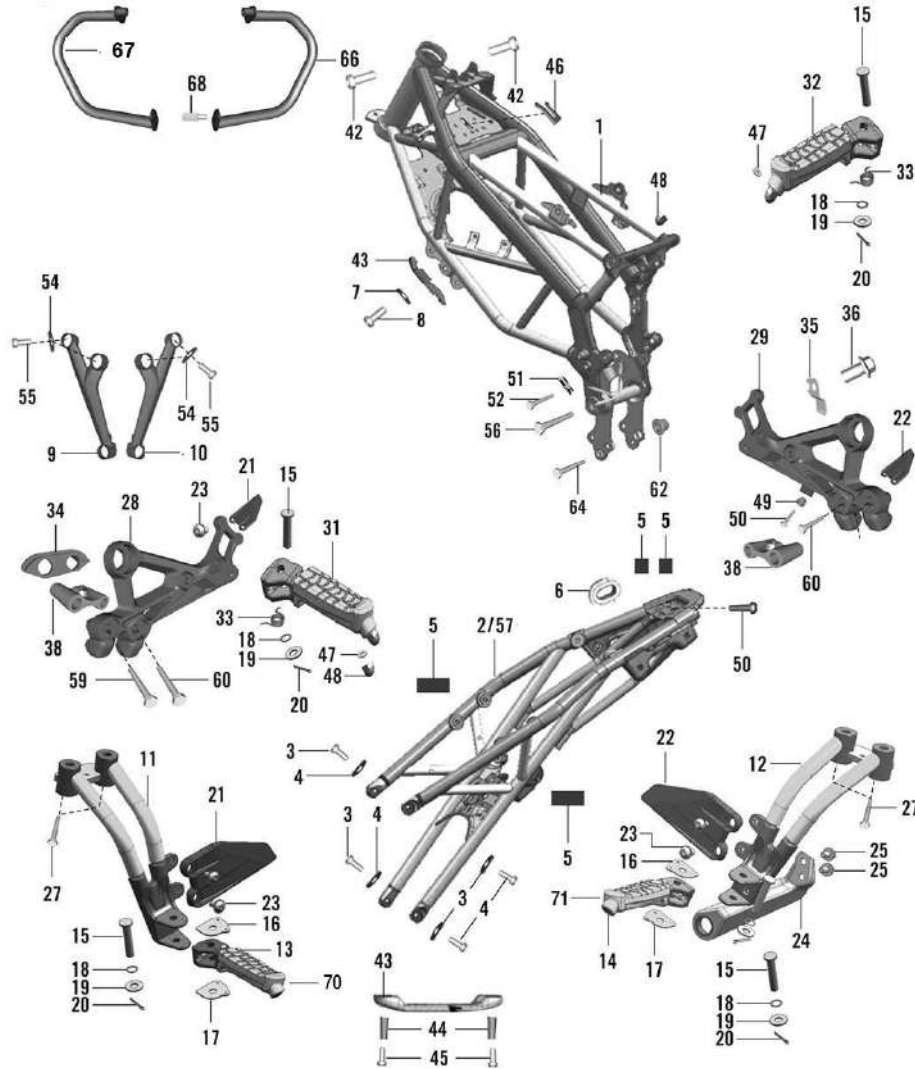
SN	Part No.	Description	QTY
21	JG151013	WASHER CUP	3
22	JP151009	SPACER TUBE_MY17	2
23	LCH00001	NUT NYLOC-M10X1.25XHT.11XCL6XBRT	2
24	LBU00012	SCREW PAN CROSS M3X0.5	2
25	JP151012	SPACER HANDLEBAR KT19/20/21	1
26	JG151012	COLLAR	4
27	36DU1901	CABLE ADJ.KIT - CT 100	1
28	30191017	NUT	1
29	LAC00092	BOLT SOKET-M10X1.25XL73XCL8.8XBRT	2
30	JP151016	HANDLE HOLDER TOP	1
31	LAC00111	BOLT SOCKET-M8X1.25XL 29XBLACK	4
32	JP113828	GUIDE CLUTCH CABLE	1
33	JG171031	CLIP NUT M5	1

23. FRAME



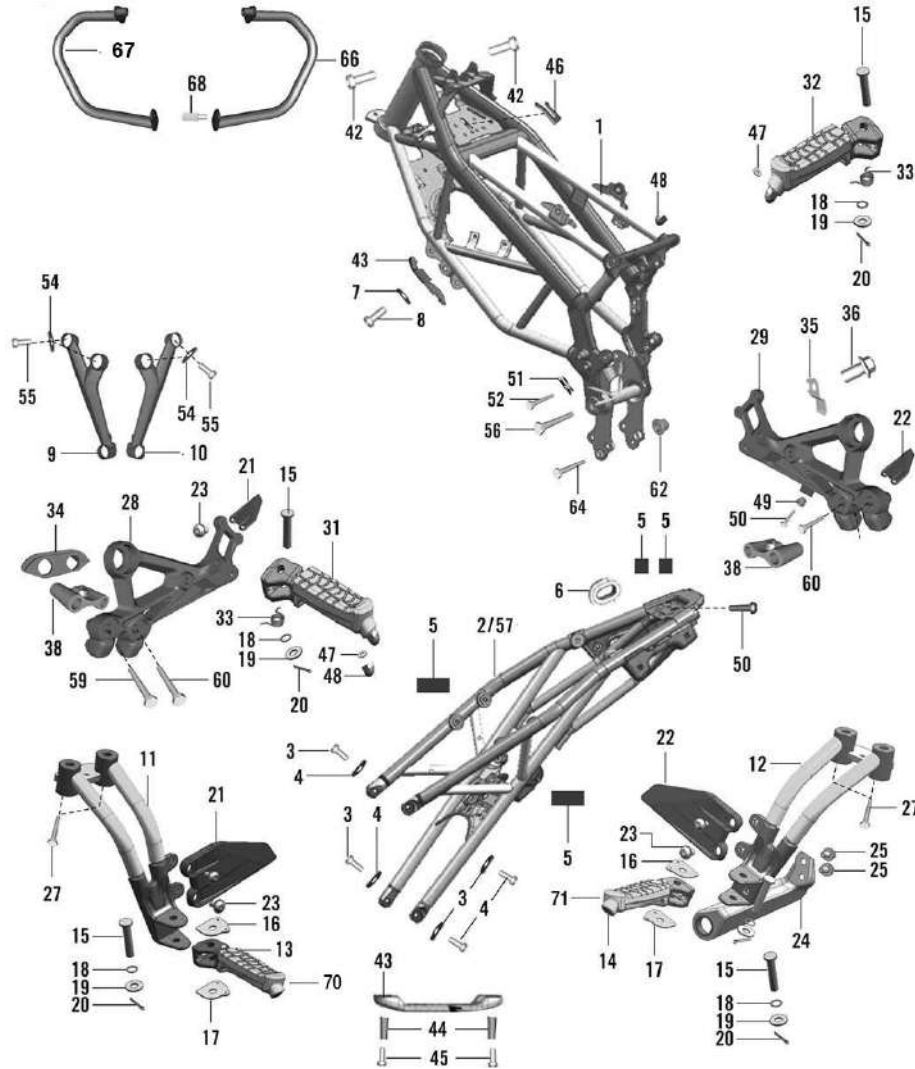
SN	Part No.	Description	QTY
1	36JP0037	FR FRAME ASY BLK DUKE MY18	1
2	52JP0903	JP111002 FRAME REAR-CERAMIC WHTE	1
3	LAC00093	BOLT SOKET- M8X1.25XL25XBLXPRECOT	4
4	LDA00034	WASHER PLAIN-ID8.2XOD 14XT 2XBLK	4
5	JY191008	DAMPER	2
6	JY113837	GROMMET FOR CABLE	1
7	LDB00076	WASHER PLAIN- ID6.5XOD13XTHK1XBLK	1
8	KACA0612	BOLT-SOCKET-KAC ST-A DIA-06 L-12	1
9	56JP024U	ENGINE HANGER LH ALUMINIUM SILVER KT09	1
10	56JP034U	ENGINE HANGER RH ALUMINIUM SILVER KT09	1
11	JP113041	HOLDER STEP PILLION LH	1
12	JP113042	HOLDER STEP PILLION RH	1
13	JP113029	STEP ASSEMBLY PILLION LH	1
14	JP113030	STEP ASSEMBLY PILLION RH	1
15	JL113037	PIN PIN CLEVIS DIA 8	2
16	JP113017	PLATE LOCK PILLION STEP TOP	2
17	JP113018	PLATE LOCK PILLION STEP BOTTOM	2
18	30141031	RING - O	4
19	KDBA0818	WASHER PLAIN	4
20	LHA00002	PIN -SPLIT	4

23. FRAME



SN	Part No.	Description	QTY
21	JP113012	HEEL GUARD REAR LH	2
22	JP113013	HEEL GUARD REAR RH	2
23	LBU00050	SCREW BUTTON HEAD-M6X1XL9XPRECOAT	4
24	JP113810	BRACKET SILENCER MOUNTING	1
25	KADA0610	BOLT-FLANGE-KAD ST-A DIA-06 L-10	2
26	DJ101305	BOLT FLANGE	2
27	LAC00023	BOLT SOCKET	4
28	JP113038	HOLDER STEP RIDER RH	1
29	JP113037	HOLDER STEP RIDER LH	1
30	JP113015	PIN DOWEL	2
31	JP113027	STEP ASSEMBLY RIDER LH	1
32	JP113028	STEP ASSEMBLY RIDER RH	1
33	JP113035	SPRING TORSION	2
34	JG113800	DUMBLE SPACERS FOR STEPHOLDER	1
35	JP113811	BRACKET GUIDE HOSE REAR	1
36	KAED0610	BOLT-FLANGE-KAE ST-D DIA-06 L-10	1
37	LBU00049	SCREW BUTTON HD-M6X1XL25XSTEPPED	1
38	JG113800	DUMBLE SPACERS FOR STEPHOLDER	2
39	JG113813	BRACKET SIDE STAND SWITCH CABLE	1
40	LAE00015	BOLT FLANGED M6X1	1

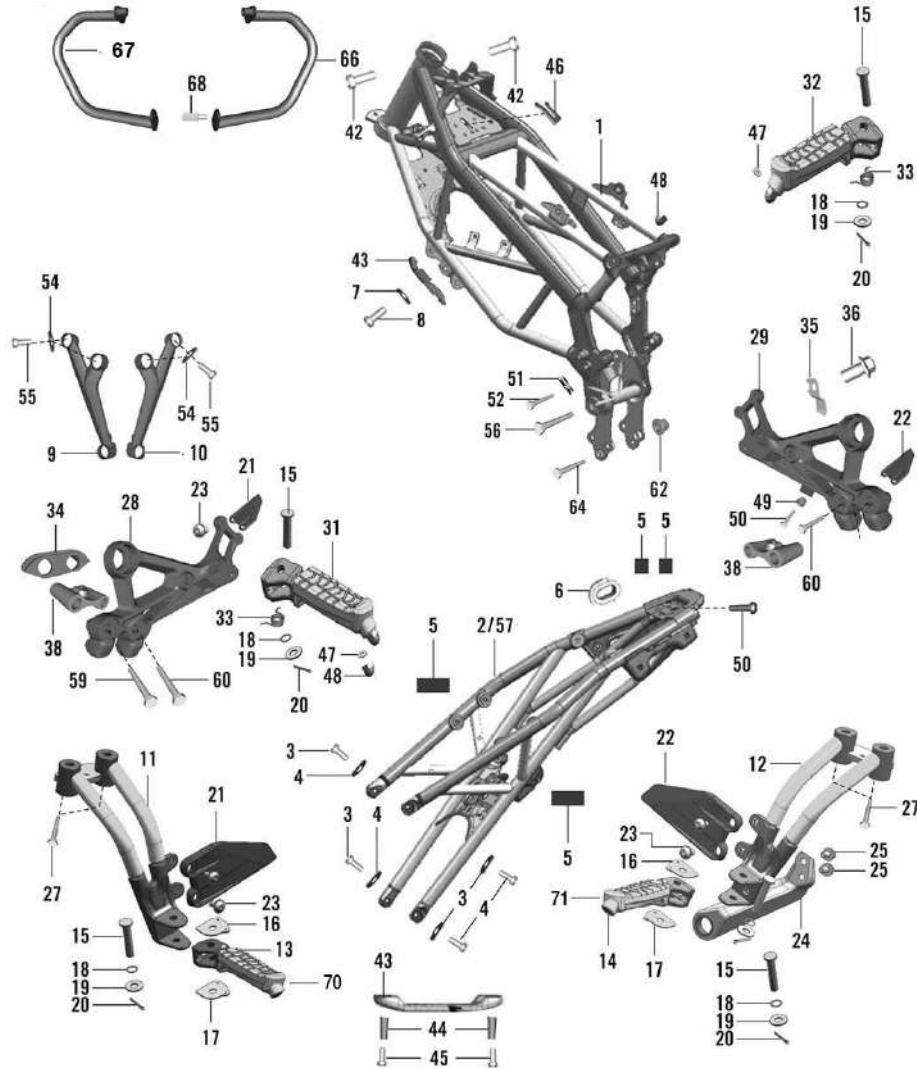
23. FRAME



SN	Part No.	Description	QTY
41	JG113802	SPACER - CHAIN TENSIONER MTG	2
42	LAE00021	BOLT FLANGED M6X1	2
43	JP113014	BRACKET BRIDGE PILLION STEP	1
44	LAC00115	BOLT SOCKET-M6X1XL18XBLKXPRECOAT	2
45	JG113832	COLLAR	2
46	JP112836	PAD RESTING ECU	1
47	LDB00019	WASHER PLAIN-ID 6.4XOD 20XT 1XBR	2
48	JG113052	BOLT	2
49	KCAD0605	NUT HEX THICK	1
50	KADD0620	BOLT FLANGED	2
51	JG113404	CLIP NUT	2
52	JG113837	BOLT FLANGED M6X1	2
53	JP113802	BRACKET PURGE VALVE LOOSE KT22	1
54	LDB00065	WASHER PLAIN-ID8.5XOD 18XTHK 1.6	4
55	LAC00113	BOLT SOCKET-M8X1.25XL25XCL10.9XBL	4
56	JG113403	BOLT FLANGED M10X1.25	1
57	52JP0126	JP111002 CHAS RR AFTR POW CT WTH EL ORNG	1
58	KDAA1018	WASHER PLAIN	1
59	LAD00038	BOLT FLANGE-M10 X 1.25 X L267XBRIGHT	1
60	LAD00039	BOLT FLANGED-M10 X 1.25P X 92L	2

200-DUKE MY-23

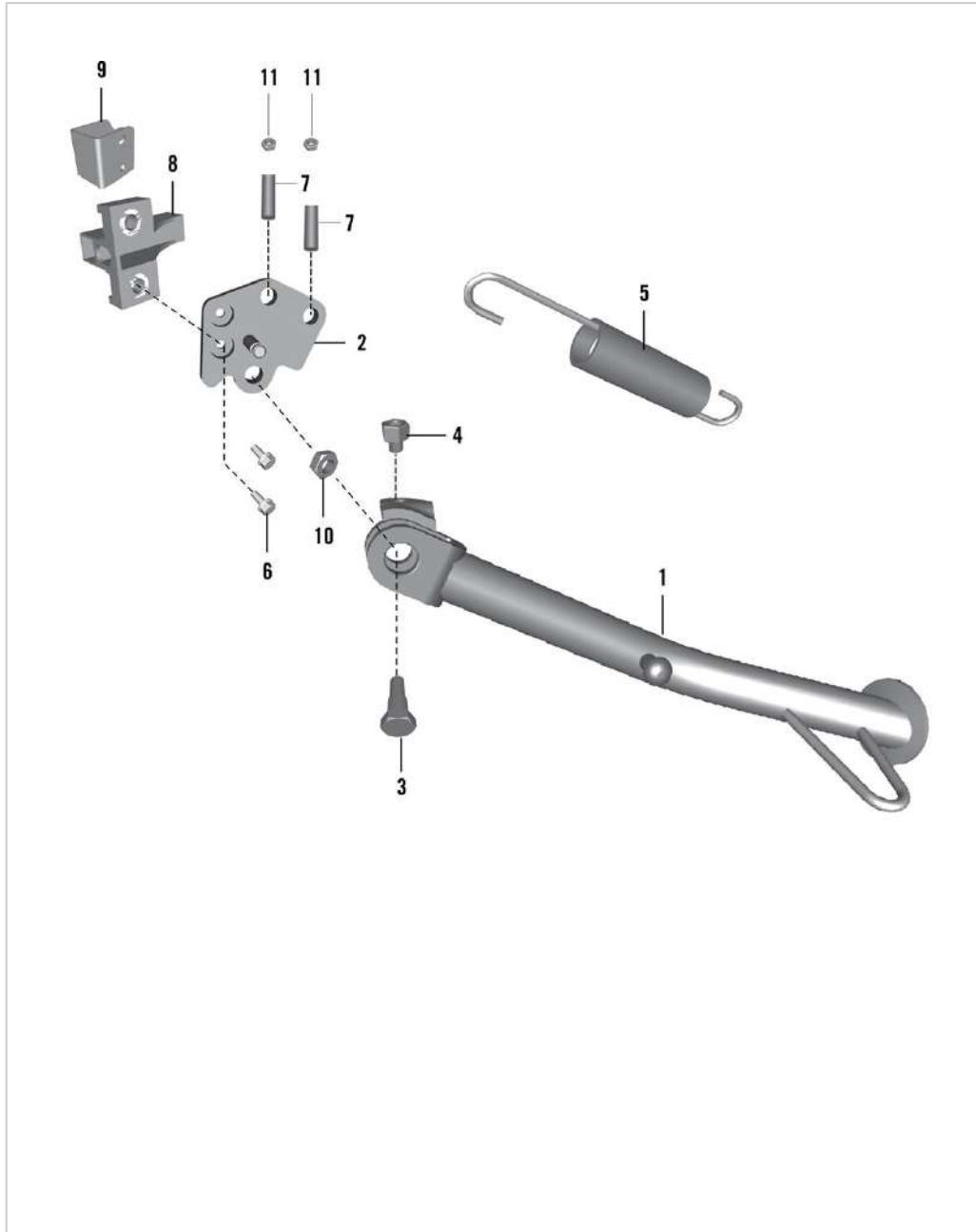
23. FRAME



SN	Part No.	Description	QTY
61	LDB00076	WASHER PLAIN- ID6.5XOD13XTHK1XBLK	1
62	JP113837	NUT SOCKET-M10X1.25XHT. 24XBRT	1
63	LAA00050	BOLT M8X1.25	1
64	LAD00075	BOLT FLANGED-M8X1.25XL 105XBRT	1
65	JU231207	NUT NYLOC M8X1.25	2
66	JP231211	GUARD LEG LH	1
67	JP231212	GUARD LEG RH	1
68	LAA00050	BOLT M8X1.25	1
69	LAJ00014	BOLT STUD-M10X1.25XL 153XBRIGHT	1
70	JP113029	STEP ASSEMBLY PILLION LH	1
71	JP113030	STEP ASSEMBLY PILLION RH	1
72	LZE00009	SEALANT -LOCTITEÂ 620	1
73	KACH0616	BOLT SOCKET-M6X1XL16XCL 10.9XBLK	1

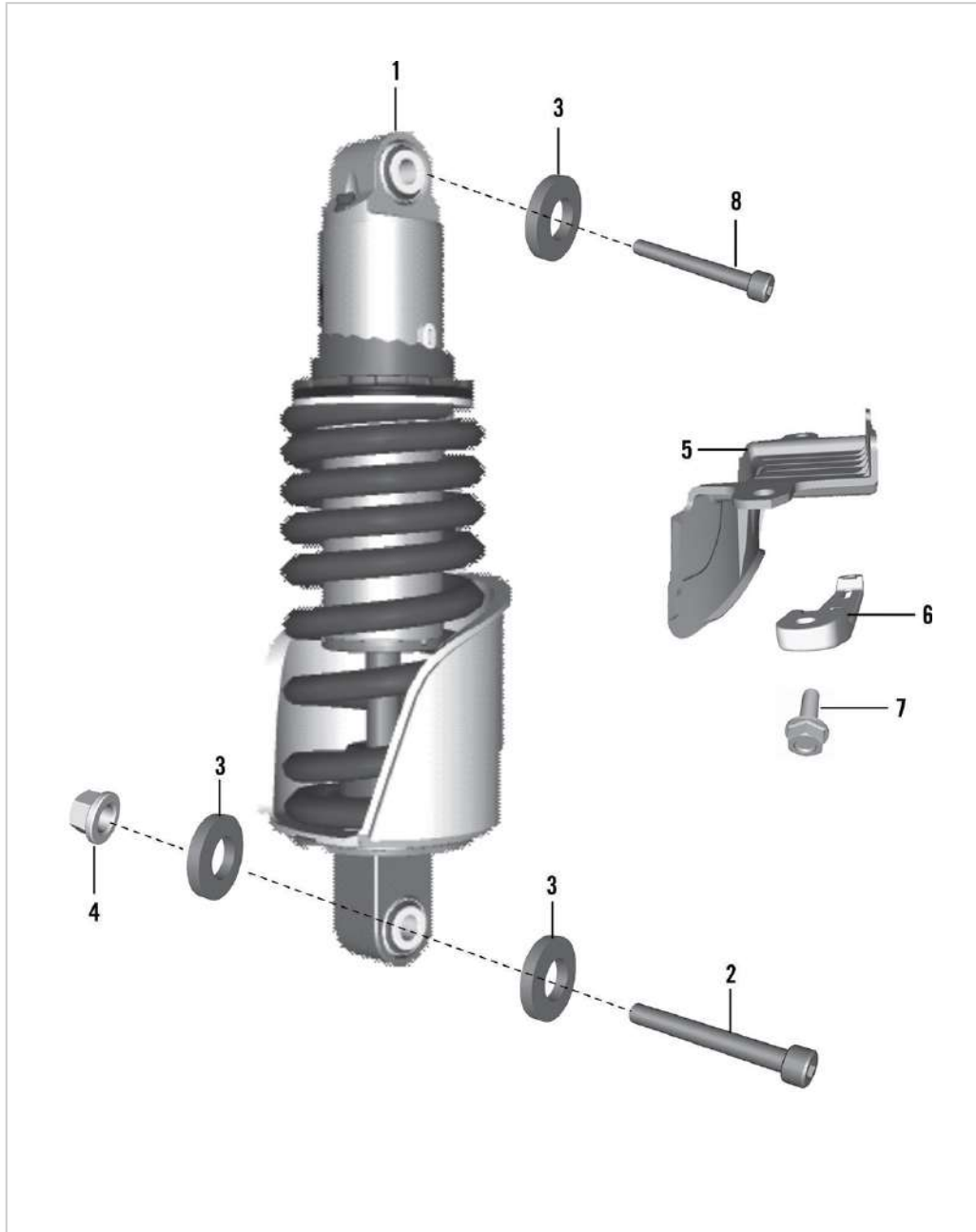
200-DUKE MY-23

24. SIDE STAND



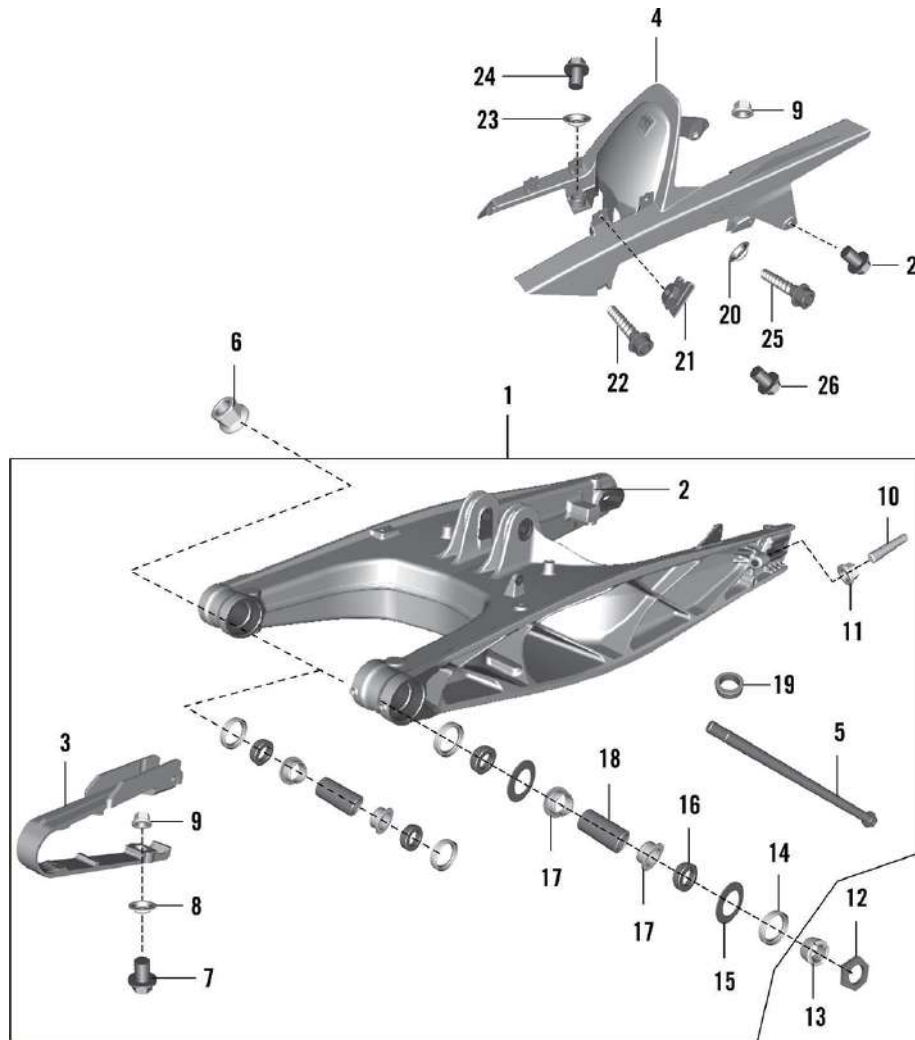
SN	Part No.	Description	QTY
1	JY113217	STAND SIDE	1
2	JP113229	PLATE STAND SIDE	1
3	JG113207	BOLT	1
4	JP401434	HOLDER MAGNET	1
5	JU113200	SPRING SIDE STAND WITH COVER	1
6	LAE00010	BOLT FLANGED M5X0.8	2
7	LAJ00019	BOLT STUD- M10X1.25XL20XBRXPRECOAT	2
8	JP401435	SWITCH STAND SIDE	1
9	JY113210	SHIELD SWITCH STAND SIDE	1
10	LCH00001	NUT NYLOC- M10X1.25XHT.11XCL6XBRT	1
11	LCL00006	NUT U FLANG-M10X1.25XHT. 8.5XBRT	2

25. SHOCK ABSORBER



SN	Part No.	Description	QTY
1	JY122030	SHOCKABSORBER REAR	1
2	LAC00006	BOLT SOCKET M10X1.25	1
3	LDB00011	WASHER PLAIN	3
4	LCG00003	NUT FLANGED M10 X 1.25	2
5	JP181404	FLAP PROTECTOR	1
6	JP113014	BRACKET BRIDGE PILLION STEP	1
7	LAC00114	BOLT SOCKET- M6X1XL14XBLKXPRECOAT	2
8	LAC00085	BOLT SOCKET M10X1.25	1

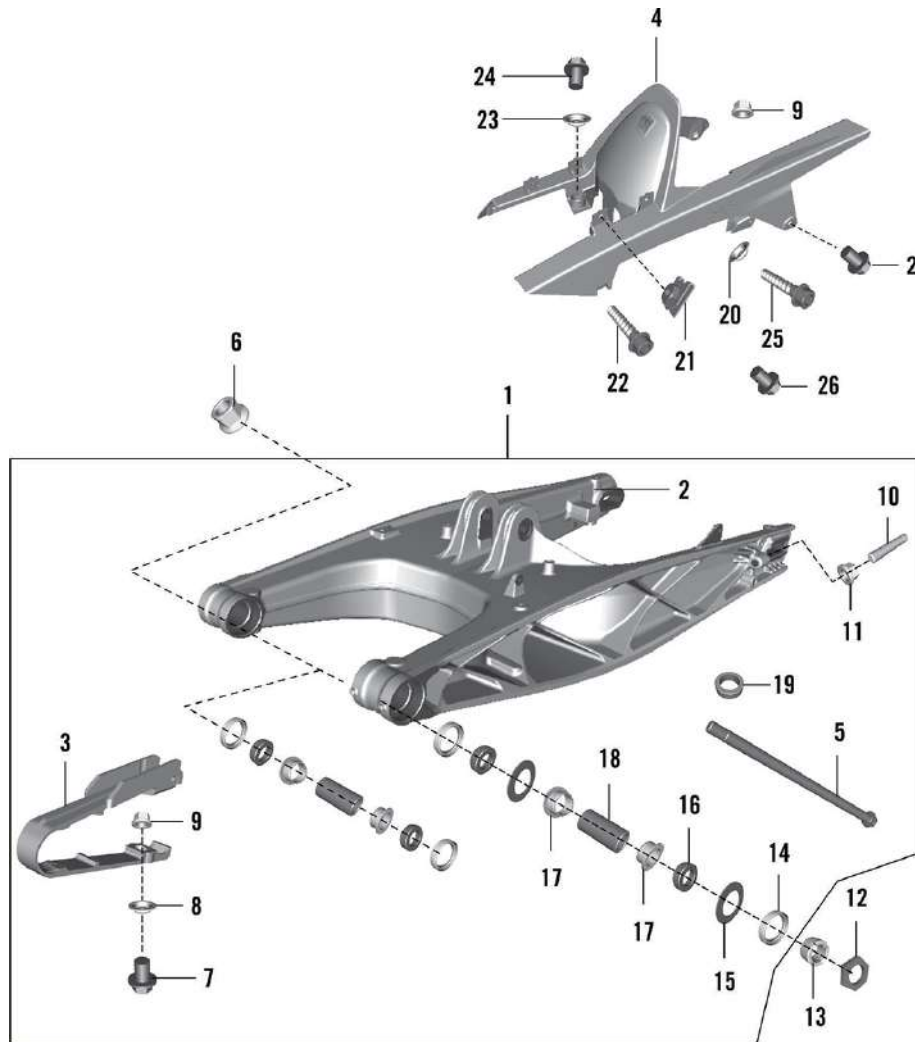
26. SWING ARM



SN	Part No.	Description	QTY
1	JG122043	ASSEMBLY ARM SWING	1
2	LBR00007	SCREW TAPPING PAN CROS-6XL30XBLK	1
3	JG122039	SLIDER CHAIN	1
4	JP181228	CHAIN CHAIN COVER ASSEMBLY	1
5	JG122016	SHAFT SWING ARM	1
6	LCG00004	NUT FLANGED M14 X 1.5	1
7	JG181273	BOLT CHAIN CASE MTG	1
8	JY122004	SLEEVE CHAIN SLIDER	1
9	LCA00008	NUT	1
10	LAA00007	BOLT HEX M10 X 1.25 X 50	2
11	LCG00003	NUT FLANGED M10 X 1.25	2
12	LDB00055	WASHER PLAIN-ID 15.5XOD 29XTHK 5	2
13	JG122033	WASHER THREADED-SWING ARM STACK	2
14	JG122012	OIL SEAL	4
15	JG122026	WASHER PLAIN	2
16	JG122011	BUSH	4
17	JG122009	IGUS BUSH	4
18	JG122010	COLLAR	2
19	JG122037	SLEEVE	2
20	JG113846	SPACER SLIDER CHAIN	1

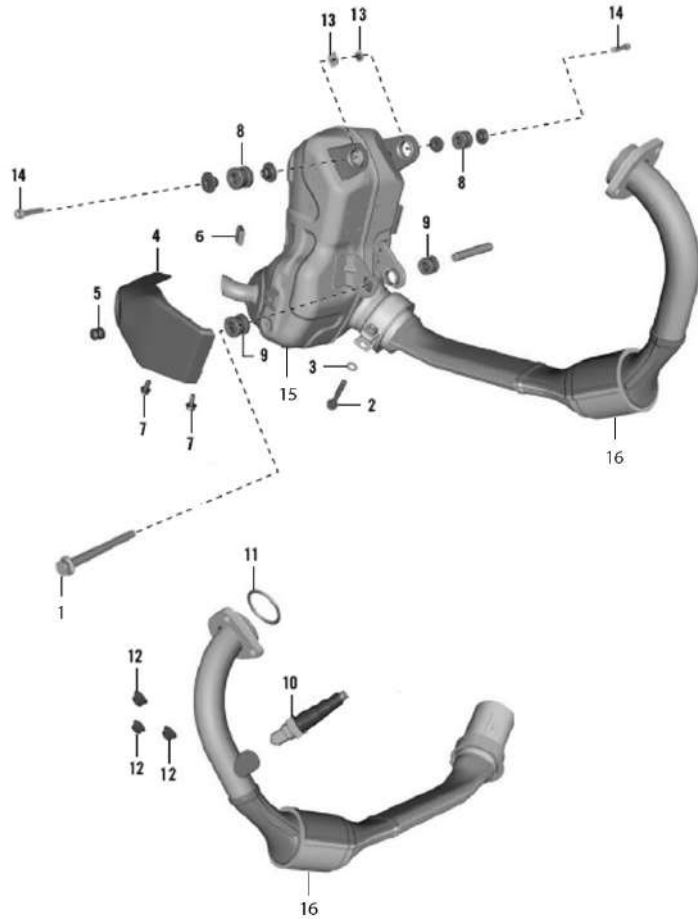


26. SWING ARM



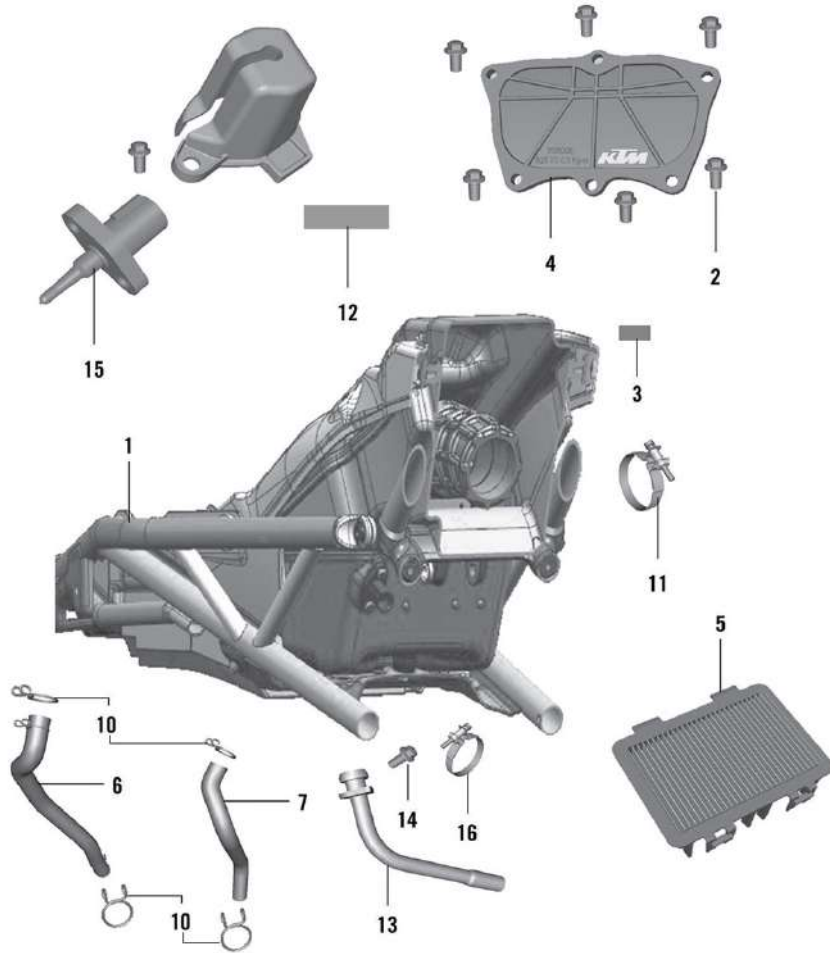
SN	Part No.	Description	QTY
21	JG113404	CLIP NUT	2
22	LAC00054	BOLT SOCKET-M6X1XL16XBLKXFL.HEAD	2
23	JP181408	WASHER EXTRUDED	2
24	LAE00050	BOLT FLANGED SMALL-M6X1XL8XBLACK	2
25	LBU00052	SCREW TRUS-M5X0.8XL55XBLXPRECOAT	1
26	LBR00007	SCREW TAPPING PAN CROS-6XL30XBLK	1

27. EXHAUST SYSTEM



SN	Part No.	Description	QTY
1	LAD00075	BOLT FLANGED-M8X1.25XL 105XBRT	1
2	LAD00236	BOLT FLANGED-M8X1.25XL50	1
3	LDA00009	WASHER PLAIN	1
4	JP591117	SHIELD ASSEMBLY MUFFLER	1
5	JB591059	DAMPER	1
6	JY591303	GROMMET SHIELD MUFFLER	1
7	KADQ0614	FLANGED BOLT	2
8	JL591165	DAMPER SILENCER MOUNTING LOWER	2
9	JG591100	DAMPER SILENCER MOUNTING LOWER	2
10	JP591114	SENSOR OXYGEN	1
11	JG591070	GASKET EXHAUST	1
12	LCG00024	NUT HEX FLANGED-M8X1.25XHT.8XBRT	3
13	JG113404	CLIP NUT	2
14	JG113837	BOLT FLANGED M6X1	2
15	52JP0797	ASSEMBLY PREMUFFLER DUKE 200 BS6	1
16	JP591214	PIPE ASSEMBLY A	2

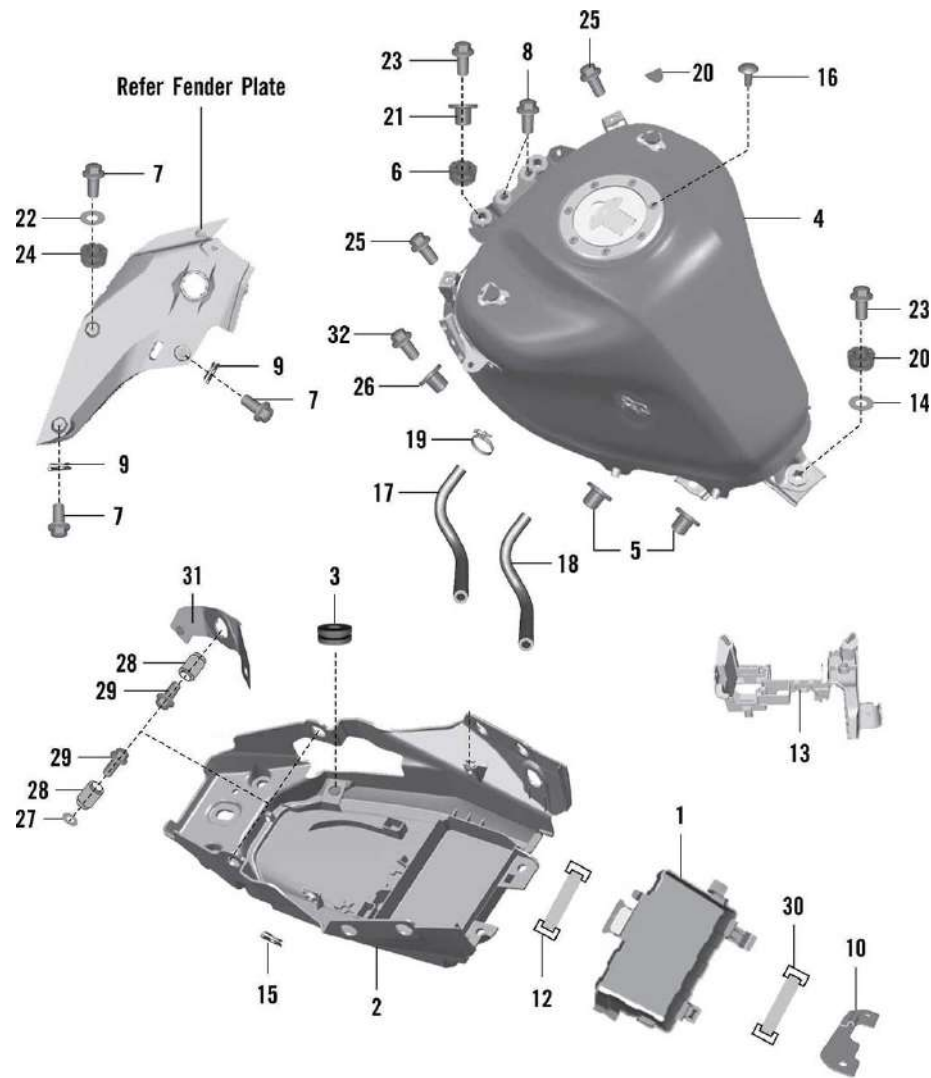
28. AIR FILTER



SN	Part No.	Description	QTY
1	JP581024	FILTER ASSEMBLY AIR	1
2	LBU00072	SCREW BUTTON HEAD-M6X1XL 16XBRT	6
3	JP581019	RUBBER DAMPER	2
4	JP581008	CAP TOP COVER	1
5	JP581003	ELEMENT FILTER AIR	1
6	JP581027	BREATHER TUBE	1
7	JP581018	TUBE DRAIN	1
8	KBBA0512	SCREW PAN CROSS SCREW PAN CROSS	2
9	JP581035	SENSOR COVER	1
10	JG581056	CLAMP (BREATHER TUBE)	4
11	JU581006	CLAMP CONNECTING TUBE	2
12	JP581036	DUAL LOCK 3M - SIZE 10X15	2
13	JP581014	TUBE OIL RETURN	1
14	LBB00010	SCREW PAN CROSS M5X0.8	1
15	JP351800	SENSOR AIR INTAKE TEMP	1
16	JY581028	CLAMP	1

## 200-DUKE MY-23

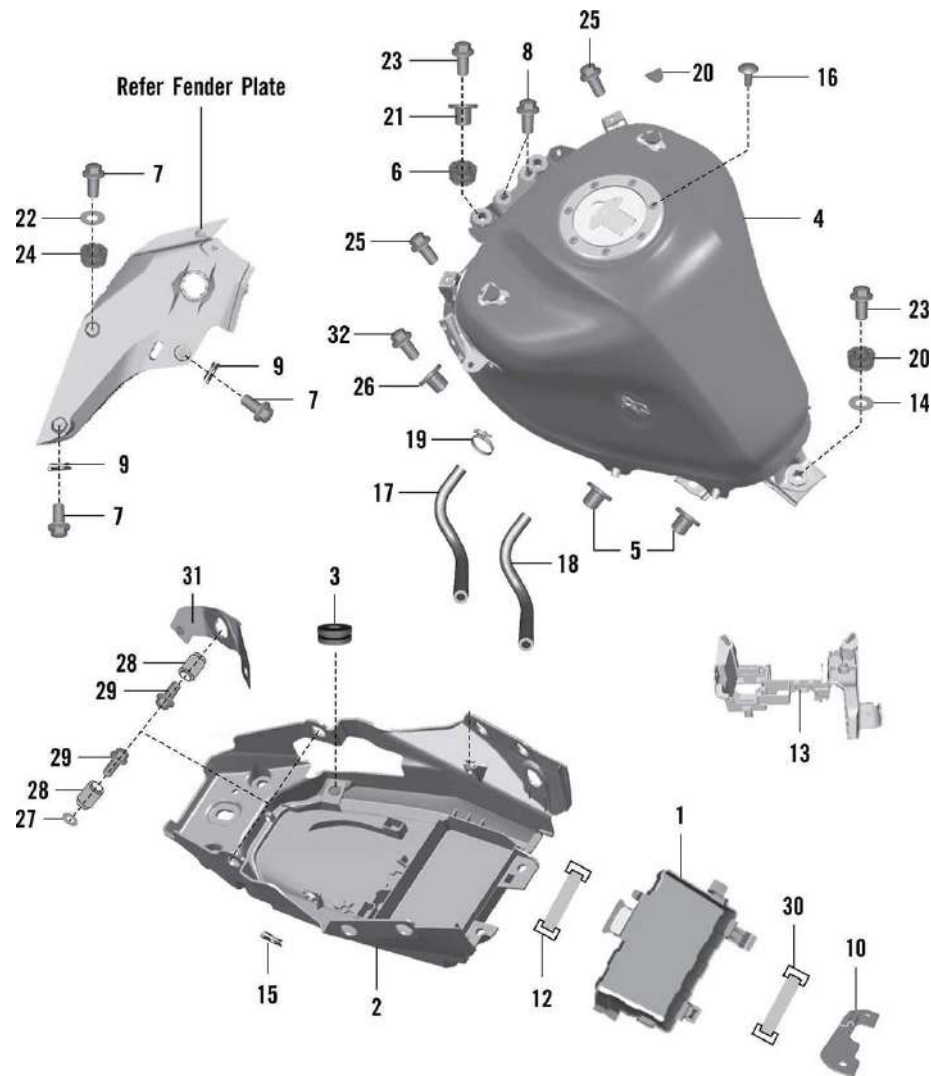
## 29. TANK, COVER



SN	Part No.	Description	QTY
1	JP181297	BOX BATTERY	1
2	JP181002	UNDER TRAY FRONT	1
3	JP181013	GROMMET UNDER TRAY	1
4	56JP23X3	KTM DUKE MY17 TANK BLACK	1
5	JP171056	SLEEVE TANK MTG	4
6	JL171020	GROMMET TANK MTG REAR	2
7	JY113821	SCREW BUTTON HEAD- M6X1XL12XBLACK	6
8	LBU00050	SCREW BUTTON HEAD- M6X1XL9XPRECOAT	2
9	JG113404	CLIP NUT	4
10	JP401802	BRACKET BATTERY BAND I	1
11	LAE00022	BOLT FLANGED M6X10 PRECOATED	4
12	JP401800	BAND BATTERY I	1
13	JP181001	BRACKET MOUNT UNIT ELECTRICAL	1
14	LDB00021	WASHER PLAIN-ID 8.4XOD 25XT 2XBR	1
15	JG171031	CLIP NUT M5	2
16	LAC00039	BOLT SOCKET- M5X0.8XL15XCL10.9XBL	7
17	DH141024	PIPE DRAIN	1
18	JP171026	TUBE TANK TO Y CONNECTOR	1
19	JY171090	SPRING BAND CLAMP 13X12	2
20	JP171030	GROMMET LATCH MTG BKT	1

## 200-DUKE MY-23

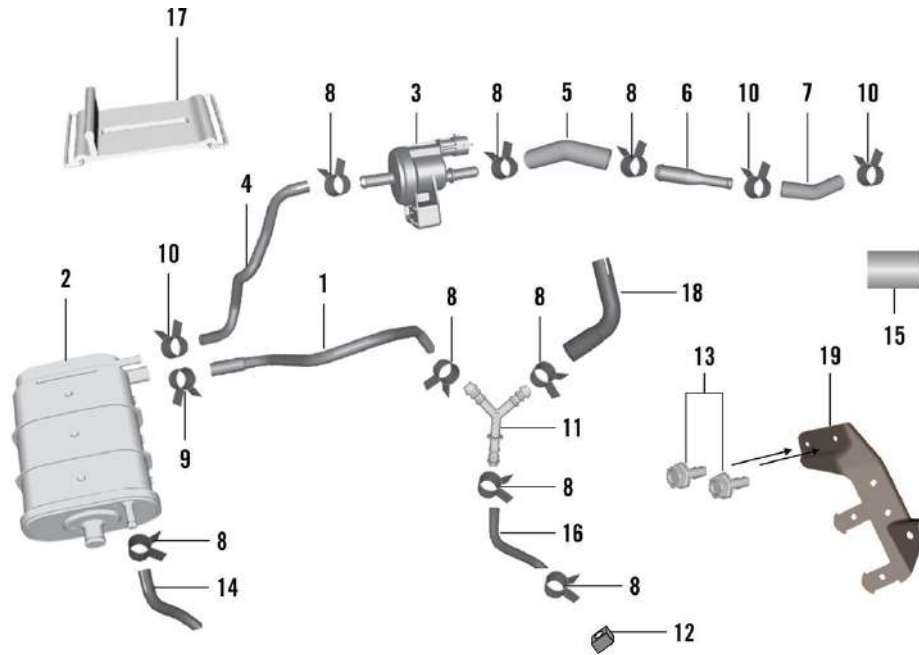
## 29. TANK, COVER



SN	Part No.	Description	QTY
21	JP171057	SLEEVE TANK MTG FRONT	2
22	LDA00018	WASHER 6.2X20X1.5 Black	4
23	KADD0825	BOLT-FLANGE-KAD ST-D DIA-08 L-25	3
24	JP181227	GROMMET SPOILER MTG	2
25	LAA00023	BOLT -M6X1XL 8.5XBLACKXSTEPPED	2
26	JP181278	SLEEVE SPOILER INNER RR MTG	2
27	39020811	WASHER - PLAIN	1
28	JP191012	ASSEMBLY BUSH DAMPER SEAT	2
29	KACA0830	BOLT-SOCKET-KAC ST-A DIA-08 L-30	2
30	JP401801	BAND BATTERY II	1
31	JP581020	BRACKET DUCT DIRTY SIDE	1
32	LAC00054	BOLT SOCKET-M6X1XL16XBLKXFL.HEAD	2
33	JG171031	CLIP NUT M5	2

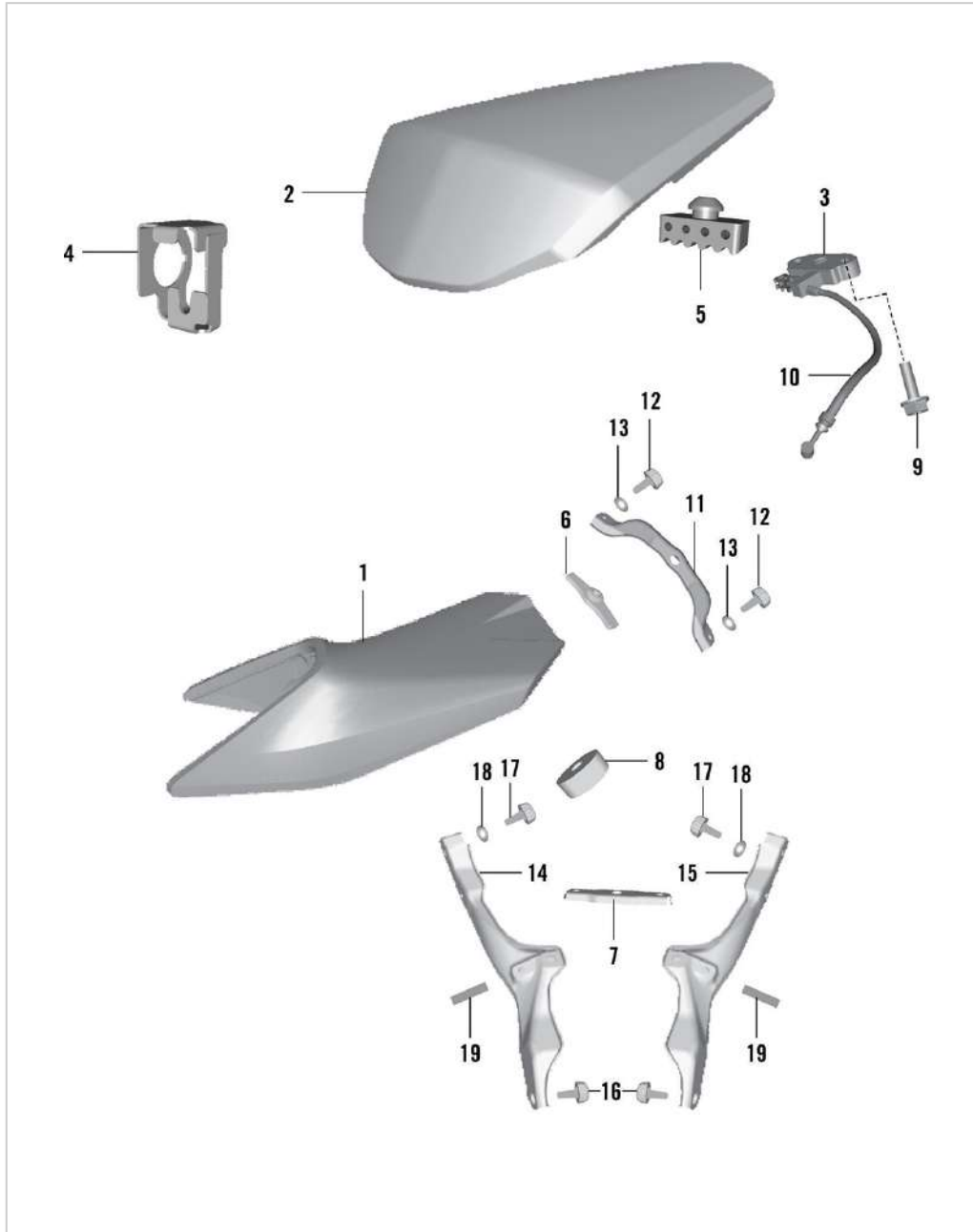
200-DUKE MY-23

30. EVAP



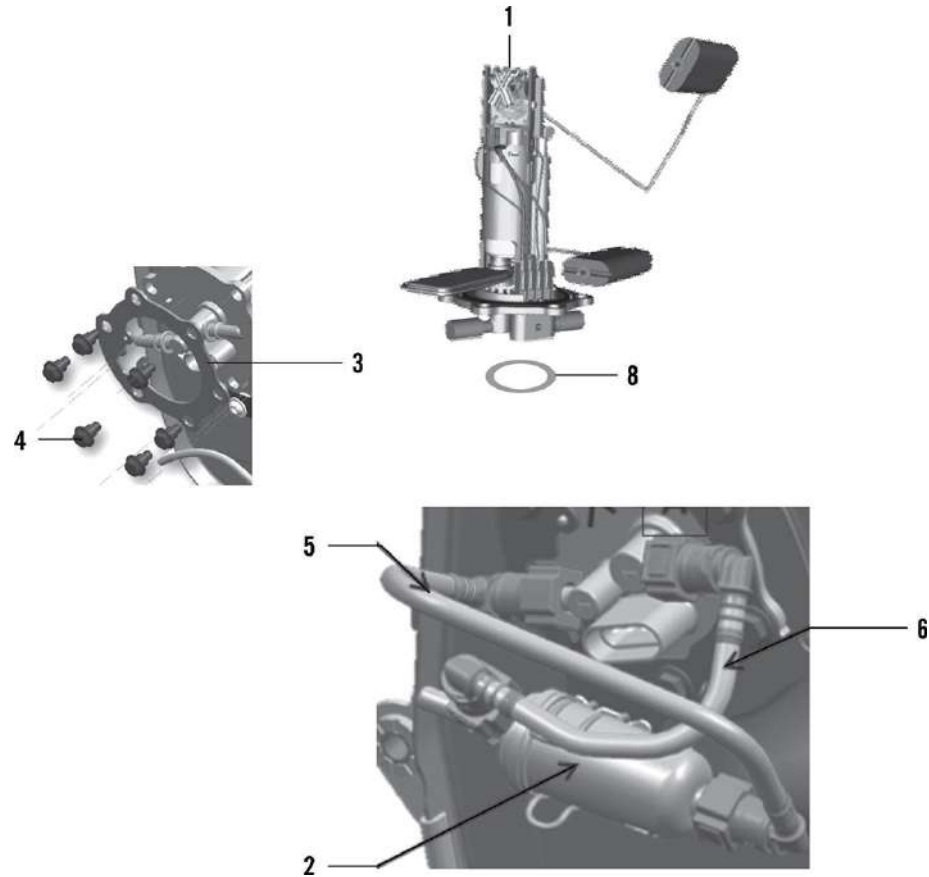
SN	Part No.	Description	QTY
1	JP171038	TUBE 'Y' CONNECTOR TO CANISTER	1
2	JY171077	CANISTER	1
3	JU171606	VALVE PURGE	1
4	JP171039	TUBE CANISTER TO PURGE VALVE	1
5	JP171040	TUBE PURGE VALVE TO CONNECTOR	1
6	JG171086	CONNECTOR TUBE EVAP	1
7	JP171604	TUBE CONNECTOR TO THROTTLE BODY MTB	1
8	JY171090	SPRING BAND CLAMP 13X12	8
9	JY171069	SPRING BAND CLAMP 15X10	1
10	JY171070	SPRING BAND CLAMP 10.5 X 8.4	3
11	JY113842	CONNECTOR Y SHAPE	1
12	JY171825	PLUG FUEL DRAIN	1
13	KADD0610	BOLT-FLANGE-KAD ST-D DIA-06 L-10	4
14	JP171062	TUBE CANISTER DRAIN	1
15	JZ181000	DUAL TAPE	1
16	JY171824	PIPE CONNECTOR-PLUG	1
17	JZ171055	STRAP CANISTER	2
18	JP171026	TUBE TANK TO Y CONNECTOR	1
19	JP171044	BRACKET CANISTER LOOSE	1

31. SEATS



SN	Part No.	Description	QTY
1	JP191021	SEAT ASSEMBLY FRONT	1
2	JP191022	SEAT ASSEMBLY REAR	1
3	JP232601	SEAT LOCK	1
4	JP232600	BRACKET SEAT LOCK	1
5	JP191007	SEAT DAMPER REAR	6
6	JP191010	GROMMET RIDER SEAT	1
7	JP111069	BRACKET BRIDGE LOOSE	1
8	JP111070	DAMPER RUBBER M8	2
9	KADD0620	BOLT FLANGED	2
10	JP232602	SEAT LOCK CABLE	1
11	JP113801	BRACKET SEAT MOUNT LOOSE	1
12	JP113814	DAMPER WITH STUD	2
13	KDBA0818	WASHER PLAIN	2
14	JP111067	BRACKET SPIDER LH	1
15	JP111068	BRACKET SPIDER RH	1
16	LAD00145	BOLT FLANGE- M8X1.25XL26XBRTXSTEP	2
17	LAC00100	BOLT SOCKET-M8X1.25XL 31XBLACK	4
18	39122411	WASHER - PLAIN	4
19	JY191008	DAMPER	2

32. FUEL PUMP

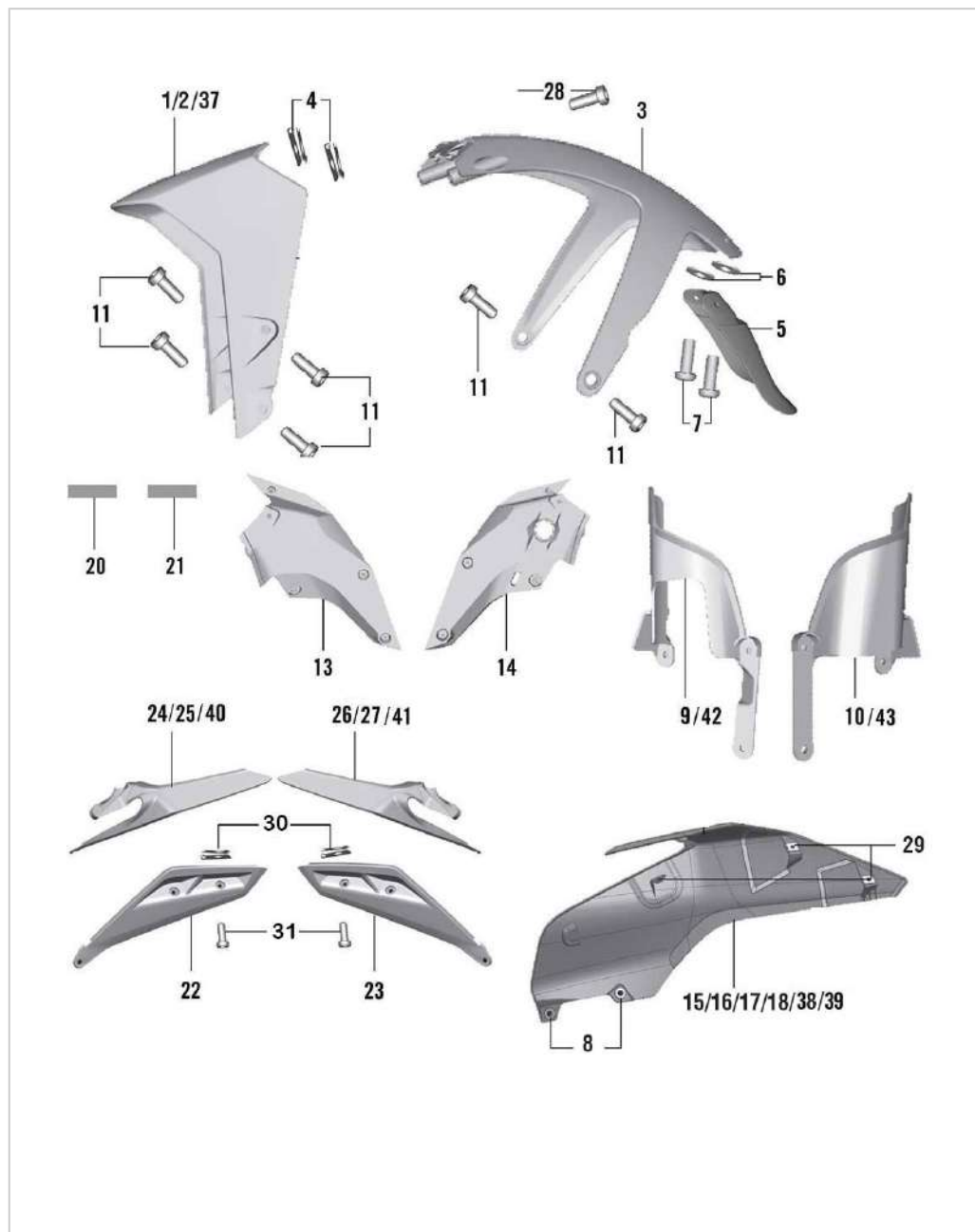


SN	Part No.	Description	QTY
1	JY171861	PUMP FUEL	1
2	DT171814	INLINE FUEL FILTER (QUICK CONNECTOR)	1
3	JP171031	PLATE PRESSURE FUEL PUMP	1
4	LAD00154	BOLT FLANGE-M6X1XL 12.8XBRTXSTEP	6
5	JP171008	ASSEMBLY QC AND HOSE PUMP TO FUEL FILTER	1
6	JP171005	ASSLY QC AND HOSE FUEL FILTER TO REGULAT	1
7	JY402235	PIGTAIL PH-3 FUEL PUMP	1
8	JY171146	RING O	1



## 200-DUKE MY-23

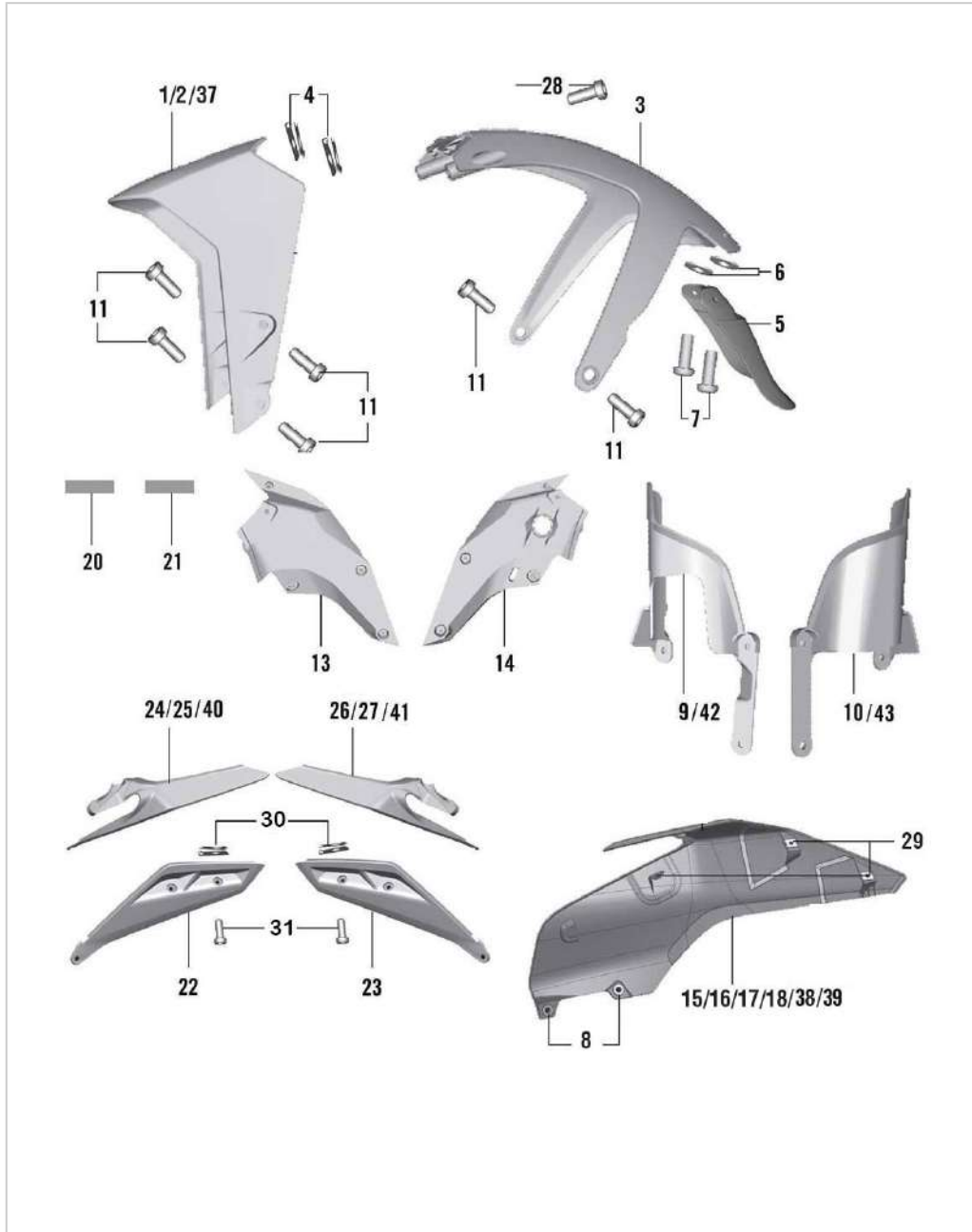
## 33. MASK, FENDERS



SN	Part No.	Description	QTY
1	56JP0544	DUKE 200 FRONT FENDER CERAMIC WHITE	1
2	56JP05X3	KTM DUKE MY17 FRONT FENDER EBONY BLACK	1
3	JY181408	FENDER FRONT REAR	1
4	JG113404	CLIP NUT	2
5	JP181415	FLAP FENDER FRONT	1
6	KDBF0512	WASHER PLAIN-ID5.5XOD12XT0.8XBLK	3
7	BF185019	CLIP PLASTIC RIVET	3
8	JP181227	GROMMET SPOILER MTG	4
9	JP181417	PROTECTOR FORK LH	1
10	JP181418	PROTECTOR FORK RH	1
11	LBU00059	SCREW BUTTON HD-M6X1XL13XSTEPPED	6
12	JZ171021	WASHER VAPOUR SEALING	6
13	JP181219	TANK SPOILER INNER LH	1
14	JP181218	TANK SPOILER INNER RH	1
15	52JP0960	DUKE 200 T COVER LH CERAMIC WHITE+DCAL	1
16	52JP0952	DUKE 200 TANK COVER LH EB.ORANGE+DECAL	1
17	52JP0959	DUKE 200 T COVER RH CERAMIC WHITE+DCAL	1
18	52JP0953	DUKE 200 TANK COVER RH EB.ORANGE+DECAL	1
19	JP181296	GROMMET SPOILER TANK	2
20	JP181015	TAPE COVER TANK LH	1

200-DUKE MY-23

33. MASK, FENDERS



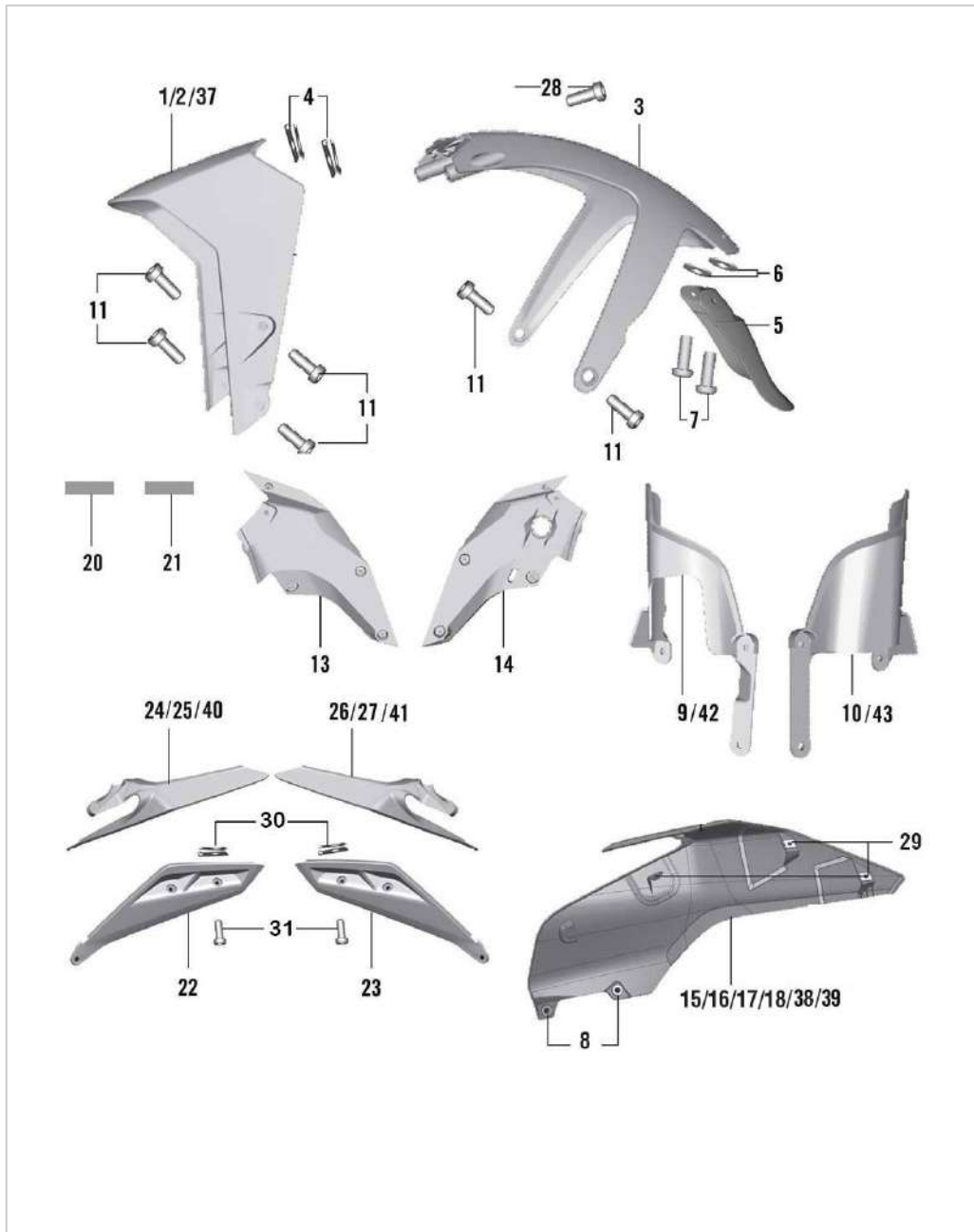
SN	Part No.	Description	QTY
21	JP181016	TAPE COVER TANK RH	1
22	JP181004	SEAT COWL LOWER LH	1
23	JP181005	SEAT COWL LOWER RH	1
24	52JP0891	DUKE 390 SEAT COWL LH CER WHITE + DCL	1
25	52JP0936	DUKE 250 SEAT COWL LH EB BLACK + DCL	1
26	52JP0889	DUKE 390 SEAT COWL RH CER WHITE + DCL	1
27	52JP0932	DUKE 250 SEAT COWL RH EBONY BLACK + DCL	1
28	KACF0616	BOLT SOCKET-M6X1XL 16XCL 8.8XBRT	2
29	DJ181065	NUT - CLIP :- M6	6
30	JG171031	CLIP NUT M5	4
31	KBUA0512	SCREW TRUSS	4
32	56JPE6X3	PROTECTOR FORK OUTER RH JP181420 EB BLACK	1
33	56JPE5X3	PROTECTOR FORK OUTER LHJP181419 EB BLACK	1
34	JP121118	TAPE	2
35	56JPE644	PROTECTOR FORK OUTER RHJP181420CER WHITE	1
36	56JPE544	PROTECTOR FORK OUTER LHJP181419CER WHITE	1
37	56JP05A9	FRONT FENDER JP181400 SIL.METALIC MATT	1
38	52JP1749	DUKE 200 TANK CVR RH DARK SILVER +DECAL	1
39	52JP1751	DUKE 200 TANK CVR LH DARK	

SILVER + DECAL		1	
40	52JP1746	DUKE 200 SEAT COWL UP LH ORG GLOSS+ DECAL	1

**200-DUKE MY-23**

33. MASK, FENDERS

oemship +919495961664



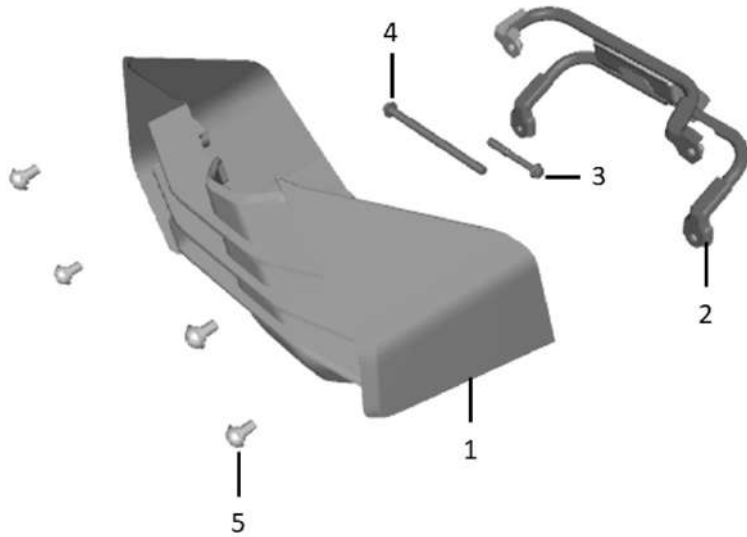
SN	Part No.	Description	QTY
41	52JP1744	DUKE 200 SEAT COWL UP RH ORG OUTER+DECAL	1
42	52JP1753	DUKE FORK PROTECTOR OTR LH SIV MATT+TAPE	1
43	52JP1754	DUKE FORK PROTECTOR OTR RH SIL MAT+TAPE	1

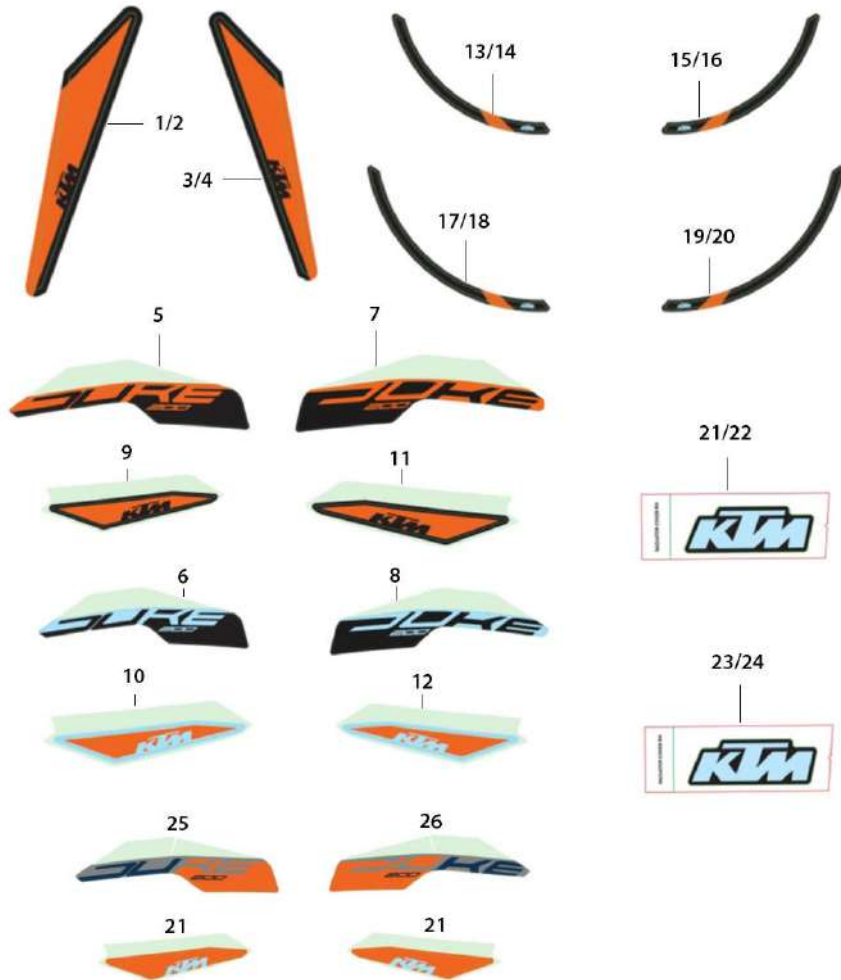
200-DUKE MY-23

34. BELLY PAN

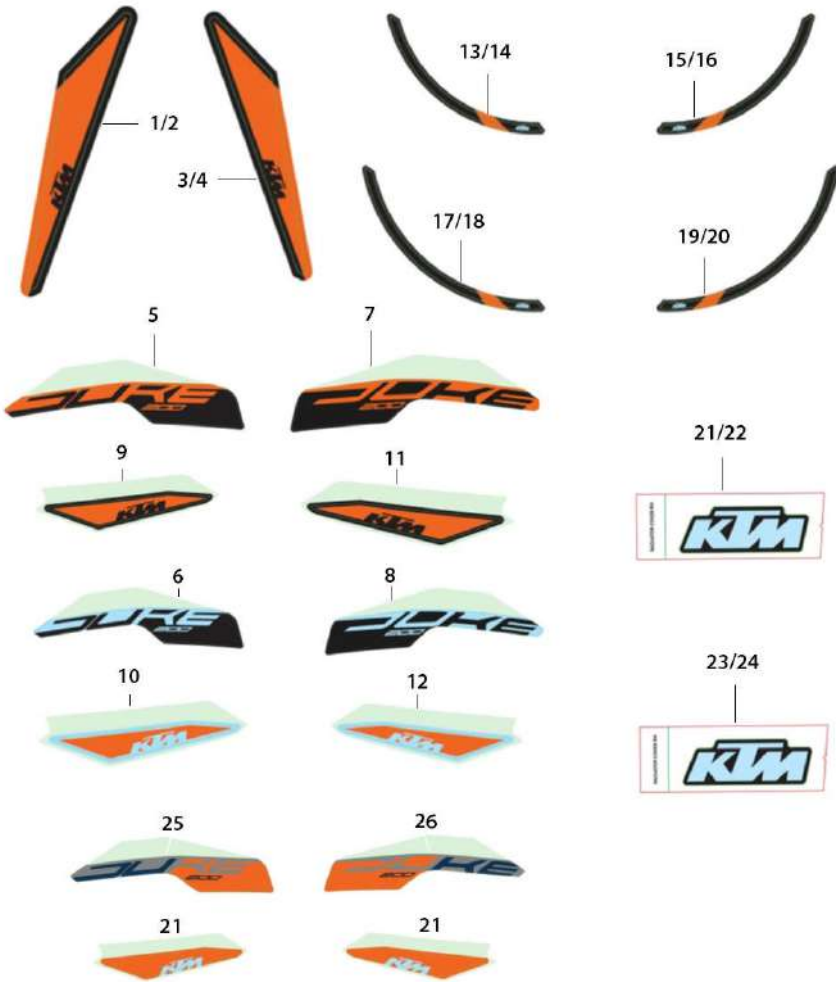
oemship +919495961664

SN	Part No.	Description	QTY
1	56JP3PX3	BELLY PAN	1
2	JP181357	STRUCTURE BELLY PAN	1
3	KAED0645	BOLT-FLANGED-SMALL	1
4	KAED0690	BOLT-FLANGED-SMALL	1
5	LBU00050	SCREW BUTTON HEAD-M6X1XL9XPRECOAT	4





SN	Part No.	Description	QTY
1	JP233159	DECAL FAIRING LH ORANGE	1
2	JP233159	DECAL FAIRING LH ORANGE	1
3	JP233160	DECAL FAIRING RH ORANGE	1
4	JP233160	DECAL FAIRING RH ORANGE	1
5	JP233161	DECAL TANK LH ORANGE	1
6	JP233165	DECAL TANK LH WHITE	1
7	JP233162	DECAL TANK RH ORANGE	1
8	JP233166	DECAL TANK RH WHITE	1
9	JP233163	DECAL COWL SEAT LH ORANGE	1
10	JP233149	DECAL COWL SEAT LH WHITE	1
11	JP233164	DECAL COWL SEAT RH ORANGE	1
12	JP233150	DECAL COWL SEAT RH WHITE	1
13	JP233169	DECAL WHEEL FRONT LH BLACK	1
14	JP233169	DECAL WHEEL FRONT LH BLACK	1
15	JP233170	DECAL WHEEL FRONT RH BLACK	1
16	JP233170	DECAL WHEEL FRONT RH BLACK	1
17	JP233130	DECAL WHEEL REAR LH BLACK	1
18	JP233130	DECAL WHEEL REAR LH BLACK	1
19	JP233171	DECAL WHEEL REAR RH BLACK	1
20	JP233171	DECAL WHEEL REAR RH BLACK	1

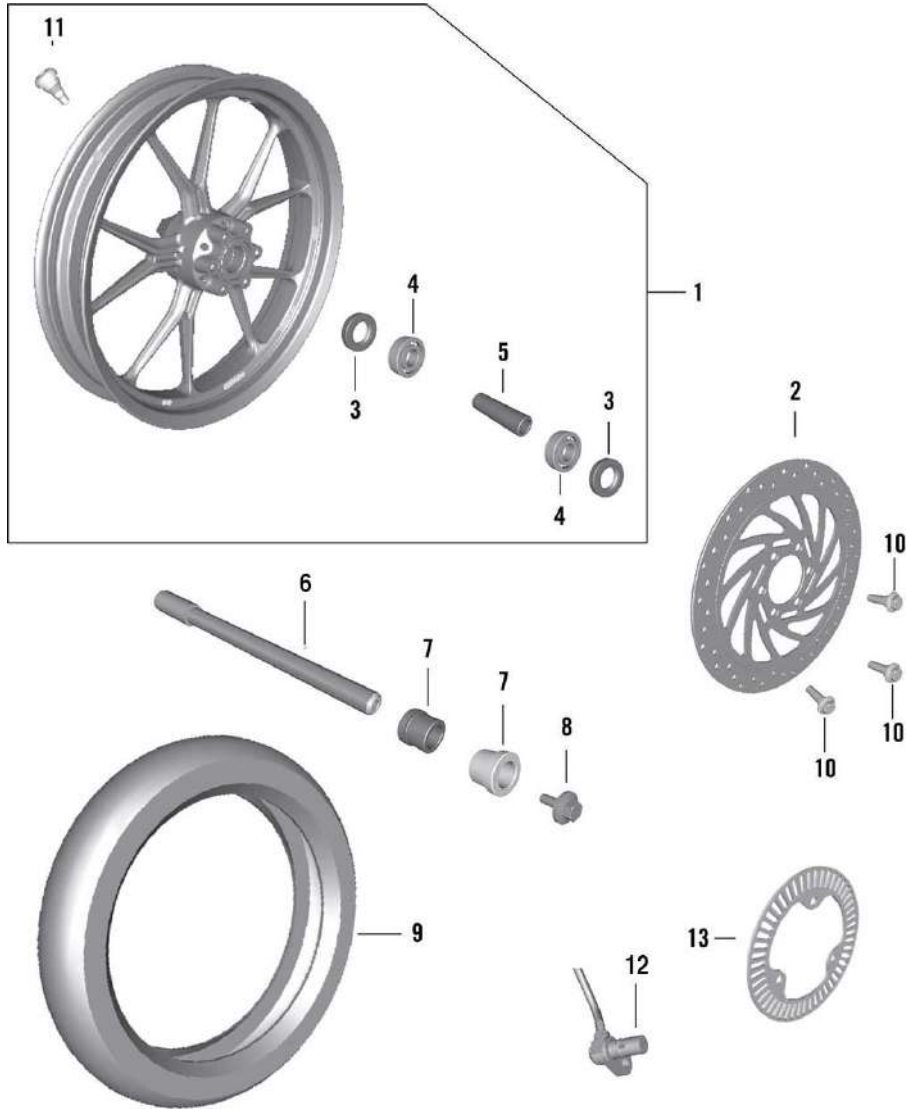


SN	Part No.	Description	QTY
21	JP233122	EMBLEM KTM LH	1
22	JP233122	EMBLEM KTM LH	1
23	JP233123	EMBLEM KTM RH	1
24	JP233123	EMBLEM KTM RH	1
25	JP233226	DECAL TANK LH ORANGE	1
26	JP233227	DECAL TANK RH ORANGE	1
27	JP233228	DECAL COWL SEAT LH ORANGE	1
28	JP233229	DECAL COWL SEAT RH ORANGE	1

200-DUKE MY-23

36. FRONT WHEEL

oemship +919495961664



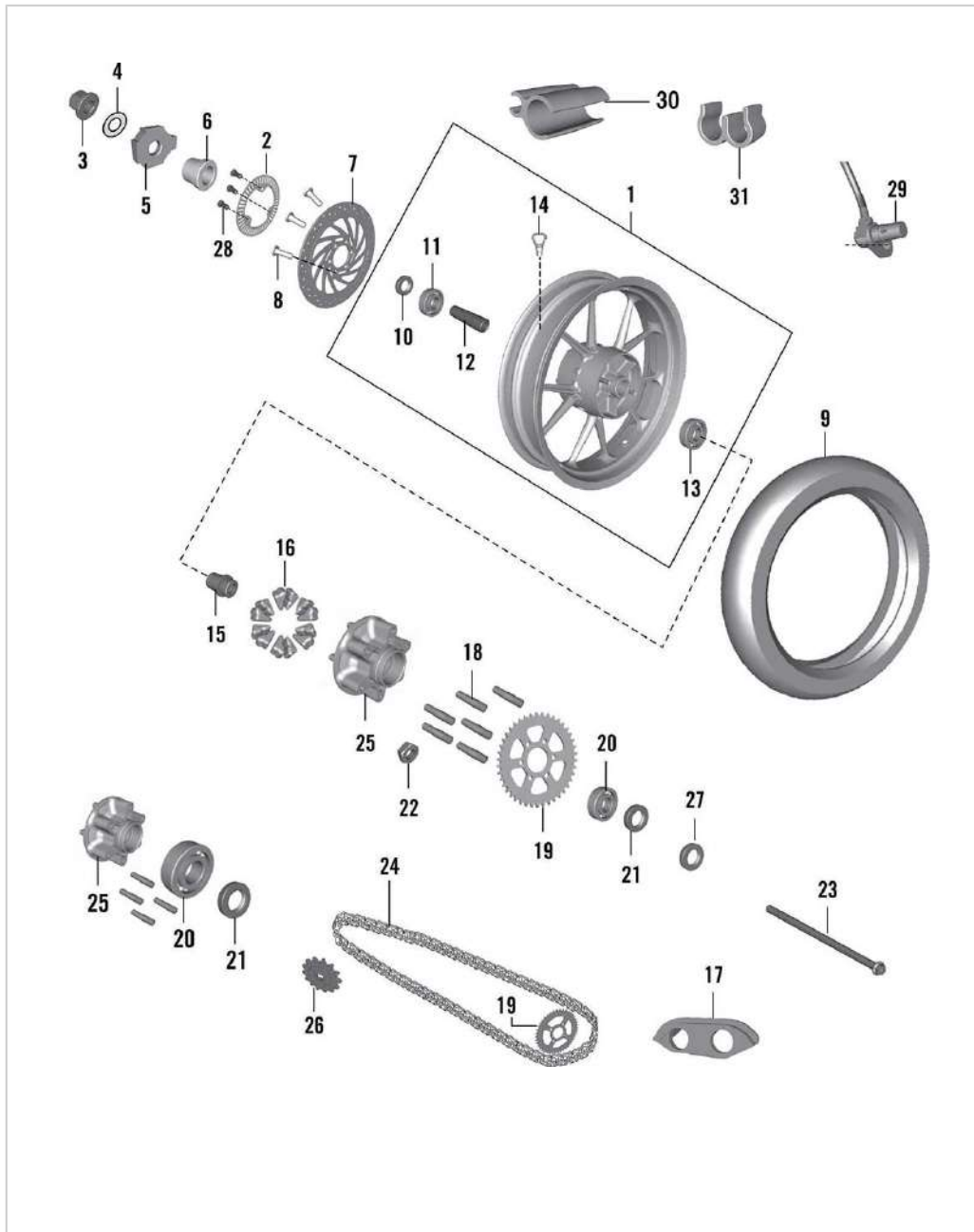
SN	Part No.	Description	QTY
1	36JY0205	KIT FR WHEEL ELEC ORANGE MY17	1
2	JP131861	DISC BRAKE DIA 300	1
3	DG151005	SEAL - OIL	2
4	KPBC6202	BEARING-BALL-C3 CLEARANCE	2
5	JG131001	SLEEVE ASSEMBLY	1
6	JP131009	AXLE -DIA. 15XL 185XBRIGHT	1
7	JG131020	COLLAR CH 0.7_0.9	2
8	JG131007	BOLT FLANGED M8X1.25	1
9	JG131038	TYRE FRONT MRF VER 7	1
10	JD131811	SCREW SOCKET STEP M8X1.25	6
11	DK151026	VALVE TUBELESS TYRE	1
12	DT402404	SENSOR SPEED WHEEL	1
13	DT131867	SENSOR DISC FRONT K7	1
14	JG403603	CLAMP SENSOR CABLE HOLDING	3

200-DUKE MY-23

37. REAR WHEEL

oemship +919495961664



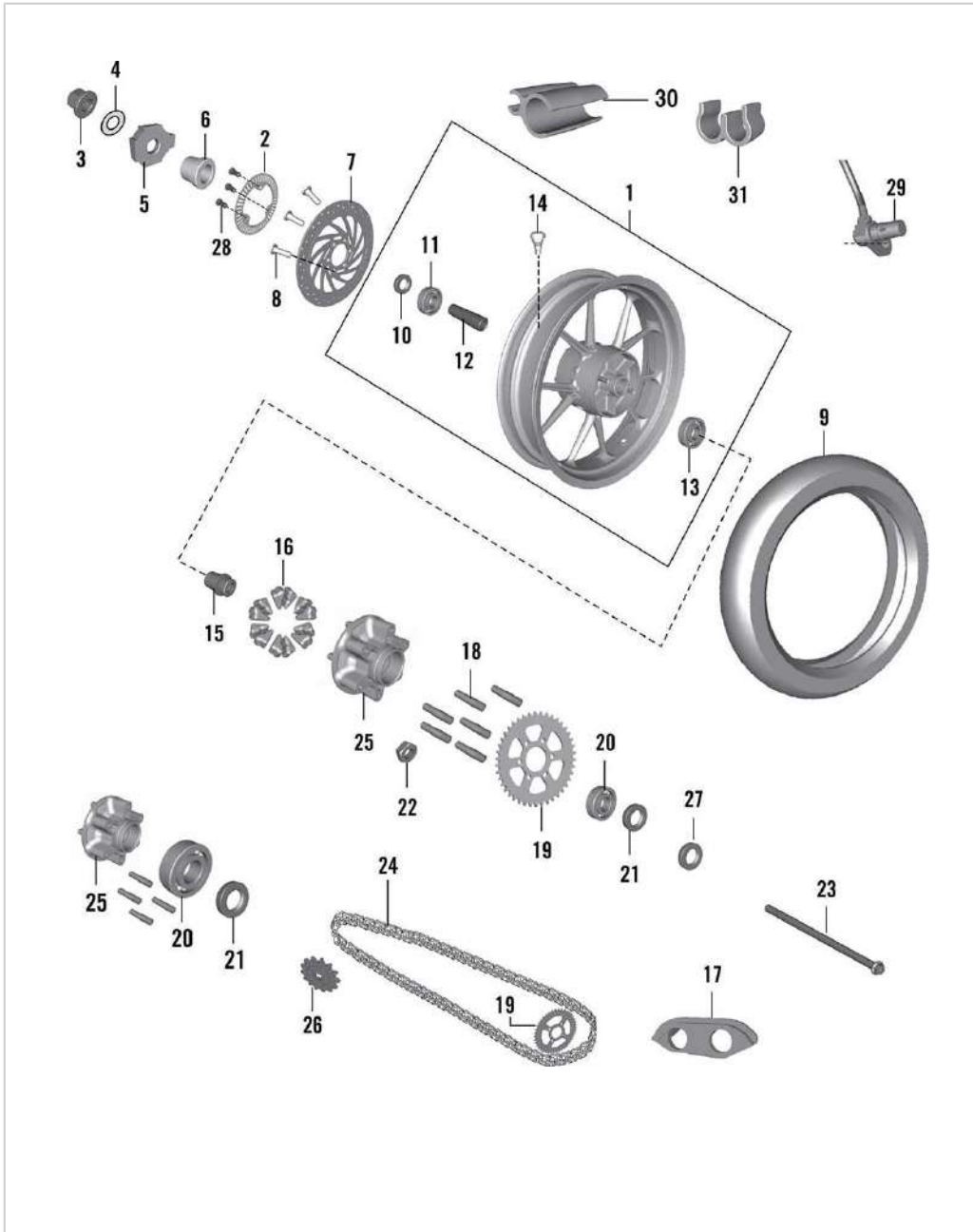


SN	Part No.	Description	QTY
1	36JY0206	KIT RR WHEEL ELEC ORANGE MY17	1
2	JU131802	SENSOR DISC REAR	1
3	DH171019	NUT - U :- SWING ARM	1
4	LDB00034	WASHER PLAIN-ID 15.2XOD 30XTHK 2	2
5	JG122007	CHAIN ADJUSTER RH	2
6	JG131211	SPACER	1
7	JG131809	DISC BRAKE DIA 230	1
8	JD131811	SCREW SOCKET STEP M8X1.25	6
9	JG131245	TYRE MRF REAR VER 7	1
10	30151082	SEAL OIL	1
11	KPBC6302	BEARING-BALL-C3 CLEARANCE	1
12	JG131205	SLEEVE ASSEMBLY	1
13	KPBC6202	BEARING-BALL-C3 CLEARANCE	2
14	DK151026	VALVE TUBELESS TYRE	1
15	DT131210	SLEEVE	1
16	JU131222	DAMPER COUPLING	6
17	JG122015	CHAIN GUIDE	1
18	JG131228	BOLT D-M8X1.25XL48XCL 10.9XBLACK	6
19	JU141008	SPROCKET 42T SPOT FACING	1
20	KPAC6205	BEARING BALL ORDINARY CLEARANCE	1

200-DUKE MY-23

37. REAR WHEEL

oemship +919495961664

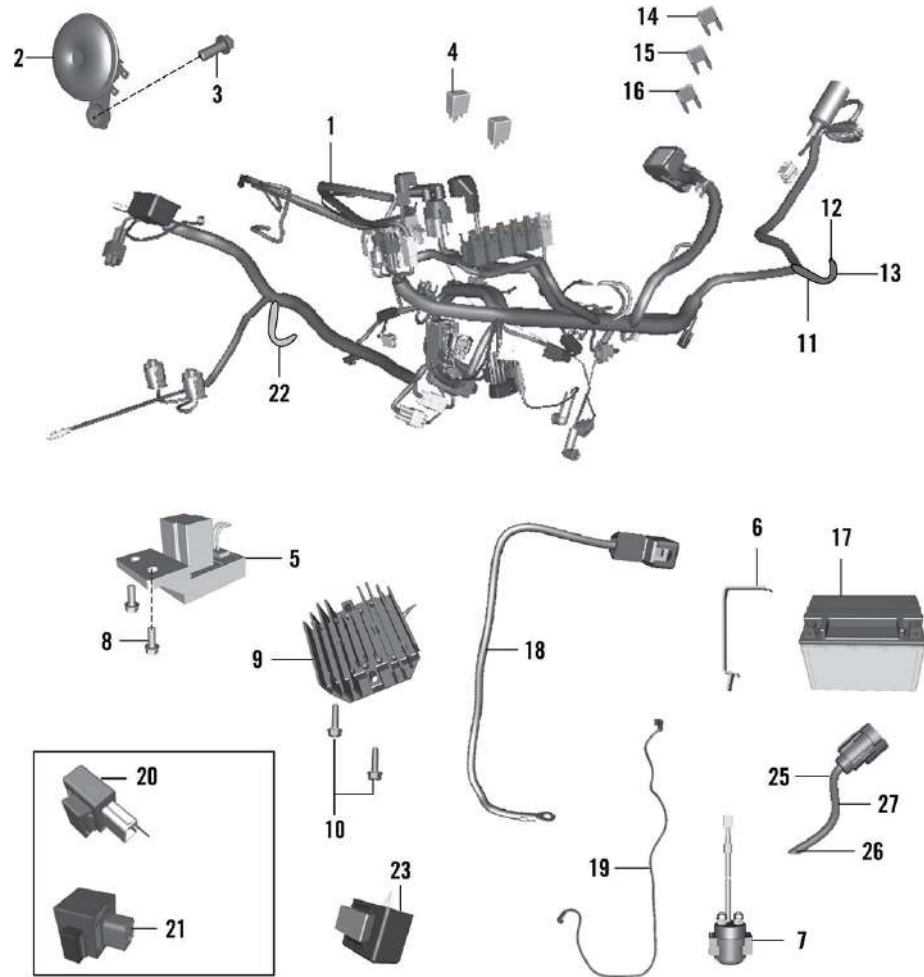


SN	Part No.	Description	QTY
21	DT131214	SEAL OIL 52 DIA	1
22	LCL00004	NUT U FLANGE-M8X1.25XHT8.5XBRT	6
23	JG131224	AXLE -M14X1.5XL 295XBRIGHT	1
24	JU141006	CHAIN 520 X RING 110 LINK	1
25	DT131213	COUPLING 6 LUG	1
26	JU141008	SPROCKET 42T SPOT FACING	1
27	JG131209	SPACER	1
28	JG131220	SCREW PAN CROSS-M6X1XL12XPRECOAT	3
29	DT402404	SENSOR SPEED WHEEL	1
30	JG403603	CLAMP SENSOR CABLE HOLDING	3
31	JG113858	CLAMP FOR BRAKE HOSE	1

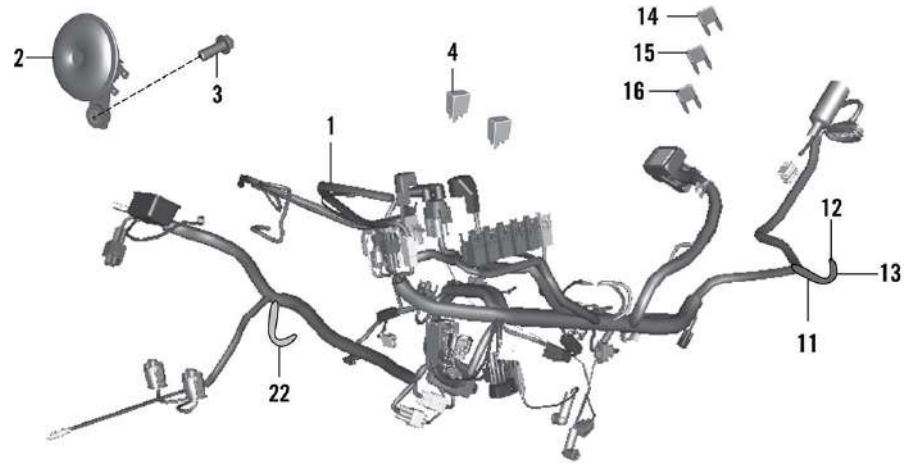
200-DUKE MY-23

38. WIRING HARNESS

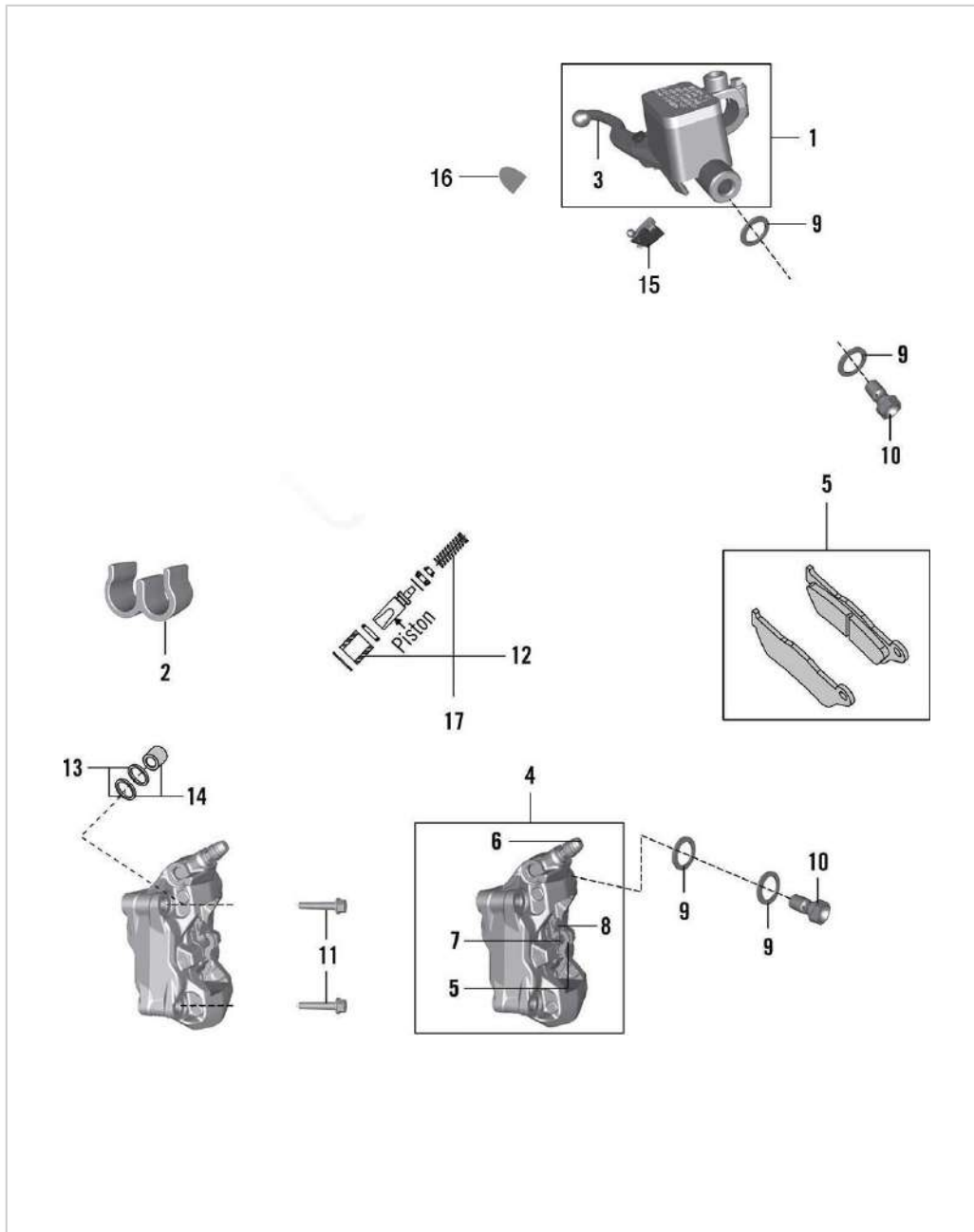
oemship +919495961664



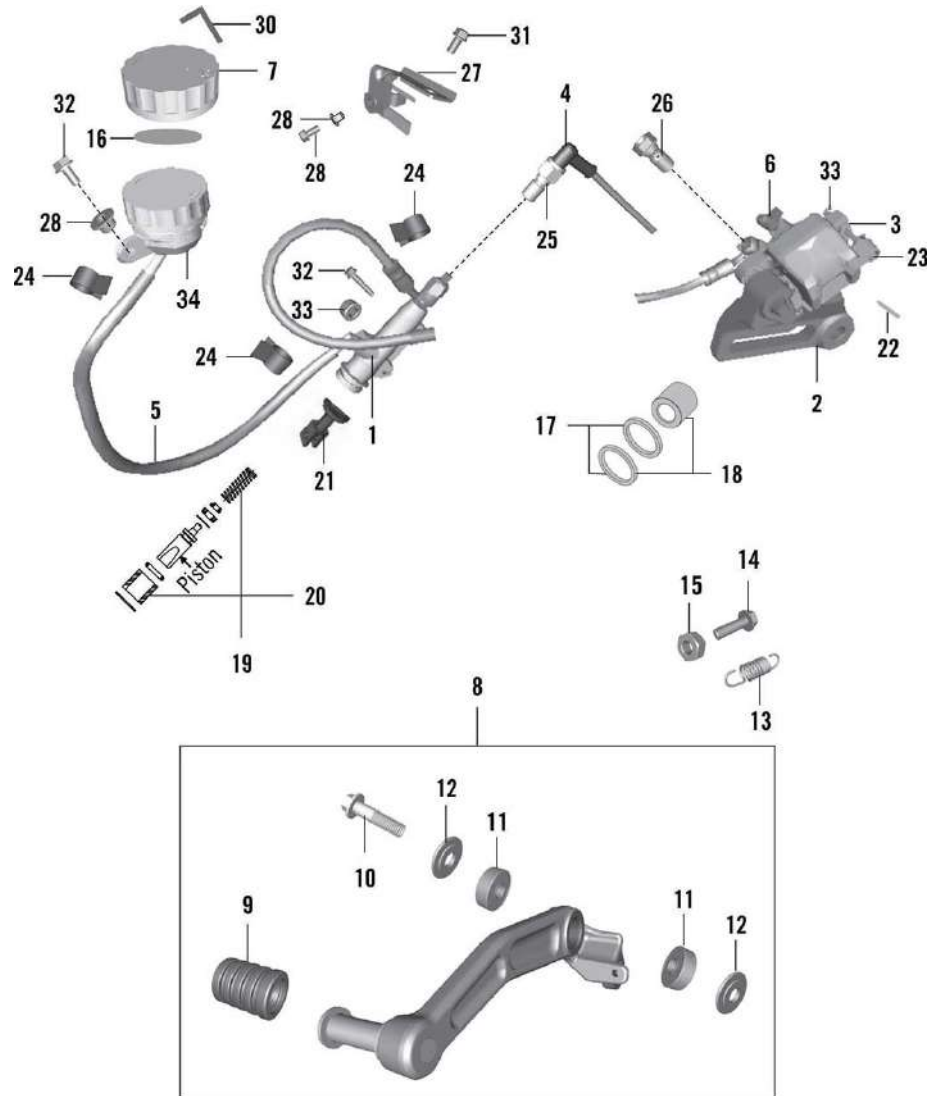
SN	Part No.	Description	QTY
1	JP402263	HARNESS WIRING	1
2	JP401600	HORN KT22	1
3	KADD0812	BOLT-FLANGE-KAD ST-D DIA-08 L-12	1
4	JL403000	RELAY INTERLOCK	5
5	JY403604	SENSOR ROLL OVER	1
6	JP401801	BAND BATTERY II	1
7	JP403000	RELAY STARTER	1
8	KAED0616	BOLT-FLANGE-KAE ST-D DIA-06 L-16	2
9	JU402001	REGULATOR	1
10	KADD0625	BOLT-FLANGE-KAD ST-D DIA-06 L-25	2
11	JD402212	BAND(LENGTH 200MM)	13
12	JD402217	BAND(L 150)	4
13	PA402204	BAND(LENGTH 110MM)	3
14	JG402228	FUSE 10A (BLADE TYPE)	8
15	JG402229	FUSE 15A (BLADE TYPE)	3
16	JG402230	FUSE 30A (BLADE TYPE)	2
17	36JU0015	KIT KTM 200 8AH BATTERY+ Bottle	1
18	JP402202	CABLE EARTH	1
19	JP402203	CABLE RELAY TO MOTOR MY17	1
20	JG402002	DC FLASHER	1



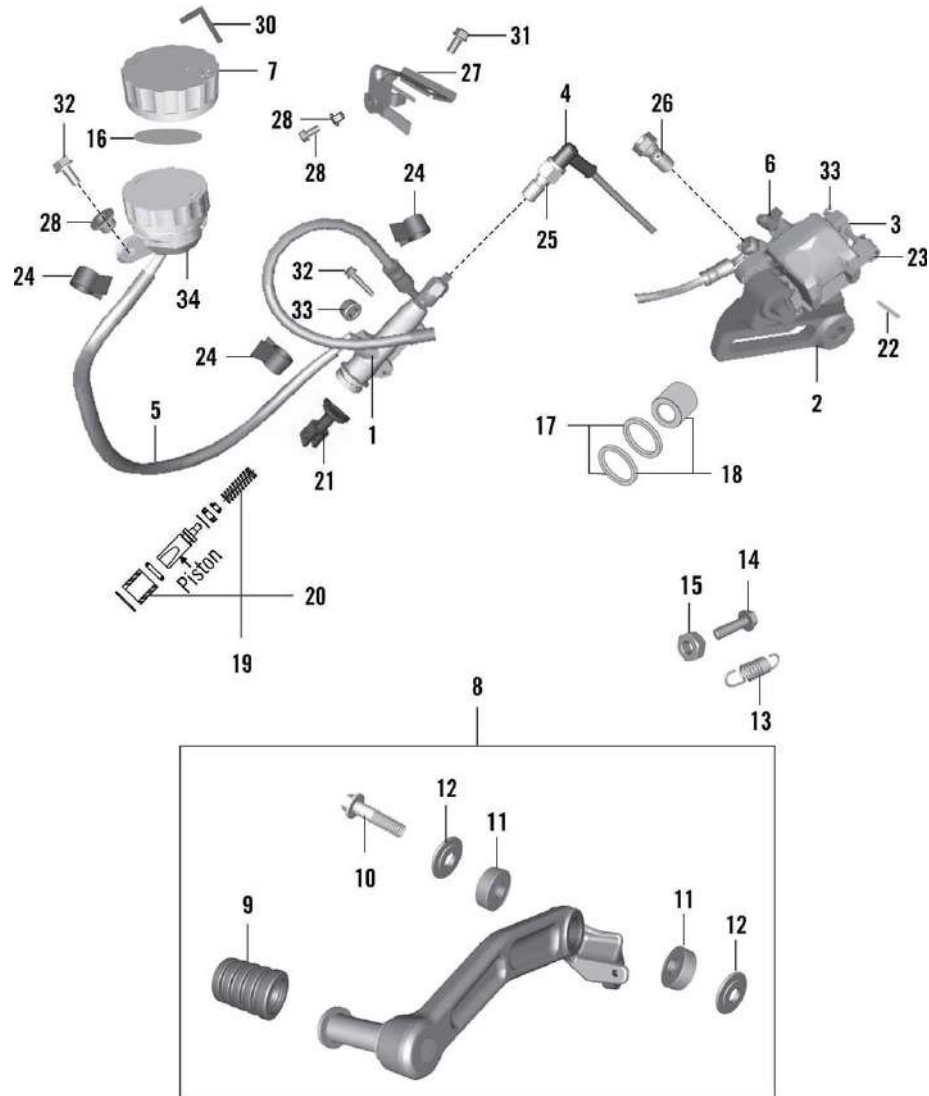
SN	Part No.	Description	QTY
21	JL403200	TERMINATION UNIT	1
22	JG402245	CABLE TIE ORANGE 200 L	9
23	JY401410	RESISTOR UNIT	1
24	KAED0620	BOLT-FLANGED-SMALL (HT COIL BOL	2
25	JP402217	PIGTAIL INTAKE AIR TEMPERATURE SENSOR	1
26	JP402218	PIGTAIL OIL PRESSURE SWITCH MY17	1
27	JY402246	PIGTAIL COOLANT TEMP SENSOR RC MY16	1



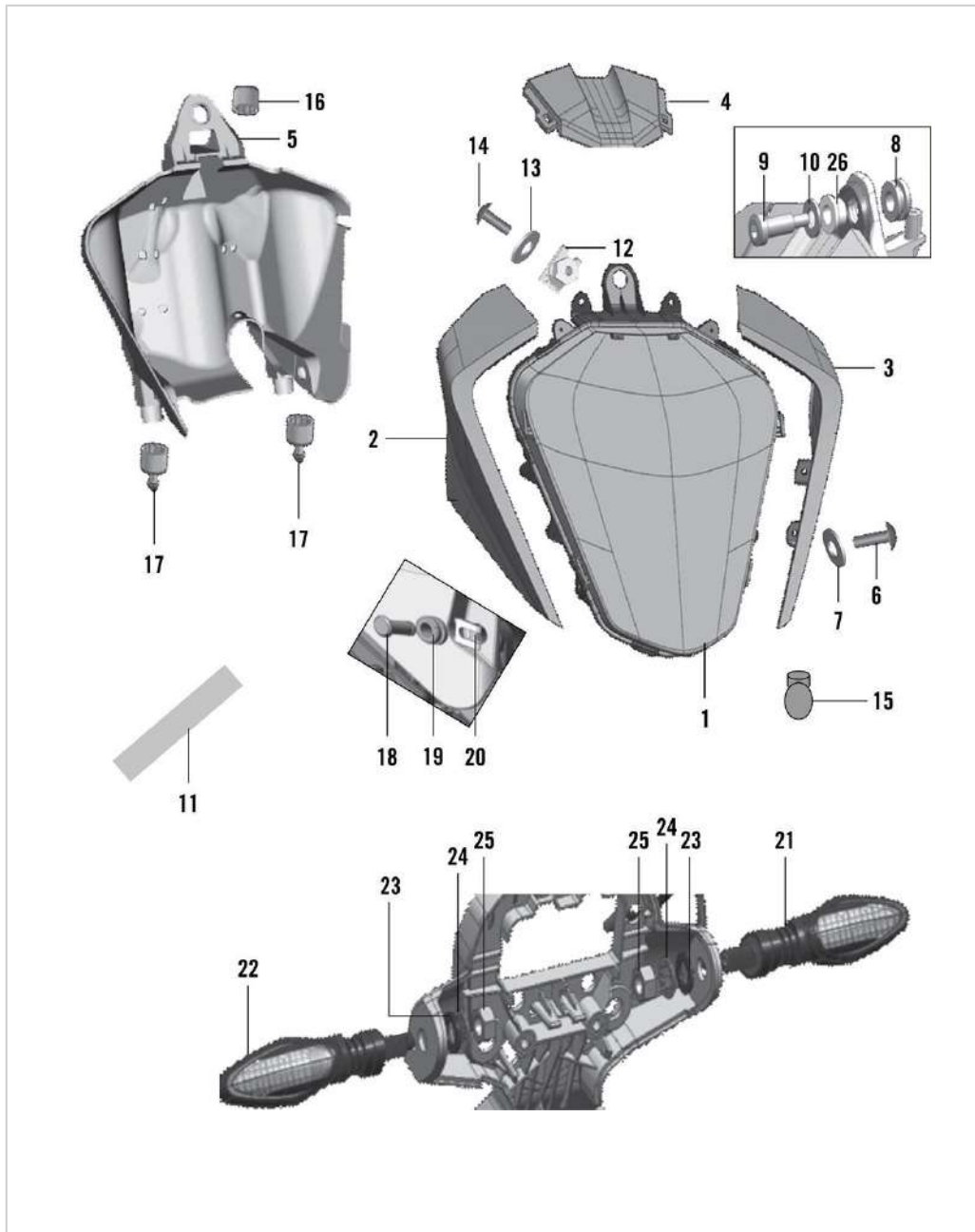
SN	Part No.	Description	QTY
1	36JP0016	KIT FR.M/CYL ASY W/O CLAMP-JY13	1
2	36JY0221	CLAMP KIT - KT19,20, 22 10W05270	1
3	36JY0220	BRAKE LEVER KIT 10W02622	1
4	JG131804	CALIPER ASY BRAKE FRONT	1
5	36JU0114	KIT FRONT BRAKE PAD WITH SHIM	1
6	DE151046	SCREW - BLEEDER :- KBX	1
7	JG131814	PIN CLIP	1
8	DK151092	PAD SPRING	1
9	DE191010	WASHER - COPPER :- KBX	4
10	DK151069	BOLT -M10X1XL 19XCL 8.8XBRIGHT	2
11	LAD00037	BOLT FLANGED M8X1	2
12	36JY0184	FRONT MASTER CYLINDER MINOR KIT	1
13	36JY0180	MINOR KIT REAR CALIPER	1
14	36JY0179	MAJOR KIT REAR CALIPER	1
15	DJ201109	SWITCH BRAKE	1
16	36JY0187	FR M/CYL BOOT SPD KIT	1
17	36JY0183	FRONT MASTER CYLINDER MAJOR KIT	1



SN	Part No.	Description	QTY
1	JP131802	ASSEMBLY MASTER CYLINDER	1
2	JG131815	CALIPER ASSEMBLY REAR	1
3	DK151085	PAD BRAKE REAR SET	1
4	JG401400	SWITCH BRAKE PRESSURE	1
5	36JY0225	RE RESERVOIR TUBE KIT 06W12414	1
6	DE151046	SCREW - BLEEDER :- KBX	1
7	DK151045	REAR MASTER CYLINDER CAP	1
8	JP161001	ASSEMBLY BRAKE LEVER MY17	1
9	JG113010	DAMPER CHANGE LEVER	1
10	JY113025	BOLT CHANGE LEVER	1
11	JG113061	BEARING CHANGE LEVER	2
12	JY113015	SPACER FOR CHANGE LEVER	2
13	JG161001	SPRING TENSION	1
14	KADD0620	BOLT FLANGED	1
15	KCAD0605	NUT HEX THICK	1
16	DK151072	DIAPHRAGM RESERVIOR - KBX	1
17	36JY0180	MINOR KIT REAR CALIPER	1
18	36JY0179	MAJOR KIT REAR CALIPER	1
19	36JY0223	MAJOR KIT RE MAST CYL 10W02822	1
20	36JY0224	MINOR KIT RE MAST CYL 10W05712	1

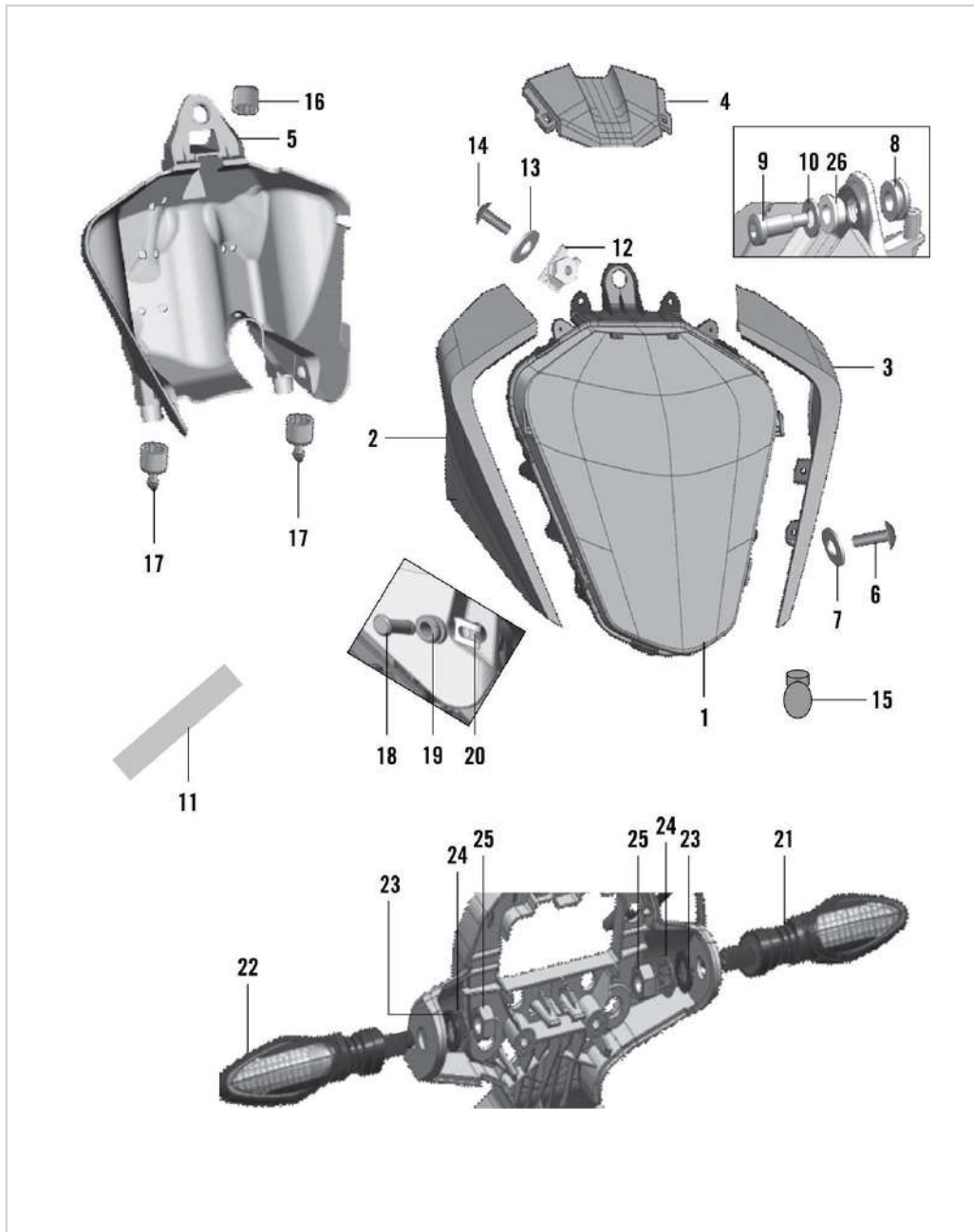


SN	Part No.	Description	QTY
21	36JY0226	PUSH ROD ASY KIT 10W02931	1
22	JG131830	PIN PAD	1
23	DE151041	CLIP - LOCKING :- KBX	2
24	DK151034	RESERVOIR TUBE RAER DISC	2
25	36JY0075	KIT PRESSURE SWITCH RC	1
26	36JY0076	KIT BANJO BOLT RC	1
27	JP113809	BRACKET RESERVOIR MTG	1
28	JP181247	SLEEVE	1
29	LAE00051	BOLT FLANGE SMALL- M6X1XL18XBLACK	1
30	JP131823	BRACKET CAP RESERVOIR	1
31	LAE00053	BOLT FLANGE SMALL- M5X0.8XL10XBLK	1
32	LAD00077	BOLT FLANGE- M6X1XL16XBLKXPRECOAT	1
33	DE151041	CLIP - LOCKING :- KBX	2
34	JG131821	RESERVOIR REAR BRAKE	1

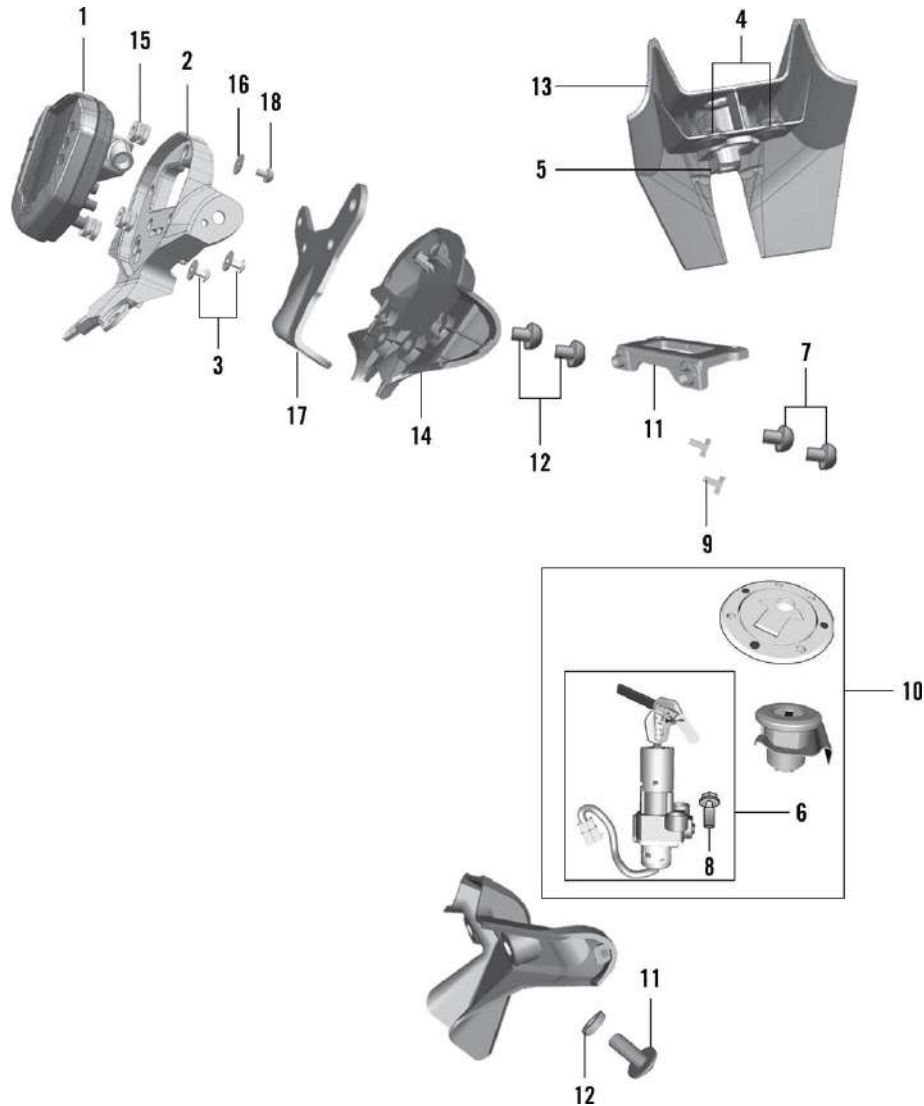


SN	Part No.	Description	QTY
1	JP401003	LAMP HEAD	1
2	52JP0956	DUKE 200 SIDE MASK LH EBONY BLACK+DECAL	1
3	52JP0957	DUKE 200 SIDE MASK RH EBONY BLACK+DECAL	1
4	56JP4DX3	DUKE MASK BULB HL EB BLACK	1
5	JP181242	FAIRING BACK COVER BULB HL	1
6	KBRD3513	SCREW TAPPING PAN CROS-ST3.5XL13	6
7	KDAE0408	WASHER PLAIN SMALL-4.5X8X0.5XBLK	6
8	JP181279	GROMMET FRONT FAIRING ASSY	1
9	LAC00101	BOLT SOCKET-M6X1XL12XBLKXSTEP	1
10	JB113007	PLAIN WASHER	1
11	36DT0053	KIT FR.NUMBER PLATE PULSAR RS 200 / AS 2	1
12	JL181027	NUT CLIP M6	3
13	KDBF0512	WASHER PLAIN-ID5.5XOD12XT0.8XBLK	2
14	KBUF0514	SCREW TRUSS-M5X0.8XL 14XBLACK	2
15	DG201071	LAMP :- 12V, 60 / 55 W	1
16	JP181261	GROMMET HL COVER TOP	1
17	JP181262	GROMMET HL COVER BOTTOM	2
18	LAD00046	PIN CLEVIS DIA 8	2
19	JG181242	GROMMET PIVOT BOLT-MASK CARRIER	2
20	JG181243	SECURING CLIP-PIV BOLT-MASK CARR	2

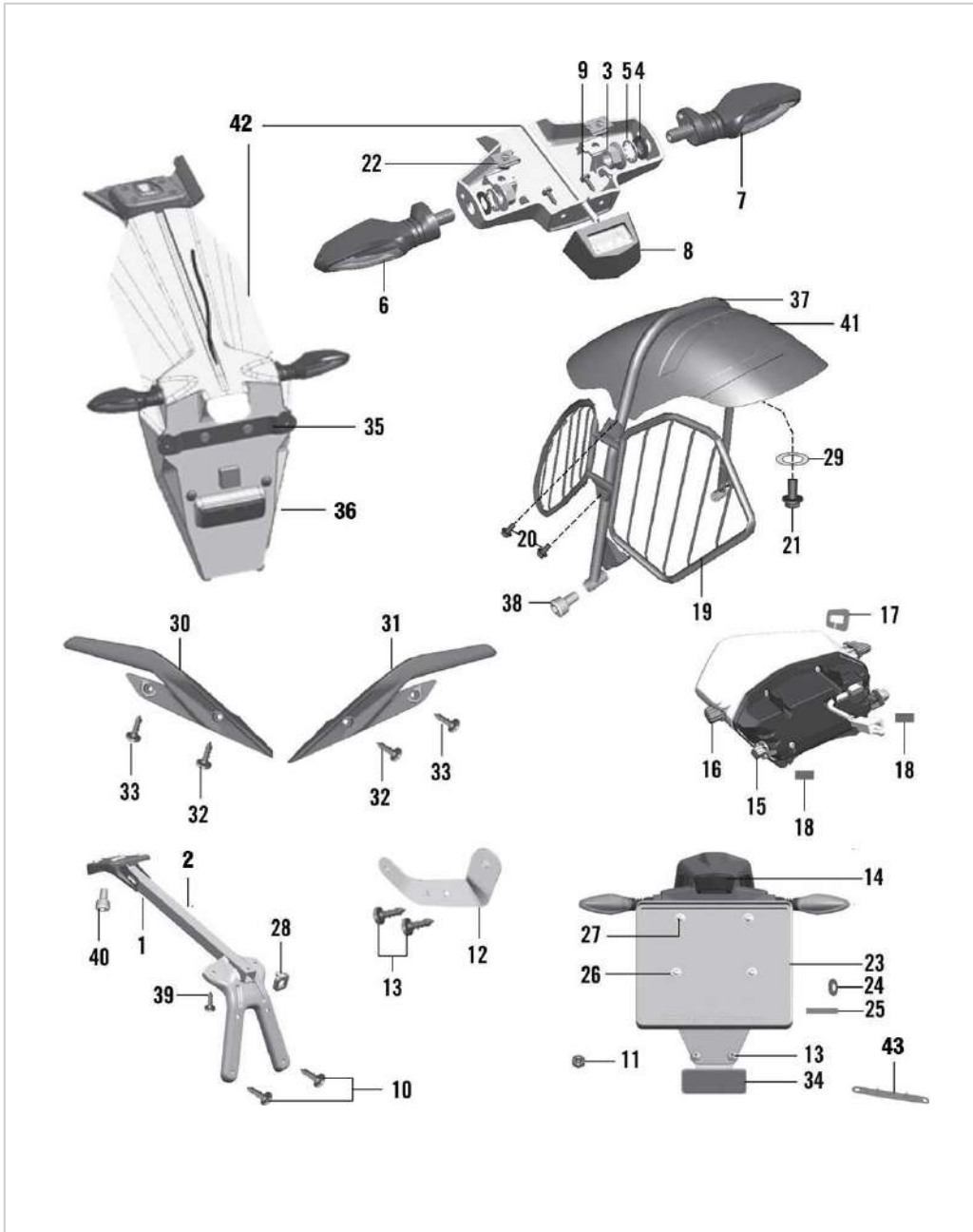




SN	Part No.	Description	QTY
21	JP401018	INDICATOR FRONT LH	1
22	JP401019	INDICATOR FRONT RH	1
23	LDA00012	WASHER PLAIN	2
24	LDF00002	WASHER TOOTHED	2
25	LCA00005	NUT HEX M10X1.25	2
26	JP181263	GROMMET RUBBER 2 FRONT FAIRING	1
27	LAC00008	SCREW BUTTON HEAD-M6X1XL20XBLACK	2
28	LBU00048	SCREW BUTTON HD-M6X1XL13	2



SN	Part No.	Description	QTY
1	JP402410	SPEEDOMETER	1
2	JP181240	DASHBOARD LCD SPEEDOMETER	1
3	LBR00002	SCREW TAPPING PAN DIA 5	2
4	JP181229	mROMMET IGNITION SWITCH COVER	2
5	JP181234	GROMMET IGNITION COVER	1
6	36JP0035	IGN LOCK WITH SHEAR BOLTS MY17	1
7	JY113821	SCREW BUTTON HEAD- M6X1XL12XBLACK	1
8	LAA00030	BOLT -M6X1XL30XCL8.8XBLXSHEAR HD	2
9	JL181453	COLLAR WIND SHIELD	2
10	36JP0036	LOCK SET EVAP SHEAR BOLTS MY17	1
11	JP232808	HOLDER PLATE NUMBER	1
12	LBU00050	SCREW BUTTON HEAD- M6X1XL9XPRECOAT	2
13	JP181239	COVER ASSEMBLY SWITCH IGNITION	1
14	JP181249	SPEEDOMETER HOLDER BACKCOVER	1
15	JG181238	GROMMET DASHBOARD	3
16	LDB00016	WASHER -PLAIN	3
17	JP181250	BRACKET SPEEDOMETER HOLDER	1
18	LBR00008	SCREW TAPING SOKET- DIA.5XL12XBLK	1
19	36JG0114	3M SPEEDOMETER TAPE (25 QTY) KIT	1
20	36JP0079	PRIMER (5 QTY) KIT	1

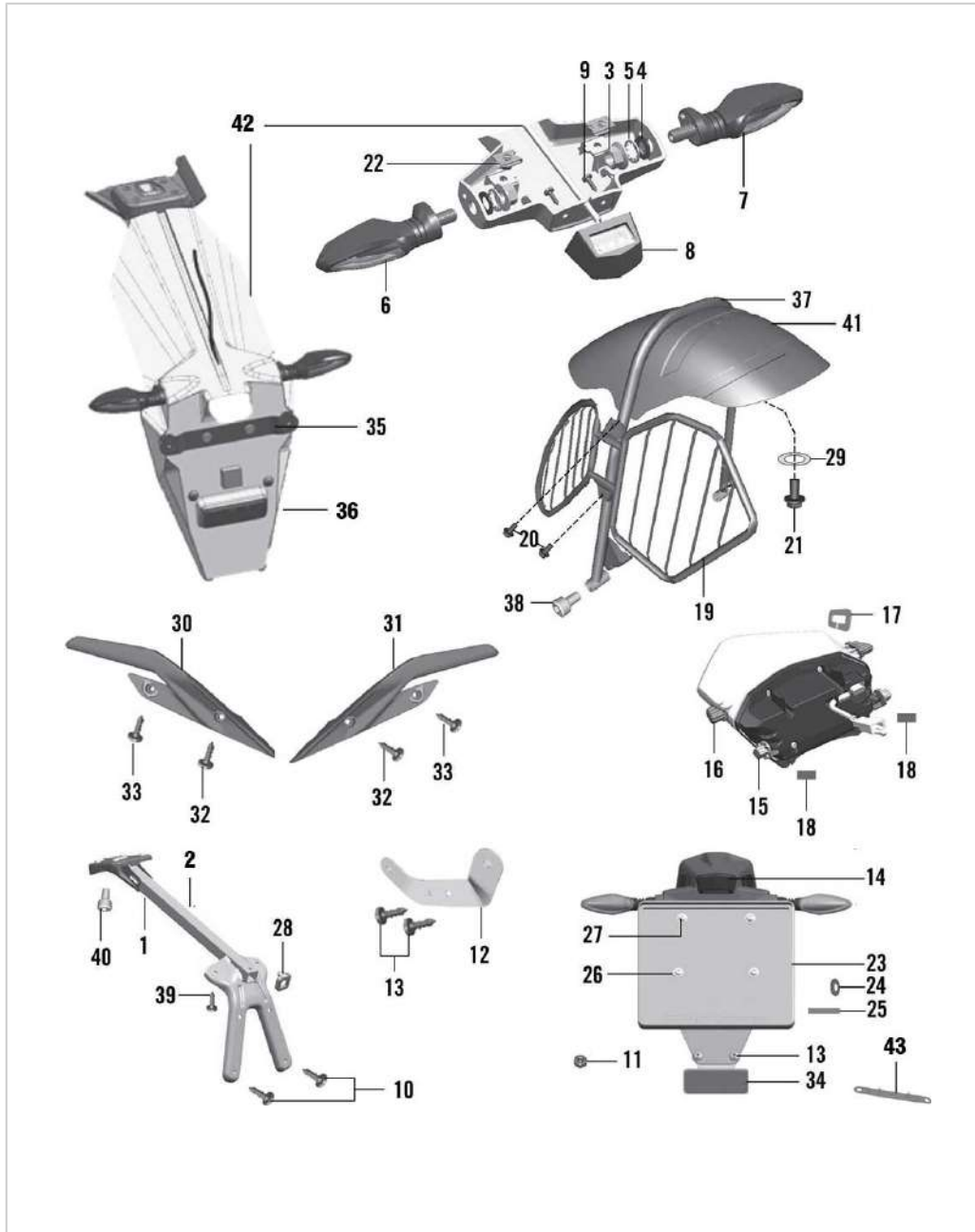


SN	Part No.	Description	QTY
1	JP232824	STRUCTURE ASSEMBLY PLATE NUMBER	1
2	JP232824	STRUCTURE ASSEMBLY PLATE NUMBER	1
3	KCAD1008	NUT HEX THICK	2
4	KDAA1018	WASHER PLAIN	2
5	LDF00002	WASHER TOOTHED	2
6	JY401024	INDICATOR REAR LH	1
7	JY401025	INDICATOR REAR RH	1
8	JG401006	NUMBER PLATE ILLUMINATION LAMP	1
9	KBRD4213	SCREW TAPPING PAN CROSS-ST4.2XL13	2
10	KBUA0612	Mushroom Head screw - M6-L12	2
11	LCA00008	NUT	1
12	JP181407	BRACKET REFLEX REFLECTOR	1
13	KBUF0612	SCREW TRUSS-M6X1XL 12XBLACK	4
14	JP401001	LAMP TAIL MY17	1
15	JP401004	GROMMET ROUND	2
16	JP401005	GROMMET TAIL LAMP LH	1
17	JP401006	NYLON WASHER SQUARE	2
18	JP401007	SPACER GROMMET ROUND	2
19	JY231200	SAREE GAURD	1
20	LAC00118	BOLT SOCKET-M8X1.25XL18XCL10.9XBL	2

200-DUKE MY-23

43. LEG GUARD, SAREE GUARD

oemship +919495961664

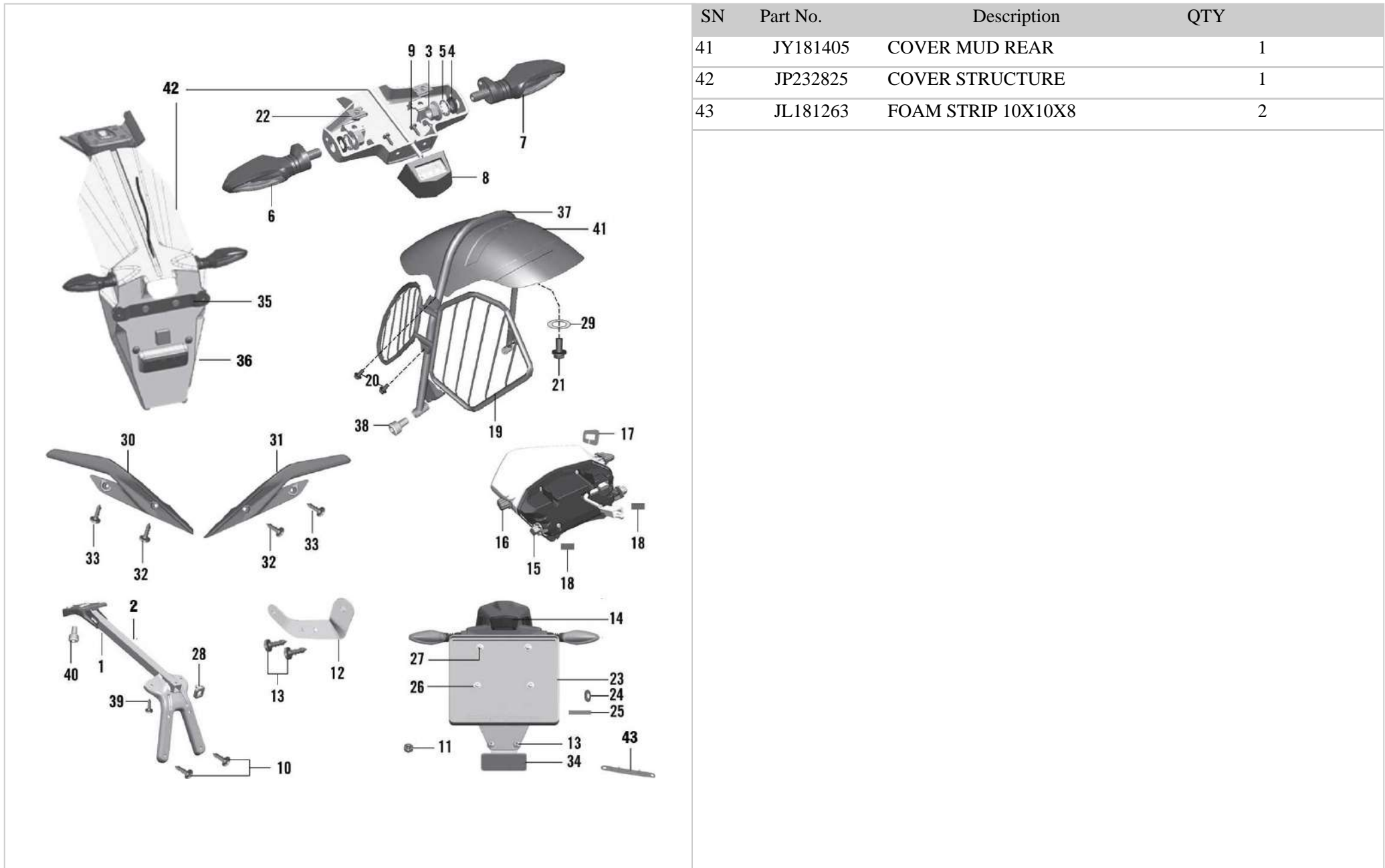


SN	Part No.	Description	QTY
21	KACH0616	BOLT SOCKET-M6X1XL16XCL 10.9XBLK	2
22	DJ161229	CLIP NUT M5	2
23	36PD0056	KIT RR.NUMBER PLATE AVENGER 220 CRUISE /	1
24	JU181408	GROMMET REAR NO PLATE	2
25	JU181412	DUEL LOCK REAR NO PLATE	2
26	LDB00031	WASHER REAR NO PLATE	2
27	KADM0620	BOLT FLANGED	4
28	JP232802	CAP RUBBER REAR NUMBER PLATE STRUCTURE	1
29	KDBE0613	WASHER PLAIN	5
30	JP231409	GRAB HANDLE LH	1
31	JP231410	GRAB HANDLE RH	1
32	LAC00095	BOLT SOKET- M8X1.25XL30XBLXPRECOT	2
33	LAC00096	BOLT SOKET- M8X1.25XL40XBLXPRECOT	2
34	JG401036	REFLECTOR REFLEX	1
35	JP232812	BRACKET PLATE NUMBER REAR	1
36	JP232830	BRACKET PLATE NUMBER REAR	1
37	JP181000	TUBE ASSEMBLY HUGGER REAR	1
38	JU231206	BOLT SOCKET M8X1.25	1
39	KBUA0512	SCREW TRUSS	2
40	LAD00189	BOLT FLANGE-M6X1XL 22XCL 8.8XBLK	4

200-DUKE MY-23

43. LEG GUARD, SAREE GUARD

oemship +919495961664

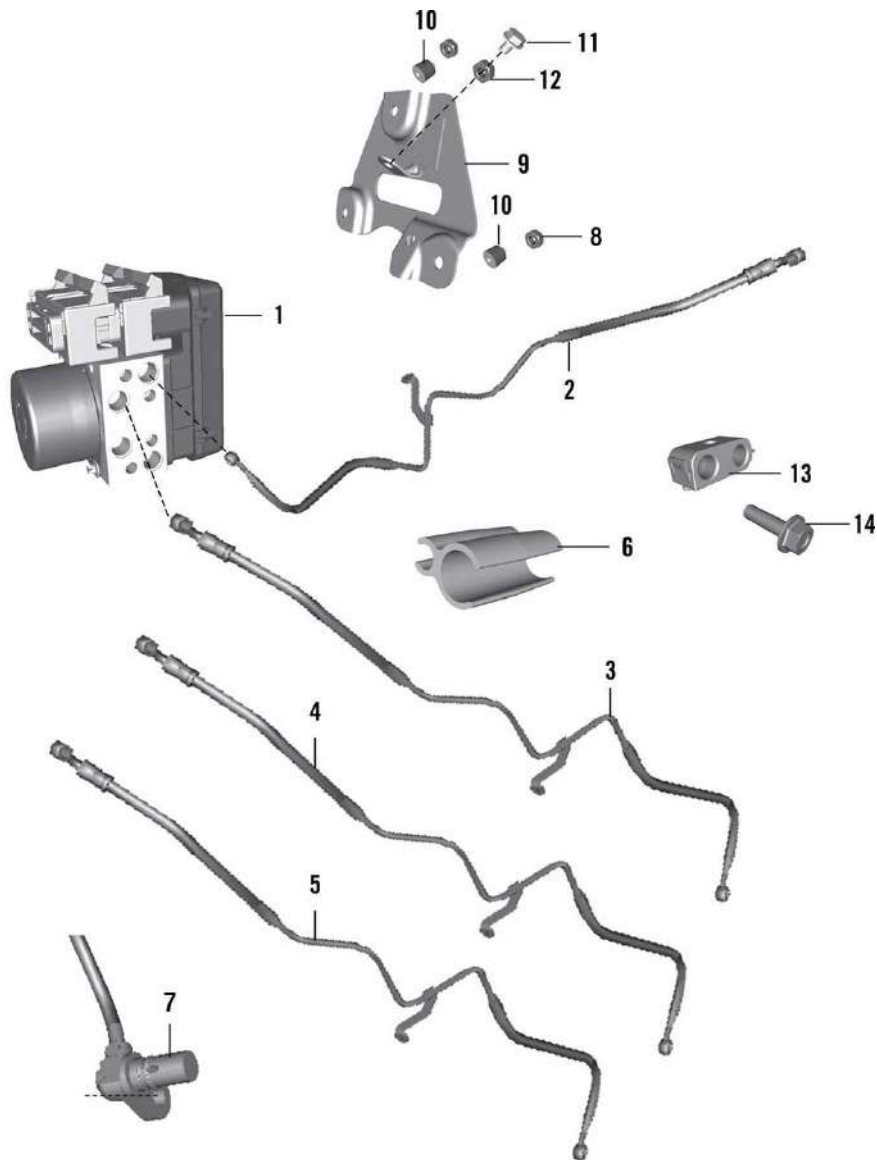


SN	Part No.	Description	QTY
41	JY181405	COVER MUD REAR	1
42	JP232825	COVER STRUCTURE	1
43	JL181263	FOAM STRIP 10X10X8	2

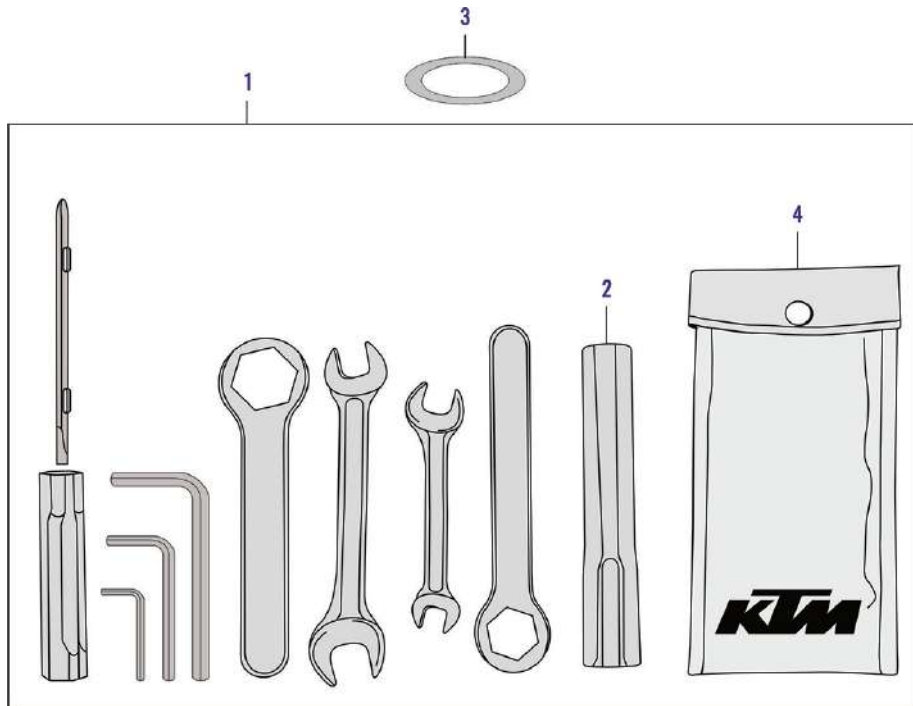
200-DUKE MY-23

44. BRAKE SYSTEM - ABS FRONT & REAR

oemship +919495961664



SN	Part No.	Description	QTY
1	JP131859	UNIT ABS WET	1
2	36JP0066	BR HOSE KIT ABS TO MAST CYL. FR	1
3	36JP0067	BR HOSE KIT ABS TO FR CALIPER	1
4	36JP0068	BR HOSE KIT REAR MC TO ABS	1
5	36JP0069	BR HOSE KIT REAR CALIPER TO ABS	1
6	DT131849	CLAMP FOR ABS HOSE	3
7	DT402404	SENSOR SPEED WHEEL	1
8	LCL00002	NUT FLANGED-M6X1XHT.6XCL4	3
9	JP113804	BRACKET ABS MTG LOOSE	1
10	JG581014	SILENT BLOCK(M6)	3
11	KADD0610	BOLT-FLANGE-KAD ST-D DIA-06 L-10	3
12	LCL00002	NUT FLANGED-M6X1XHT.6XCL4	3
13	DT131849	CLAMP FOR ABS HOSE	3
14	KAED0620	BOLT-FLANGED-SMALL (HT COIL) BOL	3



SN	Part No.	Description	QTY
1	JY231000	TOOLKIT	1
2	JG231003	SPANNER BOX	1
3	DK221024	O RING	1
4	JG231002	BAG TOOL	1
5	JG231006	SCREWDRIVER	1
6	JG231014	TOOL WRENCH 22	1
7	JG231008	TOOL BAR	1
8	JG231009	SPANNER FLAT 13 X 14	1
9	JG231010	SPANNER FLAT 8X10	1
10	JY231001	TOOL ALLEN KEY 4MM	1
11	JG231011	KEY ALLEN -5 MM	1
12	JG231012	KEY ALLEN 6	1
13	JG231013	KEY ALLEN 10	1
14	JY231002	TOOL SPRING ADJUSTER	1