

# Parts Catalog

## Commercial Vehicle

ape City Xtra Step-II AF BS-III Exp LAM

**PIAGGIO VEHICLES PRIVATE LIMITED**

Registered Office: Bund Garden Road ,Opp. Residency Club , Pune (India)

Print Date: 07-Apr-2022

**PLATES INDEX**

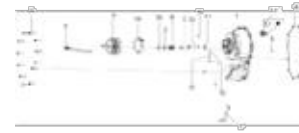
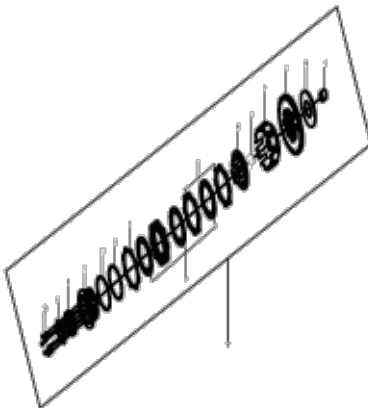
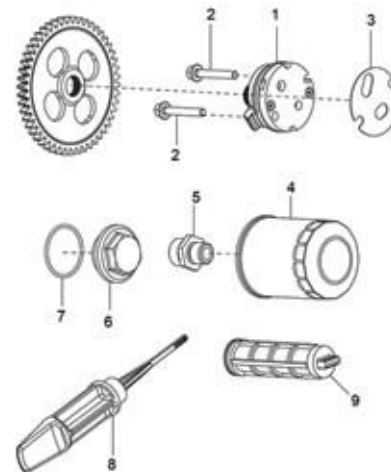
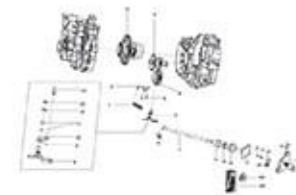
<b>Sr No.</b>	<b>Plate Name</b>	<b>Plate No.</b>	<b>Page No.</b>
1	ENG.200 4S/3V BSIV APE PAX	1	1-2
2	Clutch Cover Assembly	2	3-4
3	CLUTCH ASSEMBLY	3	5-6
4	Lubrication Components	4	7-8
5	Complete Differential Gear	5	9-10
6	Differential Gear Group	6	11-12
7	Intake Fitting - Carburetor	7	13-16
8	Air Filter Assembly	8	17-18
9	Complete Crankcase	9	19-22
10	Gear Sector Assembly	10	23-24
11	Cylinder Head With I.P.	11	25-26
12	Crankshaft Assembly	12	27-28
13	Aircooling Circuit Components	13	29-30
14	Timing Group	14	31-32
15	Cylinder- Piston Group	15	33-34
16	Electric Starting Group	16	35-36
17	Speed Gear Group	17	37-38
18	Engine Support	18	39-42
19	Fuel Tank/Filter/Fuel Pipes	19	43-46
20	Wind Shield/Glass/Beading	20	47-48
21	Chassis Frame & Seat	21	49-52
22	Doors & Drivers Seat	22	53-56
23	Inner Parts Of Cabin	23	57-58
24	Rear Suspension	24	59-62
25	Steering Column And Front Suspension	25	63-66
26	Handle Bar And Control	26	67-68
27	Brake -Tandem Master Cylinder ,Brake Pipe And Hand Brakes	27	69-72
28	Electrical Devices	28	73-78
29	Front Fascia	29	79-82
30	Open Box Body (Pick UP)	30	83-86

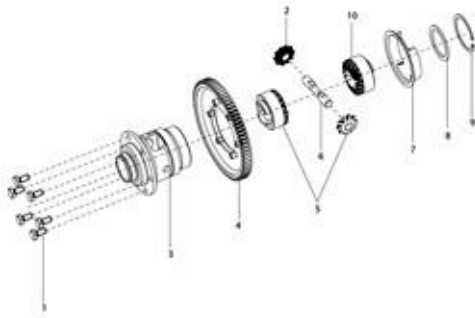
Print Date: 07-Apr-2022

**PLATES INDEX**

<b>Sr No.</b>	<b>Plate Name</b>	<b>Plate No.</b>	<b>Page No.</b>
31	Wiring Harness	31	87-88
32	Front Brake Assembly	32	89-90
33	Rear Brake Assembly	33	91-92
34	Cables	34	93-94
35	CNG Kit	35	95-96
36	Two Stage CNG Regulator	36	97-98
37	First Stage Reduction Unit	37	99-100
38	LPG Kit	38	101-102
39	Two Stage LPG Regulator	39	103-104
40	Tools And Accessories	40	105-108

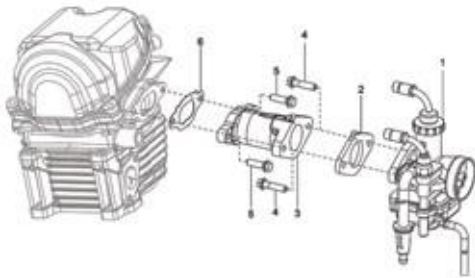
Print Date: 07-Apr-2022

**PICTORIAL PLATES INDEX****PLATE-1**      **ENG.200 4S/3V BSIV APE PAX****Page No. :1-2****PLATE-2**      **Clutch Cover Assembly****Page No. :3-4****PLATE-3**      **CLUTCH ASSEMBLY****Page No. :5-6****PLATE-4**      **Lubrication Components****Page No. :7-8****PLATE-5**      **Complete Differential Gear****Page No. :9-10****PLATE-6**      **Differential Gear Group****Page No. :11-12**



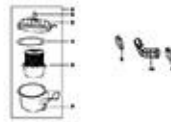
**PLATE-7 Intake Fitting - Carburetor**

**Page No. :13-16**



**PLATE-8 Air Filter Assembly**

**Page No. :17-18**



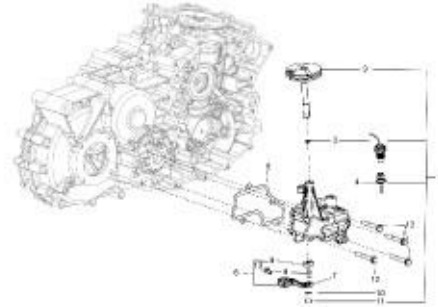
Print Date: 07-Apr-2022

**PICTORIAL PLATES INDEX****PLATE-9 Complete Crankcase**

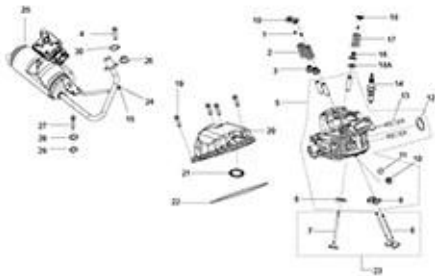
Page No. :19-22

**PLATE-10 Gear Sector Assembly**

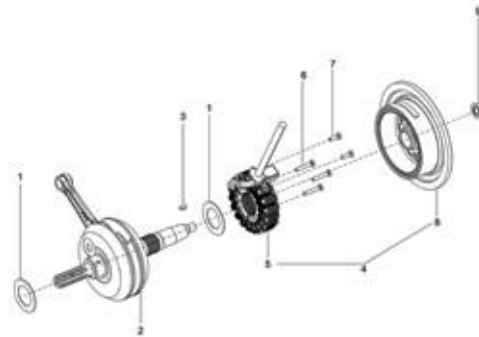
Page No. :23-24

**PLATE-11 Cylinder Head With I.P.**

Page No. :25-26

**PLATE-12 Crankshaft Assembly**

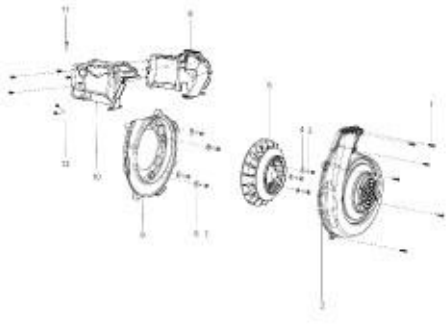
Page No. :27-28

**PLATE-13 Aircooling Circuit Components**

Page No. :29-30

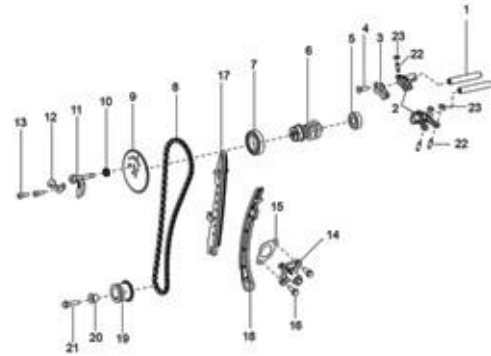
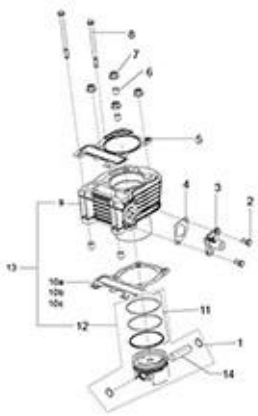
**PLATE-14 Timing Group**

Page No. :31-32



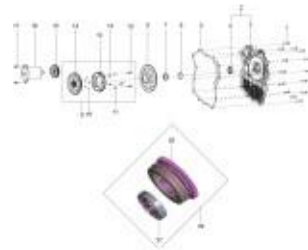
**PLATE-15**      **Cylinder- Piston Group**

**Page No. :33-34**




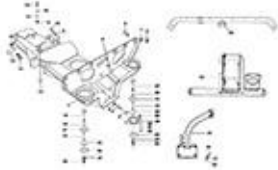
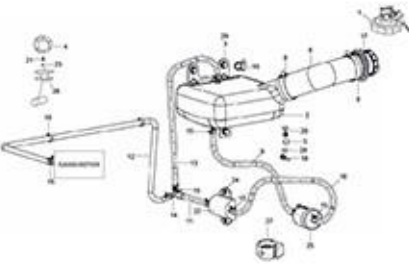
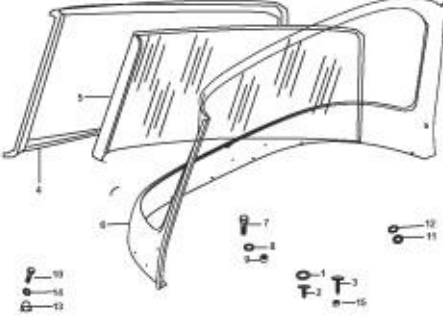

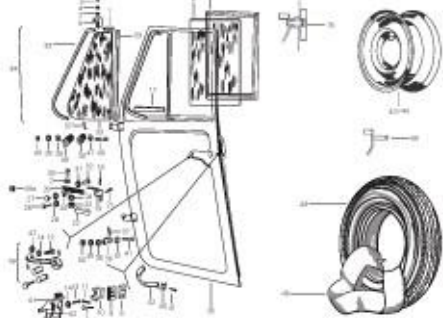
**PLATE-16**      **Electric Starting Group**

**Page No. :35-36**



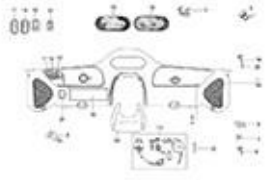
Print Date: 07-Apr-2022

**PICTORIAL PLATES INDEX**

<p><b>PLATE-17</b>      <b>Speed Gear Group</b></p> <p>Page No. :37-38</p> 	<p><b>PLATE-18</b>      <b>Engine Support</b></p> <p>Page No. :39-42</p> 
<p><b>PLATE-19</b>      <b>Fuel Tank/Filter/Fuel Pipes</b></p> <p>Page No. :43-46</p> 	<p><b>PLATE-20</b>      <b>Wind Shield/Glass/Beading</b></p> <p>Page No. :47-48</p> 
<p><b>PLATE-21</b>      <b>Chassis Frame &amp; Seat</b></p> <p>Page No. :49-52</p> 	<p><b>PLATE-22</b>      <b>Doors &amp; Drivers Seat</b></p> <p>Page No. :53-56</p> 
<p><b>PLATE-23</b>      <b>Inner Parts Of Cabin</b></p>	<p><b>PLATE-24</b>      <b>Rear Suspension</b></p>



Page No. :57-58



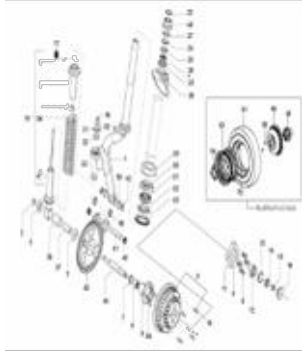
Page No. :59-62



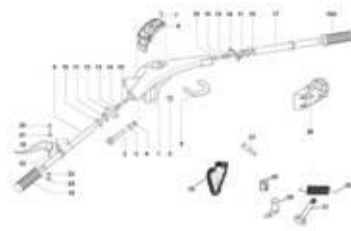
Print Date: 07-Apr-2022

**PICTORIAL PLATES INDEX****PLATE-25      Steering Column And Front Suspension**

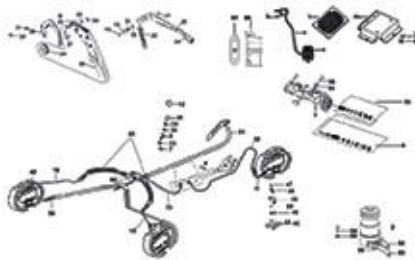
Page No. :63-66

**PLATE-26      Handle Bar And Control**

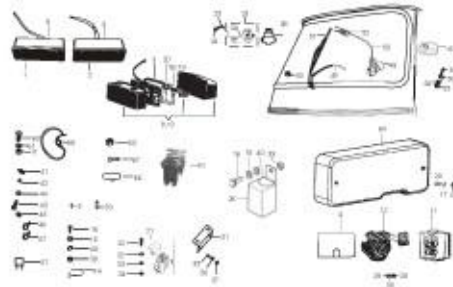
Page No. :67-68

**PLATE-27      Brake -Tandem Master Cylinder ,Brake Pipe And Hand Brakes**

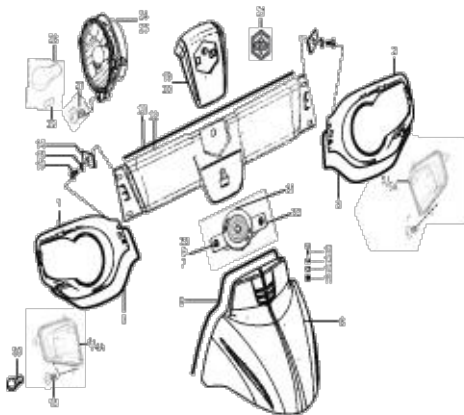
Page No. :69-72

**PLATE-28      Electrical Devices**

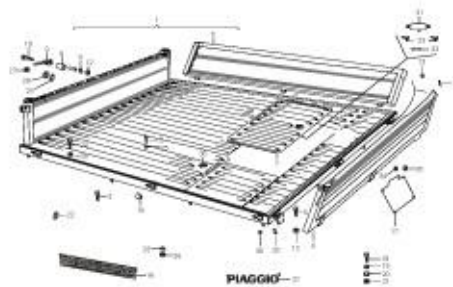
Page No. :73-78

**PLATE-29      Front Fascia**

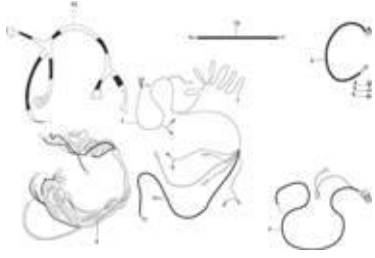
Page No. :79-82

**PLATE-30      Open Box Body (Pick UP)**

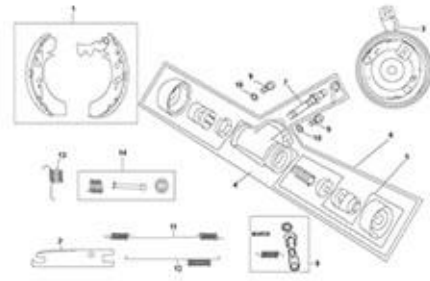
Page No. :83-86

**PLATE-31      Wiring Harness****PLATE-32      Front Brake Assembly**

Page No. :87-88

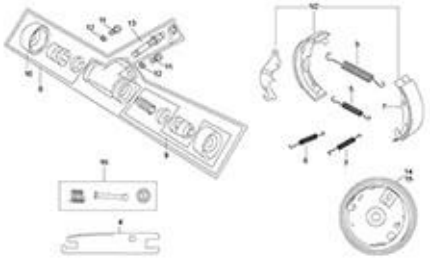
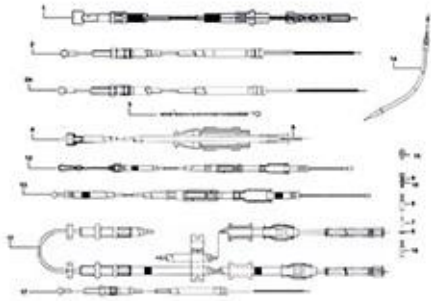
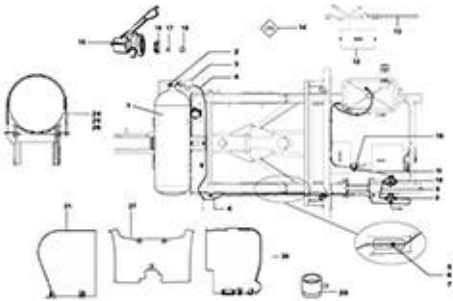


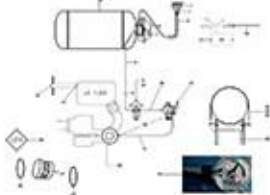


Page No. :89-90

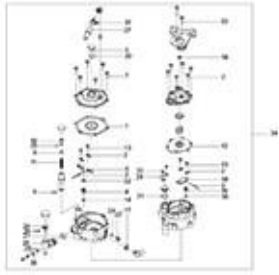


Print Date: 07-Apr-2022

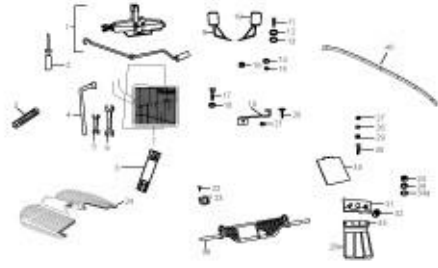
**PICTORIAL PLATES INDEX**

<p><b>PLATE-33 Rear Brake Assembly</b> Page No. :91-92</p> 	<p><b>PLATE-34 Cables</b> Page No. :93-94</p> 
<p><b>PLATE-35 CNG Kit</b> Page No. :95-96</p> 	<p><b>PLATE-36 Two Stage CNG Regulator</b> Page No. :97-98</p> 
<p><b>PLATE-37 First Stage Reduction Unit</b> Page No. :99-100</p> 	<p><b>PLATE-38 LPG Kit</b> Page No. :101-102</p> 
<p><b>PLATE-39 Two Stage LPG Regulator</b></p>	<p><b>PLATE-40 Tools And Accessories</b></p>

Page No. :103-104



Page No. :105-108



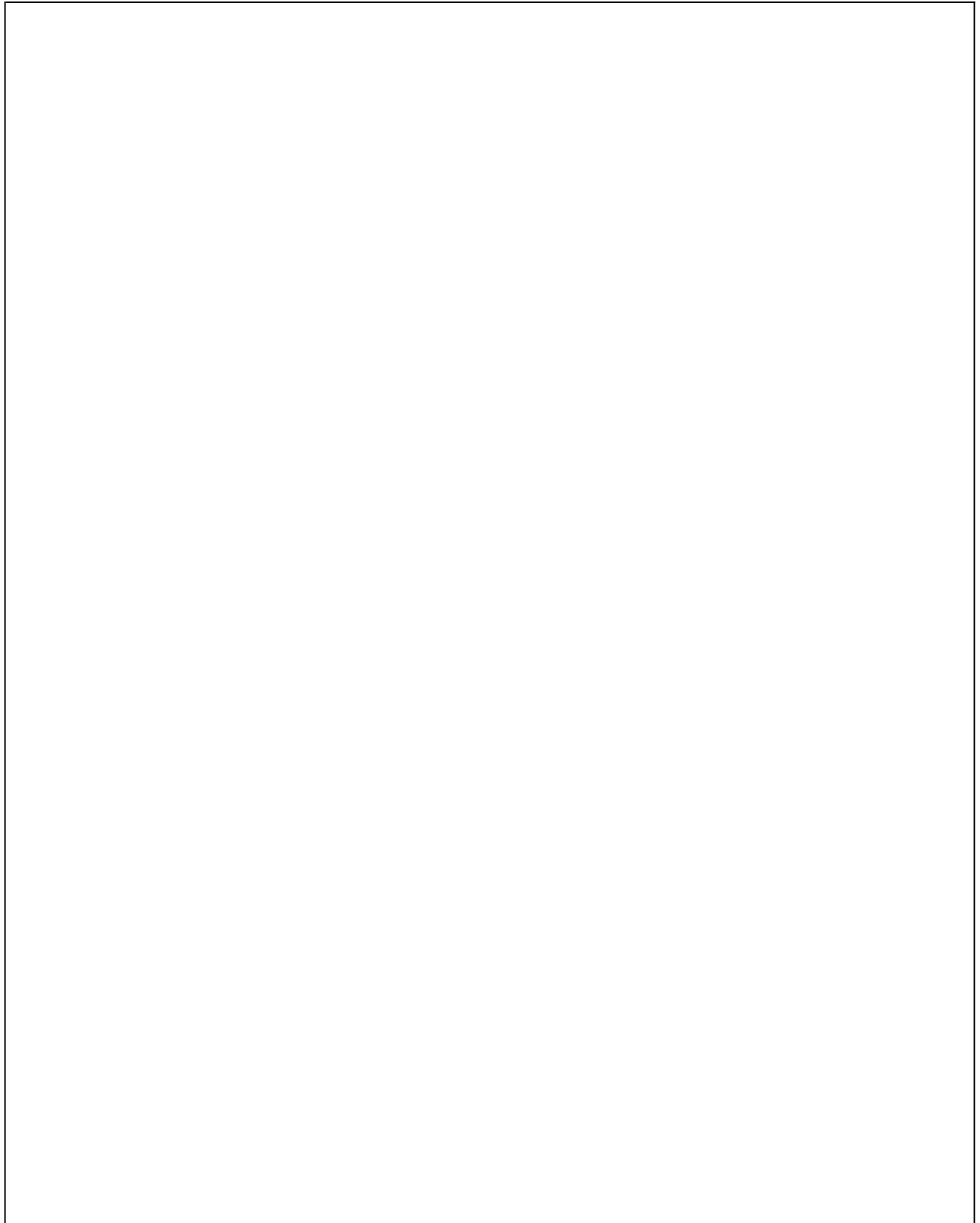
Print Date: 07-Apr-2022

---

**PLATE-1**

**ENG.200 4S/3V BSIV APE PAX**

---



1







Print Date: 07-Apr-2022

**PLATE-1****ENG.200 4S/3V BSIV APE PAX**

<b>Fig. No.</b>	<b>Part No.</b>	<b>Description</b>	<b>Qty</b>	<b>Remarks</b>
1	CM283908	ENG.200 4S/3V BSIV APE PAX PETROL	1	PTL
2	CM283909	ENG.200 4S/3V BSIV APE PAX LPG	1	LPG
3	CM283910	ENG.200 4S/3V BSIV APE PAX CNG	1	CNG
4	CM283924	ENG.200 4S/3V BSIV APE PAX PETROL LAM	1	STEP-2 BS3 HS LAM PTL

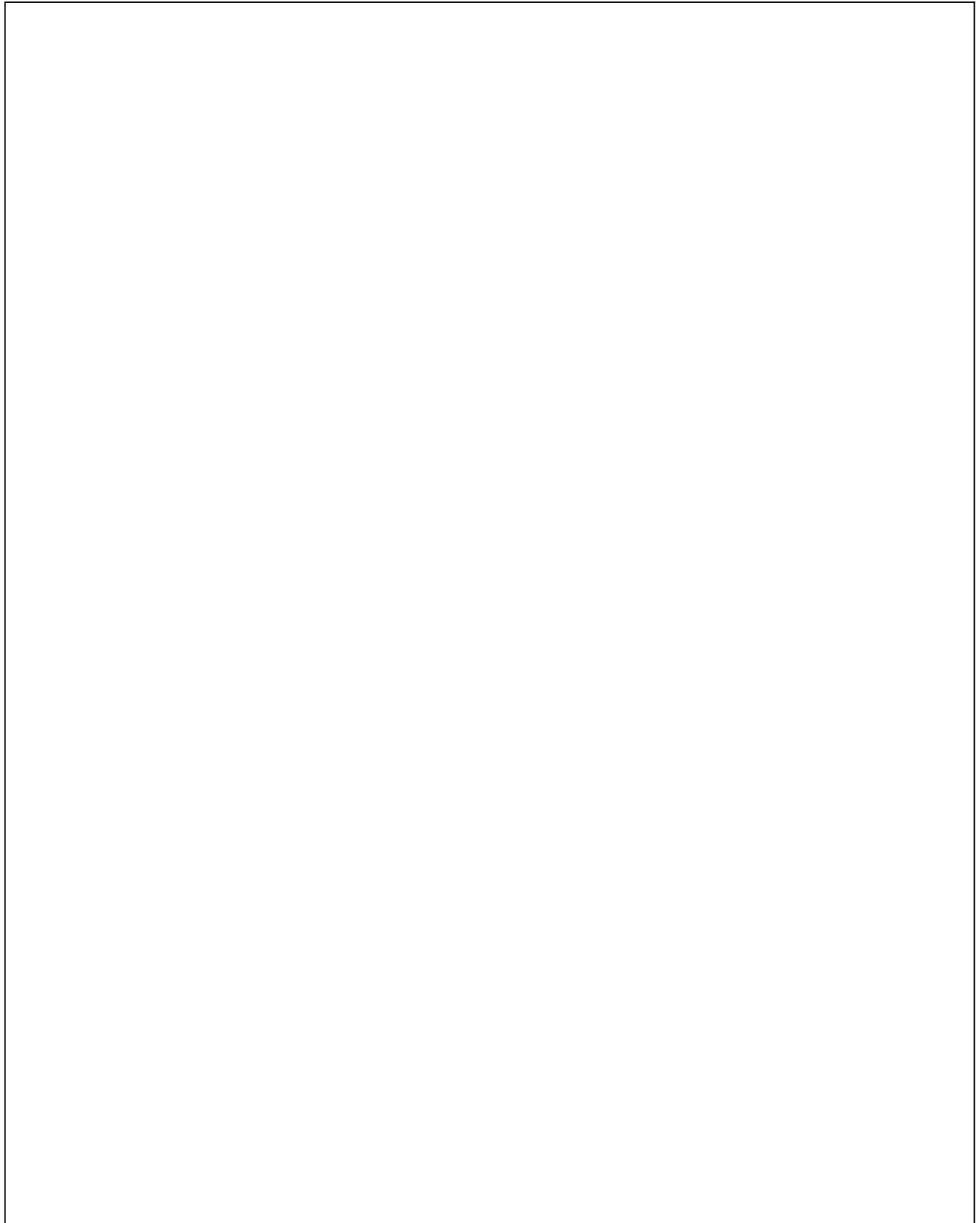


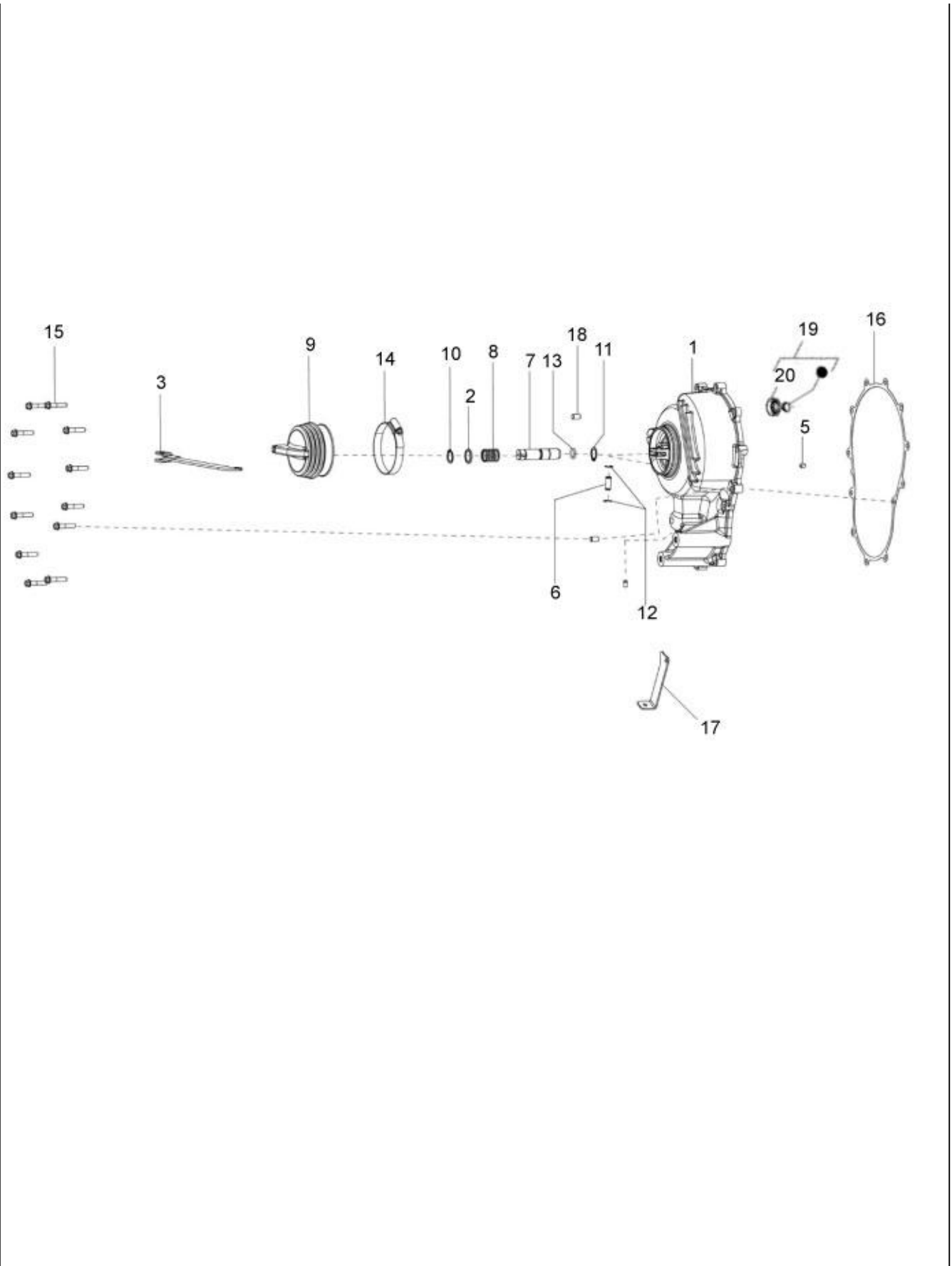
Print Date: 07-Apr-2022

---

**PLATE-2**  
**Clutch Cover Assembly**

---







Print Date: 07-Apr-2022

**PLATE-2****Clutch Cover Assembly**

Fig. No.	Part No.	Description	Qty	Remarks
1	1A010136	CLUTCH COVER	1	
2	120164019	RETAINING PLATE	1	
3	127460010	LINK ASSLY - CLUTCH (IMPROVED)	1	
6	127013013	PIN CLUTCH	1	
7	1A010548	PLUNGER SHAFT	1	
8	127185012	SPRING - CLUTCH COVER	1	
9	127012019	BELLOW CLUTCH ACTUATING	1	
10	842001600	CIRCLIP DIA.16(EXT)	1	
11	842001600	CIRCLIP DIA.16(EXT)	1	
12	843000809	CIRCLIP DIA.8(EXT) TYPE C	2	
13	B019220	O- RING (PLUNGER SHAFT)	1	
14	120170018	HOSE CLIP - CLUTCH COVER BELOW	1	
15	B018853	FLANGED HEXAGONAL HEAD SCREW M6X30	12	
16	1A011940	CLUTCH COVER GASKET	1	
17	1A008077	SUPPORT BRACKET STARTER MOTOR CABLE	1	
18	1A000708	DOWEL (Ø7,5, H=12)	2	
19	SP1A010560	CLUTCH PRESSURE BUSH WITH I.P.	1	
20	478261	PULLEY SHAFT BEARING	1	

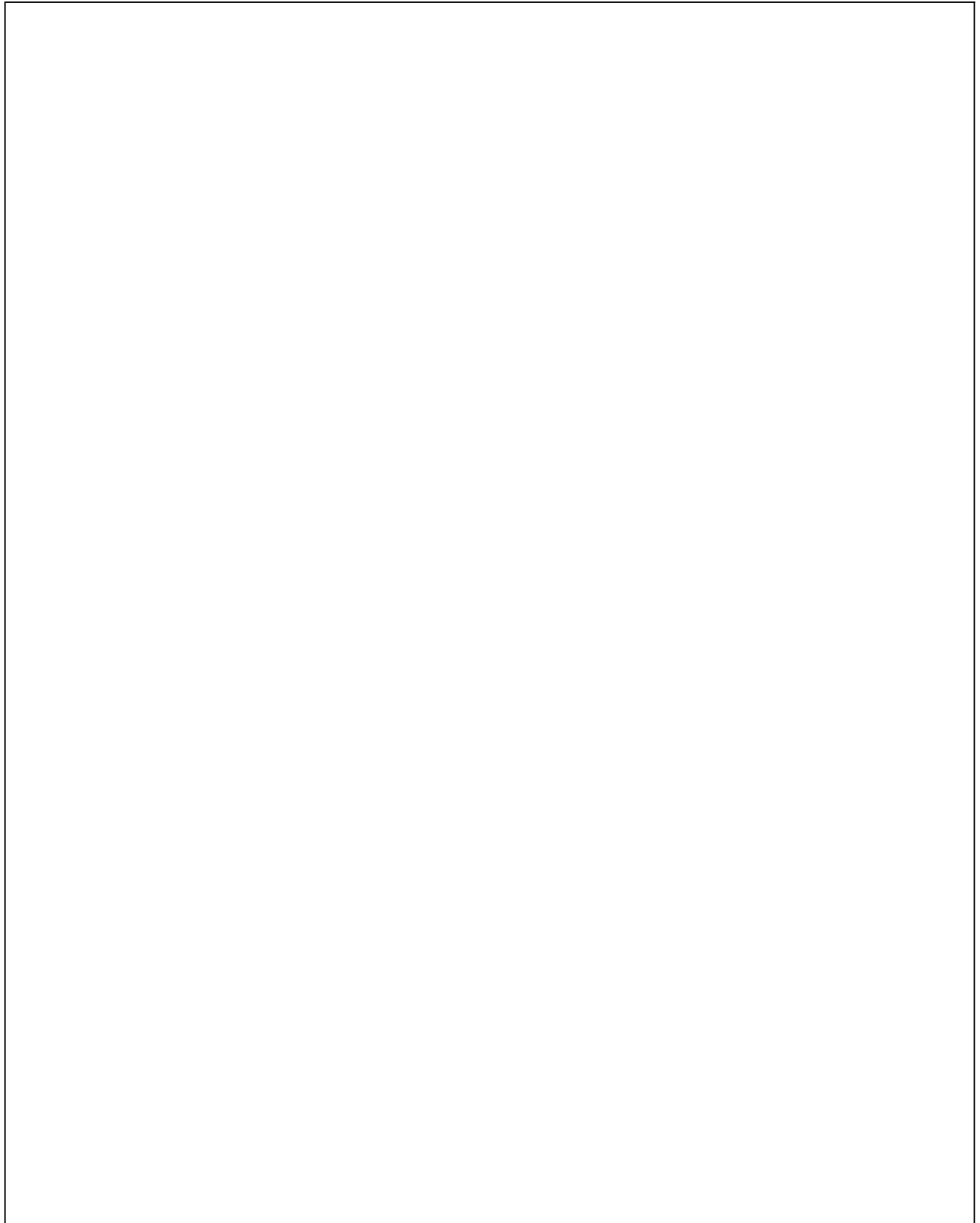


Print Date: 07-Apr-2022

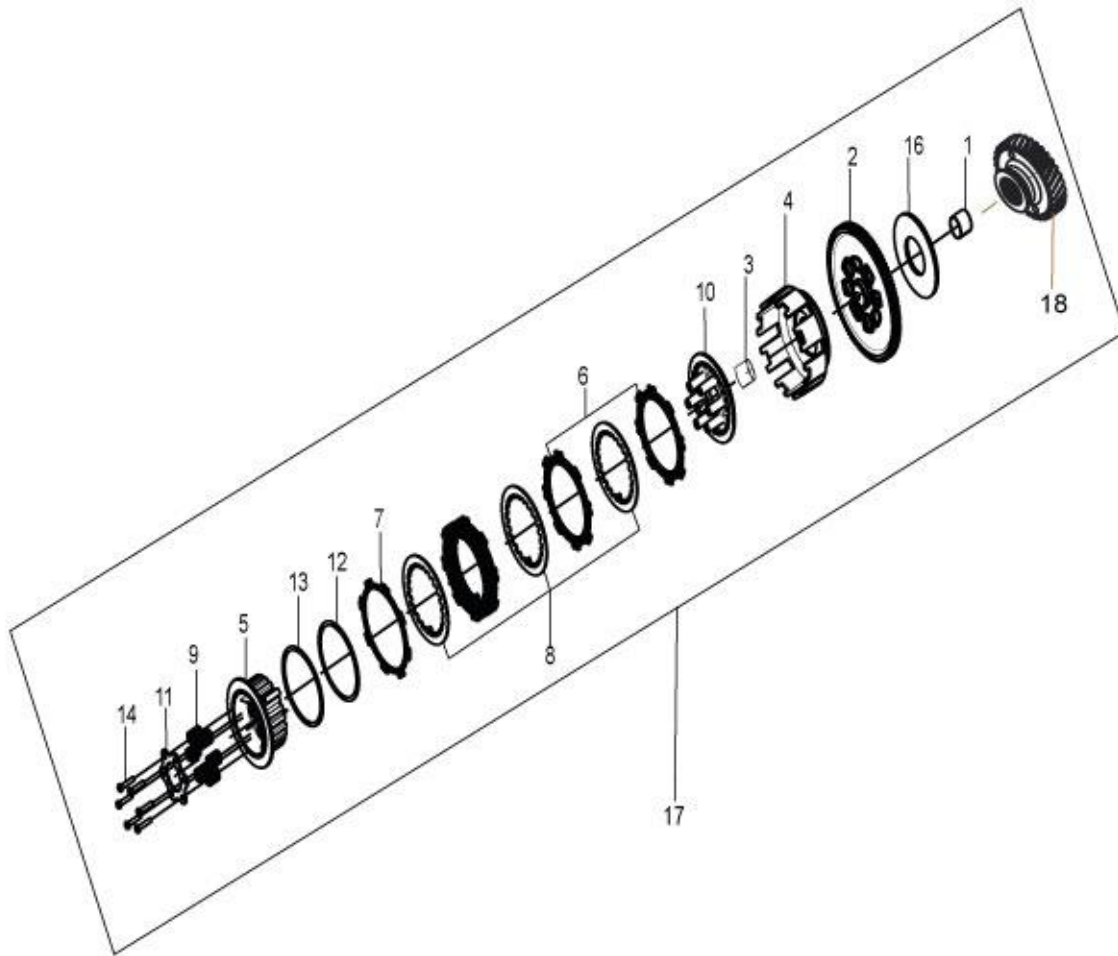
---

**PLATE-3**  
**CLUTCH ASSEMBLY**

---









Print Date: 07-Apr-2022

**PLATE-3**  
**CLUTCH ASSEMBLY**

Fig. No.	Part No.	Description	Qty	Remarks
1	1A010461	SPACER	1	
2	---	CLUTCH GEAR	1	Not Serviceable
3	1A010561	CLUTCH PRESSURE BUSH	1	
4	1A012150	HOUSING CLUTCH ASSY	1	
5	1A012152	HUB CLUTCH	1	
6	1A012153	FRICTION PLATE	6	
7	1A012154	RED FRICTION PLATE	1	
8	1A012155	PLATE CLUTCH	6	
9	1A012156	COMPRESSION SPRING	6	
10	1A012157	WHEEL CLUTCH	1	
11	1A012158	HOLDER CLUTCH	1	
12	1A012159	ANTI-JUDDER SPRING	1	
13	1A012160	ANTI-JUDDER WASHER	1	
14	1A012161	BOLT M5	6	
15	1A012151	PLATE CLUTCH ASSY	1	
16	B019420	CONICAL SPRING KNURLED WASHER	3	NS-Order on modi.assy.P/N.SP1A018746 INA
17	1A010119	CLUTCH ASSY	1	
18	1A010208	ENGINE GEAR	1	
19	KIT95131R	KIT CLUTCH PLATE SET FOR STEP-2 ENG. AF	1	Complete Clutch Plate Set (NI)



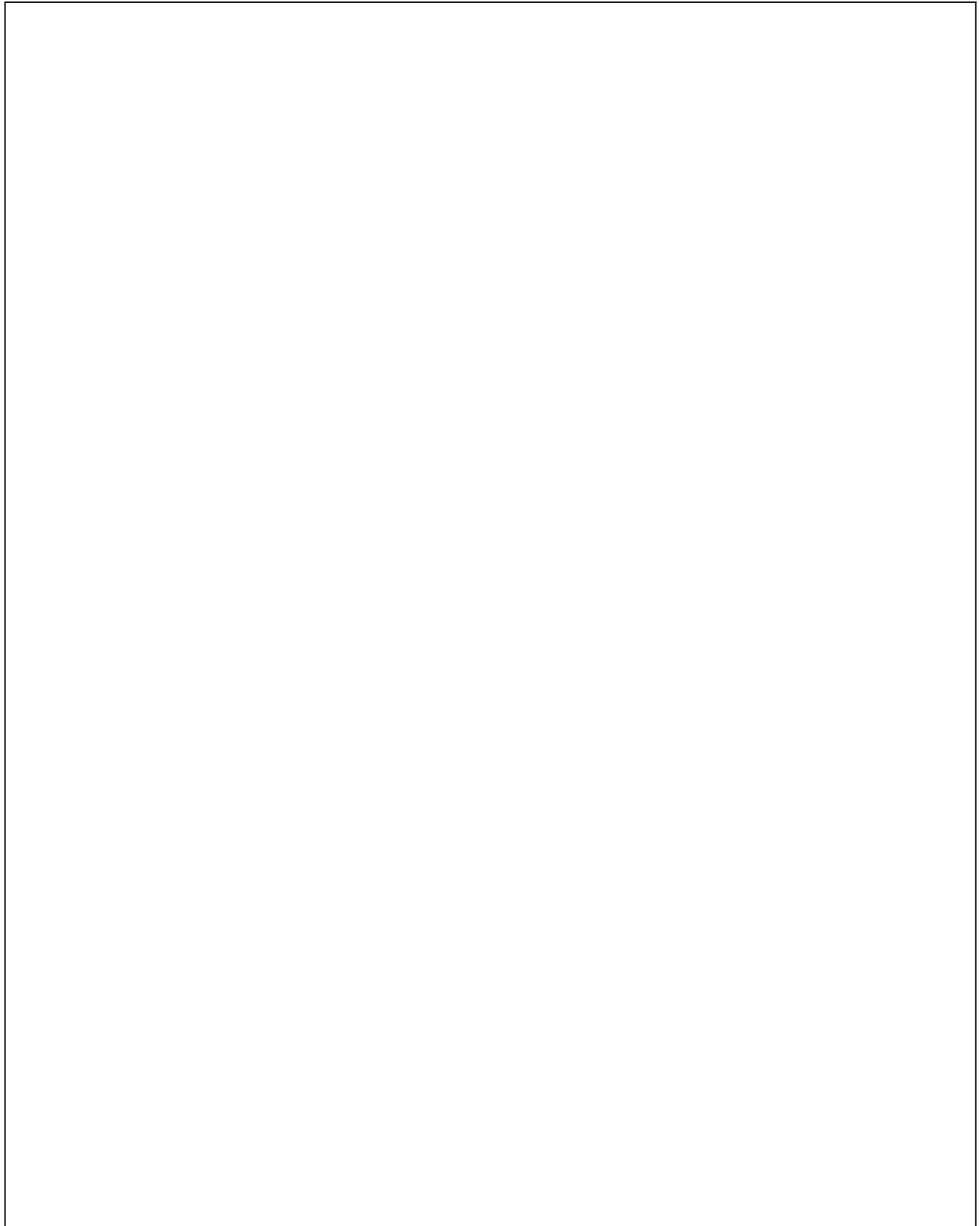
Print Date: 07-Apr-2022

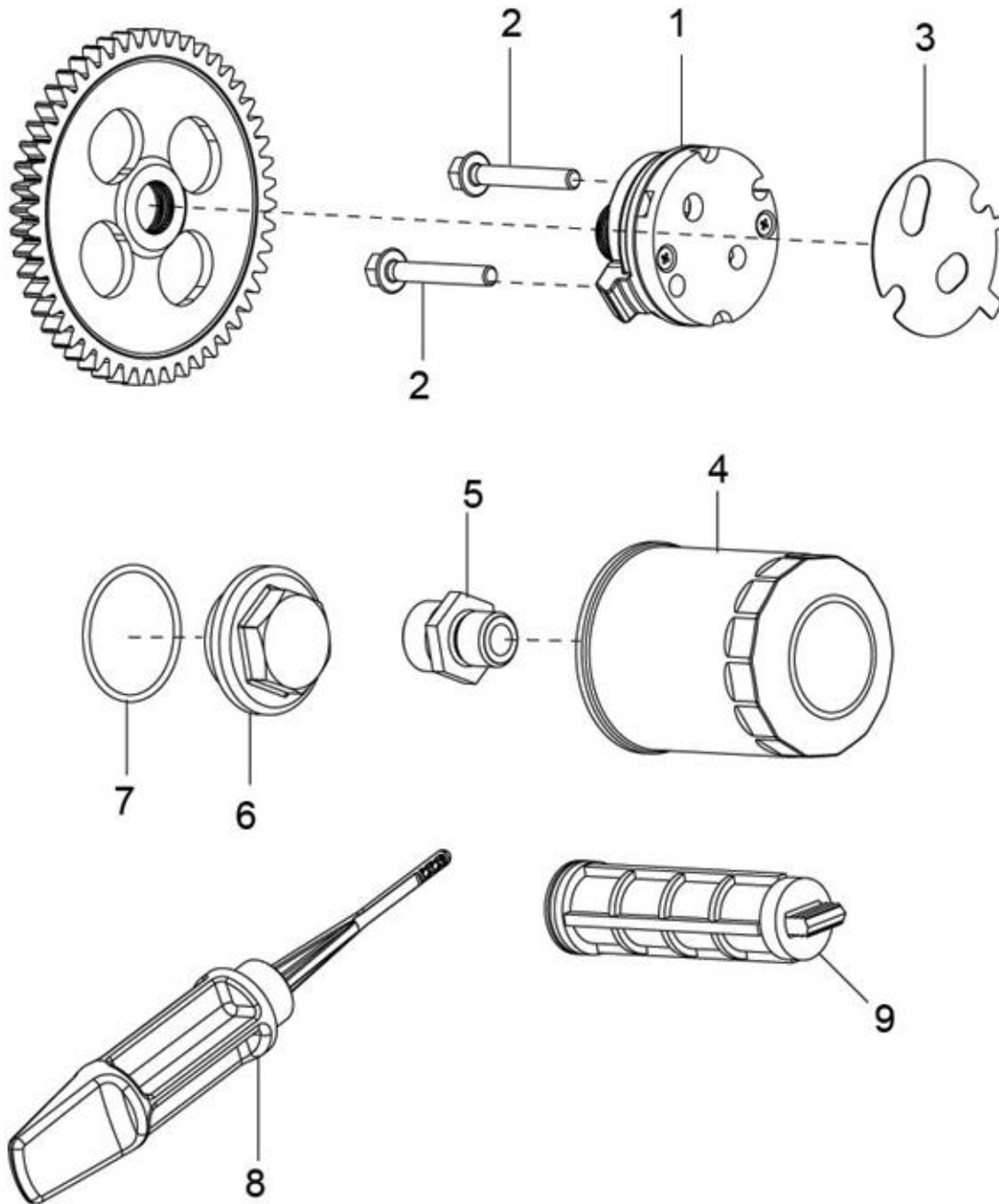
---

**PLATE-4**

**Lubrication Components**

---







Print Date: 07-Apr-2022

**PLATE-4****Lubrication Components**

<b>Fig. No.</b>	<b>Part No.</b>	<b>Description</b>	<b>Qty</b>	<b>Remarks</b>
1	1A006877	OIL PUMP ASSY	1	
2	1A016737	FLANGED HEXAGONAL HEAD SCREW	2	
3	B015943	CRANKCASE/ OIL PUMP GASKET	1	
4	82635R	COMPLETE OIL FILTER	1	
5	1A009762	OIL FILTER SCREW	1	
6	B015598	OIL FILTER PLUG	1	
7	285536	O-RING GASKET 31.47X1.78	1	
8	1A007047	OIL DIPSTICK COMPLETE	1	
9	1A006812	COMPLETE INTAKE OIL FILTER	1	





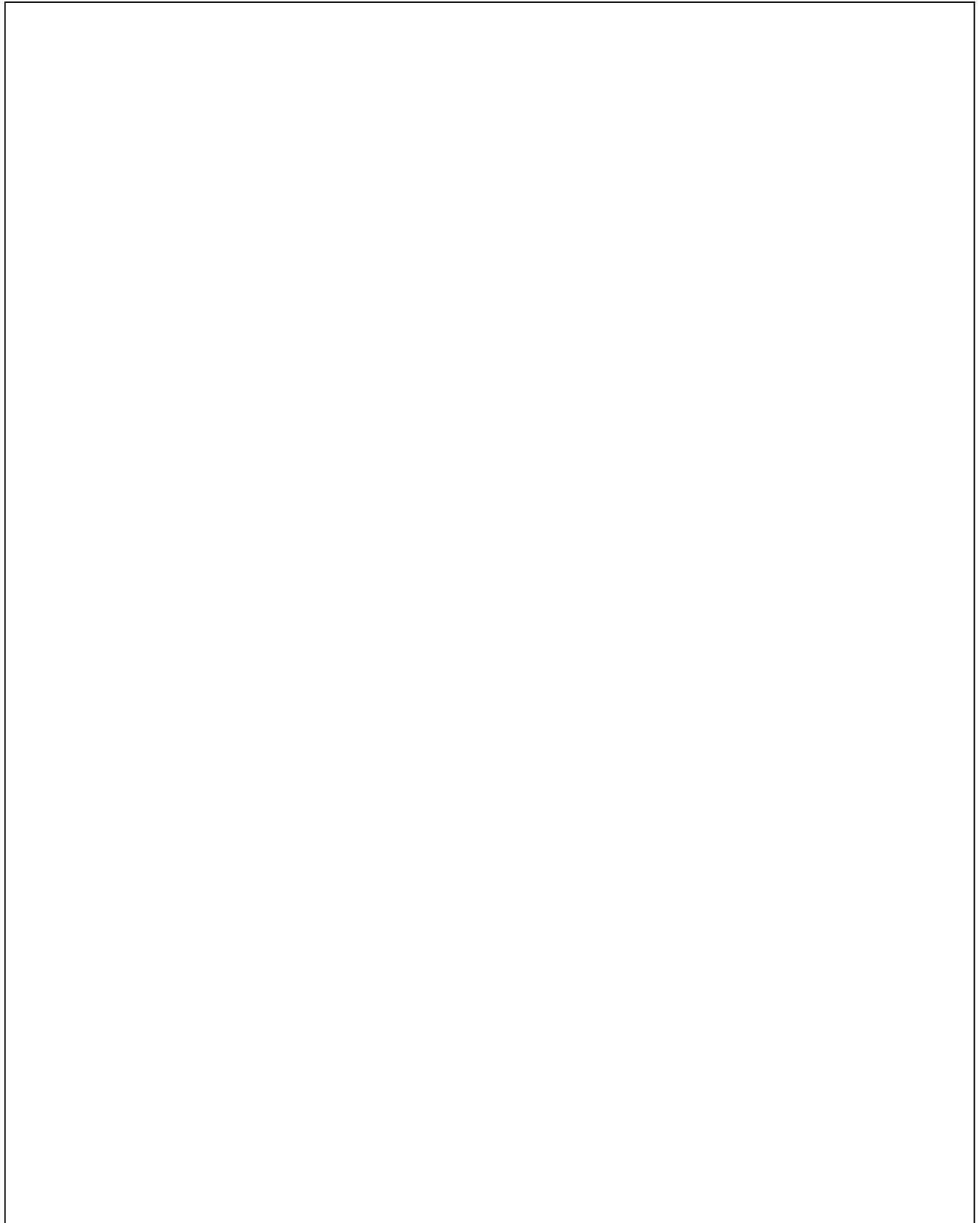
Print Date: 07-Apr-2022

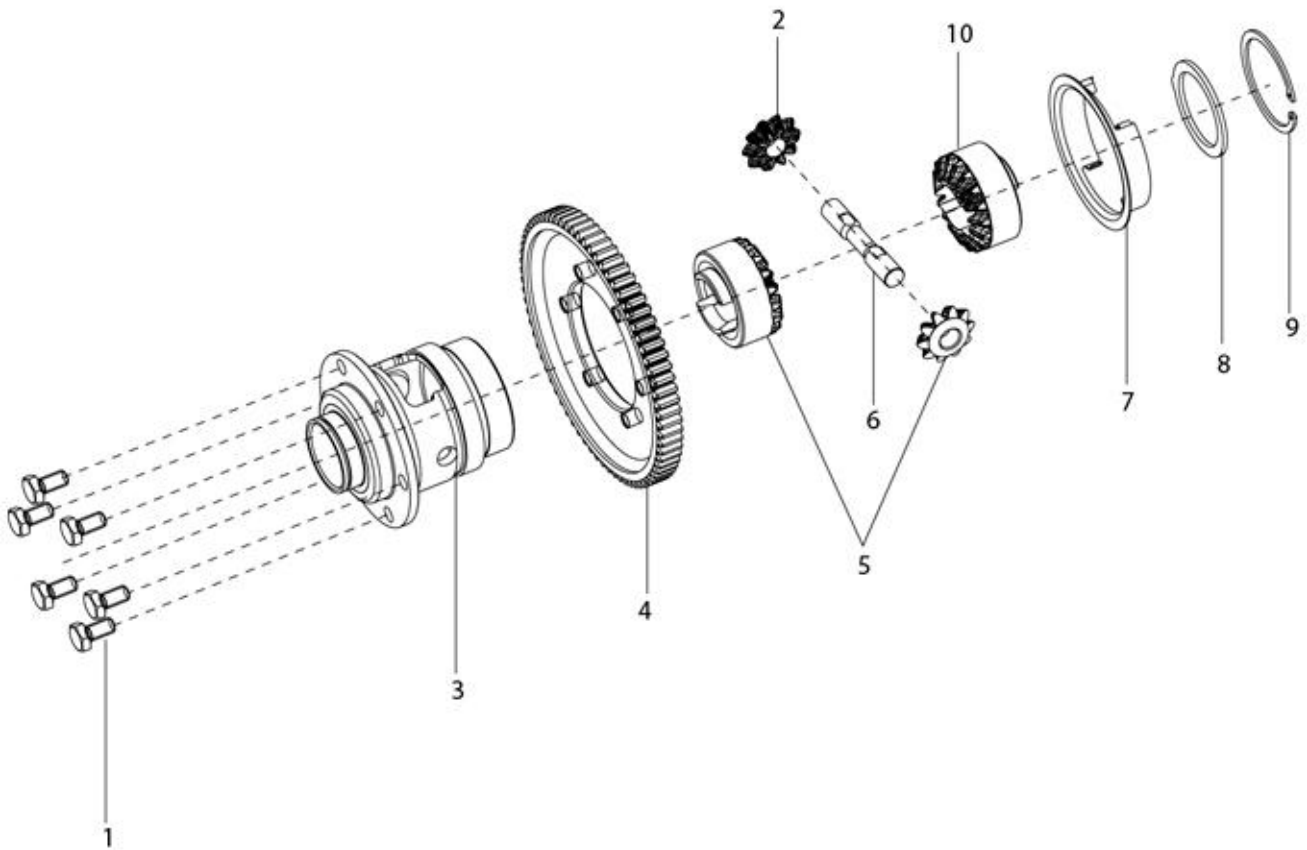
---

**PLATE-5**

**Complete Differential Gear**

---







Print Date: 07-Apr-2022

**PLATE-5****Complete Differential Gear**

<b>Fig. No.</b>	<b>Part No.</b>	<b>Description</b>	<b>Qty</b>	<b>Remarks</b>
1	B016774	FLANGED HEXAGONAL SCREW M6X25	6	
2	940028	GEAR SUN AND DIFFERENTIAL GEAR	3	
3	288730	DIFFERENTIAL CAGE	1	
4	SP1A006805	DIFFERENTIAL CROWN-PETROL/LPG	1	PTL/LPG
4	SP1A008545	DIFFERENTIAL CROWN-CNG	1	
5	940028	GEAR SUN AND DIFFERENTIAL GEAR	1	
6	132129	PIN	1	
7	132244	STOPPER THK=1.0	1	
8	220575	WASHER 65X3	1	
9	132134	CIRCLIP	2	
10	940028	GEAR SUN AND DIFFERENTIAL GEAR	2	
11	CM308302	DIFFERENTIAL CROWN	1	STEP-2 BS3 HS LAM PTL,NI
12	1A008547	REVERSE GEAR- CNG	1	STEP-2 BS3 HS LAM PTL,NI
13	1A010632	SLIDING GEAR	1	STEP-2 BS3 HS LAM PTL,NI



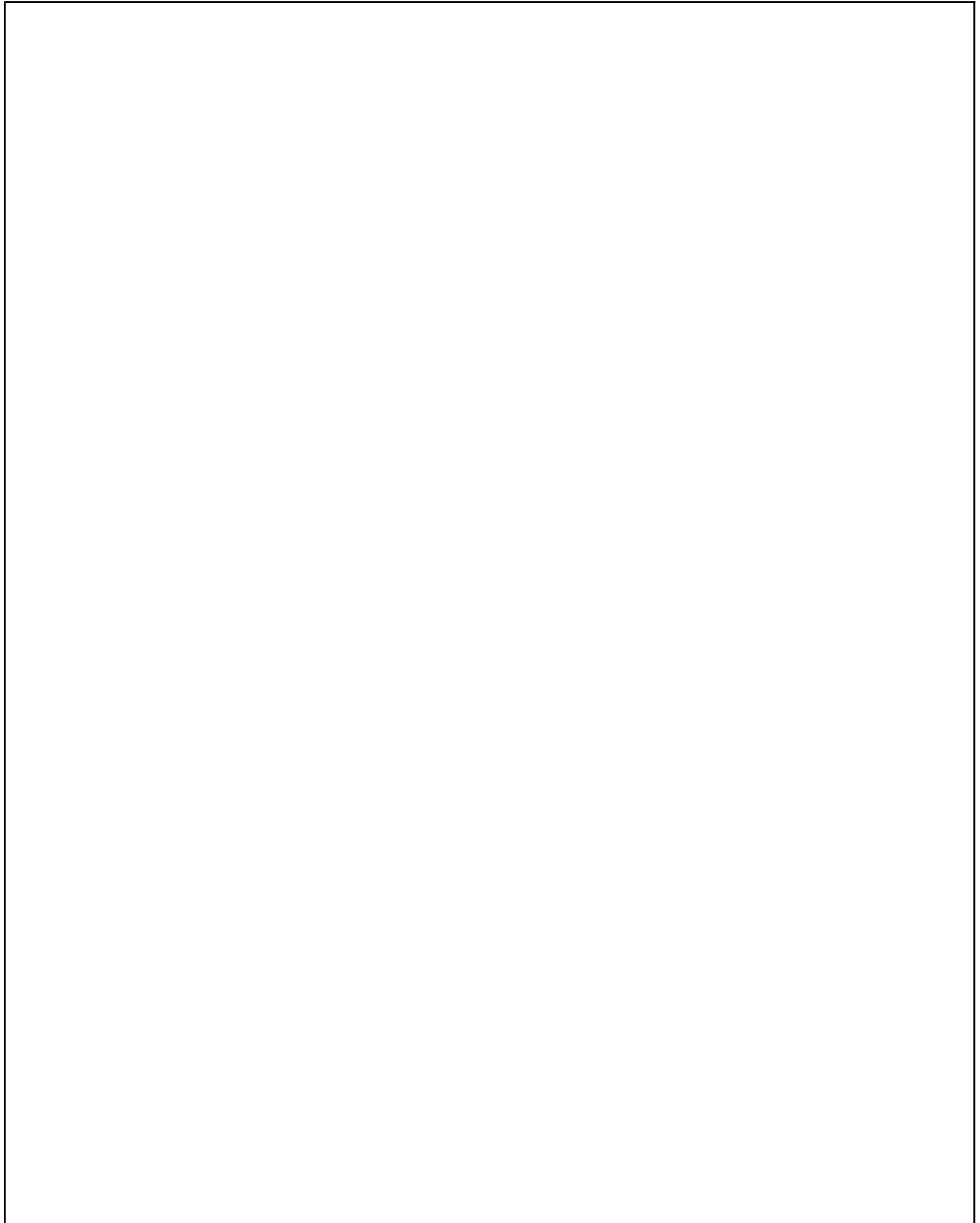
Print Date: 07-Apr-2022

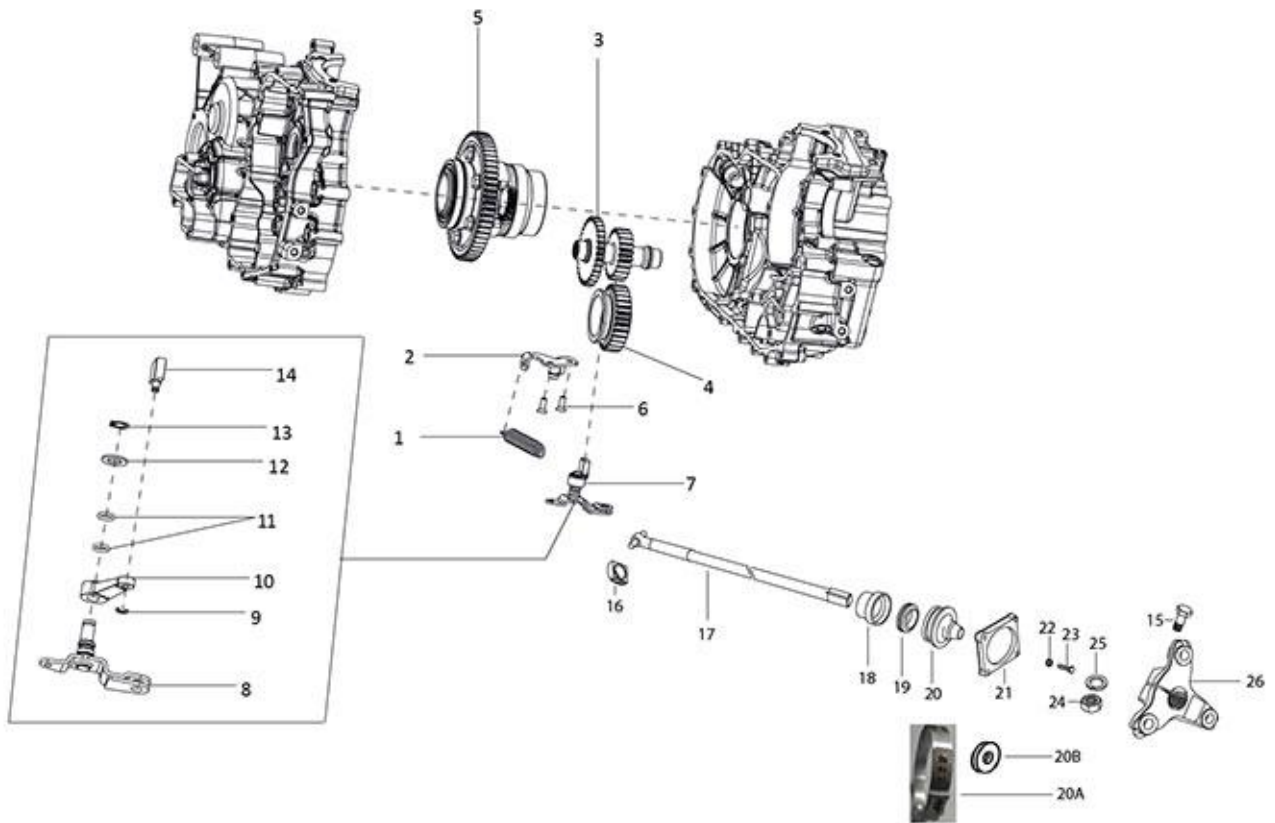
---

**PLATE-6**

**Differential Gear Group**

---









Print Date: 07-Apr-2022

**PLATE-6****Differential Gear Group**

Fig. No.	Part No.	Description	Qty	Remarks
1	127111011	REVERSE GEAR SPRING	1	
2	1A008804	REVERSE CABLE REACTION BRACKET	1	
3	1A006806	REVERSE GEAR -PTL/LPG	1	
3	1A008547	REVERSE GEAR- CNG	1	LAM/HS (PTL&LPG)
4	1A009779	SLIDING GEAR(PTL AND LPG)	1	PTL/LPG
4	1A010632	SLIDING GEAR	1	LAM/HS (PTL&LPG)
5	SPCM308401	COMPLETE DIFFERENTIAL GEAR- SPD	1	PTL/LPG
5	SPCM308402	COMPLETE DIFFERENTIAL GEAR	1	LAM/HS (PTL&LPG)
6	1A016964	CSK PHILIPS HEAD SCREW	2	
7	SP1A007579	COMPL. INVERTER LEVER SECTOR(BSIV)- SPD	1	
8	1A009093	INVERTER LEVER SECTOR WITH P.I.	1	
9	843000500	CIRCLIP DIA.5 (EXT) TYPE C	1	
10	1A007605	GEAR SHIFTER LEVER	1	
11	1A005176	O- RING	2	
12	1A007501	PLANE WASHER	1	
13	6410	CIRCLIP	1	
14	1A007051	SLIDER	1	
15	B024614	HEX HEAD BOLT M10X45 CL 10.9	2	
16	112867R	SLIDER BLOCK PROP. SHAFT	4	
17	B023940	PROP. SHAFT S/A	2	
18	113278	BRACKET RETAINER RING (41736)	2	
19	6C000312R	SEAL RING	2	
20	6C000016	BELLOW	2	
20A	6C000041	OTIKAR CLAMP FOR BELLOW	2	
20B	3056	PLAIN WASHER M6 OD12	6	
21	111356	COVER	2	
22	016406	SPRING WASHER	2	
23	31092	HEX. HD SCREW M6X25	2	
24	231370	SELF BREAKING NUT M10	2	
25	16410	SPRING WASHER	2	
26	111498	ELASTIC HUB	2	



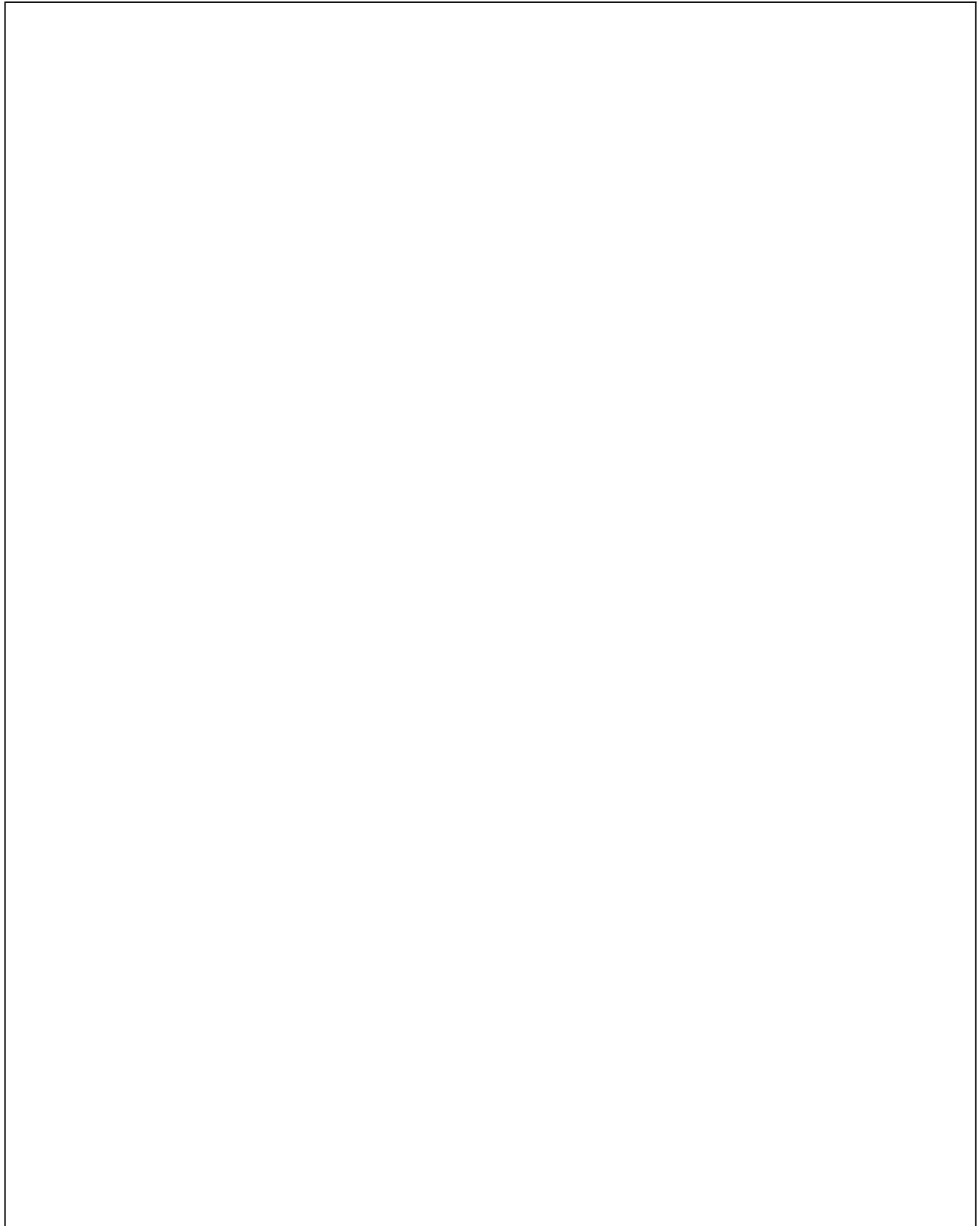
Print Date: 07-Apr-2022

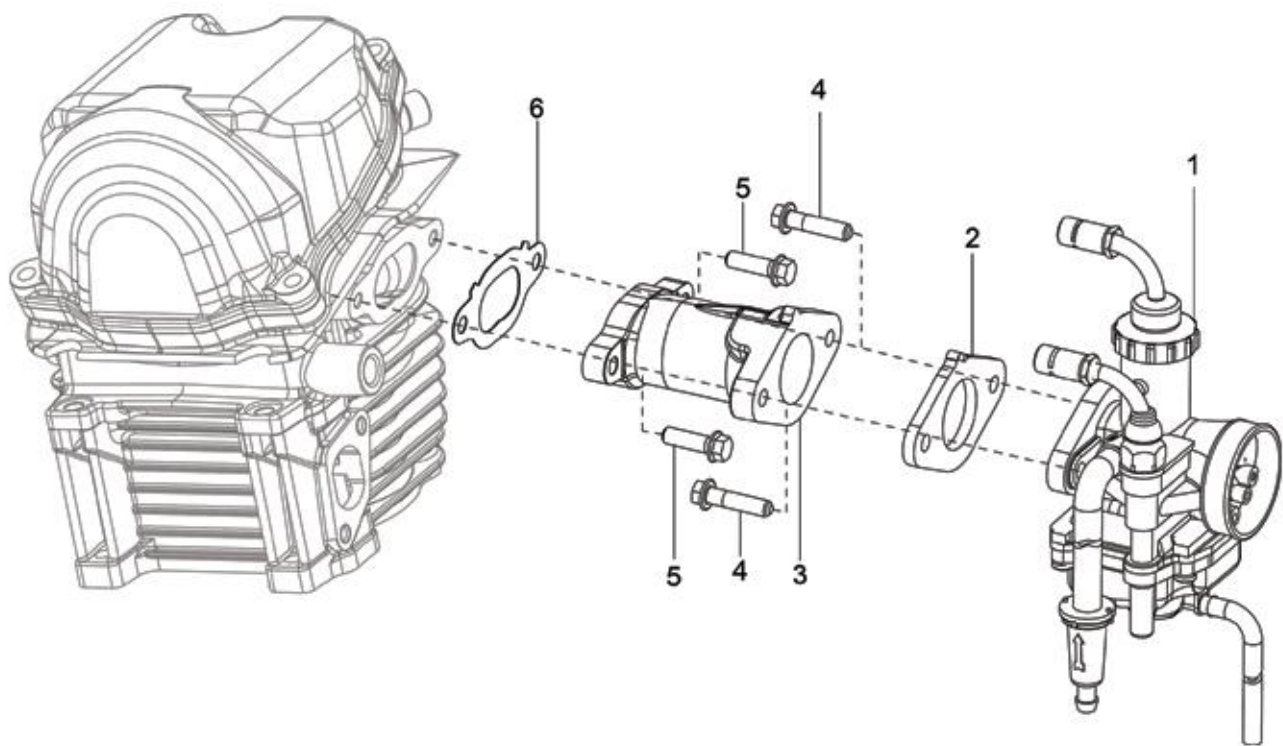
---

**PLATE-7**

**Intake Fitting - Carburetor**

---







Print Date: 07-Apr-2022

**PLATE-7****Intake Fitting - Carburetor**

Fig. No.	Part No.	Description	Qty	Remarks
1	CM284101	CARBURETTOR UVD 22-PETROL	1	PTL
1	CM166102	CARBURETOR UVD 22-LPG	1	LPG
1	CM166103	CARBURETOR UVD 22-CNG	1	CNG
2	B015543	COMPLETE INTAKE FITTING SUPPORT	1	PTL
2	B016016	INTAKE FITTING GASKET WITH O-RING	1	CNG /LPG
3	1A009632	INTAKE FITTING-PLT	1	
3	1A007409	INTAKE FITTING-LPG/CNG	1	
4	B016774	FLANGED HEXAGONAL SCREW M6X25	2	
5	018639	SCREW M6X20	2	
6	B018442	INTAKE FITTING GASKET	1	
7	1A000542	STARTER KIT	1	CNGLPG(NI)
8	1A010023	NEEDLE JET	1	PTL(NI)
9	1A010024	NEEDLE JET HOLDER	1	PTL(NI)
10	1A010025	PILOT SCREW	1	PTL(NI)
11	1A010026	PLANE WASHER	1	PTL(NI)
12	1A010088	MAXIMUM JET	1	PTL(NI)
13	1A010089	MINIMUM JET	1	PTL(NI)
14	1A010090	VALVE COMPLETE FLOAT	1	PTL(NI)
15	1A010091	COMPLETE FLOAT	1	PTL(NI)
16	1A010092	COMPLETE BODY FLOAT CHAMBER	1	PTL(NI)
17	1A010095	FLOAT CHAMBER GASKET	1	PTL(NI)
18	1A010096	SCREW DRAIN	1	PTL(NI)
19	1A010097	THROTTLE VALVE	1	PTL(NI)
20	1A010098	JET NEEDLE	1	PTL(NI)
21	1A010100	PISTON SPRING	1	PTL(NI)
22	1A010101	TOP COMPLETE-PTL	1	PTL(NI)
23	1A010102	STOP SCREW AND SPRING	1	PTL(NI)
24	1A011914	KIT STARTER DEVICE	1	PTL(NI)
25	B016822	FLOAT CHAMBER BODY ASSY KIT	1	CNGLPG(NI), UCAL Make carburetor
26	B016823	FLOAT	1	CNGLPG(NI)
27	B016824	STARTER DEVICE KIT	1	CNG(NI), UCAL Make carburetor
28	B016825	GAS VALVE COVER KIT	1	CNGLPG(NI), UCAL Make carburetor
29	B016827	THROTTLE VALVE	1	CNGLPG(NI)
30	B016828	IDLE ADJUSTER KIT	1	CNGLPG(NI),UCAL Make carburetor
31	B016829	SPRING (PV)	1	CNGLPG(NI)





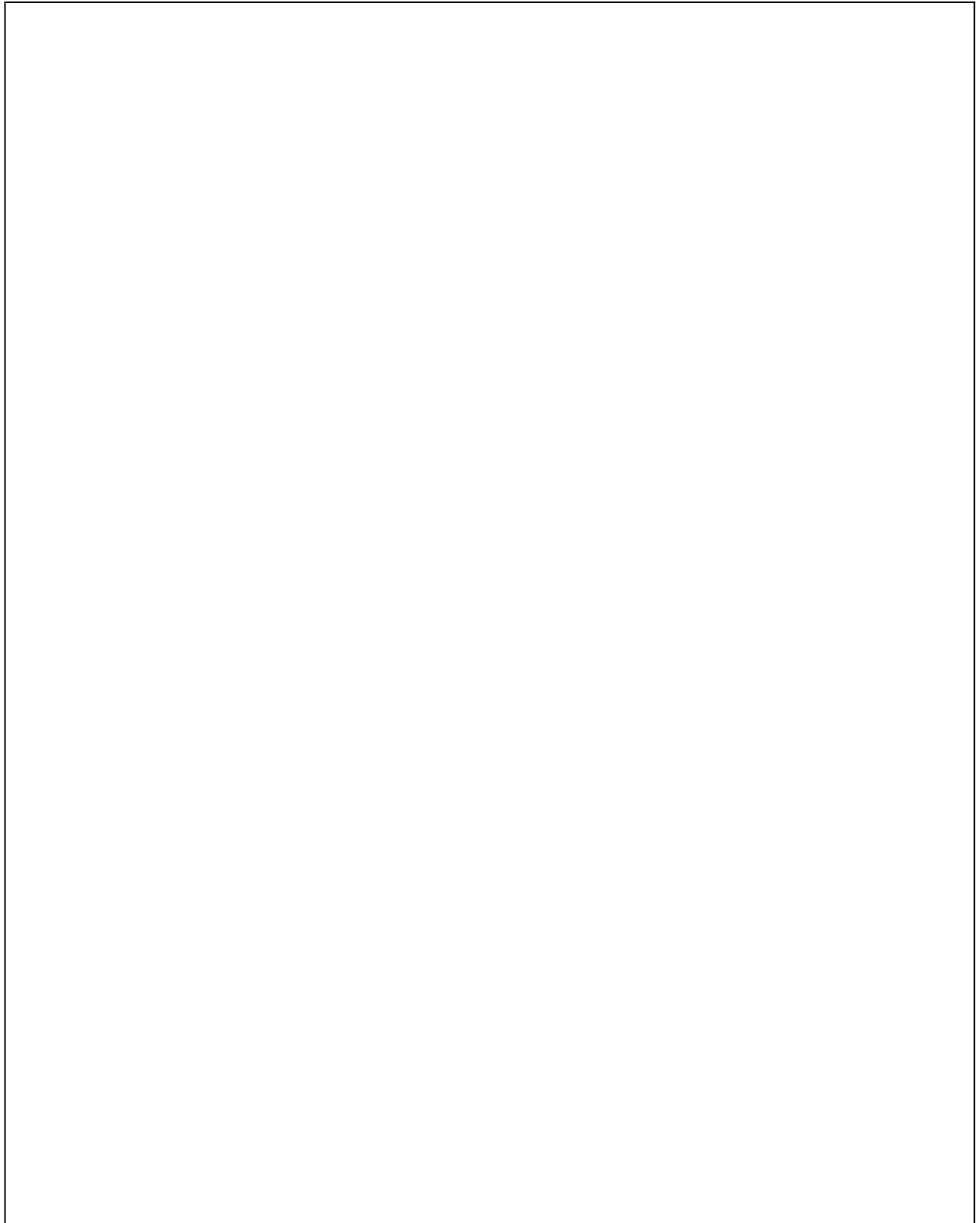
Print Date: 07-Apr-2022

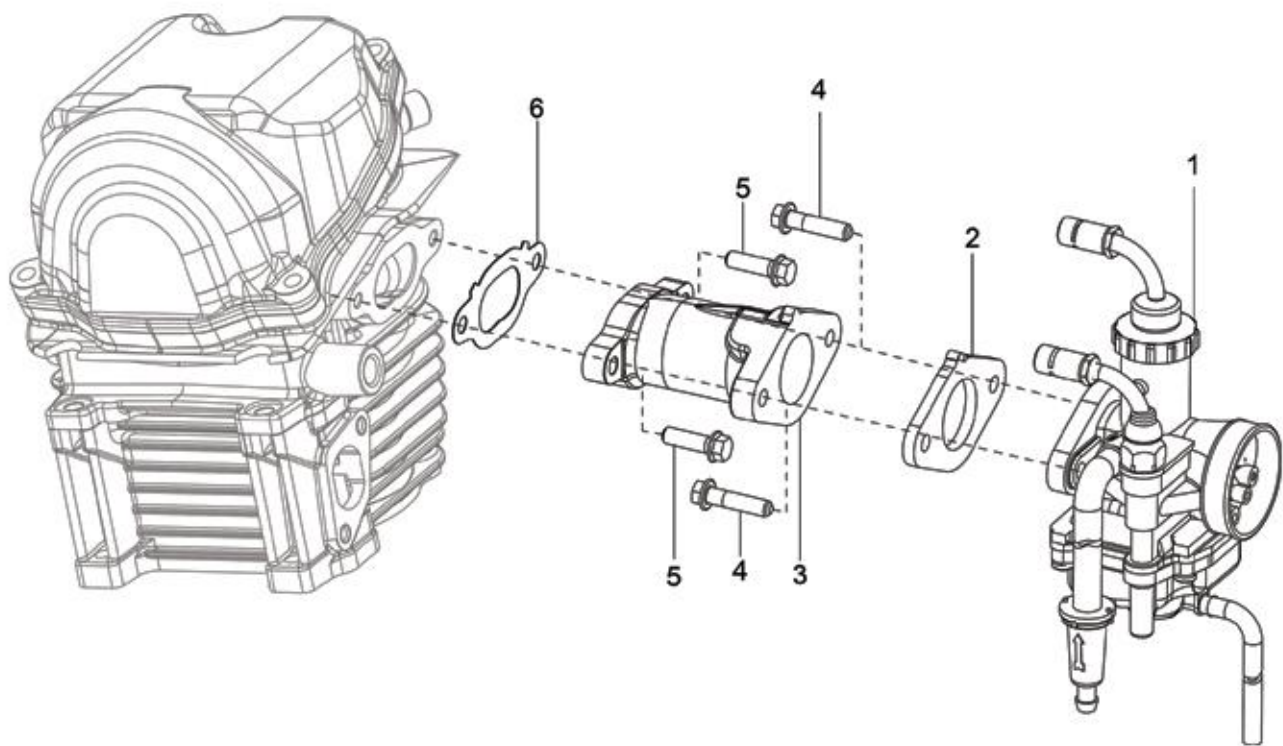
---

**PLATE-7**

**Intake Fitting - Carburetor**

---







Print Date: 07-Apr-2022

**PLATE-7****Intake Fitting - Carburetor**

<b>Fig. No.</b>	<b>Part No.</b>	<b>Description</b>	<b>Qty</b>	<b>Remarks</b>
32	B016834	FLOAT CHAMBER GASKET	1	CNGLPG(NI)
33	B016869	CABLE ADJUSTER KIT	2	CNGLPG(NI), UCAL Make carburetor
34	B017542	NEEDLE VALVE	1	CNGLPG(NI)
35	CM167704	MAIN JET (CNG)	1	CNG(NI)
36	CM167708	MAXIMUM JET	1	LPG(NI)
37	CM167802	PILOT JET (CNG/LPG)	1	CNGLPG(NI)
38	CM167902	DIFFUSER	1	CNGLPG(NI)
39	CM263501	NEEDLE JET	1	LPG(NI)
40	CM263502	NEEDLE JET (CNG)	1	CNG(NI)
41	CM263602	JET NEEDLE (PETROL)	1	CNG(NI)
42	CM263603	CONIC NEEDLE	1	Under Development
43	CM264701	AIR SCREW KIT	1	CNGLPG(NI),UCAL Make carburetor



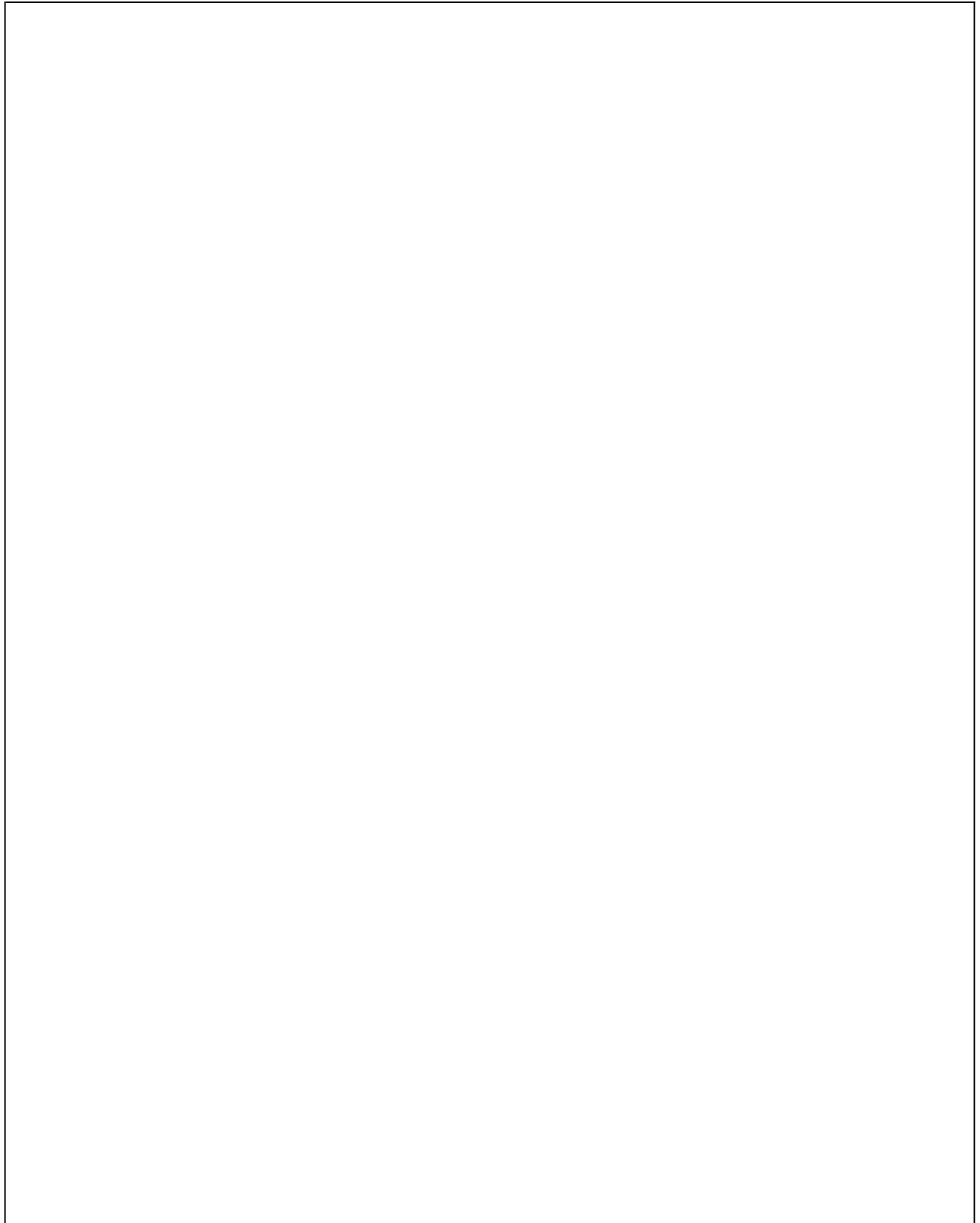
Print Date: 07-Apr-2022

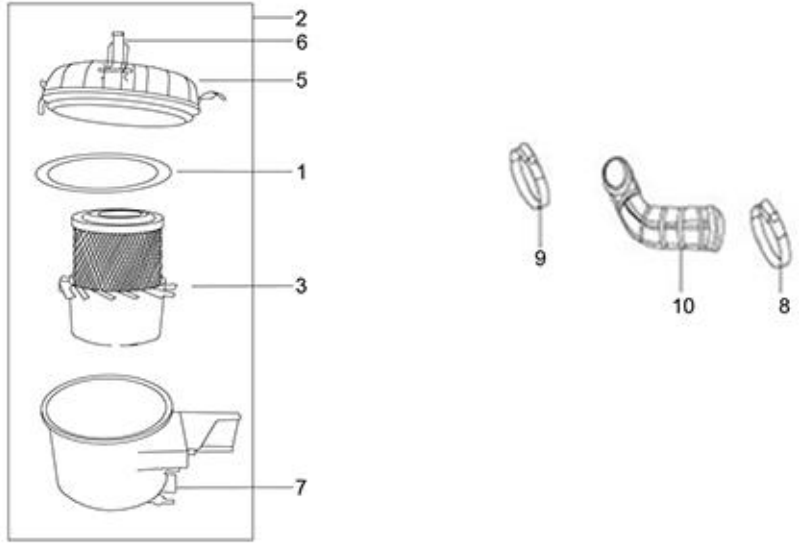
---

**PLATE-8**

**Air Filter Assembly**

---









Print Date: 07-Apr-2022

**PLATE-8****Air Filter Assembly**

Fig. No.	Part No.	Description	Qty	Remarks
1	940072	AIR FILTER COVER GASKET	1	
2	B073441	AIR FILTER ASSLY.W/O BKT	1	PTL/LPG/CNG
3	B076112	AIR FILTER ELEMENT	1	
4	B041445	RESTRICTOR AIR FILTER INLET	1	LPG
4	B024937	AIR RESTRICTOR-PETROL	1	PTL
4	B041089	RESTRATOR FOR AIR FILTER-SNORKEL CNG	1	NI
4	B041090	RESTRATOR FOR AIR FILTER-SNORKEL LPG	1	LPG/CNG
5	940069	AIR FILTER COVER-(UG)	1	
6	920088	CLAMP	3	
7	940071	DUST VALVE	1	
8	604756	HOSE CLIP	1	
9	604553	WORM CLIP	1	
10	1A010781	SNORKEL AIRBOX	1	



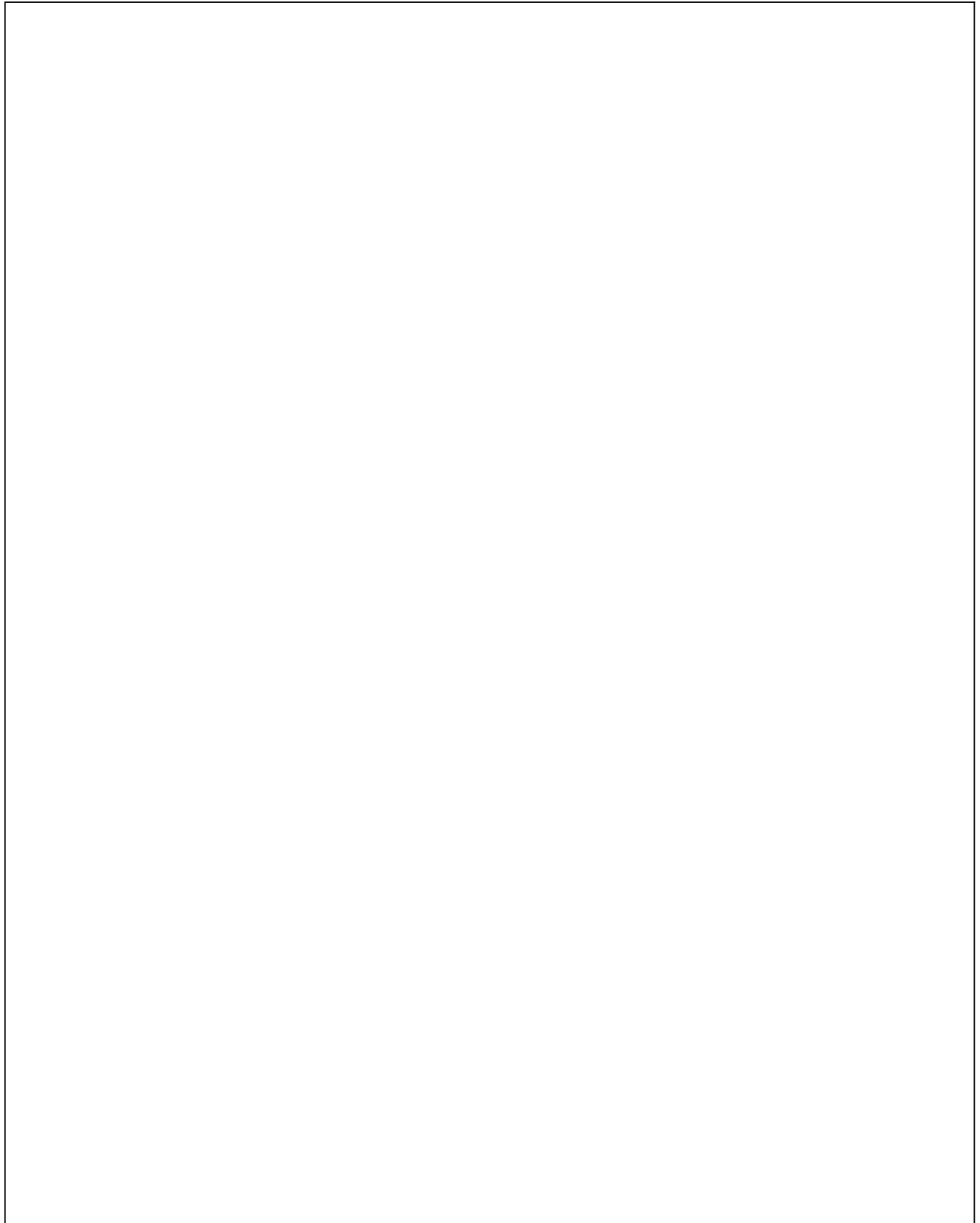
Print Date: 07-Apr-2022

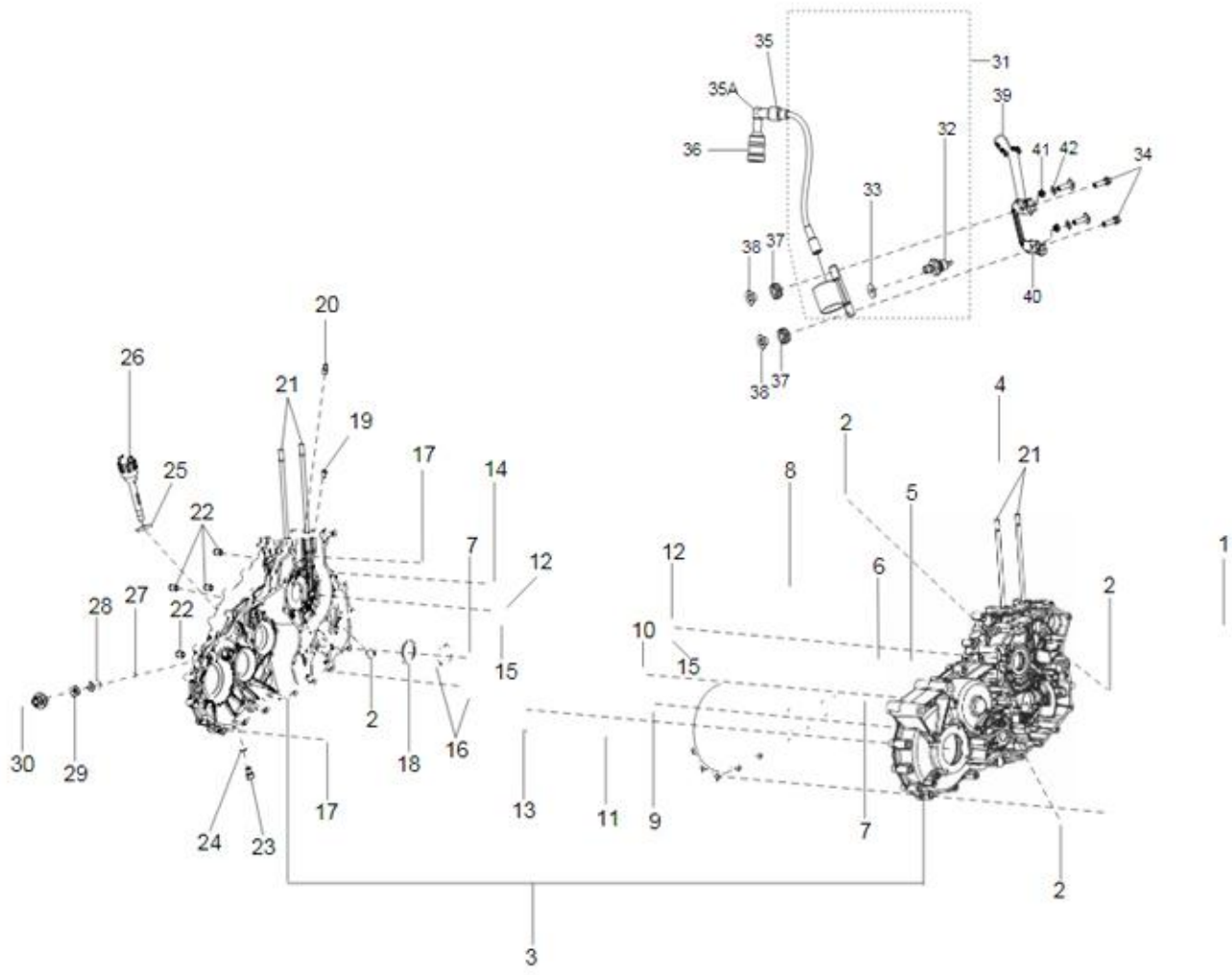
---

**PLATE-9**

**Complete Crankcase**

---







Print Date: 07-Apr-2022

**PLATE-9****Complete Crankcase**

Fig. No.	Part No.	Description	Qty	Remarks
1	432142	HEXAGONAL RANGE HEAD SCREW (M6X35)	30	
2	1A011246	TAPER THREAD PLUG	4	
2a	1A011246	TAPER THREAD PLUG	4	STEP-2 BS3 HS LAM PTL
3	SP940097	COUPLED CRANKCASE WITH STUB BRG BSIV-SPD	1	
4	1A007774	DOWEL	1	
5	485655	SPRING FOR OIL PRESSURE VALVE	1	
6	829661	OIL PRES.VALVE	1	
7	B042486	BUSH	2	
8	1A006856	HALF-CRANKCASES GASKET	1	
9	1A007028	ROLLER BEARING	1	
10	884222808	NEEDLE BUSH 22X28X12	1	
11	7066R	RADIAL BALL BEARING	1	
12	1A007663R	CRANKSHAFT STUB UPPER HALF BEARING	2	
13	111353	CIRCLIP	1	
14	878941	CONNECTION PIPE	1	
15	1A007664R	CRANKSHAFT STUB LOWER HALF BEARING	2	
16	1A007026	BALL BEARING	2	
17	B015592	REFERENCE DOWEL (D.9,5 H=15)	2	
18	1A002685	SEAL RING 35X47X6	1	
19	1A000612	RETAINER SCREW - PRE COATED	1	
20	1A008823	PISTON COOLING JET	1	
21	B014755	STUD SCREW	4	
22	1A000708	DOWEL (Ø7,5, H=12)	4	
23	269755	SOCKET HEAD SCREW (M8X12)	1	
24	485703	WASHER	1	
25	127016015	DIPSTICK SEALING WASHER	1	
26	112898	OIL LEVEL ARM WITH PLUG	1	
27	165121014	PIN	1	
28	117401	BUSH	1	
29	117402	OIL SEAL	1	
30	1A010720	SPEEDOMETER GEAR	1	
30a	1A008559	BUSH (SPEEDOMETER GEAR)	1	NI
31	1A001794	COMPLETE H.T.COIL	1	
32	1D001138	MINIMUM PRESSURE OIL SWITCH	1	
33	1A011500	WASHER	1	



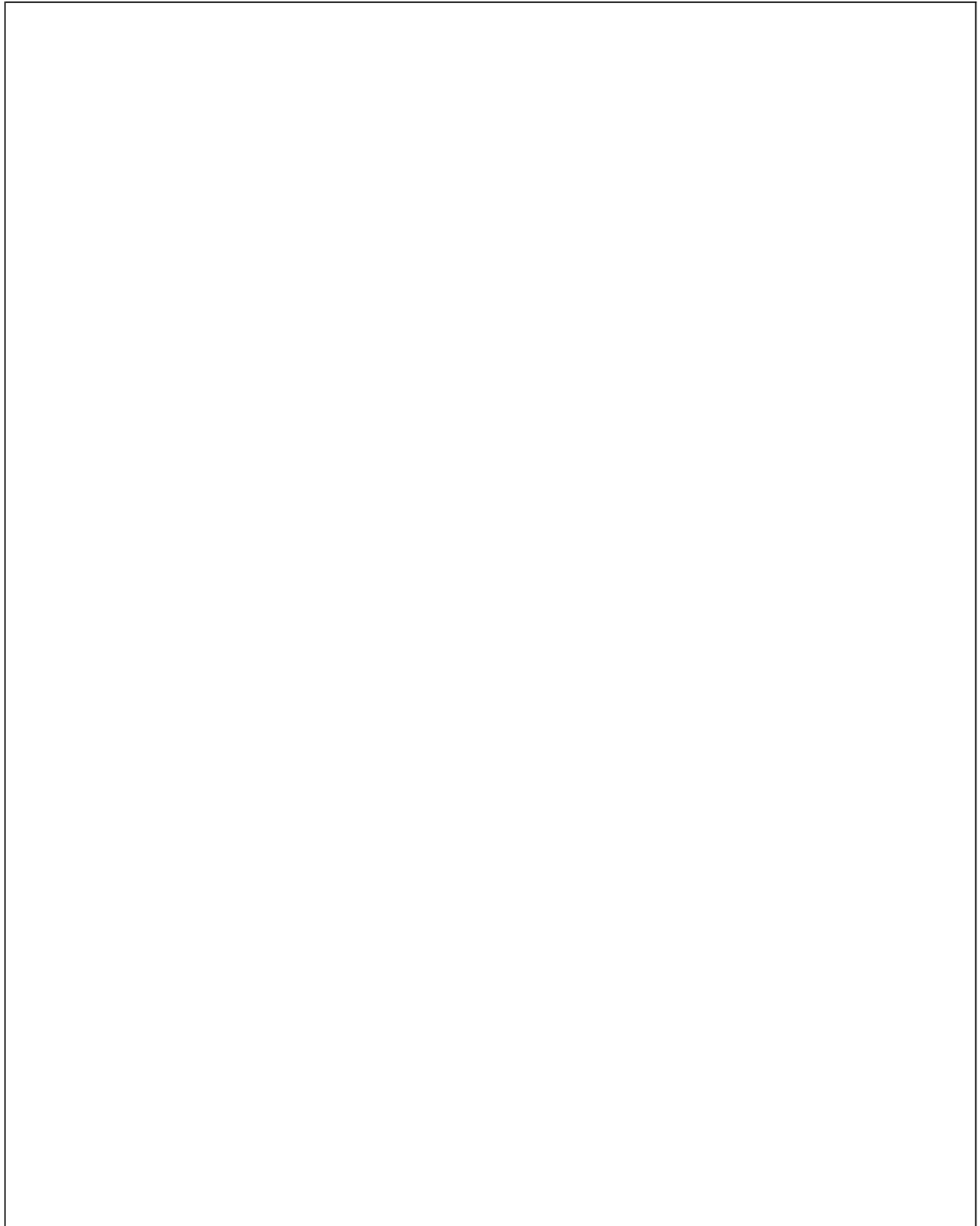
Print Date: 07-Apr-2022

---

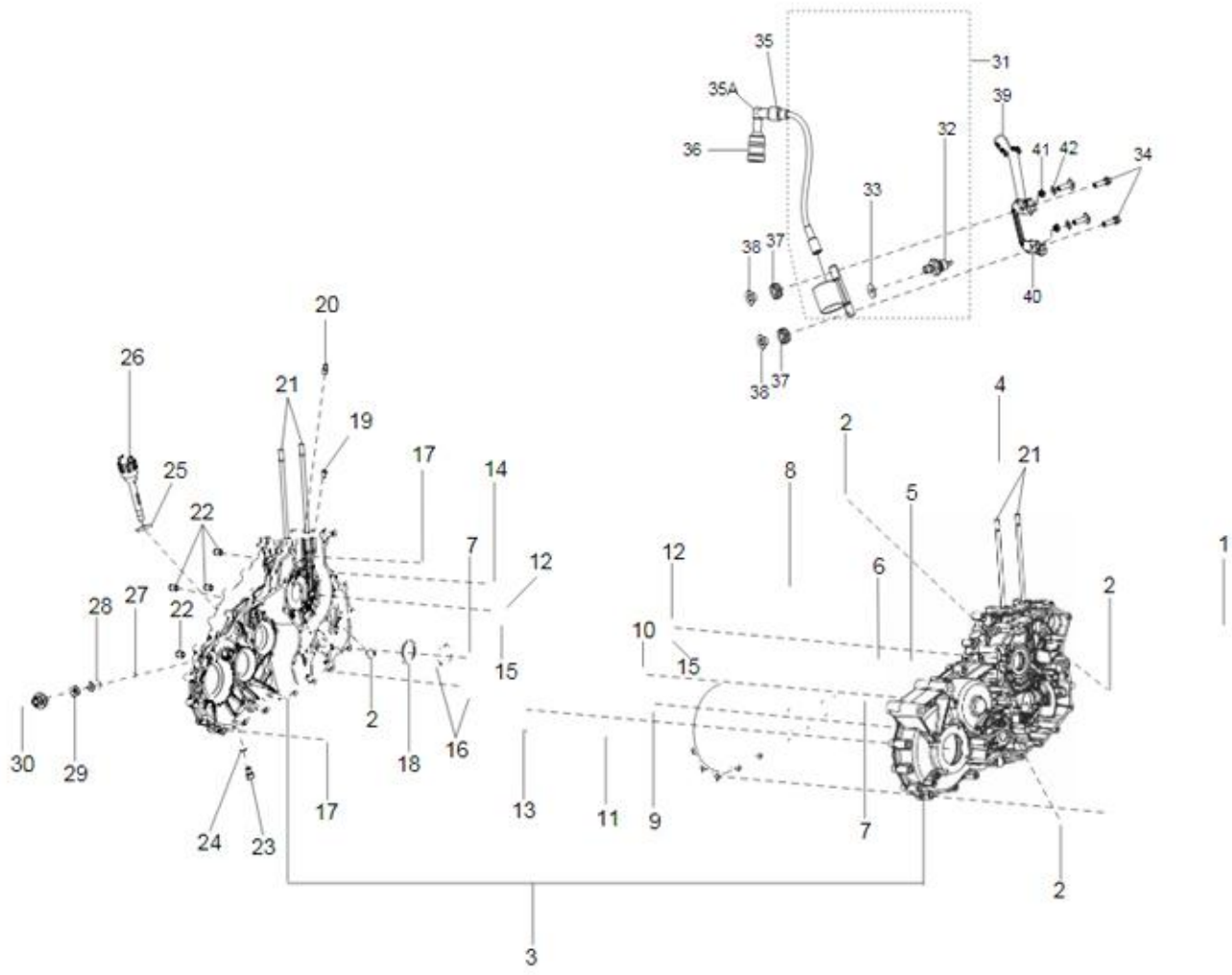
**PLATE-9**

**Complete Crankcase**

---









Print Date: 07-Apr-2022

**PLATE-9****Complete Crankcase**

<b>Fig. No.</b>	<b>Part No.</b>	<b>Description</b>	<b>Qty</b>	<b>Remarks</b>
34	018639	SCREW M6X20	2	
35	642537	PROTECTION CAP	1	
35A	643149	SPARK PLUG CAP	1	
36	1A001795	SPARK PLUG PROTECTION COLLAR	1	
37	B014063	BUFFER DAMPER	2	
38	B014066	SPACER	2	
39	643156	GROUND WIRE	1	
40	B016552	COIL SUPPORT BRACKET WITH I.P.	1	
41	872816	FLANGED NUT	2	
42	013880	PLAIN WASHER	2	



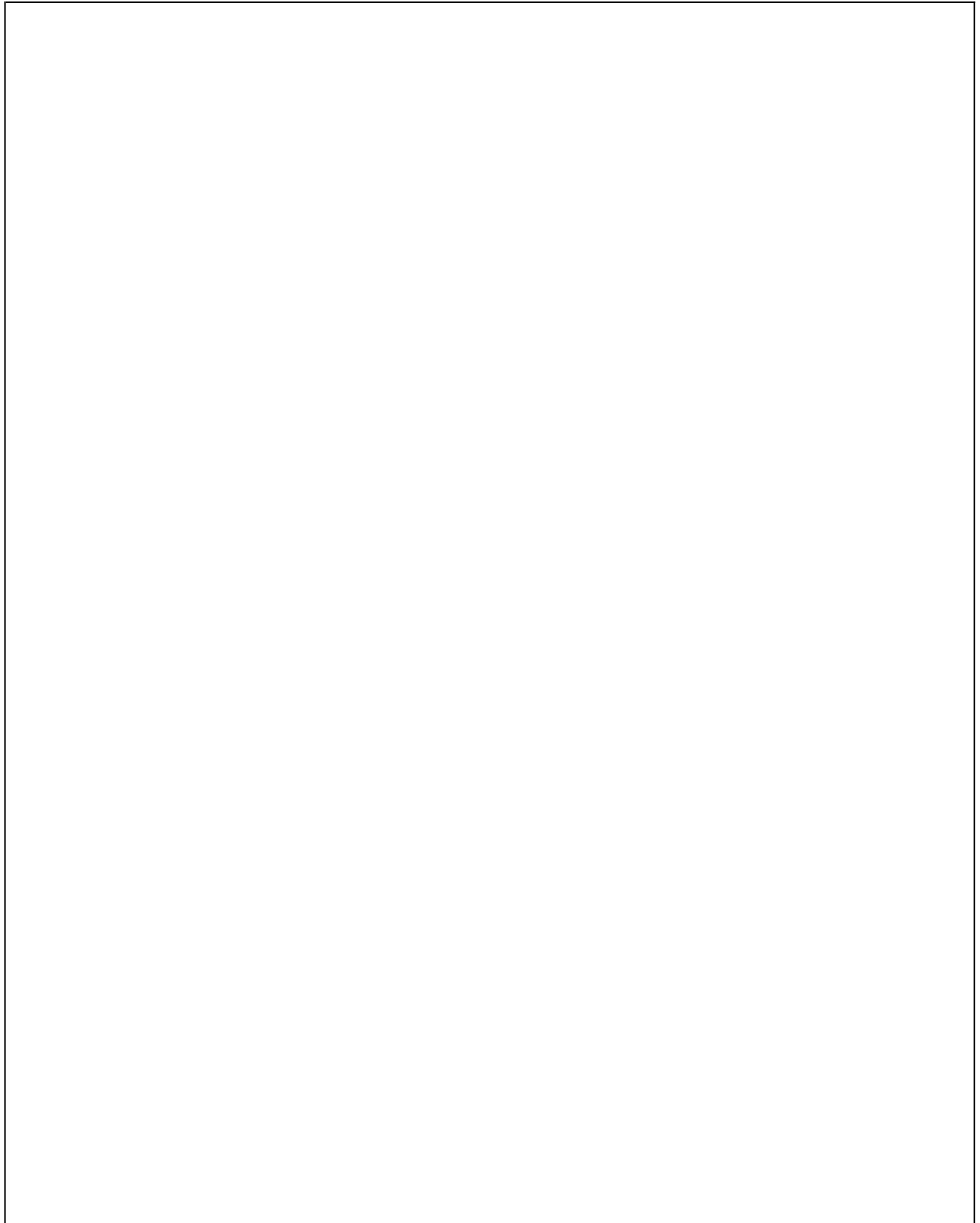
Print Date: 07-Apr-2022

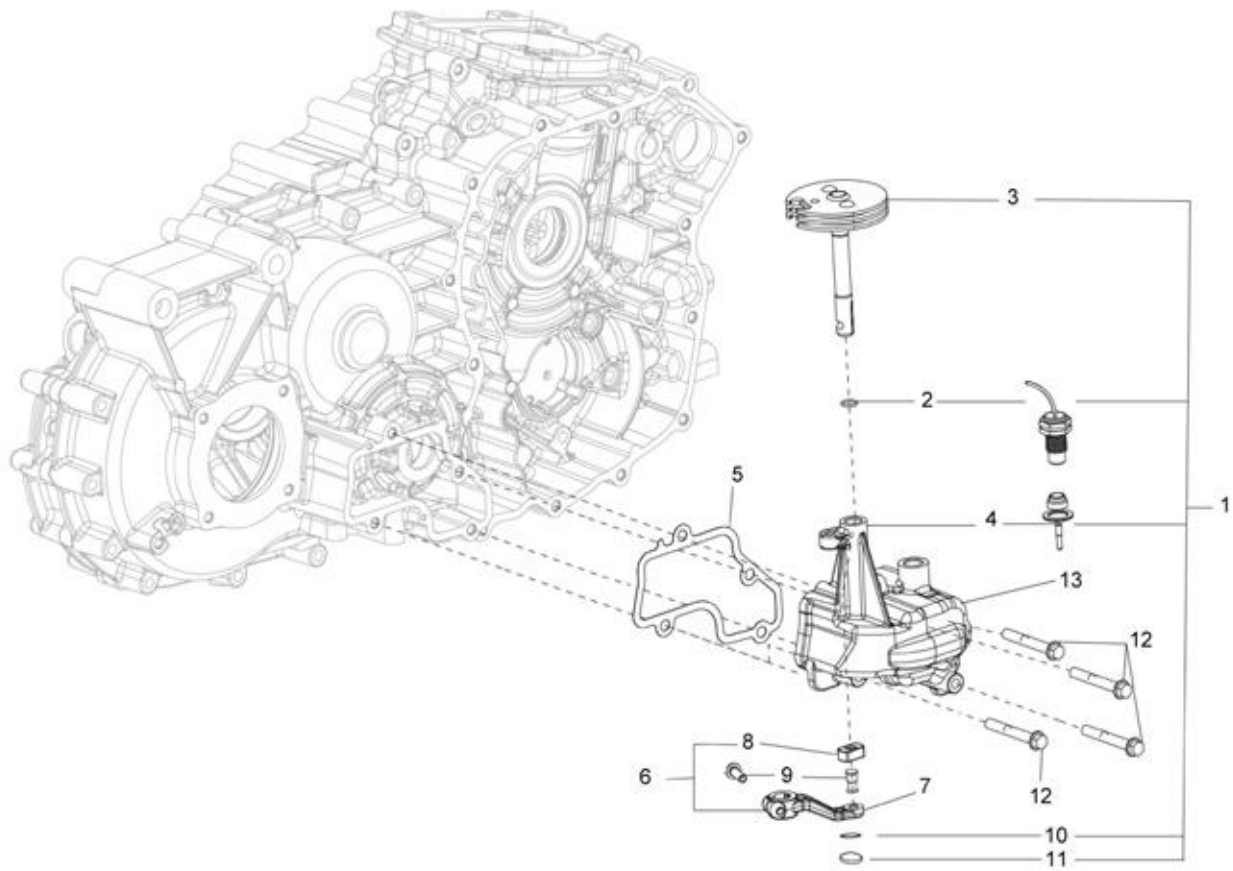
---

**PLATE-10**

**Gear Sector Assembly**

---







Print Date: 07-Apr-2022

**PLATE-10****Gear Sector Assembly**

Fig. No.	Part No.	Description	Qty	Remarks
1	SP1A011195	COMPLETE GEAR SHIFTER ASSY	1	
1A	SP1A011650	COMPLETE GEAR SHIFTER ASSY	1	STEP-2 BS3 HS LAM PTL
2	1A005178	O- RING	1	
3	1A010035	COMPLETE SECTOR WITH SHAFT	1	
4	1A007599	GEAR SHIFTER HOUSING	1	
4A	1A012182	GEAR SHIFTER HOUSING	1	STEP-2 BS3 HS LAM PTL
5	1A006859	GASKET GEAR SHIFTER HOUSING	1	
5A	1A012334	GASKET GEAR SHIFTER HOUSING	1	STEP-2 BS3 HS LAM PTL
6	SP1A007579	COMPL. INVERTER LEVER SECTOR(BSIV)- SPD	1	
7	1A012039	GEAR SHIFT LEVER	1	
8	1A010187	SLIDER BLOCK	1	
9	1A012011	PIN	1	
10	009101	SEEGER RING	1	
11	1A006701	LOCK WASHER	1	
12	1A003060	FLANGED HEX. HEAD SCREW M6X45	4	
13	1A010008	GEAR SHIFTER HOUSING	1	





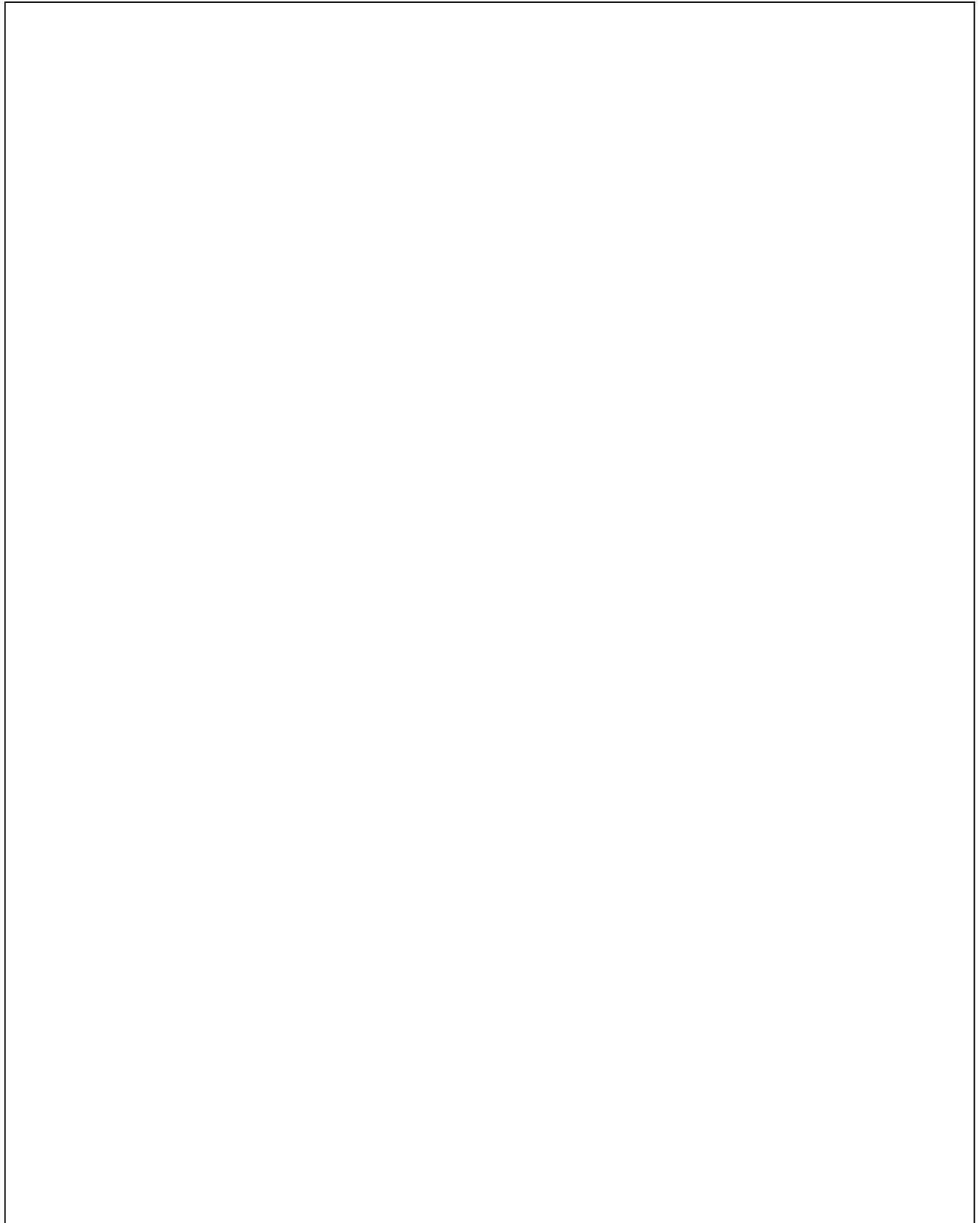
Print Date: 07-Apr-2022

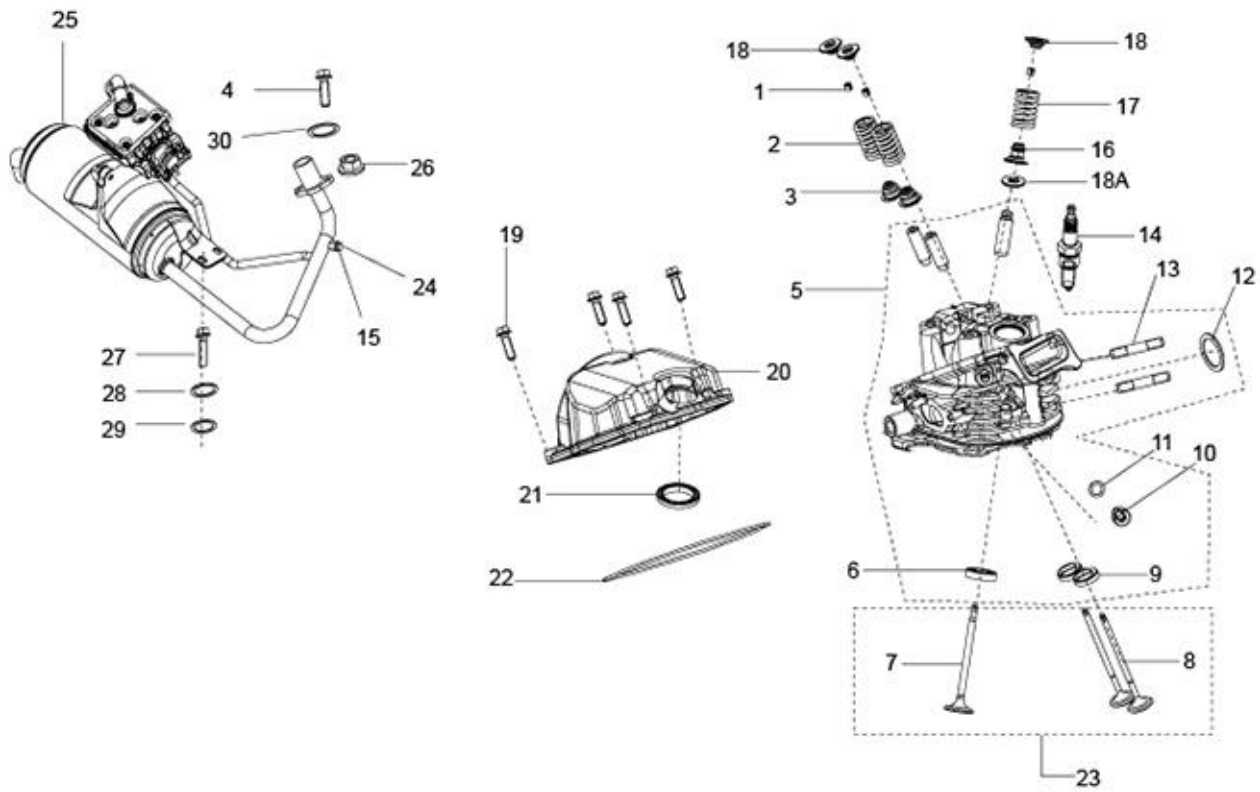
---

**PLATE-11**

**Cylinder Head With I.P.**

---







Print Date: 07-Apr-2022

**PLATE-11****Cylinder Head With I.P.**

Fig. No.	Part No.	Description	Qty	Remarks
1	B015288	HALF-CONE	3	
2	B014706	VALVE SPRING (INTAKE)	2	
3	843307	VALVE SEAL RING	2	
4	31089	HEX HEAD SCREW M6X18 CL 8.8	2	
5	SP1A012928	CYLINDER HEAD ASSY	1	
6	B017336	EXHAUST VALVE SEAT	1	
7	B017438	EXHAUST VALVE Ø22	1	
8	B014684	INTAKE VALVE Ø20	2	
9	B017230	INTAKE VALVE SEAT	2	
10	269755	SOCKET HEAD SCREW (M8X12)	1	
11	485703	WASHER	1	
12	434716	CYLINDER HEAD/MUFFLER GASKET	1	
13	B016368	SPECIAL STUD	2	
14	643367	SPARK PLUG	1	
15	433122	SCREW M10X6	1	
16	83054R	VALVE SEAL RING	1	
17	B014705	VALVE SPRING (EXHAUST)	1	
18	B017456	UPPER CUP	3	
18A	483711	LOWER CUP	1	
19	1A002691	FLANGED HEX HEAD SCREW M6X20 CL10	4	
20	1A006545	HEAD COVER	1	
21	B014732	SPARK PLUG HOLE GASKET	1	
22	B018533	CYLINDER HEAD COVER GASKET	1	
23	KIT1U000020	SET OF VALVES	1	
24	-	NOT SERVICEABLE	1	NS
25	1A015723R	COMPLETE MUFFLER-CNG	1	ECN No. 500000255565
25A	1A009706	COMPLETE MUFFLER	1	STEP-2 BS3 HS LAM PTL
25	1A009125	COMPLETE MUFFLER-LPG	1	
26	436947	FLANGED NUT M7X1 H=8	2	
27	30074	HEX HEAD BOLT M8 X 40 CL 8.8	2	
28	016408	SPRING WASHER	2	
29	3056	PLAIN WASHER M6 OD12	2	
30	016406	SPRING WASHER	2	



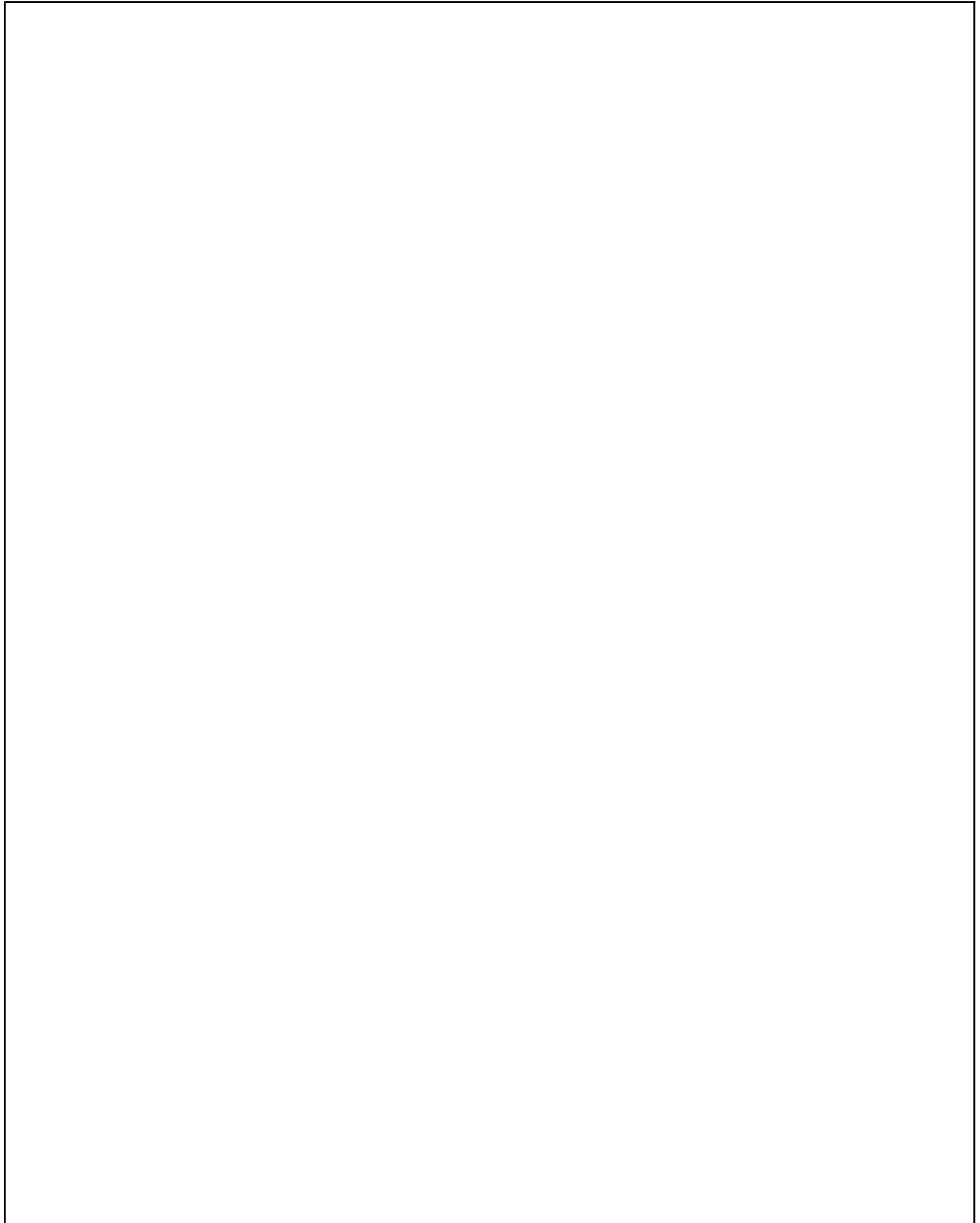
Print Date: 07-Apr-2022

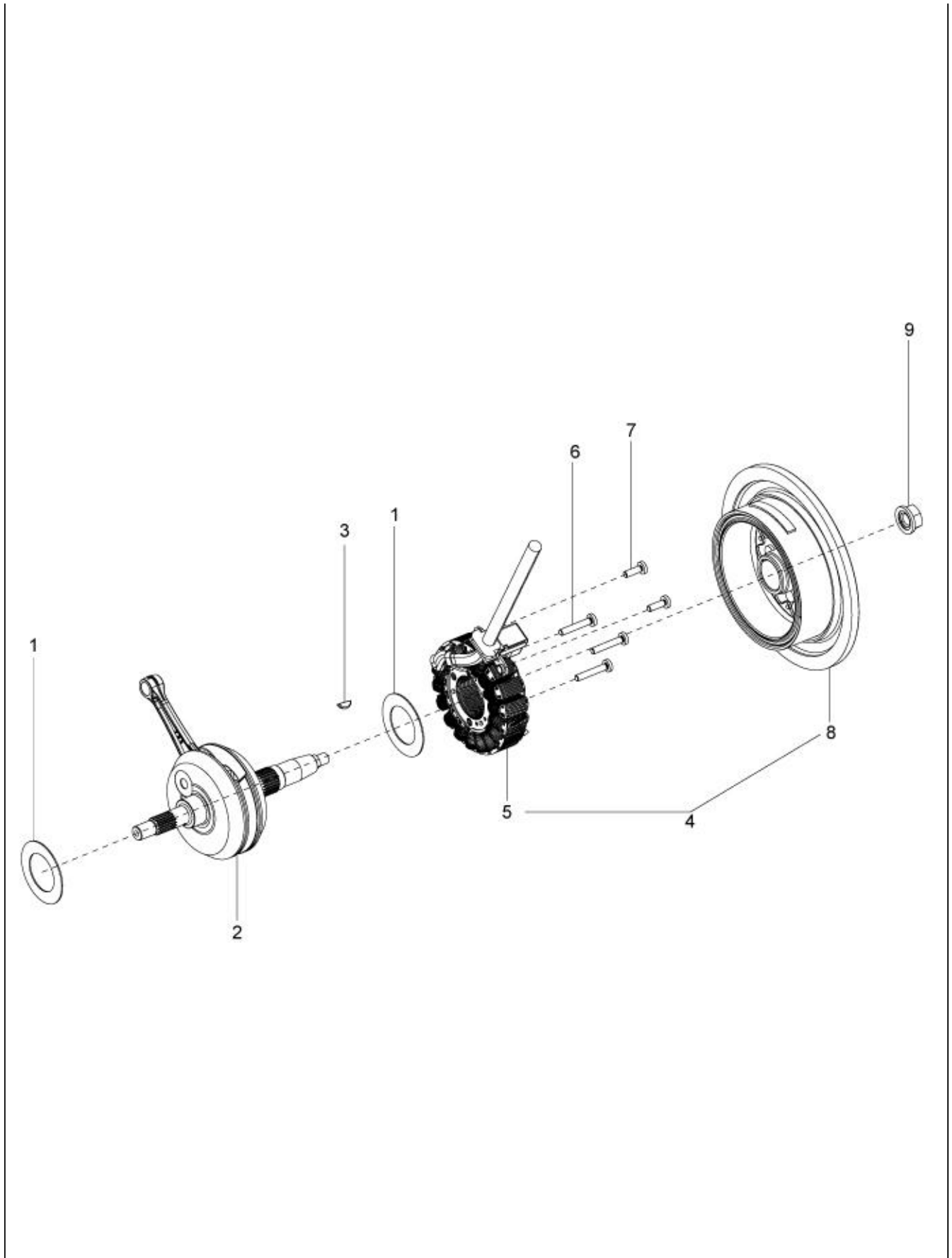
---

**PLATE-12**

**Crankshaft Assembly**

---









Print Date: 07-Apr-2022

**PLATE-12****Crankshaft Assembly**

<b>Fig. No.</b>	<b>Part No.</b>	<b>Description</b>	<b>Qty</b>	<b>Remarks</b>
1	B016144	WASHER	2	
2	1A010150	CRANKSHAFT ASSEMBLY	1	
3	000267	WOODRUFF KEY	1	
4	1D001847	COMPLETE A.C.GENERATOR	1	
5	----	COMPLETE STATOR	1	NS
6	1A001073	TORX HEAD SCREW M5X16	3	
7	1A013159	TORX HEAD SCREW M5X22	2	
8	1A008672	ROTAR ASSY WITH HUB	1	
9	1A006988	NUT WITH SPRING WASHER	1	
10	1A006002	DOWEL	1	NI



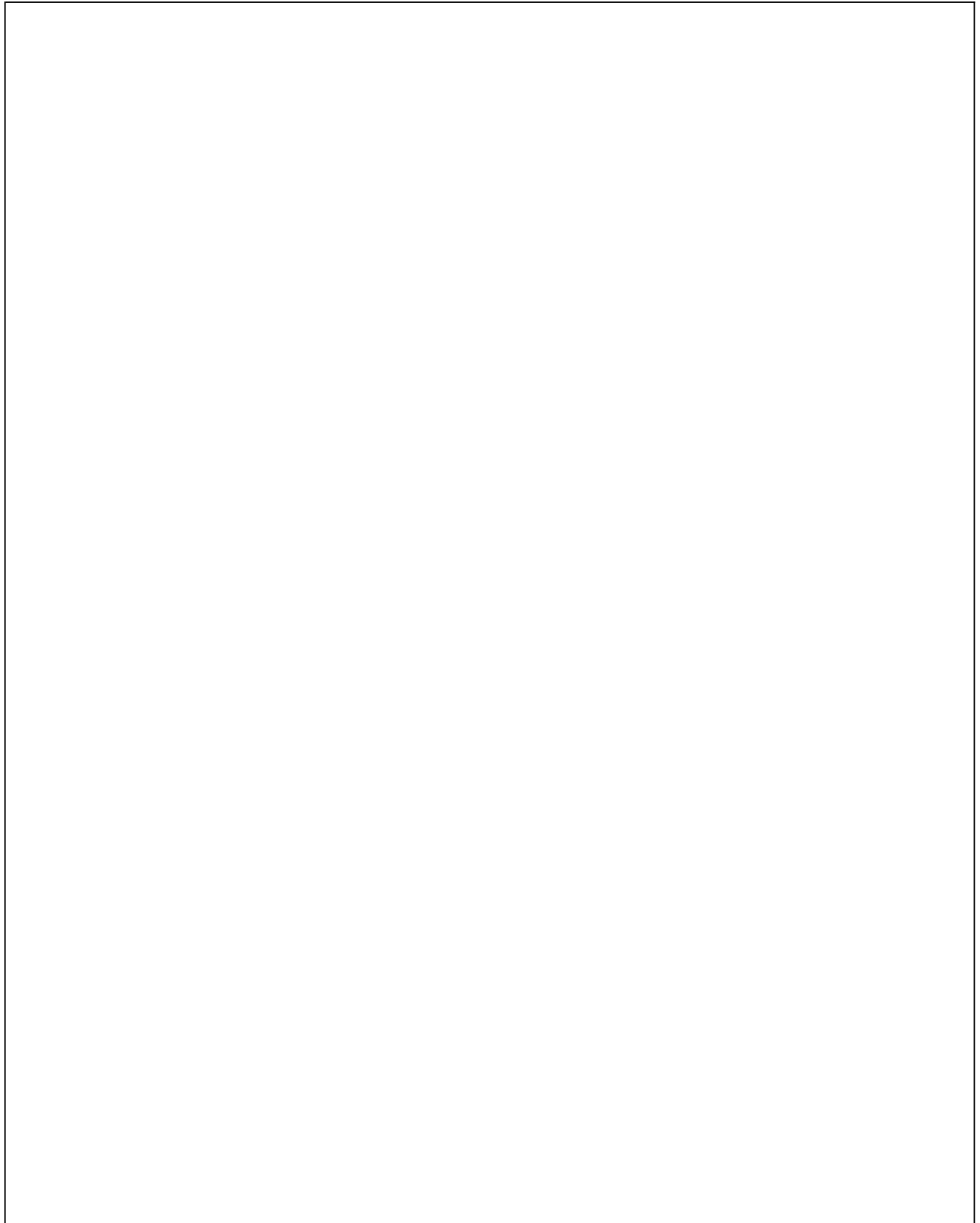
Print Date: 07-Apr-2022

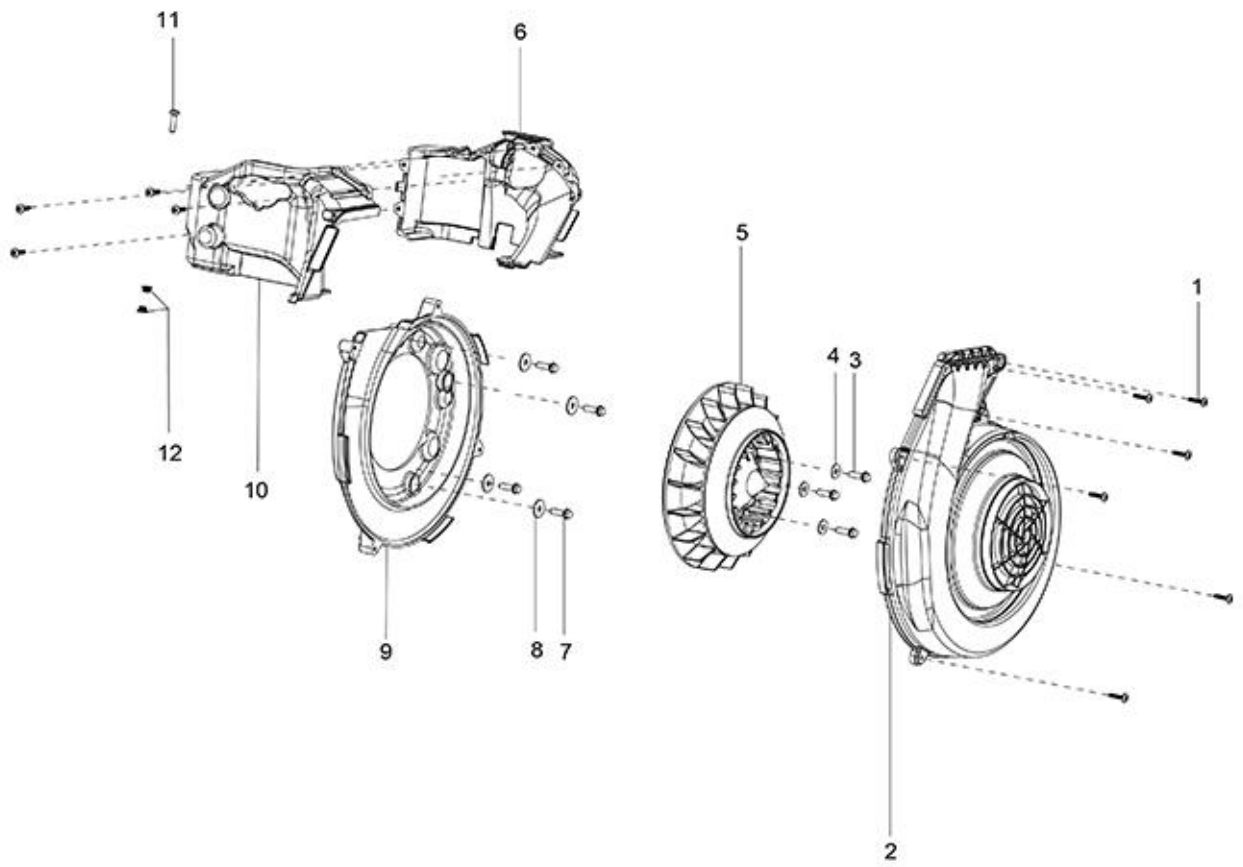
---

**PLATE-13**

**Aircooling Circuit Components**

---







Print Date: 07-Apr-2022

**PLATE-13****Aircooling Circuit Components**

Fig. No.	Part No.	Description	Qty	Remarks
1	1A000024	SELF TAPPING SCREW (3X20)	10	
2	1A010001	FAN COVER	1	
3	1A002691	FLANGED HEX HEAD SCREW M6X20 CL10	3	
4	B019047	WASHER	3	
5	1A000831	ASSY FAN	1	
6	1A006740	SHROUD EXHAUST SIDE	1	
7	018639	SCREW M6X20	4	
8	B016192	WASHER 6.2X20X2	4	
9	1A006742	FAN COVER SUPPORT	1	
10	1A006743	COMPLETE SHROUD INTAKE SIDE	1	
11	B016620	SCREW WITH CYLINDRICAL HEAD M5X21	1	
12	B018262	KNURLED BUSH	2	



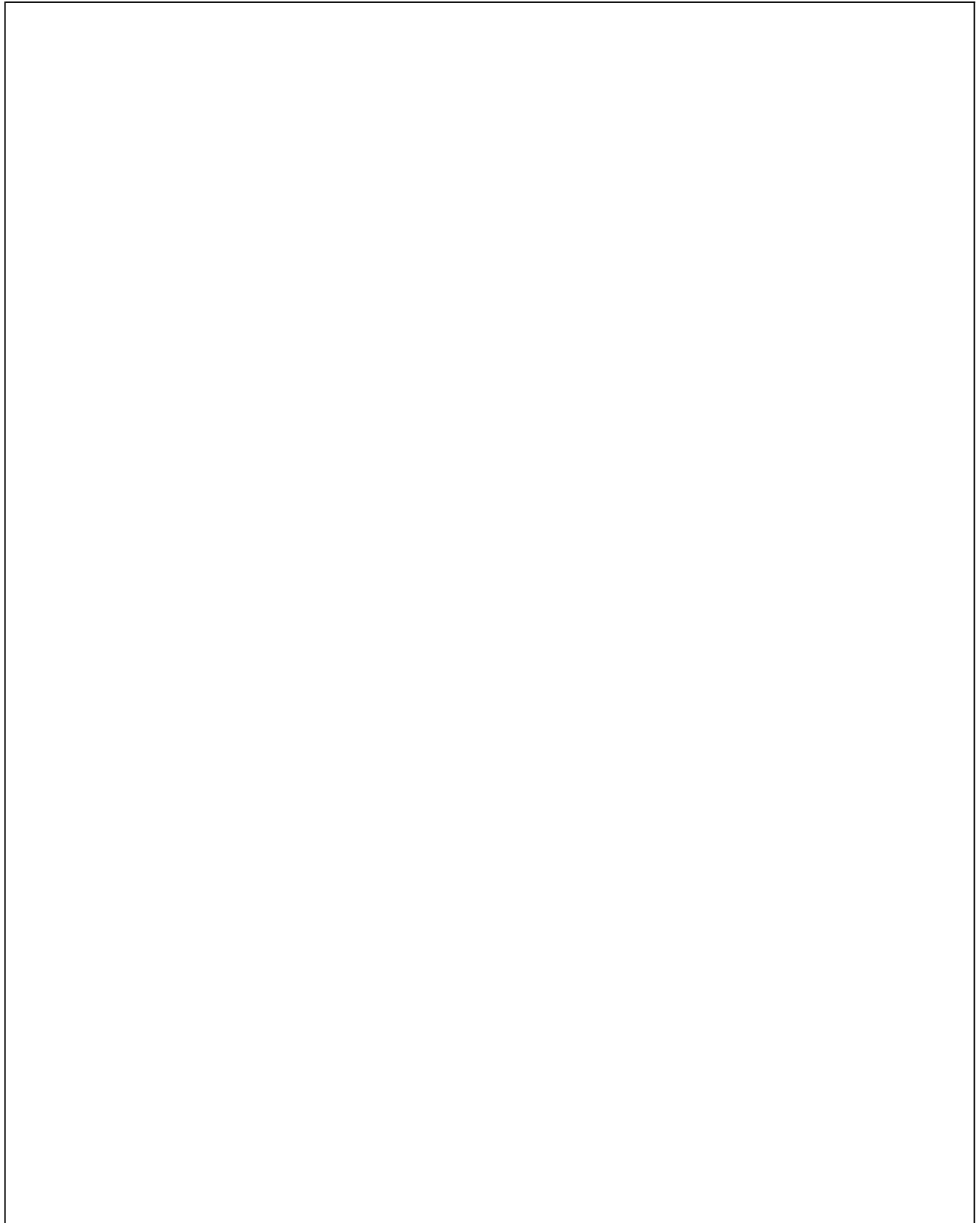


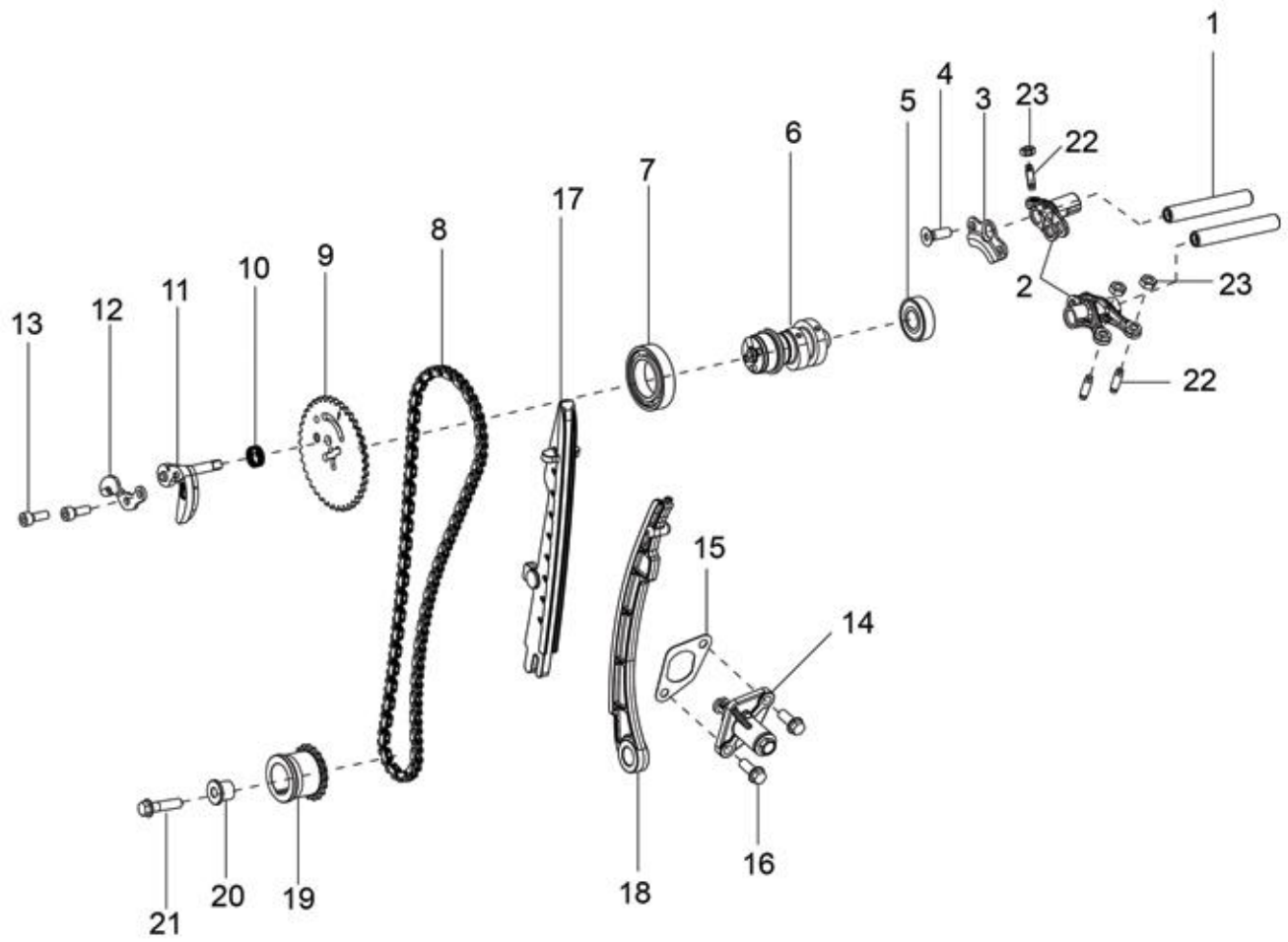
Print Date: 07-Apr-2022

---

**PLATE-14**  
**Timing Group**

---







Print Date: 07-Apr-2022

**PLATE-14****Timing Group**

Fig. No.	Part No.	Description	Qty	Remarks
1	B017113	ROCKER ARM SHAFT	2	
2	1A013013	ROCKER ARM GROUP	1	
3	B014760	CAMSHAFT CONTAINMENT SHEET-STEEL	1	
4	B018946	COUNTERSUNK SCREW M6X18	1	
5	83040R	DEEP GROOVE BALL BEARING	1	
6	B017746	CAMSHAFT WITH I.P.	1	
7	83041R	DEEP GROOVE BALL BEARING	1	
8	1A015692	TIMING CHAIN SOUNDLESS TYPE	1	
9	1A002358	TIMING CROWN	1	
10	B015483	DECOMPRESSION SPRING	1	
11	SP1A006405	CENTRIFUGAL MASS WITH I.P.	1	
12	1A008397	CENTRIFUGAL MASS CONTAINMENT SHEET	1	
13	B018718	EXAG. SOCKET CYLIND.HEAD SCREW M5X14	2	
14	B017165	CHAIN TENSIONER DEVICE	1	
15	847928	CHAIN SUPPORT GASKET	1	
16	434541	SCREW	2	
17	1A006899	FIXED PAD	1	
18	1A006901	CHAIN TIGHTENING ROD	1	
19	1A007565	TIMING PINION	1	
20	485868	SPACER FOR CHAIN TIGHTNING ROD	1	
21	B016774	FLANGED HEXAGONAL SCREW M6X25	1	
22	B017323	VALVE ADJUSTMENT SCREW	3	
23	B017431	ROCKER ARM NUT	3	



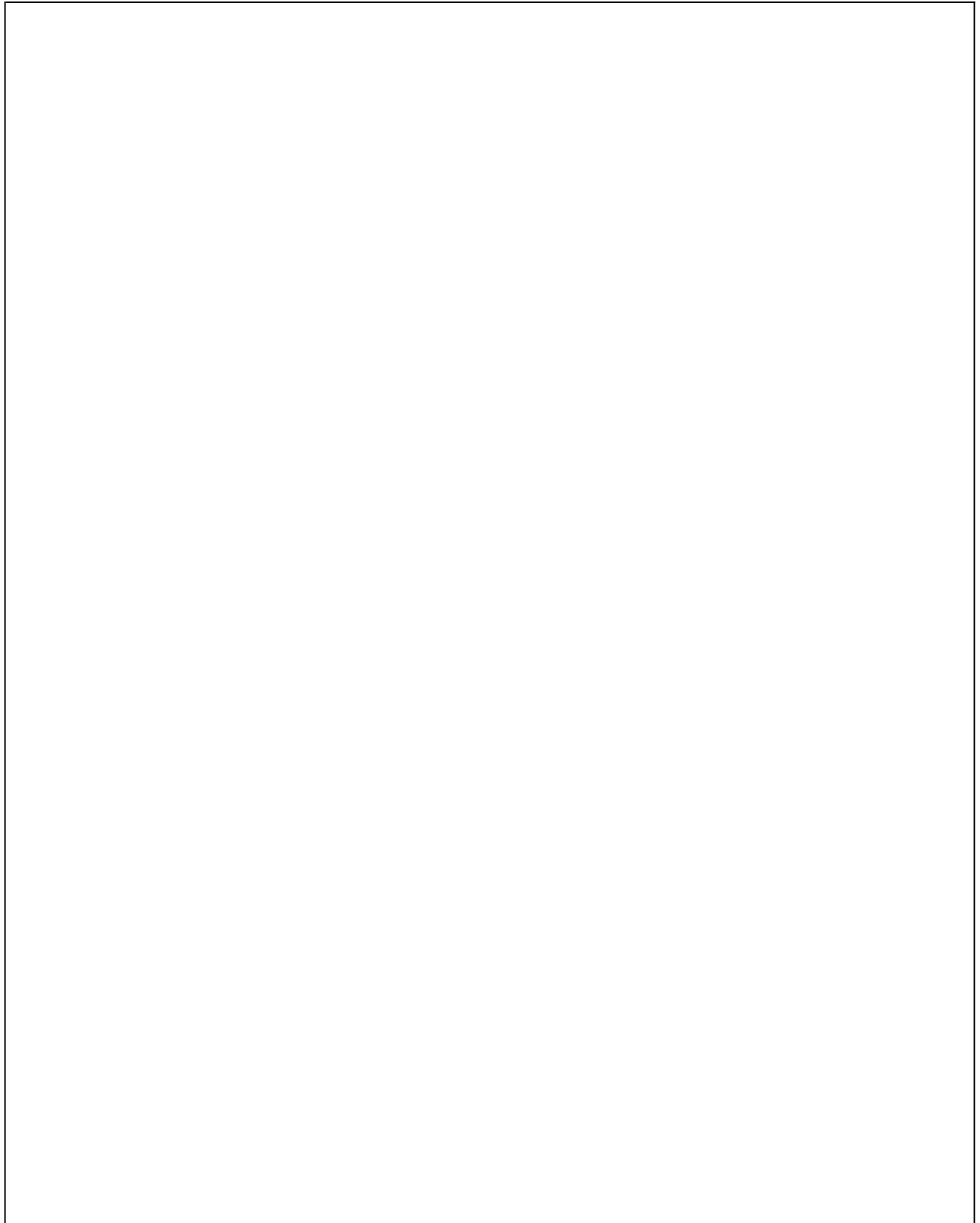
Print Date: 07-Apr-2022

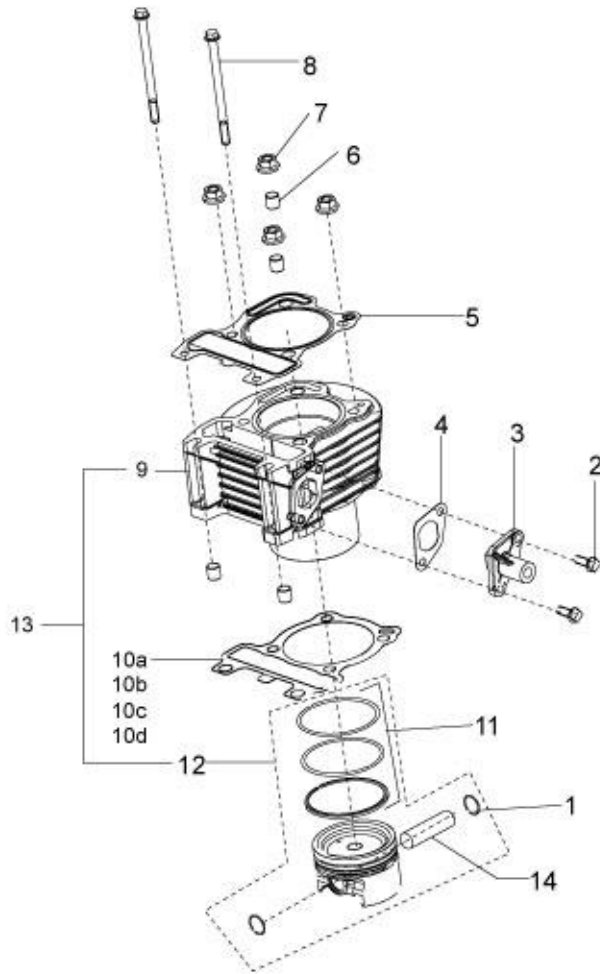
---

**PLATE-15**

**Cylinder- Piston Group**

---









Print Date: 07-Apr-2022

**PLATE-15****Cylinder- Piston Group**

Fig. No.	Part No.	Description	Qty	Remarks
1	963486	CIRCLIP FOR PISTON WRIST	2	
2	434541	SCREW	2	
3	B017165	CHAIN TENSIONER DEVICE	1	
4	847928	CHAIN SUPPORT GASKET	1	
5	B014555	HEAD CYLINDER GASKET	1	
6	435571	REFERENCE DOWEL	4	
7	B016939	FLANGED NUT M8X1.25	4	
8	B018854	HEXAGONAL HEAD FLANGED SCREW M6X90	2	
9	KIT1U000025	BLOCK PISTON KIT	1	
10a	CM284001	CRANKCASE/CYLINDER GASKET (0.4)	1	
10b	CM284002	CRANKCASE/CYLINDER GASKET (0.6)	1	
10c	CM284003	CRANKCASE/CYLINDER GASKET (0.8)	1	
10d	CM284004	CRANKCASE/CYLINDER GASKET (1.0)	1	
11	1A009621R	PISTON RING GROUP	1	
12	KIT1U000024	PISTON ASSEMBLY	1	NS- Service under BP Kit
13	KIT1U000025	BLOCK PISTON KIT	1	
14	482335	PISTON PIN	1	



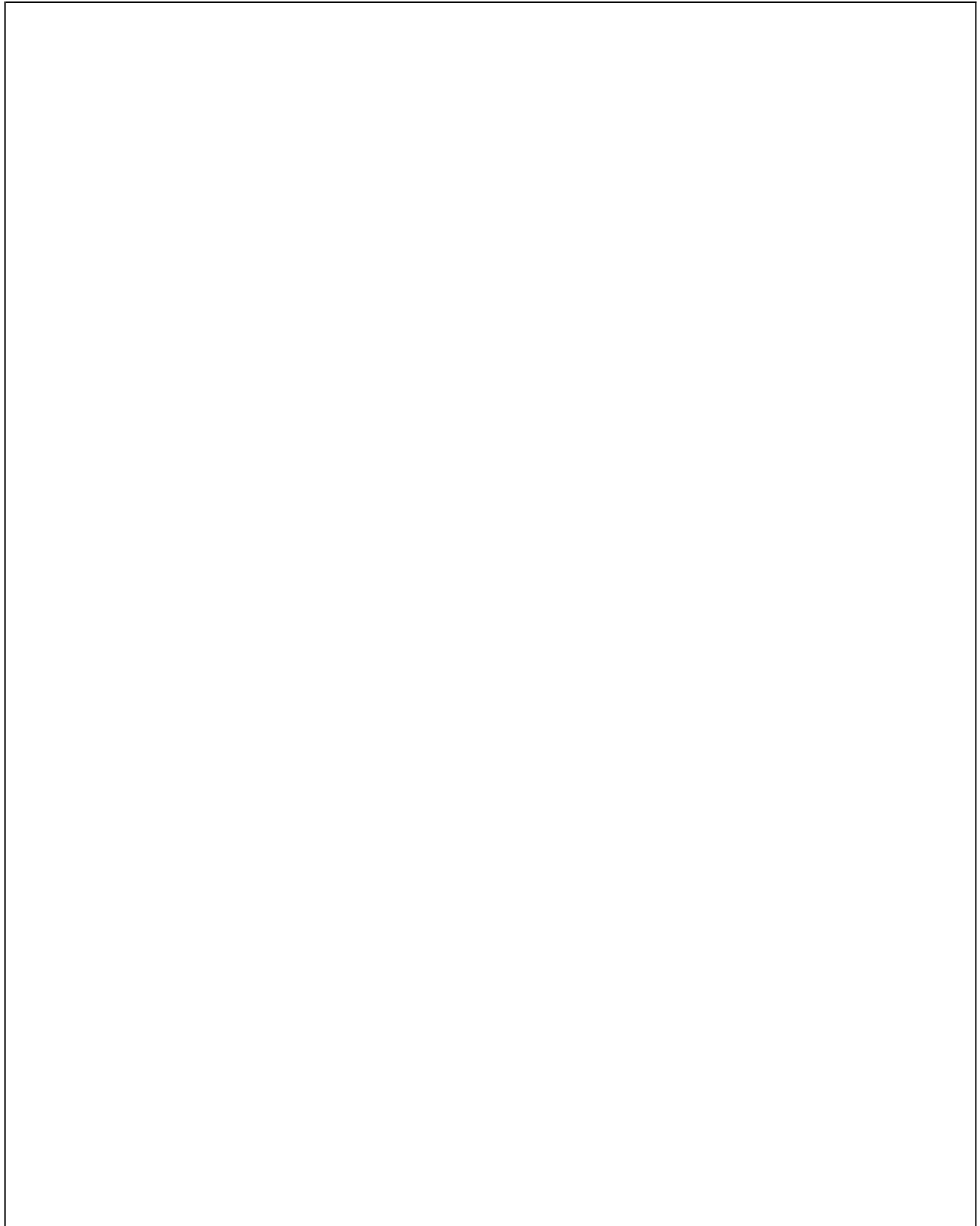
Print Date: 07-Apr-2022

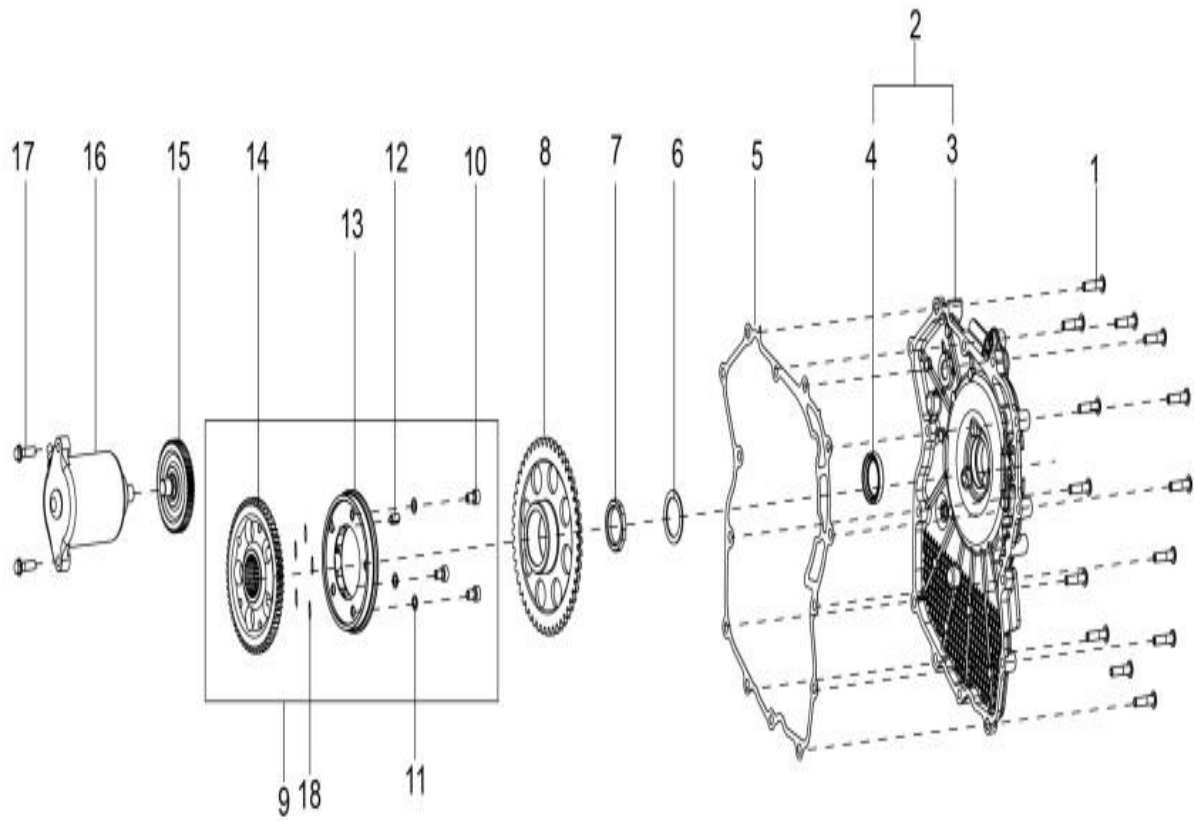
---

**PLATE-16**

**Electric Starting Group**

---







Print Date: 07-Apr-2022

**PLATE-16****Electric Starting Group**

Fig. No.	Part No.	Description	Qty	Remarks
1	B018853	FLANGED HEXAGONAL HEAD SCREW M6X30	14	
2	SP1A007045	STARTER COVER WITH I.P.	1	
3	1A006751	STARTER COVER	1	
4	B016120	SEAL RING 25X35X7	1	
5	1A006858	STARTER COVER GASKET	1	
6	B016148	WASHER	1	
7	1A021204	RING NUT	1	
8	1A001187R	TOOTHED CROWN ELECTRIC STARTER	1	NS-Order on modi.assy.P/N.SP1A018746 INA
9	1D001846	COMPLETE STATOR	1	
10	1A000402	SOCKET HEAD SCREW	3	NS-Order on modi.assy.P/N.SP1A018746 INA
11	B019420	CONICAL SPRING KNURLED WASHER	3	NS-Order on modi.assy.P/N.SP1A018746 INA
12	1A000742	ELASTIC PIN	1	NS-Order on modi.assy.P/N.SP1A018746 INA
13	1A010696R	ONE WAY CLUTCH	1	NS-Order on modi.assy.P/N.SP1A018746 INA
14	1A008715	CUM CLUTCH HUB	1	NS-Order on modi.assy.P/N.SP1A018746 INA
15	B017189	ELECTRIC STARTER INTERMED GEAR WITH P.I.	1	
16	1D000425R	STARTER MOTOR	1	
17	B016774	FLANGED HEXAGONAL SCREW M6X25	2	
18	1A014399	ONE WAY CLUTCH SPRING	1	Texspin one way clutch
18	1A002661	PLANE SPRING - CLUTCH ASSY	5	only for Ducati. Not app. for INA Clutch
19	1A009586	REAR BRACKET ASSY	1	NI
20	1A009587	BRUSH ASSLY KIT (+VE & -VE)	1	NI
21	1A009588	ARMATURE ASSLY	1	NI
22	1A009589	YOKE ASSLY	1	NI
23	1A009590	FRONT BRACKET ASSLY	1	NI
24	1A009591	HEXAG. HEAD SCREW	1	NI
25	1A009592	O-RING KIT	1	NI
26	1A009593	THRUST WASHER KIT	1	NI
27	1A020456	ONE WAY CLUTCH ASSY	1	NEW MODI. INA ONE WAY CLUTCH
28	1A018212	CUM CLUTCH HUB	1	NEW MODI. INA ONE WAY CLUTCH
29	SP41A020456	ONE WAY CLUTCH HUB ASSY - 230CC SPD	5	Consists of 27/28.



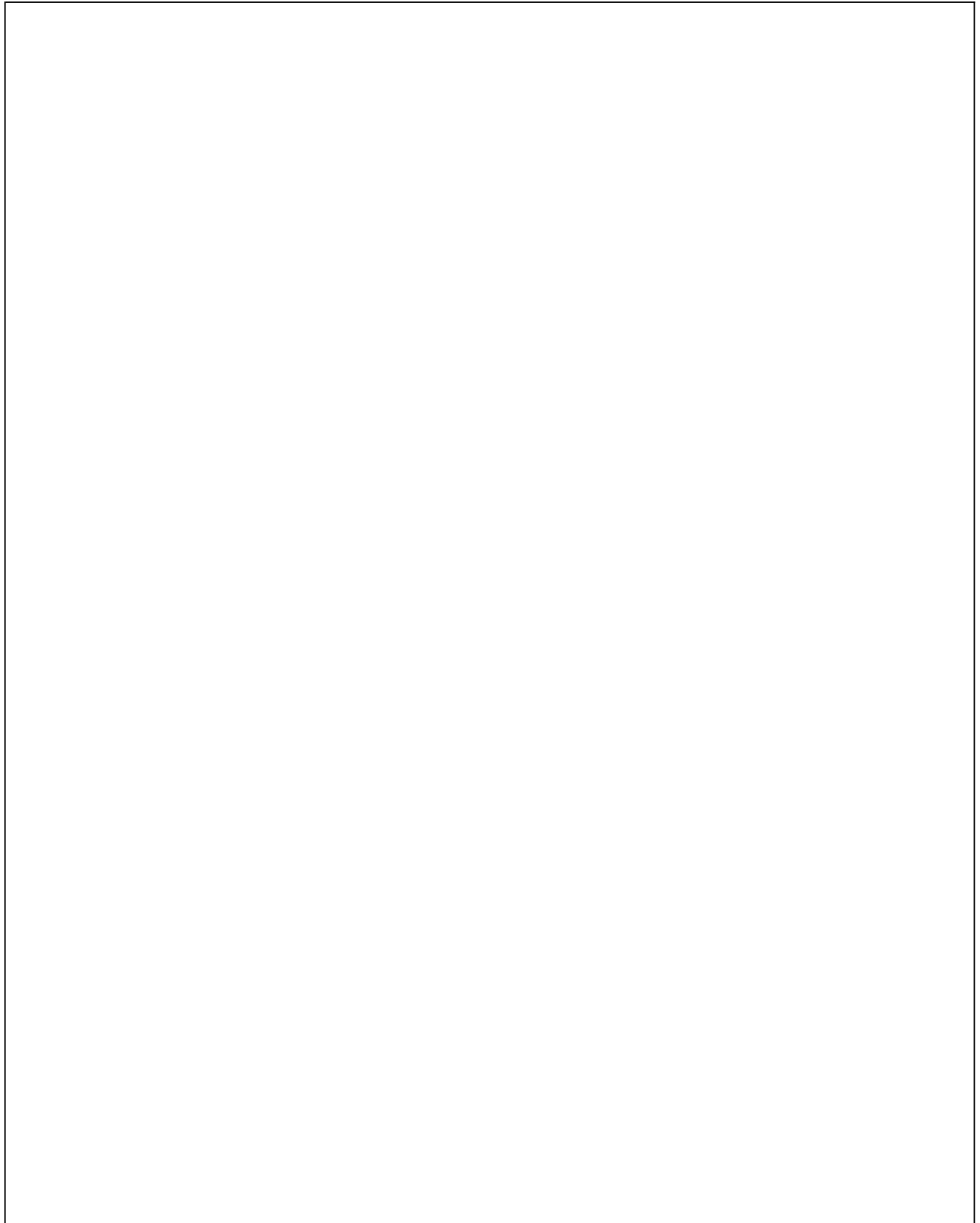
Print Date: 07-Apr-2022

---

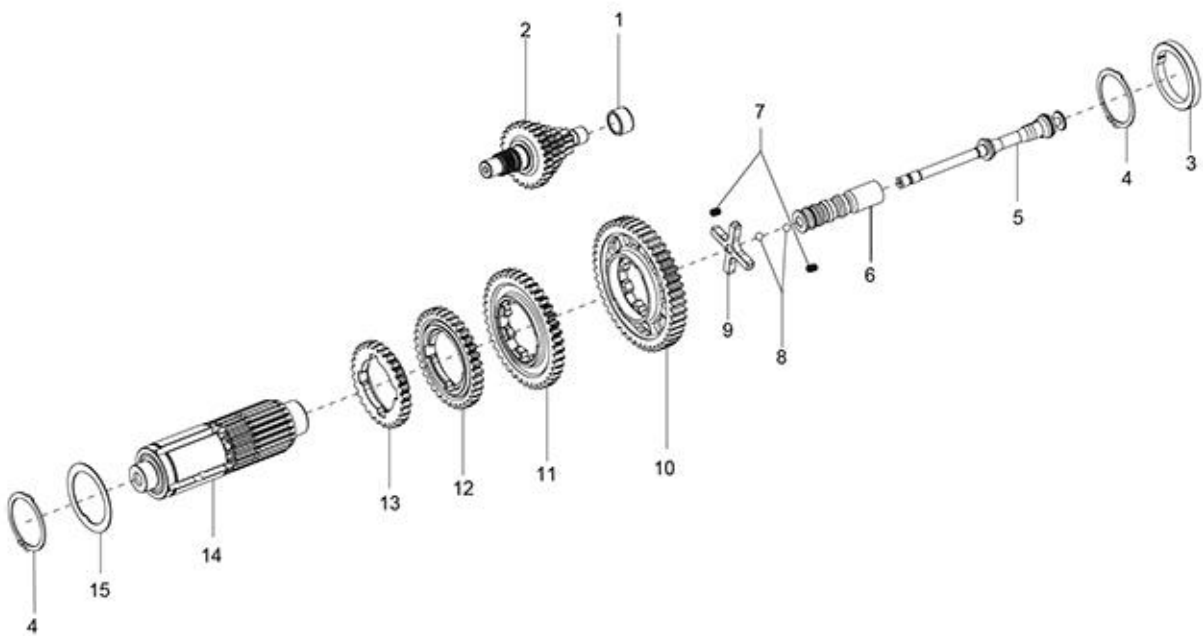
**PLATE-17**

**Speed Gear Group**

---









Print Date: 07-Apr-2022

**PLATE-17****Speed Gear Group**

Fig. No.	Part No.	Description	Qty	Remarks
1	122032014	INNER RING - CLUSTER GEAR	1	
2	1A011044	CLUSTER GEAR	1	
3	1A007029	LOCK WASHER	1	
4	009101	SEEGER RING	1	
5	1A006687	STEM	1	
6	1A012846	BUSH GEAR SHIFTER	1	
7	1A006970	SPRING	2	
8	002139	BALL	2	
9	1A010166	CROSS	1	
10	1A010160	SPEED GEAR 1ST	1	
11	1A010161	SPEED GEAR 2ND	1	
12	1A010162	SPEED GEAR 3RD	1	
13	1A011289	SPEED GEAR 4TH	1	
14	1A010159	SECONDARY GEAR SHAFT	1	
15	1A006115	LOCK WASHER	1	



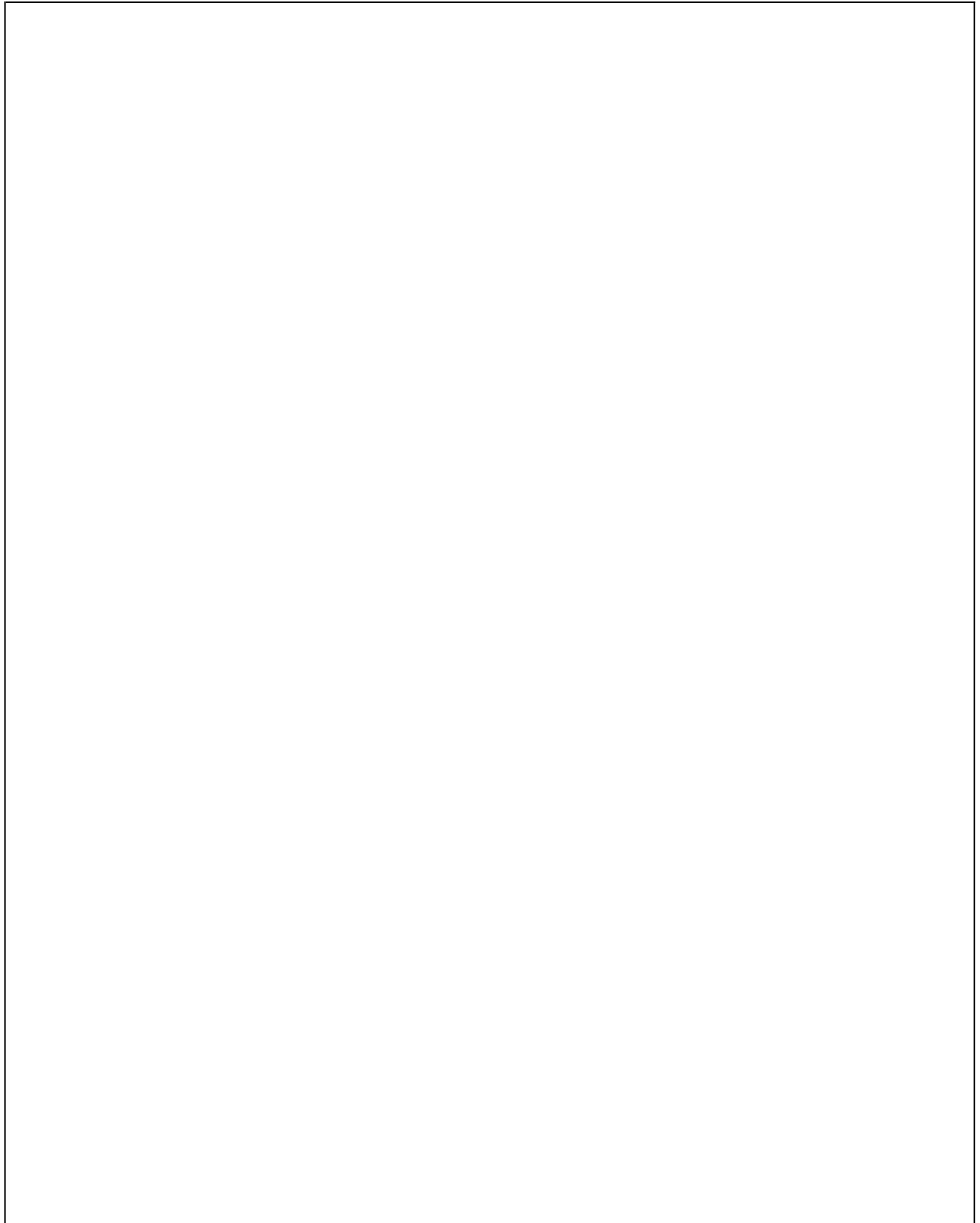
Print Date: 07-Apr-2022

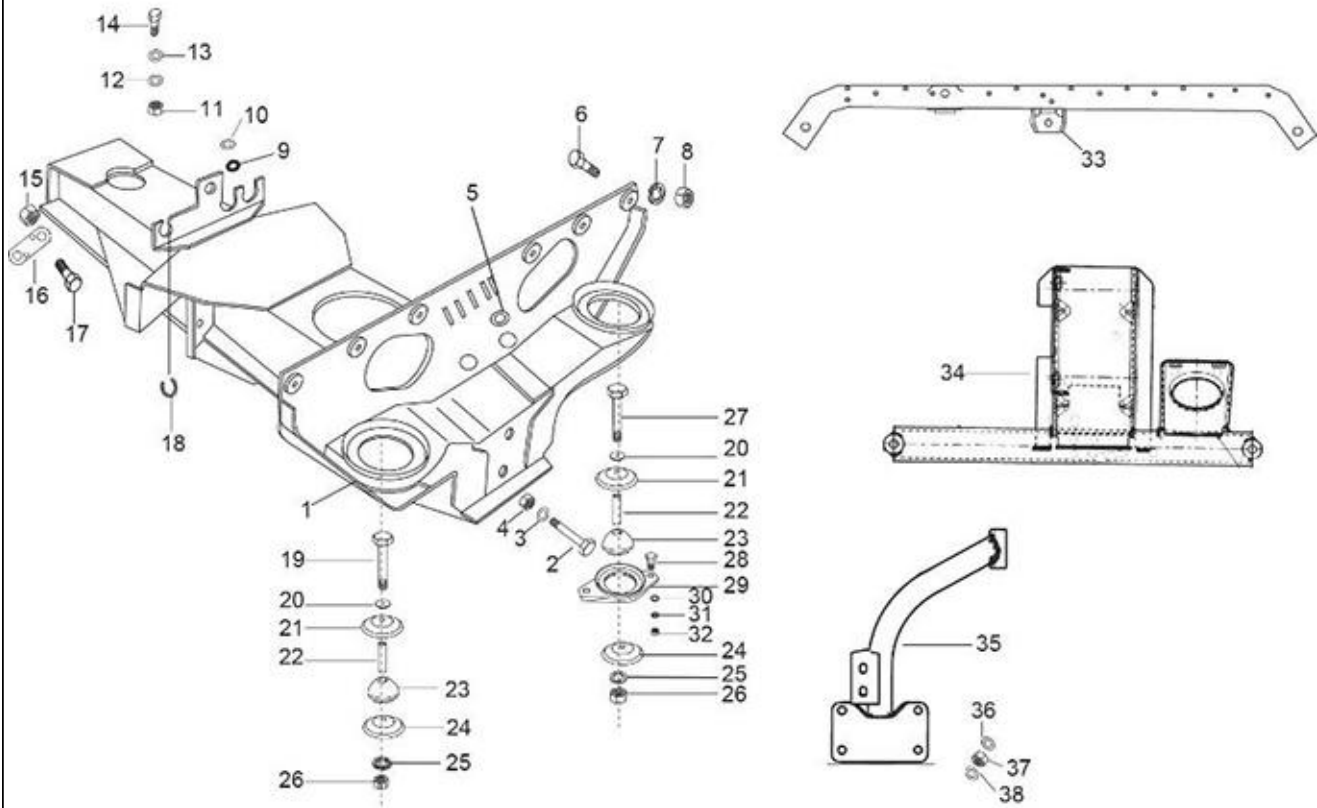
---

**PLATE-18**

**Engine Support**

---







Print Date: 07-Apr-2022

**PLATE-18**  
**Engine Support**

Fig. No.	Part No.	Description	Qty	Remarks
1	B075798	FRAME ASSY. SUSPENSION & ENGINE SUPPORT	1	
2	568689	HEX HEAD BOLT M10X100	2	
3	286328	PLAIN WASHER 20X10.2X2	2	
4	231370	SELF BREAKING NUT M10	2	
5	15478	GROMMET4	2	
6	31119	HEX HD SCREW M8 X 25	6	
7	016408	SPRING WASHER	6	
8	20108	HEX NUT M8	6	
9	178610	GROMMET	1	
10	016406	SPRING WASHER	2	
11	20108	HEX NUT M8	2	
12	016408	SPRING WASHER	2	
13	2383	PLAIN WASHER M20X8.5X2	2	
14	31119	HEX HD SCREW M8 X 25	2	
15	231370	SELF BREAKING NUT M10	2	
16	632299	PLATE	2	
16	632299	PLATE	1	
17	632247	HEX HDD SCREW M10X30 CC8.8	2	
18	568140	GROMMET	1	
19	604948	HEX.HDD BOLT M8 X 110 WITH POINTING	2	
20	2383	PLAIN WASHER M20X8.5X2	3	
21	569375	PLATE	3	
22	267065	SPACER FRONT	2	
23	265091	DUMPER ENGINE MTG.	2	
24	569244	PLATE	3	
25	016408	SPRING WASHER	3	
26	15335	HEX HD NUT M8	2	
27	272178	HEX. HDD BOLT M8 X 122 CL 10.9	1	
28	31154	HEX HDD SCREW M10X22 CL 8.8	2	
29	B003286	REAR AVM SUPPORT BKT. ASSY.	1	
30	286328	PLAIN WASHER 20X10.2X2	2	
31	16410	SPRING WASHER	2	
32	20108	HEX NUT M8	4	
33	B075595	CROSS MEMBER ENGINE MTG REAR	1	
34	B075459	FRT CROSS MEMBER ASSY. ENG. MTG.	1	



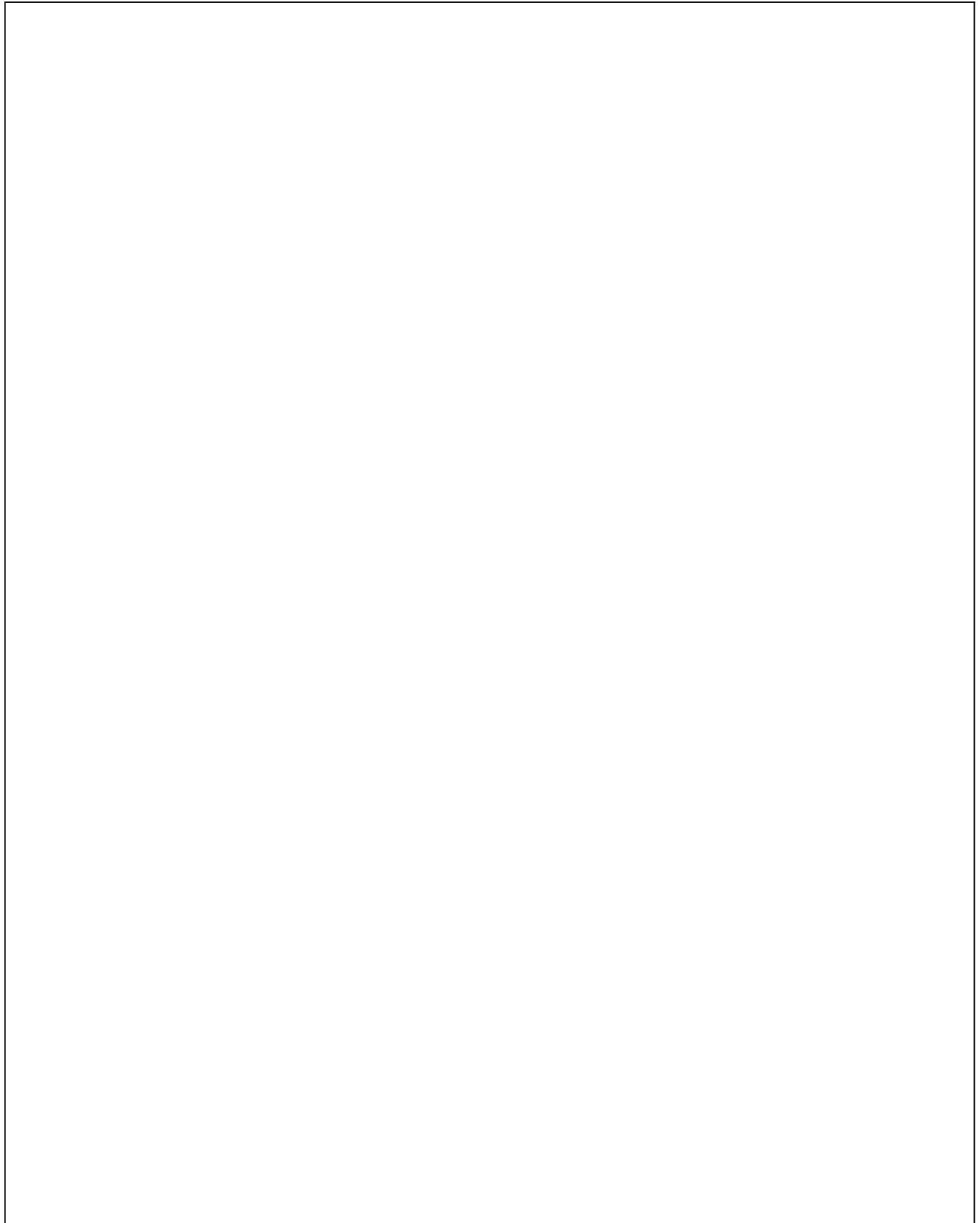
40

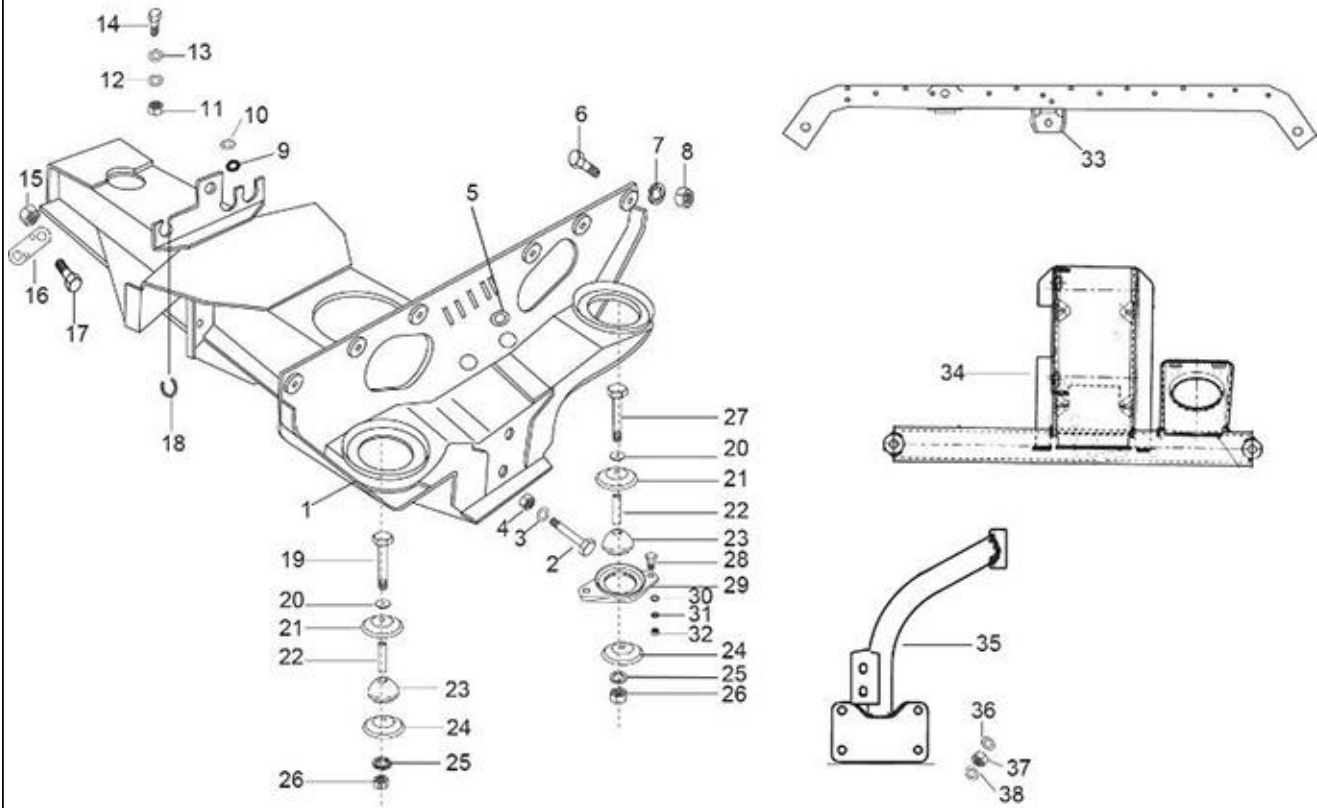
Print Date: 07-Apr-2022

---

**PLATE-18**  
**Engine Support**

---







Print Date: 07-Apr-2022

**PLATE-18****Engine Support**

<b>Fig. No.</b>	<b>Part No.</b>	<b>Description</b>	<b>Qty</b>	<b>Remarks</b>
35	B075593	BKT SUB ASSLY ENGINE SUPPORT REAR	1	
36	286328	PLAIN WASHER 20X10.2X2	2	
37	20110	HEX NUT M10	4	
38	16410	SPRING WASHER	2	
39	B076295	PROTECTION BELLOW- GEAR CABLE	1	NI



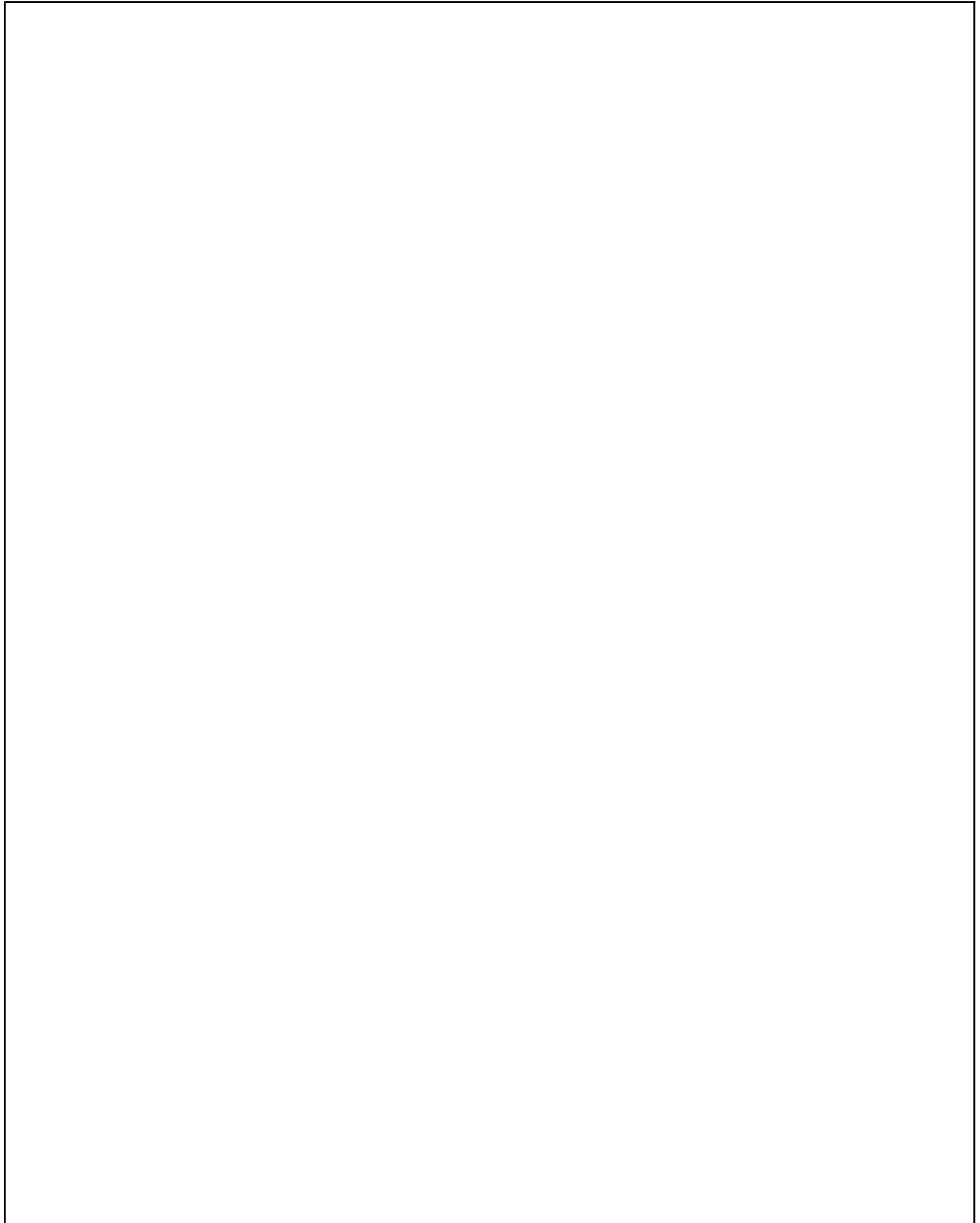
Print Date: 07-Apr-2022

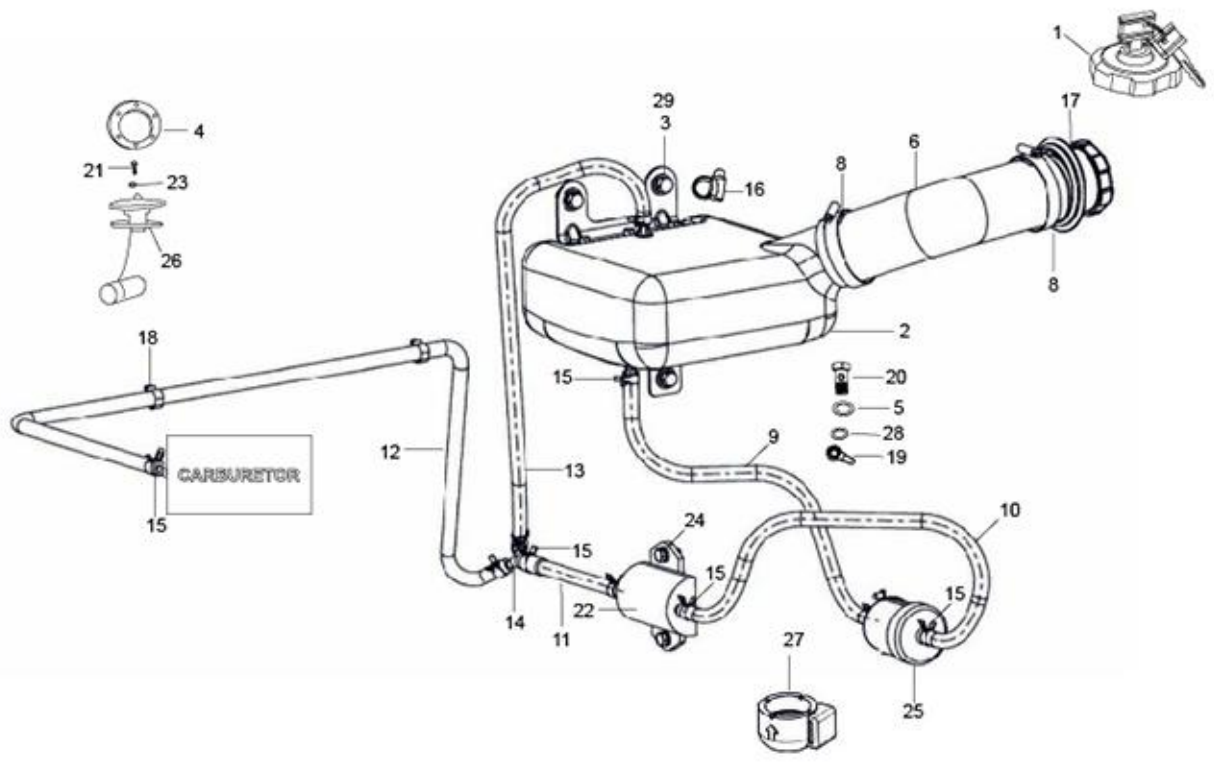
---

**PLATE-19**

**Fuel Tank/Filter/Fuel Pipes**

---









Print Date: 07-Apr-2022

**PLATE-19****Fuel Tank/Filter/Fuel Pipes**

Fig. No.	Part No.	Description	Qty	Remarks
1	B024168	P.T.CAP ASSLY WITH KEY	1	
2	B073829	FUEL TANK ASSY.-PETROL	1	
2	B042390	FUEL TANK ASSY. PLASTIC (LPG/CNG)	1	
3	3068	PLAIN WASHER	4	
4	652105	RUBBER PACKING PRIMARY FUEL FILTER (PETROL & CNG/LPG)	1	
5	013880	PLAIN WASHER	4	
6	B075253	NECK HOSE FUEL TANK	1	
7	B003115	TUBE FUEL TANK FILLER ASSY	1	
8	604756	HOSE CLIP	2	
9	B076750	FUEL TANK TO FUEL FILTER	1	CNG/LPG
9	B073835	FUEL PIPE FUEL TANK TO FUEL FILTER	1	PTL
10	B073837	FUEL PIPE FUEL FILTER TO FEED PUMP	1	PTL
11	B076749	FUEL PIPE FEED PUMP TO Y- CONNECTOR	1	CNG/LPG
12	B024892	Y CONT. TO CARBURETTOR - CNG/LPG	1	PTL
12	B076752	FUEL PIPE - FUEL FILTER TO CARBURATOR- CNG/LPG	1	
13	B076753	Y CONNECTOR TO FUEL ANK RETURN - CNG/LPG	1	
13	B076753	Y CONNECTOR TO FUEL ANK RETURN - CNG/LPG	1	CNG/LPG
14	644824	THREE WAY 'Y' CONNECTOR - CNG/LPG	1	
15	632109	HOSE CLAMP BRAKE PIPE	8	
16	B003929	FLY SPRING (CNG/LPG)	2	
17	B003115	TUBE FUEL TANK FILLER ASSY	1	CNG/LPG
18	569504	CLAMP	2	
19	604908	BANJO	1	PTL
20	604909	BANJO BOLT (M14X1.5)	1	PTL
21	31056	HEX HEAD SCREW M5 X 12 CL. 8.8	6	
22	B002630	ELECTRICAL FEED PUMP LGA 280 PETROL ENGI	1	Old Type
22	6A001657	ASSY ELE. FUEL PUMP (PRICOL)	1	New Type-Can be Interchangeable with Old Type
22	6D001087	PIGTAIL, FUEL FEED PUMP(PRICOL)	1	New Type-Can be Interchangeable with Old Type
23	16405	SPRING WASHER M5	6	
24	31088	HEX HD SCREW M6 X 16 CL 8.8 (811061623)	2	
25	616738R	FUEL FILTER	1	
26	567878R	TANK UNIT	1	
27	652105	RUBBER PACKING PRIMARY FUEL FILTER (PETROL & CNG/LPG)	1	
28	217280	CLAMP	4	
29	31088	HEX HD SCREW M6 X 16 CL 8.8 (811061623)	4	



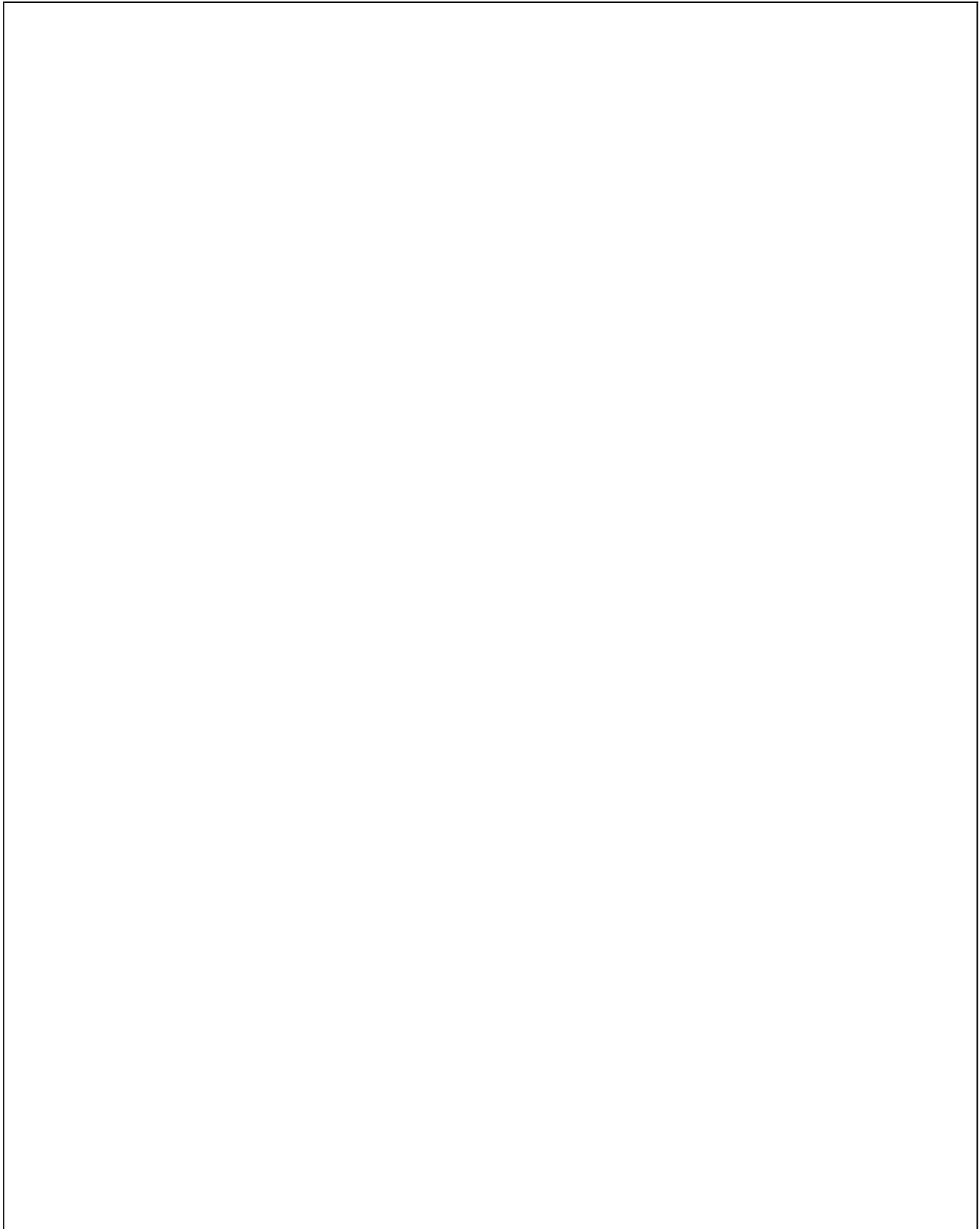
Print Date: 07-Apr-2022

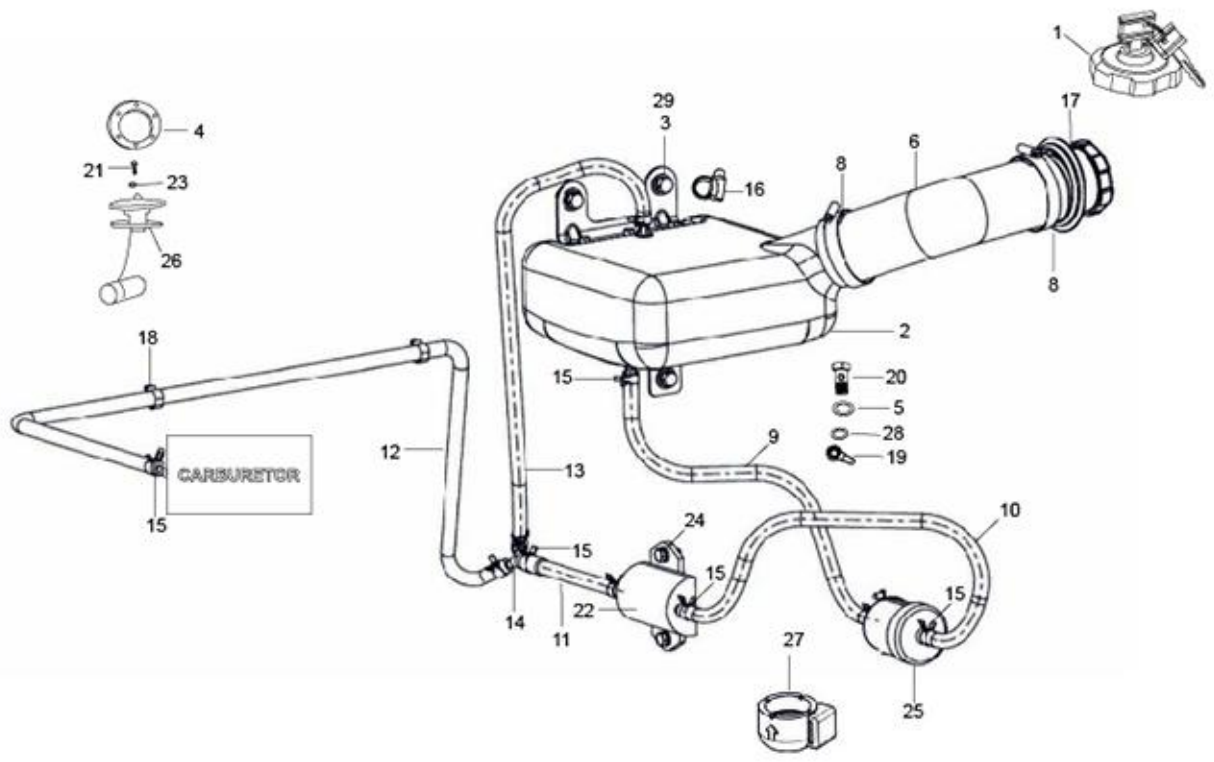
---

**PLATE-19**

**Fuel Tank/Filter/Fuel Pipes**

---







Print Date: 07-Apr-2022

**PLATE-19****Fuel Tank/Filter/Fuel Pipes**

<b>Fig. No.</b>	<b>Part No.</b>	<b>Description</b>	<b>Qty</b>	<b>Remarks</b>
29	B075790	FUEL FILTER SUPPORT	1	
30	B075337	FUEL PIPE-TANK TO SMALL FILTER-CITY PTL	1	PTI





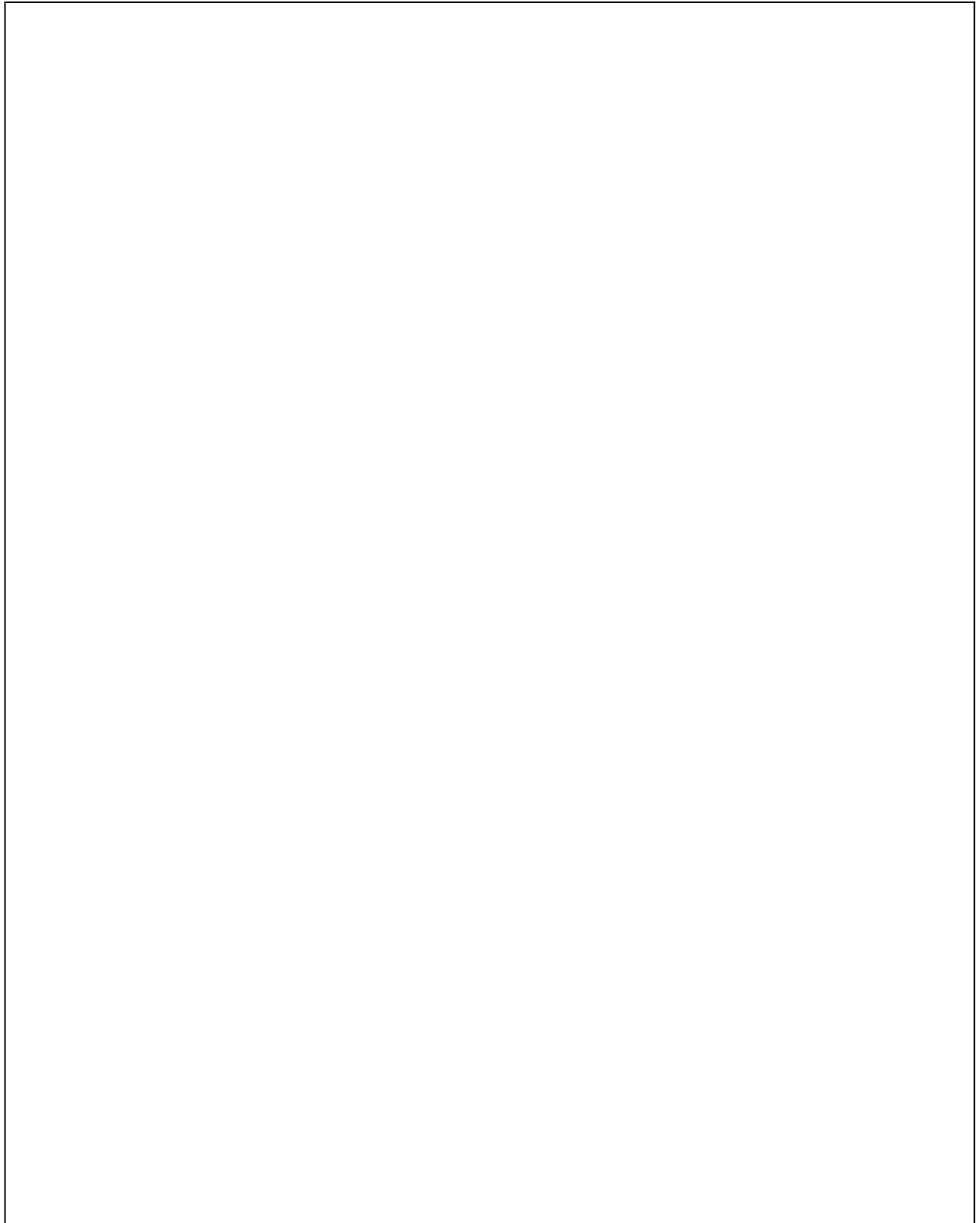
Print Date: 07-Apr-2022

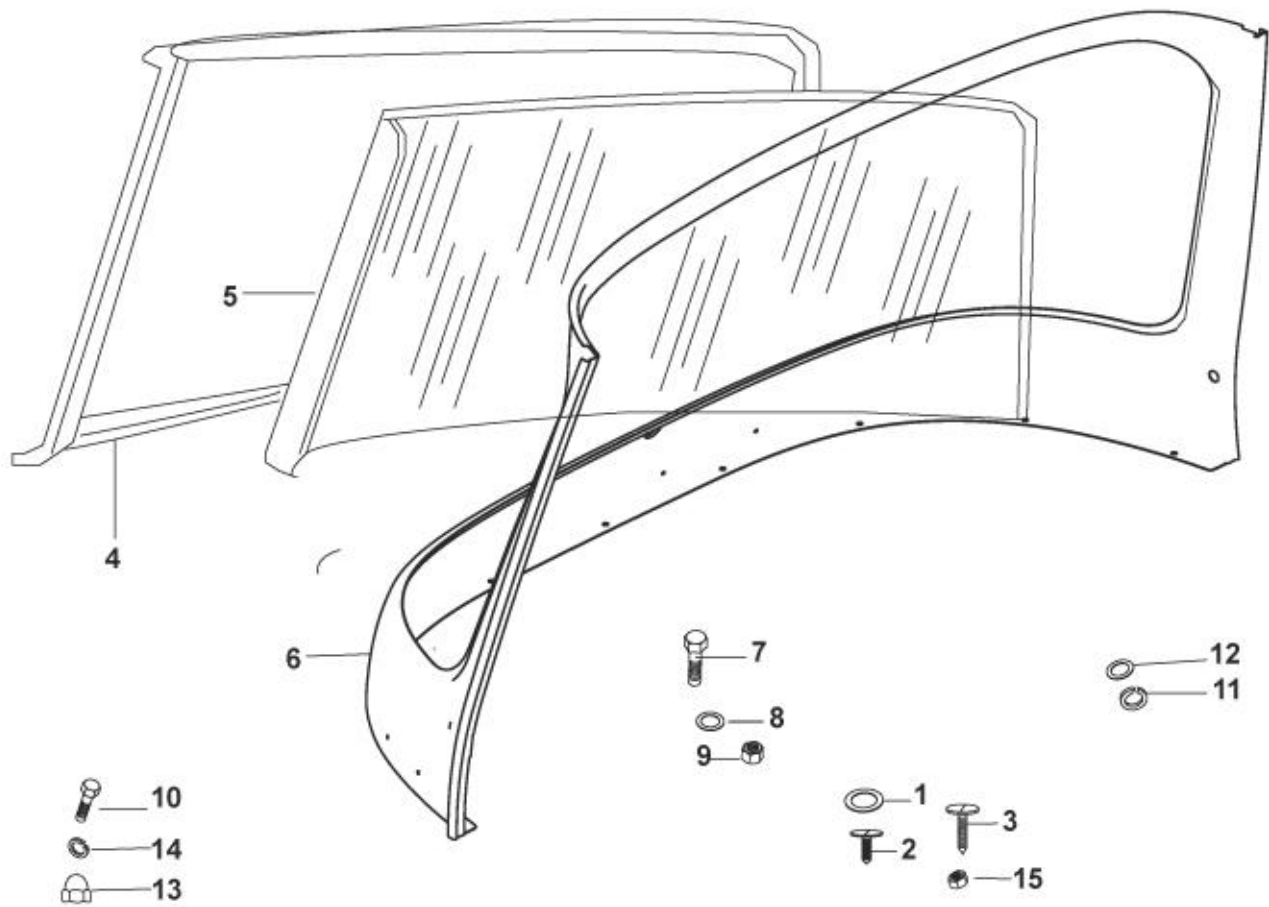
---

**PLATE-20**

**Wind Shield/Glass/Beading**

---







Print Date: 07-Apr-2022

**PLATE-20****Wind Shield/Glass/Beading**

Fig. No.	Part No.	Description	Qty	Remarks
1	16670	PLAIN WASHER 12X4.5X1	2	
2	568692	PAN SELF TAP SCREW 6SG X 16AB	2	
3	18630	PAN SELF TAP SCREW 6SG X 25AB	2	
4	109012	WIND SHIELD PACKING	1	
5	587963	LAMINATED WINDSHIELD GLASS	1	E - Marked (Export)
6	B076098ED	WINDSCREEN FRAME ASSLY - C/O 501 BSIV DSL	1	
7	B001386	HEX HEAD SCREW M5X20	9	
8	16405	SPRING WASHER M5	16	
9	20105	PLAIN NUT M5	20	
10	30242	SLOT CH. HD. SCREW	8	
11	808000826	PLAIN WASHER M8	2	
12	016408	SPRING WASHER	2	
13	568713	DOME NUT	8	
14	3055	PLAIN WASHER M5	8	
15	20104	HEX NUT M4	8	



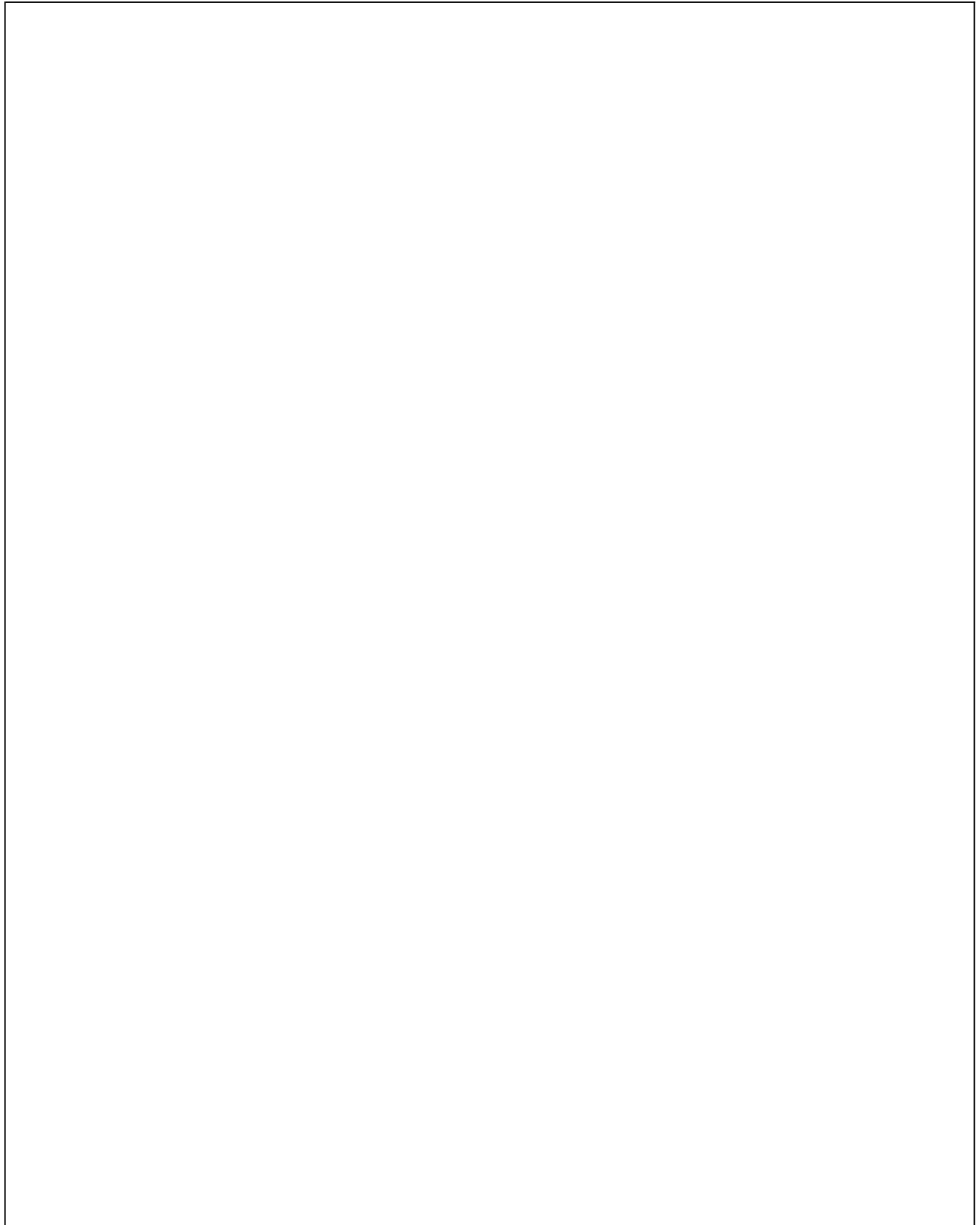
Print Date: 07-Apr-2022

---

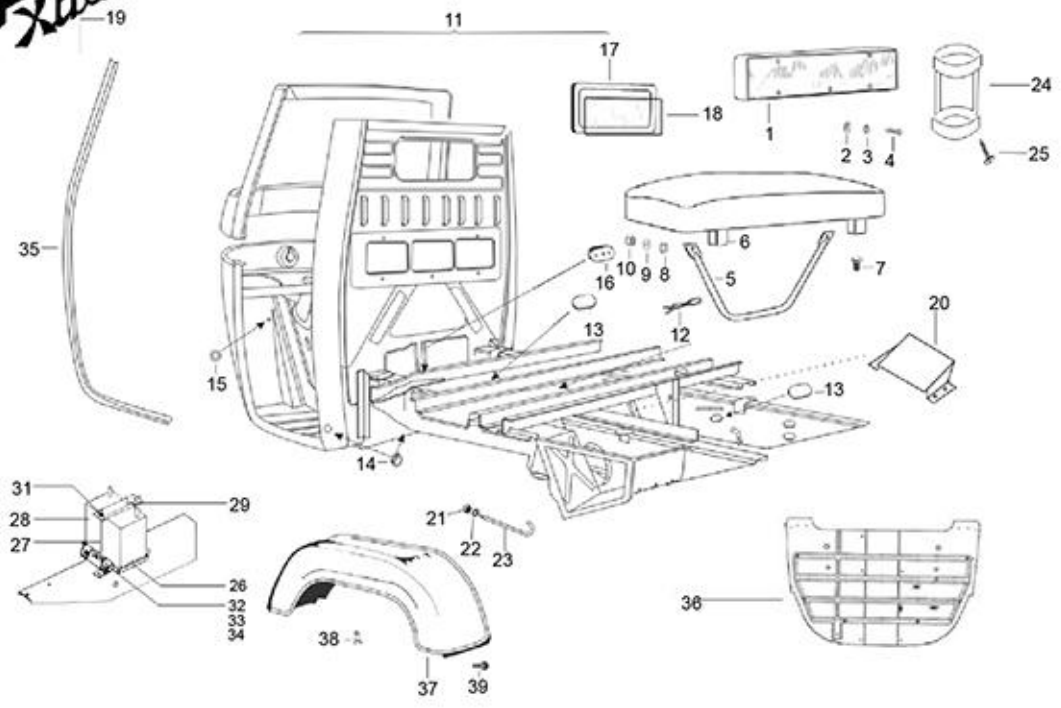
**PLATE-21**

**Chassis Frame & Seat**

---



**Ape  
Xtra X**







Print Date: 07-Apr-2022

**PLATE-21****Chassis Frame & Seat**

Fig. No.	Part No.	Description	Qty	Remarks
1	644852	DRIVER BACK REST ( CARGO) (VE)	1	
2	16405	SPRING WASHER M5	4	
3	16603	PLAIN WASHER (METALLIC)	4	
4	604606	HEX HD. SCREW M5X20 CL8.8	4	
5	567562	SEAT SUPPORT PIPE (COMM)	1	
5a	B008638	SEAT SUPPORT PIPE (COMM)	4	STEP-2 BS3 HS LAM PTL
6	B076226	DRIVER SEAT ASSLY (CARGO) (VE)	1	
6a	B008637	DRIVER SEAT ASSLY	1	STEP-2 BS3 HS LAM PTL
7	31119	HEX HD SCREW M8 X 25	2	
8	3058	PLAIN WASHER 15X8.4X1.5	2	
9	016408	SPRING WASHER	2	
10	20108	HEX NUT M8	2	
11	6B000361EG	MAIN FRAME ASSLY APE CITY CARGO PETROL-EG	1	
11	6B000361GY	MAIN FRAME ASSLY APE CITY CARGO PETROL-GY	1	
11	6B000361CB	MAIN FRAME ASSLY APE CITY CARGO PETROL-CB	1	
11	6B000361BW	MAIN FRAME ASSLY APE CITY CARGO PETROL-BW	1	
11	6B000406EG	MAIN FRAME ASSLY APE CITY CARGO CNG BSIV-EG	1	
11	6B000406ECO	MAIN FRAME ASSLY APE CITY CARGO CNG BSIV-CO	1	
11	6B000406EGY	MAIN FRAME ASSLY APE CITY CARGO CNG BSIV-GY	1	
11	6B000406CB	MAIN FRAME ASSLY APE CITY CARGO CNG BSIV-CB	1	
11	6B000406BW	MAIN FRAME ASSLY APE CITY CARGO CNG BSIV-BW	1	
11	6B000404EG	MAIN FRAME ASSLY APE CITY CARGO LPG BSIV-EG	1	
11	6B000404CO	MAIN FRAME ASSLY APE CITY CARGO LPG BSIV-CO	1	
11	6B000404GY	MAIN FRAME ASSLY APE CITY CARGO LPG BSIV-GY	1	
11	6B000404CB	MAIN FRAME ASSLY APE CITY CARGO LPG BSIV-CB	1	
11	6B000404BW	MAIN FRAME ASSLY APE CITY CARGO LPG BSIV-BW	1	
12	568682	FASTENER	2	
13	109227	PROTECTION GROMMET	5	
14	B002539	GROMMET FOR DIA 7 HOLE ON DOME	4	
15	568131	PLUG DOME DIA. 21 MM - CAB BEHIND HL	5	
16	568288	PLUG CAB ROOF	2	
17	604761	PACKING SLIDING GLASS WINDOW	1	
18	604751	CABIN REAR WINDOW	1	
19	6B000377	STICKER APE CITY XTRA ( FRONT PANEL)	1	
19.1	6B000378	STICKER CITY XTRA (SIDE PANEL)	1	

--	--	--	--	--

50

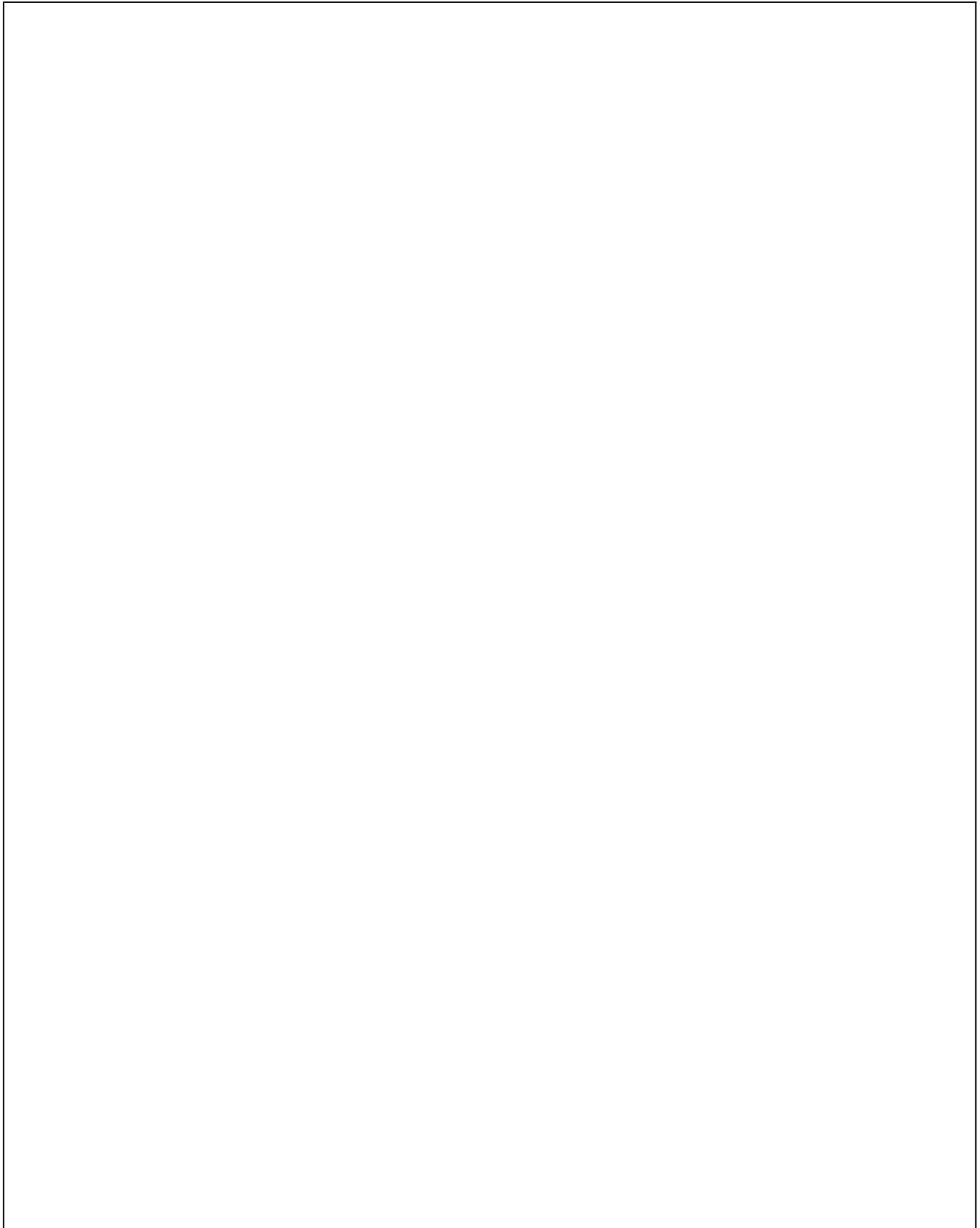
Print Date: 07-Apr-2022

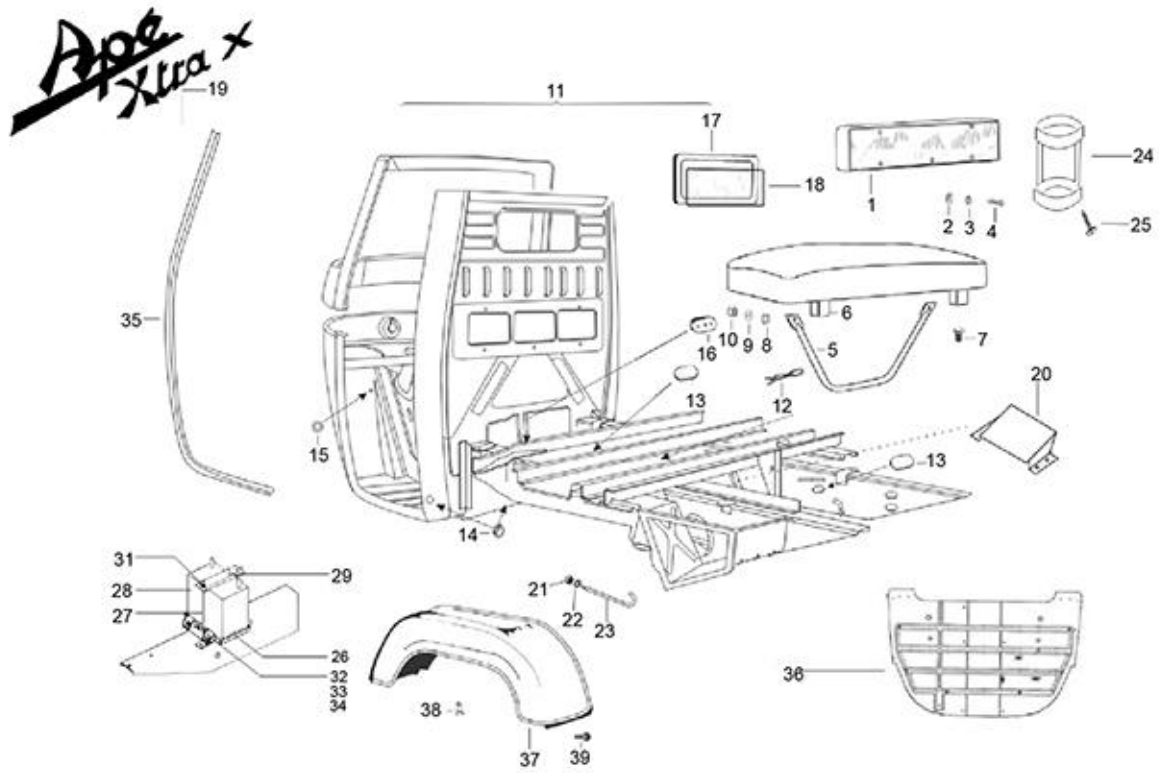
---

**PLATE-21**

**Chassis Frame & Seat**

---







Print Date: 07-Apr-2022

**PLATE-21****Chassis Frame & Seat**

Fig. No.	Part No.	Description	Qty	Remarks
20	B042816	AIR DEFLECTOR ASSLY.	1	
21	20108	HEX NUT M8	1	
22	3058	PLAIN WASHER 15X8.4X1.5	1	
23	604954	TENSION ROD	1	
24	645141	BOTTLE CARRIER STAND	1	
25	660168	PAN SELF TP. SCREW 10 SGX13AB	2	
26	616649	BATTERY TRAY	1	
27	632508	TENSION ROD ASSY. (BATTERY MOUNTING.)	1	
28	652253R	BATTERY 12V-35AH	1	
28	B006544	BATTERY 12V-35AH	1	P&C
29	B003978	BATTERY HOLDING PLATE	1	
30	20108	HEX NUT M8	1	
31	3058	PLAIN WASHER 15X8.4X1.5	1	
32	016408	SPRING WASHER	1	
33	13861	PLAIN WASHER 20X8.2X2.5	4	
34	31118	SCREW M8X20	4	
35	632604	GASKET FRONT DOOR OPENING	1	
36	587905PC	CABIN FLOOR SUB-ASSY.	1	
37	B042612	REAR MUDGUARD RH/LH	2	



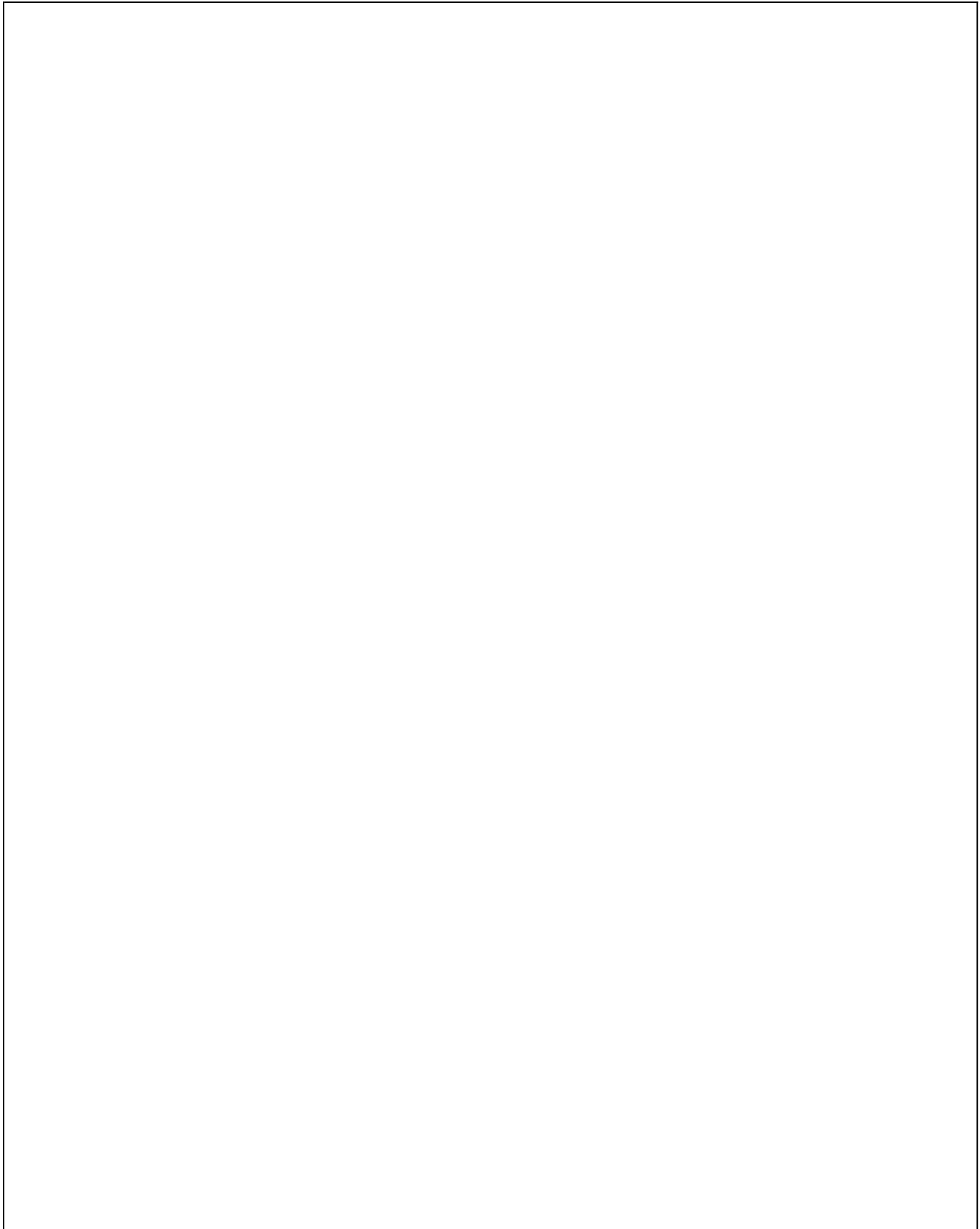
Print Date: 07-Apr-2022

---

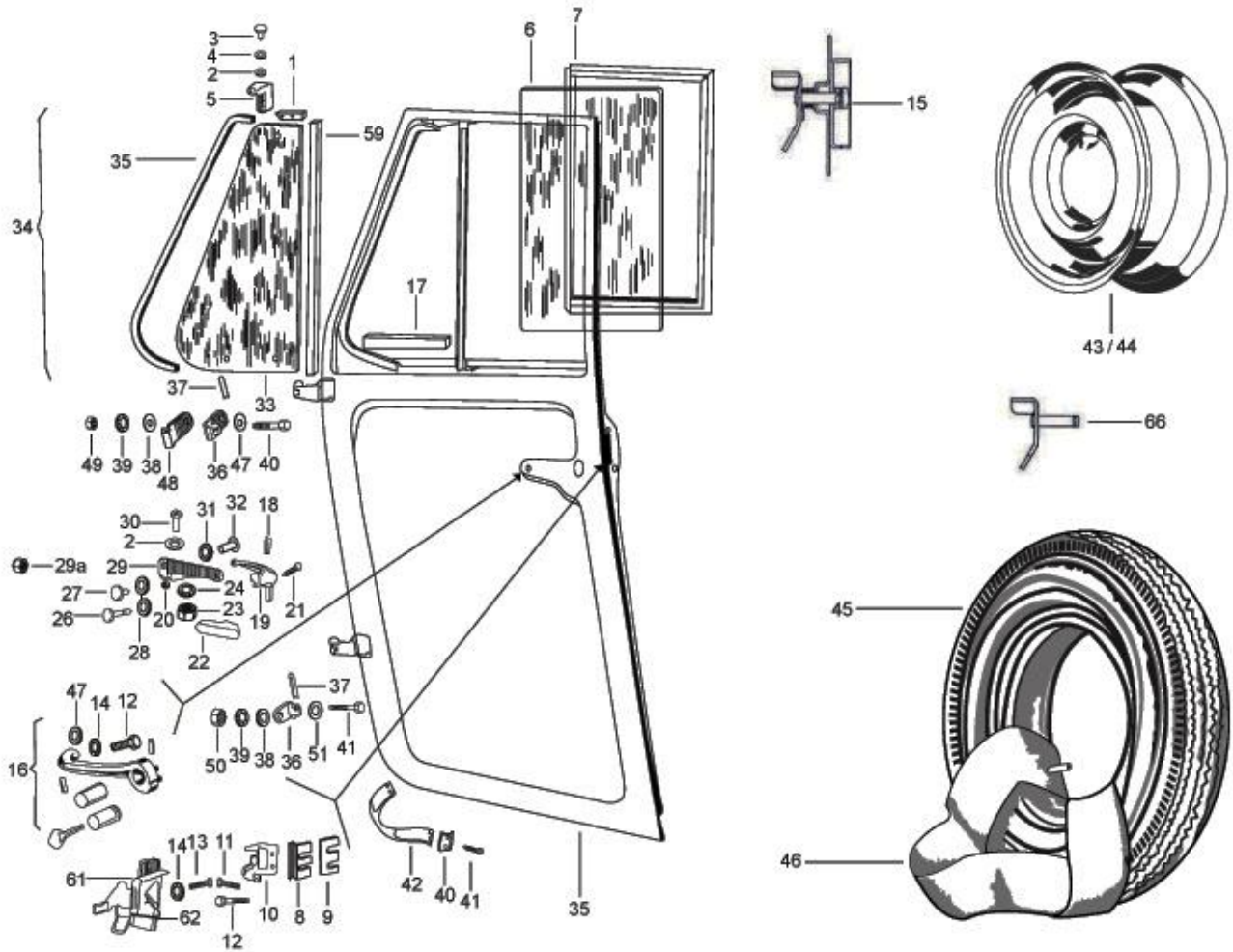
**PLATE-22**

**Doors & Drivers Seat**

---









Print Date: 07-Apr-2022

**PLATE-22****Doors & Drivers Seat**

Fig. No.	Part No.	Description	Qty	Remarks
1	163660	DEFLECTOR PANE RABBET L.H. UPPER PACKING	1	
2	97756	METALLIC PLAIN WASHER	4	
2	6965	SPRING WASHER DIA 5	2	
3	5745	RIVET DIA.7MM	2	
4	6078	PLAIN WASHER 12 X 5.2 X 1	2	
5	108800	UPPER CLAMP OF RIGHT AIR DEFLECTOR	1	
5	152025	UPPER CLAMP OF L.H. AIR REFLECTOR	1	
6	163661	FIXED GLASS FOR THE WINDOW	2	E - Marked (Export)
7	163663	GASKET, WINDOW GLASS	2	
8	140603	SECURITY LOCK CYLINDER (SHIM PLATE)1.0TH	2	
9	193724	PLATE(OPTION SHIM PLATE)	2	
10	182663	BLOCK COMPLETE OF COLLISION DOOR LOCK LH	1	
10	182662	BLOCK COMPLETE OF COLLISION DOOR LOCK RH	1	
11	569156	CSK SCREW (BLOCK CLOSING DOOR)	2	
12	569157	CSK SCREW (BLOCK CLOSING DOOR)	2	
13	30242	SLOT CH. HD. SCREW	3	
14	12546	PLAIN WASHER / MULTI TOOTH LOCK WASHER M5	8	
15	182660R	COMPLETE LOCK OF RH DOOR	1	
15	182661R	COMPLETE LOCK OF LH DOOR	1	
16	B024733	HANDLE WITH PUSH BUTTON LH WITH KEY	1	
16	B024734	HANDLE WITH PUSH BUTTON RH WITH KEY	1	
17	163659	DEFLECTOR PANE RABBET LOWER GASKET	2	
18	8808	SPRING PIN 2.5 X 14	2	
19	B003864	DEFL CLOSING LEVER RH -(PLASTIC)	1	
19	B003865	DEFL CLOSING LEVER LH (PLASTIC)	1	
20	116971	RUBBER GROMMET	2	
21	15727	PAN SELF TAPPING SCREW	2	
22	B042814	COLLISION FOR LEVER	2	
23	97756	METALLIC PLAIN WASHER	2	
24	20108	HEX NUT M8	2	
25	64263	WINDOW FRICTION WASHER	2	
26	604558	PIVOT FOR LEVER FOR CLOSING DOORS	2	
27	108804	SCREW WITH WIDE HEAD (MALE)	4	
28	13935	WASHER	2	
29	108801	LOWER BKT.FOR CONNECTING R.H.DEFLECTOR	1	



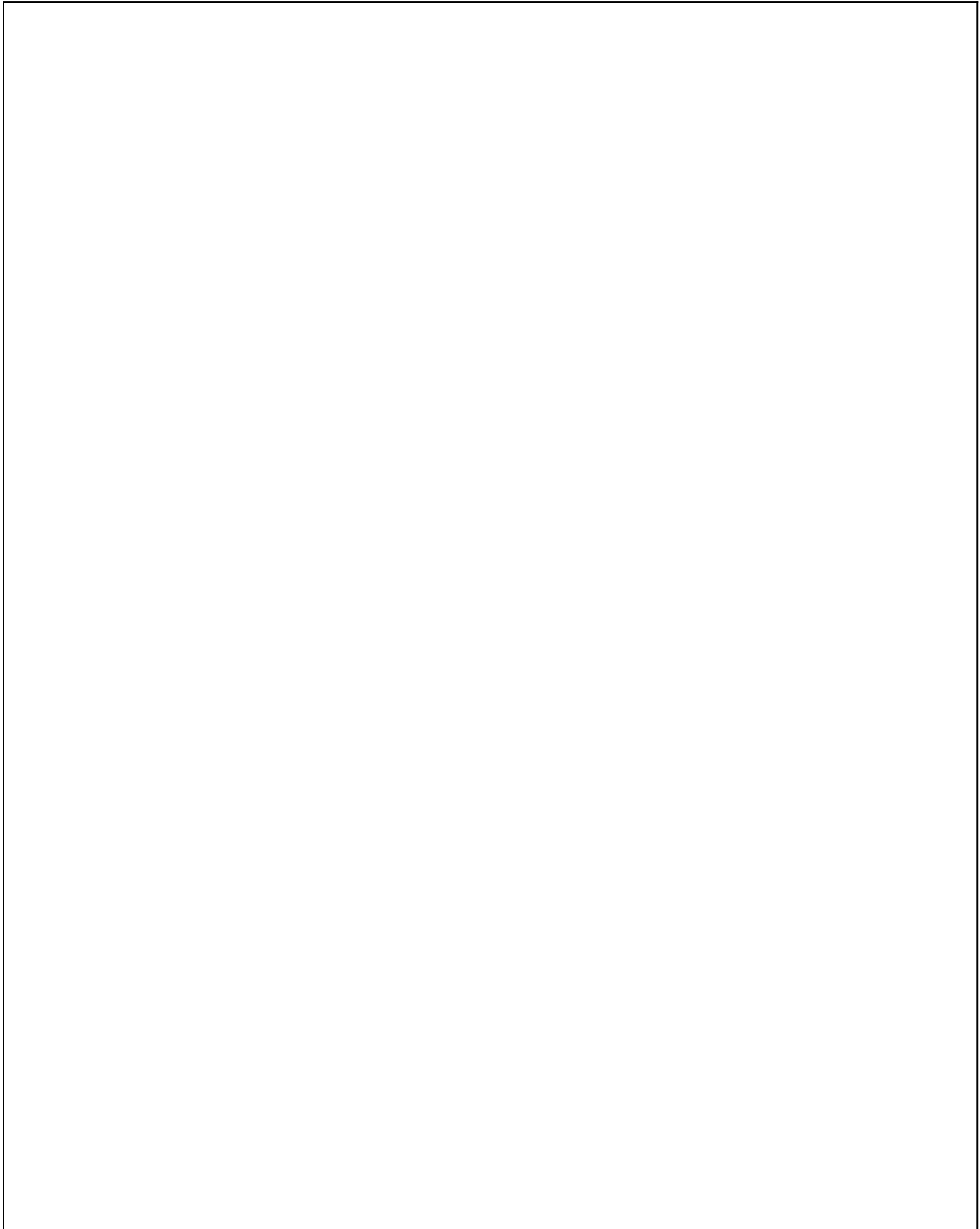
Print Date: 07-Apr-2022

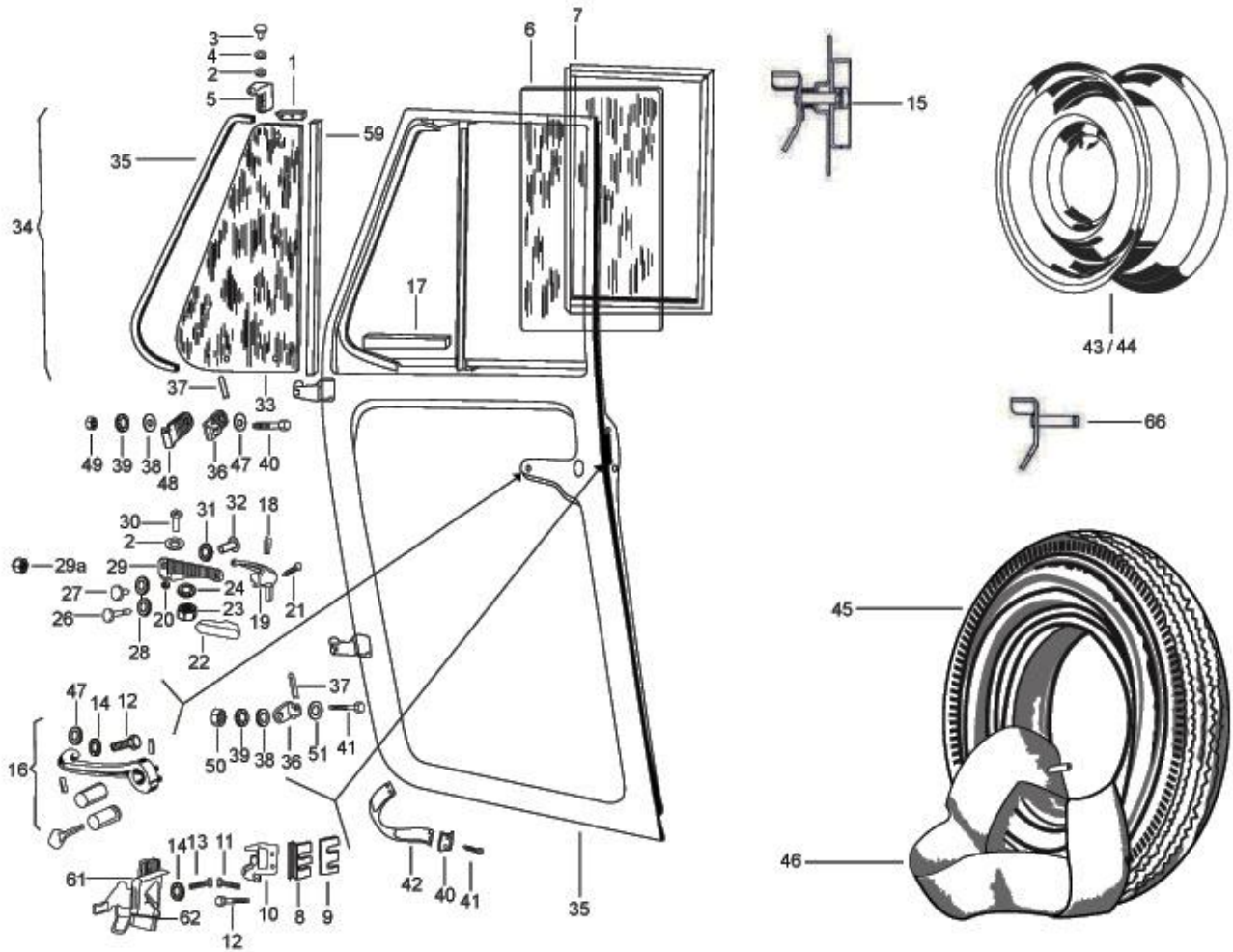
---

**PLATE-22**

**Doors & Drivers Seat**

---







Print Date: 07-Apr-2022

**PLATE-22****Doors & Drivers Seat**

Fig. No.	Part No.	Description	Qty	Remarks
30	109263	LOWER BKT.FOR CONNECTION L.H. DEFLECTOR	1	
31	12136	NUT / NYLOCK NUT M5	2	
32	31058	HEX HEAD SCREW M5 X 16 CC8.8	2	
33	163665	GLASS, VENT	2	
34	163666SP	RH; VENT WINDOW ASSY.	1	E - Marked (Export)
34	163667SP	LH; VENT WINDOW ASSY.	1	E - Marked (Export)
35	B002847	RH DOOR SUB ASSLY (CED)	1	
35	B002848	LH DOOR SUB ASSLY (CED)	1	
36	632238	DOOR HINGE ASSLY UPPER	4	
37	8847	SPRING PIN 6X64	4	
38	13812	METALLIC PLAIN WASHER	2	
39	13861	PLAIN WASHER 20X8.2X2.5	2	
41	12540	SPRING WASHER M8	4	
40	8451	PAN SELF TP SCREW 6 SGX13 AB	8	
42	B074173	STOP BELT FOR DOOR	1	
43	B074588R	WHEEL RIM ASSLY INNER - PAINTED	1	
44	B074590R	WHEEL RIM OUTER - PAINTED	1	
45	B001315	TYRE (4.0 X 8,4 PR)	1	
45A	B042878	TRIPLE PLUS TYRE- 4X8 4PR (E-MARK)	1	STEP-2 BS3 HS LAM PTL
46	B001316	INNER TUBE FOR TYRE 4.0 X 8 INCH	4	
47	6018	PL. WASHER	2	
48	605389	HINGE	1	
49	20108	HEX NUT M8	2	





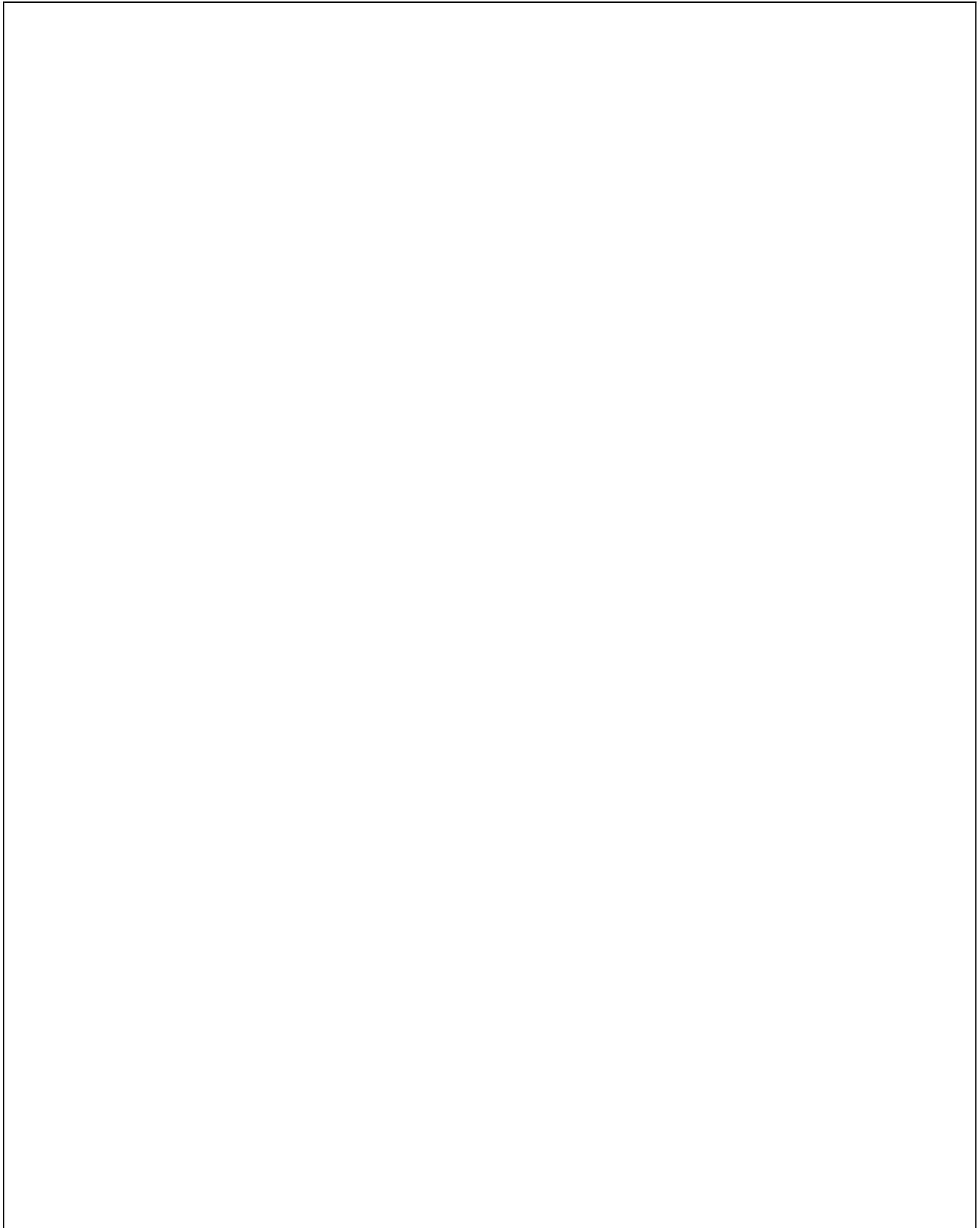
Print Date: 07-Apr-2022

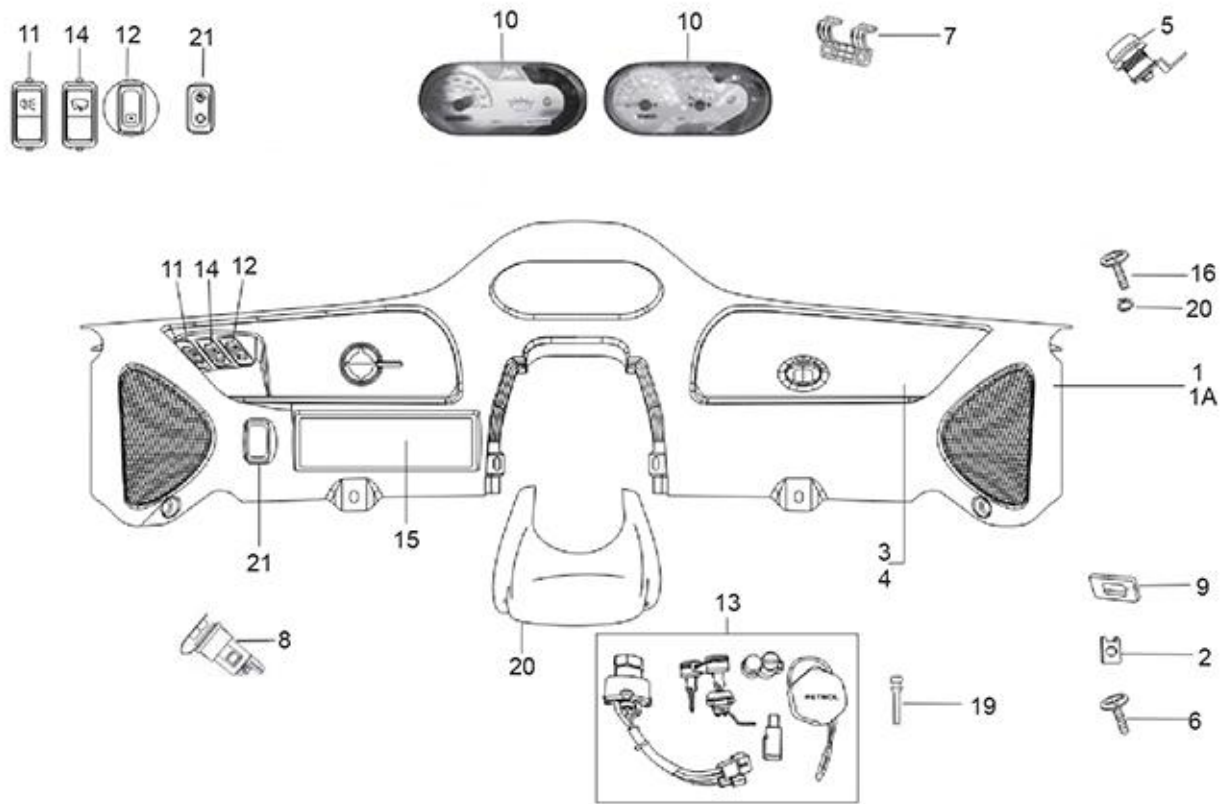
---

**PLATE-23**

**Inner Parts Of Cabin**

---







Print Date: 07-Apr-2022

**PLATE-23****Inner Parts Of Cabin**

Fig. No.	Part No.	Description	Qty	Remarks
1	B077469	DASHBOARD ASSLY COMPLETE(PET)	1	
1	B077470	DASH BOARD ASSY. (LPG / CNG)	1	
1A	B076164	DASHBOARD WITH GLOVE BOX COVER SUB ASSLY	1	Under Development
2	8080	SPRING PLATE	4	
3	B073810	GLOVE BOX COVER	1	
4	568671	GASKET - GLOW BOX COVER (N.I.)	4	
5	B024169	GLOVE BOX LOCK WITH KEY	1	
6	660168	PAN SELF TP. SCREW 10 SGX13AB	4	
7	B073814	HINGE	1	
8	B074905	MOBILE CHARGER	1	
9	643691	BOLT LOCK PLATE	1	
10	B074216	INSTR. CLUSTER (PETROL)	1	
10	B075703	INSTR. CLUSTER (CNG/LPG)	1	
11	B073478R	SWITCH 3 POSITION	1	
12	B073481R	HAZARD WARNING SWITCH WITH CROWN CAP (12V)(VE)	1	
13	B075255	LOCK SET	1	
14	B073479R	WIPER MOTOR SWITCH/ SWITCH WIPER MOTOR	1	
15	B073812	UTILITY BOX	1	
16	B023976	CSK PHILIPS HEAD SCREW M5X15	8	
17	B074262	PIN	2	
18	6078	PLAIN WASHER 12 X 5.2 X 1	8	
19	B074275	RUBBER DAMPER	2	
20	B073811	STEERING COLUMN COVER	1	
21	B075732	FUEL CHANGE OVER SWITCH	1	



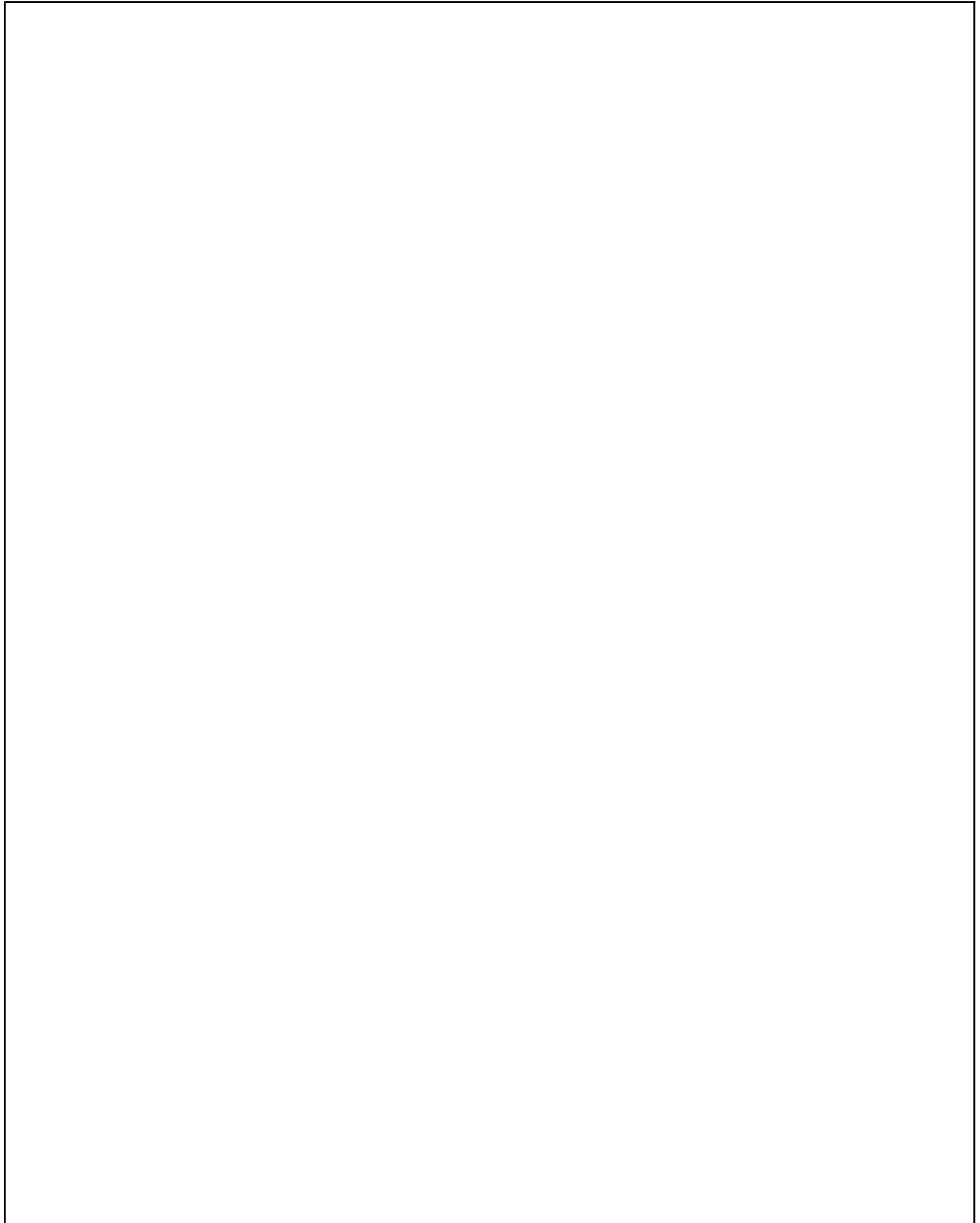
Print Date: 07-Apr-2022

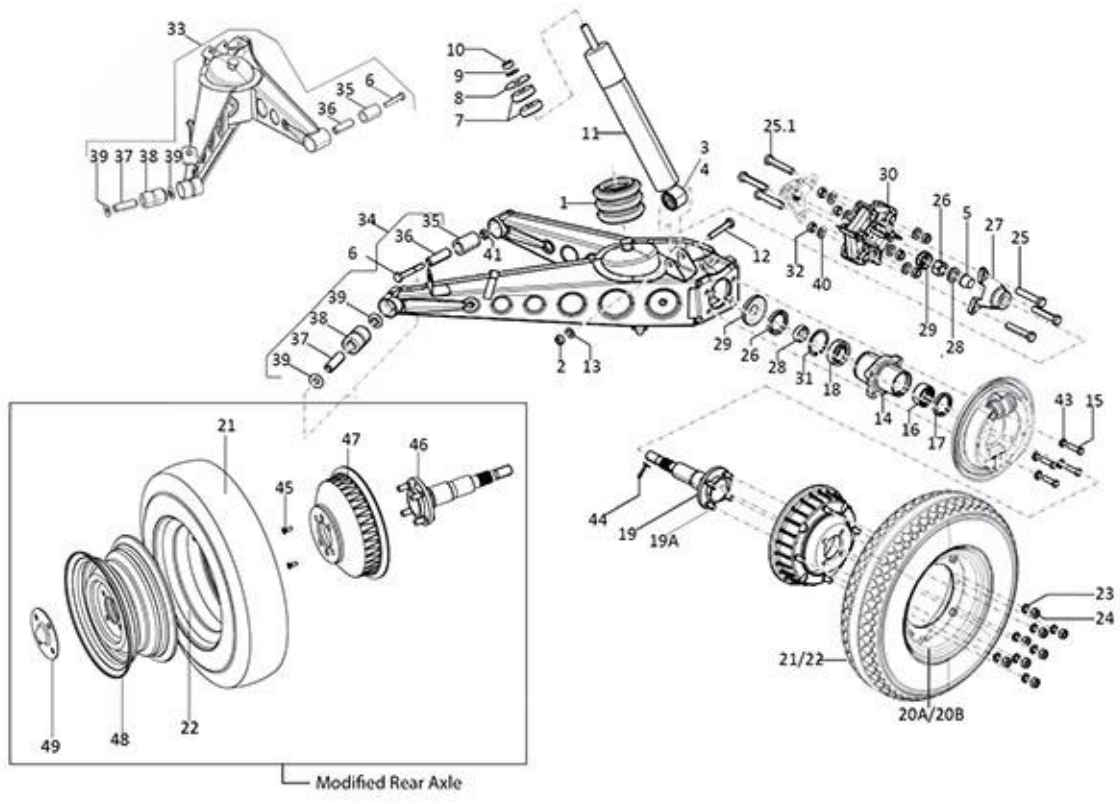
---

**PLATE-24**

**Rear Suspention**

---









Print Date: 07-Apr-2022

**PLATE-24****Rear Suspension**

Fig. No.	Part No.	Description	Qty	Remarks
1	B076290	RUBBER BUMPER	2	
2	231370	SELF BREAKING NUT M10	2	
3	157103	BUSH - SHOCK ABSORBER	2	
4	107827	SPACER	1	
5	128633	CONE	1	
6	643741	HEX HDD BOLT M10 X 80 CL 12.9	4	
7	157103	BUSH - SHOCK ABSORBER	4	
8	6066	PL WASHER 10.5X38X9	2	
9	16410	SPRING WASHER	2	
10	20110	HEX NUT M10	2	
11	136451R	SHOCK ABSORBER REAR	2	
12	267068	HEX HEAD BOLT M10 X 60 CC 10.9	2	
13	286328	PLAIN WASHER 20X10.2X2	2	
14	6C000530	REAR WHEEL HUB	2	
15	B002486	BOLT M8 X 35 6G CL 12.9	8	
16	661282	NEEDLE ROLLER BEARING	2	
17	20359	SEAL RING	2	
18	243303R	DEEP GROVE BALL BRG-RR WH AXLE	2	
19	B024374	REAR AXLE COMPLETE (APE CITY)	2	
19A	B001319	BOLT FOR AXLE	4	
19B	B077458	REAR AXLE COMPLETE	2	STEP-2 BS3 HS LAM PTL
20A	B074588R	WHEEL RIM ASSLY INNER - PAINTED	1	
20B	B074590R	WHEEL RIM OUTER - PAINTED	1	
21	B001317	TYRE & TUBE ASSEMBLY	4	
22	B001316	INNER TUBE FOR TYRE 4.0 X 8 INCH	4	
23	16410	SPRING WASHER	12	
24	20110	HEX NUT M10	12	
25	15594	HEX HDD BOLT M10 X 35	6	
25.1	B024373	ALLEN BOLT M10X65 CL 10.9	6	
26	21118	HEX NUT M18 X 1.5P	2	
27	587617	ELASTIC JOINT CONNECTION HUB (WHL - SIDE)	2	
28	661267	RING	2	
29	109892	PROTECTION CUP RR HUB	2	
30	604535	FLEXIBLE COUPLING	2	
31	6650	CIRCLIP DIA 50 (INT)	2	



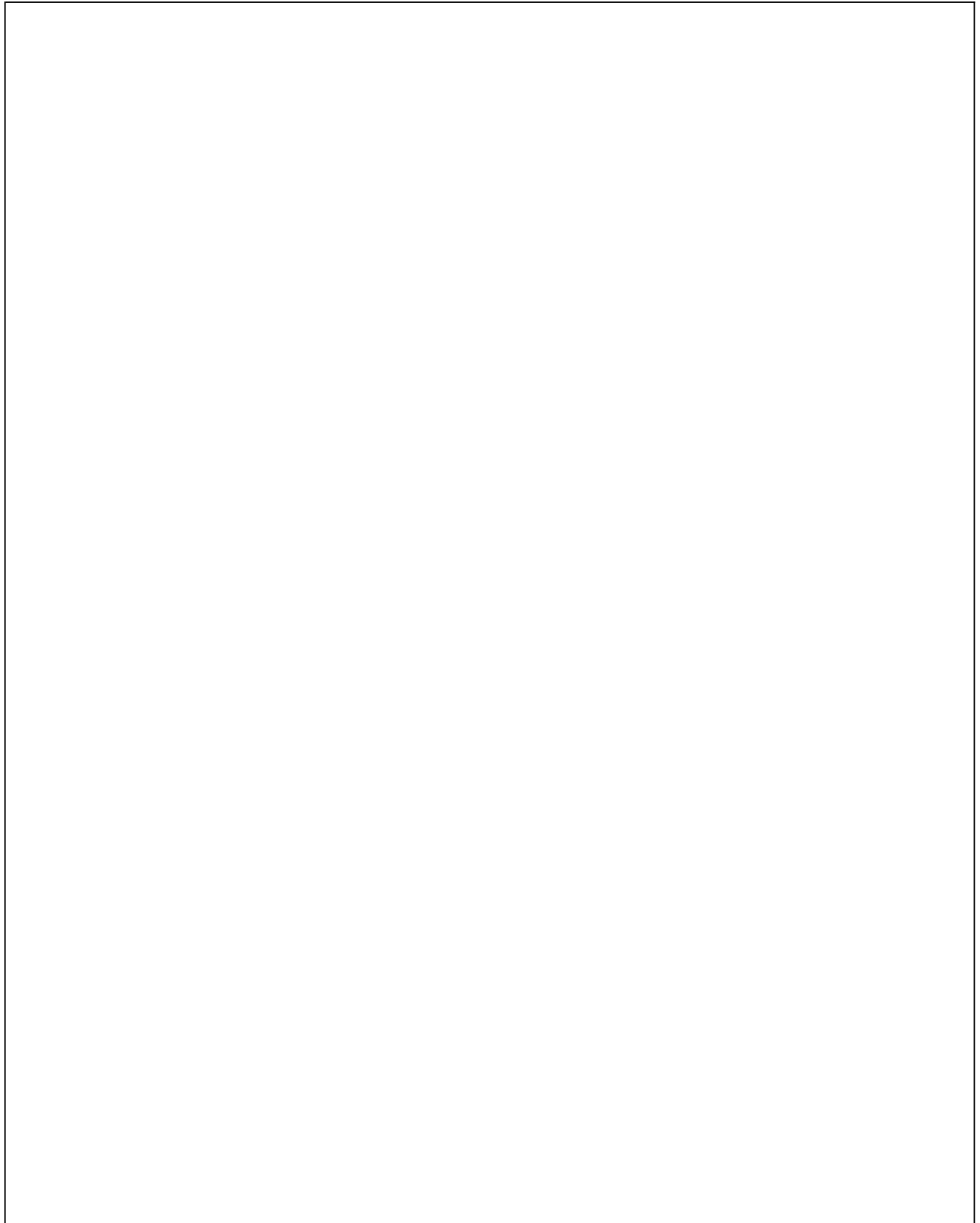
Print Date: 07-Apr-2022

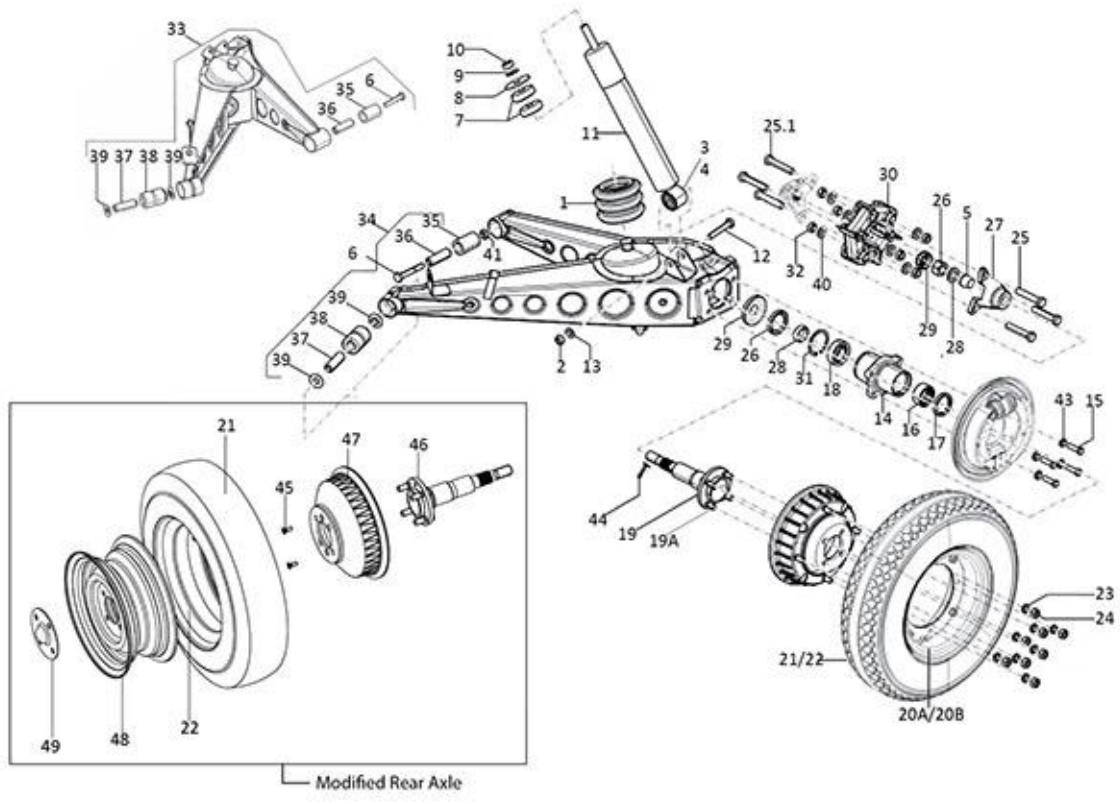
---

**PLATE-24**

**Rear Suspention**

---







Print Date: 07-Apr-2022

**PLATE-24****Rear Suspension**

Fig. No.	Part No.	Description	Qty	Remarks
32	231370	SELF BREAKING NUT M10	12	
33	B075807	ARM SUB ASSY. LH - REAR SUSPENSION	1	
34	B075808	ARM SUB ASSY. RH - REAR SUSPENSION	1	
35	226662	RING FOR ELASTIC SUPPORT	2	
36	226661	INTERNAL BUSH	2	
37	267065	SPACER FRONT	2	
38	226596	BUSH FRONT RING FOR ELASTIC SUPPORT	2	
39	661266	SHOULDER WASHER	4	
40	237246	SHIM WASHER 20X10.2X1	12	
41	231370	SELF BREAKING NUT M10	4	
42	3068	PLAIN WASHER	1	
43	016408	SPRING WASHER	8	
44	12790	SPLIT PIN	2	
45	812061656	CSK PHILIPS HEAD SCREW M6 X 16	4	Modified
46	B077458	REAR AXLE COMPLETE	2	Modified
47	B077245	BRAKE DRUM (CAST IRON)	2	Modified
48	6C000430	WHEEL RIM ASSY	2	Modified
49	B077481	WHEEL CAP	2	Modified





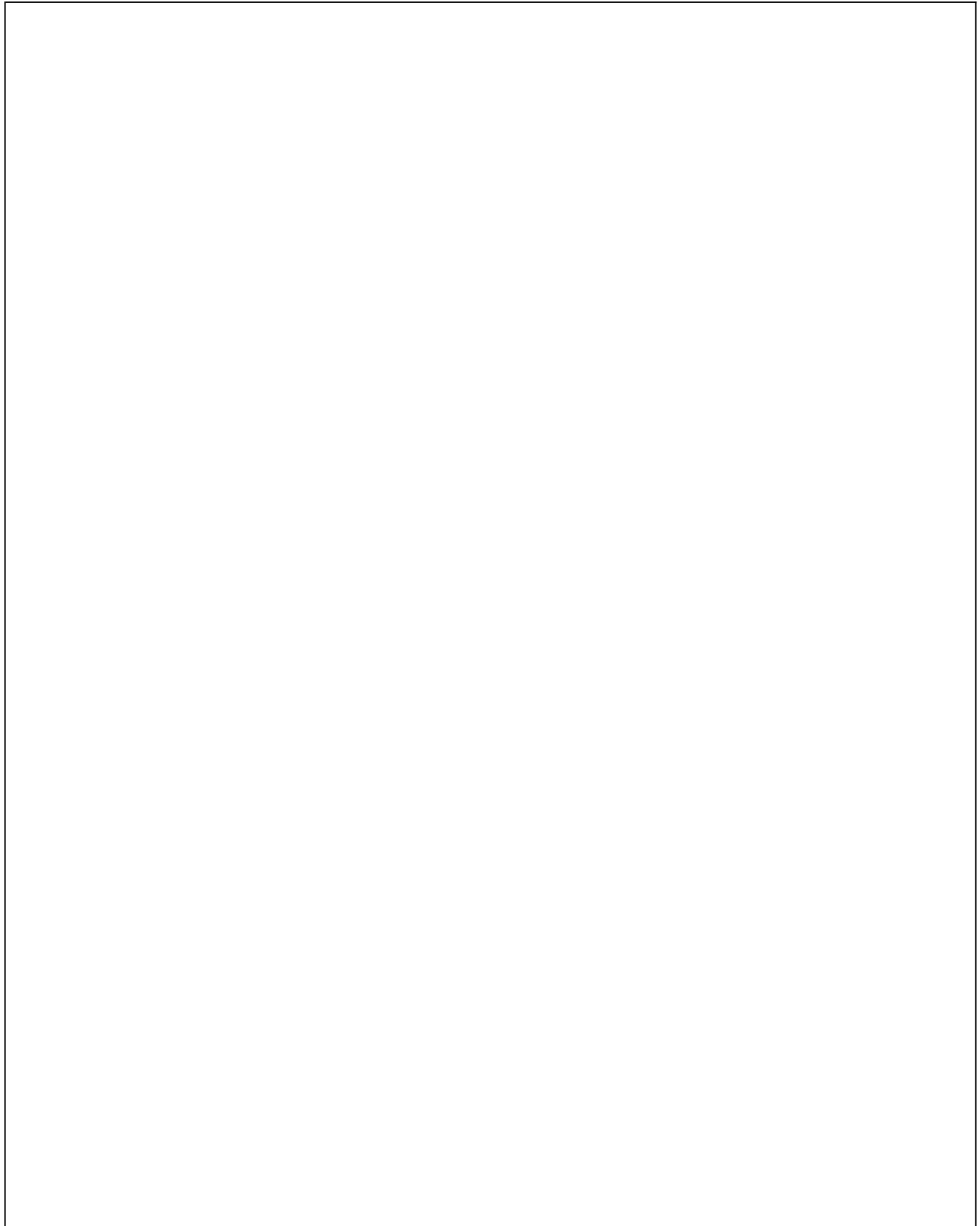
Print Date: 07-Apr-2022

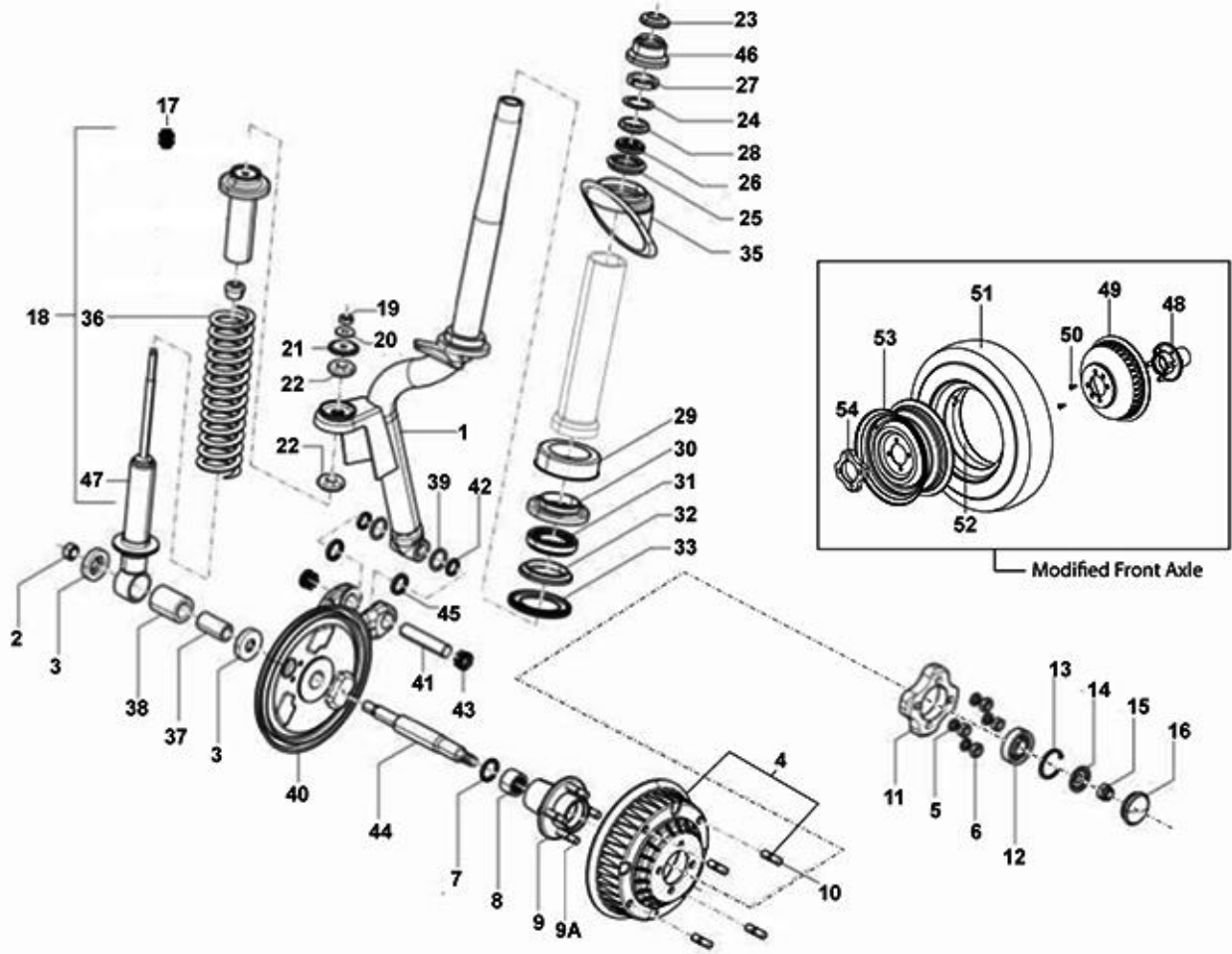
---

**PLATE-25**

**Steering Column And Front Suspension**

---







Print Date: 07-Apr-2022

**PLATE-25****Steering Column And Front Suspension**

Fig. No.	Part No.	Description	Qty	Remarks
1	B073667SP	STEERING COLUMN ASSLY (NRB)-PAX UPGR SPD	1	
1	B075694	STEERING COLUMN WITH IP	1	
2	568095	NYLOCK NUT	1	
3	87067	PLAIN WASHER 30.5X14.3X2	1	
4	B042438	BRAKE DRUM ASSY. COMPLETE	1	
5	16410	SPRING WASHER	4	
6	20110	HEX NUT M10	4	
7	136434	OIL SEAL	1	
8	125289	NEEDLE BEARING, CRANKASE, FRONT WHEEL	1	
9	B001302	FRONT HUB ASSLY.	1	
9A	B001301	BOLT FRONT HUB.	4	
10	B001323	STUD M10 - BRAKE DRUM	4	
11	B041181	SPACER DISC FRONT WHEEL MTG (ALUMIN)	1	
12	30209R	BALL BEARING FRONT WHEEL HUB	1	
13	567473	CIRCLIP DIA. 42 INT. (841004203)	1	
14	180431	COIN WASHER	1	
15	74521	NUT M14 X 1.5	1	
16	107871	CAP	1	
17	75708	SILENT BLOCK	1	
18	B073690	FRONT SHOCK ABSORBER	1	
19	20110	HEX NUT M10	1	
20	16410	SPRING WASHER	10	
21	6066	PL WASHER 10.5X38X9	1	
22	107826	RUBBER BUSH/BUFFER FOR COUPLING SHOCK ABSORBE	2	NS
23	604758	PROTECTION	1	
24	108873	STOP WASHER FOR HOLDING	1	
25	567990	BEARING RACE UPPER BOTTOM	1	
26	567991	BEARING RACE UPPER TOP	1	
27	108874	SECURING RING NUT	1	
28	6C000190	UPPER BALL CAGE (VE)	1	
29	109064	DUST COVER	1	
30	567992	BEARING RACE LOWER TOP	1	
31	6C000191	LOWER BALL CAGE (VE)	1	
32	567993	BEARING RACE LOWER BOTTOM	1	
33	109066	WASHER WITH PROTECTION FOR BEARING	1	



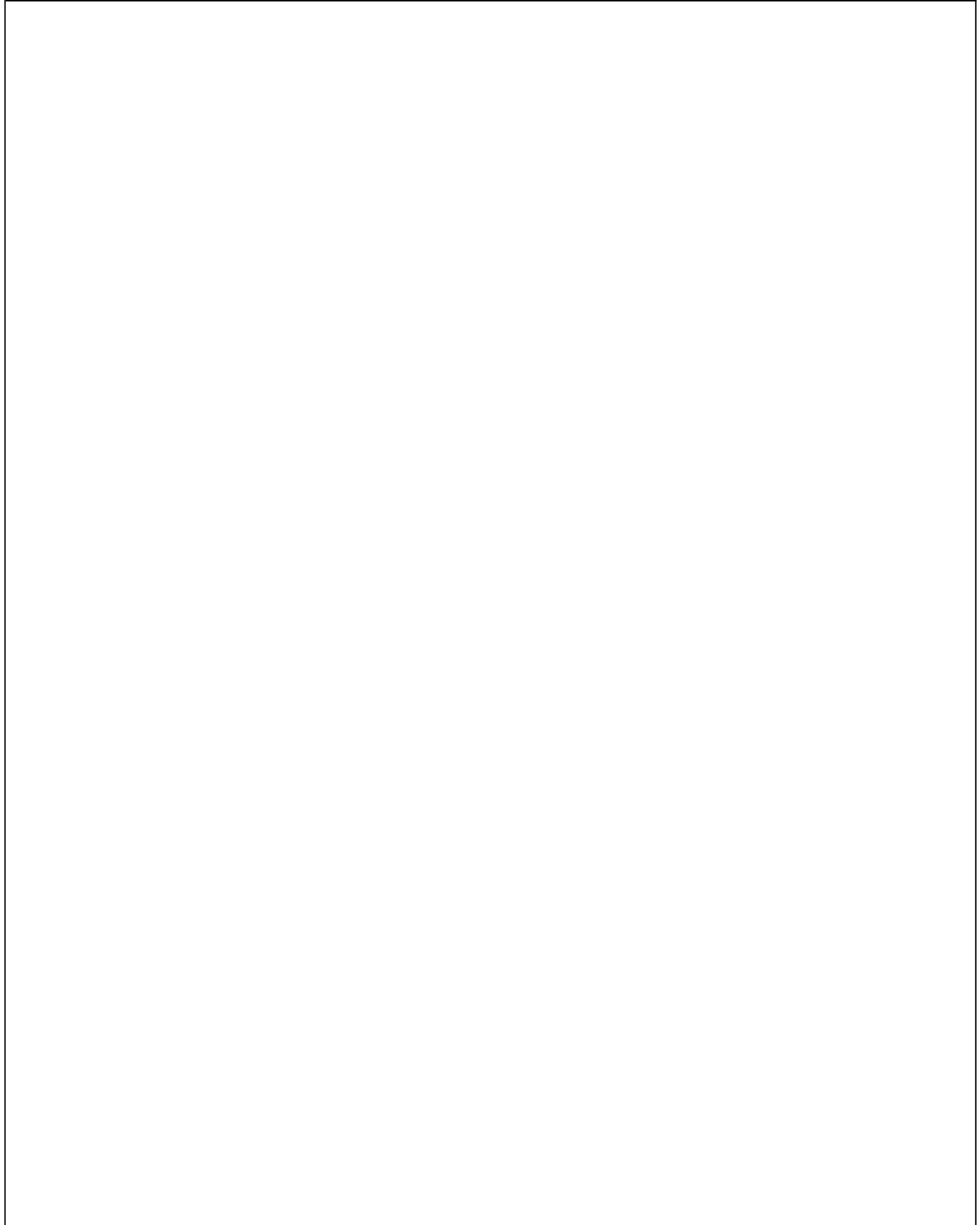
Print Date: 07-Apr-2022

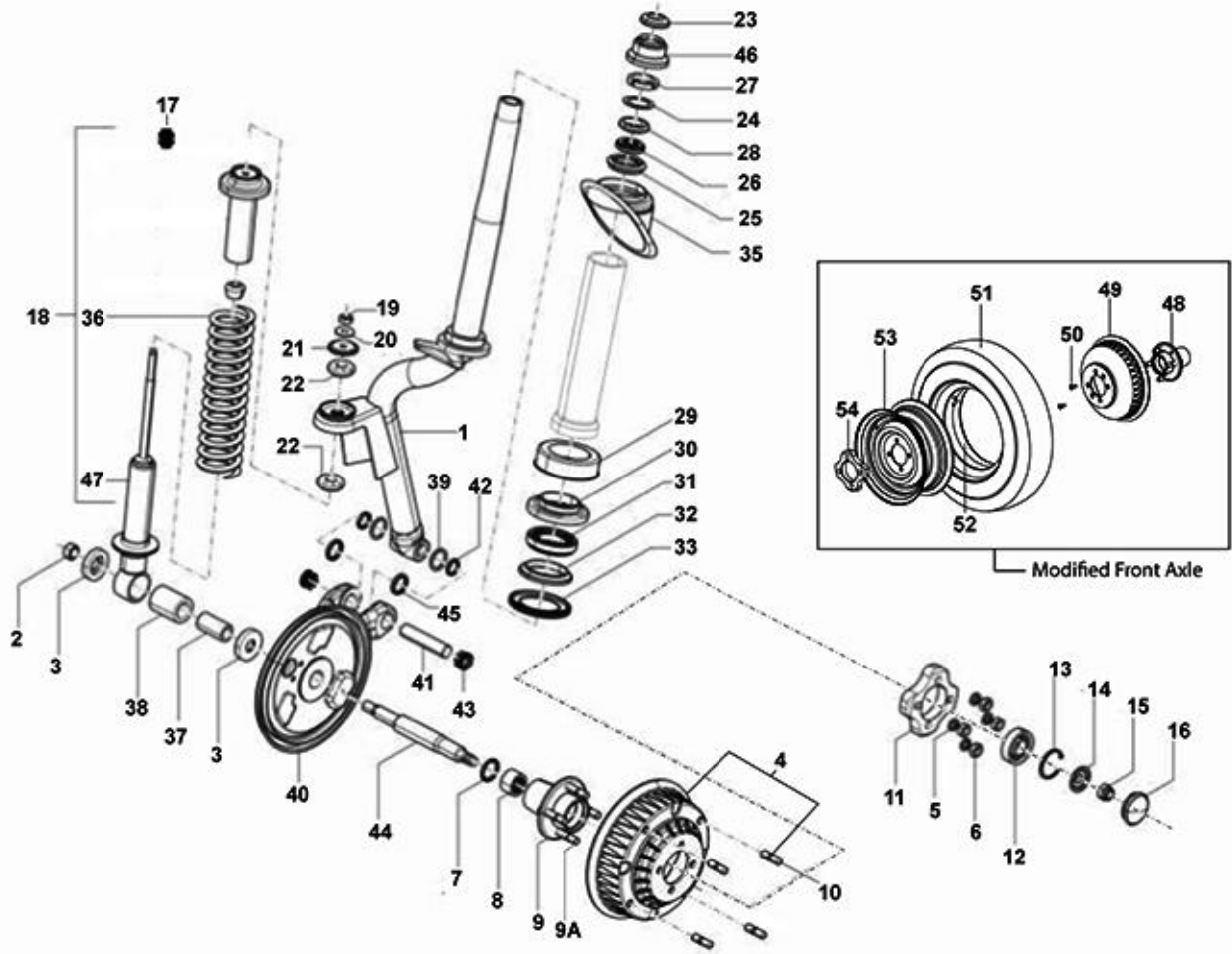
---

**PLATE-25**

**Steering Column And Front Suspension**

---









Print Date: 07-Apr-2022

**PLATE-25****Steering Column And Front Suspension**

Fig. No.	Part No.	Description	Qty	Remarks
34	604759	RUBBER CAP STEERING COLUMN (N.I.)	4	
35	109265	SPLASH GUARD DUST COVER	1	
36	940066	SPRING SHOCK ABSORBER-UG / RING	1	
37	109117	RUBBER BUSH (FRT SHOCK ABSORBER) / RING	1	
38	566545	RUBBER BUSH (FRT SHOCK ABSORBER) - MODIFIED	1	
39	6733	O RING	2	
40	B024113	FRONT BRAKE ASSY.	1	
41	137235	STEERING PIN	1	
42	8771	OIL SEAL (18-24-4)	2	
43	107718	ROLLER BUSH	2	
44	643772R	FRONT WHEEL AXLE	1	
45	150579	RING FOR HOLDING TYPE J F101 17A	2	
46	604758	PROTECTION	1	
47	940065	SHOCK ABSORBER W/O SPRING	1	
48	B077465	FRONT HUB S/A	1	Modified
49	B077245	BRAKE DRUM (CAST IRON)	1	Modified
50	812061656	CSK PHILIPS HEAD SCREW M6 X 16	2	Modified
51	B001315	TYRE (4.0 X 8,4 PR)	1	Modified
52	B001316	INNER TUBE FOR TYRE 4.0 X 8 INCH	1	Modified
53	6C000430	WHEEL RIM ASSY	1	Modified
54	B077461	SPACER DISC FRONT WHEEL MTG (ALUMIN.)	1	Modified



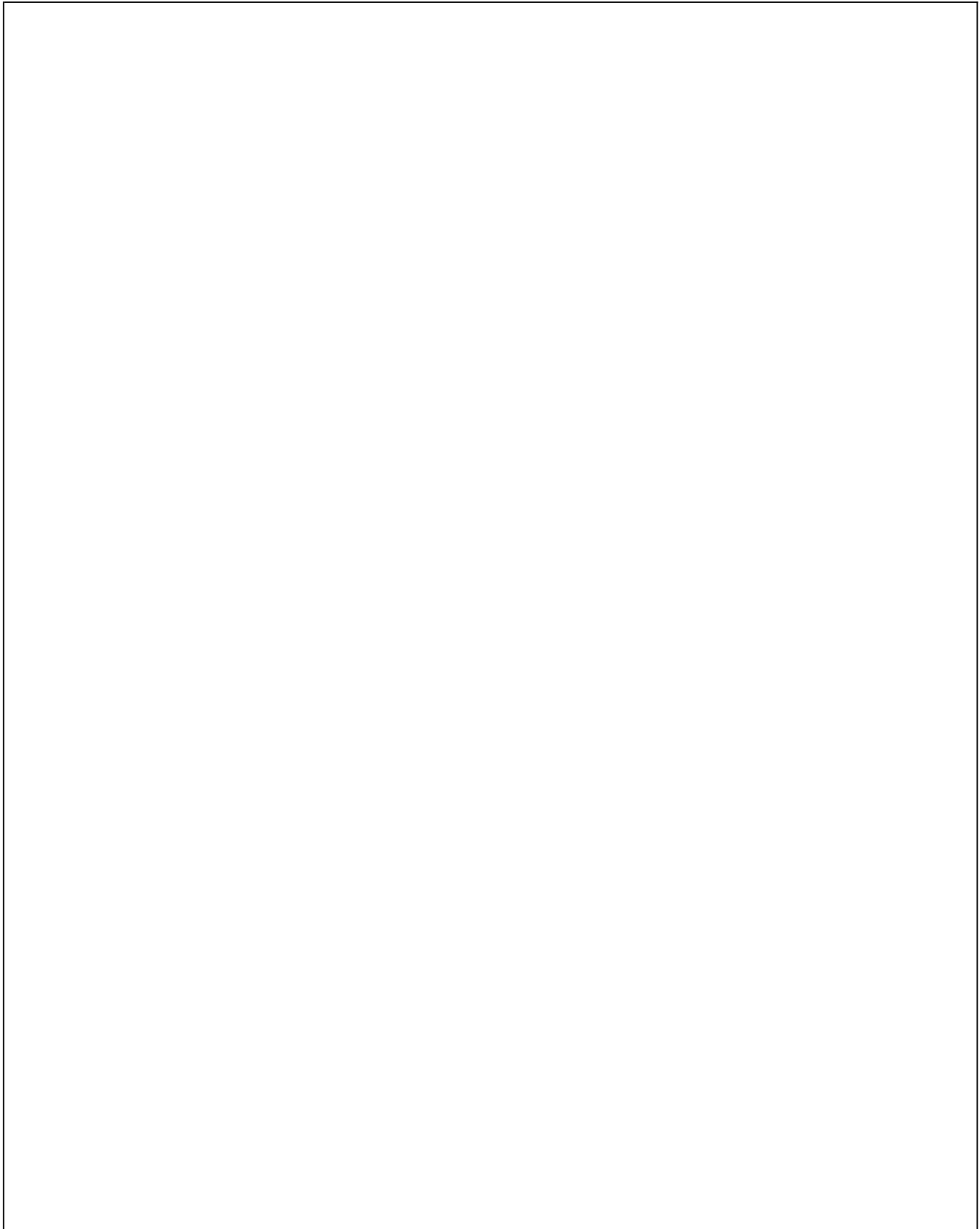
Print Date: 07-Apr-2022

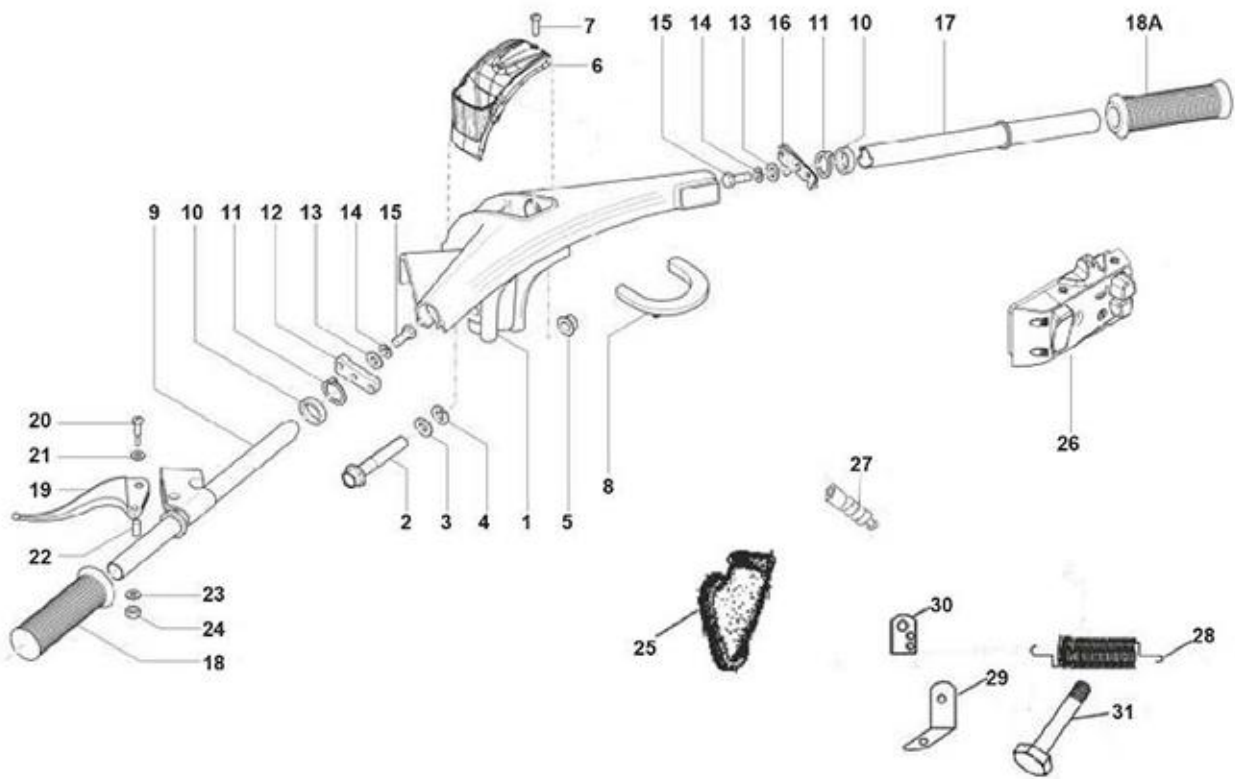
---

**PLATE-26**

**Handle Bar And Control**

---







Print Date: 07-Apr-2022

**PLATE-26****Handle Bar And Control**

Fig. No.	Part No.	Description	Qty	Remarks
1	B075687ED	HANDLE BAR BODY-ED	1	
2	30104	MOUNTING BOLT M10 X 75	1	
3	16626	PLAIN WASHER (18X10.5X2)	2	
4	16410	SPRING WASHER	1	
5	20110	HEX NUT M10	1	
6	B041600	HANDLE BAR COVER	1	
7	632158	CSK HEAD SCREW	1	
8	126902	PROTECTION COLLAR CABLE	1	
9	127451	TUBE WITH TERMINAL S/A	1	
10	109404	WASHER OF RABBET(41737)	1	
11	60565	SPRING WASHER	1	
12	109775	GEAR CONTROL LEVER S/A	1	
13	3055	PLAIN WASHER M5	2	
14	016406	SPRING WASHER	2	
15	31089	HEX HEAD SCREW M6X18 CL 8.8	2	
16	109635	THROTTLE CONTROL LEVER WITH IP	1	
17	587902	ACCELERATOR TUBE ASSY.	1	
18	141925	HANDLE	2	
19	1E002770	LEVER CLUTCH CONTROL	1	ECN: 500000253294
20	B075313	SCREW FOR CLUTCH LEVER (NEW)	1	
21	16319	BENT SPRING WASHER	1	
22	125181	SPACER	1	
23	16620	PLAIN WASHER	1	
24	12138	NYLOCK NUT M6	1	
25	109227	PROTECTION GROMMET	1	
26	B073850R	HBS (ST. BUTTON) - CITY UPGRADE (NEW) _ALL NUOVO MODEL	1	
27	109227	PROTECTION GROMMET	2	
28	B006853	SPRING HANDLE BAR	1	
29	B074498	BRACKET	1	
30	B074040	PLATE SPRING MTG. HANDLE BAR	1	
31	30104	MOUNTING BOLT M10 X 75	1	



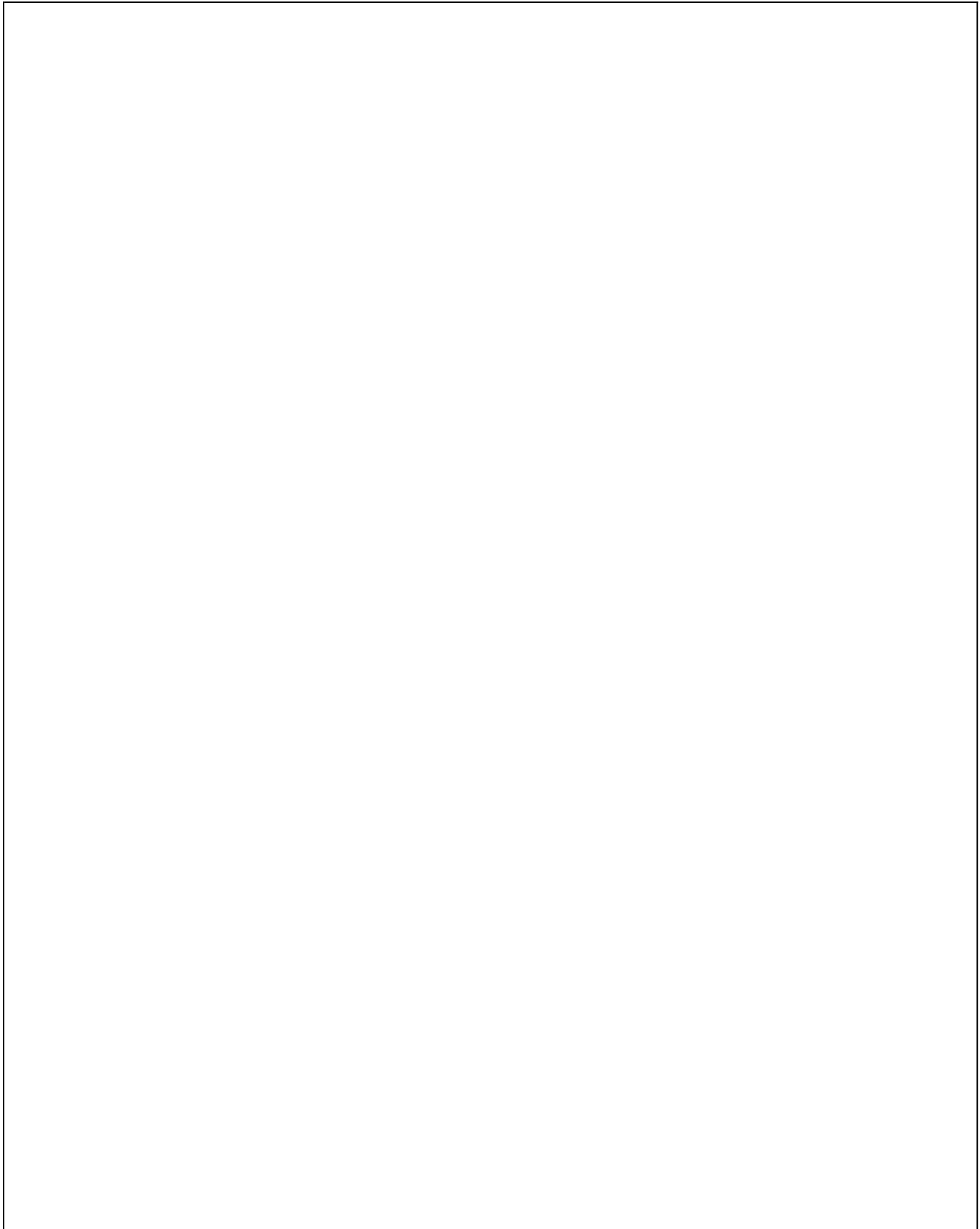
Print Date: 07-Apr-2022

---

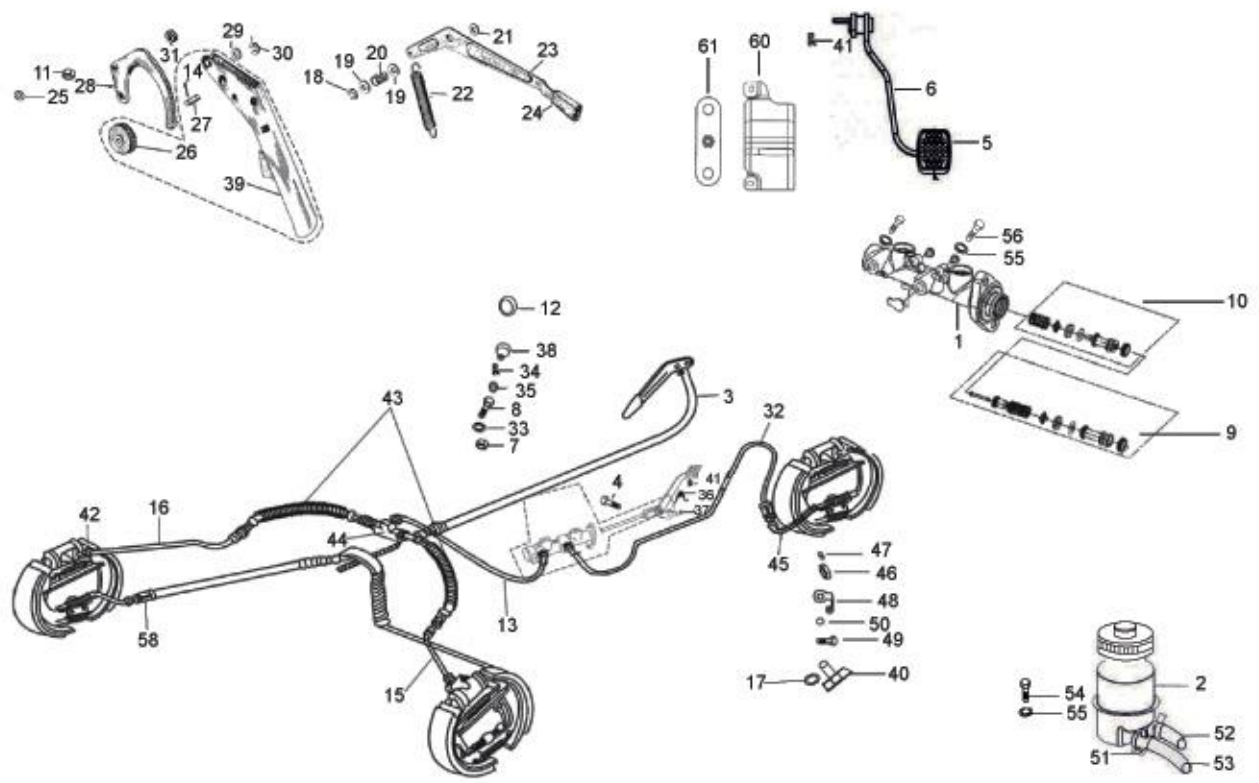
**PLATE-27**

**Brake -Tandem Master Cylinder ,Brake Pipe And Hand Brakes**

---









Print Date: 07-Apr-2022

**PLATE-27****Brake -Tandem Master Cylinder ,Brake Pipe And Hand Brakes**

Fig. No.	Part No.	Description	Qty	Remarks
1	B042396	TANDEM MASTER CYLINDER ASSLY WITH RESERVIOR	1	PETROL
2	604877	BRAKE OIL TANK	1	
3	B041774	PARKING BRAKE CABLE ASSY	1	
4	652001	PIN	1	
5	567461	RUBBER PROTECTION FOR PEDAL	1	
6	B075492	BRAKE PEDAL WITH FOOT REST ASSLY	2	
6A	604760	BRAKE PEDAL WITH FOOT REST ASSLY	2	STEP-2 BS3 HS LAM PTL
7	20108	HEX NUT M8	2	
8	812061656	CSK PHILIPS HEAD SCREW M6 X 16	2	
9	B042976	MAJOR KIT TMC (KBX 1008)	1	
10	B042977	MINOR KIT TMC (KBX 1009)	1	
11	20106	HEX NUT M6	2	
12	B042693	CUP RETAINING SPRING (SPLIT TYPE)	2	
13	B042599	BRAKE TUBE FOR REAR WHEEL	1	
14	567920	SPLIT PIN	3	
15	B041161	BRAKE-PUMP TUBE OF LEFT REAR WHEEL	1	
16	B041160	BRAKE-PUMP TUBE OF RIGHT REAR WHEEL	1	
17	3055	PLAIN WASHER M5	1	
18	5969	CIRCLIP DIA 9 E TYPE	1	
19	6173	METALLIC PLAIN WASHER (808001026)	2	
20	108785	SPRING	1	
21	B042317	SPACER-RC LEVER	1	
22	567690	REVERSE GEAR COUPLING SPRING	1	
23	125411	BACKING COMMAND LEVER	1	
24	604717	KNOB FOR R.C.	1	
25	016406	SPRING WASHER	2	
26	567898	PULLEY FOR HAND BRAKE	1	
27	567899	CLEVIS PIN	1	
28	B042794	RATCHET , HAND BRAKE CONTROL	1	
29	016408	SPRING WASHER	1	
30	6411	EXT CIRCLIP DIA 11	1	
31	20108	HEX NUT M8	1	
32	568161	TUBE BETWEEN TMC & FRT WHEEL	1	
33	016408	SPRING WASHER	2	
34	567920	SPLIT PIN	1	

70

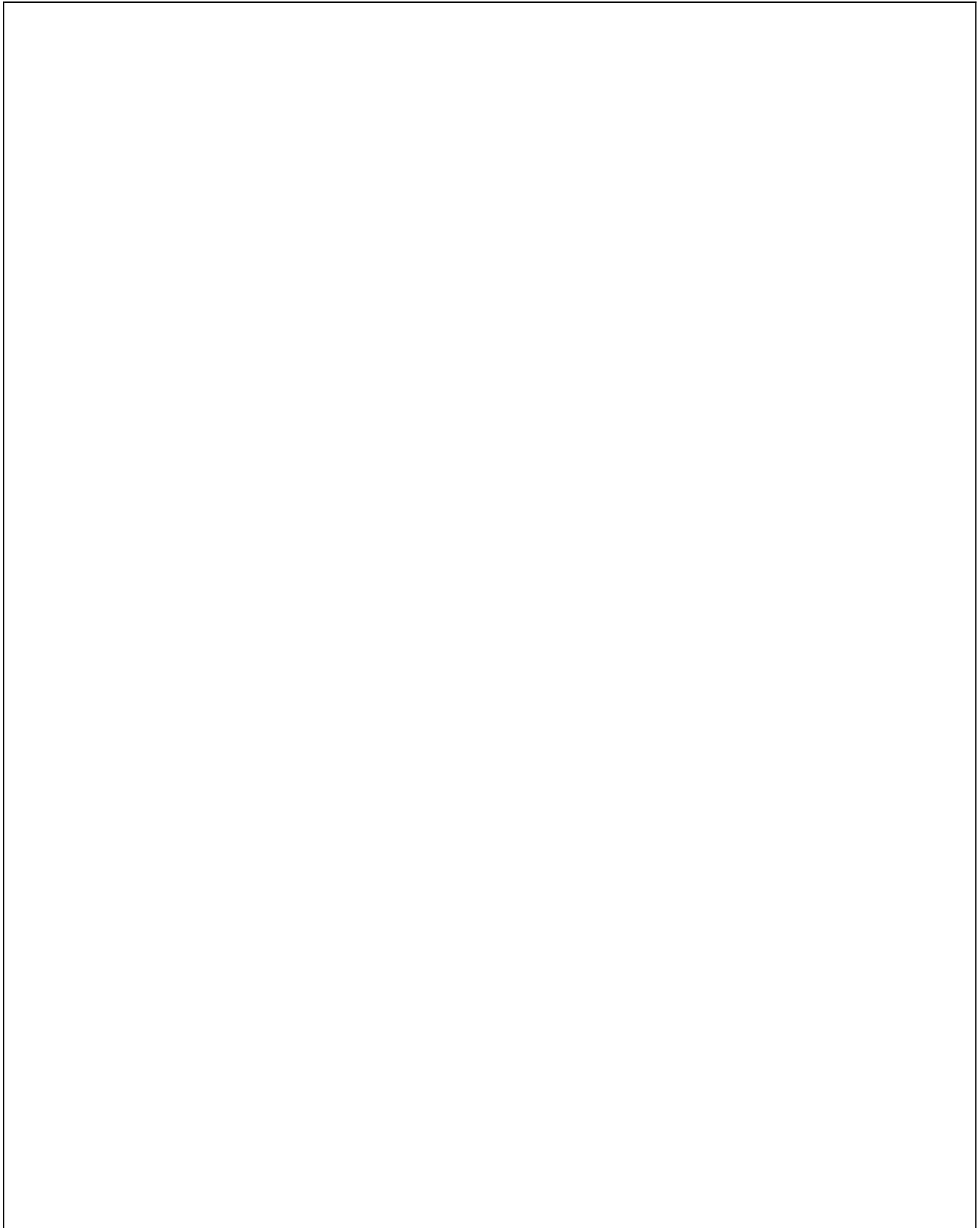
Print Date: 07-Apr-2022

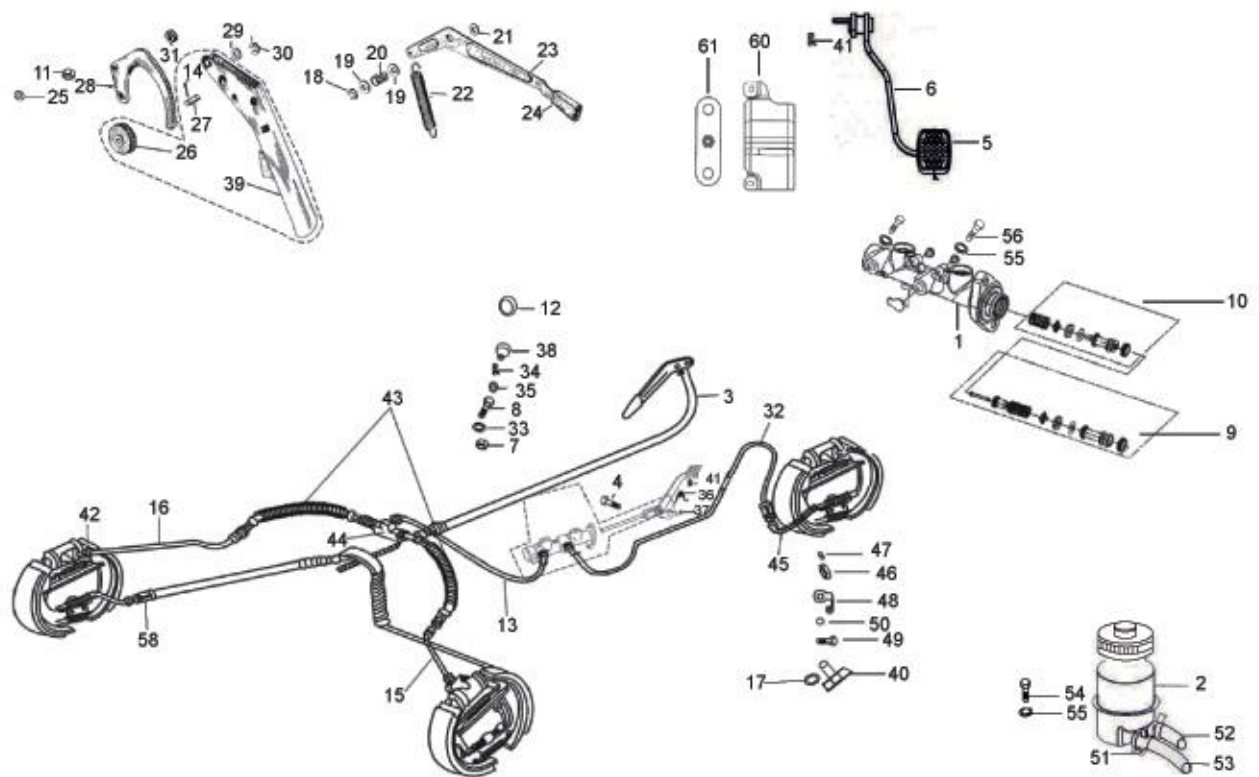
---

**PLATE-27**

**Brake -Tandem Master Cylinder ,Brake Pipe And Hand Brakes**

---







Print Date: 07-Apr-2022

**PLATE-27****Brake -Tandem Master Cylinder ,Brake Pipe And Hand Brakes**

Fig. No.	Part No.	Description	Qty	Remarks
35	3058	PLAIN WASHER 15X8.4X1.5	1	
36	587928	FOOT BRAKE PEDAL SPRING	1	
37	229524	WASHER 21X14.3X2	1	
38	138237	CAP	1	
39	567746G1	HAND BRAKE LEVER (WITH POWDER COATING)	1	
40	632056	HEX NUT M6	1	
41	568737	SPLIT PIN 4 X 25 (821 0425 2 2)	2	
42	136916	PLATE FOR RETAINING THE BRAKE FLEX. PIPE	3	
43	644814R	FLEXIBLE BRAKE HOSE	2	
43	B023786R	FLEXIBLE PIPE FOR REAR WHEEL BRAKE	2	
44	643692	THREE WAY UNION	1	
45	587624R	FLEXIBLE PIPING FOR FRONT WHEEL BRAKE R	1	
46	21216	HEX NUT M16 X 1.5	1	
47	48197	PL WASHER 24X16X1.5	13	
48	B003228	LOCK PLATE FRONT BRAKE HOSE	1	
49	587829	BENJO BOLT	1	
50	127927R	PACKING	1	
51	B075838	CLAMP	2	
52	B075488	TUBE NO-1-BRAKE OIL TANK TO TMC	1	
53	B075489	TUBE NO-2 -BRAKE OIL TANK TO TMC	1	
54	B074999	HEX BOLT	2	
55	013880	PLAIN WASHER	4	





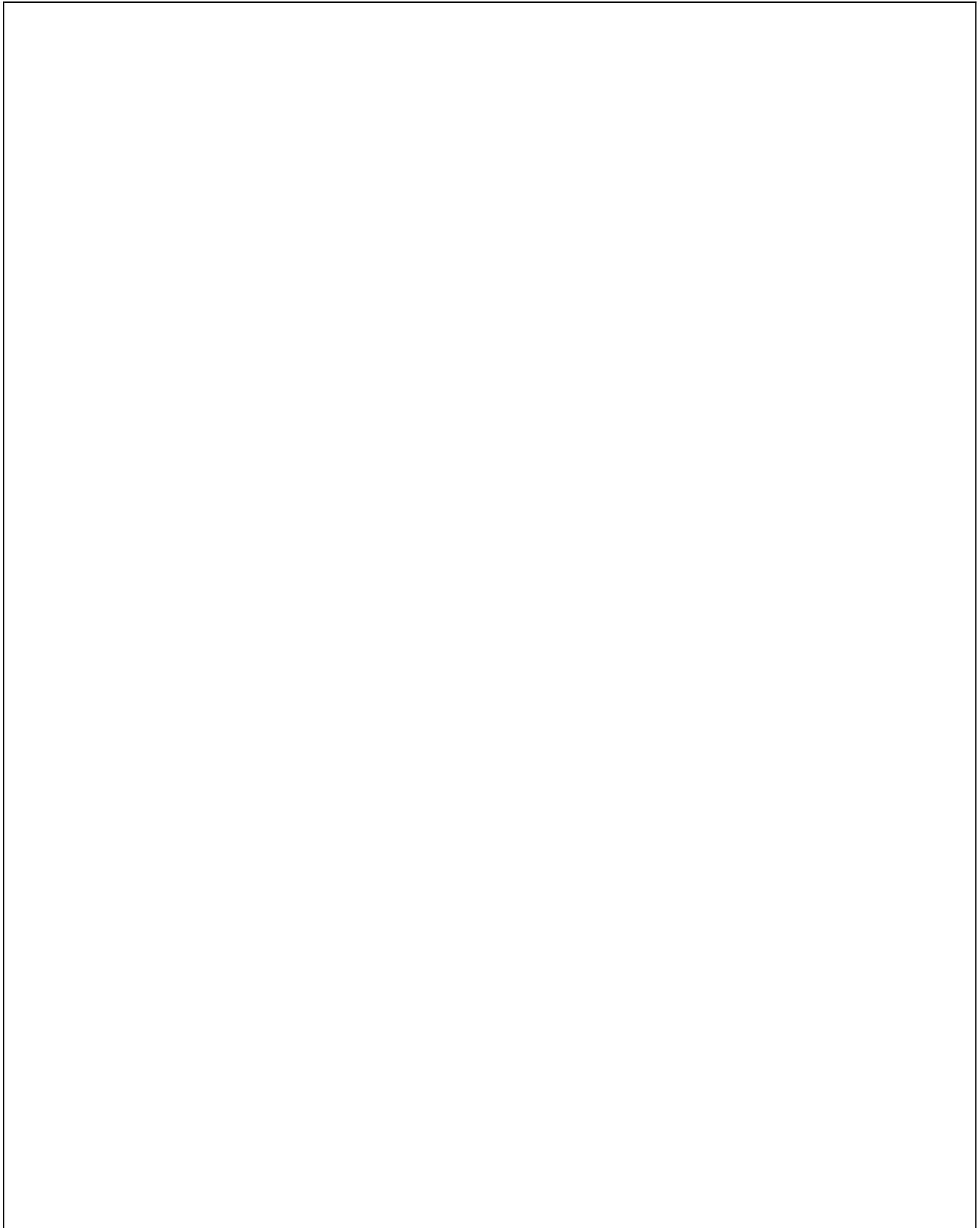
Print Date: 07-Apr-2022

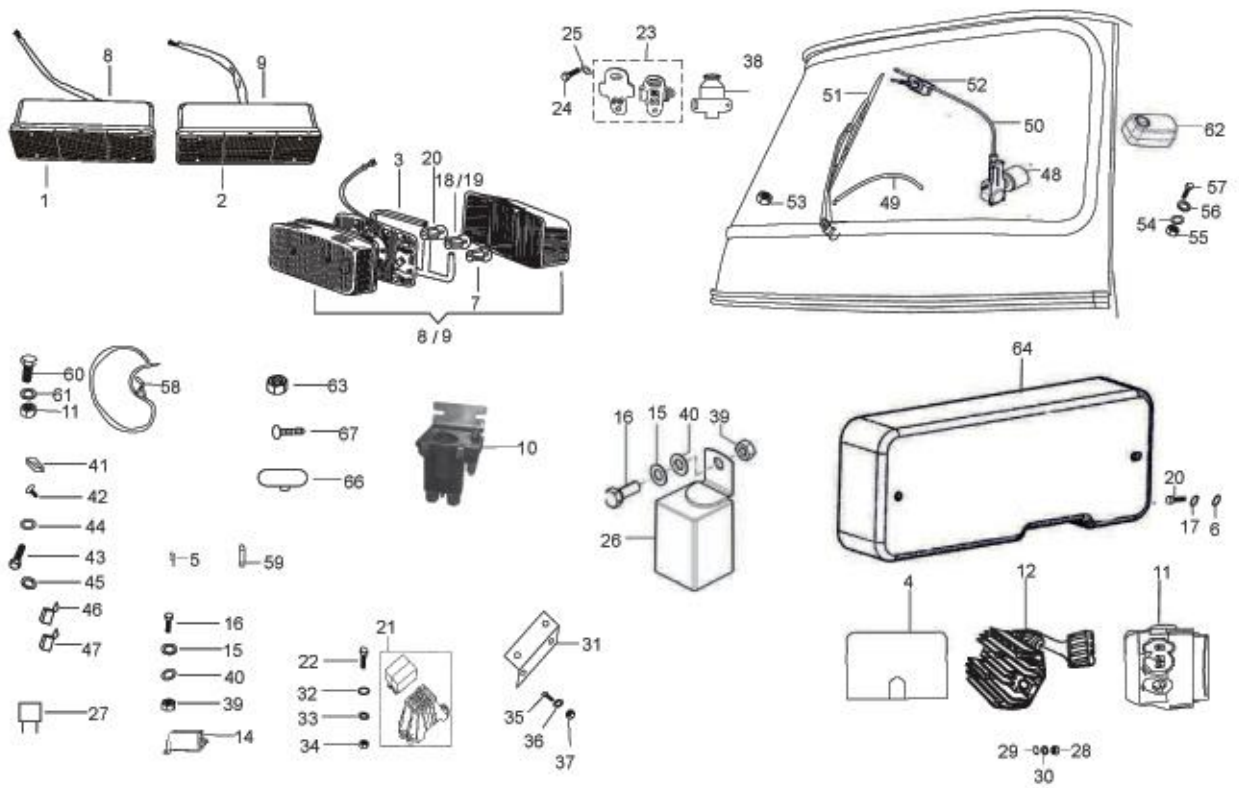
---

**PLATE-28**

**Electrical Devices**

---







Print Date: 07-Apr-2022

**PLATE-28****Electrical Devices**

Fig. No.	Part No.	Description	Qty	Remarks
1	920083	TAIL LAMP LENSE LH WITH HARDWARE & GASKET	1	
2	920084	TAIL LAMP LENSE RH WITH HARDWARE & GASKET	1	
3	925603	PACKING	2	
4	B024056	COVER CDI	1	
5	604557	FUSE (10A)	6	
6	3055	PLAIN WASHER M5	1	
7	181747	REVERSE LAMP BULB 12V 5W	2	
8	643704R	TAIL LAMP ASSY. LH	1	E - Marked (Export)
9	643705R	TAIL LAMP ASSY. RH	1	E - Marked (Export)
10	587671R	4 ST RELAY SOLENOID	1	
11	1A009251	CDI - PETROL	1	
11	1A009352	CDI - LPG	1	
11	1A009353	CDI - CNG	1	
11A	1D000510	ELECTRONIC STARTER UNIT	1	STEP-2 BS3 HS LAM PTL
12	1D000671R	VOLTAGE REGULATOR	1	
13	B024641	REAR LAMPS SUPPORT PAX 200 (GREY)	2	
14	B023727R	CONTACTOR	1	
15	12546	PLAIN WASHER / MULTI TOOTH LOCK WASHER M5	1	
16	31057	HEX HEAD SCREW M5 X 14 CL 8.8	1	
17	568721	SPRING WASHER M4	2	
18	181746	INDICATOR BULB 12V 10W	1	
19	925581	INDICATOR LIGHT BULB 12V 21W AMBER COLOUR	1	
20	8451	PAN SELF TP SCREW 6 SGX13 AB	2	
21	567581	FOUR POLE FUSE BOX	1	
22	31058	HEX HEAD SCREW M5 X 16 CC8.8	2	
23	567498R	BRAKE/REVERSE LIGHT SW (INTEGRAL CAP)-PAV	2	
24	15996	PHIL RD HD SCREW M4X12	2	
25	003054	PLAIN WASHER	2	
26	B023727R	CONTACTOR	1	
27	567706	FUSE 30 A	1	
28	12136	NUT / NYLOCK NUT M5	2	
29	6078	PLAIN WASHER 12 X 5.2 X 1	2	
30	16405	SPRING WASHER M5	2	
31	660109	FUSE BOX BKT	1	
32	3055	PLAIN WASHER M5	2	



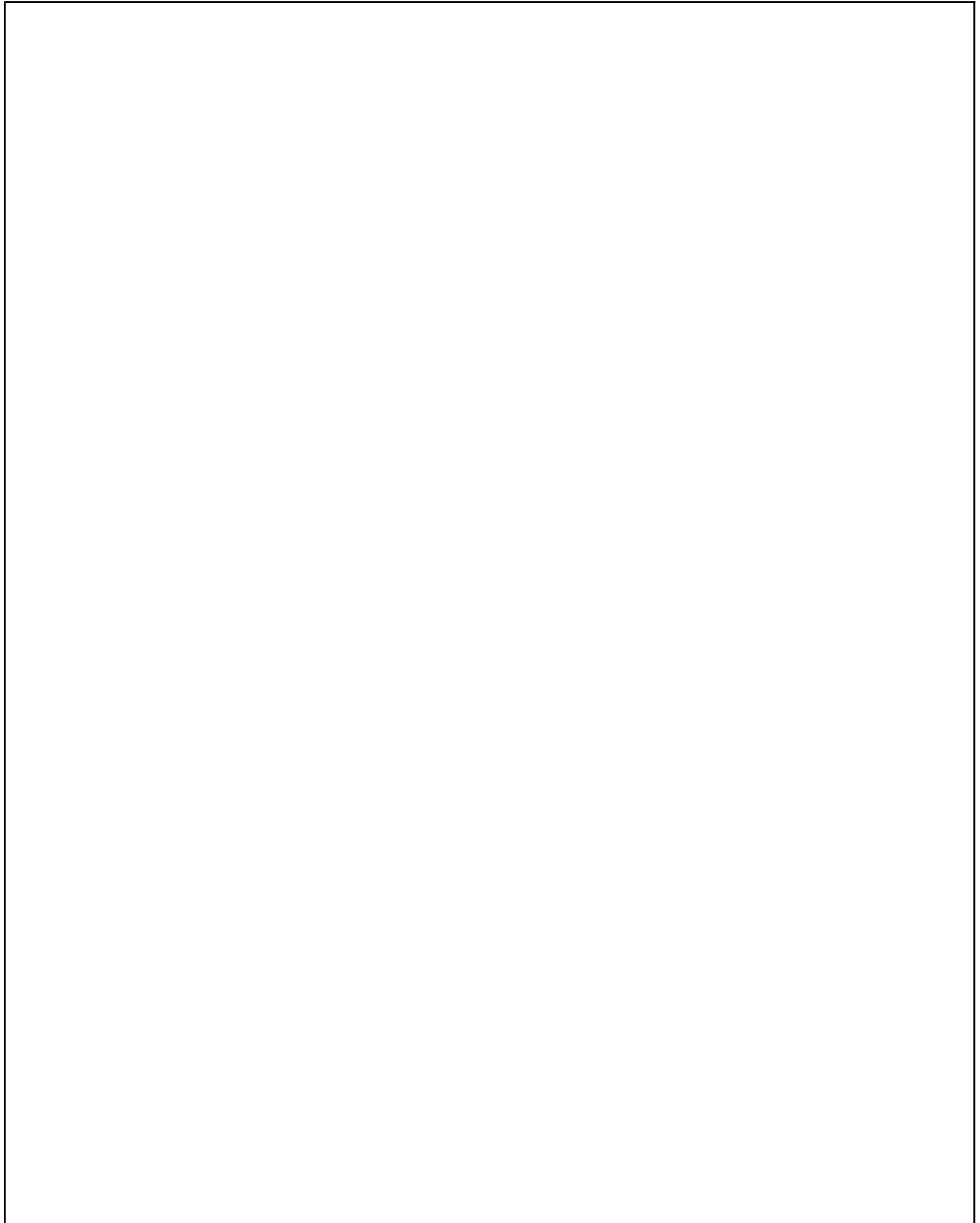
Print Date: 07-Apr-2022

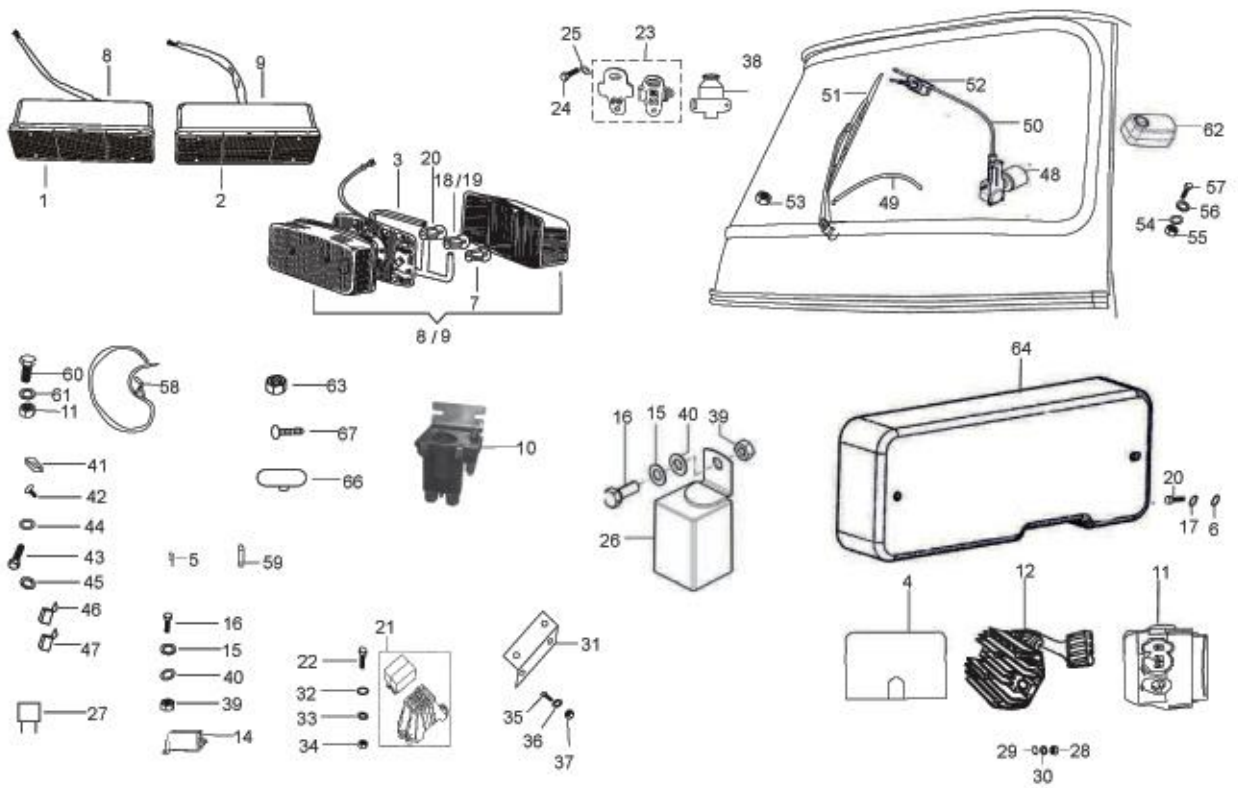
---

**PLATE-28**

**Electrical Devices**

---









Print Date: 07-Apr-2022

**PLATE-28****Electrical Devices**

Fig. No.	Part No.	Description	Qty	Remarks
32	6078	PLAIN WASHER 12 X 5.2 X 1	2	
33	6965	SPRING WASHER DIA 5	2	
34	20105	PLAIN NUT M5	2	
35	31058	HEX HEAD SCREW M5 X 16 CC8.8	22	
36	6965	SPRING WASHER DIA 5	2	
37	20105	PLAIN NUT M5	2	
38	567498R	BRAKE/REVERSE LIGHT SW (INTEGRAL CAP)-PAV	21	
39	20105	PLAIN NUT M5	1	
40	3055	PLAIN WASHER M5	1	
41	B075693	MTG BKT ONE WAY FUSE - HOLDER	1	
42	568692	PAN SELF TAP SCREW 6SG X 16AB	1	
43	31088	HEX HD SCREW M6 X 16 CL 8.8 (811061623)	1	
44	3056	PLAIN WASHER M6 OD12	1	
45	016406	SPRING WASHER	1	
46	680166	SAFETY STARTER RELAY	1	
47	B023727R	CONTACTOR	1	
48	B073685	WIPER MOTOR ASSY. WITH MTG. BKT.	1	
49	B073821	BUNDY TUBE OUTER (UP)	1	
50	B073682	WIPER BUNDY - MOTOR TO WHEEL BOX	1	
51	B073600	WIPER ARM & BLADE ASSY	1	
51A	632292	WIPER ARM & BLADE ASSY	1	STEP-2 BS3 HS LAM PTL
52	B076304	WHEEL BOX ASSY. (MOD.)	1	
53	569165	DOME NUT	1	
54	016406	SPRING WASHER	1	
55	20106	HEX NUT M6	6	
56	3056	PLAIN WASHER M6 OD12	6	
57	31088	HEX HD SCREW M6 X 16 CL 8.8 (811061623)	6	
58	B024948R	BAT + VE _BC SW -4ST REL(CITY 200 C/L)	1	
59	925786	ECU - FUSE (2A) (N.I)	1	
60	31088	HEX HD SCREW M6 X 16 CL 8.8 (811061623)	2	
61	016406	SPRING WASHER	2	
62	B073715	CABIN LAMP	1	
63	20106	HEX NUT M6	2	
64	B073492	PLASTIC COVER-ELECTRICAL CLUSTER	1	
65	B024532	KEY IGNITION SWITCH W/COUPLER (PAVNA)	1	



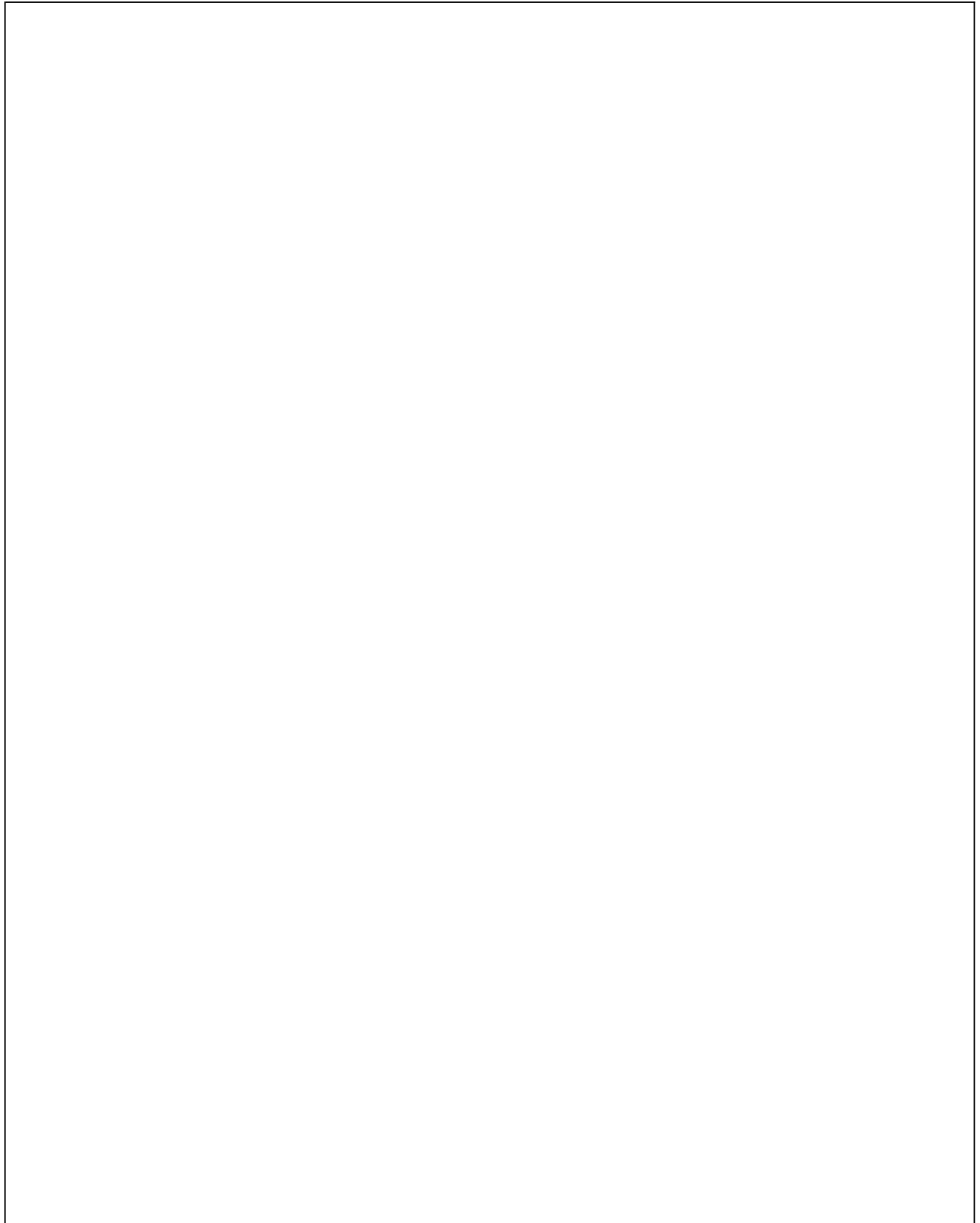
Print Date: 07-Apr-2022

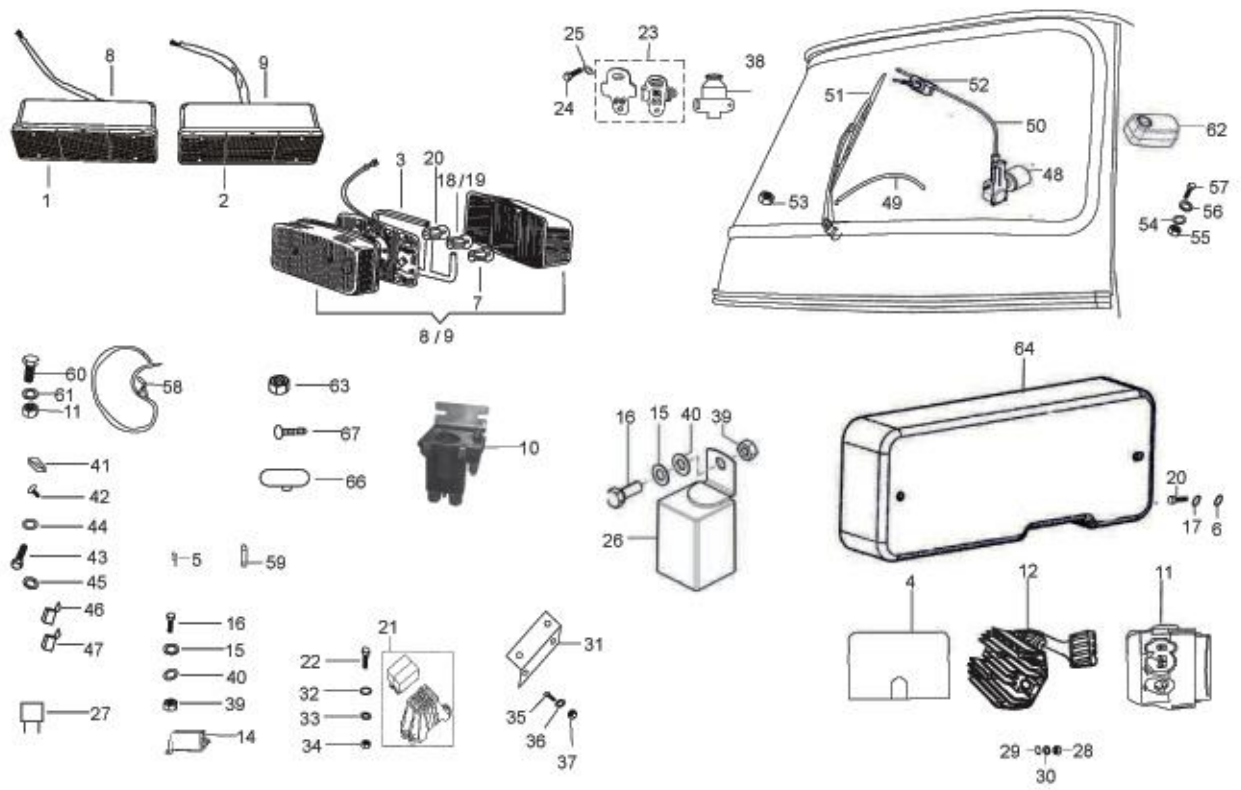
---

**PLATE-28**

**Electrical Devices**

---







Print Date: 07-Apr-2022

**PLATE-28****Electrical Devices**

<b>Fig. No.</b>	<b>Part No.</b>	<b>Description</b>	<b>Qty</b>	<b>Remarks</b>
66	B074491	ENGINE COMPARTMENT LAMP WITH PIGTAIL (UP)	1	
67	B074539	PHILIPS COUNTER HEAD SCREW	2	





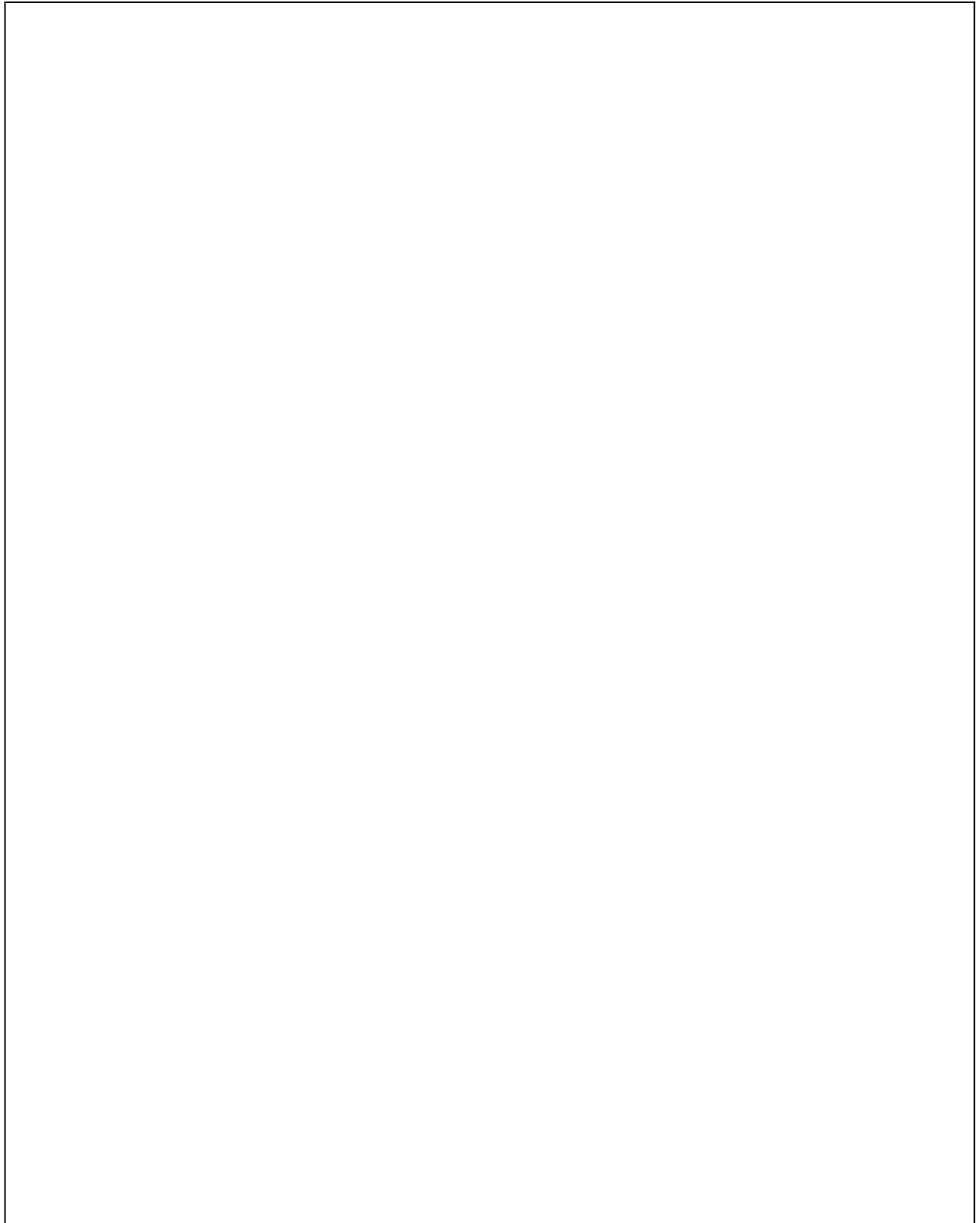
Print Date: 07-Apr-2022

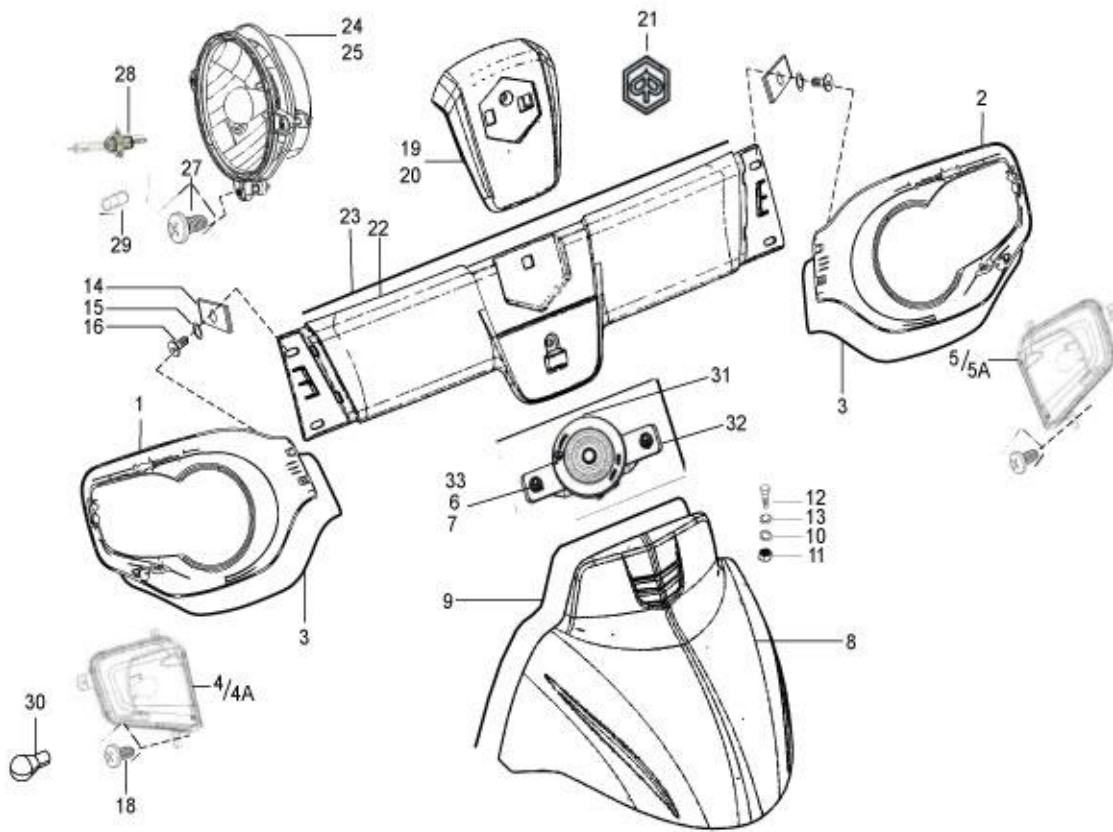
---

**PLATE-29**

**Front Fascia**

---







Print Date: 07-Apr-2022

**PLATE-29**  
**Front Fascia**

Fig. No.	Part No.	Description	Qty	Remarks
1	B074434	BEZEL_HEADLAMP BLINKER (RH)	1	E - Marked (Export)
2	B074433	BEZEL_HEADLAMP BLINKER (LH)	1	E - Marked (Export)
3	B073969	HL BEZEL BEADING	2	
4	6D000146R	FRONT DIRECTION INDICATORS RH	1	E - Marked (Export)
4A	B078272	BLINKER HOUSING (RH)-(HOUSING + GLASS)	1	
5	6D000145R	FRONT DIRECTION INDICATORS LH	1	E - Marked (Export)
5A	B078274	BLINKER HOUSING (LH)-(HOUSING + GLASS)	1	
6	3056	PLAIN WASHER M6 OD12	4	
7	20106	HEX NUT M6	4	
8	B073882WR	FRONT MUDGUARD - PAINTED-WR	1	
8	B073882BW	FRONT MUDGUARD - PAINTED-BW	1	
8	B073882GY	FRONT MUDGUARD - PAINTED - GY	1	
8	B073882CB	FRONT MUDGUARD - PAINTED - CB	1	
8	B073882EG	FRONT MUDGUARD - PAINTED - EG	1	
8	B073882NB	FRONT MUDGUARD - PAINTED - NB	1	
8	B073882BL	FRONT MUDGUARD - PAINTED - BL	1	
9	-	NOT SERVICEABLE	1	NS
10	013880	PLAIN WASHER	8	
11	20106	HEX NUT M6	4	
12	31089	HEX HEAD SCREW M6X18 CL 8.8	4	
13	78307	BENT SPRING WASHER M6	4	
14	8080	SPRING PLATE	4	
15	3055	PLAIN WASHER M5	10	
16	660168	PAN SELF TP. SCREW 10 SGX13AB	5	
17	157716	SCREW ANCHORE	8	
18	B074539	PHILIPS COUNTER HEAD SCREW	4	
19	B073875	LOGO SUPPORT - NOT PAINTED	1	
20	B073875SL	LOGO SUPPORT - PAINTED	1	
21	B076120	HEXAGONAL EMBLEM	1	
22	B073872	CENTRAL FACIA	1	
23	B073970	CENTRAL FACIA BEADING UPPER	1	
24	6D000143R	HEAD LAMP ASSLY LH - NUOVO	1	E - Marked (Export)
25	6D000144R	HEAD LAMP ASSLY - RH (NUOVO)	1	E - Marked (Export)
26	119735	PROTECTION SECURING SPRING/SPR. FOR PROTECTION	2	
27	15900	HEAD LAMP SECURING SCREW/PAN SELF TAP SCREW	6	

80

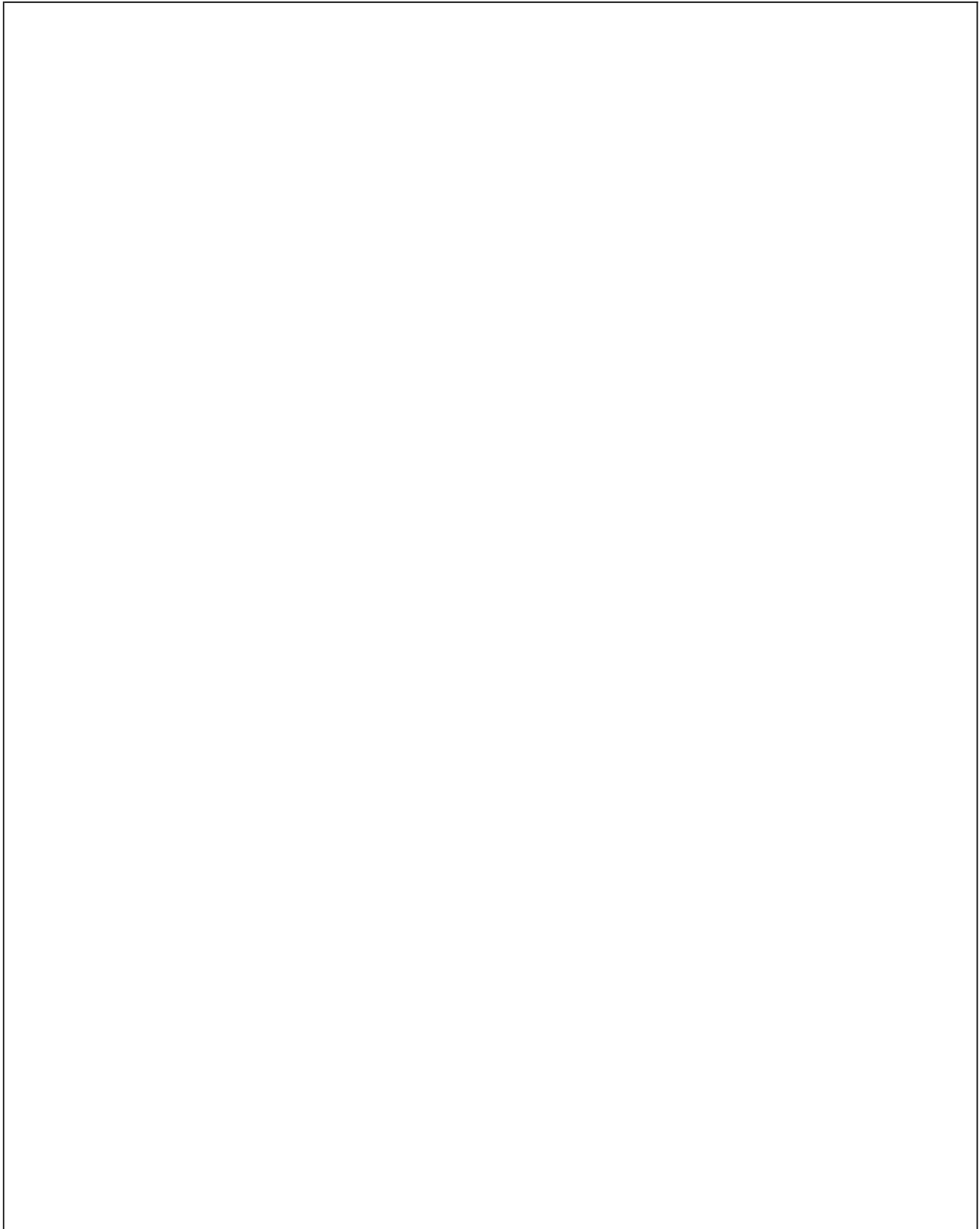
Print Date: 07-Apr-2022

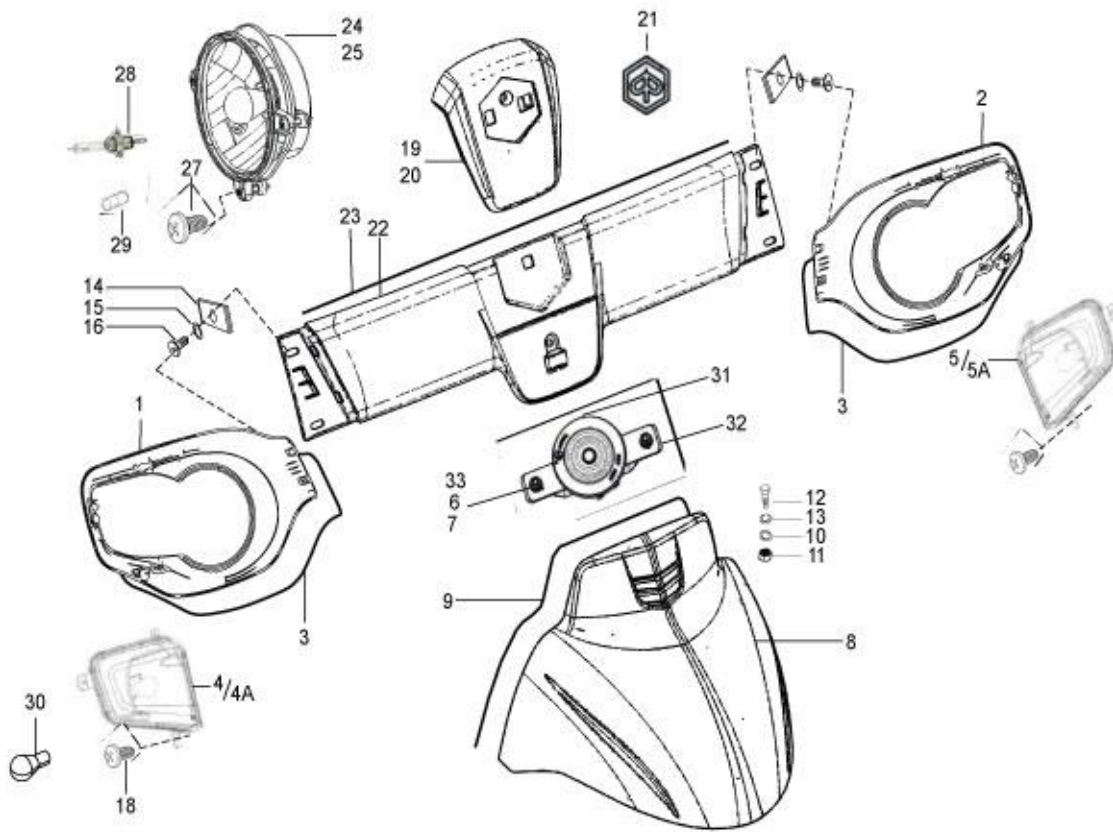
---

**PLATE-29**

**Front Fascia**

---









Print Date: 07-Apr-2022

**PLATE-29**  
**Front Fascia**

Fig. No.	Part No.	Description	Qty	Remarks
28	B078286R	HS1_BULB ( 12 V _35/35W	2	
29	567593	BULB 12V 5W / LAMP 4W	2	
30	925581	INDICATOR LIGHT BULB 12V 21W AMBER COLOUR	2	
31	B074033	HORN ASSLY(DIA 70)	1	E - Marked (Export)
32	B073953	HORN MTG. BKT S/A	1	
33	016406	SPRING WASHER	4	
34	3056	PLAIN WASHER M6 OD12	4	
35	20106	HEX NUT M6	4	



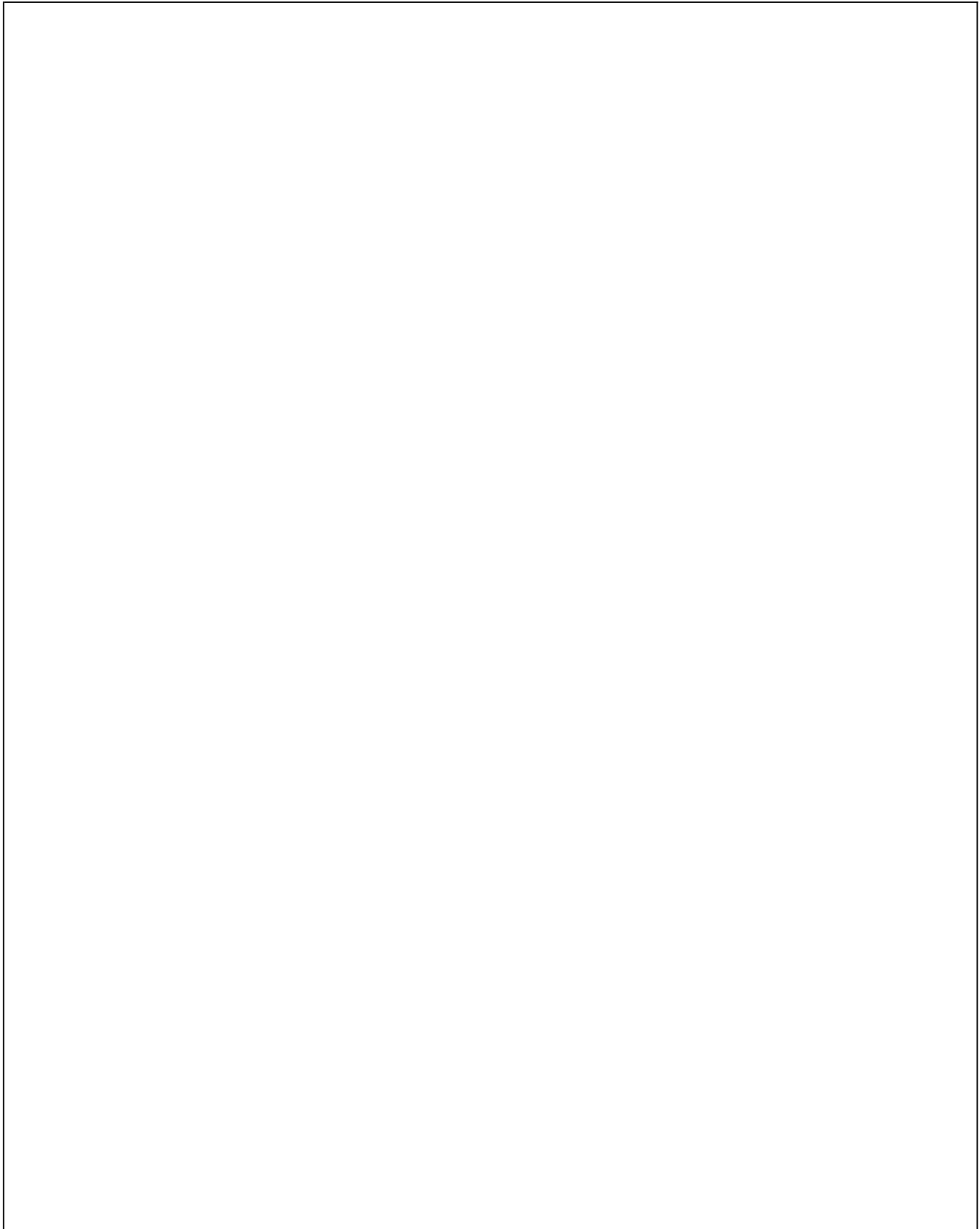
Print Date: 07-Apr-2022

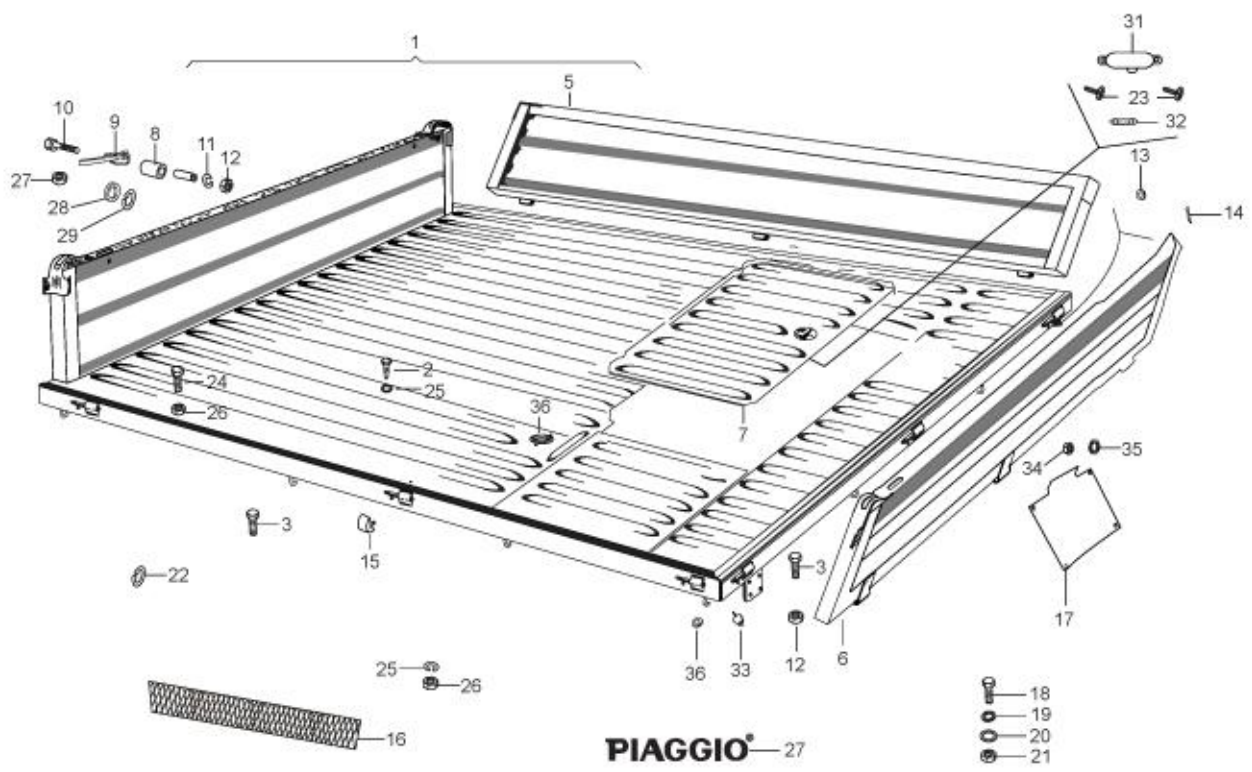
---

**PLATE-30**

**Open Box Body (Pick UP)**

---







Print Date: 07-Apr-2022

**PLATE-30****Open Box Body (Pick UP)**

Fig. No.	Part No.	Description	Qty	Remarks
1	B073531EG	APE CITY CARGO BODY ASSLY PUP-CNG/LPG-EG	1	
1	B073531CO	APE CITY CARGO BODY ASSLY PUP-CNG/LPG-CO	1	
1	B073531GY	APE CITY CARGO BODY ASSLY PUP - CNG/LPG-GY	1	
1	B073531CB	APE CITY CARGO BODY ASSLY PUP - CNG/LPG-CB	1	
1	B073531BW	APE CITY CARGO BODY ASSLY PUP - CNG/LPG-BW	1	
1	B073531SY	APE CITY CARGO BODY ASSLY PUP - CNG/LPG-SY	1	
1	B076050EG	APE CITY CARGO BODY ASSLY PUP - PETROL-EG	1	
1	B076050CO	APE CITY CARGO BODY ASSLY PUP - PETROL-CO	1	
1	B076050GY	APE CITY CARGO BODY ASSLY PUP - PETROL-GY	1	
1	B076050CB	APE CITY CARGO BODY ASSLY PUP - PETROL-CB	1	
1	B076050BW	APE CITY CARGO BODY ASSLY PUP - PETROL-BW	1	
1	B076050SY	APE CITY CARGO BODY ASSLY PUP - PETROL-SY	1	
2	8265	SELF TAPPING SCREW	12	
3	31119	HEX HD SCREW M8 X 25	6	
4	643500	LOCK SET WITH KEYS (PU) (COMMON KEY)	1	
5	B073523ED	SIDE PANEL ASSLY APE CITY CARGO -BSIV	1	
6	B073526ED	TAIL GATE PANEL ASSLY APE CITY CARGO-BSIV	1	
7	B075186ED	ENGINE INSPECTION DOOR PAX CARGO	1	
8	109361	BUFFER (ENGINE INSPECTION COVER)	2	
9	128804ED	LH LEVER FOR CLAMPING THE SIDE PANEL CED	1	
9	128805ED	RH LEVER FOR CLAMPING THE SIDE PANEL CED	1	
10	30074	HEX HEAD BOLT M8 X 40 CL 8.8	2	
11	016408	SPRING WASHER	8	
12	20108	HEX NUT M8	4	
13	3057	PL. WASHER 13 X 7 X 1	4	
15	B077358	STOP BUFFER	4	
16	661262	YELLOW REFLECTIVE TAPE	2	
17	643661	LICENSE PLATE MTG. BKT.	1	
18	31058	HEX HEAD SCREW M5 X 16 CC8.8	4	
19	16405	SPRING WASHER M5	4	
20	3055	PLAIN WASHER M5	4	
21	20105	PLAIN NUT M5	4	
22	16603	PLAIN WASHER (METALLIC)	8	
23	15727	PAN SELF TAPPING SCREW	4	
24	31089	HEX HEAD SCREW M6X18 CL 8.8	6	

--	--	--	--	--

84

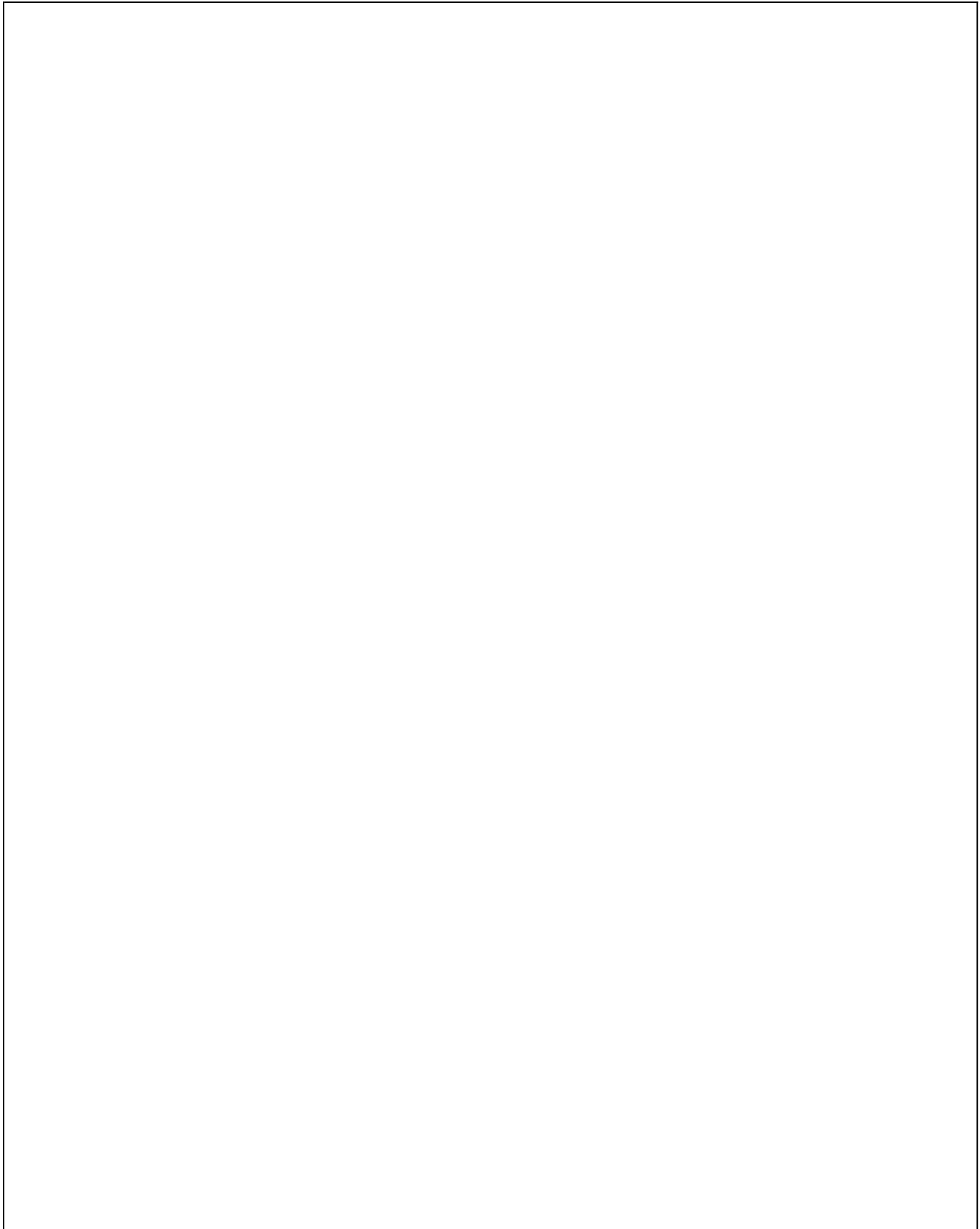
Print Date: 07-Apr-2022

---

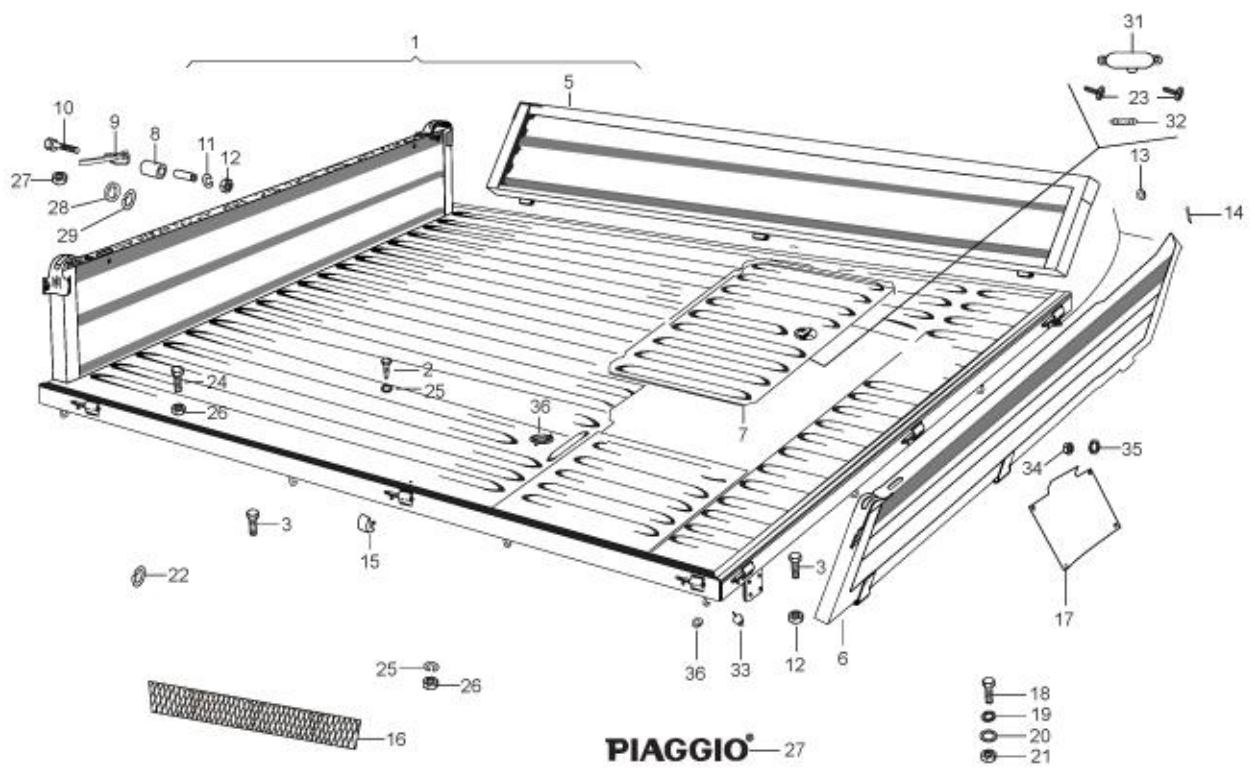
**PLATE-30**

**Open Box Body (Pick UP)**

---









Print Date: 07-Apr-2022

**PLATE-30****Open Box Body (Pick UP)**

Fig. No.	Part No.	Description	Qty	Remarks
25	016406	SPRING WASHER	4	
26	20106	HEX NUT M6	4	
28	12138	NYLOCK NUT M6	2	
27	662323	PIAGGIO TAIL GATE (YESHSHREE) STICKER FOR LIGHT COLOUR SHADE	1	
29	3058	PLAIN WASHER 15X8.4X1.5	8	
30	005967	CIRCLIP / DIA 7E	4	
31	150041R	CABIN LIGHT ASSY. (W/O BULB)	1	
32	71633	STOP AND PARKING BULB 12V 10/5 W	1	
33	567732	BUFFER	2	
34	20106	HEX NUT M6	2	
35	016406	SPRING WASHER	2	
36	B024501	PLASTIC COVER PLUG-CARGO	4	
37	30074	HEX HEAD BOLT M8 X 40 CL 8.8	1	



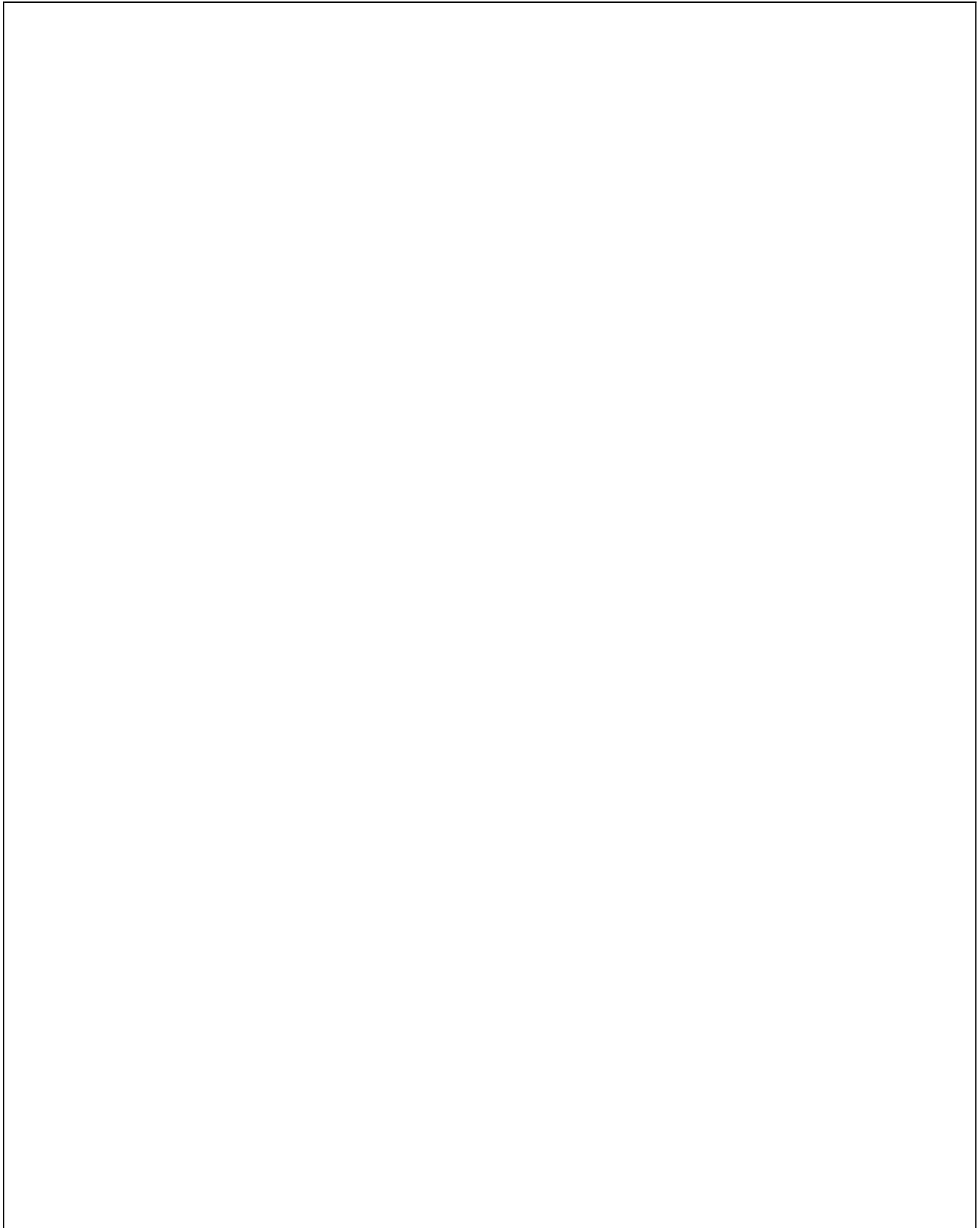
Print Date: 07-Apr-2022

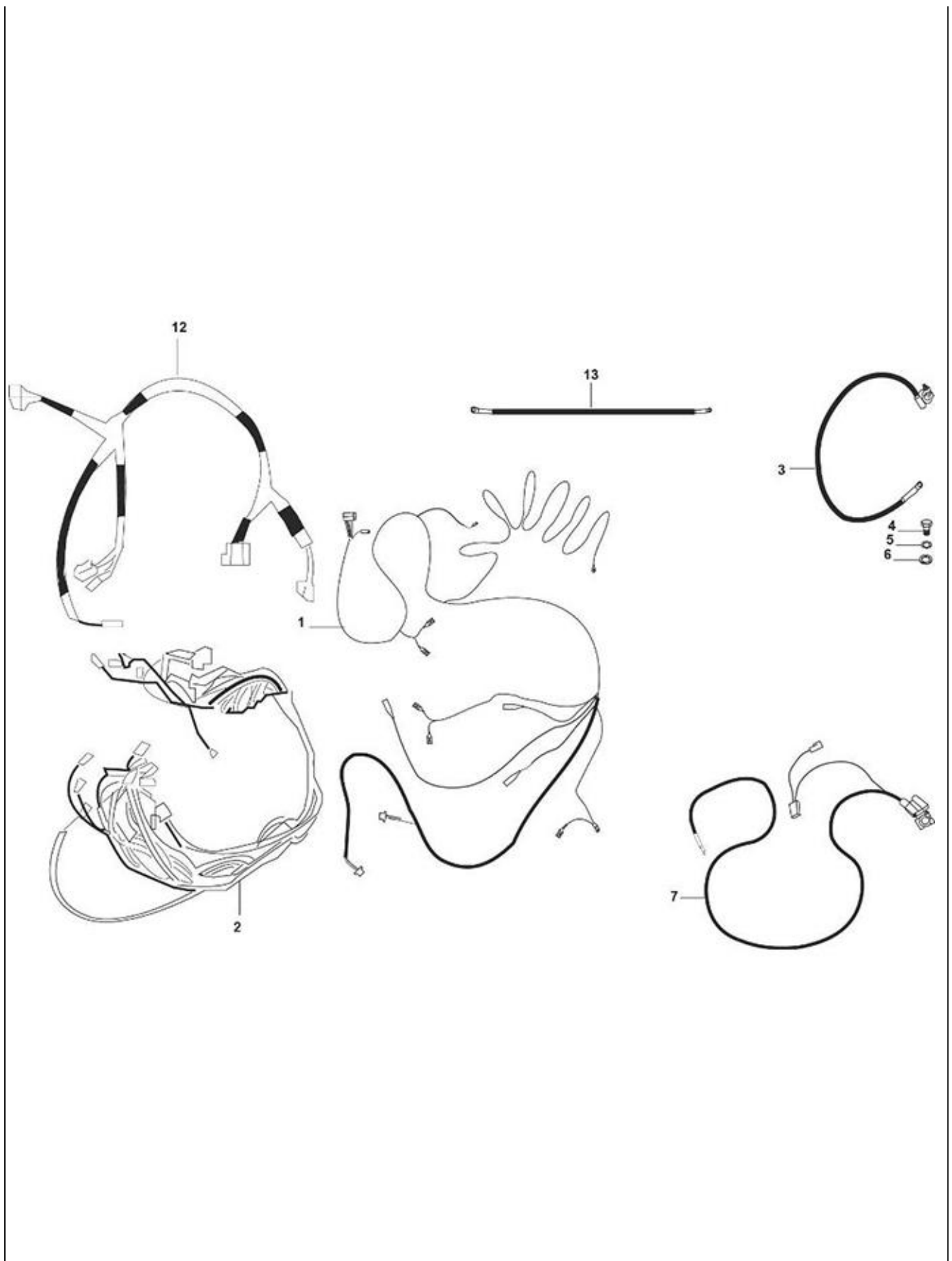
---

**PLATE-31**

**Wiring Harness**

---







Print Date: 07-Apr-2022

**PLATE-31**  
**Wiring Harness**

Fig. No.	Part No.	Description	Qty	Remarks
1	B077249	WIRING HARNESS INSTRUMENT PANEL-PETROL	1	
1	B077250	WHS MAIN _ CITY BS IV _ LPG ( SN)	1	
1	B077251	W/HS MAIN_CITY CARGO BSIV (CNG)	1	
2	B077249	WIRING HARNESS INSTRUMENT PANEL-PETROL	1	
2	B073979	WIRING HARNESS INSTRUMENT PANEL (CNG/LPG)	1	
3	644838R	BATTERY CABLE -VE	1	
4	31088	HEX HD SCREW M6 X 16 CL 8.8 (811061623)	1	
5	3056	PLAIN WASHER M6 OD12	1	
6	016406	SPRING WASHER	1	
7	B078213	BATTERY +VE CABLE-CUT STARTER MOTOR (LPG/CNG)	1	
7	B074214	BATTERY CABLE POSITIVE NO.1 CITY CARGO P	1	
8	B003110R	PIG TAIL FUEL TANK	1	
9	B073320R	PIG TAIL- CABIN LAMP (NEW)-PASSENGER	1	
10	B078003	GAS KIT W/ HS- LPG- PAX 200- ( RH SHIFT)	1	
10	B078002	GASKIT W/HS - LPG (PAX 200 CARGO)	1	
11	-	NOT SERVICEABLE	1	
12	B023968	ENGINE WIRING HARNESS (PET) (CNG&LPG)	1	
13	1D001894	GROUND WIRE	1	
14	B075108	ADAPTOR PIGTAIL -ACCESSORIES(3WH)	1	





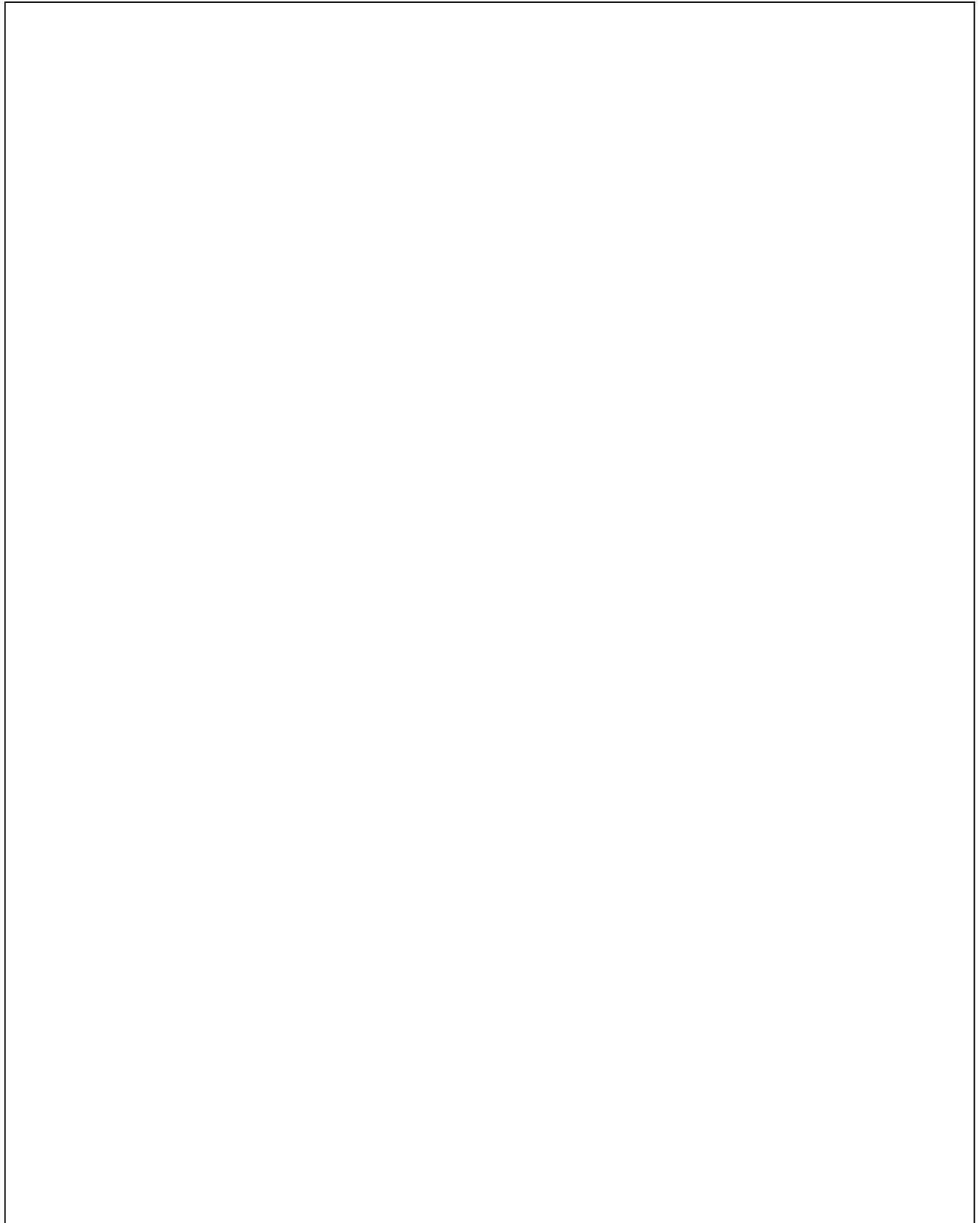
Print Date: 07-Apr-2022

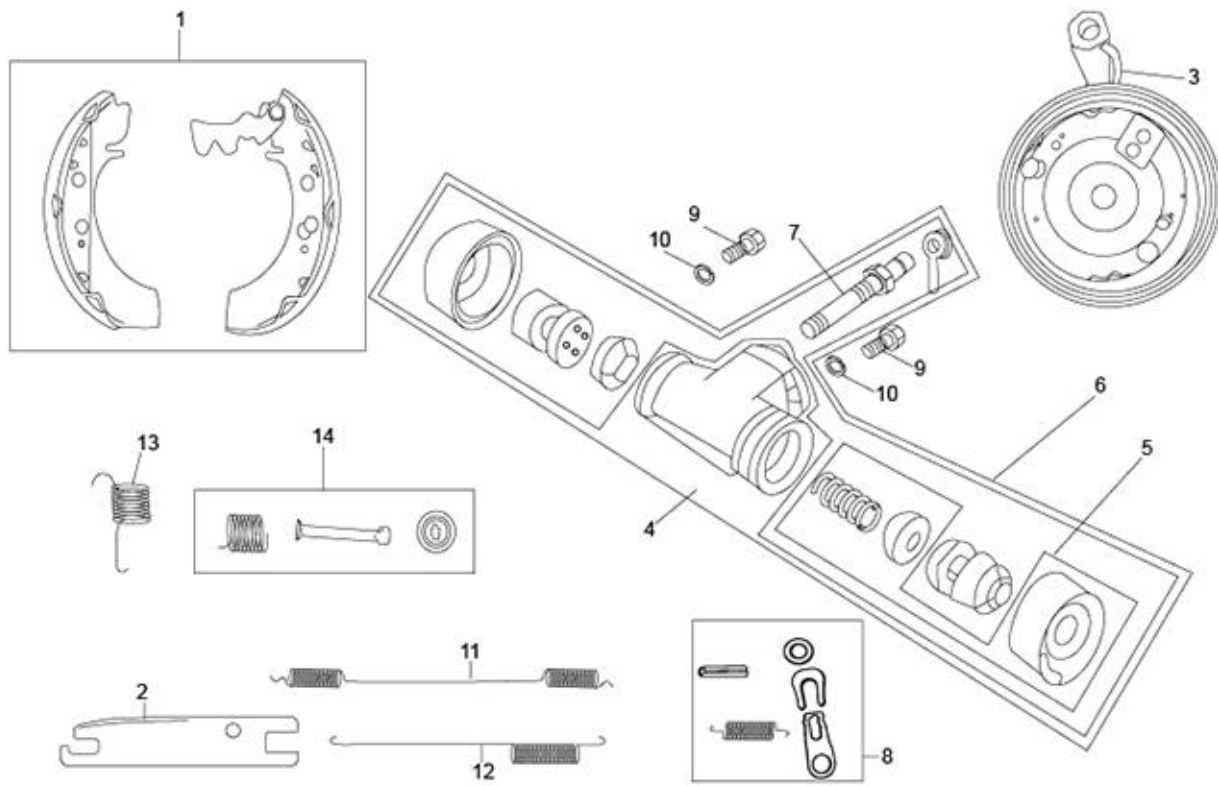
---

**PLATE-32**

**Front Brake Assembly**

---







Print Date: 07-Apr-2022

**PLATE-32****Front Brake Assembly**

<b>Fig. No.</b>	<b>Part No.</b>	<b>Description</b>	<b>Qty</b>	<b>Remarks</b>
1	KIT95033	FRONT BRAKE LINERS KIT	1	
2	B003008	STRUT FRONT	1	
3a	B024113	FRONT BRAKE ASSY.	1	
4	B003017	WHEEL CYLINDER ASSY.	1	
5	B003325	MINOR KIT WHEEL CYLINDER	1	
6	B003324	MAJOR KIT WHEEL CYLINDER	1	
7	B003300	BLEEDER SCREW	1	
8	B006509	CLIP & PIN KIT	1	
9	63440	BOLT M6X12	2	
10	12536	SPRING WASHER	2	
11	B003004	SHOE RETURN SPRING (UPPER)	1	
12	B003003	SHOE RETURN SPRING (LOWER)	1	
13	B003002	STRUT SPRING	1	
14	KIT95036	SHOE HOLD DOWN KIT	1	



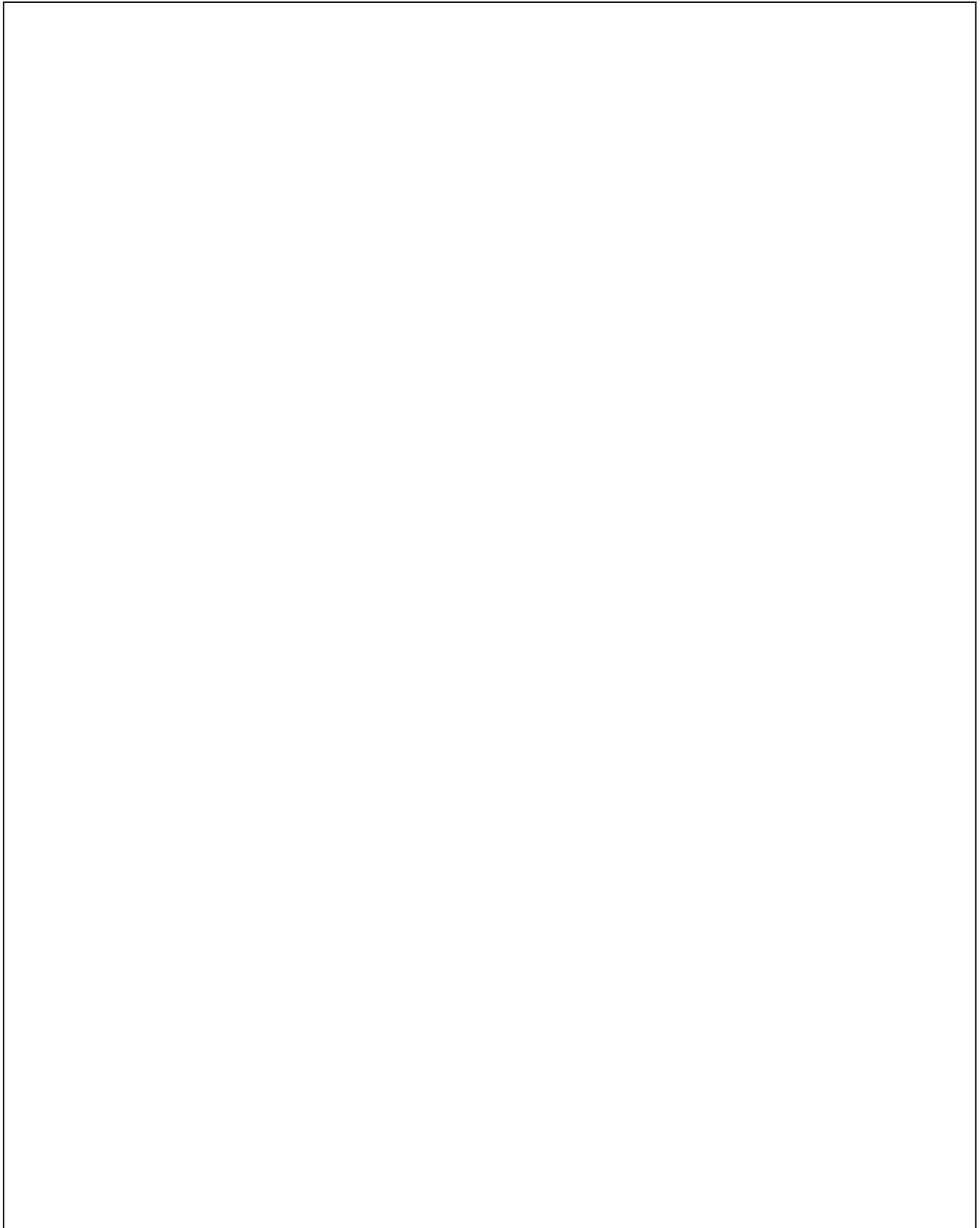
Print Date: 07-Apr-2022

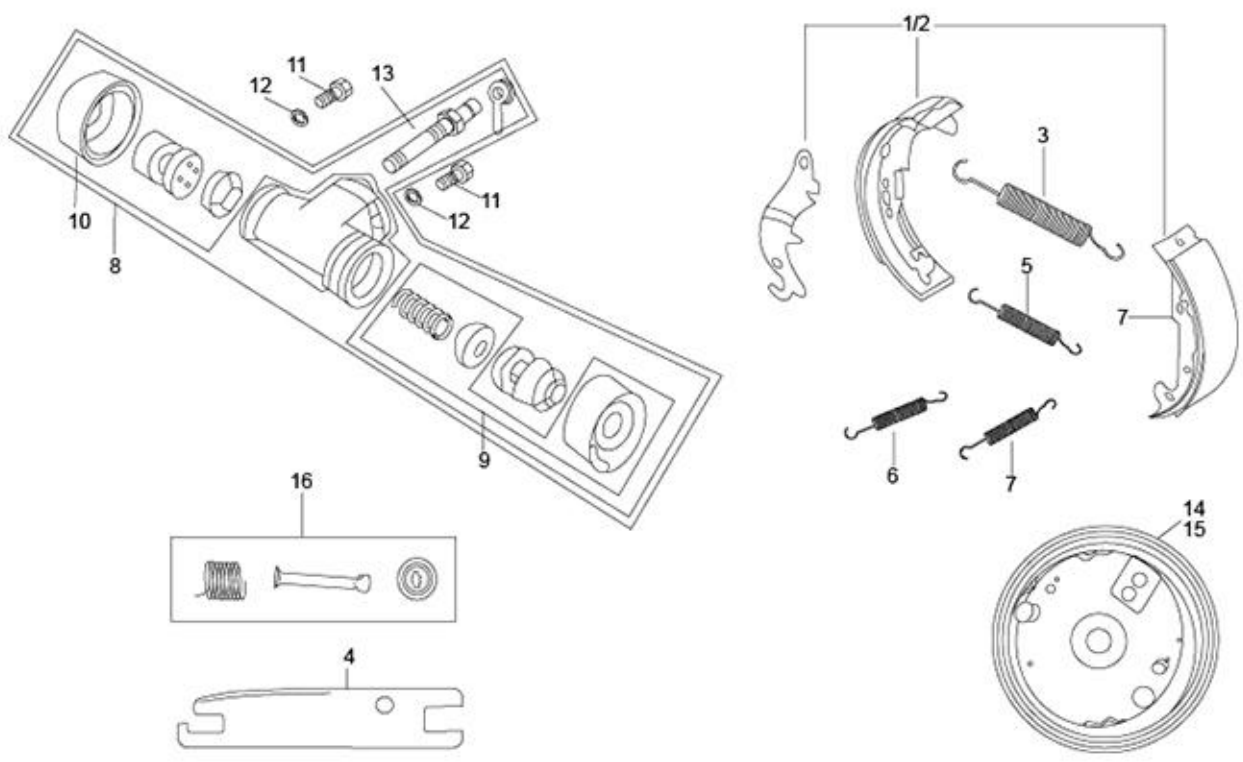
---

**PLATE-33**

**Rear Brake Assembly**

---









Print Date: 07-Apr-2022

**PLATE-33****Rear Brake Assembly**

Fig. No.	Part No.	Description	Qty	Remarks
1	B003330	REAR BRAKE SHOE KIT LH	1	
2	B003331	REAR BRAKE SHOE KIT RH (NI)	1	
3	B003004	SHOE RETURN SPRING (UPPER)	2	
4	B003012	STRUT REAR	2	
5	B003003	SHOE RETURN SPRING (LOWER)	2	
6	B003011	STRUT SPRING RH	1	
7	B003002	STRUT SPRING	1	
8	B003014	WHEEL CYLINDER ASSY. DIA.25.4 MM	1	
9	925574	MINOR KIT WHL CYL. RR	1	
10	B003328	MAJOR KIT WHEEL CYLINDER	1	
11	B002486	BOLT M8 X 35 6G CL 12.9	4	
12	12536	SPRING WASHER	4	
13	B003300	BLEEDER SCREW	2	
14	B001228	BRAKE PLATE ASSY. RH	1	
15	B001225	BRAKE PLATE ASSY. LH (N.I.)	1	
16	B003327	SHOE HOLD DOWN KIT	1	



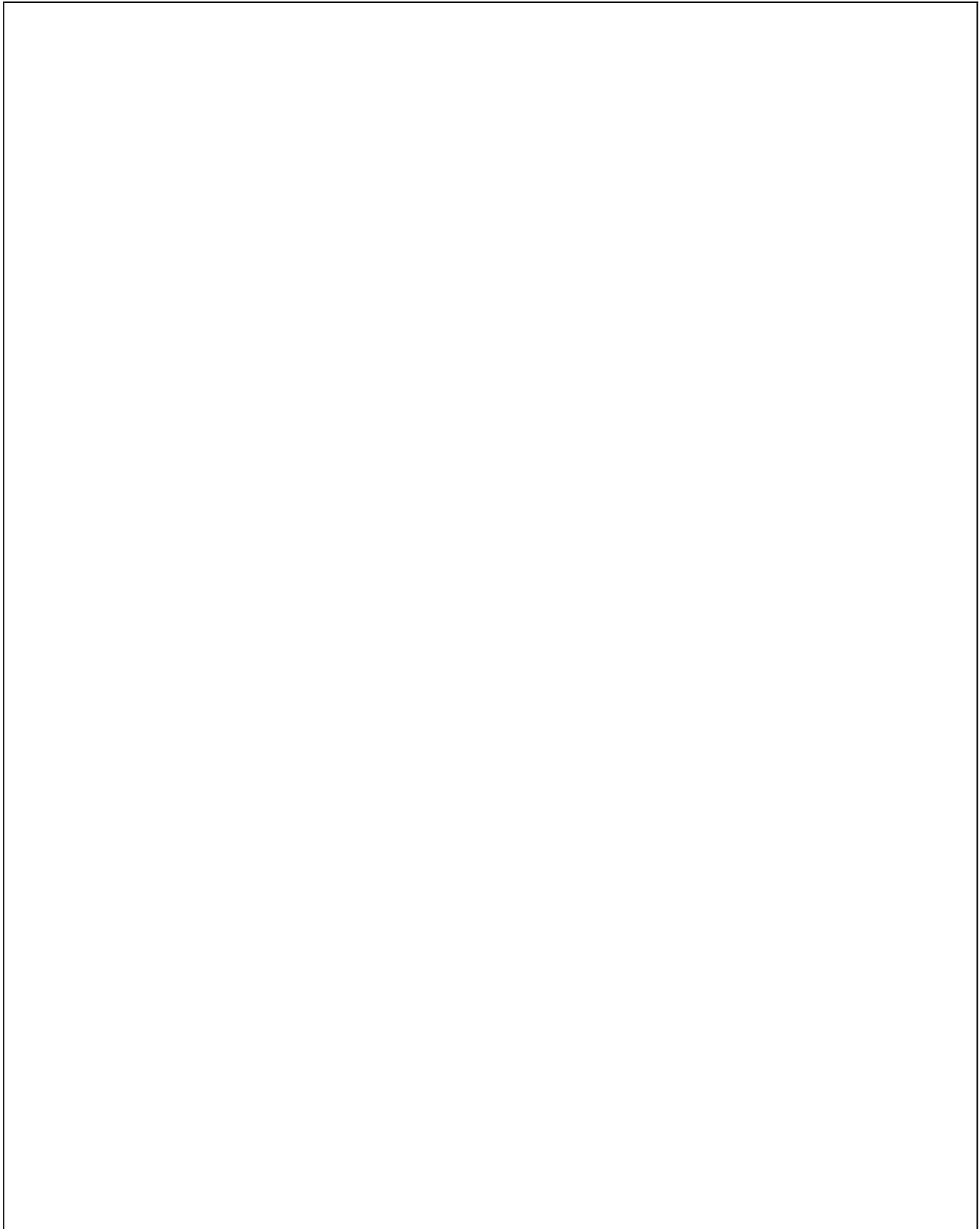
Print Date: 07-Apr-2022

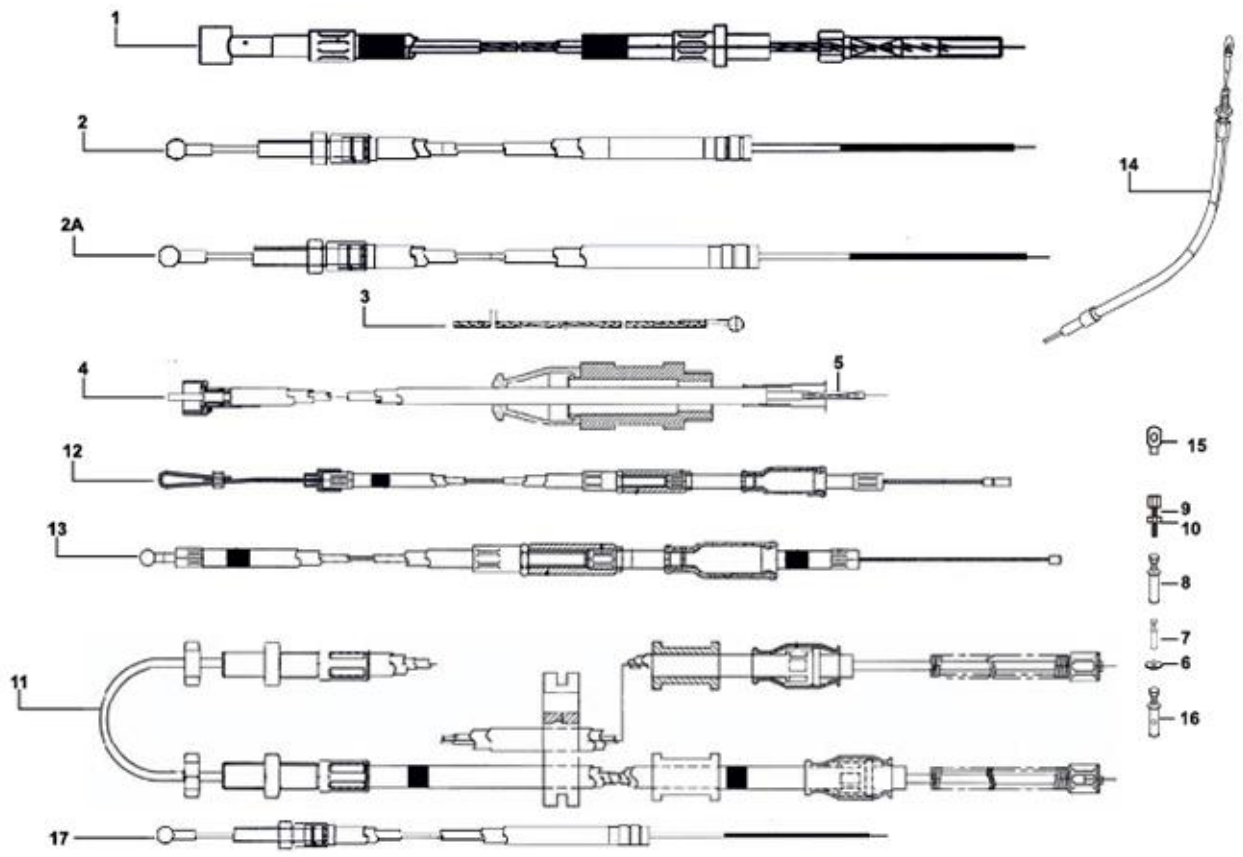
---

**PLATE-34**

**Cables**

---







Print Date: 07-Apr-2022

**PLATE-34****Cables**

Fig. No.	Part No.	Description	Qty	Remarks
1	B075566	CLUTCH CONTROL TRANSMISSION ASSLY.	1	
2	B073469	CABLE,GEAR CONTROL ASSLY NO.2	1	
2A	B075716	CABLE,GEAR CONTROL ASSLY -WHITE	1	
3	6A000068	INNER GEAR CONTROL CABLE (BLACK/WHITE)	1	
3	6A000069	SHIFT CONTROL CABLE INNER (WHITE)	1	
4	645124	SPEEDO CABLE	1	PTL
4	B076208	SPEEDO CABLE	1	CNG/LPG
5	6A001834	FLEXIBLE TRANSMISSION CABLE WITH WASHER	1	Speedo Inner for B076208
7	B076078	SCREW TERMINAL ASSLY(REVERSE CABLE)	1	
8	B076364	SCREW TERMINAL ASSY. - GEAR CONTROL	2	
9	197071	ADJUSTER SCREW M6	2	
10	20106	HEX NUT M6	2	
11	B041774	PARKING BRAKE CABLE ASSY	1	
12	B075565	CABLE ASSLY CHOKE CONTROL	1	
13	B042356	ACCELERATOR CABLE WITH JONT (NEW)	1	
14	B076036	ASSLY REVERSE GEAR CONTROL CABLE	1	
14.1	6A000070	REVERSE GEAR INNER CABLE	1	NI
15	1A008804	REVERSE CABLE REACTION BRACKET	1	
16	B076364	SCREW TERMINAL ASSY. - GEAR CONTROL	1	
17	B076036	ASSLY REVERSE GEAR CONTROL CABLE	1	





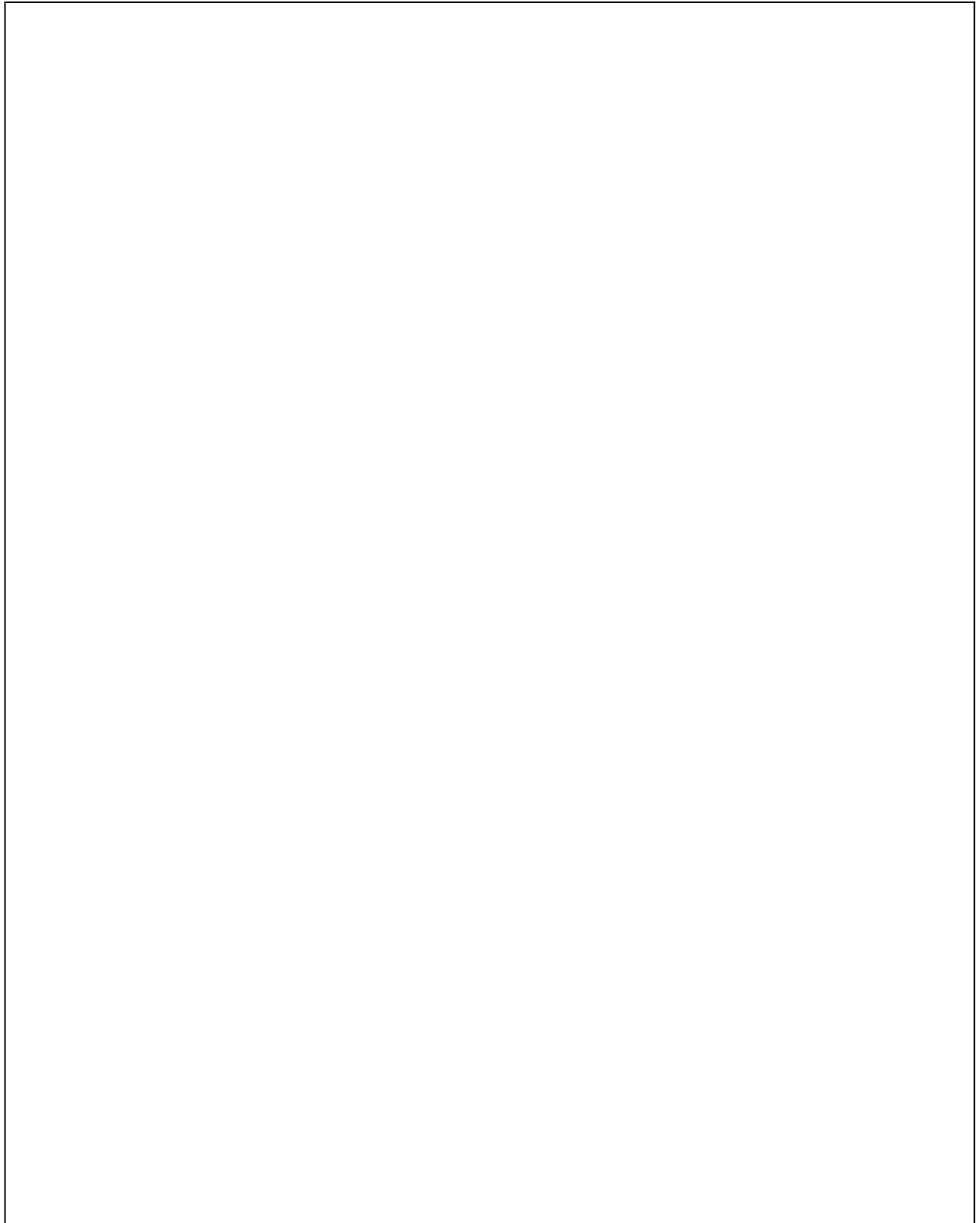
Print Date: 07-Apr-2022

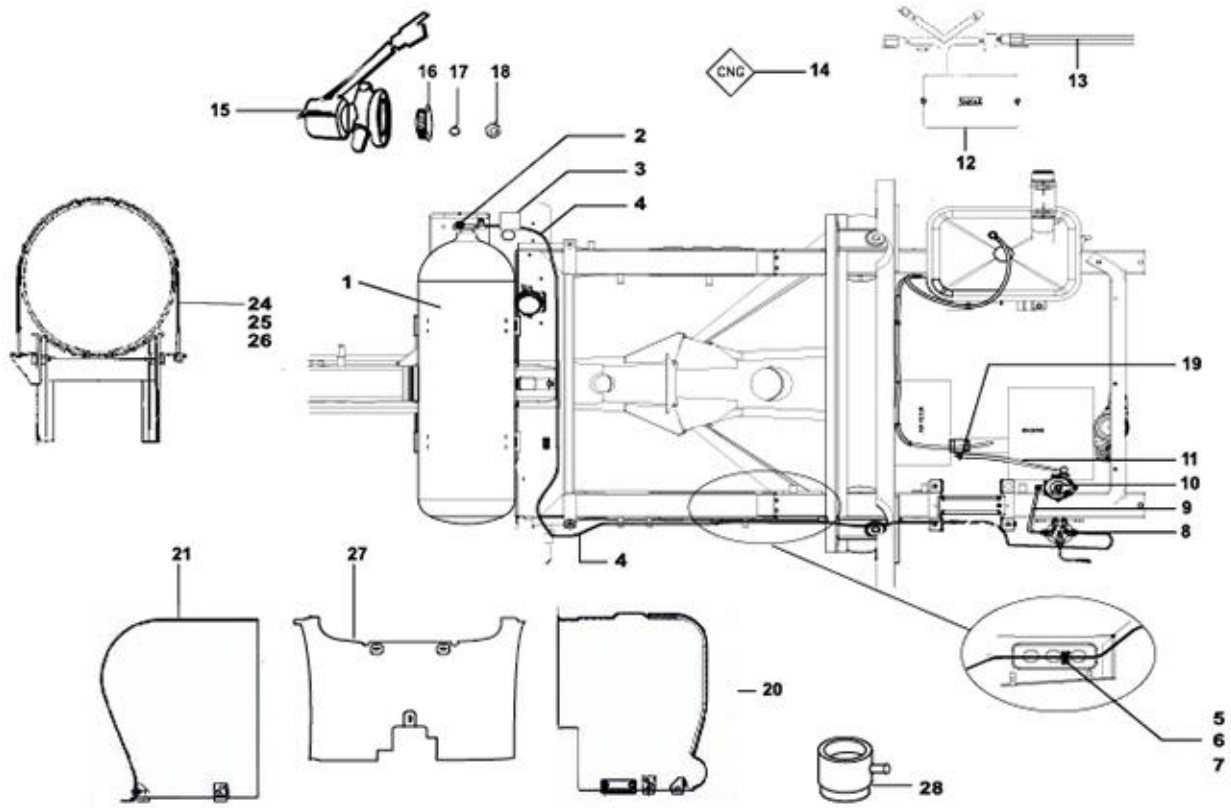
---

**PLATE-35**

**CNG Kit**

---







Print Date: 07-Apr-2022

**PLATE-35****CNG Kit**

Fig. No.	Part No.	Description	Qty	Remarks
1	B024601R	GAS CYLINDER 30LTR.	1	
2	B041784	CNG PRESSURE GAUGE WITH SENSOR	1	
3	B024131	FIRST STAGE REDUCTION UNIT (HPR)	1	
4	B075043	FLEXIBLE HOSE ASSLY (HPR TO FSV)	1	
5	B024194	CLAMP	3	
6	643964	SCREW	3	
7	861990	WASHER	3	
8	B075638	FILTER SOLENOID VALVE (CNG)	1	
9	B075982	LOW PRESS CNG HOSE	1	
10	B077333	2 STAGE CNG REGULATOR	1	
11	B077643	LOW PRESS CNG HOSE	1	
12	B075862	ECU_( W/O LED & SW )_CITY BS IV_ CNG	1	
13	6D000408	GASKIT W/HS - CNG (PAX 200 CARGO)	1	
14	643850	STICKER	2	
15	932273	COIL ASSEMBLY	1	
16	932274	PAPER FILTER	1	
17	932275	O RING	1	
18	932276	DRAIN PLUG	1	
19	932646	RESTRICTOR -2 FOR CNG	1	NS
20	B076202	CYLINDER COVER - LPG LH	1	
20	B076203	CYLINDER COVER - CNG LH	1	
21	B076201	CYLINDER COVER - RH-COMMON CNG/LPG	1	
22	B009159	SPIGOT ASSY.	1	
23	B024147	CLIP	2	
24	B075621	STRAP ASSLY ( CNG )	2	
25	632185	LOWER STRAPS ASSY.	2	
26	604863	UPPER STRAPS ASSY.	2	
27	B076200	CYLINDER COVER - CENTRAL-COMMON CNG/LPG	1	
28	B076435	MIXER ASSEMBLY-CNG	1	



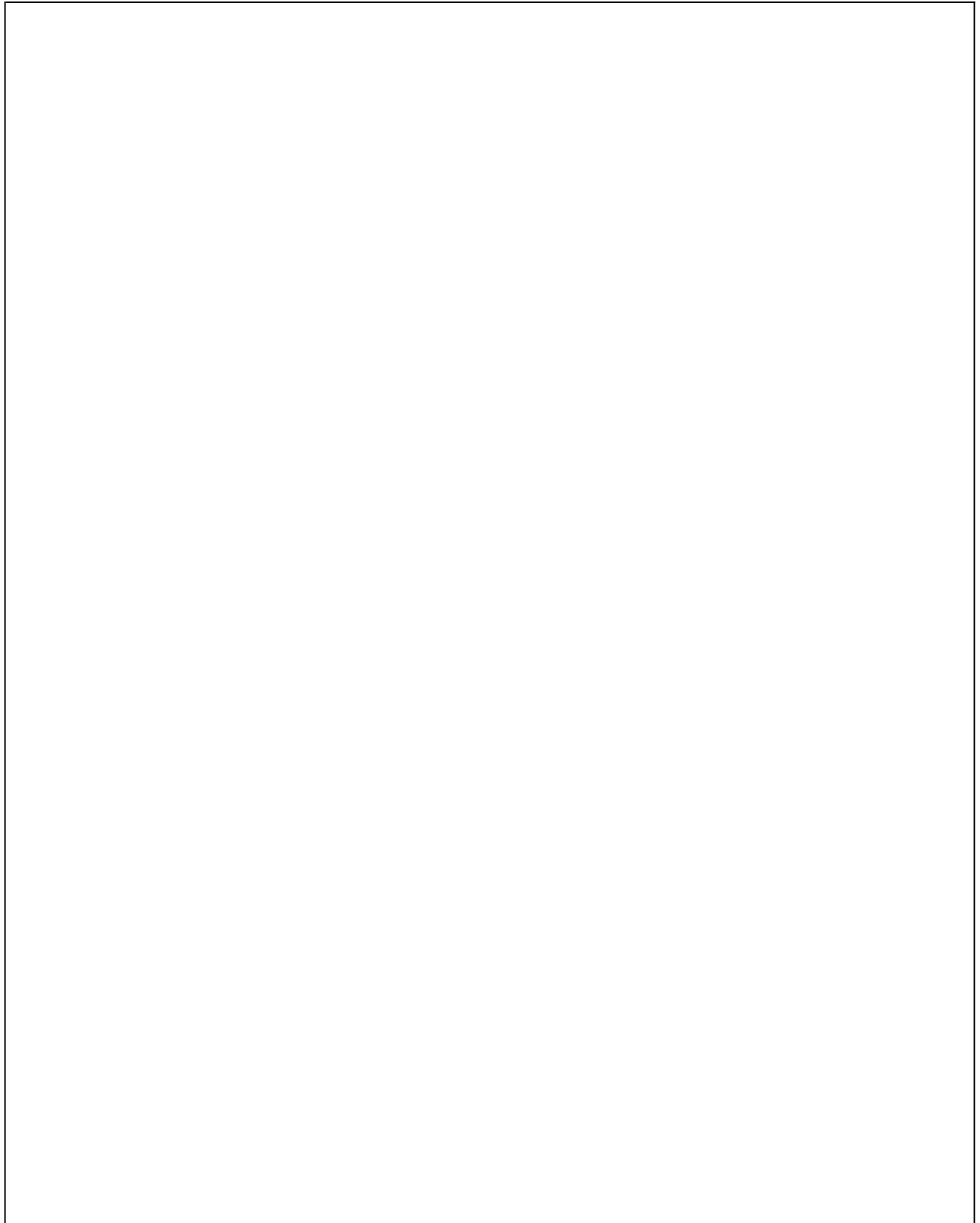
Print Date: 07-Apr-2022

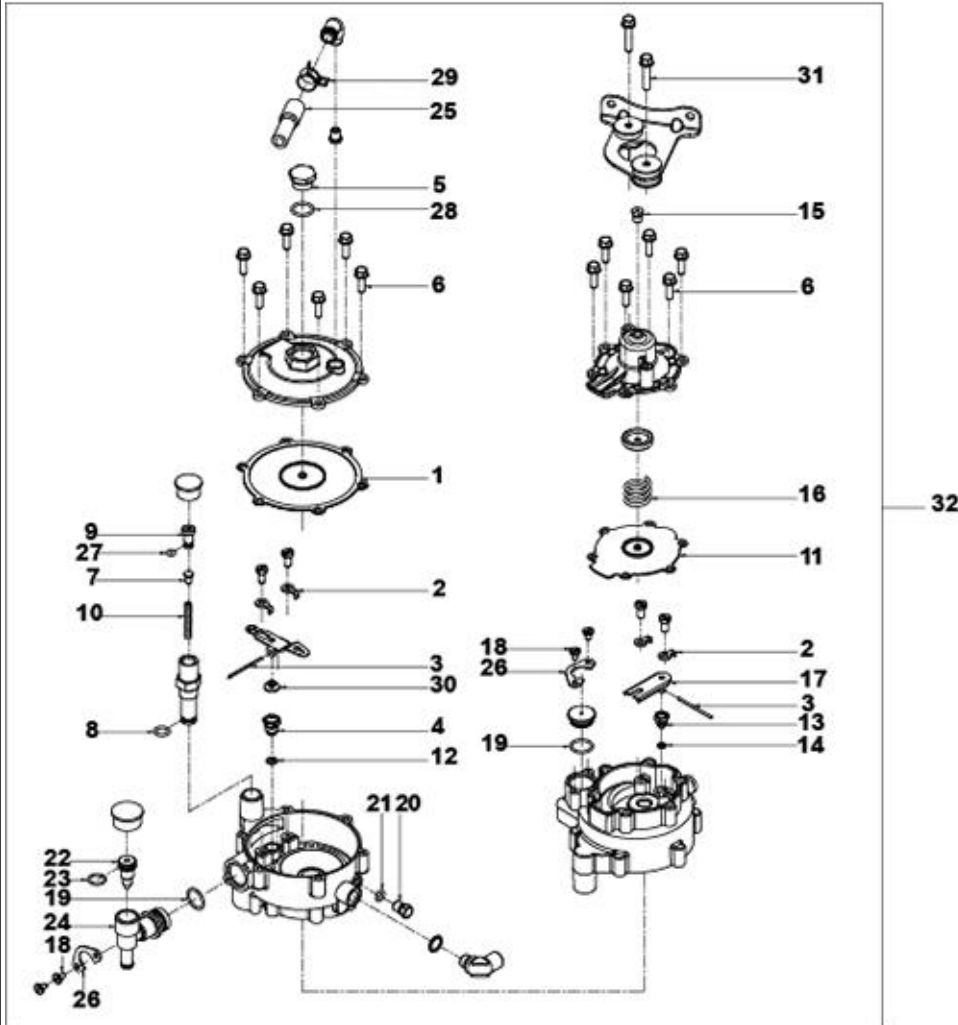
---

**PLATE-36**

**Two Stage CNG Regulator**

---









Print Date: 07-Apr-2022

**PLATE-36****Two Stage CNG Regulator**

Fig. No.	Part No.	Description	Qty	Remarks
1	932207	DIAPHRAGM SUB ASSY.	1	
2	932208	WASHER	4	
3	932210	LEVER PIN	1	
4	932211	SEAT	1	
5	932229	PLUG	1	
6	932232	FLANGE SCREW	12	
7	932212	SPRING GUIDE	1	
8	925781	O RING	1	
9	932226	IDLE SCREW	1	
10	932213	SPRING	1	
11	932215	DIAPHRAGM SUB ASSY.	1	
12	932214	WASHER	1	
13	932218	SEAT	1	
14	932219	WASHER	1	
15	932230	BREATHER-I	1	
16	932216	SPRING	1	
17	932217	LEVER SUB ASSY.	1	
18	932220	CHEESE HEAD SCREW	1	
19	932221	O RING	1	
20	932222	PLUG	1	
21	932265	O RING (R-8101-760) PAXX 200 LPG	1	
22	932225	FLOW ADJUSTING SCREW	1	
23	932242	ORING	1	
24	932224	FLOW CONTROL BODY	1	
25	932227	BREATHER HOSE	1	
26	932228	CLAMP	2	
27	932240	O RING	1	
28	932231	O RING	1	
29	932254	CLIP	1	
30	925768	PAD	1	
31	932255	FLANGE SCREW	1	
32	B077333	2 STAGE CNG REGULATOR	1	



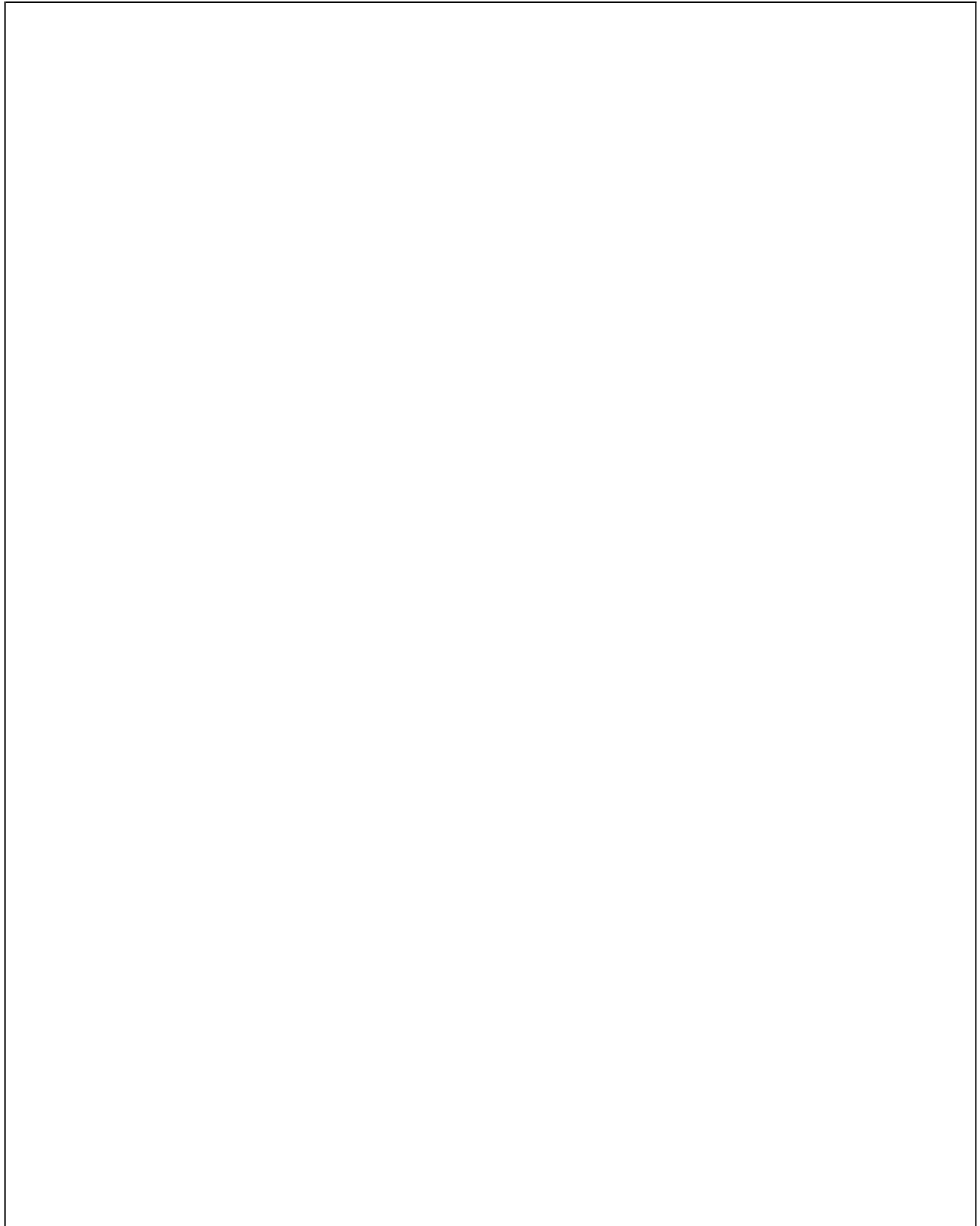
Print Date: 07-Apr-2022

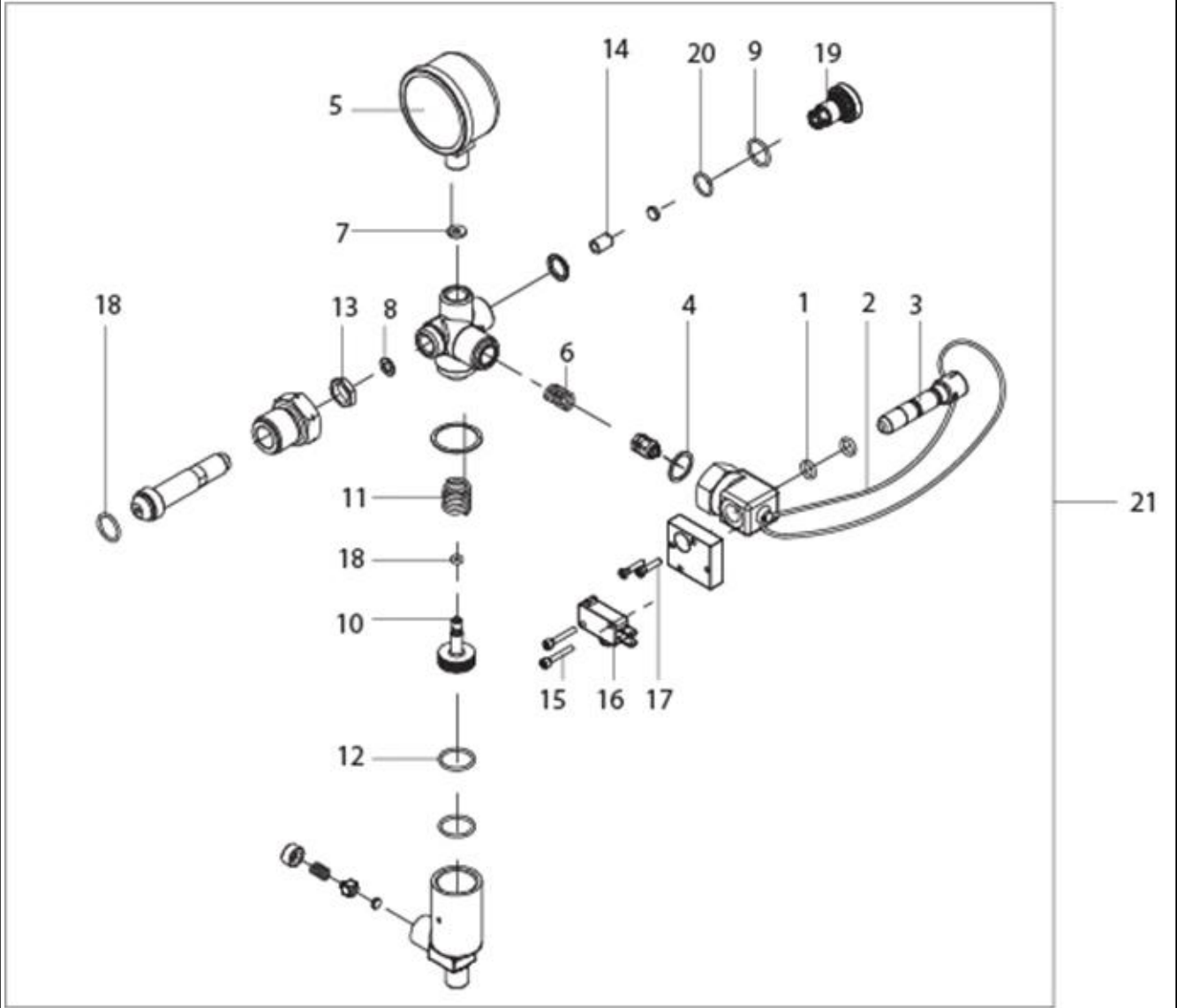
---

**PLATE-37**

**First Stage Reduction Unit**

---







Print Date: 07-Apr-2022

**PLATE-37****First Stage Reduction Unit**

Fig. No.	Part No.	Description	Qty	Remarks
1	929931	O RING	2	
2	929933	STRING	1	
3	661399	DUST PLUG	1	
4	929934	SEALING WASHER	1	
5	B041784	CNG PRESSURE GAUGE WITH SENSOR	1	
6	929935	SPRING	1	
7	932233	WASHER	1	
8	929936	WASHER	1	
9	932235	O RING	2	
10	932237	PISTON SUB ASSY.	1	
11	932236	SPRING	1	
12	932238	O RING	1	
13	932239	LOCK NUT	1	
14	932243	FILTER	1	
15	929938	PHILIPS HEAD SCREW M3 X 20L	2	
16	929939	MICROSWITCH	1	
17	929940	PHILIPS HEAD SCREW M3 X 15L	2	
18	932240	O RING	1	
19	932241	RETAINER	1	
20	932242	ORING	1	
21	B024131	FIRST STAGE REDUCTION UNIT (HPR)	1	

100

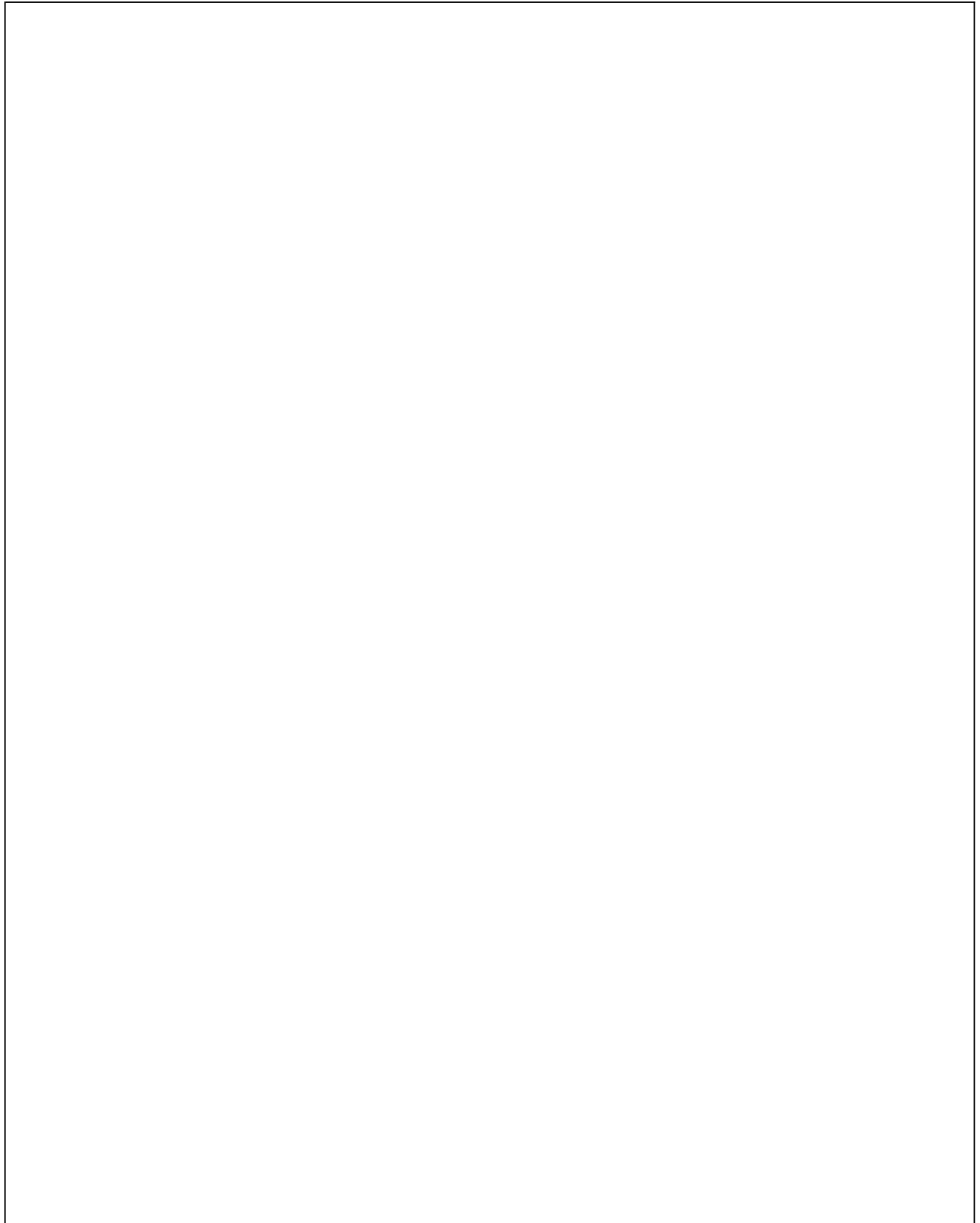
Print Date: 07-Apr-2022

---

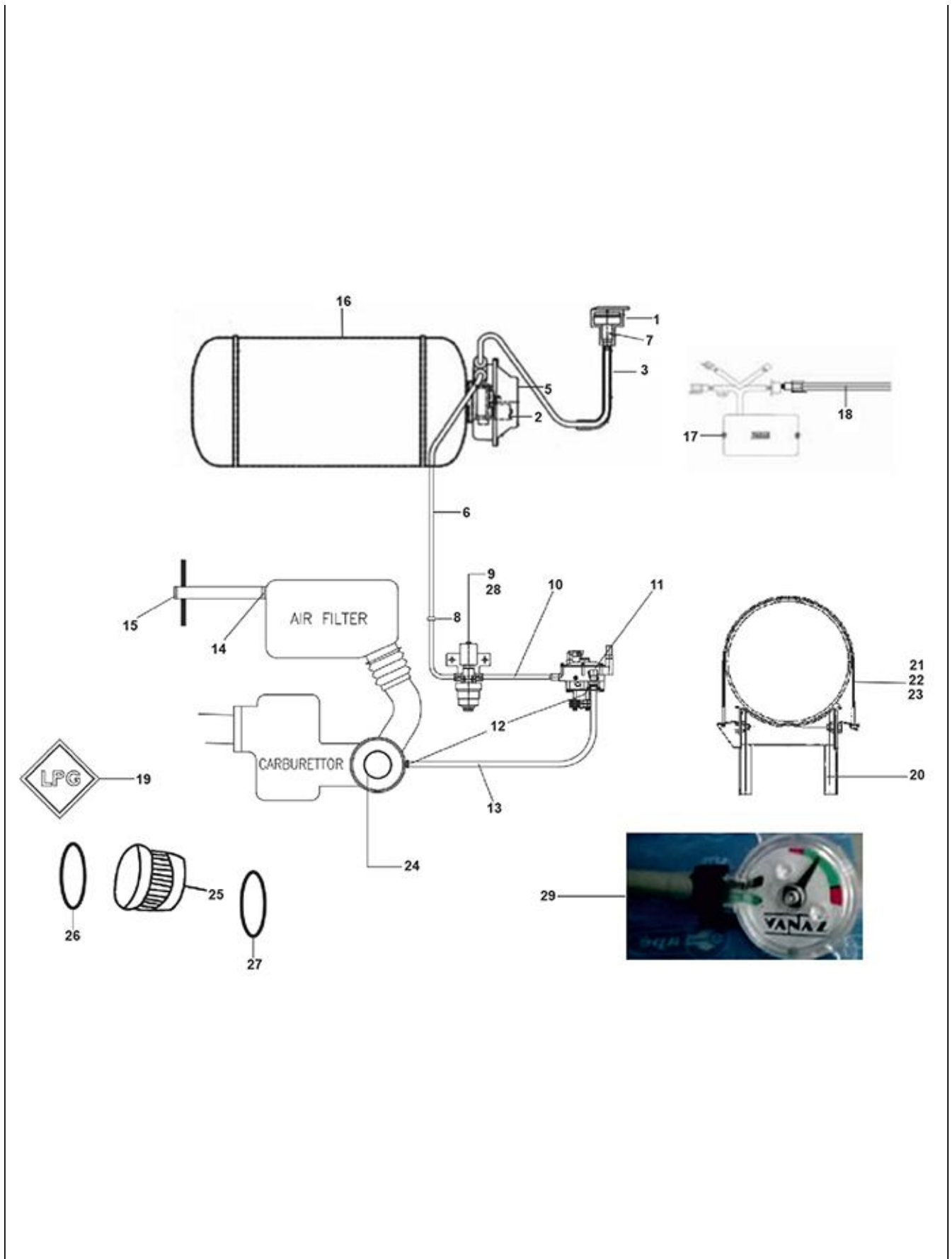
**PLATE-38**

**LPG Kit**

---









Print Date: 07-Apr-2022

**PLATE-38****LPG Kit**

Fig. No.	Part No.	Description	Qty	Remarks
1	925743	FILLER CONNECTOR WITH CAP	1	
2	B075426	MULTIFUNCTION VALVE VANAZ	1	
3	B041491	VENT HOSE ASSY - 1	1	
3A	B073085	LPG FLEX. HOSE ASSY. - FOR REFUELING	1	
4	B073084	SEAL BOX	6	
5	B073084	SEAL BOX	1	
6	B074851	LPG FLEXIBLE HOSE ASSY (MFV TO FSV)	1	
6	B077882	LPG FLEXIBLE HOSE ASSY (MFV TO LPR)	1	W/O filter sole. valve Vehicle
7	929925	HOUSING ASSEMBLY FOR FILLER CONNECTOR	2	
8	B024147	CLIP	2	
9	B075636	FILTER SOLENOID VALVE (LPG)	1	
10	932306	LPG FLEXIBLE HOSE ASSY -FROM FSV TO LPR	1	
11	B076438	2 STAGE LPG REGULATOR	1	
12	B042199	CLIP	1	
13	B042750	HOSE REGULATOR TO CARBURETTOR	1	
14	B041090	RETRACTOR FOR AIR FILTER-SNORKEL LPG	1	
15	940064	COIL ASSEMBLY-LPG(K-0440-03-I-170)	1	
16	B073024	LPG CYLINDER	1	
17	B075861	ECU	1	
18	B075327	GAS KIT W/ HS- LPG- ( RH SHIFT) (FOR SNORKEL VEH.)	1	
19	643882	STICKER(VANAZ PT NO K-0401-13)	1	
20	B041782	ASSY CENTRAL BRACKET	2	
21	B075622	RUBBER STRAP	2	
22	632184	RUBBER STRAP UPPER	2	
23	632185	LOWER STRAPS ASSY.	2	
24	B076437	MIXER ASSLY LPG	1	
25	925737	FILTER ELEMENT(K-0301-12-050)	1	
26	929949	O RING	1	
27	929948	O RING	1	
28	920012	SOLENOID SWITCH (MFV)	1	
29	B077513	CONTENT GAUGE LPG (ZERO DEGREE)	1	

102

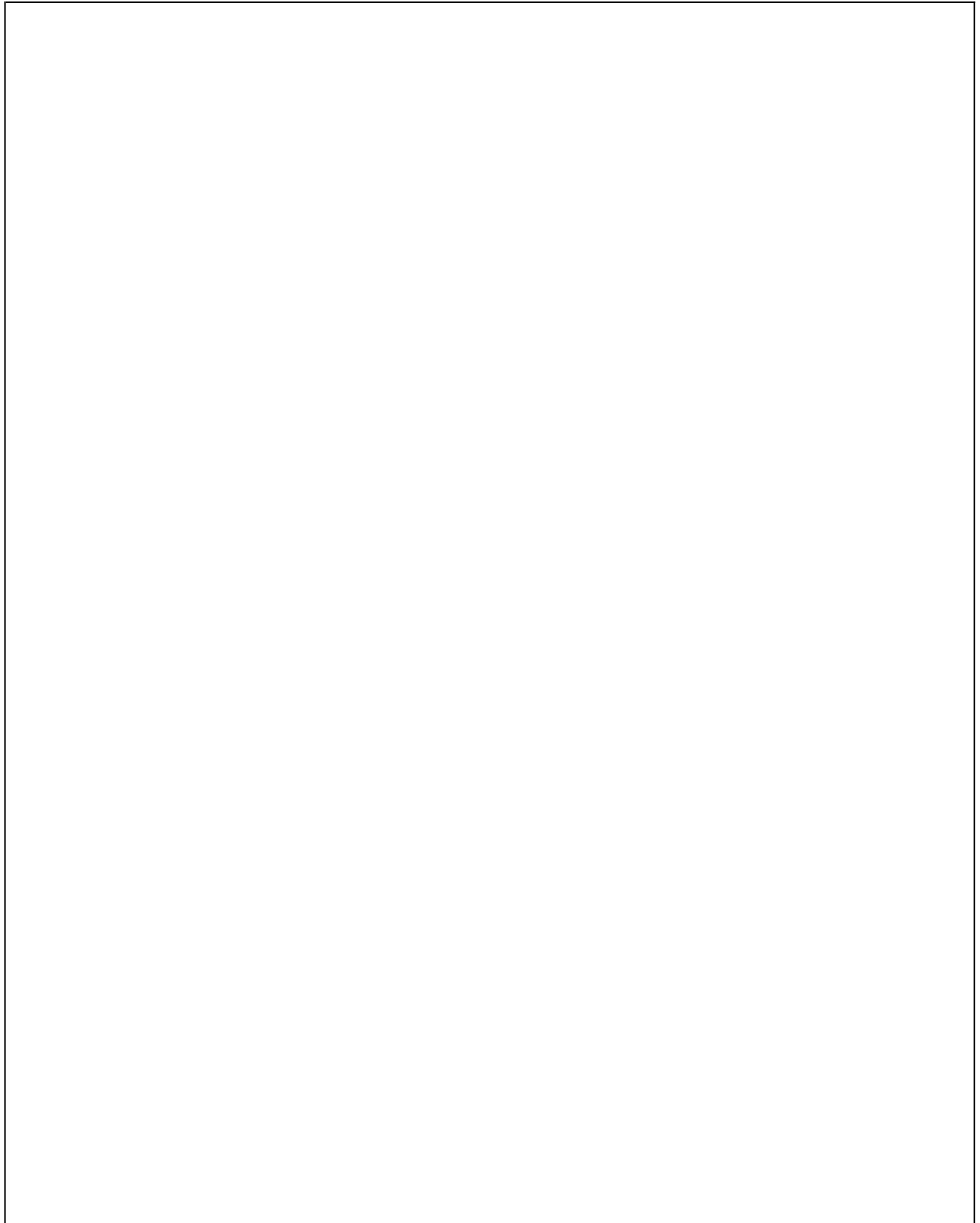
Print Date: 07-Apr-2022

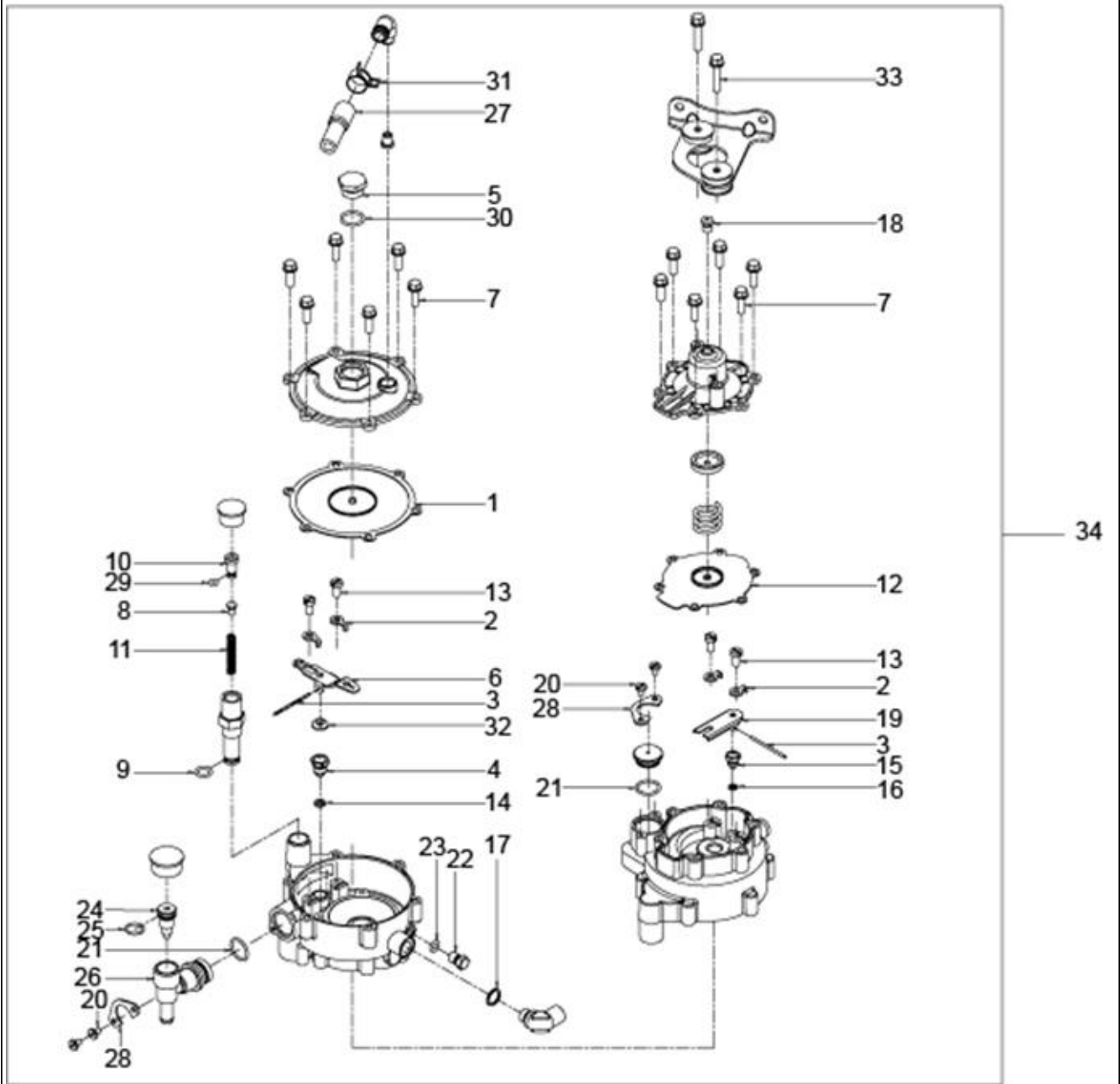
---

**PLATE-39**

**Two Stage LPG Regulator**

---







Print Date: 07-Apr-2022

**PLATE-39****Two Stage LPG Regulator**

Fig. No.	Part No.	Description	Qty	Remarks
1	932207	DIAPHRAGM SUB ASSY.	1	
2	932208	WASHER	4	
3	932210	LEVER PIN	1	
4	932263	SEAT	1	
5	932229	PLUG	1	
6	932209	LEVER SUB ASSY	1	
7	932232	FLANGE SCREW	12	
8	932212	SPRING GUIDE	1	
9	925781	O RING	1	
10	932226	IDLE SCREW	1	
11	932264	SPRING	1	
12	932215	DIAPHRAGM SUB ASSY.	1	
13	661909	CHEESE HEAD SCREW	4	
14	932214	WASHER	1	
15	932218	SEAT	1	
16	932219	WASHER	1	
17	920008	WASHER	1	
18	932230	BREATHER-I	1	
19	932217	LEVER SUB ASSY.	1	
20	932220	CHEESE HEAD SCREW	1	
21	932221	O RING	1	
22	932222	PLUG	1	
23	925783	O RING	1	
24	932225	FLOW ADJUSTING SCREW	1	
25	932242	ORING	1	
26	932224	FLOW CONTROL BODY	1	
27	932227	BREATHER HOSE	1	
28	932228	CLAMP	2	
29	932240	O RING	1	
30	932231	O RING	1	
31	932270	CLIP	1	
32	925768	PAD	1	
33	932255	FLANGE SCREW	1	
34	B077331	2 STAGE LPG REGULATOR	1	



104

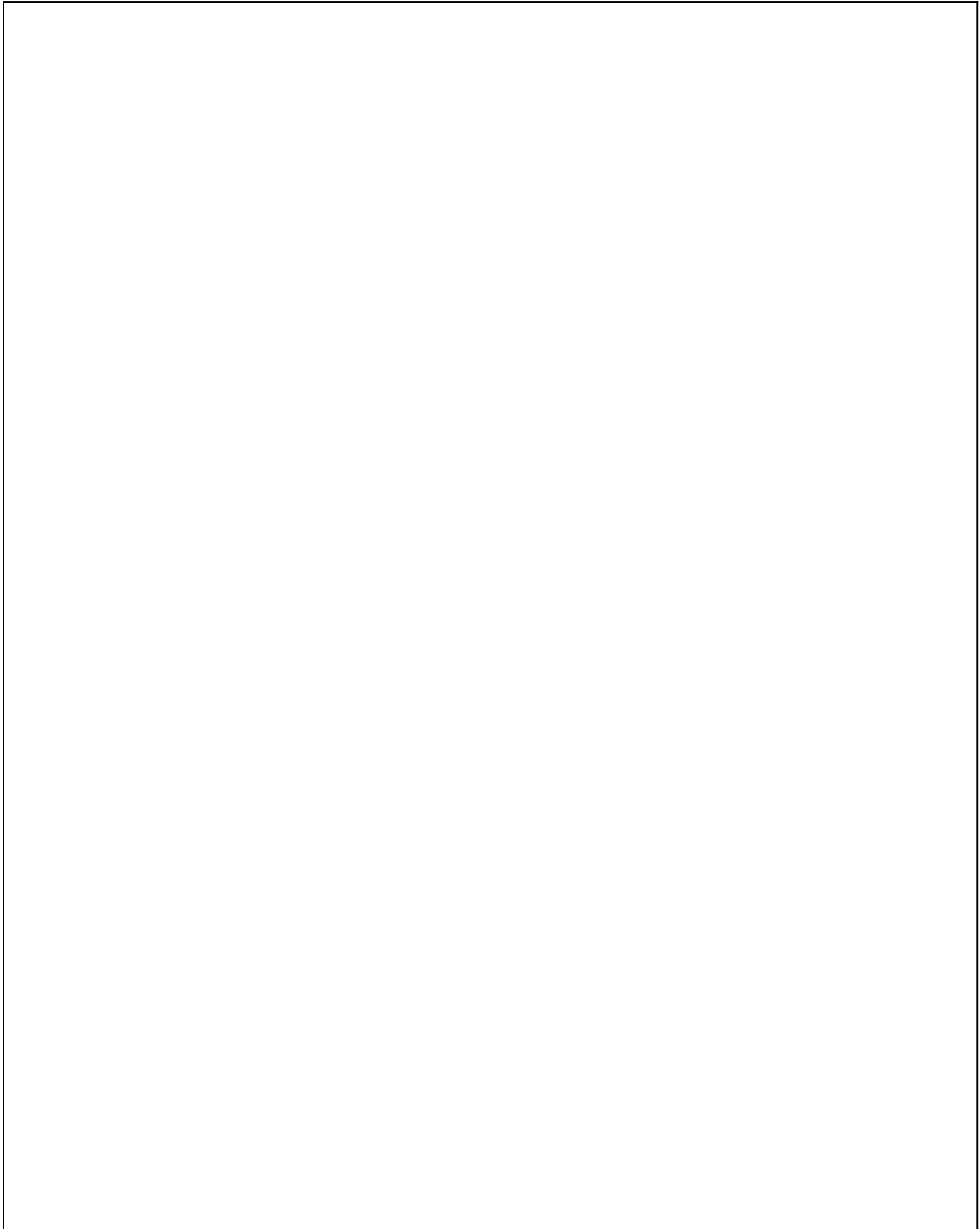
Print Date: 07-Apr-2022

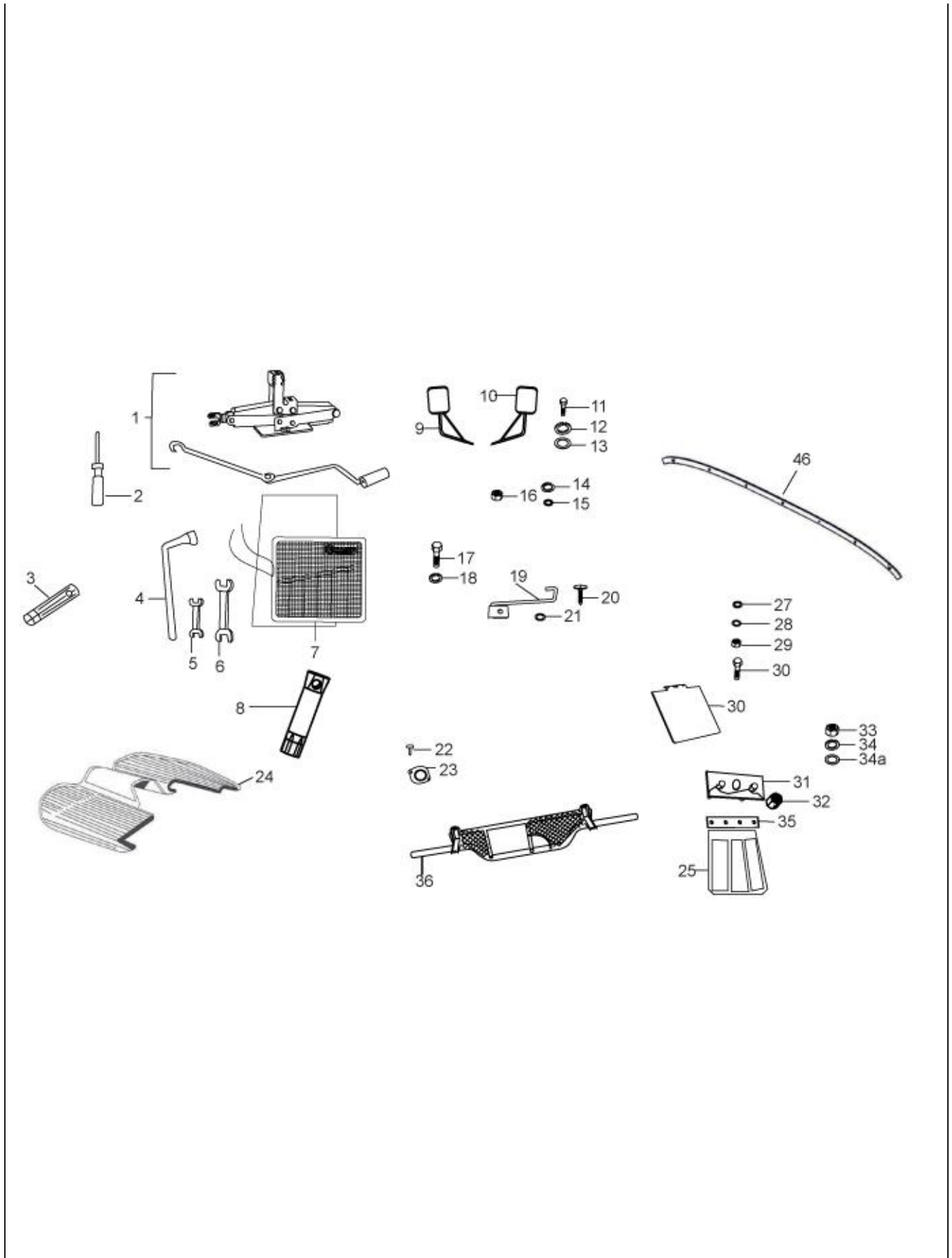
---

**PLATE-40**

**Tools And Accessories**

---







Print Date: 07-Apr-2022

**PLATE-40****Tools And Accessories**

Fig. No.	Part No.	Description	Qty	Remarks
1	B076650R	JACK ASSLY	1	
2	567458	SCREW DRIVER (-)&(+) 80	1	
3	B041787	SPARK PLUG SPANNER	1	
4	B076142	L TYPE SPANNER - A/F 16	1	
5	567454	DOUBLE END SPANNER7/8	1	
6	567456	DOUBLE END SPANNER 12/14	1	
7	B041876	TOOL BAG	1	
8	B041787	SPARK PLUG SPANNER	1	
9	643685R	OUTER REAR VIEW MIRROR LH ASSY.	1	
9A	B008617	OUTER REAR VIEW MIRROR LH ASSLY ( EXP)	1	STEP-2 BS3 HS LAM PTL
10	643684R	OUTER REAR VIEW MIRROR RH ASSY.	1	
10A	B008616	OUTER REAR-VIEW MIRROR RH ASSLY.( EXP )	1	STEP-2 BS3 HS LAM PTL
11	31118	SCREW M8X20	2	
12	016408	SPRING WASHER	6	
13	3058	PLAIN WASHER 15X8.4X1.5	20	
14	016408	SPRING WASHER	4	
15	3058	PLAIN WASHER 15X8.4X1.5	4	
16	20108	HEX NUT M8	4	
17	31116	HEX HD. SCREW M8X16	1	
18	016408	SPRING WASHER	1	
19	B001887	STOPPER ASSLY.	1	
20	15911	PAN SELF TAP SCREW 8SG X 16 AB	1	
21	16670	PLAIN WASHER 12X4.5X1	1	
22	8451	PAN SELF TP SCREW 6 SGX13 AB	4	
23	B003076	COVER SHOCKER MTG. HOLE	2	
24	B075254	FARE METERÂ Â MTG. BKT.	1	
25	B001789	MUDFLAP MUDGAURD REAR	2	
26	643661	LICENSE PLATE MTG. BKT.	1	
27	13861	PLAIN WASHER 20X8.2X2.5	2	
28	12540	SPRING WASHER M8	2	
29	20108	HEX NUT M8	2	
30	30072	HEX HEAD BOLT M8 X 35	2	
31	B002208	STRAP WITH PIN SPARE WHEEL MTG.	1	
32	20108	HEX NUT M8	2	
33	20106	HEX NUT M6	12	

106

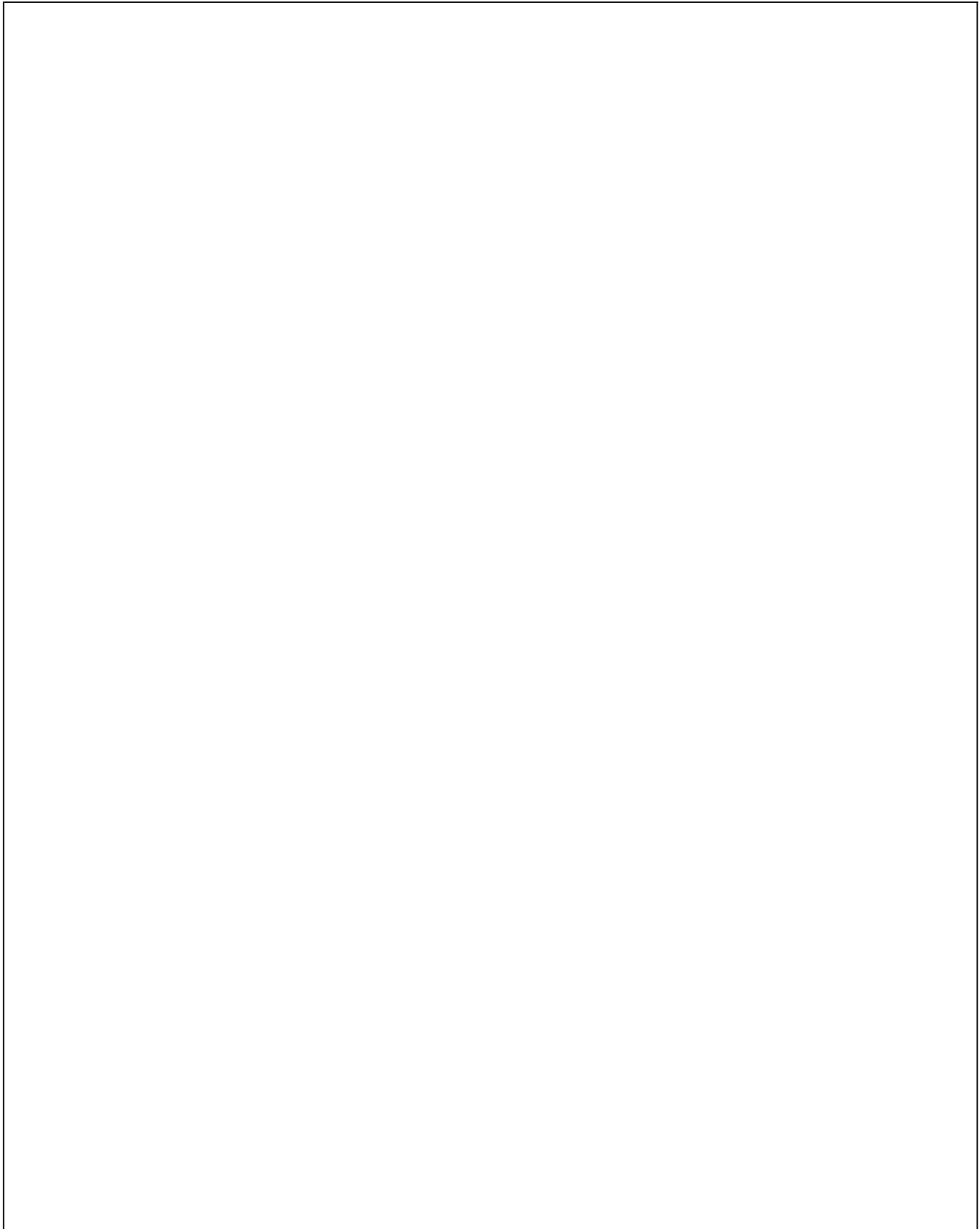
Print Date: 07-Apr-2022

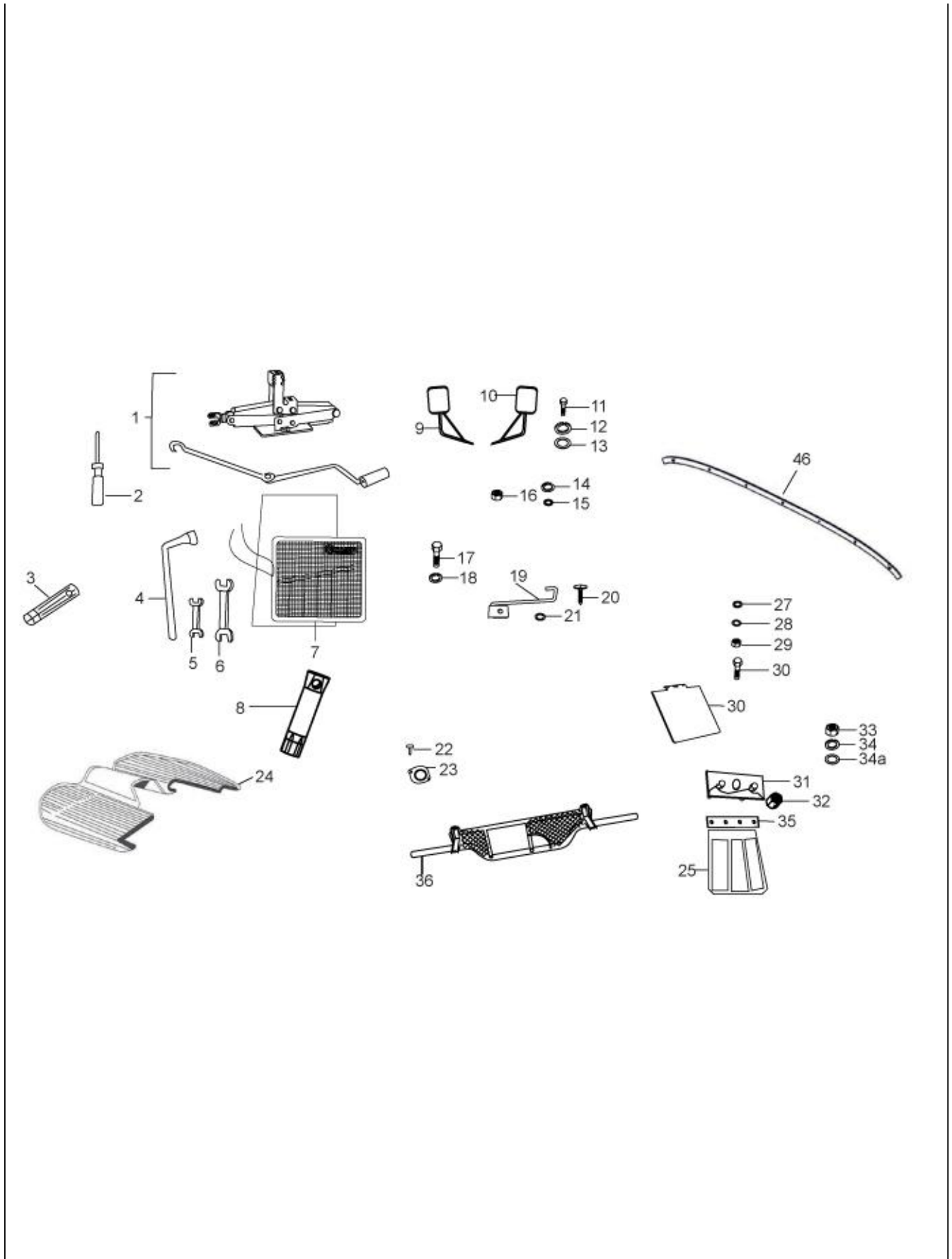
---

**PLATE-40**

**Tools And Accessories**

---









Print Date: 07-Apr-2022

**PLATE-40****Tools And Accessories**

<b>Fig. No.</b>	<b>Part No.</b>	<b>Description</b>	<b>Qty</b>	<b>Remarks</b>
34	016406	SPRING WASHER	12	
34a	013880	PLAIN WASHER	12	
35	B001788	CLAMP MUDFLAP REAR	2	
36	B075102	VISUAL BARRIER APE CITY CARGO	1	



Print Date: 07-Apr-2022

# **PARTS INDEX**

**ape City Xtra Step-II AF BS-III Exp LAM**



109

Print Date: 07-Apr-2022

<b>PART NO</b>	<b>BLOCK</b>	<b>PART NO</b>	<b>BLOCK</b>	<b>PART NO</b>	<b>BLOCK</b>
----	PLATE-12	018639	PLATE-7	122032014	PLATE-17
---	PLATE-3	018639	PLATE-9	125181	PLATE-26
-	PLATE-11	018639	PLATE-13	125289	PLATE-25
-	PLATE-29	107718	PLATE-25	12536	PLATE-32
-	PLATE-31	107826	PLATE-25	12536	PLATE-33
000267	PLATE-12	107827	PLATE-24	12540	PLATE-40
002139	PLATE-17	107871	PLATE-25	12540	PLATE-22
003054	PLATE-28	108785	PLATE-27	125411	PLATE-27
005967	PLATE-30	108800	PLATE-22	12546	PLATE-22
009101	PLATE-10	108801	PLATE-22	12546	PLATE-28
009101	PLATE-17	108804	PLATE-22	126902	PLATE-26
013880	PLATE-40	108873	PLATE-25	127012019	PLATE-2
013880	PLATE-9	108874	PLATE-25	127013013	PLATE-2
013880	PLATE-19	109012	PLATE-20	127016015	PLATE-9
013880	PLATE-27	109064	PLATE-25	127111011	PLATE-6
013880	PLATE-29	109066	PLATE-25	127185012	PLATE-2
016406	PLATE-40	109117	PLATE-25	127451	PLATE-26
016406	PLATE-11	109227	PLATE-21	127460010	PLATE-2
016406	PLATE-18	109227	PLATE-26	12790	PLATE-24
016406	PLATE-26	109227	PLATE-26	127927R	PLATE-27
016406	PLATE-27	109263	PLATE-22	128633	PLATE-24
016406	PLATE-28	109265	PLATE-25	128804ED	PLATE-30
016406	PLATE-28	109361	PLATE-30	128805ED	PLATE-30
016406	PLATE-28	109404	PLATE-26	132129	PLATE-5
016406	PLATE-29	109635	PLATE-26	132134	PLATE-5
016406	PLATE-6	109775	PLATE-26	132244	PLATE-5
016406	PLATE-30	109892	PLATE-24	136434	PLATE-25
016406	PLATE-30	111353	PLATE-9	136451R	PLATE-24
016406	PLATE-31	111356	PLATE-6	136916	PLATE-27
016408	PLATE-40	111498	PLATE-6	137235	PLATE-25
016408	PLATE-40	112867R	PLATE-6	13812	PLATE-22
016408	PLATE-40	112898	PLATE-9	138237	PLATE-27
016408	PLATE-11	113278	PLATE-6	13861	PLATE-40
016408	PLATE-18	116971	PLATE-22	13861	PLATE-21
016408	PLATE-18	117401	PLATE-9	13861	PLATE-22
016408	PLATE-18	117402	PLATE-9	13935	PLATE-22
016408	PLATE-20	119735	PLATE-29	140603	PLATE-22
016408	PLATE-21	120164019	PLATE-2	141925	PLATE-26
016408	PLATE-21	120170018	PLATE-2	150041R	PLATE-30
016408	PLATE-24	12136	PLATE-22	150579	PLATE-25
016408	PLATE-27	12136	PLATE-28	152025	PLATE-22
016408	PLATE-27	12138	PLATE-26	15335	PLATE-18
016408	PLATE-30	12138	PLATE-30	15478	PLATE-18

--	--	--

110

Print Date: 07-Apr-2022

<b>PART NO</b>	<b>BLOCK</b>	<b>PART NO</b>	<b>BLOCK</b>	<b>PART NO</b>	<b>BLOCK</b>
15594	PLATE-24	182662	PLATE-22	1A006988	PLATE-12
157103	PLATE-24	182663	PLATE-22	1A007026	PLATE-9
157103	PLATE-24	18630	PLATE-20	1A007028	PLATE-9
15727	PLATE-22	193724	PLATE-22	1A007029	PLATE-17
15727	PLATE-30	197071	PLATE-34	1A007047	PLATE-4
157716	PLATE-29	1A000024	PLATE-13	1A007051	PLATE-6
15900	PLATE-29	1A000402	PLATE-16	1A007409	PLATE-7
15911	PLATE-40	1A000542	PLATE-7	1A007501	PLATE-6
15996	PLATE-28	1A000612	PLATE-9	1A007565	PLATE-14
16319	PLATE-26	1A000708	PLATE-9	1A007599	PLATE-10
163659	PLATE-22	1A000708	PLATE-2	1A007605	PLATE-6
163660	PLATE-22	1A000742	PLATE-16	1A007663R	PLATE-9
163661	PLATE-22	1A000831	PLATE-13	1A007664R	PLATE-9
163663	PLATE-22	1A001073	PLATE-12	1A007774	PLATE-9
163665	PLATE-22	1A001187R	PLATE-16	1A008077	PLATE-2
163666SP	PLATE-22	1A001794	PLATE-9	1A008397	PLATE-14
163667SP	PLATE-22	1A001795	PLATE-9	1A008547	PLATE-5
16405	PLATE-19	1A002358	PLATE-14	1A008547	PLATE-6
16405	PLATE-20	1A002661	PLATE-16	1A008559	PLATE-9
16405	PLATE-21	1A002685	PLATE-9	1A008672	PLATE-12
16405	PLATE-28	1A002691	PLATE-11	1A008715	PLATE-16
16405	PLATE-30	1A002691	PLATE-13	1A008804	PLATE-34
16410	PLATE-18	1A003060	PLATE-10	1A008804	PLATE-6
16410	PLATE-18	1A005176	PLATE-6	1A008823	PLATE-9
16410	PLATE-24	1A005178	PLATE-10	1A009093	PLATE-6
16410	PLATE-24	1A006002	PLATE-12	1A009125	PLATE-11
16410	PLATE-25	1A006115	PLATE-17	1A009251	PLATE-28
16410	PLATE-25	1A006545	PLATE-11	1A009352	PLATE-28
16410	PLATE-26	1A006687	PLATE-17	1A009353	PLATE-28
16410	PLATE-6	1A006701	PLATE-10	1A009586	PLATE-16
165121014	PLATE-9	1A006740	PLATE-13	1A009587	PLATE-16
16603	PLATE-21	1A006742	PLATE-13	1A009588	PLATE-16
16603	PLATE-30	1A006743	PLATE-13	1A009589	PLATE-16
16620	PLATE-26	1A006751	PLATE-16	1A009590	PLATE-16
16626	PLATE-26	1A006806	PLATE-6	1A009591	PLATE-16
16670	PLATE-40	1A006812	PLATE-4	1A009592	PLATE-16
16670	PLATE-20	1A006856	PLATE-9	1A009593	PLATE-16
178610	PLATE-18	1A006858	PLATE-16	1A009621R	PLATE-15
180431	PLATE-25	1A006859	PLATE-10	1A009632	PLATE-7
181746	PLATE-28	1A006877	PLATE-4	1A009706	PLATE-11
181747	PLATE-28	1A006899	PLATE-14	1A009762	PLATE-4
182660R	PLATE-22	1A006901	PLATE-14	1A009779	PLATE-6
182661R	PLATE-22	1A006970	PLATE-17	1A010001	PLATE-13



--	--	--

111

Print Date: 07-Apr-2022

<b>PART NO</b>	<b>BLOCK</b>	<b>PART NO</b>	<b>BLOCK</b>	<b>PART NO</b>	<b>BLOCK</b>
1A010008	PLATE-10	1A012011	PLATE-10	20106	PLATE-27
1A010023	PLATE-7	1A012039	PLATE-10	20106	PLATE-28
1A010024	PLATE-7	1A012150	PLATE-3	20106	PLATE-28
1A010025	PLATE-7	1A012151	PLATE-3	20106	PLATE-29
1A010026	PLATE-7	1A012152	PLATE-3	20106	PLATE-29
1A010035	PLATE-10	1A012153	PLATE-3	20106	PLATE-29
1A010088	PLATE-7	1A012154	PLATE-3	20106	PLATE-30
1A010089	PLATE-7	1A012155	PLATE-3	20106	PLATE-30
1A010090	PLATE-7	1A012156	PLATE-3	20108	PLATE-40
1A010091	PLATE-7	1A012157	PLATE-3	20108	PLATE-40
1A010092	PLATE-7	1A012158	PLATE-3	20108	PLATE-40
1A010095	PLATE-7	1A012159	PLATE-3	20108	PLATE-18
1A010096	PLATE-7	1A012160	PLATE-3	20108	PLATE-18
1A010097	PLATE-7	1A012161	PLATE-3	20108	PLATE-18
1A010098	PLATE-7	1A012182	PLATE-10	20108	PLATE-21
1A010100	PLATE-7	1A012334	PLATE-10	20108	PLATE-21
1A010101	PLATE-7	1A012846	PLATE-17	20108	PLATE-21
1A010102	PLATE-7	1A013013	PLATE-14	20108	PLATE-22
1A010119	PLATE-3	1A013159	PLATE-12	20108	PLATE-22
1A010136	PLATE-2	1A014399	PLATE-16	20108	PLATE-27
1A010150	PLATE-12	1A015692	PLATE-14	20108	PLATE-27
1A010159	PLATE-17	1A015723R	PLATE-11	20108	PLATE-30
1A010160	PLATE-17	1A016737	PLATE-4	20110	PLATE-18
1A010161	PLATE-17	1A016964	PLATE-6	20110	PLATE-24
1A010162	PLATE-17	1A018212	PLATE-16	20110	PLATE-24
1A010166	PLATE-17	1A020456	PLATE-16	20110	PLATE-25
1A010187	PLATE-10	1A021204	PLATE-16	20110	PLATE-25
1A010208	PLATE-3	1D000425R	PLATE-16	20110	PLATE-26
1A010461	PLATE-3	1D000510	PLATE-28	20359	PLATE-24
1A010548	PLATE-2	1D000671R	PLATE-28	21118	PLATE-24
1A010561	PLATE-3	1D001138	PLATE-9	21216	PLATE-27
1A010632	PLATE-5	1D001846	PLATE-16	217280	PLATE-19
1A010632	PLATE-6	1D001847	PLATE-12	220575	PLATE-5
1A010696R	PLATE-16	1D001894	PLATE-31	226596	PLATE-24
1A010720	PLATE-9	1E002770	PLATE-26	226661	PLATE-24
1A010781	PLATE-8	20104	PLATE-20	226662	PLATE-24
1A011044	PLATE-17	20105	PLATE-20	229524	PLATE-27
1A011246	PLATE-9	20105	PLATE-28	231370	PLATE-18
1A011246	PLATE-9	20105	PLATE-28	231370	PLATE-18
1A011289	PLATE-17	20105	PLATE-28	231370	PLATE-24
1A011500	PLATE-9	20105	PLATE-30	231370	PLATE-24
1A011914	PLATE-7	20106	PLATE-34	231370	PLATE-24
1A011940	PLATE-2	20106	PLATE-40	231370	PLATE-6

--	--	--

112

Print Date: 07-Apr-2022

<b>PART NO</b>	<b>BLOCK</b>	<b>PART NO</b>	<b>BLOCK</b>	<b>PART NO</b>	<b>BLOCK</b>
237246	PLATE-24	3058	PLATE-40	483711	PLATE-11
2383	PLATE-18	3058	PLATE-21	485655	PLATE-9
2383	PLATE-18	3058	PLATE-21	485703	PLATE-9
243303R	PLATE-24	3058	PLATE-21	485703	PLATE-11
265091	PLATE-18	3058	PLATE-27	485868	PLATE-14
267065	PLATE-18	3058	PLATE-30	566545	PLATE-25
267065	PLATE-24	3068	PLATE-19	567454	PLATE-40
267068	PLATE-24	3068	PLATE-24	567456	PLATE-40
269755	PLATE-9	31056	PLATE-19	567458	PLATE-40
269755	PLATE-11	31057	PLATE-28	567461	PLATE-27
272178	PLATE-18	31058	PLATE-22	567473	PLATE-25
285536	PLATE-4	31058	PLATE-28	567498R	PLATE-28
286328	PLATE-18	31058	PLATE-28	567498R	PLATE-28
286328	PLATE-18	31058	PLATE-30	567562	PLATE-21
286328	PLATE-18	31088	PLATE-19	567581	PLATE-28
286328	PLATE-24	31088	PLATE-19	567593	PLATE-29
288730	PLATE-5	31088	PLATE-28	567690	PLATE-27
30072	PLATE-40	31088	PLATE-28	567706	PLATE-28
30074	PLATE-11	31088	PLATE-28	567732	PLATE-30
30074	PLATE-30	31088	PLATE-31	567746G1	PLATE-27
30074	PLATE-30	31089	PLATE-11	567878R	PLATE-19
30104	PLATE-26	31089	PLATE-26	567898	PLATE-27
30104	PLATE-26	31089	PLATE-29	567899	PLATE-27
30209R	PLATE-25	31089	PLATE-30	567920	PLATE-27
30242	PLATE-20	31092	PLATE-6	567920	PLATE-27
30242	PLATE-22	31116	PLATE-40	567990	PLATE-25
3055	PLATE-20	31118	PLATE-40	567991	PLATE-25
3055	PLATE-26	31118	PLATE-21	567992	PLATE-25
3055	PLATE-27	31119	PLATE-18	567993	PLATE-25
3055	PLATE-28	31119	PLATE-18	568095	PLATE-25
3055	PLATE-28	31119	PLATE-21	568131	PLATE-21
3055	PLATE-28	31119	PLATE-30	568140	PLATE-18
3055	PLATE-29	31154	PLATE-18	568161	PLATE-27
3055	PLATE-30	432142	PLATE-9	568288	PLATE-21
3056	PLATE-11	433122	PLATE-11	568671	PLATE-23
3056	PLATE-28	434541	PLATE-14	568682	PLATE-21
3056	PLATE-28	434541	PLATE-15	568689	PLATE-18
3056	PLATE-29	434716	PLATE-11	568692	PLATE-20
3056	PLATE-6	435571	PLATE-15	568692	PLATE-28
3056	PLATE-29	436947	PLATE-11	568713	PLATE-20
3056	PLATE-31	478261	PLATE-2	568721	PLATE-28
3057	PLATE-30	48197	PLATE-27	568737	PLATE-27
3058	PLATE-40	482335	PLATE-15	569156	PLATE-22

--	--	--

113

Print Date: 07-Apr-2022

<b>PART NO</b>	<b>BLOCK</b>	<b>PART NO</b>	<b>BLOCK</b>	<b>PART NO</b>	<b>BLOCK</b>
569157	PLATE-22	6078	PLATE-28	645124	PLATE-34
569165	PLATE-28	616649	PLATE-21	645141	PLATE-21
569244	PLATE-18	616738R	PLATE-19	652001	PLATE-27
569375	PLATE-18	6173	PLATE-27	652105	PLATE-19
569504	PLATE-19	632056	PLATE-27	652105	PLATE-19
5745	PLATE-22	632109	PLATE-19	652253R	PLATE-21
587617	PLATE-24	632158	PLATE-26	660109	PLATE-28
587624R	PLATE-27	632184	PLATE-38	660168	PLATE-21
587671R	PLATE-28	632185	PLATE-35	660168	PLATE-23
587829	PLATE-27	632185	PLATE-38	660168	PLATE-29
587902	PLATE-26	632238	PLATE-22	661262	PLATE-30
587905PC	PLATE-21	632247	PLATE-18	661266	PLATE-24
587928	PLATE-27	632292	PLATE-28	661267	PLATE-24
587963	PLATE-20	632299	PLATE-18	661282	PLATE-24
5969	PLATE-27	632299	PLATE-18	661399	PLATE-37
6018	PLATE-22	632508	PLATE-21	661909	PLATE-39
604535	PLATE-24	632604	PLATE-21	662323	PLATE-30
604553	PLATE-8	63440	PLATE-32	6650	PLATE-24
604557	PLATE-28	6410	PLATE-6	6733	PLATE-25
604558	PLATE-22	6411	PLATE-27	680166	PLATE-28
604606	PLATE-21	642537	PLATE-9	6965	PLATE-22
604717	PLATE-27	64263	PLATE-22	6965	PLATE-28
604751	PLATE-21	643149	PLATE-9	6965	PLATE-28
604756	PLATE-8	643156	PLATE-9	6A000068	PLATE-34
604756	PLATE-19	643367	PLATE-11	6A000069	PLATE-34
604758	PLATE-25	643500	PLATE-30	6A000070	PLATE-34
604758	PLATE-25	643661	PLATE-40	6A001657	PLATE-19
604759	PLATE-25	643661	PLATE-30	6A001834	PLATE-34
604760	PLATE-27	643684R	PLATE-40	6B000361BW	PLATE-21
604761	PLATE-21	643685R	PLATE-40	6B000361CB	PLATE-21
604863	PLATE-35	643691	PLATE-23	6B000361EG	PLATE-21
604877	PLATE-27	643692	PLATE-27	6B000361GY	PLATE-21
604908	PLATE-19	643704R	PLATE-28	6B000377	PLATE-21
604909	PLATE-19	643705R	PLATE-28	6B000378	PLATE-21
604948	PLATE-18	643741	PLATE-24	6B000404BW	PLATE-21
604954	PLATE-21	643772R	PLATE-25	6B000404CB	PLATE-21
605389	PLATE-22	643850	PLATE-35	6B000404CO	PLATE-21
60565	PLATE-26	643882	PLATE-38	6B000404EG	PLATE-21
6066	PLATE-24	643964	PLATE-35	6B000404GY	PLATE-21
6066	PLATE-25	644814R	PLATE-27	6B000406BW	PLATE-21
6078	PLATE-22	644824	PLATE-19	6B000406CB	PLATE-21
6078	PLATE-23	644838R	PLATE-31	6B000406ECO	PLATE-21
6078	PLATE-28	644852	PLATE-21	6B000406EG	PLATE-21

--	--	--

114

Print Date: 07-Apr-2022

<b>PART NO</b>	<b>BLOCK</b>	<b>PART NO</b>	<b>BLOCK</b>	<b>PART NO</b>	<b>BLOCK</b>
6B000406EGY	PLATE-21	87067	PLATE-25	932212	PLATE-36
6C000016	PLATE-6	872816	PLATE-9	932212	PLATE-39
6C000041	PLATE-6	8771	PLATE-25	932213	PLATE-36
6C000190	PLATE-25	878941	PLATE-9	932214	PLATE-36
6C000191	PLATE-25	8808	PLATE-22	932214	PLATE-39
6C000312R	PLATE-6	884222808	PLATE-9	932215	PLATE-36
6C000430	PLATE-24	8847	PLATE-22	932215	PLATE-39
6C000430	PLATE-25	920008	PLATE-39	932216	PLATE-36
6C000530	PLATE-24	920012	PLATE-38	932217	PLATE-36
6D000143R	PLATE-29	920083	PLATE-28	932217	PLATE-39
6D000144R	PLATE-29	920084	PLATE-28	932218	PLATE-36
6D000145R	PLATE-29	920088	PLATE-8	932218	PLATE-39
6D000146R	PLATE-29	925574	PLATE-33	932219	PLATE-36
6D000408	PLATE-35	925581	PLATE-28	932219	PLATE-39
6D001087	PLATE-19	925581	PLATE-29	932220	PLATE-36
7066R	PLATE-9	925603	PLATE-28	932220	PLATE-39
71633	PLATE-30	925737	PLATE-38	932221	PLATE-36
74521	PLATE-25	925743	PLATE-38	932221	PLATE-39
75708	PLATE-25	925768	PLATE-36	932222	PLATE-36
78307	PLATE-29	925768	PLATE-39	932222	PLATE-39
808000826	PLATE-20	925781	PLATE-36	932224	PLATE-36
8080	PLATE-23	925781	PLATE-39	932224	PLATE-39
8080	PLATE-29	925783	PLATE-39	932225	PLATE-36
812061656	PLATE-24	925786	PLATE-28	932225	PLATE-39
812061656	PLATE-25	929925	PLATE-38	932226	PLATE-36
812061656	PLATE-27	929931	PLATE-37	932226	PLATE-39
82635R	PLATE-4	929933	PLATE-37	932227	PLATE-36
8265	PLATE-30	929934	PLATE-37	932227	PLATE-39
829661	PLATE-9	929935	PLATE-37	932228	PLATE-36
83040R	PLATE-14	929936	PLATE-37	932228	PLATE-39
83041R	PLATE-14	929938	PLATE-37	932229	PLATE-36
83054R	PLATE-11	929939	PLATE-37	932229	PLATE-39
842001600	PLATE-2	929940	PLATE-37	932230	PLATE-36
842001600	PLATE-2	929948	PLATE-38	932230	PLATE-39
843000500	PLATE-6	929949	PLATE-38	932231	PLATE-36
843000809	PLATE-2	932207	PLATE-36	932231	PLATE-39
843307	PLATE-11	932207	PLATE-39	932232	PLATE-36
8451	PLATE-40	932208	PLATE-36	932232	PLATE-39
8451	PLATE-22	932208	PLATE-39	932233	PLATE-37
8451	PLATE-28	932209	PLATE-39	932235	PLATE-37
847928	PLATE-14	932210	PLATE-36	932236	PLATE-37
847928	PLATE-15	932210	PLATE-39	932237	PLATE-37
861990	PLATE-35	932211	PLATE-36	932238	PLATE-37



--	--	--

115

Print Date: 07-Apr-2022

<b>PART NO</b>	<b>BLOCK</b>	<b>PART NO</b>	<b>BLOCK</b>	<b>PART NO</b>	<b>BLOCK</b>
932239	PLATE-37	B001317	PLATE-24	B006509	PLATE-32
932240	PLATE-36	B001319	PLATE-24	B006544	PLATE-21
932240	PLATE-37	B001323	PLATE-25	B006853	PLATE-26
932240	PLATE-39	B001386	PLATE-20	B008616	PLATE-40
932241	PLATE-37	B001788	PLATE-40	B008617	PLATE-40
932242	PLATE-36	B001789	PLATE-40	B008637	PLATE-21
932242	PLATE-37	B001887	PLATE-40	B008638	PLATE-21
932242	PLATE-39	B002208	PLATE-40	B009159	PLATE-35
932243	PLATE-37	B002486	PLATE-24	B014063	PLATE-9
932254	PLATE-36	B002486	PLATE-33	B014066	PLATE-9
932255	PLATE-36	B002539	PLATE-21	B014555	PLATE-15
932255	PLATE-39	B002630	PLATE-19	B014684	PLATE-11
932263	PLATE-39	B002847	PLATE-22	B014705	PLATE-11
932264	PLATE-39	B002848	PLATE-22	B014706	PLATE-11
932265	PLATE-36	B003002	PLATE-32	B014732	PLATE-11
932270	PLATE-39	B003002	PLATE-33	B014755	PLATE-9
932273	PLATE-35	B003003	PLATE-32	B014760	PLATE-14
932274	PLATE-35	B003003	PLATE-33	B015288	PLATE-11
932275	PLATE-35	B003004	PLATE-32	B015483	PLATE-14
932276	PLATE-35	B003004	PLATE-33	B015543	PLATE-7
932306	PLATE-38	B003008	PLATE-32	B015592	PLATE-9
932646	PLATE-35	B003011	PLATE-33	B015598	PLATE-4
940028	PLATE-5	B003012	PLATE-33	B015943	PLATE-4
940028	PLATE-5	B003014	PLATE-33	B016016	PLATE-7
940028	PLATE-5	B003017	PLATE-32	B016120	PLATE-16
940064	PLATE-38	B003076	PLATE-40	B016144	PLATE-12
940065	PLATE-25	B003110R	PLATE-31	B016148	PLATE-16
940066	PLATE-25	B003115	PLATE-19	B016192	PLATE-13
940069	PLATE-8	B003115	PLATE-19	B016368	PLATE-11
940071	PLATE-8	B003228	PLATE-27	B016552	PLATE-9
940072	PLATE-8	B003286	PLATE-18	B016620	PLATE-13
963486	PLATE-15	B003300	PLATE-32	B016774	PLATE-7
97756	PLATE-22	B003300	PLATE-33	B016774	PLATE-14
97756	PLATE-22	B003324	PLATE-32	B016774	PLATE-16
B001225	PLATE-33	B003325	PLATE-32	B016774	PLATE-5
B001228	PLATE-33	B003327	PLATE-33	B016822	PLATE-7
B001301	PLATE-25	B003328	PLATE-33	B016823	PLATE-7
B001302	PLATE-25	B003330	PLATE-33	B016824	PLATE-7
B001315	PLATE-22	B003331	PLATE-33	B016825	PLATE-7
B001315	PLATE-25	B003864	PLATE-22	B016827	PLATE-7
B001316	PLATE-22	B003865	PLATE-22	B016828	PLATE-7
B001316	PLATE-24	B003929	PLATE-19	B016829	PLATE-7
B001316	PLATE-25	B003978	PLATE-21	B016834	PLATE-7

--	--	--

116

Print Date: 07-Apr-2022

<b>PART NO</b>	<b>BLOCK</b>	<b>PART NO</b>	<b>BLOCK</b>	<b>PART NO</b>	<b>BLOCK</b>
B016869	PLATE-7	B024373	PLATE-24	B042878	PLATE-22
B016939	PLATE-15	B024374	PLATE-24	B042976	PLATE-27
B017113	PLATE-14	B024501	PLATE-30	B042977	PLATE-27
B017165	PLATE-14	B024532	PLATE-28	B073024	PLATE-38
B017165	PLATE-15	B024601R	PLATE-35	B073084	PLATE-38
B017189	PLATE-16	B024614	PLATE-6	B073084	PLATE-38
B017230	PLATE-11	B024641	PLATE-28	B073085	PLATE-38
B017323	PLATE-14	B024733	PLATE-22	B073320R	PLATE-31
B017336	PLATE-11	B024734	PLATE-22	B073441	PLATE-8
B017431	PLATE-14	B024892	PLATE-19	B073469	PLATE-34
B017438	PLATE-11	B024937	PLATE-8	B073478R	PLATE-23
B017456	PLATE-11	B024948R	PLATE-28	B073479R	PLATE-23
B017542	PLATE-7	B041089	PLATE-8	B073481R	PLATE-23
B017746	PLATE-14	B041090	PLATE-38	B073492	PLATE-28
B018262	PLATE-13	B041090	PLATE-8	B073523ED	PLATE-30
B018442	PLATE-7	B041160	PLATE-27	B073526ED	PLATE-30
B018533	PLATE-11	B041161	PLATE-27	B073531BW	PLATE-30
B018718	PLATE-14	B041181	PLATE-25	B073531CB	PLATE-30
B018853	PLATE-2	B041445	PLATE-8	B073531CO	PLATE-30
B018853	PLATE-16	B041491	PLATE-38	B073531EG	PLATE-30
B018854	PLATE-15	B041600	PLATE-26	B073531GY	PLATE-30
B018946	PLATE-14	B041774	PLATE-34	B073531SY	PLATE-30
B019047	PLATE-13	B041774	PLATE-27	B073600	PLATE-28
B019220	PLATE-2	B041782	PLATE-38	B073667SP	PLATE-25
B019420	PLATE-16	B041784	PLATE-35	B073682	PLATE-28
B019420	PLATE-3	B041784	PLATE-37	B073685	PLATE-28
B023727R	PLATE-28	B041787	PLATE-40	B073690	PLATE-25
B023727R	PLATE-28	B041787	PLATE-40	B073715	PLATE-28
B023727R	PLATE-28	B041876	PLATE-40	B073810	PLATE-23
B023786R	PLATE-27	B042199	PLATE-38	B073811	PLATE-23
B023940	PLATE-6	B042317	PLATE-27	B073812	PLATE-23
B023968	PLATE-31	B042356	PLATE-34	B073814	PLATE-23
B023976	PLATE-23	B042390	PLATE-19	B073821	PLATE-28
B024056	PLATE-28	B042396	PLATE-27	B073829	PLATE-19
B024113	PLATE-25	B042438	PLATE-25	B073835	PLATE-19
B024113	PLATE-32	B042486	PLATE-9	B073837	PLATE-19
B024131	PLATE-35	B042599	PLATE-27	B073850R	PLATE-26
B024131	PLATE-37	B042612	PLATE-21	B073872	PLATE-29
B024147	PLATE-35	B042693	PLATE-27	B073875	PLATE-29
B024147	PLATE-38	B042750	PLATE-38	B073875SL	PLATE-29
B024168	PLATE-19	B042794	PLATE-27	B073882BL	PLATE-29
B024169	PLATE-23	B042814	PLATE-22	B073882BW	PLATE-29
B024194	PLATE-35	B042816	PLATE-21	B073882CB	PLATE-29

--	--	--

117

Print Date: 07-Apr-2022

<b>PART NO</b>	<b>BLOCK</b>	<b>PART NO</b>	<b>BLOCK</b>	<b>PART NO</b>	<b>BLOCK</b>
B073882EG	PLATE-29	B075565	PLATE-34	B076295	PLATE-18
B073882GY	PLATE-29	B075566	PLATE-34	B076304	PLATE-28
B073882NB	PLATE-29	B075593	PLATE-18	B076364	PLATE-34
B073882WR	PLATE-29	B075595	PLATE-18	B076364	PLATE-34
B073953	PLATE-29	B075621	PLATE-35	B076435	PLATE-35
B073969	PLATE-29	B075622	PLATE-38	B076437	PLATE-38
B073970	PLATE-29	B075636	PLATE-38	B076438	PLATE-38
B073979	PLATE-31	B075638	PLATE-35	B076650R	PLATE-40
B074033	PLATE-29	B075687ED	PLATE-26	B076749	PLATE-19
B074040	PLATE-26	B075693	PLATE-28	B076750	PLATE-19
B074173	PLATE-22	B075694	PLATE-25	B076752	PLATE-19
B074214	PLATE-31	B075703	PLATE-23	B076753	PLATE-19
B074216	PLATE-23	B075716	PLATE-34	B076753	PLATE-19
B074262	PLATE-23	B075732	PLATE-23	B077245	PLATE-24
B074275	PLATE-23	B075790	PLATE-19	B077245	PLATE-25
B074433	PLATE-29	B075798	PLATE-18	B077249	PLATE-31
B074434	PLATE-29	B075807	PLATE-24	B077249	PLATE-31
B074491	PLATE-28	B075808	PLATE-24	B077250	PLATE-31
B074498	PLATE-26	B075838	PLATE-27	B077251	PLATE-31
B074539	PLATE-28	B075861	PLATE-38	B077331	PLATE-39
B074539	PLATE-29	B075862	PLATE-35	B077333	PLATE-35
B074588R	PLATE-22	B075982	PLATE-35	B077333	PLATE-36
B074588R	PLATE-24	B076036	PLATE-34	B077358	PLATE-30
B074590R	PLATE-22	B076036	PLATE-34	B077458	PLATE-24
B074590R	PLATE-24	B076050BW	PLATE-30	B077458	PLATE-24
B074851	PLATE-38	B076050CB	PLATE-30	B077461	PLATE-25
B074905	PLATE-23	B076050CO	PLATE-30	B077465	PLATE-25
B074999	PLATE-27	B076050EG	PLATE-30	B077469	PLATE-23
B075043	PLATE-35	B076050GY	PLATE-30	B077470	PLATE-23
B075102	PLATE-40	B076050SY	PLATE-30	B077481	PLATE-24
B075108	PLATE-31	B076078	PLATE-34	B077513	PLATE-38
B075186ED	PLATE-30	B076098ED	PLATE-20	B077643	PLATE-35
B075253	PLATE-19	B076112	PLATE-8	B077882	PLATE-38
B075254	PLATE-40	B076120	PLATE-29	B078002	PLATE-31
B075255	PLATE-23	B076142	PLATE-40	B078003	PLATE-31
B075313	PLATE-26	B076164	PLATE-23	B078213	PLATE-31
B075327	PLATE-38	B076200	PLATE-35	B078272	PLATE-29
B075337	PLATE-19	B076201	PLATE-35	B078274	PLATE-29
B075426	PLATE-38	B076202	PLATE-35	B078286R	PLATE-29
B075459	PLATE-18	B076203	PLATE-35	CM166102	PLATE-7
B075488	PLATE-27	B076208	PLATE-34	CM166103	PLATE-7
B075489	PLATE-27	B076226	PLATE-21	CM167704	PLATE-7
B075492	PLATE-27	B076290	PLATE-24	CM167708	PLATE-7

--	--	--

118

