

Parts Catalog

Commercial Vehicle

APE_EXTRA_LDX_PLUS_NE_FX

PIAGGIO VEHICLES PRIVATE LIMITED

Registered Office: Bund Garden Road ,Opp. Residency Club , Pune (India)

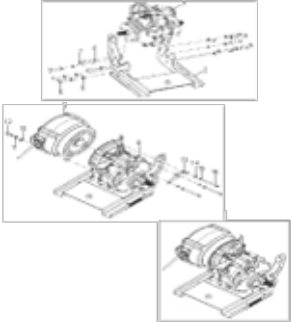

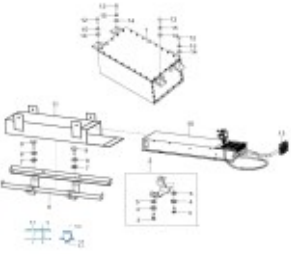
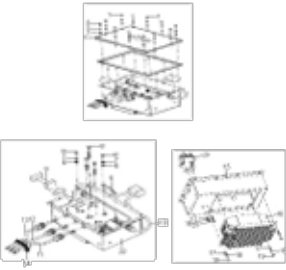

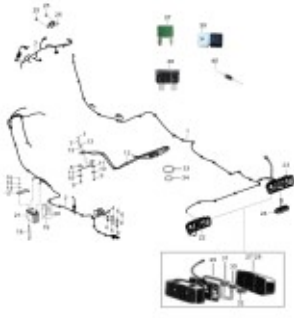
Print Date: 05-Oct-2022

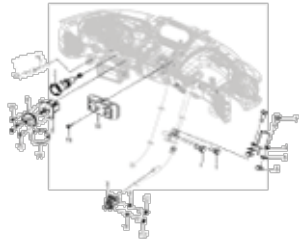
PLATES INDEX

Sr No.	Plate Name	Plate No.	Page No.
1	POWERPACK ASSLY & MOUNTINGS	1	1-2
2	POWER PACK ASSLY MUFF CUP & ITS MOUNTINGS	2	3-4
3	FIXED BATTERY , & CHARGER AMARON (NMC)	3	5-6
4	E-BOX ASSLY-Horizontal Mounting	4	7-8
5	E-BOX CABLES, BATTERY CABLES ,RELAY & DC-DC CONVERTOR	5	9-10
6	WIRING HARNESS & TAIL LAMP ASSLY & AUXILIARY BATTERY	6	11-14
7	SWITCHES	7	15-16
8	DASHBOARD & SWITCHES	8	17-18
9	HANDLE BAR	9	19-22
10	FRONT & REAR MUDGUARD	10	23-24
11	HEAD LAMP & BEZEL ASSY, LOGO & SUPPORT	11	25-26
12	STICKERS	12	27-28
13	Main frame Assly & Cargo Body & Mirror	13	29-32
14	DOORS, TOOLS AND WHEELS	14	33-38
15	TOOLS AND WHEELS	15	39-40
16	Windshield /Glass/ Seats/ Carpets/Mirrors &Engine Door.	16	41-42
17	WINDSCREEN WIPER	17	43-44
18	SELECTORS - SWITCHES - BUTTONS	18	45-46
19	STEERING COLUMN & FRONT SUSPENSION	19	47-50
20	REAR SUSPENSION - SHOCK ABSORBER/S & ENGINE SUPPORT	20	51-54
21	MUF CUP & DRIVE SHAFT & BELLOW	21	55-56
22	BRAKE - TANDEM MASTER CYLINDER, BRAKE PIPE AND HAND BRAKES	22	57-60
23	FRONT BRAKE ASSEMBLY SELF ADJUSTING (DIA 180 X 40 MM)	23	61-62
24	REAR BRAKE ASSEMBLY SELF ADJUSTING (DIA 180 X 40 MM)	24	63-64
25	Child Parts of Fixed Battery & Charger	25	65-66

Print Date: 05-Oct-2022

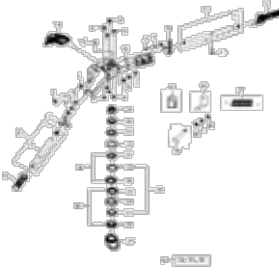
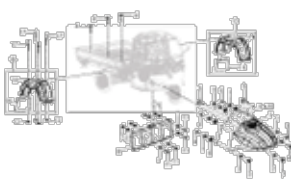
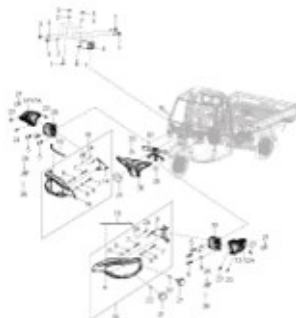
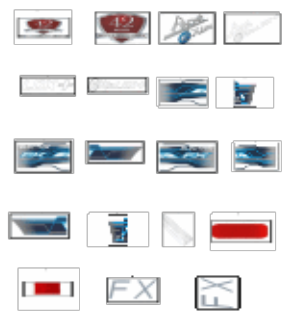
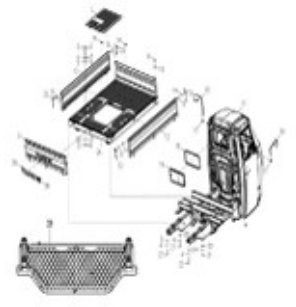
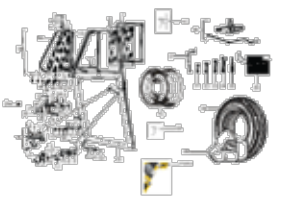
PICTORIAL PLATES INDEX

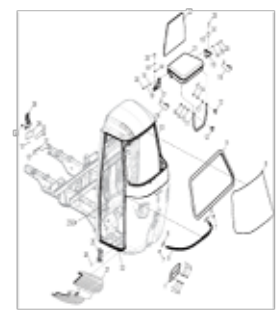
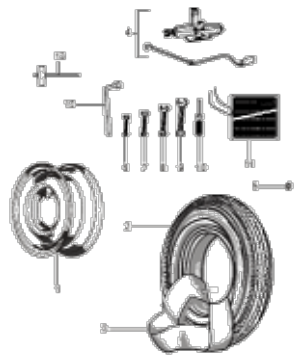
<p>PLATE-1 POWERPACK ASSLY & MOUNTINGS</p> <p>Page No. :1-2</p> 	<p>PLATE-2 POWER PACK ASSLY MUFF CUP & ITS MOUNTINGS</p> <p>Page No. :3-4</p> 
<p>PLATE-3 FIXED BATTERY , & CHARGER AMARON (NMC)</p> <p>Page No. :5-6</p> 	<p>PLATE-4 E-BOX ASSLY-Horizontal Mounting</p> <p>Page No. :7-8</p> 
<p>PLATE-5 E-BOX CABLES, BATTERY CABLES ,RELAY & DC-DC CONVERTOR</p> <p>Page No. :9-10</p> 	<p>PLATE-6 WIRING HARNESS & TAIL LAMP ASSLY & AUXILIARY BATTERY</p> <p>Page No. :11-14</p> 
<p>PLATE-7 SWITCHES</p> <p>Page No. :15-16</p>	<p>PLATE-8 DASHBOARD & SWITCHES</p> <p>Page No. :17-18</p>



Print Date: 05-Oct-2022

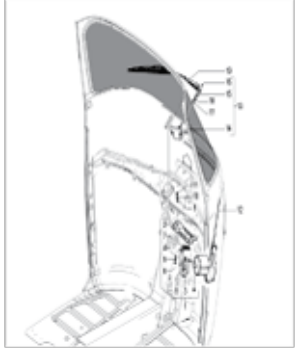
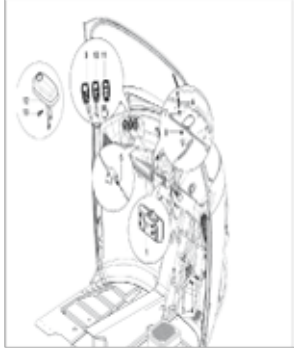
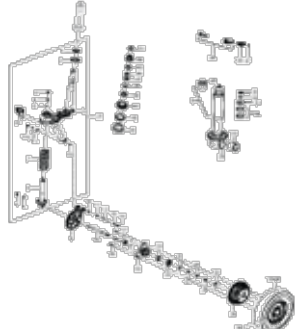
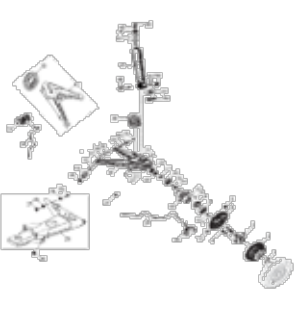
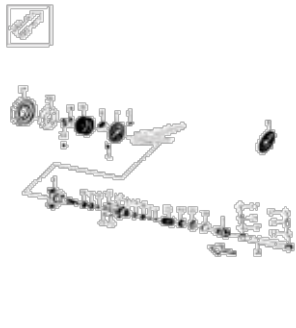
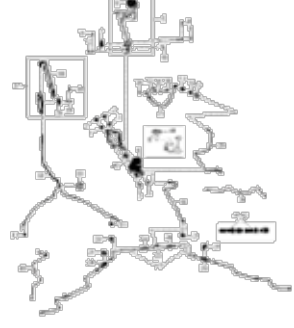
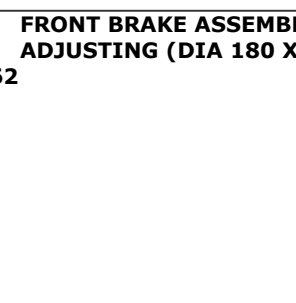
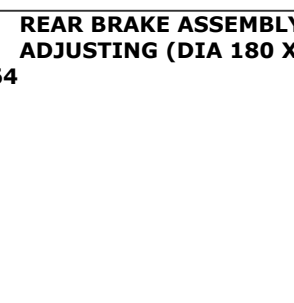
PICTORIAL PLATES INDEX

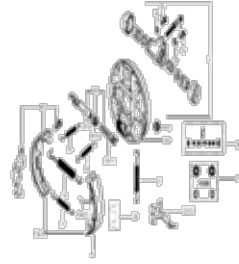
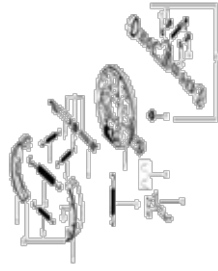
<p>PLATE-9 HANDLE BAR Page No. :19-22</p> 	<p>PLATE-10 FRONT & REAR MUDGUARD Page No. :23-24</p> 
<p>PLATE-11 HEAD LAMP & BEZEL ASSY, LOGO & SUPPORT Page No. :25-26</p> 	<p>PLATE-12 STICKERS Page No. :27-28</p> 
<p>PLATE-13 Main frame Assly & Cargo Body & Mirror Page No. :29-32</p> 	<p>PLATE-14 DOORS, TOOLS AND WHEELS Page No. :33-38</p> 
<p>PLATE-15 TOOLS AND WHEELS Page No. :39-40</p>	<p>PLATE-16 Windshield /Glass/ Seats/ Carpets/Mirrors &Engine Door. Page No. :41-42</p>



Print Date: 05-Oct-2022

PICTORIAL PLATES INDEX

<p>PLATE-17 WINDSCREEN WIPER Page No. :43-44</p> 	<p>PLATE-18 SELECTORS - SWITCHES - BUTTONS Page No. :45-46</p> 
<p>PLATE-19 STEERING COLUMN & FRONT SUSPENSION Page No. :47-50</p> 	<p>PLATE-20 REAR SUSPENSION - SHOCK ABSORBER/S & ENGINE SUPPORT Page No. :51-54</p> 
<p>PLATE-21 MUF CUP & DRIVE SHAFT & BELLOW Page No. :55-56</p> 	<p>PLATE-22 BRAKE - TANDEM MASTER CYLINDER, BRAKE PIPE AND HAND BRAKES Page No. :57-60</p> 
<p>PLATE-23 FRONT BRAKE ASSEMBLY SELF ADJUSTING (DIA 180 X 40 MM) Page No. :61-62</p> 	<p>PLATE-24 REAR BRAKE ASSEMBLY SELF ADJUSTING (DIA 180 X 40 MM) Page No. :63-64</p> 



PICTORIAL PLATES INDEX

PLATE-25 **Child Parts of Fixed Battery & Charger**
Page No. :65-66



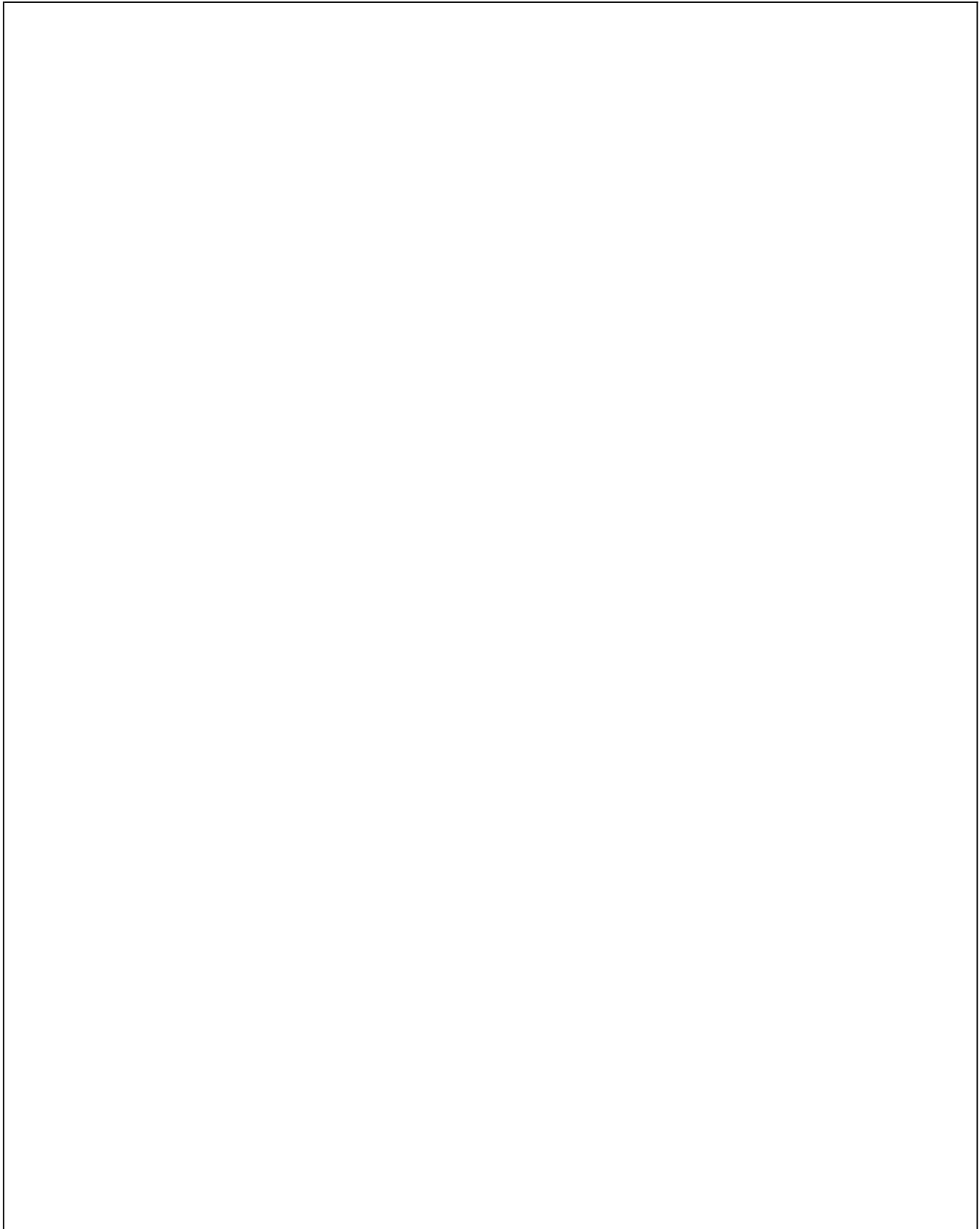
The image displays a collection of small, individual photographs of various electronic components and parts. These include what appear to be cables, connectors, battery cells, and other hardware elements related to a fixed battery and charger system. The parts are arranged in a grid-like fashion within a rectangular frame.

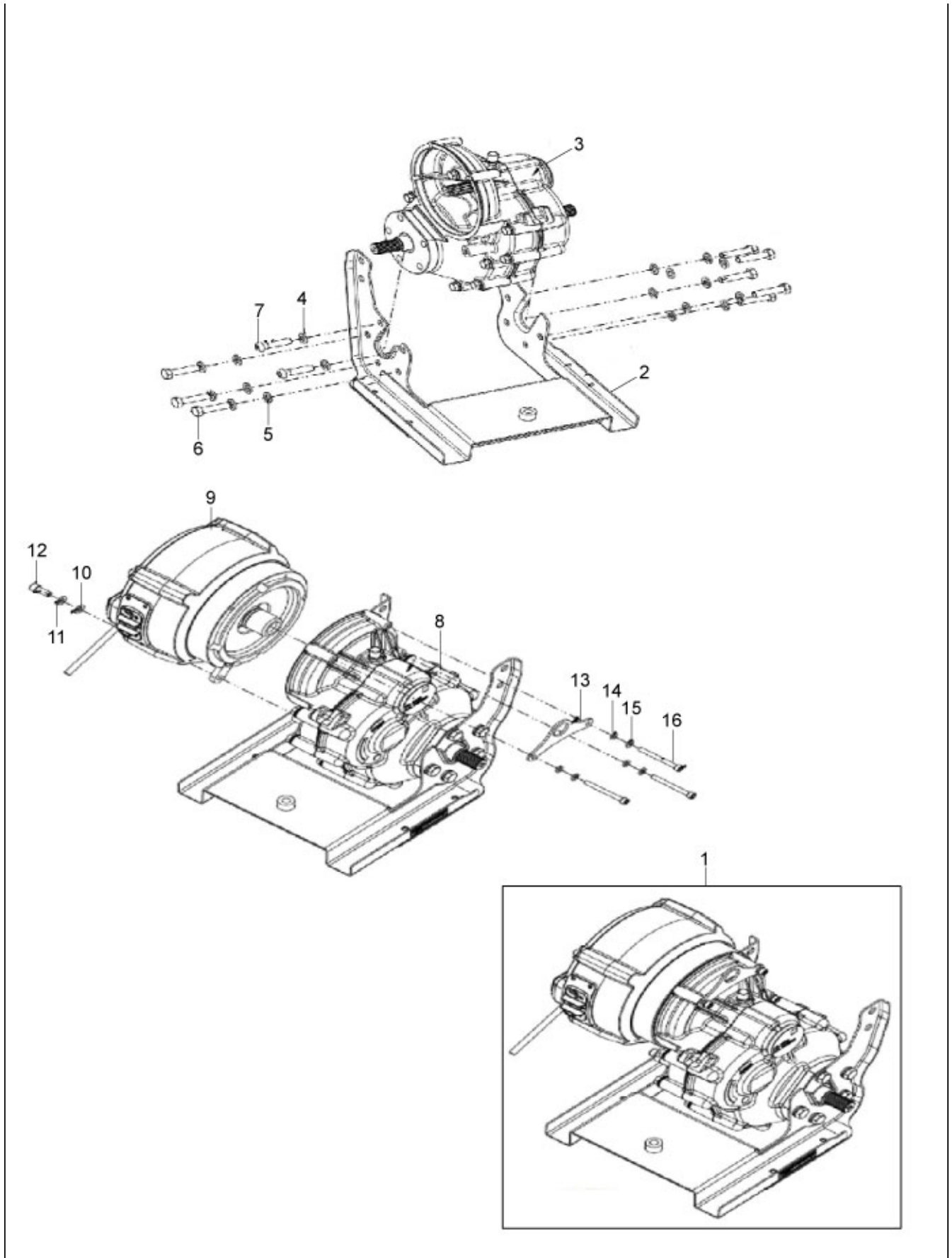


Print Date: 05-Oct-2022

PLATE-1

POWERPACK ASSLY & MOUNTINGS





Print Date: 05-Oct-2022

PLATE-1**POWERPACK ASSLY & MOUNTINGS**

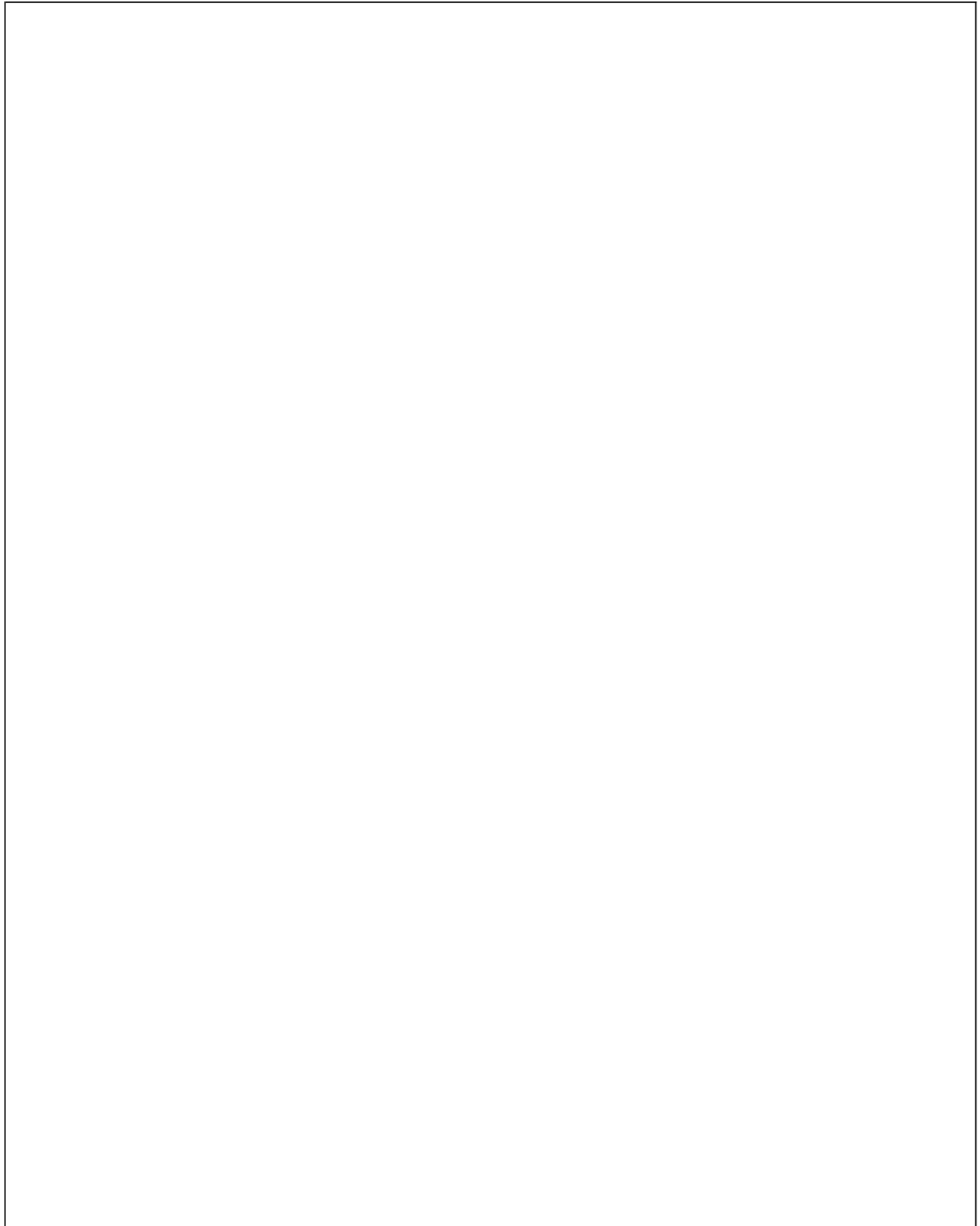
Fig. No.	Part No.	Description	Qty	Remarks
1	6A001877	EV POWER PACK ASSLY. KIT	1	
2	6A001421	ELECTRIC MOTOR MTG. BKT.	1	
3	6A001554	GEAR BOX	1	
4	16410	SPRING WASHER	10	
5	286328	PLAIN WASHER 20X10.2X2	8	
6	6C000420	HEXA BOLT M10X1.5X40	8	
7	6C000421	BUTTON HEAD M10X1.5X40	2	
8	6A001555	TRANSMISSION ASSLY	1	
9	6A001879	TRACTION MOTOR	1	
10	6C000422	PLAIN WASHER M8 8.8 NI-PLATED 8U	1	
11	6C000423	SPRING WASHER M8 8.8 NI-PLATED 8U	1	
12	6C000425	ALLEN BOLT	1	
13	6A001860	LIFT HOOK	3	
14	3058	PLAIN WASHER 15X8.4X1.5	3	
15	16408	SPRING WASHER M8	1	
16	6A001859	ALLEN HEAD SCREW M6X1.0X58 HFT	1	

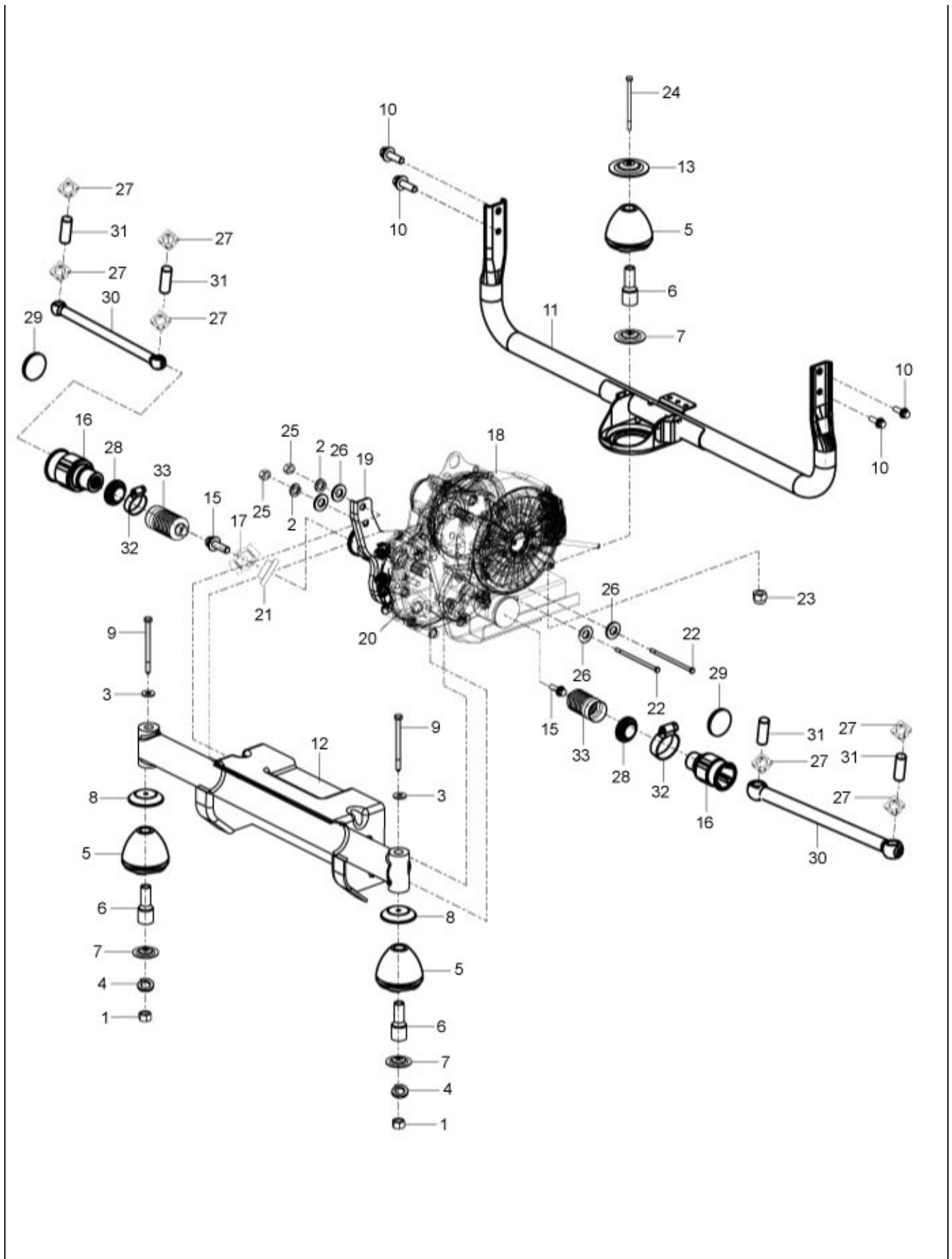
2

Print Date: 05-Oct-2022

PLATE-2

POWER PACK ASSLY MUFF CUP & ITS MOUNTINGS





Print Date: 05-Oct-2022

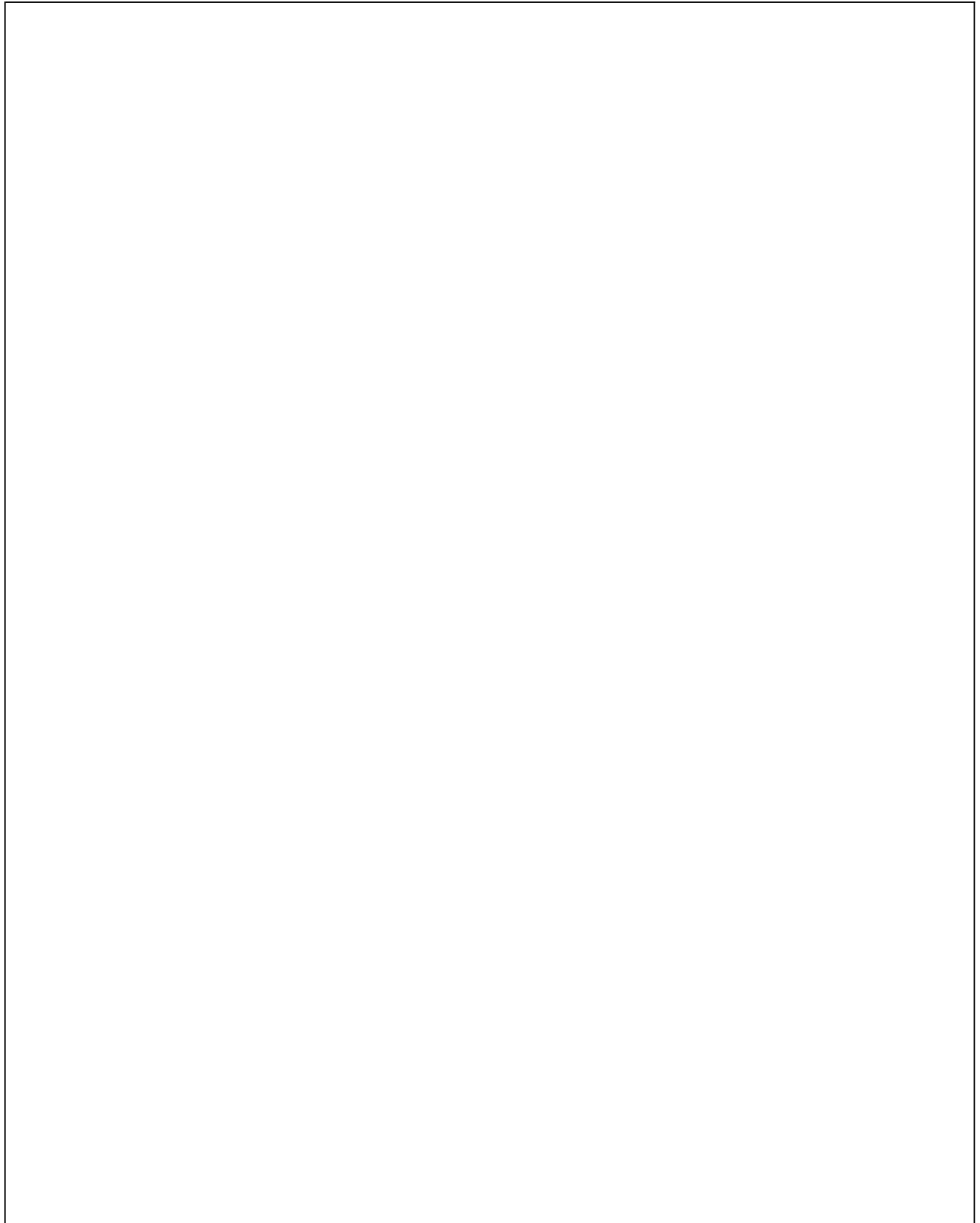
PLATE-2**POWER PACK ASSLY MUFF CUP & ITS MOUNTINGS**

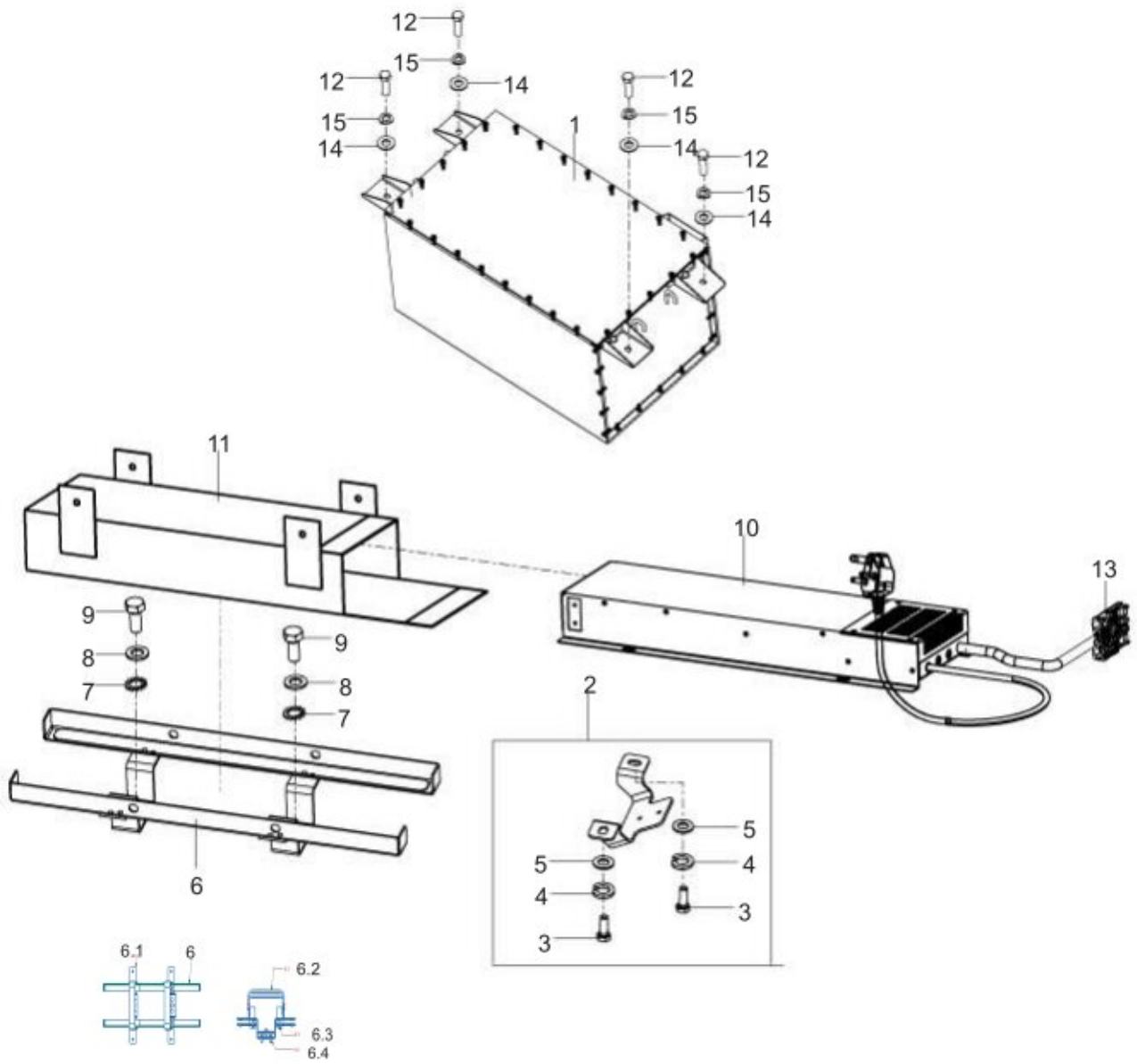
Fig. No.	Part No.	Description	Qty	Remarks
1	15335	HEX HD NUT M8	2	
2	16410	SPRING WASHER	2	
3	2383	PLAIN WASHER M20X8.5X2	2	
4	16408	SPRING WASHER M8	2	
5	265091	DUMPER ENGINE MTG.	3	
6	569241	SPACER	3	
7	569244	PLATE	3	
8	569377	PLATE	2	
9	604948	HEX.HDD BOLT M8 X 110 WITH POINTING	2	
10	645038	HEX HEAD SCREW M8 X 30 CL8.8	4	
11	6A001987	REAR CROSS MEMBER ASSLY. MOTOR MTG	1	
12	6C000156	POWERPACK MTG ASSLY FRONT	1	
13	569375	PLATE	1	
14	6A001877	EV POWER PACK ASSLY. KIT	1	
15	31118	SCREW M8X20	2	
16	6C000580	MUFF CUP	2	
17	6C000316	LOCK PLATE ASSLY	2	
18	6A001878	MOTOR ASSLY.	1	
19	6A001421	ELECTRIC MOTOR MTG. BKT.	2	
20	6A001554	GEAR BOX	1	
21	6C000632	RUBBER WASHER	2	
22	6C000241	HEX HD BOLT M10X210 CL 10.9	2	
23	B008292	HEX NUT M8 X 10.4 THK (NYLOCK)	1	
24	272178	HEX. HDD BOLT M8 X 122 CL 10.9	1	
25	231370	SELF BREAKING NUT M10	2	
26	286328	PLAIN WASHER 20X10.2X2	4	
27	6C000319	SLIDING BLOCK	8	
28	6C000525	RUBBER WASHER	2	
29	6C000632	RUBBER WASHER	2	
30	6C000578	PROPELLER SHAFT S/A	1	
31	113099	PIVOT	4	
32	612459	WORM TYPE HOSE CLIP SIZE 16	2	
33	6C000255	BELLOW	2	

4

Print Date: 05-Oct-2022

PLATE-3
FIXED BATTERY , & CHARGER AMARON (NMC)





Print Date: 05-Oct-2022

PLATE-3
FIXED BATTERY , & CHARGER AMARON (NMC)

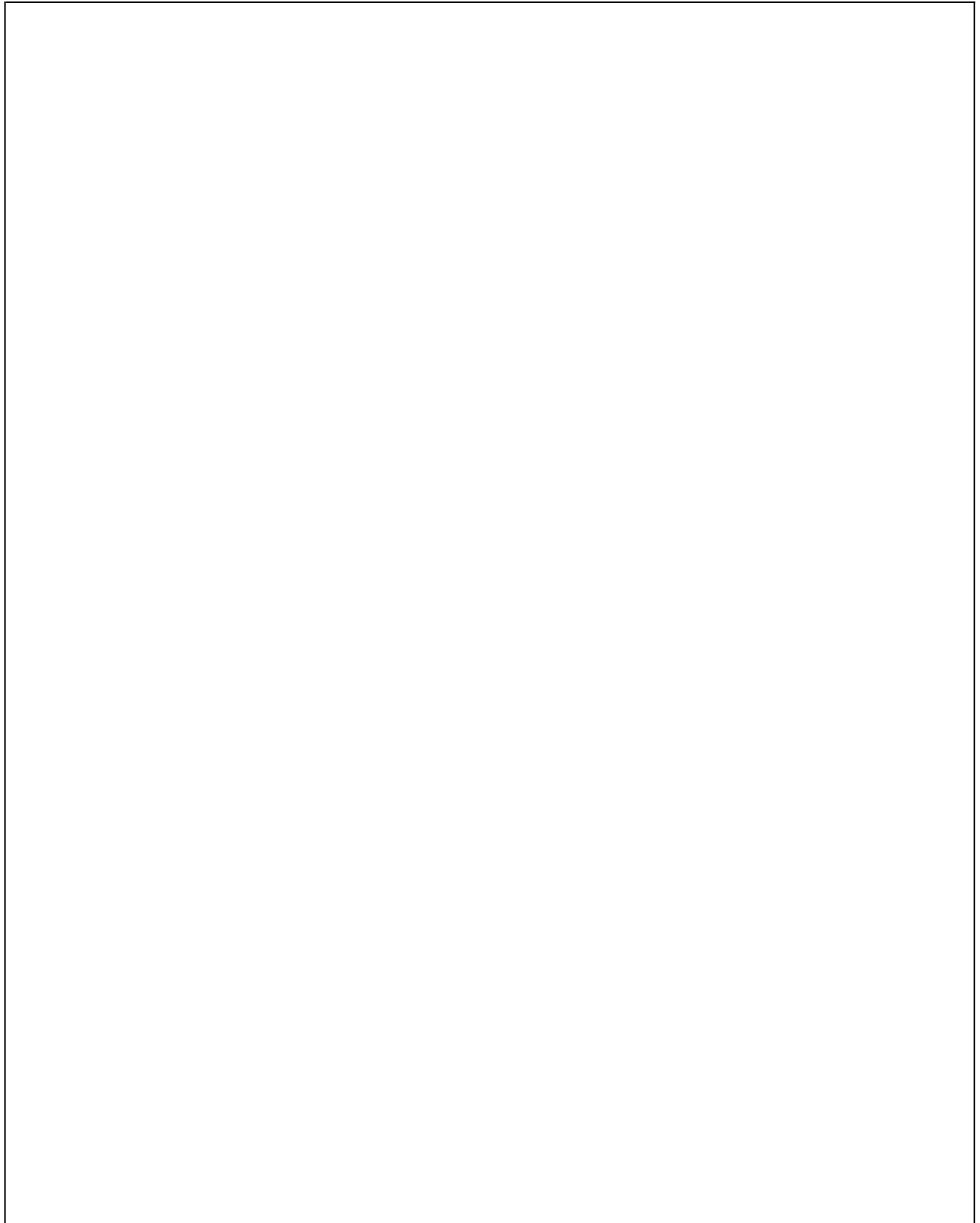
Fig. No.	Part No.	Description	Qty	Remarks
1	6D000769	BATTERY , AMARON (NMC)	1	
2	6D000838	BKT, CHARGER CONN ASSLY	1	
3	31089	HEX HEAD SCREW M6X18 CL 8.8	1	
4	16406	SPRING WASHER M6 OD12	1	
5	3056	PLAIN WASHER M6 OD12	1	
6	6D001224	CHARGER MOUNTING BRACKET ASSLY	2	
6.1	6D001211	CHARGER MOUNTING BRACKET ASSLY	2	
6.2	6D001060	BELT, CHARGER HOLDING	2	
6.3	B042802	HEX SCREW	4	
6.4	645038	HEX HEAD SCREW M8 X 30 CL8.8	4	
7	12540	SPRING WASHER M8	2	
8	3058	PLAIN WASHER 15X8.4X1.5	2	
9	6C000774	HEX BOLT M8X1.25	2	
10	6D000770	BATTERY CHARGER	1	only for Dom. Market.(India)
11	6D001002	CHARGER BAG	1	
12	645038	HEX HEAD SCREW M8 X 30 CL8.8	4	
13	B042802	HEX SCREW	1	
14	808000826	PLAIN WASHER M8	4	
15	16408	SPRING WASHER M8	4	

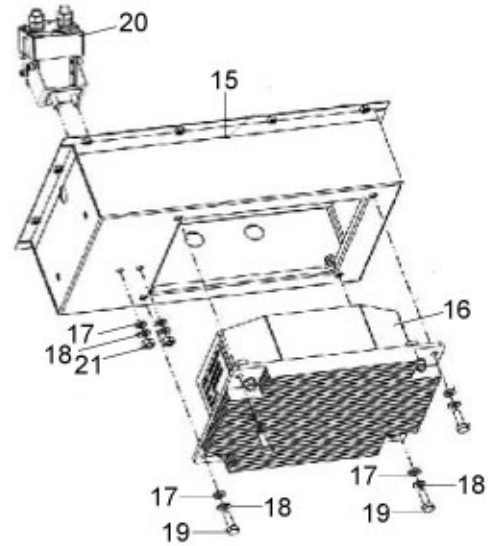
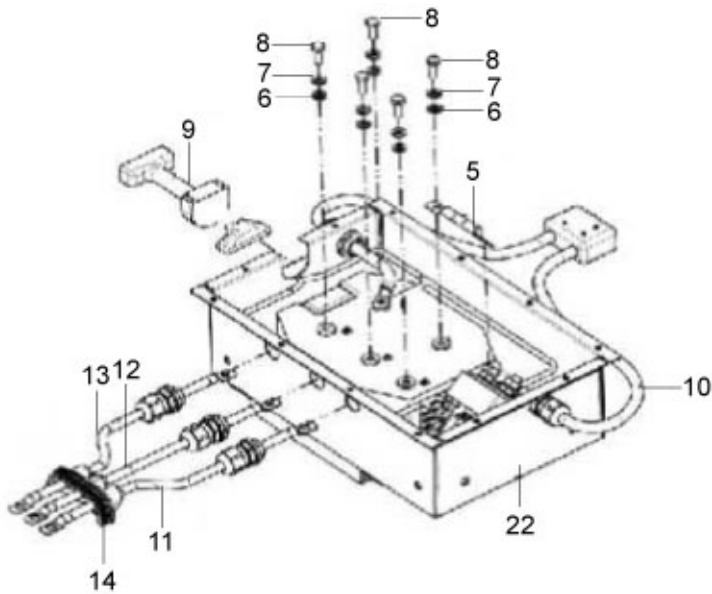
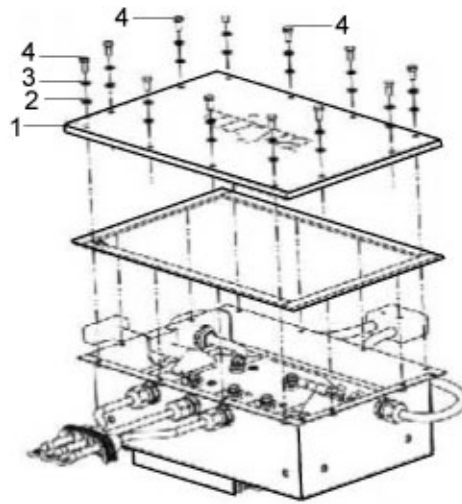
6

Print Date: 05-Oct-2022

PLATE-4

E-BOX ASSLY-Horizontal Mounting





Print Date: 05-Oct-2022

PLATE-4**E-BOX ASSLY-Horizontal Mounting**

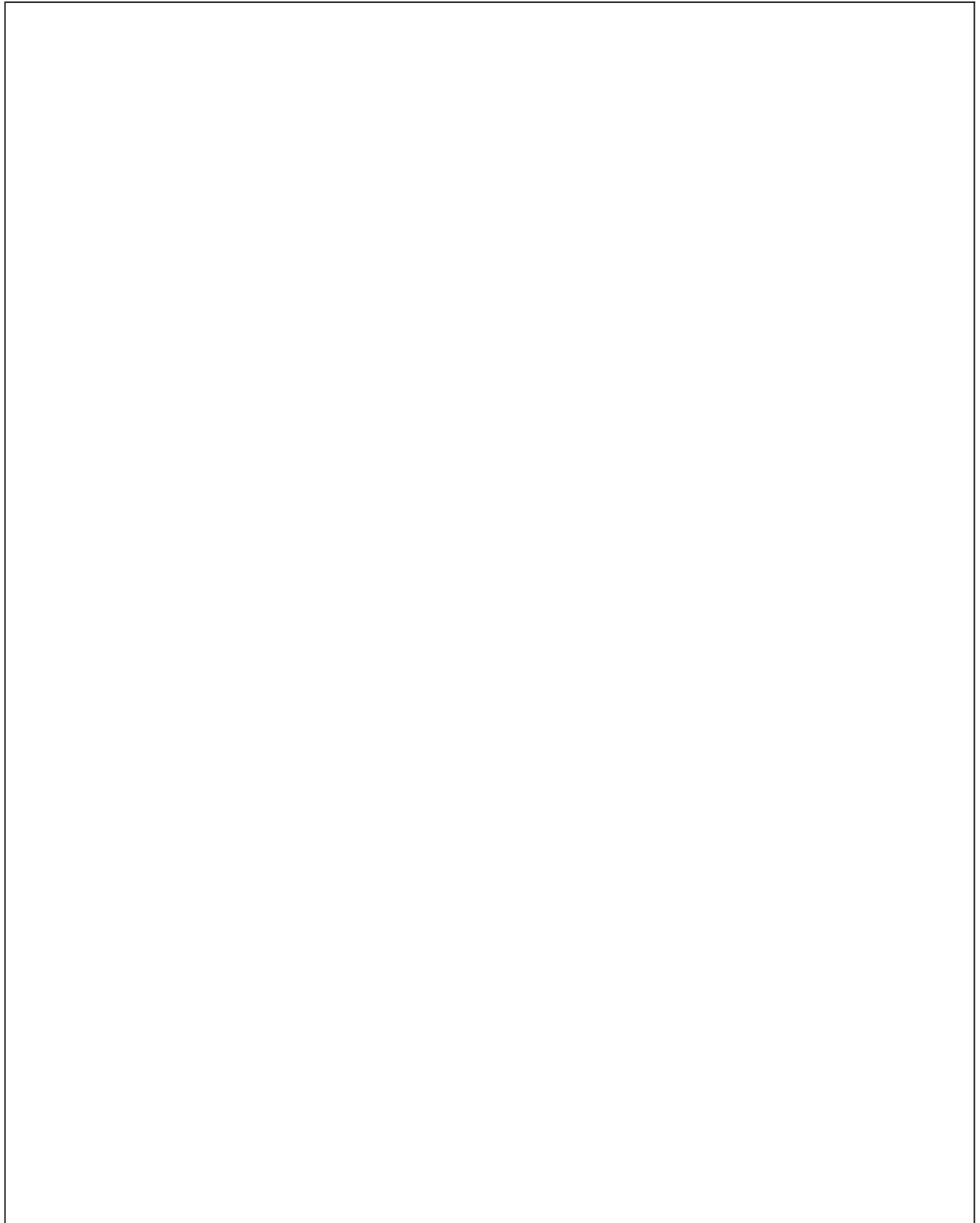
Fig. No.	Part No.	Description	Qty	Remarks
1	6D000523	E-BOX COVER	1	
2	3055	PLAIN WASHER M5	12	
3	16405	SPRING WASHER M5	12	
4	20105	PLAIN NUT M5	12	
5	6D000520	CABLE LINK 66MM	1	
6	6D000966	PLAIN WASHER M6 SS	5	
7	6D000967	SPRING WASHER M6 SS	5	
8	6D000968	HEX BOLT M6X1.0X16 SS	5	
9	6D001486	PIGTAIL, E-BOX	1	
10	6D001342	BATTERY CABLE (BATTERY TO E-BOX)	1	
11	6D001413	MOTOR ASSY CABLE U 770MM	1	
12	6D001414	MOTOR ASSY CABLE V 750MM	1	
13	6D001415	MOTOR ASSY CABLE W 740MM	1	
14	6D000463	RUBBER SEAL MOTOR	1	
15	6D001500	E-BOX ASSLY	1	Comp. E-Box assly-Horizontal MTG
16	6D001418	CONTROLLER-F4A	1	
16.1	6D001417	HEAT SINK CONTROLLER	1	NI
17	3056	PLAIN WASHER M6 OD12	6	
18	16406	SPRING WASHER M6 OD12	6	
19	6D001416	HEXA BOLT M6X1.0X20	4	
20	6D001419	CONTRACTOR ASSY	1	
20.1	6D001422	CONTRACTOR MNT	1	NI.(Child part of 6D001419)
20.2	6D001420	SPRING WASHER M4	4	NI.(Child part of 6D001419)
20.3	6D001421	ALLEN HEAD M4X0.7X6	4	NI.(Child part of 6D001419)
21	20106	HEX NUT M6	2	
22	6D001500	E-BOX ASSLY	1	Comp. E-Box assly-Horizontal MTG

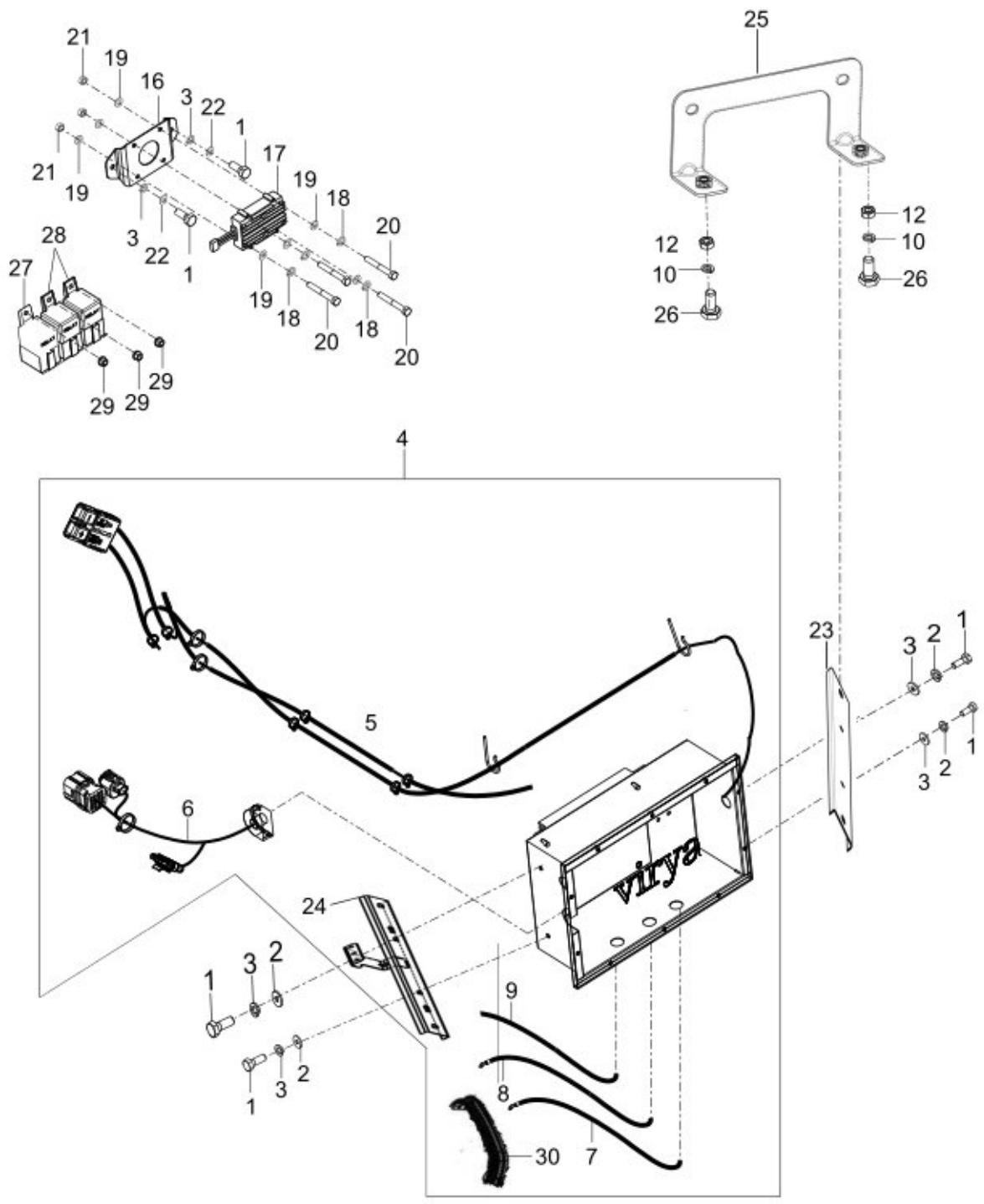
8

Print Date: 05-Oct-2022

PLATE-5

E-BOX CABLES, BATTERY CABLES ,RELAY & DC-DC CONVERTOR





Print Date: 05-Oct-2022

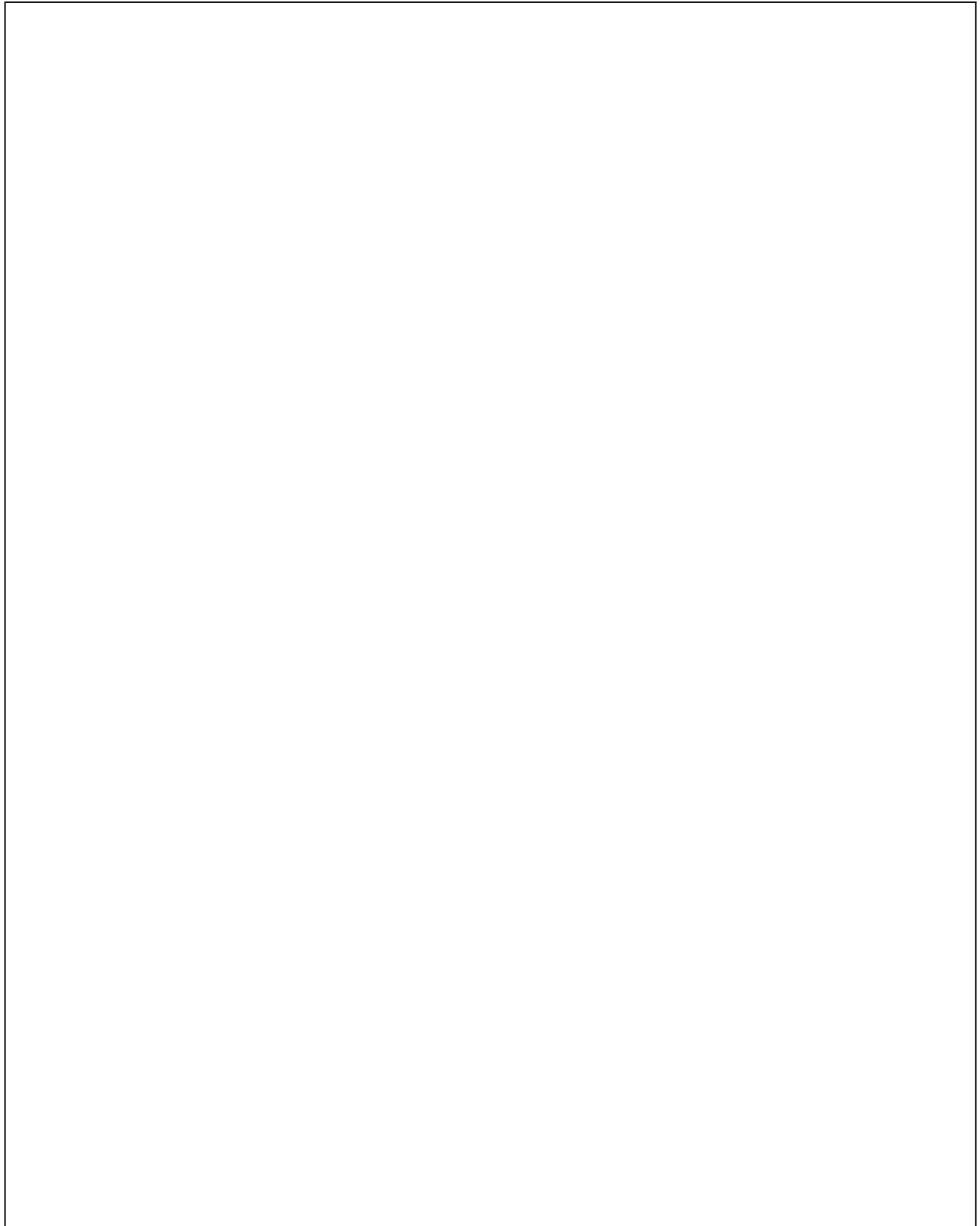
PLATE-5**E-BOX CABLES, BATTERY CABLES ,RELAY & DC-DC CONVERTOR**

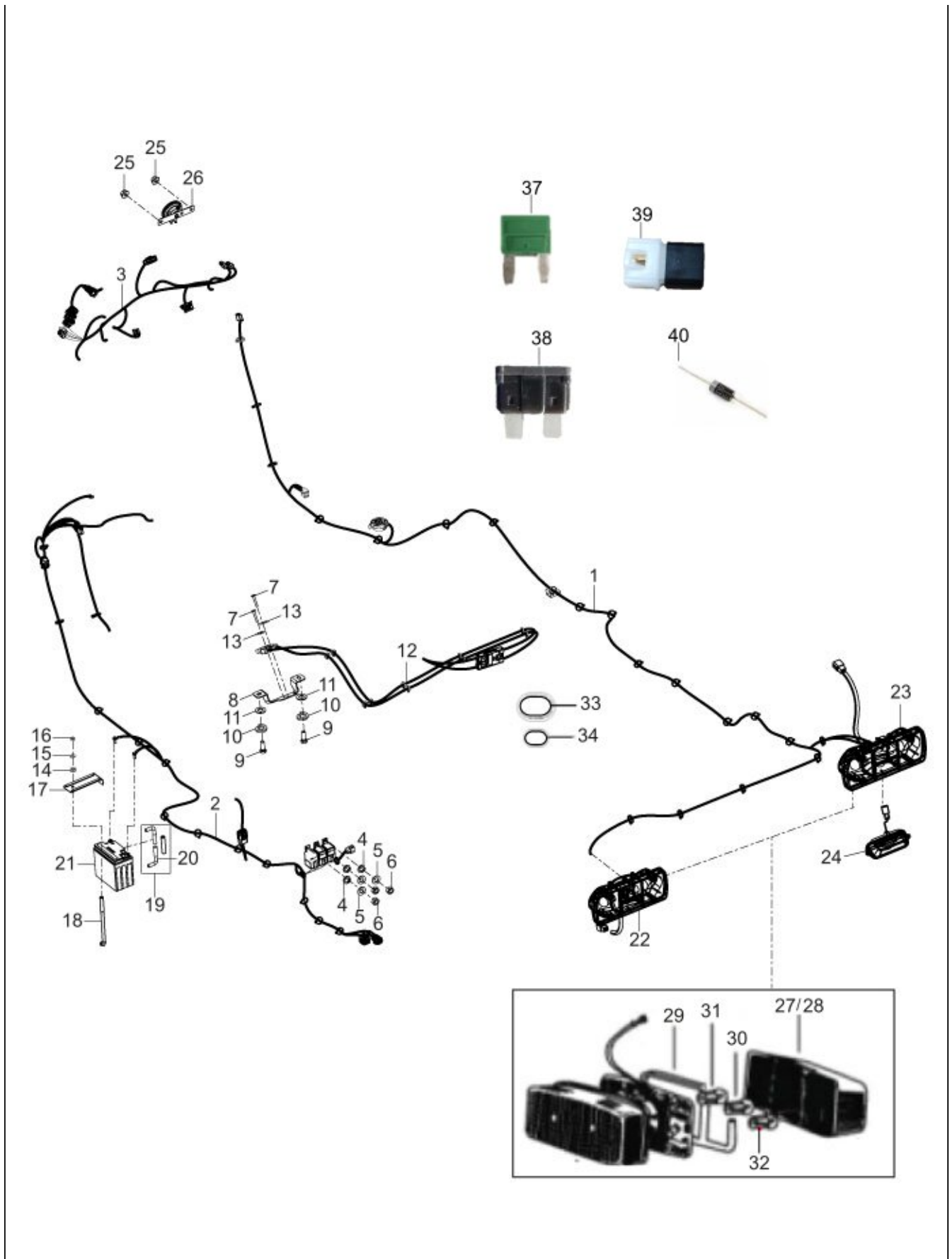
Fig. No.	Part No.	Description	Qty	Remarks
1	31088	HEX HD SCREW M6 X 16 CL 8.8 (811061623)	8	
2	660032	PLAIN WASHER 6.2 X 18 X 2 (SS)	6	
3	16406	SPRING WASHER M6 OD12	8	
4	6D001500	E-BOX ASSLY	1	Comp. E-Box assly-Horizontal MTG
5	6D001342	BATTERY CABLE (BATTERY TO E-BOX)	1	
6	6D001486	PIGTAIL, E-BOX	1	
7	6D001413	MOTOR ASSY CABLE U 770MM	1	
8	6D001414	MOTOR ASSY CABLE V 750MM	1	
9	6D001415	MOTOR ASSY CABLE W 740MM	1	
10	3056	PLAIN WASHER M6 OD12	8	
11	16410	SPRING WASHER	1	
12	16406	SPRING WASHER M6 OD12	8	
13	3058	PLAIN WASHER 15X8.4X1.5	2	
14	31154	HEX HDD SCREW M10X22 CL 8.8	1	
15	286328	PLAIN WASHER 20X10.2X2	1	
16	6C000228	DC DC CONVERTOR MTG BKT	1	
17	6D000378	DC-DC CONVERTER	1	
18	16405	SPRING WASHER M5	4	
19	3055	PLAIN WASHER M5	8	
20	6C000334	HEX HD SCREW M6X16 CL 8.8 (811061623)	4	
21	20105	PLAIN NUT M5	4	
22	3056	PLAIN WASHER M6 OD12	2	
23	6D000962	BRACKET, JUNCTION BOX MTG	1	
24	6D001358	JUNCTION BOX MTG BKT	1	
25	6D001354	ELECTRIC DEVICE BRACKET	2	
26	31088	HEX HD SCREW M6 X 16 CL 8.8 (811061623)	8	
27	6D001326	20A POWER RELAY	1	
28	6D001234	POWER RELAY NC TYPE W/ RESISTOR 20A	2	
29	20105	PLAIN NUT M5	3	
30	6D000463	RUBBER SEAL MOTOR	1	

Print Date: 05-Oct-2022

PLATE-6

WIRING HARNESS & TAIL LAMP ASSLY & AUXILIARY BATTERY





Print Date: 05-Oct-2022

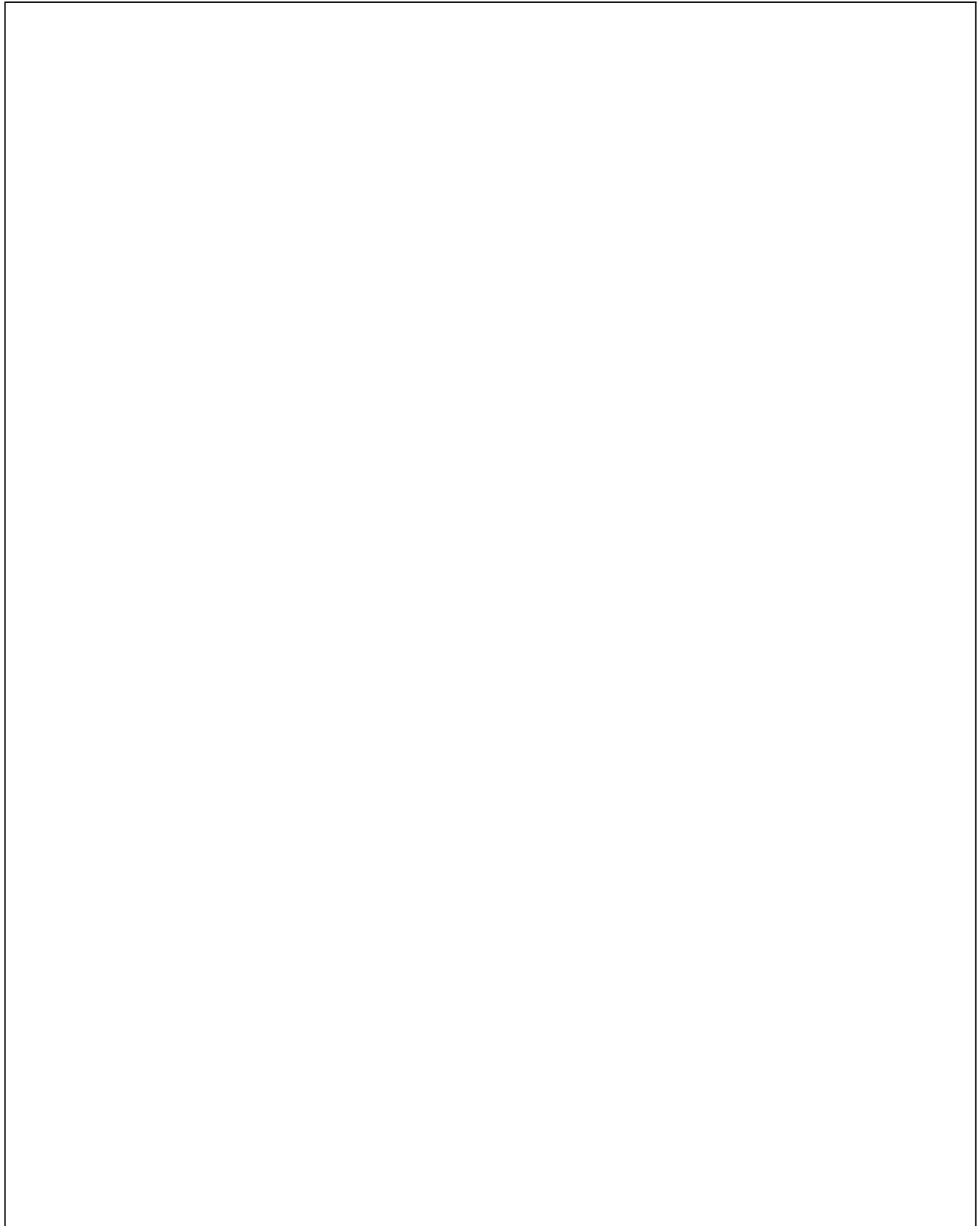
PLATE-6**WIRING HARNESS & TAIL LAMP ASSLY & AUXILIARY BATTERY**

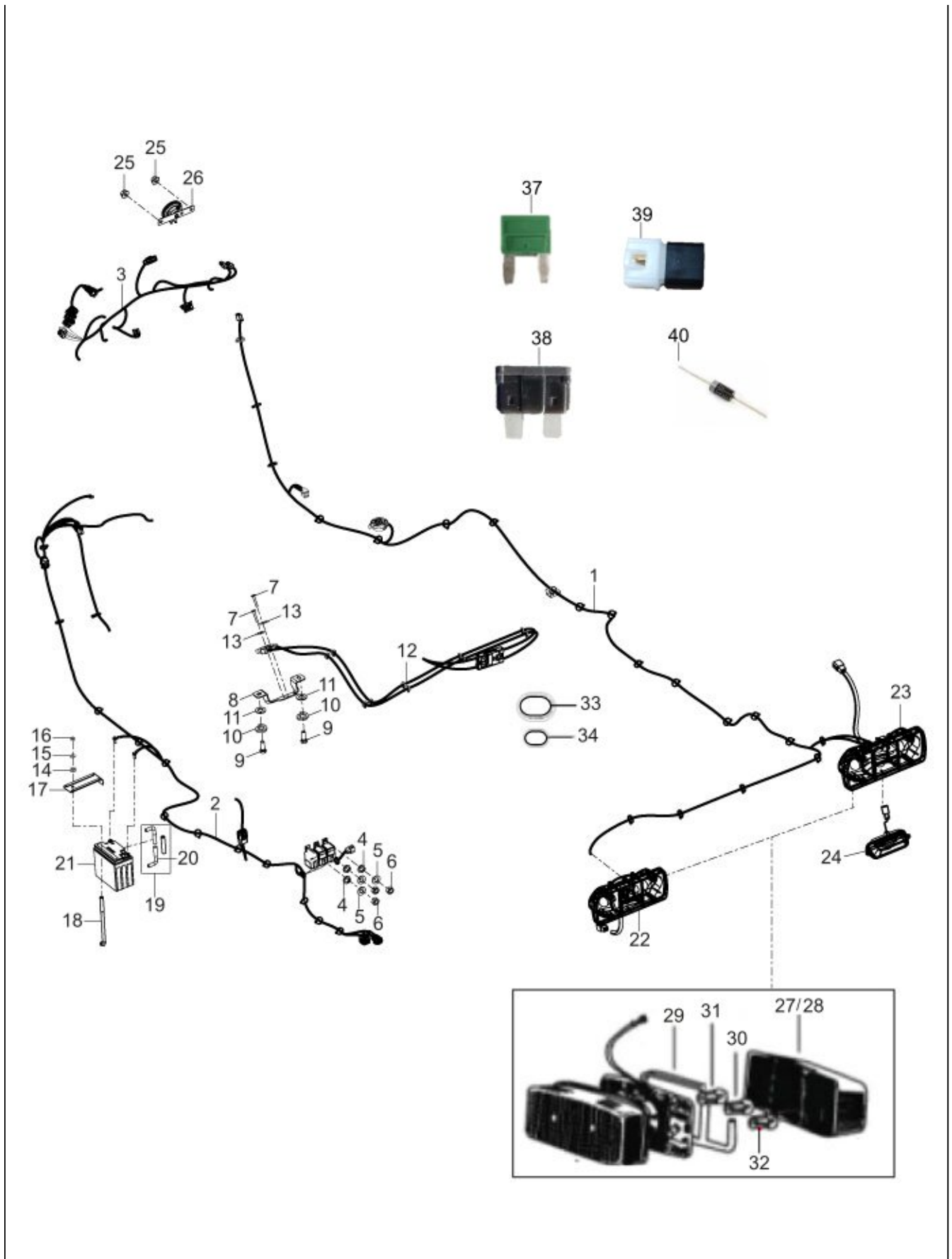
Fig. No.	Part No.	Description	Qty	Remarks
1	6D000806	WIRING HARNESS,TAIL LAMP	1	
2	6D001339	WIRING HARNESS,MAIN	1	
3	6D001327	WIRING HARNESS, IP	1	
4	16405	SPRING WASHER M5	1	
5	3055	PLAIN WASHER M5	1	
6	20105	PLAIN NUT M5	1	
7	6D000908	BOLT, M3	2	
8	6D000838	BKT, CHARGER CONN ASSLY	1	
9	31089	HEX HEAD SCREW M6X18 CL 8.8	2	
10	16406	SPRING WASHER M6 OD12	2	
11	3056	PLAIN WASHER M6 OD12	2	
12	6D000834	CHARGER CABLE	1	
13	3054	PLAIN WASHER	2	
14	16408	SPRING WASHER M8	1	
15	20108	HEX NUT M8	1	
16	2383	PLAIN WASHER M20X8.5X2	1	
17	6D000355	BATTERY HOLDING PLATE	1	
18	6D000361	TENSION ROD	1	
19	6D000362	TENSION ROD ASSEMBLY	1	
20	6D000360	TENSION ROD	2	
21	6D000363	ORDINARY BATTERY 12V	1	
22	6D000899R	TAIL LAMP ASSY(LH) WITH REVERSE LIGHT	1	
23	6D000900R	TAIL LAMP ASSLY,RH	1	
24	6D001020	REGISTRATION PLATE LAMP	1	
25	261323	NUT	2	
26	B074033	HORN ASSLY(DIA 70)	1	
27	920083	TAIL LAMP LENSE LH WITH HARDWARE & GASKET	1	
28	920084	TAIL LAMP LENSE RH WITH HARDWARE & GASKET	1	
29	920081	TAIL LAMP ASSY. GASKET	2	
30	181746	INDICATOR BULB 12V 10W	2	
30	925581	INDICATOR LIGHT BULB 12V 21W AMBER COLOUR	2	
31	567700	BULB 10/5W (STOP LIGHT)	2	
32	181747	REVERSE LAMP BULB 12V 5W	2	
33	6D000370	GROMMET(70X 50 MM) FOR W/HS	1	
34	6D000251	GROMMET(60 X 80 MM) FOR W/HS	1	

Print Date: 05-Oct-2022

PLATE-6

WIRING HARNESS & TAIL LAMP ASSLY & AUXILIARY BATTERY





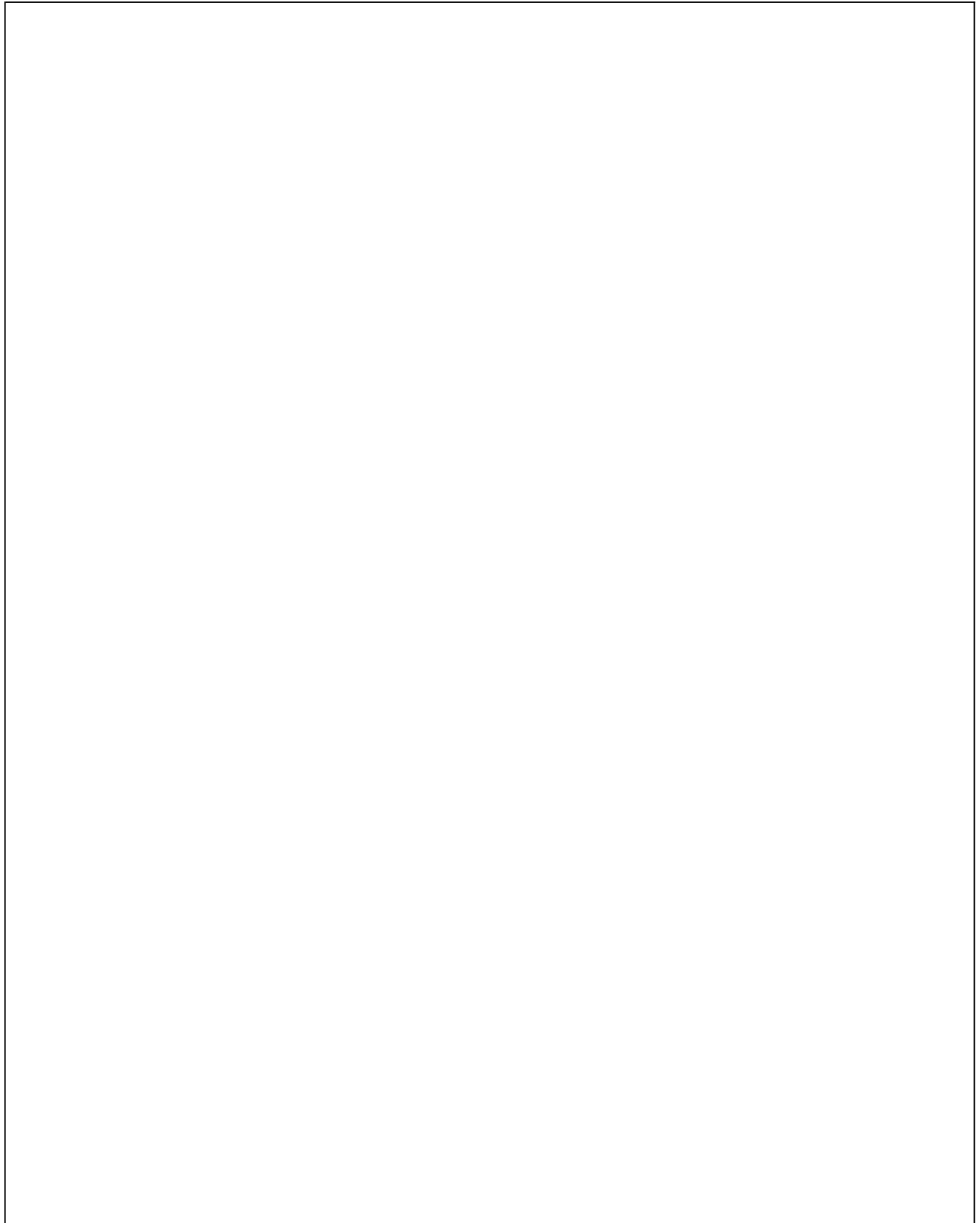
Print Date: 05-Oct-2022

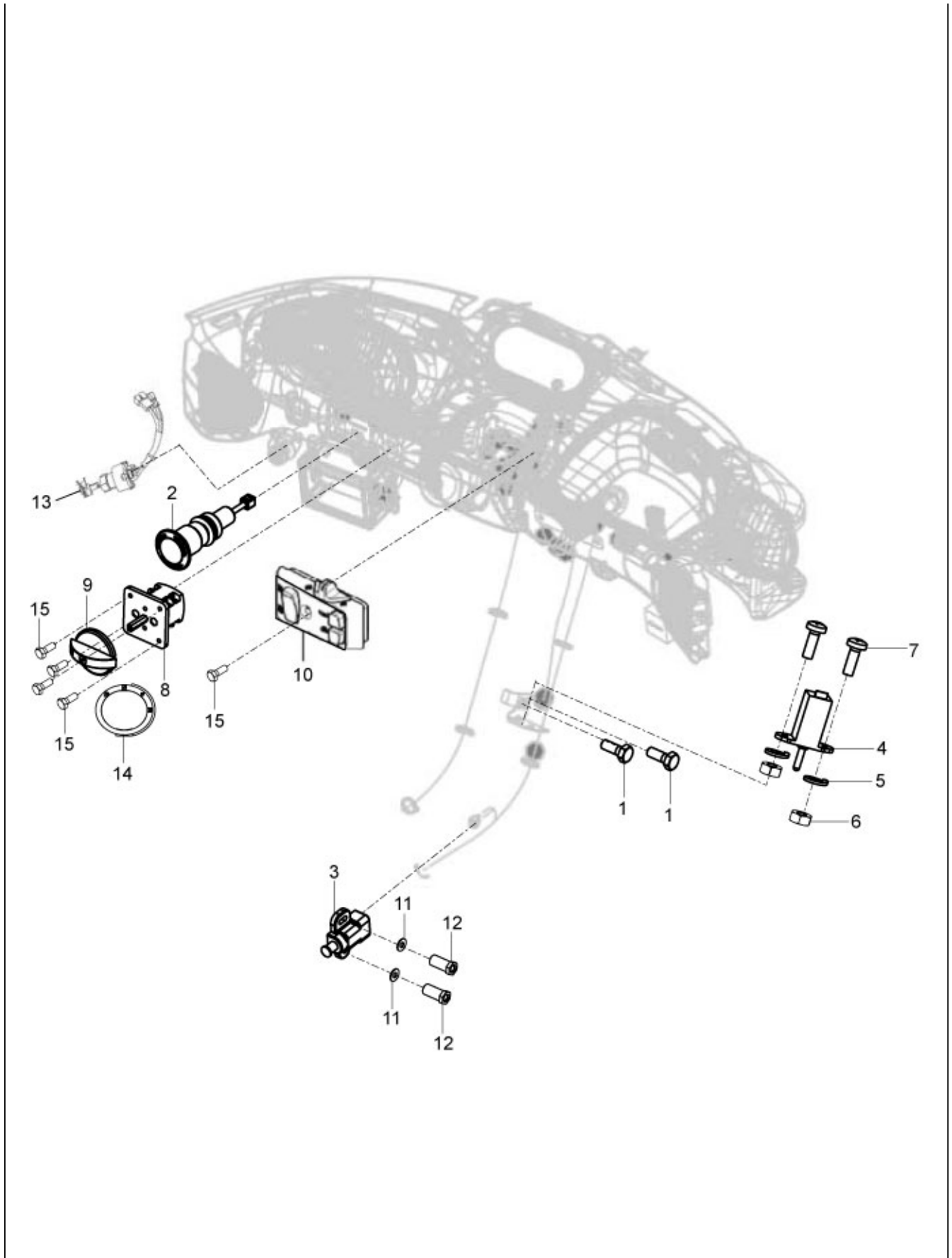
PLATE-6**WIRING HARNESS & TAIL LAMP ASSLY & AUXILIARY BATTERY**

Fig. No.	Part No.	Description	Qty	Remarks
35	6D001133	PIGTAIL,DC DC CONVERTER	1	NI
36	6D001486	PIGTAIL, E-BOX	1	NI
37	6D000484	30A MINIVAL INLINE FUSE GREEN	1	
38	6D000486	1A BLADE TYPE FUSE	1	
39	6D001157	7.5 A MINI BLADE FUSE BROWN	1	
40	6D001081	DIODE MODULE,IN4007, 1A (TTP-24MNB)	1	

Print Date: 05-Oct-2022

PLATE-7
SWITCHES





Print Date: 05-Oct-2022

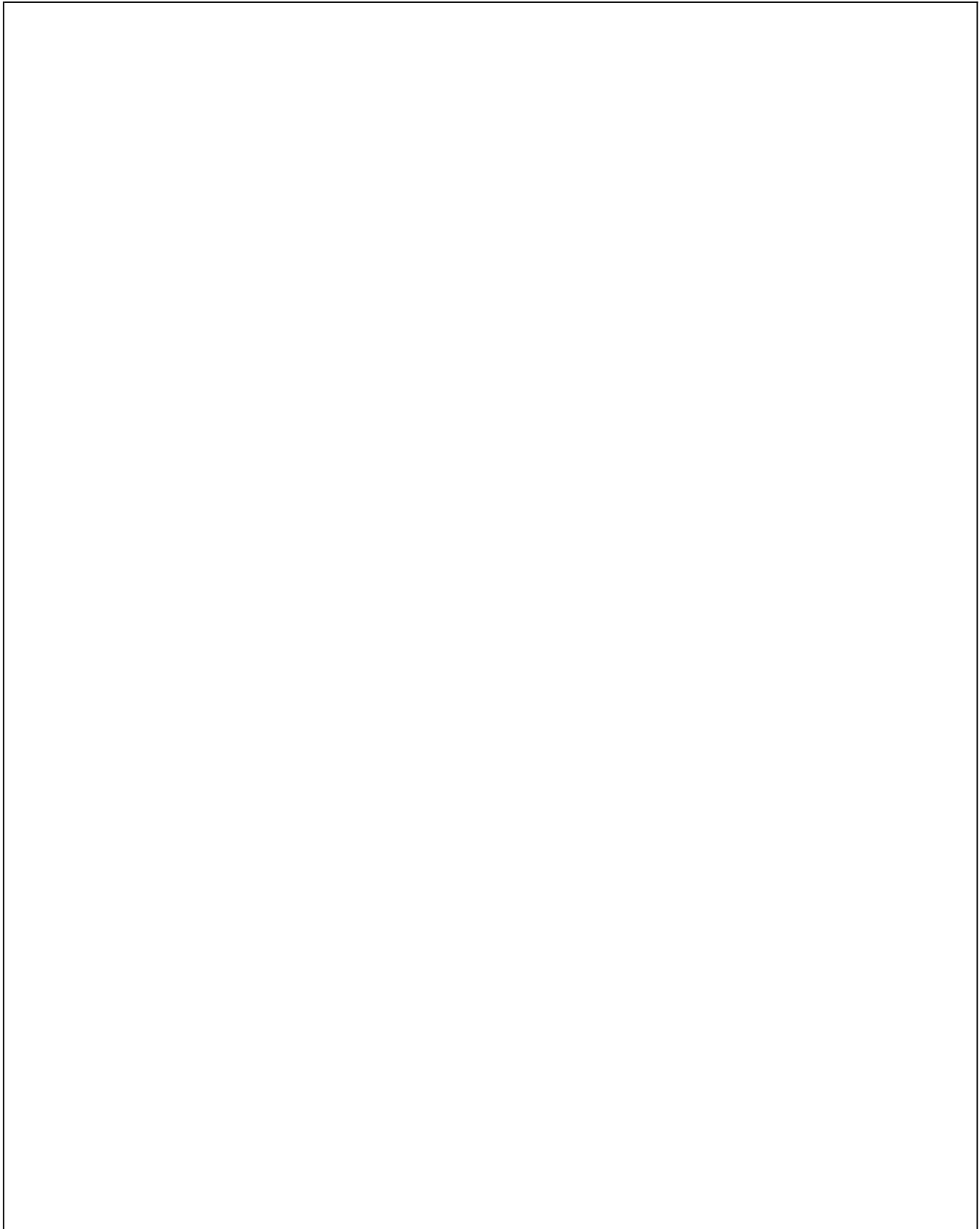
**PLATE-7
SWITCHES**

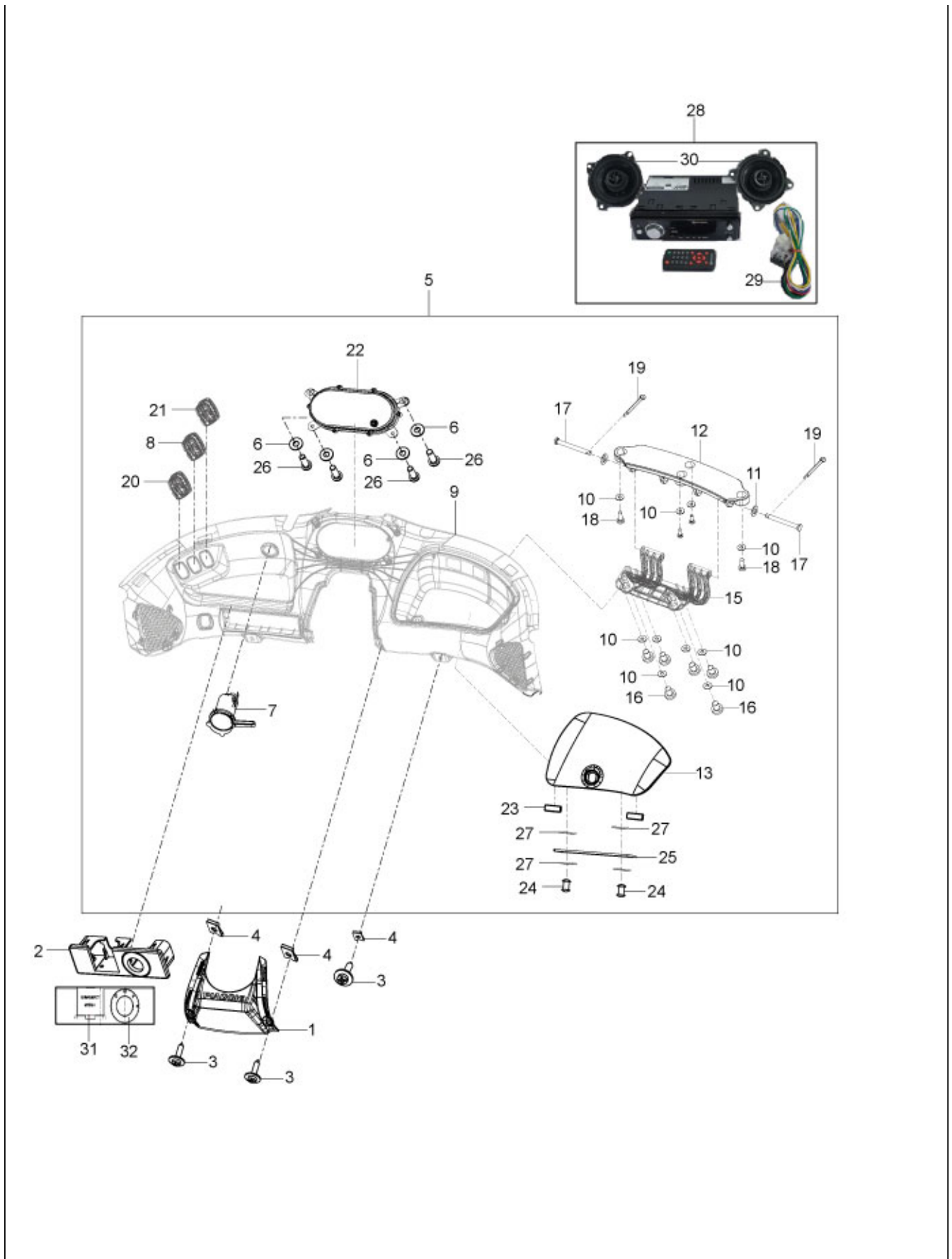
Fig. No.	Part No.	Description	Qty	Remarks
1	31088	HEX HD SCREW M6 X 16 CL 8.8 (811061623)	2	
2	6D000365	SWITCH, EMERGENCY	1	
3	567498R	BRAKE/REVERSE LIGHT SW (INTEGRAL CAP)-PAV	1	
4	6D000366	POTENTIOMETER, BRAKE	1	
5	16404	SPRING WASHER M4	2	
6	20104	HEX NUT M4	2	
7	15996	PHIL RD HD SCREW M4X12	2	
8	6D000364	SWITCH, RNFB	1	
9	6B001798	FNRB SWITCH KNOB	1	
10	B073366R	HANDLE BAR SWITCH ASSLY-NEW	1	
11	6078	PLAIN WASHER 12 X 5.2 X 1	2	
12	B074568	SCREW TERMINAL	2	
13	6D001108	IGNITION SWITCH	1	Single Coupler
14	6D000369	DECAL, RNFB	1	
15	15640	SCREW SECURING SWITCH	5	

Print Date: 05-Oct-2022

PLATE-8

DASHBOARD & SWITCHES





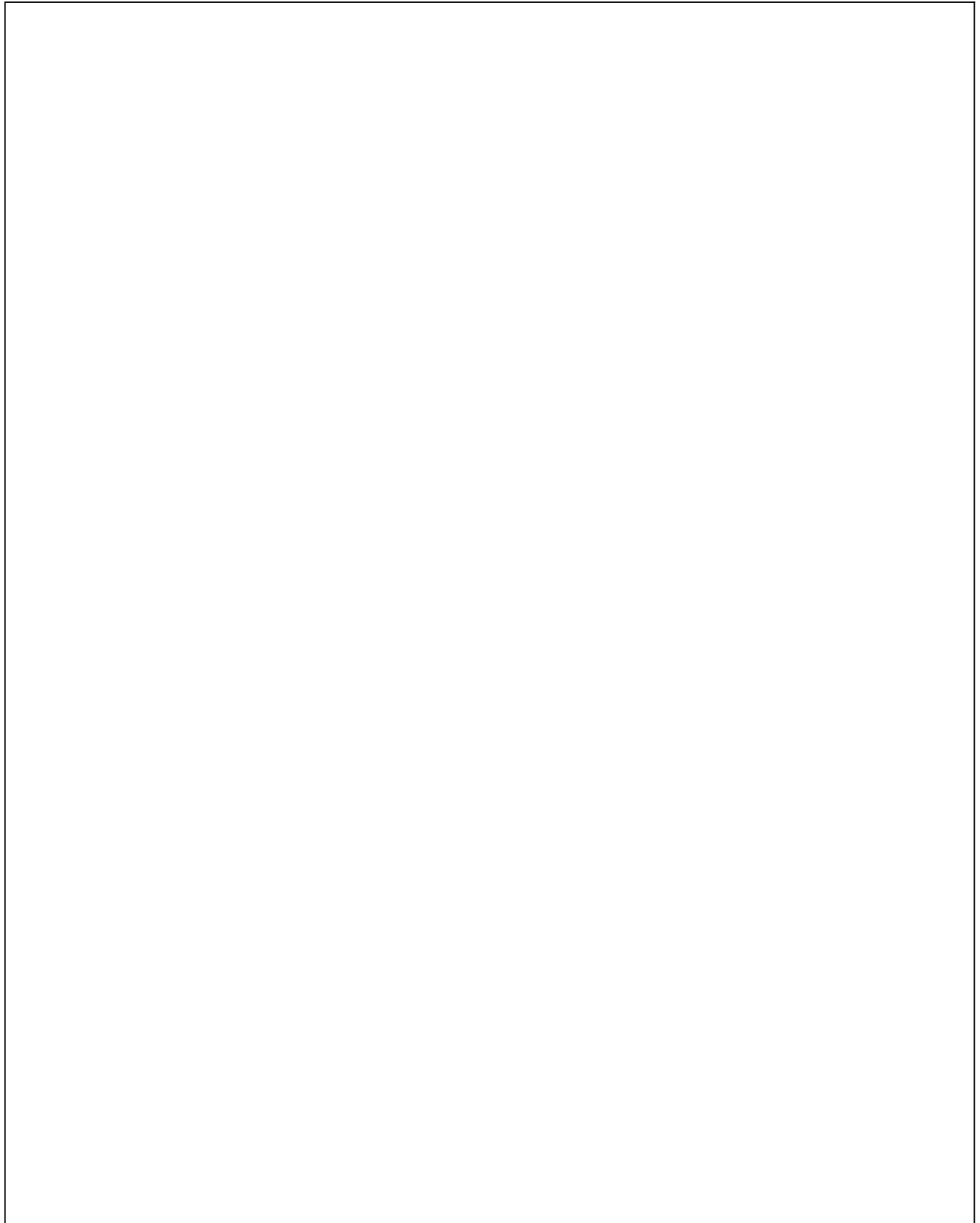
Print Date: 05-Oct-2022

PLATE-8
DASHBOARD & SWITCHES

Fig. No.	Part No.	Description	Qty	Remarks
1	6B001813	STEERING COLUMN COVER	1	
2	6B001791	EMERG. & FNRB SWITCH MTG COVER ASSLY	1	
3	660168	PAN SELF TP. SCREW 10 SGX13AB	7	
4	8080	SPRING PLATE	7	
5	6B002663SP	COMPLETE DASHBOARD ASSEMBLY SPD	1	
6	6078	PLAIN WASHER 12 X 5.2 X 1	4	
7	B074905	MOBILE CHARGER	1	
8	B073479R	WIPER MOTOR SWITCH/ SWITCH WIPER MOTOR	1	
9	6B003179	ASM DASHBOARD WITH HINGE MTG PLATE	1	W/o switch,inst clus
10	16670	PLAIN WASHER 12X4.5X1	7	
11	3055	PLAIN WASHER M5	2	
12	B073813	HINGE MTG. BKT.	1	
13	6B001930	SUB ASSLY. GLOVE BOX COVER EV	1	
14	6G000131	LOCK SET (APE 501 EV CARGO FX)	1	NI
15	B073814	HINGE	1	
16	B074261	PHIL RD HD SCREW M4	4	
17	B074262	PIN	2	
18	15996	PHIL RD HD SCREW M4X12	4	
19	567920	SPLIT PIN	2	
20	B073478R	SWITCH 3 POSITION	1	
21	B073481R	HAZARD WARNING SWITCH WITH CROWN CAP (12V)(VE)	1	
22	6D000367	INSTRUMENT CLUSTER	1	
23	B074275	RUBBER DAMPER	2	
24	567893	POP RIVET 4 X 9.5	2	
25	643691	BOLT LOCK PLATE	1	
26	661925	PHILIP PAN HEAD SCREW (M5 X 0.8 X 1.6)	4	
27	3054	PLAIN WASHER	4	
28	KIT6D000952	KIT ELECTRONIC AUDIO SYSTEM AND PIGTAIL	1	
29	6D000948	PIGTAIL, MUSIC SYSTEM	1	
30	6D000952	ELECTRONIC AUDIO SYSTEM	1	
31	6B001793	EMERGENCY SWITCH FLAP COVER ASSLY	1	
32	6C000568	RNFB STICKER	1	

Print Date: 05-Oct-2022

PLATE-9
HANDLE BAR



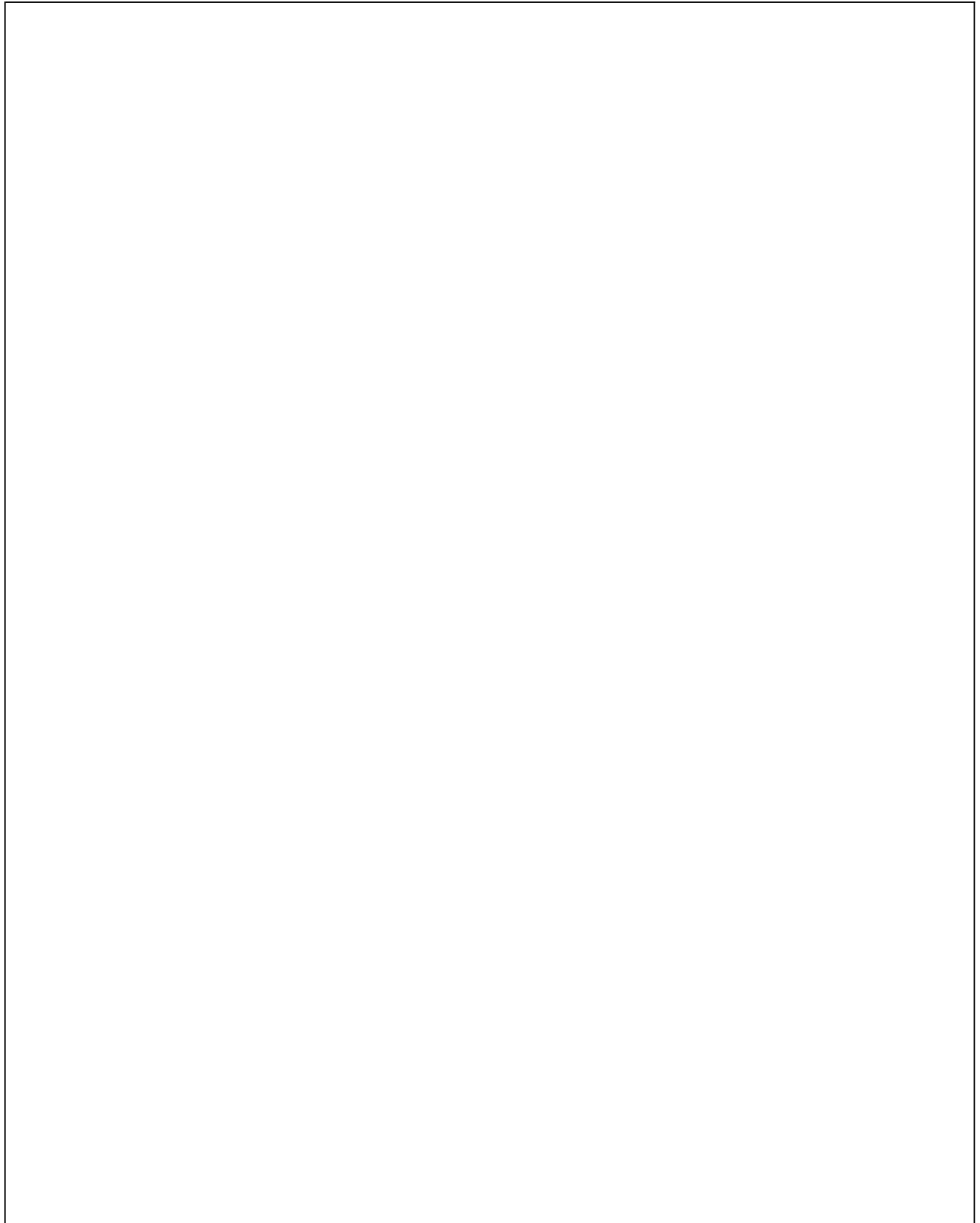
Print Date: 05-Oct-2022

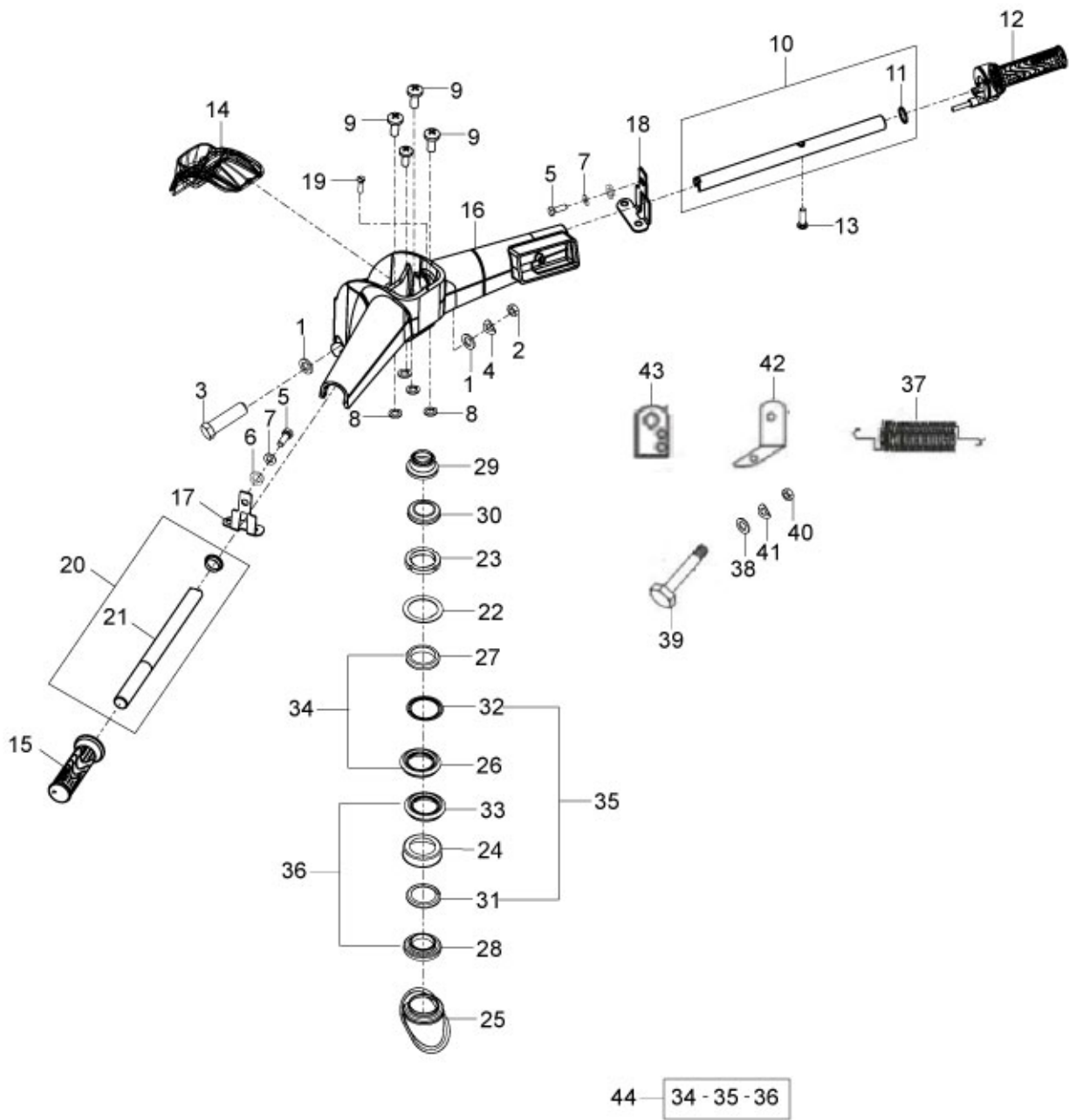
PLATE-9
HANDLE BAR

Fig. No.	Part No.	Description	Qty	Remarks
1	16626	PLAIN WASHER (18X10.5X2)	2	
2	20110	HEX NUT M10	1	
3	30104	MOUNTING BOLT M10 X 75	1	
4	B041653	SPRING WASHER	1	
5	31089	HEX HEAD SCREW M6X18 CL 8.8	2	
6	16406	SPRING WASHER M6 OD12	2	
7	3056	PLAIN WASHER M6 OD12	2	
8	16405	SPRING WASHER M5	4	
9	6C000269	CYLINDRICAL HEAD SCREW WITH CROSS SLOT	4	
10	6C000265	TUBE FOR HANDLE BAR	1	
11	6C000268	PLAIN WASHER	1	
12	6D000405	ELECTRONIC HAND THROTTLE	1	
13	661925	PHILIP PAN HEAD SCREW (M5 X 0.8 X 1.6)	1	
14	6C000453	COVER HANDLE BAR TOP	1	
15	B073848	HANDLE BAR GRIP - LH	1	
16	6C000534ED	HANDLEBAR-ED	1	
17	B078970	ACCELERATOR TUBE SUPPORT BKT LH	1	
18	B079248	ACCELERATOR TUBE SUPPORT BKT RH	1	
19	632158	CSK HEAD SCREW	1	
20	B078956	ACCELERATOR TUBE ASSLY	1	
21	B078957	LH TUBE WITH ENDPiece ASSLY	1	
22	108873	STOP WASHER FOR HOLDING	1	
23	108874	SECURING RING NUT	1	
24	109064	DUST COVER	1	
25	109265	SPLASH GUARD DUST COVER	1	
26	567990	BEARING RACE UPPER BOTTOM	1	
27	567991	BEARING RACE UPPER TOP	1	
28	567992	BEARING RACE LOWER TOP	1	
29	604758	PROTECTION	1	
30	604759	RUBBER CAP STEERING COLUMN (N.I.)	1	
31	6C000191	LOWER BALL CAGE (VE)	1	
32	6C000190	UPPER BALL CAGE (VE)	1	
33	567993	BEARING RACE LOWER BOTTOM	1	
34	KIT95021R	STEERING CONE SET (UPPER)	1	
35	KIT96033R	MODIFIED BALL KIT FOR 3WH (WHITE)	1	

Print Date: 05-Oct-2022

PLATE-9
HANDLE BAR





Print Date: 05-Oct-2022

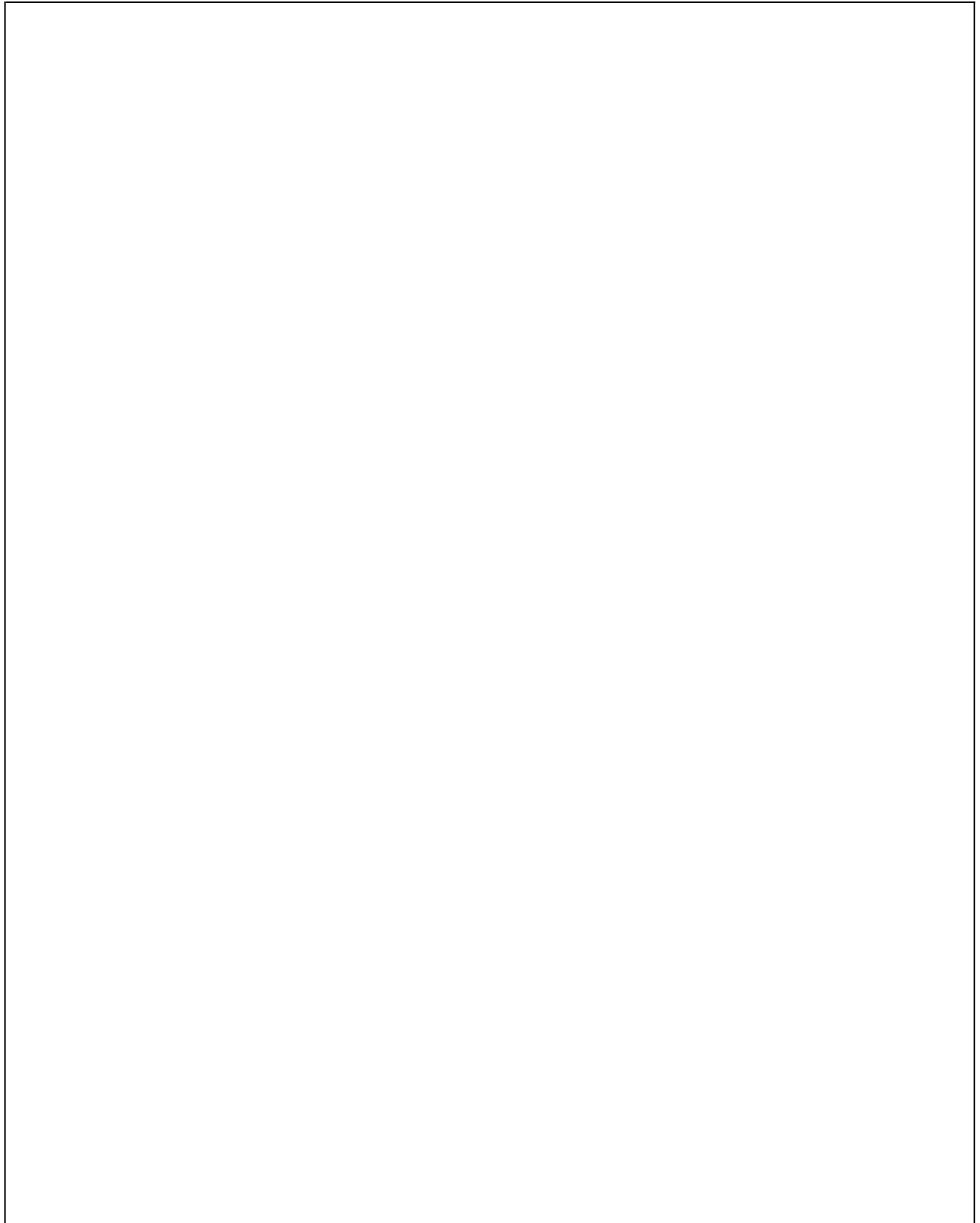
PLATE-9**HANDLE BAR**

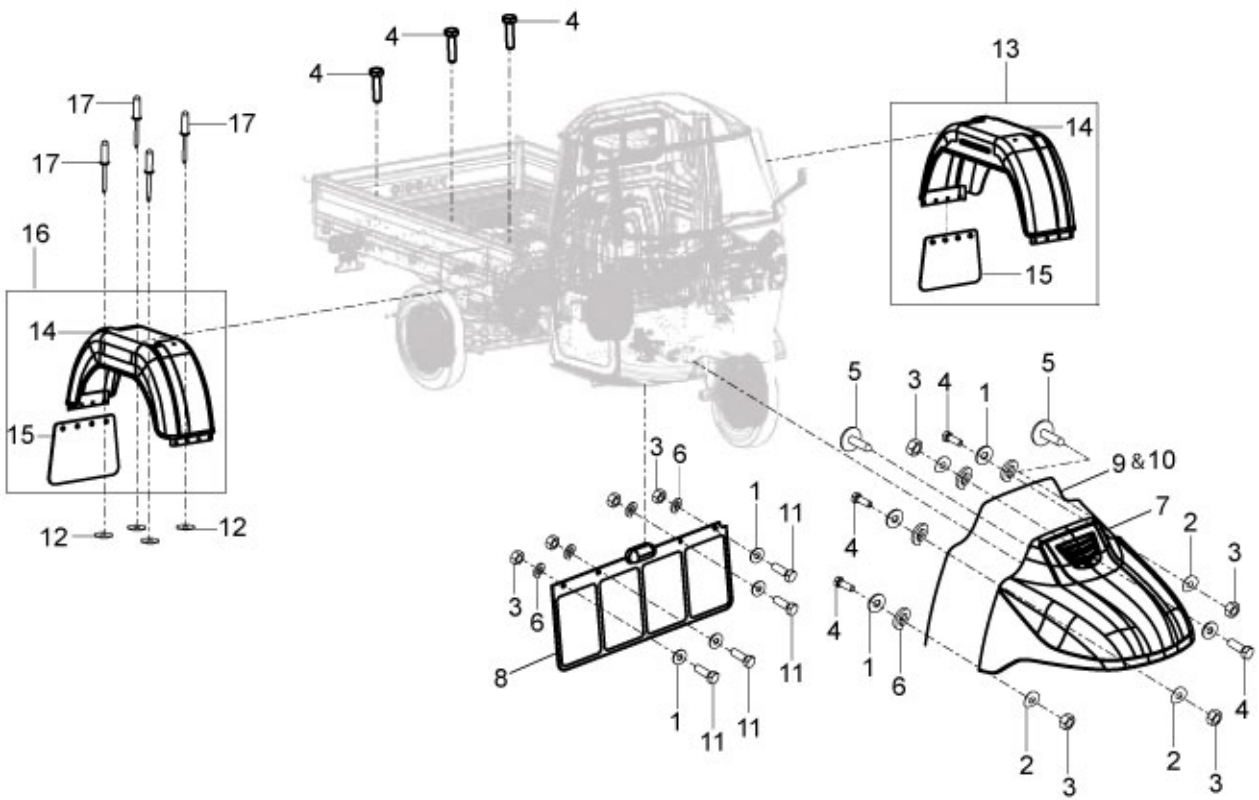
Fig. No.	Part No.	Description	Qty	Remarks
36	KIT95022R	STEERING CONE SET (LOWER)	1	
37	B006853	SPRING HANDLE BAR	1	
38	13880	METALIC PLAIN WASHER	1	
39	31092	HEX. HD SCREW M6X25	1	
40	20106	HEX NUT M6	1	
41	16406	SPRING WASHER M6 OD12	1	
42	B074040	PLATE SPRING MTG. HANDLE BAR	1	
43	B074498	BRACKET	1	
44	KIT96016R	KIT OF STEERING CONE & BALL KIT	1	COSIST OF SR NO. 34,35,&36

Print Date: 05-Oct-2022

PLATE-10

FRONT & REAR MUDGUARD





Print Date: 05-Oct-2022

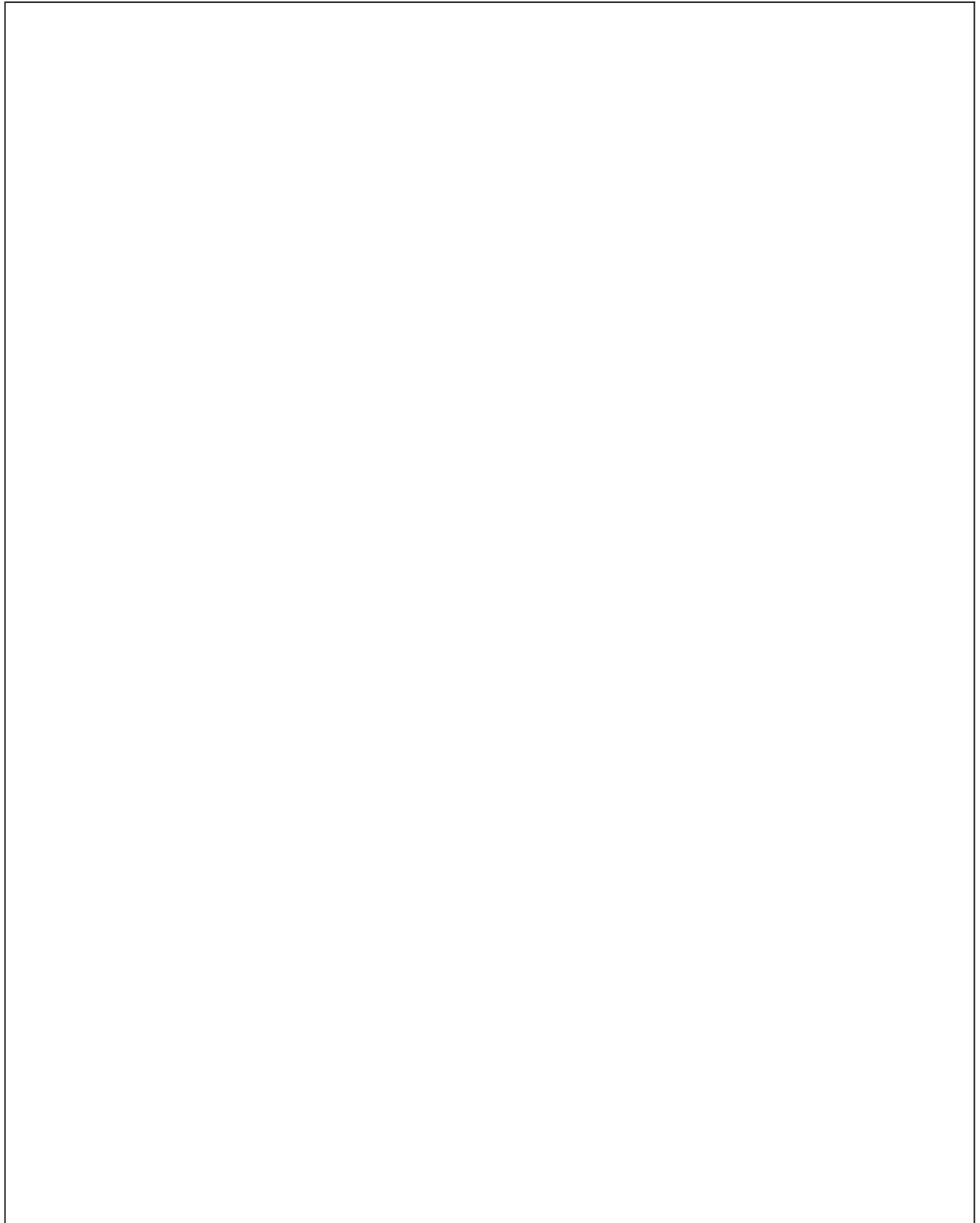
PLATE-10
FRONT & REAR MUDGUARD

Fig. No.	Part No.	Description	Qty	Remarks
1	13880	METALIC PLAIN WASHER	8	
2	78307	BENT SPRING WASHER M6	8	
3	20106	HEX NUT M6	8	
4	31092	HEX. HD SCREW M6X25	12	
5	660168	PAN SELF TP. SCREW 10 SGX13AB	2	
6	16406	SPRING WASHER M6 OD12	4	
7	6B002645	FRONT MUDGARD	1	
8	116103	MUD FLAP FRONT	1	
9	B076801	FRONT MUDGUARD RUBBER BEADING	1	
10	B076802	FRONT MUDGUARD PARTITION RUBBER BEADING	1	
11	31088	HEX HD SCREW M6 X 16 CL 8.8 (811061623)	4	
12	16603	PLAIN WASHER (METALLIC)	8	
13	6B002646	REAR MUDGUARD & MUDFLAP S/A LH	1	NS
14	6B002644	REAR MUDGUARD	2	
15	142424	MUDFLAP FOR RR MUDGUARD	2	
16	6B002647	REAR MUDGUARD & MUDFLAP S/A RH	1	NS
17	604603	RIVET	8	

Print Date: 05-Oct-2022

PLATE-11

HEAD LAMP & BEZEL ASSY, LOGO & SUPPORT



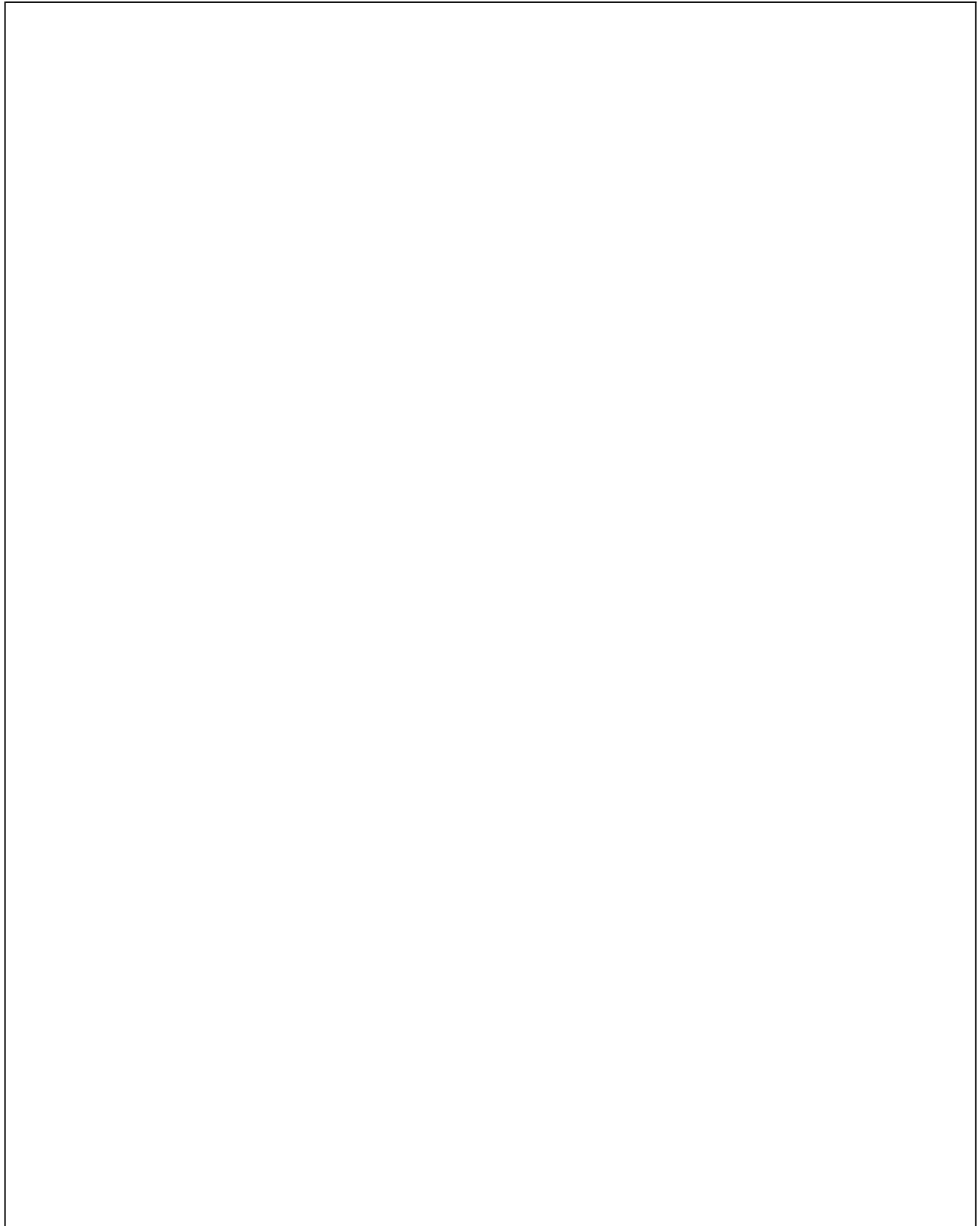
Print Date: 05-Oct-2022

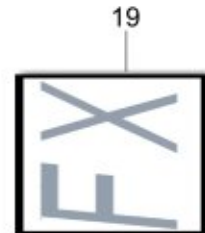
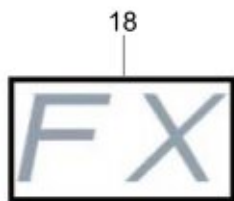
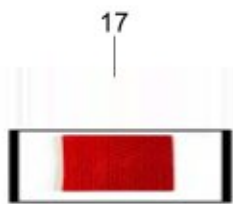
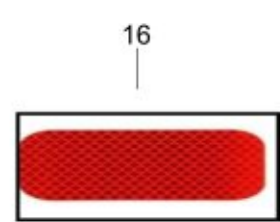
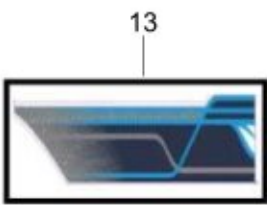
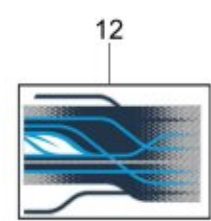
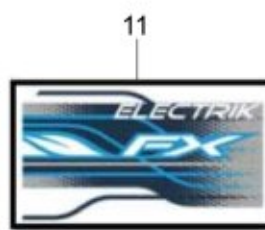
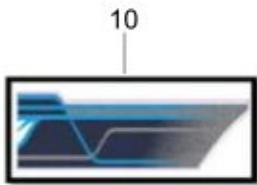
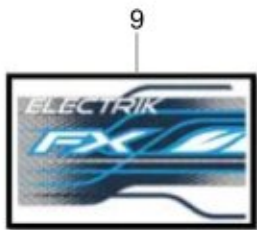
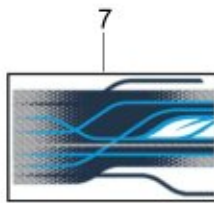
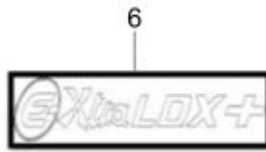
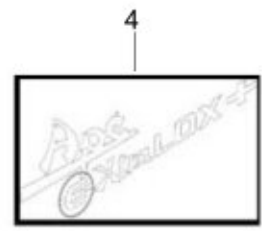
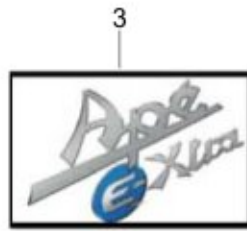
PLATE-11
HEAD LAMP & BEZEL ASSY, LOGO & SUPPORT

Fig. No.	Part No.	Description	Qty	Remarks
1	31058	HEX HEAD SCREW M5 X 16 CC8.8	4	
2	6965	SPRING WASHER DIA 5	4	
3	20105	PLAIN NUT M5	4	
4	6D000305	FLASHER RELAY (BG LI-IN)	1	
5	15900	HEAD LAMP SECURING SCREW/PAN SELF TAP SCREW	6	
6	16670	PLAIN WASHER 12X4.5X1	10	
7	18630	PAN SELF TAP SCREW 6SG X 25AB	4	
8	157716	SCREW ANCHORE	4	
9	6B003007	SIDE PROFILE LH	1	
10	6B002587	HEADLAMP BEZEL ASSEMBLY LH	1	
11	6B002582	HEADLAMP BEZEL LH	1	
12	6D000145R	FRONT DIRECTION INDICATORS LH	1	
12A	B078274	BLINKER HOUSING (LH)-(HOUSING + GLASS)	1	
13	6B002757	HEADLAMP BEZEL BEADING	2	
14	6B003008	SIDE PROFILR RH	1	
15	6B002588	HEAD LAMP BEZEL ASSLY. RH	1	
16	6B002583	HEAD LAMP BEZEL RH	1	
17	6D000146R	FRONT DIRECTION INDICATORS RH	1	
17A	B078272	BLINKER HOUSING (RH)-(HOUSING + GLASS)	1	
18	6B002757	HEADLAMP BEZEL BEADING	1	
19	6D000539	HEADLAMP WITH BLUE VISION - LH	1	
20	6D000540	HEADLAMP WITH BLUE VISION - RH	1	
21	B076605	PIN	4	
22	B076606	GROMMET	4	
23	661925	PHILIP PAN HEAD SCREW (M5 X 0.8 X 1.6)	6	
24	D9004159230	SCREW, W / WASHER	6	
25	B078286R	HS1_BULB (12 V _35/35W	2	
26	567593	BULB 12V 5W / LAMP 4W	2	
27	925581	INDICATOR LIGHT BULB 12V 21W AMBER COLOUR	2	
28	6B002792	HEAD LAMP BEZEL MTG BRACKET	1	
29	6B002796	HEAD LAMP BEZEL MTG BRACKET	1	
30	6B003006	LOGO SUPPORT- SILVER	1	Painted
31	B076120	HEXAGONAL EMBLEM	1	
32	6B002586	LOGO SUPPORT BRACKET	1	
33	6B002827	LOGO SUPPORT MTG. CLIP	2	

Print Date: 05-Oct-2022

PLATE-12
STICKERS





Print Date: 05-Oct-2022

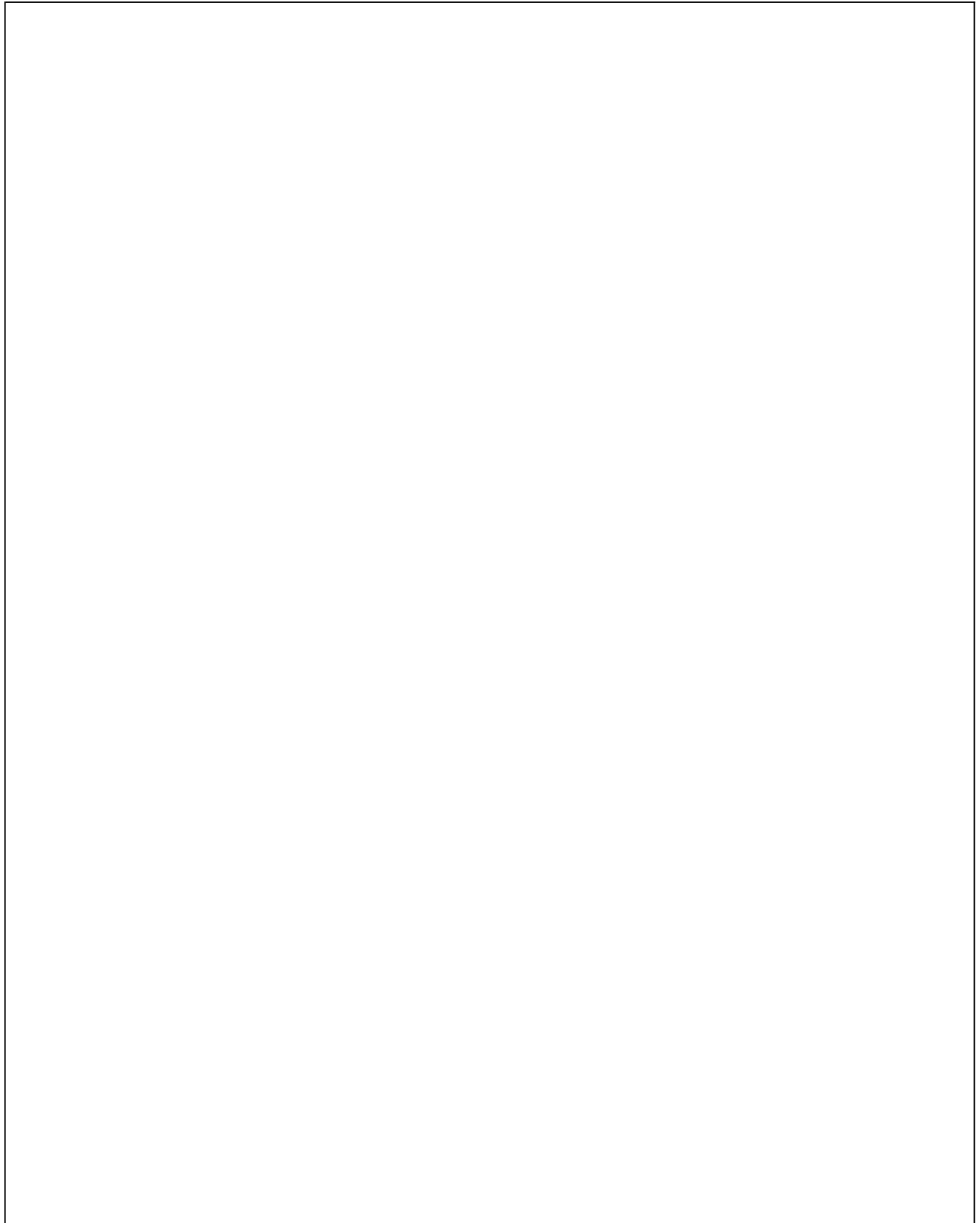
**PLATE-12
STICKERS**

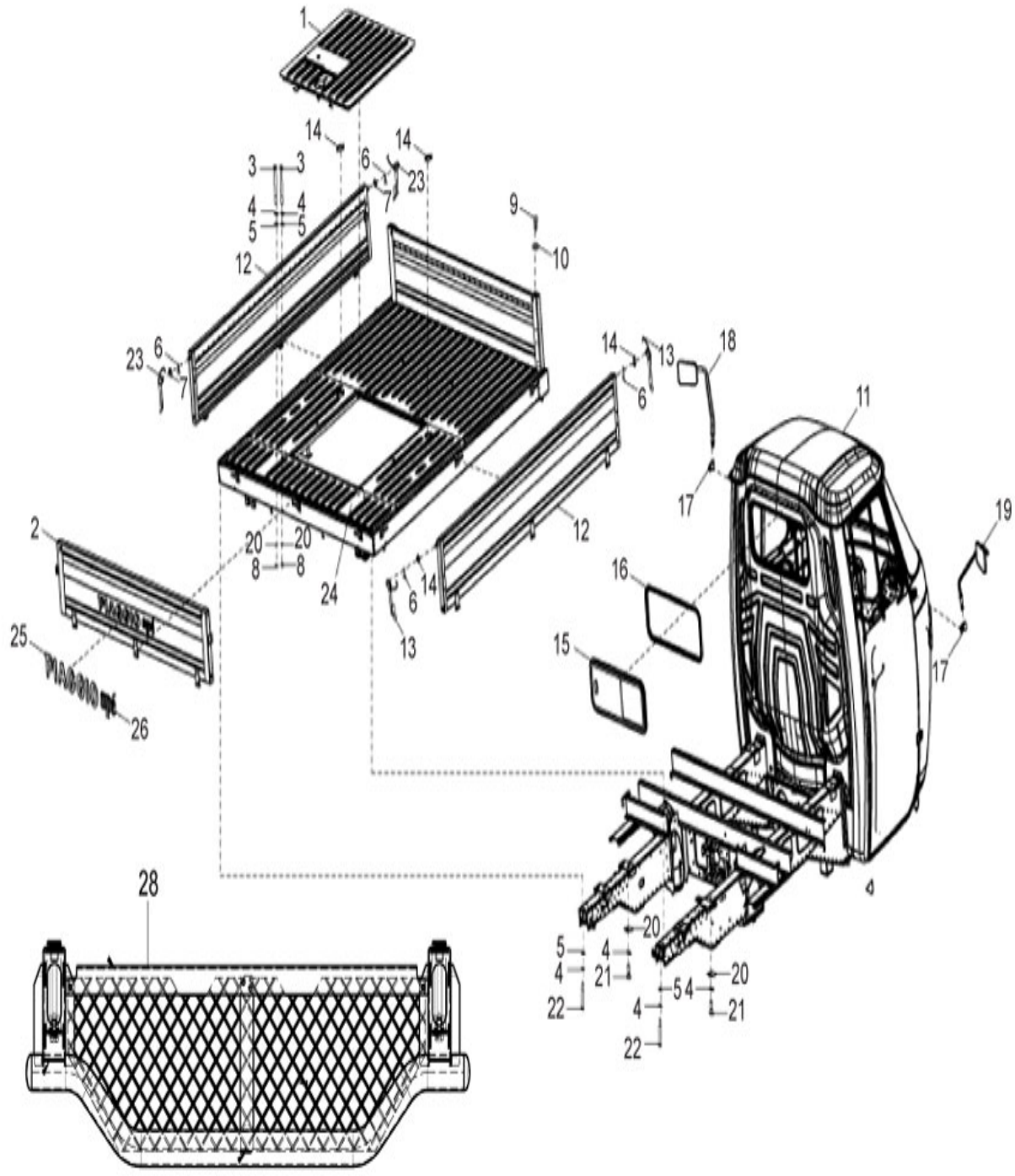
Fig. No.	Part No.	Description	Qty	Remarks
1	6B002791	42 MONTH SUPER WARRANTY STICKER	1	
2	6B000249	42 MONTH SUPER WARRENTY STICKER	1	
3	6B002573	APE E XTRA LDX - BADGE	1	
4	6B002603	APE E-XTRA LDX PLUS BADGE	1	
5	6B002574	E XTRA LDX STICKER	1	
6	6B002604	E-XTRA LDX PLUS STICKER	1	
7	6B002565	LH DOOR DECAL	1	
8	6B002624	LH SIDE WALL DECAL (BLUE)	1	
9	6B002931	LH DOOR DECAL (FX)	1	
10	6B002937	LH SIDE WALL DECAL	1	
11	6B002932	RH DOOR DECAL (FX)	1	
12	6B002566	RH DOOR DECAL (BLUE)	1	
13	6B002938	RH SIDE WALL DECAL	1	
14	6B002625	RH SIDE WALL DECAL (BLUE)	1	
15	6B002528	WHITE REFLECTIVE TAPE	2	
16	6B002540	RED REFLECTIVE TAPE	2	
17	6B002544	RED REFLECTIVE TAPE	1	
18	6H000146	STICKER FX	1	
19	6H000159	STICKER FX	1	
20	6B004078	NE FRONT DECAL	1	

Print Date: 05-Oct-2022

PLATE-13

Main frame Assly & Cargo Body & Mirror





Print Date: 05-Oct-2022

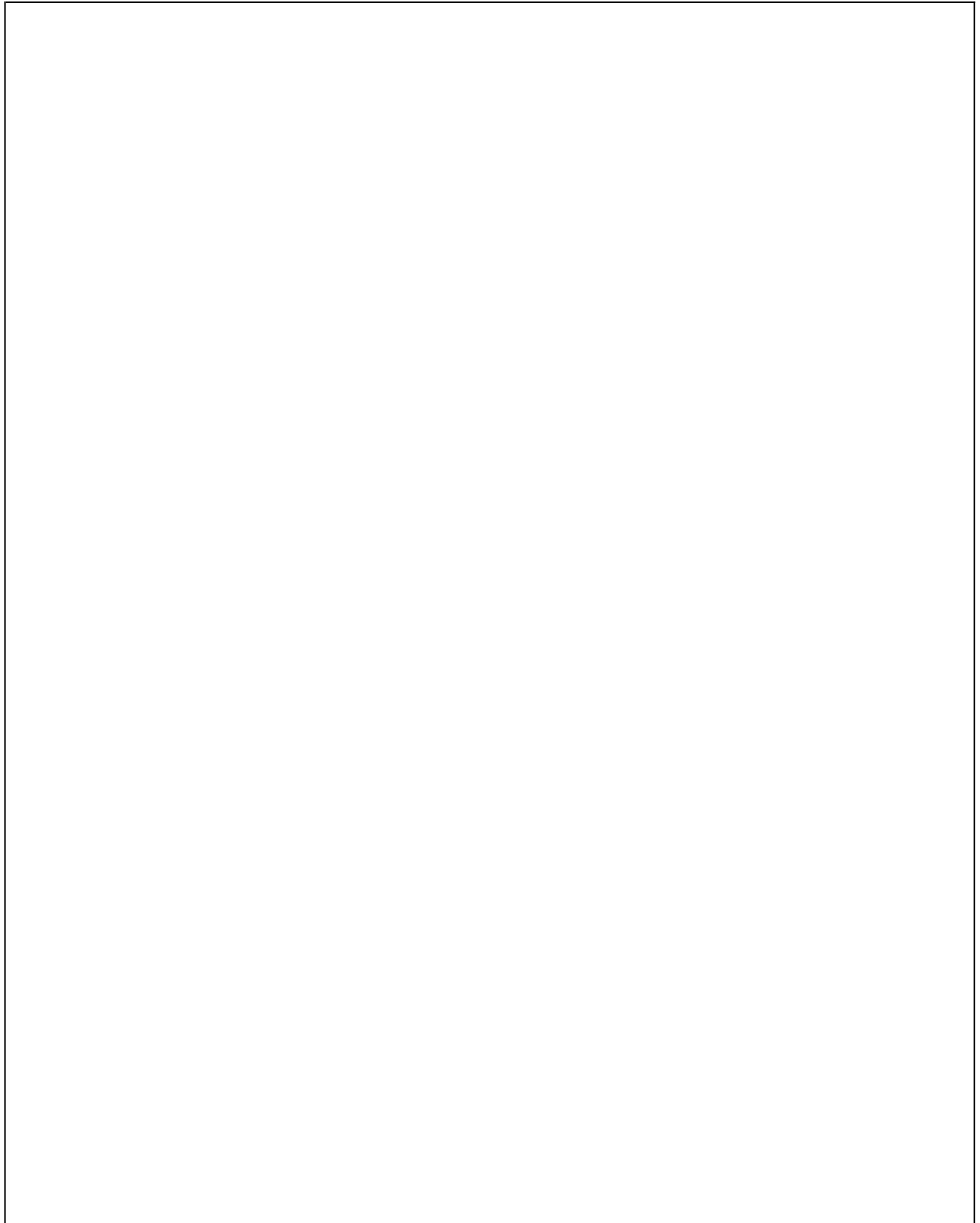
PLATE-13**Main frame Assly & Cargo Body & Mirror**

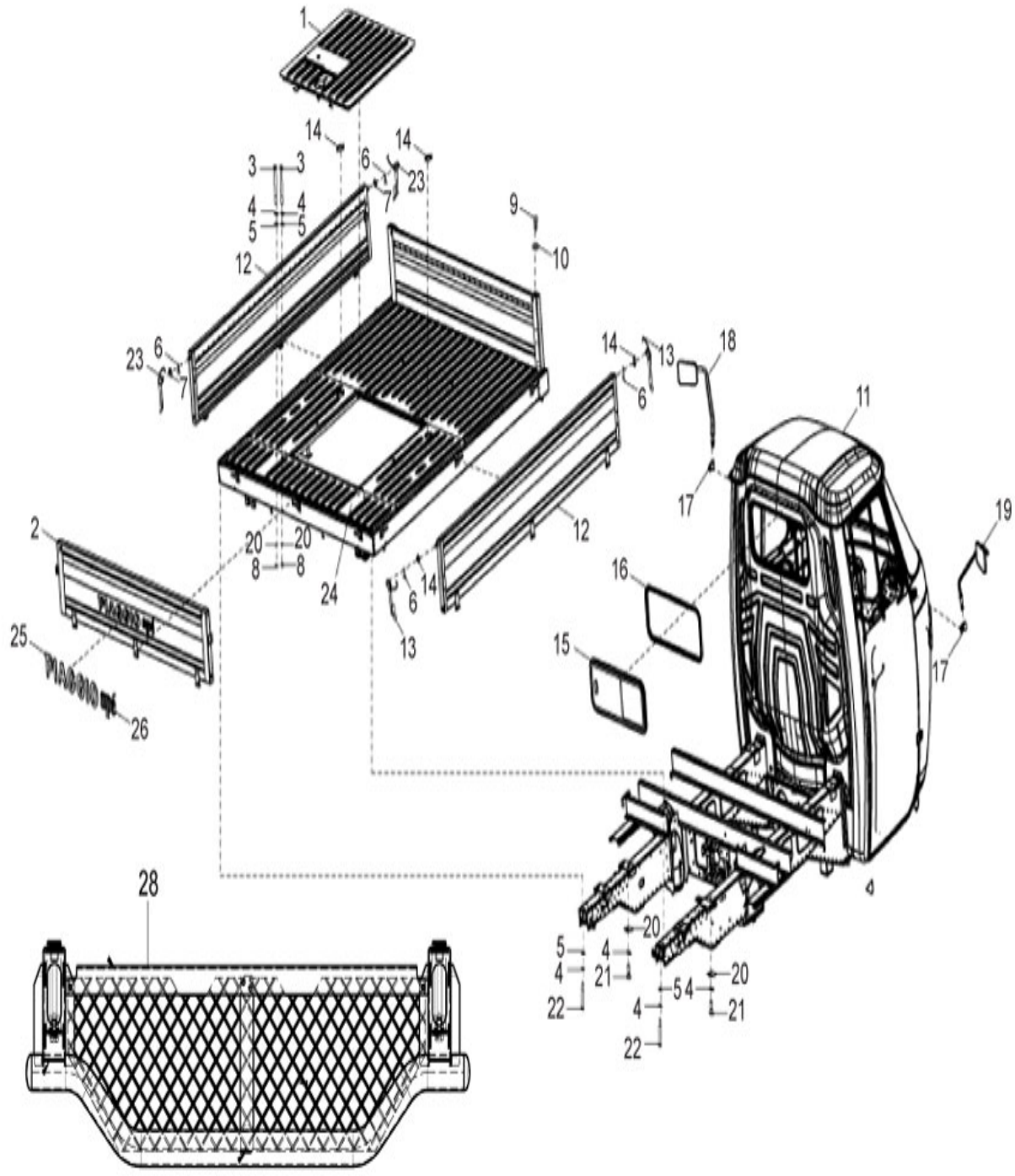
Fig. No.	Part No.	Description	Qty	Remarks
1	660207	ENGINE INSPECTION DOOR 501 CNG/LPG	1	
2	B042505ED	TAIL GATE PANEL DTL 501 PICK UP/LD-CED	1	LDX+
3	B076205	HEAD BOLT (M8 X 85)	2	
4	16408	SPRING WASHER M8	4	
5	808000826	PLAIN WASHER M8	4	
6	12778	SPLIT PIN 3 X 20	3	
7	3057	PL. WASHER 13 X 7 X 1	3	
8	20108	HEX NUT M8	2	
9	31089	HEX HEAD SCREW M6X18 CL 8.8	4	
10	16406	SPRING WASHER M6 OD12	4	
11	6B003815NB	MAIN FRAME WITH DOORS_E-CARGO_NE_FX_NB	1	LDX+
11	6B003815GY	MAIN FRAME WITH DOORS_E-CARGO_NE_FX_GY	1	LDX+
11	6B003815LB	MAIN FRAME WITH DOORS_E-CARGO_NE_FX_LB	1	LDX+
11	6B003815BW	MAIN FRAME WITH DOORS_E-CARGO_NE_FX_BW	1	LDX+
12	6B000089ED	SIDE PANEL ASSLY (DTL) -CED	2	LDX+
13	128805ED	RH LEVER FOR CLAMPING THE SIDE PANEL CED	2	
14	3058	PLAIN WASHER 15X8.4X1.5	6	
15	6B001067	SLIDING WINDOW ASSY	1	
16	6B001073	BEADING	1	
17	643613	REAR VIEW MIRROR ATTACHMENT	2	
18	6B001495R	LEFT REAR-VIEW MIRROR (D+3)	1	
19	6B001496R	RIGHT REAR-VIEW MIRROR (D+3)	1	
20	604785	SUPPORT PLATE	4	
21	30072	HEX HEAD BOLT M8 X 35	2	
22	B076205	HEAD BOLT (M8 X 85)	2	
23	128804ED	LH LEVER FOR CLAMPING THE SIDE PANEL CED	2	
24	6B002629NB	CARGO BODY ASSLY_APE E-CARGO_FX-NB	1	LDX+
24	6B002629GY	CARGO BODY ASSLY_APE E-CARGO_FX-GY	1	LDX+
24	6B002629LB	CARGO BODY ASSLY_APE E-CARGO_FX-LB	1	LDX+
24.A	6B002782ED	PLATFORM ASSLY.APE 501 E-XTRA FX-ED	1	NI,Without Panel
24.A	6B002782GY	PLATFORM ASSLY.APE 501 E-XTRA FX-GY	1	NI,Without Panel
24.A	6B002782LB	PLATFORM ASSLY.APE 501 E-XTRA FX-LB	1	NI,Without Panel
24.A	6B002782NB	PLATFORM ASSLY.APE 501 E-XTRA FX-NB	1	NI,Without Panel
25	662323	PIAGGIO TAIL GATE (YESHSHREE) STICKER FOR LIGHT COLOUR SHADE	1	Not Applicable
26	660175	APE STICKER FOR ROLLED BACK PANEL-RED	1	Not Applicable

Print Date: 05-Oct-2022

PLATE-13

Main frame Assly & Cargo Body & Mirror





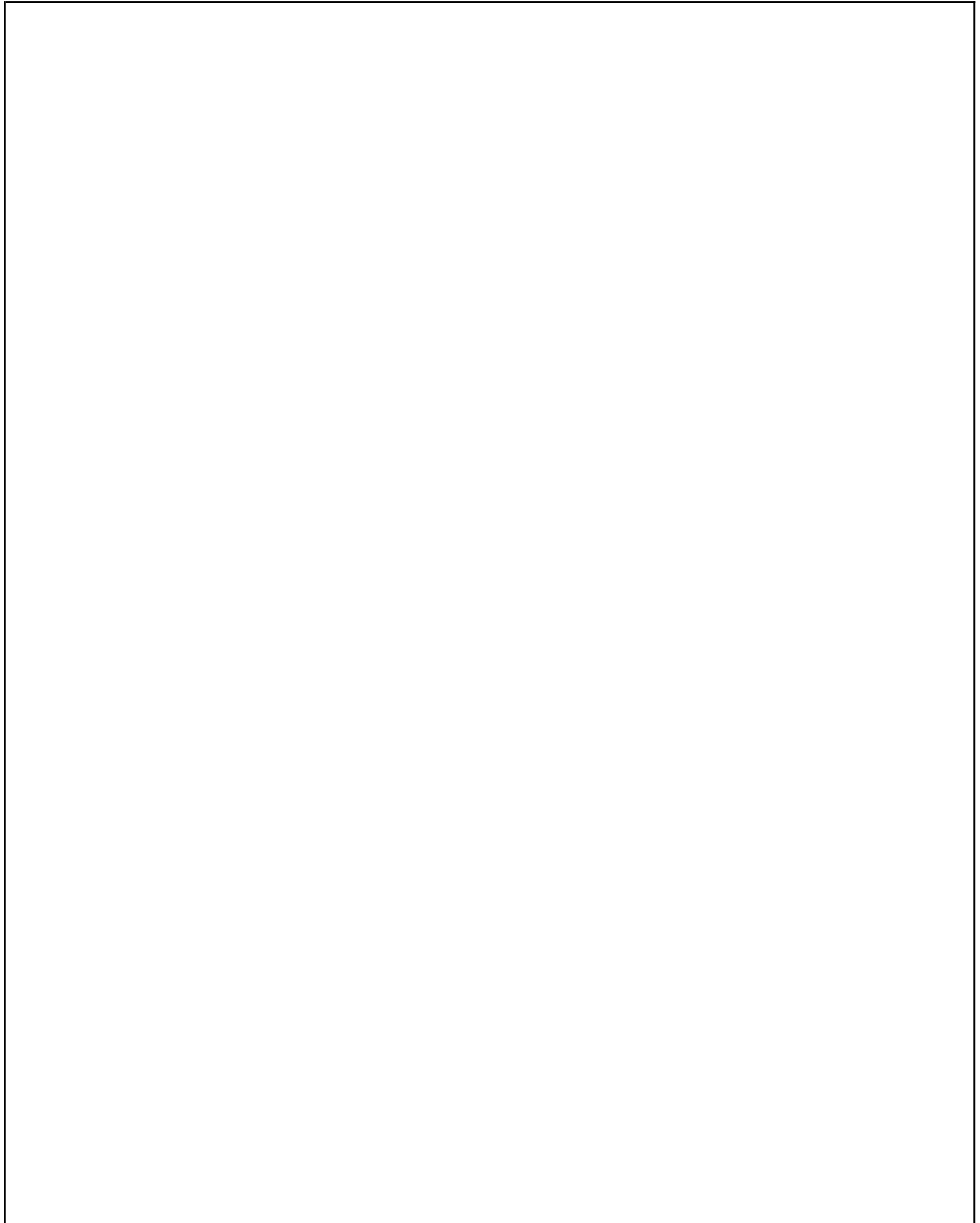
Print Date: 05-Oct-2022

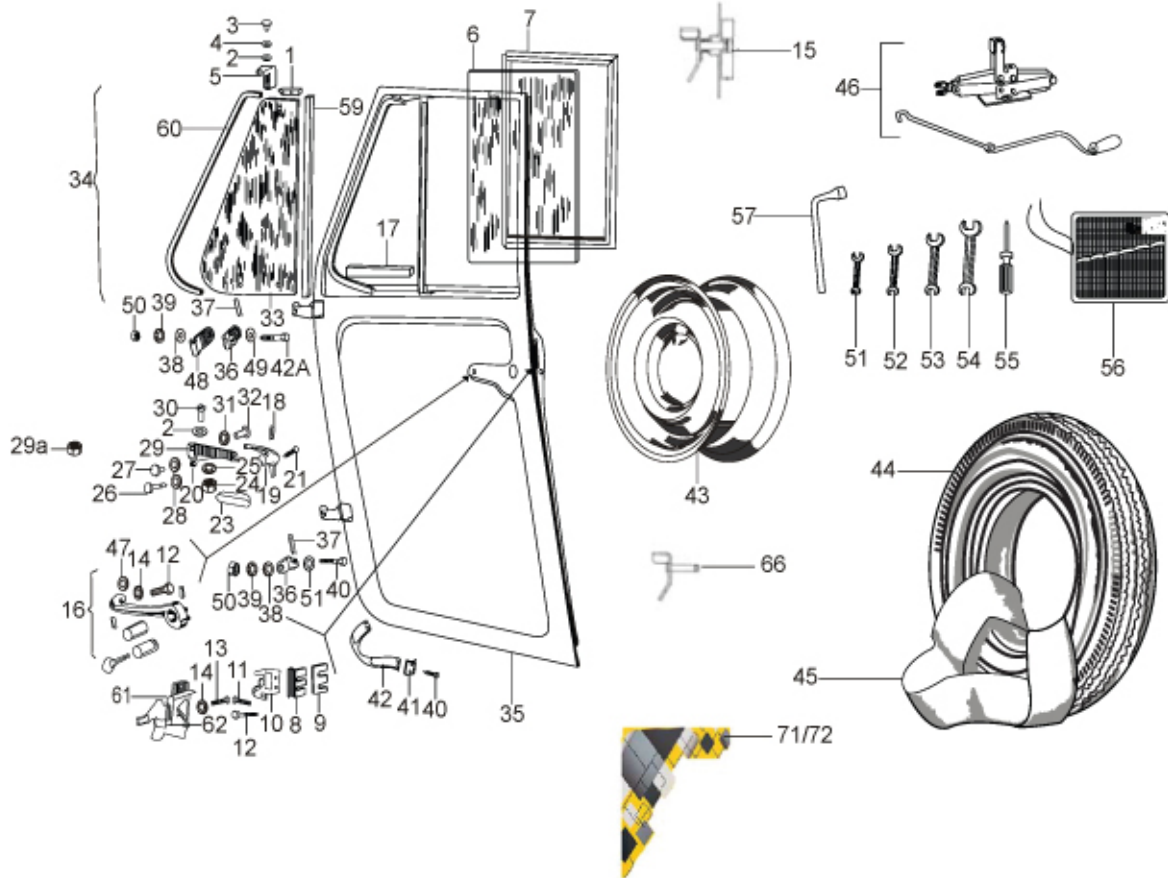
PLATE-13**Main frame Assly & Cargo Body & Mirror**

Fig. No.	Part No.	Description	Qty	Remarks
27	661262	YELLOW REFLECTIVE TAPE	1	NI
28	6B001146	REAR VISUAL BARRIER ASSLY	1	LDX+
29	12540	SPRING WASHER M8	2	NI Faster for Rear visual Barrier
30	3058	PLAIN WASHER 15X8.4X1.5	2	NI Faster for Rear visual Barrier
31	31116	HEX HD. SCREW M8X16	2	NI Faster for Rear visual Barrier

Print Date: 05-Oct-2022

PLATE-14
DOORS, TOOLS AND WHEELS





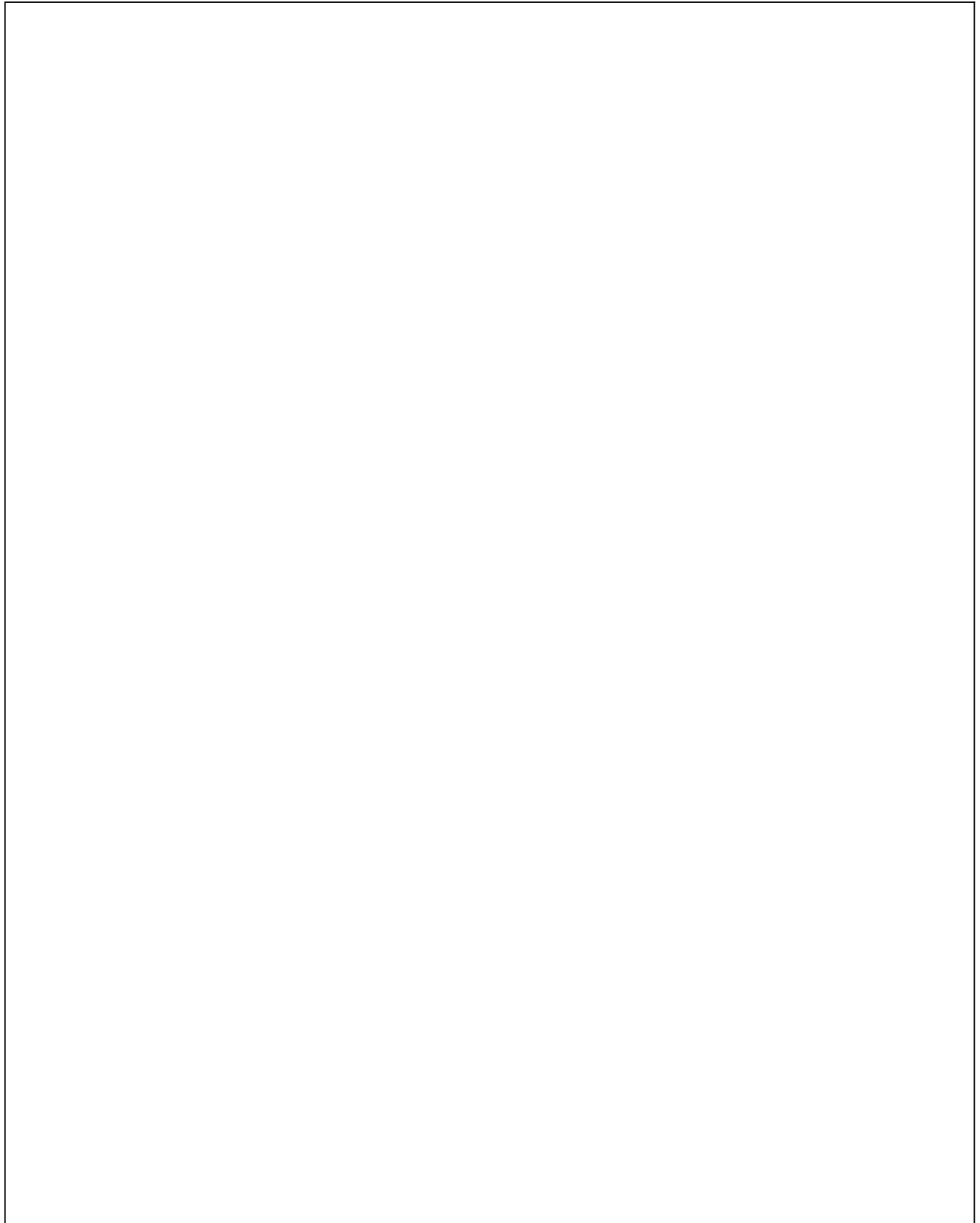
Print Date: 05-Oct-2022

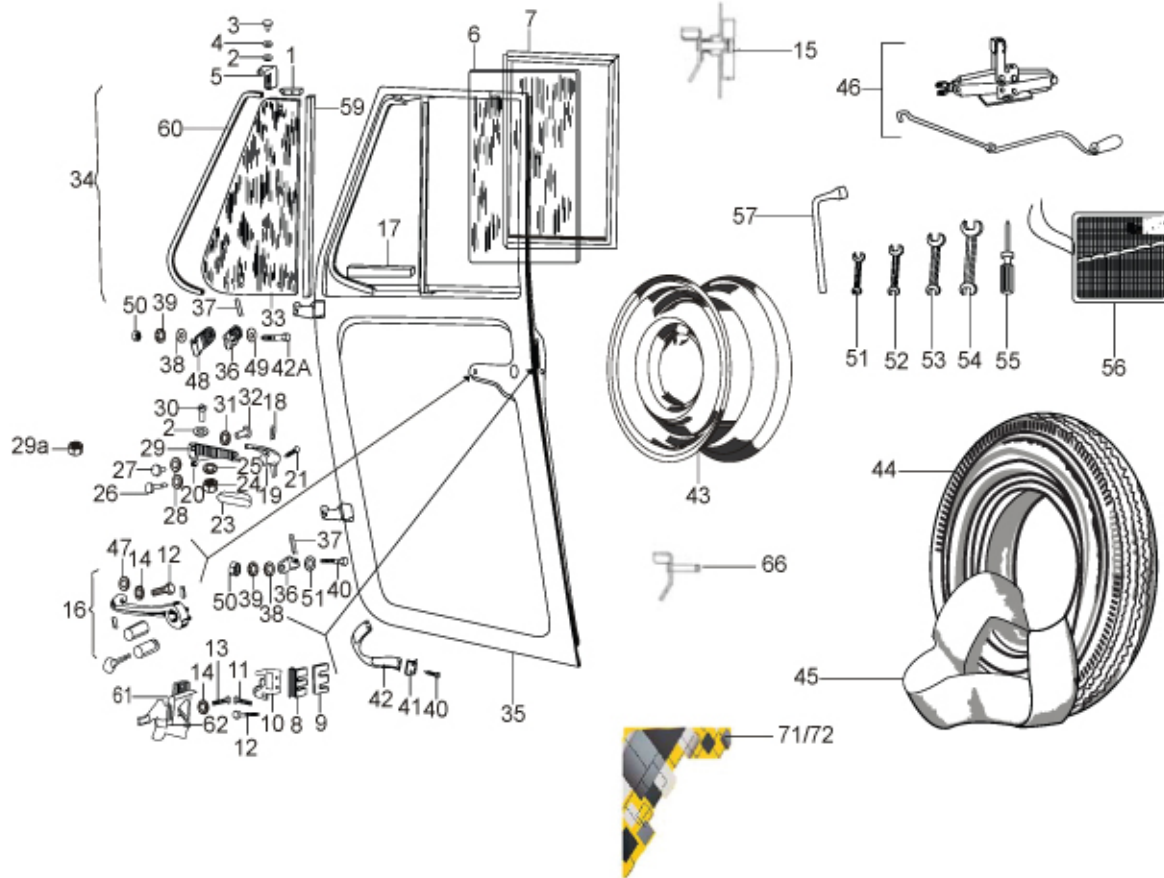
PLATE-14
DOORS, TOOLS AND WHEELS

Fig. No.	Part No.	Description	Qty	Remarks
1	183077	UPPER PACKING R.H. DOOR RABBET	1	
1	163660	DEFLECTOR PANE RABBET L.H. UPPER PACKING	1	
2	97756	METALLIC PLAIN WASHER	4	
2	6965	SPRING WASHER DIA 5	2	
3	5745	RIVET DIA.7MM	2	
4	6078	PLAIN WASHER 12 X 5.2 X 1	2	
5	108800	UPPER CLAMP OF RIGHT AIR DEFLECTOR	1	
5	152025	UPPER CLAMP OF L.H. AIR REFLECTOR	1	
6	163661	FIXED GLASS FOR THE WINDOW	2	
7	163663	GASKET, WINDOW GLASS	2	
8	140603	SECURITY LOCK CYLINDER (SHIM PLATE)1.0TH	2	
9	193724	PLATE(OPTION SHIM PLATE)	2	
10	182663	BLOCK COMPLETE OF COLLISION DOOR LOCK LH	1	
10	182662	BLOCK COMPLETE OF COLLISION DOOR LOCK RH	1	
11	569156	CSK SCREW (BLOCK CLOSING DOOR)	2	
12	569157	CSK SCREW (BLOCK CLOSING DOOR)	2	
13	30242	SLOT CH. HD. SCREW	3	
14	12546	PLAIN WASHER / MULTI TOOTH LOCK WASHER M5	8	
15	182660R	COMPLETE LOCK OF RH DOOR	1	
15	182661R	COMPLETE LOCK OF LH DOOR	1	
16	B024733	HANDLE WITH PUSH BUTTON LH WITH KEY	1	
16	B024734	HANDLE WITH PUSH BUTTON RH WITH KEY	1	
17	163659	DEFLECTOR PANE RABBET LOWER GASKET	2	
18	8808	SPRING PIN 2.5 X 14	2	
19	B003864	DEFL CLOSING LEVER RH -(PLASTIC)	1	
19	B003865	DEFL CLOSING LEVER LH (PLASTIC)	1	
20	116971	RUBBER GROMMET	2	
21	15727	PAN SELF TAPPING SCREW	2	
22	62961	MAIN SPRING FOR LEVER	2	
23	B042814	COLLISION FOR LEVER	2	
23A	97756	METALLIC PLAIN WASHER	2	
24	20108	HEX NUT M8	2	
25	64263	WINDOW FRICTION WASHER	2	
26	604558	PIVOT FOR LEVER FOR CLOSING DOORS	2	
27	108804	SCREW WITH WIDE HEAD (MALE)	4	

Print Date: 05-Oct-2022

PLATE-14
DOORS, TOOLS AND WHEELS





Print Date: 05-Oct-2022

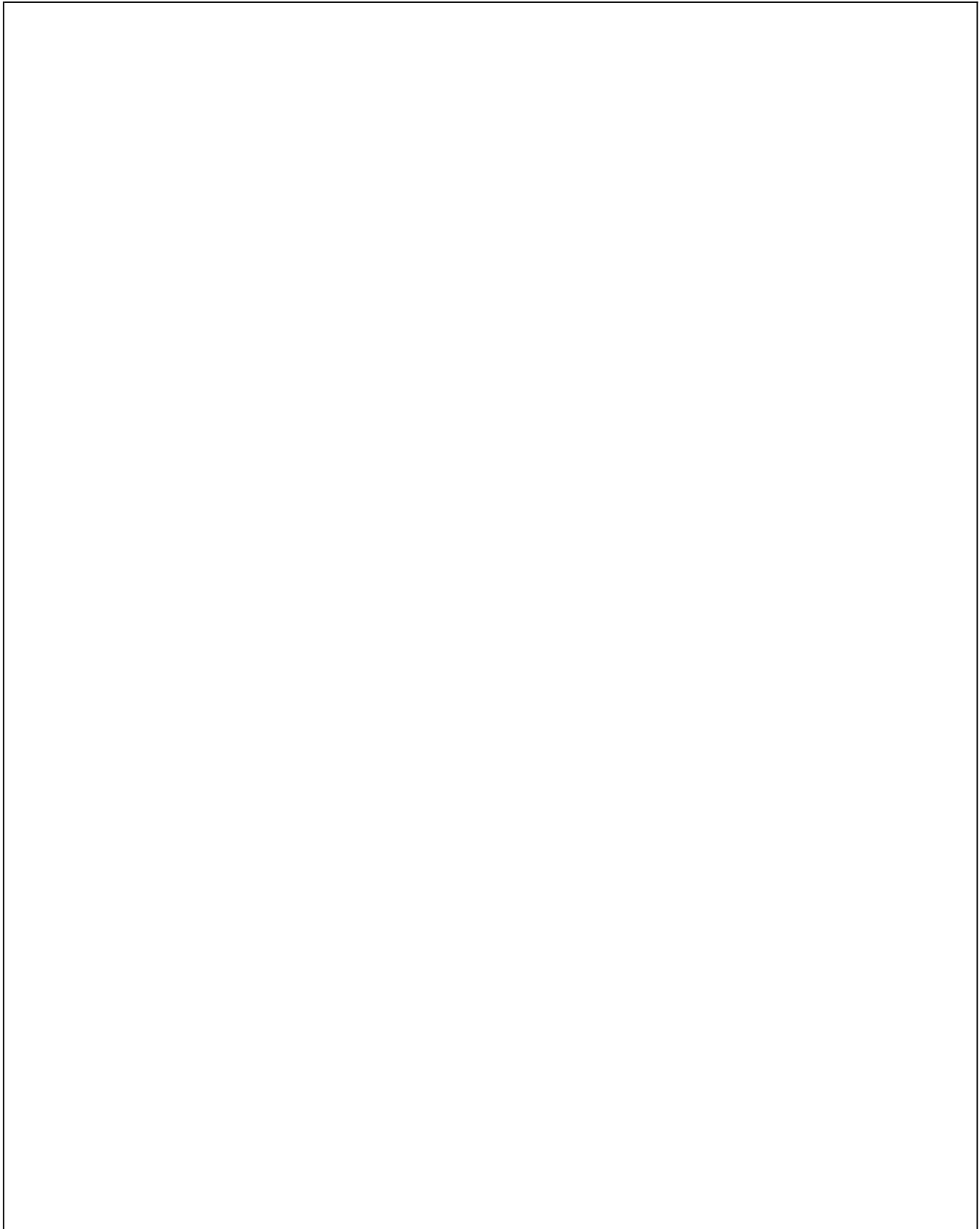
PLATE-14
DOORS, TOOLS AND WHEELS

Fig. No.	Part No.	Description	Qty	Remarks
28	13935	WASHER	2	
29	108801	LOWER BKT.FOR CONNECTING R.H.DEFLECTOR	1	
29	109263	LOWER BKT.FOR CONNECTION L.H. DEFLECTOR	1	
29A	12136	NUT / NYLOCK NUT M5	2	
30	31058	HEX HEAD SCREW M5 X 16 CC8.8	2	
31	6177	PLAIN WASHER 16 X 8.5 X 1	1	
32	108805	SCREW WITH WIDE HEAD (FEMALE)	2	
32	604812	LARGE HEAD SCREW	2	
33	163665	GLASS, VENT	2	
34	163666SP	RH; VENT WINDOW ASSY.	1	
34	163667SP	LH; VENT WINDOW ASSY.	1	
35	B002847	RH DOOR SUB ASSLY (CED)	1	
35	B002848	LH DOOR SUB ASSLY (CED)	1	
36	632238	DOOR HINGE ASSLY UPPER	4	
37	8847	SPRING PIN 6X64	4	
38	13812	METALLIC PLAIN WASHER	2	
38	13861	PLAIN WASHER 20X8.2X2.5	2	
39	12540	SPRING WASHER M8	4	
40	8451	PAN SELF TP SCREW 6 SGX13 AB	8	
41	89281	BLOCK PLATE STRAP	4	
42	B074173	STOP BELT FOR DOOR	1	
42A	568692	PAN SELF TAP SCREW 6SG X 16AB	4	
43	644973R	WHEEL RIM ASSY.	1	
44	587971	TYRE 4.50 X 10 8 PR	1	
45	151924	INNER TUBE TYRE 4.5 X 10 INCH	4	
46	B001954R	JACK ASSEMBLY COMPONENT	1	
47	6018	PL. WASHER	2	
47A	604560	SCREW TERMINAL ASSY. - GEAR CONTROL	2	
48	605389	HINGE	2	
49	140728	PLAIN WASHER 8.5 X 24 X 3	2	
50	20108	HEX NUT M8	4	
51	567454	DOUBLE END SPANNER7/8	1	
52	567455	DE SPANNER 10X13 IS:2018(ZN PLATING)	1	
53	567456	DOUBLE END SPANNER 12/14	1	
54	567457	DE SPANNER 17/19	1	

Print Date: 05-Oct-2022

PLATE-14

DOORS, TOOLS AND WHEELS



Print Date: 05-Oct-2022

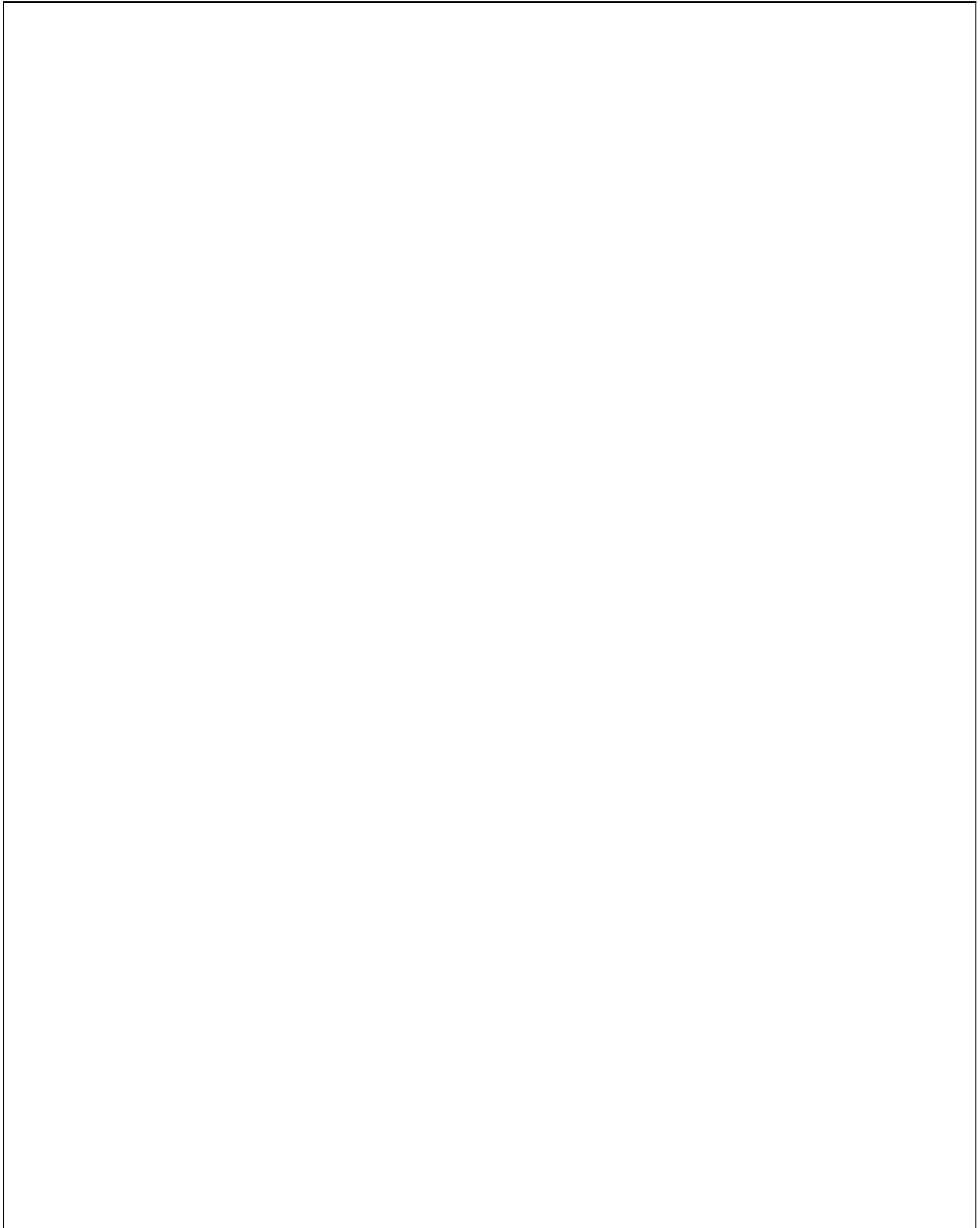
PLATE-14**DOORS, TOOLS AND WHEELS**

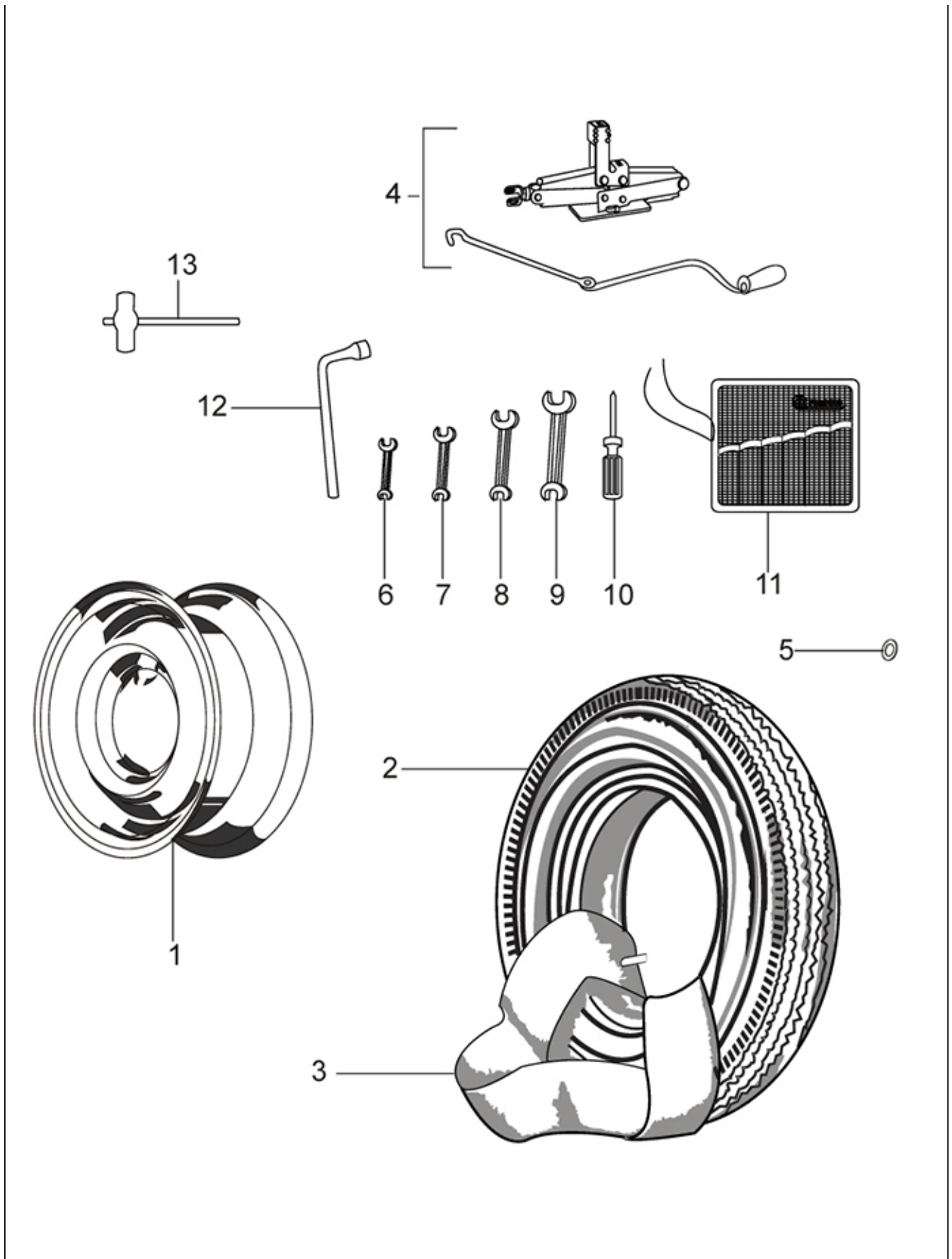
Fig. No.	Part No.	Description	Qty	Remarks
55	567458	SCREW DRIVER (-)&(+) 80	1	
56	604707	TOOL BAG	1	
57	567459	L TYPE WHEEL SPANNER (A/F19)	1	
58	192020017	STARTING ROPE	1	Not applicable
58	E500405518	STARTING ROPE	1	Not applicable
58A	569193	FIRST AID KIT	1	
59	163782	DEFLECTOR PANE RABBET REAR GASKET	2	
60	163784	DEFLECTOR PANE RABBET FRONT GASKET	2	
61	604689	STOPPER ASSLY RH	1	
61	604690	STOPPER ASSLY LH	1	
62	108356	SPRING FOR LOCK	1	
62	115531	SPRING FOR R.H. LOCK	1	
63	116334	L.H.DOOR GUIDE BOX ASSY	1	
64	30242	SLOT CH. HD. SCREW	3	
65	190255	GROMMET (LONG MEMBER)	1	
66	109121	LEVER COMPLETE OF LH LOCK	1	
67	116333	BOX FOR GUIDE COMPLETE OF RH DOOR	1	
68	109120	LEVER COMPLETE FOR R.H. LOCK	1	
69	B042703	TOOLS KIT (APE PAXX PETROL/CNG/LPG)	1	
70	30074	HEX HEAD BOLT M8 X 40 CL 8.8	1	
71	6B000250	DOOR DECAL LH	1	Not applicable
72	6B000251	DOOR DECAL RH	1	Not applicable

Print Date: 05-Oct-2022

PLATE-15

TOOLS AND WHEELS





Print Date: 05-Oct-2022

PLATE-15
TOOLS AND WHEELS

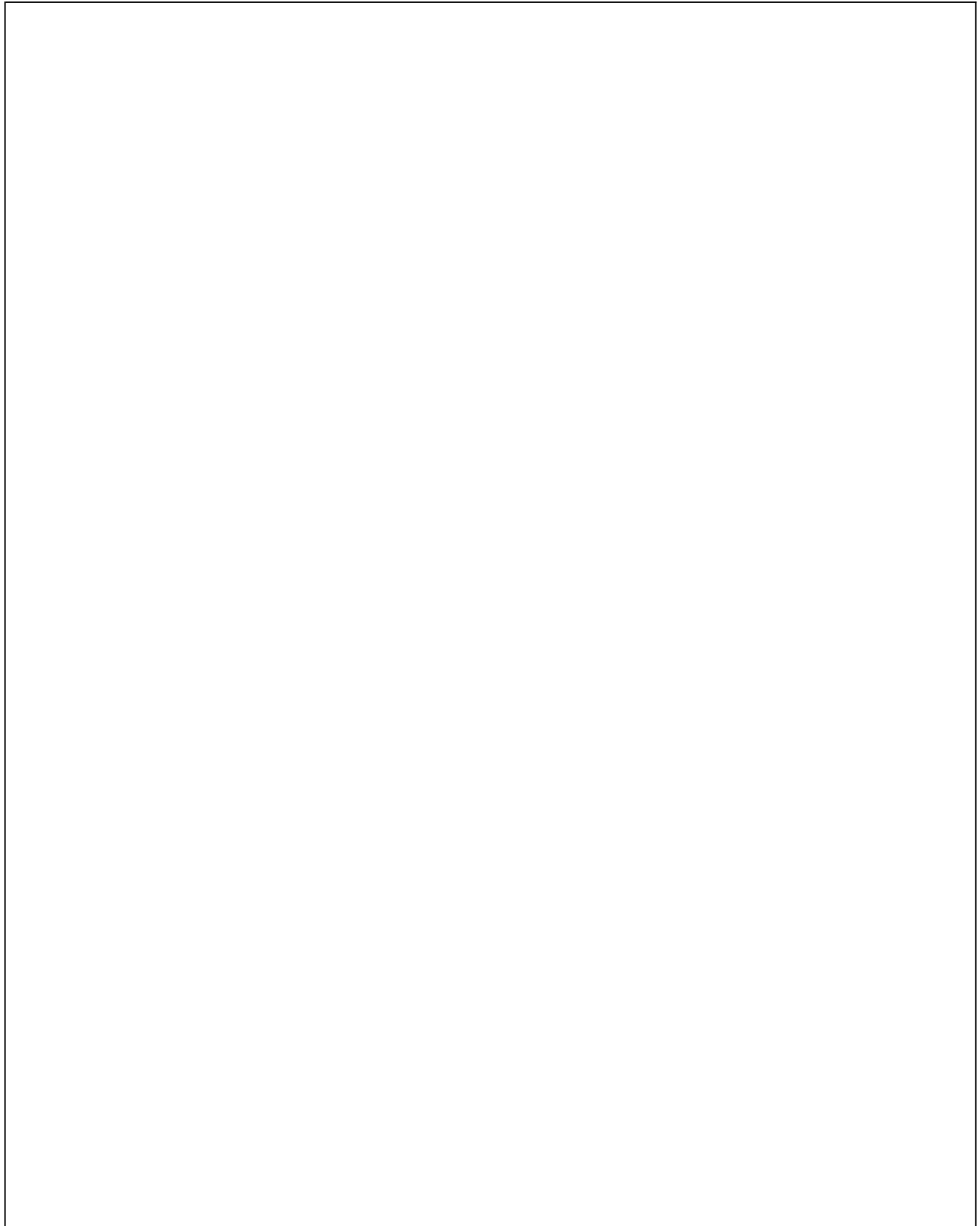
Fig. No.	Part No.	Description	Qty	Remarks
1	644973R	WHEEL RIM ASSY.	1	
2	6C000664R	TYRE	1	
2	6C000655R	LOW RRC TYRE 4.5X10INCH EV-CARGO	1	Complete Assly
3	151924	INNER TUBE TYRE 4.5 X 10 INCH	4	
4	B001954R	JACK ASSEMBLY COMPONENT	1	
5	6018	PL. WASHER	2	
6	567454	DOUBLE END SPANNER7/8	1	
7	567455	DE SPANNER 10X13 IS:2018(ZN PLATING)	1	
8	567456	DOUBLE END SPANNER 12/14	1	
9	567457	DE SPANNER 17/19	1	
10	567458	SCREW DRIVER (-)&(+) 80	1	
11	604707	TOOL BAG	1	
12	567459	L TYPE WHEEL SPANNER (A/F19)	1	
13	KIT95124	APE CITY EV INSULATED & SPECIAL TOOL KIT	1	NI

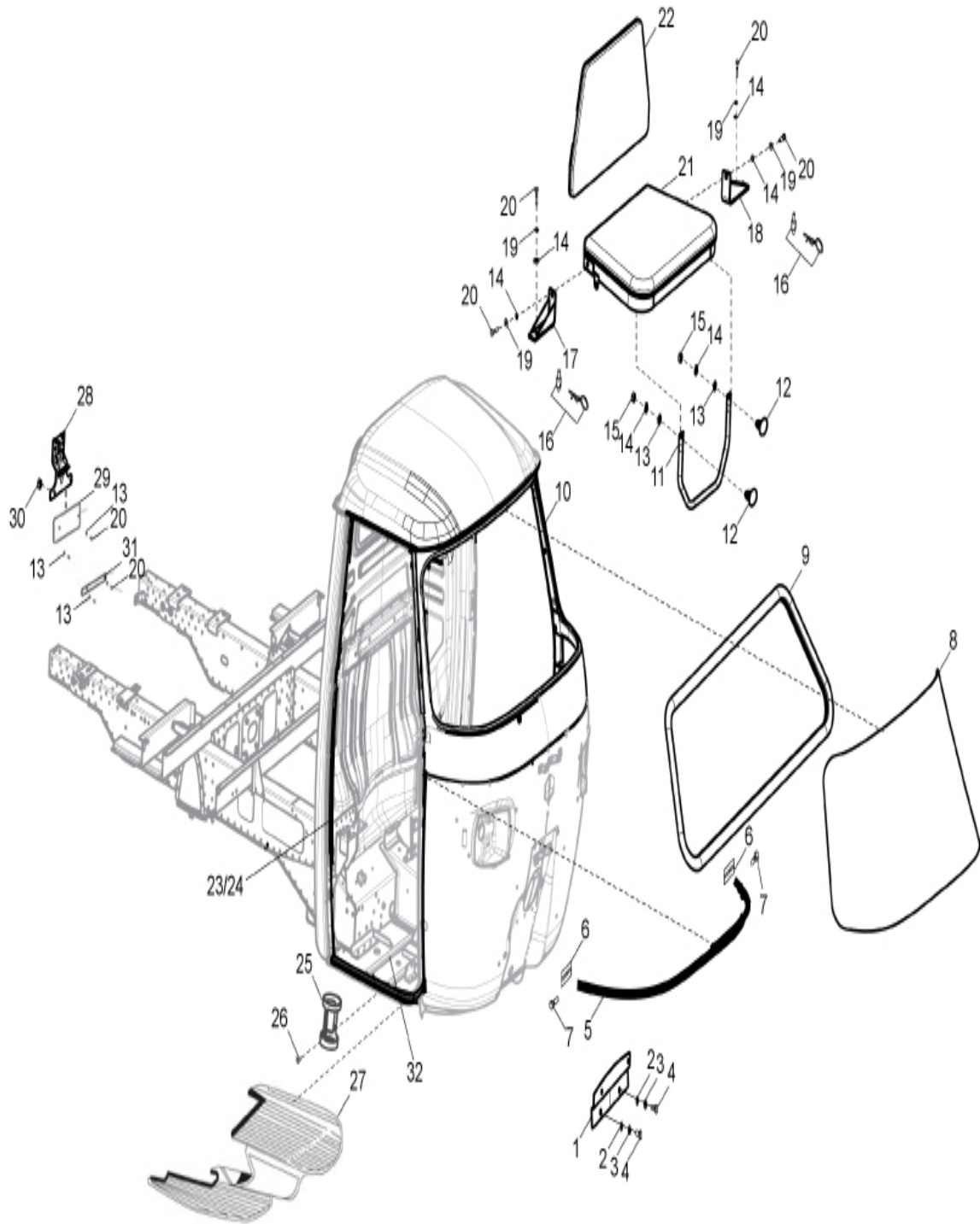
40

Print Date: 05-Oct-2022

PLATE-16

Windshield /Glass/ Seats/ Carpets/Mirrors &Engine Door.





Print Date: 05-Oct-2022

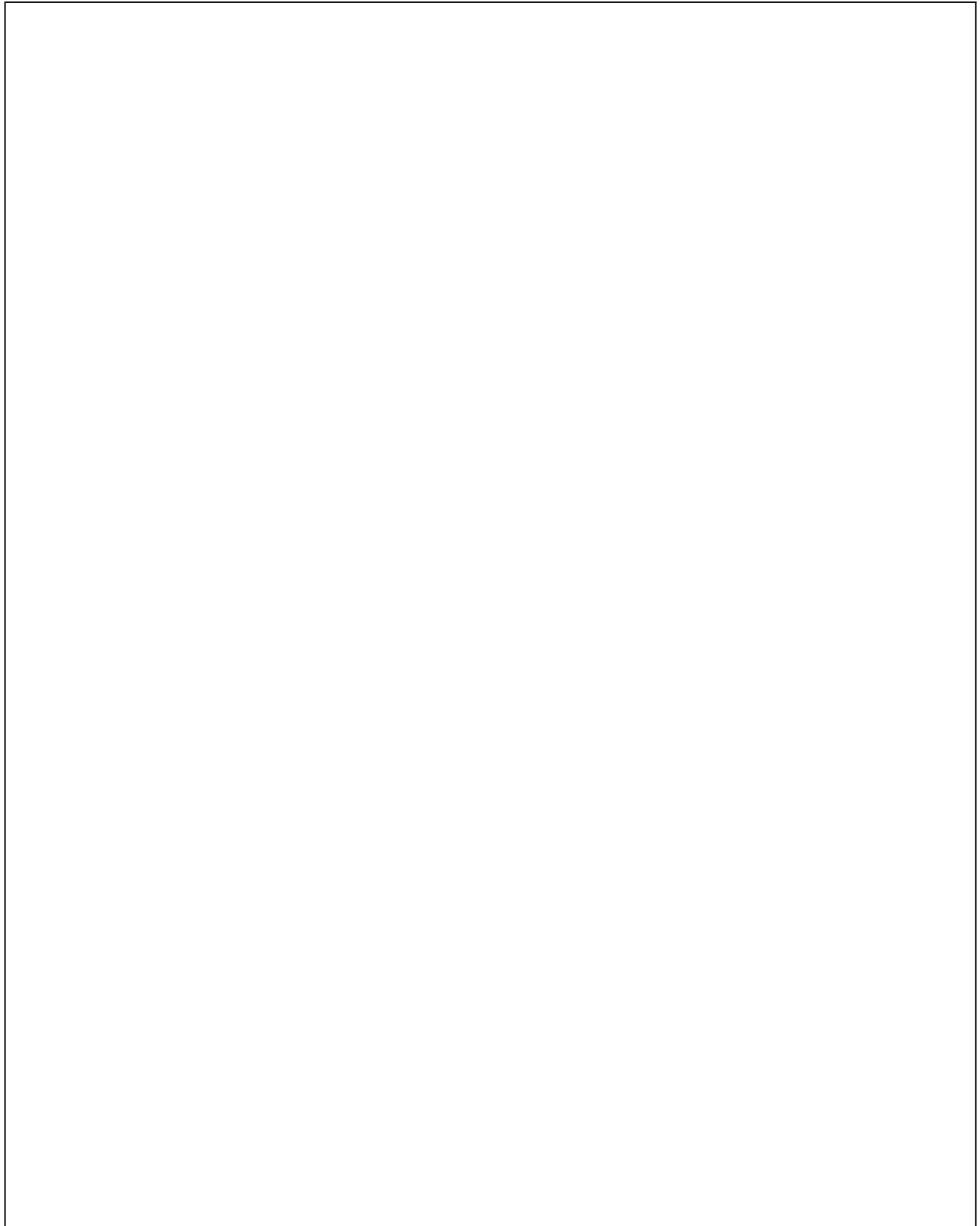
PLATE-16**Windshield /Glass/ Seats/ Carpets/Mirrors &Engine Door.**

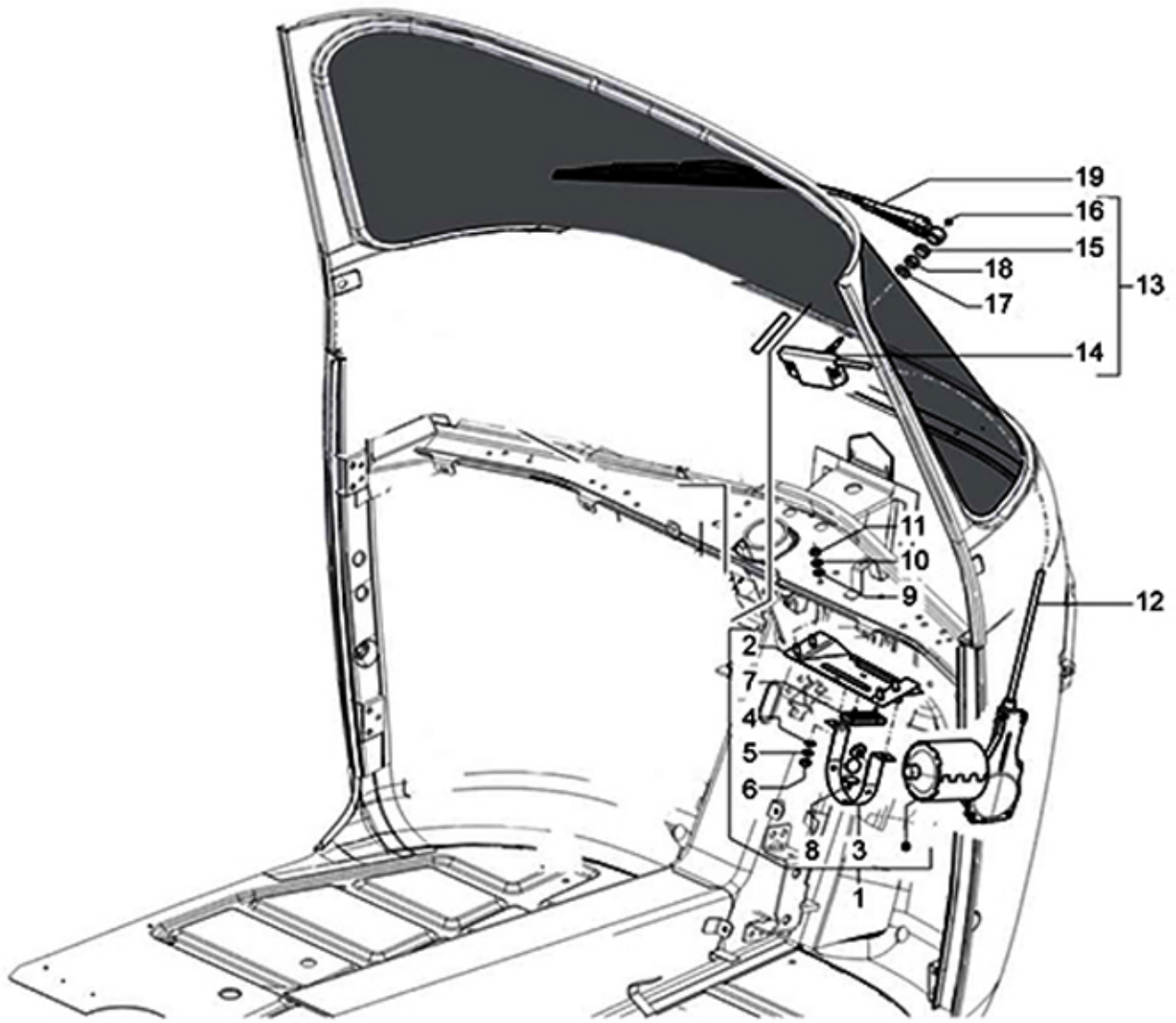
Fig. No.	Part No.	Description	Qty	Remarks
1	6B001140	BRACKET ASSLY FRONT HSRP MTG	1	
2	3056	PLAIN WASHER M6 OD12	2	
3	16406	SPRING WASHER M6 OD12	2	
4	31088	HEX HD SCREW M6 X 16 CL 8.8 (811061623)	2	
5	6B001946	RIM COVER JOINT (JET BLACK)	1	
6	6B001947	TERMINAL	2	
7	15911	PAN SELF TAP SCREW 8SG X 16 AB	2	
8	6B001921	LAMINATED WINDSHIELD GLASS	1	
8	587963	LAMINATED WINDSHIELD GLASS	1	Appli.for old Windshield B076098ED/Export
9	109012	WIND SHIELD PACKING	1	
10	6B000387ED	WINDSHIELD ASSLY(MODI.) - ED	1	Applicable for New Windshield Glass 6B001921
10	B076098ED	WINDSCREEN FRAME ASSLY - C/O 501 BSIV DSL	1	Appli.for old Windshield Glass 587963
11	NS	NOT SERVICEABLE	1	
12	6B001462	PLASTIC FASTENER	2	
13	3058	PLAIN WASHER 15X8.4X1.5	4	
14	16408	SPRING WASHER M8	8	
15	20108	HEX NUT M8	2	
16	6B001486	PIN WITH HOLE	2	Not Servicable
17	NS	NOT SERVICEABLE	1	
18	NS	NOT SERVICEABLE	2	
19	13958	PLAIN WASHER	4	
20	30072	HEX HEAD BOLT M8 X 35	6	
21	6B002580	DRIVER SEAT ASSLY.	1	
22	6B002578	BACKREST ASSEMBLY	1	
23	6B001204R	DOOR BEADING CARGO LH	1	
24	6B001207R	DOOR BEADING CARGO RH	1	
25	645141	BOTTLE CARRIER STAND	1	
26	660168	PAN SELF TP. SCREW 10 SGX13AB	2	
27	6B002763	FRONT CARPET	1	
28	6B001118	BRACKET ASSLY-REAR HSRP MTG	1	
29	6B001129	REGISTRATION NUMBER PLATE(HSRP)	1	
30	261323	NUT	2	
31	6B001140	BRACKET ASSLY FRONT HSRP MTG	1	
32	B074150PC	CABIN FLOOR SUB-ASSY-PC	1	

Print Date: 05-Oct-2022

PLATE-17

WINDSCREEN WIPER





Print Date: 05-Oct-2022

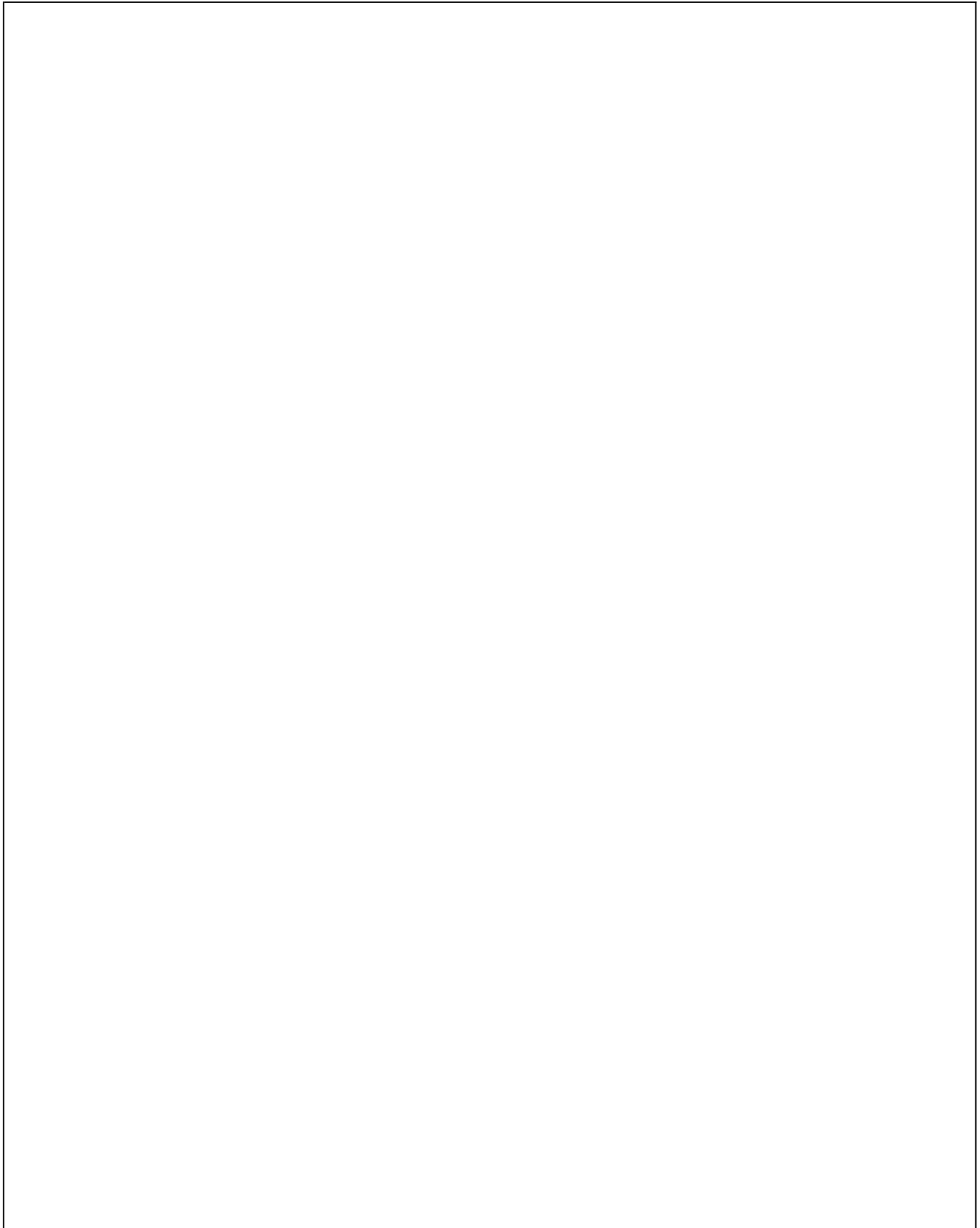
PLATE-17**WINDSCREEN WIPER**

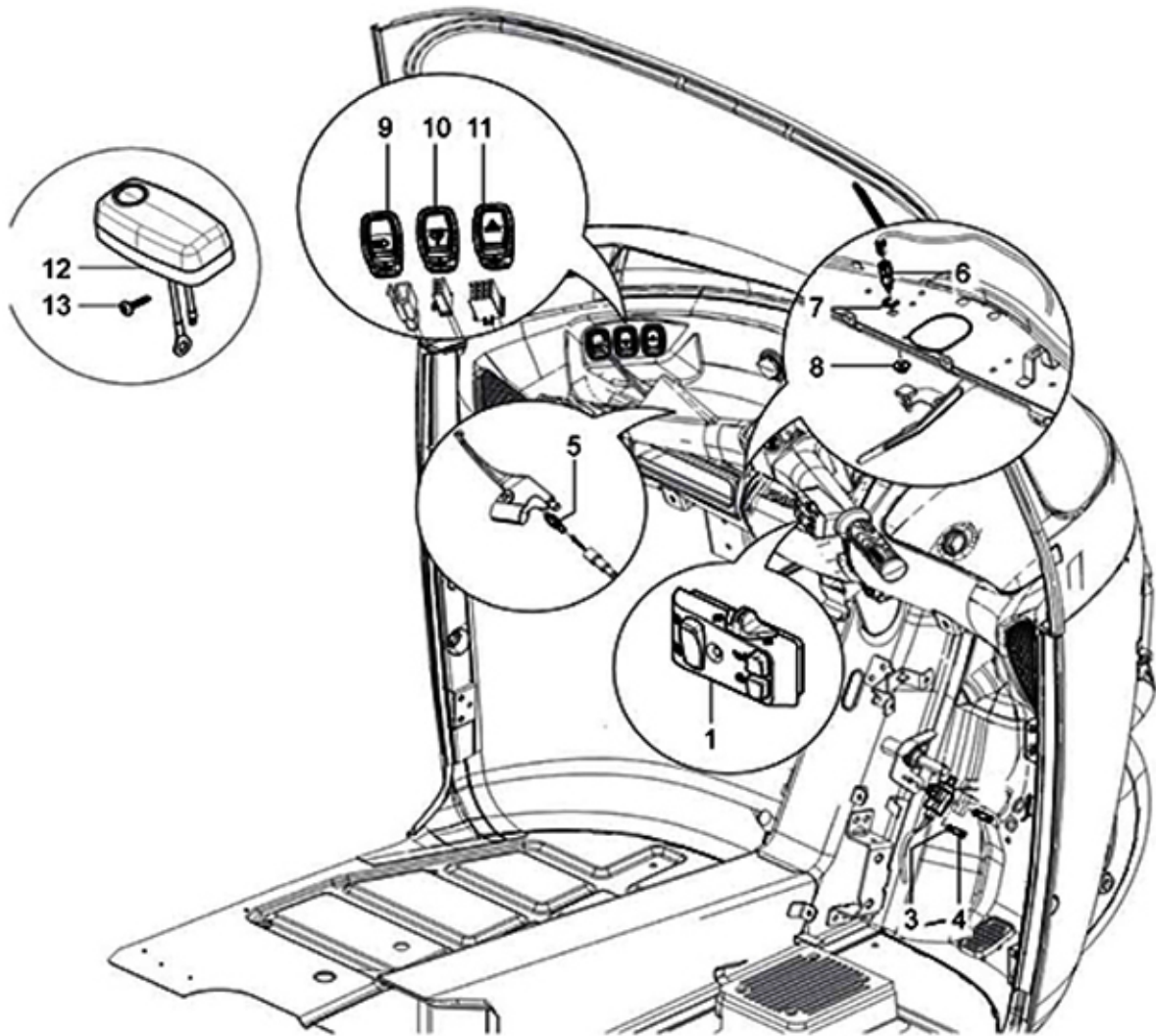
Fig. No.	Part No.	Description	Qty	Remarks
1	6D000837	WIPER MOTOR ASSY. WITH MTG. BKT. (N.I.)	1	
2	569166	WIPER MOTOR MOUNTING BRACKET	1	
3	569177	STRAP ASSY FOR WIPER MOTOR (N.I.)	1	
4	16406	SPRING WASHER M6 OD12	2	
5	3056	PLAIN WASHER M6 OD12	2	
6	20106	HEX NUT M6	2	
7	569178	RUBBER PAD FOR WIPER MOTO (N.I.)	1	
8	925571	CABLE RACK (033200/PGO)	1	NI
9	3056	PLAIN WASHER M6 OD12	4	
10	16406	SPRING WASHER M6 OD12	4	
11	20106	HEX NUT M6	4	
12	B076303	BUNDY TUBE (MOTOR TO WHEEL BOX)	1	
12A	604506	BUNDY TUBE OUTER	1	
13	B076304	WHEEL BOX ASSY. (MOD.)	1	
14	NS	NOT SERVICEABLE	1	
15	NS	NOT SERVICEABLE	1	
16	569165	DOME NUT	1	
17	6173	METALLIC PLAIN WASHER (808001026)	1	
18	20106	HEX NUT M6	1	
19	632292	WIPER ARM & BLADE ASSY	1	

Print Date: 05-Oct-2022

PLATE-18

SELECTORS - SWITCHES - BUTTONS





Print Date: 05-Oct-2022

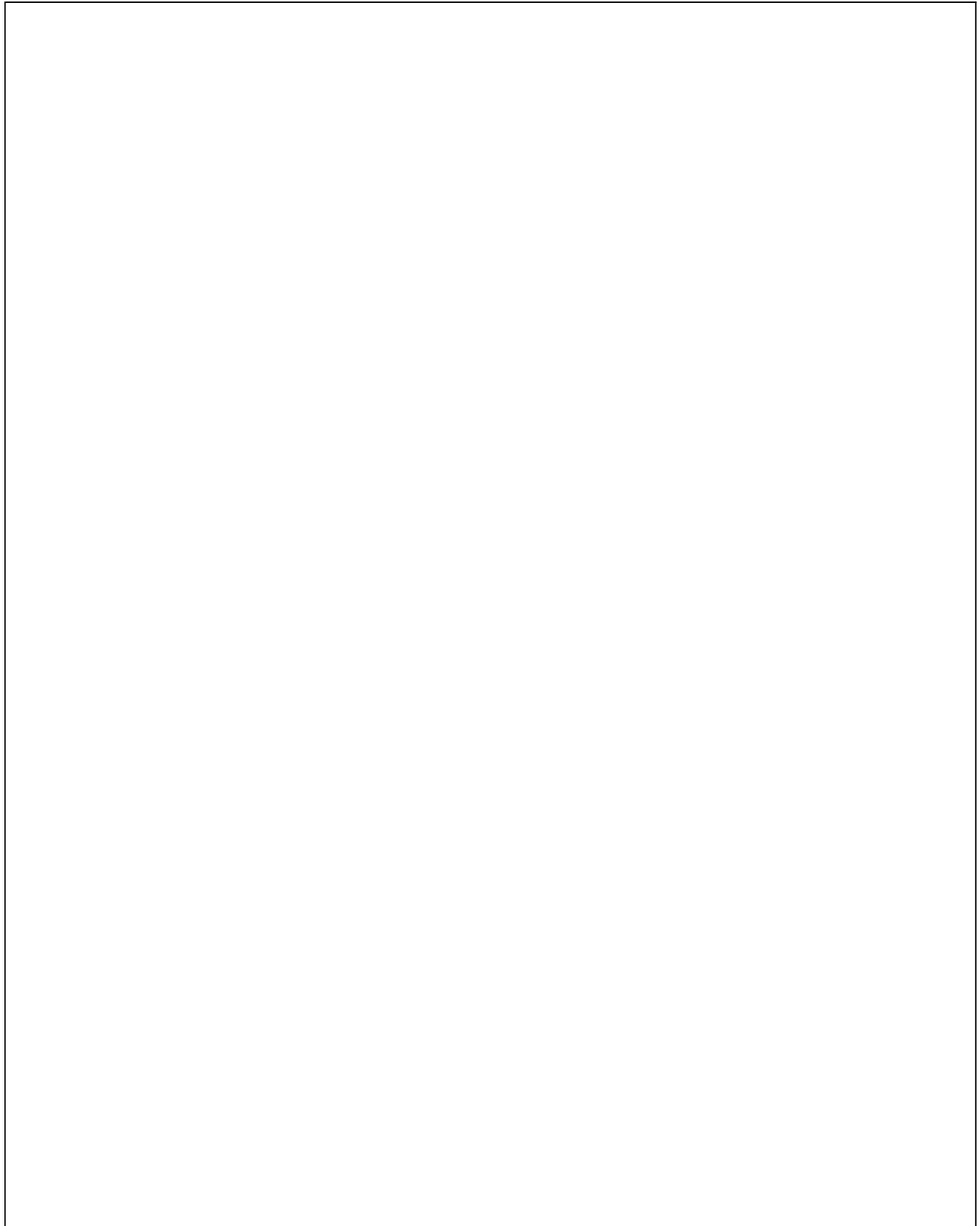
PLATE-18**SELECTORS - SWITCHES - BUTTONS**

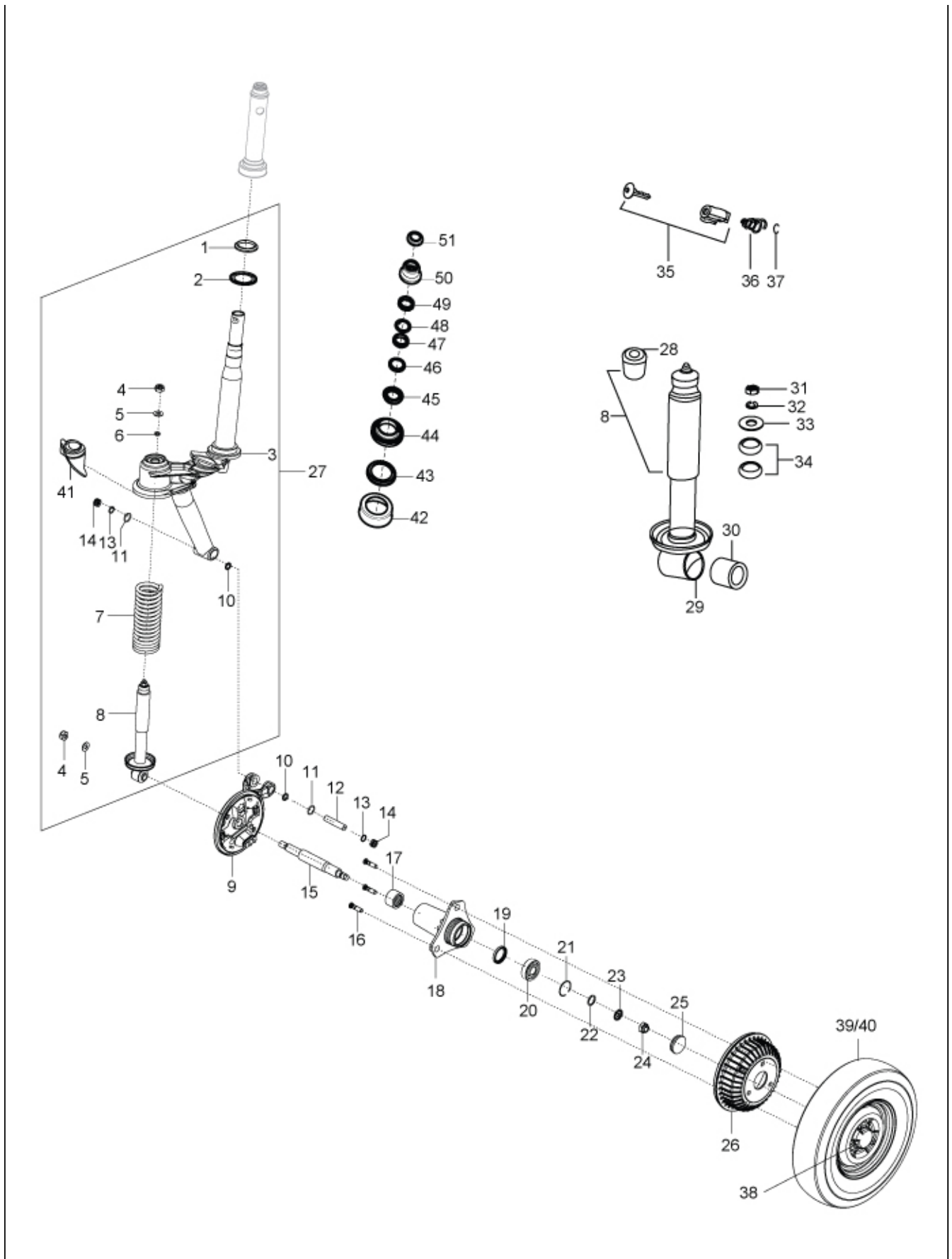
Fig. No.	Part No.	Description	Qty	Remarks
1	B073366R	HANDLE BAR SWITCH ASSLY-NEW	1	
2	567498R	BRAKE/REVERSE LIGHT SW (INTEGRAL CAP)-PAV	1	
3	3054	PLAIN WASHER	2	
4	B074568	SCREW TERMINAL	2	
5	642032	PUSH BUTTON-CLUTCH	1	
6	640762	PUSH BUTTON REVERSE	1	
7	5969	CIRCLIP DIA 9 E TYPE	1	
8	B076448	BUSH REVERSE SWITCH MTG.	1	
9	B073478R	SWITCH 3 POSITION	1	
10	B073479R	WIPER MOTOR SWITCH/ SWITCH WIPER MOTOR	1	
11	B073481R	HAZARD WARNING SWITCH WITH CROWN CAP (12V)(VE)	1	
12	B073715	CABIN LAMP	1	
13	15727	PAN SELF TAPPING SCREW	2	

Print Date: 05-Oct-2022

PLATE-19

STEERING COLUMN & FRONT SUSPENSION





Print Date: 05-Oct-2022

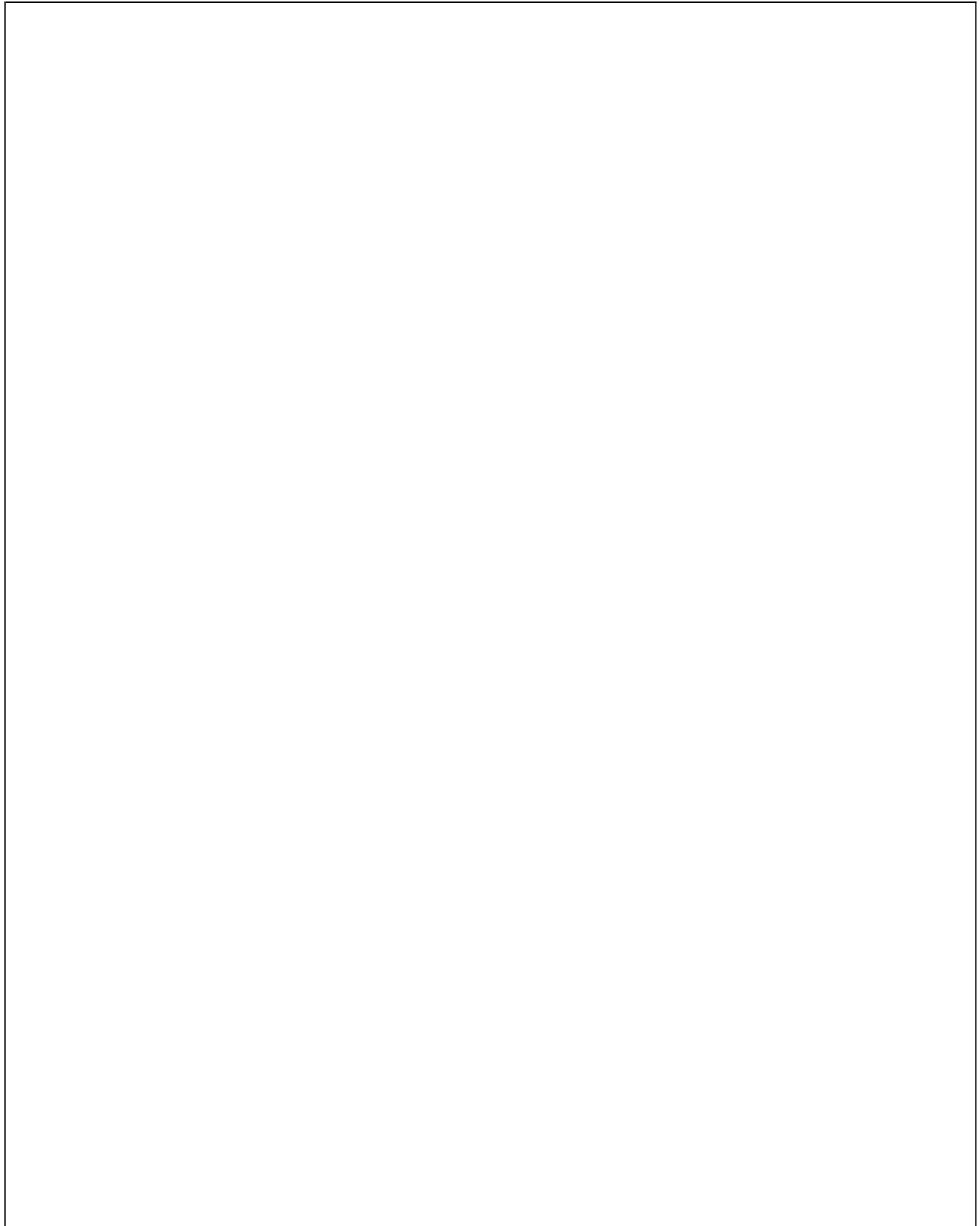
PLATE-19**STEERING COLUMN & FRONT SUSPENSION**

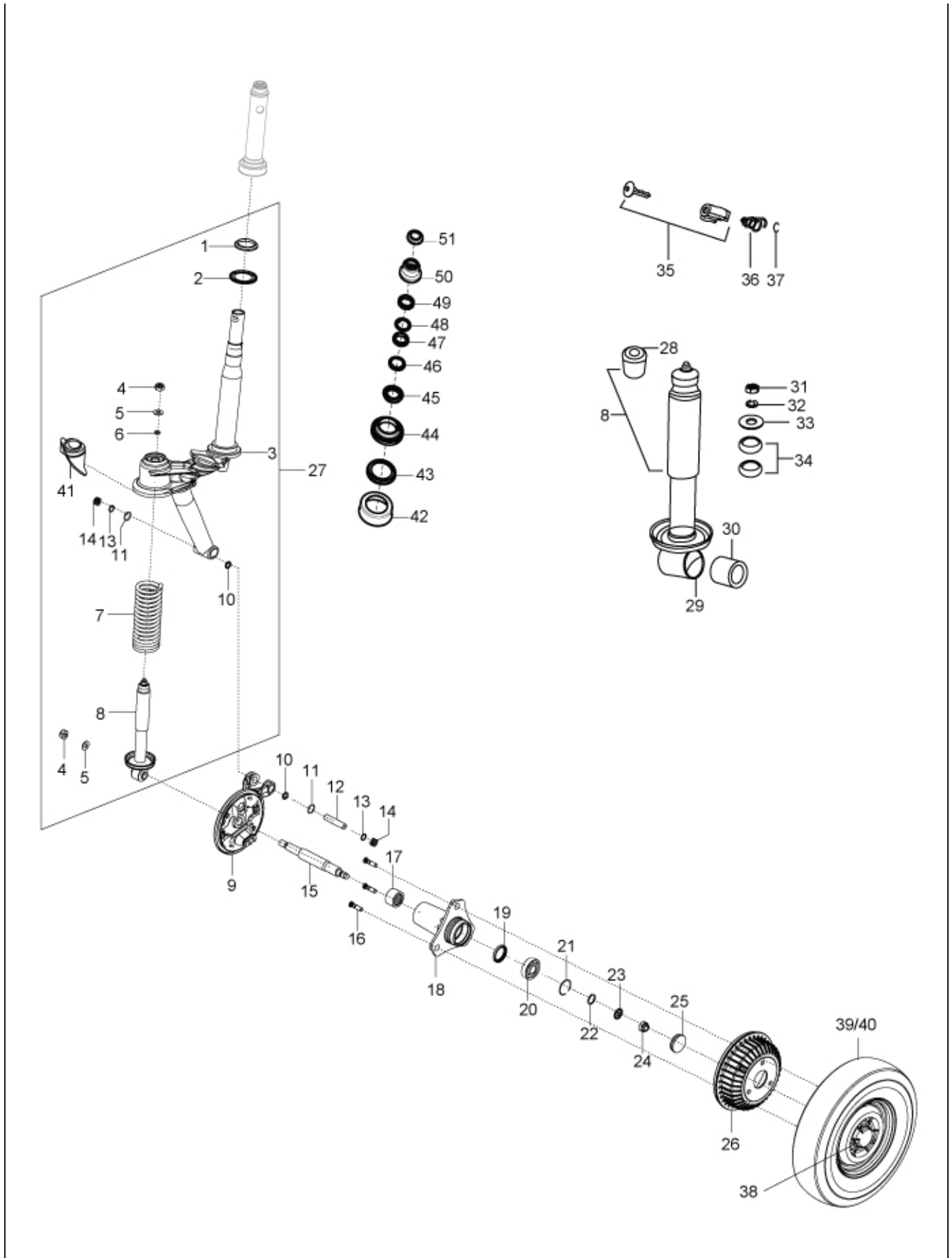
Fig. No.	Part No.	Description	Qty	Remarks
1	567993	BEARING RACE LOWER BOTTOM	1	
2	109066	WASHER WITH PROTECTION FOR BEARING	1	
3	B076859	STEERING COLUMN WITH I.P. (501 STD)	1	Bare COLUMN
3	6C000475SP	STEERING COLUMN WITH BKT WITH CARRIER _SPD	1	STEERING COLUMN WITH BKT Wheel CARRIER
4	568095	NYLOCK NUT	2	
5	87067	PLAIN WASHER 30.5X14.3X2	2	
6	16410	SPRING WASHER	1	
7	616931	FRONT SUSPENSION SPRING	1	
8	632719	SHOCK ABSORBER , FR TYPE	1	
9	6C000275	BRACKET WHEEL CARRIER WITH PI	1	
10	8771	OIL SEAL (18-24-4)	2	
11	6733	O RING	2	
12	137235	STEERING PIN	1	
13	150579	RING FOR HOLDING TYPE J F101 17A	2	
14	107718	ROLLER BUSH	2	
15	643772R	FRONT WHEEL AXLE	1	
16	652520	BOLT FOR AXLE M12 X 40 (VE WHEEL RIM)	3	
17	125289	NEEDLE BEARING, CRANKASE, FRONT WHEEL	1	
18	652521	FR. WHEEL HUB ASSY.	1	
19	136434	OIL SEAL	1	
20	30209R	BALL BEARING FRONT WHEEL HUB	1	
21	107870	ELASTIC RING	1	
22	567473	CIRCLIP DIA. 42 INT. (841004203)	1	
23	180431	COIN WASHER	1	
24	74521	NUT M14 X 1.5	1	
25	107871	CAP	1	
26	152580	BRAKE DRUM APE - 501	1	
27	6C000473SP	FRONT SUSPENSION ASSEMBLY XTRA LD STD	1	Consist. Of Sus.assy,Brake Assy.& Brake drum
28	75708	SILENT BLOCK	1	
29	107732	BUSH FOR SILENT BLOCK	1	
30	566545	RUBBER BUSH (FRT SHOCK ABSORBER) - MODIFIED	1	
31	20110	HEX NUT M10	1	
32	16410	SPRING WASHER	1	
33	6066	PL WASHER 10.5X38X9	1	
34	74414	RUBBER BUSH/BUFFER FOR COUPLING SHOCK ABSORBE	1	

Print Date: 05-Oct-2022

PLATE-19

STEERING COLUMN & FRONT SUSPENSION





Print Date: 05-Oct-2022

PLATE-19
STEERING COLUMN & FRONT SUSPENSION

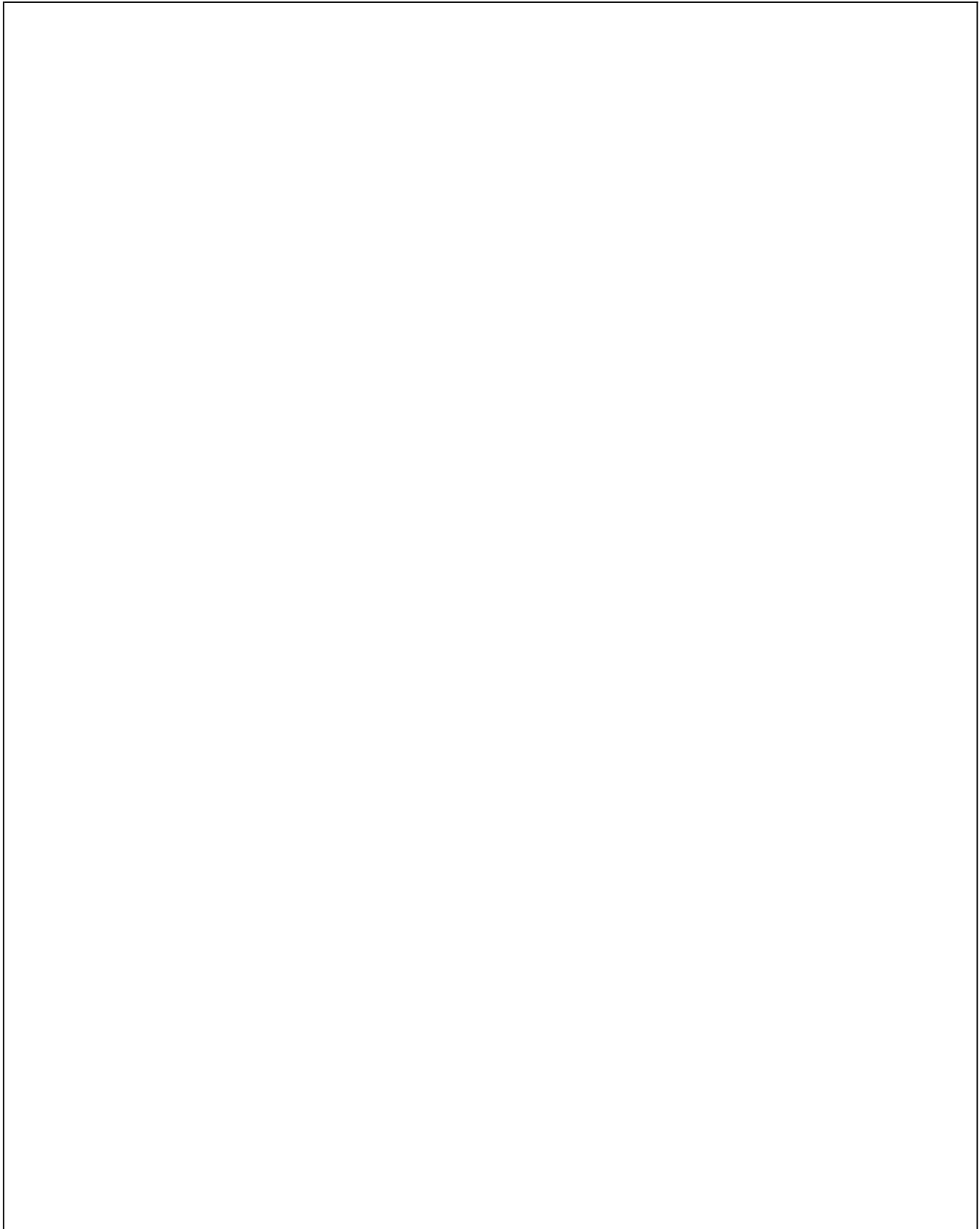
Fig. No.	Part No.	Description	Qty	Remarks
35	B001561	STG LOCK ASSLY WITH KEY	1	
36	569150	SPRING; STEERING LOCK (MODIFIED)	1	
37	661231	CIRCLIP STEERING LOCK DIA 16 (INT)	1	(Qty. front & Rear)
38	644973R	WHEEL RIM ASSY.	3	(Qty. front & Rear)
39	587971	TYRE 4.50 X 10 8 PR	3	(Qty. front & Rear)
40	151924	INNER TUBE TYRE 4.5 X 10 INCH	3	
41	109265	SPLASH GUARD DUST COVER	1	
42	109064	DUST COVER	1	
43	6C000191	LOWER BALL CAGE (VE)	1	
44	567992	BEARING RACE LOWER TOP	1	
45	567990	BEARING RACE UPPER BOTTOM	1	
46	6C000190	UPPER BALL CAGE (VE)	1	
47	567991	BEARING RACE UPPER TOP	1	
48	108873	STOP WASHER FOR HOLDING	1	
49	108874	SECURING RING NUT	1	
50	604758	PROTECTION	1	
51	604759	RUBBER CAP STEERING COLUMN (N.I.)	1	NI
52	KIT96033R	MODIFIED BALL KIT FOR 3WH (WHITE)	1	NI
53	KIT95021R	STEERING CONE SET (UPPER)	1	NI
54	KIT95022R	STEERING CONE SET (LOWER)	1	NI
55	KIT96016R	KIT OF STEERING CONE & BALL KIT	1	NI
56	KIT940003R	STEERING PIN KIT WITH O RING	1	

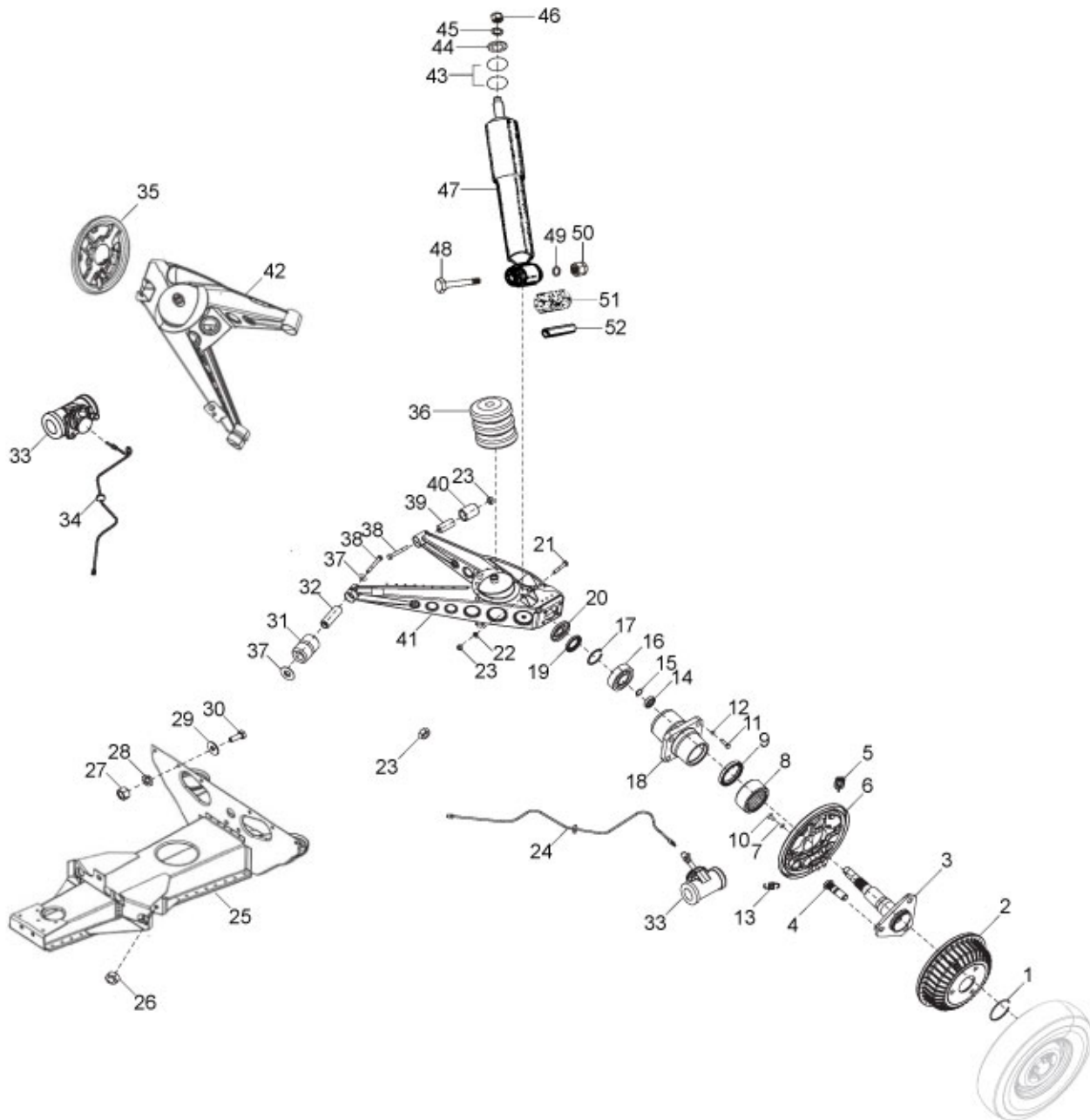
50

Print Date: 05-Oct-2022

PLATE-20

REAR SUSPENSION - SHOCK ABSORBER/S & ENGINE SUPPORT





Print Date: 05-Oct-2022

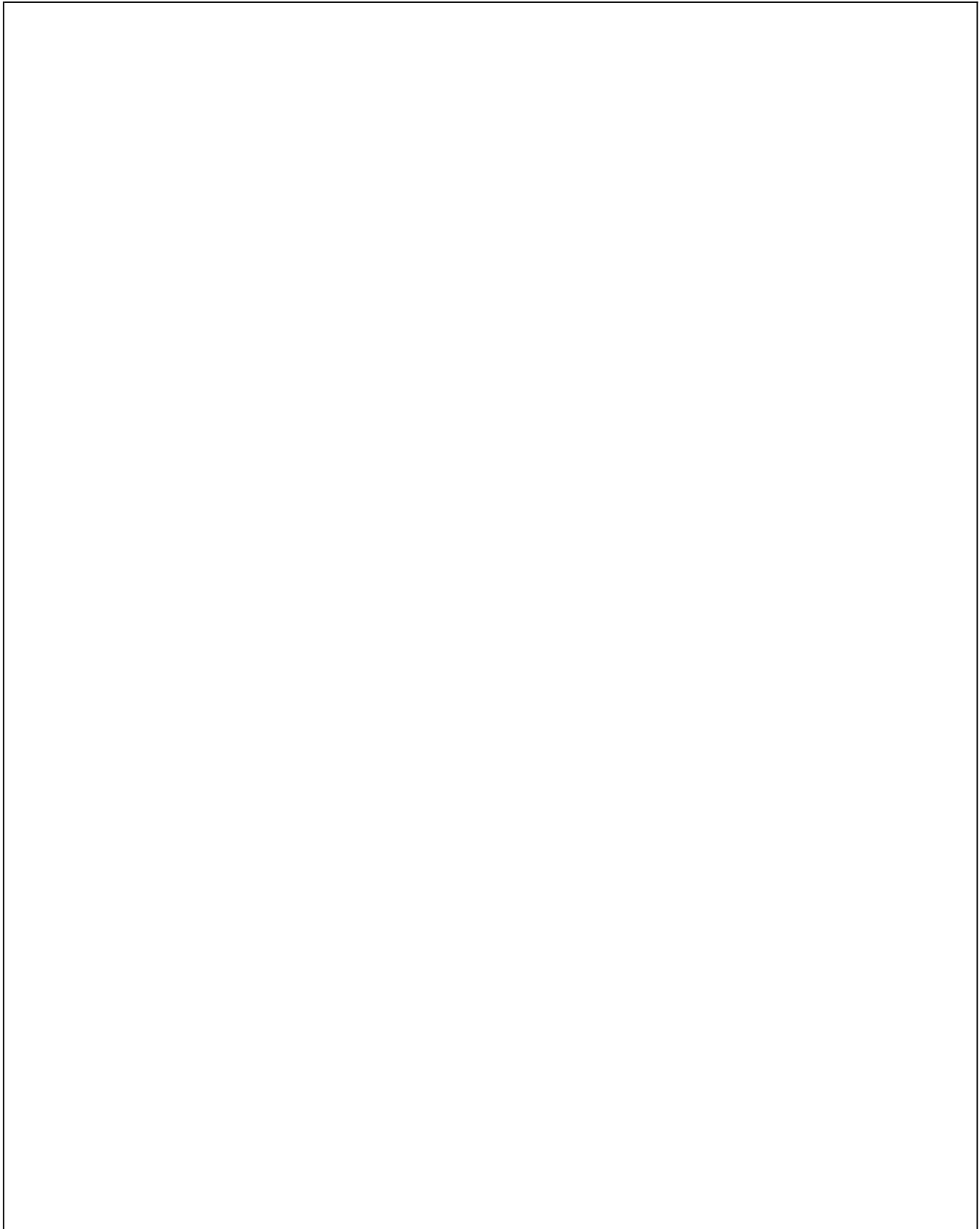
PLATE-20**REAR SUSPENSION - SHOCK ABSORBER/S & ENGINE SUPPORT**

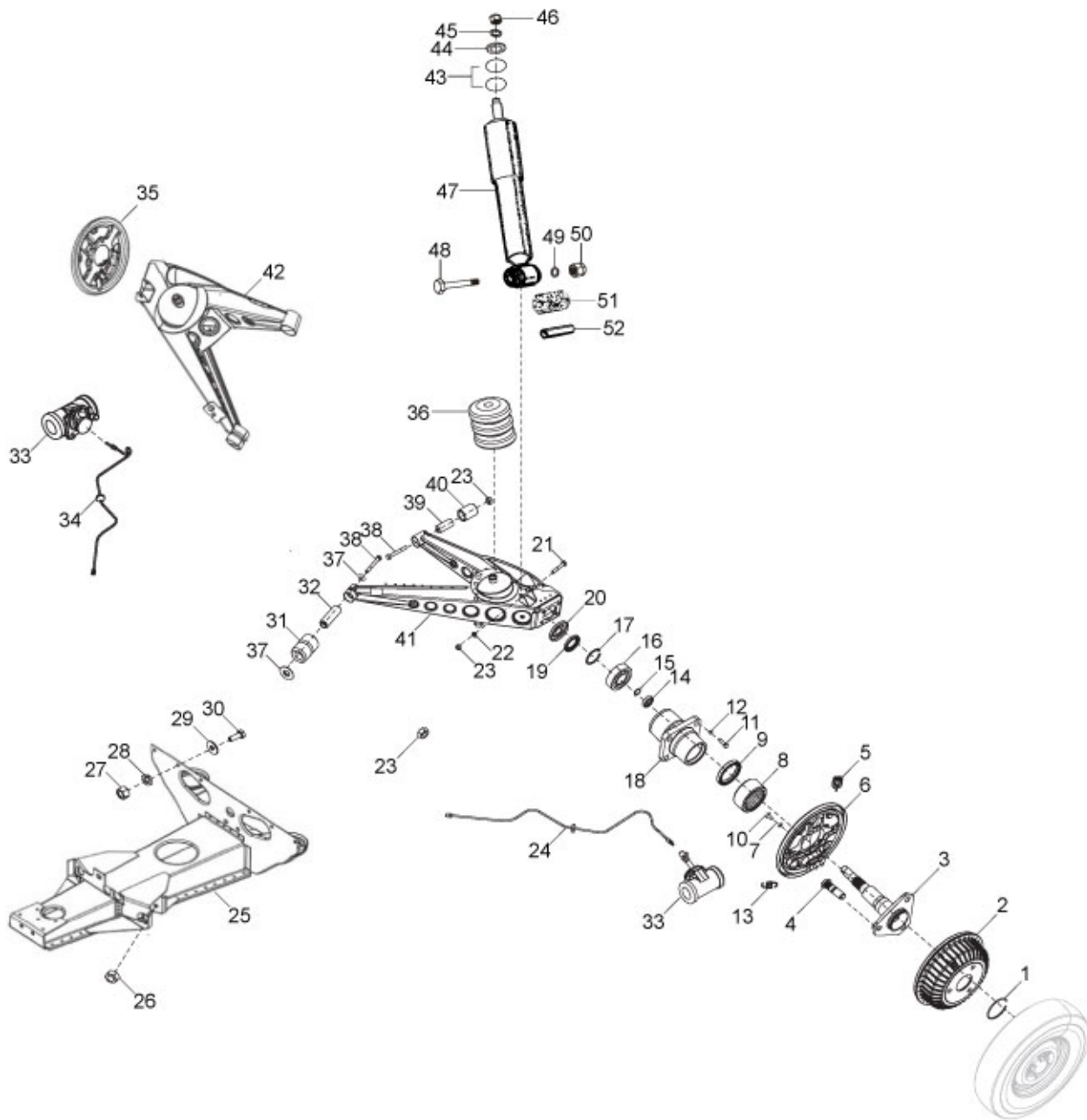
Fig. No.	Part No.	Description	Qty	Remarks
1	107870	ELASTIC RING	2	
2	152580	BRAKE DRUM APE - 501	2	
3	6C000576	WHEEL AXLE	2	
4	652520	BOLT FOR AXLE M12 X 40 (VE WHEEL RIM)	6	
5	602497	JAWS STOP SPRINGS	2	
6	6C000279	JAW-SUPPORT DISK FOR RIGHT WHEEL WITH AS	1	
7	12536	SPRING WASHER	4	
8	661282	NEEDLE ROLLER BEARING	2	
9	20359	SEAL RING	1	
10	63440	BOLT M6X12	4	
11	31159	HEX HD SCREW M10 X 35 CC 8.8	4	
12	16410	SPRING WASHER	4	
13	116088	SPRING SUPPORTING JAWS	2	
14	661267	RING	2	
15	137026	SPRING RING	2	
16	243303R	DEEP GROVE BALL BRG-RR WH AXLE	1	
17	6650	CIRCLIP DIA 50 (INT)	2	
18	6C000662	REAR WHEEL HUB	2	
19	196302	OIL SEAL	2	
20	109892	PROTECTION CUP RR HUB	2	
21	267068	HEX HEAD BOLT M10 X 60 CC 10.9	4	
22	286328	PLAIN WASHER 20X10.2X2	4	
23	231370	SELF BREAKING NUT M10	12	
24	644813	BRAKE PUMP TUBE OF LEFT REAR WHEEL	1	
25	6C000583	FRAME ASSY. SUSPENSION & ENGINE SUPPORT	1	
26	231370	SELF BREAKING NUT M10	2	
27	15335	HEX HD NUT M8	6	
28	16408	SPRING WASHER M8	6	
29	116831	PLAIN METALLIC WASHER (826000828)	6	
30	31119	HEX HD SCREW M8 X 25	6	
31	226596	BUSH FRONT RING FOR ELASTIC SUPPORT	2	
32	267065	SPACER FRONT	2	
33	632148	WHEEL CYLINDER ASSY. FRONT DIA. (25.4 MM)	2	
34	644812	BRAKE PUMP TUBE OF RIGHT REAR WHEEL	1	
35	6C000279	JAW-SUPPORT DISK FOR RIGHT WHEEL WITH AS	1	

Print Date: 05-Oct-2022

PLATE-20

REAR SUSPENSION - SHOCK ABSORBER/S & ENGINE SUPPORT





Print Date: 05-Oct-2022

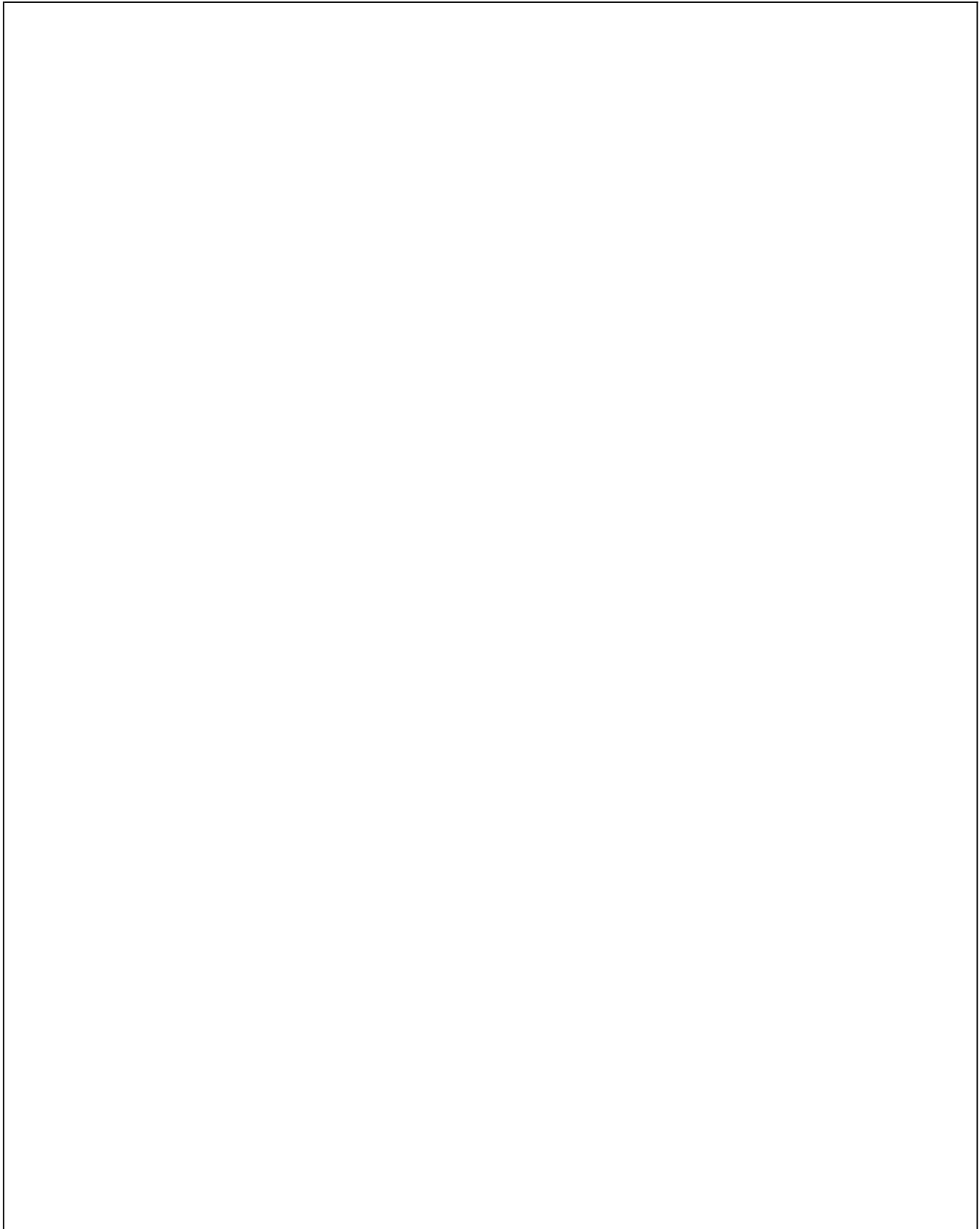
PLATE-20**REAR SUSPENSION - SHOCK ABSORBER/S & ENGINE SUPPORT**

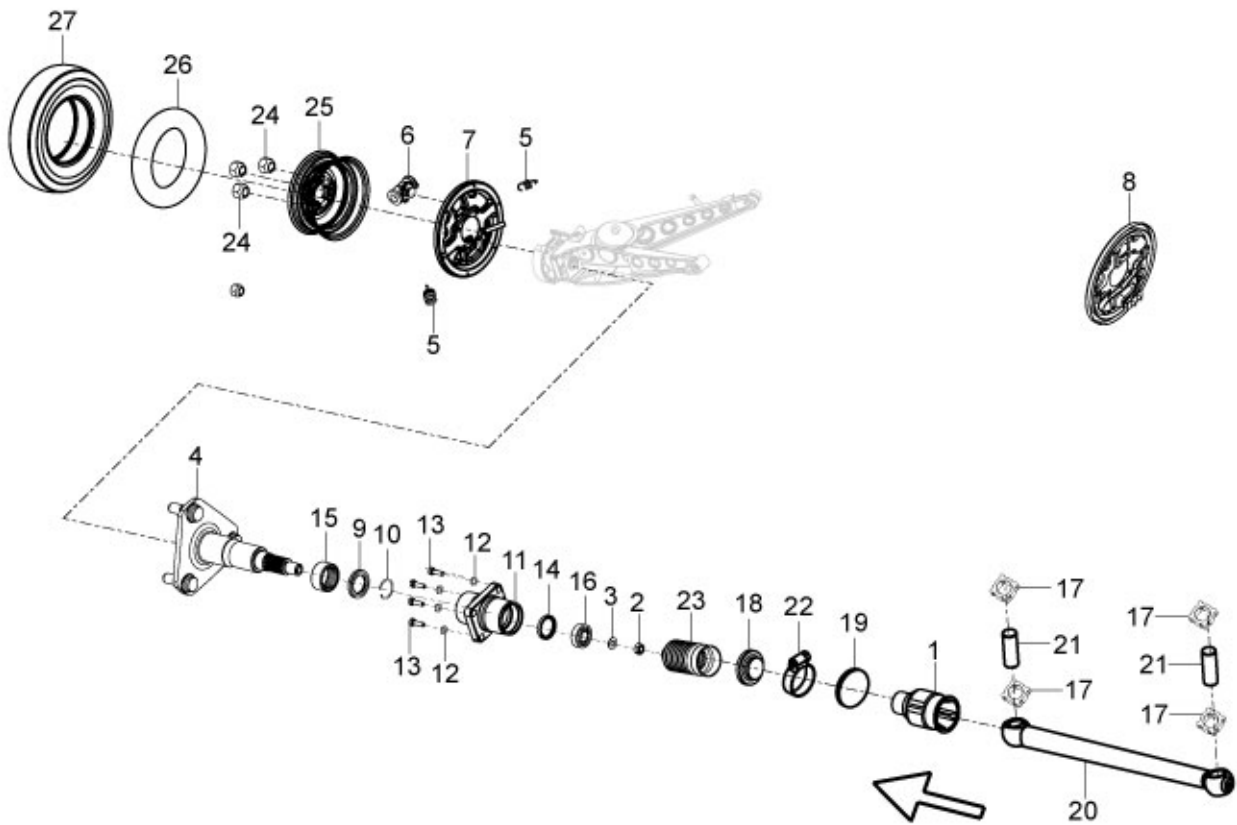
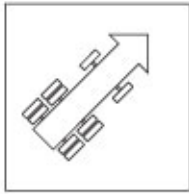
Fig. No.	Part No.	Description	Qty	Remarks
36	568289	RUBBER SHOCK ABSORBER	2	
37	661266	SHOULDER WASHER	4	
38	643741	HEX HDD BOLT M10 X 80 CL 12.9	4	
39	226662	RING FOR ELASTIC SUPPORT	2	
40	226661	INTERNAL BUSH	2	
41	6C000373	ARM SUB-ASSLY LH REAR	1	
42	6C000372	ARM SUB-ASSLY RH REAR	1	
43	74414	RUBBER BUSH/BUFFER FOR COUPLING SHOCK ABSORBE	4	
44	6066	PL WASHER 10.5X38X9	2	
45	16410	SPRING WASHER	2	
46	20110	HEX NUT M10	2	
47	136451R	SHOCK ABSORBER REAR	2	
48	267068	HEX HEAD BOLT M10 X 60 CC 10.9	2	
49	286328	PLAIN WASHER 20X10.2X2	2	
50	231370	SELF BREAKING NUT M10	2	
51	157103	BUSH - SHOCK ABSORBER	2	
52	107827	SPACER	1	

Print Date: 05-Oct-2022

PLATE-21

MUF CUP & DRIVE SHAFT & BELLOW





Print Date: 05-Oct-2022

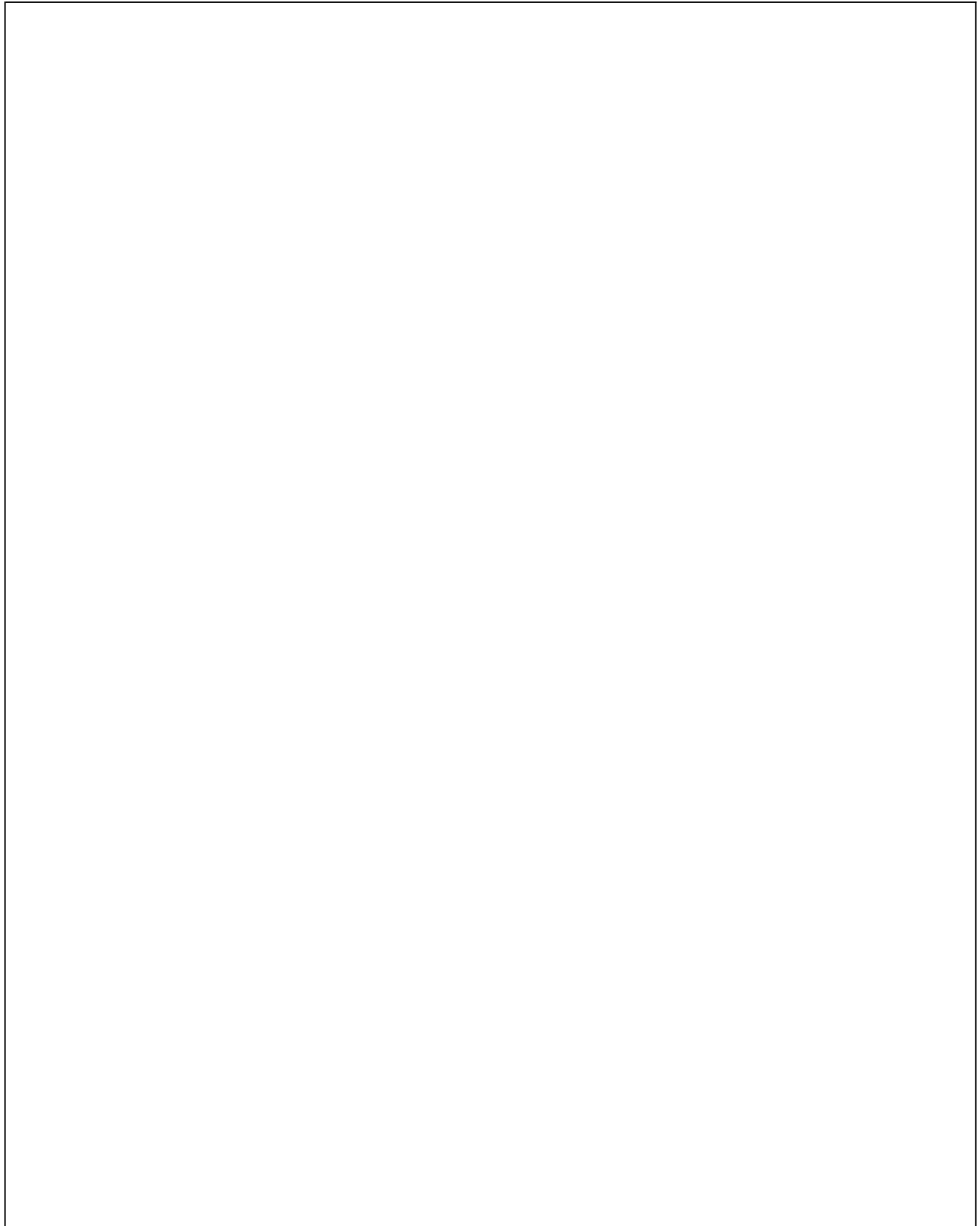
PLATE-21**MUF CUP & DRIVE SHAFT & BELLOW**

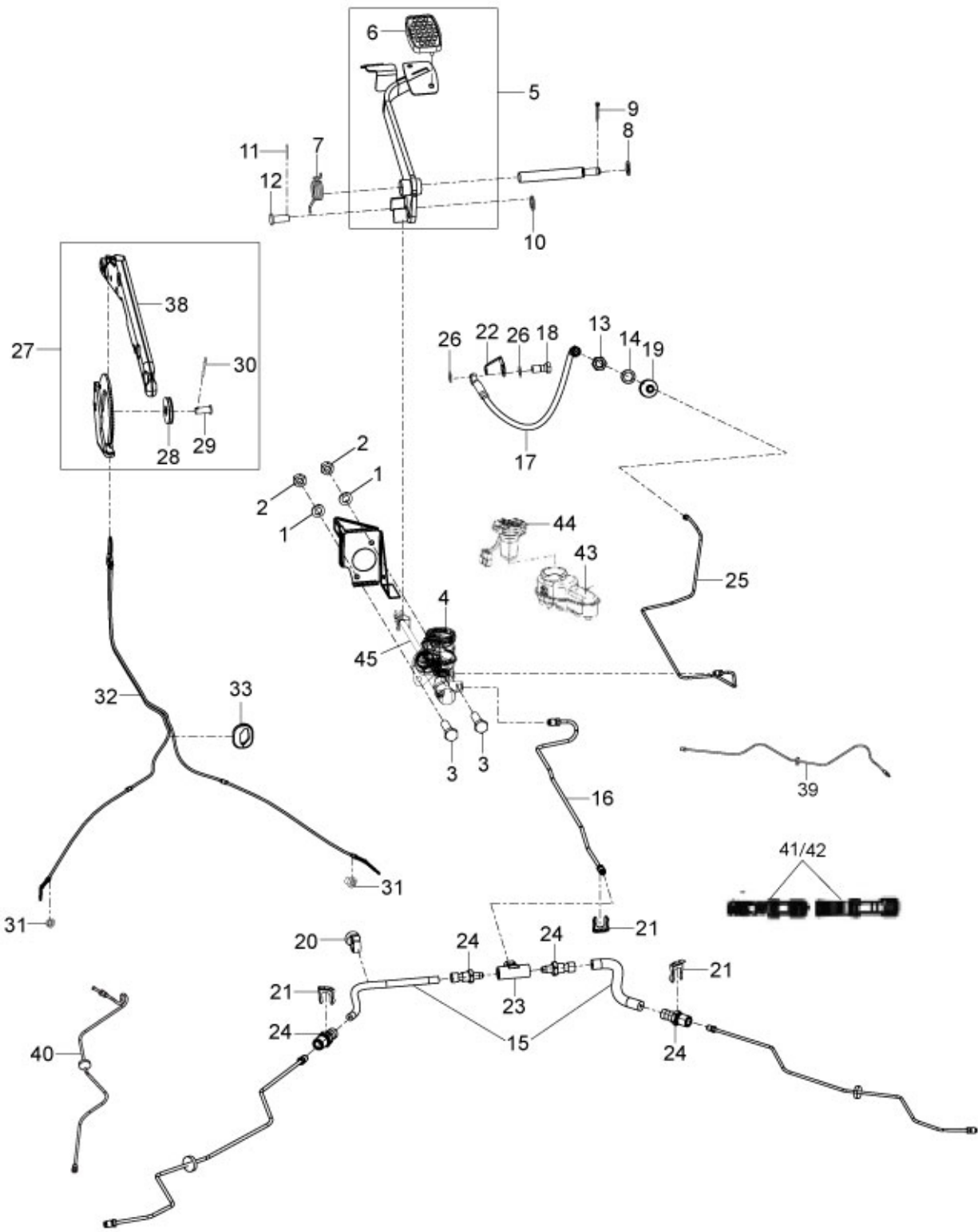
Fig. No.	Part No.	Description	Qty	Remarks
1	6C000580	MUFF CUP	2	Qty. for LH & RH
2	6C000555	STEEL INSERT NUT (M14X1.5)	2	Qty. for LH & RH
3	87067	PLAIN WASHER 30.5X14.3X2	2	Qty. for LH & RH
4	6C000576	WHEEL AXLE	2	Qty. for LH & RH
5	602497	JAWS STOP SPRINGS	4	Qty. for LH & RH
6	587616	BRAKE CYLINDER FR ASSLY (DIA. 22.225)	2	Qty. for LH & RH
7	6C000277	JAWS-SUPPORTING DISK FOR LEFT WHEEL WITH	1	Qty. for LH
8	6C000279	JAW-SUPPORT DISK FOR RIGHT WHEEL WITH AS	1	Qty. for L&R
9	20359	SEAL RING	2	Qty. for LH & RH
10	6650	CIRCLIP DIA 50 (INT)	2	Qty. for LH & RH
11	6C000662	REAR WHEEL HUB	2	Qty. for LH & RH
12	16410	SPRING WASHER	8	Qty. for LH & RH
13	31159	HEX HD SCREW M10 X 35 CC 8.8	8	Qty. for LH & RH
14	196302	OIL SEAL	2	Qty. for LH & RH
15	661282	NEEDLE ROLLER BEARING	2	Qty. for LH & RH
16	243303R	DEEP GROVE BALL BRG-RR WH AXLE	2	Qty. for LH & RH
17	6C000319	SLIDING BLOCK	8	Qty. for LH & RH
18	6C000525	RUBBER WASHER	2	Qty. for LH & RH
19	6C000632	RUBBER WASHER	2	Qty. for LH & RH
20	6C000578	PROPELLER SHAFT S/A	1	Qty. for LH & RH
21	113099	PIVOT	2	Qty. for LH & RH
22	612459	WORM TYPE HOSE CLIP SIZE 16	2	Qty. for LH & RH
23	6C000255	BELLOW	2	Qty. for LH & RH
24	660931	WHEEL NUT (M12 X 1.5)	9	Qty. for LH & RH
25	644973R	WHEEL RIM ASSY.	1	Qty. for LH & RH
26	151924	INNER TUBE TYRE 4.5 X 10 INCH	1	Qty. for LH & RH
27	6C000664R	TYRE	1	Qty. for LH & RH
27	6C000655R	LOW RRC TYRE 4.5X10INCH EV-CARGO	1	Complete Assly

Print Date: 05-Oct-2022

PLATE-22

BRAKE - TANDEM MASTER CYLINDER, BRAKE PIPE AND HAND BRAKES





Print Date: 05-Oct-2022

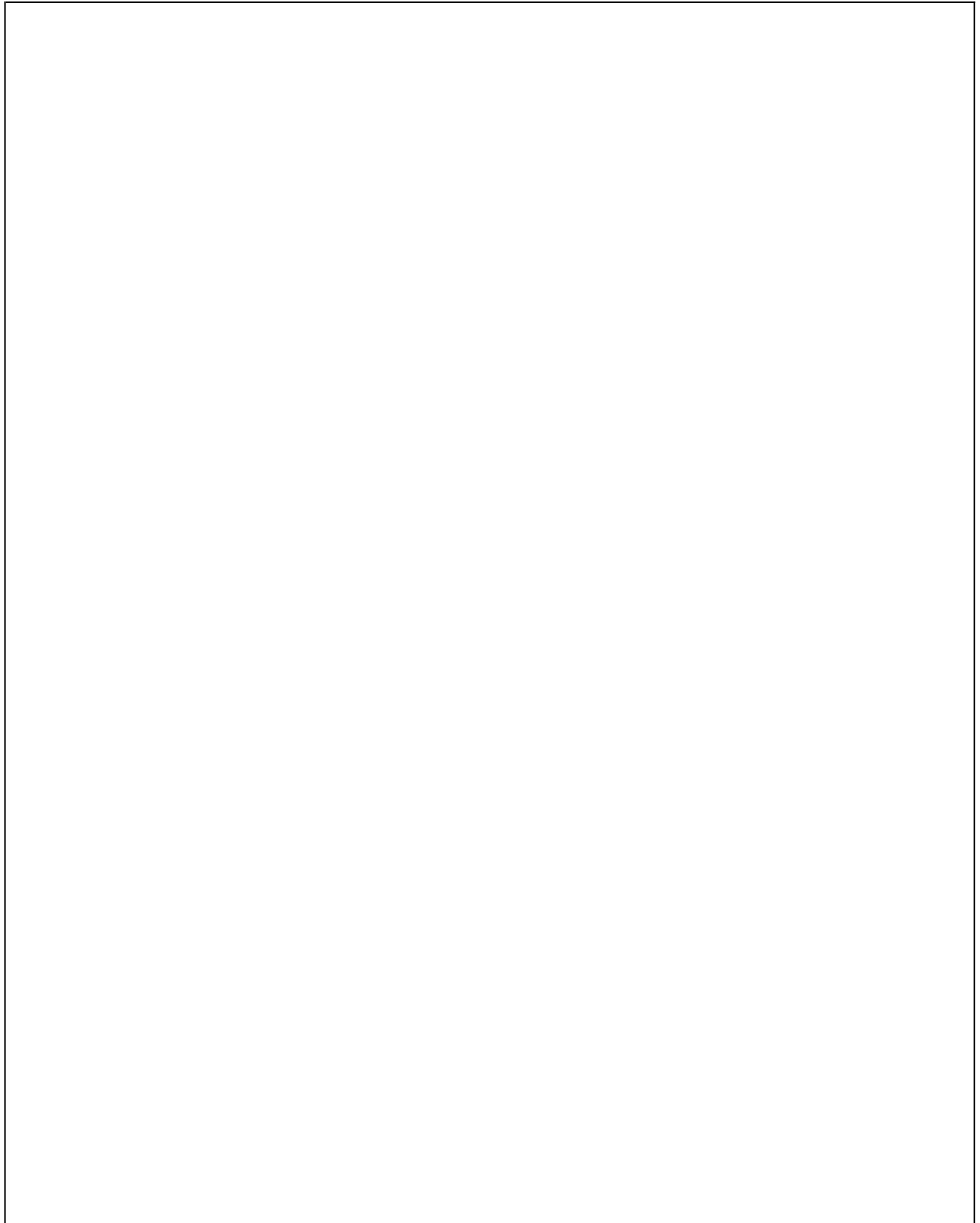
PLATE-22**BRAKE - TANDEM MASTER CYLINDER, BRAKE PIPE AND HAND BRAKES**

Fig. No.	Part No.	Description	Qty	Remarks
1	16408	SPRING WASHER M8	2	
2	20108	HEX NUT M8	2	
3	31122	HEX HD. SCREW M8X30 CL 8.8	1	
4	6C000443R	TMC ASSLY WITH INTEGRATED RESERVOIR	1	
4.1	6C000468	RESERVOIR KIT TMC	1	NI
4.2	6C000469	RESERVOIR CAP	1	NI
5	6C000586	BRAKE PEDAL ASSEMBLY	1	old- Brake port vertical position
5	6C000803	BRAKE PEDAL ASSEMBLY	1	Appl.VINCutOff no.MBX0007ZB1B161646/EXP
5.1	6D001183	PIGTAIL, BRAKE POT SWITCH	1	Appl. From VIN Cut Off no. MBX0007ZB1B161646
6	567461	RUBBER PROTECTION FOR PEDAL	1	
7	587928	FOOT BRAKE PEDAL SPRING	1	
8	229524	WASHER 21X14.3X2	1	
9	568737	SPLIT PIN 4 X 25 (821 0425 2 2)	1	
10	3058	PLAIN WASHER 15X8.4X1.5	1	
11	567920	SPLIT PIN	1	
12	652001	PIN	1	
13	21216	HEX NUT M16 X 1.5	1	
14	48197	PL WASHER 24X16X1.5	3	
15	B023786R	FLEXIBLE PIPE FOR REAR WHEEL BRAKE	1	
16	6C000573	TUBE ASSY,TMC SECONDARY TO T-CONNECTOR	1	
17	587624R	FLEXIBLE PIPING FOR FRONT WHEEL BRAKE R	1	
18	587829	BENJO BOLT	1	
19	138237	CAP	1	
20	B076007	PIPE CLIP 1 WAY	1	
21	136916	PLATE FOR RETAINING THE BRAKE FLEX. PIPE	3	
22	B003228	LOCK PLATE FRONT BRAKE HOSE	1	
23	643692	THREE WAY UNION	1	
24	644814R	FLEXIBLE BRAKE HOSE	1	
25	6C000431	BUNDY TUBE ASSY,TMC TO FRONT FLEX. HOSE	1	
26	127927R	PACKING	2	
27	587632	HAND BRAKE CONTROL ASSY.	1	Not serviceable??order child parts
28	567898	PULLEY FOR HAND BRAKE	1	
29	567899	CLEVIS PIN	1	
30	567920	SPLIT PIN	1	
31	604502	CUP RETAINING SPRING (41733)	2	

Print Date: 05-Oct-2022

PLATE-22

BRAKE - TANDEM MASTER CYLINDER, BRAKE PIPE AND HAND BRAKES



Print Date: 05-Oct-2022

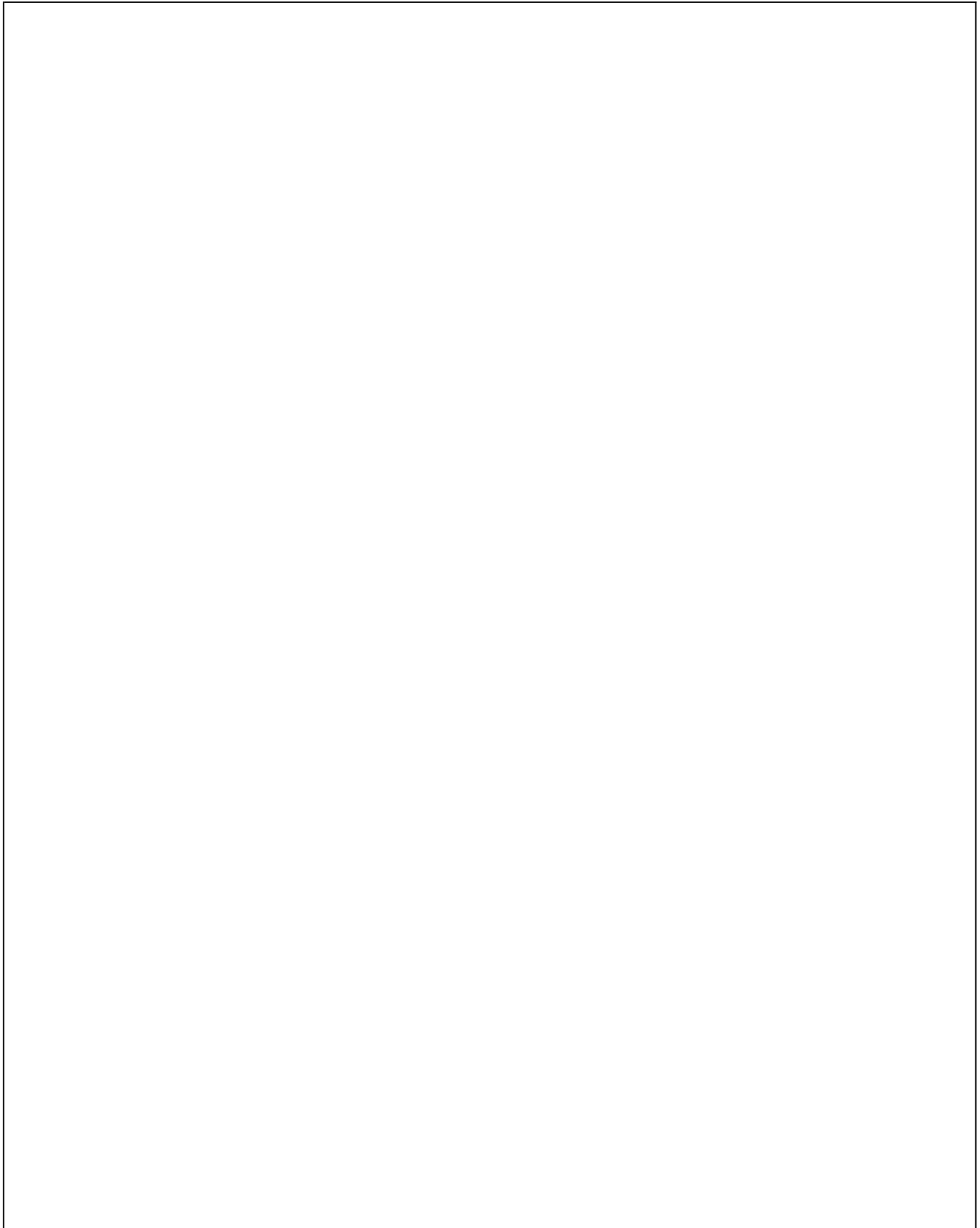
PLATE-22**BRAKE - TANDEM MASTER CYLINDER, BRAKE PIPE AND HAND BRAKES**

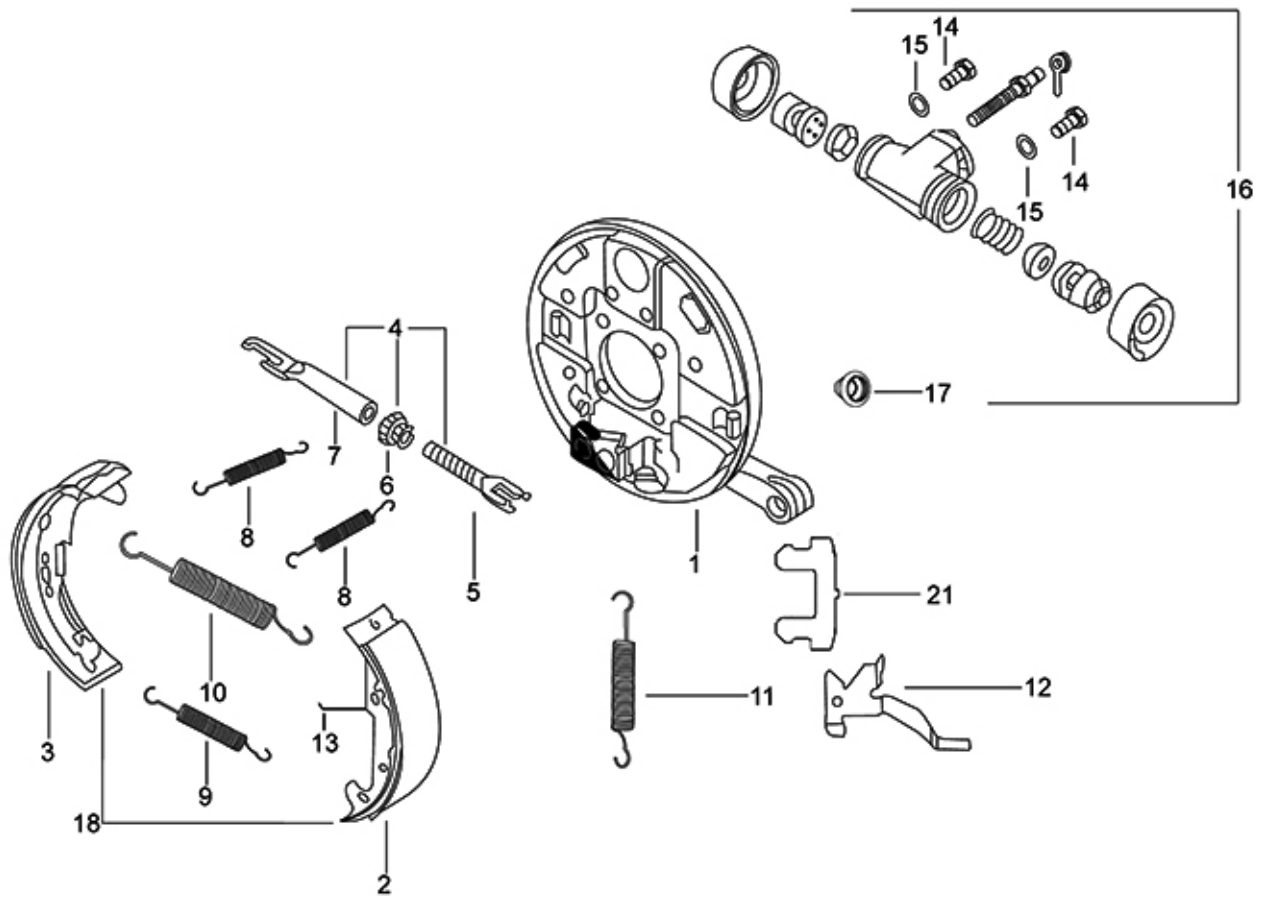
Fig. No.	Part No.	Description	Qty	Remarks
32	660341	PARKING BRAKE TRANS. SUB. ASSY.	1	
33	B077480	GROMMET RR PART OF CENTRAL BEAM ASSLY	1	
38	B075697	HAND BRAKE CONTROL ASSLY	1	
39	644813	BRAKE PUMP TUBE OF LEFT REAR WHEEL	1	
40	644812	BRAKE PUMP TUBE OF RIGHT REAR WHEEL	1	
41	B077155	MAJOR KIT TMC	1	
42	B077156	MINOR KIT TMC	1	
43	6C000468	RESERVOIR KIT TMC	1	
44	6C000469	RESERVOIR CAP	1	
45	587702	PUSH ROD	1	

Print Date: 05-Oct-2022

PLATE-23

FRONT BRAKE ASSEMBLY SELF ADJUSTING (DIA 180 X 40 MM)





Print Date: 05-Oct-2022

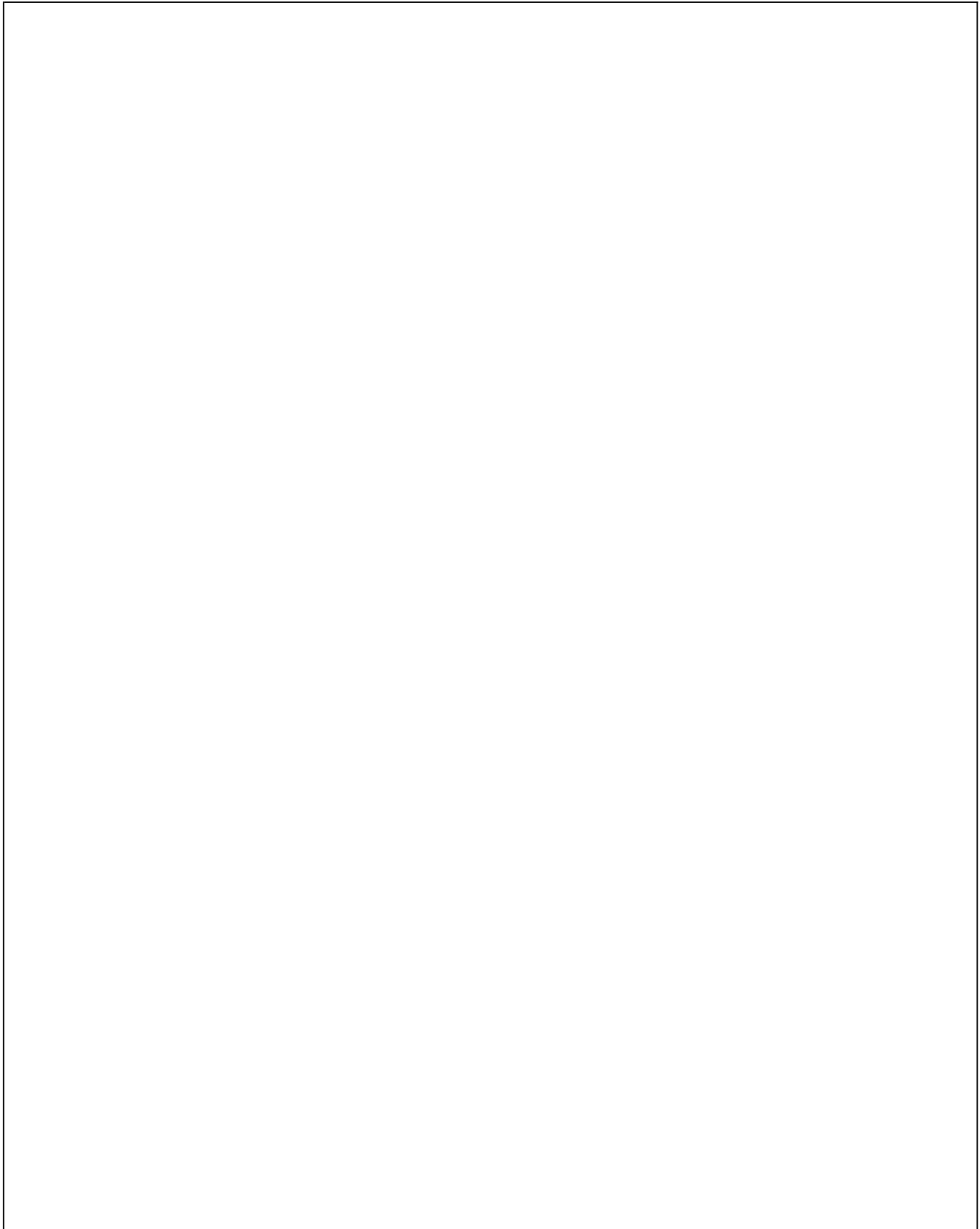
PLATE-23**FRONT BRAKE ASSEMBLY SELF ADJUSTING (DIA 180 X 40 MM)**

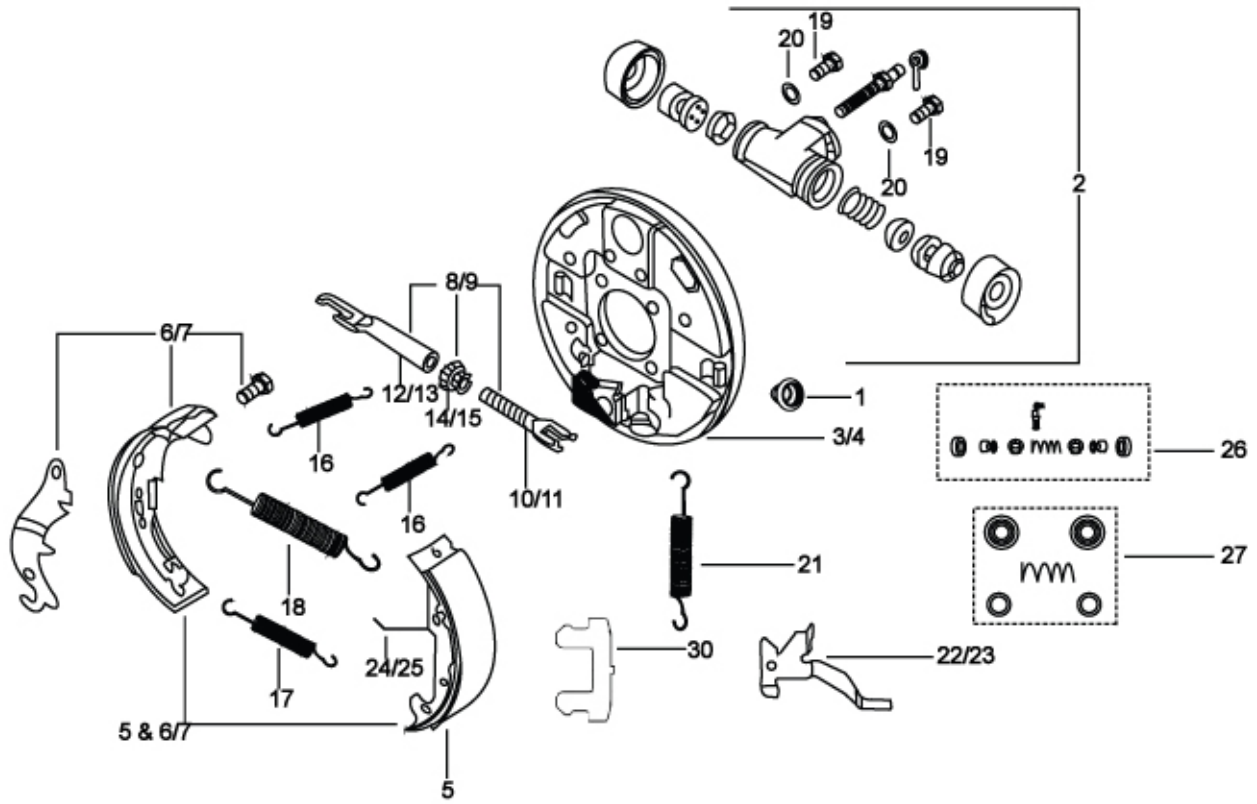
Fig. No.	Part No.	Description	Qty	Remarks
1	6C000275	BRACKET WHEEL CARRIER WITH PI	1	
2	B003784	LEADING SHOE COMP WITH PIN LH ANL 1643	1	
3	940004	FRONT BRAKE SHOE KIT COMPRISING OF 2 & 3	1	
4	179056	FORK ASSY LH	1	
5	178804	FORK FOR LH WHEEL	1	
6	178805	LH - GEAR	1	
7	178806	LH STRUT	1	
8	602497	JAWS STOP SPRINGS	2	
9	116088	SPRING SUPPORTING JAWS	1	
10	245038	SHOE RETURN SPRING	1	
11	178808	SPRING LEVER RETURN	1	
12	178807	LEVER LH	1	
13	178823	JUMPER LH	1	
13	178824	JUMPER	1	
14	63440	BOLT M6X12	2	
15	12536	SPRING WASHER	2	
16	587616	BRAKE CYLINDER FR ASSLY (DIA. 22.225)	1	
17	925501	CAP (KBX P 6450225)	1	
18	940004	FRONT BRAKE SHOE KIT COMPRISING OF 2 & 3	1	
19	925521	MINOR KIT WHEEL CYL. FRT (KBX 1007)	1	
20	6C000448	FRONT BRAKE ASSLY NON ASBESTOS BRAKE	1	NI -Under Development
21	6C000427	GROMMET FOR BRAKE INSPECTION HOLE	1	Under Development

Print Date: 05-Oct-2022

PLATE-24

REAR BRAKE ASSEMBLY SELF ADJUSTING (DIA 180 X 40 MM)





Print Date: 05-Oct-2022

PLATE-24**REAR BRAKE ASSEMBLY SELF ADJUSTING (DIA 180 X 40 MM)**

Fig. No.	Part No.	Description	Qty	Remarks
1	925501	CAP (KBX P 6450225)	1	
2	632148	WHEEL CYLINDER ASSY. FRONT DIA. (25.4 MM)	1	
3	6C000277	JAWS-SUPPORTING DISK FOR LEFT WHEEL WITH	1	
4	6C000279	JAW-SUPPORT DISK FOR RIGHT WHEEL WITH AS	1	
5	B003784	LEADING SHOE COMP WITH PIN LH ANL 1643	1	
6	940005	REAR BRAKE SHOE SET L/H COMPRISING OF 5 & 7	1	
7	940006	REAR BRAKE SHOE SET R/H. COMPRISING OF 5 & 8	1	
8	179056	FORK ASSY LH	1	
9	179057	FORK ASSY. RH	1	
10	178804	FORK FOR LH WHEEL	1	
11	178818	RH FORK	1	
12	178806	LH STRUT	1	
13	178820	RH STRUT	1	
14	178805	LH - GEAR	1	
15	178819	RH GEAR	1	
16	602497	JAWS STOP SPRINGS	2	
17	116088	SPRING SUPPORTING JAWS	1	
18	245038	SHOE RETURN SPRING	1	
19	63440	BOLT M6X12	2	
20	12536	SPRING WASHER	2	
21	178808	SPRING LEVER RETURN	1	
22	178807	LEVER LH	1	
23	178821	LEVER RH	1	
24	178823	JUMPER LH	1	
25	178824	JUMPER	1	
26	925573	MAJOR KIT	1	
27	925574	MINOR KIT WHL CYL. RR	1	
28	940005	REAR BRAKE SHOE SET L/H COMPRISING OF 5 & 7	1	
29	940006	REAR BRAKE SHOE SET R/H. COMPRISING OF 5 & 8	1	
30	6C000427	GROMMET FOR BRAKE INSPECTION HOLE	1	Under Development

Print Date: 05-Oct-2022

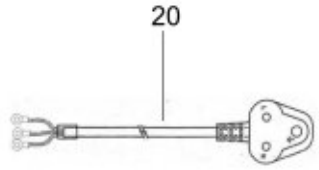
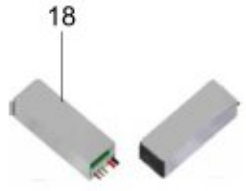
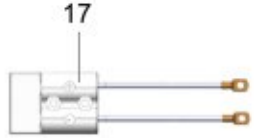
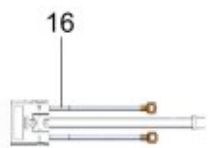
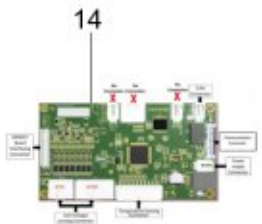
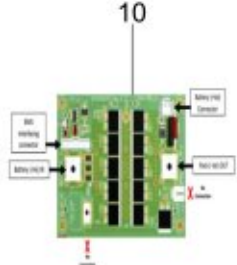
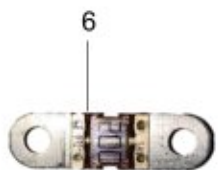
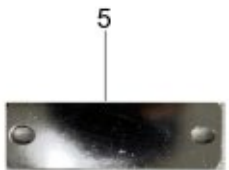
PLATE-25

Child Parts of Fixed Battery & Charger

--



Lorem ipsum



Print Date: 05-Oct-2022

PLATE-25**Child Parts of Fixed Battery & Charger**

Fig. No.	Part No.	Description	Qty	Remarks
1	6D001599	CONN-SBS75X-HOUSING-80V-BLACK	1	Applicable for Battery 7.5KW & 8.0KW
2	6D001600	CONTACT LUG-8AWG-SILVER PLATED-SBS75X	1	Applicable for Battery 7.5KW & 8.0KW
3	6D001601	4P CONNECTOR TD180-01-4P BLACK	1	Applicable for Battery 7.5KW & 8.0KW
4	6D001602	COMMUNICATION HARNESS	1	Applicable for Battery 7.5KW & 8.0KW
5	6D001603	SERIES BUSBAR- 62X20X2-EV	1	Applicable for Battery 7.5KW & 8.0KW
6	6D001604	200A AUTOMO BOLT-DOWN FUSE-142.5631.6202	1	Applicable for Battery 7.5KW & 8.0KW
7	6D001605	BOLT-DOWN FUSEHOLDER - 04980903ZXT	1	Applicable for Battery 7.5KW & 8.0KW
8	6D001606	M25 PG GLAND BLACK	1	Applicable for Battery 7.5KW & 8.0KW
9	6D001607	8.5 KWH LI-ION BMS HARNESS	1	Applicable for Battery 7.5KW & 8.0KW
10	6D001608	100A MOSFET BOARD	1	Applicable for Battery 7.5KW & 8.0KW
11	6D001609	CRIMP CONTACTS-20-24AWG-M-L6.4MM-SBS75X	1	Applicable for Battery 7.5KW & 8.0KW
12	6D001610	SB 175 RED ANDERSON CONNECTOR	1	Applicable for Battery 7.5KW & 8.0KW
13	6D001611	PG-11 CABLE GLAND	1	Applicable for Battery 8.0KW
14	6D001612	8.0KWH/EV-LI-ION BMS	1	Applicable for Battery 8.0KW
15	6D001627	7.5KWH/EV-LI-ION BMS	1	NI
16	6D001613	1-SB 75X CONNECTOR ALONG WITH CABLE	1	Applicable for Battery 7.5KW & 8.0KW
17	6D001614	1-SB 175 CONNECTOR ALONG WITH CABLE	1	Applicable for Battery 7.5KW & 8.0KW
18	6D001630	RECTIFIER-48VDC/3000G2 WITH CAN	1	Applicable for Battery 7.5KW & 8.0KW
19	6D001631	RECTIFIER-48VDC/3000G2 WITH CAN	2	Applicable for Battery 7.5KW & 8.0KW
20	6D001632	RECTIFIER-48VDC/3000G2 WITH CAN	3	Applicable for Battery 7.5KW & 8.0KW
21	6D001633	DC CABLE HARNESS-2RX16SQ.MM+2RX0.5SQ.MM,	1	Applicable for Battery 7.5KW & 8.0KW
22	6D001634	PTC HARNESS FOR CAN COMM BOARD	1	Applicable for Battery 7.5KW & 8.0KW
23	6D001635	T CLAMP-ANDERSON CONNECTOR	1	NI
24	6D001636	C CLAMP-ANDERSON CONNECTOR	1	NI

Print Date: 05-Oct-2022

PARTS INDEX

APE_EXTRA_LDX_PLUS_NE_FX



67

Print Date: 05-Oct-2022

PART NO	BLOCK	PART NO	BLOCK	PART NO	BLOCK
107718	PLATE-19	12540	PLATE-3	163663	PLATE-14
107732	PLATE-19	12546	PLATE-14	163665	PLATE-14
107827	PLATE-20	12778	PLATE-13	163666SP	PLATE-14
107870	PLATE-19	127927R	PLATE-22	163667SP	PLATE-14
107870	PLATE-20	128804ED	PLATE-13	163782	PLATE-14
107871	PLATE-19	128805ED	PLATE-13	163784	PLATE-14
108356	PLATE-14	136434	PLATE-19	16404	PLATE-7
108800	PLATE-14	136451R	PLATE-20	16405	PLATE-5
108801	PLATE-14	136916	PLATE-22	16405	PLATE-6
108804	PLATE-14	137026	PLATE-20	16405	PLATE-9
108805	PLATE-14	137235	PLATE-19	16405	PLATE-4
108873	PLATE-9	13812	PLATE-14	16406	PLATE-5
108873	PLATE-19	138237	PLATE-22	16406	PLATE-6
108874	PLATE-9	13861	PLATE-14	16406	PLATE-9
108874	PLATE-19	13880	PLATE-9	16406	PLATE-9
109012	PLATE-16	13880	PLATE-10	16406	PLATE-10
109064	PLATE-9	13935	PLATE-14	16406	PLATE-13
109064	PLATE-19	13958	PLATE-16	16406	PLATE-16
109066	PLATE-19	140603	PLATE-14	16406	PLATE-17
109120	PLATE-14	140728	PLATE-14	16406	PLATE-17
109121	PLATE-14	142424	PLATE-10	16406	PLATE-3
109263	PLATE-14	150579	PLATE-19	16406	PLATE-4
109265	PLATE-9	151924	PLATE-14	16406	PLATE-5
109265	PLATE-19	151924	PLATE-15	16408	PLATE-6
109892	PLATE-20	151924	PLATE-19	16408	PLATE-1
113099	PLATE-2	151924	PLATE-21	16408	PLATE-13
113099	PLATE-21	152025	PLATE-14	16408	PLATE-2
115531	PLATE-14	152580	PLATE-19	16408	PLATE-16
116088	PLATE-20	152580	PLATE-20	16408	PLATE-3
116088	PLATE-23	15335	PLATE-2	16408	PLATE-20
116088	PLATE-24	15335	PLATE-20	16408	PLATE-22
116103	PLATE-10	15640	PLATE-7	16410	PLATE-5
116333	PLATE-14	157103	PLATE-20	16410	PLATE-2
116334	PLATE-14	15727	PLATE-14	16410	PLATE-1
116831	PLATE-20	15727	PLATE-18	16410	PLATE-19
116971	PLATE-14	157716	PLATE-11	16410	PLATE-19
12136	PLATE-14	15900	PLATE-11	16410	PLATE-20
125289	PLATE-19	15911	PLATE-16	16410	PLATE-20
12536	PLATE-20	15996	PLATE-7	16410	PLATE-21
12536	PLATE-23	15996	PLATE-8	16603	PLATE-10
12536	PLATE-24	163659	PLATE-14	16626	PLATE-9
12540	PLATE-13	163660	PLATE-14	16670	PLATE-8
12540	PLATE-14	163661	PLATE-14	16670	PLATE-11

--	--	--

68

Print Date: 05-Oct-2022

PART NO	BLOCK	PART NO	BLOCK	PART NO	BLOCK
178804	PLATE-23	20106	PLATE-17	30072	PLATE-16
178804	PLATE-24	20106	PLATE-17	30074	PLATE-14
178805	PLATE-23	20106	PLATE-17	30104	PLATE-9
178805	PLATE-24	20106	PLATE-4	30209R	PLATE-19
178806	PLATE-23	20108	PLATE-6	30242	PLATE-14
178806	PLATE-24	20108	PLATE-13	30242	PLATE-14
178807	PLATE-23	20108	PLATE-14	3054	PLATE-6
178807	PLATE-24	20108	PLATE-14	3054	PLATE-8
178808	PLATE-23	20108	PLATE-16	3054	PLATE-18
178808	PLATE-24	20108	PLATE-22	3055	PLATE-5
178818	PLATE-24	20110	PLATE-9	3055	PLATE-6
178819	PLATE-24	20110	PLATE-19	3055	PLATE-8
178820	PLATE-24	20110	PLATE-20	3055	PLATE-4
178821	PLATE-24	20359	PLATE-20	3056	PLATE-5
178823	PLATE-23	20359	PLATE-21	3056	PLATE-5
178823	PLATE-24	21216	PLATE-22	3056	PLATE-6
178824	PLATE-23	226596	PLATE-20	3056	PLATE-9
178824	PLATE-24	226661	PLATE-20	3056	PLATE-16
179056	PLATE-23	226662	PLATE-20	3056	PLATE-17
179056	PLATE-24	229524	PLATE-22	3056	PLATE-17
179057	PLATE-24	231370	PLATE-2	3056	PLATE-3
180431	PLATE-19	231370	PLATE-20	3056	PLATE-4
181746	PLATE-6	231370	PLATE-20	3057	PLATE-13
181747	PLATE-6	231370	PLATE-20	3058	PLATE-5
182660R	PLATE-14	2383	PLATE-6	3058	PLATE-1
182661R	PLATE-14	2383	PLATE-2	3058	PLATE-13
182662	PLATE-14	243303R	PLATE-20	3058	PLATE-13
182663	PLATE-14	243303R	PLATE-21	3058	PLATE-16
183077	PLATE-14	245038	PLATE-23	3058	PLATE-3
18630	PLATE-11	245038	PLATE-24	3058	PLATE-22
190255	PLATE-14	261323	PLATE-6	31058	PLATE-11
192020017	PLATE-14	261323	PLATE-16	31058	PLATE-14
193724	PLATE-14	265091	PLATE-2	31088	PLATE-5
196302	PLATE-20	267065	PLATE-20	31088	PLATE-7
196302	PLATE-21	267068	PLATE-20	31088	PLATE-10
20104	PLATE-7	267068	PLATE-20	31088	PLATE-16
20105	PLATE-5	272178	PLATE-2	31088	PLATE-5
20105	PLATE-5	286328	PLATE-5	31089	PLATE-6
20105	PLATE-6	286328	PLATE-2	31089	PLATE-9
20105	PLATE-11	286328	PLATE-1	31089	PLATE-13
20105	PLATE-4	286328	PLATE-20	31089	PLATE-3
20106	PLATE-9	286328	PLATE-20	31092	PLATE-9
20106	PLATE-10	30072	PLATE-13	31092	PLATE-10

--	--	--

69

Print Date: 05-Oct-2022

PART NO	BLOCK	PART NO	BLOCK	PART NO	BLOCK
31116	PLATE-13	568692	PLATE-14	604759	PLATE-9
31118	PLATE-2	568737	PLATE-22	604759	PLATE-19
31119	PLATE-20	569150	PLATE-19	604785	PLATE-13
31122	PLATE-22	569156	PLATE-14	604812	PLATE-14
31154	PLATE-5	569157	PLATE-14	604948	PLATE-2
31159	PLATE-20	569165	PLATE-17	605389	PLATE-14
31159	PLATE-21	569166	PLATE-17	6066	PLATE-19
48197	PLATE-22	569177	PLATE-17	6066	PLATE-20
566545	PLATE-19	569178	PLATE-17	6078	PLATE-7
567454	PLATE-14	569193	PLATE-14	6078	PLATE-8
567454	PLATE-15	569241	PLATE-2	6078	PLATE-14
567455	PLATE-14	569244	PLATE-2	612459	PLATE-2
567455	PLATE-15	569375	PLATE-2	612459	PLATE-21
567456	PLATE-14	569377	PLATE-2	616931	PLATE-19
567456	PLATE-15	5745	PLATE-14	6173	PLATE-17
567457	PLATE-14	587616	PLATE-21	6177	PLATE-14
567457	PLATE-15	587616	PLATE-23	62961	PLATE-14
567458	PLATE-14	587624R	PLATE-22	632148	PLATE-20
567458	PLATE-15	587632	PLATE-22	632148	PLATE-24
567459	PLATE-14	587702	PLATE-22	632158	PLATE-9
567459	PLATE-15	587829	PLATE-22	632238	PLATE-14
567461	PLATE-22	587928	PLATE-22	632292	PLATE-17
567473	PLATE-19	587963	PLATE-16	632719	PLATE-19
567498R	PLATE-7	587971	PLATE-14	63440	PLATE-20
567498R	PLATE-18	587971	PLATE-19	63440	PLATE-23
567593	PLATE-11	5969	PLATE-18	63440	PLATE-24
567700	PLATE-6	6018	PLATE-14	640762	PLATE-18
567893	PLATE-8	6018	PLATE-15	642032	PLATE-18
567898	PLATE-22	602497	PLATE-20	64263	PLATE-14
567899	PLATE-22	602497	PLATE-21	643613	PLATE-13
567920	PLATE-8	602497	PLATE-23	643691	PLATE-8
567920	PLATE-22	602497	PLATE-24	643692	PLATE-22
567920	PLATE-22	604502	PLATE-22	643741	PLATE-20
567990	PLATE-9	604506	PLATE-17	643772R	PLATE-19
567990	PLATE-19	604558	PLATE-14	644812	PLATE-20
567991	PLATE-9	604560	PLATE-14	644812	PLATE-22
567991	PLATE-19	604603	PLATE-10	644813	PLATE-20
567992	PLATE-9	604689	PLATE-14	644813	PLATE-22
567992	PLATE-19	604690	PLATE-14	644814R	PLATE-22
567993	PLATE-9	604707	PLATE-14	644973R	PLATE-14
567993	PLATE-19	604707	PLATE-15	644973R	PLATE-15
568095	PLATE-19	604758	PLATE-9	644973R	PLATE-19
568289	PLATE-20	604758	PLATE-19	644973R	PLATE-21

--	--	--

70

Print Date: 05-Oct-2022

PART NO	BLOCK	PART NO	BLOCK	PART NO	BLOCK
645038	PLATE-2	6B000089ED	PLATE-13	6B002625	PLATE-12
645038	PLATE-3	6B000249	PLATE-12	6B002629GY	PLATE-13
645038	PLATE-3	6B000250	PLATE-14	6B002629LB	PLATE-13
645141	PLATE-16	6B000251	PLATE-14	6B002629NB	PLATE-13
652001	PLATE-22	6B000387ED	PLATE-16	6B002644	PLATE-10
652520	PLATE-19	6B001067	PLATE-13	6B002645	PLATE-10
652520	PLATE-20	6B001073	PLATE-13	6B002646	PLATE-10
652521	PLATE-19	6B001118	PLATE-16	6B002647	PLATE-10
660032	PLATE-5	6B001129	PLATE-16	6B002663SP	PLATE-8
660168	PLATE-8	6B001140	PLATE-16	6B002757	PLATE-11
660168	PLATE-10	6B001140	PLATE-16	6B002757	PLATE-11
660168	PLATE-16	6B001146	PLATE-13	6B002763	PLATE-16
660175	PLATE-13	6B001204R	PLATE-16	6B002782ED	PLATE-13
660207	PLATE-13	6B001207R	PLATE-16	6B002782GY	PLATE-13
660341	PLATE-22	6B001462	PLATE-16	6B002782LB	PLATE-13
660931	PLATE-21	6B001486	PLATE-16	6B002782NB	PLATE-13
661231	PLATE-19	6B001495R	PLATE-13	6B002791	PLATE-12
661262	PLATE-13	6B001496R	PLATE-13	6B002792	PLATE-11
661266	PLATE-20	6B001791	PLATE-8	6B002796	PLATE-11
661267	PLATE-20	6B001793	PLATE-8	6B002827	PLATE-11
661282	PLATE-20	6B001798	PLATE-7	6B002931	PLATE-12
661282	PLATE-21	6B001813	PLATE-8	6B002932	PLATE-12
661925	PLATE-8	6B001921	PLATE-16	6B002937	PLATE-12
661925	PLATE-9	6B001930	PLATE-8	6B002938	PLATE-12
661925	PLATE-11	6B001946	PLATE-16	6B003006	PLATE-11
662323	PLATE-13	6B001947	PLATE-16	6B003007	PLATE-11
6650	PLATE-20	6B002528	PLATE-12	6B003008	PLATE-11
6650	PLATE-21	6B002540	PLATE-12	6B003179	PLATE-8
6733	PLATE-19	6B002544	PLATE-12	6B003815BW	PLATE-13
6965	PLATE-11	6B002565	PLATE-12	6B003815GY	PLATE-13
6965	PLATE-14	6B002566	PLATE-12	6B003815LB	PLATE-13
6A001421	PLATE-2	6B002573	PLATE-12	6B003815NB	PLATE-13
6A001421	PLATE-1	6B002574	PLATE-12	6B004078	PLATE-12
6A001554	PLATE-2	6B002578	PLATE-16	6C000156	PLATE-2
6A001554	PLATE-1	6B002580	PLATE-16	6C000190	PLATE-9
6A001555	PLATE-1	6B002582	PLATE-11	6C000190	PLATE-19
6A001859	PLATE-1	6B002583	PLATE-11	6C000191	PLATE-9
6A001860	PLATE-1	6B002586	PLATE-11	6C000191	PLATE-19
6A001877	PLATE-1	6B002587	PLATE-11	6C000228	PLATE-5
6A001877	PLATE-2	6B002588	PLATE-11	6C000241	PLATE-2
6A001878	PLATE-2	6B002603	PLATE-12	6C000255	PLATE-2
6A001879	PLATE-1	6B002604	PLATE-12	6C000255	PLATE-21
6A001987	PLATE-2	6B002624	PLATE-12	6C000265	PLATE-9

--	--	--

71

Print Date: 05-Oct-2022

PART NO	BLOCK	PART NO	BLOCK	PART NO	BLOCK
6C000268	PLATE-9	6C000580	PLATE-2	6D000834	PLATE-6
6C000269	PLATE-9	6C000580	PLATE-21	6D000837	PLATE-17
6C000275	PLATE-19	6C000583	PLATE-20	6D000838	PLATE-6
6C000275	PLATE-23	6C000586	PLATE-22	6D000838	PLATE-3
6C000277	PLATE-21	6C000632	PLATE-2	6D000899R	PLATE-6
6C000277	PLATE-24	6C000632	PLATE-2	6D000900R	PLATE-6
6C000279	PLATE-20	6C000632	PLATE-21	6D000908	PLATE-6
6C000279	PLATE-20	6C000655R	PLATE-15	6D000948	PLATE-8
6C000279	PLATE-21	6C000655R	PLATE-21	6D000952	PLATE-8
6C000279	PLATE-24	6C000662	PLATE-20	6D000962	PLATE-5
6C000316	PLATE-2	6C000662	PLATE-21	6D000966	PLATE-4
6C000319	PLATE-2	6C000664R	PLATE-15	6D000967	PLATE-4
6C000319	PLATE-21	6C000664R	PLATE-21	6D000968	PLATE-4
6C000334	PLATE-5	6C000774	PLATE-3	6D001002	PLATE-3
6C000372	PLATE-20	6C000803	PLATE-22	6D001020	PLATE-6
6C000373	PLATE-20	6D000145R	PLATE-11	6D001060	PLATE-3
6C000420	PLATE-1	6D000146R	PLATE-11	6D001081	PLATE-6
6C000421	PLATE-1	6D000251	PLATE-6	6D001108	PLATE-7
6C000422	PLATE-1	6D000305	PLATE-11	6D001133	PLATE-6
6C000423	PLATE-1	6D000355	PLATE-6	6D001157	PLATE-6
6C000425	PLATE-1	6D000360	PLATE-6	6D001183	PLATE-22
6C000427	PLATE-23	6D000361	PLATE-6	6D001211	PLATE-3
6C000427	PLATE-24	6D000362	PLATE-6	6D001224	PLATE-3
6C000431	PLATE-22	6D000363	PLATE-6	6D001234	PLATE-5
6C000443R	PLATE-22	6D000364	PLATE-7	6D001326	PLATE-5
6C000448	PLATE-23	6D000365	PLATE-7	6D001327	PLATE-6
6C000453	PLATE-9	6D000366	PLATE-7	6D001339	PLATE-6
6C000468	PLATE-22	6D000367	PLATE-8	6D001342	PLATE-4
6C000468	PLATE-22	6D000369	PLATE-7	6D001342	PLATE-5
6C000469	PLATE-22	6D000370	PLATE-6	6D001354	PLATE-5
6C000469	PLATE-22	6D000378	PLATE-5	6D001358	PLATE-5
6C000473SP	PLATE-19	6D000405	PLATE-9	6D001413	PLATE-5
6C000475SP	PLATE-19	6D000463	PLATE-5	6D001413	PLATE-4
6C000525	PLATE-2	6D000463	PLATE-4	6D001414	PLATE-5
6C000525	PLATE-21	6D000484	PLATE-6	6D001414	PLATE-4
6C000534ED	PLATE-9	6D000486	PLATE-6	6D001415	PLATE-5
6C000555	PLATE-21	6D000520	PLATE-4	6D001415	PLATE-4
6C000568	PLATE-8	6D000523	PLATE-4	6D001416	PLATE-4
6C000573	PLATE-22	6D000539	PLATE-11	6D001417	PLATE-4
6C000576	PLATE-20	6D000540	PLATE-11	6D001418	PLATE-4
6C000576	PLATE-21	6D000769	PLATE-3	6D001419	PLATE-4
6C000578	PLATE-2	6D000770	PLATE-3	6D001420	PLATE-4
6C000578	PLATE-21	6D000806	PLATE-6	6D001421	PLATE-4

--	--	--

72

Print Date: 05-Oct-2022

PART NO	BLOCK	PART NO	BLOCK	PART NO	BLOCK
6D001422	PLATE-4	87067	PLATE-19	B042802	PLATE-3
6D001486	PLATE-6	87067	PLATE-21	B042802	PLATE-3
6D001486	PLATE-4	8771	PLATE-19	B042814	PLATE-14
6D001486	PLATE-5	8808	PLATE-14	B073366R	PLATE-7
6D001500	PLATE-5	8847	PLATE-14	B073366R	PLATE-18
6D001500	PLATE-4	89281	PLATE-14	B073478R	PLATE-8
6D001500	PLATE-4	920081	PLATE-6	B073478R	PLATE-18
6D001599	PLATE-25	920083	PLATE-6	B073479R	PLATE-8
6D001600	PLATE-25	920084	PLATE-6	B073479R	PLATE-18
6D001601	PLATE-25	925501	PLATE-23	B073481R	PLATE-8
6D001602	PLATE-25	925501	PLATE-24	B073481R	PLATE-18
6D001603	PLATE-25	925521	PLATE-23	B073715	PLATE-18
6D001604	PLATE-25	925571	PLATE-17	B073813	PLATE-8
6D001605	PLATE-25	925573	PLATE-24	B073814	PLATE-8
6D001606	PLATE-25	925574	PLATE-24	B073848	PLATE-9
6D001607	PLATE-25	925581	PLATE-6	B074033	PLATE-6
6D001608	PLATE-25	925581	PLATE-11	B074040	PLATE-9
6D001609	PLATE-25	940004	PLATE-23	B074150PC	PLATE-16
6D001610	PLATE-25	940004	PLATE-23	B074173	PLATE-14
6D001611	PLATE-25	940005	PLATE-24	B074261	PLATE-8
6D001612	PLATE-25	940005	PLATE-24	B074262	PLATE-8
6D001613	PLATE-25	940006	PLATE-24	B074275	PLATE-8
6D001614	PLATE-25	940006	PLATE-24	B074498	PLATE-9
6D001627	PLATE-25	97756	PLATE-14	B074568	PLATE-7
6D001630	PLATE-25	97756	PLATE-14	B074568	PLATE-18
6D001631	PLATE-25	B001561	PLATE-19	B074905	PLATE-8
6D001632	PLATE-25	B001954R	PLATE-14	B075697	PLATE-22
6D001633	PLATE-25	B001954R	PLATE-15	B076007	PLATE-22
6D001634	PLATE-25	B002847	PLATE-14	B076098ED	PLATE-16
6D001635	PLATE-25	B002848	PLATE-14	B076120	PLATE-11
6D001636	PLATE-25	B003228	PLATE-22	B076205	PLATE-13
6G000131	PLATE-8	B003784	PLATE-23	B076205	PLATE-13
6H000146	PLATE-12	B003784	PLATE-24	B076303	PLATE-17
6H000159	PLATE-12	B003864	PLATE-14	B076304	PLATE-17
74414	PLATE-19	B003865	PLATE-14	B076448	PLATE-18
74414	PLATE-20	B006853	PLATE-9	B076605	PLATE-11
74521	PLATE-19	B008292	PLATE-2	B076606	PLATE-11
75708	PLATE-19	B023786R	PLATE-22	B076801	PLATE-10
78307	PLATE-10	B024733	PLATE-14	B076802	PLATE-10
808000826	PLATE-13	B024734	PLATE-14	B076859	PLATE-19
808000826	PLATE-3	B041653	PLATE-9	B077155	PLATE-22
8080	PLATE-8	B042505ED	PLATE-13	B077156	PLATE-22
8451	PLATE-14	B042703	PLATE-14	B077480	PLATE-22

--	--	--

73

