

Parts Catalog

Commercial Vehicle

ape City Plus BSIV PTL CNG LPG

PIAGGIO VEHICLES PRIVATE LIMITED

Registered Office: Bund Garden Road ,Opp. Residency Club , Pune (India)

Print Date: 07-Apr-2022

PLATES INDEX

Sr No.	Plate Name	Plate No.	Page No.
1	ENG. 230 4S/3V BSIV APE CITY+	1	1-2
2	CLUTCH COVER ASSEMBLY	2	3-4
3	CLUTCH ASSEMBLY	3	5-6
4	OIL PUMP ASSEMBLY	4	7-8
5	COMPLETE DIFFERENTIAL GEAR	5	9-10
6	DIFFERENTIAL GEAR COVER WITH P.I.	6	11-12
7	INTAKE FITTING - CARBURETOR	7	13-16
8	AIR FILTER ASSEMBLY	8	17-18
9	COMPLETE CRANKCASE	9	19-22
10	GEAR SHIFTER AND CONTROL MECHANISM	10	23-24
11	CYLINDER HEAD WITH I.P.	11	25-28
12	CRANKSHAFT ASSEMBLY	12	29-30
13	AIRCOOLING CIRCUIT COMPONENTS	13	31-32
14	TIMING GROUP	14	33-34
15	CYLINDER- PISTON GROUP	15	35-36
16	ELECTRIC STARTING GROUP	16	37-38
17	GEAR GROUP	17	39-40
18	ENGINE SUPPORT	18	41-44
19	FUEL TANK/FILTER/FUEL PIPES - PETROL	19	45-48
20	WIND SHIELD/GLASS/BEADING	20	49-50
21	MAIN FRAME/BATTERY BKT/ JACK BKT	21	51-54
22	DASHBOARD ASSEMBLY	22	55-56
23	REAR SUSPENSION	23	57-60
24	STEERING COLUMN AND FRONT SUSPENSION	24	61-64
25	HANDLE BAR AND CONTROL	25	65-66
26	BRAKE - TANDEM MASTER CYLINDER ,BRAKE PIPE AND HAND BRAKES	26	67-70
27	ELECTRICAL DEVICES	27	71-76
28	FRONT MUDGUARD & HEAD LAMP ASSY.	28	77-78
29	PASSENGER BODY, HOOD FRAME & SEATS	29	79-82
30	WIRING HARNESS	30	83-84


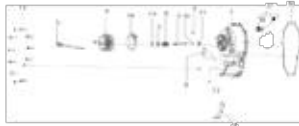
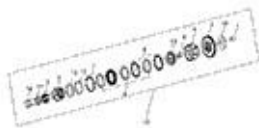
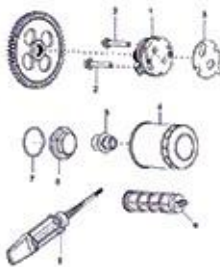
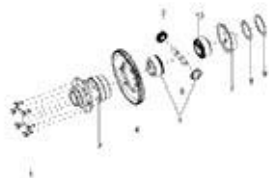
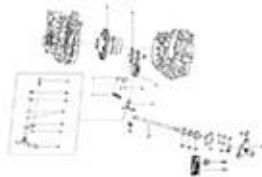
Print Date: 07-Apr-2022

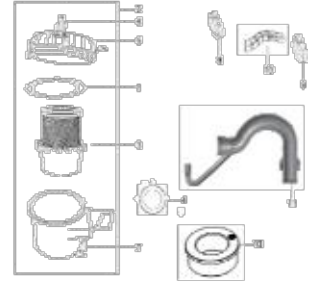
PLATES INDEX

Sr No.	Plate Name	Plate No.	Page No.
31	FRONT BRAKE ASSEMBLY	31	85-86
32	REAR BRAKE ASSEMBLY	32	87-88
33	CABLES	33	89-90
34	CNG KIT	34	91-92
35	TWO STAGE CNG REGULATOR	35	93-94
36	FIRST STAGE REDUCTION UNIT	36	95-96
37	LPG KIT	37	97-98
38	TWO STAGE LPG REGULATOR	38	99-100
39	TOOLS & ACCESSORIES	39	101-104
40	TOOL KIT	40	105-106
41	FUEL TANK/FILTER/FUEL PIPES - GAS	20.1	107-108

Print Date: 07-Apr-2022

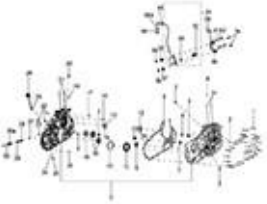
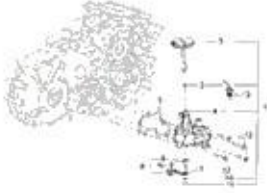
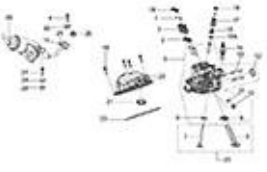
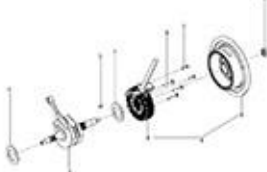
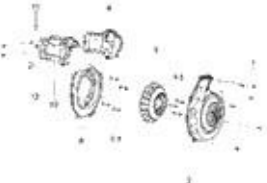
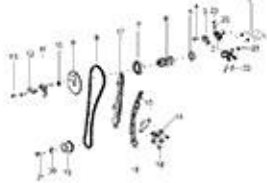
PICTORIAL PLATES INDEX

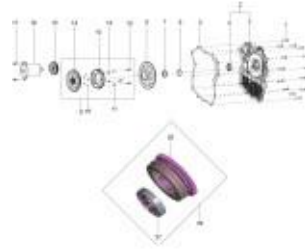
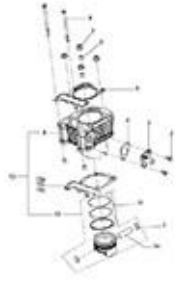
<p>PLATE-1 ENG. 230 4S/3V BSIV APE CITY+ Page No. :1-2</p> 	<p>PLATE-2 CLUTCH COVER ASSEMBLY Page No. :3-4</p> 
<p>PLATE-3 CLUTCH ASSEMBLY Page No. :5-6</p> 	<p>PLATE-4 OIL PUMP ASSEMBLY Page No. :7-8</p> 
<p>PLATE-5 COMPLETE DIFFERENTIAL GEAR Page No. :9-10</p> 	<p>PLATE-6 DIFFERENTIAL GEAR COVER WITH P.I. Page No. :11-12</p> 
<p>PLATE-7 INTAKE FITTING - CARBURETOR Page No. :13-16</p>	<p>PLATE-8 AIR FILTER ASSEMBLY Page No. :17-18</p>



Print Date: 07-Apr-2022


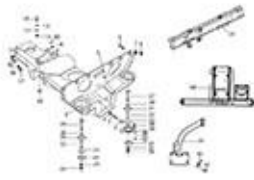

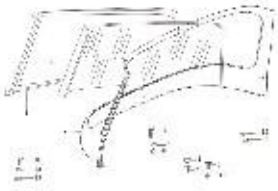
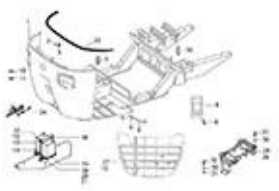
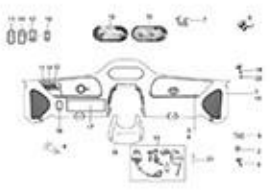
PICTORIAL PLATES INDEX

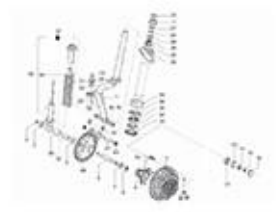
<p>PLATE-9 COMPLETE CRANKCASE</p> <p>Page No. :19-22</p> 	<p>PLATE-10 GEAR SHIFTER AND CONTROL MECHANISM</p> <p>Page No. :23-24</p> 
<p>PLATE-11 CYLINDER HEAD WITH I.P.</p> <p>Page No. :25-28</p> 	<p>PLATE-12 CRANKSHAFT ASSEMBLY</p> <p>Page No. :29-30</p> 
<p>PLATE-13 AIRCOOLING CIRCUIT COMPONENTS</p> <p>Page No. :31-32</p> 	<p>PLATE-14 TIMING GROUP</p> <p>Page No. :33-34</p> 
<p>PLATE-15 CYLINDER- PISTON GROUP</p> <p>Page No. :35-36</p>	<p>PLATE-16 ELECTRIC STARTING GROUP</p> <p>Page No. :37-38</p>



Print Date: 07-Apr-2022

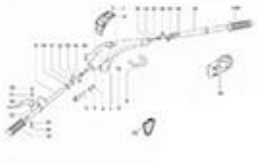

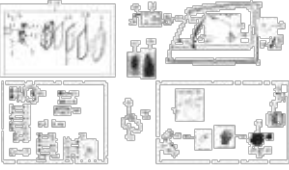



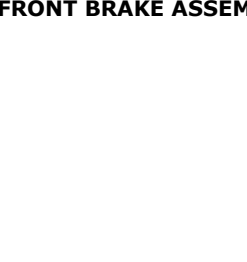

PICTORIAL PLATES INDEX

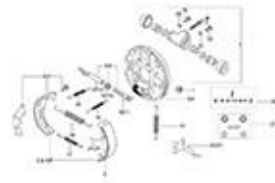
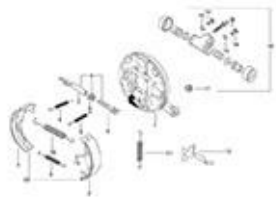
<p>PLATE-17 GEAR GROUP</p> <p>Page No. :39-40</p> 	<p>PLATE-18 ENGINE SUPPORT</p> <p>Page No. :41-44</p> 
<p>PLATE-19 FUEL TANK/FILTER/FUEL PIPES - PETROL</p> <p>Page No. :45-48</p> 	<p>PLATE-20 WIND SHIELD/GLASS/BEADING</p> <p>Page No. :49-50</p> 
<p>PLATE-21 MAIN FRAME/BATTERY BKT/ JACK BKT</p> <p>Page No. :51-54</p> 	<p>PLATE-22 DASHBOARD ASSEMBLY</p> <p>Page No. :55-56</p> 
<p>PLATE-23 REAR SUSPENSION</p> <p>Page No. :57-60</p>	<p>PLATE-24 STEERING COLUMN AND FRONT SUSPENSION</p> <p>Page No. :61-64</p>



Print Date: 07-Apr-2022


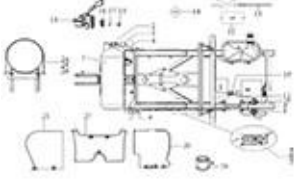
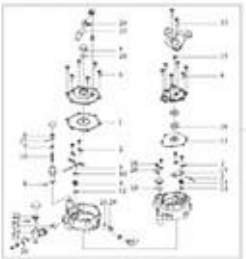
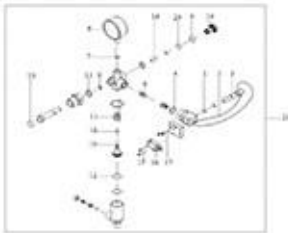
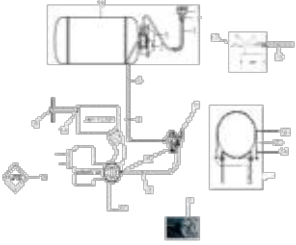
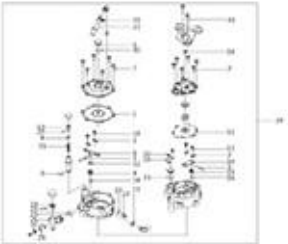
PICTORIAL PLATES INDEX

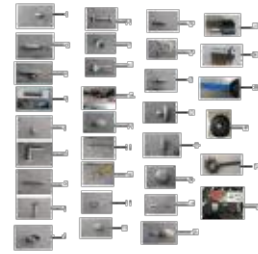
<p>PLATE-25 HANDLE BAR AND CONTROL Page No. :65-66</p> 	<p>PLATE-26 BRAKE - TANDEM MASTER CYLINDER ,BRAKE PIPE AND HAND BRAKES Page No. :67-70</p> 
<p>PLATE-27 ELECTRICAL DEVICES Page No. :71-76</p> 	<p>PLATE-28 FRONT MUDGUARD & HEAD LAMP ASSY. Page No. :77-78</p> 
<p>PLATE-29 PASSENGER BODY, HOOD FRAME & SEATS Page No. :79-82</p> 	<p>PLATE-30 WIRING HARNESS Page No. :83-84</p> 
<p>PLATE-31 FRONT BRAKE ASSEMBLY Page No. :85-86</p> 	<p>PLATE-32 REAR BRAKE ASSEMBLY Page No. :87-88</p> 



Print Date: 07-Apr-2022

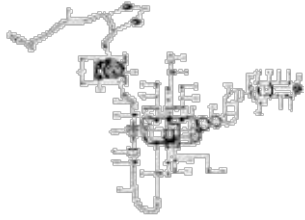
PICTORIAL PLATES INDEX

<p>PLATE-33 CABLES</p> <p>Page No. :89-90</p> 	<p>PLATE-34 CNG KIT</p> <p>Page No. :91-92</p> 
<p>PLATE-35 TWO STAGE CNG REGULATOR</p> <p>Page No. :93-94</p> 	<p>PLATE-36 FIRST STAGE REDUCTION UNIT</p> <p>Page No. :95-96</p> 
<p>PLATE-37 LPG KIT</p> <p>Page No. :97-98</p> 	<p>PLATE-38 TWO STAGE LPG REGULATOR</p> <p>Page No. :99-100</p> 
<p>PLATE-39 TOOLS & ACCESSORIES</p> <p>Page No. :101-104</p>	<p>PLATE-40 TOOL KIT</p> <p>Page No. :105-106</p>



PICTORIAL PLATES INDEX

**PLATE-20.1 FUEL TANK/FILTER/FUEL PIPES -
GAS**
Page No. :107-108

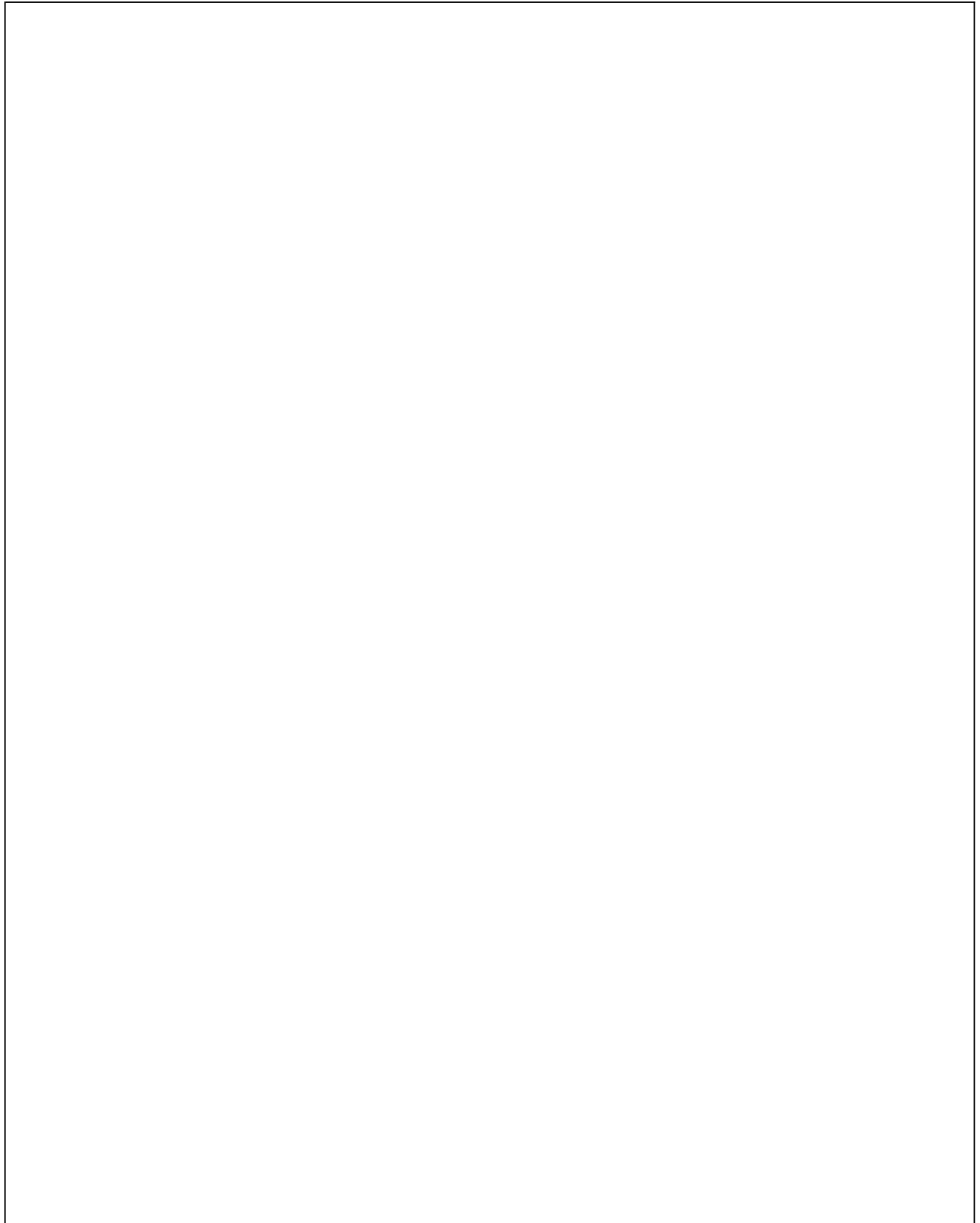


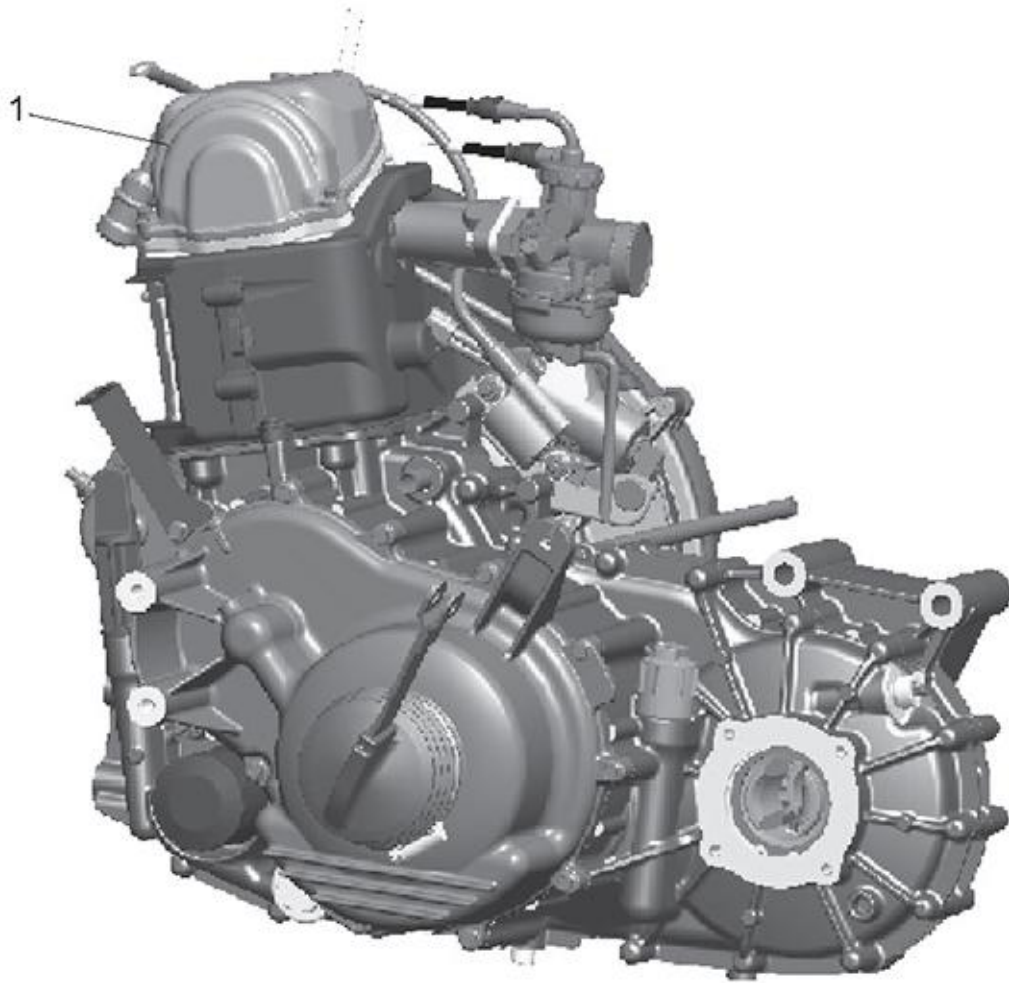


Print Date: 07-Apr-2022

PLATE-1

ENG. 230 4S/3V BSIV APE CITY+





Print Date: 07-Apr-2022

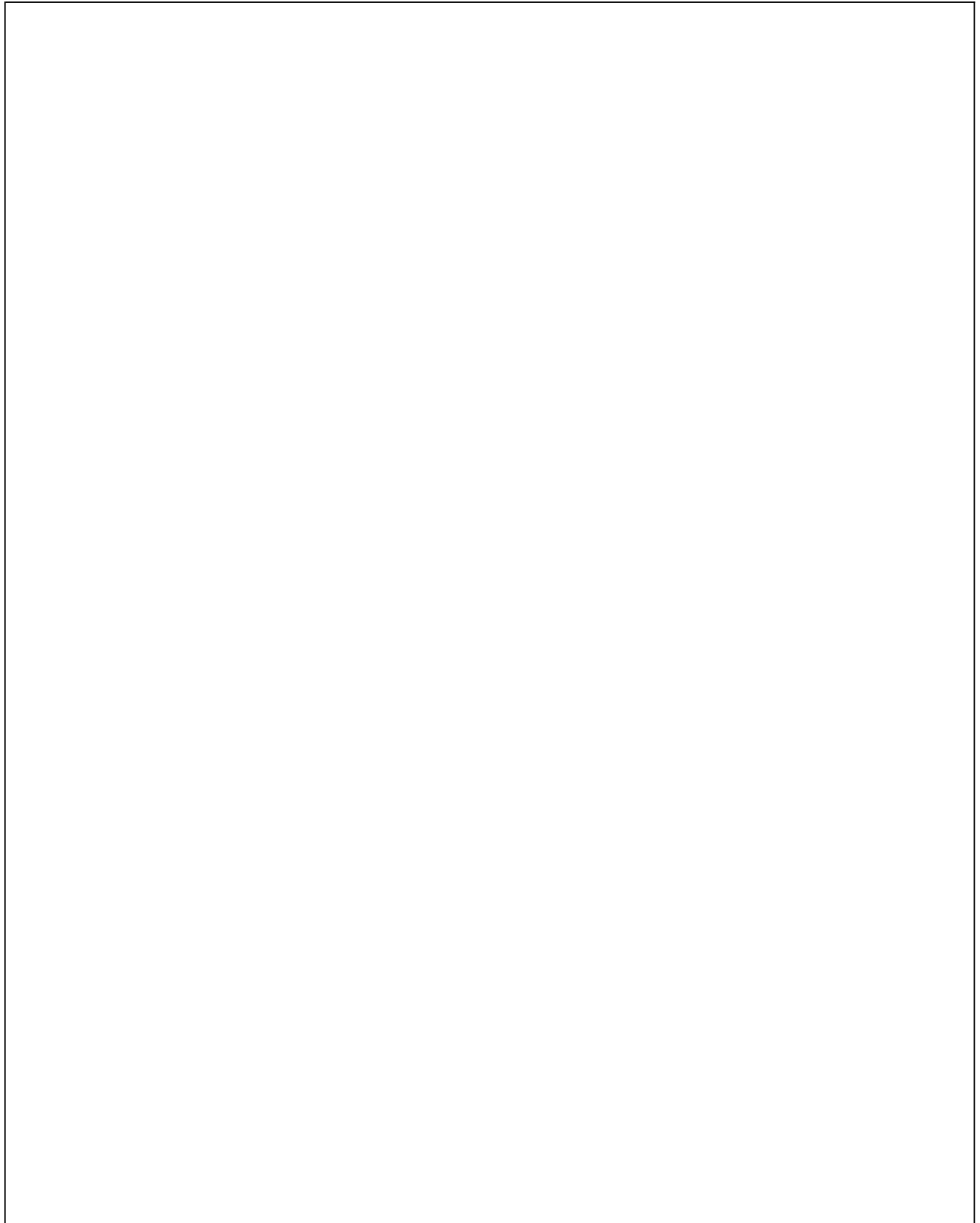
PLATE-1**ENG. 230 4S/3V BSIV APE CITY+**

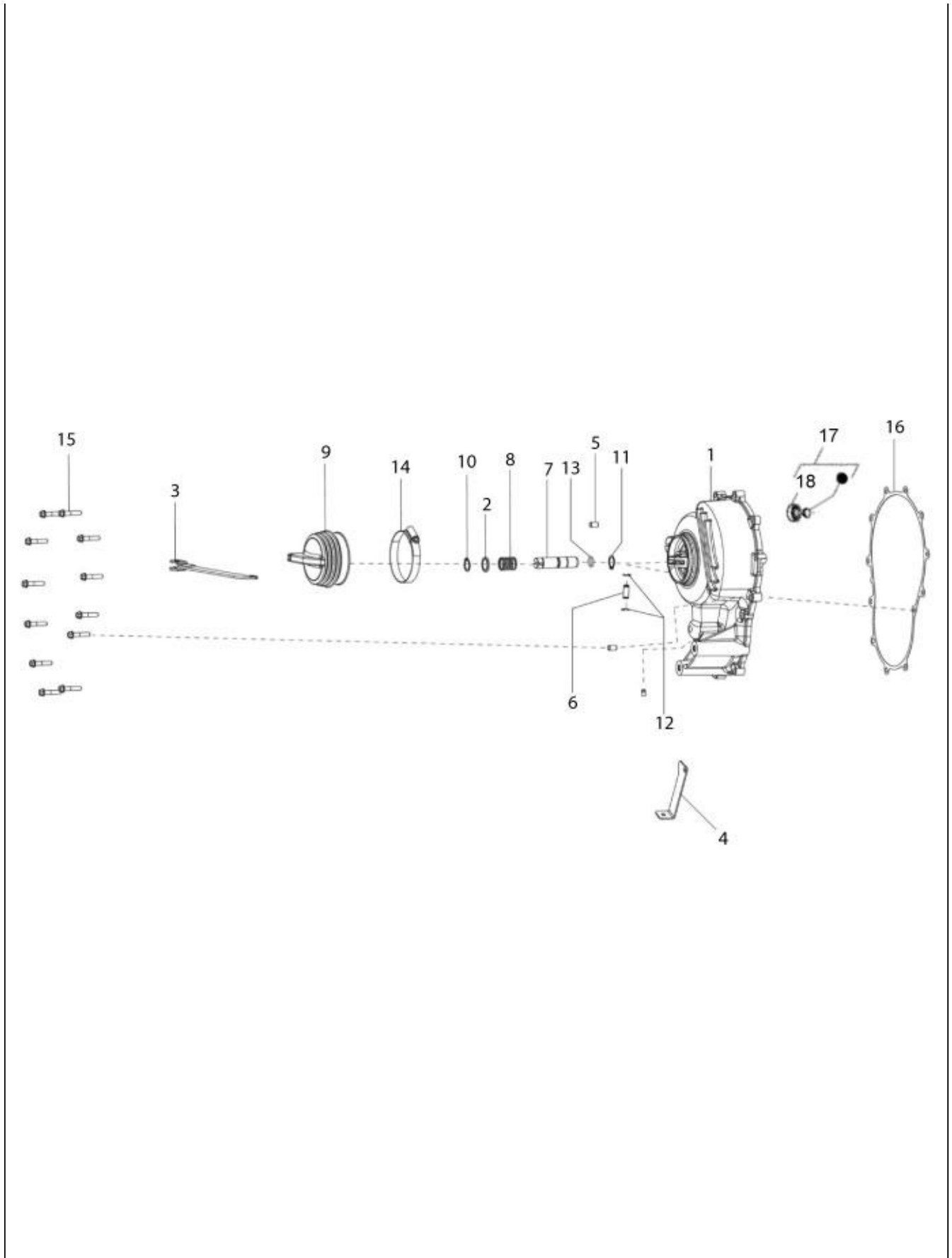
Fig. No.	Part No.	Description	Qty	Remarks
1	CM293903	ENG. 230 4S/3V BSIV APÉ PAX PETROL	1	PTL
1	CM293901	ENG. 230 4S/3V BSIV APÉ PAX LPG	1	LPG
1	CM293902	ENG. 230 4S/3V BSIV APÉ PAX CNG	1	CNG
1	CM293938	ENG.230 3V BSIV APÉ CITY PLUS PET EXP	1	PTL- Export

2

Print Date: 07-Apr-2022

PLATE-2
CLUTCH COVER ASSEMBLY





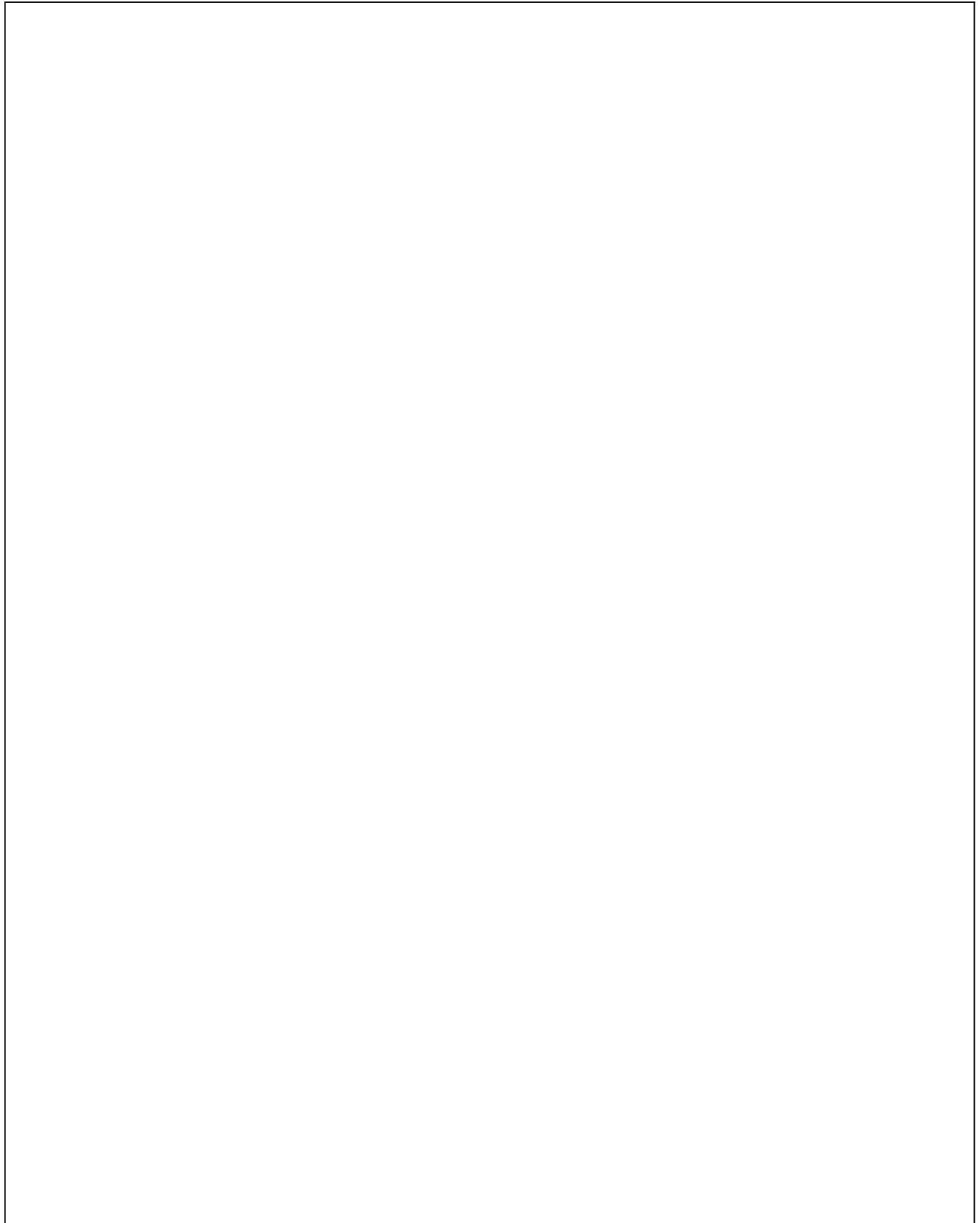
Print Date: 07-Apr-2022

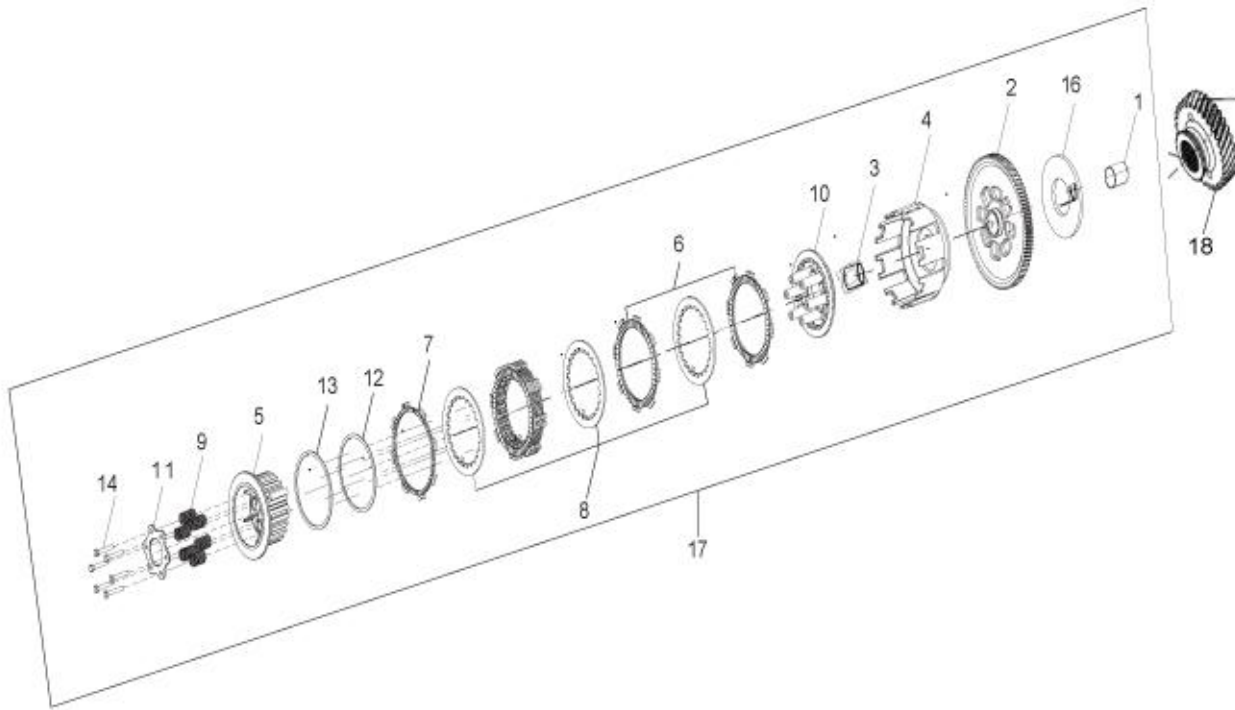
PLATE-2**CLUTCH COVER ASSEMBLY**

Fig. No.	Part No.	Description	Qty	Remarks
1	1A010136	CLUTCH COVER	1	
2	120164019	RETAINING PLATE	1	
3	127460010	LINK ASSLY - CLUTCH (IMPROVED)	1	
4	1A011461	SUPPORT BRACKET STARTER MOTOR CABLE	1	
5	1A000708	DOWEL (Ø7,5, H=12)	2	
6	127013013	PIN CLUTCH	1	
7	1A010548	PLUNGER SHAFT	1	
8	127185012	SPRING - CLUTCH COVER	1	
9	127012019	BELLOW CLUTCH ACTUATING	1	
10	842001600	CIRCLIP DIA.16(EXT)	1	
11	842001600	CIRCLIP DIA.16(EXT)	1	
12	843000809	CIRCLIP DIA.8(EXT) TYPE C	2	
13	B019220	O- RING (PLUNGER SHAFT)	1	
14	120170018	HOSE CLIP - CLUTCH COVER BELOW	1	
15	B018853	FLANGED HEXAGONAL HEAD SCREW M6X30	12	
16	1A011940	CLUTCH COVER GASKET	1	
17	SP1A010560	CLUTCH PRESSURE BUSH WITH I.P.	1	
18	478261	PULLEY SHAFT BEARING	1	

Print Date: 07-Apr-2022

PLATE-3
CLUTCH ASSEMBLY





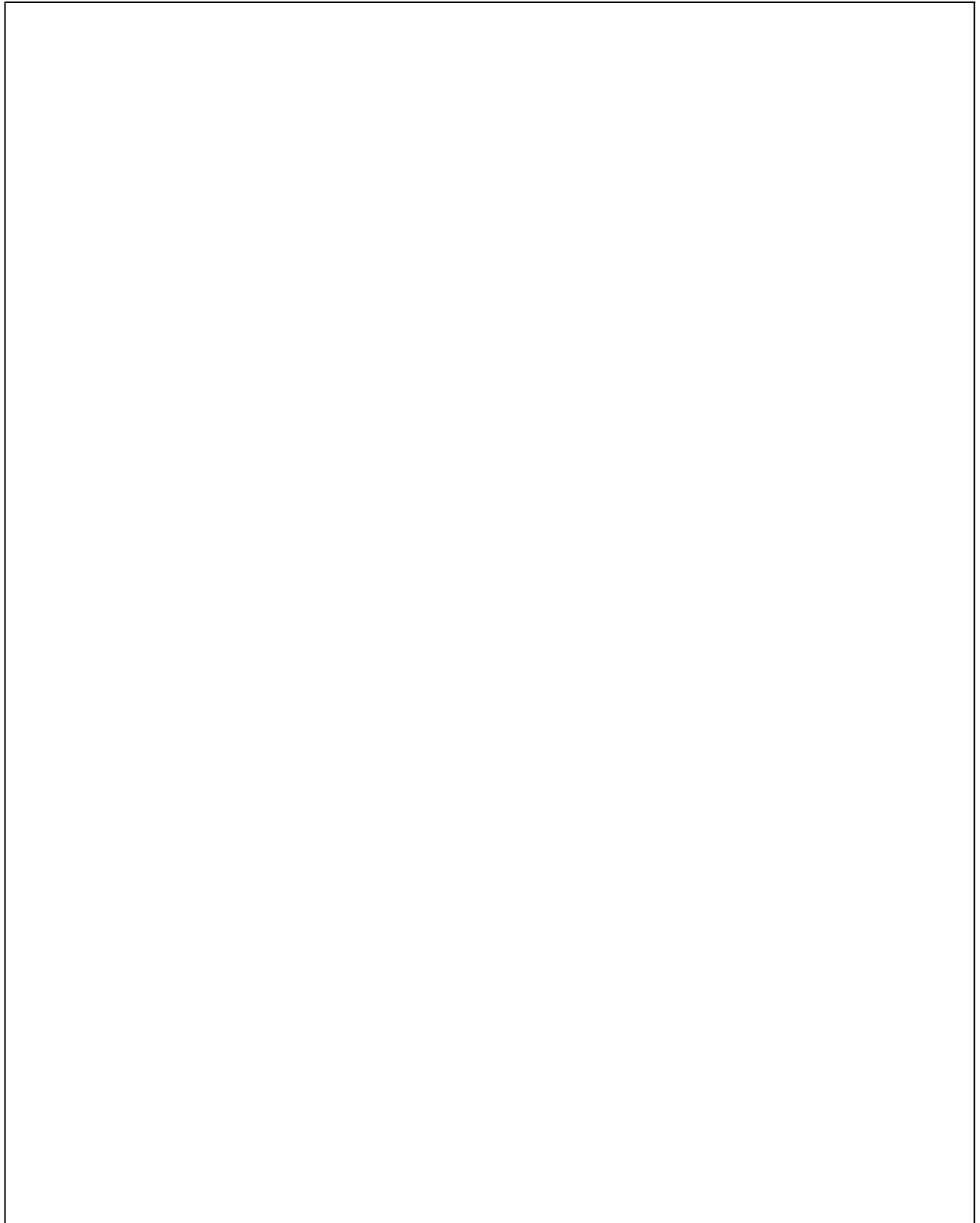
Print Date: 07-Apr-2022

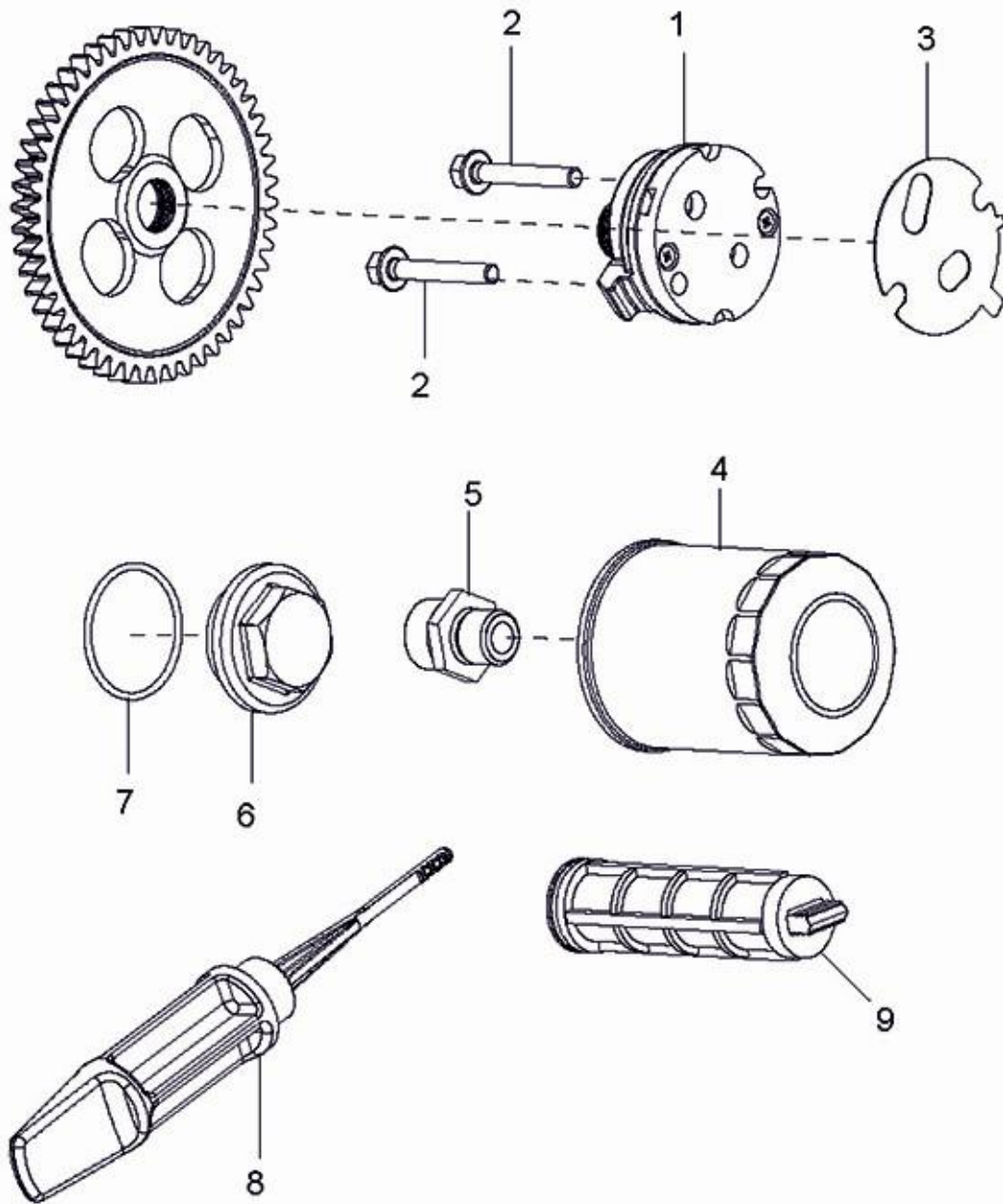
PLATE-3
CLUTCH ASSEMBLY

Fig. No.	Part No.	Description	Qty	Remarks
1	1A010461	SPACER	1	
2	---	CLUTCH GEAR	1	NS
3	1A010561	CLUTCH PRESSURE BUSH	1	
4	1A012150	HOUSING CLUTCH ASSY	1	
5	1A012152	HUB CLUTCH	1	
6	1A012153	FRICTION PLATE	6	
7	1A012154	RED FRICTION PLATE	1	
8	1A012155	PLATE CLUTCH	6	
9	1A012156	COMPRESSION SPRING	6	
10	1A012157	WHEEL CLUTCH	1	
11	1A012158	HOLDER CLUTCH	1	
12	1A012159	ANTI-JUDDER SPRING	1	
13	1A012160	ANTI-JUDDER WASHER	1	
14	1A012161	BOLT M5	6	
15	1A012151	PLATE CLUTCH ASSY	1	NI
16	B019420	CONICAL SPRING KNURLED WASHER	3	NS-Order on modi.assy.P/N.SP1A018746 INA
17	1A010119	CLUTCH ASSY	1	
18	1A010208	ENGINE GEAR	1	
19	KIT95131R	KIT CLUTCH PLATE SET FOR STEP-2 ENG. AF	1	Complete Clutch Plate Set (NI)

Print Date: 07-Apr-2022

PLATE-4
OIL PUMP ASSEMBLY





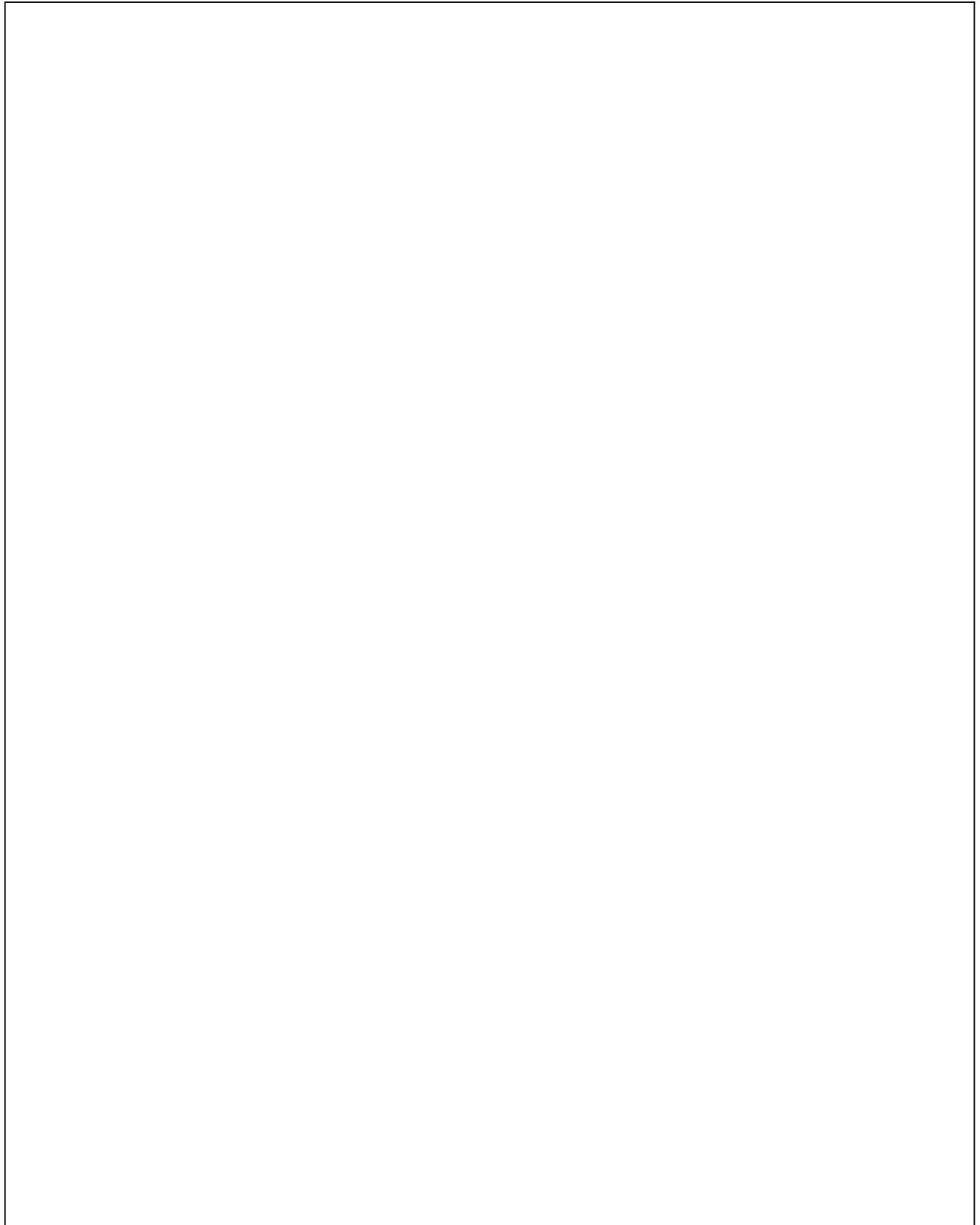
Print Date: 07-Apr-2022

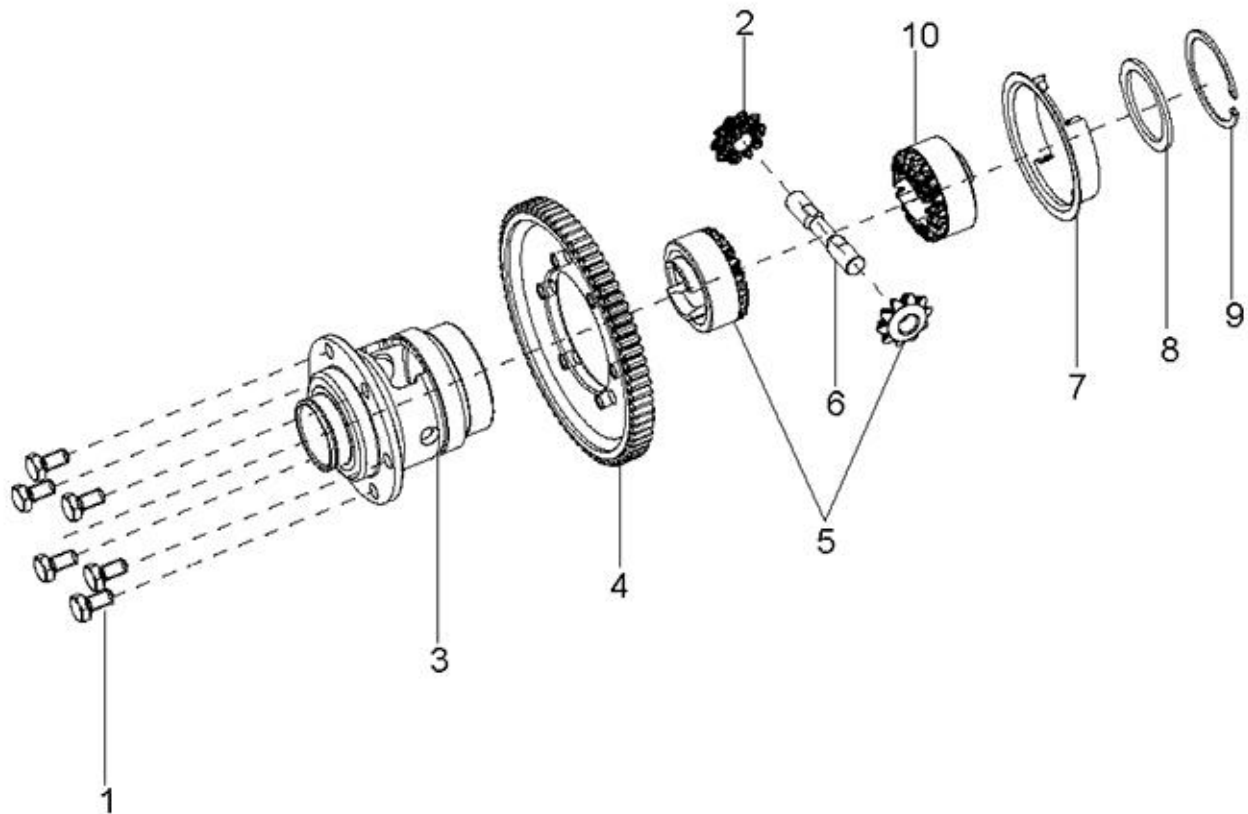
PLATE-4**OIL PUMP ASSEMBLY**

Fig. No.	Part No.	Description	Qty	Remarks
1	1A006877	OIL PUMP ASSY	1	
2	1A016737	FLANGED HEXAGONAL HEAD SCREW	2	
3	B015943	CRANKCASE/ OIL PUMP GASKET	1	
4	82635R	COMPLETE OIL FILTER	1	
5	1A009762	OIL FILTER SCREW	1	
6	B015598	OIL FILTER PLUG	1	
7	285536	O-RING GASKET 31.47X1.78	1	
8	1A007047	OIL DIPSTICK COMPLETE	1	
9	1A006812	COMPLETE INTAKE OIL FILTER	1	

Print Date: 07-Apr-2022

PLATE-5
COMPLETE DIFFERENTIAL GEAR





Print Date: 07-Apr-2022

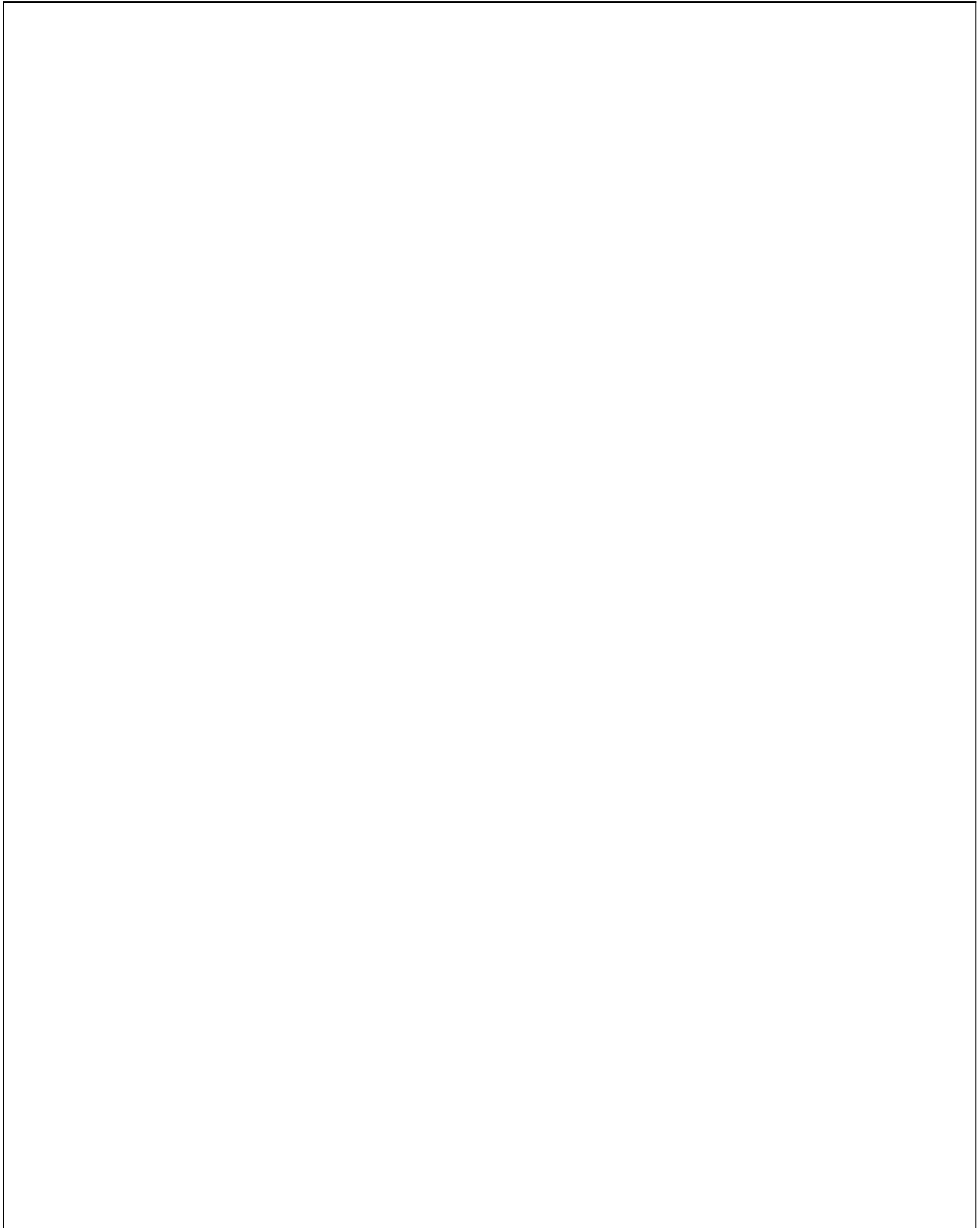
PLATE-5**COMPLETE DIFFERENTIAL GEAR**

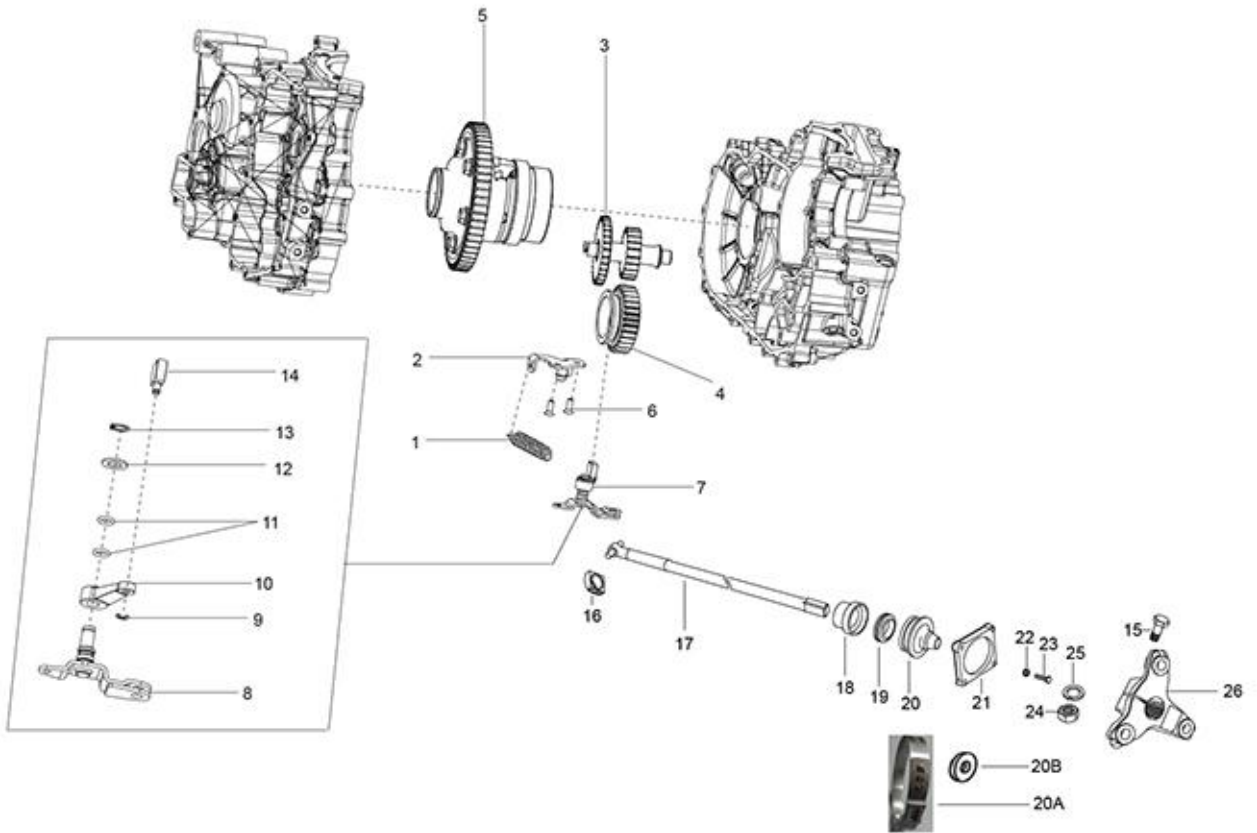
Fig. No.	Part No.	Description	Qty	Remarks
1	B016774	FLANGED HEXAGONAL SCREW M6X25	6	
2	940028	GEAR SUN AND DIFFERENTIAL GEAR	3	
3	288730	DIFFERENTIAL CAGE	1	
4	CM308302	DIFFERENTIAL CROWN	1	
5	940028	GEAR SUN AND DIFFERENTIAL GEAR	1	
6	132129	PIN	1	
7	132244	STOPPER THK=1.0	1	
8	220575	WASHER 65X3	1	
9	132134	CIRCLIP	2	
10	940028	GEAR SUN AND DIFFERENTIAL GEAR	2	

Print Date: 07-Apr-2022

PLATE-6

DIFFERENTIAL GEAR COVER WITH P.I.





Print Date: 07-Apr-2022

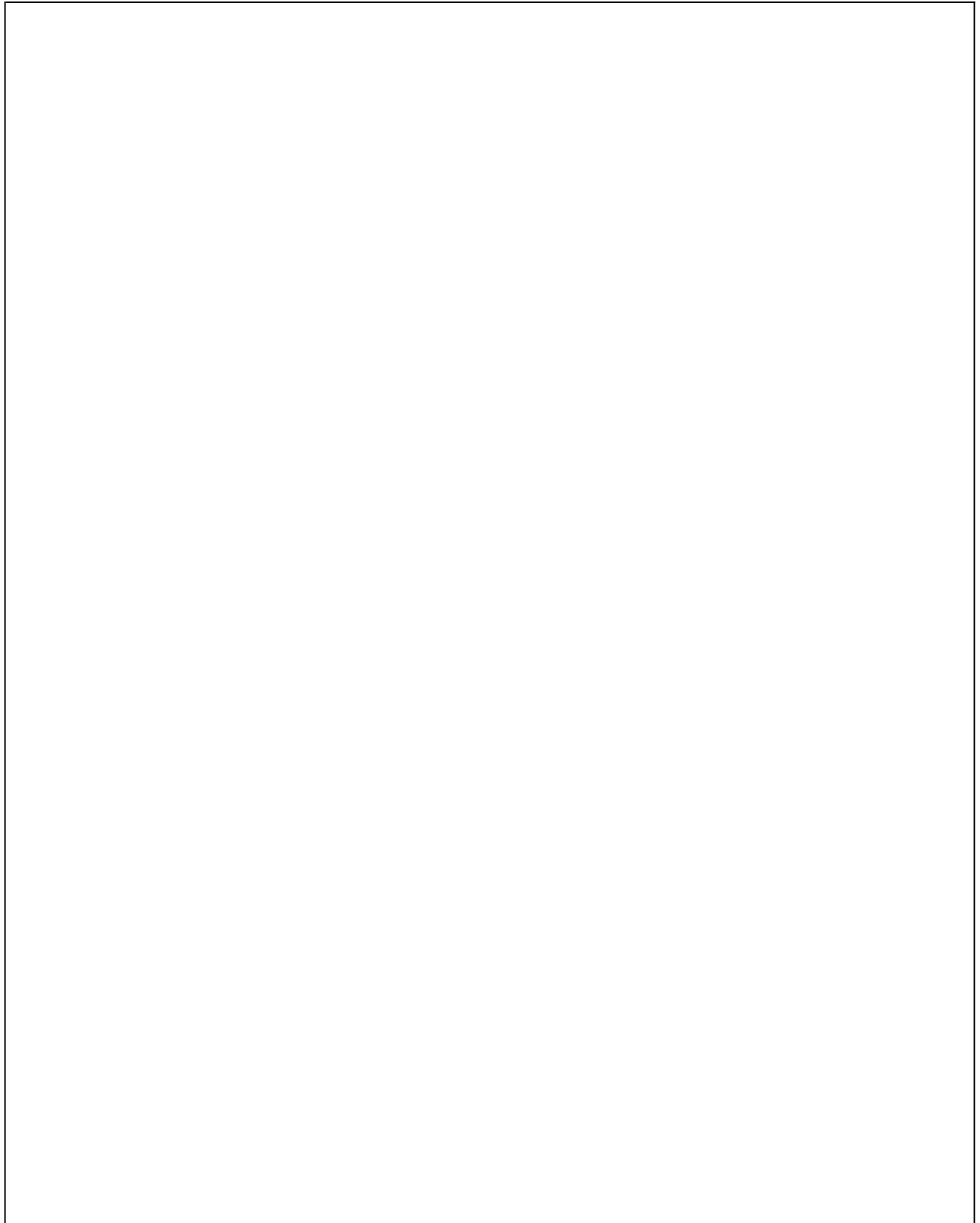
PLATE-6**DIFFERENTIAL GEAR COVER WITH P.I.**

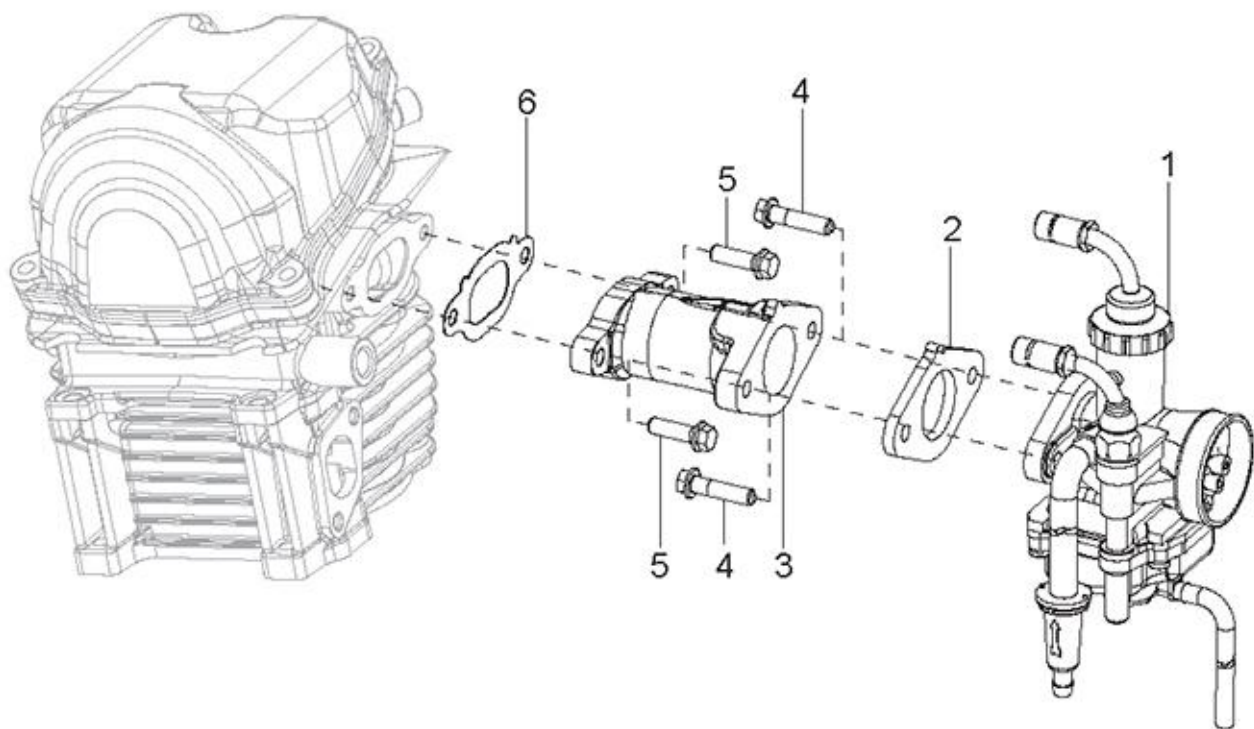
Fig. No.	Part No.	Description	Qty	Remarks
1	127111011	REVERSE GEAR SPRING	1	
2	1A008804	REVERSE CABLE REACTION BRACKET	1	
3	1A008547	REVERSE GEAR- CNG	1	
3	1A008547	REVERSE GEAR- CNG	1	
4	1A010632	SLIDING GEAR	1	common
5	SPCM308402	COMPLETE DIFFERENTIAL GEAR	1	
6	1A016964	CSK PHILIPS HEAD SCREW	1	
7	SP1A007579	COMPL. INVERTER LEVER SECTOR(BSIV)- SPD	1	
8	1A009093	INVERTER LEVER SECTOR WITH P.I.	1	
9	843000500	CIRCLIP DIA.5 (EXT) TYPE C	1	
10	1A007605	GEAR SHIFTER LEVER	1	
11	1A005176	O- RING	2	
12	1A007501	PLANE WASHER	1	
13	006410	CIRCLIP	1	
14	1A007051	SLIDER	1	
15	B024614	HEX HEAD BOLT M10X45 CL 10.9	2	
16	112867R	SLIDER BLOCK PROP. SHAFT	4	
17	B078401	PROPELLER SHAFT S/A - MID BODY	2	
18	113278	BRACKET RETAINER RING (41736)	2	
19	6C000312R	SEAL RING	2	
20	6C000016	BELLOW	2	
21	111356	COVER	2	
22	016406	SPRING WASHER	2	
23	31092	HEX. HD SCREW M6X25	2	
24	231370	SELF BREAKING NUT M10	2	
25	16410	SPRING WASHER	2	
26	111498	ELASTIC HUB	2	

Print Date: 07-Apr-2022

PLATE-7

INTAKE FITTING - CARBURETOR





Print Date: 07-Apr-2022

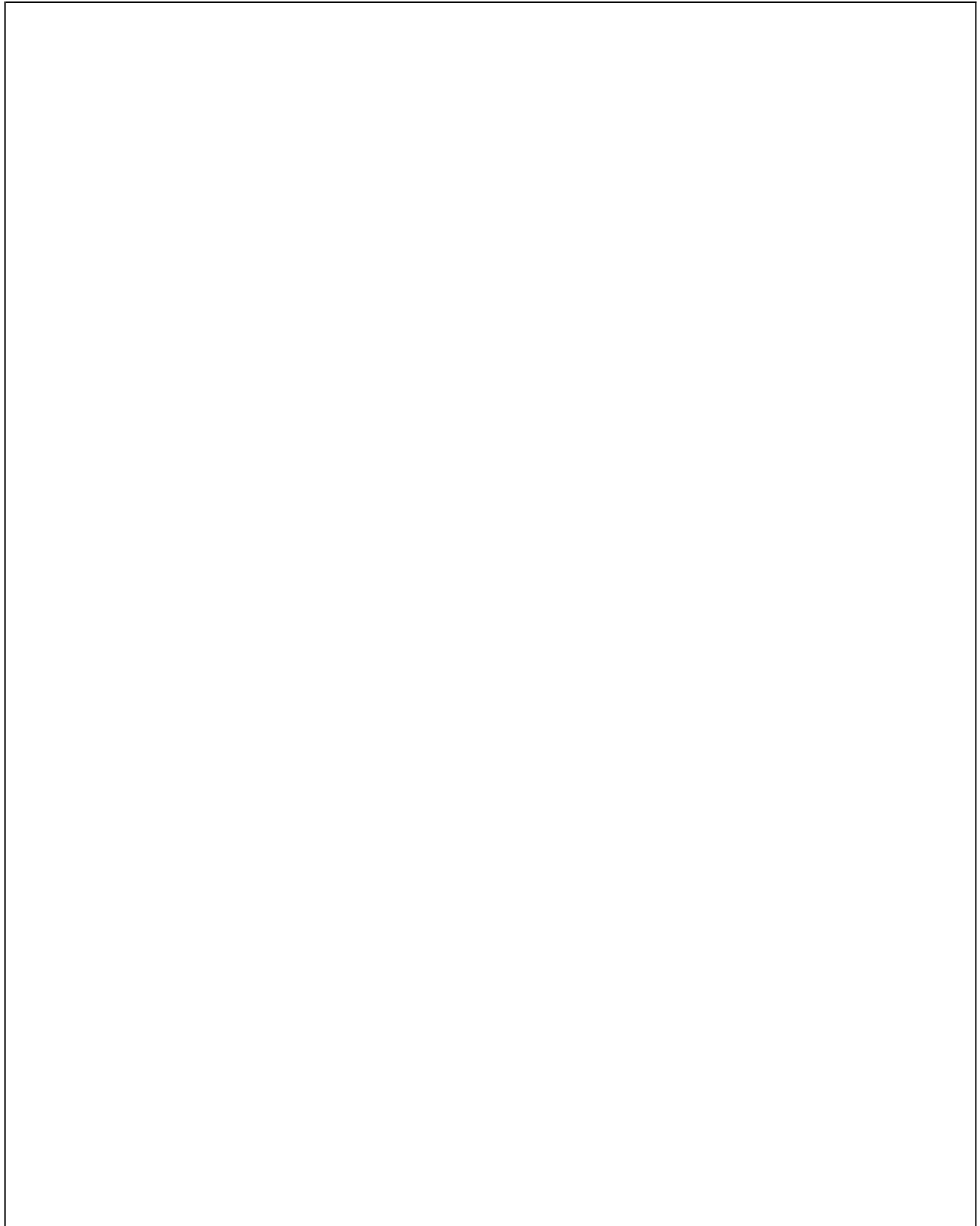
PLATE-7**INTAKE FITTING - CARBURETOR**

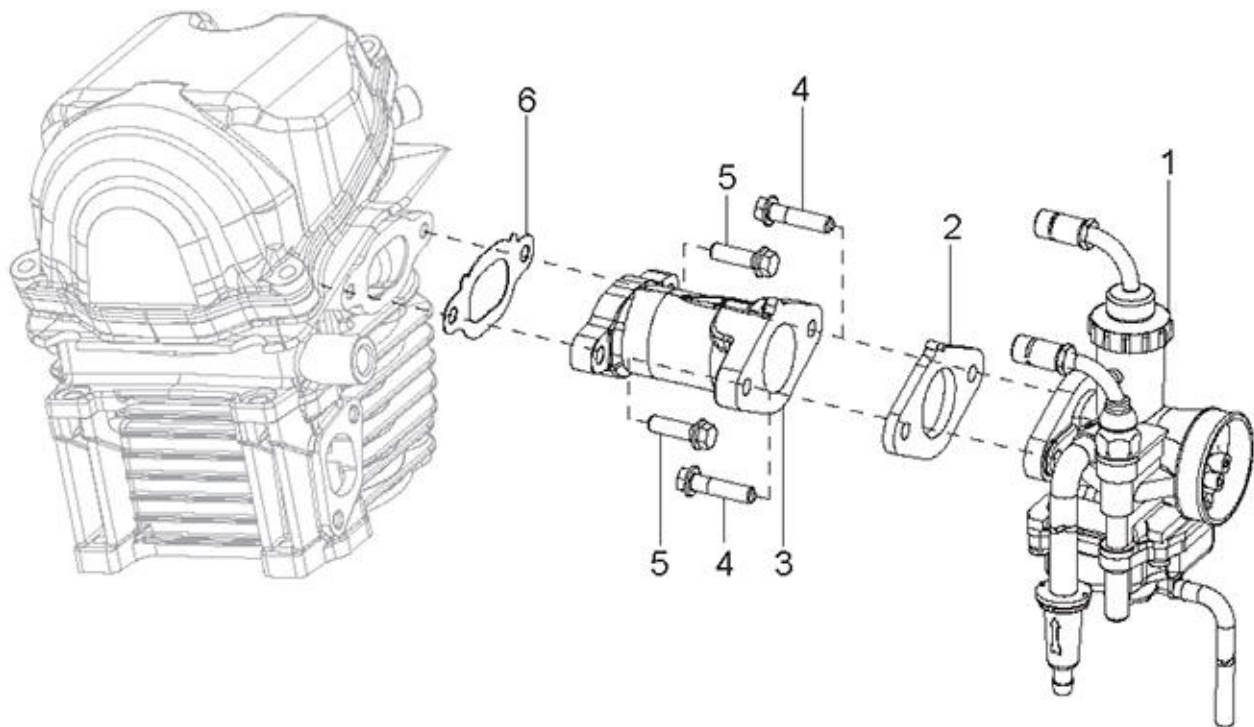
Fig. No.	Part No.	Description	Qty	Remarks
1	CM284102	CARBURETOR-PTL	1	PTL
1	CM166110	CARBURETTOR-LPG	1	LPG/Export-PTL
1	CM166103	CARBURETOR UVD 22-CNG	1	CNG
2	B015543	COMPLETE INTAKE FITTING SUPPORT	1	PTL
2	B016016	INTAKE FITTING GASKET WITH O-RING	1	CNG/LPG/Export-PTL
3	1A009632	INTAKE FITTING-PLT	1	
3	1A007409	INTAKE FITTING-LPG/CNG	1	
4	B016774	FLANGED HEXAGONAL SCREW M6X25	2	
5	018639	SCREW M6X20	2	
6	B018442	INTAKE FITTING GASKET	1	
7	1A010023	NEEDLE JET	1	PTL (NI)
8	1A010024	NEEDLE JET HOLDER	1	PTL (NI)
9	1A010025	PILOT SCREW	1	PTL (NI)
10	1A010026	PLANE WASHER	1	PTL (NI)
11	1A010088	MAXIMUM JET	1	PTL (NI)
12	1A010089	MINIMUM JET	1	PTL (NI)
13	1A010090	VALVE COMPLETE FLOAT	1	PTL (NI)
14	1A010091	COMPLETE FLOAT	1	PTL (NI)
15	1A010092	COMPLETE BODY FLOAT CHAMBER	1	PTL (NI)
16	1A010095	FLOAT CHAMBER GASKET	1	PTL (NI)
17	1A010096	SCREW DRAIN	1	PTL (NI)
18	1A010097	THROTTLE VALVE	1	PTL (NI)
19	1A010098	JET NEEDLE	1	PTL (NI)
20	1A010100	PISTON SPRING	1	PTL (NI)
21	1A010101	TOP COMPLETE-PTL	1	PTL (NI)
22	1A010102	STOP SCREW AND SPRING	1	PTL (NI)
23	1A011914	KIT STARTER DEVICE	1	PTL (NI)
24	1A015321	VALVE SEAT	1	LPG/Export-PTL
25	CM167710	MAXIMUM JET 77.5	1	LPG/Export-PTL
26	CM167804	PILOT JET	1	LPG/Export-PTL
27	CM263603	CONIC NEEDLE	1	Under Development
28	CM264702	KIT AIR SCREW	1	LPG/Export-PTL
29	1A000542	STARTER KIT	1	CNG/LPG/Export-PTL (NI), UCAL Make carburetor
30	B016822	FLOAT CHAMBER BODY ASSY KIT	1	CNG/LPG/Export-PTL (NI), UCAL Make carburetor
31	B016823	FLOAT	1	CNG/LPG/Export-PTL (NI)

Print Date: 07-Apr-2022

PLATE-7

INTAKE FITTING - CARBURETOR





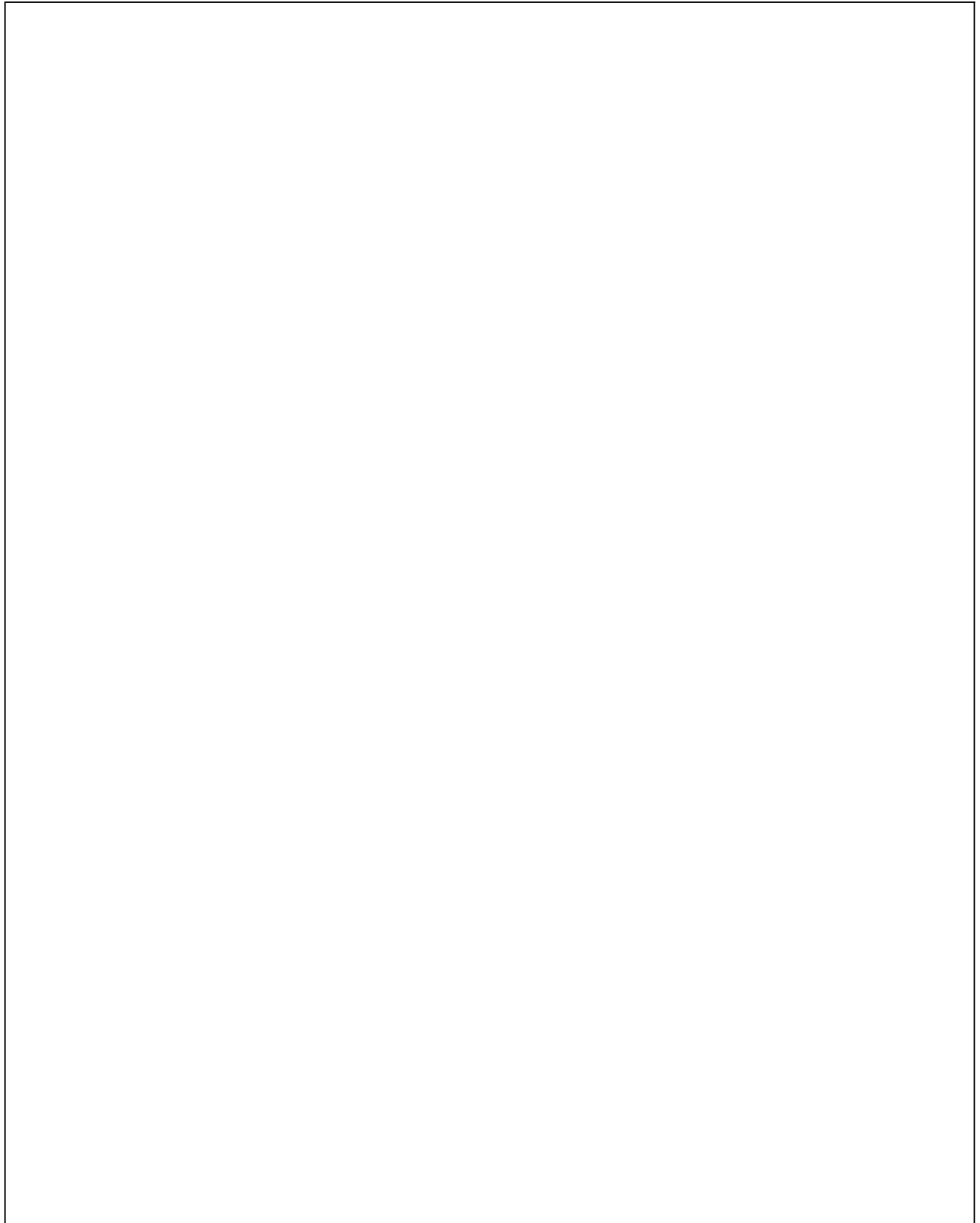
Print Date: 07-Apr-2022

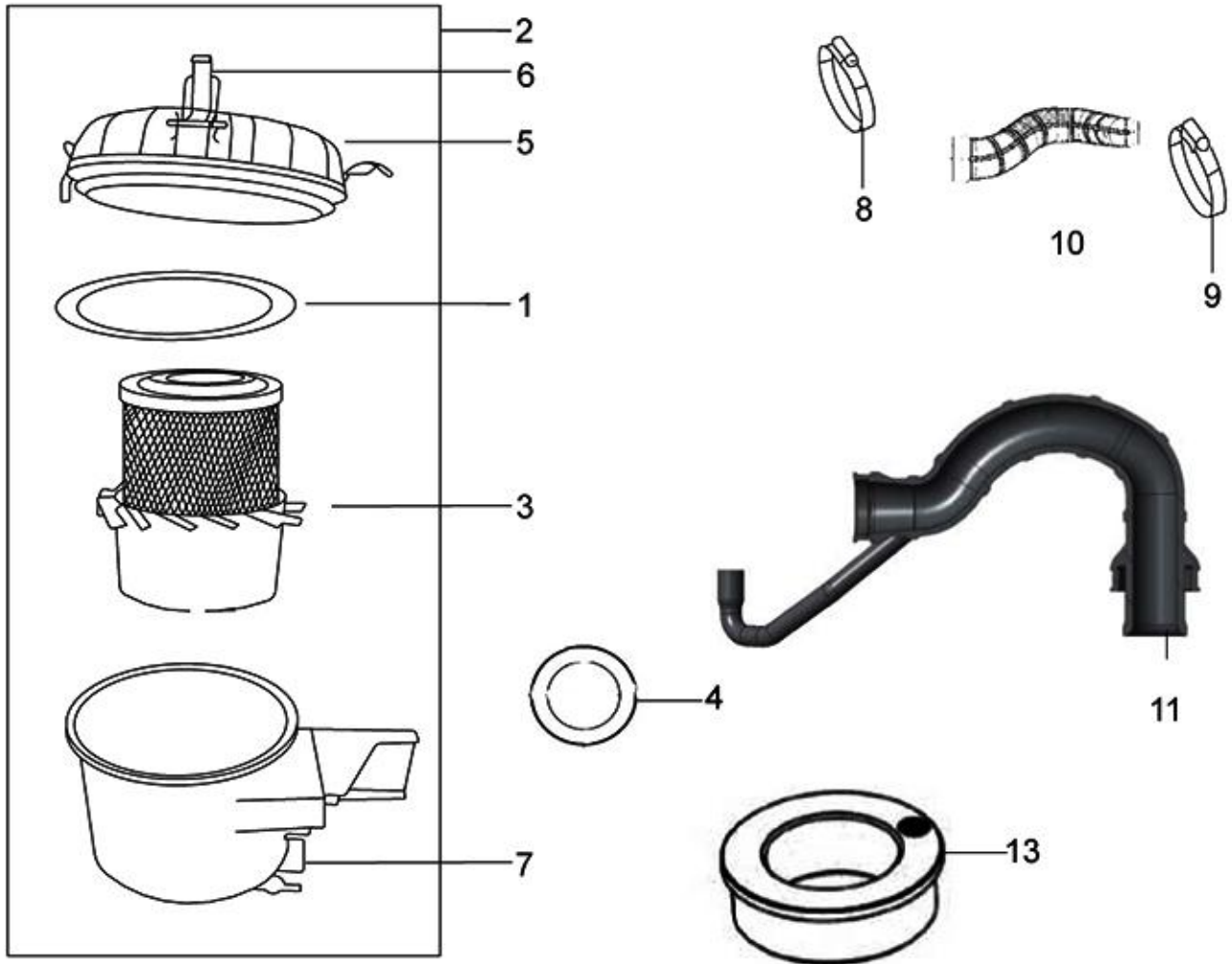
PLATE-7**INTAKE FITTING - CARBURETOR**

Fig. No.	Part No.	Description	Qty	Remarks
32	B016825	GAS VALVE COVER KIT	1	CNG/LPG/Export-PTL (NI), UCAL Make carburetor
33	B016827	THROTTLE VALVE	1	CNG/LPG/Export-PTL (NI)
34	B016828	IDLE ADJUSTER KIT	1	CNG/LPG/Export-PTL (NI), UCAL Make carburetor
35	B016829	SPRING (PV)	1	CNG/LPG/Export-PTL(NI)
36	B016834	FLOAT CHAMBER GASKET	1	CNG/LPG/Export-PTL (NI)
37	B016869	CABLE ADJUSTER KIT	2	CNG/LPG/Export-PTL (NI), UCAL Make carburetor
38	CM167902	DIFFUSER	1	CNG/LPG/Export-PTL (NI)
39	B016824	STARTER DEVICE KIT	1	CNG (NI), UCAL Make carburetor
40	B017542	NEEDLE VALVE	1	CNG (NI)
41	CM167704	MAIN JET (CNG)	1	CNG (NI)
42	CM167802	PILOT JET (CNG/LPG)	1	CNG (NI)
43	CM263502	NEEDLE JET (CNG)	1	CNG (NI)
44	CM263602	JET NEEDLE (PETROL)	1	CNG (NI)
45	CM264701	AIR SCREW KIT	1	CNG (NI)

Print Date: 07-Apr-2022

PLATE-8
AIR FILTER ASSEMBLY





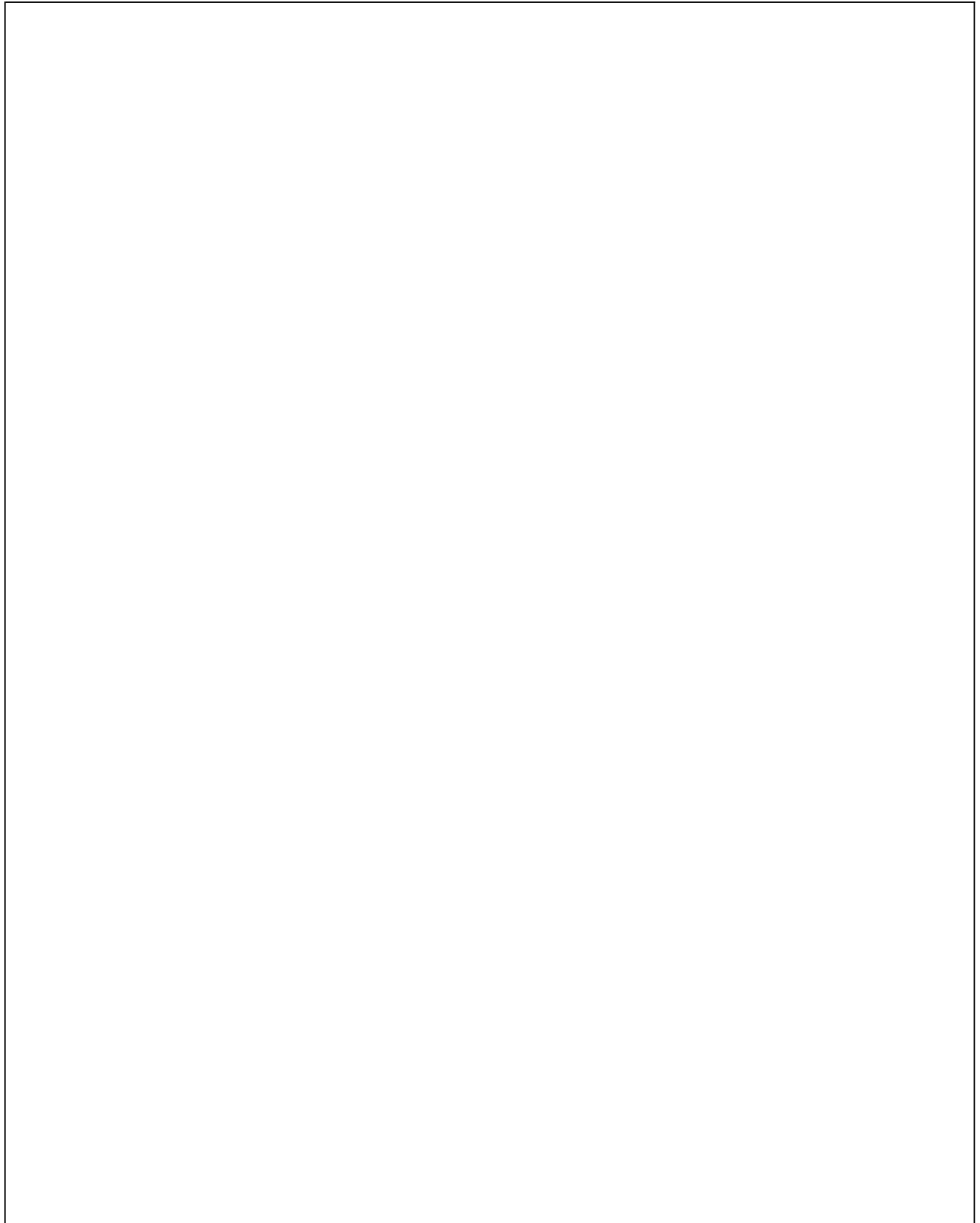
Print Date: 07-Apr-2022

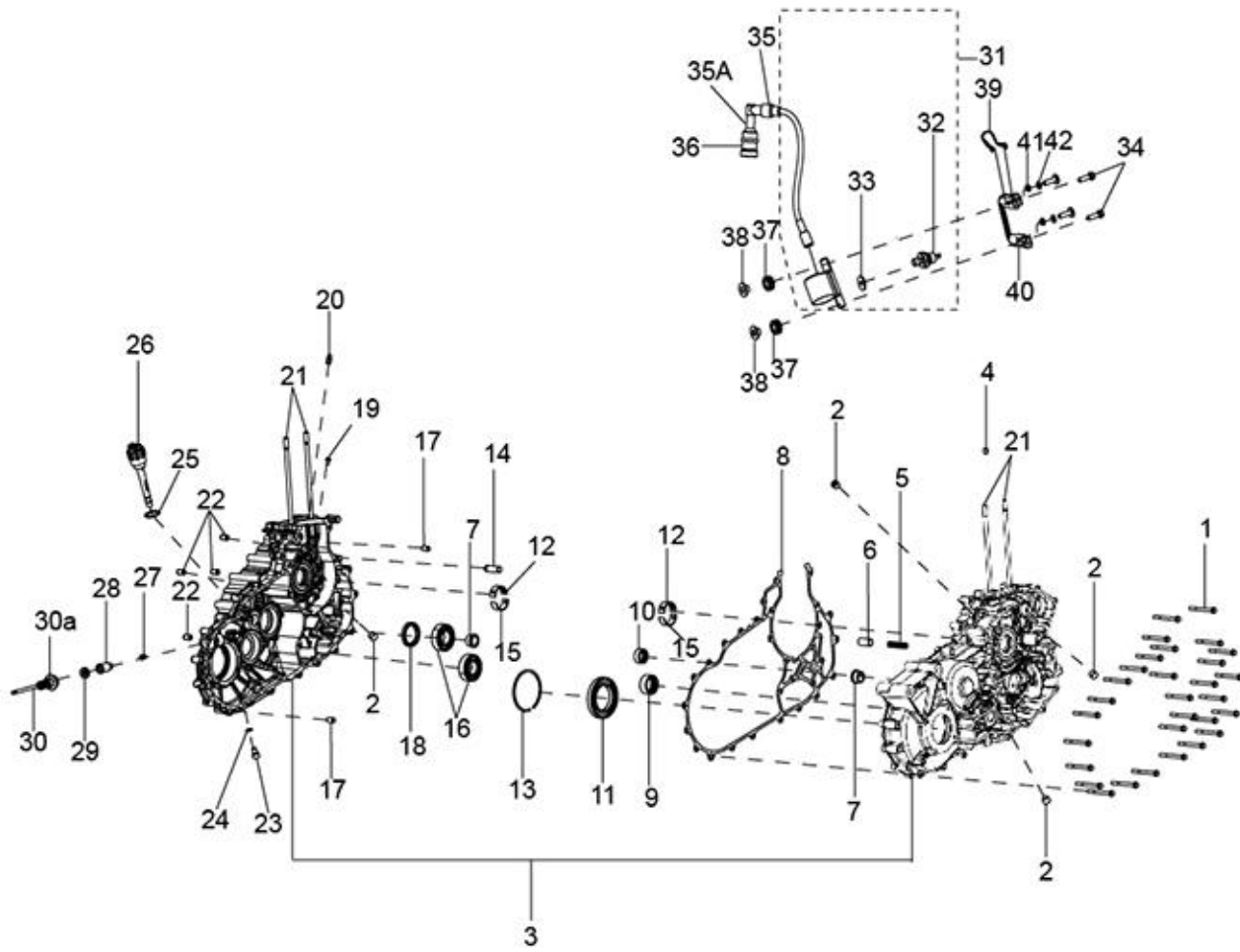
PLATE-8**AIR FILTER ASSEMBLY**

Fig. No.	Part No.	Description	Qty	Remarks
1	940072	AIR FILTER COVER GASKET	1	
2	B075972	AIR FILTER ASSLY. (WITH MTG. BKT.)- CNG	1	DOM -PTL/CNG
2	B075971	AIR FILTER ASSLY. (WITH MTG. BKT.)- LPG	1	LPG
2	6A000653	AIR FILTER ASSLY. WITH MTG. BKT.	1	EXPT-PTL
2	B073441	AIR FILTER ASSLY.W/O BKT	1	COMMON
3	B076112	AIR FILTER ELEMENT	1	
4	CM303504	DAMPING RING	1	PTL
4	1A009641	DAMPING RING	1	CNG/LPG
5	940069	AIR FILTER COVER-(UG)	1	
6	920088	CLAMP	3	
7	940071	DUST VALVE	1	
8	604553	WORM CLIP	1	
9	1A007152	HOSE CLAMP	1	
10	1A011716	SNORKEL AIRBOX	1	Common
11	1A014489	CARBURATOR /AIR BOX COUPLING	1	PTL -DOM
11	1A007773	CARBURATOR /AIR BOX COUPLING	1	CNG/LPG
11	1A009554	CARBURATOR /AIR BOX COUPLING	1	PTL -EXPORT
12	6A000574	AIR RESTRICTOR	1	LPG
13	B041090	RESTRATOR FOR AIR FILTER-SNORKEL LPG	1	LPG-for Assly B075971
13	B041089	RESTRATOR FOR AIR FILTER-SNORKEL CNG	1	PTL/CNG-for Assly B075972

Print Date: 07-Apr-2022

PLATE-9
COMPLETE CRANKCASE





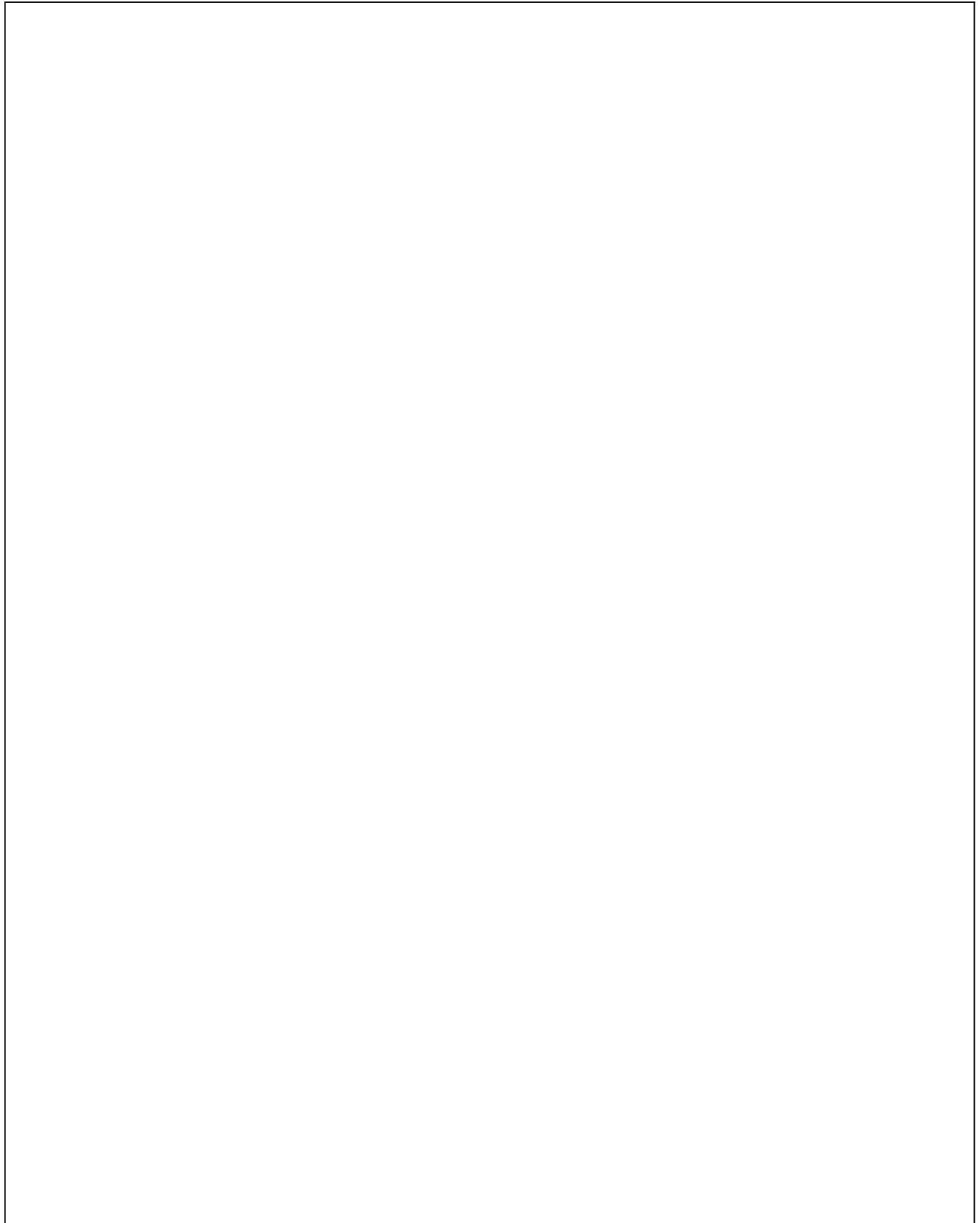
Print Date: 07-Apr-2022

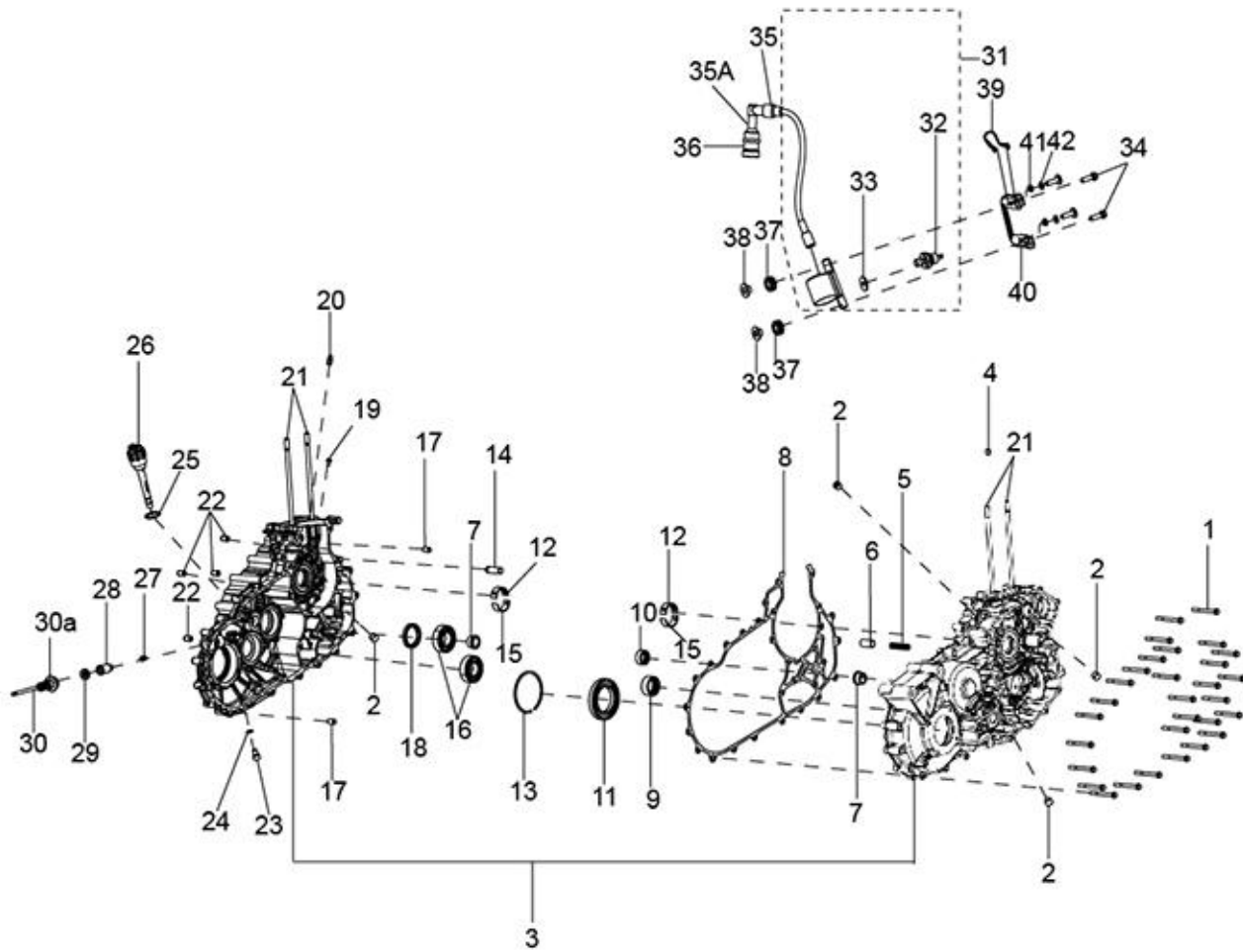
PLATE-9
COMPLETE CRANKCASE

Fig. No.	Part No.	Description	Qty	Remarks
1	432142	HEXAGONAL RANGE HEAD SCREW (M6X35)	30	
2	1A011246	TAPER THREAD PLUG	4	
3	SP1A007046	COMPLETE CRANKCASE- SPD	1	
4	1A007774	DOWEL	1	
5	485655	SPRING FOR OIL PRESSURE VALVE	1	
6	829661	OIL PRES.VALVE	1	
7	B042486	BUSH	2	
8	1A006856	HALF-CRANKCASES GASKET	1	
9	1A007028	ROLLER BEARING	1	
10	884222808	NEEDLE BUSH 22X28X12	1	
11	7066R	RADIAL BALL BEARING	1	
12	1A007663R	CRANKSHAFT STUB UPPER HALF BEARING	2	Service under set KIT95007R&7B
13	111353	CIRCLIP	1	
14	878941	CONNECTION PIPE	1	
15	1A007664R	CRANKSHAFT STUB LOWER HALF BEARING	2	Service under set KIT95007R&7B
16	1A007026	BALL BEARING	2	
17	B015592	REFERENCE DOWEL (D.9,5 H=15)	2	
18	1A002685	SEAL RING 35X47X6	1	
19	1A000612	RETAINER SCREW - PRE COATED	1	
20	1A008823	PISTON COOLING JET	1	
21	B014755	STUD SCREW	4	
22	1A000708	DOWEL (Ø7,5, H=12)	4	
23	269755	SOCKET HEAD SCREW (M8X12)	1	
24	485703	WASHER	1	
25	127016015	DIPSTICK SEALING WASHER	1	
26	112898	OIL LEVEL ARM WITH PLUG	1	Old
26	1A007047	OIL DIPSTICK COMPLETE	1	New aluminium clutch
27	165121014	PIN	1	
28	117401	BUSH	1	
29	117402	OIL SEAL	1	
30	1A010720	SPEEDOMETER GEAR	1	
30A	1A008559	BUSH (SPEEDOMETER GEAR)	1	
31	1A001794	COMPLETE H.T.COIL	1	
32	1D001138	MINIMUM PRESSURE OIL SWITCH	1	
33	1A011500	WASHER	1	

Print Date: 07-Apr-2022

PLATE-9
COMPLETE CRANKCASE





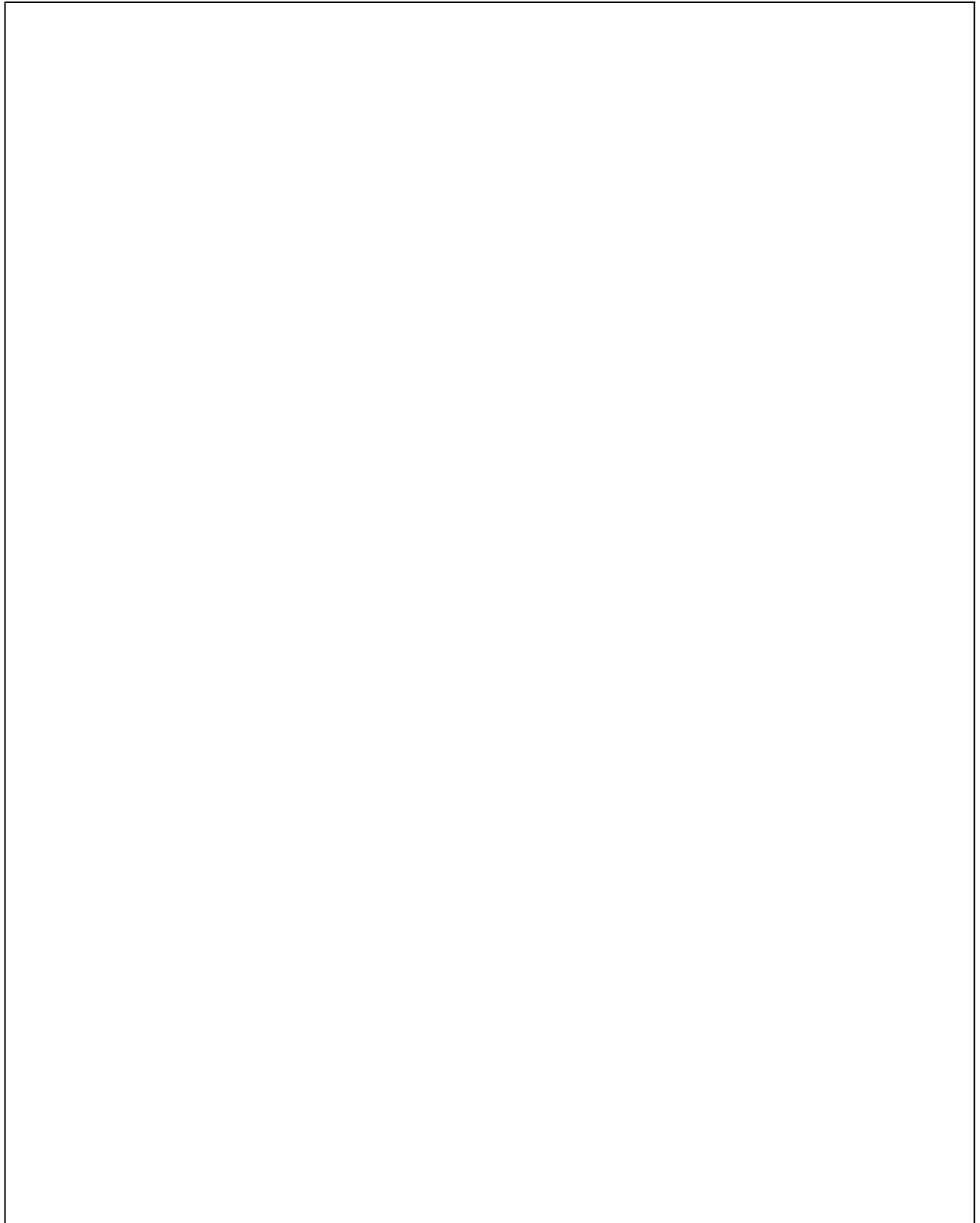
Print Date: 07-Apr-2022

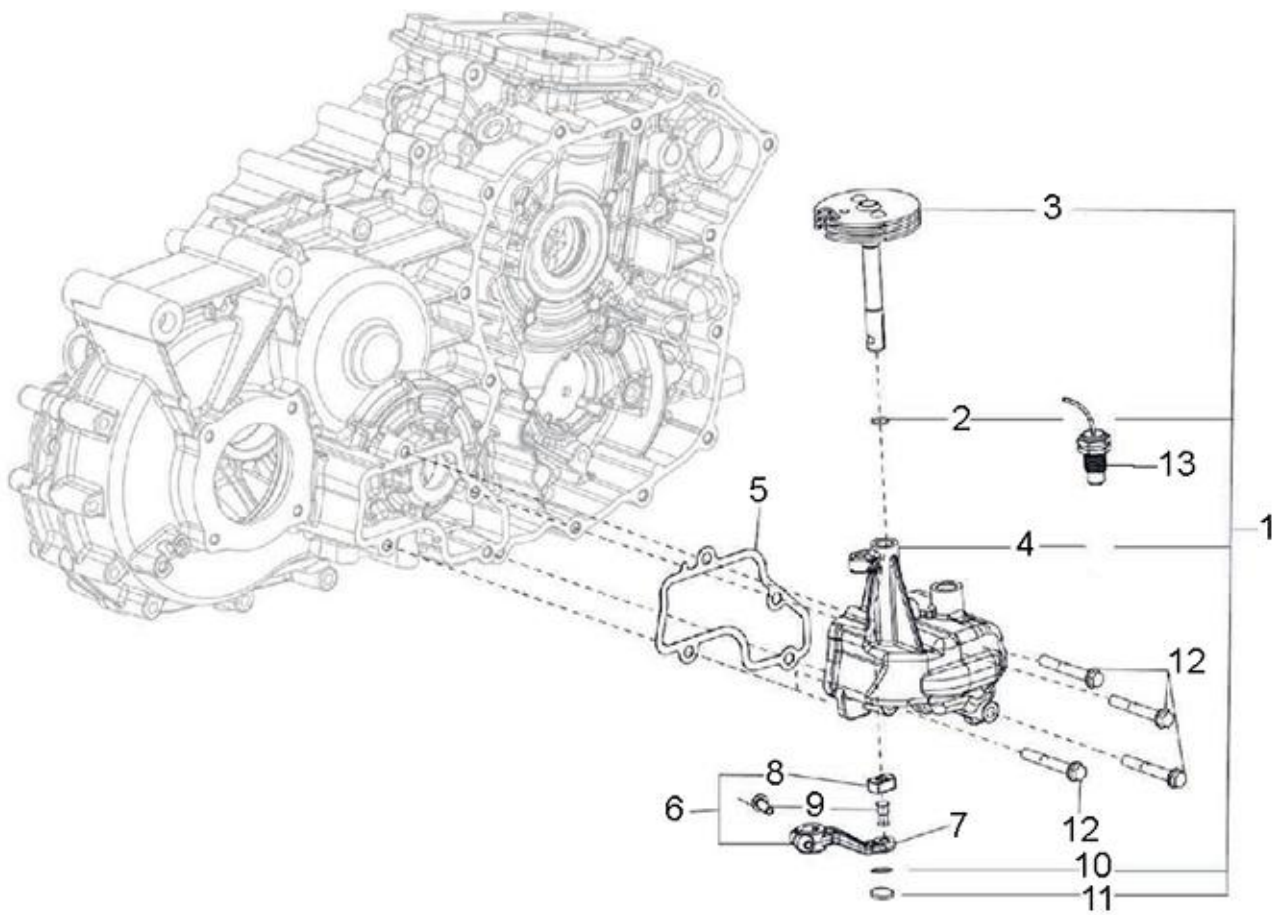
PLATE-9
COMPLETE CRANKCASE

Fig. No.	Part No.	Description	Qty	Remarks
34	018639	SCREW M6X20	2	
35	642537	PROTECTION CAP	1	
35A	643149	SPARK PLUG CAP	1	
36	1A001795	SPARK PLUG PROTECTION COLLAR	1	
37	B014063	BUFFER DAMPER	2	
38	B014066	SPACER	2	
39	643156	GROUND WIRE	1	
40	B016552	COIL SUPPORT BRACKET WITH I.P.	1	
41	872816	FLANGED NUT	2	
42	013880	PLAIN WASHER	2	
43	KIT95104R	ENGINE GASKET SET APECITY 230 CC AF	1	NI
44	KIT95105R	ENG.OIL SEAL SET APECITY-STEP-2 AND 230CC AF	1	NI

Print Date: 07-Apr-2022

PLATE-10
GEAR SHIFTER AND CONTROL MECHANISM





Print Date: 07-Apr-2022

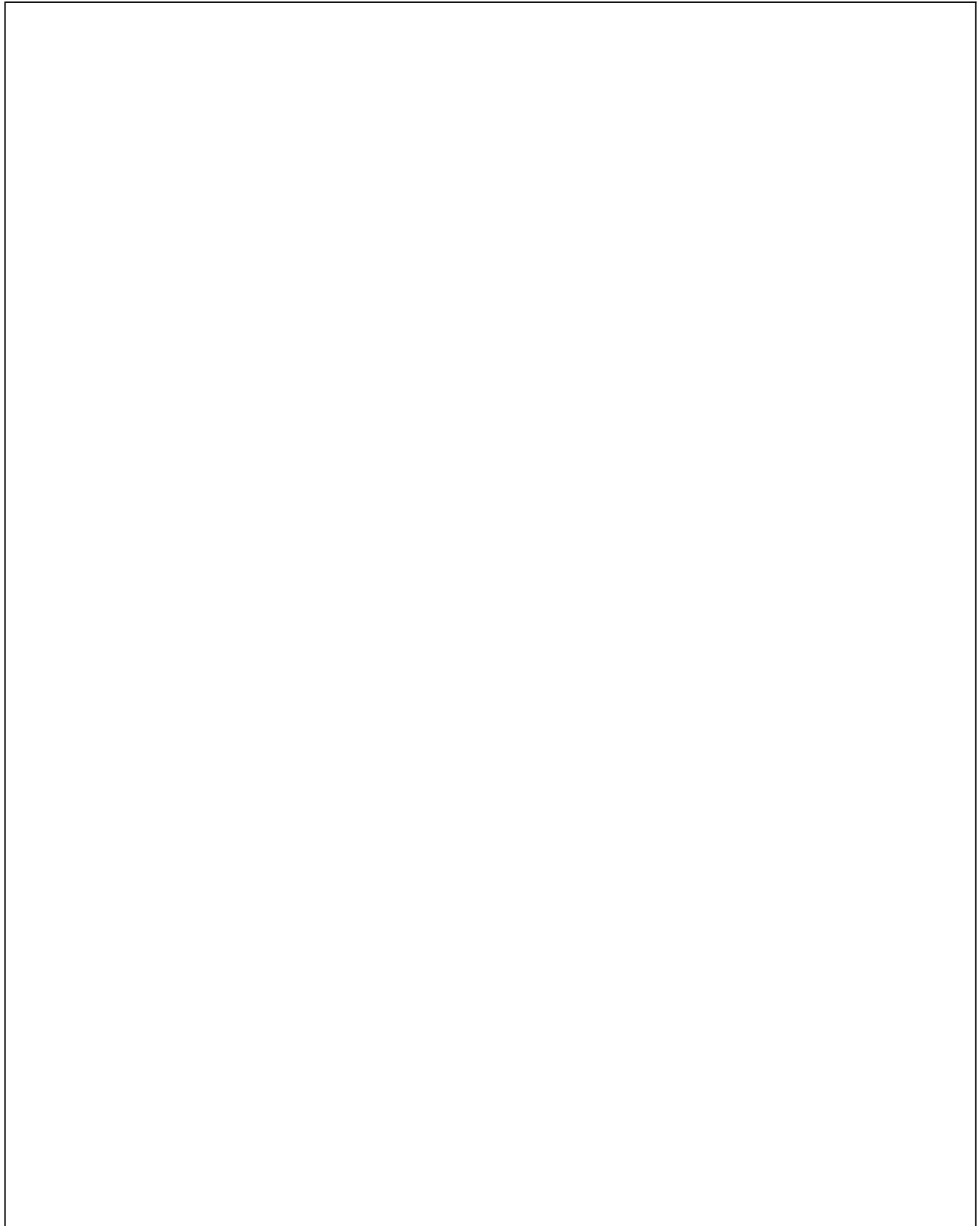
PLATE-10**GEAR SHIFTER AND CONTROL MECHANISM**

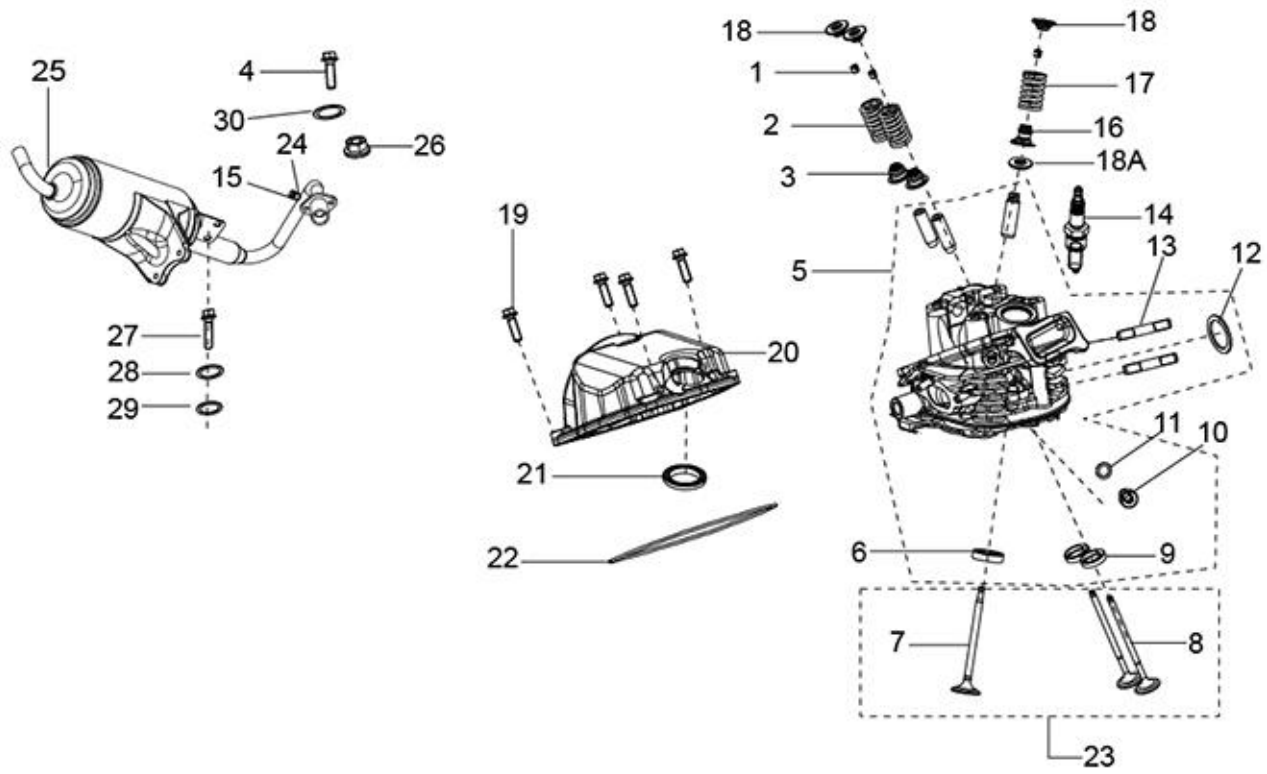
Fig. No.	Part No.	Description	Qty	Remarks
1	SP1A011650	COMPLETE GEAR SHIFTER ASSY	1	
2	1A005178	O- RING	1	
3	1A010035	COMPLETE SECTOR WITH SHAFT	1	
4	1A012182	GEAR SHIFTER HOUSING	1	
5	1A012334	GASKET GEAR SHIFTER HOUSING	1	
6	SP1A007579	COMPL. INVERTER LEVER SECTOR(BSIV)- SPD	1	
7	1A012039	GEAR SHIFT LEVER	1	
8	1A010187	SLIDER BLOCK	1	
9	1A012011	PIN	1	
10	009101	SEEGER RING	1	
11	1A006701	LOCK WASHER	1	
12	1A003060	FLANGED HEX. HEAD SCREW M6X45	4	
13	1A010016	NEUTRAL SWITCH	1	

Print Date: 07-Apr-2022

PLATE-11

CYLINDER HEAD WITH I.P.





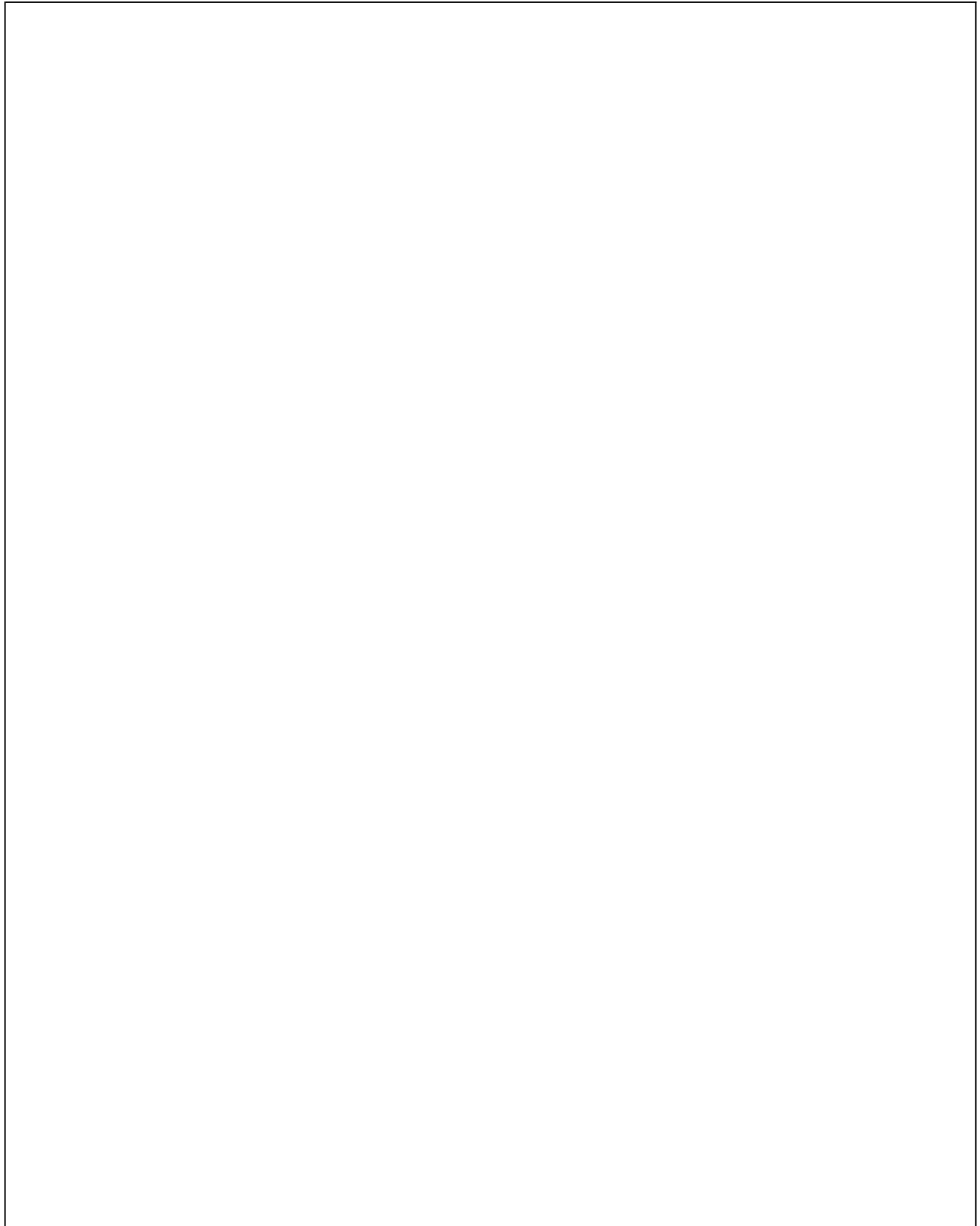
Print Date: 07-Apr-2022

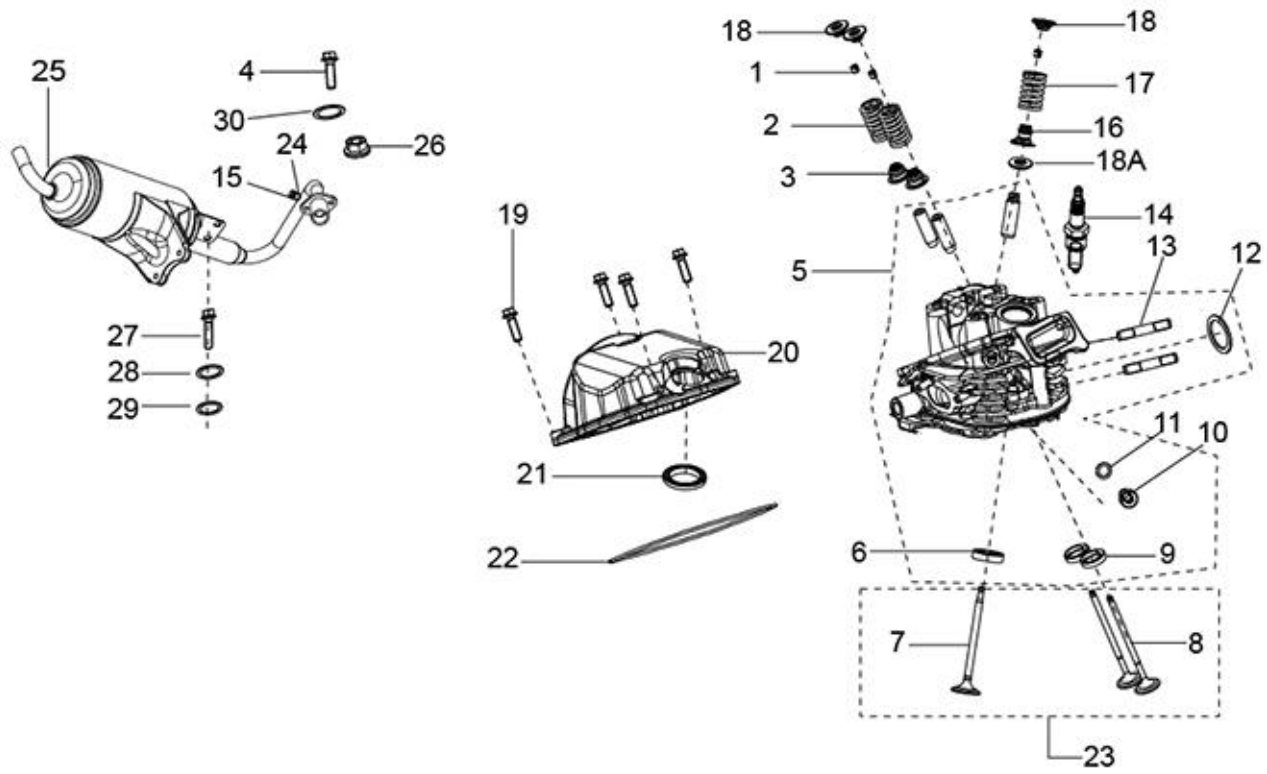
PLATE-11
CYLINDER HEAD WITH I.P.

Fig. No.	Part No.	Description	Qty	Remarks
1	B015288	HALF-CONE	3	
2	B014706	VALVE SPRING (INTAKE)	2	
3	843307	VALVE SEAL RING	2	
4	31089	HEX HEAD SCREW M6X18 CL 8.8	2	
5	SP1A012928	CYLINDER HEAD ASSY	1	
6	B017336	EXHAUST VALVE SEAT	1	
7	B017438	EXHAUST VALVE Ø22	1	
8	B014684	INTAKE VALVE Ø20	2	
9	B017230	INTAKE VALVE SEAT	2	
10	269755	SOCKET HEAD SCREW (M8X12)	1	
11	485703	WASHER	1	
12	434716	CYLINDER HEAD/MUFFLER GASKET	1	
13	B016368	SPECIAL STUD	2	
14	643367	SPARK PLUG	1	
15	433122	SCREW M10X6	1	muffler FIX. PLUG SOCKET CO
16	83054R	VALVE SEAL RING	1	
17	B014705	VALVE SPRING (EXHAUST)	1	
18	B017456	UPPER CUP	3	
18A	483711	LOWER CUP	1	
19	1A002691	FLANGED HEX HEAD SCREW M6X20 CL10	4	
20	1A006545	HEAD COVER	1	
21	B014732	SPARK PLUG HOLE GASKET	1	
22	B018533	CYLINDER HEAD COVER GASKET	1	
23	KIT1U000020	SET OF VALVES	1	
24	6195	WASHER	1	muffler FIX. PLUG SOCKET CO
25	1A015723R	COMPLETE MUFFLER-CNG	1	CNG
25	1A015696	COMPLETE MUFFLER-PTL	1	Domestic-PTL
25	1A009125	COMPLETE MUFFLER-LPG	1	LPG
25	1A021199	COMPLETE MUFFLER-PTL	1	Export-PTL
25	1A021042	COMPLETE MUFFLER	1	PTL -EXPORT
26	436947	FLANGED NUT M7X1 H=8	2	
27	30074	HEX HEAD BOLT M8 X 40 CL 8.8	2	
28	016408	SPRING WASHER	2	
29	3056	PLAIN WASHER M6 OD12	2	
30	016406	SPRING WASHER	2	

Print Date: 07-Apr-2022

PLATE-11
CYLINDER HEAD WITH I.P.





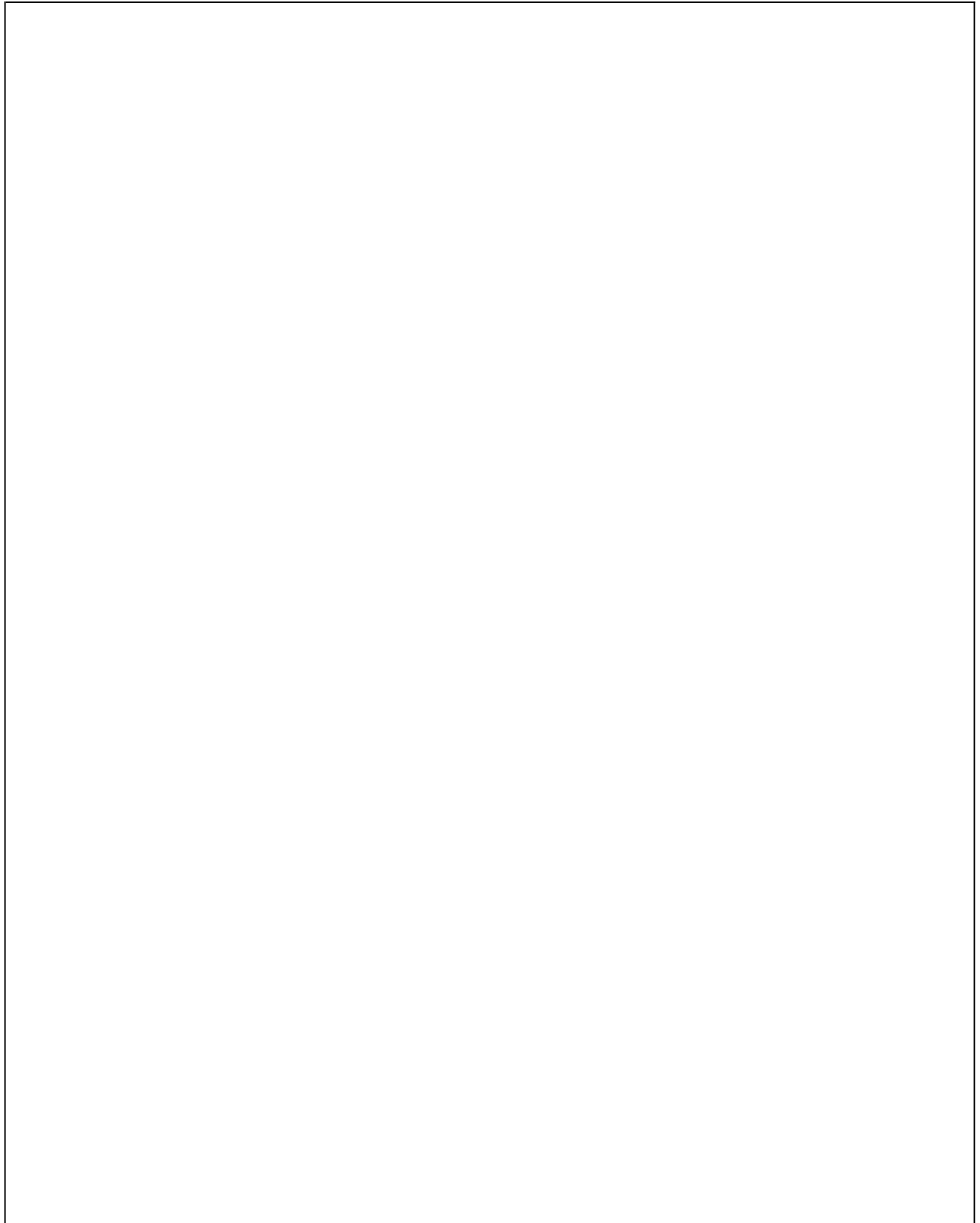
Print Date: 07-Apr-2022

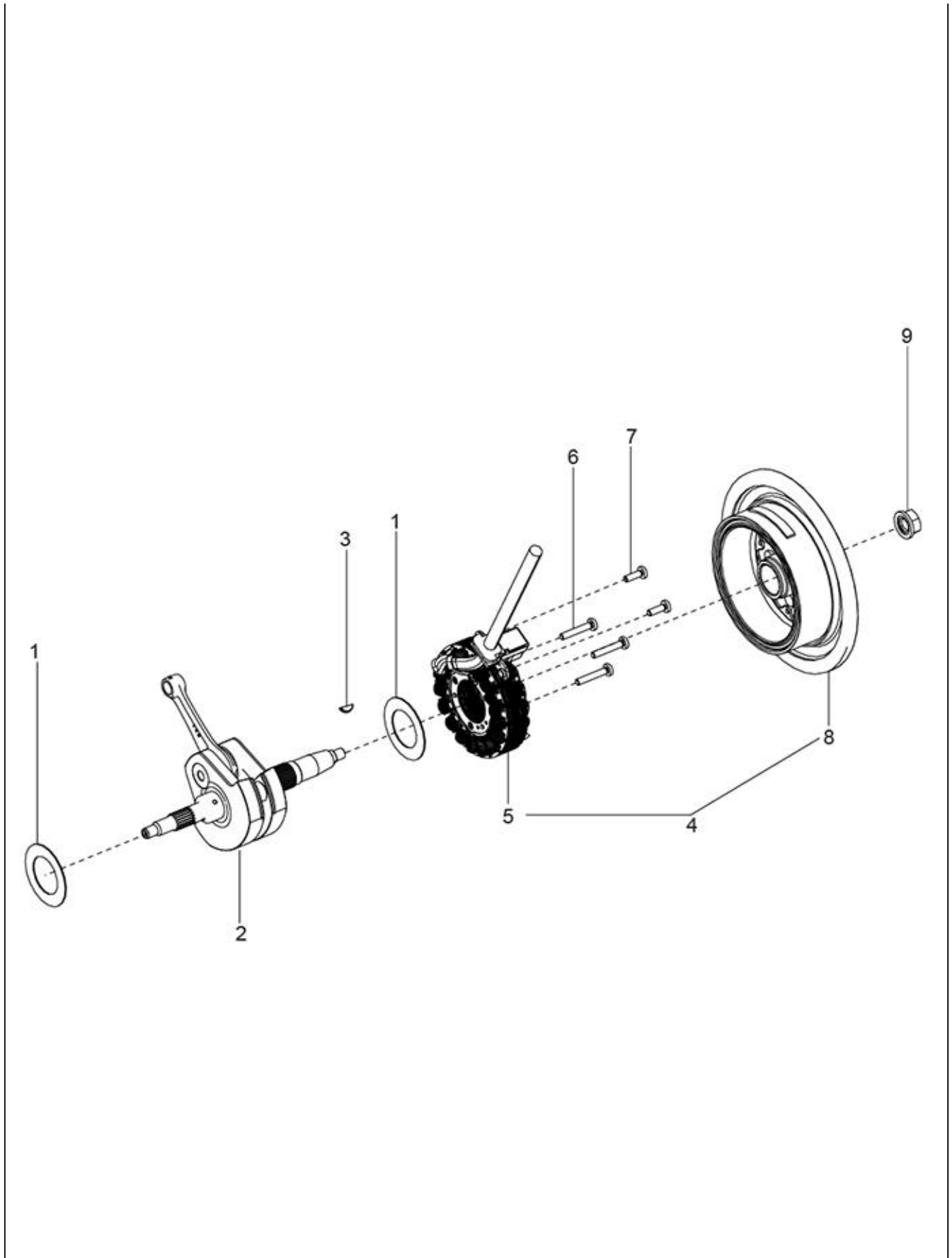
PLATE-11**CYLINDER HEAD WITH I.P.**

Fig. No.	Part No.	Description	Qty	Remarks
31	KIT95011R	VALVE SEAL RING SET	1	NI (Consists Of Sr.NO.-3&16)
32	1A020581	PLAIN WASHER	1	NI,muffler FIX. PLUG SOCKET CO
33	1A020579	THREADED BUSH	1	NI,muffler FIX. PLUG SOCKET CO

Print Date: 07-Apr-2022

PLATE-12
CRANKSHAFT ASSEMBLY





Print Date: 07-Apr-2022

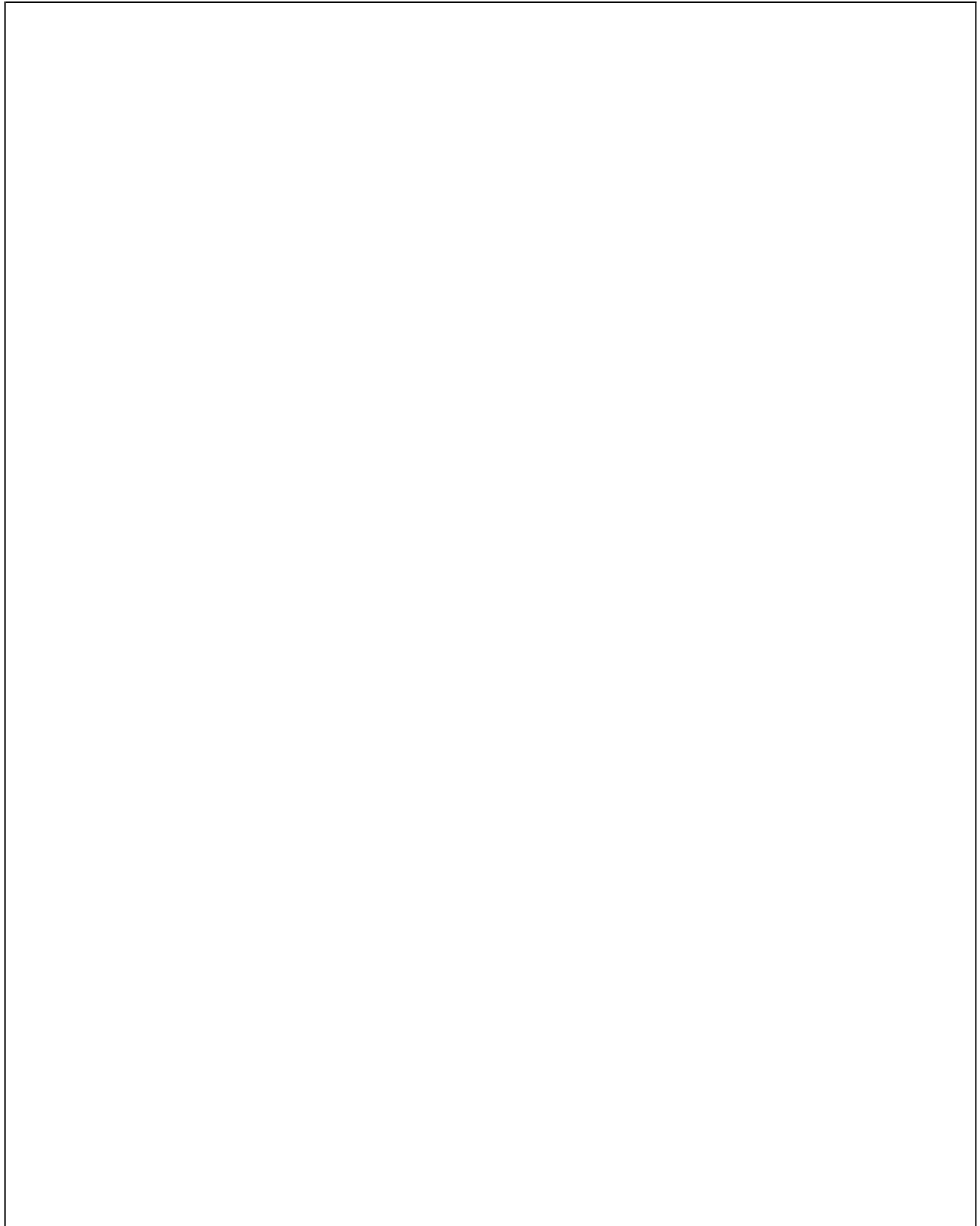
PLATE-12
CRANKSHAFT ASSEMBLY

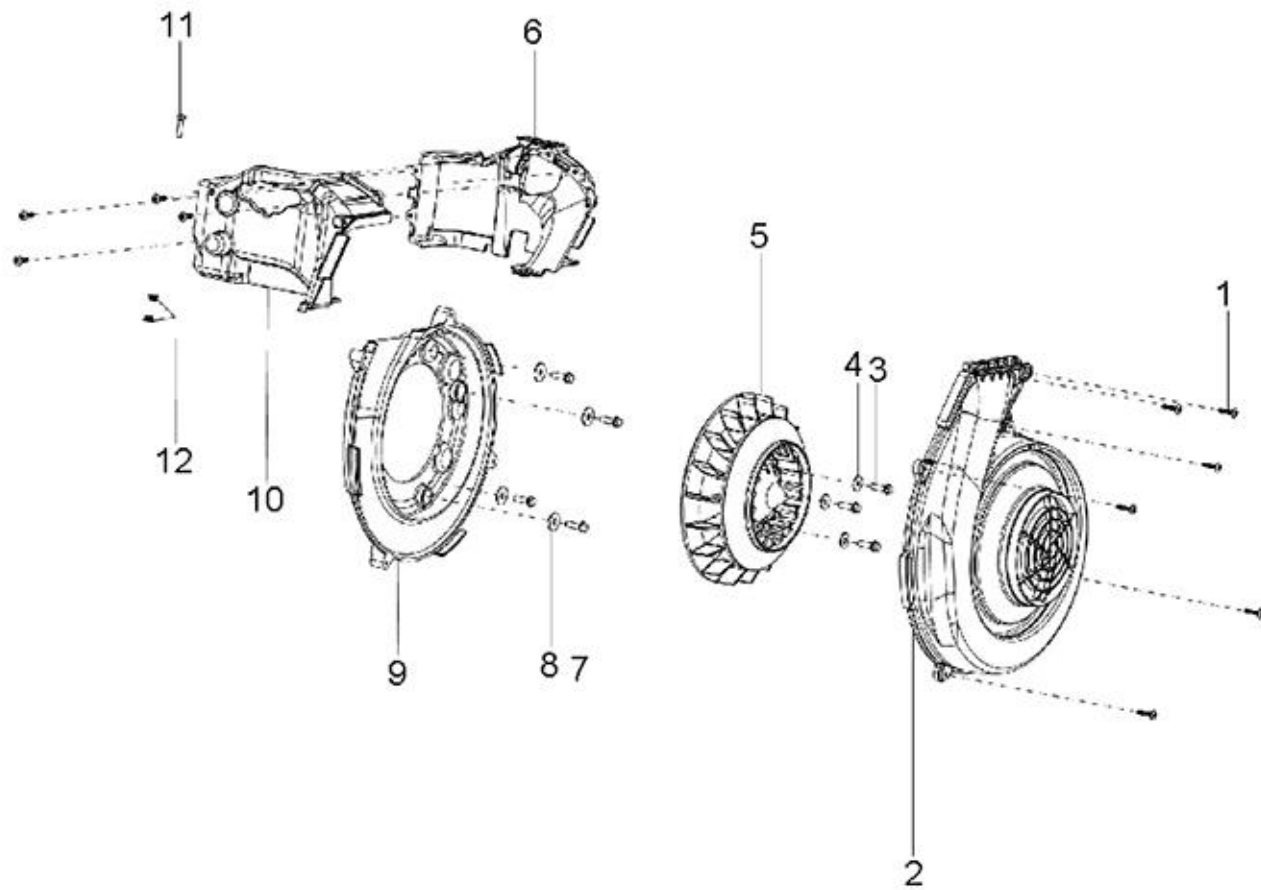
Fig. No.	Part No.	Description	Qty	Remarks
1	B016144	WASHER	2	
2	1A011066	CRANKSHAFT ASSEMBLY	1	
3	000267	WOODRUFF KEY	1	
4	1D001847	COMPLETE A.C.GENERATOR	1	
5	1D001846	COMPLETE STATOR	1	NS-Order on modi.assy.P/N.SP1A017997 INA
6	1A013159	TORX HEAD SCREW M5X22	3	
7	1A001073	TORX HEAD SCREW M5X16	2	
8	1A008672	ROTAR ASSY WITH HUB	1	
9	1A006988	NUT WITH SPRING WASHER	1	

Print Date: 07-Apr-2022

PLATE-13

AIRCOOLING CIRCUIT COMPONENTS





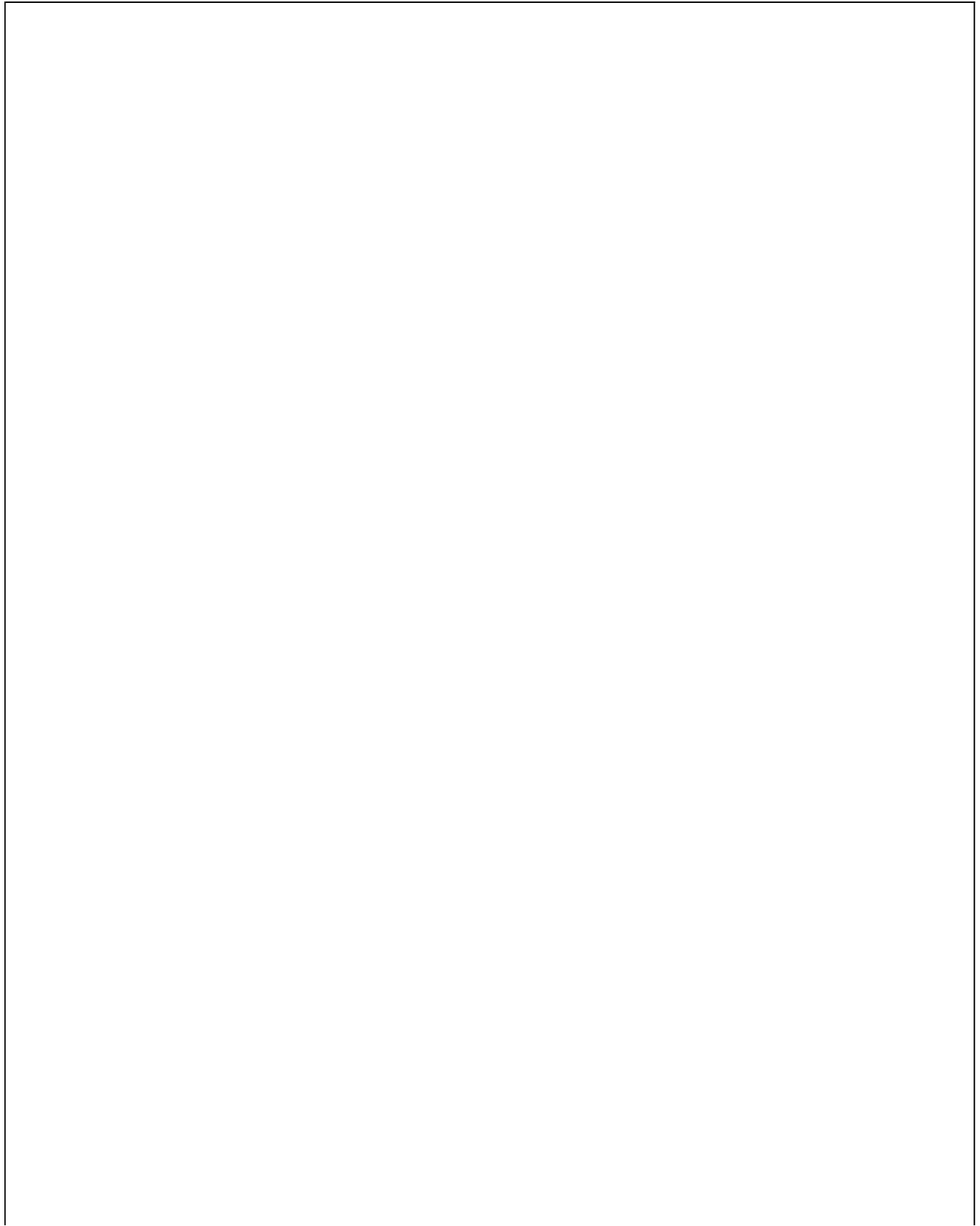
Print Date: 07-Apr-2022

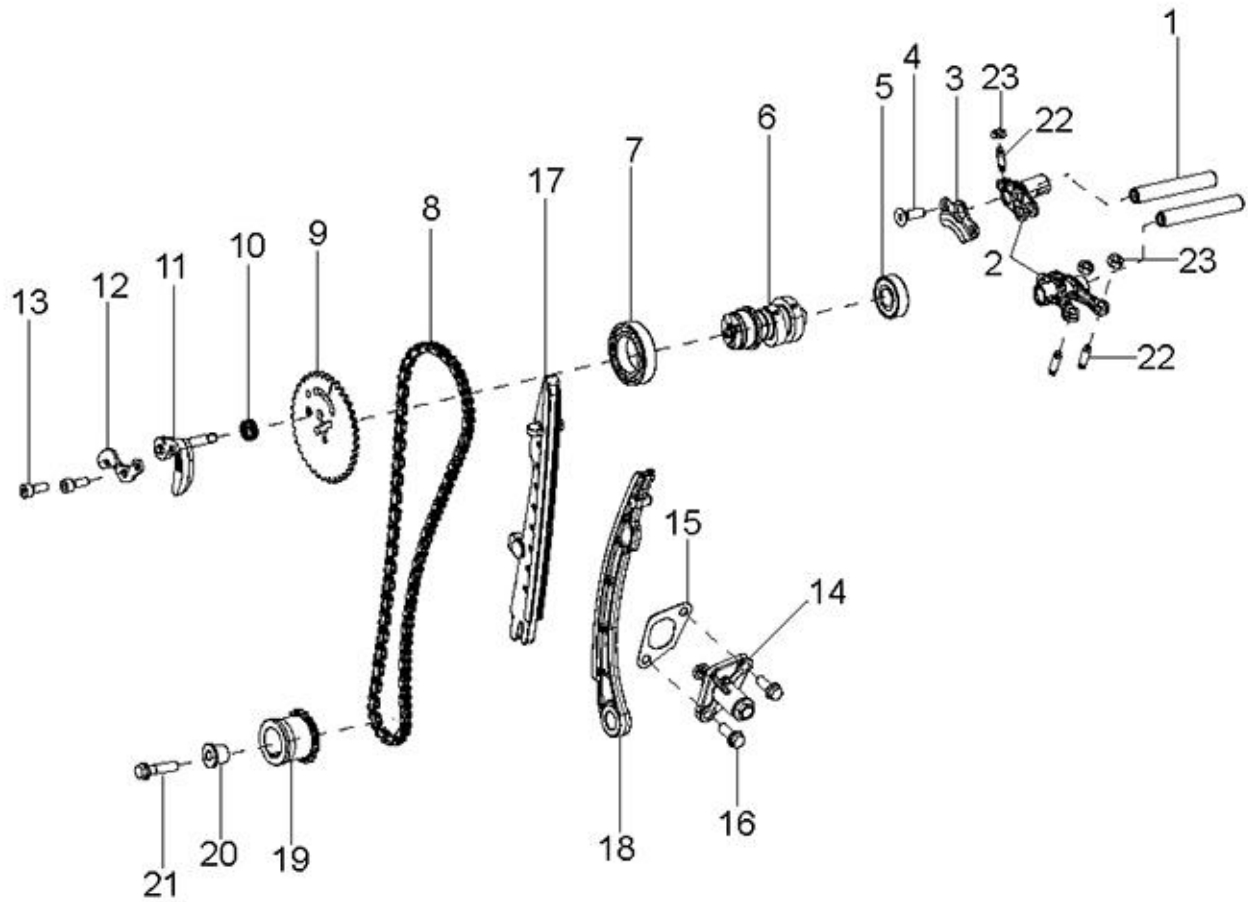
PLATE-13**AIRCOOLING CIRCUIT COMPONENTS**

Fig. No.	Part No.	Description	Qty	Remarks
1	1A000024	SELF TAPPING SCREW (3X20)	10	
2	1A010001	FAN COVER	1	
3	1A002691	FLANGED HEX HEAD SCREW M6X20 CL10	3	
4	B019047	WASHER	3	
5	1A000831	ASSY FAN	1	
6	1A006740	SHROUD EXHAUST SIDE	1	
7	018639	SCREW M6X20	4	
8	B016192	WASHER 6.2X20X2	4	
9	1A006742	FAN COVER SUPPORT	1	
10	1A006743	COMPLETE SHROUD INTAKE SIDE	1	
11	B016620	SCREW WITH CYLINDRICAL HEAD M5X21	1	
12	B018262	KNURLED BUSH	2	

Print Date: 07-Apr-2022

PLATE-14
TIMING GROUP





Print Date: 07-Apr-2022

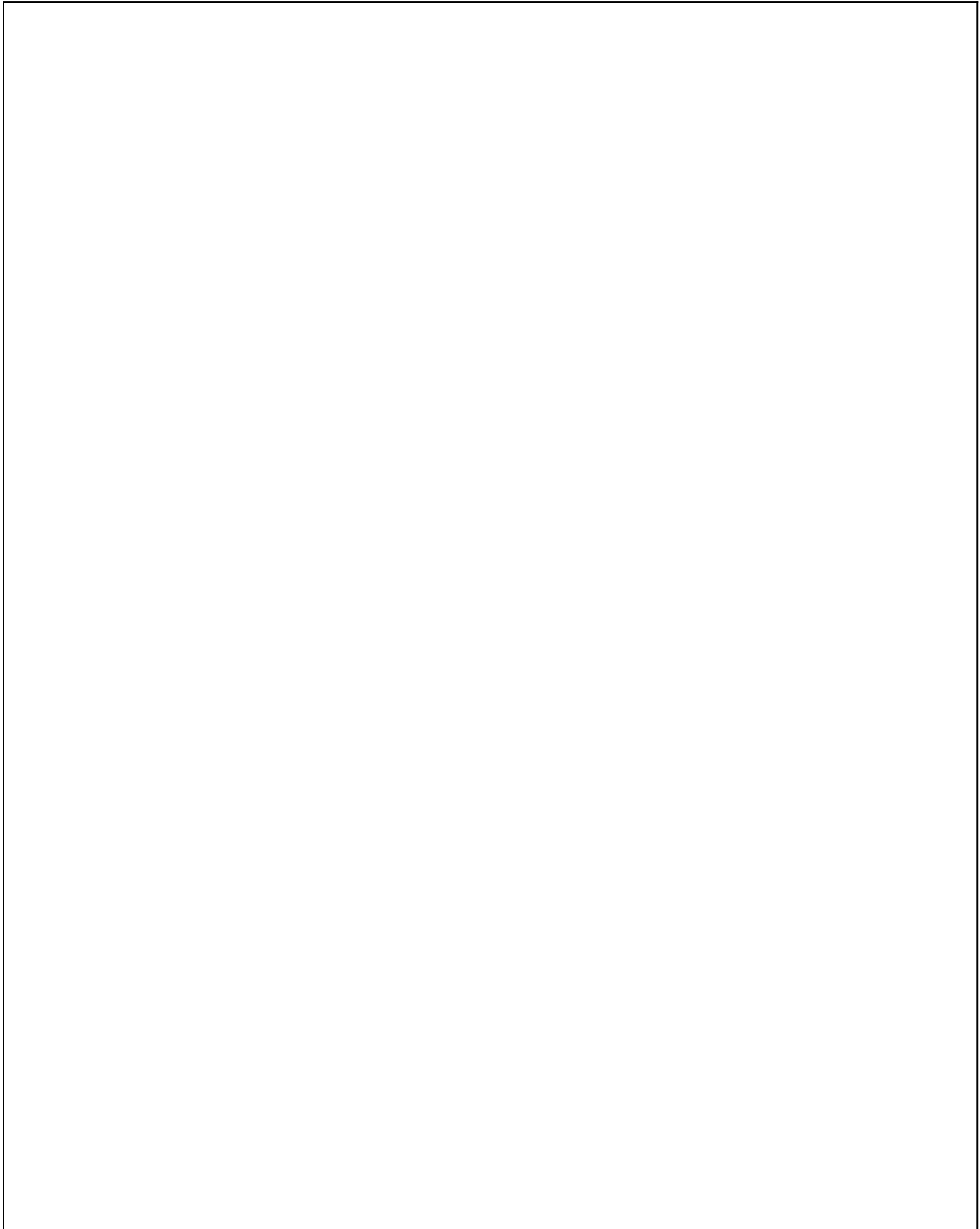
PLATE-14
TIMING GROUP

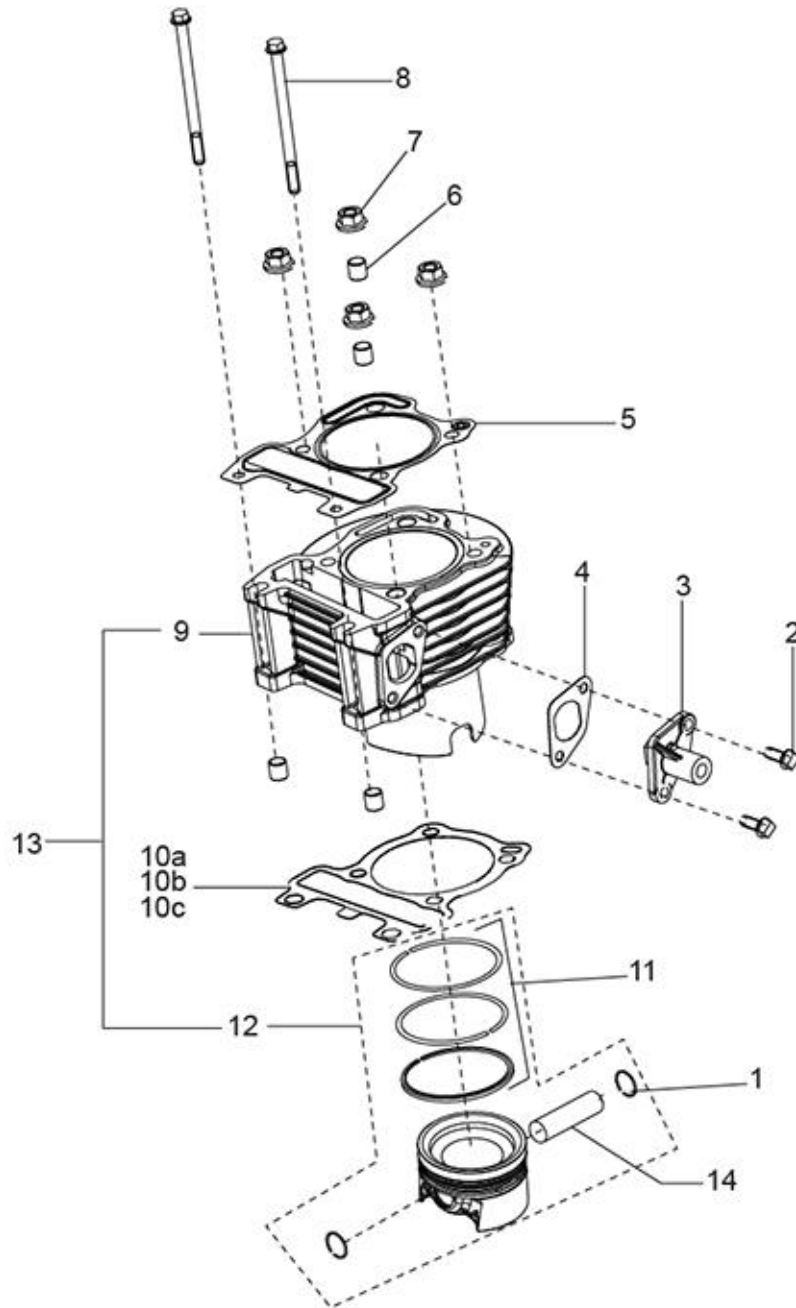
Fig. No.	Part No.	Description	Qty	Remarks
1	B017113	ROCKER ARM SHAFT	2	
2	1A013013	ROCKER ARM GROUP	1	
3	B014760	CAMSHAFT CONTAINMENT SHEET-STEEL	1	
4	B018946	COUNTERSUNK SCREW M6X18	1	
5	83040R	DEEP GROOVE BALL BEARING	1	
6	B017746	CAMSHAFT WITH I.P.	1	
7	83041R	DEEP GROOVE BALL BEARING	1	
8	1A015692	TIMING CHAIN SOUNDLESS TYPE	1	
9	1A002358	TIMING CROWN	1	
10	B015483	DECOMPRESSION SPRING	1	
11	SP1A006405	CENTRIFUGAL MASS WITH I.P.	1	
12	1A008397	CENTRIFUGAL MASS CONTAINMENT SHEET	1	
13	B018718	EXAG. SOCKET CYLIND.HEAD SCREW M5X14	2	
14	B017165	CHAIN TENSIONER DEVICE	1	
15	847928	CHAIN SUPPORT GASKET	1	
16	434541	SCREW	2	
17	1A006899	FIXED PAD	1	
18	1A006901	CHAIN TIGHTENING ROD	1	
19	1A007565	TIMING PINION	1	
20	485868	SPACER FOR CHAIN TIGHTNING ROD	1	
21	B016774	FLANGED HEXAGONAL SCREW M6X25	1	
22	B017323	VALVE ADJUSTMENT SCREW	3	
23	B017431	ROCKER ARM NUT	3	

Print Date: 07-Apr-2022

PLATE-15

CYLINDER- PISTON GROUP





Print Date: 07-Apr-2022

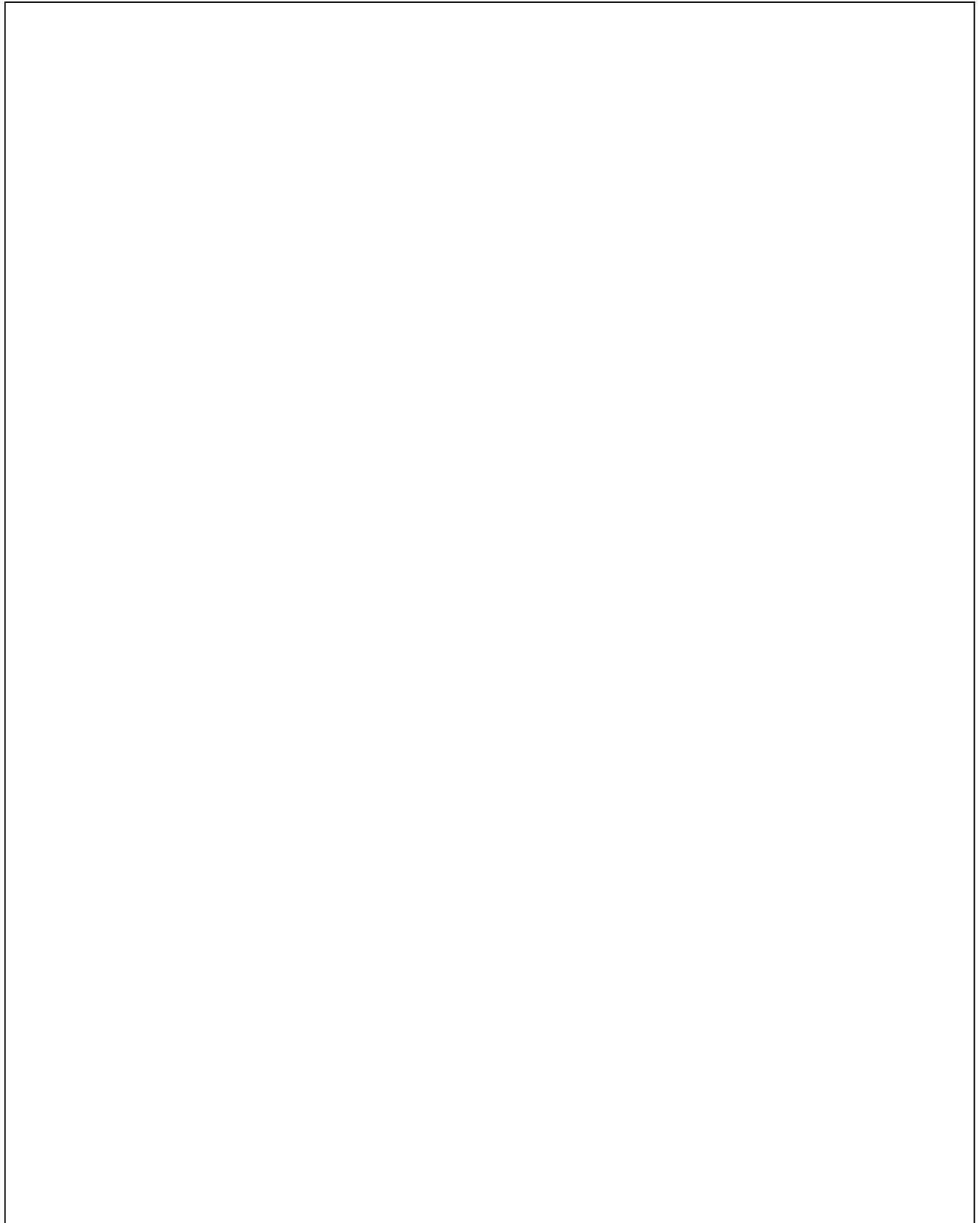
PLATE-15**CYLINDER- PISTON GROUP**

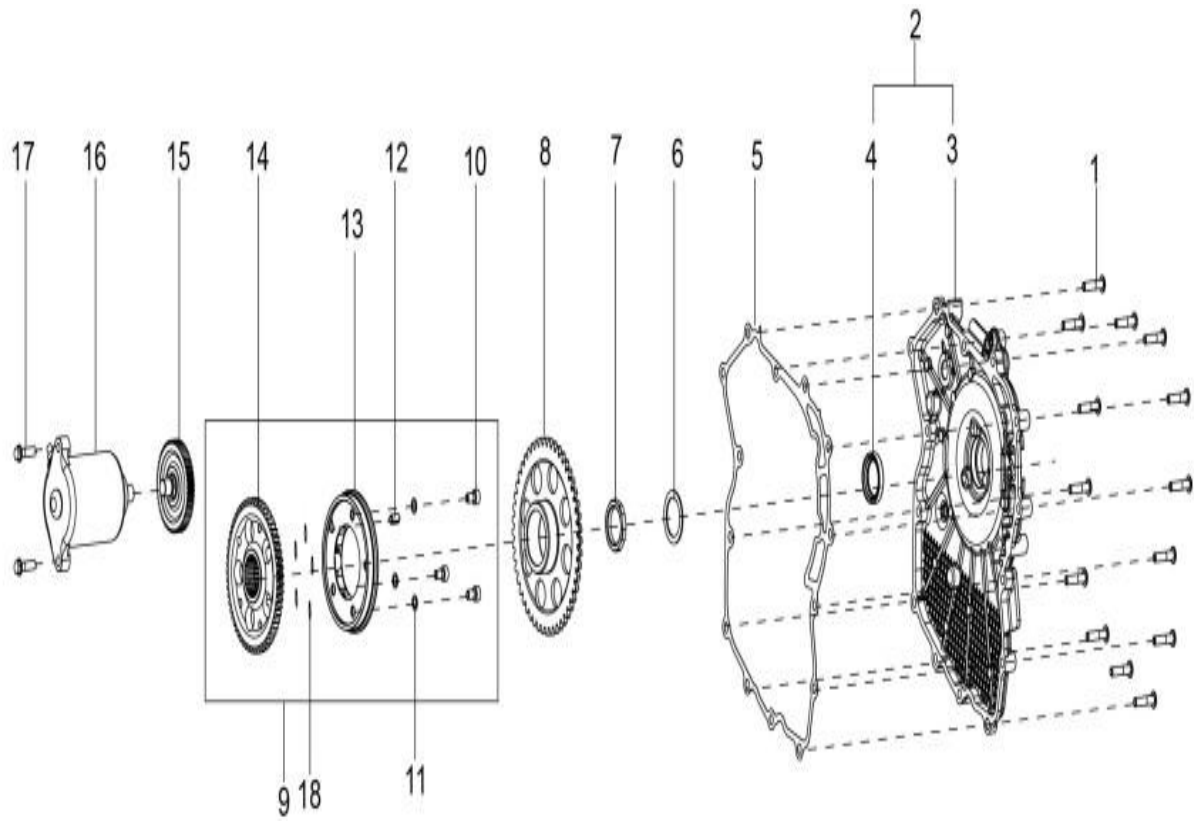
Fig. No.	Part No.	Description	Qty	Remarks
1	963486	CIRCLIP FOR PISTON WRIST	2	
2	434541	SCREW	2	
3	B017165	CHAIN TENSIONER DEVICE	1	
4	847928	CHAIN SUPPORT GASKET	1	
5	B014555	HEAD CYLINDER GASKET	1	
6	435571	REFERENCE DOWEL	4	
7	B016939	FLANGED NUT M8X1.25	4	
8	B018854	HEXAGONAL HEAD FLANGED SCREW M6X90	2	
9	NS	NOT SERVICEABLE	1	Not serviceable
10a	CM284001	CRANKCASE/CYLINDER GASKET (0.4)	1	
10b	CM284002	CRANKCASE/CYLINDER GASKET (0.6)	1	
10c	CM284003	CRANKCASE/CYLINDER GASKET (0.8)	1	
11	1A009621R	PISTON RING GROUP	1	
12	KIT96041R	BLOCK PISTON KIT APE CITY 230 CC	1	
13	KIT96042R	PISTON ASSY APE CITY 230 CC	1	NS- Service under BP Kit
14	482335	PISTON PIN	1	

Print Date: 07-Apr-2022

PLATE-16

ELECTRIC STARTING GROUP





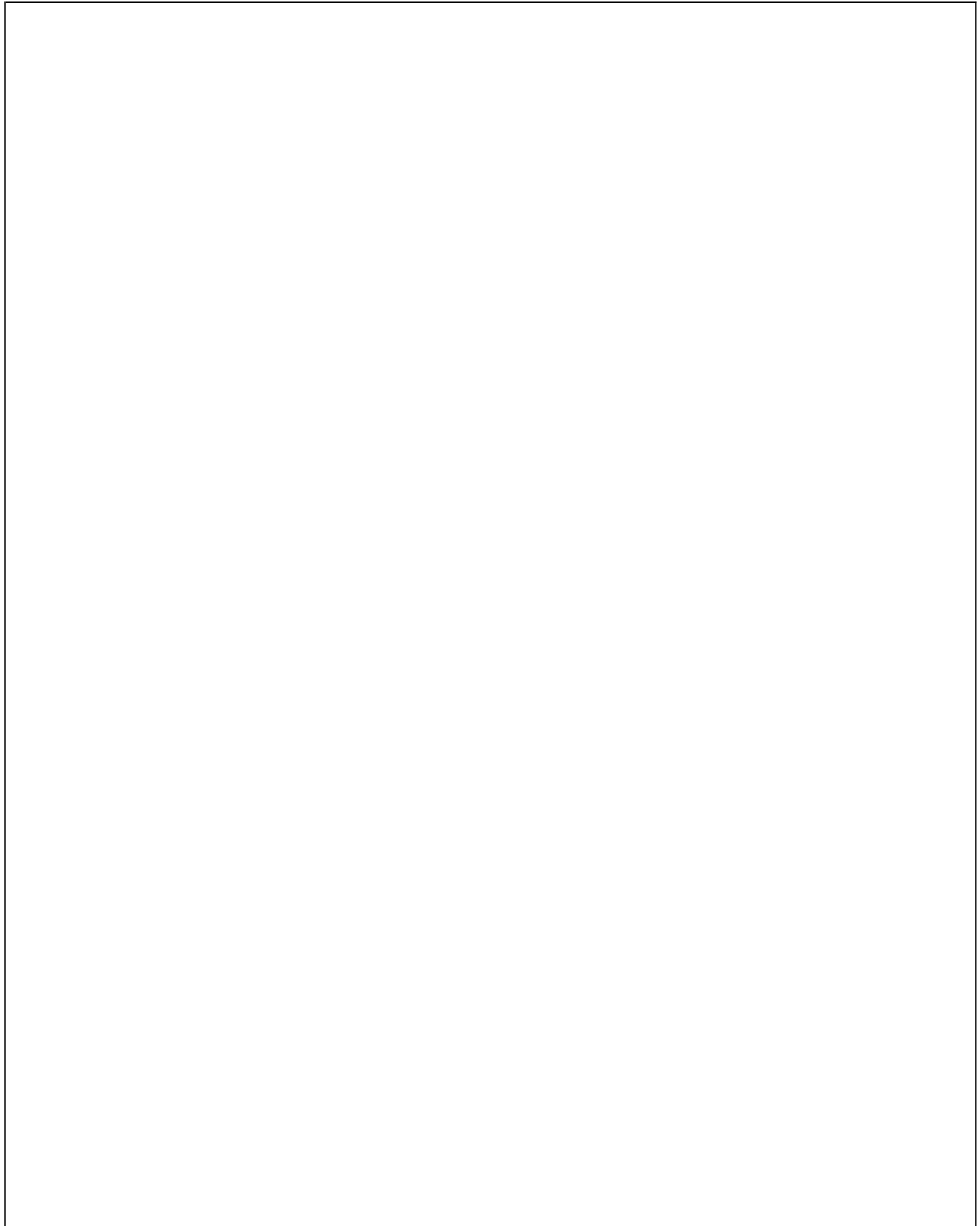
Print Date: 07-Apr-2022

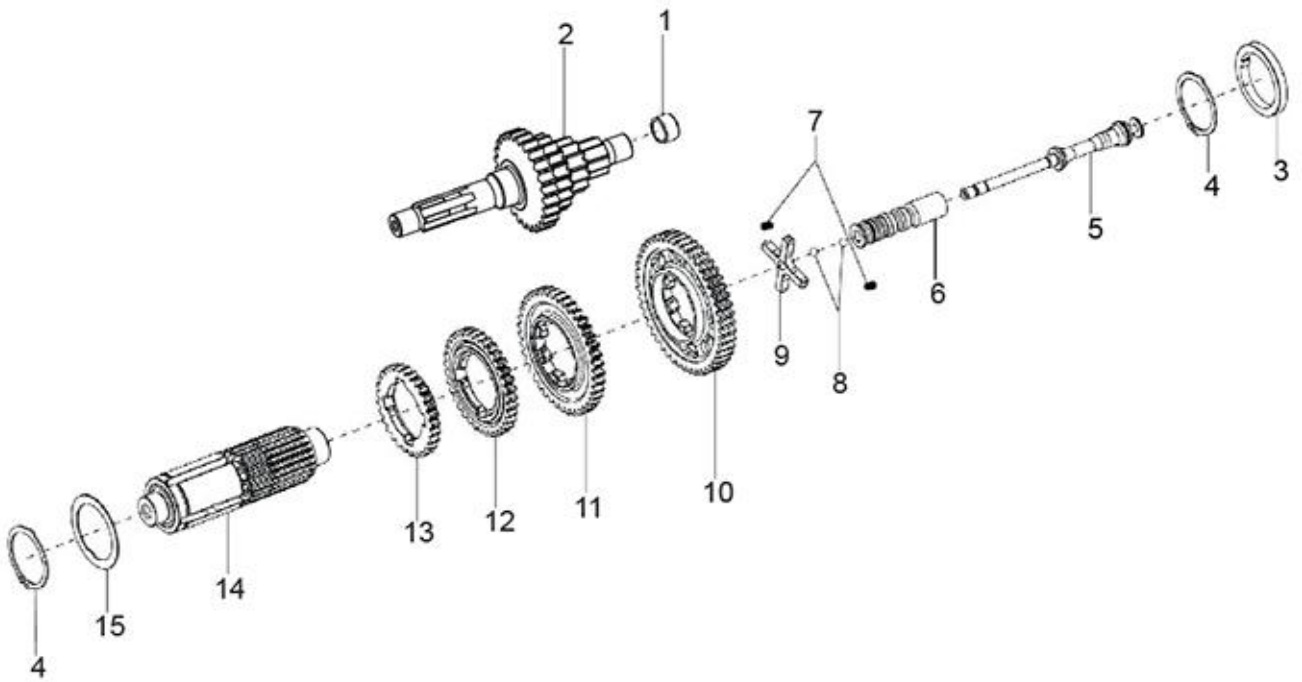
PLATE-16**ELECTRIC STARTING GROUP**

Fig. No.	Part No.	Description	Qty	Remarks
1	B018853	FLANGED HEXAGONAL HEAD SCREW M6X30	14	
2	SP1A007045	STARTER COVER WITH I.P.	1	
3	1A006751	STARTER COVER	1	
4	B016120	SEAL RING 25X35X7	1	
5	1A006858	STARTER COVER GASKET	1	
6	B016148	WASHER	1	
7	1A021204	RING NUT	1	
8	1A018038	CROWN ELECTRIC STARTER WITH I.P.	1	
9	1D001846	COMPLETE STATOR	1	
10	1A013159	TORX HEAD SCREW M5X22	3	
11	B019420	CONICAL SPRING KNURLED WASHER	3	NS-Order on modi.assy.P/N.SP1A018746 INA
12	1A000742	ELASTIC PIN	1	NS-Order on modi.assy.P/N.SP1A018746 INA
13	1A010696R	ONE WAY CLUTCH	1	NS-Order on modi.assy.P/N.SP1A018746 INA
14	1A008715	CUM CLUTCH HUB	1	NS-Order on modi.assy.P/N.SP1A018746 INA
15	B017189	ELECTRIC STARTER INTERMED GEAR WITH P.I.	1	
16	1A018642R	ELECTRIC STARTER MOTOR	1	
17	B016774	FLANGED HEXAGONAL SCREW M6X25	2	
18	1A002661	PLANE SPRING - CLUTCH ASSY	5	Only for Ducati. Not app. for INA Clutch
18	1A014399	ONE WAY CLUTCH SPRING	5	Texspin one way clutch
19	1A009586	REAR BRACKET ASSY	1	NI
20	1A009587	BRUSH ASSLY KIT (+VE & -VE)	1	NI
21	1A009588	ARMATURE ASSLY	1	NI
22	1A009589	YOKE ASSLY	1	NI
23	1A009590	FRONT BRACKET ASSLY	1	NI
24	1A009591	HEXAG. HEAD SCREW	1	NI
25	1A009591	HEXAG. HEAD SCREW	1	NI
26	1A009592	O-RING KIT	1	NI
27	1A020456	ONE WAY CLUTCH ASSY	1	NEW MODI. INA ONE WAY CLUTCH
28	1A018212	CUM CLUTCH HUB	1	NEW MODI. INA ONE WAY CLUTCH
29	SP41A020456	ONE WAY CLUTCH HUB ASSY - 230CC SPD	5	Consists of 27/28.

Print Date: 07-Apr-2022

PLATE-17
GEAR GROUP





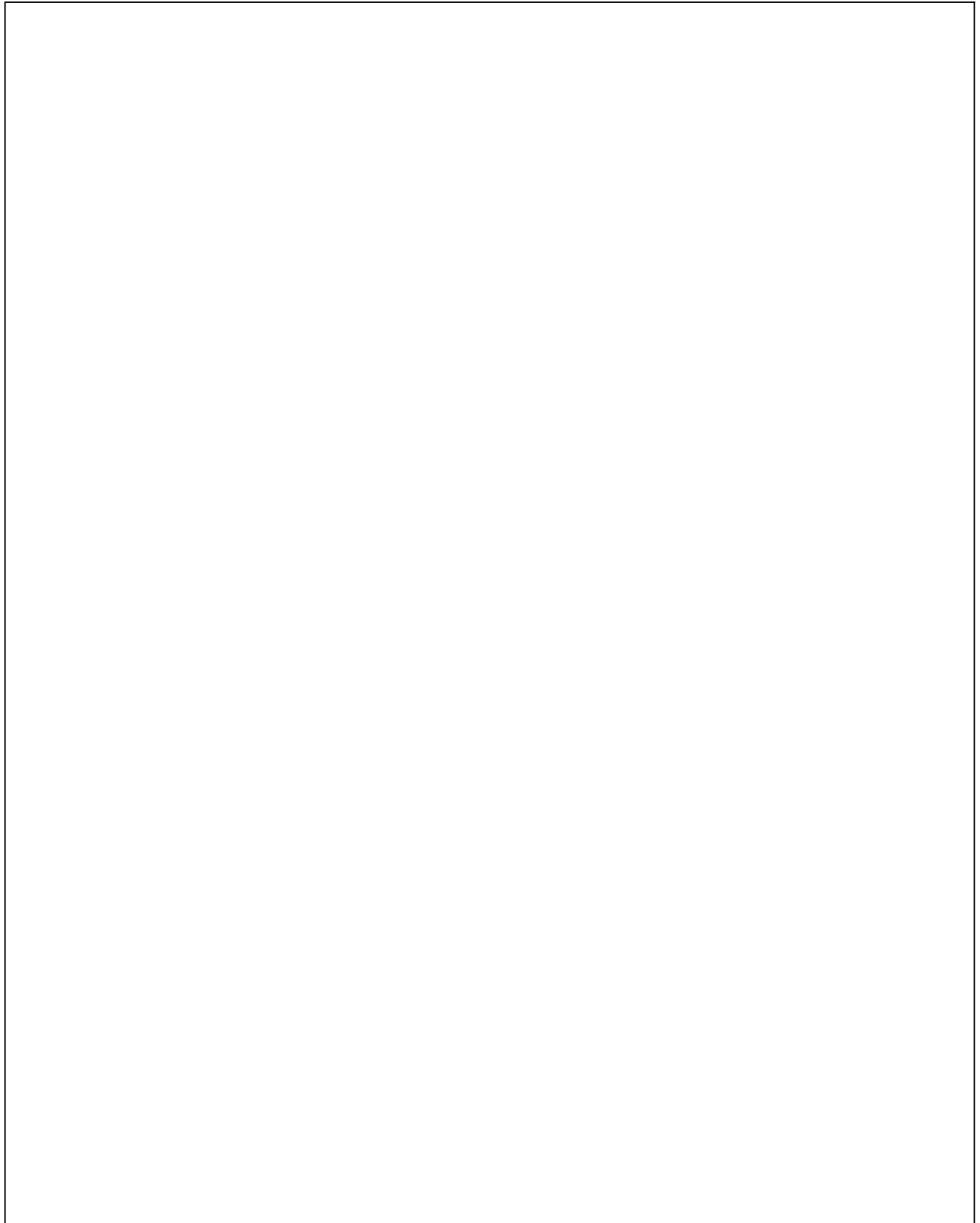
Print Date: 07-Apr-2022

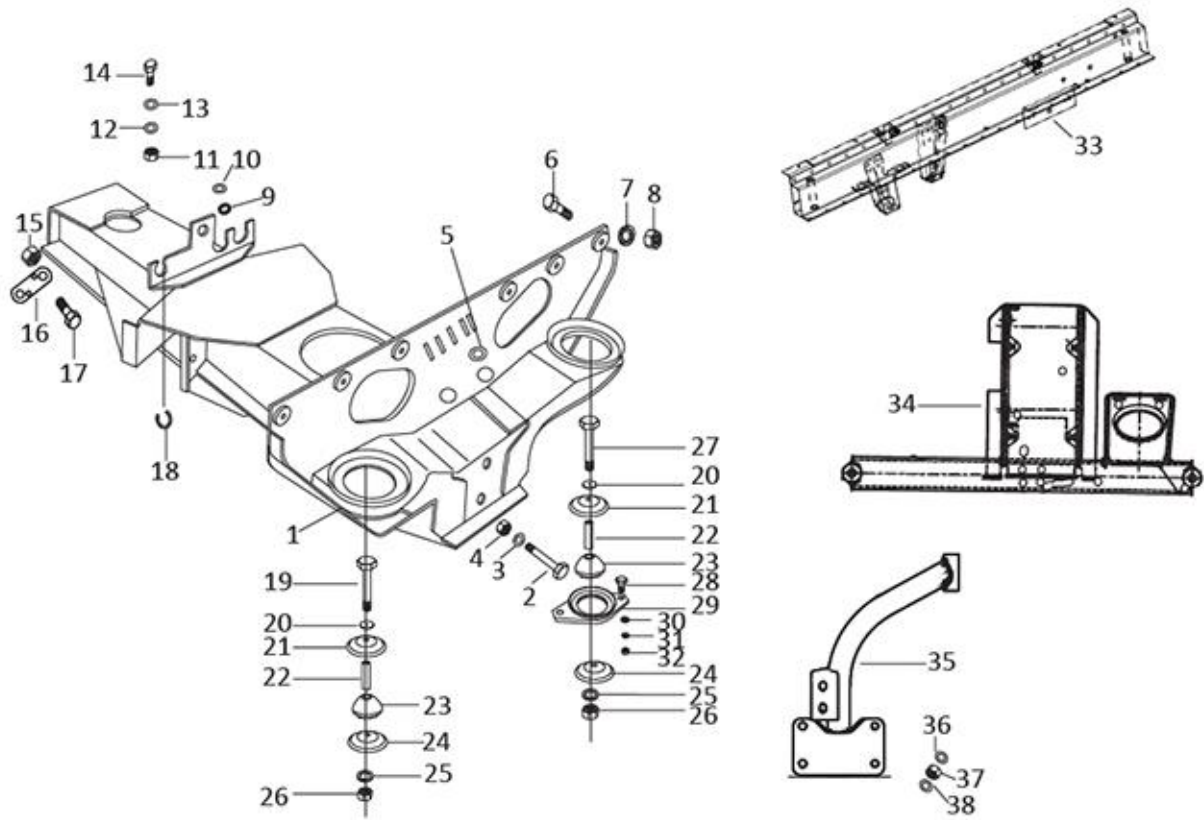
PLATE-17
GEAR GROUP

Fig. No.	Part No.	Description	Qty	Remarks
1	122032014	INNER RING - CLUSTER GEAR	1	
2	1A013046	CLUSTER GEAR	1	
3	1A007029	LOCK WASHER	1	
4	009101	SEEGER RING	1	
5	1A012181	STEM	1	
6	1A012846	BUSH GEAR SHIFTER	1	
7	1A006970	SPRING	2	
8	002139	BALL	2	
9	1A010166	CROSS	1	
10	1A011286	SPEED GEAR 1ST	1	
11	1A011287	SPEED GEAR 2ND	1	
12	1A011288	SPEED GEAR 3RD	1	
13	1A011289	SPEED GEAR 4TH	1	
14	1A017112	SECONDARY GEAR SHAFT	1	
15	1A006115	LOCK WASHER	1	

Print Date: 07-Apr-2022

PLATE-18
ENGINE SUPPORT





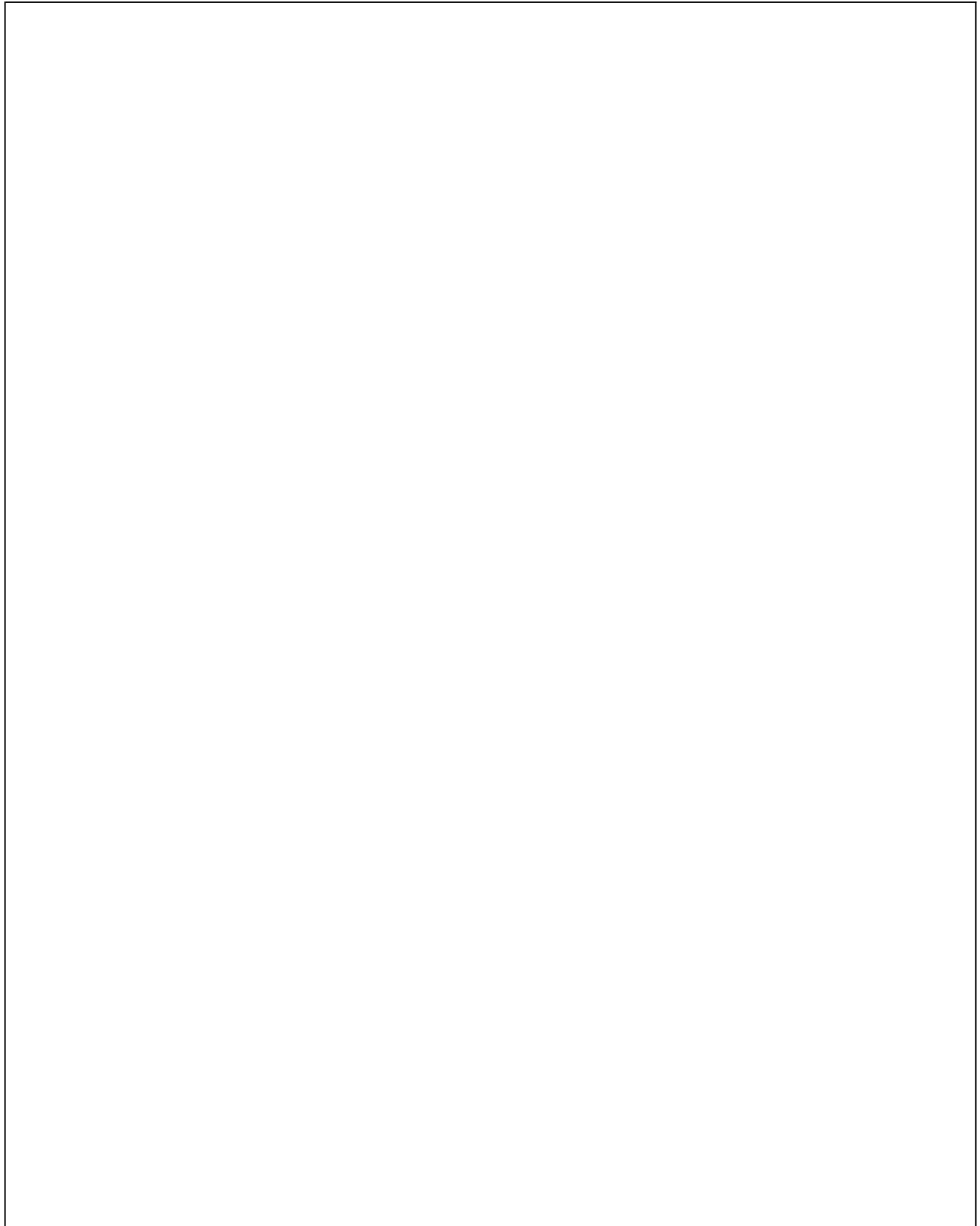
Print Date: 07-Apr-2022

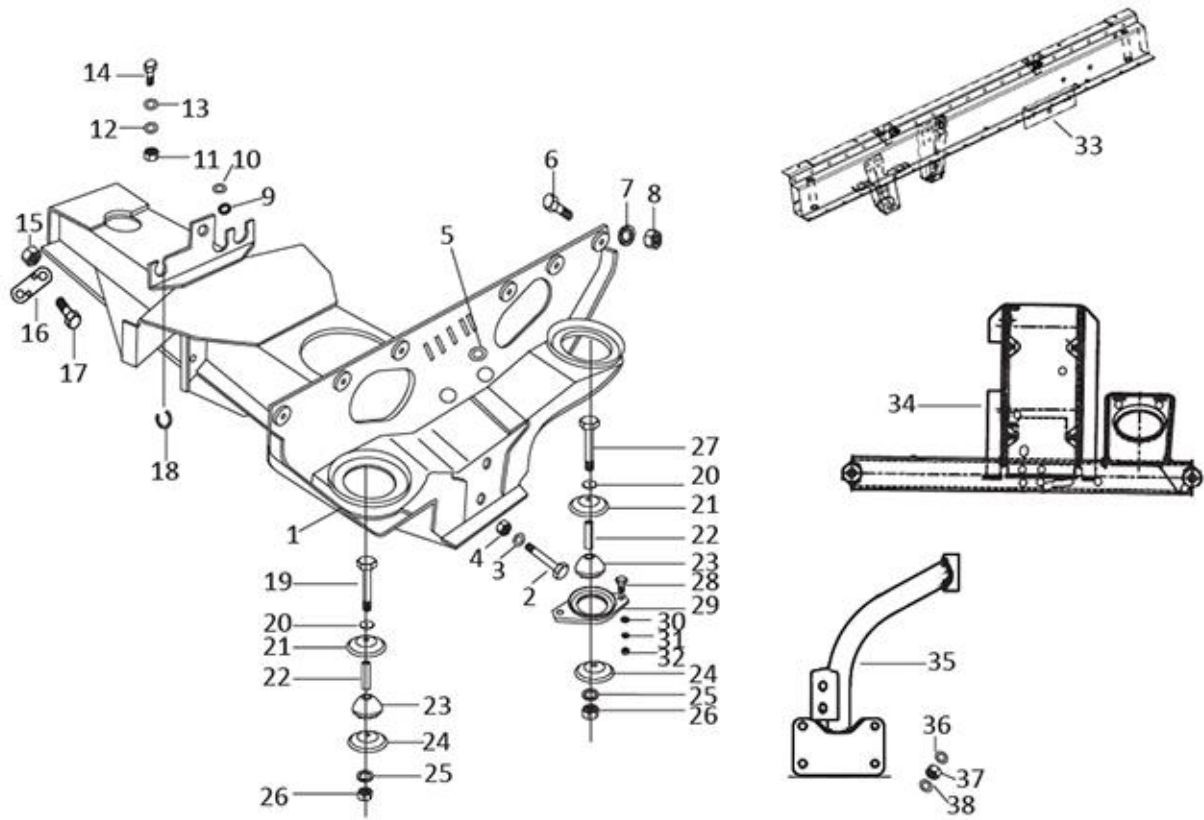
PLATE-18
ENGINE SUPPORT

Fig. No.	Part No.	Description	Qty	Remarks
1	6C000382	FRAME ASSLY SUS.& ENGINE SUPPORT	1	common with BS6
2	568689	HEX HEAD BOLT M10X100	2	
3	286328	PLAIN WASHER 20X10.2X2	2	
4	231370	SELF BREAKING NUT M10	2	
5	15478	GROMMET4	2	
6	31119	HEX HD SCREW M8 X 25	6	
7	016408	SPRING WASHER	6	
8	20108	HEX NUT M8	6	
9	178610	GROMMET	1	
10	016406	SPRING WASHER	2	
11	20108	HEX NUT M8	2	
12	016408	SPRING WASHER	2	
13	2383	PLAIN WASHER M20X8.5X2	2	
14	31119	HEX HD SCREW M8 X 25	2	
15	231370	SELF BREAKING NUT M10	2	
16	632299	PLATE	2	
16	632299	PLATE	1	
17	632247	HEX HDD SCREW M10X30 CC8.8	2	
18	568140	GROMMET	1	
19	604948	HEX.HDD BOLT M8 X 110 WITH POINTING	2	
20	2383	PLAIN WASHER M20X8.5X2	3	
21	569375	PLATE	3	
22	569241	SPACER	2	
23	265091	DUMPER ENGINE MTG.	2	
24	569244	PLATE	3	
25	016408	SPRING WASHER	3	
26	15335	HEX HD NUT M8	2	
27	272178	HEX. HDD BOLT M8 X 122 CL 10.9	1	
28	31154	HEX HDD SCREW M10X22 CL 8.8	2	
29	B003286	REAR AVM SUPPORT BKT. ASSY.	1	
30	286328	PLAIN WASHER 20X10.2X2	2	
31	16410	SPRING WASHER	2	
32	20108	HEX NUT M8	4	
33	6A000105ED	CROSS MEMBER SUB-ASSY	1	
34	B075459	FRT CROSS MEMBER ASSY. ENG. MTG.	1	

Print Date: 07-Apr-2022

PLATE-18
ENGINE SUPPORT





Print Date: 07-Apr-2022

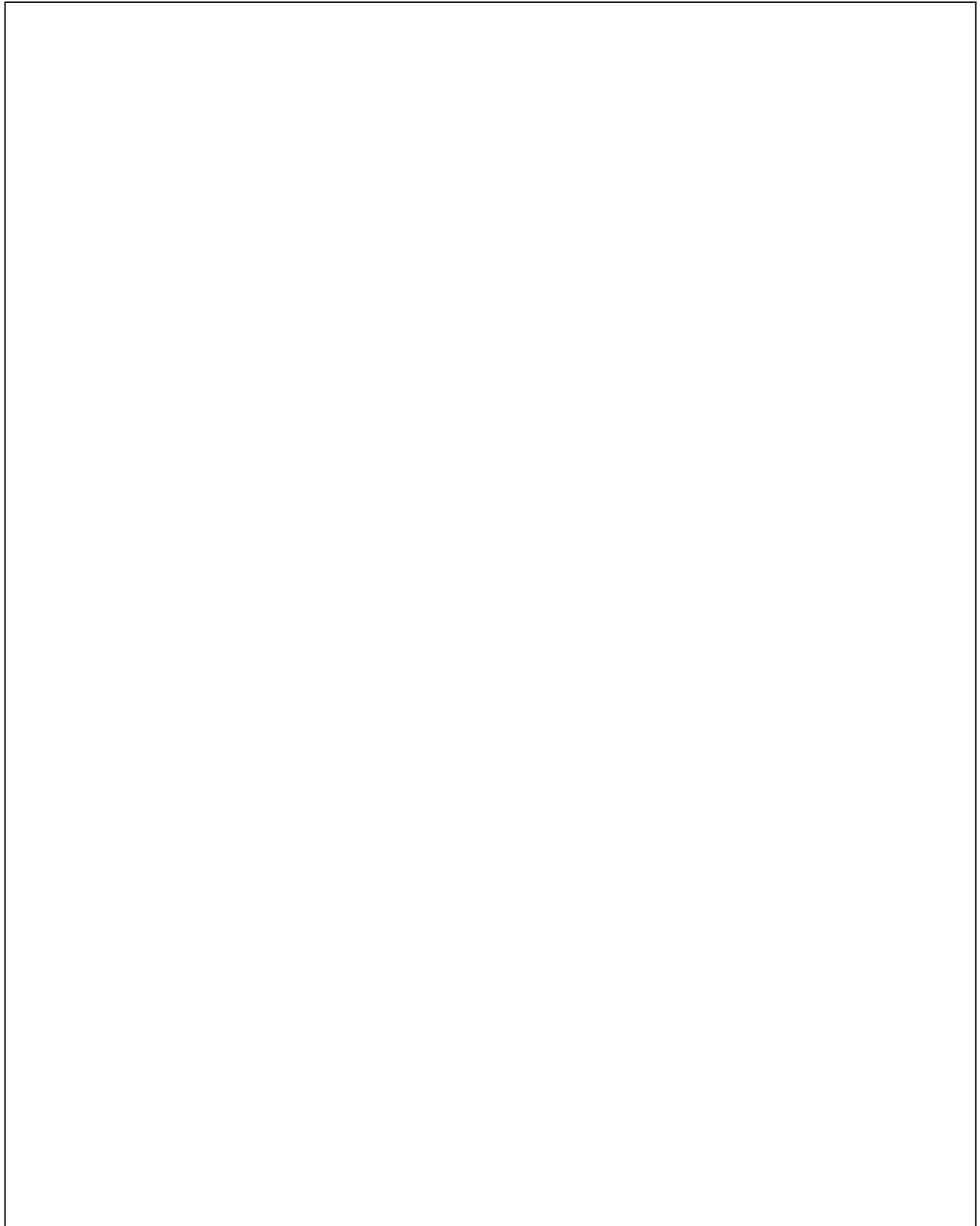
PLATE-18
ENGINE SUPPORT

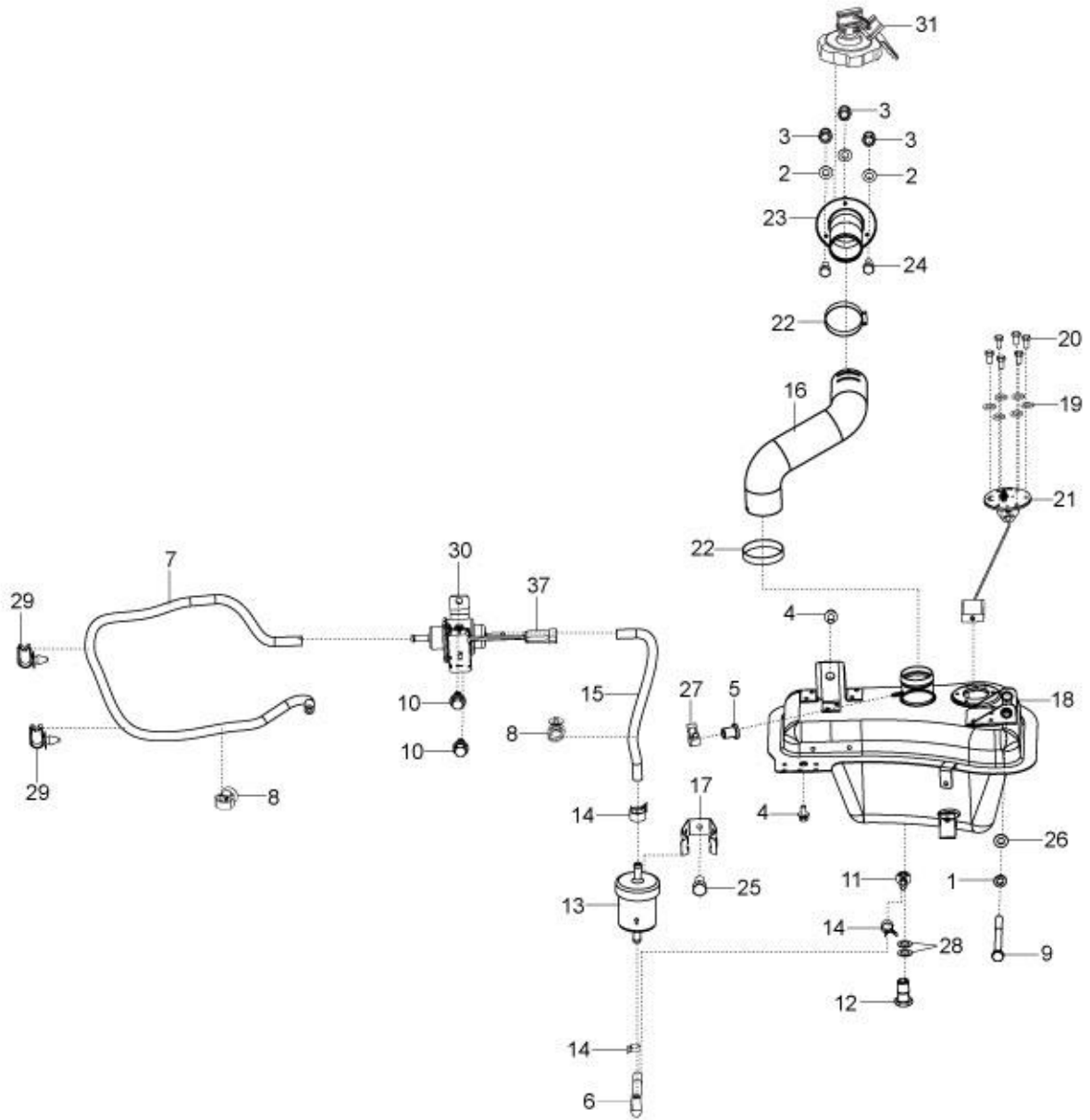
Fig. No.	Part No.	Description	Qty	Remarks
35	B075593	BKT SUB ASSLY ENGINE SUPPORT REAR	1	
36	286328	PLAIN WASHER 20X10.2X2	2	
37	20110	HEX NUT M10	4	
38	16410	SPRING WASHER	2	
39	B076295	PROTECTION BELLOW- GEAR CABLE	1	NI

Print Date: 07-Apr-2022

PLATE-19

FUEL TANK/FILTER/FUEL PIPES - PETROL





Print Date: 07-Apr-2022

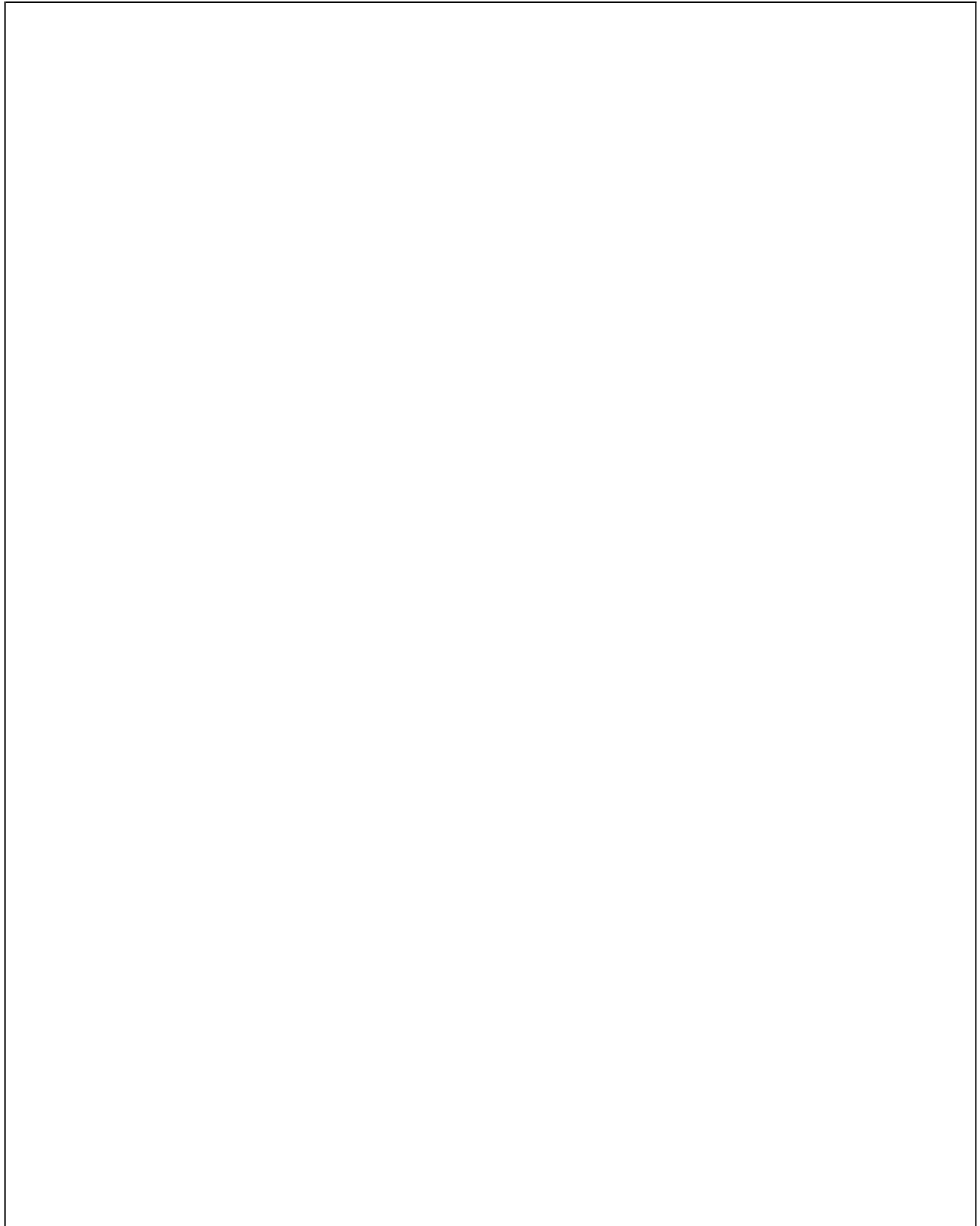
PLATE-19**FUEL TANK/FILTER/FUEL PIPES - PETROL**

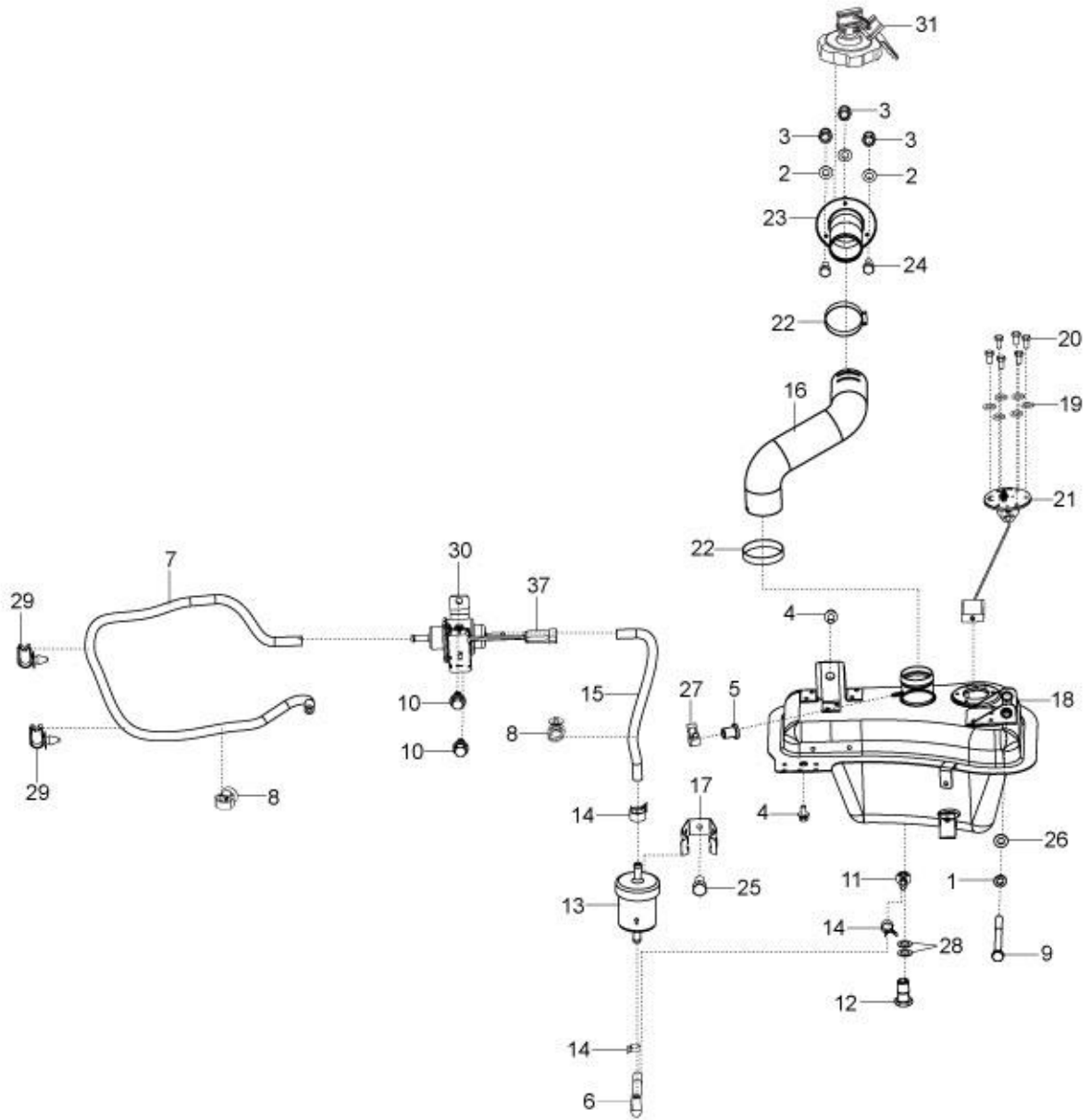
Fig. No.	Part No.	Description	Qty	Remarks
1	16408	SPRING WASHER M8	1	
2	3055	PLAIN WASHER M5	3	
3	568713	DOME NUT	3	
4	645036	HEX HEAD SCREW M8 X 20 CL 8.8 W/SP, PL	2	
5	B003416	PLUG	1	
6	B079057	FUEL PIPE-FUEL TANK TO FUEL FILTER	1	
7	B079091	FUEL PIPE, FEED PUMP TO CARBURATOR	1	
8	B076007	PIPE CLIP 1 WAY	2	
9	6A000143	HEX HEADED SCREW WITH PARTIALLY THREDED	1	
10	6C000378	M5X12 COMBI BOLT	2	
11	604908	BANJO	1	
12	604909	BANJO BOLT (M14X1.5)	1	
13	616738R	FUEL FILTER	1	
14	632109	HOSE CLAMP BRAKE PIPE	6	
15	6A000556	FUEL PIPE-FUEL FILTER TO FEED PUMP	1	
16	6A000089	HOSE, FUEL FILLER	1	
17	6A000836	SNAP FIT BKT., FILTER MTG (ARAYMOND)	1	
18	6A000578	ASSY FUEL TANK WITH TANK UNIT	1	
19	16405	SPRING WASHER M5	6	
20	31054	HEX HD. SCREW M5X10 CL8.8	6	
21	6D000010	TANK UNIT	1	
22	B041853	HOSE CLIP (SIZE : 65A)	2	
23	B078821	ASSY TUBE FUEL TANK FILLER	1	
24	31054	HEX HD. SCREW M5X10 CL8.8	3	
25	D9166140616	BOLT, W/WASHER	1	
26	808000826	PLAIN WASHER M8	1	
27	B003282	HOSE CLIP (DIA.7) (PETROL & CNG/LPG)	1	
28	224644	COPPER WASHER M10	2	
29	216369	CLAMP	2	
30	B002630	ELECTRICAL FEED PUMP LGA 280 PETROL ENGI	1	Old type Sonic Make
30	6A001657	ASSY ELE. FUEL PUMP (PRICOL)	1	New type PRICOL MAKE
31	6D001087	PIGTAIL, FUEL FEED PUMP(PRICOL)	1	Applicable for Pricol feed pump
32	644824	THREE WAY 'Y' CONNECTOR - CNG/LPG	1	NI
33	662571	HOSE CLAMP	2	NI
34	B076749	FUEL PIPE FEED PUMP TO Y- CONNECTOR	1	NI

Print Date: 07-Apr-2022

PLATE-19

FUEL TANK/FILTER/FUEL PIPES - PETROL





Print Date: 07-Apr-2022

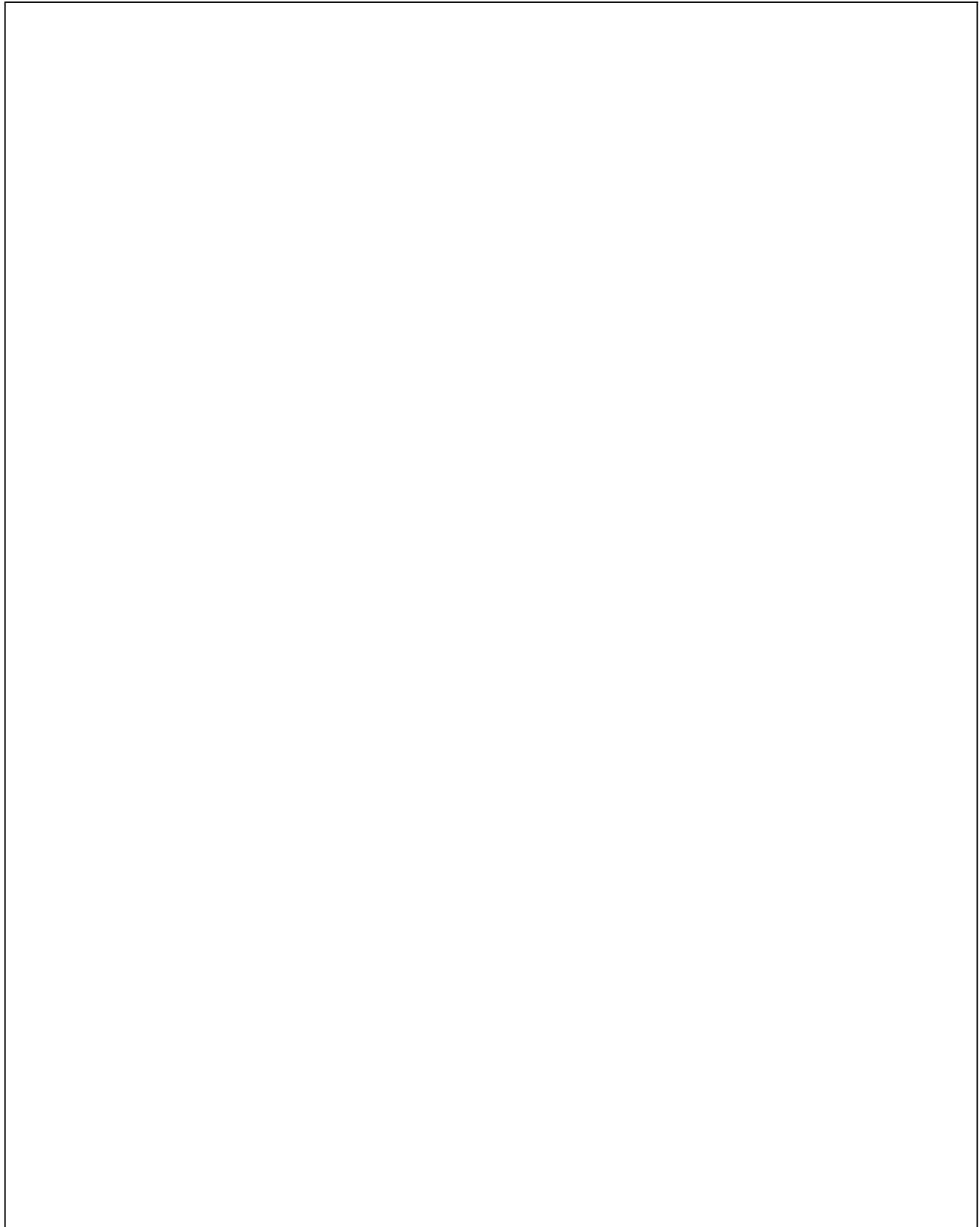
PLATE-19**FUEL TANK/FILTER/FUEL PIPES - PETROL**

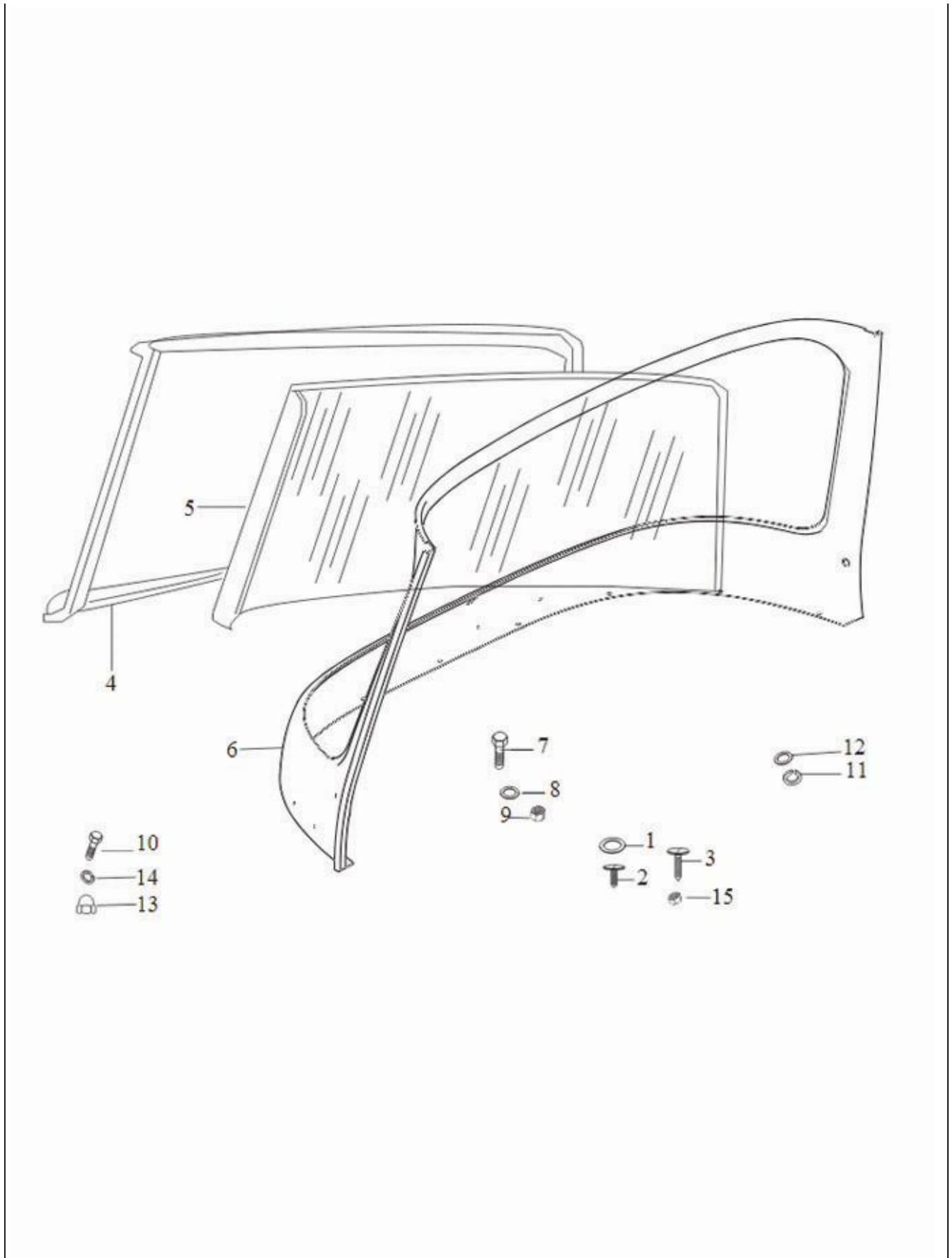
Fig. No.	Part No.	Description	Qty	Remarks
35	B079086	FUEL PIPE, Y-CONNECTOR TO TANK RETURN	1	NI
36	1A016116	MAXIMUM JET	1	NI
37	940125	P.T. CAP ASSLY WITH KEY	1	

Print Date: 07-Apr-2022

PLATE-20

WIND SHIELD/GLASS/BEADING





Print Date: 07-Apr-2022

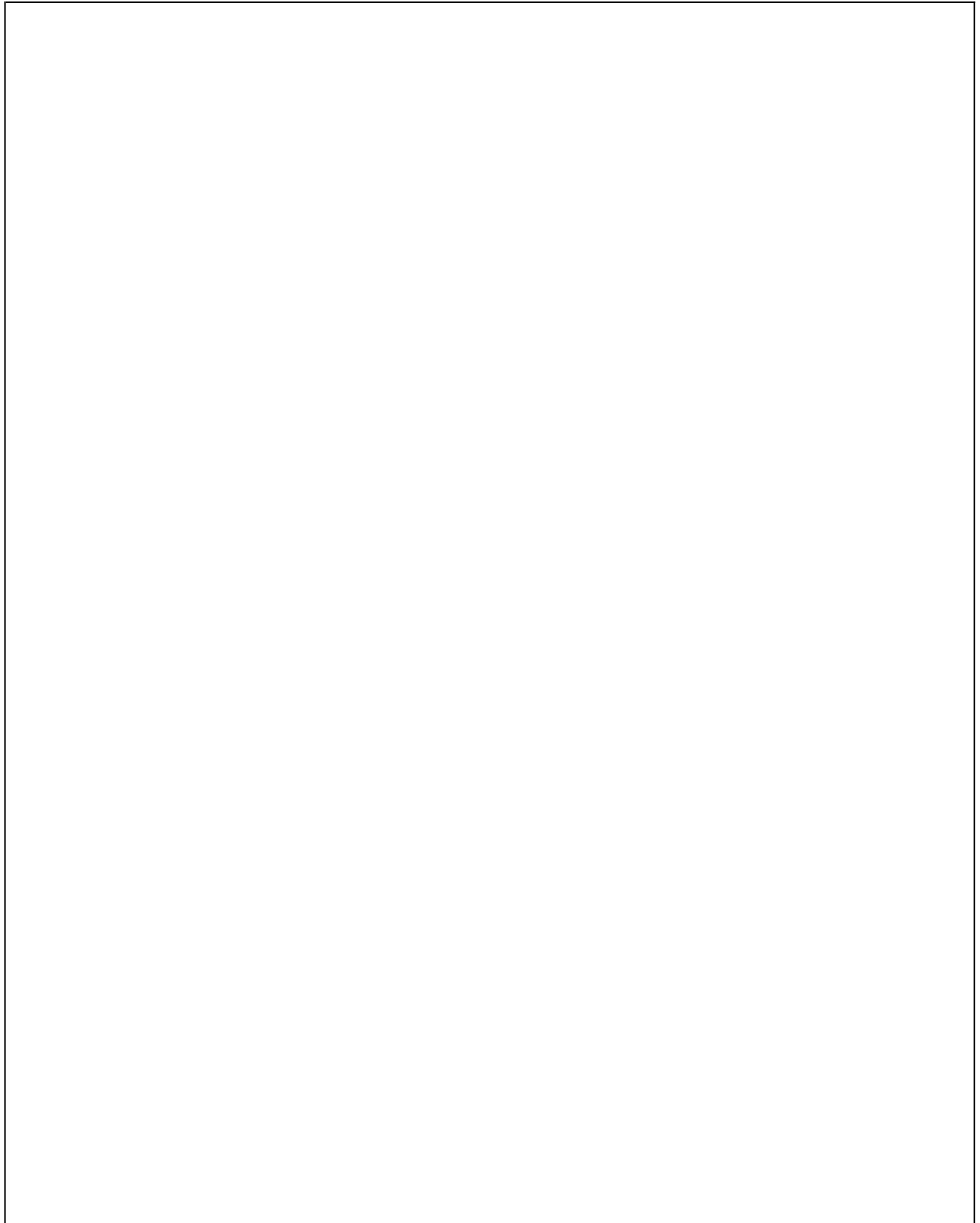
PLATE-20**WIND SHIELD/GLASS/BEADING**

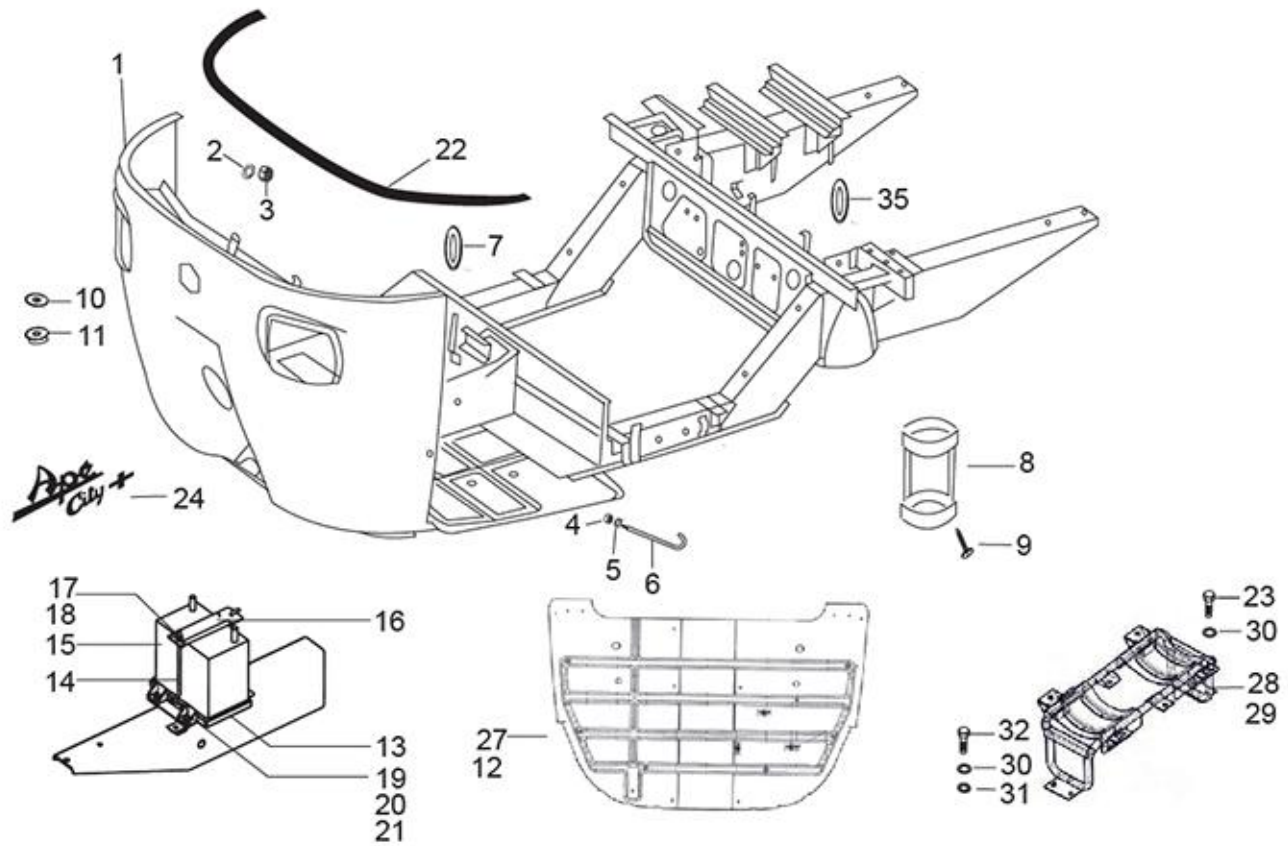
Fig. No.	Part No.	Description	Qty	Remarks
1	16670	PLAIN WASHER 12X4.5X1	2	
2	568692	PAN SELF TAP SCREW 6SG X 16AB	2	
3	18630	PAN SELF TAP SCREW 6SG X 25AB	2	
4	B073626	WINDSHIELD PACKING	1	
5	B073601	LAMINATED WINDSHIELD GLASS	1	E - Marked (Export)
6	B073602ED	WINDSCREEN FRAME (COMPLETE)	1	
7	B001386	HEX HEAD SCREW M5X20	9	
8	16405	SPRING WASHER M5	16	
9	20105	PLAIN NUT M5	20	
10	30242	SLOT CH. HD. SCREW	8	
11	808000826	PLAIN WASHER M8	2	
12	016408	SPRING WASHER	2	
13	568713	DOME NUT	8	
14	3055	PLAIN WASHER M5	8	
15	20104	HEX NUT M4	8	

Print Date: 07-Apr-2022

PLATE-21

MAIN FRAME/BATTERY BKT/ JACK BKT





Print Date: 07-Apr-2022

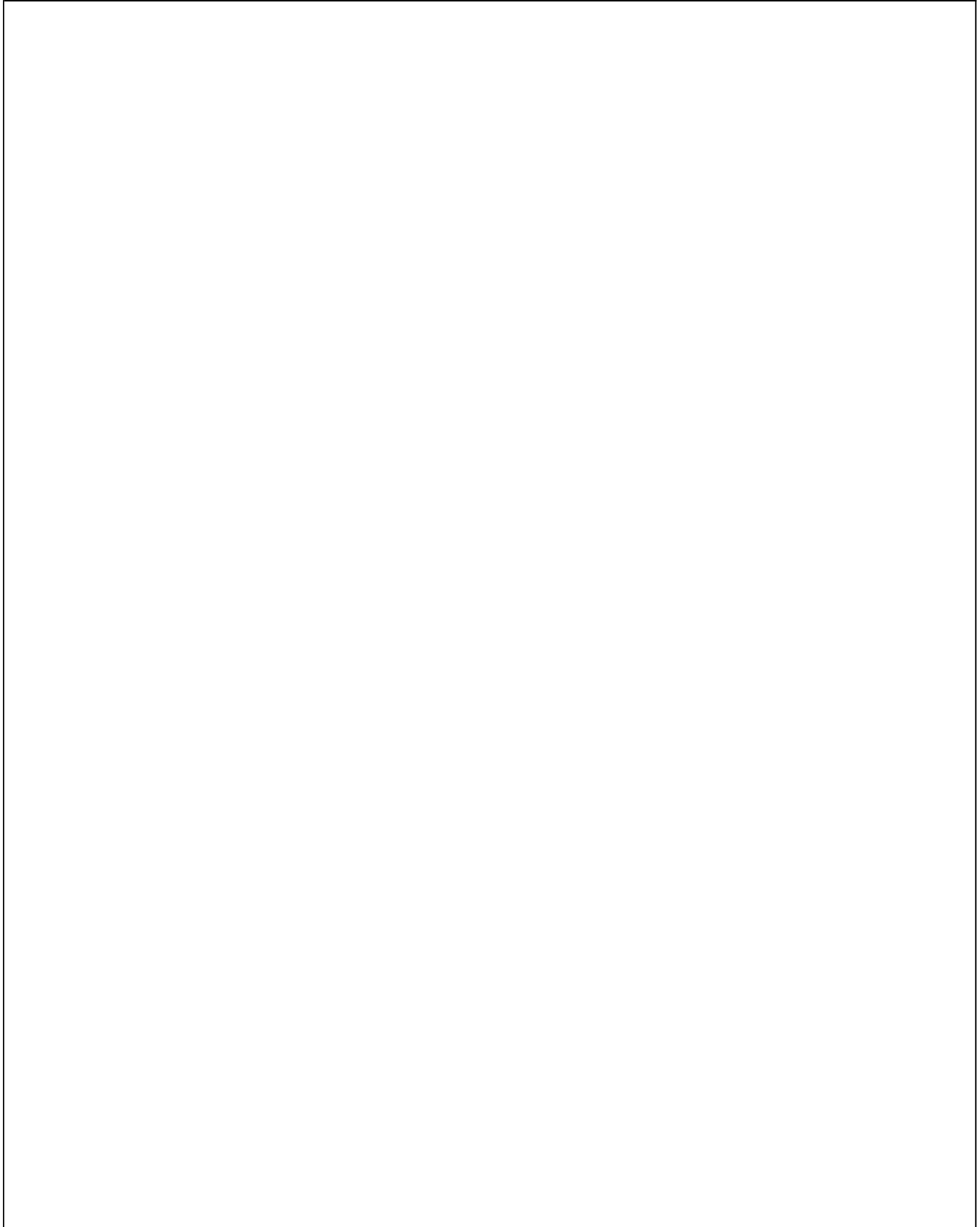
PLATE-21**MAIN FRAME/BATTERY BKT/ JACK BKT**

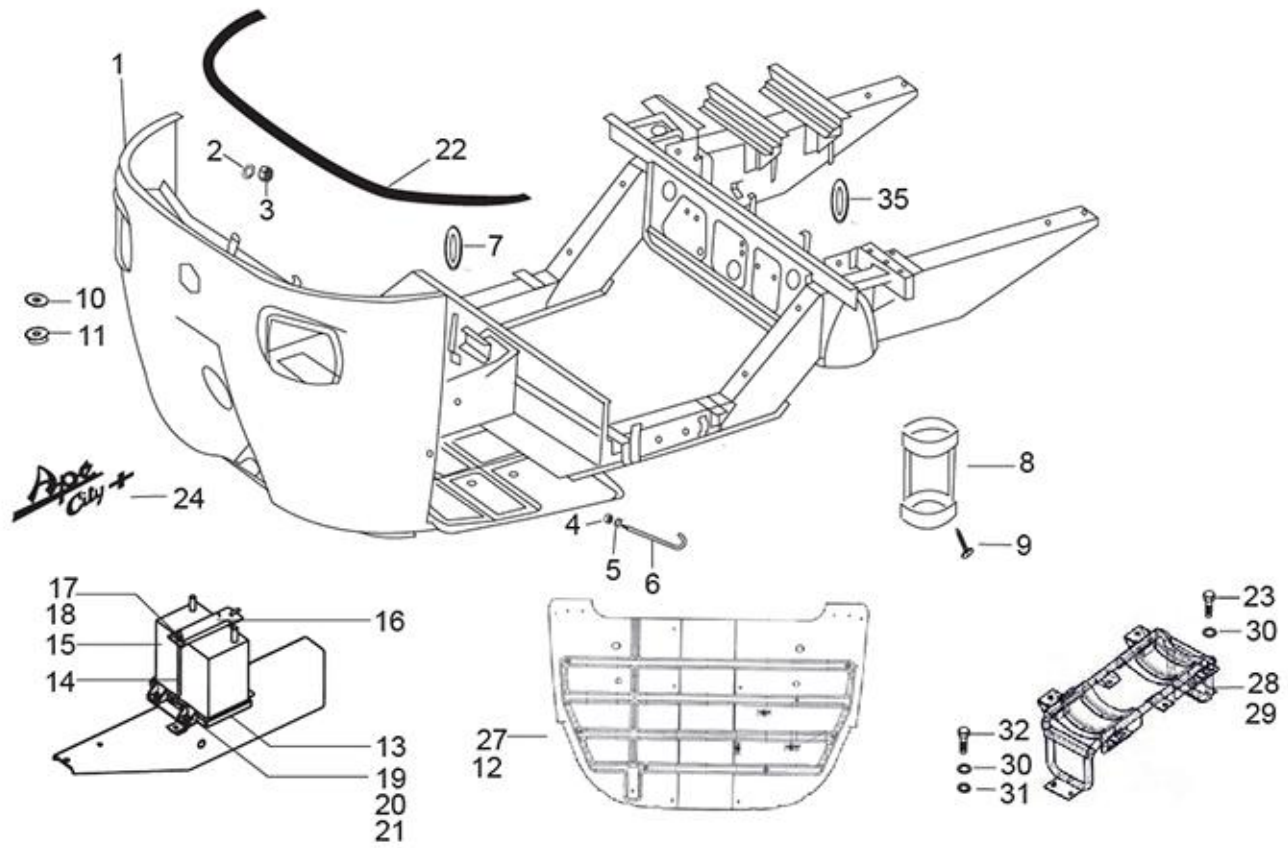
Fig. No.	Part No.	Description	Qty	Remarks
1	B079222BW	MAIN FRAME ASSLY APE CITY+_PTL_BW	1	FOR HSRP
1	B079222BL	MAIN FRAME ASSLY APE CITY+_PTL_BL	1	FOR HSRP
1	B079222EG	MAIN FRAME ASSLY APE CITY+_PTL_EG	1	FOR HSRP
1	B079222GY	MAIN FRAME ASSLY APE CITY+_PTL_GY	1	FOR HSRP
1	B079222NB	MAIN FRAME ASSLY APE CITY+_PTL_NB	1	FOR HSRP
1	B079222WR	MAIN FRAME ASSLY APE CITY+_PTL_WR	1	FOR HSRP
1	B079221BW	MAIN FRAME ASSLY APE CITY+ CNG/LPG_BW	1	FOR HSRP
1	B079221BL	MAIN FRAME ASSLY APE CITY+ CNG/LPG_BY	1	FOR HSRP
1	B079221CB	MAIN FRAME ASSLY APE CITY+ CNG/LPG_CB	1	FOR HSRP
1	B079221EG	MAIN FRAME ASSLY APE CITY+ CNG/LPG_EG	1	FOR HSRP
1	B079221GY	MAIN FRAME ASSLY APE CITY+ CNG/LPG_GY	1	FOR HSRP
1	B079221NB	MAIN FRAME ASSLY APE CITY+ CNG/LPG_NB	1	FOR HSRP
1	B079221WR	MAIN FRAME ASSLY APE CITY+ CNG/LPG_WR	1	FOR HSRP
2	003054	PLAIN WASHER	5	
3	20104	HEX NUT M4	5	
4	20108	HEX NUT M8	1	
5	3058	PLAIN WASHER 15X8.4X1.5	1	
6	604954	TENSION ROD	1	
7	B075981	GROMMET WIRING HAND BRAKE	1	
8	B041392	BOTTLE CARRIER STAND	1	
9	660168	PAN SELF TP. SCREW 10 SGX13AB	2	
10	B075979	GROMMET	2	
11	604756	HOSE CLIP	2	
12	6B000332	CABIN FLOOR SUB ASSLY	1	
13	616649	BATTERY TRAY	1	
14	632508	TENSION ROD ASSY. (BATTERY MOUNTING.)	1	
15	652253R	BATTERY 12V-35AH	1	
16	6D000190	BATTERY HOLDING PLATE	1	
17	20108	HEX NUT M8	1	
18	3058	PLAIN WASHER 15X8.4X1.5	1	
19	016408	SPRING WASHER	1	
20	13861	PLAIN WASHER 20X8.2X2.5	4	
21	31118	SCREW M8X20	4	
22	B024474	BEADDING LINING	1	
23	31116	HEX HD. SCREW M8X16	2	

Print Date: 07-Apr-2022

PLATE-21

MAIN FRAME/BATTERY BKT/ JACK BKT





Print Date: 07-Apr-2022

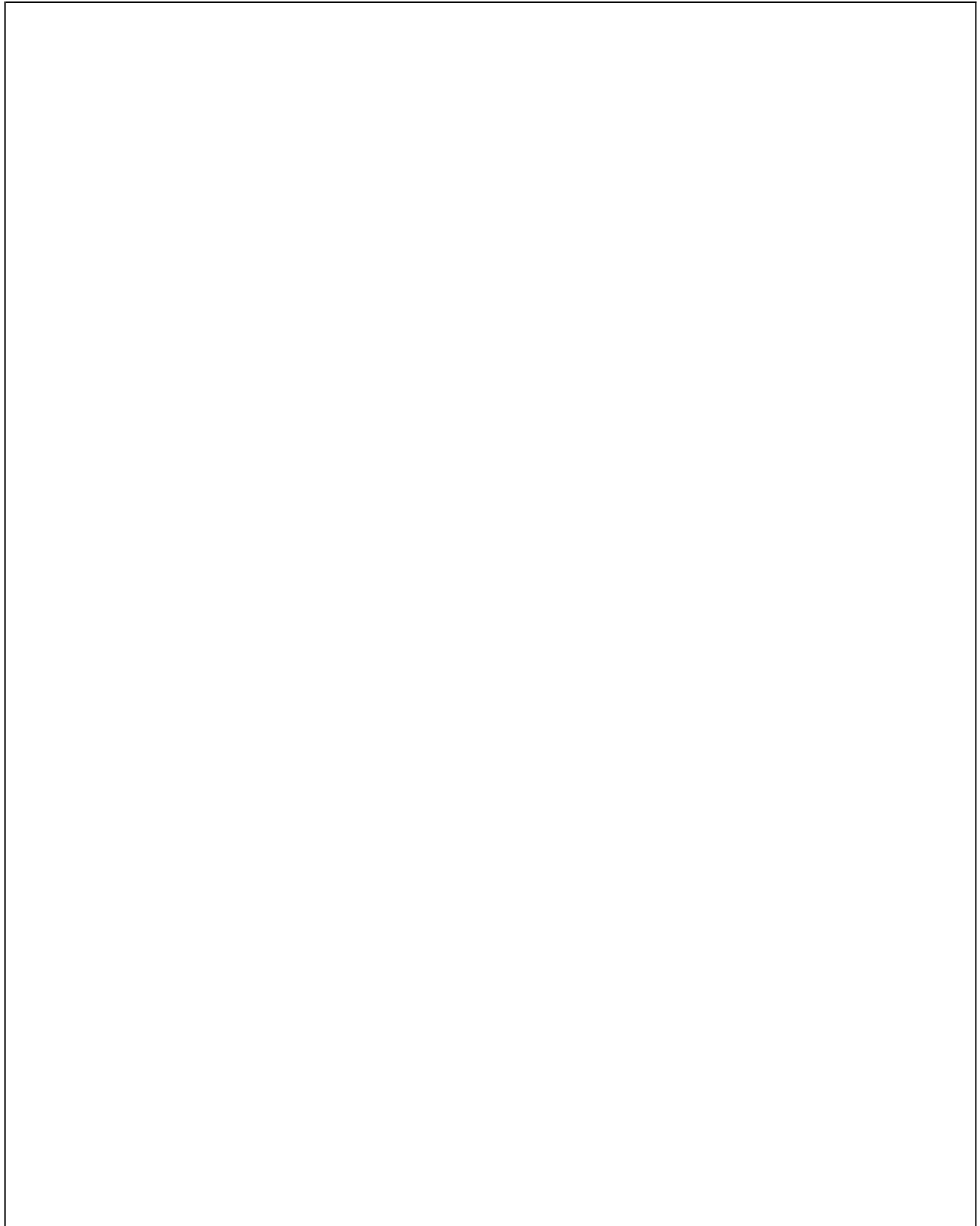
PLATE-21**MAIN FRAME/BATTERY BKT/ JACK BKT**

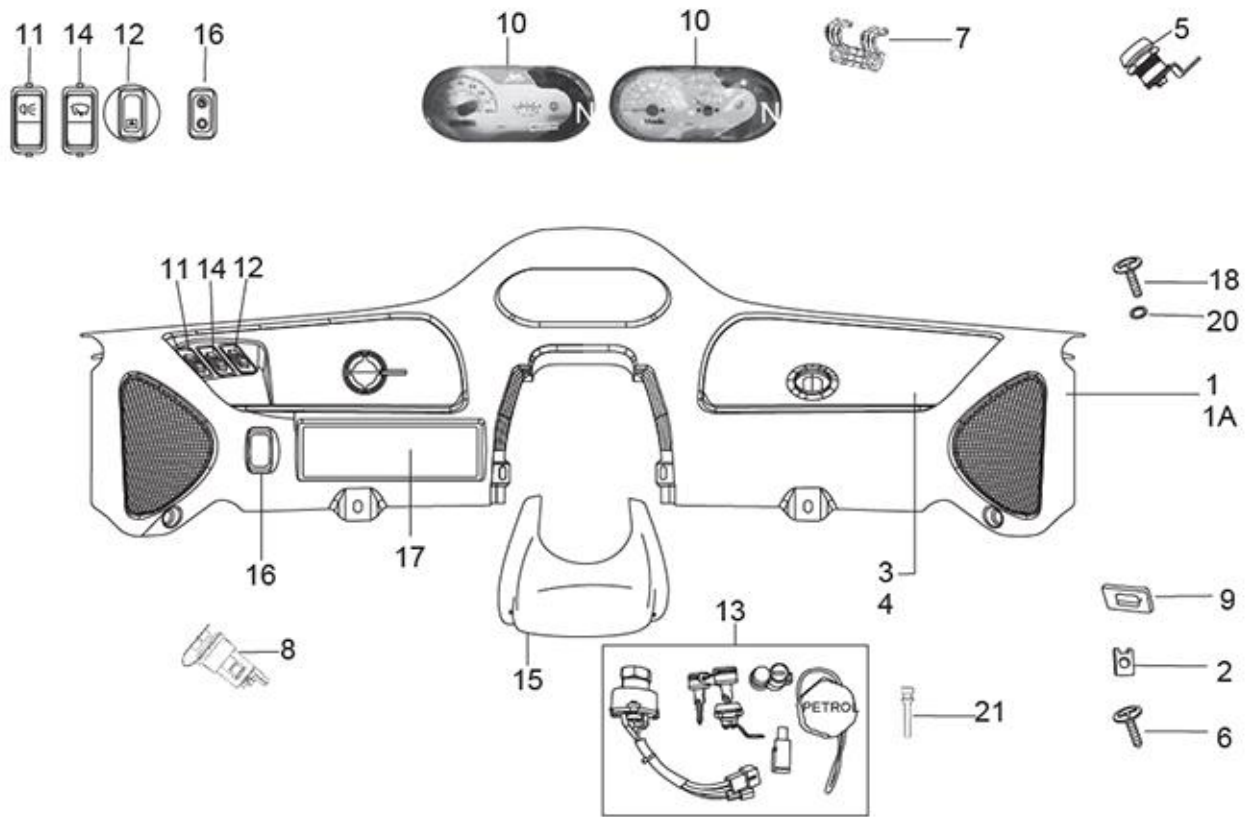
Fig. No.	Part No.	Description	Qty	Remarks
24	B078874	APE CITY PLUS STICKER (FRONT PANEL)	1	
25	B074657	BEEDING DOME SIDE PILLAR (LPG/CNG)	1	
26	B074637	BEEDING DOME SIDE PILLAR (PET/DLS)	1	
27	587905PC	CABIN FLOOR SUB-ASSY.	1	
28	NEW	NEW PART UNDER DEVELOPMENT	1	
29	NEW	NEW PART UNDER DEVELOPMENT	1	
30	2383	PLAIN WASHER M20X8.5X2	4	
31	016408	SPRING WASHER	6	
32	31118	SCREW M8X20	4	
33	3058	PLAIN WASHER 15X8.4X1.5	3	

Print Date: 07-Apr-2022

PLATE-22

DASHBOARD ASSEMBLY





Print Date: 07-Apr-2022

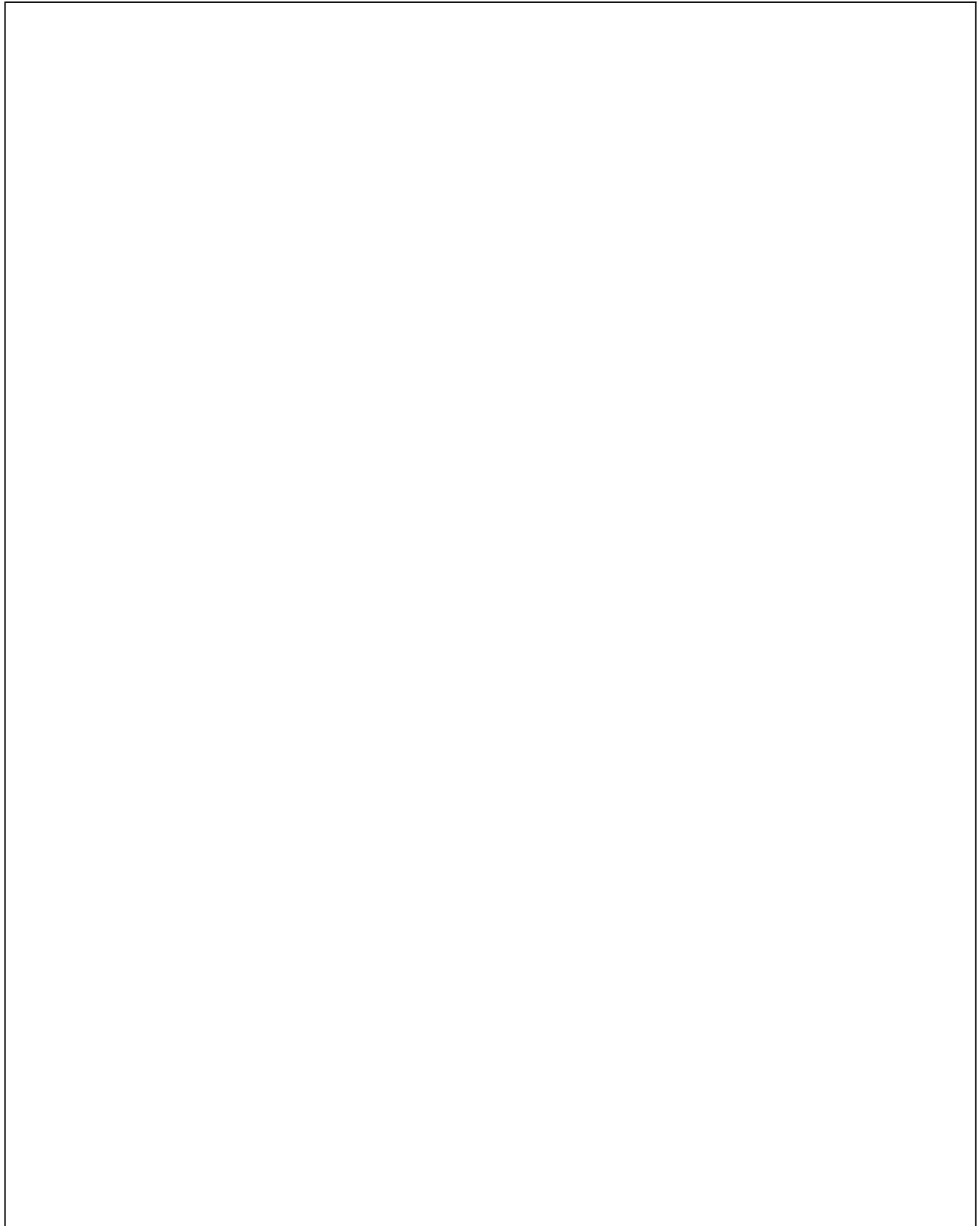
PLATE-22
DASHBOARD ASSEMBLY

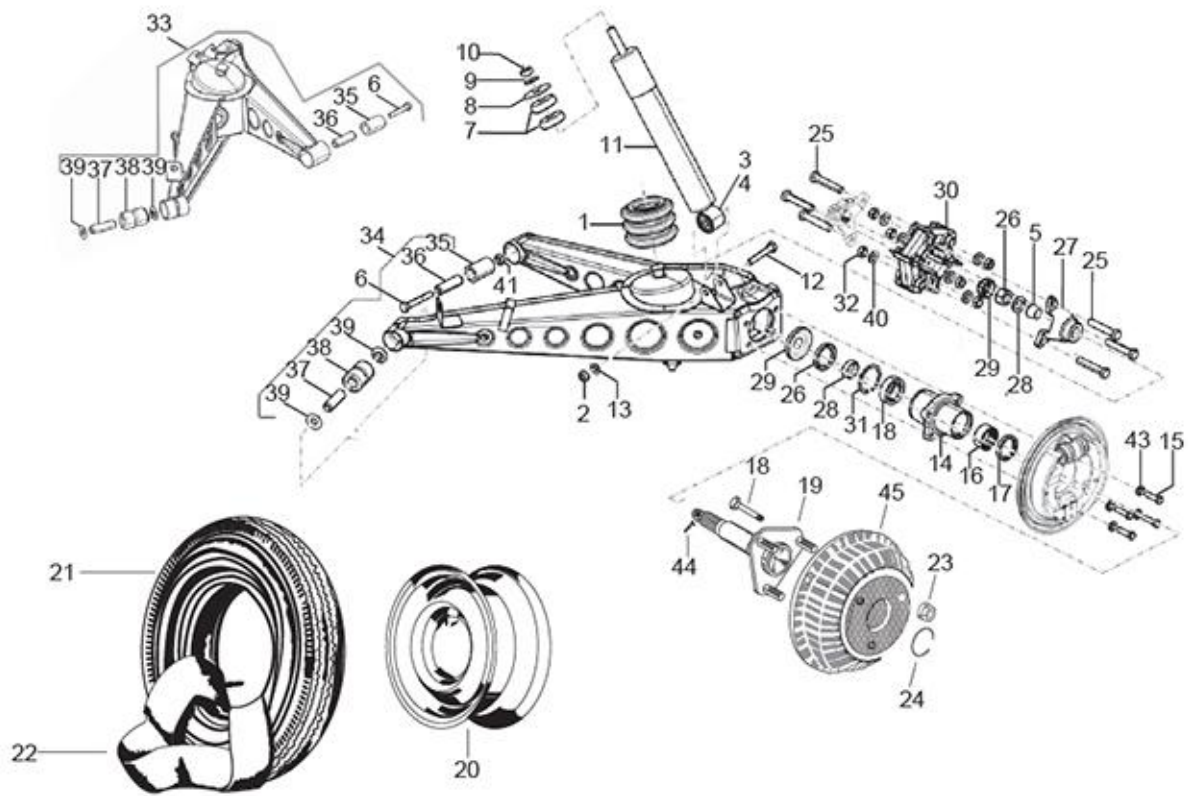
Fig. No.	Part No.	Description	Qty	Remarks
1	6B000211	DASHBOARD ASSLY.COMPLETE PTL	1	PTL
1	6B000213	DASHBOARD ASSLY.COMPLETE CNG	1	CNG
1	6B000214	DASHBOARD ASSLY.COMPLETE LPG	1	LPG
1A	B073809	DASH BOARD ASSY.	1	
2	8080	SPRING PLATE	4	
3	B073810	GLOVE BOX COVER	1	
4	568671	GASKET - GLOW BOX COVER (N.I.)	4	
5	B024169	GLOVE BOX LOCK WITH KEY	1	
6	660168	PAN SELF TP. SCREW 10 SGX13AB	4	
7	B073814	HINGE	1	
8	B074905	MOBILE CHARGER	1	
9	643691	BOLT LOCK PLATE	1	
10	6D000214	INSTRUMENT CLUSTER-PETROL	1	PTL
10	6D000058	INSTRUMENT CLUSTER-CNG	1	CNG
10	6D000059	INSTRUMENT CLUSTER-LPG	1	LPG
11	B073478R	SWITCH 3 POSITION	1	
12	B073481R	HAZARD WARNING SWITCH WITH CROWN CAP (12V)(VE)	1	
13	B079282	LOCK SET WITH KEYS APE CITY +_PTL	1	PTL
13	B079047	LOCK SET & KEYS	1	CNG / LPG
14	B073479R	WIPER MOTOR SWITCH/ SWITCH WIPER MOTOR	1	
15	B073811	STEERING COLUMN COVER	1	
16	B075732	FUEL CHANGE OVER SWITCH	1	
17	B073812	UTILITY BOX	1	
18	B023976	CSK PHILIPS HEAD SCREW M5X15	8	
19	B074262	PIN	2	
20	6078	PLAIN WASHER 12 X 5.2 X 1	8	
21	B074275	RUBBER DAMPER	2	

Print Date: 07-Apr-2022

PLATE-23

REAR SUSPENSION





Print Date: 07-Apr-2022

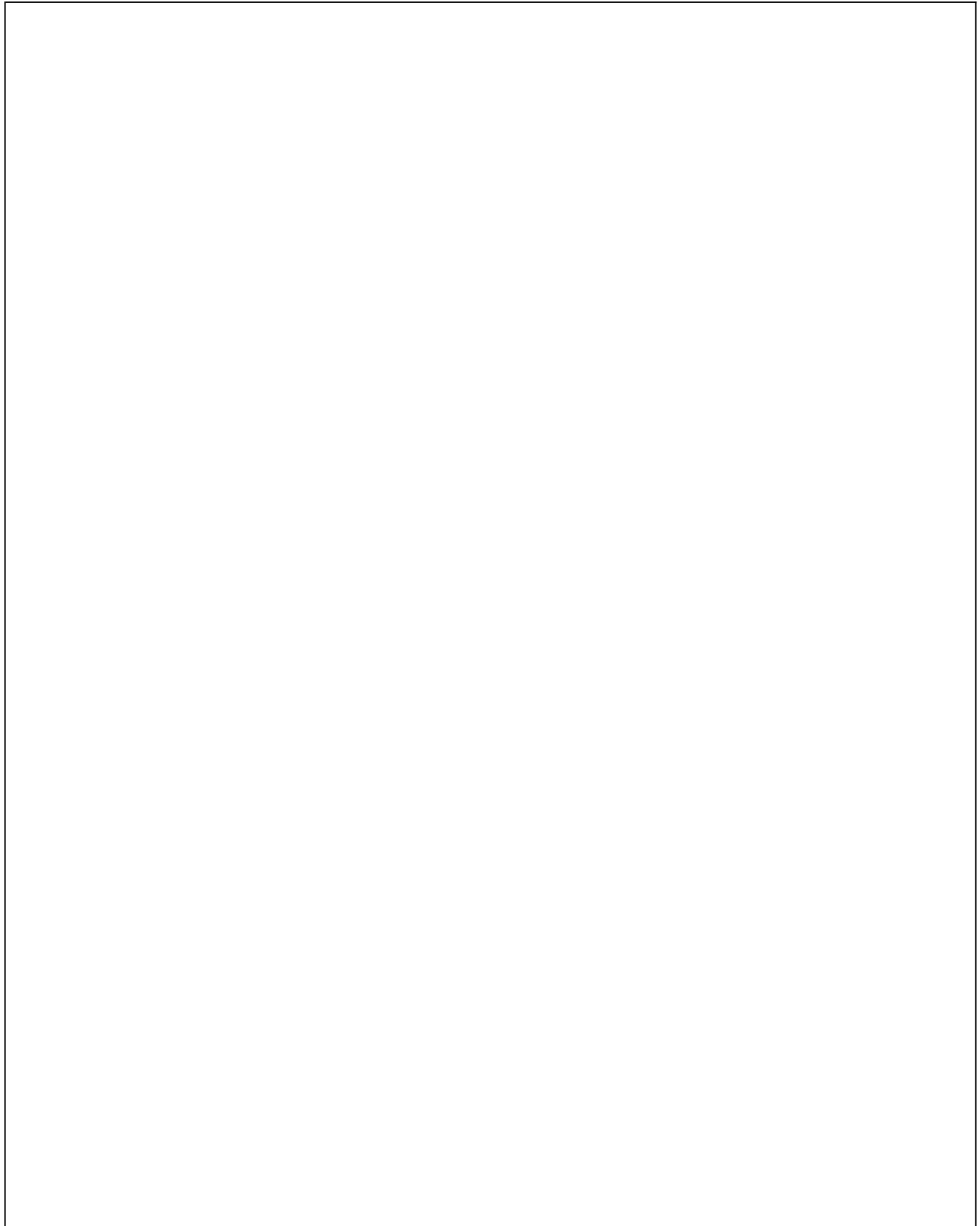
PLATE-23
REAR SUSPENSION

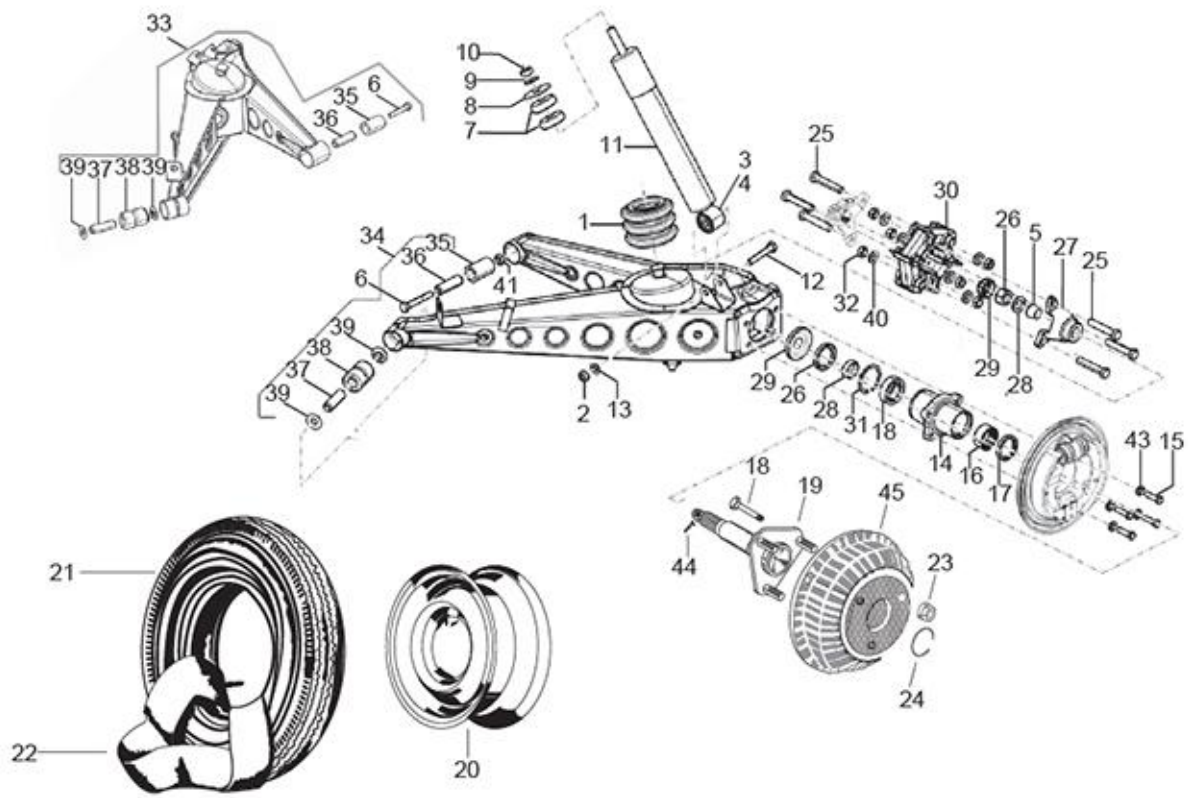
Fig. No.	Part No.	Description	Qty	Remarks
1	568289	RUBBER BUMPER	2	
2	231370	SELF BREAKING NUT M10	2	
3	157103	BUSH - SHOCK ABSORBER	2	
4	107827	SPACER	1	
5	128633	CONE	1	
6	643741	HEX HDD BOLT M10 X 80 CL 12.9	4	
7	157103	BUSH - SHOCK ABSORBER	4	
8	6066	PL WASHER 10.5X38X9	2	
9	16410	SPRING WASHER	2	
10	20110	HEX NUT M10	2	
11	136451R	SHOCK ABSORBER REAR	2	
12	267068	HEX HEAD BOLT M10 X 60 CC 10.9	2	
13	286328	PLAIN WASHER 20X10.2X2	2	
14	6C000662	REAR WHEEL HUB	2	
15	652520	BOLT FOR AXLE M12 X 40 (VE WHEEL RIM)	8	
16	661282	NEEDLE ROLLER BEARING	2	
17	20359	SEAL RING	2	
18	243303R	DEEP GROVE BALL BRG-RR WH AXLE	2	
19	6C000060	WHEEL AXLE	2	
20	644973R	WHEEL RIM ASSY.	4	
21	587971	TYRE 4.50 X 10 8 PR	4	
22	151924	INNER TUBE TYRE 4.5 X 10 INCH	4	
23	660931	WHEEL NUT (M12 X 1.5)	3	
24	107870	ELASTIC RING	2	
25	15594	HEX HDD BOLT M10 X 35	6	
25.1	B024373	ALLEN BOLT M10X65 CL 10.9	6	
26	196302	OIL SEAL	2	
27	587617	ELASTIC JOINT CONNECTION HUB (WHL - SIDE)	2	
28	661267	RING	2	
29	109892	PROTECTION CUP RR HUB	2	
30	604535	FLEXIBLE COUPLING	2	
31	6650	CIRCLIP DIA 50 (INT)	2	
32	231370	SELF BREAKING NUT M10	12	
33	6C000363	ARM ASSLY RH RR SUSP. WITH BUSH-REG	1	Communized with BS6
34	6C000362	ARM ASSLY LH RR SUSP. WITH BUSH-REG	1	Communized with BS6

Print Date: 07-Apr-2022

PLATE-23

REAR SUSPENSION





Print Date: 07-Apr-2022

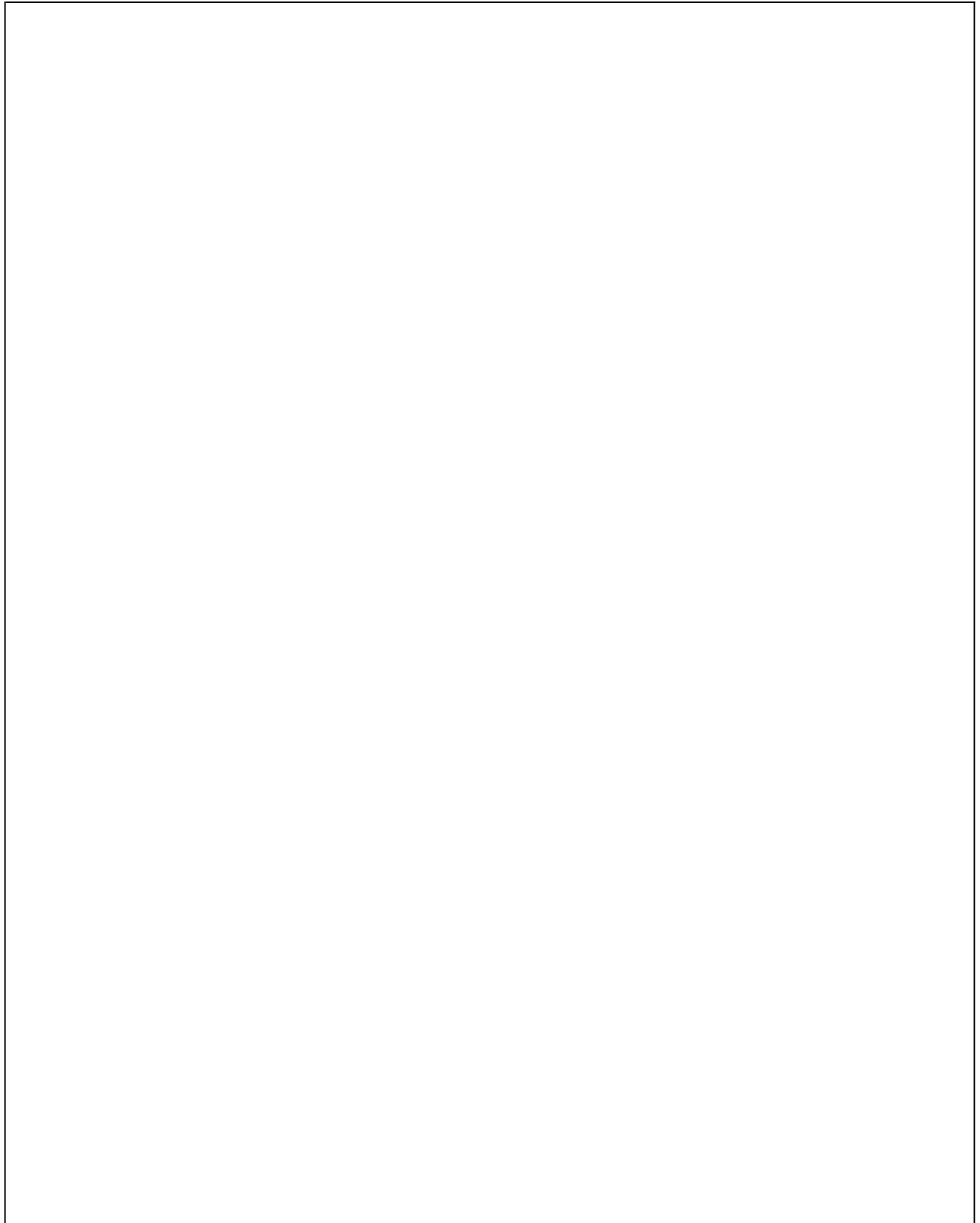
PLATE-23
REAR SUSPENSION

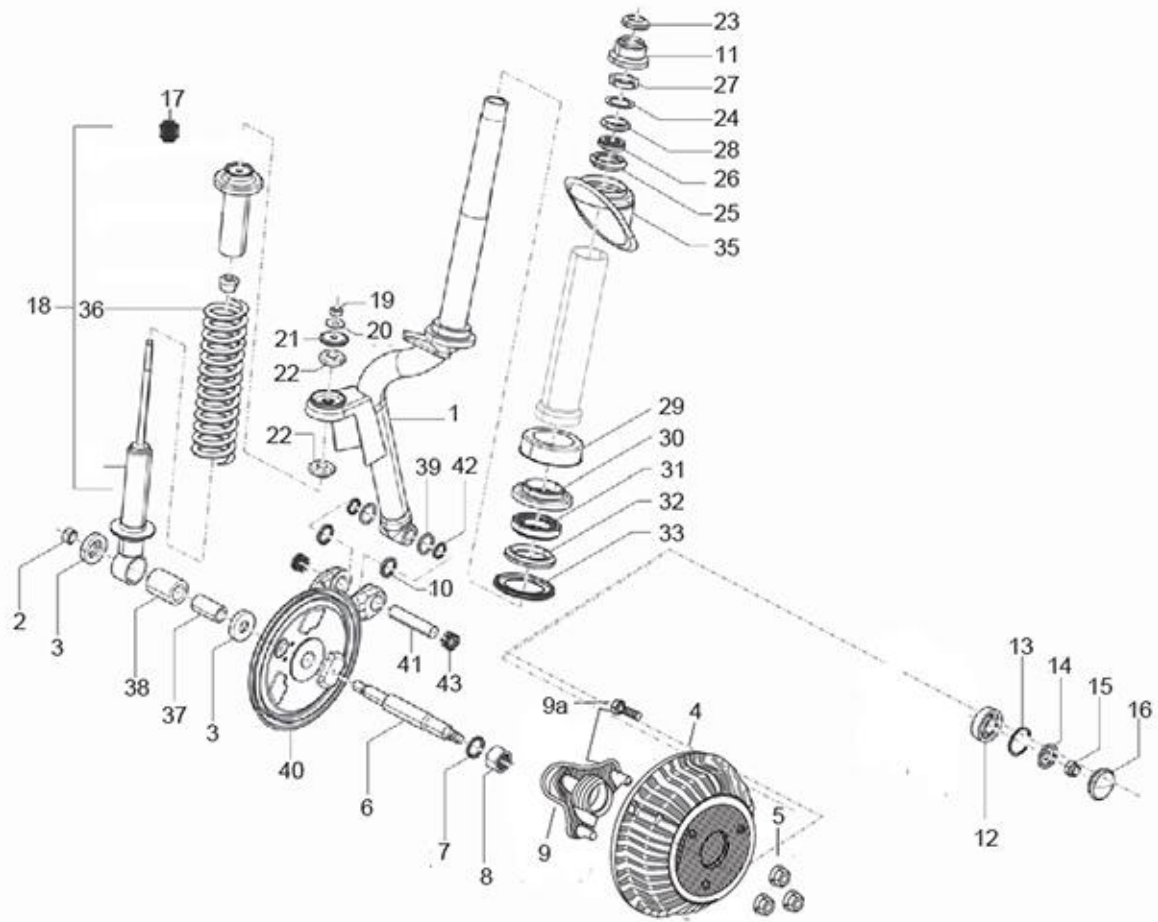
Fig. No.	Part No.	Description	Qty	Remarks
35	226662	RING FOR ELASTIC SUPPORT	2	
36	226661	INTERNAL BUSH	2	
37	267065	SPACER FRONT	2	
38	226596	BUSH FRONT RING FOR ELASTIC SUPPORT	2	
39	661266	SHOULDER WASHER	4	
40	237246	SHIM WASHER 20X10.2X1	12	
41	231370	SELF BREAKING NUT M10	4	
42	3068	PLAIN WASHER	1	
43	016408	SPRING WASHER	8	
44	12790	SPLIT PIN	2	
45	152580	BRAKE DRUM APE - 501	2	
46	286328	PLAIN WASHER 20X10.2X2	2	NI

Print Date: 07-Apr-2022

PLATE-24

STEERING COLUMN AND FRONT SUSPENSION





Print Date: 07-Apr-2022

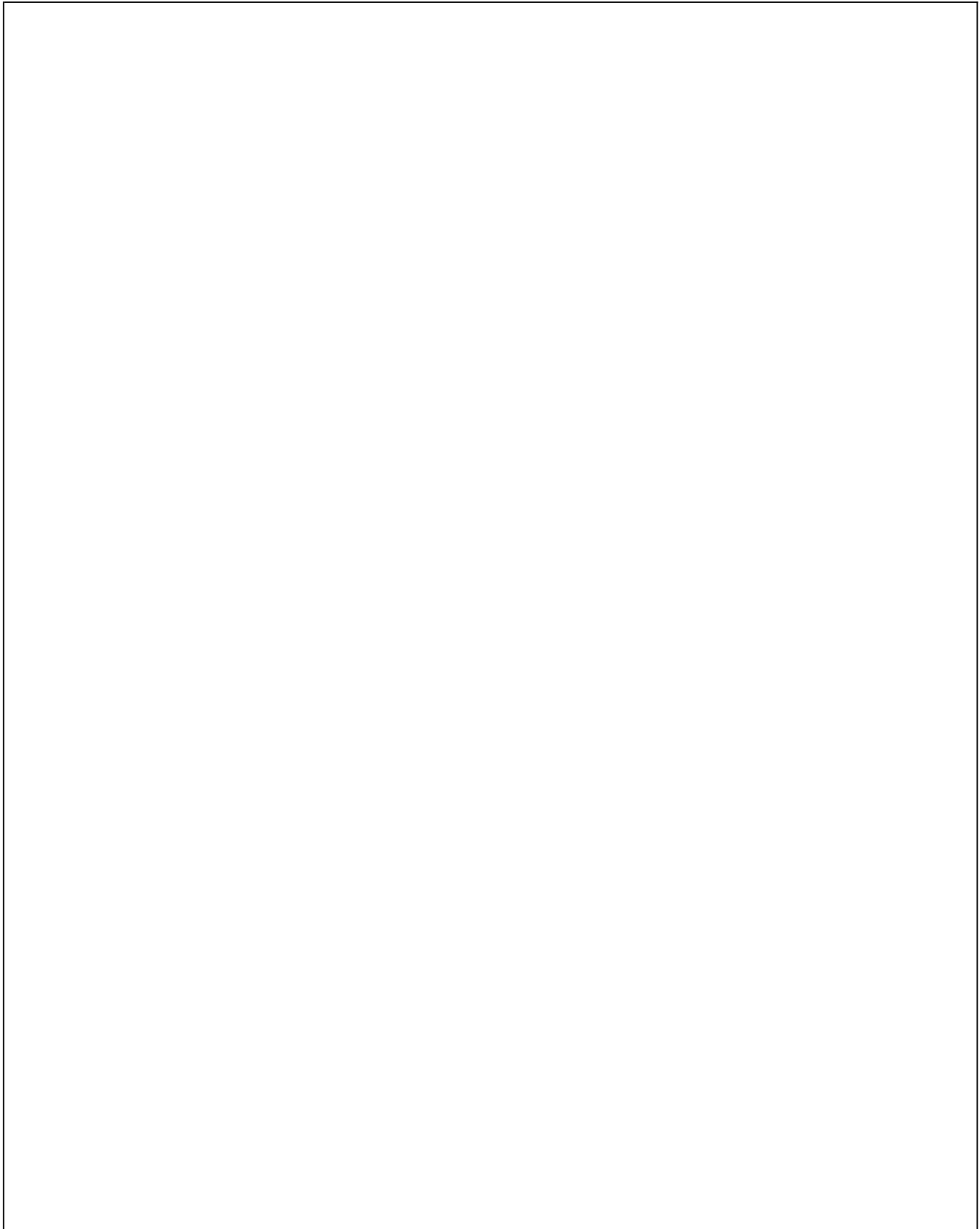
PLATE-24**STEERING COLUMN AND FRONT SUSPENSION**

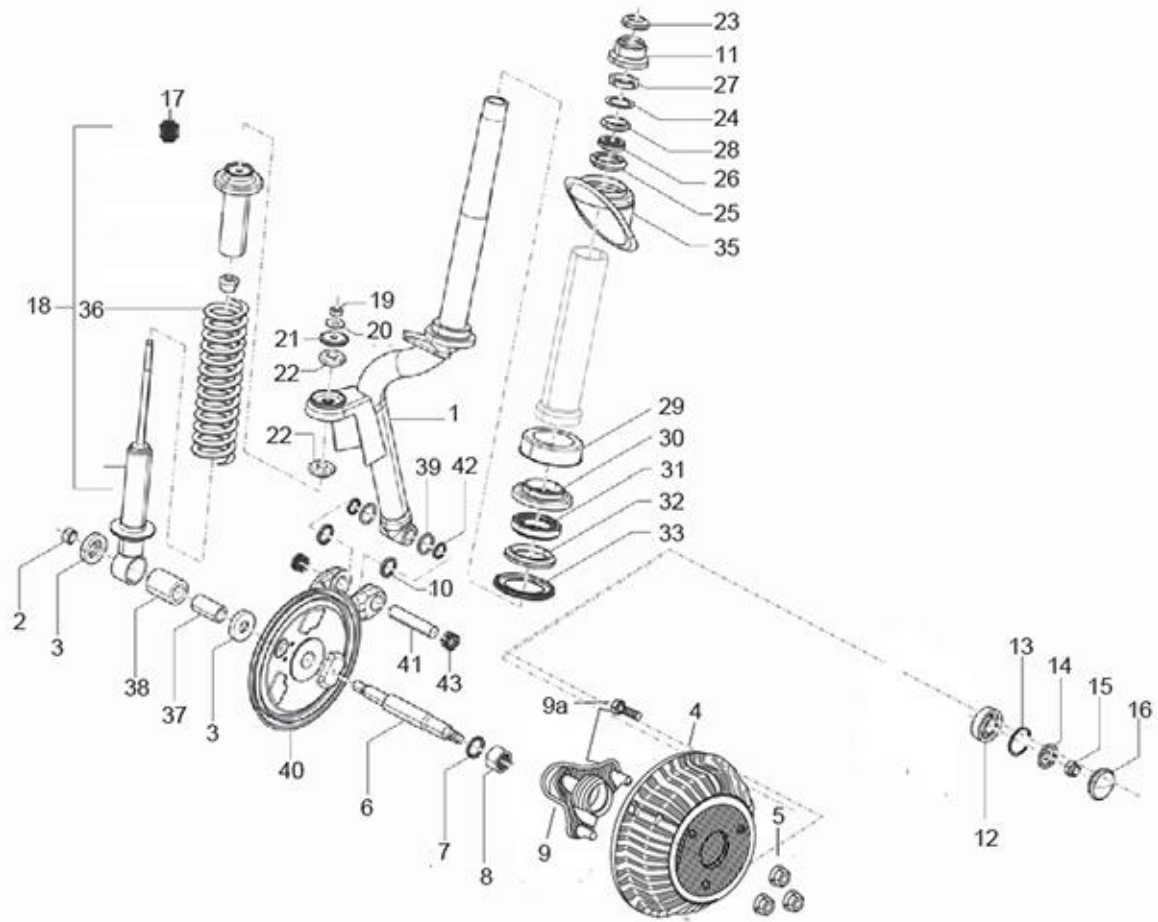
Fig. No.	Part No.	Description	Qty	Remarks
1	B076859	STEERING COLUMN WITH I.P. (501 STD)	1	
1	B076873SP	STEERING COLUMN ASSLY (NRB) -501 STD SPD	1	assy
2	568095	NYLOCK NUT	1	
3	87067	PLAIN WASHER 30.5X14.3X2	1	
4	152580	BRAKE DRUM APE - 501	1	
5	660931	WHEEL NUT (M12 X 1.5)	3	
6	643772R	FRONT WHEEL AXLE	1	
7	136434	OIL SEAL	1	
8	125289	NEEDLE BEARING, CRANKASE, FRONT WHEEL	1	
9	652521	FR. WHEEL HUB ASSY.	1	
9A	652520	BOLT FOR AXLE M12 X 40 (VE WHEEL RIM)	4	
10	150579	RING FOR HOLDING TYPE J F101 17A	2	
11	604758	PROTECTION	1	
12	30209R	BALL BEARING FRONT WHEEL HUB	1	
13	567473	CIRCLIP DIA. 42 INT. (841004203)	1	
14	180431	COIN WASHER	1	
15	74521	NUT M14 X 1.5	1	
16	107871	CAP	1	
17	75708	SILENT BLOCK	1	
18	569246R	FRONT SHOCK ABSORBER	1	
19	20110	HEX NUT M10	1	
20	16410	SPRING WASHER	10	
21	6066	PL WASHER 10.5X38X9	1	
23	604758	PROTECTION	1	
24	108873	STOP WASHER FOR HOLDING	1	
25	567990	BEARING RACE UPPER BOTTOM	1	
26	567991	BEARING RACE UPPER TOP	1	
27	108874	SECURING RING NUT	1	
28	6C000190	UPPER BALL CAGE (VE)	1	
29	109064	DUST COVER	1	
30	567992	BEARING RACE LOWER TOP	1	
31	6C000191	LOWER BALL CAGE (VE)	1	
32	567993	BEARING RACE LOWER BOTTOM	1	
33	109066	WASHER WITH PROTECTION FOR BEARING	1	
34	604759	RUBBER CAP STEERING COLUMN (N.I.)	4	

Print Date: 07-Apr-2022

PLATE-24

STEERING COLUMN AND FRONT SUSPENSION





Print Date: 07-Apr-2022

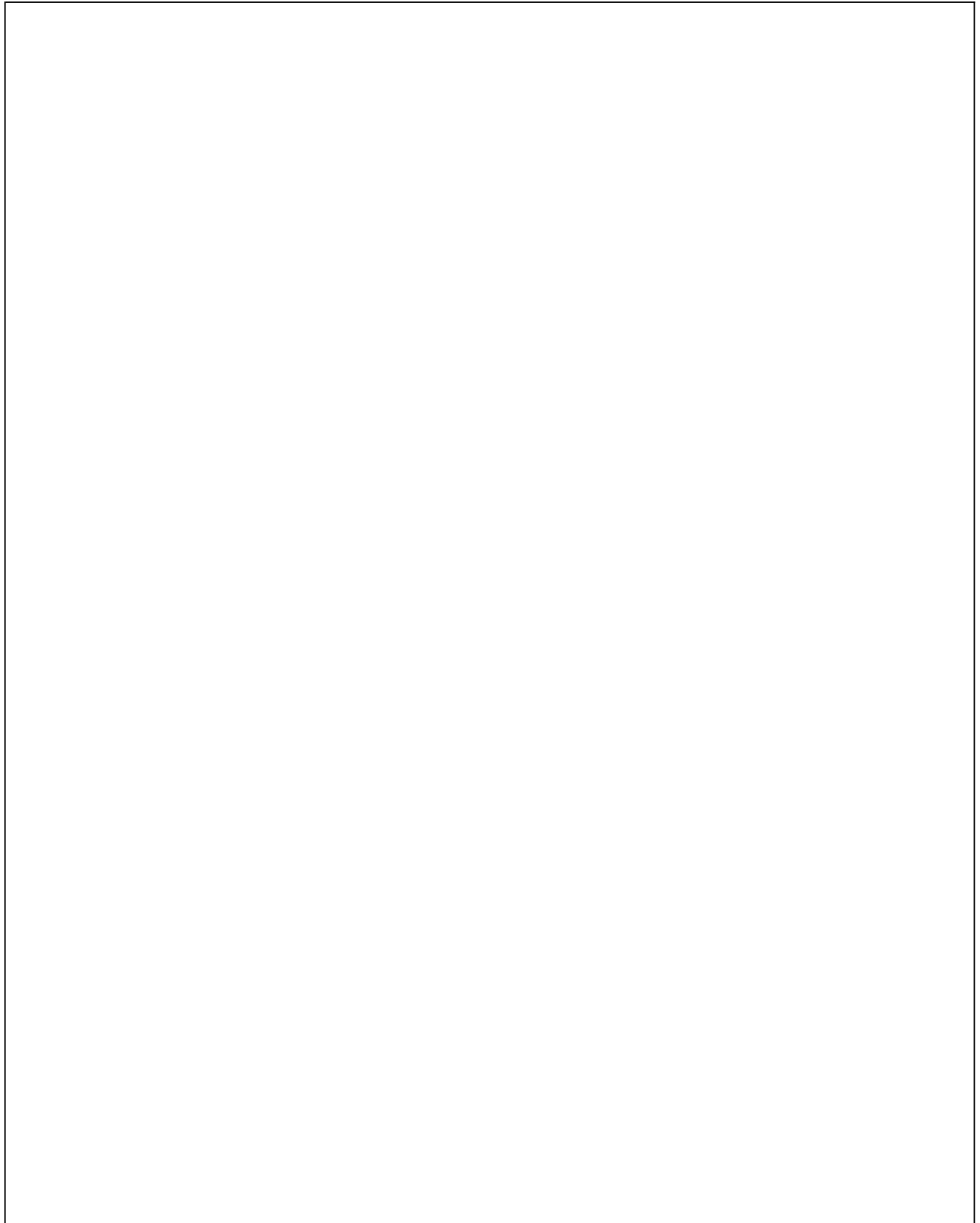
PLATE-24**STEERING COLUMN AND FRONT SUSPENSION**

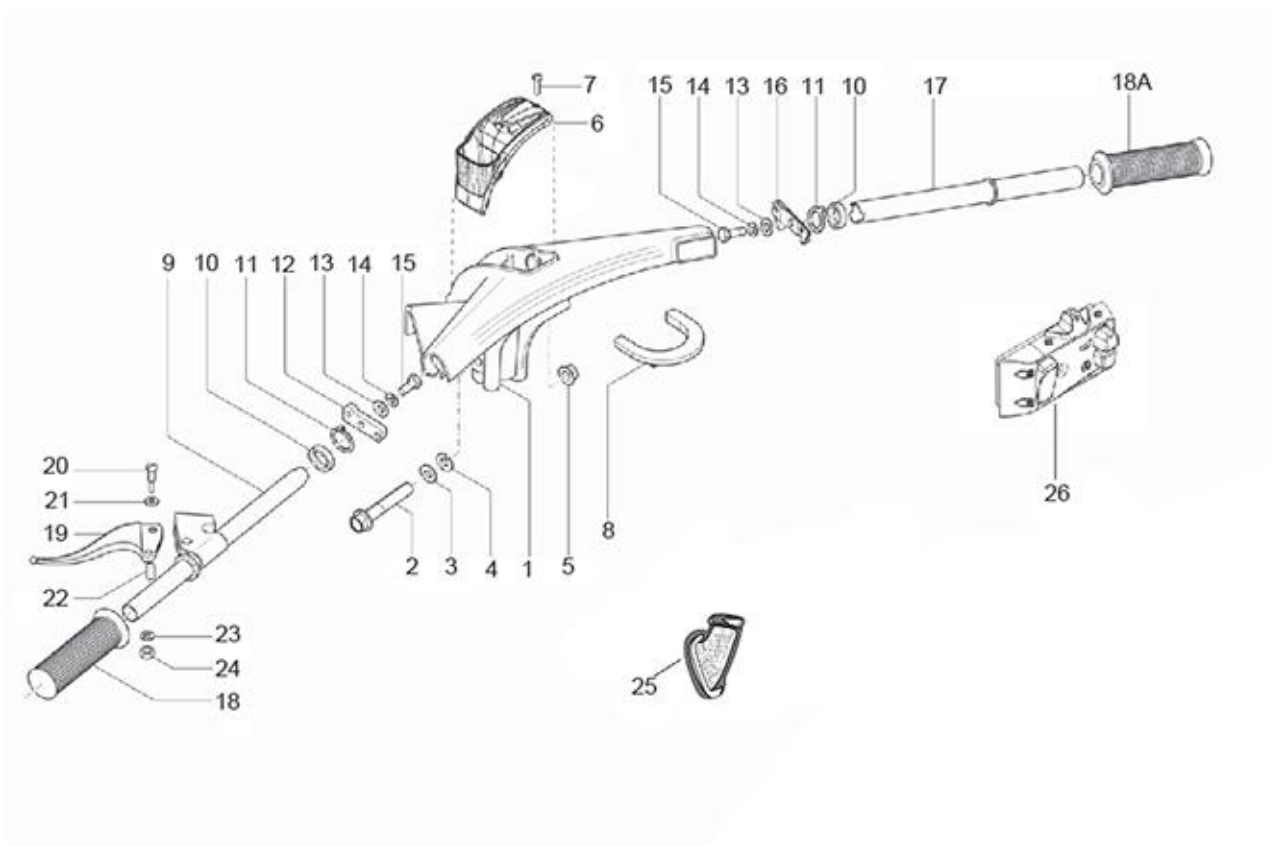
Fig. No.	Part No.	Description	Qty	Remarks
35	109265	SPLASH GUARD DUST COVER	1	
36	569255	FRONT SUSPENSION SPRING	1	
37	109117	RUBBER BUSH (FRT SHOCK ABSORBER) / RING	1	
38	566545	RUBBER BUSH (FRT SHOCK ABSORBER) - MODIFIED	1	
39	6733	O RING	2	
40	616541	BRACKET WHEEL CARRIER WITH PI	1	
41	137235	STEERING PIN	1	
42	8771	OIL SEAL (18-24-4)	2	
43	107718	ROLLER BUSH	2	

Print Date: 07-Apr-2022

PLATE-25

HANDLE BAR AND CONTROL





Print Date: 07-Apr-2022

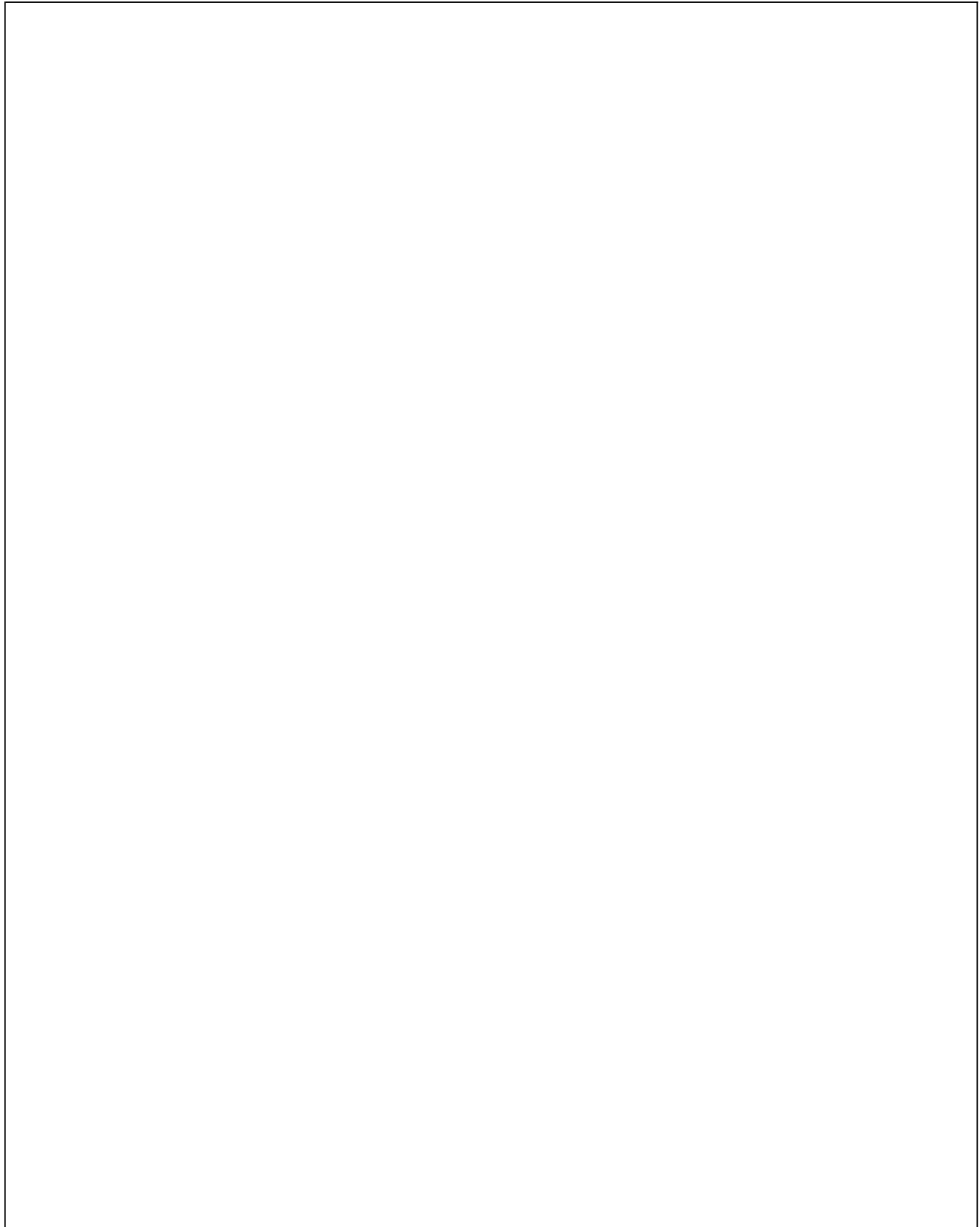
PLATE-25**HANDLE BAR AND CONTROL**

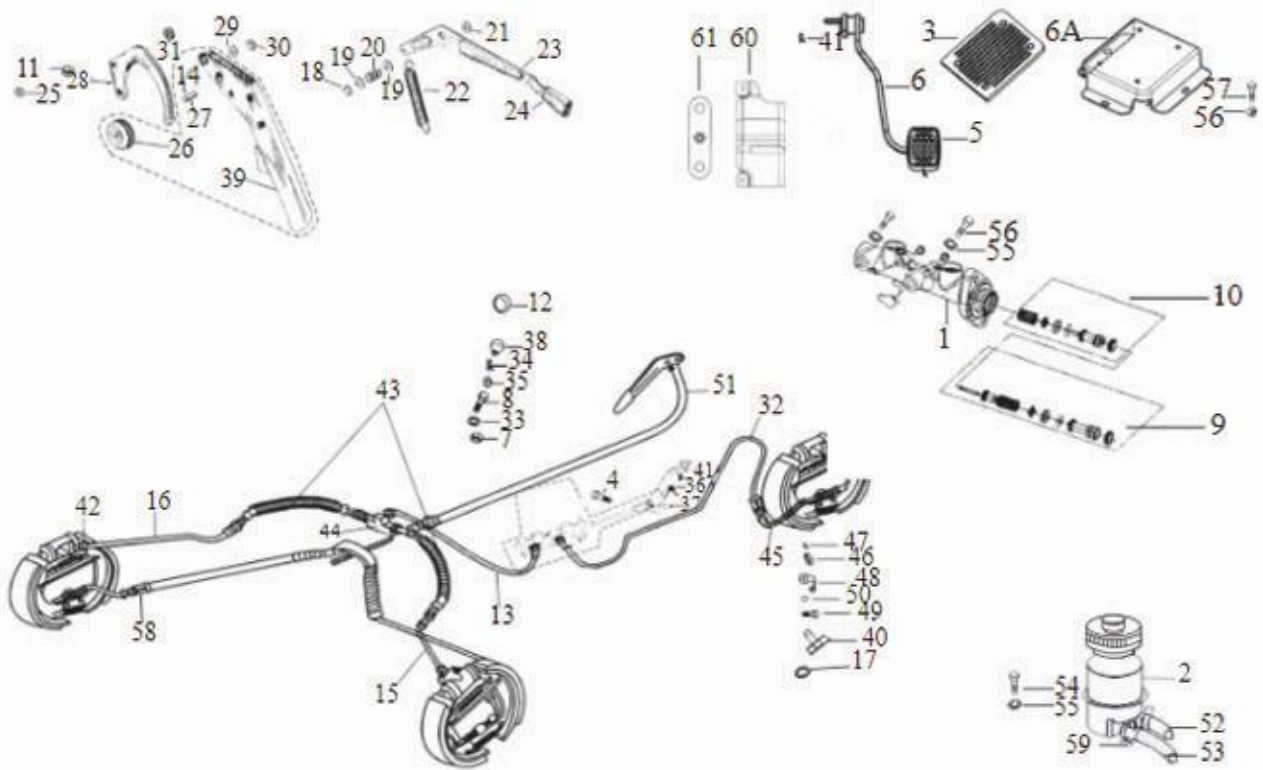
Fig. No.	Part No.	Description	Qty	Remarks
1	B075687ED	HANDLE BAR BODY-ED	1	
2	30104	MOUNTING BOLT M10 X 75	1	
3	16626	PLAIN WASHER (18X10.5X2)	2	
4	16410	SPRING WASHER	1	
5	20110	HEX NUT M10	1	
6	B073817	COVER	1	
7	632158	CSK HEAD SCREW	1	
8	126902	PROTECTION COLLAR CABLE	1	
9	6A000197	TUBE SUB ASSY WITH PARTS MODI	1	chassis cut off MBX0005AFXD843185
9A	B075313	SCREW FOR CLUTCH LEVER (NEW)	1	chassis cut off MBX0005AFXD843185
10	109404	WASHER OF RABBET(41737)	1	
11	60565	SPRING WASHER	1	
12	109775	GEAR CONTROL LEVER S/A	1	
13	3055	PLAIN WASHER M5	2	
14	016406	SPRING WASHER	2	
15	31089	HEX HEAD SCREW M6X18 CL 8.8	2	
16	109635	THROTTLE CONTROL LEVER WITH IP	1	
17	587902	ACCELERATOR TUBE ASSY.	1	
18	B073848	HANDLE BAR GRIP - LH	2	
18 A	B073849	HANDLE BAR GRIP - RH	1	
19	1E002770	LEVER CLUTCH CONTROL	1	
20	B075313	SCREW FOR CLUTCH LEVER (NEW)	1	
21	16319	BENT SPRING WASHER	1	
22	125181	SPACER	1	
23	16620	PLAIN WASHER	1	
24	12138	NYLOCK NUT M6	1	
25	109227	PROTECTION GROMMET	1	
26	B073850R	HBS (ST. BUTTON) - CITY UPGRADE (NEW) _ALL NUOVO MODEL	1	

Print Date: 07-Apr-2022

PLATE-26

BRAKE - TANDEM MASTER CYLINDER ,BRAKE PIPE AND HAND BRAKES





Print Date: 07-Apr-2022

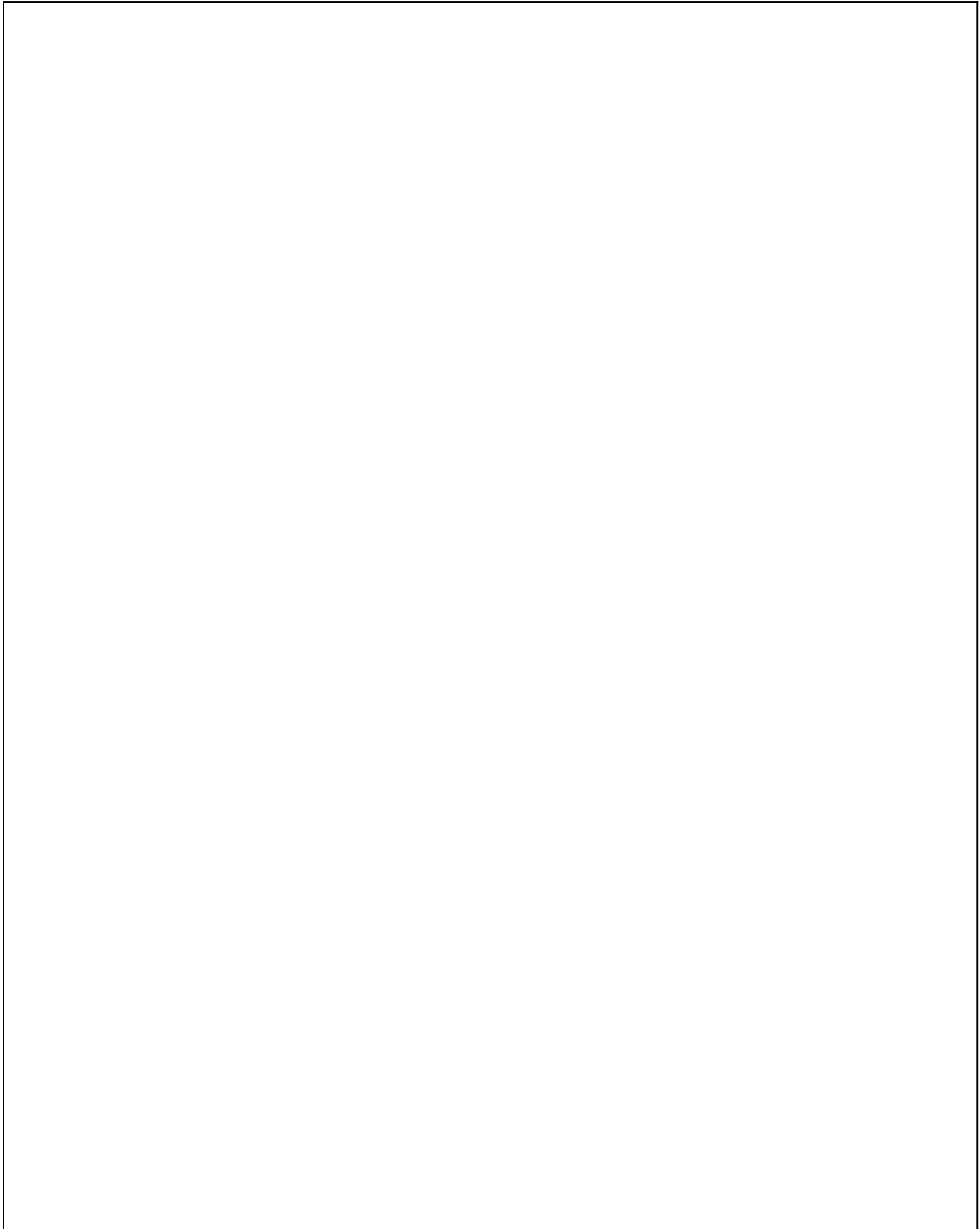
PLATE-26**BRAKE - TANDEM MASTER CYLINDER ,BRAKE PIPE AND HAND BRAKES**

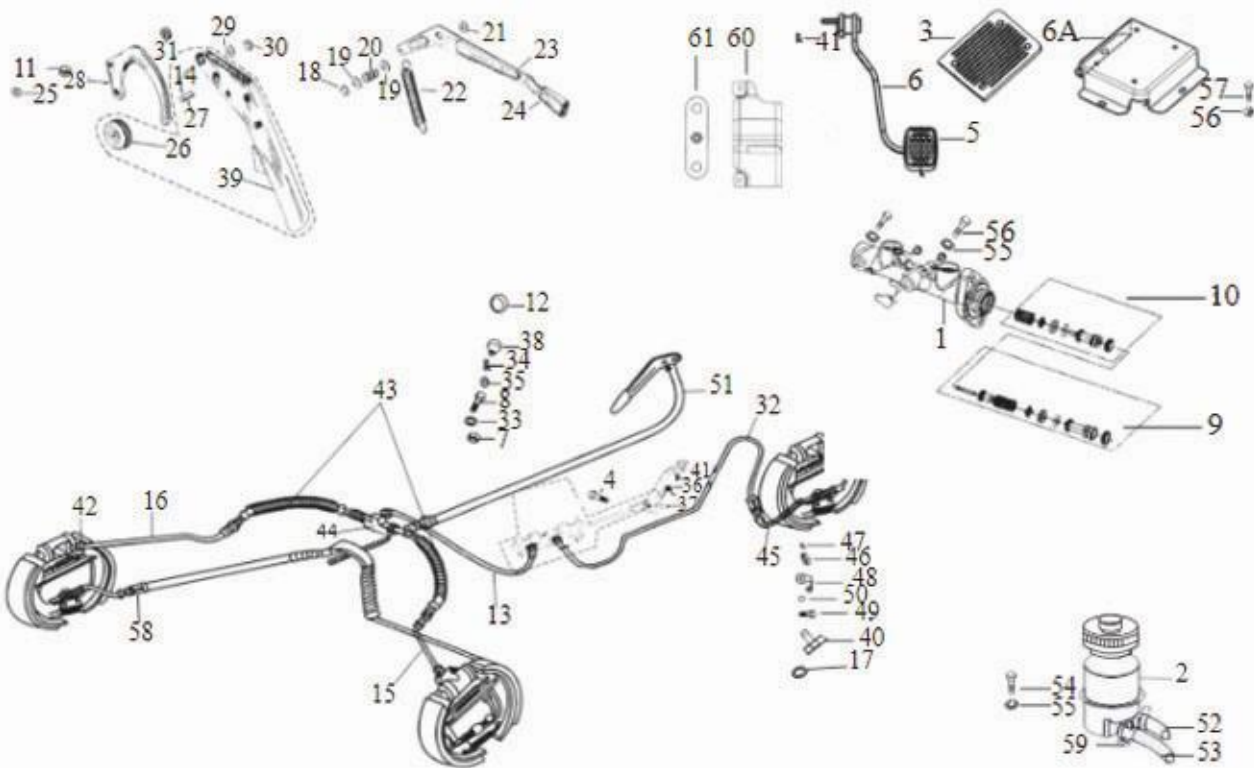
Fig. No.	Part No.	Description	Qty	Remarks
1	B075485	TMC ASSY.(19.05)	1	
2	B073788	BRAKE OIL TANK	1	
3	B074024	RUBBER MAT FOR FOOT REST	1	
4	652001	PIN	1	
5	567461	RUBBER PROTECTION FOR PEDAL	1	
6	B076847	BRAKE PEDAL ASSLY	2	
6	6C000118	FOOT BRAKE PEDAL	1	Applicable for W/o foot rest vehicle
6A	B073538	FOOT REST	1	
7	20108	HEX NUT M8	2	
8	1A016964	CSK PHILIPS HEAD SCREW	2	
9	940067	MAJOR KIT TMC (UG)	1	
10	940068	MINOR KIT TMC (UG)	1	
11	20106	HEX NUT M6	2	
12	B042693	CUP RETAINING SPRING (SPLIT TYPE)	2	
13	B075491	BRAKE BUNDY TUBE TMC TO REAR WHEEL	1	
14	567920	SPLIT PIN	3	
15	644813	BRAKE PUMP TUBE OF LEFT REAR WHEEL	1	
16	644812	BRAKE PUMP TUBE OF RIGHT REAR WHEEL	1	
17	3055	PLAIN WASHER M5	1	
18	5969	CIRCLIP DIA 9 E TYPE	1	
19	6173	METALLIC PLAIN WASHER (808001026)	2	
20	108785	SPRING	1	
21	B042317	SPACER-RC LEVER	1	
22	567690	REVERSE GEAR COUPLING SPRING	1	
24	604717	KNOB FOR R.C.	1	
25	016406	SPRING WASHER	2	
26	B075475	PULLEY FOR HAND BRAKE	1	
27	567899	CLEVIS PIN	1	
28	B042794	RATCHET , HAND BRAKE CONTROL	1	
29	016408	SPRING WASHER	1	
30	6411	EXT CIRCLIP DIA 11	1	
31	20108	HEX NUT M8	1	
32	B075490	BRAKE BUNDY TUBE TMC TO FRONT WHEEL	1	
33	016408	SPRING WASHER	2	
34	567920	SPLIT PIN	1	

Print Date: 07-Apr-2022

PLATE-26

BRAKE - TANDEM MASTER CYLINDER ,BRAKE PIPE AND HAND BRAKES





Print Date: 07-Apr-2022

PLATE-26**BRAKE - TANDEM MASTER CYLINDER ,BRAKE PIPE AND HAND BRAKES**

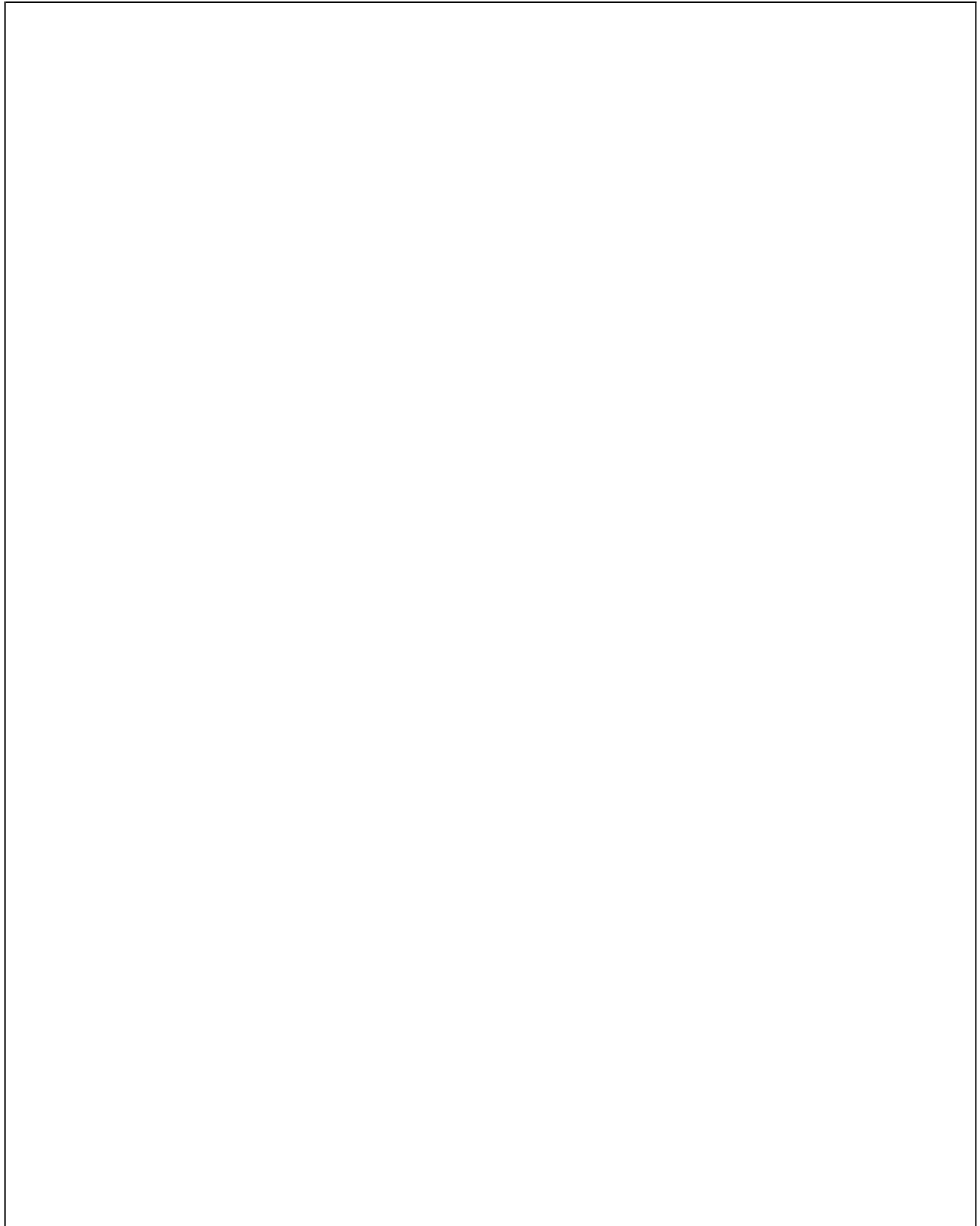
Fig. No.	Part No.	Description	Qty	Remarks
35	3058	PLAIN WASHER 15X8.4X1.5	1	
36	B073800	TORSIONAL SPRING	1	
37	229524	WASHER 21X14.3X2	1	
38	138237	CAP	1	
39	567746G1	HAND BRAKE LEVER (WITH POWDER COATING)	1	
40	632056	HEX NUT M6	1	
41	568737	SPLIT PIN 4 X 25 (821 0425 2 2)	2	
42	136916	PLATE FOR RETAINING THE BRAKE FLEX. PIPE	3	
43	644814R	FLEXIBLE BRAKE HOSE	2	
44	643692	THREE WAY UNION	1	
45	587624R	FLEXIBLE PIPING FOR FRONT WHEEL BRAKE R	1	
46	21216	HEX NUT M16 X 1.5	1	
47	48197	PL WASHER 24X16X1.5	13	
48	B003228	LOCK PLATE FRONT BRAKE HOSE	1	
49	661229	BANJO BOLT	1	
50	604910	COPPER WASHER FEED PUM	1	
51	B041774	PARKING BRAKE CABLE ASSY	1	
52	B075488	TUBE NO-1-BRAKE OIL TANK TO TMC	1	
53	B075489	TUBE NO-2 -BRAKE OIL TANK TO TMC	1	
55	013880	PLAIN WASHER	4	
56	20104	HEX NUT M4	4	
57	31088	HEX HD SCREW M6 X 16 CL 8.8 (811061623)	4	
58	B076007	PIPE CLIP 1 WAY	6	
59	B075838	CLAMP	2	
60	B075949	TMC PROTECTIVE SHIELD	1	
61	B075950	TMC SHIELD MTG. BKT.	1	
62	B075700	CLIP (14.5)	1	

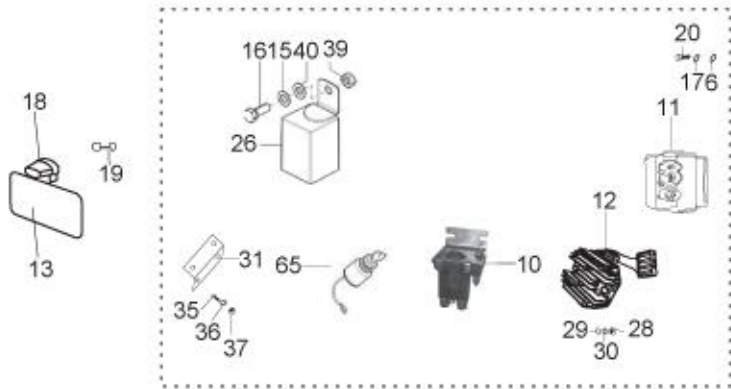
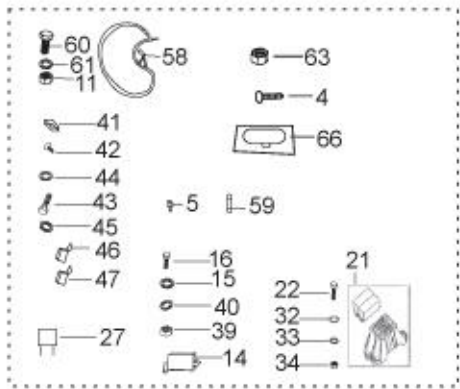
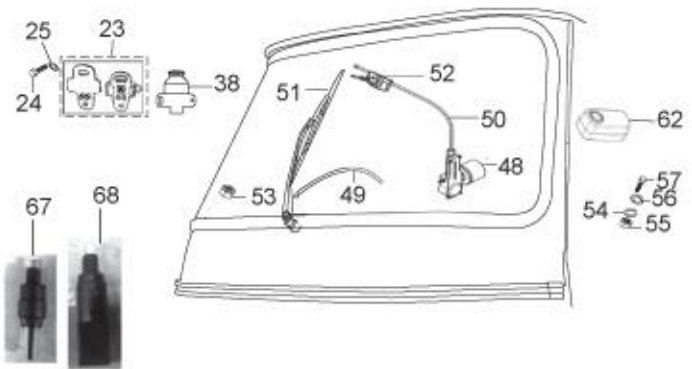
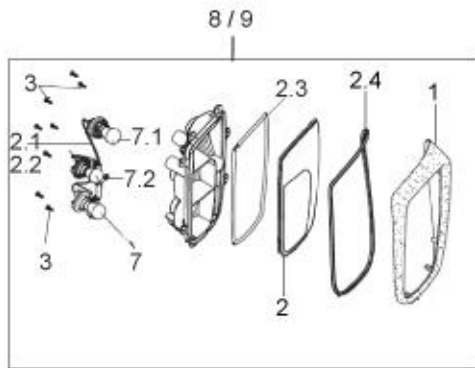
70

Print Date: 07-Apr-2022

PLATE-27

ELECTRICAL DEVICES





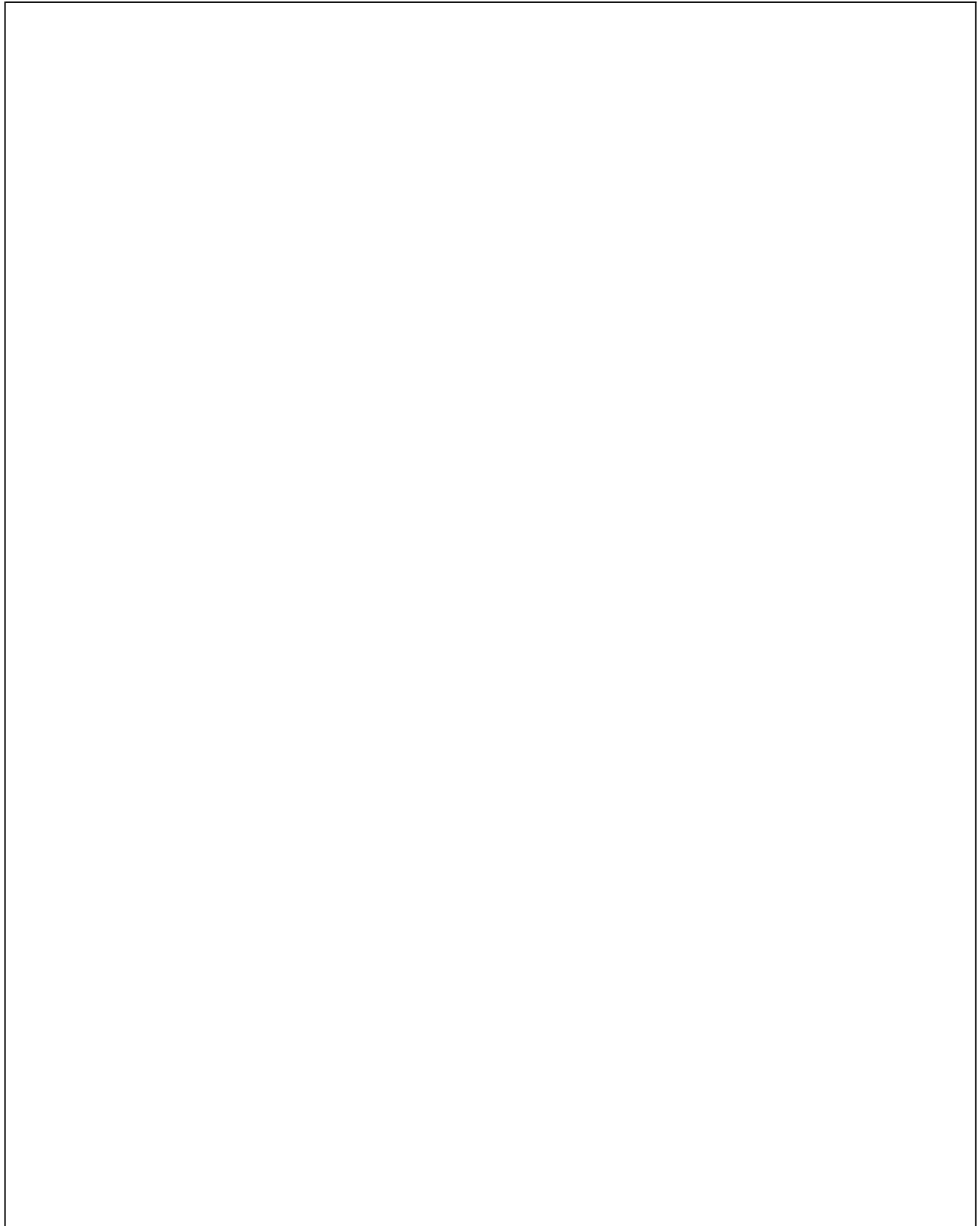
Print Date: 07-Apr-2022

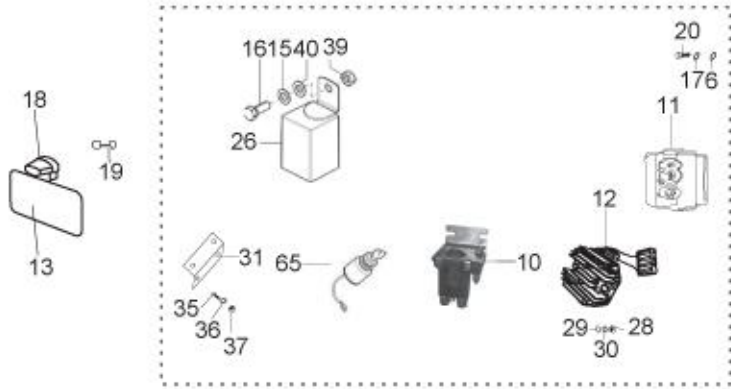
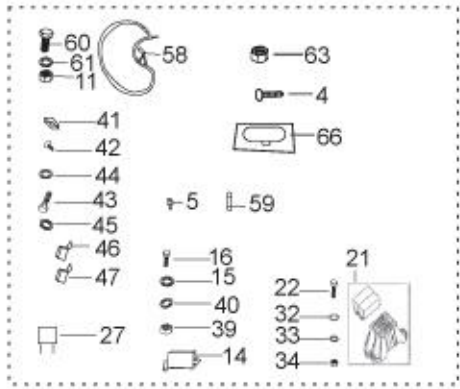
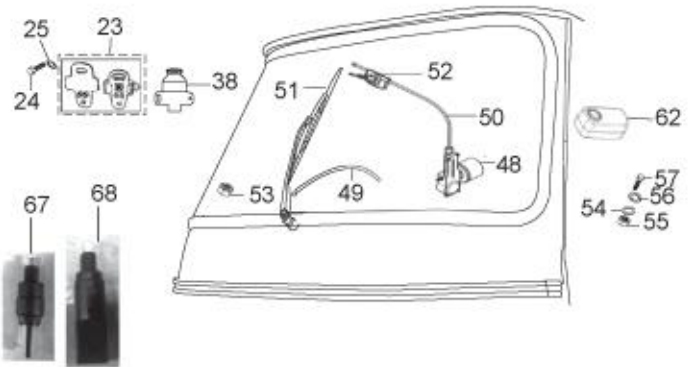
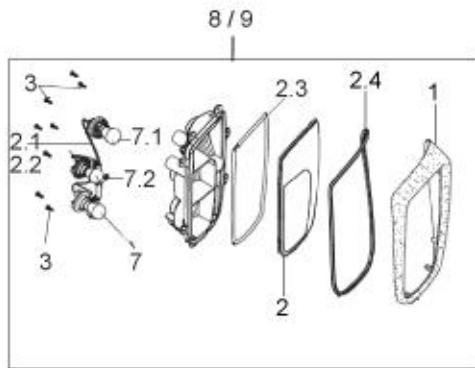
PLATE-27
ELECTRICAL DEVICES

Fig. No.	Part No.	Description	Qty	Remarks
1	6D000423	OUTER BEZEL WITH RUBBER BEADING LH	1	BLACK
1	6D000432	OUTER BEZEL WITH RUBBER BEADING RH	1	BLACK
2	6D000420	COMPLETE LENS LH	1	
2	6D000421	COMPLETE LENS RH	1	
2.1	6D000424	WIRE ASSY (WITHOUT REVERSE)	2	
2.2	6D000435	WIRE ASSY(WITH REVERSE)	2	
2.3	6D000426	GASKET INBUILT LENS AND HOUSING	2	
2.4	6D000437	RUBBER BEADING	2	Under Development
3	6D000425	SCREW 3.5X10	16	
4	B074539	PHILIPS COUNTER HEAD SCREW	2	
5	604557	FUSE (10A)	6	
6	3055	PLAIN WASHER M5	1	
7	6D000429	BULB 12V PY21W	2	
7.1	6D000427	BULB 12V P21/5W	2	
7.2	6D000428	BULB 12V P21W	2	
8	B076209	TAIL LAMP _ASSLY _LH CITY	1	Bazel- Black Colour
9	B076210	TAIL LAMP _ASSLY _RH CITY	1	Bazel- Black Colour
10	587671R	4 ST RELAY SOLENOID	1	
11	1A009251	CDI - PETROL	1	
11	1A009352	CDI - LPG	1	
11	1A009353	CDI - CNG	1	
11	1D000510	ELECTRONIC STARTER UNIT	1	PTL -EXPORT
12	1D000671R	VOLTAGE REGULATOR	1	
13	6B000140	LICENSE/NUMBER PLATE BLACK COLOUR EXP	1	
13	B075977	NUMBER PLATE - REAR (INDIAN MARKET)	1	
14	B023727R	CONTACTOR	1	
15	12546	PLAIN WASHER / MULTI TOOTH LOCK WASHER M5	1	
16	31057	HEX HEAD SCREW M5 X 14 CL 8.8	1	
17	568721	SPRING WASHER M4	2	
18	639088	TAIL LAMP	1	E - Marked (Export)
19	71633	STOP AND PARKING BULB 12V 10/5 W	1	
20	8451	PAN SELF TP SCREW 6 SGX13 AB	2	
21	567581	FOUR POLE FUSE BOX	1	
22	31058	HEX HEAD SCREW M5 X 16 CC8.8	2	
23	567498R	BRAKE/REVERSE LIGHT SW (INTEGRAL CAP)-PAV	2	

Print Date: 07-Apr-2022

PLATE-27
ELECTRICAL DEVICES





Print Date: 07-Apr-2022

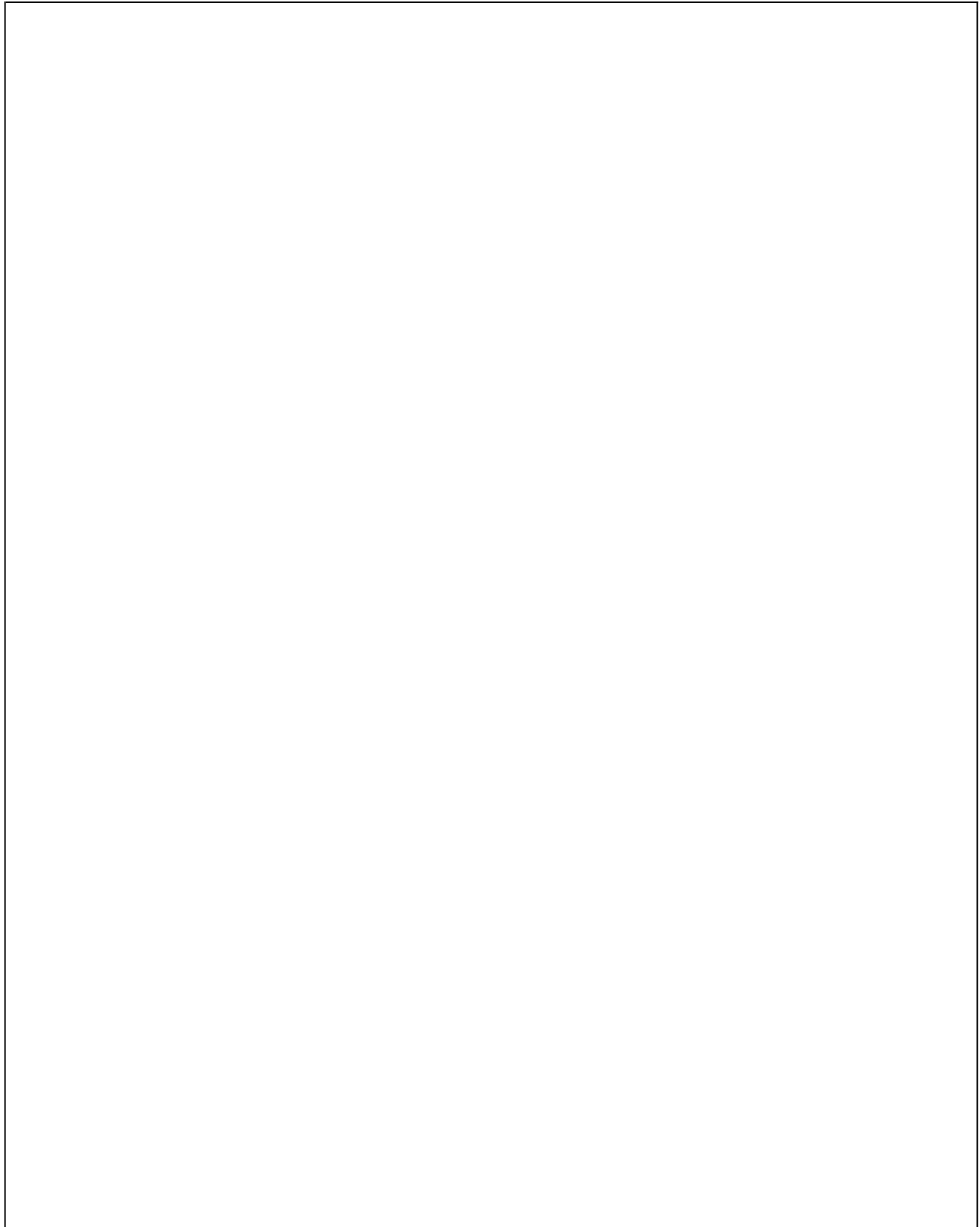
PLATE-27
ELECTRICAL DEVICES

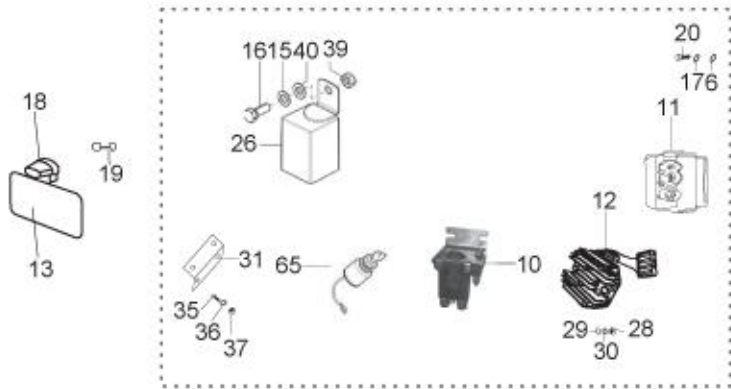
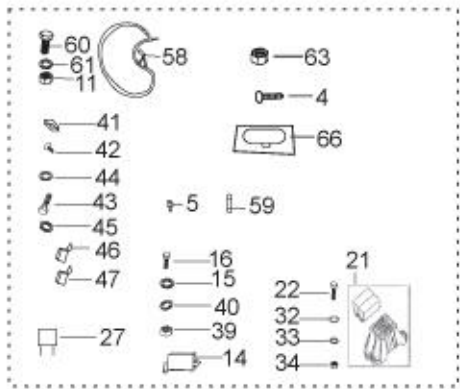
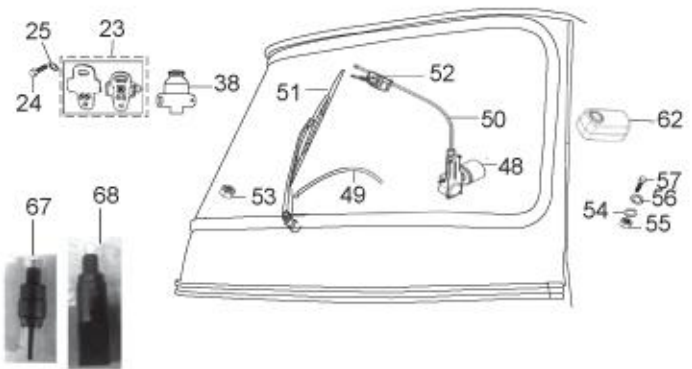
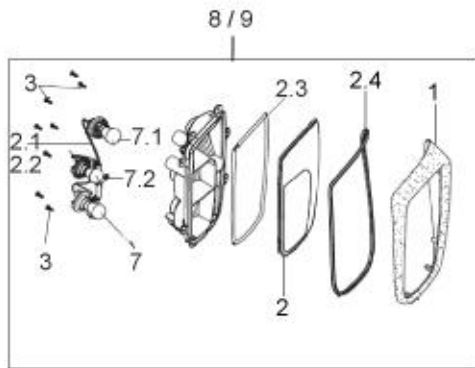
Fig. No.	Part No.	Description	Qty	Remarks
24	15996	PHIL RD HD SCREW M4X12	2	
25	3054	PLAIN WASHER	2	
26	B023727R	CONTACTOR	1	
27	567706	FUSE 30 A	1	
28	12136	NUT / NYLOCK NUT M5	2	
29	6078	PLAIN WASHER 12 X 5.2 X 1	2	
30	16405	SPRING WASHER M5	2	
31	B075693	MTG BKT ONE WAY FUSE - HOLDER	1	
32	3055	PLAIN WASHER M5	2	
32	6078	PLAIN WASHER 12 X 5.2 X 1	2	
33	6965	SPRING WASHER DIA 5	2	
34	20105	PLAIN NUT M5	2	
35	31058	HEX HEAD SCREW M5 X 16 CC8.8	22	
36	6965	SPRING WASHER DIA 5	2	
37	20105	PLAIN NUT M5	2	
38	567498R	BRAKE/REVERSE LIGHT SW (INTEGRAL CAP)-PAV	21	
39	20105	PLAIN NUT M5	1	
40	3055	PLAIN WASHER M5	1	
41	B075693	MTG BKT ONE WAY FUSE - HOLDER	1	
42	568692	PAN SELF TAP SCREW 6SG X 16AB	1	
43	31088	HEX HD SCREW M6 X 16 CL 8.8 (811061623)	1	
44	3056	PLAIN WASHER M6 OD12	1	
45	16406	SPRING WASHER M6 OD12	1	
46	680166	SAFETY STARTER RELAY	1	
47	B023727R	CONTACTOR	1	
48	B073685	WIPER MOTOR ASSY. WITH MTG. BKT.	1	
49	B073821	BUNDY TUBE OUTER (UP)	1	
50	B073682	WIPER BUNDY - MOTOR TO WHEEL BOX	1	
51	B073600	WIPER ARM & BLADE ASSY	1	
52	569197	WHEEL BOX ASSY. (MOD.)	1	
53	569165	DOME NUT	1	
54	16406	SPRING WASHER M6 OD12	1	
55	20106	HEX NUT M6	6	
56	3056	PLAIN WASHER M6 OD12	6	
57	31088	HEX HD SCREW M6 X 16 CL 8.8 (811061623)	6	

Print Date: 07-Apr-2022

PLATE-27

ELECTRICAL DEVICES





Print Date: 07-Apr-2022

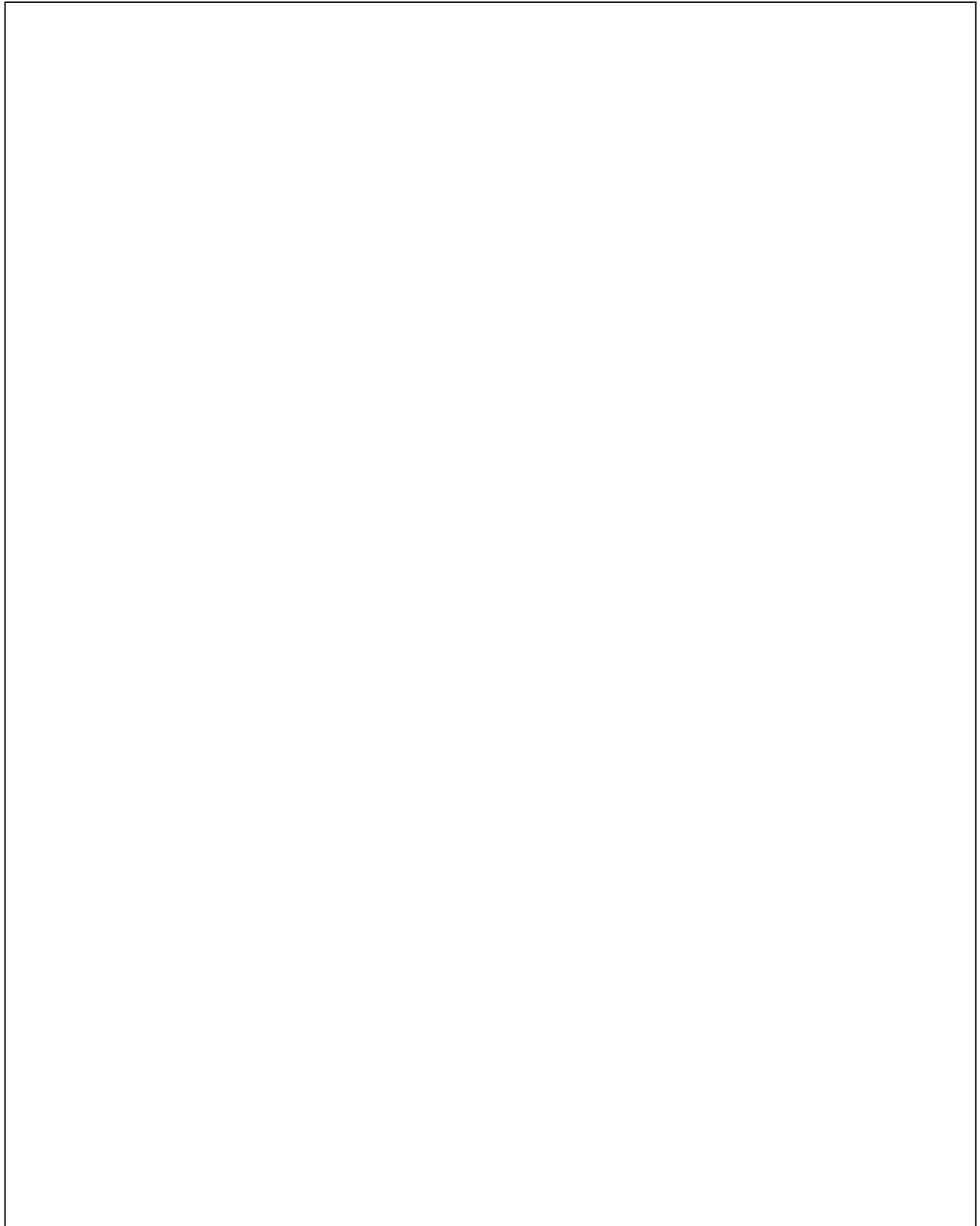
PLATE-27
ELECTRICAL DEVICES

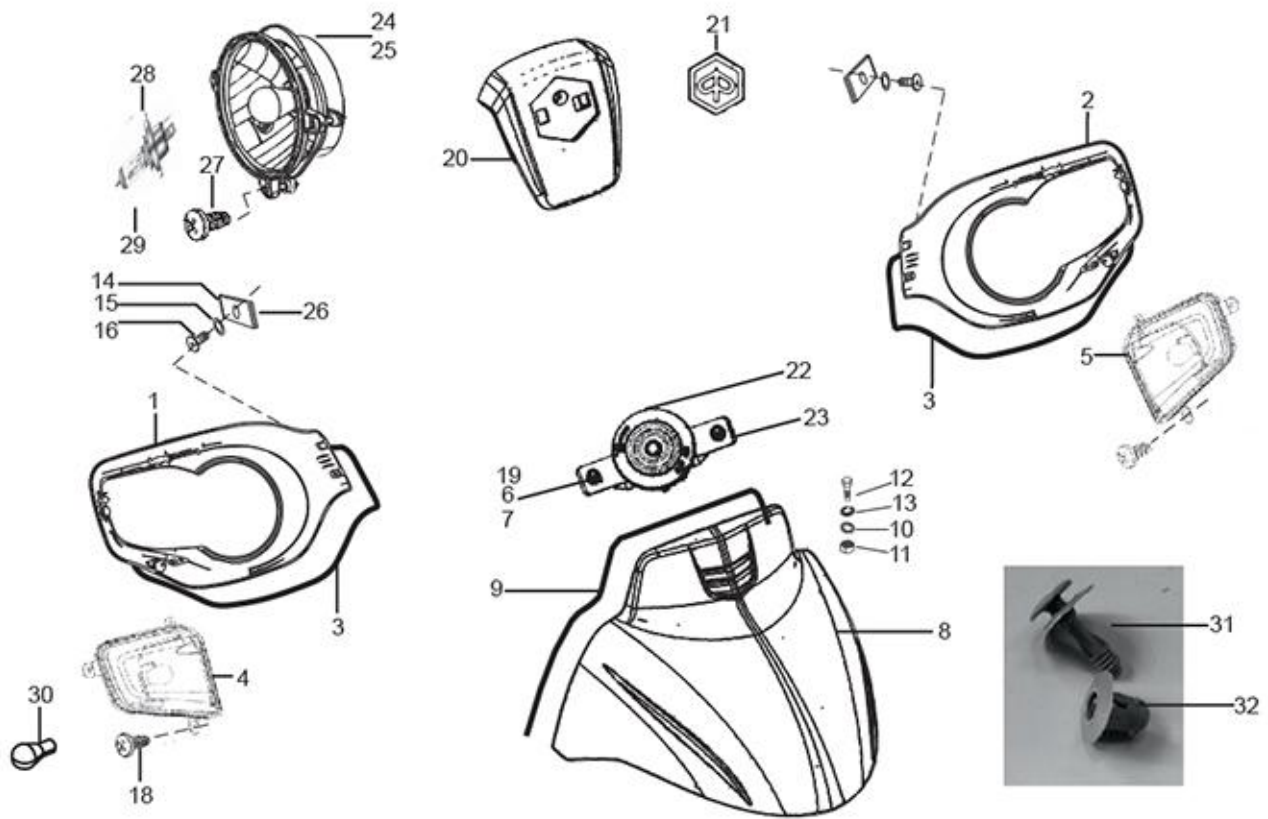
Fig. No.	Part No.	Description	Qty	Remarks
58	B078213	BATTERY +VE CABLE-CUT STARTER MOTOR (LPG/CNG)	1	
59	925786	ECU - FUSE (2A) (N.I)	1	
60	31088	HEX HD SCREW M6 X 16 CL 8.8 (811061623)	2	
61	16406	SPRING WASHER M6 OD12	2	
62	B073715	CABIN LAMP	1	
63	20106	HEX NUT M6	2	
64	B076308	RUBBER SPACER (LIGHT RAGISTRATION LAMP)	1	NI
65	B024532	KEY IGNITION SWITCH W/COUPLER (PAVNA)	1	
66	B074491	ENGINE COMPARTMENT LAMP WITH PIGTAIL (UP)	1	
67	642032	PUSH BUTTON-CLUTCH	1	
68	640762	PUSH BUTTON REVERSE	1	

Print Date: 07-Apr-2022

PLATE-28

FRONT MUDGUARD & HEAD LAMP ASSY.





Print Date: 07-Apr-2022

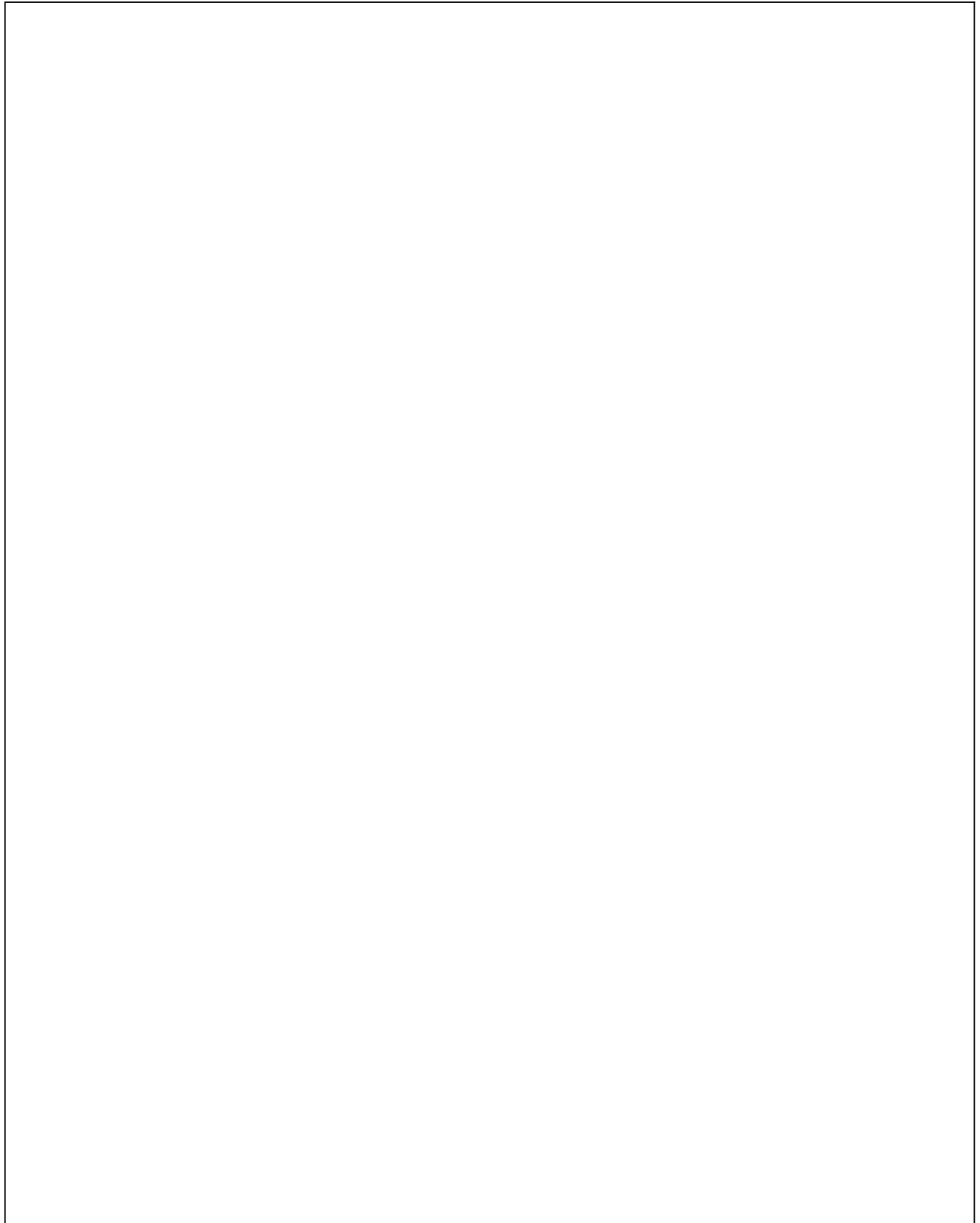
PLATE-28**FRONT MUDGUARD & HEAD LAMP ASSY.**

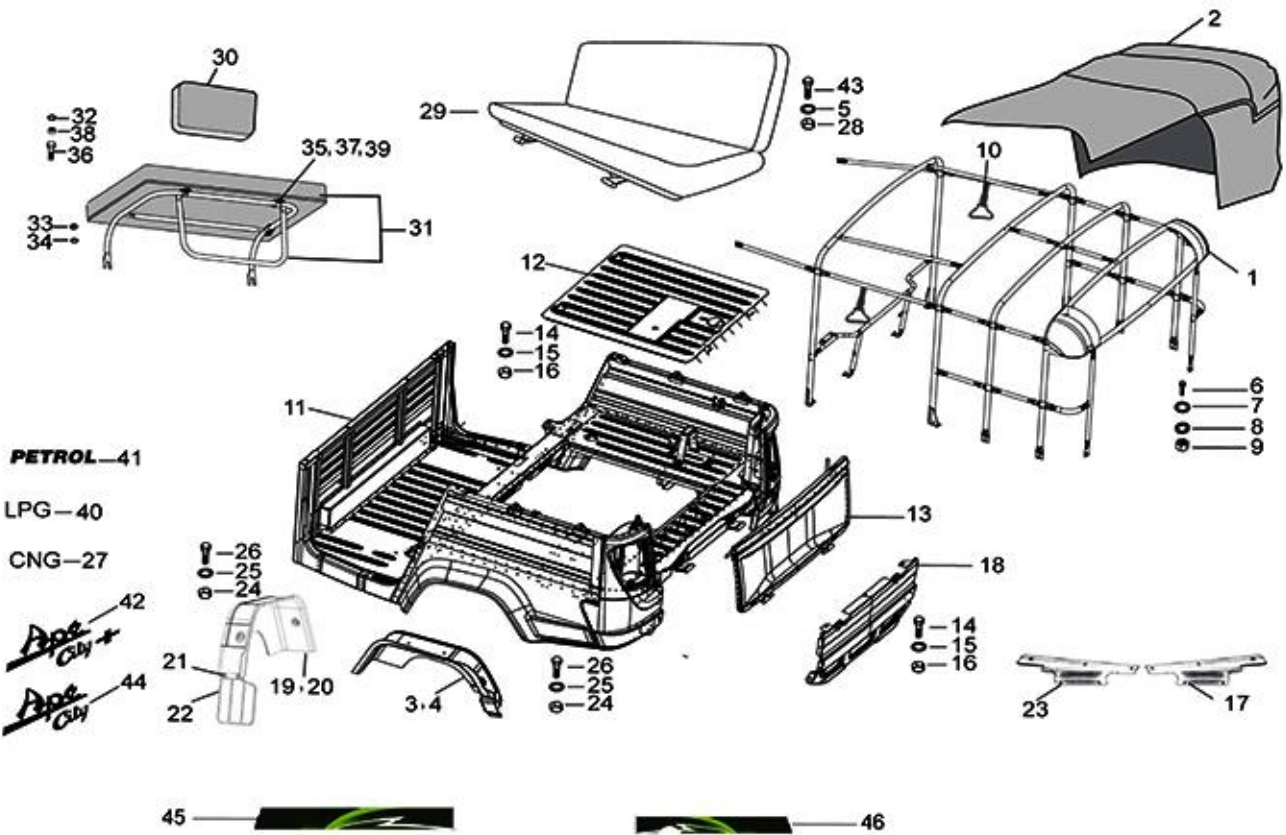
Fig. No.	Part No.	Description	Qty	Remarks
1	B075999	HEAD LAMP COVER LH	1	E - Marked (Export)
2	B076000	HEAD LAMP COVER RH	1	E - Marked (Export)
3	B076191	HL BEZEL BEADING	2	
4	6D000145R	FRONT DIRECTION INDICATORS LH	1	E - Marked (Export)
4A	B078272	BLINKER HOUSING (RH)-(HOUSING + GLASS)	1	
5	6D000146R	FRONT DIRECTION INDICATORS RH	1	E - Marked (Export)
5A	B078274	BLINKER HOUSING (LH)-(HOUSING + GLASS)	1	
6	3056	PLAIN WASHER M6 OD12	4	
7	20106	HEX NUT M6	4	
8	B075974	FRONT MUDGUARD	1	
9	B076801	FRONT MUDGUARD RUBBER BEADING	1	
9	B076802	FRONT MUDGUARD PARTITION RUBBER BEADING	1	
10	013880	PLAIN WASHER	8	
11	20106	HEX NUT M6	4	
12	31089	HEX HEAD SCREW M6X18 CL 8.8	4	
13	78307	BENT SPRING WASHER M6	4	
14	8080	SPRING PLATE	4	
15	3055	PLAIN WASHER M5	10	
16	660168	PAN SELF TP. SCREW 10 SGX13AB	5	
17	157716	SCREW ANCHORE	8	
18	B074539	PHILIPS COUNTER HEAD SCREW	4	
19	016406	SPRING WASHER	4	
20	B076001	LOGO SUPPORT_CITY UPGRADE	1	
21	B076120	HEXAGONAL EMBLEM	1	
22	B074033	HORN ASSLY(DIA 70)	1	E - Marked (Export)
23	B073953	HORN MTG. BKT S/A	1	
24	6D000143R	HEAD LAMP ASSLY LH - NUOVO	1	E - Marked (Export)
25	6D000144R	HEAD LAMP ASSLY - RH (NUOVO)	1	E - Marked (Export)
26	119735	PROTECTION SECURING SPRING/SPR. FOR PROTECTION	2	
27	15900	HEAD LAMP SECURING SCREW/PAN SELF TAP SCREW	6	
28	B078286R	HS1_BULB (12 V _35/35W	6	
29	567593	BULB 12V 5W / LAMP 4W	2	
30	925581	INDICATOR LIGHT BULB 12V 21W AMBER COLOUR	2	
31	B076606	GROMMET	2	
32	B076605	PIN	2	

Print Date: 07-Apr-2022

PLATE-29

PASSENGER BODY, HOOD FRAME & SEATS





Print Date: 07-Apr-2022

PLATE-29**PASSENGER BODY, HOOD FRAME & SEATS**

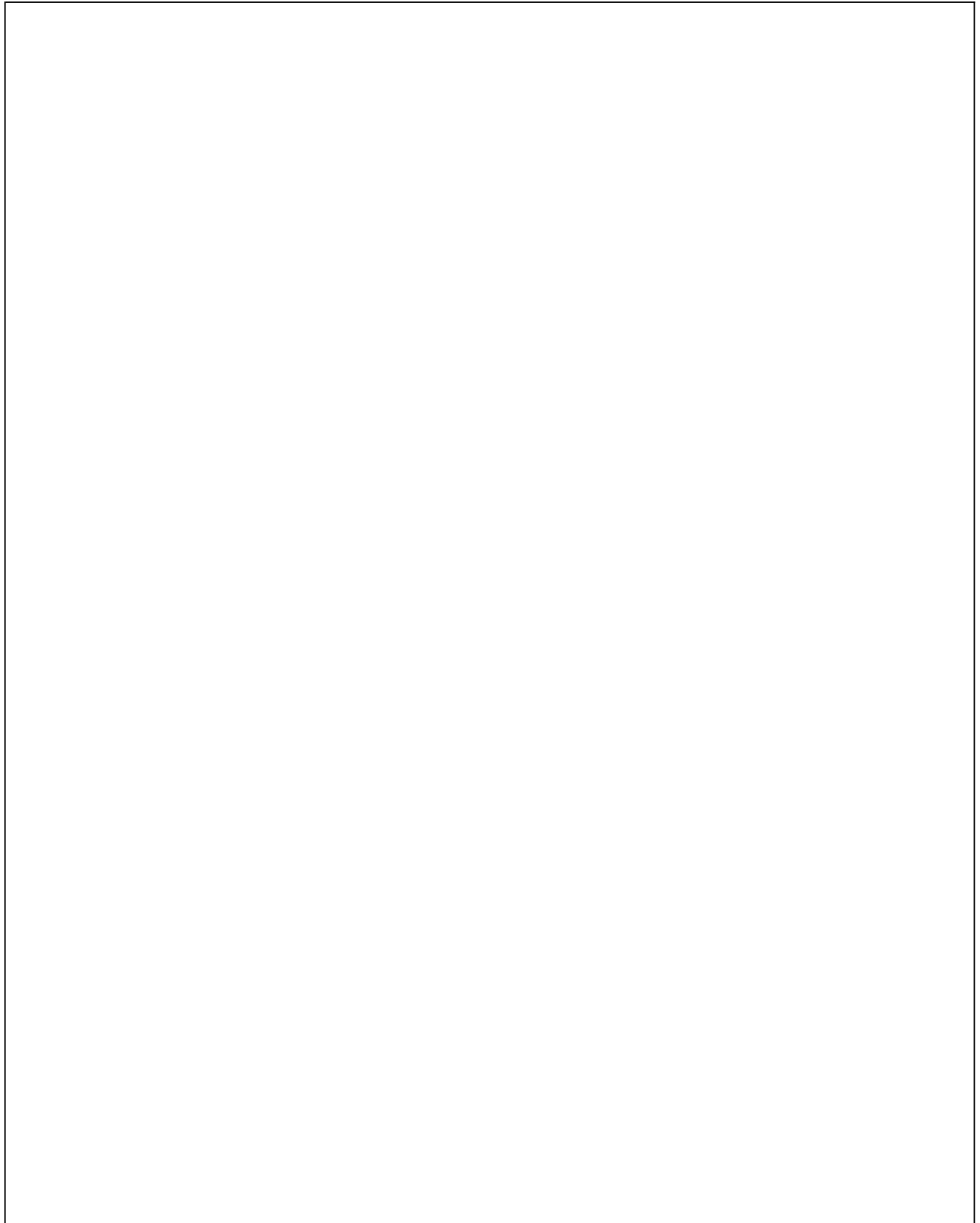
Fig. No.	Part No.	Description	Qty	Remarks
1	KIT96045R	KIT HOOD FRAME ASSLY PROFILE APE CITY PLUSE BSIV	1	
2	6B001360	SOFT TOP ASSLY GREEN -OPEN TYPE.(NON FR)	1	
2	B079214	SOFT TOP ASSLY YELLOW (APE CITY PLUS)	1	
2	B079215	SOFT TOP ASSEMBLY BLACK (APE CITY PLUS)	1	
3	B078477	COVER INNER MUDGUARD LH	1	SERVICEABLE ON 6B000753
4	B078478	COVER INNER MUDGUARD RH	1	SERVICEABLE ON 6B000754
5	016406	SPRING WASHER	2	
6	31088	HEX HD SCREW M6 X 16 CL 8.8 (811061623)	22	
7	3056	PLAIN WASHER M6 OD12	22	
8	016406	SPRING WASHER	22	
9	163205	HEX NUT	22	
10	B073598	HANDLE CANOPY STRAP	1	
11	B079094BW	PASS BODY APE CITY PLUS_BW	1	
11	B079094BY	PASS BODY APE CITY PLUS_BY	1	
11	B079094CB	PASS BODY APE CITY PLUS_CB	1	
11	B079094EG	PASS BODY APE CITY PLUS_EG	1	
11	B079094GY	PASS BODY APE CITY PLUS_GY	1	
11	B079094NB	PASS BODY APE CITY PLUS_NB	1	
11	B079094WR	PASS BODY APE CITY PLUS_WR	1	
12	660207ED	ENGINE INSPECTION DOOR 501 CNG/LPG	1	
13	B078256ED	TAIL GATE ASSY.	1	
14	645037	HEX HEAD SCREW M8 X 22 CL 8.8	2	
15	3058	PLAIN WASHER 15X8.4X1.5	2	
16	20108	HEX NUT M8	2	
17	B075985	FOOT STEP COVER LH	1	
18	B077970ED	ASSLY VISUAL BARRIER BSIV	1	
19	6B000753	INNER MUDGUARD LOWER LH ASSLY	1	
20	6B000754	INNER MUDGUARD LOWER RH ASSLY	1	
21	6B000751	INNER MUDGUARD LOWER LH	4	
22	6B000752	INNER MUDGUARD LOWER RH	2	
23	B075984	FOOT STEP COVER RH	1	
24	20106	HEX NUT M6	4	
25	013880	PLAIN WASHER	4	
26	D9165140620	BOLT WITH WASHER	4	
27	B041583	STICKER FOR CNG	1	

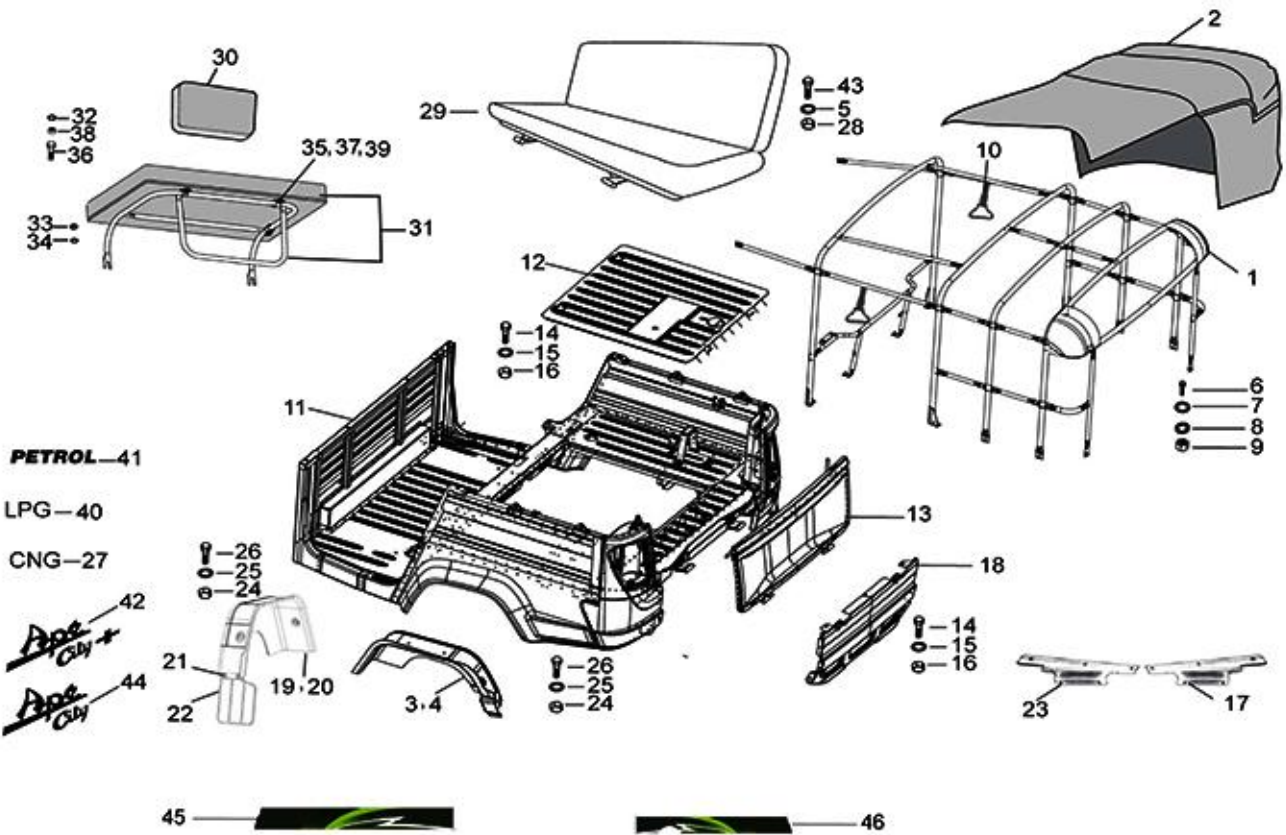
80

Print Date: 07-Apr-2022

PLATE-29

PASSENGER BODY, HOOD FRAME & SEATS





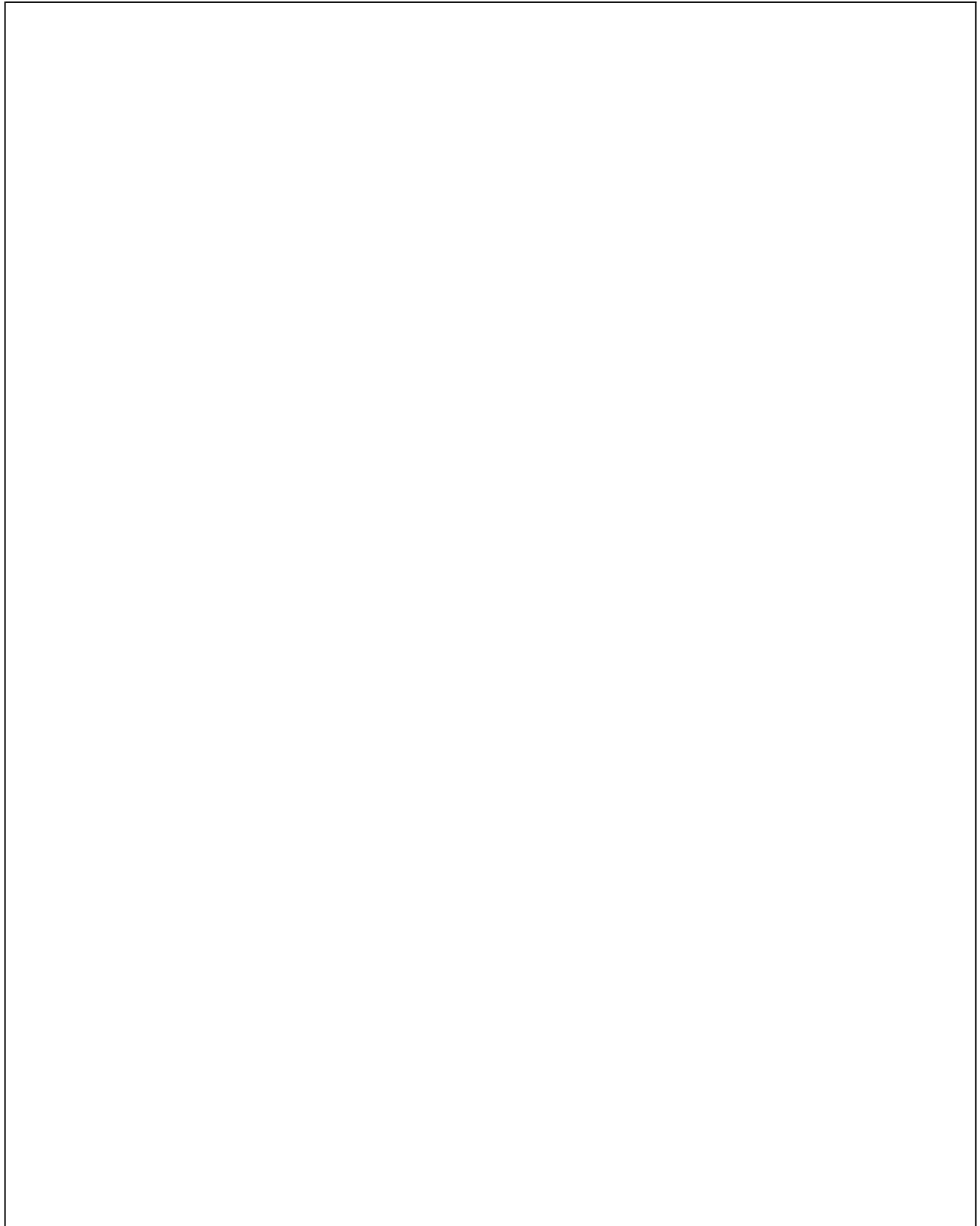
Print Date: 07-Apr-2022

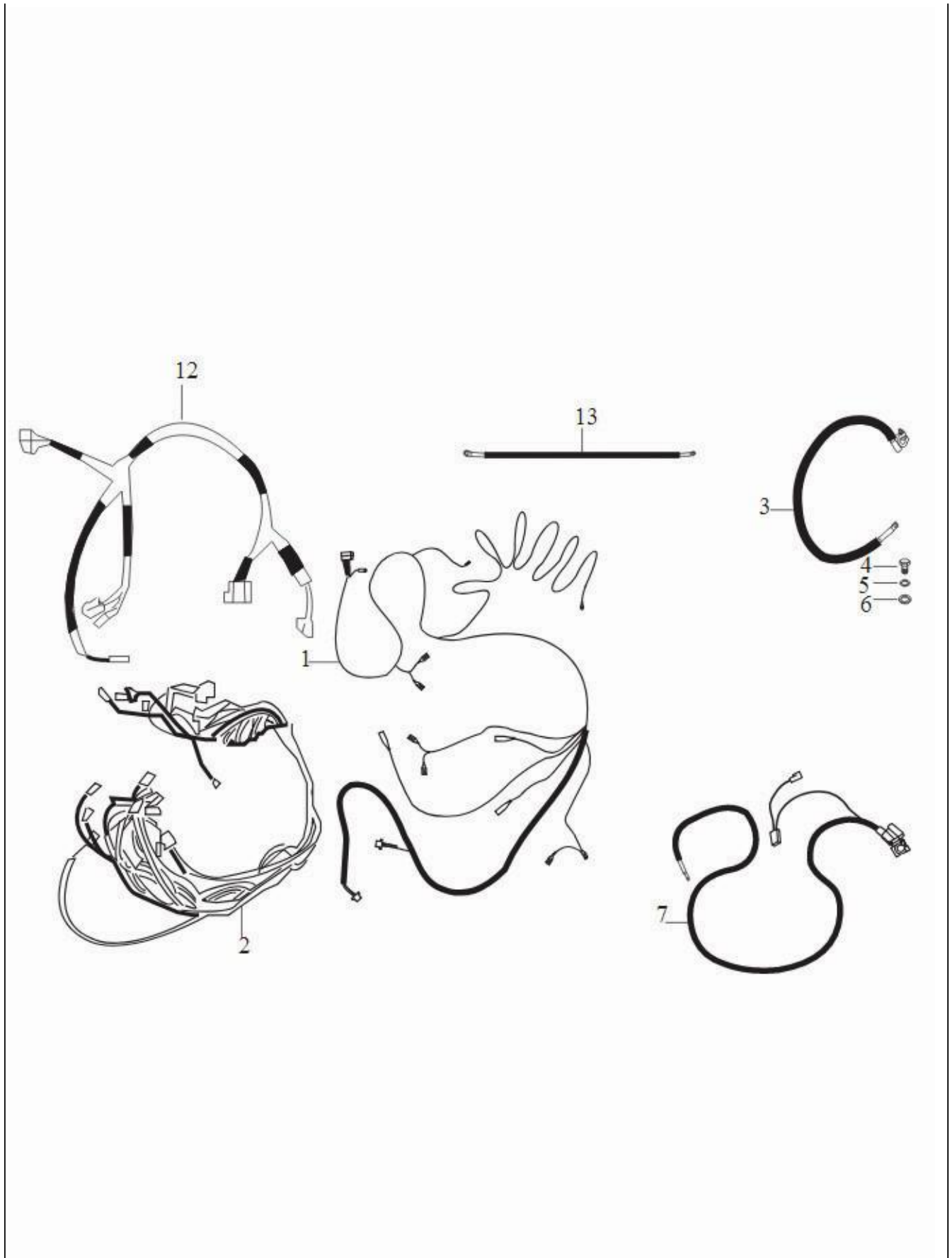
PLATE-29**PASSENGER BODY, HOOD FRAME & SEATS**

Fig. No.	Part No.	Description	Qty	Remarks
28	20106	HEX NUT M6	2	
29	B078320	PASSENGER SEAT ASSLY - MID BODY	1	
30	B074594	DRIVER BACK REST ASSY	1	
31	6B000526	DRIVER SEAT ASSLY COMPLETE -APE CITY	1	
32	013880	PLAIN WASHER	8	
33	16405	SPRING WASHER M5	8	
34	016408	SPRING WASHER	6	
35	3058	PLAIN WASHER 15X8.4X1.5	6	
36	31088	HEX HD SCREW M6 X 16 CL 8.8 (811061623)	4	
37	2383	PLAIN WASHER M20X8.5X2	4	
38	20108	HEX NUT M8	2	
39	31119	HEX HD SCREW M8 X 25	2	
40	B041584	STICKER FOR LPG	1	
41	B003652	PLATE PETROL	1	
42	B078874	APE CITY PLUS STICKER (FRONT PANEL)	1	
43	31116	HEX HD. SCREW M8X16	2	
44	6B001172	APE CITY PLUS - TAIL GATE STICKER	1	
45	6B001506	APE CITY PLUS SIDE PANEL DECAL LH	1	
46	6B001507	APE CITY PLUS SIDE PANEL DECALS RH	1	

Print Date: 07-Apr-2022

PLATE-30
WIRING HARNESS





Print Date: 07-Apr-2022

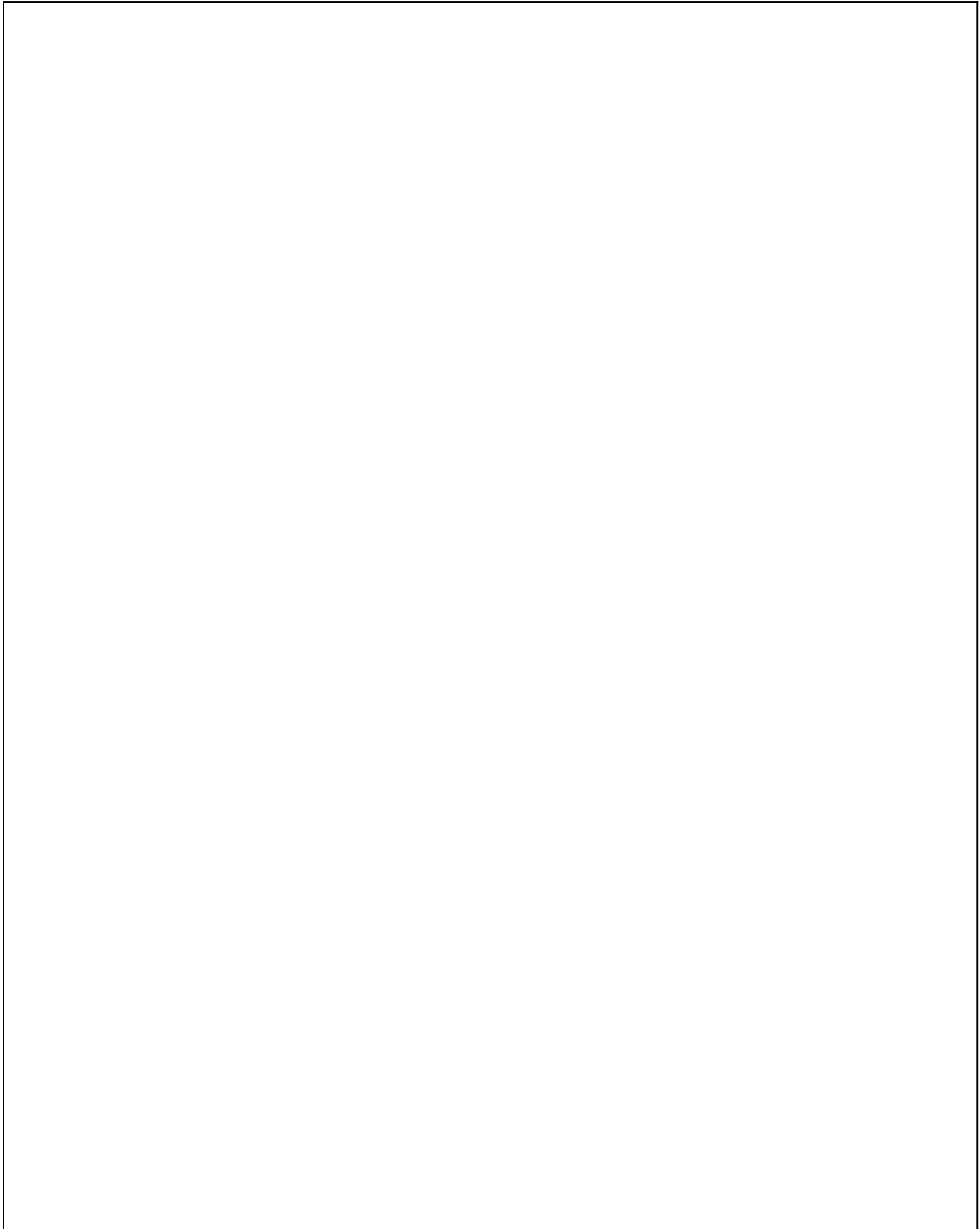
PLATE-30
WIRING HARNESS

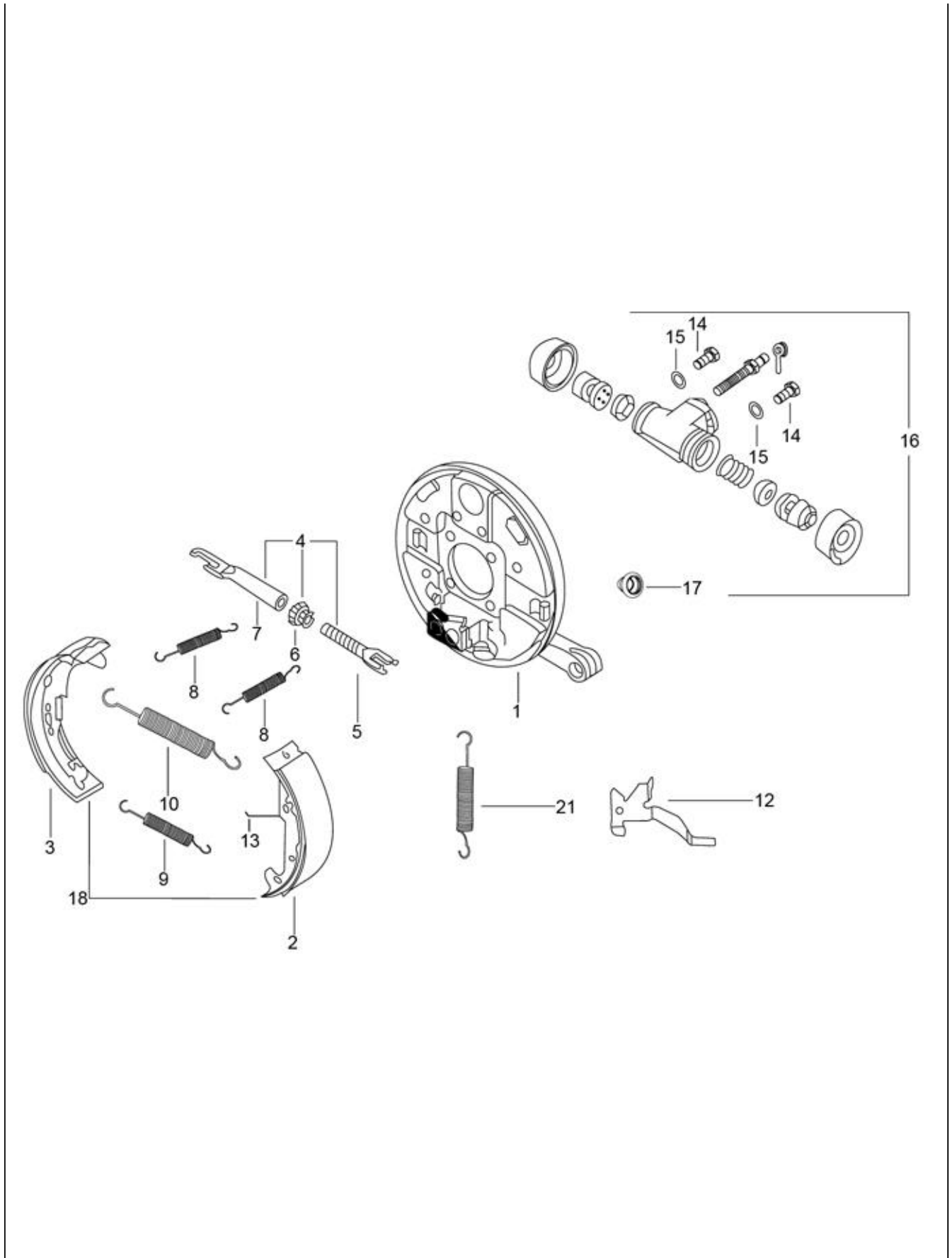
Fig. No.	Part No.	Description	Qty	Remarks
1	B079067	W/HS MAIN PETROL (MID BODY)	1	PTL
1	B079089	W/HS MAIN CNG (MID BODY)	1	CNG
1	B079090	W/HS MAIN LPG (MID BODY)	1	LPG
2	6D000334	W/HS INST. PANEL_APE MID BODY PETROL	1	PETROL
2	6D000333	INST.PANEL WHS_APE MID BODY(GAS)	1	CNG & LPG
3	644838R	BATTERY CABLE -VE	1	
4	31088	HEX HD SCREW M6 X 16 CL 8.8 (811061623)	1	
5	3056	PLAIN WASHER M6 OD12	1	
6	016406	SPRING WASHER	1	
7	B078213	BATTERY +VE CABLE-CUT STARTER MOTOR (LPG/CNG)	1	
8	B003110R	PIG TAIL FUEL TANK	1	
9	B073320R	PIG TAIL- CABIN LAMP (NEW)-PASSENGER	1	
10	B075328	GAS KIT W/HS -CNG - (RH SHIFT) (FOR SNORKEL VEH.)	1	
10	B075327	GAS KIT W/ HS- LPG- (RH SHIFT) (FOR SNORKEL VEH.)	1	
11	B023968	ENGINE WIRING HARNESS (PET) (CNG&LPG)	1	NI
12	B075443	WHS ENGINE (CITY 200) UPGRADE	1	
13	1D001894	GROUND WIRE	1	

Print Date: 07-Apr-2022

PLATE-31

FRONT BRAKE ASSEMBLY





Print Date: 07-Apr-2022

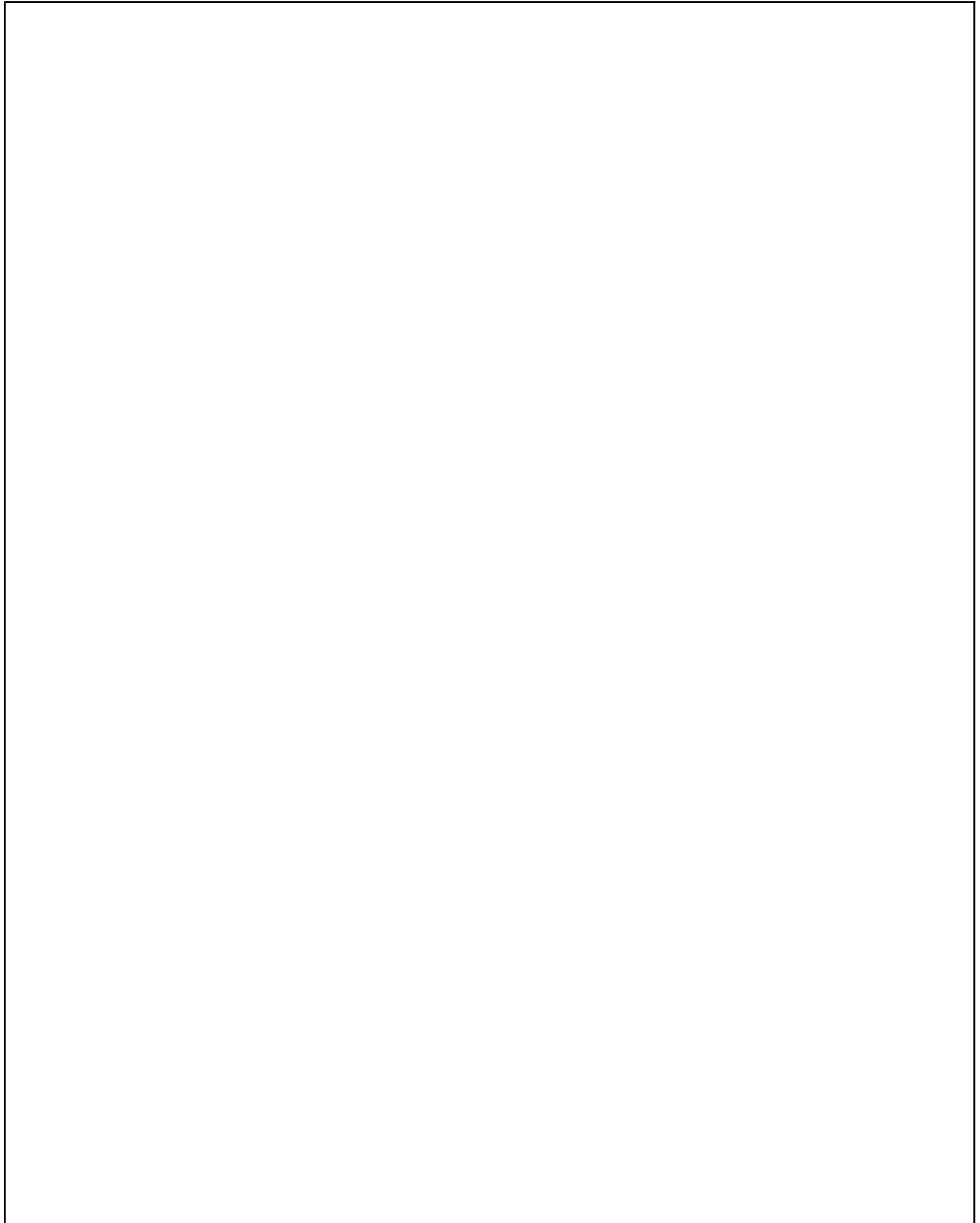
PLATE-31
FRONT BRAKE ASSEMBLY

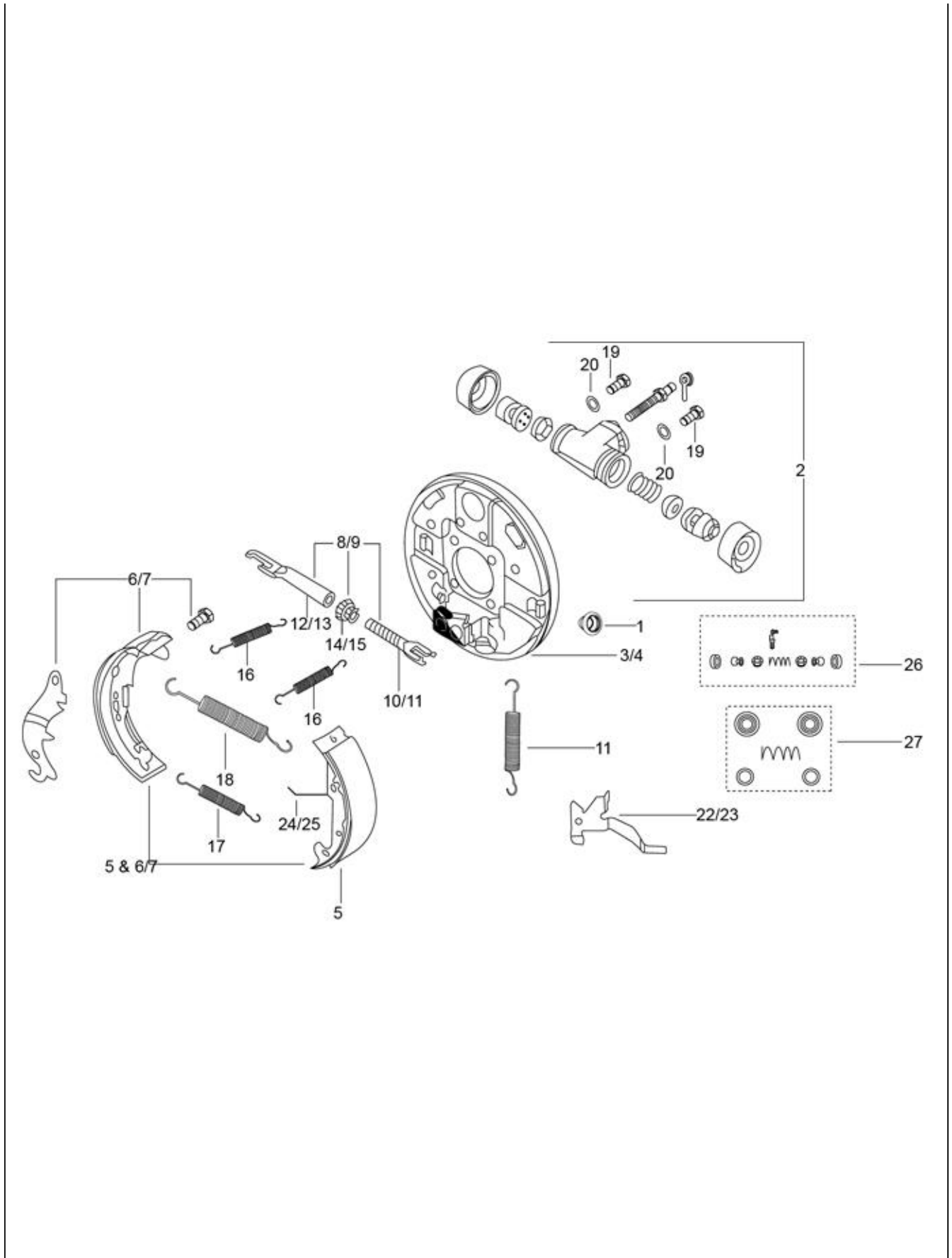
Fig. No.	Part No.	Description	Qty	Remarks
1	616541	BRACKET WHEEL CARRIER WITH PI	1	
2	B003784	LEADING SHOE COMP WITH PIN LH ANL 1643	1	
3	940004	FRONT BRAKE SHOE KIT COMPRISING OF 2 & 3	1	
4	179056	FORK ASSY LH	1	
5	178804	FORK FOR LH WHEEL	1	
6	178805	LH - GEAR	1	
7	178806	LH STRUT	1	
8	602497	JAWS STOP SPRINGS	2	
9	116088	SPRING SUPPORTING JAWS	1	
10	245038	SHOE RETURN SPRING	1	
11	178808	SPRING LEVER RETURN	1	
12	178807	LEVER LH	1	
13	178823	JUMPER LH	1	
13	178824	JUMPER	1	
14	63440	BOLT M6X12	2	
15	12536	SPRING WASHER	2	
16	587616	BRAKE CYLINDER FR ASSLY (DIA. 22.225)	1	
17	925501	CAP (KBX P 6450225)	1	
18	940004	FRONT BRAKE SHOE KIT COMPRISING OF 2 & 3	1	
19	925521	MINOR KIT WHEEL CYL. FRT (KBX 1007)	1	NI

Print Date: 07-Apr-2022

PLATE-32

REAR BRAKE ASSEMBLY





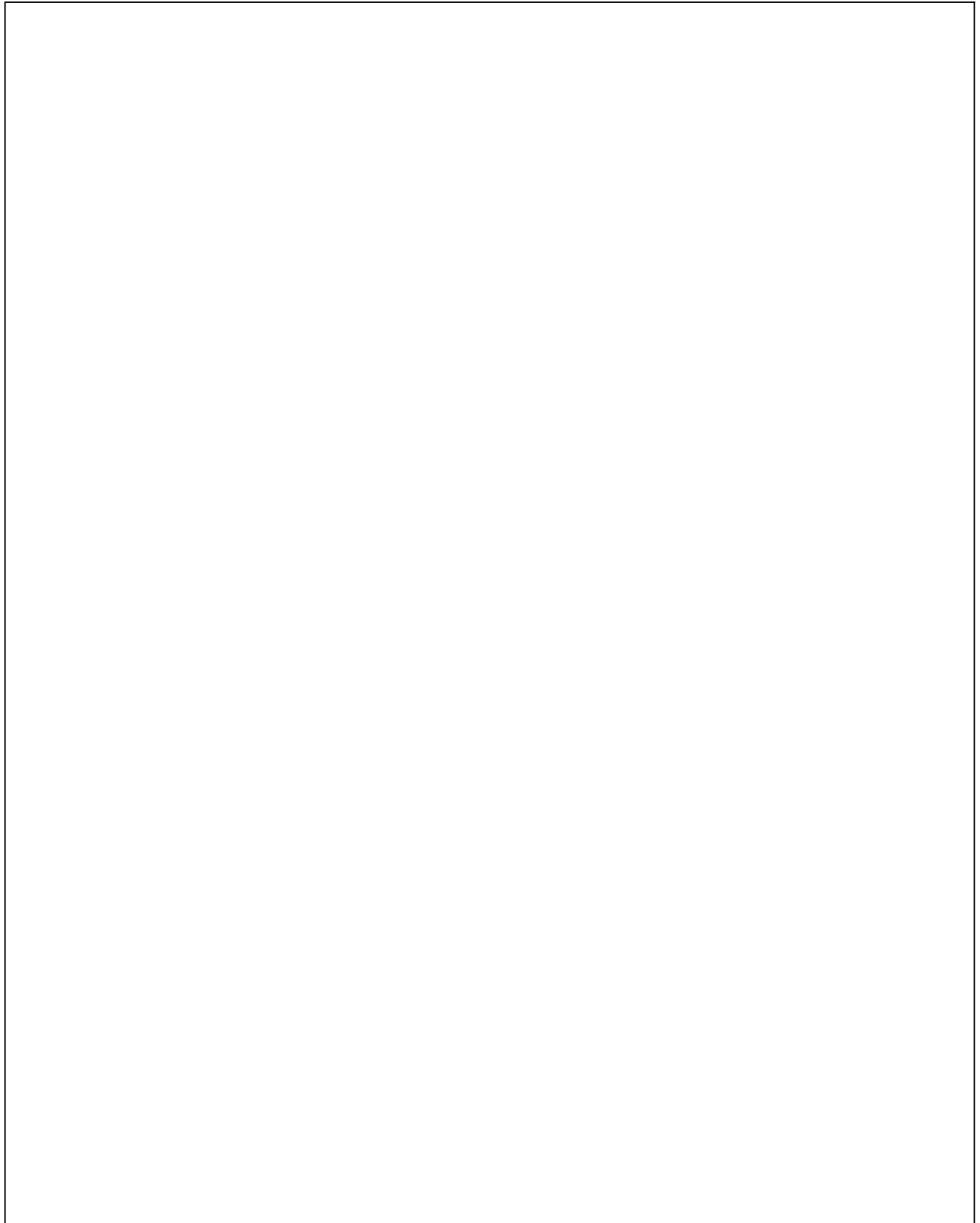
Print Date: 07-Apr-2022

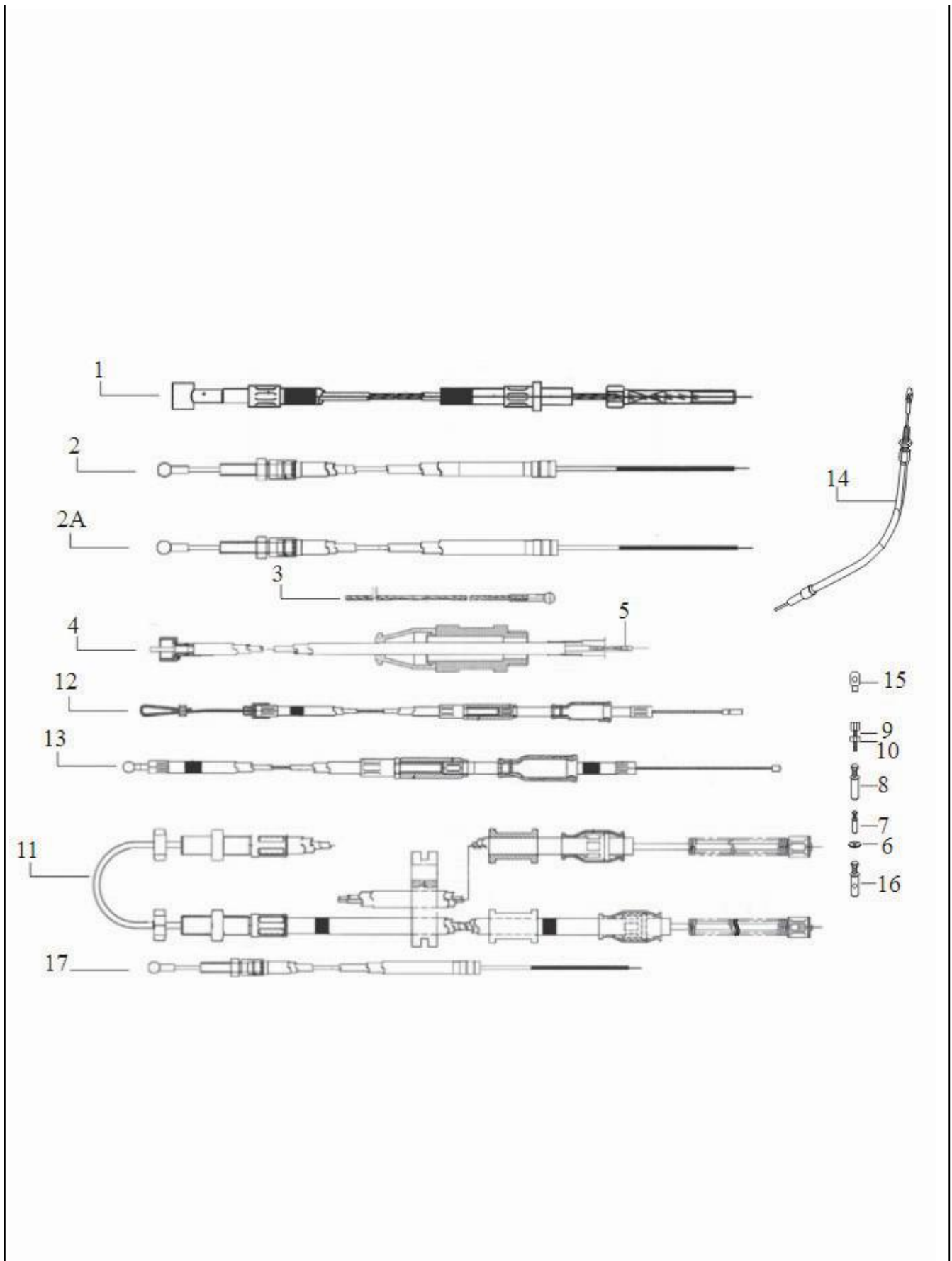
PLATE-32
REAR BRAKE ASSEMBLY

Fig. No.	Part No.	Description	Qty	Remarks
1	925501	CAP (KBX P 6450225)	1	
2	632148	WHEEL CYLINDER ASSY. FRONT DIA. (25.4 MM)	1	
3	602120	LEFT BRAKE JAW HOLDING CABLE PLATE	1	
4	602123	RIGHT BRAKE JAW HOLDING CABLE PLATE	1	
5	B003784	LEADING SHOE COMP WITH PIN LH ANL 1643	1	
6	940005	REAR BRAKE SHOE SET L/H COMPRISING OF 5 & 7	1	
7	940006	REAR BRAKE SHOE SET R/H. COMPRISING OF 5 & 8	1	
8	179056	FORK ASSY LH	1	
9	179057	FORK ASSY. RH	1	
10	178804	FORK FOR LH WHEEL	1	
11	178818	RH FORK	1	
12	178806	LH STRUT	1	
13	178820	RH STRUT	1	
14	178805	LH - GEAR	1	
15	178819	RH GEAR	1	
16	602497	JAWS STOP SPRINGS	2	
17	116088	SPRING SUPPORTING JAWS	1	
18	245038	SHOE RETURN SPRING	1	
19	63440	BOLT M6X12	2	
20	12536	SPRING WASHER	2	
21	178808	SPRING LEVER RETURN	1	
22	178807	LEVER LH	1	
23	178821	LEVER RH	1	
24	178823	JUMPER LH	1	
25	178824	JUMPER	1	
26	925573	MAJOR KIT	1	
27	925574	MINOR KIT WHL CYL. RR	1	
28	940005	REAR BRAKE SHOE SET L/H COMPRISING OF 5 & 7	1	NI
29	940006	REAR BRAKE SHOE SET R/H. COMPRISING OF 5 & 8	1	NI

Print Date: 07-Apr-2022

PLATE-33
CABLES





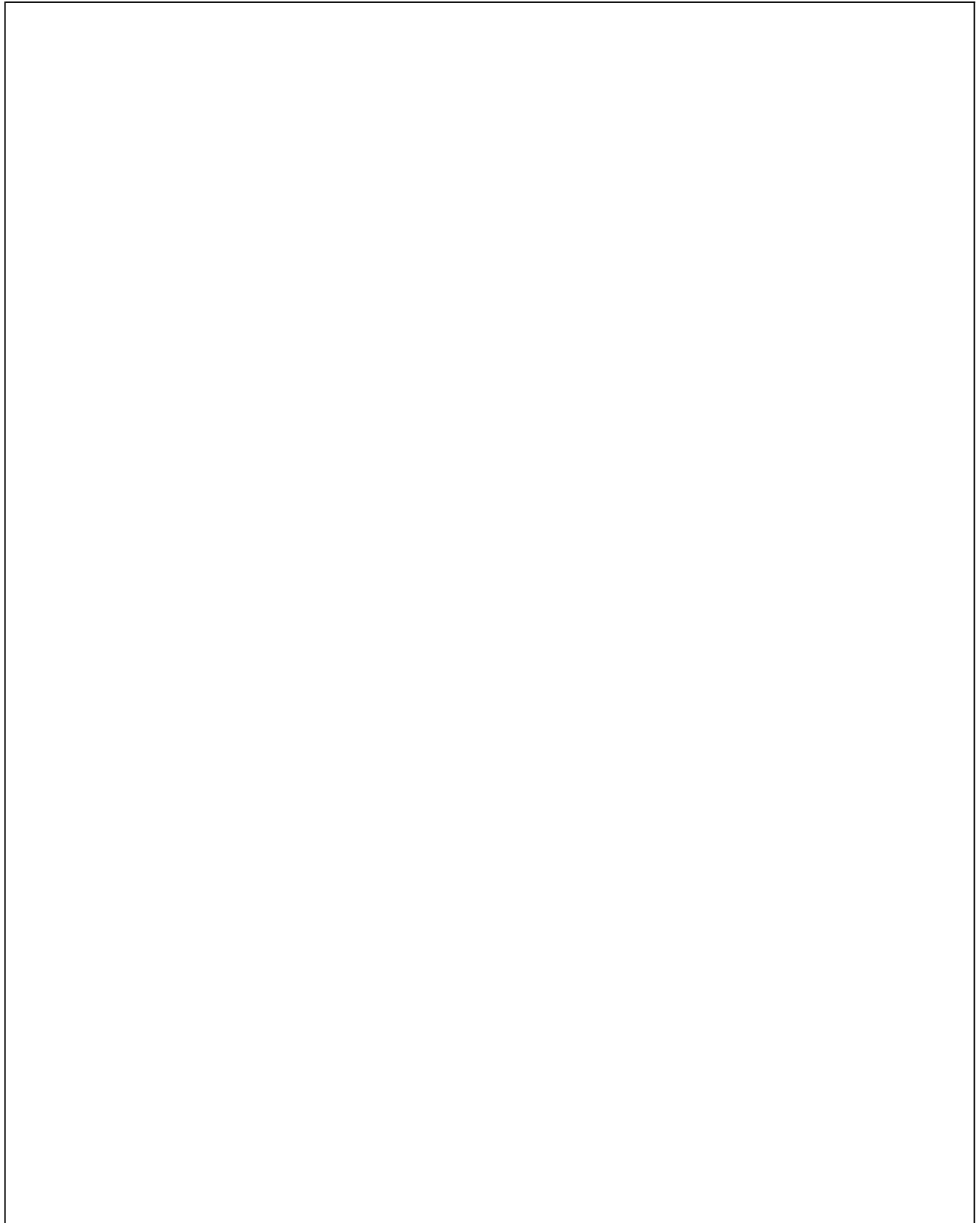
Print Date: 07-Apr-2022

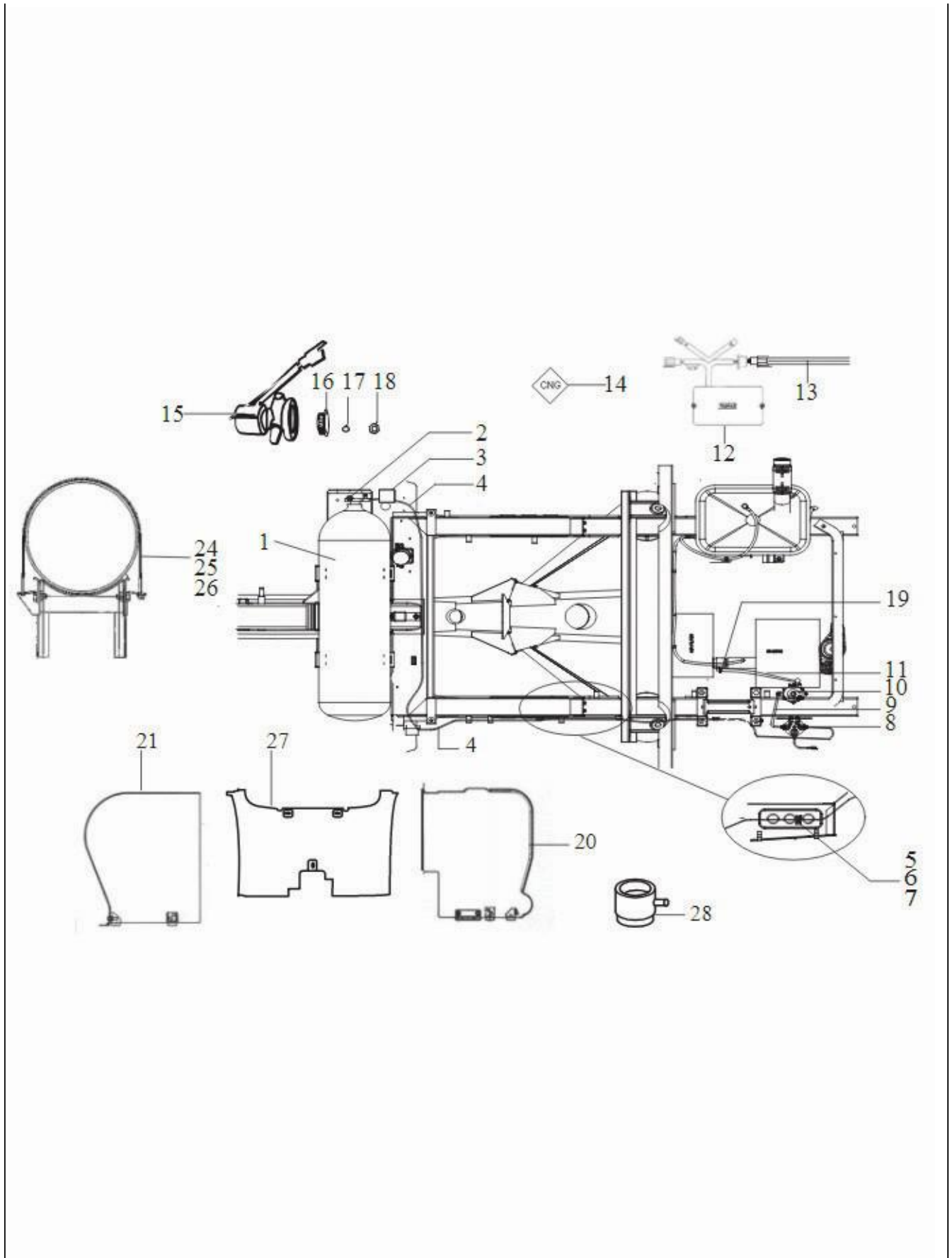
PLATE-33
CABLES

Fig. No.	Part No.	Description	Qty	Remarks
1	B075566	CLUTCH CONTROL TRANSMISSION ASSLY.	1	
2	B073469	CABLE,GEAR CONTROL ASSLY NO.2	1	
2A	B075716	CABLE,GEAR CONTROL ASSLY -WHITE	1	
3	6A000068	INNER GEAR CONTROL CABLE (BLACK/WHITE)	1	
4	B076208	SPEEDO CABLE	1	
5	6A001834	FLEXIBLE TRANSMISSION CABLE WITH WASHER	1	Speedo Inner for B076208
6	NS	NOT SERVICEABLE	1	
7	B076078	SCREW TERMINAL ASSLY(REVERSE CABLE)	1	
8	B076364	SCREW TERMINAL ASSY. - GEAR CONTROL	2	
9	197071	ADJUSTER SCREW M6	2	
10	20106	HEX NUT M6	2	
11	B041774	PARKING BRAKE CABLE ASSY	1	
12	B042566	CHOKE CONTROL CABLE ASSY	1	
13	B042356	ACCELERATOR CABLE WITH JONT (NEW)	1	
14	B076036	ASSLY REVERSE GEAR CONTROL CABLE	1	
14.1	6A000070	REVERSE GEAR INNER CABLE	1	
15	1A008804	REVERSE CABLE REACTION BRACKET	1	
16	B075960	COVER REVERSE GEAR CONTROL	1	NI

Print Date: 07-Apr-2022

PLATE-34
CNG KIT





Print Date: 07-Apr-2022

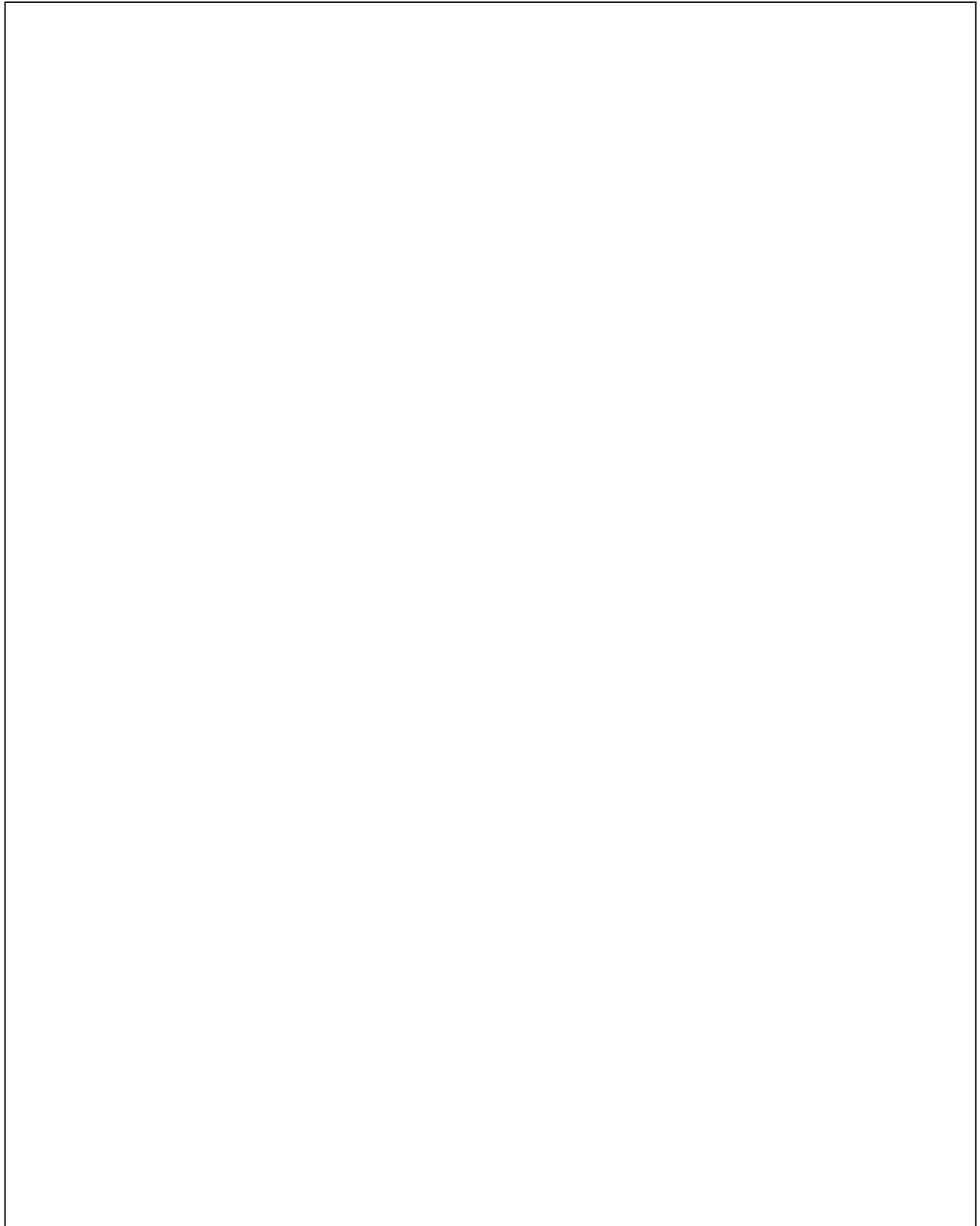
PLATE-34
CNG KIT

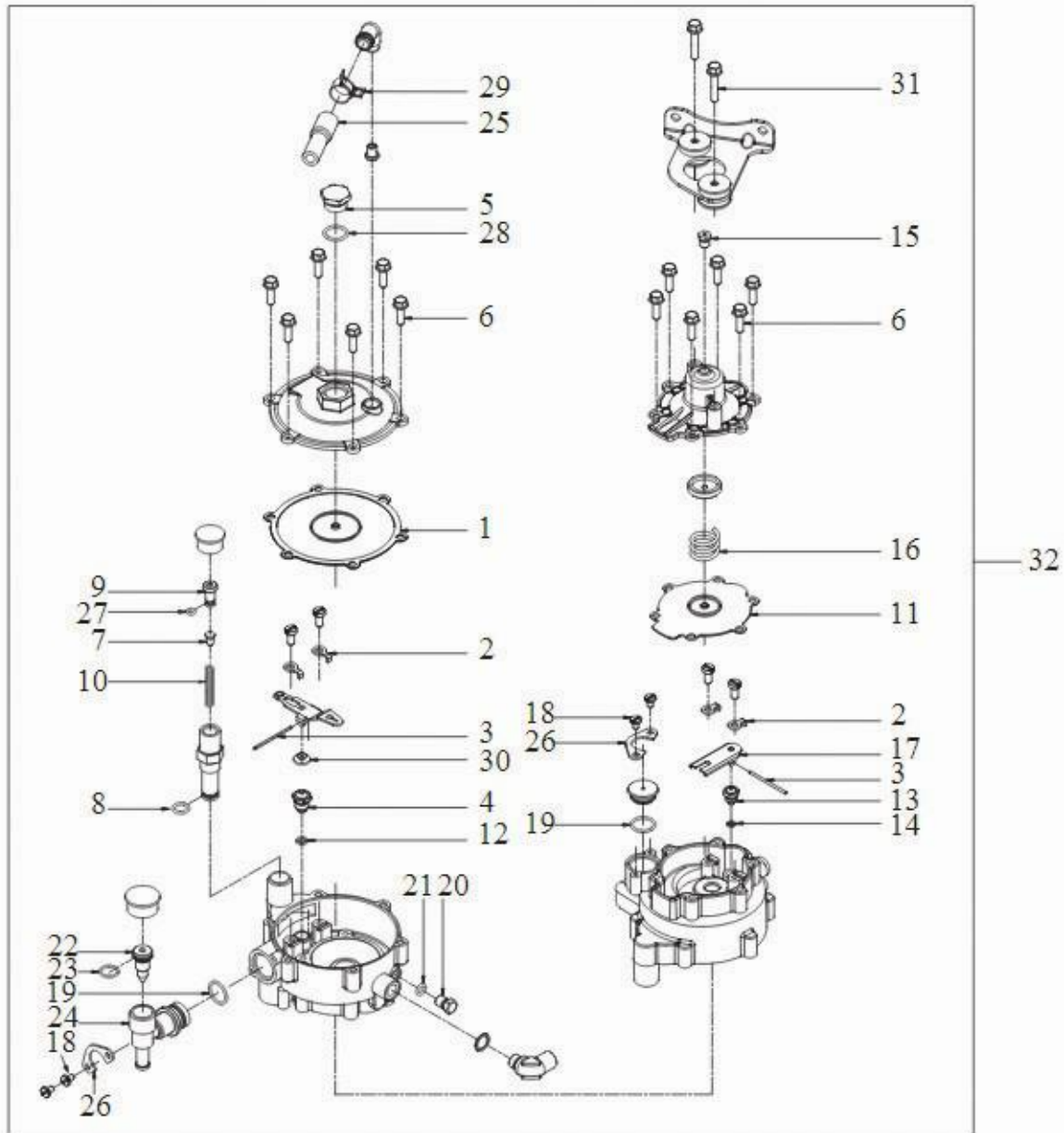
Fig. No.	Part No.	Description	Qty	Remarks
1	B042657R	CNG CYLINDER M/S EKC WITH OMB VALVE	1	
2	B041784	CNG PRESSURE GAUGE WITH SENSOR	1	
3	B024131	FIRST STAGE REDUCTION UNIT (HPR)	1	
4	B079364	CNG FLEXIBLE HOSE ASSLY (HPR TO FSV)	1	
5	B024194	CLAMP	3	
6	643884	ALLEN SCREW	3	
8	B075638	FILTER SOLENOID VALVE (CNG)	1	
9	932252	HOSE SOLENOID TO LPR	1	
10	6A000184	2 STAGE CNG REGULATOR	1	
11	B079363	LOW PRESS CNG HOSE	1	
12	B075862	ECU_(W/O LED & SW) _CITY BS IV_ CNG	1	
13	B075328	GAS KIT W/HS -CNG - (RH SHIFT) (FOR SNORKEL VEH.)	1	
14	643850	STICKER	2	
15	932273	COIL ASSEMBLY	1	
16	932274	PAPER FILTER	1	
17	932275	O RING	1	
18	932276	DRAIN PLUG	1	
19	B075638	FILTER SOLENOID VALVE (CNG)	1	
20	B076203	CYLINDER COVER - CNG LH	1	
21	B076201	CYLINDER COVER - RH-COMMON CNG/LPG	1	
22	661911	SPIGOT(VANAZ P.NO.K-0401-19-020)	1	
23	B042199	CLIP	2	
24	659862	STRAP ASSLY (CNG)	2	
25	604856	RUBBER STRAP LOWER	2	
26	659857	RUBBER STRAP UPPER	2	
27	B076200	CYLINDER COVER - CENTRAL-COMMON CNG/LPG	1	CNG/LPG
28	6A000184	2 STAGE CNG REGULATOR	1	

Print Date: 07-Apr-2022

PLATE-35

TWO STAGE CNG REGULATOR





Print Date: 07-Apr-2022

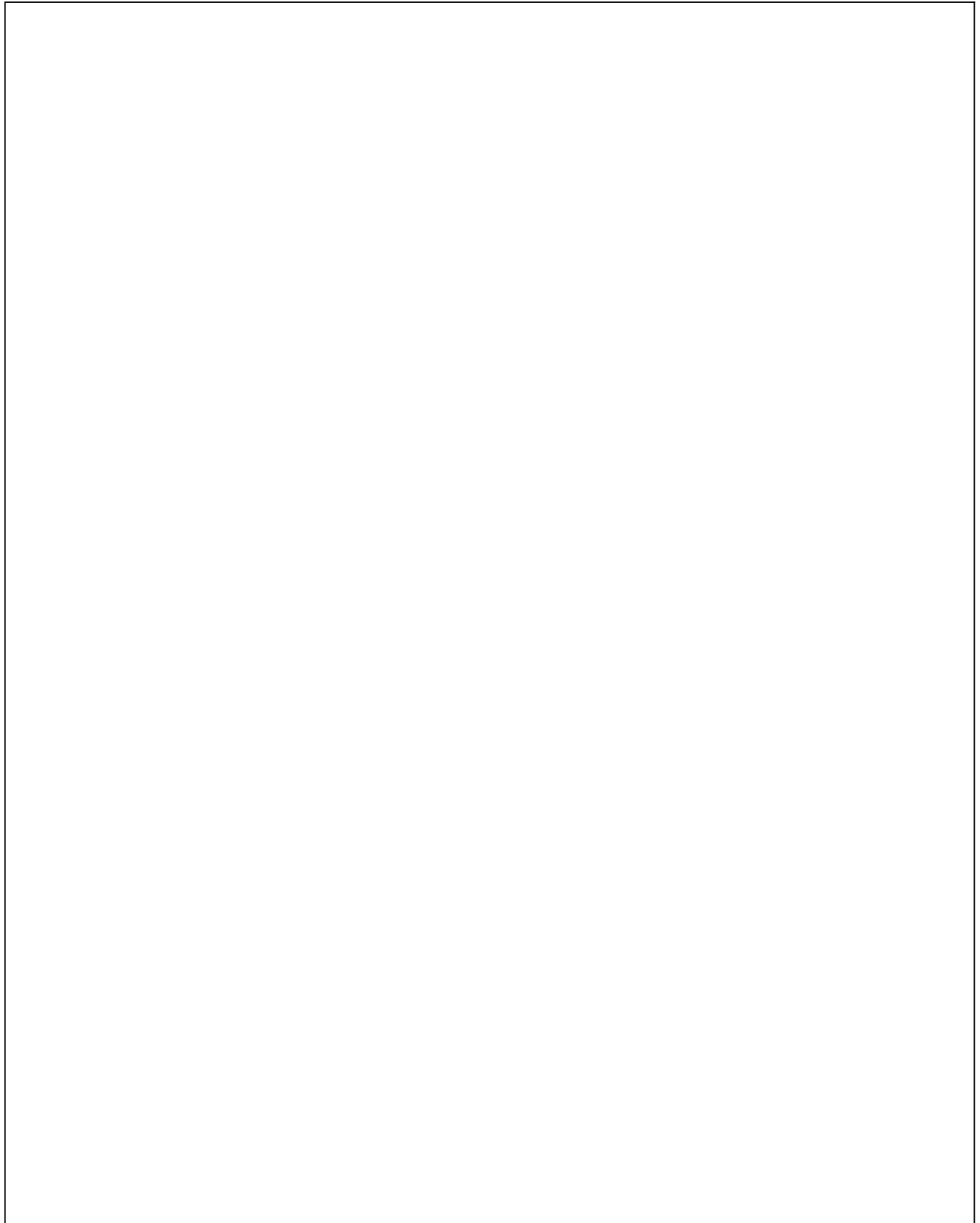
PLATE-35**TWO STAGE CNG REGULATOR**

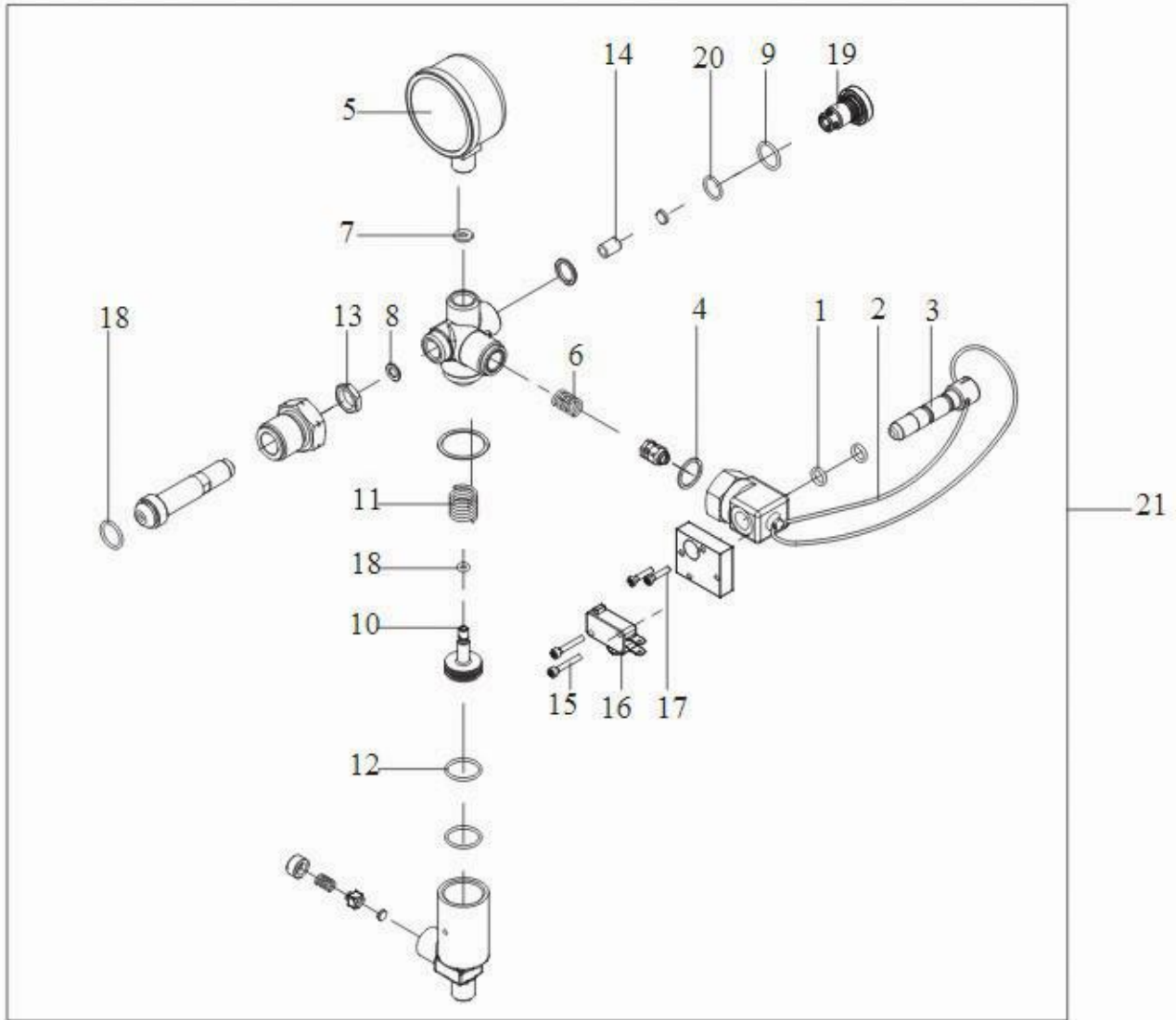
Fig. No.	Part No.	Description	Qty	Remarks
1	932207	DIAPHRAGM SUB ASSY.	1	
2	932208	WASHER	4	
3	932210	LEVER PIN	1	
4	932211	SEAT	1	
5	932229	PLUG	1	
6	932232	FLANGE SCREW	12	
7	932212	SPRING GUIDE	1	
8	925781	O RING	1	
9	932226	IDLE SCREW	1	
10	932213	SPRING	1	
11	932215	DIAPHRAGM SUB ASSY.	1	
12	932214	WASHER	1	
13	932218	SEAT	1	
14	932219	WASHER	1	
15	932230	BREATHER-I	1	
16	932216	SPRING	1	
17	932217	LEVER SUB ASSY.	1	
18	932220	CHEESE HEAD SCREW	1	
19	932221	O RING	1	
20	932222	PLUG	1	
21	932265	O RING (R-8101-760) PAXX 200 LPG	1	
22	932225	FLOW ADJUSTING SCREW	1	
23	932242	ORING	1	
24	932224	FLOW CONTROL BODY	1	
25	932227	BREATHER HOSE	1	
26	932228	CLAMP	2	
27	932240	O RING	1	
28	932231	O RING	1	
29	932254	CLIP	1	
30	925768	PAD	1	
31	932255	FLANGE SCREW	1	
32	B076434	2 STAGE CNG REGULATOR	1	

Print Date: 07-Apr-2022

PLATE-36

FIRST STAGE REDUCTION UNIT





Print Date: 07-Apr-2022

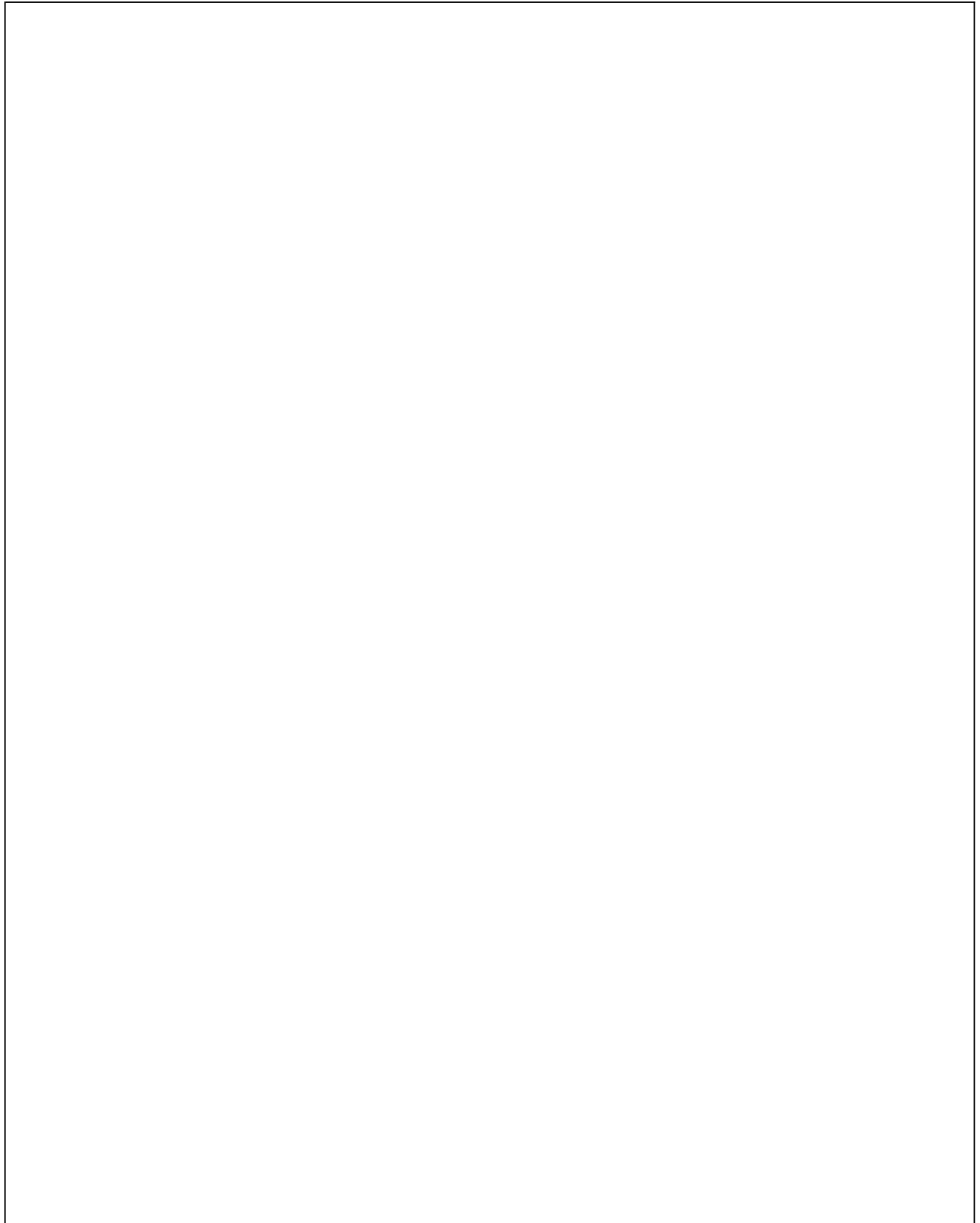
PLATE-36**FIRST STAGE REDUCTION UNIT**

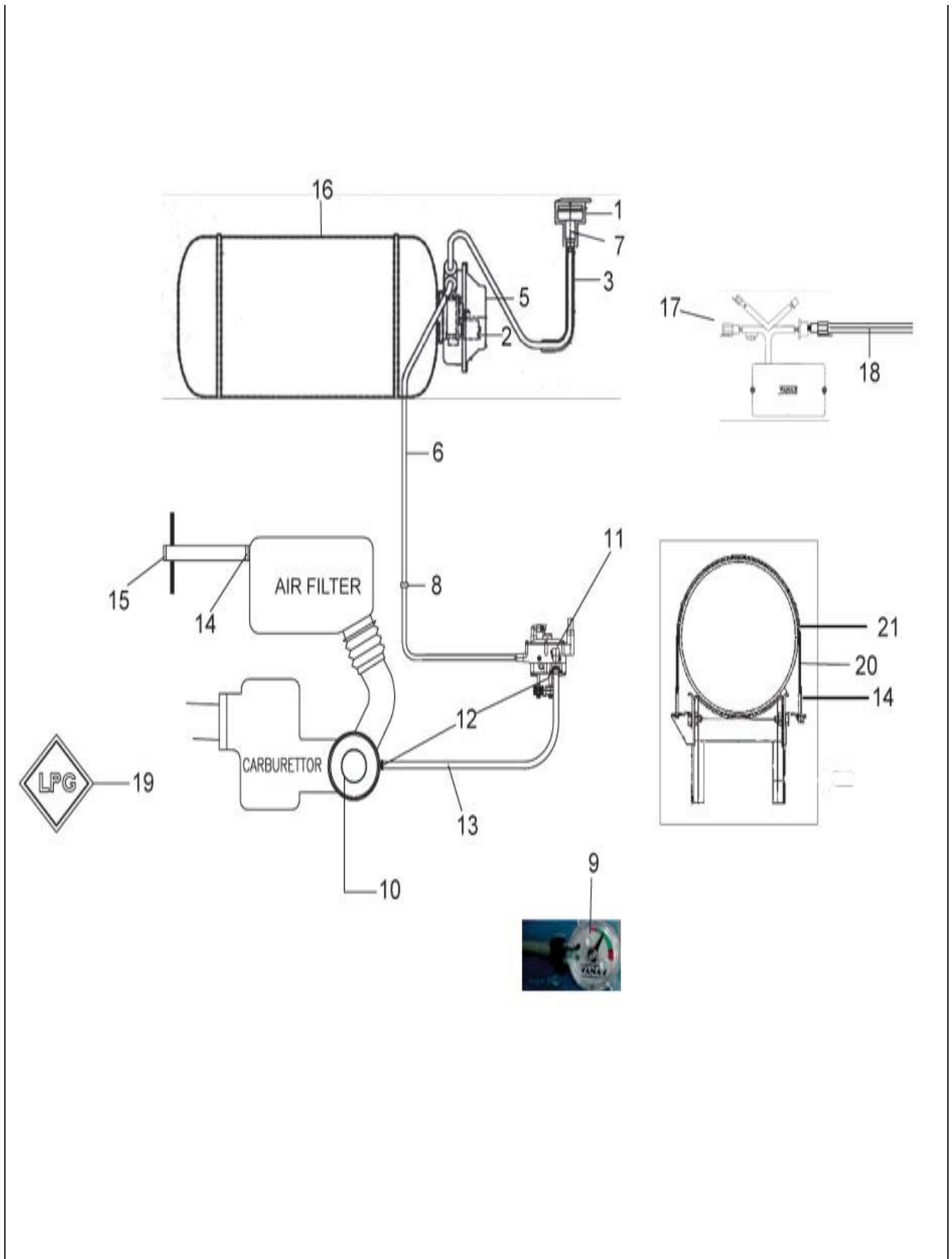
Fig. No.	Part No.	Description	Qty	Remarks
1	929931	O RING	2	
2	929933	STRING	1	
3	661399	DUST PLUG	1	
4	929934	SEALING WASHER	1	
5	B041784	CNG PRESSURE GAUGE WITH SENSOR	1	
6	929935	SPRING	1	
7	932233	WASHER	1	
8	929936	WASHER	1	
9	932235	O RING	2	
10	932237	PISTON SUB ASSY.	1	
11	932236	SPRING	1	
12	932238	O RING	1	
13	932239	LOCK NUT	1	
14	932243	FILTER	1	
15	929938	PHILIPS HEAD SCREW M3 X 20L	2	
16	929939	MICROSWITCH	1	
17	929940	PHILIPS HEAD SCREW M3 X 15L	2	
18	932240	O RING	1	
19	932241	RETAINER	1	
20	932242	ORING	1	
21	B024131	FIRST STAGE REDUCTION UNIT (HPR)	1	

Print Date: 07-Apr-2022

PLATE-37

LPG KIT





Print Date: 07-Apr-2022

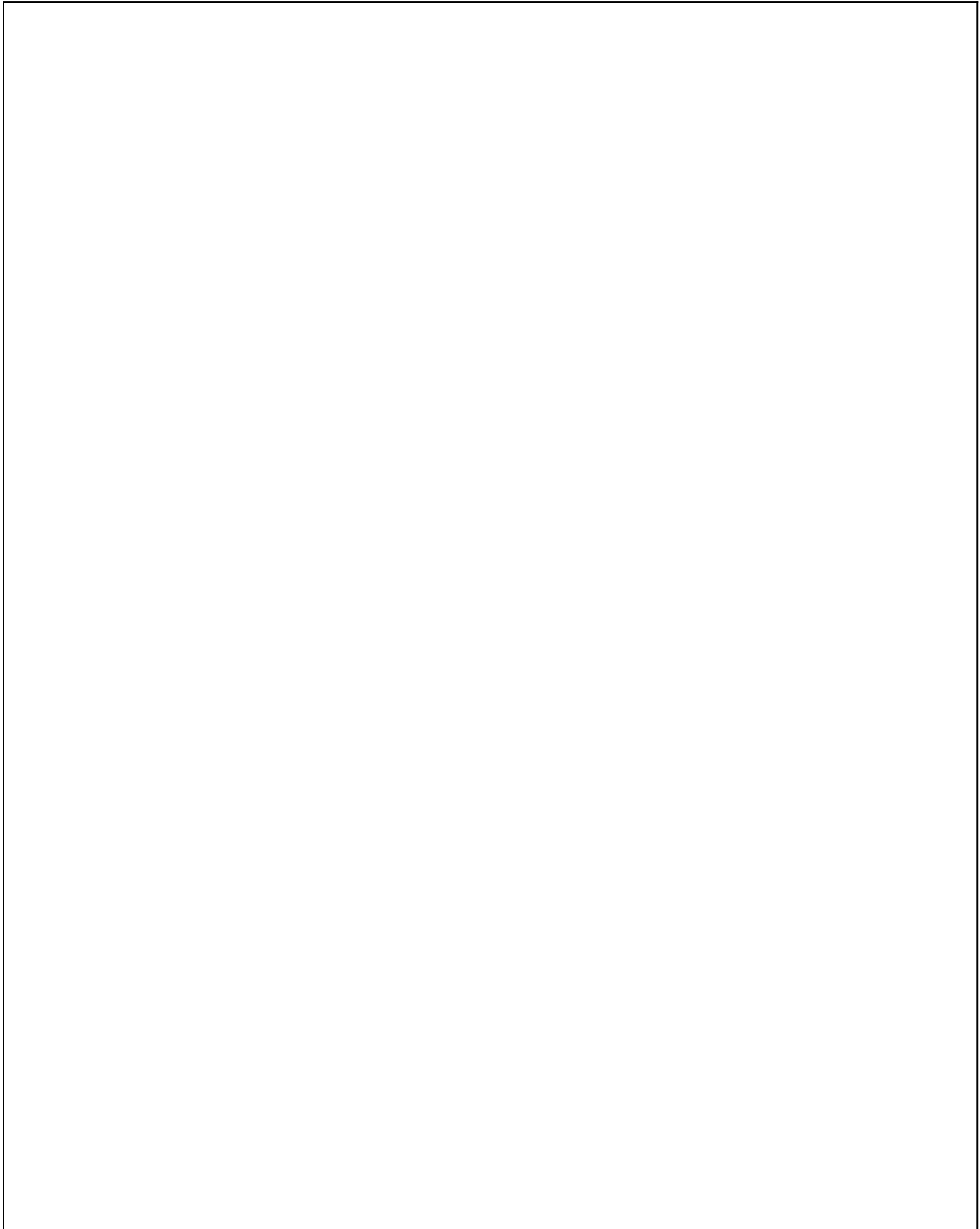
PLATE-37**LPG KIT**

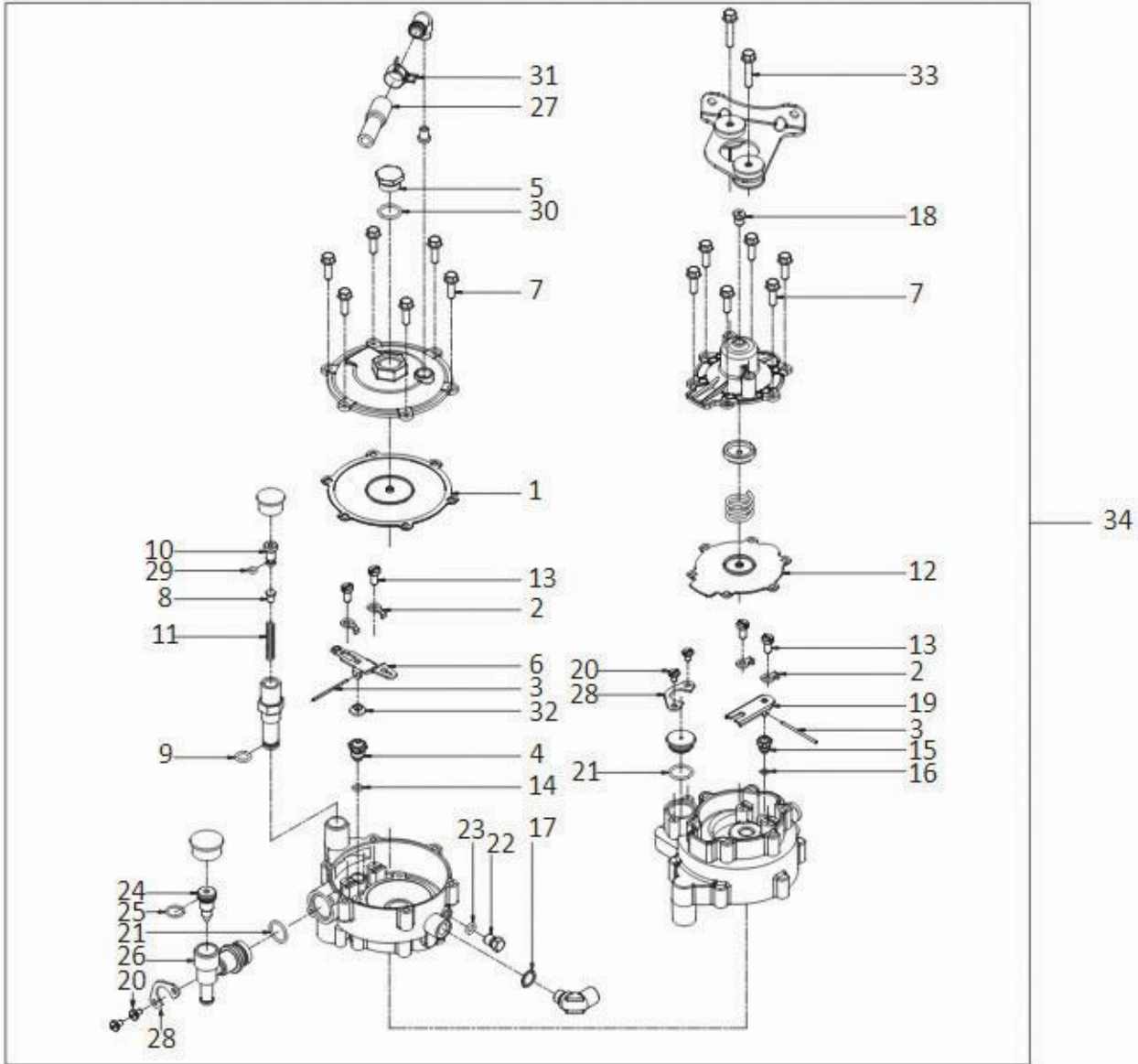
Fig. No.	Part No.	Description	Qty	Remarks
1	925743	FILLER CONNECTOR WITH CAP	1	
2	6A000158	MULTI FUNCTION VALVE, 20.6LTR LPG CYL.	1	
3	B041491	VENT HOSE ASSY - 1	1	
4	B073084	SEAL BOX	6	
5	B073084	SEAL BOX	1	
6	B079168	LPG FLEXIBLE HOSE ASSLY (MFV TO LPR)	1	
7	929925	HOUSING ASSEMBLY FOR FILLER CONNECTOR	2	
8	B024147	CLIP	2	
9	B077513	CONTENT GAUGE LPG (ZERO DEGREE)	1	
10	6A000427	MIXER ASSLY LPG	1	
11	6A000803	ASSLY, 2 STAGE REGULATOR LPG	1	
12	B042199	CLIP	1	
13	B079365	LOW PRESSURE HOSE LPK TO MIXER	1	
14	B079362	RUBBER PAD BOTTOM	2	
16	6A000124	LPG CYLINDER- 20.6 LTR	1	
17	B075861	ECU	1	
18	B075327	GAS KIT W/ HS- LPG- (RH SHIFT) (FOR SNORKEL VEH.)	1	
19	643882	STICKER(VANAZ PT NO K-0401-13)	1	
20	632184	RUBBER STRAP UPPER	2	
21	B075622	RUBBER STRAP	2	

Print Date: 07-Apr-2022

PLATE-38

TWO STAGE LPG REGULATOR





Print Date: 07-Apr-2022

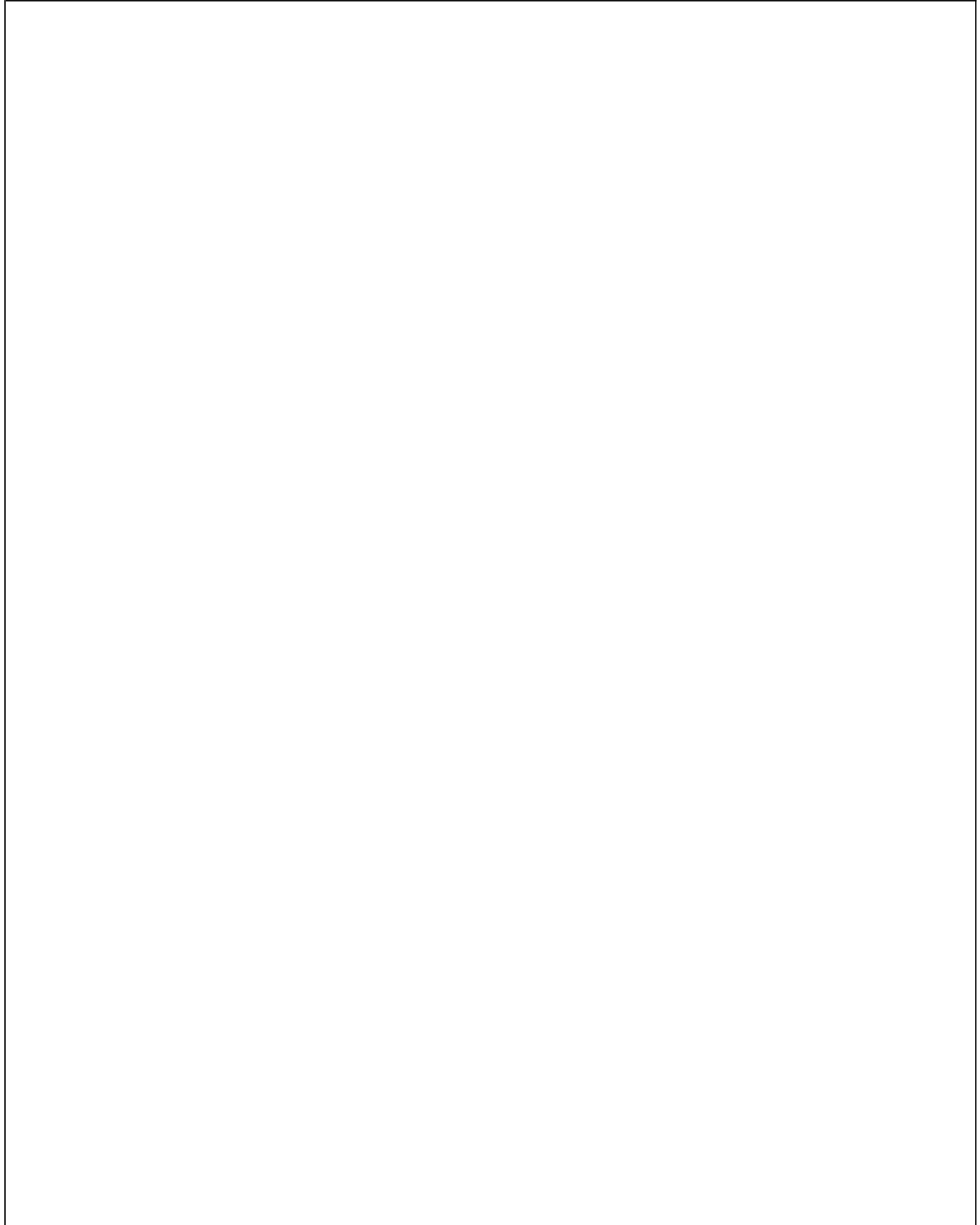
PLATE-38**TWO STAGE LPG REGULATOR**

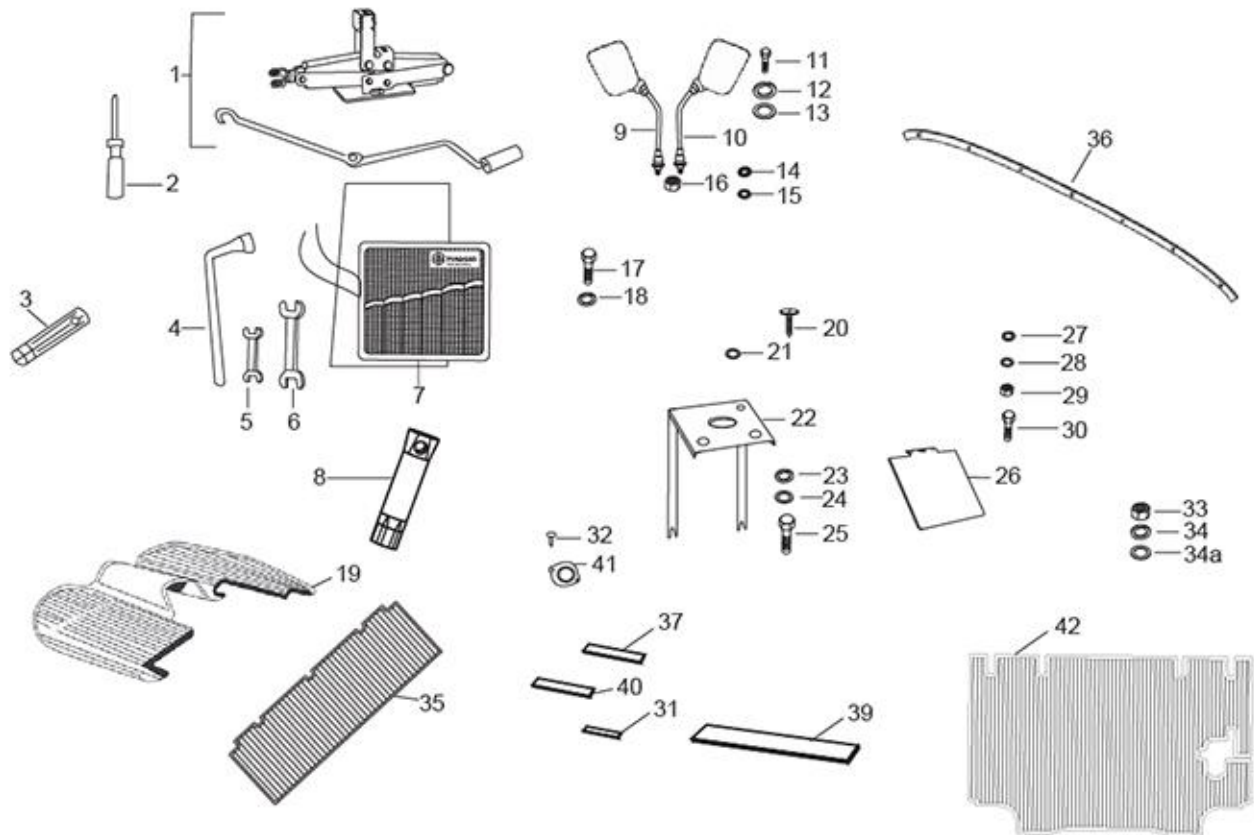
Fig. No.	Part No.	Description	Qty	Remarks
1	932207	DIAPHRAGM SUB ASSY.	1	
2	932208	WASHER	4	
3	932210	LEVER PIN	1	
4	932263	SEAT	1	
5	932229	PLUG	1	
6	932209	LEVER SUB ASSY	1	
7	932232	FLANGE SCREW	12	
8	932212	SPRING GUIDE	1	
9	925781	O RING	1	
10	932226	IDLE SCREW	1	
11	932264	SPRING	1	
12	932215	DIAPHRAGM SUB ASSY.	1	
13	661909	CHEESE HEAD SCREW	4	
14	932214	WASHER	1	
15	932218	SEAT	1	
16	932219	WASHER	1	
17	920008	WASHER	1	
18	932230	BREATHER-I	1	
19	932217	LEVER SUB ASSY.	1	
20	932220	CHEESE HEAD SCREW	1	
21	932221	O RING	1	
22	932222	PLUG	1	
23	925783	O RING	1	
24	932225	FLOW ADJUSTING SCREW	1	
25	932242	ORING	1	
26	932224	FLOW CONTROL BODY	1	
27	932227	BREATHER HOSE	1	
28	932228	CLAMP	2	
29	932240	O RING	1	
30	932231	O RING	1	
31	932270	CLIP	1	
32	925768	PAD	1	
33	932255	FLANGE SCREW	1	
34	B077331	2 STAGE LPG REGULATOR	1	

100

Print Date: 07-Apr-2022

PLATE-39
TOOLS & ACCESSORIES





Print Date: 07-Apr-2022

PLATE-39**TOOLS & ACCESSORIES**

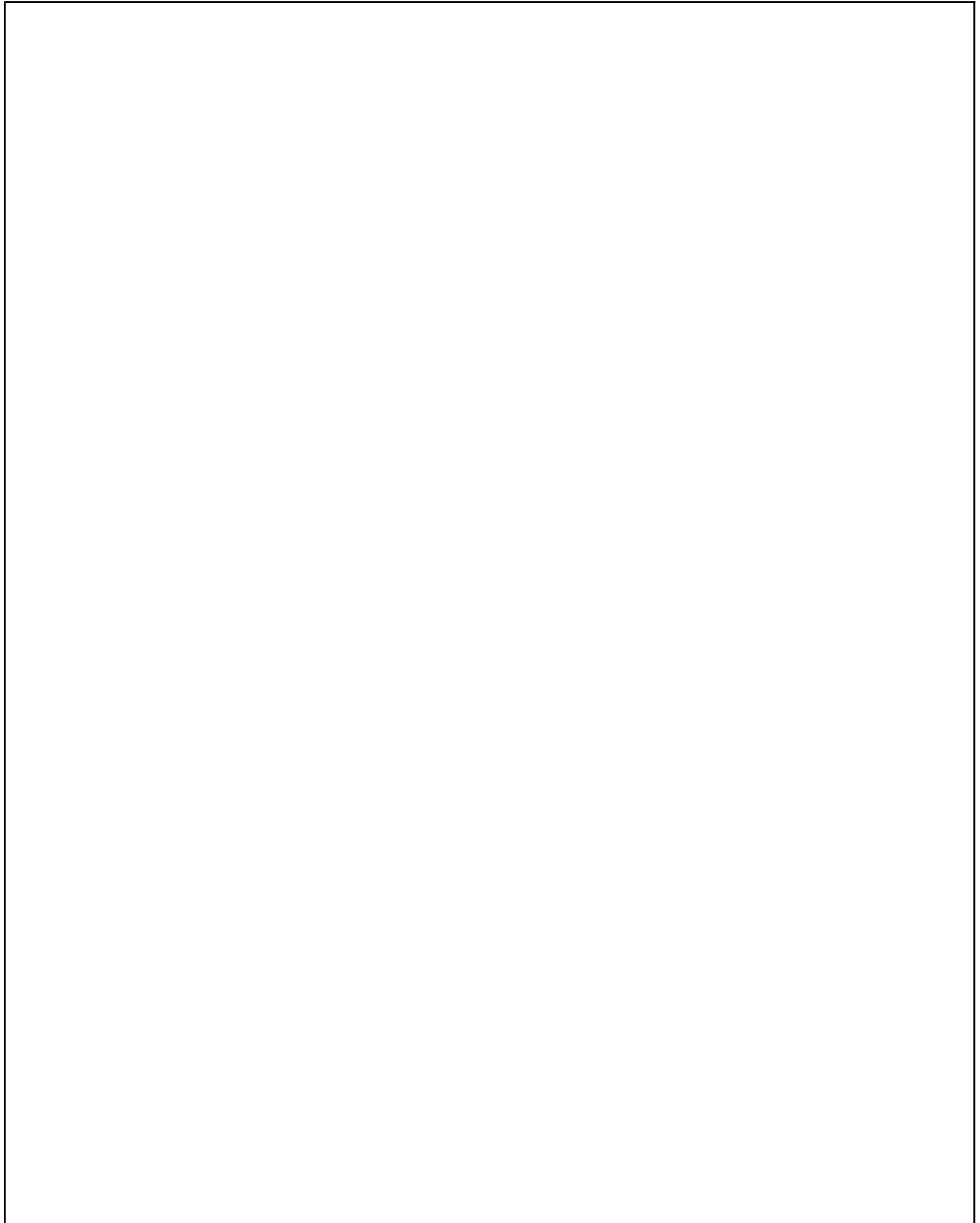
Fig. No.	Part No.	Description	Qty	Remarks
1	B076650R	JACK ASSLY	1	
2	567458	SCREW DRIVER (-)&(+) 80	1	
3	B041787	SPARK PLUG SPANNER	1	
4	B076142	L TYPE SPANNER - A/F 16	1	
5	567454	DOUBLE END SPANNER7/8	1	
6	567456	DOUBLE END SPANNER 12/14	1	
7	B041876	TOOL BAG	1	
8	B041787	SPARK PLUG SPANNER	1	
9	B078716	OUTER REAR VIEW MIRROR LH ASSLY	1	
10	B078715	OUTER REAR-VIEW MIRROR RH ASSLY.	1	
11	31118	SCREW M8X20	2	
12	016408	SPRING WASHER	6	
13	3058	PLAIN WASHER 15X8.4X1.5	20	
14	016408	SPRING WASHER	4	
15	3058	PLAIN WASHER 15X8.4X1.5	4	
16	20108	HEX NUT M8	4	
17	31116	HEX HD. SCREW M8X16	1	
18	016408	SPRING WASHER	1	
19	B076410	CARPET CABIN FRONT - LPG	1	
19	B074060	FRONT CARPET (PETROL)	1	
19	B076270	CARPET CABIN FRONT-CNG	1	
20	15911	PAN SELF TAP SCREW 8SG X 16 AB	1	
21	16670	PLAIN WASHER 12X4.5X1	1	
22	B075580	BRACKET S/A FAREMETER	1	
23	016408	SPRING WASHER	4	
24	3058	PLAIN WASHER 15X8.4X1.5	4	
25	31118	SCREW M8X20	4	
26	643661	LICENSE PLATE MTG. BKT.	1	
27	13861	PLAIN WASHER 20X8.2X2.5	2	
28	12540	SPRING WASHER M8	2	
29	20108	HEX NUT M8	2	
30	30072	HEX HEAD BOLT M8 X 35	2	
31	B074657	BEEDING DOME SIDE PILLAR (LPG/CNG)	2	
32	8451	PAN SELF TP SCREW 6 SGX13 AB	4	
33	20106	HEX NUT M6	12	

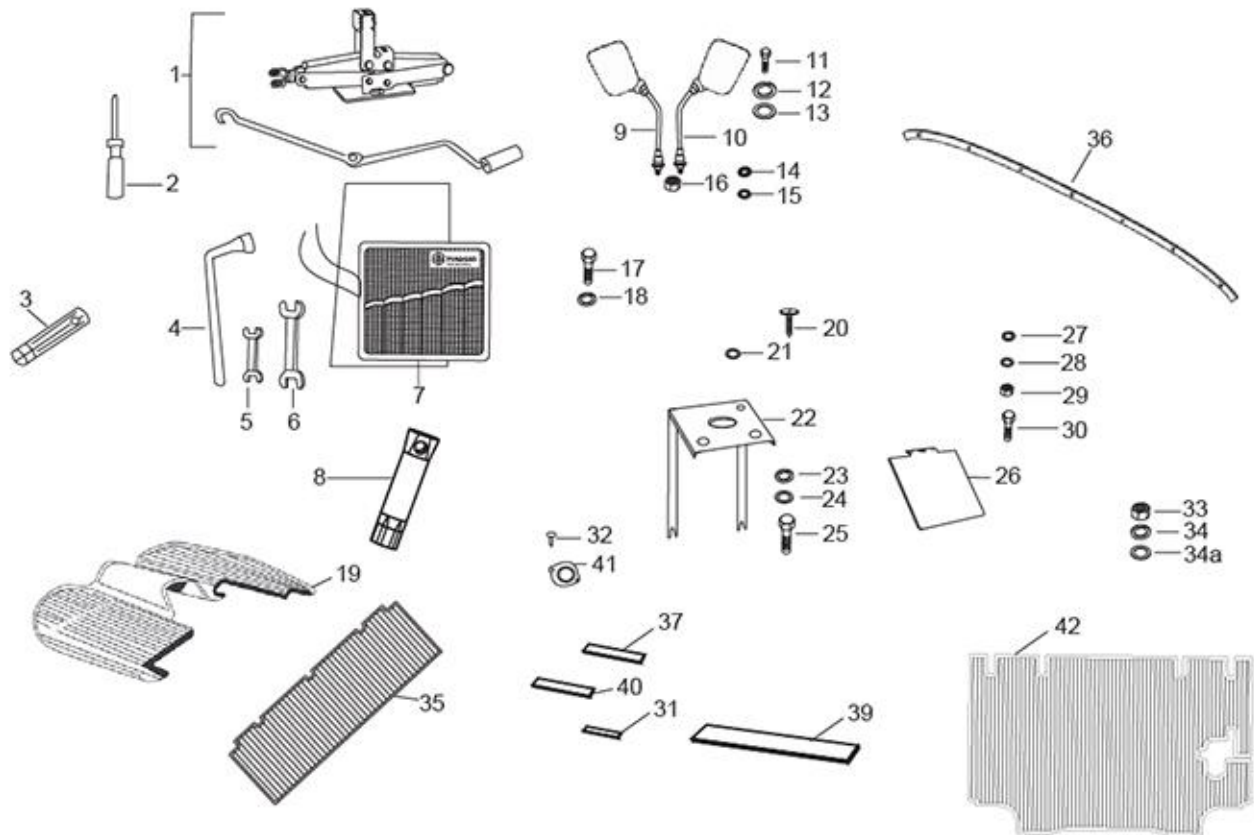
102

Print Date: 07-Apr-2022

PLATE-39

TOOLS & ACCESSORIES





Print Date: 07-Apr-2022

PLATE-39**TOOLS & ACCESSORIES**

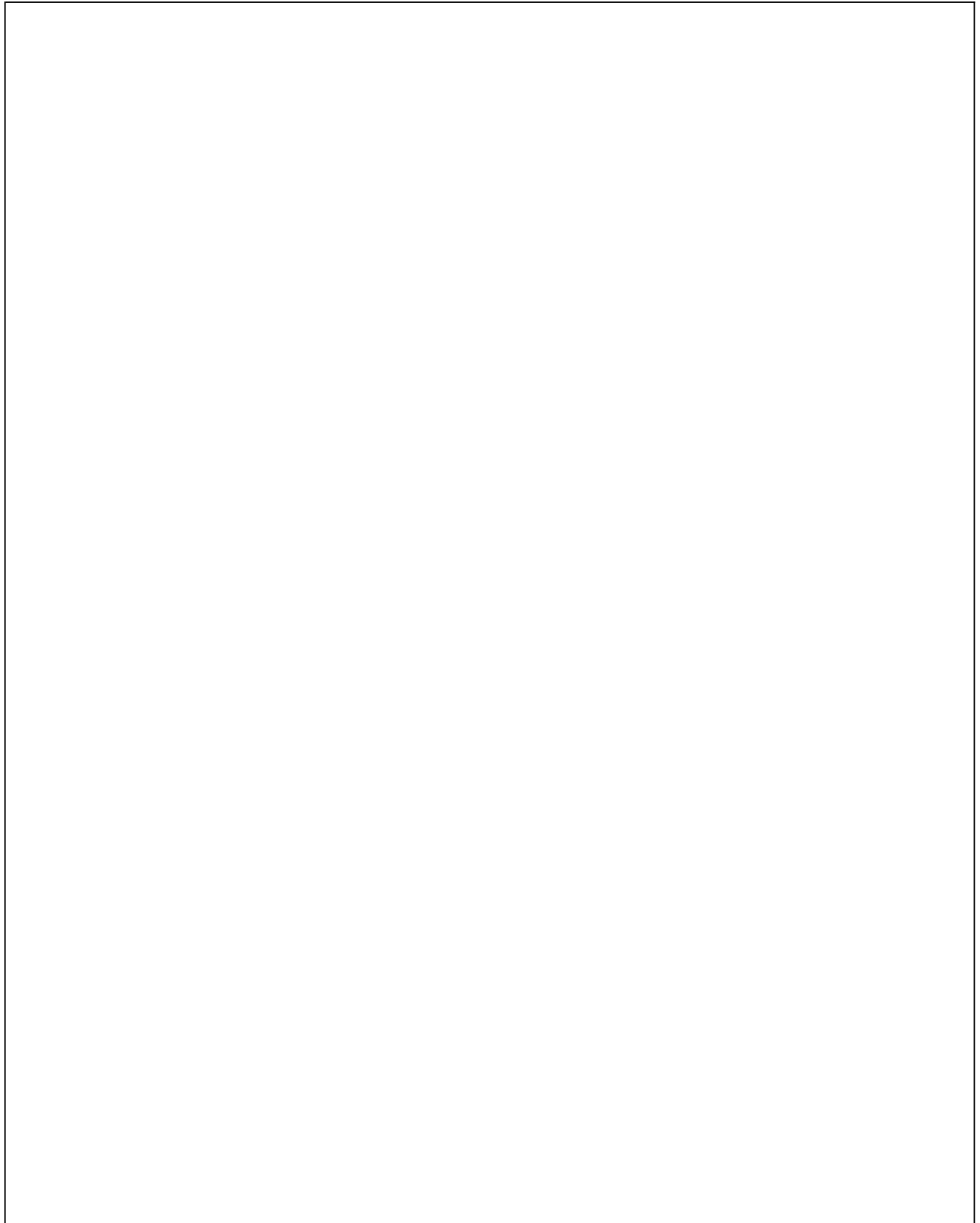
Fig. No.	Part No.	Description	Qty	Remarks
34	016406	SPRING WASHER	12	
34a	013880	PLAIN WASHER	12	
35	B041225	CARPET PASSENGER FOOT REST	1	
36	B073603	UPPER STRIP CANPOY MTG	1	
37	B024474	BEADDING LINING	2	
38	B078316	LATERAL PROFILE	2	NI
39	B006792	BEADING (INSULATION ENG. COMP. COVER)	2	
40	B074637	BEEDING DOME SIDE PILLAR (PET/DLS)	2	
41	B003076	COVER SHOCKER MTG. HOLE	2	
42	B078096	PASS-SPACE REAR CARPET (V.E.)(CNG/LPG)	1	CNG/LPG
42	6B000401	PASSENGER REAR CARPET-PTL/DLS	1	PTL/DSL

























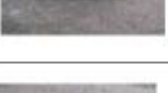
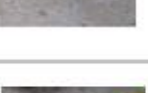
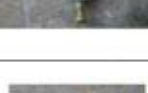
104

Print Date: 07-Apr-2022

PLATE-40

TOOL KIT



 1	 9	 17	 25
 2	 10	 18	 26
 3	 11	 19	 27
 4	 12	 20	 28
 5	 13	 21	 29
 6	 14	 22	 30
 7	 15	 23	 31
 8	 16	 24	

Print Date: 07-Apr-2022

**PLATE-40
TOOL KIT**

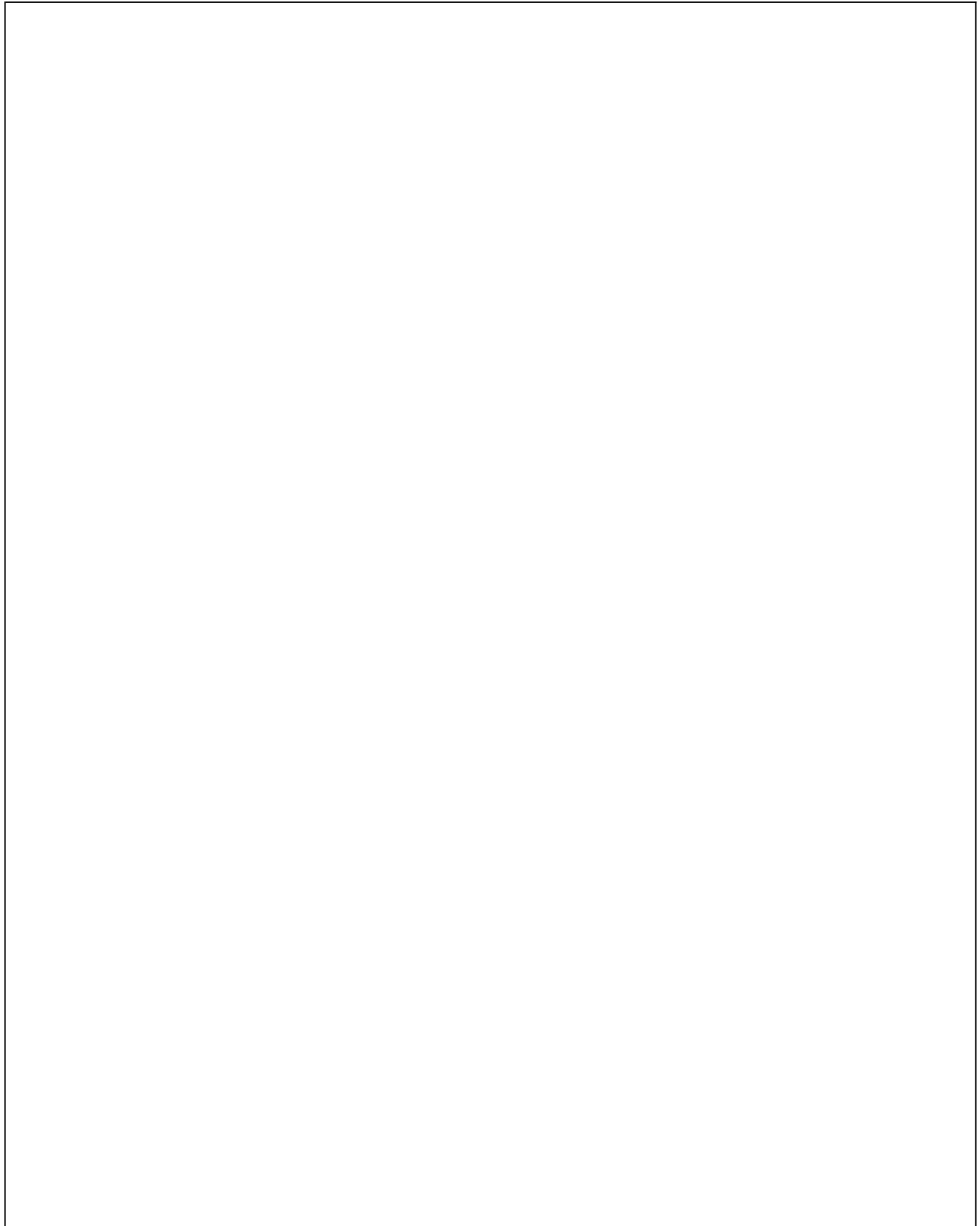
Fig. No.	Part No.	Description	Qty	Remarks
1	441025	CLUSTER GEAR NR BEARING PRESS.	1	
2	441026	CLUSTER GEAR NR BEARING REMOVAL	1	
3	441027	MAIN SHAFT NR BEARING PRESSING.	1	
4	441028	OIL SEAL ON MAIN SHAFT BALL BRG PRESSING.	1	
5	441029	TAPPET SETTING TOOL.	1	
6	441030	OIL PUMP DRIVING GEAR HOLDING TOOL.	1	
7	441031	PISTON TDC LOCATION.	1	
8	441032	HEX NUT ON CRANKSHAFT HOLDING TOOL.	1	
9	441033	OIL FILTER REMOVING & FITTING TOOL.	1	
10	441034	SELETION OF BP KIT GASKET.	1	
11	441035	RING FITMENT ON PISTION.	1	
12	441036	PISTON ASSLY HOLDING TOOL.	1	
13	441037	BP KIT COMPRESSION (PISTON RING). TOOL.	1	
14	441038	PINON SHAFT BALL BEARING PRESSING TOOL.	1	
15	441041	SPARK PLUG REMOVAL TOOL.	1	
16	441042	MAGNETO ROTOR HOLDING TOOL.	1	
17	441043	CRANK SHAFT HOLDING TOOL.	1	
18	441044	PINION SHAFT FITTING TOOL.	1	
19	441045	STEERING COLUMN LOCKNUT TIGHTING TOOL.	1	
20	441046	VALVE SPRING COMPRESSOR TOOL.	1	
21	441047	MAGNETO ROTOR PULLER.	1	
22	925704	IDLER GEAR BUSH PRESSING TOOL. (1T).	1	
23	925406	IDLER GEAR BUSH REMOVAL TOOL. (1T).	1	
24	926009	DIFFERENTIAL CAGE BALL BRG PRESSING (1T).	1	
25	920209	CLUTCH ASSLY HOLDING TOOL (1T).	1	
26	920401	DIFFERENTIAL GEAR ASSLY REMOVAL (1T).	1	
27	SST96030	STATOR SUPPORT PLATE OIL SEAL PRESSING DOLLEY	1	
28	SST96031	CLUSTER SHAFT OIL SEAL PREESING DOLLEY	1	
29	SST96032	PRIMARY GEAR HOLDING TOOLS	1	
30	SST96033	SPEEDO WORM GEAR REMOVAL TOOLS	1	
31	SST96034	CLUCTH HOLDING TOOLS STEP 2 BSIV	1	

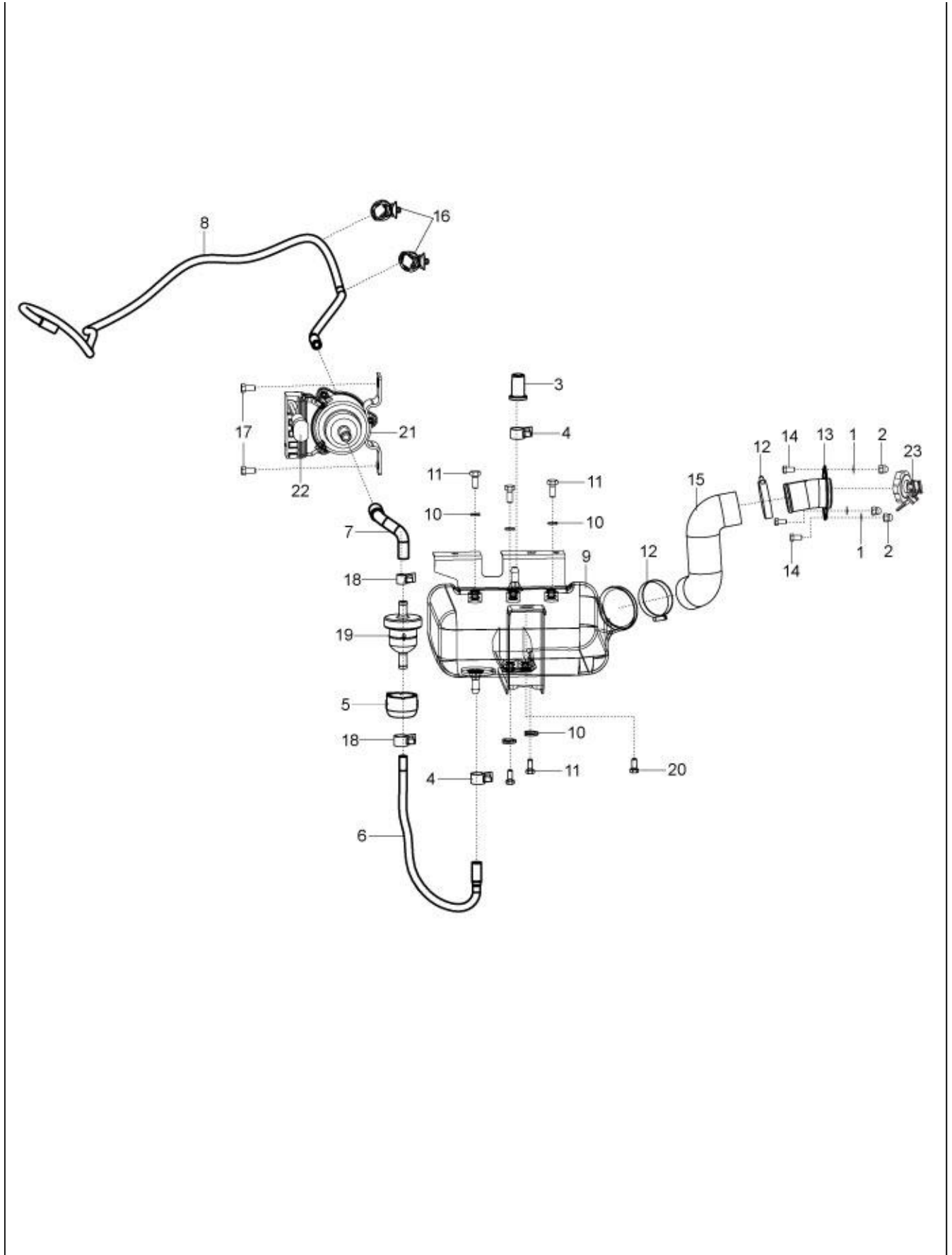
106

Print Date: 07-Apr-2022

PLATE-20.1

FUEL TANK/FILTER/FUEL PIPES - GAS





Print Date: 07-Apr-2022

PLATE-20.1**FUEL TANK/FILTER/FUEL PIPES - GAS**

Fig. No.	Part No.	Description	Qty	Remarks
1	3055	PLAIN WASHER M5	3	
2	568713	DOME NUT	3	
3	B074963	PLUG-TANK RETURN NIPPLE	1	
4	B075707	SPRING BAND HOSE CLAMP (DIA 10	2	
5	B075790	FUEL FILTER SUPPORT	1	
6	B079105	FUEL PIPE-FUEL TANK TO FUEL FILTER	1	
7	B079059	FUEL PIPE-FUEL FILTER TO FEED PUMP	1	
8	B079091	FUEL PIPE, FEED PUMP TO CARBURATOR	1	
9	B078964	ASSLY FUEL TANK (3L) WITH BKT	1	
10	16405	SPRING WASHER M5	5	
11	31056	HEX HEAD SCREW M5 X 12 CL. 8.8	5	
12	B041853	HOSE CLIP (SIZE : 65A)	2	
13	B078821	ASSY TUBE FUEL TANK FILLER	1	
14	31054	HEX HD. SCREW M5X10 CL8.8	3	
15	B078930	HOSE PLASTIC FUEL TANK	1	
16	B076007	PIPE CLIP 1 WAY	3	
17	6C000378	M5X12 COMBI BOLT	2	
18	B003282	HOSE CLIP (DIA.7) (PETROL & CNG/LPG)	2	
19	B074593	COMPACT FUEL STRAINER (3 L/H)	1	
20	D9166140616	BOLT, W/WASHER	3	
21	B002630	ELECTRICAL FEED PUMP LGA 280 PETROL ENGI	1	Old type Sonic Make
21	6A001657	ASSY ELE. FUEL PUMP (PRICOL)	1	New type PRICOL MAKE
22	6D001087	PIGTAIL, FUEL FEED PUMP(PRICOL)	1	Applicable for Pricol feed pump
23	B024168	P.T.CAP ASSLY WITH KEY	1	

108

Print Date: 07-Apr-2022

PARTS INDEX

ape City Plus BSIV PTL CNG LPG



109

Print Date: 07-Apr-2022

PART NO	BLOCK	PART NO	BLOCK	PART NO	BLOCK
---	PLATE-3	107870	PLATE-23	12790	PLATE-23
000267	PLATE-12	107871	PLATE-24	128633	PLATE-23
002139	PLATE-17	108785	PLATE-26	132129	PLATE-5
003054	PLATE-21	108873	PLATE-24	132134	PLATE-5
006410	PLATE-6	108874	PLATE-24	132244	PLATE-5
009101	PLATE-10	109064	PLATE-24	136434	PLATE-24
009101	PLATE-17	109066	PLATE-24	136451R	PLATE-23
013880	PLATE-39	109117	PLATE-24	136916	PLATE-26
013880	PLATE-9	109227	PLATE-25	137235	PLATE-24
013880	PLATE-26	109265	PLATE-24	138237	PLATE-26
013880	PLATE-28	109404	PLATE-25	13861	PLATE-39
013880	PLATE-29	109635	PLATE-25	13861	PLATE-21
013880	PLATE-29	109775	PLATE-25	150579	PLATE-24
016406	PLATE-39	109892	PLATE-23	151924	PLATE-23
016406	PLATE-11	111353	PLATE-9	152580	PLATE-23
016406	PLATE-18	111356	PLATE-6	152580	PLATE-24
016406	PLATE-25	111498	PLATE-6	15335	PLATE-18
016406	PLATE-26	112867R	PLATE-6	15478	PLATE-18
016406	PLATE-6	112898	PLATE-9	15594	PLATE-23
016406	PLATE-28	113278	PLATE-6	157103	PLATE-23
016406	PLATE-29	116088	PLATE-31	157103	PLATE-23
016406	PLATE-29	116088	PLATE-32	157716	PLATE-28
016406	PLATE-30	117401	PLATE-9	15900	PLATE-28
016408	PLATE-39	117402	PLATE-9	15911	PLATE-39
016408	PLATE-39	119735	PLATE-28	15996	PLATE-27
016408	PLATE-39	120164019	PLATE-2	16319	PLATE-25
016408	PLATE-39	120170018	PLATE-2	163205	PLATE-29
016408	PLATE-11	12136	PLATE-27	16405	PLATE-20.1
016408	PLATE-18	12138	PLATE-25	16405	PLATE-19
016408	PLATE-18	122032014	PLATE-17	16405	PLATE-20
016408	PLATE-18	125181	PLATE-25	16405	PLATE-27
016408	PLATE-20	125289	PLATE-24	16405	PLATE-29
016408	PLATE-21	12536	PLATE-31	16406	PLATE-27
016408	PLATE-21	12536	PLATE-32	16406	PLATE-27
016408	PLATE-23	12540	PLATE-39	16406	PLATE-27
016408	PLATE-26	12546	PLATE-27	16408	PLATE-19
016408	PLATE-26	126902	PLATE-25	16410	PLATE-18
016408	PLATE-29	127012019	PLATE-2	16410	PLATE-18
018639	PLATE-9	127013013	PLATE-2	16410	PLATE-23
018639	PLATE-13	127016015	PLATE-9	16410	PLATE-24
018639	PLATE-7	127111011	PLATE-6	16410	PLATE-25
107718	PLATE-24	127185012	PLATE-2	16410	PLATE-6
107827	PLATE-23	127460010	PLATE-2	165121014	PLATE-9

--	--	--

110

Print Date: 07-Apr-2022

PART NO	BLOCK	PART NO	BLOCK	PART NO	BLOCK
16620	PLATE-25	1A002691	PLATE-11	1A008823	PLATE-9
16626	PLATE-25	1A002691	PLATE-13	1A009093	PLATE-6
16670	PLATE-39	1A003060	PLATE-10	1A009125	PLATE-11
16670	PLATE-20	1A005176	PLATE-6	1A009251	PLATE-27
178610	PLATE-18	1A005178	PLATE-10	1A009352	PLATE-27
178804	PLATE-31	1A006115	PLATE-17	1A009353	PLATE-27
178804	PLATE-32	1A006545	PLATE-11	1A009554	PLATE-8
178805	PLATE-31	1A006701	PLATE-10	1A009586	PLATE-16
178805	PLATE-32	1A006740	PLATE-13	1A009587	PLATE-16
178806	PLATE-31	1A006742	PLATE-13	1A009588	PLATE-16
178806	PLATE-32	1A006743	PLATE-13	1A009589	PLATE-16
178807	PLATE-31	1A006751	PLATE-16	1A009590	PLATE-16
178807	PLATE-32	1A006812	PLATE-4	1A009591	PLATE-16
178808	PLATE-31	1A006856	PLATE-9	1A009591	PLATE-16
178808	PLATE-32	1A006858	PLATE-16	1A009592	PLATE-16
178818	PLATE-32	1A006877	PLATE-4	1A009621R	PLATE-15
178819	PLATE-32	1A006899	PLATE-14	1A009632	PLATE-7
178820	PLATE-32	1A006901	PLATE-14	1A009641	PLATE-8
178821	PLATE-32	1A006970	PLATE-17	1A009762	PLATE-4
178823	PLATE-31	1A006988	PLATE-12	1A010001	PLATE-13
178823	PLATE-32	1A007026	PLATE-9	1A010016	PLATE-10
178824	PLATE-31	1A007028	PLATE-9	1A010023	PLATE-7
178824	PLATE-32	1A007029	PLATE-17	1A010024	PLATE-7
179056	PLATE-31	1A007047	PLATE-9	1A010025	PLATE-7
179056	PLATE-32	1A007047	PLATE-4	1A010026	PLATE-7
179057	PLATE-32	1A007051	PLATE-6	1A010035	PLATE-10
180431	PLATE-24	1A007152	PLATE-8	1A010088	PLATE-7
18630	PLATE-20	1A007409	PLATE-7	1A010089	PLATE-7
196302	PLATE-23	1A007501	PLATE-6	1A010090	PLATE-7
197071	PLATE-33	1A007565	PLATE-14	1A010091	PLATE-7
1A000024	PLATE-13	1A007605	PLATE-6	1A010092	PLATE-7
1A000542	PLATE-7	1A007663R	PLATE-9	1A010095	PLATE-7
1A000612	PLATE-9	1A007664R	PLATE-9	1A010096	PLATE-7
1A000708	PLATE-9	1A007773	PLATE-8	1A010097	PLATE-7
1A000708	PLATE-2	1A007774	PLATE-9	1A010098	PLATE-7
1A000742	PLATE-16	1A008397	PLATE-14	1A010100	PLATE-7
1A000831	PLATE-13	1A008547	PLATE-6	1A010101	PLATE-7
1A001073	PLATE-12	1A008547	PLATE-6	1A010102	PLATE-7
1A001794	PLATE-9	1A008559	PLATE-9	1A010119	PLATE-3
1A001795	PLATE-9	1A008672	PLATE-12	1A010136	PLATE-2
1A002358	PLATE-14	1A008715	PLATE-16	1A010166	PLATE-17
1A002661	PLATE-16	1A008804	PLATE-6	1A010187	PLATE-10
1A002685	PLATE-9	1A008804	PLATE-33	1A010208	PLATE-3

--	--	--

111

Print Date: 07-Apr-2022

PART NO	BLOCK	PART NO	BLOCK	PART NO	BLOCK
1A010461	PLATE-3	1A015696	PLATE-11	20108	PLATE-18
1A010548	PLATE-2	1A015723R	PLATE-11	20108	PLATE-18
1A010561	PLATE-3	1A016116	PLATE-19	20108	PLATE-21
1A010632	PLATE-6	1A016737	PLATE-4	20108	PLATE-21
1A010696R	PLATE-16	1A016964	PLATE-26	20108	PLATE-26
1A010720	PLATE-9	1A016964	PLATE-6	20108	PLATE-26
1A011066	PLATE-12	1A017112	PLATE-17	20108	PLATE-29
1A011246	PLATE-9	1A018038	PLATE-16	20108	PLATE-29
1A011286	PLATE-17	1A018212	PLATE-16	20110	PLATE-18
1A011287	PLATE-17	1A018642R	PLATE-16	20110	PLATE-23
1A011288	PLATE-17	1A020456	PLATE-16	20110	PLATE-24
1A011289	PLATE-17	1A020579	PLATE-11	20110	PLATE-25
1A011461	PLATE-2	1A020581	PLATE-11	20359	PLATE-23
1A011500	PLATE-9	1A021042	PLATE-11	21216	PLATE-26
1A011716	PLATE-8	1A021199	PLATE-11	216369	PLATE-19
1A011914	PLATE-7	1A021204	PLATE-16	220575	PLATE-5
1A011940	PLATE-2	1D000510	PLATE-27	224644	PLATE-19
1A012011	PLATE-10	1D000671R	PLATE-27	226596	PLATE-23
1A012039	PLATE-10	1D001138	PLATE-9	226661	PLATE-23
1A012150	PLATE-3	1D001846	PLATE-12	226662	PLATE-23
1A012151	PLATE-3	1D001846	PLATE-16	229524	PLATE-26
1A012152	PLATE-3	1D001847	PLATE-12	231370	PLATE-18
1A012153	PLATE-3	1D001894	PLATE-30	231370	PLATE-18
1A012154	PLATE-3	1E002770	PLATE-25	231370	PLATE-23
1A012155	PLATE-3	20104	PLATE-20	231370	PLATE-23
1A012156	PLATE-3	20104	PLATE-21	231370	PLATE-23
1A012157	PLATE-3	20104	PLATE-26	231370	PLATE-6
1A012158	PLATE-3	20105	PLATE-20	237246	PLATE-23
1A012159	PLATE-3	20105	PLATE-27	2383	PLATE-18
1A012160	PLATE-3	20105	PLATE-27	2383	PLATE-18
1A012161	PLATE-3	20105	PLATE-27	2383	PLATE-21
1A012181	PLATE-17	20106	PLATE-39	2383	PLATE-29
1A012182	PLATE-10	20106	PLATE-26	243303R	PLATE-23
1A012334	PLATE-10	20106	PLATE-27	245038	PLATE-31
1A012846	PLATE-17	20106	PLATE-27	245038	PLATE-32
1A013013	PLATE-14	20106	PLATE-28	265091	PLATE-18
1A013046	PLATE-17	20106	PLATE-28	267065	PLATE-23
1A013159	PLATE-12	20106	PLATE-29	267068	PLATE-23
1A013159	PLATE-16	20106	PLATE-29	269755	PLATE-9
1A014399	PLATE-16	20106	PLATE-33	269755	PLATE-11
1A014489	PLATE-8	20108	PLATE-39	272178	PLATE-18
1A015321	PLATE-7	20108	PLATE-39	285536	PLATE-4
1A015692	PLATE-14	20108	PLATE-18	286328	PLATE-18

--	--	--

112

Print Date: 07-Apr-2022

PART NO	BLOCK	PART NO	BLOCK	PART NO	BLOCK
286328	PLATE-18	31088	PLATE-26	441041	PLATE-40
286328	PLATE-18	31088	PLATE-27	441042	PLATE-40
286328	PLATE-23	31088	PLATE-27	441043	PLATE-40
286328	PLATE-23	31088	PLATE-27	441044	PLATE-40
288730	PLATE-5	31088	PLATE-29	441045	PLATE-40
30072	PLATE-39	31088	PLATE-29	441046	PLATE-40
30074	PLATE-11	31088	PLATE-30	441047	PLATE-40
30104	PLATE-25	31089	PLATE-11	478261	PLATE-2
30209R	PLATE-24	31089	PLATE-25	48197	PLATE-26
30242	PLATE-20	31089	PLATE-28	482335	PLATE-15
3054	PLATE-27	31092	PLATE-6	483711	PLATE-11
3055	PLATE-20.1	31116	PLATE-39	485655	PLATE-9
3055	PLATE-19	31116	PLATE-21	485703	PLATE-9
3055	PLATE-20	31116	PLATE-29	485703	PLATE-11
3055	PLATE-25	31118	PLATE-39	485868	PLATE-14
3055	PLATE-26	31118	PLATE-39	566545	PLATE-24
3055	PLATE-27	31118	PLATE-21	567454	PLATE-39
3055	PLATE-27	31118	PLATE-21	567456	PLATE-39
3055	PLATE-27	31119	PLATE-18	567458	PLATE-39
3055	PLATE-28	31119	PLATE-18	567461	PLATE-26
3056	PLATE-11	31119	PLATE-29	567473	PLATE-24
3056	PLATE-27	31154	PLATE-18	567498R	PLATE-27
3056	PLATE-27	432142	PLATE-9	567498R	PLATE-27
3056	PLATE-28	433122	PLATE-11	567581	PLATE-27
3056	PLATE-29	434541	PLATE-14	567593	PLATE-28
3056	PLATE-30	434541	PLATE-15	567690	PLATE-26
3058	PLATE-39	434716	PLATE-11	567706	PLATE-27
3058	PLATE-39	435571	PLATE-15	567746G1	PLATE-26
3058	PLATE-39	436947	PLATE-11	567899	PLATE-26
3058	PLATE-21	441025	PLATE-40	567920	PLATE-26
3058	PLATE-21	441026	PLATE-40	567920	PLATE-26
3058	PLATE-21	441027	PLATE-40	567990	PLATE-24
3058	PLATE-26	441028	PLATE-40	567991	PLATE-24
3058	PLATE-29	441029	PLATE-40	567992	PLATE-24
3058	PLATE-29	441030	PLATE-40	567993	PLATE-24
3068	PLATE-23	441031	PLATE-40	568095	PLATE-24
31054	PLATE-20.1	441032	PLATE-40	568140	PLATE-18
31054	PLATE-19	441033	PLATE-40	568289	PLATE-23
31054	PLATE-19	441034	PLATE-40	568671	PLATE-22
31056	PLATE-20.1	441035	PLATE-40	568689	PLATE-18
31057	PLATE-27	441036	PLATE-40	568692	PLATE-20
31058	PLATE-27	441037	PLATE-40	568692	PLATE-27
31058	PLATE-27	441038	PLATE-40	568713	PLATE-20.1

--	--	--

113

Print Date: 07-Apr-2022

PART NO	BLOCK	PART NO	BLOCK	PART NO	BLOCK
568713	PLATE-19	616541	PLATE-24	652520	PLATE-23
568713	PLATE-20	616541	PLATE-31	652520	PLATE-24
568721	PLATE-27	616649	PLATE-21	652521	PLATE-24
568737	PLATE-26	616738R	PLATE-19	659857	PLATE-34
569165	PLATE-27	6173	PLATE-26	659862	PLATE-34
569197	PLATE-27	6195	PLATE-11	660168	PLATE-21
569241	PLATE-18	632056	PLATE-26	660168	PLATE-22
569244	PLATE-18	632109	PLATE-19	660168	PLATE-28
569246R	PLATE-24	632148	PLATE-32	660207ED	PLATE-29
569255	PLATE-24	632158	PLATE-25	660931	PLATE-23
569375	PLATE-18	632184	PLATE-37	660931	PLATE-24
587616	PLATE-31	632247	PLATE-18	661229	PLATE-26
587617	PLATE-23	632299	PLATE-18	661266	PLATE-23
587624R	PLATE-26	632299	PLATE-18	661267	PLATE-23
587671R	PLATE-27	632508	PLATE-21	661282	PLATE-23
587902	PLATE-25	63440	PLATE-31	661399	PLATE-36
587905PC	PLATE-21	63440	PLATE-32	661909	PLATE-38
587971	PLATE-23	639088	PLATE-27	661911	PLATE-34
5969	PLATE-26	640762	PLATE-27	662571	PLATE-19
602120	PLATE-32	6411	PLATE-26	6650	PLATE-23
602123	PLATE-32	642032	PLATE-27	6733	PLATE-24
602497	PLATE-31	642537	PLATE-9	680166	PLATE-27
602497	PLATE-32	643149	PLATE-9	6965	PLATE-27
604535	PLATE-23	643156	PLATE-9	6965	PLATE-27
604553	PLATE-8	643367	PLATE-11	6A000068	PLATE-33
604557	PLATE-27	643661	PLATE-39	6A000070	PLATE-33
604717	PLATE-26	643691	PLATE-22	6A000089	PLATE-19
604756	PLATE-21	643692	PLATE-26	6A000105ED	PLATE-18
604758	PLATE-24	643741	PLATE-23	6A000124	PLATE-37
604758	PLATE-24	643772R	PLATE-24	6A000143	PLATE-19
604759	PLATE-24	643850	PLATE-34	6A000158	PLATE-37
604856	PLATE-34	643882	PLATE-37	6A000184	PLATE-34
604908	PLATE-19	643884	PLATE-34	6A000184	PLATE-34
604909	PLATE-19	644812	PLATE-26	6A000197	PLATE-25
604910	PLATE-26	644813	PLATE-26	6A000427	PLATE-37
604948	PLATE-18	644814R	PLATE-26	6A000556	PLATE-19
604954	PLATE-21	644824	PLATE-19	6A000574	PLATE-8
60565	PLATE-25	644838R	PLATE-30	6A000578	PLATE-19
6066	PLATE-23	644973R	PLATE-23	6A000653	PLATE-8
6066	PLATE-24	645036	PLATE-19	6A000803	PLATE-37
6078	PLATE-22	645037	PLATE-29	6A000836	PLATE-19
6078	PLATE-27	652001	PLATE-26	6A001657	PLATE-20.1
6078	PLATE-27	652253R	PLATE-21	6A001657	PLATE-19

--	--	--

114

Print Date: 07-Apr-2022

PART NO	BLOCK	PART NO	BLOCK	PART NO	BLOCK
6A001834	PLATE-33	6D000425	PLATE-27	925501	PLATE-31
6B000140	PLATE-27	6D000426	PLATE-27	925501	PLATE-32
6B000211	PLATE-22	6D000427	PLATE-27	925521	PLATE-31
6B000213	PLATE-22	6D000428	PLATE-27	925573	PLATE-32
6B000214	PLATE-22	6D000429	PLATE-27	925574	PLATE-32
6B000332	PLATE-21	6D000432	PLATE-27	925581	PLATE-28
6B000401	PLATE-39	6D000435	PLATE-27	925704	PLATE-40
6B000526	PLATE-29	6D000437	PLATE-27	925743	PLATE-37
6B000751	PLATE-29	6D001087	PLATE-20.1	925768	PLATE-35
6B000752	PLATE-29	6D001087	PLATE-19	925768	PLATE-38
6B000753	PLATE-29	7066R	PLATE-9	925781	PLATE-38
6B000754	PLATE-29	71633	PLATE-27	925781	PLATE-35
6B001172	PLATE-29	74521	PLATE-24	925783	PLATE-38
6B001360	PLATE-29	75708	PLATE-24	925786	PLATE-27
6B001506	PLATE-29	78307	PLATE-28	926009	PLATE-40
6B001507	PLATE-29	808000826	PLATE-19	929925	PLATE-37
6C000016	PLATE-6	808000826	PLATE-20	929931	PLATE-36
6C000060	PLATE-23	8080	PLATE-22	929933	PLATE-36
6C000118	PLATE-26	8080	PLATE-28	929934	PLATE-36
6C000190	PLATE-24	82635R	PLATE-4	929935	PLATE-36
6C000191	PLATE-24	829661	PLATE-9	929936	PLATE-36
6C000312R	PLATE-6	83040R	PLATE-14	929938	PLATE-36
6C000362	PLATE-23	83041R	PLATE-14	929939	PLATE-36
6C000363	PLATE-23	83054R	PLATE-11	929940	PLATE-36
6C000378	PLATE-20.1	842001600	PLATE-2	932207	PLATE-38
6C000378	PLATE-19	842001600	PLATE-2	932207	PLATE-35
6C000382	PLATE-18	843000500	PLATE-6	932208	PLATE-38
6C000662	PLATE-23	843000809	PLATE-2	932208	PLATE-35
6D000010	PLATE-19	843307	PLATE-11	932209	PLATE-38
6D000058	PLATE-22	8451	PLATE-39	932210	PLATE-38
6D000059	PLATE-22	8451	PLATE-27	932210	PLATE-35
6D000143R	PLATE-28	847928	PLATE-14	932211	PLATE-35
6D000144R	PLATE-28	847928	PLATE-15	932212	PLATE-38
6D000145R	PLATE-28	87067	PLATE-24	932212	PLATE-35
6D000146R	PLATE-28	872816	PLATE-9	932213	PLATE-35
6D000190	PLATE-21	8771	PLATE-24	932214	PLATE-38
6D000214	PLATE-22	878941	PLATE-9	932214	PLATE-35
6D000333	PLATE-30	884222808	PLATE-9	932215	PLATE-38
6D000334	PLATE-30	920008	PLATE-38	932215	PLATE-35
6D000420	PLATE-27	920088	PLATE-8	932216	PLATE-35
6D000421	PLATE-27	920209	PLATE-40	932217	PLATE-35
6D000423	PLATE-27	920401	PLATE-40	932217	PLATE-38
6D000424	PLATE-27	925406	PLATE-40	932218	PLATE-38

--	--	--

115

Print Date: 07-Apr-2022

PART NO	BLOCK	PART NO	BLOCK	PART NO	BLOCK
932218	PLATE-35	932255	PLATE-35	B014684	PLATE-11
932219	PLATE-35	932255	PLATE-38	B014705	PLATE-11
932219	PLATE-38	932263	PLATE-38	B014706	PLATE-11
932220	PLATE-35	932264	PLATE-38	B014732	PLATE-11
932220	PLATE-38	932265	PLATE-35	B014755	PLATE-9
932221	PLATE-35	932270	PLATE-38	B014760	PLATE-14
932221	PLATE-38	932273	PLATE-34	B015288	PLATE-11
932222	PLATE-35	932274	PLATE-34	B015483	PLATE-14
932222	PLATE-38	932275	PLATE-34	B015543	PLATE-7
932224	PLATE-35	932276	PLATE-34	B015592	PLATE-9
932224	PLATE-38	940004	PLATE-31	B015598	PLATE-4
932225	PLATE-35	940004	PLATE-31	B015943	PLATE-4
932225	PLATE-38	940005	PLATE-32	B016016	PLATE-7
932226	PLATE-38	940005	PLATE-32	B016120	PLATE-16
932226	PLATE-35	940006	PLATE-32	B016144	PLATE-12
932227	PLATE-35	940006	PLATE-32	B016148	PLATE-16
932227	PLATE-38	940028	PLATE-5	B016192	PLATE-13
932228	PLATE-35	940028	PLATE-5	B016368	PLATE-11
932228	PLATE-38	940028	PLATE-5	B016552	PLATE-9
932229	PLATE-38	940067	PLATE-26	B016620	PLATE-13
932229	PLATE-35	940068	PLATE-26	B016774	PLATE-14
932230	PLATE-35	940069	PLATE-8	B016774	PLATE-16
932230	PLATE-38	940071	PLATE-8	B016774	PLATE-5
932231	PLATE-35	940072	PLATE-8	B016774	PLATE-7
932231	PLATE-38	940125	PLATE-19	B016822	PLATE-7
932232	PLATE-38	963486	PLATE-15	B016823	PLATE-7
932232	PLATE-35	B001386	PLATE-20	B016824	PLATE-7
932233	PLATE-36	B002630	PLATE-20.1	B016825	PLATE-7
932235	PLATE-36	B002630	PLATE-19	B016827	PLATE-7
932236	PLATE-36	B003076	PLATE-39	B016828	PLATE-7
932237	PLATE-36	B003110R	PLATE-30	B016829	PLATE-7
932238	PLATE-36	B003228	PLATE-26	B016834	PLATE-7
932239	PLATE-36	B003282	PLATE-20.1	B016869	PLATE-7
932240	PLATE-35	B003282	PLATE-19	B016939	PLATE-15
932240	PLATE-36	B003286	PLATE-18	B017113	PLATE-14
932240	PLATE-38	B003416	PLATE-19	B017165	PLATE-14
932241	PLATE-36	B003652	PLATE-29	B017165	PLATE-15
932242	PLATE-35	B003784	PLATE-31	B017189	PLATE-16
932242	PLATE-36	B003784	PLATE-32	B017230	PLATE-11
932242	PLATE-38	B006792	PLATE-39	B017323	PLATE-14
932243	PLATE-36	B014063	PLATE-9	B017336	PLATE-11
932252	PLATE-34	B014066	PLATE-9	B017431	PLATE-14
932254	PLATE-35	B014555	PLATE-15	B017438	PLATE-11

--	--	--

116

Print Date: 07-Apr-2022

PART NO	BLOCK	PART NO	BLOCK	PART NO	BLOCK
B017456	PLATE-11	B041787	PLATE-39	B073953	PLATE-28
B017542	PLATE-7	B041853	PLATE-20.1	B074024	PLATE-26
B017746	PLATE-14	B041853	PLATE-19	B074033	PLATE-28
B018262	PLATE-13	B041876	PLATE-39	B074060	PLATE-39
B018442	PLATE-7	B042199	PLATE-37	B074262	PLATE-22
B018533	PLATE-11	B042199	PLATE-34	B074275	PLATE-22
B018718	PLATE-14	B042317	PLATE-26	B074491	PLATE-27
B018853	PLATE-16	B042356	PLATE-33	B074539	PLATE-27
B018853	PLATE-2	B042486	PLATE-9	B074539	PLATE-28
B018854	PLATE-15	B042566	PLATE-33	B074593	PLATE-20.1
B018946	PLATE-14	B042657R	PLATE-34	B074594	PLATE-29
B019047	PLATE-13	B042693	PLATE-26	B074637	PLATE-39
B019220	PLATE-2	B042794	PLATE-26	B074637	PLATE-21
B019420	PLATE-16	B073084	PLATE-37	B074657	PLATE-39
B019420	PLATE-3	B073084	PLATE-37	B074657	PLATE-21
B023727R	PLATE-27	B073320R	PLATE-30	B074905	PLATE-22
B023727R	PLATE-27	B073441	PLATE-8	B074963	PLATE-20.1
B023727R	PLATE-27	B073469	PLATE-33	B075313	PLATE-25
B023968	PLATE-30	B073478R	PLATE-22	B075313	PLATE-25
B023976	PLATE-22	B073479R	PLATE-22	B075327	PLATE-37
B024131	PLATE-36	B073481R	PLATE-22	B075327	PLATE-30
B024131	PLATE-34	B073538	PLATE-26	B075328	PLATE-30
B024147	PLATE-37	B073598	PLATE-29	B075328	PLATE-34
B024168	PLATE-20.1	B073600	PLATE-27	B075443	PLATE-30
B024169	PLATE-22	B073601	PLATE-20	B075459	PLATE-18
B024194	PLATE-34	B073602ED	PLATE-20	B075475	PLATE-26
B024373	PLATE-23	B073603	PLATE-39	B075485	PLATE-26
B024474	PLATE-39	B073626	PLATE-20	B075488	PLATE-26
B024474	PLATE-21	B073682	PLATE-27	B075489	PLATE-26
B024532	PLATE-27	B073685	PLATE-27	B075490	PLATE-26
B024614	PLATE-6	B073715	PLATE-27	B075491	PLATE-26
B041089	PLATE-8	B073788	PLATE-26	B075566	PLATE-33
B041090	PLATE-8	B073800	PLATE-26	B075580	PLATE-39
B041225	PLATE-39	B073809	PLATE-22	B075593	PLATE-18
B041392	PLATE-21	B073810	PLATE-22	B075622	PLATE-37
B041491	PLATE-37	B073811	PLATE-22	B075638	PLATE-34
B041583	PLATE-29	B073812	PLATE-22	B075638	PLATE-34
B041584	PLATE-29	B073814	PLATE-22	B075687ED	PLATE-25
B041774	PLATE-26	B073817	PLATE-25	B075693	PLATE-27
B041774	PLATE-33	B073821	PLATE-27	B075693	PLATE-27
B041784	PLATE-36	B073848	PLATE-25	B075700	PLATE-26
B041784	PLATE-34	B073849	PLATE-25	B075707	PLATE-20.1
B041787	PLATE-39	B073850R	PLATE-25	B075716	PLATE-33

--	--	--

117

Print Date: 07-Apr-2022

PART NO	BLOCK	PART NO	BLOCK	PART NO	BLOCK
B075732	PLATE-22	B076749	PLATE-19	B079094NB	PLATE-29
B075790	PLATE-20.1	B076801	PLATE-28	B079094WR	PLATE-29
B075838	PLATE-26	B076802	PLATE-28	B079105	PLATE-20.1
B075861	PLATE-37	B076847	PLATE-26	B079168	PLATE-37
B075862	PLATE-34	B076859	PLATE-24	B079214	PLATE-29
B075949	PLATE-26	B076873SP	PLATE-24	B079215	PLATE-29
B075950	PLATE-26	B077331	PLATE-38	B079221BL	PLATE-21
B075960	PLATE-33	B077513	PLATE-37	B079221BW	PLATE-21
B075971	PLATE-8	B077970ED	PLATE-29	B079221CB	PLATE-21
B075972	PLATE-8	B078096	PLATE-39	B079221EG	PLATE-21
B075974	PLATE-28	B078213	PLATE-27	B079221GY	PLATE-21
B075977	PLATE-27	B078213	PLATE-30	B079221NB	PLATE-21
B075979	PLATE-21	B078256ED	PLATE-29	B079221WR	PLATE-21
B075981	PLATE-21	B078272	PLATE-28	B079222BL	PLATE-21
B075984	PLATE-29	B078274	PLATE-28	B079222BW	PLATE-21
B075985	PLATE-29	B078286R	PLATE-28	B079222EG	PLATE-21
B075999	PLATE-28	B078316	PLATE-39	B079222GY	PLATE-21
B076000	PLATE-28	B078320	PLATE-29	B079222NB	PLATE-21
B076001	PLATE-28	B078401	PLATE-6	B079222WR	PLATE-21
B076007	PLATE-20.1	B078477	PLATE-29	B079282	PLATE-22
B076007	PLATE-19	B078478	PLATE-29	B079362	PLATE-37
B076007	PLATE-26	B078715	PLATE-39	B079363	PLATE-34
B076036	PLATE-33	B078716	PLATE-39	B079364	PLATE-34
B076078	PLATE-33	B078821	PLATE-20.1	B079365	PLATE-37
B076112	PLATE-8	B078821	PLATE-19	CM166103	PLATE-7
B076120	PLATE-28	B078874	PLATE-21	CM166110	PLATE-7
B076142	PLATE-39	B078874	PLATE-29	CM167704	PLATE-7
B076191	PLATE-28	B078930	PLATE-20.1	CM167710	PLATE-7
B076200	PLATE-34	B078964	PLATE-20.1	CM167802	PLATE-7
B076201	PLATE-34	B079047	PLATE-22	CM167804	PLATE-7
B076203	PLATE-34	B079057	PLATE-19	CM167902	PLATE-7
B076208	PLATE-33	B079059	PLATE-20.1	CM263502	PLATE-7
B076209	PLATE-27	B079067	PLATE-30	CM263602	PLATE-7
B076210	PLATE-27	B079086	PLATE-19	CM263603	PLATE-7
B076270	PLATE-39	B079089	PLATE-30	CM264701	PLATE-7
B076295	PLATE-18	B079090	PLATE-30	CM264702	PLATE-7
B076308	PLATE-27	B079091	PLATE-20.1	CM284001	PLATE-15
B076364	PLATE-33	B079091	PLATE-19	CM284002	PLATE-15
B076410	PLATE-39	B079094BW	PLATE-29	CM284003	PLATE-15
B076434	PLATE-35	B079094BY	PLATE-29	CM284102	PLATE-7
B076605	PLATE-28	B079094CB	PLATE-29	CM293901	PLATE-1
B076606	PLATE-28	B079094EG	PLATE-29	CM293902	PLATE-1
B076650R	PLATE-39	B079094GY	PLATE-29	CM293903	PLATE-1

--	--	--

118

