

Parts Catalog

Commercial Vehicle

ape City Philippines

PIAGGIO VEHICLES PRIVATE LIMITED

Registered Office: Bund Garden Road ,Opp. Residency Club , Pune (India)

Print Date: 07-Apr-2022

PLATES INDEX

Sr No.	Plate Name	Plate No.	Page No.
1	ENGINE ASSEMBLY	1	1-2
2	CLUTCH COVER ASSEMBLY	2	3-4
3	CLUTCH ASSEMBLY	3	5-6
4	OIL PUMP ASSEMBLY	4	7-8
5	COMPLETE DIFFERENTIAL GEAR	5	9-10
6	DIFFERENTIAL GEAR GROUP	6	11-12
7	THROTTLE CARBURATOR	7	13-14
8	AIR FILTER ASSEMBLY AND SNORKEL SYSTEM	8	15-16
9	COMPLETE CRANKCASE	9	17-20
10	GEAR SHIFTER AND CONTROL MECHANISM	10	21-22
11	CYLINDER HEAD WITH I.P.	11	23-24
12	CRANKSHAFT ASSEMBLY	12	25-26
13	AIRCOOLING CIRCUIT COMPONENTS	13	27-28
14	TIMING GROUP	14	29-30
15	CYLINDER- PISTON GROUP	15	31-32
16	ELECTRIC STARTING GROUP	16	33-34
17	GEAR GROUP	17	35-36
18	FUEL SYSTEM	18	37-38
19	ENGINE SUPPORT	19	39-42
20	WIND SHIELD/GLASS/BEADING	20	43-44
21	MAIN FRAME/BATTERY BKT/JACK BKT	21	45-48
22	INNER PARTS OF CABIN	22	49-50
23	REAR SUSPENSION	23	51-54
24	STEERING COLUMN AND FRONT SUSPENSION	24	55-58
25	HANDLE BAR AND CONTROL	25	59-60
26	BRAKE - TANDEM MASTER CYLINDER ,BRAKE PIPE AND HAND BRAKES	26	61-64
27	ELECTRICAL DEVICES	27	65-68
28	FRONT FASCIA	28	69-72
29	PASSENGER AUTO RIKSHA BODY	29	73-78
30	WIRING HARNESS	30	79-80


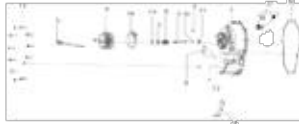

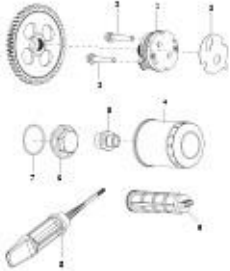


Print Date: 07-Apr-2022

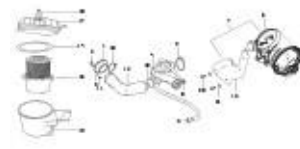
PLATES INDEX

Sr No.	Plate Name	Plate No.	Page No.
31	FRONT BRAKE ASSEMBLY	31	81-82
32	REAR BRAKE ASSEMBLY	32	83-84
33	CABLES	33	85-86
34	TOOLS AND ACCESSORIES	34	87-90
35	TOOL KIT	35	91-92
36	PADS DIAGNOSTIC SYSTEM	36	93-94

Print Date: 07-Apr-2022


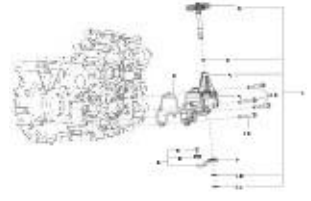
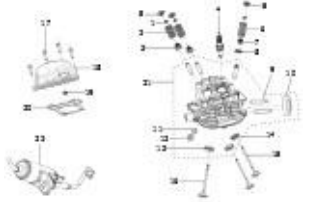

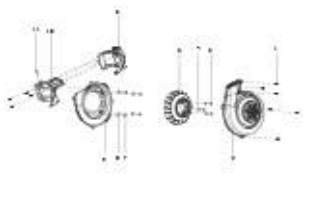

PICTORIAL PLATES INDEX

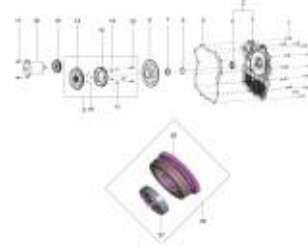
<p>PLATE-1 ENGINE ASSEMBLY</p> <p>Page No. :1-2</p> 	<p>PLATE-2 CLUTCH COVER ASSEMBLY</p> <p>Page No. :3-4</p> 
<p>PLATE-3 CLUTCH ASSEMBLY</p> <p>Page No. :5-6</p> 	<p>PLATE-4 OIL PUMP ASSEMBLY</p> <p>Page No. :7-8</p> 
<p>PLATE-5 COMPLETE DIFFERENTIAL GEAR</p> <p>Page No. :9-10</p> 	<p>PLATE-6 DIFFERENTIAL GEAR GROUP</p> <p>Page No. :11-12</p> 
<p>PLATE-7 THROTTLE CARBURATOR</p> <p>Page No. :13-14</p>	<p>PLATE-8 AIR FILTER ASSEMBLY AND SNORKEL SYSTEM</p> <p>Page No. :15-16</p>



Print Date: 07-Apr-2022



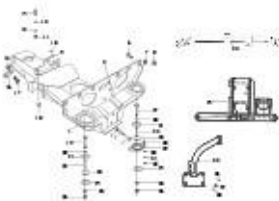
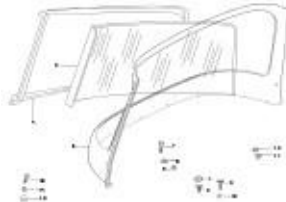
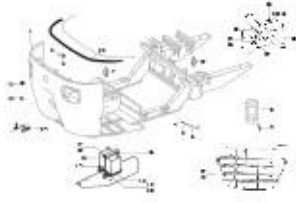
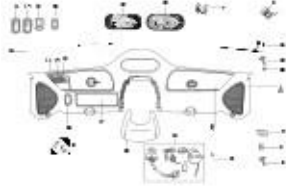


PICTORIAL PLATES INDEX

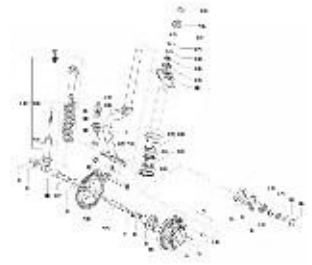
<p>PLATE-9 COMPLETE CRANKCASE</p> <p>Page No. :17-20</p> 	<p>PLATE-10 GEAR SHIFTER AND CONTROL MECHANISM</p> <p>Page No. :21-22</p> 
<p>PLATE-11 CYLINDER HEAD WITH I.P.</p> <p>Page No. :23-24</p> 	<p>PLATE-12 CRANKSHAFT ASSEMBLY</p> <p>Page No. :25-26</p> 
<p>PLATE-13 AIRCOOLING CIRCUIT COMPONENTS</p> <p>Page No. :27-28</p> 	<p>PLATE-14 TIMING GROUP</p> <p>Page No. :29-30</p> 
<p>PLATE-15 CYLINDER- PISTON GROUP</p> <p>Page No. :31-32</p>	<p>PLATE-16 ELECTRIC STARTING GROUP</p> <p>Page No. :33-34</p>



Print Date: 07-Apr-2022



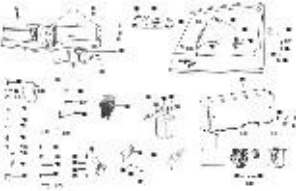
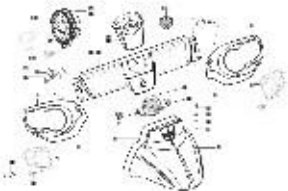
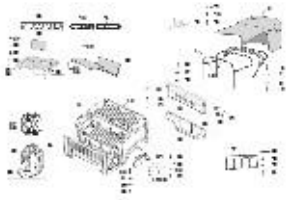
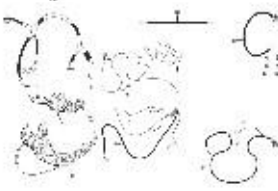
PICTORIAL PLATES INDEX

<p>PLATE-17 GEAR GROUP</p> <p>Page No. :35-36</p> 	<p>PLATE-18 FUEL SYSTEM</p> <p>Page No. :37-38</p> 
<p>PLATE-19 ENGINE SUPPORT</p> <p>Page No. :39-42</p> 	<p>PLATE-20 WIND SHIELD/GLASS/BEADING</p> <p>Page No. :43-44</p> 
<p>PLATE-21 MAIN FRAME/BATTERY BKT/JACK BKT</p> <p>Page No. :45-48</p> 	<p>PLATE-22 INNER PARTS OF CABIN</p> <p>Page No. :49-50</p> 
<p>PLATE-23 REAR SUSPENSION</p> <p>Page No. :51-54</p> 	<p>PLATE-24 STEERING COLUMN AND FRONT SUSPENSION</p> <p>Page No. :55-58</p> 





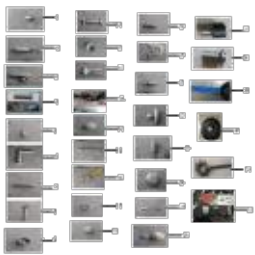

Print Date: 07-Apr-2022

PICTORIAL PLATES INDEX

<p>PLATE-25 HANDLE BAR AND CONTROL Page No. :59-60</p> 	<p>PLATE-26 BRAKE - TANDEM MASTER CYLINDER ,BRAKE PIPE AND HAND BRAKES Page No. :61-64</p> 
<p>PLATE-27 ELECTRICAL DEVICES Page No. :65-68</p> 	<p>PLATE-28 FRONT FASCIA Page No. :69-72</p> 
<p>PLATE-29 PASSENGER AUTO RIKSHA BODY Page No. :73-78</p> 	<p>PLATE-30 WIRING HARNESS Page No. :79-80</p> 
<p>PLATE-31 FRONT BRAKE ASSEMBLY Page No. :81-82</p>	<p>PLATE-32 REAR BRAKE ASSEMBLY Page No. :83-84</p>

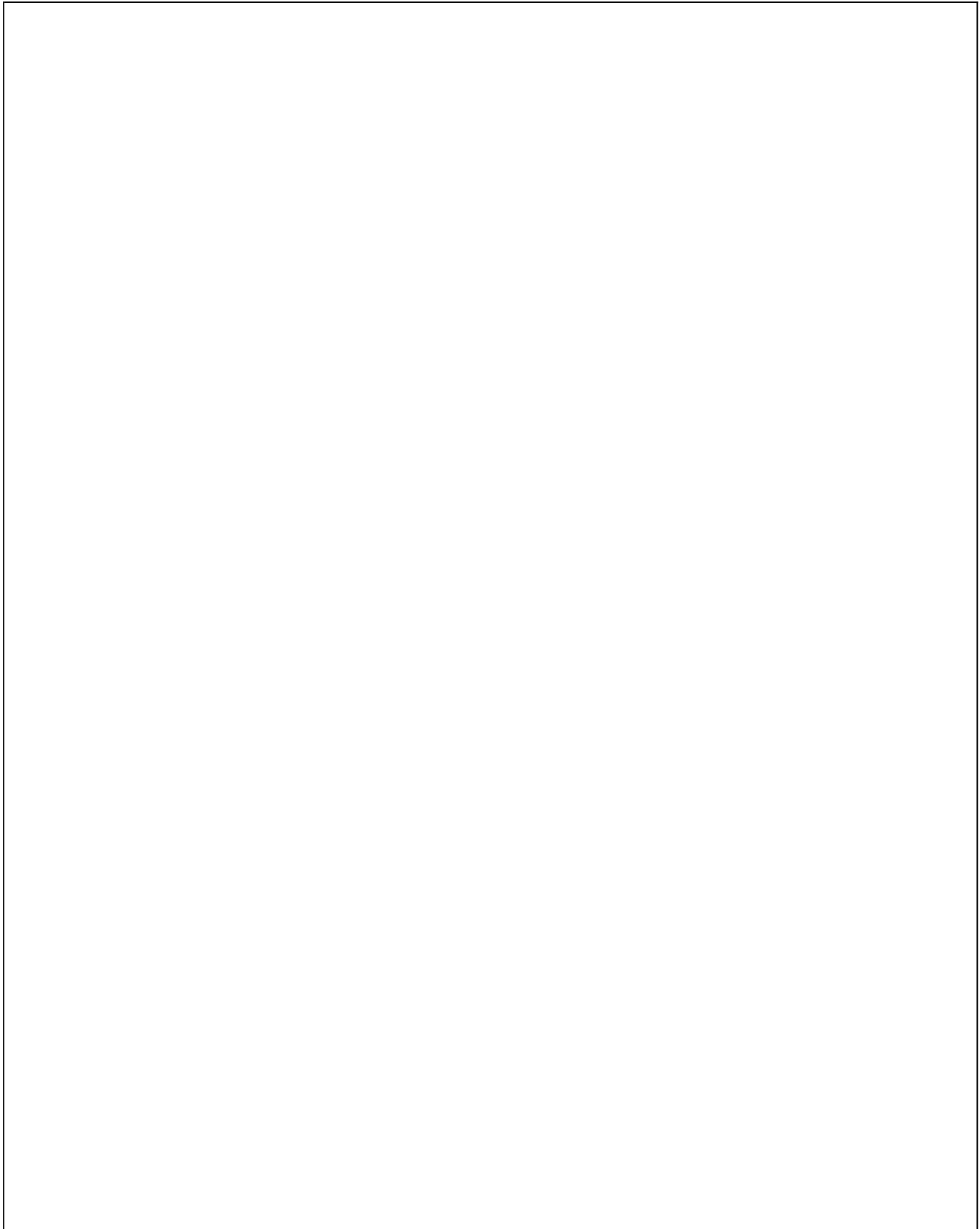


PICTORIAL PLATES INDEX

<p>PLATE-33 CABLES</p> <p>Page No. :85-86</p> 	<p>PLATE-34 TOOLS AND ACCESSORIES</p> <p>Page No. :87-90</p> 
<p>PLATE-35 TOOL KIT</p> <p>Page No. :91-92</p> 	<p>PLATE-36 PADS DIAGNOSTIC SYSTEM</p> <p>Page No. :93-94</p> 

Print Date: 07-Apr-2022

PLATE-1
ENGINE ASSEMBLY





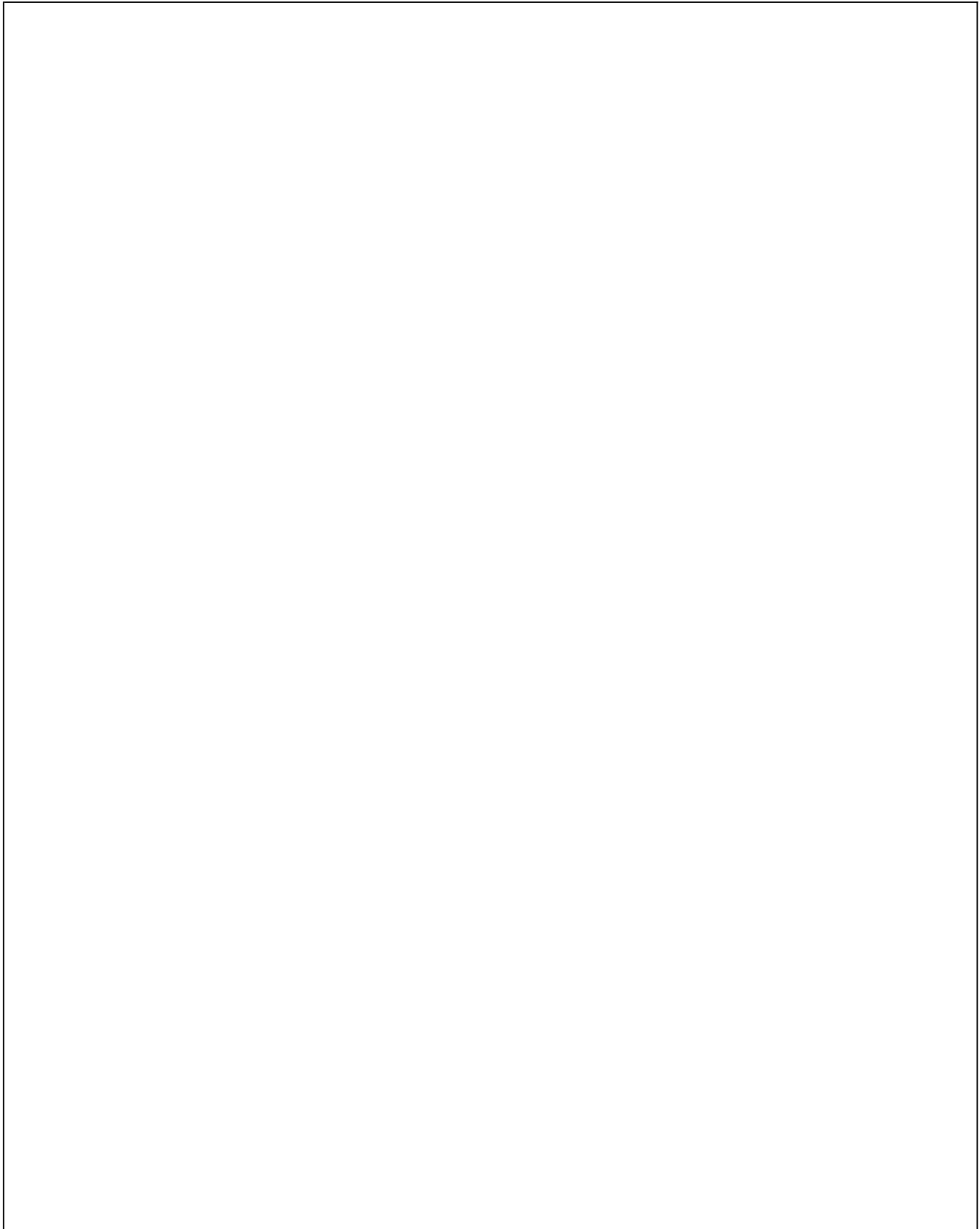
Print Date: 07-Apr-2022

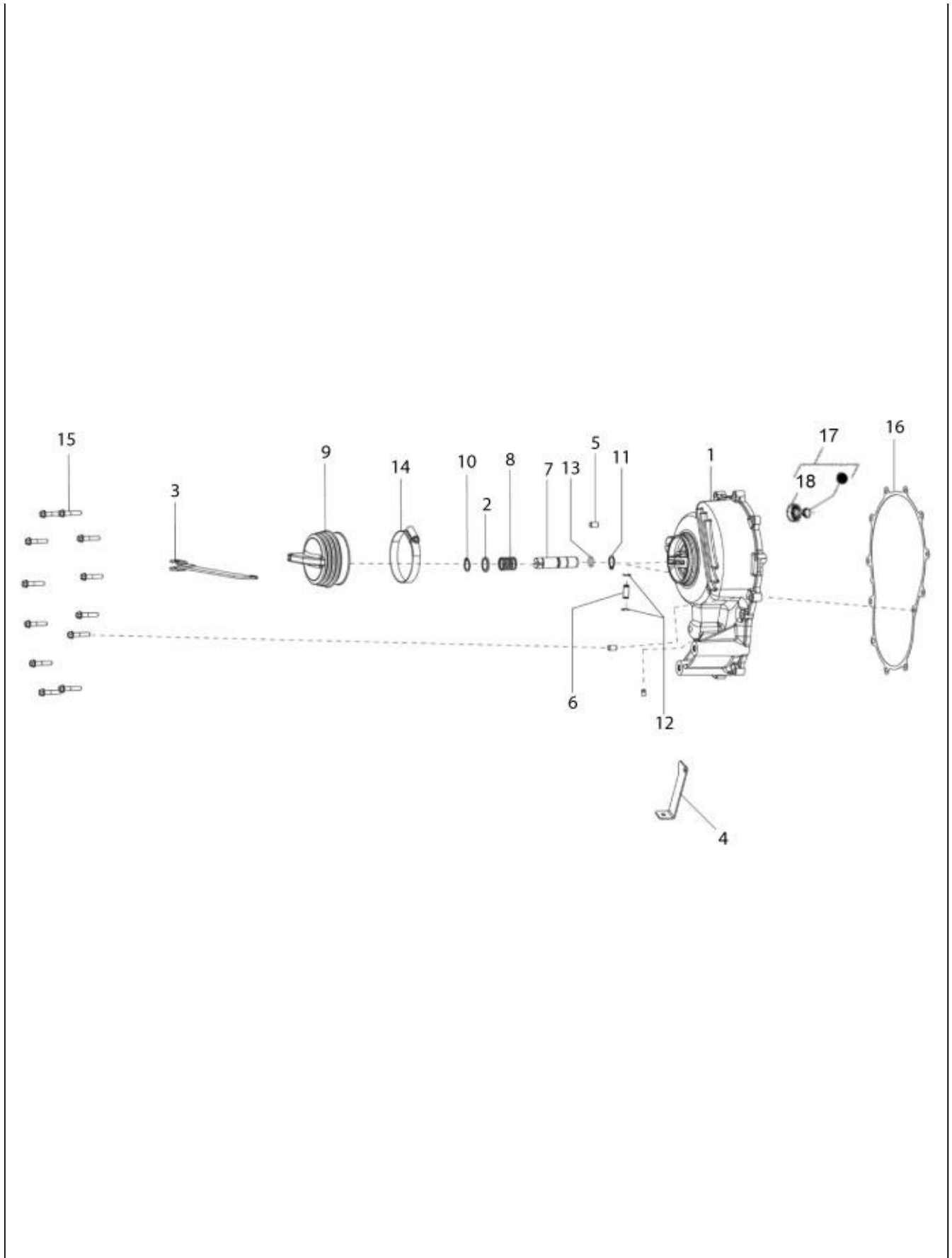
PLATE-1
ENGINE ASSEMBLY

Fig. No.	Part No.	Description	Qty	Remarks
1	CM283911	ENG.200 4S/3V E4 APÉ PAX PETROL EUROPE	1	

Print Date: 07-Apr-2022

PLATE-2
CLUTCH COVER ASSEMBLY





Print Date: 07-Apr-2022

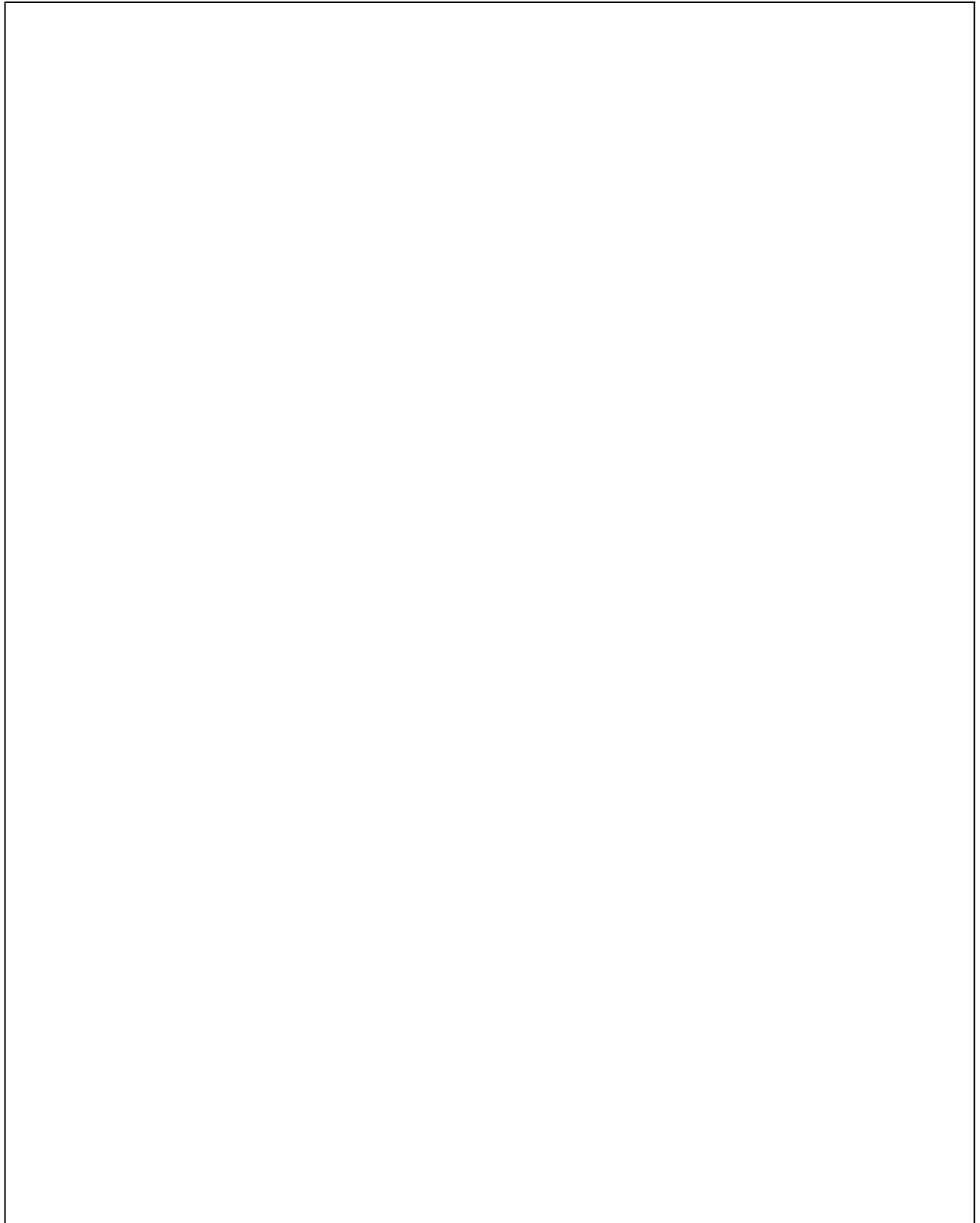
PLATE-2**CLUTCH COVER ASSEMBLY**

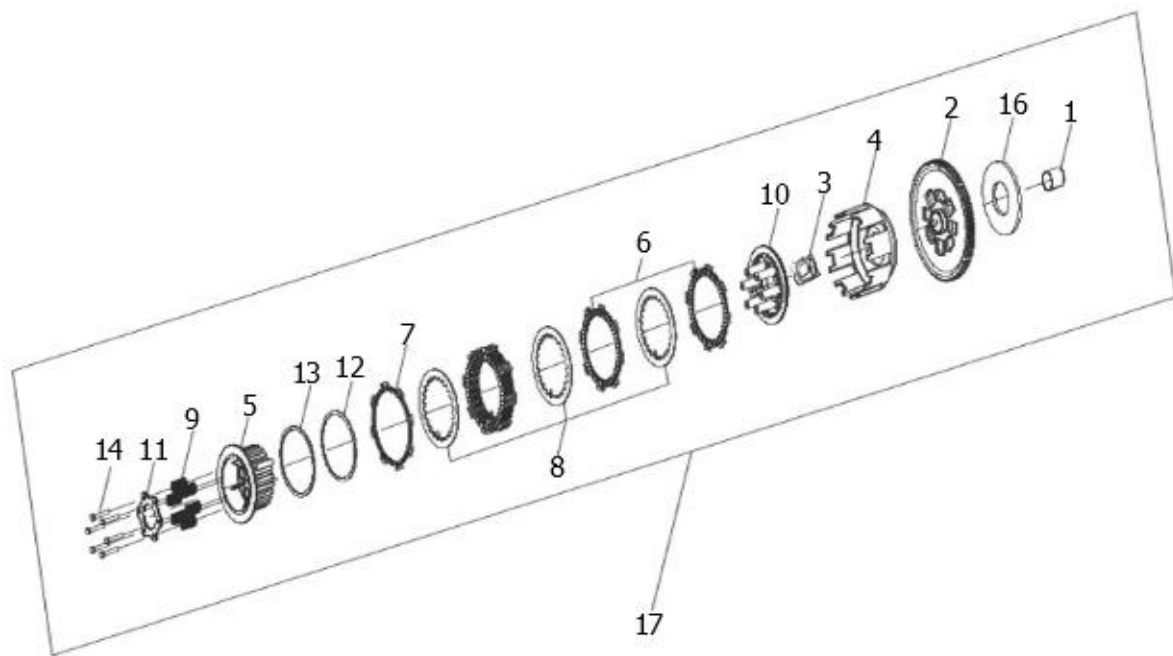
Fig. No.	Part No.	Description	Qty	Remarks
1	1A010136	CLUTCH COVER	1	
2	120164019	RETAINING PLATE	1	
3	127460010	LINK ASSLY - CLUTCH (IMPROVED)	1	
4	1A011461	SUPPORT BRACKET STARTER MOTOR CABLE	1	
5	1A000708	DOWEL (Ø7,5, H=12)	2	
6	127013013	PIN CLUTCH	1	
7	1A010548	PLUNGER SHAFT	1	
8	127185012	SPRING - CLUTCH COVER	1	
9	127012019	BELLOW CLUTCH ACTUATING	1	
10	842001600	CIRCLIP DIA.16(EXT)	1	
11	842001600	CIRCLIP DIA.16(EXT)	1	
12	843000809	CIRCLIP DIA.8(EXT) TYPE C	2	
13	B019220	O- RING (PLUNGER SHAFT)	1	
14	120170018	HOSE CLIP - CLUTCH COVER BELOW	1	
15	B018853	FLANGED HEXAGONAL HEAD SCREW M6X30	12	
16	1A011940	CLUTCH COVER GASKET	1	
17	SP1A010560	CLUTCH PRESSURE BUSH WITH I.P.	1	
18	478261	PULLEY SHAFT BEARING	1	

4

Print Date: 07-Apr-2022

PLATE-3
CLUTCH ASSEMBLY





Print Date: 07-Apr-2022

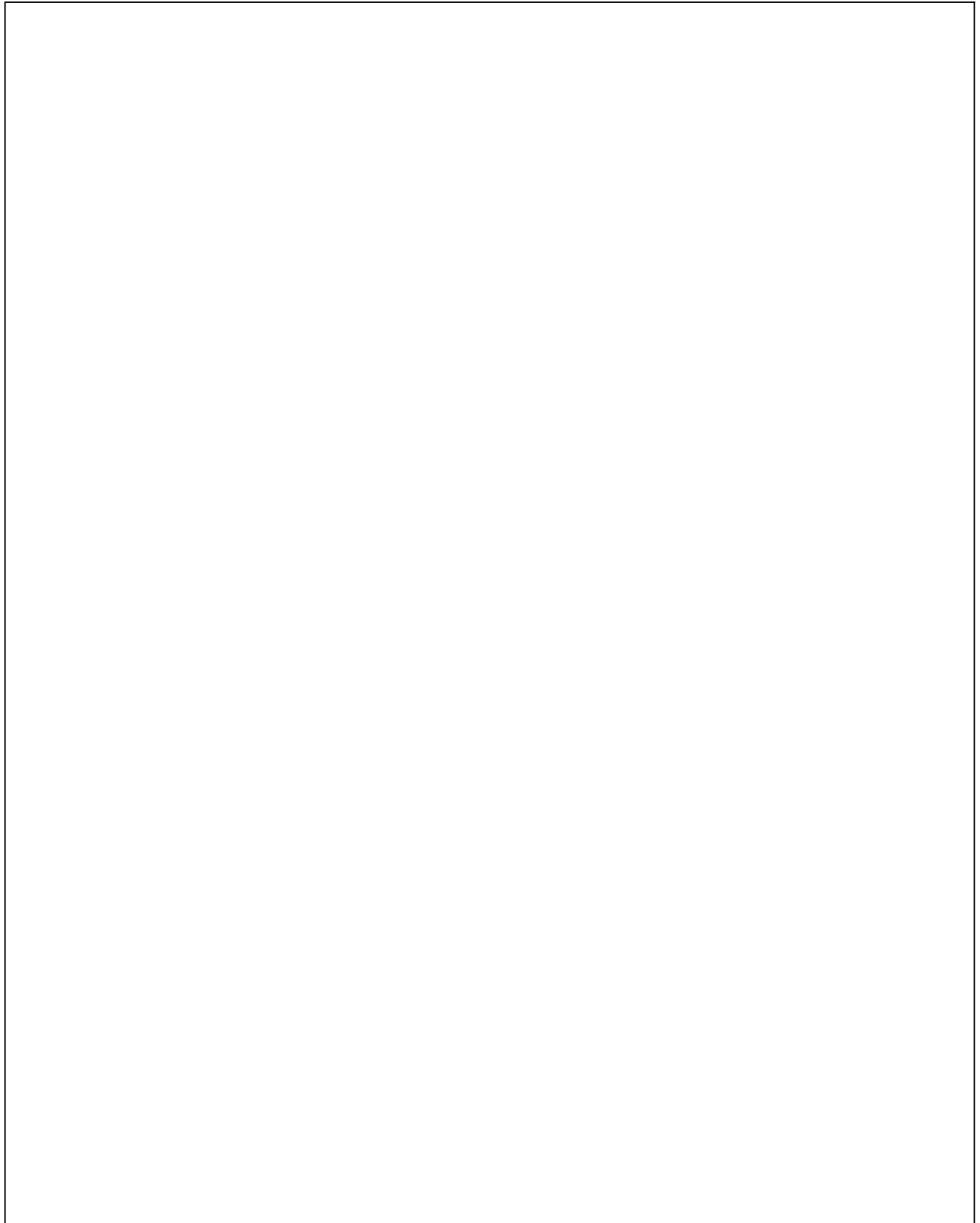
PLATE-3
CLUTCH ASSEMBLY

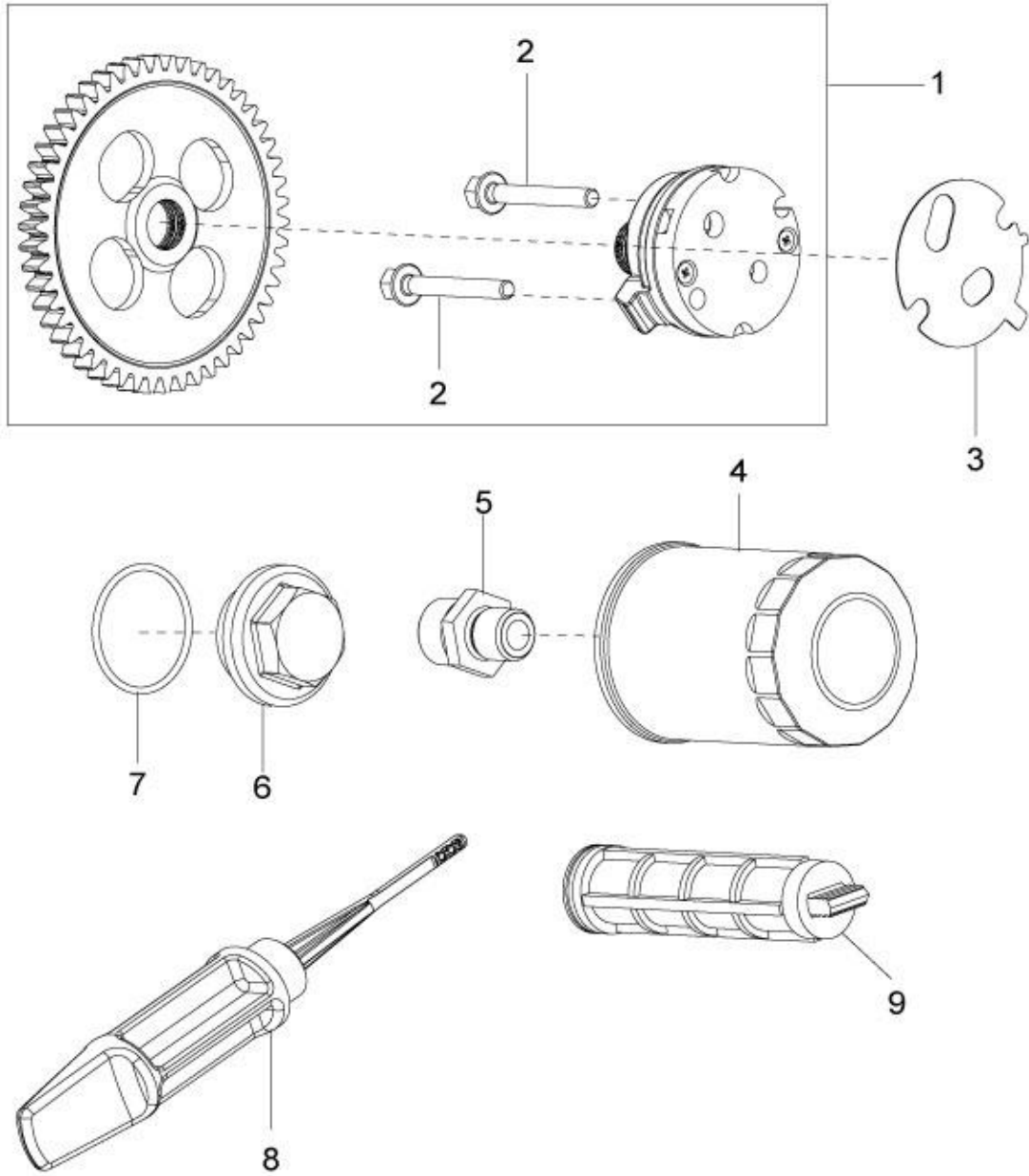
Fig. No.	Part No.	Description	Qty	Remarks
1	1A010461	SPACER	1	
2	---	CLUTCH GEAR	1	Not Serviceable
3	1A010561	CLUTCH PRESSURE BUSH	1	
4	1A012150	HOUSING CLUTCH ASSY	1	
5	1A012152	HUB CLUTCH	1	
6	1A012153	FRICTION PLATE	6	
7	1A012154	RED FRICTION PLATE	1	
8	1A012155	PLATE CLUTCH	6	
9	1A012156	COMPRESSION SPRING	6	
10	1A012157	WHEEL CLUTCH	1	
11	1A012158	HOLDER CLUTCH	1	
12	1A012159	ANTI-JUDDER SPRING	1	
13	1A012160	ANTI-JUDDER WASHER	1	
14	1A012161	BOLT M5	6	
15	1A012151	PLATE CLUTCH ASSY	1	
16	B019420	CONICAL SPRING KNURLED WASHER	3	NS-Order on modi.assy.P/N.SP1A018746 INA
17	1A010119	CLUTCH ASSY	1	
18	KIT95131R	KIT CLUTCH PLATE SET FOR STEP-2 ENG. AF	1	Complete Clutch Plate Set (NI)

6

Print Date: 07-Apr-2022

PLATE-4
OIL PUMP ASSEMBLY





Print Date: 07-Apr-2022

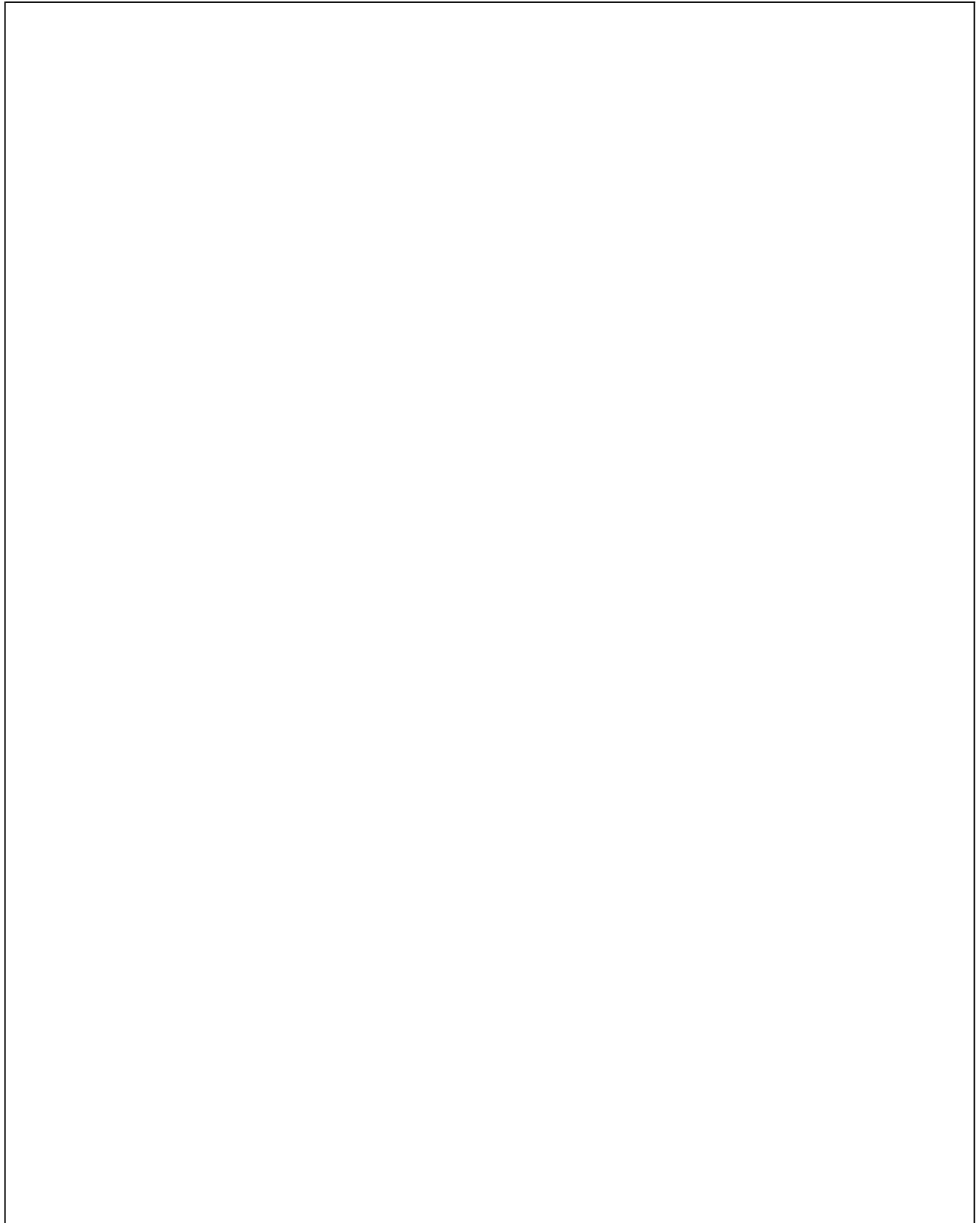
PLATE-4**OIL PUMP ASSEMBLY**

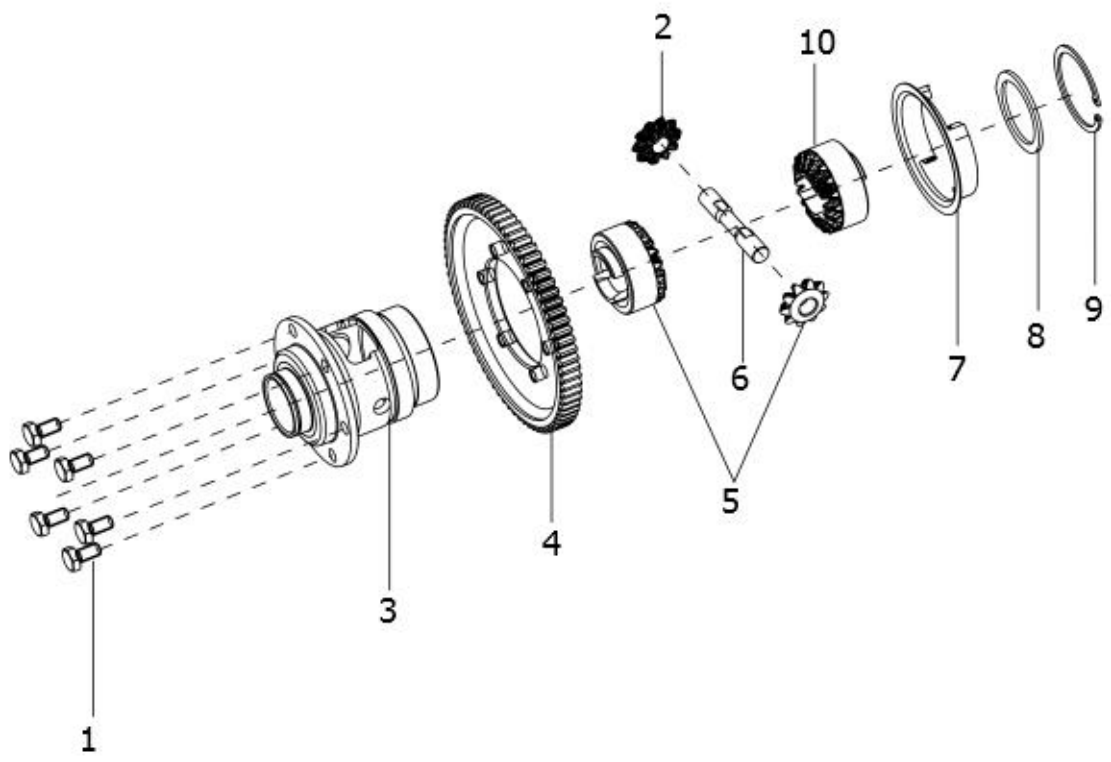
Fig. No.	Part No.	Description	Qty	Remarks
1	1A006877	OIL PUMP ASSY	1	
2	1A016737	FLANGED HEXAGONAL HEAD SCREW	2	
3	B015943	CRANKCASE/ OIL PUMP GASKET	1	
4	82635R	COMPLETE OIL FILTER	1	
5	1A009762	OIL FILTER SCREW	1	
6	B015598	OIL FILTER PLUG	1	
7	285536	O-RING GASKET 31.47X1.78	1	
8	1A007047	OIL DIPSTICK COMPLETE	1	
9	1A006812	COMPLETE INTAKE OIL FILTER	1	

8

Print Date: 07-Apr-2022

PLATE-5
COMPLETE DIFFERENTIAL GEAR





Print Date: 07-Apr-2022

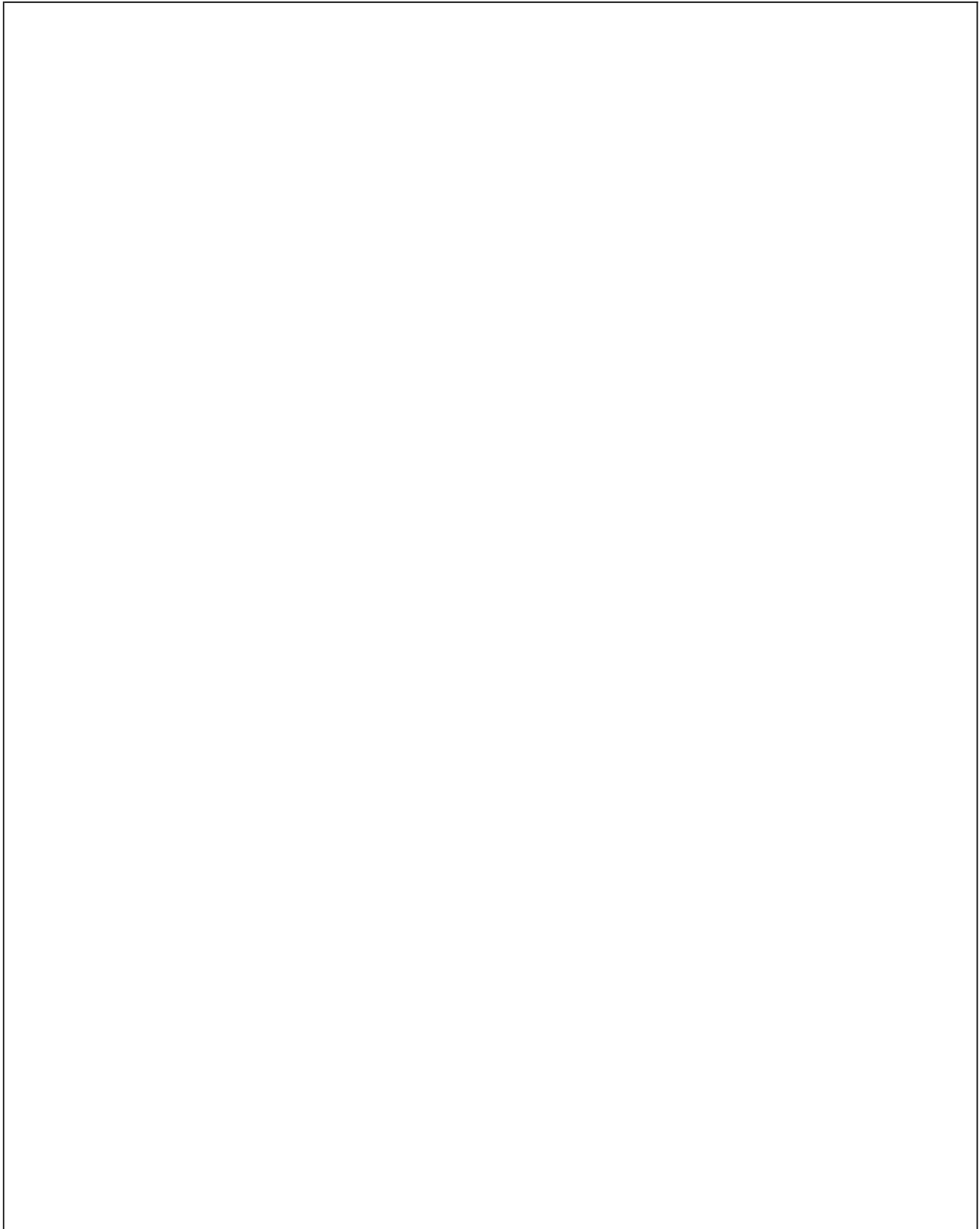
PLATE-5**COMPLETE DIFFERENTIAL GEAR**

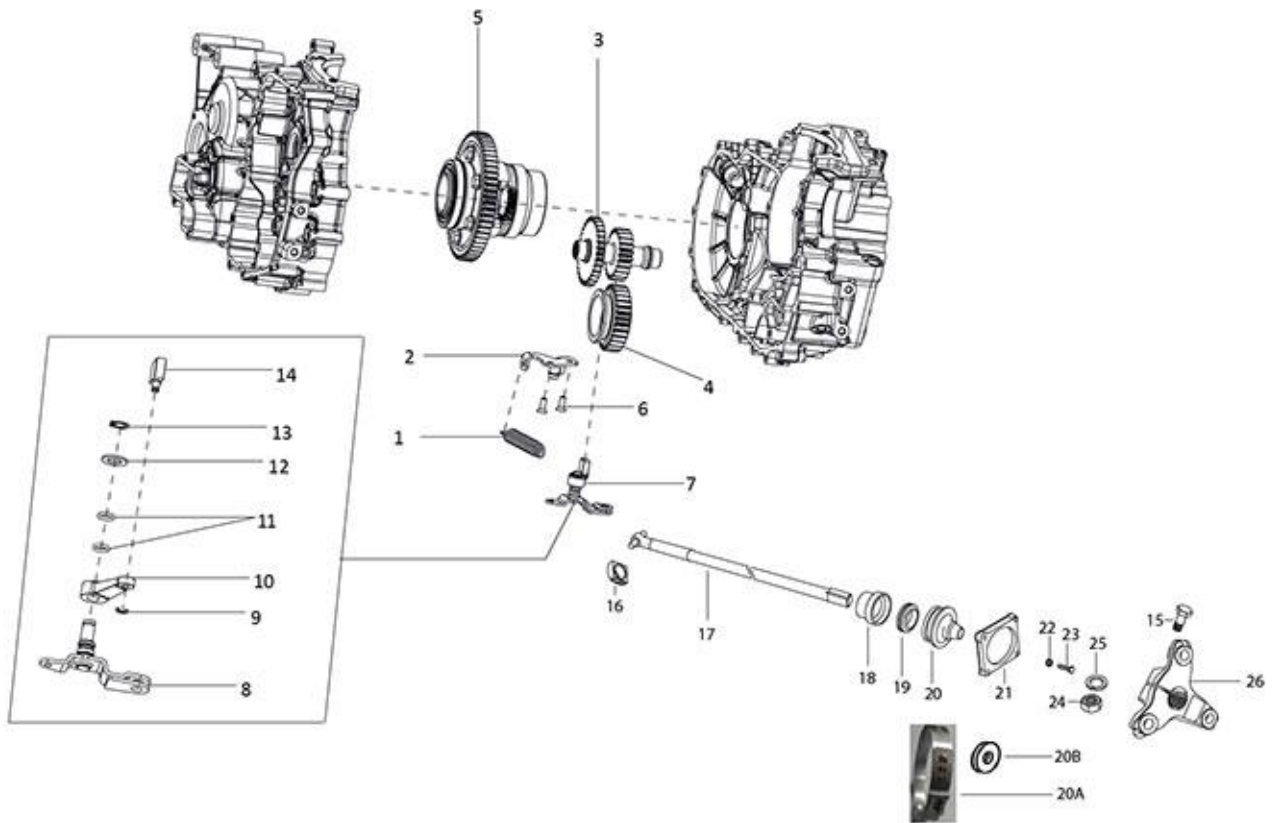
Fig. No.	Part No.	Description	Qty	Remarks
1	B016774	FLANGED HEXAGONAL SCREW M6X25	6	
2	NS-	NOT SERVICEABLE PART	3	Serviceable as Kit - 940028
3	288730	DIFFERENTIAL CAGE	1	
4	CM308301	DIFFERENTIAL CROWN -PTL/LPG	1	
5	940028	GEAR SUN AND DIFFERENTIAL GEAR	1	
6	132129	PIN	1	
7	132244	STOPPER THK=1.0	1	
8	220575	WASHER 65X3	1	
9	132134	CIRCLIP	2	
10	NS-	NOT SERVICEABLE PART	2	Serviceable as Kit - 940028

Print Date: 07-Apr-2022

PLATE-6

DIFFERENTIAL GEAR GROUP





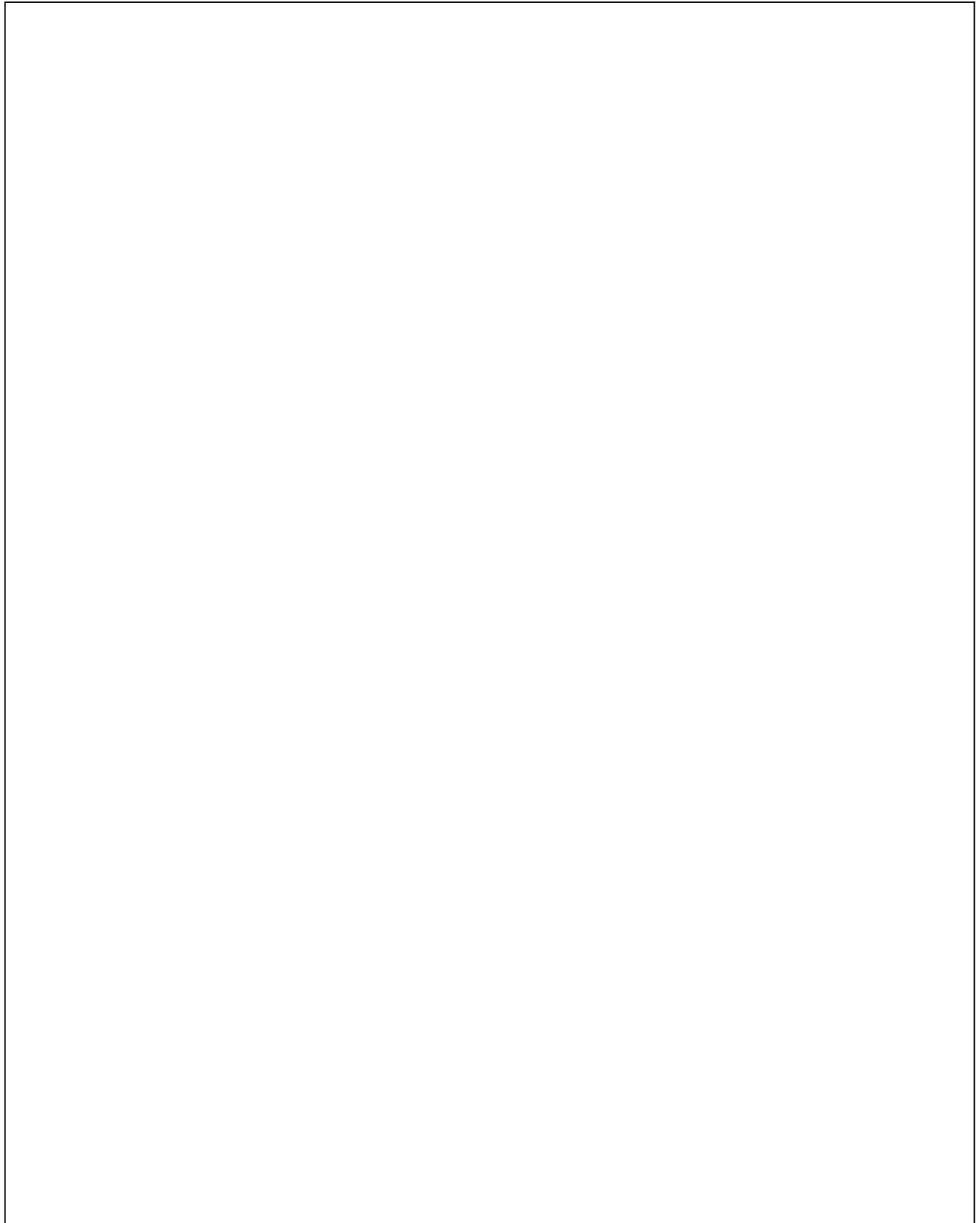
Print Date: 07-Apr-2022

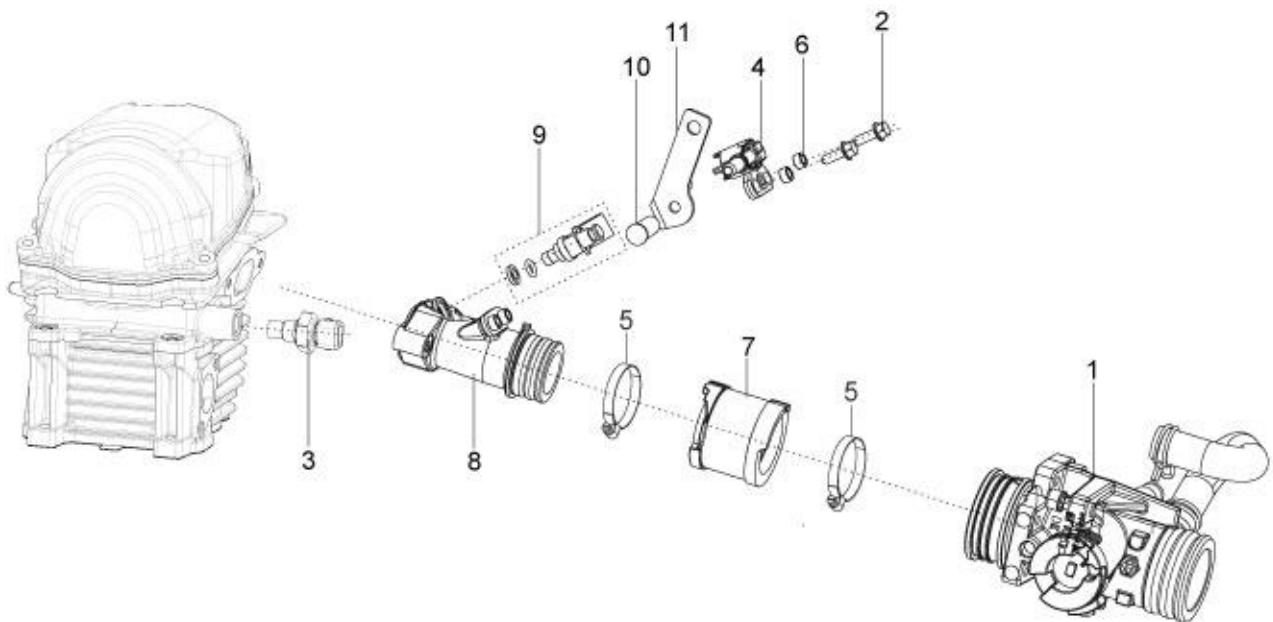
PLATE-6**DIFFERENTIAL GEAR GROUP**

Fig. No.	Part No.	Description	Qty	Remarks
1	127111011	REVERSE GEAR SPRING	1	
2	1A008804	REVERSE CABLE REACTION BRACKET	1	
3	1A006806	REVERSE GEAR -PTL/LPG	1	
3	1A008547	REVERSE GEAR- CNG	1	
4	1A009779	SLIDING GEAR(PTL AND LPG)	1	
4	1A010632	SLIDING GEAR	1	
5	SPCM308401	COMPLETE DIFFERENTIAL GEAR- SPD	1	
6	1A016964	CSK PHILIPS HEAD SCREW	2	
7	SP1A007579	COMPL. INVERTER LEVER SECTOR(BSIV)- SPD	1	
8	1A009093	INVERTER LEVER SECTOR WITH P.I.	1	
9	843000500	CIRCLIP DIA.5 (EXT) TYPE C	1	
10	1A007605	GEAR SHIFTER LEVER	1	
11	1A005176	O- RING	2	
12	1A007501	PLANE WASHER	1	
13	006410	CIRCLIP	1	
14	1A007051	SLIDER	1	
15	B024614	HEX HEAD BOLT M10X45 CL 10.9	2	
16	112867R	SLIDER BLOCK PROP. SHAFT	4	
17	B023940	PROP. SHAFT S/A	2	
18	113278	BRACKET RETAINER RING (41736)	2	
19	6C000312R	SEAL RING	2	ECN: 500000256019
20	6C000016	BELLOW	2	Chassis cut off MBX0004AFXB796311
20A	6C000041	OTIKAR CLAMP FOR BELLOW	2	Chassis cut off MBX0004AFXB796311
20B	3056	PLAIN WASHER M6 OD12	6	Chassis cut off MBX0004AFXB796311
21	111356	COVER	2	
22	016406	SPRING WASHER	2	
23	31092	HEX. HD SCREW M6X25	2	
24	231370	SELF BREAKING NUT M10	2	
25	16410	SPRING WASHER	2	
26	111498	ELASTIC HUB	2	

Print Date: 07-Apr-2022

PLATE-7
THROTTLE CARBURATOR





Print Date: 07-Apr-2022

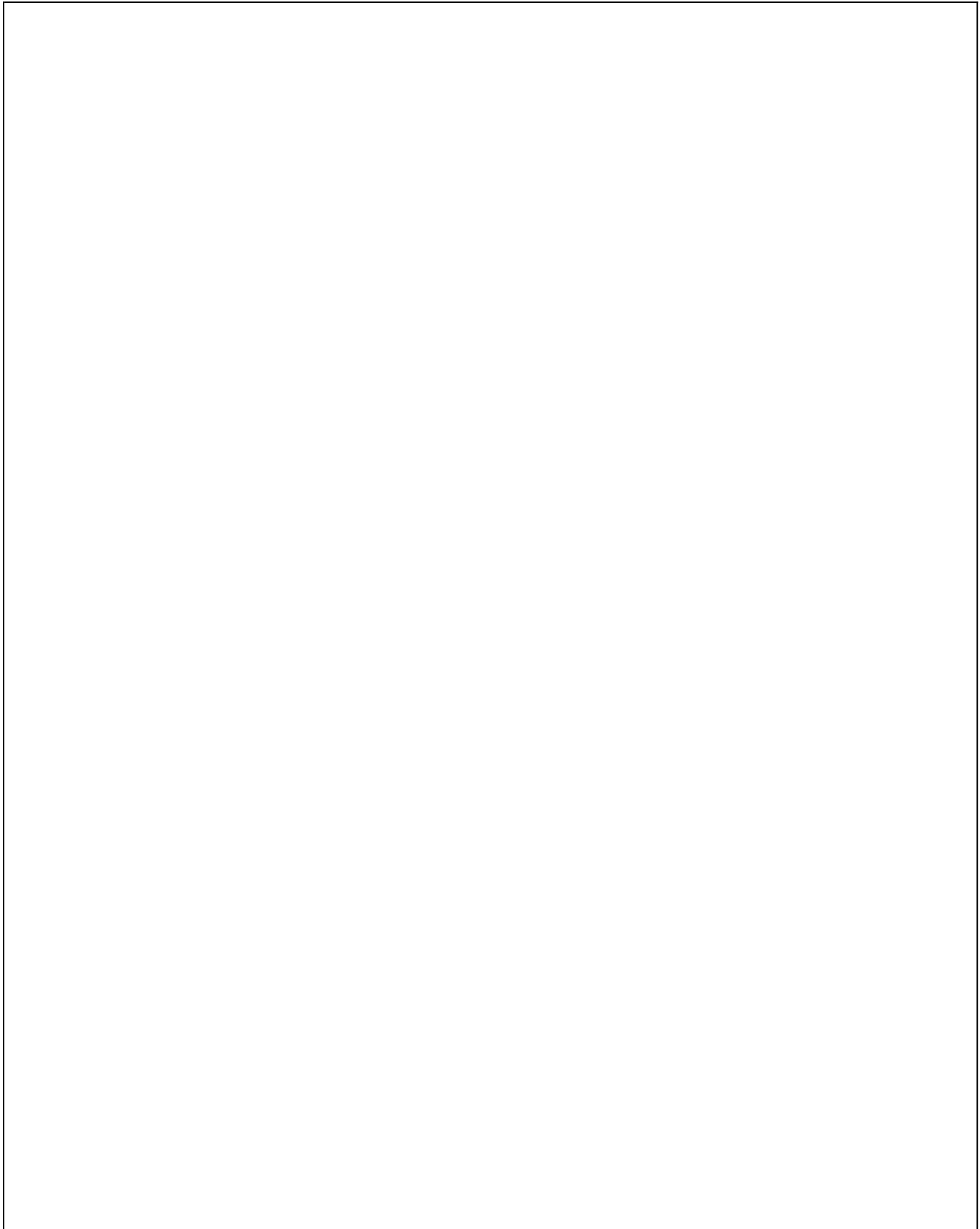
PLATE-7
THROTTLE CARBURATOR

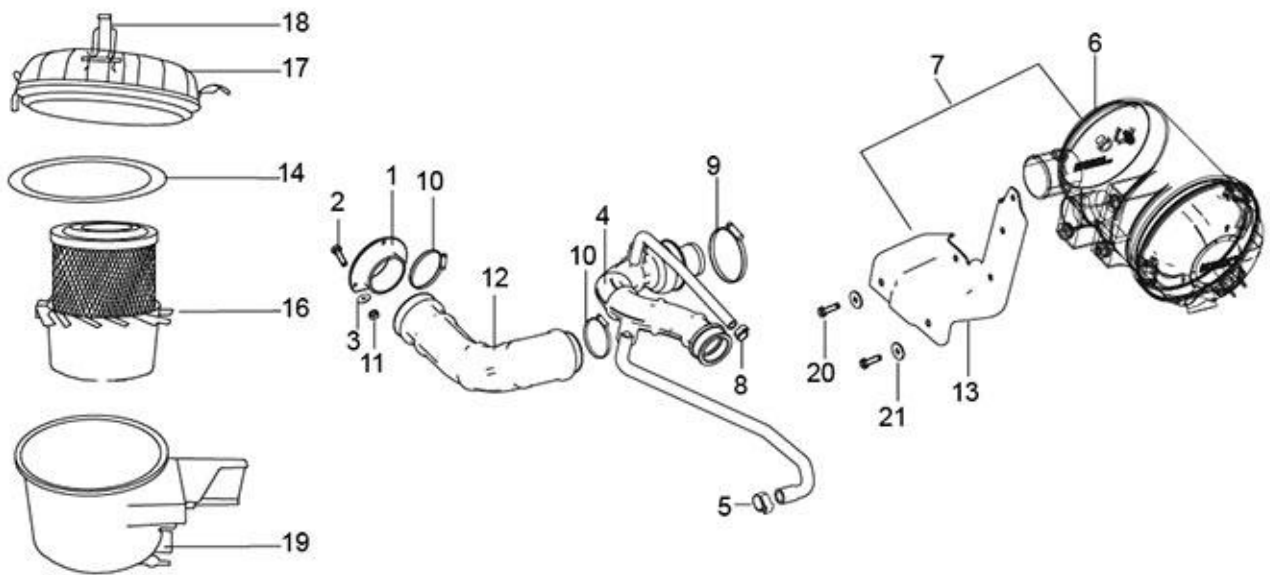
Fig. No.	Part No.	Description	Qty	Remarks
1	1D002087	INJECTOR THROTTLE BODY DIAM. 24	1	
2	1A015812	FLANGED HEXAGONAL HEAD SCREW	2	
3	58273R	THERMIC SENSOR	1	
4	1A003645	INJECTOR SUPPORT WITH FUEL INLET	1	Under Development
5	614188	CLAMP 40-60	1	
6	1A003649	FLANGED BUSH	1	Under Development
7	1A004805	COUPLING	1	
8	1A008002	INTAKE FITTING	1	
9	1D000698	FUEL INJECTOR	1	
10	829504	PLUG	1	Under Development
11	1A009137	FUEL PIPE BRACKET WITH I.P.	1	

Print Date: 07-Apr-2022

PLATE-8

AIR FILTER ASSEMBLY AND SNORKEL SYSTEM





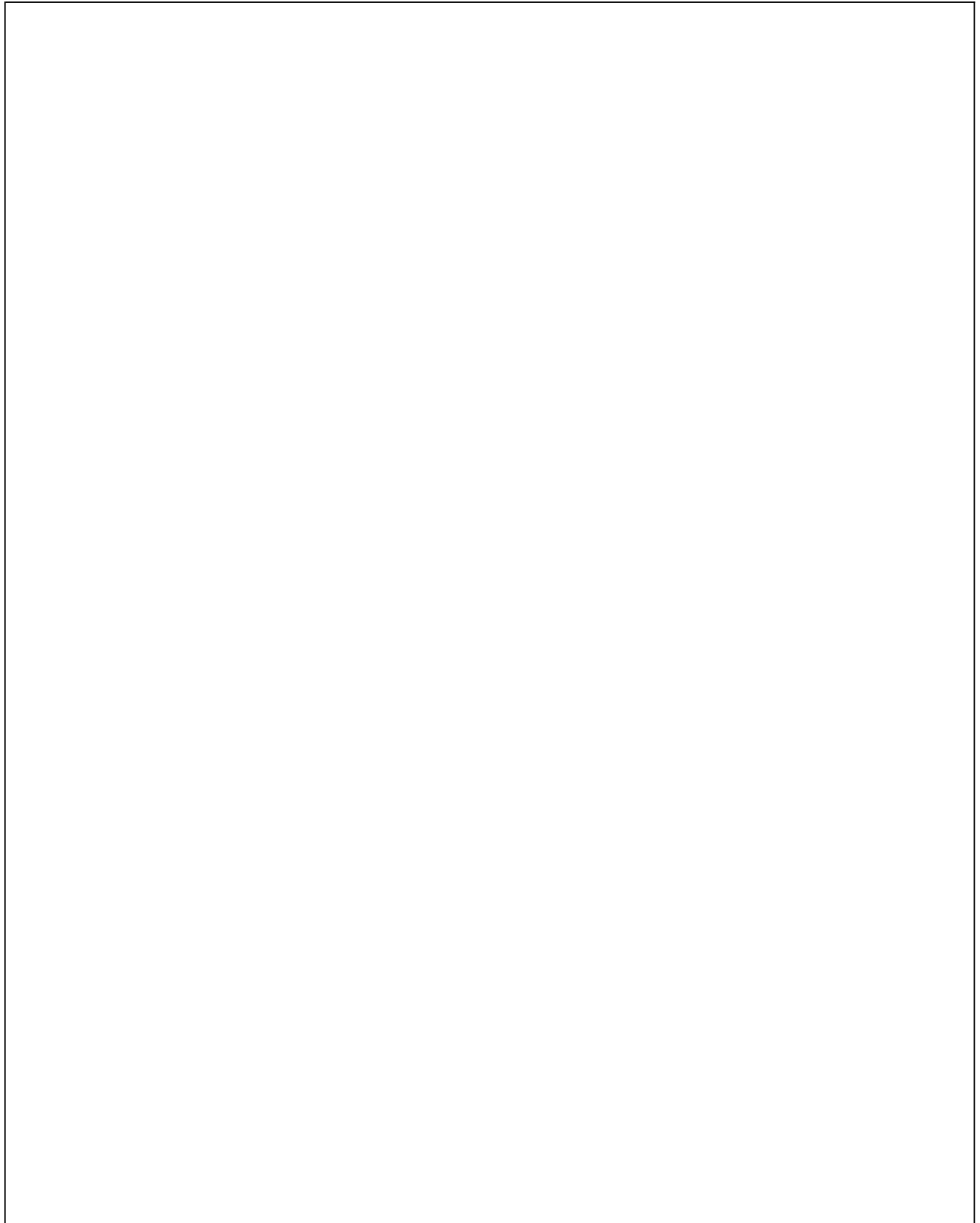
Print Date: 07-Apr-2022

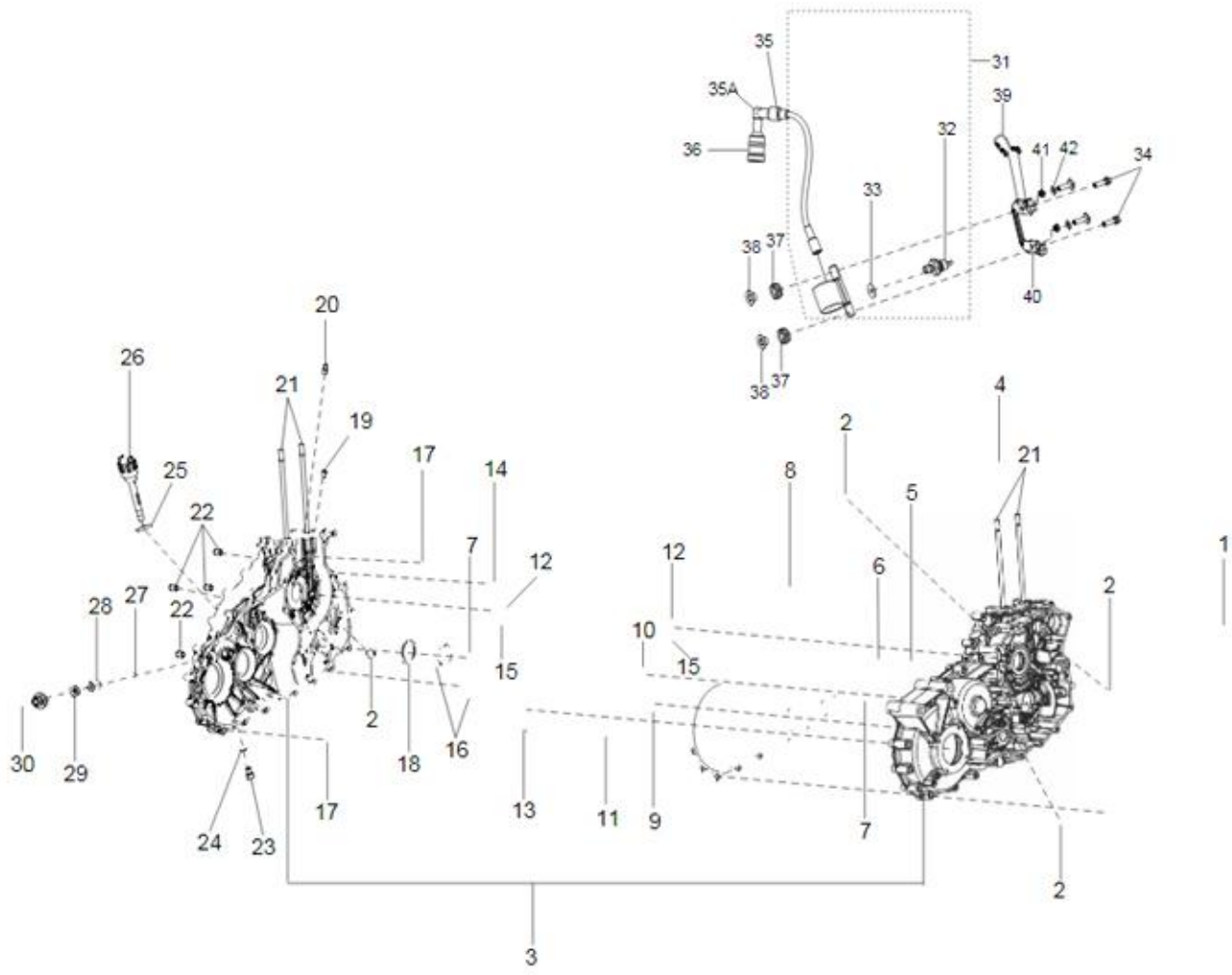
PLATE-8**AIR FILTER ASSEMBLY AND SNORKEL SYSTEM**

Fig. No.	Part No.	Description	Qty	Remarks
1	B024937	AIR RESTRICTOR-PETROL	1	
2	568692	PAN SELF TAP SCREW 6SG X 16AB	2	
3	003054	PLAIN WASHER	6	
4	1A009168	CARBURETOR /AIR BOX COUPLING	1	
5	D9004467161	CLIP	1	
6	B073441	AIR FILTER ASSLY.W/O BKT	1	
7	1E002568	AIR FILTER ASSLY, WITH MTG.BRT	1	
8	CM001913	CLAMP	1	
9	604553	WORM CLIP	1	
10	604756	HOSE CLIP	2	
11	20104	HEX NUT M4	4	
12	1A009164	SNORKEL AIRBOX	1	
13	1E002554	BRACKET S/A,AIR FILTER SUPPORT	1	
14	940072	AIR FILTER COVER GASKET	1	
15	B075970	AIR FILTER ASSLY. (WITH MTG. BKT.) -PTL	1	
16	B076112	AIR FILTER ELEMENT	1	
17	940069	AIR FILTER COVER-(UG)	1	
18	920088	CLAMP	3	
19	940071	DUST VALVE	1	
20	31118	SCREW M8X20	3	
21	016408	SPRING WASHER	3	

Print Date: 07-Apr-2022

PLATE-9
COMPLETE CRANKCASE





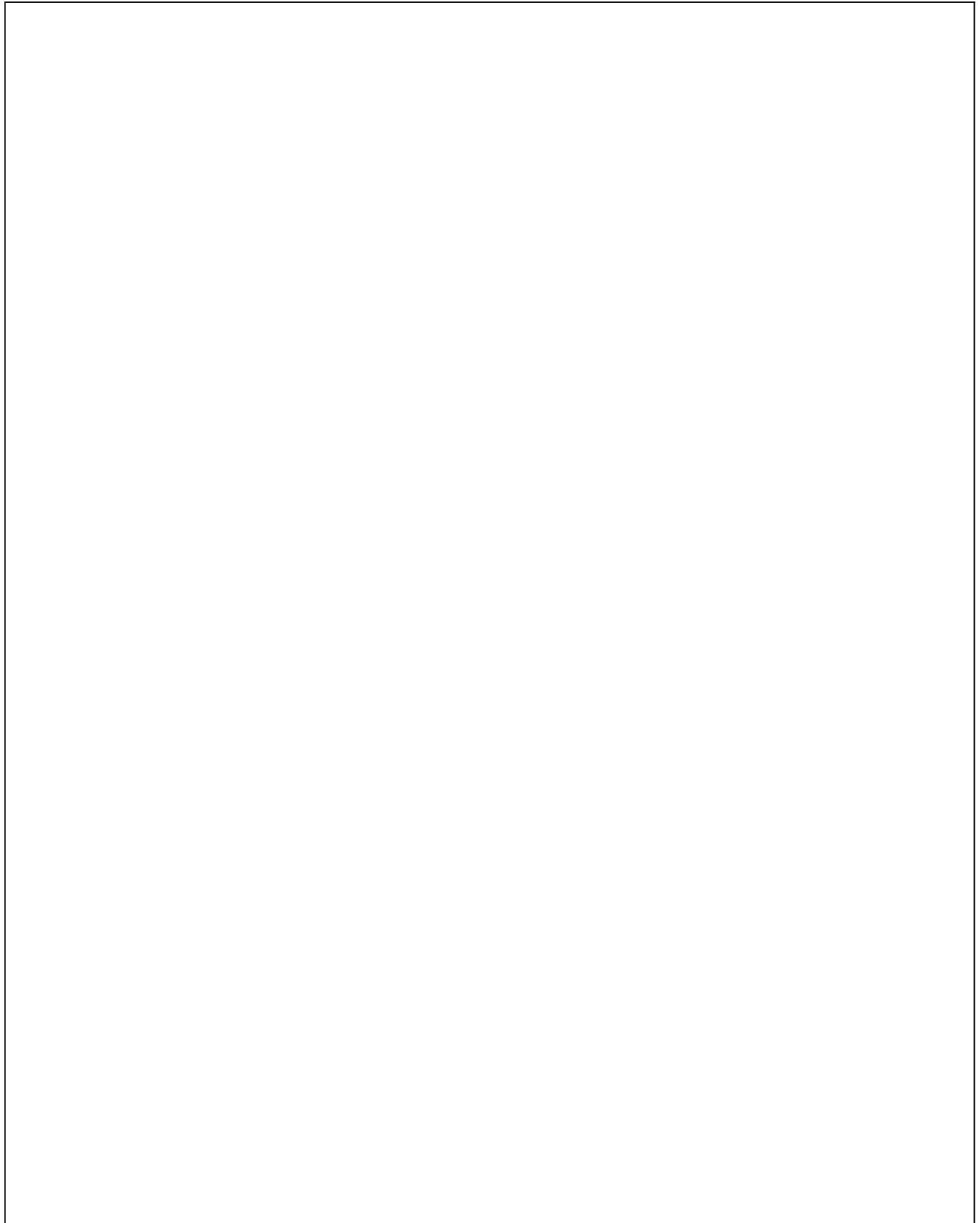
Print Date: 07-Apr-2022

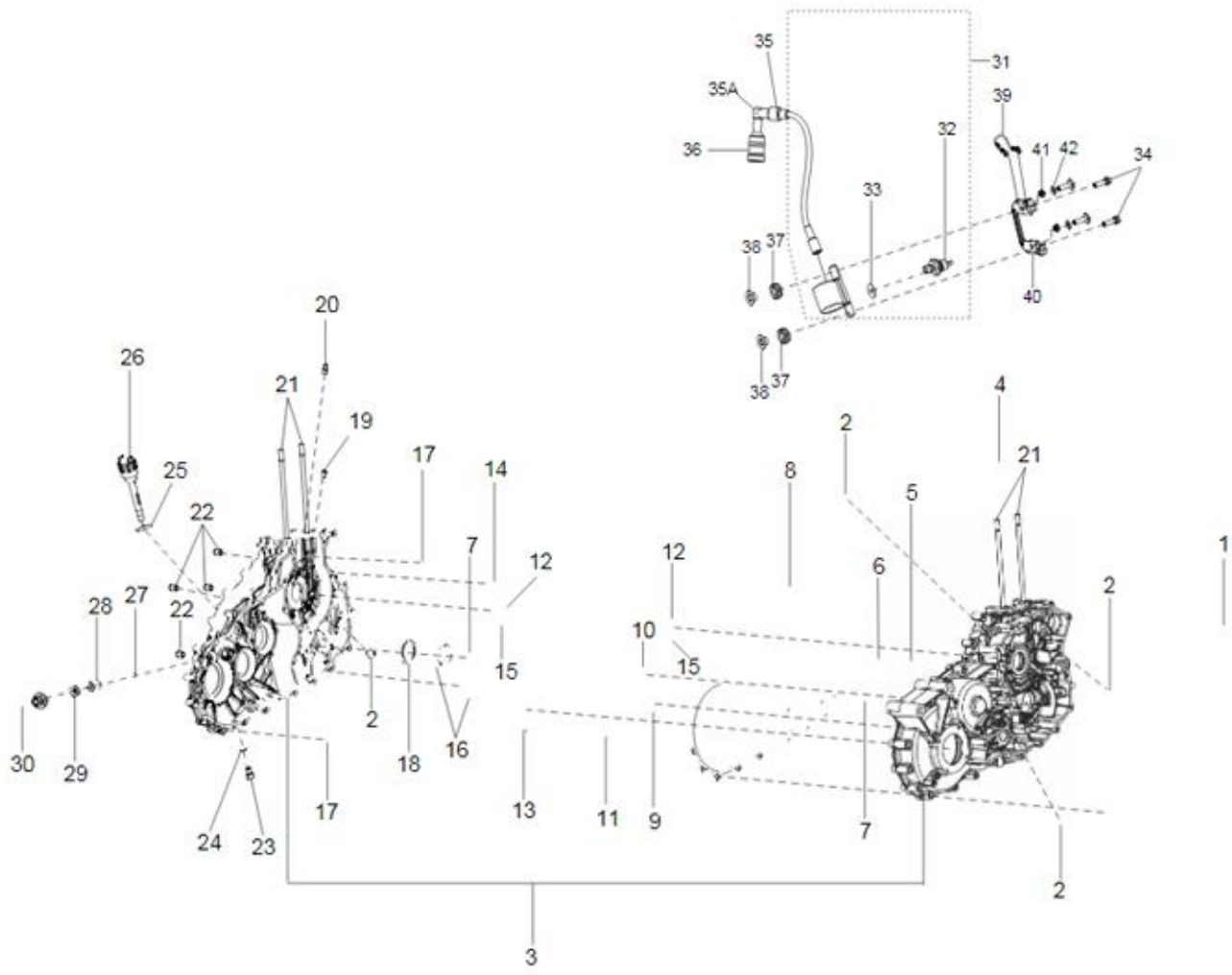
PLATE-9
COMPLETE CRANKCASE

Fig. No.	Part No.	Description	Qty	Remarks
1	432142	HEXAGONAL RANGE HEAD SCREW (M6X35)	30	
2	1A011246	TAPER THREAD PLUG	4	
3	SP940097	COUPLED CRANKCASE WITH STUB BRG BSIV-SPD	1	
4	1A007774	DOWEL	1	
5	485655	SPRING FOR OIL PRESSURE VALVE	1	
6	829661	OIL PRES.VALVE	1	
7	B042486	BUSH	2	
8	1A006856	HALF-CRANKCASES GASKET	1	
9	1A007028	ROLLER BEARING	1	
10	884222808	NEEDLE BUSH 22X28X12	1	
11	7066R	RADIAL BALL BEARING	1	
12	1A007663R	CRANKSHAFT STUB UPPER HALF BEARING	2	
13	111353	CIRCLIP	1	
14	878941	CONNECTION PIPE	1	
15	1A007664R	CRANKSHAFT STUB LOWER HALF BEARING	2	
16	1A007026	BALL BEARING	2	
17	B015592	REFERENCE DOWEL (D.9,5 H=15)	2	
18	1A002685	SEAL RING 35X47X6	1	
19	1A000612	RETAINER SCREW - PRE COATED	1	
20	1A008823	PISTON COOLING JET	1	
21	B014755	STUD SCREW	4	
22	1A000708	DOWEL (Ø7,5, H=12)	4	
23	269755	SOCKET HEAD SCREW (M8X12)	1	
24	485703	WASHER	1	
25	127016015	DIPSTICK SEALING WASHER	1	
26	112898	OIL LEVEL ARM WITH PLUG	1	Old
26	1A014592	OIL DIPSTICK	1	New aluminium clutch
27	165121014	PIN	1	
28	117401	BUSH	1	
29	117402	OIL SEAL	1	
30	1A010720	SPEEDOMETER GEAR	1	
30a	1A008559	BUSH (SPEEDOMETER GEAR)	1	NI
31	1A001794	COMPLETE H.T.COIL	1	
32	1D001138	MINIMUM PRESSURE OIL SWITCH	1	
33	013880	PLAIN WASHER	1	

Print Date: 07-Apr-2022

PLATE-9
COMPLETE CRANKCASE





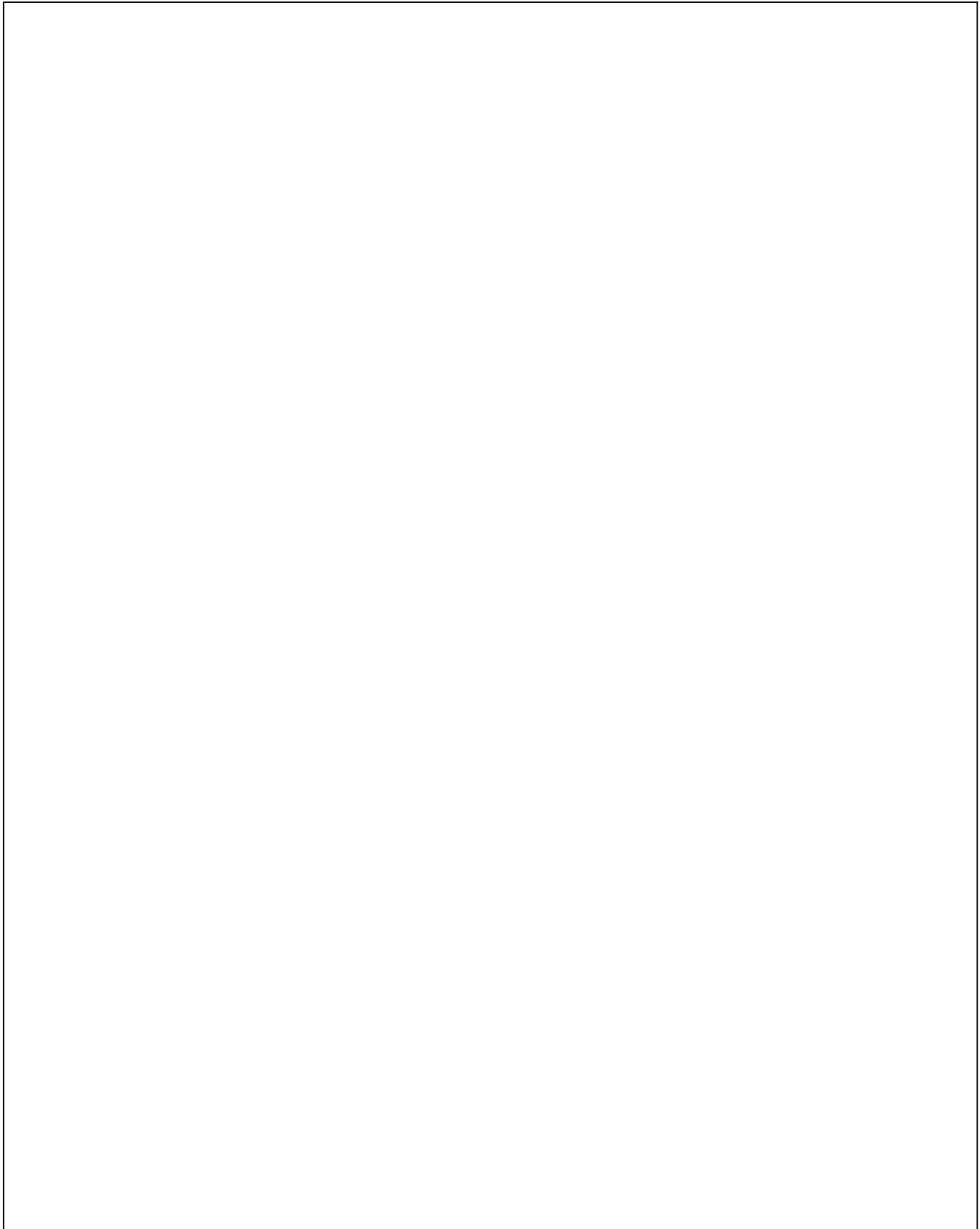
Print Date: 07-Apr-2022

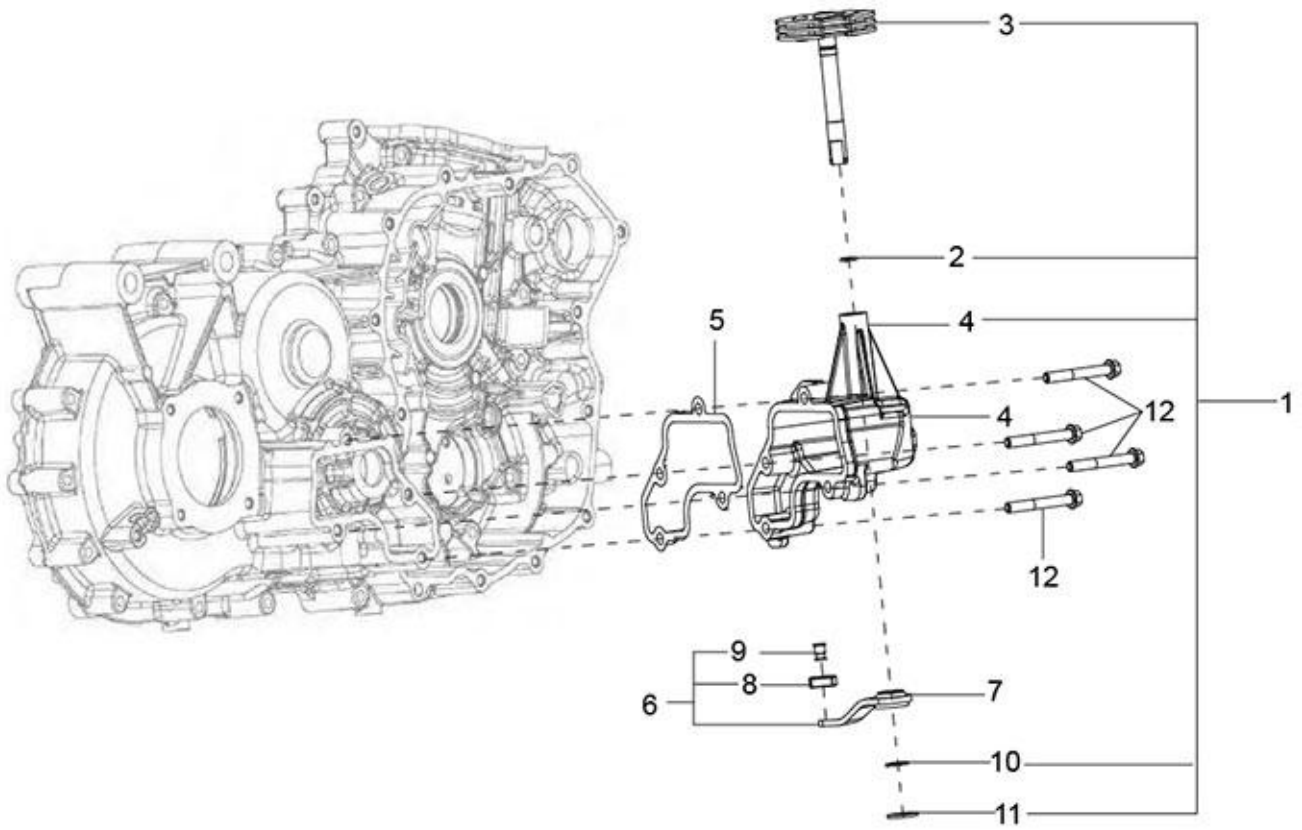
PLATE-9
COMPLETE CRANKCASE

Fig. No.	Part No.	Description	Qty	Remarks
34	018639	SCREW M6X20	2	
35	642537	PROTECTION CAP	1	
35A	643149	SPARK PLUG CAP	1	
36	1A001795	SPARK PLUG PROTECTION COLLAR	1	
37	B014063	BUFFER DAMPER	2	
38	B014066	SPACER	2	
39	643156	GROUND WIRE	1	
40	B016552	COIL SUPPORT BRACKET WITH I.P.	1	
41	872816	FLANGED NUT	2	
42	013880	PLAIN WASHER	2	
43	1A008995	COMPLETE FAREMETER BODY	1	NI

Print Date: 07-Apr-2022

PLATE-10
GEAR SHIFTER AND CONTROL MECHANISM





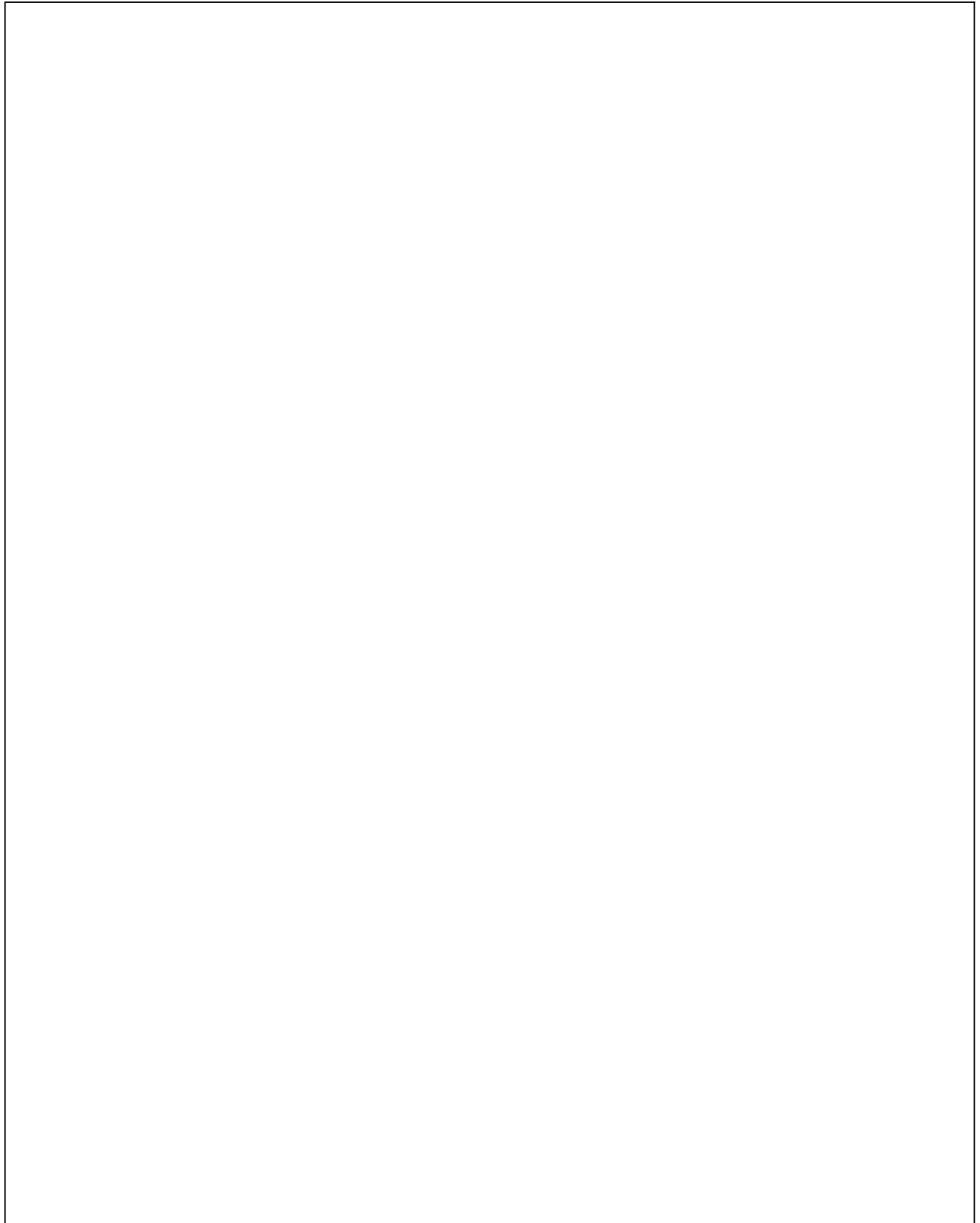
Print Date: 07-Apr-2022

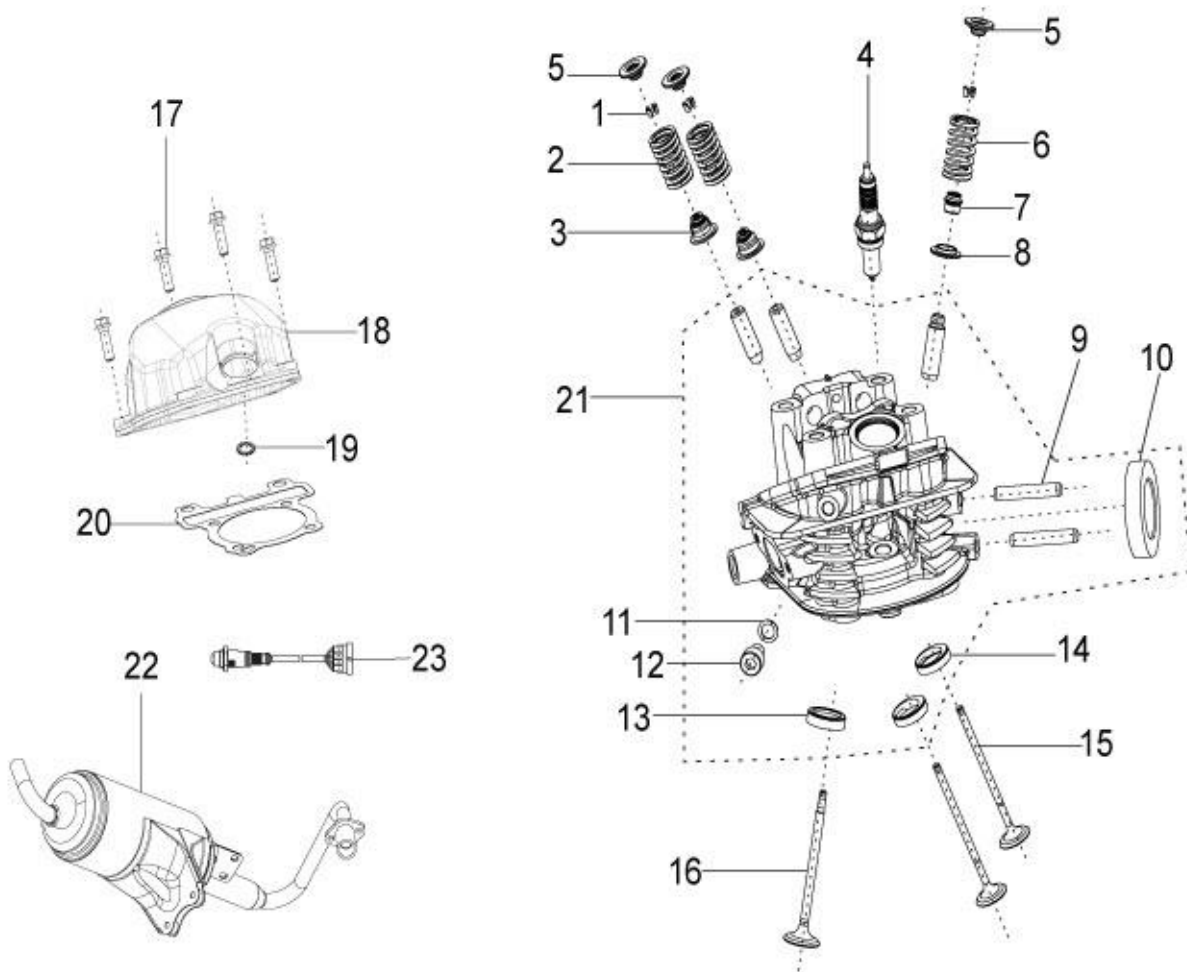
PLATE-10
GEAR SHIFTER AND CONTROL MECHANISM

Fig. No.	Part No.	Description	Qty	Remarks
1	SP1A011195	COMPLETE GEAR SHIFTER ASSY	1	
2	1A005178	O- RING	1	
3	1A010035	COMPLETE SECTOR WITH SHAFT	1	
4	1A010008	GEAR SHIFTER HOUSING	1	
5	1A010186	GASKET GEAR SHIFTER HOUSING	1	
6	1A007579	COMPLETE LEVER	1	
7	1A007605	GEAR SHIFTER LEVER	1	
8	1A010187	SLIDER BLOCK	1	
9	1A012011	PIN	1	
10	009101	SEEGER RING	1	
11	1A006701	LOCK WASHER	1	
12	1A003060	FLANGED HEX. HEAD SCREW M6X45	4	

Print Date: 07-Apr-2022

PLATE-11
CYLINDER HEAD WITH I.P.





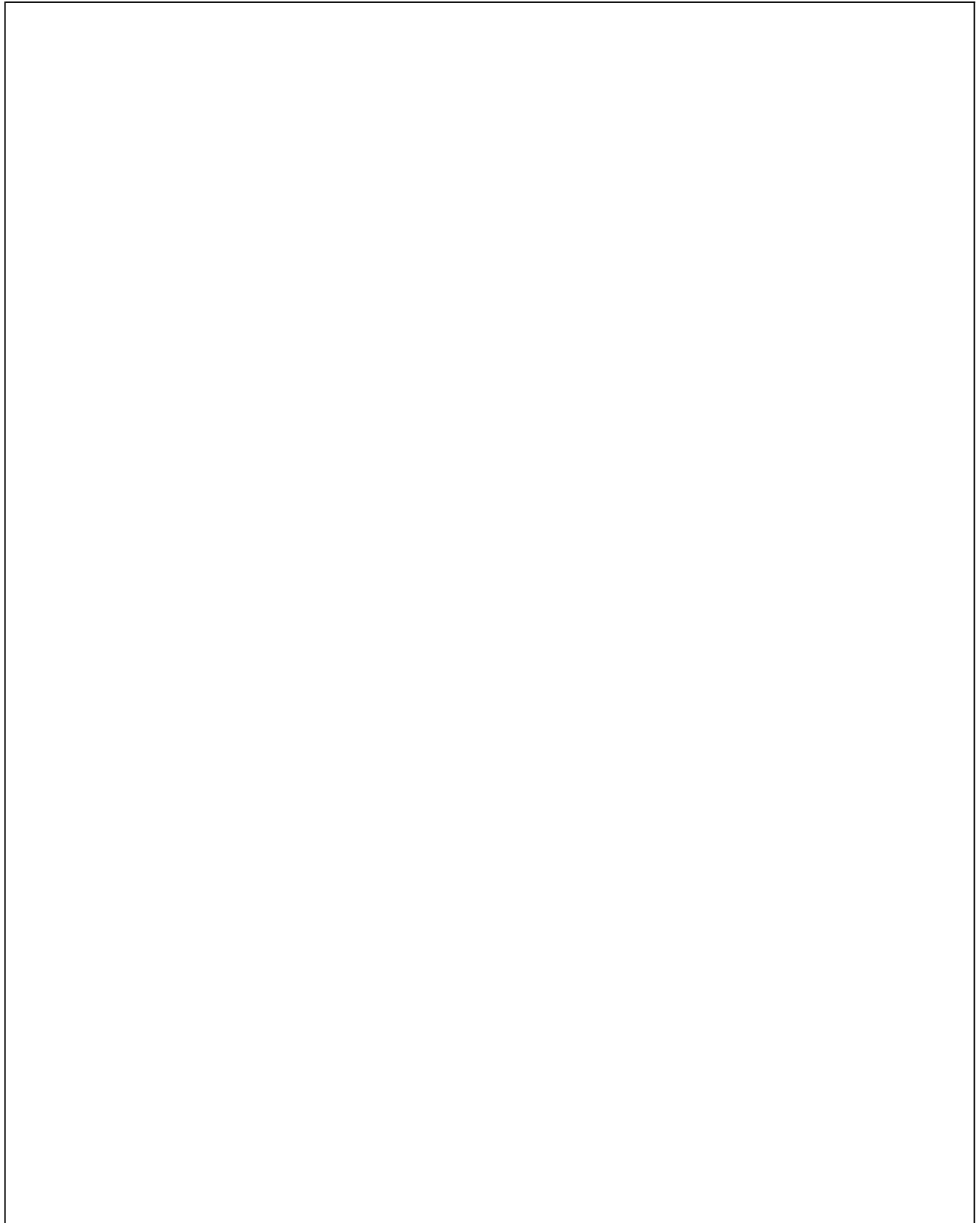
Print Date: 07-Apr-2022

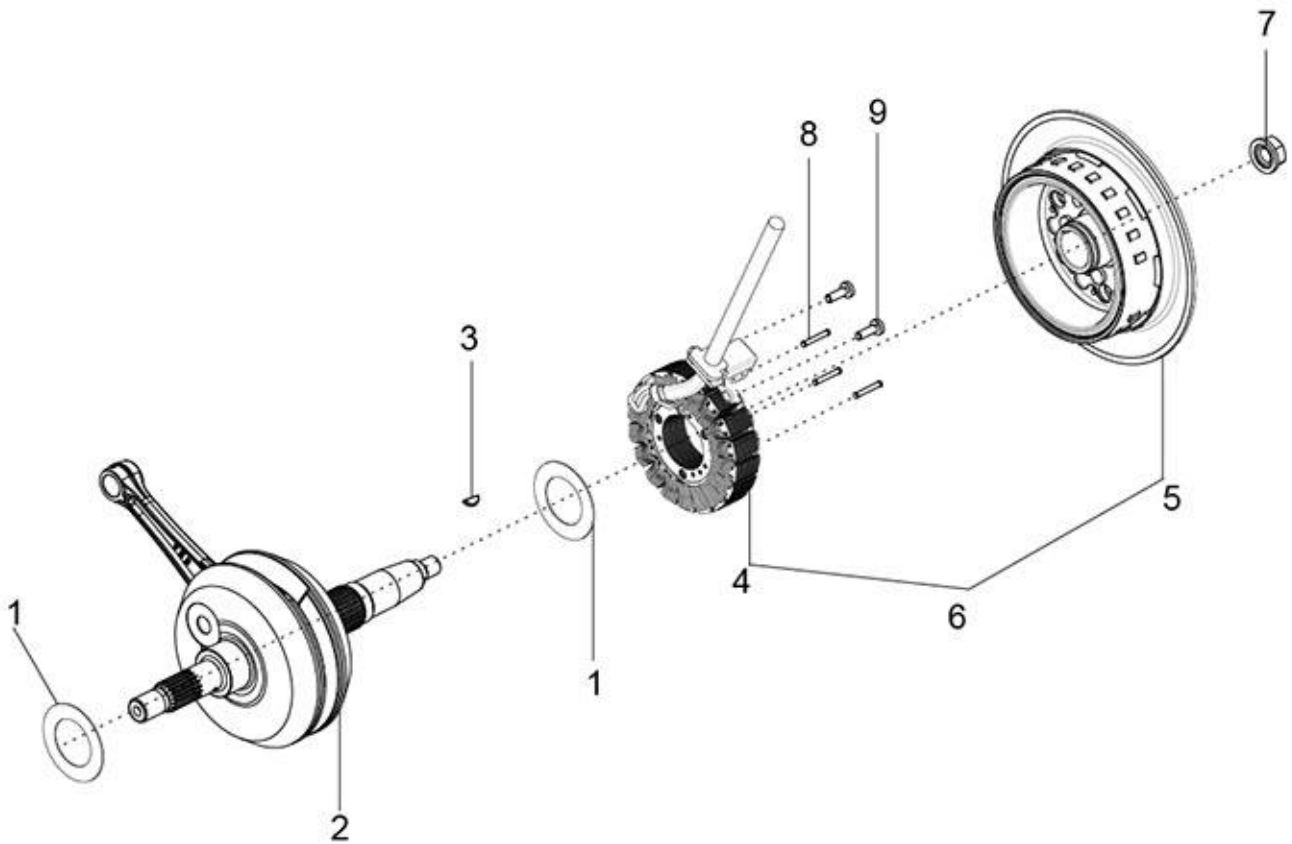
PLATE-11
CYLINDER HEAD WITH I.P.

Fig. No.	Part No.	Description	Qty	Remarks
1	B015288	HALF-CONE	6	
2	B014706	VALVE SPRING (INTAKE)	2	
3	843307	VALVE SEAL RING	2	
4	643367	SPARK PLUG	1	
5	B017456	UPPER CUP	3	
6	B014705	VALVE SPRING (EXHAUST)	1	
7	83054R	VALVE SEAL RING	1	
8	483711	LOWER CUP	1	
9	B016368	SPECIAL STUD	2	
10	434716	CYLINDER HEAD/MUFFLER GASKET	1	
11	485703	WASHER	1	
12	269755	SOCKET HEAD SCREW (M8X12)	1	
13	B017336	EXHAUST VALVE SEAT	1	
14	B017230	INTAKE VALVE SEAT	2	
15	B014684	INTAKE VALVE Ø20	2	
16	B017438	EXHAUST VALVE Ø22	1	
17	1A002691	FLANGED HEX HEAD SCREW M6X20 CL10	3	
18	1A006545	HEAD COVER	1	
19	B014732	SPARK PLUG HOLE GASKET	1	
20	B018533	CYLINDER HEAD COVER GASKET	1	
21	SP1A012956	CYLINDER HEAD ASSY APEPAX EUR- SPD	1	
22	1A009951	COMPLETE MUFFLER	1	
23	584344	LAMBDA SENSOR	1	
24	KIT1U000020	SET OF VALVES	1	NI
25	KIT95011R	VALVE SEAL RING SET	1	NI

Print Date: 07-Apr-2022

PLATE-12
CRANKSHAFT ASSEMBLY





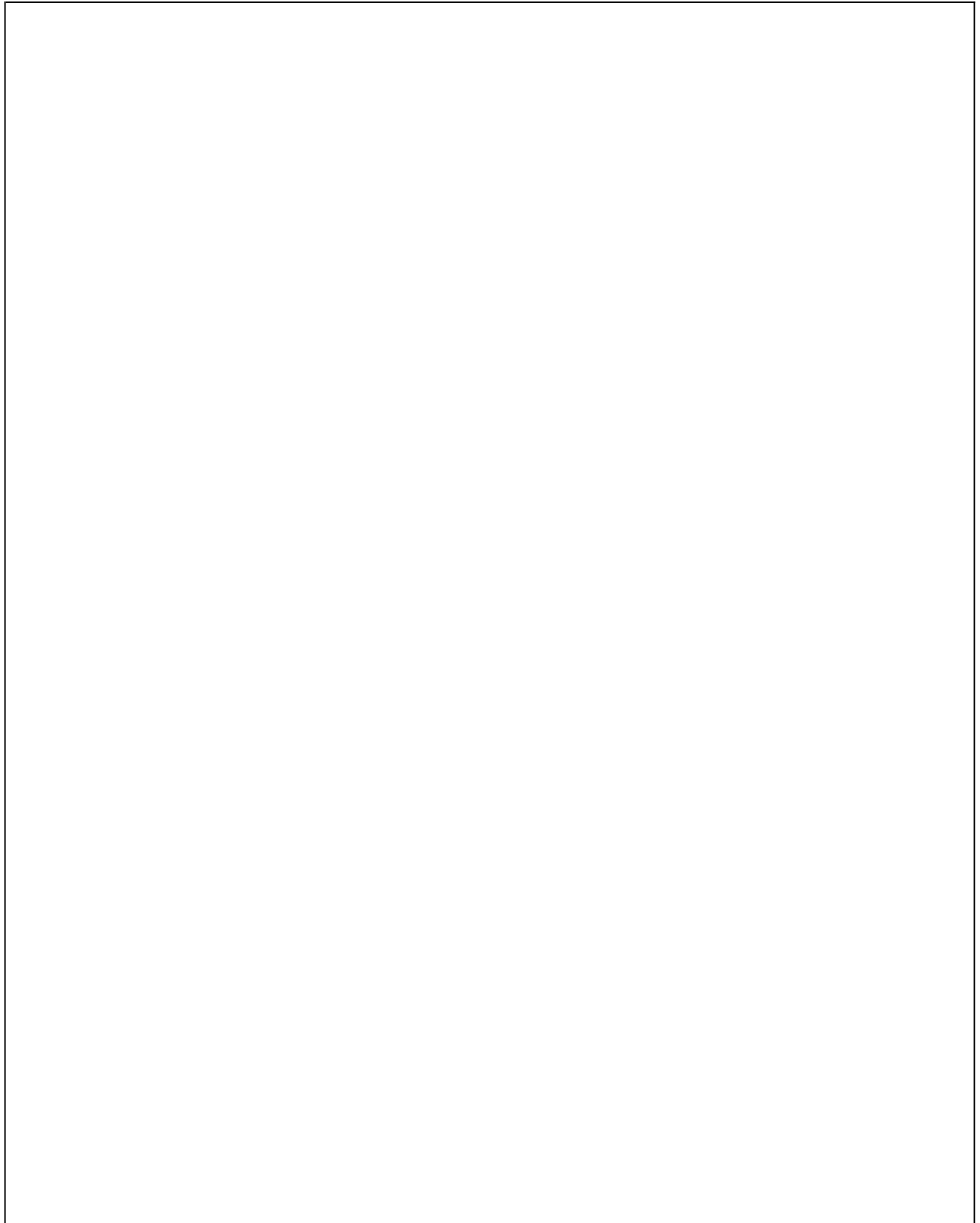
Print Date: 07-Apr-2022

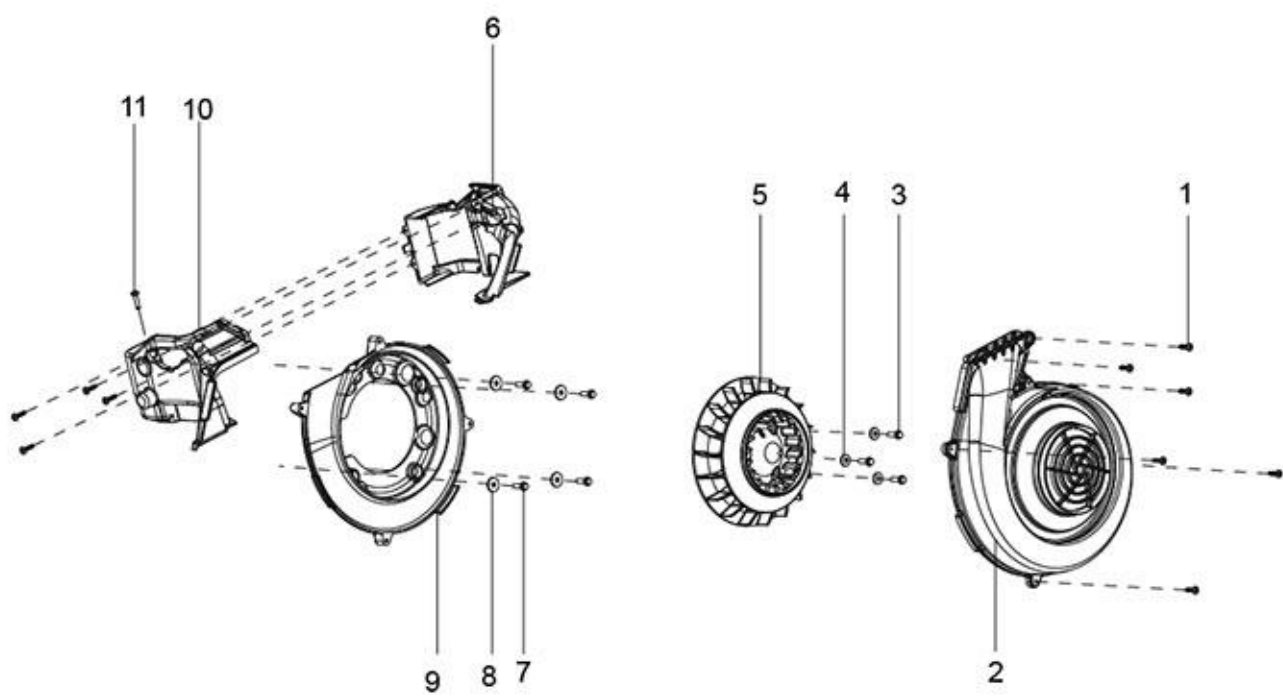
PLATE-12
CRANKSHAFT ASSEMBLY

Fig. No.	Part No.	Description	Qty	Remarks
1	B016144	WASHER	2	
2	1A010150	CRANKSHAFT ASSEMBLY	1	
3	000267	WOODRUFF KEY	1	
4	1D001846	COMPLETE STATOR	1	NS-Order on modi.assy.P/N.SP1A017997 INA
5	1A009302	ROTAR ASSY WITH HUB	1	
6	1D002080	COMPLETE A.C.GENERATOR	1	
7	1A006988	NUT WITH SPRING WASHER	1	
8	1A013159	TORX HEAD SCREW M5X22	3	
9	1A013159	TORX HEAD SCREW M5X22	2	

Print Date: 07-Apr-2022

PLATE-13
AIRCOOLING CIRCUIT COMPONENTS





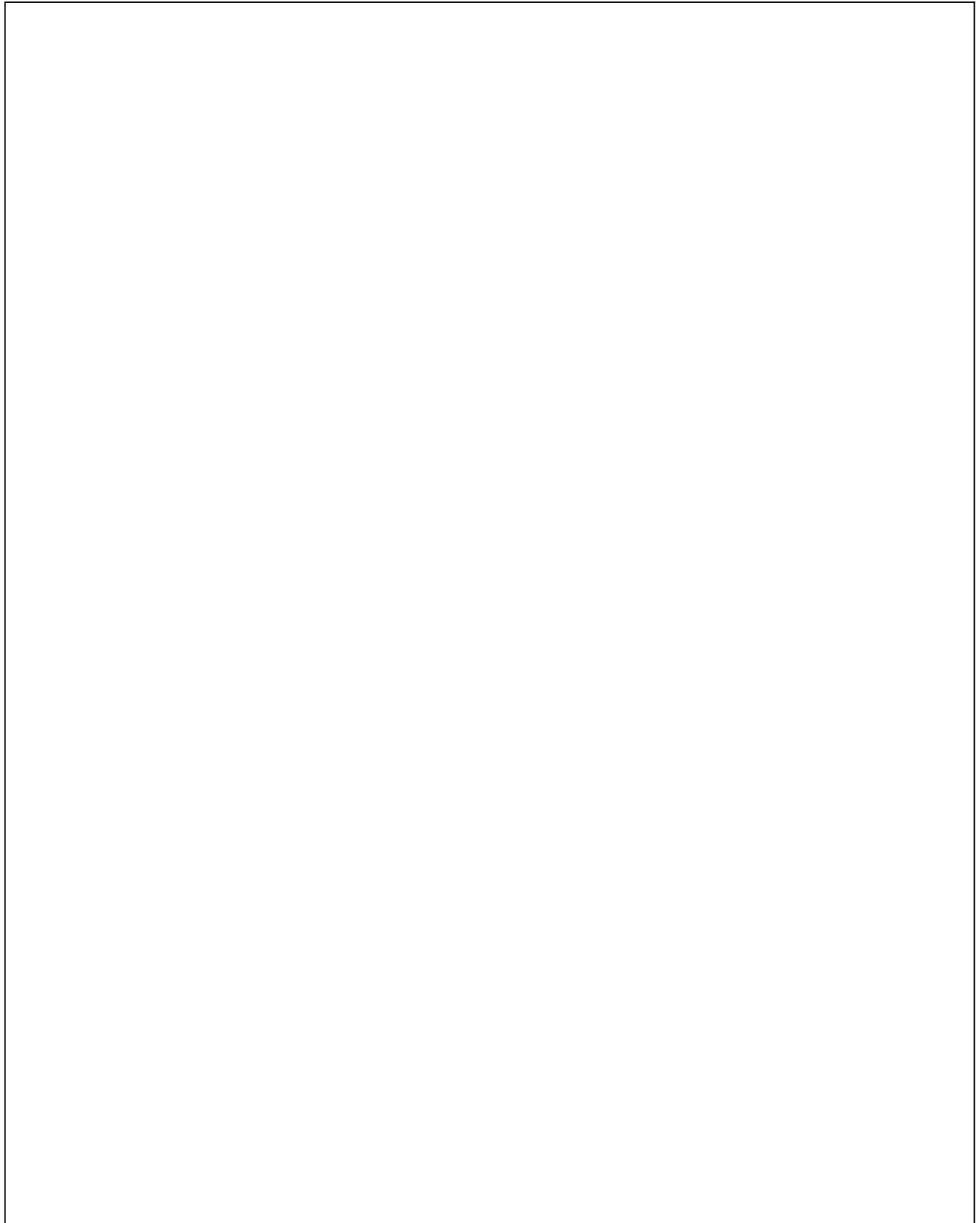
Print Date: 07-Apr-2022

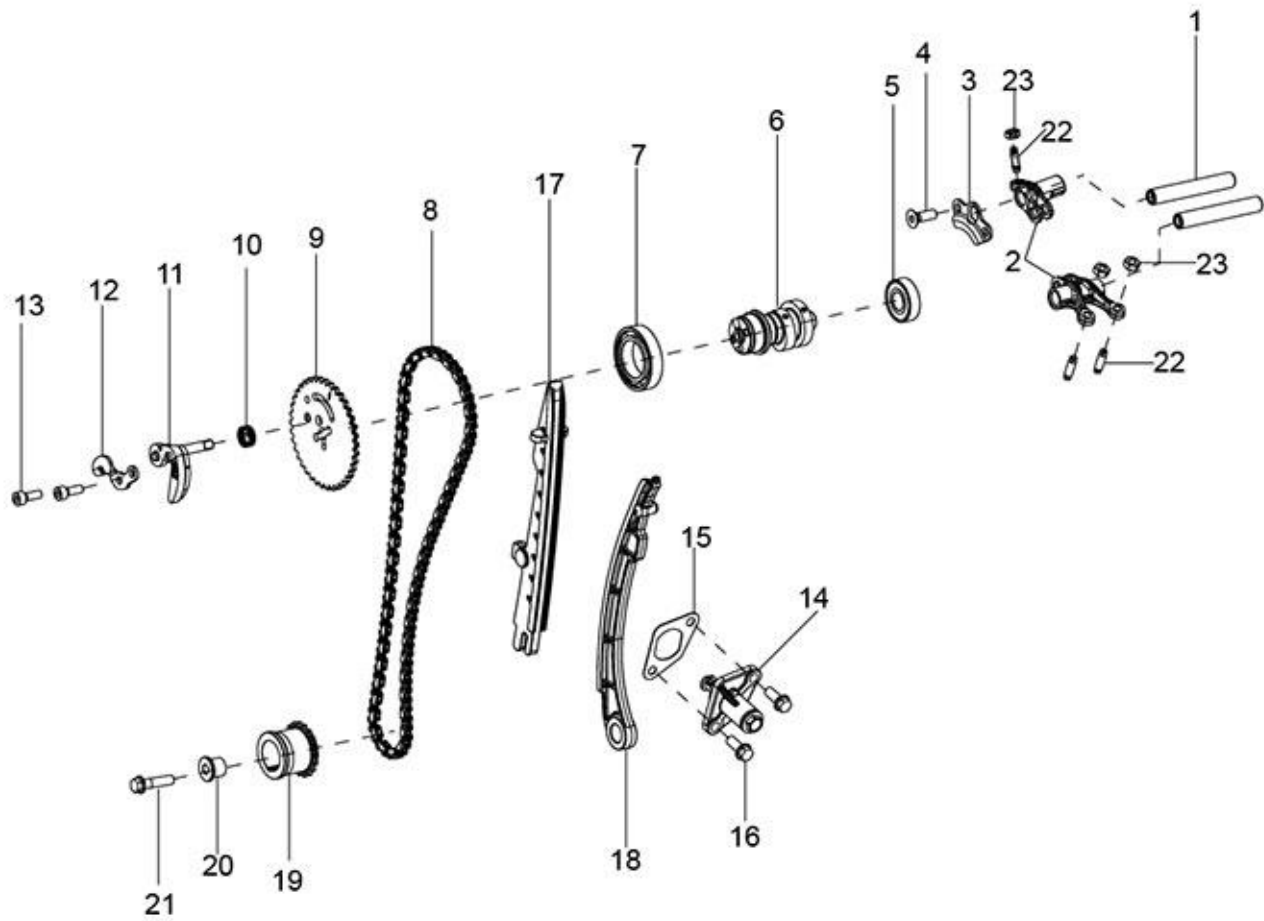
PLATE-13**AIRCOOLING CIRCUIT COMPONENTS**

Fig. No.	Part No.	Description	Qty	Remarks
1	1A000024	SELF TAPPING SCREW (3X20)	10	
2	1A010001	FAN COVER	1	
3	1A002691	FLANGED HEX HEAD SCREW M6X20 CL10	3	
4	B019047	WASHER	3	
5	1A000831	ASSY FAN	1	
6	1A006740	SHROUD EXHAUST SIDE	1	
7	018639	SCREW M6X20	4	
8	B016192	WASHER 6.2X20X2	4	
9	1A006742	FAN COVER SUPPORT	1	
10	1A009270	COMPLETE SHROUD INTAKE SIDE	1	
11	B016620	SCREW WITH CYLINDRICAL HEAD M5X21	1	
12	B018262	KNURLED BUSH	2	

Print Date: 07-Apr-2022

PLATE-14
TIMING GROUP





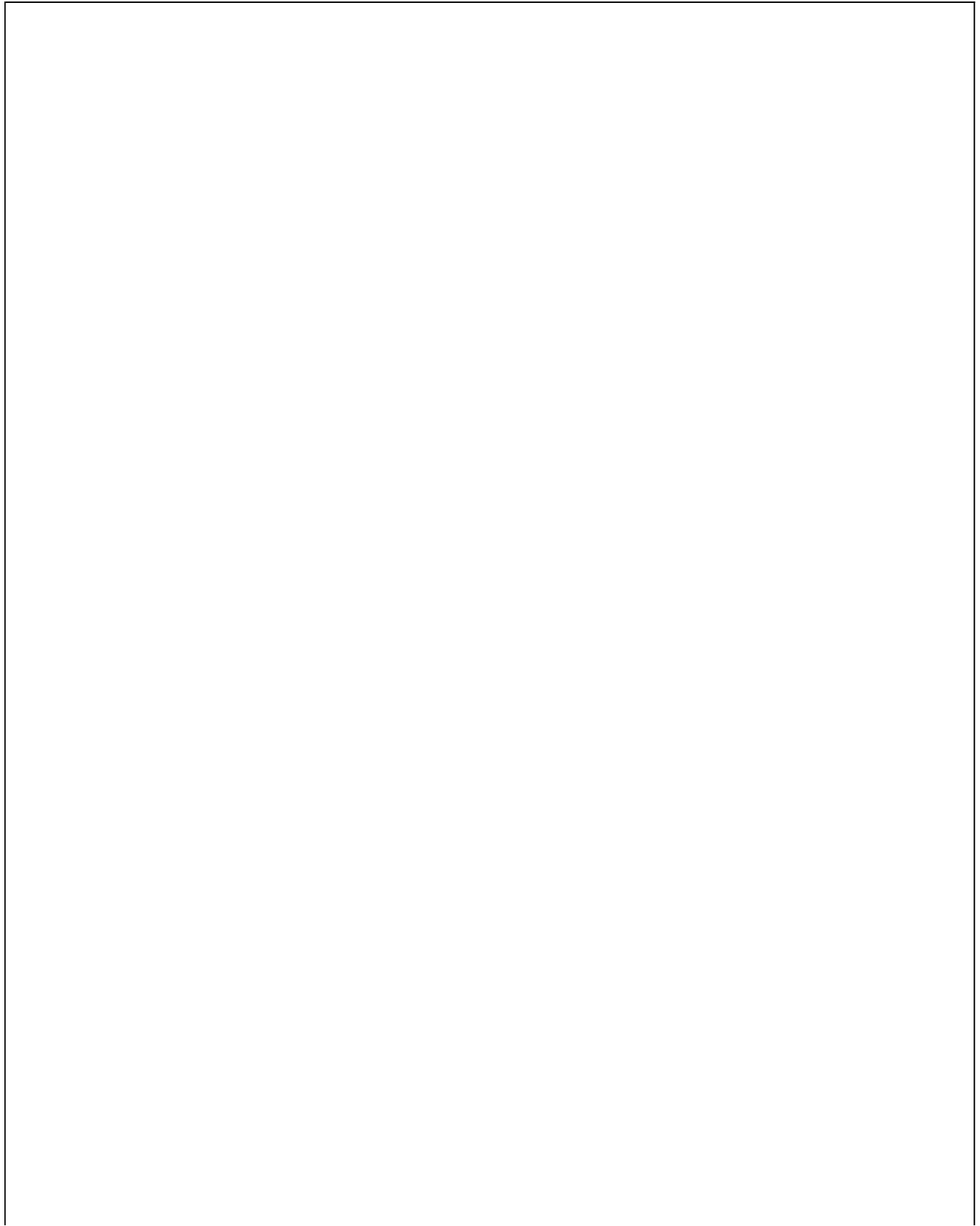
Print Date: 07-Apr-2022

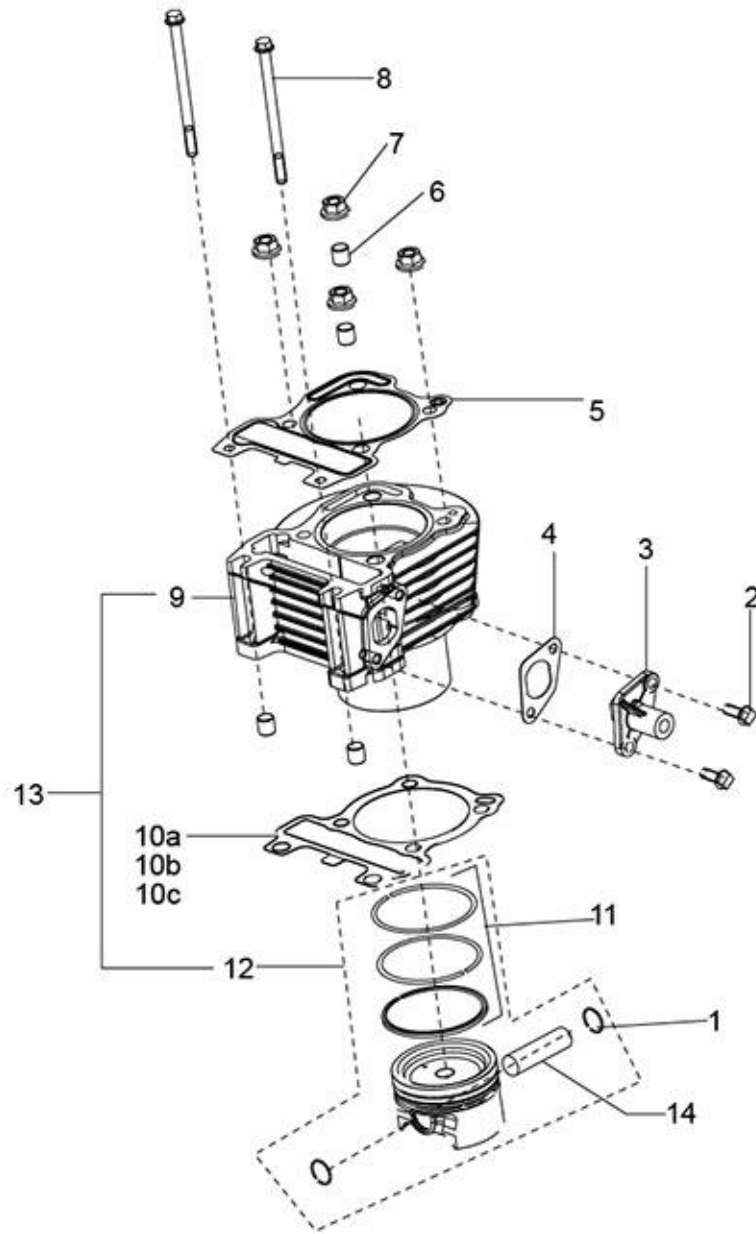
PLATE-14
TIMING GROUP

Fig. No.	Part No.	Description	Qty	Remarks
1	B017113	ROCKER ARM SHAFT	2	
2	1A013013	ROCKER ARM GROUP	1	
3	B014760	CAMSHAFT CONTAINMENT SHEET-STEEL	1	
4	B018946	COUNTERSUNK SCREW M6X18	1	
5	83040R	DEEP GROOVE BALL BEARING	1	
6	B017746	CAMSHAFT WITH I.P.	1	
7	83041R	DEEP GROOVE BALL BEARING	1	
8	1A015692	TIMING CHAIN SOUNDLESS TYPE	1	
9	1A002358	TIMING CROWN	1	
10	B015483	DECOMPRESSION SPRING	1	
11	SP1A006405	CENTRIFUGAL MASS WITH I.P.	1	
12	1A008397	CENTRIFUGAL MASS CONTAINMENT SHEET	1	
13	B018718	EXAG. SOCKET CYLIND.HEAD SCREW M5X14	2	
14	B017165	CHAIN TENSIONER DEVICE	1	
15	847928	CHAIN SUPPORT GASKET	1	
16	434541	SCREW	2	
17	1A006899	FIXED PAD	1	
18	1A006901	CHAIN TIGHTENING ROD	1	
19	1A007565	TIMING PINION	1	
20	485868	SPACER FOR CHAIN TIGHTNING ROD	1	
21	B016774	FLANGED HEXAGONAL SCREW M6X25	1	
22	B017323	VALVE ADJUSTMENT SCREW	3	
23	B017431	ROCKER ARM NUT	3	

Print Date: 07-Apr-2022

PLATE-15
CYLINDER- PISTON GROUP





Print Date: 07-Apr-2022

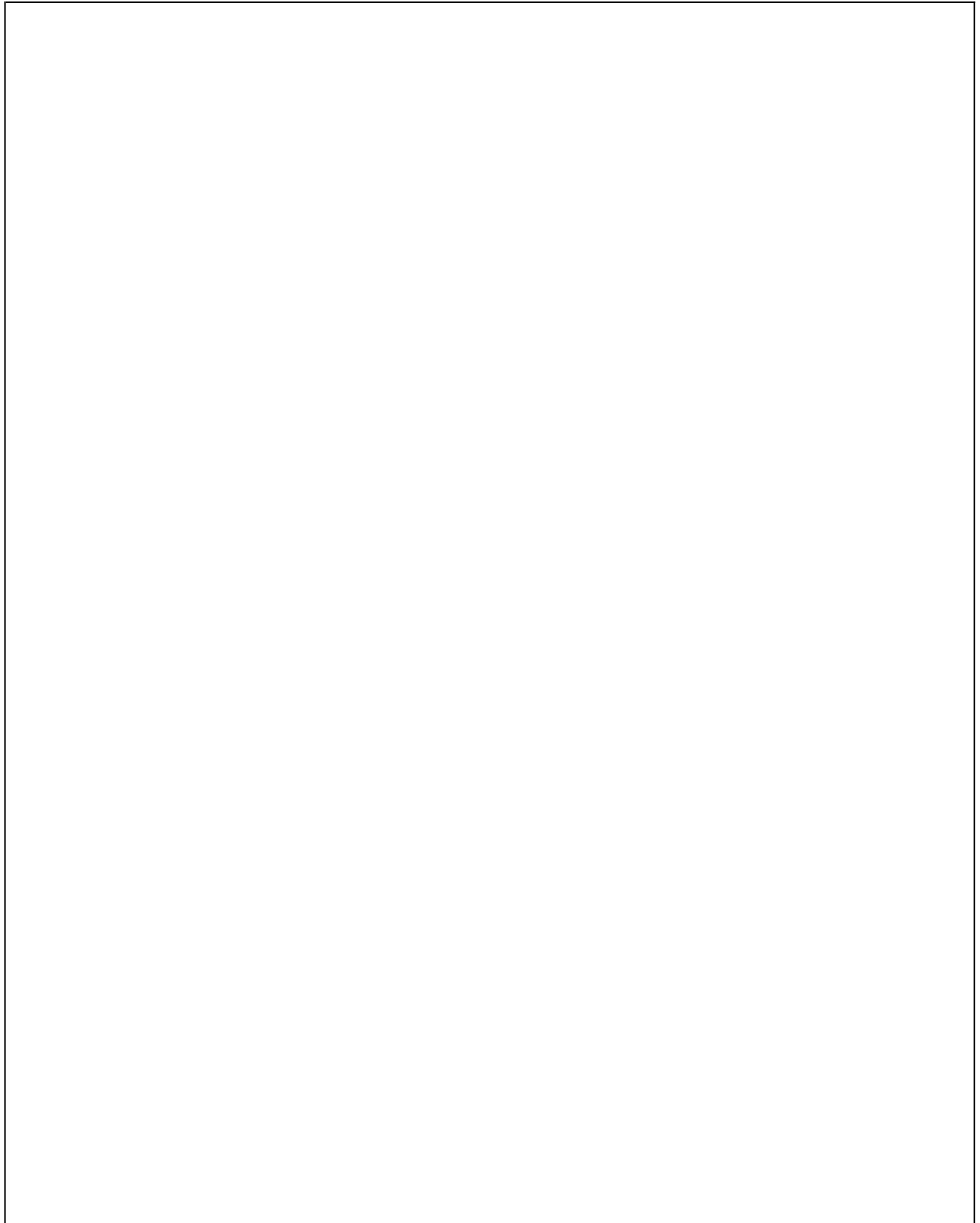
PLATE-15**CYLINDER- PISTON GROUP**

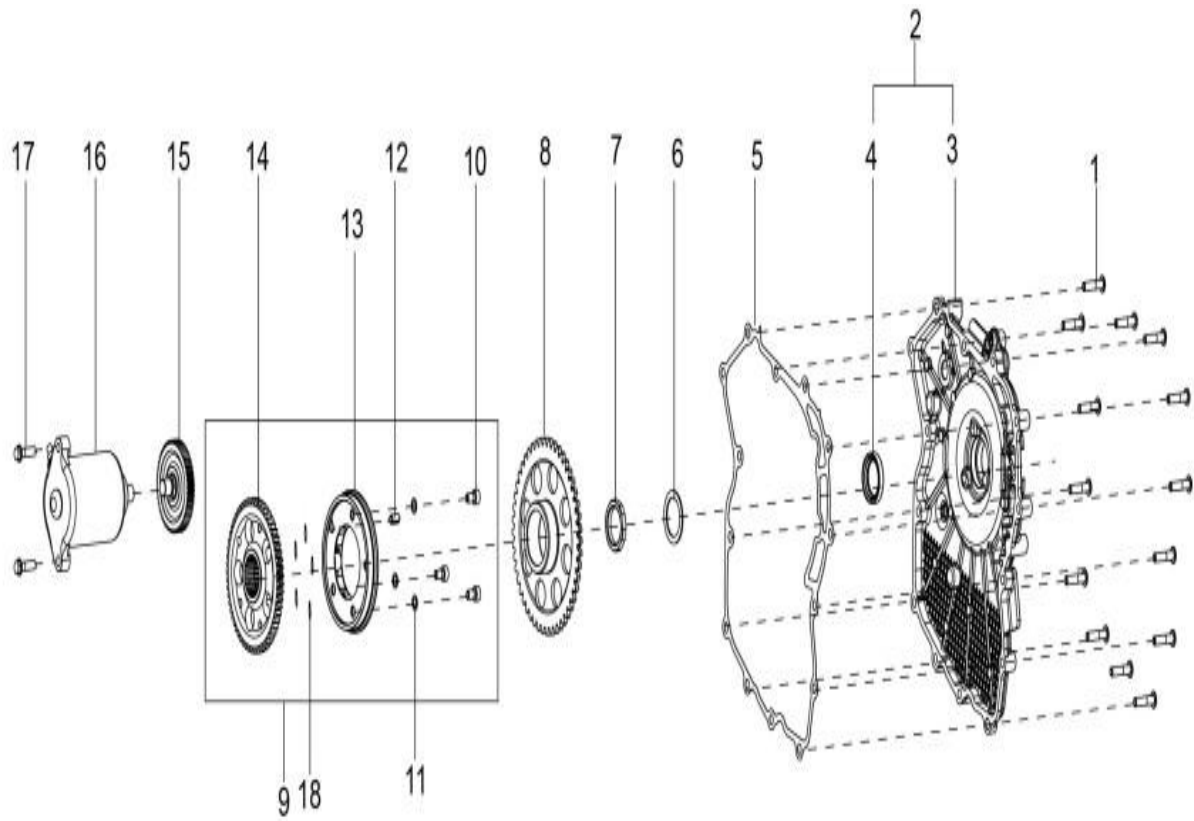
Fig. No.	Part No.	Description	Qty	Remarks
1	963486	CIRCLIP FOR PISTON WRIST	2	
2	434541	SCREW	2	
3	B017165	CHAIN TENSIONER DEVICE	1	
4	847928	CHAIN SUPPORT GASKET	1	
5	B014555	HEAD CYLINDER GASKET	1	
6	435571	REFERENCE DOWEL	4	
7	B016939	FLANGED NUT M8X1.25	4	
8	B018854	HEXAGONAL HEAD FLANGED SCREW M6X90	2	
9	KIT1U000025	BLOCK PISTON KIT	1	
10a	CM284001	CRANKCASE/CYLINDER GASKET (0.4)	1	
10b	CM284002	CRANKCASE/CYLINDER GASKET (0.6)	1	
10c	CM284003	CRANKCASE/CYLINDER GASKET (0.8)	1	
11	1A009621R	PISTON RING GROUP	1	
12	KIT1U000024	PISTON ASSEMBLY	1	NS- Service under BP Kit
13	KIT1U000025	BLOCK PISTON KIT	1	
14	482335	PISTON PIN	1	

Print Date: 07-Apr-2022

PLATE-16

ELECTRIC STARTING GROUP





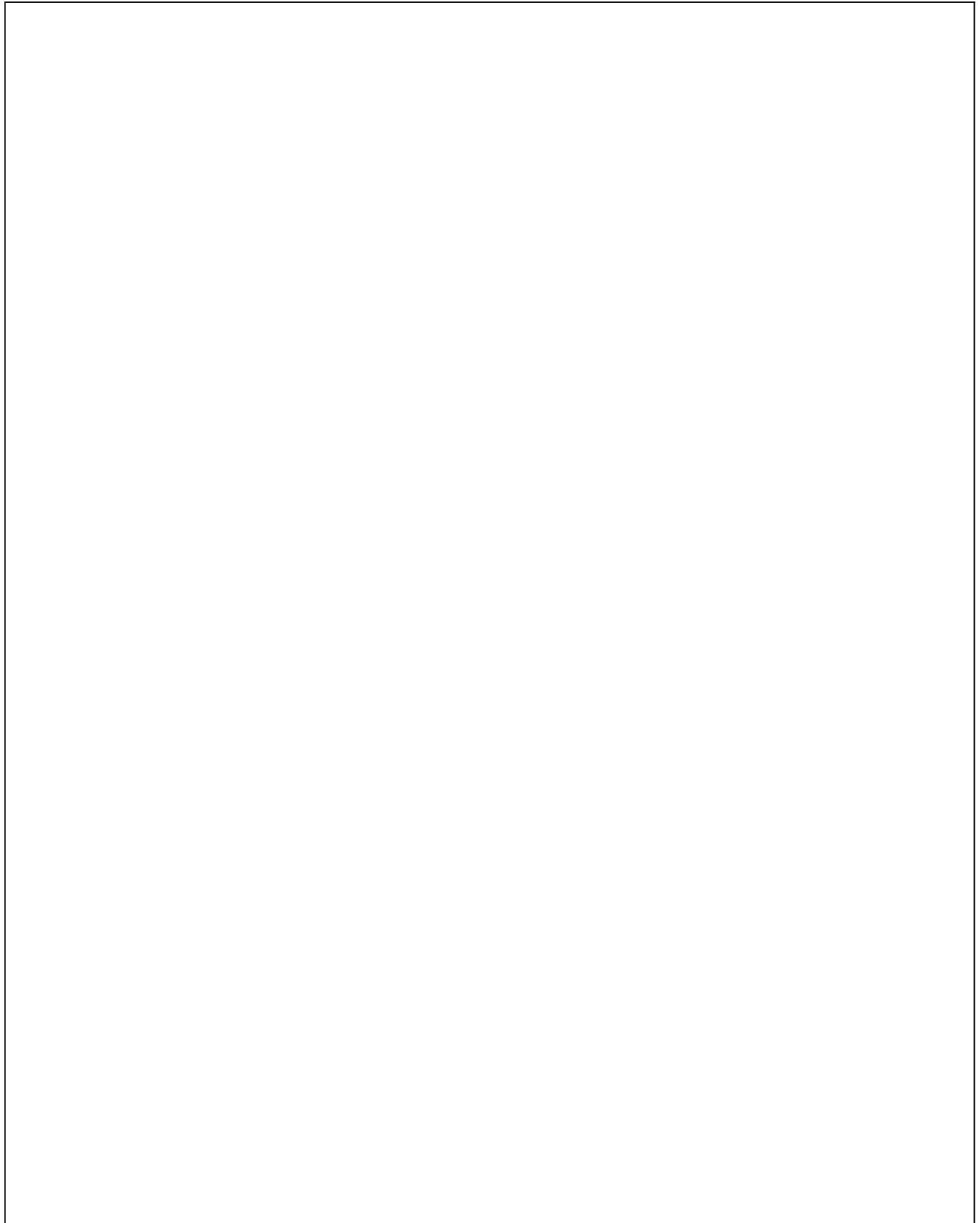
Print Date: 07-Apr-2022

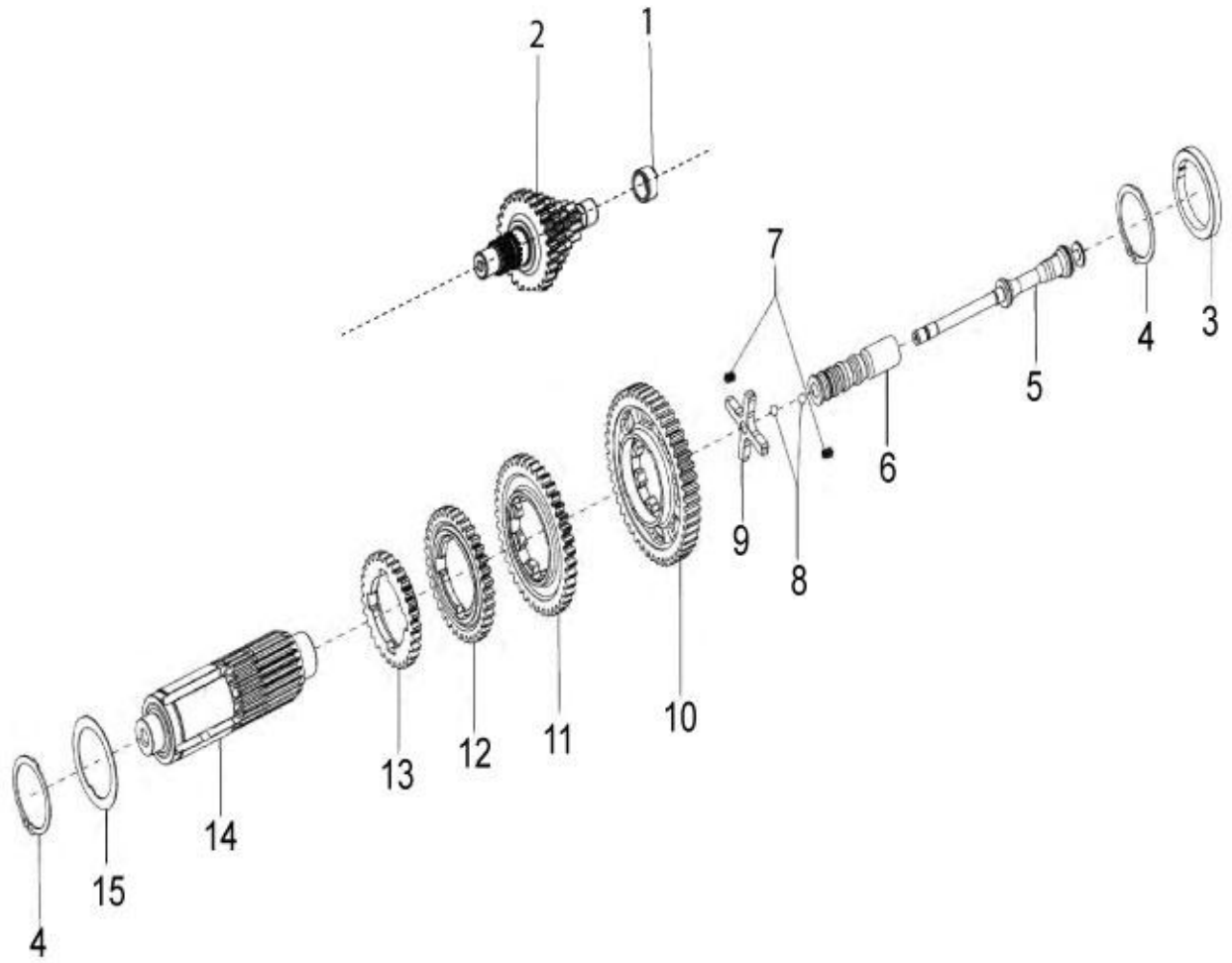
PLATE-16**ELECTRIC STARTING GROUP**

Fig. No.	Part No.	Description	Qty	Remarks
1	B018853	FLANGED HEXAGONAL HEAD SCREW M6X30	14	
2	SP1A007045	STARTER COVER WITH I.P.	1	
3	1A006751	STARTER COVER	1	
4	B016120	SEAL RING 25X35X7	1	
5	1A006858	STARTER COVER GASKET	1	
6	B016148	WASHER	1	
7	1A021204	RING NUT	1	
8	1A001187R	TOOTHED CROWN ELECTRIC STARTER	1	NS-Order on modi.assy.P/N.SP1A018746 INA
9	1D001846	COMPLETE STATOR	1	
10	1A000402	SOCKET HEAD SCREW	3	NS-Order on modi.assy.P/N.SP1A018746 INA
11	B019420	CONICAL SPRING KNURLED WASHER	3	NS-Order on modi.assy.P/N.SP1A018746 INA
12	1A000742	ELASTIC PIN	1	NS-Order on modi.assy.P/N.SP1A018746 INA
13	1A010696R	ONE WAY CLUTCH	1	NS-Order on modi.assy.P/N.SP1A018746 INA
14	1A008715	CUM CLUTCH HUB	1	NS-Order on modi.assy.P/N.SP1A018746 INA
15	B017189	ELECTRIC STARTER INTERMED GEAR WITH P.I.	1	
16	1D000425R	STARTER MOTOR	1	
17	B016774	FLANGED HEXAGONAL SCREW M6X25	2	
18	1A002661	PLANE SPRING - CLUTCH ASSY	5	Only for Ducati. Not app. for INA Clutch
18	1A014399	ONE WAY CLUTCH SPRING	1	Texspin one way clutch
19	1A009586	REAR BRACKET ASSY	1	NI
20	1A009587	BRUSH ASSLY KIT (+VE & -VE)	1	NI
21	1A009588	ARMATURE ASSLY	1	NI
22	1A009589	YOKE ASSLY	1	NI
23	1A009590	FRONT BRACKET ASSLY	1	NI
24	1A009591	HEXAG. HEAD SCREW	1	NI
25	1A009592	O-RING KIT	1	NI
26	1A009593	THRUST WASHER KIT	1	NI
27	1A020456	ONE WAY CLUTCH ASSY	1	NEW MODI. INA ONE WAY CLUTCH
28	1A018212	CUM CLUTCH HUB	1	NEW MODI. INA ONE WAY CLUTCH
29	SP41A020456	ONE WAY CLUTCH HUB ASSY - 230CC SPD	5	Consists of 27/28.

Print Date: 07-Apr-2022

PLATE-17
GEAR GROUP





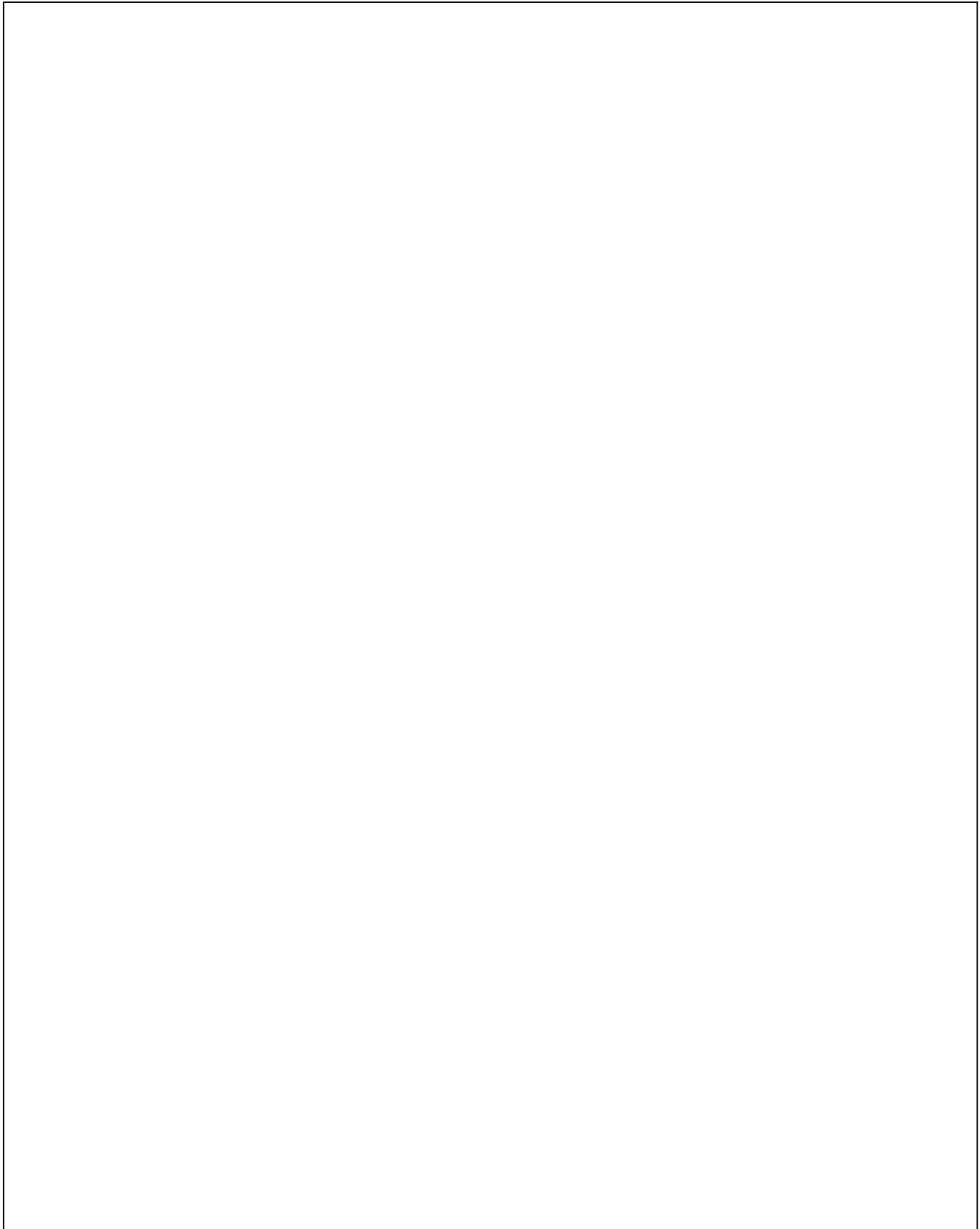
Print Date: 07-Apr-2022

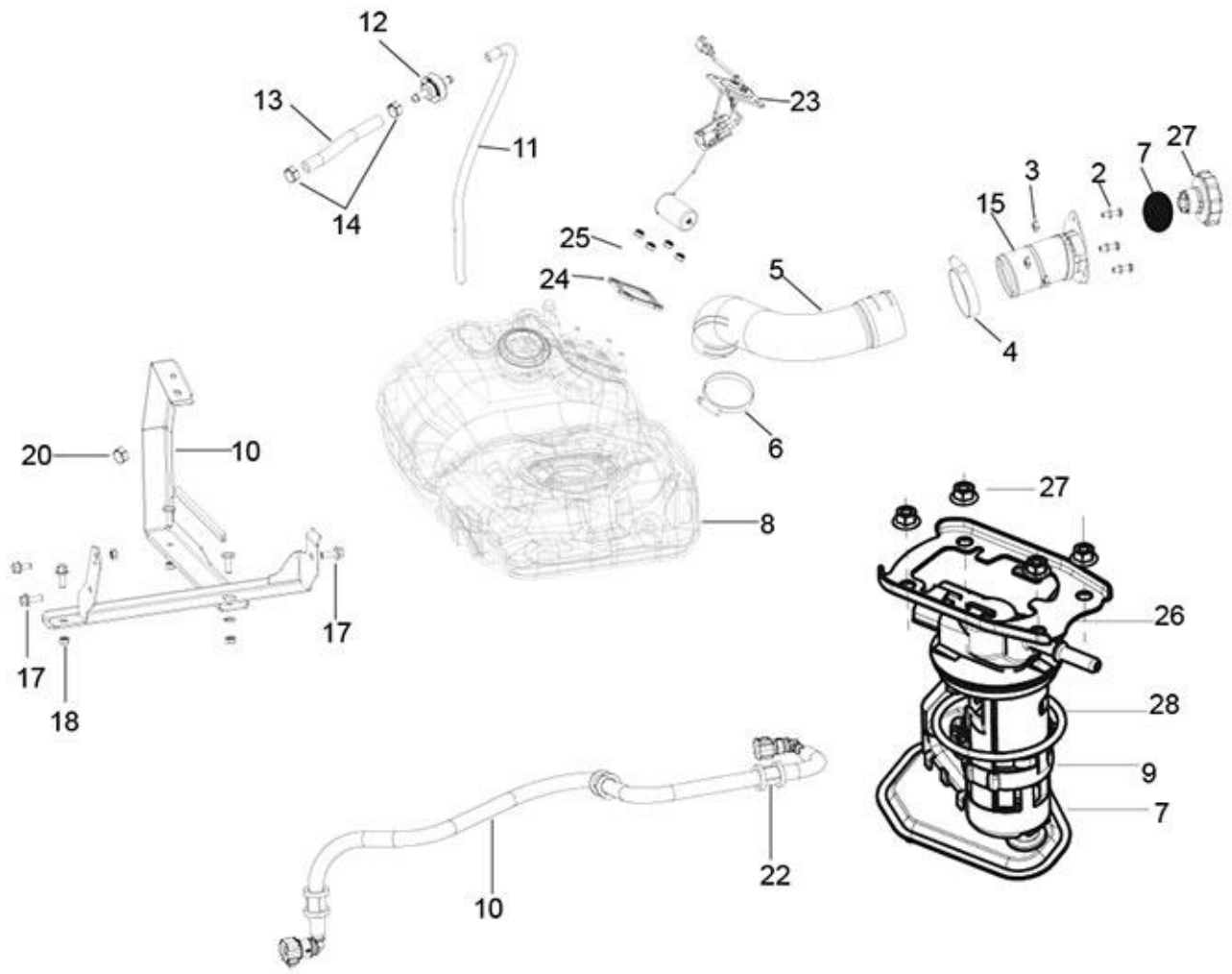
PLATE-17
GEAR GROUP

Fig. No.	Part No.	Description	Qty	Remarks
1	122032014	INNER RING - CLUSTER GEAR	1	
2	1A011044	CLUSTER GEAR	1	
3	1A007029	LOCK WASHER	1	
4	009101	SEEGER RING	1	
5	1A006687	STEM	1	
6	1A012846	BUSH GEAR SHIFTER	1	
7	1A006970	SPRING	2	
8	002139	BALL	2	
9	1A010166	CROSS	1	
10	1A010160	SPEED GEAR 1ST	1	
11	1A010161	SPEED GEAR 2ND	1	
12	1A010162	SPEED GEAR 3RD	1	
13	1A011289	SPEED GEAR 4TH	1	
14	1A010159	SECONDARY GEAR SHAFT	1	
15	1A006115	LOCK WASHER	1	

Print Date: 07-Apr-2022

PLATE-18
FUEL SYSTEM





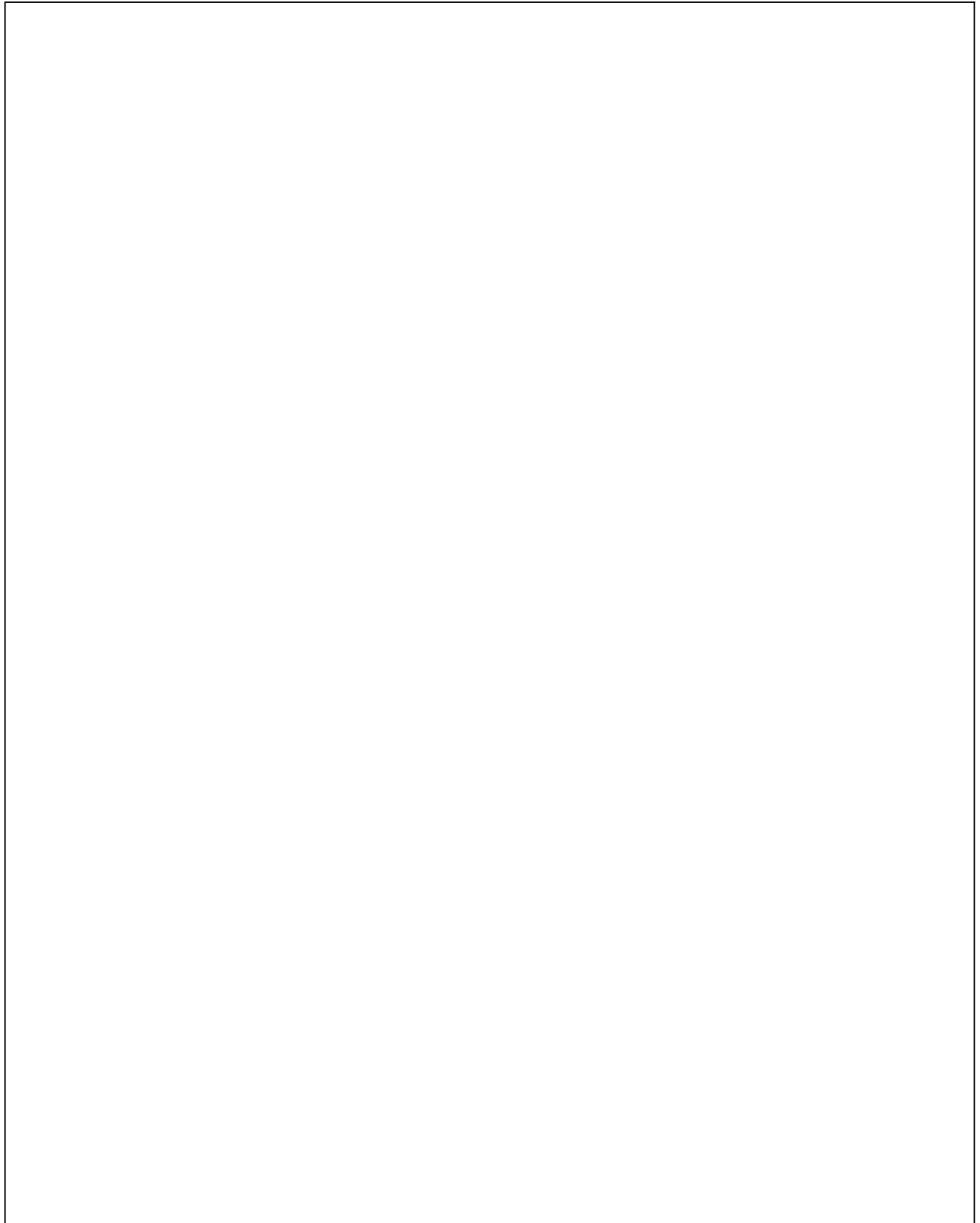
Print Date: 07-Apr-2022

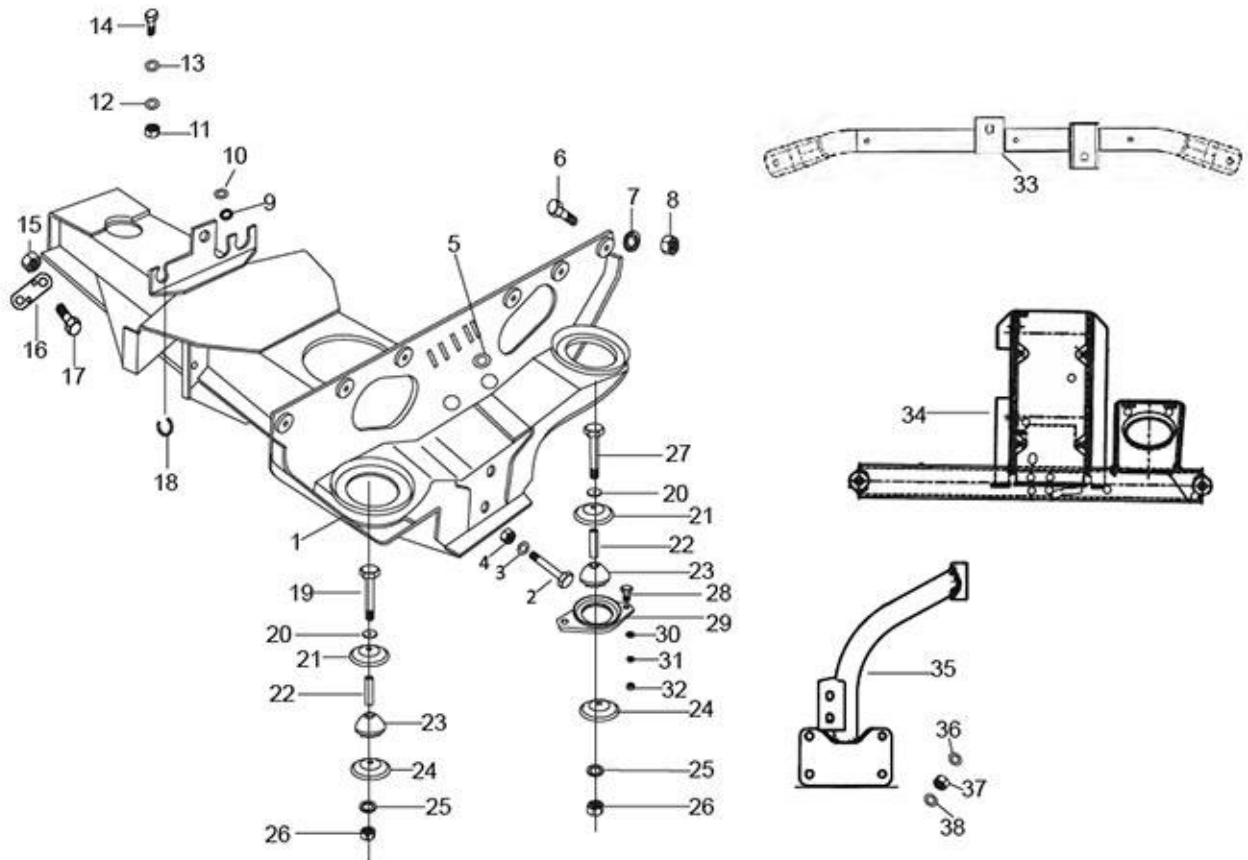
PLATE-18
FUEL SYSTEM

Fig. No.	Part No.	Description	Qty	Remarks
1	644299	COLLAR	1	
2	31054	HEX HD. SCREW M5X10 CL8.8	3	
3	16405	SPRING WASHER M5	3	
4	B041853	HOSE CLIP (SIZE : 65A)	1	
5	1E002552	HOSE, FUEL TANK TO FILLER PIPE	1	
6	604756	HOSE CLIP	1	
7	642888	COMPLETE FUEL PUMP	1	
8	1B002072	COMPLETE FUEL TANK	1	
9	1E002553	ADAPTOR, FUEL TANK FILLER	1	
10	1E002549	FRAME SUB-ASSY, FUEL TANK SUPPORT	1	
11	CM001222	BREATHER PIPE	1	
12	AP8104614	VALVE	1	
13	1E002555	HOSE, FUEL VAPOR	1	
14	CM001914	CLAMP	2	
15	645622	TUBE INLET FUEL TANK FILLER SIDE S/A	1	
16	1E002538	PIPE ASSY, FUEL (SICHUAN TECH)	1	
17	D9165140620	BOLT WITH WASHER	4	
18	016406	SPRING WASHER	2	
19	217280	CLAMP	1	
20	CM013202	STOP CABLE/PIPE SPRING	1	
21	20105	PLAIN NUT M5	4	
22	1E002547	CLAMP	1	
23	1D001226	FUEL LEVEL GAUGE	1	
24	676200	GASKET	1	
25	709116	HEXAGON NUT	4	
26	1B003873	FUEL PUMP SPRING HOLDER	1	
27	1E002675	CAP ASSY, FUEL TANK	1	
28	1B002841	FUEL PUMP GASKET	1	

Print Date: 07-Apr-2022

PLATE-19
ENGINE SUPPORT





Print Date: 07-Apr-2022

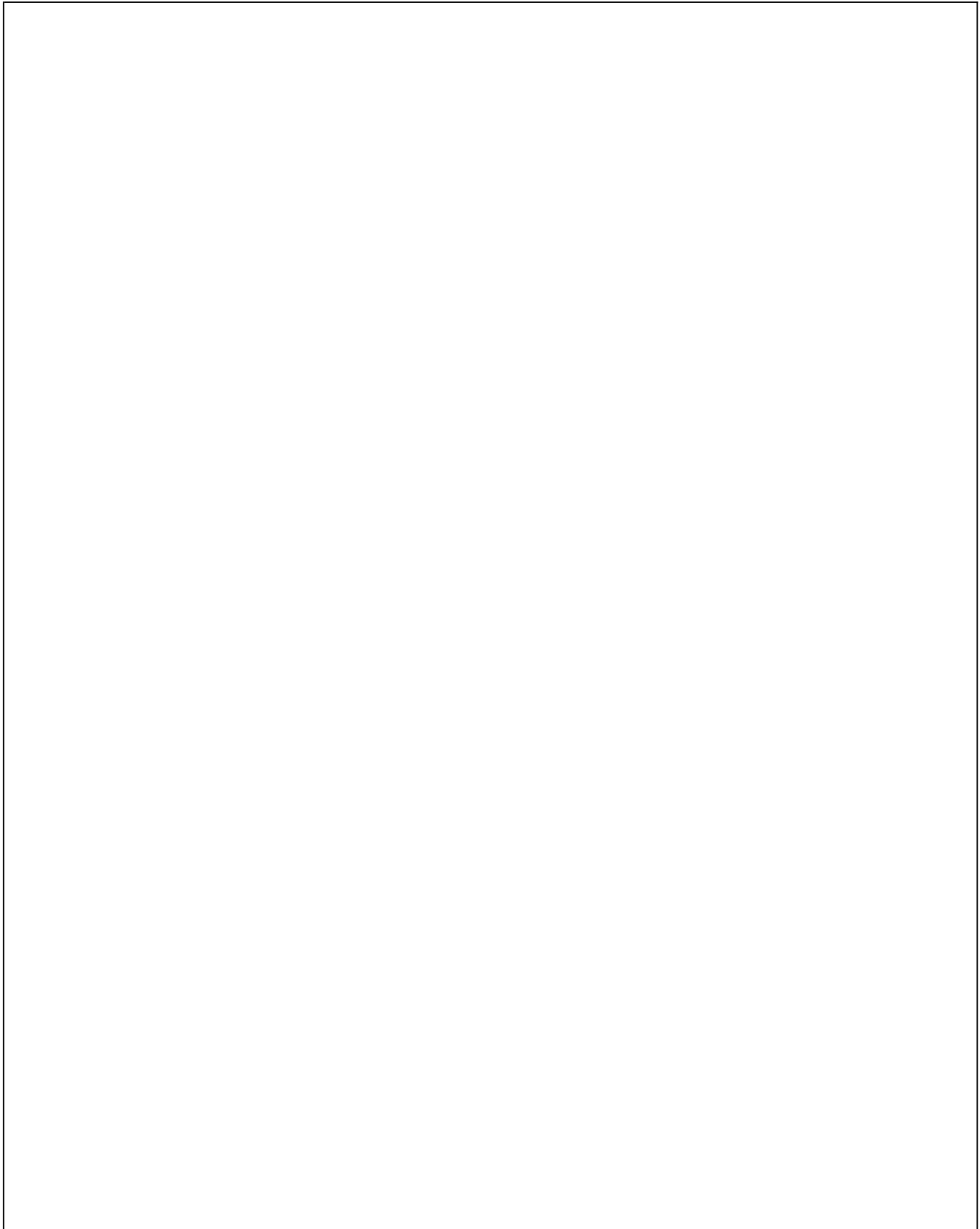
PLATE-19
ENGINE SUPPORT

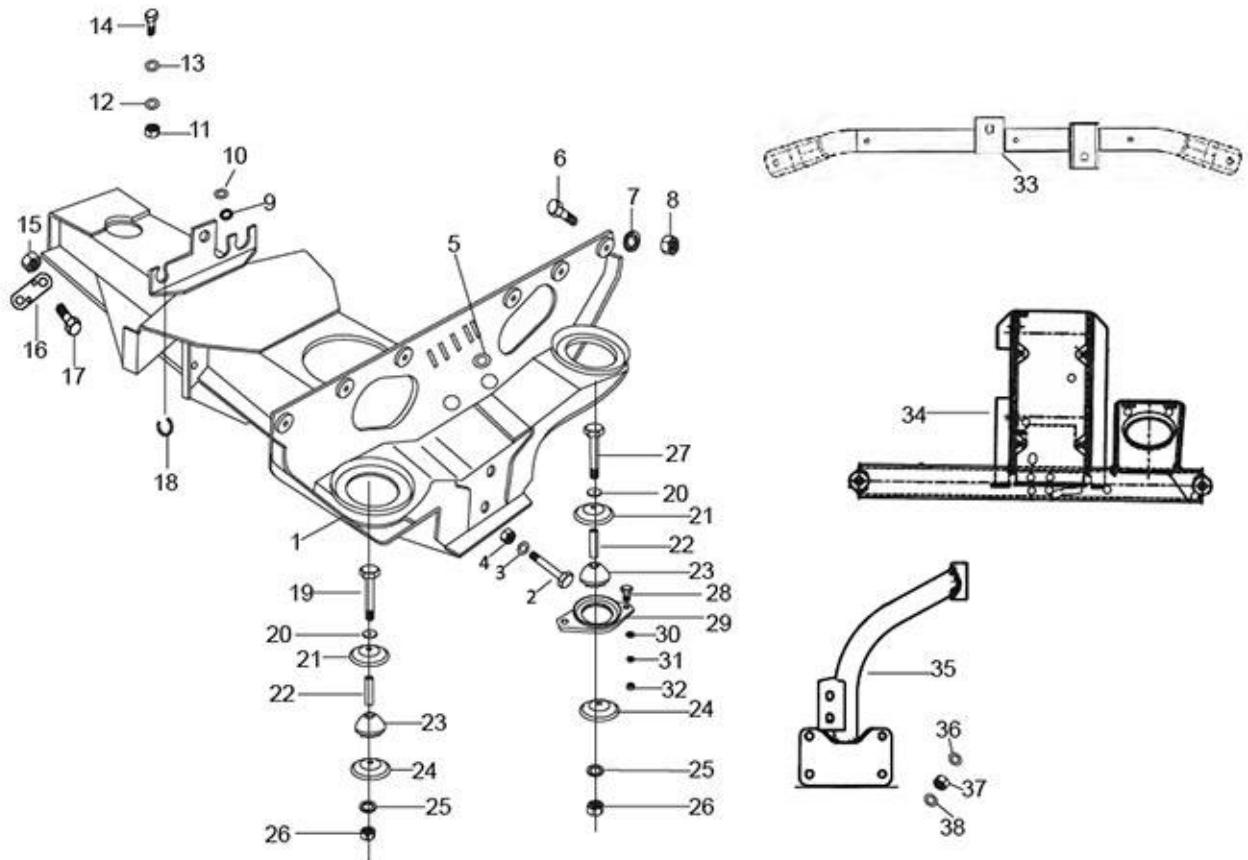
Fig. No.	Part No.	Description	Qty	Remarks
1	B075798	FRAME ASSY. SUSPENSION & ENGINE SUPPORT	1	
2	568689	HEX HEAD BOLT M10X100	2	
3	286328	PLAIN WASHER 20X10.2X2	2	
4	231370	SELF BREAKING NUT M10	2	
5	15478	GROMMET4	2	
6	31119	HEX HD SCREW M8 X 25	6	
7	016408	SPRING WASHER	6	
8	20108	HEX NUT M8	6	
9	178610	GROMMET	1	
10	016406	SPRING WASHER	2	
11	20108	HEX NUT M8	2	
12	016408	SPRING WASHER	2	
13	2383	PLAIN WASHER M20X8.5X2	2	
14	31119	HEX HD SCREW M8 X 25	2	
15	231370	SELF BREAKING NUT M10	2	
16	632299	PLATE	2	
16	632299	PLATE	1	
17	632247	HEX HDD SCREW M10X30 CC8.8	2	
18	568140	GROMMET	1	
19	604948	HEX.HDD BOLT M8 X 110 WITH POINTING	2	
20	2383	PLAIN WASHER M20X8.5X2	3	
21	569375	PLATE	3	
22	569241	SPACER	2	
23	265091	DUMPER ENGINE MTG.	2	
24	569244	PLATE	3	
25	016408	SPRING WASHER	3	
26	15335	HEX HD NUT M8	2	
27	272178	HEX. HDD BOLT M8 X 122 CL 10.9	1	
28	31154	HEX HDD SCREW M10X22 CL 8.8	2	
29	B003286	REAR AVM SUPPORT BKT. ASSY.	1	
30	286328	PLAIN WASHER 20X10.2X2	2	
31	16410	SPRING WASHER	2	
32	20108	HEX NUT M8	4	
33	B075595	CROSS MEMBER ENGINE MTG REAR	1	
34	B075459	FRT CROSS MEMBER ASSY. ENG. MTG.	1	

40

Print Date: 07-Apr-2022

PLATE-19
ENGINE SUPPORT





Print Date: 07-Apr-2022

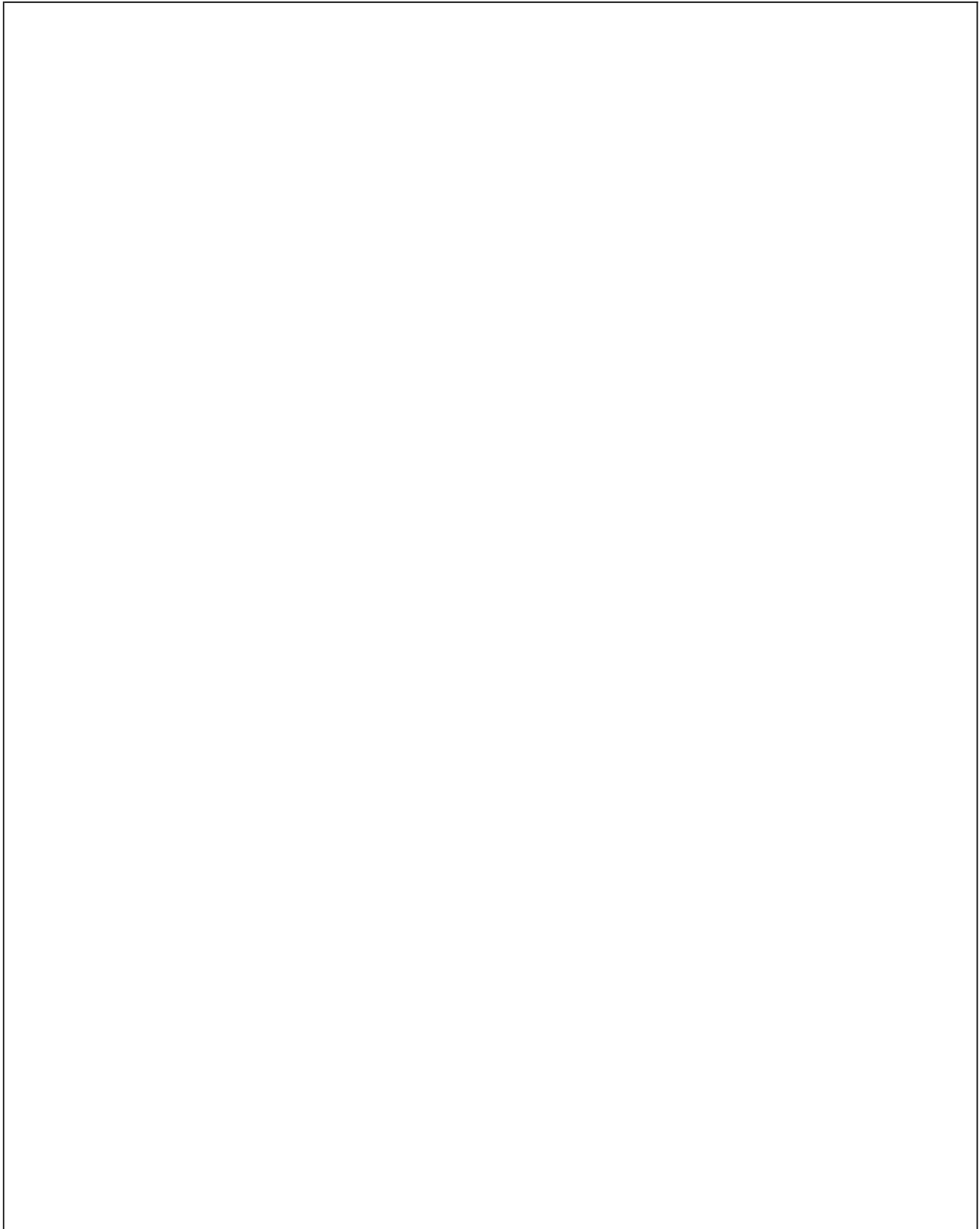
PLATE-19
ENGINE SUPPORT

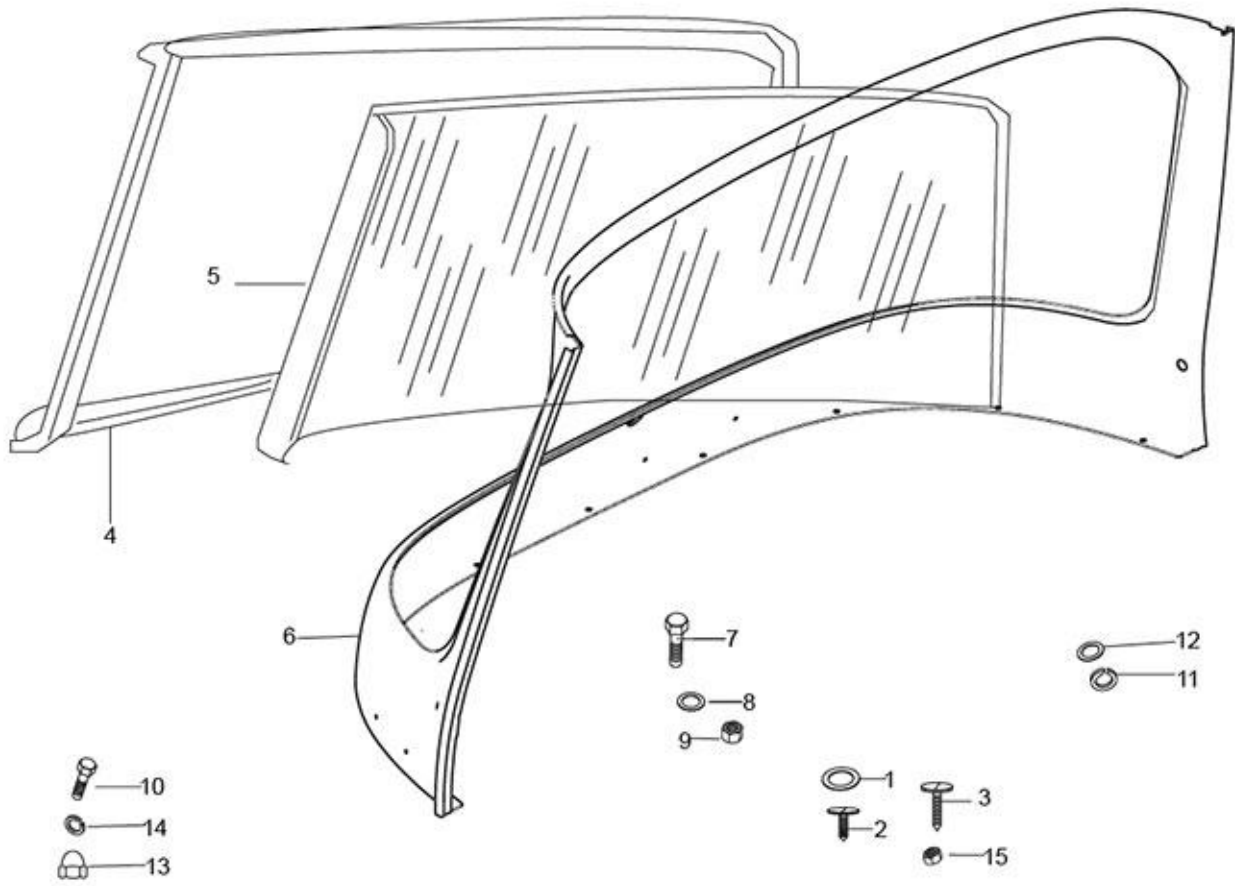
Fig. No.	Part No.	Description	Qty	Remarks
35	B075593	BKT SUB ASSLY ENGINE SUPPORT REAR	1	
36	286328	PLAIN WASHER 20X10.2X2	2	
37	20110	HEX NUT M10	4	
38	16410	SPRING WASHER	2	
39	B076295	PROTECTION BELLOW- GEAR CABLE	1	NI

Print Date: 07-Apr-2022

PLATE-20

WIND SHIELD/GLASS/BEADING





Print Date: 07-Apr-2022

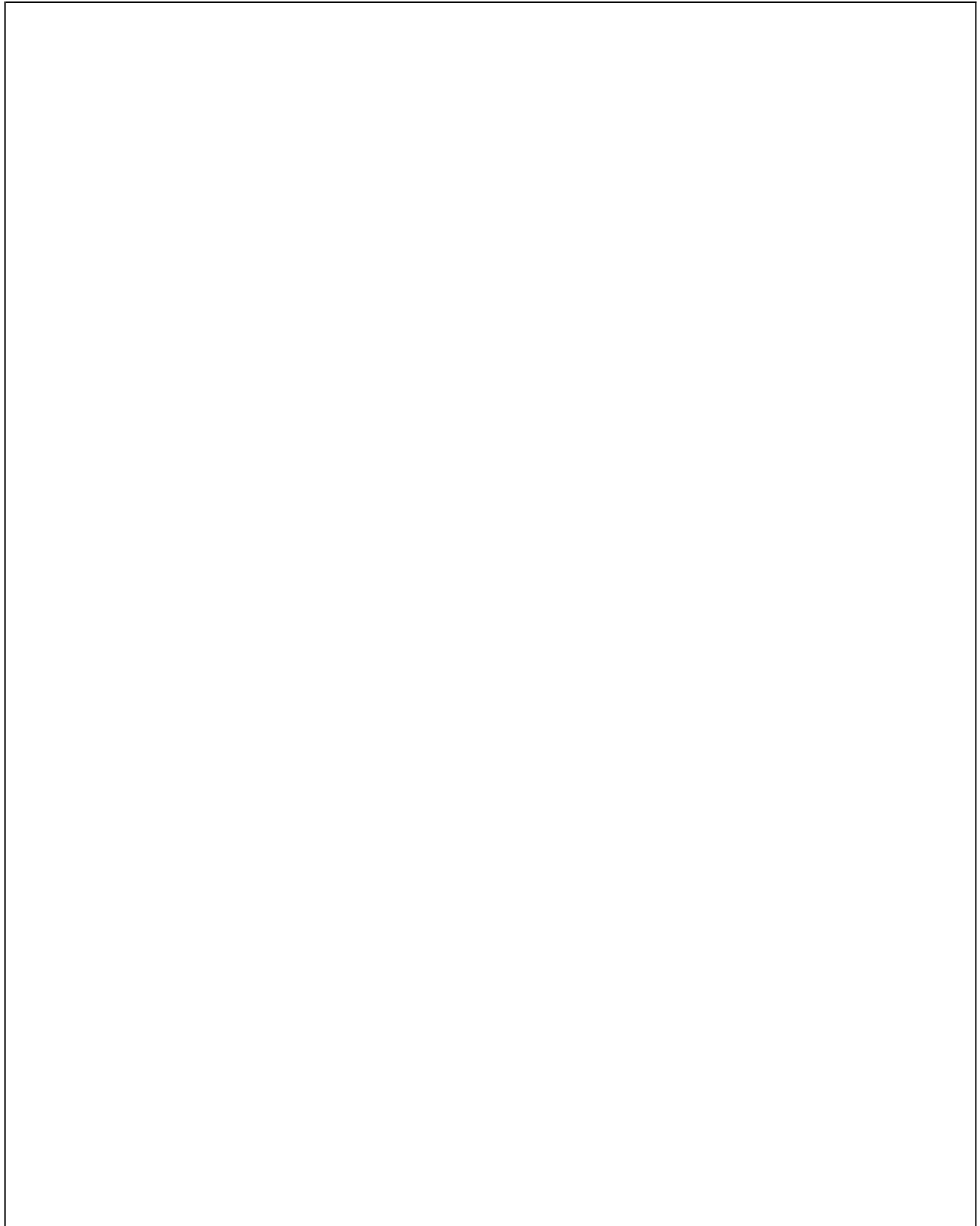
PLATE-20**WIND SHIELD/GLASS/BEADING**

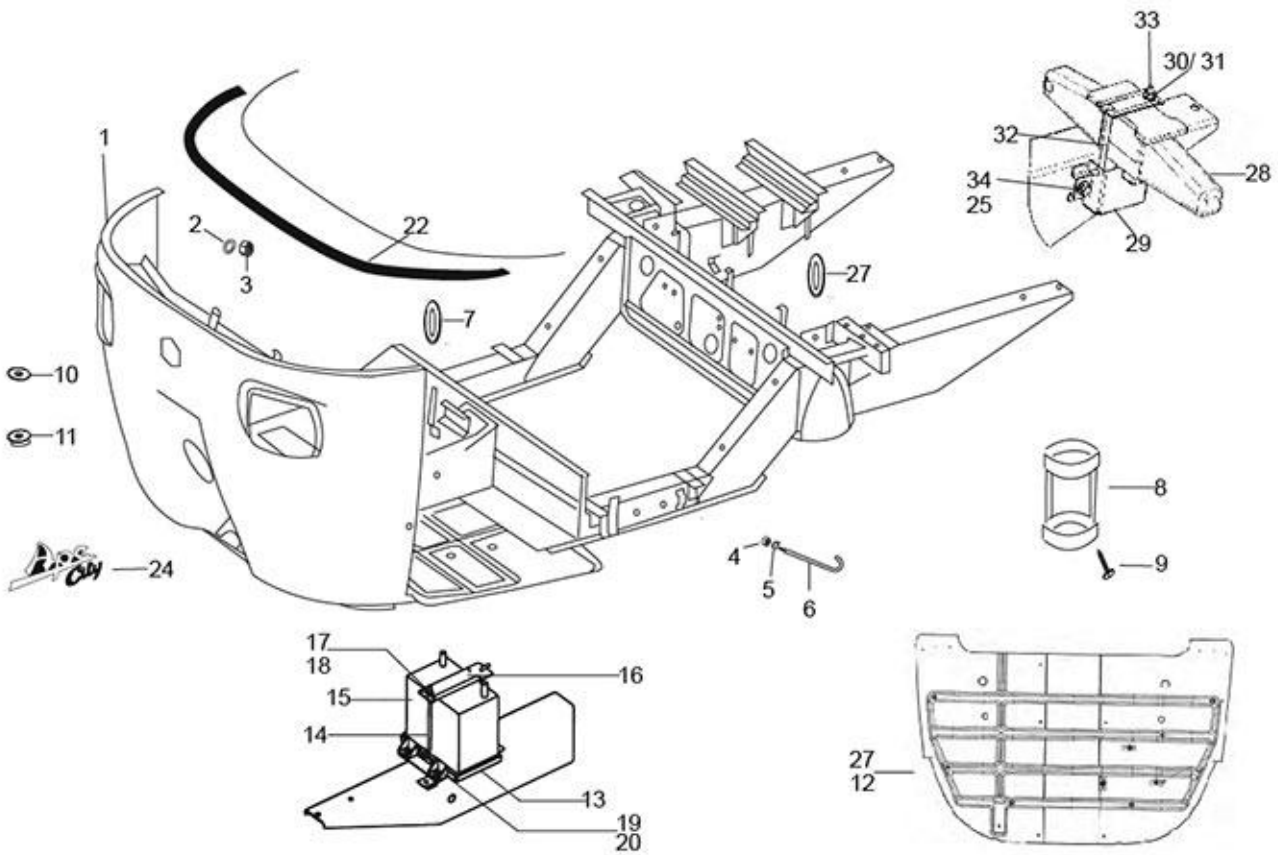
Fig. No.	Part No.	Description	Qty	Remarks
1	16670	PLAIN WASHER 12X4.5X1	2	
2	568692	PAN SELF TAP SCREW 6SG X 16AB	2	
3	18630	PAN SELF TAP SCREW 6SG X 25AB	2	
4	B073626	WINDSHIELD PACKING	1	
5	B073601	LAMINATED WINDSHIELD GLASS	1	E - Marked (Export)
6	B073602ED	WINDSCREEN FRAME (COMPLETE)	1	
7	B001386	HEX HEAD SCREW M5X20	9	
8	16405	SPRING WASHER M5	16	
9	20105	PLAIN NUT M5	20	
10	30242	SLOT CH. HD. SCREW	8	
11	808000826	PLAIN WASHER M8	2	
12	016408	SPRING WASHER	2	
13	568713	DOME NUT	8	
14	3055	PLAIN WASHER M5	8	
15	20104	HEX NUT M4	8	

Print Date: 07-Apr-2022

PLATE-21

MAIN FRAME/BATTERY BKT/JACK BKT





Print Date: 07-Apr-2022

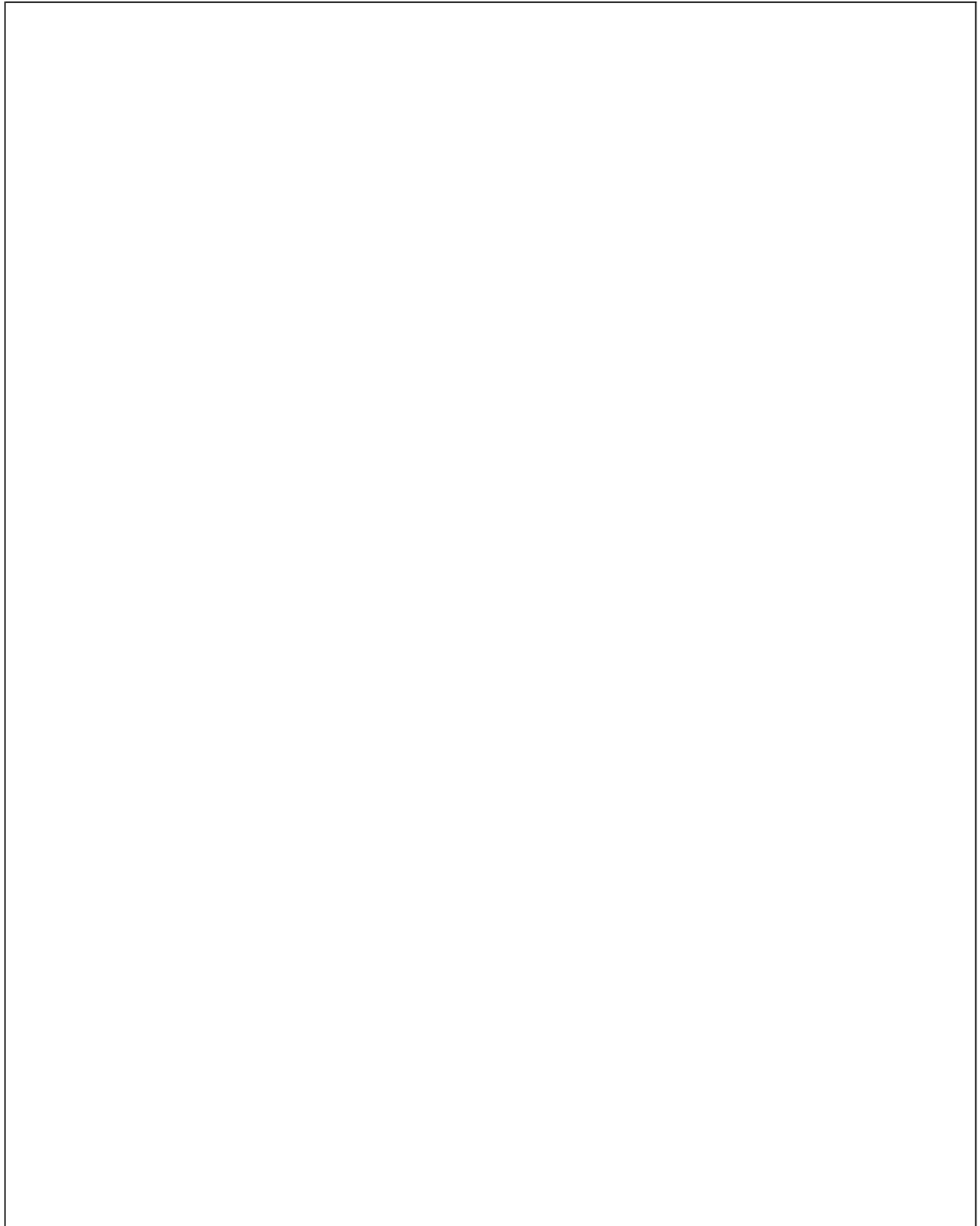
PLATE-21**MAIN FRAME/BATTERY BKT/JACK BKT**

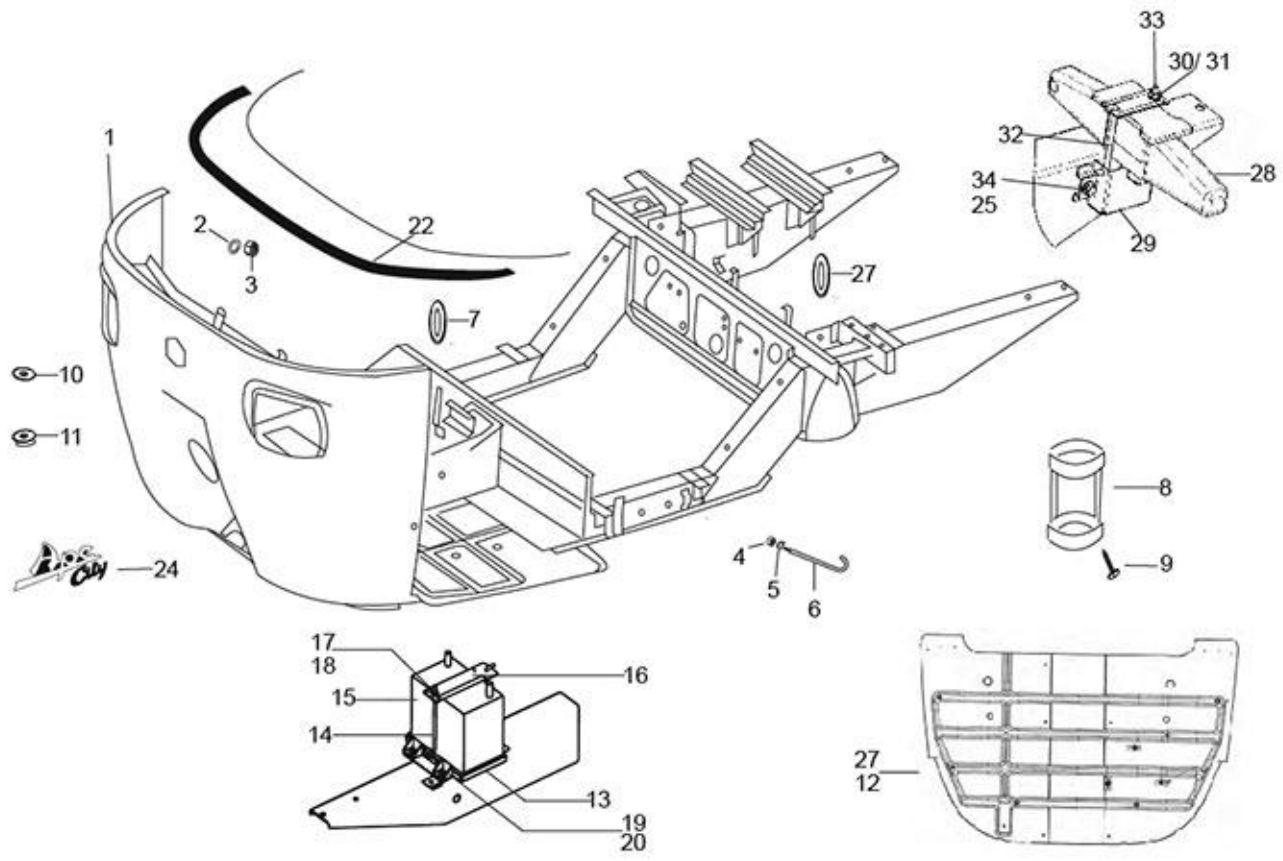
Fig. No.	Part No.	Description	Qty	Remarks
1	B078497BW	MAIN FRAME ASSLY WITH IP - PHILIPPINES-BW	1	
1	B078497CB	MAIN FRAME ASSLY WITH IP - PHILIPPINES-CB	1	
1	B078497EG	MAIN FRAME ASSLY WITH IP - PHILIPPINES-EG	1	
1	B078497GY	MAIN FRAME ASSLY WITH IP - PHILIPPINES-GY	1	
1	B078497BL	MAIN FRAME ASSLY WITH IP - PHILIPPINES-BL	1	
1	B078497WR	MAIN FRAME ASSLY WITH IP - PHILIPPINES-WR	1	
2	003054	PLAIN WASHER	5	
3	20104	HEX NUT M4	5	
4	20108	HEX NUT M8	1	
5	3058	PLAIN WASHER 15X8.4X1.5	1	
6	604954	TENSION ROD	1	
7	B075981	GROMMET WIRING HAND BRAKE	1	
8	B041392	BOTTLE CARRIER STAND	1	
9	660168	PAN SELF TP. SCREW 10 SGX13AB	2	
10	B075979	GROMMET	2	
11	604756	HOSE CLIP	2	
12	B074150	CABIN FLOOR SUB-ASSY. (PET/ DLS)	1	
13	616649	BATTERY TRAY	1	
14	632508	TENSION ROD ASSY. (BATTERY MOUNTING.)	1	
15	B006544	BATTERY 12V-35AH	1	
16	B003978	BATTERY HOLDING PLATE	1	
17	20108	HEX NUT M8	1	
18	3058	PLAIN WASHER 15X8.4X1.5	1	
19	016408	SPRING WASHER	1	
20	13861	PLAIN WASHER 20X8.2X2.5	4	
21	31118	SCREW M8X20	4	
22	B024474	BEADDING LINING	1	
23	604972	PIVOT GASKET-APE LOGO PLATE	1	NI
24	B041459	PLATE FRONT DOME -APE CITY	1	
25	2383	PLAIN WASHER M20X8.5X2	2	
26	B074637	BEEDING DOME SIDE PILLAR (PET/DLS)	1	
27	B075989	GROMMET FRT PART OF CENTRAL BEAM	1	
28	B076650R	JACK ASSLY	1	
29	B076012	JACK BOX	1	
30	13861	PLAIN WASHER 20X8.2X2.5	1	

Print Date: 07-Apr-2022

PLATE-21

MAIN FRAME/BATTERY BKT/JACK BKT





Print Date: 07-Apr-2022

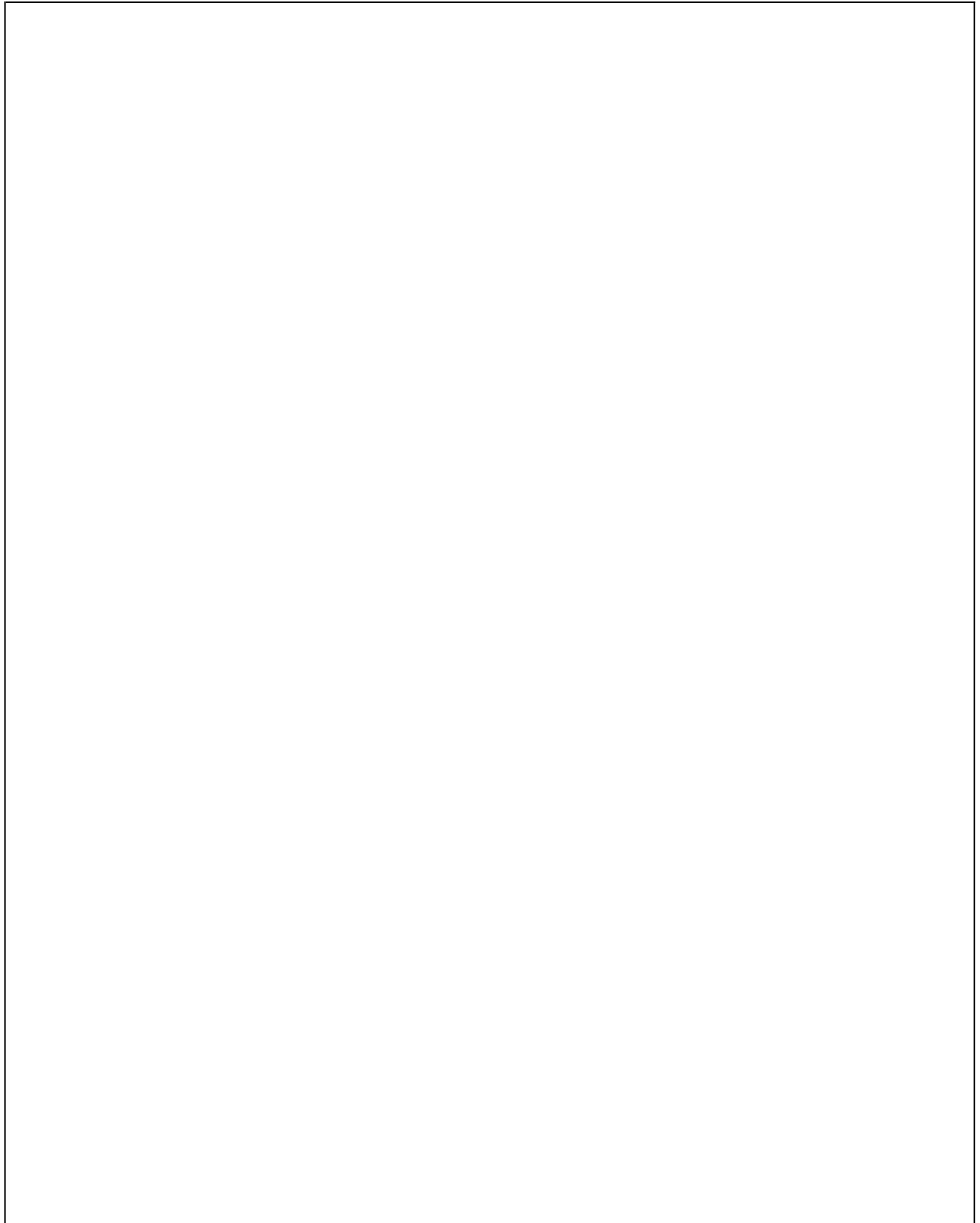
PLATE-21**MAIN FRAME/BATTERY BKT/JACK BKT**

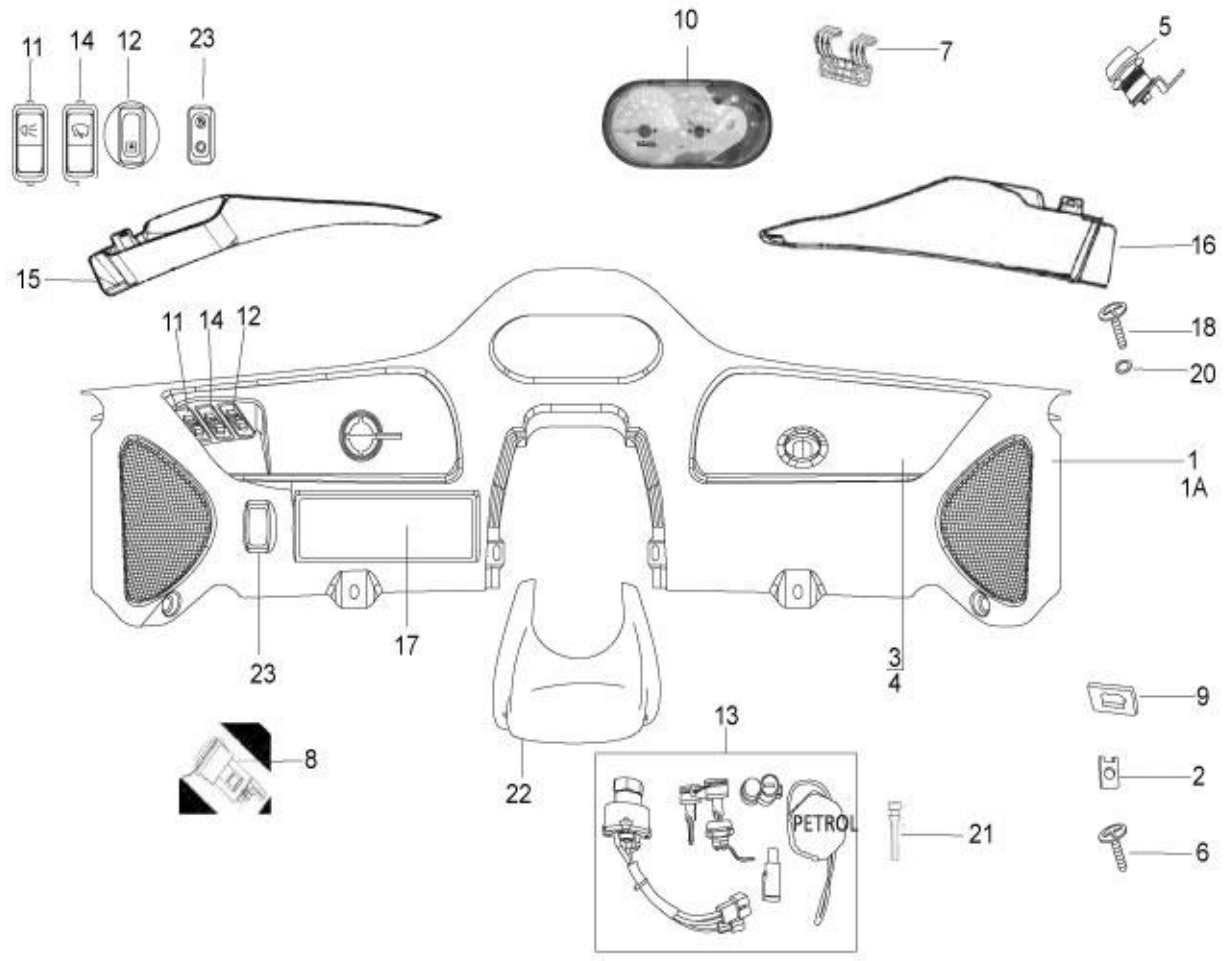
Fig. No.	Part No.	Description	Qty	Remarks
31	20108	HEX NUT M8	1	
32	B075966	RR TENSION ROD	1	
33	B075967	FR TENSION ROD	1	
34	652562	HEX. SCREW M8 X 1.25 X 14 WITH SPRING WA	2	

Print Date: 07-Apr-2022

PLATE-22

INNER PARTS OF CABIN





Print Date: 07-Apr-2022

PLATE-22**INNER PARTS OF CABIN**

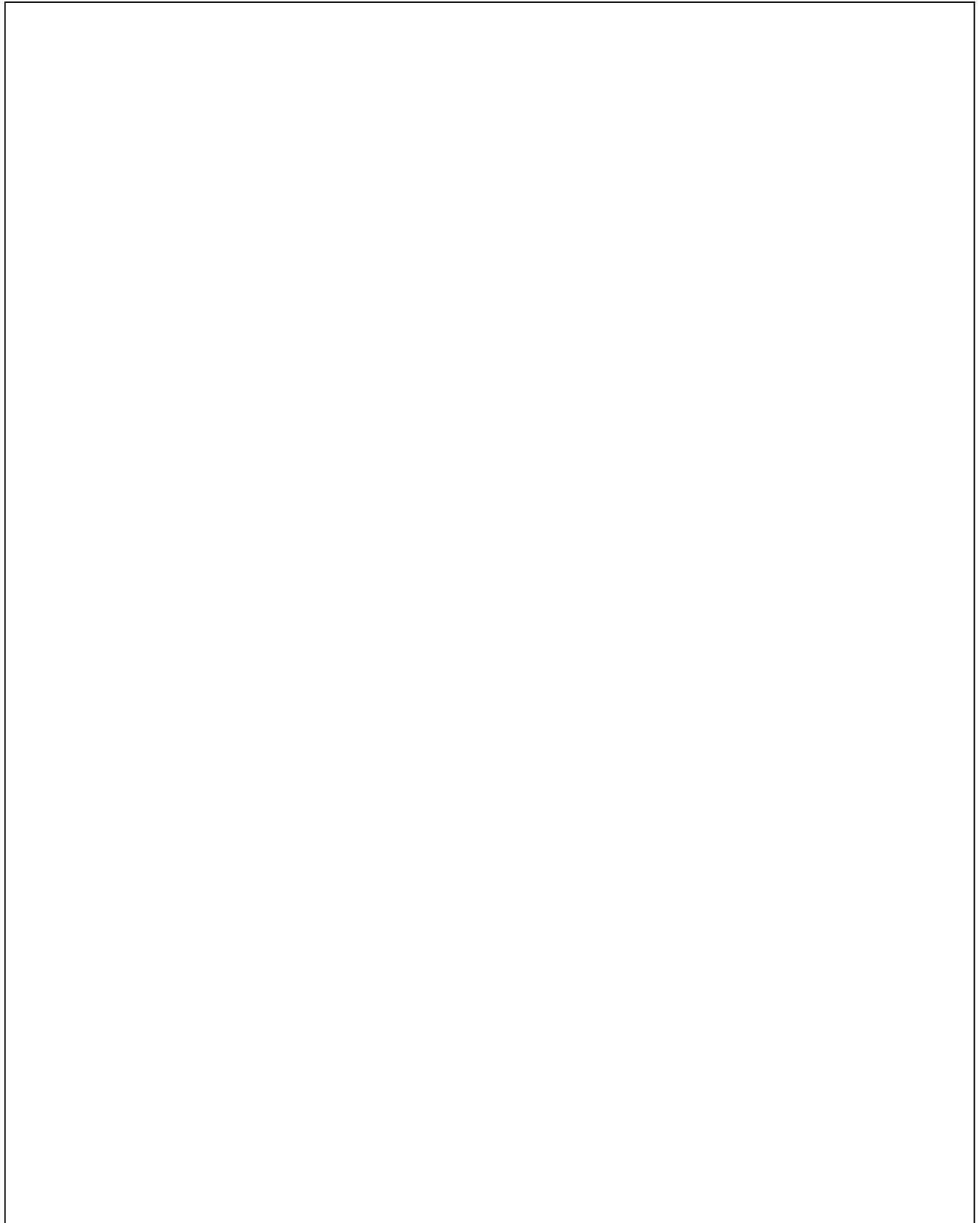
Fig. No.	Part No.	Description	Qty	Remarks
1	B078330	DASHBOARD ASSLY. (CITY E4-PHILIPPINES)	1	
1A	B073809	DASH BOARD ASSY.	1	
2	8080	SPRING PLATE	4	
3	B073810	GLOVE BOX COVER	1	
4	568671	GASKET - GLOW BOX COVER (N.I.)	4	
5	B024169	GLOVE BOX LOCK WITH KEY	1	
6	660168	PAN SELF TP. SCREW 10 SGX13AB	4	
7	B073814	HINGE	1	
8	B074905	MOBILE CHARGER	1	
9	643691	BOLT LOCK PLATE	1	
10	B076774	INSTRUMENT CLUSTER_ CITY (EURO 4)	1	
11	B073478R	SWITCH 3 POSITION	1	
12	B073481R	HAZARD WARNING SWITCH WITH CROWN CAP (12V)(VE)	1	
13	B078759	LOCK SET WITH KEYS (E4 PETROL_PHILI)	1	
14	B073479R	WIPER MOTOR SWITCH/ SWITCH WIPER MOTOR	1	
15	B073815	UPPER COVER DASH BOARD - LH	1	
16	B073816	UPPER COVER DASH BOARD - RH	1	
17	B073812	UTILITY BOX	1	
18	B023976	CSK PHILIPS HEAD SCREW M5X15	8	
19	B074262	PIN	2	
20	6078	PLAIN WASHER 12 X 5.2 X 1	8	
21	B074275	RUBBER DAMPER	2	
22	B073811	STEERING COLUMN COVER	1	

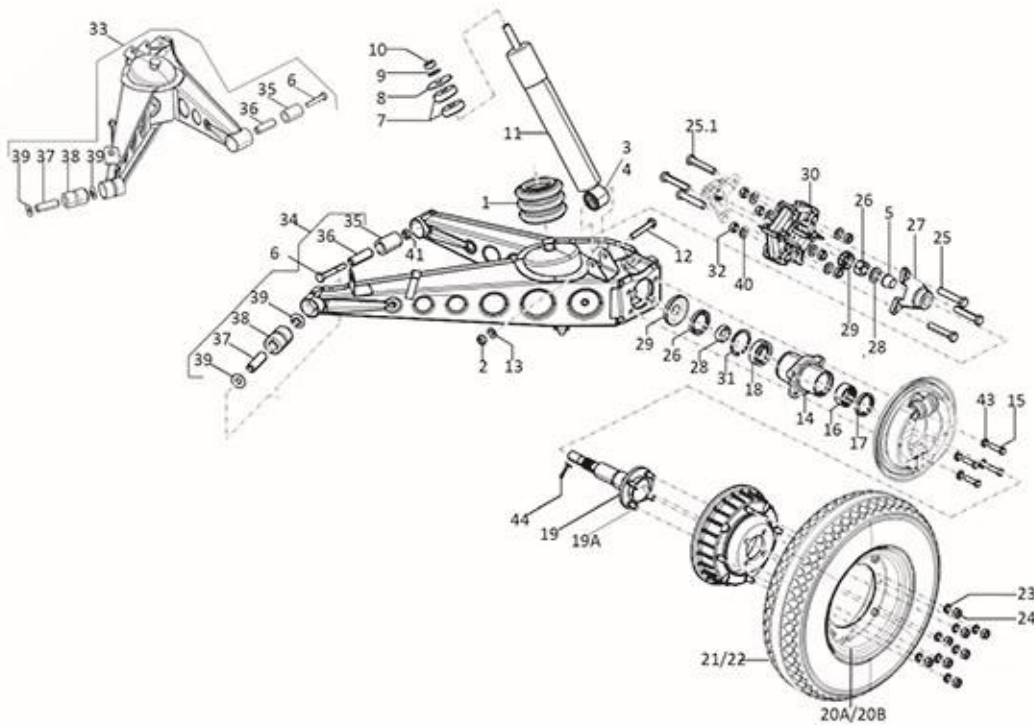
50

Print Date: 07-Apr-2022

PLATE-23

REAR SUSPENSION





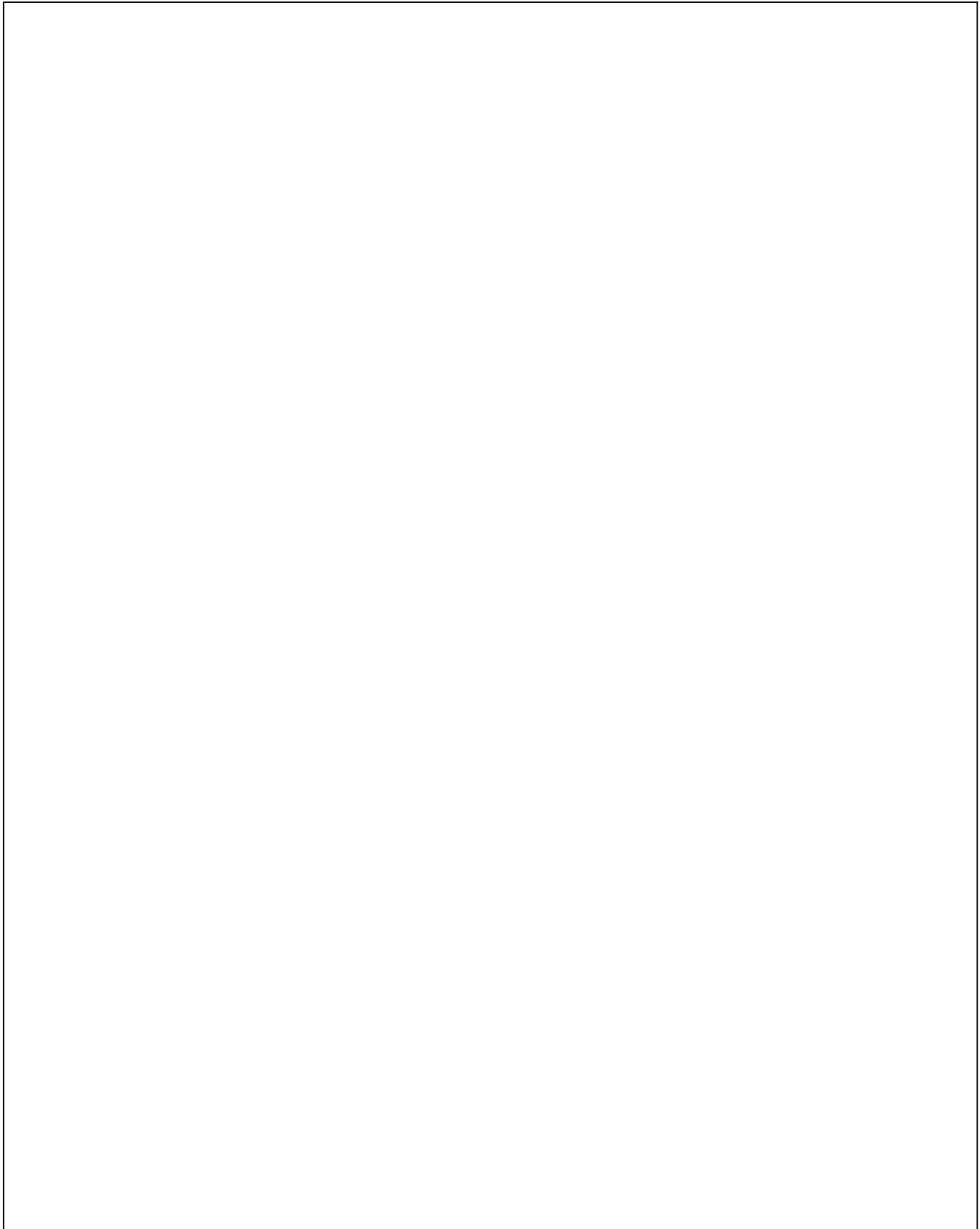
Print Date: 07-Apr-2022

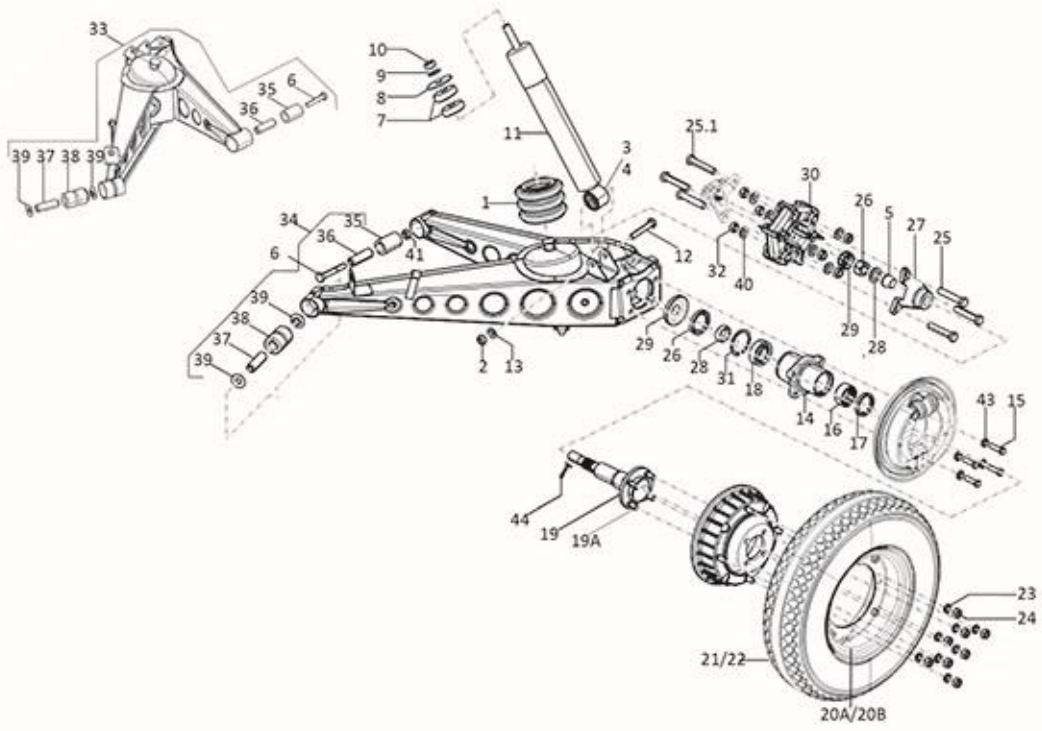
PLATE-23
REAR SUSPENSION

Fig. No.	Part No.	Description	Qty	Remarks
1	B076290	RUBBER BUMPER	2	
2	231370	SELF BREAKING NUT M10	2	
3	157103	BUSH - SHOCK ABSORBER	2	
4	107827	SPACER	1	
5	128633	CONE	1	
6	643741	HEX HDD BOLT M10 X 80 CL 12.9	4	
7	157103	BUSH - SHOCK ABSORBER	4	
8	6066	PL WASHER 10.5X38X9	2	
9	16410	SPRING WASHER	2	
10	20110	HEX NUT M10	2	
11	B076292	SHOCK ABSORBER REAR - BSIV	2	
12	267068	HEX HEAD BOLT M10 X 60 CC 10.9	2	
13	286328	PLAIN WASHER 20X10.2X2	2	
14	6C000530	REAR WHEEL HUB	2	
15	B002486	BOLT M8 X 35 6G CL 12.9	8	
16	661282	NEEDLE ROLLER BEARING	2	
17	20359	SEAL RING	2	
18	243303R	DEEP GROVE BALL BRG-RR WH AXLE	2	
19	B024374	REAR AXLE COMPLETE (APE CITY)	2	
19A	B001319	BOLT FOR AXLE	4	
20A	B074588R	WHEEL RIM ASSLY INNER - PAINTED	1	
20A	B074590R	WHEEL RIM OUTER - PAINTED	1	
21	B001317	TYRE & TUBE ASSEMBLY	4	
22	B001316	INNER TUBE FOR TYRE 4.0 X 8 INCH	4	
23	16410	SPRING WASHER	12	
24	20110	HEX NUT M10	12	
25	15594	HEX HDD BOLT M10 X 35	6	
25.1	B024373	ALLEN BOLT M10X65 CL 10.9	6	
26	196302	OIL SEAL	2	
27	587617	ELASTIC JOINT CONNECTION HUB (WHL - SIDE)	2	
28	661267	RING	2	
29	109892	PROTECTION CUP RR HUB	2	
30	604535	FLEXIBLE COUPLING	2	
31	6650	CIRCLIP DIA 50 (INT)	2	
32	231370	SELF BREAKING NUT M10	12	

Print Date: 07-Apr-2022

PLATE-23
REAR SUSPENSION





Print Date: 07-Apr-2022

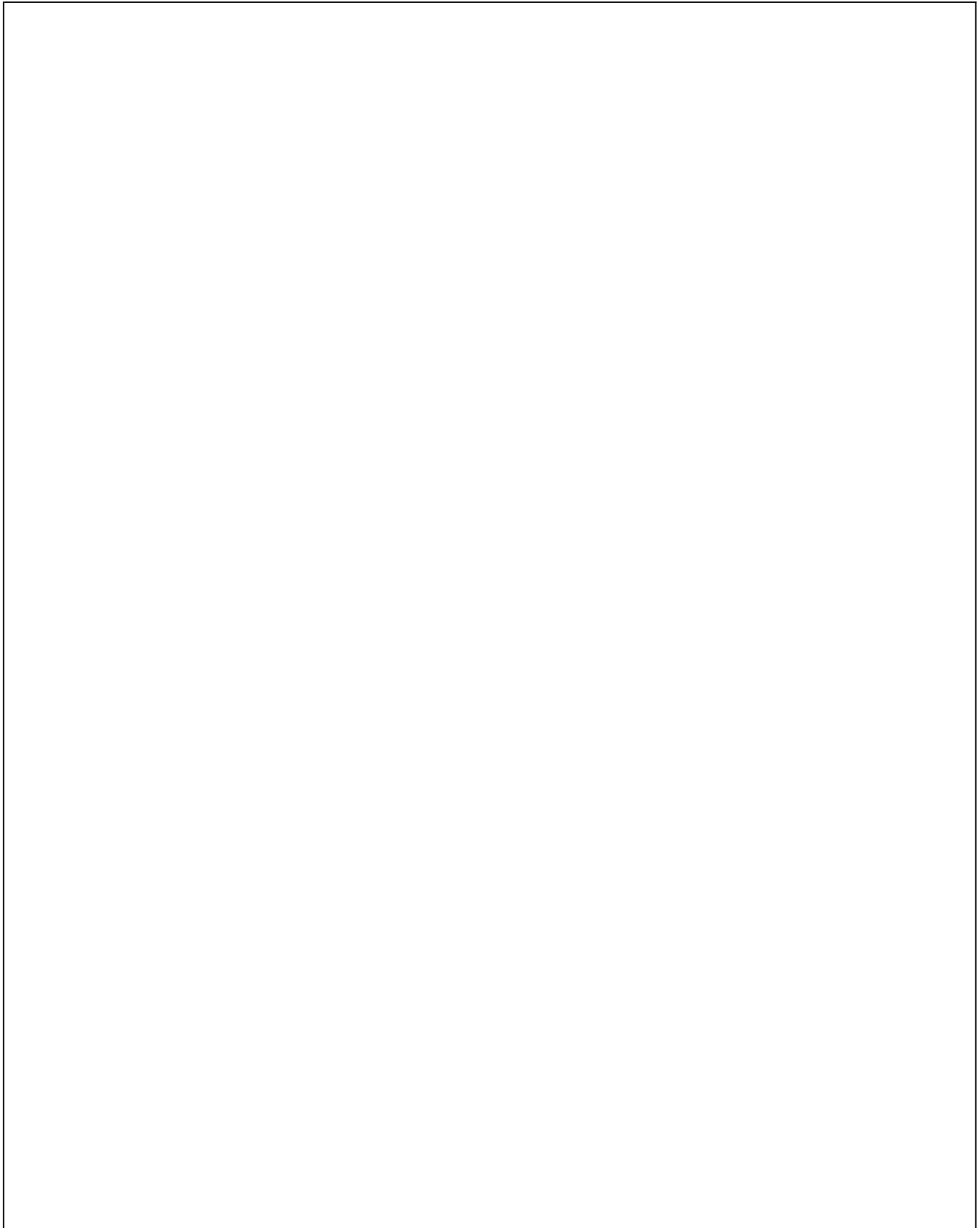
PLATE-23
REAR SUSPENSION

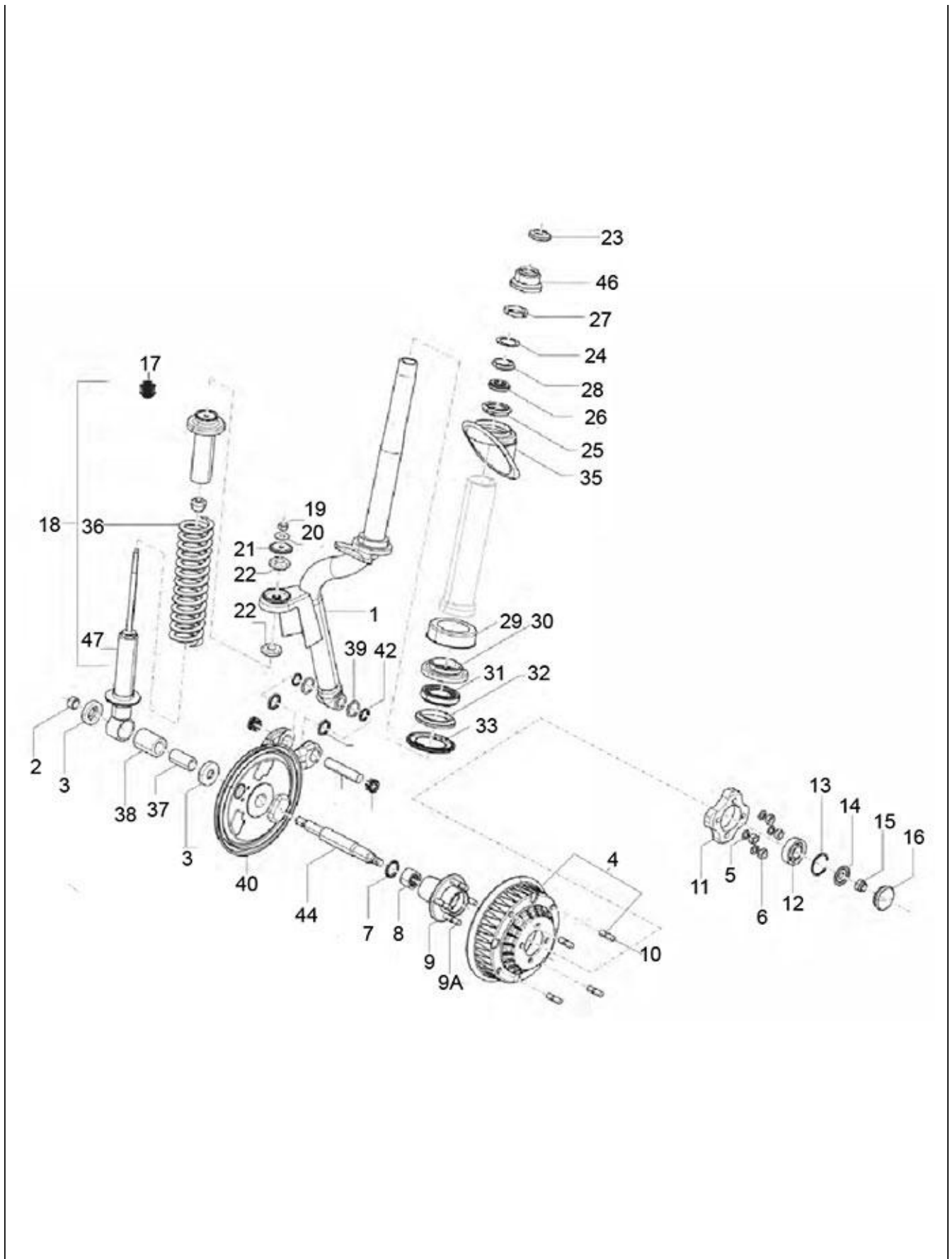
Fig. No.	Part No.	Description	Qty	Remarks
33	B075807	ARM SUB ASSY. LH - REAR SUSPENSION	1	
33A	-	NOT SERVICEABLE	1	NS
34	B075808	ARM SUB ASSY. RH - REAR SUSPENSION	1	
34A	-	NOT SERVICEABLE	1	NS
35	226662	RING FOR ELASTIC SUPPORT	2	
36	226661	INTERNAL BUSH	2	
37	267065	SPACER FRONT	2	
38	226596	BUSH FRONT RING FOR ELASTIC SUPPORT	2	
39	661266	SHOULDER WASHER	4	
40	237246	SHIM WASHER 20X10.2X1	12	
41	231370	SELF BREAKING NUT M10	4	
42	3068	PLAIN WASHER	1	
43	016408	SPRING WASHER	8	
44	12790	SPLIT PIN	2	

Print Date: 07-Apr-2022

PLATE-24

STEERING COLUMN AND FRONT SUSPENSION





Print Date: 07-Apr-2022

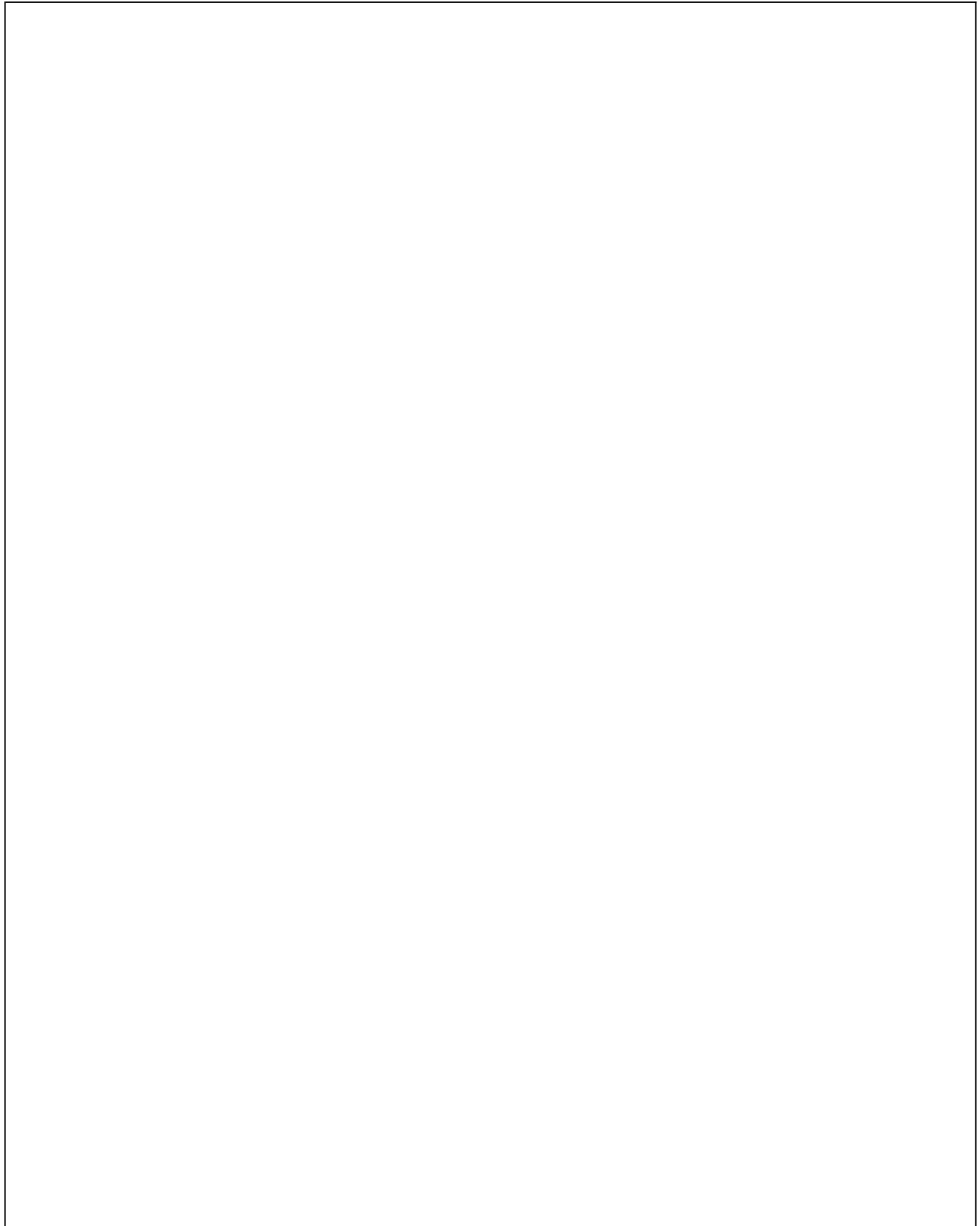
PLATE-24**STEERING COLUMN AND FRONT SUSPENSION**

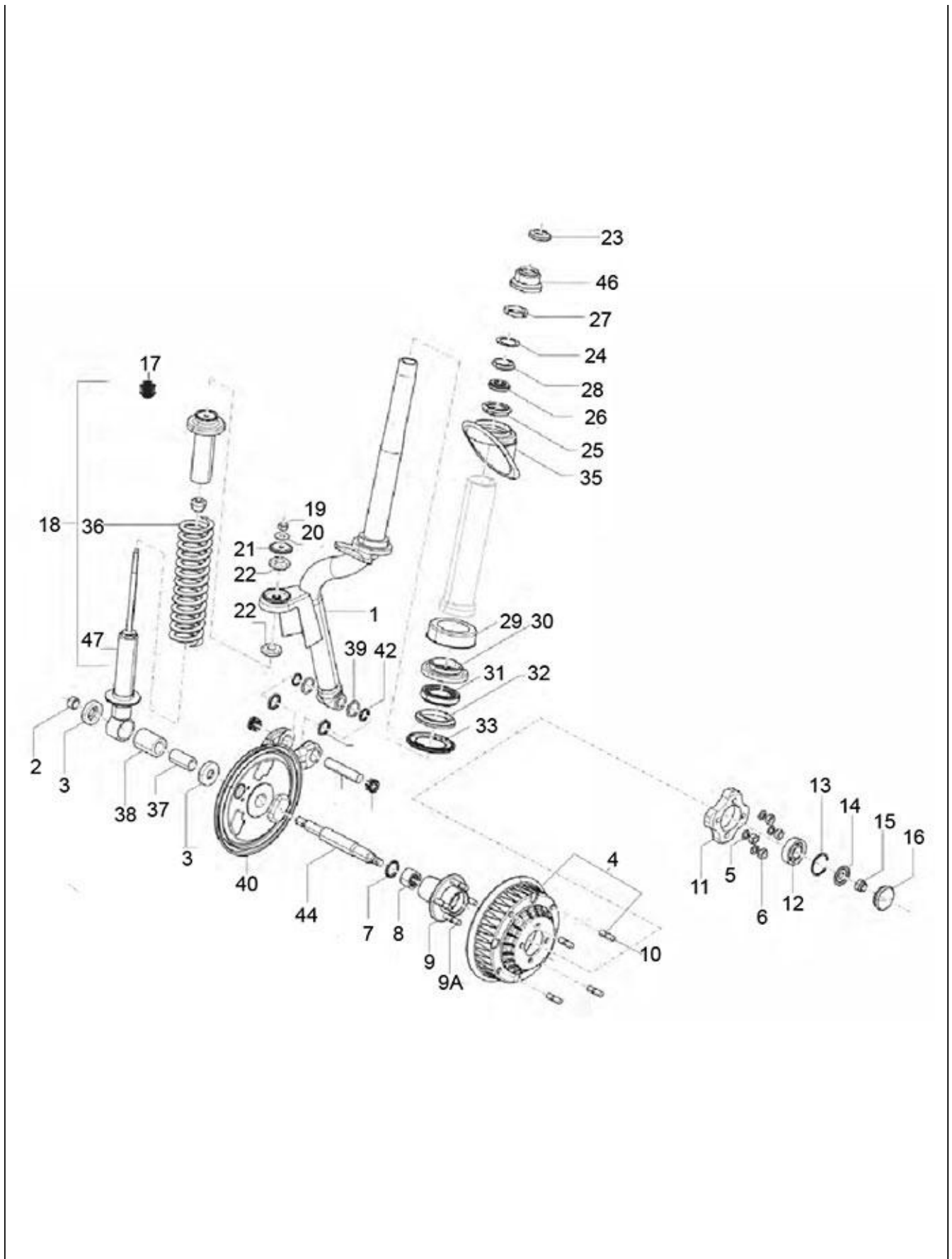
Fig. No.	Part No.	Description	Qty	Remarks
1	B073667SP	STEERING COLUMN ASSLY (NRB)-PAX UPGR SPD	1	
1	B075694	STEERING COLUMN WITH IP	1	
2	568095	NYLOCK NUT	1	
3	87067	PLAIN WASHER 30.5X14.3X2	1	
4	B042438	BRAKE DRUM ASSY. COMPLETE	1	
5	16410	SPRING WASHER	4	
6	20110	HEX NUT M10	4	
7	136434	OIL SEAL	1	
8	125289	NEEDLE BEARING, CRANKASE, FRONT WHEEL	1	
9	B001302	FRONT HUB ASSLY.	1	
9A	B001301	BOLT FRONT HUB.	4	
10	B001323	STUD M10 - BRAKE DRUM	4	
11	B041181	SPACER DISC FRONT WHEEL MTG (ALUMIN)	1	
12	30209R	BALL BEARING FRONT WHEEL HUB	1	
13	567473	CIRCLIP DIA. 42 INT. (841004203)	1	
14	180431	COIN WASHER	1	
15	74521	NUT M14 X 1.5	1	
16	107871	CAP	1	
17	75708	SILENT BLOCK	1	
18	B073690	FRONT SHOCK ABSORBER	1	
19	20110	HEX NUT M10	1	
20	16410	SPRING WASHER	10	
21	6066	PL WASHER 10.5X38X9	1	
22	-	NOT SERVICEABLE	2	NS
23	604758	PROTECTION	1	
24	108873	STOP WASHER FOR HOLDING	1	
25	567990	BEARING RACE UPPER BOTTOM	1	
26	567991	BEARING RACE UPPER TOP	1	
27	108874	SECURING RING NUT	1	
28	6C000190	UPPER BALL CAGE (VE)	1	
29	109064	DUST COVER	1	
30	567992	BEARING RACE LOWER TOP	1	
31	6C000191	LOWER BALL CAGE (VE)	1	
32	567993	BEARING RACE LOWER BOTTOM	1	
33	109066	WASHER WITH PROTECTION FOR BEARING	1	

Print Date: 07-Apr-2022

PLATE-24

STEERING COLUMN AND FRONT SUSPENSION





Print Date: 07-Apr-2022

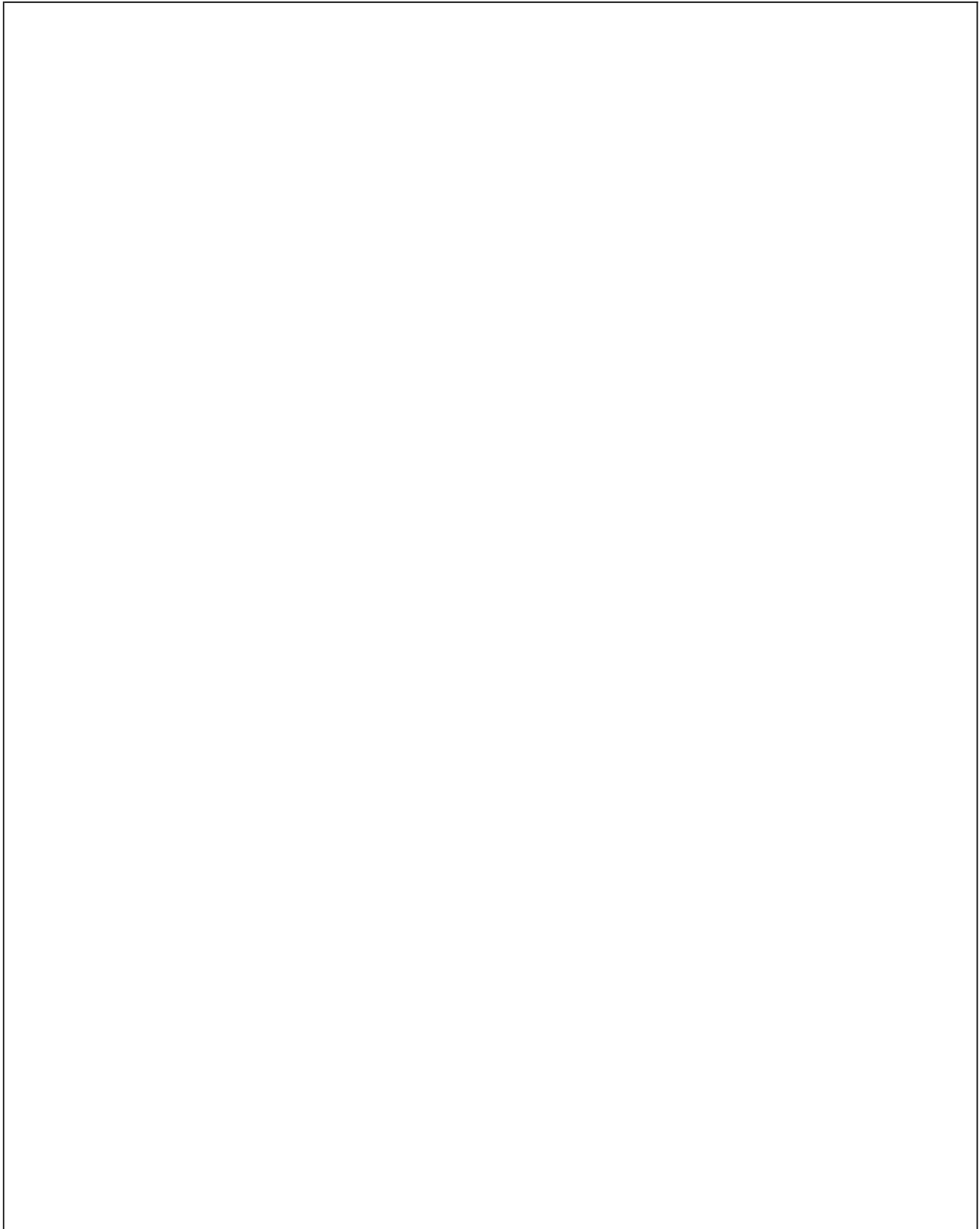
PLATE-24**STEERING COLUMN AND FRONT SUSPENSION**

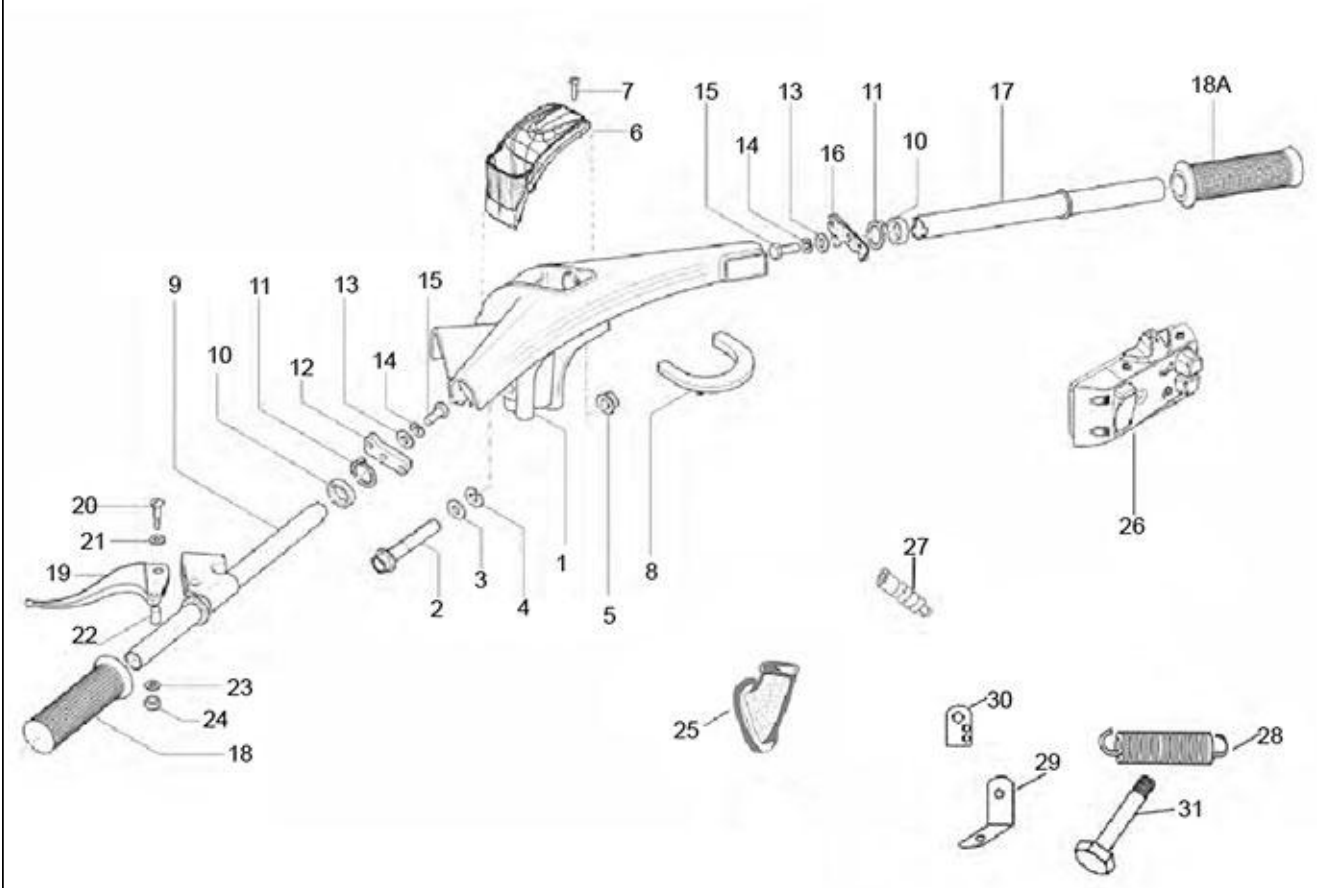
Fig. No.	Part No.	Description	Qty	Remarks
34	604759	RUBBER CAP STEERING COLUMN (N.I.)	4	
35	109265	SPLASH GUARD DUST COVER	1	
36	940066	SPRING SHOCK ABSORBER-UG / RING	1	
37	109117	RUBBER BUSH (FRT SHOCK ABSORBER) / RING	1	
38	566545	RUBBER BUSH (FRT SHOCK ABSORBER) - MODIFIED	1	
39	6733	O RING	2	
40	B024113	FRONT BRAKE ASSY.	1	
41	137235	STEERING PIN	1	
42	8771	OIL SEAL (18-24-4)	2	
43	107718	ROLLER BUSH	2	
44	643772R	FRONT WHEEL AXLE	1	
45	150579	RING FOR HOLDING TYPE J F101 17A	2	
46	604758	PROTECTION	1	
47	940065	SHOCK ABSORBER W/O SPRING	1	

Print Date: 07-Apr-2022

PLATE-25

HANDLE BAR AND CONTROL





Print Date: 07-Apr-2022

PLATE-25
HANDLE BAR AND CONTROL

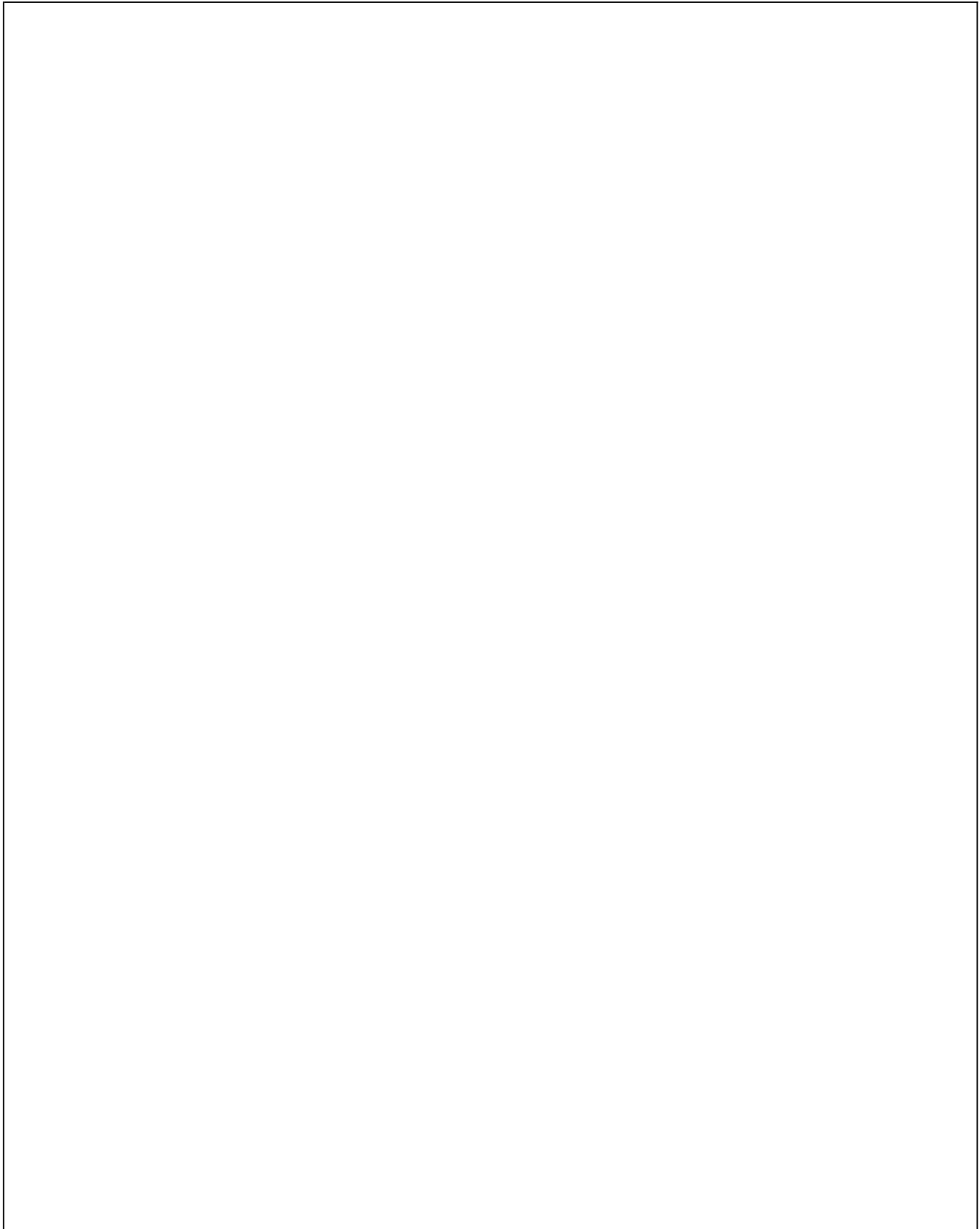
Fig. No.	Part No.	Description	Qty	Remarks
1	B075687ED	HANDLE BAR BODY-ED	1	
2	30104	MOUNTING BOLT M10 X 75	1	
3	16626	PLAIN WASHER (18X10.5X2)	2	
4	16410	SPRING WASHER	1	
5	20110	HEX NUT M10	1	
6	B073817	COVER	1	
7	632158	CSK HEAD SCREW	1	
8	126902	PROTECTION COLLAR CABLE	1	
9	B078029	TUBE SUB ASSLY. GEAR CONTROL	1	
9	6A000197	TUBE SUB ASSY WITH PARTS MODI	1	chassis cut off MBX0005AFXD843185
9A	B075313	SCREW FOR CLUTCH LEVER (NEW)	1	chassis cut off MBX0005AFXD843185
10	109404	WASHER OF RABBET(41737)	1	
11	60565	SPRING WASHER	1	
12	109775	GEAR CONTROL LEVER S/A	1	
13	3055	PLAIN WASHER M5	2	
14	016406	SPRING WASHER	2	
15	31089	HEX HEAD SCREW M6X18 CL 8.8	2	
16	109635	THROTTLE CONTROL LEVER WITH IP	1	
17	587902	ACCELERATOR TUBE ASSY.	1	
18	B073848	HANDLE BAR GRIP - LH	2	
18 A	B073849	HANDLE BAR GRIP - RH	1	
19	1E002770	LEVER CLUTCH CONTROL	1	ECN: 500000253294
20	B075313	SCREW FOR CLUTCH LEVER (NEW)	1	
21	16319	BENT SPRING WASHER	1	
22	125181	SPACER	1	
23	16620	PLAIN WASHER	1	
24	12138	NYLOCK NUT M6	1	
25	109227	PROTECTION GROMMET	1	
26	B073850R	HBS (ST. BUTTON) - CITY UPGRADE (NEW) _ALL NUOVO MODEL	1	
27	118806	PROTECTION BELLOW	2	
28	B006853	SPRING HANDLE BAR	1	
29	B074498	BRACKET	1	
30	B074040	PLATE SPRING MTG. HANDLE BAR	1	
31	30104	MOUNTING BOLT M10 X 75	1	
32	642032	PUSH BUTTON-CLUTCH	1	NI

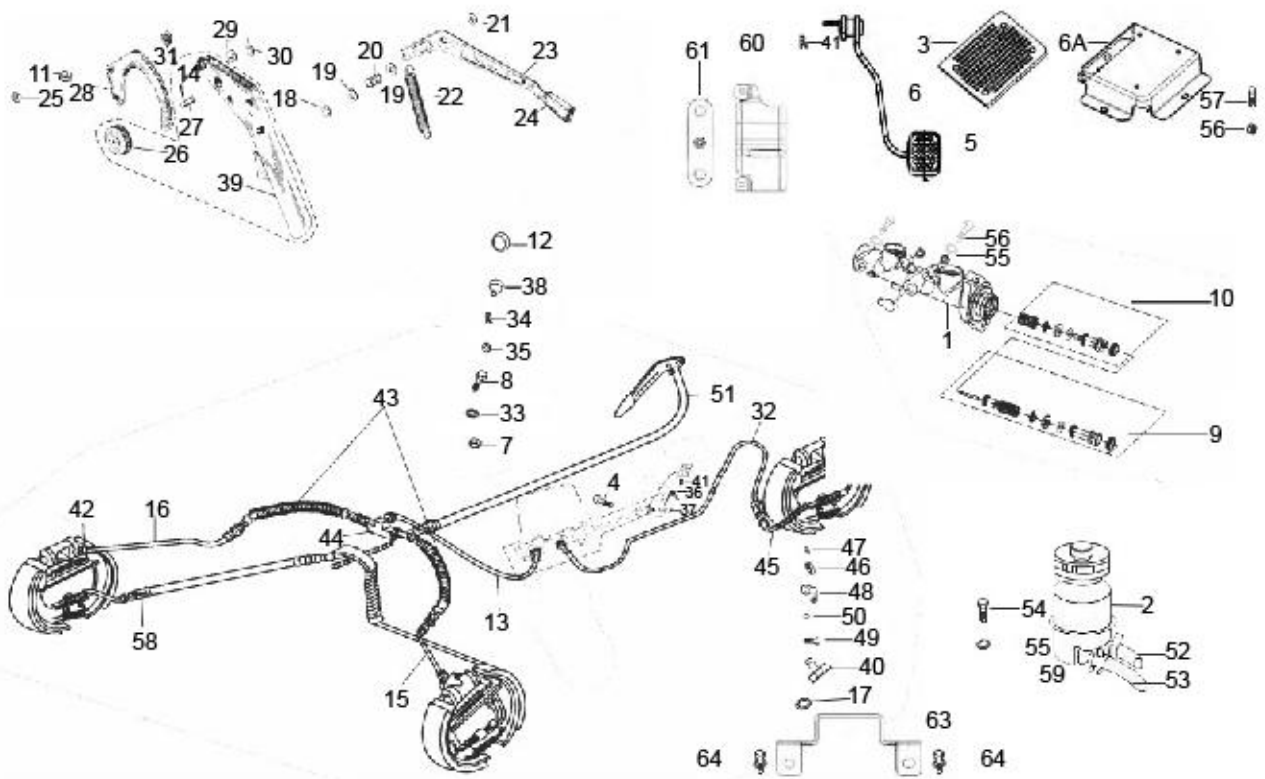
60

Print Date: 07-Apr-2022

PLATE-26

BRAKE - TANDEM MASTER CYLINDER ,BRAKE PIPE AND HAND BRAKES





Print Date: 07-Apr-2022

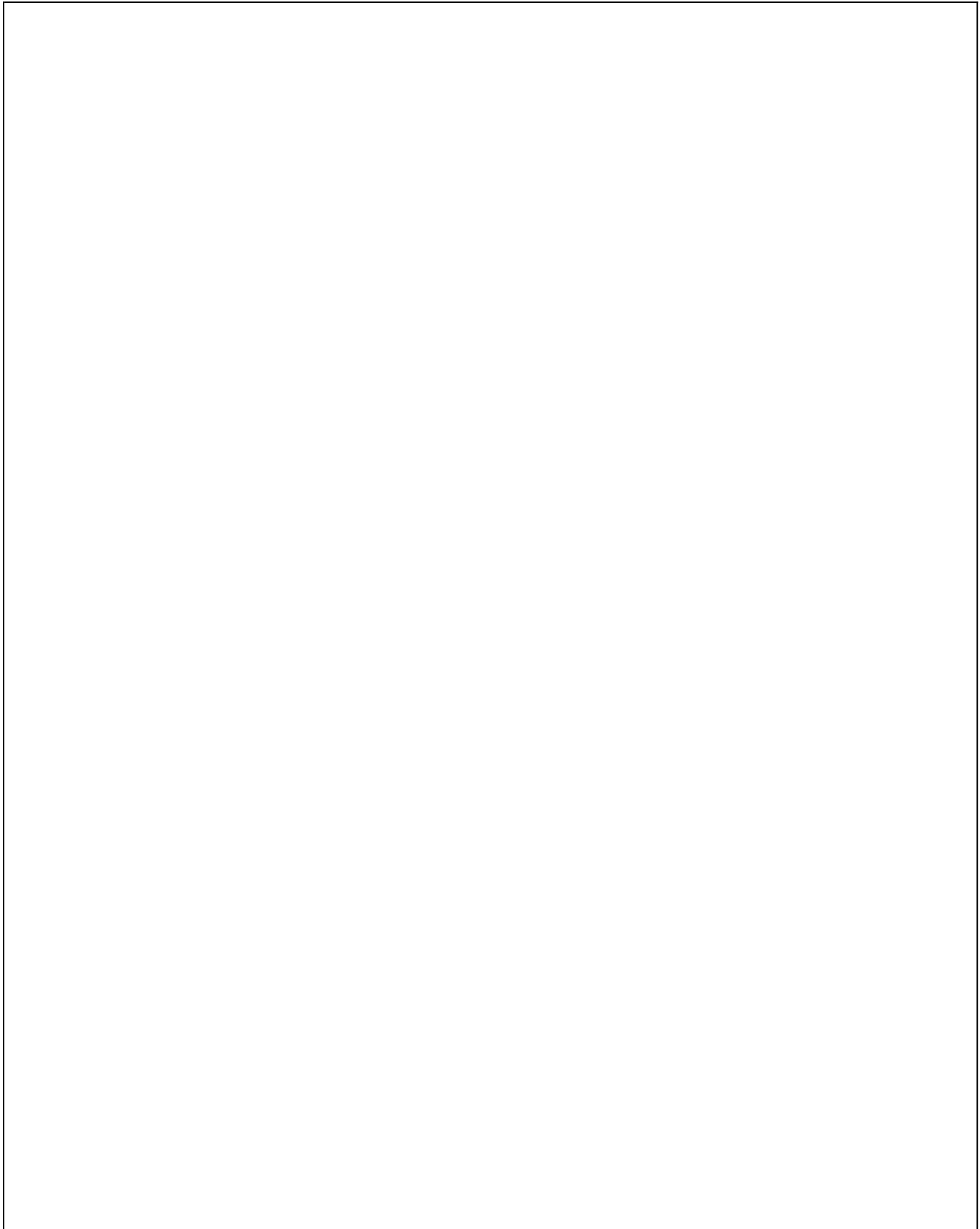
PLATE-26**BRAKE - TANDEM MASTER CYLINDER ,BRAKE PIPE AND HAND BRAKES**

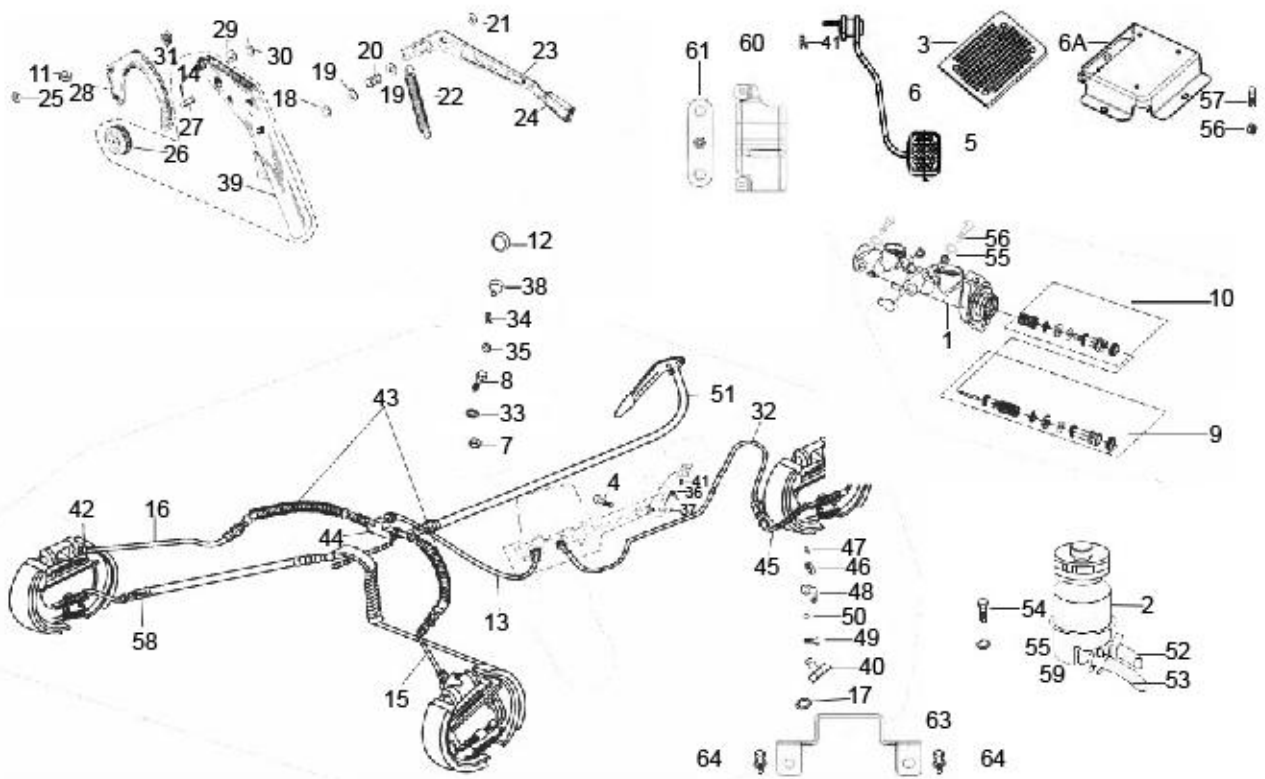
Fig. No.	Part No.	Description	Qty	Remarks
1	B075485	TMC ASSY.(19.05)	1	
2	613319	RESERVOIR A,MAST	1	
3	B074024	RUBBER MAT FOR FOOT REST	1	
4	652001	PIN	1	
5	567461	RUBBER PROTECTION FOR PEDAL	1	
6	B075492	BRAKE PEDAL WITH FOOT REST ASSLY	2	
6A	B073538	FOOT REST	1	
7	20108	HEX NUT M8	2	
8	812061656	CSK PHILIPS HEAD SCREW M6 X 16	2	
9	940067	MAJOR KIT TMC (UG)	1	
10	940068	MINOR KIT TMC (UG)	1	
11	20106	HEX NUT M6	2	
12	B042693	CUP RETAINING SPRING (SPLIT TYPE)	2	
13	B075491	BRAKE BUNDY TUBE TMC TO REAR WHEEL	1	
14	567920	SPLIT PIN	3	
15	B075835	BRAKE BUNDY TUBE FOR LH REAR WHEEL	1	
16	B075836	BRAKE BUNDY TUBE FOR RH REAR WHEEL	1	
17	3055	PLAIN WASHER M5	1	
18	5969	CIRCLIP DIA 9 E TYPE	1	
19	6173	METALLIC PLAIN WASHER (808001026)	2	
20	108785	SPRING	1	
21	B042317	SPACER-RC LEVER	1	
22	567690	REVERSE GEAR COUPLING SPRING	1	
23	125411	BACKING COMMAND LEVER	1	
24	604717	KNOB FOR R.C.	1	
25	016406	SPRING WASHER	2	
26	B075475	PULLEY FOR HAND BRAKE	1	
27	567899	CLEVIS PIN	1	
28	B042794	RATCHET , HAND BRAKE CONTROL	1	
29	016408	SPRING WASHER	1	
30	6411	EXT CIRCLIP DIA 11	1	
31	20108	HEX NUT M8	1	
32	B075490	BRAKE BUNDY TUBE TMC TO FRONT WHEEL	1	
33	016408	SPRING WASHER	2	
34	567920	SPLIT PIN	1	

Print Date: 07-Apr-2022

PLATE-26

BRAKE - TANDEM MASTER CYLINDER ,BRAKE PIPE AND HAND BRAKES





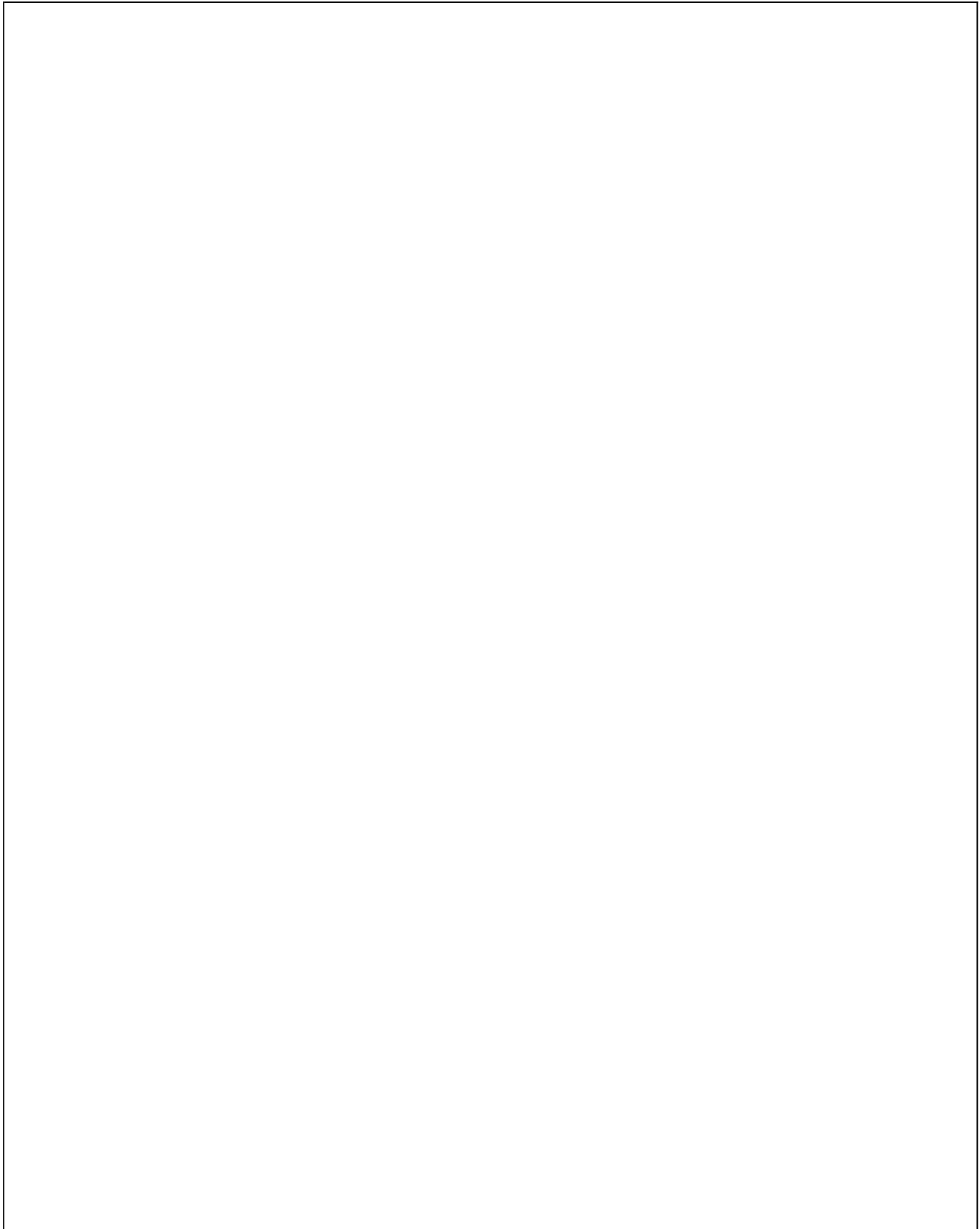
Print Date: 07-Apr-2022

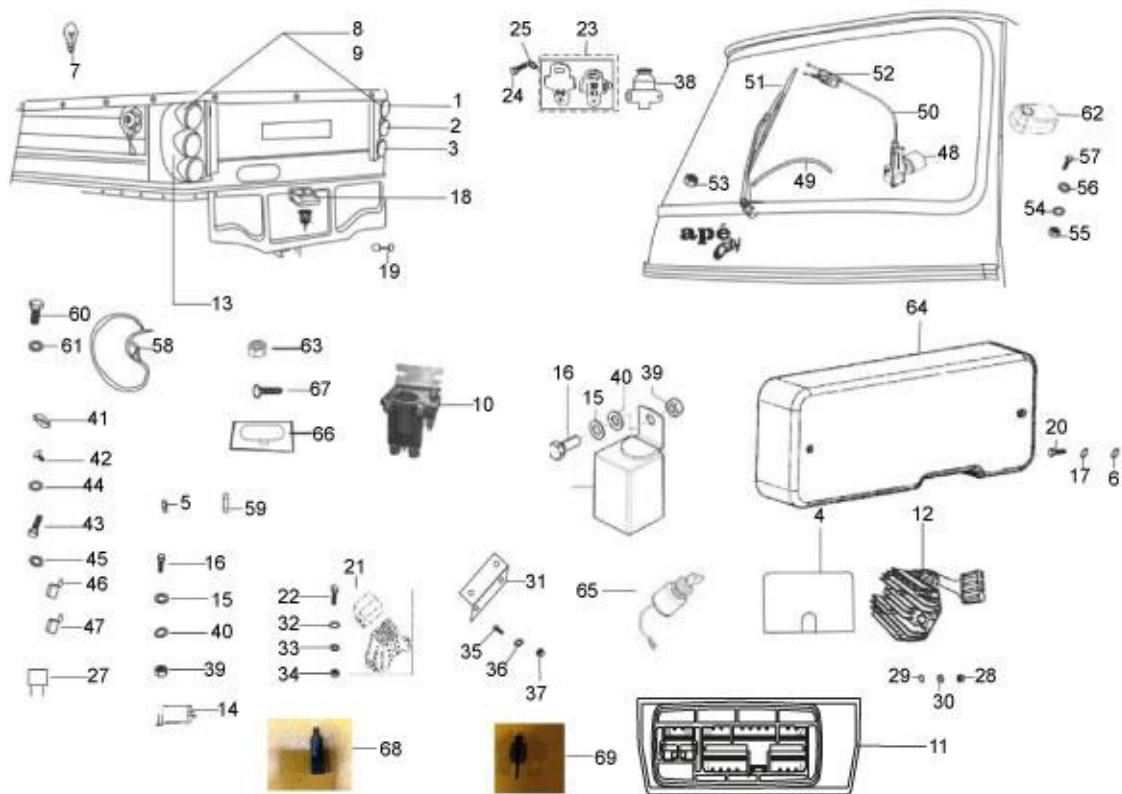
PLATE-26**BRAKE - TANDEM MASTER CYLINDER ,BRAKE PIPE AND HAND BRAKES**

Fig. No.	Part No.	Description	Qty	Remarks
35	3058	PLAIN WASHER 15X8.4X1.5	1	
36	B073800	TORSIONAL SPRING	1	
37	229524	WASHER 21X14.3X2	1	
38	138237	CAP	1	
39	B075697	HAND BRAKE CONTROL ASSLY	1	
40	632056	HEX NUT M6	1	
41	568737	SPLIT PIN 4 X 25 (821 0425 2 2)	2	
42	136916	PLATE FOR RETAINING THE BRAKE FLEX. PIPE	3	
43	644814R	FLEXIBLE BRAKE HOSE	2	
43	B023786R	FLEXIBLE PIPE FOR REAR WHEEL BRAKE	2	
44	643692	THREE WAY UNION	1	
45	587624R	FLEXIBLE PIPING FOR FRONT WHEEL BRAKE R	1	
46	21216	HEX NUT M16 X 1.5	1	
47	48197	PL WASHER 24X16X1.5	13	
48	B003228	LOCK PLATE FRONT BRAKE HOSE	1	
49	661229	BANJO BOLT	1	
50	604910	COPPER WASHER FEED PUM	1	
51	B041774	PARKING BRAKE CABLE ASSY	1	
52	1E002748	BRAKE OIL FEEDING HOSE, NO.1	1	
53	1E002749	BRAKE OIL FEEDING HOSE, NO.2	1	
54	B074999	HEX BOLT	2	NS
55	013880	PLAIN WASHER	4	
56	20104	HEX NUT M4	4	
57	31088	HEX HD SCREW M6 X 16 CL 8.8 (811061623)	4	
58	B076007	PIPE CLIP 1 WAY	6	
59	B075838	CLAMP	2	
60	B075949	TMC PROTECTIVE SHIELD	1	
61	B075950	TMC SHIELD MTG. BKT.	1	
62	B075700	CLIP (14.5)	1	
63	1E002556	BRAKE OIL RESERVOIR BRACKET	1	
64	D9166140616	BOLT, W/WASHER	2	

Print Date: 07-Apr-2022

PLATE-27
ELECTRICAL DEVICES





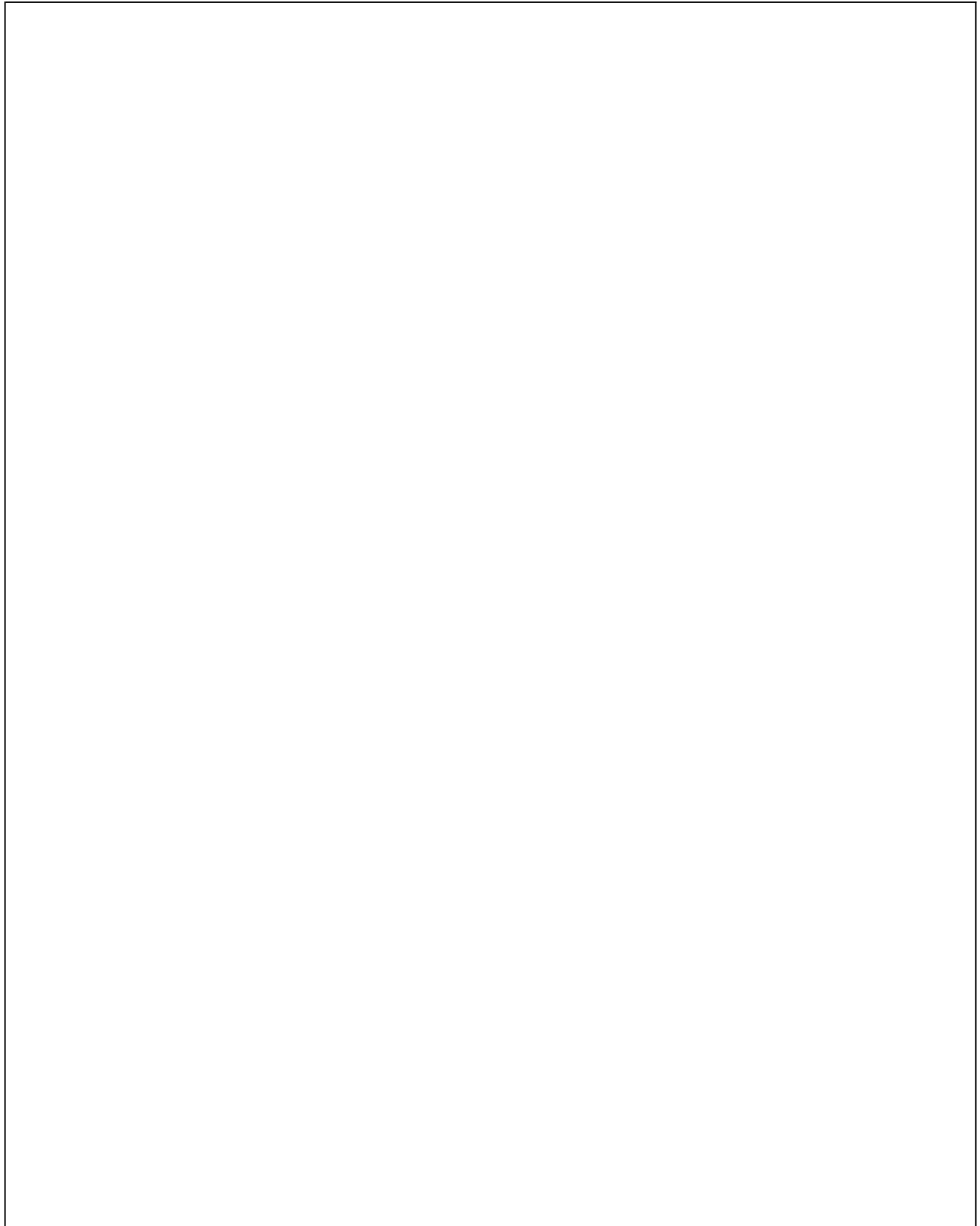
Print Date: 07-Apr-2022

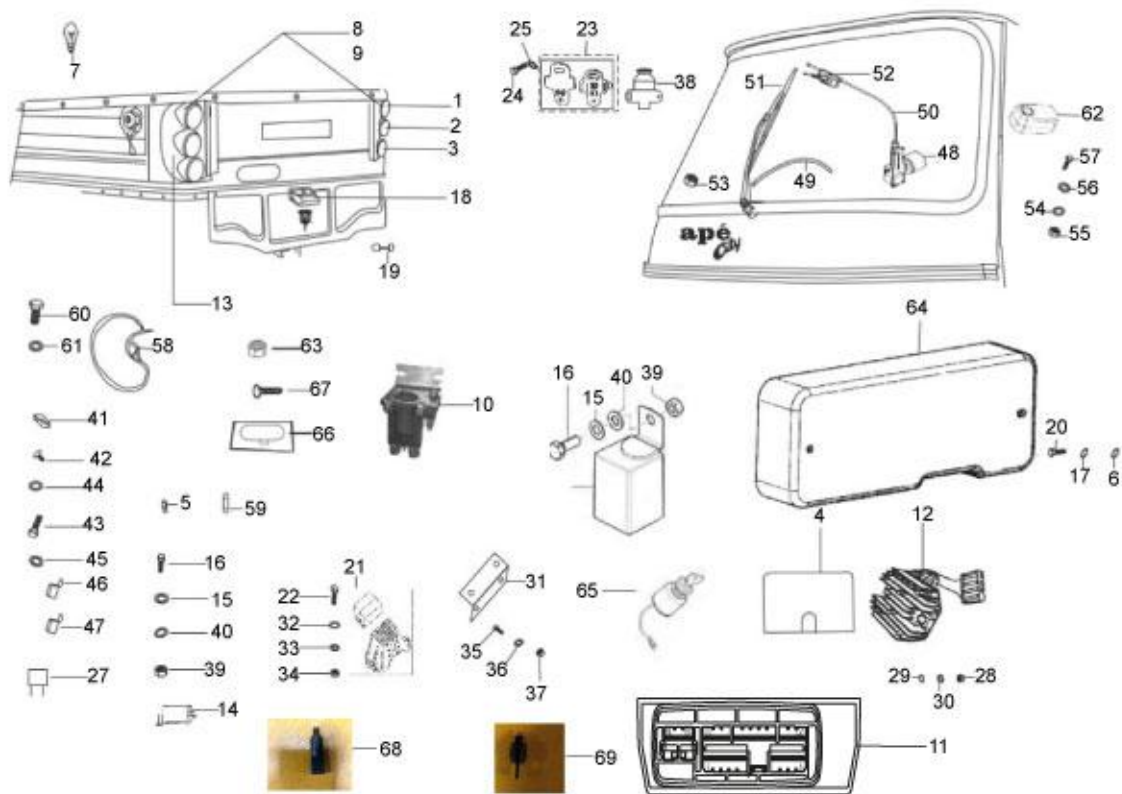
PLATE-27
ELECTRICAL DEVICES

Fig. No.	Part No.	Description	Qty	Remarks
1	932290	TAIL LAMP LENS (TURN SIGNAL PAXX 200)	2	
2	932291	TAIL LAMP LENS (STOP/TAIL PAXX 200)	2	
3	932292	TAIL LAMP LENS REVERSE (PAXX 200)	2	
4	B024056	COVER CDI	1	
5	604557	FUSE (10A)	6	
6	3055	PLAIN WASHER M5	1	
7	71633	STOP AND PARKING BULB 12V 10/5 W	2	
8	B024643	TAIL LAMP ASSY. LH	1	
9	B024642	TAIL LAMP ASSY. RH	1	
10	587671R	4 ST RELAY SOLENOID	1	
11	CM278918	ELETTRONIC INJECTOR DEVICE	1	
12	1D000671R	VOLTAGE REGULATOR	1	
13	B024641	REAR LAMPS SUPPORT PAX 200 (GREY)	2	
14	B023727R	CONTACTOR	1	
15	12546	PLAIN WASHER / MULTI TOOTH LOCK WASHER M5	1	
16	31057	HEX HEAD SCREW M5 X 14 CL 8.8	1	
17	568721	SPRING WASHER M4	2	
18	150915R	REGISTRATION PLATE LAMP ASSY	1	E - Marked (Export)
19	71633	STOP AND PARKING BULB 12V 10/5 W	1	
20	8451	PAN SELF TP SCREW 6 SGX13 AB	2	
21	567581	FOUR POLE FUSE BOX	1	
22	31058	HEX HEAD SCREW M5 X 16 CC8.8	2	
23	567498R	BRAKE/REVERSE LIGHT SW (INTEGRAL CAP)-PAV	2	
24	15996	PHIL RD HD SCREW M4X12	2	
25	003054	PLAIN WASHER	2	
26	B023726R	REMOTE CONTROL SWITCH	1	
27	567706	FUSE 30 A	1	
28	12136	NUT / NYLOCK NUT M5	2	
29	6078	PLAIN WASHER 12 X 5.2 X 1	2	
30	16405	SPRING WASHER M5	2	
31	B075693	MTG BKT ONE WAY FUSE - HOLDER	1	
32	3055	PLAIN WASHER M5	2	
32	6078	PLAIN WASHER 12 X 5.2 X 1	2	
33	6965	SPRING WASHER DIA 5	2	
34	20105	PLAIN NUT M5	2	

Print Date: 07-Apr-2022

PLATE-27
ELECTRICAL DEVICES





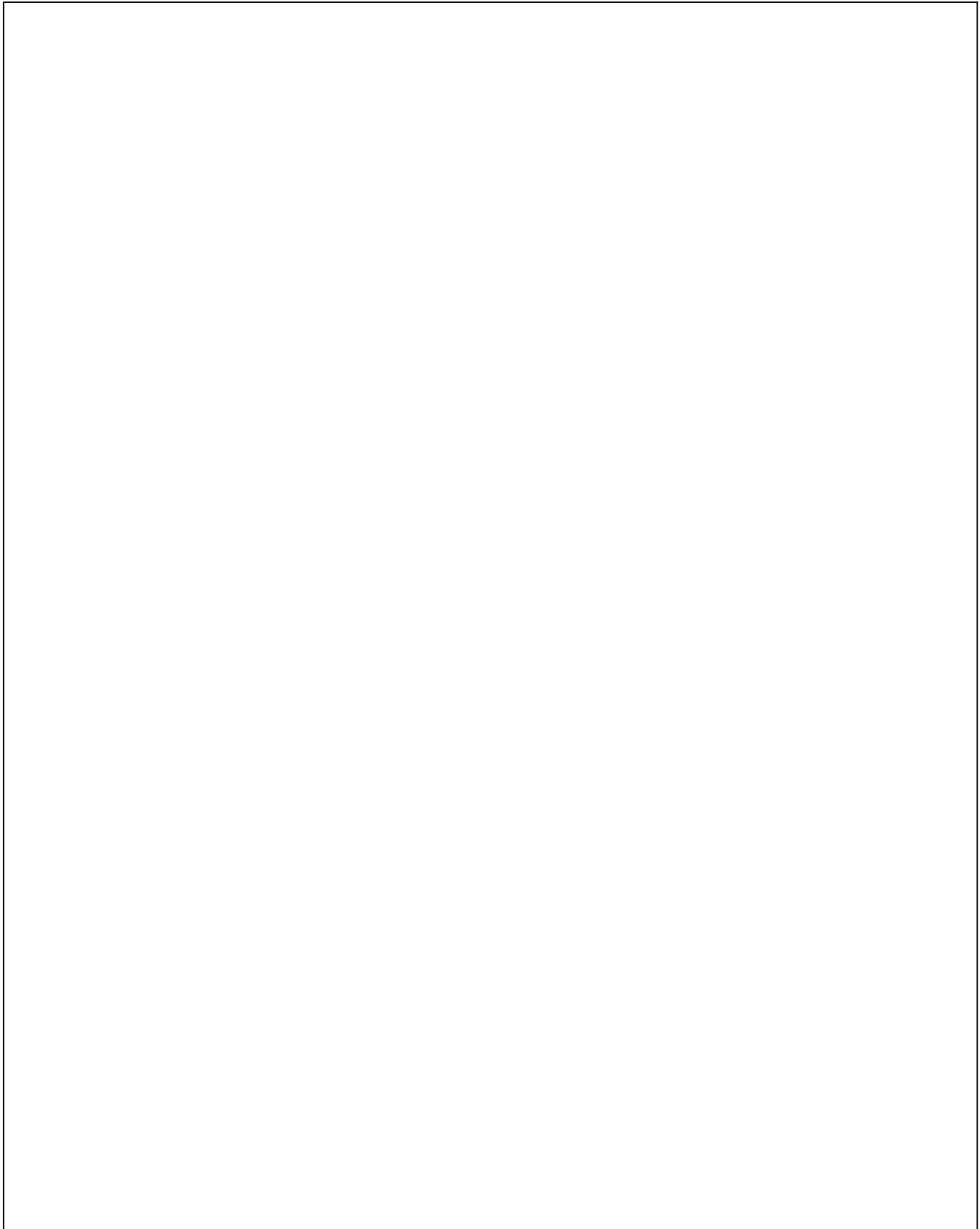
Print Date: 07-Apr-2022

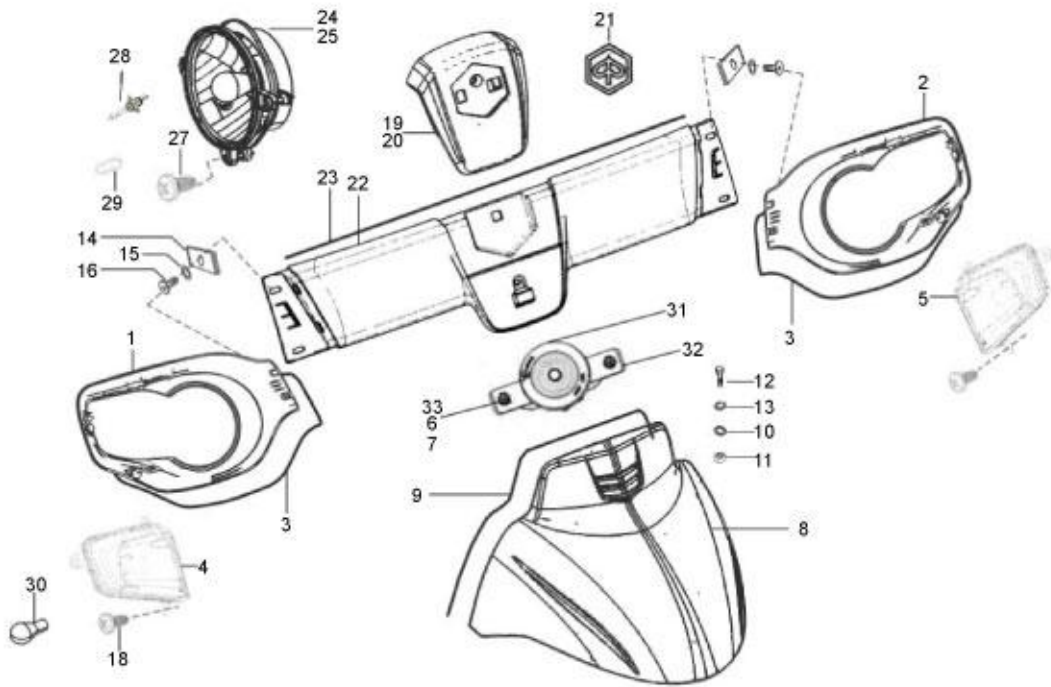
PLATE-27
ELECTRICAL DEVICES

Fig. No.	Part No.	Description	Qty	Remarks
35	31058	HEX HEAD SCREW M5 X 16 CC8.8	22	
36	6965	SPRING WASHER DIA 5	2	
37	20105	PLAIN NUT M5	2	
38	567498R	BRAKE/REVERSE LIGHT SW (INTEGRAL CAP)-PAV	21	
39	20105	PLAIN NUT M5	1	
40	3055	PLAIN WASHER M5	1	
41	B075693	MTG BKT ONE WAY FUSE - HOLDER	1	
42	568692	PAN SELF TAP SCREW 6SG X 16AB	1	
43	31088	HEX HD SCREW M6 X 16 CL 8.8 (811061623)	1	
44	3056	PLAIN WASHER M6 OD12	1	
45	016406	SPRING WASHER	1	
46	680166	SAFETY STARTER RELAY	1	
47	B023727R	CONTACTOR	1	
48	B073685	WIPER MOTOR ASSY. WITH MTG. BKT.	1	
49	B073821	BUNDY TUBE OUTER (UP)	1	
50	B073682	WIPER BUNDY - MOTOR TO WHEEL BOX	1	
51	B073600	WIPER ARM & BLADE ASSY	1	
52	B076304	WHEEL BOX ASSY. (MOD.)	1	
53	569165	DOME NUT	1	
54	016406	SPRING WASHER	1	
55	20106	HEX NUT M6	6	
56	3056	PLAIN WASHER M6 OD12	6	
57	31088	HEX HD SCREW M6 X 16 CL 8.8 (811061623)	6	
58	B024948R	BAT + VE_BC SW -4ST REL(CITY 200 C/L)	1	
59	925786	ECU - FUSE (2A) (N.I)	1	
60	31088	HEX HD SCREW M6 X 16 CL 8.8 (811061623)	2	
61	016406	SPRING WASHER	2	
62	B073715	CABIN LAMP	1	
63	20106	HEX NUT M6	2	
64	B073492	PLASTIC COVER-ELECTRICAL CLUSTER	1	
65	B024532	KEY IGNITION SWITCH W/COUPLER (PAVNA)	1	
66	B074491	ENGINE COMPARTMENT LAMP WITH PIGTAIL (UP)	1	
67	B074539	PHILIPS COUNTER HEAD SCREW	2	
68	640762	PUSH BUTTON REVERSE	1	
69	642032	PUSH BUTTON-CLUTCH	1	

Print Date: 07-Apr-2022

PLATE-28
FRONT FASCIA





Print Date: 07-Apr-2022

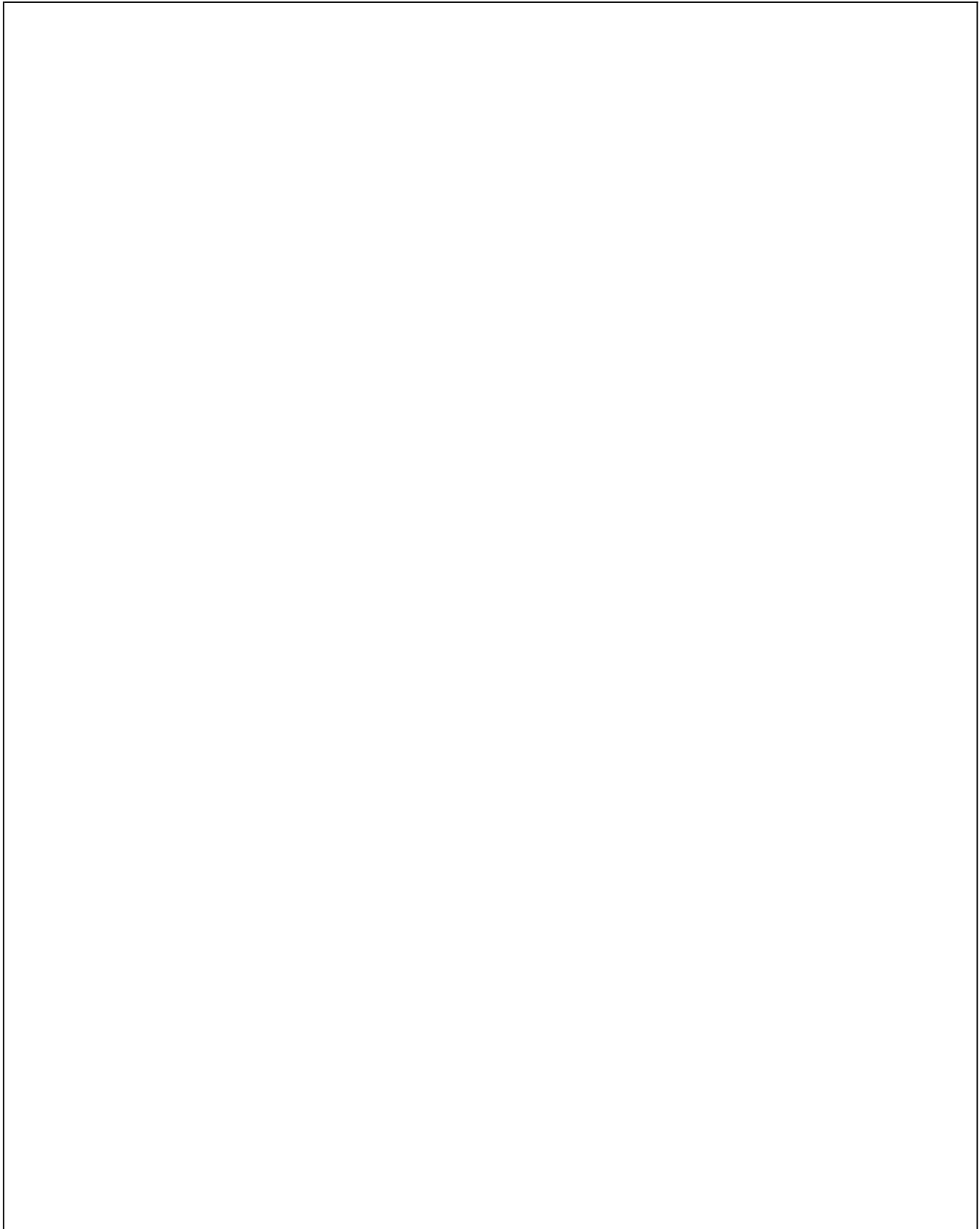
PLATE-28
FRONT FASCIA

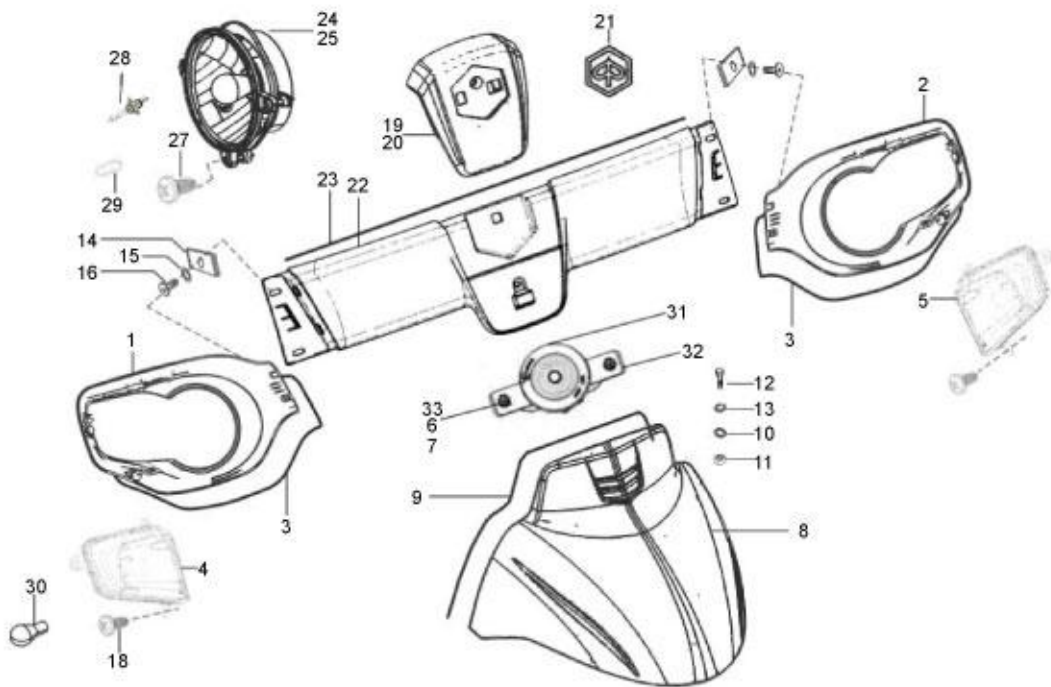
Fig. No.	Part No.	Description	Qty	Remarks
1	B074434	BEZEL_HEADLAMP BLINKER (RH)	1	E - Marked (Export)
2	B074433	BEZEL_HEADLAMP BLINKER (LH)	1	E - Marked (Export)
3	B073969	HL BEZEL BEADING	2	
4	6D000146R	FRONT DIRECTION INDICATORS RH	1	E - Marked (Export)
4A	B078272	BLINKER HOUSING (RH)-(HOUSING + GLASS)	1	
5	6D000145R	FRONT DIRECTION INDICATORS LH	1	E - Marked (Export)
5A	B078274	BLINKER HOUSING (LH)-(HOUSING + GLASS)	1	
6	3056	PLAIN WASHER M6 OD12	4	
7	20106	HEX NUT M6	4	
8	B073882WR	FRONT MUDGUARD - PAINTED-WR	1	
8	B073882BW	FRONT MUDGUARD - PAINTED-BW	1	
8	B073882GY	FRONT MUDGUARD - PAINTED - GY	1	
8	B073882CB	FRONT MUDGUARD - PAINTED - CB	1	
8	B073882EG	FRONT MUDGUARD - PAINTED - EG	1	
8	B073882BL	FRONT MUDGUARD - PAINTED - BL	1	
9	-	NOT SERVICEABLE	1	NS
10	013880	PLAIN WASHER	8	
11	20106	HEX NUT M6	4	
12	31089	HEX HEAD SCREW M6X18 CL 8.8	4	
13	78307	BENT SPRING WASHER M6	4	
14	8080	SPRING PLATE	4	
15	3055	PLAIN WASHER M5	10	
16	660168	PAN SELF TP. SCREW 10 SGX13AB	5	
17	157716	SCREW ANCHORE	8	
18	B074539	PHILIPS COUNTER HEAD SCREW	4	
19	B073875	LOGO SUPPORT - NOT PAINTED	1	
20	B073875SL	LOGO SUPPORT - PAINTED	1	
21	B076120	HEXAGONAL EMBLEM	1	
22	B073872	CENTRAL FACIA	1	
23	B073970	CENTRAL FACIA BEADING UPPER	1	
24	6D000144R	HEAD LAMP ASSLY - RH (NUOVO)	1	E - Marked (Export)
25	6D000143R	HEAD LAMP ASSLY LH - NUOVO	1	E - Marked (Export)
26	119735	PROTECTION SECURING SPRING/SPR. FOR PROTECTION	2	
27	15900	HEAD LAMP SECURING SCREW/PAN SELF TAP SCREW	6	
28	B078286R	HS1_BULB (12 V _35/35W	2	

70

Print Date: 07-Apr-2022

PLATE-28
FRONT FASCIA





Print Date: 07-Apr-2022

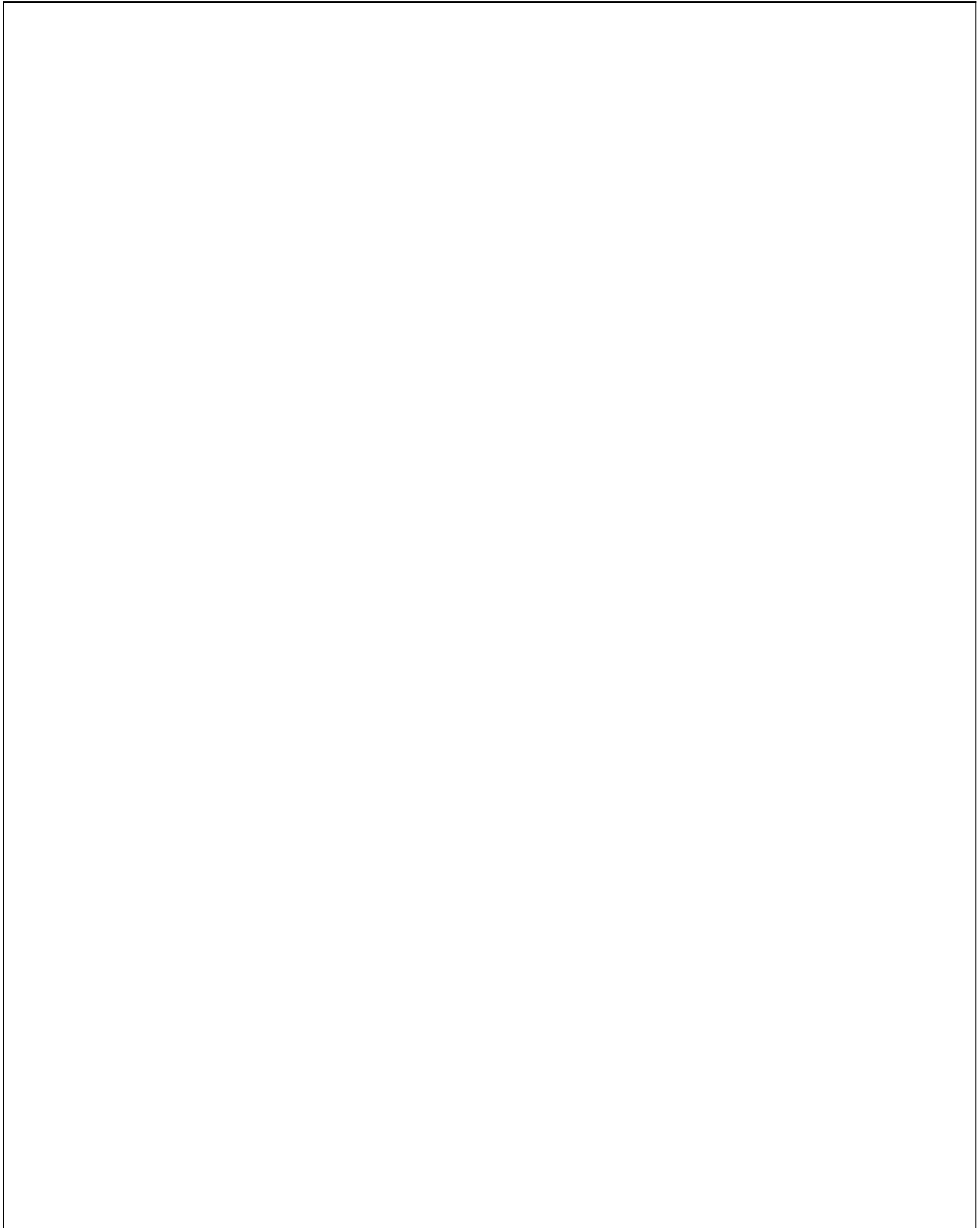
PLATE-28
FRONT FASCIA

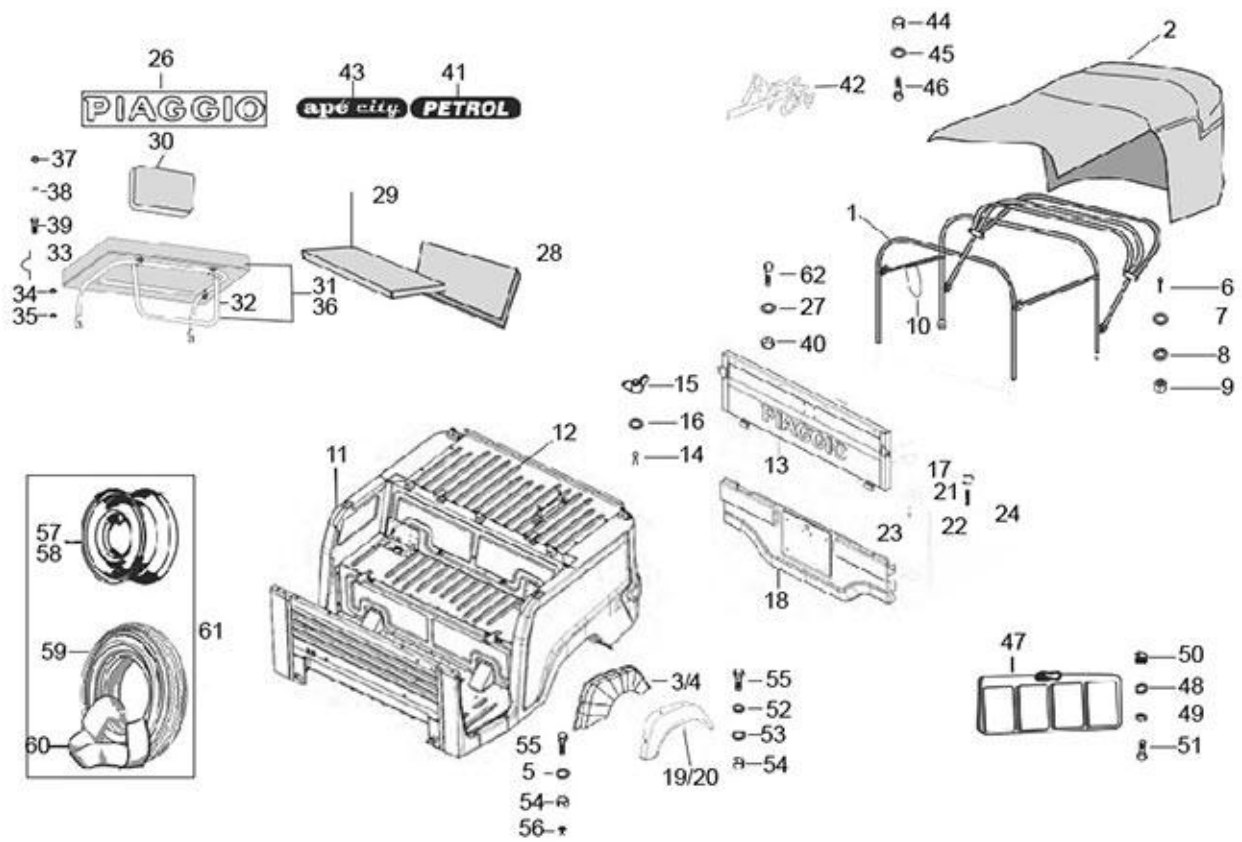
Fig. No.	Part No.	Description	Qty	Remarks
29	567593	BULB 12V 5W / LAMP 4W	2	
30	925581	INDICATOR LIGHT BULB 12V 21W AMBER COLOUR	2	
31	B074033	HORN ASSLY(DIA 70)	1	E - Marked (Export)
32	B073953	HORN MTG. BKT S/A	1	
33	016406	SPRING WASHER	4	
34	3056	PLAIN WASHER M6 OD12	4	
35	20106	HEX NUT M6	4	

Print Date: 07-Apr-2022

PLATE-29

PASSENGER AUTO RIKSHA BODY





Print Date: 07-Apr-2022

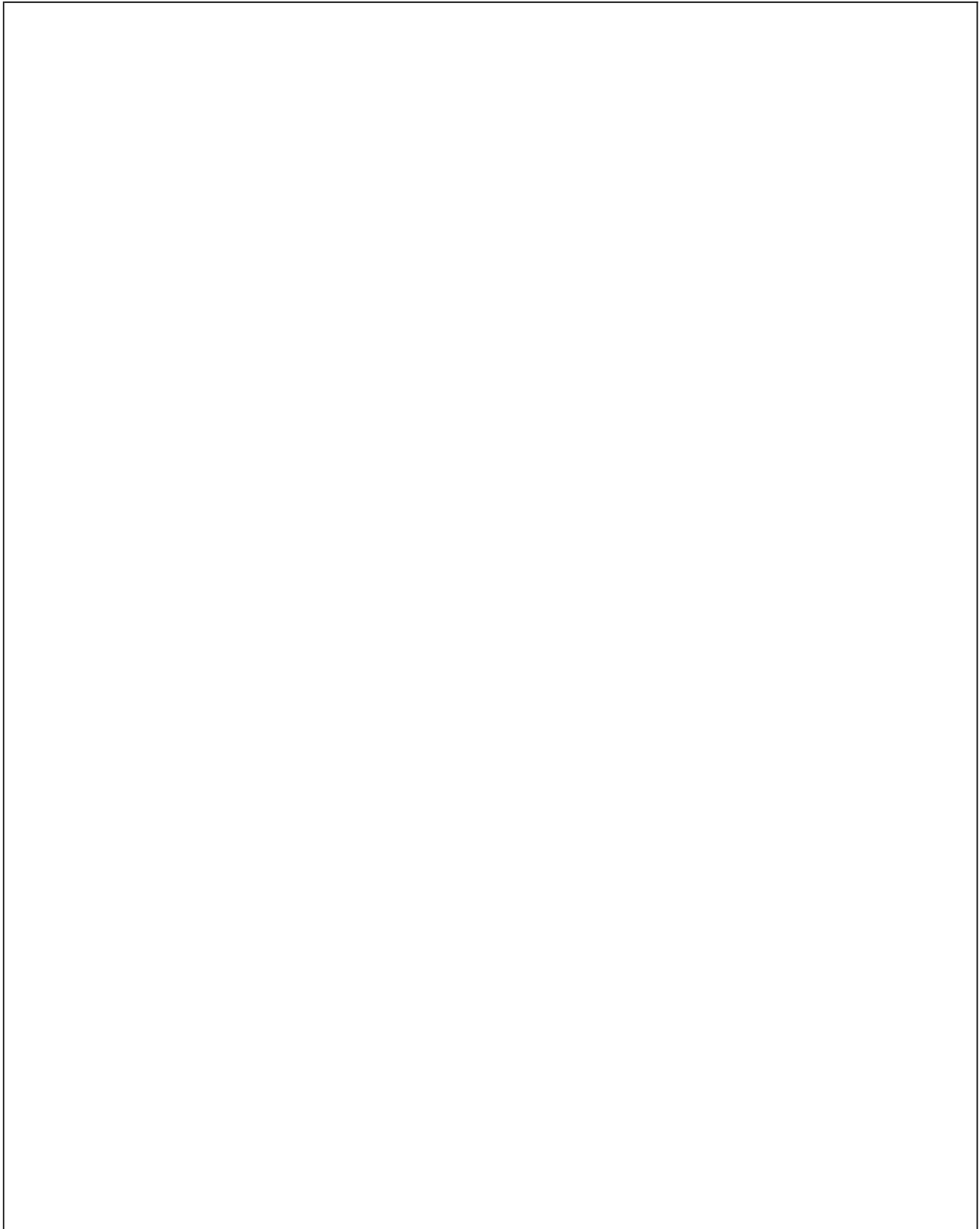
PLATE-29**PASSENGER AUTO RIKSHA BODY**

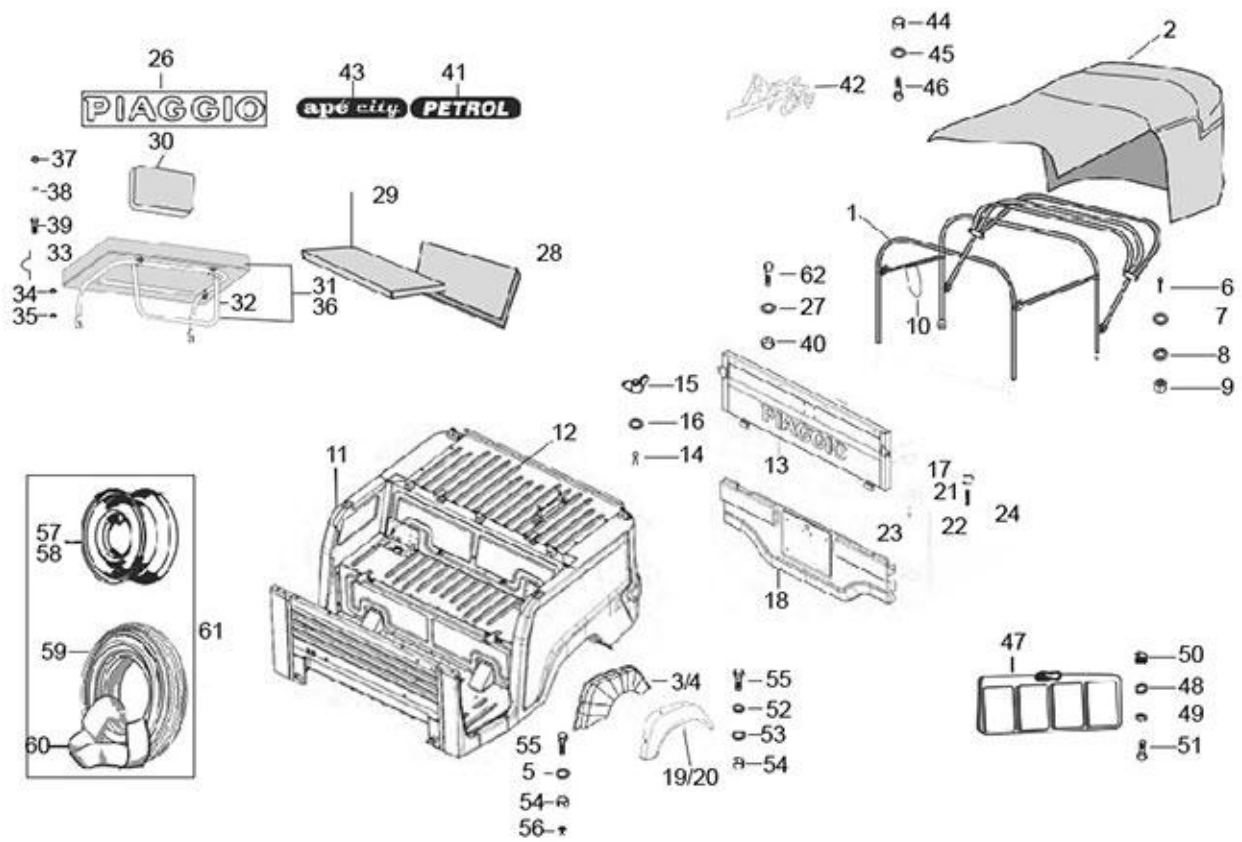
Fig. No.	Part No.	Description	Qty	Remarks
1	KIT95066R	HOOD FRAME ASSLY WITH PROFILE PAX UPGRAD	1	
2	B074640	SOFT TOP ASSLY COLOUR BLACK (CLOSE)	1	
2	B074641	SOFT TOP ASSLY YELLOW COLOUR (CLOSE)	1	
2	B075445	SOFT TOP ASSLY COLOUR GREEN (CLOSE)	1	Export Market
2	B074642	SOFT TOP ASSLY-GREY COLOUR (CLOSE)	1	Export Market
3	B041397	COVER INNER MUDGAURD RH	1	
4	B041398	COVER INNER MUDGAURD LH	1	
5	3055	PLAIN WASHER M5	4	
6	31088	HEX HD SCREW M6 X 16 CL 8.8 (811061623)	22	
7	3056	PLAIN WASHER M6 OD12	22	
8	016406	SPRING WASHER	22	
9	632056	HEX NUT M6	22	
10	B073598	HANDLE CANOPY STRAP	1	
11	B078476BW	PASSENGER BODY ASSLY PETROL EURO-4-BW	1	
11	B078476CB	PASSENGER BODY ASSLY PETROL EURO-4-CB	1	
11	B078476EG	PASSENGER BODY ASSLY PETROL EURO-4-EG	1	
11	B078476GY	PASSENGER BODY ASSLY PETROL EURO-4-GY	1	
11	B042731GY	PASS BODY WITH TAIL GATE BSIII G YLW DTL	1	
11	B042731CB	PASS BODY WITH TAIL GATE BSIII C BLU DTL	1	
11	B042731WR	PASS BODY WITH TAIL GATE BSIII W RED DTL	1	
11	B042731EG	PASS BODY WITH TAIL GATE BSIII E GRN DTL	1	
11	B078476BL	PASSENGER BODY ASSLY PETROL EURO-4-BL	1	
11	B042731BL	PASS BODY WITH TAIL GATE BSIII BLACK DTL	1	
11	B042731BW	PASS BODY WITH TAIL GATE BSIII WHITE DTL	1	
11	B078476WR	PASSENGER BODY ASSLY PETROL EURO-4-WR	1	
12	B001635CED	ENGINE COMP DOOR ASSLY (APE CITY)- CED	1	
13	B076520ED	TAIL GATE ASSY.	1	
15	B006593	WING NUT M6	2	
16	3058	PLAIN WASHER 15X8.4X1.5	4	
17	B003030	COVER TAIL LAMP GAP	2	
18	B025672CED	REAR VISUAL BARRIER ASSY.	1	
19	B073853	RR MUDGUARD RH	1	
20	B073852	MUDGUARD REAR LH	1	
21	B001423	KNOB REAR DOOR	2	
22	B042503	BUFFER FOR TAIL GATE	2	

Print Date: 07-Apr-2022

PLATE-29

PASSENGER AUTO RIKSHA BODY





Print Date: 07-Apr-2022

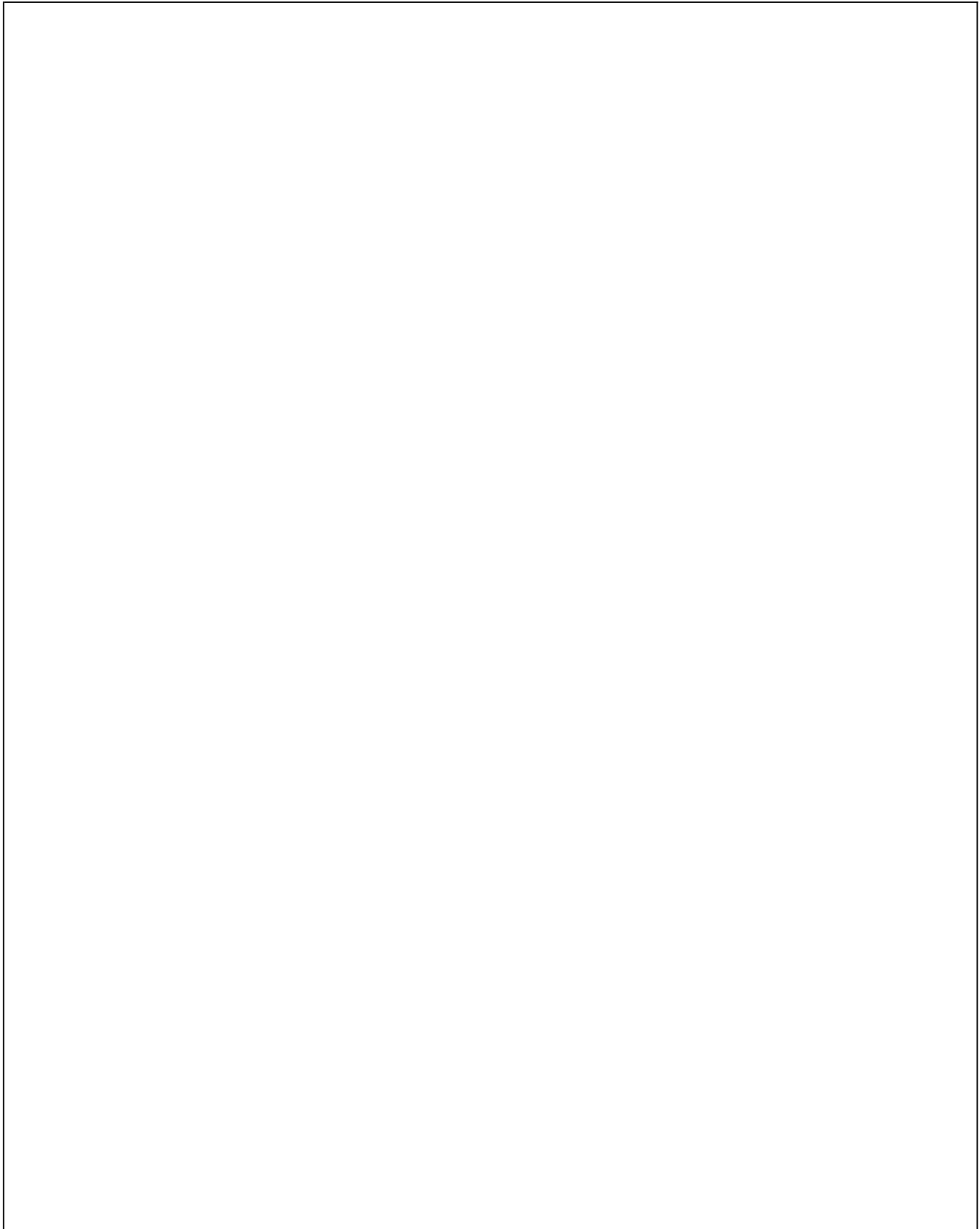
PLATE-29**PASSENGER AUTO RIKSHA BODY**

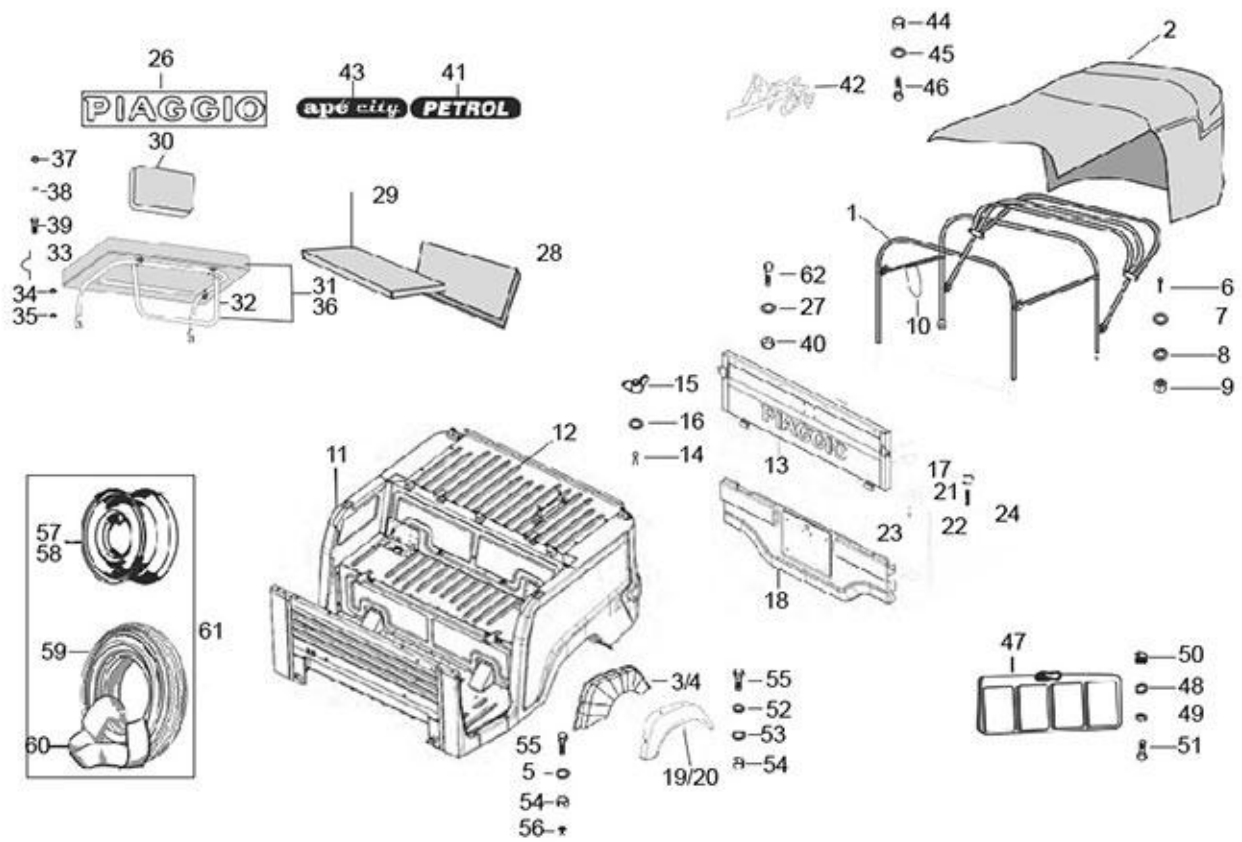
Fig. No.	Part No.	Description	Qty	Remarks
23	16670	PLAIN WASHER 12X4.5X1	2	
24	B001402	SCREW FOR DOOR KNOB	2	
25	12790	SPLIT PIN	2	
26	660801	STICKER-PIAGGIO LOGO-TAIL GATE	1	
27	3058	PLAIN WASHER 15X8.4X1.5	2	
28	B024512	PASSENGER BACKREST	1	
30	B074594	DRIVER BACK REST ASSY	1	
31	B075614	DRIVER SEAT ASSY COMPLETE	1	
32	-	NOT SERVICEABLE	1	NS
33	B001273	C CLAMP	3	NS
34	016408	SPRING WASHER	6	
35	3058	PLAIN WASHER 15X8.4X1.5	6	
36	-	NOT SERVICEABLE	1	NS
37	2383	PLAIN WASHER M20X8.5X2	4	
38	20108	HEX NUT M8	2	
39	31119	HEX HD SCREW M8 X 25	2	
40	20108	HEX NUT M8	2	
41	B003652	PLATE PETROL	1	
42	B078919	APE CITY STICKER (FRONT PANEL)	1	
43	B003358	PLATE APECITY - STICKER	1	
44	20108	HEX NUT M8	2	
45	116831	PLAIN METALLIC WASHER (826000828)	4	
46	30072	HEX HEAD BOLT M8 X 35	2	
47	B041054	MUD FLAP FRONT	1	
48	013880	PLAIN WASHER	4	
49	016406	SPRING WASHER	4	
50	20106	HEX NUT M6	4	
51	31088	HEX HD SCREW M6 X 16 CL 8.8 (811061623)	4	
52	013880	PLAIN WASHER	8	
53	16405	SPRING WASHER M5	8	
54	20106	HEX NUT M6	8	
55	31088	HEX HD SCREW M6 X 16 CL 8.8 (811061623)	5	
56	604603	RIVET	5	
57	B074588R	WHEEL RIM ASSLY INNER - PAINTED	1	
58	B074590R	WHEEL RIM OUTER - PAINTED	1	

Print Date: 07-Apr-2022

PLATE-29

PASSENGER AUTO RIKSHA BODY





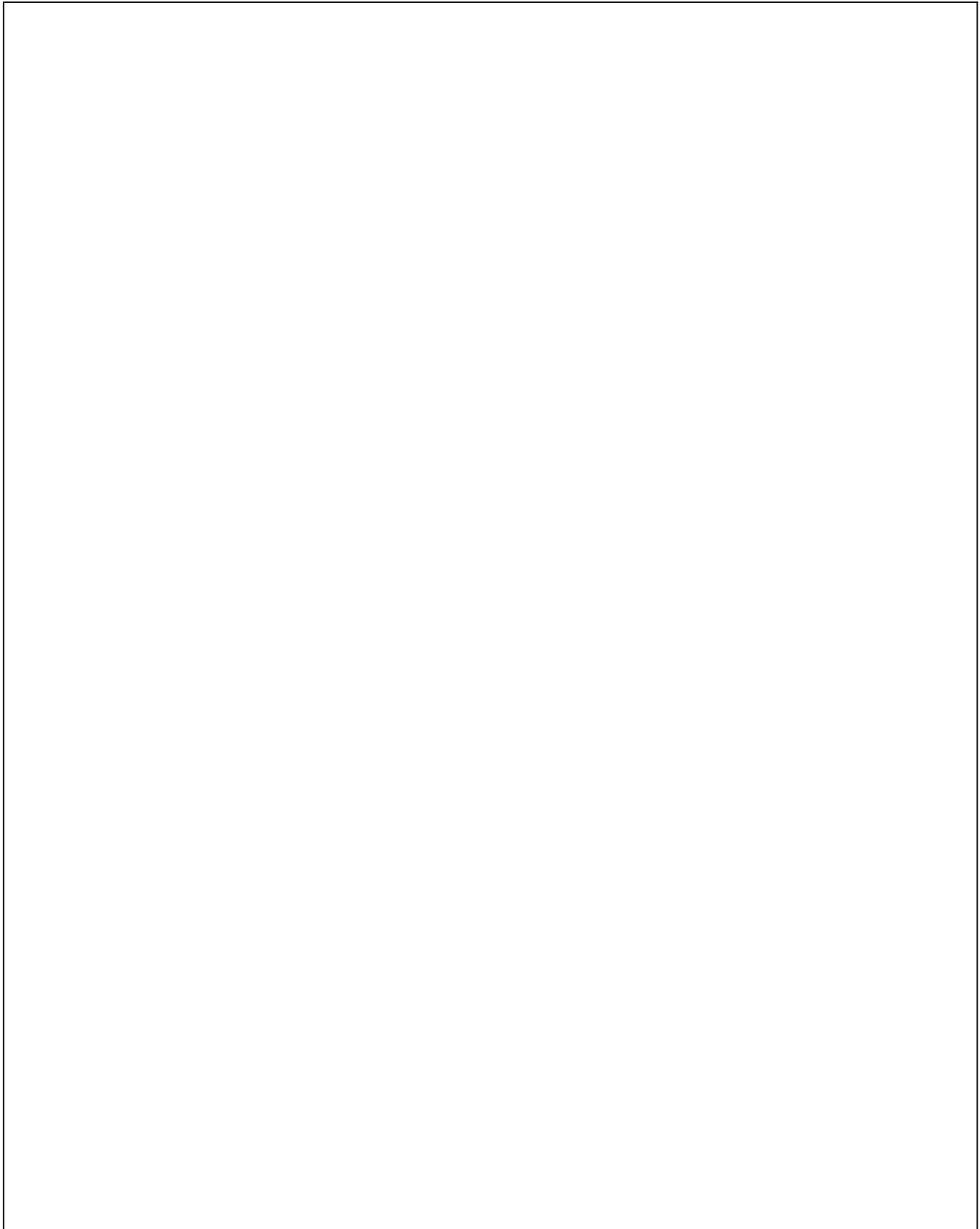
Print Date: 07-Apr-2022

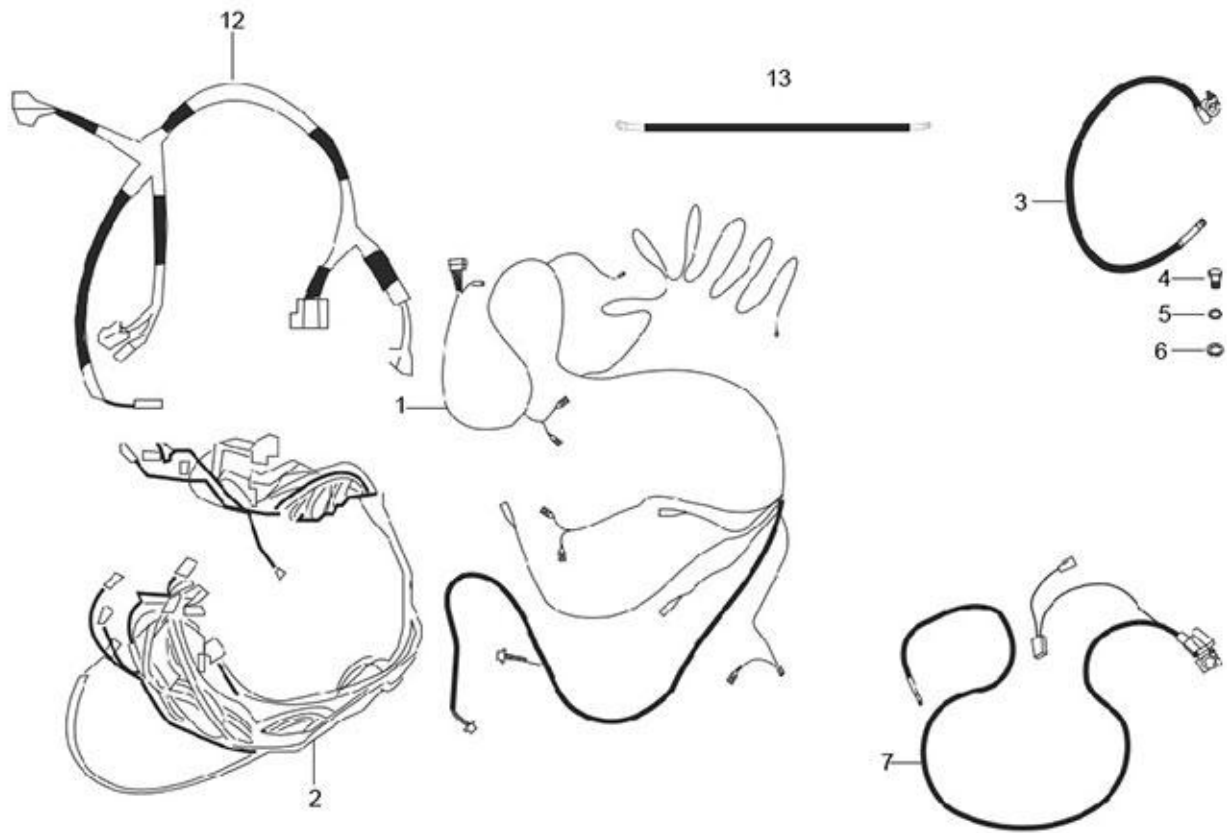
PLATE-29**PASSENGER AUTO RIKSHA BODY**

Fig. No.	Part No.	Description	Qty	Remarks
59	B001315	TYRE (4.0 X 8,4 PR)	4	
60	B001316	INNER TUBE FOR TYRE 4.0 X 8 INCH	4	
61	B001317	TYRE & TUBE ASSEMBLY	4	
62	31116	HEX HD. SCREW M8X16	2	

Print Date: 07-Apr-2022

PLATE-30
WIRING HARNESS





Print Date: 07-Apr-2022

PLATE-30
WIRING HARNESS

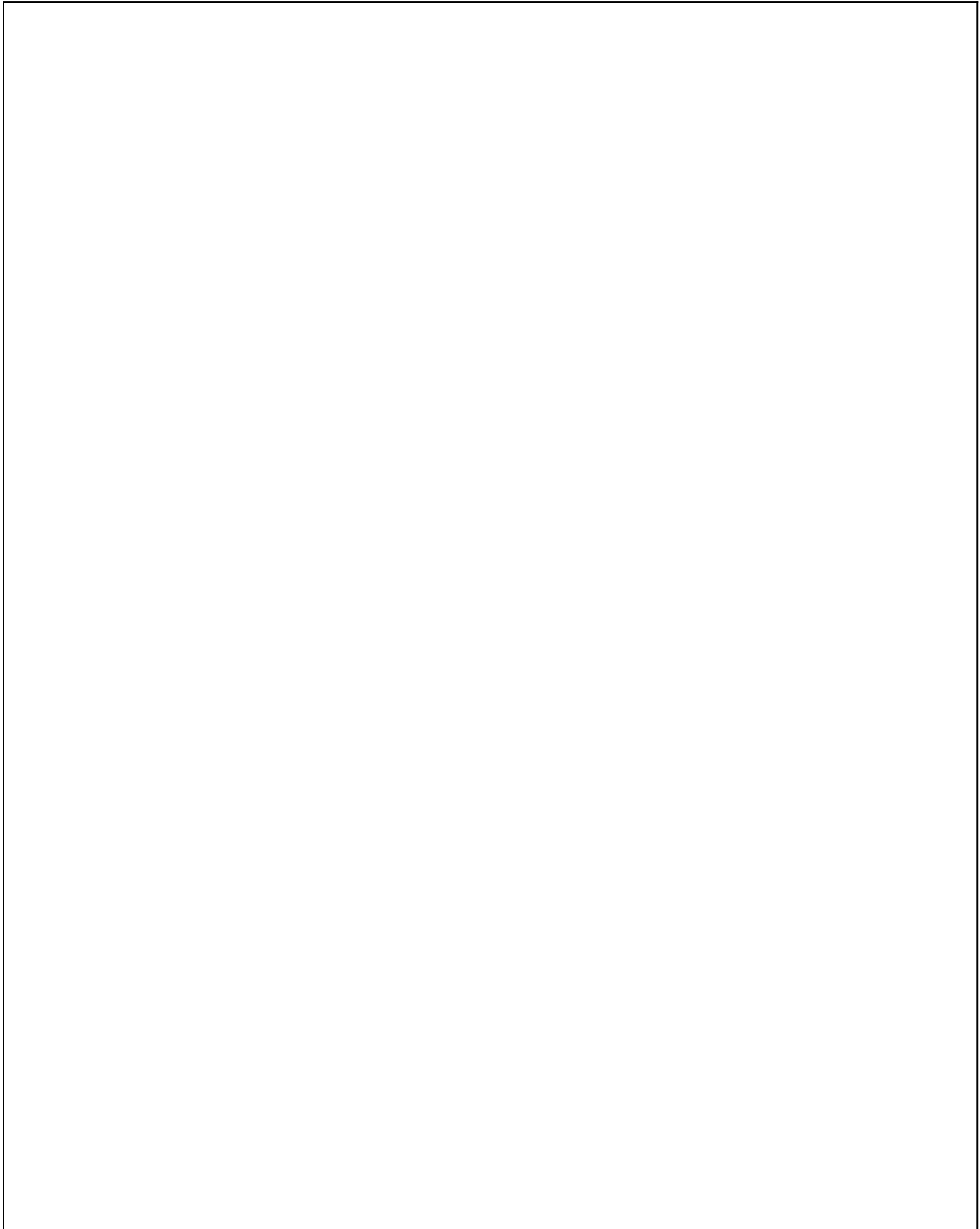
Fig. No.	Part No.	Description	Qty	Remarks
1	1D002104	MAIN WIRING HARNESS	1	
2	B078659	WHS INST.PANEL (CITY P - EURO 4)	1	
3	B042063	BATTERY CABLE NEGATIVE	1	
4	31088	HEX HD SCREW M6 X 16 CL 8.8 (811061623)	1	
5	3056	PLAIN WASHER M6 OD12	1	
6	016406	SPRING WASHER	1	
7	B002183	BATTERY +VE CABLE-CUT STARTER MOTOR (LPG/CNG)	1	
7	B024949R	BATTERY CABLE POSITIVE NO.1(APE PAX200 PETROL)	1	
8	B003110R	PIG TAIL FUEL TANK	1	
9	B075178R	PIG TAIL CABIN LAMP (PASS UPGRADE)	1	NI
10	1D001972	ENGINE WIRING HARNESS	1	
11	1D001894	GROUND WIRE	1	
12	B075108	ADAPTOR PIGTAIL -ACCESSORIES(3WH)	1	NI

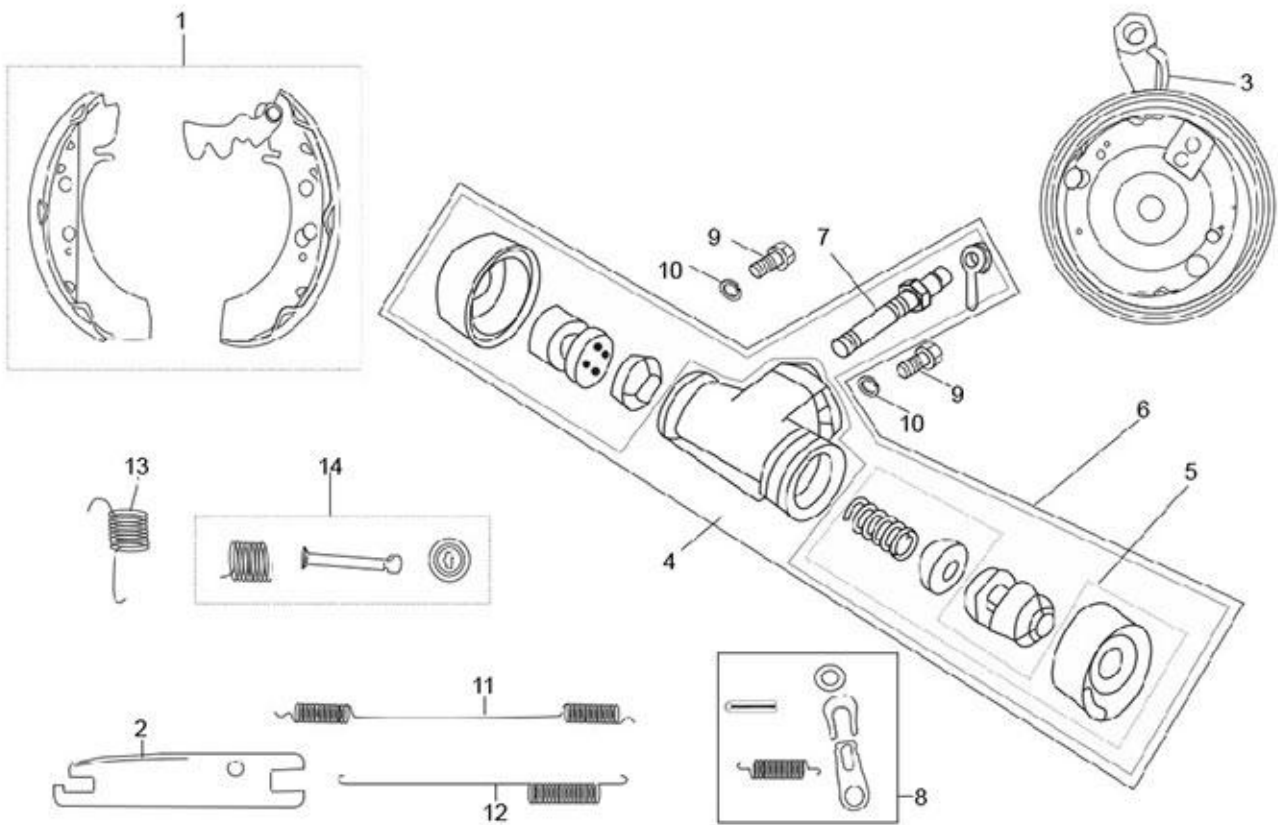
80

Print Date: 07-Apr-2022

PLATE-31

FRONT BRAKE ASSEMBLY





Print Date: 07-Apr-2022

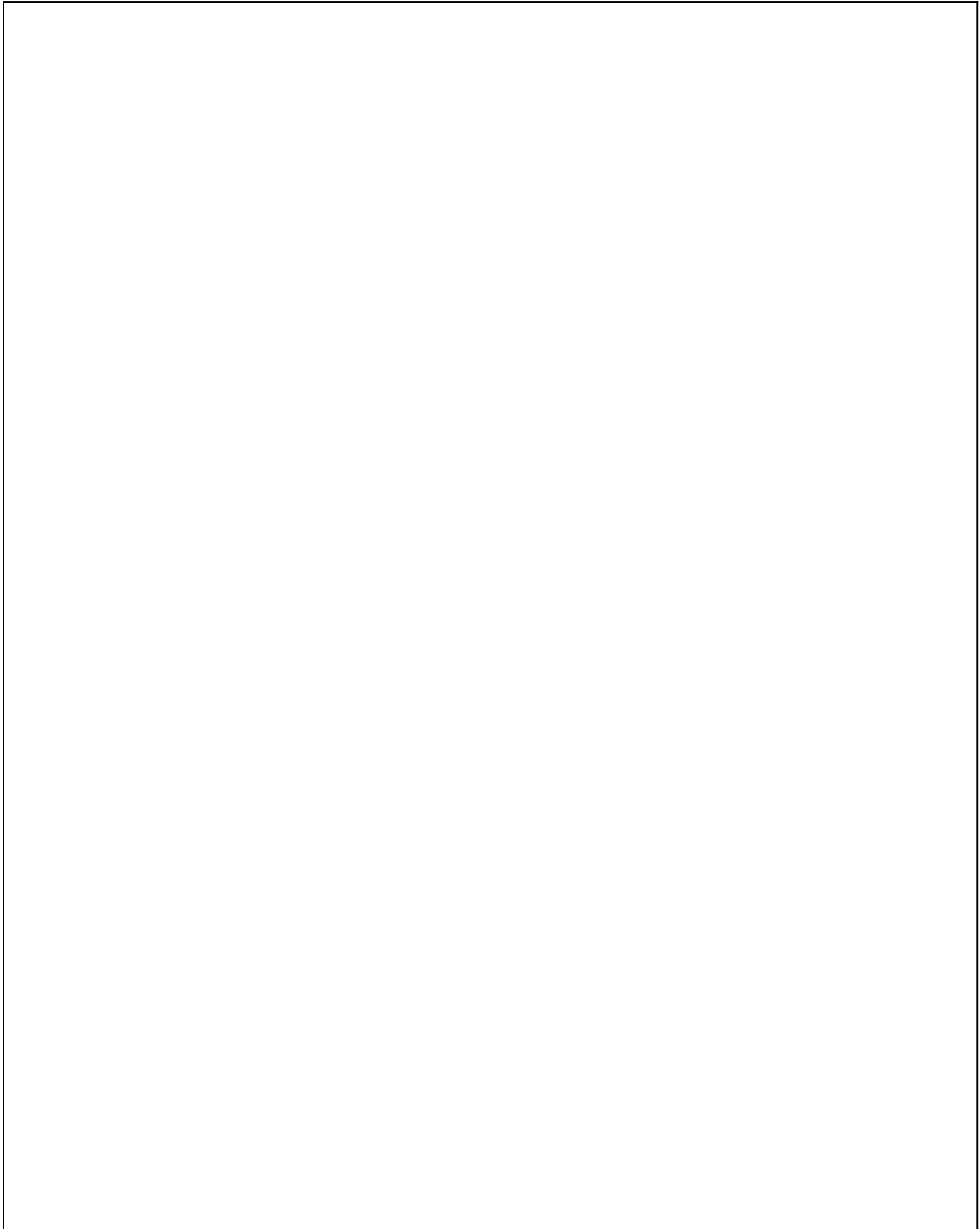
PLATE-31
FRONT BRAKE ASSEMBLY

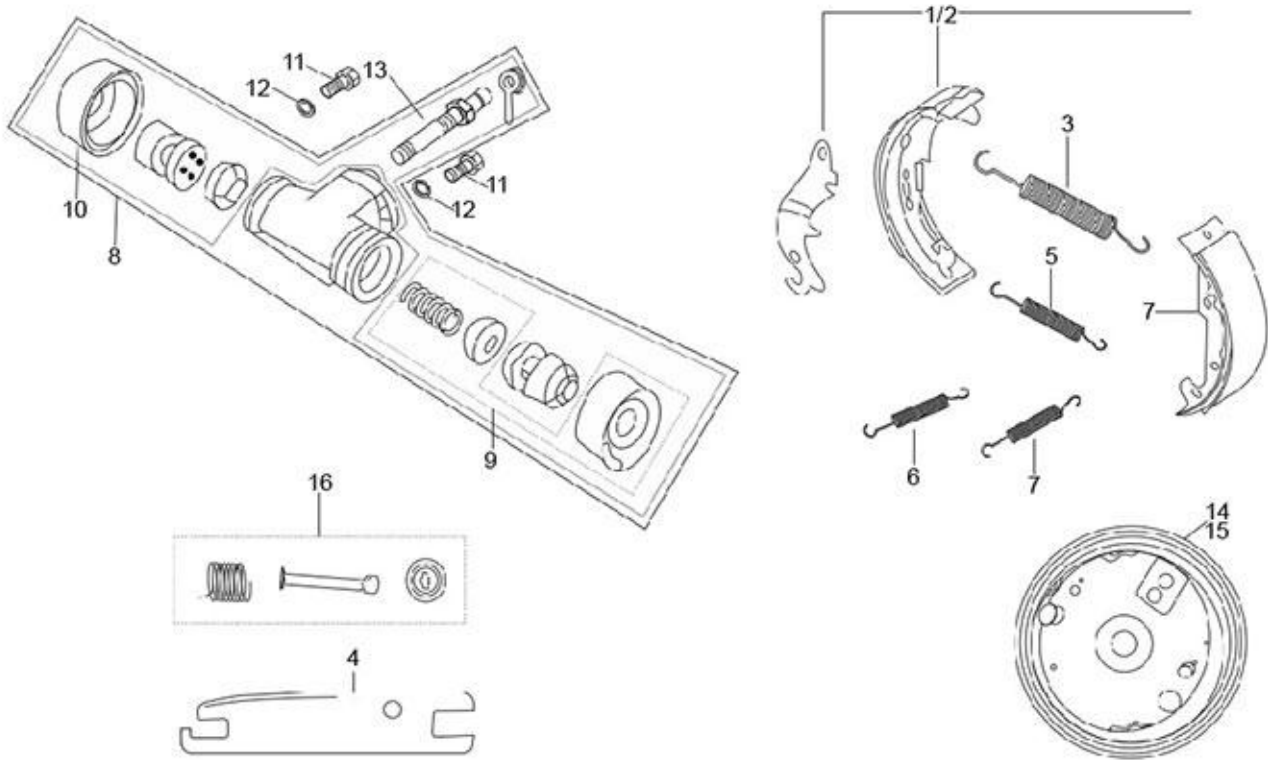
Fig. No.	Part No.	Description	Qty	Remarks
1	KIT95033	FRONT BRAKE LINERS KIT	1	
2	B003008	STRUT FRONT	1	
3a	B024113	FRONT BRAKE ASSY.	1	
4	B003017	WHEEL CYLINDER ASSY.	1	
5	B003325	MINOR KIT WHEEL CYLINDER	1	
6	B003324	MAJOR KIT WHEEL CYLINDER	1	
7	B003300	BLEEDER SCREW	1	
8	B006509	CLIP & PIN KIT	1	
9	63440	BOLT M6X12	2	
10	12536	SPRING WASHER	2	
11	B003004	SHOE RETURN SPRING (UPPER)	1	
12	B003003	SHOE RETURN SPRING (LOWER)	1	
13	B003002	STRUT SPRING	1	
14	KIT95036	SHOE HOLD DOWN KIT	1	

Print Date: 07-Apr-2022

PLATE-32

REAR BRAKE ASSEMBLY





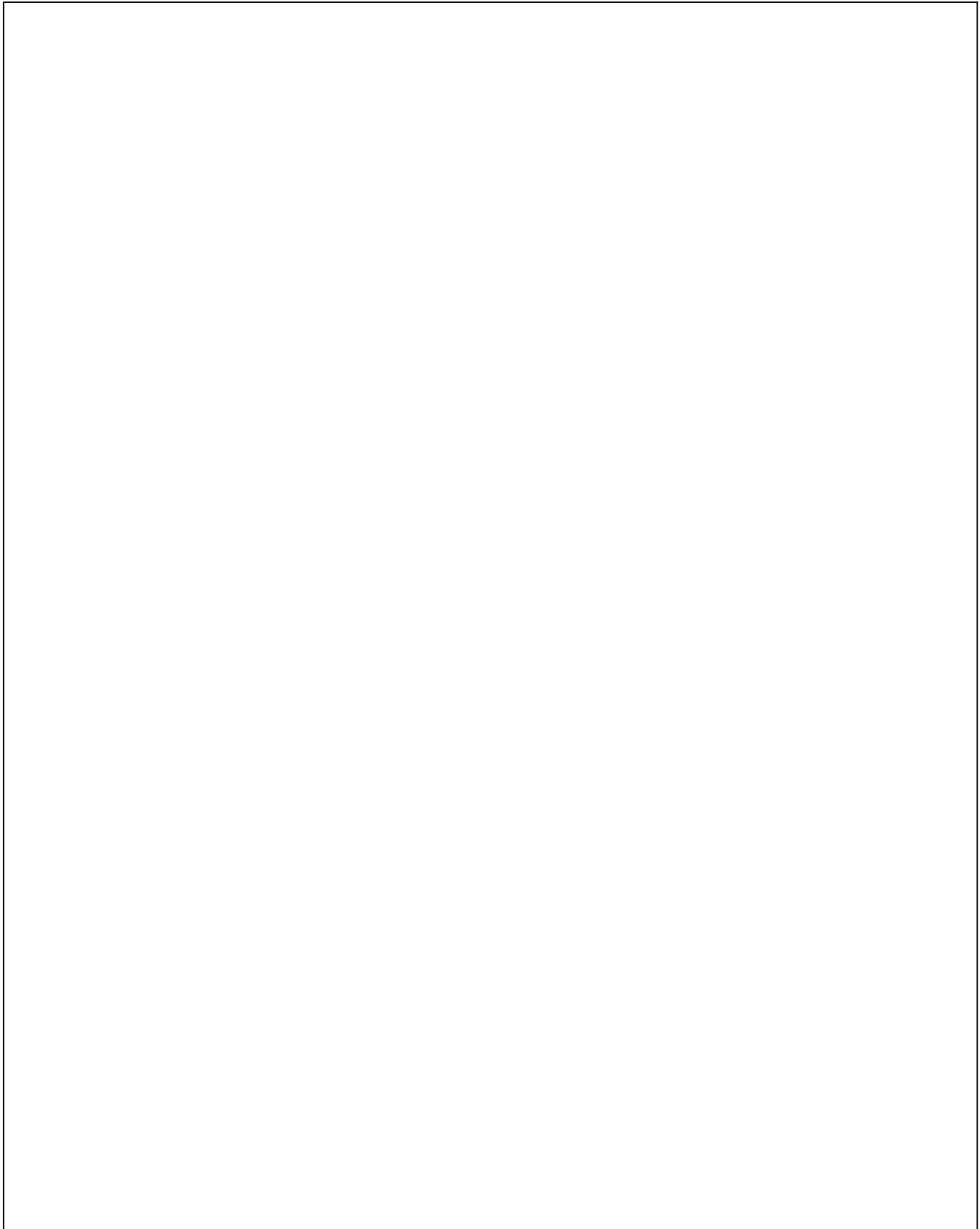
Print Date: 07-Apr-2022

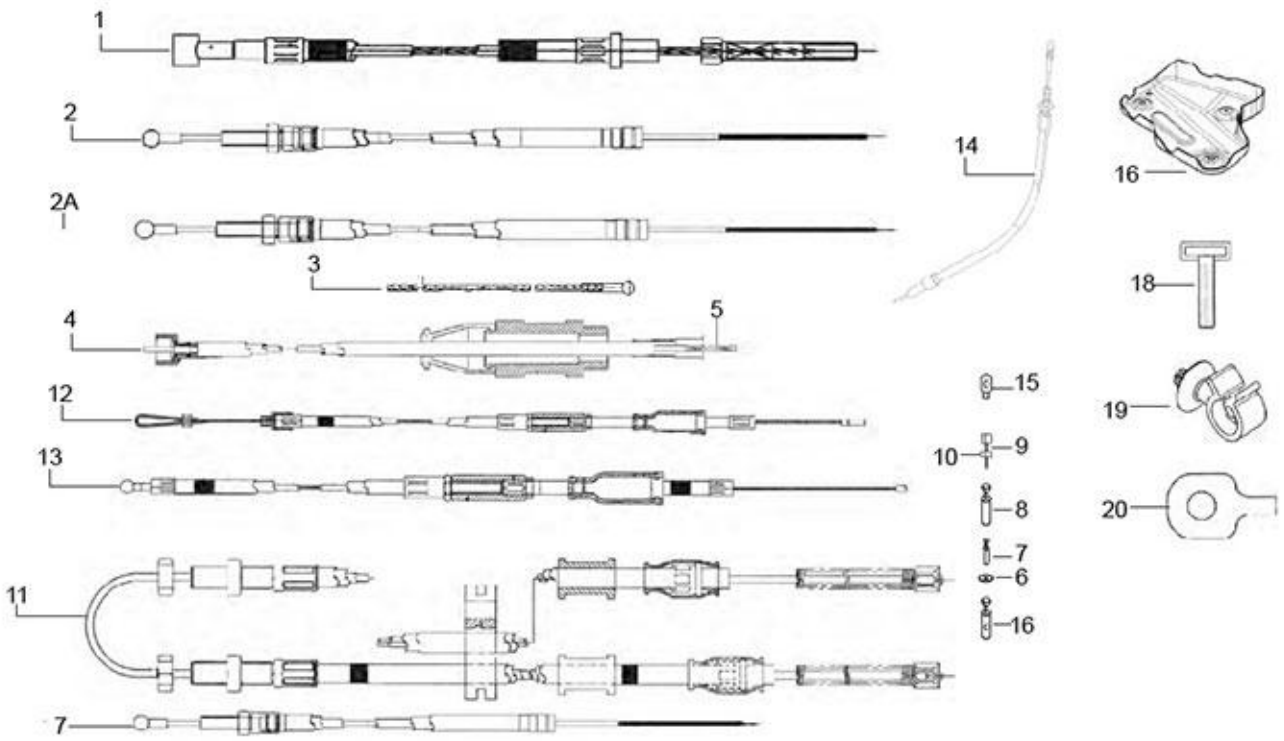
PLATE-32
REAR BRAKE ASSEMBLY

Fig. No.	Part No.	Description	Qty	Remarks
1	B003330	REAR BRAKE SHOE KIT LH	1	
2	B003331	REAR BRAKE SHOE KIT RH (NI)	1	
3	B003004	SHOE RETURN SPRING (UPPER)	2	
4	B003012	STRUT REAR	2	
5	B003003	SHOE RETURN SPRING (LOWER)	2	
6	B003011	STRUT SPRING RH	1	
7	B003002	STRUT SPRING	1	
8	B003014	WHEEL CYLINDER ASSY. DIA.25.4 MM	1	
9	925574	MINOR KIT WHL CYL. RR	1	
10	B003328	MAJOR KIT WHEEL CYLINDER	1	
11	B002486	BOLT M8 X 35 6G CL 12.9	4	
12	12536	SPRING WASHER	4	
13	B003300	BLEEDER SCREW	2	
14	B001228	BRAKE PLATE ASSY. RH	1	
15	B001225	BRAKE PLATE ASSY. LH (N.I.)	1	
16	B003327	SHOE HOLD DOWN KIT	1	

Print Date: 07-Apr-2022

PLATE-33
CABLES





Print Date: 07-Apr-2022

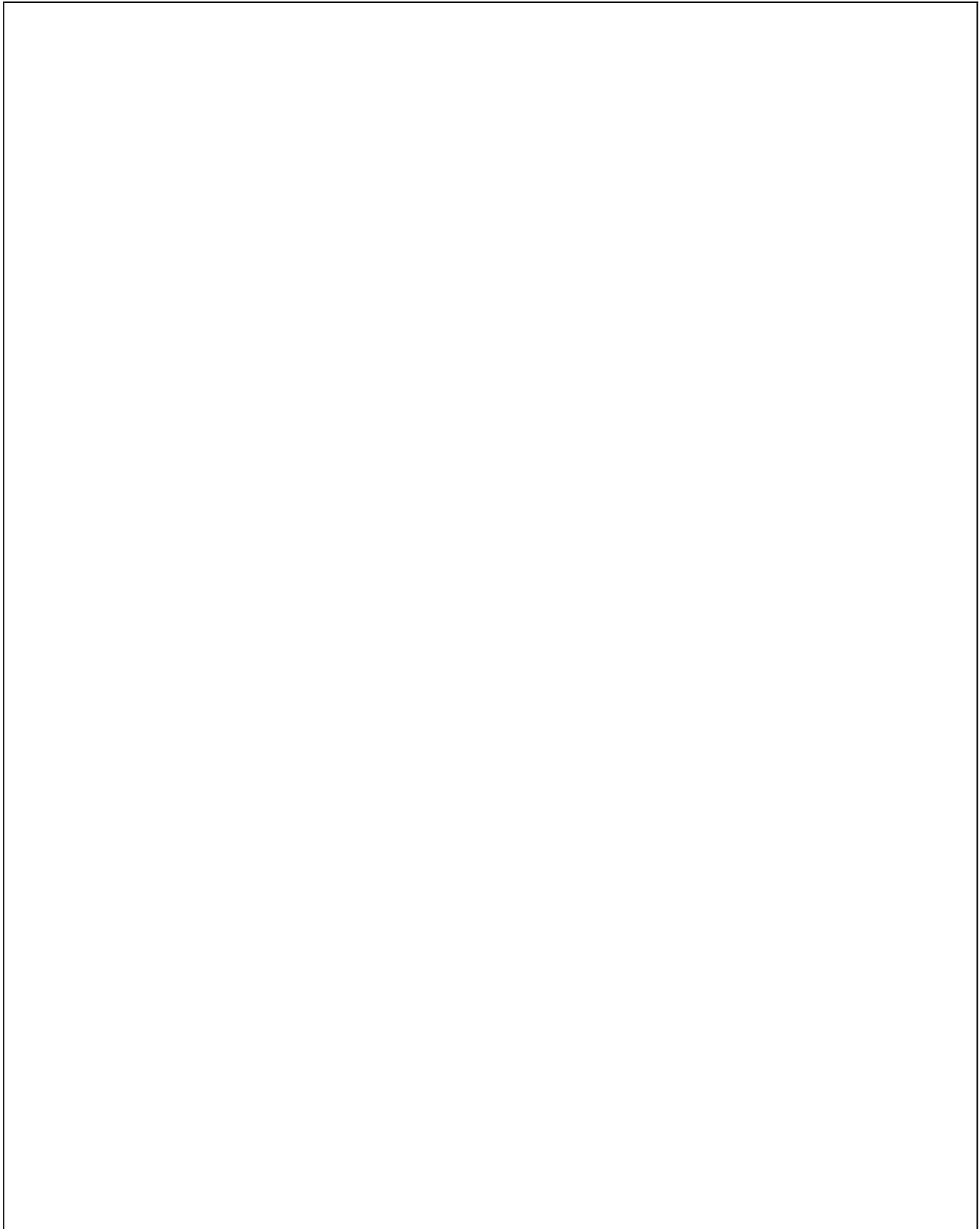
**PLATE-33
CABLES**

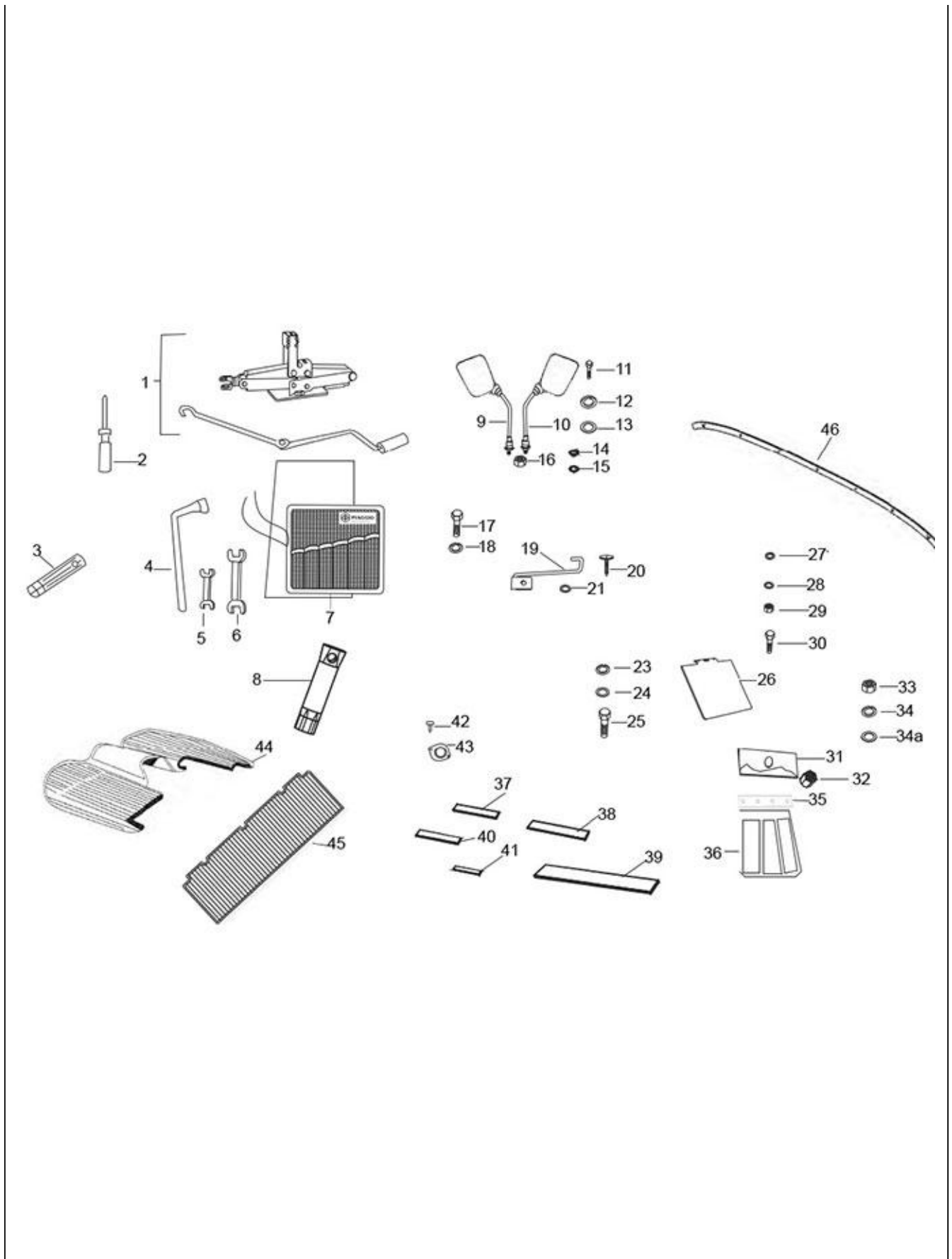
Fig. No.	Part No.	Description	Qty	Remarks
1	B075566	CLUTCH CONTROL TRANSMISSION ASSLY.	1	
2	B073469	CABLE,GEAR CONTROL ASSLY NO.2	1	
2A	B075716	CABLE,GEAR CONTROL ASSLY -WHITE	1	
3	NEW	NEW PART UNDER DEVELOPMENT	2	
4	B076208	SPEEDO CABLE	1	
5	6A001834	FLEXIBLE TRANSMISSION CABLE WITH WASHER	1	Speedo Inner for B076208
7	B076078	SCREW TERMINAL ASSLY(REVERSE CABLE)	1	
8	B076364	SCREW TERMINAL ASSY. - GEAR CONTROL	2	
9	197071	ADJUSTER SCREW M6	2	
10	20106	HEX NUT M6	2	
11	B041774	PARKING BRAKE CABLE ASSY	1	
12	B042566	CHOKE CONTROL CABLE ASSY	1	
13	1E002514	CABLE ASSY, ACCELERATOR	1	
14	B076078	SCREW TERMINAL ASSLY(REVERSE CABLE)	1	
15	1A008804	REVERSE CABLE REACTION BRACKET	1	
16	B075960	COVER REVERSE GEAR CONTROL	1	
17	B076036	ASSLY REVERSE GEAR CONTROL CABLE	1	
18	B076457	BOLT - REVERSE SWITCH ACTUATION	1	
19	B076206	CLAMP FOR CABLE SUPPORT	1	
20	B076274	BKT. REVERSE CABLE CONSTRAINT	1	
21	632304	CABLE STRAP	6	NI

Print Date: 07-Apr-2022

PLATE-34

TOOLS AND ACCESSORIES





Print Date: 07-Apr-2022

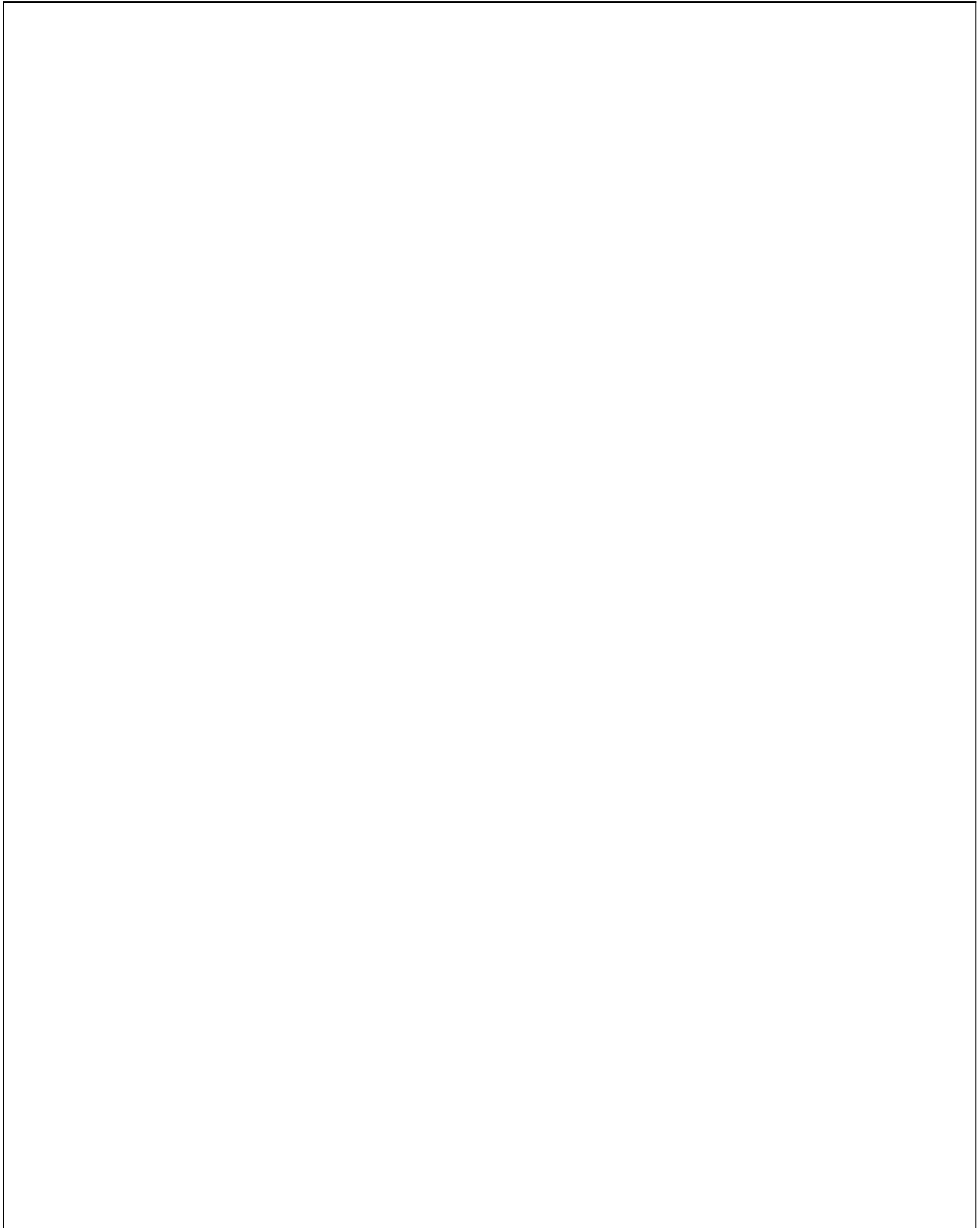
PLATE-34**TOOLS AND ACCESSORIES**

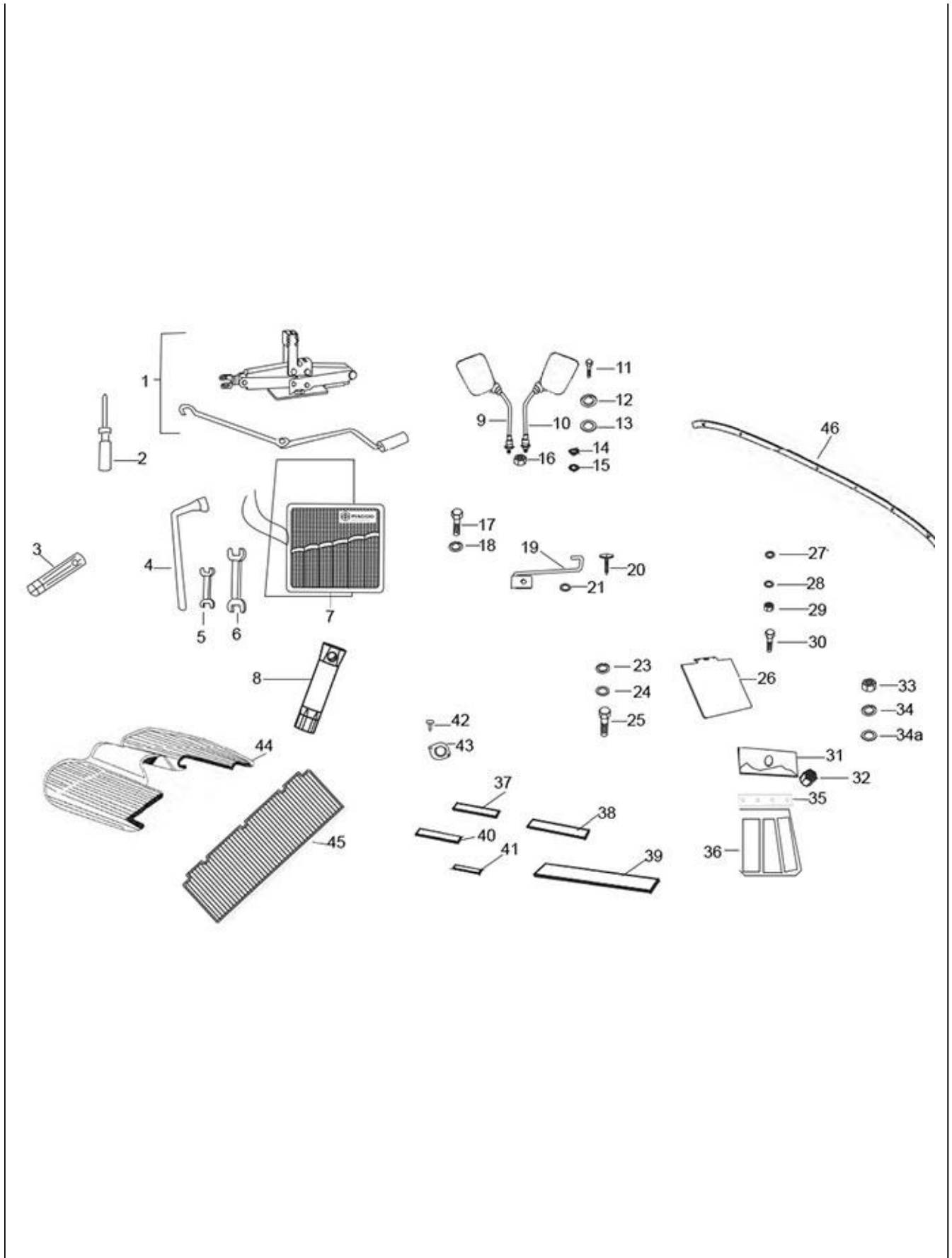
Fig. No.	Part No.	Description	Qty	Remarks
1	B076650R	JACK ASSLY	1	
2	567458	SCREW DRIVER (-)&(+) 80	1	
3	B041787	SPARK PLUG SPANNER	1	
4	B076142	L TYPE SPANNER - A/F 16	1	
5	567454	DOUBLE END SPANNER 7/8	1	
6	567456	DOUBLE END SPANNER 12/14	1	
7	B041876	TOOL BAG	1	
8	B041787	SPARK PLUG SPANNER	1	
9	B073665	REAR VIEW MIRROR LH	1	
10	B073666	REAR VIEW MIRROR RH	1	
11	31118	SCREW M8X20	2	
12	016408	SPRING WASHER	6	
13	3058	PLAIN WASHER 15X8.4X1.5	20	
14	016408	SPRING WASHER	4	
15	3058	PLAIN WASHER 15X8.4X1.5	4	
16	20108	HEX NUT M8	4	
17	31116	HEX HD. SCREW M8X16	1	
18	016408	SPRING WASHER	1	
19	B001887	STOPPER ASSLY.	1	
20	15911	PAN SELF TAP SCREW 8SG X 16 AB	1	
21	16670	PLAIN WASHER 12X4.5X1	1	
22	B078074	SEAT BELT FOR EXPORT (3W-TANZANIA)	1	
23	016408	SPRING WASHER	4	
24	3058	PLAIN WASHER 15X8.4X1.5	4	
25	31118	SCREW M8X20	4	
26	643661	LICENSE PLATE MTG. BKT.	1	
27	13861	PLAIN WASHER 20X8.2X2.5	2	
28	12540	SPRING WASHER M8	2	
29	20108	HEX NUT M8	2	
30	30072	HEX HEAD BOLT M8 X 35	2	
31	B002208	STRAP WITH PIN SPARE WHEEL MTG.	1	
32	20108	HEX NUT M8	2	
33	20106	HEX NUT M6	12	
34	016406	SPRING WASHER	12	
34a	013880	PLAIN WASHER	12	

Print Date: 07-Apr-2022

PLATE-34

TOOLS AND ACCESSORIES





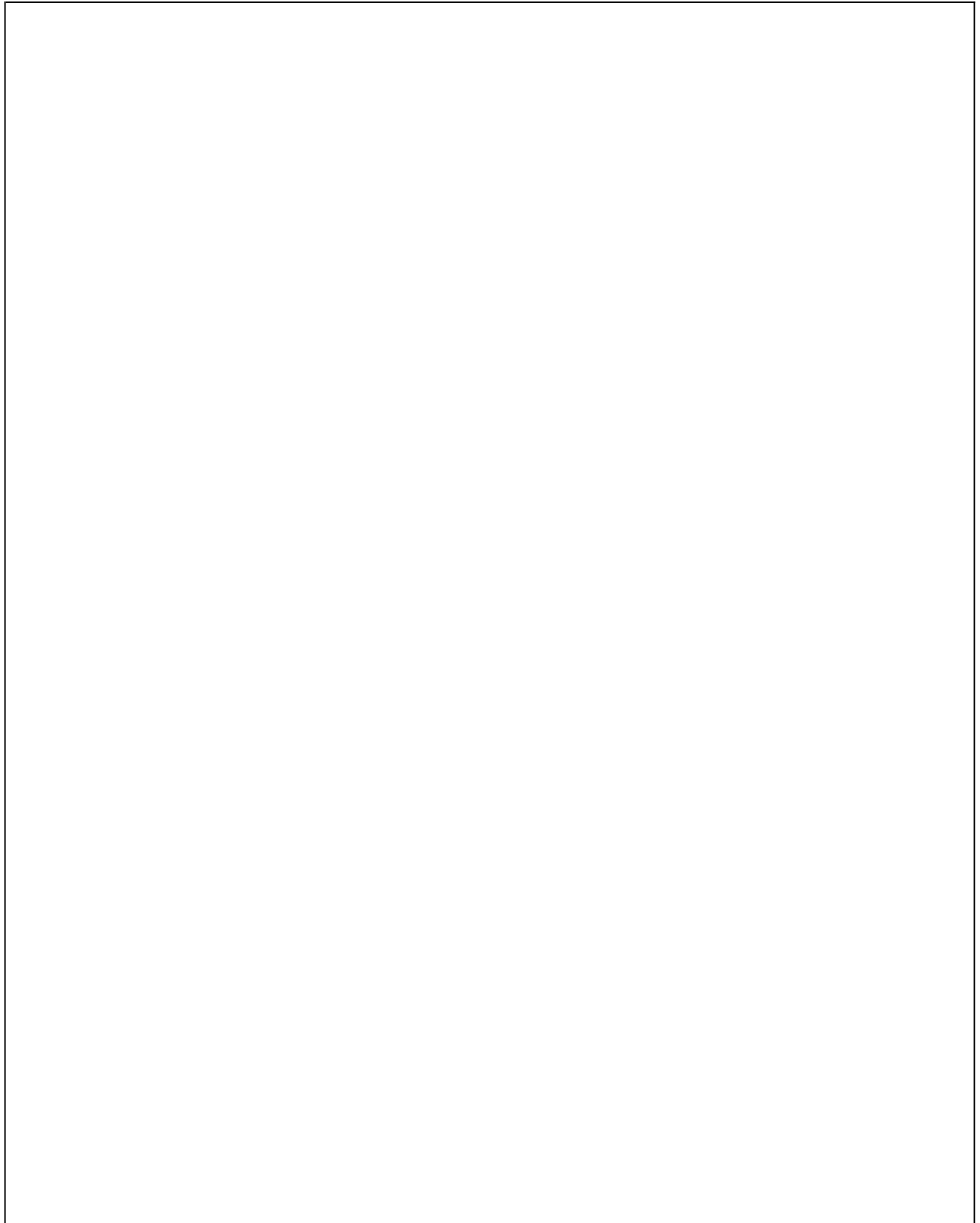
Print Date: 07-Apr-2022











PLATE-34**TOOLS AND ACCESSORIES**

Fig. No.	Part No.	Description	Qty	Remarks
35	B001788	CLAMP MUDFLAP REAR	2	
36	B001789	MUDFLAP MUDGAURD REAR	2	
37	B024474	BEADDING LINING	2	
38	B006600	BEADING (RUBBER PACKING REAR MIDDLE)	1	
39	B006792	BEADING (INSULATION ENG. COMP. COVER)	2	
40	B074637	BEEDING DOME SIDE PILLAR (PET/DLS)	2	
41	B006598	BEADING (RUBBER PACKING LH/RH)	4	
42	8451	PAN SELF TP SCREW 6 SGX13 AB	4	
43	B003076	COVER SHOCKER MTG. HOLE	2	
44	B074060	FRONT CARPET (PETROL)	1	
45	B041225	CARPET PASSENGER FOOT REST	1	
46	B073603	UPPER STRIP CANPOY MTG	1	

Print Date: 07-Apr-2022

PLATE-35
TOOL KIT



 1	 9	 17	 25
 2	 10	 18	 26
 3	 11	 19	 27
 4	 12	 20	 28
 5	 13	 21	 29
 6	 14	 22	 30
 7	 15	 23	 31
 8	 16	 24	

Print Date: 07-Apr-2022

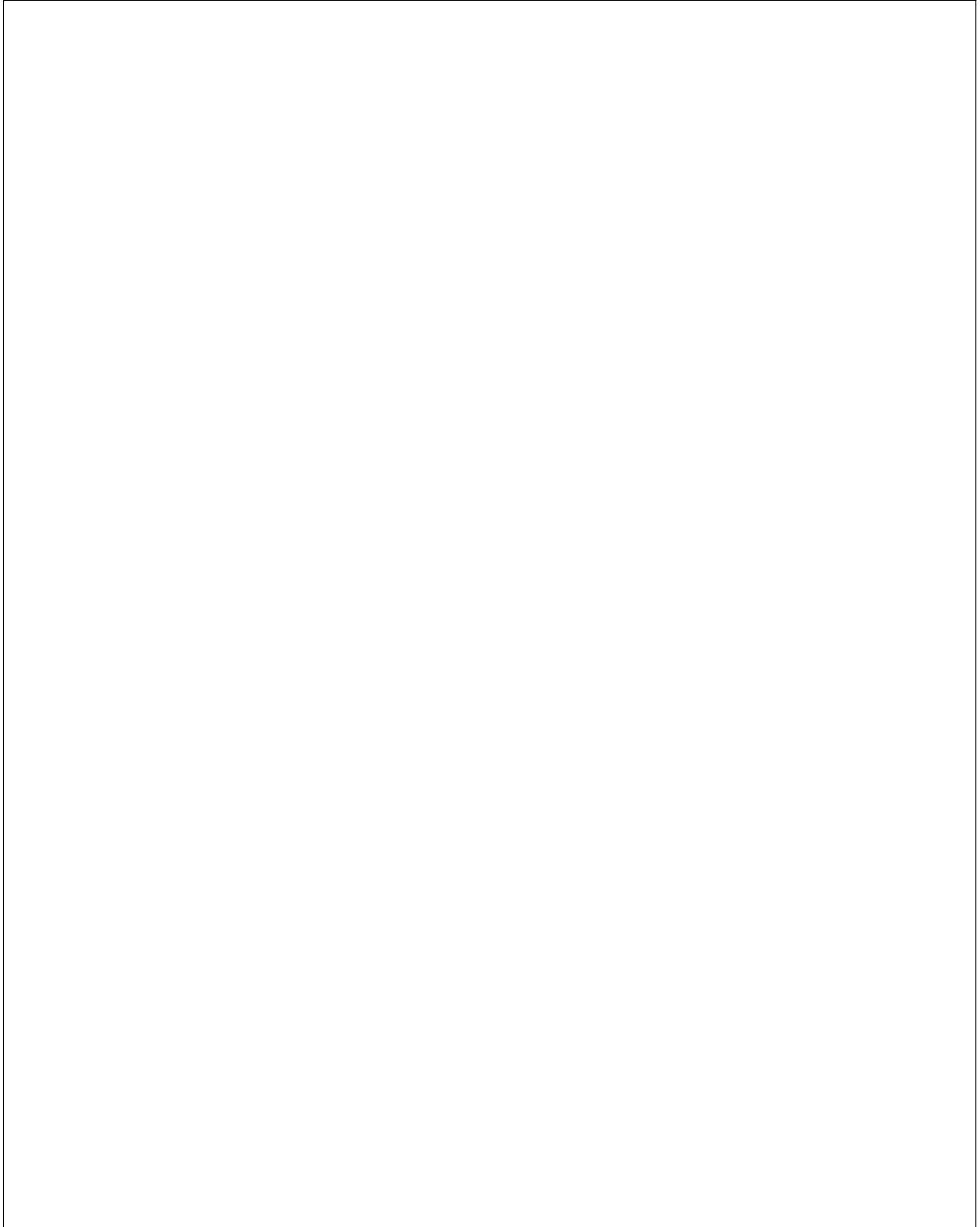
PLATE-35
TOOL KIT

Fig. No.	Part No.	Description	Qty	Remarks
1	441025	CLUSTER GEAR NR BEARING PRESS.	1	
2	441026	CLUSTER GEAR NR BEARING REMOVAL	1	
3	441027	MAIN SHAFT NR BEARING PRESSING.	1	
4	441028	OIL SEAL ON MAIN SHAFT BALL BRG PRESSING.	1	
5	441029	TAPPET SETTING TOOL.	1	
6	441030	OIL PUMP DRIVING GEAR HOLDING TOOL.	1	
7	441031	PISTON TDC LOCATION.	1	
8	441032	HEX NUT ON CRANKSHAFT HOLDING TOOL.	1	
9	441033	OIL FILTER REMOVING & FITTING TOOL.	1	
10	441034	SELECTION OF BP KIT GASKET.	1	
11	441035	RING FITMENT ON PISTON.	1	
12	441036	PISTON ASSLY HOLDING TOOL.	1	
13	441037	BP KIT COMPRESSION (PISTON RING). TOOL.	1	
14	441038	PINON SHAFT BALL BEARING PRESSING TOOL.	1	
15	441041	SPARK PLUG REMOVAL TOOL.	1	
16	441042	MAGNETO ROTOR HOLDING TOOL.	1	
17	441043	CRANK SHAFT HOLDING TOOL.	1	
18	441044	PINION SHAFT FITTING TOOL.	1	
19	441045	STEERING COLUMN LOCKNUT TIGHTING TOOL.	1	
20	441046	VALVE SPRING COMPRESSOR TOOL.	1	
21	441047	MAGNETO ROTOR PULLER.	1	
22	925704	IDLER GEAR BUSH PRESSING TOOL. (1T).	1	
23	925406	IDLER GEAR BUSH REMOVAL TOOL. (1T).	1	
24	926009	DIFFERENTIAL CAGE BALL BRG PRESSING (1T).	1	
25	920209	CLUTCH ASSLY HOLDING TOOL (1T).	1	
26	920401	DIFFERENTIAL GEAR ASSLY REMOVAL (1T).	1	
27	SST96030	STATOR SUPPORT PLATE OIL SEAL PRESSING DOLLEY	1	
28	SST96031	CLUSTER SHAFT OIL SEAL PREESING DOLLEY	1	
29	SST96032	PRIMARY GEAR HOLDING TOOLS	1	
30	SST96033	SPEEDO WORM GEAR REMOVAL TOOLS	1	
31	SST96034	CLUCTH HOLDING TOOLS STEP 2 BSIV	1	

Print Date: 07-Apr-2022

PLATE-36

PADS DIAGNOSTIC SYSTEM





1

Print Date: 07-Apr-2022

PLATE-36**PADS DIAGNOSTIC SYSTEM**

Fig. No.	Part No.	Description	Qty	Remarks
1	020922Y	PADS DIAGNOSTIC SYSTEM	1	

Print Date: 07-Apr-2022

PARTS INDEX

ape City Philippines



95

Print Date: 07-Apr-2022

com.microsoft.sqlserver.jdbc.SQLServerException:
Socket closed

PART NO	BLOCK
---	PLATE-3
-	PLATE-23
-	PLATE-23
-	PLATE-24
-	PLATE-28
-	PLATE-29
-	PLATE-29
000267	PLATE-12
002139	PLATE-17
003054	PLATE-8
003054	PLATE-21
003054	PLATE-27
006410	PLATE-6
009101	PLATE-10

