

Parts Catalog

Commercial Vehicle

ape Xtra LD CNG LPG BSIV

PIAGGIO VEHICLES PRIVATE LIMITED

Registered Office: Bund Garden Road ,Opp. Residency Club , Pune (India)

Print Date: 07-Apr-2022

PLATES INDEX

Sr No.	Plate Name	Plate No.	Page No.
1	CRANK CASE ASSEMBLY & OIL PAN	1	1-2
2	CYLINDER & PISTON	2	3-4
3	CYLINDER HEAD ASSY. & ROCKER ASSY	3	5-6
4	CONNECTING ROD & CRANK SHAFT ASSEMBLY	4	7-8
5	CRANKSHAFT SUPPORT	5	9-10
6	PTO COVER	6	11-12
7	PRESSURE RELIEF VALVE, SPIN ON OIL FILTER & PETROL FILTER	7	13-14
8	LUB OIL & GOVERNOR GEAR	8	15-16
9	CAM SHAFT, PUSH ROD & ROCKER ARM	9	17-18
10	AIR SHROUD / FLYWHEEL / ELECTRIC START SYSTEM	10	19-22
11	AIR CLEANER, EXHAUST MUFFLER	11	23-24
12	CARBURETTOR, OIL COOLER & ELECTRONIC FEED PUMP	12	25-26
13	IGNITION SYSTEM & SPARK PLUG	13	27-28
14	CARBURETTOR ASSEMBLY	14	29-32
15	ENGINE SIDE COVER AND MAIN HOUSING	15	33-34
16	MAINSHAFT, SPEED GEARS AND CLUSTER GEAR	16	35-36
17	GEAR SHIFTER AND ITS CONTROL MECHANISM	17	37-38
18	DIFFERENTIAL UNIT, FARE METER HOUSING AND SPEEDO DRIVE	18	39-44
19	CLUTCH AND CLUTCH COVER	19	45-48
20	ENGINE SUPPORT	20	49-52
21	CHASSIS FRAME, FUEL TANK & SEAT	21	53-56
22	INNER PARTS OF CABIN	22	57-58
23	CHASSIS COMPONENTS	23	59-60
24	RUBBER MAT, REAR MUDGUARD	24	61-64
25	TOOLS AND WHEELS	25	65-66
26	REAR SUSPENSION	26	67-70
27	STEERING COLUMN AND FRONT SUSPENSION	27	71-74
28	HANDLE BAR AND CONTROL	28	75-78
29	BRAKE - TANDEM MASTER CYLINDER, BRAKE PIPE AND HAND BRAKES	29	79-82
30	ELECTRICAL DEVICES-1	30	83-86

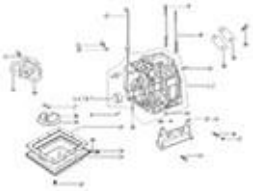
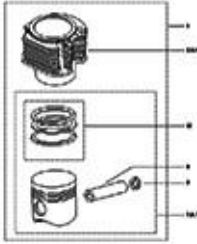
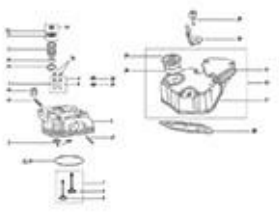
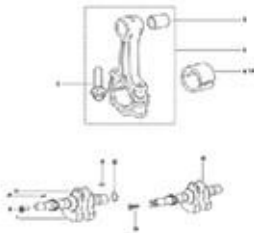
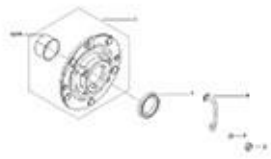
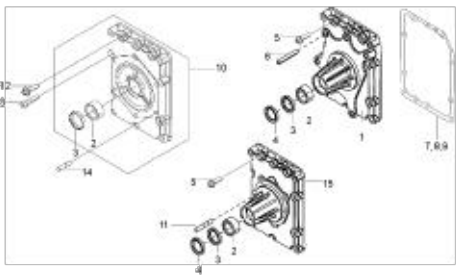
Print Date: 07-Apr-2022

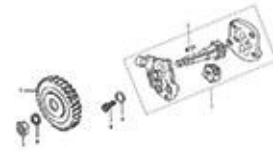
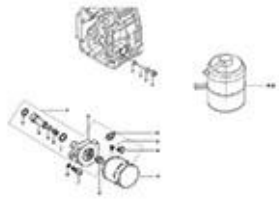
PLATES INDEX

Sr No.	Plate Name	Plate No.	Page No.
31	ELECTRICAL DEVICES-2	31	87-92
32	OPEN BOX BODY (Cargo LD)	32	93-96
33	CABLE HARNESS	33	97-98
34	FRONT BRAKE ASSEMBLY SELF ADJUSTING (DIA 180 X 40 MM)	34	99-100
35	REAR BRAKE ASSEMBLY SELF ADJUSTING (DIA 180 X 40 MM)	35	101-102
36	VANAZ KIT - CNG	36	103-108
37	LPG-KIT	37	109-114
38	AIR FILTER ASSLY. COMPLETE	11.1	115-116

Print Date: 07-Apr-2022

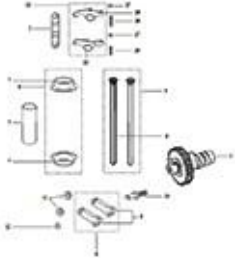

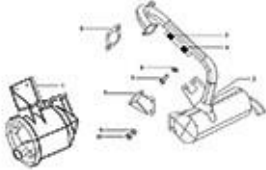
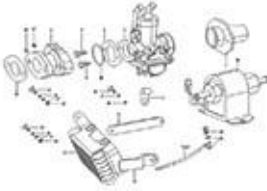
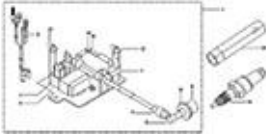
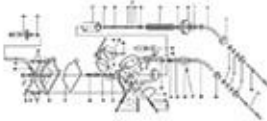
PICTORIAL PLATES INDEX

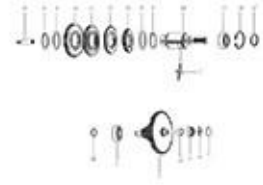
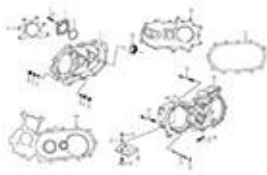
<p>PLATE-1 CRANK CASE ASSEMBLY & OIL PAN</p> <p>Page No. :1-2</p> 	<p>PLATE-2 CYLINDER & PISTON</p> <p>Page No. :3-4</p> 
<p>PLATE-3 CYLINDER HEAD ASSY. & ROCKER ASSY</p> <p>Page No. :5-6</p> 	<p>PLATE-4 CONNECTING ROD & CRANK SHAFT ASSEMBLY</p> <p>Page No. :7-8</p> 
<p>PLATE-5 CRANKSHAFT SUPPORT</p> <p>Page No. :9-10</p> 	<p>PLATE-6 PTO COVER</p> <p>Page No. :11-12</p> 
<p>PLATE-7 PRESSURE RELIEF VALVE, SPIN ON OIL FILTER & PETROL FILTER</p> <p>Page No. :13-14</p>	<p>PLATE-8 LUB OIL & GOVERNOR GEAR</p> <p>Page No. :15-16</p>



Print Date: 07-Apr-2022



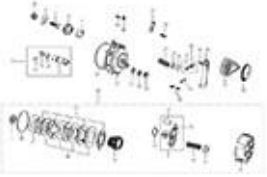

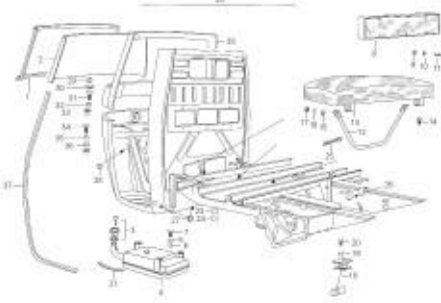
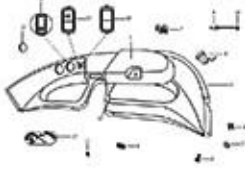
PICTORIAL PLATES INDEX

<p>PLATE-9 CAM SHAFT, PUSH ROD & ROCKER ARM Page No. :17-18</p> 	<p>PLATE-10 AIR SHROUD / FLYWHEEL / ELECTRIC START SYSTEM Page No. :19-22</p> 
<p>PLATE-11 AIR CLEANER, EXHAUST MUFFLER Page No. :23-24</p> 	<p>PLATE-12 CARBURETTOR, OIL COOLER & ELECTRONIC FEED PUMP Page No. :25-26</p> 
<p>PLATE-13 IGNITION SYSTEM & SPARK PLUG Page No. :27-28</p> 	<p>PLATE-14 CARBURETTOR ASSEMBLY Page No. :29-32</p> 
<p>PLATE-15 ENGINE SIDE COVER AND MAIN HOUSING Page No. :33-34</p>	<p>PLATE-16 MAINSHAFT, SPEED GEARS AND CLUSTER GEAR Page No. :35-36</p>



Print Date: 07-Apr-2022



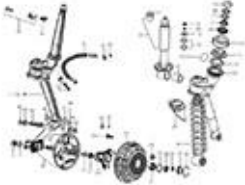
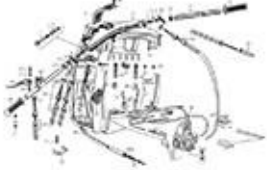


PICTORIAL PLATES INDEX

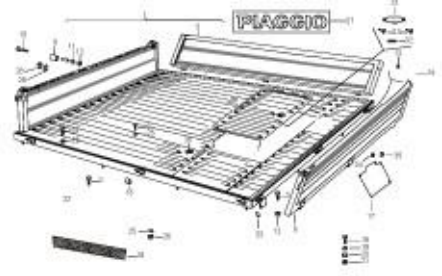
<p>PLATE-17 GEAR SHIFTER AND ITS CONTROL MECHANISM Page No. :37-38</p> 	<p>PLATE-18 DIFFERENTIAL UNIT, FARE METER HOUSING AND SPEEDO DRIVE Page No. :39-44</p> 
<p>PLATE-19 CLUTCH AND CLUTCH COVER Page No. :45-48</p> 	<p>PLATE-20 ENGINE SUPPORT Page No. :49-52</p> 
<p>PLATE-21 CHASSIS FRAME, FUEL TANK & SEAT Page No. :53-56</p> 	<p>PLATE-22 INNER PARTS OF CABIN Page No. :57-58</p> 
<p>PLATE-23 CHASSIS COMPONENTS Page No. :59-60</p>	<p>PLATE-24 RUBBER MAT, REAR MUDGUARD Page No. :61-64</p>



Print Date: 07-Apr-2022

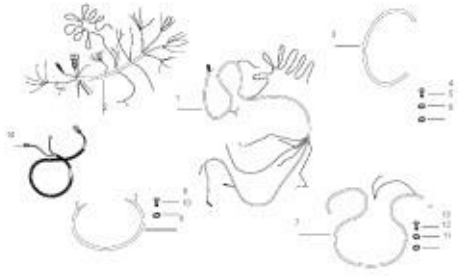

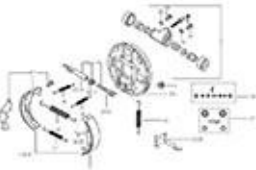

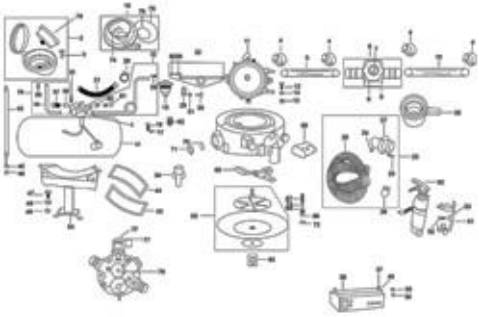
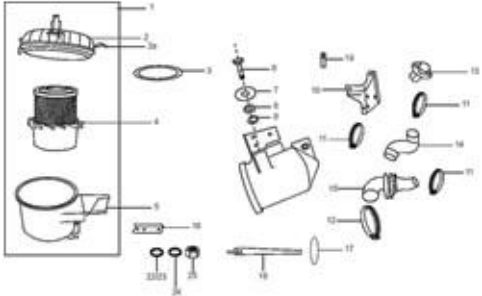
PICTORIAL PLATES INDEX

<p>PLATE-25 TOOLS AND WHEELS</p> <p>Page No. :65-66</p> 	<p>PLATE-26 REAR SUSPENSION</p> <p>Page No. :67-70</p> 
<p>PLATE-27 STEERING COLUMN AND FRONT SUSPENSION</p> <p>Page No. :71-74</p> 	<p>PLATE-28 HANDLE BAR AND CONTROL</p> <p>Page No. :75-78</p> 
<p>PLATE-29 BRAKE - TANDEM MASTER CYLINDER, BRAKE PIPE AND HAND BRAKES</p> <p>Page No. :79-82</p> 	<p>PLATE-30 ELECTRICAL DEVICES-1</p> <p>Page No. :83-86</p> 
<p>PLATE-31 ELECTRICAL DEVICES-2</p> <p>Page No. :87-92</p>	<p>PLATE-32 OPEN BOX BODY (Cargo LD)</p> <p>Page No. :93-96</p>



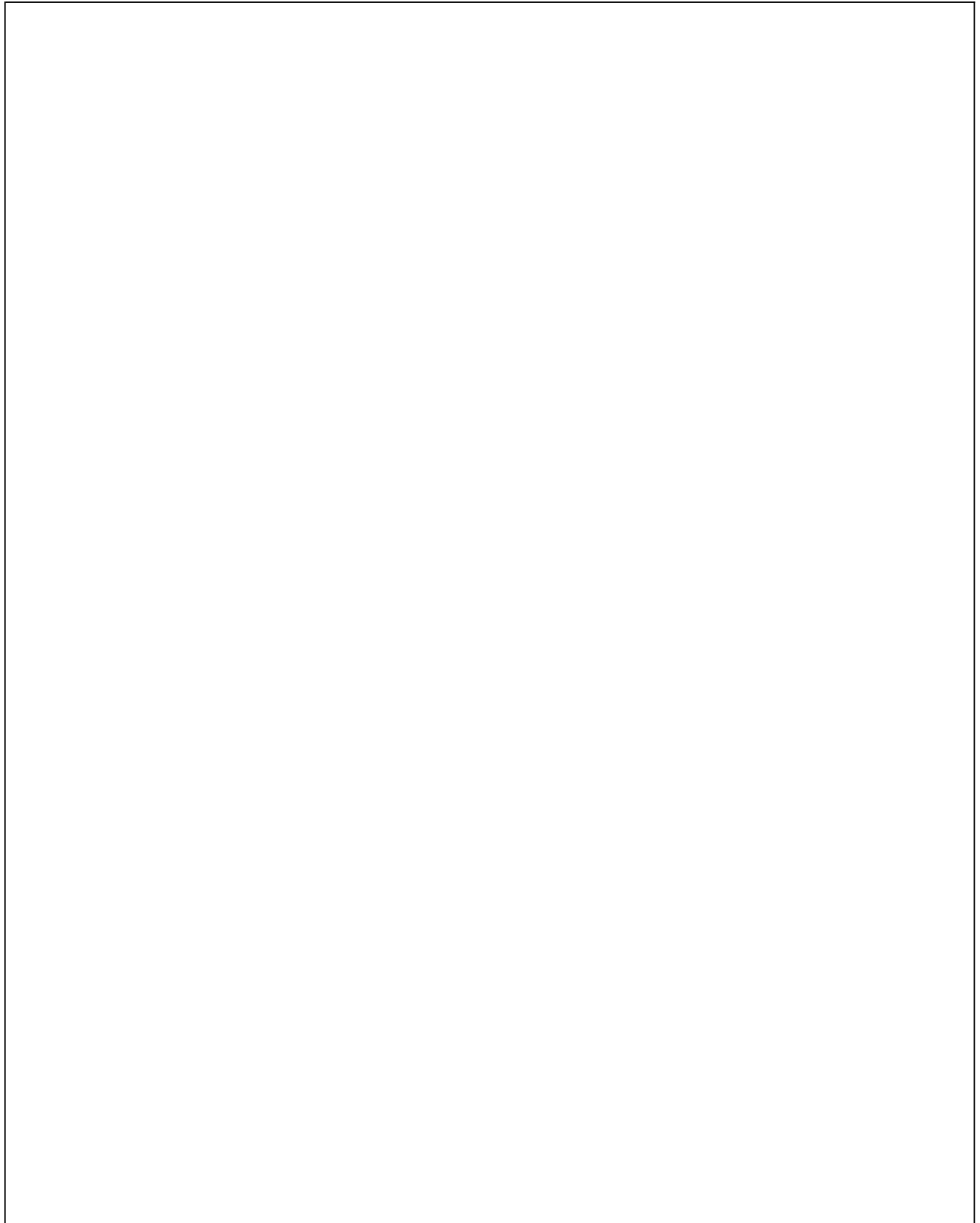
Print Date: 07-Apr-2022

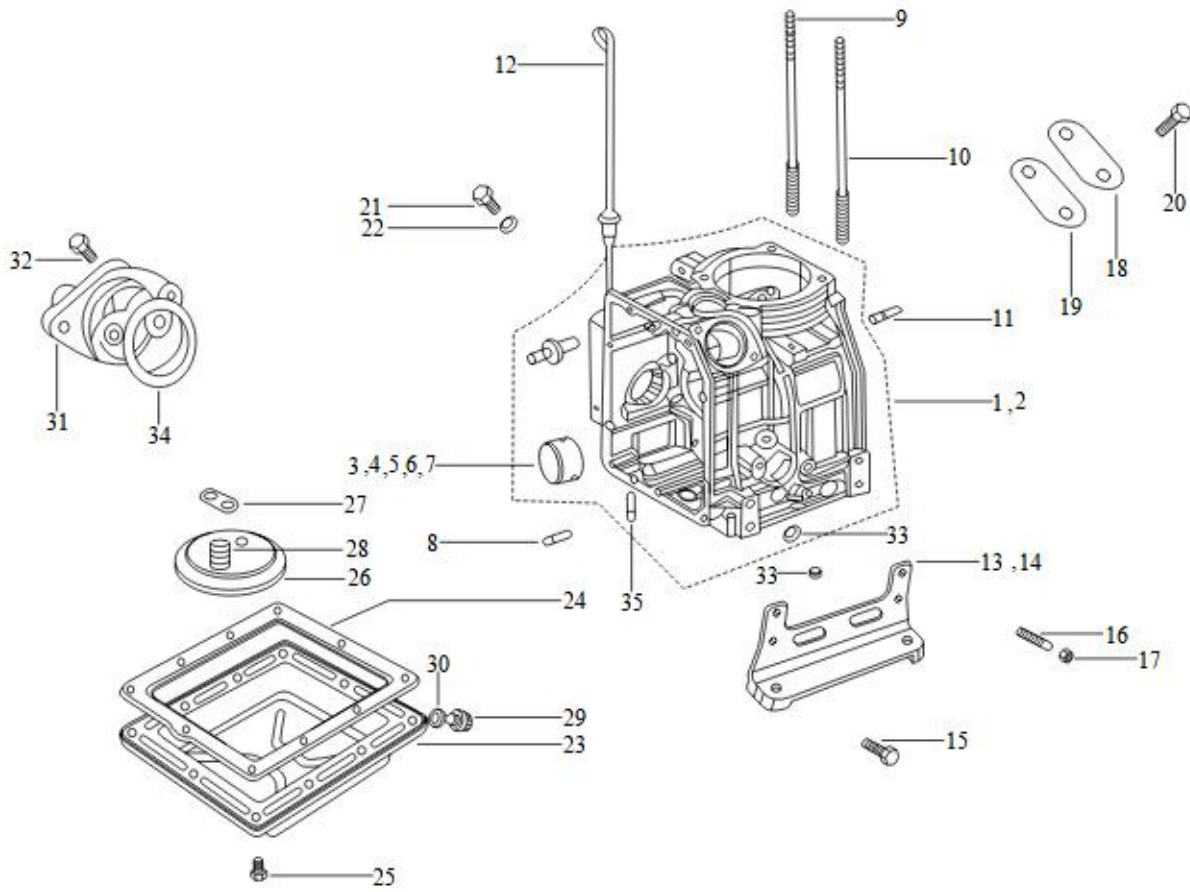
PICTORIAL PLATES INDEX

<p>PLATE-33 CABLE HARNESS Page No. :97-98</p> 	<p>PLATE-34 FRONT BRAKE ASSEMBLY SELF ADJUSTING (DIA 180 X 40 MM) Page No. :99-100</p> 
<p>PLATE-35 REAR BRAKE ASSEMBLY SELF ADJUSTING (DIA 180 X 40 MM) Page No. :101-102</p> 	<p>PLATE-36 VANAZ KIT - CNG Page No. :103-108</p> 
<p>PLATE-37 LPG-KIT Page No. :109-114</p> 	<p>PLATE-11.1 AIR FILTER ASSLY. COMPLETE Page No. :115-116</p> 

Print Date: 07-Apr-2022

PLATE-1
CRANK CASE ASSEMBLY & OIL PAN





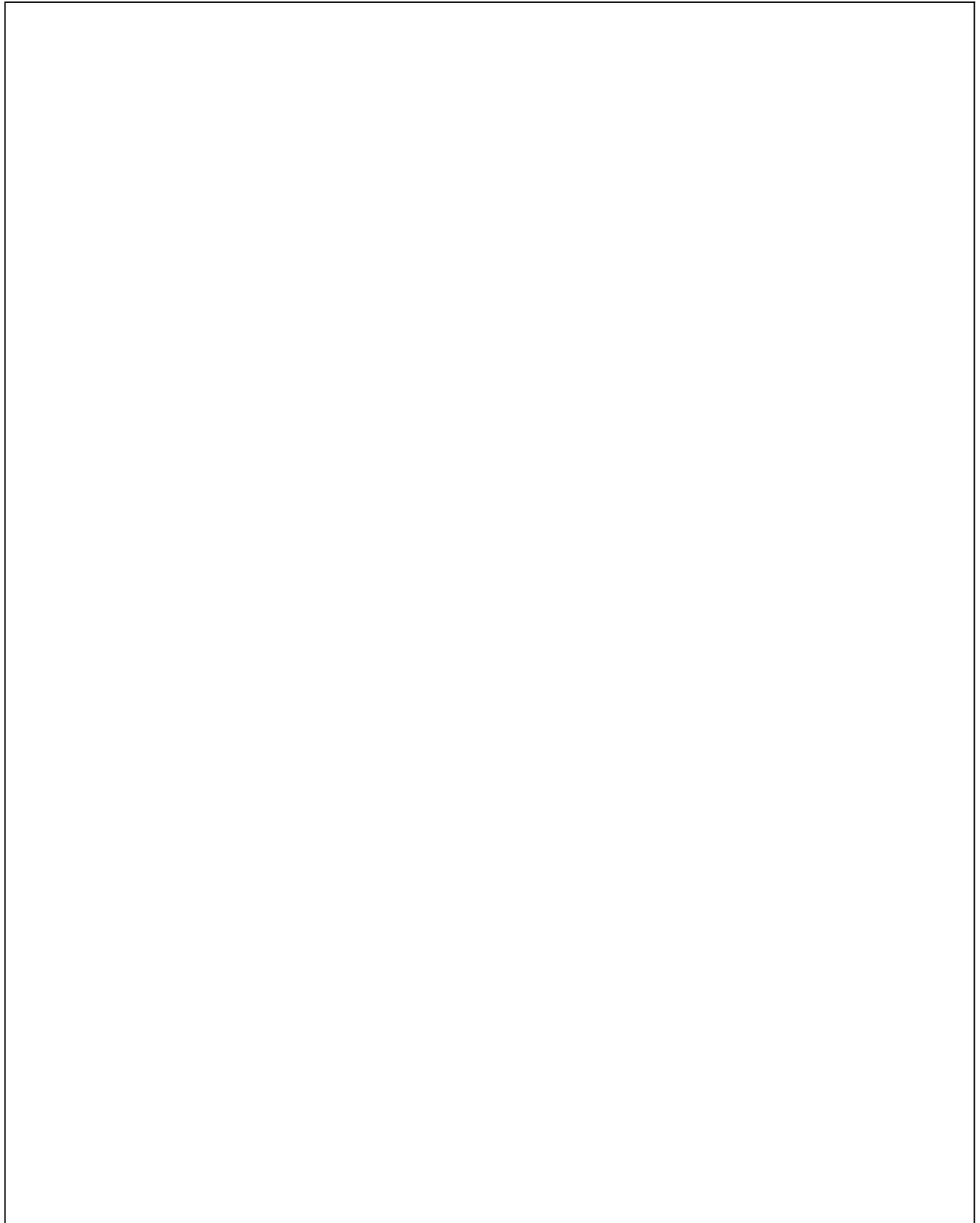
Print Date: 07-Apr-2022

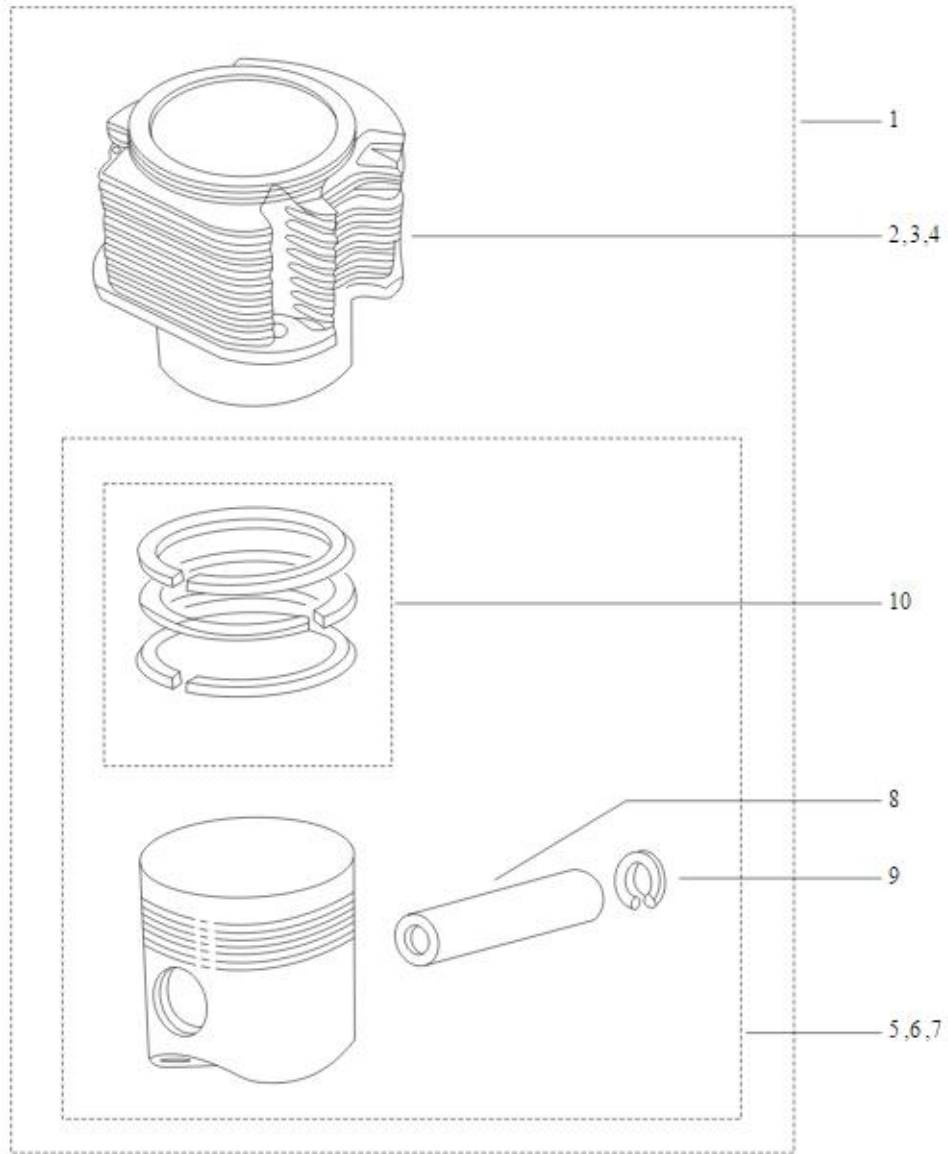
PLATE-1**CRANK CASE ASSEMBLY & OIL PAN**

Fig. No.	Part No.	Description	Qty	Remarks
1	E40012525	CRANKCASE ASSY. WITH STD BUSH & CF PIN	1	
2	E40002263	BUSH CRANKCASE STD	1	
3	E40002264	BUSH CRANKCASE 0.25 MM U/S	1	
4	E40002265	BUSH CRANKCASE 0.50 MM U/S	1	
5	E40002266	BUSH CRANKCASE 0.75 MM U/S	1	
6	E40002267	BUSH CRANKCASE 1.00 MM U/S	1	
7	E276846055	DOWEL -PIN	2	
8	E5406850106	STUD CYLINDER HEAD	2	
9	E5406850108	STUD CYLINDER HEAD	2	
10	E271678054	STUD FWE SIDE	5	
11	E52008924	DIPSTICK	1	
12	E400106100	ENGINE FEET.	1	
13	E40020615	ENGINE FEET - EXHAUST SIDE	1	
14	E50002805	COLLER BOLT M8 X 1.25 X 22	6	
15	E50000506	STUD M8X1.25X34	2	
16	E07502810	COLLAR NUT M8 X 1.25	2	
17	ED33240	BLANK PLATE FOR FIP HOLE	1	
18	ED42723	JOINT FOR FIP CASING (0.5MM THICK)	1	
19	E50002805	COLLER BOLT M8 X 1.25 X 22	2	
20	E9176003	HEX BOLT	1	
21	ED40642	WASHER (BSII) (N.I.)	1	
22	E50008099	OIL PAN	1	
23	E50006169	JOINT	1	
24	E50002805	COLLER BOLT M8 X 1.25 X 22	10	
25	E50008883	SUCTION BULB ASSY.	1	
26	E40016141	JOINT SUCTION BULB	1	
27	E99732047	SCREW FOR BULB	1	
28	E50000421	MAGNETIC DRAIN PLUG M12X1.5	1	
29	E250467014	JOINT 12X19X1(JOINT DRAIN PLUG)	1	
30	ED33369	GOV. SUPPORT ASSY. FOR HOLE CLOSING	1	
31	E270973010	CAP SCREW (TUBE OIL ADAPTER)	2	
32	E500197087	SLEEVE - OIL PAN IN CRANK CASE	2	
33	E52006205	O RING	1	
34	E500843036	DOWEL PIN	1	

Print Date: 07-Apr-2022

PLATE-2
CYLINDER & PISTON





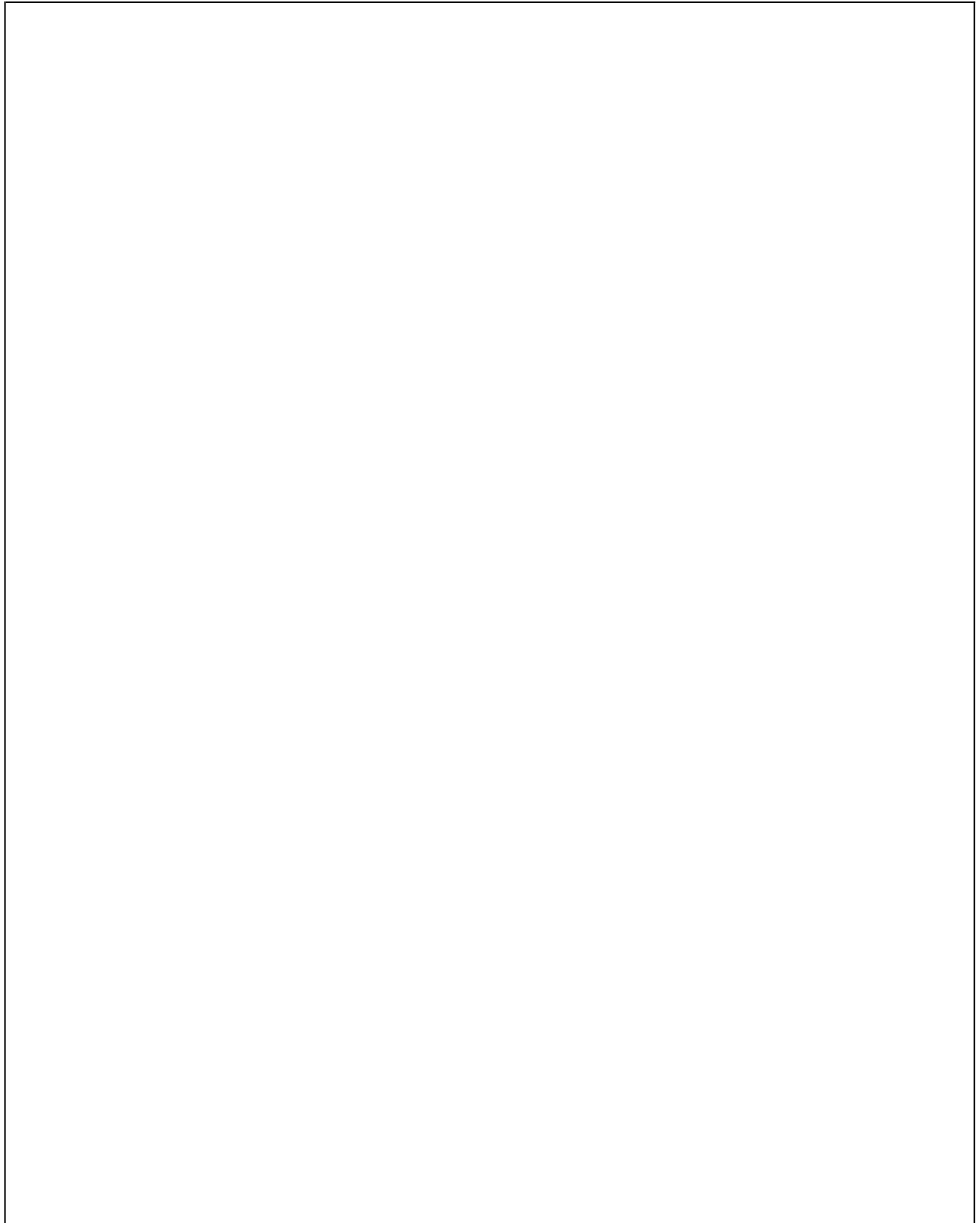
Print Date: 07-Apr-2022

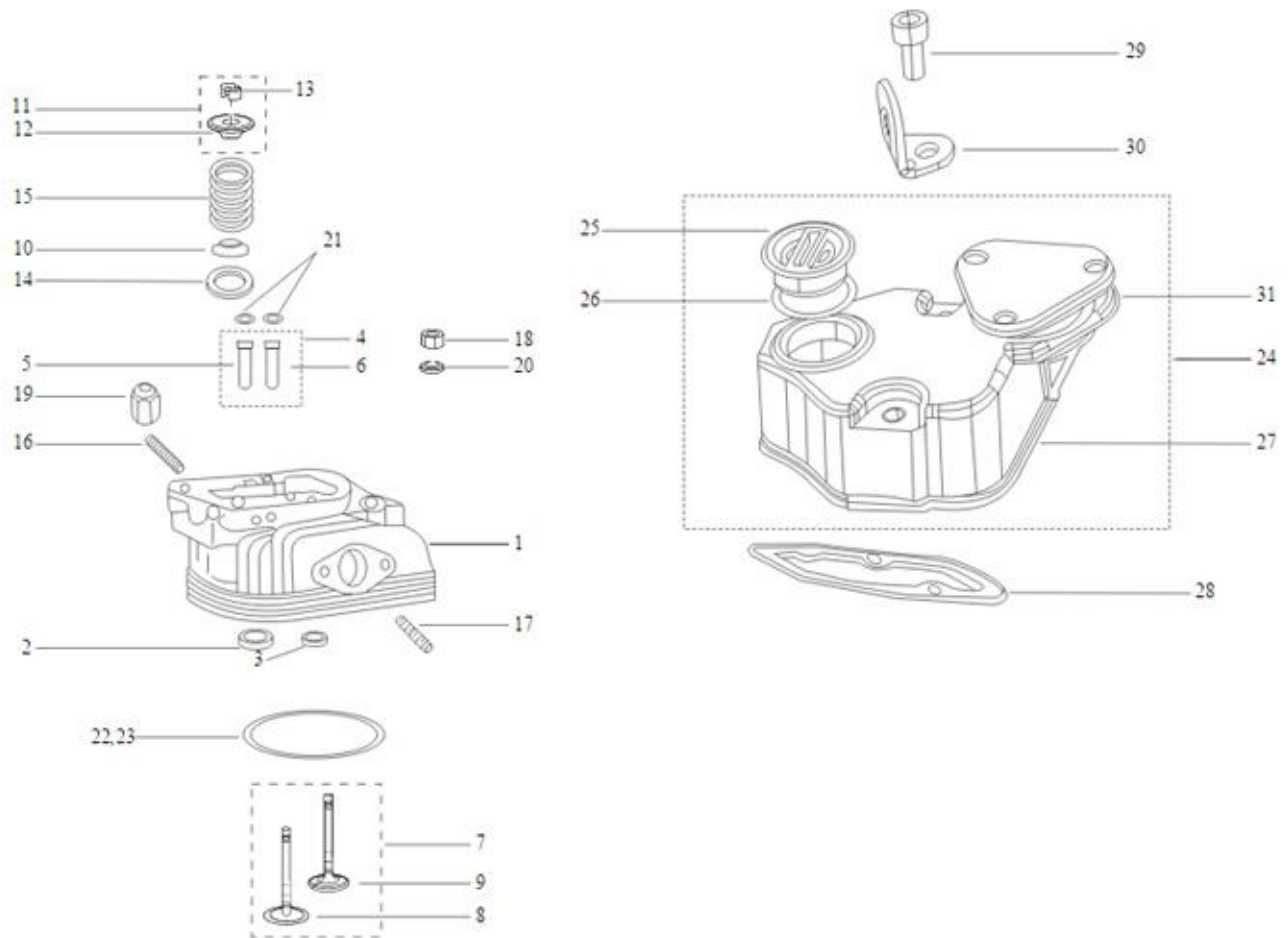
**PLATE-2
CYLINDER & PISTON**

Fig. No.	Part No.	Description	Qty	Remarks
1	E40020540	CYLINDER & PISTON ASSY. KIT	1	
2	E40002075	CYLINDER GRADE A	1	
3	E40002076	CYLINDER GRADE B	1	
4	E40002077	CYLINDER GRADE C	1	
5	E40020537	PISTON ASSY GRADE A	1	
6	E40020538	PISTON ASSY GRADE B	1	
7	E40020539	PISTON ASSY GRADE C	1	
8	E5408480091A	GUGEON PIN	1	
9	E3124017	CIRCLIP 500 SR	2	
10	E40011420PA	KIT OF PISTON RING MOD BS-II	1	

Print Date: 07-Apr-2022

PLATE-3
CYLINDER HEAD ASSY. & ROCKER ASSY





Print Date: 07-Apr-2022

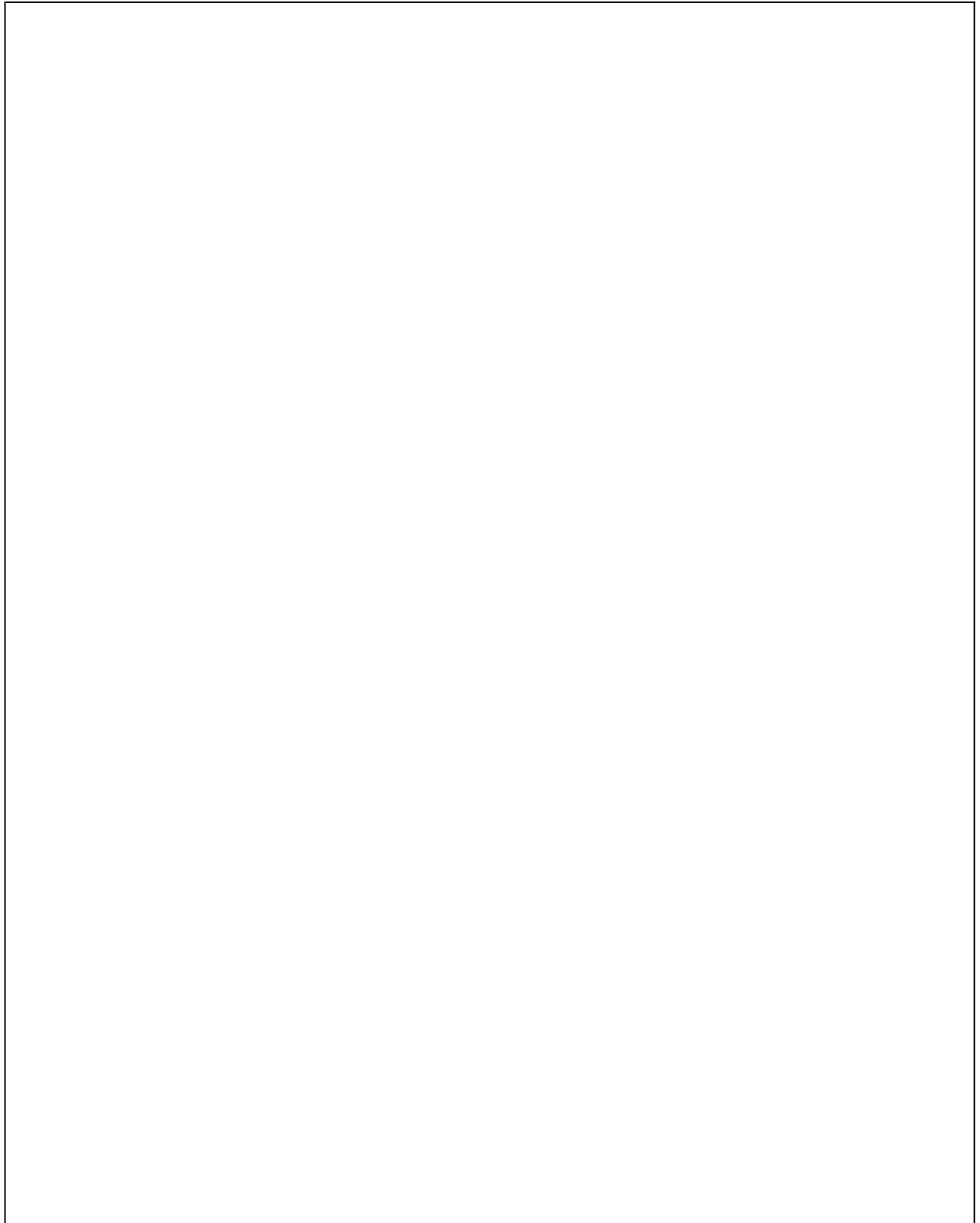
PLATE-3**CYLINDER HEAD ASSY. & ROCKER ASSY**

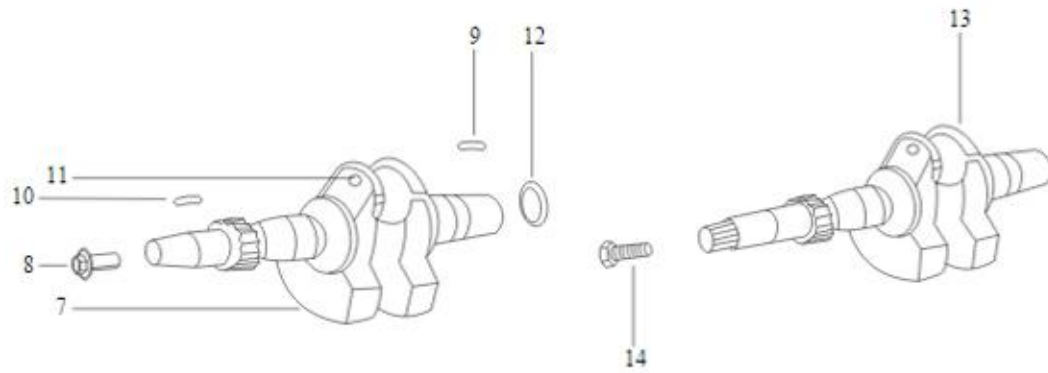
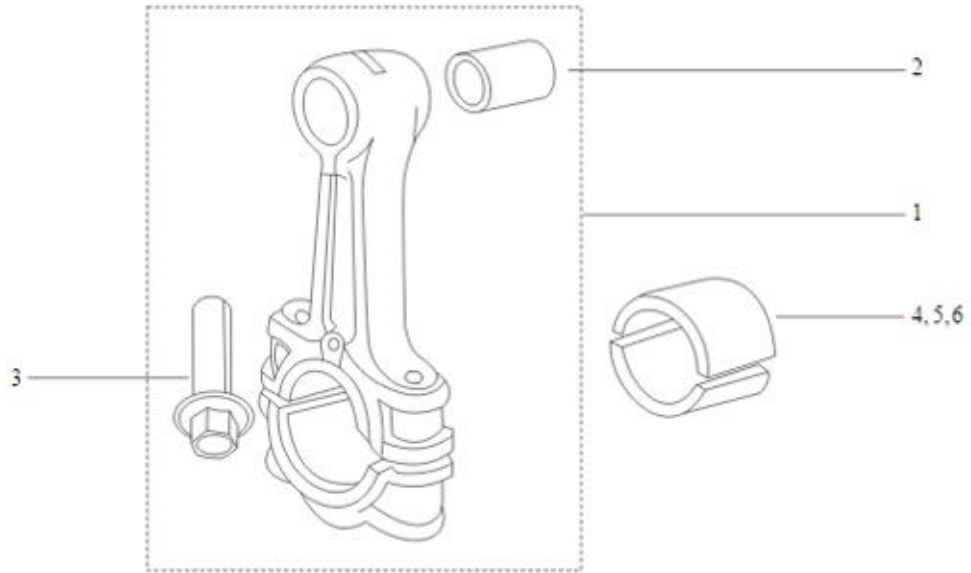
Fig. No.	Part No.	Description	Qty	Remarks
1	E40018334	CYLINDER HEAD ASSY.	1	
2	E40012238	VALVE SEAT INLET	1	
3	E40012239	VALVE SEAT EXHAUST	1	
4	E40012270	VALVE GUIDE SET CONSISTING OF SR. NOS. 5&6	1	
5	E40018356	VALVE GUIDE INLET	1	
6	E40018357	VALVE GUIDE EXHAUST	1	
7	E40012250	VALVE SET CONSISTING OF 8&9	1	
8	ED33637	VALVE INTAKE	1	
9	E40012250	VALVE SET CONSISTING OF 8&9	1	
10	E50006342	VALVE STEM SEAL	2	
11	E500641036	COLLET ASSY.	2	
12	E500640030	SPRING RETAINER TOP	2	
13	E271805703	COLLETHALF	4	
14	E5003430070	DISC	2	
15	E500575545	VALVE SPRING	2	
16	E40000549	STUD AIR INTAKE	2	
17	E50000506	STUD M8X1.25X34	2	
18	E93240076	NUT	2	
19	ED40165	DOME NUT	2	
20	E97626065	PLAIN WASHER	4	
21	E500116008	SNAP RING	2	
22	E40026134	JOINT CYL. HEAD (1.0 THK.)	1	
23	E40026135	JOINT CYL. HEAD(0.7 THK.)	1	
24	E43502764	ROCKER BOX COVER ASSY. WITH OIL FILLING 1 PLUG, CONSISTING OF SR. NO. 26 TO 28.	1	
25	E40024010	OIL FILLING PLUG	1	
26	E40006214	O RING	1	
27	E40002773	ROCKER BOX COVER ASSY.	1	
28	E43502711	JOINT FOR ROCKER COVER	1	
29	E50000114	BOLT (ALLEN)	2	
30	E904850603	LIFTING HOOK	1	
31	ED43751	SAFETY VALVE	1	

6

Print Date: 07-Apr-2022

PLATE-4
CONNECTING ROD & CRANK SHAFT ASSEMBLY





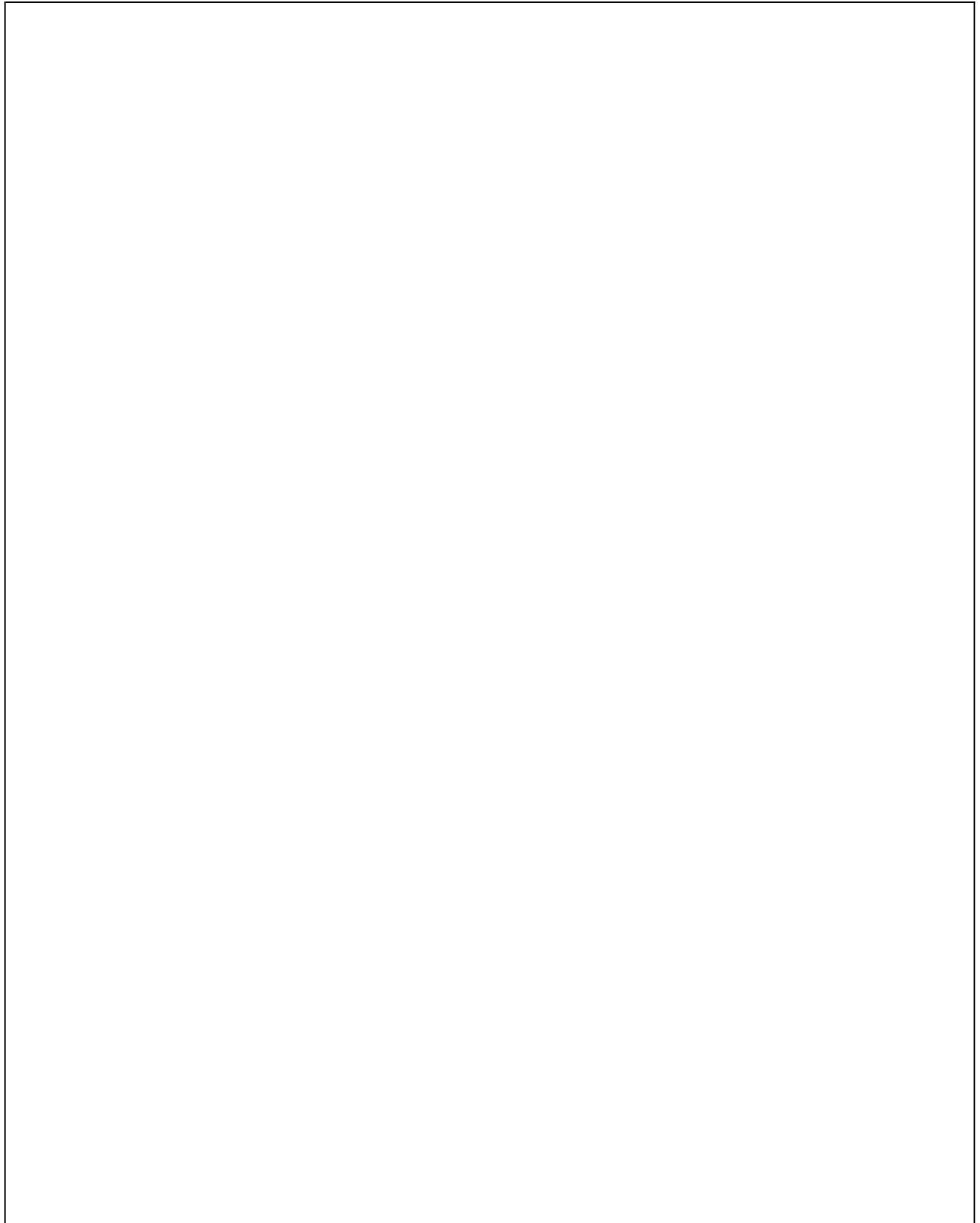
Print Date: 07-Apr-2022

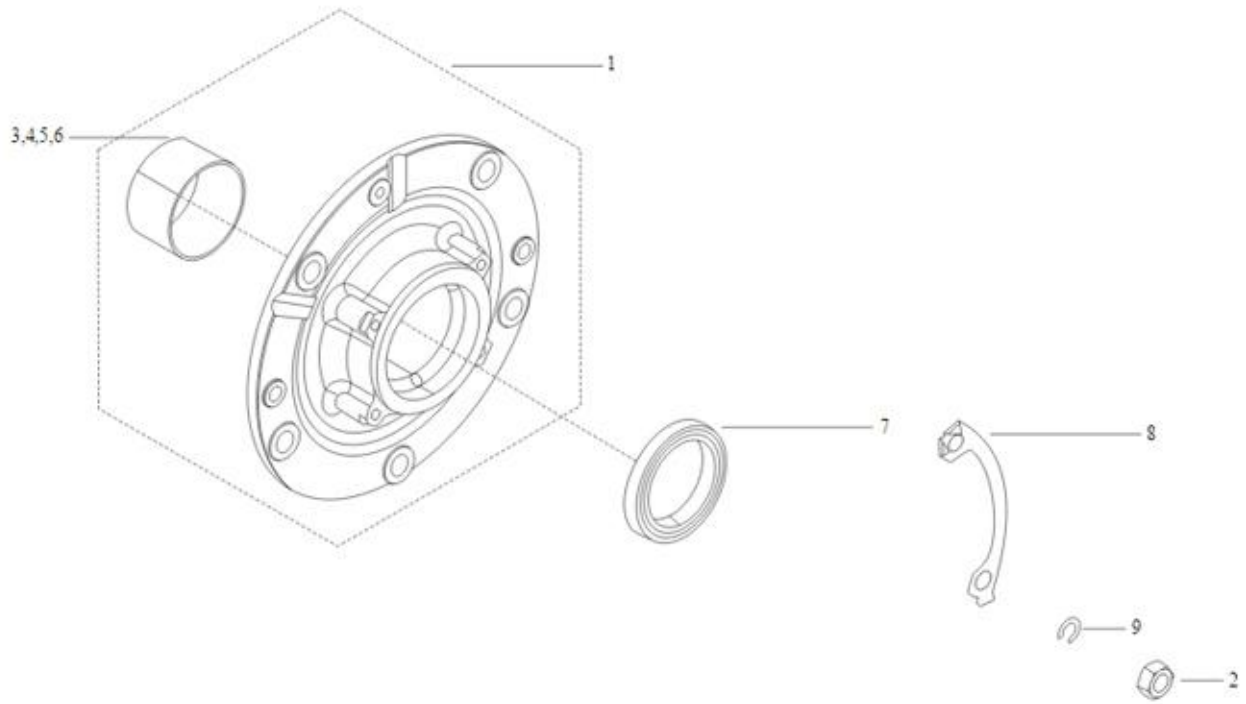
PLATE-4**CONNECTING ROD & CRANK SHAFT ASSEMBLY**

Fig. No.	Part No.	Description	Qty	Remarks
1	E50009023	CONNECTING ROD ASSY.	1	
3	E50009205	BUSH SMALL END CON ROD	1	
4	E40002818	BOLT M8X1	2	
5	E50002296A	LARGE END BEARING(SET OF 2)	1	
6	E40022211	LARGE END BEARING WITH COPPER LEAD (SINGLE HALF) 0.25 MM U/S	1	
7	E40022212	LARGE END BEARING (0.50MM U/S) WITH COPPER LEAD (SINGLE HALF)	1	
8	E50006060	CRANKSHAFT	1	
9	ED41602	BOLT PTO FLANGE FIXING	1	
10	E500228048	KEY - F.W.E.	1	
11	E70228047	KEY PTO	1	
12	E500900038	PLUG OIL HOLE	2	
13	E50006060	CRANKSHAFT	1	
14	E47177007	SCREW M8X1.25X30	1	
15	E500125708A	THRUST WASHER	1	NI

Print Date: 07-Apr-2022

PLATE-5
CRANKSHAFT SUPPORT





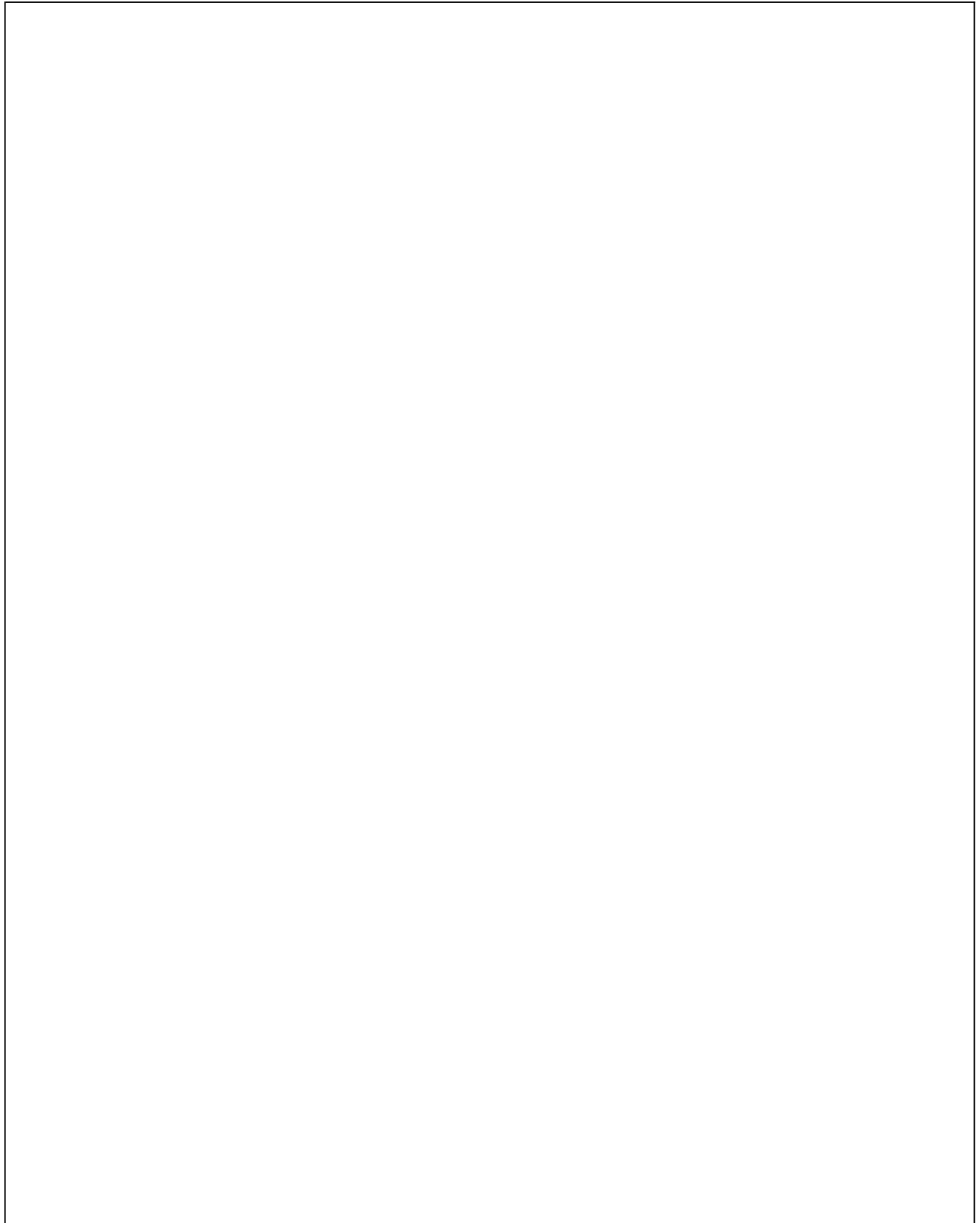
Print Date: 07-Apr-2022

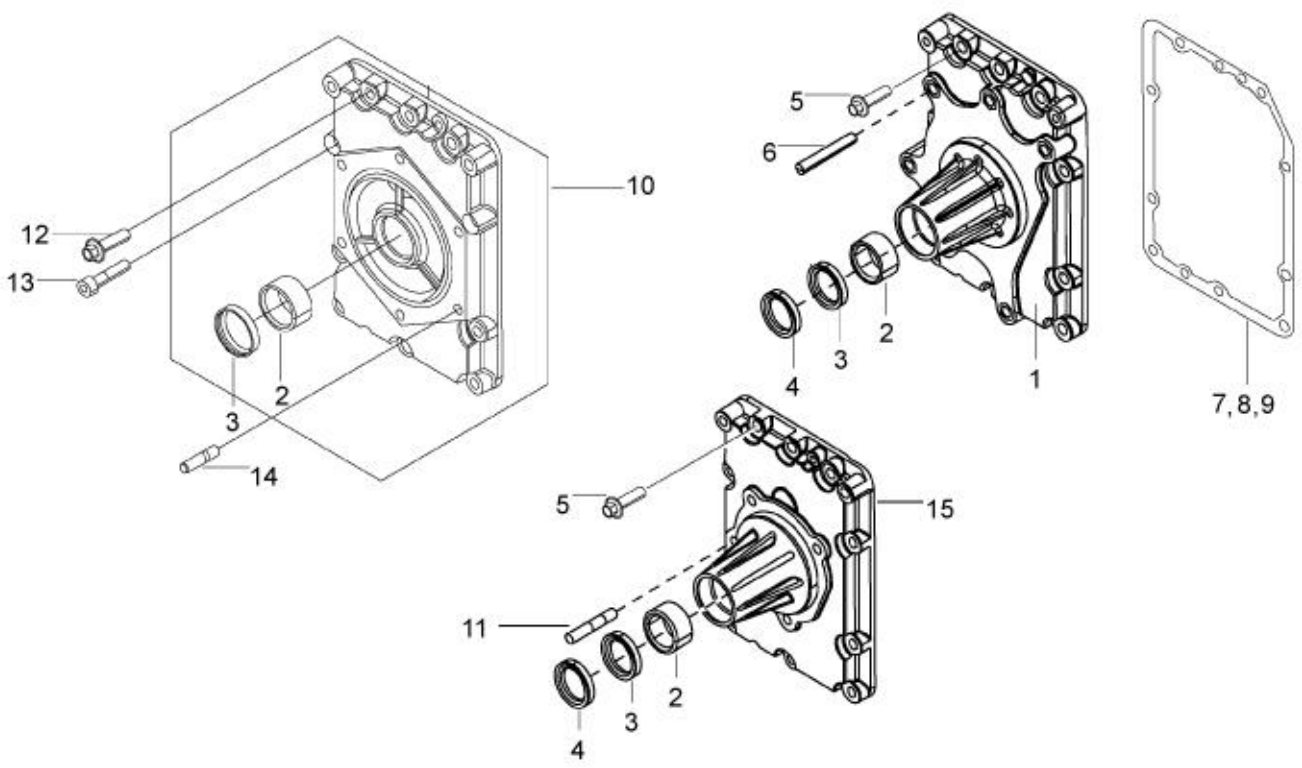
PLATE-5
CRANKSHAFT SUPPORT

Fig. No.	Part No.	Description	Qty	Remarks
1	E40011772	CRANKSHAFT SUPPORT ASSY. GL400	1	
2	E9324018	NUT M8 X 1.25 X 6.5	5	
3	E53002207	BUSH FWE SIDE 0.25 MM U/S	1	
4	E53002208	BUSH FWE SIDE 0.50 MM U/S	1	
5	E53002209	BUSH FWE SIDE 0.75 MM U/S	1	
6	E53002210	BUSH FWE SIDE 1.00 MM U/S	1	
7	ED42548	OILSEAL 520/530/GL400	1	
8	ESK8832	RETAINER PLATE	3	
9	E250755507	SPRING WASHER FOR M8	5	

Print Date: 07-Apr-2022

PLATE-6
PTO COVER





Print Date: 07-Apr-2022

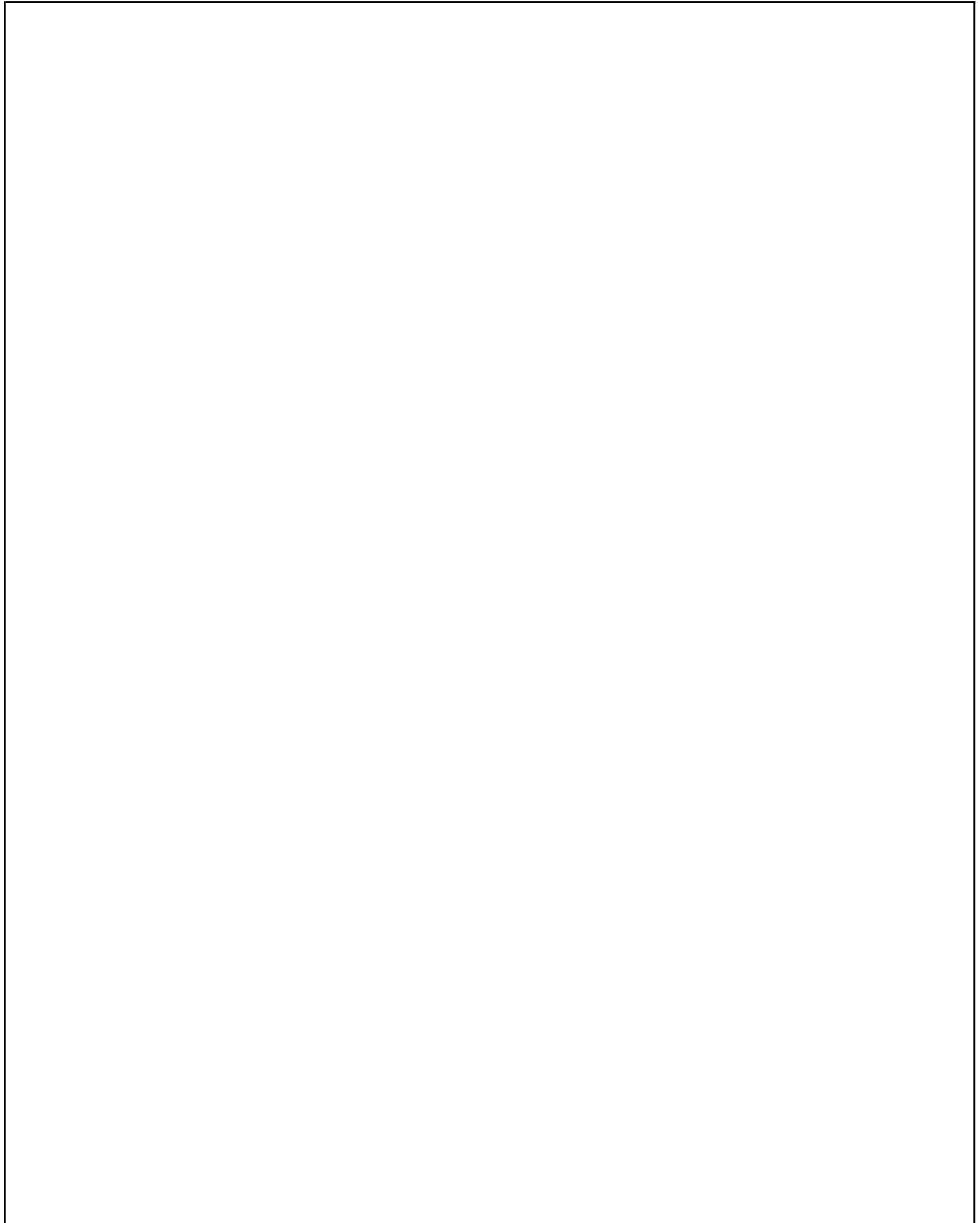
PLATE-6
PTO COVER

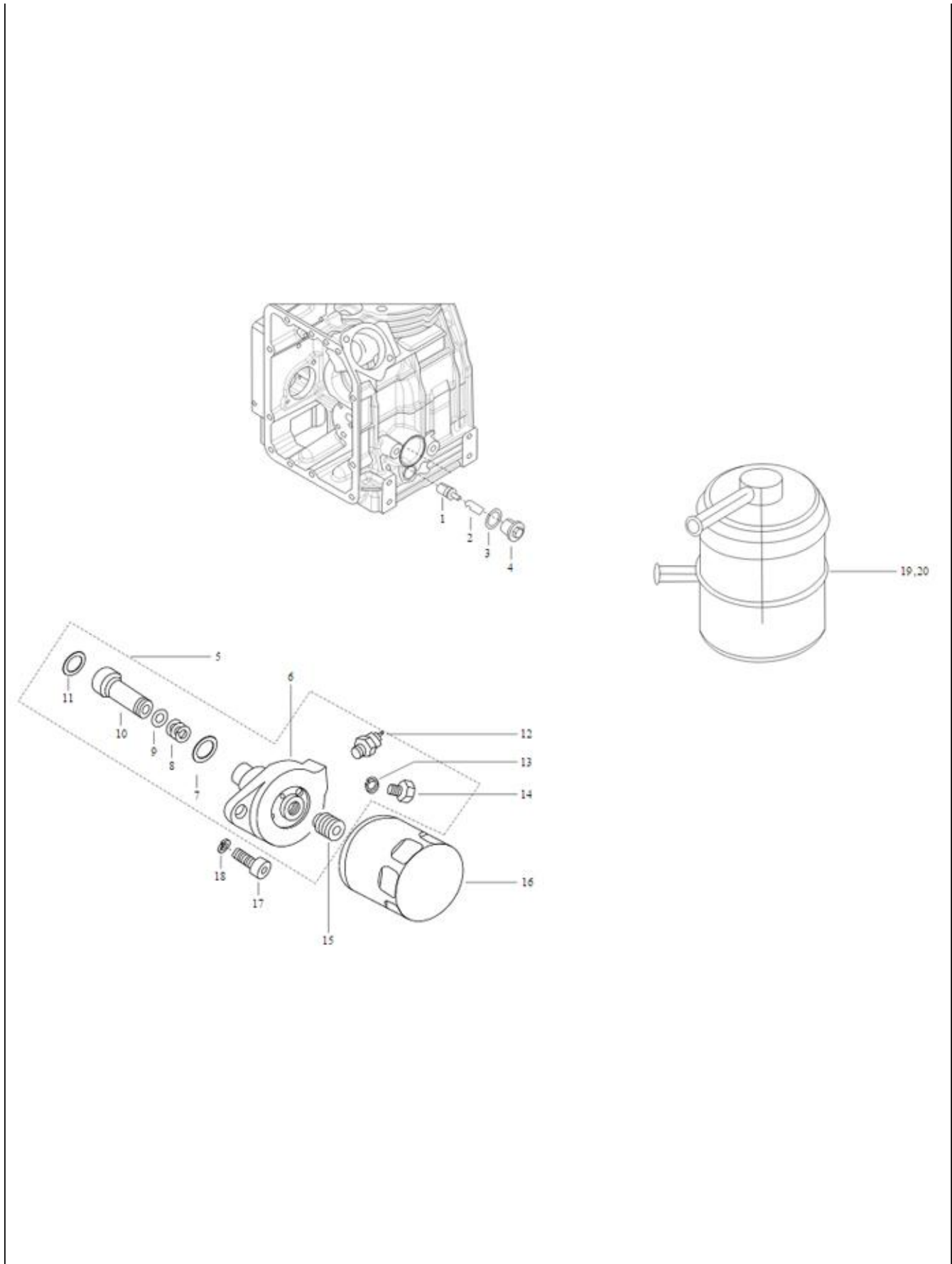
Fig. No.	Part No.	Description	Qty	Remarks
1	E43521745	COVER PTO (SIX STUD)	1	
2	E90303028	BEARING NEEDLE	1	
3	E9121356	OIL SEAL	1	
4	E50006328	OIL SEAL	1	
5	E07502804	COLLER BOLT M8 X 1.25 X 30	10	
6	ESK4336	STUD M8 X 1.25 X 57(PTO COVER)	6	
7	E500460120	JOINT 0.2 MM	1	
8	E500460102	JOINT 0.3 MM	1	
9	E50006101	JOINT 0.4 MM	1	
10	E50007540	PTO COVER ASSY. CONSISTING OF 2,4,5	1	
11	E53000542	STUD	4	
12	E07502804	COLLER BOLT M8 X 1.25 X 30	8	
13	E422973030	CAP SCREW FOR M8X1.25 FOR FUEL PUMP (BSII)	2	
14	E50000506	STUD M8X1.25X34	6	
15	E53011748	COVER PTO	1	

Print Date: 07-Apr-2022

PLATE-7

PRESSURE RELIEF VALVE, SPIN ON OIL FILTER & PETROL FILTER





Print Date: 07-Apr-2022

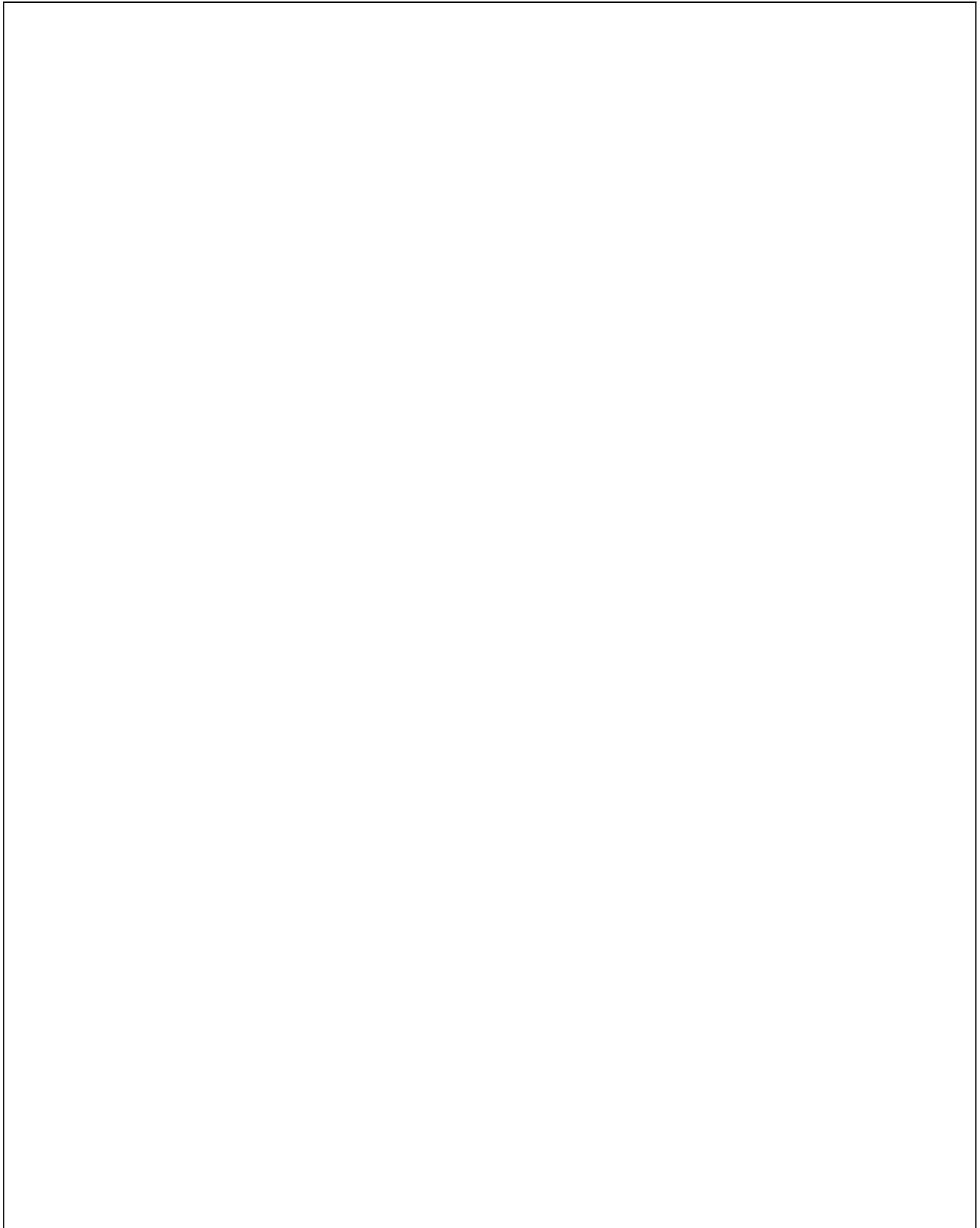
PLATE-7**PRESSURE RELIEF VALVE, SPIN ON OIL FILTER & PETROL FILTER**

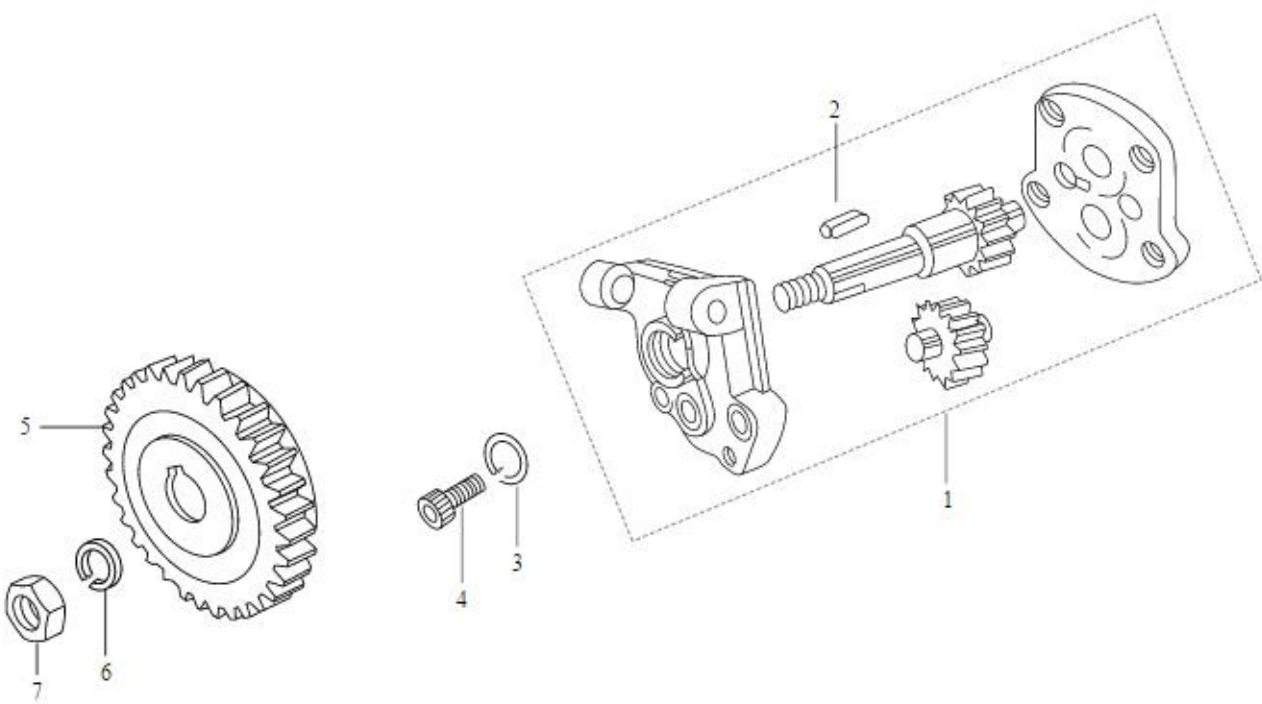
Fig. No.	Part No.	Description	Qty	Remarks
1	E5609680013	RELIEF VALVE BODY	1	
2	E500575549	SPRING	1	
3	E200467021	JOINT	1	
4	E50000475	PLUG RELIEF VALVE	1	
5	E40008874	FLANGE ASSY FOR SPIN-ON FILTER	1	CONSISTING OF 6 TO 15
6	E40008873	FLANGE	1	
7	E260120016	O RING	1	
8	E50005625006	SPRING	1	
9	E904120213	O RING	1	
10	E50006495029	PISTON	1	
11	E50001213143	O RING LUB OIL FILTER	1	
12	ED41447	OIL PRESSURE SWITCH - PARALLEL THREAD	1	
13	E200467003	JOINT	2	
14	E1177001	BOLT	1	
15	ED41208	STUD	1	
16	ED42244	SPIN ON LUB OIL FILTER	1	
17	E260973027	CAP SCREW M8X 1.25	2	
18	E50000613	MACHINED WASHER 16X8.1X2	1	
19	E40008724	PETROL FILTER	1	
20	ED32619	PETROL FILTER	1	

Print Date: 07-Apr-2022

PLATE-8

LUB OIL & GOVERNOR GEAR





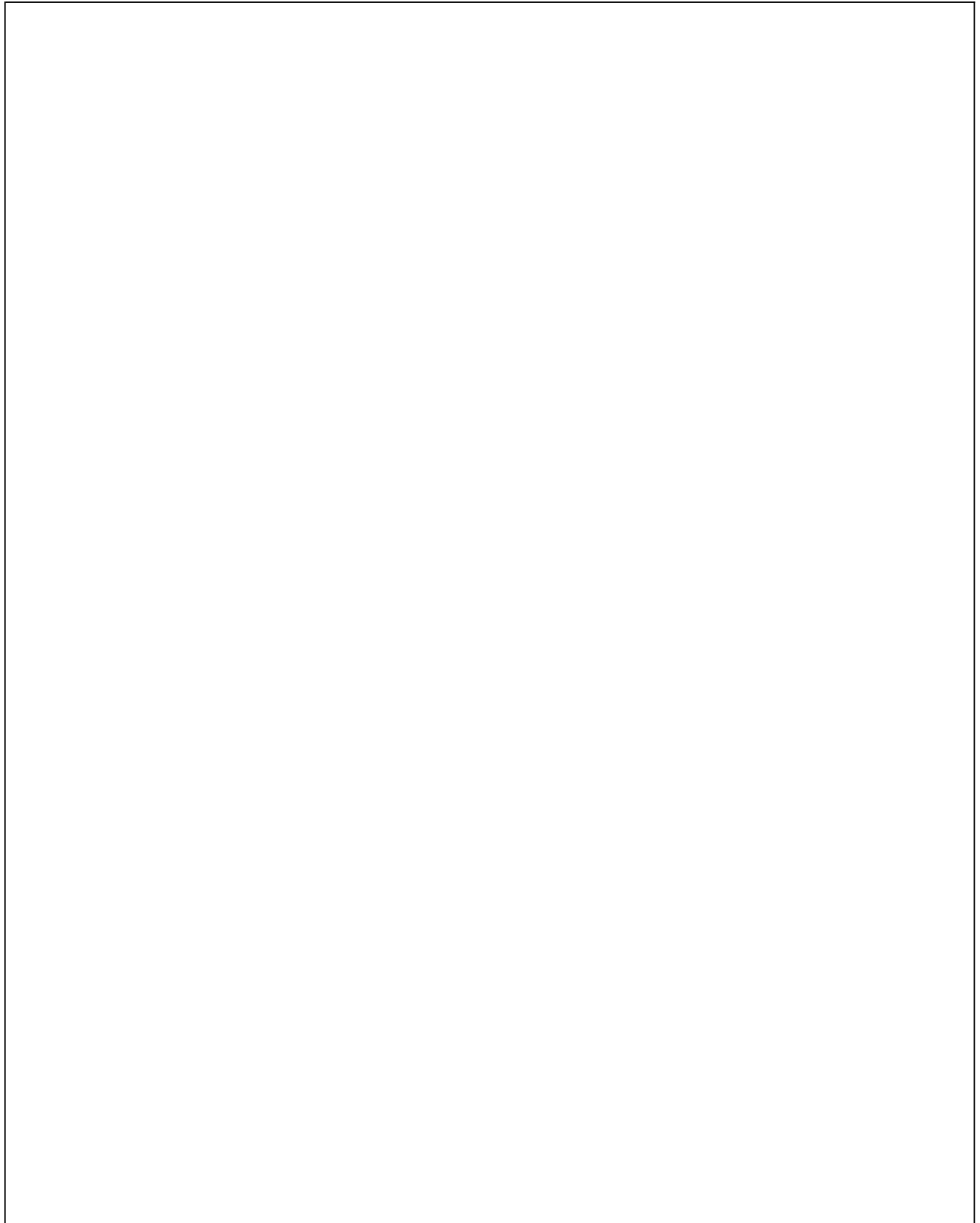
Print Date: 07-Apr-2022

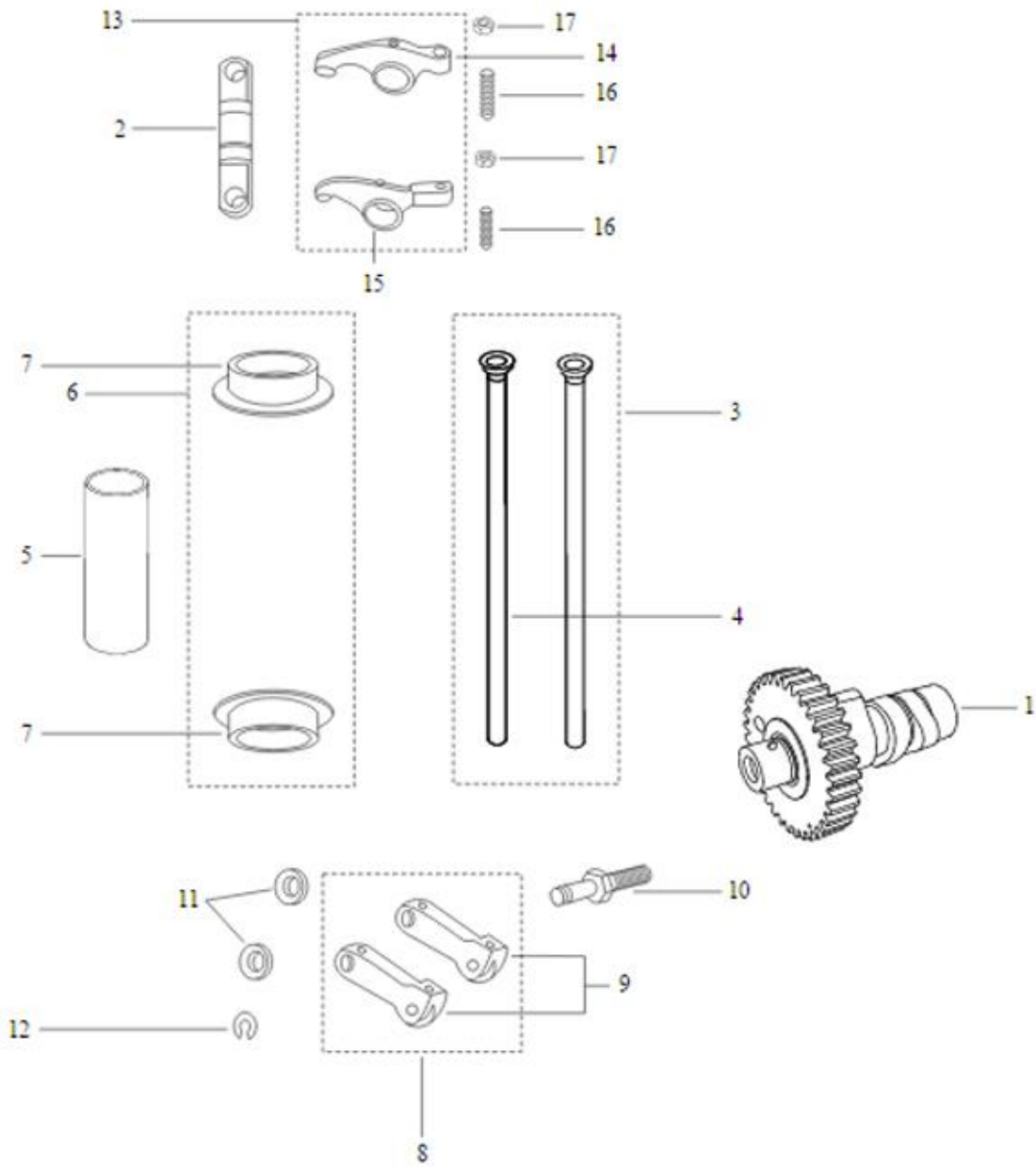
PLATE-8**LUB OIL & GOVERNOR GEAR**

Fig. No.	Part No.	Description	Qty	Remarks
1	E52006709	LUB OIL PUMP ASSY.	1	
2	E500220013	KEY	1	
3	E250755504	SPRING WASHER FOR M6	4	
4	E50000437	HEX SOCKET HEAD SCREW	4	
5	E40009683	GEAR LUB. OIL PUMP	1	
6	E202756511	SPRING WASHER FOR M10	1	
7	E500324066	NUT	1	

Print Date: 07-Apr-2022

PLATE-9
CAM SHAFT, PUSH ROD & ROCKER ARM





Print Date: 07-Apr-2022

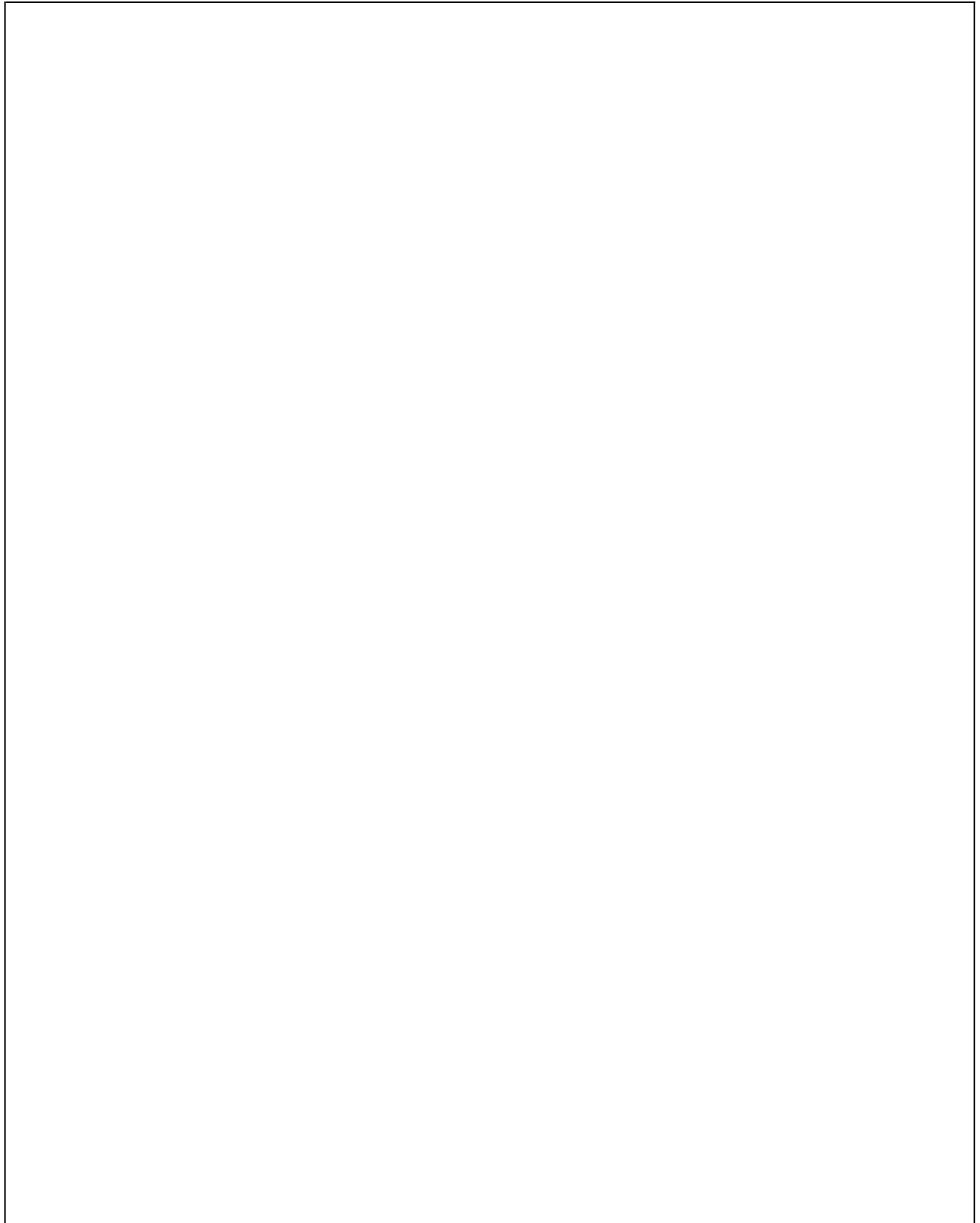
PLATE-9**CAM SHAFT, PUSH ROD & ROCKER ARM**

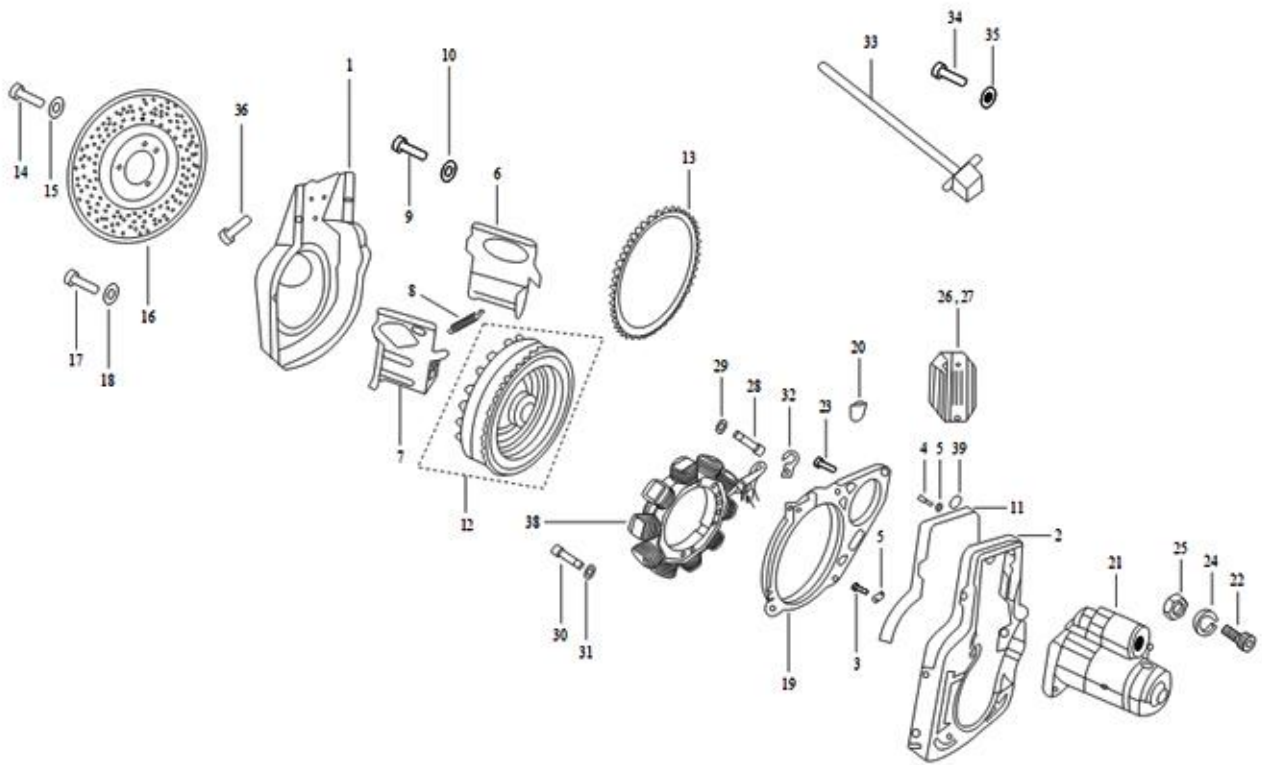
Fig. No.	Part No.	Description	Qty	Remarks
1	E400060112	CAM SHAFT (BSII)	1	Common for BSII & BSIII
2	E5406045038	ROCKER FULCRUM	1	
3	E50007334	SET OF PUSHES	1	
4	E500141016	PUSH ROD	2	
5	E5009520029	PUSH ROD TUBE	1	
6	E50016170	SET OF RUBBER SLEEVES	1	
7	E40006428	JOINT PUSH ROD SLEEVE (G400AG)	2	
8	ED43409	CAM FOLLOWER KIT	1	
9	E5005271054	CAM FOLLOWER LEVER	2	
10	ED30956	PIN LH THREAD	1	
11	E500755006	DISTANCE PIECE	2	
12	E47124004	CIRCLIP	1	
13	E40015121	ROCKER LEVER SET CONSISTING OF SR. NO. 16 & 17	1	
14	E43502707	ROCKER LEVER - INLET	1	Not servciable
15	E43502709	ROCKER LEVER - EXHAUST	1	
16	E500985048	ADJUSTING SCREW	2	
17	E105324008	NUT HEX -OIL SEPARATOR MOUNTING	2	

Print Date: 07-Apr-2022

PLATE-10

AIR SHROUD / FLYWHEEL / ELECTRIC START SYSTEM





Print Date: 07-Apr-2022

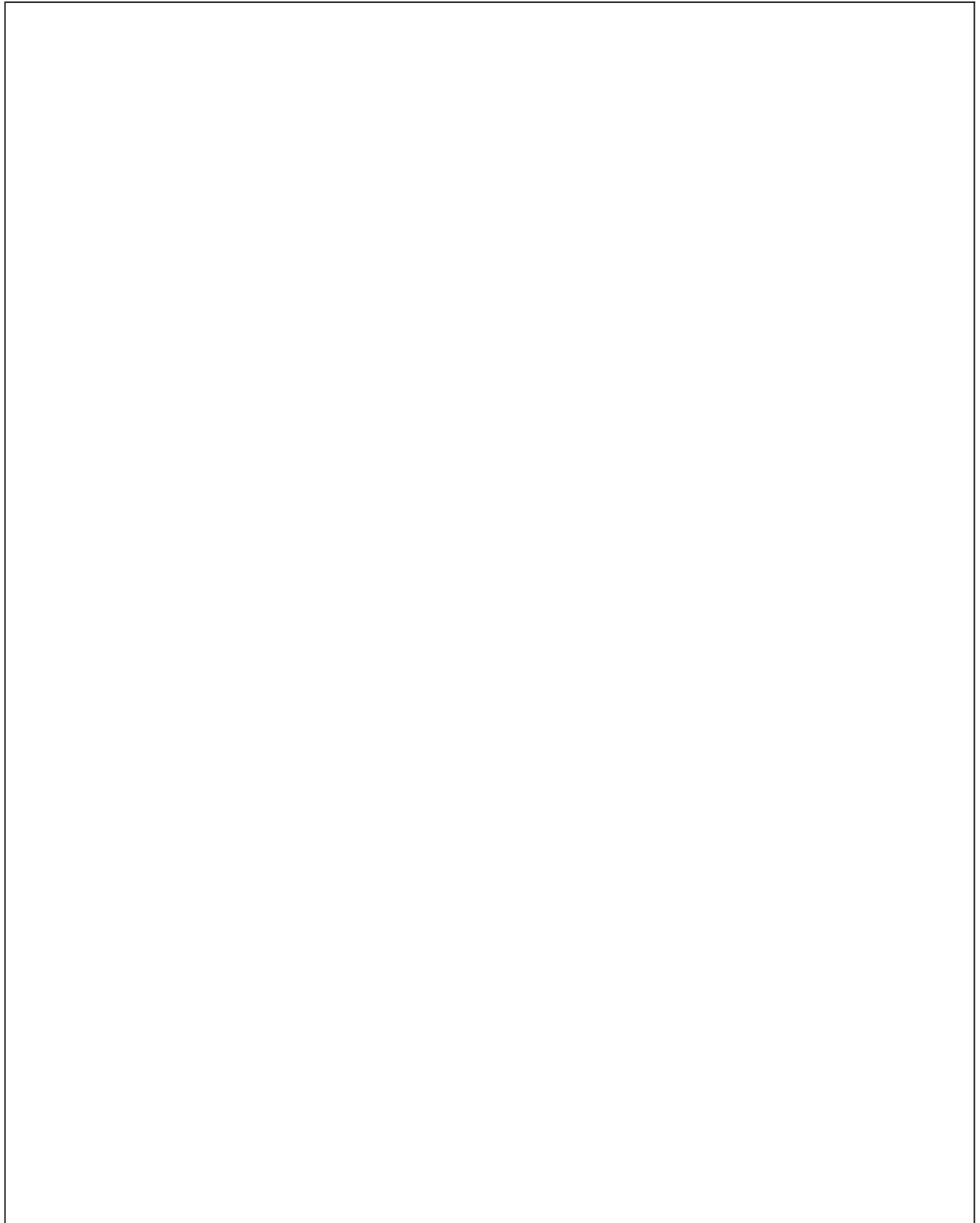
PLATE-10**AIR SHROUD / FLYWHEEL / ELECTRIC START SYSTEM**

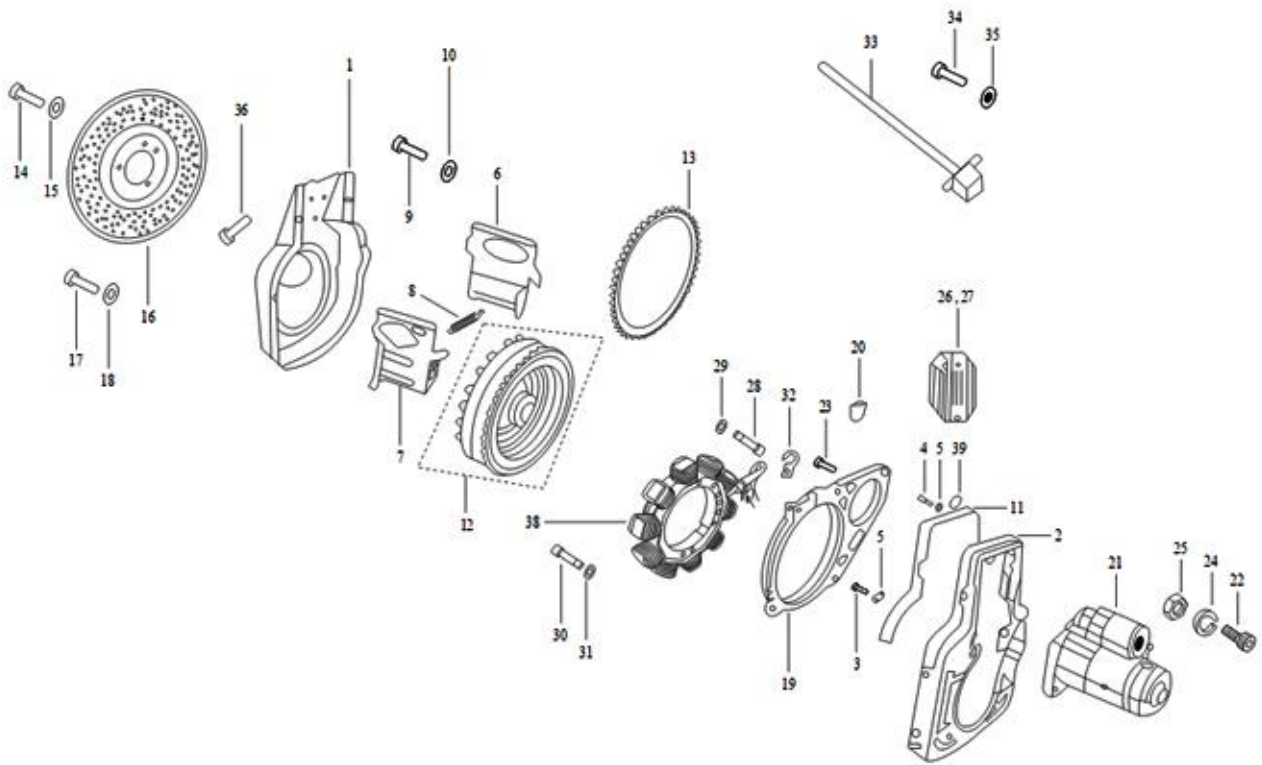
Fig. No.	Part No.	Description	Qty	Remarks
1	E40001793	AIR SHROUD	1	
2	E40001792	BACK PLATE	1	
3	E9177006	BOLT M8X1.25X25	4	
4	E1177001	BOLT	2	
5	E1756507	SPRING WASHER M8	4	
6	E43502754	AIR BAFFLE -INTAKE SIDE	1	
7	E43502755	AIR BAFFLE -EXHAUST SIDE	1	
8	E5405725043	SPRING AIR BAFFLE	1	
9	E90979037	PHILIPS SCREW	8	
10	E1756504	SPRING WASHER M6- OIL SEPARATOR 2	2	
11	E50006404	JOINT	1	
12	E40005461	FLY WHEEL MOUNTED ALTERNATOR	1	
13	E40009648	RING GEAR STARTER 0.7 KW (INEL FMA)	1	
14	E52200434	SCREW HEX. HEAD M14X1.5X35 LH THREAD FLYWHEEL FIXING	1	
15	E97626043	PLAIN WASHER FLYWHEEL	1	
16	E40019528	GUARD PLATE	1	
17	E50000164	BOLT	4	
18	E260756505	SPRING WASHER (FOR SHEET METAL PULLEY)	4	
19	E40001797	STARTER MOUNTING PLATE	1	
20	E40005592	BUSH FOR FMA CABLE	1	
21	F000CD0301	CDS STARTER MOTOR	1	
22	E47177007	SCREW M8X1.25X30	2	
23	E9177006	BOLT M8X1.25X25	4	
24	E1756507	SPRING WASHER M8	2	
25	E45762512	PLAIN WASHER	2	
26	ED23790	RECTIFIER & REGULATOR	1	
27	ED33204	REGULATOR	1	
28	E50000437	HEX SOCKET HEAD SCREW	4	
29	E250755504	SPRING WASHER FOR M6	4	
30	E40020135	BOLTS FOR FMA STARTOR	4	
31	E26756503	SPRING WASHER	4	
32	E6193361721	CLAMP	1	
33	E40015418	PULSER COIL WITH DUST SEAL	1	
34	E264973008	CAP SCREW	2	
35	ESK5700	SPRING WASHER	2	

Print Date: 07-Apr-2022

PLATE-10

AIR SHROUD / FLYWHEEL / ELECTRIC START SYSTEM





Print Date: 07-Apr-2022

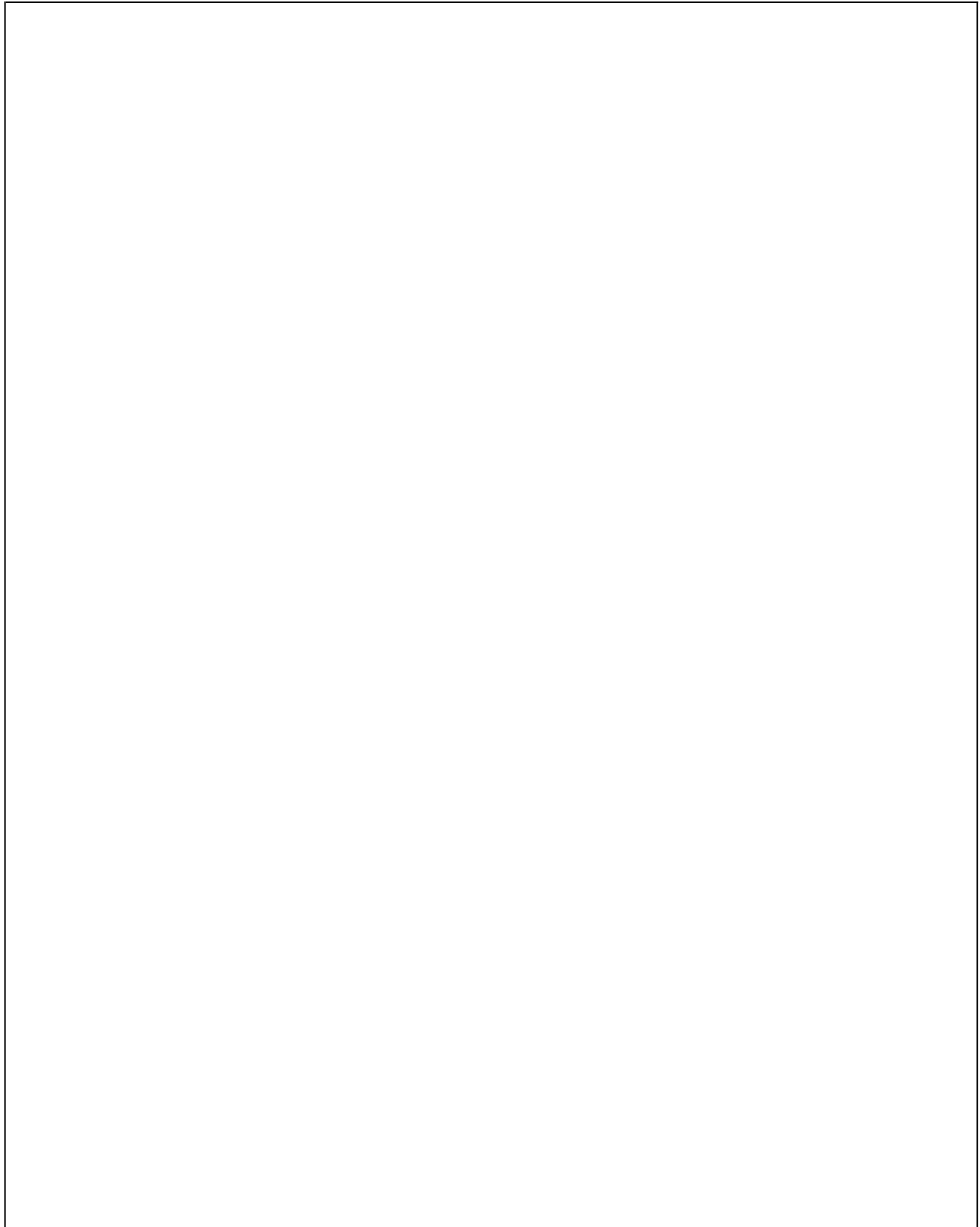
PLATE-10**AIR SHROUD / FLYWHEEL / ELECTRIC START SYSTEM**

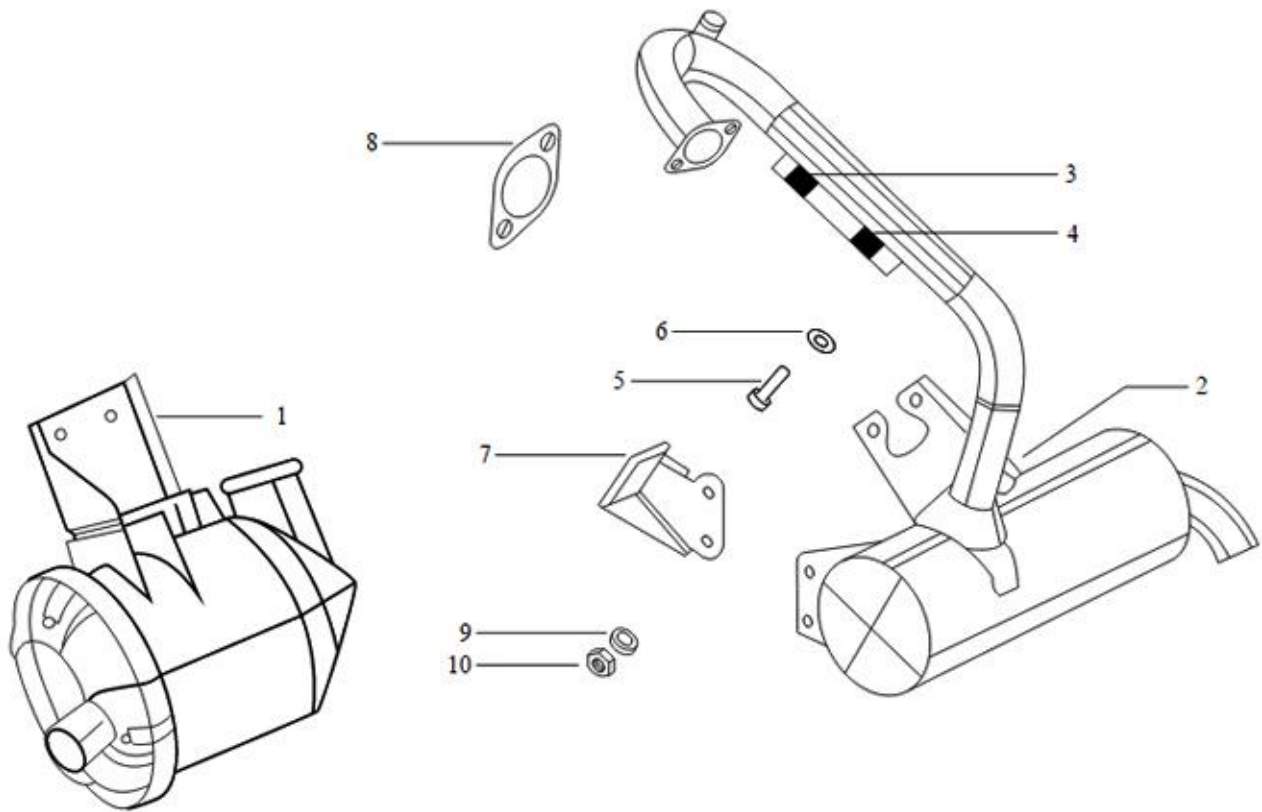
Fig. No.	Part No.	Description	Qty	Remarks
36	E90979039	SCREW	2	
37	E40005497	STATOR ASSEMBLY WITH PICKUP COIL	1	
38	E40015401	STATOR ASSEMBLY	1	
39	E45762512	PLAIN WASHER	2	

Print Date: 07-Apr-2022

PLATE-11

AIR CLEANER, EXHAUST MUFFLER





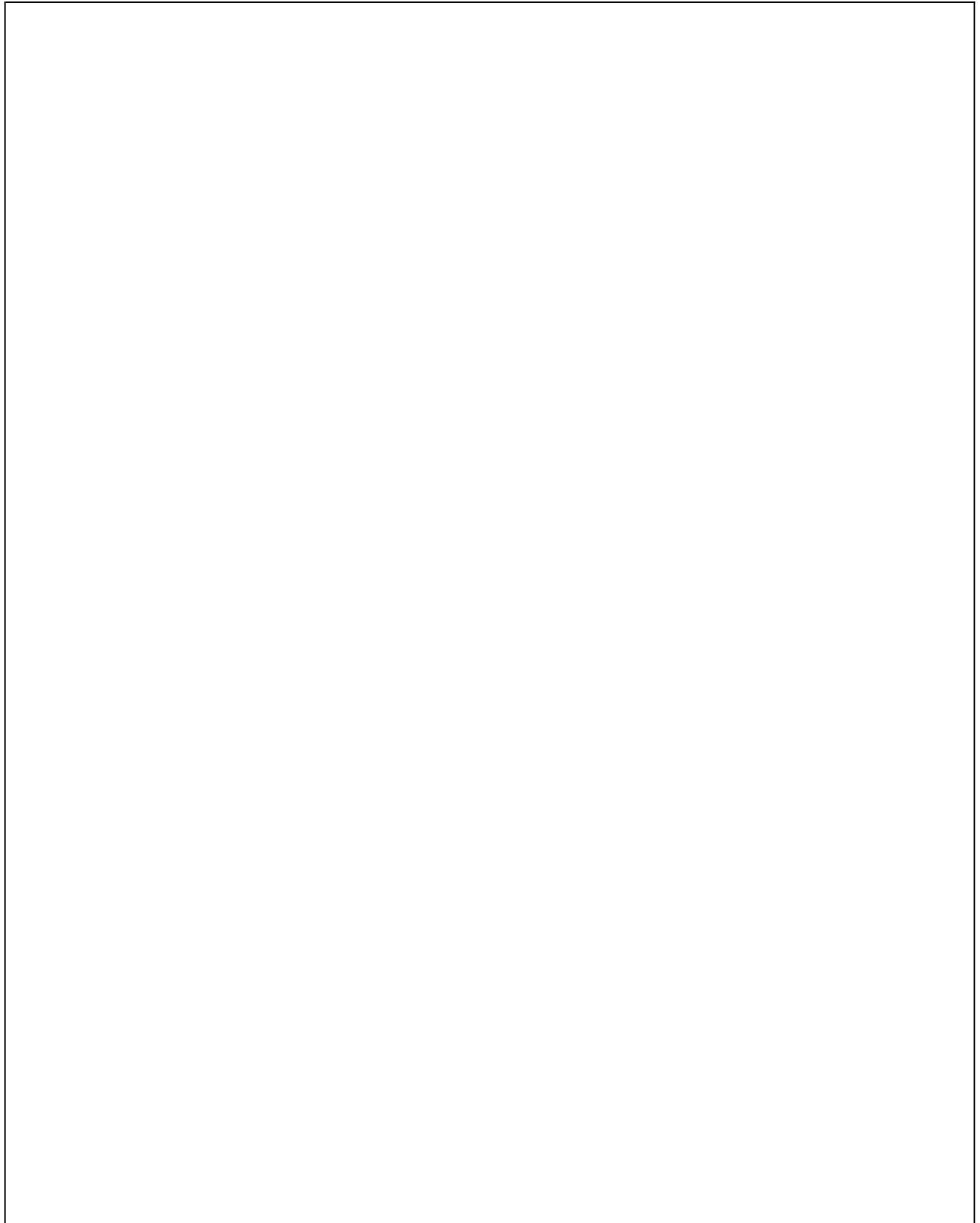
Print Date: 07-Apr-2022

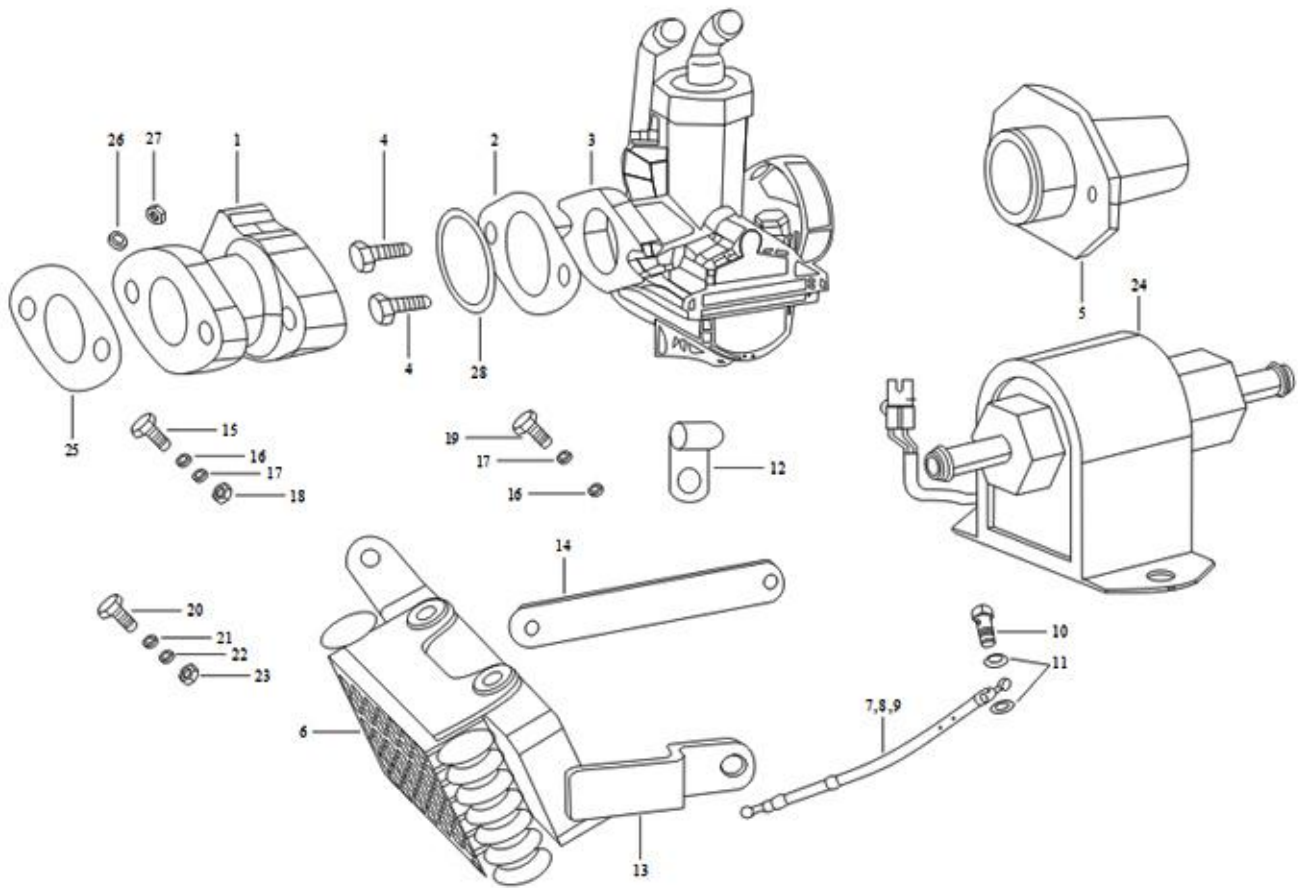
PLATE-11**AIR CLEANER, EXHAUST MUFFLER**

Fig. No.	Part No.	Description	Qty	Remarks
1	E40018632	AIR CLEANER ASSY. WITH BRACKET (CNG)	1	
1	E40018625	AIR FILTER ASSYPLASTIC MODIFIED SEALING	1	
1	E40018626	AIR FILTER ASSY.	1	
1	B077441	AIR FILTER MOUNTING ASSLY. COMPLETE	1	BSIV-CNG
1	B077448	AIR FILTER MOUNTING ASSLY. COMPLETE	1	BSIV-LPG
2	E40017748	EXHAUST MUFFLER (WITH CAT CON) PVPL	1	
2	E40007754	EXHAUST MUFFLER (WITHOUT CAT CON) PVPL	1	
2	B077455	EXHAUST MUFFLER ASSLY. CNG	1	BSIV-CNG
2	B077454	EXHAUST MUFFLER ASSLY. LPG	1	BSIV-LPG
3	ED33740	HEAT SHIELD	1	
4	ED43739	SUPPORT HEAT SHIELD	1	
5	E90979039	SCREW	2	
6	E1756504	SPRING WASHER M6- OIL SEPARATOR 2	2	
7	ED41100	BRACKET EXHAUST MUFFLER	1	
8	ED33758	EXHAUST GASKET	1	
9	E1756507	SPRING WASHER M8	2	
10	E3324019	NUT	2	
11	920102	ELEMENT FOR AIR CLEANER	1	NS

Print Date: 07-Apr-2022

PLATE-12
CARBURETTOR, OIL COOLER & ELECTRONIC FEED PUMP





Print Date: 07-Apr-2022

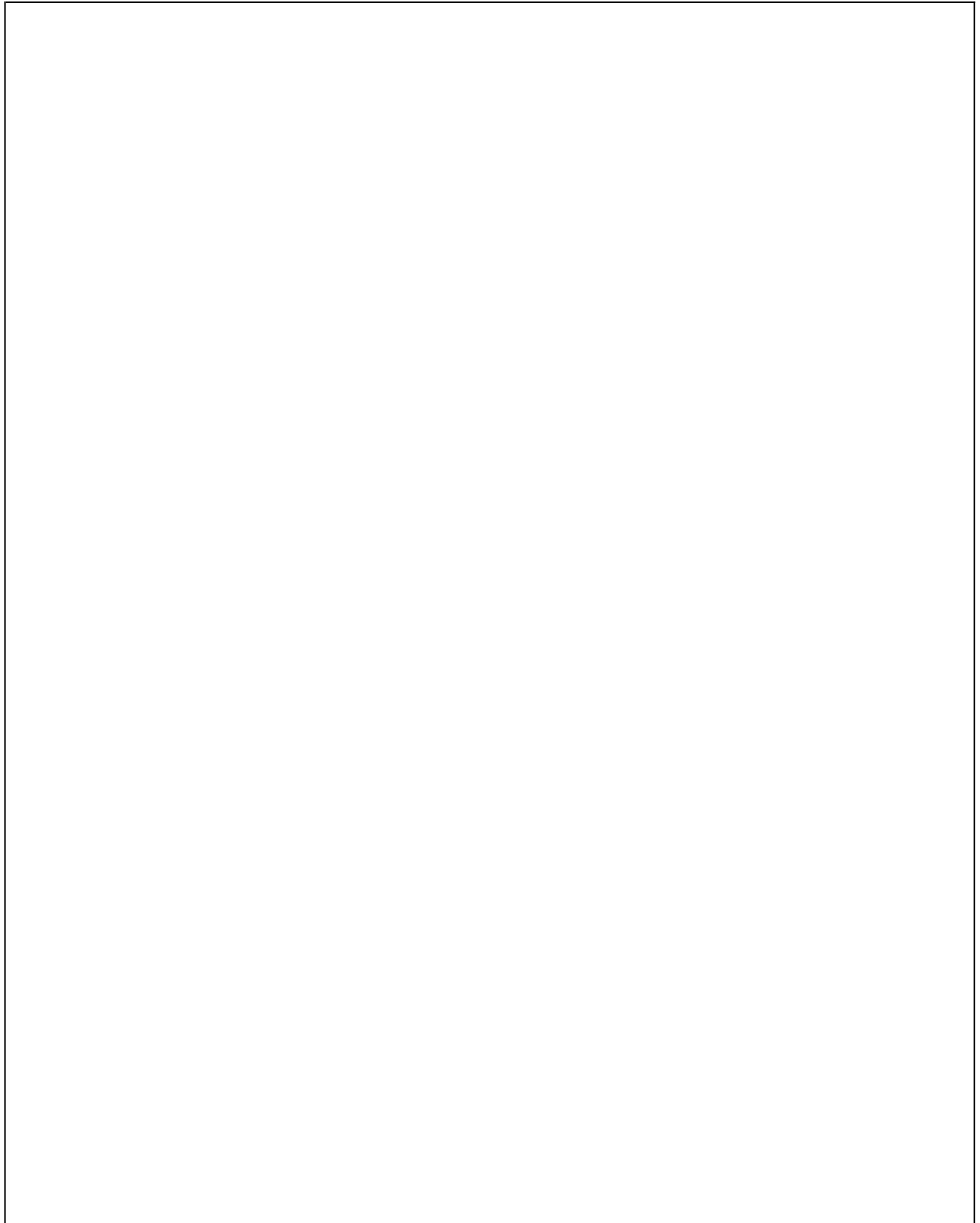
PLATE-12**CARBURETTOR, OIL COOLER & ELECTRONIC FEED PUMP**

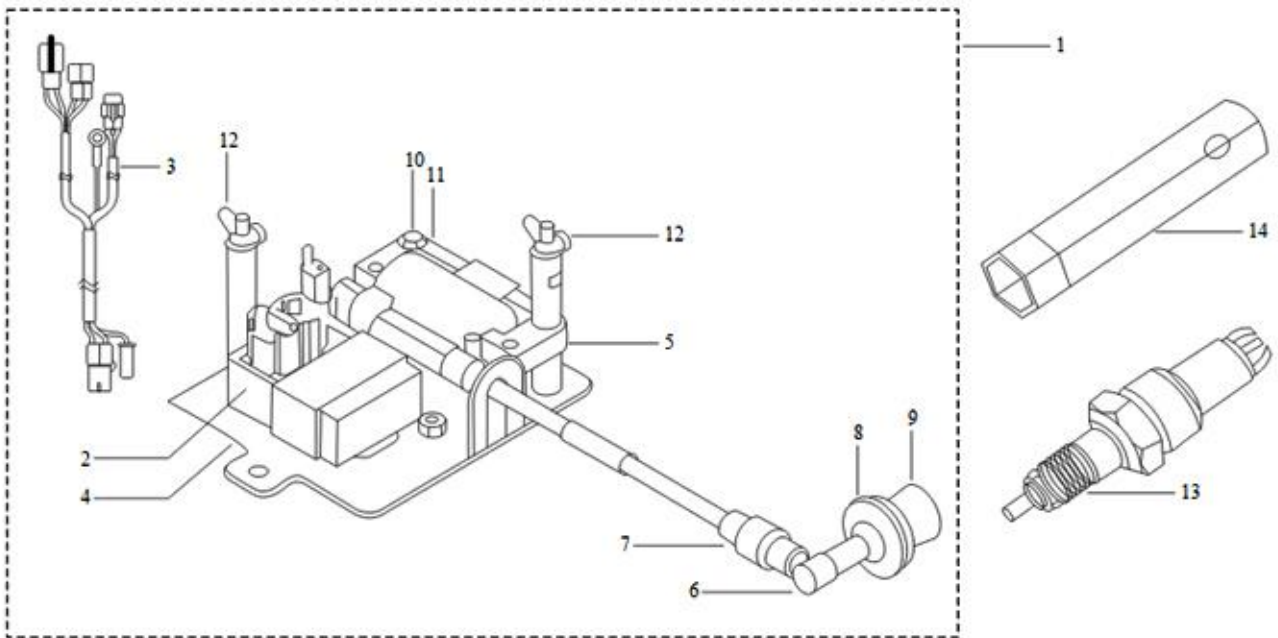
Fig. No.	Part No.	Description	Qty	Remarks
1	E40010831	ADAPTOR FOR CARBURETTOR	1	
2	E40006482	INSULATOR	1	
3	E40006847	CARBURETTOR	1	
4	E07502809	BOLTS	2	
5	ED33683	INTAKE AIR REDUCER	1	
6	ED23628	OIL COOLER	1	
7	ED33594	LUB. OIL PIPE FOR OIL COOLER	2	
8	E40027143	LUB. OIL PIPE FOR OIL COOLER	2	
9	E40027155	LUB. OIL PIPE FOR OIL COOLER	1	
10	E91901030	BANJO BOLT - FEED PUMP	4	
11	E283467036	JOINT	8	
12	E6193361720	CLAMP FOR OIL COOLER	2	
13	E40020639	BRACKET FOR OIL COOLER	1	
14	E40020638	SUPPORT FOR OIL COOLER	1	
15	E11770004	HEX. BOLT M8X1.25X20	1	
16	E50000613	MACHINED WASHER 16X8.1X2	3	
17	E1756507	SPRING WASHER M8	3	
18	E9324018	NUT M8 X 1.25 X 6.5	1	
19	E202177002	SCREW FOR STARTER PLATE	1	
20	E276176034	BOLT M6X1X25	4	
21	ED42406	PLAIN WASHER	8	
22	E1756504	SPRING WASHER M6- OIL SEPARATOR 2	4	
23	E105324008	NUT HEX -OIL SEPARATOR MOUNTING	4	
24	ED33733	GASOLINE FEED PUMP	1	
25	E500450092	JOINT INTAKE FLANGE AIR INTAKE	1	
26	E1756507	SPRING WASHER M8	2	
27	E9324018	NUT M8 X 1.25 X 6.5	2	
28	E40006215	O RING INSULATOR	1	
29	ED23672	CABLE GUIDE	2	
30	ED43673	CABLE JUNCTION	2	

Print Date: 07-Apr-2022

PLATE-13

IGNITION SYSTEM & SPARK PLUG





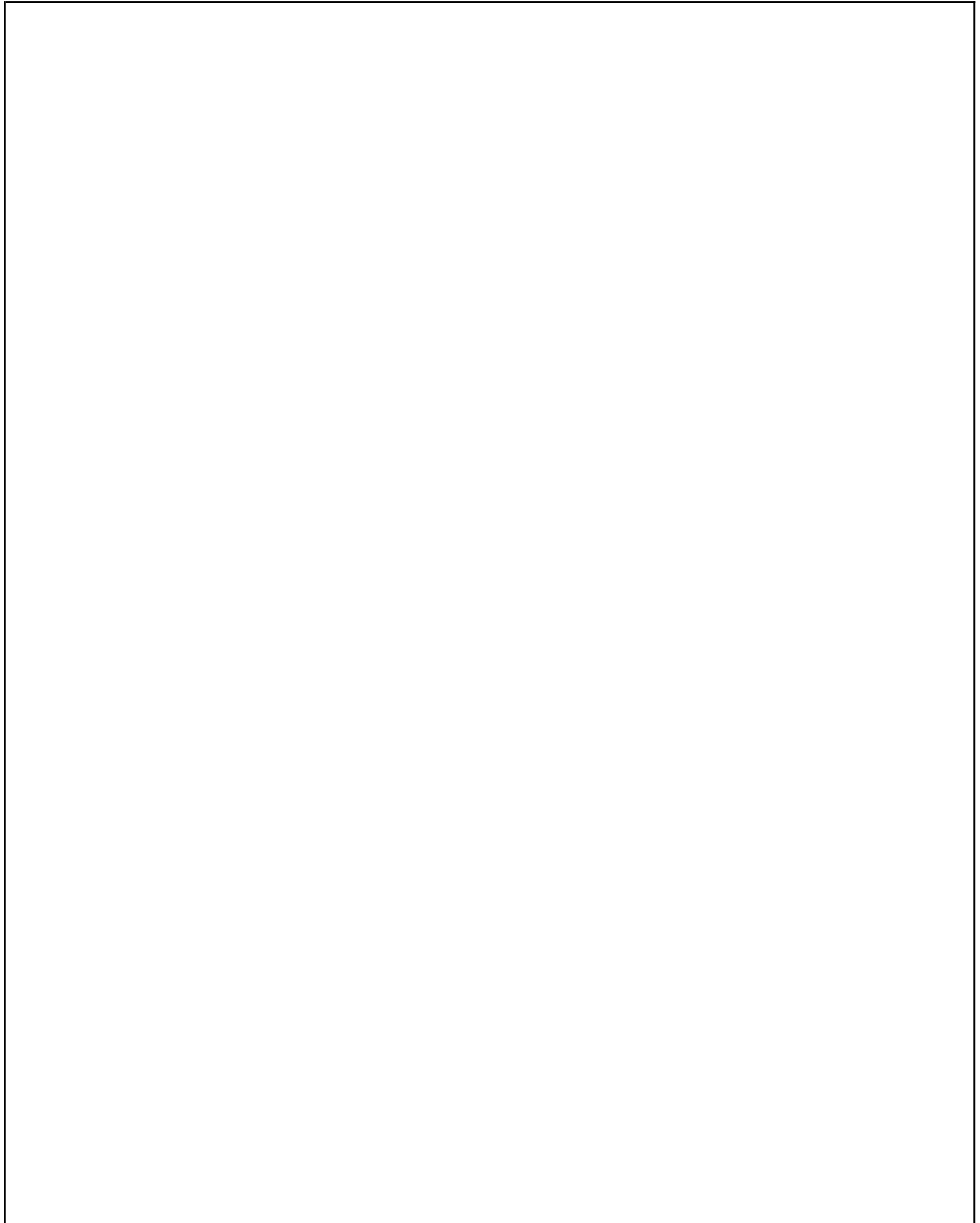
Print Date: 07-Apr-2022

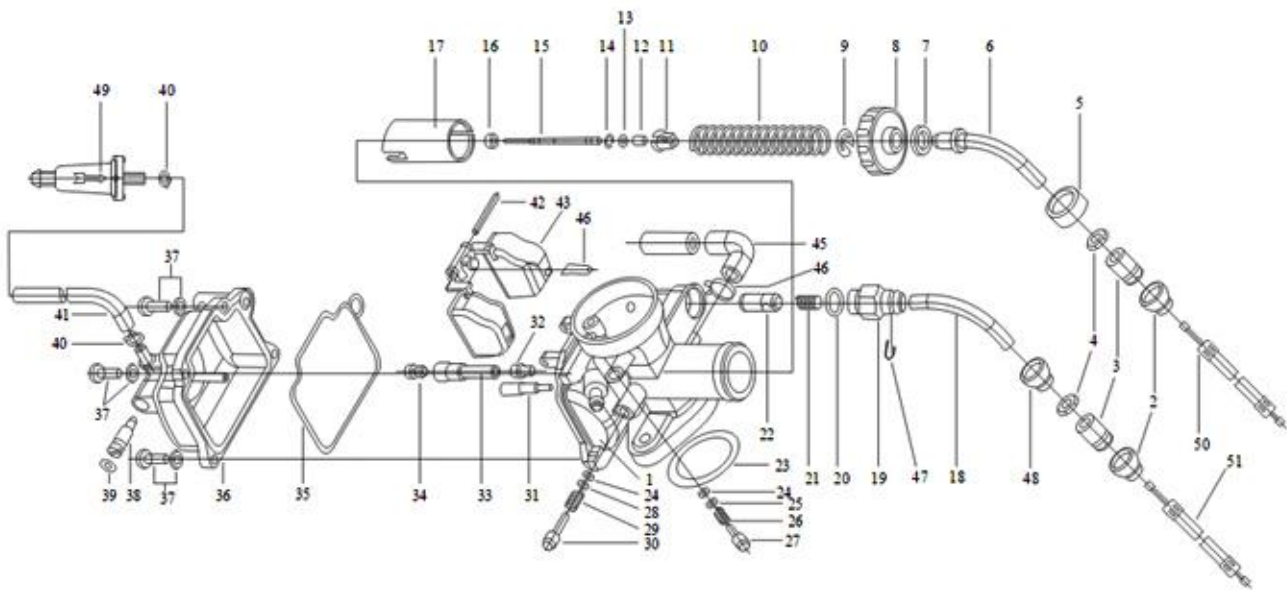
PLATE-13**IGNITION SYSTEM & SPARK PLUG**

Fig. No.	Part No.	Description	Qty	Remarks
1	E40005495	IGNITION SYSTEM PLATE ASSY.	1	
2	E40005498	TCI UNIT WITH DAMPER	1	
3	E40005469	WIRING HARNESS	1	
4	E40015407	MOUNTING PLATE	1	
5	E40015404	H T COIL	1	
6	ED23685	CAP SPARK PLUG	1	
7	E07515517	GROMET SPARK PLUG CABLE	1	
8	ED43686	SEAL SPART PLUG	1	
9	ED43687	SEAL SPART PLUG CAP	1	
10	E40020133	FLANGE BOLT	1	
11	E26756503	SPRING WASHER	1	
12	E07502811	COLLAR NUT M6 X 1	2	
13	E40024008	SPARK PLUG (BOSCH-WR7DDC4)	1	
14	ED32624	SPARK PLUG SPANNER	1	
15	E40015409	IGNITION SYSTEM ASSY. WITH COVER	1	
16	E40015408	COVER IGNITION SYSTEM	1	

Print Date: 07-Apr-2022

PLATE-14
CARBURETTOR ASSEMBLY





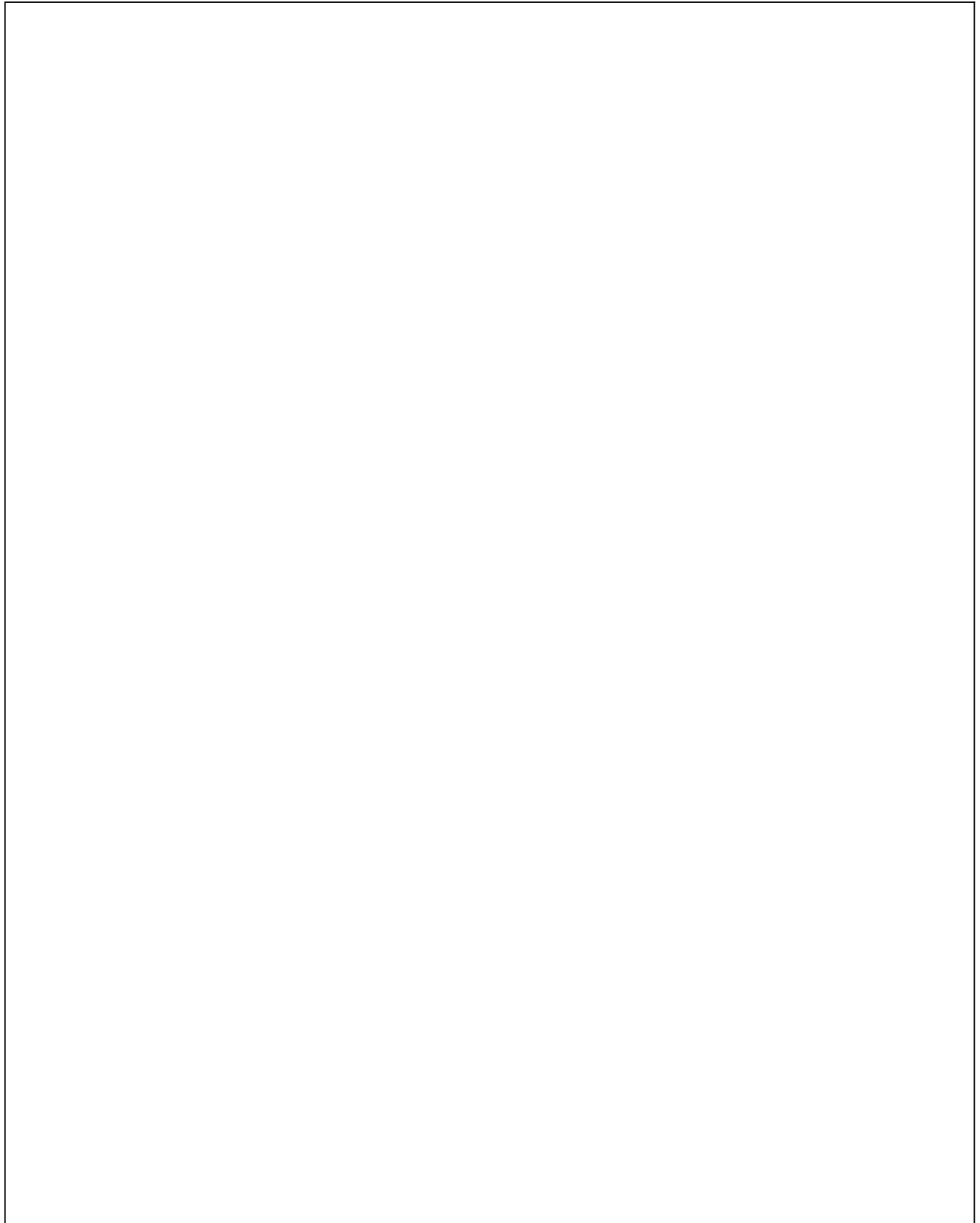
Print Date: 07-Apr-2022

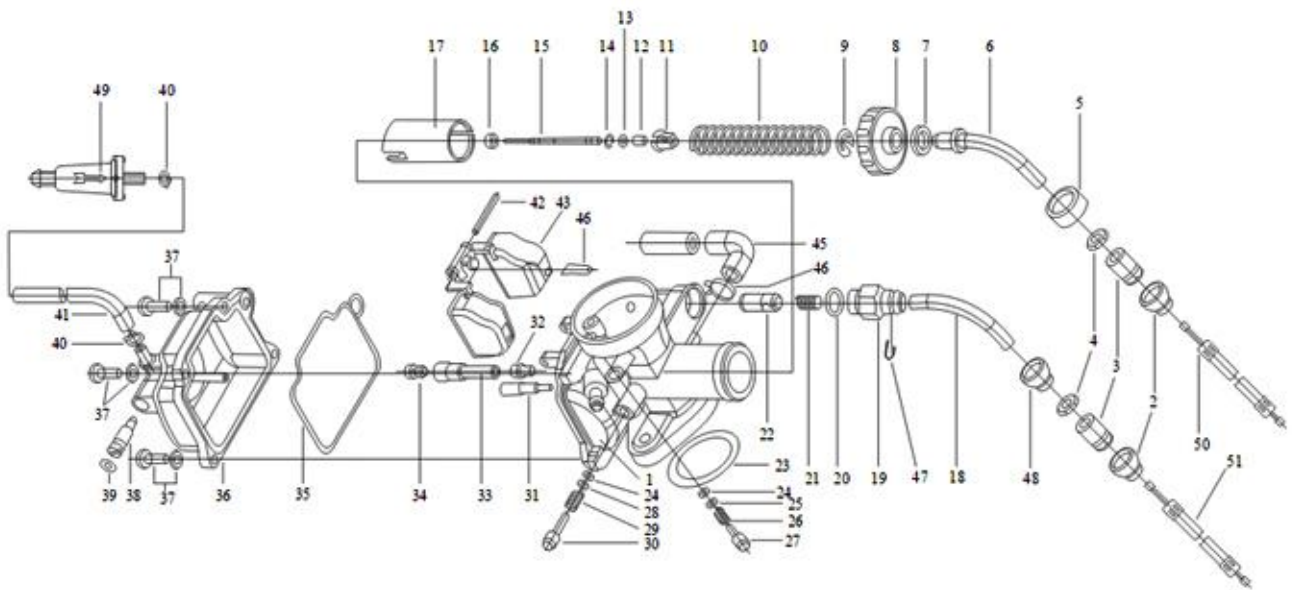
PLATE-14**CARBURETTOR ASSEMBLY**

Fig. No.	Part No.	Description	Qty	Remarks
1	-	MIXING BODY	1	
2	E40016435	CAP	2	
3	E40016454	CABLE ADJUSTER	2	
4	E40016455	NUT	2	
5	E40016452	CAP	1	
6	E40016453	CABLE GUIDE ASSY.	1	
7	E40016420	PACKING	1	
8	E40016463	MIXING CAP ASSY.	1	
9	E40016419	E-RING	1	
10	E40016424	SPRING (PV)	1	
11	E40016425	HOLDER	1	
12	E40016421	SPRING	1	
13	E40016457	PACKING	1	
14	E40016456	E-RING	1	
15	E40016461	JET NEEDLE	1	
16	E40016423	RING	1	
17	E40016426	PISTON VALVE	1	
18	E40016450	CABLE GUIDE	1	
19	E40016434	HOLDER	1	
20	E40016437	O-RING	1	
21	E40016436	SPRING	1	
22	E40016438	PLUNGER ASSY.	1	
23	E40016449	O-RING	1	
24	E40016430	O-RING (SRA)	1	
25	E40016444	WASHER	1	
26	E40016443	SPRING	1	
27	E40016442	AIR SCREW	1	
28	E40016429	WASHER	1	
29	E40016428	SPRING	1	
30	E40016427	ADJUSTER	1	
31	E40016417	PILOT JET	1	
32	E40016416	NEEDLE JET	1	
33	E40016431	JET HOLDER	1	
34	E40016460	MAIN JET (92.5)	1	
35	E40016433	O-RING (FCB)	1	

Print Date: 07-Apr-2022

PLATE-14
CARBURETTOR ASSEMBLY





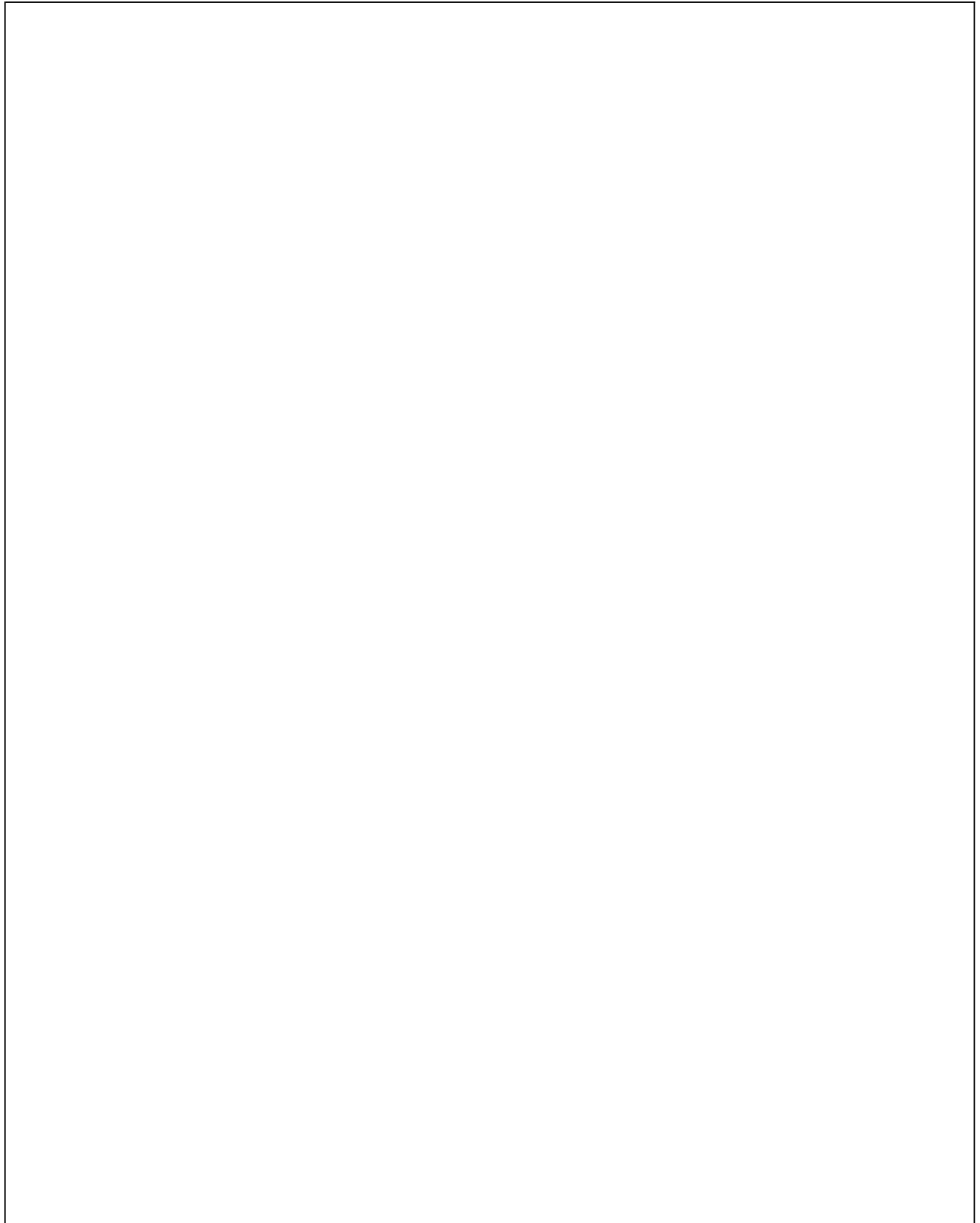
Print Date: 07-Apr-2022

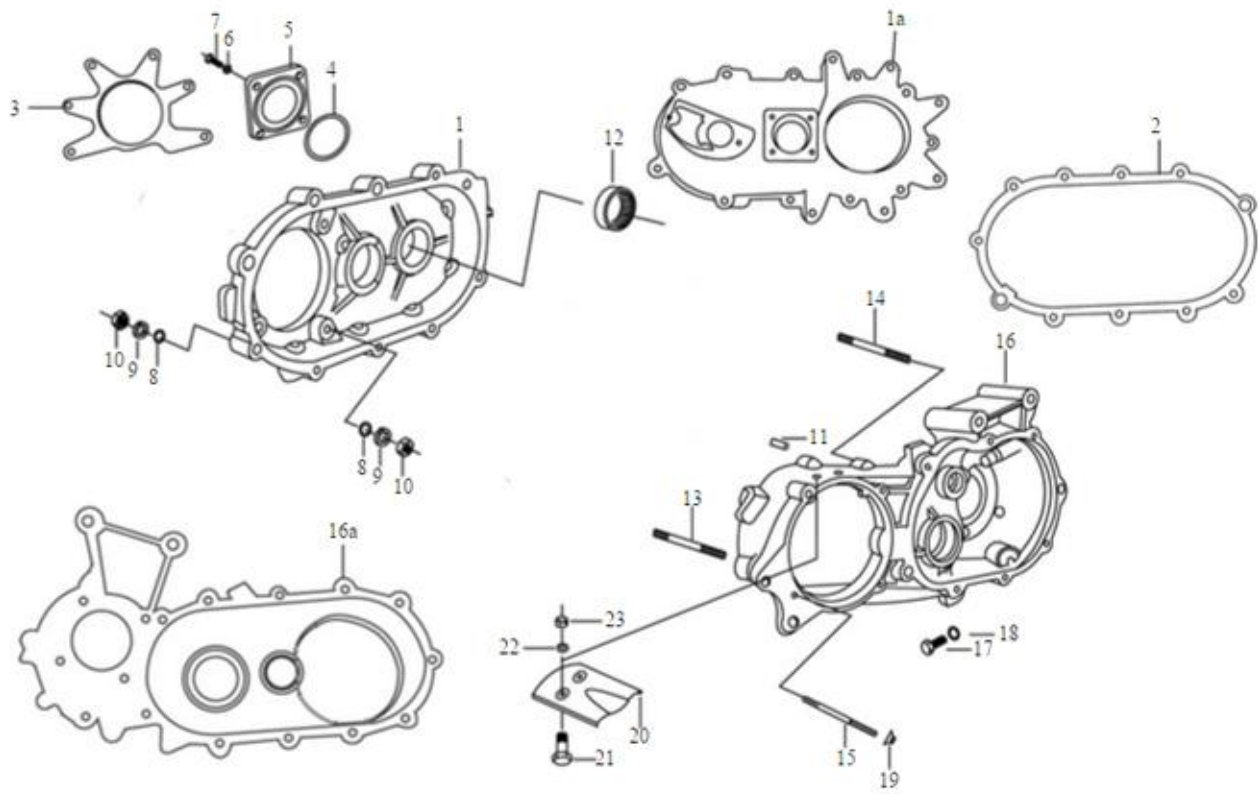
PLATE-14**CARBURETTOR ASSEMBLY**

Fig. No.	Part No.	Description	Qty	Remarks
36	E40016413	FLOAT BODY ASSY.	1	
37	E40016441	SCREW	4	
38	E40016445	DRAIN SCREW	1	
39	E40016447	O-RING (DRAIN SCREW)	1	
40	E40016439	CLIP (DRAIN)	2	
41	E40016448	HOSE (DRAIN)	1	
42	E40016414	FLOAT PIN	1	
43	E40016432	FLOAT ASSY.	1	
44	-	NEEDLE ASSY.	1	NS
45	E40016440	CLIP	1	
46	E40016446	HOSE (AIR VENT)	1	
47	E40016462	CLIP	1	
48	E40016451	CAP	1	
49	E40008729	FILTER	1	
50	E34K120005	ACCELERATOR CABLE 501 WC MODI. 1.5MM	1	
51	E34K120006	CHOKE CABLE 501 WC MODI. 1.5MM	1	

Print Date: 07-Apr-2022

PLATE-15
ENGINE SIDE COVER AND MAIN HOUSING





Print Date: 07-Apr-2022

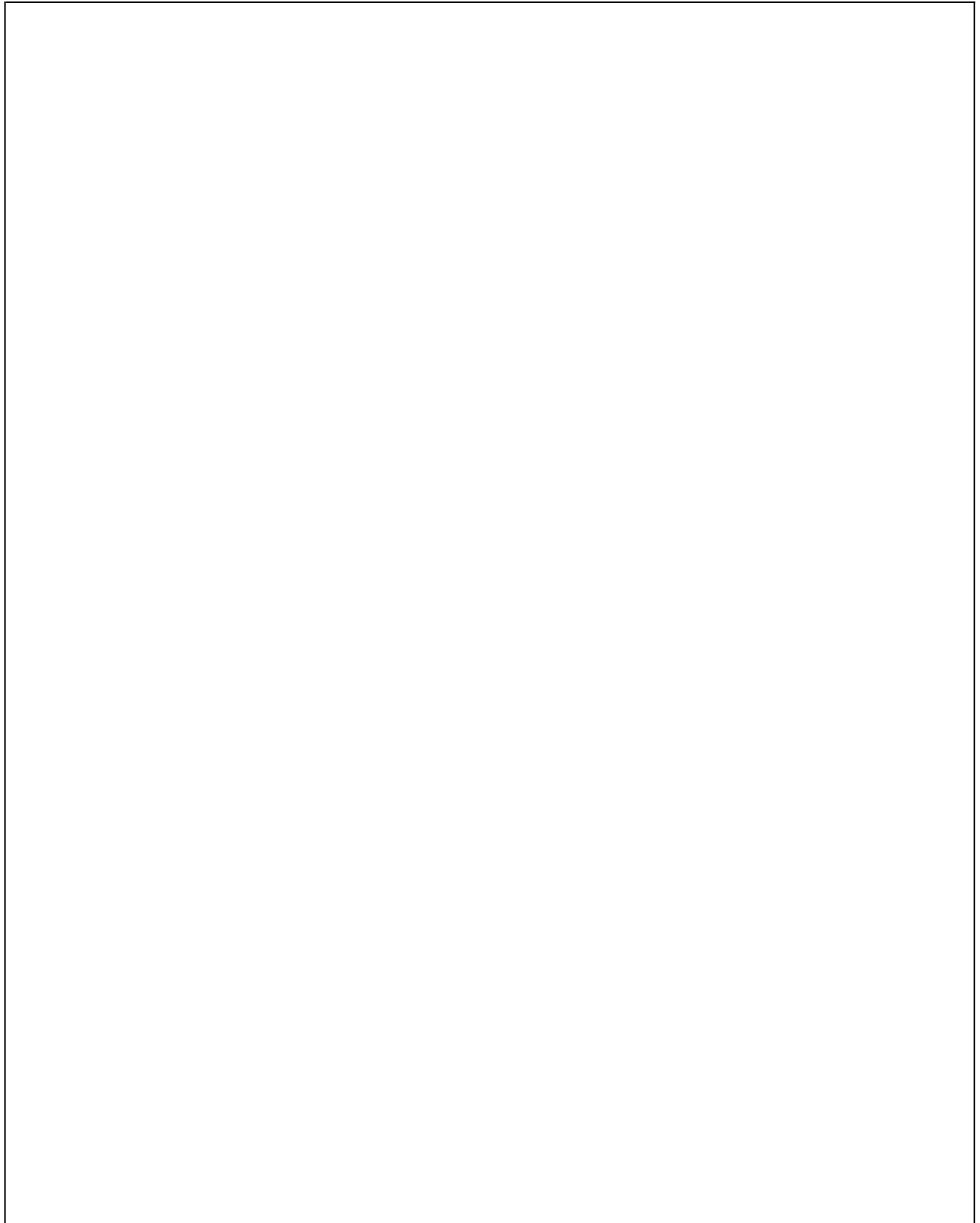
PLATE-15
ENGINE SIDE COVER AND MAIN HOUSING

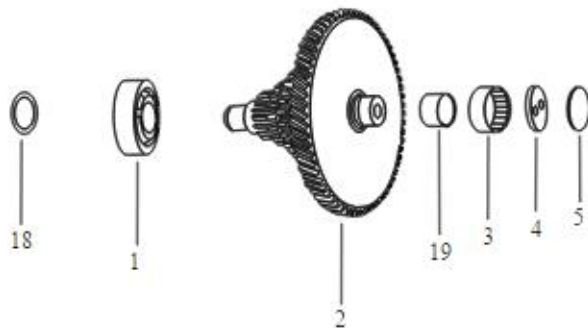
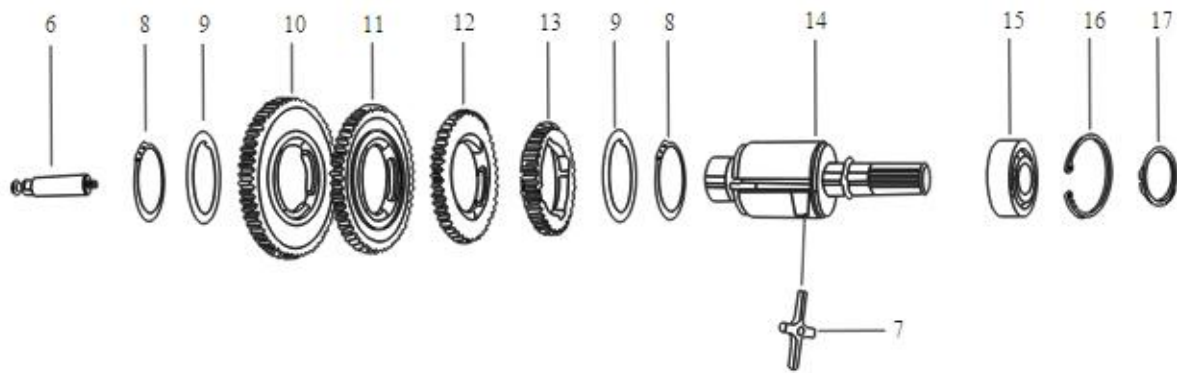
Fig. No.	Part No.	Description	Qty	Remarks
1	127171310	ENGINE SIDE COVER (EXT.MTG)	1	
1A	BS4 1A010093	GEAR BOX COVER_BS4	1	
2	B001844	GASKET ENGINE SIDE COVER	1	
3	B001501	GASKET PTO COVER & ENGINE SIDE COVER	1	
4	825420215	O RING - COVER PLATE	1	
5	520221019R	COVER PLATE (E/SIDE COVER)	1	
6	807000647	CONICAL LOCK WASHER M6	4	Not Applicable
7	812061656	CSK PHILIPS HEAD SCREW M6 X 16	4	
8	808000826	PLAIN WASHER M8	11	
9	016408	SPRING WASHER	11	
10	15335	HEX HD NUT M8	11	
11	127102010	HOLLOW DOWEL (G. BOX ESC)	2	
12	120212012	NEEDLE BUSH	1	
13	B042798	FLANGED HEXAGONAL HEAD SCREW M8X45	2	
13	B042798	FLANGED HEXAGONAL HEAD SCREW M8X45	8	
14	B042799	FLANGED HEXAGONAL HEAD SCREW M8X40	9	
14	B042799	FLANGED HEXAGONAL HEAD SCREW M8X40	8	
15	815064025	STUD M6 X 40	4	
16	1A010094	MAIN HOUSING	1	Old
16	1A016604	MAIN HOUSING	1	New aluminium clutch
17	811081025	HEX HEAD SCREW M8 X 10 (DRAIN PLUG)	1	
18	120271018	FIBER WASHER DRAIN PLUG	1	
19	659842	NUT WITH CONICAL WASHER M8 X 1.25P	6	
20	127911019	OIL DEFLECTOR CLUTCH	1	
21	567741	HEX HEAD SCREW M5 X 18 (811051824)	2	
22	127912013	FIBER WASHER OIL DEFLECTOR	2	
23	12136	NUT / NYLOCK NUT M5	2	
24	B002322	GEAR BOX EXTERNAL MTG.(W/O CLUTCH ASSLY) PICK UP	1	
24	B002320	GEAR BOX EXT(W/O CLUTCH ASSLY) PASSENGER	1	

Print Date: 07-Apr-2022

PLATE-16

MAINSHAFT, SPEED GEARS AND CLUSTER GEAR





Print Date: 07-Apr-2022

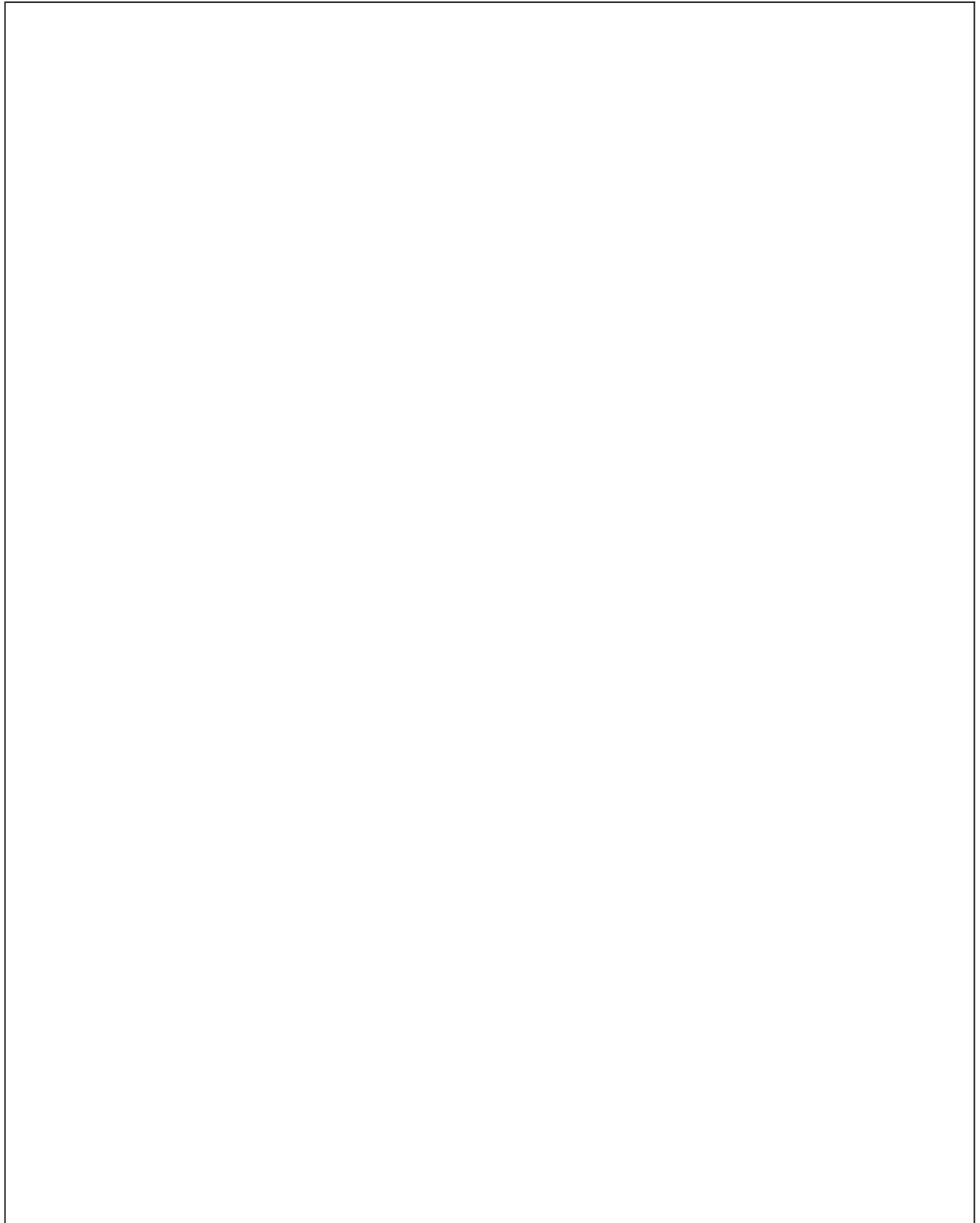
PLATE-16**MAINSHAFT, SPEED GEARS AND CLUSTER GEAR**

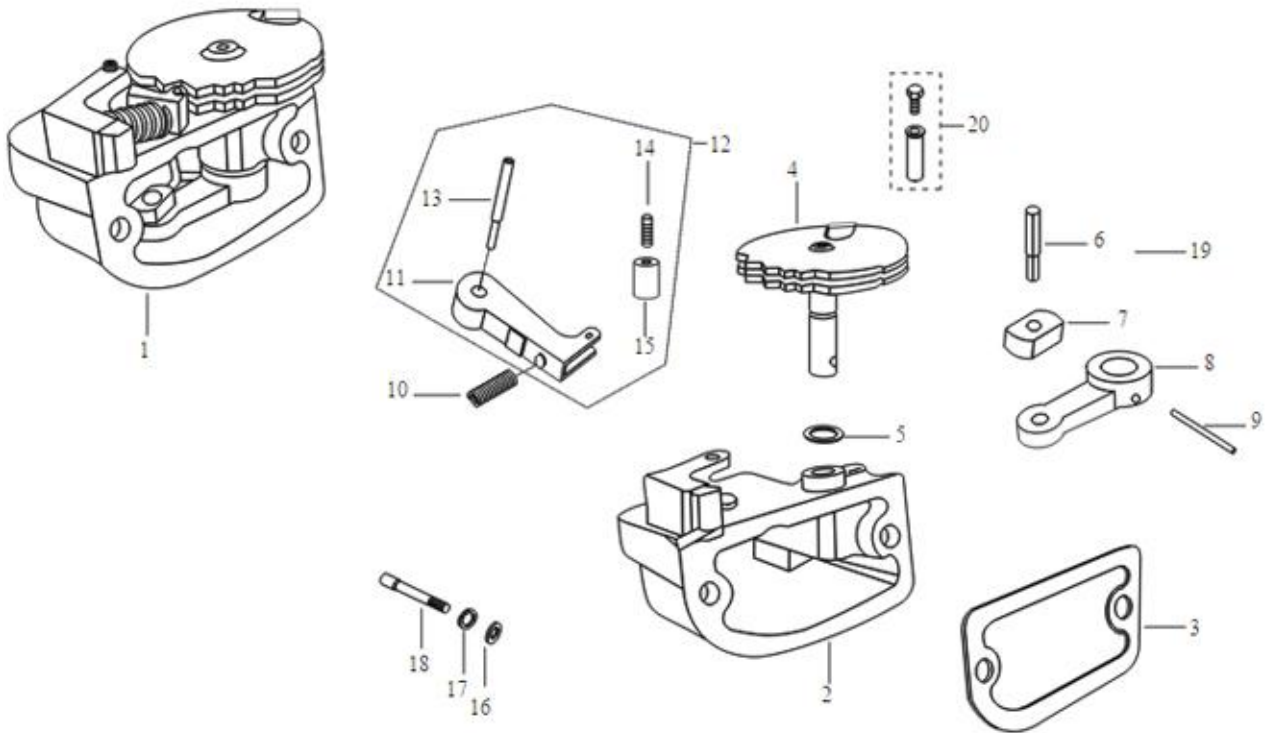
Fig. No.	Part No.	Description	Qty	Remarks
1	30209R	BALL BEARING FRONT WHEEL HUB	1	
2	127203010R	CLUSTER GEAR	1	
3	884222808	NEEDLE BUSH 22X28X12	1	
4	120204015R	WASHER (ALT)	1	
5	120205019	SHIM HARD BUSH	1	
6	523021018	STEM GEAR OPERATING	1	
7	B003924	CROSS	1	
8	842004808	CIRCLIP DIA.48 (EXT)	2	
9	523011013R	SHOULDER RING	2	
9	523012017	SHOULDER RING 1.7 MM THK	1	
9	523014015	SHOULDER RING 2.0MM THK	1	
10	127309515R	SPEED GEAR 1ST	1	
11	127302517R	SPEED GEAR 2ND	1	
12	127303016R	SPEED GEAR 3RD	1	
13	127306513R	SPEED GEAR 4TH	1	
14	127451019R	MAIN SHAFT	1	
15	880255211R	DEEP GROOVE BALL BEARING 25X52X15	1	
16	841005207	CIRCLIP DIA 52 (INT)	1	
17	842002501	CIRCLIP DIA 25 (EXT)	1	
18	842001507	CIRCLIP DIA 15 (EXT)	1	
19	122032014	INNER RING - CLUSTER GEAR	1	

Print Date: 07-Apr-2022

PLATE-17

GEAR SHIFTER AND ITS CONTROL MECHANISM





Print Date: 07-Apr-2022

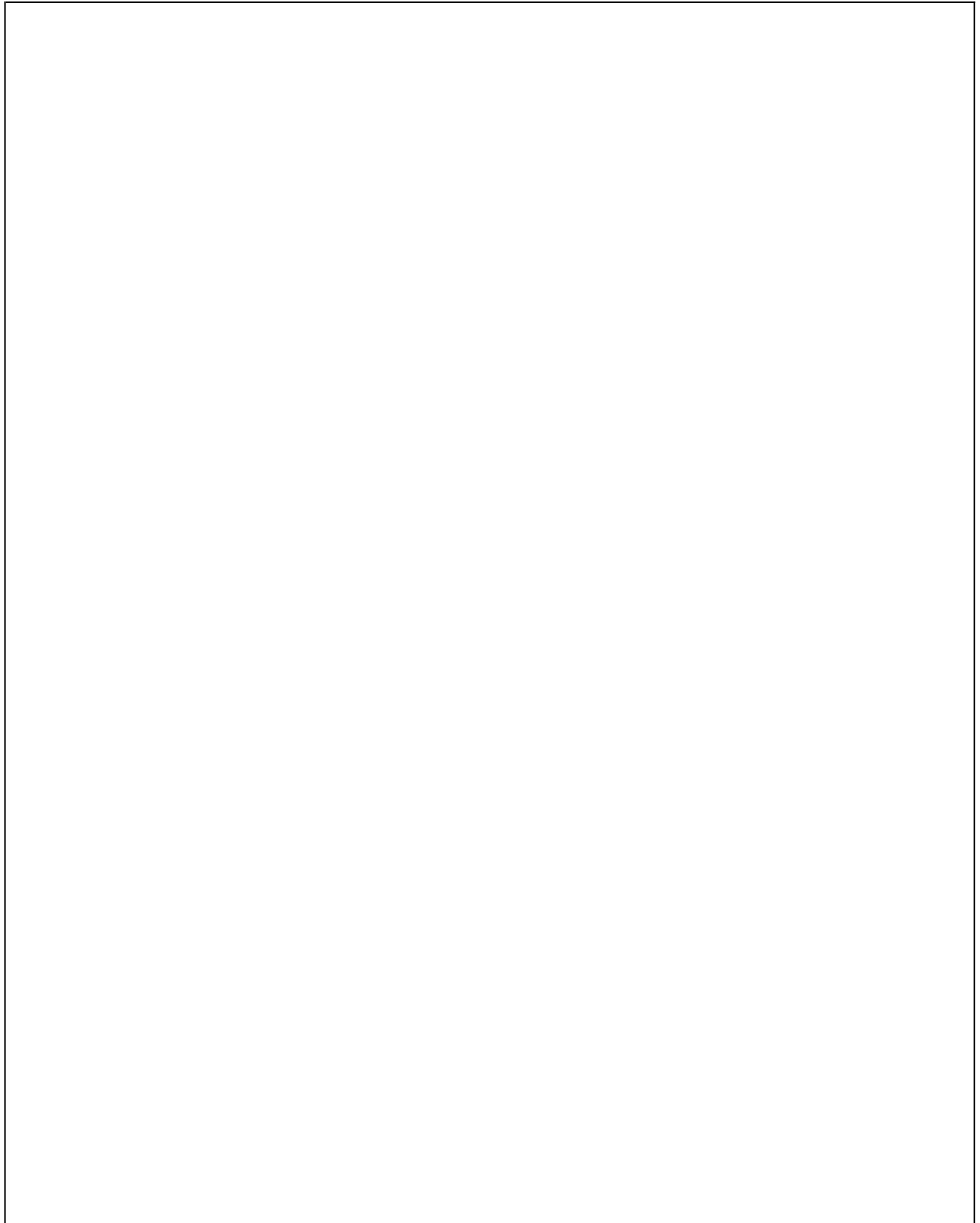
PLATE-17**GEAR SHIFTER AND ITS CONTROL MECHANISM**

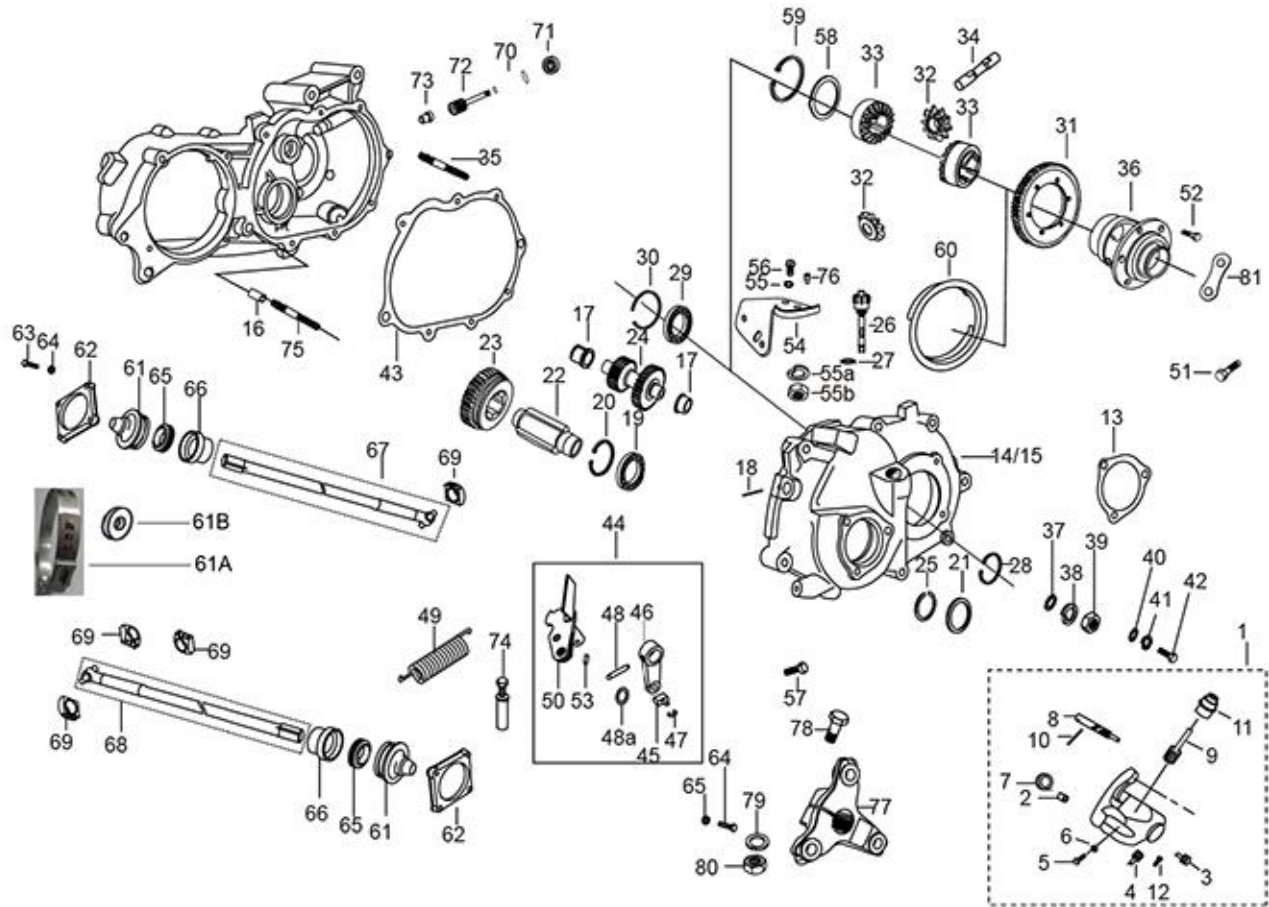
Fig. No.	Part No.	Description	Qty	Remarks
1	127640012	COMPLETE GEAR SHIFTER HSG ASSLY	1	CONSISTING OF SR.NO. 2;4 TO 10 & 12
2	127641016	GEAR SHIFTER HOUSING	1	
3	128081017	GASKET HOUSING GEAR SHIFTER HOUSING	1	
4	SPB042620	SECTOR AND CONNECTOR PLATE AND LEVER ASSLY.	1	
5	825080209	O - RING - (SECTOR PLATE ASSY.)	1	
6	126022017	PIN FOR SLIDER BLOCK	1	
7	126021013	SLIDER BLOCK	1	
8	SPB042620	SECTOR AND CONNECTOR PLATE AND LEVER ASSLY.	1	
9	126004015	TAPER PIN (FOR LEVER)	1	
10	126003011	SPRING GEAR SHIFTER ASSY.	1	
11	126060019	BRACKET ASSY.	1	
12	SP126050014	BKT. WITH ROLLER ASSLY - SPD	1	
13	126054010	SCREW FOR BRACKET	1	
14	126053016	PIN FOR ROLLER	1	
15	126052012	ROLLER	1	
16	3056	PLAIN WASHER M6 OD12	2	
17	016406	SPRING WASHER	2	
18	B016611	FLANGED HEX. HEAD SCREW M6X45 CL10	2	
19	SPB042620	SECTOR AND CONNECTOR PLATE AND LEVER ASSLY.	1	
20	604560	SCREW TERMINAL ASSY. - GEAR CONTROL	2	
19	122032014	INNER RING - CLUSTER GEAR	1	

Print Date: 07-Apr-2022

PLATE-18

DIFFERENTIAL UNIT, FARE METER HOUSING AND SPEEDO DRIVE





Print Date: 07-Apr-2022

PLATE-18**DIFFERENTIAL UNIT, FARE METER HOUSING AND SPEEDO DRIVE**

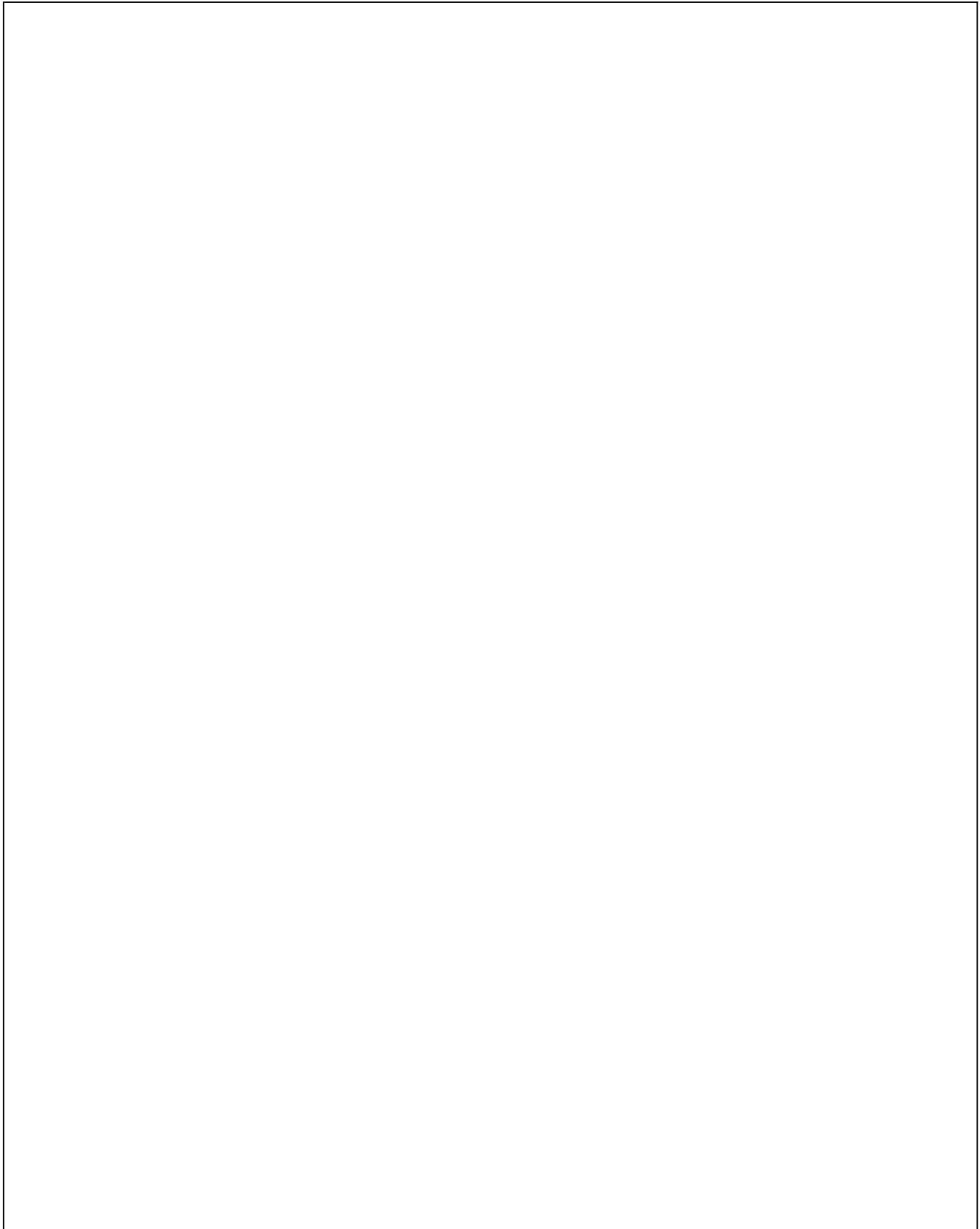
Fig. No.	Part No.	Description	Qty	Remarks
1	1A000817	FAREMETER	1	CONSISTING OF 2,3,4,5,6,7,8,9,10,11,12,13,14
2	124112014	BUSH(10951)	1	
3	125012015	PLUG F.M.HOUSING (40734)	1	
4	165121014	PIN	1	
5	811051525	SCREW (HEX HEAD M5 X 15)	1	
6	20105	PLAIN NUT M5	1	
7	B018991	PLUG FOR FAREMETER	1	
8	124121015	FARE METER PINION	1	
9	124102019	FARE METER GEAR	1	
10	822031942	SPRING PIN 3 X 19	1	
11	124141015R	ADOPTER NYLON (VE)	1	
12	124113018	GREASE NIPPLE (M6)	1	
13	1A000826	GASKET	1	
14	127121016	GEAR BOX COVER	1	
15	BS4 1A010093	GEAR BOX COVER_BS4	1	
16	120203011	HOLLOW DOWEL - GEAR BOX COVER	2	
17	B042486	BUSH	2	
18	822051647	SPRING PIN 5X16	1	
19	880305509R	DEEP GROOVE BALL BEARING 30X55X13	1	
20	841005207	CIRCLIP DIA 52 (INT)	1	
20	841005506	CIRCLIP DIA. 55 (INT)	1	
21	117402	OIL SEAL	1	
21	1A000236	OIL SEAL	1	
22	127501010	SHAFT PINION	1	
22	1A009926	REVERSE SHAFT	1	
23	127404016R	GEAR R.C.	1	
24	127571015R	IDLER GEAR (PAS)	1	
25	842002501	CIRCLIP DIA 25 (EXT)	1	
25	842003000	CIRCLIP DIA. 30 (EXT.)	1	
26	112898	OIL LEVEL ARM WITH PLUG	1	Old
26	1A014592	OIL DIPSTICK	1	New aluminium clutch
27	127016015	DIPSTICK SEALING WASHER	1	
28	6450	EXT CIRCLIP DIA 48	1	
29	7066R	RADIAL BALL BEARING	1	
30	111353	CIRCLIP	1	

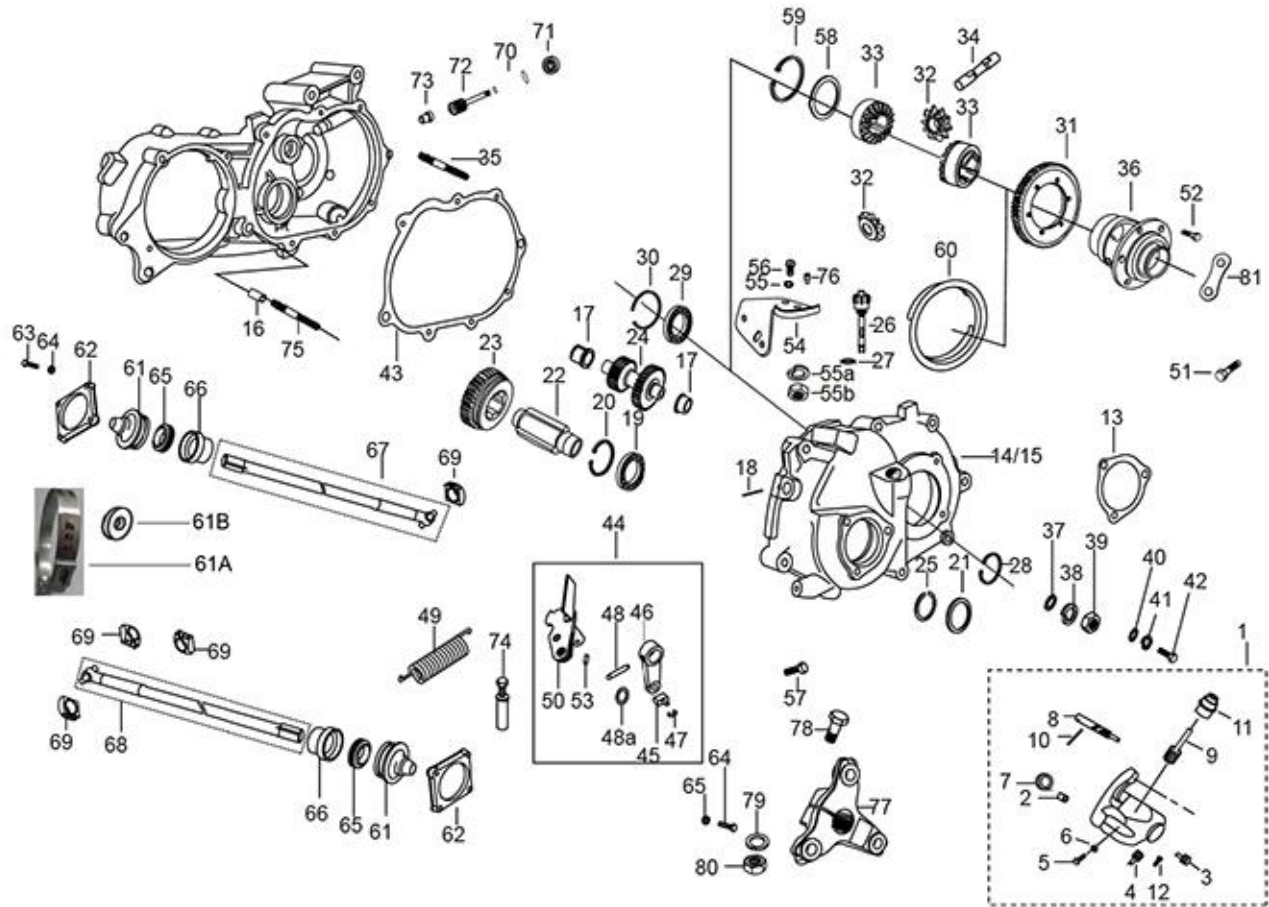
40

Print Date: 07-Apr-2022

PLATE-18

DIFFERENTIAL UNIT, FARE METER HOUSING AND SPEEDO DRIVE





Print Date: 07-Apr-2022

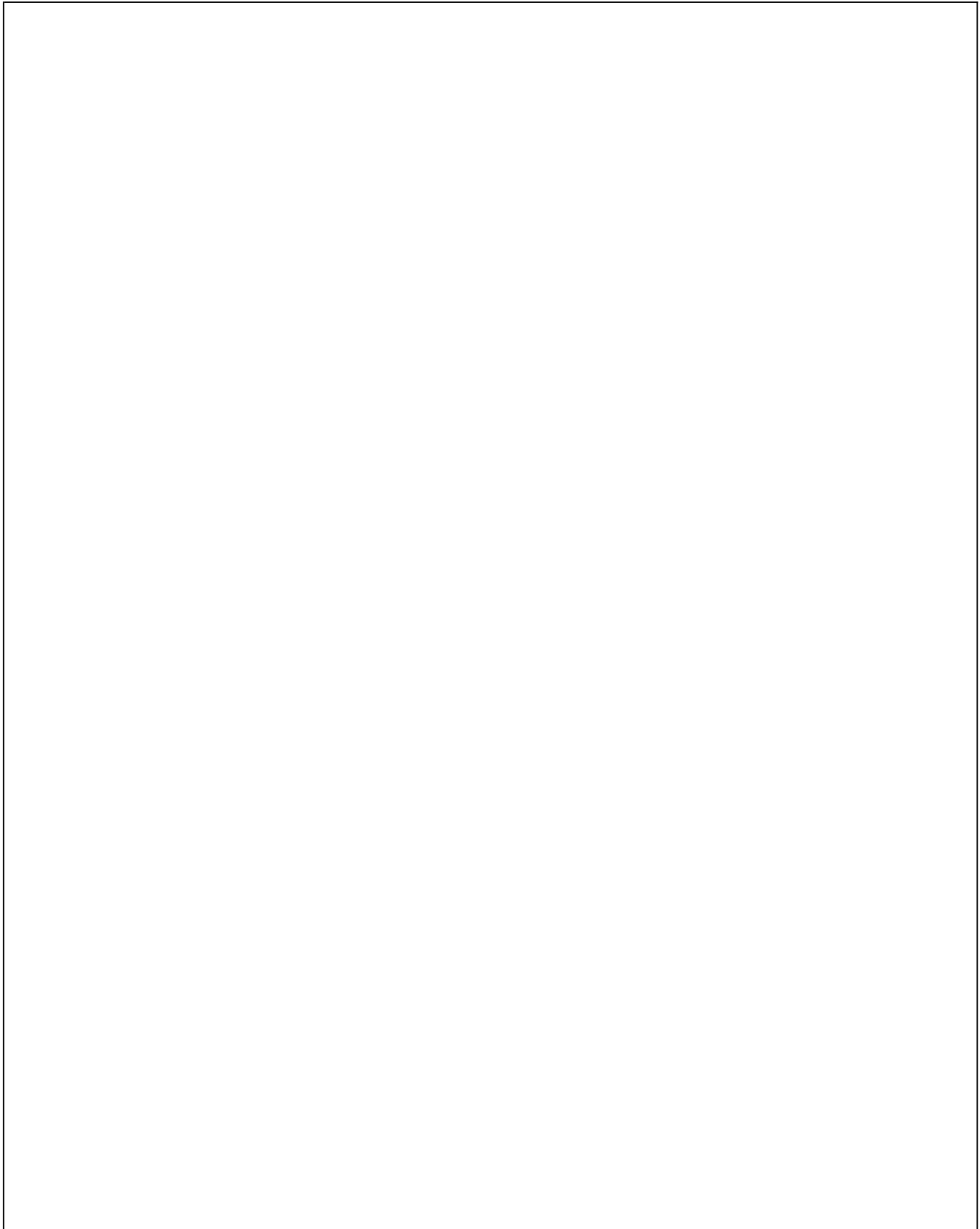
PLATE-18**DIFFERENTIAL UNIT, FARE METER HOUSING AND SPEEDO DRIVE**

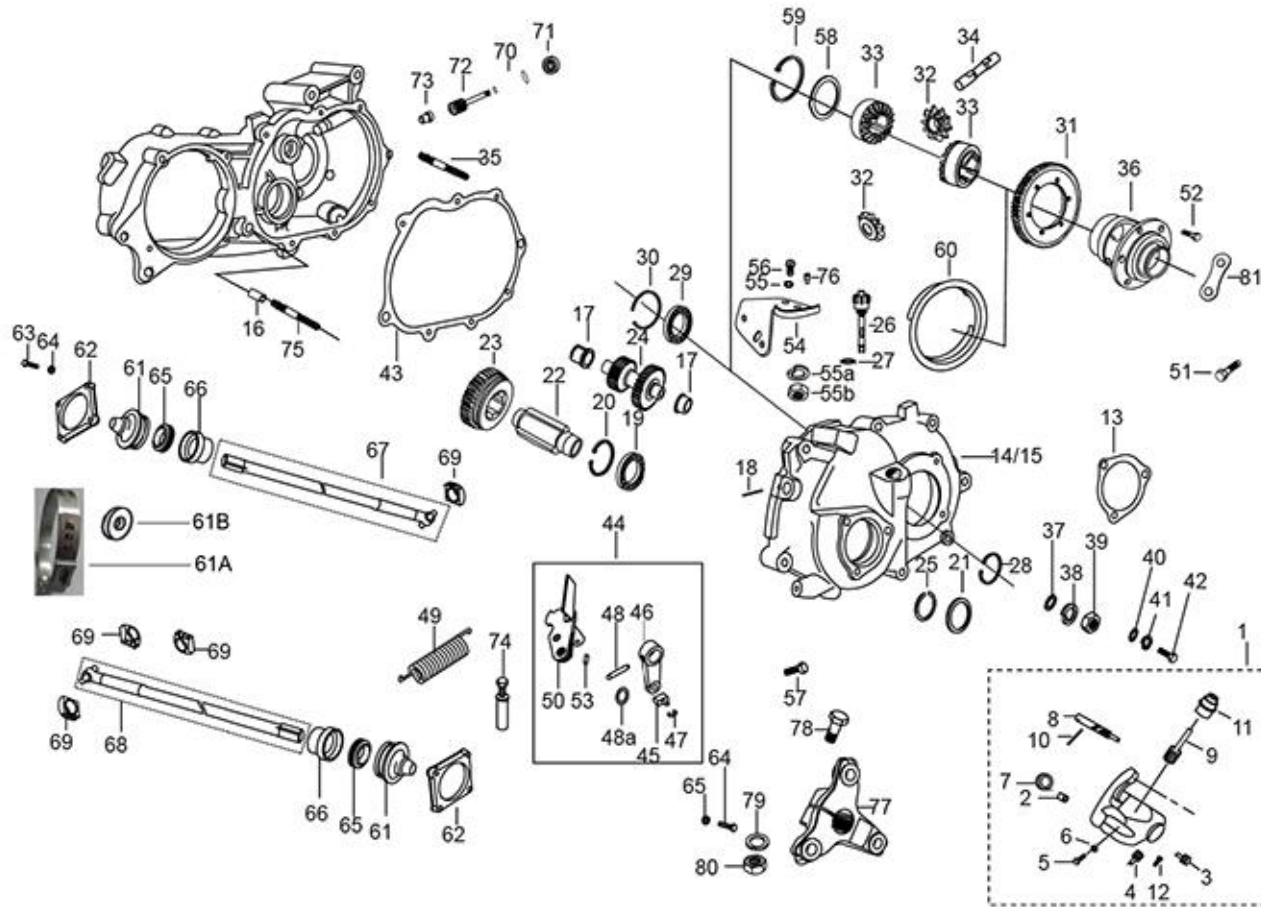
Fig. No.	Part No.	Description	Qty	Remarks
30A	016406	SPRING WASHER	1	
31	127555016	GEAR FINAL DRIVE (PASS)	1	
31	1A011810	DIFFERENTIAL CROWN (PASS.)	1	Applicable 15th Mar-19 onwards
32	NS-	NOT SERVICEABLE PART	2	Serviceable as Kit - 940028
33	NS-	NOT SERVICEABLE PART	2	Serviceable as Kit - 940028
34	132129	PIN	1	
35	B042798	FLANGED HEXAGONAL HEAD SCREW M8X45	8	
36	288730	DIFFERENTIAL CAGE	1	
37	808000826	PLAIN WASHER M8	8	
37	808000826	PLAIN WASHER M8	10	
38	016408	SPRING WASHER	8	
38	016408	SPRING WASHER	10	
39	20108	HEX NUT M8	8	
39	15335	HEX HD NUT M8	10	
39	20108	HEX NUT M8	8	
40	3056	PLAIN WASHER M6 OD12	3	
41	016406	SPRING WASHER	3	
42	31088	HEX HD SCREW M6 X 16 CL 8.8 (811061623)	3	
43	127141016	GASKET G. B. COVER	1	
44	SP1A0101404	INVERTER LEVER SECTOR ASSY PASS -SPD	1	
45	120321019	SLIDER BLOCK R.C. GEAR	1	
46	SP1A0101404	INVERTER LEVER SECTOR ASSY PASS -SPD	1	
47	843000500	CIRCLIP DIA.5 (EXT) TYPE C	1	
48	17702	SPRING PIN	1	
48A	1A005176	O- RING	1	
49	127111011	REVERSE GEAR SPRING	1	
50	1A010139	SECTOR PLATE ASSLY COMP	1	For Old Gear Box Cover
51	B075002	COVER PLATE (DIFF. COVER) - VE	1	
52	1A004807	SCREW	6	
53	825080209	O - RING - (SECTOR PLATE ASSY.)	1	
54	128306015	STOPPER PLATE R.C. LEVER	1	
55	016404	SPRING WASHER M4	2	
55A	003054	PLAIN WASHER	2	
55B	20104	HEX NUT M4	2	
56	31088	HEX HD SCREW M6 X 16 CL 8.8 (811061623)	2	

Print Date: 07-Apr-2022

PLATE-18

DIFFERENTIAL UNIT, FARE METER HOUSING AND SPEEDO DRIVE





Print Date: 07-Apr-2022

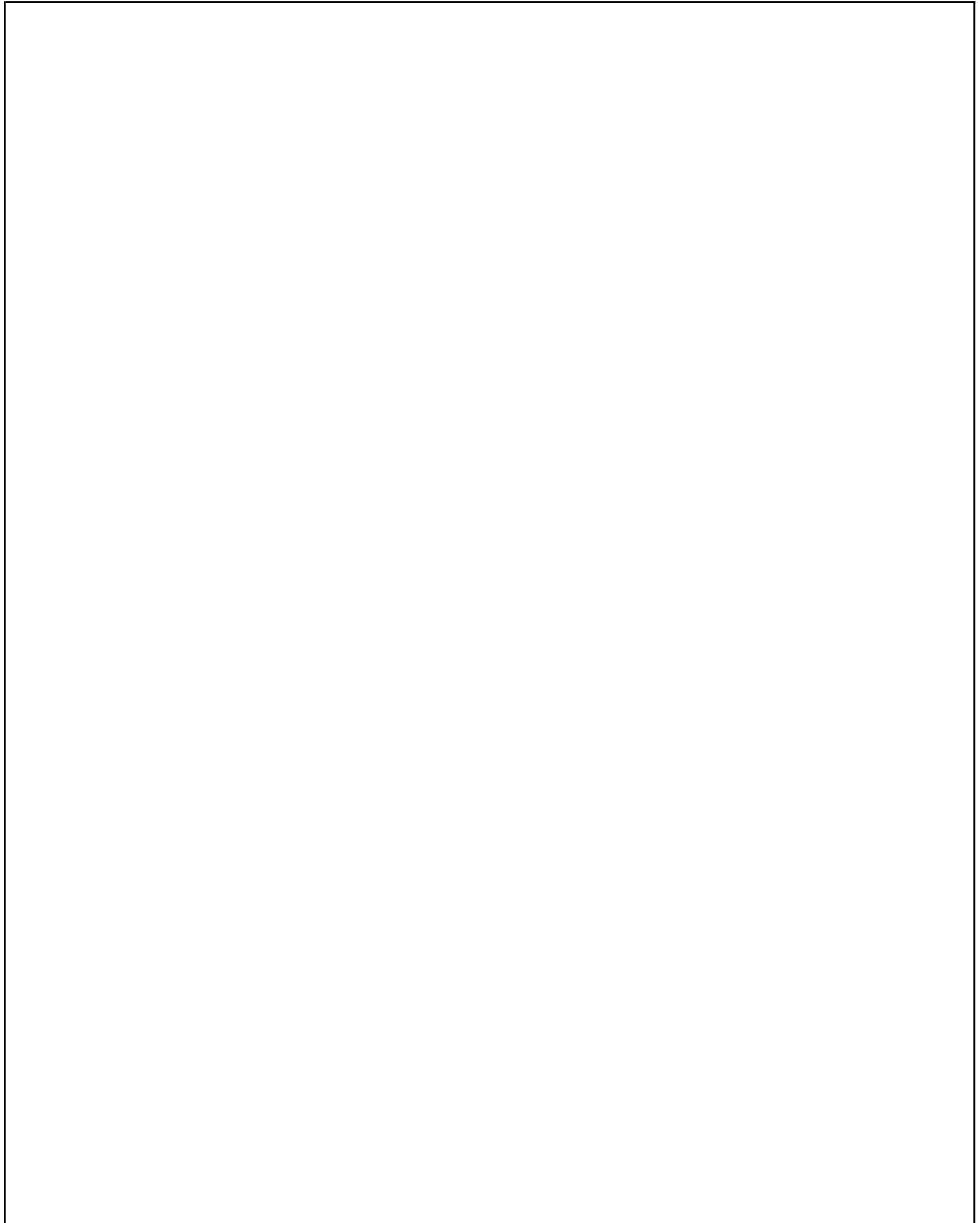
PLATE-18**DIFFERENTIAL UNIT, FARE METER HOUSING AND SPEEDO DRIVE**

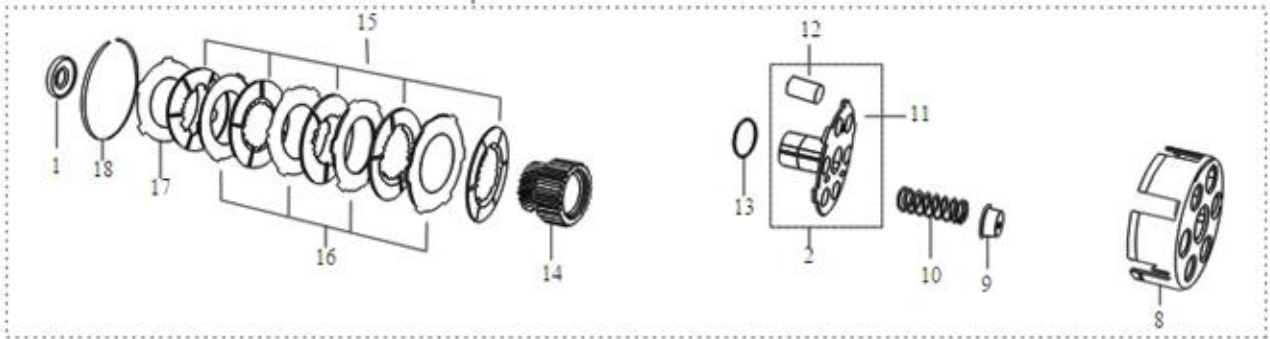
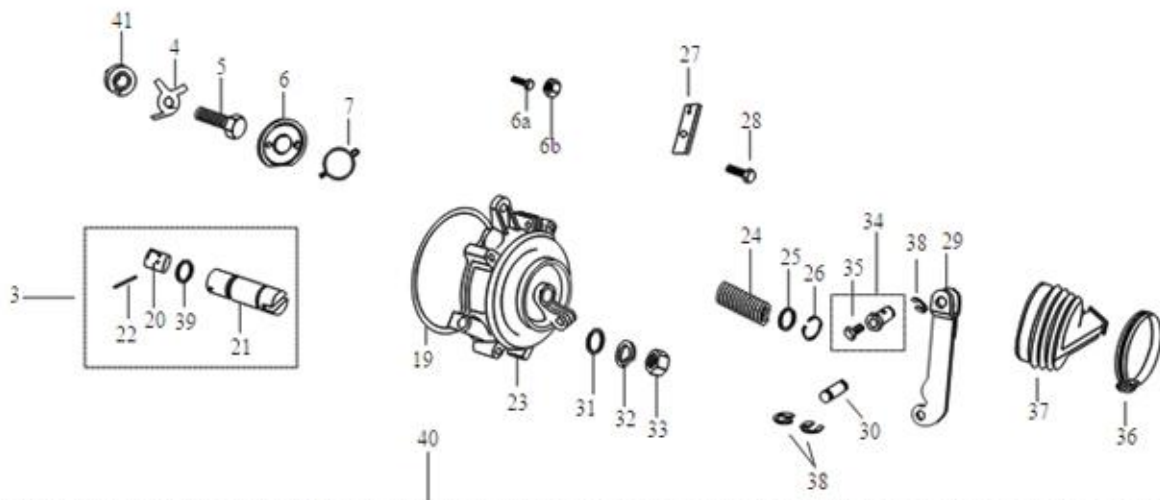
Fig. No.	Part No.	Description	Qty	Remarks
57	128307019	BOLT R.C. SPRING RETAINING	1	
58	220575	WASHER 65X3	1	
59	132134	CIRCLIP	1	
60	132244	STOPPER THK=1.0	1	
60	1A011778	SATELLITE PIN RETAINER	1	Applicable 15th Mar-19 onwards
60A	1A000612	RETAINER SCREW - PRE COATED	2	Applicable 15th Mar-19 onwards
61	6C000016	BELLOW	2	Chassis cut off MBX0003BFXE848267
61A	6C000041	OTIKAR CLAMP FOR BELLOW	2	Chassis cut off MBX0003BFXE848267
61B	3056	PLAIN WASHER M6 OD12	6	Chassis cut off MBX0003BFXE848267
62	111356	COVER	2	
63	31092	HEX. HD SCREW M6X25	8	
64	016406	SPRING WASHER	8	
65	6C000312R	SEAL RING	2	Chassis cut off MBX0003BFXE848267
66	113278	BRACKET RETAINER RING (41736)	2	
67	587687	PROP. SHAFT SUB ASSY. LT (WITH PIN)	1	
68	587685	PROP. SHAFT SUB ASSY. RT (WITH PIN)	1	
69	112867R	SLIDER BLOCK PROP. SHAFT	4	
70	117401	BUSH	1	
71	117402	OIL SEAL	1	
72	117404	SPEEDOMETER GEAR	1	
73	165121014	PIN	1	
74	604560	SCREW TERMINAL ASSY. - GEAR CONTROL	1	
75	127103014	M8 STUD - MAIN HOUSING	2	
76	119278	TERMINAL	1	
77	111498	ELASTIC HUB	1	
78	B024614	HEX HEAD BOLT M10X45 CL 10.9	2	
79	16410	SPRING WASHER	2	
80	231370	SELF BREAKING NUT M10	2	
81	B003155	LOCK PLATE	3	
82	1A004807	SCREW	3	

Print Date: 07-Apr-2022

PLATE-19

CLUTCH AND CLUTCH COVER





Print Date: 07-Apr-2022

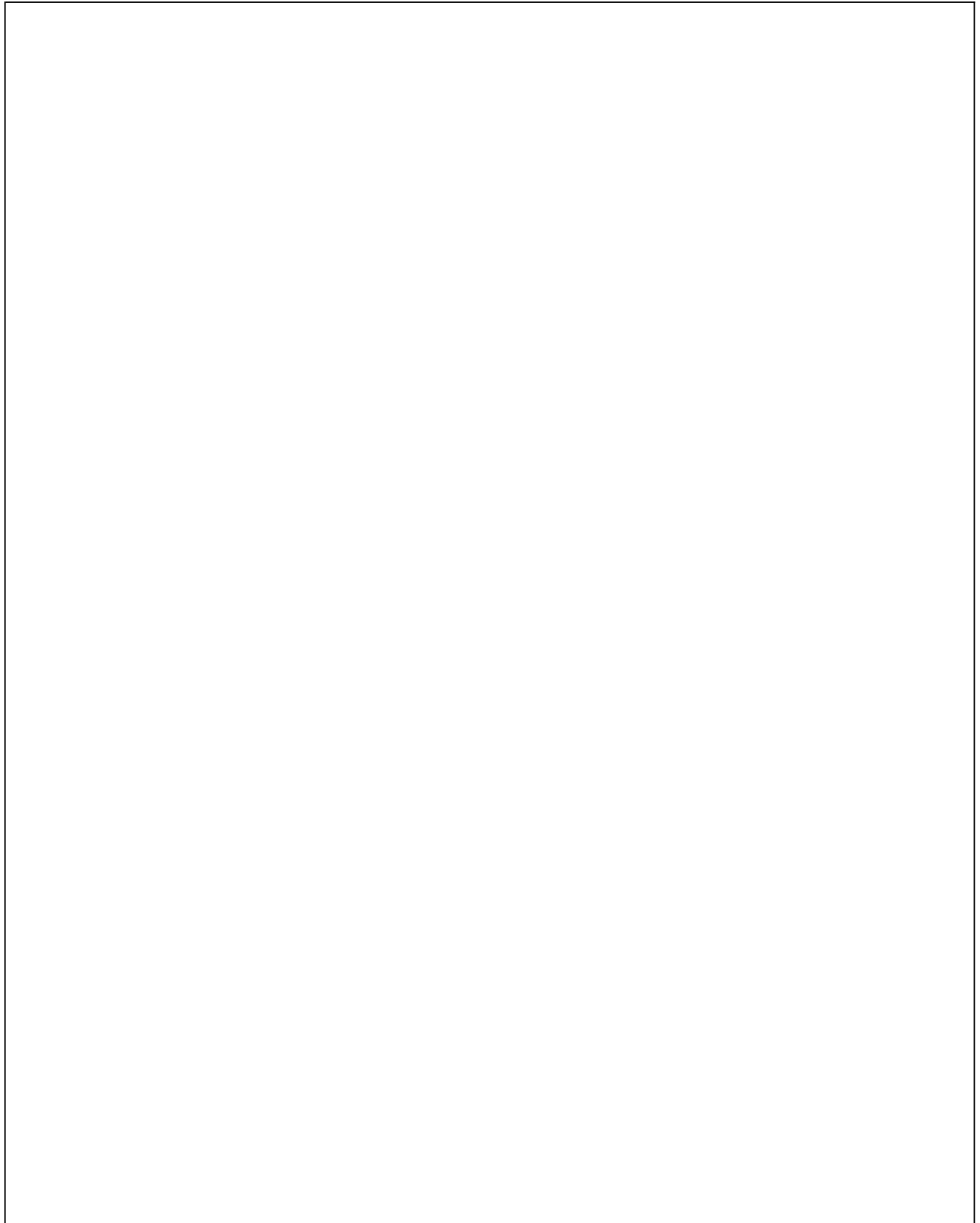
PLATE-19**CLUTCH AND CLUTCH COVER**

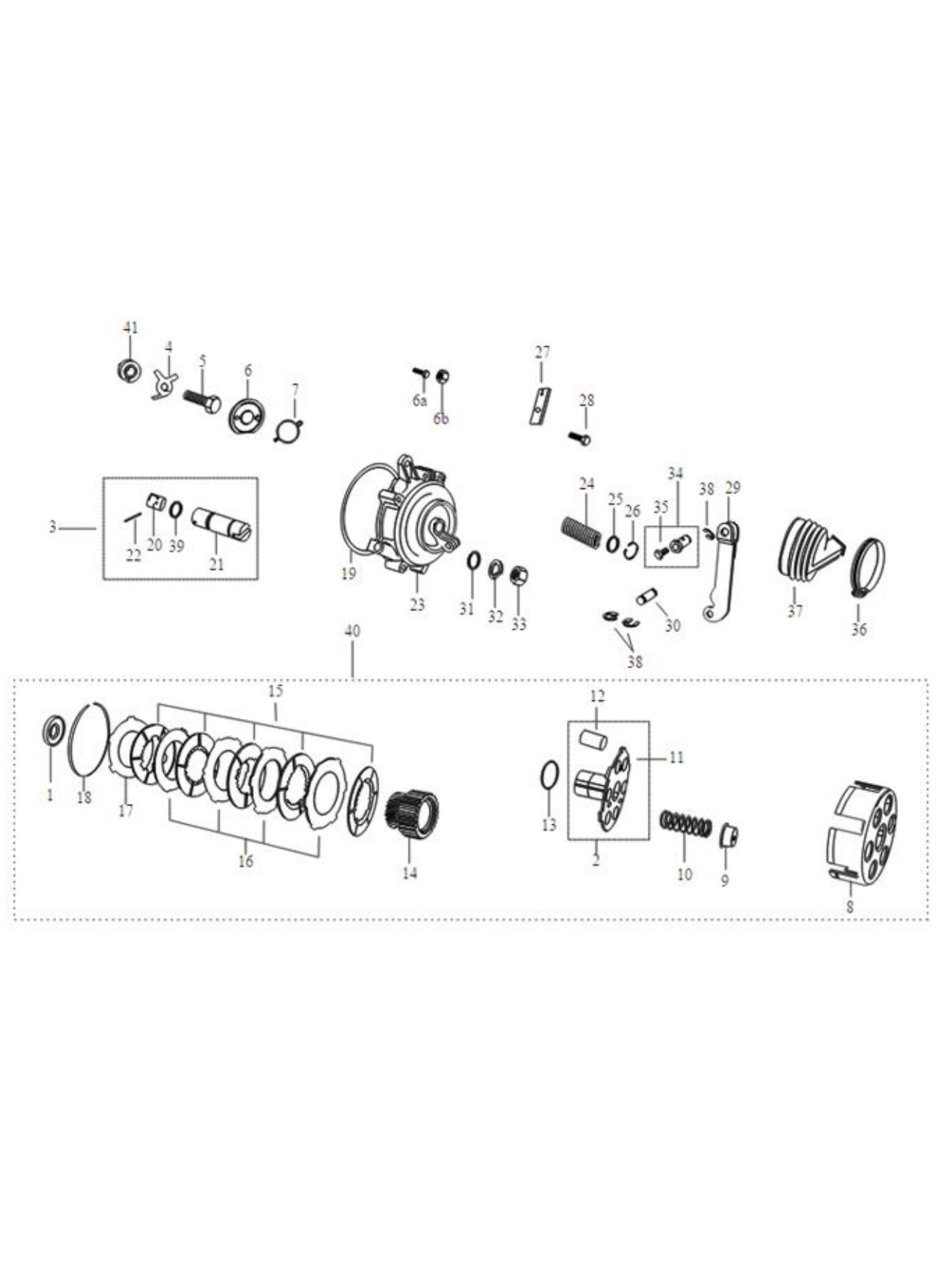
Fig. No.	Part No.	Description	Qty	Remarks
1	652124	SPACER WASHER-CLUTCH	1	
2	127740018	CLUTCH SHAFT ASSLY (IMPROVED)	1	
3	127290013	PLUNGER SHAFT ASSY.	1	
4	129012013	TAB WASHER	1	
5	E47177007	SCREW M8X1.25X30	1	
6	129019011R	THRUST PLATE(SINTERED)	1	
6A	567741	HEX HEAD SCREW M5 X 18 (811051824)	4	
6B	20106	HEX NUT M6	4	
7	129015015	SPRING CLIP	1	
8	127753015	CLUTCH BOX	1	
8	127691011	CLUTCH BOX	1	
9	127757011	CUP - CLUTCH SPRING	6	
10	B023890	CLUTCH SPRING	6	
11	652112	CLUTCH SHAFT -	1	
12	127741012	BUSH SINTERED -	1	
13	127758015	SHIM	1	
14	127759019R	ENGINE GEAR	1	
15	127530011	DRIVEN PLATE ASLY	5	
16	127692015	DRIVING PLATE THK. 2.0 MM	4	
17	127693019	PRESSURE PLATE OUTER (VE)	1	
18	127754019	CIRCLIP - CLUTCH BOX	1	
19	825123207	O - RING CLUTCH COVER	1	
20	120159014	PLUNGER	1	
21	127182010	PLUNGER SHAFT -	1	
22	822031942	SPRING PIN 3 X 19	1	
23	1A011662	CLUTCH COVER	1	
24	127185012	SPRING - CLUTCH COVER	1	
25	120164019	RETAINING PLATE	1	
26	842001600	CIRCLIP DIA.16(EXT)	1	
27	127471019	BRACKET CLUTCH CABLE GUIDE	1	
28	31092	HEX. HD SCREW M6X25	1	
29	127460010	LINK ASSLY - CLUTCH (IMPROVED)	1	
30	127013013	PIN CLUTCH	1	
31	3056	PLAIN WASHER M6 OD12	4	
32	016406	SPRING WASHER	4	

Print Date: 07-Apr-2022

PLATE-19

CLUTCH AND CLUTCH COVER





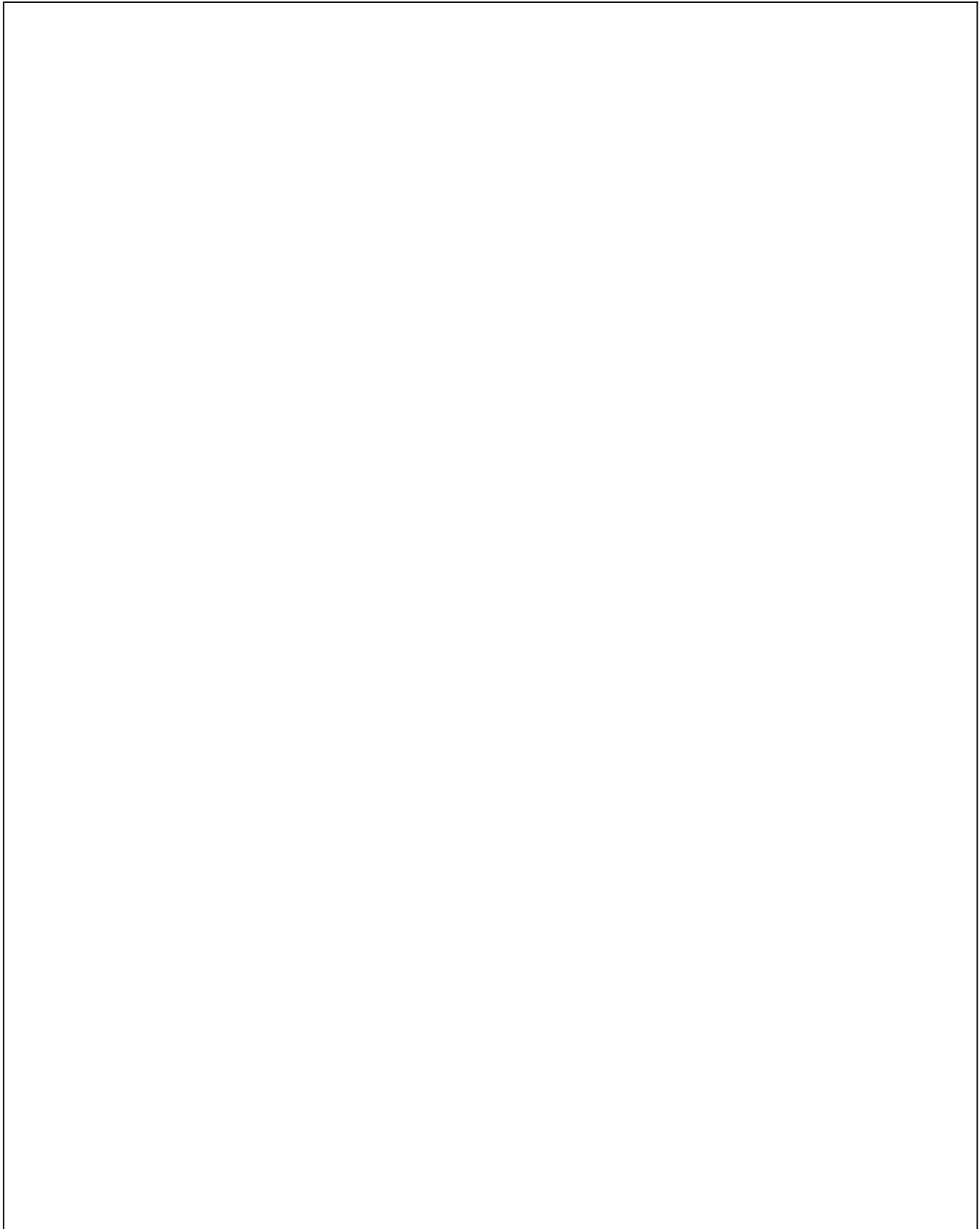
Print Date: 07-Apr-2022

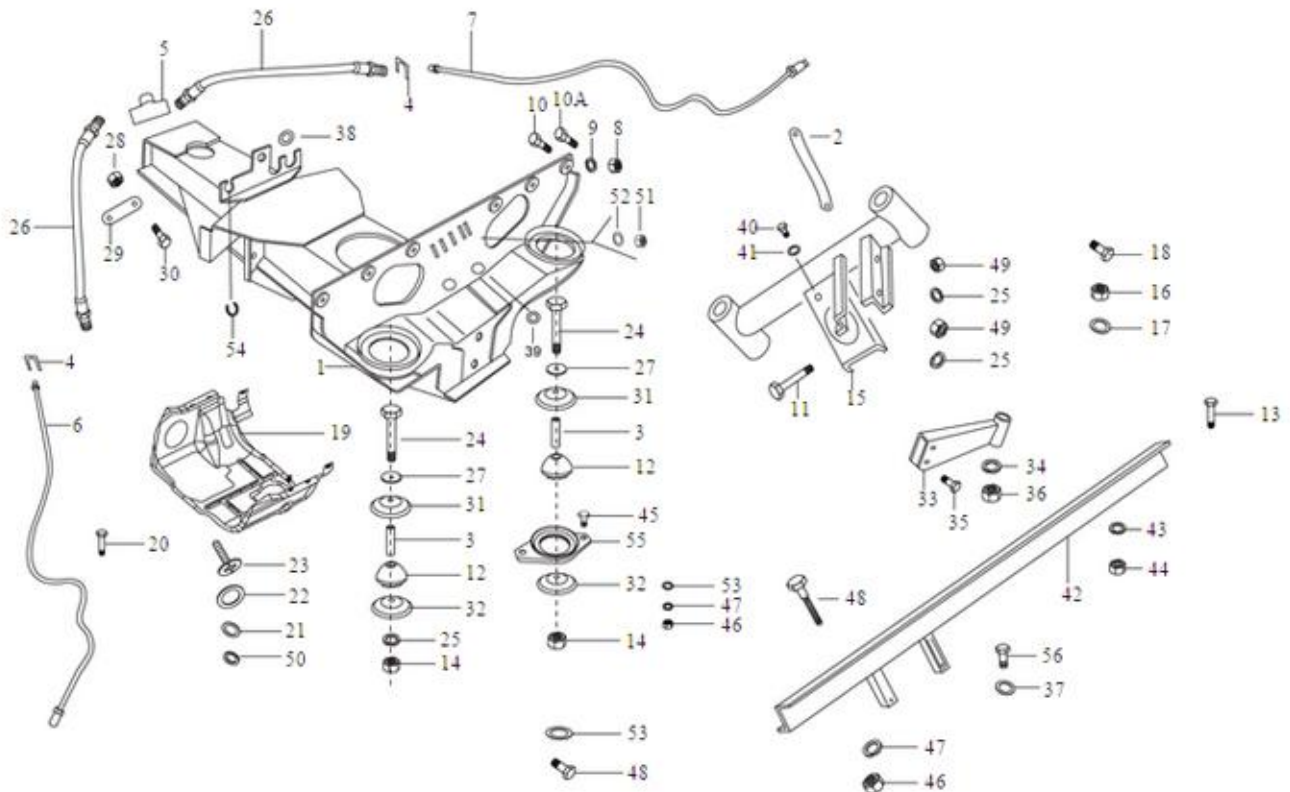
PLATE-19**CLUTCH AND CLUTCH COVER**

Fig. No.	Part No.	Description	Qty	Remarks
33	20106	HEX NUT M6	4	
34	B024379	SCREW TERMINAL ASSLY-ENGINE STOP,D.C.	1	
35	120238016	BOLT FOR SCREW TERMINAL	1	
36	120170018	HOSE CLIP - CLUTCH COVER BELOW	1	
37	127012019	BELLOW CLUTCH ACTUATING	1	
38	843000809	CIRCLIP DIA.8(EXT) TYPE C	3	
39	B019220	O- RING (PLUNGER SHAFT)	1	
40	127730013SP	CLUTCH ASSLY COMP.(IMPROVED)	1	
41	129011019	WASHER FOR CLUTCH ASSY.	1	

Print Date: 07-Apr-2022

PLATE-20
ENGINE SUPPORT





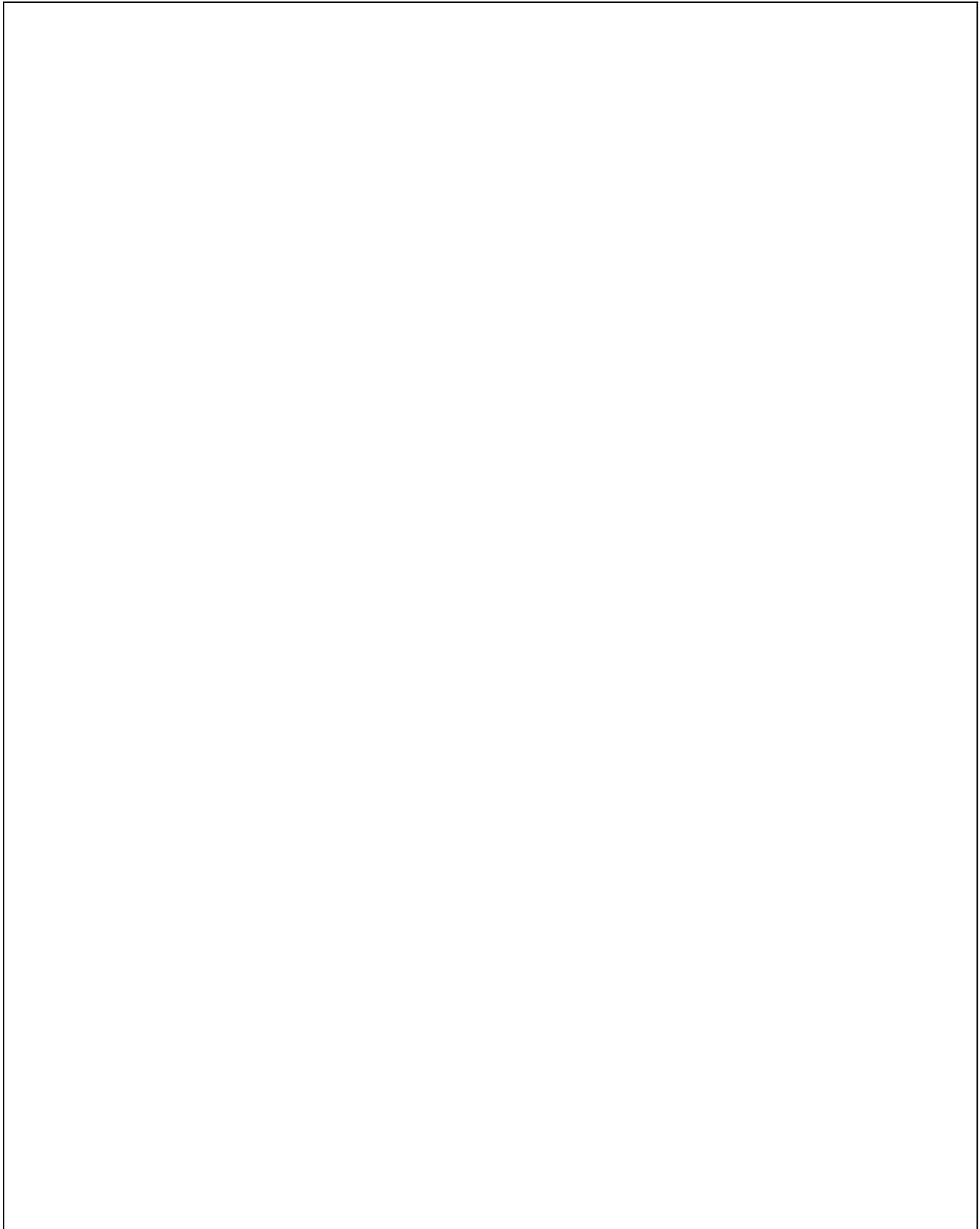
Print Date: 07-Apr-2022

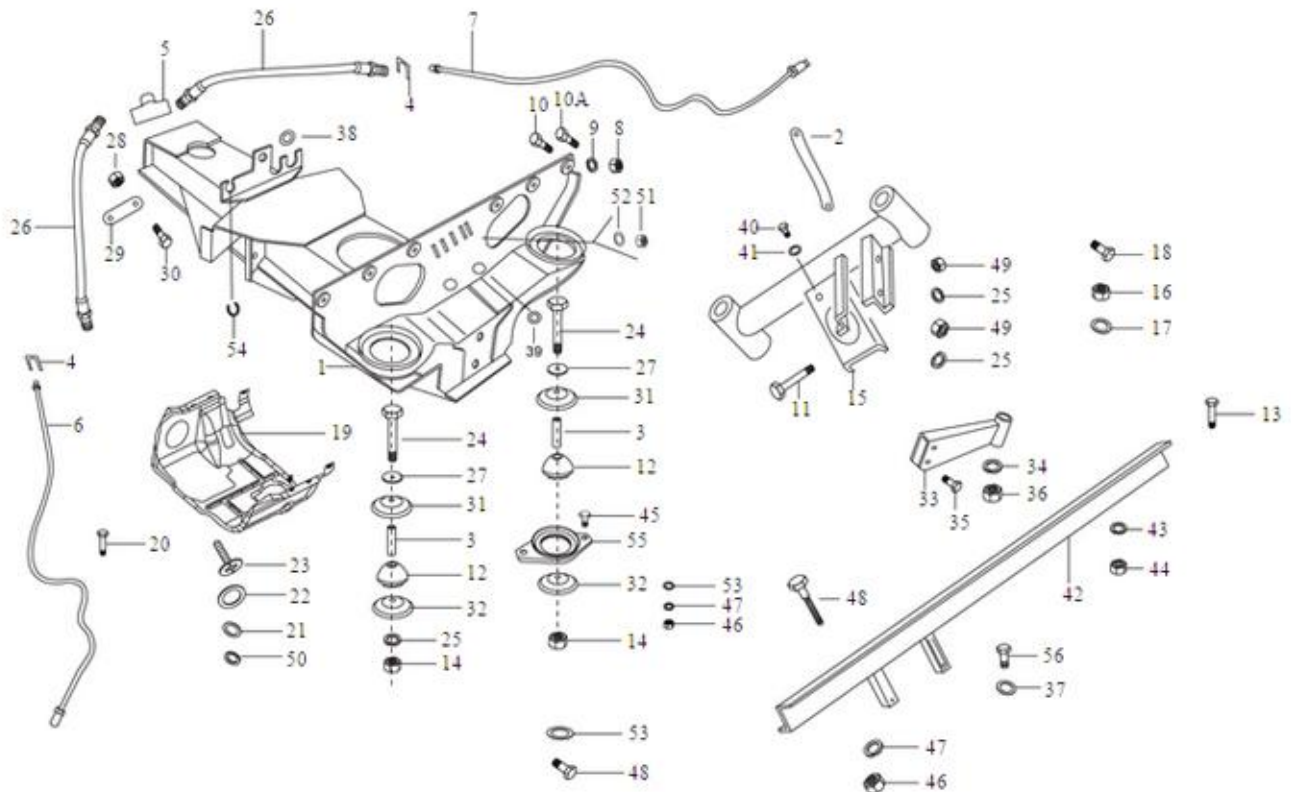
PLATE-20
ENGINE SUPPORT

Fig. No.	Part No.	Description	Qty	Remarks
1	6C000382	FRAME ASSLY SUS.& ENGINE SUPPORT	1	common with BS6
2	644839R	EARTHING CABLE	1	
3	267065	SPACER FRONT	3	
4	136916	PLATE FOR RETAINING THE BRAKE FLEX. PIPE	3	
5	643692	THREE WAY UNION	1	
6	644813	BRAKE PUMP TUBE OF LEFT REAR WHEEL	1	
7	644812	BRAKE PUMP TUBE OF RIGHT REAR WHEEL	1	
8	20108	HEX NUT M8	6	
9	016408	SPRING WASHER	6	
10	31119	HEX HD SCREW M8 X 25	6	
10A	632247	HEX HDD SCREW M10X30 CC8.8	2	
11	604948	HEX.HDD BOLT M8 X 110 WITH POINTING	2	
12	265091	DUMPER ENGINE MTG.	3	
13	272178	HEX. HDD BOLT M8 X 122 CL 10.9	1	
14	15335	HEX HD NUT M8	3	
15	643711R	FRT CROSS MEMBER ASSY. ENG. MTG.	1	
16	231370	SELF BREAKING NUT M10	2	
17	286328	PLAIN WASHER 20X10.2X2	2	
18	568689	HEX HEAD BOLT M10X100	2	
19	660927	ENGINE COVER	1	
20	604606	HEX HD. SCREW M5X20 CL8.8	2	
21	3055	PLAIN WASHER M5	3	
22	6078	PLAIN WASHER 12 X 5.2 X 1	3	
23	15911	PAN SELF TAP SCREW 8SG X 16 AB	6	
24	272178	HEX. HDD BOLT M8 X 122 CL 10.9	2	
25	016408	SPRING WASHER	3	
26	644814R	FLEXIBLE BRAKE HOSE	2	
27	2383	PLAIN WASHER M20X8.5X2	4	
28	231370	SELF BREAKING NUT M10	2	
29	632299	PLATE	2	
30	31159	HEX HD SCREW M10 X 35 CC 8.8	2	
31	569377	PLATE	2	
32	569244	PLATE	2	
33	662476	REAR ENGINE SUPPT. ARM ASSLY.	1	
34	16410	SPRING WASHER	2	

Print Date: 07-Apr-2022

PLATE-20
ENGINE SUPPORT





Print Date: 07-Apr-2022

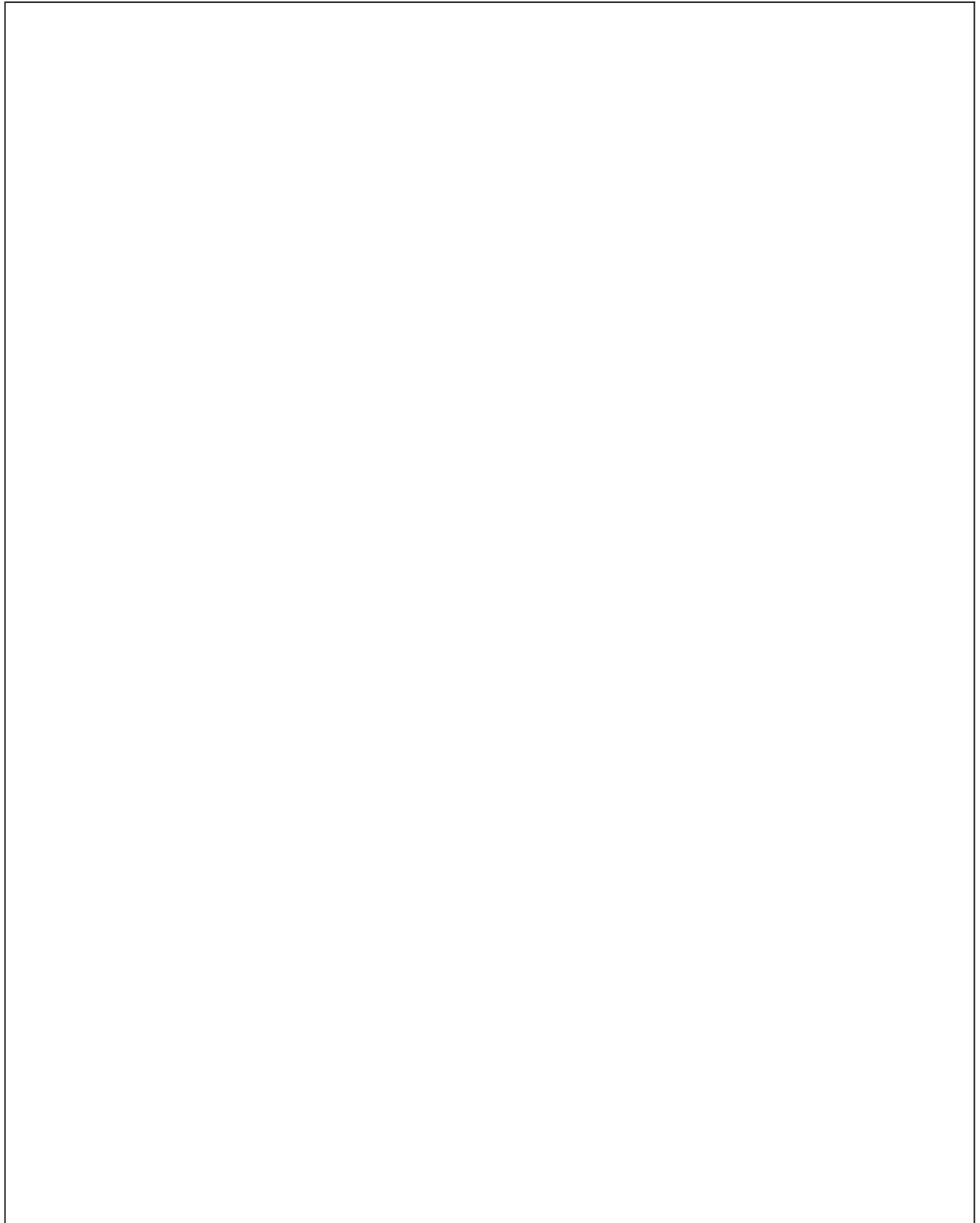
PLATE-20
ENGINE SUPPORT

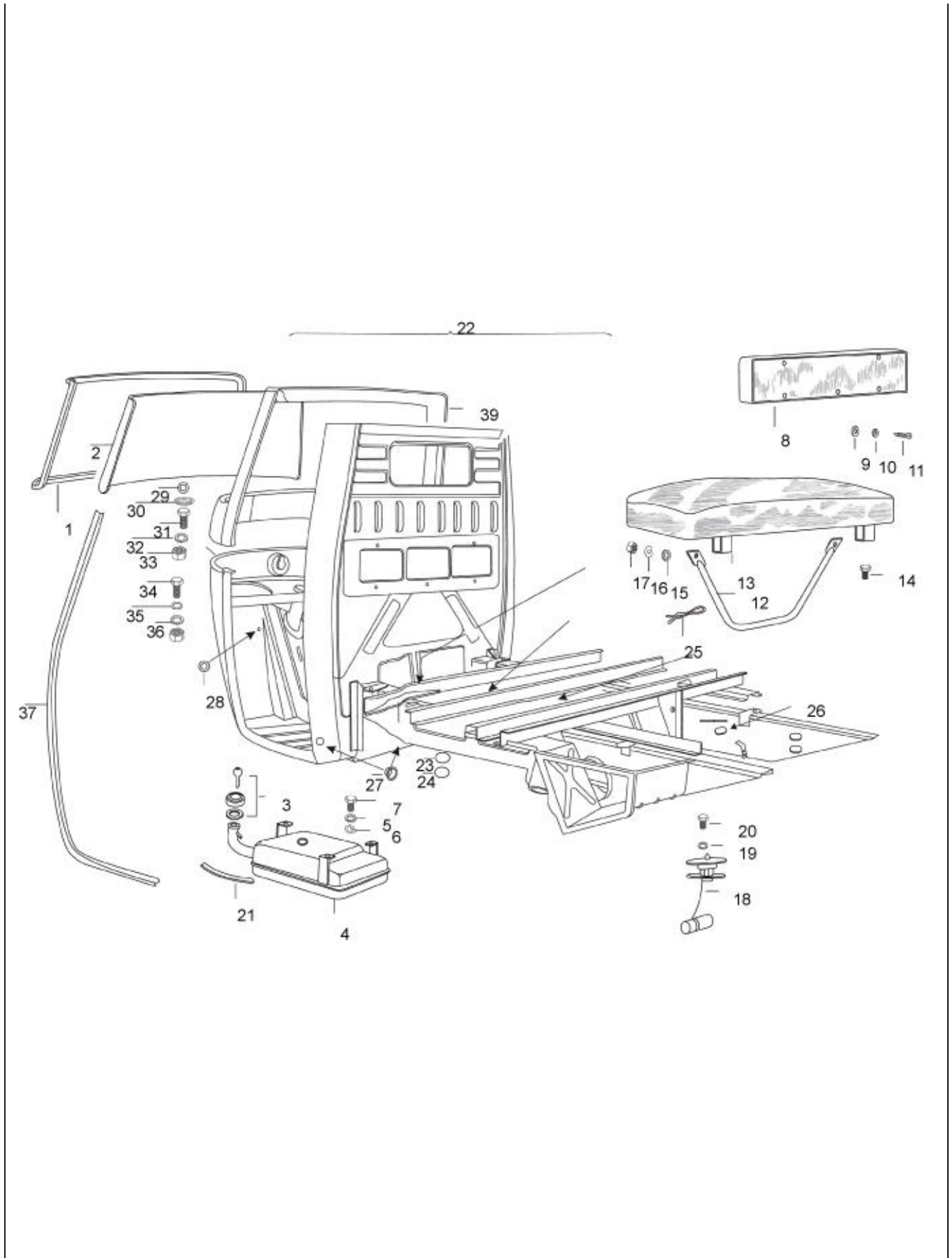
Fig. No.	Part No.	Description	Qty	Remarks
35	B024614	HEX HEAD BOLT M10X45 CL 10.9	2	
36	20110	HEX NUT M10	2	
37	286328	PLAIN WASHER 20X10.2X2	6	
38	178610	GROMMET	1	
39	15478	GROMMET4	2	
40	31116	HEX HD. SCREW M8X16	3	
41	3058	PLAIN WASHER 15X8.4X1.5	1	
42	B009144	CROSS MEMBER ENG. SUPP. RR SUB ASSLY.	1	
43	016408	SPRING WASHER	2	
44	20108	HEX NUT M8	2	
45	31118	SCREW M8X20	2	
46	20108	HEX NUT M8	4	
47	16410	SPRING WASHER	6	
48	568260	HEX HD BOLT M8X160 CL 8.8	2	
49	20110	HEX NUT M10	4	
50	16405	SPRING WASHER M5	2	
51	20105	PLAIN NUT M5	2	
52	3055	PLAIN WASHER M5	2	
52	6078	PLAIN WASHER 12 X 5.2 X 1	2	
53	286328	PLAIN WASHER 20X10.2X2	2	
54	568140	GROMMET	1	

Print Date: 07-Apr-2022

PLATE-21

CHASSIS FRAME, FUEL TANK & SEAT





Print Date: 07-Apr-2022

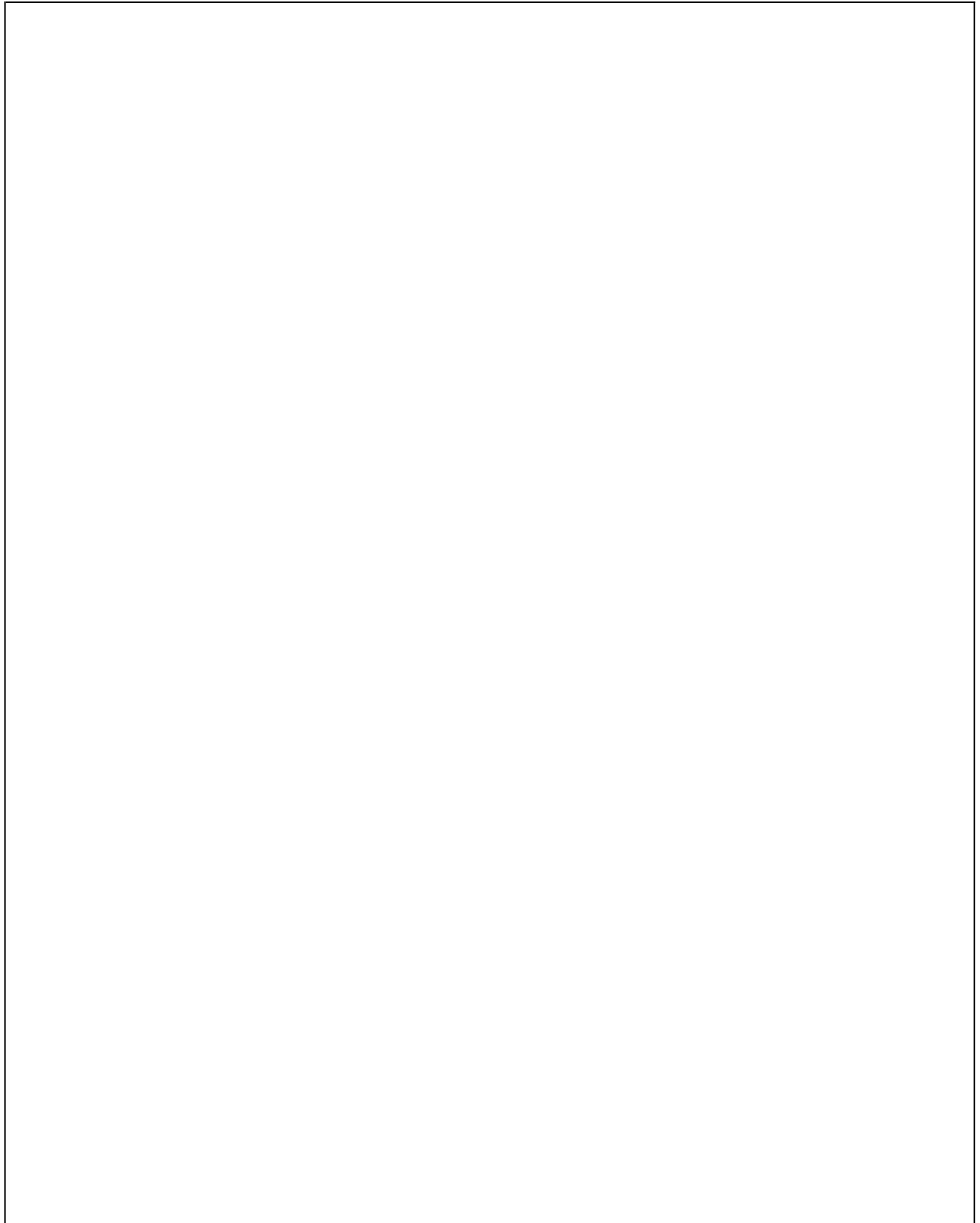
PLATE-21**CHASSIS FRAME, FUEL TANK & SEAT**

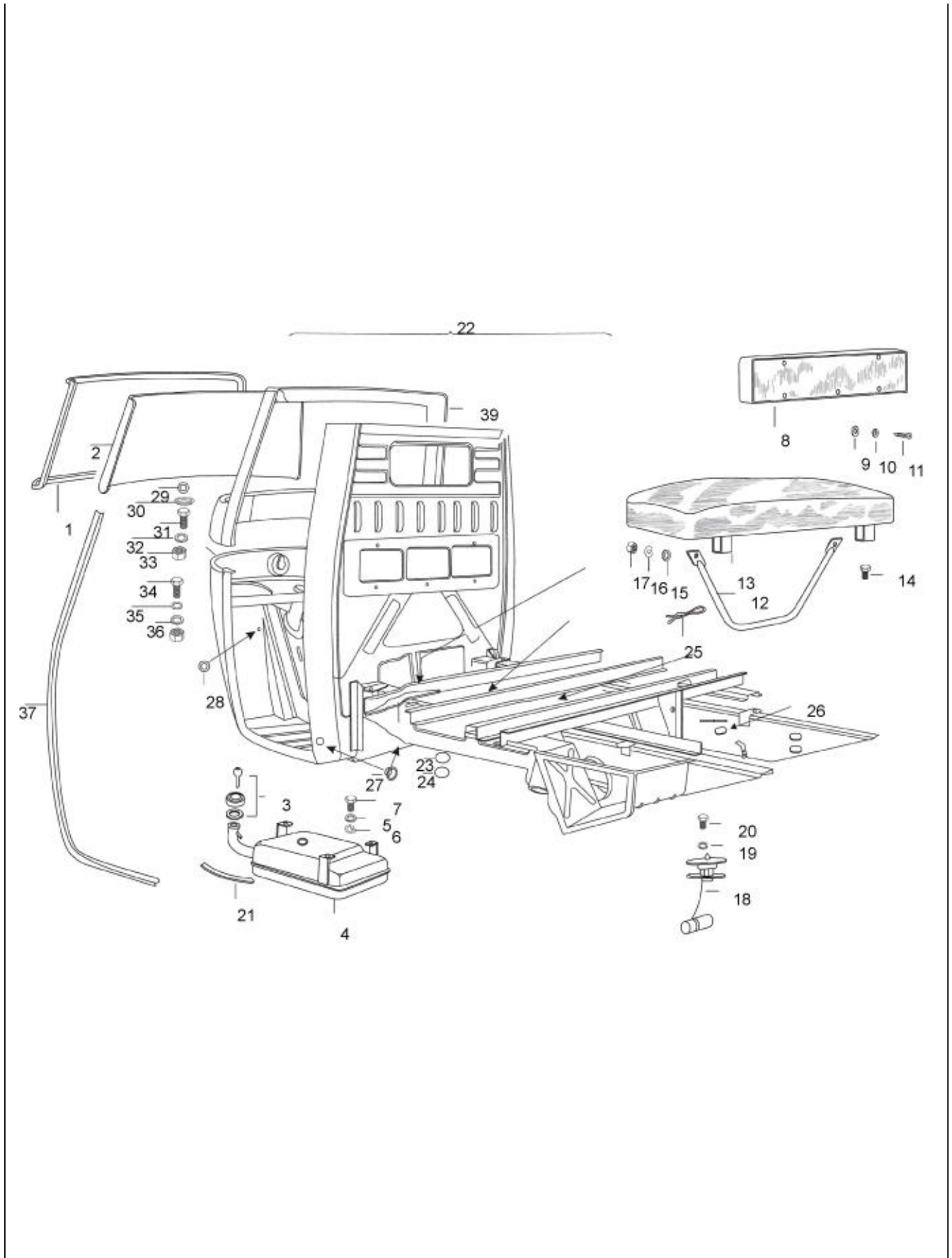
Fig. No.	Part No.	Description	Qty	Remarks
1	109012	WIND SHIELD PACKING	1	
2	587963	LAMINATED WINDSHIELD GLASS	1	E - Marked (Export)
3	940121	CAP FUEL TANK LOCK (BODY CAP) WITH KEY	1	
4	604826	FUEL TANK ASSLY. 501 CNG / LPG	1	
5	013880	PLAIN WASHER	4	
6	016406	SPRING WASHER	4	
7	31088	HEX HD SCREW M6 X 16 CL 8.8 (811061623)	4	
8	644852	DRIVER BACK REST (CARGO) (VE)	1	
9	16405	SPRING WASHER M5	4	
10	16603	PLAIN WASHER (METALLIC)	4	
11	604606	HEX HD. SCREW M5X20 CL8.8	4	
12	567562	SEAT SUPPORT PIPE (COMM)	1	
13	B002875	PASS DRIVER SEAT ASSY-501 CNG	1	
14	31119	HEX HD SCREW M8 X 25	2	
15	3058	PLAIN WASHER 15X8.4X1.5	2	
16	016408	SPRING WASHER	2	
17	20108	HEX NUT M8	2	
18	567878R	TANK UNIT	1	
19	16405	SPRING WASHER M5	6	
20	31054	HEX HD. SCREW M5X10 CL8.8	6	
21	-	BREATHER PIPE	1	NS
22	B003926EG	CNG LD CHASSIS WITH DOOR - ECO GREEN-LD	1	
23	128009	CAPSULE	1	
24	128010	CAP	1	
25	568682	FASTENER	2	
26	190255	GROMMET (LONG MEMBER)	5	
27	125998	PLUG	5	
28	568131	PLUG DOME DIA. 21 MM - CAB BEHIND HL	4	
29	105392	GROMMET	1	
30	568154	CUT GROMMET FOR HORN	1	
31	B001386	HEX HEAD SCREW M5X20	9	
32	16405	SPRING WASHER M5	9	
33	20105	PLAIN NUT M5	9	
34	30072	HEX HEAD BOLT M8 X 35	2	
35	13861	PLAIN WASHER 20X8.2X2.5	2	

Print Date: 07-Apr-2022

PLATE-21

CHASSIS FRAME, FUEL TANK & SEAT





Print Date: 07-Apr-2022

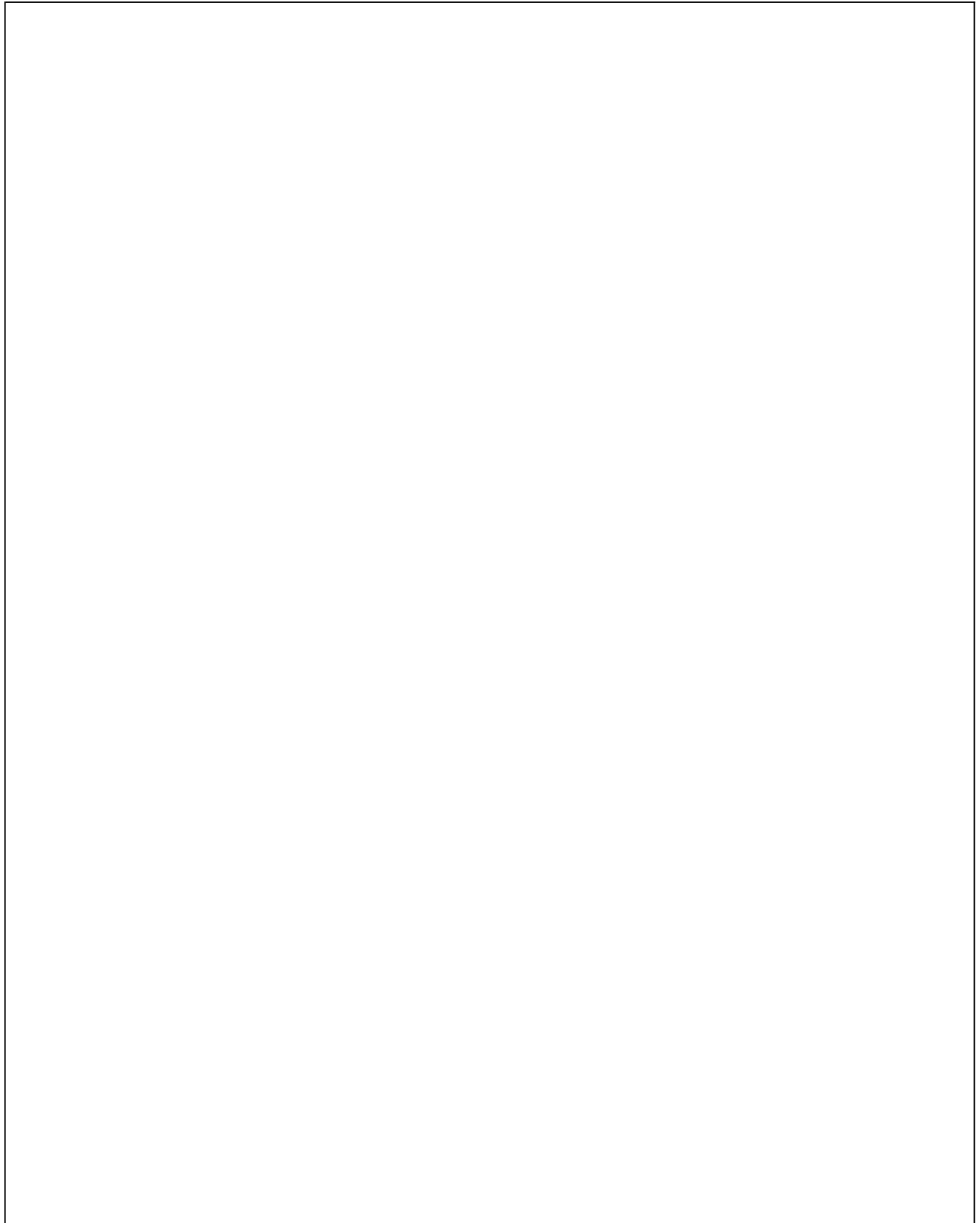
PLATE-21**CHASSIS FRAME, FUEL TANK & SEAT**

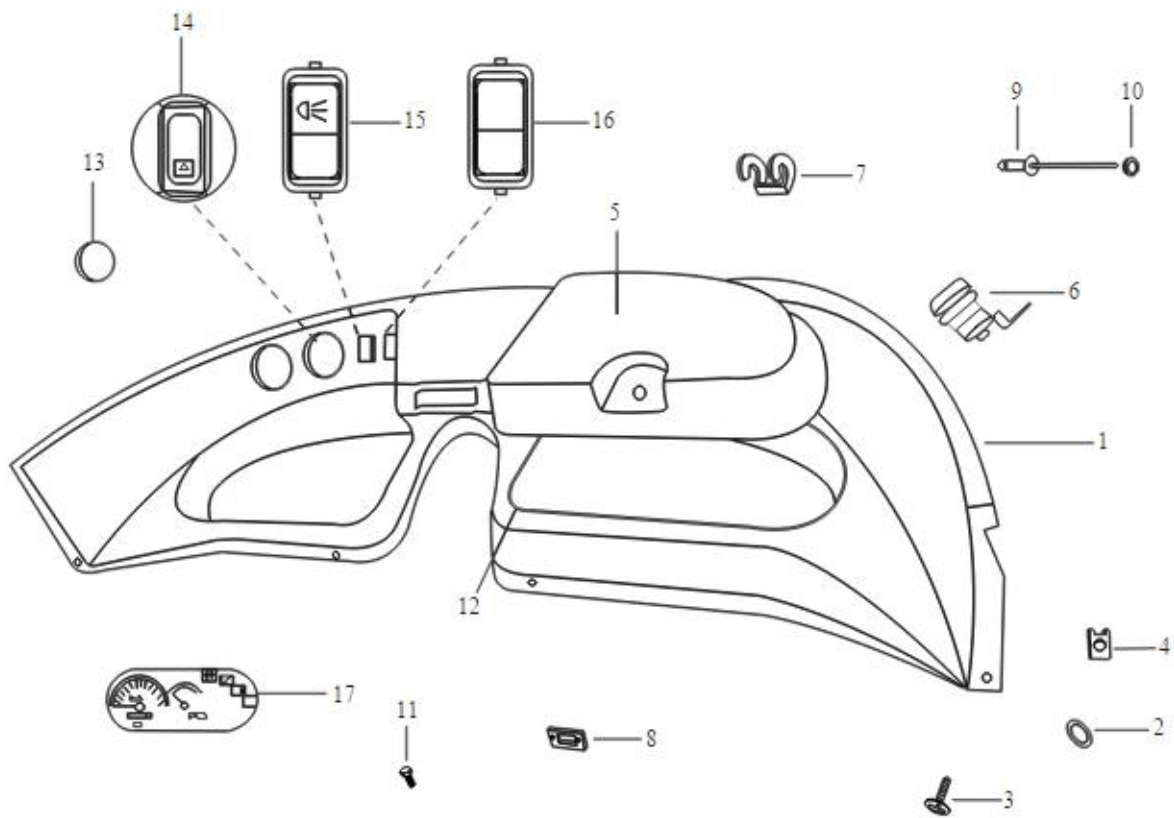
Fig. No.	Part No.	Description	Qty	Remarks
36	016408	SPRING WASHER	2	
37	118447	FRONT PACKING	2	
38	925888	RUBBER GASKET FOR TANK UNIT	1	
39	B076098ED	WINDSCREEN FRAME ASSLY - C/O 501 BSIV DSL	1	

Print Date: 07-Apr-2022

PLATE-22

INNER PARTS OF CABIN





Print Date: 07-Apr-2022

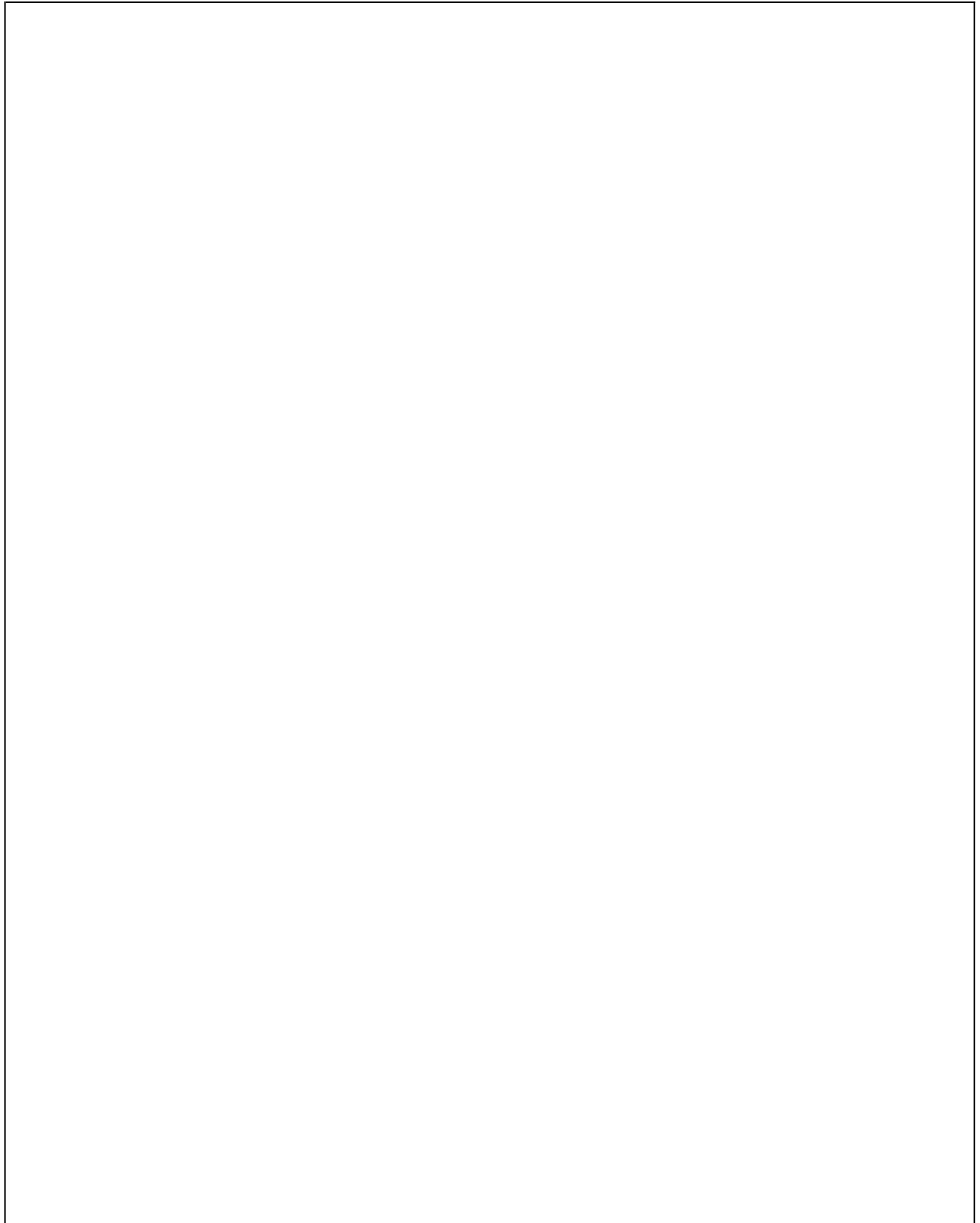
PLATE-22**INNER PARTS OF CABIN**

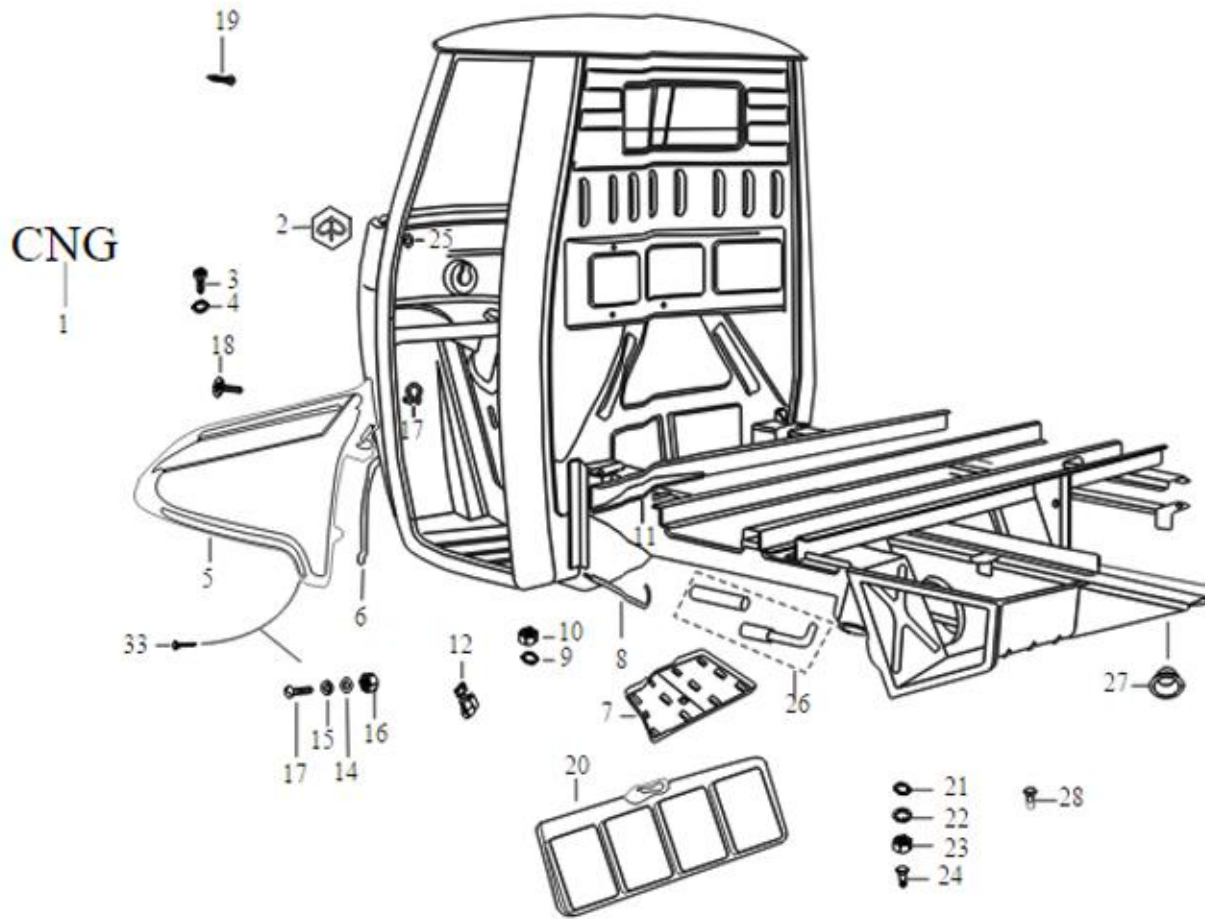
Fig. No.	Part No.	Description	Qty	Remarks
1	B041524	DASHBOARD S/A WITH GLOVE BOX COVER	1	
1	B041522	DASHBOARD (NS)	1	
2	16670	PLAIN WASHER 12X4.5X1	4	
3	15911	PAN SELF TAP SCREW 8SG X 16 AB	4	
4	8080	SPRING PLATE	4	
5	B041535	COVER; GLOVE BOX (NS)	1	
6	940120	LOCK GLOVE COMPARTMENT WITH KEY	1	
7	605389	HINGE	1	
8	643691	BOLT LOCK PLATE	1	
9	567893	POP RIVET 4 X 9.5	4	
10	003054	PLAIN WASHER	8	
11	660168	PAN SELF TP. SCREW 10 SGX13AB	4	
12	568671	GASKET - GLOW BOX COVER (N.I.)	4	
13	604984	CAP DASH BOARD	2	
14	587670R	SWITCH 3 POSITION	1	
15	660826R	HAZARD WARNING SWITCH WITH CROWN CAP (12V)(VE)	1	
16	587974R	WIPER MOTOR SWITCH/ SWITCH WIPER MOTOR	1	
17	B001556R	INSTRUMENT CLUSTER WITH SHIFTED SPEEDOME	1	

Print Date: 07-Apr-2022

PLATE-23

CHASSIS COMPONENTS





Print Date: 07-Apr-2022

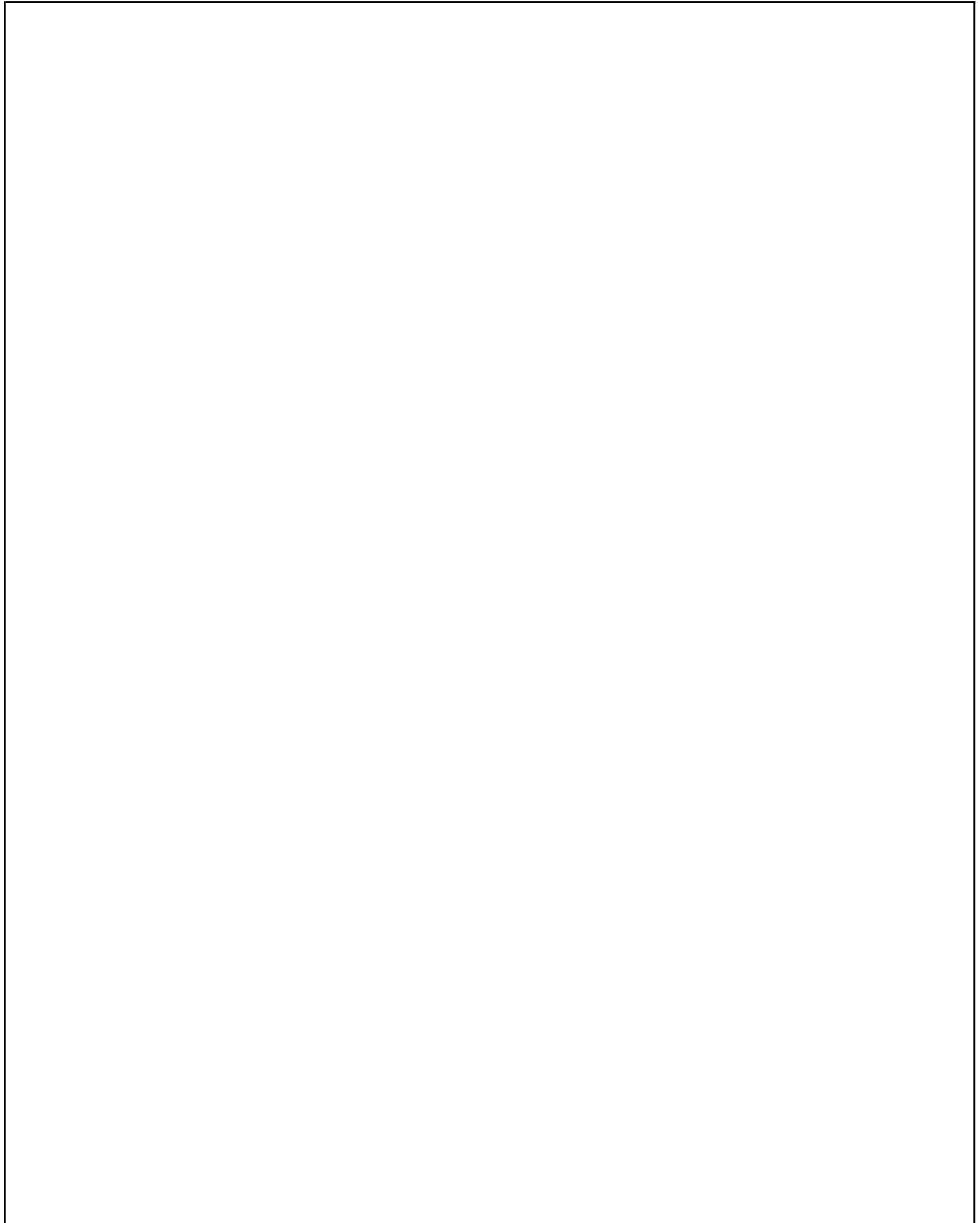
PLATE-23**CHASSIS COMPONENTS**

Fig. No.	Part No.	Description	Qty	Remarks
1	B003658	PLATE CNG	1	
2	B073088	HEX EMBLEM	1	
3	15727	PAN SELF TAPPING SCREW	2	
4	B008167	PL WASHER 12X3.2X1	2	
5	B042611	FRONT MUD GUARD APE CLASSIC NEW	1	
6	568702	GASKET-FRT MUDGUARD TOP	2	
6	568703	GASKET FOR FRONT MUDGUARD	2	
7	616649	BATTERY TRAY	1	
8	604954	TENSION ROD	1	
9	3058	PLAIN WASHER 15X8.4X1.5	1	
10	20108	HEX NUT M8	1	
11	604691	ANGLE BAR ASSLY	1	
12	B024179	SPARE WHEEL LOCK WITH KEY	1	
13	31092	HEX. HD SCREW M6X25	2	
14	013880	PLAIN WASHER	12	
15	78307	BENT SPRING WASHER M6	6	
16	20106	HEX NUT M6	6	
17	157716	SCREW ANCHORE	3	
18	18630	PAN SELF TAP SCREW 6SG X 25AB	3	
19	8265	SELF TAPPING SCREW	2	
20	116103	MUD FLAP FRONT	1	
21	013880	PLAIN WASHER	4	
22	016406	SPRING WASHER	4	
23	20106	HEX NUT M6	4	
24	31088	HEX HD SCREW M6 X 16 CL 8.8 (811061623)	4	
25	003054	PLAIN WASHER	2	
26	632508	TENSION ROD ASSY. (BATTERY MOUNTING.)	1	
27	568131	PLUG DOME DIA. 21 MM - CAB BEHIND HL	2	
28	31089	HEX HEAD SCREW M6X18 CL 8.8	4	

Print Date: 07-Apr-2022

PLATE-24

RUBBER MAT, REAR MUDGUARD





Print Date: 07-Apr-2022

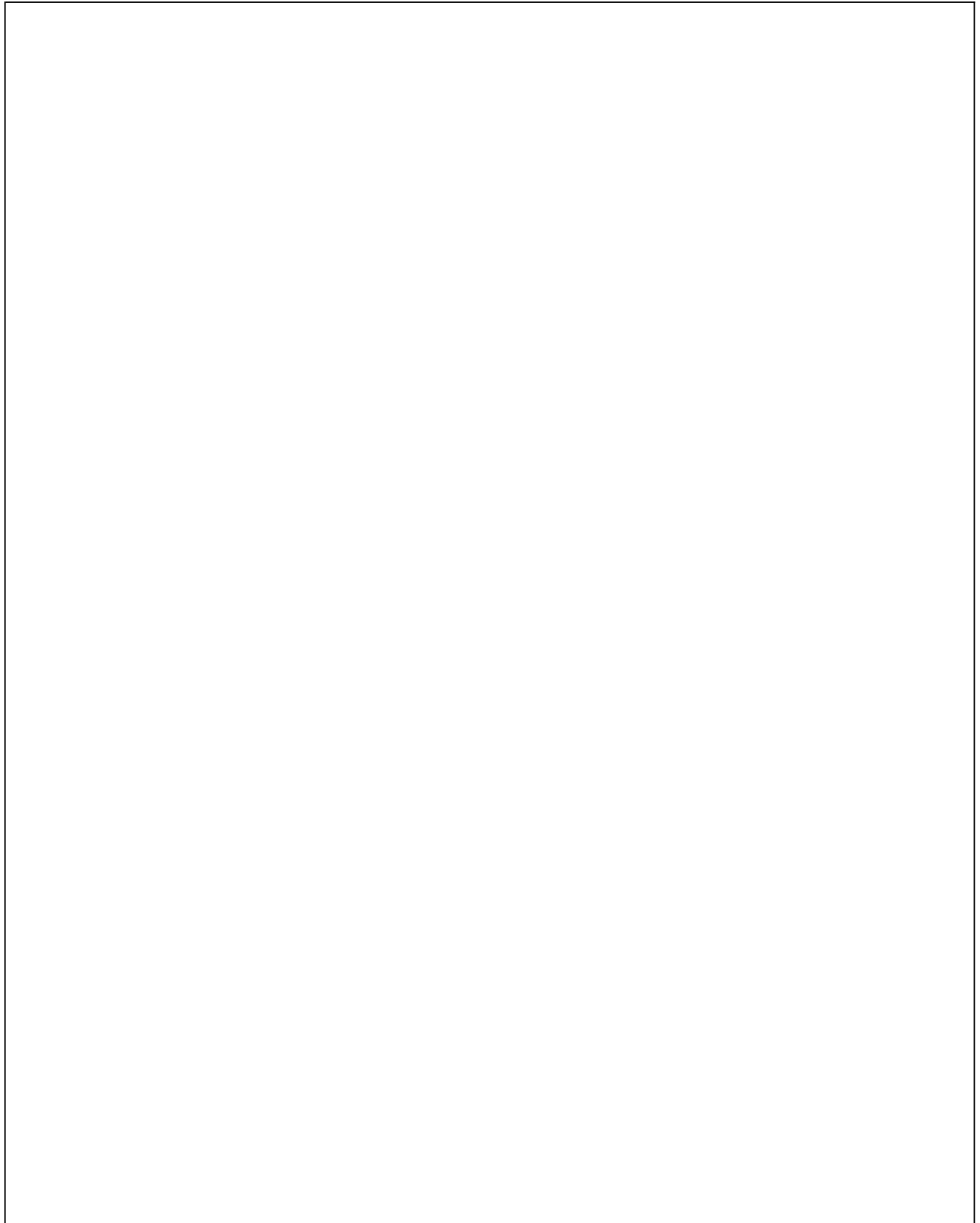
PLATE-24**RUBBER MAT, REAR MUDGUARD**

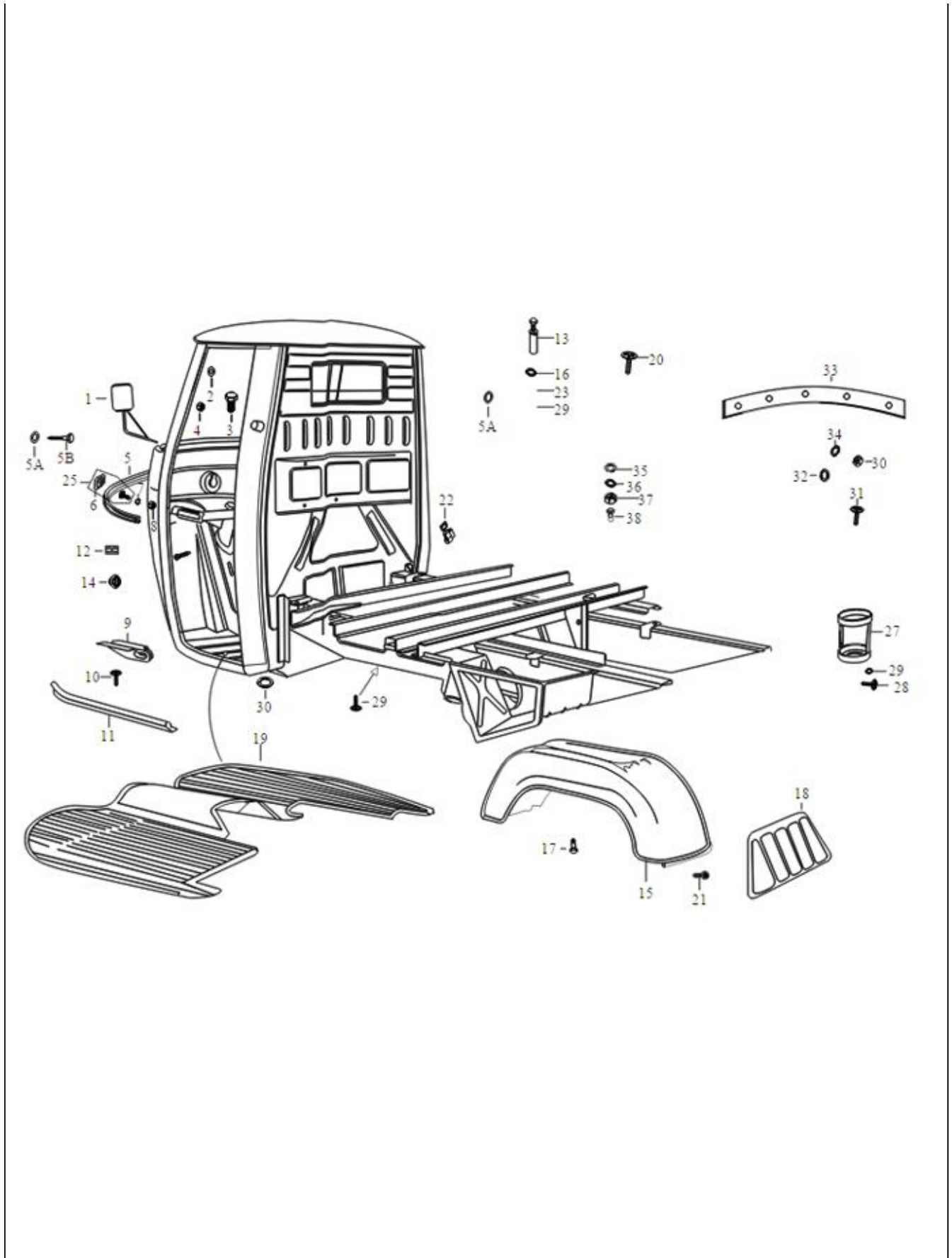
Fig. No.	Part No.	Description	Qty	Remarks
1	643685R	OUTER REAR VIEW MIRROR LH ASSY.	1	
1	643684R	OUTER REAR VIEW MIRROR RH ASSY.	1	
2	016408	SPRING WASHER	2	
2	12540	SPRING WASHER M8	2	
3	30072	HEX HEAD BOLT M8 X 35	2	
4	20108	HEX NUT M8	2	
5	190393	RIM COVERAGE JOINT	1	
5	B024645	RIM COVERAGE JOINT	1	
5A	14034	'O' RING	1	
5B	15911	PAN SELF TAP SCREW 8SG X 16 AB	2	
6	190462	PLATE ASSY.	5	
7	003054	PLAIN WASHER	5	
8	20104	HEX NUT M4	5	
10	8432	SCREW	6	
11	661634	PROTECTION GUIDE (LH) -VE	1	
11	661635	PROTECTION GUIDE (RH) -VE	1	
12	190465	TERMINAL	2	
12	B024855	TERMINAL	2	
13	15911	PAN SELF TAP SCREW 8SG X 16 AB	2	
14	76227	GROMMET	1	
15	B042612	REAR MUDGUARD RH/LH	2	
16	16603	PLAIN WASHER (METALLIC)	8	
17	604603	RIVET	8	
18	142424	MUDFLAP FOR RR MUDGUARD	1	
19	644979	CABIN MAT	1	
20	414948	KNOB CARPET	4	
21	142425	BUTTON	4	
22	B024179	SPARE WHEEL LOCK WITH KEY	1	
23	568741	LOCK WASHER	3	
24	B002199	PACKING SOUND DAMPNER	12	
25	190462	PLATE ASSY.	5	
25 A	190479	JACK ASSY. COMPONENT	5	
26	3055	PLAIN WASHER M5	1	
26 A	6078	PLAIN WASHER 12 X 5.2 X 1	2	
27	645141	BOTTLE CARRIER STAND	1	

Print Date: 07-Apr-2022

PLATE-24

RUBBER MAT, REAR MUDGUARD





Print Date: 07-Apr-2022

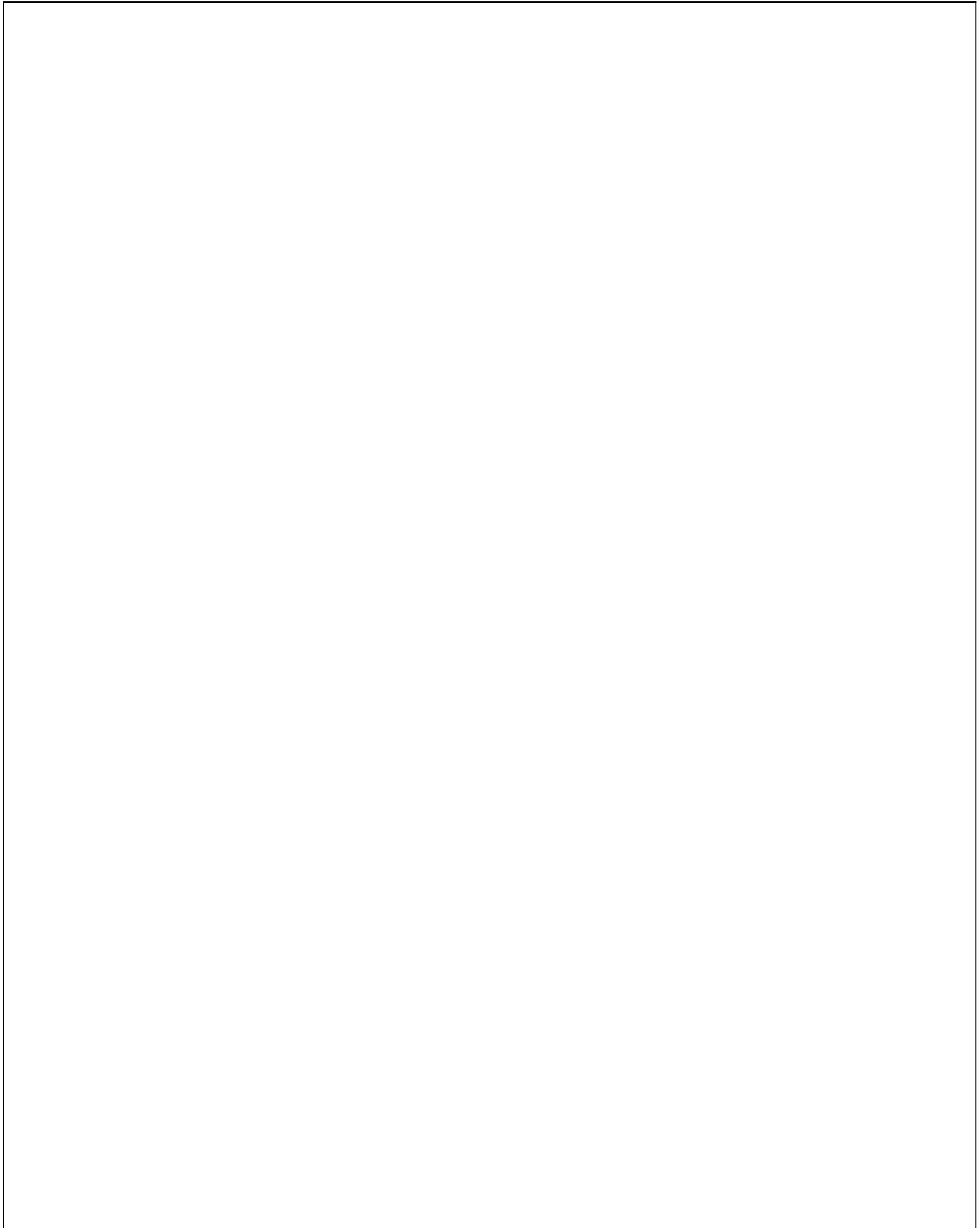
PLATE-24**RUBBER MAT, REAR MUDGUARD**

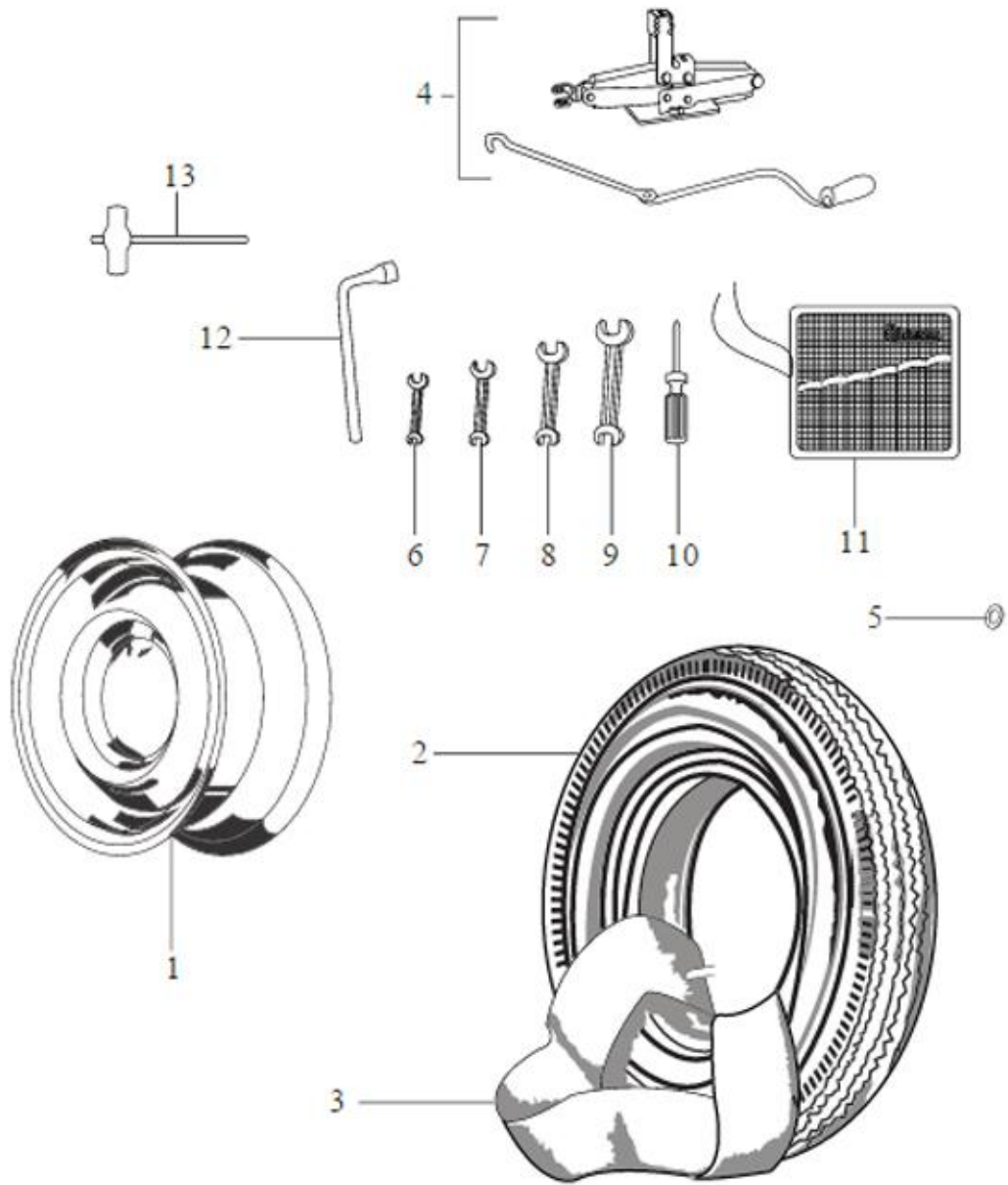
Fig. No.	Part No.	Description	Qty	Remarks
28	31058	HEX HEAD SCREW M5 X 16 CC8.8	2	
29	16405	SPRING WASHER M5	4	
30	20105	PLAIN NUT M5	7	
31	14628	CSK SELF TP.SCREW 6SG X 16 AB	10	
32	3055	PLAIN WASHER M5	7	
32	568135	WASHER(NI PLATED)	10	
33	587961	PROFILE SECTION SHORT FOR CARPET	1	
33	587962	PROFILE	1	
34	16405	SPRING WASHER M5	7	
35	12540	SPRING WASHER M8	2	
36	13861	PLAIN WASHER 20X8.2X2.5	2	
37	20108	HEX NUT M8	2	
38	30072	HEX HEAD BOLT M8 X 35	2	

Print Date: 07-Apr-2022

PLATE-25

TOOLS AND WHEELS





Print Date: 07-Apr-2022

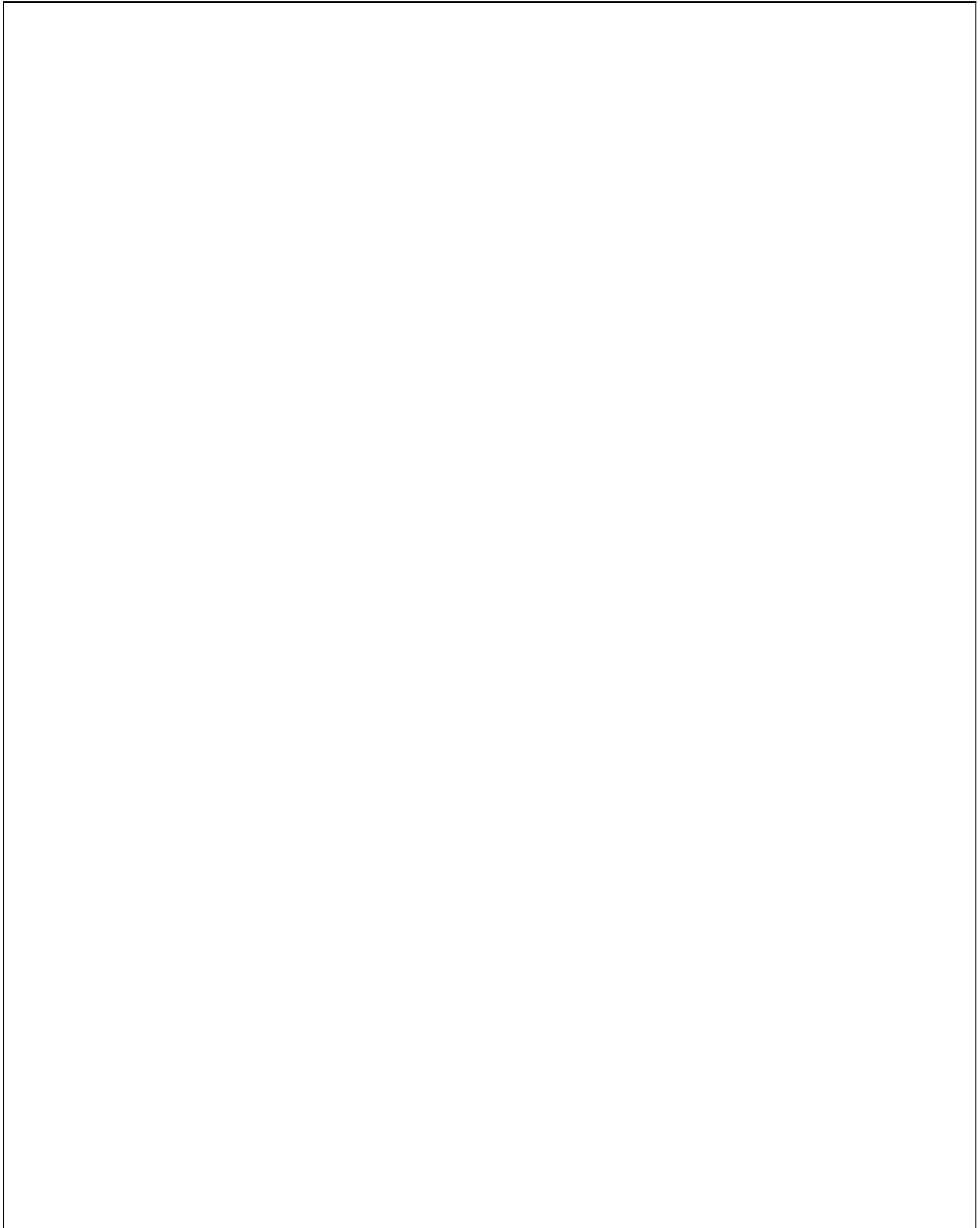
PLATE-25**TOOLS AND WHEELS**

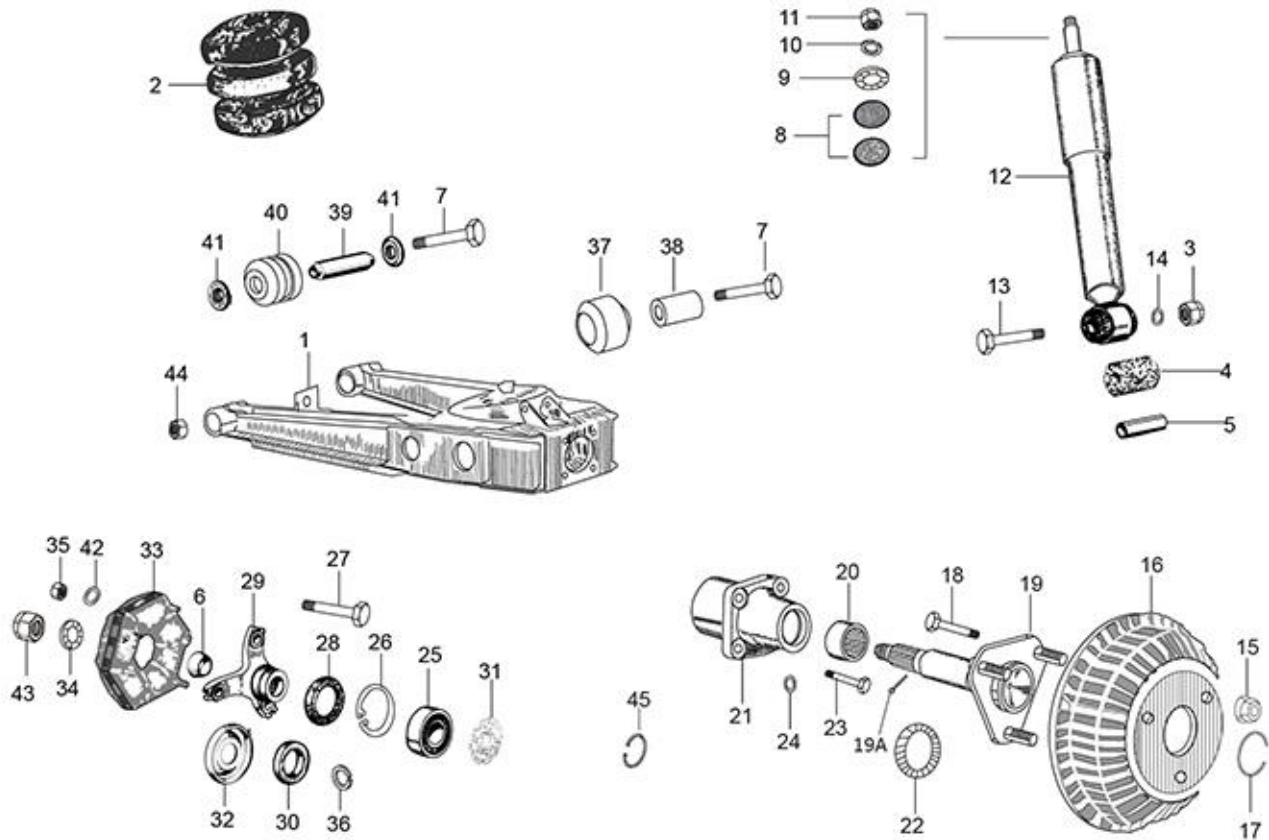
Fig. No.	Part No.	Description	Qty	Remarks
1	644973R	WHEEL RIM ASSY.	1	
2	587971	TYRE 4.50 X 10 8 PR	1	
3	151924	INNER TUBE TYRE 4.5 X 10 INCH	4	
4	B001954R	JACK ASSEMBLY COMPONENT	1	
5	6018	PL. WASHER	2	
6	567454	DOUBLE END SPANNER7/8	1	
7	567455	DE SPANNER 10X13 IS:2018(ZN PLATING)	1	
8	567456	DOUBLE END SPANNER 12/14	1	
9	567457	DE SPANNER 17/19	1	
10	567458	SCREW DRIVER (-)&(+) 80	1	
11	604707	TOOL BAG	1	
12	567459	L TYPE WHEEL SPANNER (A/F19)	1	
13	E500405518	STARTING ROPE	1	
13	192020017	STARTING ROPE	1	

Print Date: 07-Apr-2022

PLATE-26

REAR SUSPENSION





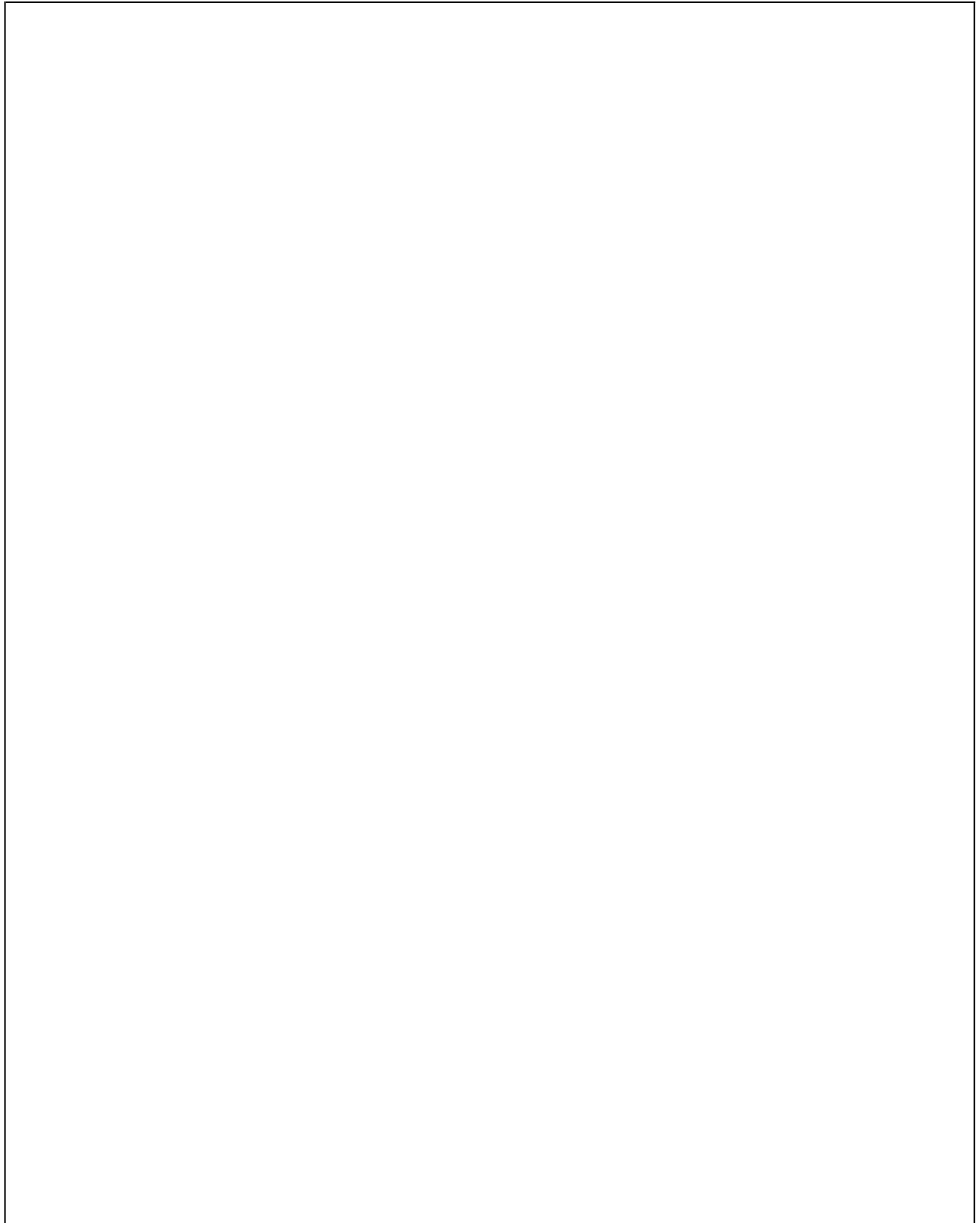
Print Date: 07-Apr-2022

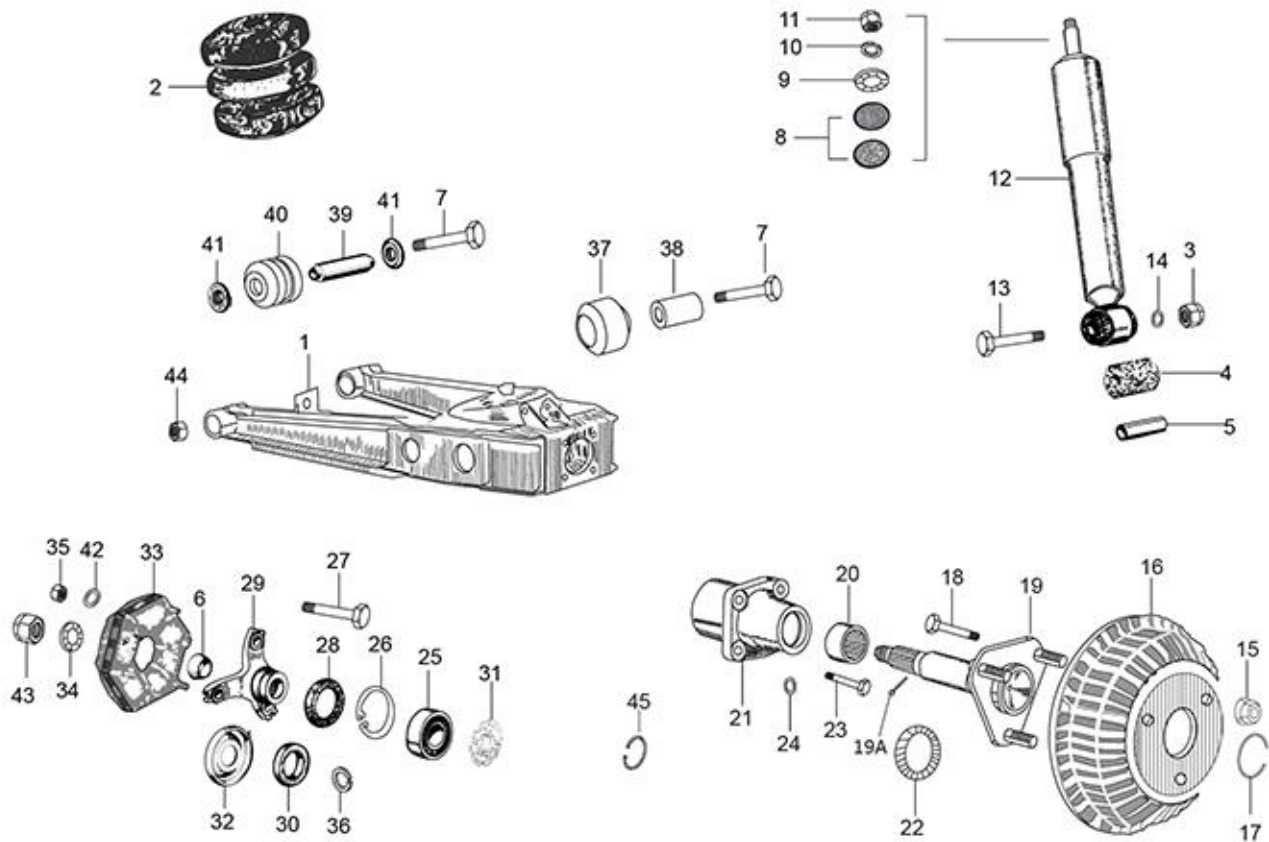
PLATE-26
REAR SUSPENSION

Fig. No.	Part No.	Description	Qty	Remarks
1	6C000363	ARM ASSLY RH RR SUSP. WITH BUSH-REG	1	Communized with BS6
1	6C000362	ARM ASSLY LH RR SUSP. WITH BUSH-REG	1	Communized with BS6
2	568289	RUBBER BUMPER	2	
3	231370	SELF BREAKING NUT M10	2	
4	157103	BUSH - SHOCK ABSORBER	2	
5	107827	SPACER	1	
6	128633	CONE	2	
7	643741	HEX HDD BOLT M10 X 80 CL 12.9	4	
8	74414	RUBBER BUSH/BUFFER FOR COUPLING SHOCK ABSORBE	4	
9	6066	PL WASHER 10.5X38X9	2	
10	16410	SPRING WASHER	2	
11	20110	HEX NUT M10	2	
12	136451R	SHOCK ABSORBER REAR	2	
13	267068	HEX HEAD BOLT M10 X 60 CC 10.9	2	
14	286328	PLAIN WASHER 20X10.2X2	2	
15	660931	WHEEL NUT (M12 X 1.5)	3	
16	152580	BRAKE DRUM APE - 501	2	
17	107870	ELASTIC RING	2	
18	652520	BOLT FOR AXLE M12 X 40 (VE WHEEL RIM)	3	
19	6C000060	WHEEL AXLE	2	
19	6C000060	WHEEL AXLE	2	(Modified)
19A	12790	SPLIT PIN	2	
20	661282	NEEDLE ROLLER BEARING	2	
21	6C000662	REAR WHEEL HUB	2	
22	20359	SEAL RING	2	
23	31159	HEX HD SCREW M10 X 35 CC 8.8	8	
24	16410	SPRING WASHER	8	
25	243303R	DEEP GROVE BALL BRG-RR WH AXLE	2	
26	6650	CIRCLIP DIA 50 (INT)	2	
27	15594	HEX HDD BOLT M10 X 35	6	
27.1	B024373	ALLEN BOLT M10X65 CL 10.9	6	
28	196302	OIL SEAL	2	
29	587617	ELASTIC JOINT CONNECTION HUB (WHL - SIDE)	2	
30	661267	RING	2	
31	602120	LEFT BRAKE JAW HOLDING CABLE PLATE	1	

Print Date: 07-Apr-2022

PLATE-26
REAR SUSPENSION





Print Date: 07-Apr-2022

PLATE-26
REAR SUSPENSION

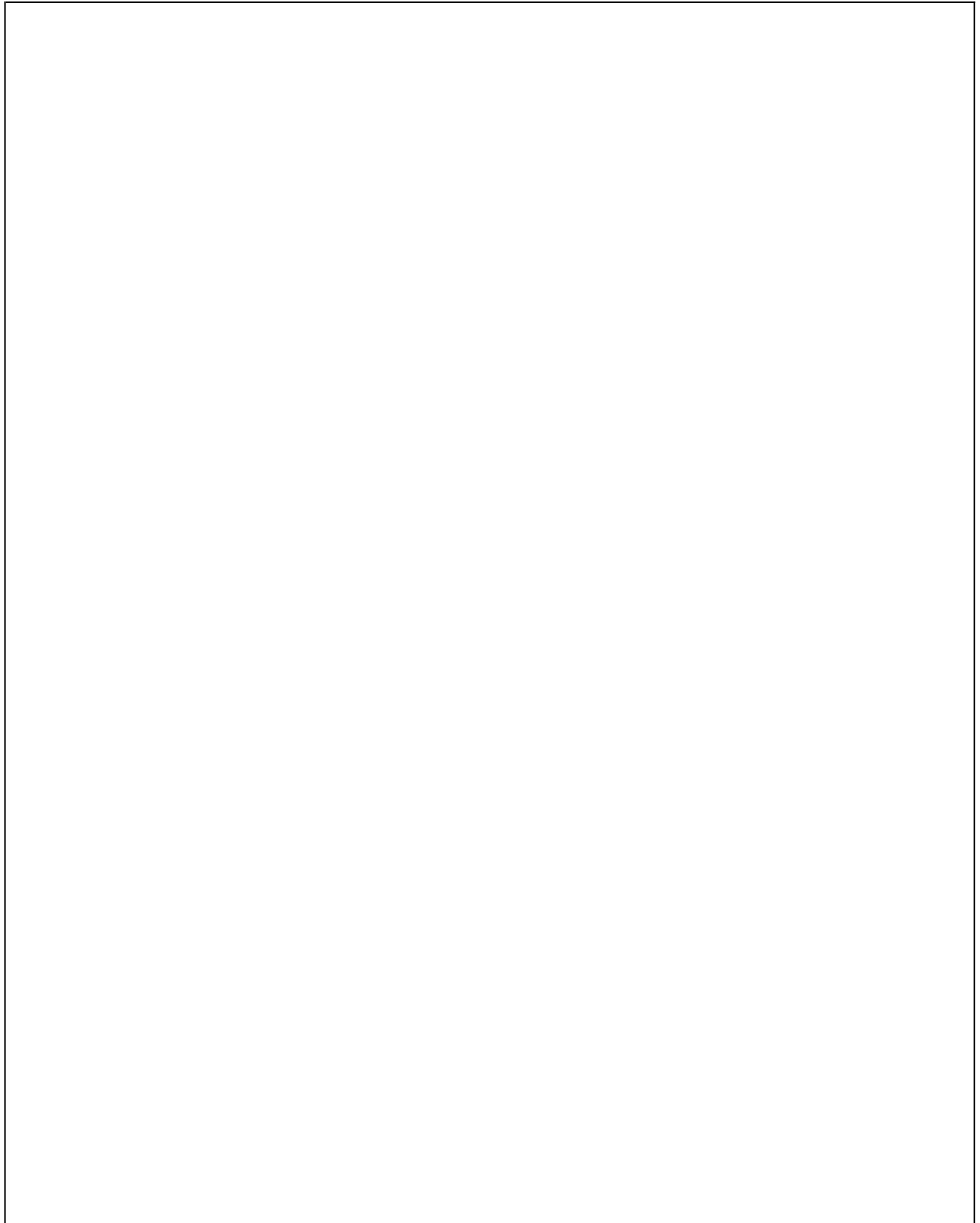
Fig. No.	Part No.	Description	Qty	Remarks
31	602123	RIGHT BRAKE JAW HOLDING CABLE PLATE	1	
32	109892	PROTECTION CUP RR HUB	2	
33	604535	FLEXIBLE COUPLING	1	
34	3068	PLAIN WASHER	2	
35	231370	SELF BREAKING NUT M10	12	
36	137026	SPRING RING	2	
37	226662	RING FOR ELASTIC SUPPORT	2	
38	226661	INTERNAL BUSH	2	
39	267065	SPACER FRONT	2	
40	226596	BUSH FRONT RING FOR ELASTIC SUPPORT	2	
41	661266	SHOULDER WASHER	4	
42	237246	SHIM WASHER 20X10.2X1	12	
43	136426	NUT WITH COLLAR	2	
44	231370	SELF BREAKING NUT M10	4	
45	137026	SPRING RING	2	

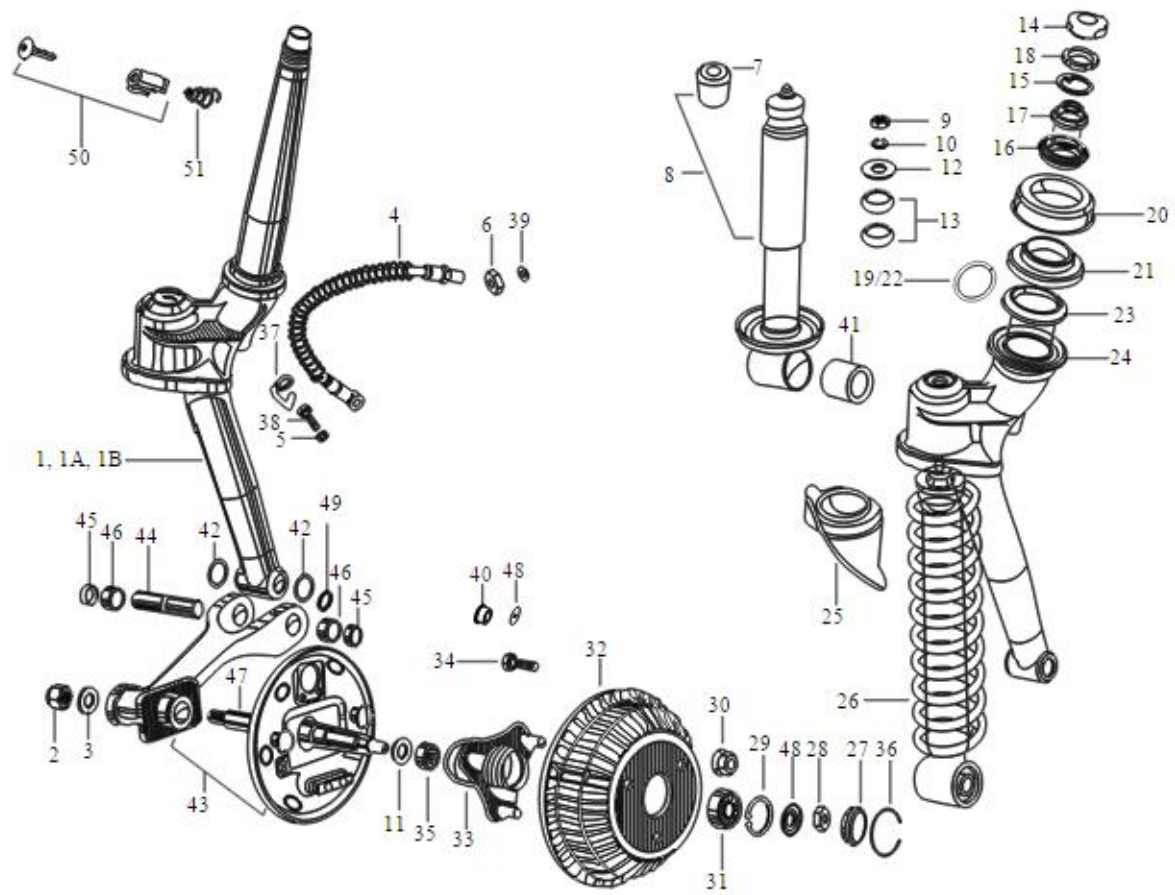
70

Print Date: 07-Apr-2022

PLATE-27

STEERING COLUMN AND FRONT SUSPENSION





Print Date: 07-Apr-2022

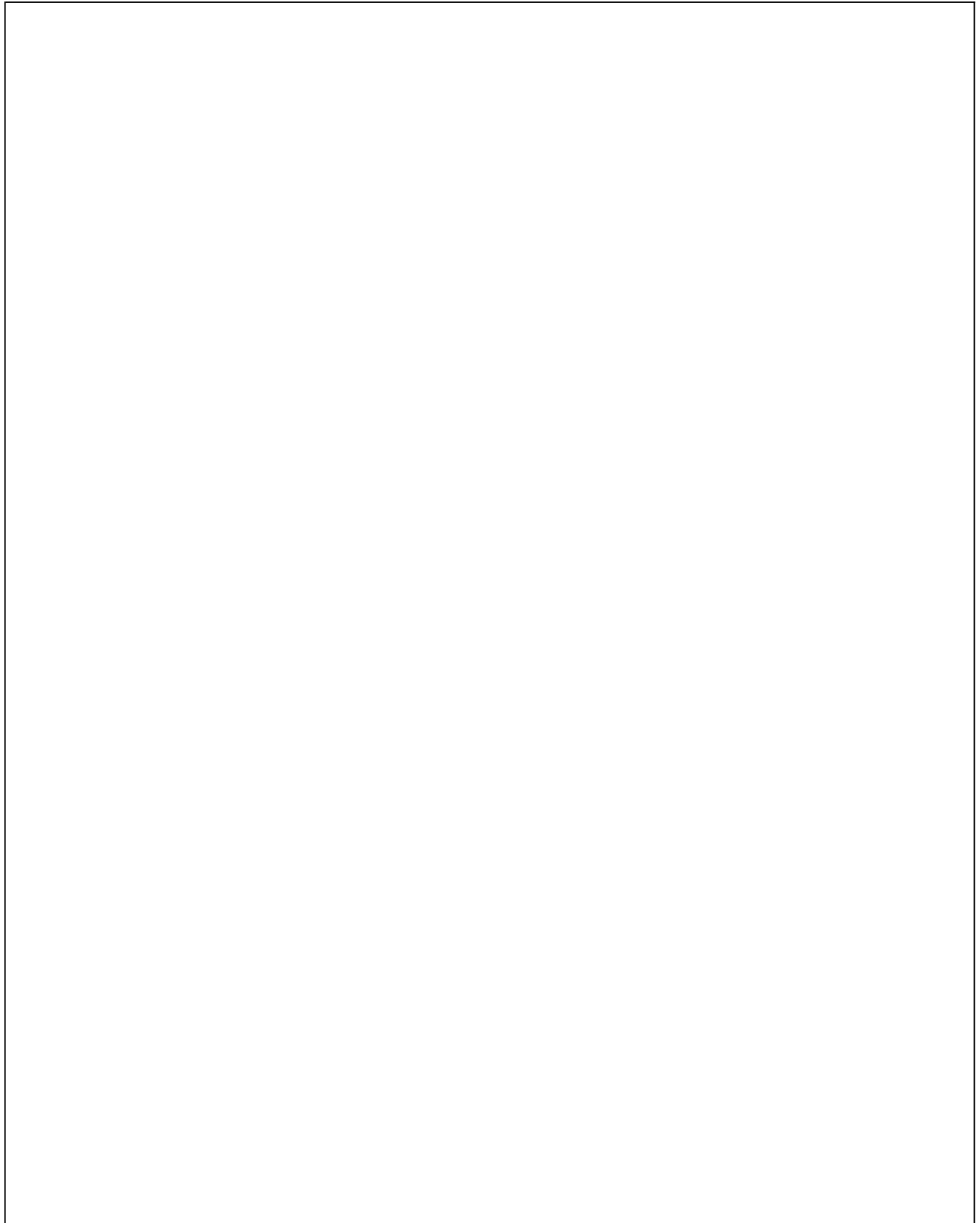
PLATE-27**STEERING COLUMN AND FRONT SUSPENSION**

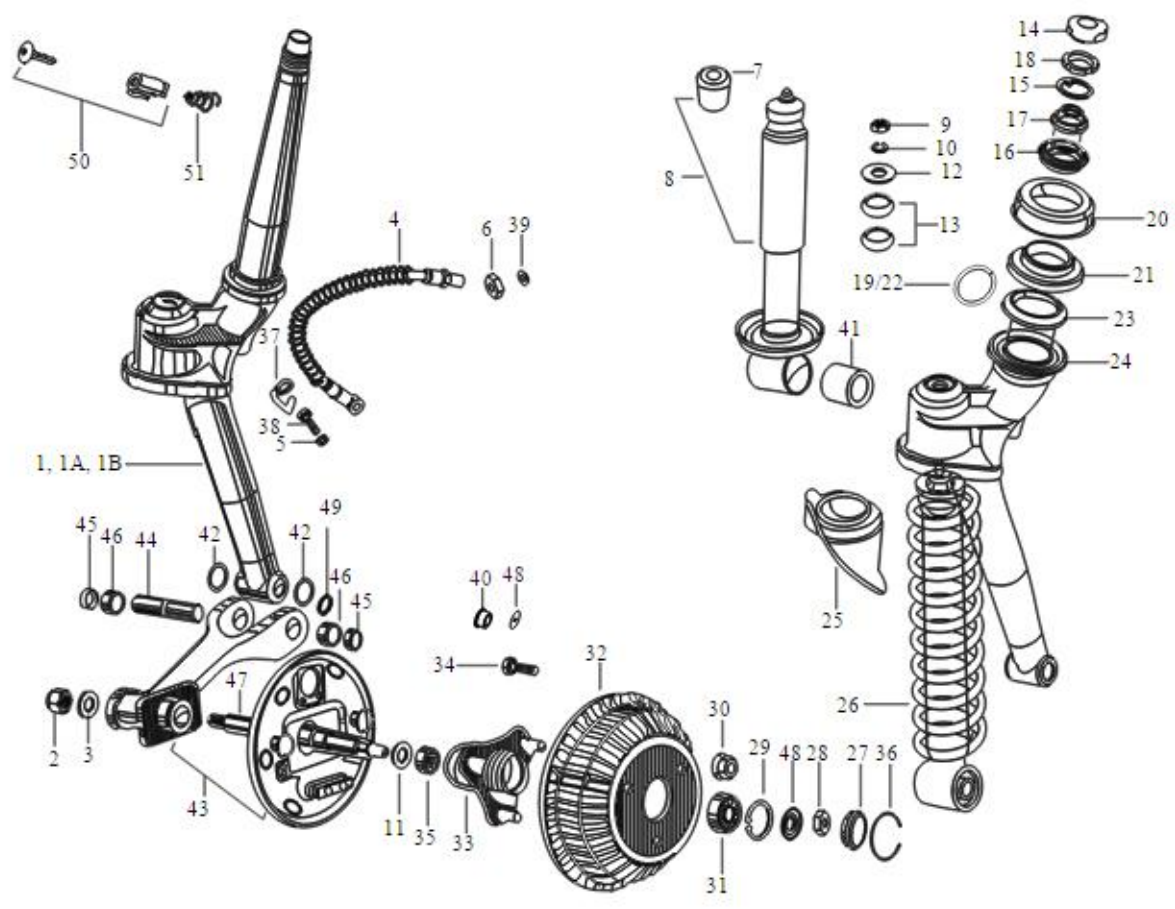
Fig. No.	Part No.	Description	Qty	Remarks
1	660153	STEERING COLUM WITH I.P.	1	
1A	660498SP	STEERING COLUMN ASSLY (NRB) -501 REG SPD-PASS	1	
1B	660499SP	STEERING COLUMN ASSLY (NRB) -501 REG SPD	1	
2	568095	NYLOCK NUT	1	
3	87067	PLAIN WASHER 30.5X14.3X2	1	
4	644814R	FLEXIBLE BRAKE HOSE	1	
5	127927R	PACKING	2	
6	21216	HEX NUT M16 X 1.5	4	
7	75708	SILENT BLOCK	1	
8	569246R	FRONT SHOCK ABSORBER	1	
9	20110	HEX NUT M10	1	
10	16410	SPRING WASHER	1	
11	136434	OIL SEAL	1	
12	6066	PL WASHER 10.5X38X9	1	
13	157103	BUSH - SHOCK ABSORBER	2	
14	604758	PROTECTION	1	
15	108873	STOP WASHER FOR HOLDING	1	
16	567990	BEARING RACE UPPER BOTTOM	1	
17	567991	BEARING RACE UPPER TOP	1	
18	108874	SECURING RING NUT	1	
19	6C000190	UPPER BALL CAGE (VE)	1	
20	109064	DUST COVER	1	
21	567992	BEARING RACE LOWER TOP	1	
22	6C000191	LOWER BALL CAGE (VE)	1	
23	567993	BEARING RACE LOWER BOTTOM	1	
24	109066	WASHER WITH PROTECTION FOR BEARING	1	
25	109265	SPLASH GUARD DUST COVER	1	
26	569255	FRONT SUSPENSION SPRING	1	
27	107871	CAP	1	
28	74521	NUT M14 X 1.5	1	
29	567473	CIRCLIP DIA. 42 INT. (841004203)	1	
30	660931	WHEEL NUT (M12 X 1.5)	3	
31	30209R	BALL BEARING FRONT WHEEL HUB	1	
32	152580	BRAKE DRUM APE - 501	1	
33	652521	FR. WHEEL HUB ASSY.	1	

Print Date: 07-Apr-2022

PLATE-27

STEERING COLUMN AND FRONT SUSPENSION





Print Date: 07-Apr-2022

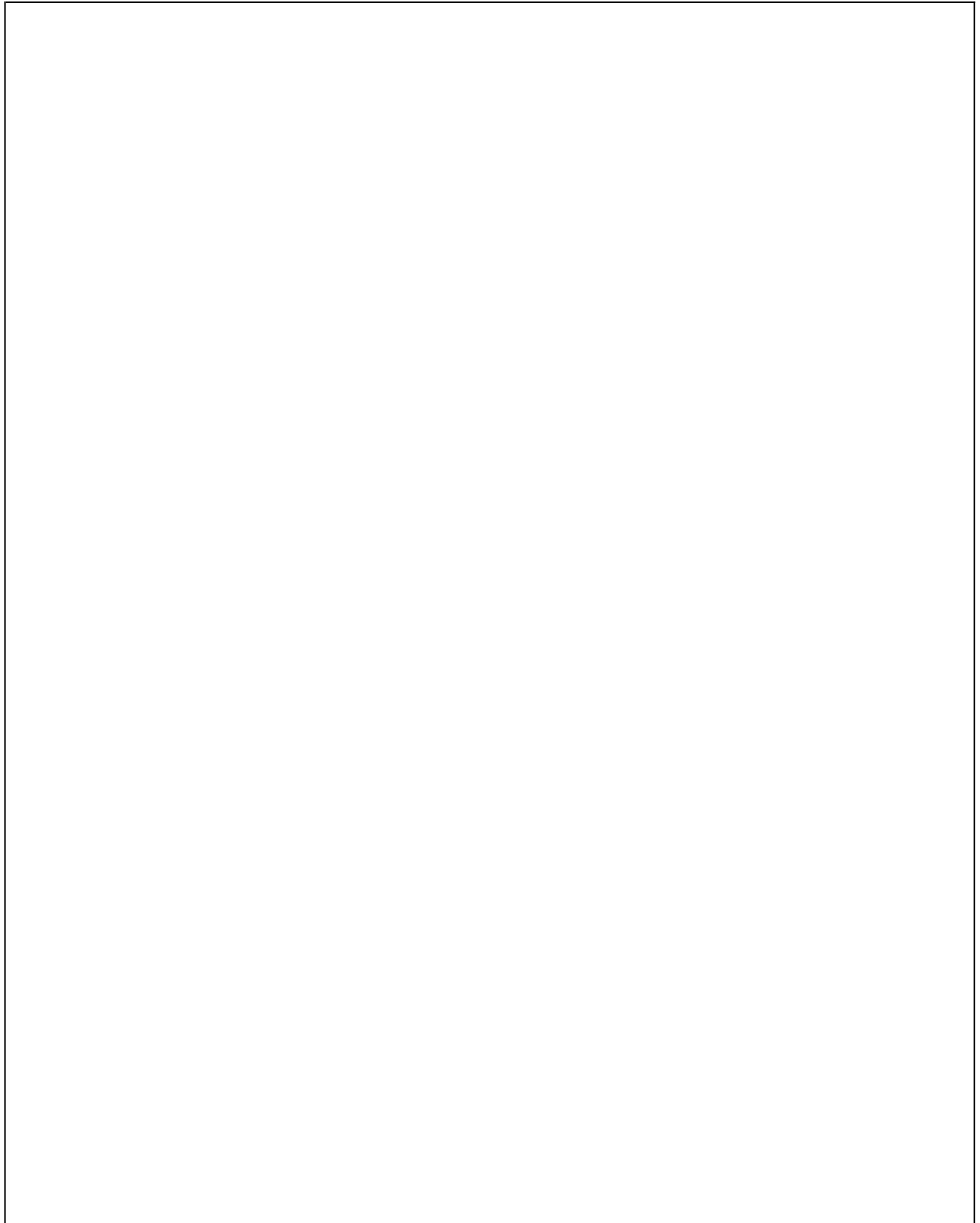
PLATE-27**STEERING COLUMN AND FRONT SUSPENSION**

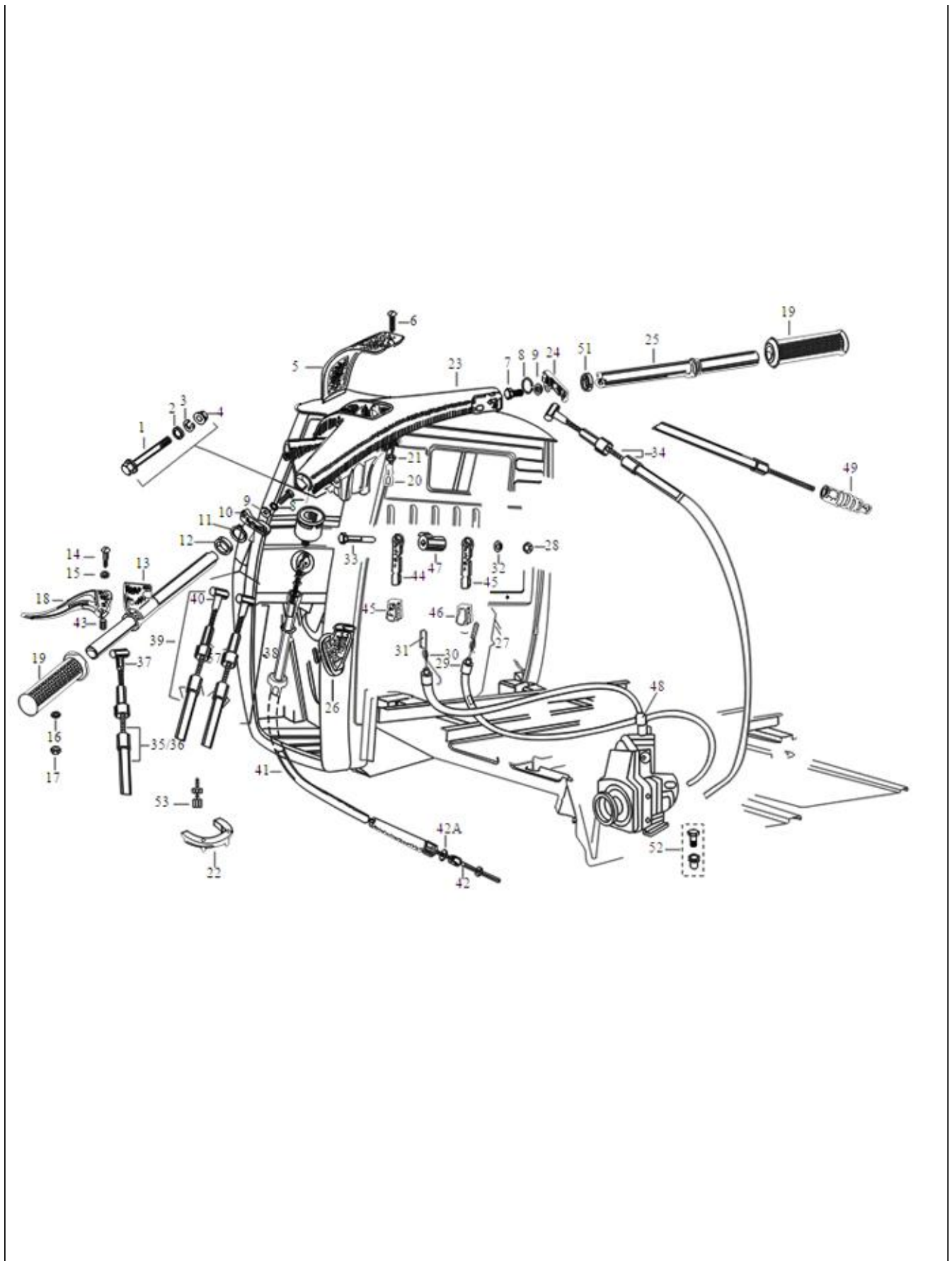
Fig. No.	Part No.	Description	Qty	Remarks
34	652520	BOLT FOR AXLE M12 X 40 (VE WHEEL RIM)	1	
34	108215	BOLT FOR AXLE M12 X 40	1	
35	125289	NEEDLE BEARING, CRANKASE, FRONT WHEEL	1	
36	107870	ELASTIC RING	2	
37	B003228	LOCK PLATE FRONT BRAKE HOSE	1	
38	587829	BENJO BOLT	1	
39	48197	PL WASHER 24X16X1.5	3	
40	107732	BUSH FOR SILENT BLOCK	1	
41	109117	RUBBER BUSH (FRT SHOCK ABSORBER) / RING	1	
41	566545	RUBBER BUSH (FRT SHOCK ABSORBER) - MODIFIED	1	
42	6733	O RING	2	
43	616541	BRACKET WHEEL CARRIER WITH PI	1	
44	137235	STEERING PIN	1	
45	8771	OIL SEAL (18-24-4)	2	
46	107718	ROLLER BUSH	2	
47	643772R	FRONT WHEEL AXLE	1	
48	180431	COIN WASHER	1	
49	150579	RING FOR HOLDING TYPE J F101 17A	2	
50	B024732	STG LOCK ASSLY WITH KEY	1	
51	569150	SPRING; STEERING LOCK (MODIFIED)	1	
52	661231	CIRCLIP STEERING LOCK DIA 16 (INT)	1	
53	604759	RUBBER CAP STEERING COLUMN (N.I.)	1	
54	604758	PROTECTION	1	
55	KIT940003R	STEERING PIN KIT WITH O RING	1	
56	KIT 95021	STEERING CONE SET UPPER CONSISTINMG OF SR NOS 16 & 17 (N.I.)	1	
57	KIT 95022	STEERING CONE SET UPPER CONSISTINMG OF SR NOS 21 & 23 (N.I.)	1	
58	KIT96033R	MODIFIED BALL KIT FOR 3WH (WHITE)	1	

Print Date: 07-Apr-2022

PLATE-28

HANDLE BAR AND CONTROL





Print Date: 07-Apr-2022

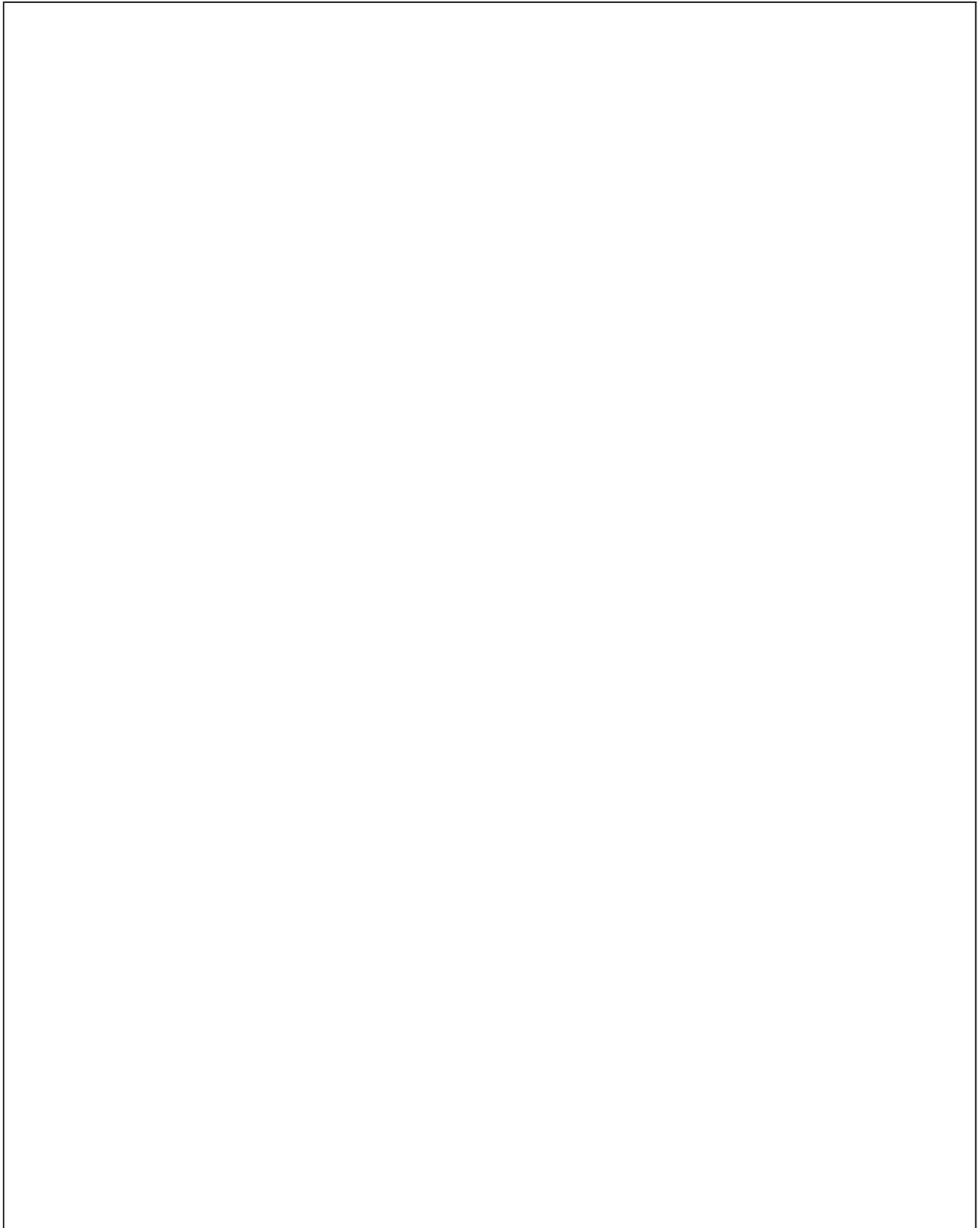
PLATE-28**HANDLE BAR AND CONTROL**

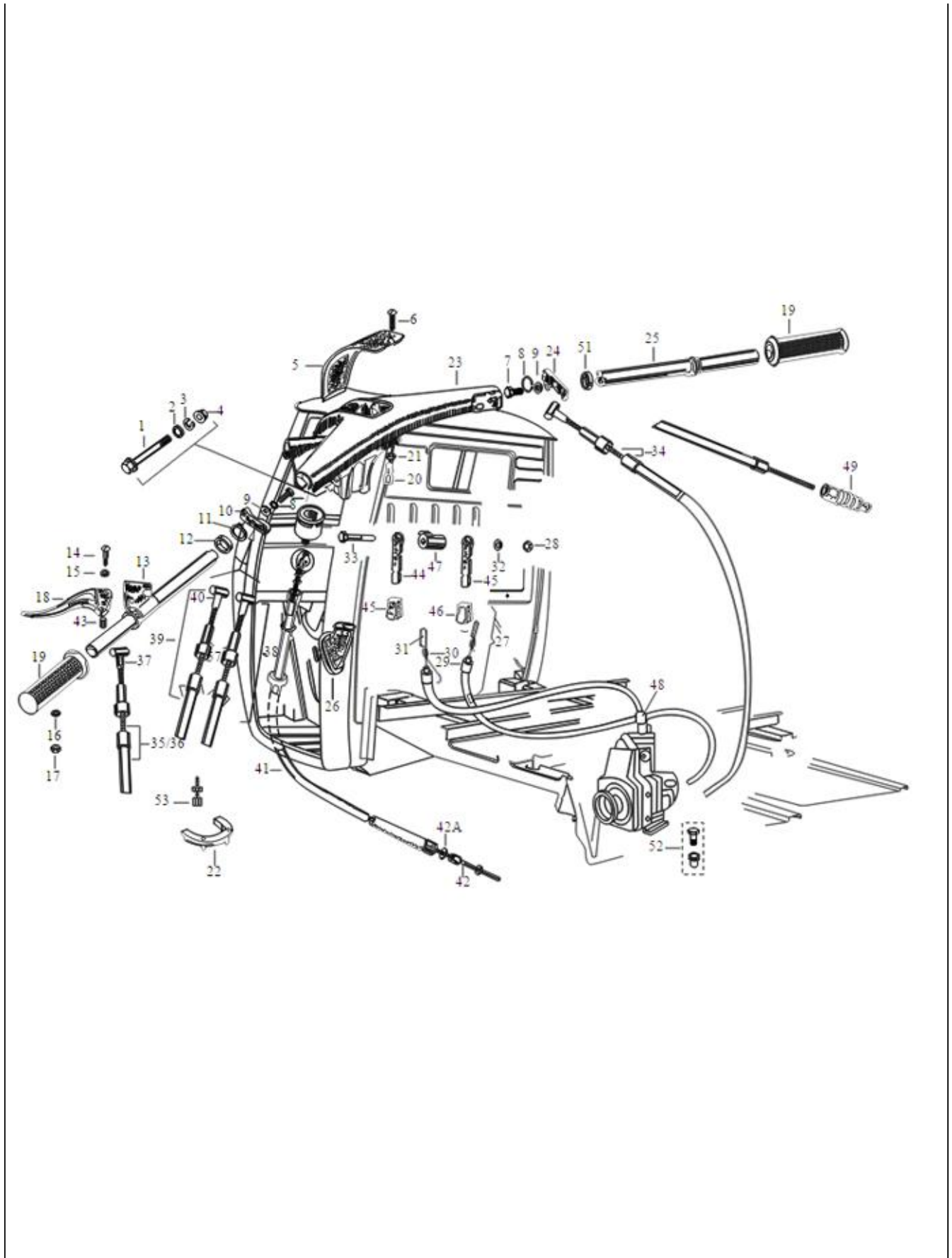
Fig. No.	Part No.	Description	Qty	Remarks
1	30103	HANDLE SECURING BOLT M10 X 70 CL 8.8	1	
2	16626	PLAIN WASHER (18X10.5X2)	2	
3	16410	SPRING WASHER	1	
4	20110	HEX NUT M10	1	
5	B041600	HANDLE BAR COVER	1	
5	B041600	HANDLE BAR COVER	1	
6	632158	CSK HEAD SCREW	1	
7	31089	HEX HEAD SCREW M6X18 CL 8.8	2	
8	016406	SPRING WASHER	2	
9	6125	PLAIN WASHER (14X6.4X1.5)	2	
10	109775	GEAR CONTROL LEVER S/A	1	
11	60565	SPRING WASHER	1	
12	109404	WASHER OF RABBET(41737)	1	
13	127451	TUBE WITH TERMINAL S/A	1	
14	B075313	SCREW FOR CLUTCH LEVER (NEW)	1	
15	16319	BENT SPRING WASHER	1	
16	16620	PLAIN WASHER	1	
17	12138	NYLOCK NUT M6	1	
18	164906	CLUTCH CONTROL LEVER	1	
19	141925	HANDLE	2	
20	197071	ADJUSTER SCREW M6	2	
21	20106	HEX NUT M6	2	
22	126902	PROTECTION COLLAR CABLE	1	
23	B002823	HANDLE ('T' TYPE)	1	
24	109635	THROTTLE CONTROL LEVER WITH IP	1	
25	587902	ACCELERATOR TUBE ASSY.	1	
26	109227	PROTECTION GROMMET	1	
27	662567	CHOKE CONTROL CABLE ASSLY.	1	
28	2438	HEX SELF LOCKING NUT	1	
29	616695	ENG. STOP CANTROL CABLE INNER	1	
30	B001505	DECOMPRESSION TRANSMISSION ASSLY FOR ST	1	
30	660351	DECOMPRESSOR CONTROL CABLE	1	
31	604508	DECOMPRESSOR CONTROL CABLE INNER	1	
32	7608	WASHER	1	
33	30077	HEX HEAD SCREW	1	

Print Date: 07-Apr-2022

PLATE-28

HANDLE BAR AND CONTROL





Print Date: 07-Apr-2022

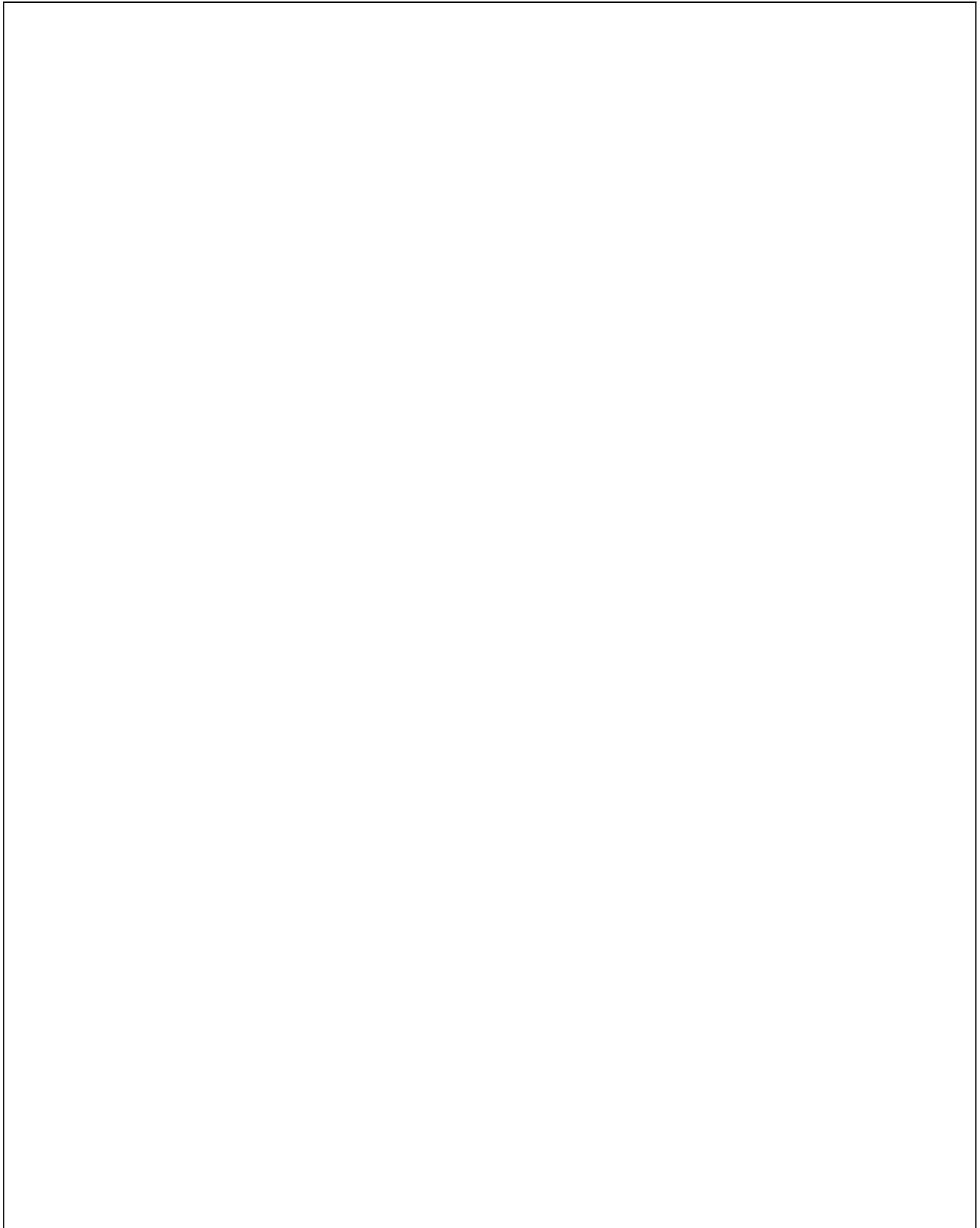
PLATE-28**HANDLE BAR AND CONTROL**

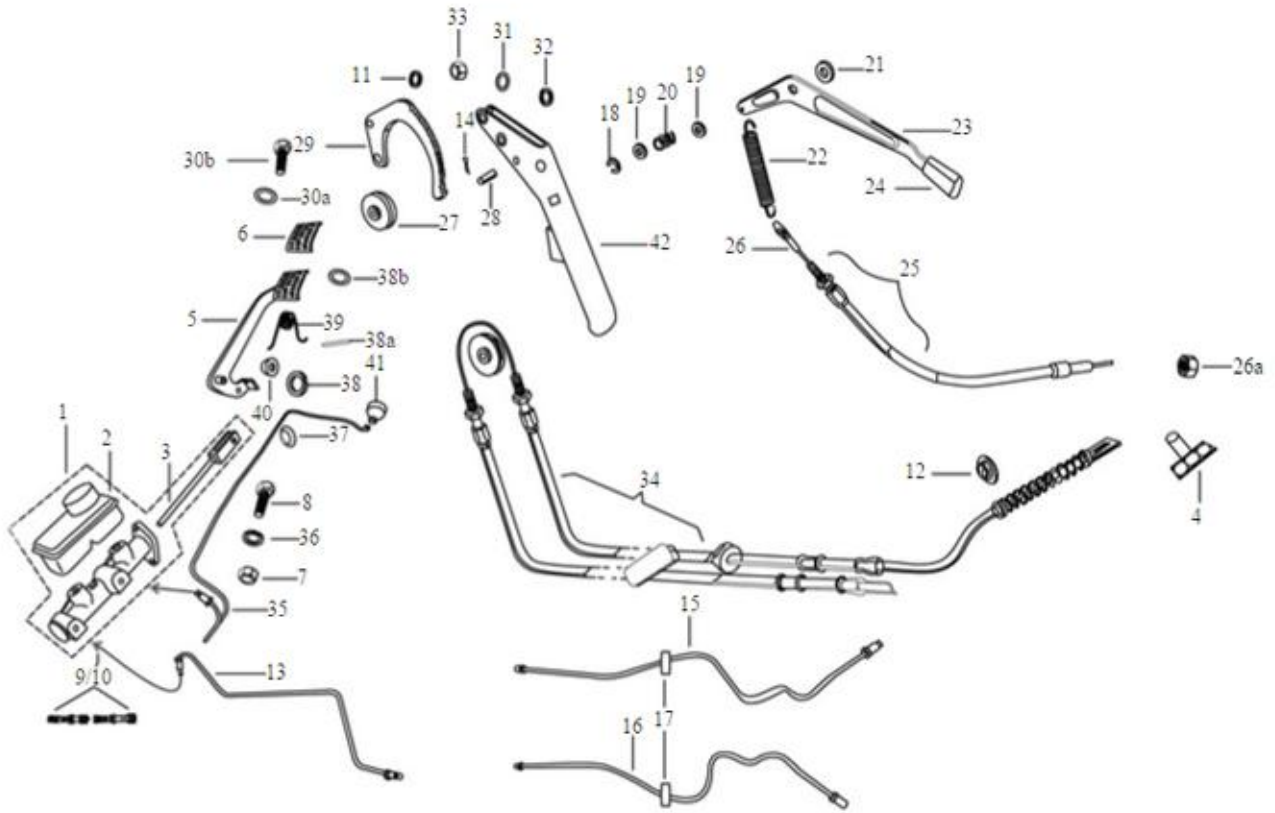
Fig. No.	Part No.	Description	Qty	Remarks
34	662568	GASOLINE CONTROL TRANSMISION ASSY.	1	
34	B002615	GASOLINE CONTROL TRANSMISION ASSY.	1	LD
35	604779	CLUTCH CONTROL TRANSMISSION ASSLY.	1	
36	660141	CLUTCH CONTROL CABLE WITH TERMINAL	1	
37	587806	CLUTCH CONTROL CABLE WITH TERMINAL	1	
38	587628	CABLE GEAR CONTROL ASSY. (DARK GREY)	1	
39	587919	CABLE GEAR CONTROL ASSY. NO. 2 (LIGHT GREY)	1	
40	587803	WIRE, GEAR CONTROL WITH TERMINAL	2	
40A	20105	PLAIN NUT M5	2	
41	645124	SPEEDO CABLE	1	
42	587812	TRANSMISSION CABLE (INNER) FOR ODOMETER	1	
42A	97756	METALLIC PLAIN WASHER	4	
43	125181	SPACER	1	
44	119928	LEVER	2	
45	632137	KNOB RED (ENGINE STOP)	1	
46	604715	KNOB FOR DECOMPRESSION	1	
47	119181	SPACER	1	
48	119278	TERMINAL	1	
49	118806	PROTECTION BELLOW	2	
50	15478	GROMMET4	2	
51	587904	SINTERED WASHER HANDLE BAR (41769)	1	
52	B024379	SCREW TERMINAL ASSLY-ENGINE STOP,D.C.	1	
53	B024774	SLEEVE FOR ACC. AND CHOKE CABLE	2	NI
54	B024775	SLEEVE	2	Ni

Print Date: 07-Apr-2022

PLATE-29

BRAKE - TANDEM MASTER CYLINDER, BRAKE PIPE AND HAND BRAKES





Print Date: 07-Apr-2022

PLATE-29**BRAKE - TANDEM MASTER CYLINDER, BRAKE PIPE AND HAND BRAKES**

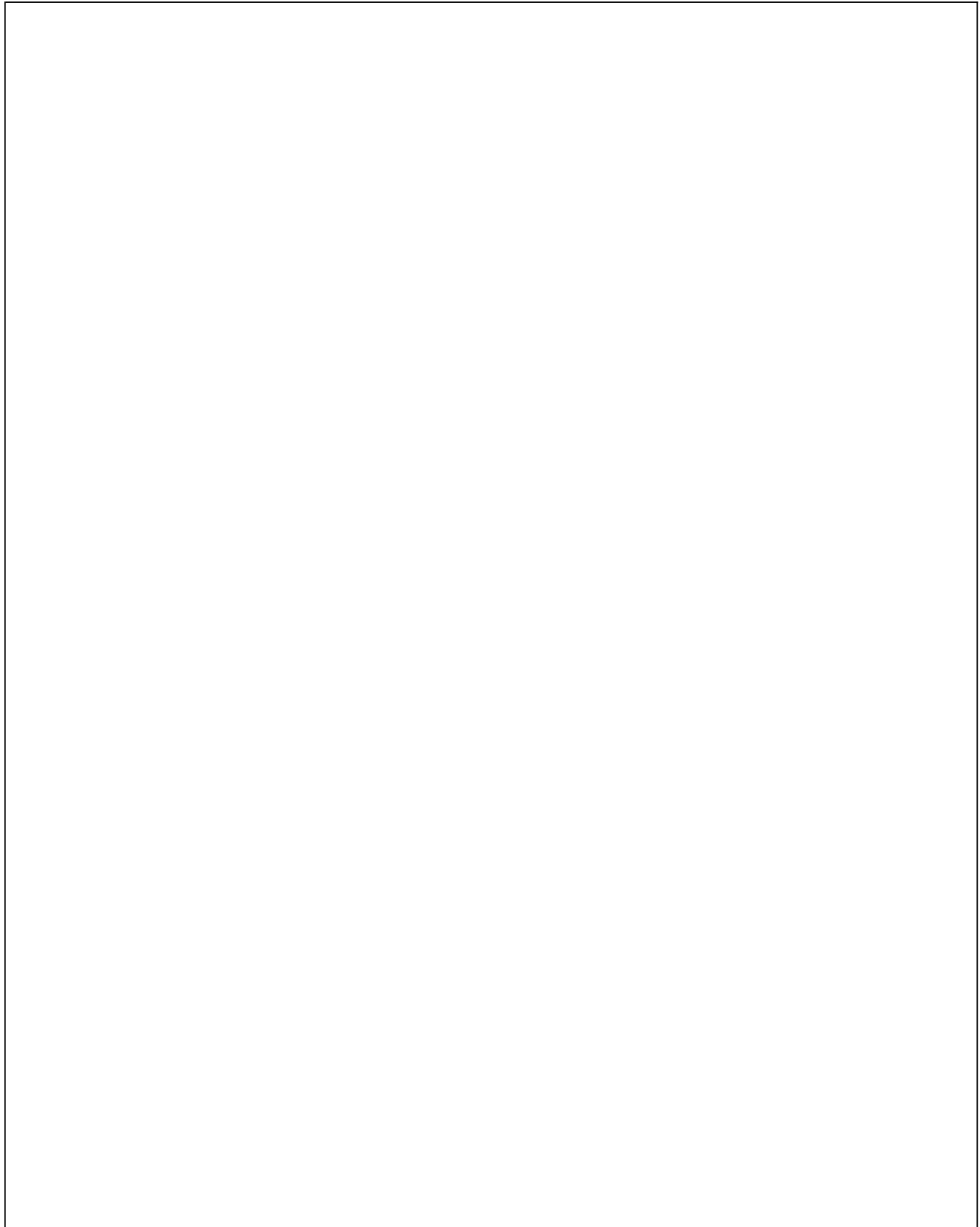
Fig. No.	Part No.	Description	Qty	Remarks
1	604880	TANDEM MASTER CYLINDER ASSLY.	1	
2	604877	BRAKE OIL TANK	1	
3	587702	PUSH ROD	1	
4	119278	TERMINAL	1	
5	604760	BRAKE PEDAL WITH FOOT REST ASSLY	1	
6	567461	RUBBER PROTECTION FOR PEDAL	1	
7	20108	HEX NUT M8	2	
8	31122	HEX HD. SCREW M8X30 CL 8.8	2	
8	016408	SPRING WASHER	2	
9	925508	MAJOR KIT TMC (KBX 1008)	1	
10	925509	MINOR KIT TMC (KBX 1009)	1	
11	016408	SPRING WASHER	1	
12	604502	CUP RETAINING SPRING (41733)	2	
13	B075852	BRAKE TUBE FOR REAR WHEEL	1	
14	12761	SPLIT PIN	1	
15	644813	BRAKE PUMP TUBE OF LEFT REAR WHEEL	1	
16	644812	BRAKE PUMP TUBE OF RIGHT REAR WHEEL	1	
18	5969	CIRCLIP DIA 9 E TYPE	1	
19	6173	METALLIC PLAIN WASHER (808001026)	1	
20	108785	SPRING	1	
21	B042317	SPACER-RC LEVER	1	
22	567690	REVERSE GEAR COUPLING SPRING	1	
23	125411	BACKING COMMAND LEVER	1	
24	604717	KNOB FOR R.C.	1	
25	587633	CABLE, REVERSE GEAR CONTROL ASSY.	1	
26	587822	CABLE, REVERSE GEAR WITH TERMINALS.	1	
26A	20105	PLAIN NUT M5	2	
27	567898	PULLEY FOR HAND BRAKE	1	
28	567899	CLEVIS PIN	1	
29	B042794	RATCHET , HAND BRAKE CONTROL	1	
30A	140728	PLAIN WASHER 8.5 X 24 X 3	6	
30B	31118	SCREW M8X20	1	
31	6173	METALLIC PLAIN WASHER (808001026)	1	
31A	13812	METALLIC PLAIN WASHER	1	
32	6411	EXT CIRCLIP DIA 11	1	

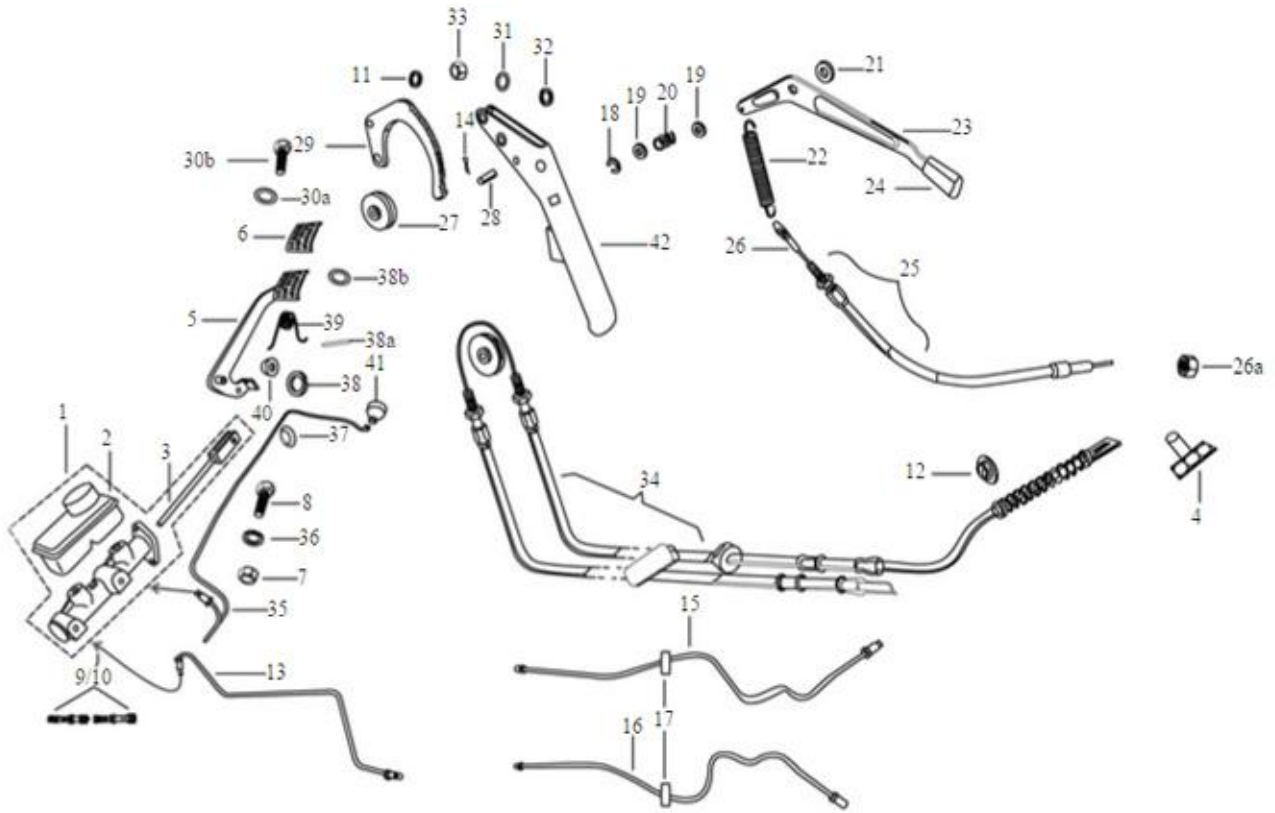
80

Print Date: 07-Apr-2022

PLATE-29

BRAKE - TANDEM MASTER CYLINDER, BRAKE PIPE AND HAND BRAKES





Print Date: 07-Apr-2022

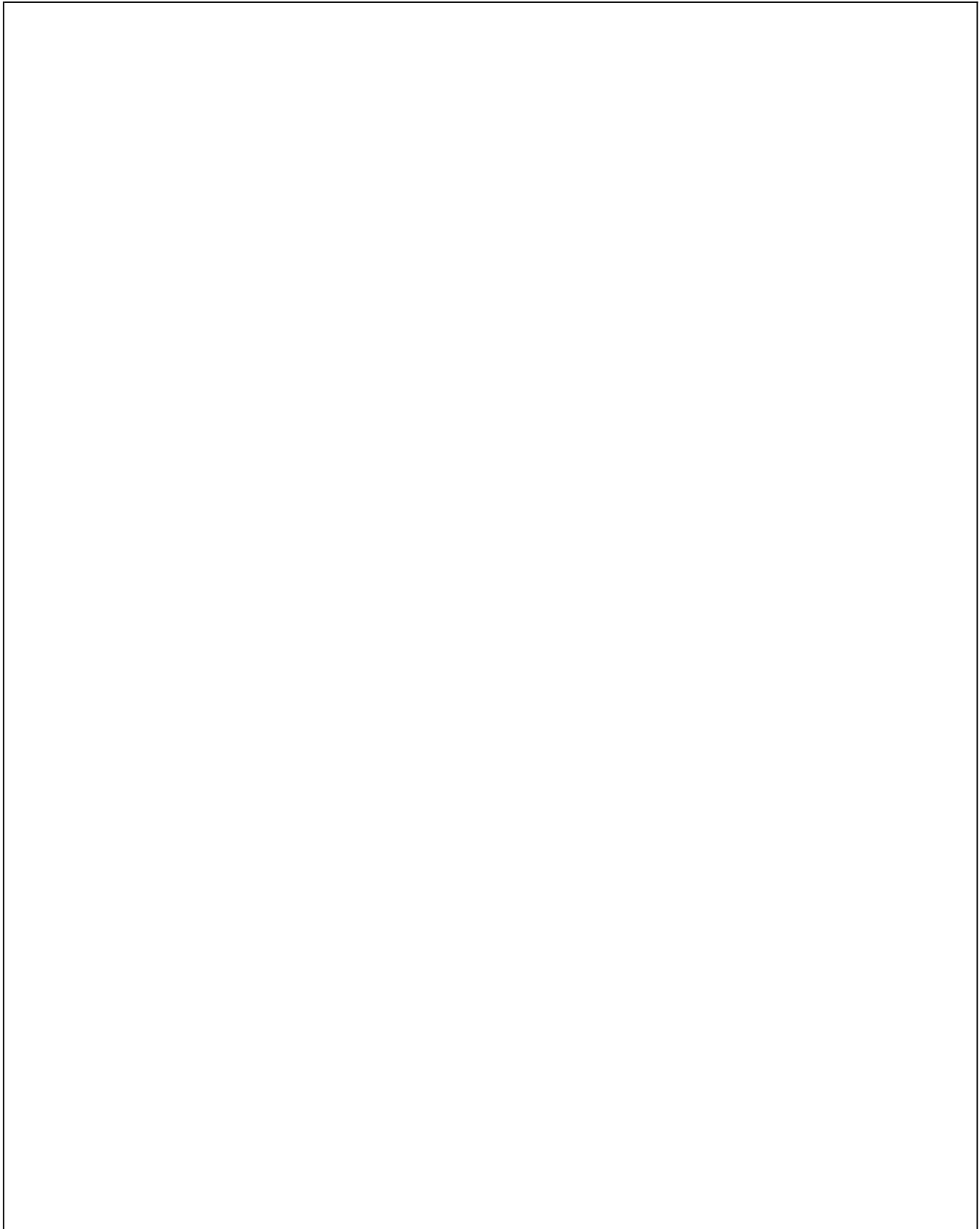
PLATE-29**BRAKE - TANDEM MASTER CYLINDER, BRAKE PIPE AND HAND BRAKES**

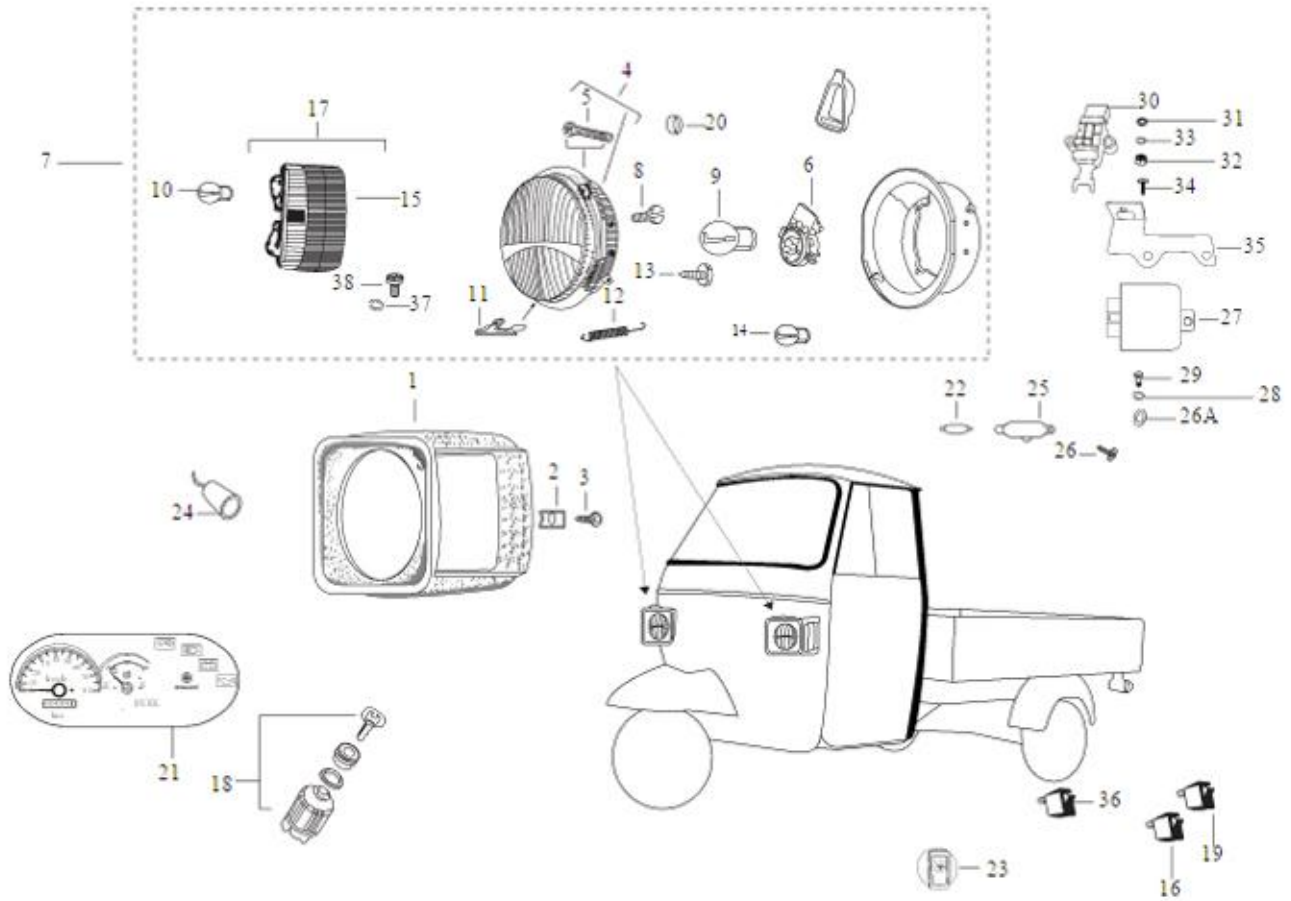
Fig. No.	Part No.	Description	Qty	Remarks
33	20108	HEX NUT M8	1	
34	567719	CABLE,HAND BRAKE CONTROL ASSLY	1	
35	568161	TUBE BETWEEN TMC & FRT WHEEL	1	
36	016408	SPRING WASHER	2	
37	6414	CIRCLIP DIA. 14 (EXT)	1	
38	843000809	CIRCLIP DIA.8(EXT) TYPE C	1	
38A	567920	SPLIT PIN	1	
38A	568737	SPLIT PIN 4 X 25 (821 0425 2 2)	1	
38B	3058	PLAIN WASHER 15X8.4X1.5	1	
39	587928	FOOT BRAKE PEDAL SPRING	1	
40	229524	WASHER 21X14.3X2	1	
41	138237	CAP	1	
42	567746G1	HAND BRAKE LEVER (WITH POWDER COATING)	1	

Print Date: 07-Apr-2022

PLATE-30

ELECTRICAL DEVICES-1





Print Date: 07-Apr-2022

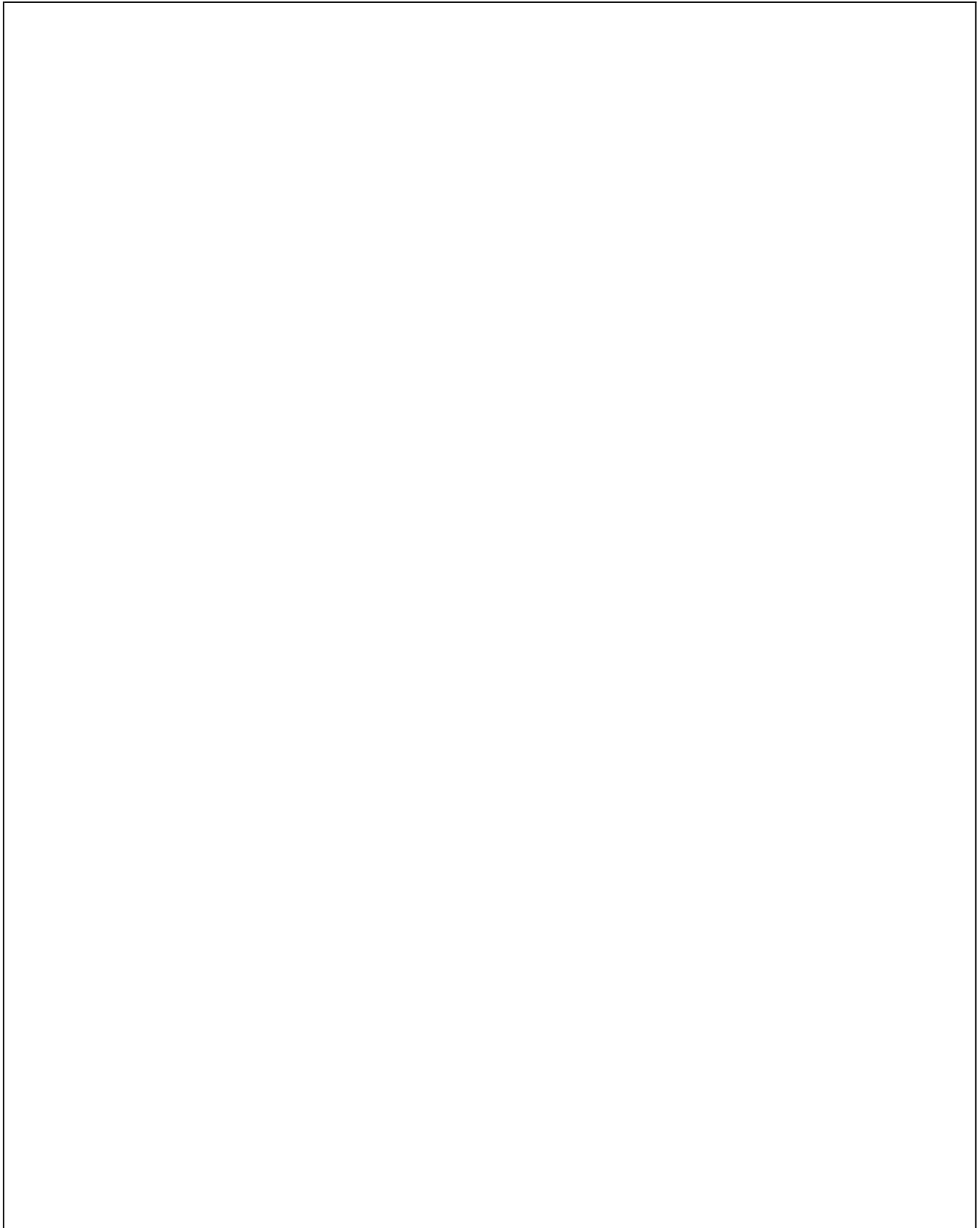
PLATE-30
ELECTRICAL DEVICES-1

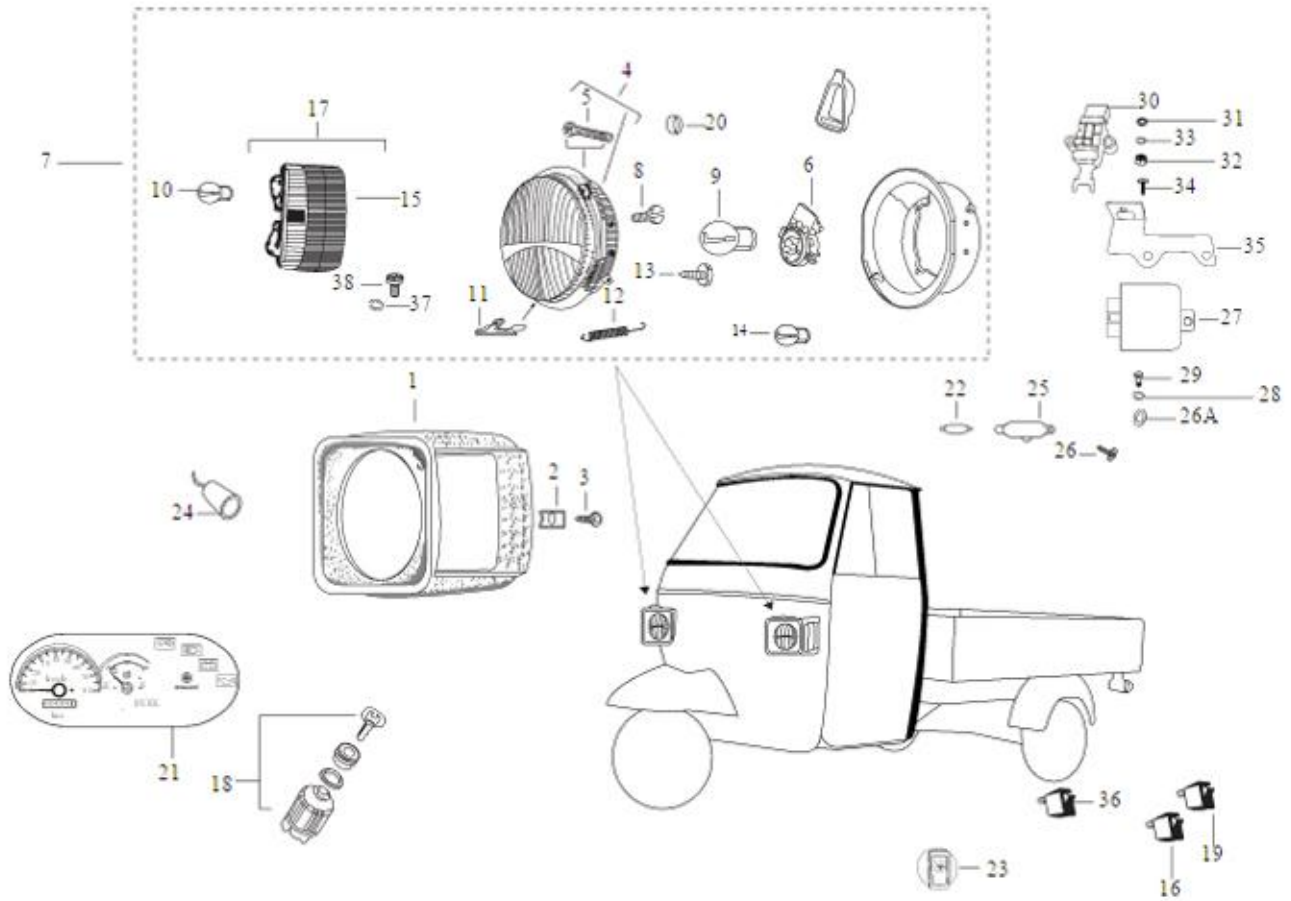
Fig. No.	Part No.	Description	Qty	Remarks
1	B025600	SEAT OF LAMP RIGHT	1	
1	B025601	SEAT OF LAMP LEFT	1	
2	8080	SPRING PLATE	2	
3	15900	HEAD LAMP SECURING SCREW/PAN SELF TAP SCREW	2	
4	925590	HEAD LAMP SEAL BEAM WITH HOLE	4	
5	15641	HEAD LAMP ADJUSTING SCREW	4	
6	114121	BULB HOLDER / HOLDER FRONT LAMP	2	
7	632478R	ASSY. HEAD LAMP WITH LATERAL LAMP LH	1	
7	632477R	ASSY. HEAD LAMP WITH LATERAL LAMP RH	1	
8	8432	SCREW	2	
8	15900	HEAD LAMP SECURING SCREW/PAN SELF TAP SCREW	3	
9	219528	BULB 12V 35/35W	2	
10	925581	INDICATOR LIGHT BULB 12V 21W AMBER COLOUR	2	
11	119735	PROTECTION SECURING SPRING/SPR. FOR PROTECTION	4	
12	127179	SPRING FOR HEAD LAMP / SPRING	2	
13	15900	HEAD LAMP SECURING SCREW/PAN SELF TAP SCREW	6	
14	567593	BULB 12V 5W / LAMP 4W	2	
15	925579	H.L. LATERAL LAMP LENSE RH - NEOLITE	1	
15	925580	H.L. LATERAL LAMP LENSE LH - NEOLITE	1	
15	925578	H.L. LATERAL LAMP LENSE LH - LUMAX	1	
15	925577	H.L. LATERAL LAMP LENSE RH - LUMAX	1	
16	587670R	SWITCH 3 POSITION	1	
17	925587	LATERAL LAMP ASSY. RH (NEOLITE)	1	
17	925597	LATERAL LAMP ASSY. LH (NEOLITE)	1	
17	925588	LATERAL LAMP ASSY. RH (LUMAX)	1	
17	925598	LATERAL LAMP ASSY. L H (LUMAX)	1	
18	643502	LOCK SET WITH KEYS (PASS) (COMMON KEY)	1	
18	B024739	STARTER/IGN SWITCH ASSLY WITH KEY PLASTIC	1	
19	587974R	WIPER MOTOR SWITCH/ SWITCH WIPER MOTOR	1	
20	119975	GROMMET	2	
21	B001556R	INSTRUMENT CLUSTER WITH SHIFTED SPEEDOME	1	
22	71633	STOP AND PARKING BULB 12V 10/5 W	1	
23	660826R	HAZARD WARNING SWITCH WITH CROWN CAP (12V)(VE)	1	
24	645153R	MOBILE CHARGER SOCKET	1	
25	150041R	CABIN LIGHT ASSY. (W/O BULB)	1	

Print Date: 07-Apr-2022

PLATE-30

ELECTRICAL DEVICES-1





Print Date: 07-Apr-2022

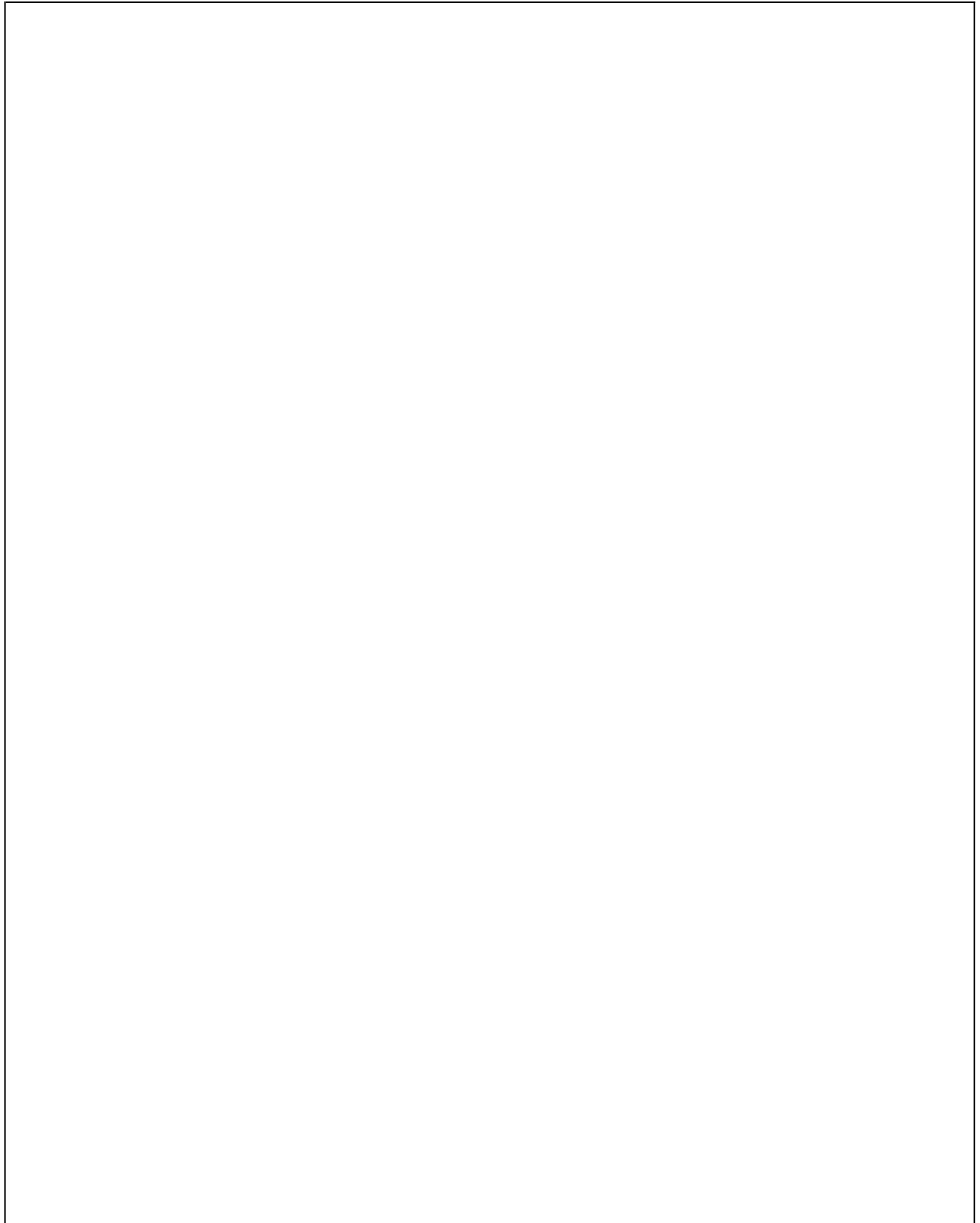
PLATE-30**ELECTRICAL DEVICES-1**

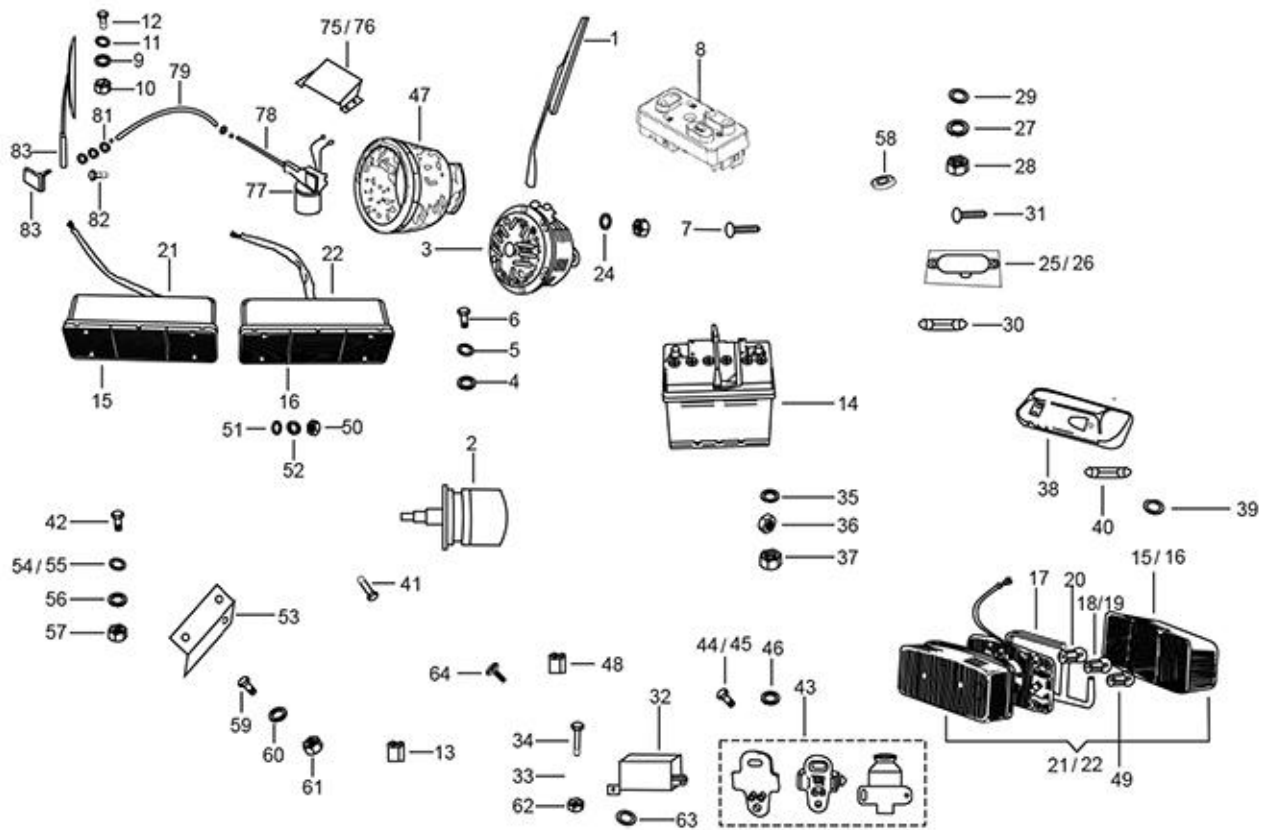
Fig. No.	Part No.	Description	Qty	Remarks
26	15727	PAN SELF TAPPING SCREW	4	
26A	003054	PLAIN WASHER	4	
27	B023726R	REMOTE CONTROL SWITCH	1	
28	3056	PLAIN WASHER M6 OD12	1	
29	31088	HEX HD SCREW M6 X 16 CL 8.8 (811061623)	1	
30	B002101	STARTER SAFETY SWITCH ASSLY.	1	
31	016404	SPRING WASHER M4	2	
32	20104	HEX NUT M4	2	
33	003054	PLAIN WASHER	4	
34	B001503	PHILP RD HD SCREW (M4 X 20)	2	
35	B002101	STARTER SAFETY SWITCH ASSLY.	1	
36	B023727R	CONTACTOR	1	
37	3055	PLAIN WASHER M5	2	
38	661925	PHILIP PAN HEAD SCREW (M5 X 0.8 X 1.6)	4	

Print Date: 07-Apr-2022

PLATE-31

ELECTRICAL DEVICES-2





Print Date: 07-Apr-2022

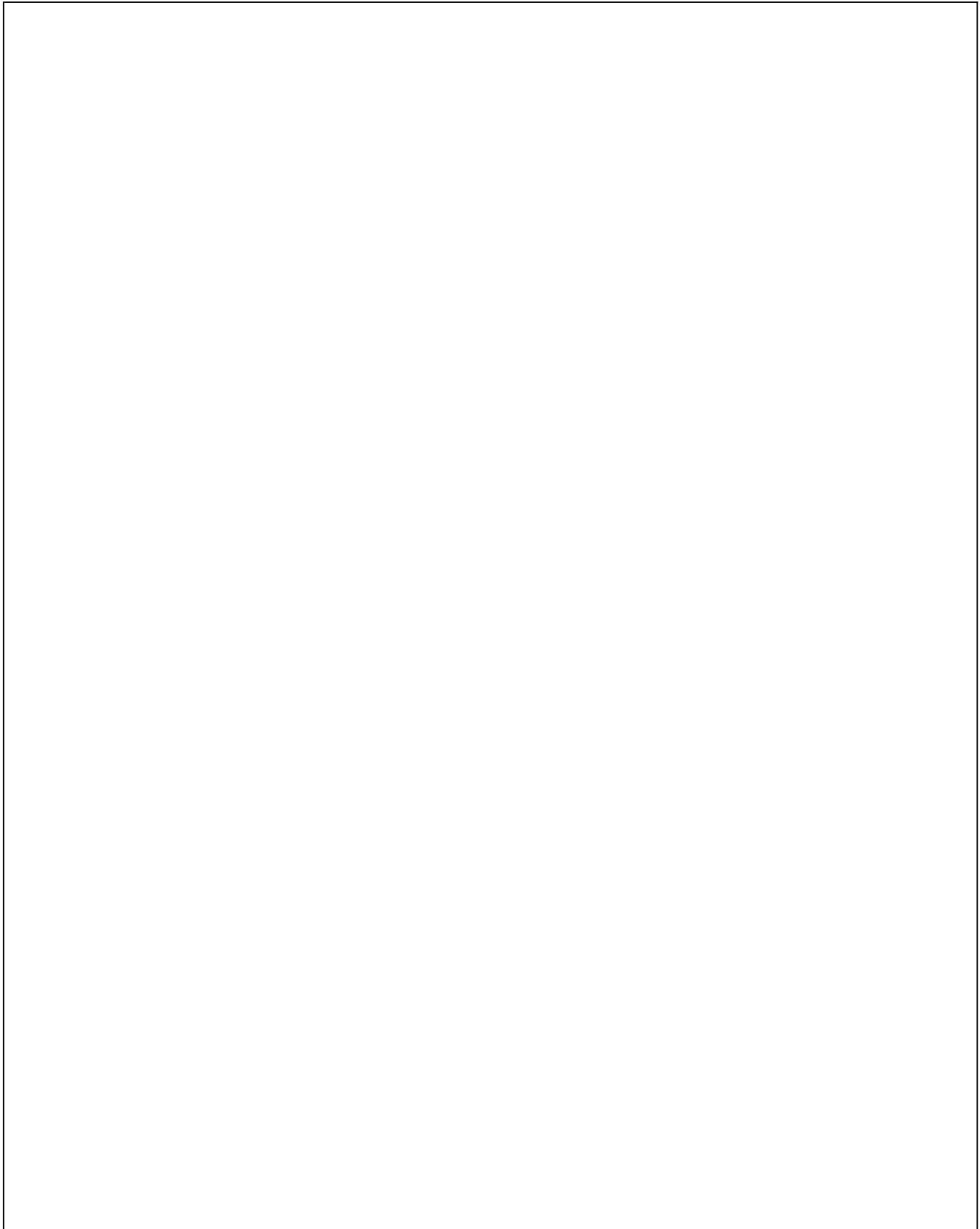
PLATE-31
ELECTRICAL DEVICES-2

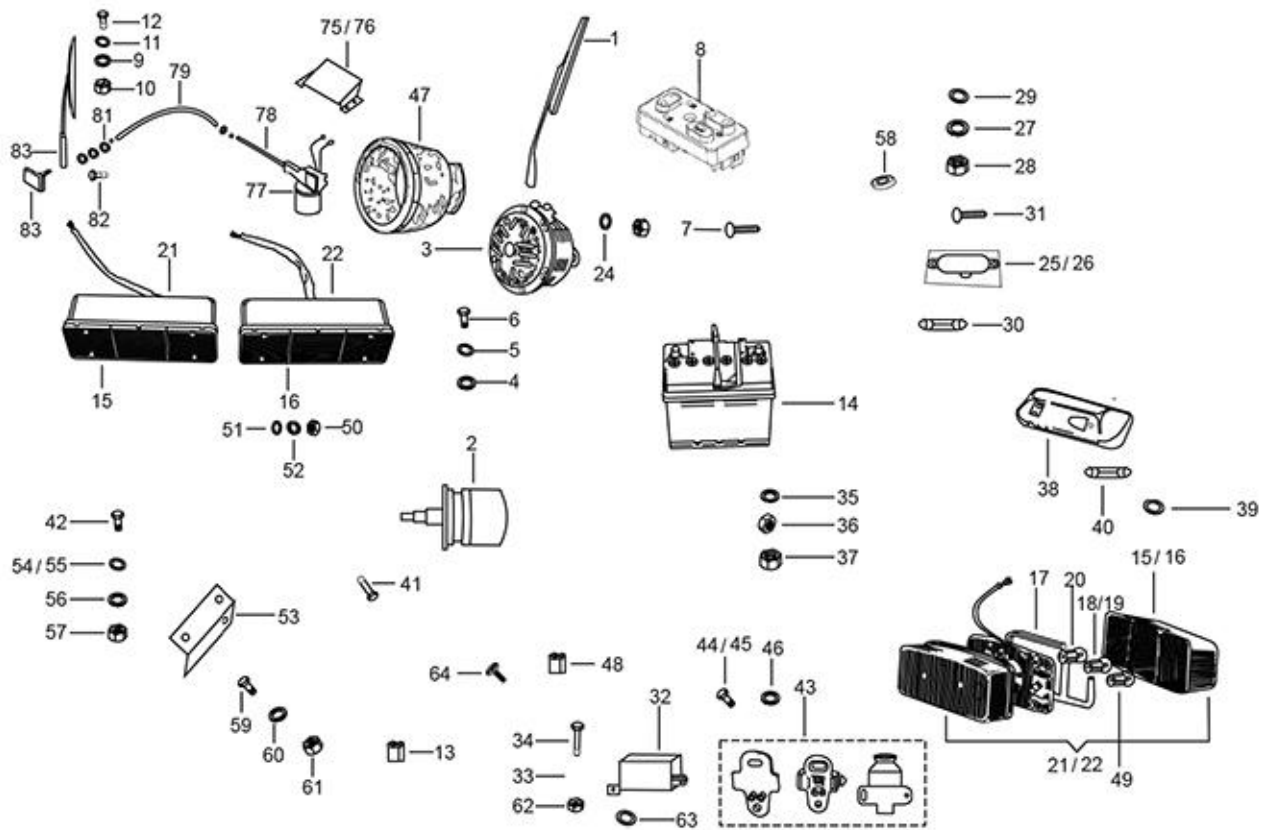
Fig. No.	Part No.	Description	Qty	Remarks
1	632292	WIPER ARM & BLADE ASSY	1	
2	632995	WIPER MOTOR ASSY. WITH MTG. BKT.	1	
2	B076574	WIPER MOTOR ASSY. WITH MTG. BKT. (N.I.)	1	BSIV
3	B04100R	HORN 3 WH _ E MARK	1	
4	016408	SPRING WASHER	1	
5	3058	PLAIN WASHER 15X8.4X1.5	1	
6	31116	HEX HD. SCREW M8X16	1	
7	15640	SCREW SECURING SWITCH	1	
8	B073850R	HBS (ST. BUTTON) - CITY UPGRADE (NEW) _ALL NUOVO MODEL	1	FOR PUSH BUTTON_HBS
9	016406	SPRING WASHER	6	
10	20106	HEX NUT M6	6	
11	3056	PLAIN WASHER M6 OD12	6	
12	31088	HEX HD SCREW M6 X 16 CL 8.8 (811061623)	6	
13	604557	FUSE (10A)	6	
14	587650R	BATTERIES FOR 3WH (50AH)	1	Domestic
14	B006806	BATTERY(EXIDE _ EK 50 L)_ EXPORT (501)	1	Export
15	920083	TAIL LAMP LENSE LH WITH HARDWARE & GASKET	13	
16	920084	TAIL LAMP LENSE RH WITH HARDWARE & GASKET	1	
17	925212	PACKING	1	
18	181746	INDICATOR BULB 12V 10W	2	
19	925581	INDICATOR LIGHT BULB 12V 21W AMBER COLOUR	2	
20	567700	BULB 10/5W (STOP LIGHT)	2	
21	643704R	TAIL LAMP ASSY. LH	1	E - Marked (Export)
22	643705R	TAIL LAMP ASSY. RH	1	E - Marked (Export)
23	925571	CABLE RACK (033200/PGO)	1	
24	016408	SPRING WASHER	1	
26	643616	CABIN LAMP (N.I.)	1	
27	016406	SPRING WASHER	2	
28	20106	HEX NUT M6	2	
29	3056	PLAIN WASHER M6 OD12	2	
30	71633	STOP AND PARKING BULB 12V 10/5 W	1	
31	15727	PAN SELF TAPPING SCREW	2	
32	B023727R	CONTACTOR	1	
33	12546	PLAIN WASHER / MULTI TOOTH LOCK WASHER M5	2	
34	31057	HEX HEAD SCREW M5 X 14 CL 8.8	2	

Print Date: 07-Apr-2022

PLATE-31

ELECTRICAL DEVICES-2





Print Date: 07-Apr-2022

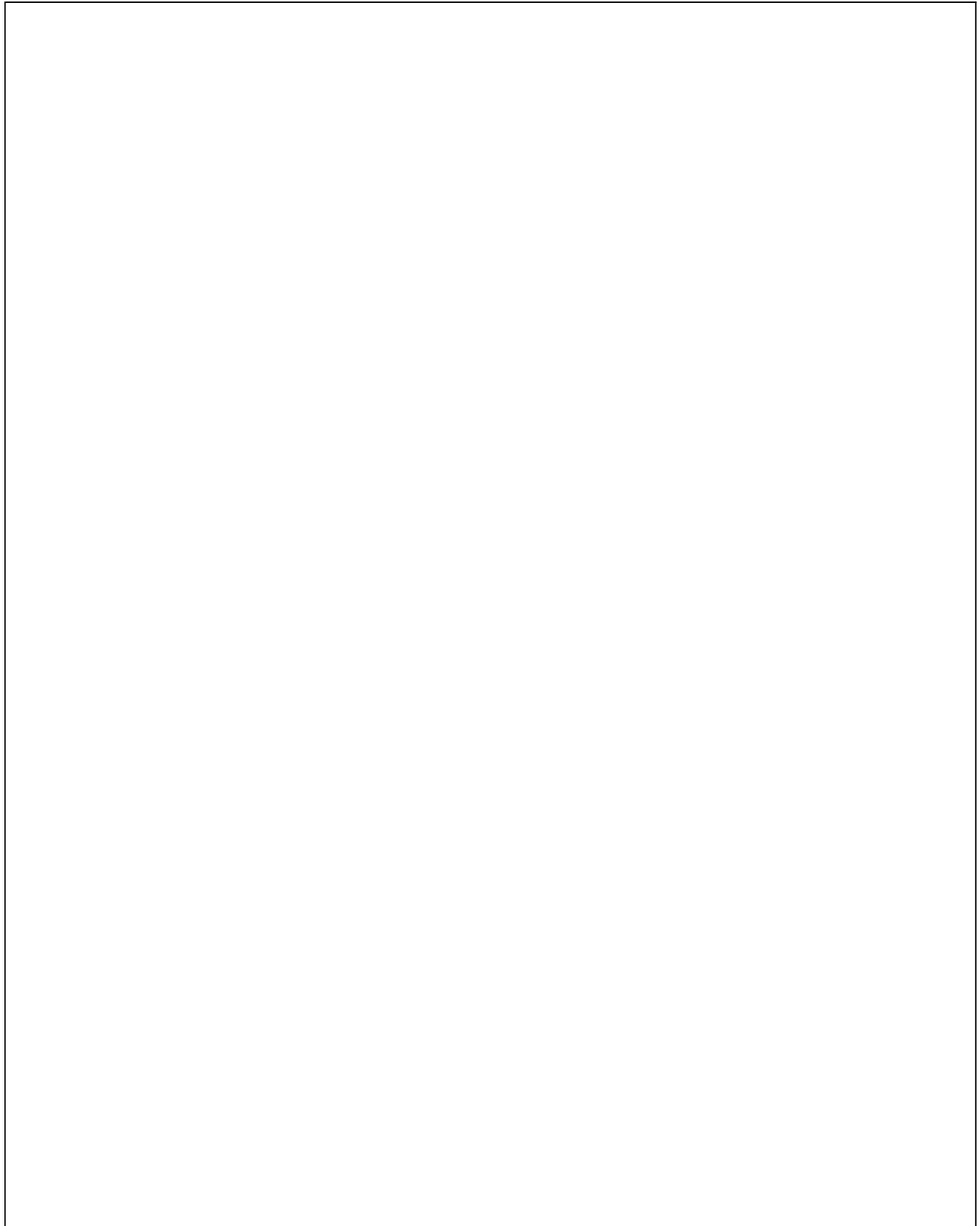
PLATE-31
ELECTRICAL DEVICES-2

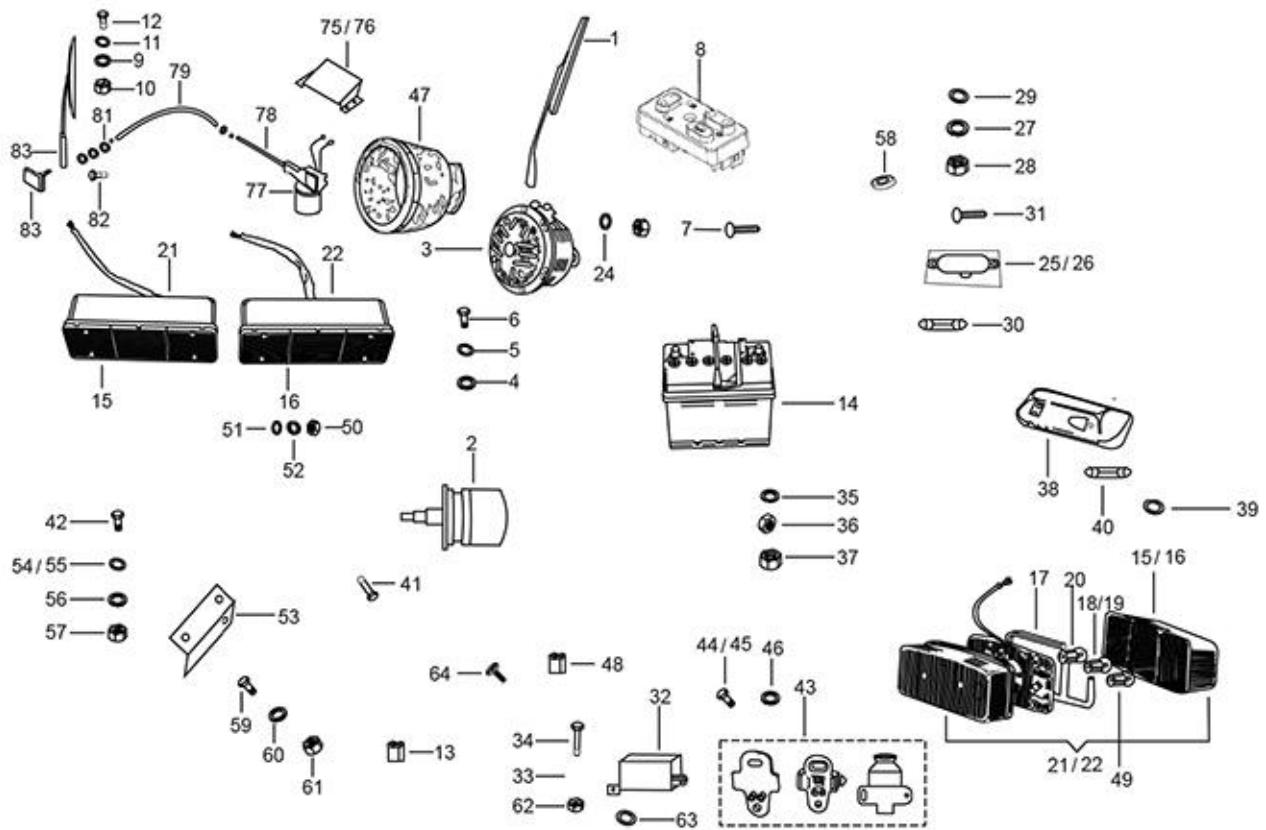
Fig. No.	Part No.	Description	Qty	Remarks
35	3055	PLAIN WASHER M5	2	
36	20105	PLAIN NUT M5	2	
37	20108	HEX NUT M8	1	
38	150915R	REGISTRATION PLATE LAMP ASSY	1	E - Marked (Export)
39	12536	SPRING WASHER	1	
40	71633	STOP AND PARKING BULB 12V 10/5 W	1	
41	8451	PAN SELF TP SCREW 6 SGX13 AB	2	
42	31058	HEX HEAD SCREW M5 X 16 CC8.8	2	
43	567498R	BRAKE/REVERSE LIGHT SW (INTEGRAL CAP)-PAV	1	
44	568750	PLAIN RDHD SCREW M4 X 16	2	
45	15996	PHIL RD HD SCREW M4X12	2	
46	003054	PLAIN WASHER	2	
47	645041	HORN PROTECTION	1	
48	567706	FUSE 30 A	1	
49	181747	REVERSE LAMP BULB 12V 5W	2	
50	12136	NUT / NYLOCK NUT M5	2	
51	6078	PLAIN WASHER 12 X 5.2 X 1	2	
52	16405	SPRING WASHER M5	2	
53	660109	FUSE BOX BKT	1	
54	3055	PLAIN WASHER M5	4	
55	6078	PLAIN WASHER 12 X 5.2 X 1	4	
56	6965	SPRING WASHER DIA 5	2	
57	20105	PLAIN NUT M5	2	
58	77055	RING	1	
59	31056	HEX HEAD SCREW M5 X 12 CL. 8.8	2	
60	6965	SPRING WASHER DIA 5	2	
61	20105	PLAIN NUT M5	1	
62	20105	PLAIN NUT M5	1	
63	3055	PLAIN WASHER M5	1	
64	15911	PAN SELF TAP SCREW 8SG X 16 AB	1	
65	925567	GEAR PLATE ASSLY (034500/4)	1	
66	569165	DOME NUT	1	
67	B009290	STRAP ASSY.	1	
68	568714	BATTERY COVER	1	
69	661231	CIRCLIP STEERING LOCK DIA 16 (INT)	1	

Print Date: 07-Apr-2022

PLATE-31

ELECTRICAL DEVICES-2





Print Date: 07-Apr-2022

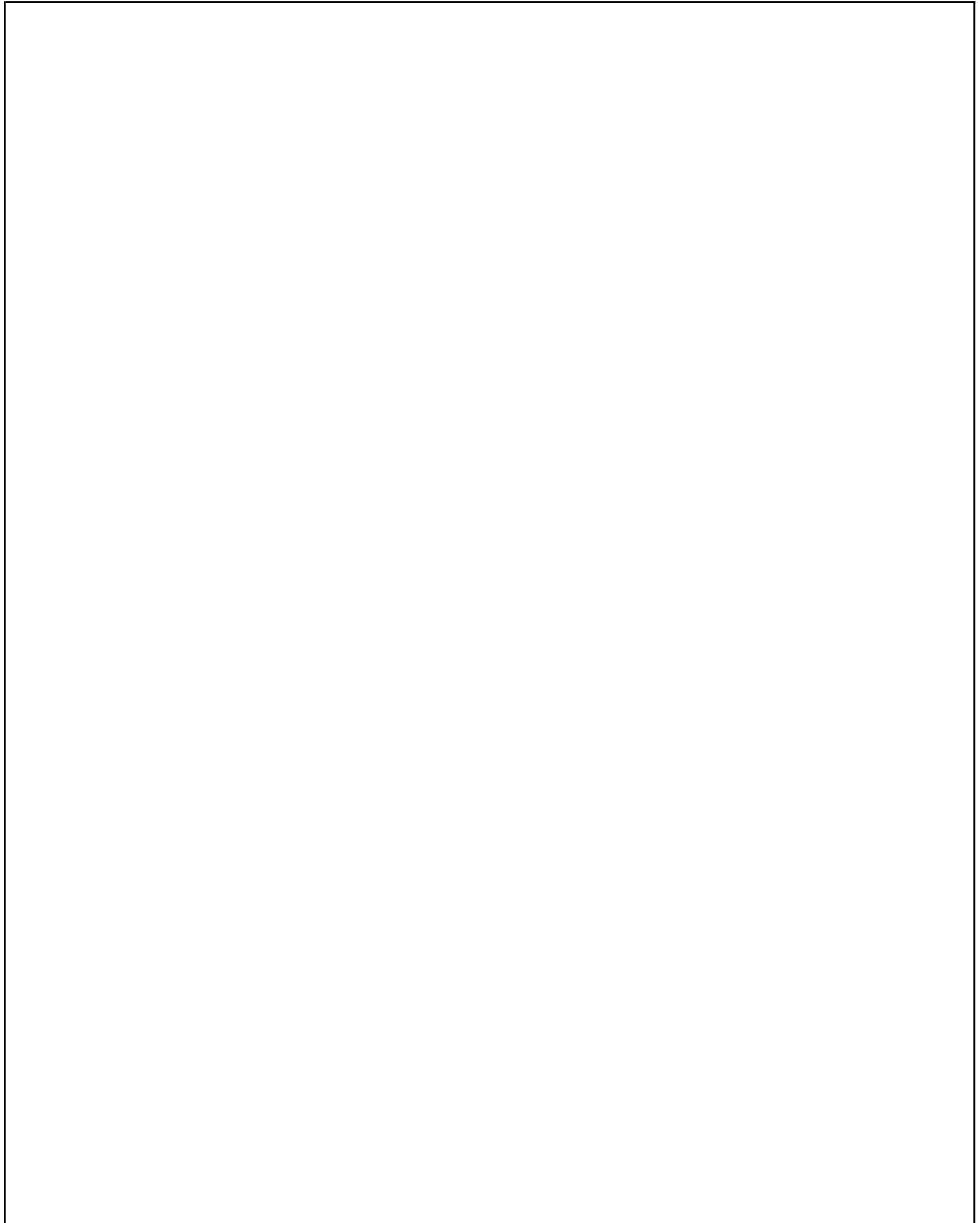
PLATE-31**ELECTRICAL DEVICES-2**

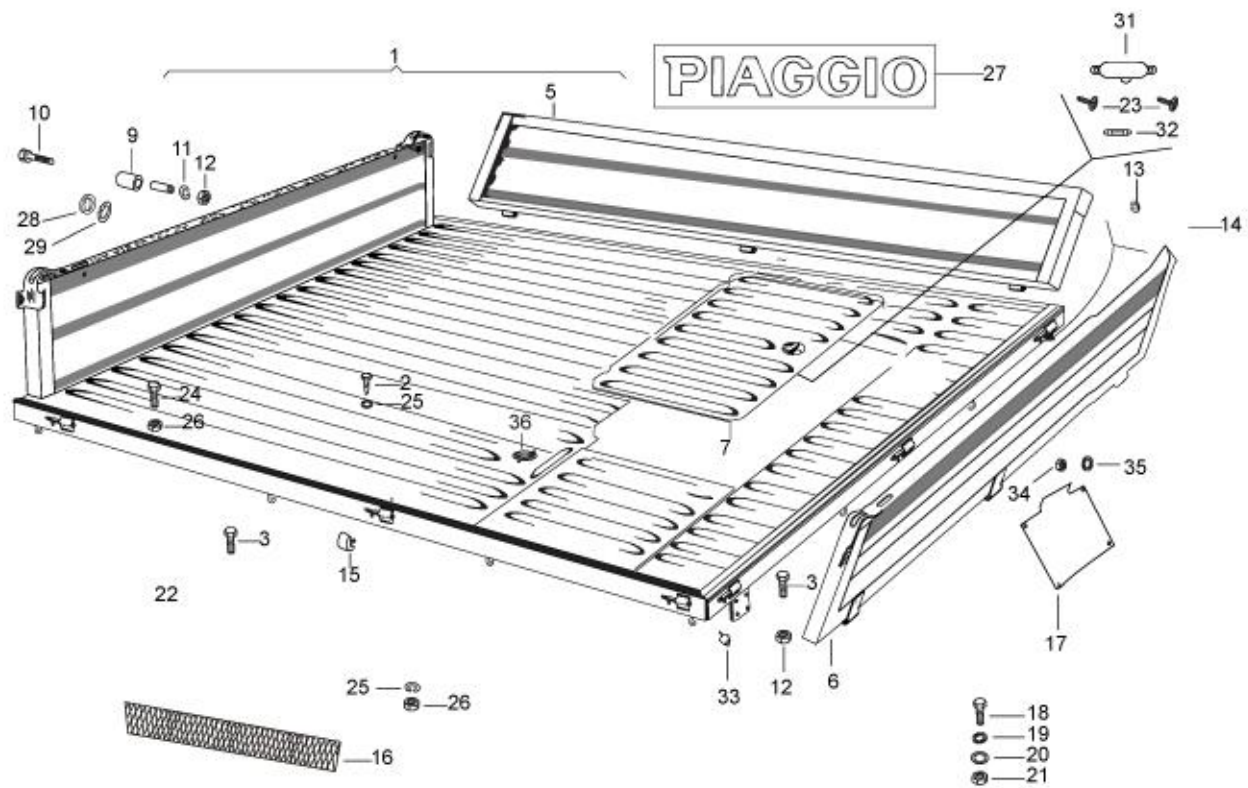
Fig. No.	Part No.	Description	Qty	Remarks
70	925584	BULB 12 V 21W CLEAR (PARKING AND INDICATOR)	1	
71	925585	LENS MOUNTING SCREW FOR LATERAL LAMP - NEOLITE MAKE	1	
72	925589	LENSE MOUNTING SCREW (N.I.)	1	
73	925605	TAIL LAMP GLASS - RH (LUMAX)	1	
74	925604	TAIL LAMP GLASS - LH (LUMAX)	1	
75	569166	WIPER MOTOR MOUNTING BRACKET	1	
76	632995	WIPER MOTOR ASSY. WITH MTG. BKT.	1	
77	604506	BUNDY TUBE OUTER	1	
78	632285	BUNDY TUBE (MOTOR TO WHEEL BOX)	1	
79	604506	BUNDY TUBE OUTER	1	
79	B076573	BUNDY TUBE (MOTOR TO WHEEL BOX)	1	BSIV
80	569197	WHEEL BOX ASSY. (MOD.)	1	
80	B076304	WHEEL BOX ASSY. (MOD.)	1	BSIV
81	003054	PLAIN WASHER	2	
82	661925	PHILIP PAN HEAD SCREW (M5 X 0.8 X 1.6)	4	
83	925572	BRUSH CARD ASSLY (033300/PGO)	1	

Print Date: 07-Apr-2022

PLATE-32

OPEN BOX BODY (Cargo LD)





Print Date: 07-Apr-2022

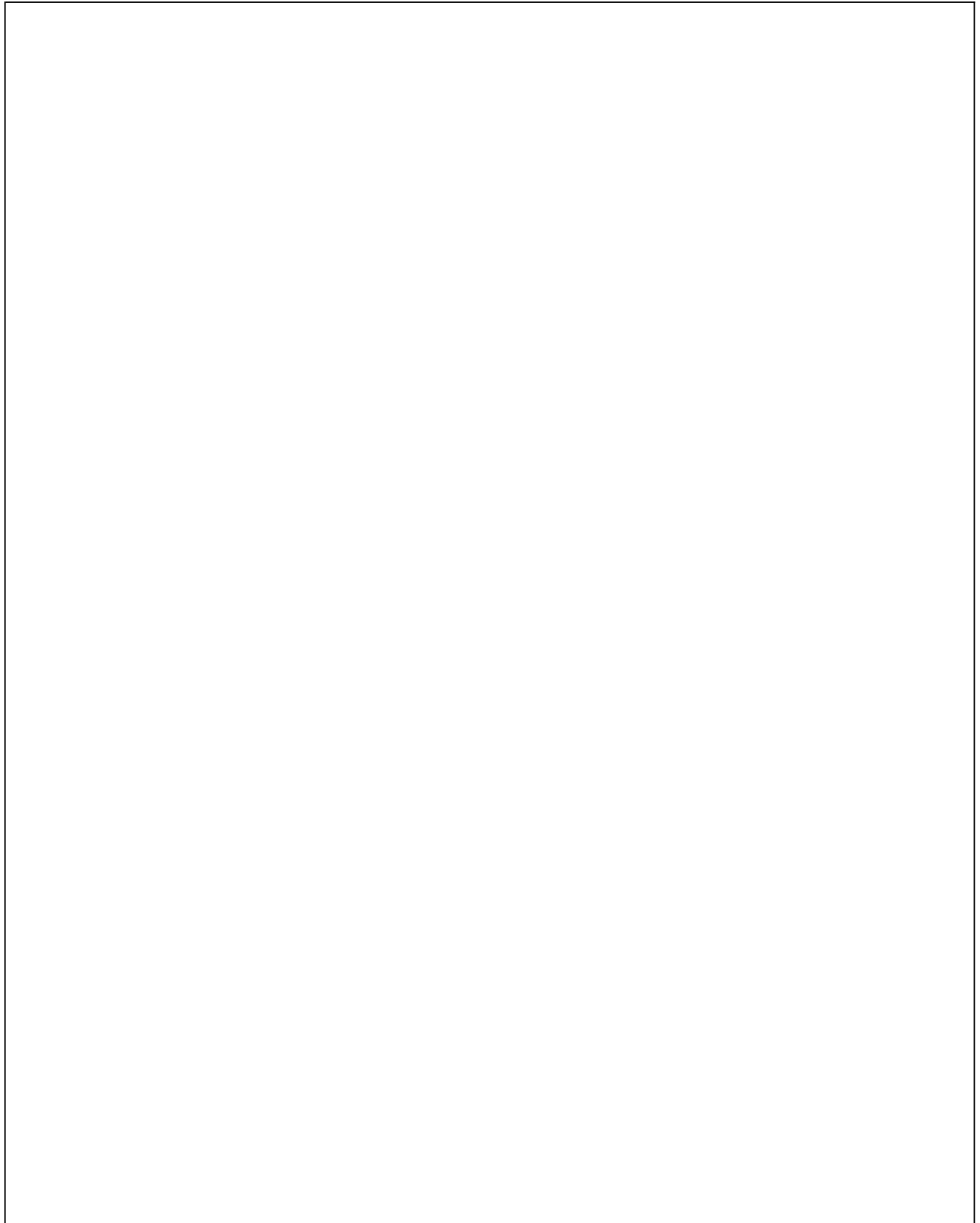
PLATE-32**OPEN BOX BODY (Cargo LD)**

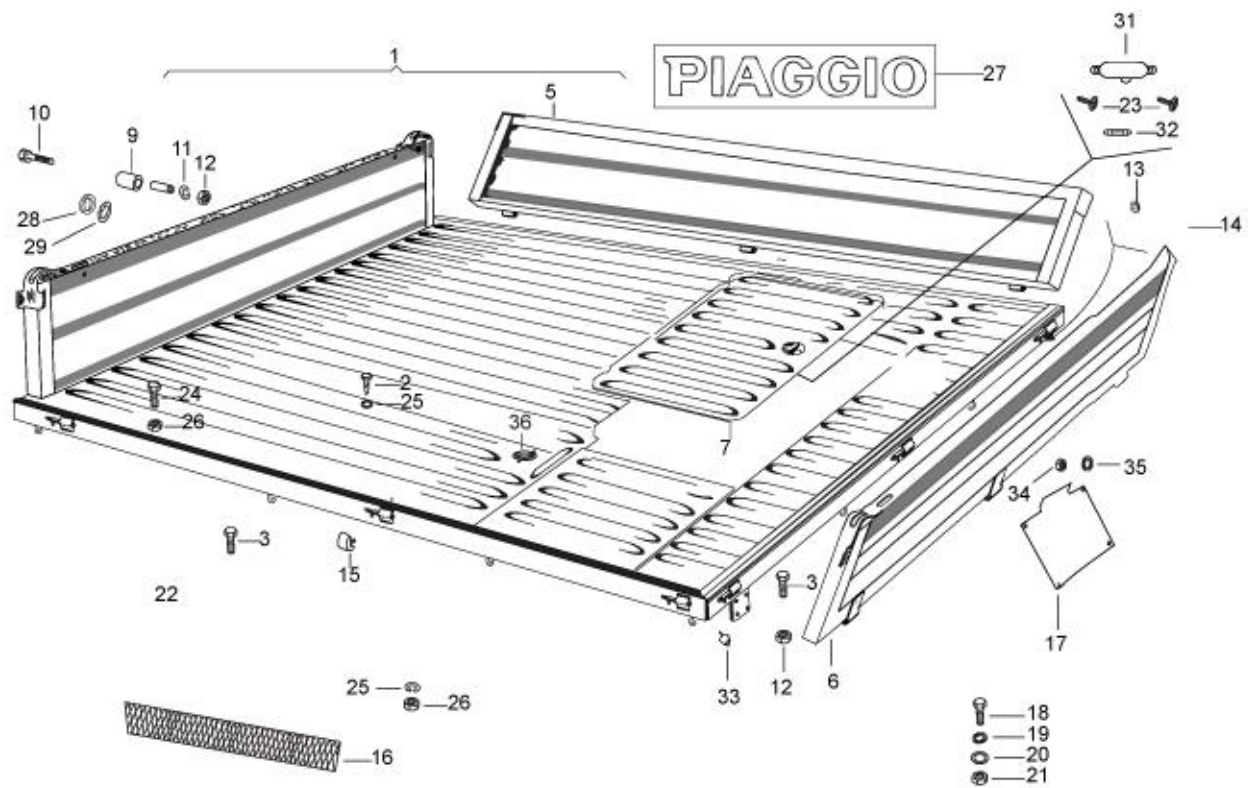
Fig. No.	Part No.	Description	Qty	Remarks
1	B073030EG	FLAT CAR ASSLY 501 CNG LD DTL -EG	1	
1	B073030CB	FLAT CAR ASSLY 501 CNG LD DTL -CB	1	
1	B073030CO	FLAT CAR ASSLY 501 CNG LD DTL -CO	1	
1	B073030BW	FLAT CAR ASSLY 501 CNG LD DTL -BW	1	
2	8265	SELF TAPPING SCREW	12	
3	31119	HEX HD SCREW M8 X 25	6	
4	643500	LOCK SET WITH KEYS (PU) (COMMON KEY)	1	
5	B042529ED	XTRA 501 LD TRAY SIDE PANEL DTL-CED	1	
6	B042505ED	TAIL GATE PANEL DTL 501 PICK UP/LD-CED	1	
7	660207ED	ENGINE INSPECTION DOOR 501 CNG/LPG	1	
8	109361	BUFFER (ENGINE INSPECTION COVER)	2	
9	128804ED	LH LEVER FOR CLAMPING THE SIDE PANEL CED	1	
9	128805ED	RH LEVER FOR CLAMPING THE SIDE PANEL CED	1	
10	30074	HEX HEAD BOLT M8 X 40 CL 8.8	2	
11	016408	SPRING WASHER	8	
12	20108	HEX NUT M8	4	
13	3057	PL. WASHER 13 X 7 X 1	4	
15	B077358	STOP BUFFER	4	
16	661262	YELLOW REFLECTIVE TAPE	2	
17	643661	LICENSE PLATE MTG. BKT.	1	
18	31058	HEX HEAD SCREW M5 X 16 CC8.8	4	
19	16405	SPRING WASHER M5	4	
20	20105	PLAIN NUT M5	4	
21	3055	PLAIN WASHER M5	4	
22	16603	PLAIN WASHER (METALLIC)	8	
23	15727	PAN SELF TAPPING SCREW	4	
24	31089	HEX HEAD SCREW M6X18 CL 8.8	6	
25	016406	SPRING WASHER	4	
26	20106	HEX NUT M6	4	
27	12138	NYLOCK NUT M6	2	
28	3058	PLAIN WASHER 15X8.4X1.5	8	
29	005967	CIRCLIP / DIA 7E	4	
30	12790	SPLIT PIN	4	
31	150041R	CABIN LIGHT ASSY. (W/O BULB)	1	
32	71633	STOP AND PARKING BULB 12V 10/5 W	1	

Print Date: 07-Apr-2022

PLATE-32

OPEN BOX BODY (Cargo LD)





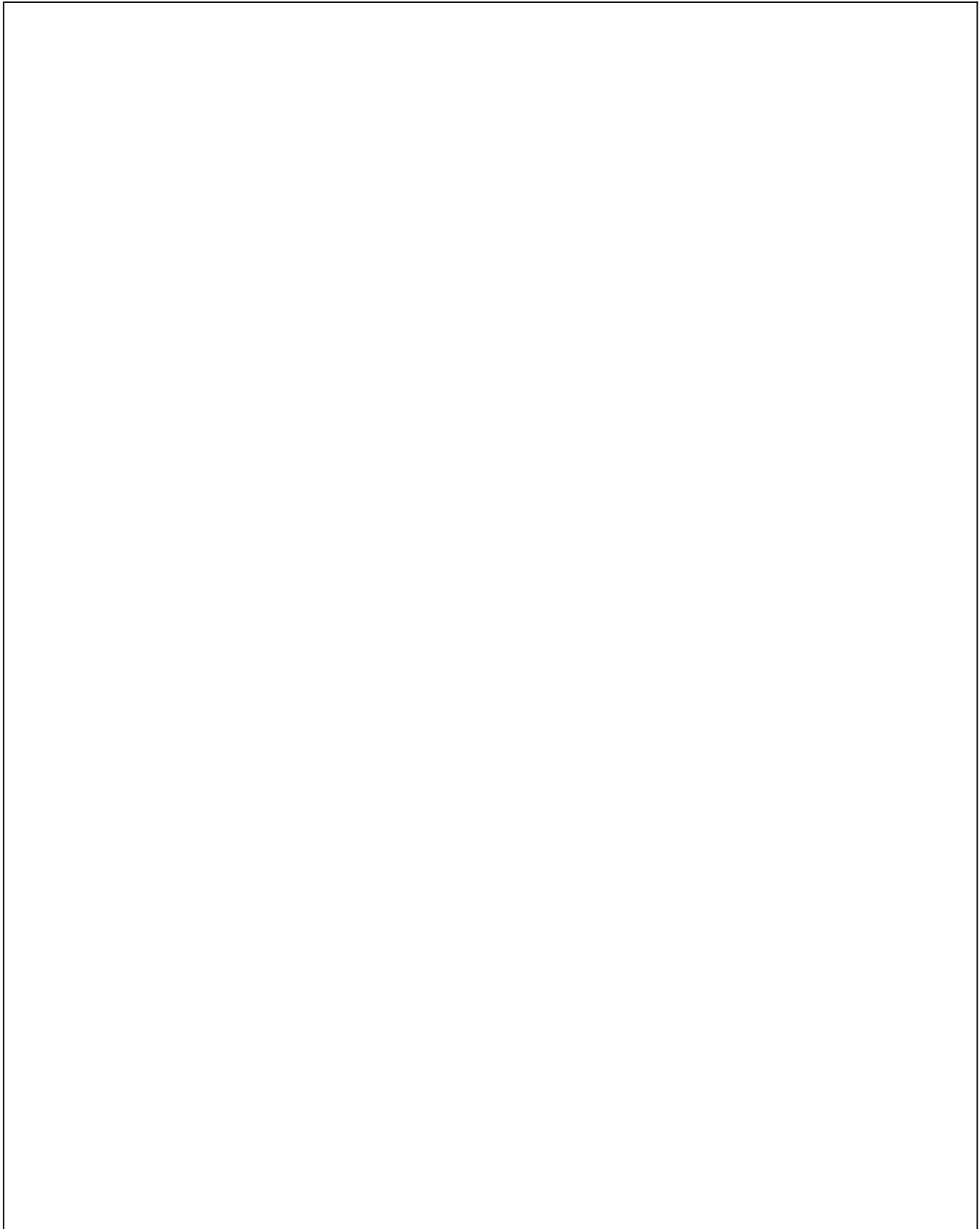
Print Date: 07-Apr-2022

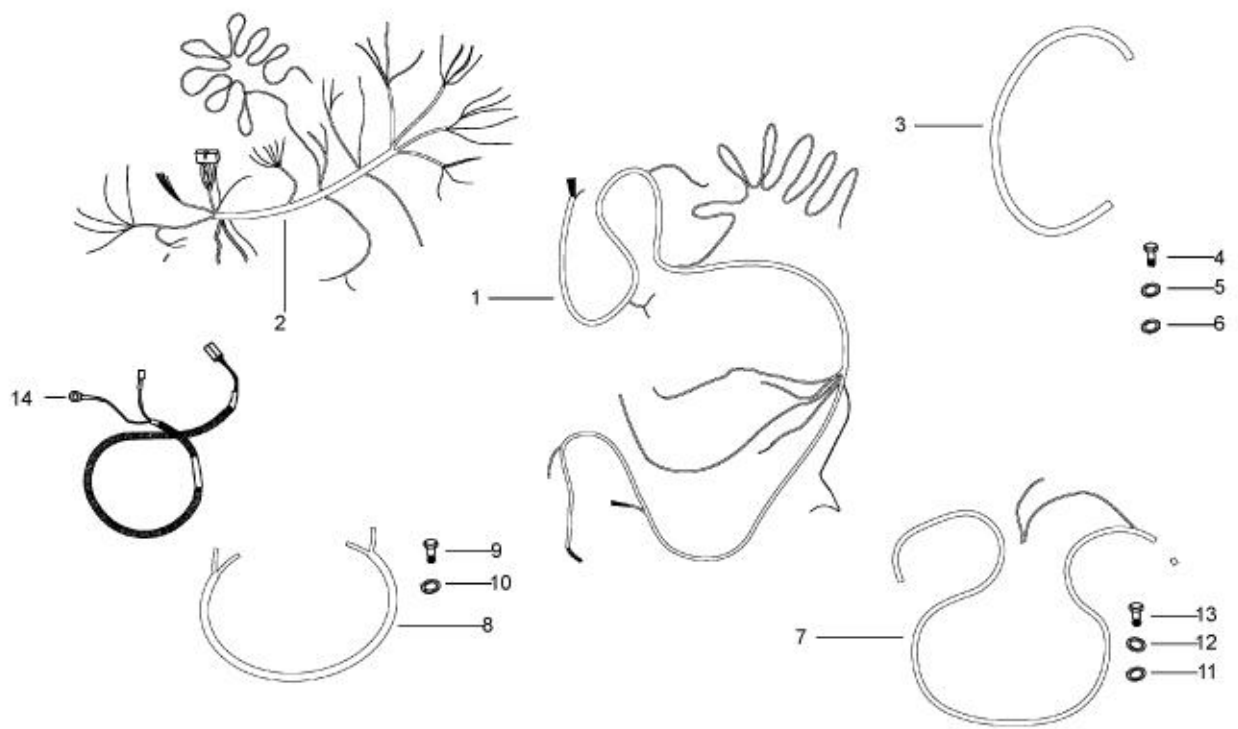
PLATE-32**OPEN BOX BODY (Cargo LD)**

Fig. No.	Part No.	Description	Qty	Remarks
33	567732	BUFFER	2	
34	20106	HEX NUT M6	2	
35	016406	SPRING WASHER	2	
36	662323	PIAGGIO TAIL GATE (YESHSHREE) STICKER FOR LIGHT COLOUR SHADE	1	

Print Date: 07-Apr-2022

PLATE-33
CABLE HARNESS





Print Date: 07-Apr-2022

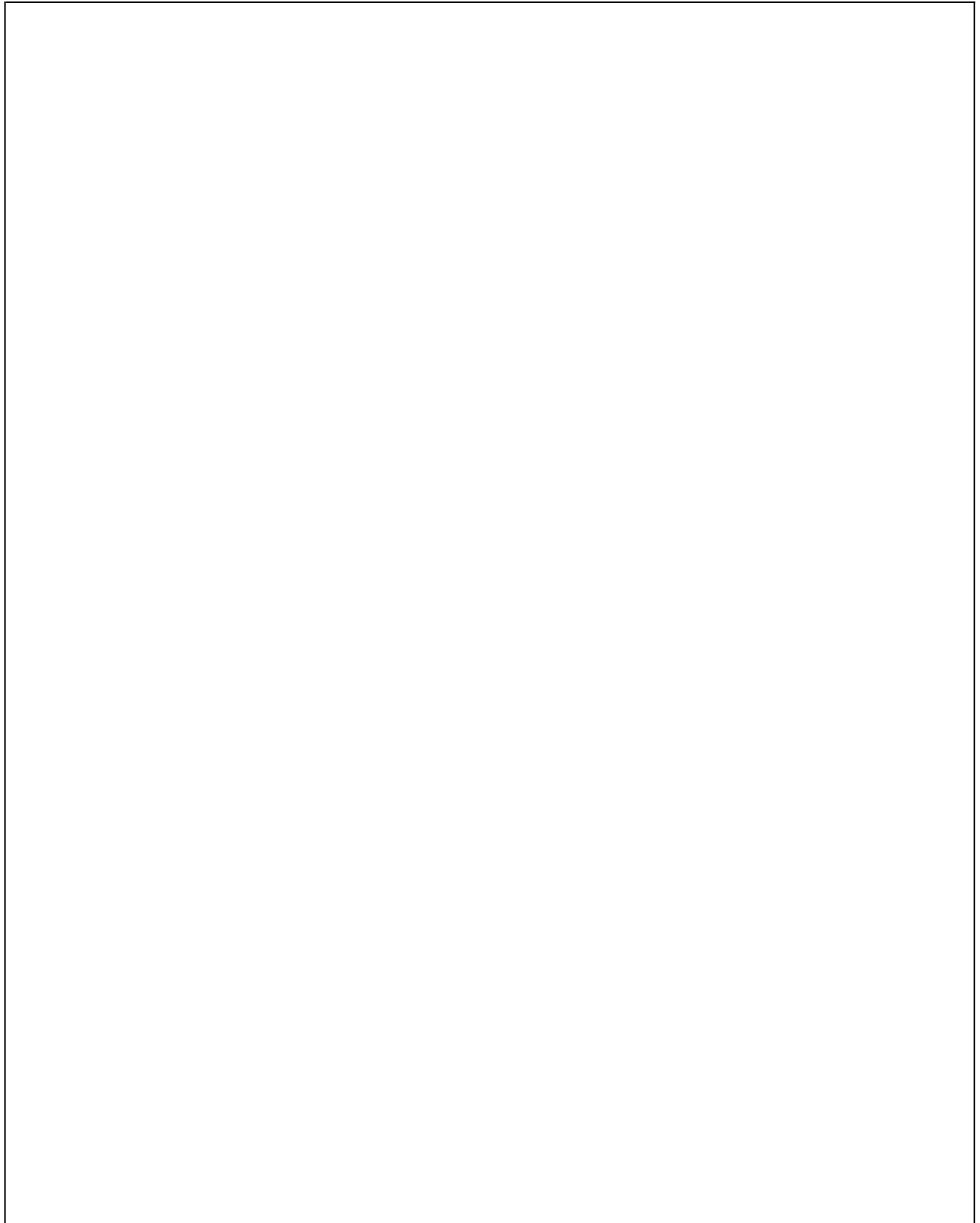
PLATE-33
CABLE HARNESS

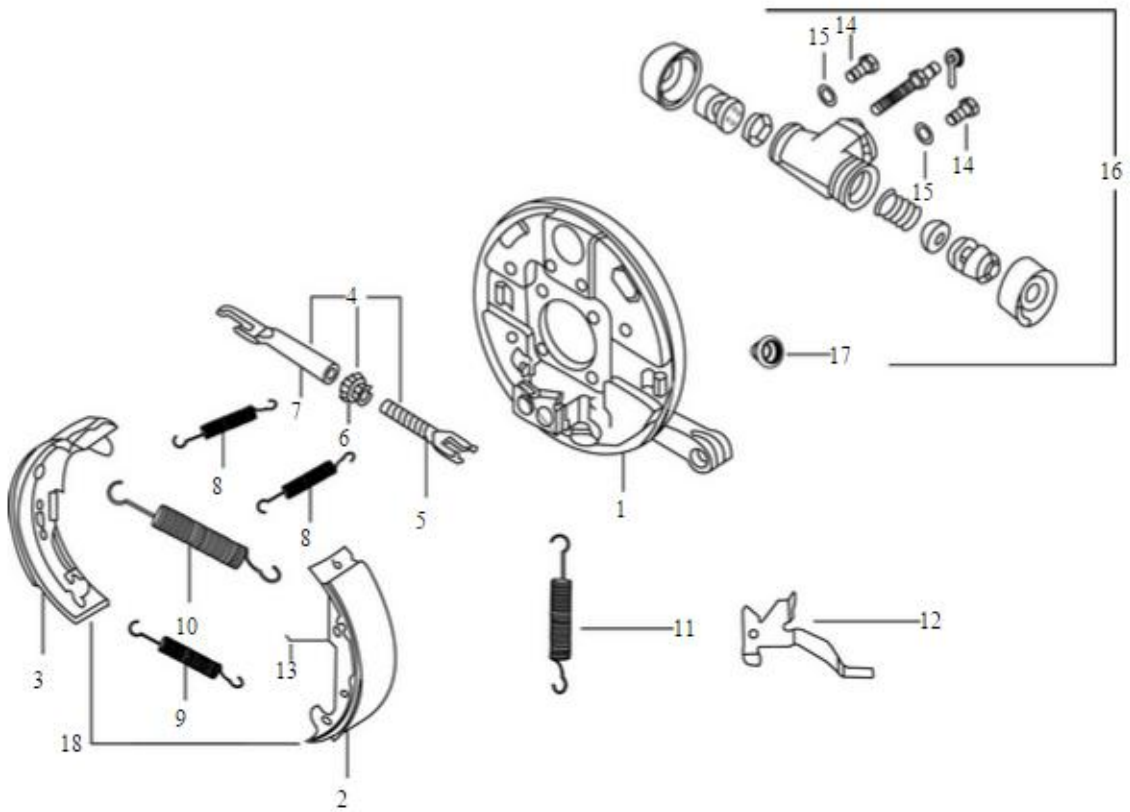
Fig. No.	Part No.	Description	Qty	Remarks
1	B002636R	W/HS FRAME(CNG-GL 400AG)-APE CNG XTRA LD	1	
2	B075330	CABLE GROUP OF INST. PANEL WITH H/L CONN	1	
3	644838R	BATTERY CABLE -VE	1	
4	31088	HEX HD SCREW M6 X 16 CL 8.8 (811061623)	1	
5	3056	PLAIN WASHER M6 OD12	1	
6	016406	SPRING WASHER	1	
7	657991R	BATTERY CABLE POSITIVE (LD)	1	
8	31116	HEX HD. SCREW M8X16	1	
9	3058	PLAIN WASHER 15X8.4X1.5	1	
10	016406	SPRING WASHER	1	
11	3056	PLAIN WASHER M6 OD12	1	
12	31088	HEX HD SCREW M6 X 16 CL 8.8 (811061623)	1	
13	661491	PIG TAIL- CABIN LAMP	1	
14	B073320R	PIG TAIL- CABIN LAMP (NEW)-PASSENGER	1	

Print Date: 07-Apr-2022

PLATE-34

FRONT BRAKE ASSEMBLY SELF ADJUSTING (DIA 180 X 40 MM)





Print Date: 07-Apr-2022

PLATE-34**FRONT BRAKE ASSEMBLY SELF ADJUSTING (DIA 180 X 40 MM)**

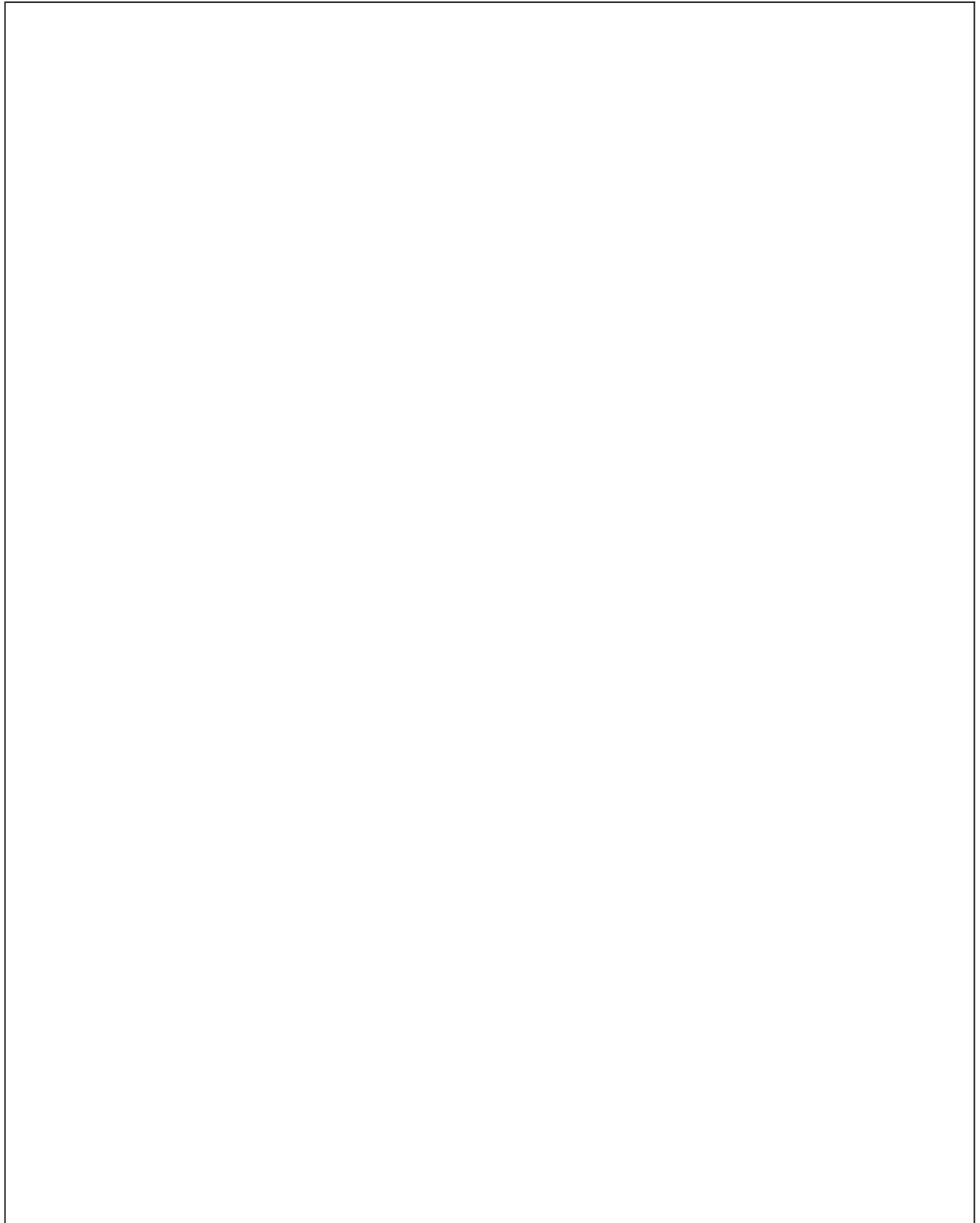
Fig. No.	Part No.	Description	Qty	Remarks
1	616541	BRACKET WHEEL CARRIER WITH PI	1	
2	B003784	LEADING SHOE COMP WITH PIN LH ANL 1643	1	
3	940004	FRONT BRAKE SHOE KIT COMPRISING OF 2 & 3	1	
4	179056	FORK ASSY LH	1	
5	178804	FORK FOR LH WHEEL	1	
6	178805	LH - GEAR	1	
7	178806	LH STRUT	1	
8	602497	JAWS STOP SPRINGS	2	
9	116088	SPRING SUPPORTING JAWS	1	
10	245038	SHOE RETURN SPRING	1	
11	178808	SPRING LEVER RETURN	1	
12	178807	LEVER LH	1	
13	178823	JUMPER LH	1	
13	178824	JUMPER	1	
14	63440	BOLT M6X12	2	
15	12536	SPRING WASHER	2	
16	587616	BRAKE CYLINDER FR ASSLY (DIA. 22.225)	1	
17	925501	CAP (KBX P 6450225)	1	
18	940004	FRONT BRAKE SHOE KIT COMPRISING OF 2 & 3	1	
19	925521	MINOR KIT WHEEL CYL. FRT (KBX 1007)	1	

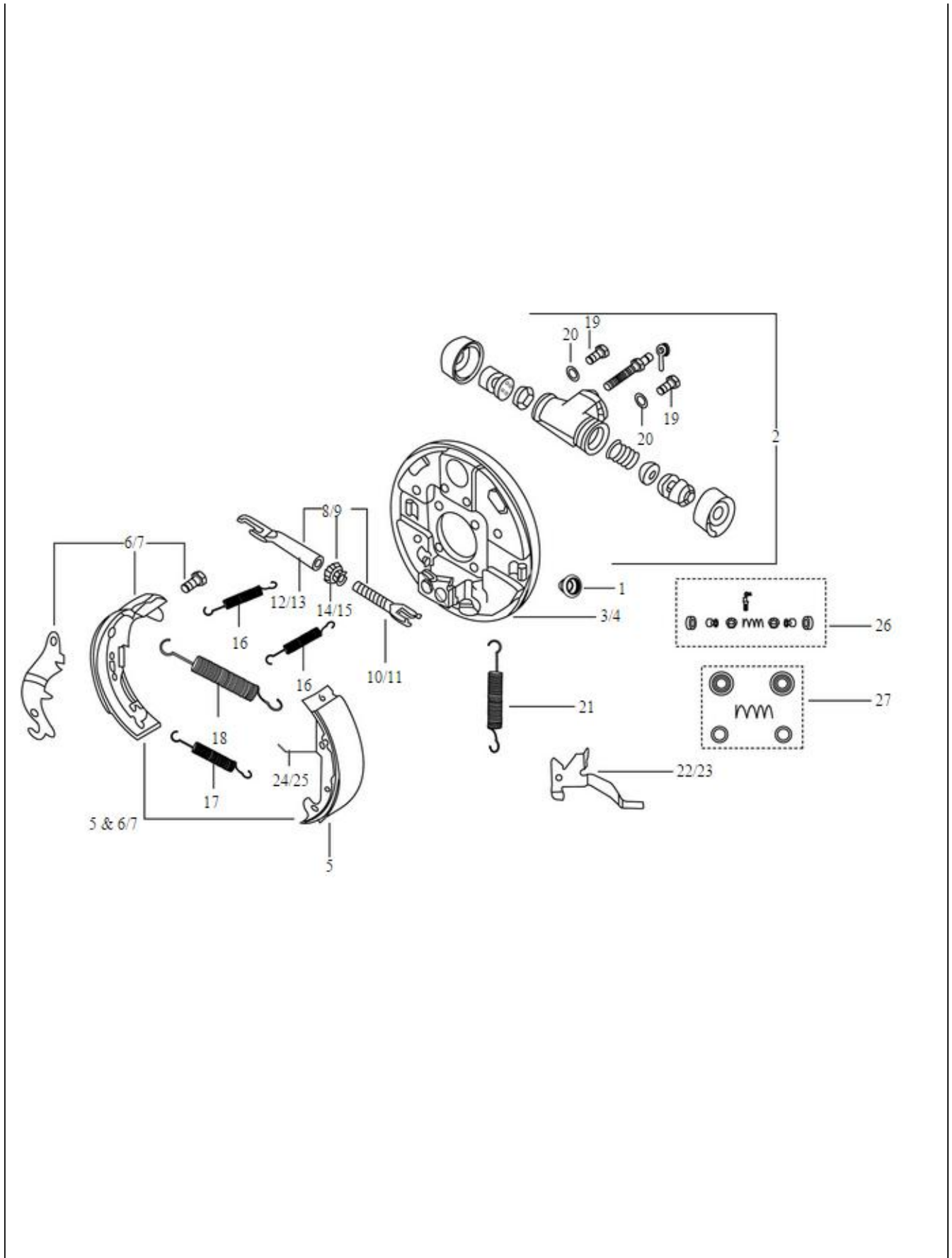
100

Print Date: 07-Apr-2022

PLATE-35

REAR BRAKE ASSEMBLY SELF ADJUSTING (DIA 180 X 40 MM)





Print Date: 07-Apr-2022

PLATE-35**REAR BRAKE ASSEMBLY SELF ADJUSTING (DIA 180 X 40 MM)**

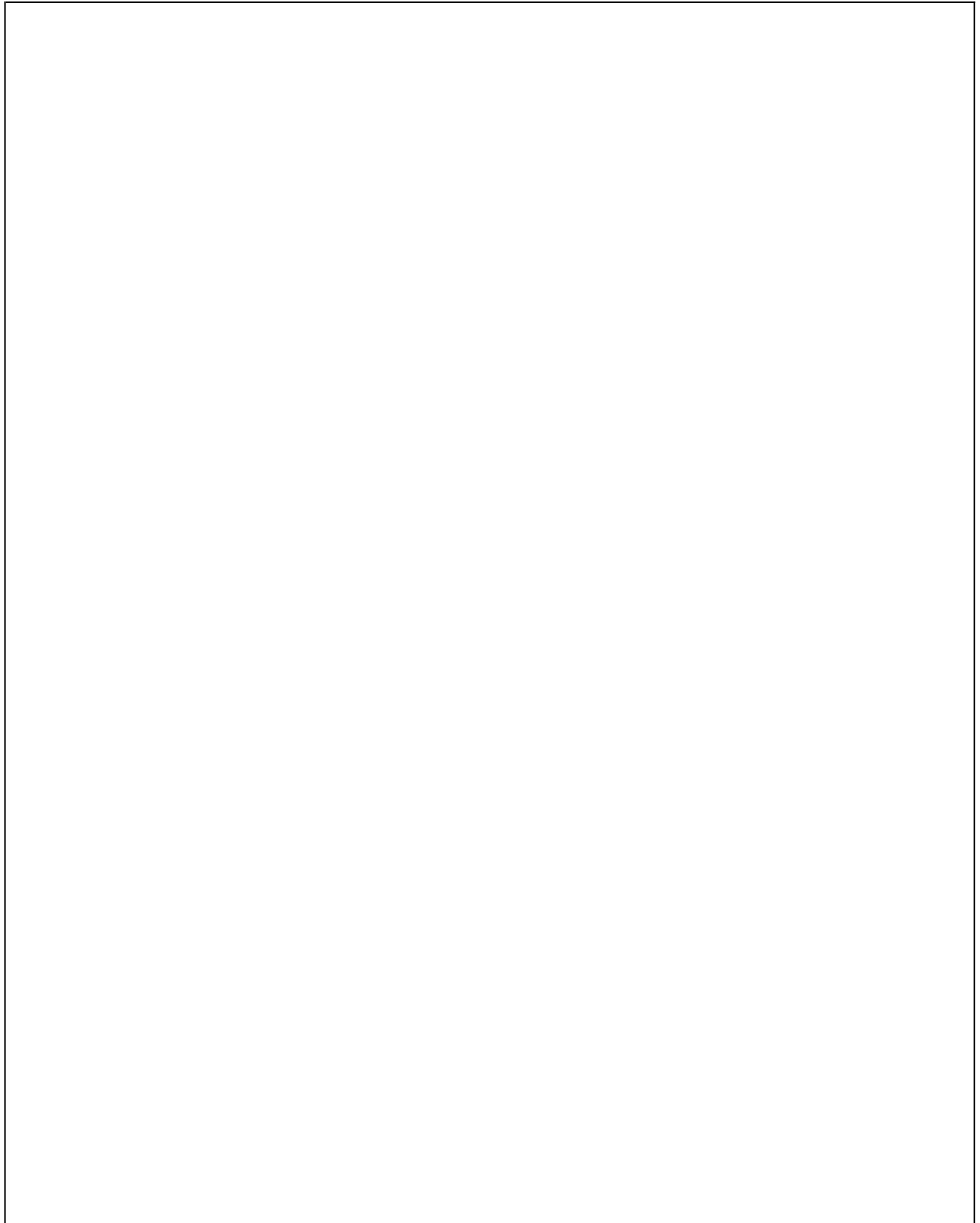
Fig. No.	Part No.	Description	Qty	Remarks
1	925501	CAP (KBX P 6450225)	1	
2	632148	WHEEL CYLINDER ASSY. FRONT DIA. (25.4 MM)	1	
2	632148	WHEEL CYLINDER ASSY. FRONT DIA. (25.4 MM)	1	
3	602120	LEFT BRAKE JAW HOLDING CABLE PLATE	1	
4	602123	RIGHT BRAKE JAW HOLDING CABLE PLATE	1	
5	B003784	LEADING SHOE COMP WITH PIN LH ANL 1643	1	
6	940005	REAR BRAKE SHOE SET L/H COMPRISING OF 5 & 7	1	
7	940006	REAR BRAKE SHOE SET R/H. COMPRISING OF 5 & 8	1	
8	179056	FORK ASSY LH	1	
9	179057	FORK ASSY. RH	1	
10	178804	FORK FOR LH WHEEL	1	
11	178818	RH FORK	1	
12	178806	LH STRUT	1	
13	178820	RH STRUT	1	
14	178805	LH - GEAR	1	
15	178819	RH GEAR	1	
16	602497	JAWS STOP SPRINGS	2	
17	116088	SPRING SUPPORTING JAWS	1	
18	245038	SHOE RETURN SPRING	1	
19	63440	BOLT M6X12	2	
20	12536	SPRING WASHER	2	
21	178808	SPRING LEVER RETURN	1	
22	178807	LEVER LH	1	
23	178821	LEVER RH	1	
24	178823	JUMPER LH	1	
25	178824	JUMPER	1	
28	940005	REAR BRAKE SHOE SET L/H COMPRISING OF 5 & 7	1	
29	940006	REAR BRAKE SHOE SET R/H. COMPRISING OF 5 & 8	1	

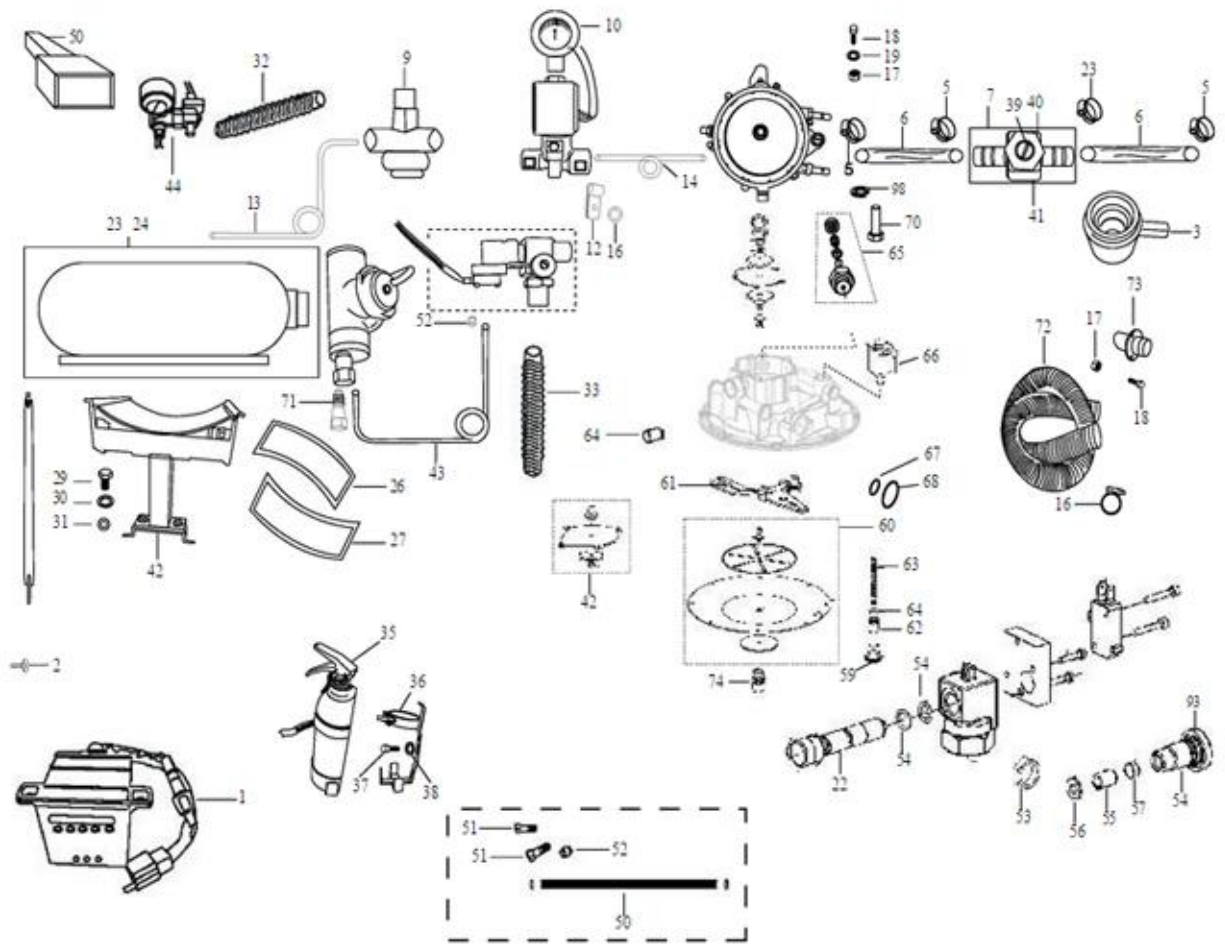
102

Print Date: 07-Apr-2022

PLATE-36

VANAZ KIT - CNG





Print Date: 07-Apr-2022

PLATE-36
VANAZ KIT - CNG

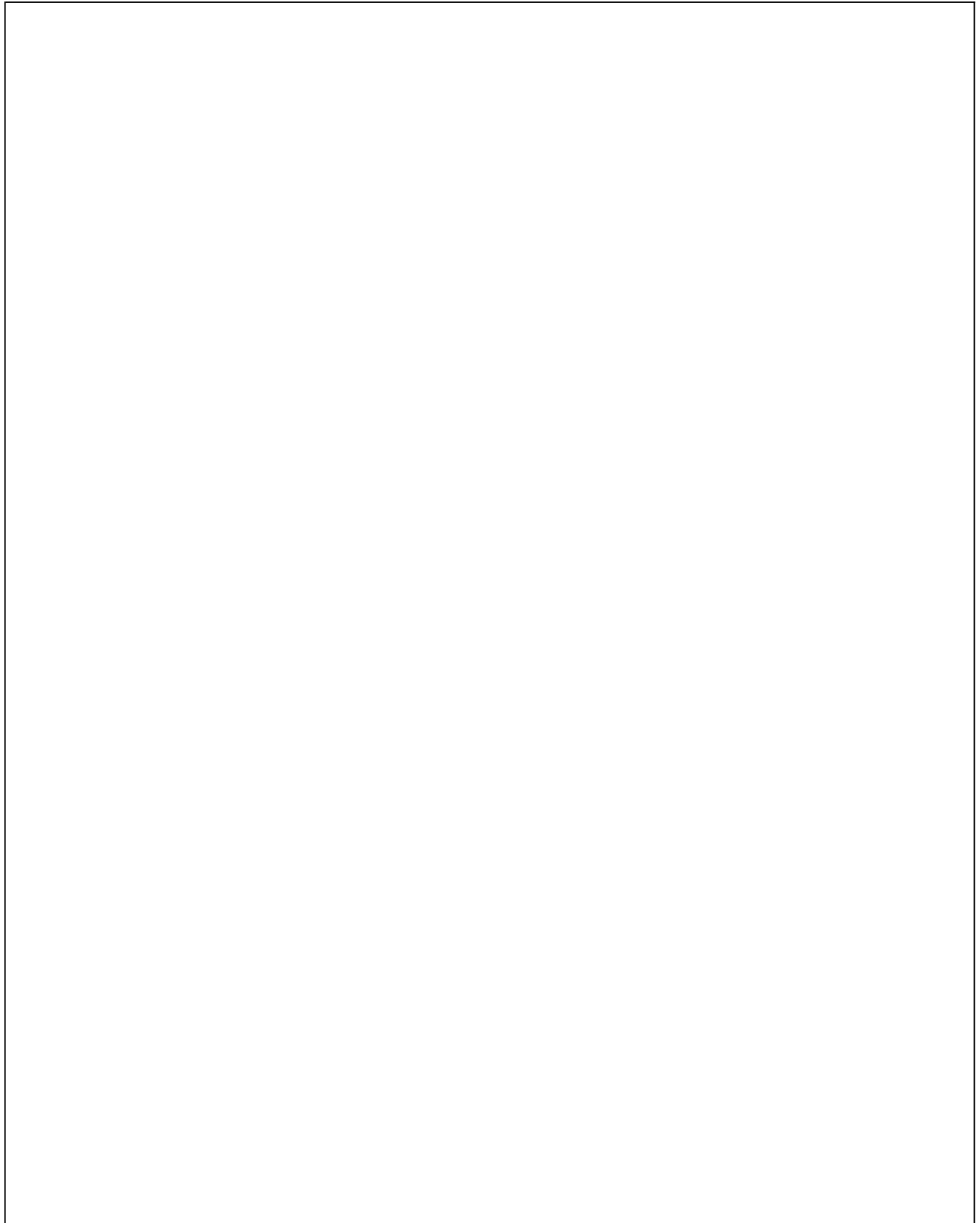
Fig. No.	Part No.	Description	Qty	Remarks
1	660245	ECU WITH LED INDICATOR	1	
1	660245	ECU WITH LED INDICATOR	1	
2	B009017	MIXER ASSEMBLY(VANAZ PT NO K-0122-23)	1	
3	643839	FILLER VALVE WITH REFUELLING UNIT(VANAZ	1	
4	643869	CLIP(K-0301-13-040)	4	
5	643843	LOW PRESS HOSE PIPE(VANAZ PT NO K-0107	2	
6	643844	FLOW CONTROL UNIT(VANAZ PT NO R-8101-08	1	
7	643846	3 STAGE REGULATOR(VANAZ PT NO R-8104)	1	
8	643847	HIGH PRESS SOLENOID VALVE(VANAZ PT NO K	1	
9	643848	JUNCTION BLOCK SUB ASSY(VANAZ PT NO K-0	1	
10	932300	CNG PRESSURE GAUGE WITH SENSOR	1	
11	643859	TRANSIENT SUPPORT UNIT(VANAZ PT NO K-011	1	
12	643864	CLIP FOR COPPER TUBE(VANAZ PT NO K-0101-	6	
13	643906	HOSE FROM FILLER VALVE TO JUNCTION BLOCK	1	
14	643908	TUBE FROM SOLENOID VALVE TO PRESS REGUL	1	
15	925786	ECU - FUSE (2A) (N.I)	1	
16	661910	CLIP	2	
17	661908	HEX NUT (M5) (FERRULE (VANAZ P.NO.R-8101	3	
18	661909	CHEESE HEAD SCREW	3	
19	16670	PLAIN WASHER 12X4.5X1	6	
20	016404	SPRING WASHER M4	3	
21	20104	HEX NUT M4	3	
22	661399	DUST PLUG	1	
23	B042657R	CNG CYLINDER M/S EKC WITH OMB VALVE	1	
25	B009290	STRAP ASSY.	2	
26	604856	RUBBER STRAP LOWER	2	
27	604863	UPPER STRAPS ASSY.	2	
28	659857	RUBBER STRAP UPPER	2	
29	16410	SPRING WASHER	2	
30	016408	SPRING WASHER	12	
31	3058	PLAIN WASHER 15X8.4X1.5	12	
32	660197	VENT HOSE ASSY - 1	1	
33	660196	VENT HOSE ASSY - 2	1	
34	661758	TUBE FROM JUNCTION BLOCK TO SOLENOID VALK-0122-22	1	
35	643655R	FIRE EXTINGUISHER	1	

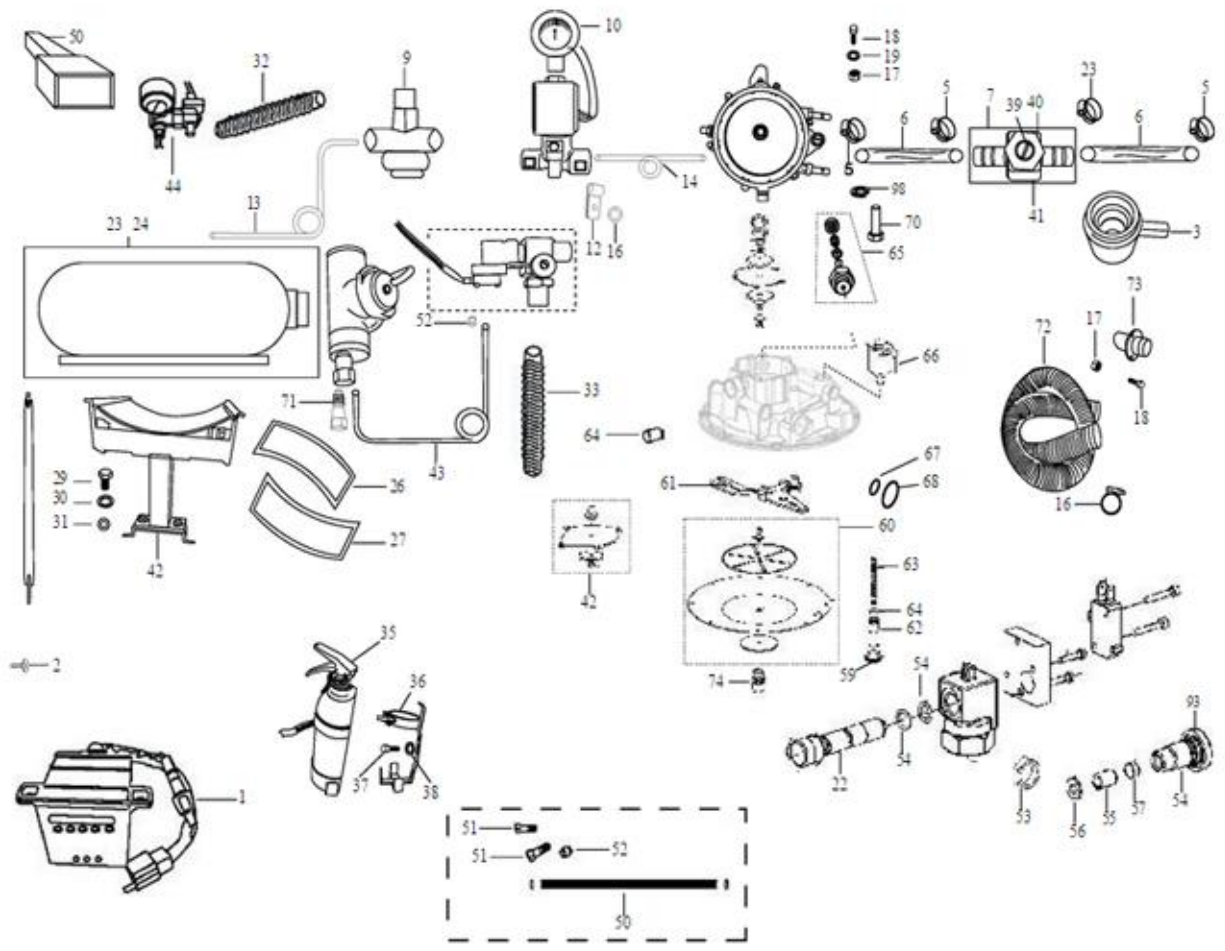
104

Print Date: 07-Apr-2022

PLATE-36

VANAZ KIT - CNG





Print Date: 07-Apr-2022

PLATE-36
VANAZ KIT - CNG

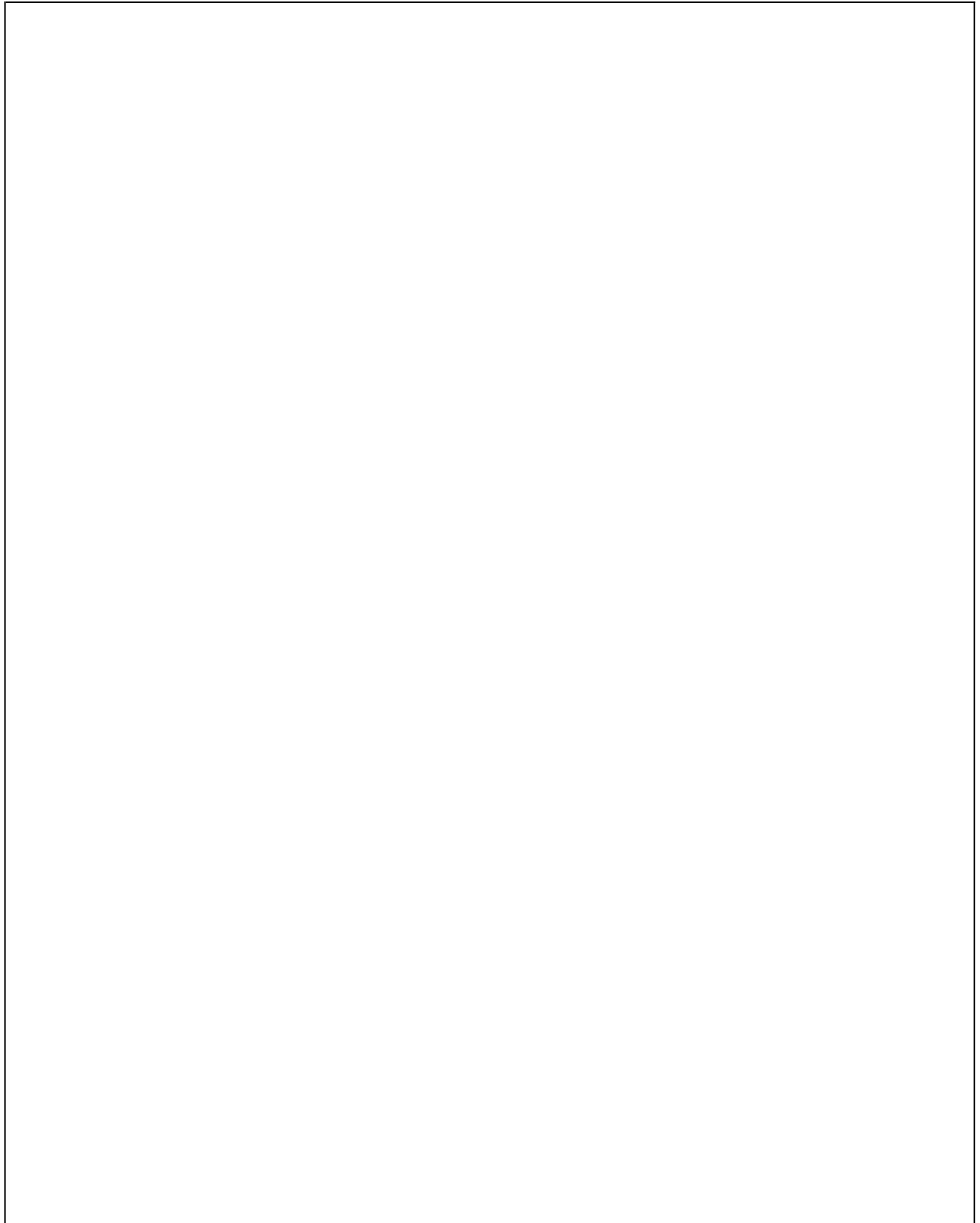
Fig. No.	Part No.	Description	Qty	Remarks
36	643598	EXTINGUISHER BKT ASSLY COMPLETE	1	
37	31116	HEX HD. SCREW M8X16	2	
38	016408	SPRING WASHER	2	
39	925761	FLOWADIUSTING SCREW(K-0122-07-020)	1	
40	661916	LOCK NUT(R-8101-555)	1	
41	925760	FLOW CONTROL BODY(K-0122-07-010)	1	
42	659870	CENTRAL MTG BRACKET	2	
43	643998	TUBE ASSLY. CNG VALVE TO FILLER VALVE (1	
44	B042179	REMOTE FILLER UNIT	1	
45	632870	HEX HEADED SCREW M4 X 12	6	
46	643861	WIRE HARNESS(VANAZ PT NO K-0122-18)	1	
47	660179	KIT WIRING HARNESS-CNG	1	
47	6D000409	KIT WIRING HARNESS - CNG	1	
49	925759	STEEL TUBE WITH PVC SHILDING(K-0122-01-0	1	
50	925759	STEEL TUBE WITH PVC SHILDING(K-0122-01-0	1	
51	925756	COUPLING SCREW(K-0113-01-020)	3	
52	925757	FERRULE(K-0113-300)	4	
53	925754	LOCK NUT(K0106-10-180)	1	
54	932242	ORING	1	
55	925751	FILTER(K-01-02-380)	1	
56	925752	WASHER(K-0102-02-390)	1	
57	925769	PAD(R-8101-430)	1	
58	925749	RETAINER(K-0102-02-360)	1	
59	925727	LOCK NUT (R-8104-11)	1	
60	925727	LOCK NUT (R-8104-11)	1	
61	925778	LEVER PIN(R-8104-200)	1	
62	925779	IDLINGSCREW(R-8104-220)	1	
63	925780	SPRING(R-8104-230)	1	
64	925781	O RING	1	
65	925776	SRV. SUB ASSLY.(R-8104-13)	1	
66	925785	SOLENOID VALVE (S-0102)	1	
67	925770	O-RING(R-8101-500)	1	
68	925783	O RING	1	
69	925751	FILTER(K-01-02-380)	1	
70	925772	SPRING GUIDE(R-81015-620)	1	

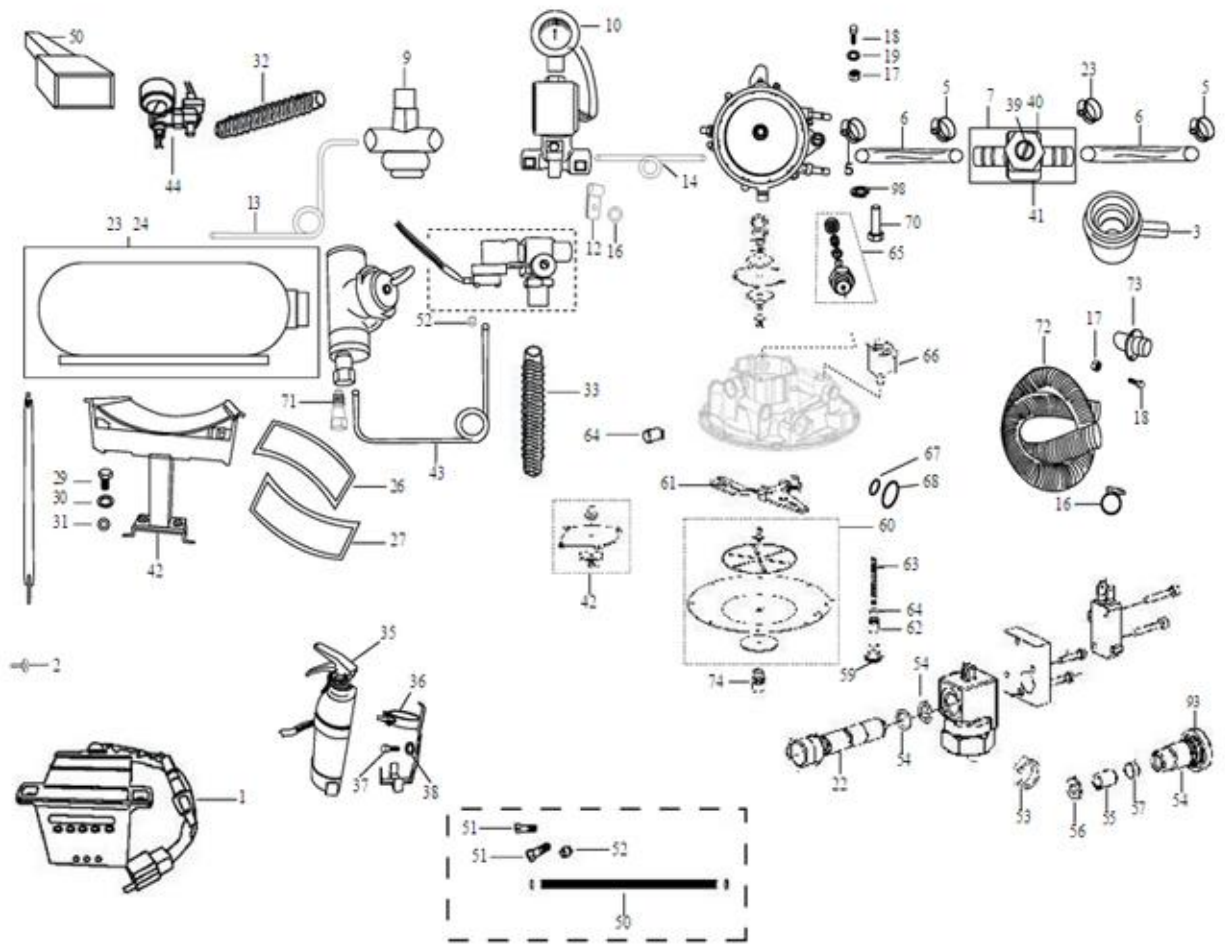
106

Print Date: 07-Apr-2022

PLATE-36

VANAZ KIT - CNG





Print Date: 07-Apr-2022

PLATE-36**VANAZ KIT - CNG**

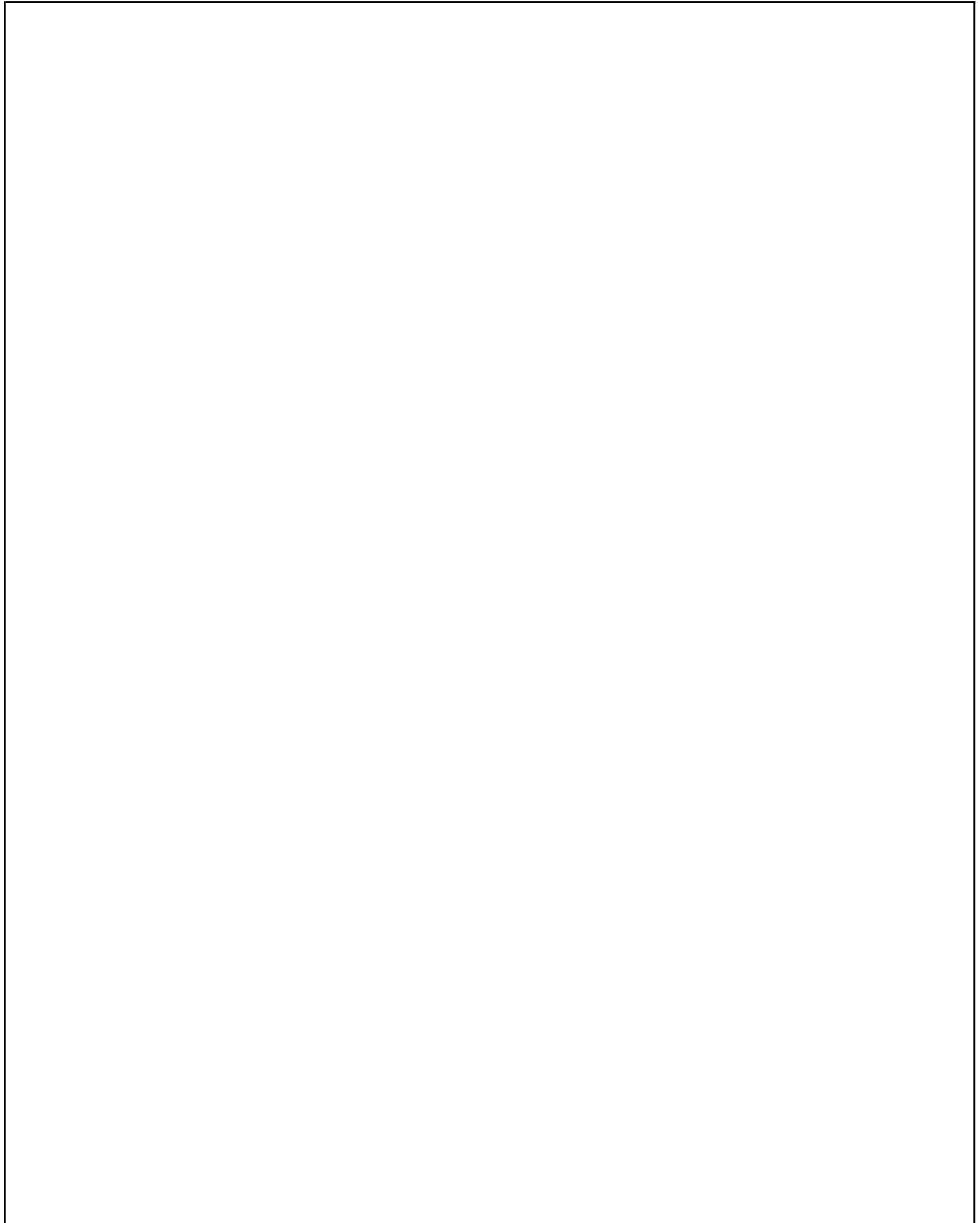
Fig. No.	Part No.	Description	Qty	Remarks
71	661825	PLUG	1	
72	661912	VENT HOSE(K-0401-19-010)	2	
73	661911	SPIGOT(VANAZ P.NO.K-0401-19-020)	2	
74	929958	BREATHER ASSLY (VANAZ P/NO(R-8101-11)	1	

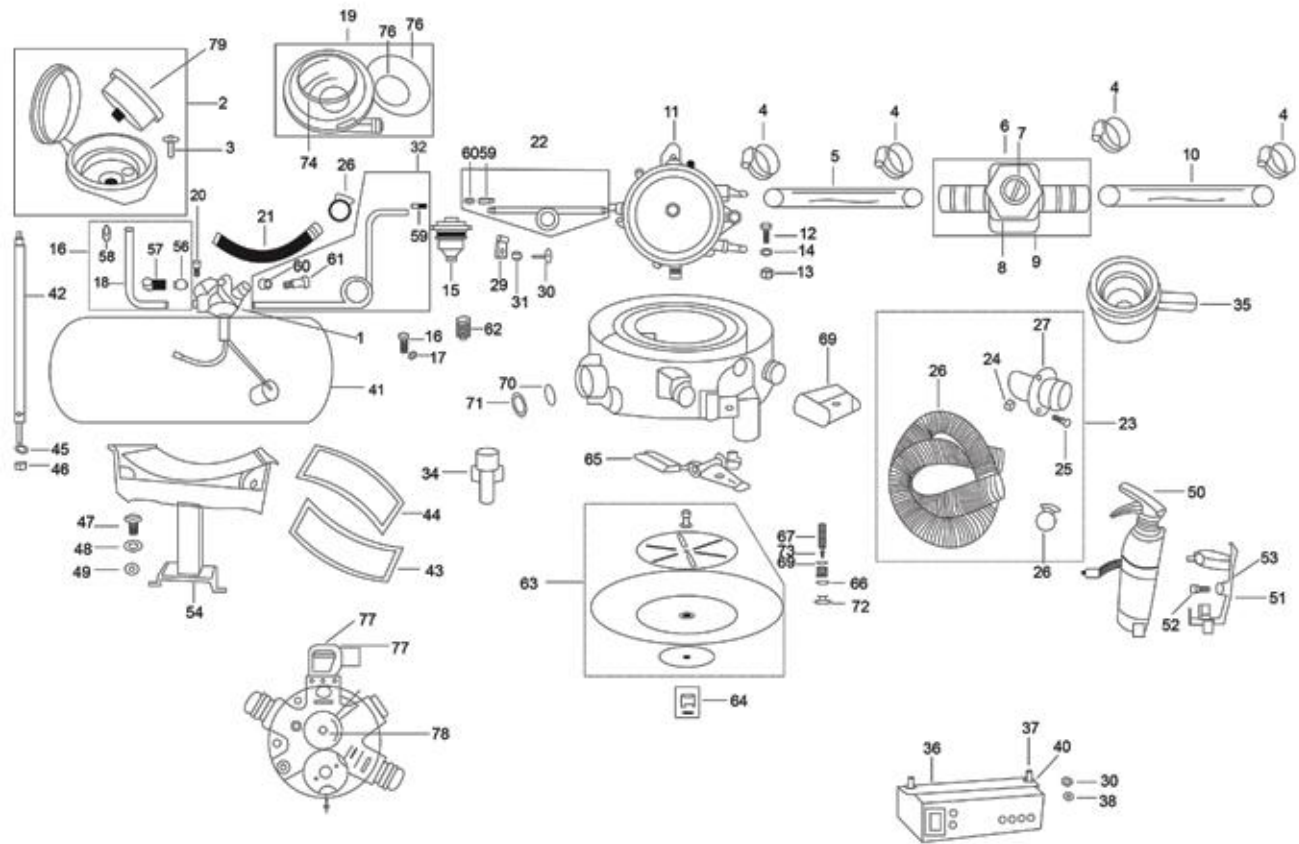
108

Print Date: 07-Apr-2022

PLATE-37

LPG-KIT





Print Date: 07-Apr-2022

PLATE-37**LPG-KIT**

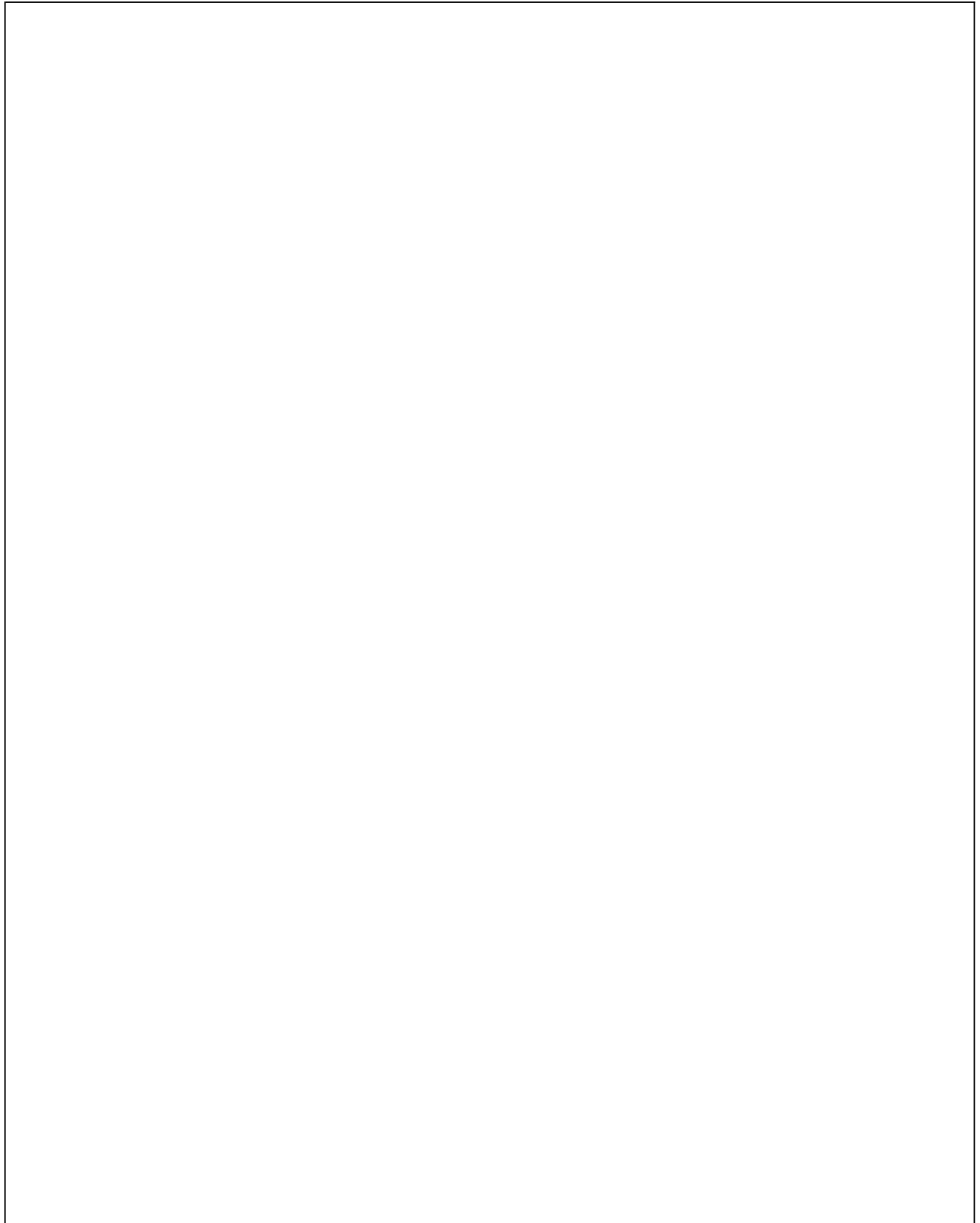
Fig. No.	Part No.	Description	Qty	Remarks
1	B073083	MULTI FUNCTION VALVE	1	
2	925743	FILLER CONNECTOR WITH CAP	1	
3	-	SCREW FOR FILLER CONNECTOR CAP	2	
4	643869	CLIP(K-0301-13-040)	4	
5	643873	AUTO LPG HOSE-2(VANAZ PT NO K-0415-08)	1	
6	-	FLOW CONTROL UNIT(VANAZ PT NO K-0113-07)	1	
7	925761	FLOWADIUSTING SCREW(K-0122-07-020)	1	
8	661916	LOCK NUT(R-8101-555)	1	
9	661917	FLOW CONTROL BODY	1	
10	643873	AUTO LPG HOSE-2(VANAZ PT NO K-0415-08)	1	
11	920075	2 STAGE LPG REGULATOR	1	
12	-	BOLT FOR PRESS REGU MTG	4	
13	-	NUT FOR PRESS REG MTG(LPG)	4	
14	-	SPRING WASHER - PRESSURE REGU. MTG.	4	
15	925744	LPG FILTER(VANAZ PT NO K-0301-12)	1	
16	-	BOLT FOR LPG FILTER	1	
17	-	WASHER FOR LPG FILTER	1	
18	925740	COPPER TUBE ASSY FOR REFUELLING(VANAZ PT)	1	
19	643883	SEAL BOX	1	
20	643884	ALLEN SCREW	6	
21	643912	COVER PIPE (FROM VALVE TO REAR WALL)	1	
22	643913	COPPER TUBE FROM FILTER TO REGULATOR	1	
23	643878	GAS VENT ASSLY(VANAZ PT NO K-0401-19)	1	
24	661908	HEX NUT (M5) (FERRULE (VANAZ P.NO.R-8101	3	
25	661909	CHEESE HEAD SCREW	3	
26	661910	CLIP	4	
27	661911	SPIGOT(VANAZ P.NO.K-0401-19-020)	1	
28	661912	VENT HOSE(K-0401-19-010)	2	
29	643864	CLIP FOR COPPER TUBE(VANAZ PT NO K-0101-	5	
30	-	SCREW FOR CLIP	4	
31	-	WASHER FOR CLAMP	4	
32	925746	COPPER TUBE ASSLY. (MFV TO FILTER)	1	
33	661735	COPPER TUBE ASSY- FILTER TO LPR	1	
34	661822	NOZZLE (VANAZ PT.NO.K-0415-210)	1	
35	B009122	MIXER ASSY(VANAZ PT NO K-0435-01)	1	

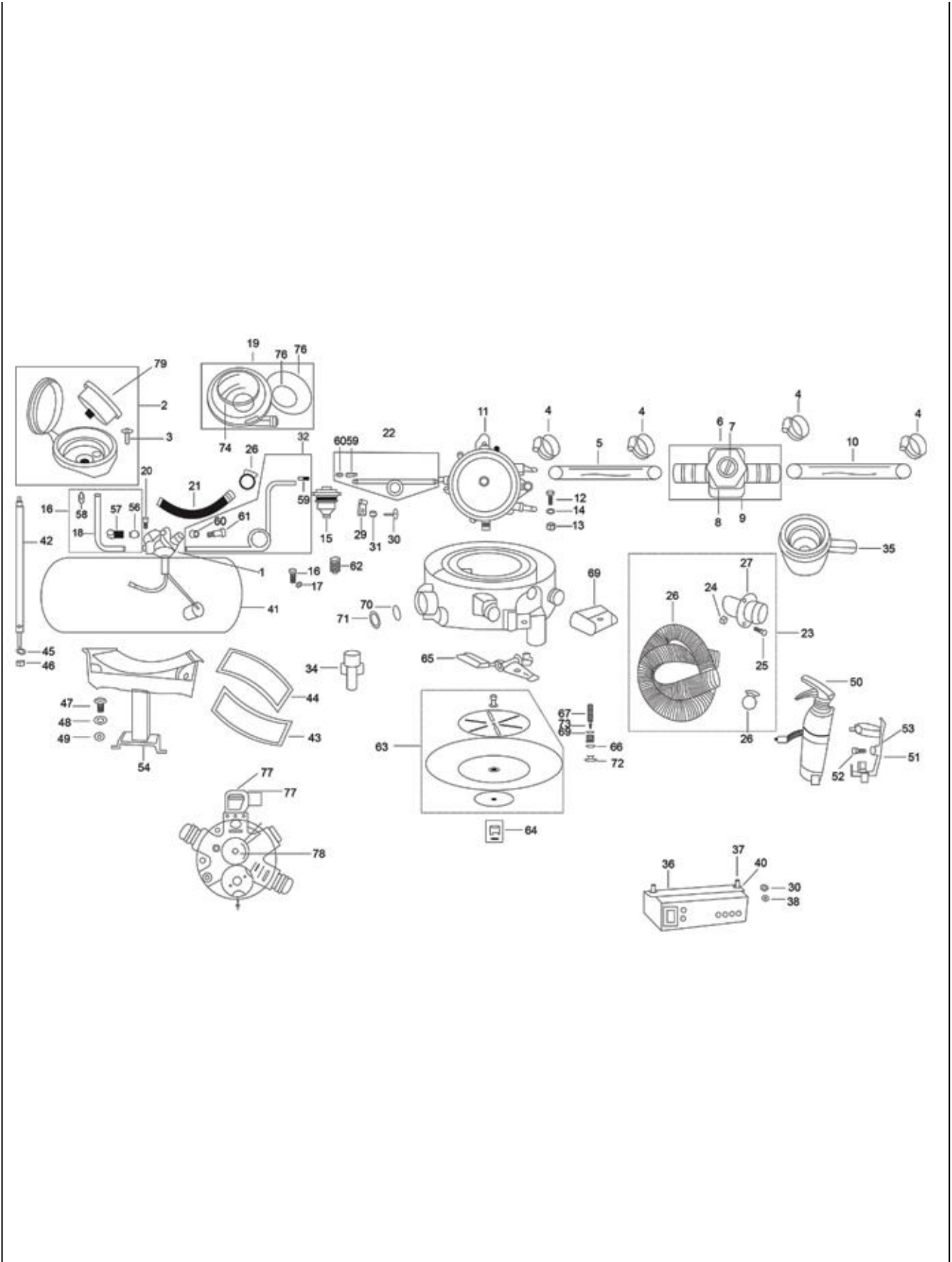
110

Print Date: 07-Apr-2022

PLATE-37

LPG-KIT





Print Date: 07-Apr-2022

PLATE-37**LPG-KIT**

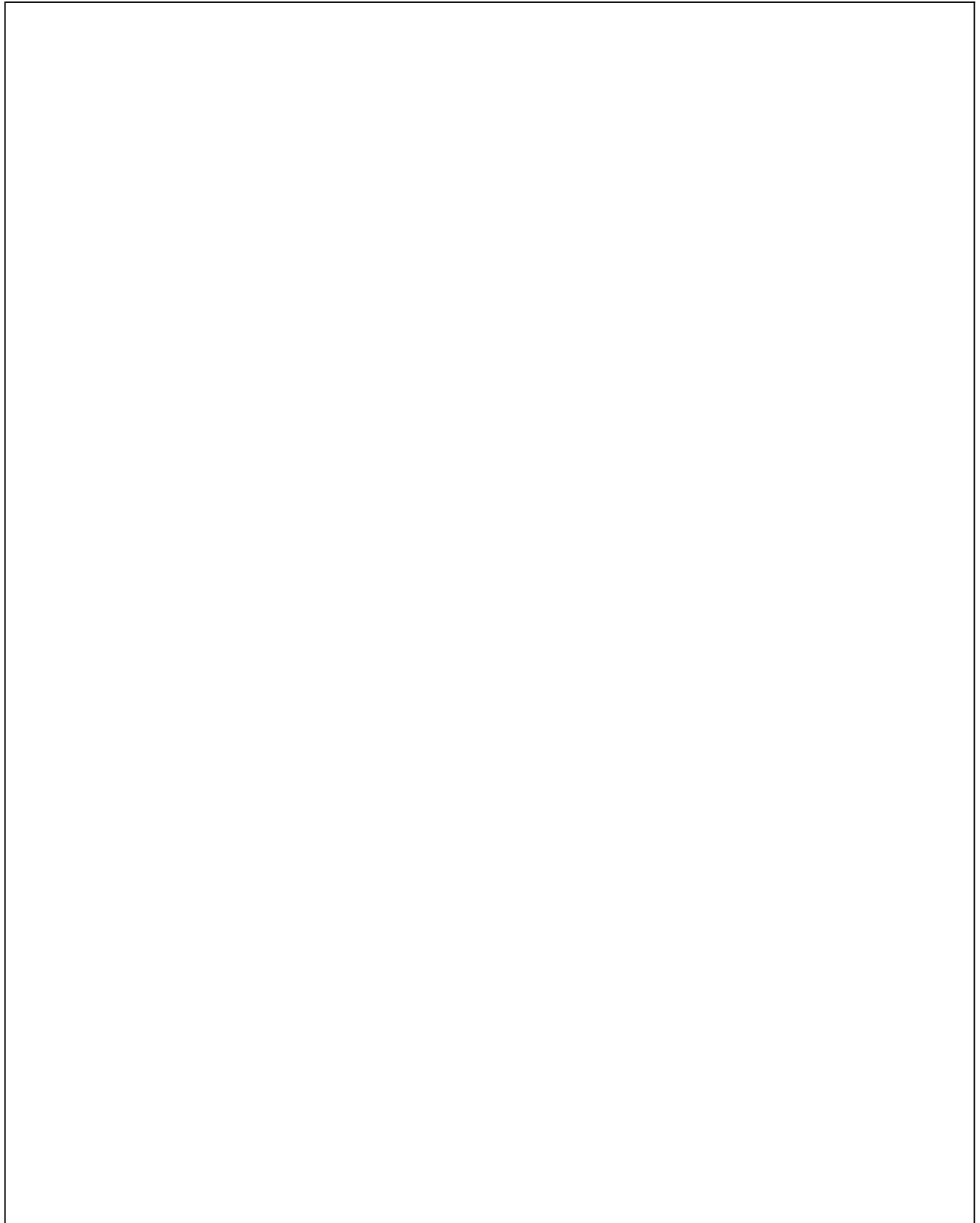
Fig. No.	Part No.	Description	Qty	Remarks
36	932268	ECU	1	
37	644975	SELF TAPPING SCREW FOR ECU - LPG	2	
38	661985	PLAIN WASHER FOR ECU	2	
39	661986	SPRING WASHER FOR ECU	2	
40	661994	NUT FOR ECU (LPG)	2	
41	632186	LPG CYLINDER	1	
41	B073024	LPG CYLINDER	1	For Zero Degree
42	632183	RUBBER STRAP	2	
43	632185	LOWER STRAPS ASSY.	2	
44	632184	RUBBER STRAP UPPER	2	
45	-	NUT M 10	2	
46	16410	SPRING WASHER	2	
47	-	HEX HEAD SCREW M8 X 18	12	
48	016408	SPRING WASHER	12	
49	3058	PLAIN WASHER 15X8.4X1.5	12	
50	643655R	FIRE EXTINGUISHER	1	
51	643598	EXTINGUISHER BKT ASSLY COMPLETE	1	
52	-	HEX HEAD SCREW M8 X 18 (811082029)	2	
53	016408	SPRING WASHER	2	
54	643927	ASSY CENTRAL BRACKET	2	
55	643877	WIRING HARNESS LPG. (NI)	1	
56	925726	FERRULE	2	
57	925734	COUPLING SCREW	1	
58	925732	UNION NUT	1	
59	925733	UNION NUT	1	
60	661905	FERRULE	2	
61	661913	COUPLING SREW	1	
62	925737	FILTER ELEMENT(K-0301-12-050)	1	
63	925741	DIAPHRAGM SUB. ASSY. (1 ST STAGE)	2	
64	925731	FILTER SUB. ASSY.	1	
65	925768	PAD	1	
66	925779	IDLINGSREW(R-8104-220)	1	
67	925720	SPRING	1	
68	925781	O RING	1	
69	925785	SOLENOID VALVE (S-0102)	1	

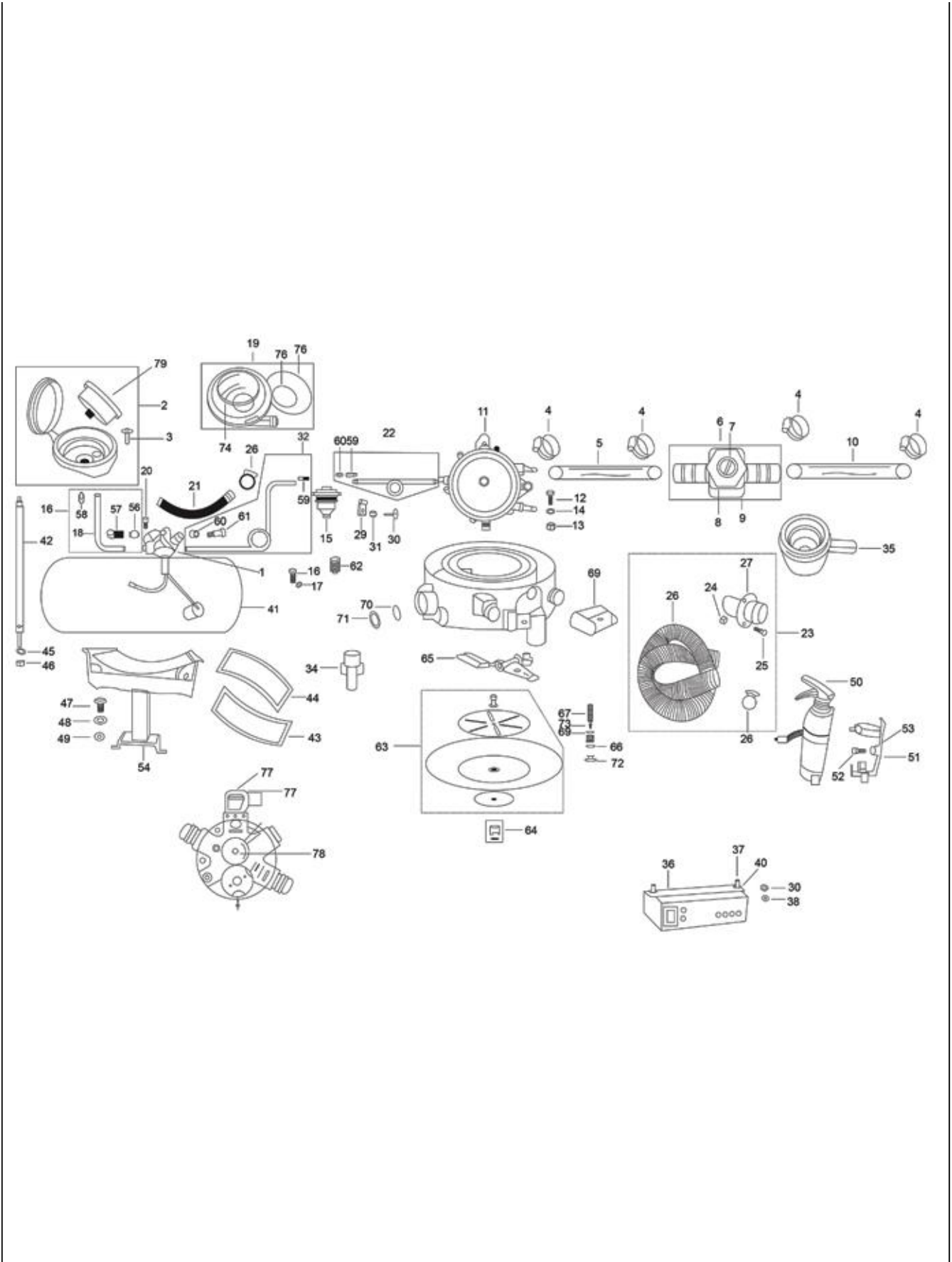
112

Print Date: 07-Apr-2022

PLATE-37

LPG-KIT





Print Date: 07-Apr-2022

PLATE-37**LPG-KIT**

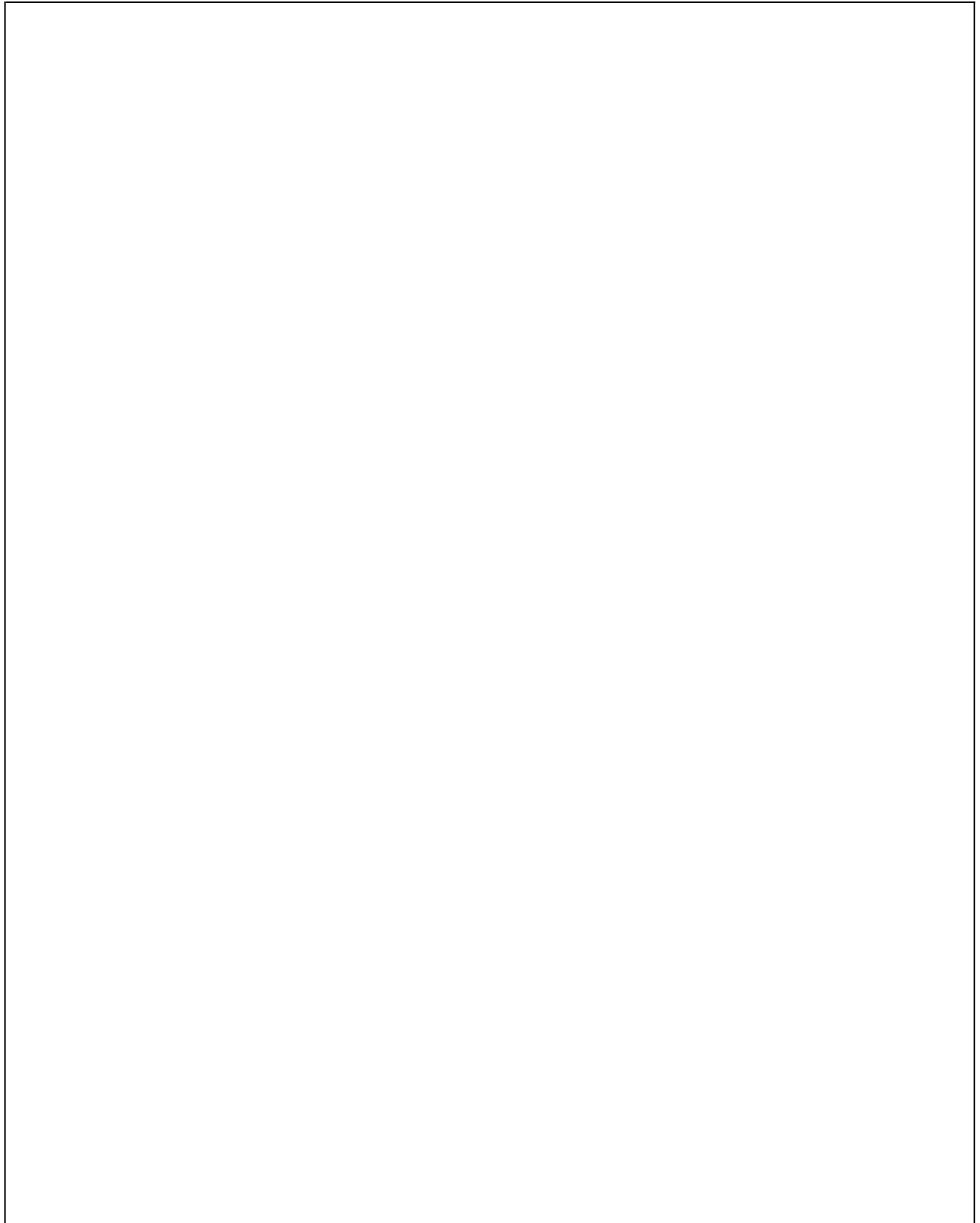
Fig. No.	Part No.	Description	Qty	Remarks
70	925770	O-RING(R-8101-500)	1	
71	-	O RING	1	
72	-	LOCK NUT	1	
73	925772	SPRING GUIDE(R-81015-620)	1	
74	925738	UPPER CASE	4	
75	925728	O RING (SEAL BOX)	1	
76	925725	O RING (SEAL BOX)	1	
77	925745	SOLENOID VALVE (MFV)	1	
78	925742	CONTENT GAUGE(V-5406-450)	1	
79	925729	FILLER CAP	1	

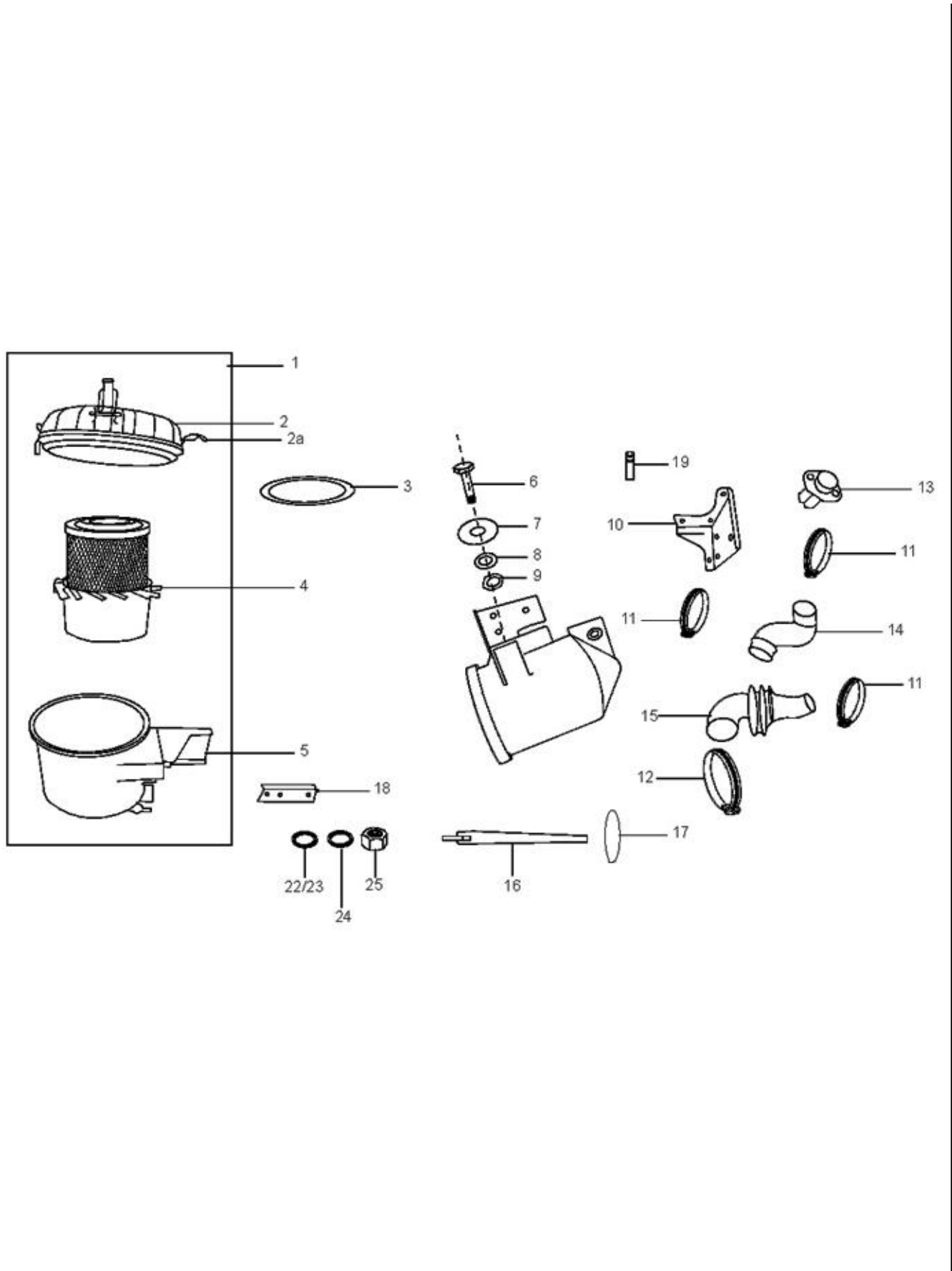
114

Print Date: 07-Apr-2022

PLATE-11.1

AIR FILTER ASSLY. COMPLETE





Print Date: 07-Apr-2022

PLATE-11.1**AIR FILTER ASSLY. COMPLETE**

Fig. No.	Part No.	Description	Qty	Remarks
1	B077441	AIR FILTER MOUNTING ASSLY. COMPLETE	1	BSIV-CNG
1	B077448	AIR FILTER MOUNTING ASSLY. COMPLETE	1	BSIV-LPG
1	E40018625	AIR FILTER ASSYPLASTIC MODIFIED SEALING	1	BSIV
2	920088	CLAMP	1	C
2A	632427	O RING	1	C
3	632428	FILTER ELEMENT ASSLY (ENGINETECH AIR FI	1	C
4	920102	ELEMENT FOR AIR CLEANER	1	C
5	031090	HEXAGONAL SCREW	1	C
6	604973	PLAIN WASHER M6	3	C
7	016406	SPRING WASHER	3	C
8	20106	HEX NUT M6	3	C
9	20106	HEX NUT M6	3	C
10	604750	BRACKET FOR ENGINETECH FILTER	1	C
11	604756	HOSE CLIP	3	C
12	611621	PLASTIC FLANGE ENGINETECH (N.I.)	1	C
13	1A007620	RETRACTOR FOR AIR FILTER-SNORKEL PTL	1	BSIV
14	662491	HOSE AIR FILTER TO MIXER	1	
15	662544	HOSE AIR INTAKE TO AIR FILTER	1	
16	B009290	STRAP ASSY.	1	C
16	632413	RUBBER PACKING (N.I.)	1	C
17	632412	BKT. STRAP HOLDING	1	C
18	632426	DUST VALVE (ENGINETECH)	1	C
19	230560	SPACER	1	C
20	569041	KNOB ASSLY (ENGINETECH AIR FILTER)	3	C
21	3056	PLAIN WASHER M6 OD12	1	C
22	013880	PLAIN WASHER	2	C
23	016406	SPRING WASHER	2	C
24	20106	HEX NUT M6	4	C
25	20106	HEX NUT M6	4	C
26	79375	RUBBER BUMPER	3	C

Print Date: 07-Apr-2022

PARTS INDEX

ape Xtra LD CNG LPG BSIV



117

Print Date: 07-Apr-2022

PART NO	BLOCK	PART NO	BLOCK	PART NO	BLOCK
003054	PLATE-31	016408	PLATE-20	117402	PLATE-18
003054	PLATE-31	016408	PLATE-20	117404	PLATE-18
003054	PLATE-18	016408	PLATE-21	118447	PLATE-21
003054	PLATE-22	016408	PLATE-21	118806	PLATE-28
003054	PLATE-23	016408	PLATE-24	119181	PLATE-28
003054	PLATE-24	016408	PLATE-29	119278	PLATE-18
003054	PLATE-30	016408	PLATE-29	119278	PLATE-28
003054	PLATE-30	016408	PLATE-29	119278	PLATE-29
005967	PLATE-32	031090	PLATE-11.1	119735	PLATE-30
013880	PLATE-11.1	105392	PLATE-21	119928	PLATE-28
013880	PLATE-21	107718	PLATE-27	119975	PLATE-30
013880	PLATE-23	107732	PLATE-27	120159014	PLATE-19
013880	PLATE-23	107827	PLATE-26	120164019	PLATE-19
016404	PLATE-36	107870	PLATE-26	120170018	PLATE-19
016404	PLATE-18	107870	PLATE-27	120203011	PLATE-18
016404	PLATE-30	107871	PLATE-27	120204015R	PLATE-16
016406	PLATE-31	108215	PLATE-27	120205019	PLATE-16
016406	PLATE-31	108785	PLATE-29	120212012	PLATE-15
016406	PLATE-32	108873	PLATE-27	120238016	PLATE-19
016406	PLATE-32	108874	PLATE-27	120271018	PLATE-15
016406	PLATE-33	109012	PLATE-21	120321019	PLATE-18
016406	PLATE-33	109064	PLATE-27	12136	PLATE-31
016406	PLATE-11.1	109066	PLATE-27	12136	PLATE-15
016406	PLATE-11.1	109117	PLATE-27	12138	PLATE-32
016406	PLATE-17	109227	PLATE-28	12138	PLATE-28
016406	PLATE-18	109265	PLATE-27	122032014	PLATE-16
016406	PLATE-18	109361	PLATE-32	122032014	PLATE-17
016406	PLATE-18	109404	PLATE-28	124102019	PLATE-18
016406	PLATE-19	109635	PLATE-28	124112014	PLATE-18
016406	PLATE-21	109775	PLATE-28	124113018	PLATE-18
016406	PLATE-23	109892	PLATE-26	124121015	PLATE-18
016406	PLATE-28	111353	PLATE-18	124141015R	PLATE-18
016408	PLATE-31	111356	PLATE-18	125012015	PLATE-18
016408	PLATE-31	111498	PLATE-18	125181	PLATE-28
016408	PLATE-32	112867R	PLATE-18	125289	PLATE-27
016408	PLATE-36	112898	PLATE-18	12536	PLATE-31
016408	PLATE-36	113278	PLATE-18	12536	PLATE-34
016408	PLATE-37	114121	PLATE-30	12536	PLATE-35
016408	PLATE-37	116088	PLATE-34	12540	PLATE-24
016408	PLATE-15	116088	PLATE-35	12540	PLATE-24
016408	PLATE-18	116103	PLATE-23	125411	PLATE-29
016408	PLATE-18	117401	PLATE-18	12546	PLATE-31
016408	PLATE-20	117402	PLATE-18	125998	PLATE-21

--	--	--

118

Print Date: 07-Apr-2022

PART NO	BLOCK	PART NO	BLOCK	PART NO	BLOCK
126003011	PLATE-17	127740018	PLATE-19	14628	PLATE-24
126004015	PLATE-17	127741012	PLATE-19	150041R	PLATE-32
126021013	PLATE-17	127753015	PLATE-19	150041R	PLATE-30
126022017	PLATE-17	127754019	PLATE-19	150579	PLATE-27
126052012	PLATE-17	127757011	PLATE-19	150915R	PLATE-31
126053016	PLATE-17	127758015	PLATE-19	151924	PLATE-25
126054010	PLATE-17	127759019R	PLATE-19	152580	PLATE-26
126060019	PLATE-17	12790	PLATE-32	152580	PLATE-27
126902	PLATE-28	12790	PLATE-26	15335	PLATE-15
127012019	PLATE-19	127911019	PLATE-15	15335	PLATE-18
127013013	PLATE-19	127912013	PLATE-15	15335	PLATE-20
127016015	PLATE-18	127927R	PLATE-27	15478	PLATE-20
127102010	PLATE-15	128009	PLATE-21	15478	PLATE-28
127103014	PLATE-18	128010	PLATE-21	15594	PLATE-26
127111011	PLATE-18	128081017	PLATE-17	15640	PLATE-31
127121016	PLATE-18	128306015	PLATE-18	15641	PLATE-30
127141016	PLATE-18	128307019	PLATE-18	157103	PLATE-26
127171310	PLATE-15	128633	PLATE-26	157103	PLATE-27
127179	PLATE-30	128804ED	PLATE-32	15727	PLATE-31
127182010	PLATE-19	128805ED	PLATE-32	15727	PLATE-32
127185012	PLATE-19	129011019	PLATE-19	15727	PLATE-23
127203010R	PLATE-16	129012013	PLATE-19	15727	PLATE-30
127290013	PLATE-19	129015015	PLATE-19	157716	PLATE-23
127302517R	PLATE-16	129019011R	PLATE-19	15900	PLATE-30
127303016R	PLATE-16	132129	PLATE-18	15900	PLATE-30
127306513R	PLATE-16	132134	PLATE-18	15900	PLATE-30
127309515R	PLATE-16	132244	PLATE-18	15911	PLATE-31
127404016R	PLATE-18	136426	PLATE-26	15911	PLATE-20
127451019R	PLATE-16	136434	PLATE-27	15911	PLATE-22
127451	PLATE-28	136451R	PLATE-26	15911	PLATE-24
127460010	PLATE-19	136916	PLATE-20	15911	PLATE-24
127471019	PLATE-19	137026	PLATE-26	15996	PLATE-31
127501010	PLATE-18	137026	PLATE-26	16319	PLATE-28
127530011	PLATE-19	137235	PLATE-27	16405	PLATE-31
127555016	PLATE-18	13812	PLATE-29	16405	PLATE-32
127571015R	PLATE-18	138237	PLATE-29	16405	PLATE-20
12761	PLATE-29	13861	PLATE-21	16405	PLATE-21
127640012	PLATE-17	13861	PLATE-24	16405	PLATE-21
127641016	PLATE-17	14034	PLATE-24	16405	PLATE-21
127691011	PLATE-19	140728	PLATE-29	16405	PLATE-24
127692015	PLATE-19	141925	PLATE-28	16405	PLATE-24
127693019	PLATE-19	142424	PLATE-24	16410	PLATE-36
127730013SP	PLATE-19	142425	PLATE-24	16410	PLATE-37

--	--	--

119

Print Date: 07-Apr-2022

PART NO	BLOCK	PART NO	BLOCK	PART NO	BLOCK
16410	PLATE-18	18630	PLATE-23	20106	PLATE-32
16410	PLATE-20	190255	PLATE-21	20106	PLATE-32
16410	PLATE-20	190393	PLATE-24	20106	PLATE-11.1
16410	PLATE-26	190462	PLATE-24	20106	PLATE-11.1
16410	PLATE-26	190462	PLATE-24	20106	PLATE-11.1
16410	PLATE-27	190465	PLATE-24	20106	PLATE-11.1
16410	PLATE-28	190479	PLATE-24	20106	PLATE-19
164906	PLATE-28	192020017	PLATE-25	20106	PLATE-19
165121014	PLATE-18	196302	PLATE-26	20106	PLATE-23
165121014	PLATE-18	197071	PLATE-28	20106	PLATE-23
16603	PLATE-32	1A000236	PLATE-18	20106	PLATE-28
16603	PLATE-21	1A000612	PLATE-18	20108	PLATE-31
16603	PLATE-24	1A000817	PLATE-18	20108	PLATE-32
16620	PLATE-28	1A000826	PLATE-18	20108	PLATE-18
16626	PLATE-28	1A004807	PLATE-18	20108	PLATE-18
16670	PLATE-36	1A004807	PLATE-18	20108	PLATE-20
16670	PLATE-22	1A005176	PLATE-18	20108	PLATE-20
17702	PLATE-18	1A007620	PLATE-11.1	20108	PLATE-20
178610	PLATE-20	1A009926	PLATE-18	20108	PLATE-21
178804	PLATE-34	1A010094	PLATE-15	20108	PLATE-23
178804	PLATE-35	1A010139	PLATE-18	20108	PLATE-24
178805	PLATE-34	1A011662	PLATE-19	20108	PLATE-24
178805	PLATE-35	1A011778	PLATE-18	20108	PLATE-29
178806	PLATE-34	1A011810	PLATE-18	20108	PLATE-29
178806	PLATE-35	1A014592	PLATE-18	20110	PLATE-20
178807	PLATE-34	1A016604	PLATE-15	20110	PLATE-20
178807	PLATE-35	20104	PLATE-36	20110	PLATE-26
178808	PLATE-34	20104	PLATE-18	20110	PLATE-27
178808	PLATE-35	20104	PLATE-24	20110	PLATE-28
178818	PLATE-35	20104	PLATE-30	20359	PLATE-26
178819	PLATE-35	20105	PLATE-31	21216	PLATE-27
178820	PLATE-35	20105	PLATE-31	219528	PLATE-30
178821	PLATE-35	20105	PLATE-31	220575	PLATE-18
178823	PLATE-34	20105	PLATE-31	226596	PLATE-26
178823	PLATE-35	20105	PLATE-32	226661	PLATE-26
178824	PLATE-34	20105	PLATE-18	226662	PLATE-26
178824	PLATE-35	20105	PLATE-20	229524	PLATE-29
179056	PLATE-34	20105	PLATE-21	230560	PLATE-11.1
179056	PLATE-35	20105	PLATE-24	231370	PLATE-18
179057	PLATE-35	20105	PLATE-28	231370	PLATE-20
180431	PLATE-27	20105	PLATE-29	231370	PLATE-20
181746	PLATE-31	20106	PLATE-31	231370	PLATE-26
181747	PLATE-31	20106	PLATE-31	231370	PLATE-26

--	--	--

120

Print Date: 07-Apr-2022

PART NO	BLOCK	PART NO	BLOCK	PART NO	BLOCK
231370	PLATE-26	3056	PLATE-19	31159	PLATE-20
237246	PLATE-26	3056	PLATE-30	31159	PLATE-26
2383	PLATE-20	3057	PLATE-32	414948	PLATE-24
243303R	PLATE-26	3058	PLATE-31	48197	PLATE-27
2438	PLATE-28	3058	PLATE-32	520221019R	PLATE-15
245038	PLATE-34	3058	PLATE-33	523011013R	PLATE-16
245038	PLATE-35	3058	PLATE-36	523012017	PLATE-16
265091	PLATE-20	3058	PLATE-37	523014015	PLATE-16
267065	PLATE-20	3058	PLATE-20	523021018	PLATE-16
267065	PLATE-26	3058	PLATE-21	566545	PLATE-27
267068	PLATE-26	3058	PLATE-23	567454	PLATE-25
272178	PLATE-20	3058	PLATE-29	567455	PLATE-25
272178	PLATE-20	3068	PLATE-26	567456	PLATE-25
286328	PLATE-20	31054	PLATE-21	567457	PLATE-25
286328	PLATE-20	31056	PLATE-31	567458	PLATE-25
286328	PLATE-20	31057	PLATE-31	567459	PLATE-25
286328	PLATE-26	31058	PLATE-31	567461	PLATE-29
288730	PLATE-18	31058	PLATE-32	567473	PLATE-27
30072	PLATE-21	31058	PLATE-24	567498R	PLATE-31
30072	PLATE-24	31088	PLATE-31	567562	PLATE-21
30072	PLATE-24	31088	PLATE-33	567593	PLATE-30
30074	PLATE-32	31088	PLATE-33	567690	PLATE-29
30077	PLATE-28	31088	PLATE-18	567700	PLATE-31
30103	PLATE-28	31088	PLATE-18	567706	PLATE-31
30209R	PLATE-16	31088	PLATE-21	567719	PLATE-29
30209R	PLATE-27	31088	PLATE-23	567732	PLATE-32
3055	PLATE-31	31088	PLATE-30	567741	PLATE-15
3055	PLATE-31	31089	PLATE-32	567741	PLATE-19
3055	PLATE-31	31089	PLATE-23	567746G1	PLATE-29
3055	PLATE-32	31089	PLATE-28	567878R	PLATE-21
3055	PLATE-20	31092	PLATE-18	567893	PLATE-22
3055	PLATE-20	31092	PLATE-19	567898	PLATE-29
3055	PLATE-24	31092	PLATE-23	567899	PLATE-29
3055	PLATE-24	31116	PLATE-31	567920	PLATE-29
3055	PLATE-30	31116	PLATE-33	567990	PLATE-27
3056	PLATE-31	31116	PLATE-36	567991	PLATE-27
3056	PLATE-31	31116	PLATE-20	567992	PLATE-27
3056	PLATE-33	31118	PLATE-20	567993	PLATE-27
3056	PLATE-33	31118	PLATE-29	568095	PLATE-27
3056	PLATE-11.1	31119	PLATE-32	568131	PLATE-21
3056	PLATE-17	31119	PLATE-20	568131	PLATE-23
3056	PLATE-18	31119	PLATE-21	568135	PLATE-24
3056	PLATE-18	31122	PLATE-29	568140	PLATE-20

--	--	--

121

Print Date: 07-Apr-2022

PART NO	BLOCK	PART NO	BLOCK	PART NO	BLOCK
568154	PLATE-21	587963	PLATE-21	605389	PLATE-22
568161	PLATE-29	587971	PLATE-25	60565	PLATE-28
568260	PLATE-20	587974R	PLATE-22	6066	PLATE-26
568289	PLATE-26	587974R	PLATE-30	6066	PLATE-27
568671	PLATE-22	5969	PLATE-29	6078	PLATE-31
568682	PLATE-21	6018	PLATE-25	6078	PLATE-31
568689	PLATE-20	602120	PLATE-35	6078	PLATE-20
568702	PLATE-23	602120	PLATE-26	6078	PLATE-20
568703	PLATE-23	602123	PLATE-35	6078	PLATE-24
568714	PLATE-31	602123	PLATE-26	611621	PLATE-11.1
568737	PLATE-29	602497	PLATE-34	6125	PLATE-28
568741	PLATE-24	602497	PLATE-35	616541	PLATE-34
568750	PLATE-31	604502	PLATE-29	616541	PLATE-27
569041	PLATE-11.1	604506	PLATE-31	616649	PLATE-23
569150	PLATE-27	604506	PLATE-31	616695	PLATE-28
569165	PLATE-31	604508	PLATE-28	6173	PLATE-29
569166	PLATE-31	604535	PLATE-26	6173	PLATE-29
569197	PLATE-31	604557	PLATE-31	632137	PLATE-28
569244	PLATE-20	604560	PLATE-17	632148	PLATE-35
569246R	PLATE-27	604560	PLATE-18	632148	PLATE-35
569255	PLATE-27	604603	PLATE-24	632158	PLATE-28
569377	PLATE-20	604606	PLATE-20	632183	PLATE-37
587616	PLATE-34	604606	PLATE-21	632184	PLATE-37
587617	PLATE-26	604691	PLATE-23	632185	PLATE-37
587628	PLATE-28	604707	PLATE-25	632186	PLATE-37
587633	PLATE-29	604715	PLATE-28	632247	PLATE-20
587650R	PLATE-31	604717	PLATE-29	632285	PLATE-31
587670R	PLATE-22	604750	PLATE-11.1	632292	PLATE-31
587670R	PLATE-30	604756	PLATE-11.1	632299	PLATE-20
587685	PLATE-18	604758	PLATE-27	632412	PLATE-11.1
587687	PLATE-18	604758	PLATE-27	632413	PLATE-11.1
587702	PLATE-29	604759	PLATE-27	632426	PLATE-11.1
587803	PLATE-28	604760	PLATE-29	632427	PLATE-11.1
587806	PLATE-28	604779	PLATE-28	632428	PLATE-11.1
587812	PLATE-28	604826	PLATE-21	632477R	PLATE-30
587822	PLATE-29	604856	PLATE-36	632478R	PLATE-30
587829	PLATE-27	604863	PLATE-36	632508	PLATE-23
587902	PLATE-28	604877	PLATE-29	632870	PLATE-36
587904	PLATE-28	604880	PLATE-29	632995	PLATE-31
587919	PLATE-28	604948	PLATE-20	632995	PLATE-31
587928	PLATE-29	604954	PLATE-23	63440	PLATE-34
587961	PLATE-24	604973	PLATE-11.1	63440	PLATE-35
587962	PLATE-24	604984	PLATE-22	6411	PLATE-29

--	--	--

122

Print Date: 07-Apr-2022

PART NO	BLOCK	PART NO	BLOCK	PART NO	BLOCK
6414	PLATE-29	644812	PLATE-29	661231	PLATE-31
643500	PLATE-32	644813	PLATE-20	661231	PLATE-27
643502	PLATE-30	644813	PLATE-29	661262	PLATE-32
643598	PLATE-36	644814R	PLATE-20	661266	PLATE-26
643598	PLATE-37	644814R	PLATE-27	661267	PLATE-26
643616	PLATE-31	644838R	PLATE-33	661282	PLATE-26
643655R	PLATE-36	644839R	PLATE-20	661399	PLATE-36
643655R	PLATE-37	644852	PLATE-21	661491	PLATE-33
643661	PLATE-32	644973R	PLATE-25	661634	PLATE-24
643684R	PLATE-24	644975	PLATE-37	661635	PLATE-24
643685R	PLATE-24	644979	PLATE-24	661735	PLATE-37
643691	PLATE-22	645041	PLATE-31	661758	PLATE-36
643692	PLATE-20	6450	PLATE-18	661822	PLATE-37
643704R	PLATE-31	645124	PLATE-28	661825	PLATE-36
643705R	PLATE-31	645141	PLATE-24	661905	PLATE-37
643711R	PLATE-20	645153R	PLATE-30	661908	PLATE-36
643741	PLATE-26	652112	PLATE-19	661908	PLATE-37
643772R	PLATE-27	652124	PLATE-19	661909	PLATE-36
643839	PLATE-36	652520	PLATE-26	661909	PLATE-37
643843	PLATE-36	652520	PLATE-27	661910	PLATE-36
643844	PLATE-36	652521	PLATE-27	661910	PLATE-37
643846	PLATE-36	657991R	PLATE-33	661911	PLATE-36
643847	PLATE-36	659842	PLATE-15	661911	PLATE-37
643848	PLATE-36	659857	PLATE-36	661912	PLATE-36
643859	PLATE-36	659870	PLATE-36	661912	PLATE-37
643861	PLATE-36	660109	PLATE-31	661913	PLATE-37
643864	PLATE-36	660141	PLATE-28	661916	PLATE-36
643864	PLATE-37	660153	PLATE-27	661916	PLATE-37
643869	PLATE-36	660168	PLATE-22	661917	PLATE-37
643869	PLATE-37	660179	PLATE-36	661925	PLATE-31
643873	PLATE-37	660196	PLATE-36	661925	PLATE-30
643873	PLATE-37	660197	PLATE-36	661985	PLATE-37
643877	PLATE-37	660207ED	PLATE-32	661986	PLATE-37
643878	PLATE-37	660245	PLATE-36	661994	PLATE-37
643883	PLATE-37	660245	PLATE-36	662323	PLATE-32
643884	PLATE-37	660351	PLATE-28	662476	PLATE-20
643906	PLATE-36	660498SP	PLATE-27	662491	PLATE-11.1
643908	PLATE-36	660499SP	PLATE-27	662544	PLATE-11.1
643912	PLATE-37	660826R	PLATE-22	662567	PLATE-28
643913	PLATE-37	660826R	PLATE-30	662568	PLATE-28
643927	PLATE-37	660927	PLATE-20	6650	PLATE-26
643998	PLATE-36	660931	PLATE-26	6733	PLATE-27
644812	PLATE-20	660931	PLATE-27	6965	PLATE-31

--	--	--

123

Print Date: 07-Apr-2022

PART NO	BLOCK	PART NO	BLOCK	PART NO	BLOCK
6965	PLATE-31	8265	PLATE-32	925584	PLATE-31
6C000016	PLATE-18	8265	PLATE-23	925585	PLATE-31
6C000041	PLATE-18	841005207	PLATE-16	925587	PLATE-30
6C000060	PLATE-26	841005207	PLATE-18	925588	PLATE-30
6C000060	PLATE-26	841005506	PLATE-18	925589	PLATE-31
6C000190	PLATE-27	842001507	PLATE-16	925590	PLATE-30
6C000191	PLATE-27	842001600	PLATE-19	925597	PLATE-30
6C000312R	PLATE-18	842002501	PLATE-16	925598	PLATE-30
6C000362	PLATE-26	842002501	PLATE-18	925604	PLATE-31
6C000363	PLATE-26	842003000	PLATE-18	925605	PLATE-31
6C000382	PLATE-20	842004808	PLATE-16	925720	PLATE-37
6C000662	PLATE-26	843000500	PLATE-18	925725	PLATE-37
6D000409	PLATE-36	843000809	PLATE-19	925726	PLATE-37
7066R	PLATE-18	843000809	PLATE-29	925727	PLATE-36
71633	PLATE-31	8432	PLATE-24	925727	PLATE-36
71633	PLATE-31	8432	PLATE-30	925728	PLATE-37
71633	PLATE-32	8451	PLATE-31	925729	PLATE-37
71633	PLATE-30	87067	PLATE-27	925731	PLATE-37
74414	PLATE-26	8771	PLATE-27	925732	PLATE-37
74521	PLATE-27	880255211R	PLATE-16	925733	PLATE-37
75708	PLATE-27	880305509R	PLATE-18	925734	PLATE-37
7608	PLATE-28	884222808	PLATE-16	925737	PLATE-37
76227	PLATE-24	920075	PLATE-37	925738	PLATE-37
77055	PLATE-31	920083	PLATE-31	925740	PLATE-37
78307	PLATE-23	920084	PLATE-31	925741	PLATE-37
79375	PLATE-11.1	920088	PLATE-11.1	925742	PLATE-37
807000647	PLATE-15	920102	PLATE-11.1	925743	PLATE-37
808000826	PLATE-15	920102	PLATE-11	925744	PLATE-37
808000826	PLATE-18	925212	PLATE-31	925745	PLATE-37
808000826	PLATE-18	925501	PLATE-34	925746	PLATE-37
8080	PLATE-22	925501	PLATE-35	925749	PLATE-36
8080	PLATE-30	925508	PLATE-29	925751	PLATE-36
811051525	PLATE-18	925509	PLATE-29	925751	PLATE-36
811081025	PLATE-15	925521	PLATE-34	925752	PLATE-36
812061656	PLATE-15	925567	PLATE-31	925754	PLATE-36
815064025	PLATE-15	925571	PLATE-31	925756	PLATE-36
822031942	PLATE-18	925572	PLATE-31	925757	PLATE-36
822031942	PLATE-19	925577	PLATE-30	925759	PLATE-36
822051647	PLATE-18	925578	PLATE-30	925759	PLATE-36
825080209	PLATE-17	925579	PLATE-30	925760	PLATE-36
825080209	PLATE-18	925580	PLATE-30	925761	PLATE-36
825123207	PLATE-19	925581	PLATE-31	925761	PLATE-37
825420215	PLATE-15	925581	PLATE-30	925768	PLATE-37

--	--	--

124

Print Date: 07-Apr-2022

PART NO	BLOCK	PART NO	BLOCK	PART NO	BLOCK
925769	PLATE-36	B002615	PLATE-28	B041524	PLATE-22
925770	PLATE-36	B002636R	PLATE-33	B041535	PLATE-22
925770	PLATE-37	B002823	PLATE-28	B041600	PLATE-28
925772	PLATE-36	B002875	PLATE-21	B041600	PLATE-28
925772	PLATE-37	B003155	PLATE-18	B042179	PLATE-36
925776	PLATE-36	B003228	PLATE-27	B042317	PLATE-29
925778	PLATE-36	B003658	PLATE-23	B042486	PLATE-18
925779	PLATE-36	B003784	PLATE-34	B042505ED	PLATE-32
925779	PLATE-37	B003784	PLATE-35	B042529ED	PLATE-32
925780	PLATE-36	B003924	PLATE-16	B042611	PLATE-23
925781	PLATE-36	B003926EG	PLATE-21	B042612	PLATE-24
925781	PLATE-37	B006806	PLATE-31	B042657R	PLATE-36
925783	PLATE-36	B008167	PLATE-23	B042794	PLATE-29
925785	PLATE-36	B009017	PLATE-36	B042798	PLATE-15
925785	PLATE-37	B009122	PLATE-37	B042798	PLATE-15
925786	PLATE-36	B009144	PLATE-20	B042798	PLATE-18
925888	PLATE-21	B009290	PLATE-31	B042799	PLATE-15
929958	PLATE-36	B009290	PLATE-36	B042799	PLATE-15
932242	PLATE-36	B009290	PLATE-11.1	B073024	PLATE-37
932268	PLATE-37	B016611	PLATE-17	B073030BW	PLATE-32
932300	PLATE-36	B018991	PLATE-18	B073030CB	PLATE-32
940004	PLATE-34	B019220	PLATE-19	B073030CO	PLATE-32
940004	PLATE-34	B023726R	PLATE-30	B073030EG	PLATE-32
940005	PLATE-35	B023727R	PLATE-31	B073083	PLATE-37
940005	PLATE-35	B023727R	PLATE-30	B073088	PLATE-23
940006	PLATE-35	B023890	PLATE-19	B073320R	PLATE-33
940006	PLATE-35	B024179	PLATE-23	B073850R	PLATE-31
940120	PLATE-22	B024179	PLATE-24	B075002	PLATE-18
940121	PLATE-21	B024373	PLATE-26	B075313	PLATE-28
97756	PLATE-28	B024379	PLATE-19	B075330	PLATE-33
B001386	PLATE-21	B024379	PLATE-28	B075852	PLATE-29
B001501	PLATE-15	B024614	PLATE-18	B076098ED	PLATE-21
B001503	PLATE-30	B024614	PLATE-20	B076304	PLATE-31
B001505	PLATE-28	B024645	PLATE-24	B076573	PLATE-31
B001556R	PLATE-22	B024732	PLATE-27	B076574	PLATE-31
B001556R	PLATE-30	B024739	PLATE-30	B077358	PLATE-32
B001844	PLATE-15	B024774	PLATE-28	B077441	PLATE-11.1
B001954R	PLATE-25	B024775	PLATE-28	B077441	PLATE-11
B002101	PLATE-30	B024855	PLATE-24	B077448	PLATE-11.1
B002101	PLATE-30	B025600	PLATE-30	B077448	PLATE-11
B002199	PLATE-24	B025601	PLATE-30	B077454	PLATE-11
B002320	PLATE-15	B04100R	PLATE-31	B077455	PLATE-11
B002322	PLATE-15	B041522	PLATE-22	BS4 1A010093	PLATE-15

--	--	--

125

Print Date: 07-Apr-2022

PART NO	BLOCK	PART NO	BLOCK	PART NO	BLOCK
BS4 1A010093	PLATE-18	E34K120006	PLATE-14	E40012525	PLATE-1
E07502804	PLATE-6	E40000549	PLATE-3	E40015121	PLATE-9
E07502804	PLATE-6	E40001792	PLATE-10	E40015401	PLATE-10
E07502809	PLATE-12	E40001793	PLATE-10	E40015404	PLATE-13
E07502810	PLATE-1	E40001797	PLATE-10	E40015407	PLATE-13
E07502811	PLATE-13	E40002075	PLATE-2	E40015408	PLATE-13
E07515517	PLATE-13	E40002076	PLATE-2	E40015409	PLATE-13
E105324008	PLATE-9	E40002077	PLATE-2	E40015418	PLATE-10
E105324008	PLATE-12	E40002263	PLATE-1	E40016141	PLATE-1
E11770004	PLATE-12	E40002264	PLATE-1	E40016413	PLATE-14
E1177001	PLATE-7	E40002265	PLATE-1	E40016414	PLATE-14
E1177001	PLATE-10	E40002266	PLATE-1	E40016416	PLATE-14
E1756504	PLATE-10	E40002267	PLATE-1	E40016417	PLATE-14
E1756504	PLATE-11	E40002773	PLATE-3	E40016419	PLATE-14
E1756504	PLATE-12	E40002818	PLATE-4	E40016420	PLATE-14
E1756507	PLATE-10	E40005461	PLATE-10	E40016421	PLATE-14
E1756507	PLATE-10	E40005469	PLATE-13	E40016423	PLATE-14
E1756507	PLATE-11	E40005495	PLATE-13	E40016424	PLATE-14
E1756507	PLATE-12	E40005497	PLATE-10	E40016425	PLATE-14
E1756507	PLATE-12	E40005498	PLATE-13	E40016426	PLATE-14
E200467003	PLATE-7	E40005592	PLATE-10	E40016427	PLATE-14
E200467021	PLATE-7	E400060112	PLATE-9	E40016428	PLATE-14
E202177002	PLATE-12	E40006214	PLATE-3	E40016429	PLATE-14
E202756511	PLATE-8	E40006215	PLATE-12	E40016430	PLATE-14
E250467014	PLATE-1	E40006428	PLATE-9	E40016431	PLATE-14
E250755504	PLATE-8	E40006482	PLATE-12	E40016432	PLATE-14
E250755504	PLATE-10	E40006847	PLATE-12	E40016433	PLATE-14
E250755507	PLATE-5	E40007754	PLATE-11	E40016434	PLATE-14
E260120016	PLATE-7	E40008724	PLATE-7	E40016435	PLATE-14
E260756505	PLATE-10	E40008729	PLATE-14	E40016436	PLATE-14
E260973027	PLATE-7	E40008873	PLATE-7	E40016437	PLATE-14
E264973008	PLATE-10	E40008874	PLATE-7	E40016438	PLATE-14
E26756503	PLATE-10	E40009648	PLATE-10	E40016439	PLATE-14
E26756503	PLATE-13	E40009683	PLATE-8	E40016440	PLATE-14
E270973010	PLATE-1	E400106100	PLATE-1	E40016441	PLATE-14
E271678054	PLATE-1	E40010831	PLATE-12	E40016442	PLATE-14
E271805703	PLATE-3	E40011420PA	PLATE-2	E40016443	PLATE-14
E276176034	PLATE-12	E40011772	PLATE-5	E40016444	PLATE-14
E276846055	PLATE-1	E40012238	PLATE-3	E40016445	PLATE-14
E283467036	PLATE-12	E40012239	PLATE-3	E40016446	PLATE-14
E3124017	PLATE-2	E40012250	PLATE-3	E40016447	PLATE-14
E3324019	PLATE-11	E40012250	PLATE-3	E40016448	PLATE-14
E34K120005	PLATE-14	E40012270	PLATE-3	E40016449	PLATE-14

--	--	--

126

Print Date: 07-Apr-2022

PART NO	BLOCK	PART NO	BLOCK	PART NO	BLOCK
E40016450	PLATE-14	E43502755	PLATE-10	E50016170	PLATE-9
E40016451	PLATE-14	E43502764	PLATE-3	E500197087	PLATE-1
E40016452	PLATE-14	E43521745	PLATE-6	E500220013	PLATE-8
E40016453	PLATE-14	E45762512	PLATE-10	E500228048	PLATE-4
E40016454	PLATE-14	E45762512	PLATE-10	E500324066	PLATE-8
E40016455	PLATE-14	E47124004	PLATE-9	E5003430070	PLATE-3
E40016456	PLATE-14	E47177007	PLATE-10	E500405518	PLATE-25
E40016457	PLATE-14	E47177007	PLATE-19	E500450092	PLATE-12
E40016460	PLATE-14	E47177007	PLATE-4	E500460102	PLATE-6
E40016461	PLATE-14	E50000114	PLATE-3	E500460120	PLATE-6
E40016462	PLATE-14	E50000164	PLATE-10	E5005271054	PLATE-9
E40016463	PLATE-14	E50000421	PLATE-1	E500575545	PLATE-3
E40017748	PLATE-11	E50000437	PLATE-8	E500575549	PLATE-7
E40018334	PLATE-3	E50000437	PLATE-10	E500640030	PLATE-3
E40018356	PLATE-3	E50000475	PLATE-7	E500641036	PLATE-3
E40018357	PLATE-3	E50000506	PLATE-6	E500755006	PLATE-9
E40018625	PLATE-11.1	E50000506	PLATE-1	E500843036	PLATE-1
E40018625	PLATE-11	E50000506	PLATE-3	E500900038	PLATE-4
E40018626	PLATE-11	E50000613	PLATE-7	E5009520029	PLATE-9
E40018632	PLATE-11	E50000613	PLATE-12	E500985048	PLATE-9
E40019528	PLATE-10	E50001213143	PLATE-7	E52006205	PLATE-1
E40020133	PLATE-13	E50002296A	PLATE-4	E52006709	PLATE-8
E40020135	PLATE-10	E50002805	PLATE-1	E52008924	PLATE-1
E40020537	PLATE-2	E50002805	PLATE-1	E52200434	PLATE-10
E40020538	PLATE-2	E50002805	PLATE-1	E53000542	PLATE-6
E40020539	PLATE-2	E50005625006	PLATE-7	E53002207	PLATE-5
E40020540	PLATE-2	E50006060	PLATE-4	E53002208	PLATE-5
E40020615	PLATE-1	E50006060	PLATE-4	E53002209	PLATE-5
E40020638	PLATE-12	E50006101	PLATE-6	E53002210	PLATE-5
E40020639	PLATE-12	E50006169	PLATE-1	E53011748	PLATE-6
E40022211	PLATE-4	E50006328	PLATE-6	E5405725043	PLATE-10
E40022212	PLATE-4	E50006342	PLATE-3	E5406045038	PLATE-9
E40024008	PLATE-13	E50006404	PLATE-10	E5406850106	PLATE-1
E40024010	PLATE-3	E50006495029	PLATE-7	E5406850108	PLATE-1
E40026134	PLATE-3	E50007334	PLATE-9	E5408480091A	PLATE-2
E40026135	PLATE-3	E50007540	PLATE-6	E5609680013	PLATE-7
E40027143	PLATE-12	E50008099	PLATE-1	E6193361720	PLATE-12
E40027155	PLATE-12	E50008883	PLATE-1	E6193361721	PLATE-10
E422973030	PLATE-6	E50009023	PLATE-4	E70228047	PLATE-4
E43502707	PLATE-9	E50009205	PLATE-4	E90303028	PLATE-6
E43502709	PLATE-9	E500116008	PLATE-3	E904120213	PLATE-7
E43502711	PLATE-3	E500125708A	PLATE-4	E904850603	PLATE-3
E43502754	PLATE-10	E500141016	PLATE-9	E90979037	PLATE-10

--	--	--

127

