

Parts Catalog

Commercial Vehicle

ape City Diesel BS-IV

PIAGGIO VEHICLES PRIVATE LIMITED

Registered Office: Bund Garden Road ,Opp. Residency Club , Pune (India)

Print Date: 07-Apr-2022

PLATES INDEX

Sr No.	Plate Name	Plate No.	Page No.
1	ENGINE	1	1-2
2	CRANKCASE ASSEMBLY	2	3-4
3	CYLINDER & PISTON	3	5-6
4	CRANKSHAFT SUPPORT	4	7-8
5	PTO COVER	5	9-10
6	CYLINDER HEAD & DECOMPRESSION LEVER	6	11-12
7	OIL FILTER & PRESSURE RELIEF VALVE	7	13-14
8	OIL PAN	8	15-16
9	ROCKER ARM COVER	9	17-18
10	LUB OIL PUMP & SPEED GOVERNOR	10	19-20
11	REMOTE THROTTLE & STOP CONTROL	11	21-22
12	AIR SHROUD/ FLYWHEEL/ PULLEY/ ELECTRICAL START SYSTEM COMPONENTS	12	23-24
13	CONNECTING ROD/CRANK SHAFT	13	25-26
14	AIR CLEANER / EXHAUST MUFFLER	14	27-30
15	INJECTOR	15	31-32
16	FUEL PUMP	16	33-34
17	CAM SHAFT, ROD & ROCKER RAM	17	35-36
18	EXTERNAL FUEL FILTER&FUEL PIPES	18	37-38
19	FEED PUMP	19	39-40
20	AIR FILTER MOUNTING & ENGINE HOSE	20	41-42
21	ENGINE SIDE COVER & MAIN HOUSING	21	43-44
22	MAINSHAFT SPEEDGEAR AND CLUSTER GEAR	22	45-46
23	DIFFEREBTIAL UNIT, FARE METER HOUSING, SPEEDO DRIVE	23	47-52
24	CLUCTH & CLUCTH COVER	24	53-56
25	GEAR SHIFTER AND ITS CONTROL MECHANISM	25	57-58
26	ENGINE SUPPORT	26	59-62
27	MAIN FRAME/BATTERY BKT	27	63-66
28	WIND SHIELD/GLASS/BEADING	28	67-68
29	INNER PARTS OF CABIN	29	69-70
30	REAR SUSPENSION	30	71-74

Print Date: 07-Apr-2022

PLATES INDEX

Sr No.	Plate Name	Plate No.	Page No.
31	STEERING COLUMN & FRONT SUSPENSION	31	75-78
32	HANDLE BAR & CONTROLS	32	79-80
33	BRAKE - TANDEM MASTER CYLINDER, BRAKE PIPE AND HAND BRAKES	33	81-84
34	ELECTRICAL DEVICES	34	85-88
35	FRONT FASCIA	35	89-92
36	PASSANGER AUTO RIKSHAW BODY	36	93-98
37	WIRING HARNESS	37	99-100
38	Front Brake Assembly	38	101-102
39	REAR BRAKE ASSEMBLY	39	103-104
40	TOOLS & ACCESSORIES	40	105-108
41	CABLES	41	109-110

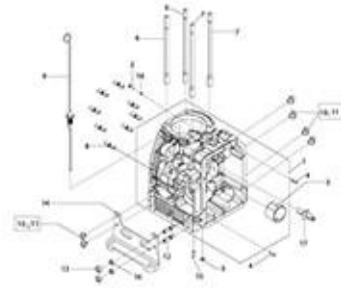
Print Date: 07-Apr-2022

PICTORIAL PLATES INDEX**PLATE-1 ENGINE**

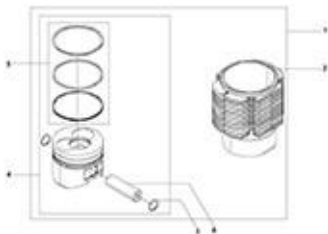
Page No. :1-2

**PLATE-2 CRANKCASE ASSEMBLY**

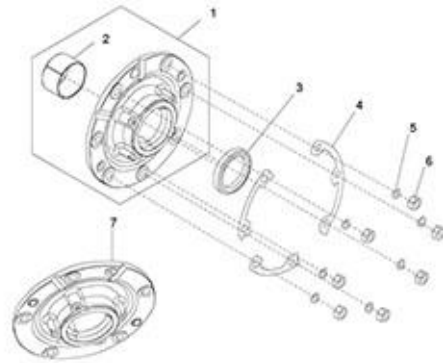
Page No. :3-4

**PLATE-3 CYLINDER & PISTON**

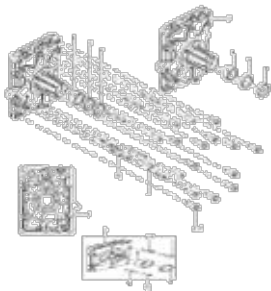
Page No. :5-6

**PLATE-4 CRANKSHAFT SUPPORT**

Page No. :7-8

**PLATE-5 PTO COVER**

Page No. :9-10

**PLATE-6 CYLINDER HEAD & DECOMPRESSION LEVER**

Page No. :11-12

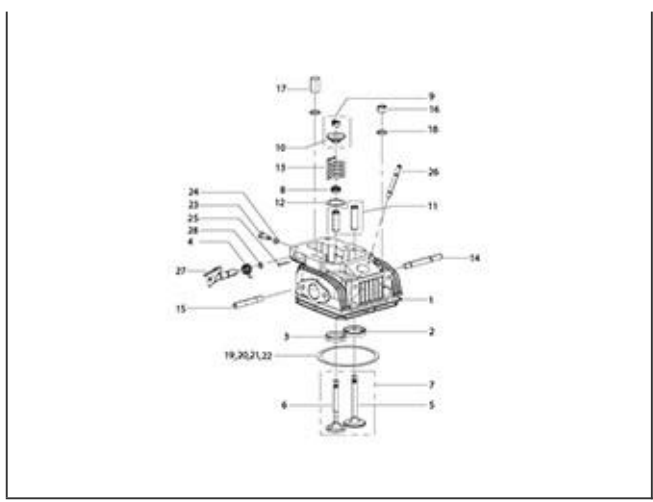


PLATE-7 OIL FILTER & PRESSURE RELIEF VALVE

Page No. :13-14

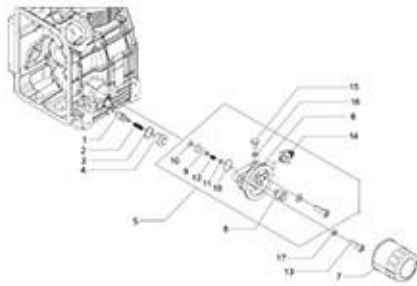
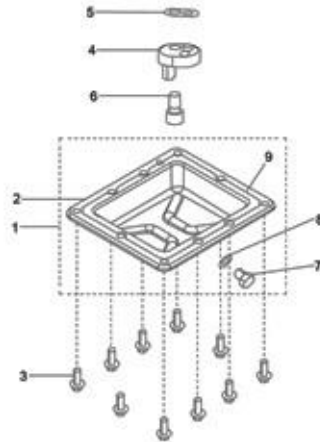


PLATE-8 OIL PAN

Page No. :15-16



PICTORIAL PLATES INDEX

PLATE-9 ROCKER ARM COVER

Page No. :17-18

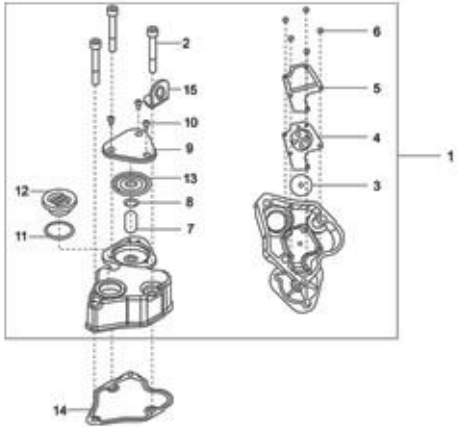


PLATE-10 LUB OIL PUMP & SPEED GOVERNOR

Page No. :19-20

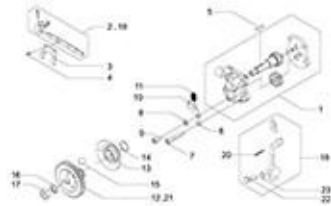


PLATE-11 REMOTE THROTTLE & STOP CONTROL

Page No. :21-22

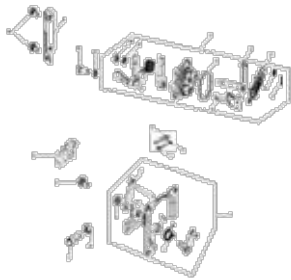


PLATE-12 AIR SHROUD/ FLYWHEEL/ PULLEY/ ELECTRICAL START SYSTEM COMPONENTS

Page No. :23-24

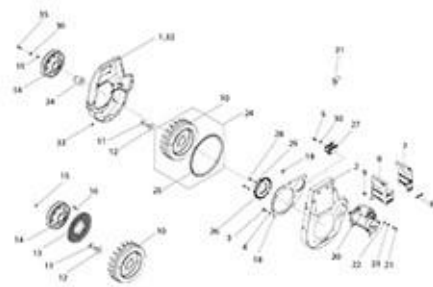


PLATE-13 CONNECTING ROD/CRANK SHAFT

Page No. :25-26

PLATE-14 AIR CLEANER / EXHAUST MUFFLER

Page No. :27-30

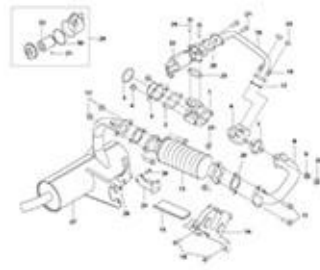
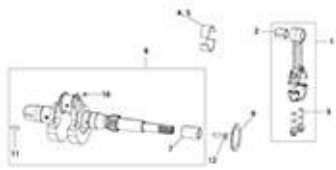


PLATE-15 INJECTOR

Page No. :31-32

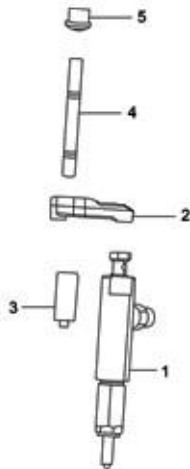
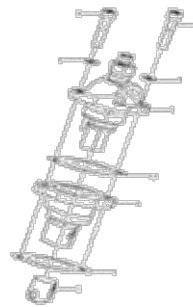


PLATE-16 FUEL PUMP

Page No. :33-34



PICTORIAL PLATES INDEX

PLATE-17 CAM SHAFT, ROD & ROCKER RAM

Page No. :35-36

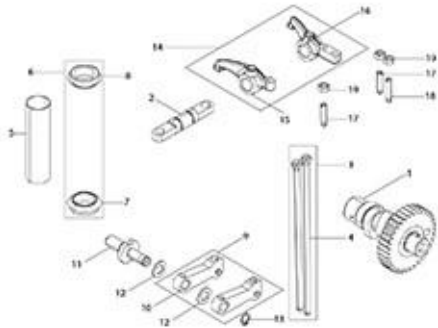


PLATE-18 EXTERNAL FUEL FILTER&FUEL PIPES

Page No. :37-38



PLATE-19 FEED PUMP

Page No. :39-40

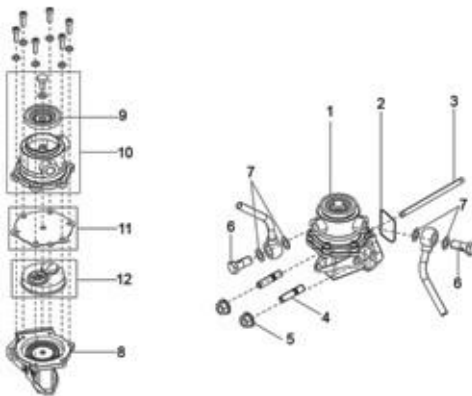


PLATE-20 AIR FILTER MOUNTING & ENGINE HOSE

Page No. :41-42

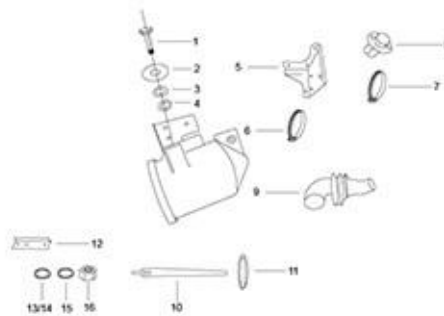


PLATE-21 ENGINE SIDE COVER & MAIN HOUSING

Page No. :43-44

PLATE-22 MAINSHAFT SPEEDGEAR AND CLUSTER GEAR

Page No. :45-46

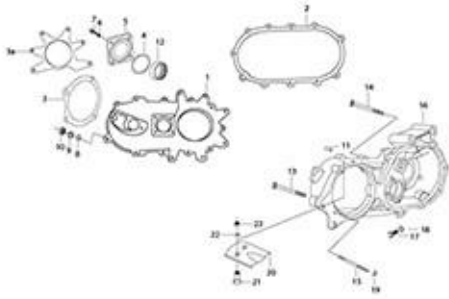


PLATE-23 DIFFERENTIAL UNIT, FARE METER HOUSING, SPEEDO DRIVE
Page No. :47-52

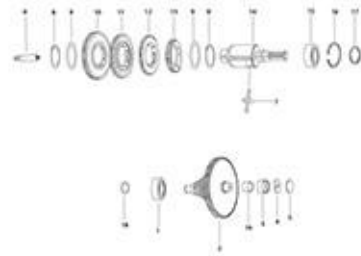
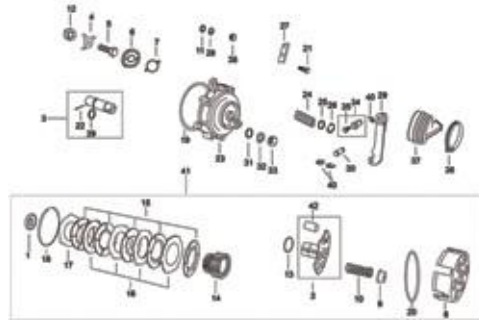


PLATE-24 CLUTCH & CLUTCH COVER
Page No. :53-56



PICTORIAL PLATES INDEX

PLATE-25 GEAR SHIFTER AND ITS CONTROL MECHANISM

Page No. :57-58



PLATE-26 ENGINE SUPPORT

Page No. :59-62

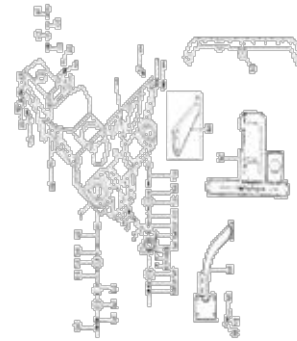


PLATE-27 MAIN FRAME/BATTERY BKT

Page No. :63-66

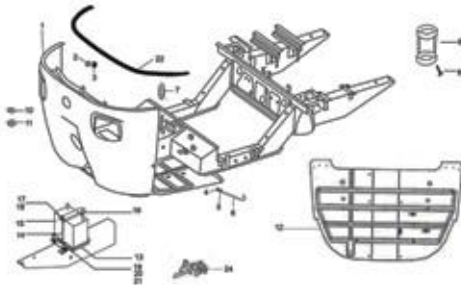


PLATE-28 WIND SHIELD/GLASS/BEADING

Page No. :67-68

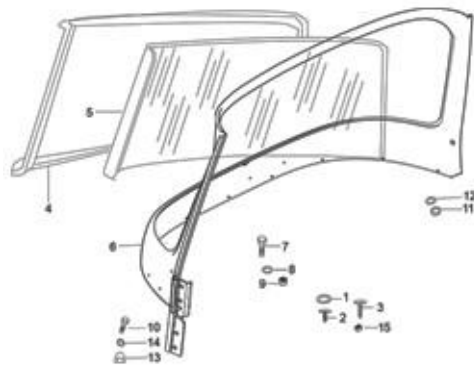


PLATE-29 INNER PARTS OF CABIN

Page No. :69-70

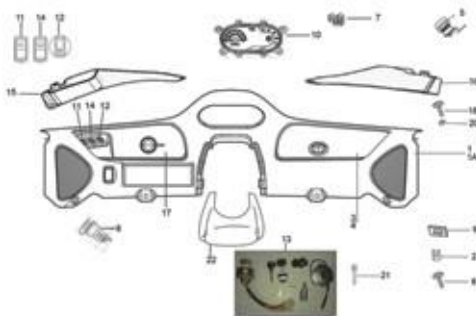


PLATE-30 REAR SUSPENSION

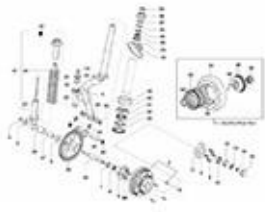
Page No. :71-74



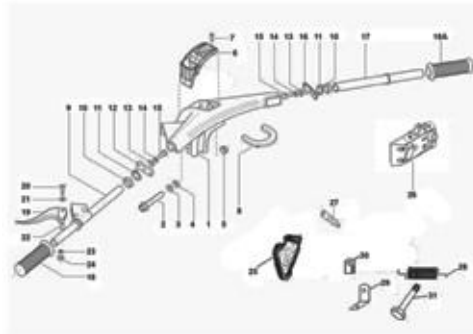
PLATE-31 STEERING COLUMN & FRONT SUSPENSION

PLATE-32 HANDLE BAR & CONTROLS

Page No. :75-78



Page No. :79-80



Print Date: 07-Apr-2022

PICTORIAL PLATES INDEX

**PLATE-33 BRAKE - TANDEM MASTER CYLINDER,
BRAKE PIPE AND HAND BRAKES**
Page No. :81-84

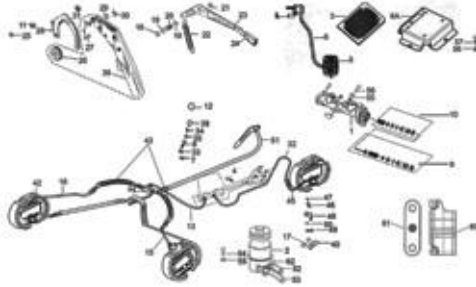


PLATE-34 ELECTRICAL DEVICES
Page No. :85-88

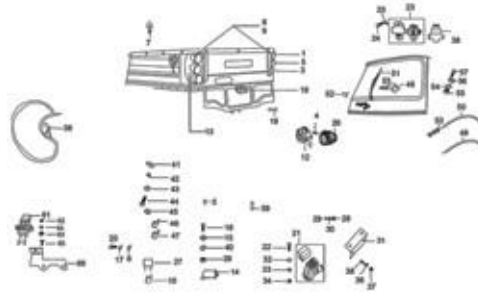


PLATE-35 FRONT FASCIA
Page No. :89-92

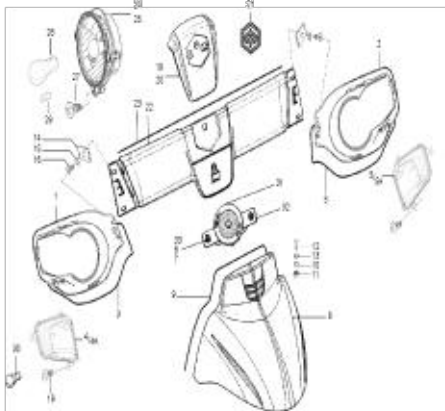


PLATE-36 PASSANGER AUTO RIKSHAW BODY
Page No. :93-98

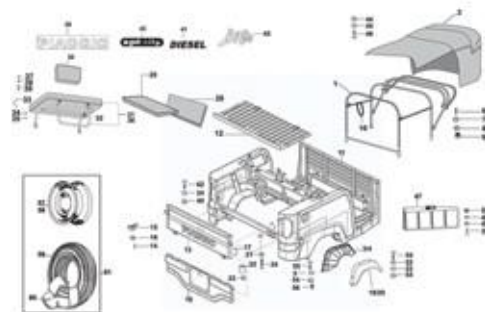


PLATE-37 WIRING HARNESS
Page No. :99-100

PLATE-38 Front Brake Assembly
Page No. :101-102

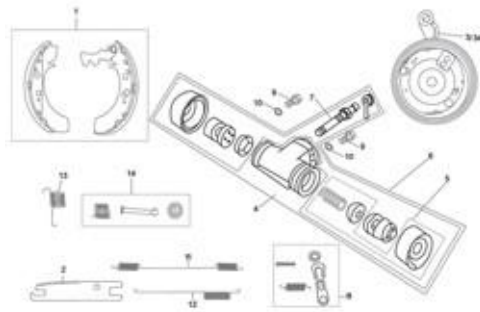
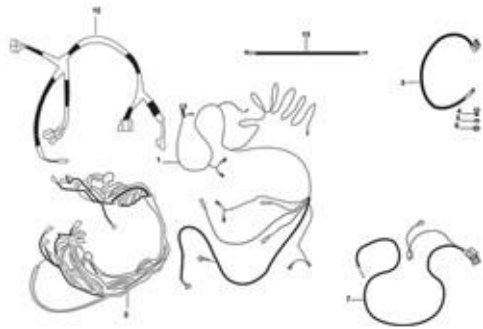


PLATE-39 REAR BRAKE ASSEMBLY

Page No. :103-104

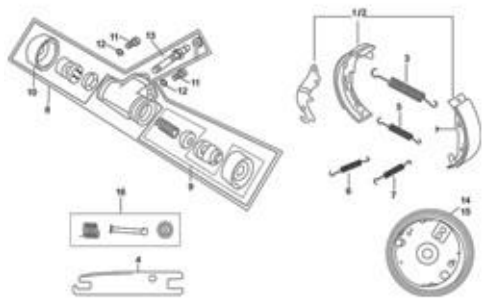
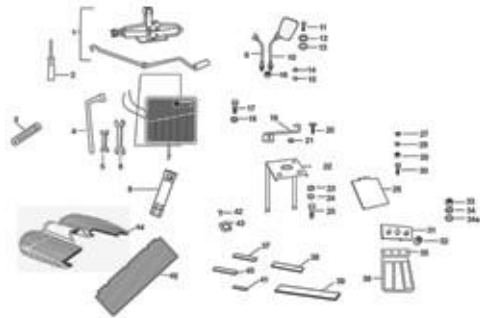


PLATE-40 TOOLS & ACCESSORIES

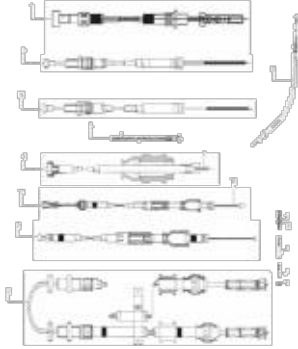
Page No. :105-108



PICTORIAL PLATES INDEX

PLATE-41 **CABLES**

Page No. :109-110

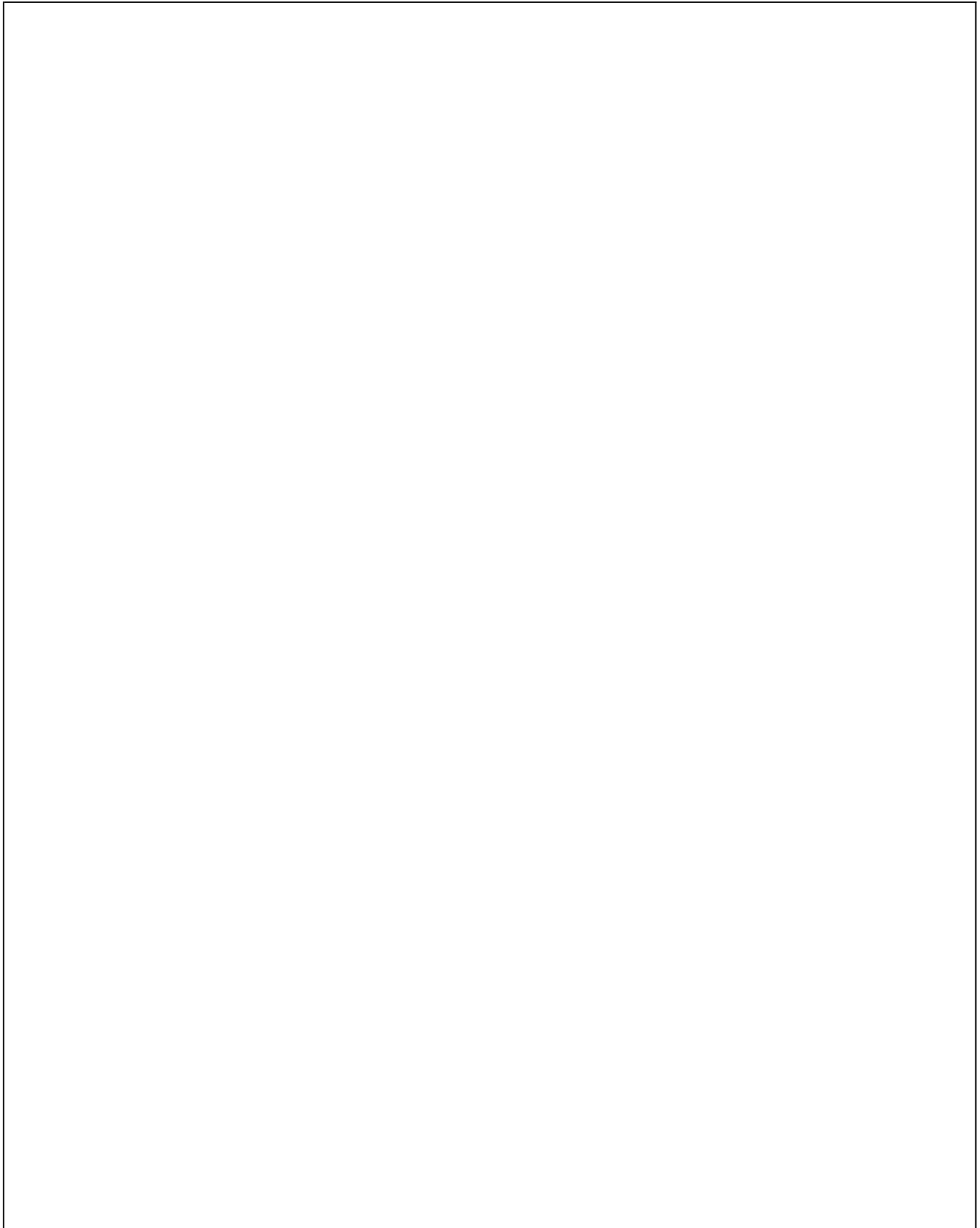


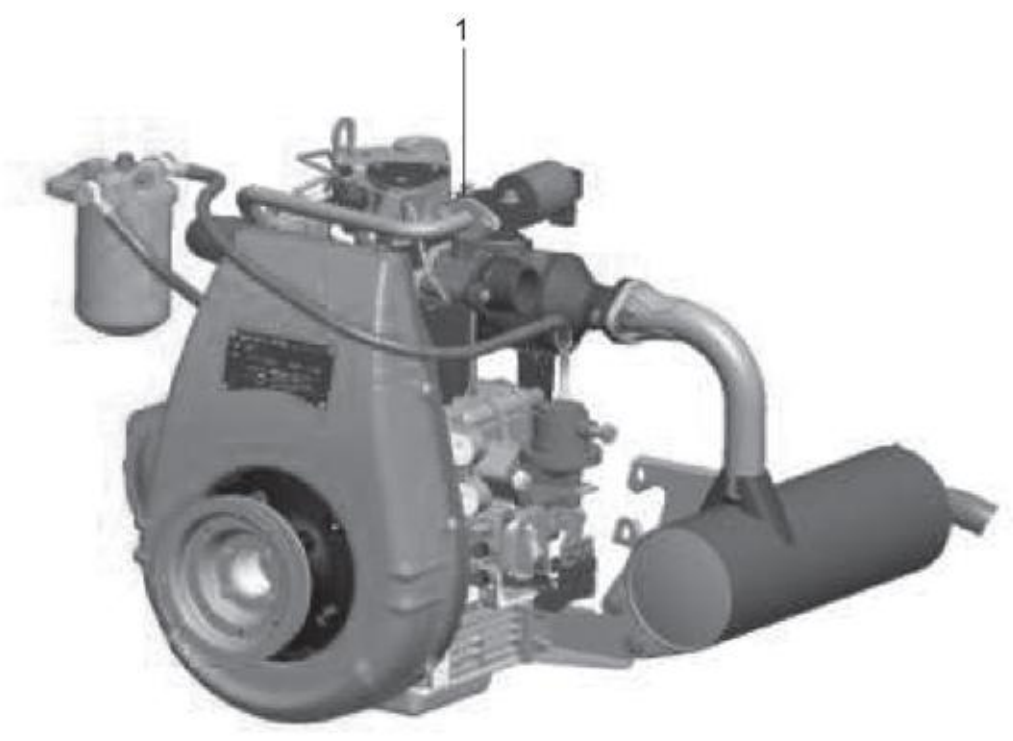
The image contains several technical drawings of cable assemblies. At the top, there are two horizontal cable diagrams with various connectors and components. Below these are two more horizontal cable diagrams, one of which includes a curved cable section. The bottom section features a larger, more complex assembly diagram with multiple components and connectors, possibly representing a multi-core cable or a specialized connector system.



Print Date: 07-Apr-2022

PLATE-1
ENGINE





Print Date: 07-Apr-2022

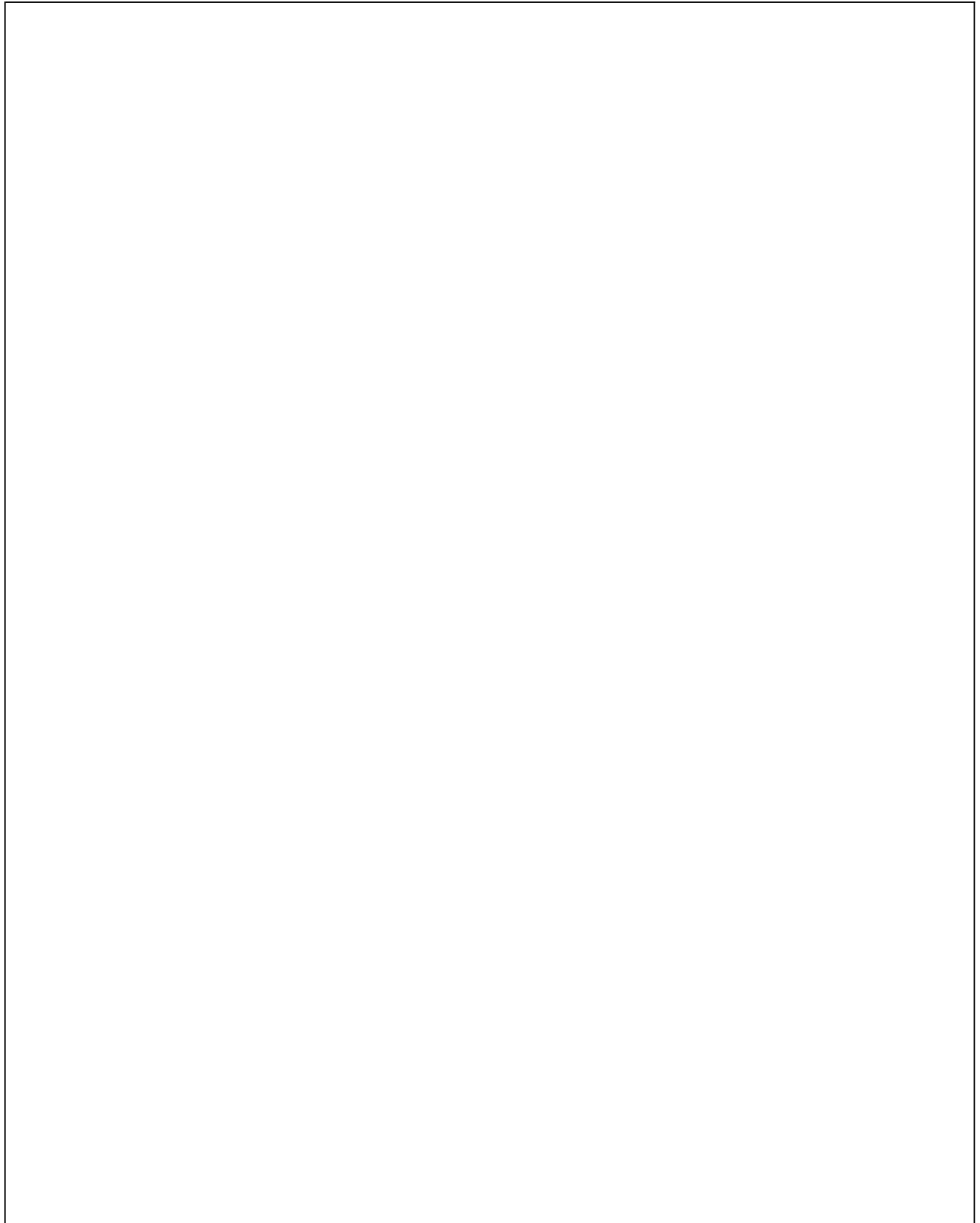
**PLATE-1
ENGINE**

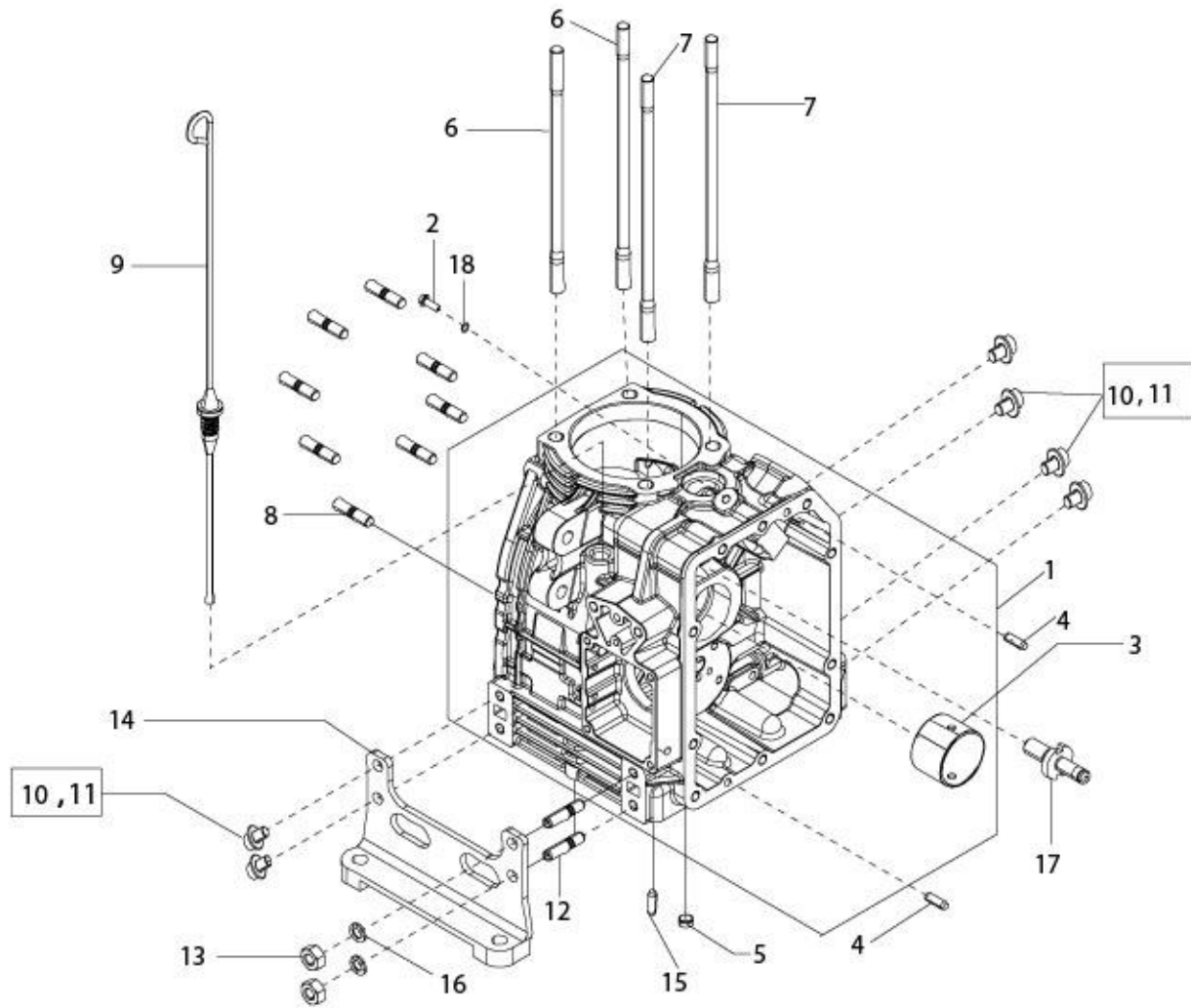
Fig. No.	Part No.	Description	Qty	Remarks
1	B079164	ENGINE GL435 BSIV DSL 501 PASS / CARGO	1	

2

Print Date: 07-Apr-2022

PLATE-2
CRANKCASE ASSEMBLY





Print Date: 07-Apr-2022

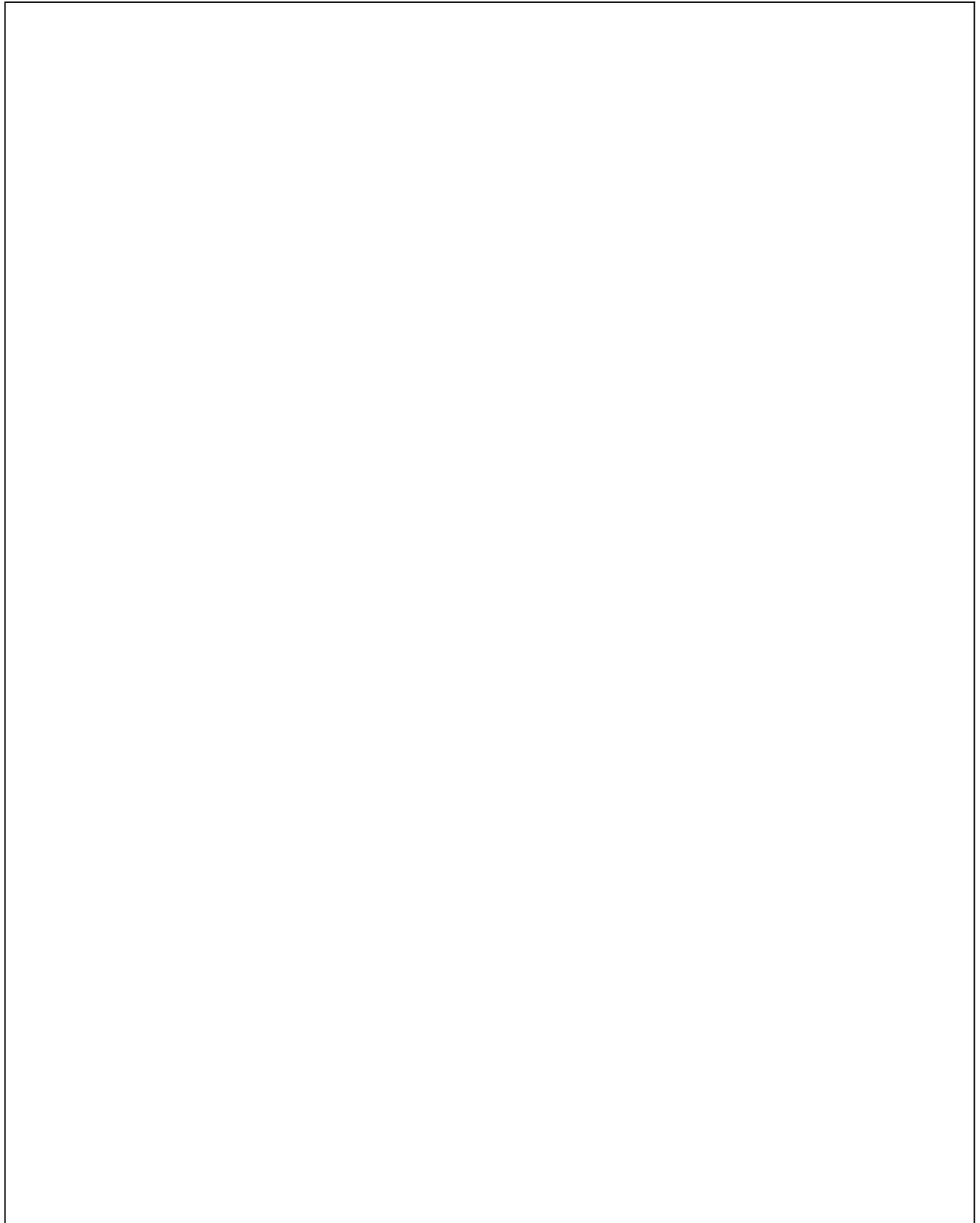
PLATE-2
CRANKCASE ASSEMBLY

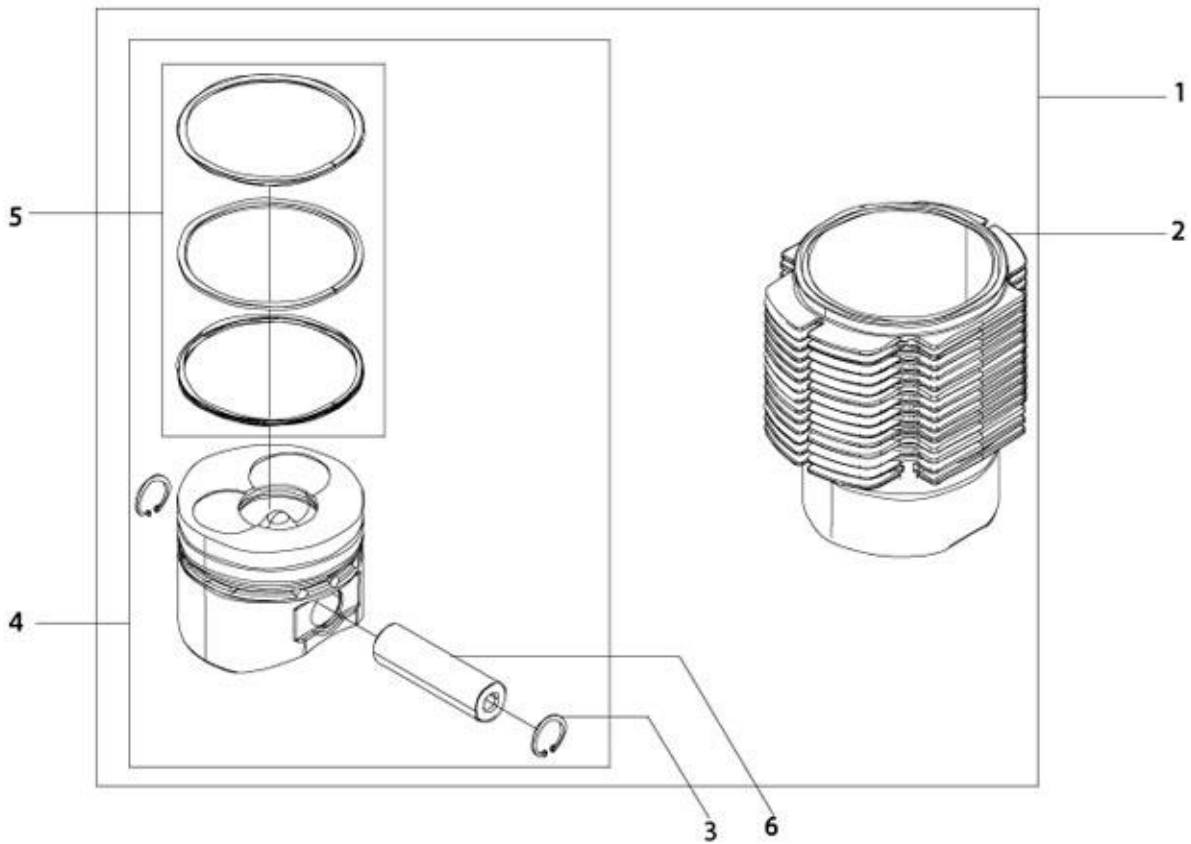
Fig. No.	Part No.	Description	Qty	Remarks
1	E10A010006	CRANK CASE ASSLY WITH BUSH (WITH AVM PAD)	1	WITH AVM PAD
2	ED43340	GUIDING BOLT	1	
3	E40002263	BUSH CRANKCASE STD	1	
4	E276846055	DOWEL -PIN	2	
5	E500197087	SLEEVE - OIL PAN IN CRANK CASE	2	
6	E43500539	STUD CYLINDER HEAD	2	
7	E43500540	STUD CYLINDER HEAD ROCKER SHAFT	2	
8	E271678054	STUD FWE SIDE	7	
9	E10G090002	DIPSTICK	1	
10	E50002805	COLLER BOLT M8 X 1.25 X 22	6	
11	E50002805	COLLER BOLT M8 X 1.25 X 22	2	FOR FRONT MTG
12	E50000506	STUD M8X1.25X34	2	FOR REAR MTG
13	E45324016	NUT	2	FOR REAR MTG
14	E400106100	ENGINE FEET.	2	FOR FRONT MTG
15	E500843036	DOWEL PIN	1	
16	E1756507	SPRING WASHER M8	2	
17	ED30956	PIN LH THREAD	1	
18	ED40642	WASHER (BSII) (N.I.)	1	

4

Print Date: 07-Apr-2022

PLATE-3
CYLINDER & PISTON





Print Date: 07-Apr-2022

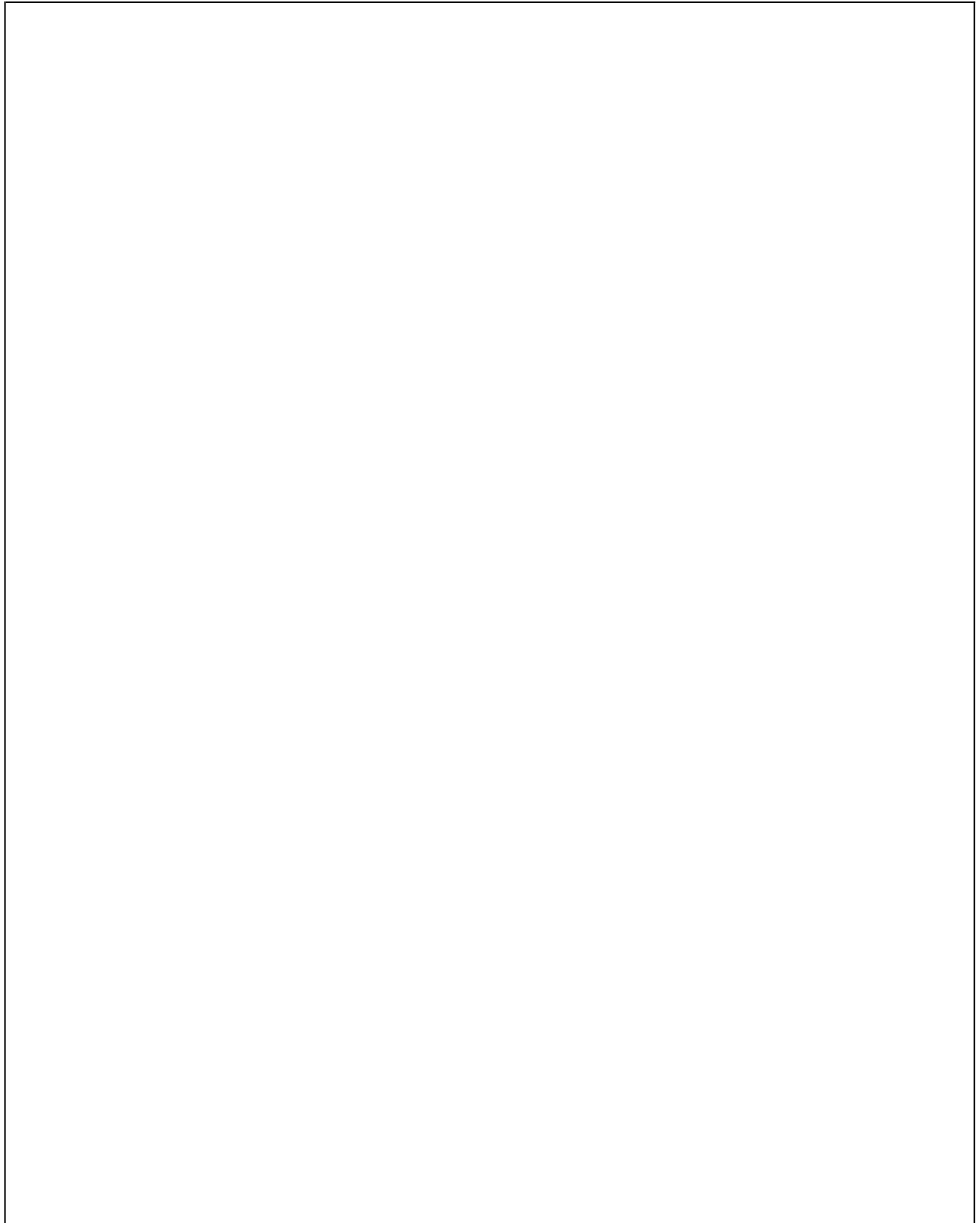
**PLATE-3
CYLINDER & PISTON**

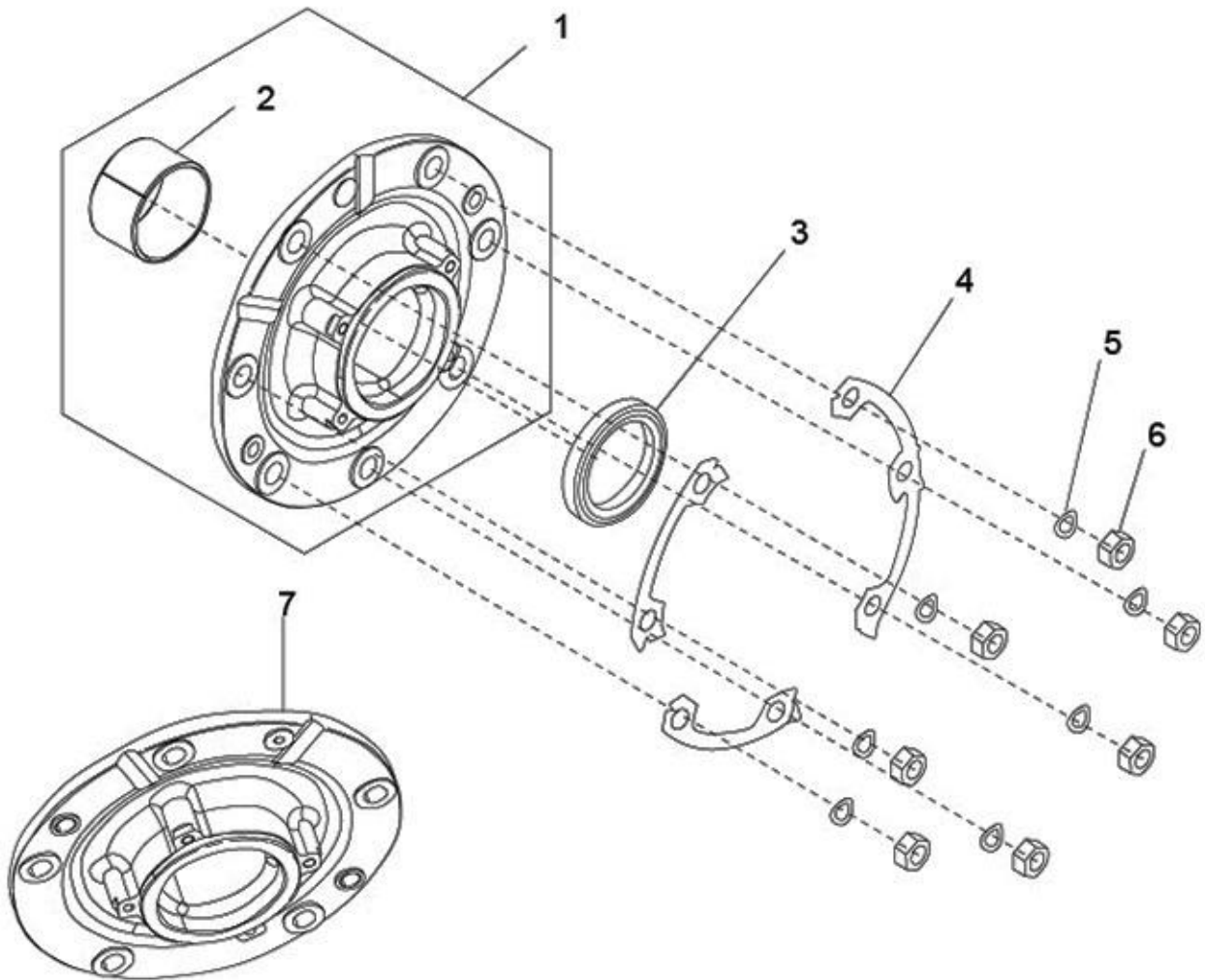
Fig. No.	Part No.	Description	Qty	Remarks
1	E10A050007	CYLINDER & PISTON ASSY. KIT	1	
2	E10M030002	CYLINDER GRADE A	1	
3	E3124017	CIRCLIP 500 SR	2	
4	E10A050001	PISTON ASSY. GRADE A SUITABLE FOR DIA20 PIN	1	
5	E43511440PA	KIT OF PISTON RING SET STD-BS-III	1	
6	E5408480091A	GUGEON PIN	1	

6

Print Date: 07-Apr-2022

PLATE-4
CRANKSHAFT SUPPORT





Print Date: 07-Apr-2022

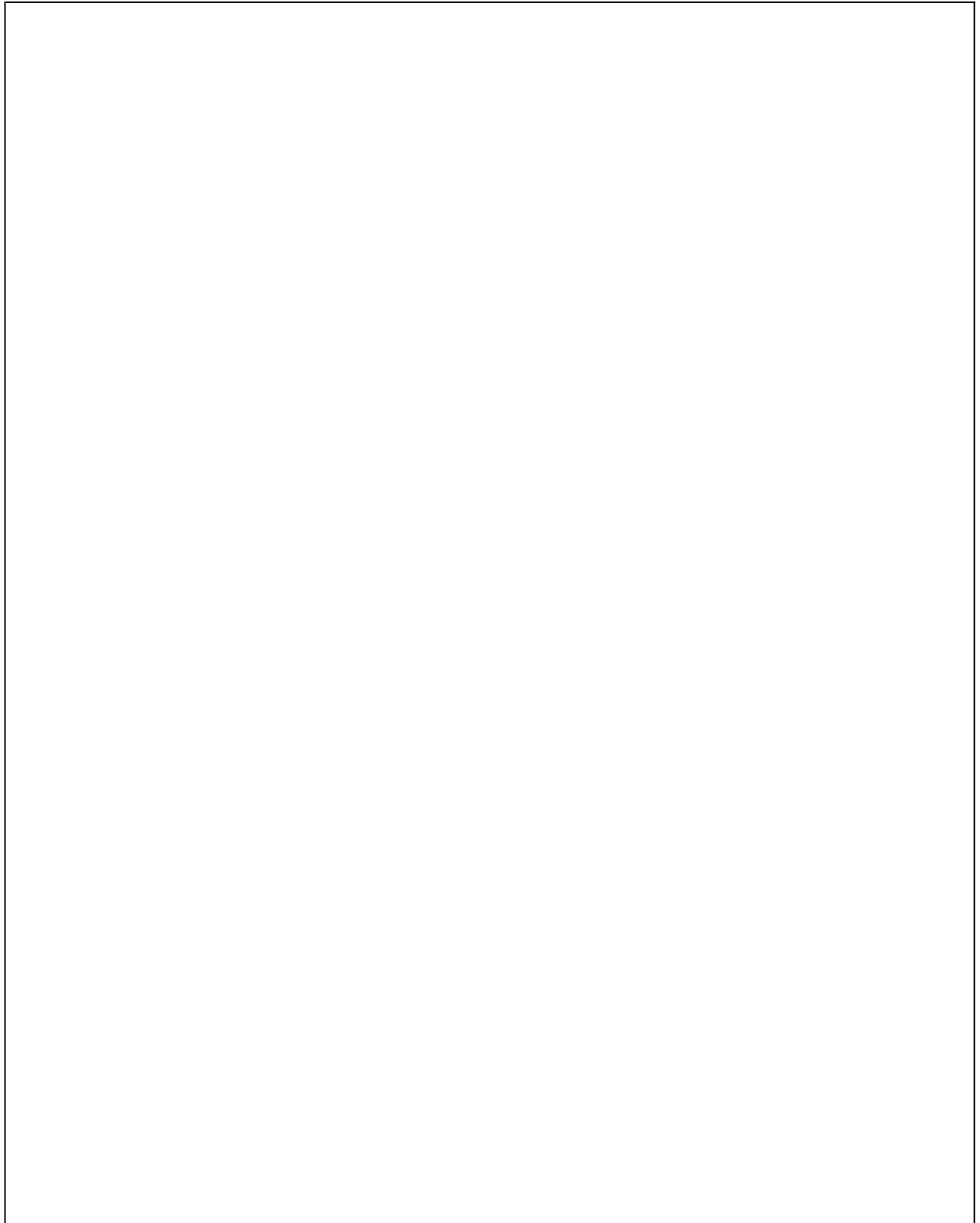
PLATE-4
CRANKSHAFT SUPPORT

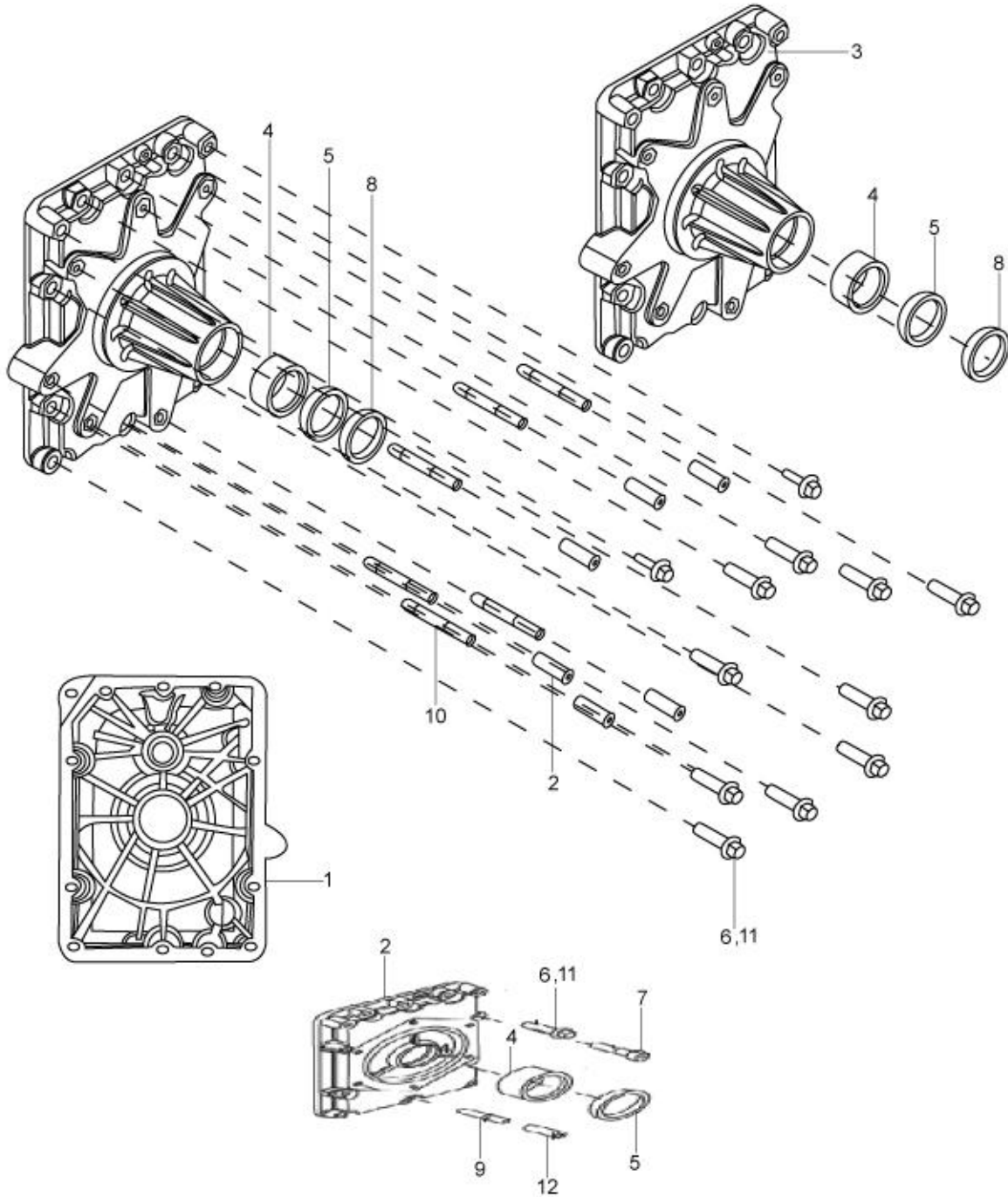
Fig. No.	Part No.	Description	Qty	Remarks
1	E10A110007	CRANKSHAFT SUPPORT ASSY.	1	
2	E53002206	BUSH,FWE STD.	1	
3	ED42548	OILSEAL 520/530/GL400	1	
4	E10G110020	SAFETY RETAINER	4	
5	E250755507	SPRING WASHER FOR M8	7	
6	E9324018	NUT M8 X 1.25 X 6.5	7	
7	940048	LIQUID SEALANT	1	

8

Print Date: 07-Apr-2022

PLATE-5
PTO COVER





Print Date: 07-Apr-2022

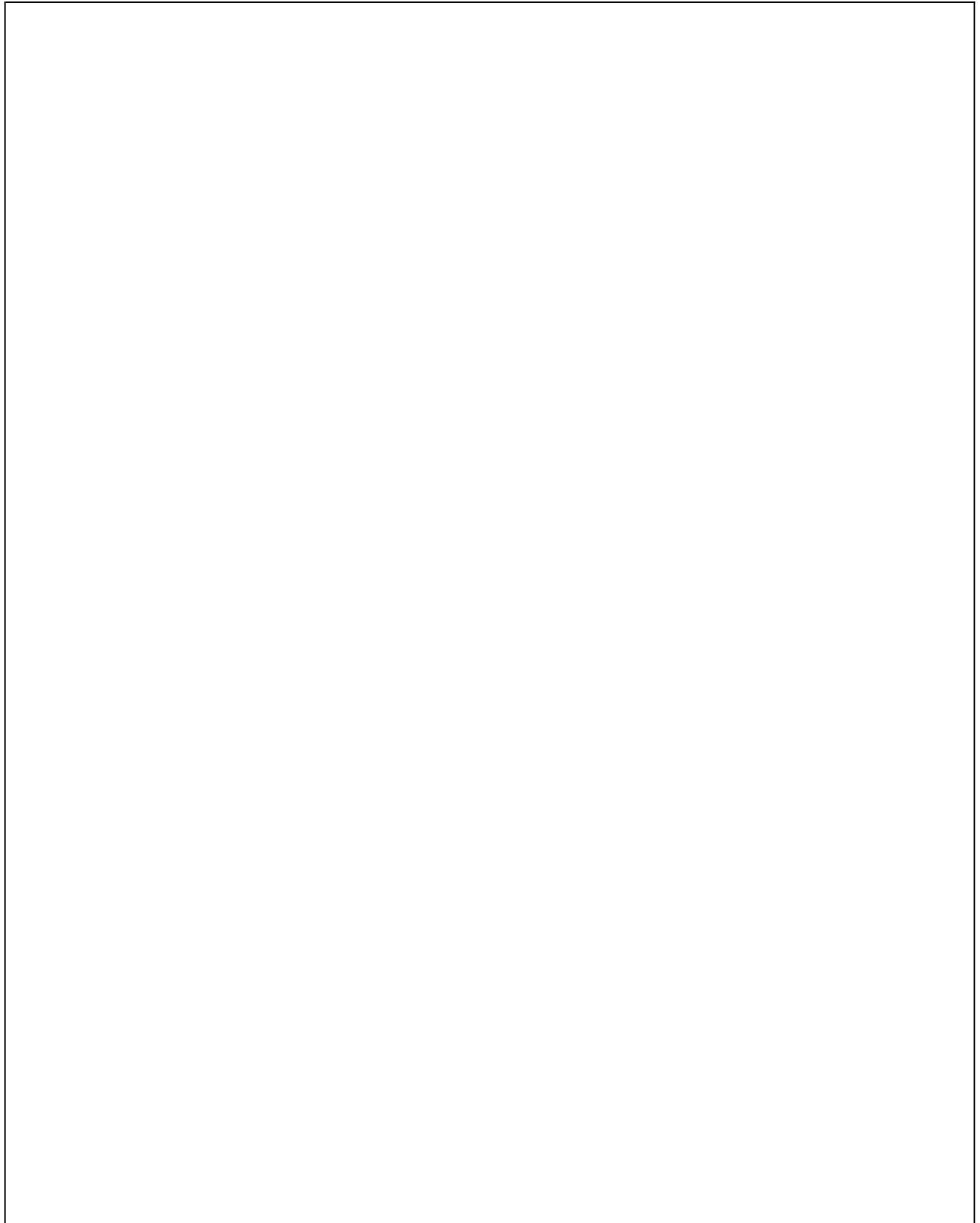
PLATE-5
PTO COVER

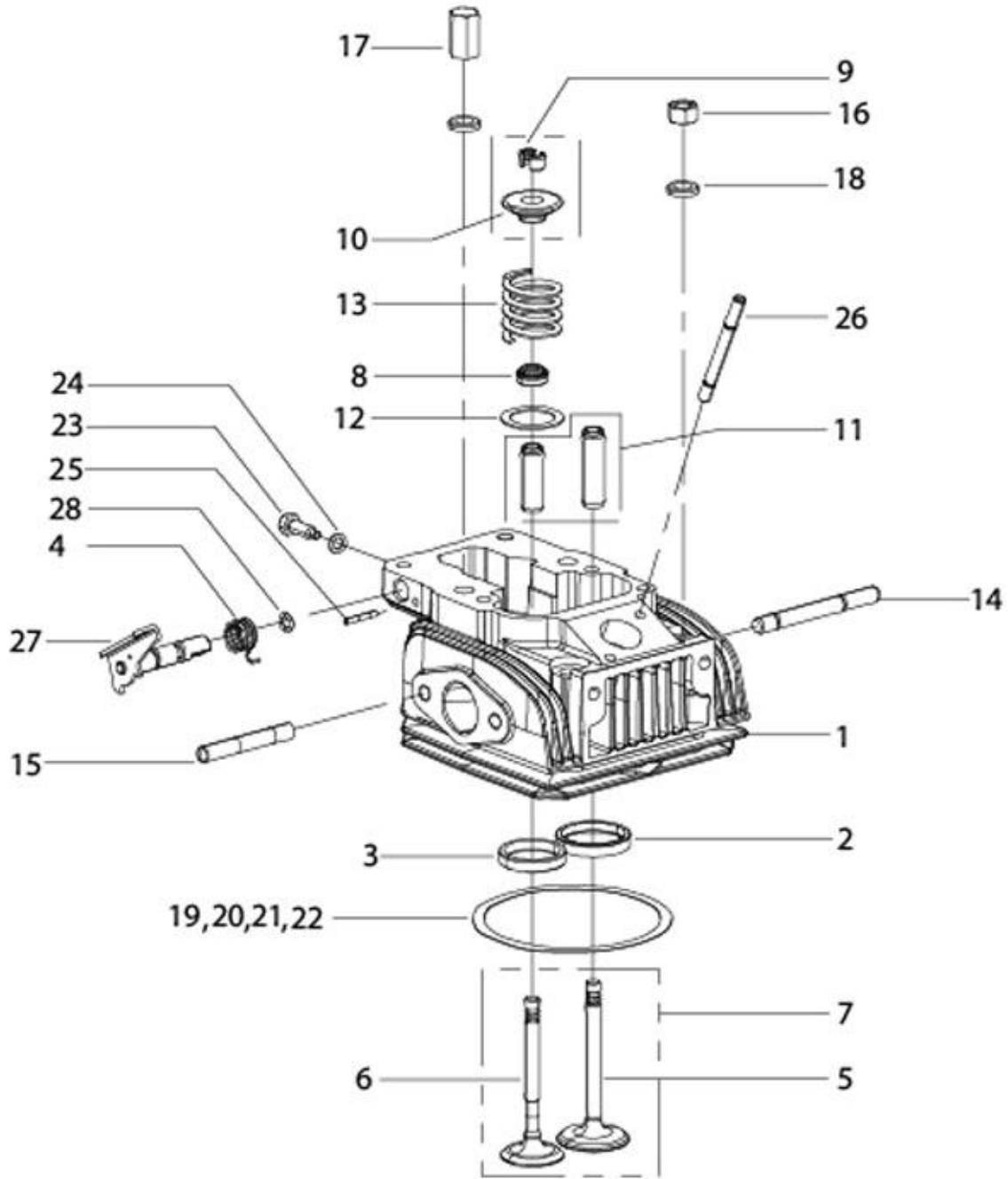
Fig. No.	Part No.	Description	Qty	Remarks
1	940048	LIQUID SEALANT	1	
2	E50005578	PLUG FOR STUD M8	1	
3	E43521745	COVER PTO (SIX STUD)	1	REAR MTG ,CONSISTING OF 4,5,8
4	E90303028	BEARING NEEDLE	1	
5	E9121356	OIL SEAL	1	
6	E07502804	COLLER BOLT M8 X 1.25 X 30	8	FRONT MTG
7	E422973030	CAP SCREW FOR M8X1.25 FOR FUEL PUMP (BSII)	2	FRONT MTG, NI
8	E50006328	OIL SEAL	1	
9	E50000506	STUD M8X1.25X34	6	FRONT MTG, NI
10	E43500578	STUD-M8	6	
11	E07502804	COLLER BOLT M8 X 1.25 X 30	2	REAR MTG

10

Print Date: 07-Apr-2022

PLATE-6
CYLINDER HEAD & DECOMPRESSION LEVER





Print Date: 07-Apr-2022

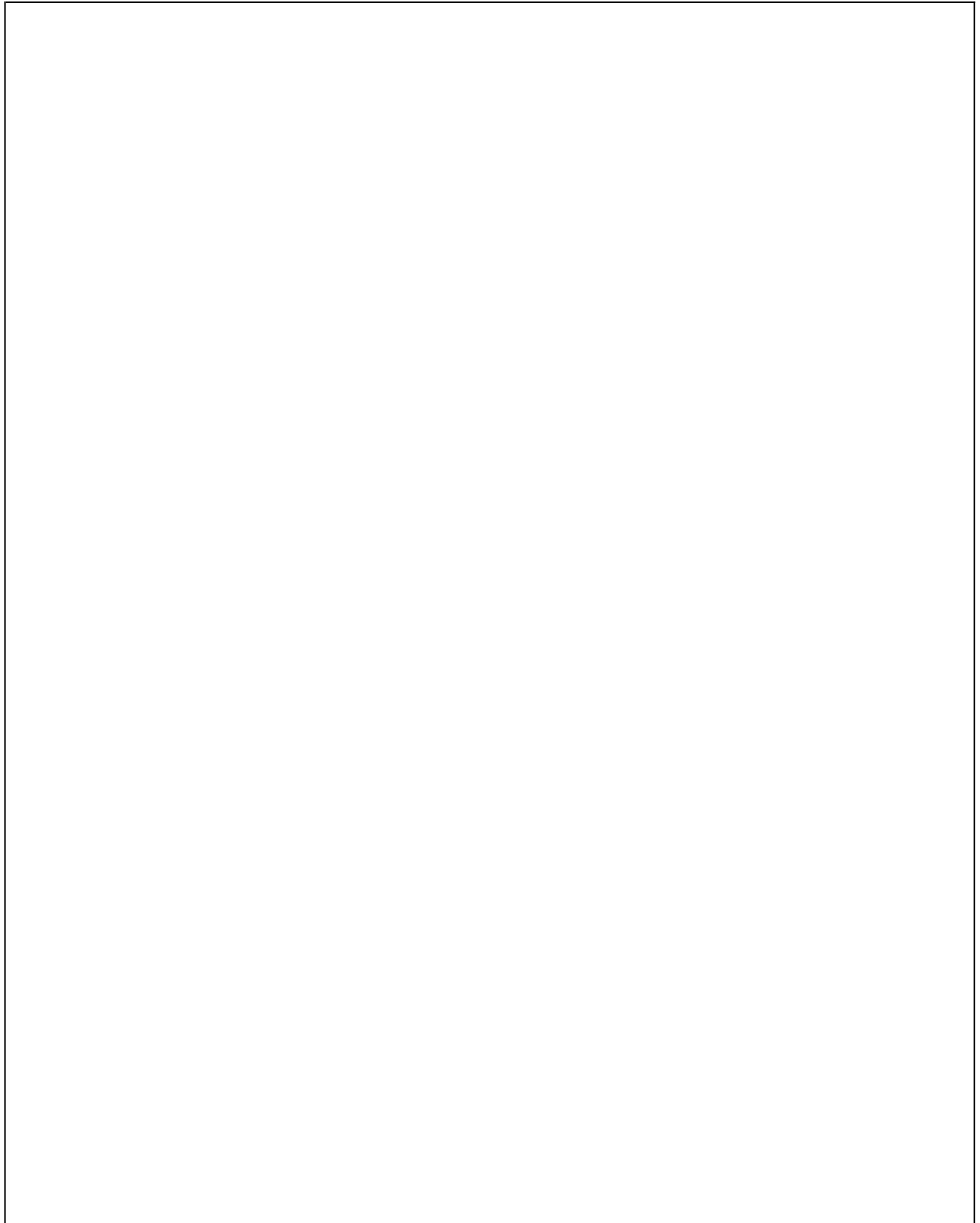
PLATE-6**CYLINDER HEAD & DECOMPRESSION LEVER**

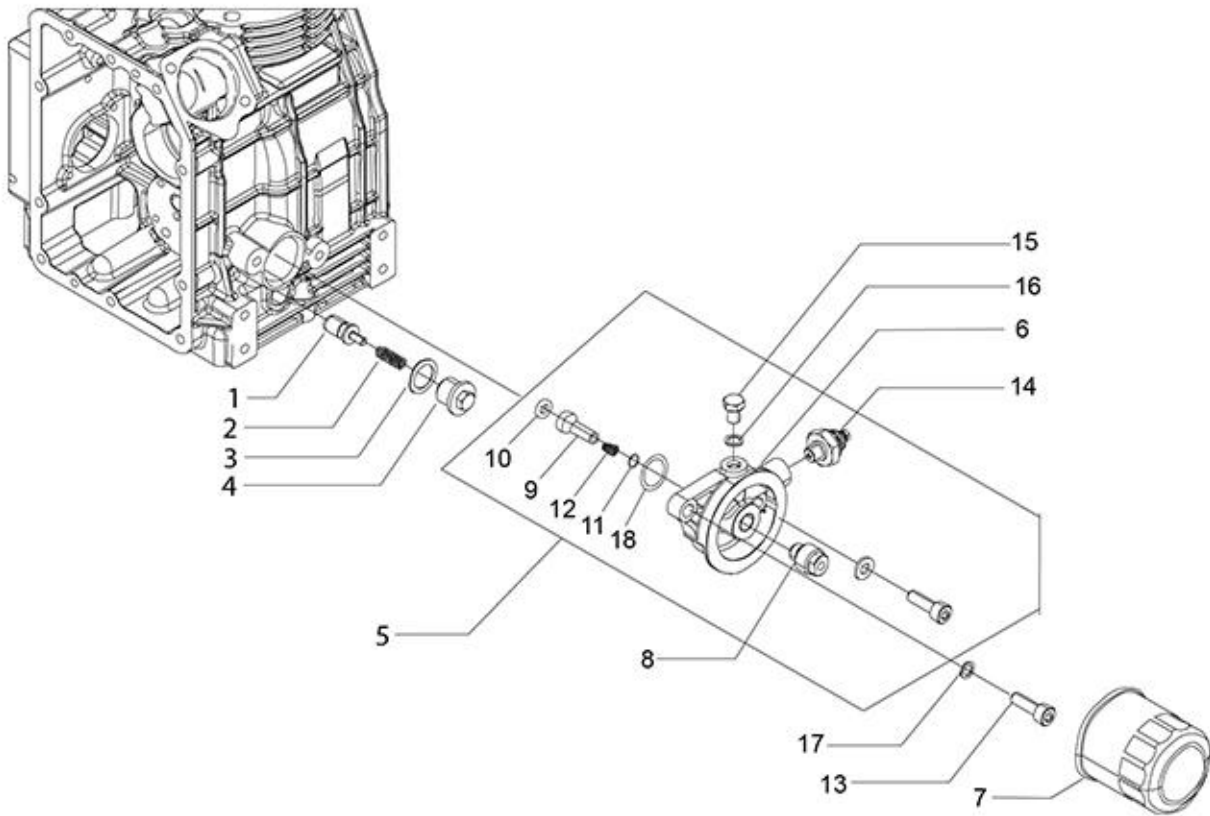
Fig. No.	Part No.	Description	Qty	Remarks
1	E10A020002	CYLINDER HEAD ASSEMBLY WITH VALVES	1	
2	E43518358	VALVE SEAT INLET (SEMI FINISH)	1	
3	E5508000118	VALVE SEAT EXHAUST	1	
4	E5005680046	RETURN SPRING	1	
5	E43522238	SET OF VALVE CONSISTING OF SR. NO. 12 & 13	1	
6	ED33454	EXHAUST VALVE	1	
7	E43522238	SET OF VALVE CONSISTING OF SR. NO. 12 & 13	1	
8	E50006342	VALVE STEM SEAL	2	
9	E870022109	VALVE COLLETS (MULTY GROOVE)	4	
10	E500640030	SPRING RETAINER TOP	2	
11	E18A060006	VALVE GUIDE SET	1	Not servciable
12	E5003430070	DISC	2	
13	E500575545	VALVE SPRING	2	
14	E03B020001	STUD M10X1.5-INTAKE SIDE	2	
15	E10B120002	STUD-M10X1.5 EXHAUST	2	
16	E93240076	NUT	2	
17	ED40165	DOME NUT	2	
18	E97626065	PLAIN WASHER	4	
19	E40016143	JOINT CYLINDER HEAD 0.5 MM	1	
20	E43536107	JOINT CYL. HEAD (0.2 MM THK.)	1	
21	E43536108	JOINT CYL. HEAD (0.3 MM THK.)	1	
22	E43536109	JOINT CYL. HEAD (0.4 MM THK.)	1	
23	E505193049	BOLT	1	
24	E260467001	JOINT	1	
25	E50000901	SPRING DOWEL	1	
26	E10B120001	INJECTOR STUD	1	
27	ED40580	DECOMPRESSION SHAFT ASSY.	1	
28	E268120034	O RING	1	

Print Date: 07-Apr-2022

PLATE-7

OIL FILTER & PRESSURE RELIEF VALVE





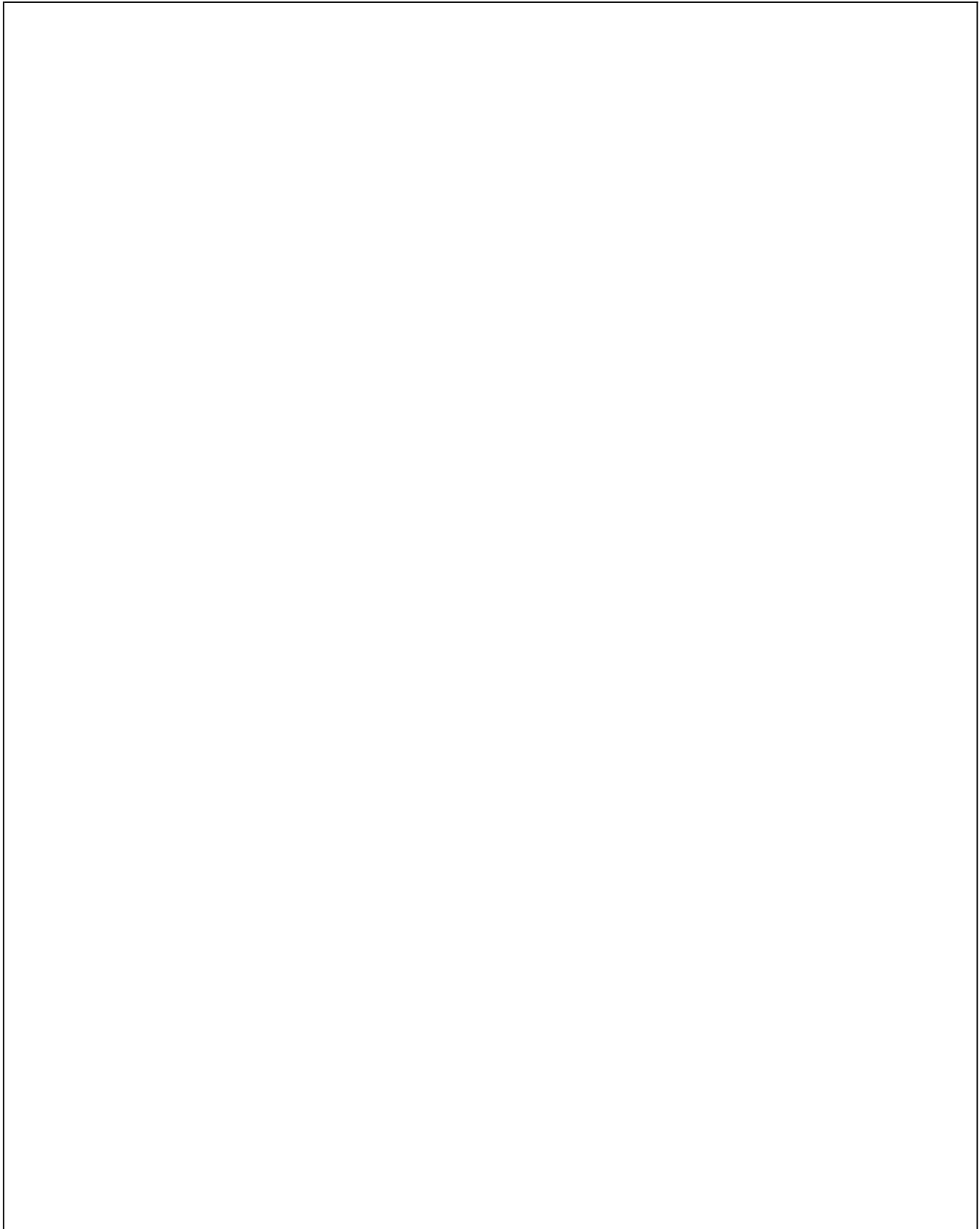
Print Date: 07-Apr-2022

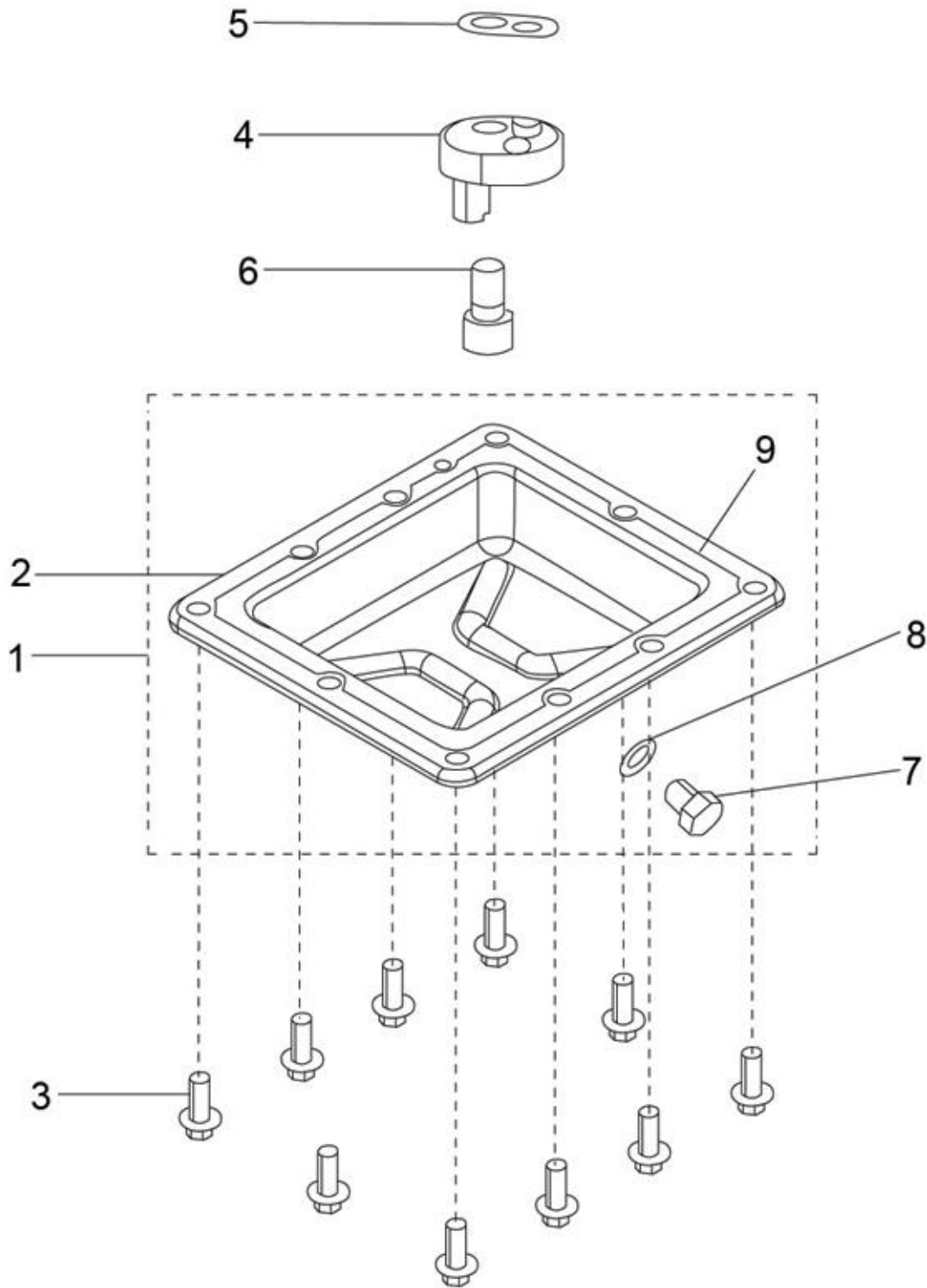
PLATE-7**OIL FILTER & PRESSURE RELIEF VALVE**

Fig. No.	Part No.	Description	Qty	Remarks
1	E5609680013	RELIEF VALVE BODY	1	
2	E500575549	SPRING	1	
3	E200467021	JOINT	1	
4	E50000475	PLUG RELIEF VALVE	1	
5	E40001816	FLANGE ASSY. L O FILTER	1	CONSISTING OF 6,8 TO 12, 14,15,16 & 18
6	ED21235	FLANGE	1	
7	ED42244	SPIN ON LUB OIL FILTER	1	
8	ED41208	STUD	1	
9	E50006495029	PISTON	1	
10	E50001213143	O RING LUB OIL FILTER	1	
11	E50005625006	SPRING	1	
12	E904120213	O RING	1	
13	E260973027	CAP SCREW M8X 1.25	2	
14	ED41447	OIL PRESSURE SWITCH - PARALLEL THREAD	1	
15	E1177001	BOLT	1	
16	E200467003	JOINT	2	
17	E50000613	MACHINED WASHER 16X8.1X2	2	
18	E260120016	O RING	1	

Print Date: 07-Apr-2022

PLATE-8
OIL PAN





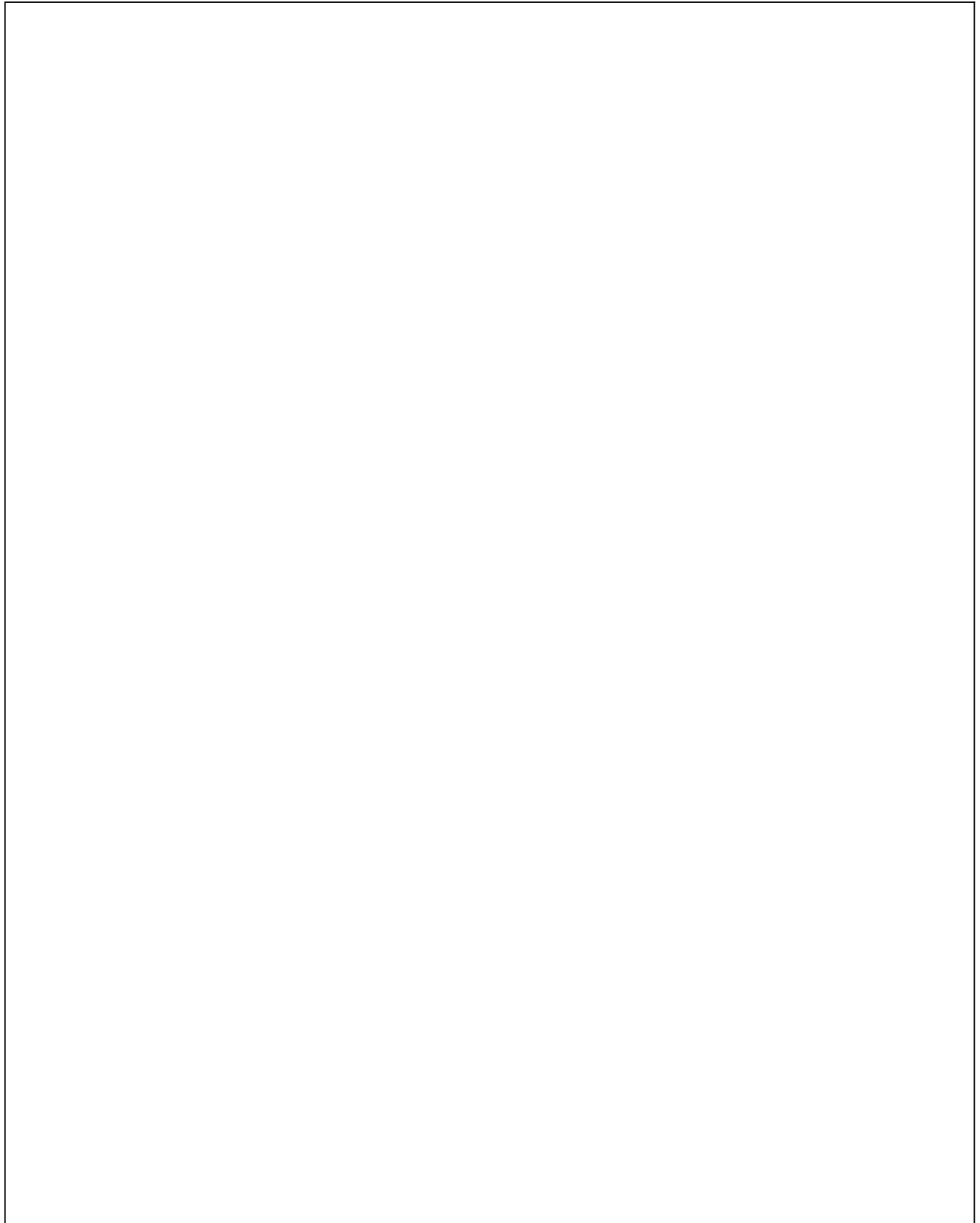
Print Date: 07-Apr-2022

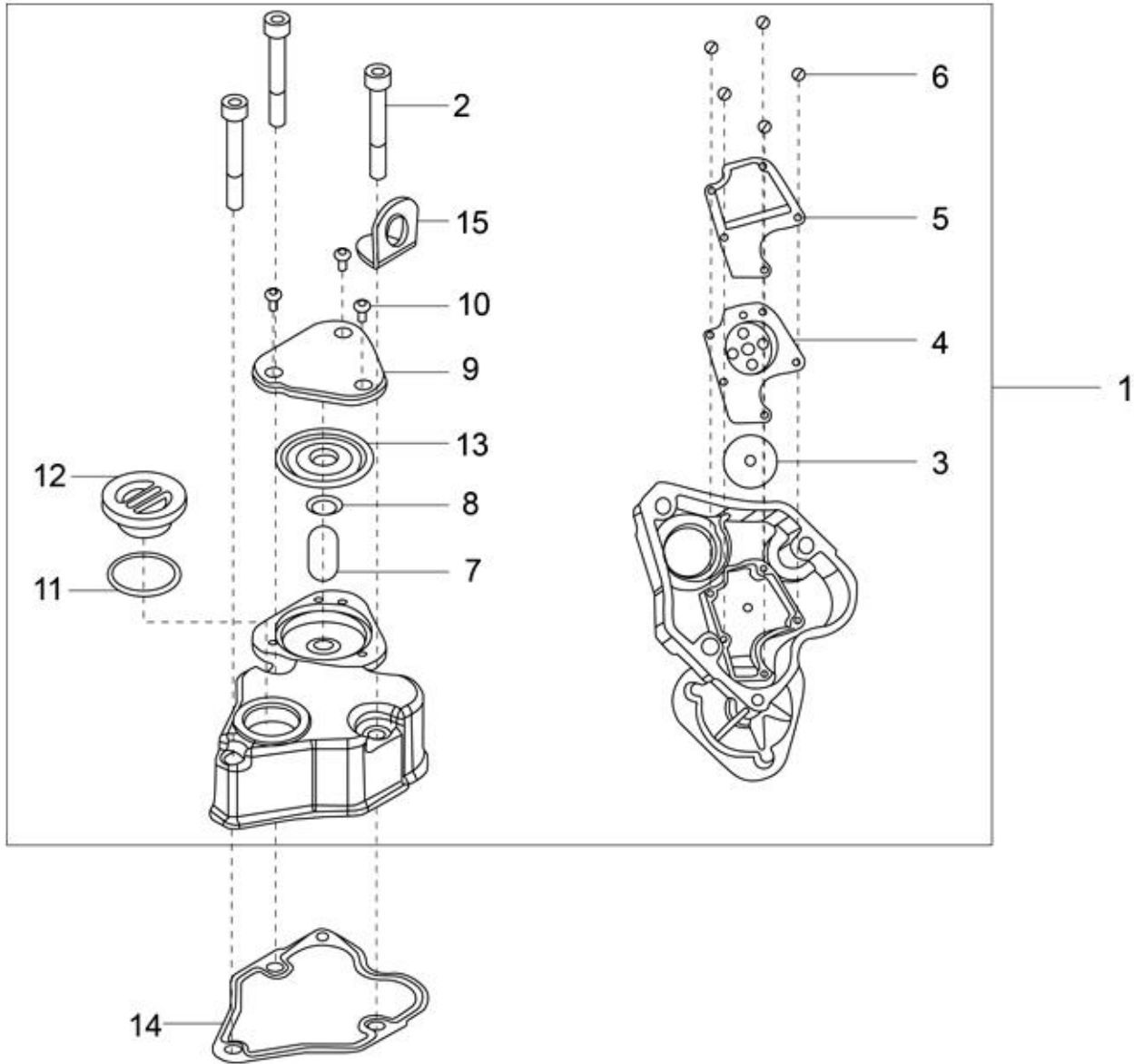
PLATE-8
OIL PAN

Fig. No.	Part No.	Description	Qty	Remarks
1	940048	LIQUID SEALANT	1	
2	E50008099	OIL PAN	1	
3	E50002805	COLLER BOLT M8 X 1.25 X 22	10	
4	E50008883	SUCTION BULB ASSY.	1	
5	E40016141	JOINT SUCTION BULB	1	
6	E99732047	SCREW FOR BULB	1	
7	E50000421	MAGNETIC DRAIN PLUG M12X1.5	1	
8	E250467014	JOINT 12X19X1(JOINT DRAIN PLUG)	1	

Print Date: 07-Apr-2022

PLATE-9
ROCKER ARM COVER





Print Date: 07-Apr-2022

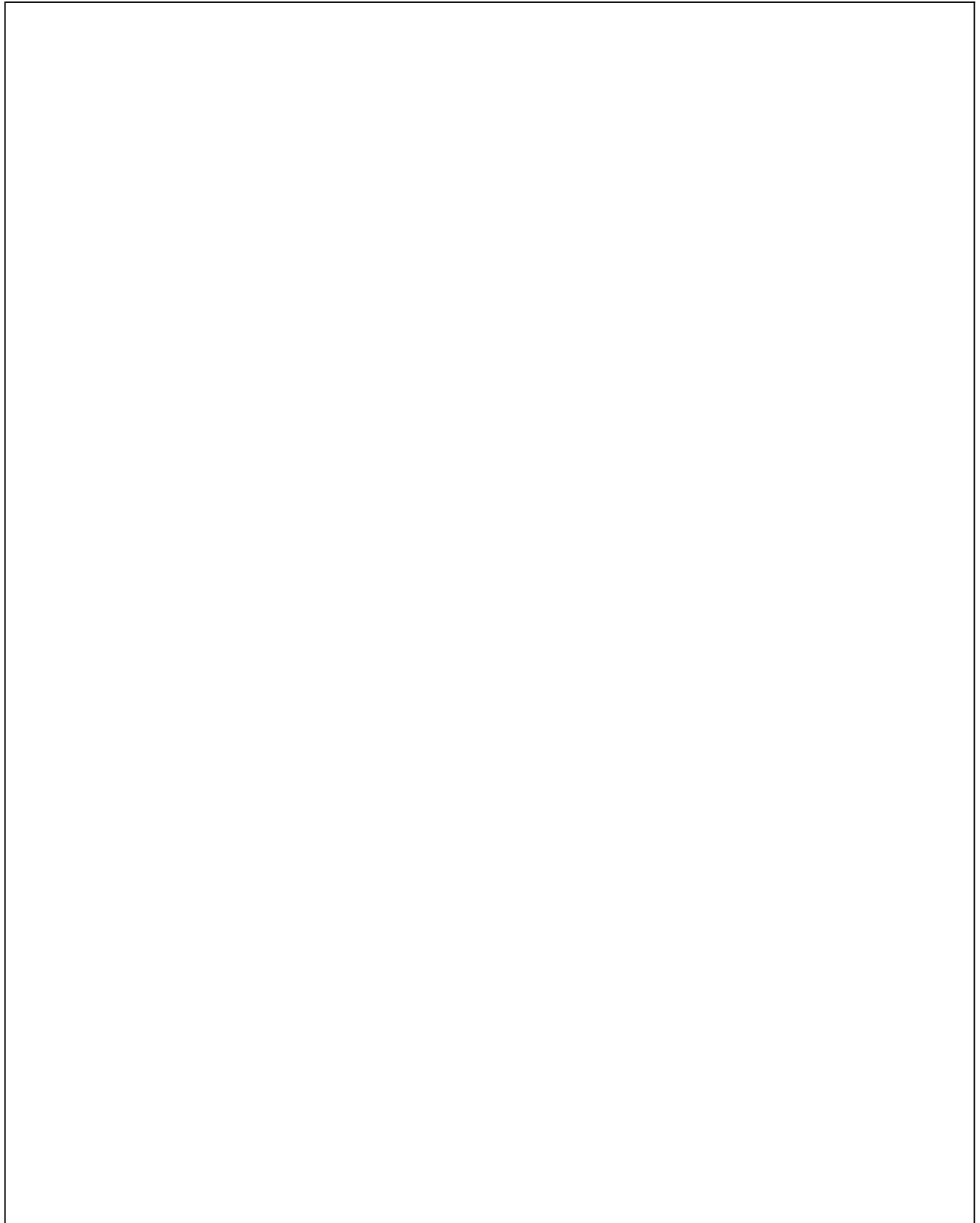
PLATE-9
ROCKER ARM COVER

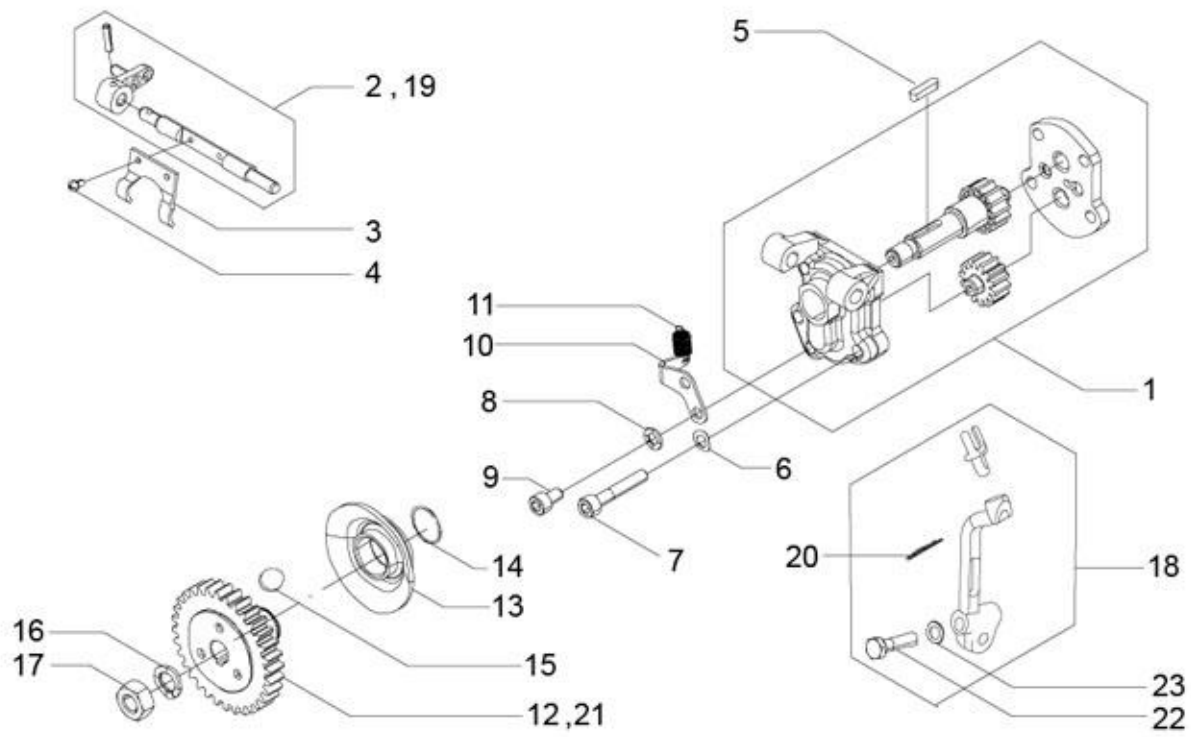
Fig. No.	Part No.	Description	Qty	Remarks
1	E10A110001	ROCKER BOX COVER ASSY. WITH OIL FILLING PLUG	1	CONSISTING OF SR. NO. 2 TO 13.
2	E50000114	BOLT (ALLEN)	2	
3	E1969695019	DIAPHRAM	1	
4	E1967980064	CUP FOR FILTER	1	
5	E1965140021	SHEET STEEL	1	
6	E51981002	SCREW	5	QTY 2 FOR GOV LEVER
7	E1965755128	SPRING LM TYPE	1	
8	E1967625270	WASHER FOR SAFETY VALVE	1	
9	E10M110002	BREATHER COVER -	1	
10	ESK8694	PHILLIPS HEAD SCREW	3	
11	E91200082	O RING	1	
12	E43524009	OIL FILLING PLUG WITH O RING BSIV	1	
13	ED43751	SAFETY VALVE	1	
14	E10S110001	JOINT FOR ROCKER COVER	1	
15	E904850603	LIFTING HOOK	1	

Print Date: 07-Apr-2022

PLATE-10

LUB OIL PUMP & SPEED GOVERNOR





Print Date: 07-Apr-2022

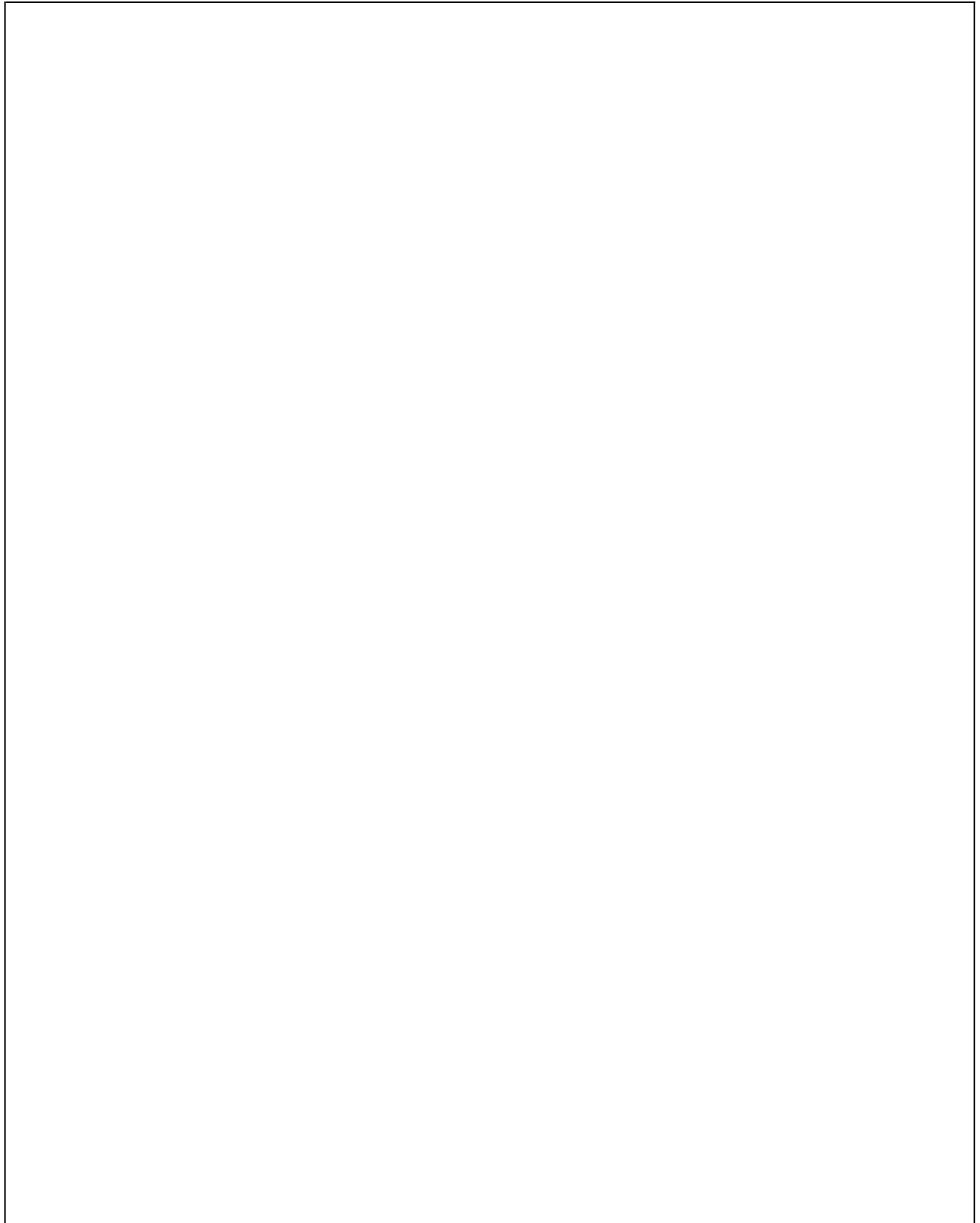
PLATE-10**LUB OIL PUMP & SPEED GOVERNOR**

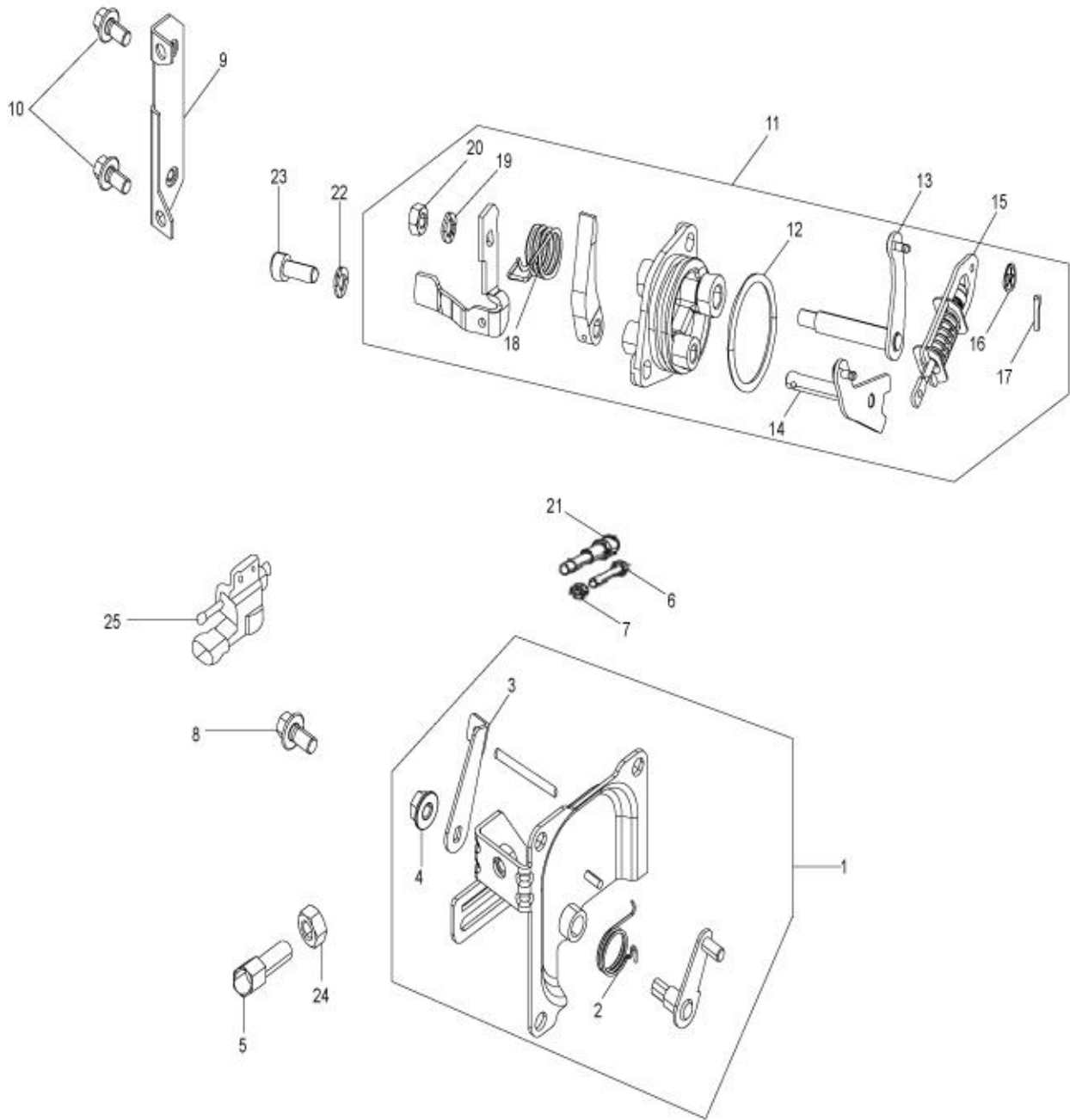
Fig. No.	Part No.	Description	Qty	Remarks
1	E52006709	LUB OIL PUMP ASSY.	1	
2	ED43350	GOVERNOR LEVER ASSY.(ALTERNATIVE)	1	
3	E500520134	GOVERNOR LEVER (INLET)	1	
4	E51981002	SCREW	2	
5	E500220013	KEY	1	
6	E250755504	SPRING WASHER FOR M6	3	
7	E50000437	HEX SOCKET HEAD SCREW	4	
8	E1756504	SPRING WASHER M6- OIL SEPARATOR 2	2	
9	E264973008	CAP SCREW	1	
10	E5006371045	ANCHOR PLATE	1	
11	E5205801462	SPRING EXCESS FUEL	1	
12	E50010157	GOVERNOR GEAR	1	
13	E500208572	GOVERNOR BELL (STEEL)	1	
14	E500116011	CIRCLIP	1	
15	E3824509	BALL	6	
16	E202756511	SPRING WASHER FOR M10	1	
17	E500324066	NUT	1	
18	E400051135	FUEL PUMP R C LEVER ASSY (BSII)	1	
19	ED43350	GOVERNOR LEVER ASSY.(ALTERNATIVE)	1	ALTERNATIVE TO SR. NO.2
20	E7102800049	SPLIT PIN	1	
21	E50010157	GOVERNOR GEAR	1	ALTERNATIVE TO SR. NO.12
22	E276176034	BOLT M6X1X25	1	
23	E250755504	SPRING WASHER FOR M6	1	

Print Date: 07-Apr-2022

PLATE-11

REMOTE THROTTLE & STOP CONTROL





Print Date: 07-Apr-2022

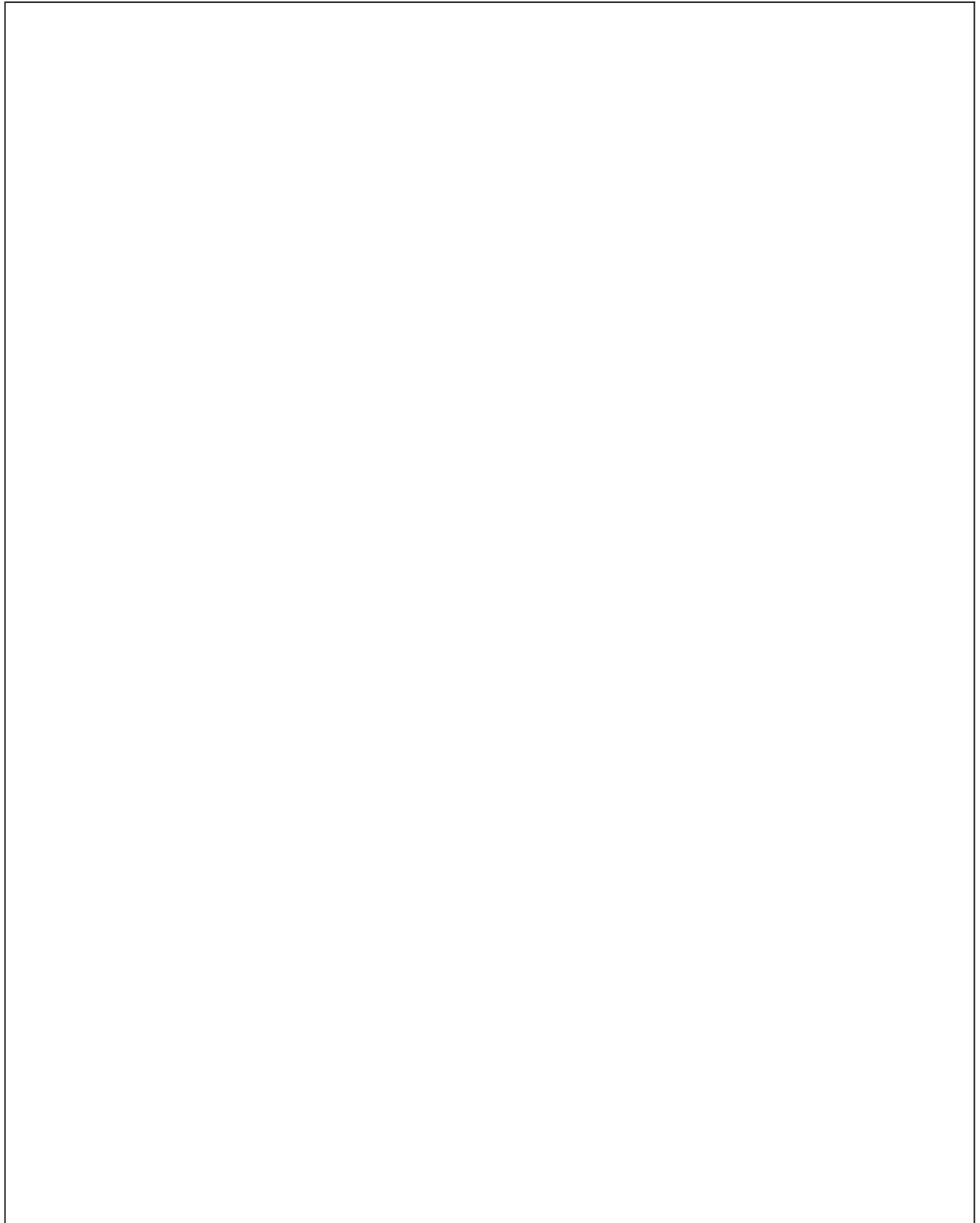
PLATE-11**REMOTE THROTTLE & STOP CONTROL**

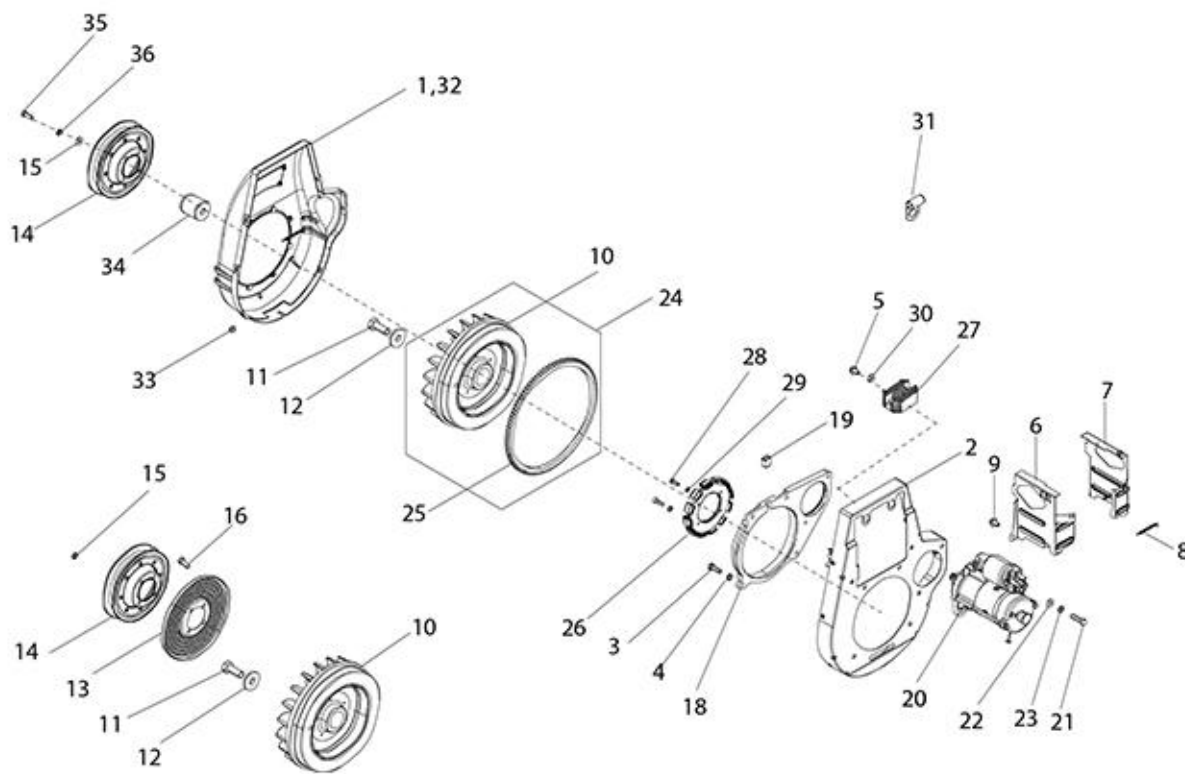
Fig. No.	Part No.	Description	Qty	Remarks
1	E10A110006	REMOTE THROTTLE AND STOP CONTROL FOR REAR MTG ENGINE (2 TO 6)	1	
2	E500568044	SPRING STOP LEVER RETURN	1	
3	E500520214	EXTERNAL STOP LEVER	1	
4	E07502811	COLLAR NUT M6 X 1	1	
5	E50000452	TERMINAL	2	
6	E07500428	MAX SPEED SETTING SCREW	2	
7	E105324008	NUT HEX -OIL SEPARATOR MOUNTING	2	
8	E07502813	COLLOR BOLT M6 X 12	2	
9	ED41174	BRACKET REMOTE STOP	1	
10	E07502813	COLLOR BOLT M6 X 12	2	
11	E10A120005	ASSY-GOVERNOR SUPPORT (20 TO 32) WITH CIRCLIP	1	
12	E52006205	O RING	1	
13	E5205200777	UPPER LEVER WITH PIN	1	
14	E40015173	GOVERNOR SUPPORT ASSY. (CONSISTING OF SR.NO. 4;6;11;22 TO 30)	1	
15	E40009645	GOVERNOR SPRING ASSEMBLY	1	
16	E27762505	MACHINED WASHER	2	
17	E9280003	SPLIT PIN	2	
18	E500568043	SPRING	1	
19	E1756504	SPRING WASHER M6- OIL SEPARATOR 2	1	
20	E105324008	NUT HEX -OIL SEPARATOR MOUNTING	1	
21	E50020140	BOLT ASSLY (PUMPSET) (EXCESS FUEL)	1	
22	E1756504	SPRING WASHER M6- OIL SEPARATOR 2	2	
23	E270973010	CAP SCREW (TUBE OIL ADAPTER)	2	
24	E105324008	NUT HEX -OIL SEPARATOR MOUNTING	2	
25	E10G130001	THROTTLE POSITION SENSOR (CW-TYPE)	1	

Print Date: 07-Apr-2022

PLATE-12

AIR SHROUD/ FLYWHEEL/ PULLEY/ ELECTRICAL START SYSTEM COMPONENTS





Print Date: 07-Apr-2022

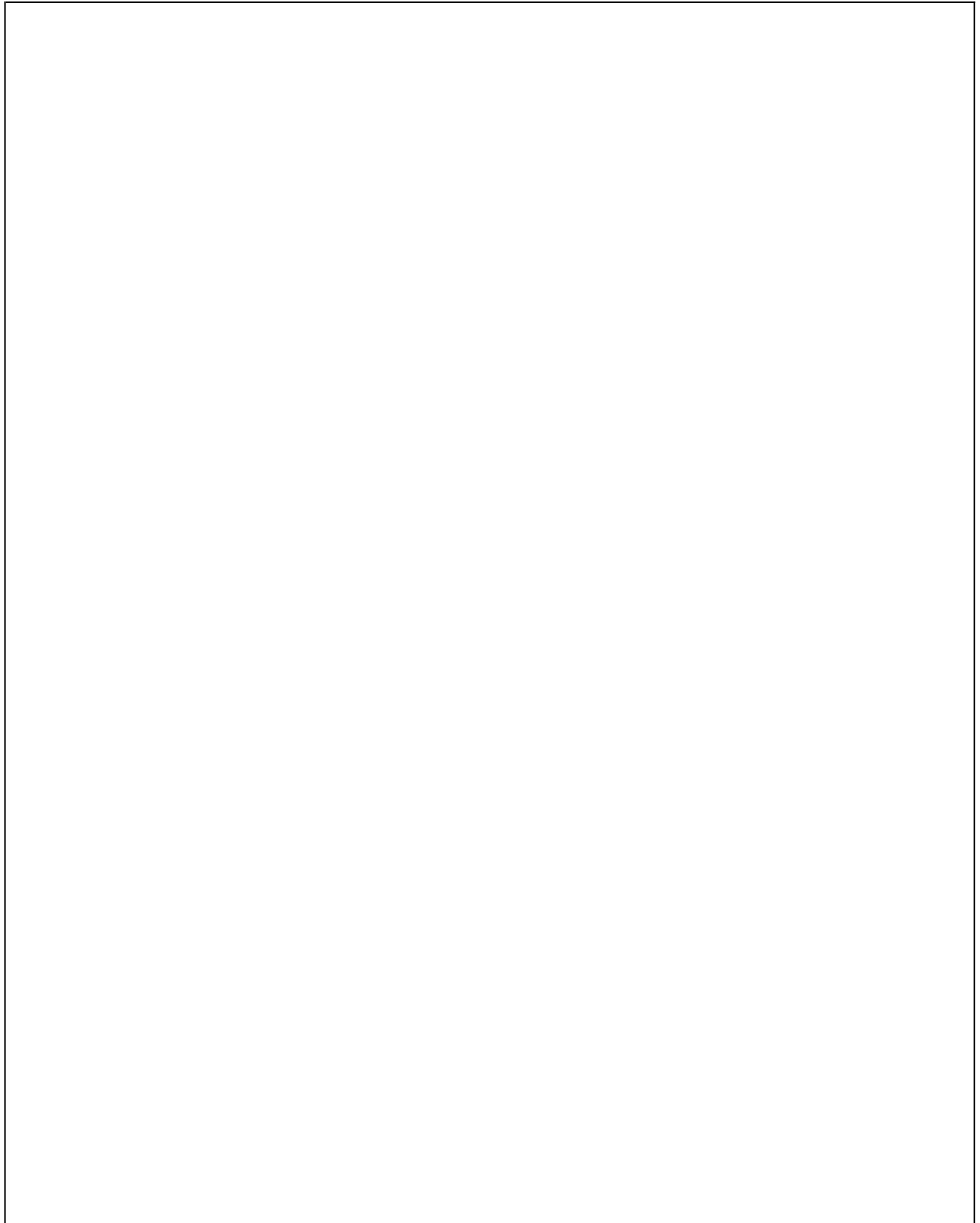
PLATE-12**AIR SHROUD/ FLYWHEEL/ PULLEY/ ELECTRICAL START SYSTEM COMPONENTS**

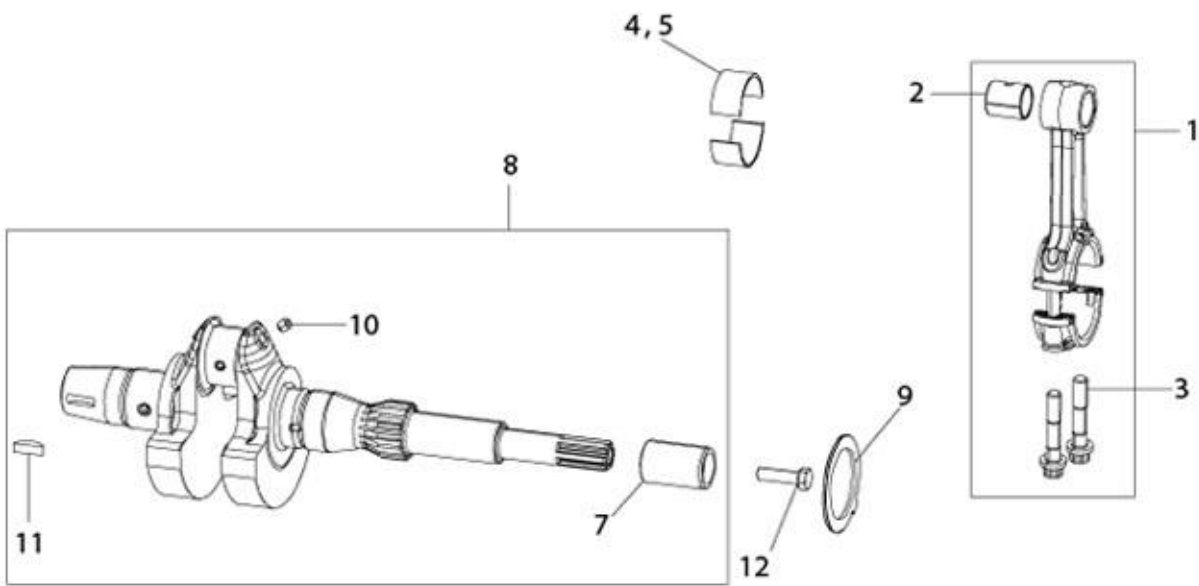
Fig. No.	Part No.	Description	Qty	Remarks
1	E43531743	AIR SHROUD (BLUE)	1	BLUE
2	E43531725	BACK PLATE	1	
2	E10G110026	BACK PLATE (PCA ENGINE)	1	PCA Engine
3	E9177006	BOLT M8X1.25X25	4	
4	E1756507	SPRING WASHER M8	4	
5	ESK4584	BOLT M8X1.25X40	2	
6	E03G100003	BAFFLE PLATE INTAKE	1	
7	E03G100001	BAFFLE PLATE EXHAUST	1	
8	E5405725043	SPRING AIR BAFFLE	1	
9	E90979037	PHILIPS SCREW	3	
10	E10M030001	FLYWHEEL INTEGRAL	1	
11	E52200434	SCREW HEX. HEAD M14X1.5X35 LH THREAD FLYWHEEL FIXING	1	
12	E97626043	PLAIN WASHER FLYWHEEL	1	
13	ED32131	GUARD PLATE	1	FRONT MTG
15	E260756505	SPRING WASHER (FOR SHEET METAL PULLEY)	4	
16	E50000164	BOLT	4	
17	E500405518	STARTING ROPE	1	
19	E40005592	BUSH FOR FMA CABLE	1	
20	E10G140001	STARTER MOTOR CF60	1	
21	E47177007	SCREW M8X1.25X30	2	
22	E1756507	SPRING WASHER M8	2	
23	E45762512	PLAIN WASHER	2	
24	E10A030001	FLYWHEEL ASSLY WITH RING GEAR (11 & 26)	1	
25	E40009648	RING GEAR STARTER 0.7 KW (INEL FMA)	1	
26	E10G030001	STATOR	1	
27	E10G130018	EGR CONTROLLER-CARGO/PASS./APE CITY	1	PCA Engine
28	E40020135	BOLTS FOR FMA STARTOR	4	
29	E26756503	SPRING WASHER	4	
30	E1756507	SPRING WASHER M8	2	
31	E6193361721	CLAMP	2	
32	E43531743	AIR SHROUD (BLUE)	1	BLACK
33	E90979039	SCREW	6	
34	ED42246	SPACER FR PULLEY	1	
35	E40000565	STUD FOR PULLEY	4	
36	E1324010	NUT	4	

Print Date: 07-Apr-2022

PLATE-13

CONNECTING ROD/CRANK SHAFT





Print Date: 07-Apr-2022

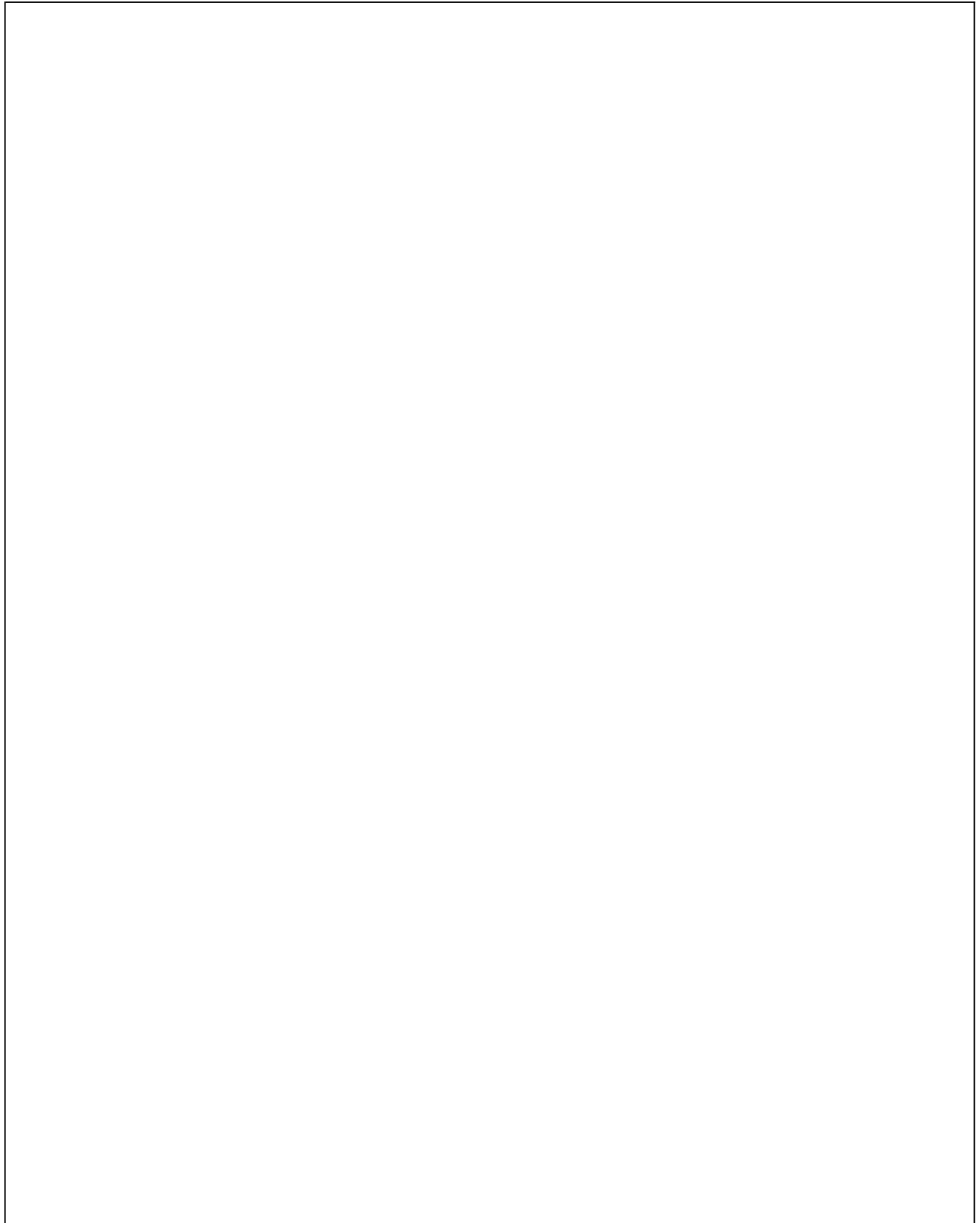
PLATE-13**CONNECTING ROD/CRANK SHAFT**

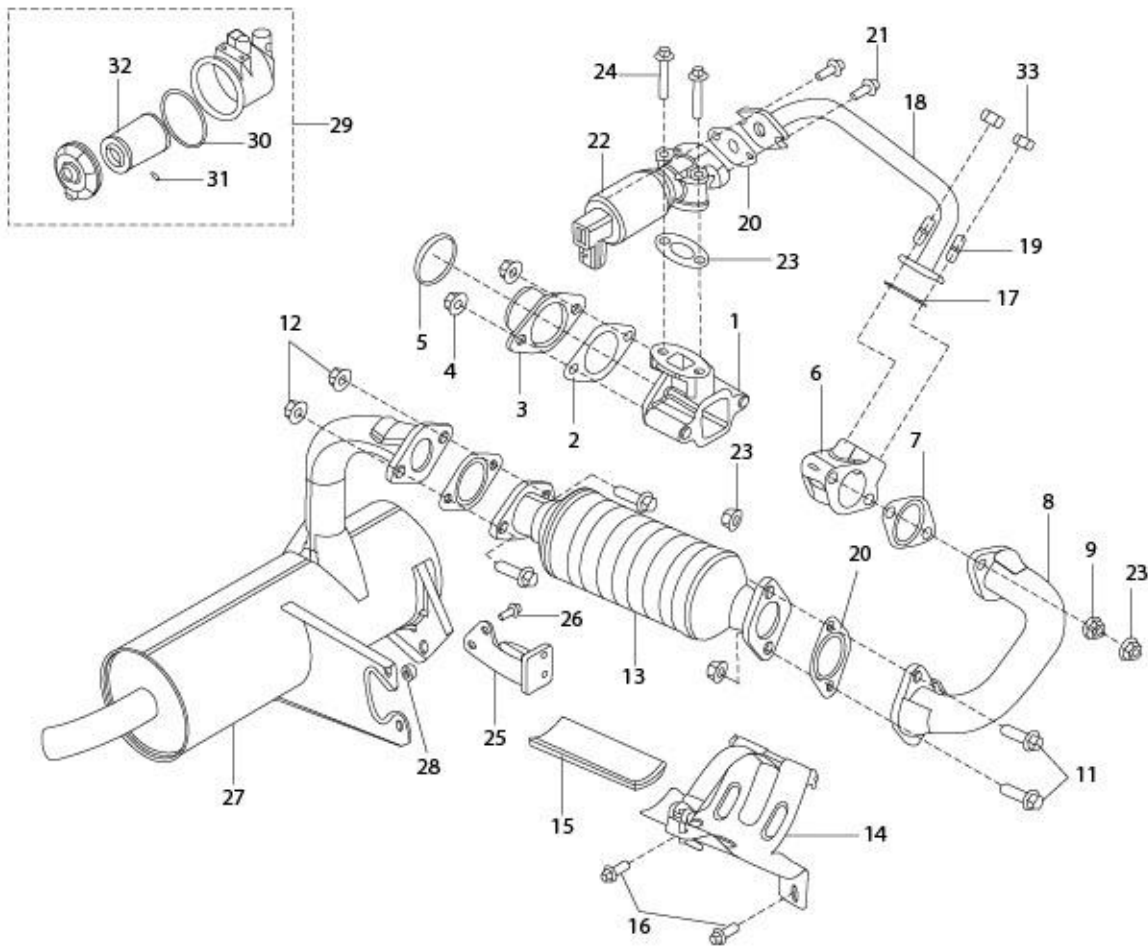
Fig. No.	Part No.	Description	Qty	Remarks
1	E43509046	CONNECTING ROD ASSY - FRACTURED	1	
2	E50009205	BUSH SMALL END CON ROD	1	
3	E43520166	COLLAR BOLT M8X1 (CON ROD)	2	
4	E50002296A	LARGE END BEARING(SET OF 2)	1	
5	E40022211	LARGE END BEARING WITH COPPER LEAD (SINGLE HALF) 0.25 MM U/S	1	NS
6	E43510791	FRACTURED CON ROD BOLT KIT	1	NI, CONSIST.OF SR NO 3&4
7	ED40208	SLEEVE DOUBLE OIL SEAL	1	REAR MTG APPLN
8	E43510715	CRANKSHAFT WITH KEY CONSIST OF 8 & 12.	1	BSIII,REAR MTG, CONSIST OF 7 & 11
9	E500125708A	THRUST WASHER	1	
10	E500900038	PLUG OIL HOLE	2	
11	E500228048	KEY - F.W.E.	1	
12	E47177007	SCREW M8X1.25X30	1	REAR MTG

Print Date: 07-Apr-2022

PLATE-14

AIR CLEANER / EXHAUST MUFFLER





Print Date: 07-Apr-2022

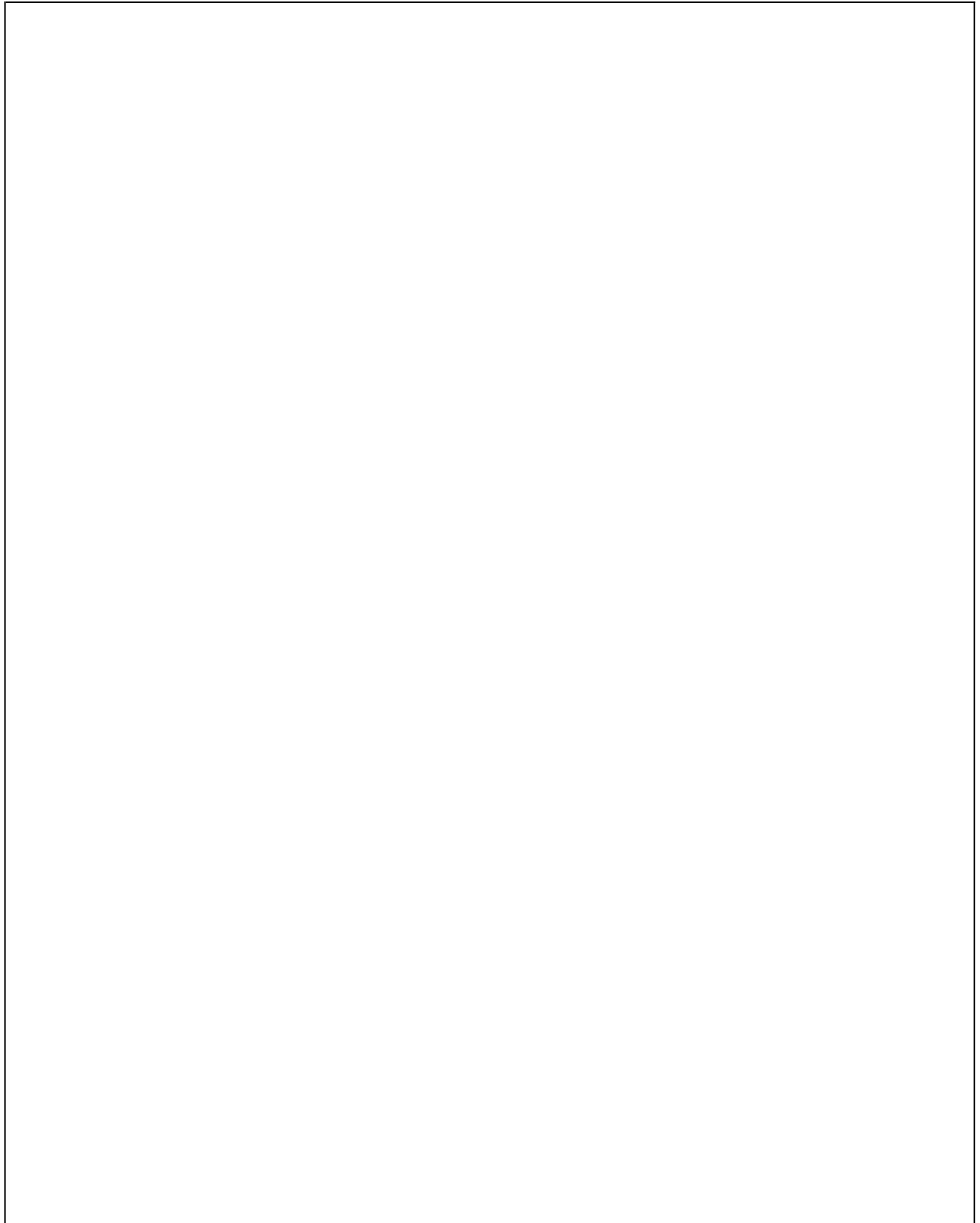
PLATE-14**AIR CLEANER / EXHAUST MUFFLER**

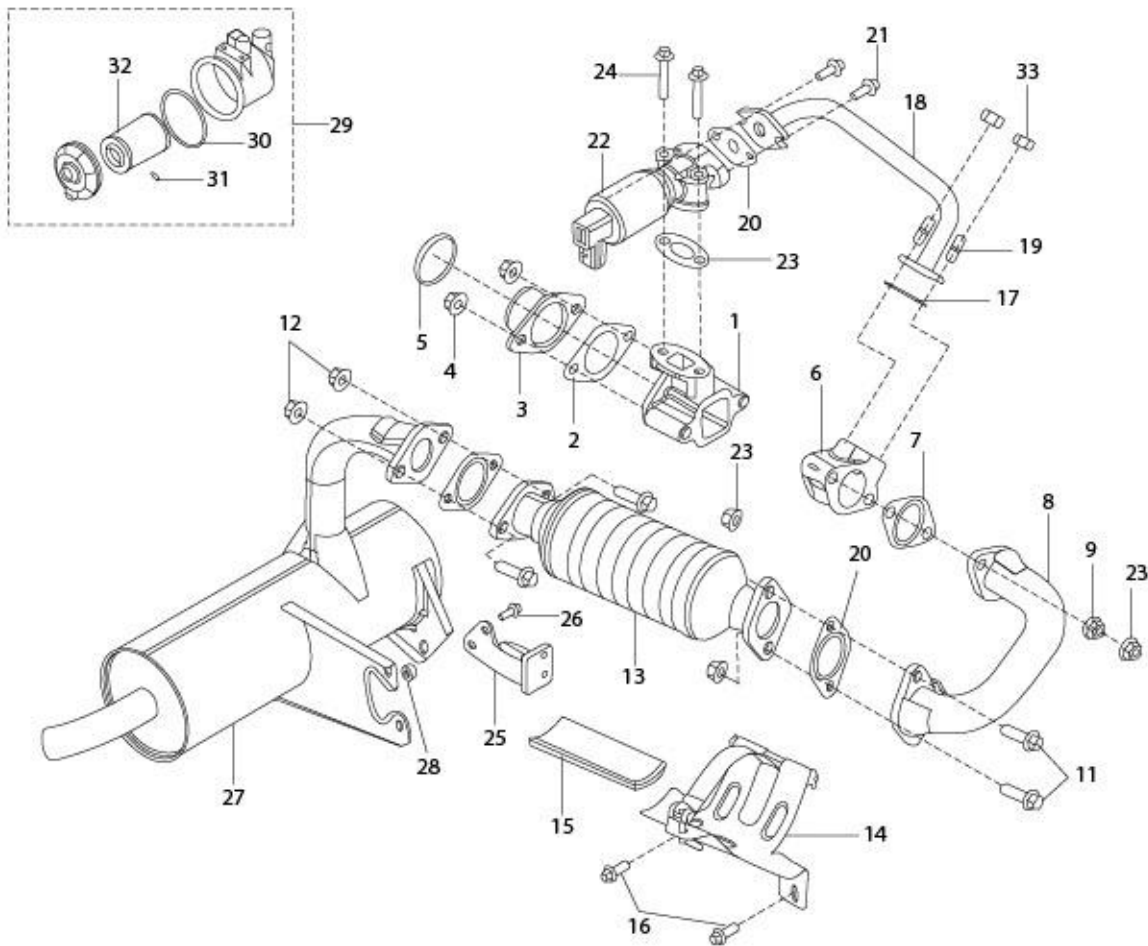
Fig. No.	Part No.	Description	Qty	Remarks
1	E10M070001	FLANGE INTAKE MACHINED	1	
2	E10S070002	JOINT-INTAKE FLANGE	2	
3	E10T070001	FLANGE FOR AIR FILTER	1	
4	E07502812	COLLAR NUT M10X1.5	2	
5	E10G110005	PLASTIC CAP FOR AIR FILTER FLANGE	1	
6	E10M070002	FLANGE EXHAUST MACHINED	1	
7	E03S070003	JOINT-EXHAUST FLANGE	2	
8	E10T070002	PIPE-EXHAUST(EXHAUST FLANGE TO OXYCAT)	1	
9	E07502812	COLLAR NUT M10X1.5	2	
10	E87026113	GASKET EXHAUST	2	
11	E43502821	HEX HEAD FLANGE BOLT M10X1.5X30	4	
12	E07502812	COLLAR NUT M10X1.5	4	
13	B076414	OXYCAT METALLIC ASSLY(SUD-CHEME DOC+DOC)	1	
13	E10G070007	OXYCAT- CORNING INDIA(SHARDA MAKE)	1	PCA Engine-Corning India
14	E43527721	OXYCAT BKT & THERMAL INSULATION ASSLY.	1	
14	E43527721	OXYCAT BKT & THERMAL INSULATION ASSLY.	1	For Vicat
14	E10G140041	BRACKET FOR OXICAT-ELLIPTICAL SHAPE COM.	1	PCA Engine-Corning India
14	E10G070016	CATCON BRACKET FOR CORNING	1	PCA Engine-Corning India
15	E43526171	THERMAL INSULATION 120X50X8	1	
16	E50002805	COLLER BOLT M8 X 1.25 X 22	2	
17	E43526150	GASKET(EXHAUST MANIFOLD-EGR PIPE)	1	
18	E10T070007	PIPE-EGR	1	
18	E10T070010	EGR PIPE-FOR ALL BSIV MODEL (PCA ENGINE	1	PCA Engine
19	E40000549	STUD AIR INTAKE	2	
20	E43526149	GASKET INTAKE FLANGE	1	
21	E50002805	COLLER BOLT M8 X 1.25 X 22	2	
22	E10G070001	EGR SOLENOID VALVE (NORMALLY OFF)	1	
23	E10S070003	GASKET(EGR VALVE-EGR PIPE)	1	
24	E07502803	COLLAR BOLT ROCKER COVER M8 LIFTING HOOK SIDE	2	
25	E10M070014	BRACKET-MUFFLER (ENGINE SIDE)	1	
26	E50002805	COLLER BOLT M8 X 1.25 X 22	2	
27	E10A070008	ASSEMBLY MUFFLER-APE CITY BSIV	1	REAR MTG
28	E07502810	COLLAR NUT M8 X 1.25	2	LOOSE PART
29	E43518650	AIR FILTER ASSY. WITHOUT BRACKET	1	REAR MTG
29	E43518676	AIR FILTER ASSY. (SOGEFI) (PCA ENGINE)	1	PCA Engine

Print Date: 07-Apr-2022

PLATE-14

AIR CLEANER / EXHAUST MUFFLER





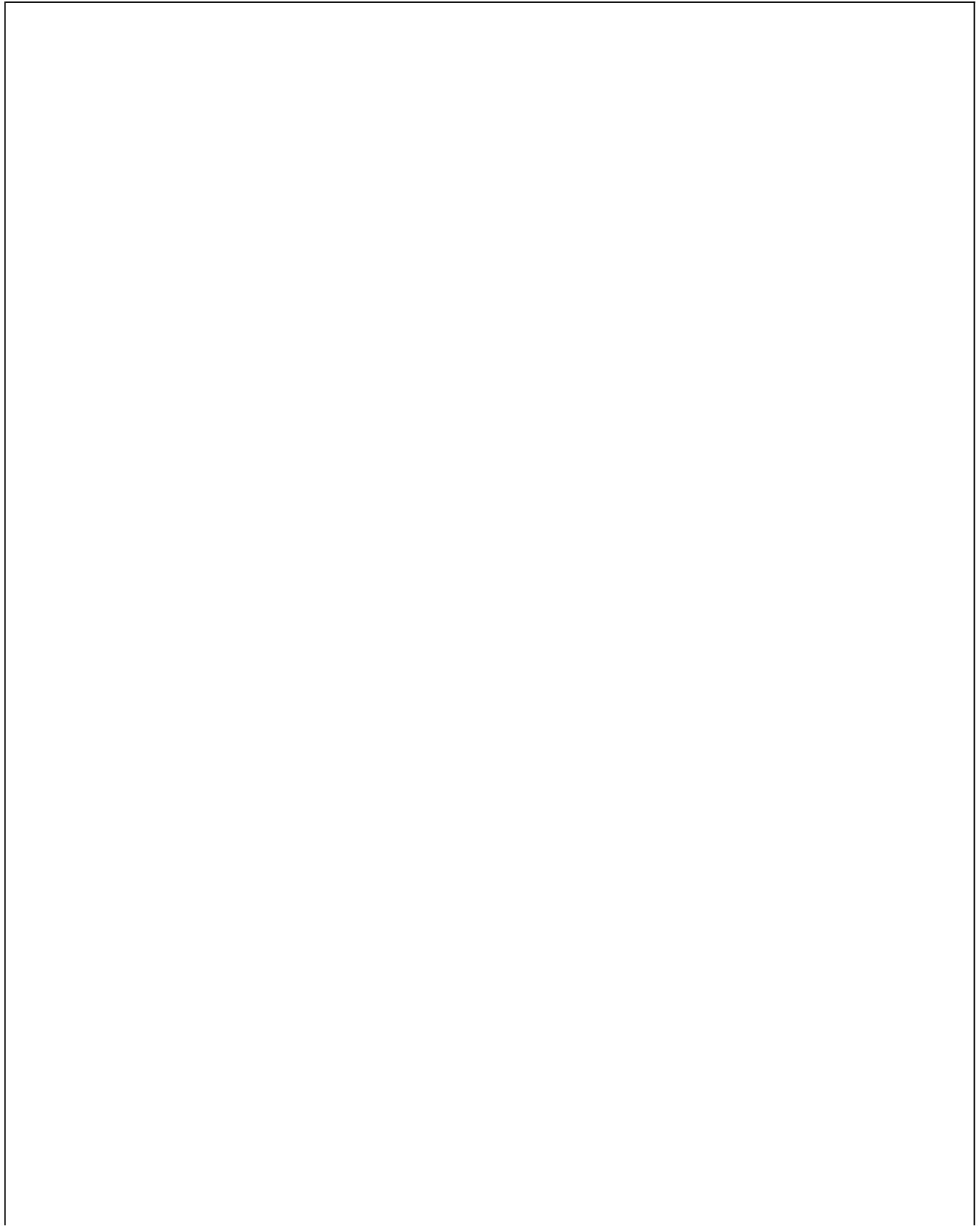
Print Date: 07-Apr-2022

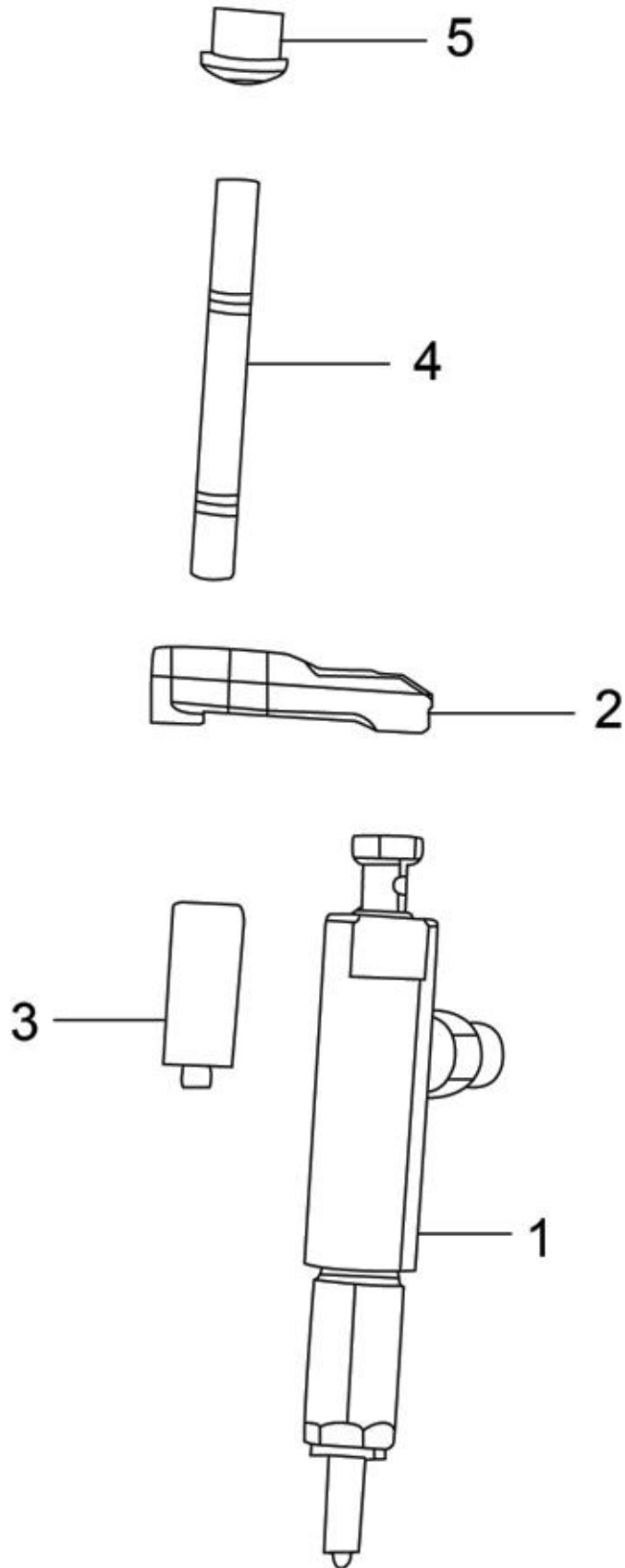
PLATE-14**AIR CLEANER / EXHAUST MUFFLER**

Fig. No.	Part No.	Description	Qty	Remarks
30	920105	SPONGE GASKET O RING)	1	
31	920087	DUST VALUE	1	
32	940094	ELEMENT FOR AIR FILTER	1	
33	E075028010	NUT	2	
34	E10M140001	SLEEVE_ SOGEFI	1	SOGEFI AIR FILTER CHILD PARTS
35	E10P140001	COVER_ SOGEFI	1	SOGEFI AIR FILTER CHILD PARTS
36	E10P140002	GASKET_ SOGEFI	1	SOGEFI AIR FILTER CHILD PARTS
37	E10B140001	BOLT M6X22_ SOGEFI	1	SOGEFI AIR FILTER CHILD PARTS
38	E10B140002	NUT M6_ SOGEFI	1	SOGEFI AIR FILTER CHILD PARTS
39	E10B140003	CLIP_ SOGEFI	3	SOGEFI AIR FILTER CHILD PARTS

Print Date: 07-Apr-2022

PLATE-15
INJECTOR





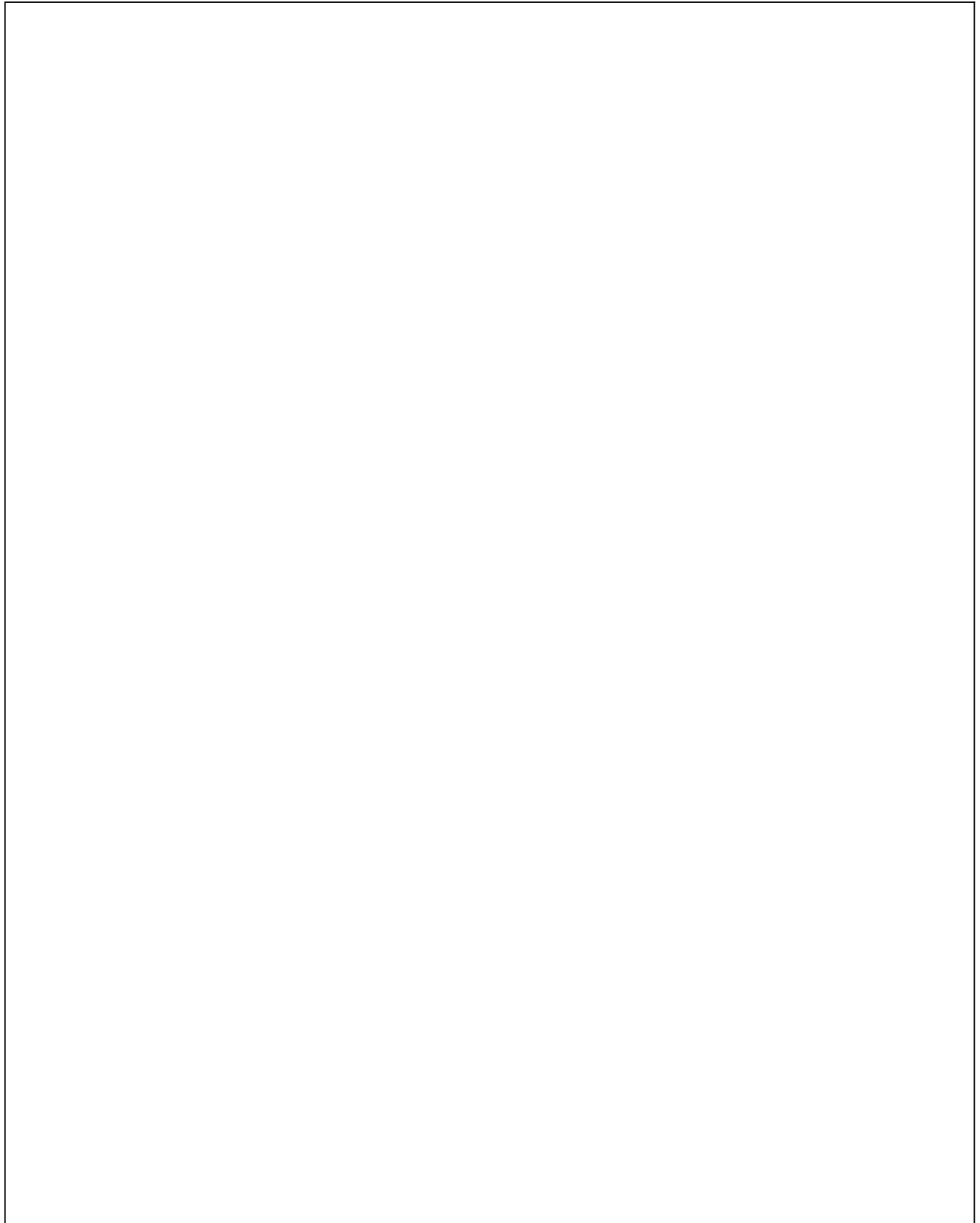
Print Date: 07-Apr-2022

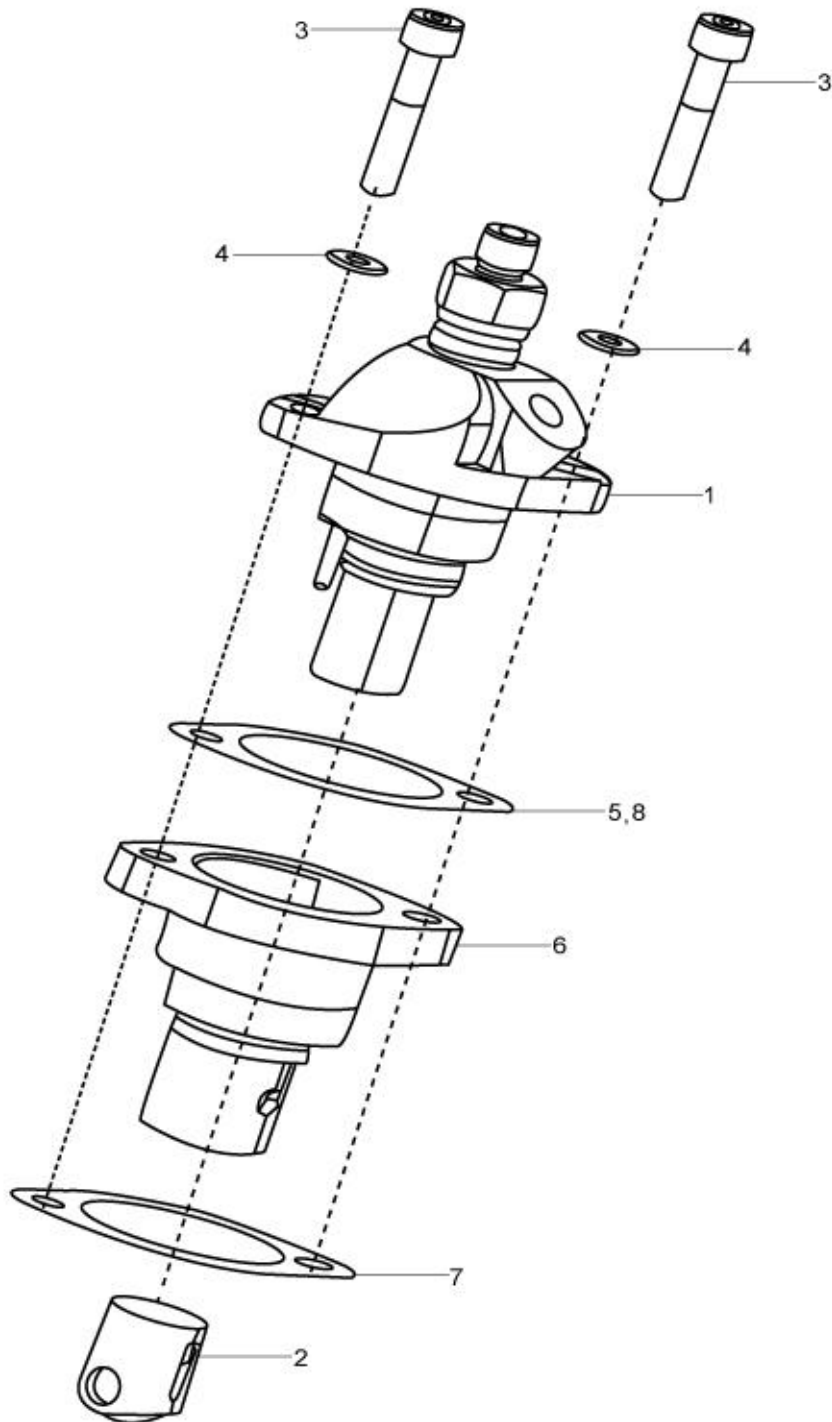
**PLATE-15
INJECTOR**

Fig. No.	Part No.	Description	Qty	Remarks
1	E10G120004	INJECTOR ASSY WITH JOINT	1	
2	E10M120004	FLANGE INJECTOR	1	
3	E10M120003	DOWEL PIN	1	
4	E10B120001	INJECTOR STUD	1	
5	E60000227	HEX. NUT FOR INJECTOR CLAMP M8X1.25	1	

Print Date: 07-Apr-2022

PLATE-16
FUEL PUMP





Print Date: 07-Apr-2022

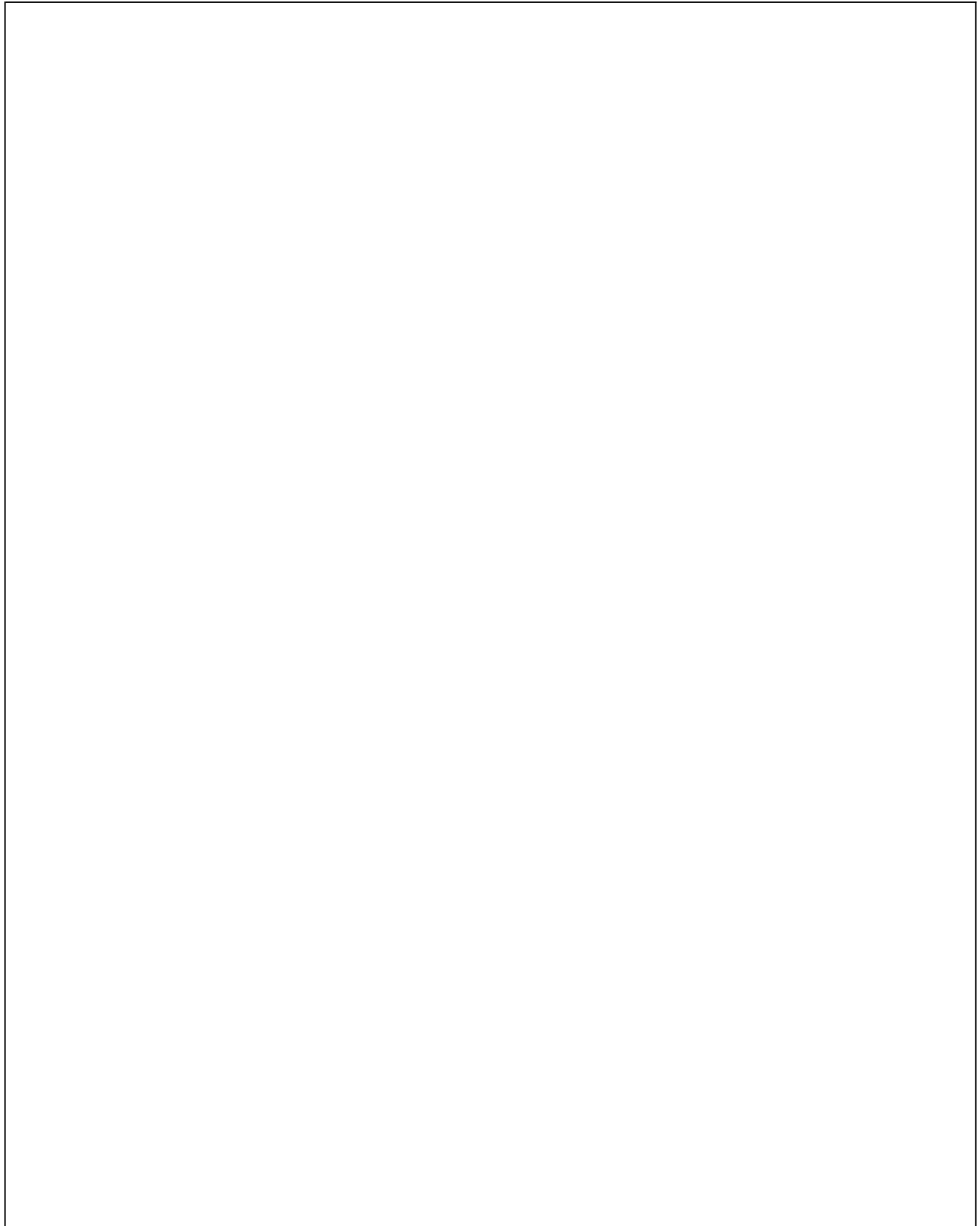
PLATE-16
FUEL PUMP

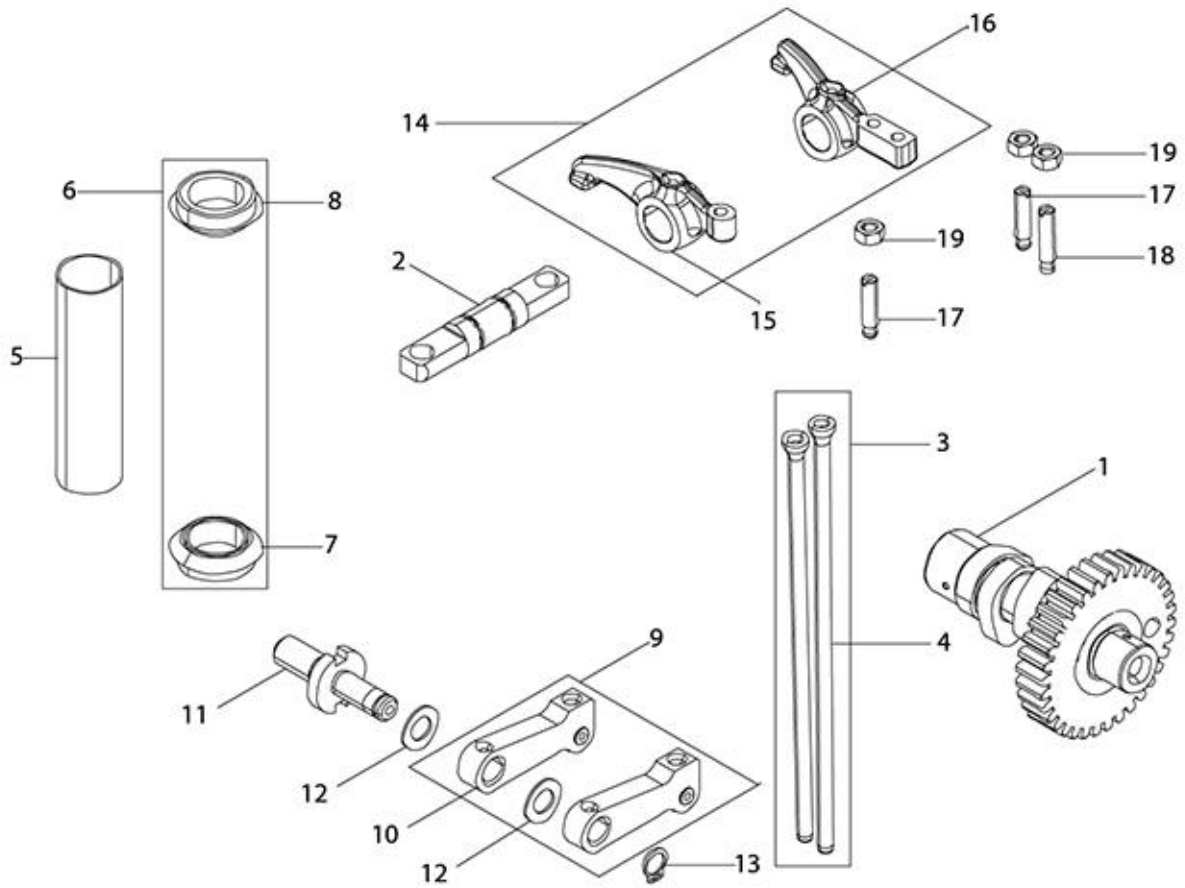
Fig. No.	Part No.	Description	Qty	Remarks
1	E10G120069	FUEL PUMP ASSEMBLY (GCL) 8.5 ELEMENT	1	
1	E10G120070	FIP (PCA ENGINE)	1	PCA Engine
2	E10G120003	ROLLER TAPPET	1	
3	E10M120019	SCREW	2	
4	E1756507	SPRING WASHER M8	2	
5	E500458029	SHIM 0.1MM	1	AS REQUIRED
6	E10M120001	FIP CASING	1	
7	ED42723	JOINT FOR FIP CASING (0.5MM THICK)	1	
8	E5004580057	SHIM 0.05MM FOR FUEL PUMP	1	AS REQUIRED

Print Date: 07-Apr-2022

PLATE-17

CAM SHAFT, ROD & ROCKER RAM





Print Date: 07-Apr-2022

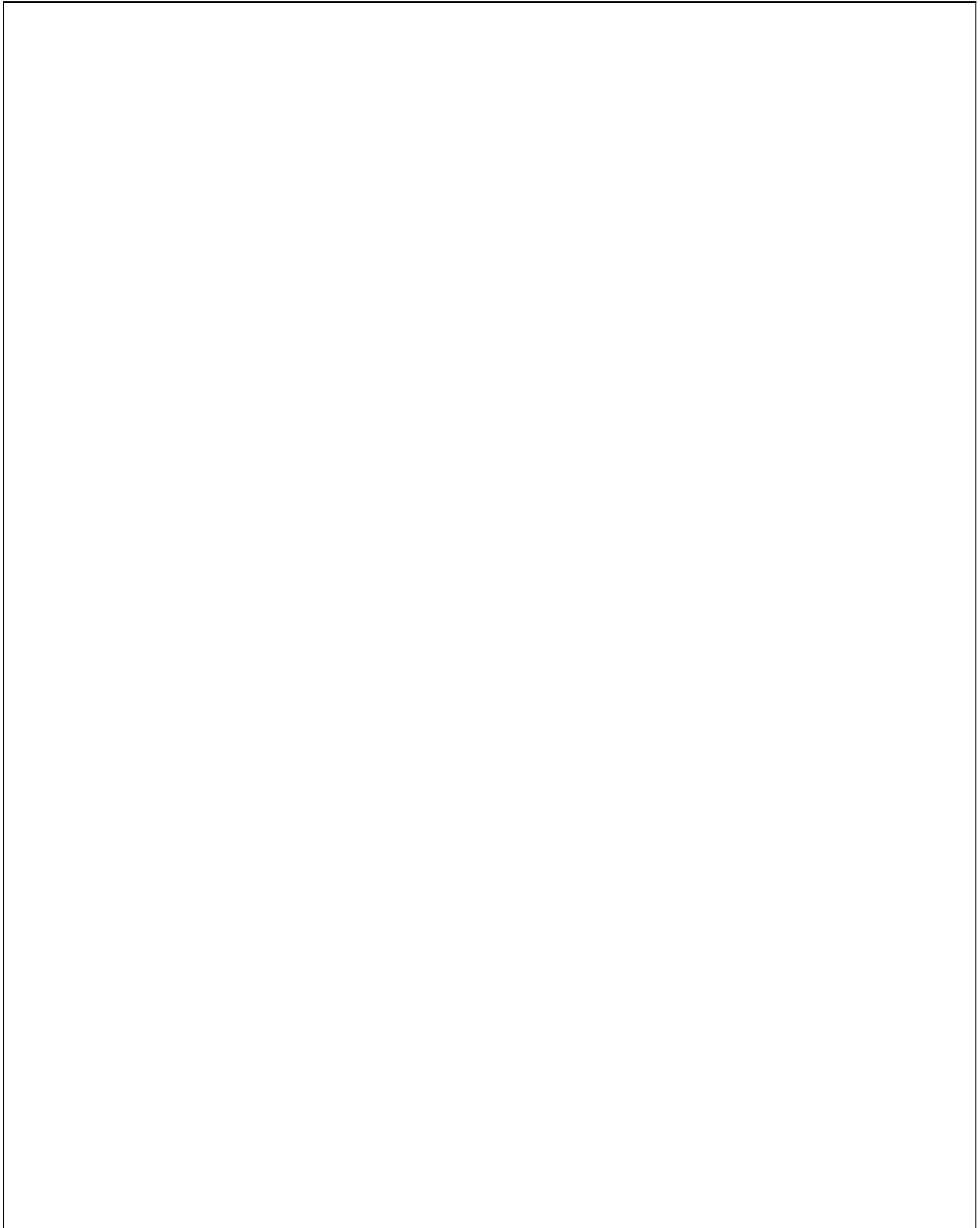
PLATE-17**CAM SHAFT, ROD & ROCKER RAM**

Fig. No.	Part No.	Description	Qty	Remarks
1	E10A060006	SPLIT CAMSHAFT	1	
1	E10A060010	CAMSHAFT (PCA ENGINE)	1	PCA Engine
2	E5406045038	ROCKER FULCRUM	1	
3	E43507359	SET OF PUSHRODS	1	CONSISTING OF SR. NO. 4
4	E43507331	PUSH ROD 500 SR.	2	
5	E43507330	PUSH ROD TUBE	1	
6	E43526174	SLEEVE SET CONSISTING OF 4 & 5	1	CONSISTING OF SR. NOS. 7 & 8.
7	E40006428	JOINT PUSH ROD SLEEVE (G400AG)	1	
8	E40006428	JOINT PUSH ROD SLEEVE (G400AG)	1	
9	ED43409	CAM FOLLOWER KIT	1	CONSISTING OF 11
10	E5005271054	CAM FOLLOWER LEVER	2	
11	ED30956	PIN LH THREAD	1	
12	E500755006	DISTANCE PIECE	2	
13	E47124004	CIRCLIP	1	
14	E10A060009	ROCKER LEVER SET	1	CONSISTING OF SR. NO. 15 & 17.
15	E43502707	ROCKER LEVER - INLET	1	Not servciable
16	E10A060001	ROCKER LEVER EXHAUST ASSLY	1	Not servciable
17	E500985048	ADJUSTING SCREW	2	
18	E505985052	DECOMPRESSOR OPERATING SCREW	1	
19	E105324008	NUT HEX -OIL SEPARATOR MOUNTING	3	

Print Date: 07-Apr-2022

PLATE-18

EXTERNAL FUEL FILTER&FUEL PIPES





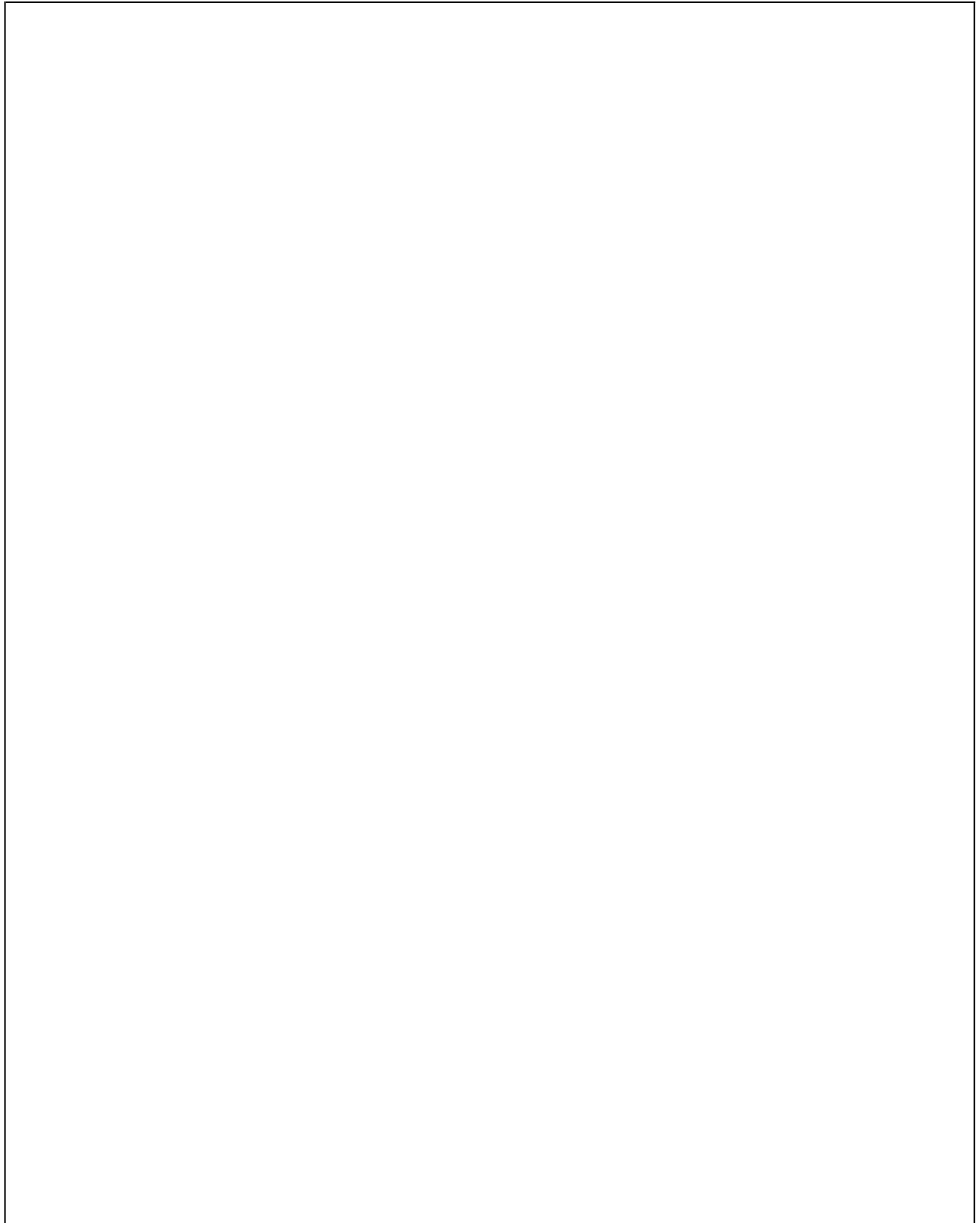
Print Date: 07-Apr-2022

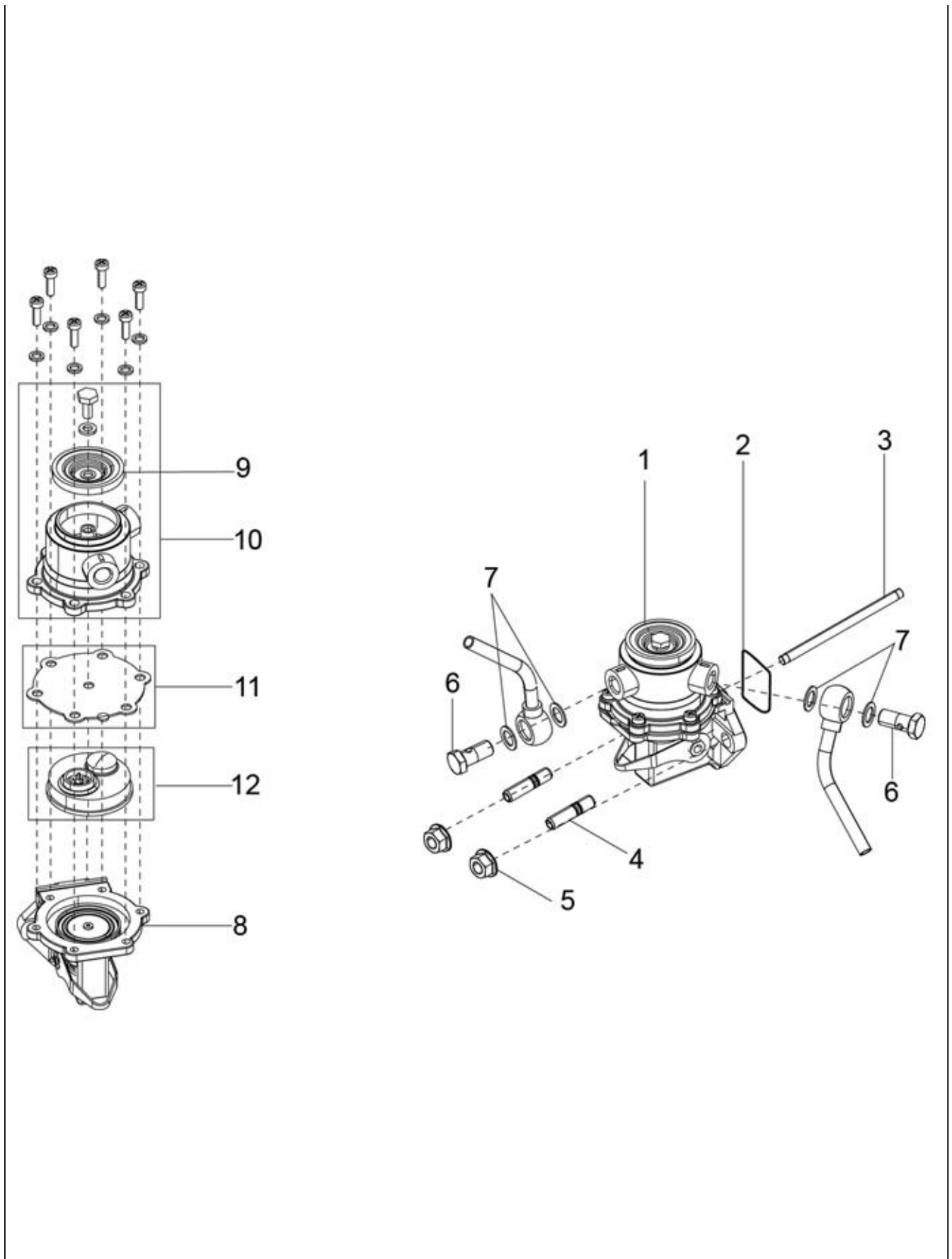
PLATE-18**EXTERNAL FUEL FILTER&FUEL PIPES**

Fig. No.	Part No.	Description	Qty	Remarks
1	F002H25009	FUEL FILTER ASSY. (WITH STAR INSERT) (0.5 LIT.) SUPPLIER	1	BOSCH
1	E10G120012	FILTER (WITH STAR INSERT) 0.5 LTR	1	GCL
2	9451035101	FILTER HOUSING	1	
3	9451037405	DIESEL FILTER ELEMENT	1	
4	E2410508007	PROTECTIVE CAP	1	
5	F002H20268	FILTER COVER	1	
6	9451030109	SEALING RING	1	
7	9411033428	HEX SCREW	1	NS
8	2916710603	FLAT SEAL RING	1	
9	F002H21213	HEXAGON SCREW	2	NS
10	2916710602	FLAT SEAL RING	2	
11	E07506189	JOINT 14X20X1.5 THICK	4	
12	E07500819	BANJO BOLT	2	
13	E10T120001	HIGH PRESSURE PIPE ASSLY	1	
14	E1441570056	BANJO BOLT OVERFLOW	1	
14	E200190002	BANJO BOLT	1	PCA Engine
15	E40000687	JOINT	2	
15	E200467003	JOINT	2	PCA Engine
16	E7101901012	BANJO BOLT PUMP INLET	1	
17	E904467015	JOINT	2	REAR MTGAPPLN
18	E43527184	FUEL PIPE (FILTER TO FUEL PUMP)	2	
19	E10T120010	OVERFLOW PIPE COMMON	1	
19	E10T120015	OVERFLOW PIPE (THREE WAY) (PCA ENGINE)	1	PCA Engine
20	E43527185	FUEL PIPE (FEED PUMP TO FILTER)	1	
21	B075499	FUEL RETURN HOSE-CITY- BS-IV / STEEPED BODY	1	
21	E10T120016	INJECTOR BANJO -OVER FLOW PIPE	1	PCA Engine
22	B075499	FUEL RETURN HOSE-CITY- BS-IV / STEEPED BODY	1	
23	B024170	DIESEL TANK CAP WITH KEY	1	
24	013880	PLAIN WASHER	4	
25	016406	SPRING WASHER	4	
26	31088	HEX HD SCREW M6 X 16 CL 8.8 (811061623)	4	
27	587763	BREATHER PIPE	1	

Print Date: 07-Apr-2022

PLATE-19
FEED PUMP





Print Date: 07-Apr-2022

PLATE-19
FEED PUMP

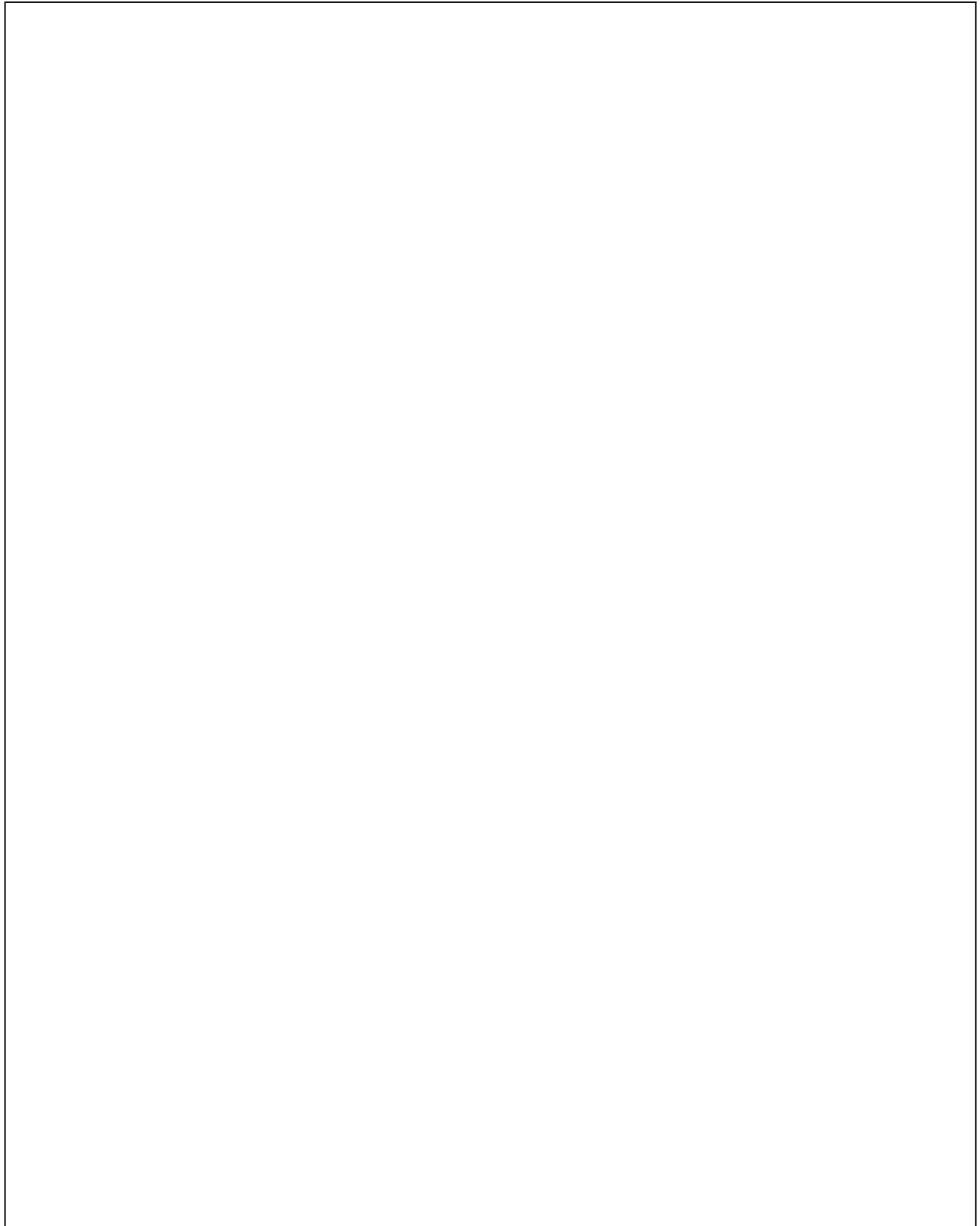
Fig. No.	Part No.	Description	Qty	Remarks
1	E10G120009	FEED PUMP	1	AUTO-LEC / SHRIVIK
2	E10G110015	O-RING	1	
3	ED41931	PIN FOR FEED PUMP (BSII)	1	
4	E50000506	STUD M8X1.25X34	2	
5	E07502810	COLLAR NUT M8 X 1.25	2	
6	E91901030	BANJO BOLT - FEED PUMP	2	
6	E60000831	BANJO BOLT M10X1 (PCA ENGINE)	2	PCA Engine
7	E283467036	JOINT	4	
8	E40006819	FEED PUMP (AUTO LEC) NEW	1	
9	-	FILTER	1	NS,AUTO-LEC/SHRIVIK
10	E40006816	TOP BODY (FOR E40006819)	1	
11	E40006818	DIAPHRAGM (FOR E40006819)	1	
12	E40006819	FEED PUMP (AUTO LEC) NEW	1	

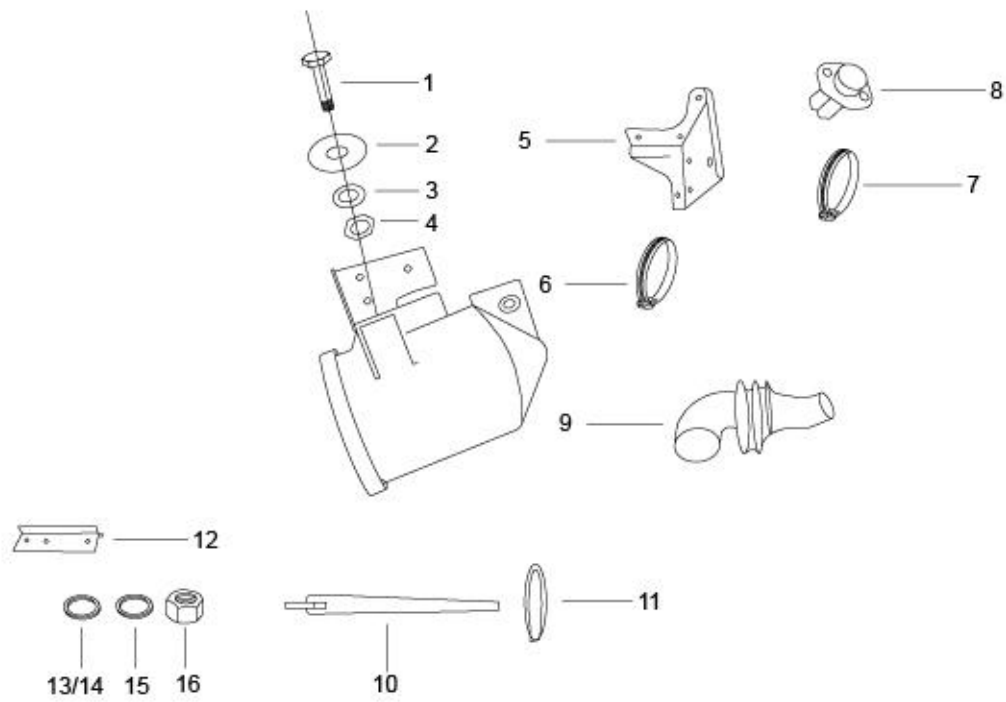
40

Print Date: 07-Apr-2022

PLATE-20

AIR FILTER MOUNTING & ENGINE HOSE





Print Date: 07-Apr-2022

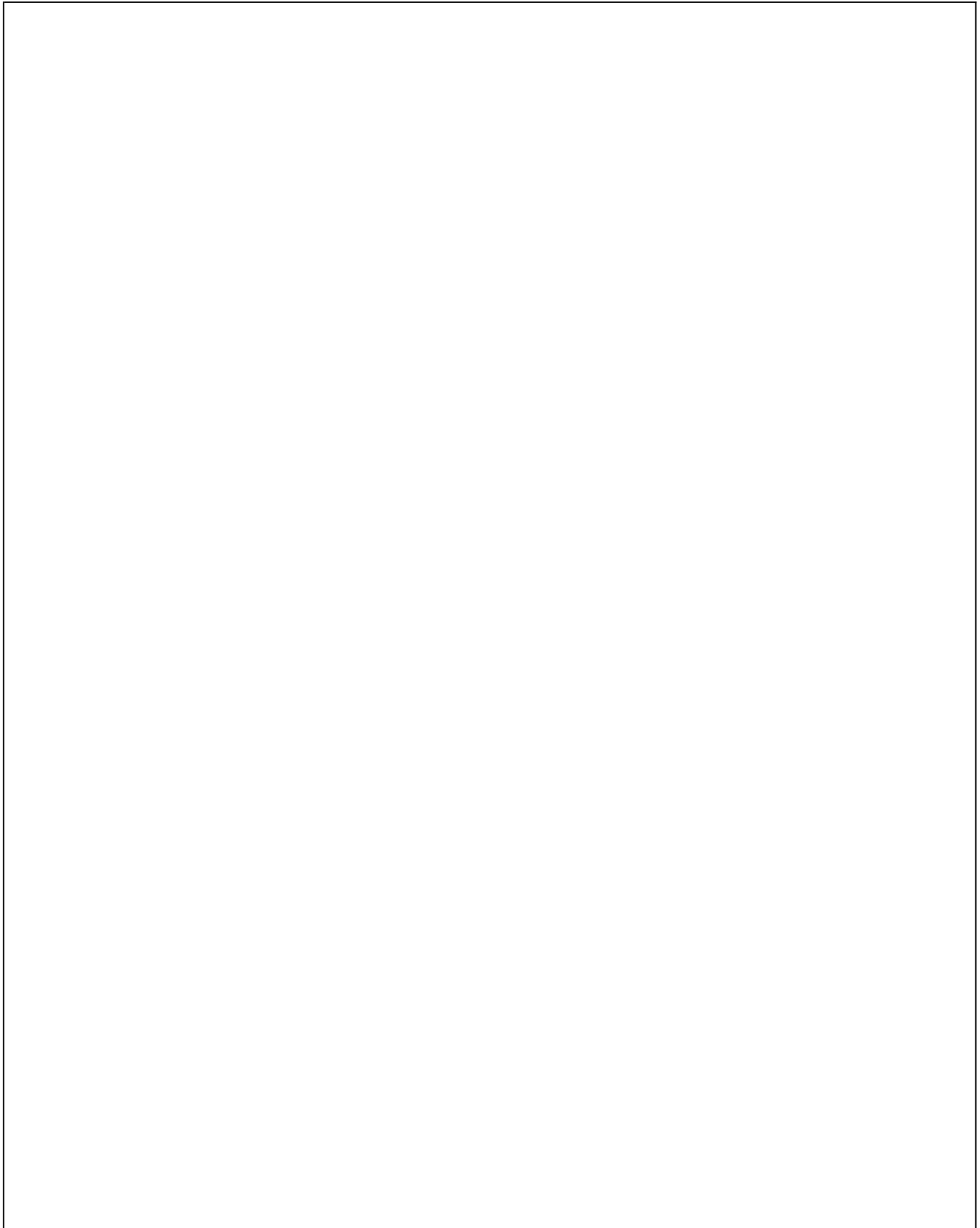
PLATE-20**AIR FILTER MOUNTING & ENGINE HOSE**

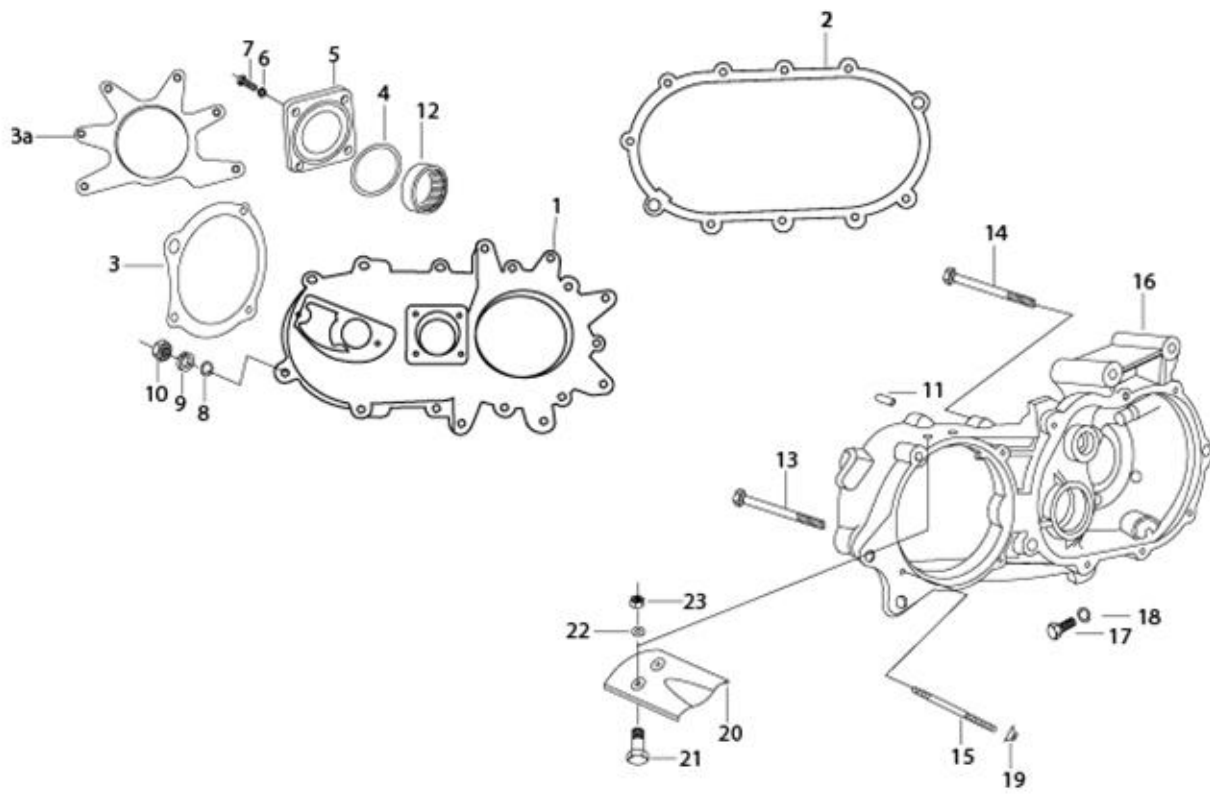
Fig. No.	Part No.	Description	Qty	Remarks
1	031090	HEXAGONAL SCREW	3	
2	604973	PLAIN WASHER M6	3	
3	016406	SPRING WASHER	3	
4	20106	HEX NUT M6	3	
5	604750	BRACKET FOR ENGINETECH FILTER	1	
6	604553	WORM CLIP	3	
7	604756	HOSE CLIP	1	
8	611621	PLASTIC FLANGE ENGINETECH (N.I.)	1	
9	B075478	HOSE AIR FILTER TO ENGINE- CITY PTL BSIV	1	
10	B009290	STRAP ASSY.	1	
11	632413	RUBBER PACKING (N.I.)	1	
12	632412	BKT. STRAP HOLDING	1	
13	3056	PLAIN WASHER M6 OD12	2	
14	013880	PLAIN WASHER	2	
15	016406	SPRING WASHER	4	
16	20106	HEX NUT M6	4	

Print Date: 07-Apr-2022

PLATE-21

ENGINE SIDE COVER & MAIN HOUSING





Print Date: 07-Apr-2022

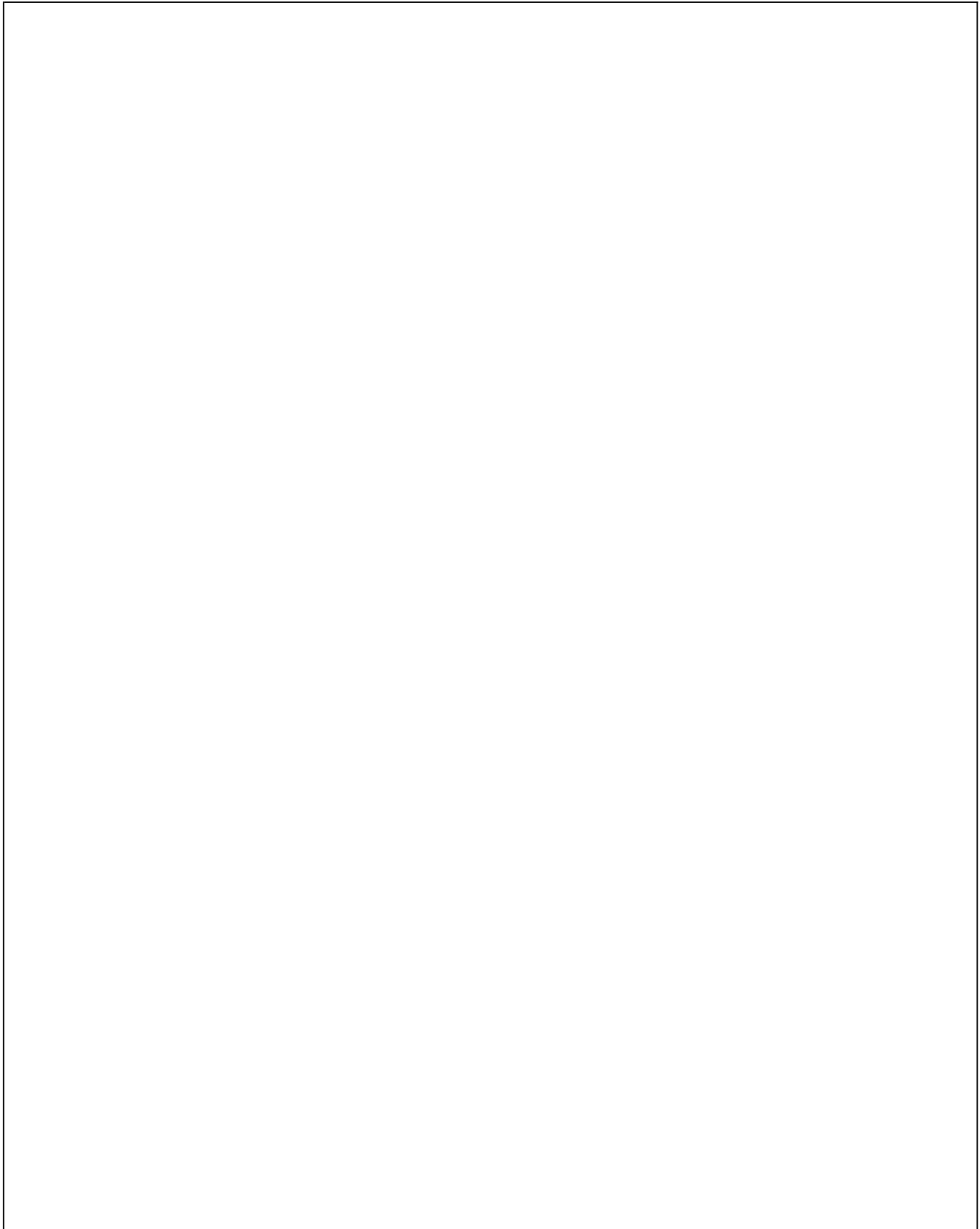
PLATE-21
ENGINE SIDE COVER & MAIN HOUSING

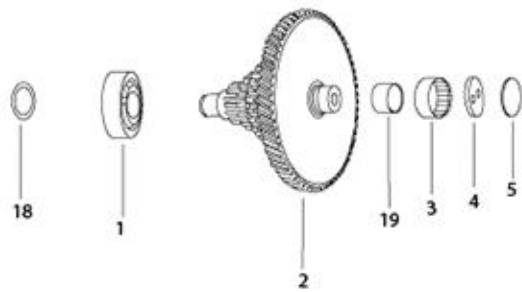
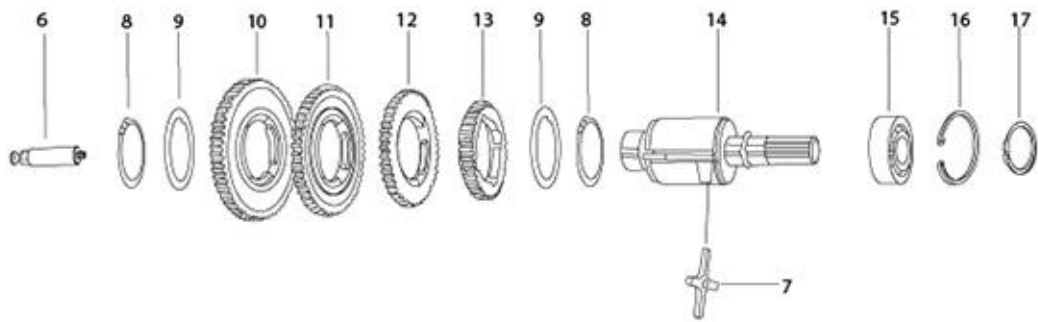
Fig. No.	Part No.	Description	Qty	Remarks
1	1F0007564	ENGINE COVER SIDE (EXT. MTG)	1	
2A	B001844	GASKET ENGINE SIDE COVER	1	
3	129001014	GASKET ENGINE PTO FACE (4 STUD)	1	
3A	B001501	GASKET PTO COVER & ENGINE SIDE COVER	1	
4	825420215	O RING - COVER PLATE	1	
5	520221019R	COVER PLATE (E/SIDE COVER)	1	
6	659842	NUT WITH CONICAL WASHER M8 X 1.25P	4	
7	1A016964	CSK PHILIPS HEAD SCREW	4	
8	808000826	PLAIN WASHER M8	19	
9	016408	SPRING WASHER	19	
10	15335	HEX HD NUT M8	19	
11	127102010	HOLLOW DOWEL (G. BOX ESC)	2	
12	120212012	NEEDLE BUSH	1	
13	B042798	FLANGED HEXAGONAL HEAD SCREW M8X45	2	
14	B042799	FLANGED HEXAGONAL HEAD SCREW M8X40	9	
15	B016611	FLANGED HEX. HEAD SCREW M6X45 CL10	4	
16	1A010094	MAIN HOUSING	1	Old
16	1A016604	MAIN HOUSING	1	New aluminium clutch
17	811081025	HEX HEAD SCREW M8 X 10 (DRAIN PLUG)	1	
18	3056	PLAIN WASHER M6 OD12	1	
19	016406	SPRING WASHER	2	
20	127911019	OIL DEFLECTOR CLUTCH	1	
21	567741	HEX HEAD SCREW M5 X 18 (811051824)	2	
22	127912013	FIBER WASHER OIL DEFLECTOR	2	
23	659842	NUT WITH CONICAL WASHER M8 X 1.25P	6	
24	B076983	GB EXT.MTG. (W/O CLUTCH ASSLY) APE CITY	1	

Print Date: 07-Apr-2022

PLATE-22

MAINSHAFT SPEEDGEAR AND CLUSTER GEAR





Print Date: 07-Apr-2022

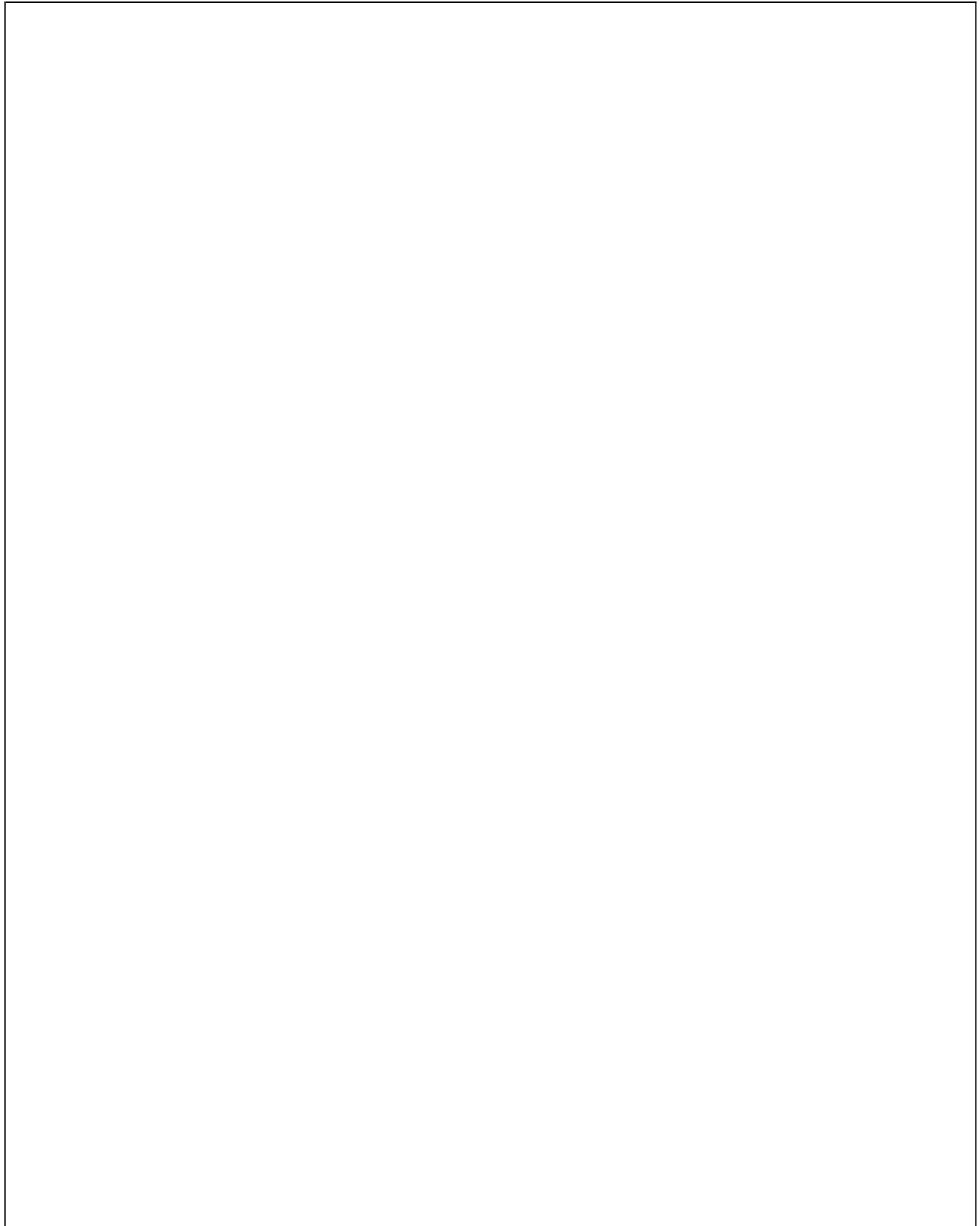
PLATE-22**MAINSHAFT SPEEDGEAR AND CLUSTER GEAR**

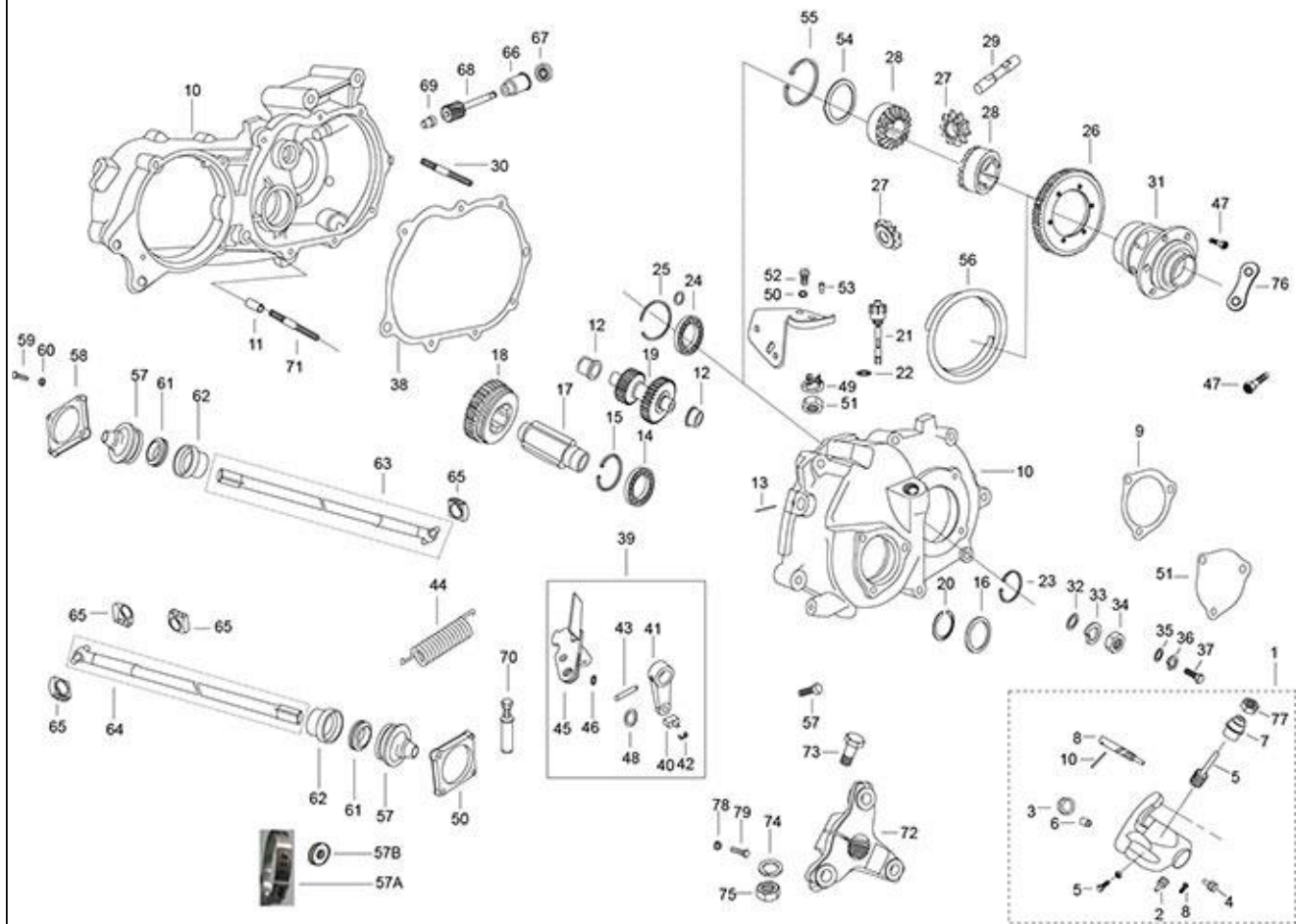
Fig. No.	Part No.	Description	Qty	Remarks
1	30209R	BALL BEARING FRONT WHEEL HUB	1	
2	127204014	CLUSTER GEAR	1	
3	884222808	NEEDLE BUSH 22X28X12	1	
4	120204015R	WASHER (ALT)	1	
5	120205019	SHIM HARD BUSH	1	
6	523021018	STEM GEAR OPERATING	1	
7	B003924	CROSS	1	
8	842004808	CIRCLIP DIA.48 (EXT)	2	
9	523011013R	SHOULDER RING	2	
9	523011013R	SHOULDER RING	1	
10	127309515R	SPEED GEAR 1ST	1	
11	127302517R	SPEED GEAR 2ND	1	
12	127303016R	SPEED GEAR 3RD	1	
13	127306513R	SPEED GEAR 4TH	1	
14	127451019R	MAIN SHAFT	1	
15	880255211R	DEEP GROOVE BALL BEARING 25X52X15	1	
16	841005207	CIRCLIP DIA 52 (INT)	1	
17	842002501	CIRCLIP DIA 25 (EXT)	1	
18	842001507	CIRCLIP DIA 15 (EXT)	1	
19	122032014	INNER RING - CLUSTER GEAR	1	

Print Date: 07-Apr-2022

PLATE-23

DIFFEREBTIAL UNIT, FARE METER HOUSING, SPEEDO DRIVE





Print Date: 07-Apr-2022

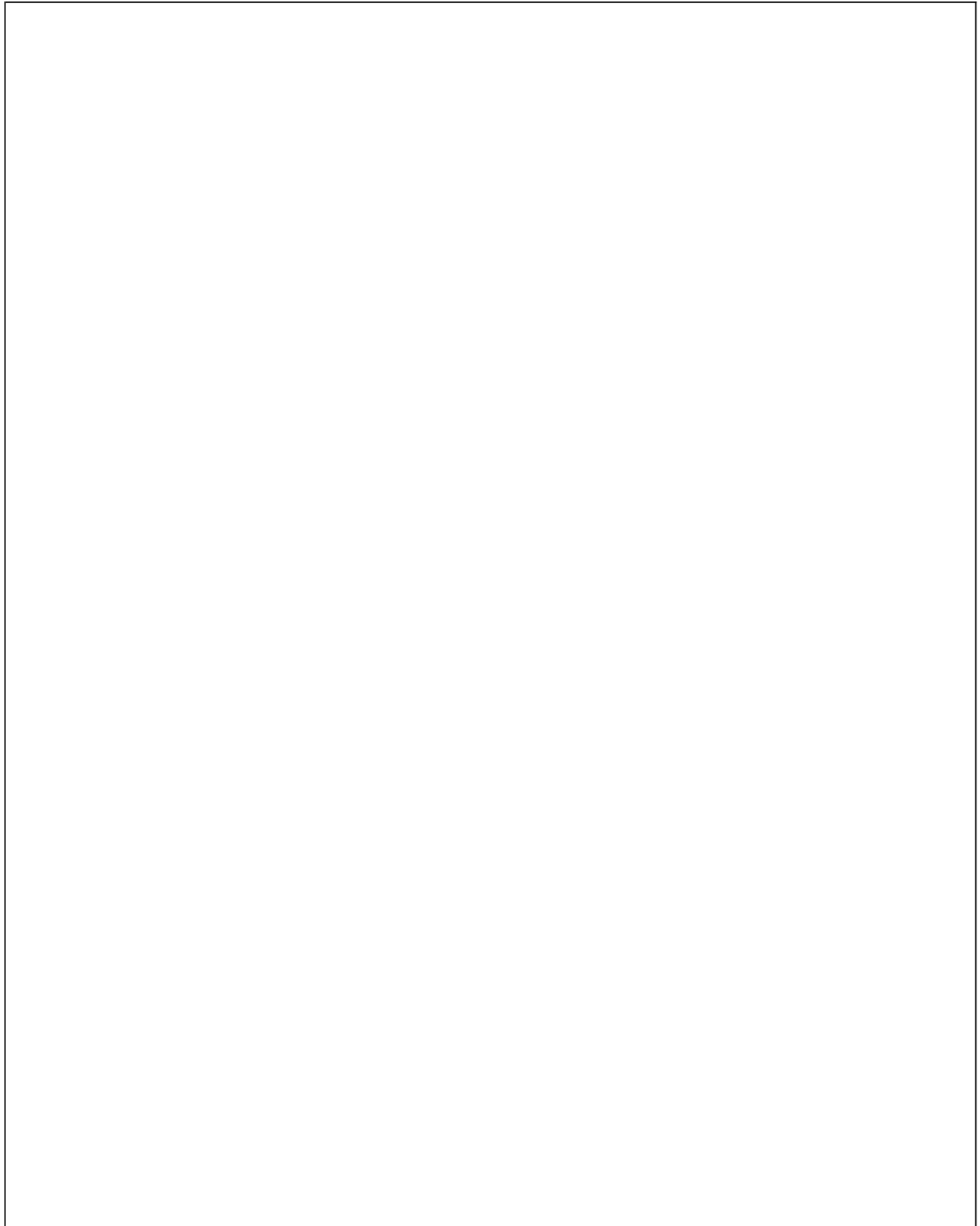
PLATE-23**DIFFEREBTIAL UNIT, FARE METER HOUSING, SPEEDO DRIVE**

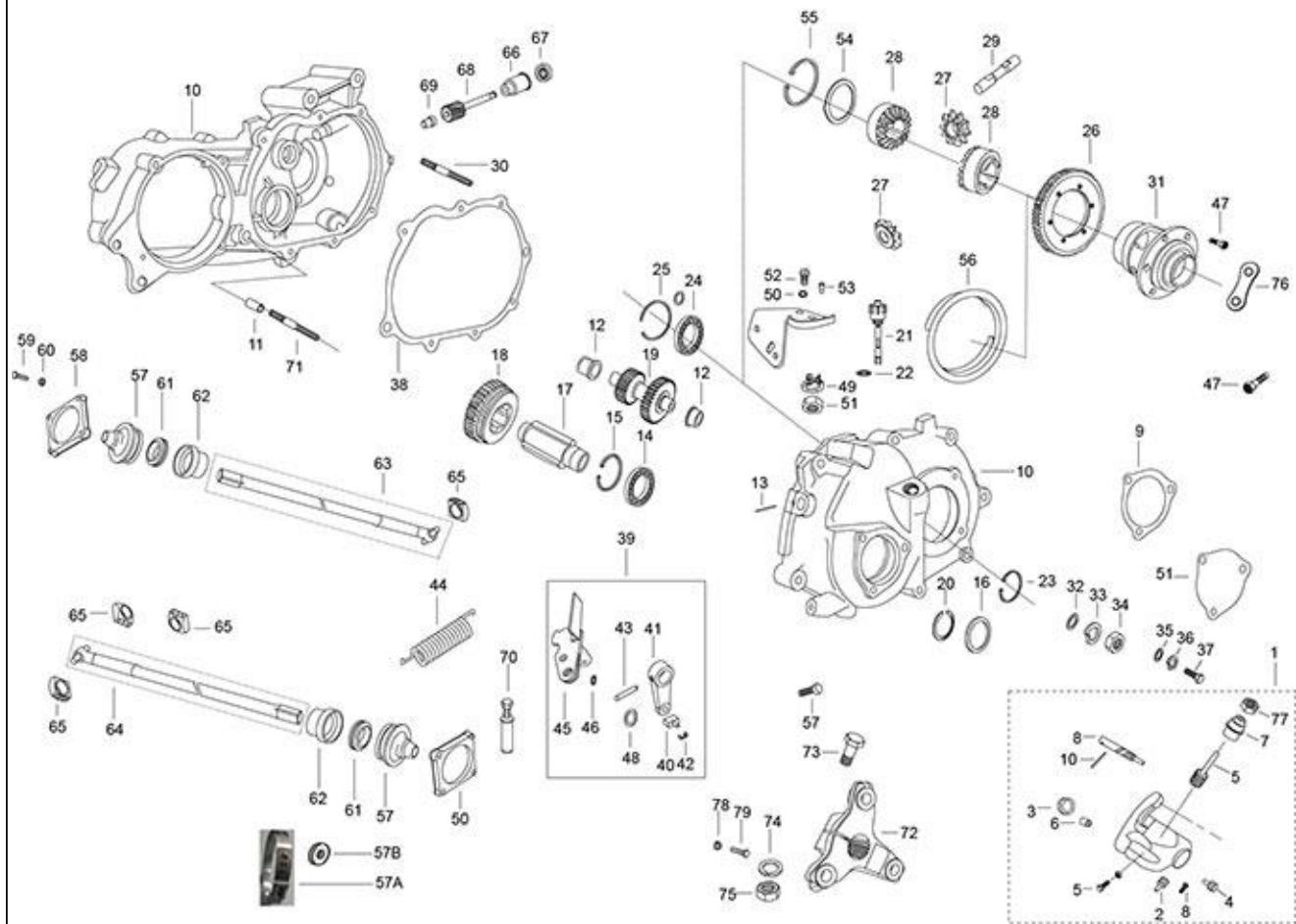
Fig. No.	Part No.	Description	Qty	Remarks
1	1A000817	FAREMETER	1	
2	165121014	PIN	1	
3	B018991	PLUG FOR FAREMETER	1	
4	124121015	FARE METER PINION	1	
5	124102019	FARE METER GEAR	1	
6	822031942	SPRING PIN 3 X 19	1	
7	124141015R	ADOPTER NYLON (VE)	1	
8	124113018	GREASE NIPPLE (M6)	1	
9	1A000826	GASKET	1	
10	BS4 1A010093	GEAR BOX COVER_BS4	1	
11	120203011	HOLLOW DOWEL - GEAR BOX COVER	1	
12	B042486	BUSH	2	
13	822051647	SPRING PIN 5X16	1	
14	880305509R	DEEP GROOVE BALL BEARING 30X55X13	1	
15	841005506	CIRCLIP DIA. 55 (INT)	1	
16	1A000236	OIL SEAL	1	
17	1A009926	REVERSE SHAFT	1	
18	127404016R	GEAR R.C.	1	
19	127571015R	IDLER GEAR (PAS)	1	
20	842003000	CIRCLIP DIA. 30 (EXT.)	1	
21	112898	OIL LEVEL ARM WITH PLUG	1	Old
21	1A014592	OIL DIPSTICK	1	New aluminium clutch
22	127016015	DIPSTICK SEALING WASHER	1	
23	6450	EXT CIRCLIP DIA 48	1	
24	7066R	RADIAL BALL BEARING	1	
25	111353	CIRCLIP	1	
26	127555016	GEAR FINAL DRIVE (PASS)	1	
26	1A011810	DIFFERENTIAL CROWN (PASS.)	1	Applicable 15th Mar-19 onwards
27	NS-	NOT SERVICEABLE PART	2	Serviceable as Kit - 940028
28	NS-	NOT SERVICEABLE PART	2	Serviceable as Kit - 940028
29	132129	PIN	1	
30	B042798	FLANGED HEXAGONAL HEAD SCREW M8X45	8	
31	288730	DIFFERENTIAL CAGE	1	
32	808000826	PLAIN WASHER M8	10	
33	016408	SPRING WASHER	10	

Print Date: 07-Apr-2022

PLATE-23

DIFFEREBTIAL UNIT, FARE METER HOUSING, SPEEDO DRIVE





Print Date: 07-Apr-2022

PLATE-23**DIFFEREBTIAL UNIT, FARE METER HOUSING, SPEEDO DRIVE**

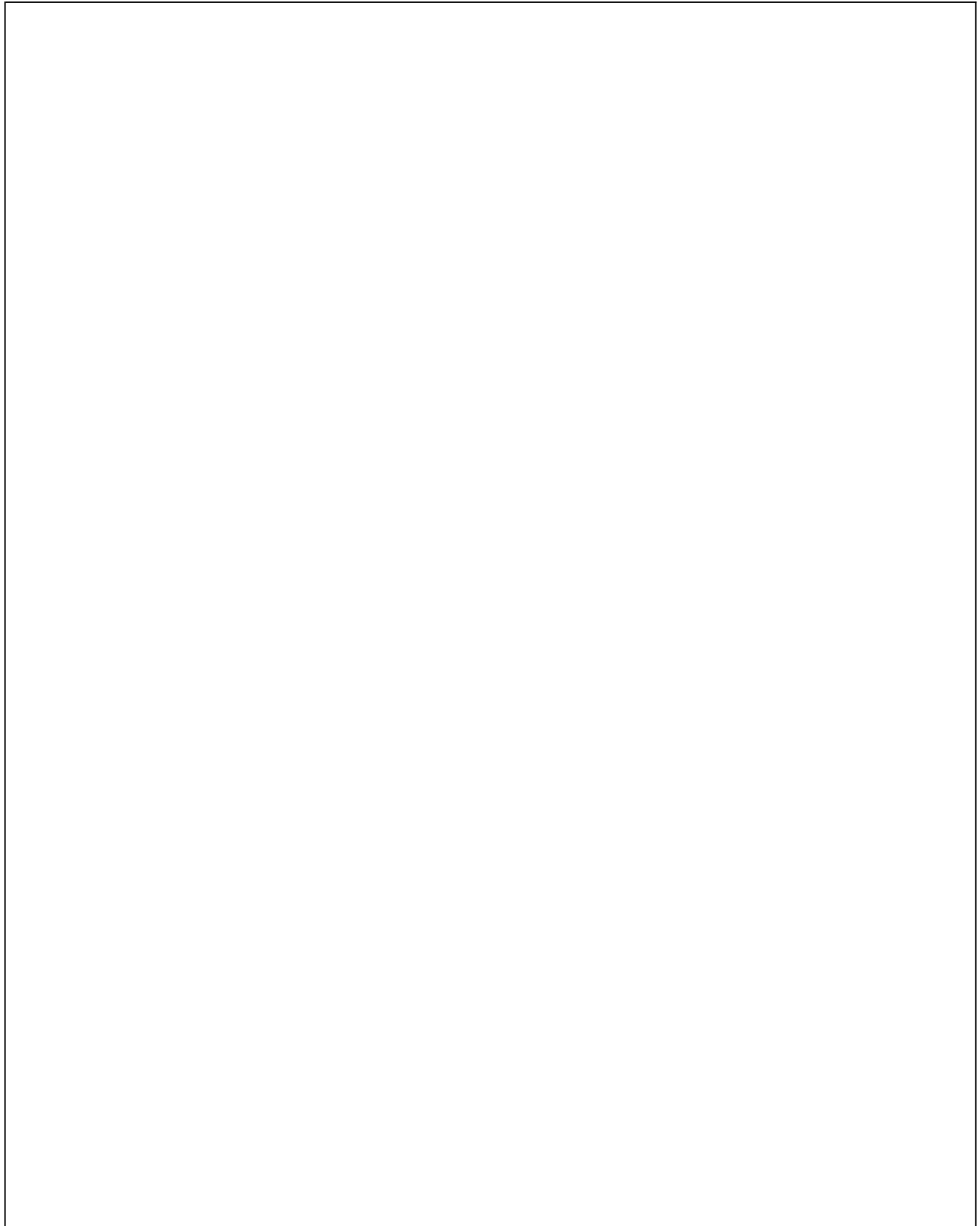
Fig. No.	Part No.	Description	Qty	Remarks
34	15335	HEX HD NUT M8	10	
35	3056	PLAIN WASHER M6 OD12	3	
36	016406	SPRING WASHER	3	
37	31088	HEX HD SCREW M6 X 16 CL 8.8 (811061623)	1	
38	127141016	GASKET G. B. COVER	1	
39	SP1A0101404	INVERTER LEVER SECTOR ASSY PASS -SPD	1	
40	120321019	SLIDER BLOCK R.C. GEAR	1	
41	125411	BACKING COMMAND LEVER	1	
42	843000500	CIRCLIP DIA.5 (EXT) TYPE C	1	
43	17702	SPRING PIN	1	
44	127111011	REVERSE GEAR SPRING	1	
45	1A010139	SECTOR PLATE ASSLY COMP	1	For Old Gear Box Cover
46	1A005176	O- RING	1	
47	1A004807	SCREW	6	
48	825080209	O - RING - (SECTOR PLATE ASSY.)	1	
49	016406	SPRING WASHER	2	
50	003054	PLAIN WASHER	2	
51	20104	HEX NUT M4	2	
52	31088	HEX HD SCREW M6 X 16 CL 8.8 (811061623)	2	
53	128307019	BOLT R.C. SPRING RETAINING	1	
54	220575	WASHER 65X3	1	
55	132134	CIRCLIP	1	
56	132244	STOPPER THK=1.0	1	
56	1A011778	SATELLITE PIN RETAINER	1	Applicable 15th Mar-19 onwards
56A	1A000612	RETAINER SCREW - PRE COATED	2	Applicable 15th Mar-19 onwards
57	6C000016	BELLOW	2	Chassis cut off MBX0004AFXB796311
57A	6C000041	OTIKAR CLAMP FOR BELLOW	2	Chassis cut off MBX0004AFXB796311
57B	3056	PLAIN WASHER M6 OD12	6	Chassis cut off MBX0004AFXB796311
58	111356	COVER	1	
59	31092	HEX. HD SCREW M6X25	8	
60	016406	SPRING WASHER	8	
61	6C000312R	SEAL RING	2	ECN: 500000256019
62	113278	BRACKET RETAINER RING (41736)	2	
63	B024437	PROP. SHAFT SUB ASSY. LT (WITH PIN)	1	
64	B024440	PROP. SHAFT SUB ASSY. RT (WITH PIN)	1	

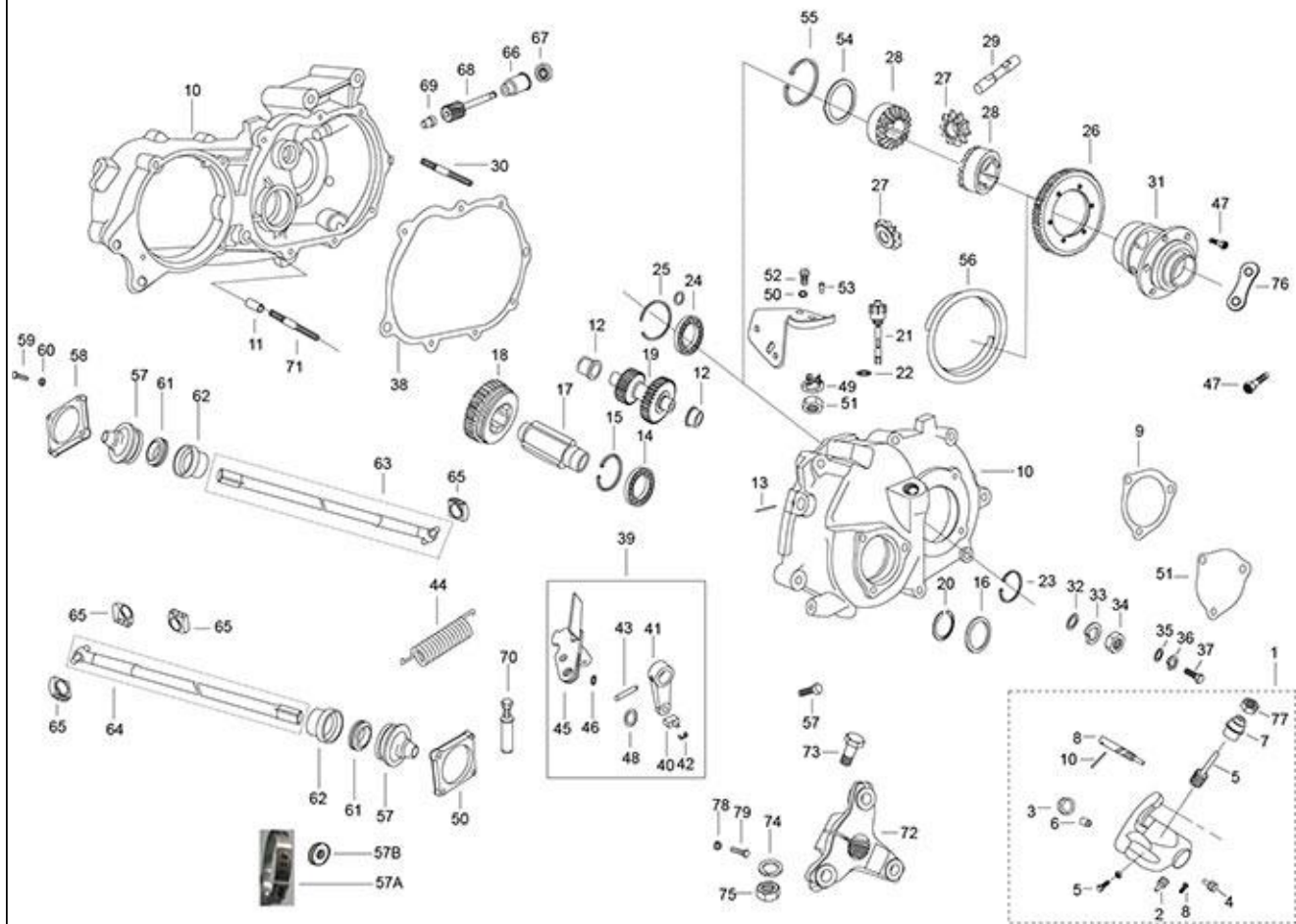
50

Print Date: 07-Apr-2022

PLATE-23

DIFFEREBTIAL UNIT, FARE METER HOUSING, SPEEDO DRIVE





Print Date: 07-Apr-2022

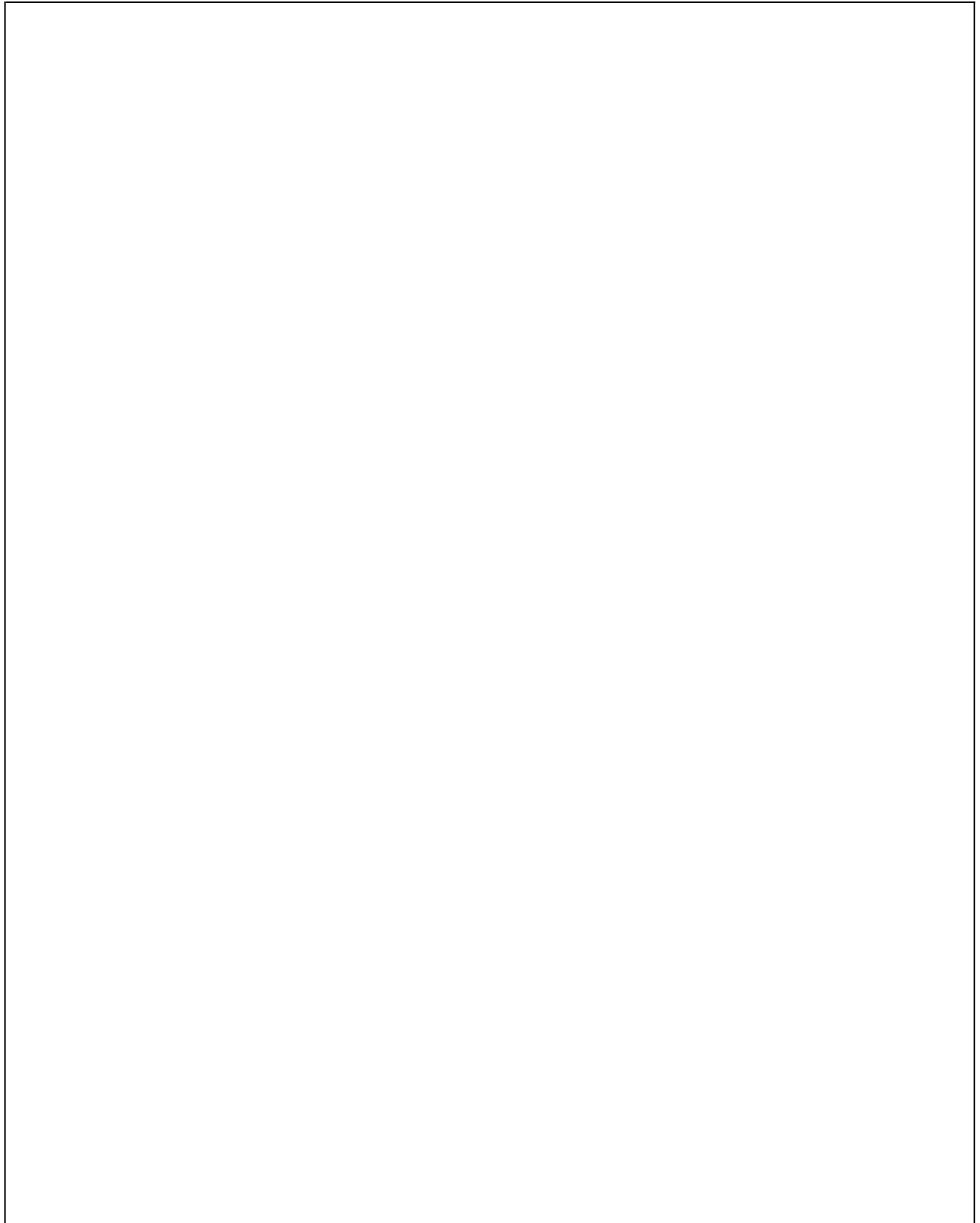
PLATE-23**DIFFERENTIAL UNIT, FARE METER HOUSING, SPEEDO DRIVE**

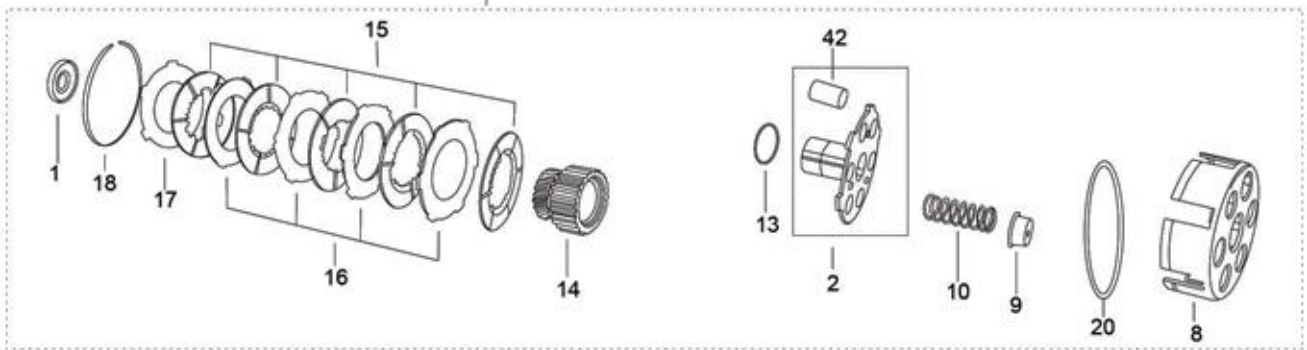
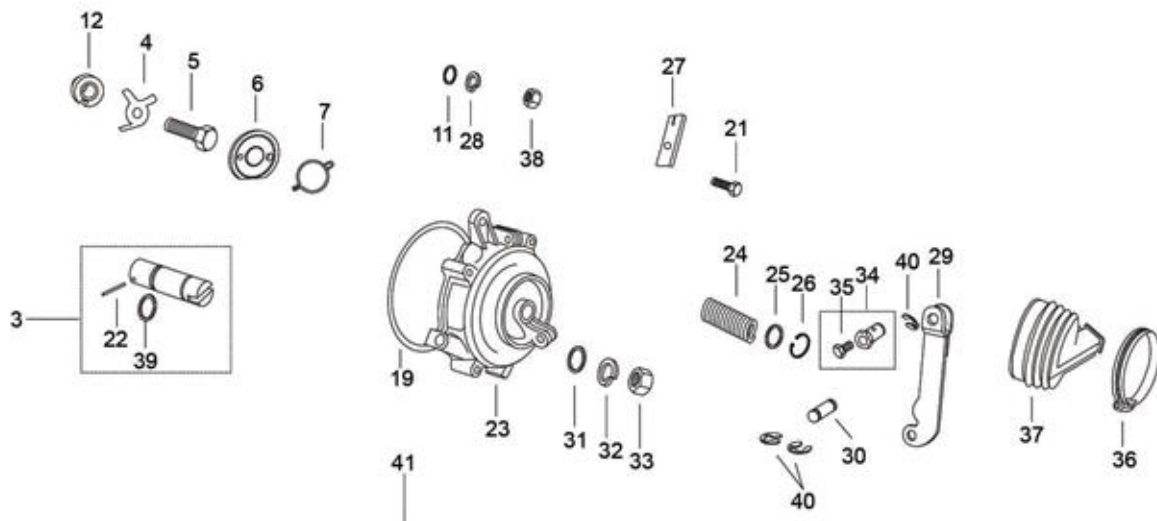
Fig. No.	Part No.	Description	Qty	Remarks
65	112867R	SLIDER BLOCK PROP. SHAFT	4	
66	117401	BUSH	1	
67	117402	OIL SEAL	1	
68	117404	SPEEDOMETER GEAR	1	
69	165121014	PIN	1	
70	604560	SCREW TERMINAL ASSY. - GEAR CONTROL	1	
71	127103014	M8 STUD - MAIN HOUSING	2	
72	111498	ELASTIC HUB	2	
73	B024614	HEX HEAD BOLT M10X45 CL 10.9	2	
74	16410	SPRING WASHER	2	
75	231370	SELF BREAKING NUT M10	2	
76	B003155	LOCK PLATE	3	
77	20105	PLAIN NUT M5	1	
78	3056	PLAIN WASHER M6 OD12	3	Chassis cut off MBX0004AFXB796311
79	31089	HEX HEAD SCREW M6X18 CL 8.8	3	

Print Date: 07-Apr-2022

PLATE-24

CLUCTH & CLUCTH COVER





Print Date: 07-Apr-2022

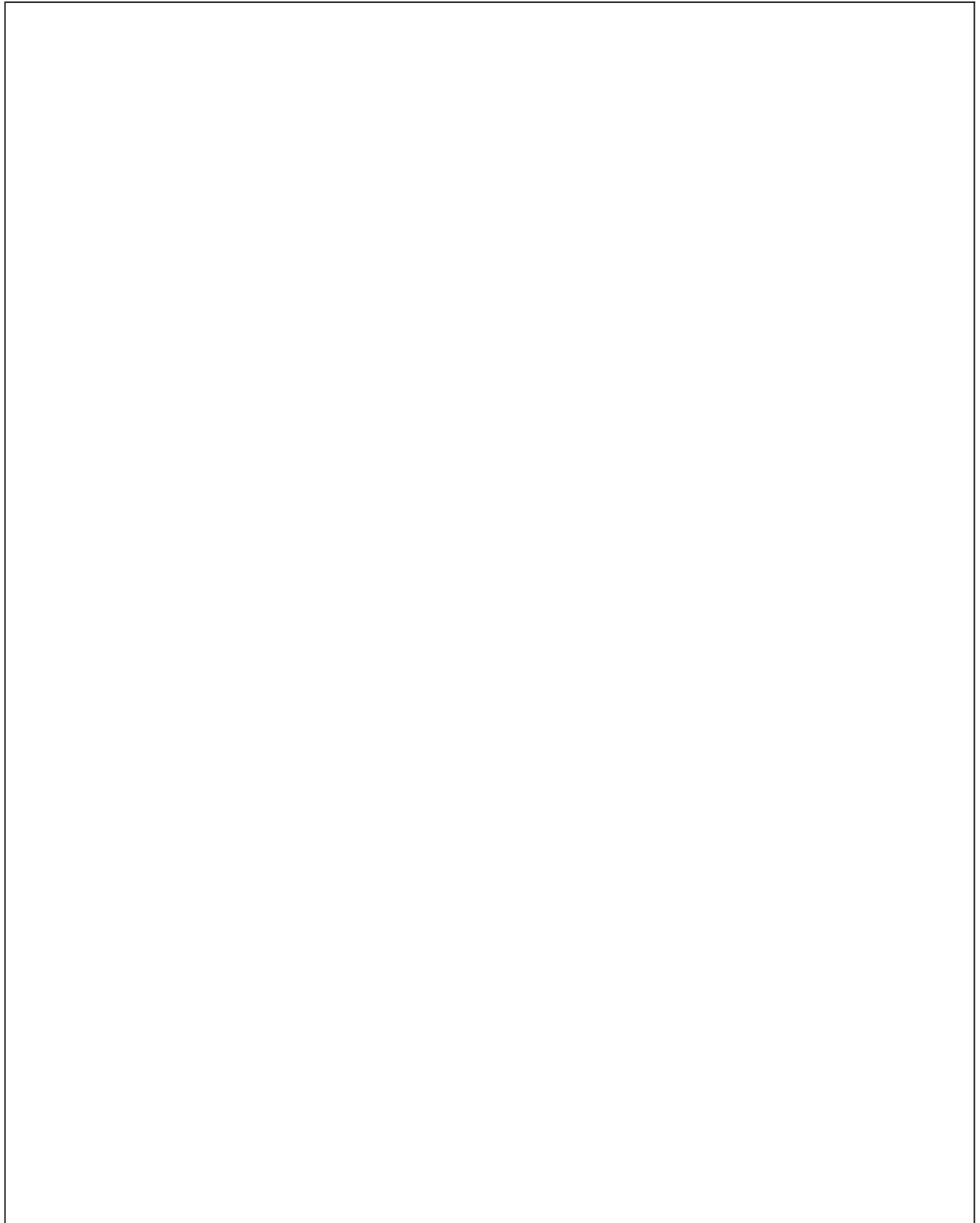
PLATE-24**CLUCTH & CLUCTH COVER**

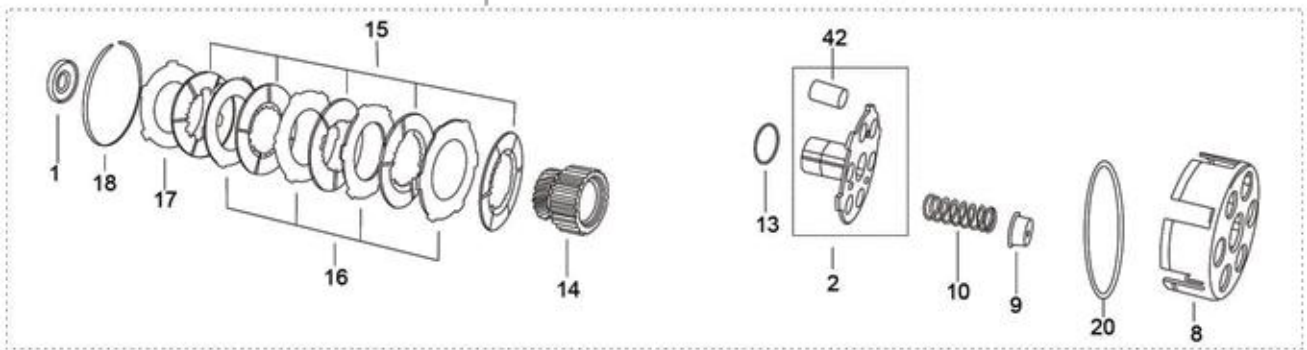
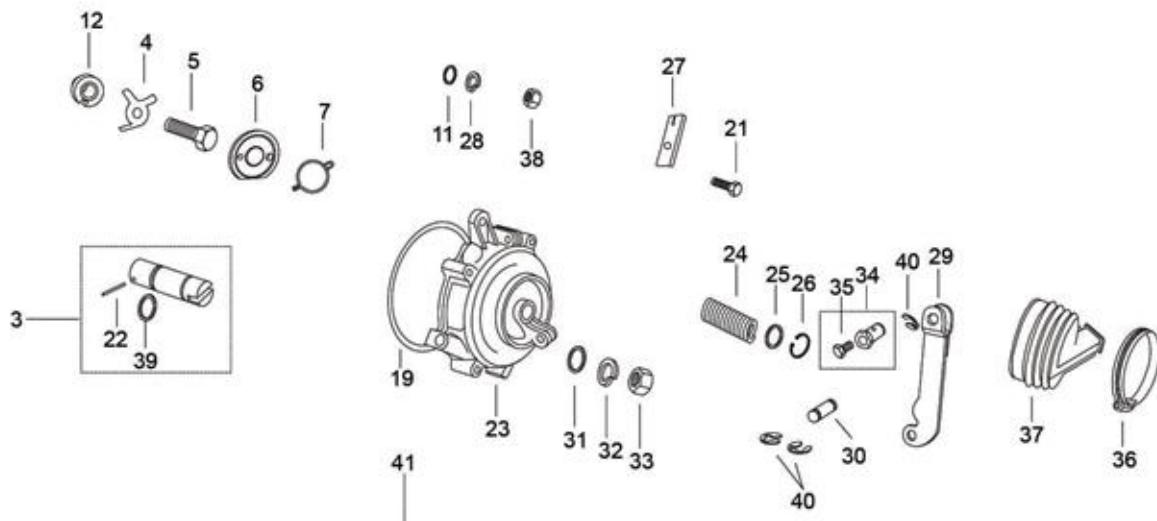
Fig. No.	Part No.	Description	Qty	Remarks
1	652124	SPACER WASHER-CLUTCH	1	
2	1F000755	CLUTCH SHAFT ASSY. (IMPROVED)	1	
3	1A001457	PLUNGER SHAFT	1	
4	129012013	TAB WASHER	1	
5	E47177007	SCREW M8X1.25X30	1	
6	1A011547R	THRUST BEARING	1	
7	286406	SPRING CLIP	1	
8	1A001455	CLUTCH HOUSING	1	
9	127757011	CUP - CLUTCH SPRING	6	
10	127755013	SPRING CLUTCH	6	
11	3056	PLAIN WASHER M6 OD12	1	
12	129011019	WASHER FOR CLUTCH ASSY.	1	
13	127758015	SHIM	1	
14	1F000841	ENGINE GEAR	1	
15	127530011	DRIVEN PLATE ASLY	5	
16	127692015	DRIVING PLATE THK. 2.0 MM	4	
17	127693019	PRESSURE PLATE OUTER (VE)	1	
18	127754019	CIRCLIP - CLUTCH BOX	1	
19	825123207	O - RING CLUTCH COVER	1	
20	822031942	SPRING PIN 3 X 19	1	
21	1A011662	CLUTCH COVER	1	
22	127185012	SPRING - CLUTCH COVER	1	
23	1A011662	CLUTCH COVER	1	
24	842001600	CIRCLIP DIA.16(EXT)	1	
25	127471019	BRACKET CLUTCH CABLE GUIDE	1	
26	016408	SPRING WASHER	1	
27	127460010	LINK ASSLY - CLUTCH (IMPROVED)	1	
28	127013013	PIN CLUTCH	1	
29	3056	PLAIN WASHER M6 OD12	4	
30	016408	SPRING WASHER	4	
31	20106	HEX NUT M6	4	
32	120250014	SCREW TERMINAL	1	
33	120238016	BOLT FOR SCREW TERMINAL	1	
34	120170018	HOSE CLIP - CLUTCH COVER BELOW	1	
35	127012019	BELLOW CLUTCH ACTUATING	1	

Print Date: 07-Apr-2022

PLATE-24

CLUCTH & CLUCTH COVER





Print Date: 07-Apr-2022

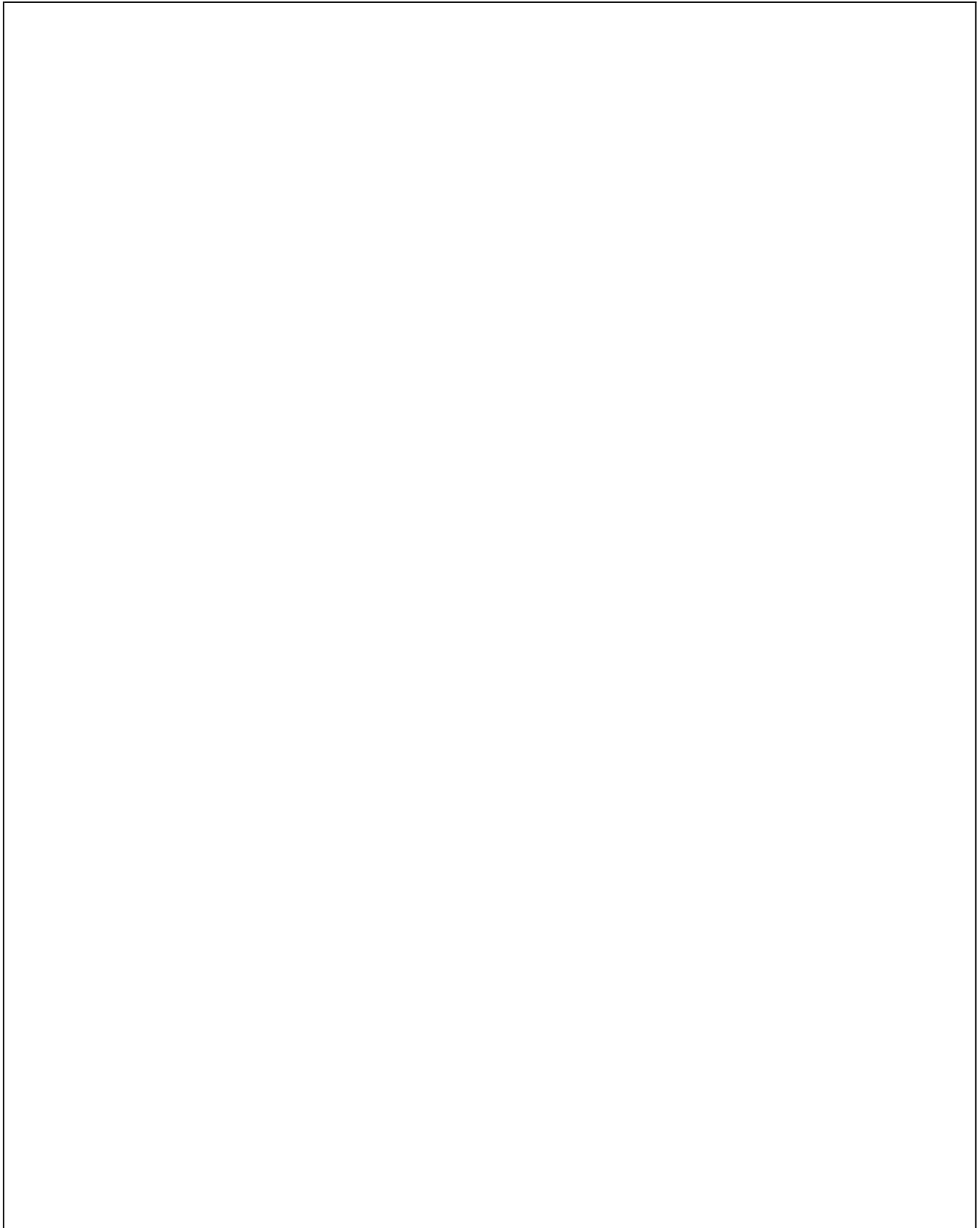
PLATE-24**CLUCTH & CLUCTH COVER**

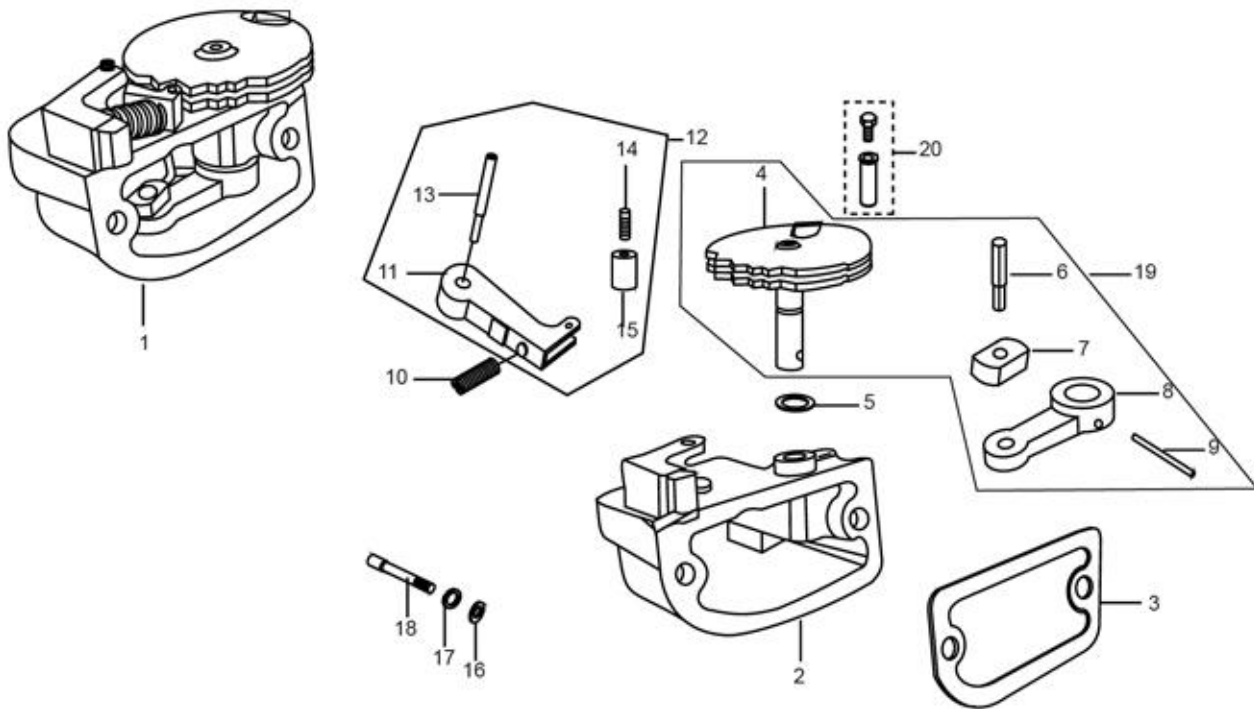
Fig. No.	Part No.	Description	Qty	Remarks
36	20106	HEX NUT M6	1	
37	B019220	O- RING (PLUNGER SHAFT)	1	
38	843000809	CIRCLIP DIA.8(EXT) TYPE C	4	
39	1F000846	CLUTCH ASSY. COMPLETE	1	
40	31092	HEX. HD SCREW M6X25	1	

Print Date: 07-Apr-2022

PLATE-25

GEAR SHIFTER AND ITS CONTROL MECHANISM





Print Date: 07-Apr-2022

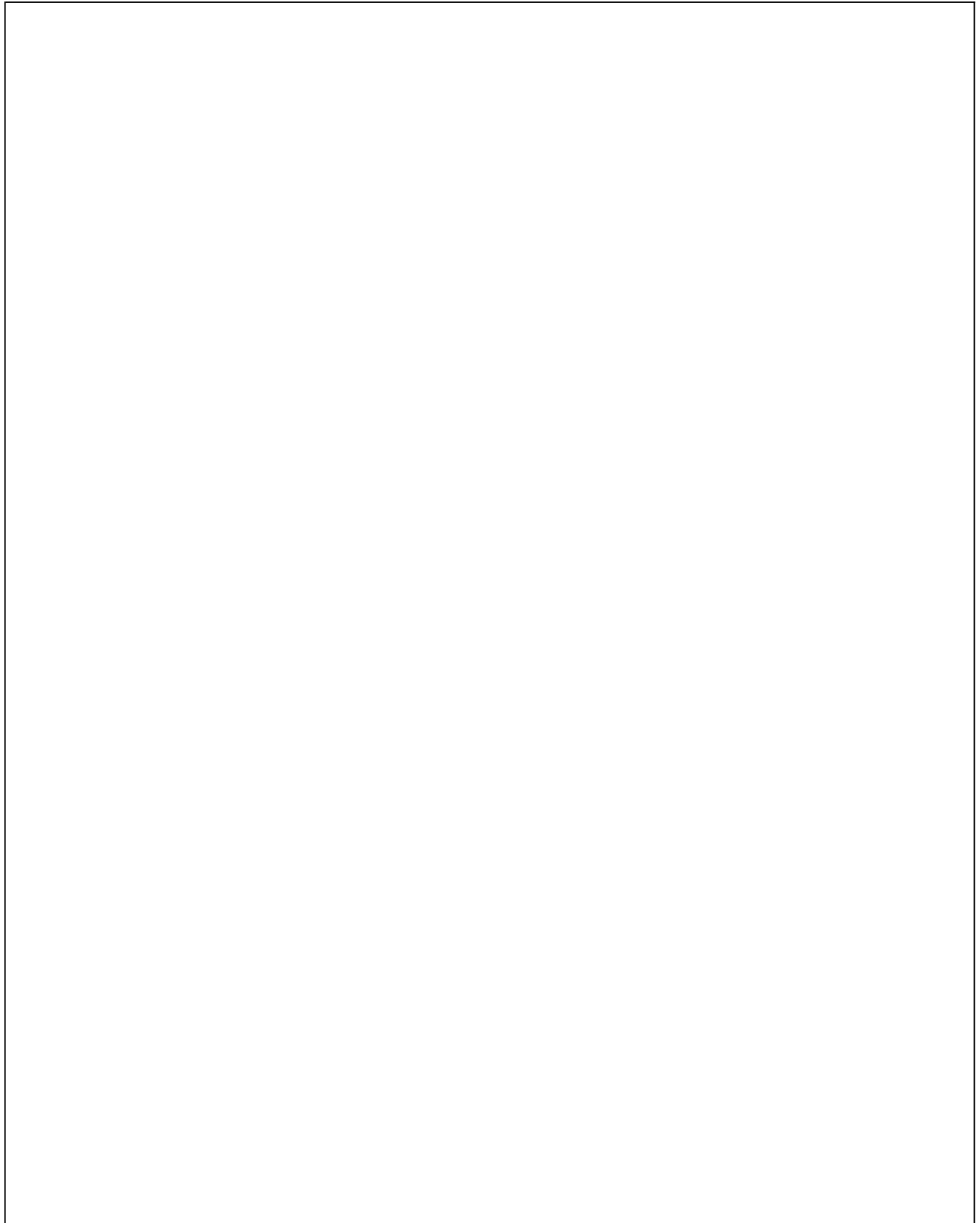
PLATE-25**GEAR SHIFTER AND ITS CONTROL MECHANISM**

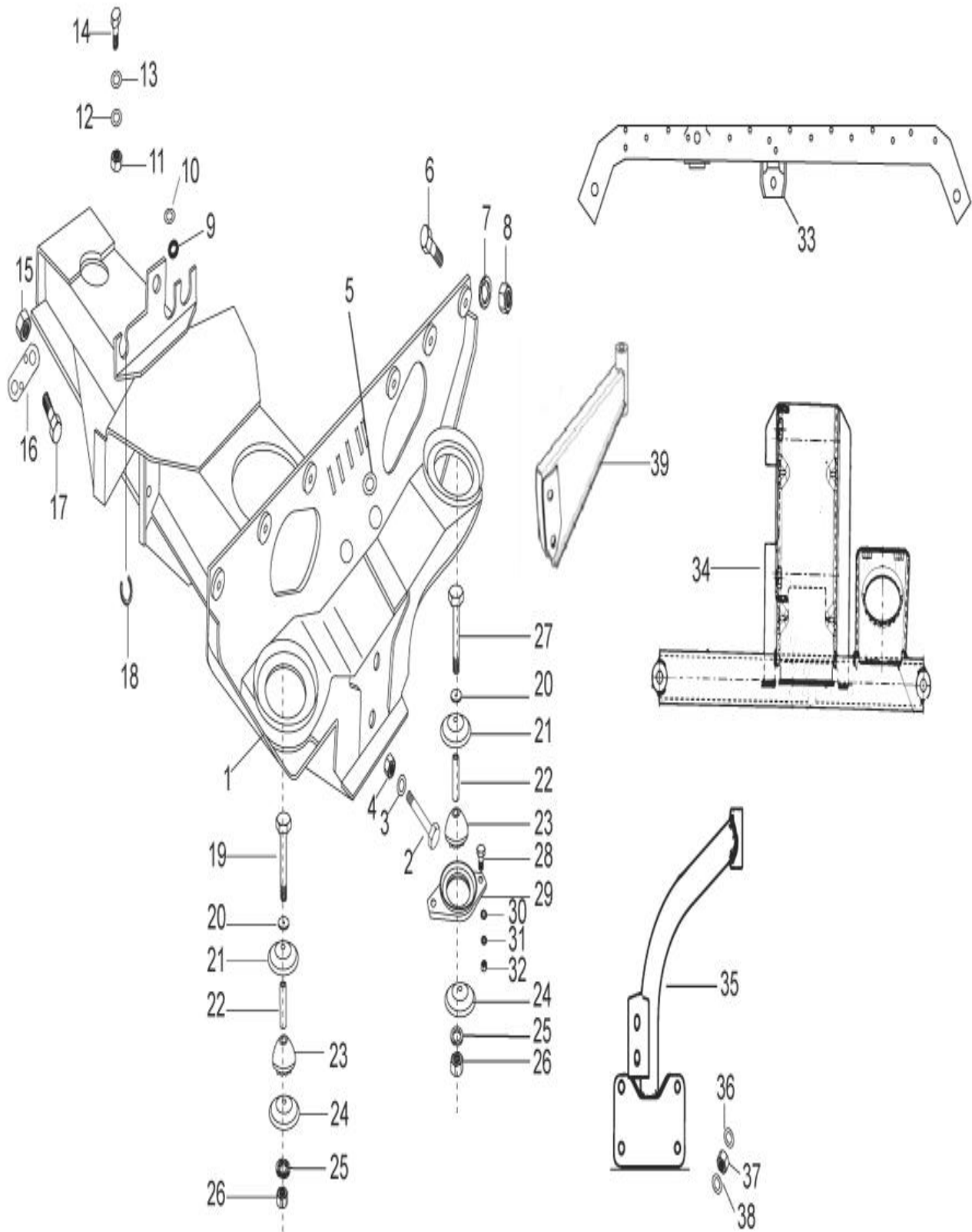
Fig. No.	Part No.	Description	Qty	Remarks
1	127640012	COMPLETE GEAR SHIFTER HSG ASSLY	1	
2	127641016	GEAR SHIFTER HOUSING	1	
3	128081017	GASKET HOUSING GEAR SHIFTER HOUSING	1	
4	SPB042620	SECTOR AND CONNECTOR PLATE AND LEVER ASSLY.	1	
5	825080209	O - RING - (SECTOR PLATE ASSY.)	1	
6	126022017	PIN FOR SLIDER BLOCK	1	
7	126021013	SLIDER BLOCK	1	
8	SPB042620	SECTOR AND CONNECTOR PLATE AND LEVER ASSLY.	1	
9	126004015	TAPER PIN (FOR LEVER)	1	
10	126003011	SPRING GEAR SHIFTER ASSY.	1	
11	126060019	BRACKET ASSY.	1	
12	SP126050014	BKT. WITH ROLLER ASSLY - SPD	1	
13	126054010	SCREW FOR BRACKET	1	
14	126053016	PIN FOR ROLLER	1	
15	126052012	ROLLER	1	
16	3056	PLAIN WASHER M6 OD12	2	
17	016406	SPRING WASHER	2	
18	B016611	FLANGED HEX. HEAD SCREW M6X45 CL10	2	
19	SPB042620	SECTOR AND CONNECTOR PLATE AND LEVER ASSLY.	1	
20	604560	SCREW TERMINAL ASSY. - GEAR CONTROL	2	
21	120238016	BOLT FOR SCREW TERMINAL	1	

Print Date: 07-Apr-2022

PLATE-26

ENGINE SUPPORT





Print Date: 07-Apr-2022

PLATE-26
ENGINE SUPPORT

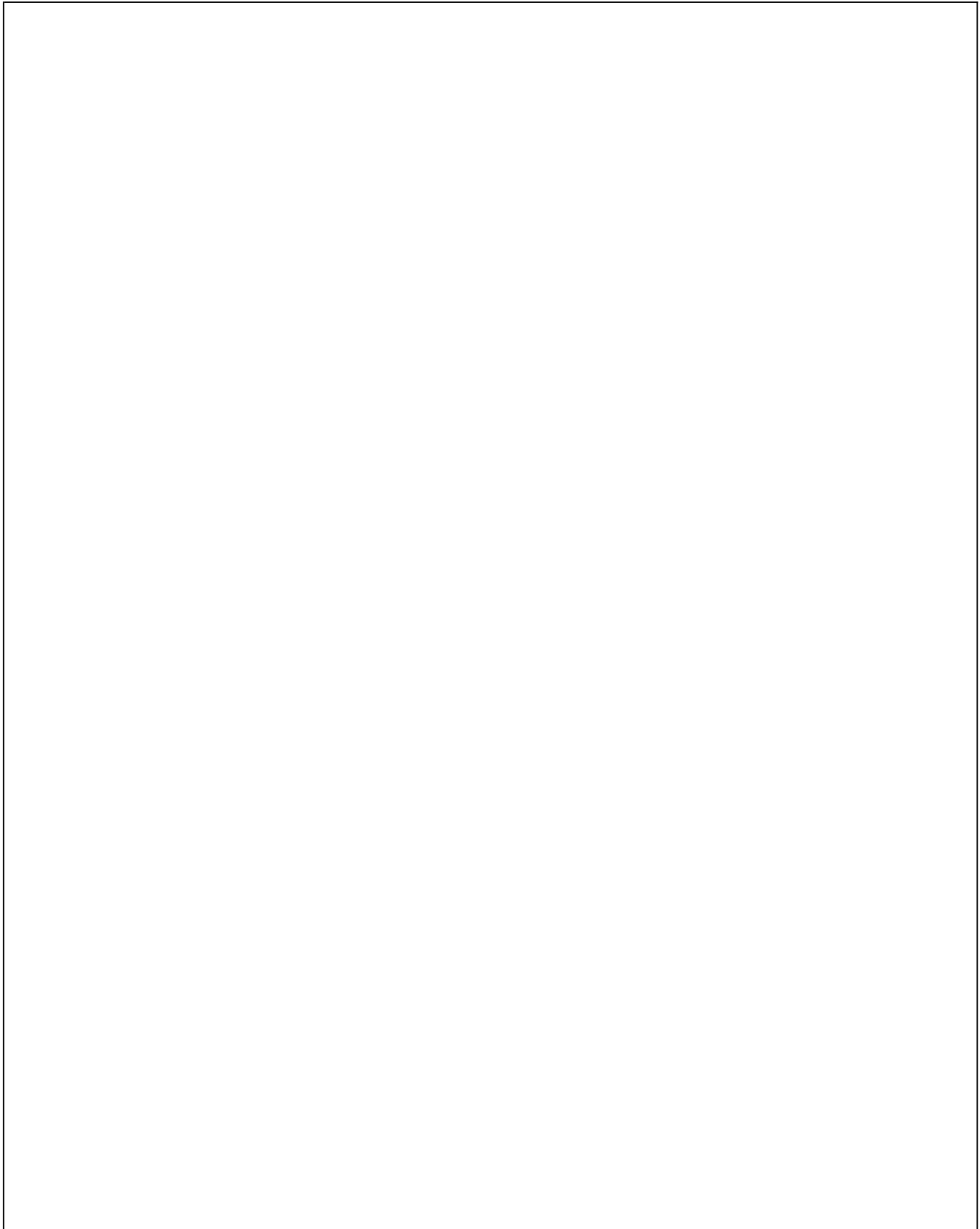
Fig. No.	Part No.	Description	Qty	Remarks
1	B075798	FRAME ASSY. SUSPENSION & ENGINE SUPPORT	1	
2	568689	HEX HEAD BOLT M10X100	2	
3	286328	PLAIN WASHER 20X10.2X2	2	
4	231370	SELF BREAKING NUT M10	2	
5	15478	GROMMET4	2	
6	31119	HEX HD SCREW M8 X 25	6	
7	016408	SPRING WASHER	6	
8	20108	HEX NUT M8	6	
9	178610	GROMMET	1	
10	016406	SPRING WASHER	2	
11	20108	HEX NUT M8	2	
12	016408	SPRING WASHER	2	
13	2383	PLAIN WASHER M20X8.5X2	2	
14	B003855	SOCKET HEAD CAP SCREW M8	2	
15	231370	SELF BREAKING NUT M10	2	
16	632299	PLATE	2	
16	632299	PLATE	1	
17	632247	HEX HDD SCREW M10X30 CC8.8	2	
18	568140	GROMMET	1	
19	604948	HEX.HDD BOLT M8 X 110 WITH POINTING	2	
20	2383	PLAIN WASHER M20X8.5X2	3	
21	569375	PLATE	3	
22	267065	SPACER FRONT	2	
23	265091	DUMPER ENGINE MTG.	2	
24	569244	PLATE	3	
25	016408	SPRING WASHER	3	
26	15335	HEX HD NUT M8	2	
27	272178	HEX. HDD BOLT M8 X 122 CL 10.9	1	
28	31154	HEX HDD SCREW M10X22 CL 8.8	2	
29	B003286	REAR AVM SUPPORT BKT. ASSY.	1	
30	286328	PLAIN WASHER 20X10.2X2	2	
31	16410	SPRING WASHER	2	
32	20108	HEX NUT M8	4	
33	B003372	CROSS MEMBER ENGINE SUPPORT REAR	1	
34	B024416	FRT CROSS MEMBER ASSY. ENG. MTG.	1	

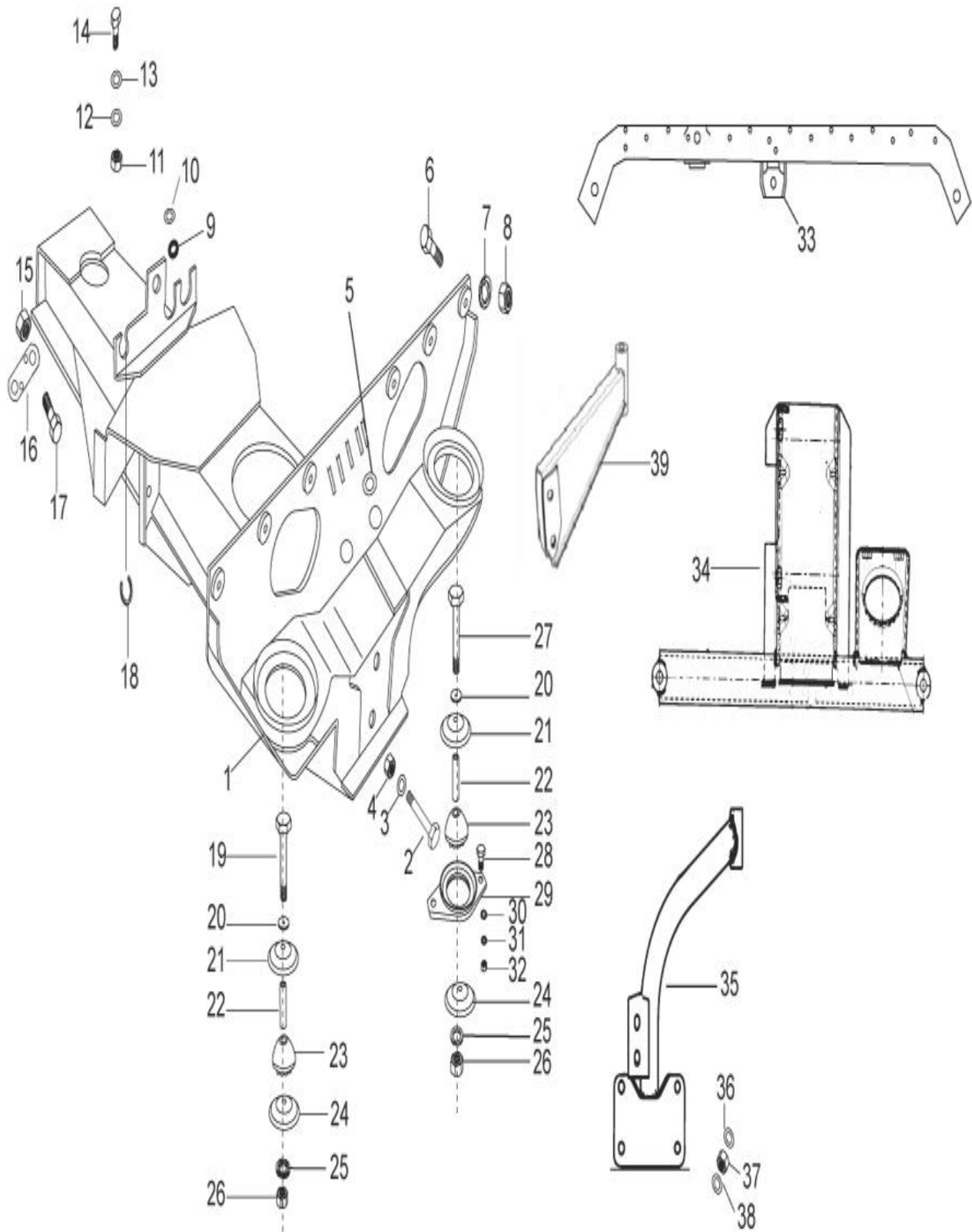
60

Print Date: 07-Apr-2022

PLATE-26

ENGINE SUPPORT





Print Date: 07-Apr-2022

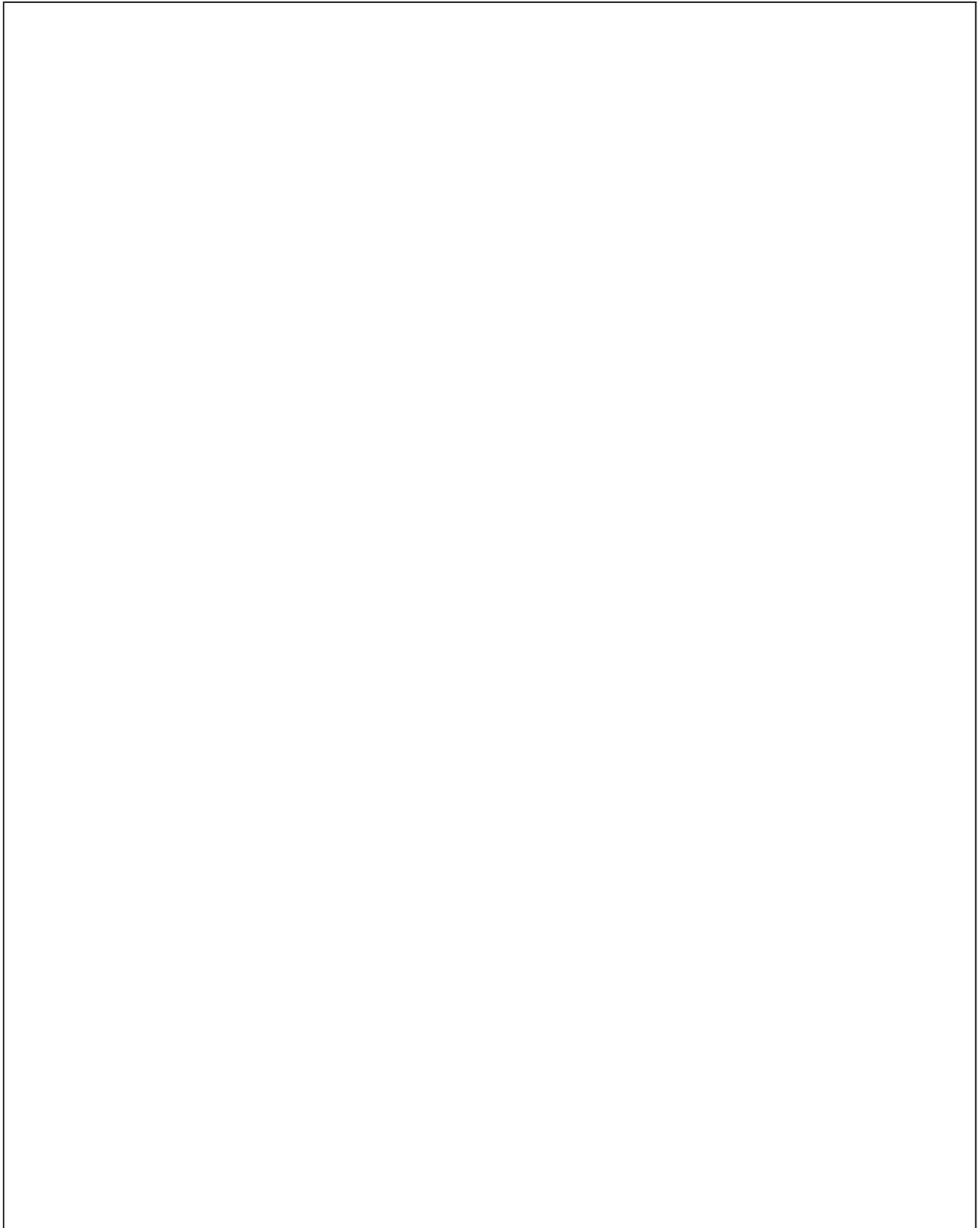
PLATE-26
ENGINE SUPPORT

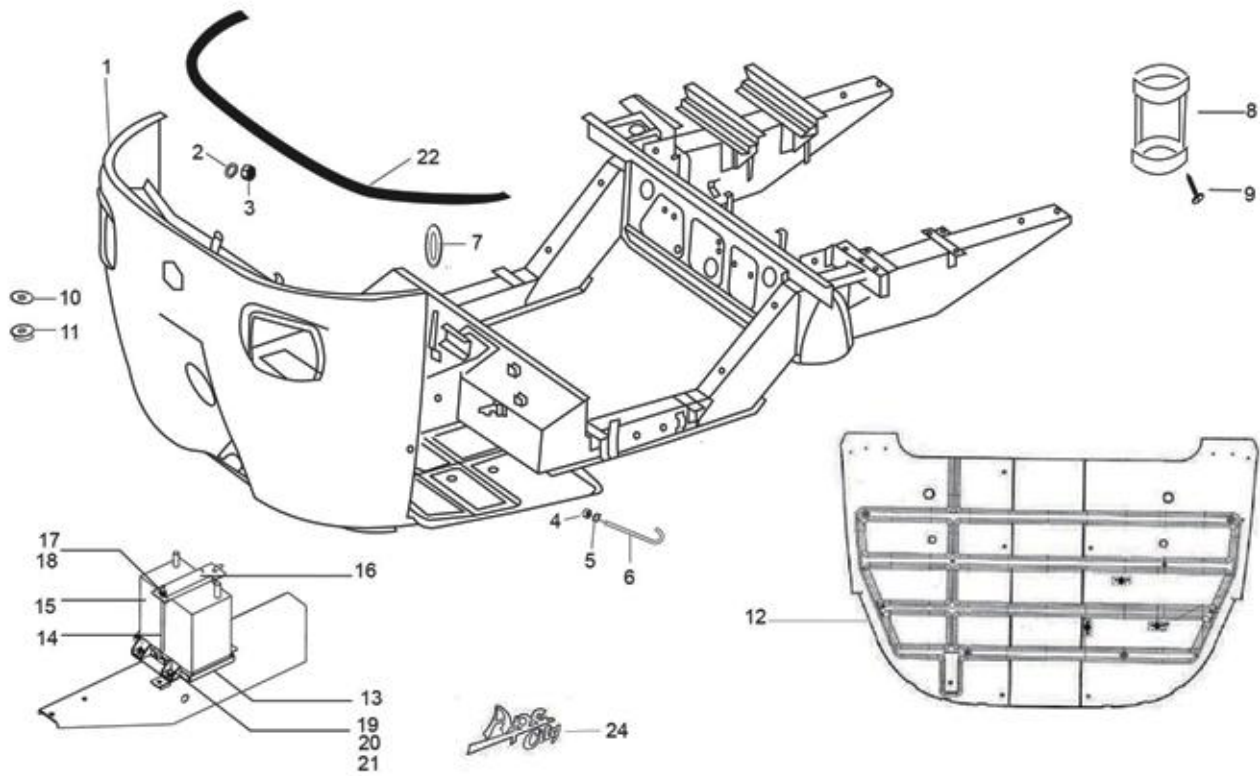
Fig. No.	Part No.	Description	Qty	Remarks
35	B041830	ENGINE SUPPORT ARM ASSLY REAR	1	
36	286328	PLAIN WASHER 20X10.2X2	2	
37	20110	HEX NUT M10	4	
38	16410	SPRING WASHER	2	
39	B041830	ENGINE SUPPORT ARM ASSLY REAR	1	

Print Date: 07-Apr-2022

PLATE-27

MAIN FRAME/BATTERY BKT





Print Date: 07-Apr-2022

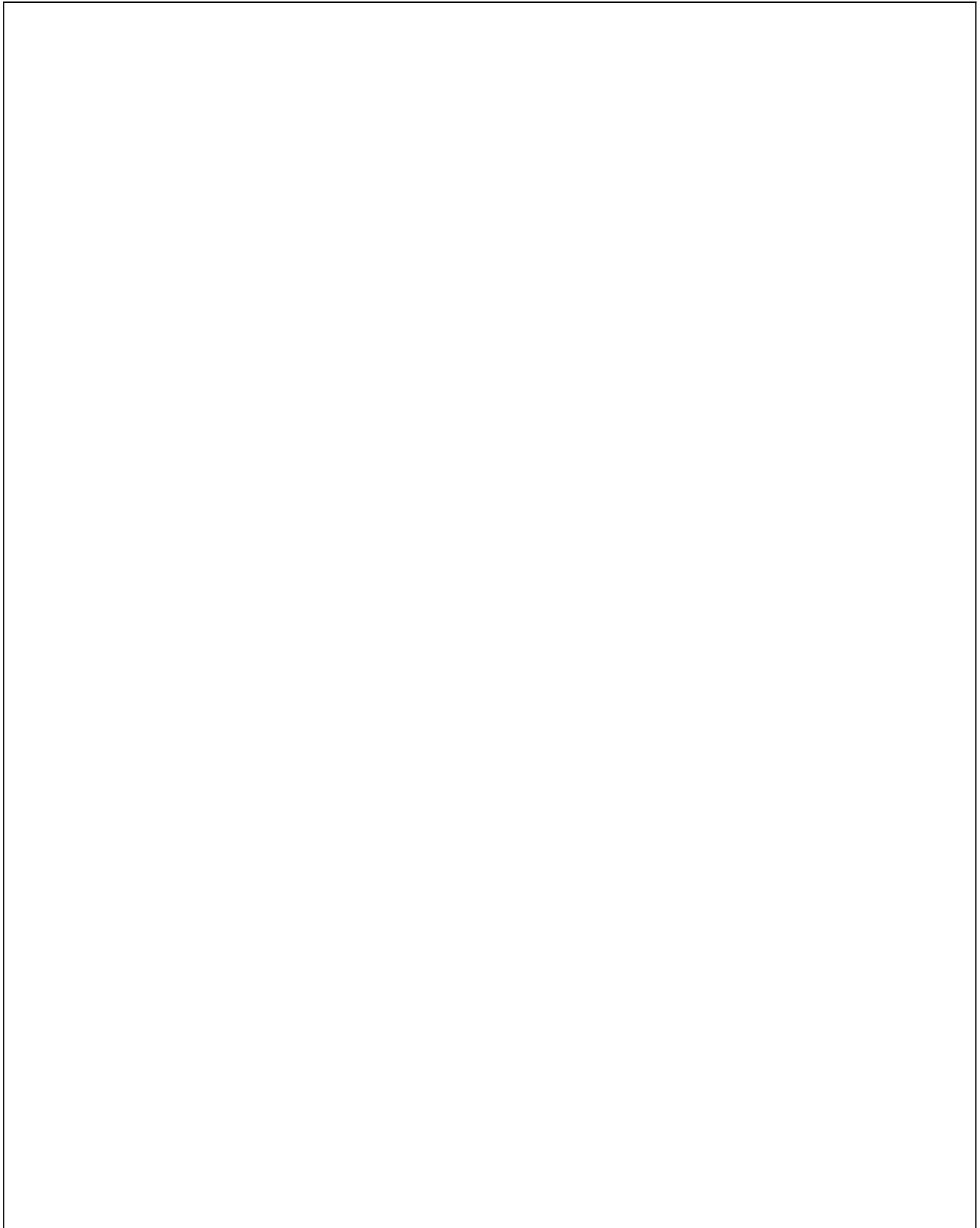
PLATE-27**MAIN FRAME/BATTERY BKT**

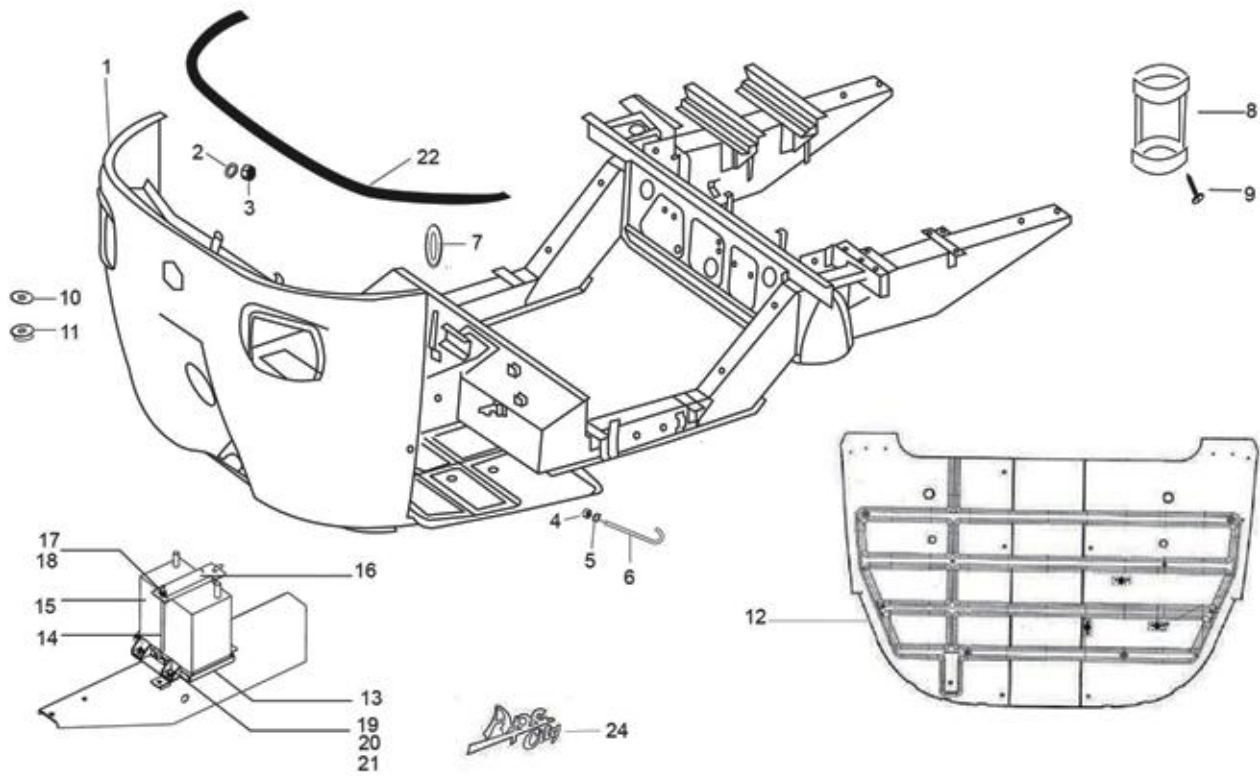
Fig. No.	Part No.	Description	Qty	Remarks
1	B075803GY	MAIN FRAME ASSLY BSIV - DIESEL-GY	1	
1	B075803BY	MAIN FRAME ASSLY BSIV - DIESEL-BY	1	
1	B075803BW	MAIN FRAME ASSLY BSIV - DIESEL-BW	1	
1	B075803CB	MAIN FRAME ASSLY BSIV - DIESEL-CB	1	
1	B075803NB	MAIN FRAME ASSLY BSIV - DIESEL-NB	1	
1	B075803WR	MAIN FRAME ASSLY BSIV - DIESEL-WR	1	
1	B075803EG	MAIN FRAME ASSLY BSIV - DIESEL-EG	1	
1	B076466BW	MAIN FRAME ASSLY APE CITY DSL STD(STEP BODY)_BW	1	STEPPED BODY
1	B076466BY	MAIN FRAME ASSLY APE CITY DSL STD(STEP BODY)_BY	1	STEPPED BODY
1	B076466CB	MAIN FRAME ASSLY APE CITY DSL STD(STEP BODY)_CB	1	STEPPED BODY
1	B076466CO	MAIN FRAME ASSLY APE CITY DSL STD(STEP BODY)_CO	1	STEPPED BODY
1	B076466GY	MAIN FRAME ASSLY APE CITY DSL STD(STEP BODY)_GY	1	STEPPED BODY
1	B076466NB	MAIN FRAME ASSLY APE CITY DSL STD(STEP BODY)_NB	1	STEPPED BODY
1	B076466WR	MAIN FRAME ASSLY APE CITY DSL STD(STEP BODY)_WR	1	STEPPED BODY
2	3054	PLAIN WASHER	1	
3	20104	HEX NUT M4	1	
4	20108	HEX NUT M8	1	
5	3058	PLAIN WASHER 15X8.4X1.5	1	
6	568290	TENSION ROD	1	
7	B075981	GROMMET WIRING HAND BRAKE	1	
8	B041392	BOTTLE CARRIER STAND	1	
9	660168	PAN SELF TP. SCREW 10 SGX13AB	2	
10	B075989	GROMMET FRT PART OF CENTRAL BEAM	2	
11	604756	HOSE CLIP	2	
12	B074149	CABIN FLOOR ASSLY.	1	
13	567520	BATTERY TRAY	1	
14	604890	HALF TIE ROD ASSY.	1	
15	587650R	BATTERIES FOR 3WH (50AH)	1	Domestic
15	B006806	BATTERY(EXIDE _ EK 50 L)_ EXPORT (501)	1	Export
16	B003978	BATTERY HOLDING PLATE	1	
17	20108	HEX NUT M8	1	
18	3058	PLAIN WASHER 15X8.4X1.5	1	
19	016408	SPRING WASHER	1	
20	13861	PLAIN WASHER 20X8.2X2.5	4	
21	31118	SCREW M8X20	4	

Print Date: 07-Apr-2022

PLATE-27

MAIN FRAME/BATTERY BKT





Print Date: 07-Apr-2022

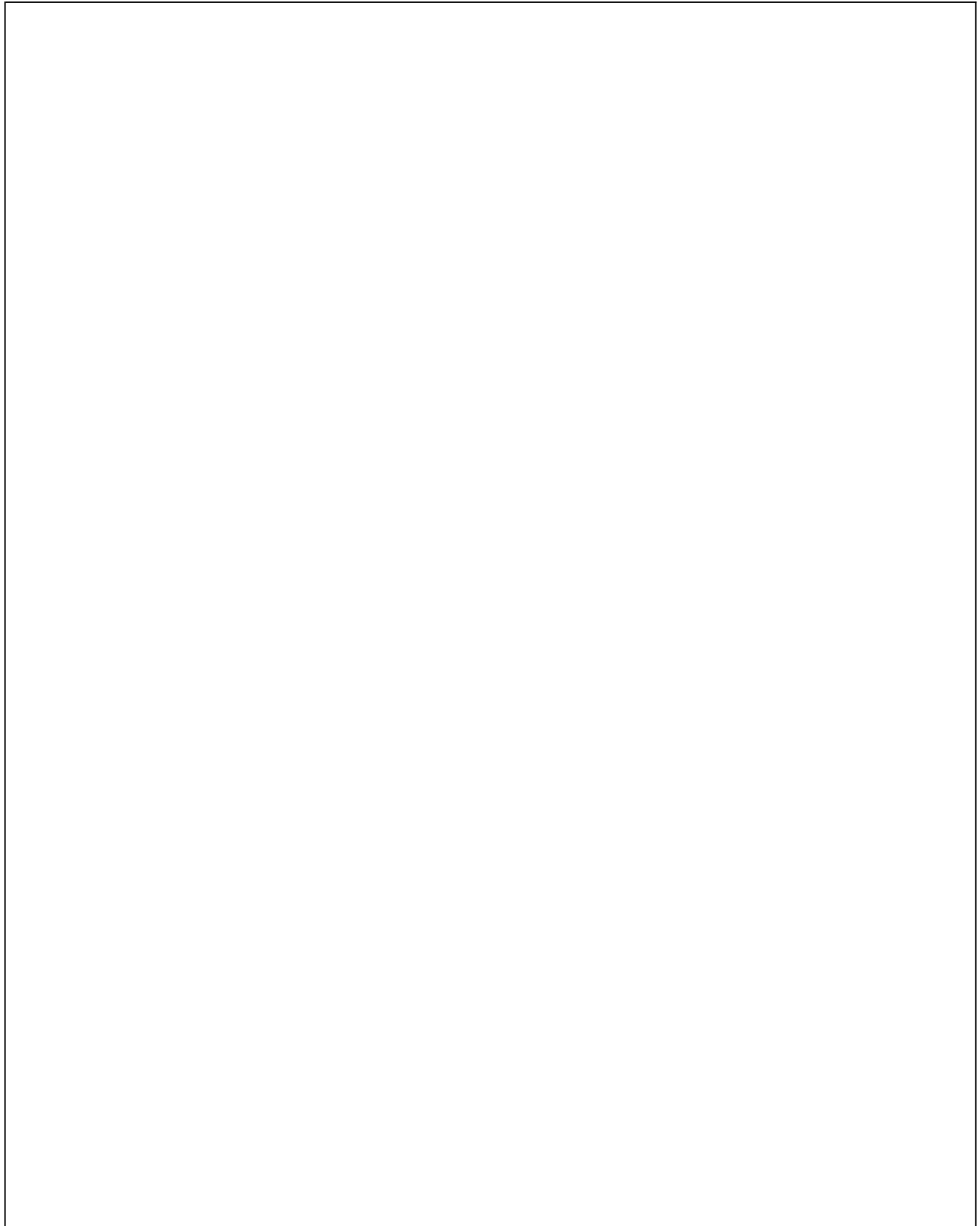
PLATE-27**MAIN FRAME/BATTERY BKT**

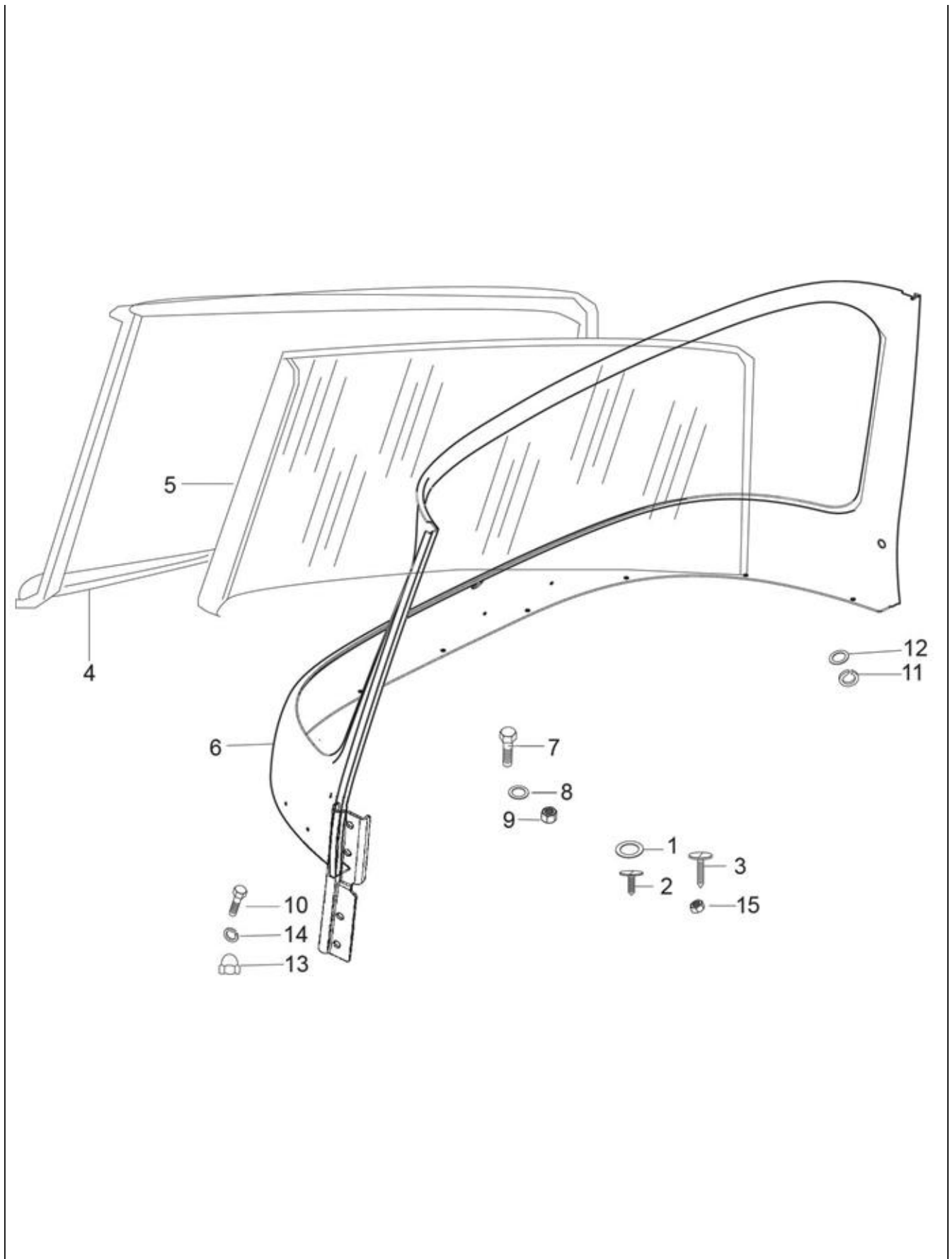
Fig. No.	Part No.	Description	Qty	Remarks
22	B024474	BEADDING LINING	1	
23	604972	PIVOT GASKET-APE LOGO PLATE	1	
24	B041459	PLATE FRONT DOME -APE CITY	1	
25	B074637	BEEDING DOME SIDE PILLAR (PET/DLS)	1	NI

Print Date: 07-Apr-2022

PLATE-28

WIND SHIELD/GLASS/BEADING





Print Date: 07-Apr-2022

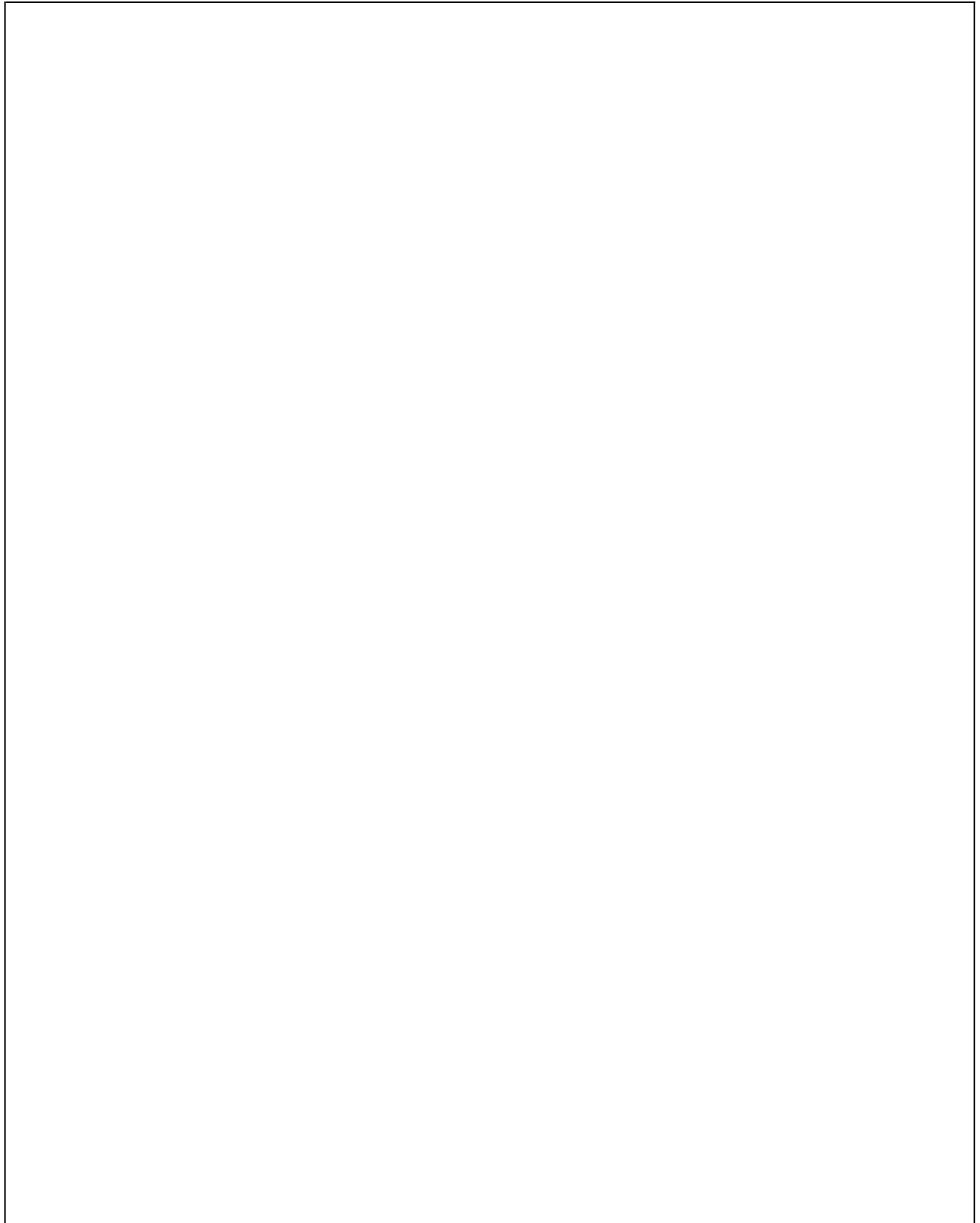
PLATE-28**WIND SHIELD/GLASS/BEADING**

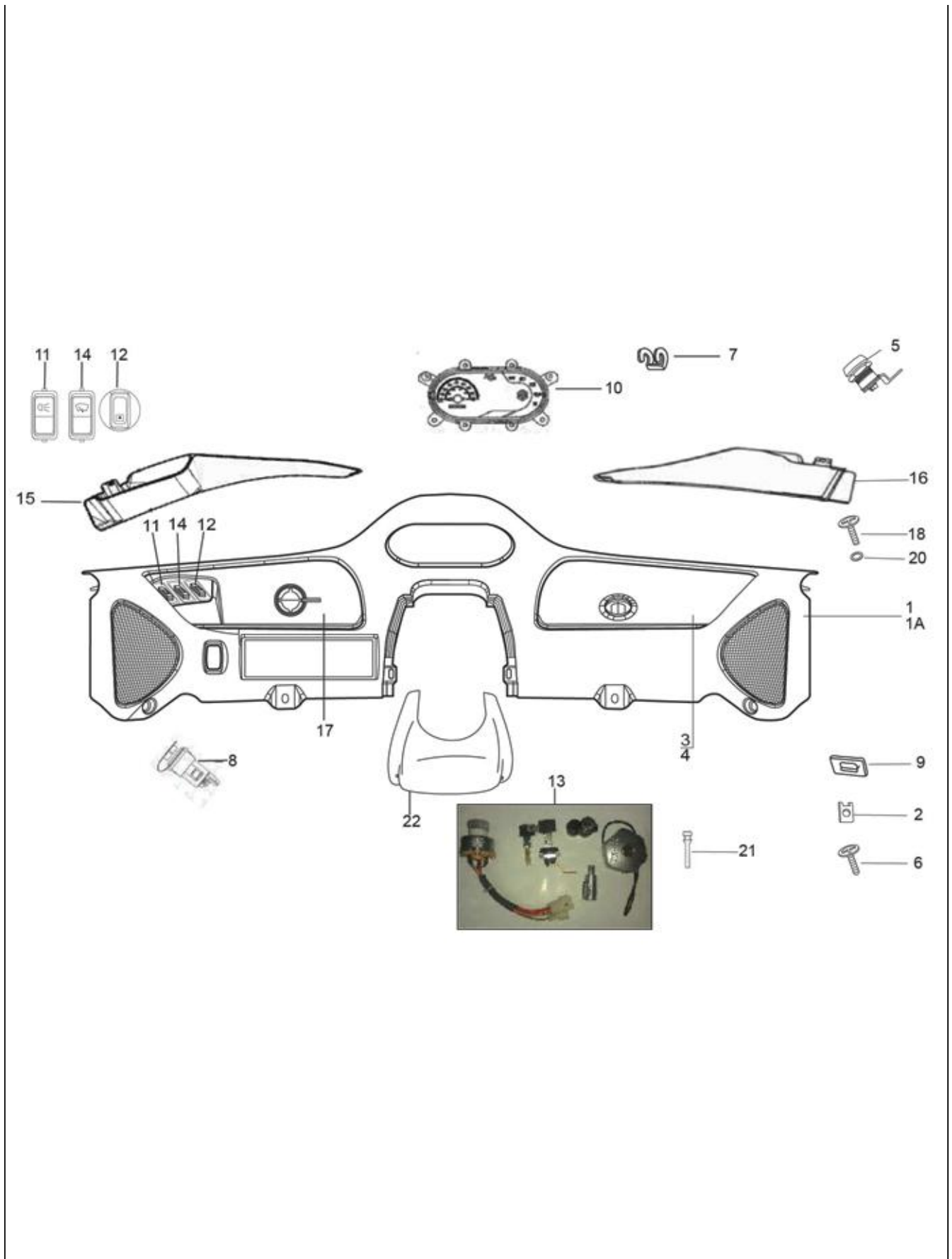
Fig. No.	Part No.	Description	Qty	Remarks
1	16670	PLAIN WASHER 12X4.5X1	2	
2	568692	PAN SELF TAP SCREW 6SG X 16AB	2	
3	18630	PAN SELF TAP SCREW 6SG X 25AB	2	
4	B073626	WINDSHIELD PACKING	1	
5	B073601	LAMINATED WINDSHIELD GLASS	1	E - Marked (Export)
6	B073602ED	WINDSCREEN FRAME (COMPLETE)	1	
7	B001386	HEX HEAD SCREW M5X20	9	
8	16405	SPRING WASHER M5	16	
9	20105	PLAIN NUT M5	20	
10	30242	SLOT CH. HD. SCREW	8	
11	808000826	PLAIN WASHER M8	2	
12	016408	SPRING WASHER	2	
13	568713	DOME NUT	8	
14	3055	PLAIN WASHER M5	8	
15	20104	HEX NUT M4	8	

Print Date: 07-Apr-2022

PLATE-29

INNER PARTS OF CABIN





Print Date: 07-Apr-2022

PLATE-29**INNER PARTS OF CABIN**

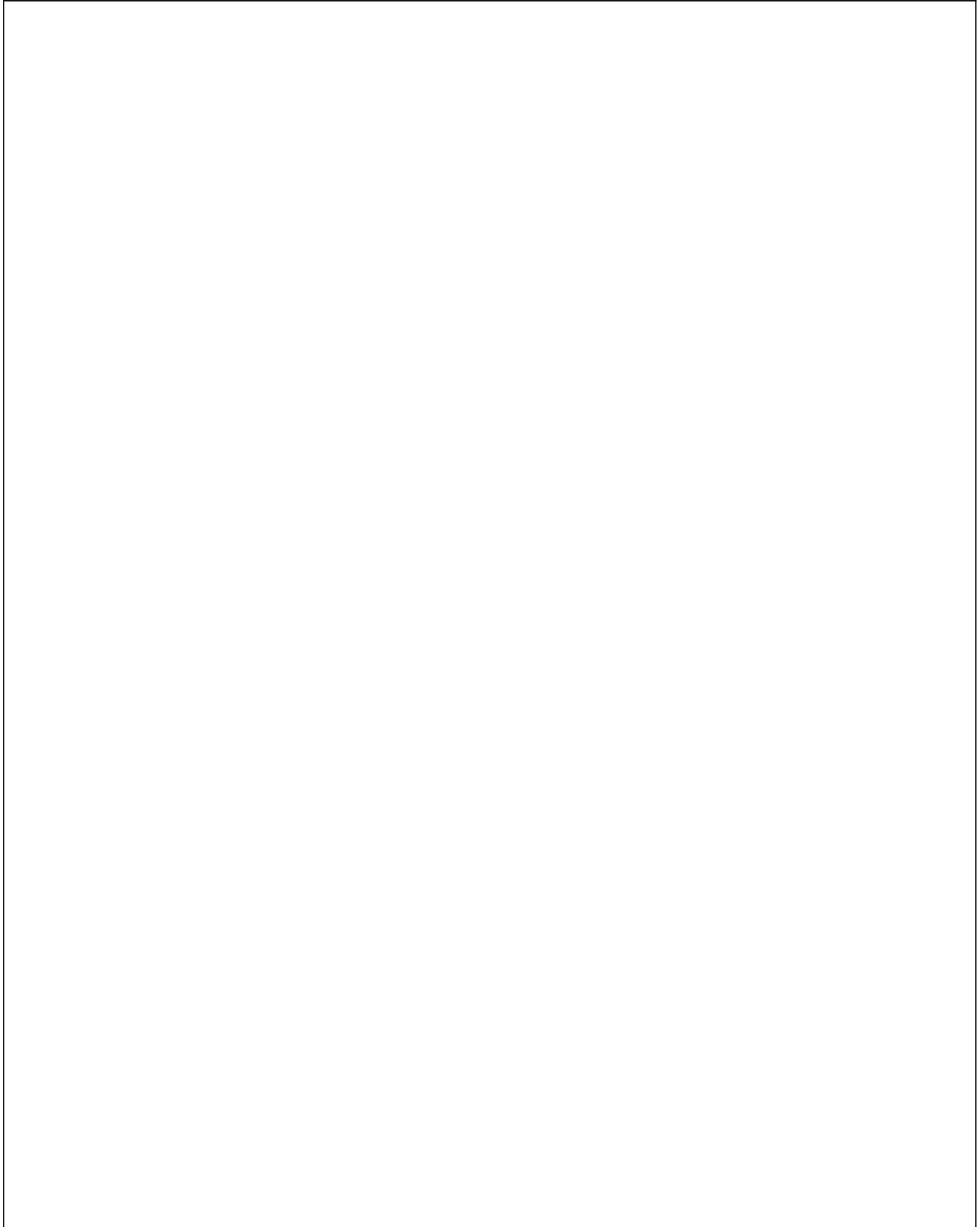
Fig. No.	Part No.	Description	Qty	Remarks
1	B074736	DASH BOARD ASSY. (DSL)	1	
1A	B073809	DASH BOARD ASSY.	1	
2	8080	SPRING PLATE	4	
3	B073810	GLOVE BOX COVER	1	
4	568671	GASKET - GLOW BOX COVER (N.I.)	4	
5	B024169	GLOVE BOX LOCK WITH KEY	1	
6	660168	PAN SELF TP. SCREW 10 SGX13AB	4	
7	605389	HINGE	1	
8	B074905	MOBILE CHARGER	1	
9	643691	BOLT LOCK PLATE	1	
10	B074914	INSTR. CLUSTER (DLS)	1	
11	B073478R	SWITCH 3 POSITION	1	
12	B073481R	HAZARD WARNING SWITCH WITH CROWN CAP (12V)(VE)	1	
13	B076072	LOCK SET WITH KEYS/ CITY-BSIV DIESEL	1	old
13	6G000027	LOCK SET FOR MODIFIED PUSH BUTTON DLX DIESEL	1	Chassis cut off no.-3XFXD836716
14	B073479R	WIPER MOTOR SWITCH/ SWITCH WIPER MOTOR	1	
15	B073815	UPPER COVER DASH BOARD - LH	1	
16	B073816	UPPER COVER DASH BOARD - RH	1	
17	B073812	UTILITY BOX	1	
18	B023976	CSK PHILIPS HEAD SCREW M5X15	8	
19	B074262	PIN	2	
20	6078	PLAIN WASHER 12 X 5.2 X 1	8	
21	B074275	RUBBER DAMPER	2	
22	B073811	STEERING COLUMN COVER	1	

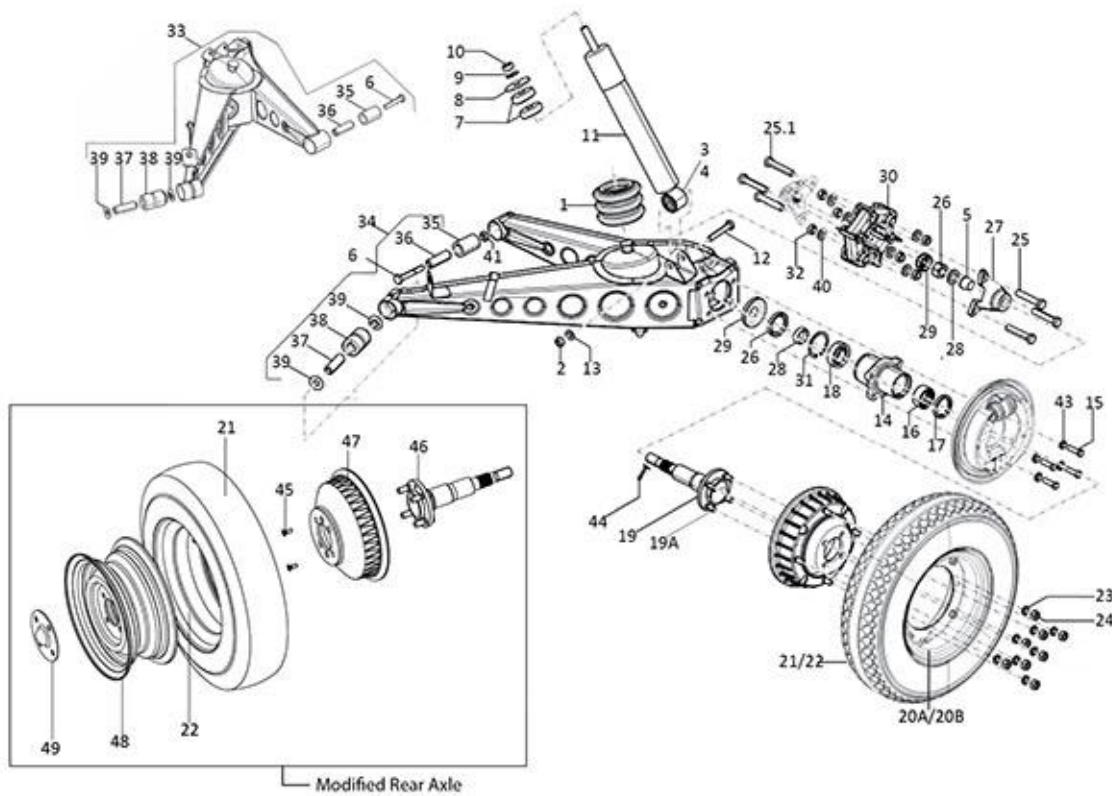
70

Print Date: 07-Apr-2022

PLATE-30

REAR SUSPENSION





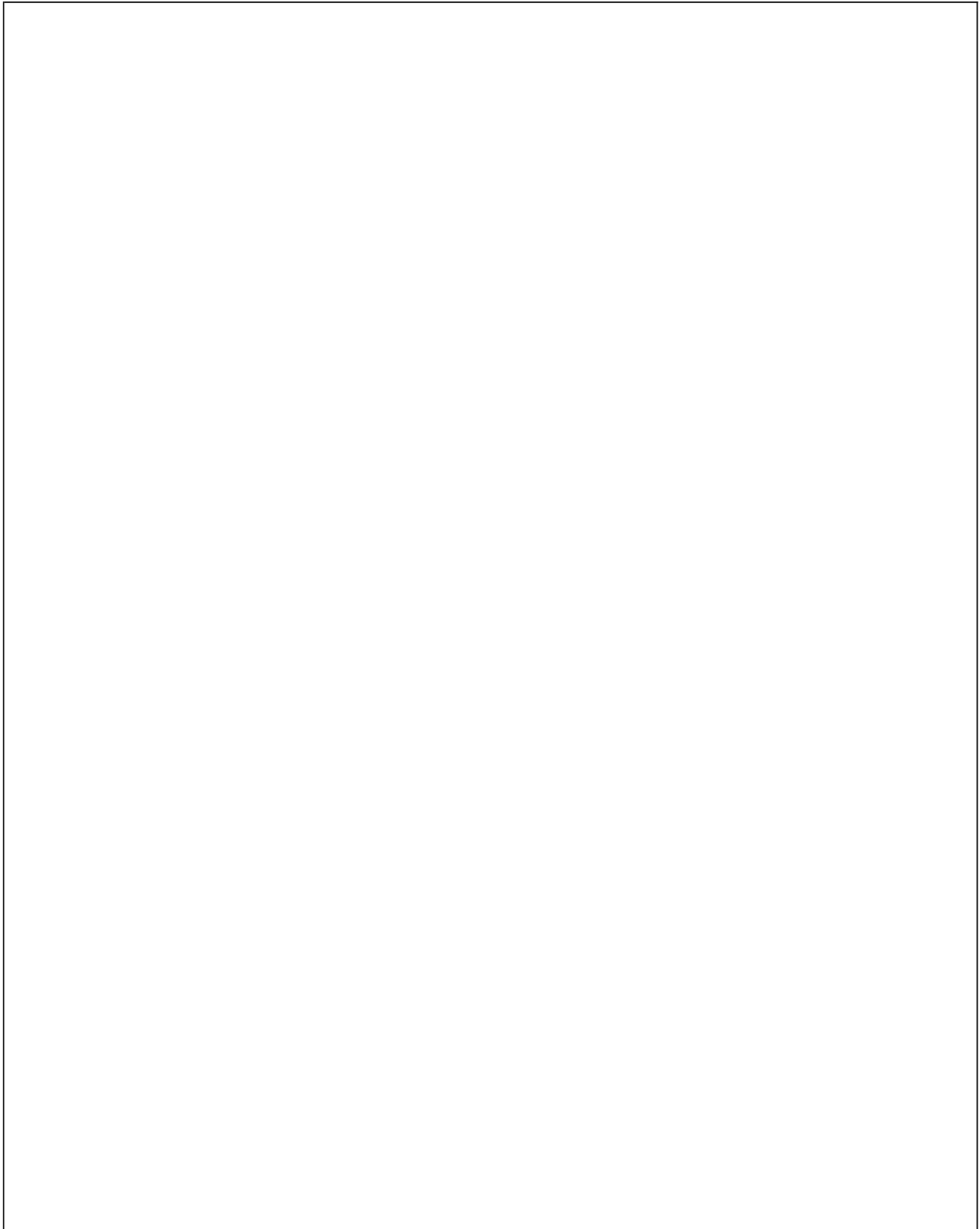
Print Date: 07-Apr-2022

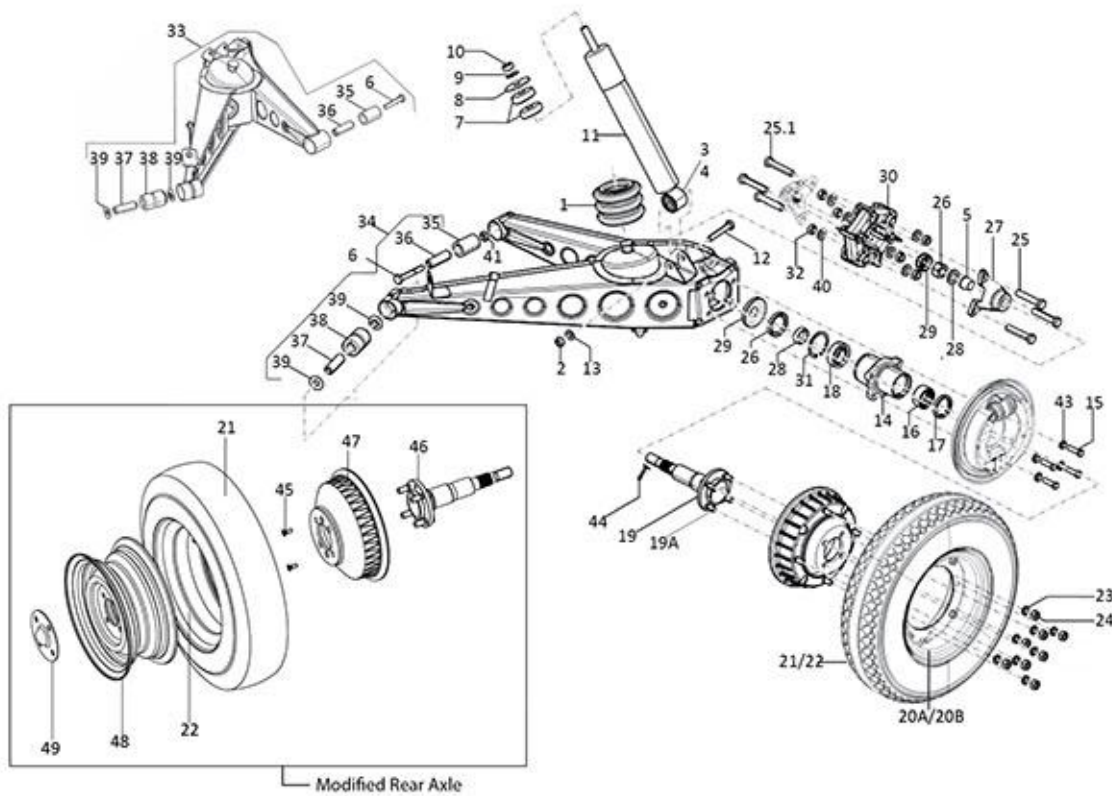
PLATE-30
REAR SUSPENSION

Fig. No.	Part No.	Description	Qty	Remarks
1	B042098	RUBBER BUMPER	2	
1	B076290	RUBBER BUMPER	2	for Stepped body
2	231370	SELF BREAKING NUT M10	2	
3	176138	BUSH	2	
4	267065	SPACER FRONT	1	
5	128633	CONE	1	
6	643741	HEX HDD BOLT M10 X 80 CL 12.9	4	
7	226663	BUSH	4	
8	6066	PL WASHER 10.5X38X9	2	
9	16410	SPRING WASHER	2	
10	20110	HEX NUT M10	2	
11	B042226	REAR SHOCK ABSORBER	2	
12	267068	HEX HEAD BOLT M10 X 60 CC 10.9	2	
13	286328	PLAIN WASHER 20X10.2X2	2	
14	6C000530	REAR WHEEL HUB	2	
15	B002486	BOLT M8 X 35 6G CL 12.9	8	
16	661282	NEEDLE ROLLER BEARING	2	
17	20359	SEAL RING	2	
18	243303R	DEEP GROVE BALL BRG-RR WH AXLE	2	
19	B024374	REAR AXLE COMPLETE (APE CITY)	2	
19A	B001319	BOLT FOR AXLE	4	
20A	B074588R	WHEEL RIM ASSLY INNER - PAINTED	2	
20B	B074590R	WHEEL RIM OUTER - PAINTED	2	
21	B001317	TYRE & TUBE ASSEMBLY	4	
22	B001316	INNER TUBE FOR TYRE 4.0 X 8 INCH	4	
23	16410	SPRING WASHER	12	
24	20110	HEX NUT M10	12	
25	15594	HEX HDD BOLT M10 X 35	12	
26	21118	HEX NUT M18 X 1.5P	2	
27	587617	ELASTIC JOINT CONNECTION HUB (WHL - SIDE)	2	
28	661267	RING	2	
29	109892	PROTECTION CUP RR HUB	2	
30	604535	FLEXIBLE COUPLING	2	
31	6650	CIRCLIP DIA 50 (INT)	2	
32	231370	SELF BREAKING NUT M10	12	

Print Date: 07-Apr-2022

PLATE-30
REAR SUSPENSION





Print Date: 07-Apr-2022

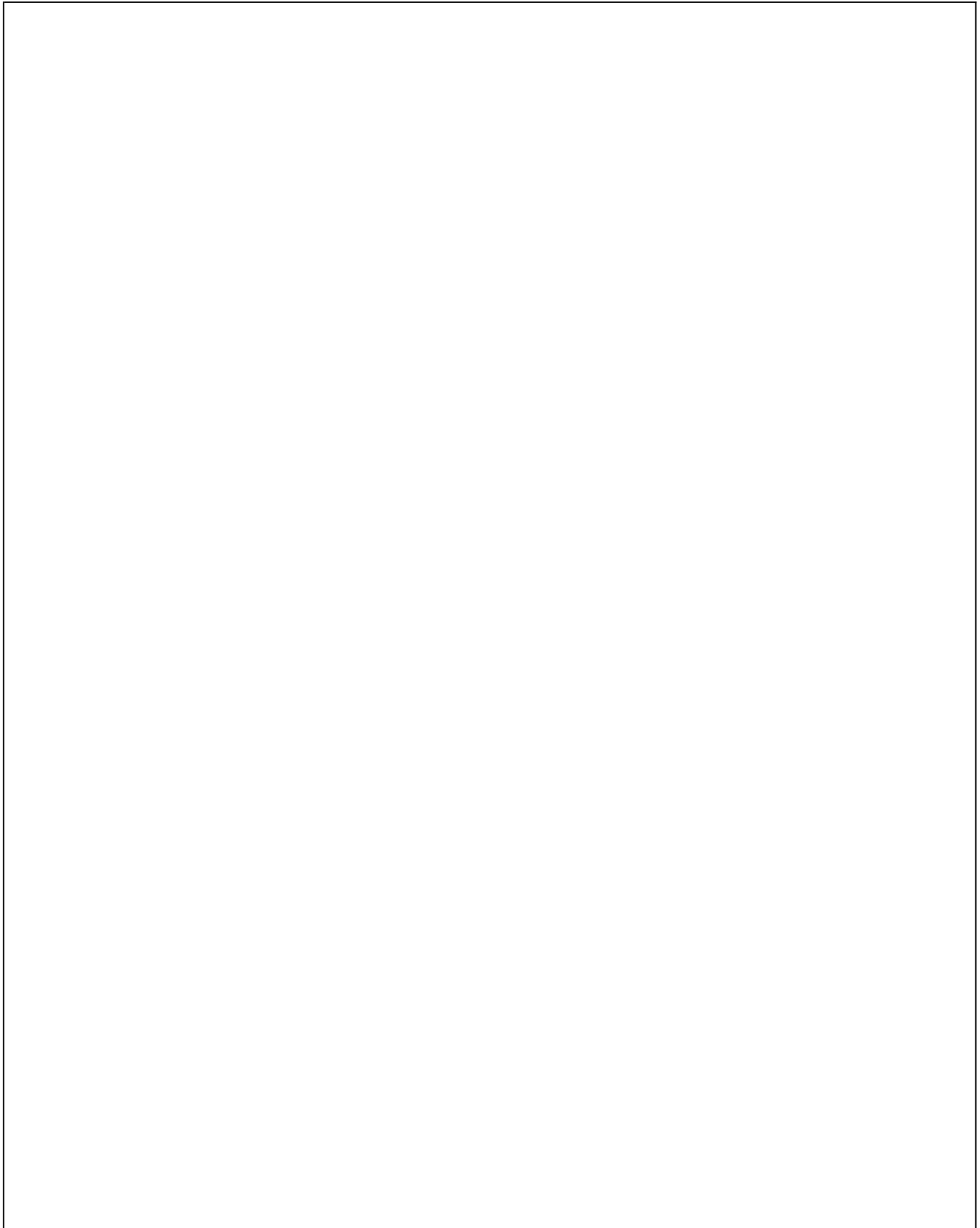
PLATE-30
REAR SUSPENSION

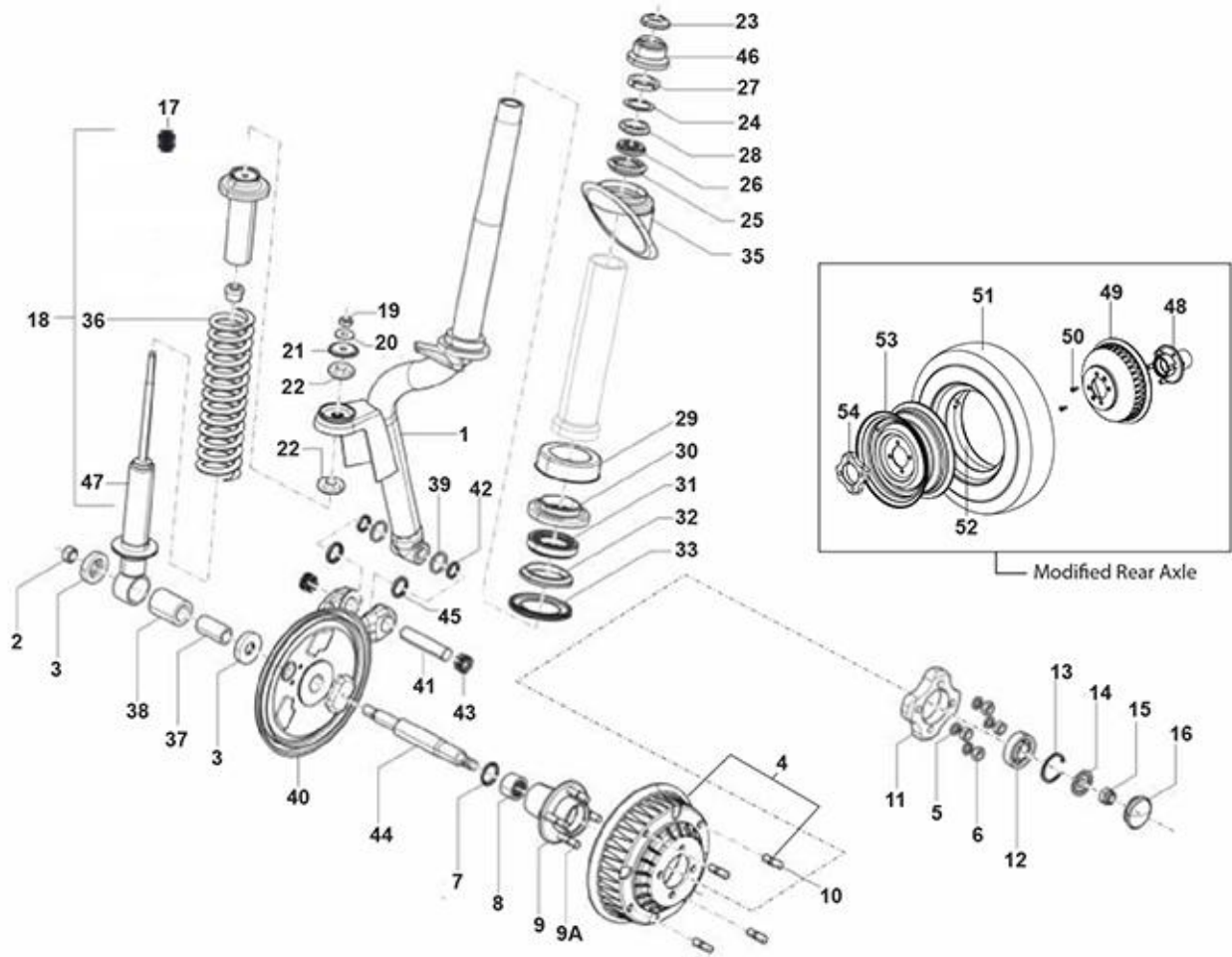
Fig. No.	Part No.	Description	Qty	Remarks
33	B075807	ARM SUB ASSY. LH - REAR SUSPENSION	1	
33	B002481	ARM SUB ASSY. RH - REAR SUSPENSION	1	for Stepped body
34	B075808	ARM SUB ASSY. RH - REAR SUSPENSION	1	
34	B002482	ARM SUB ASSY. LH - REAR SUSPENSION	1	for Stepped body
35	226662	RING FOR ELASTIC SUPPORT	2	
36	226661	INTERNAL BUSH	2	
37	267065	SPACER FRONT	2	
38	226596	BUSH FRONT RING FOR ELASTIC SUPPORT	2	
39	661266	SHOULDER WASHER	4	
40	237246	SHIM WASHER 20X10.2X1	12	
41	231370	SELF BREAKING NUT M10	4	
42	3068	PLAIN WASHER	1	
43	016408	SPRING WASHER	8	
44	12790	SPLIT PIN	2	
45	812061656	CSK PHILIPS HEAD SCREW M6 X 16	4	Modified
46	B077458	REAR AXLE COMPLETE	2	Modified
47	B077245	BRAKE DRUM (CAST IRON)	2	Modified
48	6C000430	WHEEL RIM ASSY	2	Modified
49	B077481	WHEEL CAP	2	Modified

Print Date: 07-Apr-2022

PLATE-31

STEERING COLUMN & FRONT SUSPENSION





Print Date: 07-Apr-2022

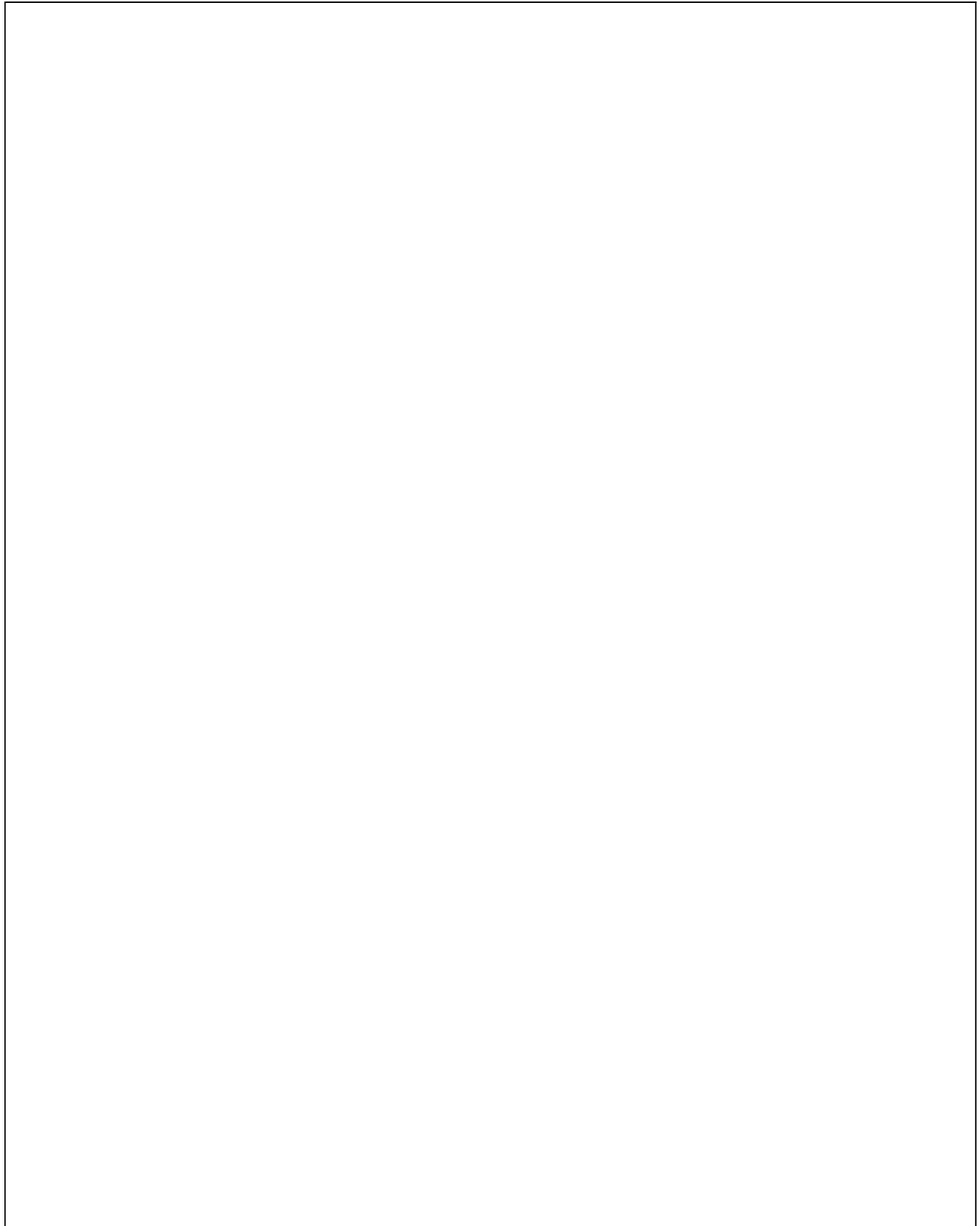
PLATE-31
STEERING COLUMN & FRONT SUSPENSION

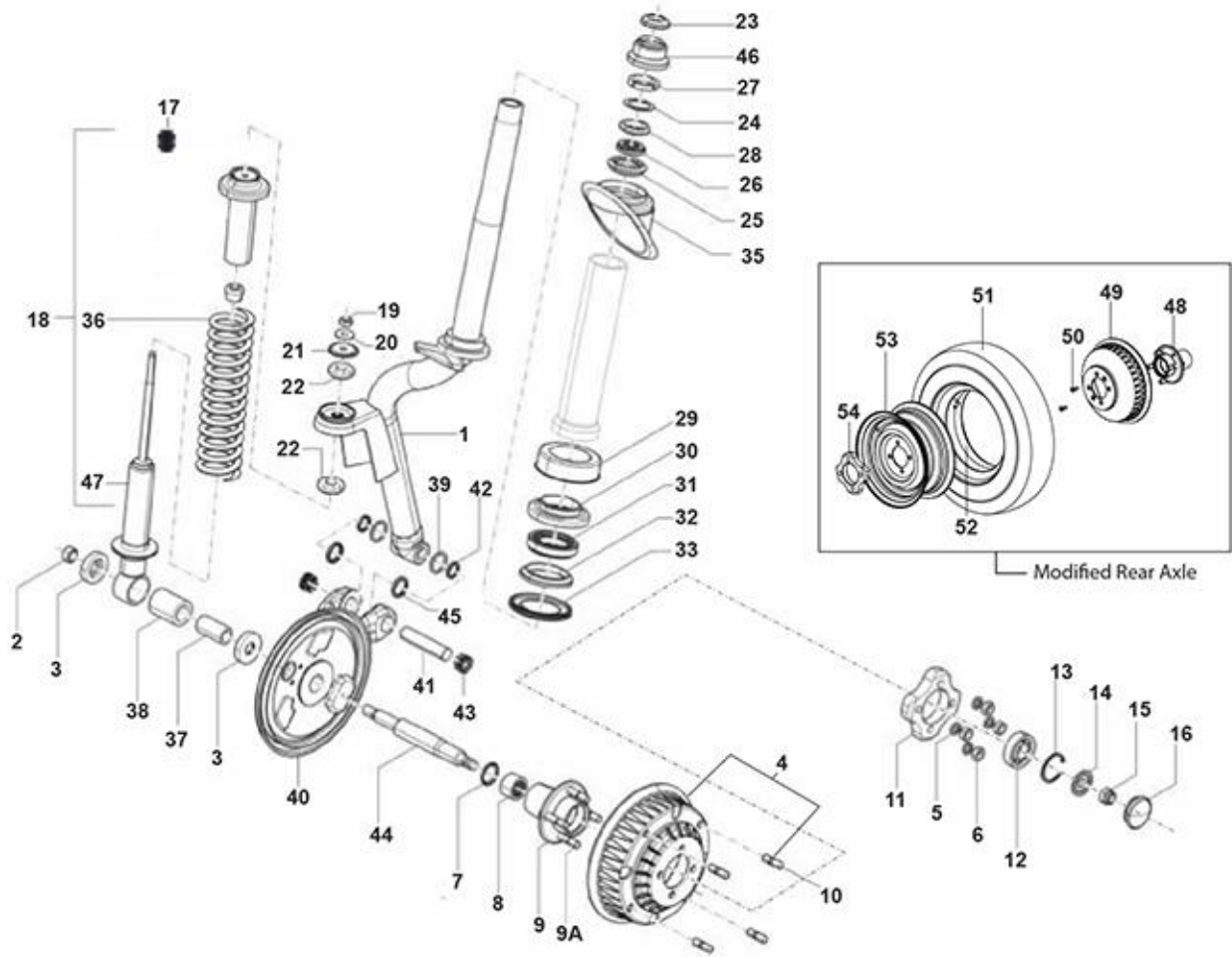
Fig. No.	Part No.	Description	Qty	Remarks
1	B073667SP	STEERING COLUMN ASSLY (NRB)-PAX UPGR SPD	1	
1	B075694	STEERING COLUMN WITH IP	1	
1	B076875SP	FRONT SUSPN ASSLY COMPL-APE CITY STD- SPD	1	
2	568095	NYLOCK NUT	1	
3	87067	PLAIN WASHER 30.5X14.3X2	1	
4	B042438	BRAKE DRUM ASSY. COMPLETE	1	
5	16410	SPRING WASHER	4	
6	20110	HEX NUT M10	4	
7	136434	OIL SEAL	1	
8	125289	NEEDLE BEARING, CRANKASE, FRONT WHEEL	1	
9	B001302	FRONT HUB ASSLY.	1	
9A	B001301	BOLT FRONT HUB.	4	
10	B001323	STUD M10 - BRAKE DRUM	4	
11	B041181	SPACER DISC FRONT WHEEL MTG (ALUMIN)	1	
12	30209R	BALL BEARING FRONT WHEEL HUB	1	
13	567473	CIRCLIP DIA. 42 INT. (841004203)	1	
14	180431	COIN WASHER	1	
15	74521	NUT M14 X 1.5	1	
16	107871	CAP	1	
17	75708	SILENT BLOCK	1	
18	B073690	FRONT SHOCK ABSORBER	1	
19	20110	HEX NUT M10	1	
20	16410	SPRING WASHER	10	
21	6066	PL WASHER 10.5X38X9	1	
22	74414	RUBBER BUSH/BUFFER FOR COUPLING SHOCK ABSORBE	2	
23	604758	PROTECTION	1	
24	108873	STOP WASHER FOR HOLDING	1	
25	567990	BEARING RACE UPPER BOTTOM	1	
26	567991	BEARING RACE UPPER TOP	1	
27	108874	SECURING RING NUT	1	
28	6C000190	UPPER BALL CAGE (VE)	1	
29	109064	DUST COVER	1	
30	567992	BEARING RACE LOWER TOP	1	
31	6C000191	LOWER BALL CAGE (VE)	1	
32	567993	BEARING RACE LOWER BOTTOM	1	

Print Date: 07-Apr-2022

PLATE-31

STEERING COLUMN & FRONT SUSPENSION





Print Date: 07-Apr-2022

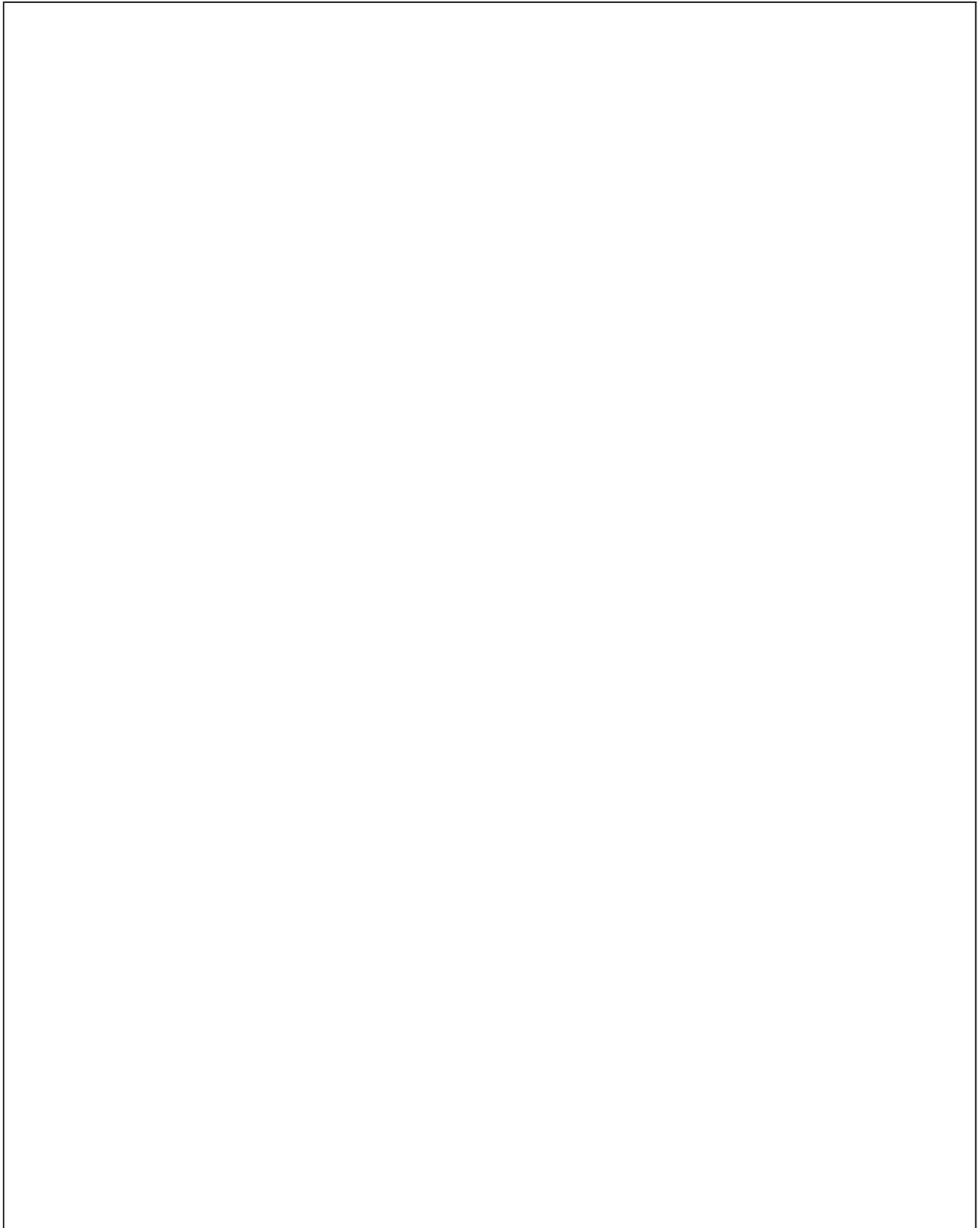
PLATE-31**STEERING COLUMN & FRONT SUSPENSION**

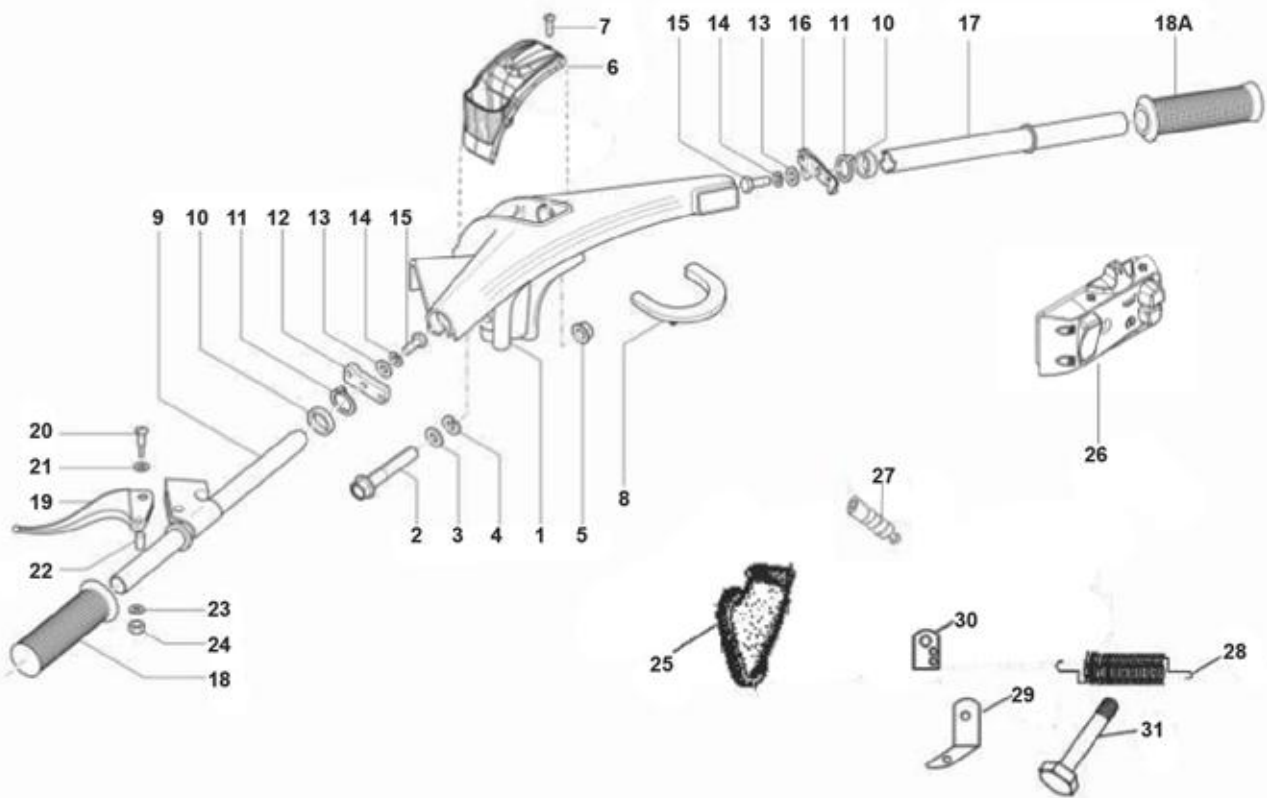
Fig. No.	Part No.	Description	Qty	Remarks
33	109066	WASHER WITH PROTECTION FOR BEARING	1	
34	604759	RUBBER CAP STEERING COLUMN (N.I.)	4	
35	109265	SPLASH GUARD DUST COVER	1	
36	940036	HOOD FRAME ASSY. BSIII	1	
37	109117	RUBBER BUSH (FRT SHOCK ABSORBER) / RING	1	
38	566545	RUBBER BUSH (FRT SHOCK ABSORBER) - MODIFIED	1	
39	6733	O RING	2	
40	B024113	FRONT BRAKE ASSY.	1	
41	137235	STEERING PIN	1	
42	8771	OIL SEAL (18-24-4)	2	
43	107718	ROLLER BUSH	2	
44	643772R	FRONT WHEEL AXLE	1	
45	661230	STEERING LOCK	1	
46	569150	SPRING; STEERING LOCK (MODIFIED)	1	
47	661231	CIRCLIP STEERING LOCK DIA 16 (INT)	1	
48	B077465	FRONT HUB S/A	1	
49	B077245	BRAKE DRUM (CAST IRON)	1	
50	812061656	CSK PHILIPS HEAD SCREW M6 X 16	2	
51	B001315	TYRE (4.0 X 8,4 PR)	1	
52	B001316	INNER TUBE FOR TYRE 4.0 X 8 INCH	1	
53	6C000430	WHEEL RIM ASSY	1	
54	B077461	SPACER DISC FRONT WHEEL MTG (ALUMIN.)	1	
55	940065	SHOCK ABSORBER W/O SPRING	1	

Print Date: 07-Apr-2022

PLATE-32

HANDLE BAR & CONTROLS





Print Date: 07-Apr-2022

PLATE-32**HANDLE BAR & CONTROLS**

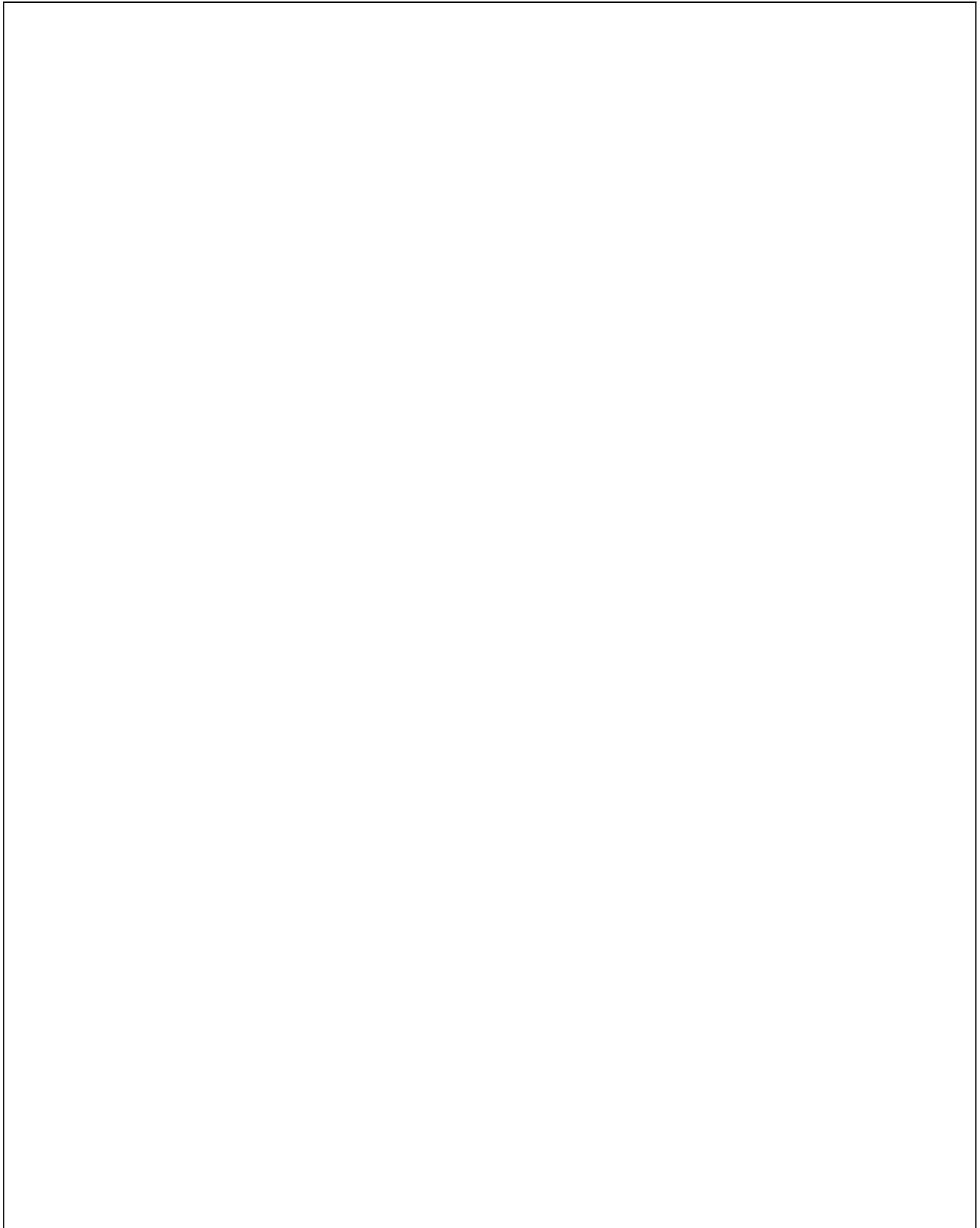
Fig. No.	Part No.	Description	Qty	Remarks
1	B075687ED	HANDLE BAR BODY-ED	1	Modified Part
1	B075772ED	HANDLE ('T' TYPE)	1	
2	30104	MOUNTING BOLT M10 X 75	1	
3	16626	PLAIN WASHER (18X10.5X2)	2	
4	16410	SPRING WASHER	1	
5	20110	HEX NUT M10	1	
6	B073817	COVER	1	
7	632158	CSK HEAD SCREW	1	
8	126902	PROTECTION COLLAR CABLE	1	
9	B078029	TUBE SUB ASSLY. GEAR CONTROL	1	
10	109404	WASHER OF RABBET(41737)	1	
11	60565	SPRING WASHER	1	
12	109775	GEAR CONTROL LEVER S/A	1	
13	3055	PLAIN WASHER M5	2	
14	016406	SPRING WASHER	2	
15	31089	HEX HEAD SCREW M6X18 CL 8.8	2	
16	109635	THROTTLE CONTROL LEVER WITH IP	1	
17	587902	ACCELERATOR TUBE ASSY.	1	
18	B073848	HANDLE BAR GRIP - LH	2	
18 A	B073849	HANDLE BAR GRIP - RH	1	
19	164906	CLUTCH CONTROL LEVER	1	
20	B075313	SCREW FOR CLUTCH LEVER (NEW)	1	
21	16319	BENT SPRING WASHER	1	
22	125181	SPACER	1	
23	16620	PLAIN WASHER	1	
24	12138	NYLOCK NUT M6	1	
25	109227	PROTECTION GROMMET	1	
26	B073850R	HBS (ST. BUTTON) - CITY UPGRADE (NEW) _ALL NUOVO MODEL	1	FOR PUSH BUTTON_HBS
27	118806	PROTECTION BELLOW	2	NS
28	B006853	SPRING HANDLE BAR	1	
29	B074498	BRACKET	1	
30	B074040	PLATE SPRING MTG. HANDLE BAR	1	
31	30104	MOUNTING BOLT M10 X 75	1	

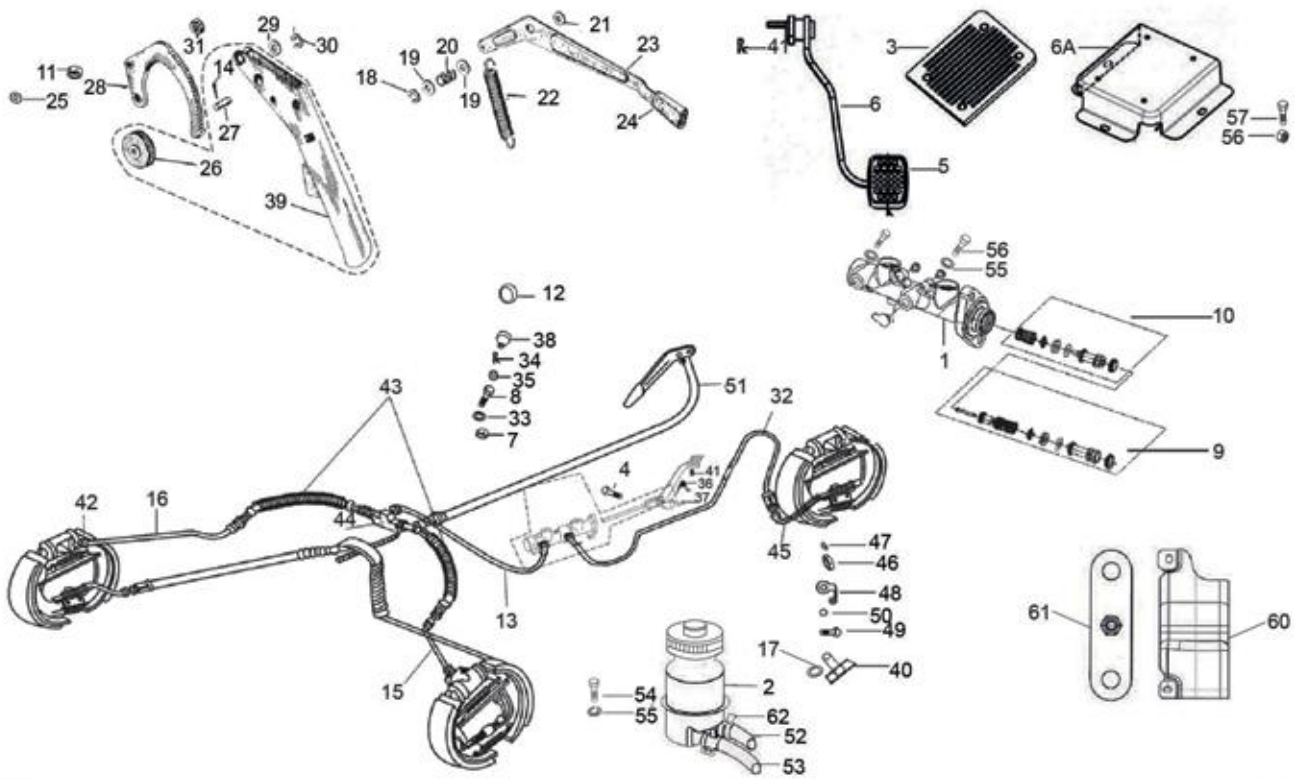
80

Print Date: 07-Apr-2022

PLATE-33

BRAKE - TANDEM MASTER CYLINDER, BRAKE PIPE AND HAND BRAKES





Print Date: 07-Apr-2022

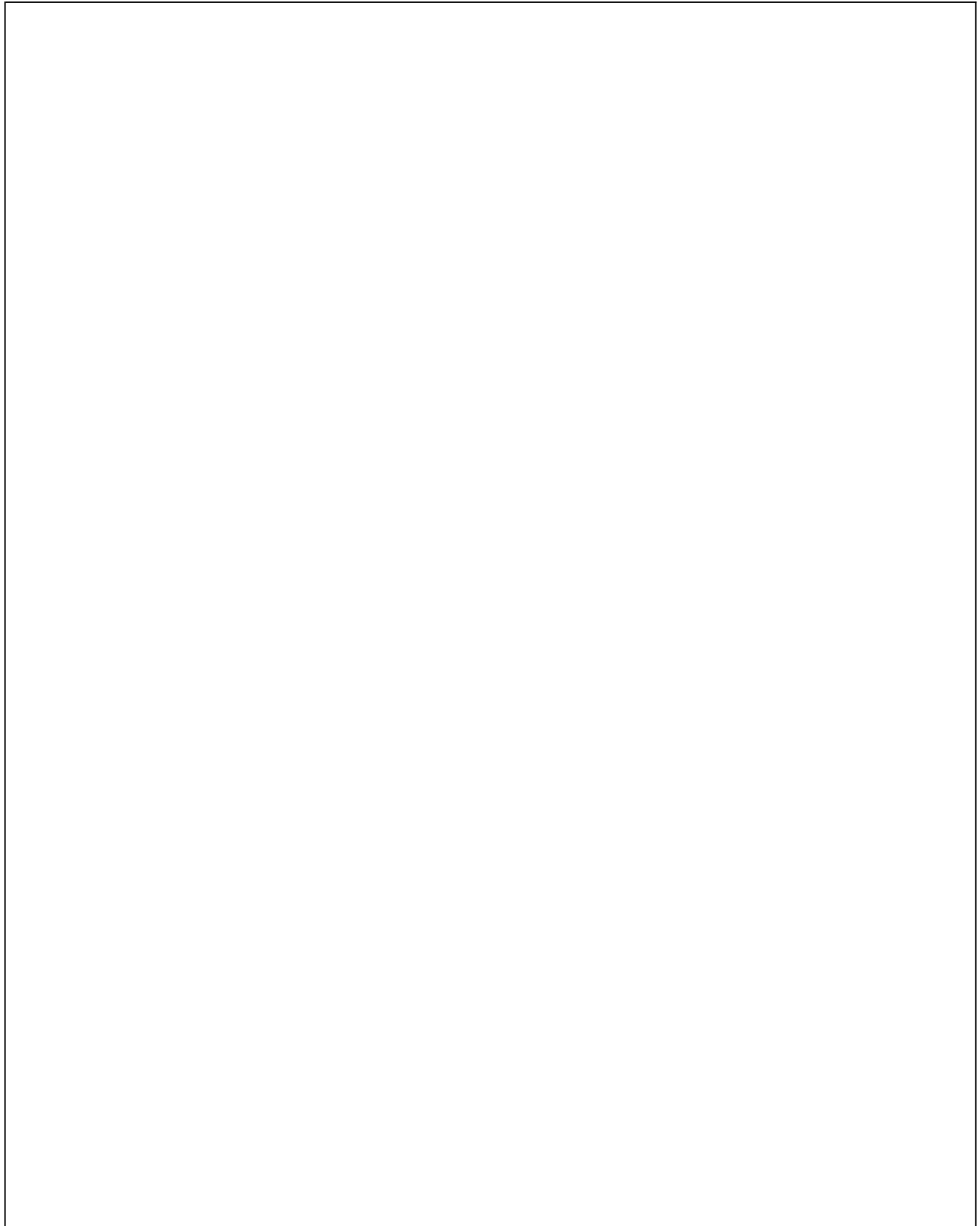
PLATE-33**BRAKE - TANDEM MASTER CYLINDER, BRAKE PIPE AND HAND BRAKES**

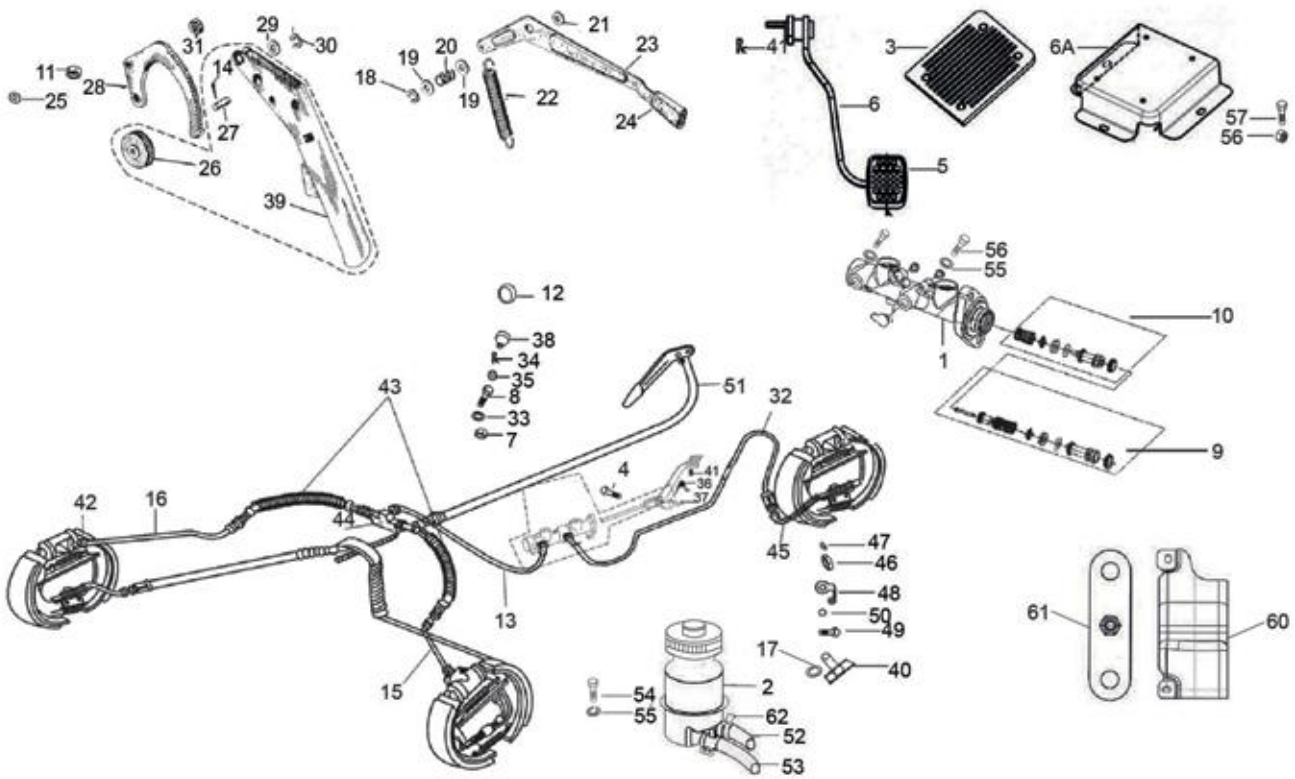
Fig. No.	Part No.	Description	Qty	Remarks
1	B075485	TMC ASSY.(19.05)	1	
2	B073788	BRAKE OIL TANK	1	
3	B074024	RUBBER MAT FOR FOOT REST	1	
4	652001	PIN	1	
5	567461	RUBBER PROTECTION FOR PEDAL	1	
6	B075492	BRAKE PEDAL WITH FOOT REST ASSLY	2	
6A	B073538	FOOT REST	1	
7	20108	HEX NUT M8	2	
8	812061656	CSK PHILIPS HEAD SCREW M6 X 16	2	
9	940067	MAJOR KIT TMC (UG)	1	
10	940068	MINOR KIT TMC (UG)	1	
11	20106	HEX NUT M6	2	
12	B042693	CUP RETAINING SPRING (SPLIT TYPE)	2	
13	B075491	BRAKE BUNDY TUBE TMC TO REAR WHEEL	1	
14	567920	SPLIT PIN	3	
15	B075835	BRAKE BUNDY TUBE FOR LH REAR WHEEL	1	
16	B075836	BRAKE BUNDY TUBE FOR RH REAR WHEEL	1	
17	3055	PLAIN WASHER M5	1	
18	5969	CIRCLIP DIA 9 E TYPE	1	
19	6173	METALLIC PLAIN WASHER (808001026)	2	
20	108785	SPRING	1	
21	B042317	SPACER-RC LEVER	1	
22	567690	REVERSE GEAR COUPLING SPRING	1	
23	B076455	LEVER S/ASSLY. REVERSE	1	
24	604717	KNOB FOR R.C.	1	
25	016406	SPRING WASHER	2	
26	B075475	PULLEY FOR HAND BRAKE	1	
27	567899	CLEVIS PIN	1	
28	B042794	RATCHET , HAND BRAKE CONTROL	1	
29	016408	SPRING WASHER	1	
30	6411	EXT CIRCLIP DIA 11	1	
31	20108	HEX NUT M8	1	
32	B075490	BRAKE BUNDY TUBE TMC TO FRONT WHEEL	1	
33	016408	SPRING WASHER	2	
34	567920	SPLIT PIN	1	

Print Date: 07-Apr-2022

PLATE-33

BRAKE - TANDEM MASTER CYLINDER, BRAKE PIPE AND HAND BRAKES





Print Date: 07-Apr-2022

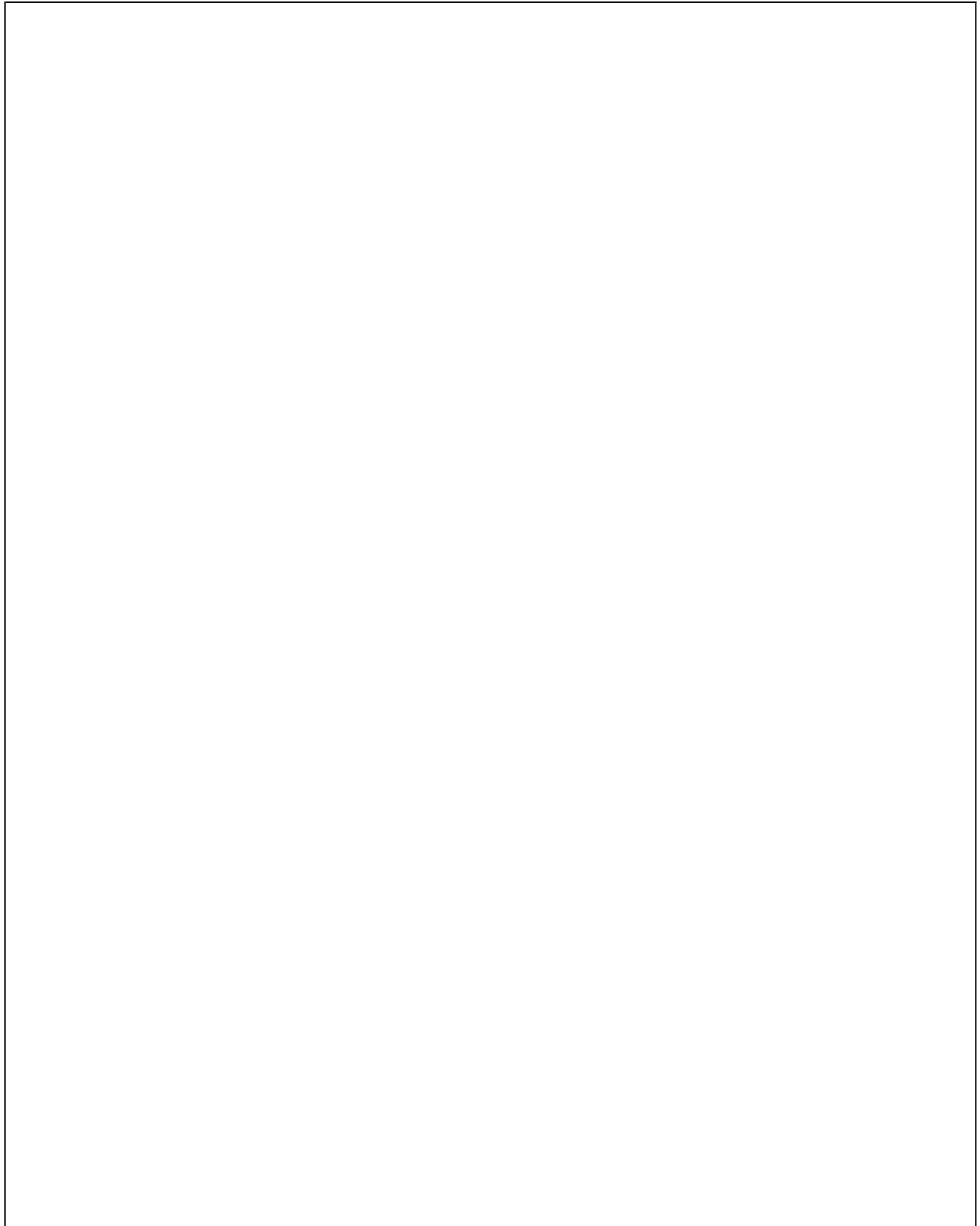
PLATE-33**BRAKE - TANDEM MASTER CYLINDER, BRAKE PIPE AND HAND BRAKES**

Fig. No.	Part No.	Description	Qty	Remarks
35	3058	PLAIN WASHER 15X8.4X1.5	1	
36	B073800	TORSIONAL SPRING	1	
37	229524	WASHER 21X14.3X2	1	
38	138237	CAP	1	
39	B075697	HAND BRAKE CONTROL ASSLY	1	
40	632056	HEX NUT M6	1	
41	568737	SPLIT PIN 4 X 25 (821 0425 2 2)	2	
42	136916	PLATE FOR RETAINING THE BRAKE FLEX. PIPE	3	
43	644814R	FLEXIBLE BRAKE HOSE	2	
43	B023786R	FLEXIBLE PIPE FOR REAR WHEEL BRAKE	2	
44	643692	THREE WAY UNION	1	
45	B001581R	FLEXIBLE PIPE FOR FRONT WHEEL BRAKE	1	
46	21216	HEX NUT M16 X 1.5	1	
47	48197	PL WASHER 24X16X1.5	13	
48	B003228	LOCK PLATE FRONT BRAKE HOSE	1	
49	661229	BANJO BOLT	1	
50	604910	COPPER WASHER FEED PUM	1	
51	B041774	PARKING BRAKE CABLE ASSY	1	
52	B075488	TUBE NO-1-BRAKE OIL TANK TO TMC	1	
53	B075489	TUBE NO-2 -BRAKE OIL TANK TO TMC	1	
54	B074999	HEX BOLT	2	NS
55	013880	PLAIN WASHER	4	
56	20104	HEX NUT M4	4	
57	31088	HEX HD SCREW M6 X 16 CL 8.8 (811061623)	4	
58	B076007	PIPE CLIP 1 WAY	6	
59	B075838	CLAMP	2	
60	B075949	TMC PROTECTIVE SHIELD	1	
61	B075950	TMC SHIELD MTG. BKT.	1	
62	B076241	PIPE CLIP 2WAY	1	

Print Date: 07-Apr-2022

PLATE-34

ELECTRICAL DEVICES



Print Date: 07-Apr-2022

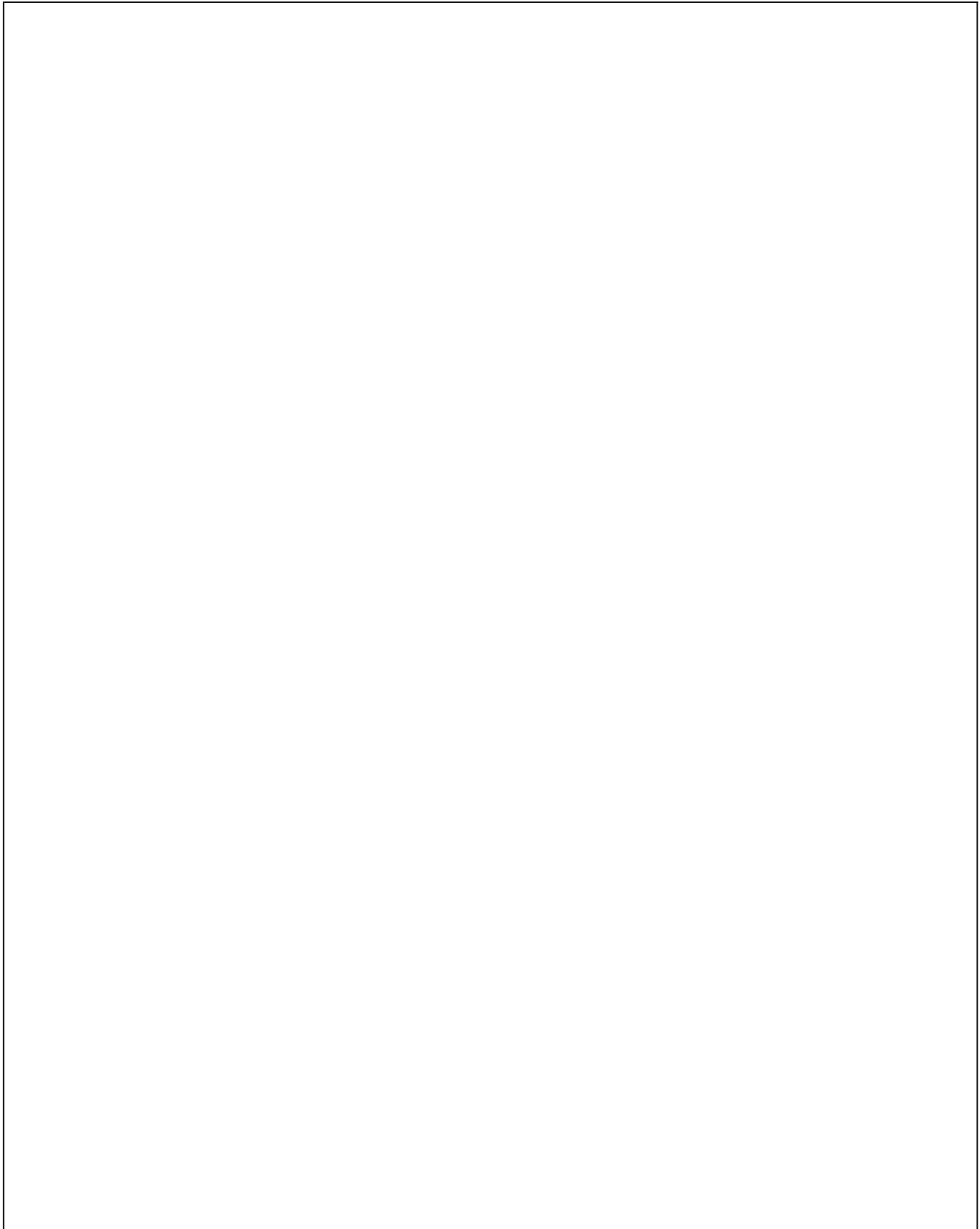
PLATE-34
ELECTRICAL DEVICES

Fig. No.	Part No.	Description	Qty	Remarks
1	932290	TAIL LAMP LENS (TURN SIGNAL PAXX 200)	2	
2	932291	TAIL LAMP LENS (STOP/TAIL PAXX 200)	2	
3	932292	TAIL LAMP LENS REVERSE (PAXX 200)	1	
4	15640	SCREW SECURING SWITCH	6	
5	604557	FUSE (10A)	1	
6	3055	PLAIN WASHER M5	2	
7	925584	BULB 12 V 21W CLEAR (PARKING AND INDICATOR)	1	
7	567700	BULB 10/5W (STOP LIGHT)	2	
8	B024643	TAIL LAMP ASSY. LH	1	
9	B024642	TAIL LAMP ASSY. RH	1	
10	587671R	4 ST RELAY SOLENOID	2	
11	20106	HEX NUT M6	1	
12	B074033	HORN ASSLY(DIA 70)	2	E - Marked (Export)
13	B024641	REAR LAMPS SUPPORT PAX 200 (GREY)	1	
14	B023727R	CONTACTOR	1	
15	12546	PLAIN WASHER / MULTI TOOTH LOCK WASHER M5	1	
16	31057	HEX HEAD SCREW M5 X 14 CL 8.8	2	
17	568721	SPRING WASHER M4	1	
18	150915R	REGISTRATION PLATE LAMP ASSY	1	E - Marked (Export)
19	71633	STOP AND PARKING BULB 12V 10/5 W	2	
20	8451	PAN SELF TP SCREW 6 SGX13 AB	1	
21	929910	FUSE BOX WITH FUSE	2	
22	31058	HEX HEAD SCREW M5 X 16 CC8.8	2	
23	567498R	BRAKE/REVERSE LIGHT SW (INTEGRAL CAP)-PAV	2	
24	15996	PHIL RD HD SCREW M4X12	2	
25	003054	PLAIN WASHER	1	
26	645041	HORN PROTECTION	1	
27	567706	FUSE 30 A	2	
28	12136	NUT / NYLOCK NUT M5	2	
29	6078	PLAIN WASHER 12 X 5.2 X 1	2	
30	16405	SPRING WASHER M5	1	
31	660109	FUSE BOX BKT	2	
32	3055	PLAIN WASHER M5	2	
33	6078	PLAIN WASHER 12 X 5.2 X 1	2	
34	6965	SPRING WASHER DIA 5	2	

Print Date: 07-Apr-2022

PLATE-34

ELECTRICAL DEVICES



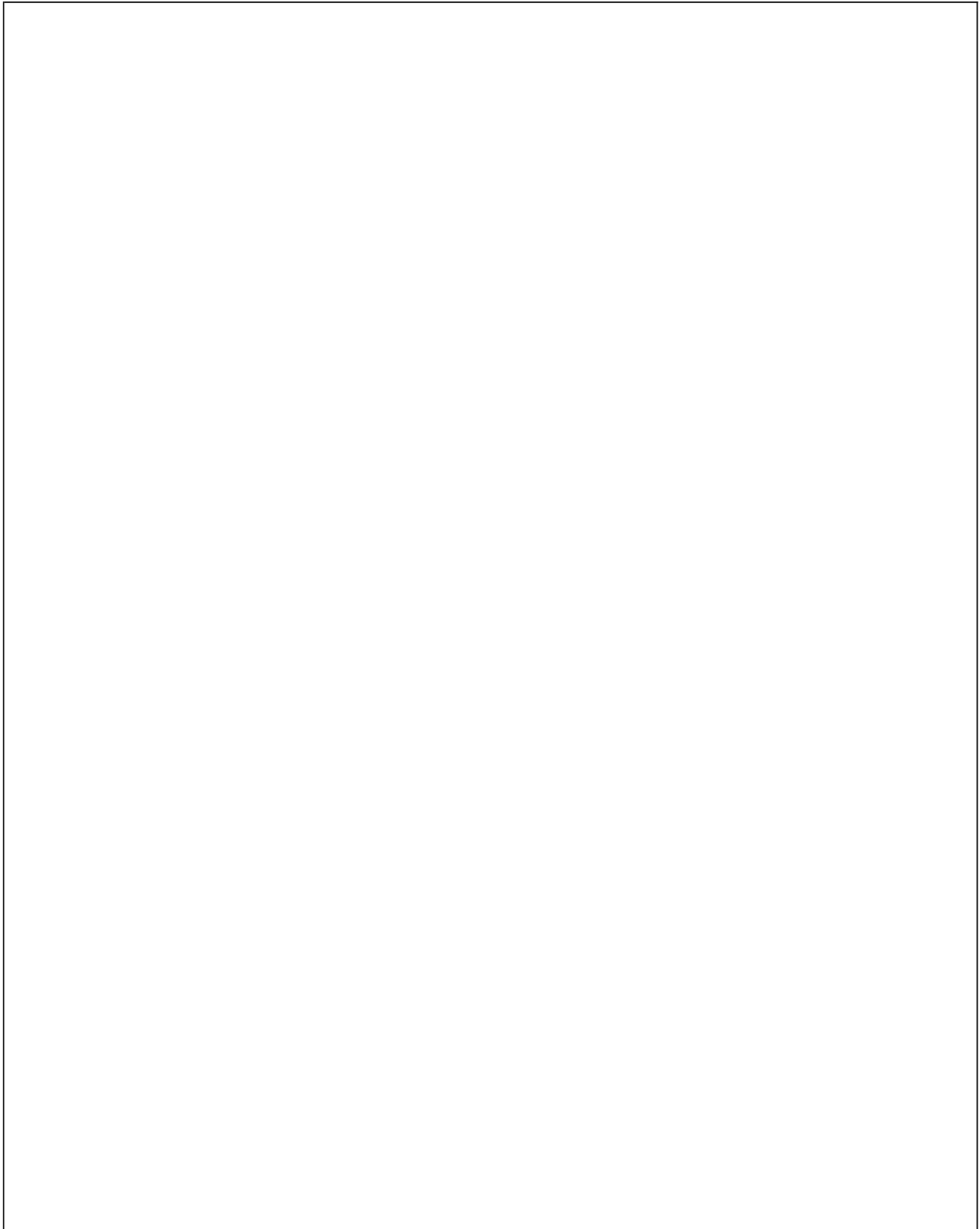
Print Date: 07-Apr-2022

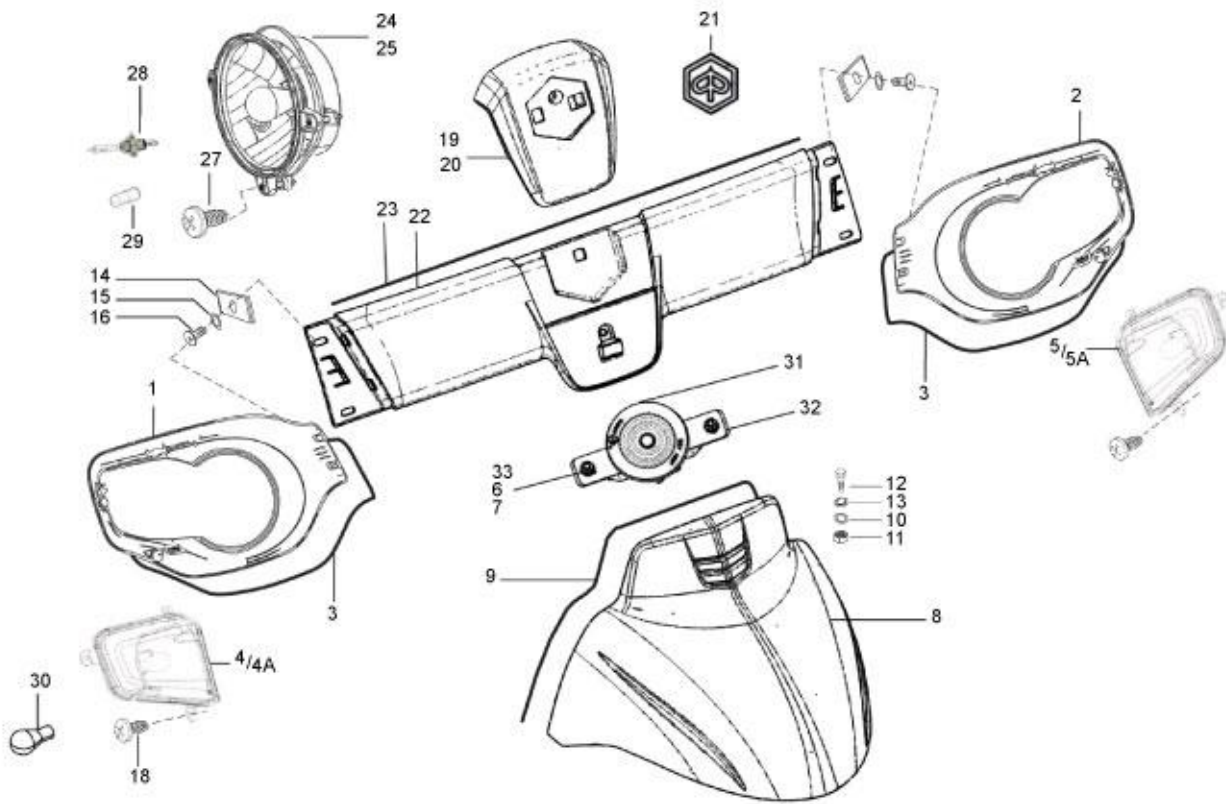
PLATE-34
ELECTRICAL DEVICES

Fig. No.	Part No.	Description	Qty	Remarks
35	20105	PLAIN NUT M5	22	
36	31058	HEX HEAD SCREW M5 X 16 CC8.8	2	
37	6965	SPRING WASHER DIA 5	2	
38	20105	PLAIN NUT M5	21	
39	567498R	BRAKE/REVERSE LIGHT SW (INTEGRAL CAP)-PAV	1	
40	20105	PLAIN NUT M5	1	
41	3055	PLAIN WASHER M5	1	
42	B075693	MTG BKT ONE WAY FUSE - HOLDER	1	
43	568692	PAN SELF TAP SCREW 6SG X 16AB	1	
44	31088	HEX HD SCREW M6 X 16 CL 8.8 (811061623)	1	
45	3056	PLAIN WASHER M6 OD12	1	
46	016406	SPRING WASHER	1	
47	680166	SAFETY STARTER RELAY	1	
48	B023727R	CONTACTOR	1	
49	632995	WIPER MOTOR ASSY. WITH MTG. BKT.	1	
50	604506	BUNDY TUBE OUTER	1	
51	632285	BUNDY TUBE (MOTOR TO WHEEL BOX)	1	
52	632292	WIPER ARM & BLADE ASSY	1	
53	569197	WHEEL BOX ASSY. (MOD.)	1	
54	569165	DOME NUT	1	
55	016406	SPRING WASHER	6	
56	20106	HEX NUT M6	6	
57	3056	PLAIN WASHER M6 OD12	6	
58	016406	SPRING WASHER	1	
59	925786	ECU - FUSE (2A) (N.I)	1	
60	B002101	STARTER SAFETY SWITCH ASSLY.	1	NI
61	B076115	STARTER SAFETY SWITCH ASSLY.	1	
62	016404	SPRING WASHER M4	2	
63	20104	HEX NUT M4	2	
64	003054	PLAIN WASHER	4	
65	B001503	PHILP RD HD SCREW (M4 X 20)	2	
66	B002101	STARTER SAFETY SWITCH ASSLY.	1	
67	640762	PUSH BUTTON REVERSE	1	

Print Date: 07-Apr-2022

PLATE-35
FRONT FASCIA





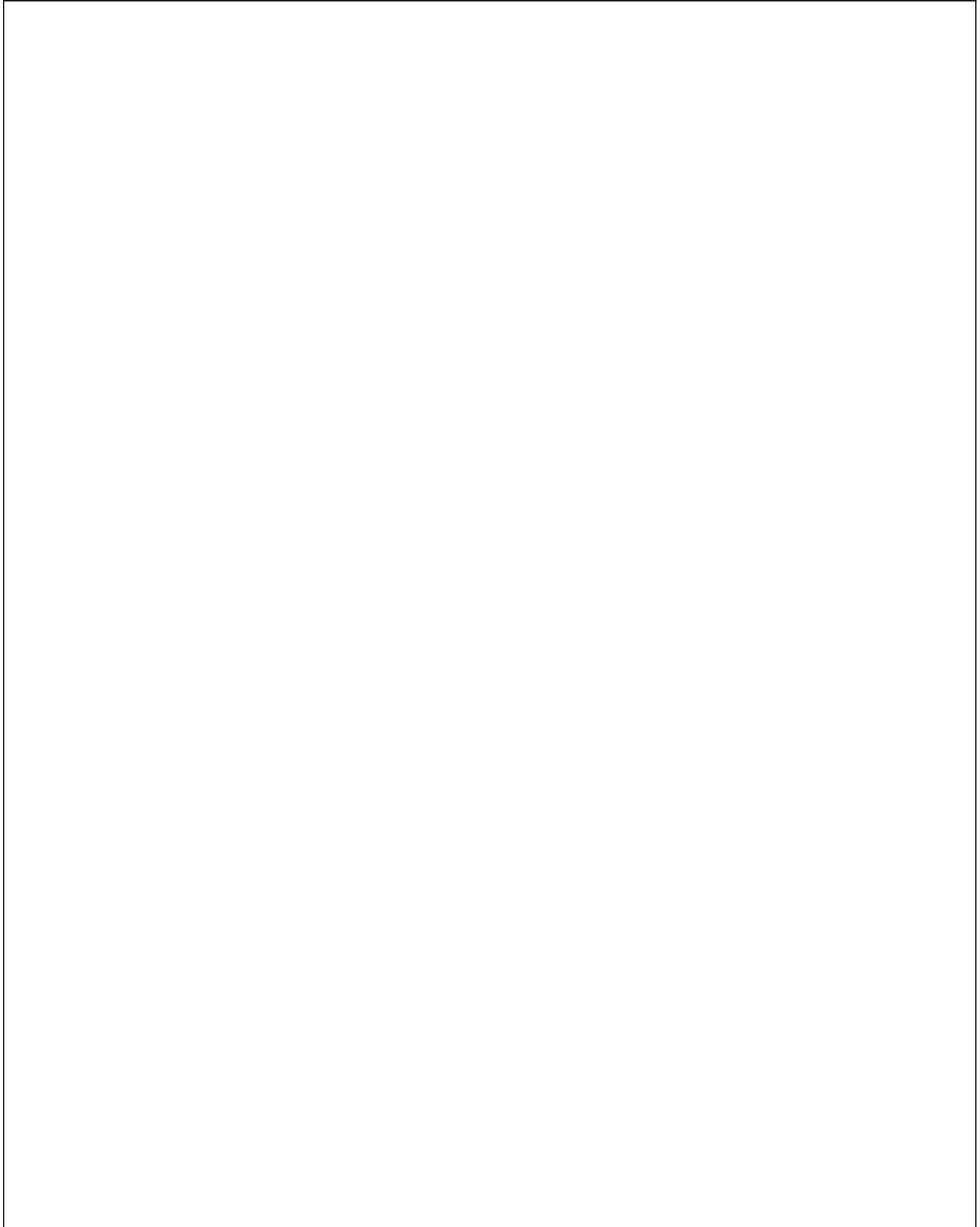
Print Date: 07-Apr-2022

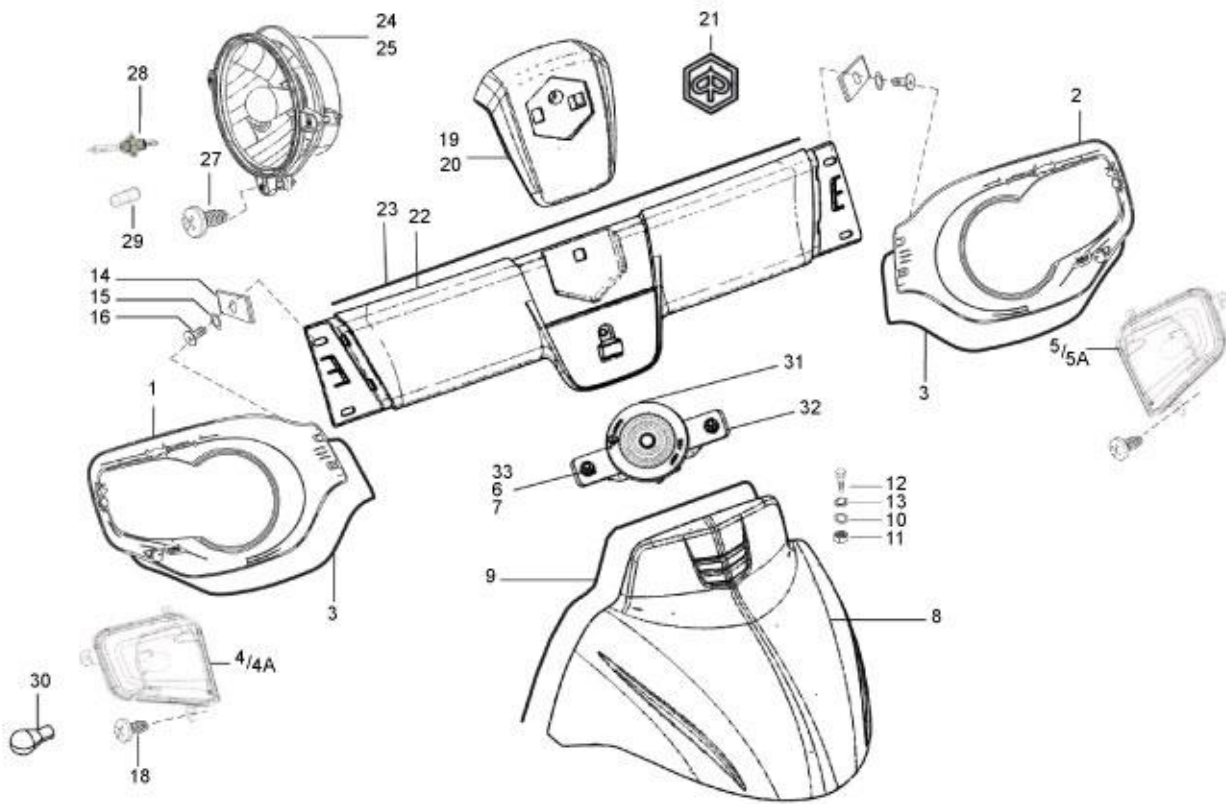
PLATE-35
FRONT FASCIA

Fig. No.	Part No.	Description	Qty	Remarks
1	B074433	BEZEL_HEADLAMP BLINKER (LH)	1	E - Marked (Export)
2	B074434	BEZEL_HEADLAMP BLINKER (RH)	1	E - Marked (Export)
3	B073969	HL BEZEL BEADING	2	
4	6D000145R	FRONT DIRECTION INDICATORS LH	1	E - Marked (Export)
4A	B078272	BLINKER HOUSING (RH)-(HOUSING + GLASS)	1	
5	6D000146R	FRONT DIRECTION INDICATORS RH	1	E - Marked (Export)
5A	B078274	BLINKER HOUSING (LH)-(HOUSING + GLASS)	1	
6	3056	PLAIN WASHER M6 OD12	4	
7	20106	HEX NUT M6	4	
8	B073882WR	FRONT MUDGUARD - PAINTED-WR	1	
8	B073882BW	FRONT MUDGUARD - PAINTED-BW	1	
8	B073882GY	FRONT MUDGUARD - PAINTED - GY	1	
8	B073882CB	FRONT MUDGUARD - PAINTED - CB	1	
8	B073882EG	FRONT MUDGUARD - PAINTED - EG	1	
8	B073882NB	FRONT MUDGUARD - PAINTED - NB	1	
8	B073882BL	FRONT MUDGUARD - PAINTED - BL	1	
9	B074063	GASKET FOR FRONT MUDGUARD	1	
10	013880	PLAIN WASHER	8	
11	20106	HEX NUT M6	4	
12	31089	HEX HEAD SCREW M6X18 CL 8.8	4	
13	78307	BENT SPRING WASHER M6	4	
14	8080	SPRING PLATE	4	
15	3055	PLAIN WASHER M5	10	
16	660168	PAN SELF TP. SCREW 10 SGX13AB	5	
17	157716	SCREW ANCHORE	8	
18	B074539	PHILIPS COUNTER HEAD SCREW	4	
19	-	LOGO SUPPORT - NOT PAINTED	1	NS
20	B073875SL	LOGO SUPPORT - PAINTED	1	
21	B076120	HEXAGONAL EMBLEM	1	
22	B073872	CENTRAL FACIA	1	
23	B073970	CENTRAL FACIA BEADING UPPER	1	
24	6D000143R	HEAD LAMP ASSLY LH - NUOVO	1	E - Marked (Export)
25	6D000144R	HEAD LAMP ASSLY - RH (NUOVO)	1	E - Marked (Export)
26	119735	PROTECTION SECURING SPRING/SPR. FOR PROTECTION	2	
27	15900	HEAD LAMP SECURING SCREW/PAN SELF TAP SCREW	6	

Print Date: 07-Apr-2022

PLATE-35
FRONT FASCIA





Print Date: 07-Apr-2022

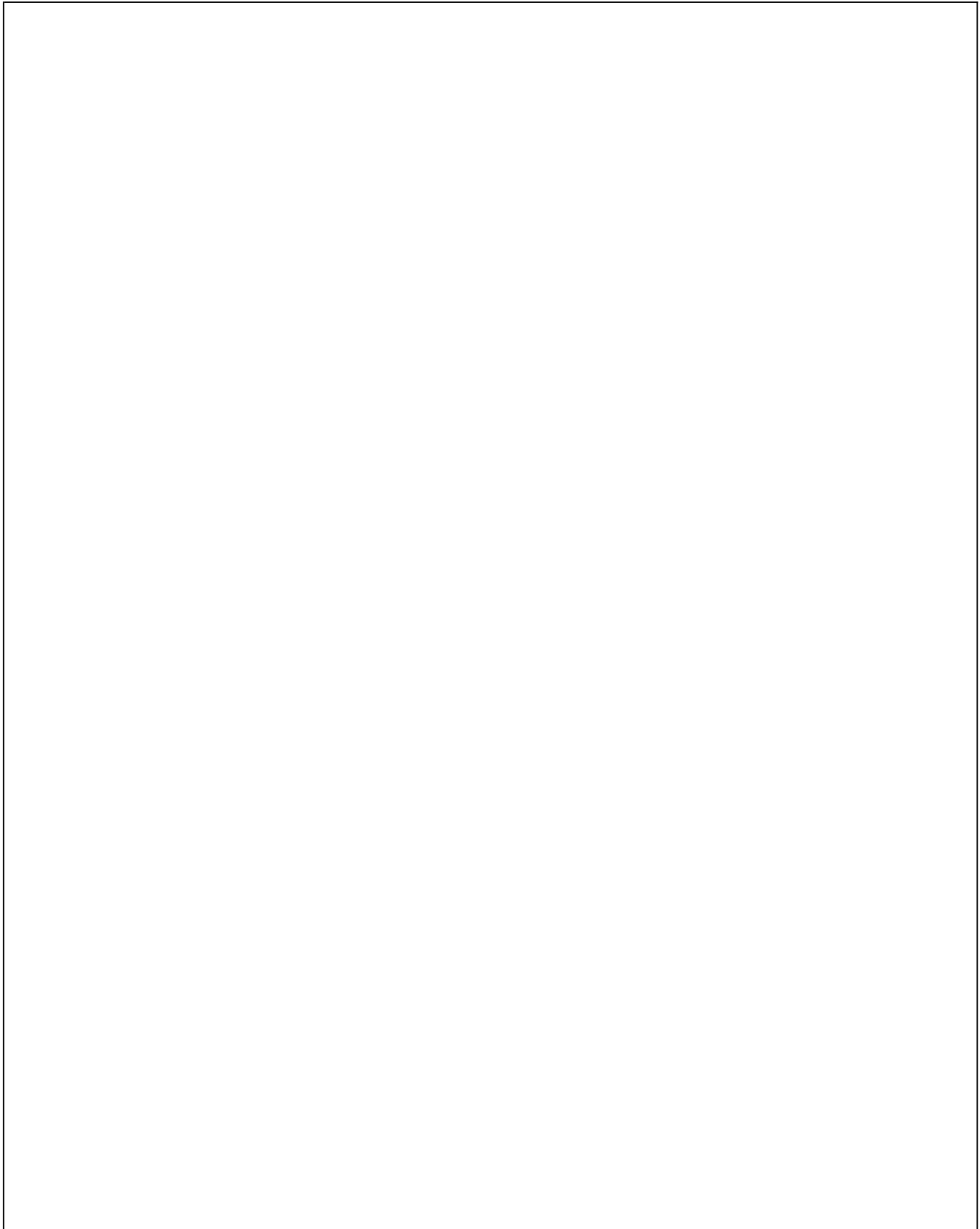
PLATE-35
FRONT FASCIA

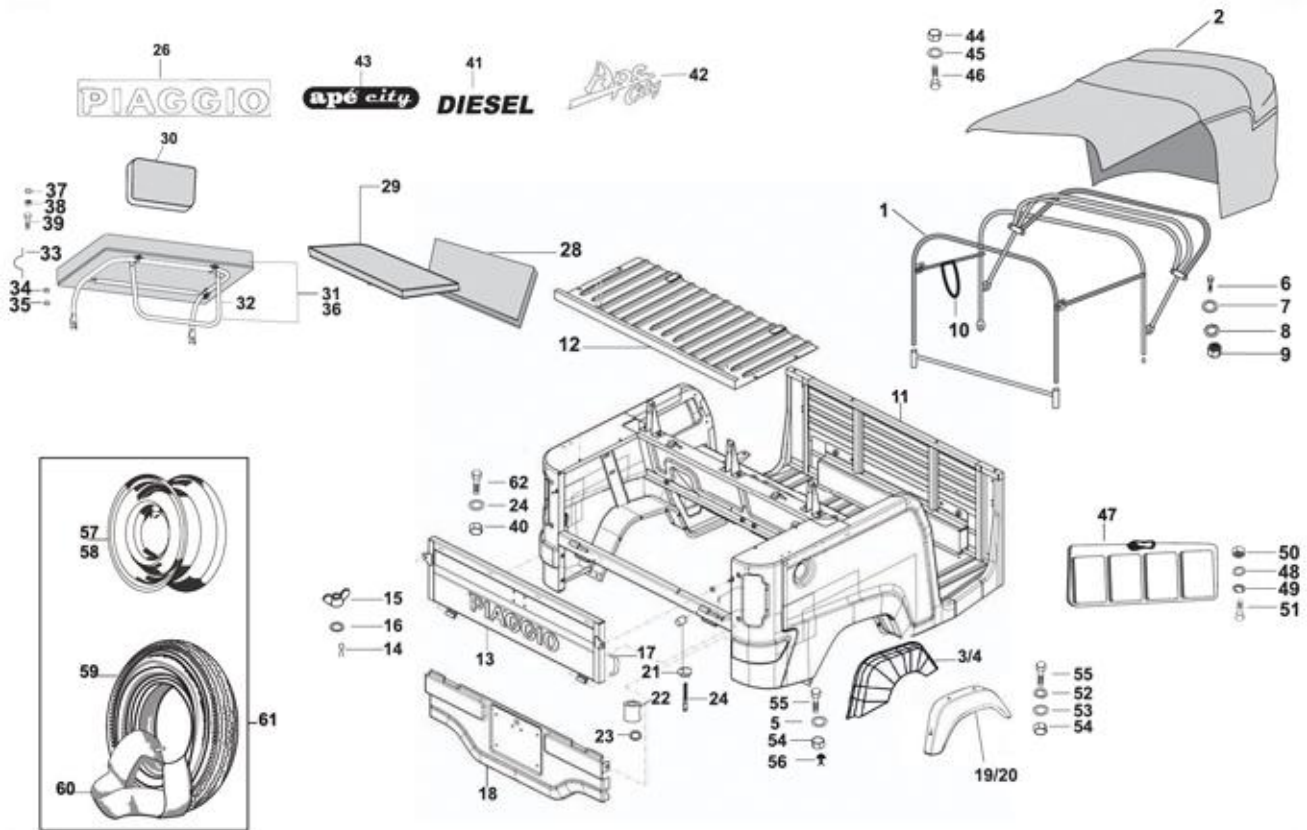
Fig. No.	Part No.	Description	Qty	Remarks
28	B078286R	HS1_BULB (12 V _35/35W	2	
29	567593	BULB 12V 5W / LAMP 4W	2	
30	925581	INDICATOR LIGHT BULB 12V 21W AMBER COLOUR	2	
31	B074033	HORN ASSLY(DIA 70)	1	E - Marked (Export)
32	B073953	HORN MTG. BKT S/A	1	
33	016406	SPRING WASHER	4	

Print Date: 07-Apr-2022

PLATE-36

PASSANGER AUTO RIKSHAW BODY





Print Date: 07-Apr-2022

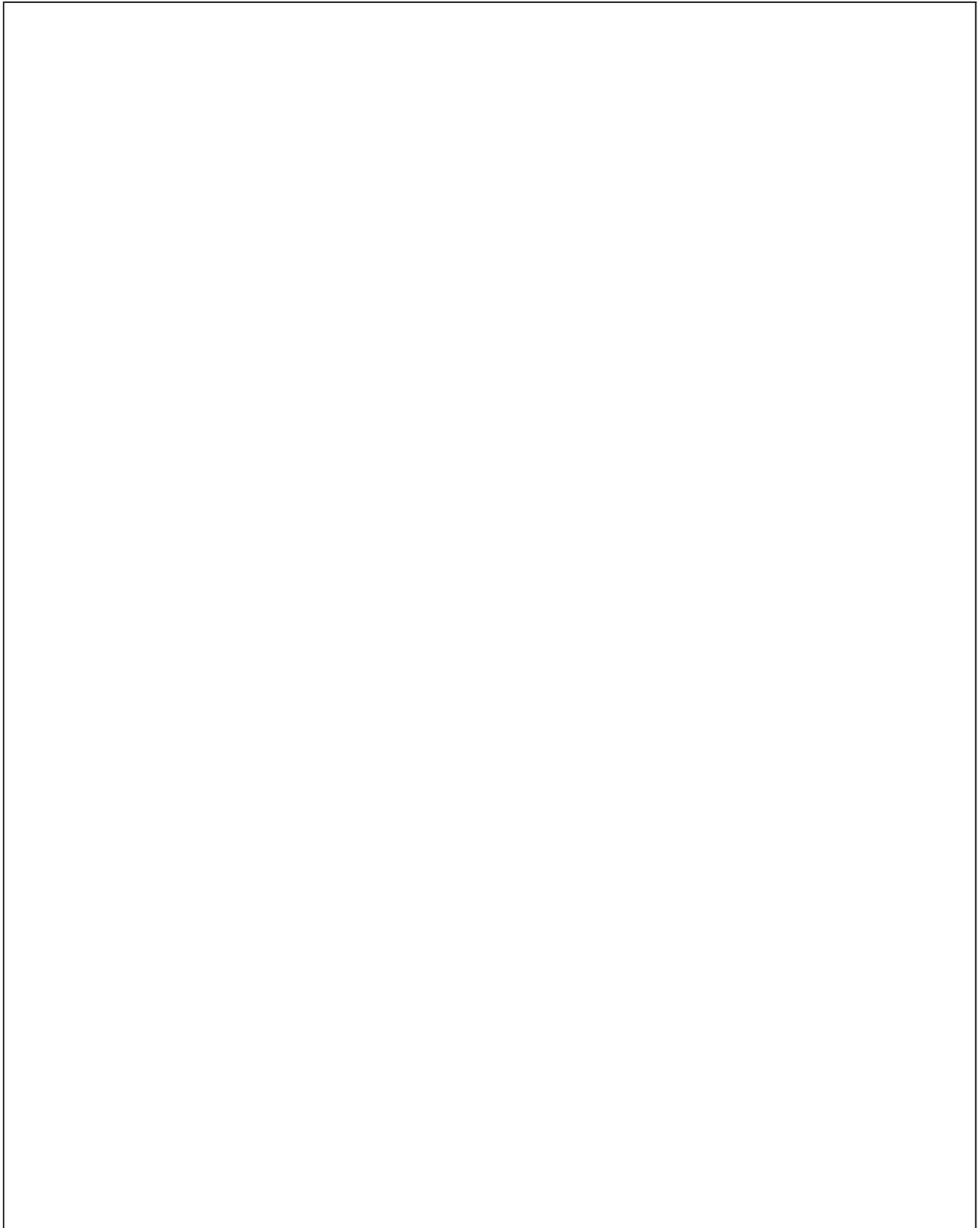
PLATE-36**PASSANGER AUTO RIKSHAW BODY**

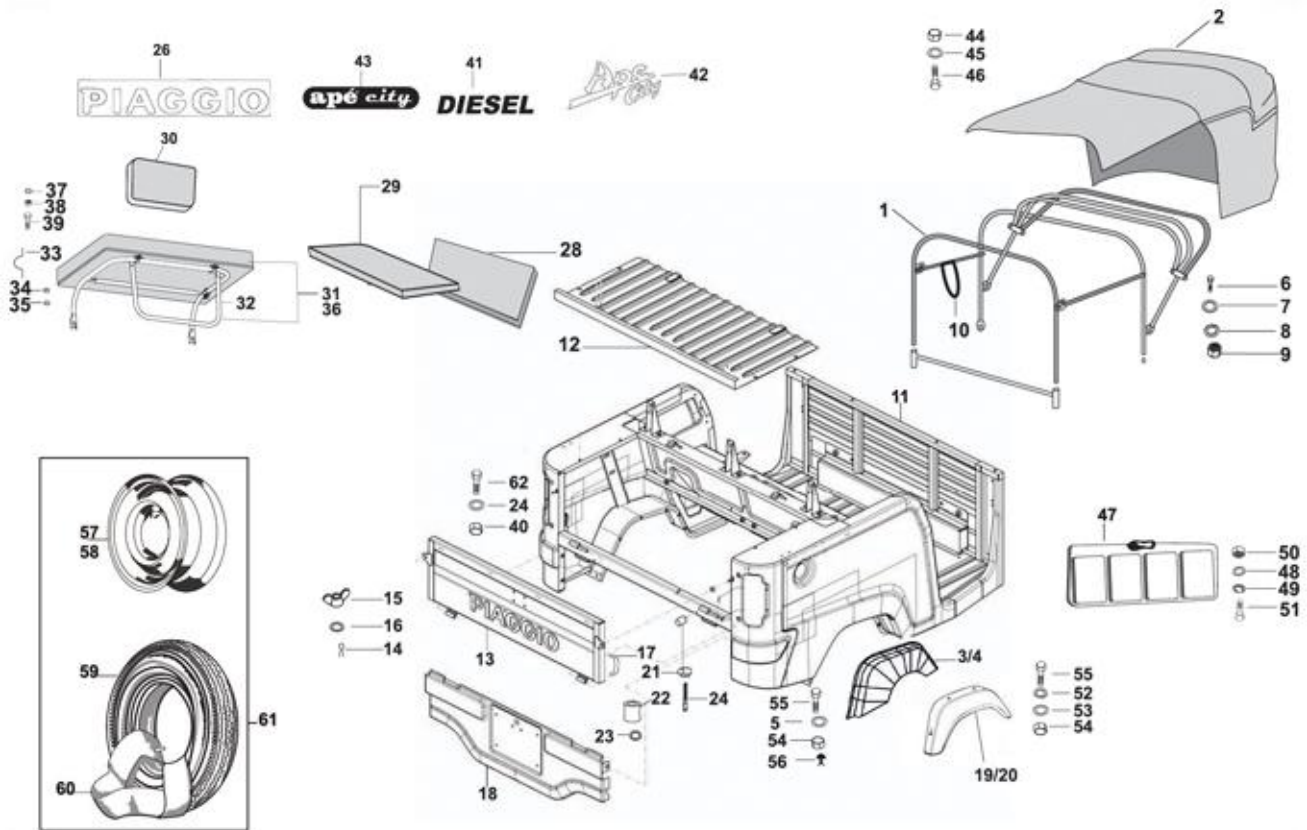
Fig. No.	Part No.	Description	Qty	Remarks
1	KIT95066R	HOOD FRAME ASSLY WITH PROFILE PAX UPGRAD	1	
1	B076588	HOOD FRAME ASSLY APE CITY DSL	1	Stepped body
2	B074640	SOFT TOP ASSLY COLOUR BLACK (CLOSE)	1	
2	B074641	SOFT TOP ASSLY YELLOW COLOUR (CLOSE)	1	
2	B074642	SOFT TOP ASSLY-GREY COLOUR (CLOSE)	1	Export Market
2	B076561	SOFT TOP ASSLY BLK (APE CITY DSL STD)	1	App. For Stepped body
2	B076908	SOFT TOP ASSLY GREEN CITY DSL STD)	1	App. For Stepped body-Export
2	B076909	SOFT TOP ASSLY WHITE APE CITY DSL	1	App. For Stepped body-Export
2	B076907	SOFT TOP ASSLY YELLOW APE CITY DSL STD	1	App. For Stepped body
2	B075445	SOFT TOP ASSLY COLOUR GREEN (CLOSE)	1	Export Market
2	B075446	SOFT TOP ASSLY COLOUR WHITE (CLOSE)	1	
3	B041397	COVER INNER MUDGAURD RH	1	
4	B041398	COVER INNER MUDGAURD LH	1	
5	3055	PLAIN WASHER M5	4	
6	31088	HEX HD SCREW M6 X 16 CL 8.8 (811061623)	22	
7	3056	PLAIN WASHER M6 OD12	22	
8	016406	SPRING WASHER	22	
9	63205	HEX NUT M6	22	
10	B073598	HANDLE CANOPY STRAP	1	
11	B074182BW	PASSENGER BODY ASSLY. PET/DSL UPGRADE? BW	1	
11	B074182BY	PASSENGER BODY ASSLY. PET/DSL UPGRADE? BY	1	
11	B074182CB	PASSENGER BODY ASSLY. PET/DSL UPGRADE? CB	1	
11	B074182CED	PASSENGER BODY PAX UPGR P/D- CED	1	
11	B074182EG	PASSENGER BODY ASSLY. PET/DSL UPGRADE? EG	1	
11	B074182GY	PASSENGER BODY ASSLY. PET/DSL UPGRADE? GY	1	
11	B006580GY	PASSENGER BODY ASSLY APE CITY G YELLOW	1	Stepped body
11	B006580BY	PASS. BODY ASSY BY -PETROL	1	Stepped body
11	B006580BW	PASSENGER BODY ASSLY APE CITY BW	1	Stepped body
11	B006580CB	PASSENGER BODY ASSLY APE CITY CB	1	Stepped body
11	B006580CO	PASSENGER BODY ASSLY APE CITY CO	1	Stepped body
11	B006580WR	PASSENGER BODY ASSLY APE CITY WR	1	Stepped body
11	B006580NB	PASSENGER BODY ASSLY APE CITY NB	1	Stepped body
12	B001635CED	ENGINE COMP DOOR ASSLY (APE CITY)- CED	1	
13	B024402ED	TAIL GATE ASSY.	1	
15	B006593	WING NUT M6	2	

Print Date: 07-Apr-2022

PLATE-36

PASSANGER AUTO RIKSHAW BODY





Print Date: 07-Apr-2022

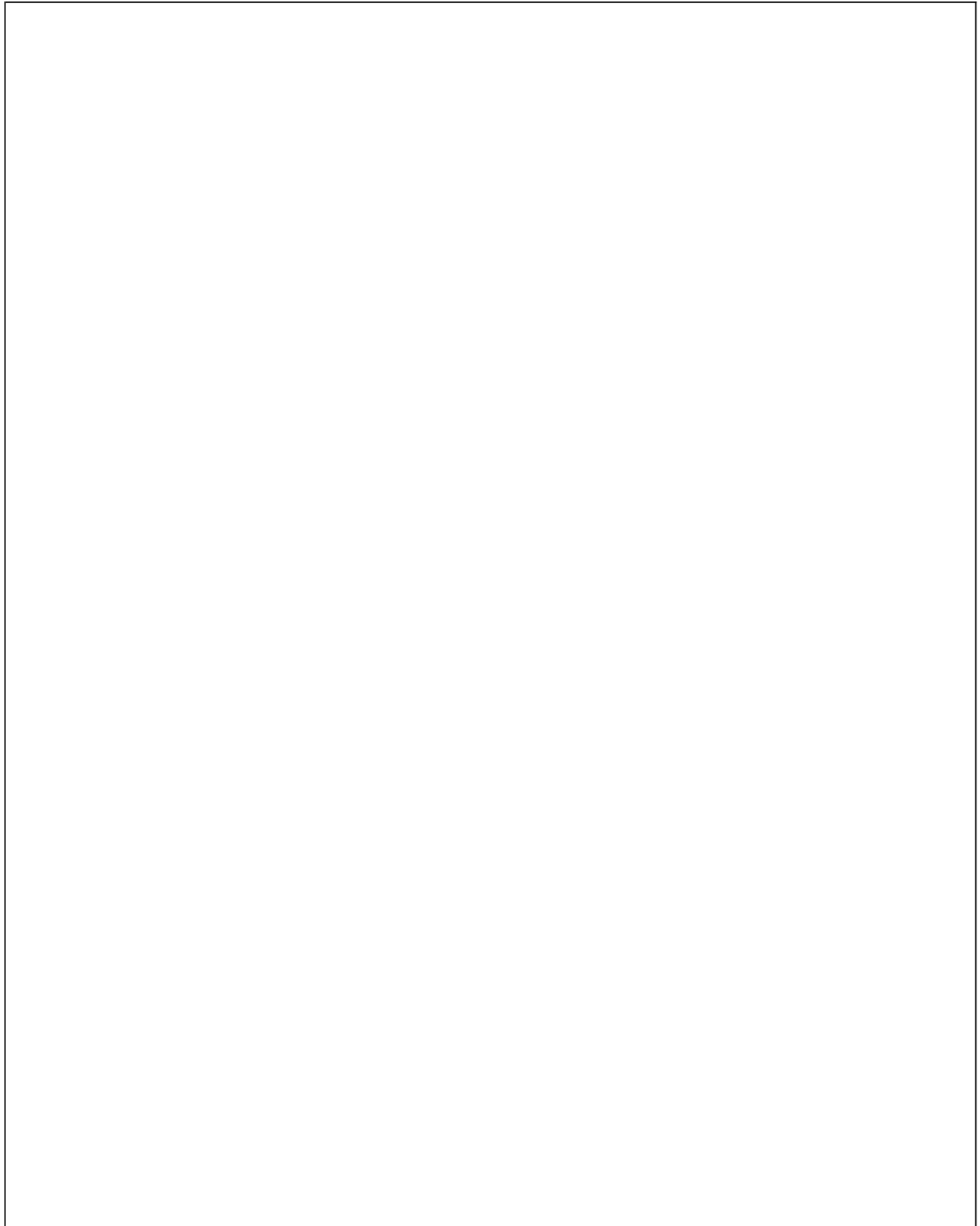
PLATE-36**PASSANGER AUTO RIKSHAW BODY**

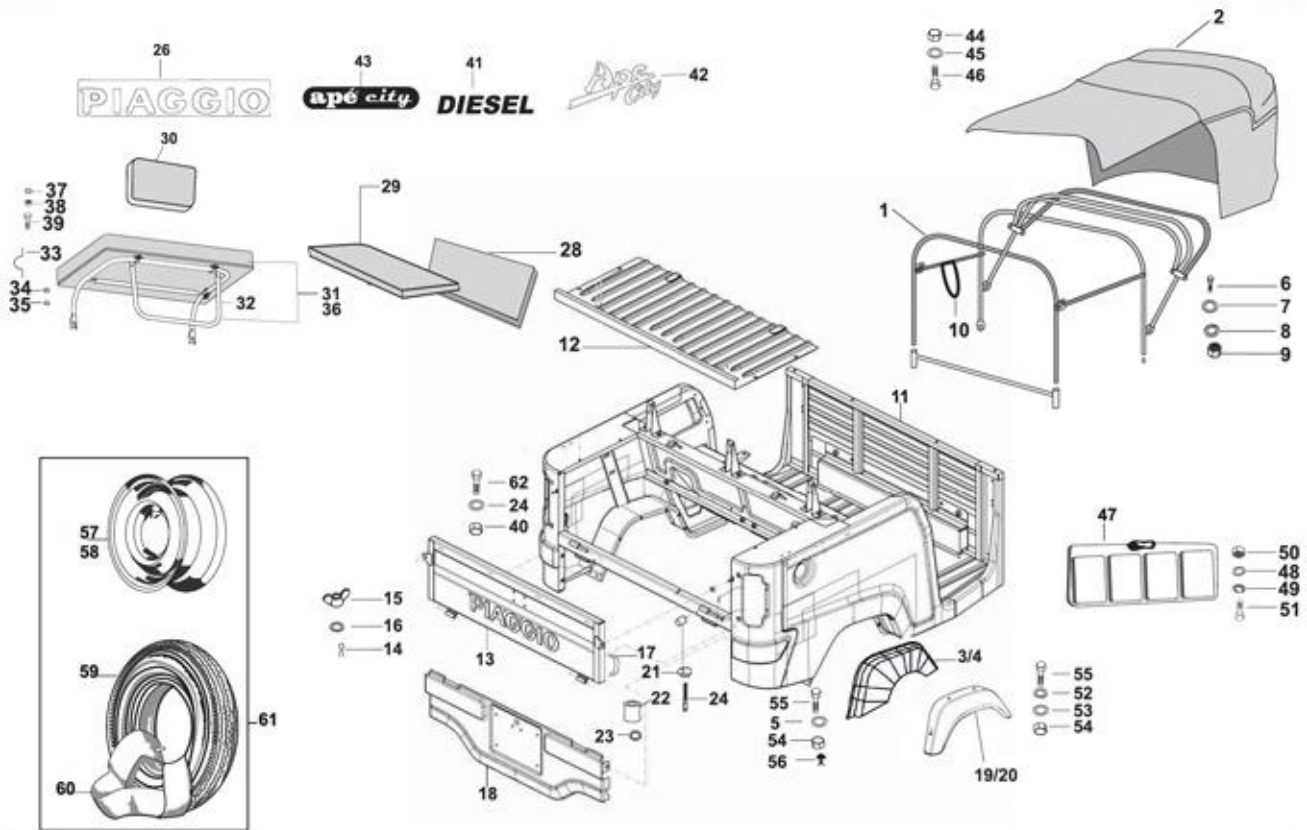
Fig. No.	Part No.	Description	Qty	Remarks
16	3058	PLAIN WASHER 15X8.4X1.5	4	
17	B003030	COVER TAIL LAMP GAP	2	
18	B025672CED	REAR VISUAL BARRIER ASSY.	1	
19	B073853	RR MUDGUARD RH	1	
20	B073852	MUDGUARD REAR LH	1	
21	B001423	KNOB REAR DOOR	2	
22	B042503	BUFFER FOR TAIL GATE	2	
23	16670	PLAIN WASHER 12X4.5X1	2	
24	B001402	SCREW FOR DOOR KNOB	2	
25	12790	SPLIT PIN	2	
26	662322	PIAGGIO TAIL GATE (YESHSHREE) STICKER FOR DARK COLOUR SHADES	1	
27	3058	PLAIN WASHER 15X8.4X1.5	2	
28	B024512	PASSENGER BACKREST	1	
29	B024516	PASS DRIVER SEAT ASSY (CNG/LPG)	1	
30	B074594	DRIVER BACK REST ASSY	1	
31	B075614	DRIVER SEAT ASSY COMPLETE	1	
32	B076357	DRIVER SEAT PIPE ASSY	1	NS
33	B001273	C CLAMP	3	
34	016408	SPRING WASHER	6	
35	3058	PLAIN WASHER 15X8.4X1.5	6	
36	B075613	DRIVER SEAT SUB. ASSY	1	NS
37	2383	PLAIN WASHER M20X8.5X2	4	
38	20108	HEX NUT M8	2	
39	31119	HEX HD SCREW M8 X 25	2	
40	20108	HEX NUT M8	2	
41	B076539	STICKER (DIESEL)	1	
42	B041459	PLATE FRONT DOME -APE CITY	1	
43	B003358	PLATE APECITY - STICKER	1	
44	20108	HEX NUT M8	2	
45	116831	PLAIN METALLIC WASHER (826000828)	4	
46	30072	HEX HEAD BOLT M8 X 35	2	
47	B041054	MUD FLAP FRONT	1	
48	013880	PLAIN WASHER	4	
49	016406	SPRING WASHER	4	
50	20106	HEX NUT M6	4	

Print Date: 07-Apr-2022

PLATE-36

PASSANGER AUTO RIKSHAW BODY





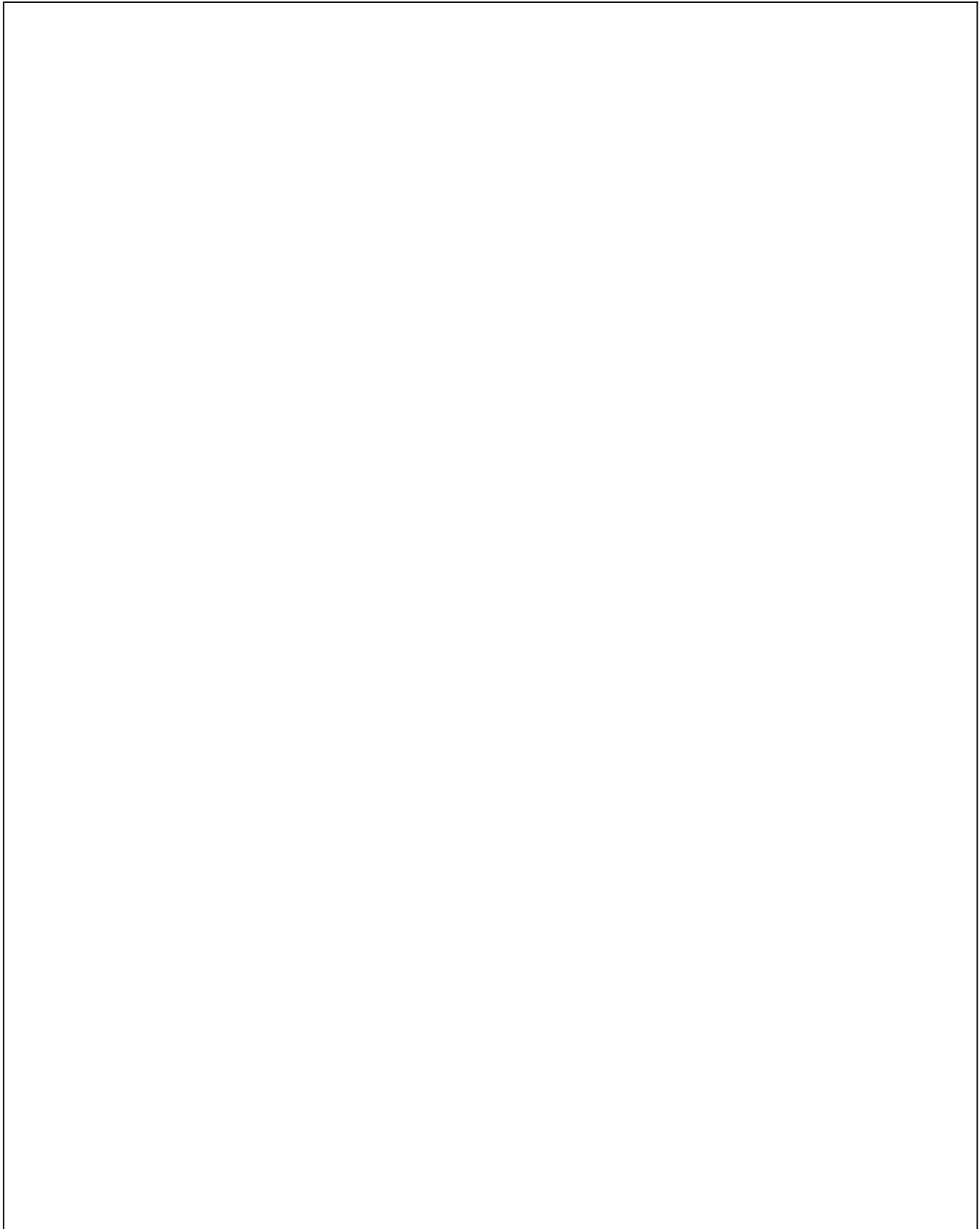
Print Date: 07-Apr-2022

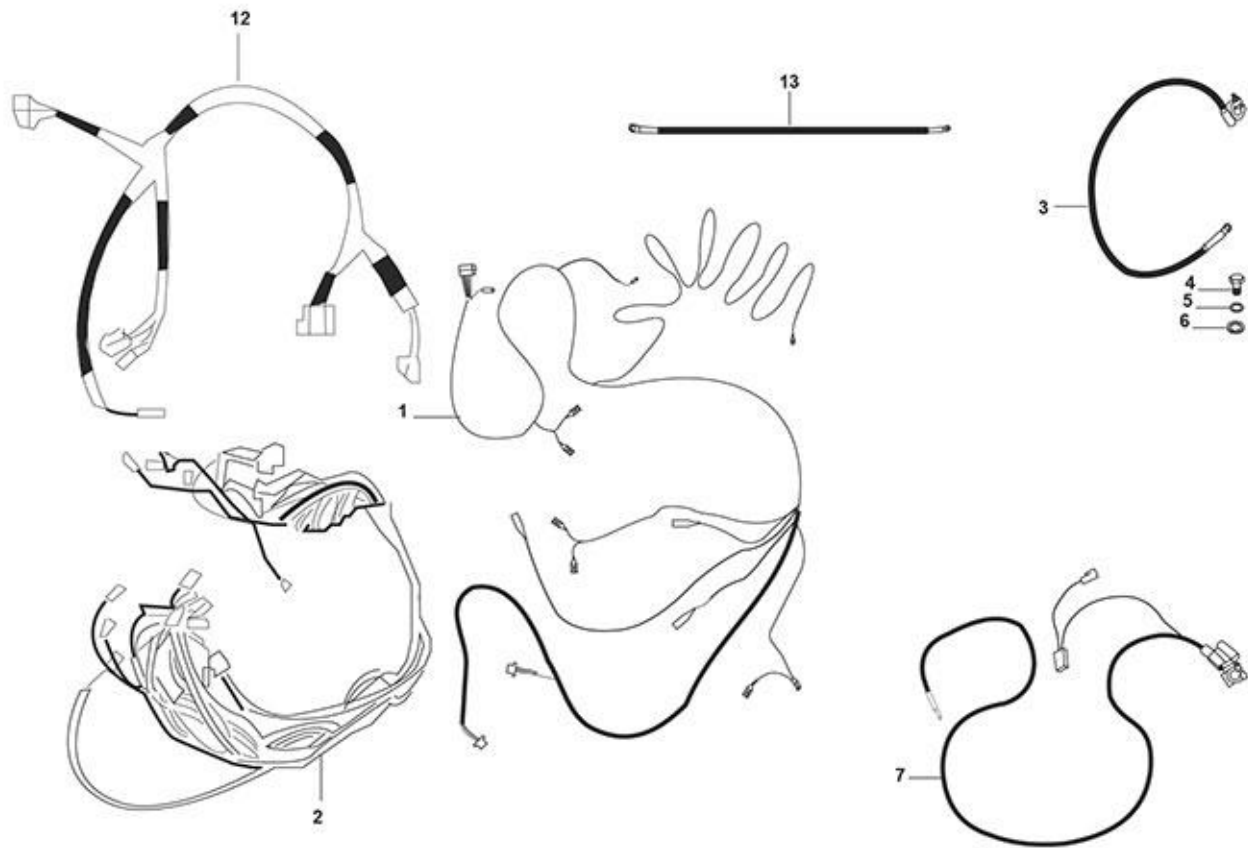
PLATE-36**PASSANGER AUTO RIKSHAW BODY**

Fig. No.	Part No.	Description	Qty	Remarks
51	31088	HEX HD SCREW M6 X 16 CL 8.8 (811061623)	4	
52	013880	PLAIN WASHER	8	
53	16405	SPRING WASHER M5	8	
54	20106	HEX NUT M6	8	
55	31088	HEX HD SCREW M6 X 16 CL 8.8 (811061623)	5	
56	604603	RIVET	5	
57	B074588R	WHEEL RIM ASSLY INNER - PAINTED	1	
58	B074590R	WHEEL RIM OUTTER - PAINTED	1	
59	B001315	TYRE (4.0 X 8,4 PR)	4	
60	B001316	INNER TUBE FOR TYRE 4.0 X 8 INCH	4	
61	B001317	TYRE & TUBE ASSEMBLY	4	
62	31088	HEX HD SCREW M6 X 16 CL 8.8 (811061623)	2	

Print Date: 07-Apr-2022

PLATE-37
WIRING HARNESS





Print Date: 07-Apr-2022

PLATE-37
WIRING HARNESS

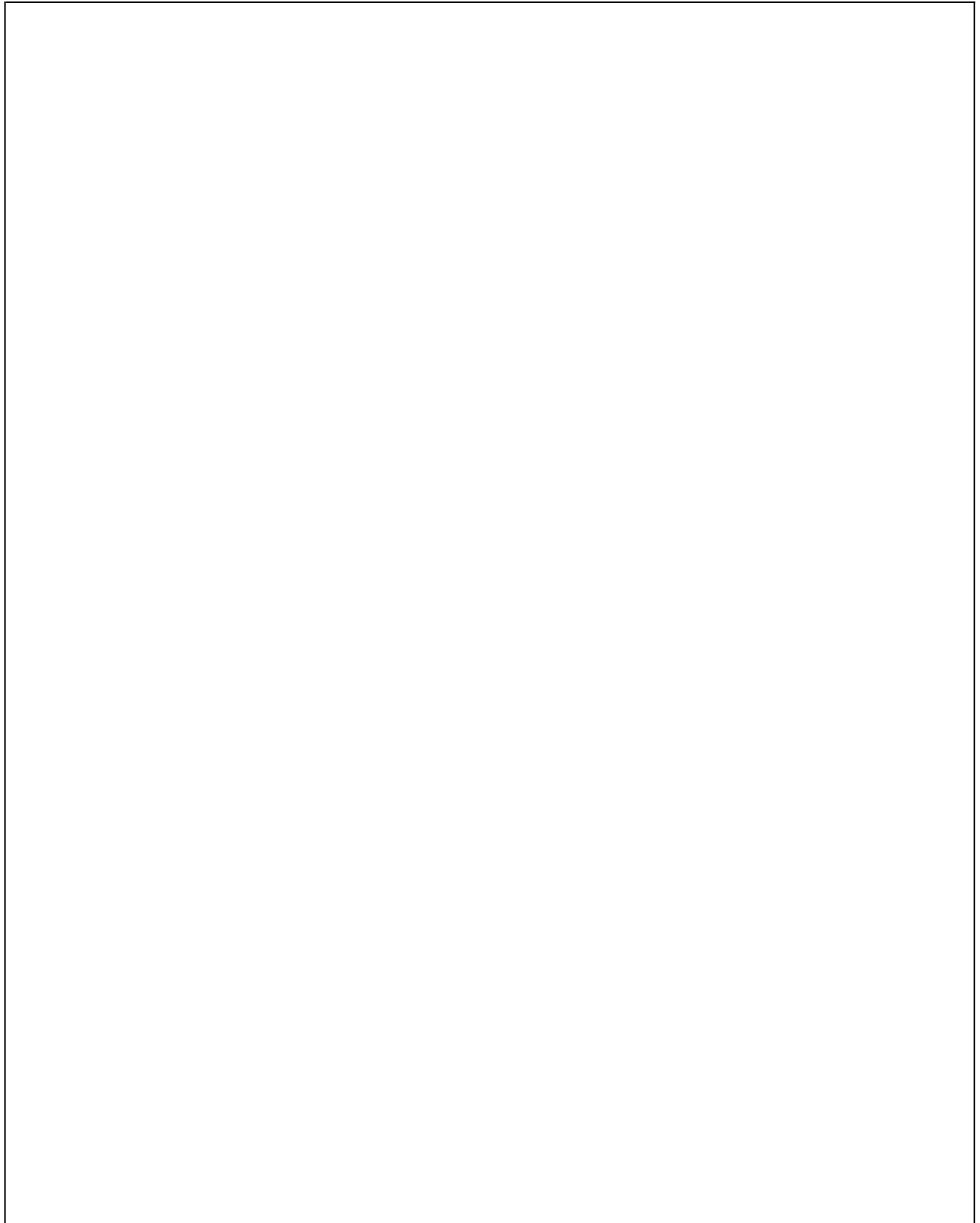
Fig. No.	Part No.	Description	Qty	Remarks
1	B076535	WHS MAIN- CITY BS IV DIESEL (DLX)	1	Old
1	6D000054	W/HS MAIN	1	Modified PUSH BUTTON DLX DIESEL
1	6D000054	W/HS MAIN	1	Chassis cut off no.-3XFXD836716
2	B079386	W/HS_INST. PANEL_CITY DIESEL(UPGRADE)	1	FOR PUSH BUTTON_HBS
3	644838R	BATTERY CABLE -VE	1	
4	31088	HEX HD SCREW M6 X 16 CL 8.8 (811061623)	1	
5	3056	PLAIN WASHER M6 OD12	1	
6	016406	SPRING WASHER	1	
7	659791R	BATTERY CABLE POSITIVE (+) APE DELUX	1	
8	B003110R	PIG TAIL FUEL TANK	1	
9	B075178R	PIG TAIL CABIN LAMP (PASS UPGRADE)	1	
10	644839R	EARTHING CABLE	1	
11	B075108	ADAPTOR PIGTAIL -ACCESSORIES(3WH)	1	

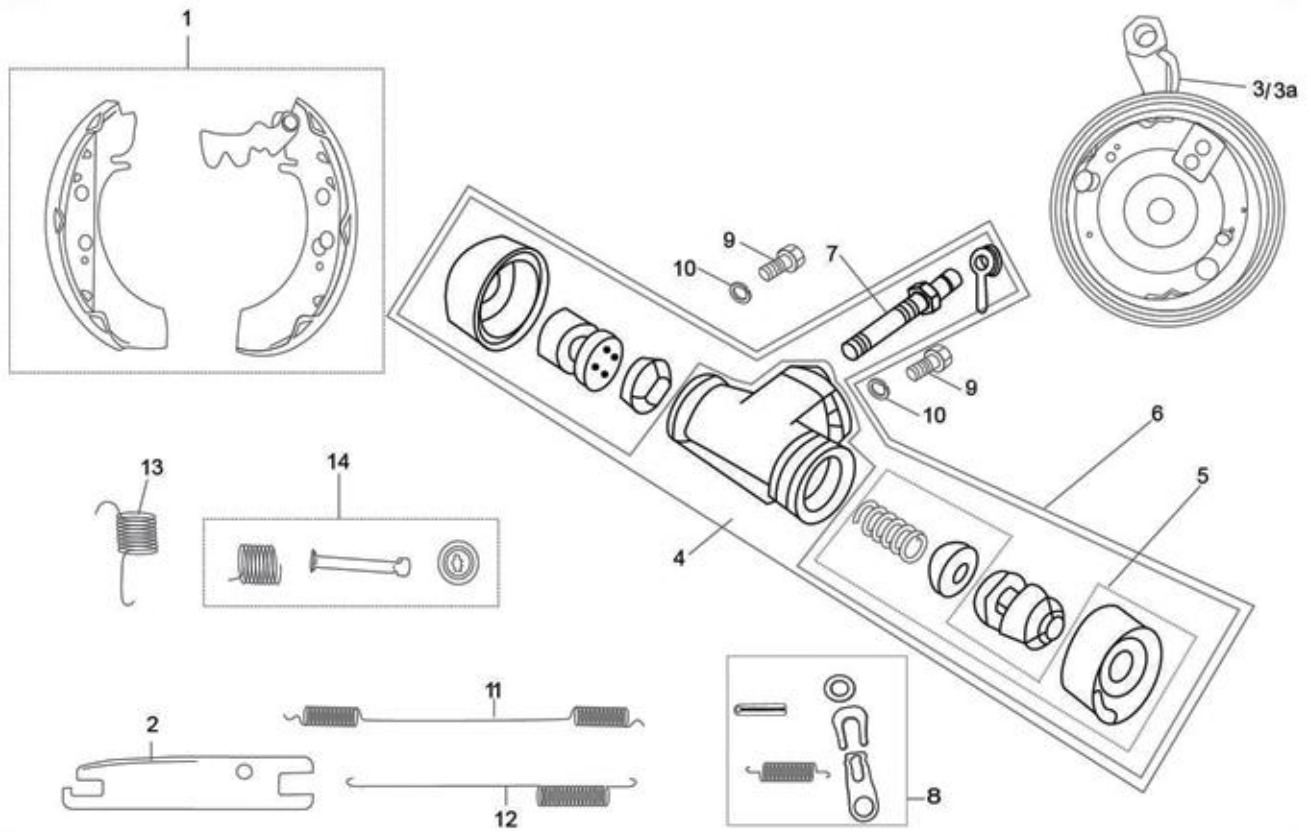
100

Print Date: 07-Apr-2022

PLATE-38

Front Brake Assembly





Print Date: 07-Apr-2022

PLATE-38**Front Brake Assembly**

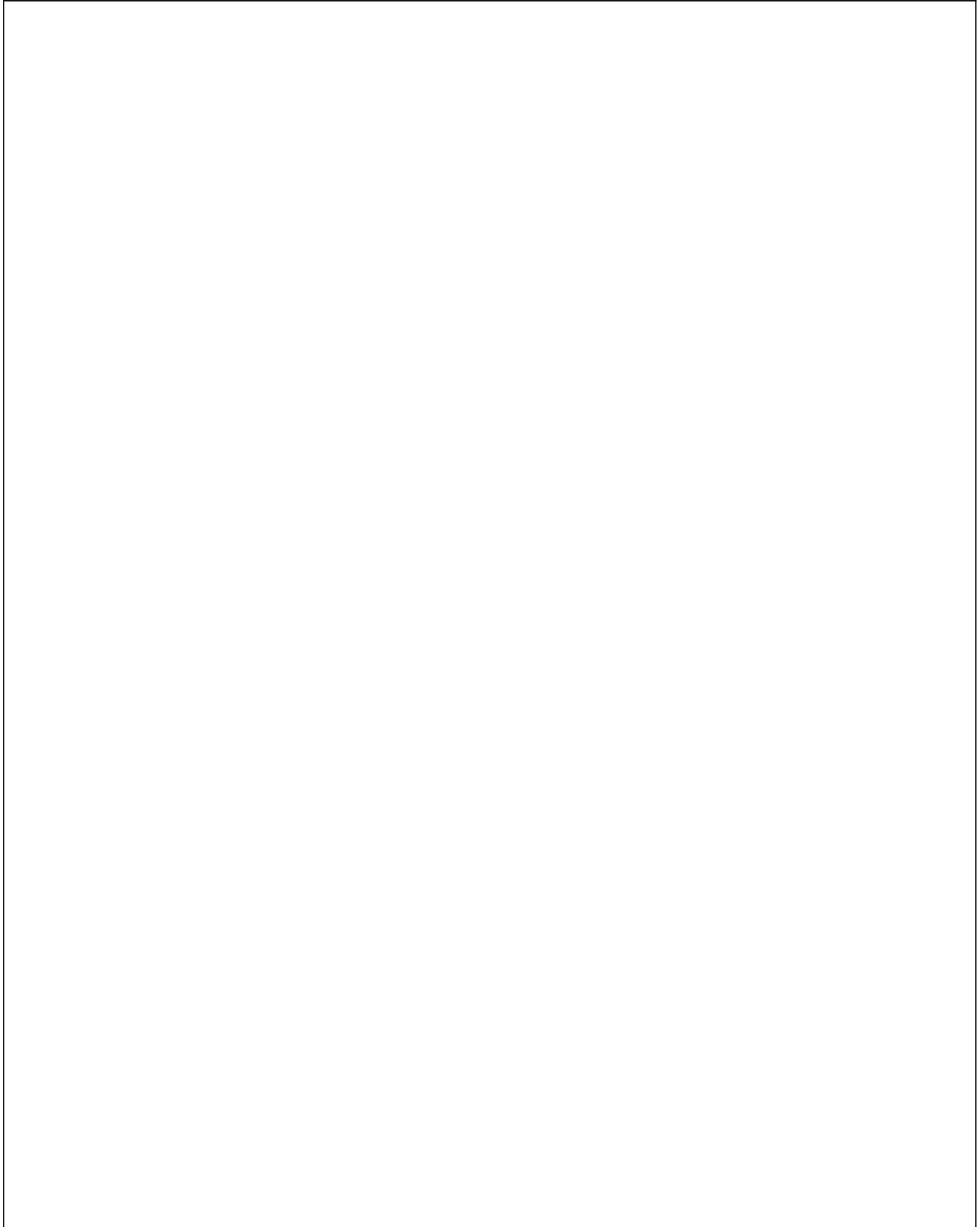
Fig. No.	Part No.	Description	Qty	Remarks
1	KIT95033	FRONT BRAKE LINERS KIT	1	
2	B003008	STRUT FRONT	1	
3a	B024113	FRONT BRAKE ASSY.	1	
4	B003017	WHEEL CYLINDER ASSY.	1	
5	B003325	MINOR KIT WHEEL CYLINDER	1	
6	B003324	MAJOR KIT WHEEL CYLINDER	1	
7	B003300	BLEEDER SCREW	1	
8	B006509	CLIP & PIN KIT	1	
9	63440	BOLT M6X12	2	
10	12536	SPRING WASHER	2	
11	B003004	SHOE RETURN SPRING (UPPER)	1	
12	B003003	SHOE RETURN SPRING (LOWER)	1	
13	B003002	STRUT SPRING	1	
14	KIT95036	SHOE HOLD DOWN KIT	1	

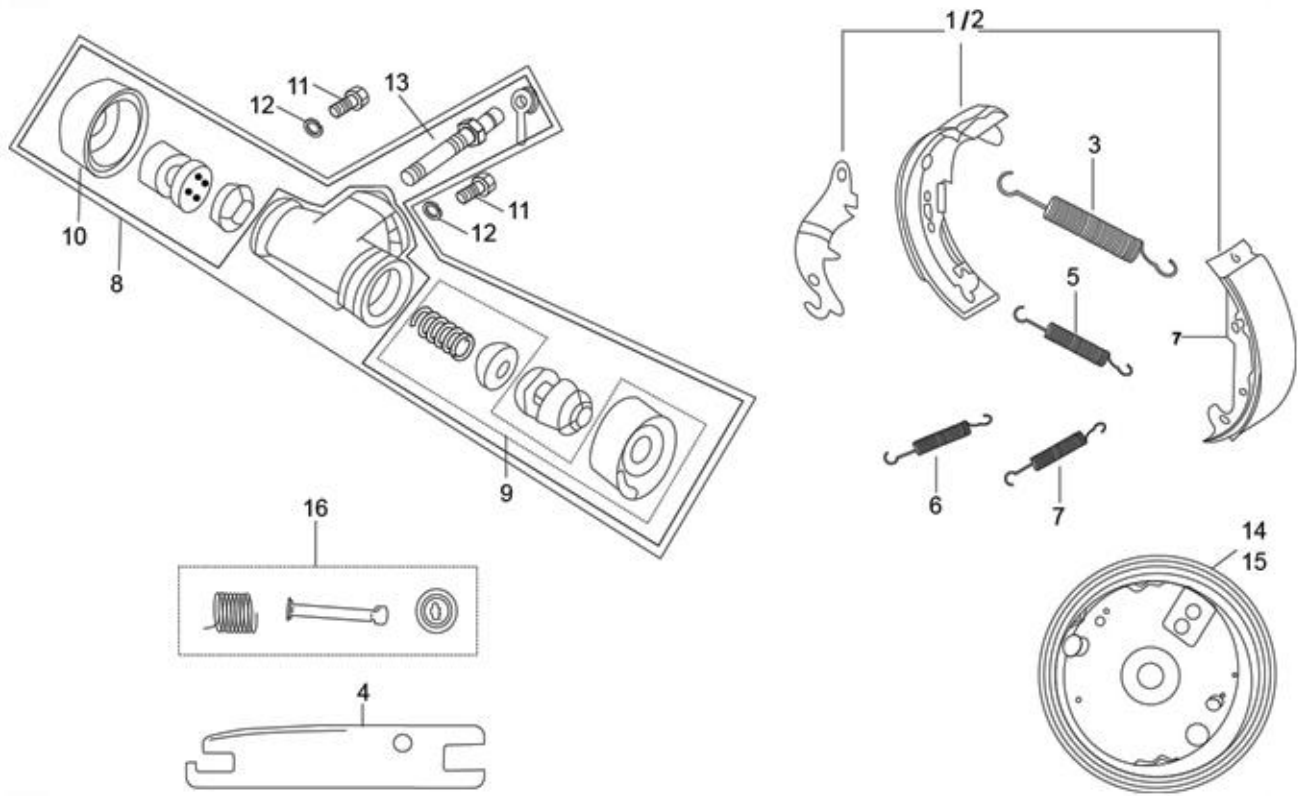
102

Print Date: 07-Apr-2022

PLATE-39

REAR BRAKE ASSEMBLY





Print Date: 07-Apr-2022

PLATE-39**REAR BRAKE ASSEMBLY**

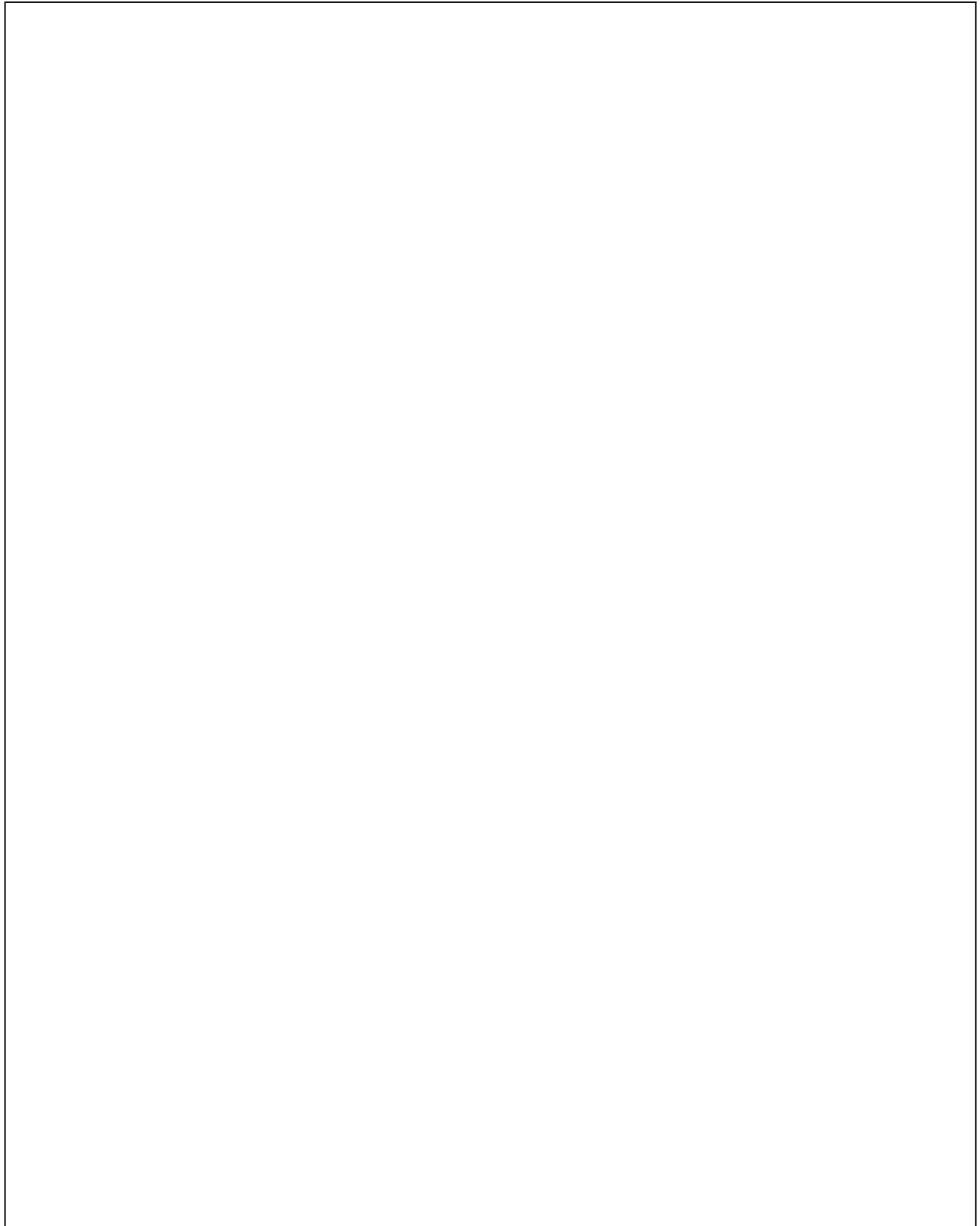
Fig. No.	Part No.	Description	Qty	Remarks
1	B003330	REAR BRAKE SHOE KIT LH	1	
2	B003331	REAR BRAKE SHOE KIT RH (NI)	1	
3	B003004	SHOE RETURN SPRING (UPPER)	2	
4	B003012	STRUT REAR	2	
5	B003003	SHOE RETURN SPRING (LOWER)	2	
6	B003011	STRUT SPRING RH	1	
7	B003002	STRUT SPRING	1	
8	B003014	WHEEL CYLINDER ASSY. DIA.25.4 MM	1	
9	925574	MINOR KIT WHL CYL. RR	1	
10	B003328	MAJOR KIT WHEEL CYLINDER	1	
11	63440	BOLT M6X12	4	
12	12536	SPRING WASHER	4	
13	B003300	BLEEDER SCREW	2	
14	B001228	BRAKE PLATE ASSY. RH	1	
15	B001225	BRAKE PLATE ASSY. LH (N.I.)	1	
16	B003327	SHOE HOLD DOWN KIT	1	

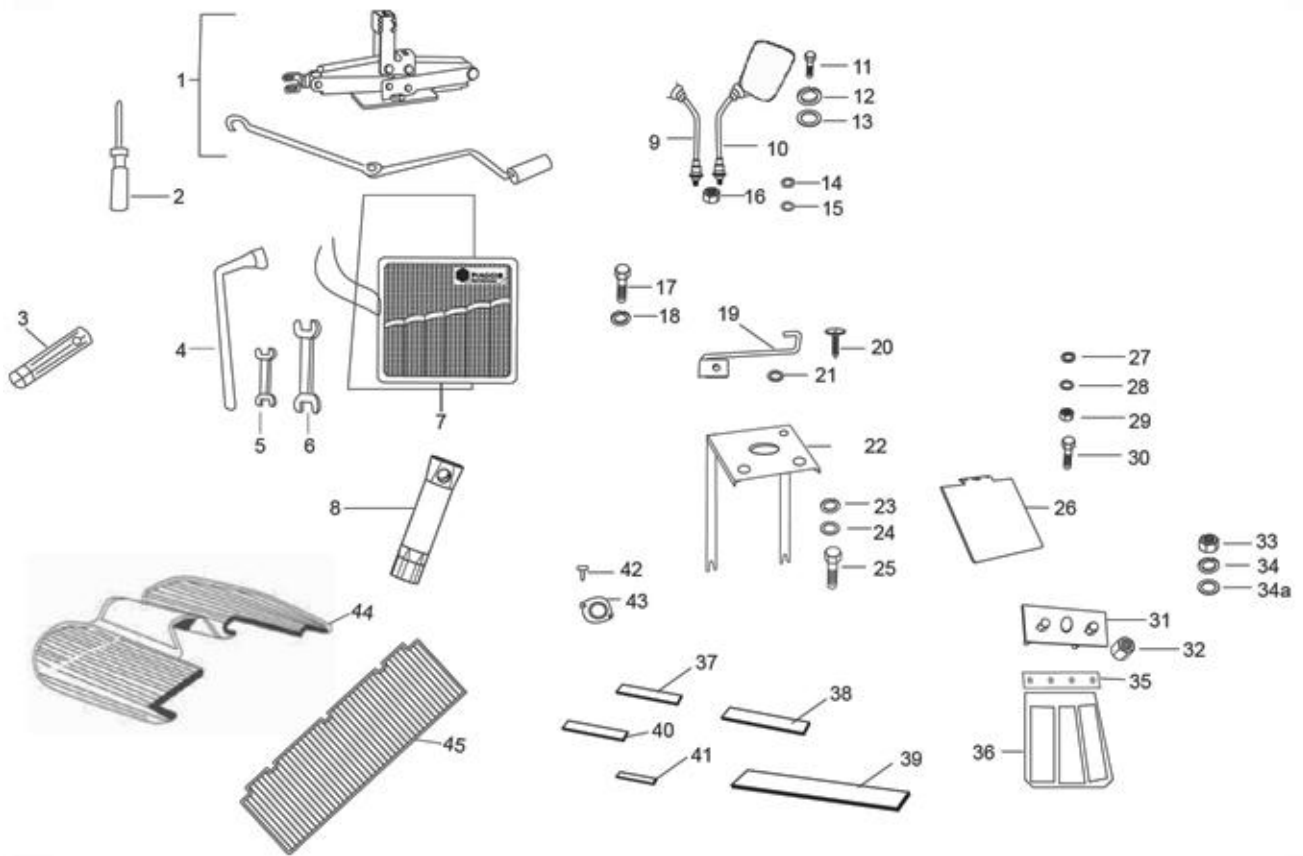
104

Print Date: 07-Apr-2022

PLATE-40

TOOLS & ACCESSORIES





Print Date: 07-Apr-2022

PLATE-40**TOOLS & ACCESSORIES**

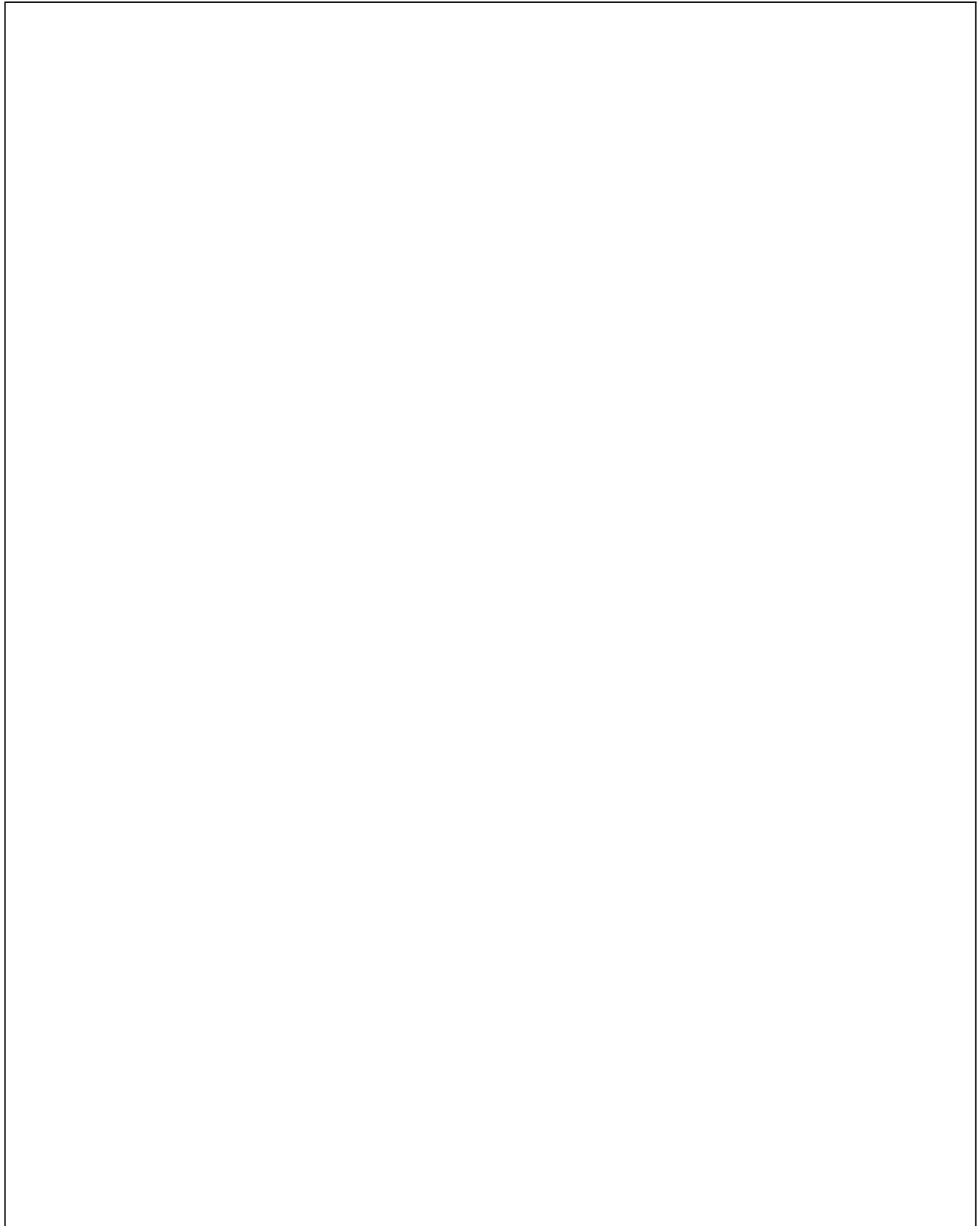
Fig. No.	Part No.	Description	Qty	Remarks
1	B076650R	JACK ASSLY	1	
2	567458	SCREW DRIVER (-)&(+) 80	1	
3	B041787	SPARK PLUG SPANNER	1	
4	B076142	L TYPE SPANNER - A/F 16	1	
5	567454	DOUBLE END SPANNER7/8	1	
6	567456	DOUBLE END SPANNER 12/14	1	
7	B041876	TOOL BAG	1	
8	B041787	SPARK PLUG SPANNER	1	
9	B073665	REAR VIEW MIRROR LH	1	
10	B073666	REAR VIEW MIRROR RH	1	
11	31118	SCREW M8X20	2	
12	016408	SPRING WASHER	6	
13	3058	PLAIN WASHER 15X8.4X1.5	20	
14	016408	SPRING WASHER	4	
15	3058	PLAIN WASHER 15X8.4X1.5	4	
16	20108	HEX NUT M8	4	
17	31116	HEX HD. SCREW M8X16	1	
18	016408	SPRING WASHER	1	
19	B001887	STOPPER ASSLY.	1	
20	15911	PAN SELF TAP SCREW 8SG X 16 AB	1	
21	16670	PLAIN WASHER 12X4.5X1	1	
22	B002334	FARE METER MTG. BKT.	1	
23	016408	SPRING WASHER	4	
24	3058	PLAIN WASHER 15X8.4X1.5	4	
25	31118	SCREW M8X20	4	
26	643661	LICENSE PLATE MTG. BKT.	1	
27	13861	PLAIN WASHER 20X8.2X2.5	2	
28	12540	SPRING WASHER M8	2	
29	20108	HEX NUT M8	2	
30	30072	HEX HEAD BOLT M8 X 35	2	
31	B002208	STRAP WITH PIN SPARE WHEEL MTG.	1	
32	20108	HEX NUT M8	2	
33	20106	HEX NUT M6	12	
34	016406	SPRING WASHER	12	
34a	013880	PLAIN WASHER	12	

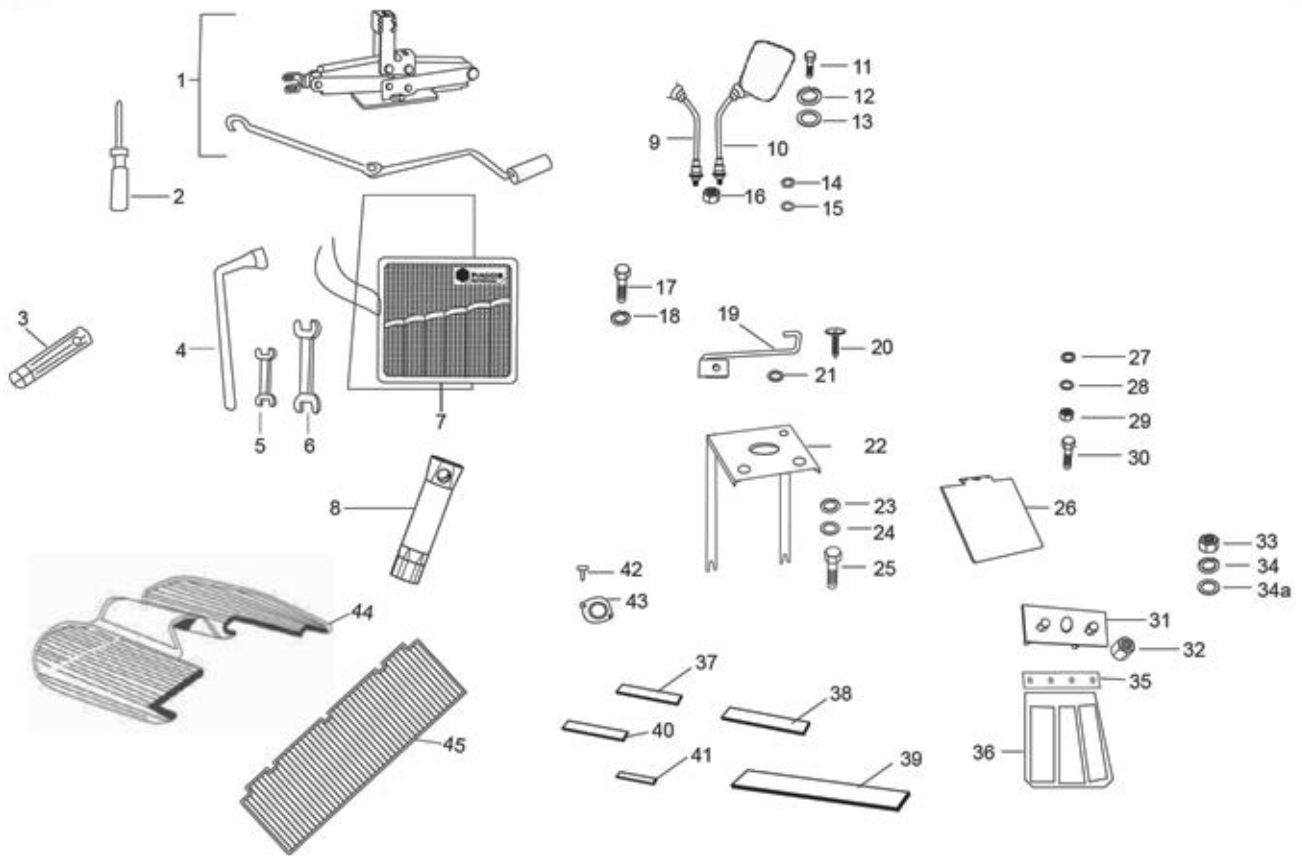
106

Print Date: 07-Apr-2022

PLATE-40

TOOLS & ACCESSORIES





Print Date: 07-Apr-2022

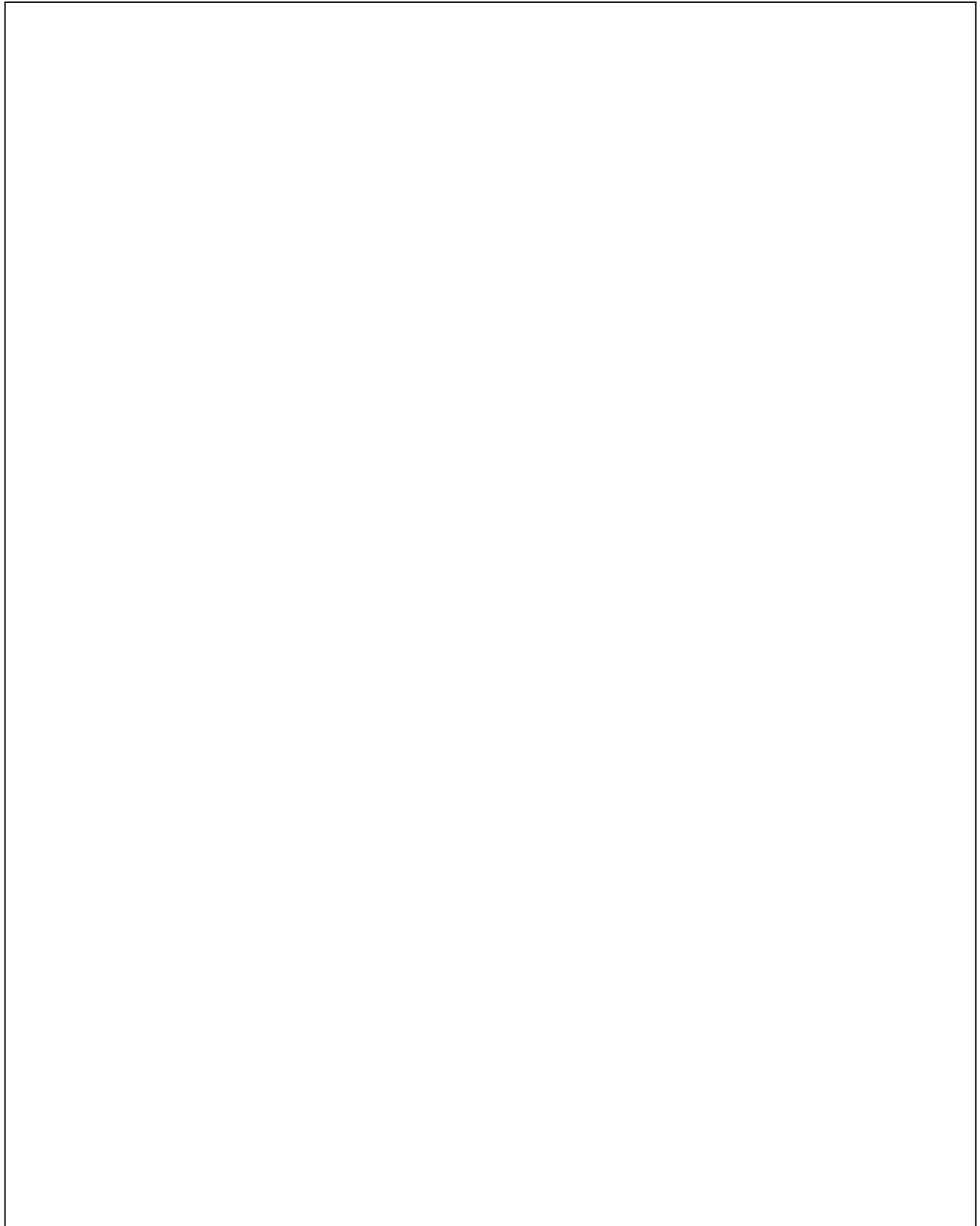
PLATE-40**TOOLS & ACCESSORIES**

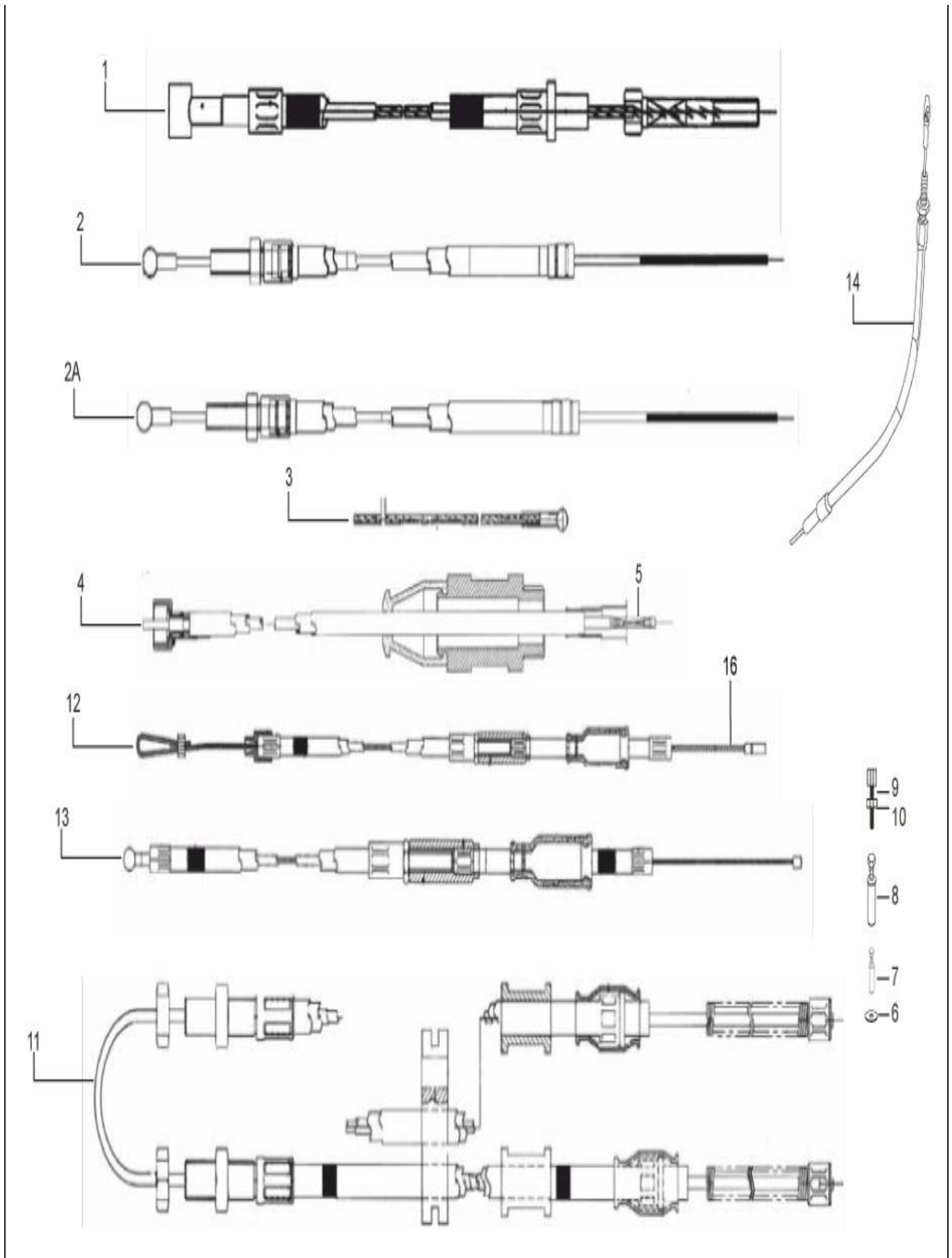
Fig. No.	Part No.	Description	Qty	Remarks
35	B001788	CLAMP MUDFLAP REAR	2	
36	B001789	MUDFLAP MUDGAURD REAR	2	
37	B024474	BEADDING LINING	2	
38	B006600	BEADING (RUBBER PACKING REAR MIDDLE)	1	
39	B006792	BEADING (INSULATION ENG. COMP. COVER)	2	
40	B074637	BEEDING DOME SIDE PILLAR (PET/DLS)	2	
41	B006598	BEADING (RUBBER PACKING LH/RH)	4	
42	8451	PAN SELF TP SCREW 6 SGX13 AB	4	
43	B042700	TOOLS KIT 501 ALL MODELS CONSITING OF SR NOS 53~60A	2	NI
44	B074219	FRONT CARPET (DLS)	1	
45	B041225	CARPET PASSENGER FOOT REST	1	
46	B073603	UPPER STRIP CANPOY MTG	1	

108

Print Date: 07-Apr-2022

PLATE-41
CABLES





Print Date: 07-Apr-2022

PLATE-41
CABLES

Fig. No.	Part No.	Description	Qty	Remarks
1	B073467R	CLUTCH CONTROL TRANSMISION ASSY.	1	
2	B076707	CABLE, GEAR CONTROL ASSLY (BLACK)	1	
2A	B076708	CABLE,GEAR CONTROL ASSLY NO.2(WHITE)	1	
3	B023916	INNER GEAR CONTROL CABLE (BLACK/WHITE)	2	
4	645124	SPEEDO CABLE	1	
5	587812	TRANSMISSION CABLE (INNER) FOR ODOMETER	1	
7	B076078	SCREW TERMINAL ASSLY(REVERSE CABLE)	1	
8	604560	SCREW TERMINAL ASSY. - GEAR CONTROL	2	
9	197071	ADJUSTER SCREW M6	2	
10	20106	HEX NUT M6	2	
11	B041774	PARKING BRAKE CABLE ASSY	1	
12	604515	ENGINE STOP CONTROL TRANSMISSION ASSLY	1	
13	B073470R	ACCELERATOR CABLE WITH JONT (NEW)	1	
14	B076078	SCREW TERMINAL ASSLY(REVERSE CABLE)	1	
15	B076274	BKT. REVERSE CABLE CONSTRAINT	1	
16	604509	ENGINE STOP CONTROL CABLE INNER	1	
17	B076036	ASSLY REVERSE GEAR CONTROL CABLE	1	NI

110

Print Date: 07-Apr-2022

PARTS INDEX

ape City Diesel BS-IV



111

Print Date: 07-Apr-2022

PART NO	BLOCK	PART NO	BLOCK	PART NO	BLOCK
003054	PLATE-23	016408	PLATE-28	124102019	PLATE-23
003054	PLATE-34	016408	PLATE-30	124113018	PLATE-23
003054	PLATE-34	016408	PLATE-33	124121015	PLATE-23
013880	PLATE-36	016408	PLATE-33	124141015R	PLATE-23
013880	PLATE-36	031090	PLATE-20	125181	PLATE-32
013880	PLATE-40	107718	PLATE-31	125289	PLATE-31
013880	PLATE-18	107871	PLATE-31	12536	PLATE-38
013880	PLATE-20	108785	PLATE-33	12536	PLATE-39
013880	PLATE-33	108873	PLATE-31	12540	PLATE-40
013880	PLATE-35	108874	PLATE-31	125411	PLATE-23
016404	PLATE-34	109064	PLATE-31	12546	PLATE-34
016406	PLATE-36	109066	PLATE-31	126003011	PLATE-25
016406	PLATE-36	109117	PLATE-31	126004015	PLATE-25
016406	PLATE-37	109227	PLATE-32	126021013	PLATE-25
016406	PLATE-40	109265	PLATE-31	126022017	PLATE-25
016406	PLATE-18	109404	PLATE-32	126052012	PLATE-25
016406	PLATE-20	109635	PLATE-32	126053016	PLATE-25
016406	PLATE-20	109775	PLATE-32	126054010	PLATE-25
016406	PLATE-21	109892	PLATE-30	126060019	PLATE-25
016406	PLATE-23	111353	PLATE-23	126902	PLATE-32
016406	PLATE-23	111356	PLATE-23	127012019	PLATE-24
016406	PLATE-23	111498	PLATE-23	127013013	PLATE-24
016406	PLATE-25	112867R	PLATE-23	127016015	PLATE-23
016406	PLATE-26	112898	PLATE-23	127102010	PLATE-21
016406	PLATE-32	113278	PLATE-23	127103014	PLATE-23
016406	PLATE-33	116831	PLATE-36	127111011	PLATE-23
016406	PLATE-34	117401	PLATE-23	127141016	PLATE-23
016406	PLATE-34	117402	PLATE-23	127185012	PLATE-24
016406	PLATE-34	117404	PLATE-23	127204014	PLATE-22
016406	PLATE-35	118806	PLATE-32	127302517R	PLATE-22
016408	PLATE-36	119735	PLATE-35	127303016R	PLATE-22
016408	PLATE-40	120170018	PLATE-24	127306513R	PLATE-22
016408	PLATE-40	120203011	PLATE-23	127309515R	PLATE-22
016408	PLATE-40	120204015R	PLATE-22	127404016R	PLATE-23
016408	PLATE-40	120205019	PLATE-22	127451019R	PLATE-22
016408	PLATE-21	120212012	PLATE-21	127460010	PLATE-24
016408	PLATE-23	120238016	PLATE-24	127471019	PLATE-24
016408	PLATE-24	120238016	PLATE-25	127530011	PLATE-24
016408	PLATE-24	120250014	PLATE-24	127555016	PLATE-23
016408	PLATE-26	120321019	PLATE-23	127571015R	PLATE-23
016408	PLATE-26	12136	PLATE-34	127640012	PLATE-25
016408	PLATE-26	12138	PLATE-32	127641016	PLATE-25
016408	PLATE-27	122032014	PLATE-22	127692015	PLATE-24

--	--	--

112

Print Date: 07-Apr-2022

PART NO	BLOCK	PART NO	BLOCK	PART NO	BLOCK
127693019	PLATE-24	16410	PLATE-30	20104	PLATE-28
127754019	PLATE-24	16410	PLATE-31	20104	PLATE-33
127755013	PLATE-24	16410	PLATE-31	20104	PLATE-34
127757011	PLATE-24	16410	PLATE-32	20105	PLATE-23
127758015	PLATE-24	164906	PLATE-32	20105	PLATE-28
12790	PLATE-36	165121014	PLATE-23	20105	PLATE-34
12790	PLATE-30	165121014	PLATE-23	20105	PLATE-34
127911019	PLATE-21	16620	PLATE-32	20105	PLATE-34
127912013	PLATE-21	16626	PLATE-32	20106	PLATE-36
128081017	PLATE-25	16670	PLATE-40	20106	PLATE-36
128307019	PLATE-23	16670	PLATE-28	20106	PLATE-40
128633	PLATE-30	16670	PLATE-36	20106	PLATE-41
129001014	PLATE-21	176138	PLATE-30	20106	PLATE-20
129011019	PLATE-24	17702	PLATE-23	20106	PLATE-20
129012013	PLATE-24	178610	PLATE-26	20106	PLATE-24
132129	PLATE-23	180431	PLATE-31	20106	PLATE-24
132134	PLATE-23	18630	PLATE-28	20106	PLATE-33
132244	PLATE-23	197071	PLATE-41	20106	PLATE-34
136434	PLATE-31	1A000236	PLATE-23	20106	PLATE-34
136916	PLATE-33	1A000612	PLATE-23	20106	PLATE-35
137235	PLATE-31	1A000817	PLATE-23	20106	PLATE-35
138237	PLATE-33	1A000826	PLATE-23	20108	PLATE-36
13861	PLATE-40	1A001455	PLATE-24	20108	PLATE-36
13861	PLATE-27	1A001457	PLATE-24	20108	PLATE-36
150915R	PLATE-34	1A004807	PLATE-23	20108	PLATE-40
15335	PLATE-21	1A005176	PLATE-23	20108	PLATE-40
15335	PLATE-23	1A009926	PLATE-23	20108	PLATE-40
15335	PLATE-26	1A010094	PLATE-21	20108	PLATE-26
15478	PLATE-26	1A010139	PLATE-23	20108	PLATE-26
15594	PLATE-30	1A011547R	PLATE-24	20108	PLATE-26
15640	PLATE-34	1A011662	PLATE-24	20108	PLATE-27
157716	PLATE-35	1A011662	PLATE-24	20108	PLATE-27
15900	PLATE-35	1A011778	PLATE-23	20108	PLATE-33
15911	PLATE-40	1A011810	PLATE-23	20108	PLATE-33
15996	PLATE-34	1A014592	PLATE-23	20110	PLATE-26
16319	PLATE-32	1A016604	PLATE-21	20110	PLATE-30
16405	PLATE-36	1A016964	PLATE-21	20110	PLATE-30
16405	PLATE-28	1F000755	PLATE-24	20110	PLATE-31
16405	PLATE-34	1F0007564	PLATE-21	20110	PLATE-31
16410	PLATE-23	1F000841	PLATE-24	20110	PLATE-32
16410	PLATE-26	1F000846	PLATE-24	20359	PLATE-30
16410	PLATE-26	20104	PLATE-23	21118	PLATE-30
16410	PLATE-30	20104	PLATE-27	21216	PLATE-33

--	--	--

113

Print Date: 07-Apr-2022

PART NO	BLOCK	PART NO	BLOCK	PART NO	BLOCK
220575	PLATE-23	3055	PLATE-34	31092	PLATE-23
226596	PLATE-30	3055	PLATE-34	31092	PLATE-24
226661	PLATE-30	3055	PLATE-34	31116	PLATE-40
226662	PLATE-30	3055	PLATE-35	31118	PLATE-40
226663	PLATE-30	3056	PLATE-36	31118	PLATE-40
229524	PLATE-33	3056	PLATE-37	31118	PLATE-27
231370	PLATE-23	3056	PLATE-20	31119	PLATE-36
231370	PLATE-26	3056	PLATE-21	31119	PLATE-26
231370	PLATE-26	3056	PLATE-23	31154	PLATE-26
231370	PLATE-30	3056	PLATE-23	48197	PLATE-33
231370	PLATE-30	3056	PLATE-23	520221019R	PLATE-21
231370	PLATE-30	3056	PLATE-24	523011013R	PLATE-22
237246	PLATE-30	3056	PLATE-24	523011013R	PLATE-22
2383	PLATE-36	3056	PLATE-25	523021018	PLATE-22
2383	PLATE-26	3056	PLATE-34	566545	PLATE-31
2383	PLATE-26	3056	PLATE-34	567454	PLATE-40
243303R	PLATE-30	3056	PLATE-35	567456	PLATE-40
265091	PLATE-26	3058	PLATE-36	567458	PLATE-40
267065	PLATE-26	3058	PLATE-40	567461	PLATE-33
267065	PLATE-30	3058	PLATE-40	567473	PLATE-31
267065	PLATE-30	3058	PLATE-40	567498R	PLATE-34
267068	PLATE-30	3058	PLATE-27	567498R	PLATE-34
272178	PLATE-26	3058	PLATE-27	567520	PLATE-27
286328	PLATE-26	3058	PLATE-33	567593	PLATE-35
286328	PLATE-26	3058	PLATE-36	567690	PLATE-33
286328	PLATE-26	3058	PLATE-36	567700	PLATE-34
286328	PLATE-30	3068	PLATE-30	567706	PLATE-34
286406	PLATE-24	31057	PLATE-34	567741	PLATE-21
288730	PLATE-23	31058	PLATE-34	567899	PLATE-33
2916710602	PLATE-18	31058	PLATE-34	567920	PLATE-33
2916710603	PLATE-18	31088	PLATE-36	567920	PLATE-33
30072	PLATE-36	31088	PLATE-36	567990	PLATE-31
30072	PLATE-40	31088	PLATE-36	567991	PLATE-31
30104	PLATE-32	31088	PLATE-36	567992	PLATE-31
30104	PLATE-32	31088	PLATE-37	567993	PLATE-31
30209R	PLATE-22	31088	PLATE-18	568095	PLATE-31
30209R	PLATE-31	31088	PLATE-23	568140	PLATE-26
30242	PLATE-28	31088	PLATE-23	568290	PLATE-27
3054	PLATE-27	31088	PLATE-33	568671	PLATE-29
3055	PLATE-36	31088	PLATE-34	568689	PLATE-26
3055	PLATE-28	31089	PLATE-23	568692	PLATE-28
3055	PLATE-32	31089	PLATE-32	568692	PLATE-34
3055	PLATE-33	31089	PLATE-35	568713	PLATE-28

--	--	--

114

Print Date: 07-Apr-2022

PART NO	BLOCK	PART NO	BLOCK	PART NO	BLOCK
568721	PLATE-34	6173	PLATE-33	6650	PLATE-30
568737	PLATE-33	632056	PLATE-33	6733	PLATE-31
569150	PLATE-31	63205	PLATE-36	680166	PLATE-34
569165	PLATE-34	632158	PLATE-32	6965	PLATE-34
569197	PLATE-34	632247	PLATE-26	6965	PLATE-34
569244	PLATE-26	632285	PLATE-34	6C000016	PLATE-23
569375	PLATE-26	632292	PLATE-34	6C000041	PLATE-23
587617	PLATE-30	632299	PLATE-26	6C000190	PLATE-31
587650R	PLATE-27	632299	PLATE-26	6C000191	PLATE-31
587671R	PLATE-34	632412	PLATE-20	6C000312R	PLATE-23
587763	PLATE-18	632413	PLATE-20	6C000430	PLATE-30
587812	PLATE-41	632995	PLATE-34	6C000430	PLATE-31
587902	PLATE-32	63440	PLATE-38	6C000530	PLATE-30
5969	PLATE-33	63440	PLATE-39	6D000054	PLATE-37
604506	PLATE-34	640762	PLATE-34	6D000054	PLATE-37
604509	PLATE-41	6411	PLATE-33	6D000143R	PLATE-35
604515	PLATE-41	643661	PLATE-40	6D000144R	PLATE-35
604535	PLATE-30	643691	PLATE-29	6D000145R	PLATE-35
604553	PLATE-20	643692	PLATE-33	6D000146R	PLATE-35
604557	PLATE-34	643741	PLATE-30	6G000027	PLATE-29
604560	PLATE-41	643772R	PLATE-31	7066R	PLATE-23
604560	PLATE-23	644814R	PLATE-33	71633	PLATE-34
604560	PLATE-25	644838R	PLATE-37	74414	PLATE-31
604603	PLATE-36	644839R	PLATE-37	74521	PLATE-31
604717	PLATE-33	645041	PLATE-34	75708	PLATE-31
604750	PLATE-20	6450	PLATE-23	78307	PLATE-35
604756	PLATE-20	645124	PLATE-41	808000826	PLATE-21
604756	PLATE-27	652001	PLATE-33	808000826	PLATE-23
604758	PLATE-31	652124	PLATE-24	808000826	PLATE-28
604759	PLATE-31	659791R	PLATE-37	8080	PLATE-29
604890	PLATE-27	659842	PLATE-21	8080	PLATE-35
604910	PLATE-33	659842	PLATE-21	811081025	PLATE-21
604948	PLATE-26	660109	PLATE-34	812061656	PLATE-30
604972	PLATE-27	660168	PLATE-27	812061656	PLATE-31
604973	PLATE-20	660168	PLATE-29	812061656	PLATE-33
605389	PLATE-29	660168	PLATE-35	822031942	PLATE-23
60565	PLATE-32	661229	PLATE-33	822031942	PLATE-24
6066	PLATE-30	661230	PLATE-31	822051647	PLATE-23
6066	PLATE-31	661231	PLATE-31	825080209	PLATE-23
6078	PLATE-29	661266	PLATE-30	825080209	PLATE-25
6078	PLATE-34	661267	PLATE-30	825123207	PLATE-24
6078	PLATE-34	661282	PLATE-30	825420215	PLATE-21
611621	PLATE-20	662322	PLATE-36	841005207	PLATE-22

--	--	--

115

Print Date: 07-Apr-2022

PART NO	BLOCK	PART NO	BLOCK	PART NO	BLOCK
841005506	PLATE-23	B001315	PLATE-31	B003300	PLATE-39
842001507	PLATE-22	B001316	PLATE-36	B003324	PLATE-38
842001600	PLATE-24	B001316	PLATE-30	B003325	PLATE-38
842002501	PLATE-22	B001316	PLATE-31	B003327	PLATE-39
842003000	PLATE-23	B001317	PLATE-36	B003328	PLATE-39
842004808	PLATE-22	B001317	PLATE-30	B003330	PLATE-39
843000500	PLATE-23	B001319	PLATE-30	B003331	PLATE-39
843000809	PLATE-24	B001323	PLATE-31	B003358	PLATE-36
8451	PLATE-40	B001386	PLATE-28	B003372	PLATE-26
8451	PLATE-34	B001402	PLATE-36	B003855	PLATE-26
87067	PLATE-31	B001423	PLATE-36	B003924	PLATE-22
8771	PLATE-31	B001501	PLATE-21	B003978	PLATE-27
880255211R	PLATE-22	B001503	PLATE-34	B006509	PLATE-38
880305509R	PLATE-23	B001581R	PLATE-33	B006580BW	PLATE-36
884222808	PLATE-22	B001635CED	PLATE-36	B006580BY	PLATE-36
920087	PLATE-14	B001788	PLATE-40	B006580CB	PLATE-36
920105	PLATE-14	B001789	PLATE-40	B006580CO	PLATE-36
925574	PLATE-39	B001844	PLATE-21	B006580GY	PLATE-36
925581	PLATE-35	B001887	PLATE-40	B006580NB	PLATE-36
925584	PLATE-34	B002101	PLATE-34	B006580WR	PLATE-36
925786	PLATE-34	B002101	PLATE-34	B006593	PLATE-36
929910	PLATE-34	B002208	PLATE-40	B006598	PLATE-40
932290	PLATE-34	B002334	PLATE-40	B006600	PLATE-40
932291	PLATE-34	B002481	PLATE-30	B006792	PLATE-40
932292	PLATE-34	B002482	PLATE-30	B006806	PLATE-27
940036	PLATE-31	B002486	PLATE-30	B006853	PLATE-32
940048	PLATE-4	B003002	PLATE-38	B009290	PLATE-20
940048	PLATE-5	B003002	PLATE-39	B016611	PLATE-21
940048	PLATE-8	B003003	PLATE-38	B016611	PLATE-25
940065	PLATE-31	B003003	PLATE-39	B018991	PLATE-23
940067	PLATE-33	B003004	PLATE-38	B019220	PLATE-24
940068	PLATE-33	B003004	PLATE-39	B023727R	PLATE-34
940094	PLATE-14	B003008	PLATE-38	B023727R	PLATE-34
9411033428	PLATE-18	B003011	PLATE-39	B023786R	PLATE-33
9451030109	PLATE-18	B003012	PLATE-39	B023916	PLATE-41
9451035101	PLATE-18	B003014	PLATE-39	B023976	PLATE-29
9451037405	PLATE-18	B003017	PLATE-38	B024113	PLATE-38
B001225	PLATE-39	B003030	PLATE-36	B024113	PLATE-31
B001228	PLATE-39	B003110R	PLATE-37	B024169	PLATE-29
B001273	PLATE-36	B003155	PLATE-23	B024170	PLATE-18
B001301	PLATE-31	B003228	PLATE-33	B024374	PLATE-30
B001302	PLATE-31	B003286	PLATE-26	B024402ED	PLATE-36
B001315	PLATE-36	B003300	PLATE-38	B024416	PLATE-26

--	--	--

116

Print Date: 07-Apr-2022

PART NO	BLOCK	PART NO	BLOCK	PART NO	BLOCK
B024437	PLATE-23	B073538	PLATE-33	B074182BY	PLATE-36
B024440	PLATE-23	B073598	PLATE-36	B074182CB	PLATE-36
B024474	PLATE-40	B073601	PLATE-28	B074182CED	PLATE-36
B024474	PLATE-27	B073602ED	PLATE-28	B074182EG	PLATE-36
B024512	PLATE-36	B073603	PLATE-40	B074182GY	PLATE-36
B024516	PLATE-36	B073626	PLATE-28	B074219	PLATE-40
B024614	PLATE-23	B073665	PLATE-40	B074262	PLATE-29
B024641	PLATE-34	B073666	PLATE-40	B074275	PLATE-29
B024642	PLATE-34	B073667SP	PLATE-31	B074433	PLATE-35
B024643	PLATE-34	B073690	PLATE-31	B074434	PLATE-35
B025672CED	PLATE-36	B073788	PLATE-33	B074498	PLATE-32
B041054	PLATE-36	B073800	PLATE-33	B074539	PLATE-35
B041181	PLATE-31	B073809	PLATE-29	B074588R	PLATE-36
B041225	PLATE-40	B073810	PLATE-29	B074588R	PLATE-30
B041392	PLATE-27	B073811	PLATE-29	B074590R	PLATE-36
B041397	PLATE-36	B073812	PLATE-29	B074590R	PLATE-30
B041398	PLATE-36	B073815	PLATE-29	B074594	PLATE-36
B041459	PLATE-36	B073816	PLATE-29	B074637	PLATE-40
B041459	PLATE-27	B073817	PLATE-32	B074637	PLATE-27
B041774	PLATE-41	B073848	PLATE-32	B074640	PLATE-36
B041774	PLATE-33	B073849	PLATE-32	B074641	PLATE-36
B041787	PLATE-40	B073850R	PLATE-32	B074642	PLATE-36
B041787	PLATE-40	B073852	PLATE-36	B074736	PLATE-29
B041830	PLATE-26	B073853	PLATE-36	B074905	PLATE-29
B041830	PLATE-26	B073872	PLATE-35	B074914	PLATE-29
B041876	PLATE-40	B073875SL	PLATE-35	B074999	PLATE-33
B042098	PLATE-30	B073882BL	PLATE-35	B075108	PLATE-37
B042226	PLATE-30	B073882BW	PLATE-35	B075178R	PLATE-37
B042317	PLATE-33	B073882CB	PLATE-35	B075313	PLATE-32
B042438	PLATE-31	B073882EG	PLATE-35	B075445	PLATE-36
B042486	PLATE-23	B073882GY	PLATE-35	B075446	PLATE-36
B042503	PLATE-36	B073882NB	PLATE-35	B075475	PLATE-33
B042693	PLATE-33	B073882WR	PLATE-35	B075478	PLATE-20
B042700	PLATE-40	B073953	PLATE-35	B075485	PLATE-33
B042794	PLATE-33	B073969	PLATE-35	B075488	PLATE-33
B042798	PLATE-21	B073970	PLATE-35	B075489	PLATE-33
B042798	PLATE-23	B074024	PLATE-33	B075490	PLATE-33
B042799	PLATE-21	B074033	PLATE-34	B075491	PLATE-33
B073467R	PLATE-41	B074033	PLATE-35	B075492	PLATE-33
B073470R	PLATE-41	B074040	PLATE-32	B075499	PLATE-18
B073478R	PLATE-29	B074063	PLATE-35	B075499	PLATE-18
B073479R	PLATE-29	B074149	PLATE-27	B075613	PLATE-36
B073481R	PLATE-29	B074182BW	PLATE-36	B075614	PLATE-36

--	--	--

117

Print Date: 07-Apr-2022

PART NO	BLOCK	PART NO	BLOCK	PART NO	BLOCK
B075687ED	PLATE-32	B076535	PLATE-37	E07506189	PLATE-18
B075693	PLATE-34	B076539	PLATE-36	E105324008	PLATE-11
B075694	PLATE-31	B076561	PLATE-36	E105324008	PLATE-11
B075697	PLATE-33	B076588	PLATE-36	E105324008	PLATE-11
B075772ED	PLATE-32	B076650R	PLATE-40	E105324008	PLATE-17
B075798	PLATE-26	B076707	PLATE-41	E10A010006	PLATE-2
B075803BW	PLATE-27	B076708	PLATE-41	E10A020002	PLATE-6
B075803BY	PLATE-27	B076875SP	PLATE-31	E10A030001	PLATE-12
B075803CB	PLATE-27	B076907	PLATE-36	E10A050001	PLATE-3
B075803EG	PLATE-27	B076908	PLATE-36	E10A050007	PLATE-3
B075803GY	PLATE-27	B076909	PLATE-36	E10A060001	PLATE-17
B075803NB	PLATE-27	B076983	PLATE-21	E10A060006	PLATE-17
B075803WR	PLATE-27	B077245	PLATE-30	E10A060009	PLATE-17
B075807	PLATE-30	B077245	PLATE-31	E10A060010	PLATE-17
B075808	PLATE-30	B077458	PLATE-30	E10A070008	PLATE-14
B075835	PLATE-33	B077461	PLATE-31	E10A110001	PLATE-9
B075836	PLATE-33	B077465	PLATE-31	E10A110006	PLATE-11
B075838	PLATE-33	B077481	PLATE-30	E10A110007	PLATE-4
B075949	PLATE-33	B078029	PLATE-32	E10A120005	PLATE-11
B075950	PLATE-33	B078272	PLATE-35	E10B120001	PLATE-15
B075981	PLATE-27	B078274	PLATE-35	E10B120001	PLATE-6
B075989	PLATE-27	B078286R	PLATE-35	E10B120002	PLATE-6
B076007	PLATE-33	B079164	PLATE-1	E10B140001	PLATE-14
B076036	PLATE-41	B079386	PLATE-37	E10B140002	PLATE-14
B076072	PLATE-29	BS4 1A010093	PLATE-23	E10B140003	PLATE-14
B076078	PLATE-41	E03B020001	PLATE-6	E10G030001	PLATE-12
B076078	PLATE-41	E03G100001	PLATE-12	E10G070001	PLATE-14
B076115	PLATE-34	E03G100003	PLATE-12	E10G070007	PLATE-14
B076120	PLATE-35	E03S070003	PLATE-14	E10G070016	PLATE-14
B076142	PLATE-40	E07500428	PLATE-11	E10G090002	PLATE-2
B076241	PLATE-33	E07500819	PLATE-18	E10G110005	PLATE-14
B076274	PLATE-41	E075028010	PLATE-14	E10G110015	PLATE-19
B076290	PLATE-30	E07502803	PLATE-14	E10G110020	PLATE-4
B076357	PLATE-36	E07502804	PLATE-5	E10G110026	PLATE-12
B076414	PLATE-14	E07502804	PLATE-5	E10G120003	PLATE-16
B076455	PLATE-33	E07502810	PLATE-14	E10G120004	PLATE-15
B076466BW	PLATE-27	E07502810	PLATE-19	E10G120009	PLATE-19
B076466BY	PLATE-27	E07502811	PLATE-11	E10G120012	PLATE-18
B076466CB	PLATE-27	E07502812	PLATE-14	E10G120069	PLATE-16
B076466CO	PLATE-27	E07502812	PLATE-14	E10G120070	PLATE-16
B076466GY	PLATE-27	E07502812	PLATE-14	E10G130001	PLATE-11
B076466NB	PLATE-27	E07502813	PLATE-11	E10G130018	PLATE-12
B076466WR	PLATE-27	E07502813	PLATE-11	E10G140001	PLATE-12

--	--	--

118

Print Date: 07-Apr-2022

PART NO	BLOCK	PART NO	BLOCK	PART NO	BLOCK
E10G140041	PLATE-14	E200467003	PLATE-18	E40020135	PLATE-12
E10M030001	PLATE-12	E200467003	PLATE-7	E40022211	PLATE-13
E10M030002	PLATE-3	E200467021	PLATE-7	E422973030	PLATE-5
E10M070001	PLATE-14	E202756511	PLATE-10	E43500539	PLATE-2
E10M070002	PLATE-14	E2410508007	PLATE-18	E43500540	PLATE-2
E10M070014	PLATE-14	E250467014	PLATE-8	E43500578	PLATE-5
E10M110002	PLATE-9	E250755504	PLATE-10	E43502707	PLATE-17
E10M120001	PLATE-16	E250755504	PLATE-10	E43502821	PLATE-14
E10M120003	PLATE-15	E250755507	PLATE-4	E43507330	PLATE-17
E10M120004	PLATE-15	E260120016	PLATE-7	E43507331	PLATE-17
E10M120019	PLATE-16	E260467001	PLATE-6	E43507359	PLATE-17
E10M140001	PLATE-14	E260756505	PLATE-12	E43509046	PLATE-13
E10P140001	PLATE-14	E260973027	PLATE-7	E43510715	PLATE-13
E10P140002	PLATE-14	E264973008	PLATE-10	E43510791	PLATE-13
E10S070002	PLATE-14	E26756503	PLATE-12	E43511440PA	PLATE-3
E10S070003	PLATE-14	E268120034	PLATE-6	E43518358	PLATE-6
E10S110001	PLATE-9	E270973010	PLATE-11	E43518650	PLATE-14
E10T070001	PLATE-14	E271678054	PLATE-2	E43518676	PLATE-14
E10T070002	PLATE-14	E276176034	PLATE-10	E43520166	PLATE-13
E10T070007	PLATE-14	E276846055	PLATE-2	E43521745	PLATE-5
E10T070010	PLATE-14	E27762505	PLATE-11	E43522238	PLATE-6
E10T120001	PLATE-18	E283467036	PLATE-19	E43522238	PLATE-6
E10T120010	PLATE-18	E3124017	PLATE-3	E43524009	PLATE-9
E10T120015	PLATE-18	E3824509	PLATE-10	E43526149	PLATE-14
E10T120016	PLATE-18	E40000549	PLATE-14	E43526150	PLATE-14
E1177001	PLATE-7	E40000565	PLATE-12	E43526171	PLATE-14
E1324010	PLATE-12	E40000687	PLATE-18	E43526174	PLATE-17
E1441570056	PLATE-18	E40001816	PLATE-7	E43527184	PLATE-18
E1756504	PLATE-10	E40002263	PLATE-2	E43527185	PLATE-18
E1756504	PLATE-11	E400051135	PLATE-10	E43527721	PLATE-14
E1756504	PLATE-11	E40005592	PLATE-12	E43527721	PLATE-14
E1756507	PLATE-12	E40006428	PLATE-17	E43531725	PLATE-12
E1756507	PLATE-2	E40006428	PLATE-17	E43531743	PLATE-12
E1756507	PLATE-12	E40006816	PLATE-19	E43531743	PLATE-12
E1756507	PLATE-12	E40006818	PLATE-19	E43536107	PLATE-6
E1756507	PLATE-16	E40006819	PLATE-19	E43536108	PLATE-6
E18A060006	PLATE-6	E40006819	PLATE-19	E43536109	PLATE-6
E1965140021	PLATE-9	E40009645	PLATE-11	E45324016	PLATE-2
E1965755128	PLATE-9	E40009648	PLATE-12	E45762512	PLATE-12
E1967625270	PLATE-9	E400106100	PLATE-2	E47124004	PLATE-17
E1967980064	PLATE-9	E40015173	PLATE-11	E47177007	PLATE-12
E1969695019	PLATE-9	E40016141	PLATE-8	E47177007	PLATE-13
E200190002	PLATE-18	E40016143	PLATE-6	E47177007	PLATE-24

--	--	--

119

Print Date: 07-Apr-2022

PART NO	BLOCK	PART NO	BLOCK	PART NO	BLOCK
E50000114	PLATE-9	E5005271054	PLATE-17	E91901030	PLATE-19
E50000164	PLATE-12	E5005680046	PLATE-6	E9280003	PLATE-11
E50000421	PLATE-8	E500568043	PLATE-11	E93240076	PLATE-6
E50000437	PLATE-10	E500568044	PLATE-11	E9324018	PLATE-4
E50000452	PLATE-11	E500575545	PLATE-6	E97626043	PLATE-12
E50000475	PLATE-7	E500575549	PLATE-7	E97626065	PLATE-6
E50000506	PLATE-2	E5006371045	PLATE-10	E99732047	PLATE-8
E50000506	PLATE-19	E500640030	PLATE-6	ED21235	PLATE-7
E50000506	PLATE-5	E500755006	PLATE-17	ED30956	PLATE-2
E50000613	PLATE-7	E500843036	PLATE-2	ED30956	PLATE-17
E50000901	PLATE-6	E500900038	PLATE-13	ED32131	PLATE-12
E50001213143	PLATE-7	E500985048	PLATE-17	ED33454	PLATE-6
E50002296A	PLATE-13	E505193049	PLATE-6	ED40165	PLATE-6
E50002805	PLATE-2	E505985052	PLATE-17	ED40208	PLATE-13
E50002805	PLATE-2	E51981002	PLATE-9	ED40580	PLATE-6
E50002805	PLATE-14	E51981002	PLATE-10	ED40642	PLATE-2
E50002805	PLATE-14	E52006205	PLATE-11	ED41174	PLATE-11
E50002805	PLATE-14	E52006709	PLATE-10	ED41208	PLATE-7
E50002805	PLATE-8	E5205200777	PLATE-11	ED41447	PLATE-7
E50005578	PLATE-5	E5205801462	PLATE-10	ED41931	PLATE-19
E50005625006	PLATE-7	E52200434	PLATE-12	ED42244	PLATE-7
E50006328	PLATE-5	E53002206	PLATE-4	ED42246	PLATE-12
E50006342	PLATE-6	E5405725043	PLATE-12	ED42548	PLATE-4
E50006495029	PLATE-7	E5406045038	PLATE-17	ED42723	PLATE-16
E50008099	PLATE-8	E5408480091A	PLATE-3	ED43340	PLATE-2
E50008883	PLATE-8	E5508000118	PLATE-6	ED43350	PLATE-10
E50009205	PLATE-13	E5609680013	PLATE-7	ED43350	PLATE-10
E50010157	PLATE-10	E60000227	PLATE-15	ED43409	PLATE-17
E50010157	PLATE-10	E60000831	PLATE-19	ED43751	PLATE-9
E500116011	PLATE-10	E6193361721	PLATE-12	ESK4584	PLATE-12
E500125708A	PLATE-13	E7101901012	PLATE-18	ESK8694	PLATE-9
E500197087	PLATE-2	E7102800049	PLATE-10	F002H20268	PLATE-18
E50020140	PLATE-11	E870022109	PLATE-6	F002H21213	PLATE-18
E500208572	PLATE-10	E87026113	PLATE-14	F002H25009	PLATE-18
E500220013	PLATE-10	E90303028	PLATE-5	KIT95033	PLATE-38
E500228048	PLATE-13	E904120213	PLATE-7	KIT95036	PLATE-38
E500324066	PLATE-10	E904467015	PLATE-18	KIT95066R	PLATE-36
E5003430070	PLATE-6	E904850603	PLATE-9	NS-	PLATE-23
E500405518	PLATE-12	E90979037	PLATE-12	NS-	PLATE-23
E5004580057	PLATE-16	E90979039	PLATE-12	SP126050014	PLATE-25
E500458029	PLATE-16	E91200082	PLATE-9	SP1A0101404	PLATE-23
E500520134	PLATE-10	E9121356	PLATE-5	SPB042620	PLATE-25
E500520214	PLATE-11	E9177006	PLATE-12	SPB042620	PLATE-25

--	--	--

120

