

# Parts Catalog

## Commercial Vehicle

ape 501 CNG LPG Pass BS-IV

**PIAGGIO VEHICLES PRIVATE LIMITED**

Registered Office: Bund Garden Road ,Opp. Residency Club , Pune (India)

Print Date: 07-Apr-2022

**PLATES INDEX**

<b>Sr No.</b>	<b>Plate Name</b>	<b>Plate No.</b>	<b>Page No.</b>
1	CRANK CASE ASSEMBLY & OIL PAN	1	1-2
2	CYLINDER & PISTON	2	3-4
3	CYLINDER HEAD ASSY. & ROCKER ASSY	3	5-6
4	CONNECTING ROD & CRANK SHAFT ASSEMBLY	4	7-8
5	CRANKSHAFT SUPPORT	5	9-10
6	PTO COVER	6	11-12
7	PRESSURE RELIEF VALVE, SPIN ON OIL FILTER & PETROL FILTER	7	13-14
8	LUB OIL & GOVERNOR GEAR	8	15-16
9	CAM SHAFT, PUSH ROD & ROCKER ARM	9	17-18
10	AIR SHROUD / FLYWHEEL / ELECTRIC START SYSTEM	10	19-22
11	AIR CLEANER, EXHAUST MUFFLER	11	23-24
12	CARBURETTOR, OIL COOLER & ELECTRONIC FEED PUMP	12	25-26
13	IGNITION SYSTEM & SPARK PLUG	13	27-28
14	ENGINE SIDE COVER AND MAIN HOUSING	15	29-30
15	MAINSHAFT, SPEED GEARS AND CLUSTER GEAR	16	31-32
16	GEAR SHIFTER AND ITS CONTROL MECHANISM	17	33-34
17	DIFFERENTIAL UNIT, FARE METER HOUSING AND SPEEDO DRIVE	18	35-40
18	CLUTCH AND CLUTCH COVER	19	41-44
19	ENGINE SUPPORT	20	45-48
20	CHASSIS FRAME, FUEL TANK & SEAT	21	49-52
21	INNER PARTS OF CABIN	22	53-54
22	CHASSIS COMPONENTS	23	55-56
23	RUBBER MAT, REAR MUDGUARD	24	57-60
24	TOOLS AND WHEELS	25	61-62
25	REAR SUSPENSION	26	63-66
26	STEERING COLUMN AND FRONT SUSPENSION	27	67-70
27	HANDLE BAR AND CONTROL	28	71-74
28	BRAKE - TANDEM MASTER CYLINDER, BRAKE PIPE AND HAND BRAKES	29	75-78
29	ELECTRICAL DEVICES-1	30	79-82
30	ELECTRICAL DEVICES-2	31	83-88

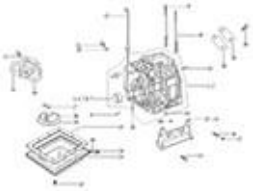
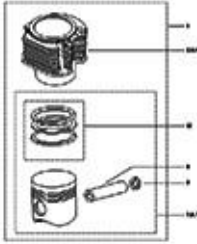
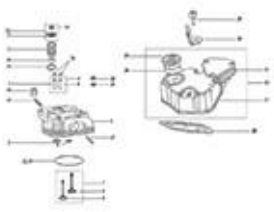
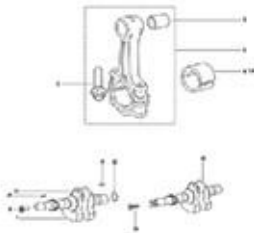
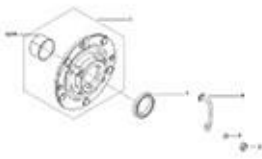
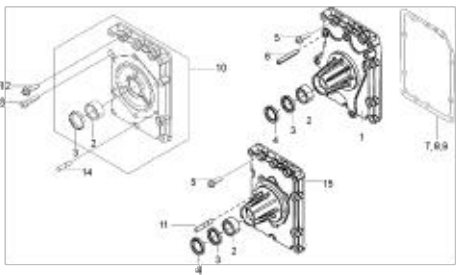
Print Date: 07-Apr-2022

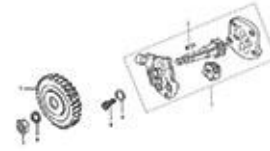
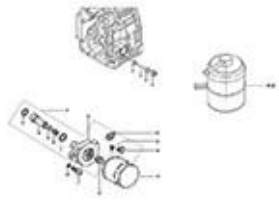
**PLATES INDEX**

<b>Sr No.</b>	<b>Plate Name</b>	<b>Plate No.</b>	<b>Page No.</b>
31	PASSENGER AUTO RICKSHAW BODY	32	89-94
32	CABLE HARNESS	33	95-96
33	FRONT BRAKE ASSEMBLY SELF ADJUSTING (DIA 180 X 40 MM)	34	97-98
34	REAR BRAKE ASSEMBLY SELF ADJUSTING (DIA 180 X 40 MM)	35	99-100
35	VANAZ KIT - CNG	36	101-106
36	LPG-KIT	37	107-112
37	AIR FILTER ASSLY. COMPLETE	11.1	113-114
38	ALUMINIUM CLUTCH ASSEMBLY	24.1	115-116
39	CLUTCH & COVER ASSEMBLY (FOR ALUMINIUM CLUTCH)	24.2	117-118

Print Date: 07-Apr-2022

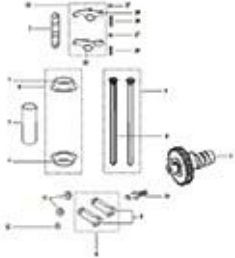

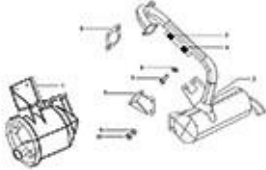
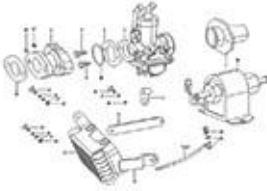
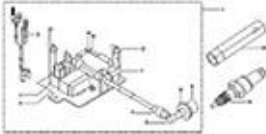
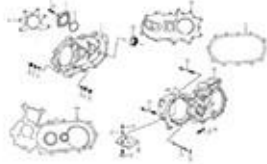
**PICTORIAL PLATES INDEX**

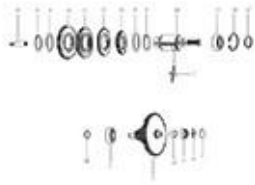
<p><b>PLATE-1</b>      <b>CRANK CASE ASSEMBLY &amp; OIL PAN</b></p> <p>Page No. :1-2</p> 	<p><b>PLATE-2</b>      <b>CYLINDER &amp; PISTON</b></p> <p>Page No. :3-4</p> 
<p><b>PLATE-3</b>      <b>CYLINDER HEAD ASSY. &amp; ROCKER ASSY</b></p> <p>Page No. :5-6</p> 	<p><b>PLATE-4</b>      <b>CONNECTING ROD &amp; CRANK SHAFT ASSEMBLY</b></p> <p>Page No. :7-8</p> 
<p><b>PLATE-5</b>      <b>CRANKSHAFT SUPPORT</b></p> <p>Page No. :9-10</p> 	<p><b>PLATE-6</b>      <b>PTO COVER</b></p> <p>Page No. :11-12</p> 
<p><b>PLATE-7</b>      <b>PRESSURE RELIEF VALVE, SPIN ON OIL FILTER &amp; PETROL FILTER</b></p> <p>Page No. :13-14</p>	<p><b>PLATE-8</b>      <b>LUB OIL &amp; GOVERNOR GEAR</b></p> <p>Page No. :15-16</p>



Print Date: 07-Apr-2022


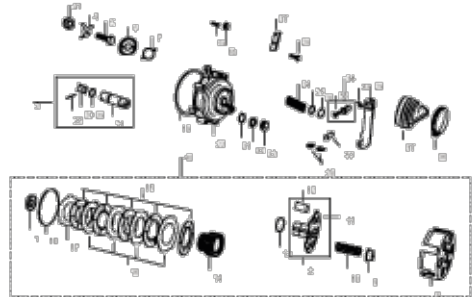

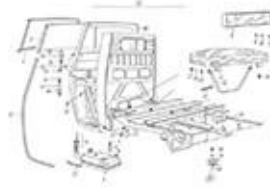
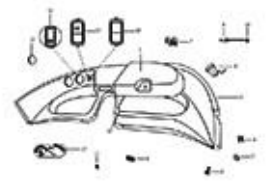

**PICTORIAL PLATES INDEX**

<p><b>PLATE-9</b>      <b>CAM SHAFT, PUSH ROD &amp; ROCKER ARM</b>  <b>Page No. :17-18</b></p> 	<p><b>PLATE-10</b>    <b>AIR SHROUD / FLYWHEEL / ELECTRIC START SYSTEM</b>  <b>Page No. :19-22</b></p> 
<p><b>PLATE-11</b>    <b>AIR CLEANER, EXHAUST MUFFLER</b>  <b>Page No. :23-24</b></p> 	<p><b>PLATE-12</b>    <b>CARBURETTOR, OIL COOLER &amp; ELECTRONIC FEED PUMP</b>  <b>Page No. :25-26</b></p> 
<p><b>PLATE-13</b>    <b>IGNITION SYSTEM &amp; SPARK PLUG</b>  <b>Page No. :27-28</b></p> 	<p><b>PLATE-15</b>    <b>ENGINE SIDE COVER AND MAIN HOUSING</b>  <b>Page No. :29-30</b></p> 
<p><b>PLATE-16</b>    <b>MAINSHAFT, SPEED GEARS AND CLUSTER GEAR</b>  <b>Page No. :31-32</b></p>	<p><b>PLATE-17</b>    <b>GEAR SHIFTER AND ITS CONTROL MECHANISM</b>  <b>Page No. :33-34</b></p>

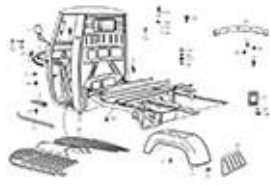


Print Date: 07-Apr-2022

**PICTORIAL PLATES INDEX**


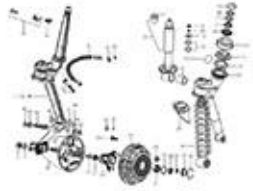
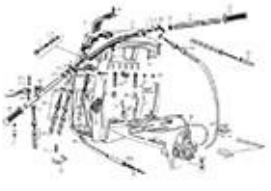
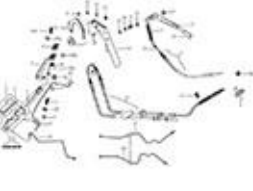

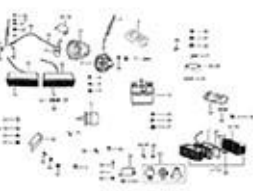
<p><b>PLATE-18</b>      <b>DIFFERENTIAL UNIT, FARE METER HOUSING AND SPEEDO DRIVE</b>  <b>Page No. :35-40</b></p> 	<p><b>PLATE-19</b>      <b>CLUTCH AND CLUTCH COVER</b>  <b>Page No. :41-44</b></p> 
<p><b>PLATE-20</b>      <b>ENGINE SUPPORT</b>  <b>Page No. :45-48</b></p> 	<p><b>PLATE-21</b>      <b>CHASSIS FRAME, FUEL TANK &amp; SEAT</b>  <b>Page No. :49-52</b></p> 
<p><b>PLATE-22</b>      <b>INNER PARTS OF CABIN</b>  <b>Page No. :53-54</b></p> 	<p><b>PLATE-23</b>      <b>CHASSIS COMPONENTS</b>  <b>Page No. :55-56</b></p> 
<p><b>PLATE-24</b>      <b>RUBBER MAT, REAR MUDGUARD</b>  <b>Page No. :57-60</b></p>	<p><b>PLATE-25</b>      <b>TOOLS AND WHEELS</b>  <b>Page No. :61-62</b></p>

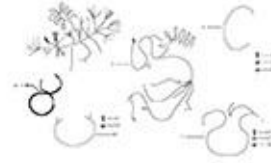
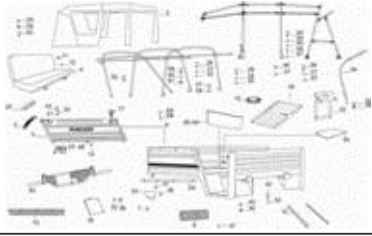




Print Date: 07-Apr-2022

**PICTORIAL PLATES INDEX**

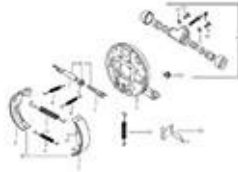
<p><b>PLATE-26 REAR SUSPENSION</b></p> <p>Page No. :63-66</p> 	<p><b>PLATE-27 STEERING COLUMN AND FRONT SUSPENSION</b></p> <p>Page No. :67-70</p> 
<p><b>PLATE-28 HANDLE BAR AND CONTROL</b></p> <p>Page No. :71-74</p> 	<p><b>PLATE-29 BRAKE - TANDEM MASTER CYLINDER, BRAKE PIPE AND HAND BRAKES</b></p> <p>Page No. :75-78</p> 
<p><b>PLATE-30 ELECTRICAL DEVICES-1</b></p> <p>Page No. :79-82</p> 	<p><b>PLATE-31 ELECTRICAL DEVICES-2</b></p> <p>Page No. :83-88</p> 
<p><b>PLATE-32 PASSENGER AUTO RICKSHAW BODY</b></p> <p>Page No. :89-94</p>	<p><b>PLATE-33 CABLE HARNESS</b></p> <p>Page No. :95-96</p>



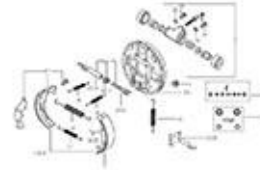
Print Date: 07-Apr-2022

**PICTORIAL PLATES INDEX**

**PLATE-34 FRONT BRAKE ASSEMBLY SELF ADJUSTING (DIA 180 X 40 MM)**  
**Page No. :97-98**



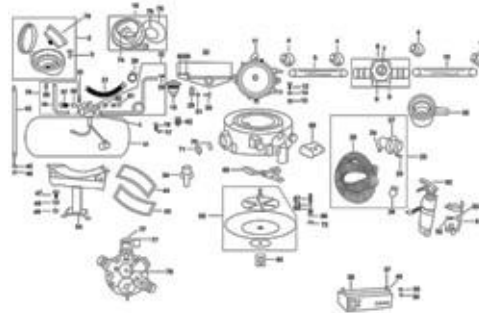
**PLATE-35 REAR BRAKE ASSEMBLY SELF ADJUSTING (DIA 180 X 40 MM)**  
**Page No. :99-100**



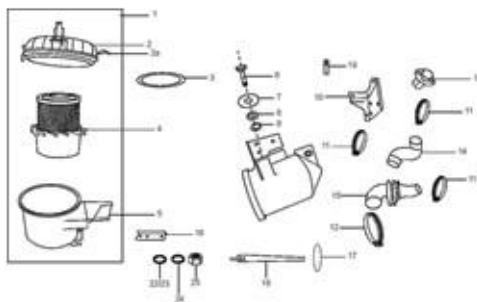
**PLATE-36 VANAZ KIT - CNG**  
**Page No. :101-106**



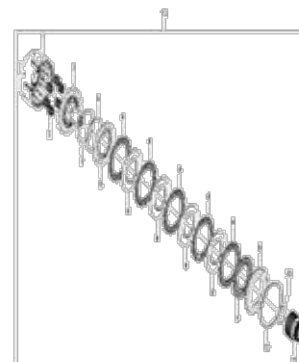
**PLATE-37 LPG-KIT**  
**Page No. :107-112**



**PLATE-11.1 AIR FILTER ASSLY. COMPLETE**  
**Page No. :113-114**

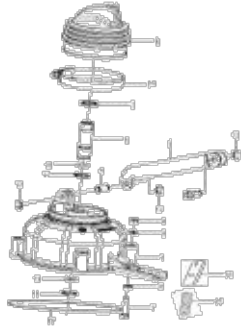


**PLATE-24.1 ALUMINIUM CLUTCH ASSEMBLY**  
**Page No. :115-116**



**PLATE-24.2 CLUTCH & COVER ASSEMBLY (FOR ALUMINIUM CLUTCH)**

Page No. :117-118



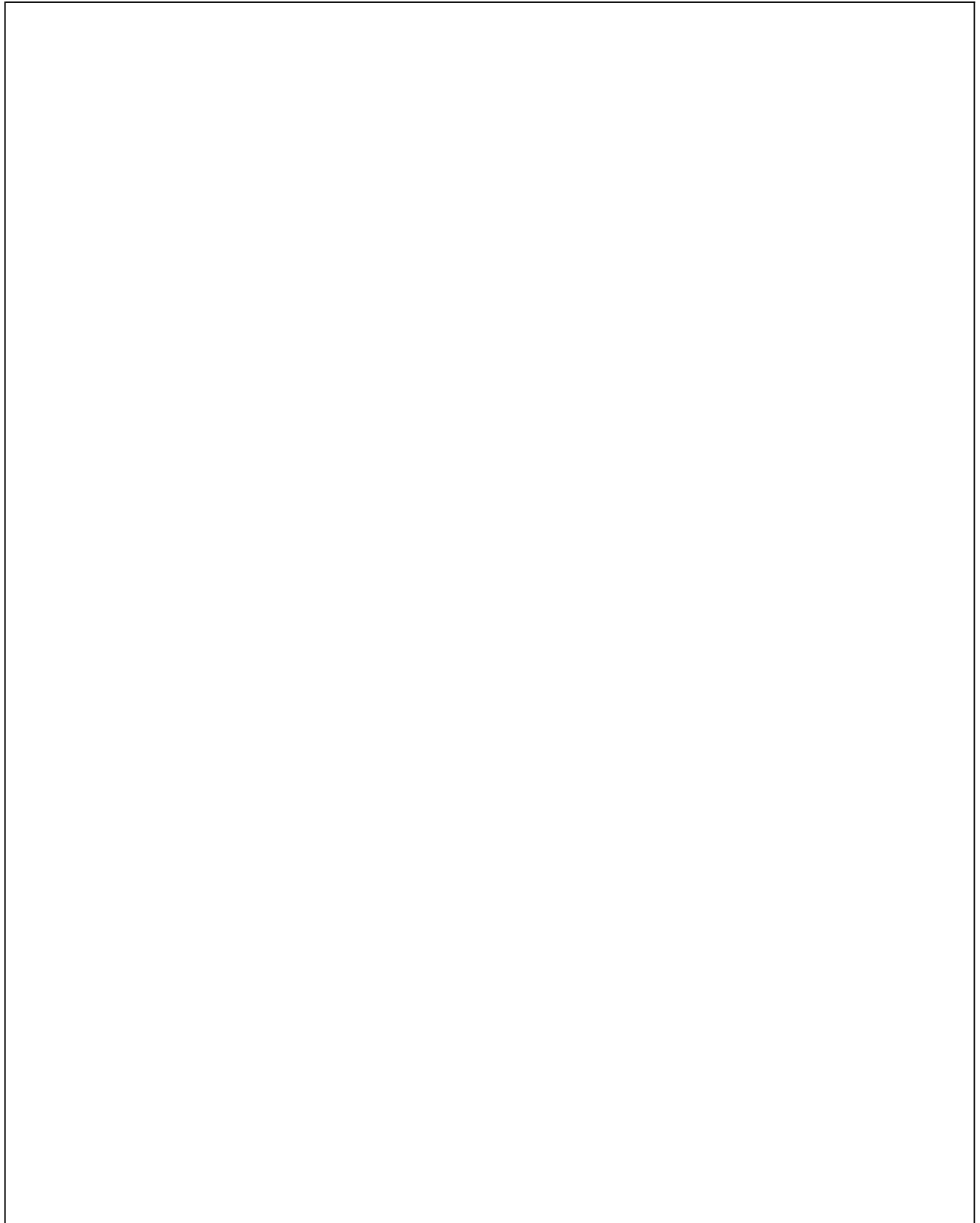
Print Date: 07-Apr-2022

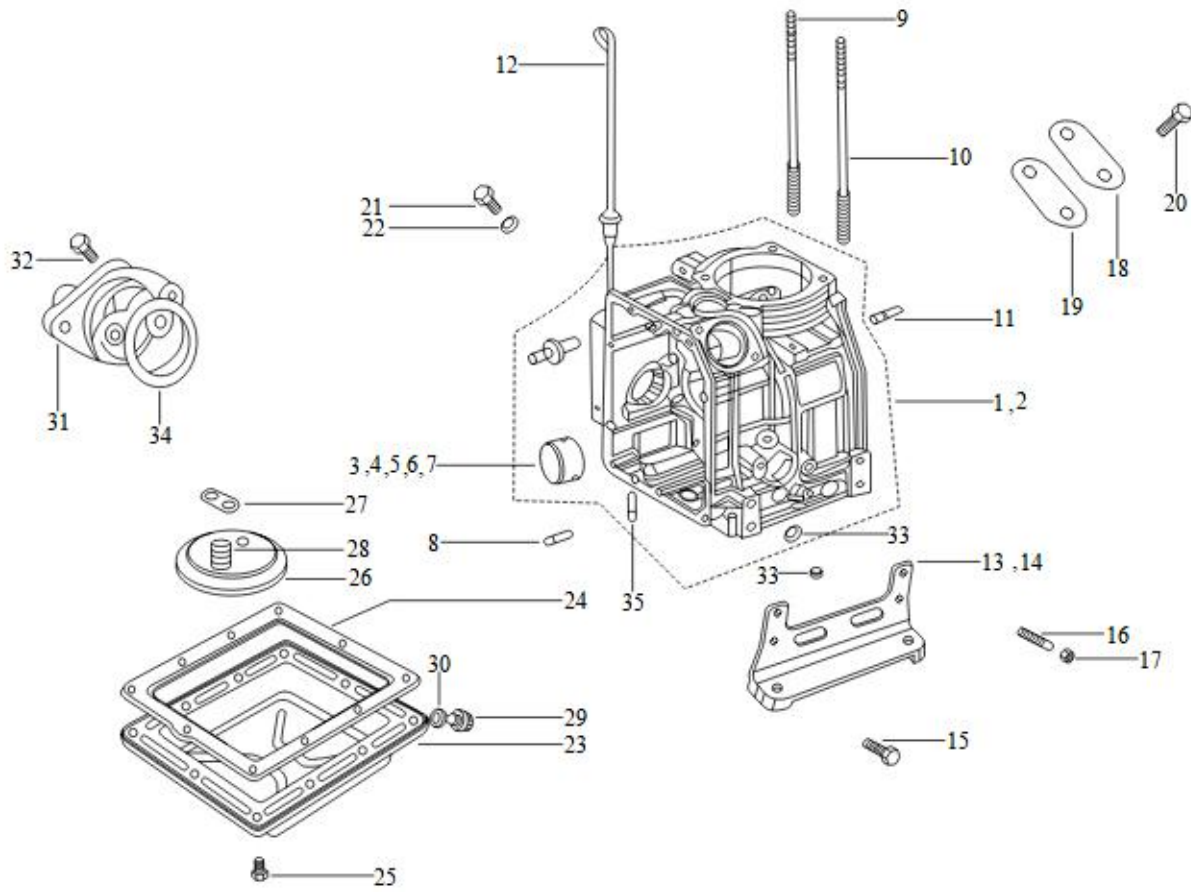
---

**PLATE-1**

**CRANK CASE ASSEMBLY & OIL PAN**

---









Print Date: 07-Apr-2022

**PLATE-1****CRANK CASE ASSEMBLY & OIL PAN**

Fig. No.	Part No.	Description	Qty	Remarks
1	E40012525	CRANKCASE ASSY. WITH STD BUSH & CF PIN	1	
2	E40002263	BUSH CRANKCASE STD	1	
3	E40002264	BUSH CRANKCASE 0.25 MM U/S	1	
4	E40002265	BUSH CRANKCASE 0.50 MM U/S	1	
5	E40002266	BUSH CRANKCASE 0.75 MM U/S	1	
6	E40002267	BUSH CRANKCASE 1.00 MM U/S	1	
7	E276846055	DOWEL -PIN	2	
8	E5406850106	STUD CYLINDER HEAD	2	
9	E5406850108	STUD CYLINDER HEAD	2	
10	E271678054	STUD FWE SIDE	5	
11	E52008924	DIPSTICK	1	
12	E400106100	ENGINE FEET.	1	
13	E40020615	ENGINE FEET - EXHAUST SIDE	1	
14	E50002805	COLLER BOLT M8 X 1.25 X 22	6	
15	E50000506	STUD M8X1.25X34	2	
16	E07502810	COLLAR NUT M8 X 1.25	2	
17	ED33240	BLANK PLATE FOR FIP HOLE	1	
18	ED42723	JOINT FOR FIP CASING (0.5MM THICK)	1	
19	E50002805	COLLER BOLT M8 X 1.25 X 22	2	
20	E9176003	HEX BOLT	1	
21	ED40642	WASHER (BSII) (N.I.)	1	
22	E50008099	OIL PAN	1	
23	E50006169	JOINT	1	
24	E50002805	COLLER BOLT M8 X 1.25 X 22	10	
25	E50008883	SUCTION BULB ASSY.	1	
26	E40016141	JOINT SUCTION BULB	1	
27	E99732047	SCREW FOR BULB	1	
28	E50000421	MAGNETIC DRAIN PLUG M12X1.5	1	
29	E250467014	JOINT 12X19X1(JOINT DRAIN PLUG)	1	
30	ED33369	GOV. SUPPORT ASSY. FOR HOLE CLOSING	1	
31	E270973010	CAP SCREW ( TUBE OIL ADAPTER)	2	
32	E500197087	SLEEVE - OIL PAN IN CRANK CASE	2	
33	E52006205	O RING	1	
34	E500843036	DOWEL PIN	1	

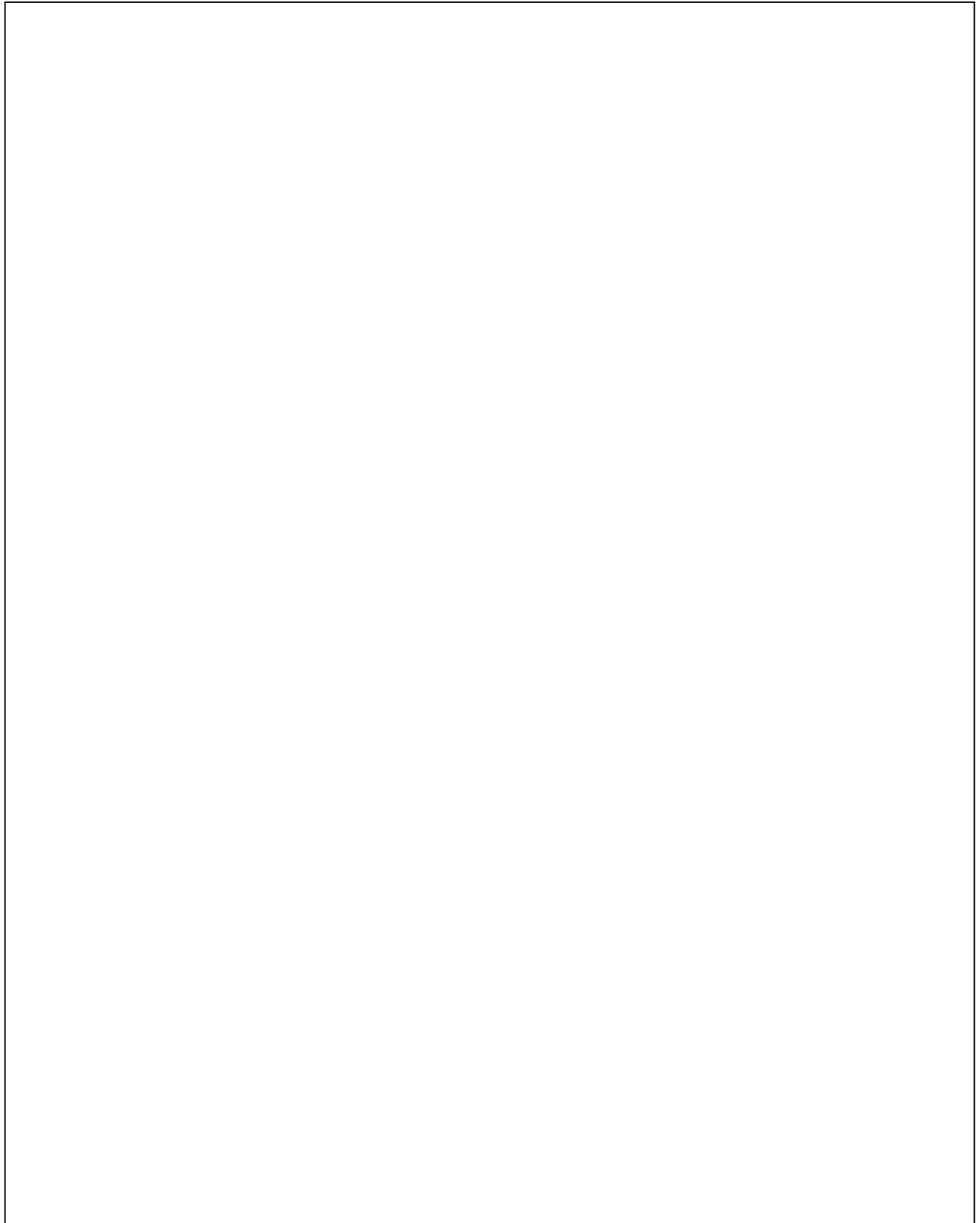


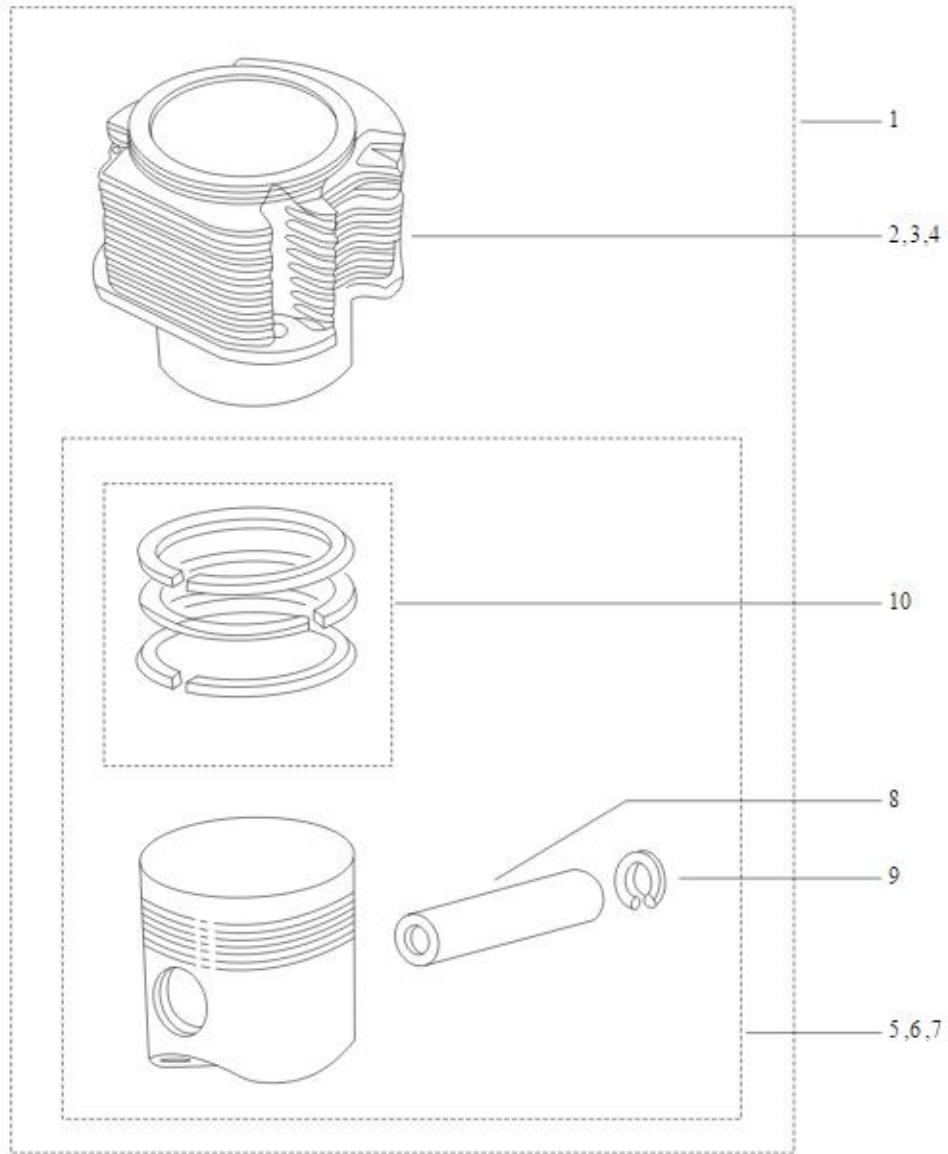
Print Date: 07-Apr-2022

---

**PLATE-2**  
**CYLINDER & PISTON**

---







Print Date: 07-Apr-2022

**PLATE-2**  
**CYLINDER & PISTON**

Fig. No.	Part No.	Description	Qty	Remarks
1	E40020540	CYLINDER & PISTON ASSY. KIT	1	
2	E40002075	CYLINDER GRADE A	1	
3	E40002076	CYLINDER GRADE B	1	
4	E40002077	CYLINDER GRADE C	1	
5	E40020537	PISTON ASSY GRADE A	1	
6	E40020538	PISTON ASSY GRADE B	1	
7	E40020539	PISTON ASSY GRADE C	1	
8	E5408480091A	GUGEON PIN	1	
9	E3124017	CIRCLIP 500 SR	2	
10	E40011420PA	KIT OF PISTON RING MOD BS-II	1	

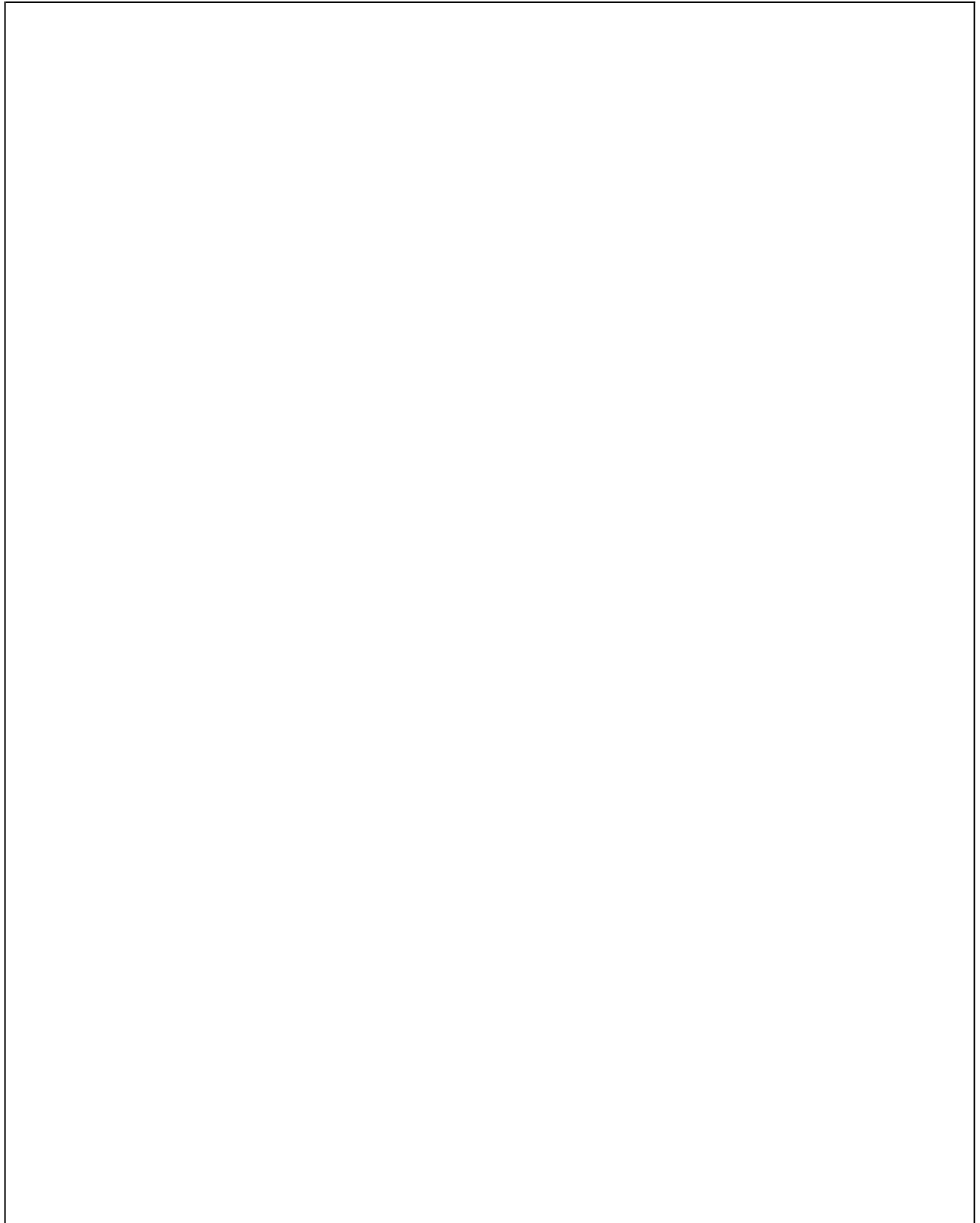


Print Date: 07-Apr-2022

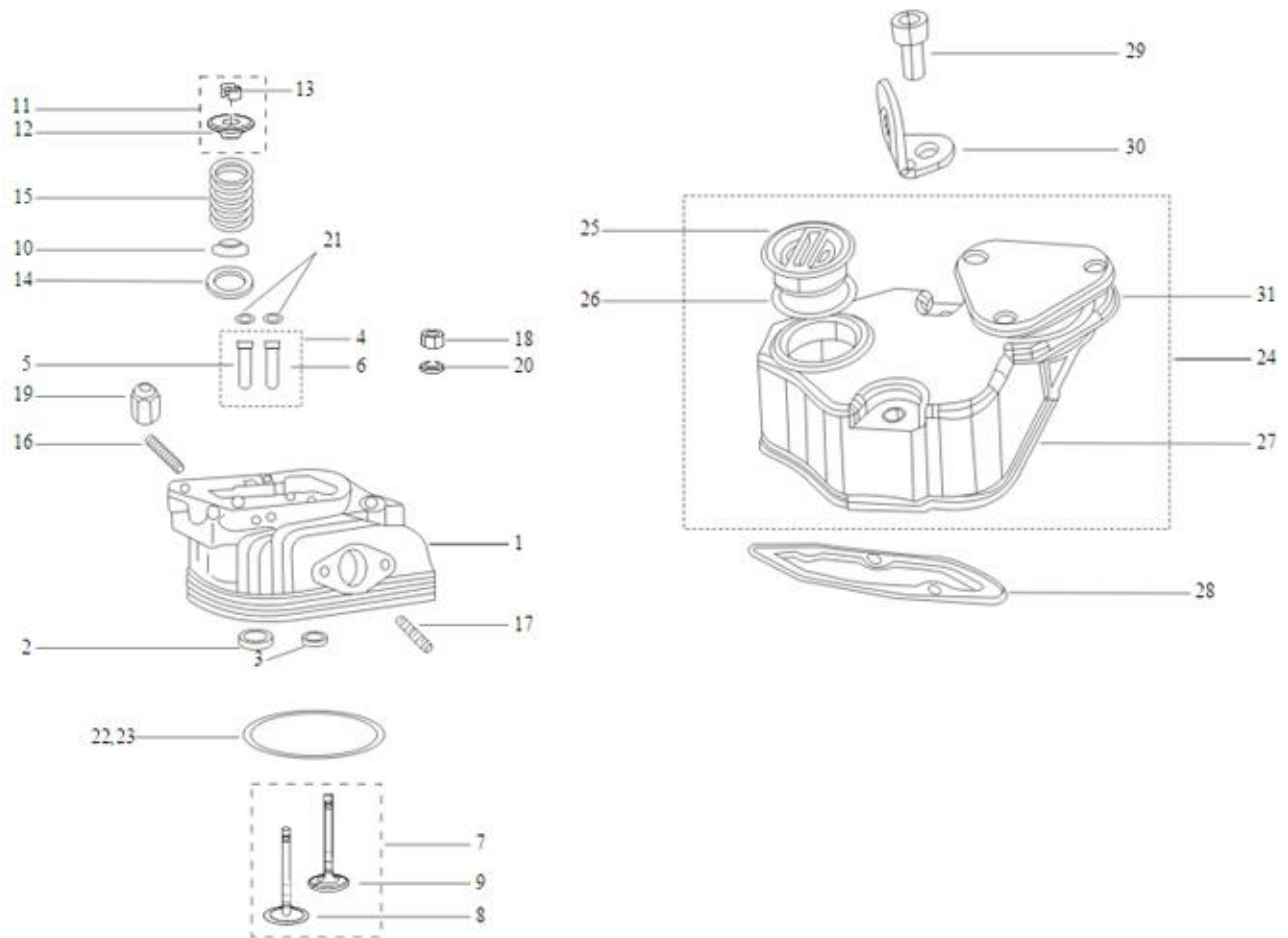
---

**PLATE-3**  
**CYLINDER HEAD ASSY. & ROCKER ASSY**

---









Print Date: 07-Apr-2022

**PLATE-3****CYLINDER HEAD ASSY. & ROCKER ASSY**

Fig. No.	Part No.	Description	Qty	Remarks
1	E40018334	CYLINDER HEAD ASSY.	1	
2	E40012238	VALVE SEAT INLET	1	
3	E40012239	VALVE SEAT EXHAUST	1	
4	E40012270	VALVE GUIDE SET CONSISTING OF SR. NOS. 5&6	1	
5	E40018356	VALVE GUIDE INLET	1	
6	E40018357	VALVE GUIDE EXHAUST	1	
7	E40012250	VALVE SET CONSISTING OF 8&9	1	
8	ED33637	VALVE INTAKE	1	
9	E40012250	VALVE SET CONSISTING OF 8&9	1	
10	E50006342	VALVE STEM SEAL	2	
11	E500641036	COLLET ASSY.	2	
12	E500640030	SPRING RETAINER TOP	2	
13	E271805703	COLLETHALF	4	
14	E5003430070	DISC	2	
15	E500575545	VALVE SPRING	2	
16	E40000549	STUD AIR INTAKE	2	
17	E50000506	STUD M8X1.25X34	2	
18	E93240076	NUT	2	
19	ED40165	DOME NUT	2	
20	E97626065	PLAIN WASHER	4	
21	E500116008	SNAP RING	2	
22	E40026134	JOINT CYL. HEAD (1.0 THK.)	1	
23	E40026135	JOINT CYL. HEAD( 0.7 THK.)	1	
24	E43502764	ROCKER BOX COVER ASSY. WITH OIL FILLING 1 PLUG, CONSISTING OF SR. NO. 26 TO 28.	1	
25	E40024010	OIL FILLING PLUG	1	
26	E40006214	O RING	1	
27	E40002773	ROCKER BOX COVER ASSY.	1	
28	E43502711	JOINT FOR ROCKER COVER	1	
29	E50000114	BOLT (ALLEN)	2	
30	E904850603	LIFTING HOOK	1	
31	ED43751	SAFETY VALVE	1	

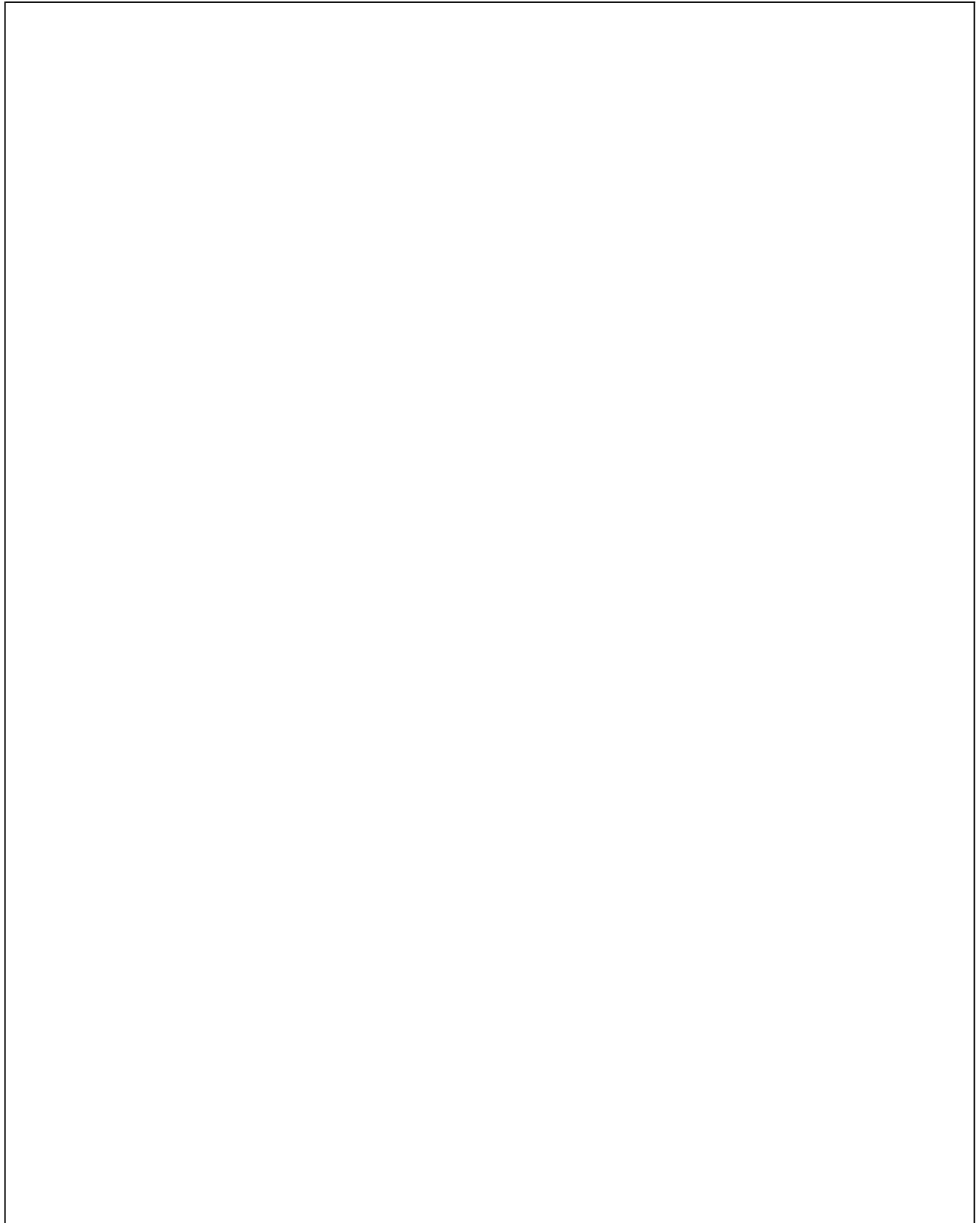
6

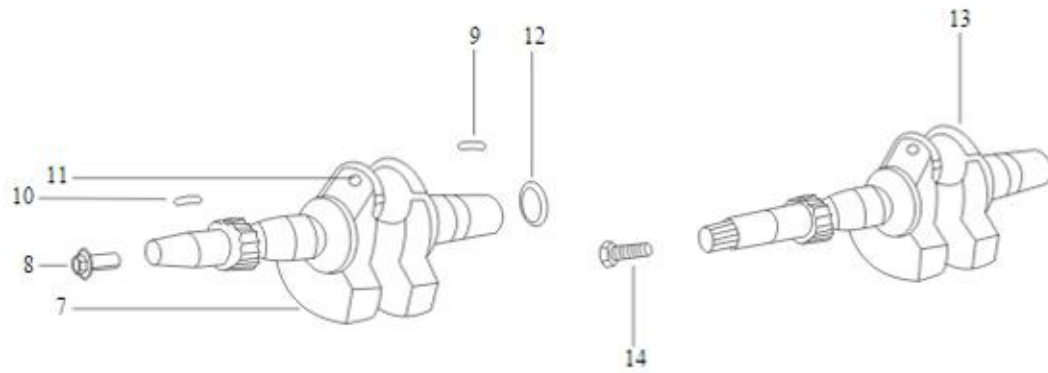
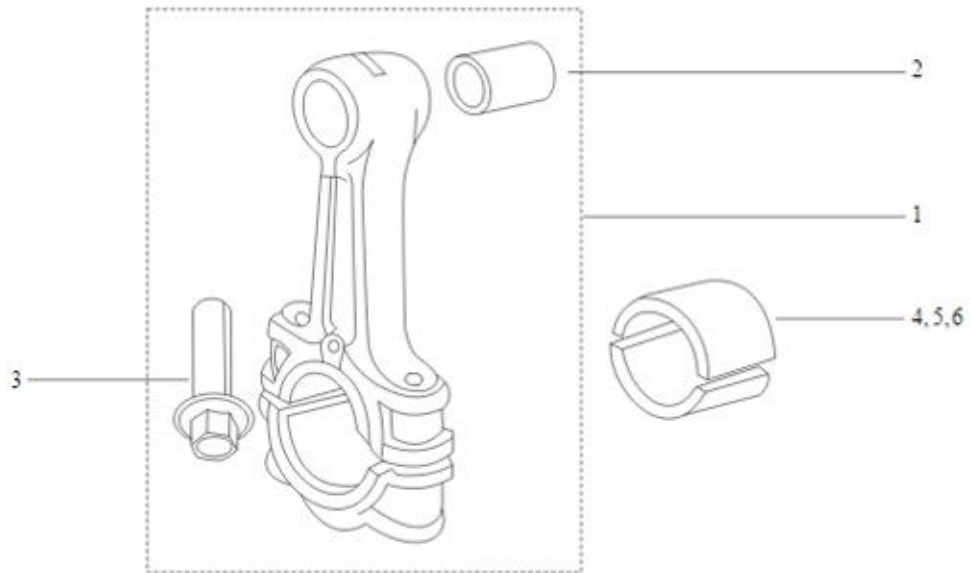
Print Date: 07-Apr-2022

---

**PLATE-4**  
**CONNECTING ROD & CRANK SHAFT ASSEMBLY**

---







Print Date: 07-Apr-2022

**PLATE-4****CONNECTING ROD & CRANK SHAFT ASSEMBLY**

Fig. No.	Part No.	Description	Qty	Remarks
1	E50009023	CONNECTING ROD ASSY.	1	
3	E50009205	BUSH SMALL END CON ROD	1	
4	E40002818	BOLT M8X1	2	
5	E50002296A	LARGE END BEARING(SET OF 2)	1	
6	E40022211	LARGE END BEARING WITH COPPER LEAD (SINGLE HALF) 0.25 MM U/S	1	
7	E40022212	LARGE END BEARING (0.50MM U/S) WITH COPPER LEAD (SINGLE HALF)	1	
8	E50006060	CRANKSHAFT	1	
9	ED41602	BOLT PTO FLANGE FIXING	1	
10	E500228048	KEY - F.W.E.	1	
11	E70228047	KEY PTO	1	
12	E500900038	PLUG OIL HOLE	2	
13	E50006060	CRANKSHAFT	1	
14	E47177007	SCREW M8X1.25X30	1	
15	E500125708A	THRUST WASHER	1	NI



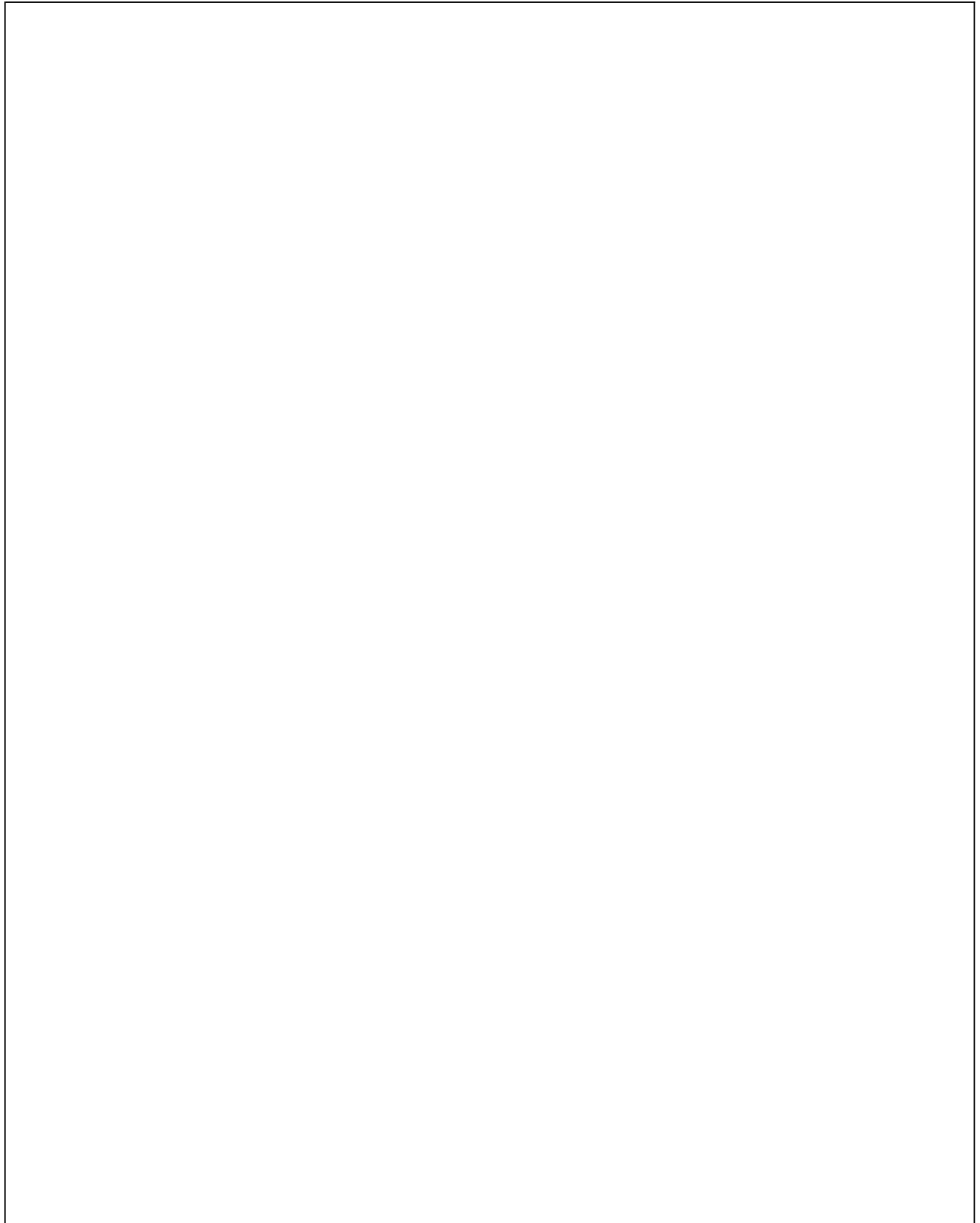


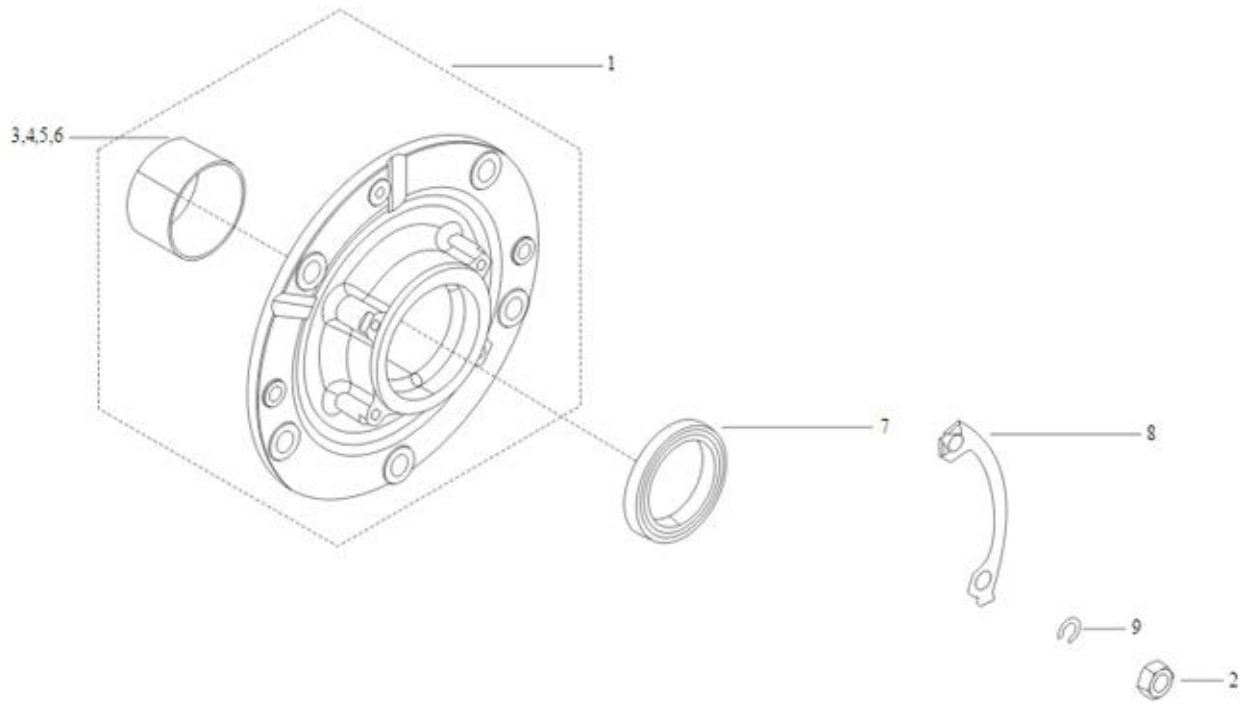
Print Date: 07-Apr-2022

---

**PLATE-5**  
**CRANKSHAFT SUPPORT**

---







Print Date: 07-Apr-2022

**PLATE-5**  
**CRANKSHAFT SUPPORT**

Fig. No.	Part No.	Description	Qty	Remarks
1	E40011772	CRANKSHAFT SUPPORT ASSY. GL400	1	
2	E9324018	NUT M8 X 1.25 X 6.5	5	
3	E53002207	BUSH FWE SIDE 0.25 MM U/S	1	
4	E53002208	BUSH FWE SIDE 0.50 MM U/S	1	
5	E53002209	BUSH FWE SIDE 0.75 MM U/S	1	
6	E53002210	BUSH FWE SIDE 1.00 MM U/S	1	
7	ED42548	OILSEAL 520/530/GL400	1	
8	ESK8832	RETAINER PLATE	3	
9	E250755507	SPRING WASHER FOR M8	5	

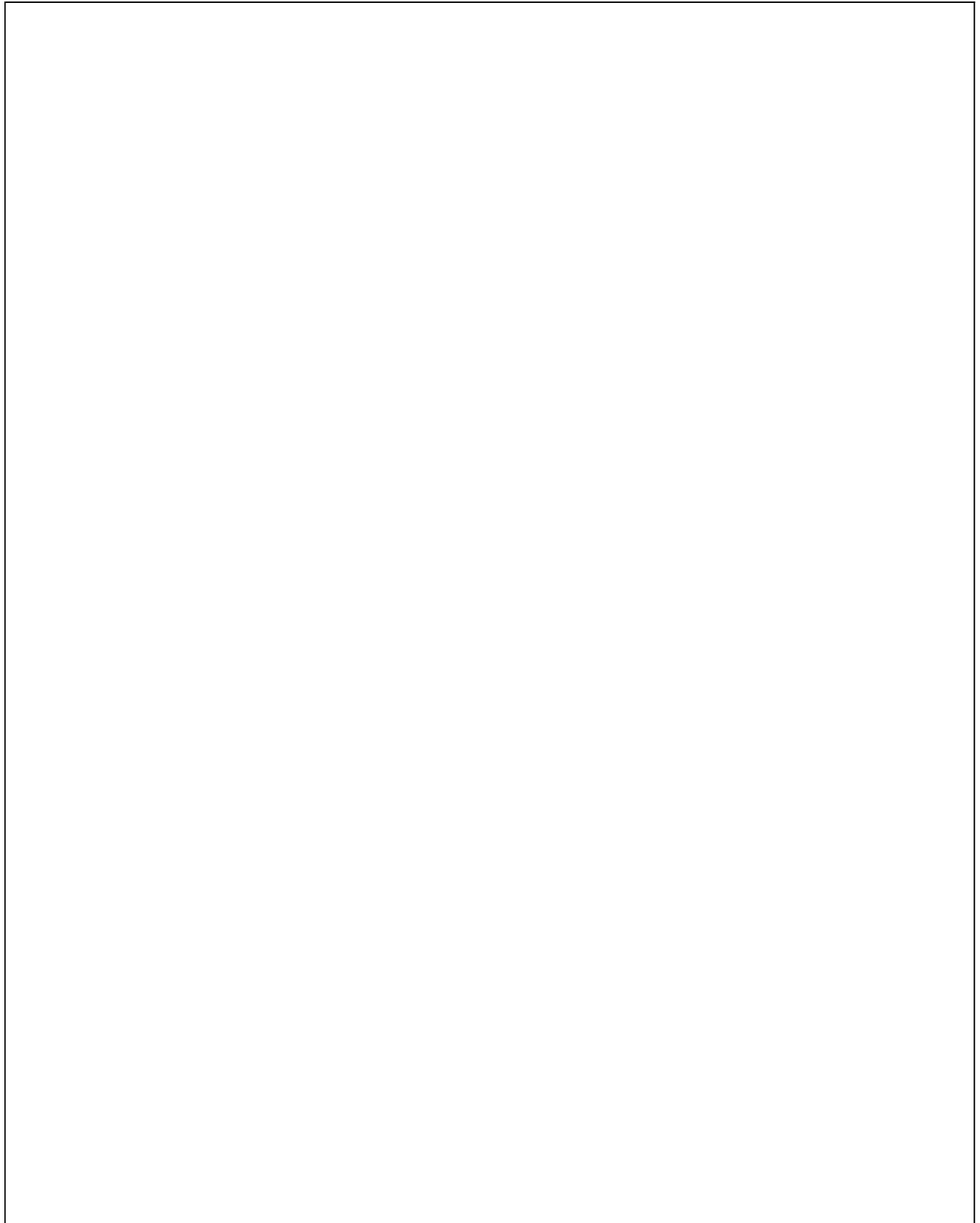


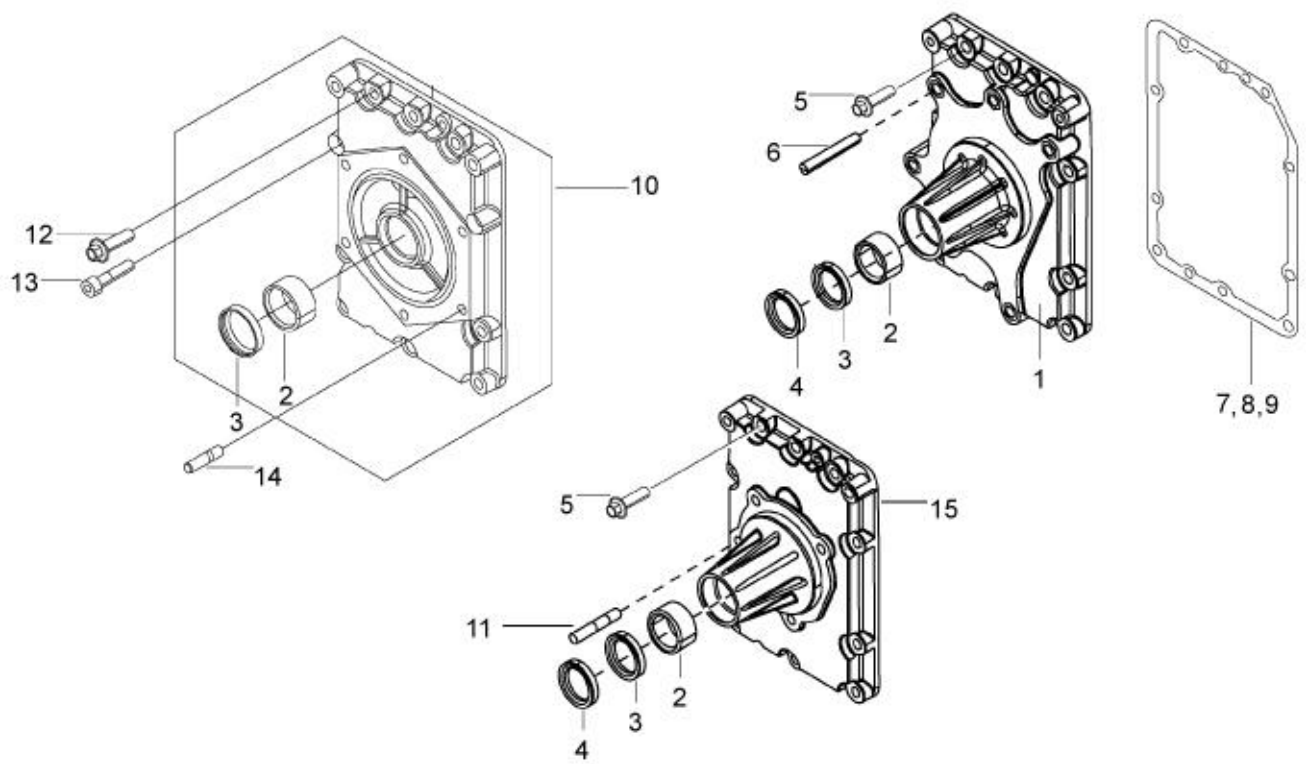
Print Date: 07-Apr-2022

---

**PLATE-6**  
**PTO COVER**

---









Print Date: 07-Apr-2022

**PLATE-6**  
**PTO COVER**

Fig. No.	Part No.	Description	Qty	Remarks
1	E43521745	COVER PTO (SIX STUD)	1	
2	E90303028	BEARING NEEDLE	1	
3	E9121356	OIL SEAL	1	
4	E50006328	OIL SEAL	1	
5	E07502804	COLLER BOLT M8 X 1.25 X 30	10	
6	ESK4336	STUD M8 X 1.25 X 57(PTO COVER)	6	
7	E500460120	JOINT 0.2 MM	1	
8	E500460102	JOINT 0.3 MM	1	
9	E50006101	JOINT 0.4 MM	1	
10	E50007540	PTO COVER ASSY. CONSISTING OF 2,4,5	1	
11	E53000542	STUD	4	
12	E07502804	COLLER BOLT M8 X 1.25 X 30	8	
13	E422973030	CAP SCREW FOR M8X1.25 FOR FUEL PUMP (BSII)	2	
14	E50000506	STUD M8X1.25X34	6	
15	E53011748	COVER PTO	1	



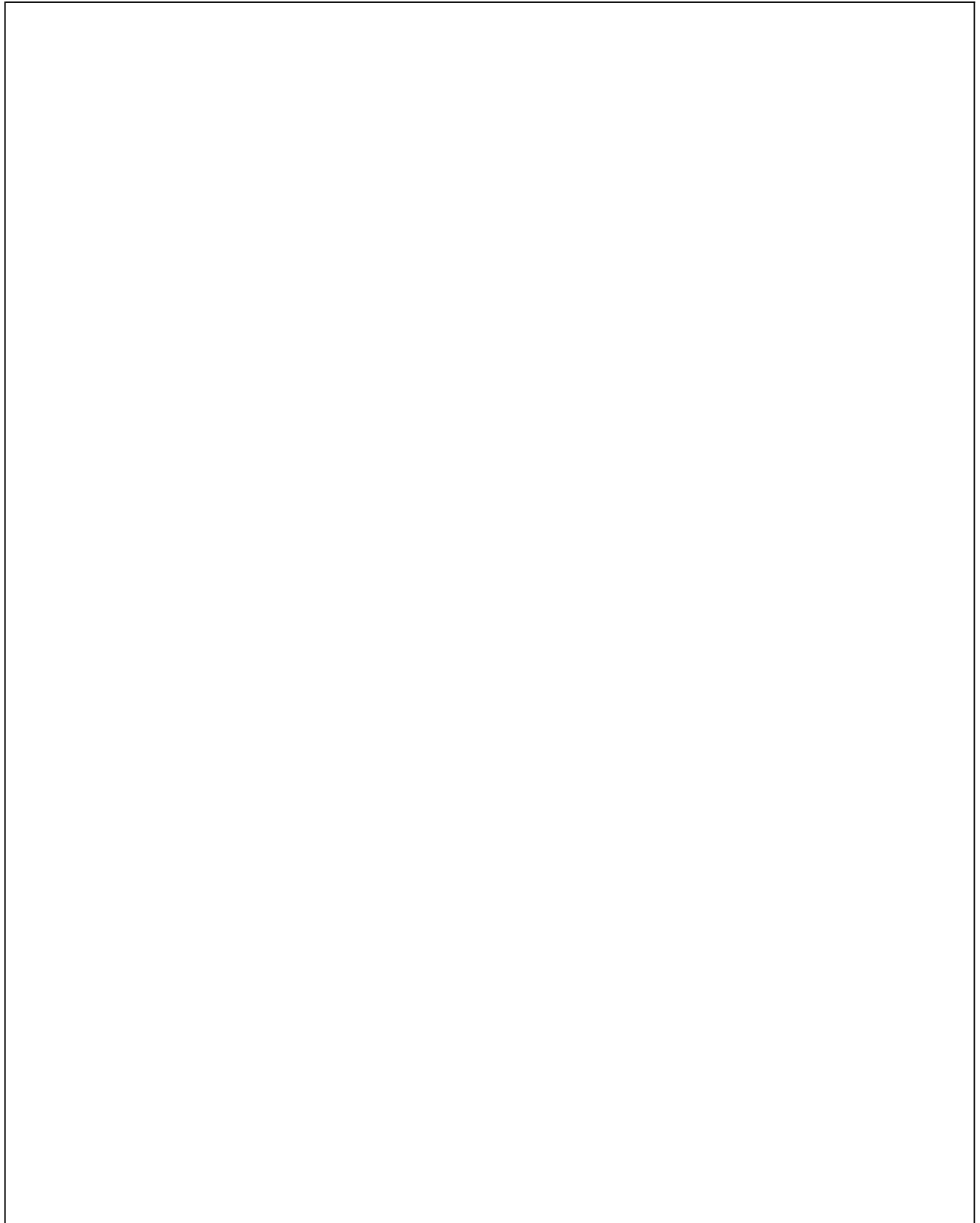
Print Date: 07-Apr-2022

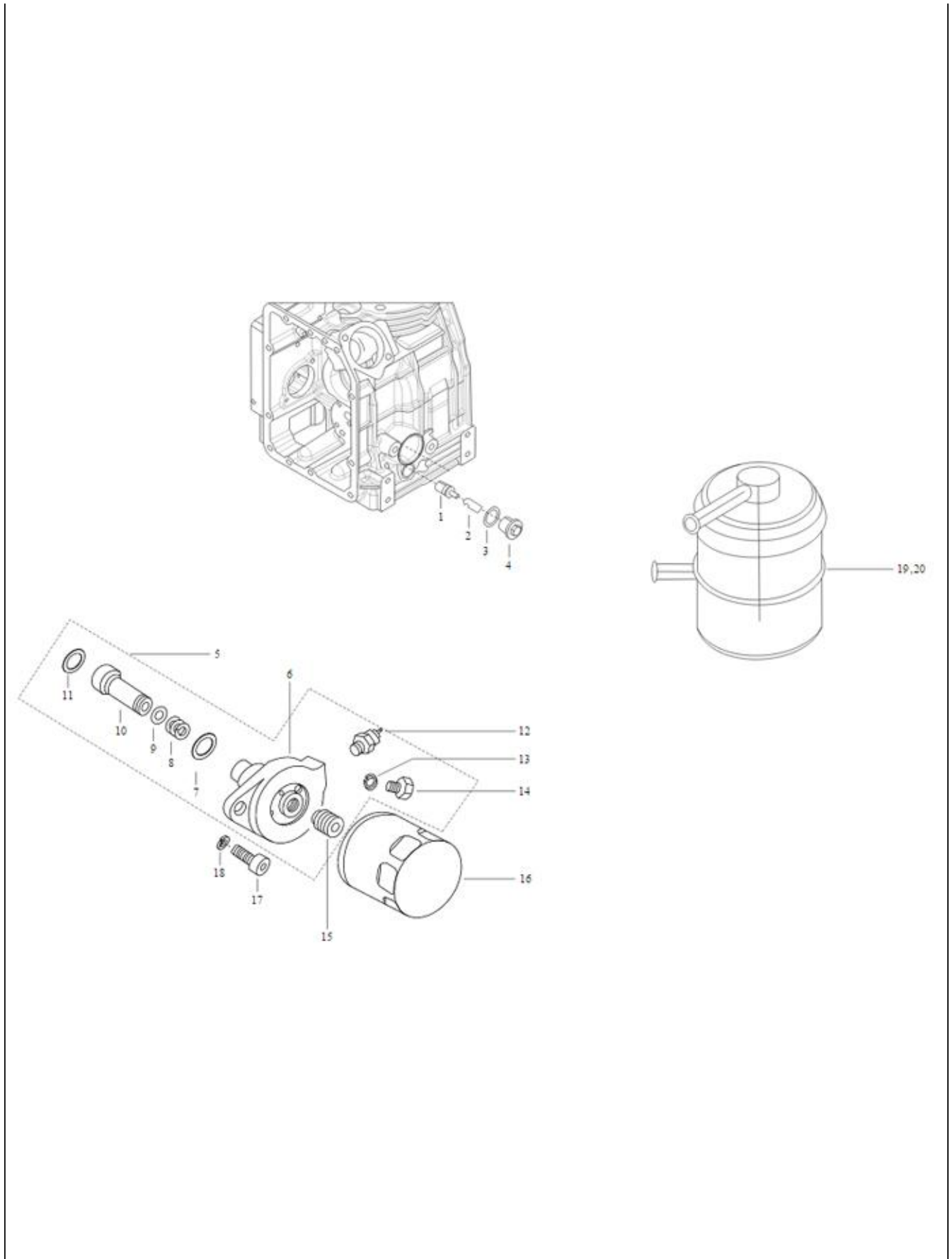
---

**PLATE-7**

**PRESSURE RELIEF VALVE, SPIN ON OIL FILTER & PETROL FILTER**

---







Print Date: 07-Apr-2022

**PLATE-7****PRESSURE RELIEF VALVE, SPIN ON OIL FILTER & PETROL FILTER**

Fig. No.	Part No.	Description	Qty	Remarks
1	E5609680013	RELIEF VALVE BODY	1	
2	E500575549	SPRING	1	
3	E200467021	JOINT	1	
4	E50000475	PLUG RELIEF VALVE	1	
5	E40008874	FLANGE ASSY FOR SPIN-ON FILTER	1	CONSISTING OF 6 TO 15
6	E40008873	FLANGE	1	
7	E260120016	O RING	1	
8	E50005625006	SPRING	1	
9	E904120213	O RING	1	
10	E50006495029	PISTON	1	
11	E50001213143	O RING LUB OIL FILTER	1	
12	ED41447	OIL PRESSURE SWITCH - PARALLEL THREAD	1	
13	E200467003	JOINT	2	
14	E1177001	BOLT	1	
15	ED41208	STUD	1	
16	ED42244	SPIN ON LUB OIL FILTER	1	
17	E260973027	CAP SCREW M8X 1.25	2	
18	E50000613	MACHINED WASHER 16X8.1X2	1	
19	E40008724	PETROL FILTER	1	
20	ED32619	PETROL FILTER	1	





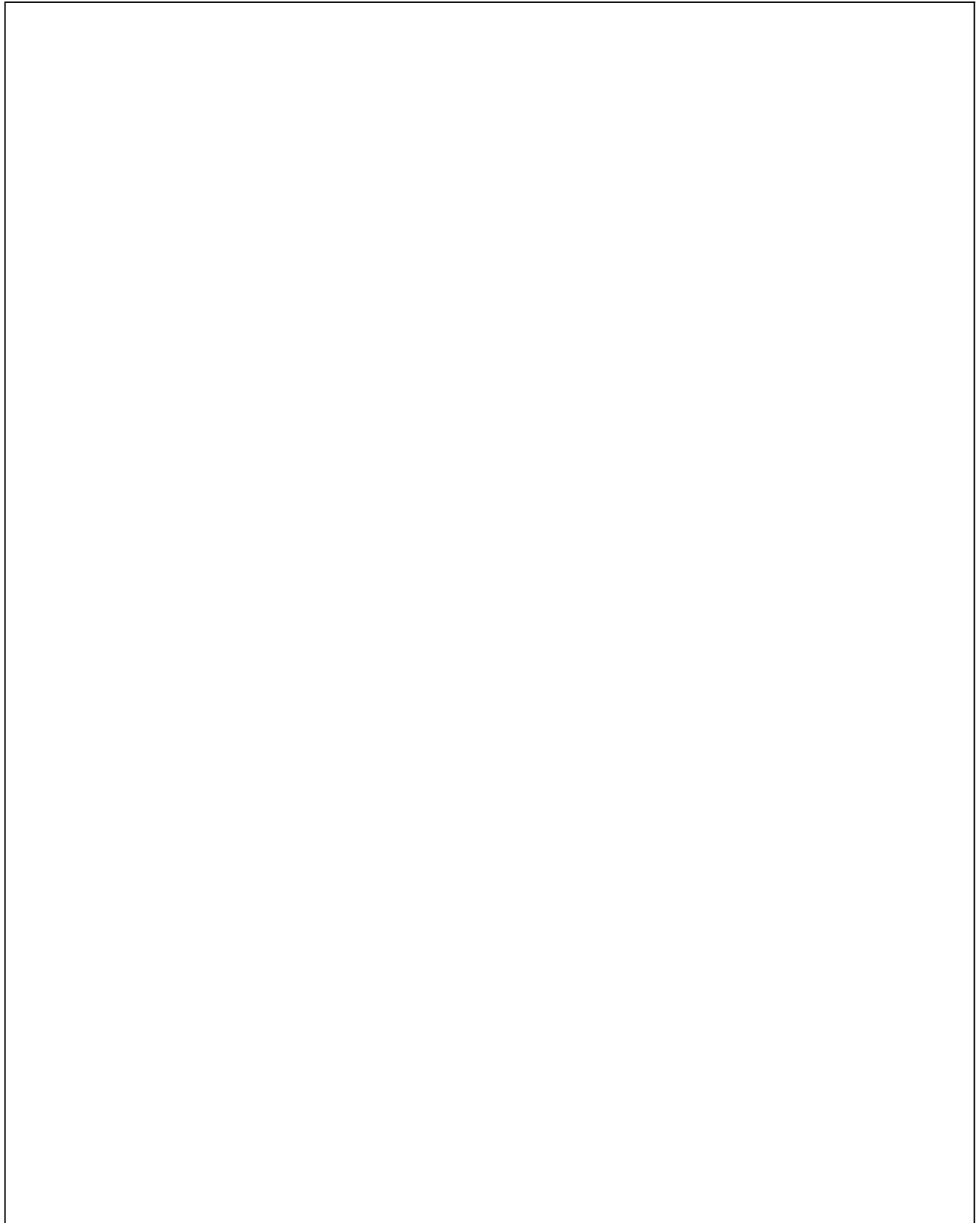
Print Date: 07-Apr-2022

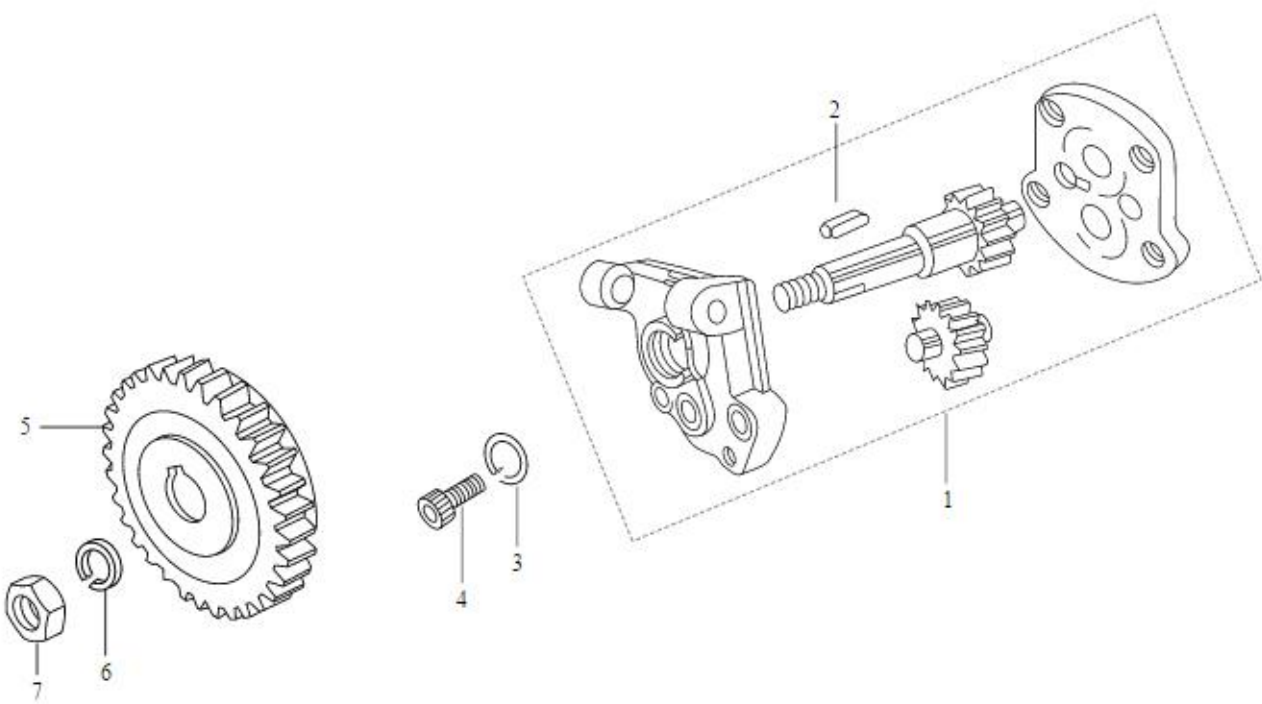
---

**PLATE-8**

**LUB OIL & GOVERNOR GEAR**

---







Print Date: 07-Apr-2022

**PLATE-8****LUB OIL & GOVERNOR GEAR**

<b>Fig. No.</b>	<b>Part No.</b>	<b>Description</b>	<b>Qty</b>	<b>Remarks</b>
1	E52006709	LUB OIL PUMP ASSY.	1	
2	E500220013	KEY	1	
3	E250755504	SPRING WASHER FOR M6	4	
4	E50000437	HEX SOCKET HEAD SCREW	4	
5	E40009683	GEAR LUB. OIL PUMP	1	
6	E202756511	SPRING WASHER FOR M10	1	
7	E500324066	NUT	1	

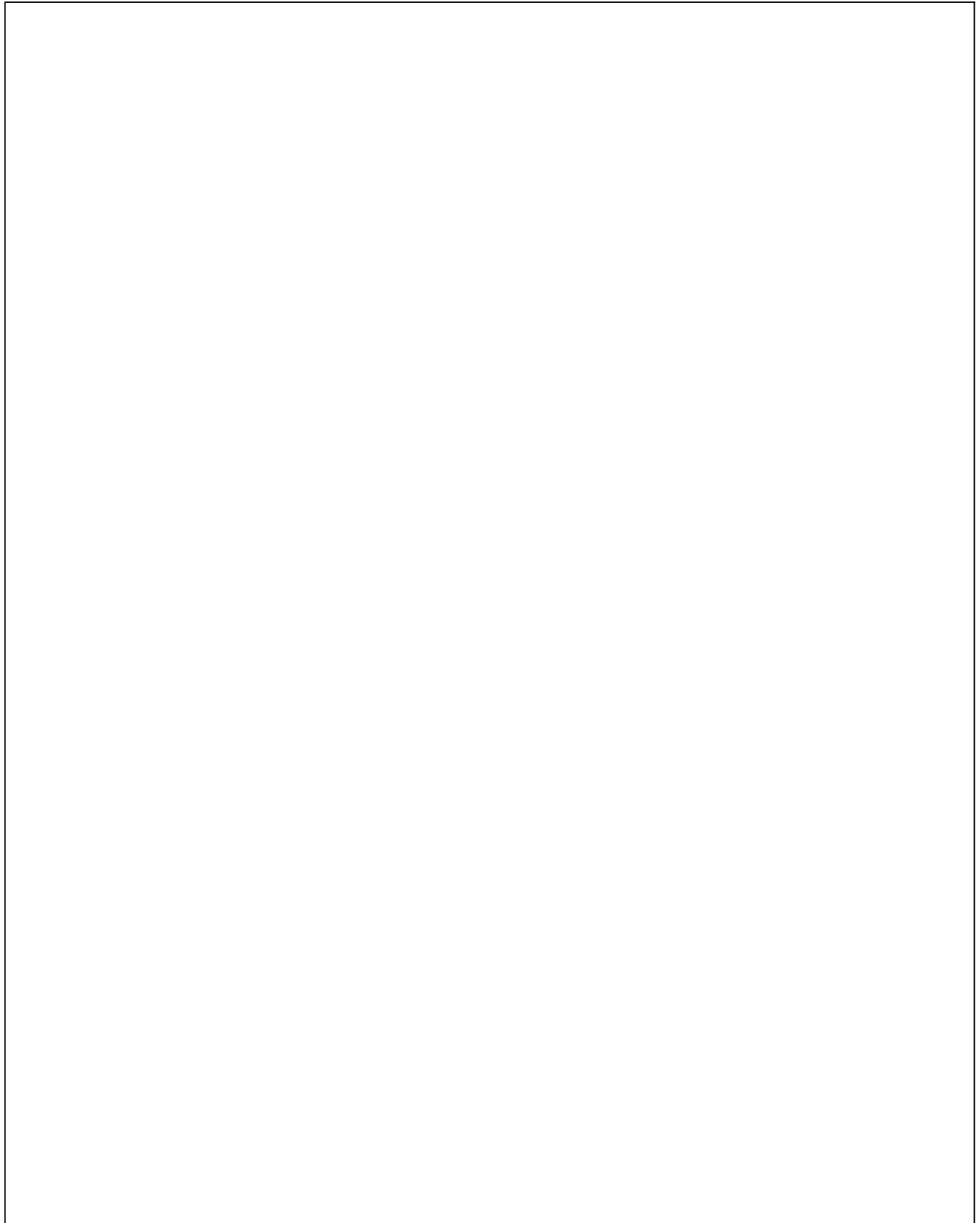


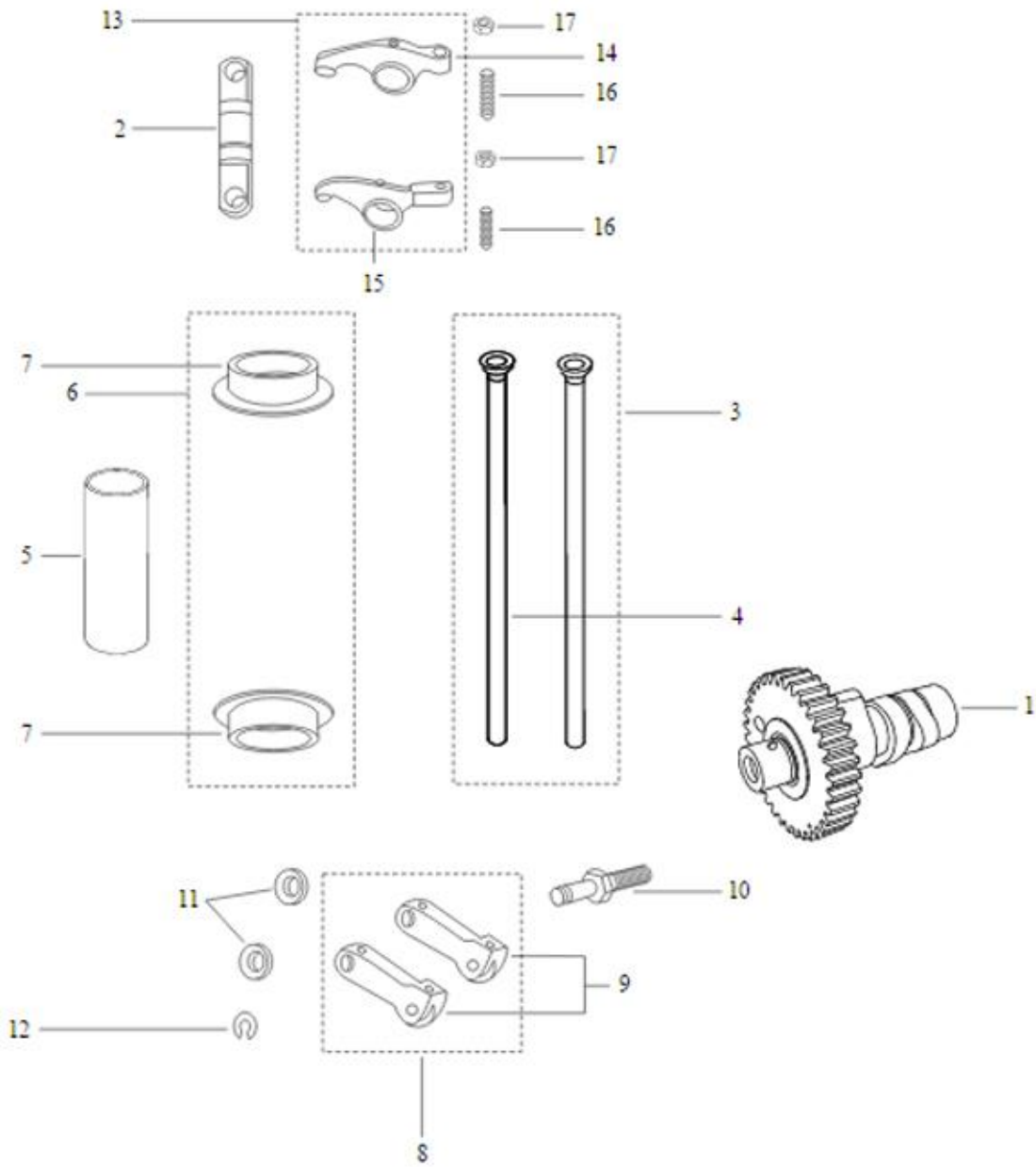
Print Date: 07-Apr-2022

---

**PLATE-9**  
**CAM SHAFT, PUSH ROD & ROCKER ARM**

---









Print Date: 07-Apr-2022

**PLATE-9****CAM SHAFT, PUSH ROD & ROCKER ARM**

Fig. No.	Part No.	Description	Qty	Remarks
1	E400060112	CAM SHAFT (BSII)	1	Common for BSII & BSIII
2	E5406045038	ROCKER FULCRUM	1	
3	E50007334	SET OF PUSHES	1	
4	E500141016	PUSH ROD	2	
5	E5009520029	PUSH ROD TUBE	1	
6	E50016170	SET OF RUBBER SLEEVES	1	
7	E40006428	JOINT PUSH ROD SLEEVE (G400AG)	2	
8	ED43409	CAM FOLLOWER KIT	1	
9	E5005271054	CAM FOLLOWER LEVER	2	
10	ED30956	PIN LH THREAD	1	
11	E500755006	DISTANCE PIECE	2	
12	E47124004	CIRCLIP	1	
13	E40015121	ROCKER LEVER SET CONSISTING OF SR. NO. 16 & 17	1	
14	E43502707	ROCKER LEVER - INLET	1	Not servciable
15	E43502709	ROCKER LEVER - EXHAUST	1	
16	E500985048	ADJUSTING SCREW	2	
17	E105324008	NUT HEX -OIL SEPARATOR MOUNTING	2	



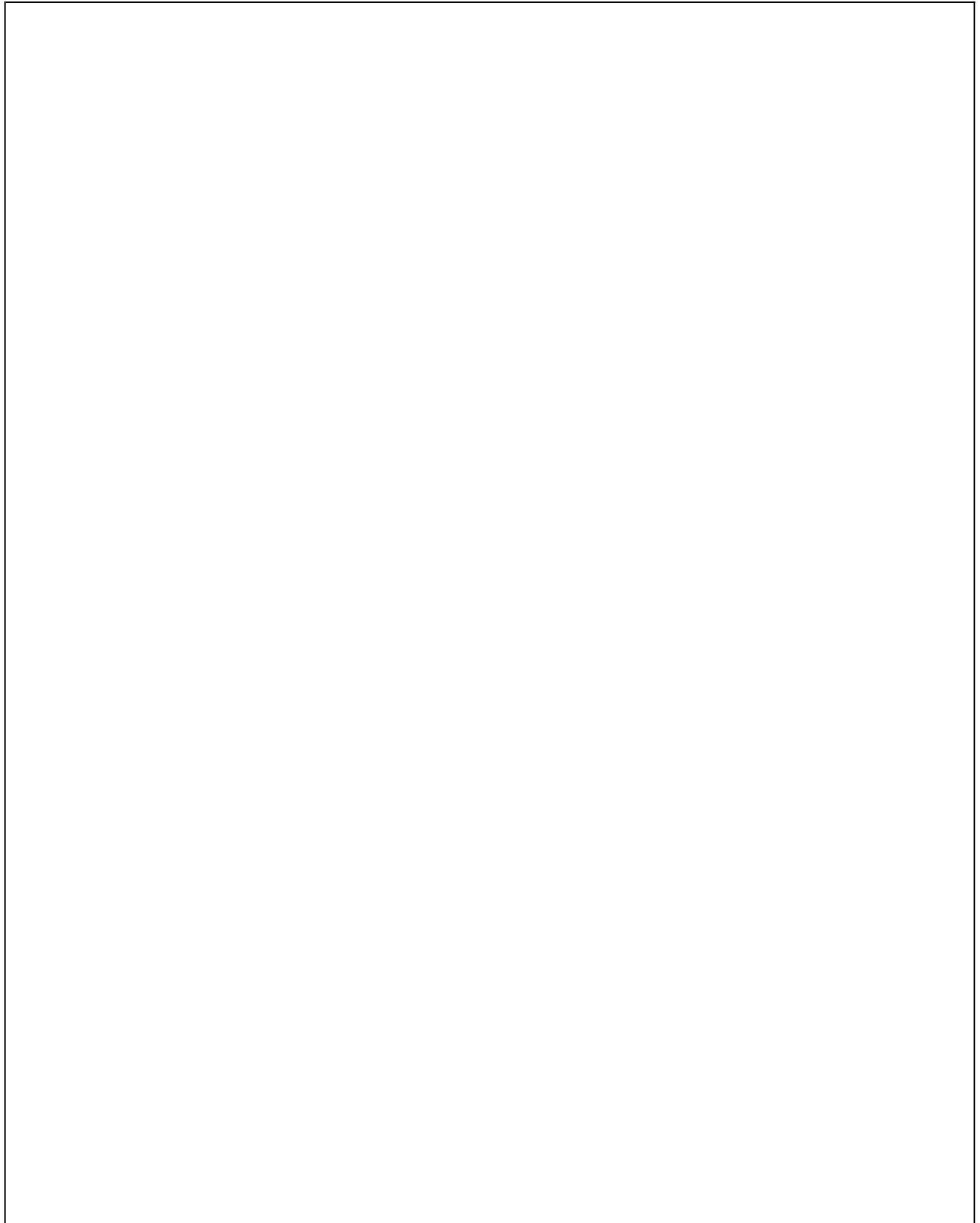
Print Date: 07-Apr-2022

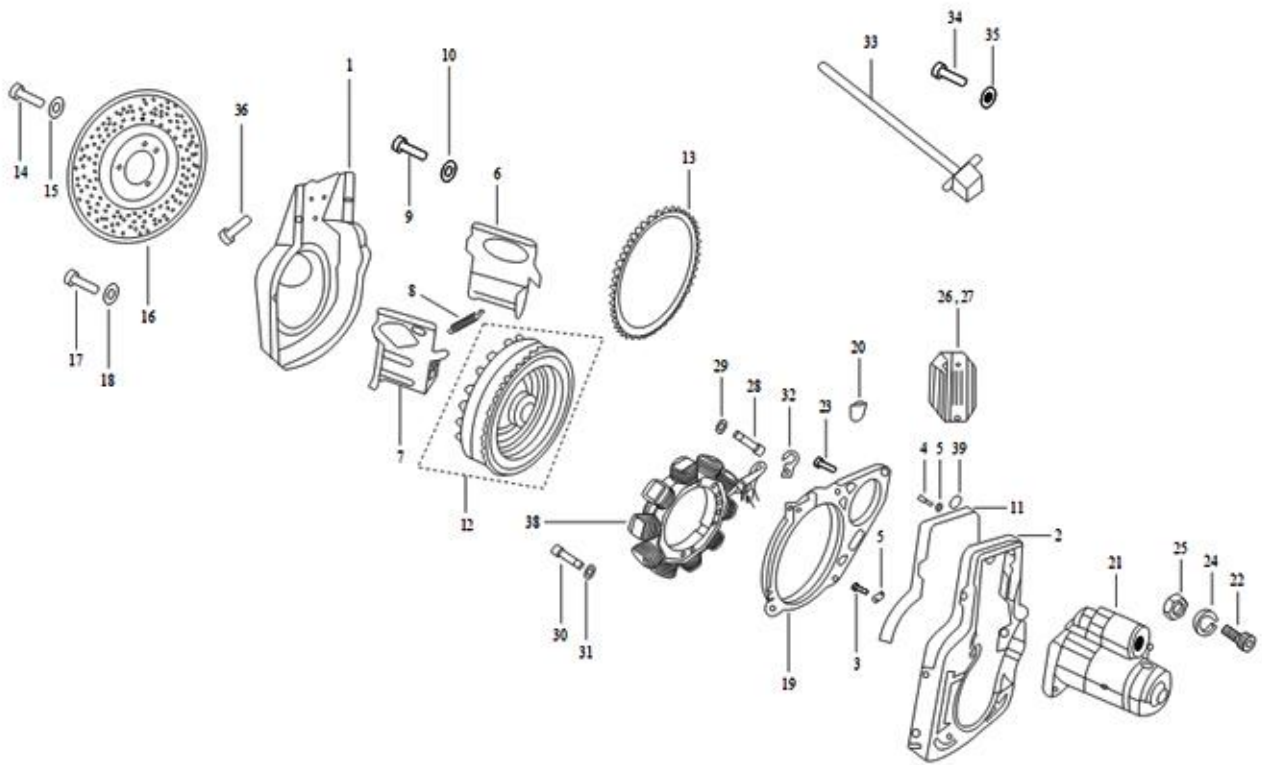
---

**PLATE-10**

**AIR SHROUD / FLYWHEEL / ELECTRIC START SYSTEM**

---







Print Date: 07-Apr-2022

**PLATE-10****AIR SHROUD / FLYWHEEL / ELECTRIC START SYSTEM**

Fig. No.	Part No.	Description	Qty	Remarks
1	E40001793	AIR SHROUD	1	
2	E40001792	BACK PLATE	1	
3	E9177006	BOLT M8X1.25X25	4	
4	E1177001	BOLT	2	
5	E1756507	SPRING WASHER M8	4	
6	E43502754	AIR BAFFLE -INTAKE SIDE	1	
7	E43502755	AIR BAFFLE -EXHAUST SIDE	1	
8	E5405725043	SPRING AIR BAFFLE	1	
9	E90979037	PHILIPS SCREW	8	
10	E1756504	SPRING WASHER M6- OIL SEPARATOR 2	2	
11	E50006404	JOINT	1	
12	E40005461	FLY WHEEL MOUNTED ALTERNATOR	1	
13	E40009648	RING GEAR STARTER 0.7 KW (INEL FMA)	1	
14	E52200434	SCREW HEX. HEAD M14X1.5X35 LH THREAD FLYWHEEL FIXING	1	
15	E97626043	PLAIN WASHER FLYWHEEL	1	
16	E40019528	GUARD PLATE	1	
17	E50000164	BOLT	4	
18	E260756505	SPRING WASHER (FOR SHEET METAL PULLEY)	4	
19	E40001797	STARTER MOUNTING PLATE	1	
20	E40005592	BUSH FOR FMA CABLE	1	
21	F000CD0301	CDS STARTER MOTOR	1	
22	E47177007	SCREW M8X1.25X30	2	
23	E9177006	BOLT M8X1.25X25	4	
24	E1756507	SPRING WASHER M8	2	
25	E45762512	PLAIN WASHER	2	
26	ED23790	RECTIFIER & REGULATOR	1	
27	ED33204	REGULATOR	1	
28	E50000437	HEX SOCKET HEAD SCREW	4	
29	E250755504	SPRING WASHER FOR M6	4	
30	E40020135	BOLTS FOR FMA STARTOR	4	
31	E26756503	SPRING WASHER	4	
32	E6193361721	CLAMP	1	
33	E40015418	PULSER COIL WITH DUST SEAL	1	
34	E264973008	CAP SCREW	2	
35	ESK5700	SPRING WASHER	2	



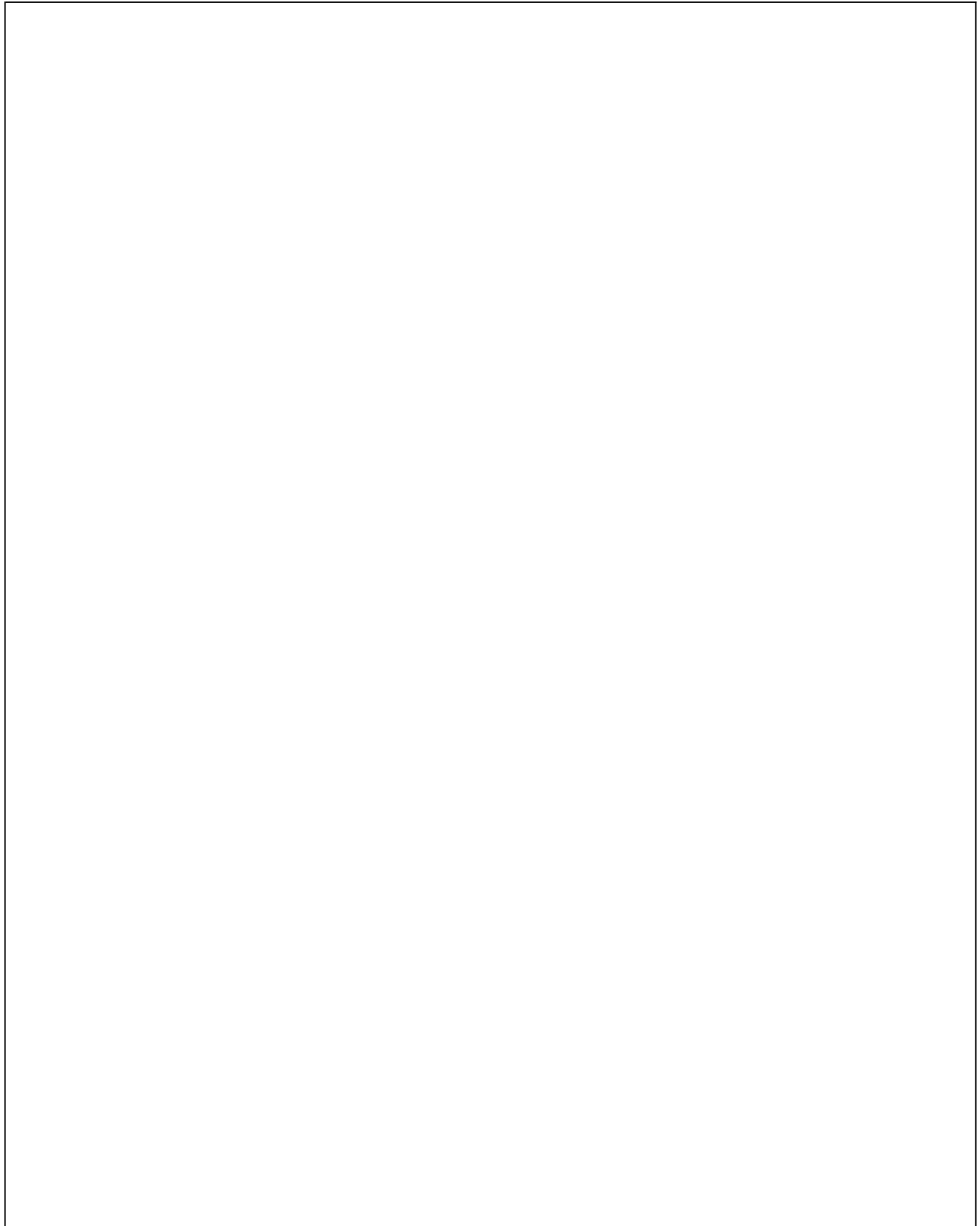
Print Date: 07-Apr-2022

---

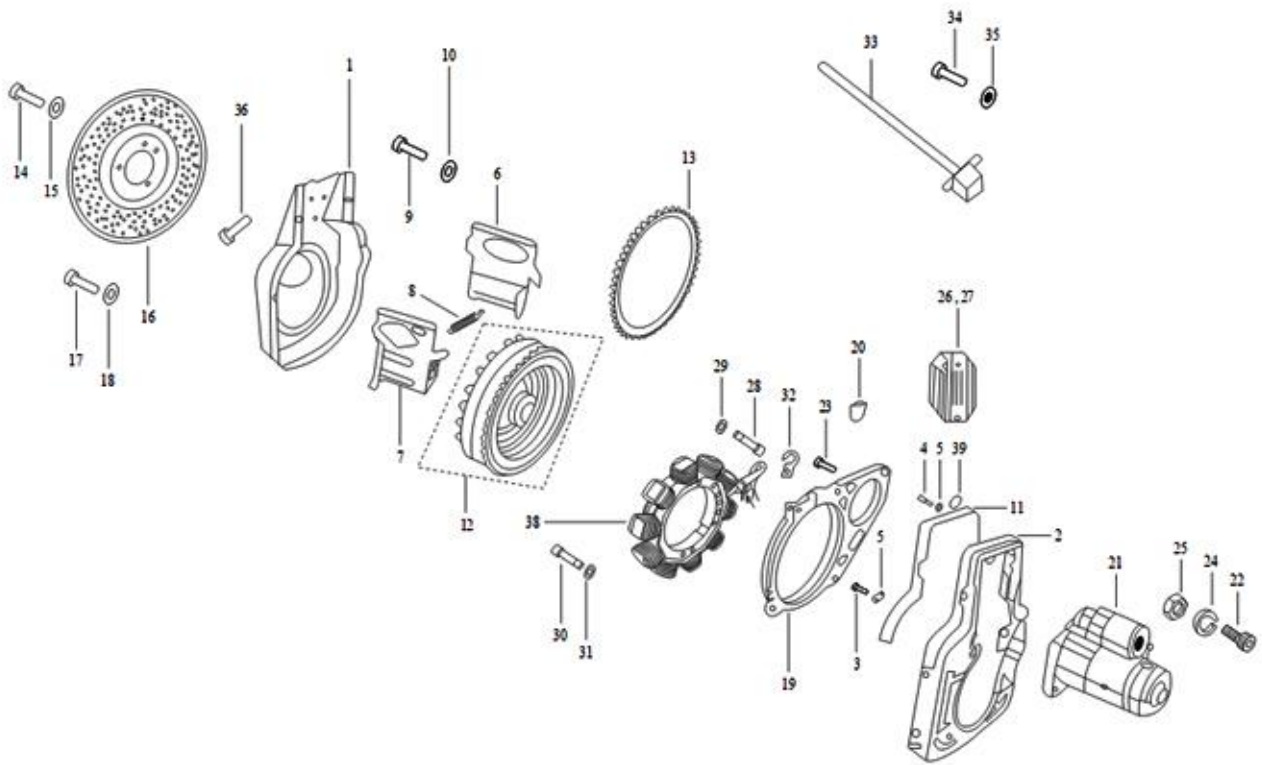
**PLATE-10**

**AIR SHROUD / FLYWHEEL / ELECTRIC START SYSTEM**

---









Print Date: 07-Apr-2022

**PLATE-10****AIR SHROUD / FLYWHEEL / ELECTRIC START SYSTEM**

<b>Fig. No.</b>	<b>Part No.</b>	<b>Description</b>	<b>Qty</b>	<b>Remarks</b>
36	E90979039	SCREW	2	
37	E40005497	STATOR ASSEMBLY WITH PICKUP COIL	1	
38	E40015401	STATOR ASSEMBLY	1	
39	E45762512	PLAIN WASHER	2	



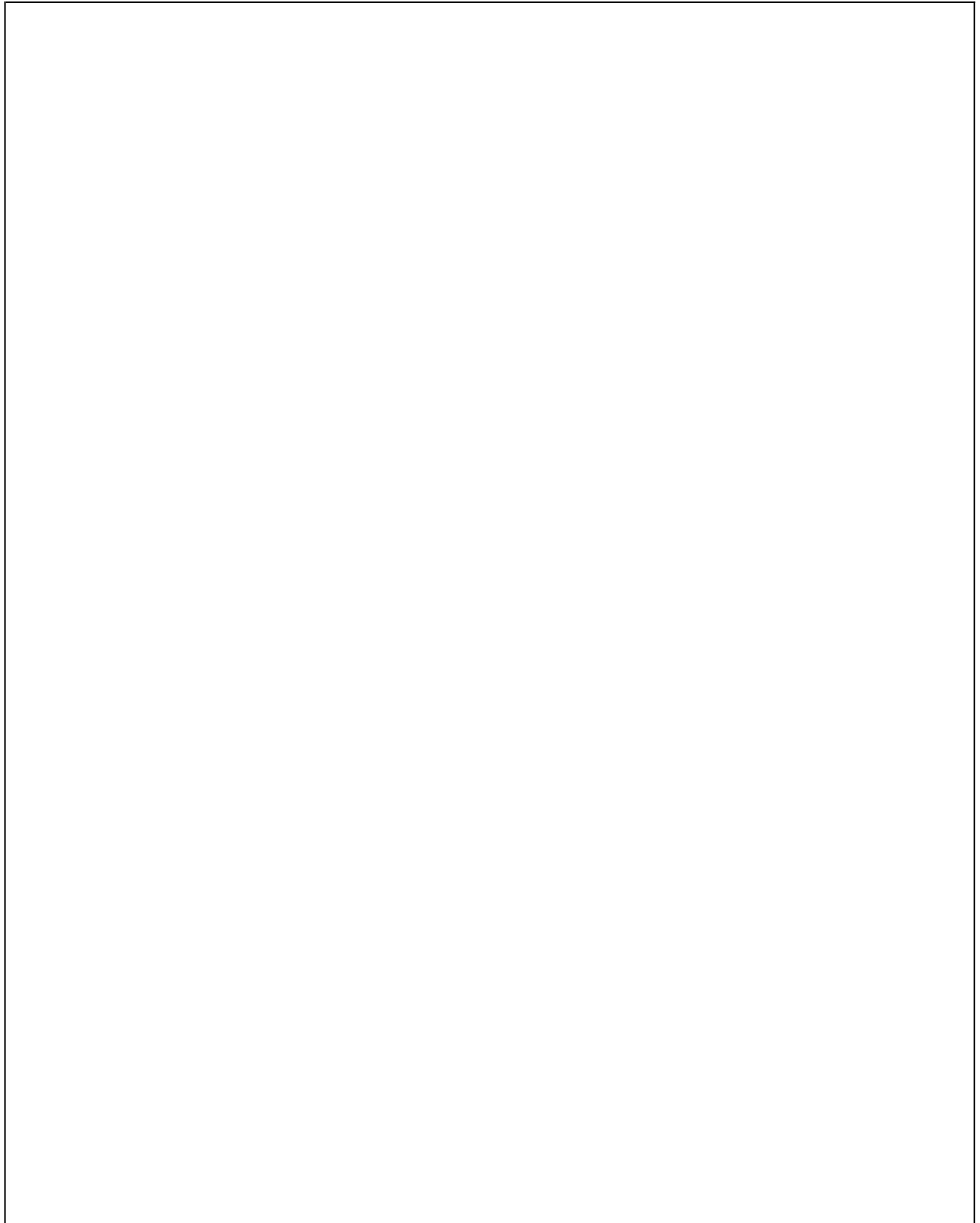
Print Date: 07-Apr-2022

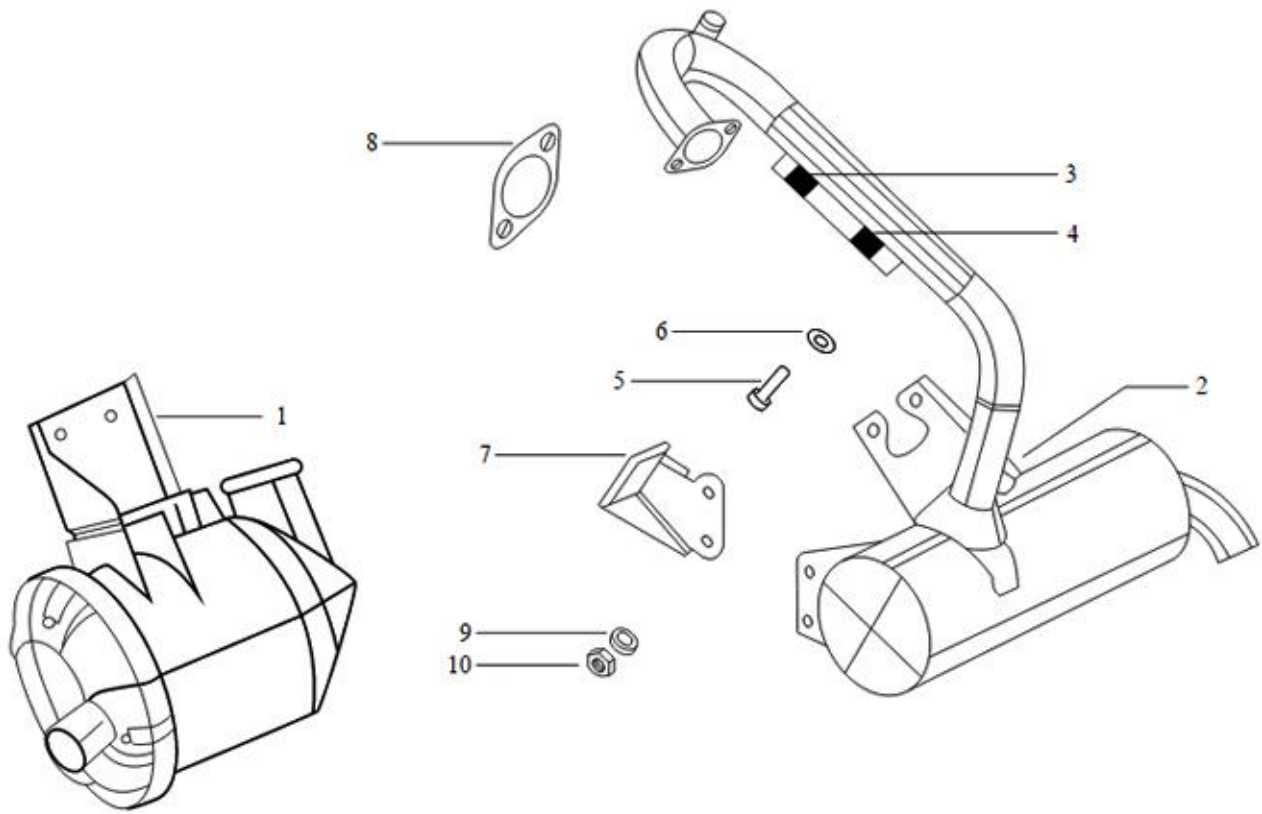
---

**PLATE-11**

**AIR CLEANER, EXHAUST MUFFLER**

---







Print Date: 07-Apr-2022

**PLATE-11****AIR CLEANER, EXHAUST MUFFLER**

Fig. No.	Part No.	Description	Qty	Remarks
1	E40018632	AIR CLEANER ASSY. WITH BRACKET (CNG)	1	
1	E40018625	AIR FILTER ASSYPLASTIC MODIFIED SEALING	1	
1	E40018626	AIR FILTER ASSY.	1	
1	B077441	AIR FILTER MOUNTING ASSLY. COMPLETE	1	BSIV-CNG
1	B077448	AIR FILTER MOUNTING ASSLY. COMPLETE	1	BSIV-LPG
2	E40017748	EXHAUST MUFFLER ( WITH CAT CON ) PVPL	1	
2	E40007754	EXHAUST MUFFLER (WITHOUT CAT CON) PVPL	1	
2	B077455	EXHAUST MUFFLER ASSLY. CNG	1	BSIV-CNG
2	B077454	EXHAUST MUFFLER ASSLY. LPG	1	BSIV-LPG
3	ED33740	HEAT SHIELD	1	
4	ED43739	SUPPORT HEAT SHIELD	1	
5	E90979039	SCREW	2	
6	E1756504	SPRING WASHER M6- OIL SEPARATOR 2	2	
7	ED41100	BRACKET EXHAUST MUFFLER	1	
8	ED33758	EXHAUST GASKET	1	
9	E1756507	SPRING WASHER M8	2	
10	E3324019	NUT	2	
11	920102	ELEMENT FOR AIR CLEANER	1	NS





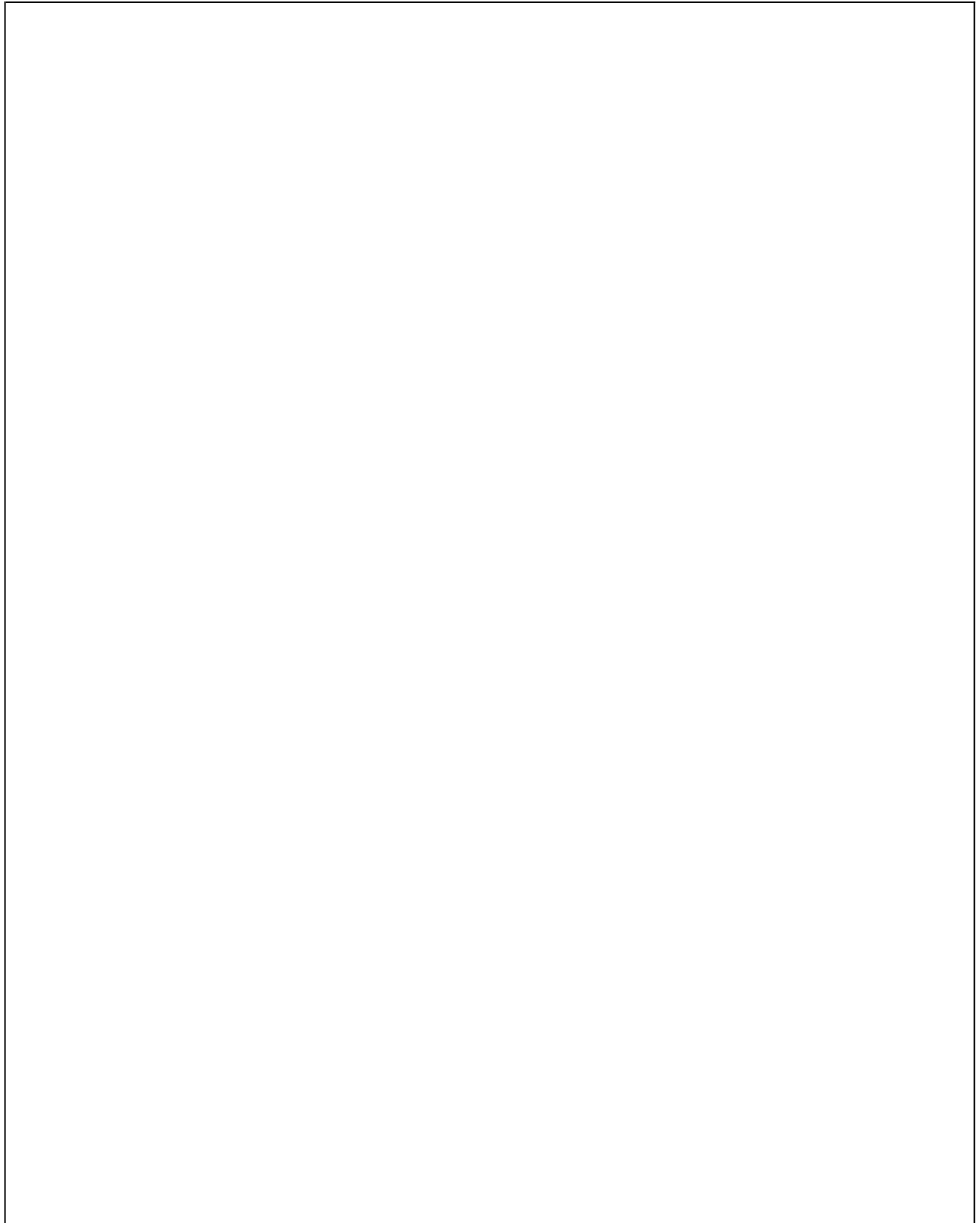
Print Date: 07-Apr-2022

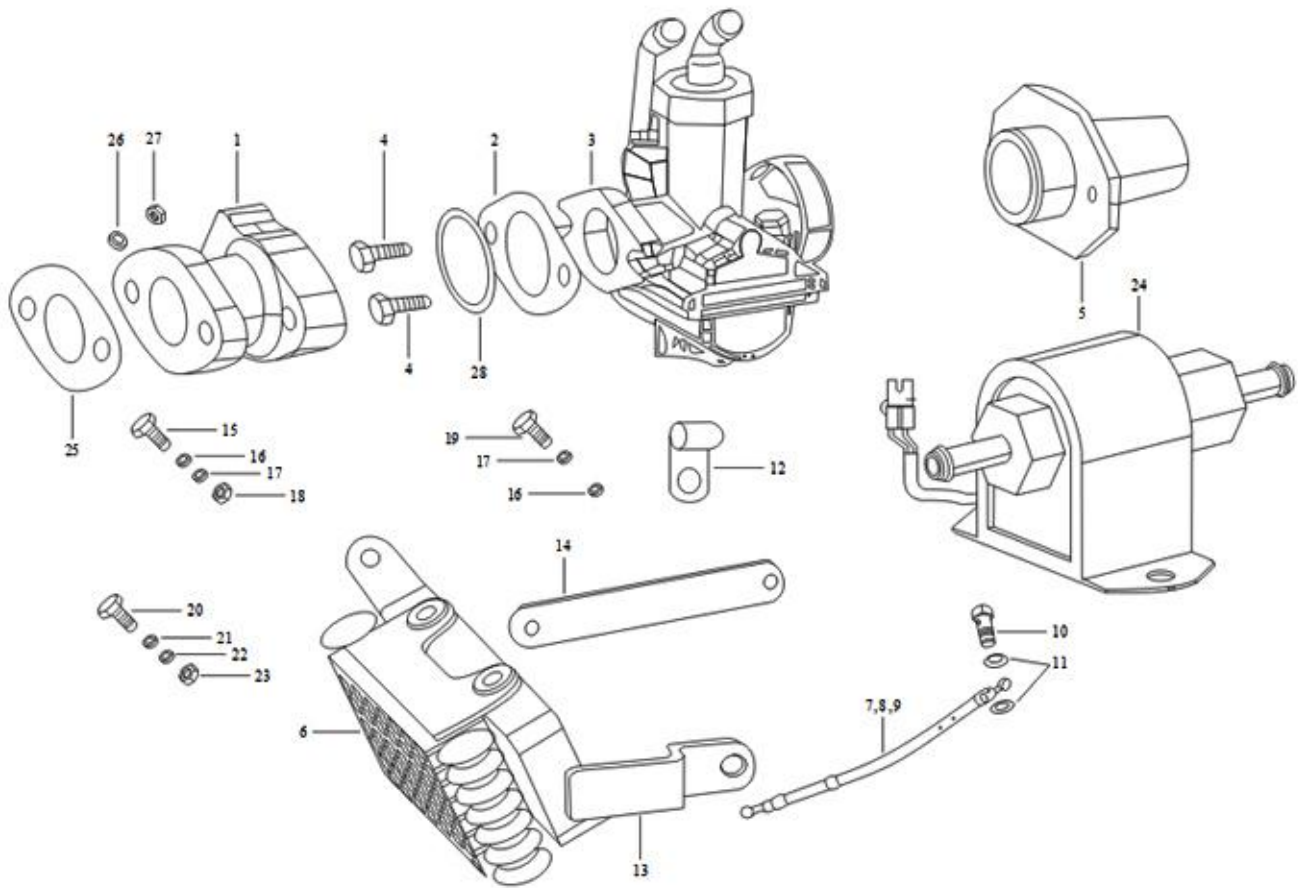
---

**PLATE-12**

**CARBURETTOR, OIL COOLER & ELECTRONIC FEED PUMP**

---







Print Date: 07-Apr-2022

**PLATE-12****CARBURETTOR, OIL COOLER & ELECTRONIC FEED PUMP**

Fig. No.	Part No.	Description	Qty	Remarks
1	E40010831	ADAPTOR FOR CARBURETTOR	1	
2	E40006482	INSULATOR	1	
3	E40006847	CARBURETTOR	1	
4	E07502809	BOLTS	2	
5	ED33683	INTAKE AIR REDUCER	1	
6	ED23628	OIL COOLER	1	
7	ED33594	LUB. OIL PIPE FOR OIL COOLER	2	
8	E40027143	LUB. OIL PIPE FOR OIL COOLER	2	
9	E40027155	LUB. OIL PIPE FOR OIL COOLER	1	
10	E91901030	BANJO BOLT - FEED PUMP	4	
11	E283467036	JOINT	8	
12	E6193361720	CLAMP FOR OIL COOLER	2	
13	E40020639	BRACKET FOR OIL COOLER	1	
14	E40020638	SUPPORT FOR OIL COOLER	1	
15	E11770004	HEX. BOLT M8X1.25X20	1	
16	E50000613	MACHINED WASHER 16X8.1X2	3	
17	E1756507	SPRING WASHER M8	3	
18	E9324018	NUT M8 X 1.25 X 6.5	1	
19	E202177002	SCREW FOR STARTER PLATE	1	
20	E276176034	BOLT M6X1X25	4	
21	ED42406	PLAIN WASHER	8	
22	E1756504	SPRING WASHER M6- OIL SEPARATOR 2	4	
23	E105324008	NUT HEX -OIL SEPARATOR MOUNTING	4	
24	ED33733	GASOLINE FEED PUMP	1	
25	E500450092	JOINT INTAKE FLANGE AIR INTAKE	1	
26	E1756507	SPRING WASHER M8	2	
27	E9324018	NUT M8 X 1.25 X 6.5	2	
28	E40006215	O RING INSULATOR	1	
29	ED23672	CABLE GUIDE	2	
30	ED43673	CABLE JUNCTION	2	



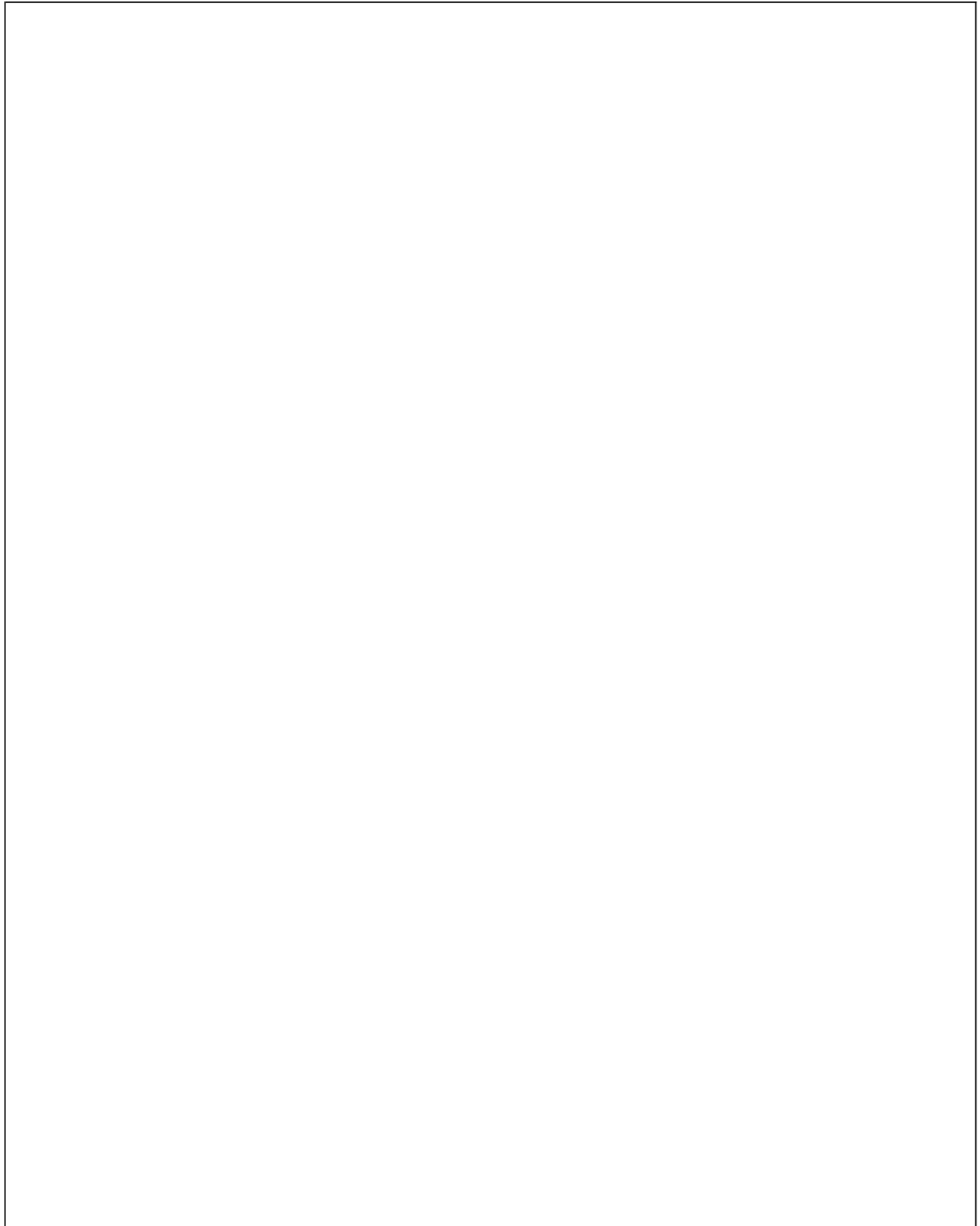
Print Date: 07-Apr-2022

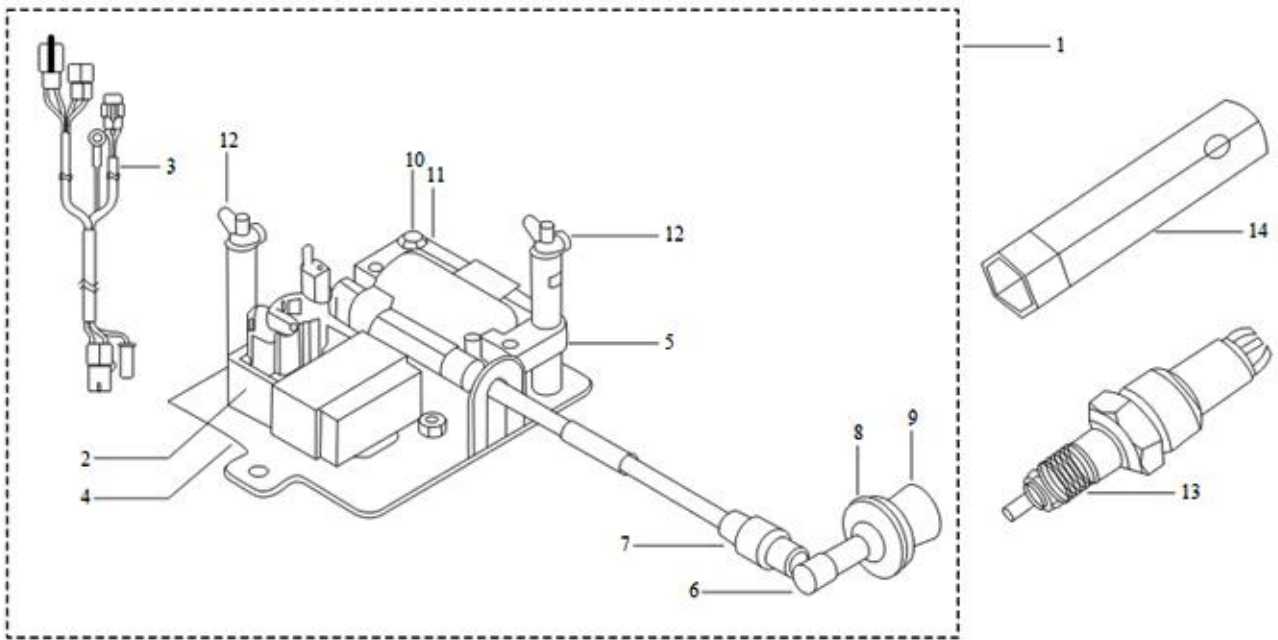
---

**PLATE-13**

**IGNITION SYSTEM & SPARK PLUG**

---









Print Date: 07-Apr-2022

**PLATE-13****IGNITION SYSTEM & SPARK PLUG**

<b>Fig. No.</b>	<b>Part No.</b>	<b>Description</b>	<b>Qty</b>	<b>Remarks</b>
1	E40005495	IGNITION SYSTEM PLATE ASSY.	1	
2	E40005498	TCI UNIT WITH DAMPER	1	
3	E40005469	WIRING HARNESS	1	
4	E40015407	MOUNTING PLATE	1	
5	E40015404	H T COIL	1	
6	ED23685	CAP SPARK PLUG	1	
7	E07515517	GROMET SPARK PLUG CABLE	1	
8	ED43686	SEAL SPART PLUG	1	
9	ED43687	SEAL SPART PLUG CAP	1	
10	E40020133	FLANGE BOLT	1	
11	E26756503	SPRING WASHER	1	
12	E07502811	COLLAR NUT M6 X 1	2	
13	E40024008	SPARK PLUG (BOSCH-WR7DDC4)	1	
14	ED32624	SPARK PLUG SPANNER	1	
15	E40015409	IGNITION SYSTEM ASSY. WITH COVER	1	
16	E40015408	COVER IGNITION SYSTEM	1	

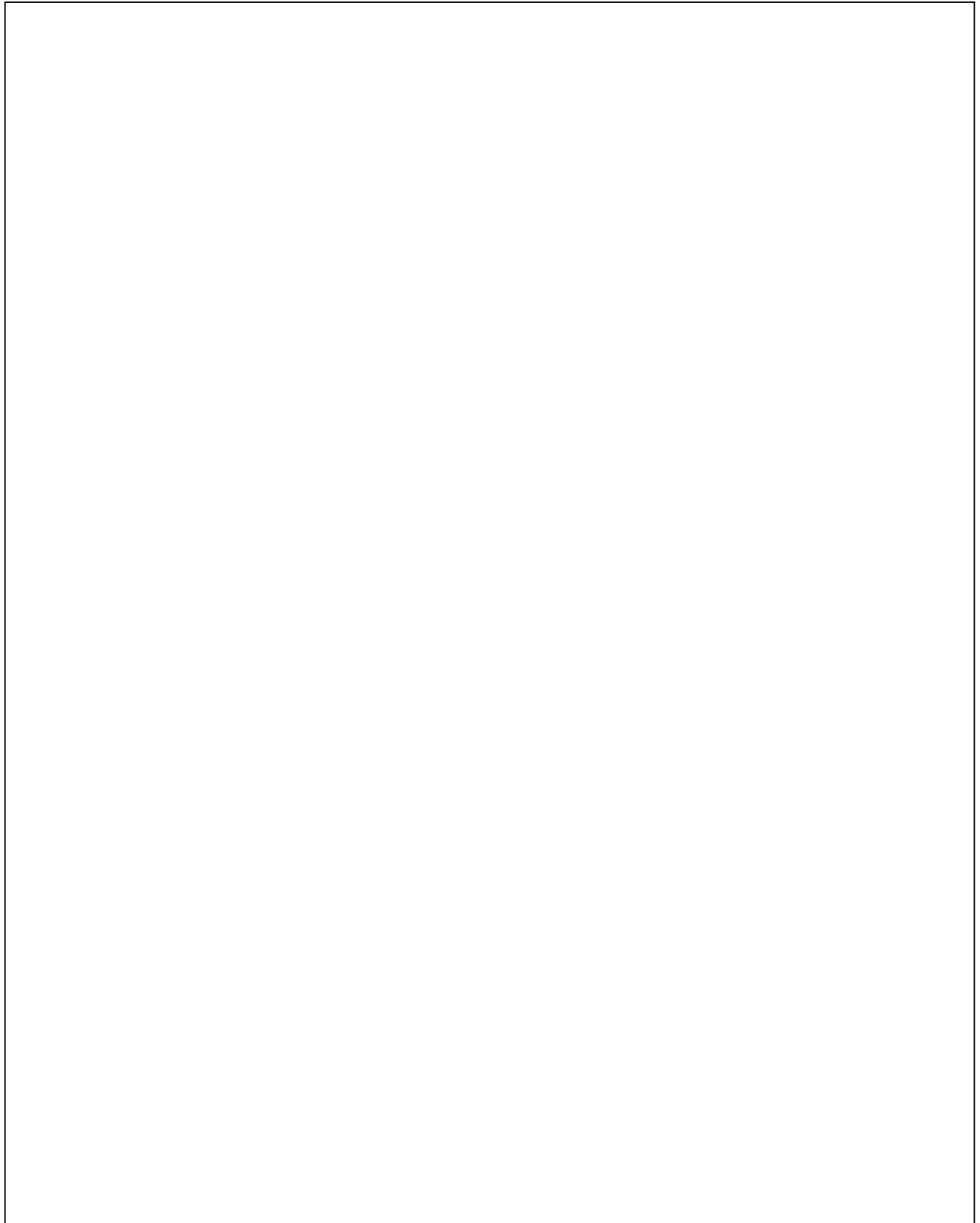


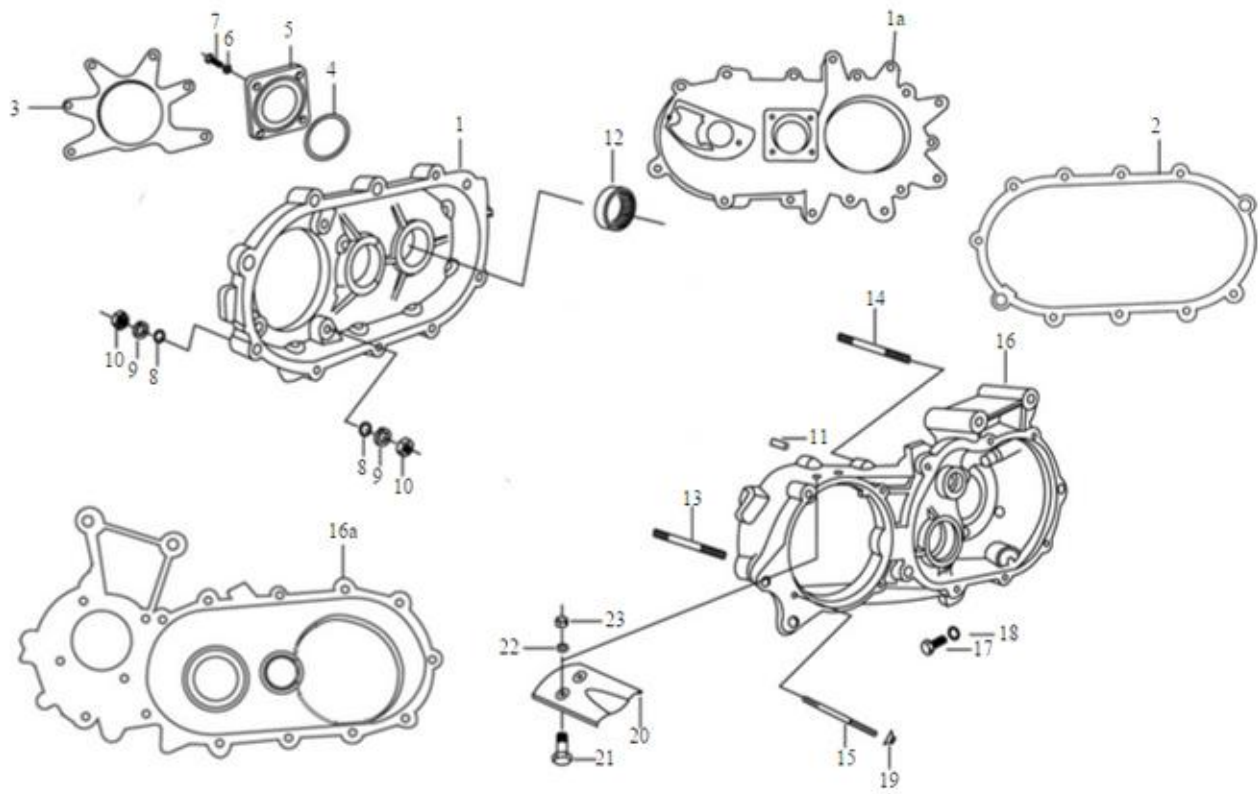
Print Date: 07-Apr-2022

---

**PLATE-15**  
**ENGINE SIDE COVER AND MAIN HOUSING**

---







Print Date: 07-Apr-2022

**PLATE-15**  
**ENGINE SIDE COVER AND MAIN HOUSING**

Fig. No.	Part No.	Description	Qty	Remarks
1	127171310	ENGINE SIDE COVER (EXT.MTG)	1	
1A	BS4 1A010093	GEAR BOX COVER_BS4	1	
2	B001844	GASKET ENGINE SIDE COVER	1	
3	B001501	GASKET PTO COVER & ENGINE SIDE COVER	1	
4	825420215	O RING - COVER PLATE	1	
5	520221019R	COVER PLATE (E/SIDE COVER)	1	
6	807000647	CONICAL LOCK WASHER M6	4	Not Applicable
7	812061656	CSK PHILIPS HEAD SCREW M6 X 16	4	
8	808000826	PLAIN WASHER M8	11	
9	016408	SPRING WASHER	11	
10	15335	HEX HD NUT M8	11	
11	127102010	HOLLOW DOWEL (G. BOX ESC)	2	
12	120212012	NEEDLE BUSH	1	
13	B042798	FLANGED HEXAGONAL HEAD SCREW M8X45	2	
13	B042798	FLANGED HEXAGONAL HEAD SCREW M8X45	8	
14	B042799	FLANGED HEXAGONAL HEAD SCREW M8X40	9	
14	B042799	FLANGED HEXAGONAL HEAD SCREW M8X40	8	
15	815064025	STUD M6 X 40	4	
16	1A010094	MAIN HOUSING	1	Old
16	1A016604	MAIN HOUSING	1	New aluminium clutch
17	811081025	HEX HEAD SCREW M8 X 10 (DRAIN PLUG)	1	
18	120271018	FIBER WASHER DRAIN PLUG	1	
19	659842	NUT WITH CONICAL WASHER M8 X 1.25P	6	
20	127911019	OIL DEFLECTOR CLUTCH	1	
21	567741	HEX HEAD SCREW M5 X 18 (811051824)	2	
22	127912013	FIBER WASHER OIL DEFLECTOR	2	
23	12136	NUT / NYLOCK NUT M5	2	
24	B002322	GEAR BOX EXTERNAL MTG.(W/O CLUTCH ASSLY) PICK UP	1	
24	B002320	GEAR BOX EXT( W/O CLUTCH ASSLY ) PASSENGER	1	





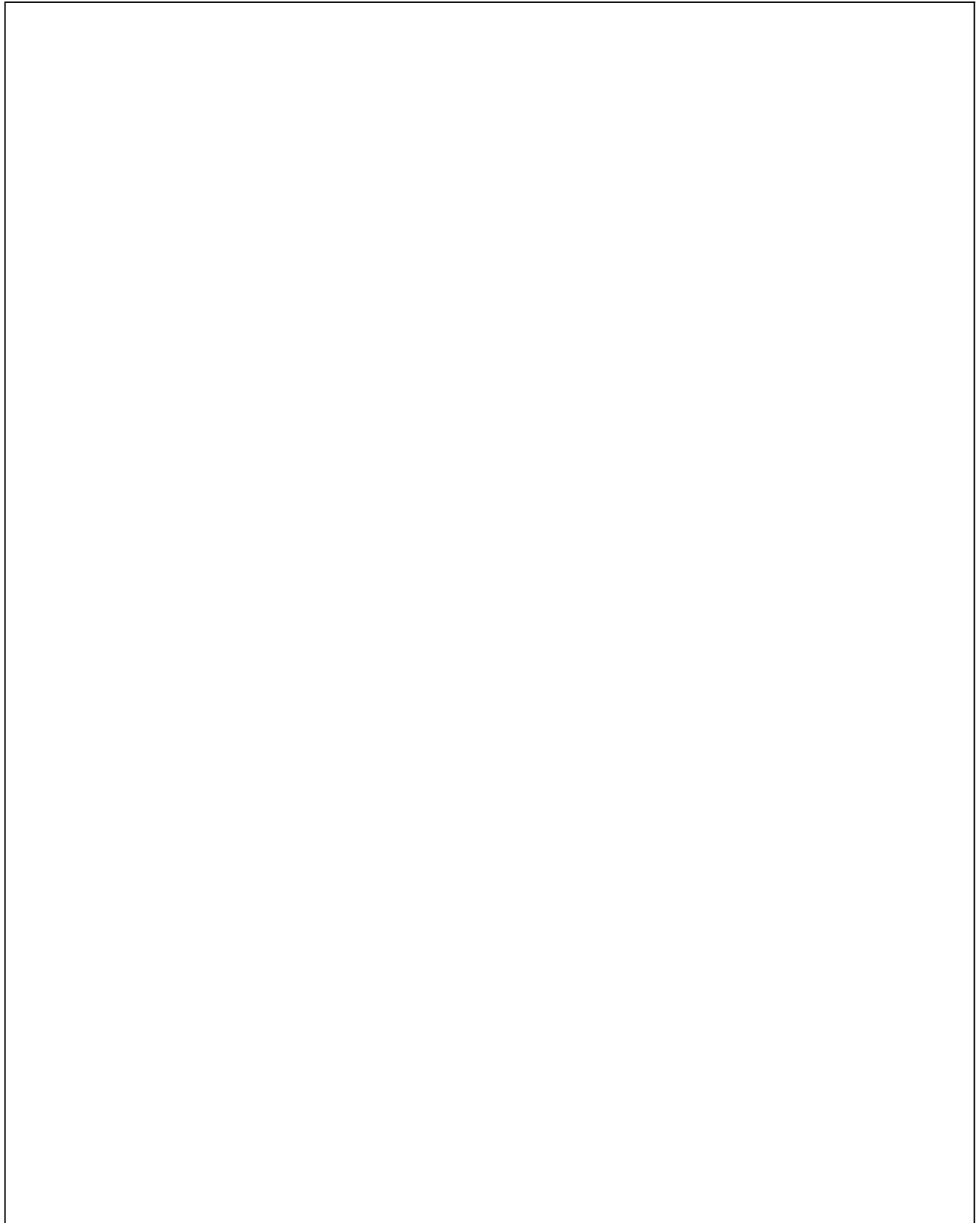
Print Date: 07-Apr-2022

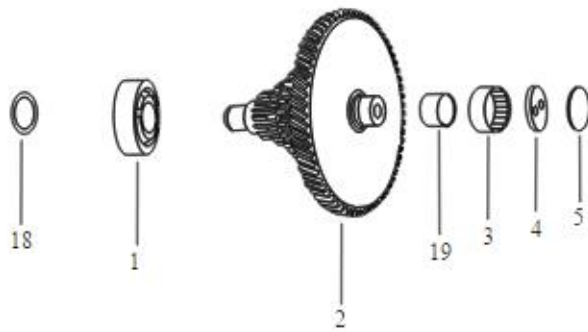
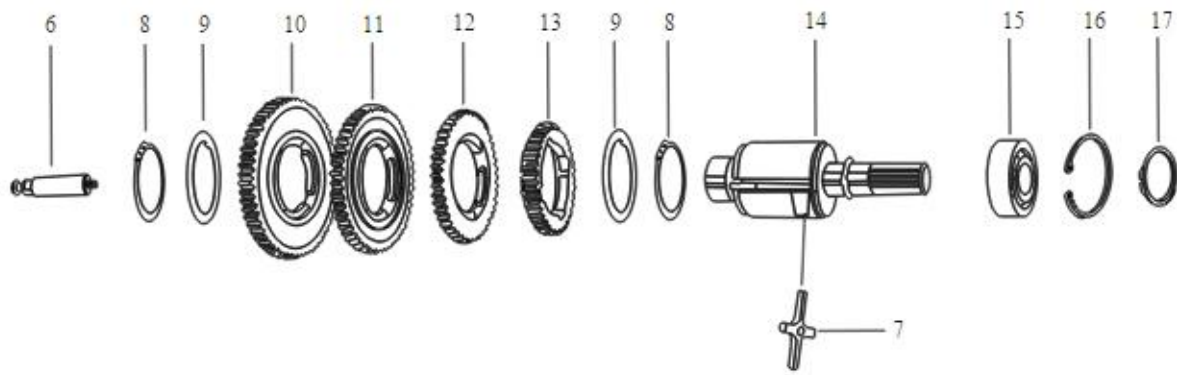
---

**PLATE-16**

**MAINSHAFT, SPEED GEARS AND CLUSTER GEAR**

---







Print Date: 07-Apr-2022

**PLATE-16****MAINSHAFT, SPEED GEARS AND CLUSTER GEAR**

Fig. No.	Part No.	Description	Qty	Remarks
1	30209R	BALL BEARING FRONT WHEEL HUB	1	
2	127203010R	CLUSTER GEAR	1	
3	884222808	NEEDLE BUSH 22X28X12	1	
4	120204015R	WASHER (ALT)	1	
5	120205019	SHIM HARD BUSH	1	
6	523021018	STEM GEAR OPERATING	1	
7	B003924	CROSS	1	
8	842004808	CIRCLIP DIA.48 (EXT)	2	
9	523011013R	SHOULDER RING	2	
9	523012017	SHOULDER RING 1.7 MM THK	1	
9	523014015	SHOULDER RING 2.0MM THK	1	
10	127309515R	SPEED GEAR 1ST	1	
11	127302517R	SPEED GEAR 2ND	1	
12	127303016R	SPEED GEAR 3RD	1	
13	127306513R	SPEED GEAR 4TH	1	
14	127451019R	MAIN SHAFT	1	
15	880255211R	DEEP GROOVE BALL BEARING 25X52X15	1	
16	841005207	CIRCLIP DIA 52 (INT)	1	
17	842002501	CIRCLIP DIA 25 (EXT)	1	
18	842001507	CIRCLIP DIA 15 (EXT)	1	
19	122032014	INNER RING - CLUSTER GEAR	1	



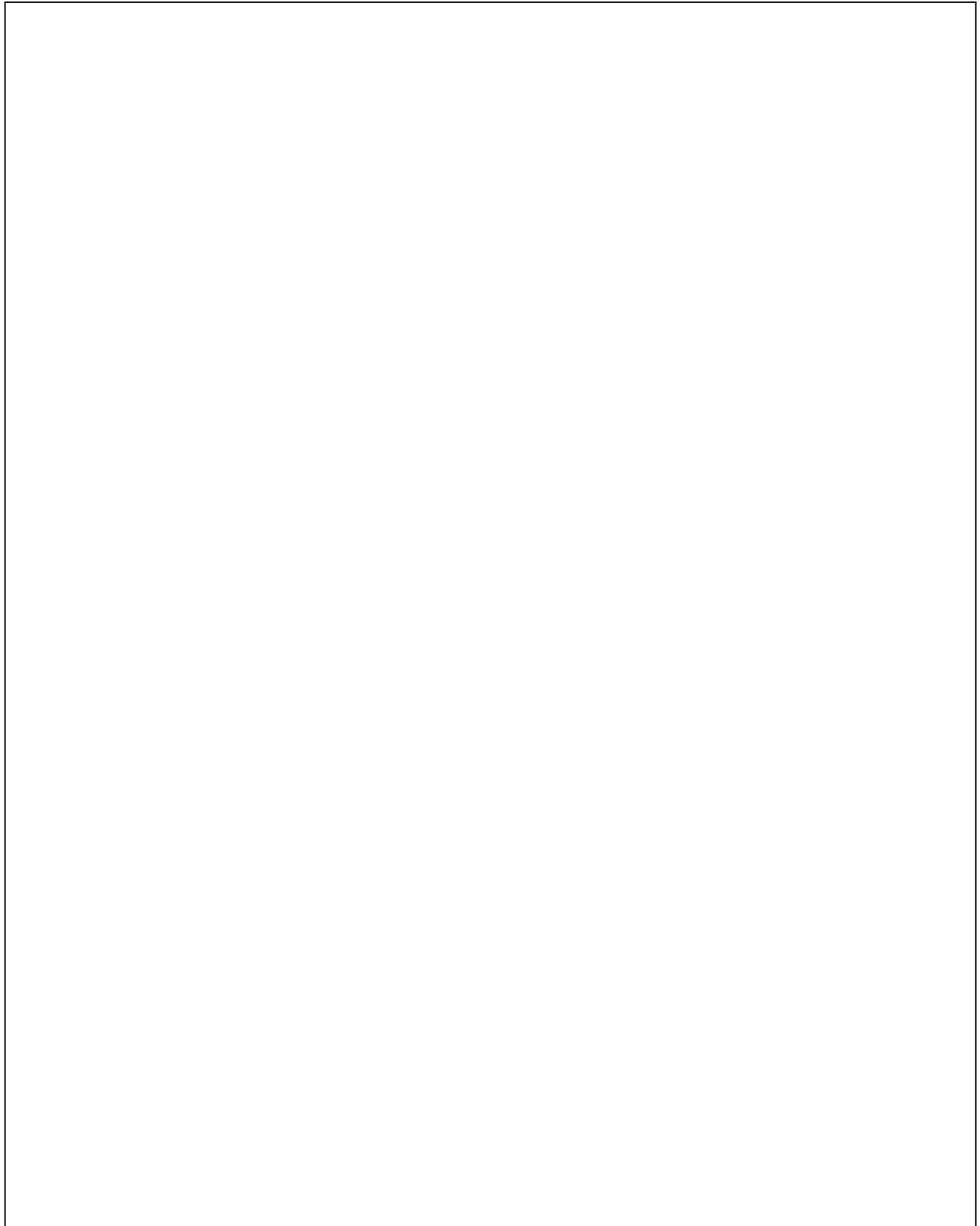
Print Date: 07-Apr-2022

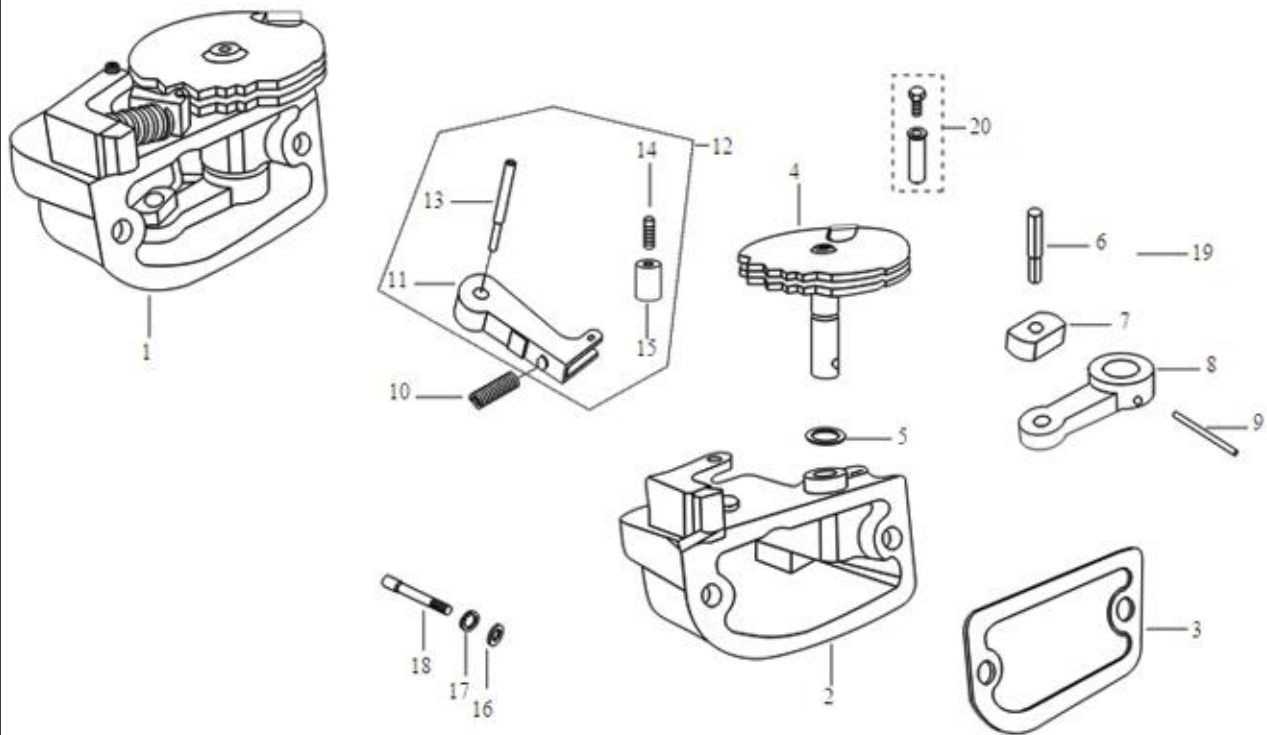
---

**PLATE-17**

**GEAR SHIFTER AND ITS CONTROL MECHANISM**

---









Print Date: 07-Apr-2022

**PLATE-17****GEAR SHIFTER AND ITS CONTROL MECHANISM**

Fig. No.	Part No.	Description	Qty	Remarks
1	127640012	COMPLETE GEAR SHIFTER HSG ASSLY	1	CONSISTING OF SR.NO. 2;4 TO 10 & 12
2	127641016	GEAR SHIFTER HOUSING	1	
3	128081017	GASKET HOUSING GEAR SHIFTER HOUSING	1	
4	SPB042620	SECTOR AND CONNECTOR PLATE AND LEVER ASSLY.	1	
5	825080209	O - RING - (SECTOR PLATE ASSY.)	1	
6	126022017	PIN FOR SLIDER BLOCK	1	
7	126021013	SLIDER BLOCK	1	
8	SPB042620	SECTOR AND CONNECTOR PLATE AND LEVER ASSLY.	1	
9	126004015	TAPER PIN (FOR LEVER)	1	
10	126003011	SPRING GEAR SHIFTER ASSY.	1	
11	126060019	BRACKET ASSY.	1	
12	SP126050014	BKT. WITH ROLLER ASSLY - SPD	1	
13	126054010	SCREW FOR BRACKET	1	
14	126053016	PIN FOR ROLLER	1	
15	126052012	ROLLER	1	
16	3056	PLAIN WASHER M6 OD12	2	
17	016406	SPRING WASHER	2	
18	B016611	FLANGED HEX. HEAD SCREW M6X45 CL10	2	
19	SPB042620	SECTOR AND CONNECTOR PLATE AND LEVER ASSLY.	1	
20	604560	SCREW TERMINAL ASSY. - GEAR CONTROL	2	
19	122032014	INNER RING - CLUSTER GEAR	1	



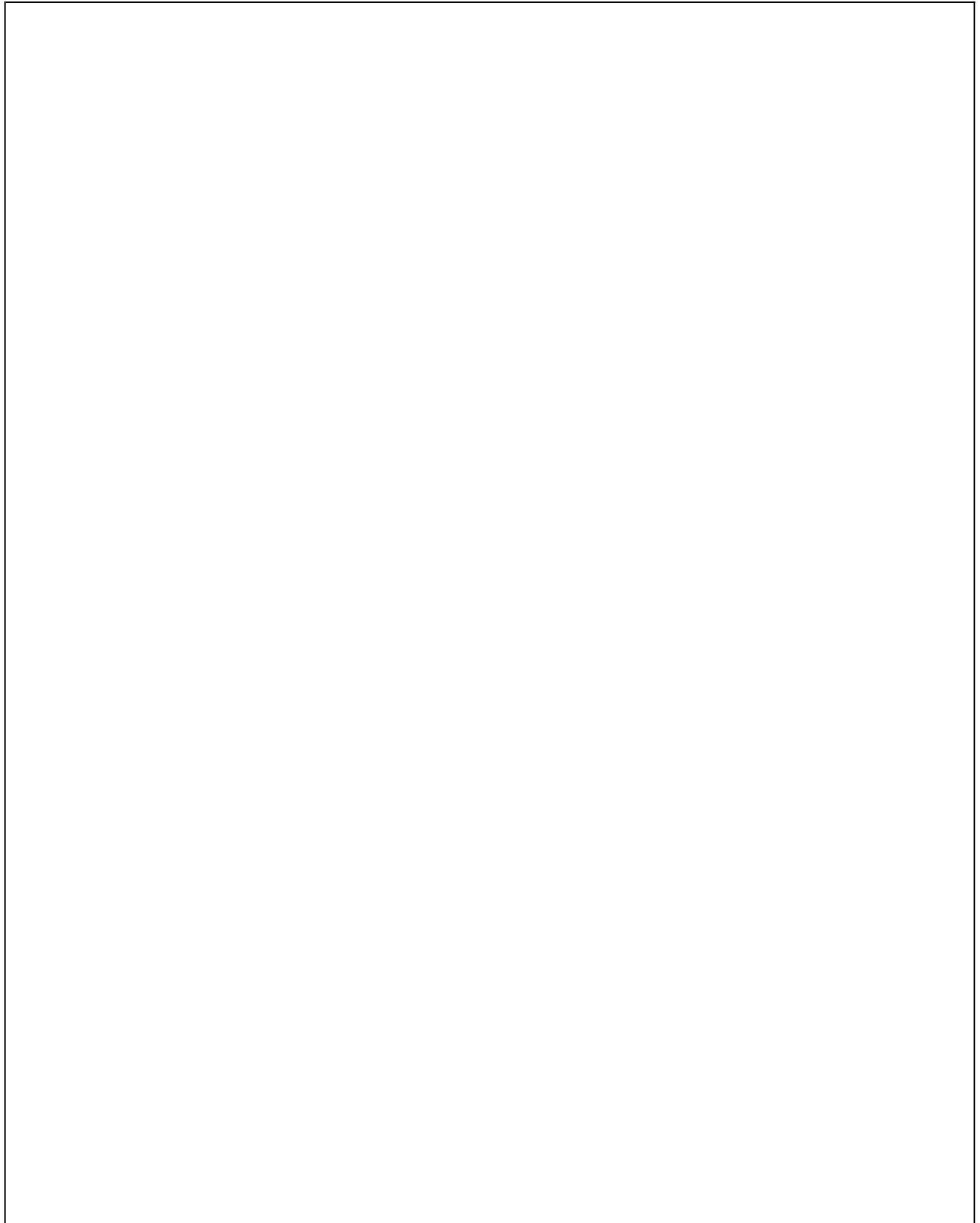
Print Date: 07-Apr-2022

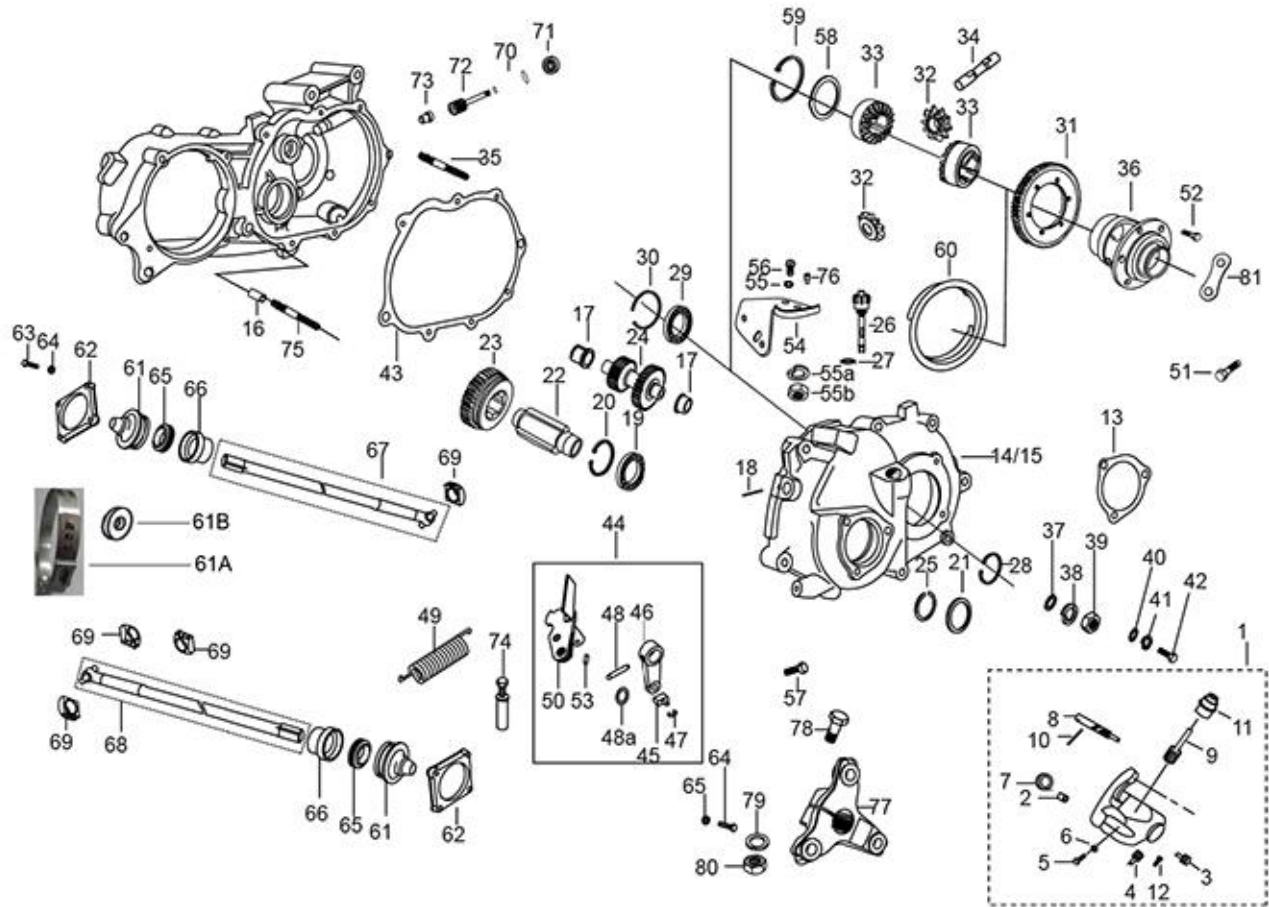
---

**PLATE-18**

**DIFFERENTIAL UNIT, FARE METER HOUSING AND SPEEDO DRIVE**

---







Print Date: 07-Apr-2022

**PLATE-18****DIFFERENTIAL UNIT, FARE METER HOUSING AND SPEEDO DRIVE**

Fig. No.	Part No.	Description	Qty	Remarks
1	1A000817	FAREMETER	1	CONSISTING OF 2,3,4,5,6,7,8,9,10,11,12,13,14
2	124112014	BUSH(10951)	1	
3	125012015	PLUG F.M.HOUSING (40734)	1	
4	165121014	PIN	1	
5	811051525	SCREW (HEX HEAD M5 X 15)	1	
6	20105	PLAIN NUT M5	1	
7	B018991	PLUG FOR FAREMETER	1	
8	124121015	FARE METER PINION	1	
9	124102019	FARE METER GEAR	1	
10	822031942	SPRING PIN 3 X 19	1	
11	124141015R	ADOPTER NYLON (VE)	1	
12	124113018	GREASE NIPPLE (M6)	1	
13	1A000826	GASKET	1	
14	127121016	GEAR BOX COVER	1	
15	BS4 1A010093	GEAR BOX COVER_BS4	1	
16	120203011	HOLLOW DOWEL - GEAR BOX COVER	2	
17	B042486	BUSH	2	
18	822051647	SPRING PIN 5X16	1	
19	880305509R	DEEP GROOVE BALL BEARING 30X55X13	1	
20	841005207	CIRCLIP DIA 52 (INT)	1	
20	841005506	CIRCLIP DIA. 55 (INT)	1	
21	117402	OIL SEAL	1	
21	1A000236	OIL SEAL	1	
22	127501010	SHAFT PINION	1	
22	1A009926	REVERSE SHAFT	1	
23	127404016R	GEAR R.C.	1	
24	127571015R	IDLER GEAR (PAS)	1	
25	842002501	CIRCLIP DIA 25 (EXT)	1	
25	842003000	CIRCLIP DIA. 30 (EXT.)	1	
26	112898	OIL LEVEL ARM WITH PLUG	1	Old
26	1A014592	OIL DIPSTICK	1	New aluminium clutch
27	127016015	DIPSTICK SEALING WASHER	1	
28	6450	EXT CIRCLIP DIA 48	1	
29	7066R	RADIAL BALL BEARING	1	
30	111353	CIRCLIP	1	



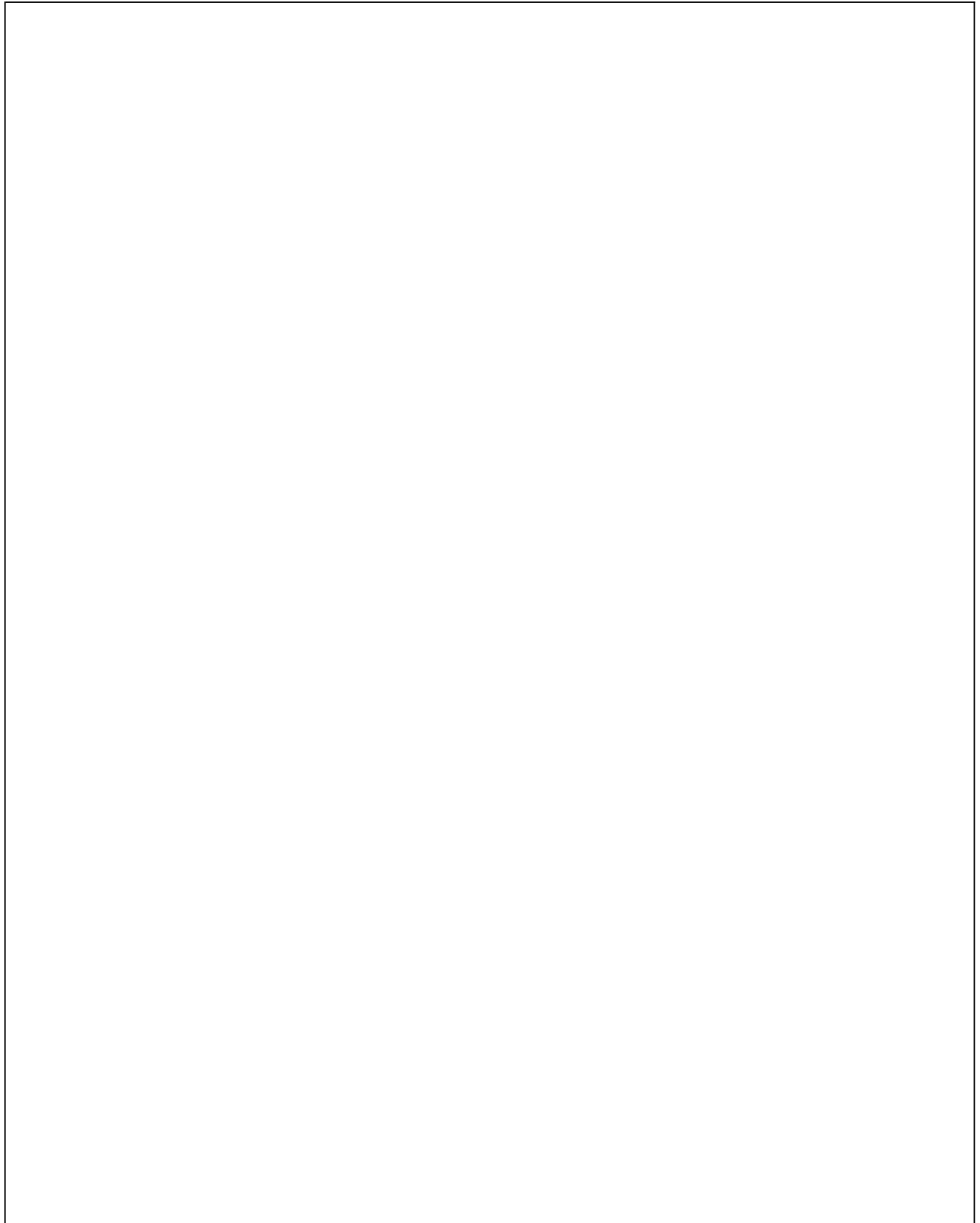
Print Date: 07-Apr-2022

---

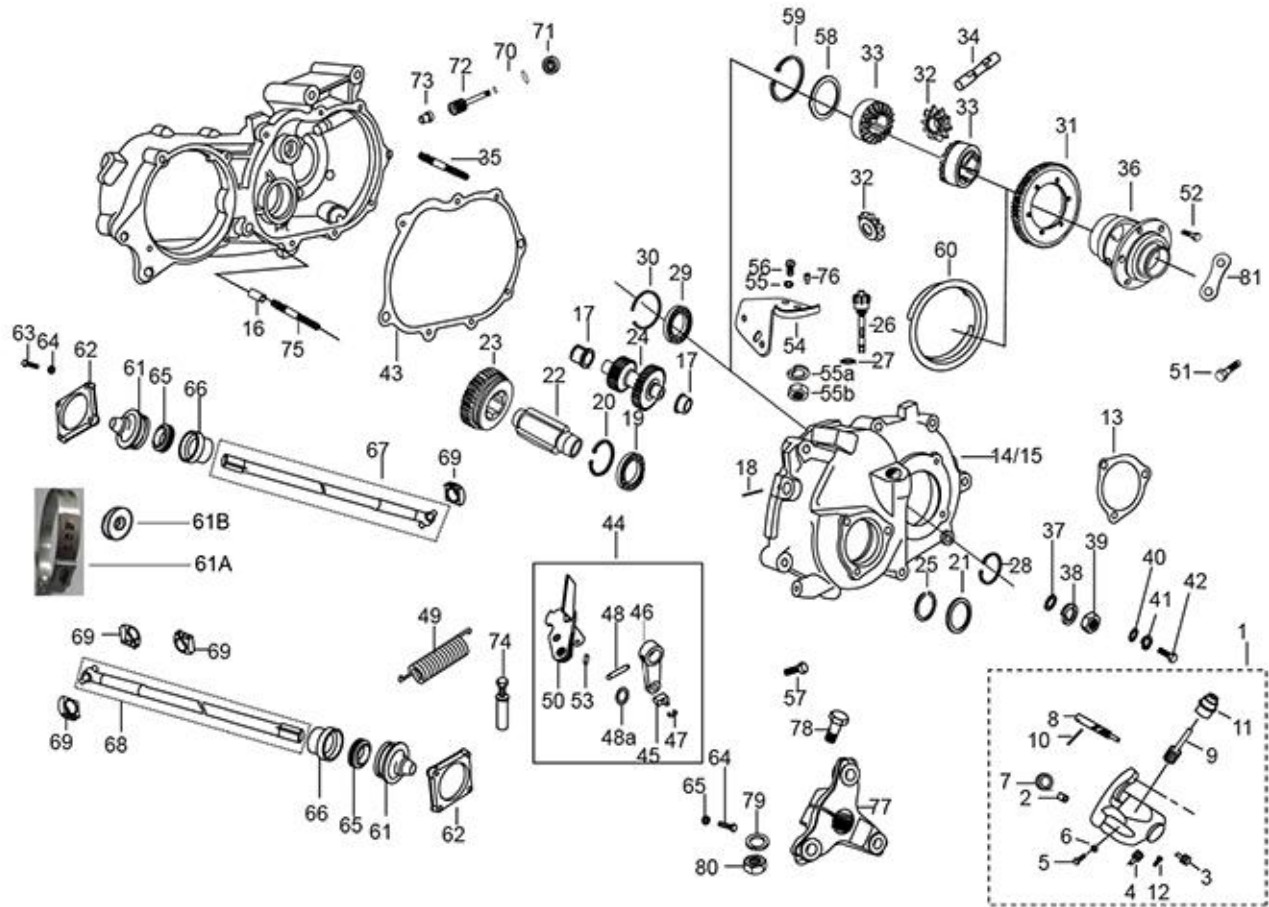
**PLATE-18**

**DIFFERENTIAL UNIT, FARE METER HOUSING AND SPEEDO DRIVE**

---









Print Date: 07-Apr-2022

**PLATE-18****DIFFERENTIAL UNIT, FARE METER HOUSING AND SPEEDO DRIVE**

Fig. No.	Part No.	Description	Qty	Remarks
30A	016406	SPRING WASHER	1	
31	127555016	GEAR FINAL DRIVE (PASS)	1	
31	1A011810	DIFFERENTIAL CROWN (PASS.)	1	Applicable 15th Mar-19 onwards
32	NS-	NOT SERVICEABLE PART	2	Serviceable as Kit - 940028
33	NS-	NOT SERVICEABLE PART	2	Serviceable as Kit - 940028
34	132129	PIN	1	
35	B042798	FLANGED HEXAGONAL HEAD SCREW M8X45	8	
36	288730	DIFFERENTIAL CAGE	1	
37	808000826	PLAIN WASHER M8	8	
37	808000826	PLAIN WASHER M8	10	
38	016408	SPRING WASHER	8	
38	016408	SPRING WASHER	10	
39	20108	HEX NUT M8	8	
39	15335	HEX HD NUT M8	10	
39	20108	HEX NUT M8	8	
40	3056	PLAIN WASHER M6 OD12	3	
41	016406	SPRING WASHER	3	
42	31088	HEX HD SCREW M6 X 16 CL 8.8 (811061623)	3	
43	127141016	GASKET G. B. COVER	1	
44	SP1A0101404	INVERTER LEVER SECTOR ASSY PASS -SPD	1	
45	120321019	SLIDER BLOCK R.C. GEAR	1	
46	SP1A0101404	INVERTER LEVER SECTOR ASSY PASS -SPD	1	
47	843000500	CIRCLIP DIA.5 (EXT) TYPE C	1	
48	17702	SPRING PIN	1	
48A	1A005176	O- RING	1	
49	127111011	REVERSE GEAR SPRING	1	
50	1A010139	SECTOR PLATE ASSLY COMP	1	For Old Gear Box Cover
51	B075002	COVER PLATE (DIFF. COVER) - VE	1	
52	1A004807	SCREW	6	
53	825080209	O - RING - (SECTOR PLATE ASSY.)	1	
54	128306015	STOPPER PLATE R.C. LEVER	1	
55	016404	SPRING WASHER M4	2	
55A	003054	PLAIN WASHER	2	
55B	20104	HEX NUT M4	2	
56	31088	HEX HD SCREW M6 X 16 CL 8.8 (811061623)	2	



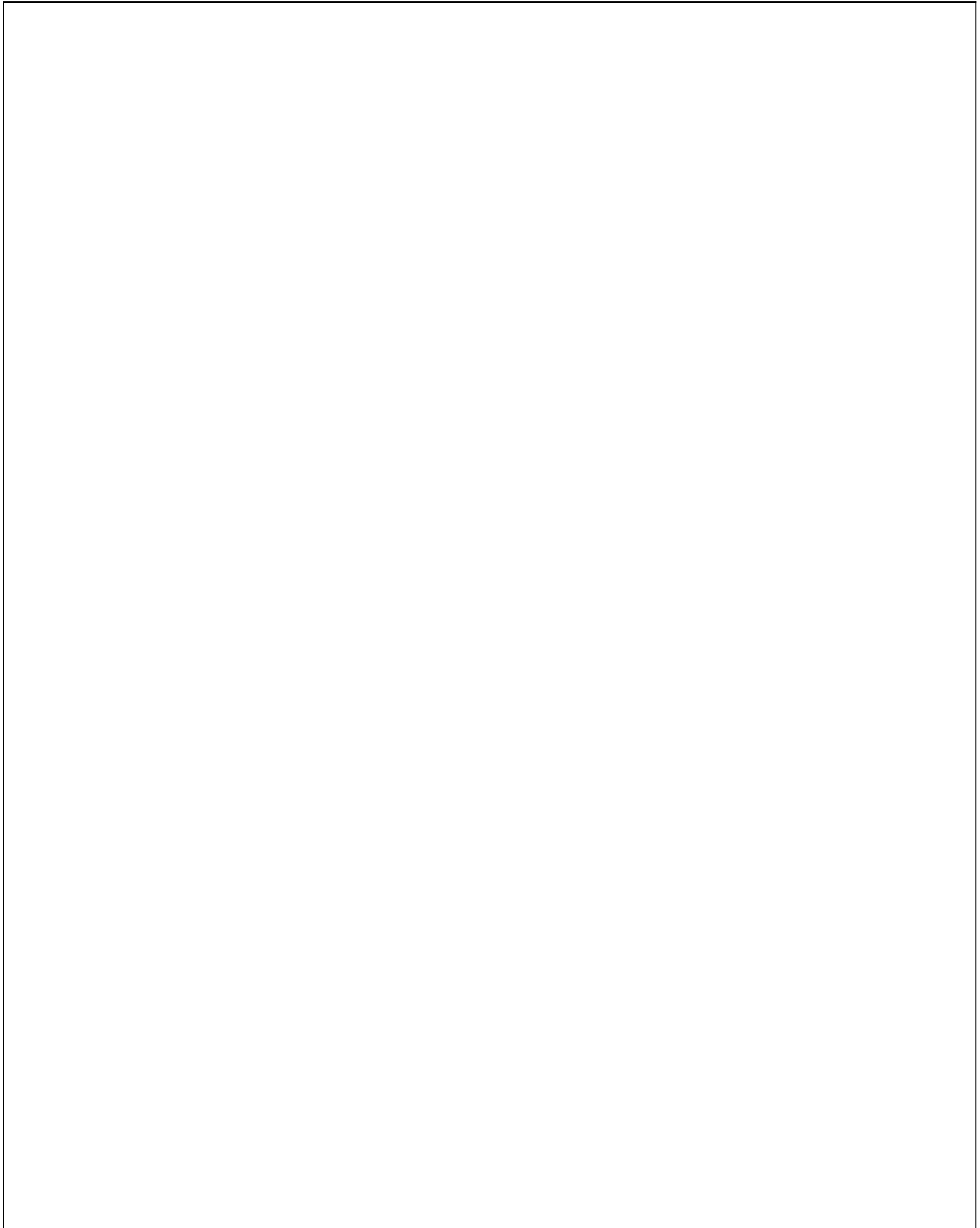
Print Date: 07-Apr-2022

---

**PLATE-18**

**DIFFERENTIAL UNIT, FARE METER HOUSING AND SPEEDO DRIVE**

---







Print Date: 07-Apr-2022

**PLATE-18****DIFFERENTIAL UNIT, FARE METER HOUSING AND SPEEDO DRIVE**

Fig. No.	Part No.	Description	Qty	Remarks
57	128307019	BOLT R.C. SPRING RETAINING	1	
58	220575	WASHER 65X3	1	
59	132134	CIRCLIP	1	
60	132244	STOPPER THK=1.0	1	
60	1A011778	SATELLITE PIN RETAINER	1	Applicable 15th Mar-19 onwards
60A	1A000612	RETAINER SCREW - PRE COATED	2	Applicable 15th Mar-19 onwards
61	6C000016	BELLOW	2	Chassis cut off MBX0003BFXE848267
61A	6C000041	OTIKAR CLAMP FOR BELLOW	2	Chassis cut off MBX0003BFXE848267
61B	3056	PLAIN WASHER M6 OD12	6	Chassis cut off MBX0003BFXE848267
62	111356	COVER	2	
63	31092	HEX. HD SCREW M6X25	8	
64	016406	SPRING WASHER	8	
65	6C000312R	SEAL RING	2	Chassis cut off MBX0003BFXE848267
66	113278	BRACKET RETAINER RING (41736)	2	
67	587687	PROP. SHAFT SUB ASSY. LT (WITH PIN)	1	
68	587685	PROP. SHAFT SUB ASSY. RT (WITH PIN)	1	
69	112867R	SLIDER BLOCK PROP. SHAFT	4	
70	117401	BUSH	1	
71	117402	OIL SEAL	1	
72	117404	SPEEDOMETER GEAR	1	
73	165121014	PIN	1	
74	604560	SCREW TERMINAL ASSY. - GEAR CONTROL	1	
75	127103014	M8 STUD - MAIN HOUSING	2	
76	119278	TERMINAL	1	
77	111498	ELASTIC HUB	1	
78	B024614	HEX HEAD BOLT M10X45 CL 10.9	2	
79	16410	SPRING WASHER	2	
80	231370	SELF BREAKING NUT M10	2	
81	B003155	LOCK PLATE	3	
82	1A004807	SCREW	3	





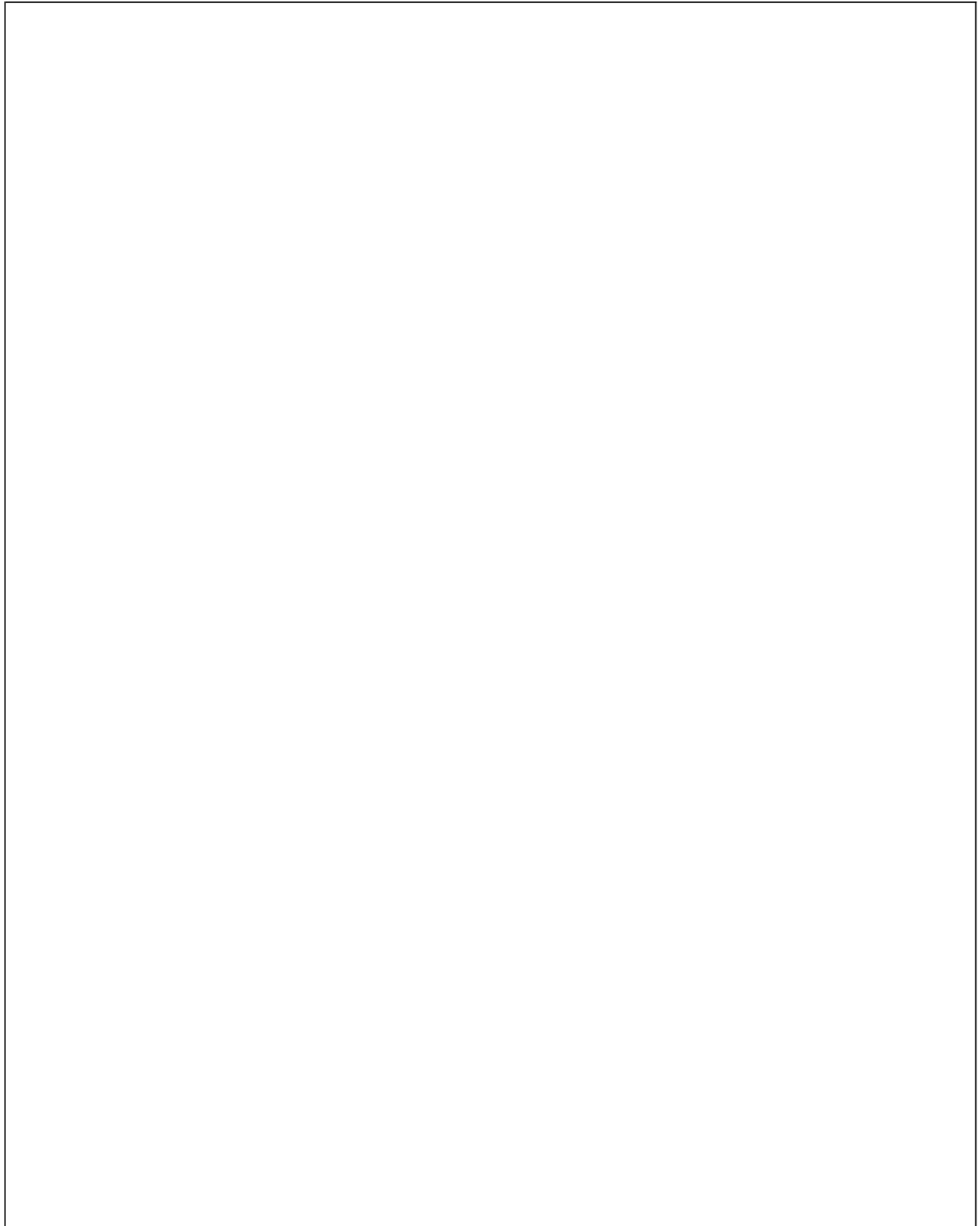
Print Date: 07-Apr-2022

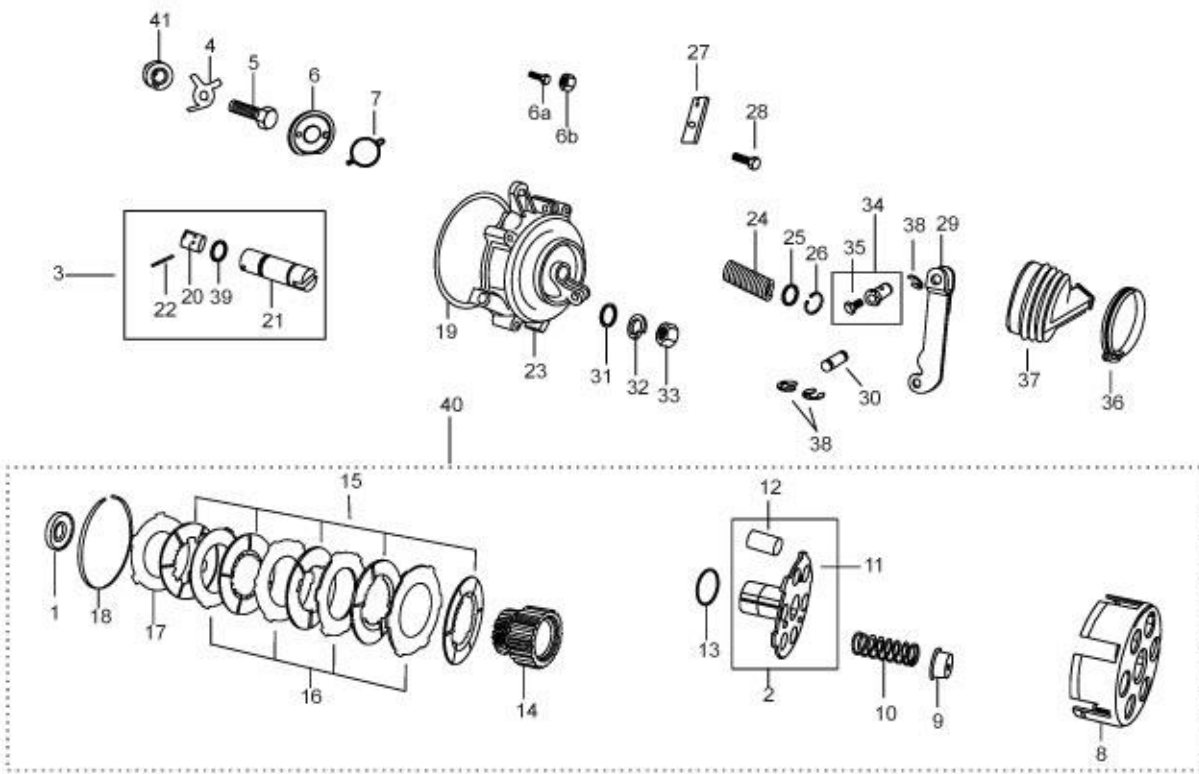
---

**PLATE-19**

**CLUTCH AND CLUTCH COVER**

---







Print Date: 07-Apr-2022

**PLATE-19****CLUTCH AND CLUTCH COVER**

Fig. No.	Part No.	Description	Qty	Remarks
1	652124	SPACER WASHER-CLUTCH	1	
2	1F000755	CLUTCH SHAFT ASSY. (IMPROVED)	1	
3	1A001457	PLUNGER SHAFT	1	
4	129012013	TAB WASHER	1	
5	128307019	BOLT R.C. SPRING RETAINING	1	
6	1A011547R	THRUST BEARING	1	
6A	567741	HEX HEAD SCREW M5 X 18 (811051824)	4	
6B	20106	HEX NUT M6	4	
7	286406	SPRING CLIP	1	
8	1A001455	CLUTCH HOUSING	1	
9	127757011	CUP - CLUTCH SPRING	6	
10	B023890	CLUTCH SPRING	6	
13	127758015	SHIM	1	
14	1F000754	ENGINE GEAR (MANTANO)	1	
15	127530011	DRIVEN PLATE ASLY	5	
16	127692015	DRIVING PLATE THK. 2.0 MM	4	
17	127693019	PRESSURE PLATE OUTER (VE)	1	
18	127754019	CIRCLIP - CLUTCH BOX	1	
19	825123207	O - RING CLUTCH COVER	1	
20	-	NOT SERVICEABLE	1	NS
22	822031942	SPRING PIN 3 X 19	1	
24	127185012	SPRING - CLUTCH COVER	1	
25	120164019	RETAINING PLATE	1	
26	842001600	CIRCLIP DIA.16(EXT)	1	
27	127471019	BRACKET CLUTCH CABLE GUIDE	1	
28	31092	HEX. HD SCREW M6X25	1	
29	127460010	LINK ASSLY - CLUTCH (IMPROVED)	1	
30	127013013	PIN CLUTCH	1	
31	3056	PLAIN WASHER M6 OD12	4	
32	016406	SPRING WASHER	4	
33	20106	HEX NUT M6	4	
34	B024379	SCREW TERMINAL ASSLY-ENGINE STOP,D.C.	1	
35	120238016	BOLT FOR SCREW TERMINAL	1	
36	120170018	HOSE CLIP - CLUTCH COVER BELOW	1	
37	127012019	BELLOW CLUTCH ACTUATING	1	



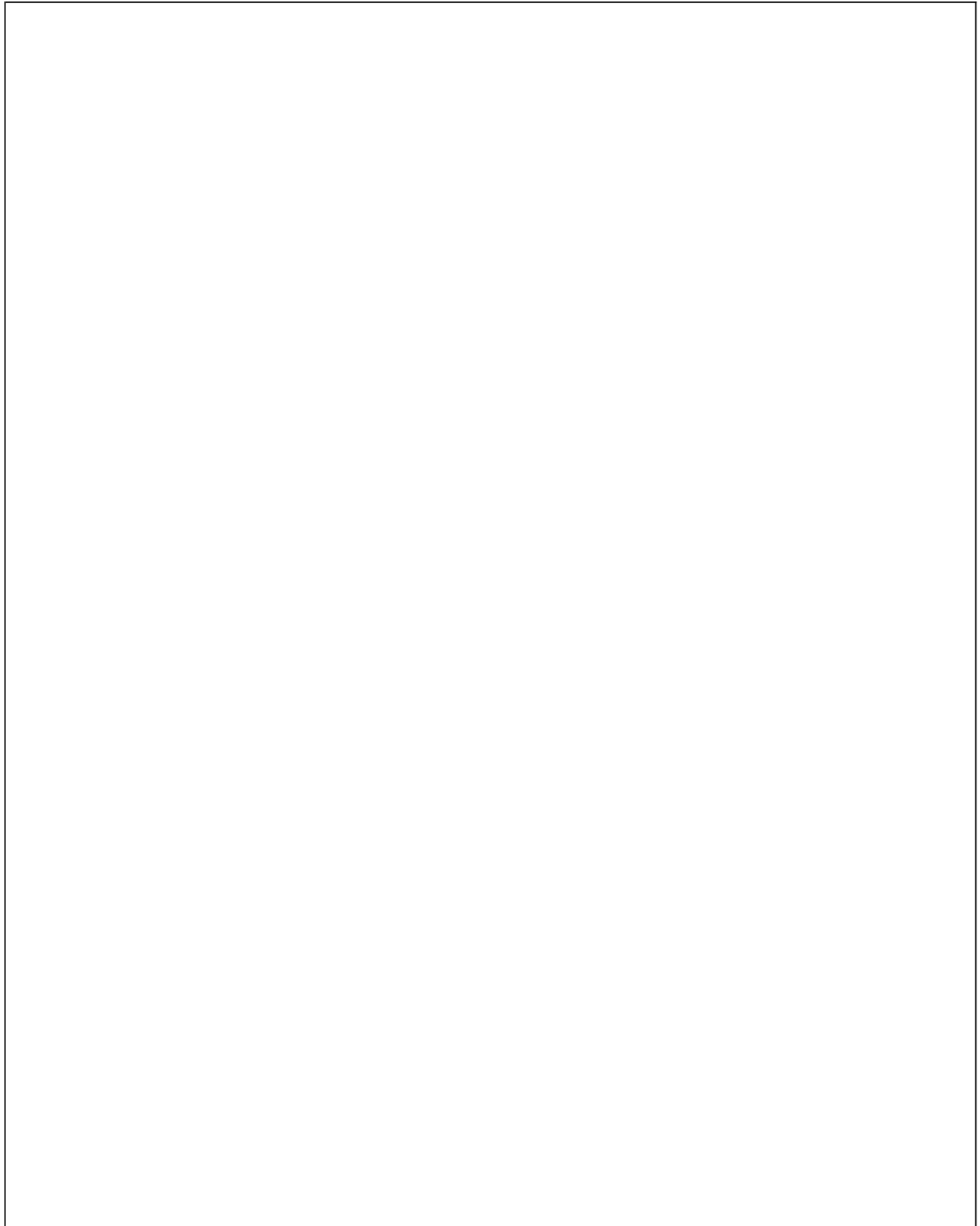
Print Date: 07-Apr-2022

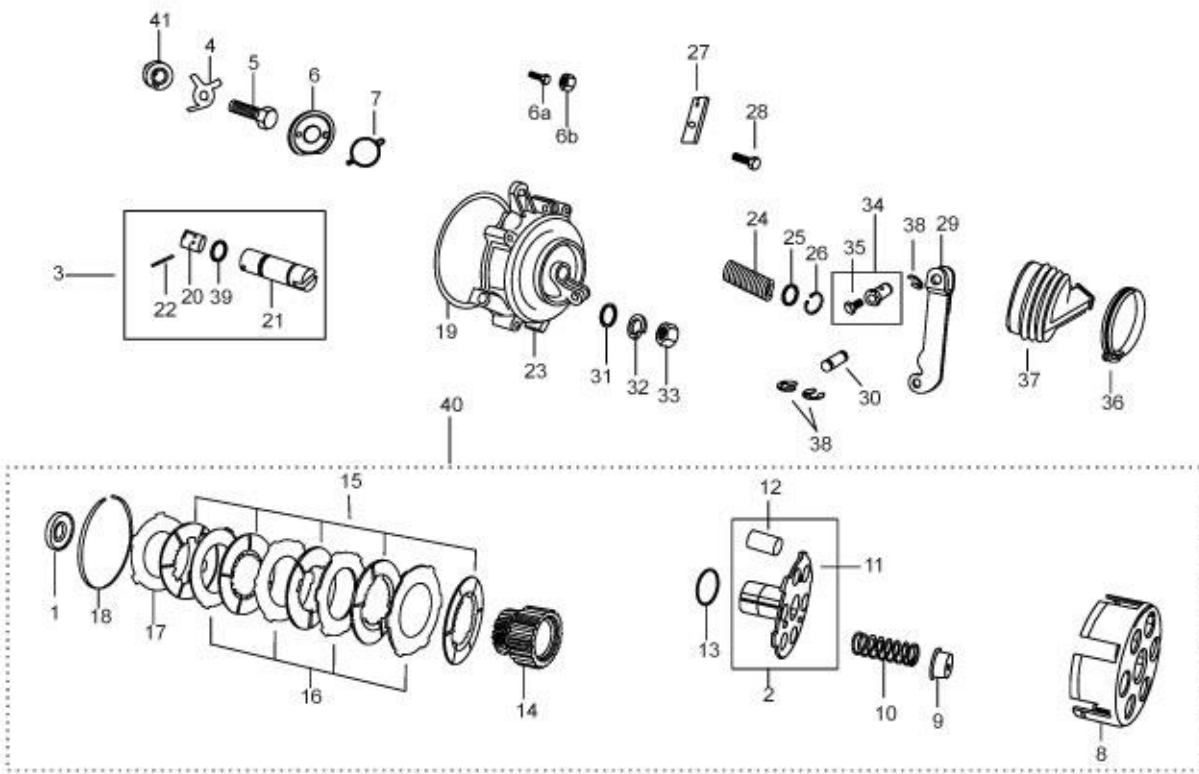
---

**PLATE-19**

**CLUTCH AND CLUTCH COVER**

---









Print Date: 07-Apr-2022

**PLATE-19****CLUTCH AND CLUTCH COVER**

<b>Fig. No.</b>	<b>Part No.</b>	<b>Description</b>	<b>Qty</b>	<b>Remarks</b>
38	843000809	CIRCLIP DIA.8(EXT) TYPE C	3	
39	B019220	O- RING (PLUNGER SHAFT)	1	
40	1F000832	CLUTCH ASSY	1	
41	129011019	WASHER FOR CLUTCH ASSY.	1	



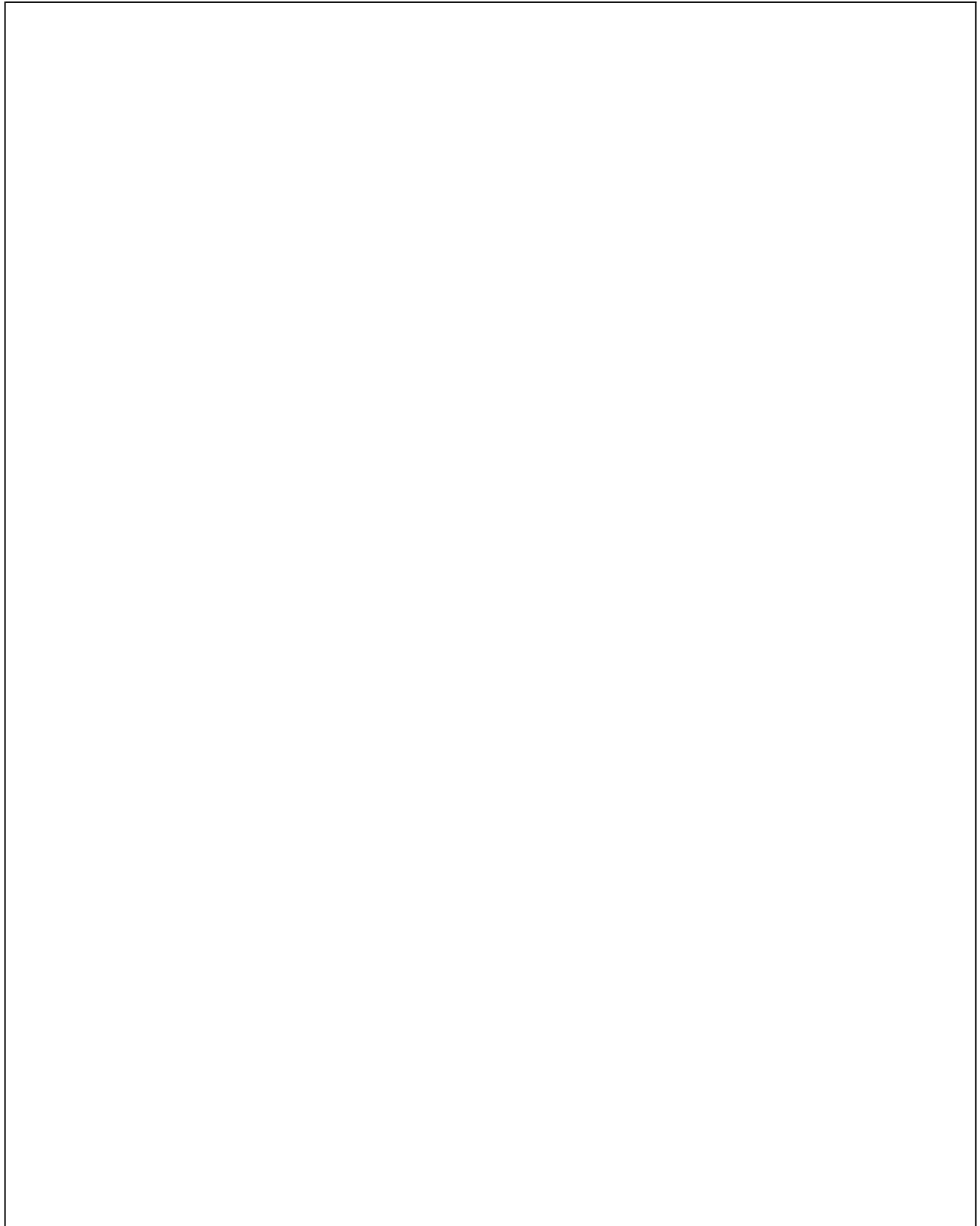
Print Date: 07-Apr-2022

---

**PLATE-20**

**ENGINE SUPPORT**

---







Print Date: 07-Apr-2022

**PLATE-20**  
**ENGINE SUPPORT**

Fig. No.	Part No.	Description	Qty	Remarks
1	6C000382	FRAME ASSLY SUS.& ENGINE SUPPORT	1	common with BS6
2	644839R	EARTHING CABLE	1	
3	267065	SPACER FRONT	3	
4	136916	PLATE FOR RETAINING THE BRAKE FLEX. PIPE	3	
5	643692	THREE WAY UNION	1	
6	644813	BRAKE PUMP TUBE OF LEFT REAR WHEEL	1	
7	644812	BRAKE PUMP TUBE OF RIGHT REAR WHEEL	1	
8	20108	HEX NUT M8	6	
9	016408	SPRING WASHER	6	
10	31119	HEX HD SCREW M8 X 25	6	
10A	632247	HEX HDD SCREW M10X30 CC8.8	2	
11	604948	HEX.HDD BOLT M8 X 110 WITH POINTING	2	
12	265091	DUMPER ENGINE MTG.	3	
13	272178	HEX. HDD BOLT M8 X 122 CL 10.9	1	
14	15335	HEX HD NUT M8	3	
15	643711R	FRT CROSS MEMBER ASSY. ENG. MTG.	1	
16	231370	SELF BREAKING NUT M10	2	
17	286328	PLAIN WASHER 20X10.2X2	2	
18	568689	HEX HEAD BOLT M10X100	2	
19	660927	ENGINE COVER	1	
20	604606	HEX HD. SCREW M5X20 CL8.8	2	
21	3055	PLAIN WASHER M5	3	
22	6078	PLAIN WASHER 12 X 5.2 X 1	3	
23	15911	PAN SELF TAP SCREW 8SG X 16 AB	6	
24	272178	HEX. HDD BOLT M8 X 122 CL 10.9	2	
25	016408	SPRING WASHER	3	
26	644814R	FLEXIBLE BRAKE HOSE	2	
27	2383	PLAIN WASHER M20X8.5X2	4	
28	231370	SELF BREAKING NUT M10	2	
29	632299	PLATE	2	
30	31159	HEX HD SCREW M10 X 35 CC 8.8	2	
31	569377	PLATE	2	
32	569244	PLATE	2	
33	662476	REAR ENGINE SUPPT. ARM ASSLY.	1	
34	16410	SPRING WASHER	2	



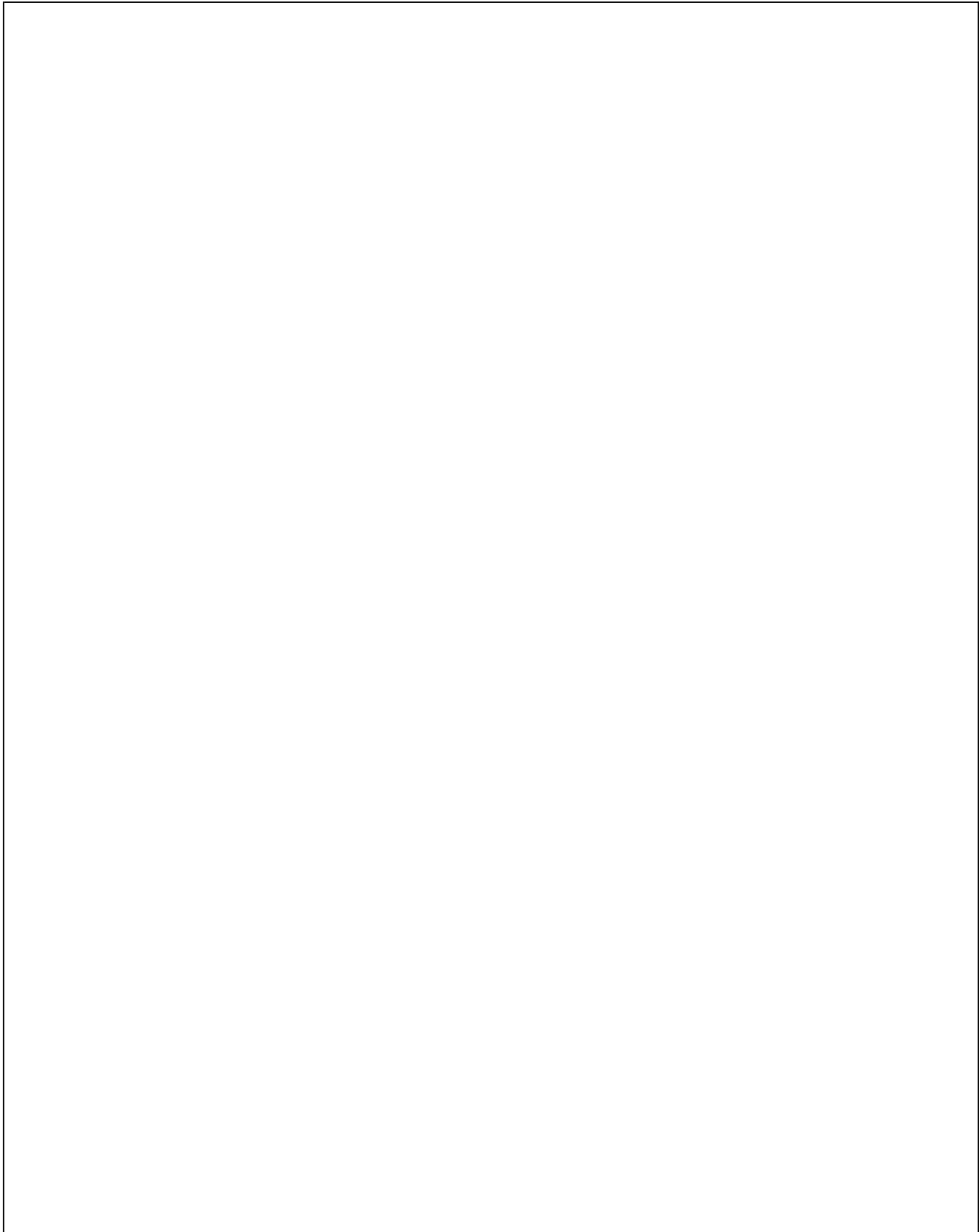


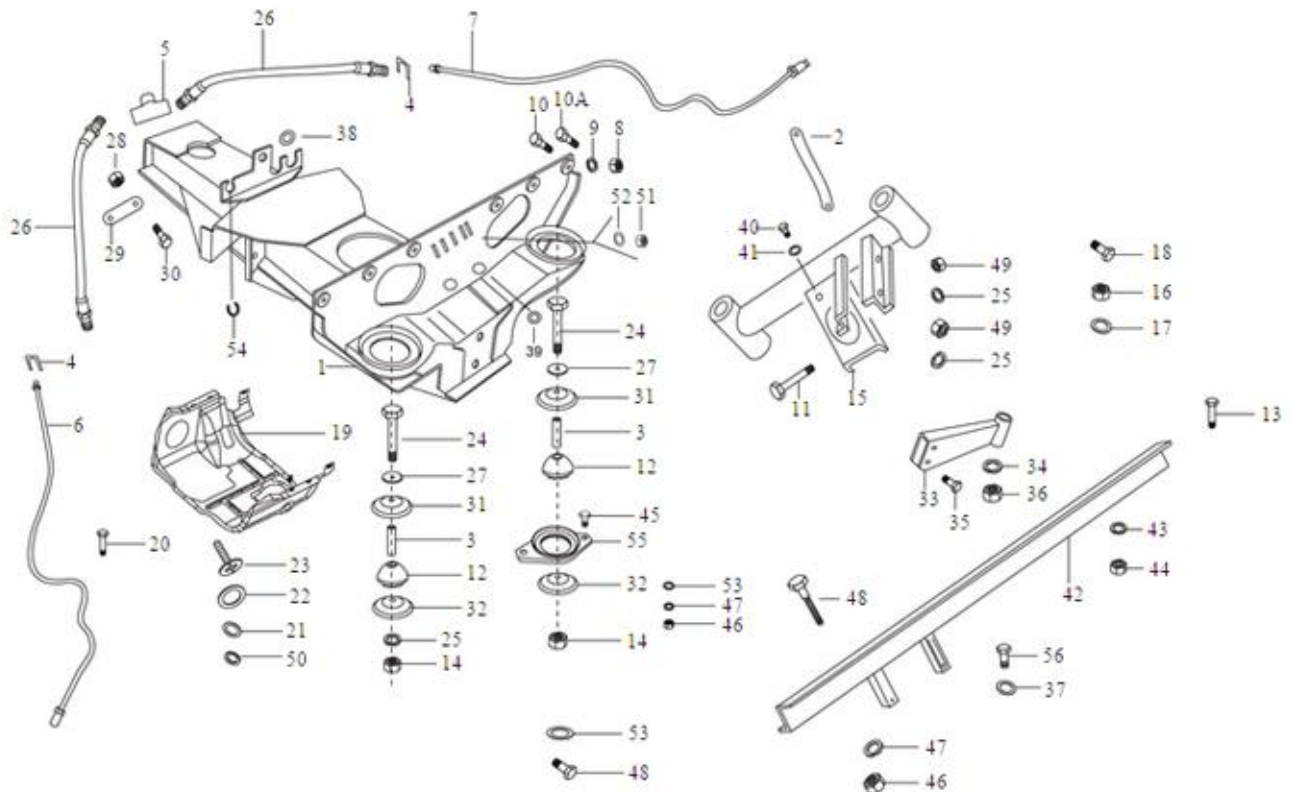
Print Date: 07-Apr-2022

---

**PLATE-20**  
**ENGINE SUPPORT**

---







Print Date: 07-Apr-2022

**PLATE-20**  
**ENGINE SUPPORT**

Fig. No.	Part No.	Description	Qty	Remarks
35	B024614	HEX HEAD BOLT M10X45 CL 10.9	2	
36	20110	HEX NUT M10	2	
37	286328	PLAIN WASHER 20X10.2X2	6	
38	178610	GROMMET	1	
39	15478	GROMMET4	2	
40	31116	HEX HD. SCREW M8X16	3	
41	3058	PLAIN WASHER 15X8.4X1.5	1	
42	B009144	CROSS MEMBER ENG. SUPP. RR SUB ASSLY.	1	
43	016408	SPRING WASHER	2	
44	20108	HEX NUT M8	2	
45	31118	SCREW M8X20	2	
46	20108	HEX NUT M8	4	
47	16410	SPRING WASHER	6	
48	568260	HEX HD BOLT M8X160 CL 8.8	2	
49	20110	HEX NUT M10	4	
50	16405	SPRING WASHER M5	2	
51	20105	PLAIN NUT M5	2	
52	3055	PLAIN WASHER M5	2	
52	6078	PLAIN WASHER 12 X 5.2 X 1	2	
53	286328	PLAIN WASHER 20X10.2X2	2	
54	568140	GROMMET	1	



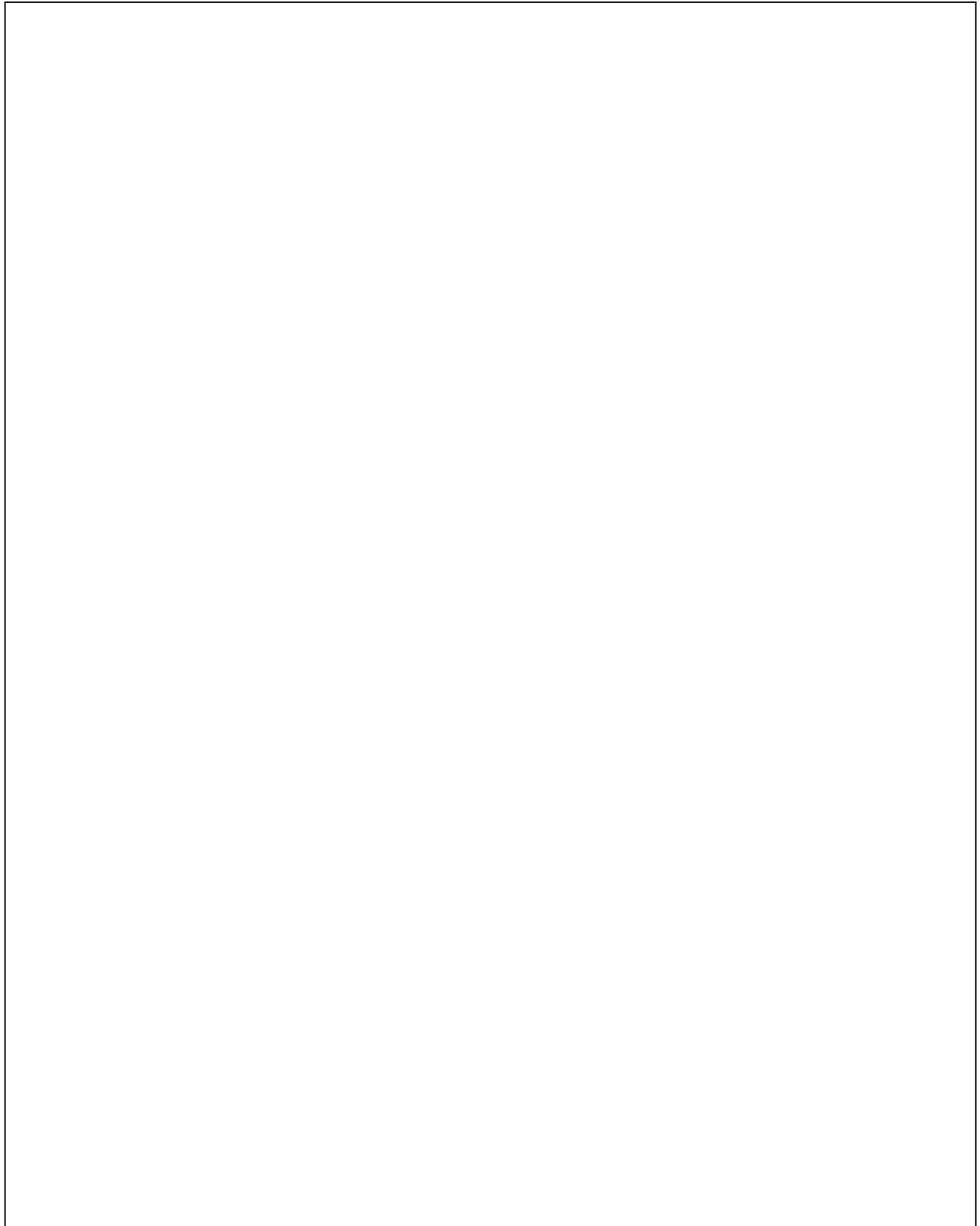
Print Date: 07-Apr-2022

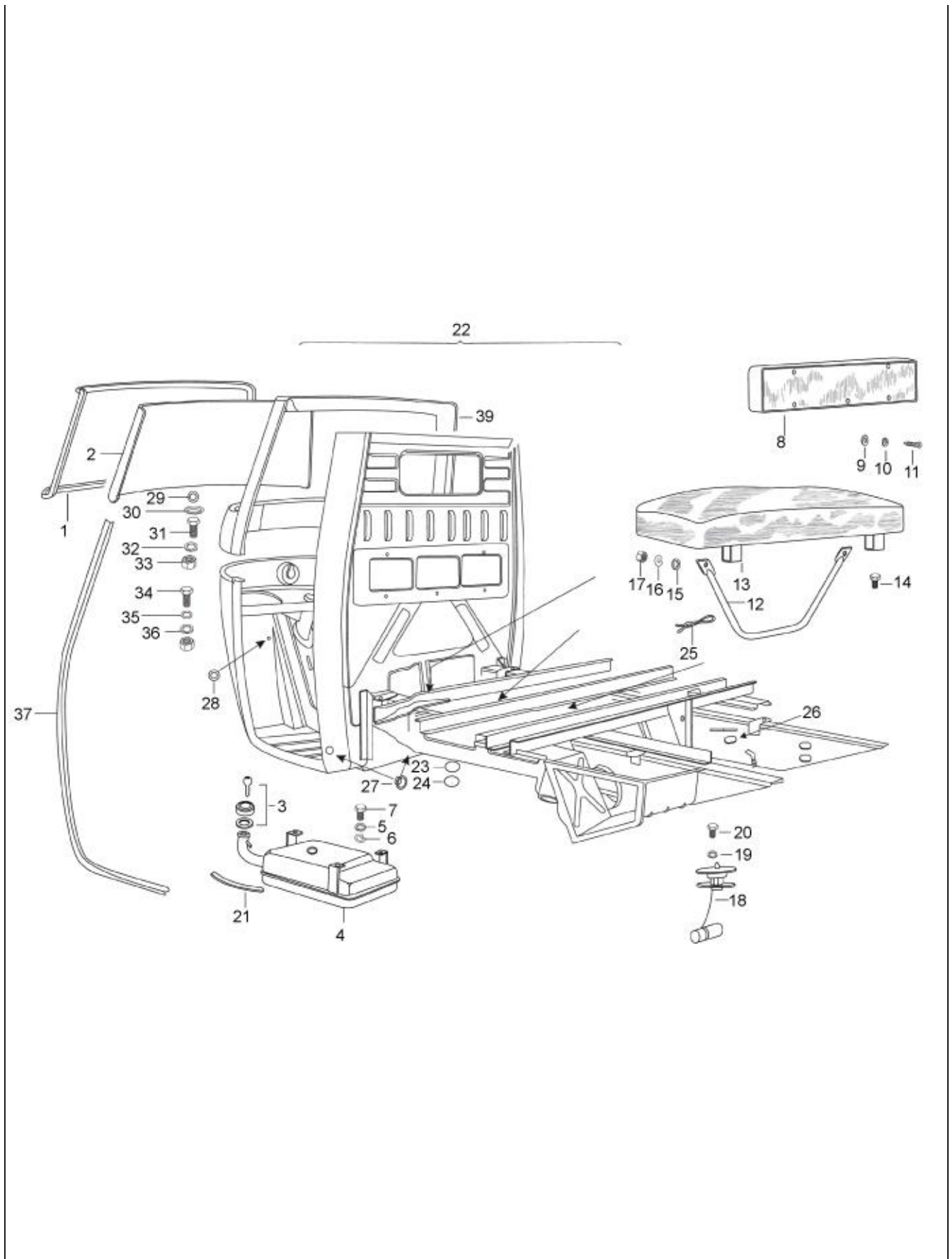
---

**PLATE-21**

**CHASSIS FRAME, FUEL TANK & SEAT**

---









Print Date: 07-Apr-2022

**PLATE-21****CHASSIS FRAME, FUEL TANK & SEAT**

Fig. No.	Part No.	Description	Qty	Remarks
1	109012	WIND SHIELD PACKING	1	
2	587963	LAMINATED WINDSHIELD GLASS	1	E - Marked (Export)
3	NS	NOT SERVICEABLE	1	
4	604826	FUEL TANK ASSLY. 501 CNG / LPG	1	
5	013880	PLAIN WASHER	4	
6	016406	SPRING WASHER	4	
7	31088	HEX HD SCREW M6 X 16 CL 8.8 (811061623)	4	
8	661627	DRIVER BACK REST (PASS.) (VE)	1	
8	661627	DRIVER BACK REST (PASS.) (VE)	1	
9	16405	SPRING WASHER M5	4	
10	16603	PLAIN WASHER (METALLIC)	4	
11	604606	HEX HD. SCREW M5X20 CL8.8	4	
12	567562	SEAT SUPPORT PIPE (COMM)	1	
12	587849	DRIVER SEAT SUPPORT PIPE (PASSENGER)	1	
13	B002875	PASS DRIVER SEAT ASSY-501 CNG	1	
13	B075444	PASS. SEAT ASSLY (WIRE MESH)	1	
13	B077471	DRIVER SEAT ASSY-CNG	1	
14	31119	HEX HD SCREW M8 X 25	2	
15	3058	PLAIN WASHER 15X8.4X1.5	2	
16	016408	SPRING WASHER	2	
17	20108	HEX NUT M8	2	
18	567878R	TANK UNIT	1	
19	16405	SPRING WASHER M5	6	
20	31054	HEX HD. SCREW M5X10 CL8.8	6	
21	587763	BREATHER PIPE	1	
22	B009071EG	501 PASS UPGRADE CHASSIS-BW	1	
23	128009	CAPSULE	1	
24	128010	CAP	1	
25	568682	FASTENER	2	
26	190255	GROMMET (LONG MEMBER)	5	
27	125998	PLUG	5	
28	568131	PLUG DOME DIA. 21 MM - CAB BEHIND HL	4	
29	105392	GROMMET	1	
30	568154	CUT GROMMET FOR HORN	1	
31	B001386	HEX HEAD SCREW M5X20	9	

50

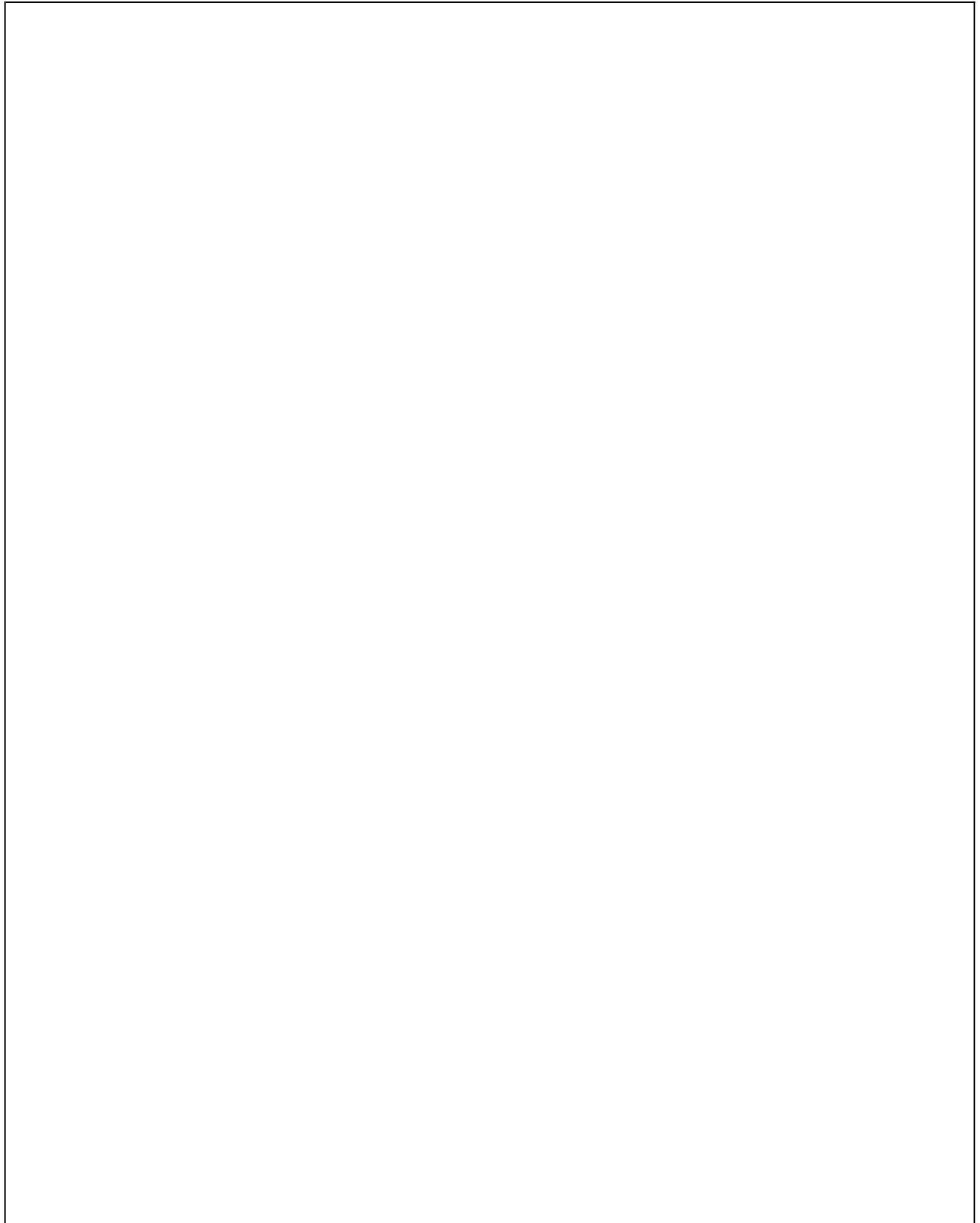
Print Date: 07-Apr-2022

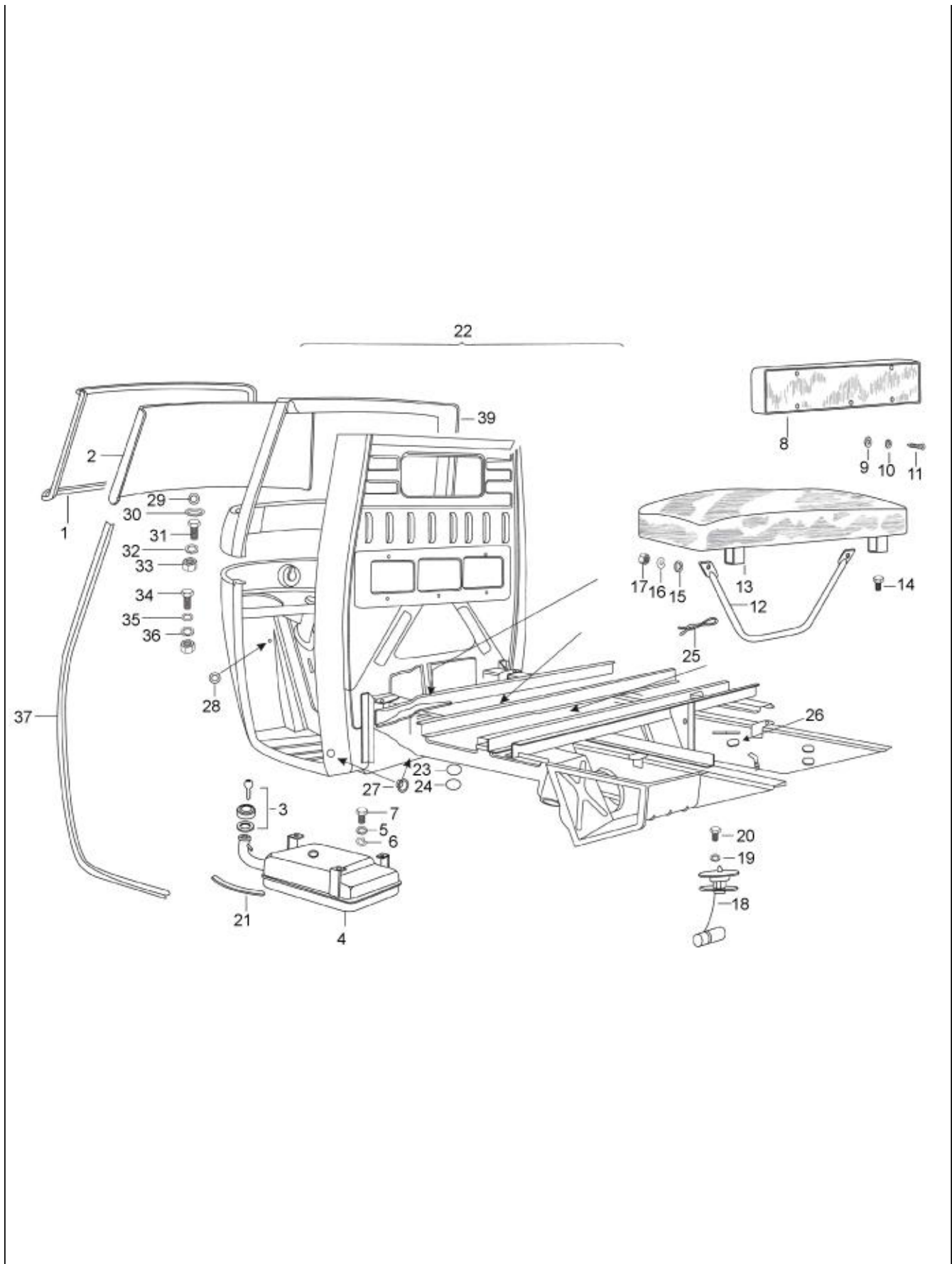
---

**PLATE-21**

**CHASSIS FRAME, FUEL TANK & SEAT**

---







Print Date: 07-Apr-2022

**PLATE-21****CHASSIS FRAME, FUEL TANK & SEAT**

Fig. No.	Part No.	Description	Qty	Remarks
32	16405	SPRING WASHER M5	9	
33	20105	PLAIN NUT M5	9	
34	30072	HEX HEAD BOLT M8 X 35	2	
35	13861	PLAIN WASHER 20X8.2X2.5	2	
36	016408	SPRING WASHER	2	
37	118447	FRONT PACKING	2	
38	925888	RUBBER GASKET FOR TANK UNIT	1	
39	B076098ED	WINDSCREEN FRAME ASSLY - C/O 501 BSIV DSL	1	
22	B009071BY	CNG PASS MAIN FRAME ASSLY. BLACK	1	CNG
22	B009071WR	CNG PASS MAIN FRAME ASSLY.-W RED	1	CNG
22	B074751GY	MAIN FRAME ASSLY 501 LPG BSIII SPD - GY	1	LPG
22	B074751BL	MAIN FRAME ASSLY 501 LPG BSIII SPD - BLK	1	LPG
22	B074751EG	MAIN FRAME ASSLY 501 LPG BSIII SPD - EG	1	LPG



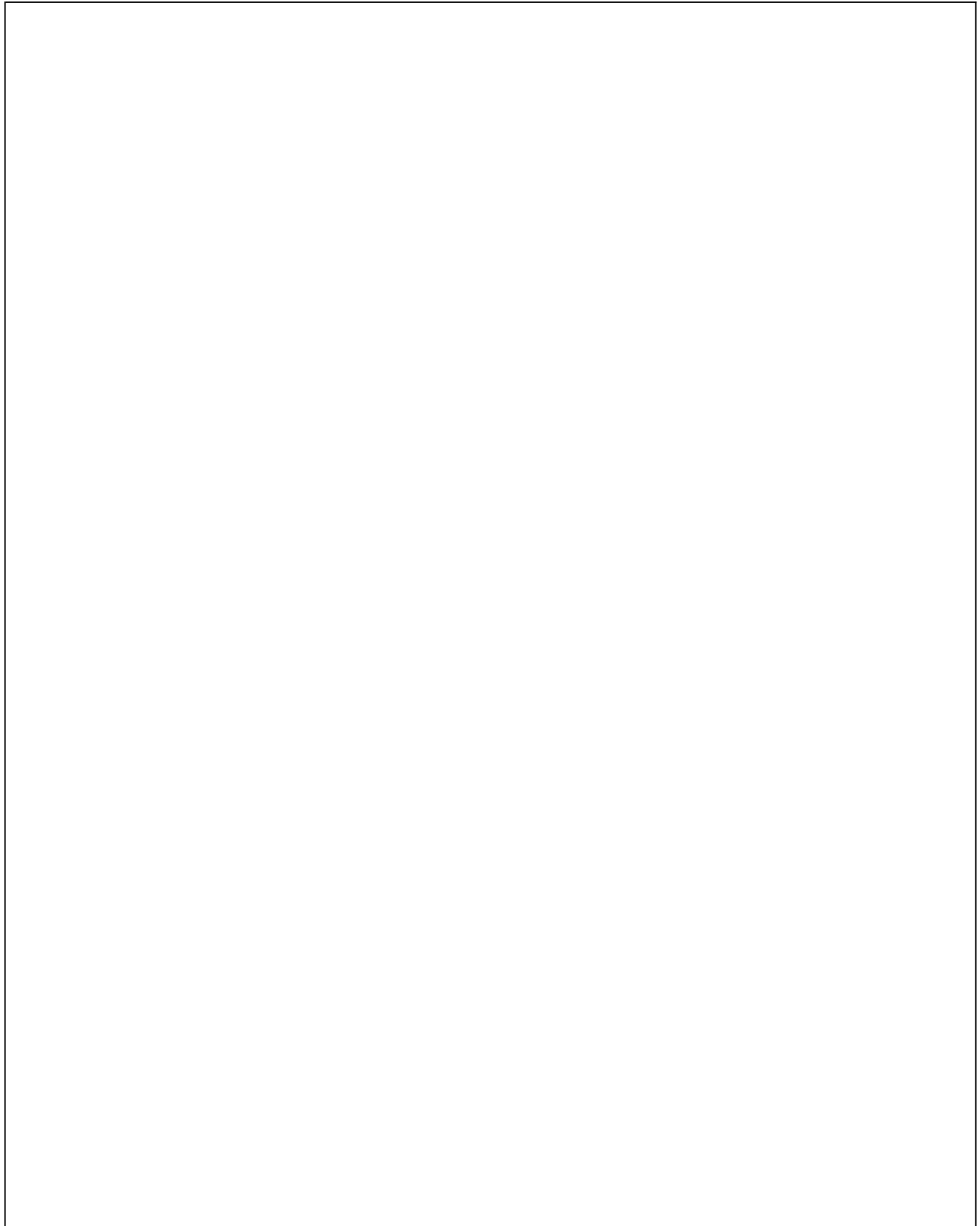
Print Date: 07-Apr-2022

---

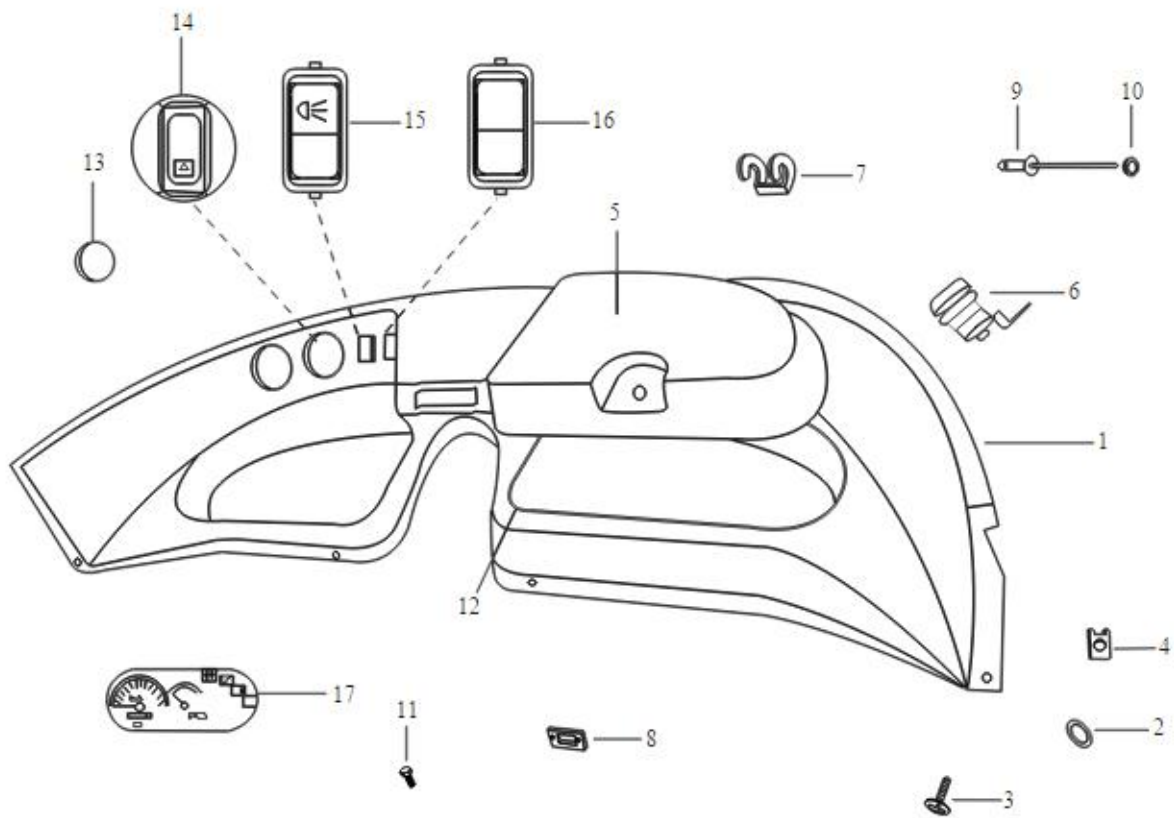
**PLATE-22**

**INNER PARTS OF CABIN**

---









Print Date: 07-Apr-2022

**PLATE-22**  
**INNER PARTS OF CABIN**

Fig. No.	Part No.	Description	Qty	Remarks
1	B041524	DASHBOARD S/A WITH GLOVE BOX COVER	1	
1	B041522	DASHBOARD (NS)	1	
2	16670	PLAIN WASHER 12X4.5X1	4	
3	15911	PAN SELF TAP SCREW 8SG X 16 AB	4	
4	8080	SPRING PLATE	4	
5	B041535	COVER; GLOVE BOX (NS)	1	
6	940120	LOCK GLOVE COMPARTMENT WITH KEY	1	
7	605389	HINGE	1	
8	643691	BOLT LOCK PLATE	1	
9	567893	POP RIVET 4 X 9.5	4	
10	003054	PLAIN WASHER	8	
11	660168	PAN SELF TP. SCREW 10 SGX13AB	4	
12	568671	GASKET - GLOW BOX COVER (N.I.)	4	
13	604984	CAP DASH BOARD	2	
14	587670R	SWITCH 3 POSITION	1	
15	660826R	HAZARD WARNING SWITCH WITH CROWN CAP (12V)(VE)	1	
16	587974R	WIPER MOTOR SWITCH/ SWITCH WIPER MOTOR	1	
17	B001556R	INSTRUMENT CLUSTER WITH SHIFTED SPEEDOME	1	



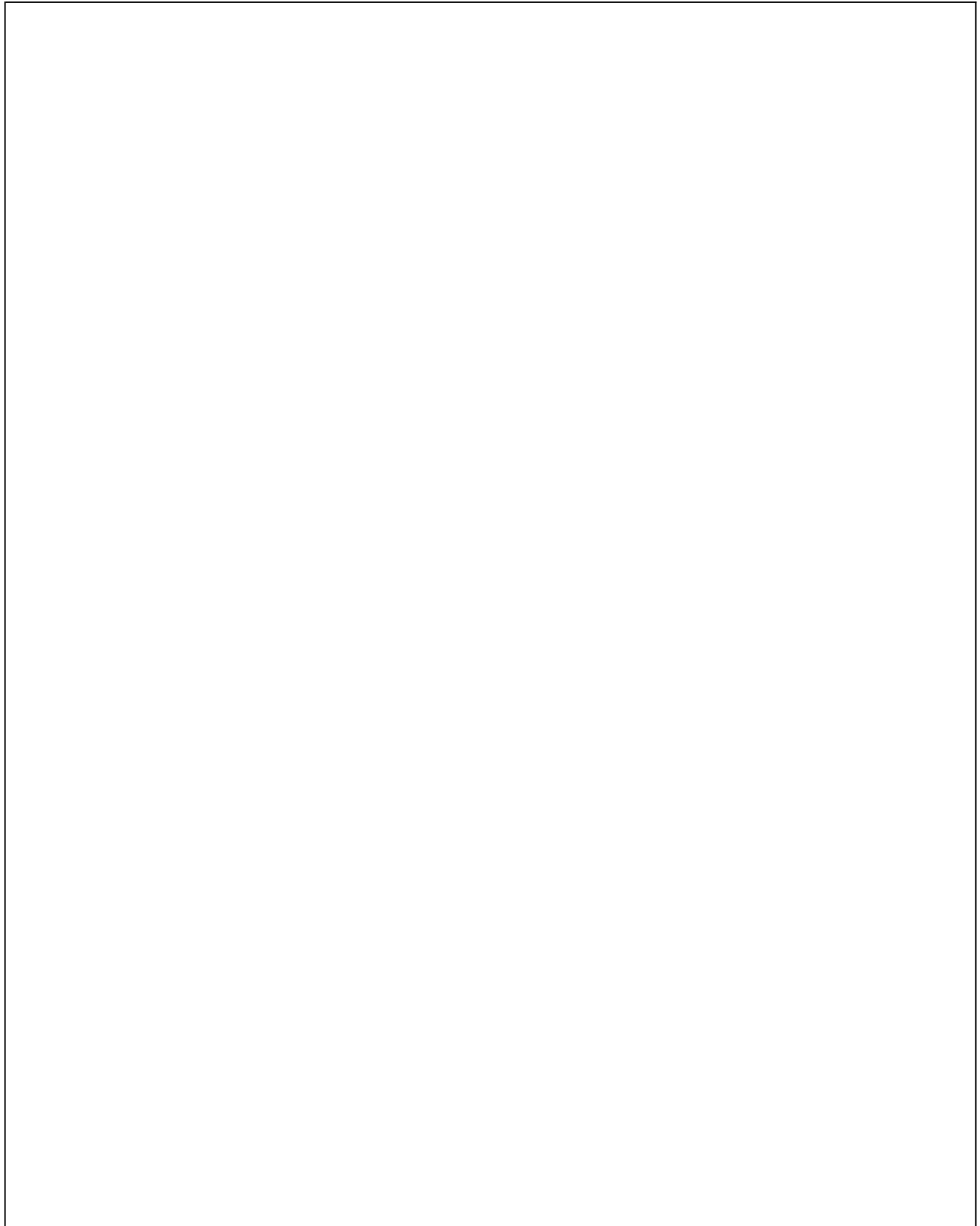
Print Date: 07-Apr-2022

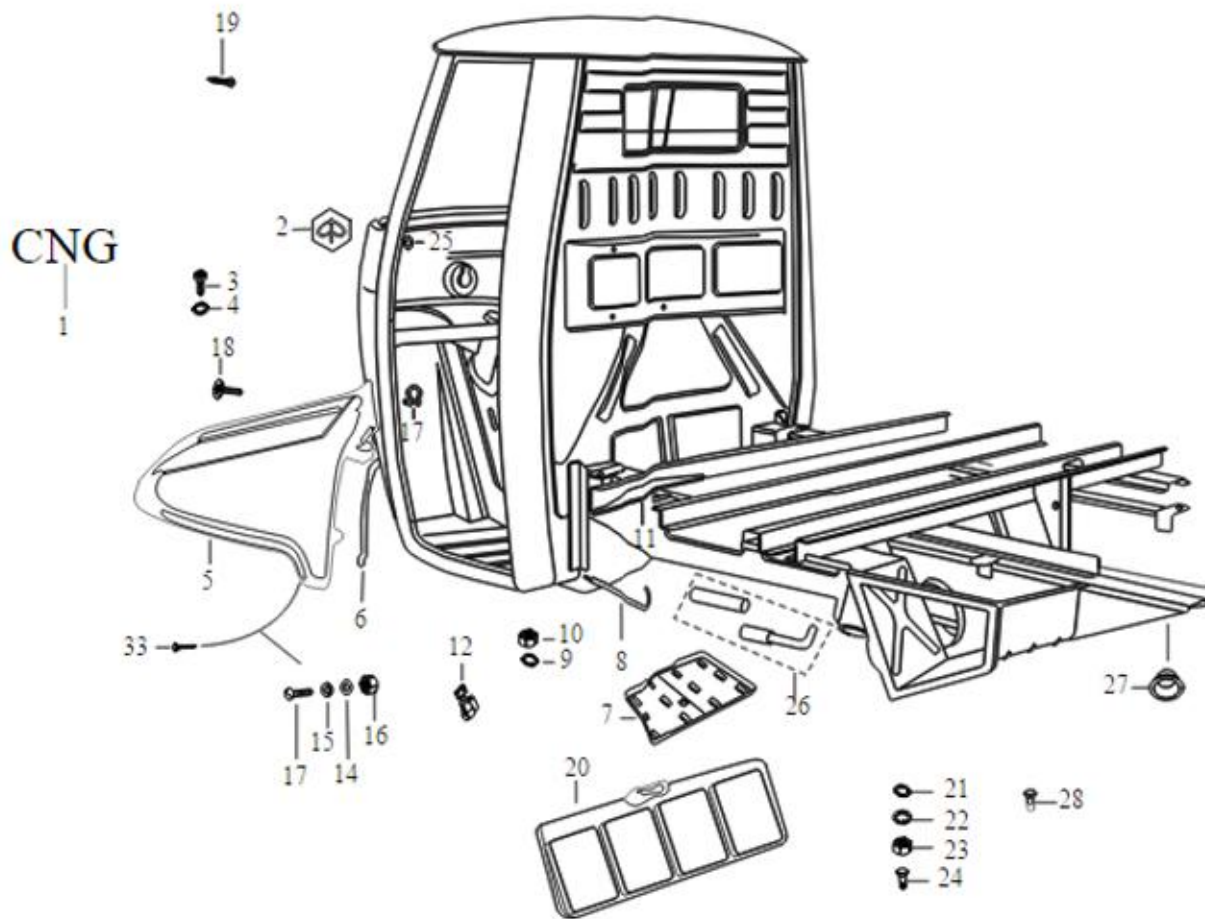
---

**PLATE-23**

**CHASSIS COMPONENTS**

---







Print Date: 07-Apr-2022

**PLATE-23****CHASSIS COMPONENTS**

Fig. No.	Part No.	Description	Qty	Remarks
1	B003658	PLATE CNG	1	
2	B073088	HEX EMBLEM	1	
3	15727	PAN SELF TAPPING SCREW	2	
4	B008167	PL WASHER 12X3.2X1	2	
5	B042611	FRONT MUD GUARD APE CLASSIC NEW	1	
6	568702	GASKET-FRT MUDGUARD TOP	2	
6	568703	GASKET FOR FRONT MUDGUARD	2	
7	616649	BATTERY TRAY	1	
8	604954	TENSION ROD	1	
9	3058	PLAIN WASHER 15X8.4X1.5	1	
10	20108	HEX NUT M8	1	
11	604691	ANGLE BAR ASSLY	1	
12	B024179	SPARE WHEEL LOCK WITH KEY	1	
13	31092	HEX. HD SCREW M6X25	2	
14	013880	PLAIN WASHER	12	
15	78307	BENT SPRING WASHER M6	6	
16	20106	HEX NUT M6	6	
17	157716	SCREW ANCHORE	3	
18	18630	PAN SELF TAP SCREW 6SG X 25AB	3	
19	8265	SELF TAPPING SCREW	2	
20	116103	MUD FLAP FRONT	1	
21	013880	PLAIN WASHER	4	
22	016406	SPRING WASHER	4	
23	20106	HEX NUT M6	4	
24	31088	HEX HD SCREW M6 X 16 CL 8.8 (811061623)	4	
25	003054	PLAIN WASHER	2	
26	632508	TENSION ROD ASSY. (BATTERY MOUNTING.)	1	
27	568131	PLUG DOME DIA. 21 MM - CAB BEHIND HL	2	
28	31089	HEX HEAD SCREW M6X18 CL 8.8	4	





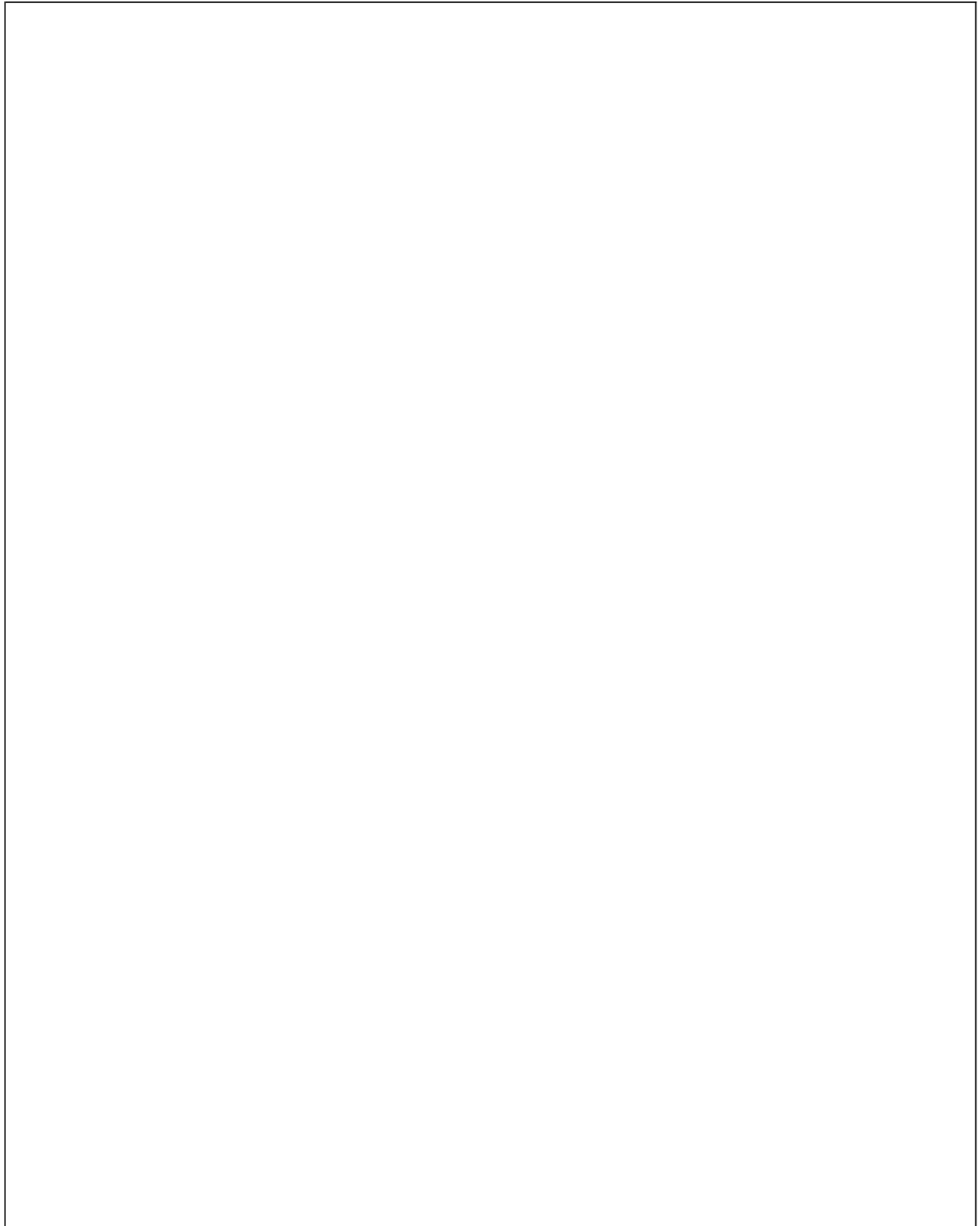
Print Date: 07-Apr-2022

---

**PLATE-24**

**RUBBER MAT, REAR MUDGUARD**

---







Print Date: 07-Apr-2022

**PLATE-24****RUBBER MAT, REAR MUDGUARD**

Fig. No.	Part No.	Description	Qty	Remarks
1	643685R	OUTER REAR VIEW MIRROR LH ASSY.	1	
1	643684R	OUTER REAR VIEW MIRROR RH ASSY.	1	
2	016408	SPRING WASHER	2	
2	12540	SPRING WASHER M8	2	
3	30072	HEX HEAD BOLT M8 X 35	2	
4	20108	HEX NUT M8	2	
5	190393	RIM COVERAGE JOINT	1	
5	B024645	RIM COVERAGE JOINT	1	
5A	14034	'O' RING	1	
5B	15911	PAN SELF TAP SCREW 8SG X 16 AB	2	
6	190462	PLATE ASSY.	5	
7	003054	PLAIN WASHER	5	
8	20104	HEX NUT M4	5	
10	8432	SCREW	6	
11	661634	PROTECTION GUIDE (LH) -VE	1	
11	661635	PROTECTION GUIDE (RH) -VE	1	
12	190465	TERMINAL	2	
12	B024855	TERMINAL	2	
13	15911	PAN SELF TAP SCREW 8SG X 16 AB	2	
14	76227	GROMMET	1	
15	B042612	REAR MUDGUARD RH/LH	2	
16	16603	PLAIN WASHER (METALLIC)	8	
17	604603	RIVET	8	
18	142424	MUDFLAP FOR RR MUDGUARD	1	
19	644979	CABIN MAT	1	
20	414948	KNOB CARPET	4	
21	142425	BUTTON	4	
22	B024179	SPARE WHEEL LOCK WITH KEY	1	
23	568741	LOCK WASHER	3	
24	B002199	PACKING SOUND DAMPNER	12	
25	190462	PLATE ASSY.	5	
25 A	190479	JACK ASSY. COMPONENT	5	
26	3055	PLAIN WASHER M5	1	
26 A	6078	PLAIN WASHER 12 X 5.2 X 1	2	
27	645141	BOTTLE CARRIER STAND	1	



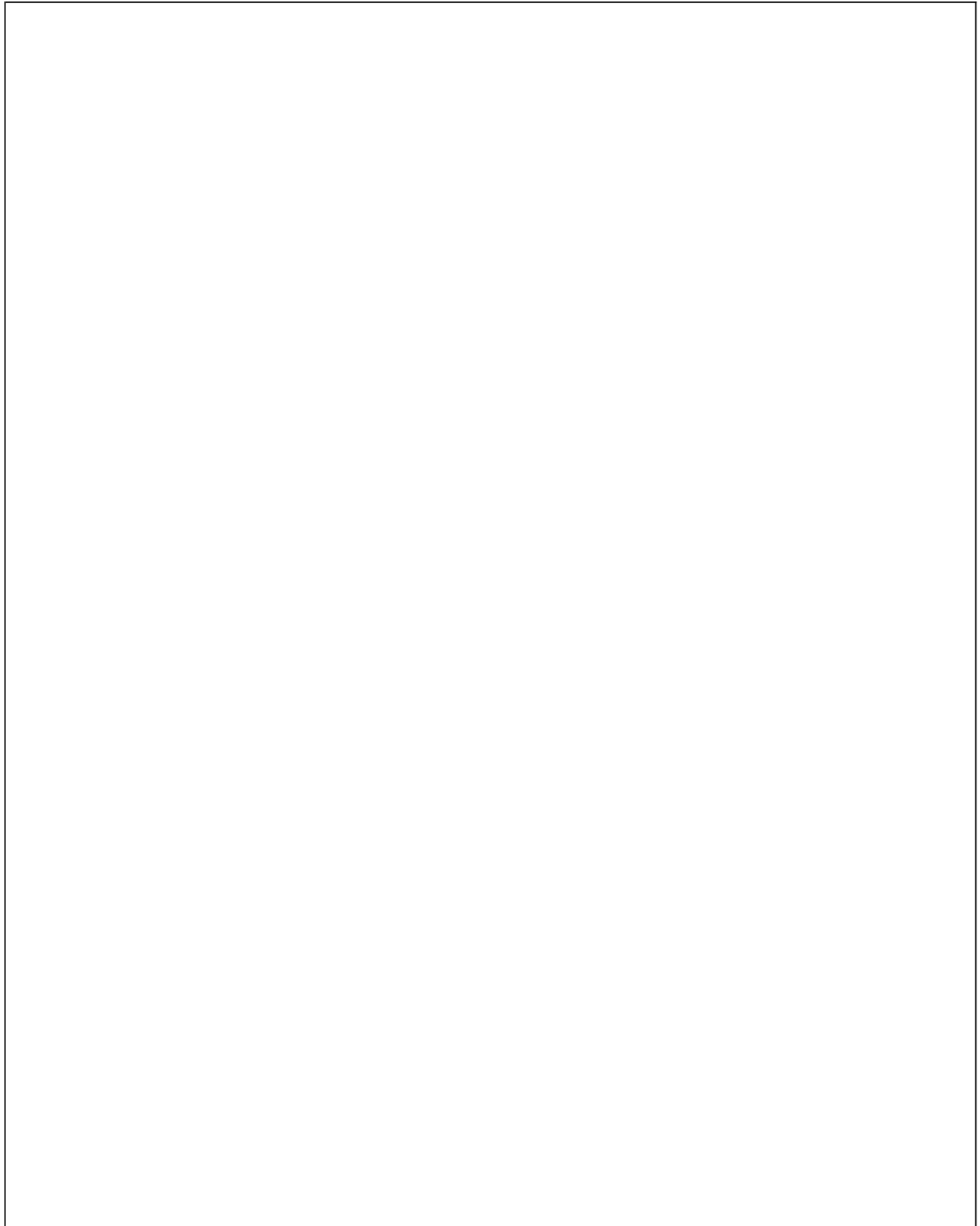
Print Date: 07-Apr-2022

---

**PLATE-24**

**RUBBER MAT, REAR MUDGUARD**

---









Print Date: 07-Apr-2022

**PLATE-24****RUBBER MAT, REAR MUDGUARD**

Fig. No.	Part No.	Description	Qty	Remarks
28	31058	HEX HEAD SCREW M5 X 16 CC8.8	2	
29	16405	SPRING WASHER M5	4	
30	20105	PLAIN NUT M5	7	
31	14628	CSK SELF TP.SCREW 6SG X 16 AB	10	
32	3055	PLAIN WASHER M5	7	
32	568135	WASHER(NI PLATED)	10	
33	587961	PROFILE SECTION SHORT FOR CARPET	1	
33	587962	PROFILE	1	
34	16405	SPRING WASHER M5	7	
35	12540	SPRING WASHER M8	2	
36	13861	PLAIN WASHER 20X8.2X2.5	2	
37	20108	HEX NUT M8	2	
38	30072	HEX HEAD BOLT M8 X 35	2	



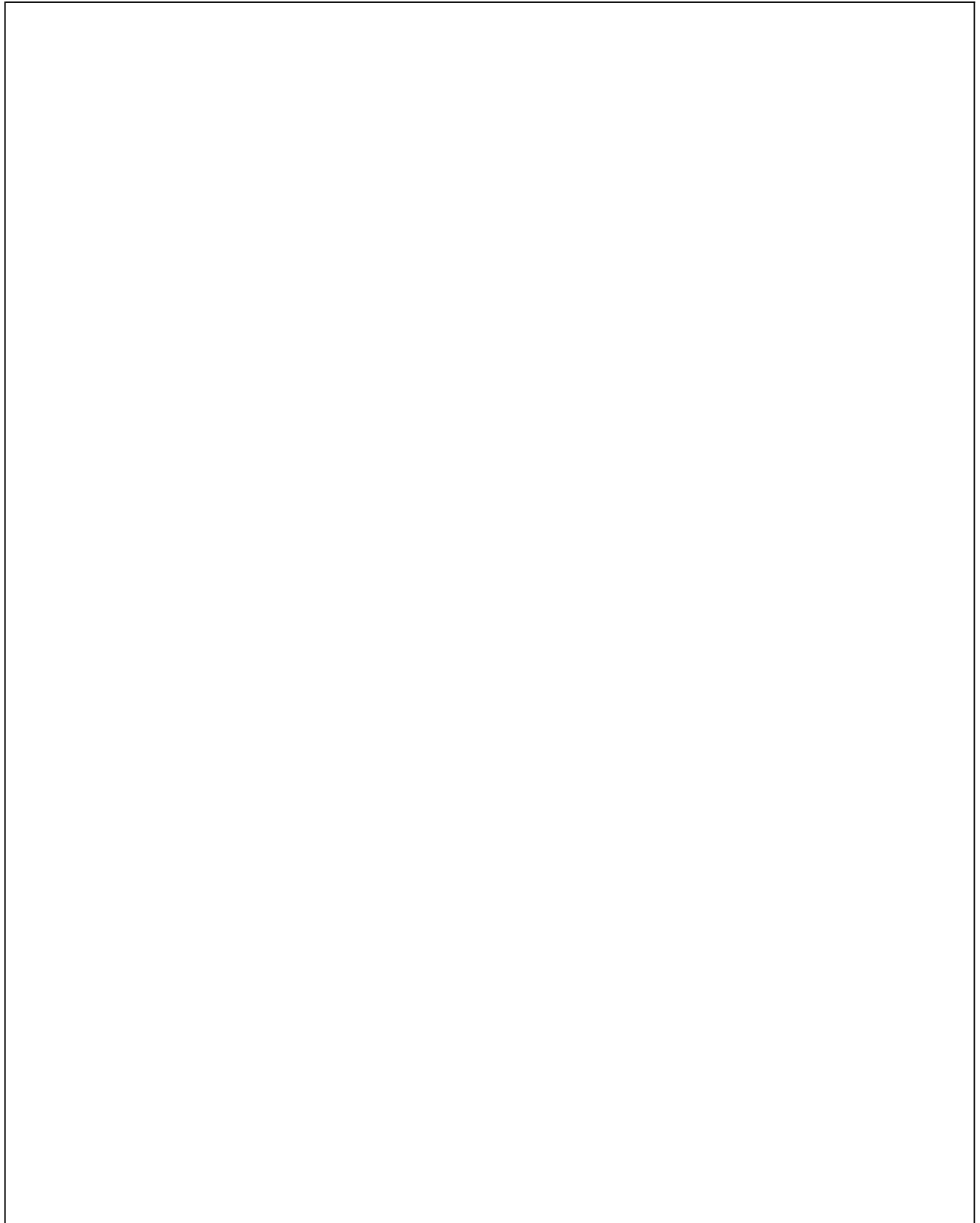
Print Date: 07-Apr-2022

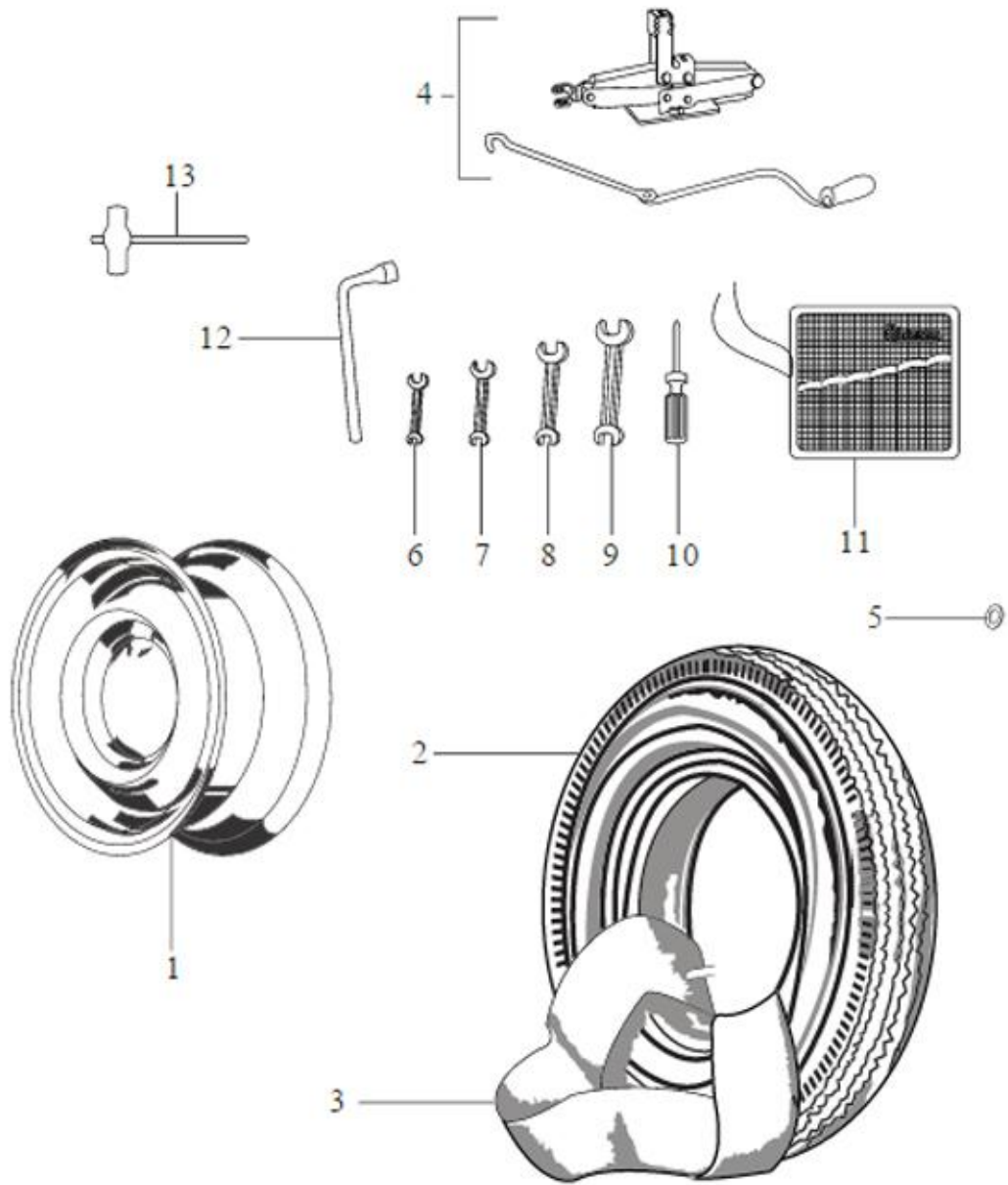
---

**PLATE-25**

**TOOLS AND WHEELS**

---







Print Date: 07-Apr-2022

**PLATE-25****TOOLS AND WHEELS**

Fig. No.	Part No.	Description	Qty	Remarks
1	644973R	WHEEL RIM ASSY.	1	
2	587971	TYRE 4.50 X 10 8 PR	1	
3	151924	INNER TUBE TYRE 4.5 X 10 INCH	4	
4	B001954R	JACK ASSEMBLY COMPONENT	1	
5	6018	PL. WASHER	2	
6	567454	DOUBLE END SPANNER7/8	1	
7	567455	DE SPANNER 10X13 IS:2018(ZN PLATING)	1	
8	567456	DOUBLE END SPANNER 12/14	1	
9	567457	DE SPANNER 17/19	1	
10	567458	SCREW DRIVER (-)&(+) 80	1	
11	604707	TOOL BAG	1	
12	567459	L TYPE WHEEL SPANNER (A/F19)	1	
13	E500405518	STARTING ROPE	1	
13	192020017	STARTING ROPE	1	





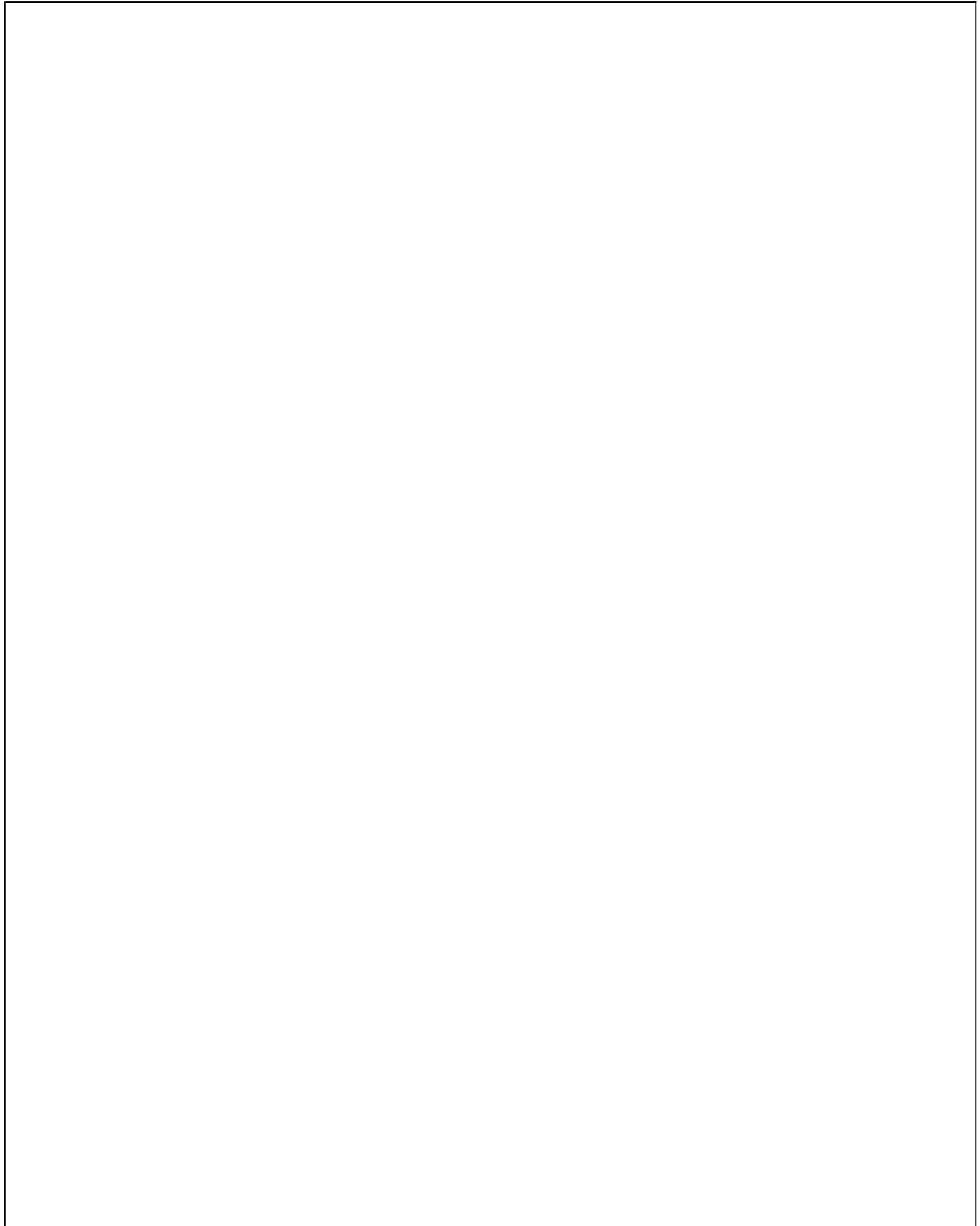
Print Date: 07-Apr-2022

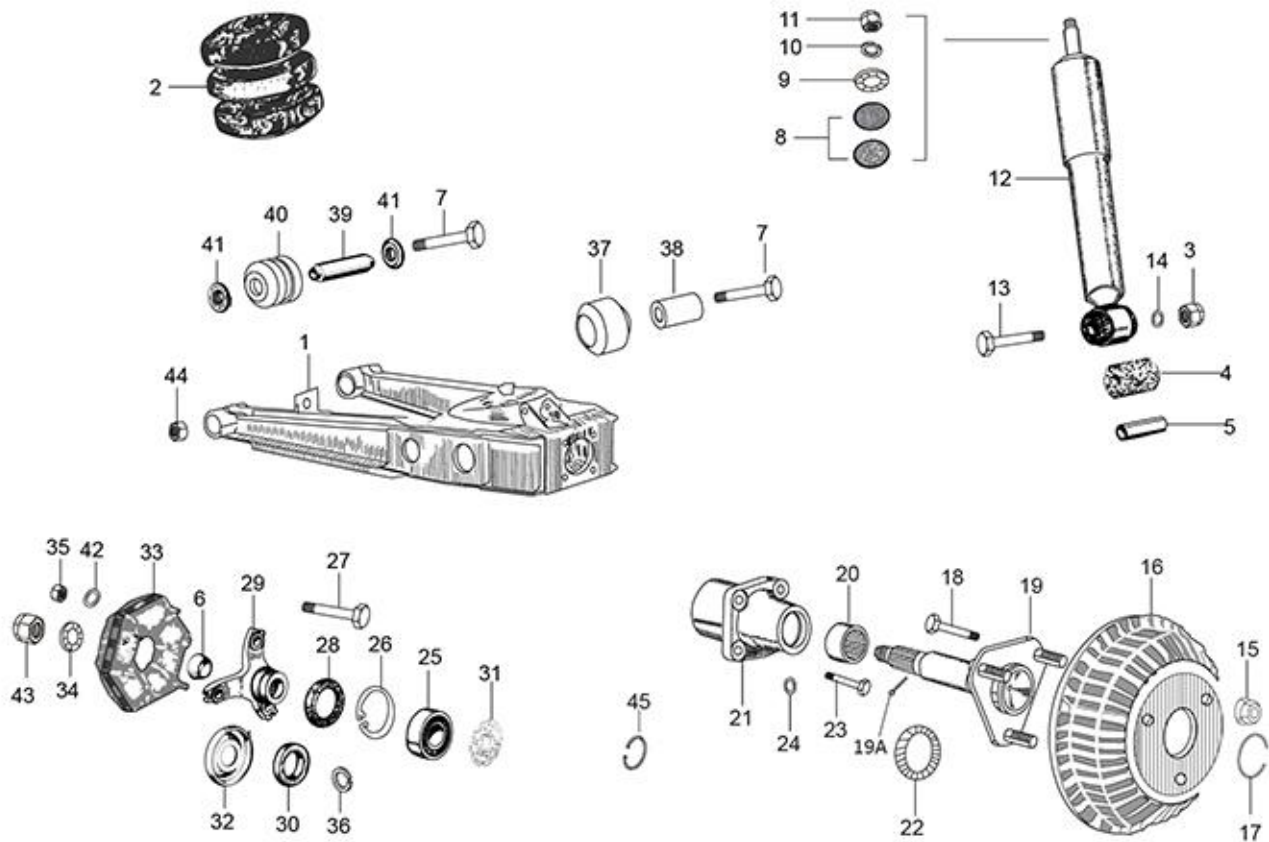
---

**PLATE-26**

**REAR SUSPENSION**

---







Print Date: 07-Apr-2022

**PLATE-26**  
**REAR SUSPENSION**

Fig. No.	Part No.	Description	Qty	Remarks
1	6C000363	ARM ASSLY RH RR SUSP. WITH BUSH-REG	1	Communized with BS6
1	6C000362	ARM ASSLY LH RR SUSP. WITH BUSH-REG	1	Communized with BS6
2	568289	RUBBER BUMPER	2	
3	231370	SELF BREAKING NUT M10	2	
4	157103	BUSH - SHOCK ABSORBER	2	
5	107827	SPACER	1	
6	128633	CONE	2	
7	643741	HEX HDD BOLT M10 X 80 CL 12.9	4	
8	74414	RUBBER BUSH/BUFFER FOR COUPLING SHOCK ABSORBE	4	
9	6066	PL WASHER 10.5X38X9	2	
10	16410	SPRING WASHER	2	
11	20110	HEX NUT M10	2	
12	136451R	SHOCK ABSORBER REAR	2	
13	267068	HEX HEAD BOLT M10 X 60 CC 10.9	2	
14	286328	PLAIN WASHER 20X10.2X2	2	
15	660931	WHEEL NUT (M12 X 1.5)	3	
16	152580	BRAKE DRUM APE - 501	2	
17	107870	ELASTIC RING	2	
18	652520	BOLT FOR AXLE M12 X 40 (VE WHEEL RIM)	3	
19	6C000060	WHEEL AXLE	2	
19	6C000060	WHEEL AXLE	2	(Modified)
19A	12790	SPLIT PIN	2	
20	661282	NEEDLE ROLLER BEARING	2	
21	6C000662	REAR WHEEL HUB	2	
22	20359	SEAL RING	2	
23	31159	HEX HD SCREW M10 X 35 CC 8.8	8	
24	16410	SPRING WASHER	8	
25	243303R	DEEP GROVE BALL BRG-RR WH AXLE	2	
26	6650	CIRCLIP DIA 50 (INT)	2	
27	15594	HEX HDD BOLT M10 X 35	6	
27.1	B024373	ALLEN BOLT M10X65 CL 10.9	6	
28	196302	OIL SEAL	2	
29	587617	ELASTIC JOINT CONNECTION HUB (WHL - SIDE)	2	
30	661267	RING	2	
31	602120	LEFT BRAKE JAW HOLDING CABLE PLATE	1	



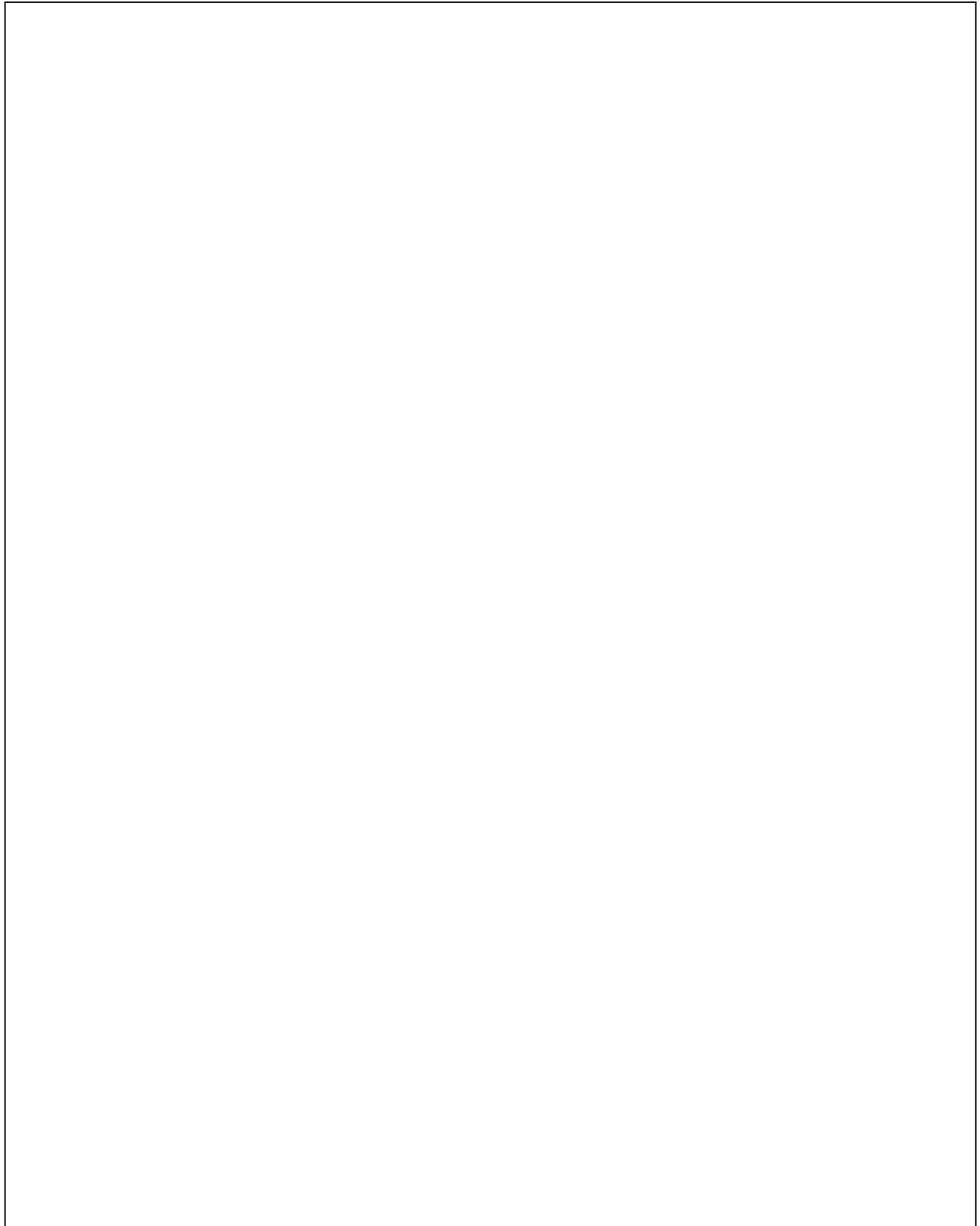
Print Date: 07-Apr-2022

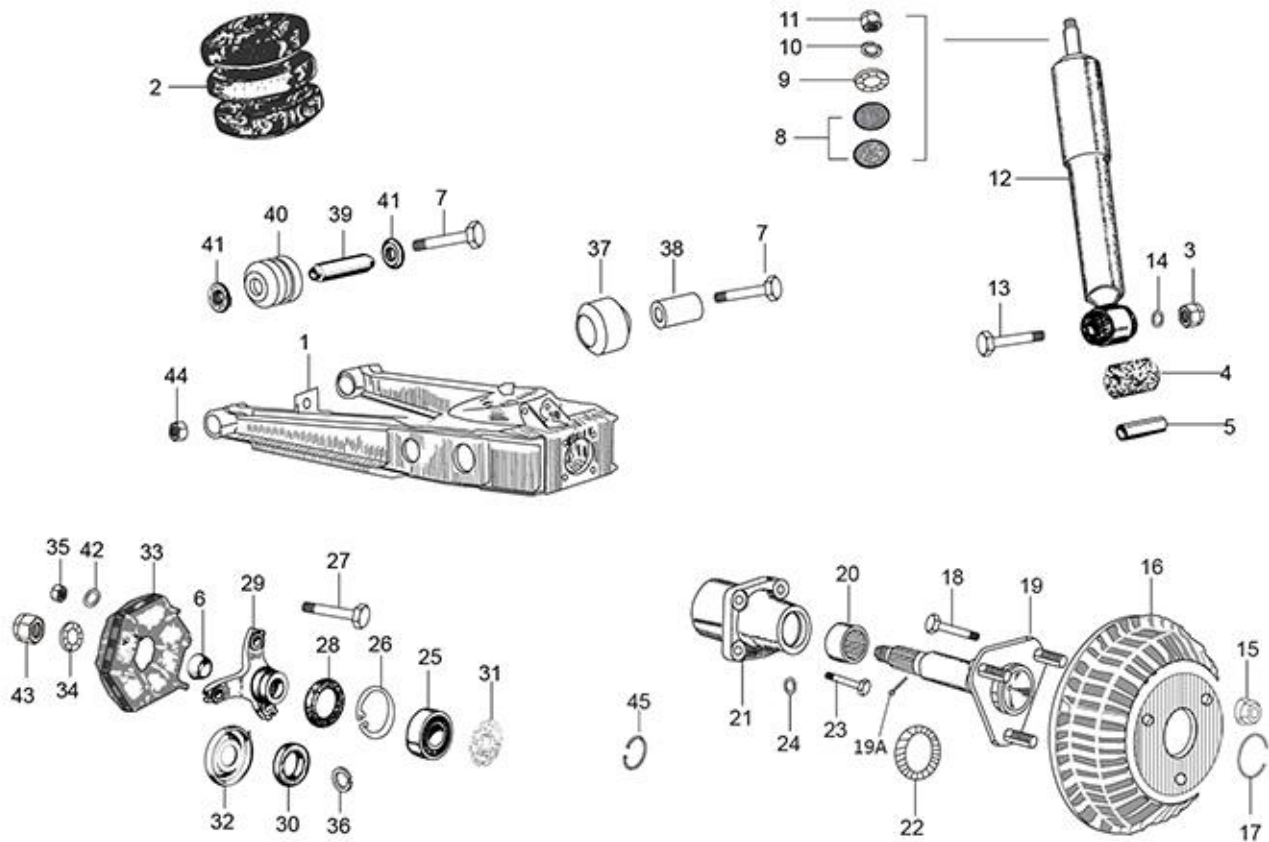
---

**PLATE-26**

**REAR SUSPENSION**

---









Print Date: 07-Apr-2022

**PLATE-26**  
**REAR SUSPENSION**

Fig. No.	Part No.	Description	Qty	Remarks
31	602123	RIGHT BRAKE JAW HOLDING CABLE PLATE	1	
32	109892	PROTECTION CUP RR HUB	2	
33	604535	FLEXIBLE COUPLING	1	
34	3068	PLAIN WASHER	2	
35	231370	SELF BREAKING NUT M10	12	
36	137026	SPRING RING	2	
37	226662	RING FOR ELASTIC SUPPORT	2	
38	226661	INTERNAL BUSH	2	
39	267065	SPACER FRONT	2	
40	226596	BUSH FRONT RING FOR ELASTIC SUPPORT	2	
41	661266	SHOULDER WASHER	4	
42	237246	SHIM WASHER 20X10.2X1	12	
43	136426	NUT WITH COLLAR	2	
44	231370	SELF BREAKING NUT M10	4	
45	137026	SPRING RING	2	



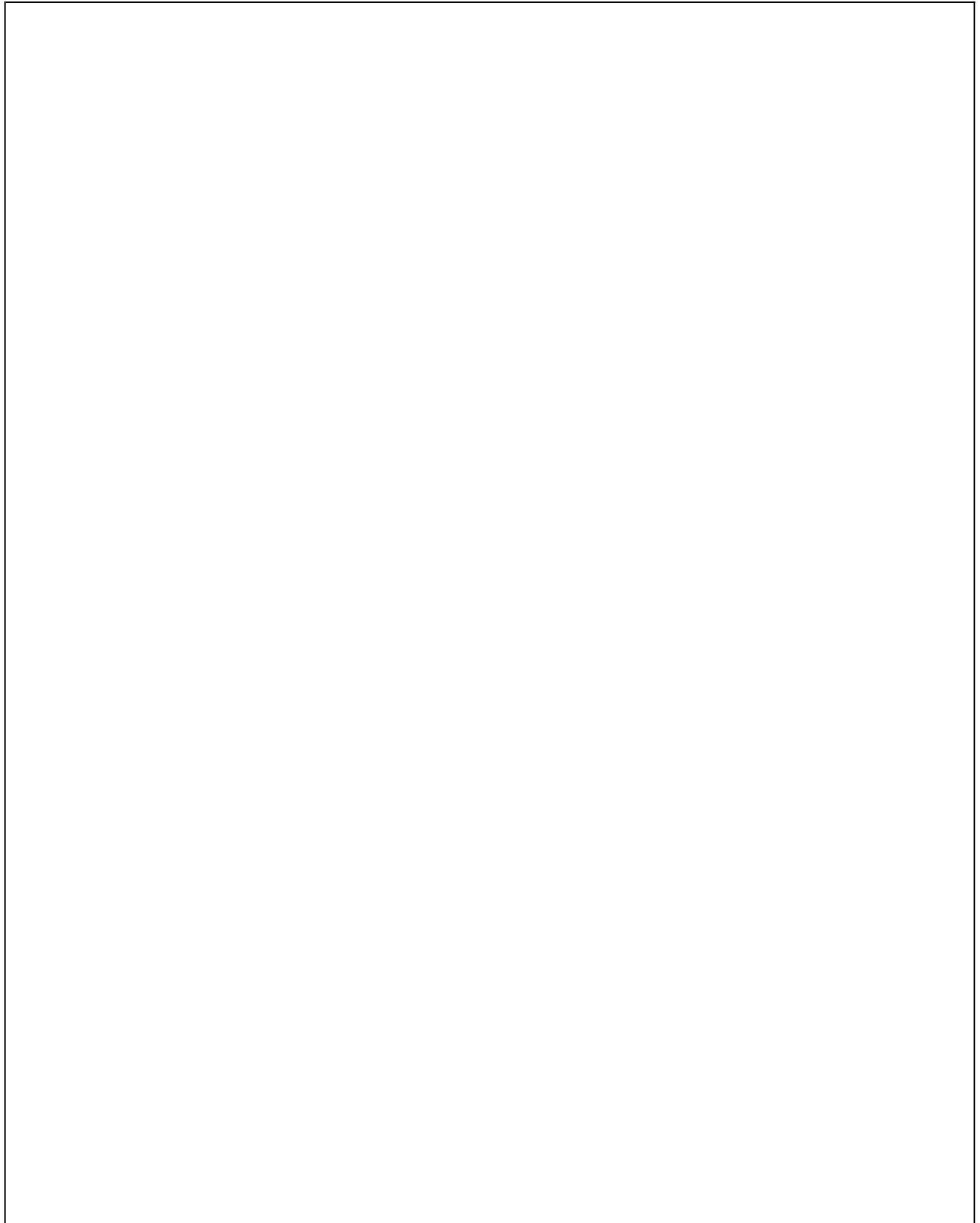
Print Date: 07-Apr-2022

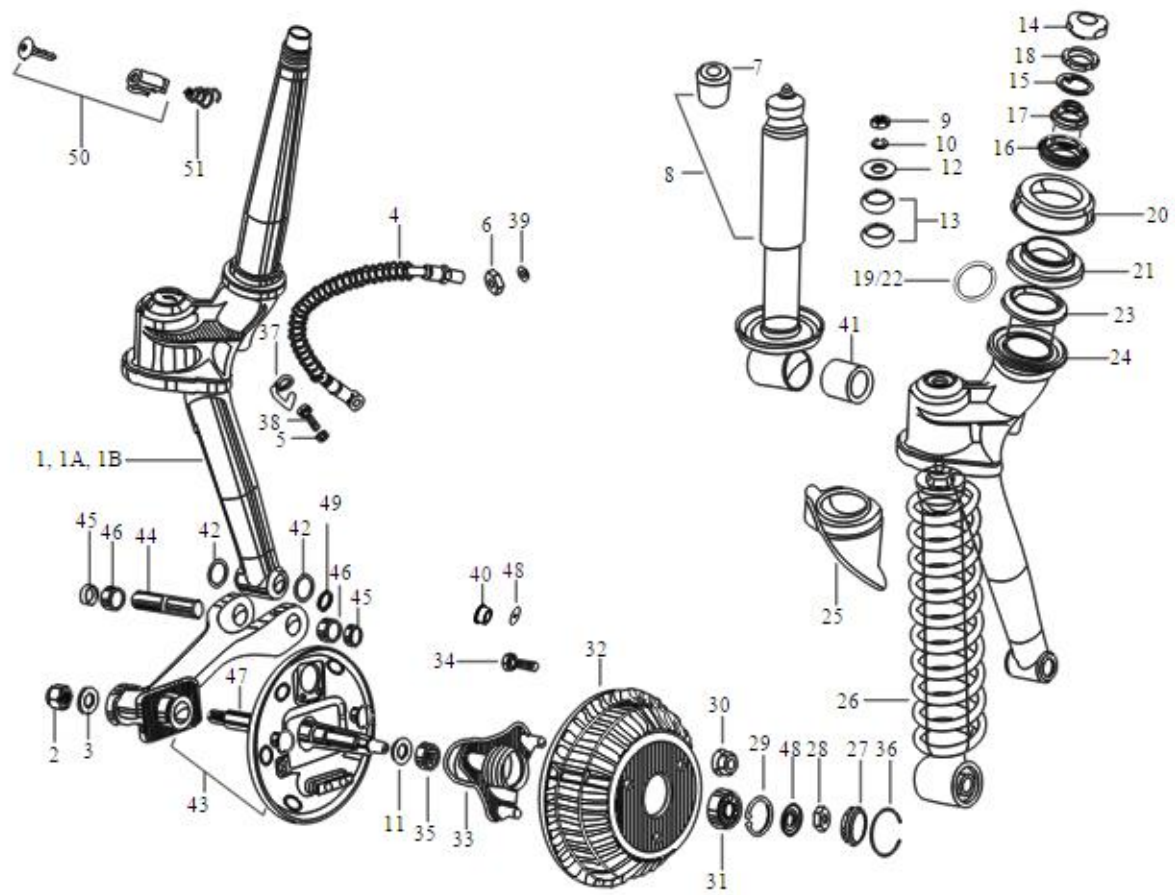
---

**PLATE-27**

**STEERING COLUMN AND FRONT SUSPENSION**

---







Print Date: 07-Apr-2022

**PLATE-27****STEERING COLUMN AND FRONT SUSPENSION**

Fig. No.	Part No.	Description	Qty	Remarks
1	660153	STEERING COLUM WITH I.P.	1	
1A	660498SP	STEERING COLUMN ASSLY (NRB) -501 REG SPD-PASS	1	
1B	660499SP	STEERING COLUMN ASSLY (NRB) -501 REG SPD	1	
2	568095	NYLOCK NUT	1	
3	87067	PLAIN WASHER 30.5X14.3X2	1	
4	644814R	FLEXIBLE BRAKE HOSE	1	
5	127927R	PACKING	2	
6	21216	HEX NUT M16 X 1.5	4	
7	75708	SILENT BLOCK	1	
8	569246R	FRONT SHOCK ABSORBER	1	
9	20110	HEX NUT M10	1	
10	16410	SPRING WASHER	1	
11	136434	OIL SEAL	1	
12	6066	PL WASHER 10.5X38X9	1	
13	157103	BUSH - SHOCK ABSORBER	2	
14	604758	PROTECTION	1	
15	108873	STOP WASHER FOR HOLDING	1	
16	567990	BEARING RACE UPPER BOTTOM	1	
17	567991	BEARING RACE UPPER TOP	1	
18	108874	SECURING RING NUT	1	
19	6C000190	UPPER BALL CAGE (VE)	1	
20	109064	DUST COVER	1	
21	567992	BEARING RACE LOWER TOP	1	
22	6C000191	LOWER BALL CAGE (VE)	1	
23	567993	BEARING RACE LOWER BOTTOM	1	
24	109066	WASHER WITH PROTECTION FOR BEARING	1	
25	109265	SPLASH GUARD DUST COVER	1	
26	569255	FRONT SUSPENSION SPRING	1	
27	107871	CAP	1	
28	74521	NUT M14 X 1.5	1	
29	567473	CIRCLIP DIA. 42 INT. (841004203)	1	
30	660931	WHEEL NUT (M12 X 1.5)	3	
31	30209R	BALL BEARING FRONT WHEEL HUB	1	
32	152580	BRAKE DRUM APE - 501	1	
33	652521	FR. WHEEL HUB ASSY.	1	



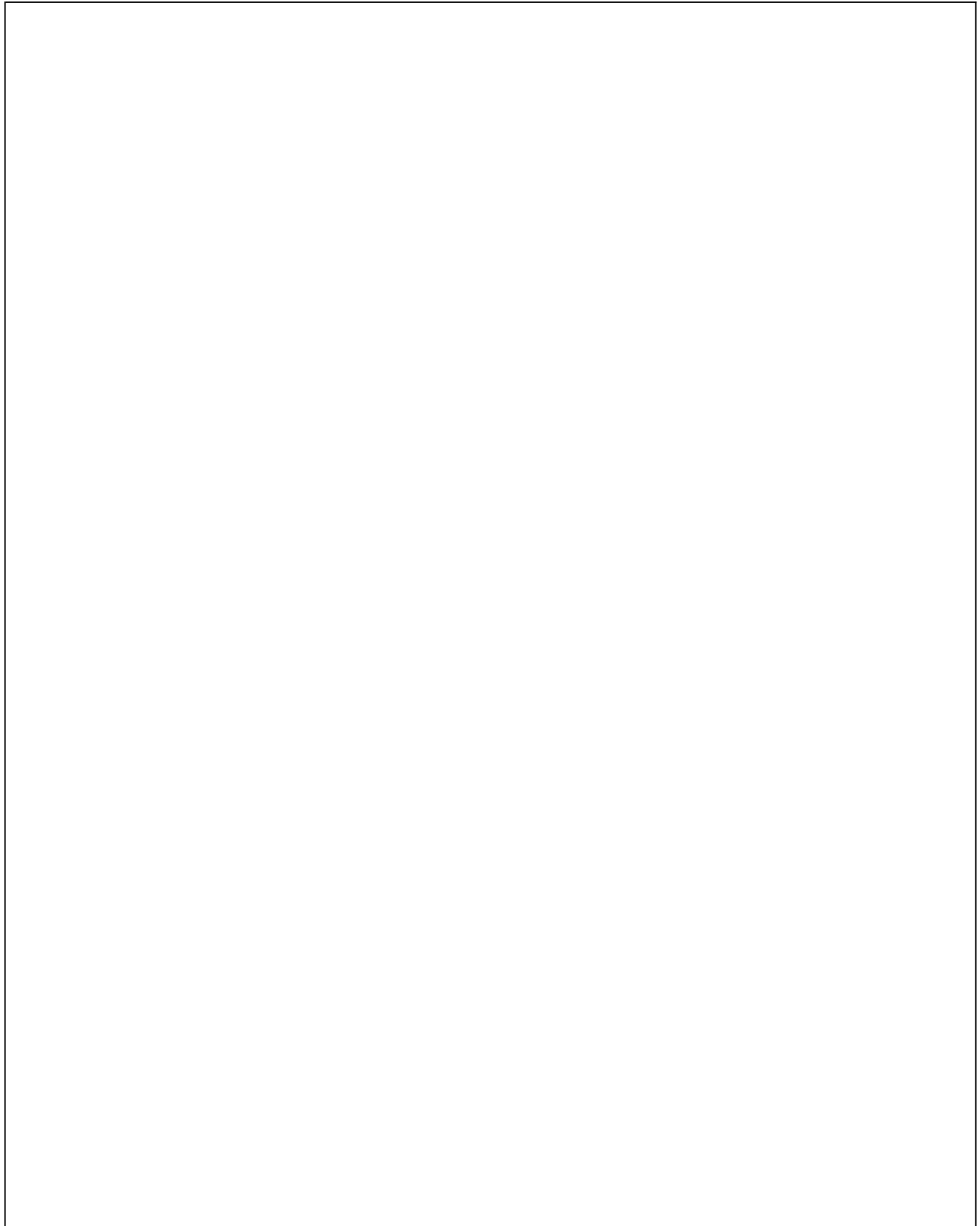
Print Date: 07-Apr-2022

---

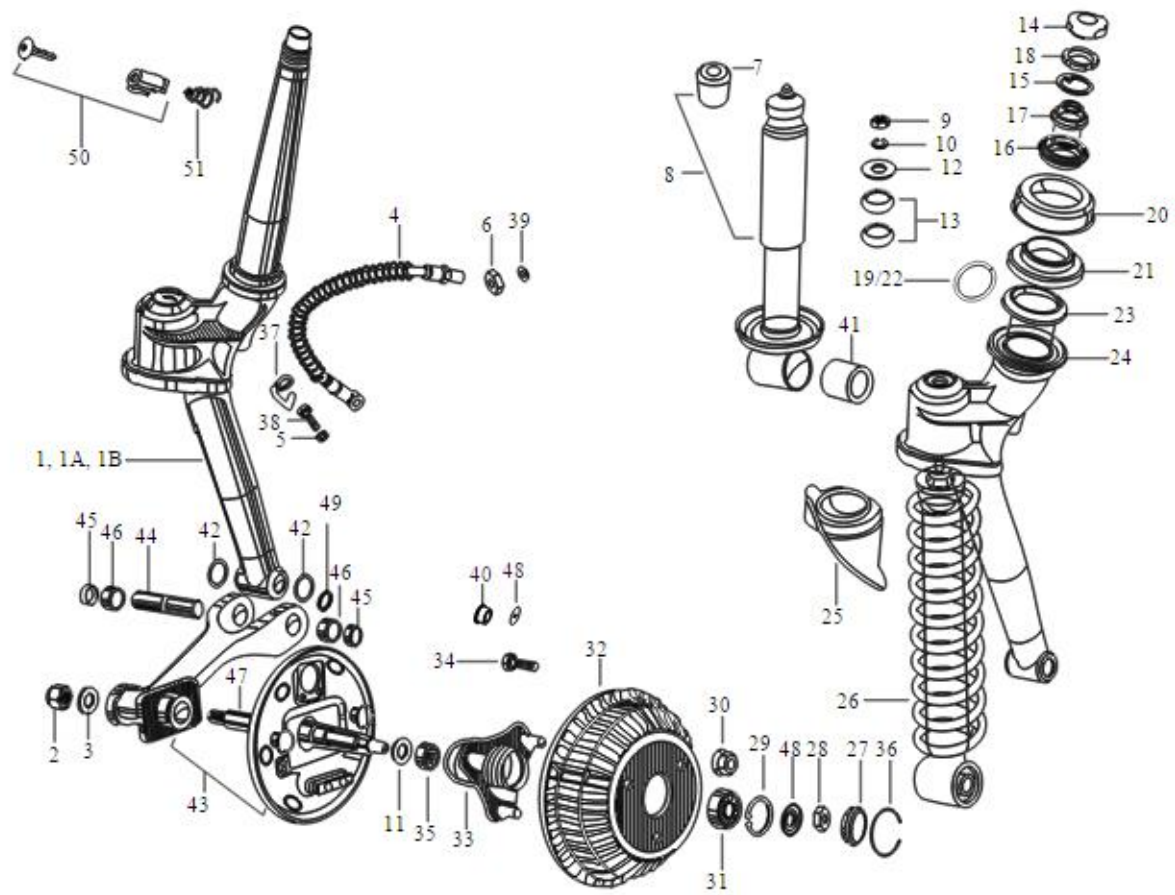
**PLATE-27**

**STEERING COLUMN AND FRONT SUSPENSION**

---









Print Date: 07-Apr-2022

**PLATE-27****STEERING COLUMN AND FRONT SUSPENSION**

Fig. No.	Part No.	Description	Qty	Remarks
34	652520	BOLT FOR AXLE M12 X 40 (VE WHEEL RIM)	1	
34	108215	BOLT FOR AXLE M12 X 40	1	
35	125289	NEEDLE BEARING, CRANKASE, FRONT WHEEL	1	
36	107870	ELASTIC RING	2	
37	B003228	LOCK PLATE FRONT BRAKE HOSE	1	
38	587829	BENJO BOLT	1	
39	48197	PL WASHER 24X16X1.5	3	
40	107732	BUSH FOR SILENT BLOCK	1	
41	109117	RUBBER BUSH (FRT SHOCK ABSORBER) / RING	1	
41	566545	RUBBER BUSH (FRT SHOCK ABSORBER) - MODIFIED	1	
42	6733	O RING	2	
43	616541	BRACKET WHEEL CARRIER WITH PI	1	
44	137235	STEERING PIN	1	
45	8771	OIL SEAL (18-24-4)	2	
46	107718	ROLLER BUSH	2	
47	643772R	FRONT WHEEL AXLE	1	
48	180431	COIN WASHER	1	
49	150579	RING FOR HOLDING TYPE J F101 17A	2	
50	B024732	STG LOCK ASSLY WITH KEY	1	
51	569150	SPRING; STEERING LOCK (MODIFIED)	1	
52	661231	CIRCLIP STEERING LOCK DIA 16 (INT)	1	
53	604759	RUBBER CAP STEERING COLUMN (N.I.)	1	
54	604758	PROTECTION	1	
55	KIT940003R	STEERING PIN KIT WITH O RING	1	
56	KIT 95021	STEERING CONE SET UPPER CONSISTINMG OF SR NOS 16 & 17 (N.I.)	1	
57	KIT 95022	STEERING CONE SET UPPER CONSISTINMG OF SR NOS 21 & 23 (N.I.)	1	
58	KIT96033R	MODIFIED BALL KIT FOR 3WH (WHITE)	1	

70

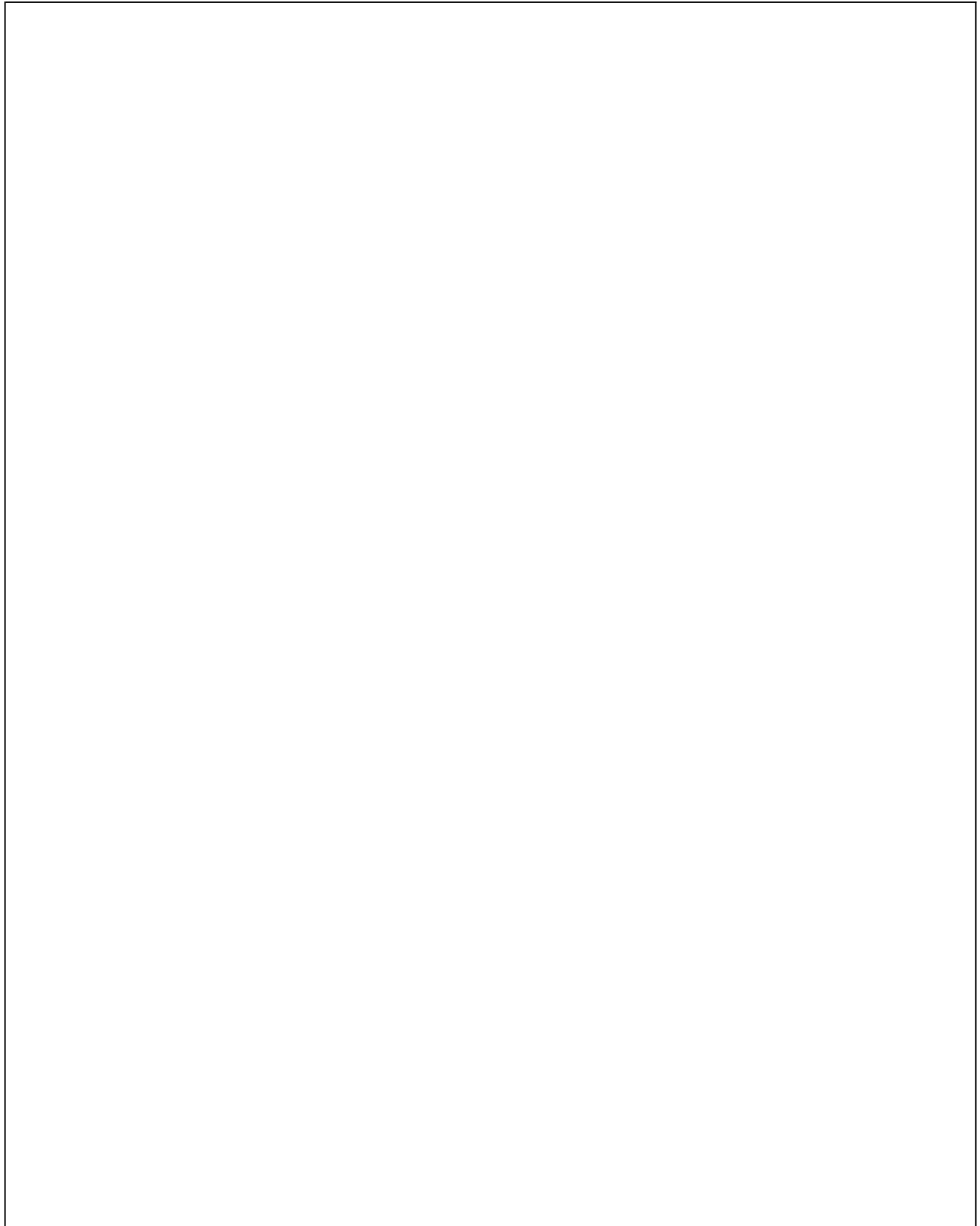
Print Date: 07-Apr-2022

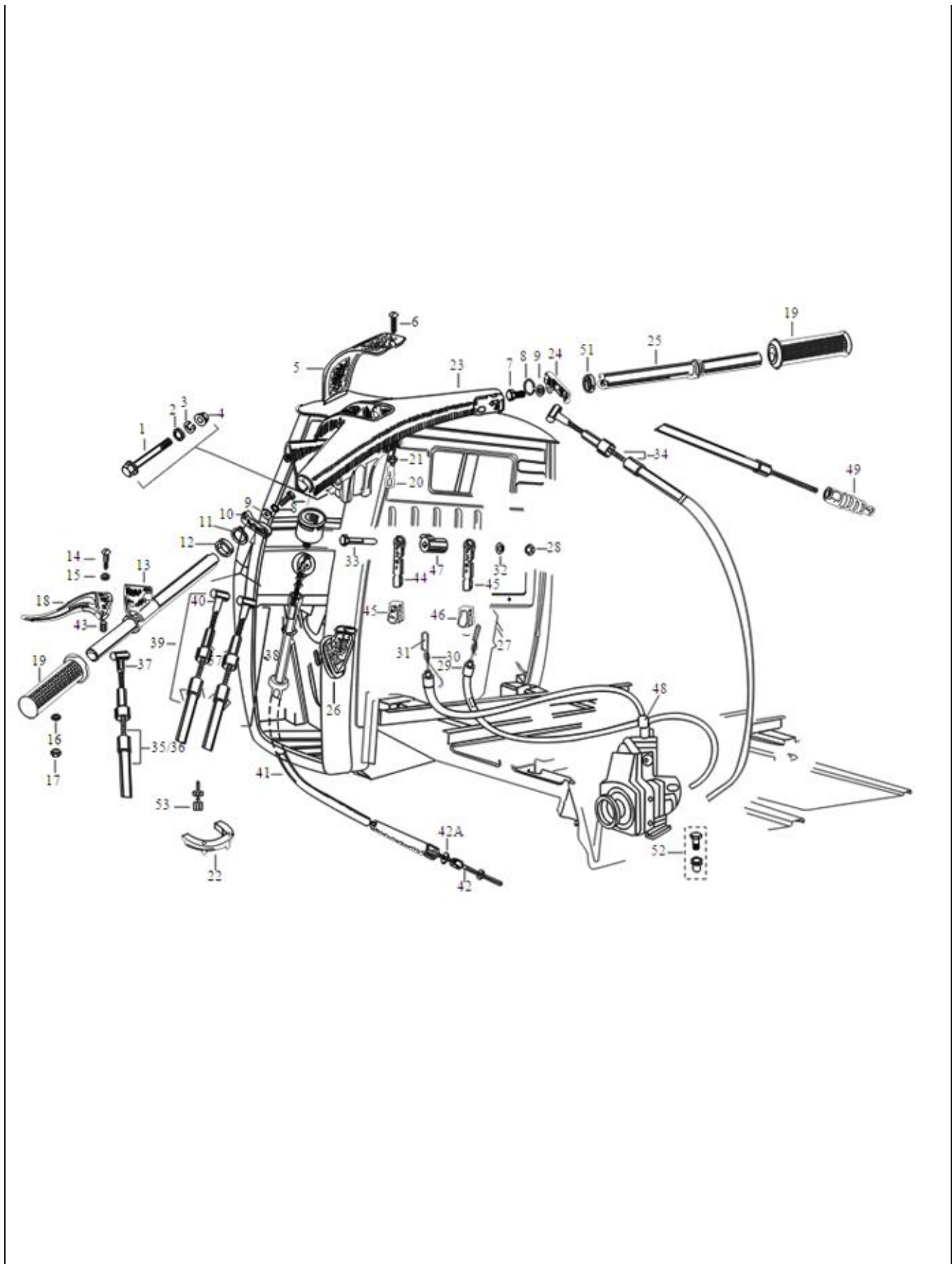
---

**PLATE-28**

**HANDLE BAR AND CONTROL**

---







Print Date: 07-Apr-2022

**PLATE-28****HANDLE BAR AND CONTROL**

Fig. No.	Part No.	Description	Qty	Remarks
1	30103	HANDLE SECURING BOLT M10 X 70 CL 8.8	1	
2	16626	PLAIN WASHER (18X10.5X2)	2	
3	16410	SPRING WASHER	1	
4	20110	HEX NUT M10	1	
5	B041600	HANDLE BAR COVER	1	
5	B041600	HANDLE BAR COVER	1	
6	632158	CSK HEAD SCREW	1	
7	31089	HEX HEAD SCREW M6X18 CL 8.8	2	
8	016406	SPRING WASHER	2	
9	6125	PLAIN WASHER (14X6.4X1.5)	2	
10	109775	GEAR CONTROL LEVER S/A	1	
11	60565	SPRING WASHER	1	
12	109404	WASHER OF RABBET(41737)	1	
13	127451	TUBE WITH TERMINAL S/A	1	
14	B075313	SCREW FOR CLUTCH LEVER (NEW)	1	
15	16319	BENT SPRING WASHER	1	
16	16620	PLAIN WASHER	1	
17	12138	NYLOCK NUT M6	1	
18	164906	CLUTCH CONTROL LEVER	1	
19	141925	HANDLE	2	
20	197071	ADJUSTER SCREW M6	2	
21	20106	HEX NUT M6	2	
22	126902	PROTECTION COLLAR CABLE	1	
23	B002823	HANDLE ('T' TYPE)	1	
24	109635	THROTTLE CONTROL LEVER WITH IP	1	
25	587902	ACCELERATOR TUBE ASSY.	1	
26	109227	PROTECTION GROMMET	1	
27	662567	CHOKE CONTROL CABLE ASSLY.	1	
28	2438	HEX SELF LOCKING NUT	1	
29	616695	ENG. STOP CANTROL CABLE INNER	1	
30	B001505	DECOMPRESSION TRANSMISSION ASSLY FOR ST	1	
30	660351	DECOMPRESSOR CONTROL CABLE	1	
31	604508	DECOMPRESSOR CONTROL CABLE INNER	1	
32	7608	WASHER	1	
33	30077	HEX HEAD SCREW	1	





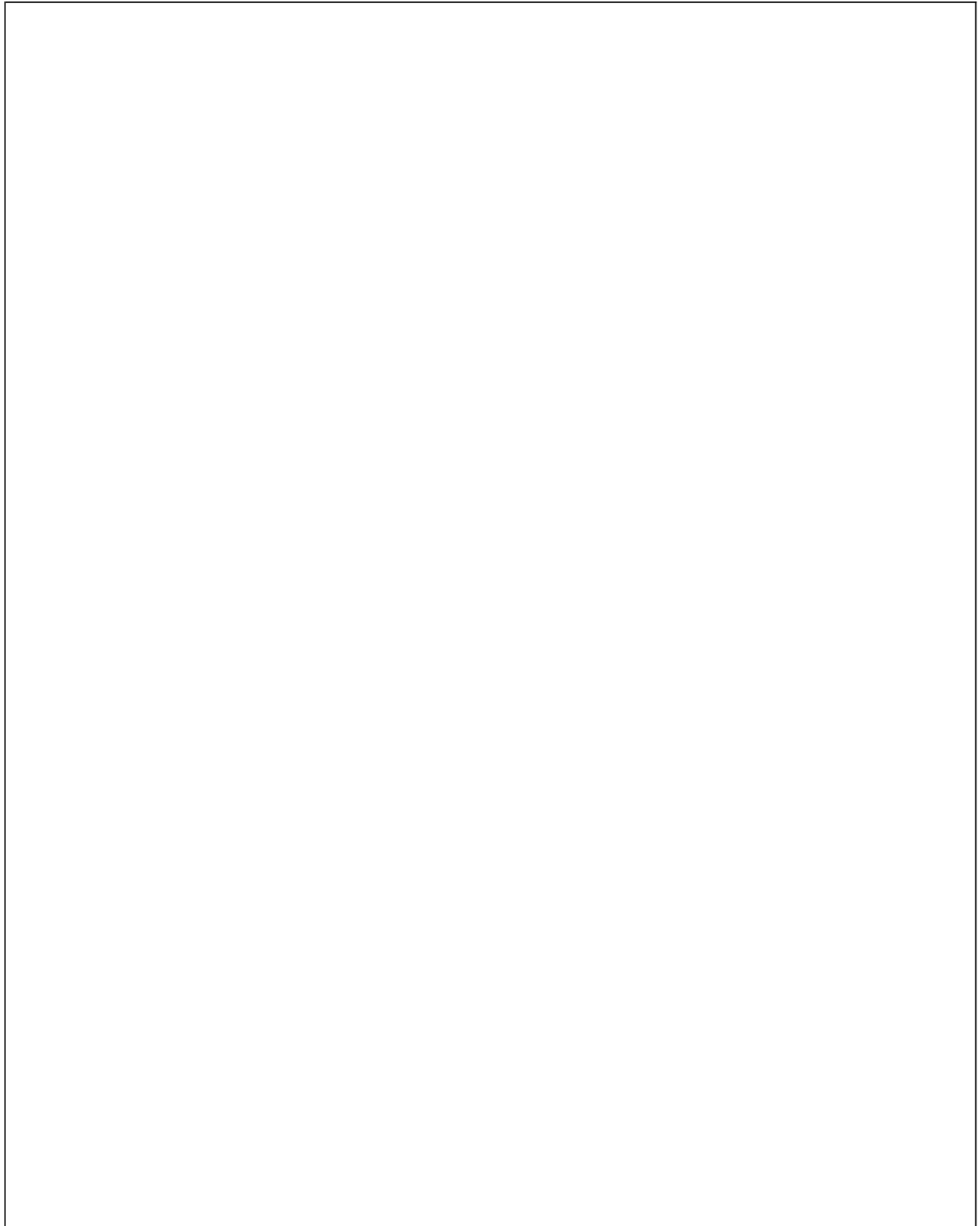
Print Date: 07-Apr-2022

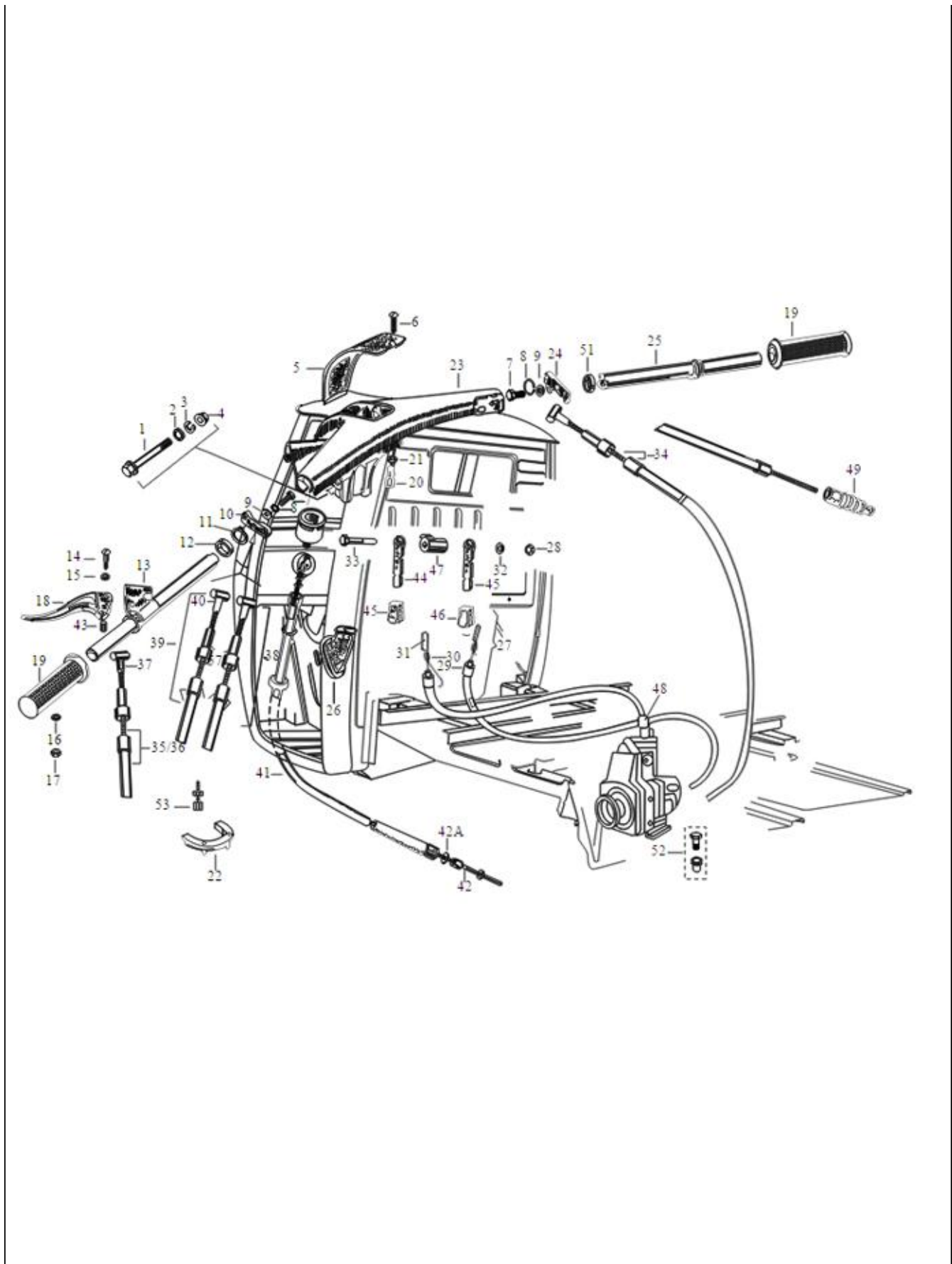
---

**PLATE-28**

**HANDLE BAR AND CONTROL**

---







Print Date: 07-Apr-2022

**PLATE-28****HANDLE BAR AND CONTROL**

Fig. No.	Part No.	Description	Qty	Remarks
34	662568	GASOLINE CONTROL TRANSMISION ASSY.	1	
34	B002615	GASOLINE CONTROL TRANSMISION ASSY.	1	LD
35	604779	CLUTCH CONTROL TRANSMISSION ASSLY.	1	
36	660141	CLUTCH CONTROL CABLE WITH TERMINAL	1	
37	587806	CLUTCH CONTROL CABLE WITH TERMINAL	1	
38	587628	CABLE GEAR CONTROL ASSY. (DARK GREY)	1	
39	587919	CABLE GEAR CONTROL ASSY. NO. 2 (LIGHT GREY)	1	
40	587803	WIRE, GEAR CONTROL WITH TERMINAL	2	
40A	20105	PLAIN NUT M5	2	
41	645124	SPEEDO CABLE	1	
42	587812	TRANSMISSION CABLE (INNER) FOR ODOMETER	1	
42A	97756	METALLIC PLAIN WASHER	4	
43	125181	SPACER	1	
44	119928	LEVER	2	
45	632137	KNOB RED (ENGINE STOP)	1	
46	604715	KNOB FOR DECOMPRESSION	1	
47	119181	SPACER	1	
48	119278	TERMINAL	1	
49	118806	PROTECTION BELLOW	2	
50	15478	GROMMET4	2	
51	587904	SINTERED WASHER HANDLE BAR (41769)	1	
52	B024379	SCREW TERMINAL ASSLY-ENGINE STOP,D.C.	1	
53	B024774	SLEEVE FOR ACC. AND CHOKE CABLE	2	NI
54	B024775	SLEEVE	2	Ni



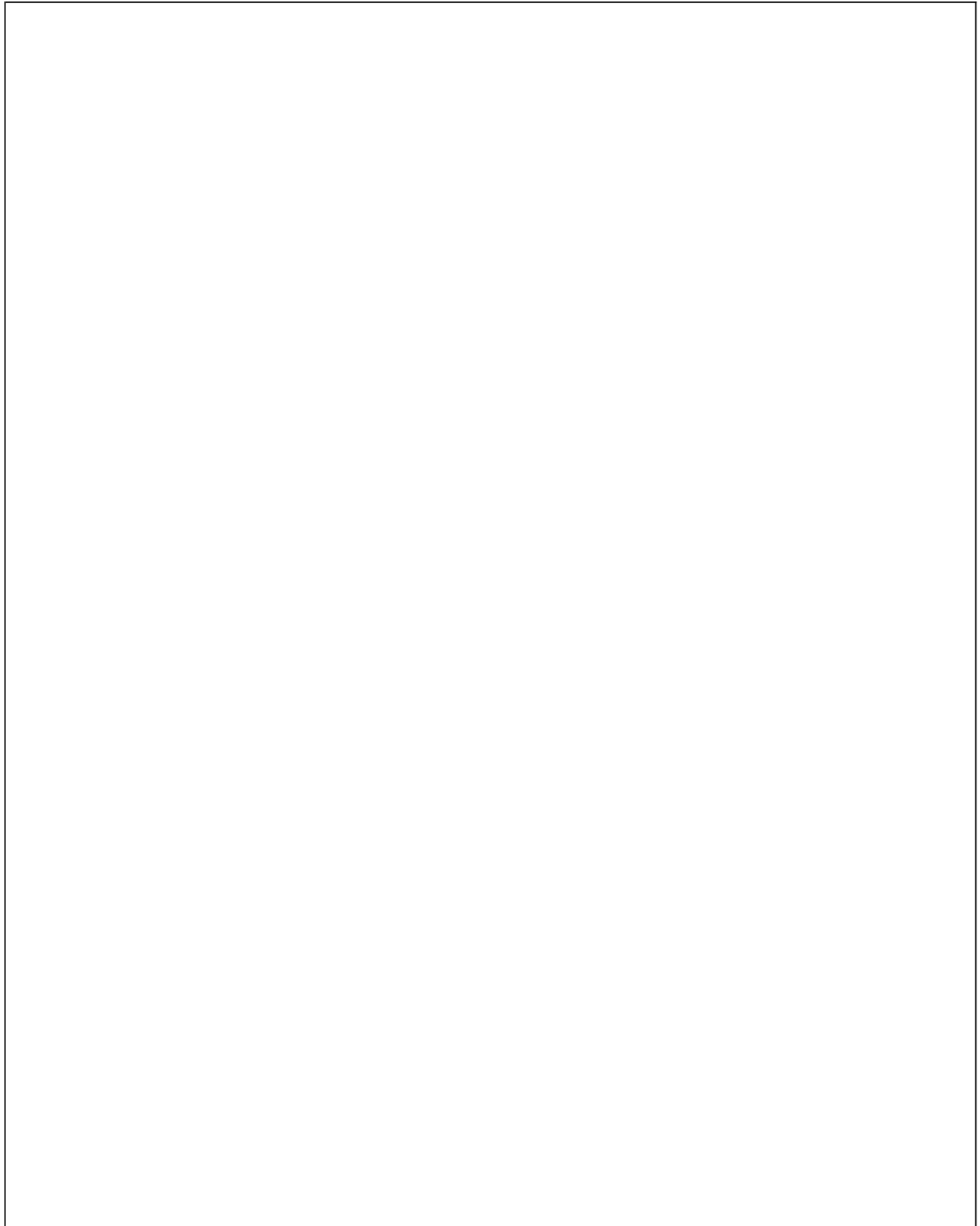
Print Date: 07-Apr-2022

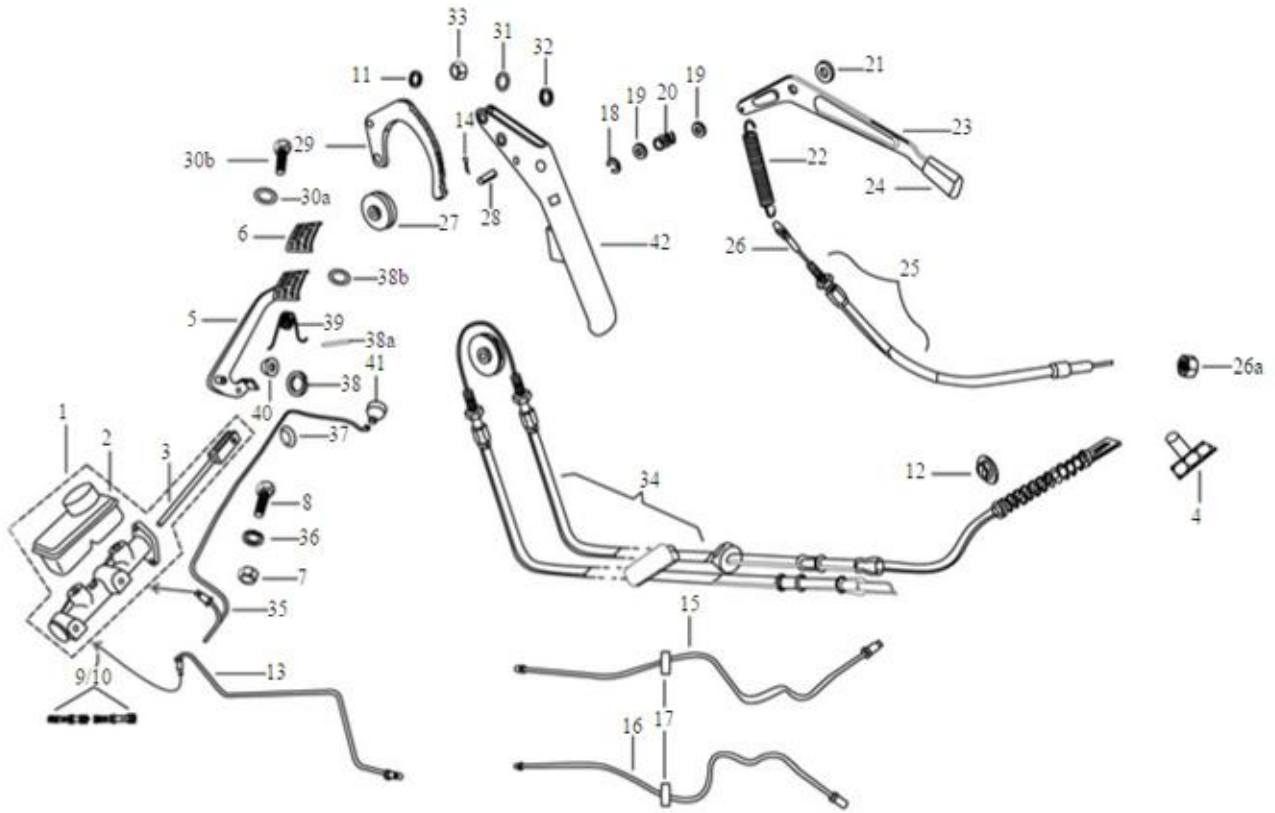
---

**PLATE-29**

**BRAKE - TANDEM MASTER CYLINDER, BRAKE PIPE AND HAND BRAKES**

---









Print Date: 07-Apr-2022

**PLATE-29****BRAKE - TANDEM MASTER CYLINDER, BRAKE PIPE AND HAND BRAKES**

Fig. No.	Part No.	Description	Qty	Remarks
1	604880	TANDEM MASTER CYLINDER ASSLY.	1	
2	604877	BRAKE OIL TANK	1	
3	587702	PUSH ROD	1	
4	119278	TERMINAL	1	
5	604760	BRAKE PEDAL WITH FOOT REST ASSLY	1	
6	567461	RUBBER PROTECTION FOR PEDAL	1	
7	20108	HEX NUT M8	2	
8	31122	HEX HD. SCREW M8X30 CL 8.8	2	
8	016408	SPRING WASHER	2	
9	925508	MAJOR KIT TMC (KBX 1008)	1	
10	925509	MINOR KIT TMC (KBX 1009)	1	
11	016408	SPRING WASHER	1	
12	604502	CUP RETAINING SPRING (41733)	2	
13	B075852	BRAKE TUBE FOR REAR WHEEL	1	
14	12761	SPLIT PIN	1	
15	644813	BRAKE PUMP TUBE OF LEFT REAR WHEEL	1	
16	644812	BRAKE PUMP TUBE OF RIGHT REAR WHEEL	1	
18	5969	CIRCLIP DIA 9 E TYPE	1	
19	6173	METALLIC PLAIN WASHER (808001026)	1	
20	108785	SPRING	1	
21	B042317	SPACER-RC LEVER	1	
22	567690	REVERSE GEAR COUPLING SPRING	1	
23	125411	BACKING COMMAND LEVER	1	
24	604717	KNOB FOR R.C.	1	
25	587633	CABLE, REVERSE GEAR CONTROL ASSY.	1	
26	587822	CABLE, REVERSE GEAR WITH TERMINALS.	1	
26A	20105	PLAIN NUT M5	2	
27	567898	PULLEY FOR HAND BRAKE	1	
28	567899	CLEVIS PIN	1	
29	B042794	RATCHET , HAND BRAKE CONTROL	1	
30A	140728	PLAIN WASHER 8.5 X 24 X 3	6	
30B	31118	SCREW M8X20	1	
31	6173	METALLIC PLAIN WASHER (808001026)	1	
31A	13812	METALLIC PLAIN WASHER	1	
32	6411	EXT CIRCLIP DIA 11	1	



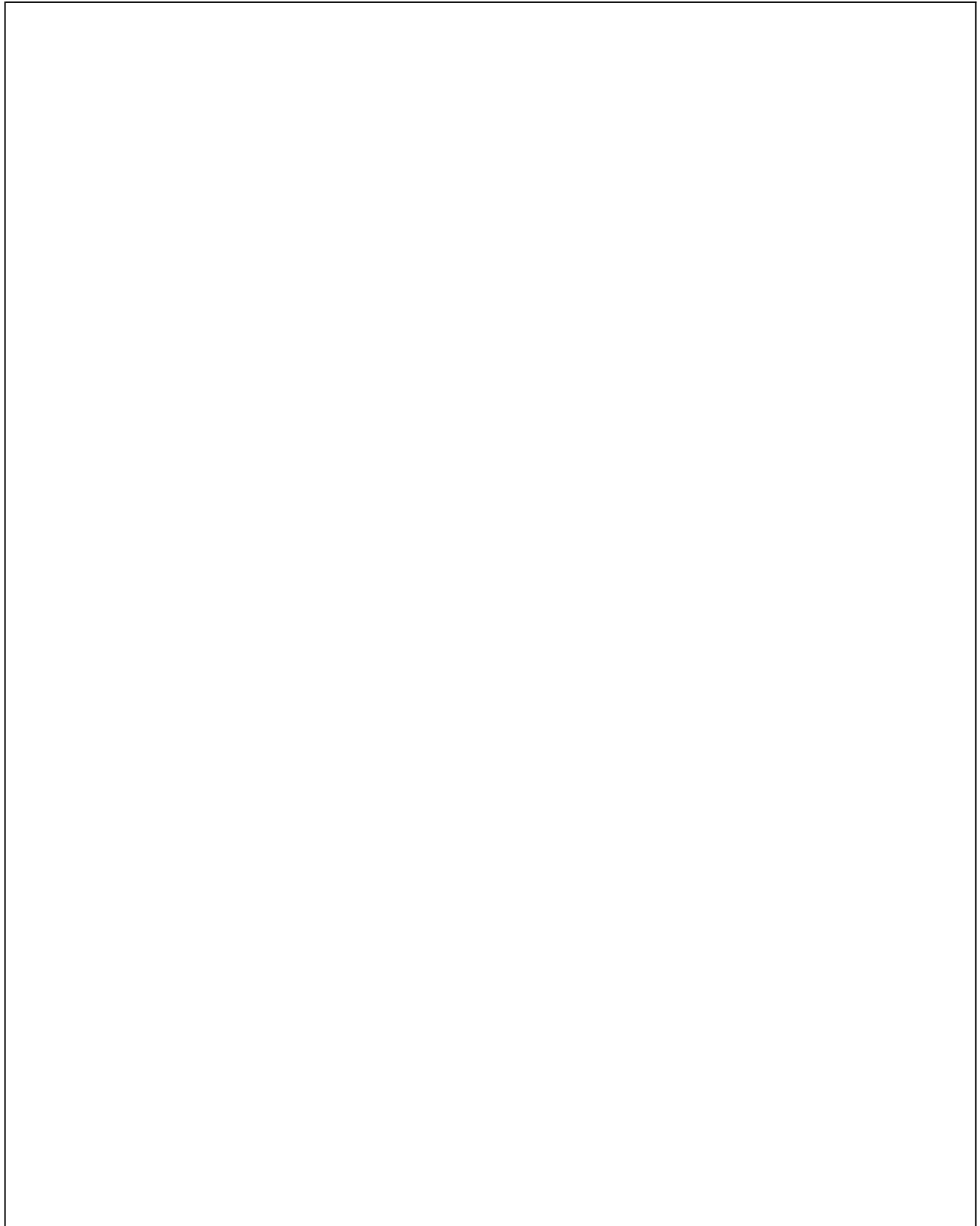
Print Date: 07-Apr-2022

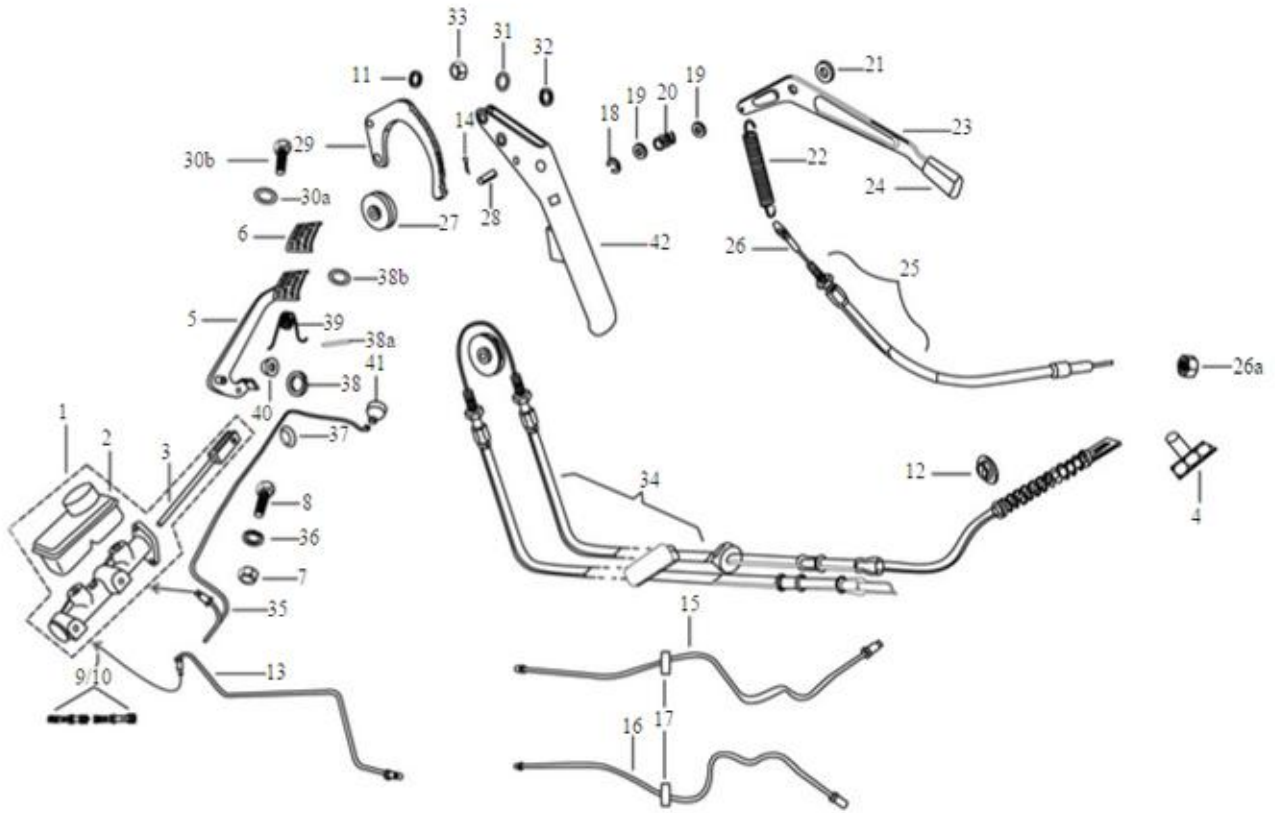
---

**PLATE-29**

**BRAKE - TANDEM MASTER CYLINDER, BRAKE PIPE AND HAND BRAKES**

---







Print Date: 07-Apr-2022

**PLATE-29****BRAKE - TANDEM MASTER CYLINDER, BRAKE PIPE AND HAND BRAKES**

Fig. No.	Part No.	Description	Qty	Remarks
33	20108	HEX NUT M8	1	
34	567719	CABLE,HAND BRAKE CONTROL ASSLY	1	
35	568161	TUBE BETWEEN TMC & FRT WHEEL	1	
36	016408	SPRING WASHER	2	
37	6414	CIRCLIP DIA. 14 (EXT)	1	
38	843000809	CIRCLIP DIA.8(EXT) TYPE C	1	
38A	567920	SPLIT PIN	1	
38A	568737	SPLIT PIN 4 X 25 (821 0425 2 2)	1	
38B	3058	PLAIN WASHER 15X8.4X1.5	1	
39	587928	FOOT BRAKE PEDAL SPRING	1	
40	229524	WASHER 21X14.3X2	1	
41	138237	CAP	1	
42	567746G1	HAND BRAKE LEVER (WITH POWDER COATING)	1	





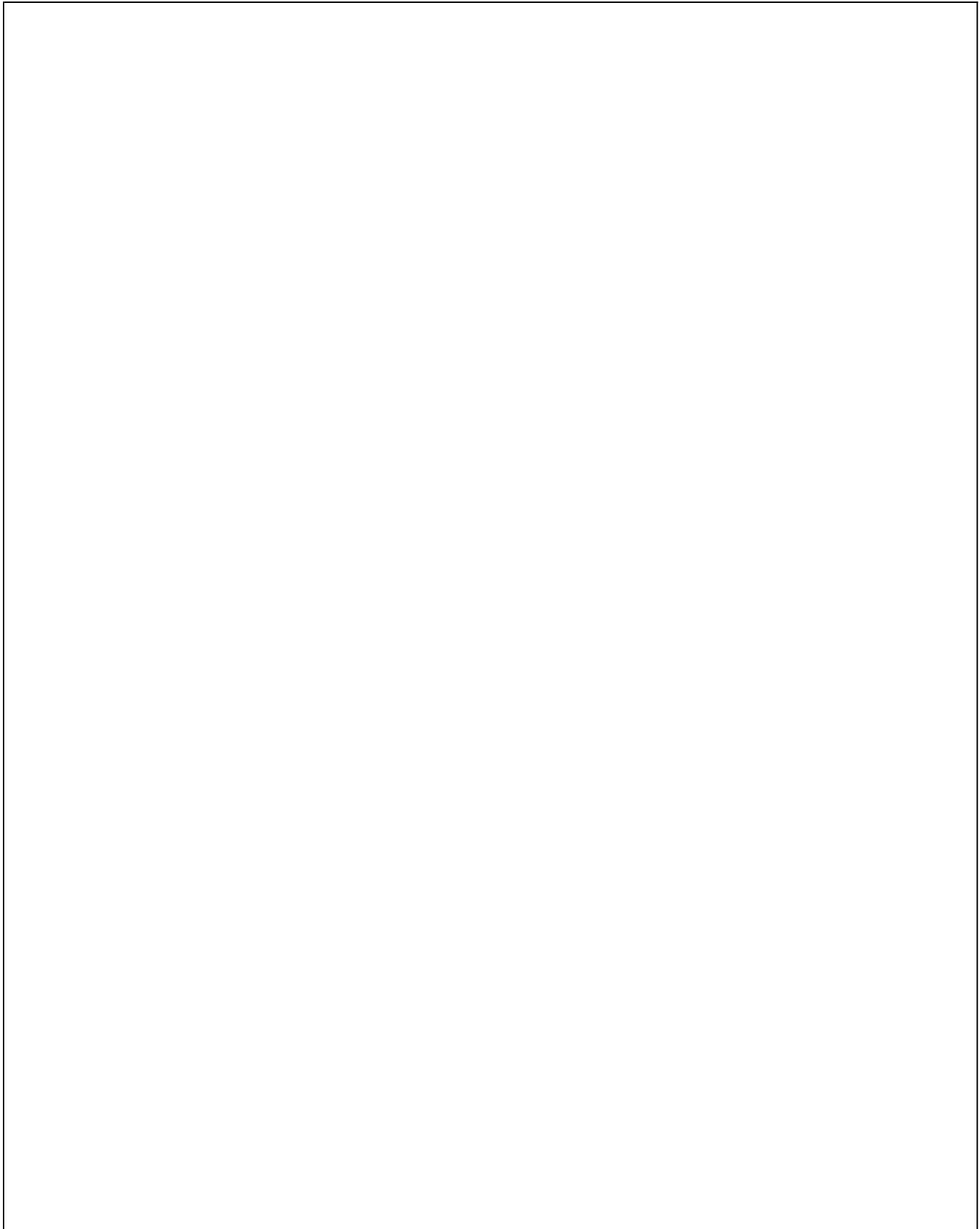
Print Date: 07-Apr-2022

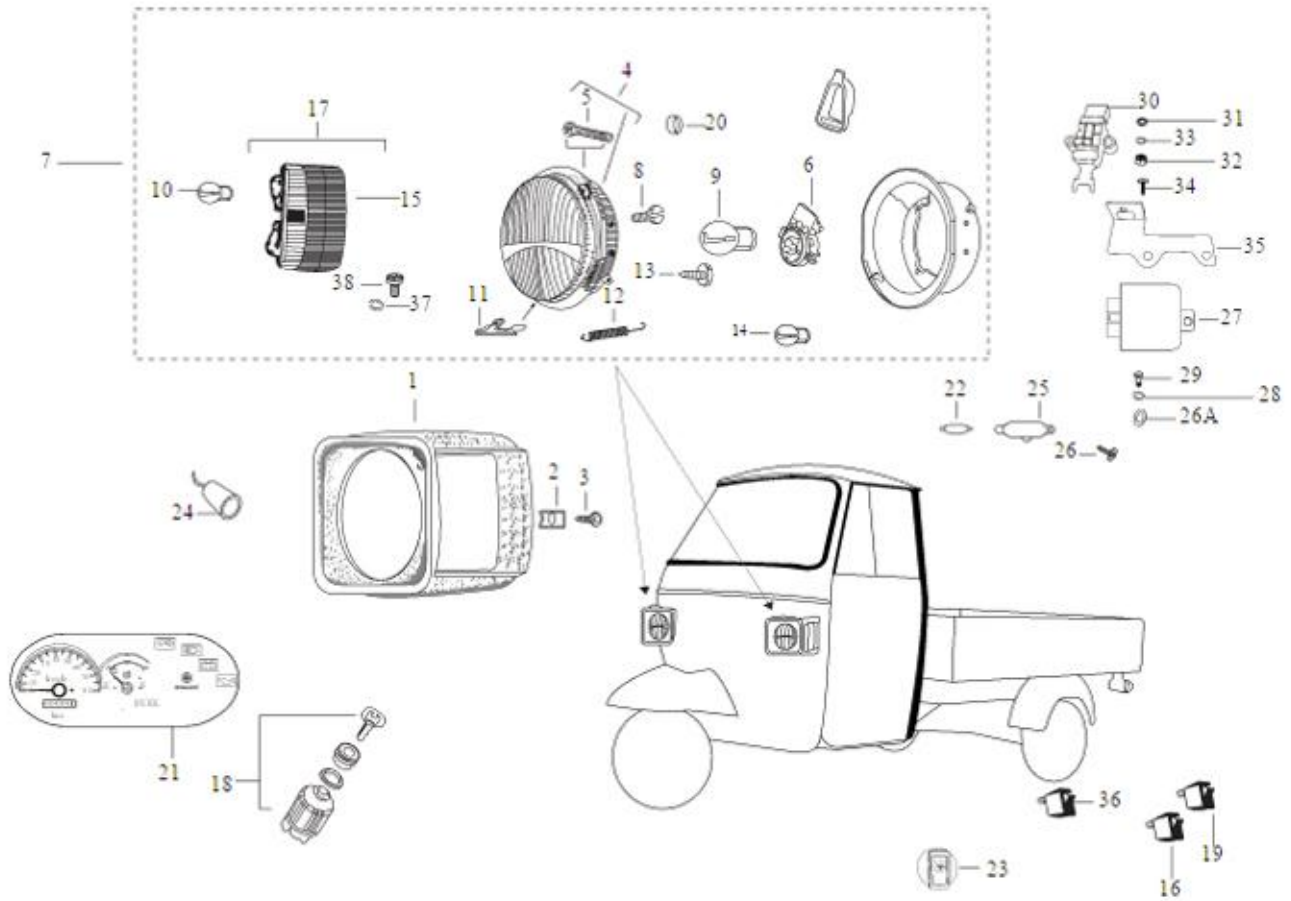
---

**PLATE-30**

**ELECTRICAL DEVICES-1**

---







Print Date: 07-Apr-2022

**PLATE-30**  
**ELECTRICAL DEVICES-1**

Fig. No.	Part No.	Description	Qty	Remarks
1	B025600	SEAT OF LAMP RIGHT	1	
1	B025601	SEAT OF LAMP LEFT	1	
2	8080	SPRING PLATE	2	
3	15900	HEAD LAMP SECURING SCREW/PAN SELF TAP SCREW	2	
4	925590	HEAD LAMP SEAL BEAM WITH HOLE	4	
5	15641	HEAD LAMP ADJUSTING SCREW	4	
6	114121	BULB HOLDER / HOLDER FRONT LAMP	2	
7	632478R	ASSY. HEAD LAMP WITH LATERAL LAMP LH	1	
7	632477R	ASSY. HEAD LAMP WITH LATERAL LAMP RH	1	
8	8432	SCREW	2	
8	15900	HEAD LAMP SECURING SCREW/PAN SELF TAP SCREW	3	
9	219528	BULB 12V 35/35W	2	
10	925581	INDICATOR LIGHT BULB 12V 21W AMBER COLOUR	2	
11	119735	PROTECTION SECURING SPRING/SPR. FOR PROTECTION	4	
12	127179	SPRING FOR HEAD LAMP / SPRING	2	
13	15900	HEAD LAMP SECURING SCREW/PAN SELF TAP SCREW	6	
14	567593	BULB 12V 5W / LAMP 4W	2	
15	925579	H.L. LATERAL LAMP LENSE RH - NEOLITE	1	
15	925580	H.L. LATERAL LAMP LENSE LH - NEOLITE	1	
15	925578	H.L. LATERAL LAMP LENSE LH - LUMAX	1	
15	925577	H.L. LATERAL LAMP LENSE RH - LUMAX	1	
16	587670R	SWITCH 3 POSITION	1	
17	925587	LATERAL LAMP ASSY. RH (NEOLITE)	1	
17	925597	LATERAL LAMP ASSY. LH (NEOLITE)	1	
17	925588	LATERAL LAMP ASSY. RH (LUMAX)	1	
17	925598	LATERAL LAMP ASSY. L H (LUMAX)	1	
18	643502	LOCK SET WITH KEYS (PASS) (COMMON KEY)	1	
18	B024739	STARTER/IGN SWITCH ASSLY WITH KEY PLASTIC	1	
19	587974R	WIPER MOTOR SWITCH/ SWITCH WIPER MOTOR	1	
20	119975	GROMMET	2	
21	B001556R	INSTRUMENT CLUSTER WITH SHIFTED SPEEDOME	1	
22	71633	STOP AND PARKING BULB 12V 10/5 W	1	
23	660826R	HAZARD WARNING SWITCH WITH CROWN CAP (12V)(VE)	1	
24	645153R	MOBILE CHARGER SOCKET	1	
25	150041R	CABIN LIGHT ASSY. (W/O BULB)	1	

80

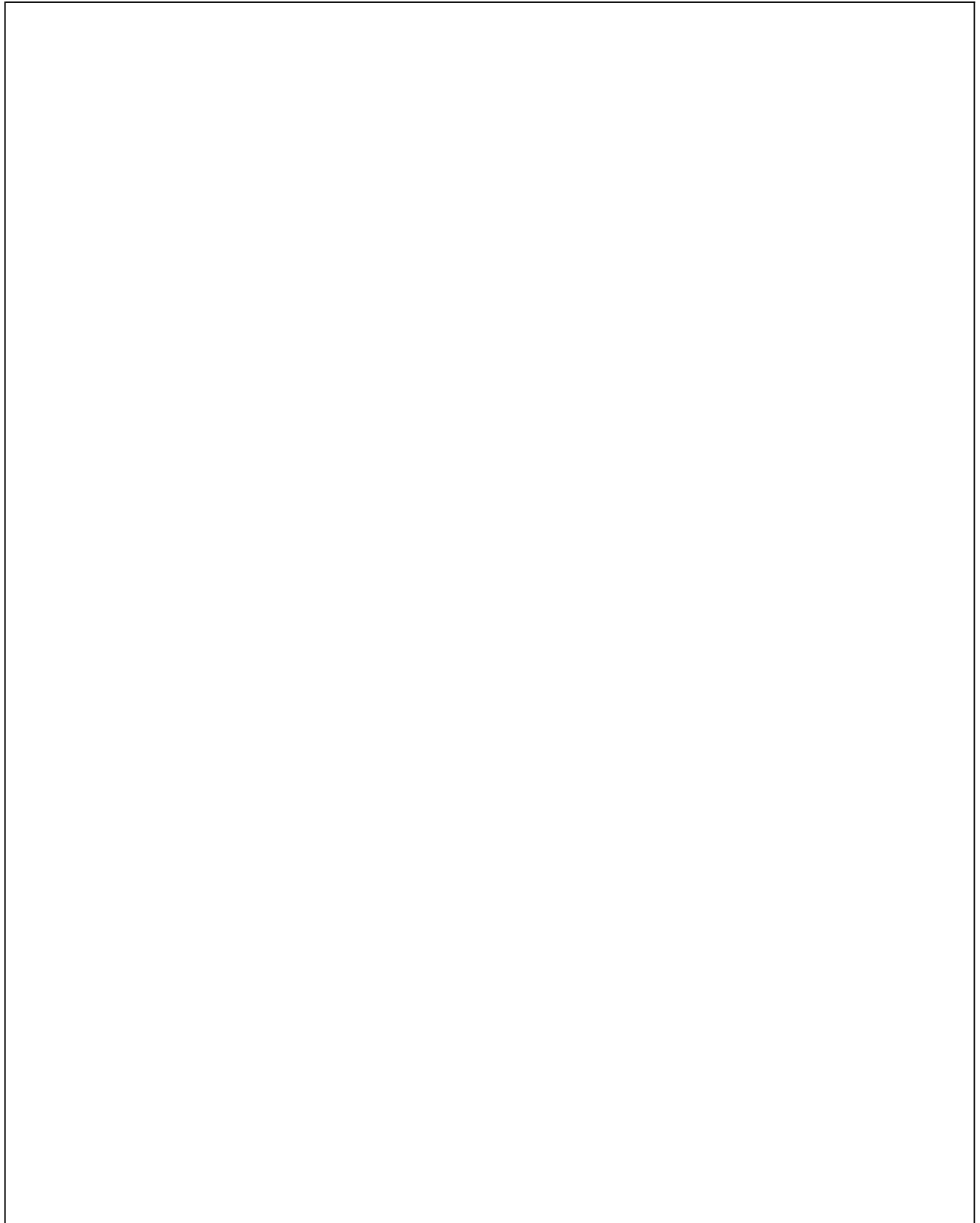
Print Date: 07-Apr-2022

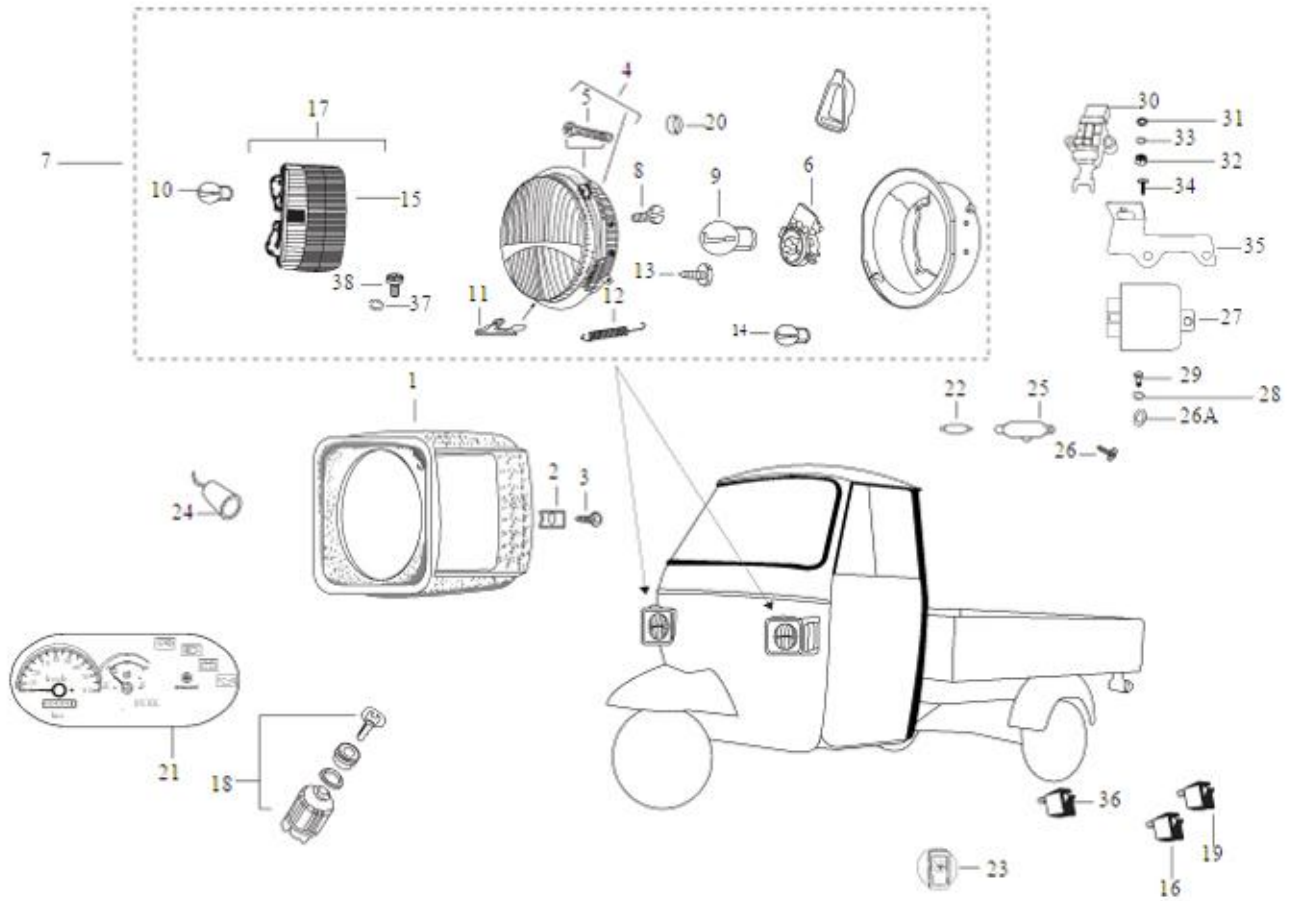
---

**PLATE-30**

**ELECTRICAL DEVICES-1**

---









Print Date: 07-Apr-2022

**PLATE-30****ELECTRICAL DEVICES-1**

Fig. No.	Part No.	Description	Qty	Remarks
26	15727	PAN SELF TAPPING SCREW	4	
26A	003054	PLAIN WASHER	4	
27	B023726R	REMOTE CONTROL SWITCH	1	
28	3056	PLAIN WASHER M6 OD12	1	
29	31088	HEX HD SCREW M6 X 16 CL 8.8 (811061623)	1	
30	B002101	STARTER SAFETY SWITCH ASSLY.	1	
31	016404	SPRING WASHER M4	2	
32	20104	HEX NUT M4	2	
33	003054	PLAIN WASHER	4	
34	B001503	PHILP RD HD SCREW ( M4 X 20 )	2	
35	B002101	STARTER SAFETY SWITCH ASSLY.	1	
36	B023727R	CONTACTOR	1	
37	3055	PLAIN WASHER M5	2	
38	661925	PHILIP PAN HEAD SCREW (M5 X 0.8 X 1.6)	4	



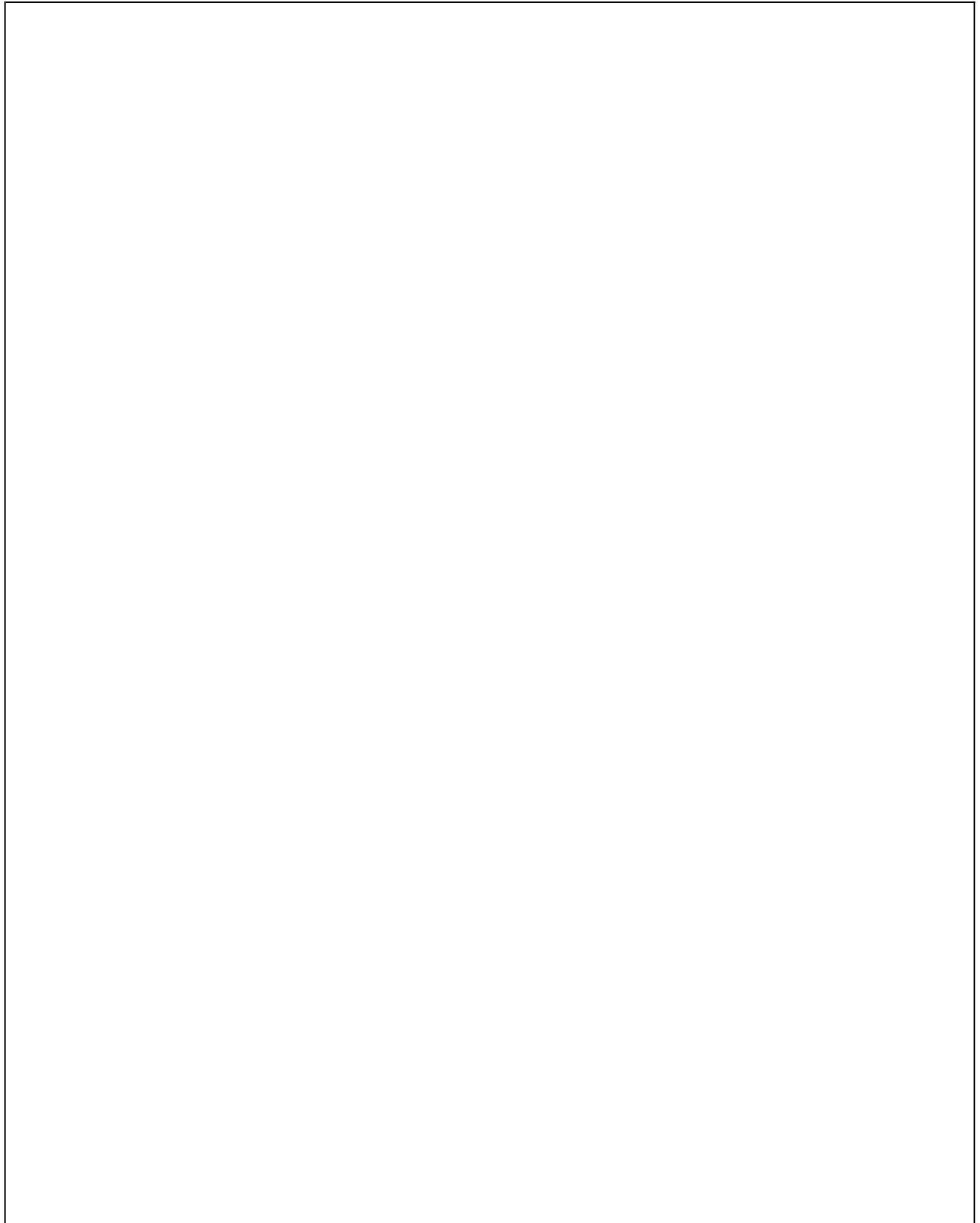
Print Date: 07-Apr-2022

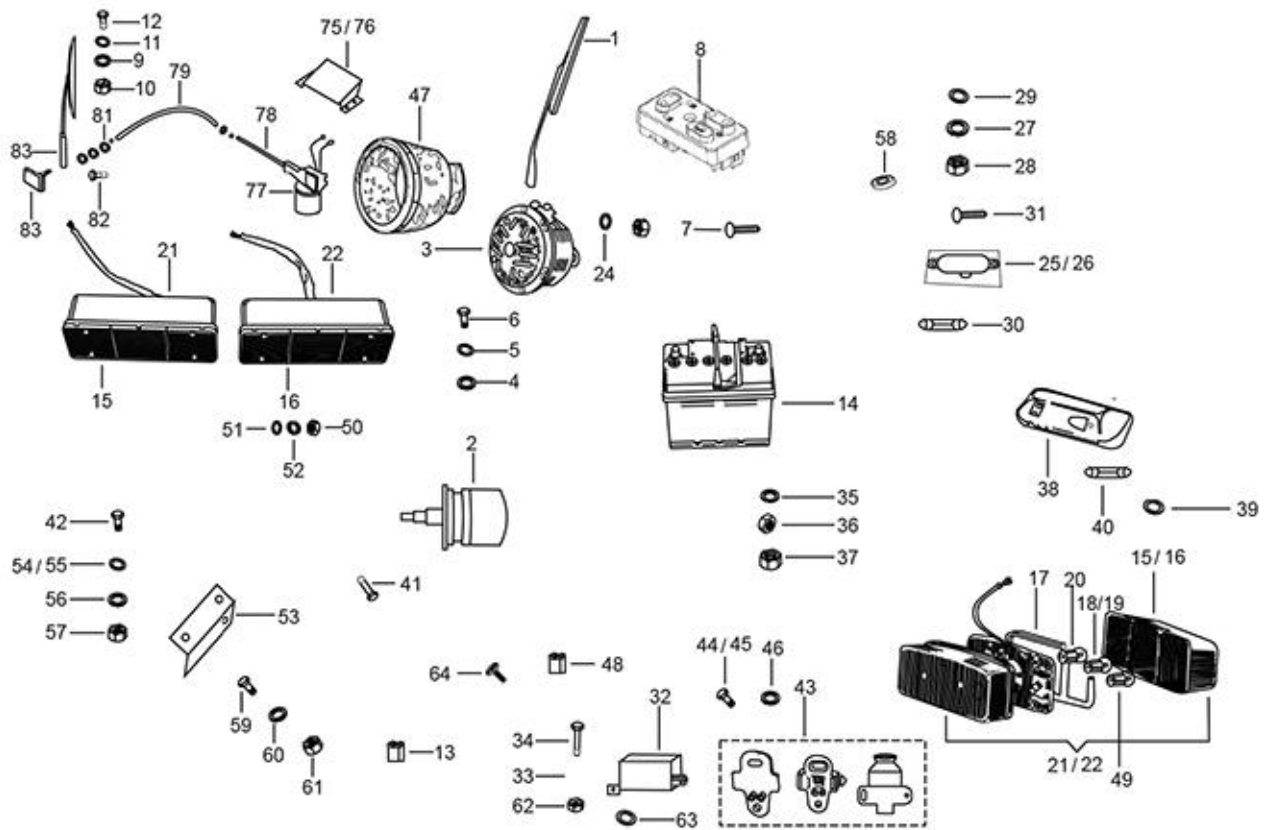
---

**PLATE-31**

**ELECTRICAL DEVICES-2**

---







Print Date: 07-Apr-2022

**PLATE-31**  
**ELECTRICAL DEVICES-2**

Fig. No.	Part No.	Description	Qty	Remarks
1	632292	WIPER ARM & BLADE ASSY	1	
2	632995	WIPER MOTOR ASSY. WITH MTG. BKT.	1	
2	B076574	WIPER MOTOR ASSY. WITH MTG. BKT. (N.I.)	1	BSIV
3	B04100R	HORN 3 WH _ E MARK	1	
4	016408	SPRING WASHER	1	
5	3058	PLAIN WASHER 15X8.4X1.5	1	
6	31116	HEX HD. SCREW M8X16	1	
7	15640	SCREW SECURING SWITCH	1	
8	B073850R	HBS (ST. BUTTON) - CITY UPGRADE (NEW) _ALL NUOVO MODEL	1	FOR PUSH BUTTON_HBS
9	016406	SPRING WASHER	6	
10	20106	HEX NUT M6	6	
11	3056	PLAIN WASHER M6 OD12	6	
12	31088	HEX HD SCREW M6 X 16 CL 8.8 (811061623)	6	
13	604557	FUSE (10A)	6	
14	587650R	BATTERIES FOR 3WH (50AH)	1	Domestic
14	B006806	BATTERY(EXIDE _ EK 50 L ) _ EXPORT (501 )	1	Export
15	920083	TAIL LAMP LENSE LH WITH HARDWARE & GASKET	13	
16	920084	TAIL LAMP LENSE RH WITH HARDWARE & GASKET	1	
17	925212	PACKING	1	
18	181746	INDICATOR BULB 12V 10W	2	
19	925581	INDICATOR LIGHT BULB 12V 21W AMBER COLOUR	2	
20	567700	BULB 10/5W (STOP LIGHT)	2	
21	643704R	TAIL LAMP ASSY. LH	1	E - Marked (Export)
22	643705R	TAIL LAMP ASSY. RH	1	E - Marked (Export)
23	925571	CABLE RACK (033200/PGO)	1	
24	016408	SPRING WASHER	1	
26	643616	CABIN LAMP (N.I.)	1	
27	016406	SPRING WASHER	2	
28	20106	HEX NUT M6	2	
29	3056	PLAIN WASHER M6 OD12	2	
30	71633	STOP AND PARKING BULB 12V 10/5 W	1	
31	15727	PAN SELF TAPPING SCREW	2	
32	B023727R	CONTACTOR	1	
33	12546	PLAIN WASHER / MULTI TOOTH LOCK WASHER M5	2	
34	31057	HEX HEAD SCREW M5 X 14 CL 8.8	2	



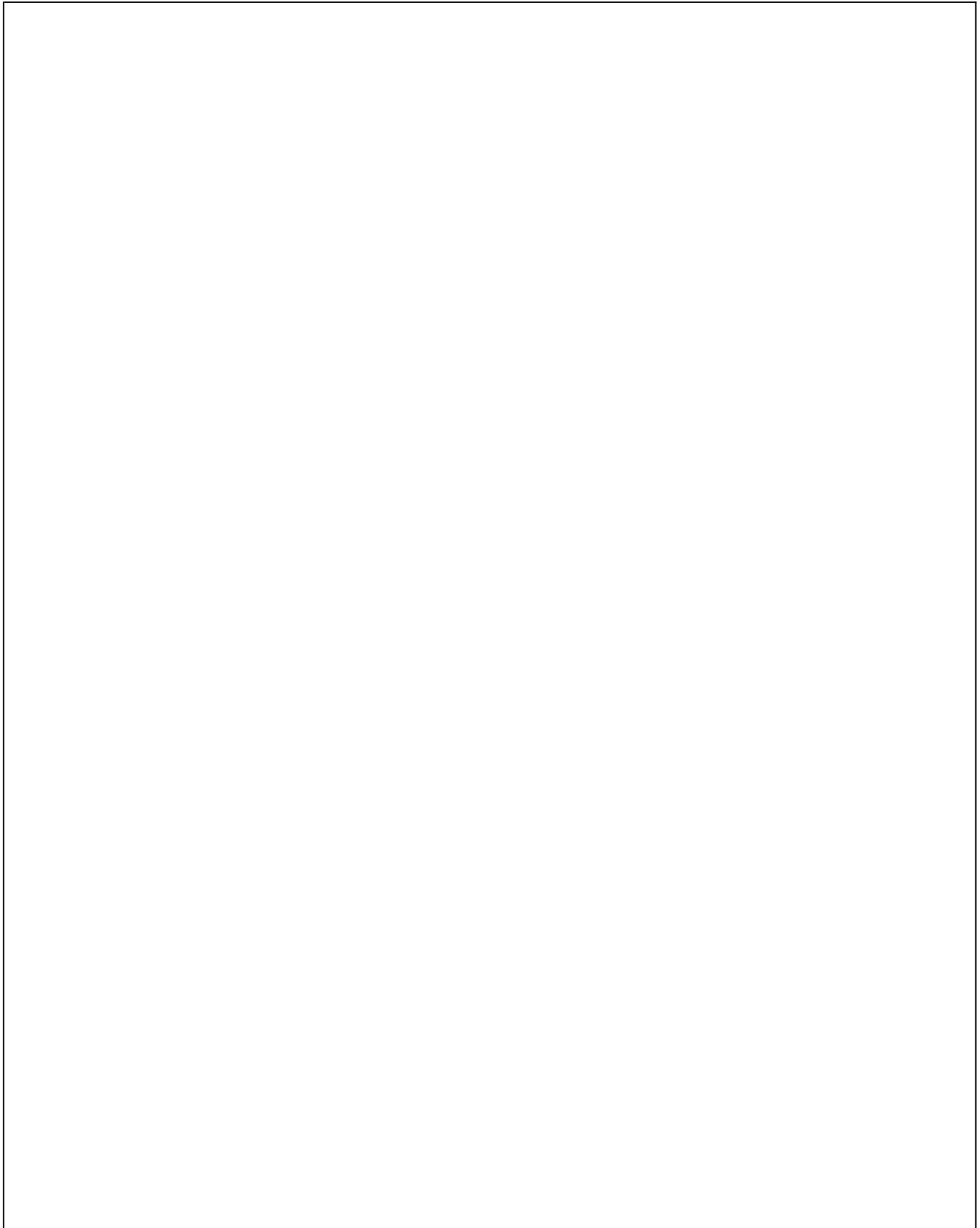
Print Date: 07-Apr-2022

---

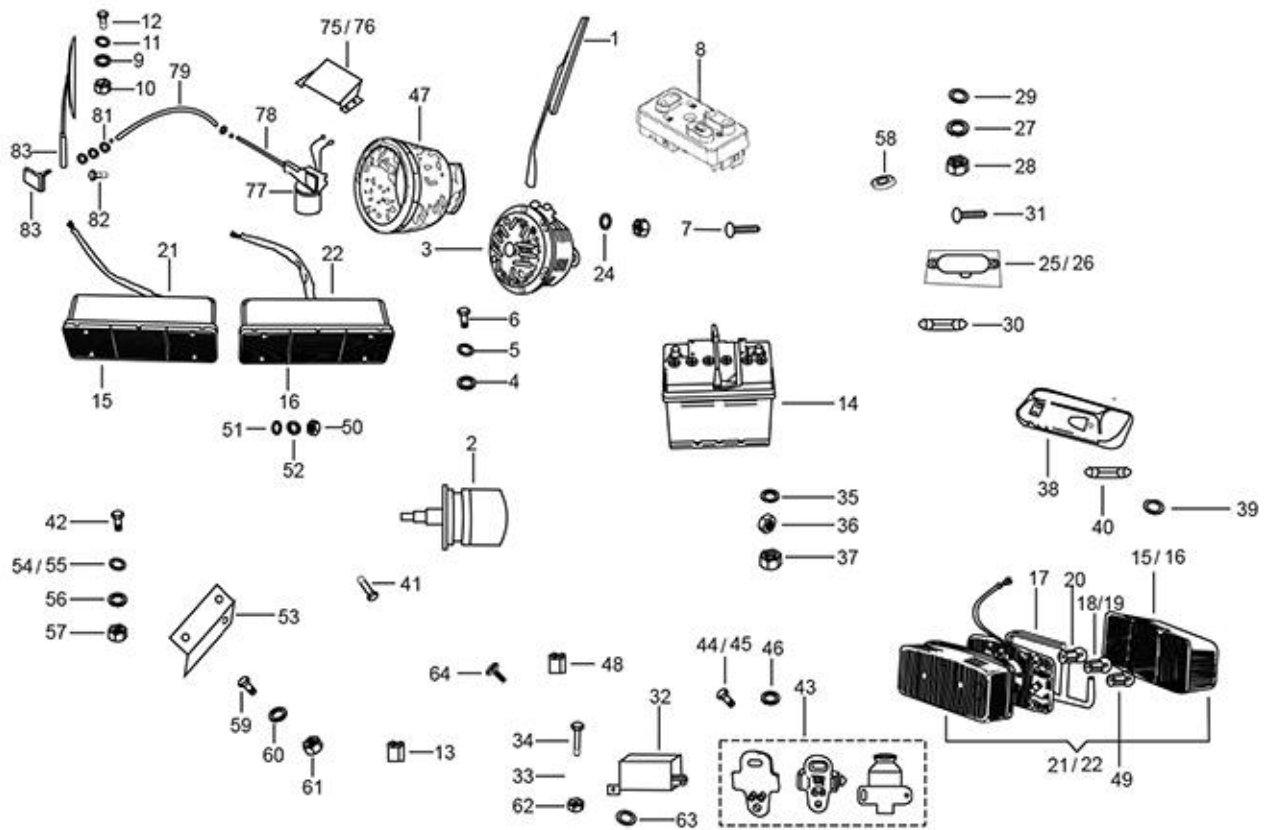
**PLATE-31**

**ELECTRICAL DEVICES-2**

---









Print Date: 07-Apr-2022

**PLATE-31**  
**ELECTRICAL DEVICES-2**

Fig. No.	Part No.	Description	Qty	Remarks
35	3055	PLAIN WASHER M5	2	
36	20105	PLAIN NUT M5	2	
37	20108	HEX NUT M8	1	
38	150915R	REGISTRATION PLATE LAMP ASSY	1	E - Marked (Export)
39	12536	SPRING WASHER	1	
40	71633	STOP AND PARKING BULB 12V 10/5 W	1	
41	8451	PAN SELF TP SCREW 6 SGX13 AB	2	
42	31058	HEX HEAD SCREW M5 X 16 CC8.8	2	
43	567498R	BRAKE/REVERSE LIGHT SW (INTEGRAL CAP)-PAV	1	
44	568750	PLAIN RDHD SCREW M4 X 16	2	
45	15996	PHIL RD HD SCREW M4X12	2	
46	003054	PLAIN WASHER	2	
47	645041	HORN PROTECTION	1	
48	567706	FUSE 30 A	1	
49	181747	REVERSE LAMP BULB 12V 5W	2	
50	12136	NUT / NYLOCK NUT M5	2	
51	6078	PLAIN WASHER 12 X 5.2 X 1	2	
52	16405	SPRING WASHER M5	2	
53	660109	FUSE BOX BKT	1	
54	3055	PLAIN WASHER M5	4	
55	6078	PLAIN WASHER 12 X 5.2 X 1	4	
56	6965	SPRING WASHER DIA 5	2	
57	20105	PLAIN NUT M5	2	
58	77055	RING	1	
59	31056	HEX HEAD SCREW M5 X 12 CL. 8.8	2	
60	6965	SPRING WASHER DIA 5	2	
61	20105	PLAIN NUT M5	1	
62	20105	PLAIN NUT M5	1	
63	3055	PLAIN WASHER M5	1	
64	15911	PAN SELF TAP SCREW 8SG X 16 AB	1	
65	925567	GEAR PLATE ASSLY (034500/4)	1	
66	569165	DOME NUT	1	
67	B009290	STRAP ASSY.	1	
68	568714	BATTERY COVER	1	
69	661231	CIRCLIP STEERING LOCK DIA 16 (INT)	1	



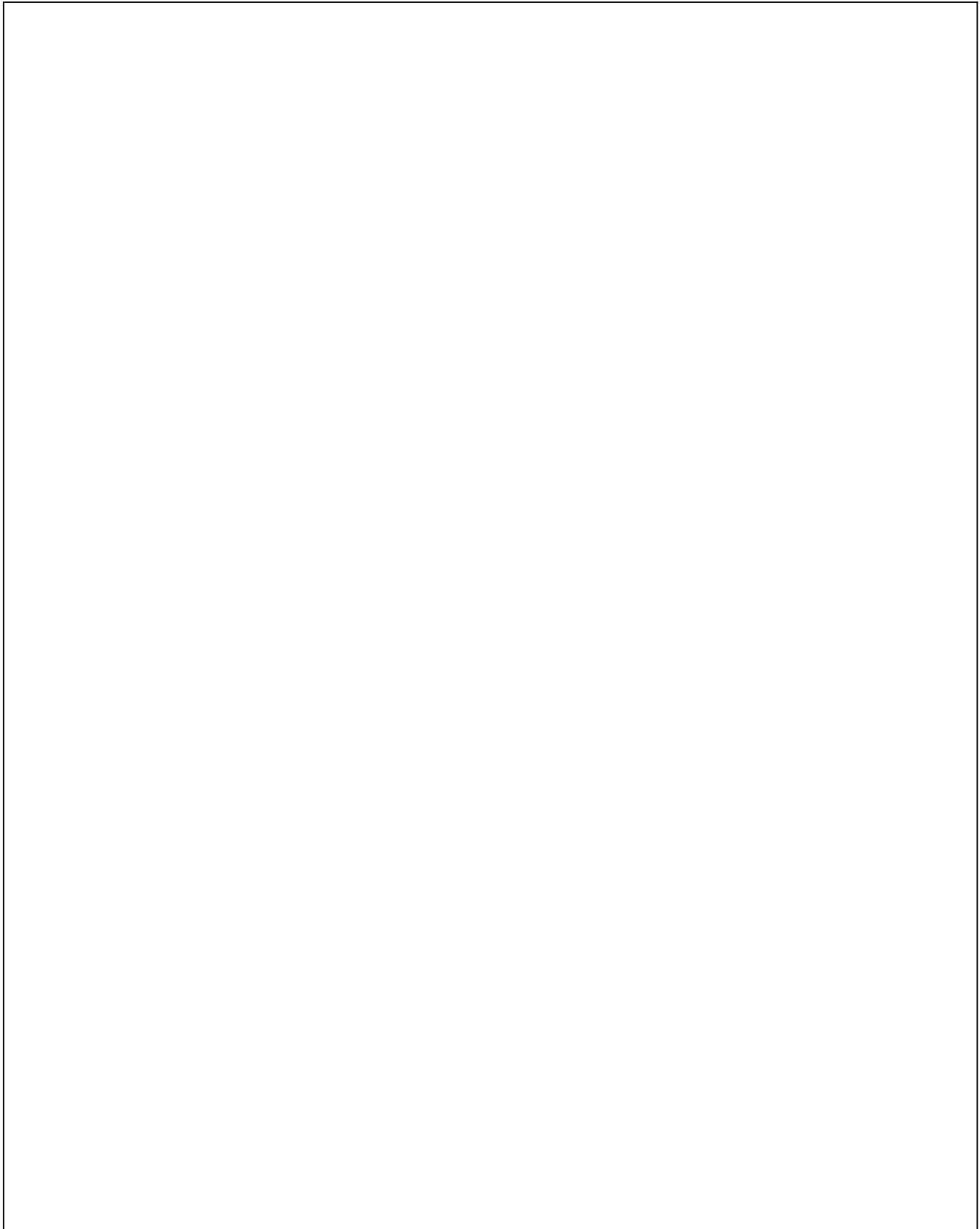
Print Date: 07-Apr-2022

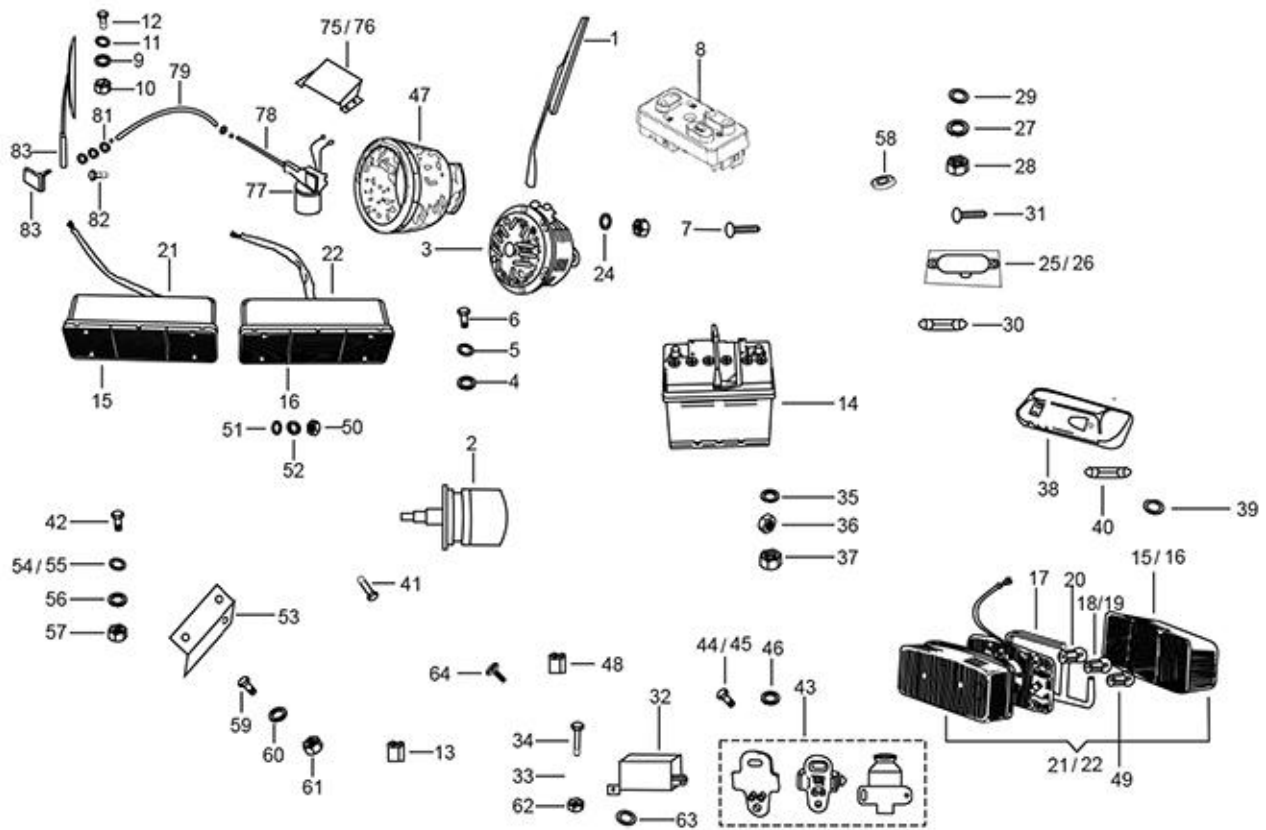
---

**PLATE-31**

**ELECTRICAL DEVICES-2**

---







Print Date: 07-Apr-2022

**PLATE-31**  
**ELECTRICAL DEVICES-2**

Fig. No.	Part No.	Description	Qty	Remarks
70	925584	BULB 12 V 21W CLEAR (PARKING AND INDICATOR)	1	
71	925585	LENS MOUNTING SCREW FOR LATERAL LAMP - NEOLITE MAKE	1	
72	925589	LENSE MOUNTING SCREW (N.I.)	1	
73	925605	TAIL LAMP GLASS - RH ( LUMAX )	1	
74	925604	TAIL LAMP GLASS - LH ( LUMAX )	1	
75	569166	WIPER MOTOR MOUNTING BRACKET	1	
76	632995	WIPER MOTOR ASSY. WITH MTG. BKT.	1	
77	604506	BUNDY TUBE OUTER	1	
78	632285	BUNDY TUBE (MOTOR TO WHEEL BOX)	1	
79	604506	BUNDY TUBE OUTER	1	
79	B076573	BUNDY TUBE (MOTOR TO WHEEL BOX)	1	BSIV
80	569197	WHEEL BOX ASSY. (MOD.)	1	
80	B076304	WHEEL BOX ASSY. (MOD.)	1	BSIV
81	003054	PLAIN WASHER	2	
82	661925	PHILIP PAN HEAD SCREW (M5 X 0.8 X 1.6)	4	
83	925572	BRUSH CARD ASSLY (033300/PGO)	1	





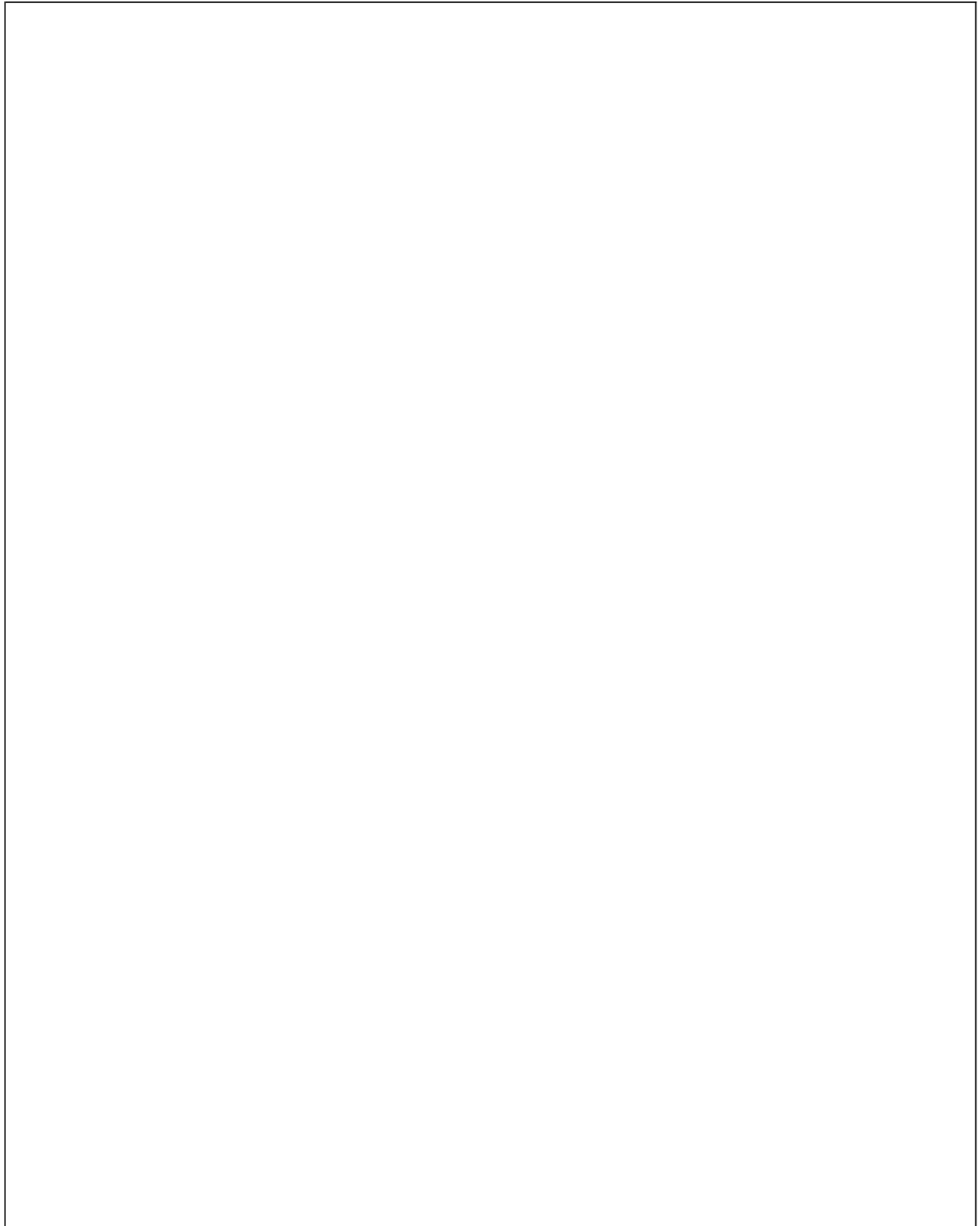
Print Date: 07-Apr-2022

---

**PLATE-32**

**PASSENGER AUTO RICKSHAW BODY**

---







Print Date: 07-Apr-2022

**PLATE-32****PASSENGER AUTO RICKSHAW BODY**

Fig. No.	Part No.	Description	Qty	Remarks
1	KIT95058R	HOOD FRAME ASSY. WITH PROFILE 501 BSIII	1	NI
2	B075269	SOFT TOP YELLOW	1	
2	B077474	SOFT TOP BLACK	1	
2A	016408	SPRING WASHER	8	
2B	20108	HEX NUT M8	4	
2C	31116	HEX HD. SCREW M8X16	4	
3	587907	BELT,PASSENGER SEAT RETAINER	2	
4	B075444	PASS. SEAT ASSLY (WIRE MESH)	1	
5	B042726ED	REAR HATCH WITH LATCH BOLT PASS DTL- CED	1	
6	B073327BY	PASSENGER BODY WITH TAILGATE CNG/LPG DTL 40VX	1	
6	B073327EG	PASSENGER BODY WITH TAILGATE CNG/LPG DTL 40VX	1	
6A	3057	PL. WASHER 13 X 7 X 1	1	
7	9000	SELF TAP SCREW 4 SG X 13 AB3	6	
8	661493	PASSENGER COMPARTMENT CARPET (UPGRADE)	1	
9	013880	PLAIN WASHER	4	
10	587962	PROFILE	2	
11	15996	PHIL RD HD SCREW M4X12	8	
12	003054	PLAIN WASHER	16	
13	661262	YELLOW REFLECTIVE TAPE	1	
14	12138	NYLOCK NUT M6	4	
15	B024501	PLASTIC COVER PLUG-CARGO	1	
16	660207ED	ENGINE INSPECTION DOOR 501 CNG/LPG	1	
17	567732	BUFFER	2	
18	643661	LICENSE PLATE MTG. BKT.	1	
19	31119	HEX HD SCREW M8 X 25	2	
20	3058	PLAIN WASHER 15X8.4X1.5	2	
21	016408	SPRING WASHER	2	
22	8432	SCREW	14	
23	587948	BKT. FOR HANDLE (N.I.)	7	
24	643752	LATERAL PROFILE FOR COVER	1	
25	568275	RUBBER STOP	4	
26	31118	SCREW M8X20	4	
27	3058	PLAIN WASHER 15X8.4X1.5	4	
28	016408	SPRING WASHER	4	
29	31088	HEX HD SCREW M6 X 16 CL 8.8 (811061623)	14	



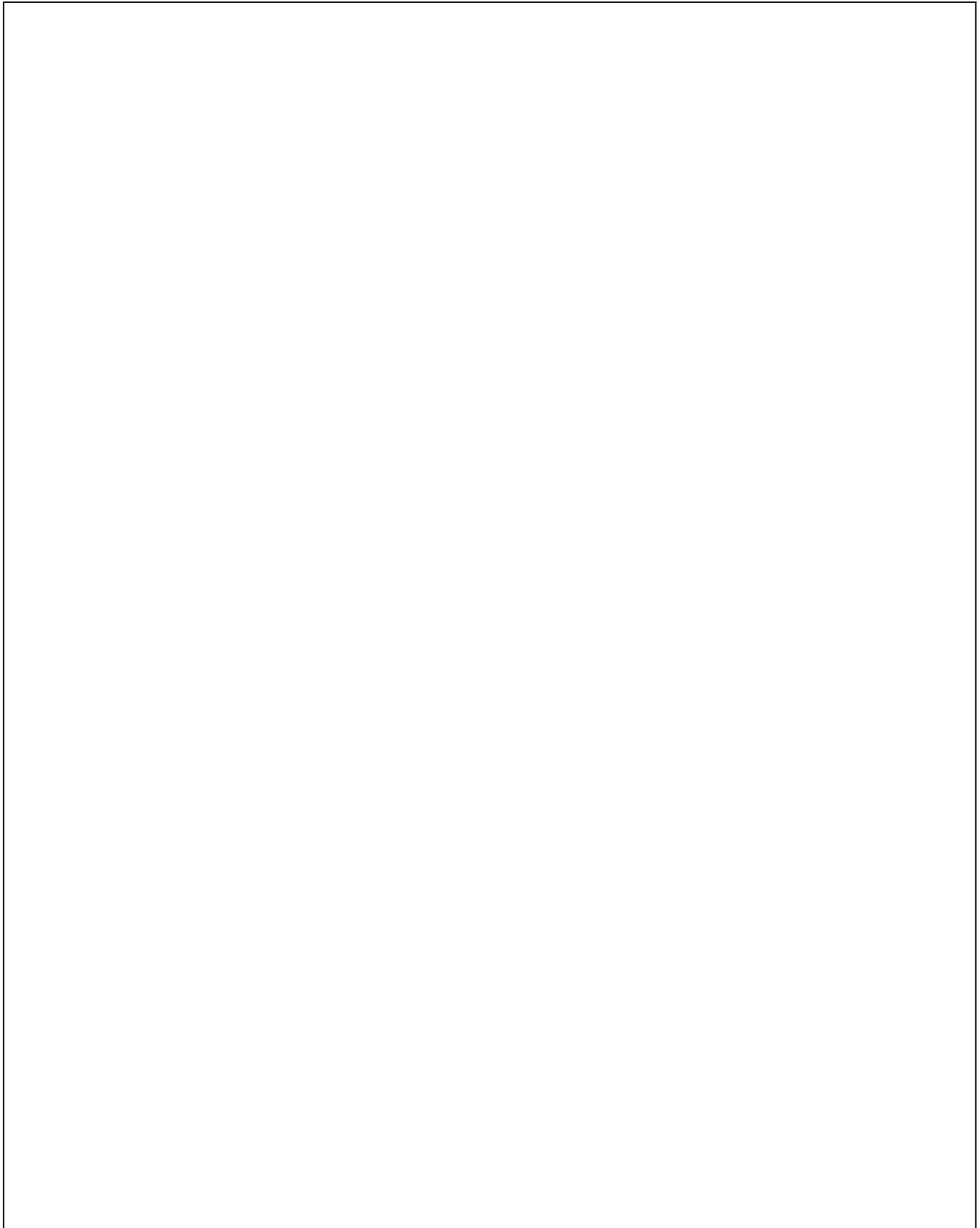
Print Date: 07-Apr-2022

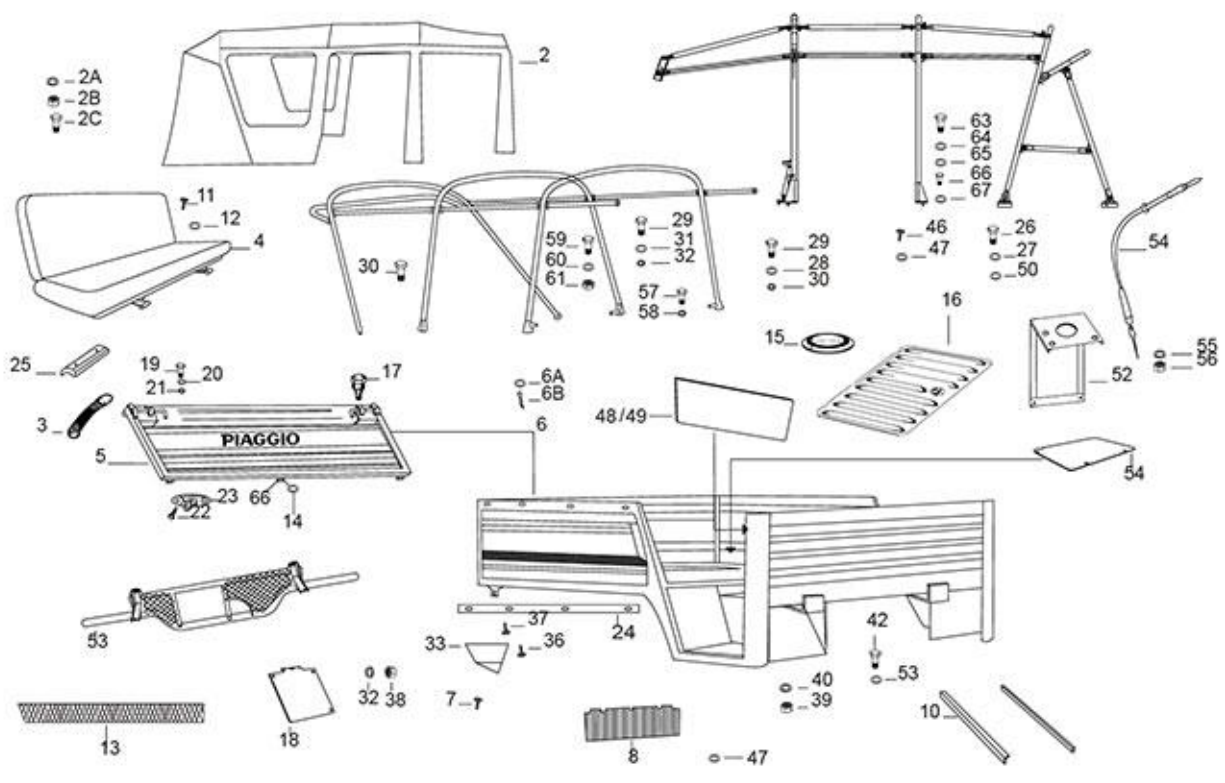
---

**PLATE-32**

**PASSENGER AUTO RICKSHAW BODY**

---









Print Date: 07-Apr-2022

**PLATE-32****PASSENGER AUTO RICKSHAW BODY**

Fig. No.	Part No.	Description	Qty	Remarks
30	031090	HEXAGONAL SCREW	2	
31	3056	PLAIN WASHER M6 OD12	32	
32	016406	SPRING WASHER	18	
33	B073274	REAR PANEL RH (PLASTIC)	1	
34	20106	HEX NUT M6	1	
35	B073275	REAR PANEL LH (PLASTIC)	1	
36	15911	PAN SELF TAP SCREW 8SG X 16 AB	12	
37	14628	CSK SELF TP.SCREW 6SG X 16 AB	28	
38	20106	HEX NUT M6	2	
39	20104	HEX NUT M4	8	
40	016404	SPRING WASHER M4	8	
41	B008400	LOCK SET WITH KEYS (PASSENGER) (N.I.)	1	
42	15900	HEAD LAMP SECURING SCREW/PAN SELF TAP SCREW	8	
43	3056	PLAIN WASHER M6 OD12	4	
44	31092	HEX. HD SCREW M6X25	4	
45	20108	HEX NUT M8	2	
46	15911	PAN SELF TAP SCREW 8SG X 16 AB	8	
47	16670	PLAIN WASHER 12X4.5X1	8	
48	567534	RIGHT FABRIC PROTECTION	1	
49	567535	LEFT FABRIC PROTECTION	1	
50	16670	PLAIN WASHER 12X4.5X1	8	
51	B009701	PASS. SPACE REAR CARPET (V.E)	1	
52	568325	SUPPORT PLATE S/A FAREMETER	1	
53	643670	REAR VISUAL BARRIER ASSLY (VE)	1	
54	568107	FAREMETER CABLE ASSY (N.I.)	1	
55	016408	SPRING WASHER	2	
56	20108	HEX NUT M8	4	
57	30074	HEX HEAD BOLT M8 X 40 CL 8.8	2	
58	016408	SPRING WASHER	2	
59	31116	HEX HD. SCREW M8X16	2	
60	016408	SPRING WASHER	2	
61	20108	HEX NUT M8	2	
62	30074	HEX HEAD BOLT M8 X 40 CL 8.8	2	
63	14628	CSK SELF TP.SCREW 6SG X 16 AB	28	
64	3058	PLAIN WASHER 15X8.4X1.5	2	



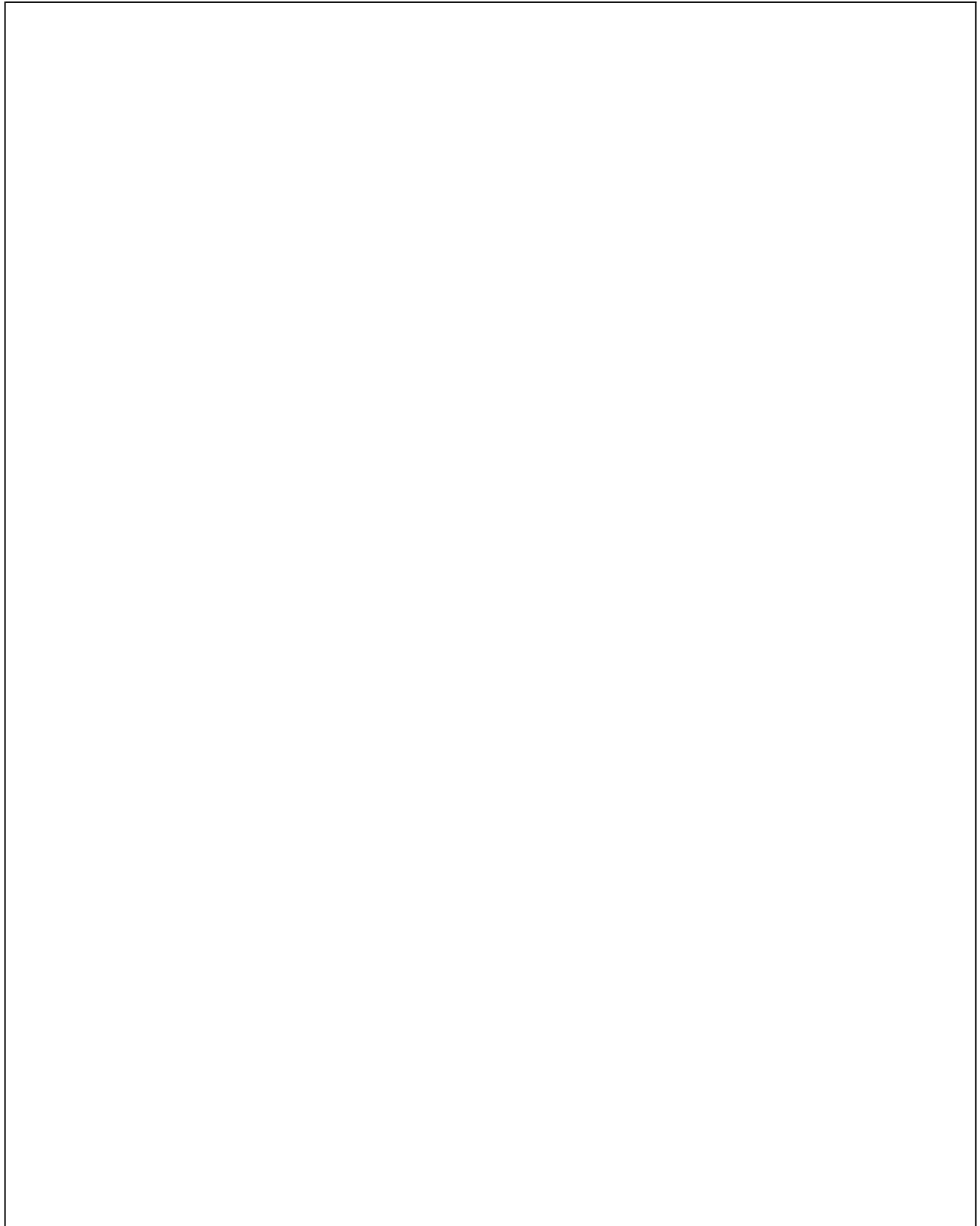
Print Date: 07-Apr-2022

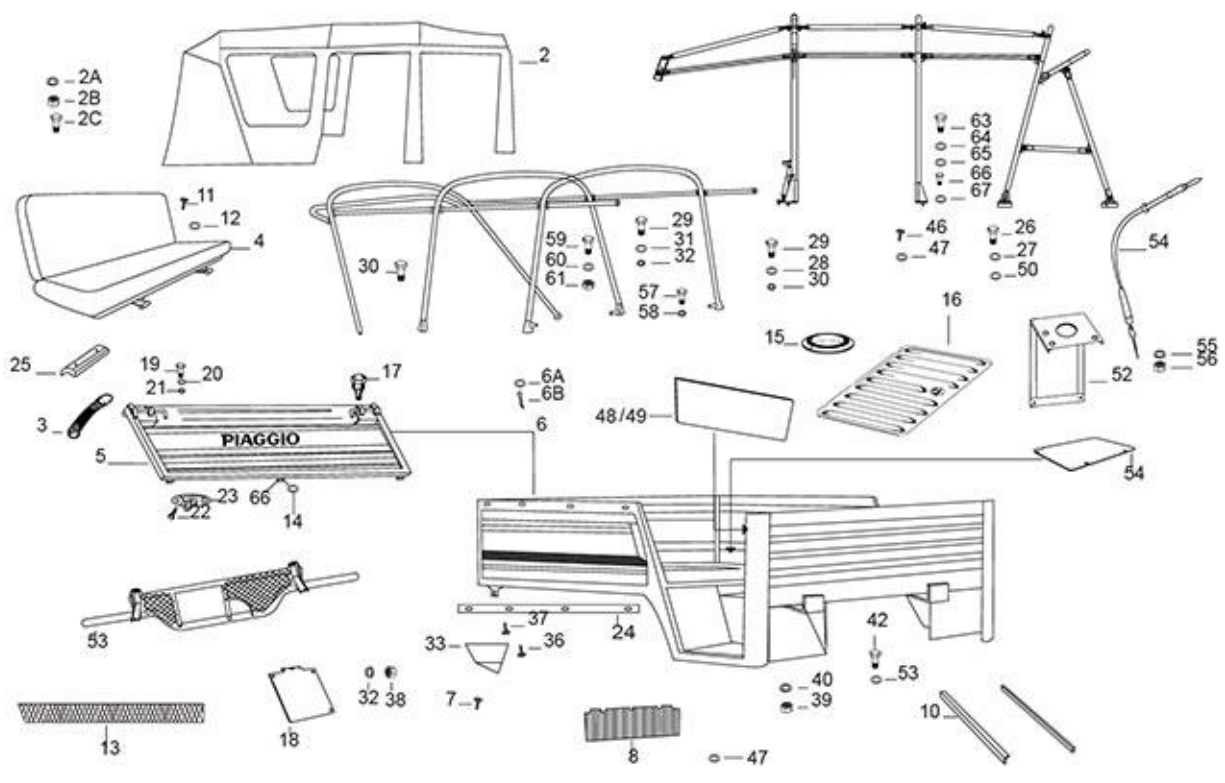
---

**PLATE-32**

**PASSENGER AUTO RICKSHAW BODY**

---







Print Date: 07-Apr-2022

**PLATE-32****PASSENGER AUTO RICKSHAW BODY**

<b>Fig. No.</b>	<b>Part No.</b>	<b>Description</b>	<b>Qty</b>	<b>Remarks</b>
65	568135	WASHER(NI PLATED)	10	
66	8432	SCREW	49	
67	97756	METALLIC PLAIN WASHER	39	
68	31089	HEX HEAD SCREW M6X18 CL 8.8	2	
69	B009701	PASS. SPACE REAR CARPET (V.E)	1	NI



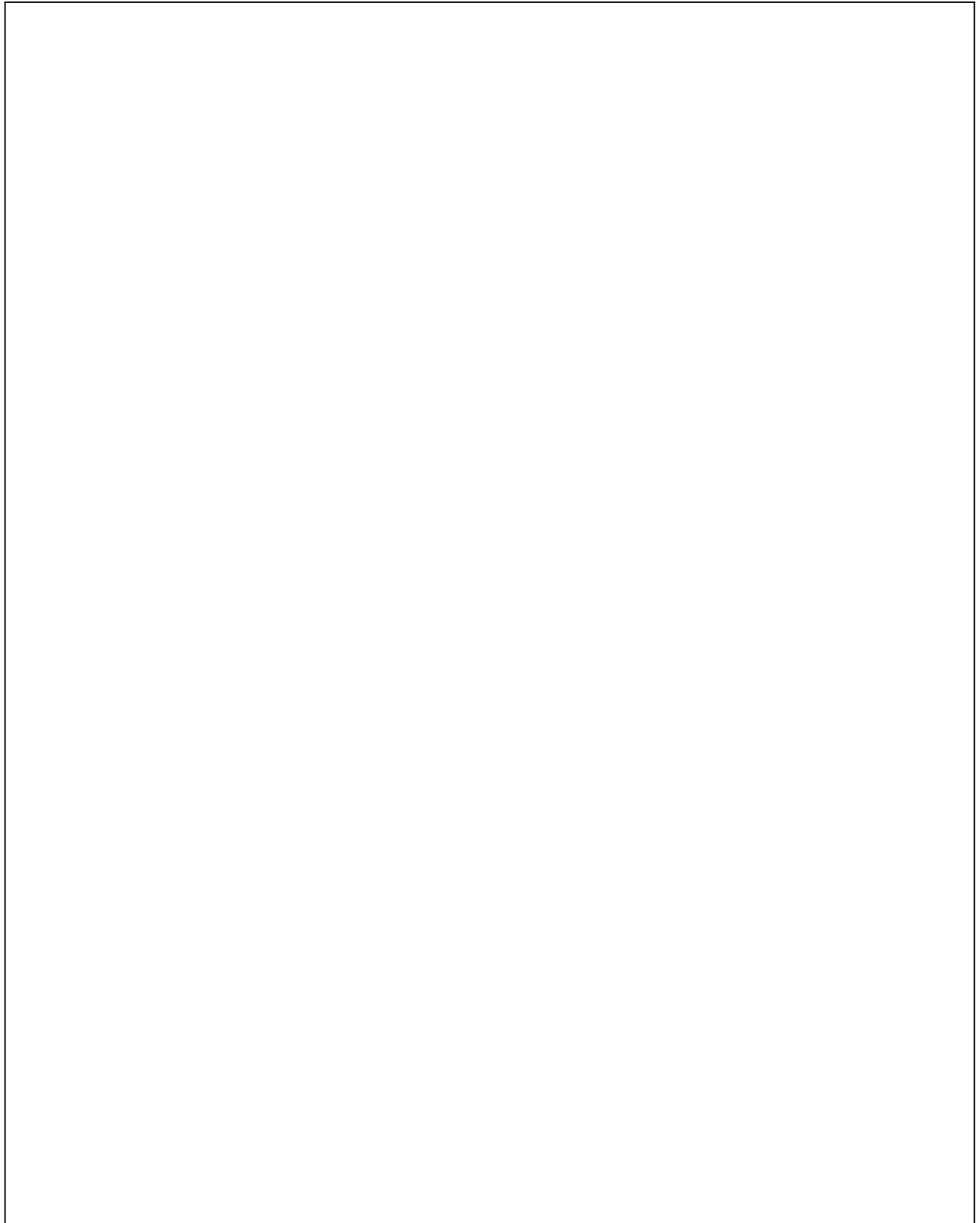


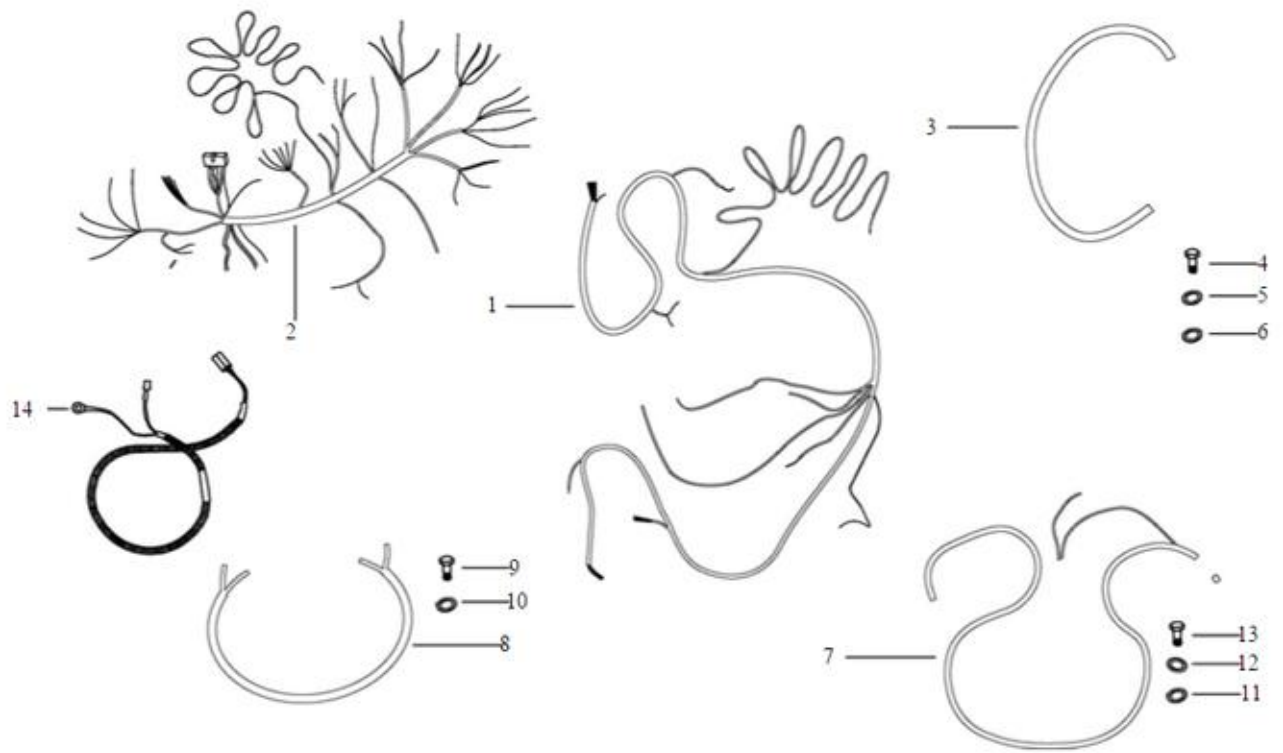
Print Date: 07-Apr-2022

---

**PLATE-33**  
**CABLE HARNESS**

---







Print Date: 07-Apr-2022

**PLATE-33**  
**CABLE HARNESS**

Fig. No.	Part No.	Description	Qty	Remarks
1	661454R	WIRING HARNESS FRAME (FOR S.S.SW)	1	
2	B075330	CABLE GROUP OF INST. PANEL WITH H/L CONN	1	
3	644838R	BATTERY CABLE -VE	1	
4	31088	HEX HD SCREW M6 X 16 CL 8.8 (811061623)	1	
5	3056	PLAIN WASHER M6 OD12	1	
6	016406	SPRING WASHER	1	
7	B074663	CABLE BATTERY +VE TO STARTER MOTOR	1	
8	567484	STARTER CABLE GROUP	1	
9	31116	HEX HD. SCREW M8X16	1	
10	3058	PLAIN WASHER 15X8.4X1.5	1	
11	016406	SPRING WASHER	1	
12	3056	PLAIN WASHER M6 OD12	1	
13	31088	HEX HD SCREW M6 X 16 CL 8.8 (811061623)	1	
14	B073320R	PIG TAIL- CABIN LAMP (NEW)-PASSENGER	1	
15	6D000409	KIT WIRING HARNESS - CNG	1	



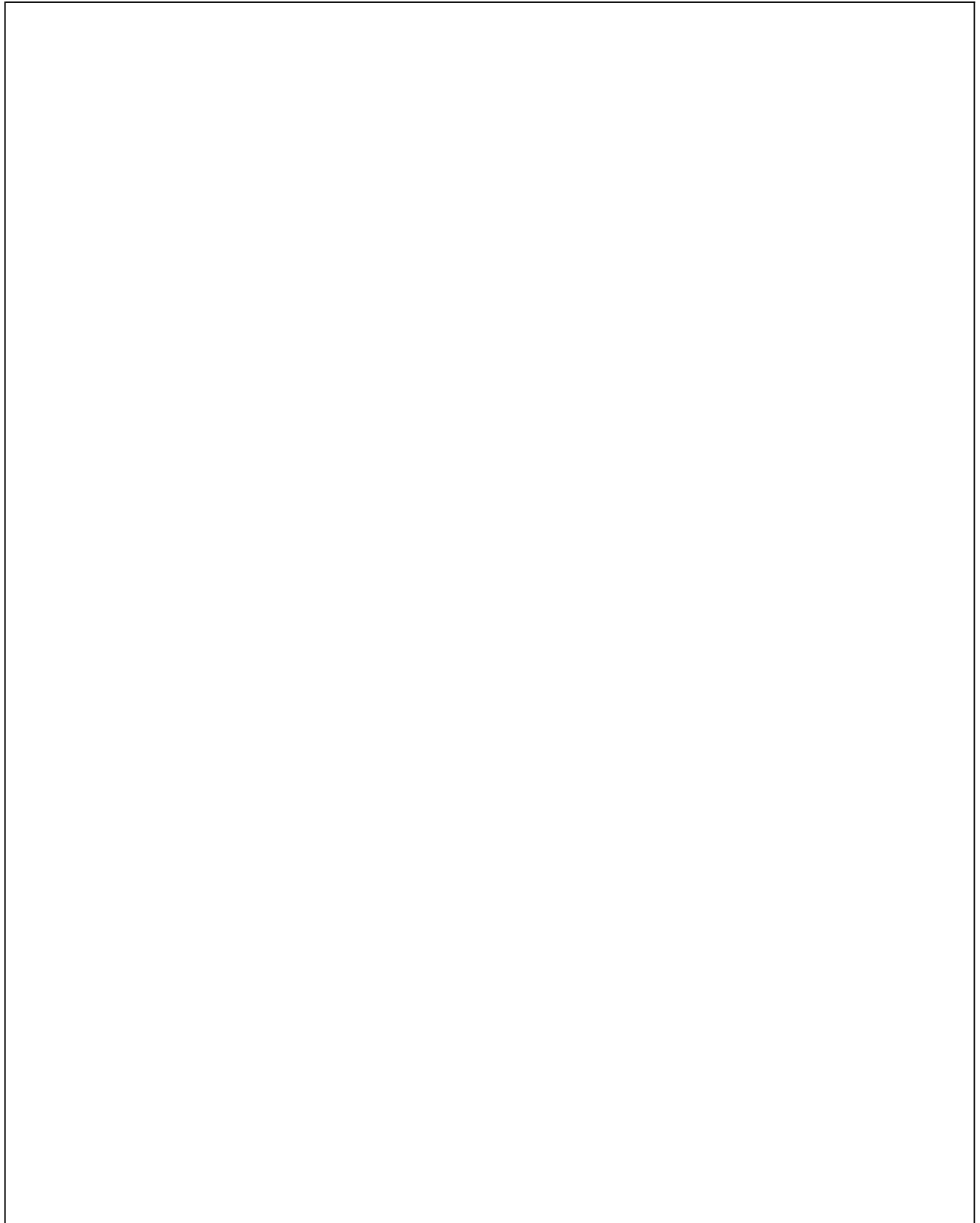
Print Date: 07-Apr-2022

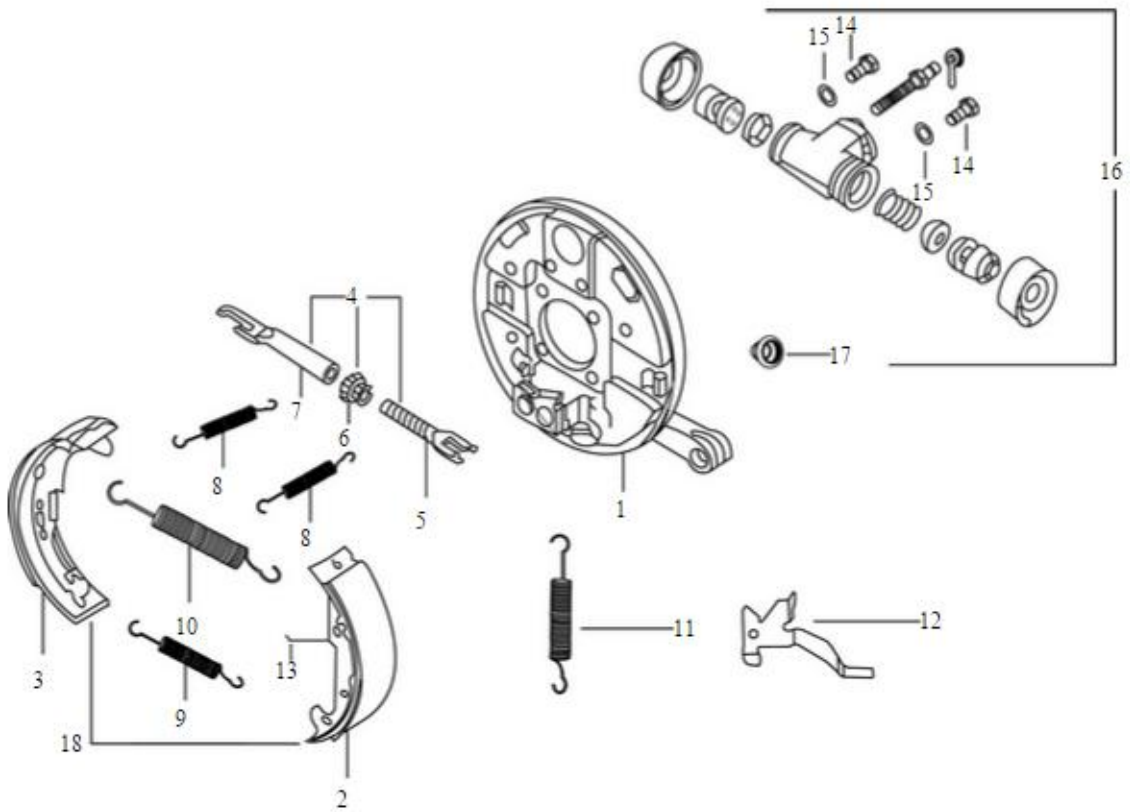
---

**PLATE-34**

**FRONT BRAKE ASSEMBLY SELF ADJUSTING (DIA 180 X 40 MM)**

---









Print Date: 07-Apr-2022

**PLATE-34****FRONT BRAKE ASSEMBLY SELF ADJUSTING (DIA 180 X 40 MM)**

Fig. No.	Part No.	Description	Qty	Remarks
1	616541	BRACKET WHEEL CARRIER WITH PI	1	
2	B003784	LEADING SHOE COMP WITH PIN LH ANL 1643	1	
3	940004	FRONT BRAKE SHOE KIT COMPRISING OF 2 & 3	1	
4	179056	FORK ASSY LH	1	
5	178804	FORK FOR LH WHEEL	1	
6	178805	LH - GEAR	1	
7	178806	LH STRUT	1	
8	602497	JAWS STOP SPRINGS	2	
9	116088	SPRING SUPPORTING JAWS	1	
10	245038	SHOE RETURN SPRING	1	
11	178808	SPRING LEVER RETURN	1	
12	178807	LEVER LH	1	
13	178823	JUMPER LH	1	
13	178824	JUMPER	1	
14	63440	BOLT M6X12	2	
15	12536	SPRING WASHER	2	
16	587616	BRAKE CYLINDER FR ASSLY (DIA. 22.225)	1	
17	925501	CAP ( KBX P 6450225)	1	
18	940004	FRONT BRAKE SHOE KIT COMPRISING OF 2 & 3	1	
19	925521	MINOR KIT WHEEL CYL. FRT (KBX 1007)	1	



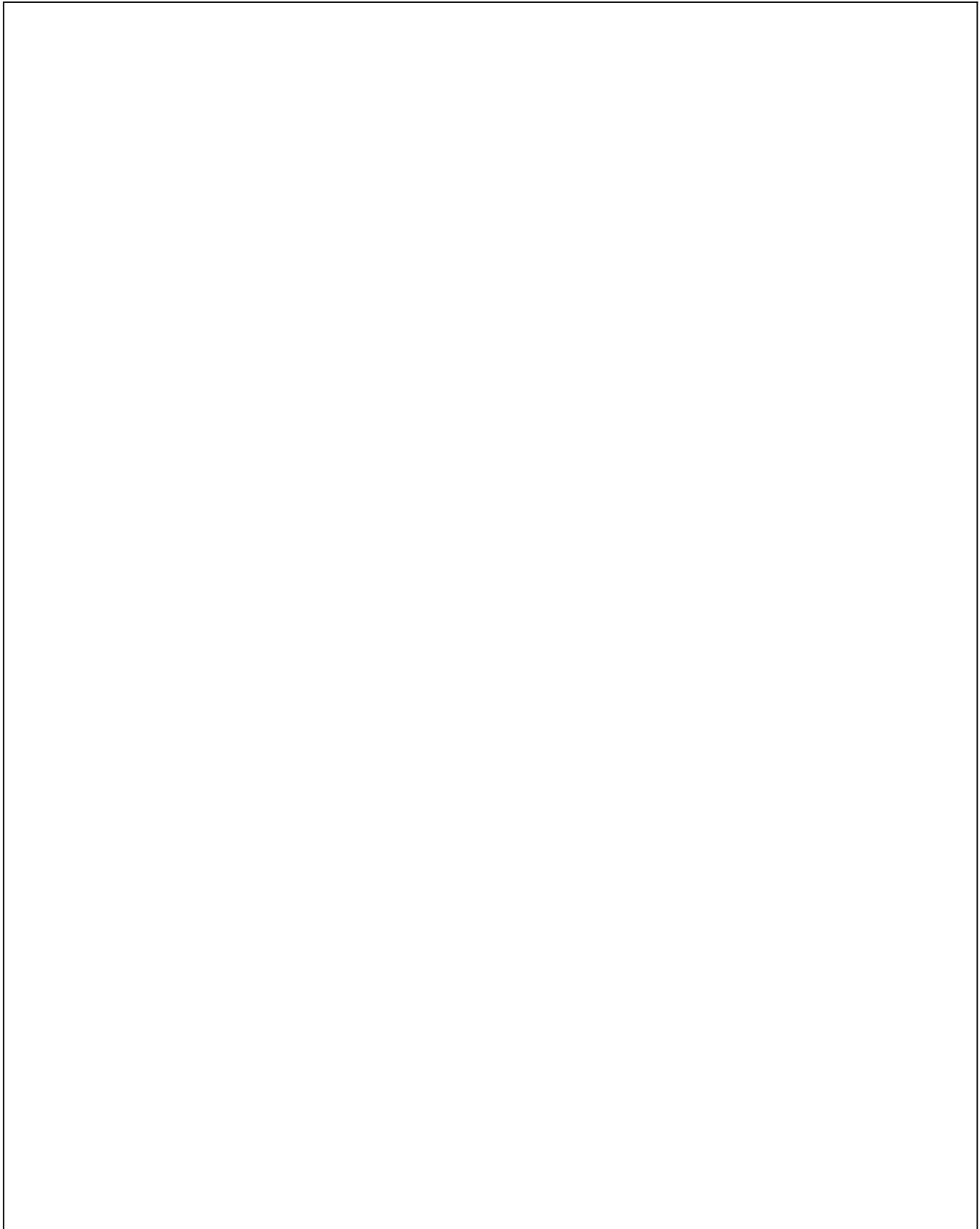
Print Date: 07-Apr-2022

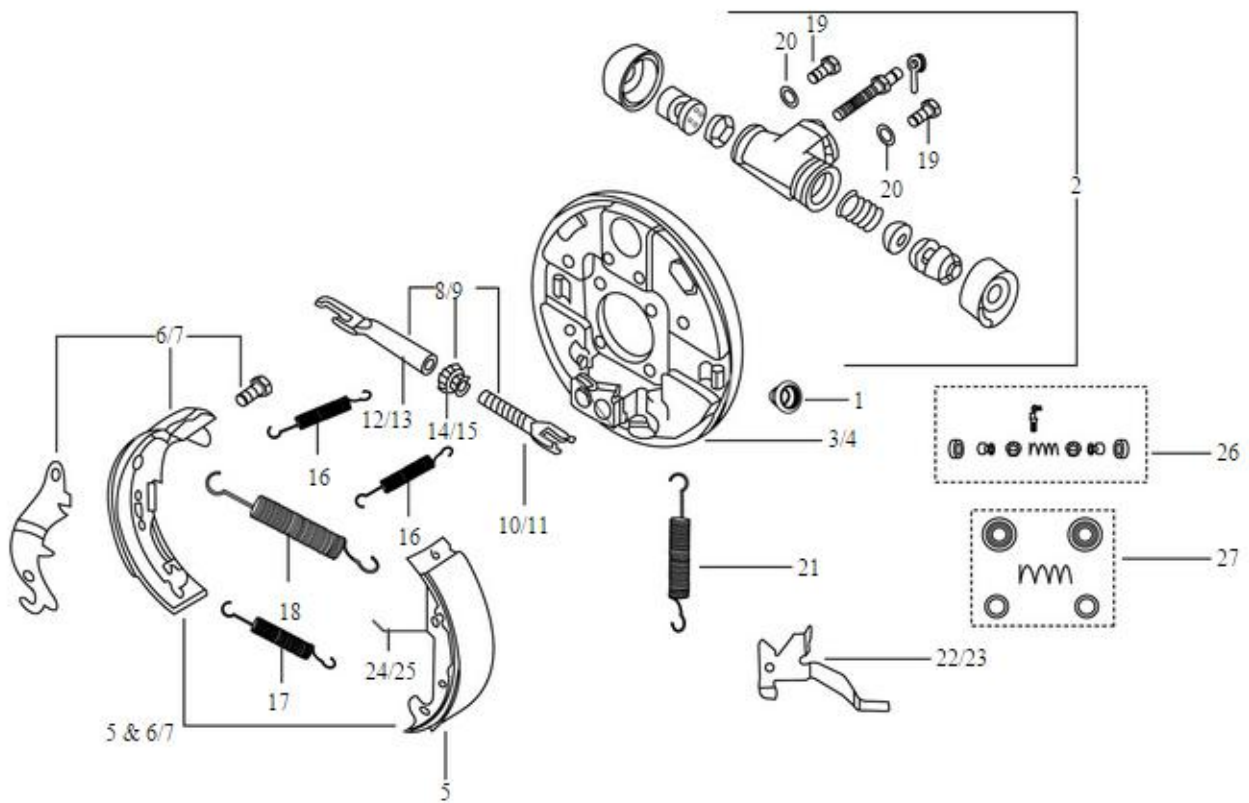
---

**PLATE-35**

**REAR BRAKE ASSEMBLY SELF ADJUSTING (DIA 180 X 40 MM)**

---







Print Date: 07-Apr-2022

**PLATE-35****REAR BRAKE ASSEMBLY SELF ADJUSTING (DIA 180 X 40 MM)**

Fig. No.	Part No.	Description	Qty	Remarks
1	925501	CAP ( KBX P 6450225)	1	
2	632148	WHEEL CYLINDER ASSY. FRONT DIA. (25.4 MM)	1	
2	632148	WHEEL CYLINDER ASSY. FRONT DIA. (25.4 MM)	1	
3	602120	LEFT BRAKE JAW HOLDING CABLE PLATE	1	
4	602123	RIGHT BRAKE JAW HOLDING CABLE PLATE	1	
5	B003784	LEADING SHOE COMP WITH PIN LH ANL 1643	1	
6	940005	REAR BRAKE SHOE SET L/H COMPRISING OF 5 & 7	1	
7	940006	REAR BRAKE SHOE SET R/H. COMPRISING OF 5 & 8	1	
8	179056	FORK ASSY LH	1	
9	179057	FORK ASSY. RH	1	
10	178804	FORK FOR LH WHEEL	1	
11	178818	RH FORK	1	
12	178806	LH STRUT	1	
13	178820	RH STRUT	1	
14	178805	LH - GEAR	1	
15	178819	RH GEAR	1	
16	602497	JAWS STOP SPRINGS	2	
17	116088	SPRING SUPPORTING JAWS	1	
18	245038	SHOE RETURN SPRING	1	
19	63440	BOLT M6X12	2	
20	12536	SPRING WASHER	2	
21	178808	SPRING LEVER RETURN	1	
22	178807	LEVER LH	1	
23	178821	LEVER RH	1	
24	178823	JUMPER LH	1	
25	178824	JUMPER	1	
28	940005	REAR BRAKE SHOE SET L/H COMPRISING OF 5 & 7	1	
29	940006	REAR BRAKE SHOE SET R/H. COMPRISING OF 5 & 8	1	

100

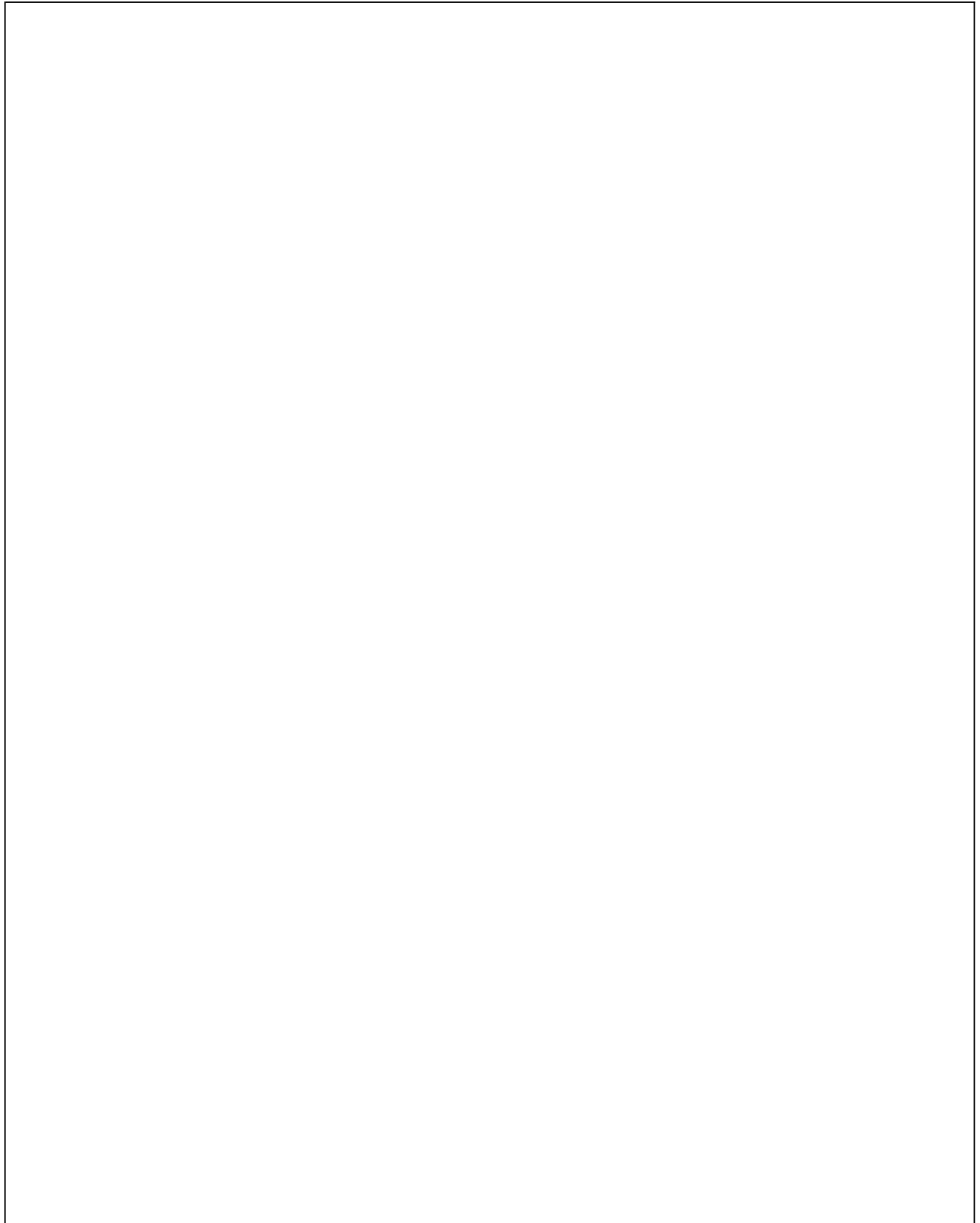
Print Date: 07-Apr-2022

---

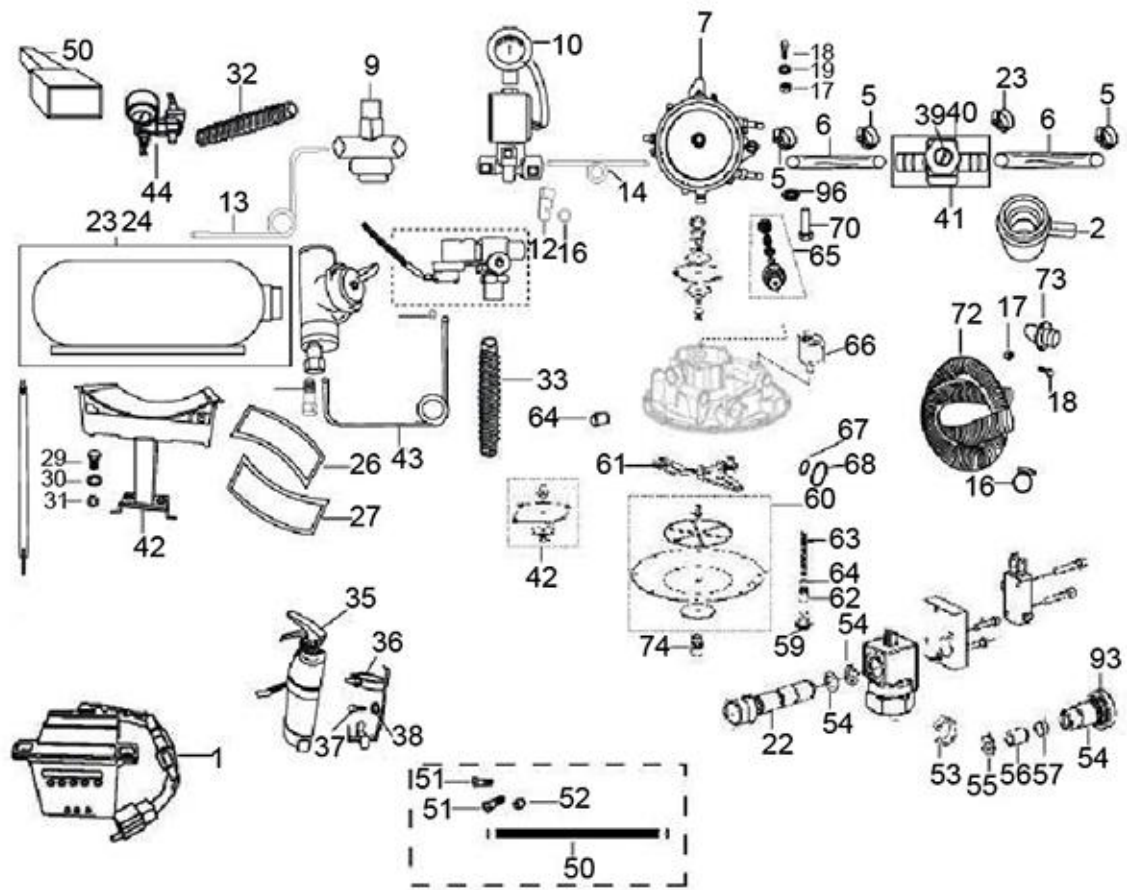
**PLATE-36**

**VANAZ KIT - CNG**

---









Print Date: 07-Apr-2022

**PLATE-36**  
**VANAZ KIT - CNG**

Fig. No.	Part No.	Description	Qty	Remarks
1	6D000407	ECU WITH CNG LEVEL INDICATOR	1	NI
2	B009017	MIXER ASSEMBLY(VANAZ PT NO K-0122-23)	1	
3	643839	FILLER VALVE WITH REFUELLING UNIT(VANAZ	1	
4	643869	CLIP(K-0301-13-040)	4	
5	643843	LOW PRESS HOSE PIPE( VANAZ PT NO K-0107	2	
6	643844	FLOW CONTROL UNIT( VANAZ PT NO R-8101-08	1	
7	643846	3 STAGE REGULATOR( VANAZ PT NO R-8104)	1	
8	643847	HIGH PRESS SOLENOID VALVE( VANAZ PT NO K	1	
9	643848	JUNCTION BLOCK SUB ASSY( VANAZ PT NO K-0	1	
10	B041784	CNG PRESSURE GAUGE WITH SENSOR	1	
11	643859	TRANSIENT SUPPORT UNIT(VANAZ PT NO K-011	1	
12	643864	CLIP FOR COPPER TUBE(VANAZ PT NO K-0101-	6	
13	643906	HOSE FROM FILLER VALVE TO JUNCTION BLOCK	1	
14	643908	TUBE FROM SOLENOID VALVE TO PRESS REGUL	1	
15	925786	ECU - FUSE (2A) (N.I)	1	
16	661910	CLIP	2	
17	661908	HEX NUT (M5) (FERRULE (VANAZ P.NO.R-8101	3	
18	661909	CHEESE HEAD SCREW	3	
19	16670	PLAIN WASHER 12X4.5X1	6	
20	016404	SPRING WASHER M4	3	
21	20104	HEX NUT M4	3	
22	661399	DUST PLUG	1	
23	643708	CYLINDER WITH CNG VALVE	1	
24	B042657R	CNG CYLINDER M/S EKC WITH OMB VALVE	1	
25	B009290	STRAP ASSY.	2	
26	604856	RUBBER STRAP LOWER	2	
27	659857	RUBBER STRAP UPPER	2	
29	16410	SPRING WASHER	2	
30	016408	SPRING WASHER	12	
31	3058	PLAIN WASHER 15X8.4X1.5	12	
32	B042182	GAS VENT HOSE ASSLY	1	
33	B042183	PVC COATED STEEL TUBE ASSLY	1	
34	661758	TUBE FROM JUNCTION BLOCK TO SOLENOID VALK-0122-22	1	
35	643655R	FIRE EXTINGUISHER	1	
36	643598	EXTINGUISHER BKT ASSLY COMPLETE	1	

102

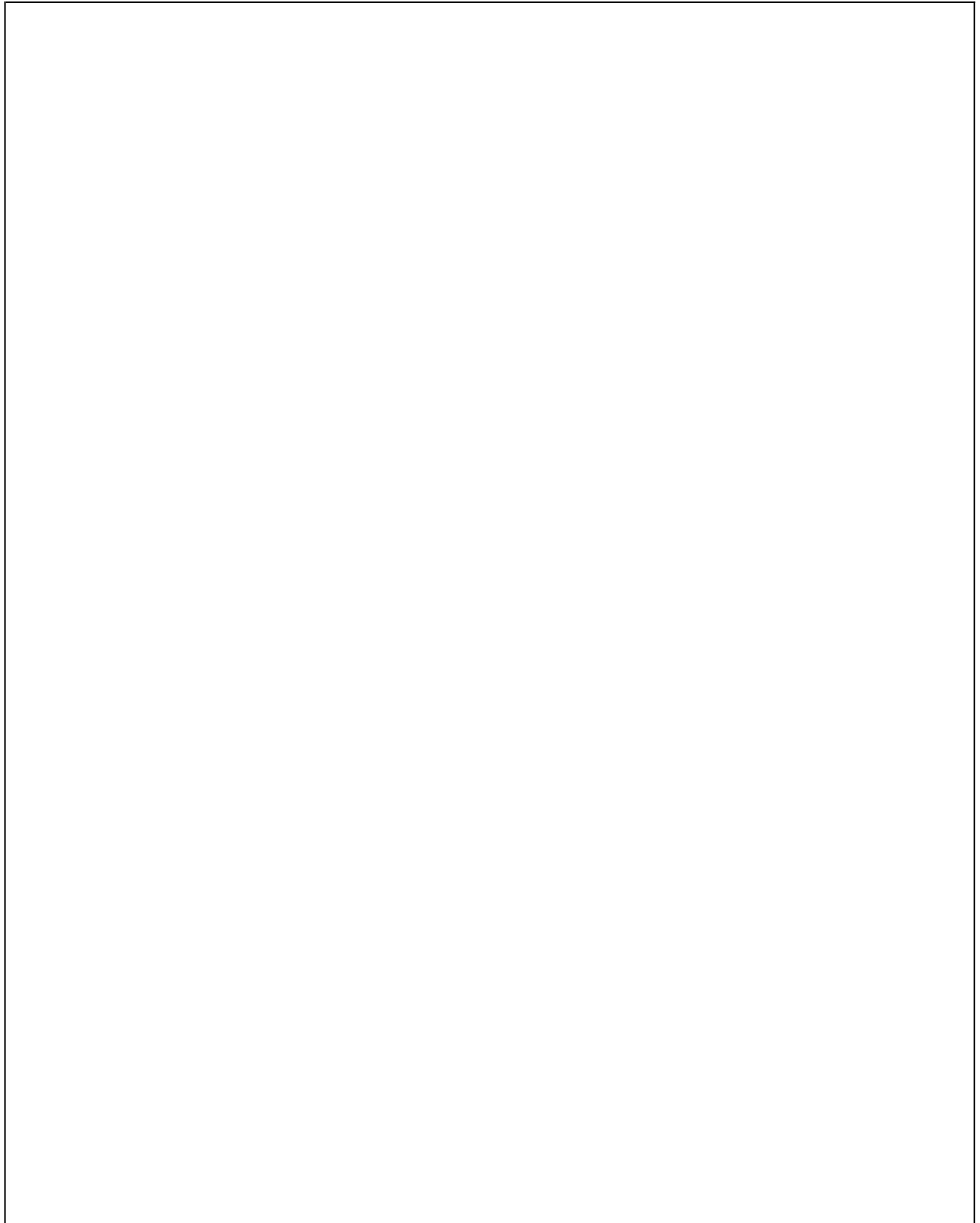
Print Date: 07-Apr-2022

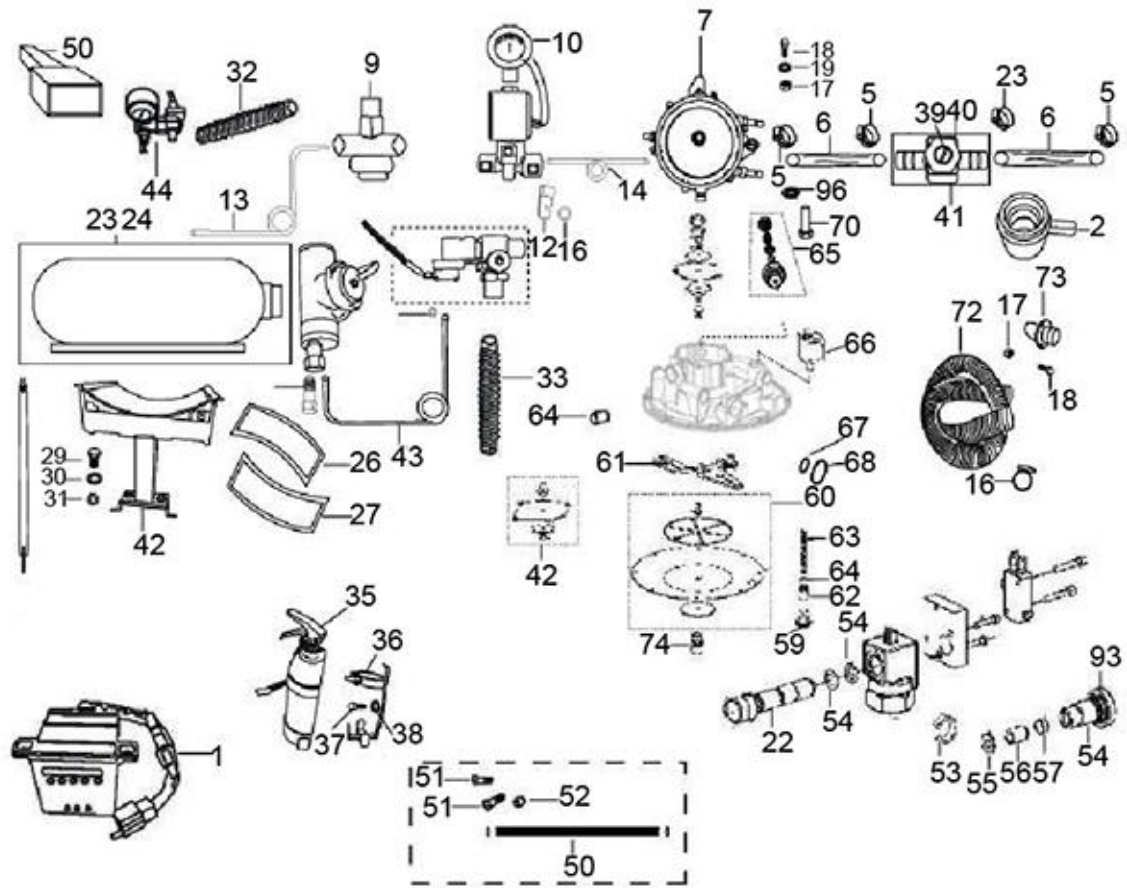
---

**PLATE-36**

**VANAZ KIT - CNG**

---







Print Date: 07-Apr-2022

**PLATE-36**  
**VANAZ KIT - CNG**

Fig. No.	Part No.	Description	Qty	Remarks
37	31116	HEX HD. SCREW M8X16	2	
38	016408	SPRING WASHER	2	
39	925761	FLOWADIUSTING SCREW(K-0122-07-020)	1	
40	661916	LOCK NUT(R-8101-555)	1	
41	925760	FLOW CONTROL BODY(K-0122-07-010)	1	
42	659870	CENTRAL MTG BRACKET	2	
43	643998	TUBE ASSLY. CNG VALVE TO FILLER VALVE (	1	
44	B042179	REMOTE FILLER UNIT	1	
45	15996	PHIL RD HD SCREW M4X12	6	
46	643877	WIRING HARNESS LPG. (NI)	1	
47	660179	KIT WIRING HARNESS-CNG	1	
47	6D000409	KIT WIRING HARNESS - CNG	1	
49	925759	STEEL TUBE WITH PVC SHILDING(K-0122-01-0	1	
50	925759	STEEL TUBE WITH PVC SHILDING(K-0122-01-0	1	
51	925756	COUPLING SCREW(K-0113-01-020)	3	
52	925757	FERRULE(K-0113-300)	4	
53	925754	LOCK NUT(K0106-10-180)	1	
54	932242	ORING	1	
55	925751	FILTER(K-01-02-380)	1	
56	925752	WASHER(K-0102-02-390)	1	
57	925769	PAD(R-8101-430)	1	
58	925749	RETAINER(K-0102-02-360)	1	
59	925727	LOCK NUT (R-8104-11)	1	
60	925774	DIAPHRAGM SUB. ASSLY.(R-8104-08)	1	
61	925778	LEVER PIN(R-8104-200)	1	
62	925779	IDLINGSCREW(R-8104-220)	1	
63	925780	SPRING(R-8104-230)	1	
64	925781	O RING	1	
65	925776	SRV. SUB ASSLY.(R-8104-13)	1	
66	925785	SOLENOID VALVE (S-0102)	1	
67	925770	O-RING(R-8101-500)	1	
68	925783	O RING	1	
69	925751	FILTER(K-01-02-380)	1	
70	925772	SPRING GUIDE(R-81015-620)	1	
71	661825	PLUG	1	



104

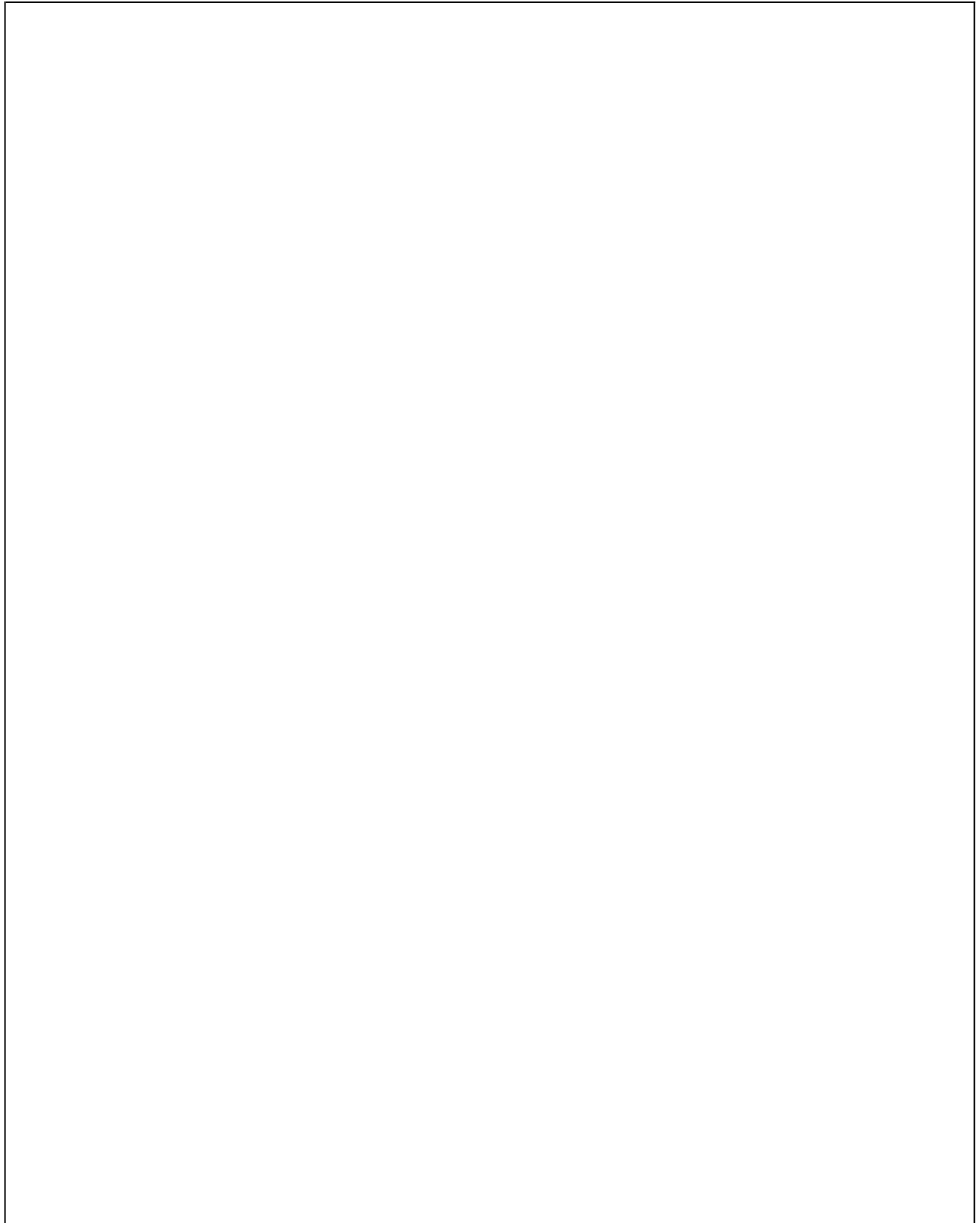
Print Date: 07-Apr-2022

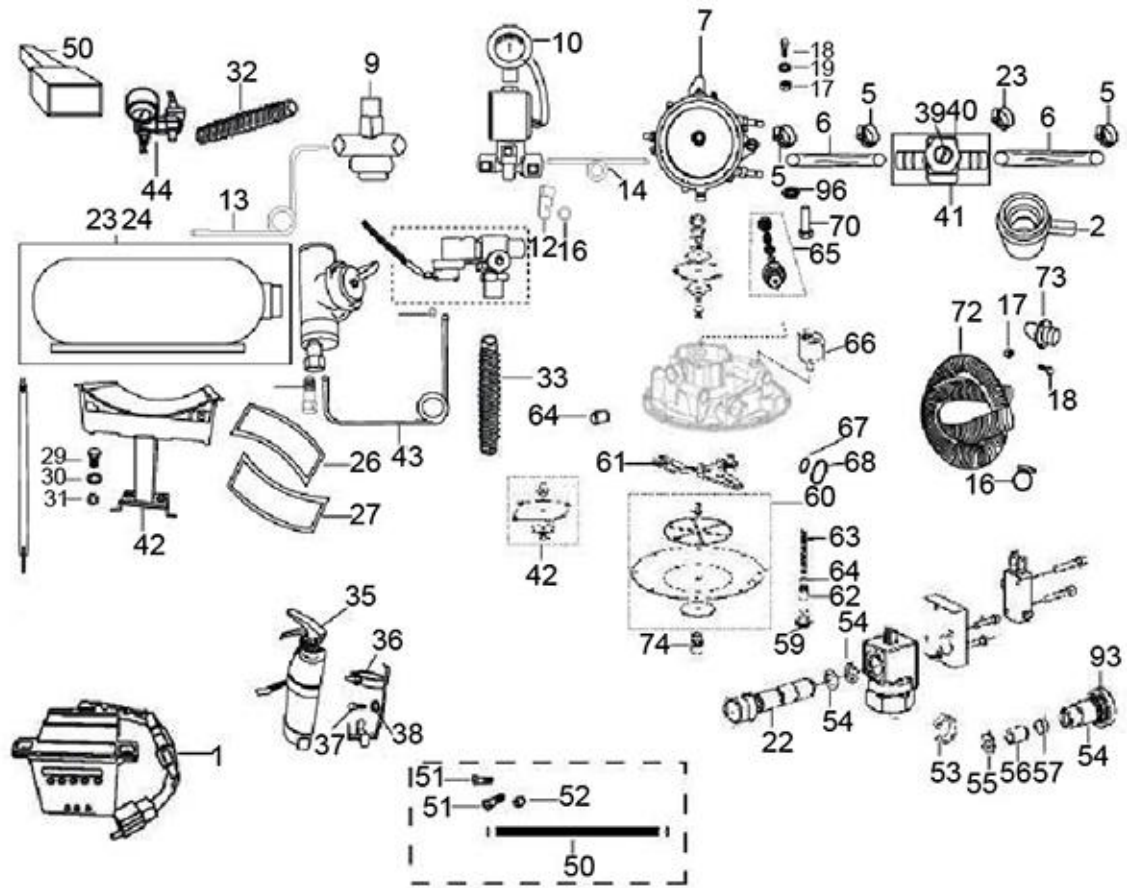
---

**PLATE-36**

**VANAZ KIT - CNG**

---







Print Date: 07-Apr-2022

**PLATE-36****VANAZ KIT - CNG**

<b>Fig. No.</b>	<b>Part No.</b>	<b>Description</b>	<b>Qty</b>	<b>Remarks</b>
72	661912	VENT HOSE(K-0401-19-010)	2	
73	661911	SPIGOT(VANAZ P.NO.K-0401-19-020)	2	
74	B001540	BREATHER ASSLY (VANAZ P/NO(R-8101-11)	1	

106

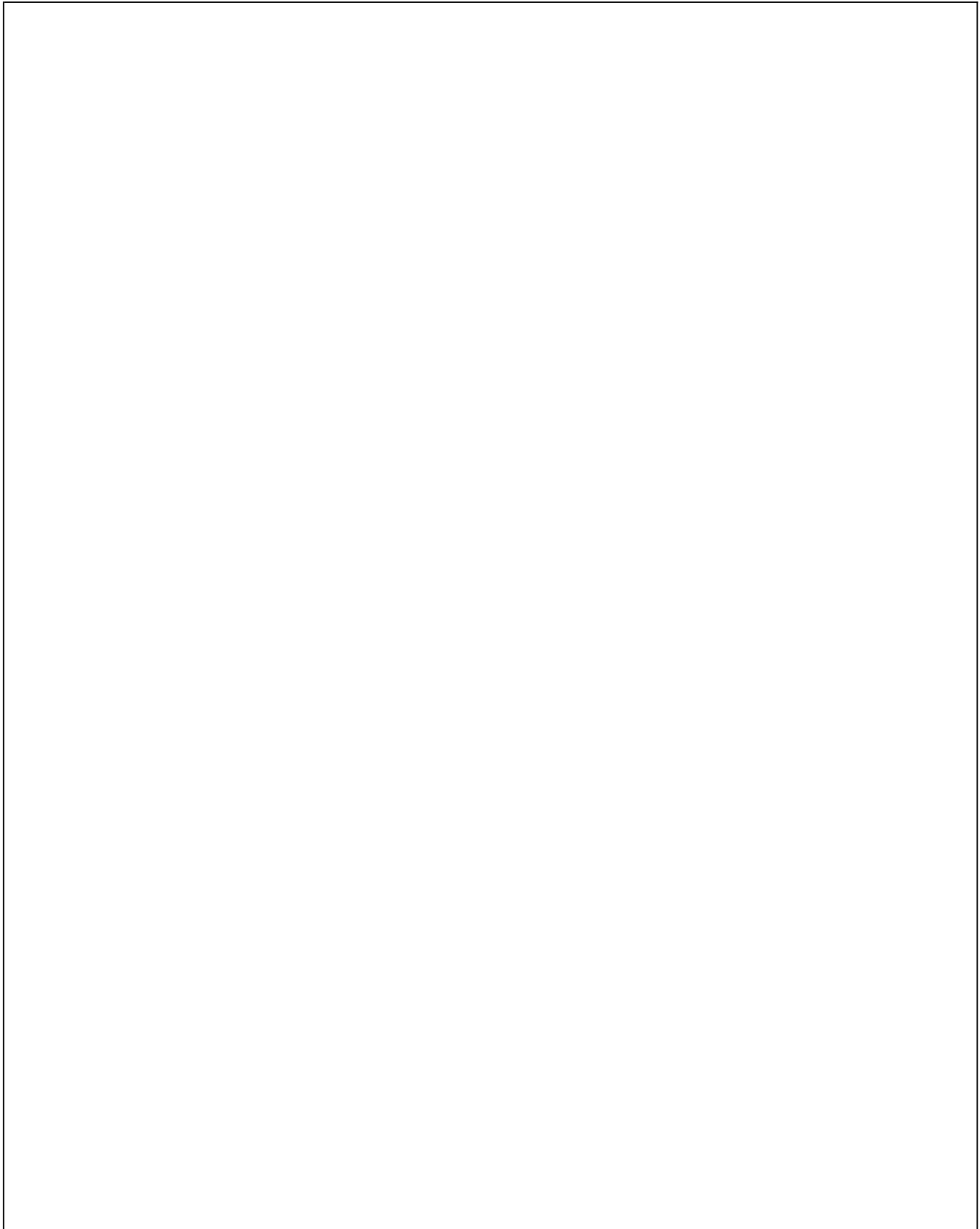
Print Date: 07-Apr-2022

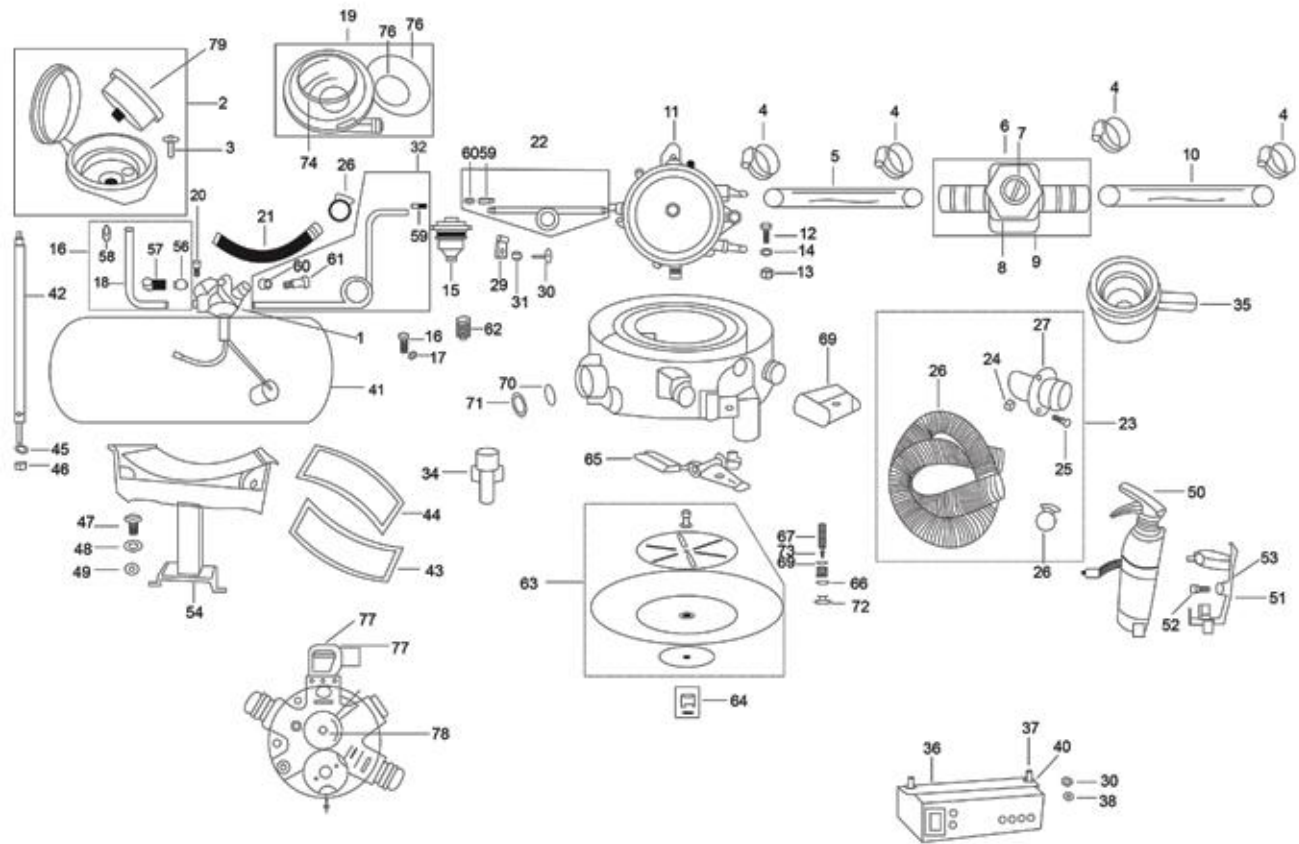
---

**PLATE-37**

**LPG-KIT**

---









Print Date: 07-Apr-2022

**PLATE-37****LPG-KIT**

Fig. No.	Part No.	Description	Qty	Remarks
1	B073083	MULTI FUNCTION VALVE	1	
2	925743	FILLER CONNECTOR WITH CAP	1	
3	-	SCREW FOR FILLER CONNECTOR CAP	2	
4	643869	CLIP(K-0301-13-040)	4	
5	643873	AUTO LPG HOSE-2(VANAZ PT NO K-0415-08)	1	
6	-	FLOW CONTROL UNIT(VANAZ PT NO K-0113-07)	1	
7	925761	FLOWADIUSTING SCREW(K-0122-07-020)	1	
8	661916	LOCK NUT(R-8101-555)	1	
9	661917	FLOW CONTROL BODY	1	
10	643873	AUTO LPG HOSE-2(VANAZ PT NO K-0415-08)	1	
11	920075	2 STAGE LPG REGULATOR	1	
12	-	BOLT FOR PRESS REGU MTG	4	
13	-	NUT FOR PRESS REG MTG(LPG)	4	
14	-	SPRING WASHER - PRESSURE REGU. MTG.	4	
15	925744	LPG FILTER(VANAZ PT NO K-0301-12)	1	
16	-	BOLT FOR LPG FILTER	1	
17	-	WASHER FOR LPG FILTER	1	
18	925740	COPPER TUBE ASSY FOR REFUELLING(VANAZ PT)	1	
19	643883	SEAL BOX	1	
20	643884	ALLEN SCREW	6	
21	643912	COVER PIPE (FROM VALVE TO REAR WALL)	1	
22	643913	COPPER TUBE FROM FILTER TO REGULATOR	1	
23	643878	GAS VENT ASSLY(VANAZ PT NO K-0401-19)	1	
24	661908	HEX NUT (M5) (FERRULE (VANAZ P.NO.R-8101	3	
25	661909	CHEESE HEAD SCREW	3	
26	661910	CLIP	4	
27	661911	SPIGOT(VANAZ P.NO.K-0401-19-020)	1	
28	661912	VENT HOSE(K-0401-19-010)	2	
29	643864	CLIP FOR COPPER TUBE(VANAZ PT NO K-0101-	5	
30	-	SCREW FOR CLIP	4	
31	-	WASHER FOR CLAMP	4	
32	925746	COPPER TUBE ASSLY. ( MFV TO FILTER )	1	
33	661735	COPPER TUBE ASSY- FILTER TO LPR	1	
34	661822	NOZZLE (VANAZ PT.NO.K-0415-210)	1	
35	B009122	MIXER ASSY(VANAZ PT NO K-0435-01)	1	

108

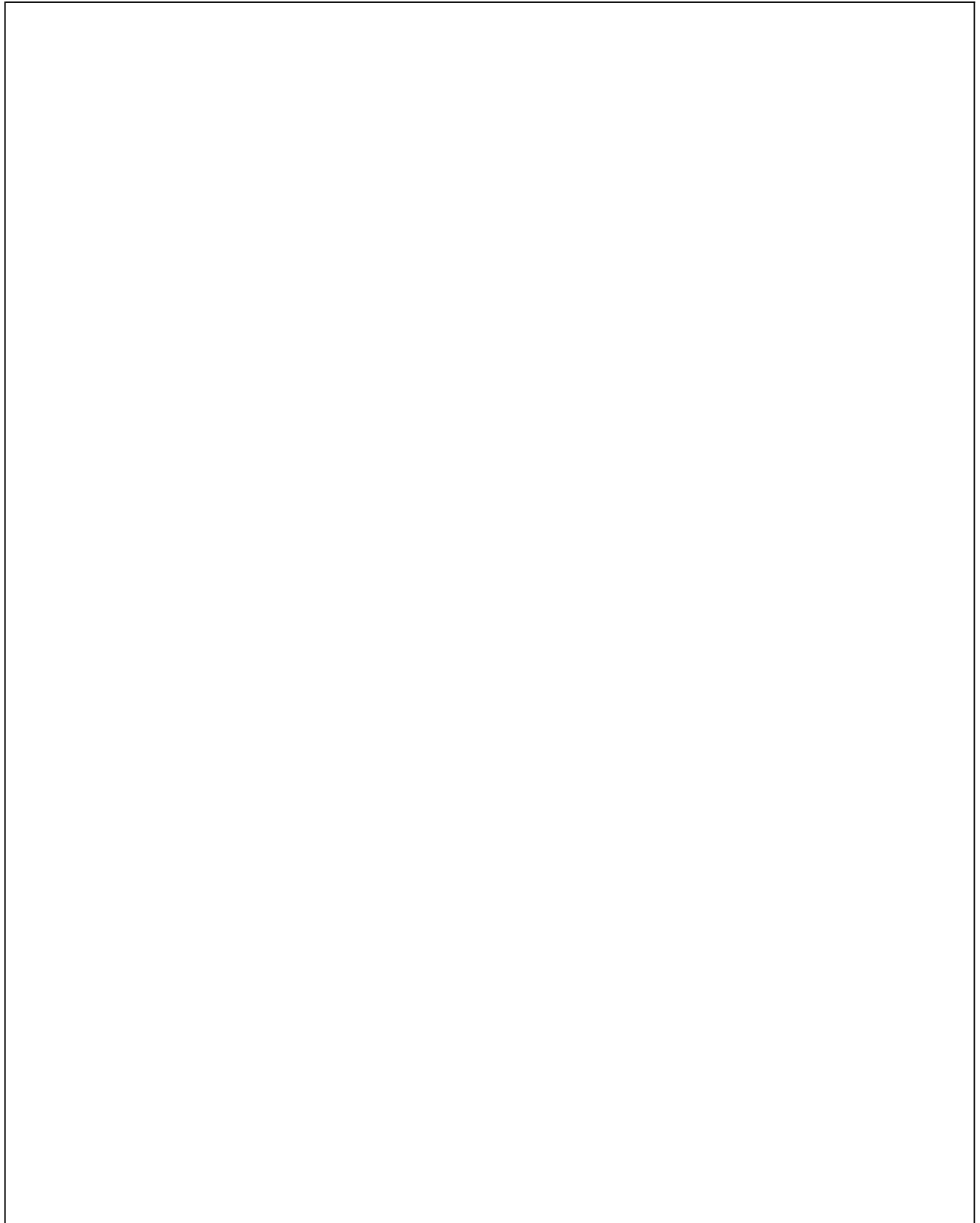
Print Date: 07-Apr-2022

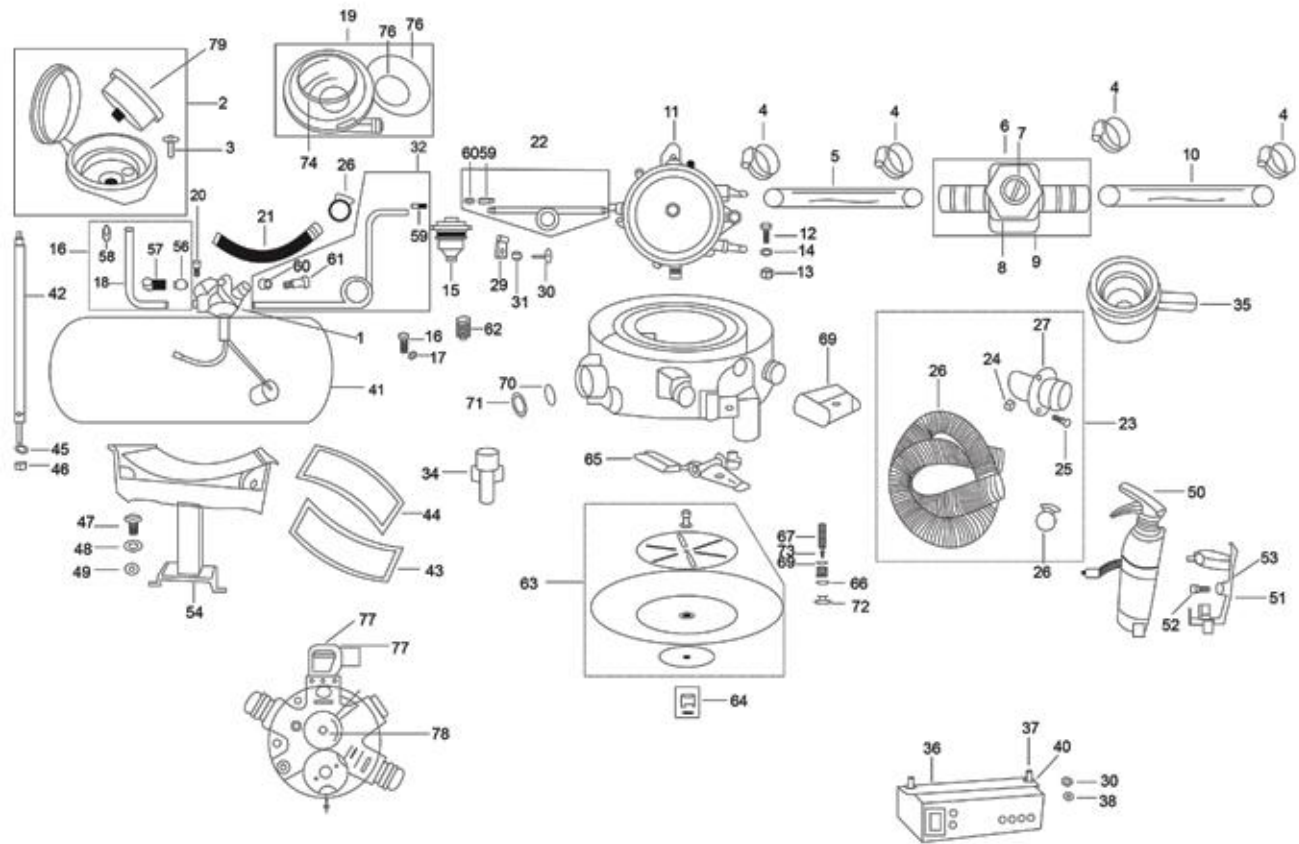
---

**PLATE-37**

**LPG-KIT**

---







Print Date: 07-Apr-2022

**PLATE-37****LPG-KIT**

Fig. No.	Part No.	Description	Qty	Remarks
36	932268	ECU	1	
37	644975	SELF TAPPING SCREW FOR ECU - LPG	2	
38	661985	PLAIN WASHER FOR ECU	2	
39	661986	SPRING WASHER FOR ECU	2	
40	661994	NUT FOR ECU (LPG)	2	
41	632186	LPG CYLINDER	1	
41	B073024	LPG CYLINDER	1	For Zero Degree
42	632183	RUBBER STRAP	2	
43	632185	LOWER STRAPS ASSY.	2	
44	632184	RUBBER STRAP UPPER	2	
45	-	NUT M 10	2	
46	16410	SPRING WASHER	2	
47	-	HEX HEAD SCREW M8 X 18	12	
48	016408	SPRING WASHER	12	
49	3058	PLAIN WASHER 15X8.4X1.5	12	
50	643655R	FIRE EXTINGUISHER	1	
51	643598	EXTINGUISHER BKT ASSLY COMPLETE	1	
52	-	HEX HEAD SCREW M8 X 18 (811082029)	2	
53	016408	SPRING WASHER	2	
54	643927	ASSY CENTRAL BRACKET	2	
55	643877	WIRING HARNESS LPG. (NI)	1	
56	925726	FERRULE	2	
57	925734	COUPLING SCREW	1	
58	925732	UNION NUT	1	
59	925733	UNION NUT	1	
60	661905	FERRULE	2	
61	661913	COUPLING SREW	1	
62	925737	FILTER ELEMENT(K-0301-12-050)	1	
63	925741	DIAPHRAGM SUB. ASSY. (1 ST STAGE)	2	
64	925731	FILTER SUB. ASSY.	1	
65	925768	PAD	1	
66	925779	IDLINGSREW(R-8104-220)	1	
67	925720	SPRING	1	
68	925781	O RING	1	
69	925785	SOLENOID VALVE (S-0102)	1	

110



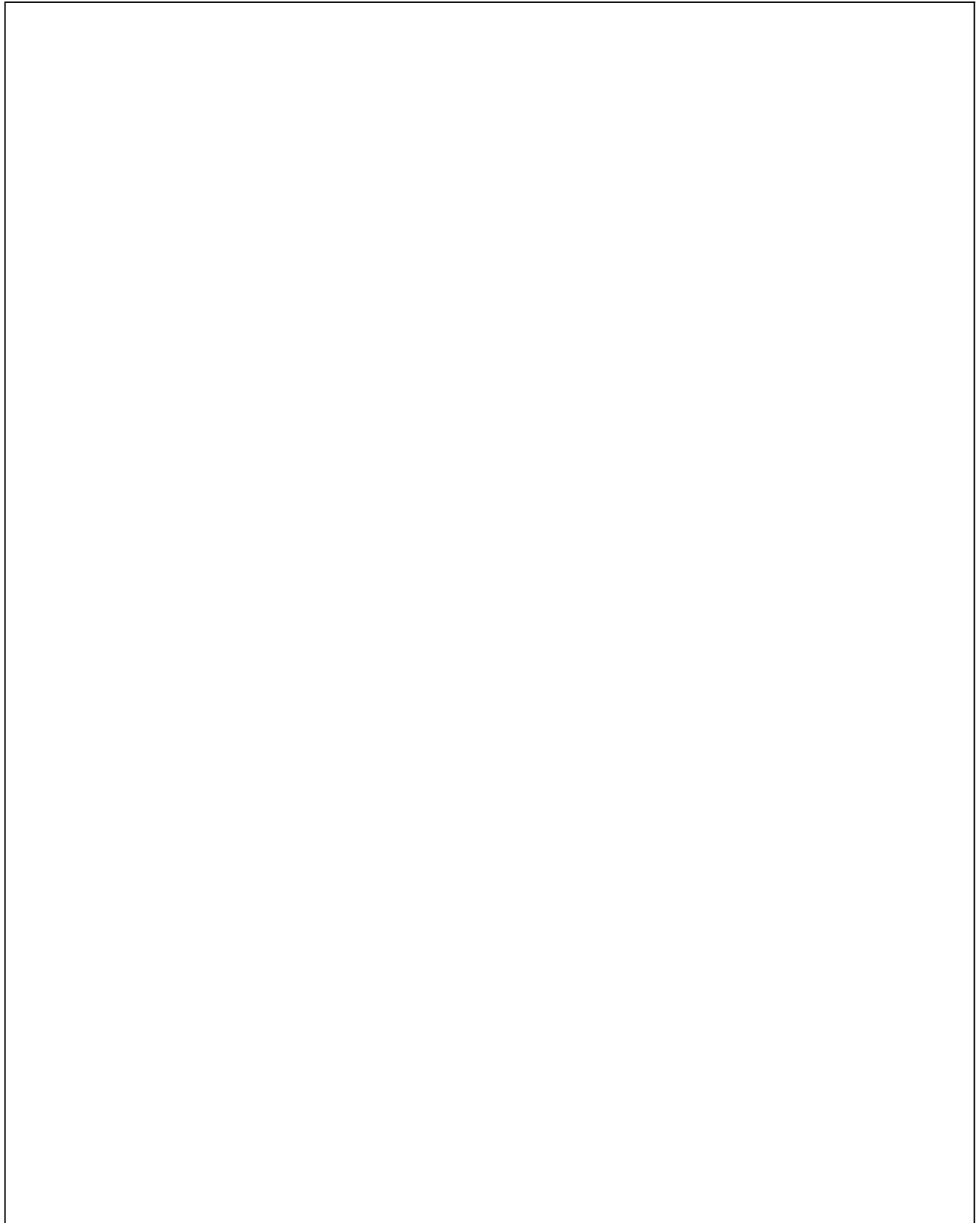
Print Date: 07-Apr-2022

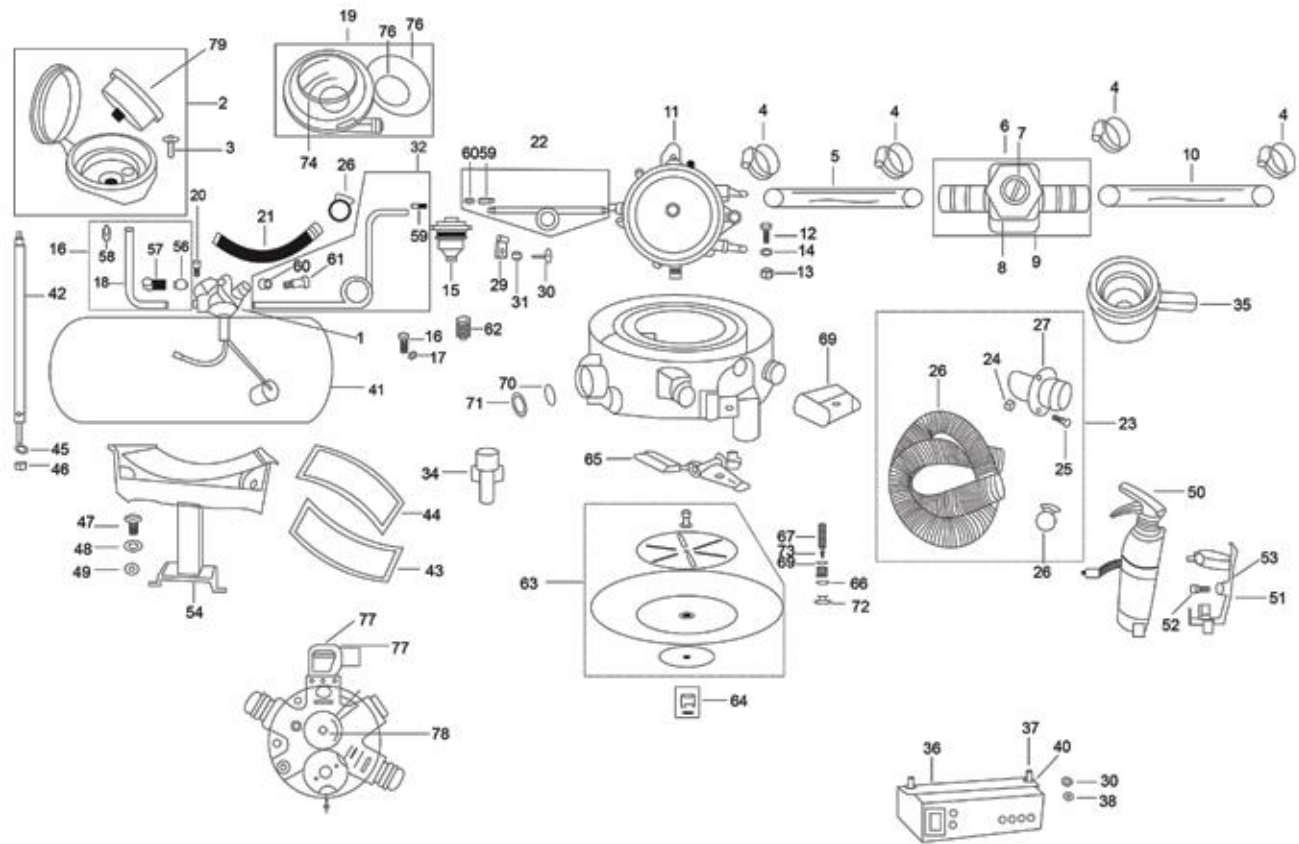
---

**PLATE-37**

**LPG-KIT**

---







Print Date: 07-Apr-2022

**PLATE-37****LPG-KIT**

<b>Fig. No.</b>	<b>Part No.</b>	<b>Description</b>	<b>Qty</b>	<b>Remarks</b>
70	925770	O-RING(R-8101-500)	1	
71	-	O RING	1	
72	-	LOCK NUT	1	
73	925772	SPRING GUIDE(R-81015-620)	1	
74	925738	UPPER CASE	4	
75	925728	O RING (SEAL BOX)	1	
76	925725	O RING (SEAL BOX)	1	
77	925745	SOLENOID VALVE (MFV)	1	
78	925742	CONTENT GAUGE(V-5406-450)	1	
79	925729	FILLER CAP	1	

112

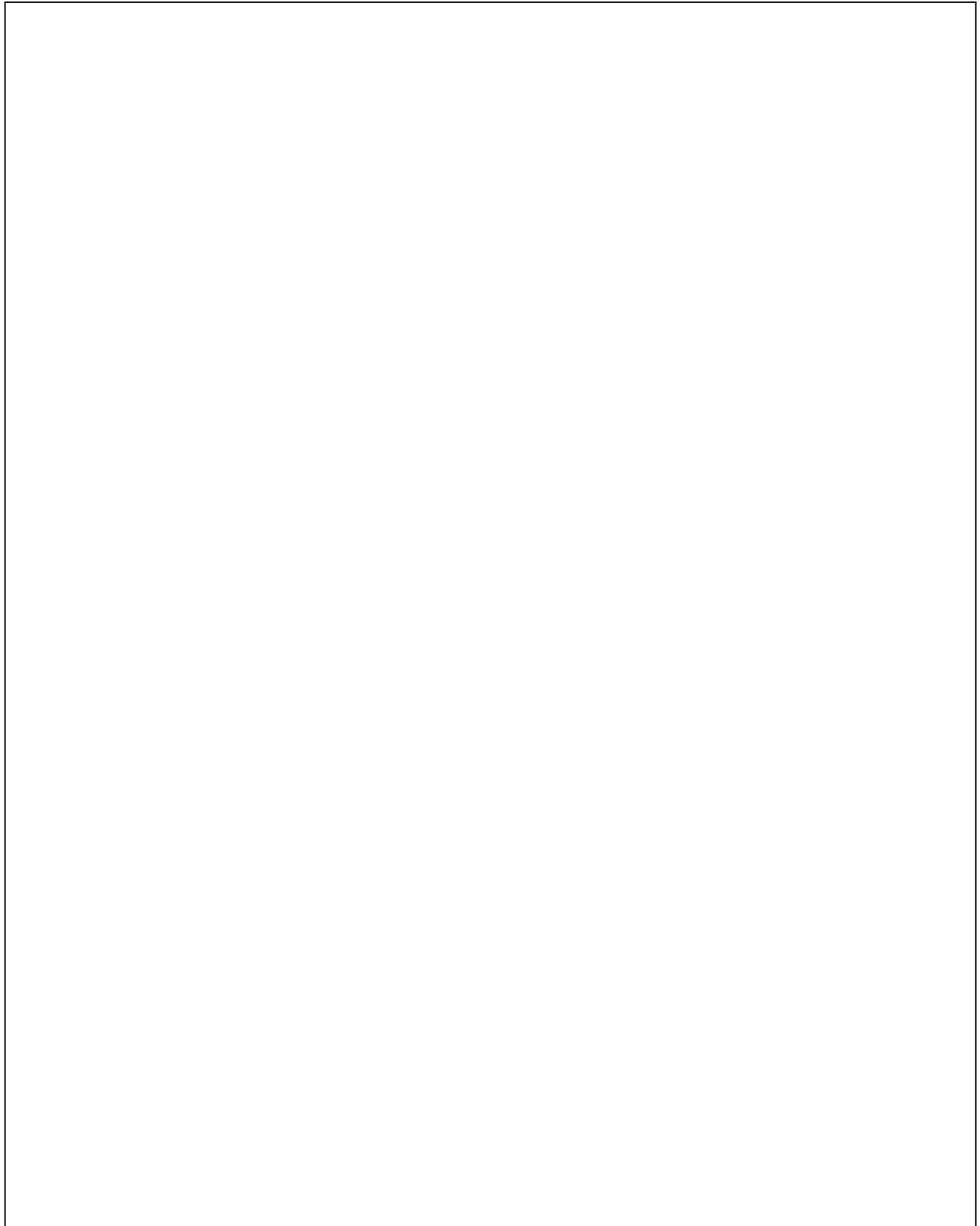
Print Date: 07-Apr-2022

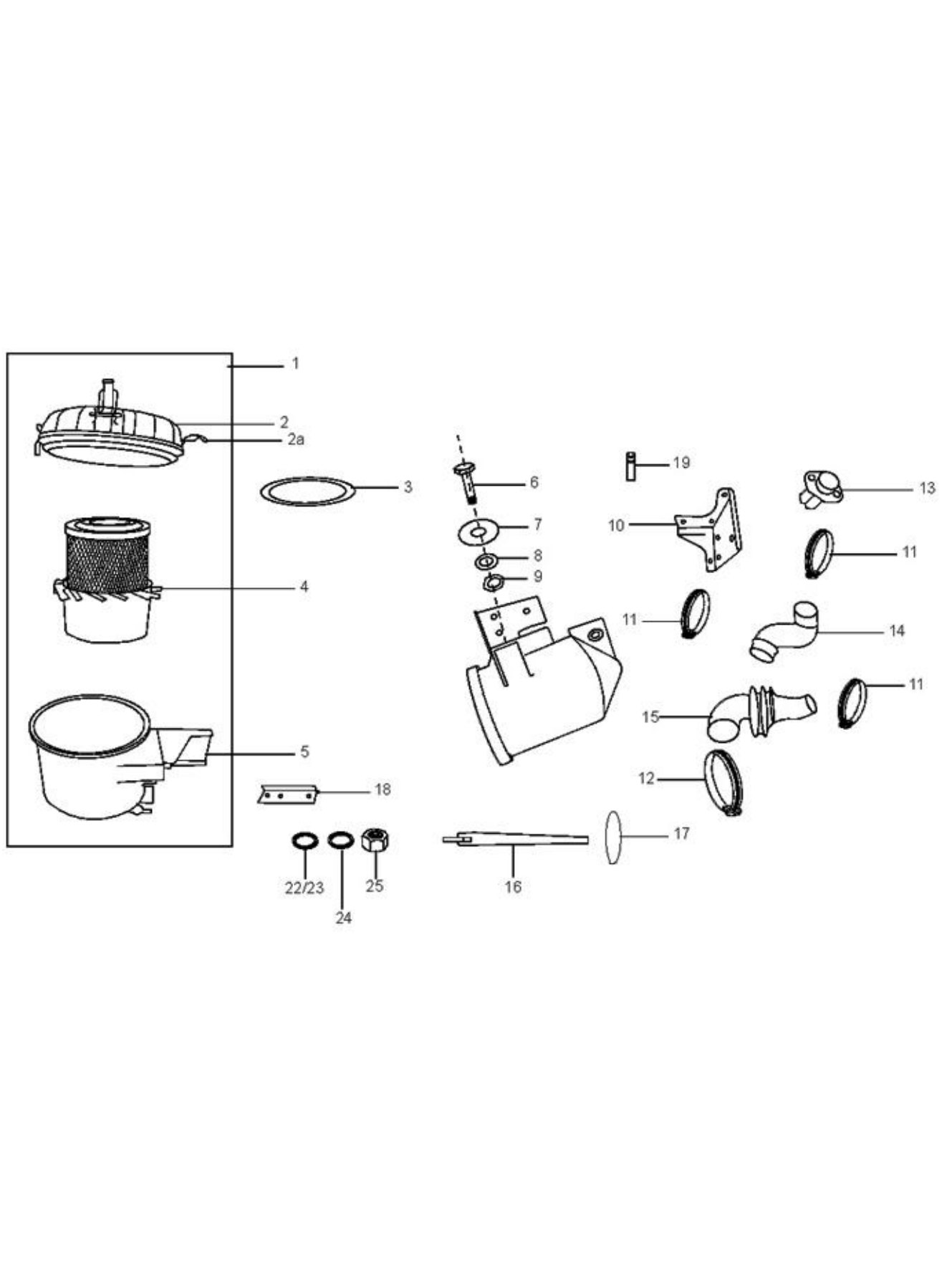
---

**PLATE-11.1**

**AIR FILTER ASSLY. COMPLETE**

---









Print Date: 07-Apr-2022

**PLATE-11.1****AIR FILTER ASSLY. COMPLETE**

Fig. No.	Part No.	Description	Qty	Remarks
1	B077441	AIR FILTER MOUNTING ASSLY. COMPLETE	1	BSIV-CNG
1	B077448	AIR FILTER MOUNTING ASSLY. COMPLETE	1	BSIV-LPG
1	E40018625	AIR FILTER ASSYPLASTIC MODIFIED SEALING	1	BSIV
2	920088	CLAMP	1	C
2A	632427	O RING	1	C
3	632428	FILTER ELEMENT ASSLY ( ENGINETECH AIR FI	1	C
4	920102	ELEMENT FOR AIR CLEANER	1	C
5	031090	HEXAGONAL SCREW	1	C
6	604973	PLAIN WASHER M6	3	C
7	016406	SPRING WASHER	3	C
8	20106	HEX NUT M6	3	C
9	20106	HEX NUT M6	3	C
10	604750	BRACKET FOR ENGINETECH FILTER	1	C
11	604756	HOSE CLIP	3	C
12	611621	PLASTIC FLANGE ENGINETECH (N.I.)	1	C
13	1A007620	RETRACTOR FOR AIR FILTER-SNORKEL PTL	1	BSIV
14	662491	HOSE AIR FILTER TO MIXER	1	
15	662544	HOSE AIR INTAKE TO AIR FILTER	1	
16	B009290	STRAP ASSY.	1	C
16	632413	RUBBER PACKING (N.I.)	1	C
17	632412	BKT. STRAP HOLDING	1	C
18	632426	DUST VALVE (ENGINETECH)	1	C
19	230560	SPACER	1	C
20	569041	KNOB ASSLY (ENGINETECH AIR FILTER)	3	C
21	3056	PLAIN WASHER M6 OD12	1	C
22	013880	PLAIN WASHER	2	C
23	016406	SPRING WASHER	2	C
24	20106	HEX NUT M6	4	C
25	20106	HEX NUT M6	4	C
26	79375	RUBBER BUMPER	3	C

114

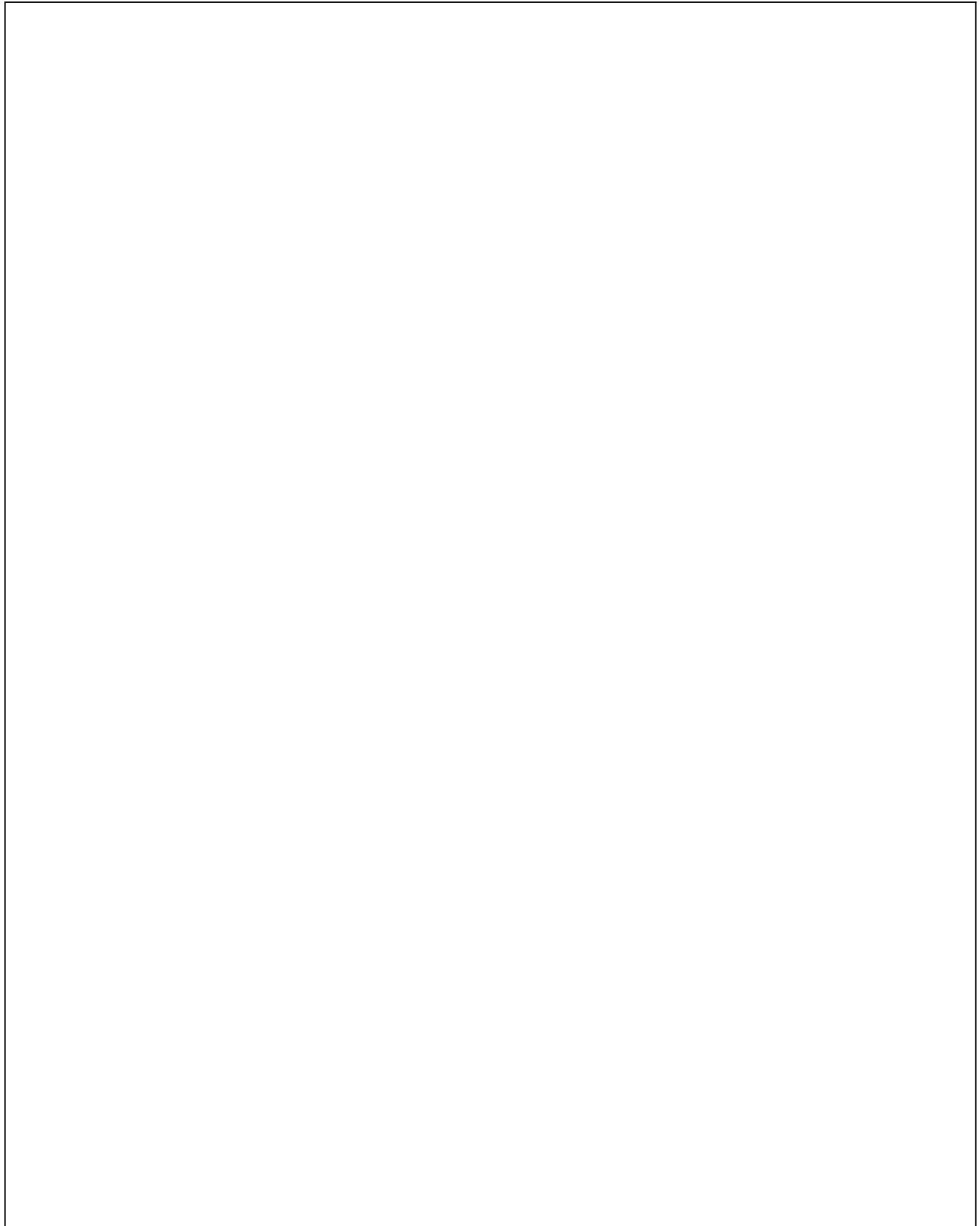
Print Date: 07-Apr-2022

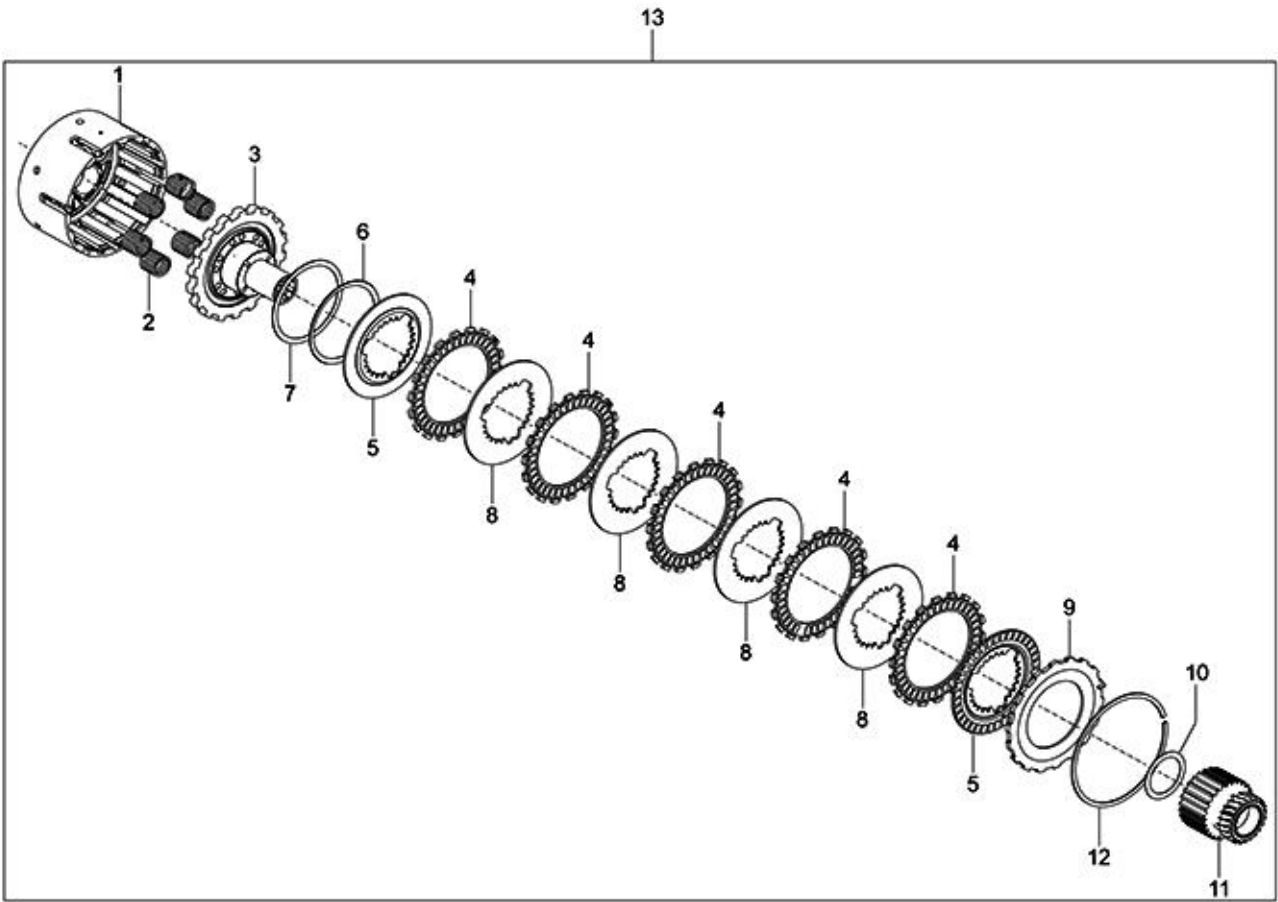
---

**PLATE-24.1**

**ALUMINIUM CLUTCH ASSEMBLY**

---







Print Date: 07-Apr-2022

**PLATE-24.1****ALUMINIUM CLUTCH ASSEMBLY**

Fig. No.	Part No.	Description	Qty	Remarks
1	1A017153	CLUTCH HOUSING	1	
2	1A017147	CLUTCH SPRING	6	
3	1A017154	PLATE HUB	1	
4	1A017155	DRIVER PLATE	5	
5	1A017156	DRIVEN PLATE	2	
6	1A017157	DAMPER SPRING	1	
7	1A017158	DAMPER SPRING RETAINER	1	
8	1A017159	DRIVEN PLATE	4	
9	1A017160	CLUTCH LOCK PLATE	1	
10	1A017161	SHIM WASHER	1	
11	1A017162	ENGINE GEAR WITH BUSH	1	
12	1A017163	RETAINING RING	1	
13	1A015065	COMPLETE CLUTCH ASSY	1	
14	KIT95117R	KIT ALUMINIUM CLUTCH PLATES DSL BS4/BS6	1	Complete Clutch Plate Set (NI)

116

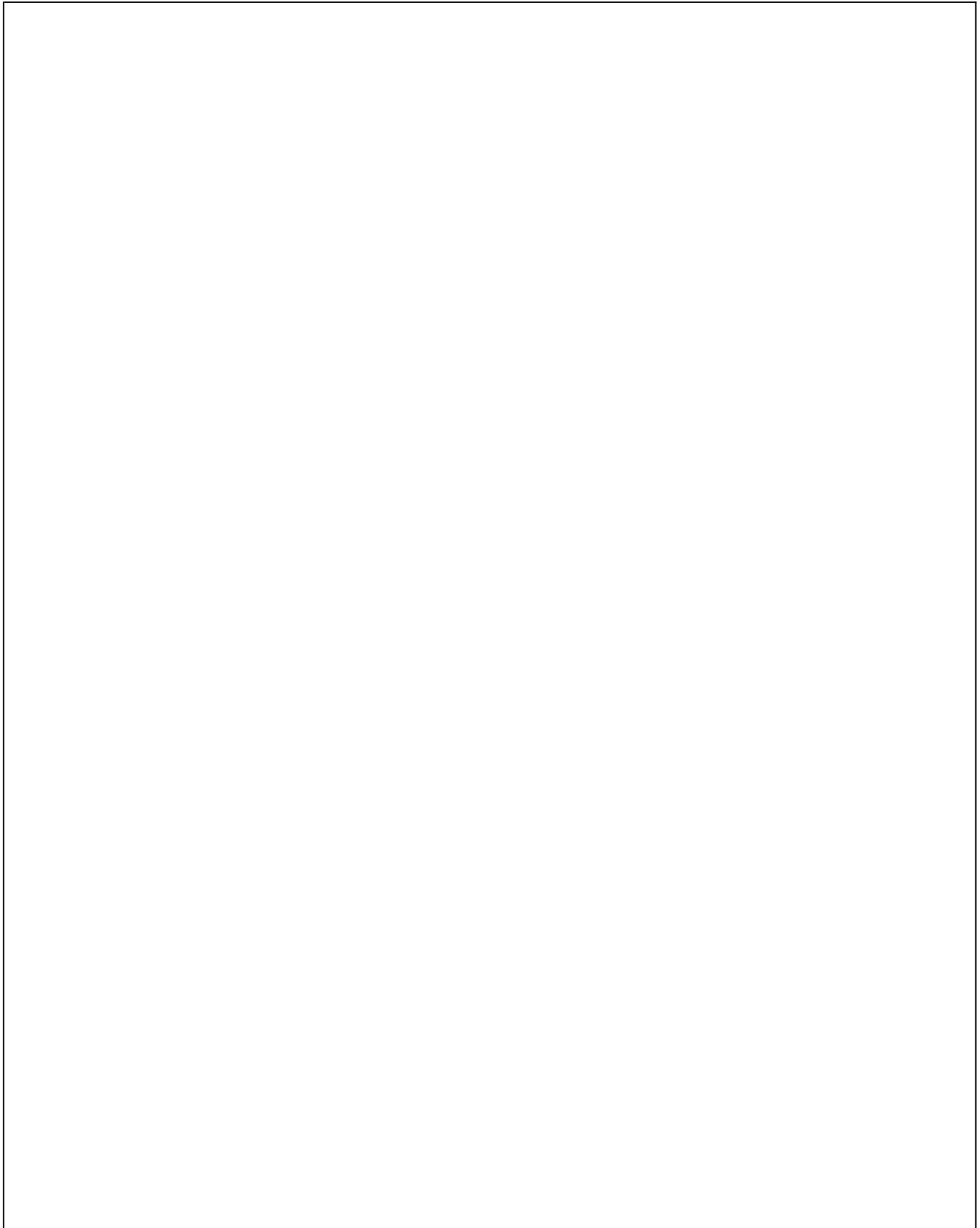
Print Date: 07-Apr-2022

---

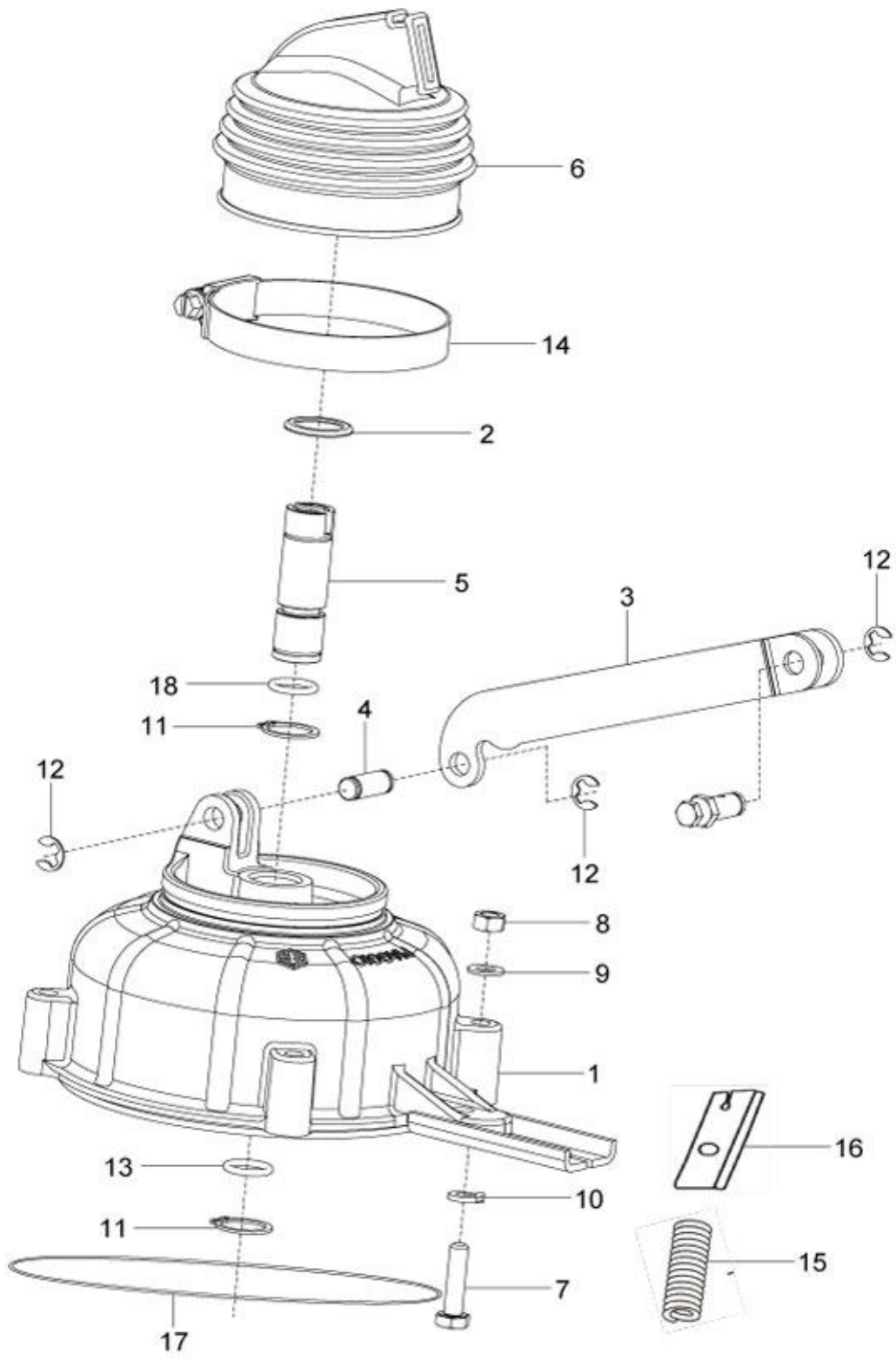
**PLATE-24.2**

**CLUTCH & COVER ASSEMBLY (FOR ALUMINIUM CLUTCH)**

---









Print Date: 07-Apr-2022

**PLATE-24.2****CLUTCH & COVER ASSEMBLY (FOR ALUMINIUM CLUTCH)**

Fig. No.	Part No.	Description	Qty	Remarks
1	1F000830	CLUTCH COVER	1	
2	120164019	RETAINING PLATE	1	
3	127460010	LINK ASSLY - CLUTCH (IMPROVED)	1	
4	127013013	PIN CLUTCH	1	
5	1A014753	PLUNGER SHAFT	1	
6	127012019	BELLOW CLUTCH ACTUATING	1	
7	31092	HEX. HD SCREW M6X25	1	
8	20106	HEX NUT M6	1	
9	3056	PLAIN WASHER M6 OD12	1	
10	016406	SPRING WASHER	1	
11	842001600	CIRCLIP DIA.16(EXT)	1	
12	843000809	CIRCLIP DIA.8(EXT) TYPE C	2	
13	B019220	O- RING (PLUNGER SHAFT)	1	
14	120170018	HOSE CLIP - CLUTCH COVER BELOW	1	
15	127185012	SPRING - CLUTCH COVER	1	
16	127471019	BRACKET CLUTCH CABLE GUIDE	1	
17	825123207	O - RING CLUTCH COVER	1	
18	B019220	O- RING (PLUNGER SHAFT)	1	

118

Print Date: 07-Apr-2022

# **PARTS INDEX**

**ape 501 CNG LPG Pass BS-IV**



119

Print Date: 07-Apr-2022

<b>PART NO</b>	<b>BLOCK</b>	<b>PART NO</b>	<b>BLOCK</b>	<b>PART NO</b>	<b>BLOCK</b>
-	PLATE-19	016408	PLATE-36	112898	PLATE-18
003054	PLATE-31	016408	PLATE-37	113278	PLATE-18
003054	PLATE-32	016408	PLATE-37	114121	PLATE-30
003054	PLATE-18	016408	PLATE-15	116088	PLATE-34
003054	PLATE-22	016408	PLATE-18	116088	PLATE-35
003054	PLATE-23	016408	PLATE-18	116103	PLATE-23
003054	PLATE-24	016408	PLATE-20	117401	PLATE-18
003054	PLATE-30	016408	PLATE-20	117402	PLATE-18
003054	PLATE-30	016408	PLATE-20	117402	PLATE-18
003054	PLATE-31	016408	PLATE-21	117404	PLATE-18
013880	PLATE-32	016408	PLATE-21	118447	PLATE-21
013880	PLATE-11.1	016408	PLATE-24	118806	PLATE-28
013880	PLATE-21	016408	PLATE-29	119181	PLATE-28
013880	PLATE-23	016408	PLATE-29	119278	PLATE-18
013880	PLATE-23	016408	PLATE-29	119278	PLATE-28
016404	PLATE-32	016408	PLATE-31	119278	PLATE-29
016404	PLATE-36	031090	PLATE-32	119735	PLATE-30
016404	PLATE-18	031090	PLATE-11.1	119928	PLATE-28
016404	PLATE-30	105392	PLATE-21	119975	PLATE-30
016406	PLATE-31	107718	PLATE-27	120164019	PLATE-24.2
016406	PLATE-32	107732	PLATE-27	120164019	PLATE-19
016406	PLATE-33	107827	PLATE-26	120170018	PLATE-24.2
016406	PLATE-33	107870	PLATE-26	120170018	PLATE-19
016406	PLATE-11.1	107870	PLATE-27	120203011	PLATE-18
016406	PLATE-11.1	107871	PLATE-27	120204015R	PLATE-16
016406	PLATE-24.2	108215	PLATE-27	120205019	PLATE-16
016406	PLATE-17	108785	PLATE-29	120212012	PLATE-15
016406	PLATE-18	108873	PLATE-27	120238016	PLATE-19
016406	PLATE-18	108874	PLATE-27	120271018	PLATE-15
016406	PLATE-18	109012	PLATE-21	120321019	PLATE-18
016406	PLATE-19	109064	PLATE-27	12136	PLATE-31
016406	PLATE-21	109066	PLATE-27	12136	PLATE-15
016406	PLATE-23	109117	PLATE-27	12138	PLATE-32
016406	PLATE-28	109227	PLATE-28	12138	PLATE-28
016406	PLATE-31	109265	PLATE-27	122032014	PLATE-16
016408	PLATE-31	109404	PLATE-28	122032014	PLATE-17
016408	PLATE-32	109635	PLATE-28	124102019	PLATE-18
016408	PLATE-32	109775	PLATE-28	124112014	PLATE-18
016408	PLATE-32	109892	PLATE-26	124113018	PLATE-18
016408	PLATE-32	111353	PLATE-18	124121015	PLATE-18
016408	PLATE-32	111356	PLATE-18	124141015R	PLATE-18
016408	PLATE-32	111498	PLATE-18	125012015	PLATE-18
016408	PLATE-36	112867R	PLATE-18	125181	PLATE-28

--	--	--

120



Print Date: 07-Apr-2022

<b>PART NO</b>	<b>BLOCK</b>	<b>PART NO</b>	<b>BLOCK</b>	<b>PART NO</b>	<b>BLOCK</b>
125289	PLATE-27	127471019	PLATE-19	142424	PLATE-24
12536	PLATE-31	127501010	PLATE-18	142425	PLATE-24
12536	PLATE-34	127530011	PLATE-19	14628	PLATE-32
12536	PLATE-35	127555016	PLATE-18	14628	PLATE-32
12540	PLATE-24	127571015R	PLATE-18	14628	PLATE-24
12540	PLATE-24	12761	PLATE-29	150041R	PLATE-30
125411	PLATE-29	127640012	PLATE-17	150579	PLATE-27
12546	PLATE-31	127641016	PLATE-17	150915R	PLATE-31
125998	PLATE-21	127692015	PLATE-19	151924	PLATE-25
126003011	PLATE-17	127693019	PLATE-19	152580	PLATE-26
126004015	PLATE-17	127754019	PLATE-19	152580	PLATE-27
126021013	PLATE-17	127757011	PLATE-19	15335	PLATE-15
126022017	PLATE-17	127758015	PLATE-19	15335	PLATE-18
126052012	PLATE-17	12790	PLATE-26	15335	PLATE-20
126053016	PLATE-17	127911019	PLATE-15	15478	PLATE-20
126054010	PLATE-17	127912013	PLATE-15	15478	PLATE-28
126060019	PLATE-17	127927R	PLATE-27	15594	PLATE-26
126902	PLATE-28	128009	PLATE-21	15640	PLATE-31
127012019	PLATE-24.2	128010	PLATE-21	15641	PLATE-30
127012019	PLATE-19	128081017	PLATE-17	157103	PLATE-26
127013013	PLATE-24.2	128306015	PLATE-18	157103	PLATE-27
127013013	PLATE-19	128307019	PLATE-18	15727	PLATE-31
127016015	PLATE-18	128307019	PLATE-19	15727	PLATE-23
127102010	PLATE-15	128633	PLATE-26	15727	PLATE-30
127103014	PLATE-18	129011019	PLATE-19	157716	PLATE-23
127111011	PLATE-18	129012013	PLATE-19	15900	PLATE-32
127121016	PLATE-18	132129	PLATE-18	15900	PLATE-30
127141016	PLATE-18	132134	PLATE-18	15900	PLATE-30
127171310	PLATE-15	132244	PLATE-18	15900	PLATE-30
127179	PLATE-30	136426	PLATE-26	15911	PLATE-32
127185012	PLATE-24.2	136434	PLATE-27	15911	PLATE-32
127185012	PLATE-19	136451R	PLATE-26	15911	PLATE-20
127203010R	PLATE-16	136916	PLATE-20	15911	PLATE-22
127302517R	PLATE-16	137026	PLATE-26	15911	PLATE-24
127303016R	PLATE-16	137026	PLATE-26	15911	PLATE-24
127306513R	PLATE-16	137235	PLATE-27	15911	PLATE-31
127309515R	PLATE-16	13812	PLATE-29	15996	PLATE-31
127404016R	PLATE-18	138237	PLATE-29	15996	PLATE-32
127451019R	PLATE-16	13861	PLATE-21	15996	PLATE-36
127451	PLATE-28	13861	PLATE-24	16319	PLATE-28
127460010	PLATE-24.2	14034	PLATE-24	16405	PLATE-31
127460010	PLATE-19	140728	PLATE-29	16405	PLATE-20
127471019	PLATE-24.2	141925	PLATE-28	16405	PLATE-21

--	--	--

121

Print Date: 07-Apr-2022

<b>PART NO</b>	<b>BLOCK</b>	<b>PART NO</b>	<b>BLOCK</b>	<b>PART NO</b>	<b>BLOCK</b>
16405	PLATE-21	178824	PLATE-35	1A017158	PLATE-24.1
16405	PLATE-21	179056	PLATE-34	1A017159	PLATE-24.1
16405	PLATE-24	179056	PLATE-35	1A017160	PLATE-24.1
16405	PLATE-24	179057	PLATE-35	1A017161	PLATE-24.1
16410	PLATE-36	180431	PLATE-27	1A017162	PLATE-24.1
16410	PLATE-37	181746	PLATE-31	1A017163	PLATE-24.1
16410	PLATE-18	181747	PLATE-31	1F000754	PLATE-19
16410	PLATE-20	18630	PLATE-23	1F000755	PLATE-19
16410	PLATE-20	190255	PLATE-21	1F000830	PLATE-24.2
16410	PLATE-26	190393	PLATE-24	1F000832	PLATE-19
16410	PLATE-26	190462	PLATE-24	20104	PLATE-32
16410	PLATE-27	190462	PLATE-24	20104	PLATE-36
16410	PLATE-28	190465	PLATE-24	20104	PLATE-18
164906	PLATE-28	190479	PLATE-24	20104	PLATE-24
165121014	PLATE-18	192020017	PLATE-25	20104	PLATE-30
165121014	PLATE-18	196302	PLATE-26	20105	PLATE-31
16603	PLATE-21	197071	PLATE-28	20105	PLATE-31
16603	PLATE-24	1A000236	PLATE-18	20105	PLATE-18
16620	PLATE-28	1A000612	PLATE-18	20105	PLATE-20
16626	PLATE-28	1A000817	PLATE-18	20105	PLATE-21
16670	PLATE-32	1A000826	PLATE-18	20105	PLATE-24
16670	PLATE-32	1A001455	PLATE-19	20105	PLATE-28
16670	PLATE-36	1A001457	PLATE-19	20105	PLATE-29
16670	PLATE-22	1A004807	PLATE-18	20105	PLATE-31
17702	PLATE-18	1A004807	PLATE-18	20105	PLATE-31
178610	PLATE-20	1A005176	PLATE-18	20106	PLATE-31
178804	PLATE-34	1A007620	PLATE-11.1	20106	PLATE-32
178804	PLATE-35	1A009926	PLATE-18	20106	PLATE-32
178805	PLATE-34	1A010094	PLATE-15	20106	PLATE-11.1
178805	PLATE-35	1A010139	PLATE-18	20106	PLATE-11.1
178806	PLATE-34	1A011547R	PLATE-19	20106	PLATE-11.1
178806	PLATE-35	1A011778	PLATE-18	20106	PLATE-11.1
178807	PLATE-34	1A011810	PLATE-18	20106	PLATE-24.2
178807	PLATE-35	1A014592	PLATE-18	20106	PLATE-19
178808	PLATE-34	1A014753	PLATE-24.2	20106	PLATE-19
178808	PLATE-35	1A015065	PLATE-24.1	20106	PLATE-23
178818	PLATE-35	1A016604	PLATE-15	20106	PLATE-23
178819	PLATE-35	1A017147	PLATE-24.1	20106	PLATE-28
178820	PLATE-35	1A017153	PLATE-24.1	20106	PLATE-31
178821	PLATE-35	1A017154	PLATE-24.1	20108	PLATE-31
178823	PLATE-34	1A017155	PLATE-24.1	20108	PLATE-32
178823	PLATE-35	1A017156	PLATE-24.1	20108	PLATE-32
178824	PLATE-34	1A017157	PLATE-24.1	20108	PLATE-32

--	--	--

122

Print Date: 07-Apr-2022

<b>PART NO</b>	<b>BLOCK</b>	<b>PART NO</b>	<b>BLOCK</b>	<b>PART NO</b>	<b>BLOCK</b>
20108	PLATE-32	272178	PLATE-20	3058	PLATE-37
20108	PLATE-18	286328	PLATE-20	3058	PLATE-20
20108	PLATE-18	286328	PLATE-20	3058	PLATE-21
20108	PLATE-20	286328	PLATE-20	3058	PLATE-23
20108	PLATE-20	286328	PLATE-26	3058	PLATE-29
20108	PLATE-20	286406	PLATE-19	3058	PLATE-31
20108	PLATE-21	288730	PLATE-18	3068	PLATE-26
20108	PLATE-23	30072	PLATE-21	31054	PLATE-21
20108	PLATE-24	30072	PLATE-24	31056	PLATE-31
20108	PLATE-24	30072	PLATE-24	31057	PLATE-31
20108	PLATE-29	30074	PLATE-32	31058	PLATE-31
20108	PLATE-29	30074	PLATE-32	31058	PLATE-24
20110	PLATE-20	30077	PLATE-28	31088	PLATE-32
20110	PLATE-20	30103	PLATE-28	31088	PLATE-33
20110	PLATE-26	30209R	PLATE-16	31088	PLATE-33
20110	PLATE-27	30209R	PLATE-27	31088	PLATE-18
20110	PLATE-28	3055	PLATE-31	31088	PLATE-18
20359	PLATE-26	3055	PLATE-31	31088	PLATE-21
21216	PLATE-27	3055	PLATE-20	31088	PLATE-23
219528	PLATE-30	3055	PLATE-20	31088	PLATE-30
220575	PLATE-18	3055	PLATE-24	31088	PLATE-31
226596	PLATE-26	3055	PLATE-24	31089	PLATE-32
226661	PLATE-26	3055	PLATE-30	31089	PLATE-23
226662	PLATE-26	3055	PLATE-31	31089	PLATE-28
229524	PLATE-29	3056	PLATE-31	31092	PLATE-32
230560	PLATE-11.1	3056	PLATE-32	31092	PLATE-24.2
231370	PLATE-18	3056	PLATE-32	31092	PLATE-18
231370	PLATE-20	3056	PLATE-33	31092	PLATE-19
231370	PLATE-20	3056	PLATE-33	31092	PLATE-23
231370	PLATE-26	3056	PLATE-11.1	31116	PLATE-32
231370	PLATE-26	3056	PLATE-24.2	31116	PLATE-32
231370	PLATE-26	3056	PLATE-17	31116	PLATE-33
237246	PLATE-26	3056	PLATE-18	31116	PLATE-36
2383	PLATE-20	3056	PLATE-18	31116	PLATE-20
243303R	PLATE-26	3056	PLATE-19	31116	PLATE-31
2438	PLATE-28	3056	PLATE-30	31118	PLATE-32
245038	PLATE-34	3056	PLATE-31	31118	PLATE-20
245038	PLATE-35	3057	PLATE-32	31118	PLATE-29
265091	PLATE-20	3058	PLATE-32	31119	PLATE-32
267065	PLATE-20	3058	PLATE-32	31119	PLATE-20
267065	PLATE-26	3058	PLATE-32	31119	PLATE-21
267068	PLATE-26	3058	PLATE-33	31122	PLATE-29
272178	PLATE-20	3058	PLATE-36	31159	PLATE-20

--	--	--

123

Print Date: 07-Apr-2022

<b>PART NO</b>	<b>BLOCK</b>	<b>PART NO</b>	<b>BLOCK</b>	<b>PART NO</b>	<b>BLOCK</b>
31159	PLATE-26	568131	PLATE-23	587829	PLATE-27
414948	PLATE-24	568135	PLATE-32	587849	PLATE-21
48197	PLATE-27	568135	PLATE-24	587902	PLATE-28
520221019R	PLATE-15	568140	PLATE-20	587904	PLATE-28
523011013R	PLATE-16	568154	PLATE-21	587907	PLATE-32
523012017	PLATE-16	568161	PLATE-29	587919	PLATE-28
523014015	PLATE-16	568260	PLATE-20	587928	PLATE-29
523021018	PLATE-16	568275	PLATE-32	587948	PLATE-32
566545	PLATE-27	568289	PLATE-26	587961	PLATE-24
567454	PLATE-25	568325	PLATE-32	587962	PLATE-32
567455	PLATE-25	568671	PLATE-22	587962	PLATE-24
567456	PLATE-25	568682	PLATE-21	587963	PLATE-21
567457	PLATE-25	568689	PLATE-20	587971	PLATE-25
567458	PLATE-25	568702	PLATE-23	587974R	PLATE-22
567459	PLATE-25	568703	PLATE-23	587974R	PLATE-30
567461	PLATE-29	568714	PLATE-31	5969	PLATE-29
567473	PLATE-27	568737	PLATE-29	6018	PLATE-25
567484	PLATE-33	568741	PLATE-24	602120	PLATE-35
567498R	PLATE-31	568750	PLATE-31	602120	PLATE-26
567534	PLATE-32	569041	PLATE-11.1	602123	PLATE-35
567535	PLATE-32	569150	PLATE-27	602123	PLATE-26
567562	PLATE-21	569165	PLATE-31	602497	PLATE-34
567593	PLATE-30	569166	PLATE-31	602497	PLATE-35
567690	PLATE-29	569197	PLATE-31	604502	PLATE-29
567700	PLATE-31	569244	PLATE-20	604506	PLATE-31
567706	PLATE-31	569246R	PLATE-27	604506	PLATE-31
567719	PLATE-29	569255	PLATE-27	604508	PLATE-28
567732	PLATE-32	569377	PLATE-20	604535	PLATE-26
567741	PLATE-15	587616	PLATE-34	604557	PLATE-31
567741	PLATE-19	587617	PLATE-26	604560	PLATE-17
567746G1	PLATE-29	587628	PLATE-28	604560	PLATE-18
567878R	PLATE-21	587633	PLATE-29	604603	PLATE-24
567893	PLATE-22	587650R	PLATE-31	604606	PLATE-20
567898	PLATE-29	587670R	PLATE-22	604606	PLATE-21
567899	PLATE-29	587670R	PLATE-30	604691	PLATE-23
567920	PLATE-29	587685	PLATE-18	604707	PLATE-25
567990	PLATE-27	587687	PLATE-18	604715	PLATE-28
567991	PLATE-27	587702	PLATE-29	604717	PLATE-29
567992	PLATE-27	587763	PLATE-21	604750	PLATE-11.1
567993	PLATE-27	587803	PLATE-28	604756	PLATE-11.1
568095	PLATE-27	587806	PLATE-28	604758	PLATE-27
568107	PLATE-32	587812	PLATE-28	604758	PLATE-27
568131	PLATE-21	587822	PLATE-29	604759	PLATE-27

--	--	--

124



Print Date: 07-Apr-2022

<b>PART NO</b>	<b>BLOCK</b>	<b>PART NO</b>	<b>BLOCK</b>	<b>PART NO</b>	<b>BLOCK</b>
604760	PLATE-29	632428	PLATE-11.1	643877	PLATE-37
604779	PLATE-28	632477R	PLATE-30	643878	PLATE-37
604826	PLATE-21	632478R	PLATE-30	643883	PLATE-37
604856	PLATE-36	632508	PLATE-23	643884	PLATE-37
604877	PLATE-29	632995	PLATE-31	643906	PLATE-36
604880	PLATE-29	632995	PLATE-31	643908	PLATE-36
604948	PLATE-20	63440	PLATE-34	643912	PLATE-37
604954	PLATE-23	63440	PLATE-35	643913	PLATE-37
604973	PLATE-11.1	6411	PLATE-29	643927	PLATE-37
604984	PLATE-22	6414	PLATE-29	643998	PLATE-36
605389	PLATE-22	643502	PLATE-30	644812	PLATE-20
60565	PLATE-28	643598	PLATE-36	644812	PLATE-29
6066	PLATE-26	643598	PLATE-37	644813	PLATE-20
6066	PLATE-27	643616	PLATE-31	644813	PLATE-29
6078	PLATE-31	643655R	PLATE-36	644814R	PLATE-20
6078	PLATE-31	643655R	PLATE-37	644814R	PLATE-27
6078	PLATE-20	643661	PLATE-32	644838R	PLATE-33
6078	PLATE-20	643670	PLATE-32	644839R	PLATE-20
6078	PLATE-24	643684R	PLATE-24	644973R	PLATE-25
611621	PLATE-11.1	643685R	PLATE-24	644975	PLATE-37
6125	PLATE-28	643691	PLATE-22	644979	PLATE-24
616541	PLATE-34	643692	PLATE-20	645041	PLATE-31
616541	PLATE-27	643704R	PLATE-31	6450	PLATE-18
616649	PLATE-23	643705R	PLATE-31	645124	PLATE-28
616695	PLATE-28	643708	PLATE-36	645141	PLATE-24
6173	PLATE-29	643711R	PLATE-20	645153R	PLATE-30
6173	PLATE-29	643741	PLATE-26	652124	PLATE-19
632137	PLATE-28	643752	PLATE-32	652520	PLATE-26
632148	PLATE-35	643772R	PLATE-27	652520	PLATE-27
632148	PLATE-35	643839	PLATE-36	652521	PLATE-27
632158	PLATE-28	643843	PLATE-36	659842	PLATE-15
632183	PLATE-37	643844	PLATE-36	659857	PLATE-36
632184	PLATE-37	643846	PLATE-36	659870	PLATE-36
632185	PLATE-37	643847	PLATE-36	660109	PLATE-31
632186	PLATE-37	643848	PLATE-36	660141	PLATE-28
632247	PLATE-20	643859	PLATE-36	660153	PLATE-27
632285	PLATE-31	643864	PLATE-36	660168	PLATE-22
632292	PLATE-31	643864	PLATE-37	660179	PLATE-36
632299	PLATE-20	643869	PLATE-36	660207ED	PLATE-32
632412	PLATE-11.1	643869	PLATE-37	660351	PLATE-28
632413	PLATE-11.1	643873	PLATE-37	660498SP	PLATE-27
632426	PLATE-11.1	643873	PLATE-37	660499SP	PLATE-27
632427	PLATE-11.1	643877	PLATE-36	660826R	PLATE-22

--	--	--

125

Print Date: 07-Apr-2022

<b>PART NO</b>	<b>BLOCK</b>	<b>PART NO</b>	<b>BLOCK</b>	<b>PART NO</b>	<b>BLOCK</b>
660826R	PLATE-30	662544	PLATE-11.1	822031942	PLATE-18
660927	PLATE-20	662567	PLATE-28	822031942	PLATE-19
660931	PLATE-26	662568	PLATE-28	822051647	PLATE-18
660931	PLATE-27	6650	PLATE-26	825080209	PLATE-17
661231	PLATE-27	6733	PLATE-27	825080209	PLATE-18
661231	PLATE-31	6965	PLATE-31	825123207	PLATE-24.2
661262	PLATE-32	6965	PLATE-31	825123207	PLATE-19
661266	PLATE-26	6C000016	PLATE-18	825420215	PLATE-15
661267	PLATE-26	6C000041	PLATE-18	8265	PLATE-23
661282	PLATE-26	6C000060	PLATE-26	841005207	PLATE-16
661399	PLATE-36	6C000060	PLATE-26	841005207	PLATE-18
661454R	PLATE-33	6C000190	PLATE-27	841005506	PLATE-18
661493	PLATE-32	6C000191	PLATE-27	842001507	PLATE-16
661627	PLATE-21	6C000312R	PLATE-18	842001600	PLATE-24.2
661627	PLATE-21	6C000362	PLATE-26	842001600	PLATE-19
661634	PLATE-24	6C000363	PLATE-26	842002501	PLATE-16
661635	PLATE-24	6C000382	PLATE-20	842002501	PLATE-18
661735	PLATE-37	6C000662	PLATE-26	842003000	PLATE-18
661758	PLATE-36	6D000407	PLATE-36	842004808	PLATE-16
661822	PLATE-37	6D000409	PLATE-33	843000500	PLATE-18
661825	PLATE-36	6D000409	PLATE-36	843000809	PLATE-24.2
661905	PLATE-37	7066R	PLATE-18	843000809	PLATE-19
661908	PLATE-36	71633	PLATE-31	843000809	PLATE-29
661908	PLATE-37	71633	PLATE-31	8432	PLATE-32
661909	PLATE-36	71633	PLATE-30	8432	PLATE-32
661909	PLATE-37	74414	PLATE-26	8432	PLATE-24
661910	PLATE-36	74521	PLATE-27	8432	PLATE-30
661910	PLATE-37	75708	PLATE-27	8451	PLATE-31
661911	PLATE-36	7608	PLATE-28	87067	PLATE-27
661911	PLATE-37	76227	PLATE-24	8771	PLATE-27
661912	PLATE-36	77055	PLATE-31	880255211R	PLATE-16
661912	PLATE-37	78307	PLATE-23	880305509R	PLATE-18
661913	PLATE-37	79375	PLATE-11.1	884222808	PLATE-16
661916	PLATE-36	807000647	PLATE-15	9000	PLATE-32
661916	PLATE-37	808000826	PLATE-15	920075	PLATE-37
661917	PLATE-37	808000826	PLATE-18	920083	PLATE-31
661925	PLATE-30	808000826	PLATE-18	920084	PLATE-31
661925	PLATE-31	8080	PLATE-22	920088	PLATE-11.1
661985	PLATE-37	8080	PLATE-30	920102	PLATE-11.1
661986	PLATE-37	811051525	PLATE-18	920102	PLATE-11
661994	PLATE-37	811081025	PLATE-15	925212	PLATE-31
662476	PLATE-20	812061656	PLATE-15	925501	PLATE-34
662491	PLATE-11.1	815064025	PLATE-15	925501	PLATE-35

--	--	--

126

Print Date: 07-Apr-2022

<b>PART NO</b>	<b>BLOCK</b>	<b>PART NO</b>	<b>BLOCK</b>	<b>PART NO</b>	<b>BLOCK</b>
925508	PLATE-29	925751	PLATE-36	B001505	PLATE-28
925509	PLATE-29	925752	PLATE-36	B001540	PLATE-36
925521	PLATE-34	925754	PLATE-36	B001556R	PLATE-22
925567	PLATE-31	925756	PLATE-36	B001556R	PLATE-30
925571	PLATE-31	925757	PLATE-36	B001844	PLATE-15
925572	PLATE-31	925759	PLATE-36	B001954R	PLATE-25
925577	PLATE-30	925759	PLATE-36	B002101	PLATE-30
925578	PLATE-30	925760	PLATE-36	B002101	PLATE-30
925579	PLATE-30	925761	PLATE-36	B002199	PLATE-24
925580	PLATE-30	925761	PLATE-37	B002320	PLATE-15
925581	PLATE-31	925768	PLATE-37	B002322	PLATE-15
925581	PLATE-30	925769	PLATE-36	B002615	PLATE-28
925584	PLATE-31	925770	PLATE-36	B002823	PLATE-28
925585	PLATE-31	925770	PLATE-37	B002875	PLATE-21
925587	PLATE-30	925772	PLATE-36	B003155	PLATE-18
925588	PLATE-30	925772	PLATE-37	B003228	PLATE-27
925589	PLATE-31	925774	PLATE-36	B003658	PLATE-23
925590	PLATE-30	925776	PLATE-36	B003784	PLATE-34
925597	PLATE-30	925778	PLATE-36	B003784	PLATE-35
925598	PLATE-30	925779	PLATE-36	B003924	PLATE-16
925604	PLATE-31	925779	PLATE-37	B006806	PLATE-31
925605	PLATE-31	925780	PLATE-36	B008167	PLATE-23
925720	PLATE-37	925781	PLATE-36	B008400	PLATE-32
925725	PLATE-37	925781	PLATE-37	B009017	PLATE-36
925726	PLATE-37	925783	PLATE-36	B009071BY	PLATE-21
925727	PLATE-36	925785	PLATE-36	B009071EG	PLATE-21
925728	PLATE-37	925785	PLATE-37	B009071WR	PLATE-21
925729	PLATE-37	925786	PLATE-36	B009122	PLATE-37
925731	PLATE-37	925888	PLATE-21	B009144	PLATE-20
925732	PLATE-37	932242	PLATE-36	B009290	PLATE-36
925733	PLATE-37	932268	PLATE-37	B009290	PLATE-11.1
925734	PLATE-37	940004	PLATE-34	B009290	PLATE-31
925737	PLATE-37	940004	PLATE-34	B009701	PLATE-32
925738	PLATE-37	940005	PLATE-35	B009701	PLATE-32
925740	PLATE-37	940005	PLATE-35	B016611	PLATE-17
925741	PLATE-37	940006	PLATE-35	B018991	PLATE-18
925742	PLATE-37	940006	PLATE-35	B019220	PLATE-24.2
925743	PLATE-37	940120	PLATE-22	B019220	PLATE-24.2
925744	PLATE-37	97756	PLATE-32	B019220	PLATE-19
925745	PLATE-37	97756	PLATE-28	B023726R	PLATE-30
925746	PLATE-37	B001386	PLATE-21	B023727R	PLATE-30
925749	PLATE-36	B001501	PLATE-15	B023727R	PLATE-31
925751	PLATE-36	B001503	PLATE-30	B023890	PLATE-19

--	--	--

127

Print Date: 07-Apr-2022

<b>PART NO</b>	<b>BLOCK</b>	<b>PART NO</b>	<b>BLOCK</b>	<b>PART NO</b>	<b>BLOCK</b>
B024179	PLATE-23	B073320R	PLATE-33	E1756507	PLATE-10
B024179	PLATE-24	B073327BY	PLATE-32	E1756507	PLATE-10
B024373	PLATE-26	B073327EG	PLATE-32	E1756507	PLATE-11
B024379	PLATE-19	B073850R	PLATE-31	E1756507	PLATE-12
B024379	PLATE-28	B074663	PLATE-33	E1756507	PLATE-12
B024501	PLATE-32	B074751BL	PLATE-21	E200467003	PLATE-7
B024614	PLATE-18	B074751EG	PLATE-21	E200467021	PLATE-7
B024614	PLATE-20	B074751GY	PLATE-21	E202177002	PLATE-12
B024645	PLATE-24	B075002	PLATE-18	E202756511	PLATE-8
B024732	PLATE-27	B075269	PLATE-32	E250467014	PLATE-1
B024739	PLATE-30	B075313	PLATE-28	E250755504	PLATE-8
B024774	PLATE-28	B075330	PLATE-33	E250755504	PLATE-10
B024775	PLATE-28	B075444	PLATE-32	E250755507	PLATE-5
B024855	PLATE-24	B075444	PLATE-21	E260120016	PLATE-7
B025600	PLATE-30	B075852	PLATE-29	E260756505	PLATE-10
B025601	PLATE-30	B076098ED	PLATE-21	E260973027	PLATE-7
B04100R	PLATE-31	B076304	PLATE-31	E264973008	PLATE-10
B041522	PLATE-22	B076573	PLATE-31	E26756503	PLATE-10
B041524	PLATE-22	B076574	PLATE-31	E26756503	PLATE-13
B041535	PLATE-22	B077441	PLATE-11.1	E270973010	PLATE-1
B041600	PLATE-28	B077441	PLATE-11	E271678054	PLATE-1
B041600	PLATE-28	B077448	PLATE-11.1	E271805703	PLATE-3
B041784	PLATE-36	B077448	PLATE-11	E276176034	PLATE-12
B042179	PLATE-36	B077454	PLATE-11	E276846055	PLATE-1
B042182	PLATE-36	B077455	PLATE-11	E283467036	PLATE-12
B042183	PLATE-36	B077471	PLATE-21	E3124017	PLATE-2
B042317	PLATE-29	B077474	PLATE-32	E3324019	PLATE-11
B042486	PLATE-18	BS4 1A010093	PLATE-15	E40000549	PLATE-3
B042611	PLATE-23	BS4 1A010093	PLATE-18	E40001792	PLATE-10
B042612	PLATE-24	E07502804	PLATE-6	E40001793	PLATE-10
B042657R	PLATE-36	E07502804	PLATE-6	E40001797	PLATE-10
B042726ED	PLATE-32	E07502809	PLATE-12	E40002075	PLATE-2
B042794	PLATE-29	E07502810	PLATE-1	E40002076	PLATE-2
B042798	PLATE-15	E07502811	PLATE-13	E40002077	PLATE-2
B042798	PLATE-15	E07515517	PLATE-13	E40002263	PLATE-1
B042798	PLATE-18	E105324008	PLATE-9	E40002264	PLATE-1
B042799	PLATE-15	E105324008	PLATE-12	E40002265	PLATE-1
B042799	PLATE-15	E11770004	PLATE-12	E40002266	PLATE-1
B073024	PLATE-37	E1177001	PLATE-7	E40002267	PLATE-1
B073083	PLATE-37	E1177001	PLATE-10	E40002773	PLATE-3
B073088	PLATE-23	E1756504	PLATE-10	E40002818	PLATE-4
B073274	PLATE-32	E1756504	PLATE-11	E40005461	PLATE-10
B073275	PLATE-32	E1756504	PLATE-12	E40005469	PLATE-13

--	--	--

128



Print Date: 07-Apr-2022

<b>PART NO</b>	<b>BLOCK</b>	<b>PART NO</b>	<b>BLOCK</b>	<b>PART NO</b>	<b>BLOCK</b>
E40005495	PLATE-13	E40020133	PLATE-13	E50002805	PLATE-1
E40005497	PLATE-10	E40020135	PLATE-10	E50002805	PLATE-1
E40005498	PLATE-13	E40020537	PLATE-2	E50002805	PLATE-1
E40005592	PLATE-10	E40020538	PLATE-2	E50005625006	PLATE-7
E400060112	PLATE-9	E40020539	PLATE-2	E50006060	PLATE-4
E40006214	PLATE-3	E40020540	PLATE-2	E50006060	PLATE-4
E40006215	PLATE-12	E40020615	PLATE-1	E50006101	PLATE-6
E40006428	PLATE-9	E40020638	PLATE-12	E50006169	PLATE-1
E40006482	PLATE-12	E40020639	PLATE-12	E50006328	PLATE-6
E40006847	PLATE-12	E40022211	PLATE-4	E50006342	PLATE-3
E40007754	PLATE-11	E40022212	PLATE-4	E50006404	PLATE-10
E40008724	PLATE-7	E40024008	PLATE-13	E50006495029	PLATE-7
E40008873	PLATE-7	E40024010	PLATE-3	E50007334	PLATE-9
E40008874	PLATE-7	E40026134	PLATE-3	E50007540	PLATE-6
E40009648	PLATE-10	E40026135	PLATE-3	E50008099	PLATE-1
E40009683	PLATE-8	E40027143	PLATE-12	E50008883	PLATE-1
E400106100	PLATE-1	E40027155	PLATE-12	E50009023	PLATE-4
E40010831	PLATE-12	E422973030	PLATE-6	E50009205	PLATE-4
E40011420PA	PLATE-2	E43502707	PLATE-9	E500116008	PLATE-3
E40011772	PLATE-5	E43502709	PLATE-9	E500125708A	PLATE-4
E40012238	PLATE-3	E43502711	PLATE-3	E500141016	PLATE-9
E40012239	PLATE-3	E43502754	PLATE-10	E50016170	PLATE-9
E40012250	PLATE-3	E43502755	PLATE-10	E500197087	PLATE-1
E40012250	PLATE-3	E43502764	PLATE-3	E500220013	PLATE-8
E40012270	PLATE-3	E43521745	PLATE-6	E500228048	PLATE-4
E40012525	PLATE-1	E45762512	PLATE-10	E500324066	PLATE-8
E40015121	PLATE-9	E45762512	PLATE-10	E5003430070	PLATE-3
E40015401	PLATE-10	E47124004	PLATE-9	E500405518	PLATE-25
E40015404	PLATE-13	E47177007	PLATE-10	E500450092	PLATE-12
E40015407	PLATE-13	E47177007	PLATE-4	E500460102	PLATE-6
E40015408	PLATE-13	E50000114	PLATE-3	E500460120	PLATE-6
E40015409	PLATE-13	E50000164	PLATE-10	E5005271054	PLATE-9
E40015418	PLATE-10	E50000421	PLATE-1	E500575545	PLATE-3
E40016141	PLATE-1	E50000437	PLATE-8	E500575549	PLATE-7
E40017748	PLATE-11	E50000437	PLATE-10	E500640030	PLATE-3
E40018334	PLATE-3	E50000475	PLATE-7	E500641036	PLATE-3
E40018356	PLATE-3	E50000506	PLATE-6	E500755006	PLATE-9
E40018357	PLATE-3	E50000506	PLATE-1	E500843036	PLATE-1
E40018625	PLATE-11.1	E50000506	PLATE-3	E500900038	PLATE-4
E40018625	PLATE-11	E50000613	PLATE-7	E5009520029	PLATE-9
E40018626	PLATE-11	E50000613	PLATE-12	E500985048	PLATE-9
E40018632	PLATE-11	E50001213143	PLATE-7	E52006205	PLATE-1
E40019528	PLATE-10	E50002296A	PLATE-4	E52006709	PLATE-8

--	--	--

129

